



AdderView PRO

User Guide

- AV4PRO-VGA
- AV4PRO-VGA-DUAL
- AV4PRO-VGA-TRIPLE
- AV4PRO-VGA-QUAD



[CONTENTS](#)

Contents



Introduction

| | |
|---|---|
| What is True Emulation? | 3 |
| AdderView PRO features - front and rear | 4 |
| What's in the box..... | 5 |
| What you may additionally need | 5 |

Installation

| | |
|--|----|
| Mounting | 6 |
| Connections | 7 |
| User console | 7 |
| Computer systems..... | 8 |
| Power in connection..... | 9 |
| Optional RC4 remote control..... | 9 |
| Channel switching by external control | 10 |
| Synchronising multiple units..... | 11 |
| Managing EDID video display information..... | 12 |

Configuration

| | |
|--|----|
| Using the configuration menu | 13 |
| General configuration..... | 14 |
| Changing hotkeys..... | 14 |
| Mouse switching | 14 |
| OPTIONS port speed | 14 |
| OPTIONS port channel control behaviour | 14 |
| Switching mode | 15 |
| Miscellaneous functions | 15 |
| Performing upgrades | 16 |

Operation

| | |
|--|----|
| Selecting a computer..... | 18 |
| To select a computer using the front panel | 18 |
| To select a computer using hotkeys..... | 19 |
| To select a computer using the mouse buttons | 20 |
| To lock access to the computers..... | 21 |
| Autoscanning..... | 22 |

Further information

| | |
|--|----|
| Getting assistance..... | 23 |
| Appendix 1 – Default EDID video modes..... | 24 |
| Appendix 2 – Cable pin-outs..... | 25 |
| Warranty | 26 |
| Safety information | 26 |
| Radio Frequency Energy..... | 27 |

Index

INSTALLATION

CONFIGURATION

OPERATION

FURTHER INFORMATION

INDEX

Introduction

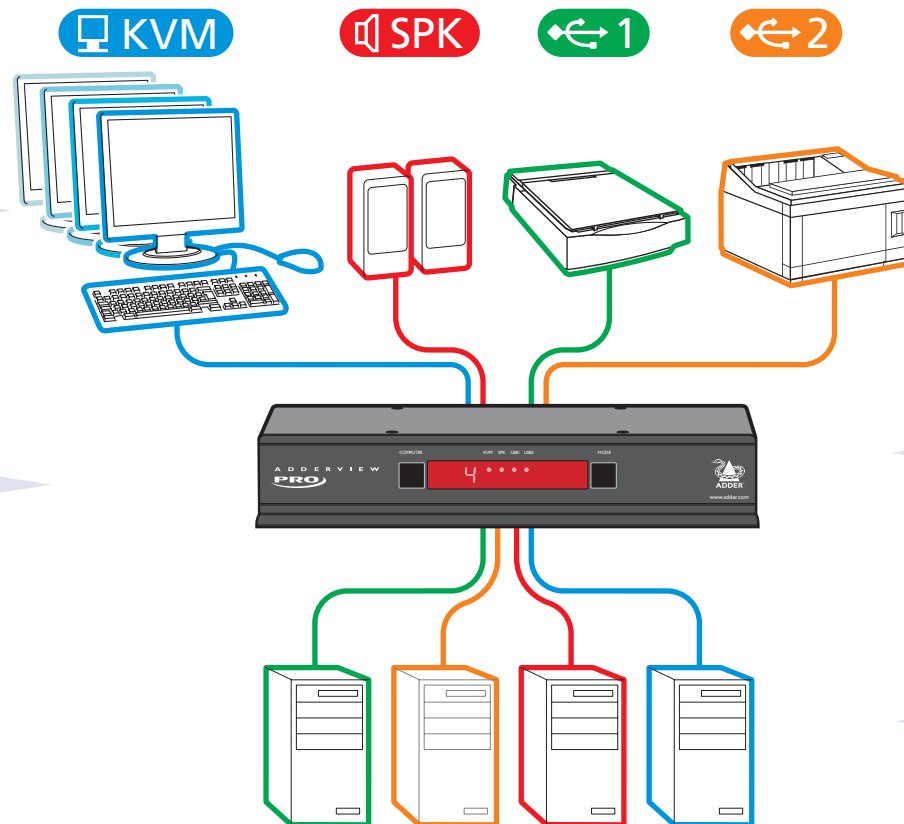


Thank you for choosing a member of the AdderView PRO family of professional switches from Adder Technology. There are four versions of the four-way AdderView PRO, each of which allows a single operator to control up to four computer systems and share peripherals among them in a very flexible manner. The AV4PRO-VGA can support one video head per channel, whereas the slightly larger AV4PRO-VGA-DUAL, AV4PRO-VGA-TRIPLE and AV4PRO-VGA-QUAD units support two, three and four video heads per channel, respectively.

In addition to impressive VGA video performance, these units offer more than just straight switching between four systems. The KVM, speakers and two separate USB devices attached to the AdderView PRO units can either be switched in unison, as normal, or you can mix your peripherals between any of the systems to suit your current tasks. For instance, you could be creating emails on one system, listening to a soundtrack from another while a third is sending documents to your printer and a fourth performing another task with a different USB

peripheral. The AdderView PRO front panels make it straightforward to control which peripherals should connect to each system.

The AdderView PRO units feature **True Emulation** which ensures that the full characteristics of the connected keyboard and mouse are passed to every system.



Multiscreen versions
The AdderView PRO range includes separate models to support one, two, three or four video heads per channel.

Intelligent display information
The AdderView PRO units use our **EDID Emulation** feature to ensure that all computers are supplied with the correct information about each connected video display.

Multiple switching
The attached peripheral devices can be switched collectively to any computer system, or can be linked to separate systems to achieve multiple tasks in parallel. Multiple switching can be controlled from the on-screen menu or using the front panel buttons.

True Emulation
Earlier USB KVM switches relied upon standard keyboard and mouse templates to inform each computer system how to deal with the connected peripherals. The AdderView PRO range succeeds in harvesting the true identities of the connected keyboard and mouse and presents those 'real' profiles concurrently to every system. Thus, specialist keyboards and mice can be fully supported.

USB Remote wakeup
The USB Remote Wakeup feature is fully supported. Any connected computer can go into sleep mode and be awakened (when its channel is selected) as soon as you press a key or move the mouse. The computer and peripherals must support the USB Remote Wakeup feature.

- INSTALLATION
- CONFIGURATION
- OPERATION
- FURTHER INFORMATION
- INDEX

What is True Emulation?

True Emulation represents a significant breakthrough in sharing USB devices between two or more computer systems. Until this point, the problem has been how to create a USB switch that provides all of the following:

- Quick, transparent and reliable switching,
- Accurate representation of the connected USB keyboard and mouse,
- Switching control via the connected USB keyboard and/or mouse.

The difficulty in achieving all of the above requirements has been due to the complexity of the USB standard. This has led to various problems that have spawned a number of possible solutions.

Enumerated USB switching

The earliest attempts to switch USB devices applied a relatively 'hands off' approach. Enumerated USB switches are the electronic equivalent of those old mechanical KVM switches with a large knob on the front.

Enumerated switches are so called because a connected USB device will be required to perform a full initiation (a process called *Enumeration*) every time it is switched; just as if you had pulled out the plug and then reconnected it.

Enumerated switches simply pass all signals straight through between the USB device and the computer, they do not attempt to interpret any data. For most devices, this offers an advantage because the switch just leaves them to get on with their jobs without any interference or any hit on performance. However, it means that a USB keyboard or mouse cannot be used to control the switching process - a quick and simple control method expected by most users. Reliability of switching is also an issue that has plagued enumerated switches, especially when used with certain USB devices and particular operating systems.

Emulated USB switching

The issues with interpreting the complex USB data streams and recreating (or *Emulating*) the identity of attached USB devices were eventually solved, leading to the creation of the Emulated USB switch.

A neat side effect of the technique used is that each computer can be fooled into thinking that the USB device is permanently connected to it, even when the device is switched to another computer. This means that the enumeration process for the USB device takes place only once, during the first power on. After that, a computer merely sees a dormant version of the USB device whenever the device is actually connected to a different computer.

However, it remains a complex task to dynamically assume the identity of a USB device, distribute it among the connected computers and maintain all of the necessary signals, states and processes. Therefore, manufacturers have previously relied upon a fixed keyboard and mouse profile that is declared to each computer, regardless of the actual connected devices. This precluded the use of any special keyboard or mouse features over and above the standard layouts.

True Emulation

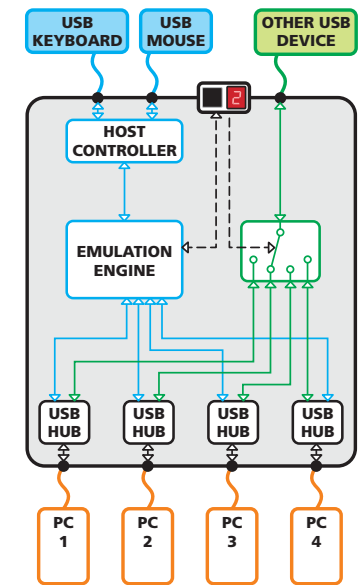
Mindful of the limitations associated with the previous USB switching techniques, we set about creating a more effective and elegant solution. After a great deal of research and development, *True Emulation* is the result.

True Emulation allows the complete identity of the keyboard and mouse to be copied and then presented to all of the connected computers. This means that any keyboard offering specialist function keys or any mouse with extra features will be fully supported at each computer. As with the previous emulation method, the unselected computers will continue to see the identities of the keyboard and mouse, which means that no enumeration is necessary when their link becomes active once again. This not only helps to speed up the rate of reconnection, but also raises the reliability of switching because USB links are at their most vulnerable during the enumeration process.

True Emulation relies upon a high speed circuit, called an Emulation Engine, to fully emulate the USB device identities and also interpret keyboard and mouse data streams. The result is full support for KVM switching control via hotkey presses or the third button/scroll wheel of a mouse.

True Emulation is not necessarily required by other USB devices, which is why you will also find two enumerated circuits included (shown in green within the block diagram) alongside the True Emulation feature (shown in blue). This allows those other USB devices to operate at their highest speeds, without any intervention. The enumerated circuits benefit greatly from the USB Hubs that are jointly used with the True Emulation system. Because they interface directly and permanently with each computer, they help to stabilise the dormant links, making errors during enumeration much less likely.

The dual switching arrangement provides further flexibility because the True Emulation and enumerated sections can be switched in unison or independently of each other, as required. Thus, your various peripherals can operate with different computers at the same time.



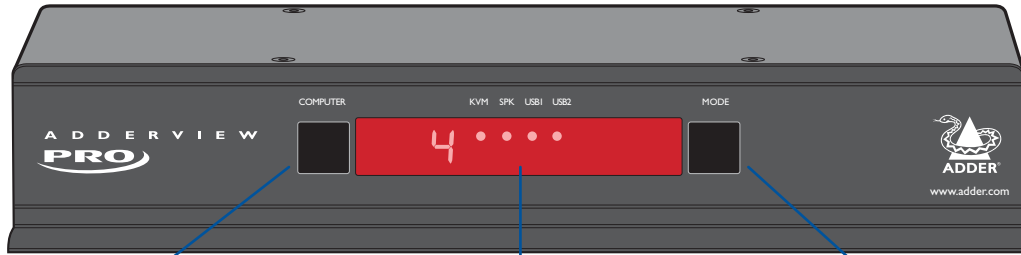
The emulated section of the switch is shown in blue and handles only the keyboard and mouse. The green enumerated section of the switch handles other USB devices and also uses the USB hubs to link with the computers.



- INSTALLATION
- CONFIGURATION
- OPERATION
- FURTHER INFORMATION
- INDEX

AdderView PRO features - front and rear

The AdderView PRO single screen and multiscreen units are housed within durable, metallic enclosures with all connectors situated at the rear panel. The smart front face features the control buttons and the operation indicators.



COMPUTER button

Press to change to the next computer channel.

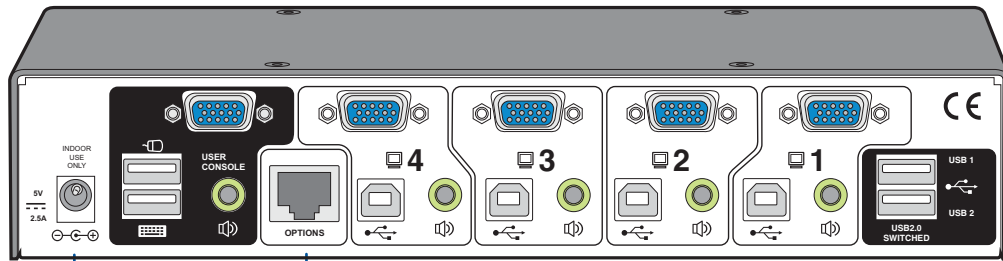
Indicators

The four indicators (**KVM, SPK, USB1, USB2**) show which peripherals are switched to the current computer channel OR (as you begin pressing the MODE button) the peripherals that will be switched during the next press(es) of the COMPUTER button.

The seven segment numeric display indicates the computer channel that is currently active.

MODE button

Press to determine which peripherals should be switched to another computer channel (will occur when the COMPUTER button is pressed).



Power input

The power supply connects here.

User console

Connect VGA video, USB keyboard and mouse plus optional speakers to these connectors.

Options port

This 10p1c port can separately support the following functions:

- Remote control - external switching control via Adder RC4 remote unit, RS-232 serial link or channel switching input lines (see [Optional RC4 remote control](#) or [Channel switching by external control](#) for details).
- Upgrades - used to update the internal firmware when necessary by connecting to a computer.

Computer channels

Each computer connects to one of these four channels via a VGA video connector, a USB B-type connector and an audio 3.5mm jack input.

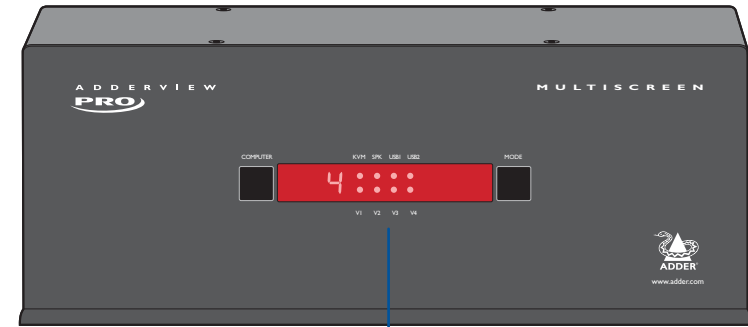
User console

Connect up to two USB devices to these ports in an enumerated manner (see [What is True Emulation?](#))



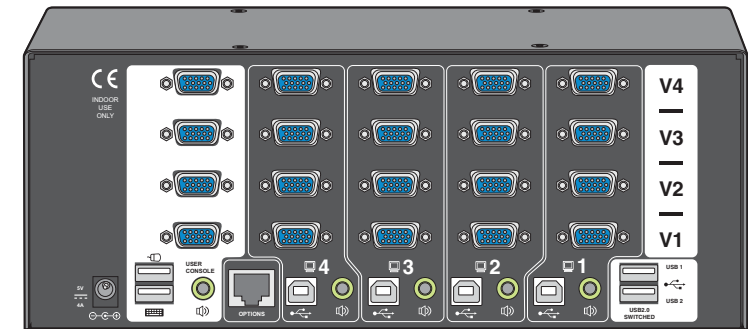
Multiscreen versions

The Dual, Triple and Quad video screen versions use a larger casing and provide more connectors on the rear panel.



Extra indicators

As well as the indicators shown on the single screen version, the multiscreen units also include four indicators, labelled V1 to V4, which show the video channels being switched.



Extra video channels

In addition to all of the ports described (left) for the single screen version, the multiscreen versions provide additional VGA connectors to allow multiple video streams from each computer to be switched to (up to) four video monitors.

INSTALLATION

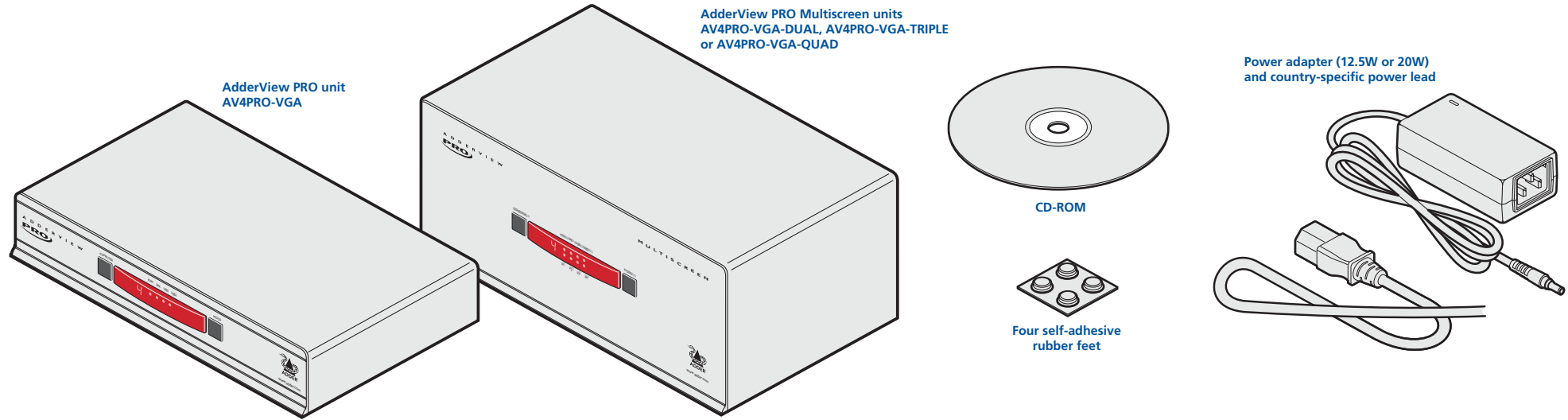
CONFIGURATION

OPERATION

FURTHER INFORMATION

INDEX

What's in the box



AdderView PRO unit
AV4PRO-VGA

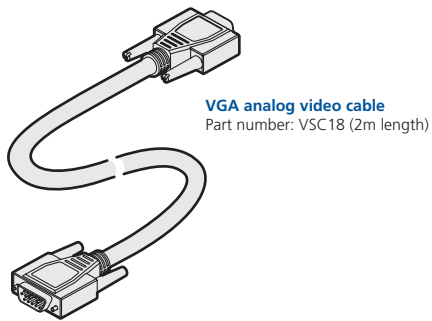
AdderView PRO Multiscreen units
AV4PRO-VGA-DUAL, AV4PRO-VGA-TRIPLE
or AV4PRO-VGA-QUAD

CD-ROM

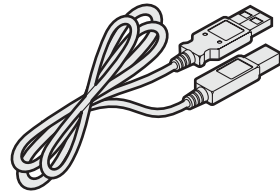
Four self-adhesive
rubber feet

Power adapter (12.5W or 20W)
and country-specific power lead

What you may additionally need



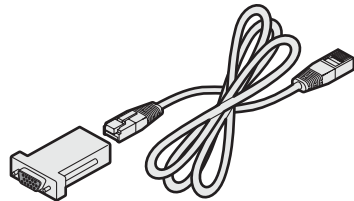
VGA analog video cable
Part number: VSC18 (2m length)



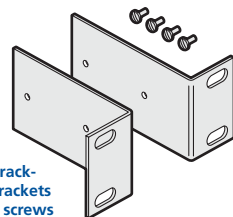
USB cable (type A to type B)
Part number: VSC24 (2m length)



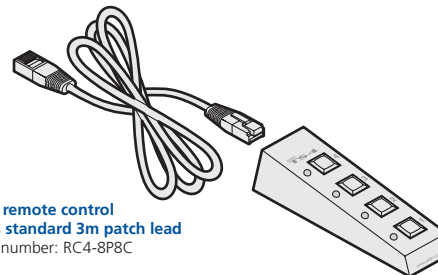
Audio cable 2m (3.5mm stereo jacks)
Part number: VSC22



Flash upgrade adapter
plus standard 3m patch lead
Part number: VSC40



Two 19" rack-
mount brackets
and four screws
Part number: RMK3



RC4 remote control
plus standard 3m patch lead
Part number: RC4-8P8C

- INSTALLATION
- CONFIGURATION
- OPERATION
- FURTHER INFORMATION
- INDEX

Installation

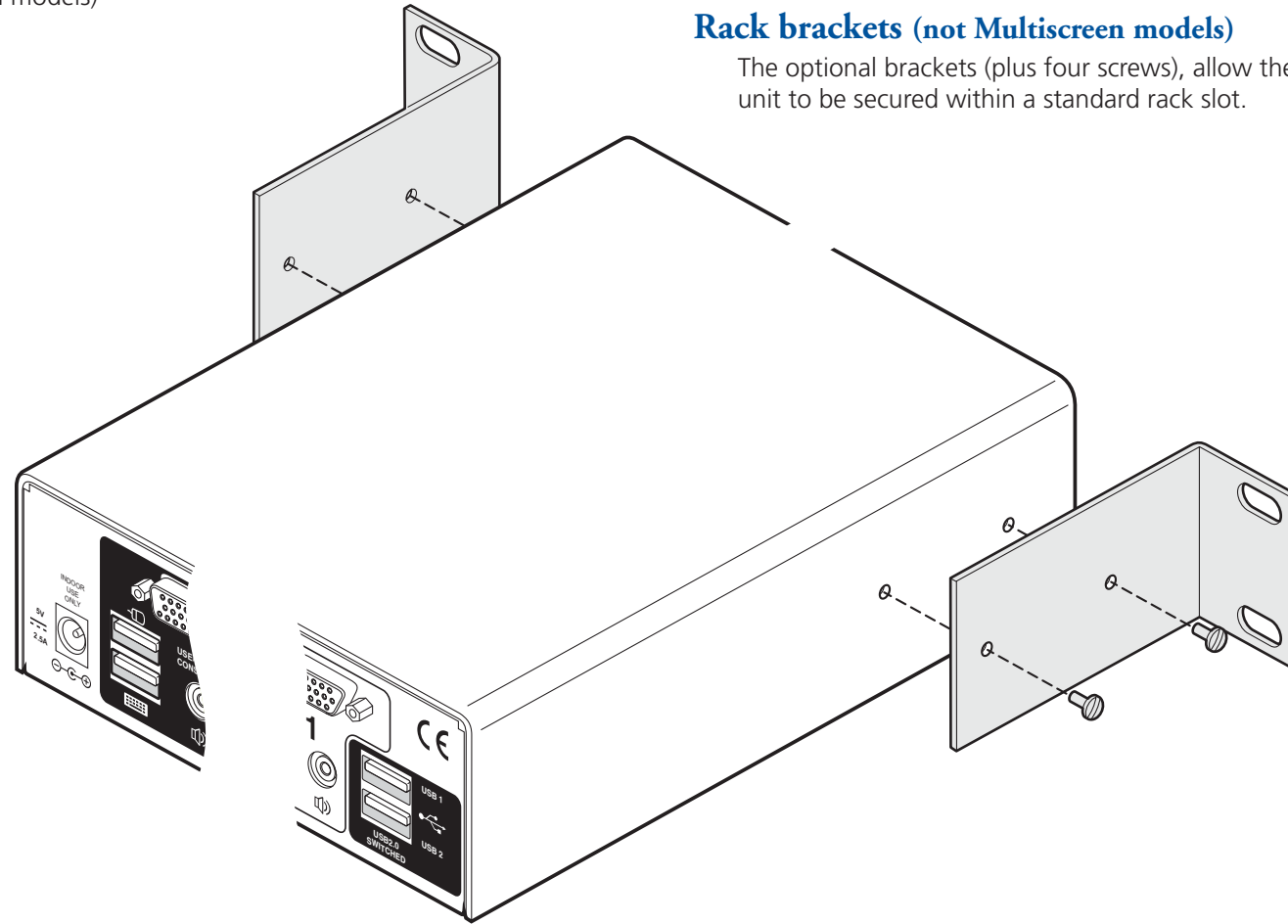
Mounting

There are two main mounting methods:

- The supplied four self-adhesive rubber feet
- Optional rack brackets (not Multiscreen models)

Connections

Note: Both the AdderView PRO unit and its power supply generate heat when in operation and will become warm to the touch. Do not enclose them or place them in locations where air cannot circulate to cool the equipment. Do not operate the equipment in ambient temperatures exceeding 40 degrees Centigrade. Do not place the products in contact with equipment whose surface temperature exceeds 40 degrees Centigrade.



Rack brackets (not Multiscreen models)

The optional brackets (plus four screws), allow the unit to be secured within a standard rack slot.

Connections

Connections do not need to be carried out in the order given within this guide, however, where possible connect the *power in* as a final step.

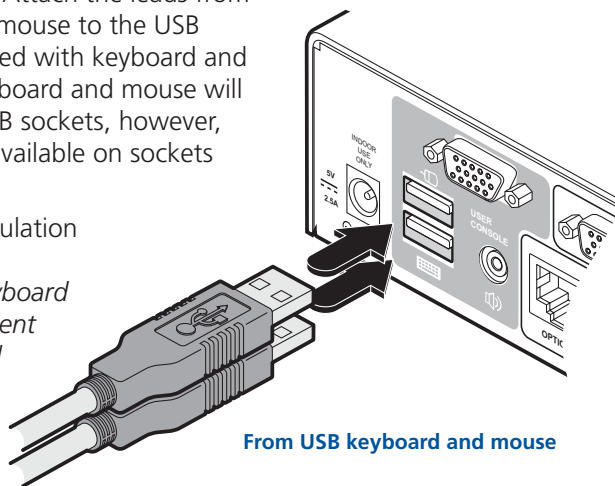
User console

The ports that make up the user console are where you attach the peripherals that will be shared between the computer systems. Ensure that power is disconnected from the unit.

To connect peripherals to the user console

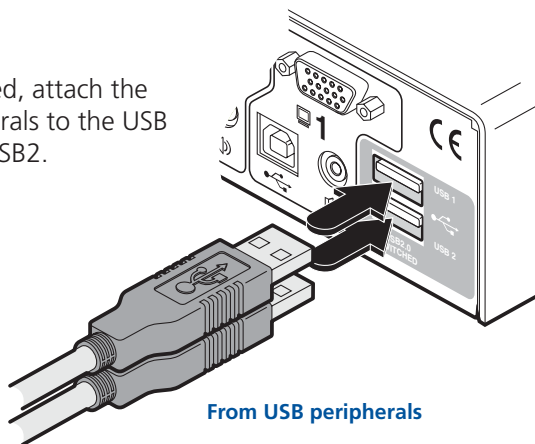
- 1 Position your peripheral devices in the vicinity of the unit such that their cables will easily reach.
- 2 **Keyboard and mouse:** Attach the leads from your USB keyboard and mouse to the USB sockets specifically labelled with keyboard and mouse symbols. The keyboard and mouse will operate in any of the USB sockets, however, [True Emulation](#) is not available on sockets labelled USB1 or USB2.

Note: The unit's True Emulation feature will read the full characteristics of the keyboard and mouse and will present those to each connected computer concurrently. This ensures that specialist keyboards and mice are fully supported.



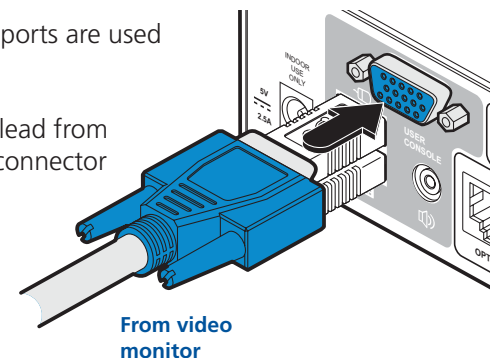
- 3 **USB devices:** Where required, attach the leads from your USB peripherals to the USB sockets labelled USB1 and USB2.

Note: These sockets provide [enumerated](#) (transparent) switching.



- 4 **Video monitor(s):** VGA video ports are used throughout.

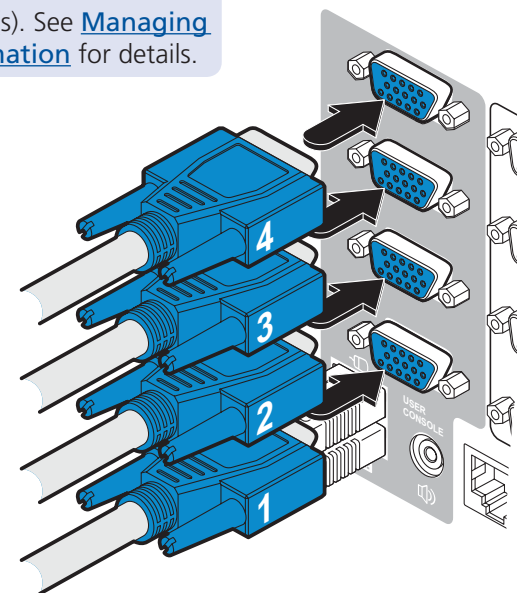
Single screen units: Attach the lead from the video monitor to the VGA connector of the user console area.



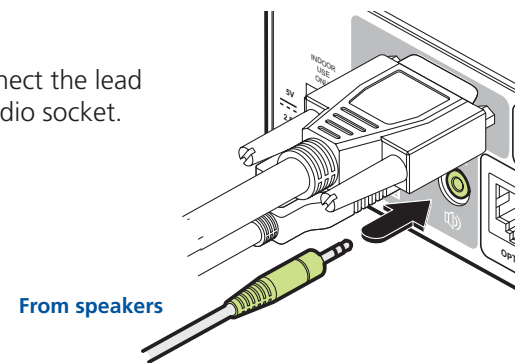
During initial power up, the AdderView PRO unit will attempt to read the EDID information from the connected display(s). See [Managing EDID video display information](#) for details.

Multiscreen units: Attach the lead from each video monitor to a VGA connector of the user console area.

Note: On the rear panel of the unit, the connectors at each horizontal level (V1 to V4) will be switched through to the user console VGA connector which is at the same level.



- 5 **Audio:** Where required, connect the lead from your speakers to the audio socket.



Computer systems

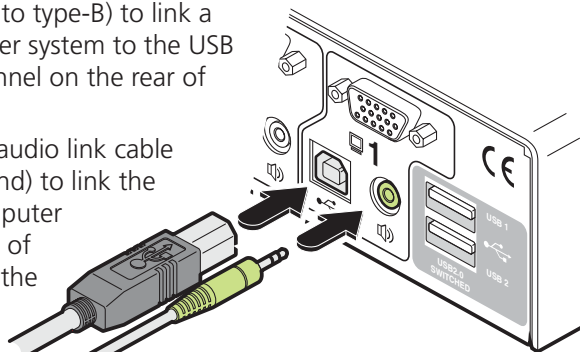
Each computer system is connected to the AdderView PRO unit using up to three cables.

To connect a computer system

- 1 Ensure that power is disconnected from the AdderView PRO unit and the system to be connected.
- 2 Use a USB cable (type-A to type-B) to link a USB port on the computer system to the USB port of the required channel on the rear of the unit.
- 3 If required, use a stereo audio link cable (3.5mm jacks at either end) to link the speaker port on the computer system to the audio port of the required channel on the rear of the unit.

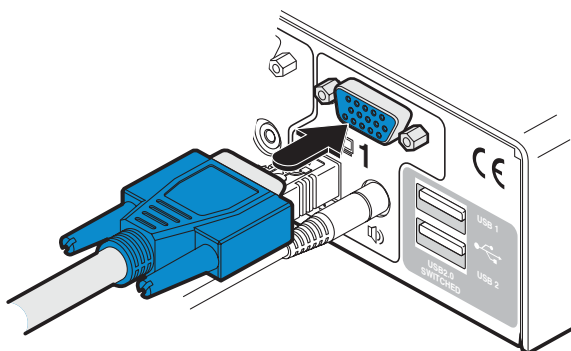
From the USB port
on the computer

From the speaker port
on the computer



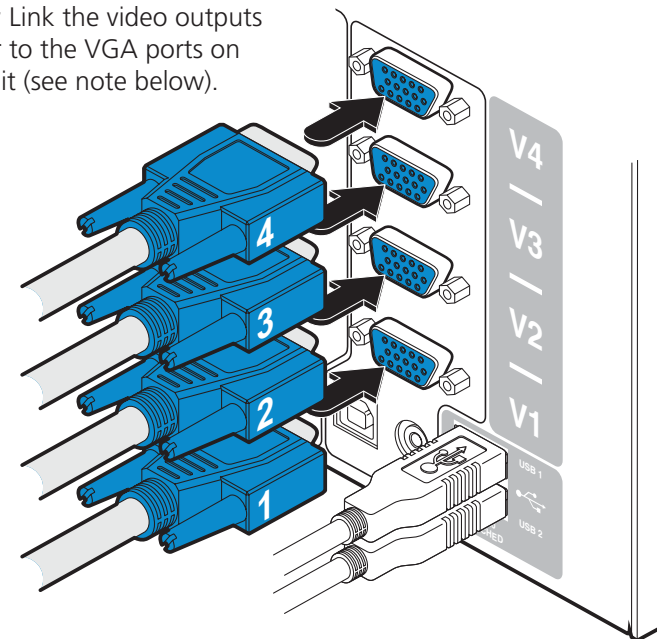
- 4 *Single screen units:* Link the video output of the computer's graphic port to the VGA port of the required channel on the rear of the unit.

From the video port
on the computer

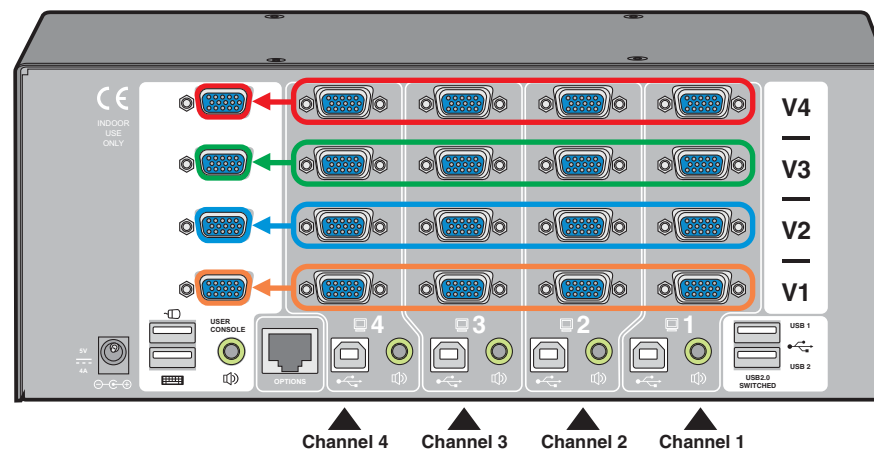


During initial power up, the AdderView PRO unit will attempt to read the EDID information from the connected display(s). See [Managing EDID video display information](#) for details.

Multiscreen units: Link the video outputs of each computer to the VGA ports on the rear of the unit (see note below).



Note: On the rear panel of the unit, connectors belonging to the same channel are stacked vertically. The connectors at each horizontal level (V1 to V4) will be switched through to the user console VGA connector which is at the same level:

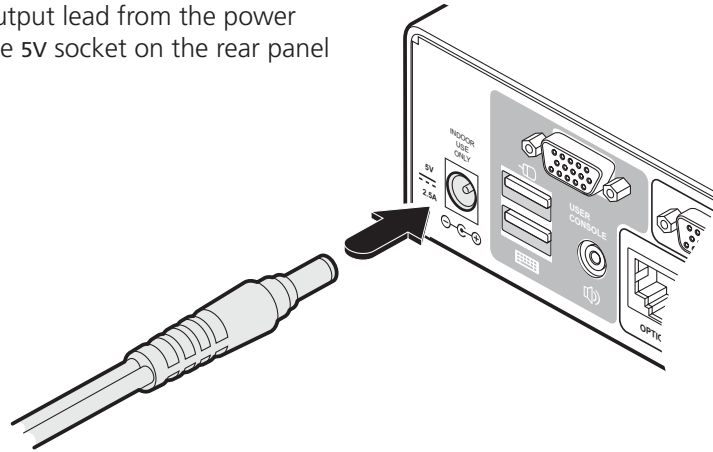


Power in connection

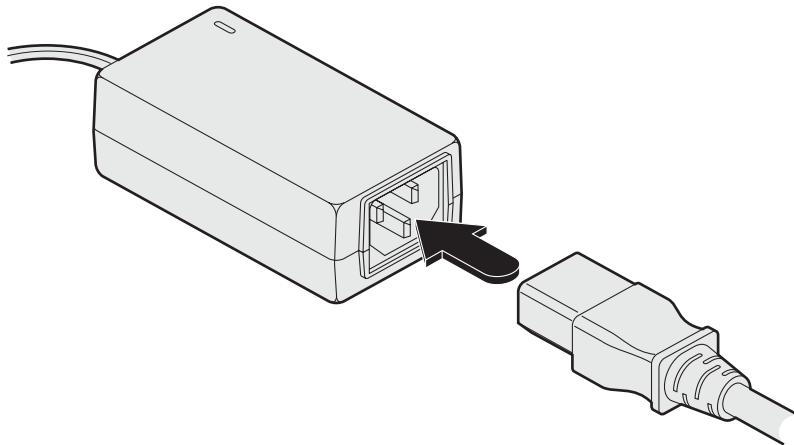
The AdderView PRO unit is supplied with either a 12.5W (single screen version) or 20W (Multiscreen versions) power adapter. There is no on/off switch on the unit, so operation begins as soon as a power adapter is connected.

To connect the power supply

- 1 Attach the output lead from the power adapter to the 5V socket on the rear panel of the unit.



- 2 Connect the IEC connector of the supplied country-specific power lead to the socket of the power adapter.



- 3 Connect the power lead to a nearby main supply socket.

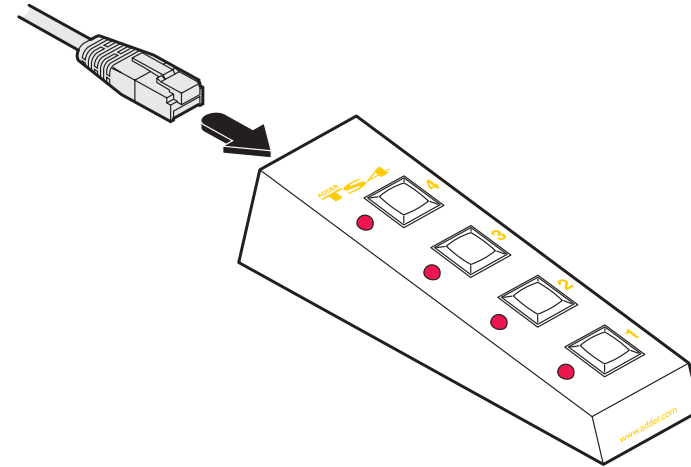
Note: Both the unit and its power supply generate heat when in operation and will become warm to the touch. Do not enclose them or place them in locations where air cannot circulate to cool the equipment. Do not operate the equipment in ambient temperatures exceeding 40 degrees Centigrade. Do not place the products in contact with equipment whose surface temperature exceeds 40 degrees Centigrade.

Optional RC4 remote control

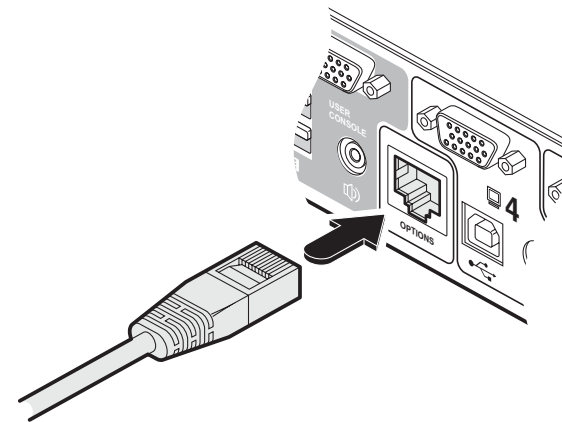
The optional RC4 remote control unit (full part number: RC4-8P8C) can be used to provide direct push button access to any channel from your desktop. The RC4 remote control is supplied with a 3 metre cable that is used to link with the OPTIONS port on the rear panel of the unit.

To connect the remote control

- 1 Connect either end of the supplied cable to the socket at the rear of the RC4 remote control.



- 2 Connect the other end of the cable to the OPTIONS port on the rear panel of the unit.

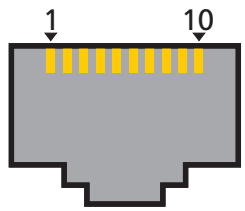


Channel switching by external control

The OPTIONS port featured on every AdderView PRO allows external control of the current channel either by the optional RC4 controller, commands sent via RS-232 serial input or by switching one of the four channel select input lines. For more details about the necessary RS-232 serial cable, see [Appendix 2](#).

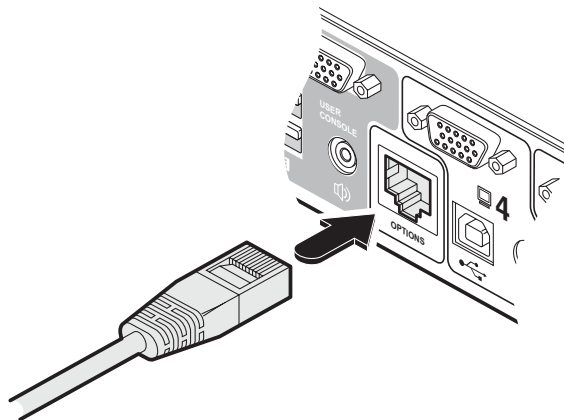
OPTIONS port pinout

The OPTIONS port can accept either 8p8c or 10p10c connectors, as required.

| | 8p8c | 10p10c | Signal |
|---|------|--------|--|
|  | | | |
| | | 1 | Channel select input 1 |
| | 1 | 2 | 5VDC power output (100mA max) |
| | 2 | 3 | GND reference for all signals |
| | 3 | 4 | RS232 (RXD) data receive |
| | 4 | 5 | RS232 auxiliary data transmit (reserved) |
| | 5 | 6 | RS232 auxiliary data receive (reserved) |
| | 6 | 7 | RS232 (TXD) data transmit |
| | 7 | 8 | Channel select input 2 |
| | 8 | 9 | Channel select input 3 |
| | | 10 | Channel select input 4 |

To connect a computer or device for remote control

- 1 Insert the 8p8c or 10p10c connector of the cable to the OPTIONS port on the rear panel of the unit.



- 2 Connect the other end of the cable to a vacant serial port on the computer or to the output of the switching device.

Control by RS-232 serial

Where the external control is via RS-232 signal, ensure that the configuration menu option **[O]** is set to **[1]** or **[3]** to enable RS-232 control.

Serial port parameter settings

Ensure that the chosen serial port is configured to the following:

- Baud rate: To match setting of **[B]** option in the [Configuration menu](#)
- Data bits: 8
- Stop bit: 1
- Parity: None

Serial port channel selection codes

| | ASCII Character | Hex | Decimal |
|--------------|-----------------|------|---------|
| • Channel 1: | '1' | 0x31 | 49 |
| • Channel 2: | '2' | 0x32 | 50 |
| • Channel 3: | '3' | 0x33 | 51 |
| • Channel 4: | '4' | 0x34 | 52 |

Note: As each channel is chosen using the above RS-232 commands, the peripherals that will be transferred are determined by the current setting of the switching mode.

Control by channel select input lines

Where the external control is via the four channel select input lines of the OPTIONS port (see pin out opposite), ensure that the configuration menu option **[O]** is set to **[3]** to enable the input lines.

The four input lines are suitable for connection to dry contacts or open collector style outputs. Connecting an input line to GND will cause the AdderView PRO to switch all of its functions to the selected channel:

- Channel 1: Channel select input **1** low
- Channel 2: Channel select input **2** low
- Channel 3: Channel select input **3** low
- Channel 4: Channel select input **4** low

If the input line is held low then all other switching requests by other means will be ignored until the line returns to a high (open) state.

If more than one logic input is low (closed) then the lower channel number takes priority.

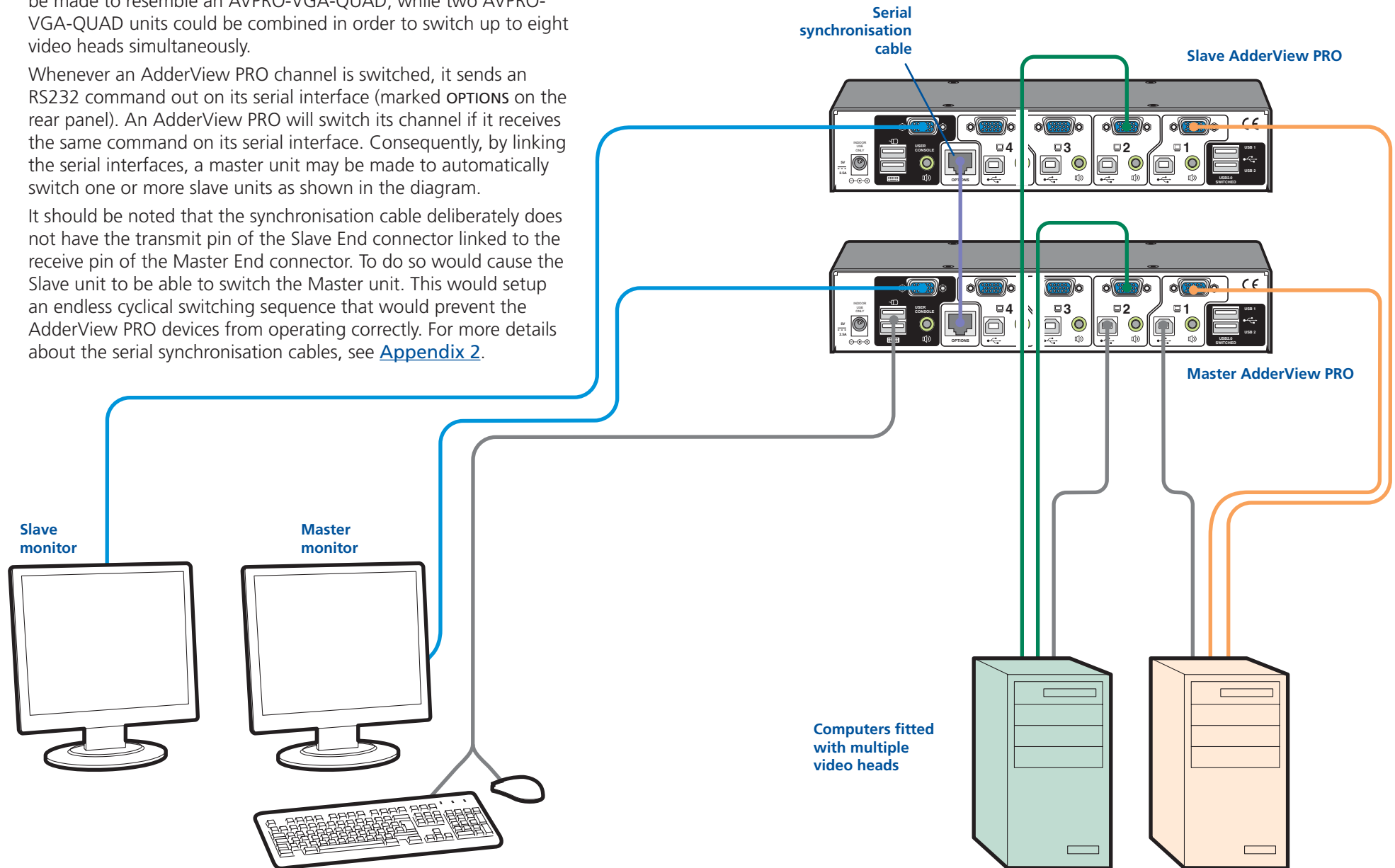
Note: The input lines have only limited protection against over voltage.

Synchronising multiple units

AdderView PRO units can be connected together so that they operate in a synchronised manner. Thus, two AV4PRO-VGA units can be made to switch two video heads in a similar manner to an AVPRO-VGA-DUAL. Additionally, two AVPRO-VGA-DUAL units could be made to resemble an AVPRO-VGA-QUAD, while two AVPRO-VGA-QUAD units could be combined in order to switch up to eight video heads simultaneously.

Whenever an AdderView PRO channel is switched, it sends an RS232 command out on its serial interface (marked **OPTIONS** on the rear panel). An AdderView PRO will switch its channel if it receives the same command on its serial interface. Consequently, by linking the serial interfaces, a master unit may be made to automatically switch one or more slave units as shown in the diagram.

It should be noted that the synchronisation cable deliberately does not have the transmit pin of the Slave End connector linked to the receive pin of the Master End connector. To do so would cause the Slave unit to be able to switch the Master unit. This would setup an endless cyclical switching sequence that would prevent the AdderView PRO devices from operating correctly. For more details about the serial synchronisation cables, see [Appendix 2](#).

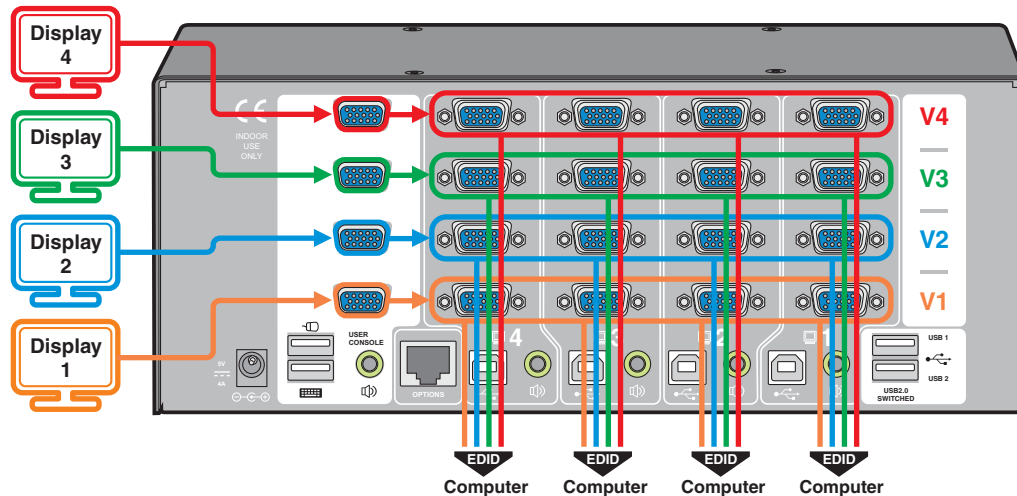


Managing EDID video display information

Whenever a AdderView PRO unit is powered on (or when the option **F2** is selected from the [configuration](#) menu), it will interrogate the connected monitor(s) to determine whether EDID (Extended Display Identification Data) information is available. If EDID information is available, it will be copied and used; otherwise a default set of data, stored within the AdderView PRO, will be substituted. You can also optionally choose to prevent the unit from seeking new EDID information and instead rely only on stored data.

EDID Emulation

The AdderView PRO units use our *EDID Emulation* feature to ensure that the collected EDID information (up to two pages) is correctly supplied to every connected computer, whether it is currently selected or not:



Refreshing EDID information during use

You can refresh the EDID information from the connected monitor(s) without the need to power cycle the AdderView PRO.

To refresh EDID information during use

- 1 Enter the [Configuration](#) menu.
- 2 Press **F** to enter the **Functions** menu
- 3 Press **2** and then **Enter**.
- 4 Press **E** and then **Enter** to exit the menu.

Using stored EDID information only

You can choose to prevent the unit from interrogating the video display(s) during startup. When you invoke this option, the unit will only use the EDID information that it has already stored and pass this on to the connected computers. To revert to interrogating the video display, use the F 2 function discussed above.

To use the stored EDID information at the power up

- 1 Enter the [Configuration](#) menu.
- 2 Press **F** to enter the **Functions** menu
- 3 Press **3** and then **Enter**.
- 4 Press **E** and then **Enter** to exit the menu.

Configuration

Using the configuration menu

The configuration mode allows you to determine numerous aspects of the AdderView PRO unit capabilities.

To use the configuration menu

During normal use, the seven segment display on the front panel shows the number of the currently selected computer channel. From this condition, enter configuration mode as follows:

- 1 Press and hold the front panel **COMPUTER** button for roughly five seconds.

The display will show: [

- 2 On the keyboard, press the letter key for the required menu section, e.g. **S**

*The display will show the pressed letter, e.g. **S***

- 3 Press the number of the required setting, e.g. **4**

*The display will show the pressed number, e.g. **4***

- 4 Press **Enter** to accept the setting and return to the main menu section.

The display will show: [

- 5 You can now continue with your next configuration change (go to step 2), or exit from the configuration menu (see below).

To exit the configuration menu and save changes

- Press **E** and then press **Enter** to exit and save changes.

To exit the configuration menu without saving

- Press either of the front panel buttons.

- B** Enter the **OPTIONS** port **Baud rate** menu

- | | |
|--|-----------------|
| 1 1200 <small>(default)</small> | 5 38400 |
| 2 2400 | 6 57600 |
| 3 9600 | 7 115200 |
| 4 19200 | |

You can press **Esc** at any point to exit from an option and return to the main menu (**[**) section.

- F** Enter the **Functions** menu

- | |
|---|
| 1 Show current firmware version |
| 2 Refresh EDID information from the connected video display <small>(default)</small> |
| 3 Use the stored EDID at startup, do not interrogate the video display |
| 8 Reset configuration to factory defaults (r is displayed momentarily) |

- H** Enter the **Hotkey** menu

- | | |
|--|---------------------------|
| 1 Ctrl + Alt <small>(default)</small> | 5 Alt |
| 2 Ctrl + Shift | 6 Left Ctrl + Alt |
| 3 Alt + Shift | 7 Right Ctrl + Alt |
| 4 Right Alt | 8 Hotkeys disabled |

- O** Enter the **Options port** behaviour menu

- | |
|---|
| 1 Channel switching via RS-232 serial control (using the baud rate set by the 'B' option). Contact switching via the Options port disabled. <small>(d)</small> |
| 2 Channel switching via RC4 remote. Contact switching disabled. |
| 3 As per 1 but with contact switching enabled. |

- P** Set a new password for use with the lock mode

- S** Enter the **Switch Mode** menu

- | |
|---------------------------------------|
| 1 All <small>(default)</small> |
| 2 KVM + Speaker |
| 3 KVM only |
| 4 Speaker only |
| 5 USB1 only |
| 6 USB2 only |

(default) or (d) denote the default settings for each group of options.

- T** Enter the **Autoscan Time Delay** menu

- | | |
|---|---------------------|
| 1 Autoscan disabled | 5 15 seconds |
| 2 2 seconds | 6 30 seconds |
| 3 5 seconds <small>(default)</small> | 7 1 minute |
| 4 7 seconds | 8 5 minutes |

- U** Enter the **User Preferences** menu

- | |
|---|
| 1 Enable mouse switching <small>(default)</small> |
| 2 Disable mouse switching |
| 7 Cycle all ports (when using 'Hotkey + Tab' or 'Autoscan') <small>(default)</small> |
| 8 Cycle only active ports (when using 'Hotkey + Tab' or 'Autoscan') |



General configuration

Changing hotkeys

AdderView PRO units use **Ctrl** and **Alt** as their standard hotkeys. These can be changed if they clash with other software or hardware within the installation.

To change the hotkeys

- 1 Enter the [Configuration](#) menu.
- 2 Press **H** to enter the **Hotkey** menu and then press either:
 - 1** to choose **Ctrl + Alt**
 - 2** to choose **Ctrl + Shift**
 - 3** to choose **Alt + Shift**
 - 4** to choose **Right Alt**
 - 5** to choose **Alt**
 - 6** to choose **Left Ctrl + Alt**
 - 7** to choose **Right Ctrl + Alt**
 - 8** to disable the Hotkeys
- 3 Press **Enter** to accept the setting and return to the main menu section.
- 4 Press **E** and then **Enter** to exit the menu and save changes.

Mouse switching

You can enable or disable mouse switching to suit your installation requirements.

To enable/disable mouse switching

- 1 Enter the [Configuration](#) menu.
- 2 Press **U** to enter the **User Preferences** menu and then press either:
 - 1** to **Enable mouse switching**
 - 2** to **Disable mouse switching**
- 3 Press **Enter** to accept the setting and return to the main menu section.
- 4 Press **E** and then **Enter** to exit the menu and save changes.

OPTIONS port speed

You can change the speed of the OPTIONS serial port.

To change the OPTIONS port speed

- 1 Enter the [Configuration](#) menu.
- 2 Press **B** to enter the **Baud rate** menu and then press either:
 - 1** to choose **1200**
 - 2** to choose **2400**
 - 3** to choose **9600**
 - 4** to choose **19200**
 - 5** to choose **38400**
 - 6** to choose **57600**
 - 7** to choose **115200**
- 3 Press **Enter** to accept the setting and return to the main menu section.
- 4 Press **E** and then **Enter** to exit the menu and save changes.

OPTIONS port channel control behaviour

You can determine how the OPTIONS port responds to channel control inputs.

To define the OPTIONS port behaviour

- 1 Enter the [Configuration](#) menu.
- 2 Press **O** to enter the **Options port** menu and then press either:
 - 1** to allow channel switching commands to be received via RS-232 serial signal through the OPTIONS port (see [Appendix 2](#) for cable pin-out details and [Channel switching by external control](#) for command details). The baud rate currently set by the **B** option will be used for the port. Switching commands via the four channel select inputs within the OPTIONS port connector are disabled in this mode. Use option **3** if you wish to enable the channel select inputs in addition to RS-232 control.
 - 2** to allow channel switching commands to be received from the optional RC4 remote control (see [Optional RC4 control](#) for connection details). The baud rate set by the **B** option is ignored and the rate used by the RC4 is automatically imposed. Switching commands via the four channel select inputs within the OPTIONS port connector are disabled in this mode.
 - 3** enables channel switching via RS-232 as per option **1**. However, in this mode the four channel select inputs are also enabled.
- 3 Press **Enter** to accept the setting and return to the main menu section.
- 4 Press **E** and then **Enter** to exit the menu and save changes.

continued



Switching mode

Using the configuration menu, you can define a default switching mode. The switching mode determines which peripherals (KVM, USB1, USB2 and/or speakers) should be moved to the next computer when it is selected using any of the standard methods. Regardless of the default switching mode set here, during use you can always change the mode using either the MODE button (on the front panel) or using the additional hotkey press combinations.

Note: Of the external switching methods, the RC4 remote and the RS-232 serial signal inputs will switch the peripherals as defined by the currently selected switching mode. However, switching control initiated by the channel select input lines will always switch all of the peripherals to the chosen channel regardless of the switching mode.

To set the default switching mode

- 1 Enter the [Configuration](#) menu.
- 2 Press **[S]** to enter the **Switch Mode** menu and then press either:
 - [1]** to select **All** (default)
 - [2]** to select **KVM and speaker**
 - [3]** to select **KVM only**
 - [4]** to select **Speaker only**
 - [5]** to select **USB1 only**
 - [6]** to select **USB2 only**
- 3 Press **[Enter]** to accept the setting and return to the main menu section.
- 4 Press **[E]** and then **[Enter]** to exit the menu and save changes.

Miscellaneous functions

To refresh EDID information from the monitor

- 1 Enter the [Configuration](#) menu.
- 2 Press **[F]** to enter the **Functions** menu
- 3 Press **[2]** and then **[Enter]**.
- 4 Press **[E]** and then **[Enter]** to exit the menu and save changes.

To use the stored EDID information at the power up

When you engage this mode, the unit will not interrogate the video display during startup and will instead use the data that are stored. To revert to interrogating the video display, use the F 2 function discussed above.

- 1 Enter the [Configuration](#) menu.
- 2 Press **[F]** to enter the **Functions** menu
- 3 Press **[3]** and then **[Enter]**.
- 4 Press **[E]** and then **[Enter]** to exit the menu and save changes.

To reset configuration to factory defaults

- 1 Enter the [Configuration](#) menu.
- 2 Press **[F]** to enter the **Functions** menu
- 3 Press **[8]** and then **[Enter]**. The display will show **r** momentarily.
- 4 Press **[E]** and then **[Enter]** to exit the menu and save changes.

To show the current firmware version

- 1 Enter the [Configuration](#) menu.
- 2 Press **[F]** to enter the **Functions** menu
- 3 Press **[1]** and then **[Enter]**.

The display will blank for a short while and then the major number of the firmware revision will be shown. The display will blank again and then show the first digit of the minor number. Following another blank, the second digit of the minor number will be displayed. e.g. <blank> 1 <blank> 0 <blank> 2 <blank> equals v1.02
- 4 Press **[E]** and then **[Enter]** to exit the menu and save changes.

To set a new password

- 1 Enter the [Configuration](#) menu.
- 2 Press **[P]** and then **[Enter]**. The display will show **:**
- 3 Enter a new password and then **[Enter]**. See [To lock access to the computers](#).
- 4 Press **[E]** and then **[Enter]** to exit the menu and save changes.



Performing upgrades

The AdderView PRO unit is fully upgradeable via flash upgrade. Such upgrades require a Windows-based computer system to be linked via the **OPTIONS** port.

Items required to perform an upgrade

- Optional upgrade cable (see [Appendix 2](#) for pin-out specifications).
- A Windows-based upgrade computer with an RS232 serial port.
- The latest version of the KVM Firmware Uploader and firmware files for the AdderView PRO unit - available from the *Technical Support > Updates* section of the Adder Technology website (www.adder.com).

To use the KVM Firmware Uploader utility

1 - Obtain and run the KVM Firmware Uploader.

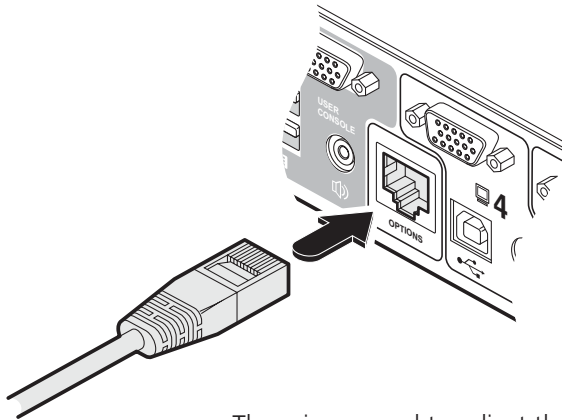
Download the latest AdderView PRO unit KVM Firmware Uploader from the Adder Technology website and install it on a Windows-based upgrade computer that will be connected to the AdderView PRO unit. The files are supplied as a compressed ZIP file. Decompress the ZIP file with an appropriate tool such as WinZip (www.winzip.com) and copy all contained files to the same folder on the upgrade computer.

2 - Power off the AdderView PRO unit

Remove the power supply plug from the rear panel of the unit.

3 - Connect the upgrade computer to the AdderView PRO unit

Connect the serial port of the upgrade computer to the **OPTIONS** port on the rear panel of the unit using the optional upgrade cable.



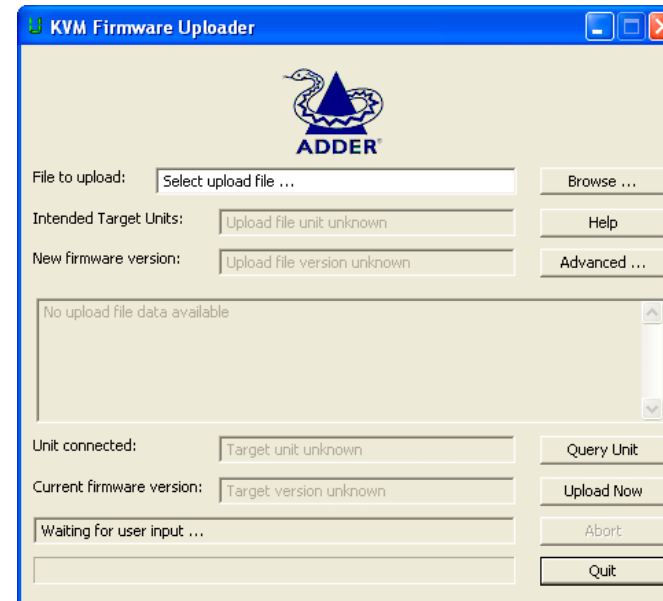
There is no need to adjust the computer's serial port settings as the application will do this automatically.

4 - Invoke upgrade mode

While powering on or when already powered: Press and hold the **COMPUTER** and **MODE** buttons (for up to ten seconds) until the numeric indicator shows 'U'.

5 - Run the KVM Firmware Uploader utility

From that folder, select the KVMUploader icon to run the upgrade utility. The KVM Firmware Uploader dialog will be displayed:



6 - Query the AdderView PRO unit

Click the *Query Unit* button to confirm that communication is possible with the AdderView PRO unit and to establish its firmware details. If successful, the 'Unit connected' field should show the name of the AdderView PRO unit and the current firmware will also be listed.

If the application cannot contact the AdderView PRO unit, re-check the connection cable and click the *Advanced...* button to check that the correct serial port is being used. Change the serial port within the *Advanced...* section, if necessary.

continued



7 - Select the upgrade file to be used

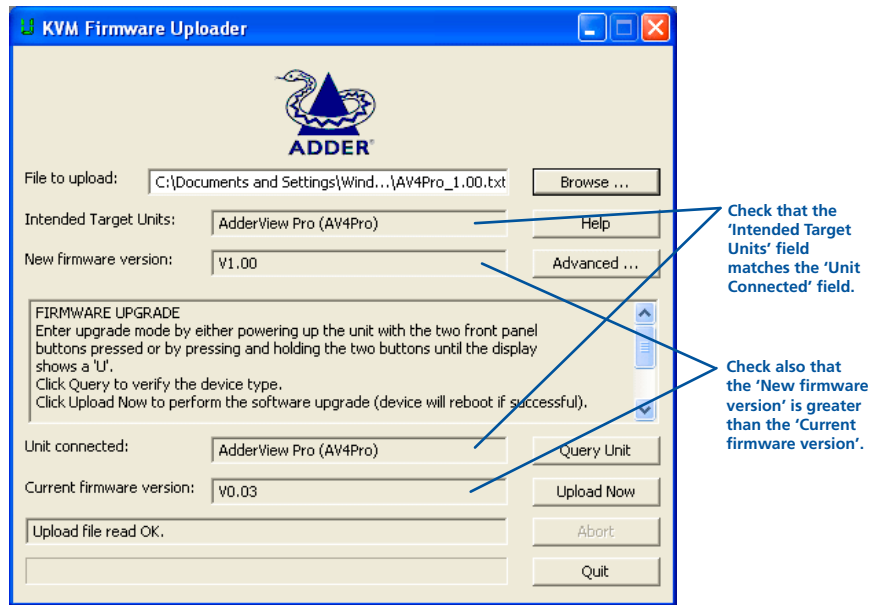
From the main KVM Firmware Uploader dialog, click the *Browse...* button and select the upgrade file:

AV4Pro_xxx.txt

where xxx is the firmware version.

The upgrade file details will be displayed within the dialog.

IMPORTANT: Check that the 'Intended Target Units' field matches the 'Unit Connected' field. If these fields do not match then you may have an incorrect upgrade file, check with Adder Technology Ltd before proceeding. Check also that the 'New firmware version' is greater than the 'Current firmware version'.



Issues to consider when performing flash upgrades

The upgrade program rewrites the internal firmware code. If the upgrade process is interrupted then the unit will have invalid code and will not be able to operate. It is therefore good practice to ensure that the upgrade process is always fully completed. A partial or failed upgrade may be rectified by performing another upgrade.

WARNING: Running faulty or partially upgraded code may have unpredictable results and may damage your AdderView PRO unit or computing equipment.

8 - Commence the upgrade

To begin the upgrade process, click the *Upload Now* button. The progress will be shown within the dialog. Should you decide not to continue with the upload at any stage, click the *Abort* button; response to this is usually immediate, however, during an erase command, the upload will not be aborted until the erase is complete (this may take a few seconds).

9 - Cycle the power

Disconnect the power. When the power is re-applied the AdderView PRO unit will operate using the new firmware.

Operation

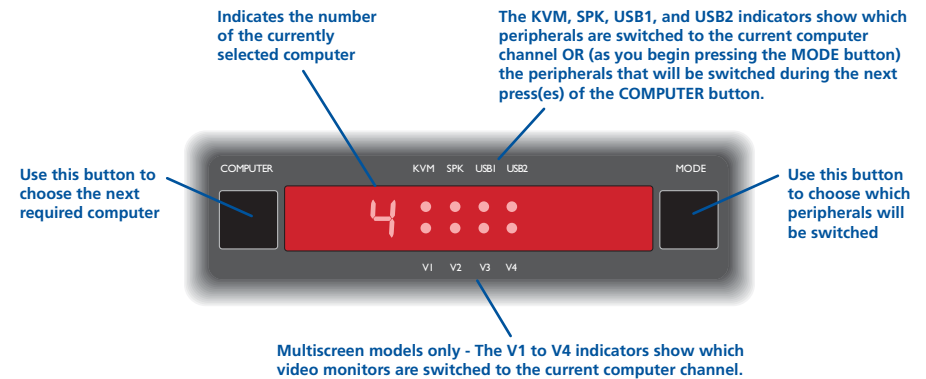
Selecting a computer

There are four main ways to switch the common peripherals to specific computer channels:

- Using the front panel controls ➡
- [Using hotkeys](#)
- [Using mouse button presses](#)
- Using external switching control ([RC4 remote](#), [RS-232](#) or [input lines](#))

To select a computer using the front panel

The front panel allows you to determine how the various peripherals are switched to one or more computer channels.



- 1 Optional: If you need to selectively switch some of your peripherals, press the MODE button repeatedly to change the switching mode:

| | KVM | SPK | USB1 | USB2 | |
|--------|-----|-----|------|------|---|
| MODE → | ● | ● | ● | ● | Will switch all peripherals together |
| MODE → | ● | ● | ● | ● | Will switch keyboard, video, mouse and speakers |
| MODE → | ● | ● | ● | ● | Will switch only the keyboard, video and mouse |
| MODE → | ● | ● | ● | ● | Will switch only the speakers |
| MODE → | ● | ● | ● | ● | Will switch only USB peripheral 1 |
| MODE → | ● | ● | ● | ● | Will switch only USB peripheral 2 |

Note: If an indicator flashes, it signifies that the respective peripheral is currently switched to another computer channel.

- 2 Press the COMPUTER button repeatedly to select the required computer channel.

To select a computer using hotkeys

Using hotkey combinations, you can quickly switch the keyboard, video monitor(s), mouse and speakers and USB peripherals to any computer channel.

There are two main ways to use hotkeys: *Standard* and *Additional*.

Standard hotkey press combinations

The standard hotkey press combinations allow you to change channels with the minimum of keypresses:

- 1 Simultaneously press and hold **Ctrl** and **Alt** (or other hotkeys, if altered).
- 2 While still holding **Ctrl** and **Alt**, press the number key of the required channel address (or the TAB key), then release all of the keys.

Note: The numbers on your keyboard's numeric keypad are not valid, use only the numeral keys above the QWERTY section.

The ports (KVM, audio and/or USB) that are switched using this method depend upon the switching mode that is currently set using the [front panel buttons](#).

The range of standard hotkey combinations are as follows:

*Note: If your hotkeys have been changed, substitute them for **Ctrl** and **Alt** in the examples given here.*

| | |
|-----------------------------------|---|
| Ctrl Alt 1 | Selects channel 1 |
| Ctrl Alt 2 | Selects channel 2 |
| Ctrl Alt 3 | Selects channel 3 |
| Ctrl Alt 4 | Selects channel 4 |
| Ctrl Alt 0 | Isolates the user console from all channels |
| Ctrl Alt Tab | Selects the next channel (see note ⇔) |

What are hotkeys?

The **Ctrl** and **Alt** keys when pressed in combination are called 'hotkeys' and they signal to the AdderView PRO unit that you wish to control it, rather than the computer. However, if these particular hotkeys clash with another device or program, you can change them to a different combination within the [Configuration](#) menu.

Additional hotkey press combinations

In addition to the standard hotkey press combinations (shown left), you can also add additional keypresses in order to determine which peripherals are switched:

- 1 Simultaneously press and hold **Ctrl** and **Alt**.
- 2 Press and release a command key:
 - A** to switch all peripherals
 - K** to switch only the keyboard, video and mouse
 - S** to switch only the speakers
 - U** to switch only USB1 and USB2
- 3 Press and release the required channel number (**1** to **4** using only the keys above the QWERTY section).
- 4 Release **Ctrl** and **Alt**.

The appropriate peripherals will change to the chosen channel.

Note: Regardless of which peripherals were switched, the front panel indicators will continue to show the switching mode that was last determined using the front panel controls.

Choosing which computers are accessed when using hot keys + tab

The computer channels that are visited when you use the hot keys + tab (or mouse buttons/autoscan) are determined by a setting within the Configuration menu:

- 1 Enter the [Configuration](#) menu.
- 2 Press **U** and then press either:
 - 7** to choose **Cycle all ports**, or
 - 8** to choose **Cycle only active ports**
- 3 Press **Enter** to accept the setting and return to the main menu section.
- 4 Press **E** and then **Enter** to exit the menu and save changes.

To select a computer using the mouse buttons

Using the mouse buttons, you can quickly switch the keyboard, mouse, video monitor(s), speakers and/or USB peripherals to any computer channel.

Note: These procedures work only with three-button or IntelliMouse devices and only if the 'Mouse Switching' option has been enabled.

To select a computer using the mouse buttons

- 1 Hold down the middle button (or scroll wheel) of the mouse.
- 2 Click the left mouse button to increment the channel number or click the right mouse button to decrement the channel. When the correct channel is reached, release the middle button.

When using this method of switching:

- The computer channels that are visited depend upon the configuration menu setting (see note ⇔).
- The ports (KVM, audio and/or USB) that are switched using this method depend upon the switching mode that is currently set using the [front panel buttons](#).

Choosing which computers are accessed when using mouse buttons

The computer channels that are visited when you use the mouse buttons (or hotkeys + tab/autoscan) are determined by a setting within the Configuration menu:

- 1 Enter the [Configuration](#) menu.
- 2 Press **U** and then press either:
 - 7** to choose **Cycle all ports**, or
 - 8** to choose **Cycle only active ports**
- 3 Press **Enter** to accept the setting and return to the main menu section.
- 4 Press **E** and then **Enter** to exit the menu and save changes.

To lock access to the computers

When privacy is required, you can lock access to the connected computers via the unit.

To lock the unit

- 1 Simultaneously press and hold **Ctrl** and **Alt** (or other hotkeys, if altered).
- 2 While still holding **Ctrl** and **Alt**, press **L**.
The display will show **P** (providing a valid password has been previously set). You will not be able to access any computers until the password is correctly entered.

To unlock the unit

- When prompted, enter the correct password and press **↵**.

To set a new password

- 1 Enter the [Configuration](#) menu.
- 2 Press **P** and then **Enter**. The display will show **⋮**.
- 3 Enter a new password and then **Enter**.
The password is not case sensitive and can be any combination of key strokes, including the function keys, but excluding the Num Lock, Caps Lock, Scroll Lock and **↵** keys. If your keyboard has special media keys, these also cannot be used as part of the password.
When you have typed in your password, press **↵** to store it. Don't worry if you type the password incorrectly, you can always re-enter configure mode and set the password again.
- 4 Press **E** and then **Enter** to exit the menu and save changes.

To cancel the password

- 1 Enter the [Configuration](#) menu.
- 2 Press **P** and then **Enter**. The display will show **⋮**.
- 3 Press **Enter** to remove the existing password.
- 4 Press **E** and then **Enter** to exit the menu and save changes.

If you forget the password

To clear an existing password: Connect the OPTIONS port of the unit to the serial port of a computer and transmit the text **clrpwd** to the unit.

Autoscanning

When enabled, the autoscanner mode switches between the connected computers in sequence. This is useful to allow you to sample activity among the connected computers.

Two scanning modes are available:

- *Cycle all ports* – This mode visits, in turn, to each connected computer. This mode should be used with care due to the reasons given in the warning below. To prepare for this autoscanner mode, choose **U 7** within the configuration menu (see right).
- *Cycle only active ports* – Only computer ports where an active computer is detected will be viewed. This mode avoids blank screens from being displayed and helps to prevent the viewing monitor from entering a power-down state on every scan cycle.

Additionally, when this mode is selected, whenever you use either the mouse buttons or hot keys + tab to change channels, only computers that are active will be visited. To prepare for this autoscanner mode, choose **U 8** within the configuration menu (see right).

WARNING: Many monitors are fitted with automatic power saving relays that switch off after a few seconds when connected to an inactive computer. If you are using such a monitor, do not use the 'Cycle all ports' mode. Continual switching on and off of the monitor's relay will eventually damage the monitor.

Seven autoscanner periods are available (the time spent viewing each computer) ranging from 2 seconds to 5 minutes. To prepare the autoscanner period, choose **T** and then **2** to **8** within the configuration menu (see right).

To start autoscanning mode, press **Ctrl Alt X** on the keyboard.

To select an autoscanner mode

- 1 Enter the **Configuration** menu.
- 2 Press **U** and then press either:
 - **7** to choose **Cycle all ports**, or
 - **8** to choose **Cycle only active ports**
- 3 Press **Enter** to accept the setting and return to the main menu section.
- 4 Press **E** and then **Enter** to exit the menu and save changes.

Note: The setting of this option also affects which computers are visited when the channel is changed using the mouse buttons or hot key + tab.

To select an autoscanner period

- 1 Enter the **Configuration** menu.
- 2 Press **T** and then press either:
 - 1** to choose **Autoscanner disabled**,
 - 2** to choose **2 seconds**,
 - 3** to choose **5 seconds**,
 - 4** to choose **7 seconds**,
 - 5** to choose **15 seconds**,
 - 6** to choose **30 seconds**,
 - 7** to choose **1 minute**, or
 - 8** to choose **5 minutes**.
- 3 Press **Enter** to accept the setting and return to the main menu section.
- 4 Press **E** and then **Enter** to exit the menu and save changes.

To start autoscanning

- On the keyboard, press **Ctrl Alt X**.

Notes:

During autoscanning, mouse switching, hot key + tab and interactivity with the computers are all disabled.

During autoscanning, only the KVM and speaker ports are switched to each visited computer channel, the two USB device ports remain connected to their currently selected channels.

To stop autoscanning

You can stop the autoscanning process in either of the following ways:

- Press the **COMPUTER** button on the front panel, or
- Select a specific channel using the hot keys + channel number.



Further information



This chapter contains a variety of information, including the following:

- Getting assistance - see right
- [Appendix 1 – Supported video modes](#)
- [Appendix 2 – Cable pin-outs](#)
- [Safety information](#)
- [Warranty](#)
- [Radio frequency energy statements](#)

Getting assistance

If you are still experiencing problems after checking the list of solutions in the Troubleshooting section then we provide a number of other solutions:

- Adder Technology website – www.adder.com
Check the Support section of our website for the latest solutions and driver files.
- Email – support@adder.com
- Fax in the UK: **01954 780081**
 in the US: **+1 888 275 1117**
- Phone in the UK: **01954 780044**
 in the US: **+1 888 932 3337**

INSTALLATION

CONFIGURATION

OPERATION

FURTHER
INFORMATION

INDEX

Appendix 1 – Default EDID video modes

The following digital video modes are defined within the default EDID information held by the AdderView PRO units. This information is used only if no new EDID information is made available by the attached video monitor(s). The AdderView PRO units support video resolutions and refresh rates in excess of those listed here.

| | |
|----------------------|-------------------------|
| 1024 x 768p at 60Hz | Native/preferred timing |
| 720 x 400p at 70Hz | IBM VGA |
| 720 x 400p at 88Hz | IBM XGA2 |
| 640 x 480p at 60Hz | IBM VGA |
| 640 x 480p at 67Hz | Apple Mac II |
| 640 x 480p at 72Hz | VESA |
| 640 x 480p at 75Hz | VESA |
| 800 x 600p at 56Hz | VESA |
| 800 x 600p at 60Hz | VESA |
| 800 x 600p at 72Hz | VESA |
| 800 x 600p at 75Hz | VESA |
| 832 x 624p at 75Hz | Apple Mac II |
| 1024 x 768i at 87Hz | IBM |
| 1024 x 768p at 60Hz | VESA |
| 1024 x 768p at 70Hz | VESA |
| 1024 x 768p at 75Hz | VESA |
| 1280 x 1024p at 75Hz | VESA |
| 1152 x 870p at 75Hz | Apple Mac II |
| 1600 x 1200p at 60Hz | VESA STD |
| 1680 x 1050p at 60Hz | VESA STD |
| 1360 x 765p at 60Hz | VESA STD |
| 1360 x 768p at 60Hz | |
| 1440 x 900p at 60Hz | VESA STD |
| 1280 x 720p at 60Hz | VESA STD |
| 1920 x 1080p at 60Hz | VESA STD |



INSTALLATION

CONFIGURATION

OPERATION

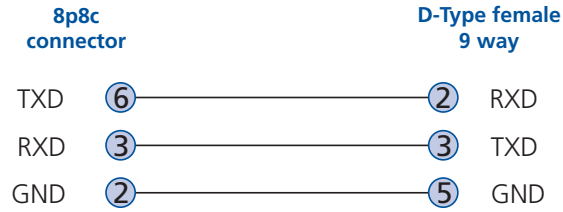
FURTHER
INFORMATION

INDEX

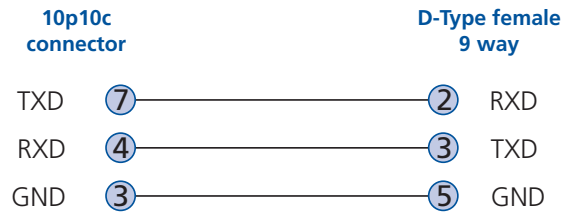
Appendix 2 – Cable pin-outs

The OPTIONS port uses a 10p10c socket which can accommodate both 10p10c connectors as well as the much more common 8p8c connectors, which are used on Ethernet leads and patch cables. The pin-outs are listed in this section for both types of connector.

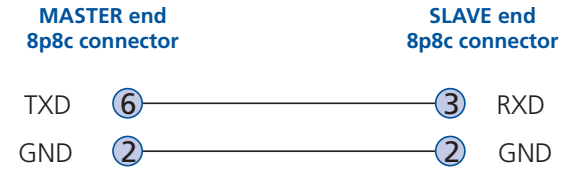
Serial remote control and flash upgrade cable (8p8c)



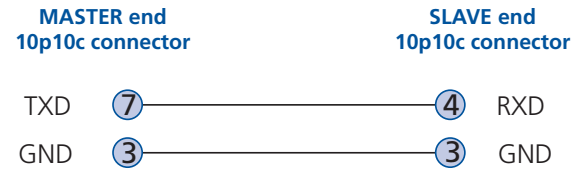
Serial remote control and flash upgrade cable (10p10c)



Multi-head synchronisation cable (8p8c)



Multi-head synchronisation cable (10p10c)



Warranty

Adder Technology Ltd warrants that this product shall be free from defects in workmanship and materials for a period of two years from the date of original purchase. If the product should fail to operate correctly in normal use during the warranty period, Adder will replace or repair it free of charge. No liability can be accepted for damage due to misuse or circumstances outside Adder's control. Also Adder will not be responsible for any loss, damage or injury arising directly or indirectly from the use of this product. Adder's total liability under the terms of this warranty shall in all circumstances be limited to the replacement value of this product.

If any difficulty is experienced in the installation or use of this product that you are unable to resolve, please contact your supplier.

Safety information

- For use in dry, oil free indoor environments only.
- Both the AdderView PRO unit and its power supply generate heat when in operation and will become warm to the touch. Do not enclose them or place them locations where air cannot circulate to cool the equipment. Do not operate the equipment in ambient temperatures exceeding 40 degrees Centigrade. Do not place the products in contact with equipment whose surface temperature exceeds 40 degrees Centigrade.
- Warning - live parts contained within power adapter.
- No user serviceable parts within power adapter - do not dismantle.
- Plug the power adapter into a socket outlet close to the module that it is powering.
- Replace the power adapter with a manufacturer approved type only.
- Do not use the power adapter if the power adapter case becomes damaged, cracked or broken or if you suspect that it is not operating properly.
- If you use a power extension cord with the AdderView PRO unit, make sure the total ampere rating of the devices plugged into the extension cord does not exceed the cord's ampere rating. Also, make sure that the total ampere rating of all the devices plugged into the wall outlet does not exceed the wall outlet's ampere rating.
- Do not attempt to service the AdderView PRO unit yourself.



INSTALLATION

CONFIGURATION

OPERATION

FURTHER
INFORMATION

INDEX

Radio Frequency Energy

All interface cables used with this equipment must be shielded in order to maintain compliance with radio frequency energy emission regulations and ensure a suitably high level of immunity to electromagnetic disturbances.

European EMC directive 89/336/EEC

This equipment has been tested and found to comply with the limits for a class A computing device in accordance with the specifications in the European standard EN55022. These limits are designed to provide reasonable protection against harmful interference. This equipment generates, uses and can radiate radio frequency energy and if not installed and used in accordance with the instructions may cause harmful interference to radio or television reception. However, there is no guarantee that harmful interference will not occur in a particular installation. If this equipment does cause interference to radio or television reception, which can be determined by turning the equipment on and off, the user is encouraged to correct the interference with one or more of the following measures: (a) Reorient or relocate the receiving antenna. (b) Increase the separation between the equipment and the receiver. (c) Connect the equipment to an outlet on a circuit different from that to which the receiver is connected. (d) Consult the supplier or an experienced radio/TV technician for help.

FCC Compliance Statement (United States)

This equipment generates, uses and can radiate radio frequency energy and if not installed and used properly, that is, in strict accordance with the manufacturer's instructions, may cause interference to radio communication. It has been tested and found to comply with the limits for a class A computing device in accordance with the specifications in Subpart J of part 15 of FCC rules, which are designed to provide reasonable protection against such interference when the equipment is operated in a commercial environment. Operation of this equipment in a residential area may cause interference, in which case the user at his own expense will be required to take whatever measures may be necessary to correct the interference. Changes or modifications not expressly approved by the manufacturer could void the user's authority to operate the equipment.

Canadian Department of Communications RFI statement

This equipment does not exceed the class A limits for radio noise emissions from digital apparatus set out in the radio interference regulations of the Canadian Department of Communications.

Le présent appareil numérique n'émet pas de bruits radioélectriques dépassant les limites applicables aux appareils numériques de la classe A prescrites dans le règlement sur le brouillage radioélectriques publié par le ministère des Communications du Canada.



INSTALLATION

CONFIGURATION

OPERATION

FURTHER INFORMATION

INDEX

© 2010 Adder Technology Limited
All trademarks are acknowledged.
Release 1.0b
March 2010
Part No. MAN-AV4PRO-VGA

Adder Technology Limited,
Technology House,
Trafalgar Way, Bar Hill,
Cambridge, CB23 8SQ,
United Kingdom
Tel: +44 (0)1954 780044
Fax: +44 (0)1954 780081

Adder Corporation,
350R Merrimac Street,
Newburyport,
MA 01950,
United States of America
Tel: +1-888-932-3337
Fax: +1-888-275-1117

Adder Asia Pacific
6 New Industrial Road,
Hoe Huat Industrial Building
#07-01,
Singapore 536199
Tel: +65 6288 5767
Fax: +65 6284 1150

INSTALLATION

CONFIGURATION

OPERATION

FURTHER
INFORMATION

INDEX

Index



A

Assistance 22
Audio
 connection 7
Autoscanning 21

B

Brackets
 fitting 6

C

Cable pin-outs 24
Channel selection codes 10
Computer
 connection 8
 ports 4
 selecting 17
Configuration 13
Connections 7
 computer system 8
 multiple video heads 11
 user console 7

E

EDID information 12
 default video modes 23
Emulated switching 3
Enumerated switching 3

F

Firmware
 upgrade 15
Front panel
 switching 17

H

Host computer
 connection 8
Hotkeys
 changing 14
 selecting computers 18
 what are they? 18

I

Indicators 4

K

Keyboard
 connection 7
KVM 2

L

Lock the unit 20

M

Mounting 6
Mouse
 connection 7
Multiple units
 synchronising 11
Multiple video head
 connections 11

O

Operation 17
Options port 4

P

Parts
 supplied and extra 5
Password
 setting & entering 20
Peripherals
 connecting 7

R

Rack mounting 6
Remote control
 by computer 10
 by RC4 unit 9
Remote wakeup 2

S

Safety information 25
Selecting computers
 with front panel 17
 with hotkeys 18
 with mouse buttons 19
Serial port
 settings for control 10
Speakers
 connection 7
Supplied items 5
Switching 17

T

Troubleshooting 22
True Emulation 2,3

U

Unlock the unit 20
Upgrade
 firmware 15
USB device
 connection 7
USB Remote wakeup 2
USB switching
 emulation 3
 enumeration 3
 True Emulation 2,3
User console 4

V

Video modes 23
Video port
 connection 7

W

Warranty 25

INSTALLATION

CONFIGURATION

OPERATION

FURTHER
INFORMATION

INDEX