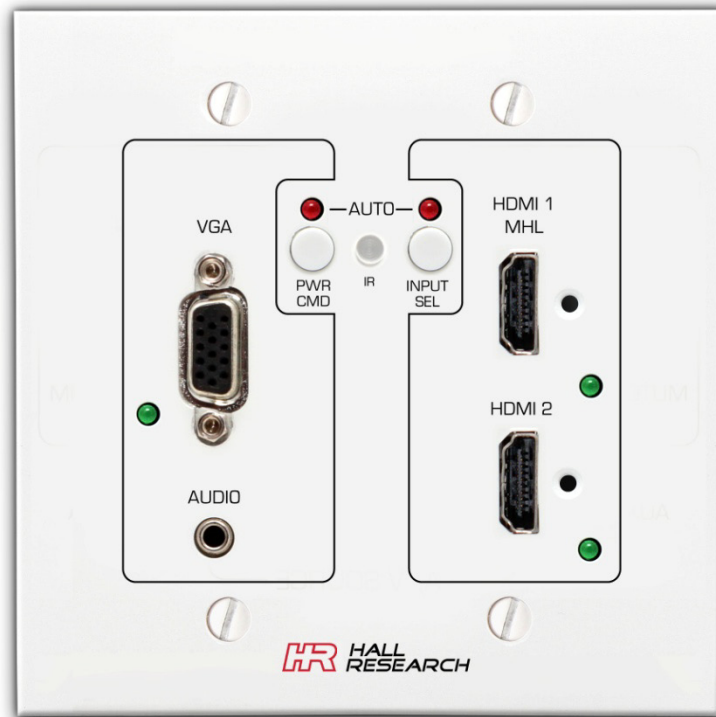


QUICK START GUIDE

VGA / HDMI / MHL AUTO-SWITCHING

WALL PLATE

WITH UHDBT™ ASE OUTPUT



UHBX-SW3-WP

UMA1229 Rev n/c

CELEBRATING 30 YEARS OF INNOVATION

1984 **30** 2014

HR HALL
RESEARCH
A NEW WAVE IN CONNECTIVITY

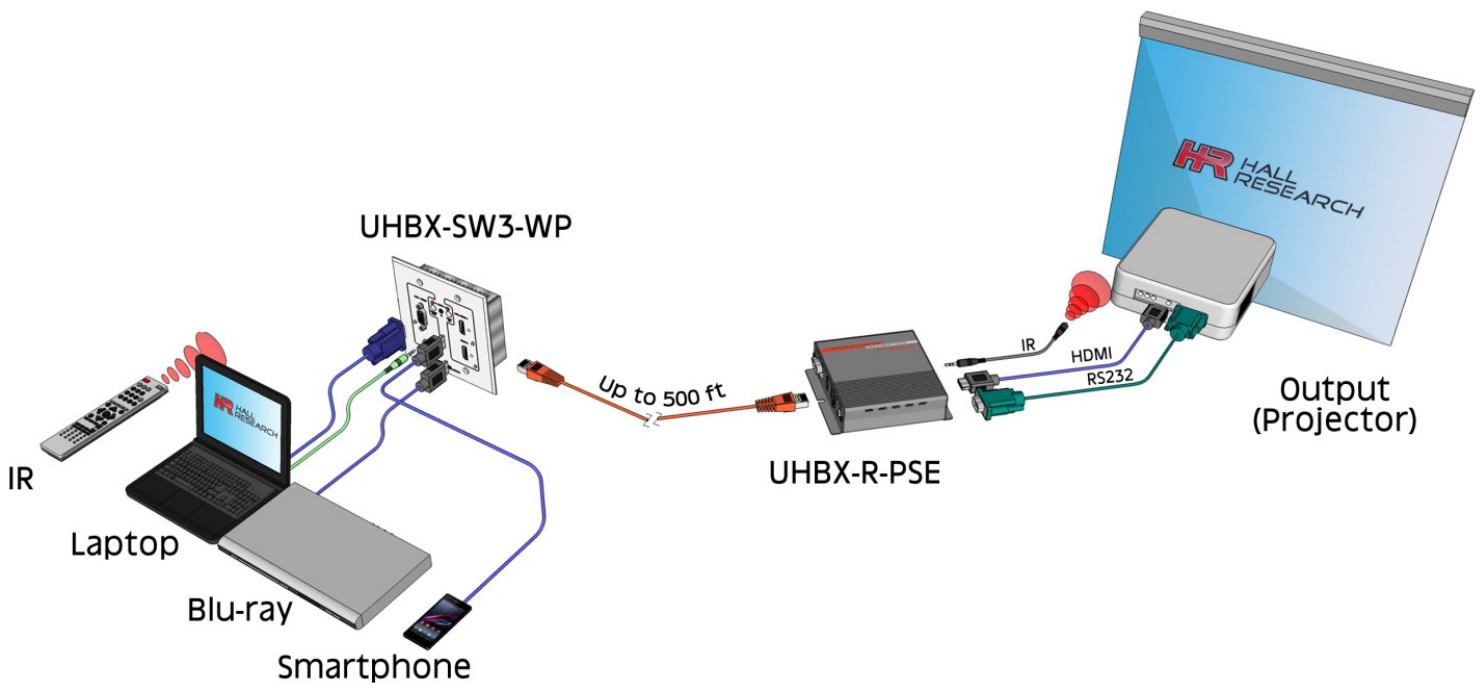
www.hallresearch.com

714.641.6607

Description

The Model UHBX-SW3-WP is a compact 2-gang wall-plate that offers 3 video inputs:

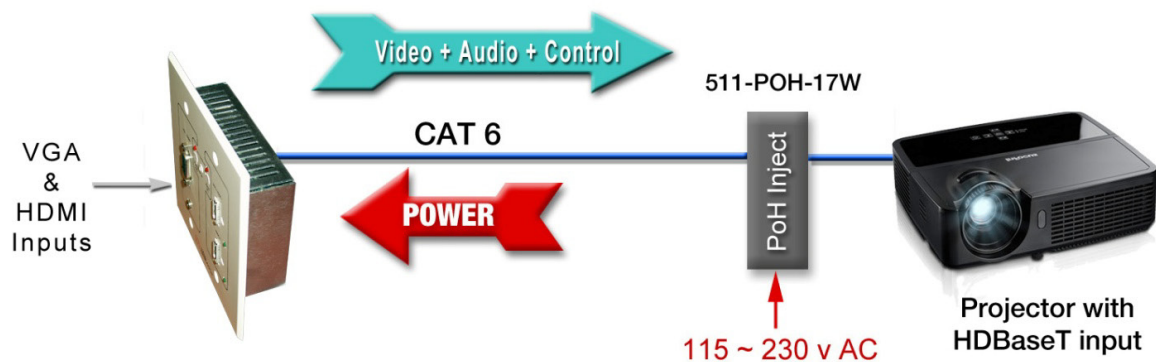
- Input 1 – **HDMI or MHL** (supports charging feature when an MHL source is detected)
- Input 2 – **HDMI**
- Input 3 – **VGA or YPbPr** with separate audio



Using just a **single twisted pair** (Cat6) connection to a compatible receiver, such as the UHBX-R-PSE, the wall-plate gets power and sends the selected video input (with embedded audio) to the receiver. Control data such as IR, RS-232 and CEC are also extended from the wall-plate to the receiver.

Connection to Displays with HDBaseT input

The Wall plate can be directly plugged to displays or projectors that have HDBaseT™ inputs. This will also enable the wall plate to control power on/off of the display via RS-232 through the HDBaseT input (most displays with HDBaseT also support RS-232 control via HDBaseT). However a power inserter is needed to send power to the wall plate.



Connection to HDBaseT Receiver



When used with a pass-through receiver such as UHBX-R-PSE the wall-plate has the ability to **control the display on/off function** (Power Command). It can be configured to use one of three methods: RS-232, IR, or CEC to control the on/off function of the display or TV. The wall plate has a USB connector (on the bottom side), that can be connected to any PC using

the provided cable. To add display power control, a free Windows® GUI software is available for configuring the control method and entering the control commands. Since there are thousands of display manufacturers and models, it is the user's responsibility to determine what method is available and can be used to turn their Display on or off. For example, CEC commands, may not work on many models, or if there is an RS-232 Control port on the display, the commands may not be readily available and the user would be responsible for obtaining those. The GUI software gives the user the ability to choose the method and enter the appropriate codes.

Automatic Modes of Operation

Input selection and sending display on/off Power Command (Pwr Cmd) can be *Automatic*, or *Manual*.

When the input selection is automatic, the 3 inputs are scanned and upon detecting video the wall-plate automatically selects the active input. If more than one input is active, the user can prioritize the inputs.

Similarly when Pwr Cmd is set for automatic, when the wall-plate outputs video to the screen, it will send an ON command to the screen, and if there is no video being sent an OFF command will be issued after a user specified delay (typically 1 minute).

IR Extension

The wall plate also has an IR detector that can be used to extend IR to the remote receiver. In this way the IR remote can be pointed to the wall plate. As mentioned above, besides extending the IR, the wall plate can generate IR on and off commands by itself

VGA Scaler

The UHBX-SW3-WP also **scales the VGA input** to 720p, 1080p, or even 4K(UHD), to eliminate compatibility issues with the myriad of VGA output resolutions that may not be supported on most TV's HDMI inputs. Scaling the VGA to 1080p or other standard resolution assures that there will be a display regardless of the VGA signal source timing.

Component Video Input

Using HD15 to 3 RCA cables, the VGA input can also accommodate component video signals (YPbPr). To configure the HD15 for use with component video signals, a selection in the configuration GUI needs to be made. When the VGA input is configured for component video, the auto input selection mode is not available.



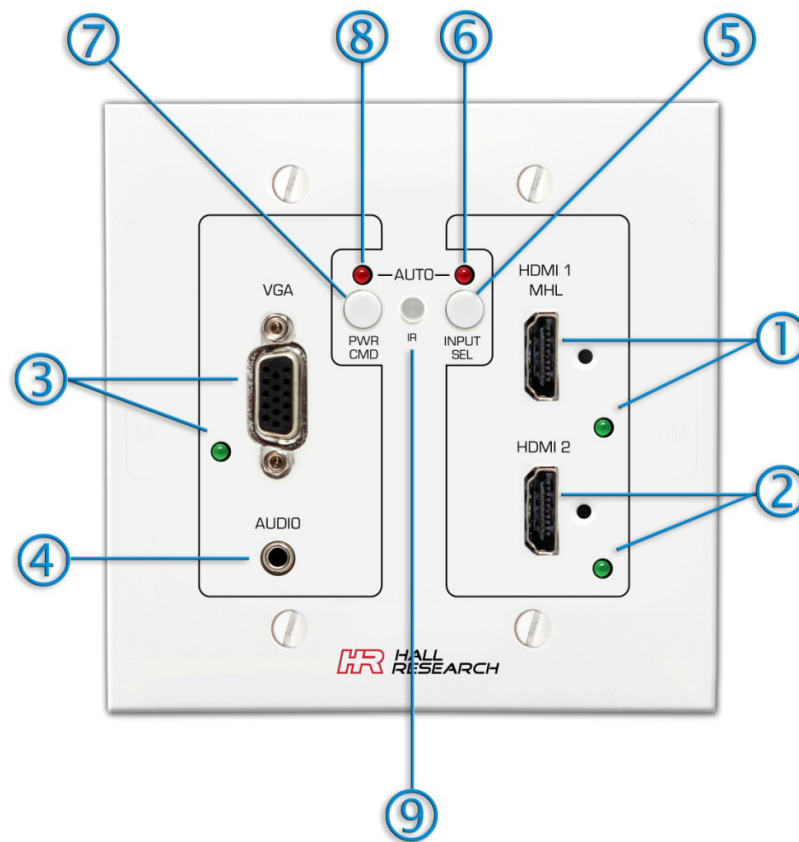
Independent Audio Extension

The user can configure the unit to pass-through the 3.5mm audio input (associated with the VGA HD15 connector) without having to connect a live VGA signal. In this way audio from **MP3 audio players** can also be extended. To enable pass-thru of 3.5mm audio without VGA signal, please refer to the configuration Software documentation.

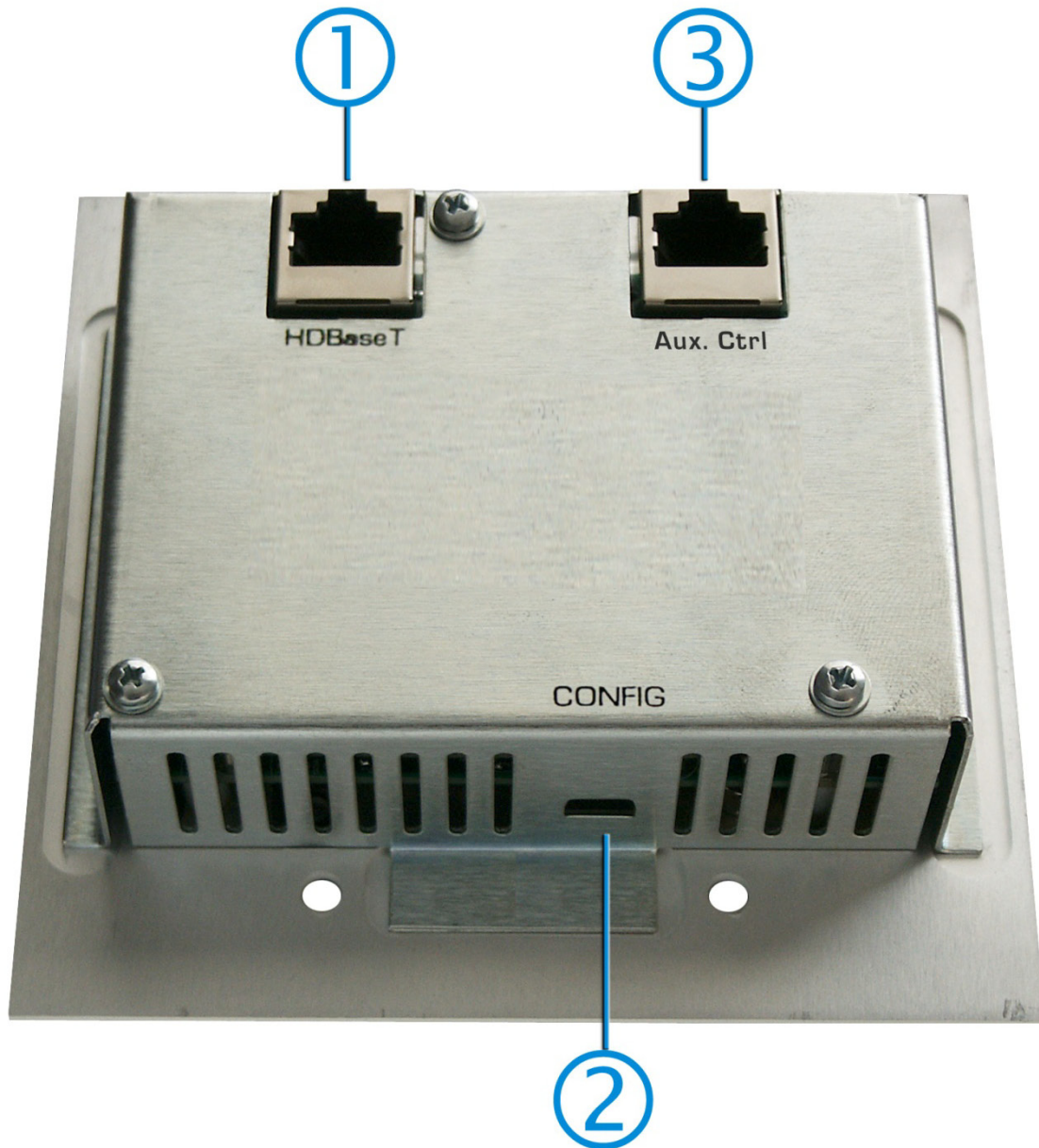
Features

- **3 inputs handle VGA, Component, HDMI (or DVI), and even MHL**
- **Supports phone charging feature if MHL source is detected**
- **VGA input is scaled to 1080p or user specified output resolution to ensure proper image**
- **Supports all HDMI resolutions including 4K (UHD)**
- **Can scale HDMI output resolution**
- **Uses only one Cat6**
- **Distance to 500 ft (150m) at 1080p, or 330 ft (100m) at 4K resolution**
- **Manual or automatic input selection**
- **IR extension**
- **Can issue its own RS-232, IR, or CEC command to turn display On or Off**
- **Display power control can be manual or automatic**
- **No power supply required (powered through Cat6 cable from the receiver)**
- **Complies 100% with HDBaseT® design specs**
- **Supports PoH (Power over HDBaseT®) per IEEE 802.3af**
- **Small form factor (only 1.2" deep)**
- **Audio input can be used with audio players without VGA signal**
- **USB port for configuration (including display power on/off control methodology)**
- **Can be plugged to any display or projector with HDBaseT input (requires 511-POH-17W PoH Compliant Power Inserter)**

Connectors, Controls and Indicators



- | | |
|--|--|
| <p>1 HDMI 1 input & selection indicator
Supports MHL signal</p> | <p>6 Auto Input Selection Indicator
When lit, the wall plate scans for active input</p> |
| <p>2 HDMI 2 input & selection indicator</p> | <p>7 Power Command Trigger button
Hold for 3 seconds to enter or exit Auto Power Command mode</p> |
| <p>3 VGA input & selection indicator
Can be configured for YPbPr</p> | <p>8 Auto Power Command Indicator
When lit, ON and OFF commands are automatically issued to the display</p> |
| <p>4 Stereo audio input for VGA.
Can be configured to pass audio without VGA connected.</p> | <p>9 IR Extension Detector
Any incident IR signal is extended to the receiver's IR output</p> |
| <p>5 Manual Input Selection button.
Hold for 3 seconds to enter or exit Auto Input Selection mode</p> | |



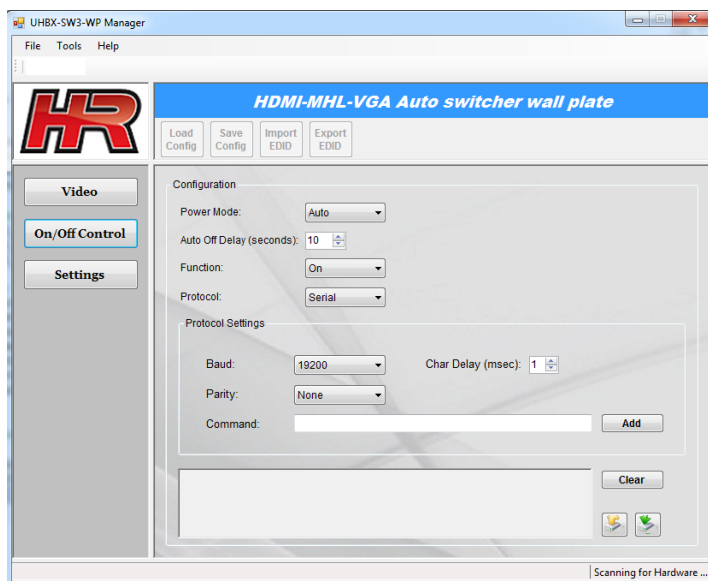
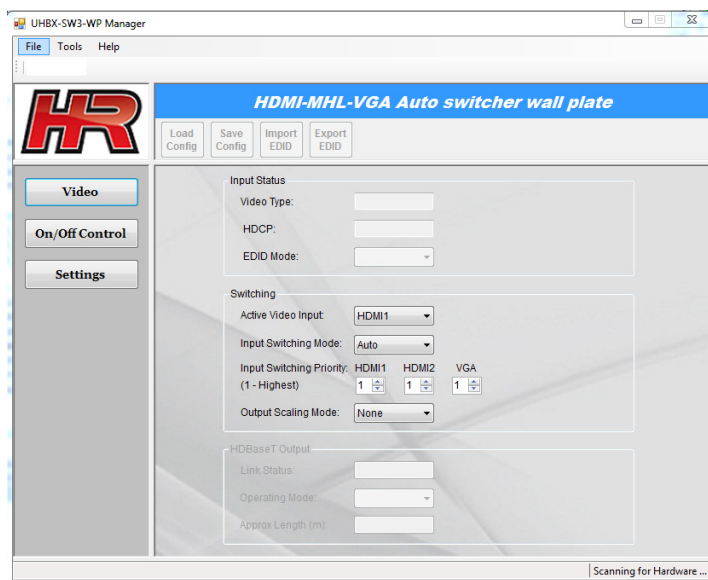
- 1 HDBaseT Output.
The wall plate requires PoH (power over HDBaseT), so the receiver has to be a PSE (power sourcing equipment) type, or a power inserter is needed.
- 2 Micro-USB port for connection to a PC. A free GUI is available that can be used to configure the wall plate. A USB to micro-USB cable is provided
- 3 For connection to SW3-UI and SW3-UI-VOL optional auxiliary control panel (sold separately)

Configuration Using the USB port

The wall plate is ready to use out of the box and in many cases no special configuration is needed.

However if the user desires to control the On/Off function of the display or tweak some of the parameters (such as prioritizing the input selection in Auto input mode), a onetime set up is needed.

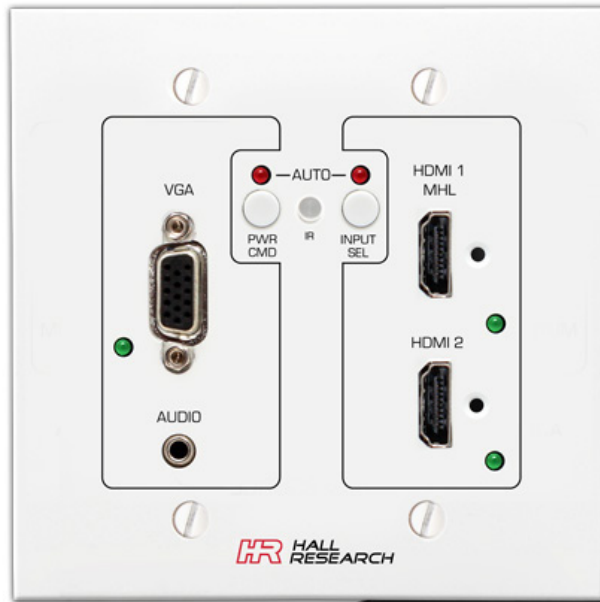
Install the Windows® GUI software available for free download from our website, and Connect the USB port to the PC. The GUI



Please refer to the GUI User Guide for more information



Compatible Receiver: Model UHBX-R-PSE & Kit



UHBX-SW3-WP
Sender wall plate



UHBX-R-PSE Receiver

UHBX-SW3 Kit
Includes: Wall Plate & Receiver

