

INSTALLATION AND OPERATION MANUAL

CNFE4SMS

FOUR PORT 10/100T(X) ETHERNET SELF-MANAGED SWITCH

The ComNet™ CNFE4SMS is a four-port switch with uplink management functionality and provides 4 Ethernet ports operating at 10/100Mbps and is designed to combine three electrical ports into an electrical port that forwards this data to the next network device. There is no programming required to use this product. The ComNet CNFE4SMS comes pre-programmed, preventing network video flooding with DIP switch selection of port 4 as uplink or as an unmanaged switch. It is “Plug-and-Play”.

LED indicators confirm the operating status of this device. See **Figure 4** on **Page 3** for an explanation of the indicators.

The ComNet CNFE4SMS may be either wall mounted, rack mounted (“ComFit” packaging) or DIN-rail mounted with the use of the ComNet DINBKT1 adapter. See **Figure A** on **Page 4** for mounting instructions.

See **Figures 1 – 5** for complete installation details.

FIGURE 1 - CNFE4SMS

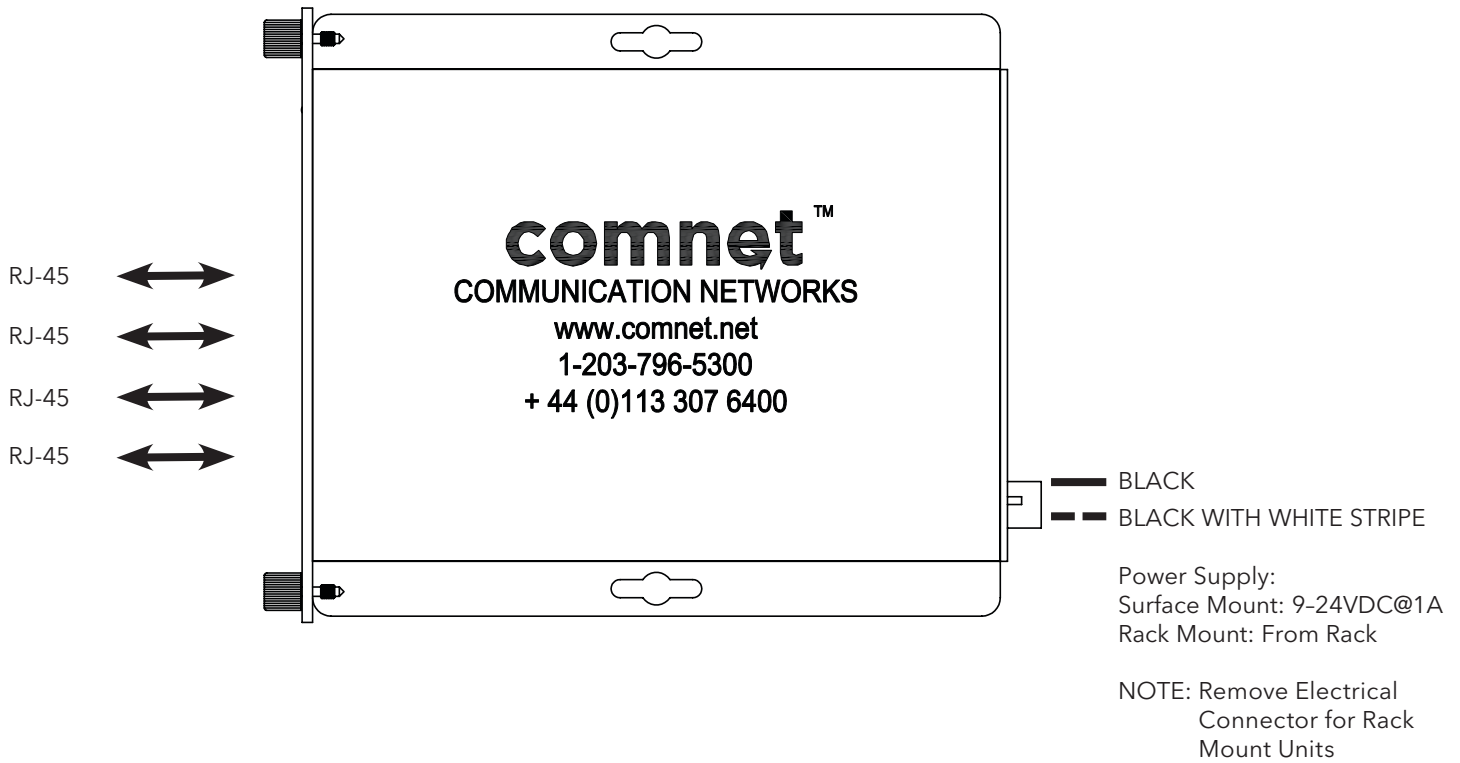


FIGURE 2 - CNFE4SMS

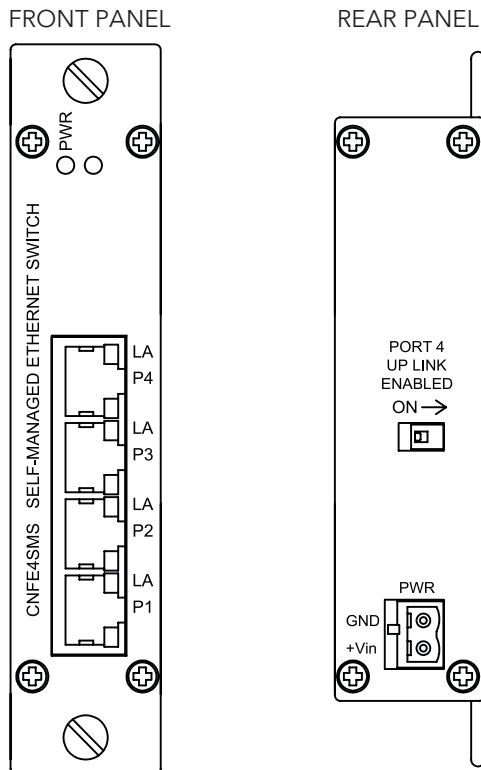
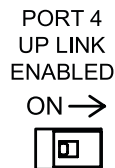


FIGURE 3 - UPLINK SWITCH SETTINGS



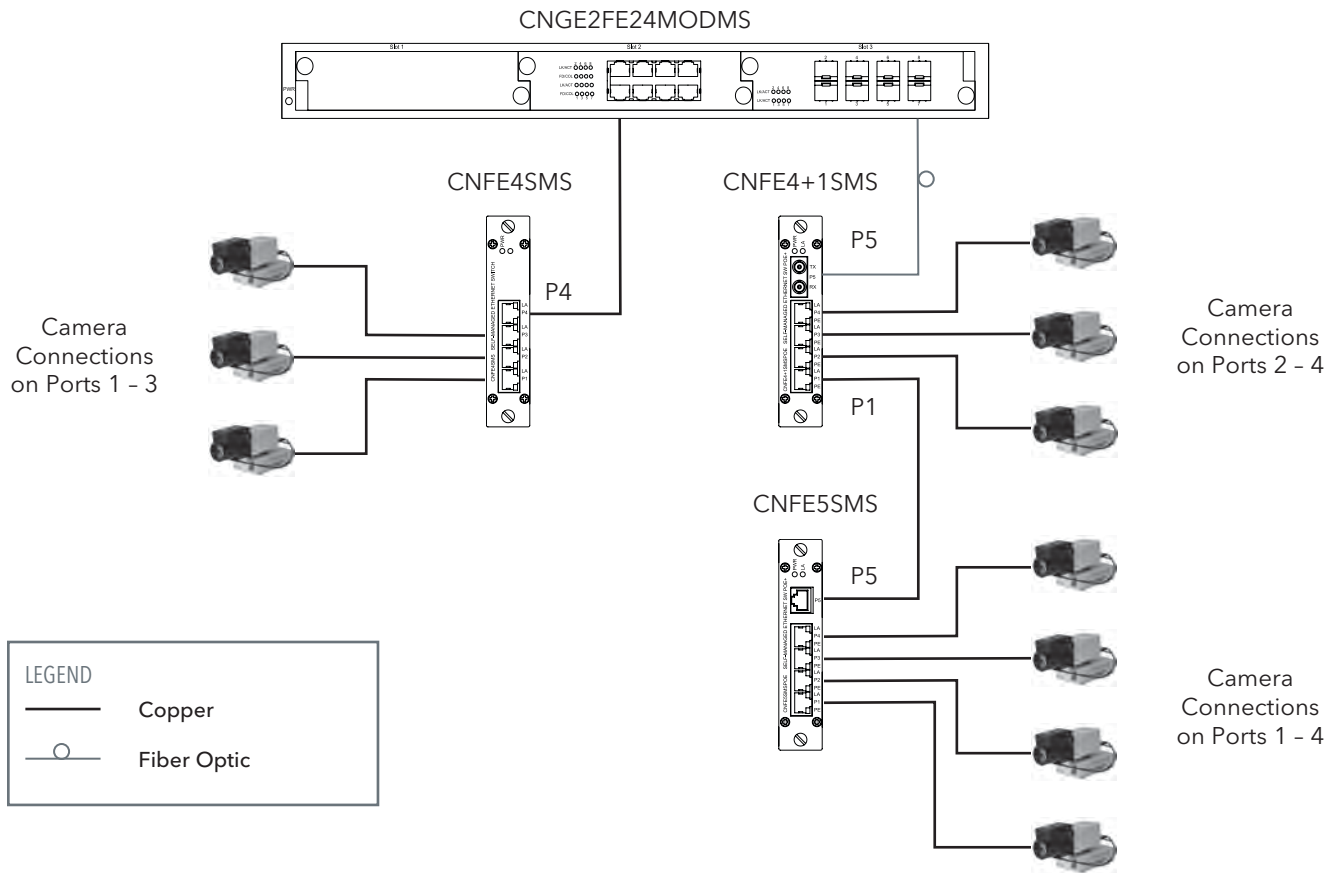
EFFECT	UPLINK
Uplink Enabled	ON
Uplink Disabled	OFF

FIGURE 4 - LED INDICATORS

	LINK (P4)	LINK (P1 - P3)	PWR
SOLID	Link Up	Link Up	Power Applied
BLINKING	Data Activity	Data Activity	-
OFF	No Data Link	No Data Link	Power Not Applied

FIGURE 5 - APPLICATION DIAGRAM WITH MULTICAST TRAFFIC

IGMP Enabled on CNGE2FE24MODMS, Uplink enabled on the units



MECHANICAL INSTALLATION INSTRUCTIONS

INSTALLATION CONSIDERATIONS

This switch is supplied as a Standalone/Rack module. Units should be installed in dry locations protected from extremes of temperature and humidity.

C1-US, C1-EU, C1-AU OR C1-CH CARD CAGE RACKS

CAUTION: Although the units are hot-swappable and may be installed without turning power off to the rack, ComNet recommends that the power supply be turned off and that the rack power supply is disconnected from any power source. **Note:** Remove electrical connector before installing in card cage rack.

1. Make sure that the card is oriented right side up, and slide it into the card guides in the rack until the edge connector at the back of the card seats in the corresponding slot in the rack's connector panel. Seating may require thumb pressure on the top and bottom of the card's front panel.

CAUTION: Take care not to press on any of the LEDs.

2. Tighten the two thumb screws on the card until the front panel of the card is seated against the front of the rack.

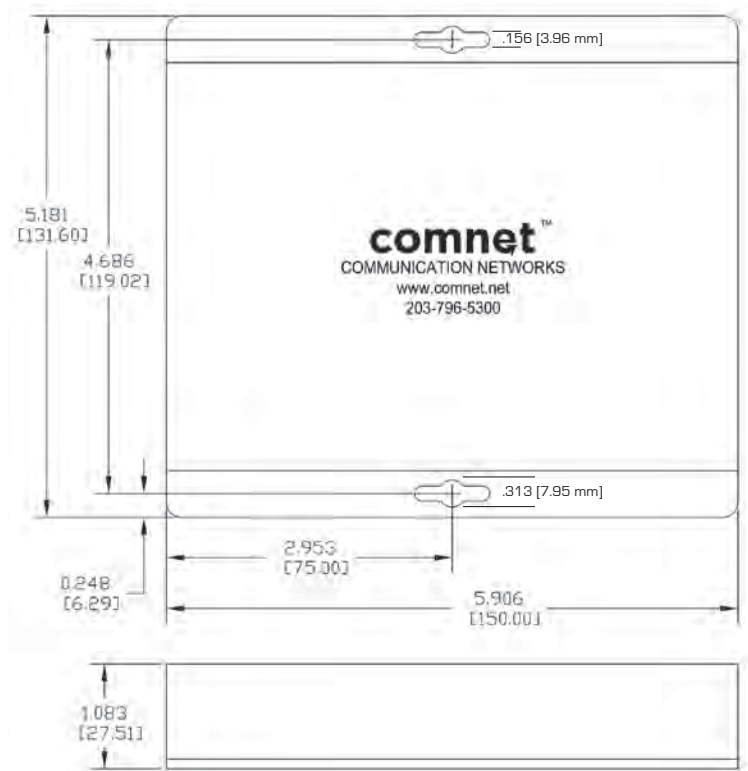
WARNING: Unit is to be used with a Listed Class 2 or LPS power supply.

IMPORTANT SAFEGUARDS:

- A) Elevated Operating Ambient** - If installed in a closed or multi-unit rack assembly, the operating ambient temperature of the rack environment may be greater than room ambient. Therefore, consideration should be given to installing the equipment in an environment compatible with the maximum ambient temperature (T_{ma}) specified by the manufacturer.
- B) Reduced Air Flow** - Installation of the equipment in a rack should be such that the amount of air flow required for safe operation of the equipment is not compromised.

FIGURE A

Dimensions are for a standard ComNet™ one slot module



3 CORPORATE DRIVE | DANBURY, CT 06810 | USA
T: 203.796.5300 | F: 203.796.5303 | TECH SUPPORT: 1.888.678.9427 | INFO@COMNET.NET
8 TURNBERRY PARK ROAD | GILDERSOME | MORLEY | LEEDS, UK LS27 7LE
T: +44 (0)113 307 6400 | F: +44 (0)113 253 7462 | INFO-EUROPE@COMNET.NET