

Welcome!

We greatly appreciate your purchase of the PNP515/517/527/537/547 Customizable Pop 'N Plug (PNP) with Custom Tabletop Surface. We are sure you will find it reliable and simple to use. Superior performance for the right price, backed by solid technical and customer support is what ALTINEX has to offer.

We are committed to providing our customers with Signal Management Solutions[®] to the most demanding audiovisual installations at competitive pricing and we welcome you to join the ranks of our many satisfied customers throughout the world.

1. Precautions and Safety Warnings

Please read this manual carefully before using your PNP Interconnect Box. Keep this manual handy for future reference. These safety instructions are to ensure the long life of your PNP and to prevent fire and shock hazards. Please read them carefully and heed all warnings.

1.1 General

- Qualified ALTINEX service personnel or their authorized representatives must perform all service.
- Unauthorized personnel shall not open the unit since there are high-voltage components inside

1.2 Installation Precautions

- For best results, place the PNP in a dry area away from dust and moisture.
- To prevent fire or shock, do not expose this unit to water or moisture. Do not place the PNP in direct sunlight, near heaters or heat-radiating appliances, or near any liquid. Exposure to direct sunlight, smoke, or steam can harm internal components.
- Handle the unit carefully. Dropping or jarring can cause damage.
- Never place fingers inside the openings of the unit. This action could cause serious injury due to sharp edges inside the unit.
- Do not place heavy objects on top of the PNP. Do not use excessive force to push down on the top of the unit.

2. Installation Procedures

- Step 1. Refer to the ALTINEX website, www.altinex.com, to download the latest templates and instructions for tabletop cutting requirements and installation instructions.
In order to do this, locate the PNP on the website and go to its detail page. The links to the templates, user's guide, and more are on the left hand side of the screen.
- Step 2. Print all information applicable to the installation of the PNP, including the templates and any detailed installation instructions.
- Step 3. Cut an opening into the table's surface. The cutout is the top of the PNP, so it must be cleanly cut and saved. This operation should be performed by experienced professionals in order to insure accuracy and to be aesthetically pleasing.
Note: Always confirm dimensions before cutting to insure that specifications have not changed.
- Step 4. Install the PNP into the table per the installation instructions provided on the website.
- Step 5. Connect all cables to their appropriate sources and/or destinations. The PNP is now ready for operation.

3. Limited Warranty/Return Policies

Please see the ALTINEX website at www.altinex.com for details on warranty and return policies.

- To turn off the main power, disconnect the power cord. The power outlet should be near the equipment and easily accessible.
- ALTINEX recommends using wall outlets with a Ground Fault Circuit Interrupter (GFCI) for maximum protection.
- Install all cables according to the instructions. Do not force or pull any cable or power cord attached to the PNP.

1.3 Cleaning

- Surfaces should be cleaned with a dry cloth. Never use strong detergents or solvents such as alcohol or thinner. Do not use a wet cloth or water to clean the unit.

1.4 FCC Notice

- This device complies with Part 15 of the FCC Rules. Operation is subject to the following two conditions: (1) This device may not cause harmful interference, and (2) this device must accept any interference received, including interference that may cause undesired operation.
- This equipment has been tested and found to comply with the limits for a Class A digital device, pursuant to Part 15 of the FCC Rules. These limits are designed to provide reasonable protection against harmful interference when the equipment is operated in a commercial environment. This equipment generates, uses, and can radiate radio frequency energy and, if not installed and used in accordance with the instructions found herein, may cause harmful interference to radio communications. Operation of this equipment in a residential area is likely to cause harmful interference in which case the user will be required to correct the interference at his own expense.
- Any changes or modifications to the unit not expressly approved by ALTINEX, Inc. could void the user's authority to operate the equipment.

4. Technical Specifications

Specifications are subject to change. See www.altinex.com for up-to-date information.

Features/Description	PNP
Inputs (F) / Outputs (M)	PNP517
AC Power	NEMA 5-15 (8)
Video	15-pin HD (4)
Computer Audio	3.5mm (4)
Network	RJ-45 (4)
Modem	RJ-11 (4)
Composite Video	RCA (2)
Inputs (F) / Outputs (M)	PNP527/537/547
AC Power	PNP527 UK (2) PNP537 Australia (2) PNP547 Germany (2)
Video	15-pin HD (2)
Computer Audio	3.5mm (2)
Network	RJ-45 (4)
Modem	RJ-11 (2)
Composite Video (yellow)	RCA (2)
Stereo Audio (black and red)	RCA (4)
Compatibility	PNP515
Accepts DS901 Standard sectional plates. *	DS901-122 for UK, DS901-123 for Australia, DS901-124 for Germany, DS901-128 blank, DS901-130 for US
Accepts DS901 Configurable sectional plates. *	DS901-125 for UK, DS901-126 for Australia, DS901-127 for Germany, DS901-131 for US

Table 1. PNP General

* See Diagram 6 and Diagram 7 for the available standard plates on both US and international units.

Mechanical	PNP
Min. Table Thickness	0.750 in (19 mm)
Max. Table Thickness	1.125 in (29 mm)
Max. weight of custom top	22 oz (0.624 kg)
Width	5.65 in (144 mm)
Depth	5.45 in (138 mm)
Height, opened	5.10 in (130 mm)
Height (below tabletop)	8.75 in (222 mm)
Width (below tabletop)	8.50 in (216 mm)
Depth (below tabletop)	6.125 in (156 mm)
Finish	Matte Black
T° Operating	10°C-35°C
T° Maximum	40°C
Humidity	90% non-condensing

Table 2. PNP Mechanical

Electrical	PNP
Power Rating (pass through AC power)	120VAC, 60Hz, 5A

Table 3. PNP Electrical

5. About Your PNP

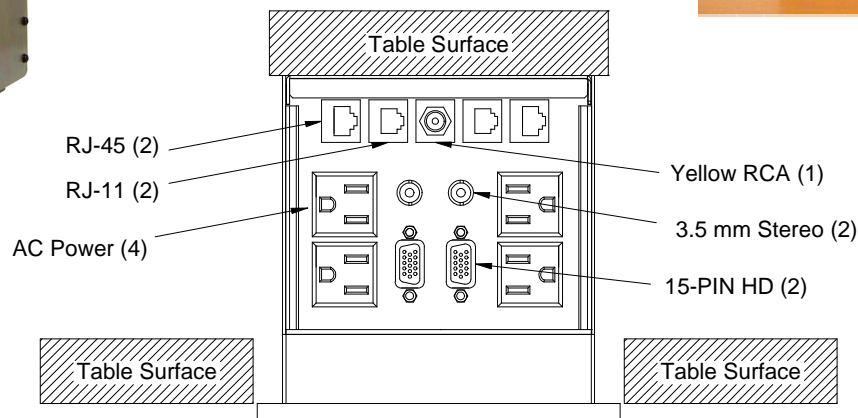
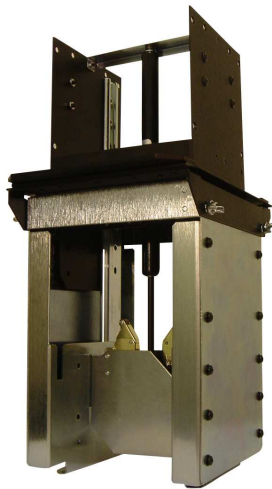
- Customizable to almost any table top
- Several standard international configurations
- Smooth new look on all sides
- Cutout always matches table surface
- Simple, slide-in installation
- Opens/closes by pressing on top
- Gas spring lift mechanism

This Pop 'N Plug uses a custom tabletop cutout surface, and hardware is attached underneath the cutout. When closed, the PNP lays flat and matches the grain on your table. The PNP design allows the connector panels to be easily installed. Just remove the top and slide the connector panels into place. In the open position, the PNP is functional yet maintains a smooth, clean appearance. A simple press on the lid closes the unit flush with the tabletop.

The PNP can be purchased with preconfigured options available that include two standard sectional plates.* Each plate includes one or more of the following: AC power, computer video, stereo audio, modem, or network connections. The AC power receptacles on the faceplates are available with US or international connections.

All connectors on the faceplates are female receptacles. Each signal connector is connected via a 6-foot cable to its corresponding male plug at the opposite end. The AC power cables are 9-foot cords terminated with standard NEMA plugs for the US version, or with the applicable plug for international versions.

* See Diagram 6 and Diagram 7 for the available standard plates on both US and international units.

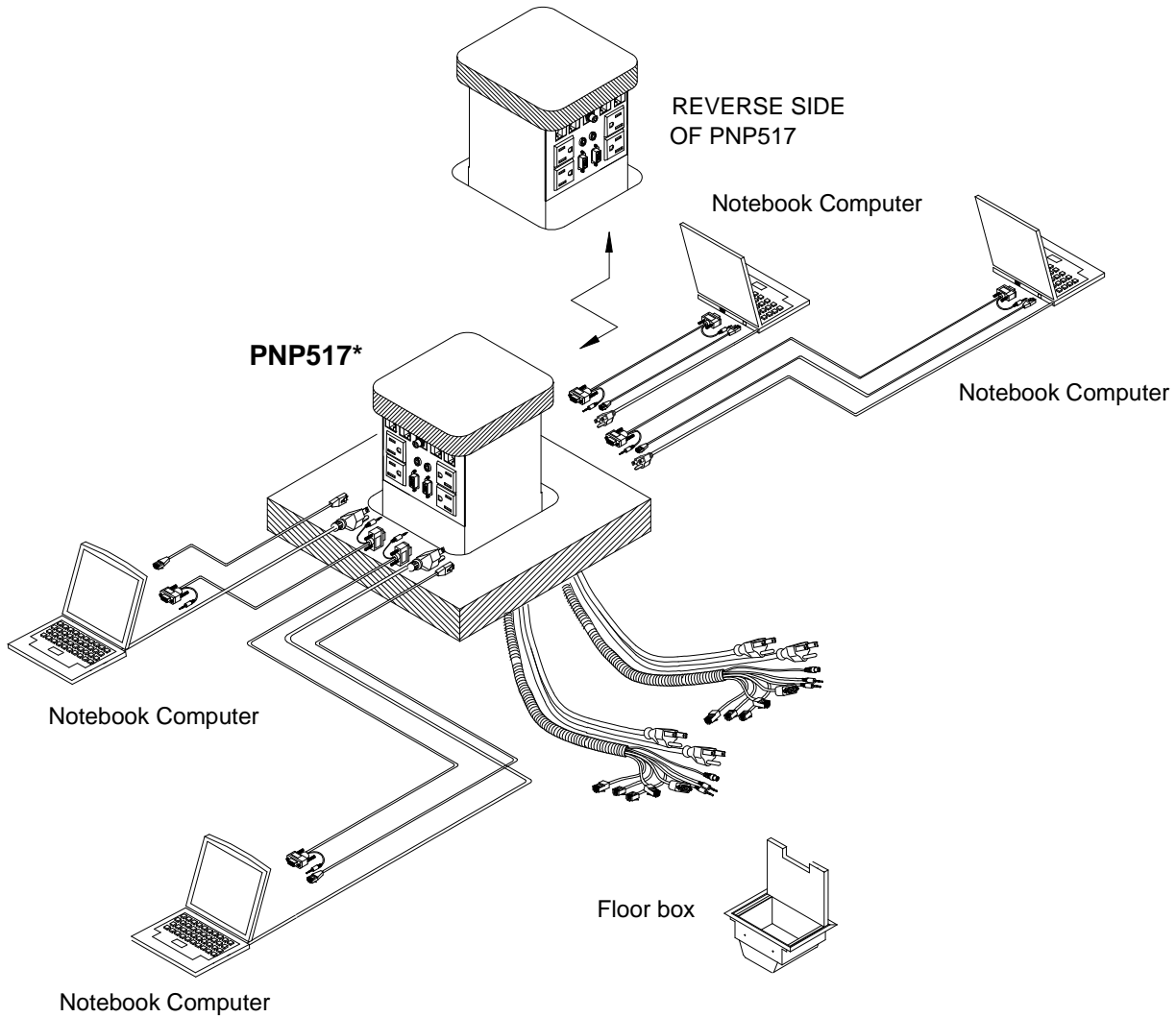


NOTE: One side of the PNP517 connector installation is shown in the above diagram. The PNP517 has another of the same sectional plates facing the opposite side of the table. Various combinations of connectors, along with the applicable cable types, may be selected for customization at the time of purchase.

Please, refer to the ALTINEX website (www.altinex.com) for specific customization options and instructions.

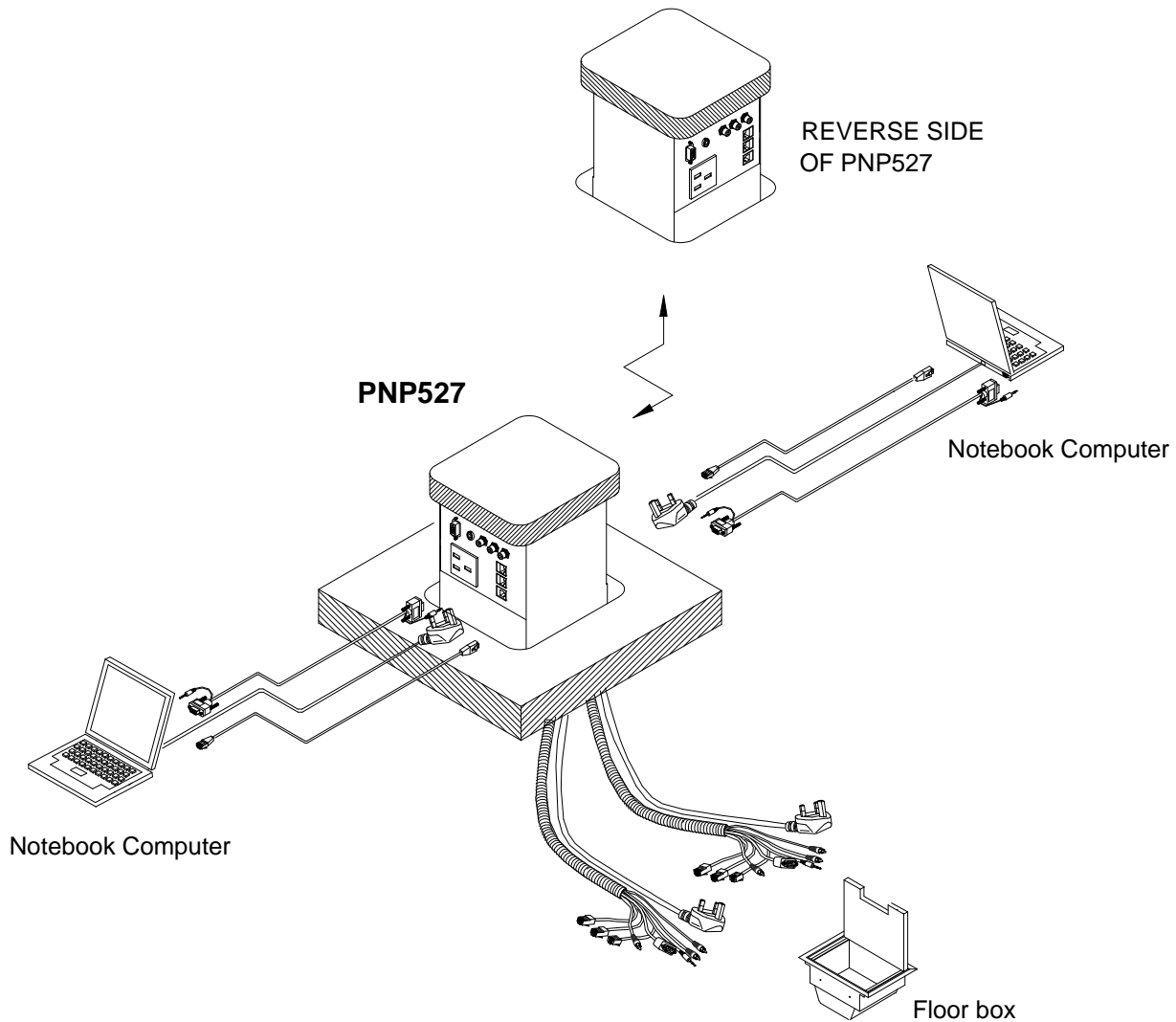
6. Application Diagrams

Diagram 1: Typical Setup for PNP517



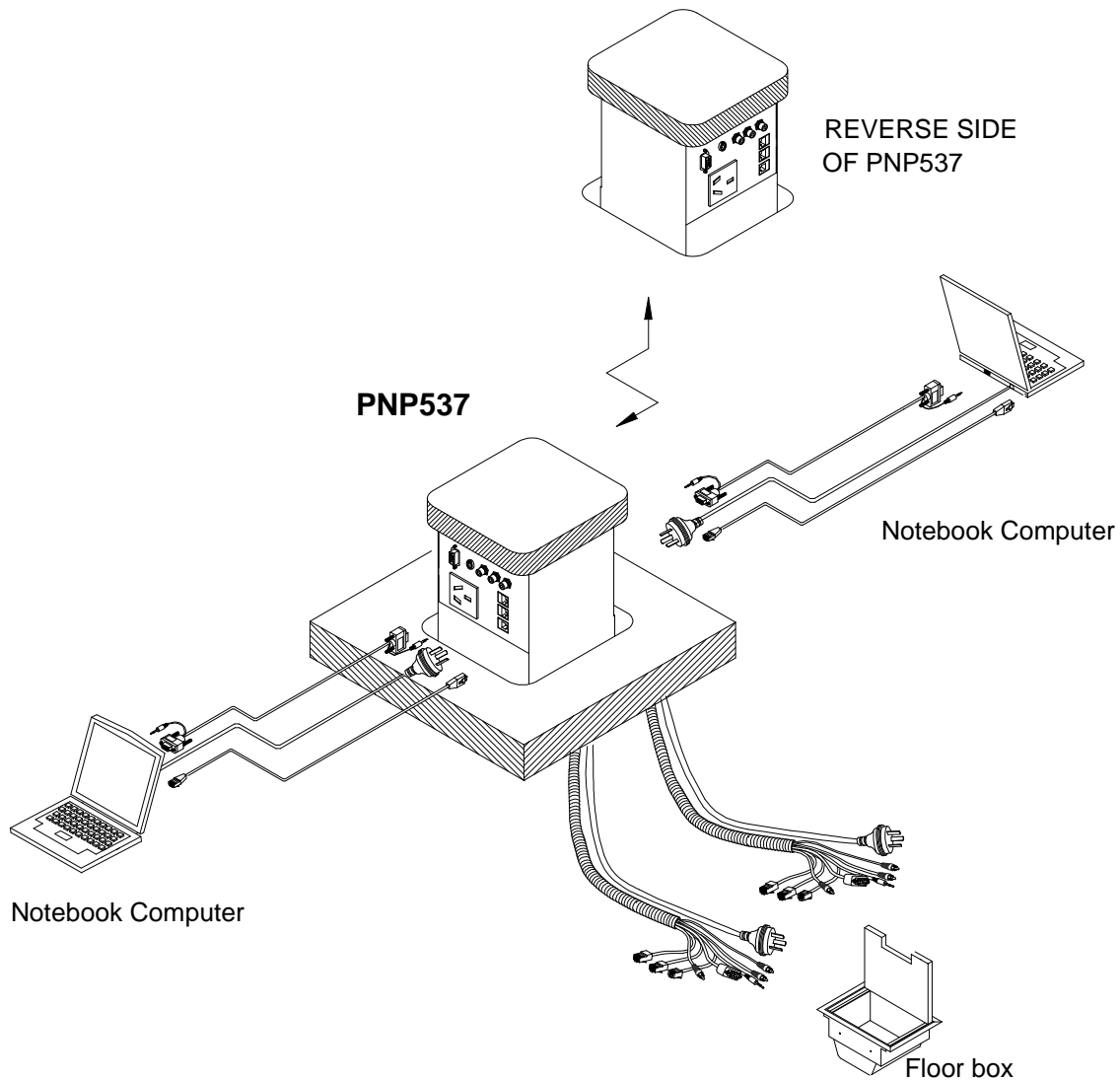
* The PNP517 is shown as in the above diagram. The PNP517 is a standard configuration that includes the PNP515 and two DS901-130 standard faceplates.

Diagram 2: Typical Setup for PNP527



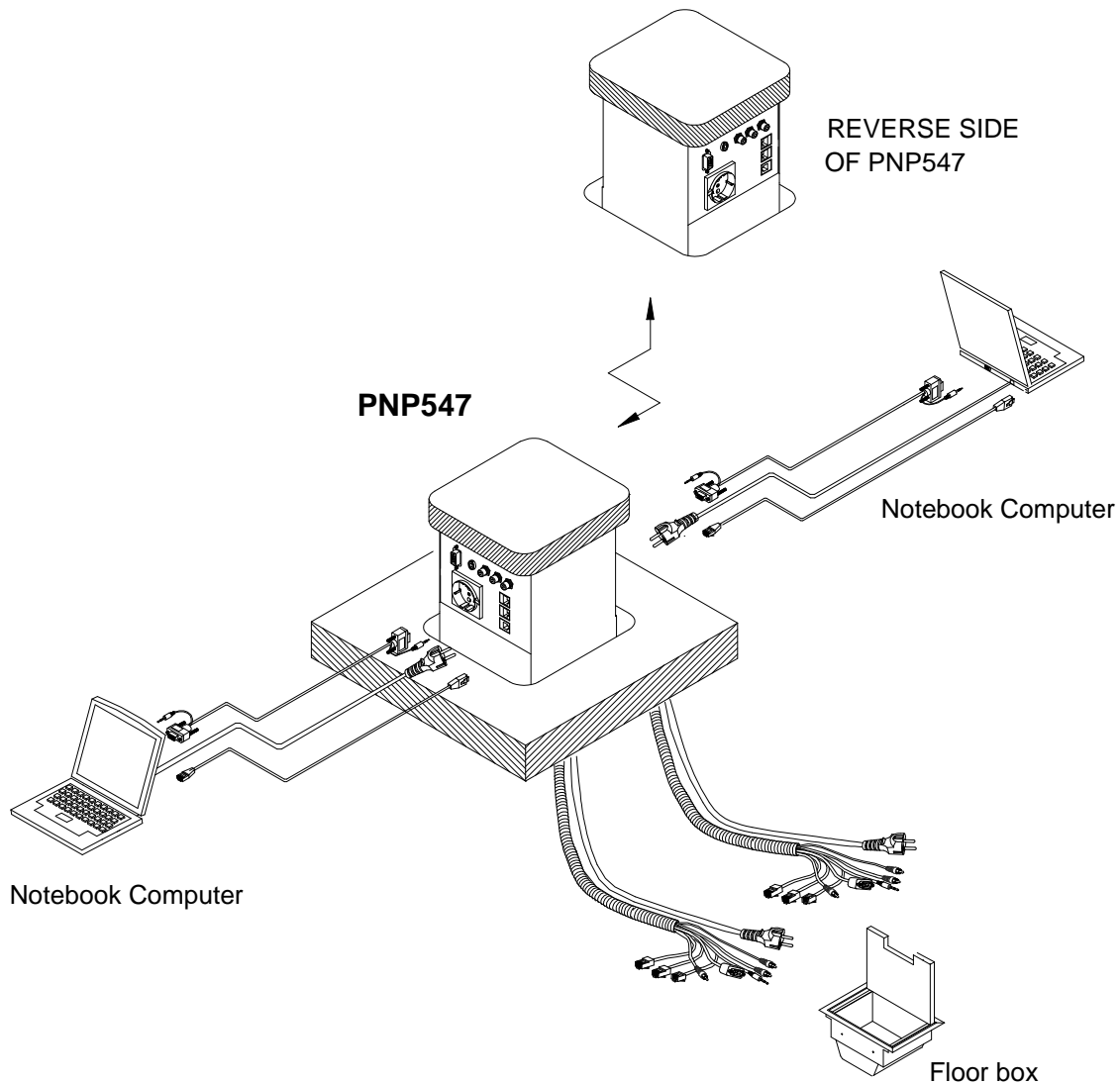
* The PNP527 is shown as in the above diagram. The PNP527 is a standard configuration that includes the PNP515 and two DS901-122 standard faceplates.

Diagram 3: Typical Setup for PNP537



* The PNP537 is shown as in the above diagram. The PNP537 is a standard configuration that includes the PNP515 and two DS901-123 standard faceplates.

Diagram 4: Typical Setup for PNP547



* The PNP547 is shown as in the above diagram. The PNP547 is a standard configuration that includes the PNP515 and two DS901-124 standard faceplates.

Diagram 5: Cutout Dimensions

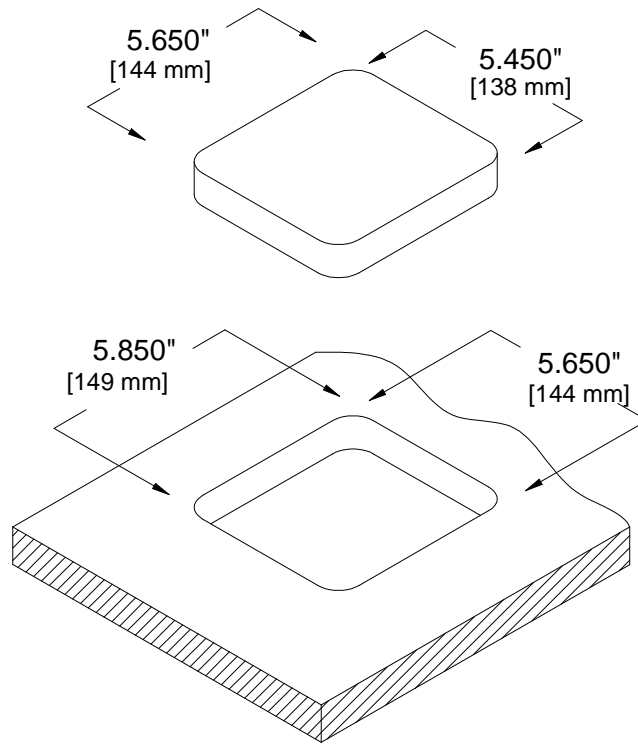


Diagram 6: Closed Dimensions

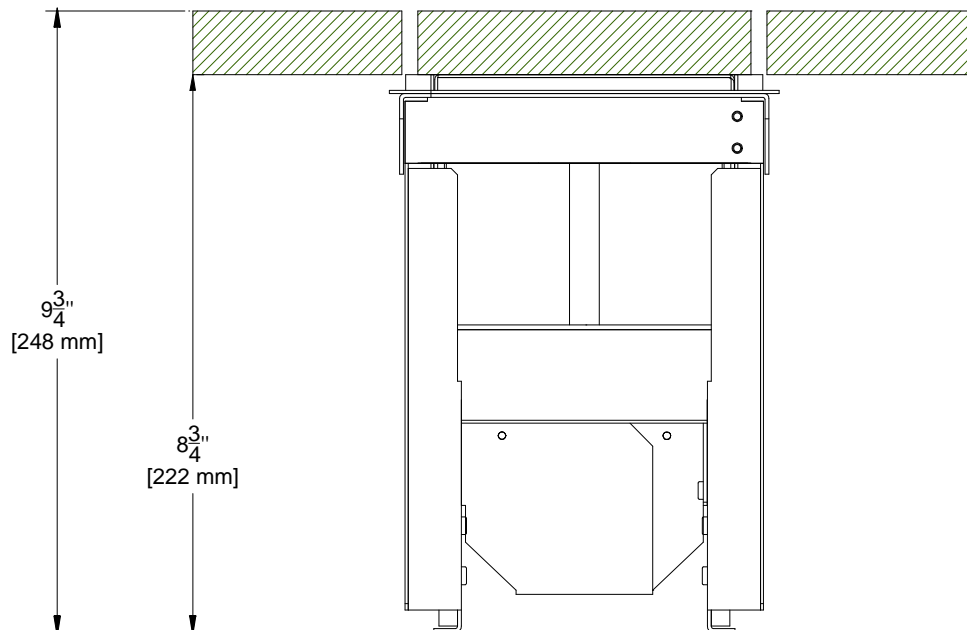


Diagram 7: Front View Dimensions

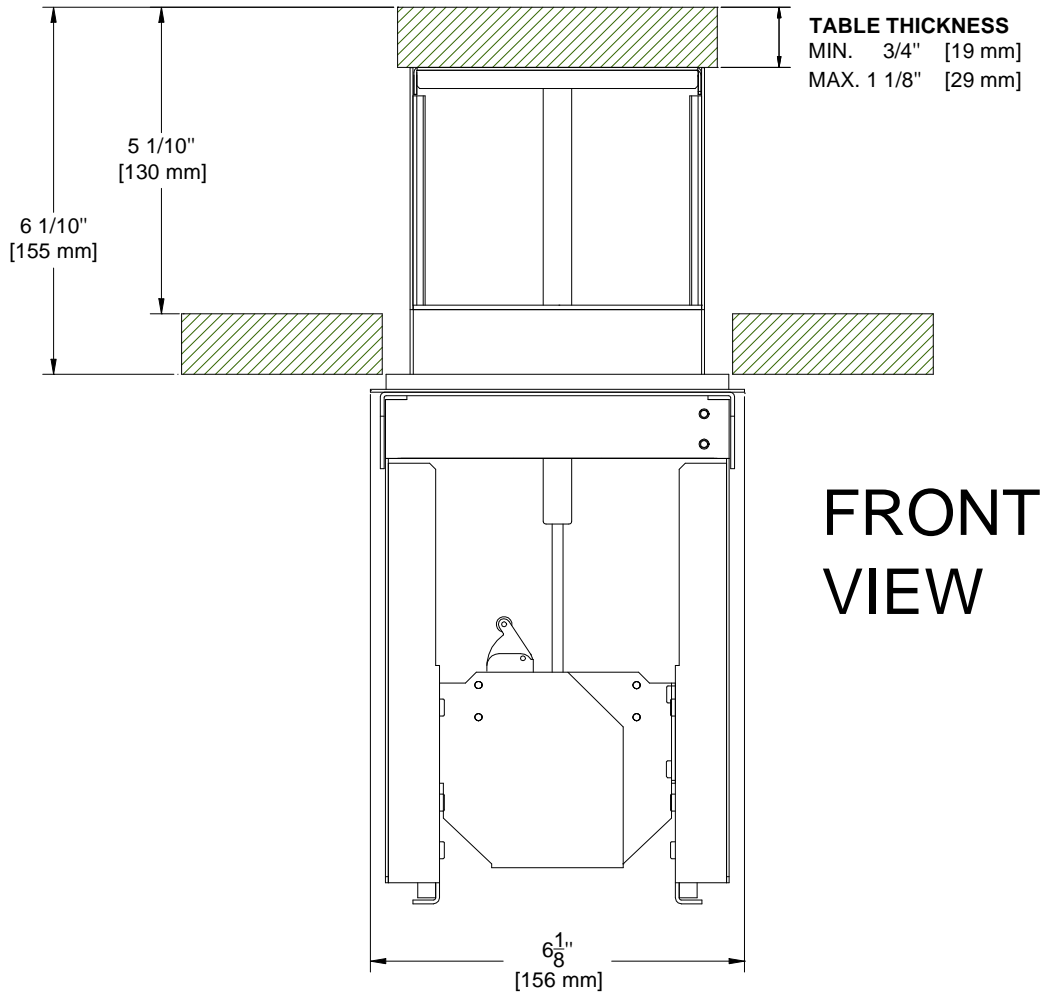


Diagram 8: Side View Dimensions

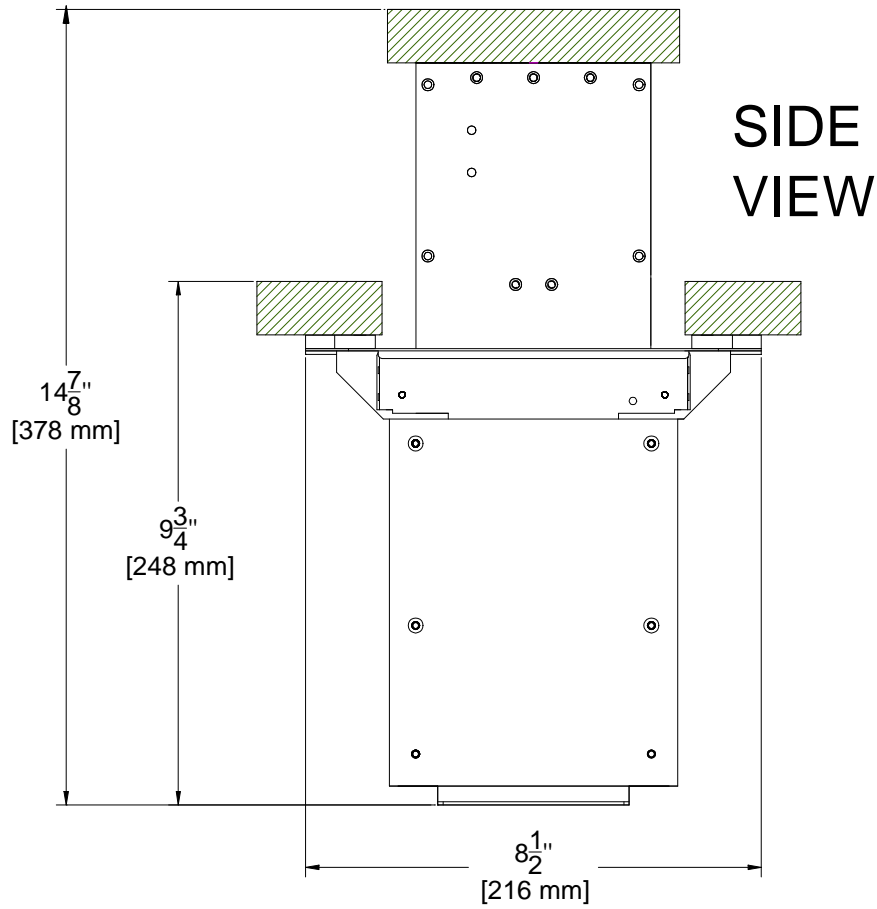
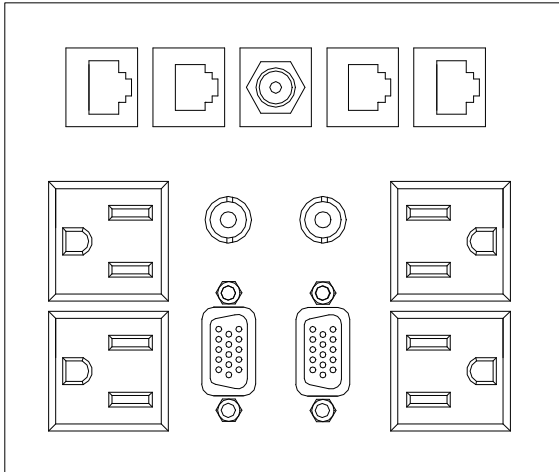


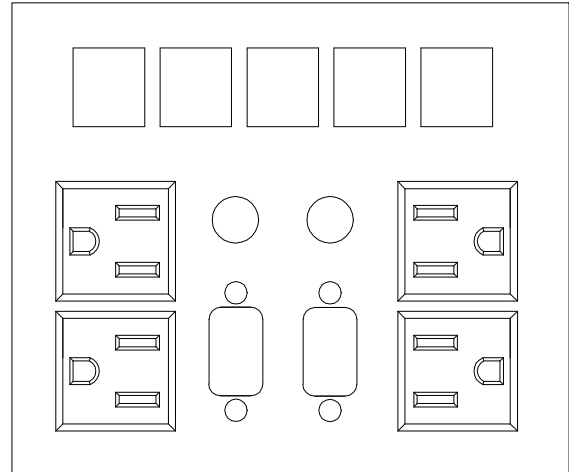
Diagram 9: Standard Plates US & UK

DS901-130



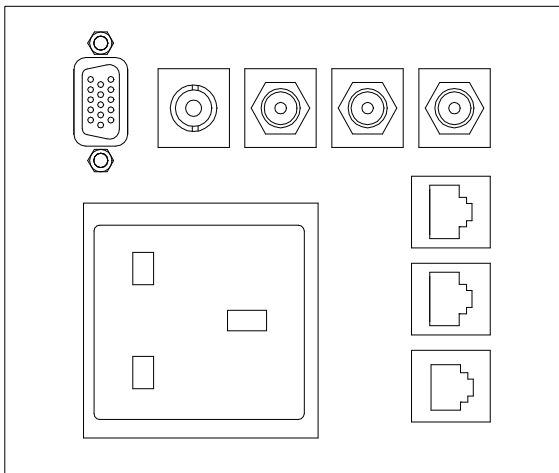
Standard on PNP517 for United States.

DS901-131



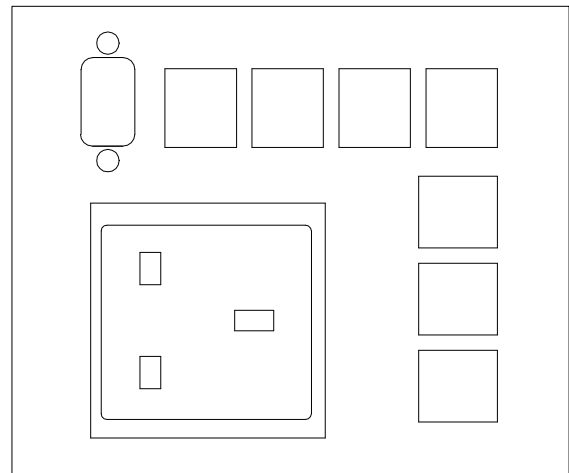
PNP517C with configurable snap-ins.

DS901-122



Standard on PNP527 for United Kingdom.

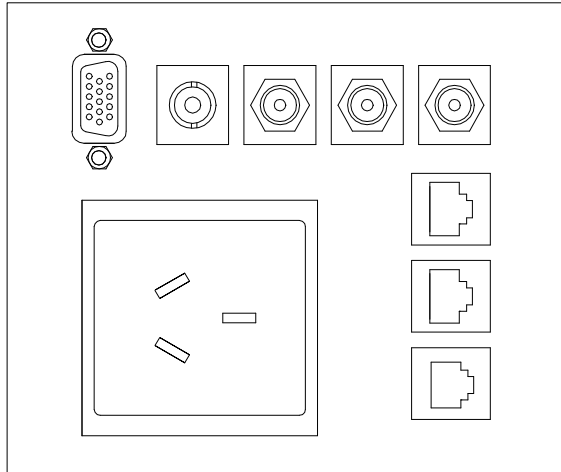
DS901-125



PNP527C with configurable snap-ins.

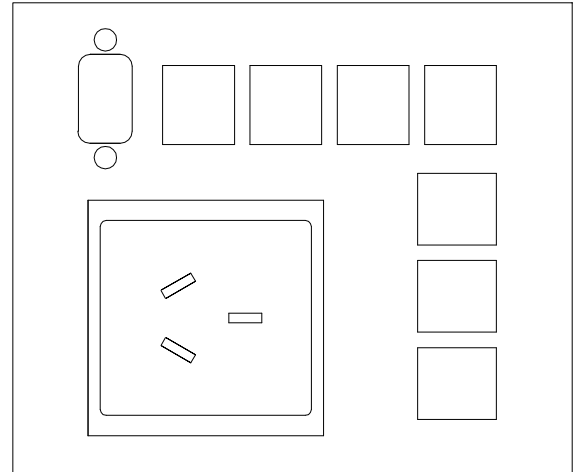
Diagram 10: Standard Plates AU & GR

DS901-123



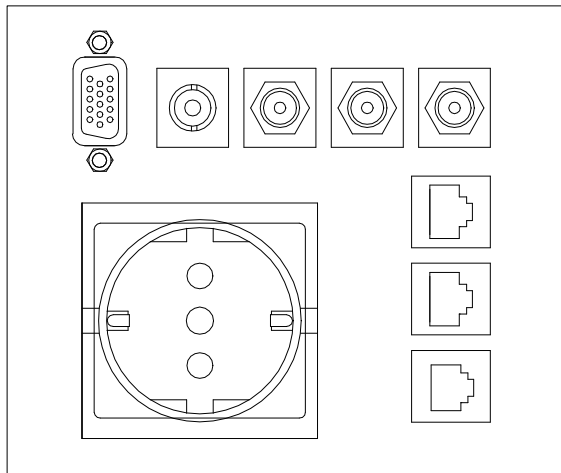
Standard on PNP537 for Australia.

DS901-122



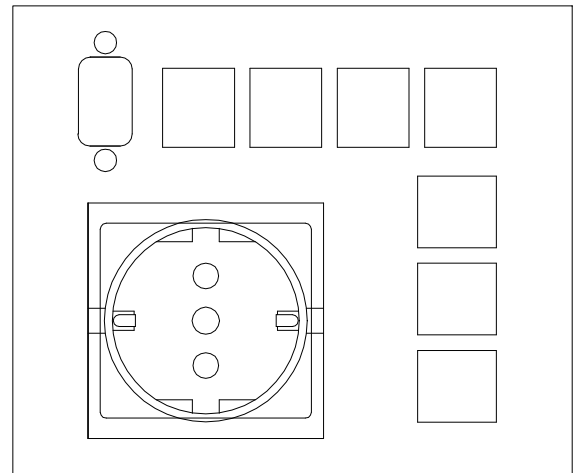
PNP537C with configurable snap-ins.

DS901-124



Standard on PNP547 for Germany.

DS901-127



PNP547C with configurable snap-ins.

7. Operation

7.1 Opening and Closing the PNP

The PNP will open easily when the top is pressed down and then released.

When the PNP is not in use, simply press the top down until it is level with the surface of the table and then release. The unit will remain hidden until needed again.

7.2 Power/Signal Connections

Connect external devices to the appropriate connector on the PNP. Remember, the devices plugged into the AC power connectors should not draw more than 5A AC.

8. Troubleshooting Guide

The PNP unit supplied was carefully tested and no problems were detected. However, we would like to offer the following suggestions:

- Please make sure that the highest quality network cables are used.
- Make sure that no cable or power cord is damaged or pinched. If there has been damage to the unit, do not use the PNP. Please contact ALTINEX at (714) 990-2300 to have the unit repaired.