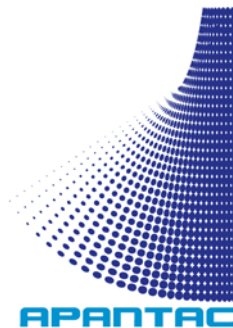

HDMI 4x4 User Manual



APANTAC LLC, 7556 SW BRIDGEPORT ROAD, PORTLAND, OR 97224
INFO@APANTAC.COM, TEL: +1 503 968 3000, FAX: +1 503 389 7921

Copyright and Trademarks:








All rights reserved by APANTAC LCC, Portland, Oregon, USA. No part of this document may be reproduced in any form or by any means without written permission from the product manufacturer. Changes are periodically made to the information in this document. This information will be incorporated in subsequent editions. The product manufacturer may make improvements and /or changes to the products described in this document at any time.

All the registered trademarks referred to in this manual belong to their respective companies.

Table of Contents

1.0	WHAT'S IN THE BOX	3
2.0	Features	4
3.0	Specifications.....	4
4.0	Front/Rear Panels.....	5
4.0.1	Front Panel	5
4.0.2	Button Descriptions	5
4.0.3	Rear Panel	6
5.0	Remote Communications	6
5.0.1	HDMI Matrix / Control Connection	6
5.0.2	IR2 Connection	10

1.0 WHAT'S IN THE BOX

	HDMI Matrix Host
	RS-232 Communication Connecting Cable
	Power Adapter
	IR Blaster
	Remote Control
	2 AAA batteries
	HDMI Matrix Software CD
	User Manual
	2 Rack-Mount Bracket

2.0 Features

- HDMI 1.3a Compatible
- HDCP Compliant
- Can be used as a DVI switch with optional HDMI to DVI cables
- Supports RS-232 Control
- Supports IR control
- Rack-mountable
- Supports computer video up to 1920 x 1200
- Supports up to 1080p
- EDID management (Learn from Output port 1)

3.0 Specifications

Function	HDMI-4x4
Input Connector	4 x HDMI Type A
Output Connector	4 x HDMI Type A
RS-232 Connector	DB9 Female
Max. Resolution	1920x1200/1080P
Highest TMDS Frequency	225 MHz
Cable Distance	10 meter (Max.)
Power	DC 12V
Weight	2350 g
Dimensions (LxWxH)	440x185x43mm

4.0 Front/Rear Panels

4.0.1 Front Panel



Figure 4-1 HDMI-4x4 Front Panel

4.0.2 Button Descriptions

- Out 1 ~ 4: Destination
- In 1 ~ 4: Source
- IR1: Infrared Receiver
- ALL: This button allows you to set a single source to all destinations
 - Press <ALL>.
 - Select one of the sources (In 1 ~ 4).
 - The selected source will go to all the destinations.
 - To disable the <ALL> selection press <OFF>.
- OFF: Pressing <OFF> will turn off all destinations
 - Select one of the destinations, then press <OFF>. This will turn off that particular destination.
 - Press <ALL> followed by <OFF> to disable all switch settings.
- STO: The "Store Key" saves all current source/destination statuses.
 - Press <STO>. You can now store the presets 1 to 4 by pressing the OUT 1 ~ 8 buttons.
- RCL: The "Recall Key" recalls the saved input/output status.
 - Press <RCL>, then press out keys 1 ~ 4 to select the presets.
- EDID: FIX and TV1
 - FIX: The HDMI-4x4 will supply a set of stored EDID values.
 - TV1: The HDMI-4x4 will access the EDID value of the monitor that is connected to the first output channel and copy the EDID value to all the input channels.
- LCD: The LCD display shows current matrix and operation statuses.

4.0.3 Rear Panel



Figure 4-2 HDMI-4x4 Rear Panel

1. Power: DC-12V
2. RS232
3. IR2: Connection to the IR Blaster
4. Input 1 ~ 4: HDMI/DVI sources
5. Output 1 ~ 4: HDMI/DVI monitors or projectors

HDMI Type A Connector Pin Definition:

Pin #	Signal	Pin #	Signal
1	TMDS Data2+	11	TMDS Clock Shield
2	TMDS Data2 Shield	12	TMDS Clock-
3	TMDS Data2-	13	NC
4	TMDS Data1+	14	NC
5	TMDS Data1 Shield	15	DDC-SCL
6	TMDS Data1-	16	DDC-SDA
7	TMDS Data0+	17	DDC-Ground
8	TMDS Data0 Shield	18	+5V Power
9	TMDS Data0-	19	Hot Plug Detect
10	TMDS Clock+		

5.0 Remote Communications

5.0.1 HDMI Matrix / Control Connection

Use the supplied RS-232 cable to connect the computer's serial port (COM1 or COM2) to the RS-232 port of the HDMI-4x4 to enable remote control via serial interface.

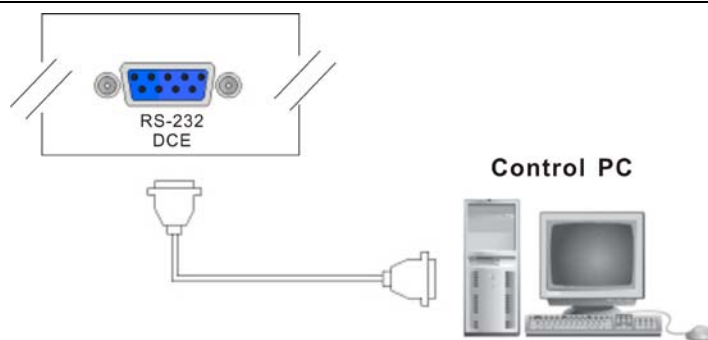


Figure 5-1 (a) RS-232 and Control PC connection

The RS-232 Pin Out

Pin No.	Leg	Description
1	N/u	Null
2	Tx	Send
3	Rx	Receive
4	N/u	Null
5	Gnd	Ground
6	N/u	Null
7	N/u	Null
8	N/u	Null
9	N/u	Null

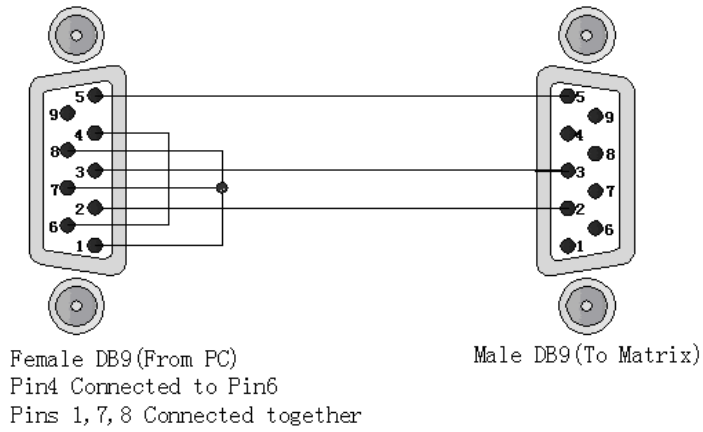


Figure 5-3

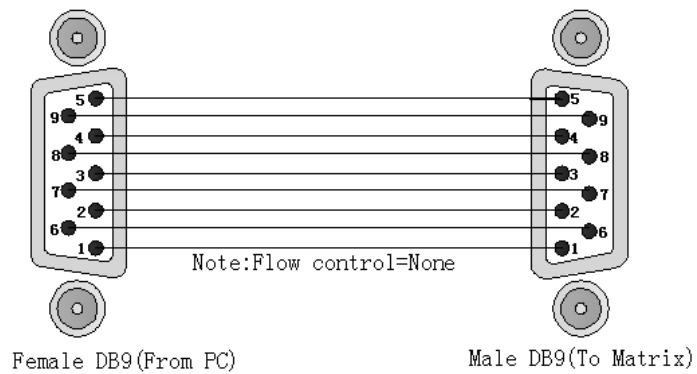


Figure 5-3 (a)

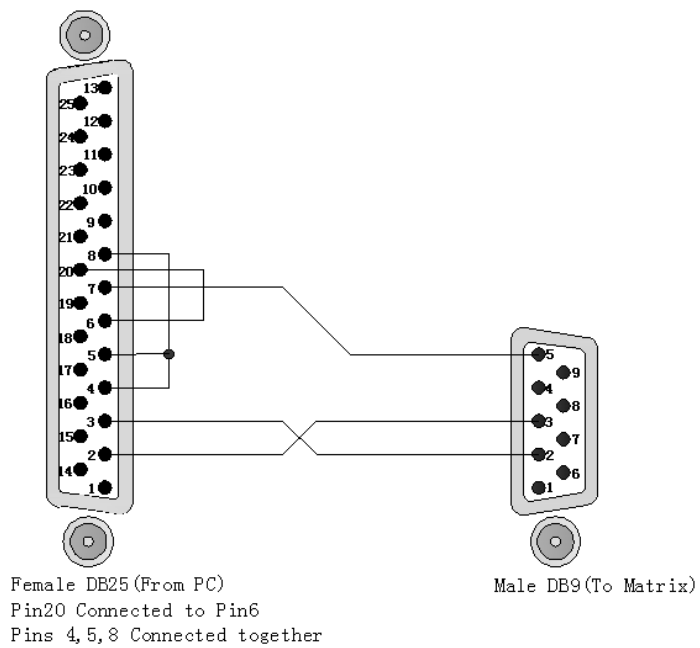


Figure 5-3 (b)

5.0.2 IR2 Connection

The HDMI-8x8 can also be controlled via an IR remote control simply by connecting the IR Blaster IR2 port on the rear panel.

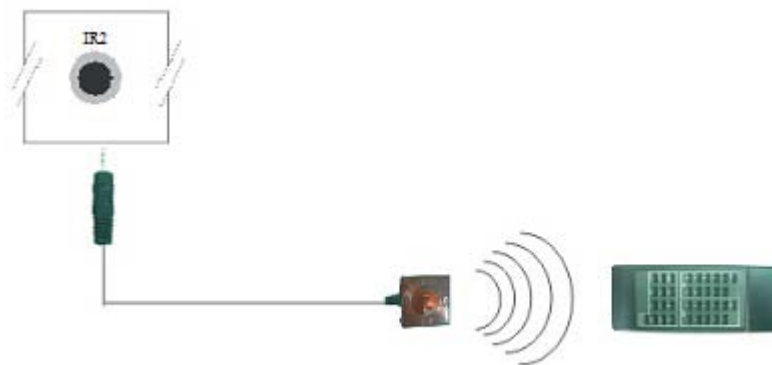


Figure 6-6 IR Connection