



INSTRUCTION MANUAL

CMA-Uc

Low Noise, Broadband UHF 75 Ohm Preamplicifier

Stock No. 1264

Description

The CMA-Uc is a very low noise, broadband UHF-TV preamplicifier designed for antenna mast mounting. This preamplicifier can be used for all UHF channels 14 thru 83. The unit has a relatively uniform gain across the entire UHF-TV band. In addition to its low noise figure, the CMA-Uc features excellent gain with high output capability.

The circuitry is housed in a rugged die-cast aluminum case designed to be mounted on a TV antenna mast or on the side of a tower structure with the U-bolt and bracket supplied. CMA-Uc preamplicifiers are equipped with 75 Ohm type "F" input and output connectors.

Features

- Low Noise Figure: 3.0 dB to 3.5 dB
- Excellent gain with high input capability
- Built-in output test jack permits uninterrupted service
- Heavy duty die-cast aluminum construction

651128200G

Specifications (Typical)

Bandwidth: Ch. 14-83
 Noise Figure: 3.0 dB (3.5 dB @ Ch. 83)
 Gain: 20 dB
 Input Return Loss: 4.0 dB
 Output Return Loss: 3.0 dB
 Minimum Recommended Input for TASO Grade 1
 (Excellent) Picture 46 dB S/N: -9 dBmV
 Input Capability (3 Ch. Xmod @ -46 dB): 26 dBmV
 Power Requirement: -21 VDC regulated @ 28.6 mA

Operating Ambient Temperature Range:
 -40° to +140° F

Dimensions: 5" x 3-7/8" x 3", LxDxH
 Shipping Weight: 1 lb. 5 oz.

Connectors

Input: Type "F", Female
 Output: Type "F", Female
 Output Test Point (-20 dB backmatched):
 Type "F", Female

Installation

For best signal-to-noise ratio, the CMA-Uc should be mounted close to the antenna (See Figure 1). Attach the CMA-Uc to the antenna mast with the connectors pointing down. Attach the antenna cable to the connector marked INPUT and the output cable to the downlead connector marked OUTPUT. Mounting hardware is supplied with the unit.

Under no circumstances should the unit be mounted in an unventilated area or other location where the ambient temperature may exceed the rated maximum given in the specifications.

CAUTION

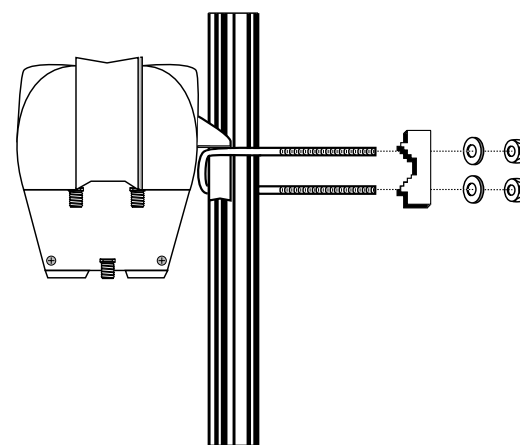


Figure 1

Power Supply

-21 VDC must be supplied on the center conductor of the coaxial output cable. A single preamplifier may be operated from a Blonder Tongue Model #1526 40 mA power supply. One or two preamplifiers may be simultaneously operated from a Blonder Tongue Model #1536 100 mA dual power supply.

Testing

The performance of the CMA-Uc can be checked at the -20dB test jack without interrupting service. A standard 75 ohm "F" type connector is used.

Service

The CMA-Uc is conservatively designed and intended for operation over a wide range of environmental conditions. If trouble is noted, check for corrosion of connectors and other obvious signs of physical damage. Beyond visual inspection, services should not be attempted in the field.

Returning Product for Repair (or Credit)

A Return Material Authorization (RMA) Number is required on all products returned to Blonder Tongue, regardless if the product is being returned for repair or credit. Before returning product, please contact the Blonder Tongue Service Department at 1-800-523-6049, Ext. 4256 or visit our website: www.blondertongue.com for further information.



**BLONDER
TONGUE**
LABORATORIES, INC.

One Jake Brown Road
 Old Bridge, NJ 08857-1000 USA
 (800) 523-6049 • (732) 679-4000 • FAX: (732) 679-4353
www.blondertongue.com