



INSTRUCTION MANUAL



CMA-b

Low Noise, Single Channel Preamplifier

Stock No. 4706

Description

The CMA-b is a low noise, single channel VHF preamplifier with excellent gain and the ability to accept a wide range of input signal levels, making it ideal for CATV and MATV headend installations. The CMA-b mounts on the antenna mast and power is duplexed on the download, eliminating a separate power supply lead.

Features

- Very Low Noise Figure
- Excellent Gain, Flat Response
- Excellent Adjacent Channel Overload Rejection
- Output Monitor Jack Permits Testing Without Service Interruption

Specifications (Typical)

Gain

CMA-b ch. 2 - 6: 29 dB, 26 dB min

CMA-b ch. 7 - 13: 26 dB, 25 dB min

CMA-b FM: 24 dB, 20 dB min

Bandpass Flatness

Channels 2 - 13: 6 MHz +/- 0.25 dB

FM: 1 dB, 2 dB max.

Noise Figure

CMA-b ch. 2 - 6: Less than 3.5 dB

CMA-b ch. 7 - 13: Less than 2.5 dB

CMA-b FM: 2 dB, 3 dB max.

Input Impedance: 75 ohms

Selectivity: 12 dB down 9 MHz
from center freq.,
10 dB min.

Minimum Recommended

Input for TASO Grade 1 (Excellent
Picture)

CMA-b 2 - 6 & 7 - 13: 300 μ v (-10 dBmv)

Maximum Input for Just-Perceptible Cross

Modulation

CMA-b ch. 2 - 6: 36 dBmv

CMA-b ch. 7 - 13: 28 dBmv

Maximum Input for Just-Perceptible

Intermodulation

CMA-b ch. 2 - 6: 33 dBmv

CMA-b ch. 7 - 13: 26 dBmv

Operating Ambient

Temperature Range: -40° F to 140° F

Output Monitor Jack: -20 dB (Backmatched)

Power Requirement: -21 VDC at 40 ma

Connectors (75 ohms)

Input: Type F, **Output,** Type F, **Output Monitor:** Type F

Housing: Cast Aluminum

Dimensions: 5" x 3-7/8" x 2-5/16"

Shipping Weight: 1 lb., 5 oz.

651094300M

CMA-b - Instruction Manual

The lightning flash with arrowhead symbol within an equilateral triangle is intended to alert you to the presence of uninsulated "dangerous voltage" within the product's enclosure that may be of sufficient magnitude to constitute a risk of electrical shock to persons.



The exclamation point within an equilateral triangle is intended to alert you to the presence of important operating and maintenance (servicing) instructions in the literature accompanying the product.

TO REDUCE THE RISK OF ELECTRICAL SHOCK, DO NOT REMOVE COVER FROM THIS UNIT. NO USER-SERVICEABLE PARTS INSIDE. REFER SERVICING TO QUALIFIED SERVICE PERSONNEL

WARNING: TO PREVENT SHOCK HAZARD, DO NOT EXPOSE THIS UNIT TO RAIN OR MOISTURE

NOTE TO CATV INSTALLERS

This reminder is provided to call the CATV System Installer's attention to Article 820-40 of the NEC that provides guidelines for proper grounding and, in particular, specifies that the cable ground shall be connected to the grounding system of the building, as close to the point of cable entry as practical.

Installation

For best signal-to-noise ratio, the CMA-Uc should be mounted close to the antenna (See Figure 1).



Under no circumstances should the unit be mounted in an unventilated area or other location where the ambient temperature may exceed the rated maximum given in the specifications.

Figure 1 shows the method of attaching the CMA-b to the antenna mast. All hardware required to mount the CMA-b is supplied with the unit.

Note: -21 VDC must be supplied to the CMA-b from the output cable. Blonder Tongue's model 1526 Power Supply is designed specifically for this purpose.

The performance of the CMA-b can be checked at the -20 dB test jack without interrupting service. A standard 75-ohm "F" connector is used.

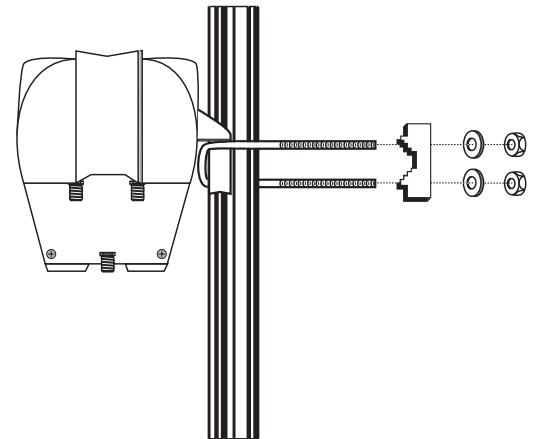


Figure 1

Returning Product for Repair (or Credit)

A Return Material Authorization (RMA) Number is required on all products returned to Blonder Tongue, regardless if the product is being returned for repair or credit. Before returning product, please contact the Blonder Tongue Service Department at 1-800-523-6049, Ext. 4256 or visit our website: www.blondertongue.com for further information.



**BLONDER
TONGUE**
LABORATORIES, INC.

One Jake Brown Road
Old Bridge, NJ 08857-1000 USA
(800) 523-6049 • (732) 679-4000 • FAX: (732) 679-4353
www.blondertongue.com