



Thank you for purchasing Rockustics Escape Series landscape speakers. When properly installed, these speakers will provide years of listening enjoyment. Flexible mounting options mean these speakers can accommodate almost any outdoor space to provide full coverage and amazing audio in your private outdoor escape.

If you have any questions that are not answered in the following directions, please contact your local sound contractor or email techsupport@mseaudio.com.

Site Preparation

There are several factors to consider when choosing mounting locations for your Periscope landscape speakers from Rockustics:

- The speakers may be mounted in the ground with the provided ground spike or they may be mounted on walls or vertical surfaces with the optional wall mounting plate.
- There should be a direct line of sight from the speaker to the listening area.
- Position each speaker so they are all the same distance away from

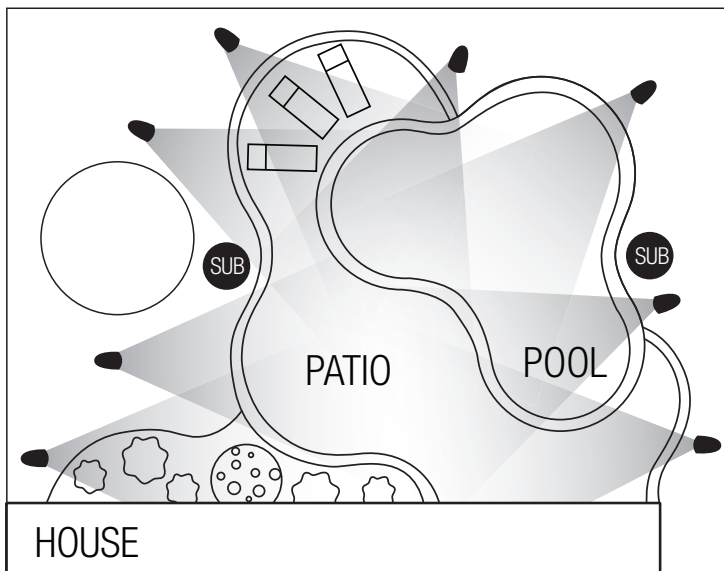
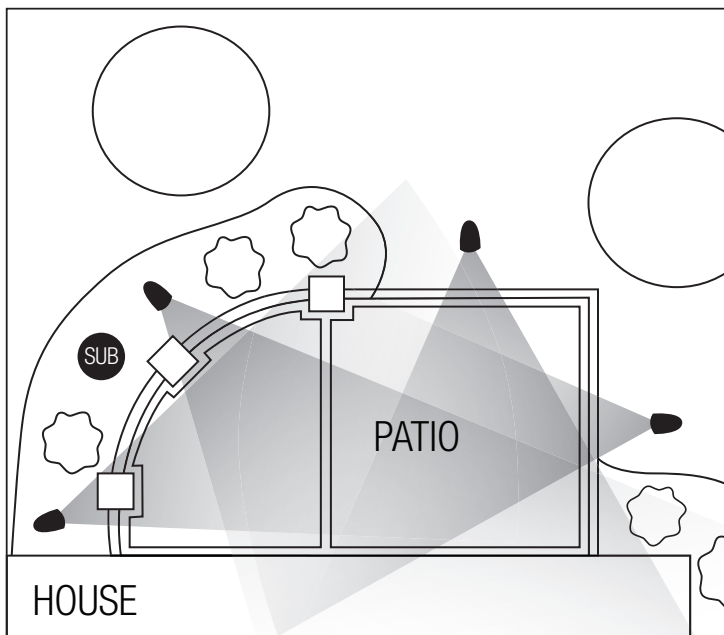
the listening area.

- Using high and low speaker locations will help to centralize the acoustic stage.
- Position the speakers 15' - 20' apart, but not more than 30' from the listening area.
- Be sure to select mounting locations that will not have high foot traffic or where landscaping equipment will frequently pass by.
- Do not place the speakers in areas that are prone to flooding with standing water.
- The speakers should not be positioned directly in front of, or in direct spray from, sprinklers.
- Do not aim the speaker at more than 45° from horizontal.
- A spike mount extension is available for installations requiring additional mounting depth.

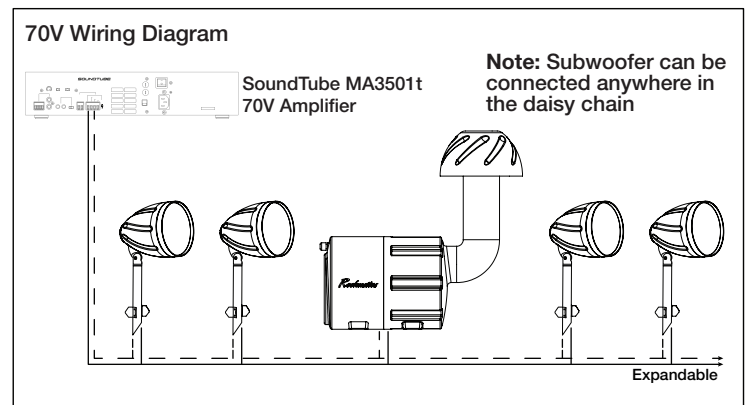
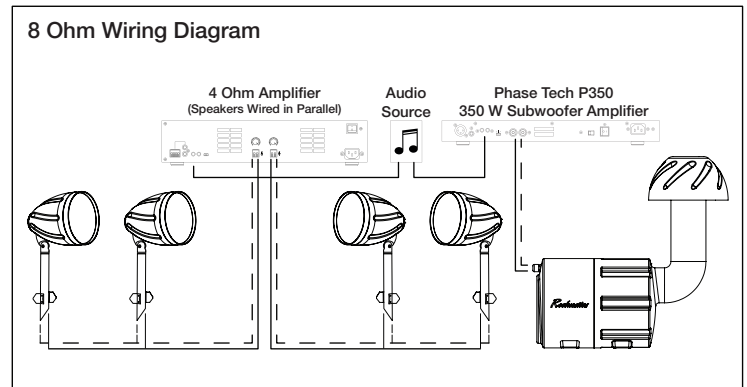
We cannot anticipate or accommodate every possible installation configuration. Trial and error methods may have to be employed to achieve acceptable audio dispersion.

We recommend a minimum system consisting of four (4) units of the Periscape speaker and one (1) Subscape subwoofer. It is acceptable to have up to eight (8) units of the Periscape speaker with a single subwoofer, but it is recommended to add a second subwoofer for installations of more than eight (8) Periscape units. The final number of speakers and subwoofers will depend on the coverage needed for the intended space. Sufficient amplifier power will need to be provided to accommodate the final number of speakers in the installation. Contact your Rockustics dealer or email techsupport@mseaudio.com for assistance if needed.

Included are some typical installation layouts for reference.

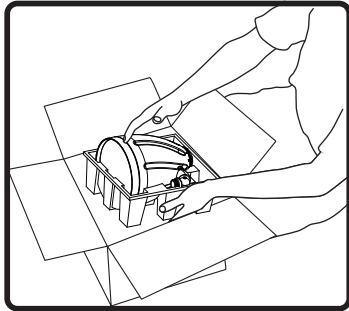


The Periscape and Subscape speakers all come equipped with high voltage (70V) transformers and may also be run in an 8 ohm direct mode. The included tap switch provides different tap settings and a transformer bypass option which allows for maximum flexibility in installing and tuning the system. See the figures below for typical 70 Volt and 8 Ohm wiring configurations.

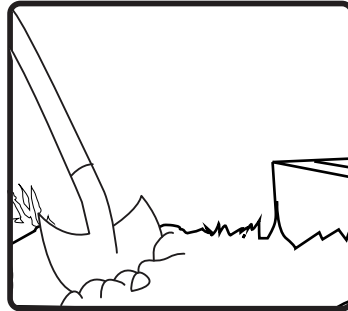


Periscape Speaker Installation

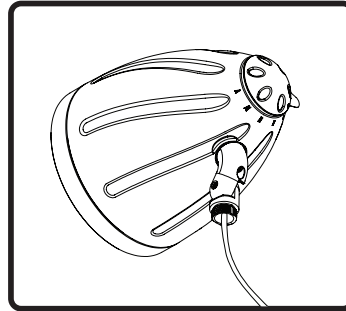
- Rockustics recommends using either 14 gauge or 16 gauge direct-burial rated cable.
- It is best to lay out the cable to each of the intended speaker locations before installing the speakers. Once the speakers are installed and the system has been tested, bury the speaker cable 3-5" deep in the ground.



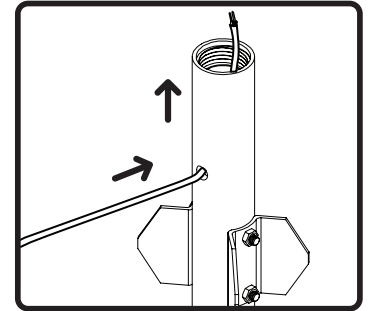
1. Remove speaker from the box.



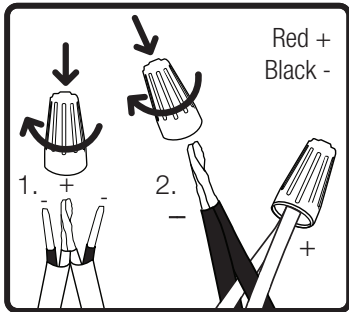
2. For in-ground installation, dig a hole 6 - 8" in diameter and 8" deep in the precise location where the speaker will be placed.



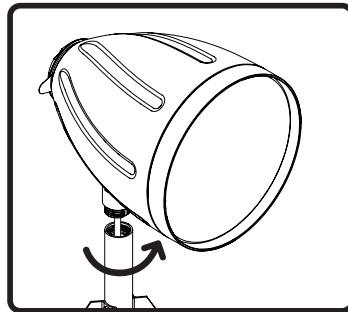
3. Strip and prepare wire ends for your speaker configuration.



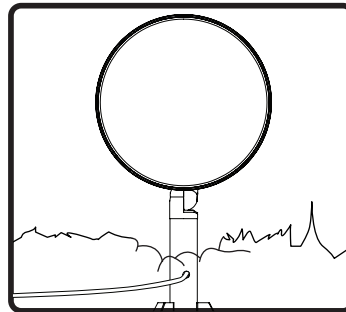
4. Pass the wire from the amplifier through the side hole in the mounting spike and out the top end. If daisy-chaining, pass the wire for the next speaker through the hole and out of the top as well. **DO NOT PASS THE SPEAKER WIRE(S) OUT OF THE BOTTOM OF THE MOUNTING SPIKE.**



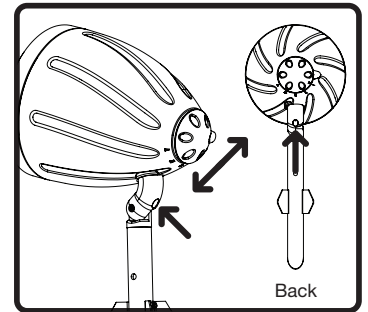
5. Trim the wire from the speaker to the appropriate length and use the supplied silicone wire nut to connect the positive lead from the speaker to the positive leads on the input wire. If daisy-chaining, be sure to also connect the positive wire for the next speaker in the chain. Repeat this step with the negative leads.



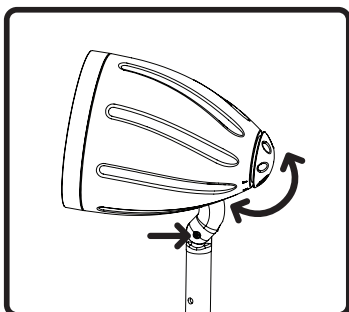
6. Gently place the wire nuts and speaker cable inside of the mounting spike and thread the speaker onto the mounting spike. Be sure to fully tighten the spike to the speaker mounting flange. Gently pull on the speaker wires coming out of the side of the hole to remove any excess wire inside the mounting spike.



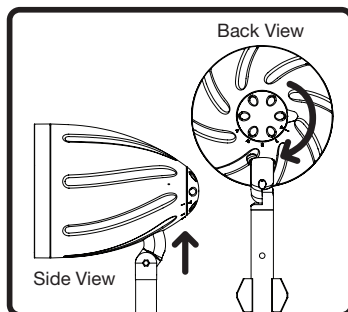
7. Position the Periscope speaker in the hole, ensuring that it is aimed in the intended direction. The speaker should be deep enough in the ground that the wire(s) can be buried at least 1" below the final landscaping grade. Backfill the hole.



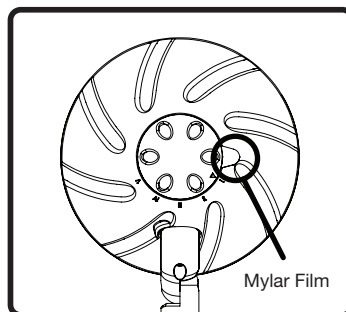
8. Speaker aiming can be fine-tuned using the included Allen wrench. Loosen the screw in the bottom of the gooseneck adapter and gently rotate the speaker into the desired position. Re-tighten the screw.



9. Adjust the vertical aiming (tilt aiming) by loosening the screw in the side of the mounting bracket assembly. Adjust the speaker to the desired tilt angle and re-tighten the screw. **DO NOT ADJUST THE SPEAKER TO AN ANGLE MORE THAN 45° FROM HORIZONTAL.**



10. Use the rear position tap switch to select the correct tap setting for your installation. See the tap switch key on page 4 to determine which tap power setting corresponds to the markings on the speaker.

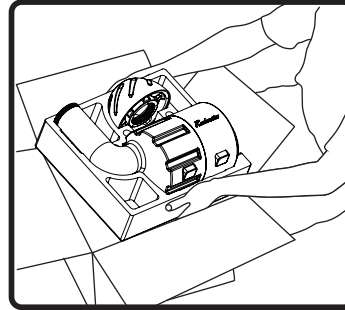


11. Once the tap setting has been finalized and the system performance has been approved, remove the mylar film by pulling on the exposed tab. Push the tap switch on to the speaker to lock the tap switch into position.

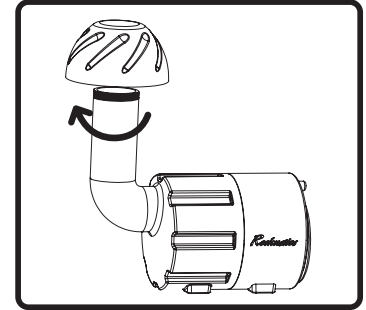
Note – to re-set the tap position after the knob has been locked in place, gently pry the tap switch knob away from the speaker 1/8". Re-position the tap switch to the desired setting and then push the tap knob back in place. The knob will then be locked in the new position. If desired, the tap switch locking mechanism may be permanently disabled by cutting off the short pin on the back of the speaker. Simply remove the tap knob, cut off the locking pin on the back of the speaker and replace the knob.

Subscope Speaker Installation

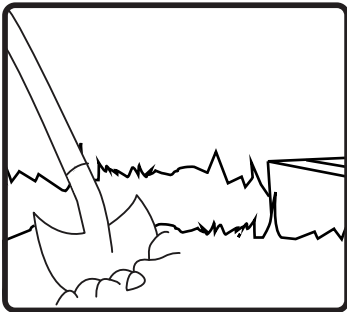
- It is recommended to add a 4" to 6" layer of crushed rock or gravel underneath the subwoofer. This will help protect the speaker from the ground water and minimize frost heaving.
- For 8 Ohm operation, it is recommended to use a PhaseTech P350 subwoofer amplifier.
- All Subscope subwoofers should be mounted such that the bottom edge of the vent tube cover is 3" to 5" above the final landscaping.
- Be sure to completely wire your system and fully test it before back-filling the subwoofer hole.



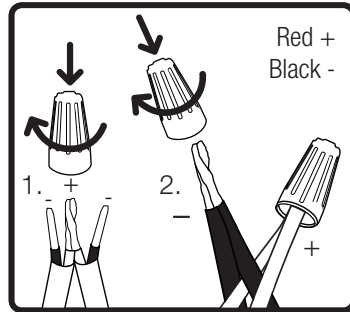
1. Remove speaker from the box.



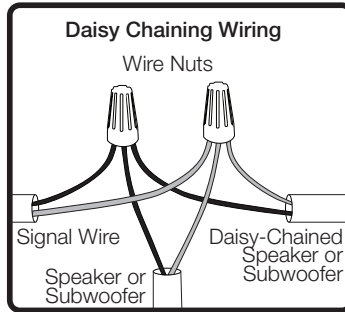
2. Install the cap by threading it onto the end of the port tube clockwise.



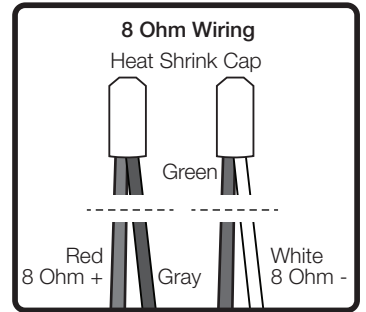
3. Dig a hole sufficient to bury the speaker to the correct depth (noted above) and to also accommodate 4-6" of gravel or crushed rock under the subwoofer housing.



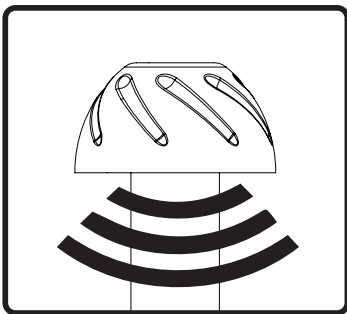
4. For 70V (or 100V) applications, select the appropriate tap wires from the chart below and connect them to the input wire from the amplifier.



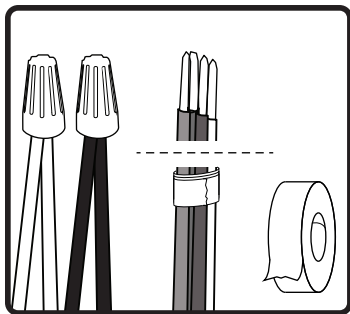
5. If daisy-chaining, be sure to also connect the wires going to the next speaker in the chain. Be sure to follow standard protocol for polarity and make sure the subwoofer is wired with the same polarity as the Periscope units.



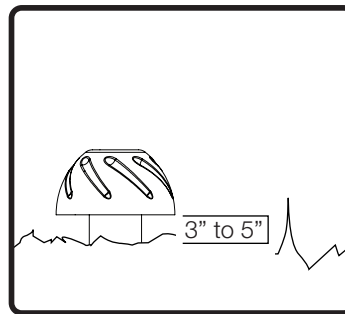
6. For 8 Ohm operation, locate the red, gray and green, white wire pairs and cut off the heat shrink cap on each pair. Using the supplied silicone wire nuts, connect the positive lead from the amplifier to the red wire and connect the negative lead from the amplifier to the white wire. The gray and green wires are not used in 8 ohm operation.



7. Fully wire the rest of your system and test to make sure the system is performing correctly.



8. Trim unused wires on the subwoofer and wrap the loose ends with electrician's tape or a suitable alternative to protect the bare wires from corroding.



9. Back fill the subwoofer hole.

Periscope Tap Switch Key	Switch Position	Periscope 4	Periscope 6
	I	8 Ohm	8 Ohm
	II	25W	50W
	III	13W	25W
	IV	7W	13W
	V	4W	7W

Subscope Tap Wire Key	Wire Color	Subscope 8	Subscope 10	Subscope 12
	Black	70V-Common	70V-Common	70V-Common
	Yellow	150W	250W	300W
	Blue	75W	125W	150W
	Brown	38W	63W	75W