

GEN10 HD/SD Sync Generator

User Manual



AJA
VIDEO SYSTEMS

May 19, 2008

Trademarks

AJA®, KONA®, and XENA® are registered trademarks of AJA Video, Inc. Io HD™ and Io™ are trademarks of AJA Video, Inc. All other trademarks are the property of their respective holders.

Notice

Copyright © 2008 AJA Video, Inc. All rights reserved. All information in this manual is subject to change without notice. No part of the document may be reproduced or transmitted in any form, or by any means, electronic or mechanical, including photocopying or recording, without the express written permission of AJA Inc.

FCC Emission Information

This equipment has been tested and found to comply with the limits for a Class A digital device, pursuant to Part 15 of the FCC Rules. These limits are designed to provide reasonable protection against harmful interference when the equipment is operated in a commercial environment. This equipment generates, uses and can radiate radio frequency energy and, if not installed and used in accordance with the instruction manual, may cause harmful interference to radio communications. Operation of this equipment in a residential area is likely to cause harmful interference in which case the user will be required to correct the interference at his own expense. Changes or modifications not expressly approved by AJA Video can effect emission compliance and could void the user's authority to operate this equipment.

Contacting Support

To contact AJA Video for sales or support, use any of the following methods:

443 Crown Point Circle, Grass Valley, CA. 95945 USA

Telephone: +1.800.251.4224 or +1.530.274.2048

Fax: +1.530.274.9442

Web: <http://www.aja.com>

Support Email: support@aja.com

Sales Email: sales@aja.com

When calling for support, have all information on the product (serial number etc.) at hand prior to calling.

Limited Warranty

AJA Video warrants that this product will be free from defects in materials and workmanship for a period of five years from the date of purchase. If a product proves to be defective during this warranty period, AJA Video, at its option, will either repair the defective product without charge for parts and labor, or will provide a replacement in exchange for the defective product.

In order to obtain service under this warranty, you the Customer, must notify AJA Video of the defect before the expiration of the warranty period and make suitable arrangements for the performance of service. The Customer shall be responsible for packaging and shipping the defective product to a designated service center nominated by AJA Video, with shipping charges prepaid. AJA Video shall pay for the return of the product to the Customer if the shipment is to a location within the country in which the AJA Video service center is located. Customer shall be responsible for paying all shipping charges, insurance, duties, taxes, and any other charges for products returned to any other locations.

This warranty shall not apply to any defect, failure or damage caused by improper use or improper or inadequate maintenance and care. AJA Video shall not be obligated to furnish service under this warranty a) to repair damage resulting from attempts by personnel other than AJA Video representatives to install, repair or service the product, b) to repair damage resulting from improper use or connection to incompatible equipment, c) to repair any damage or malfunction caused by the use of non-AJA Video parts or supplies, or d) to service a product that has been modified or integrated with other products when the effect of such a modification or integration increases the time or difficulty of servicing the product.

THIS WARRANTY IS GIVEN BY AJA VIDEO IN LIEU OF ANY OTHER WARRANTIES, EXPRESS OR IMPLIED. AJA VIDEO AND ITS VENDORS DISCLAIM ANY IMPLIED WARRANTIES OF MERCHANTABILITY OR FITNESS FOR A PARTICULAR PURPOSE. AJA VIDEO'S RESPONSIBILITY TO REPAIR OR REPLACE DEFECTIVE PRODUCTS IS THE WHOLE AND EXCLUSIVE REMEDY PROVIDED TO THE CUSTOMER FOR ANY INDIRECT, SPECIAL, INCIDENTAL OR CONSEQUENTIAL DAMAGES IRRESPECTIVE OF WHETHER AJA VIDEO OR THE VENDOR HAS ADVANCE NOTICE OF THE POSSIBILITY OF SUCH DAMAGES.

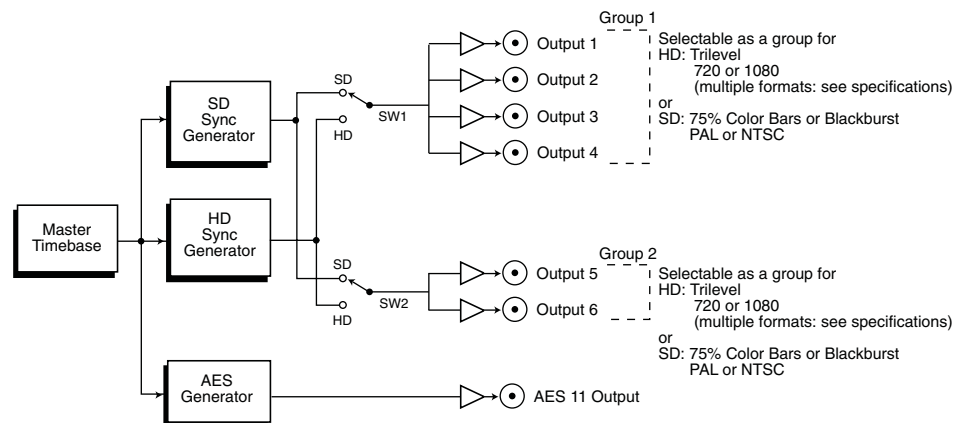
Introduction

The GEN10 is a cost effective and flexible SD/HD/AES sync generator. The GEN10 features 7 outputs including 2 groups of independently controlled SD/HD sync outputs and 1 AES-11 output. The SD outputs can be switched between Color Black or Color Bars. HD tri-level sync can be switched between 19 different HD formats including all that are in use today. The AES-11 output can be switched between SILENCE and TONE. All outputs are in sync with each-other and are sourced from an accurate master time base.

Features

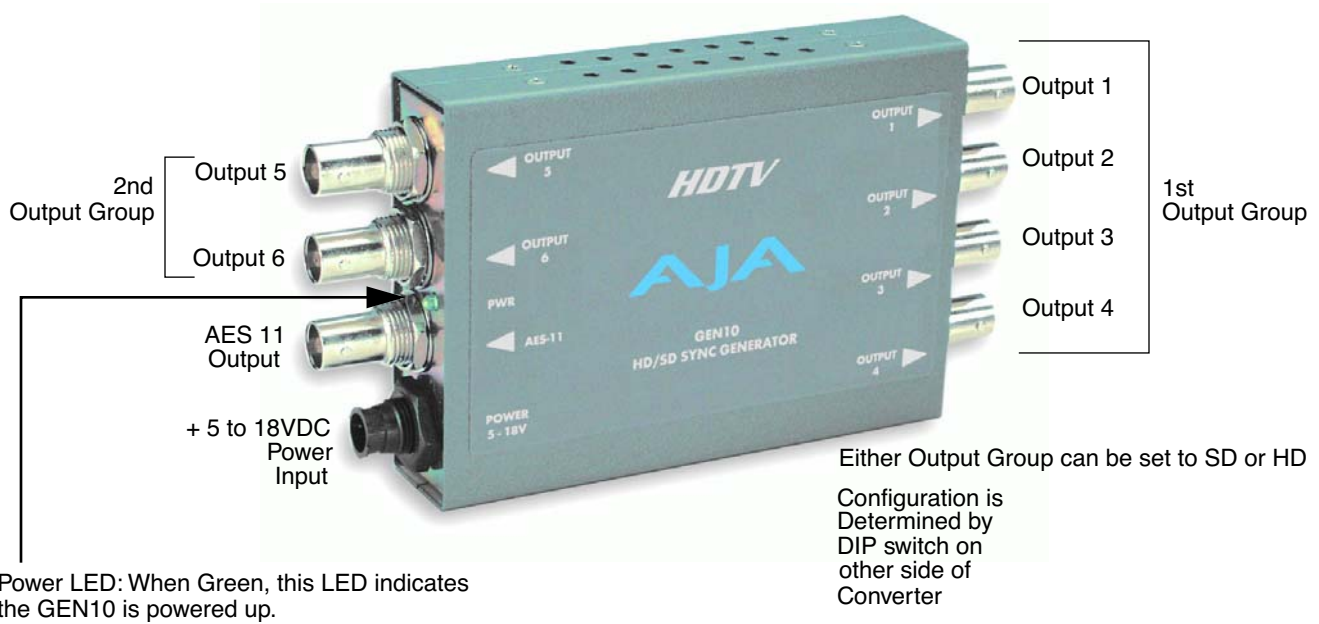
- HD Tri-level sync generation
- SD Color Black or Color Bars
- Two groups of independently switchable outputs allows simultaneous HD and SD sync generation
- AES-11 output switchable between silence and tone
- Multiple outputs can synchronize entire systems without requiring a Sync DA
- 5-18VDC Power
- External Dip Switch Configuration

Block Diagram



GEN10, Block Diagram

I/O Connections



GEN10, Side View

User Controls

The user interface for the GEN10 is an 8-switch DIP accessible through a cut-out in the bottom of the unit. Use the DIP switches to configure outputs and formats.

Note: The combination of switch settings determines the overall operation of the GEN10.

The exact purpose of each DIP switch and what it controls is described on the following pages.

DIP Switch Setting
LEFT RIGHT



SD	OUT 1-4	HD
SD	OUT 5-6	HD
BLK	SD OUT	BAR
59.94	FORMAT	50
1080	HD FMT	720
0	S1	1
0	S2	1
0	S3	1

MODEL GEN10

USA
Tel 530-274-2048
www.aja.com

Switch 1 (OUT 1-4)—Switches outputs 1-4 between SD and HD sync

LEFT (SD)	RIGHT (HD)
Selects SD Sync	Selects HD Sync

Switch 2 (OUT 5-6)—Switches outputs 5-6 between SD and HD sync

LEFT (SD)	RIGHT (HD)
Selects SD Sync	Selects HD Sync

Switch 3 (SD OUT)—Switches SD output between Color Black and Color Bars. Also switches AES output between BLK/Silence and BARS/TONE

LEFT (BLACK)	RIGHT (BARS)
SD Output is Color Black AES-11 output is silent	SD Output is 75% Color Bars AES-11 output with tone

Switch 4 (FORMAT)—Switches outputs between 59.94/60Hz and 50Hz

LEFT (59.94)	RIGHT (50)
Select NTSC related frame rates (for true 60/24Hz see chart that follows)	Select PAL related frame rates

Switch 5 (HD FMT)—Switches HD between 720 and 1080 formats

LEFT (1080)	RIGHT (720)
Select 1080 line formats	Select 720 line formats

Switches 6 (S1), 7 (S2), and 8 (S3)—Used for selecting “less popular” HD Formats

For the most popular HD formats switches 6, 7, and 8 should be set to the default position (all three switches set to LEFT or “000”, as listed in the chart that follows). Switches 6, 7, and 8 should only be changed to select other HD formats that are more rarely used. The following chart in Table 1 shows how to select those formats using switches 4 through 8 in combination.

Table 1. Selection Matrix For Switches 6, 7 and 8

The following table shows the combinations of DIP switch settings required to configure various formats. To use the table, first locate the video format you want in the colored columns and then set switches as shown in the corresponding left hand gray column.

Note: the switches numbers and labels are both shown on the chart, with the labels in parentheses (for example, switch 4 is labelled “FORMAT” and switch 8 is labelled “S3”).

SW 4 (FORMAT)	59.94		50	
SW 5 (HD FMT)	1080	720	1080	720
SW8 (S3) - SW7 (S2) -SW6 (S1): These three switches form a binary value shown in the left hand column below. A “0” = switch LEFT, a “1” = switch RIGHT.				
SW8-SW7-SW6 (S3) (S2) (S1)				
0 0 0	1080i59.94	720p59.94	1080i50	720p50
0 0 1	1080psf23.98	720p23.98	1080i50	720p25
0 1 0	1080p23.98	720p23.98	1080p25	720p25
0 1 1	1080p29.97	720p29.97	1080p25	720p25
1 0 0	1080i60	720p60	1080i50	720p50
1 0 1	1080psf24	720p24	1080i50	720p25
1 1 0	1080p24	720p24	1080p25	720p25
1 1 1	1080p30	720p30	1080p25	720p25

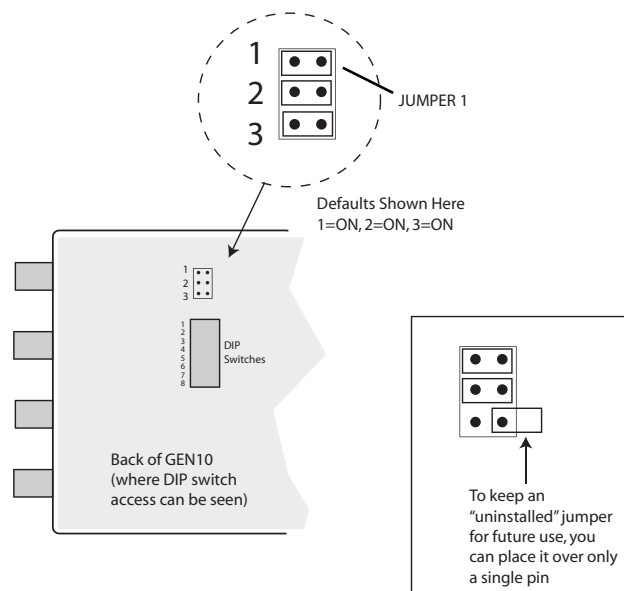
Note: for 1080psf29.97 use 1080i59.94
 for 1080psf30 use 1080i60
 for 1080psf25 use 1080i50

Internal Jumper

An internal jumper block with 3 jumpers determines the offset to Pedestal for NTSC. For most instances, the factory default (all jumpers in place) will be the proper setting.

- Jumper 1 installed (default): NTSC with Setup (54 mV pedestal offset)
- Jumper 1 removed : NTSC without Setup (no offset)

Note: Jumpers 2 and 3 are ignored—installed or not, they do not affect operation.



GEN10 Internal Jumper (remove back of case to access)

Specifications

Item	Specification
HD Sync	Tri-level
SD Sync	Color Black, 75% Color Bars
AES-11 Output	AES-11, 48KHz, Silent or 1KHz Tone (-20dBFS for NTSC, -18dBFS for PAL), 1 BNC
Video Sync Outputs	Assignable in two groups to either HD or SD: 4 BNCs—Outputs 1 to 4 2 BNCs—Outputs 5 and 6
Accuracy	3 ppm
Formats	525i, 625i 720p23.98/24/25/29.97/30/50/59.94/60 1080i50/59.94/60 1080psF23.98/24/25/29.97/30 1080p23.98/24/25/29.97/30
User Controls	External Dipswitch
Size	5.8" x 3.1" x 1 (147 x 79 x 25mm)
Power	5-18VDC, 2 watts. Requires power supply.

