

Installation Manual

Home Theater Wall Plate

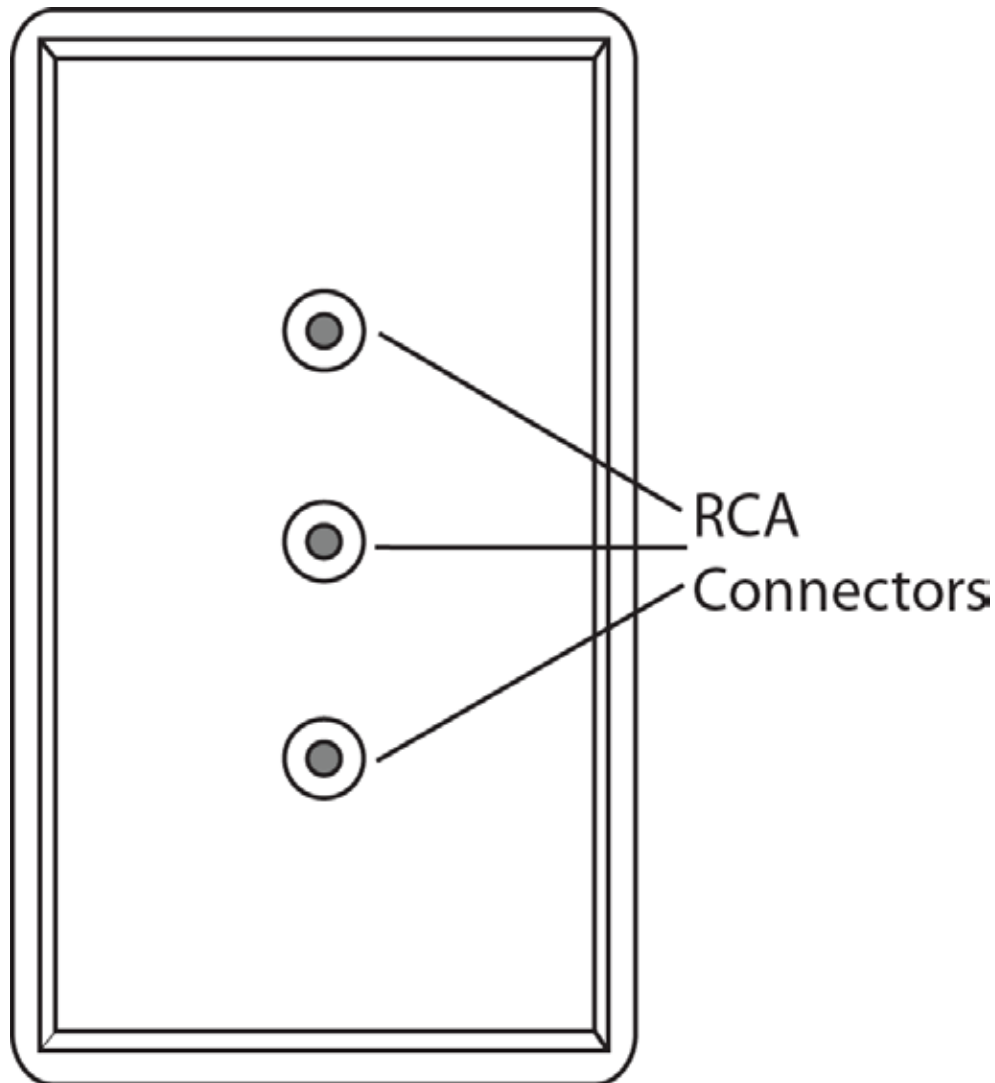
This home theater wall plate is Designed primarily for component video connection, the Heavy-Duty 24k Gold plated Binding Posts are designed to resist corrosion and to provide the best possible connection.

Note: The wall plate terminals will accomodate only standard RCA connectors

Installation:

You can mount this speaker wall plate using a standard single electrical box.

1. Route the speaker wires through the opening in the back of the electrical box
2. For each terminal on the back side of the wall plate, attach the corresponding color coded cables to avoid future confusion



3. Remove the Face plate from the wall plate, you will find two screws hidden there. Place the wall plate against the opening of the electrical box, then thread the two supplied screws through the screw holes in the wall plate and the electrical box, then tighten the screws and reattach the face plate.
4. For each terminal on the front side of the wall plate, attach the corresponding color coded cables to avoid future confusion