

# ANI-4K-VW

1×4 HDMI 4K Video Wall Splitter (Cascadable)





## SAFETY INFORMATION



1. To ensure the best results from this product, please read this manual and all other documentation before operating your equipment. Retain all documentation for future reference.
2. Follow all instructions printed on unit chassis for proper operation.
3. To reduce the risk of fire, do not spill water or other liquids into or on the unit, or operate the unit while standing in liquid.
4. Make sure power outlets conform to the power requirements listed on the back of the unit. Keep unit protected from rain, water and excessive moisture.
5. Do not attempt to clean the unit with chemical solvents or aerosol cleaners, as this may damage the unit. Dust with a clean dry cloth.
6. Do not use the unit if the electrical power cord is frayed or broken. The power supply cords should be routed so that they are not likely to be walked on or pinched by items placed upon or against them, paying particular attention to cords and plugs, convenience receptacles, and the point where they exit from the appliance.
7. Do not force switched or external connections in any way. They should all connect easily, without needing to be forced.
8. Always operate the unit with the AC ground wire connected to the electrical system ground. Precautions should be taken so that the means of grounding of a piece of equipment is not defeated.
9. AC voltage must be correct and the same as that printed on the rear of the unit. Damage caused by connection to improper AC voltage is not covered by any warranty.
10. Turn power off and disconnect unit from AC current before making connections.
11. Never hold a power switch in the "ON" position.
12. This unit should be installed in a cool dry place, away from sources of excessive heat, vibration, dust, moisture and cold. Do not use the unit near stoves, heat registers, radiators, or other heat producing devices.
13. Do not block fan intake or exhaust ports. Do not operate equipment on a surface or in an environment which may impede the normal flow of air around the unit, such as a bed, rug, carpet, or completely enclosed rack. If the unit is used in an extremely dusty or smoky environment, the unit should be periodically "blown free" of foreign dust and matter.
14. To reduce the risk of electric shock, do not remove the cover. There are no user serviceable parts inside. Refer all servicing to qualified service personnel. There are no user serviceable parts inside.
15. When moving the unit, disconnect input ports first, then remove the power cable; finally, disconnect the interconnecting cables to other devices.
16. Do not drive the inputs with a signal level greater than that required to drive equipment to full output.
17. The equipment power cord should be unplugged from the outlet when left unused for a long period of time.
18. Save the carton and packing material even if the equipment has arrived in good condition. Should you ever need to ship the unit, use only the original factory packing.
19. Service Information Equipment should be serviced by qualified service personnel when:
  - A. The power supply cord or the plug has been damaged.
  - B. Objects have fallen, or liquid has been spilled into the equipment.
  - C. The equipment has been exposed to rain
  - D. The equipment does not appear to operate normally, or exhibits a marked change in performance
  - E. The equipment has been dropped, or the enclosure damaged.

**▶ CONTENTS**

CONTENTS .....1  
 FEATURES & SPECIFICATIONS ..... 2  
 FRONT & REAR PANELS .....3  
 RS-232 & TELNET COMMANDS.....4  
 TELNET CONTROL .....7  
 PC APPLICATION CONTROL .....8  
 SUPPORTED RESOLUTIONS.....12  
 CONNECTION & INSTALLATION .....16

**DEAR CUSTOMER**

Thank you for purchasing this product. For optimum performance and safety, please read these instructions carefully before connecting, operating or adjusting this product. Please keep this manual for future reference.

**INTRODUCTION**

The ANI-4K-VW 1x4 UHD TV Wall allows a HDMI 4K2K input source to be freely arranged on (4) displays (TVs or monitors) with bezel correction function. The friendly control application for the TV Wall system has never been easier. This application leads the user through single or total device control. The device supports video output timings up to WUXGA@60RB and 1080p@60Hz, audio formats up to 7.1CH LPCM at 192kHz sampling rate based on the input source EDID. All the operation and control can be done through Telnet and RS-232.

**PACKAGE CONTENTS**

Before attempting to use this unit, please check the packaging and make sure the following items are contained in the shipping carton:

- ANI-4K-VW 1x4 HDMI 4K UHD TV Wall Splitter
- 12 V/3 A DC Power Adaptor
- Users Guide

**SYSTEM REQUIREMENTS**

- Input source equipment such as DVD/Blu-ray players or any HDMI signal and output HD TV/displays.

**APPLICATIONS**

- Hypermarket display
- Public advertisement
- Digital Presentations
- Stock Market

**SAFETY PRECAUTIONS**

Please read all instructions before attempting to unpack, install or operate this equipment and before connecting the power supply. Please keep the following in mind as you unpack and install this equipment:

- Always follow basic safety precautions to reduce the risk of fire, electrical shock and injury to persons.
- To prevent fire or shock hazard, do not expose the unit to rain, moisture or install this product near water.
- Never spill liquid of any kind on or into this product.
- Never push an object of any kind into this product through any openings or empty slots in the unit, as you may damage parts inside the unit.
- Do not attach the power supply cabling to building surfaces.
- Use only the supplied power supply unit (PSU). Do not use the PSU if it is damaged.
- Do not allow anything to rest on the power cabling or allow any weight to be placed upon it or any person walk on it.
- To protect the unit from overheating, do not block any vents or openings in the unit housing that provide ventilation and allow for sufficient space for air to circulate around the unit.

**DISCLAIMERS**

The information in this manual has been carefully checked and is believed to be accurate. We assume no responsibility for any infringements of patents or other rights of third parties which may result from its use.

We assume no responsibility for any inaccuracies that may be contained in this document. We make no commitment to update or to keep current the information contained in this document.

We reserve the right to make improvements to this document and/or product at any time and without notice.

**COPYRIGHT NOTICE**

No part of this document may be reproduced, transmitted, transcribed, stored in a retrieval system, or any of its part translated into any language or computer file, in any form or by any means — electronic, mechanical, magnetic, optical, chemical, manual, or otherwise — without the express written permission and consent.

© Copyright 2015. All Rights Reserved.  
 Version 1.0 APR 2016

**TRADEMARK ACKNOWLEDGMENTS**

All products or service names mentioned in this document may be trademarks of the companies with which they are associated.

## FEATURES

---

- HDMI with 4K2K supported, HDCP and DVI compliant
- Output source signal to (4) displays as a full image with adjustable Bezel correction
- Supports Input PC resolutions from VGA~WUXGA and HDTV from 480i~1080p and 4K2K@24/25/30Hz
- Supports different input and output resolutions selectable from the TV wall application
- Supports AC3/DTS/Dolby Digital Plus/Dolby TrueHD/Dolby Atmos and DTS-HD Master Audio
- Supports RS-232 and Telnet controls

## SPECIFICATIONS

---

- **Video Bandwidth:** 300MHz/9Gbps
- **Input Ports:** 1x HDMI (Female type), 1x Control (RJ45), 1x RS-232 (D-sub 9-pin), 1x USB (Service only)
- **Output Ports:** 4x HDMI (Female type)
- **HDMI Cable Distance:** ~32 ft/10M 8-bit 1080p, ~16ft/5M 4K2K
- **IR Frequency:** 30~50kHz
- **Baud Rate:** 115200bps
- **ESD Protection Human body model:**
  - ± 8 kV (air-gap discharge)
  - ± 4 kV (contact discharge)
- **Power Supply:** 12 V/3 A DC (US/EU standards, CE/FCC/ULcertified)
- **Dimensions (WxDxH):** 17.2 x 10.6 x 1.7 in (438x269x44mm) (Jacks Excluded)/ 20 x 10.8 x 2 in (482x274x52mm) (Jacks Included)
- **Weight:** 6.5 lb/2956g
- **Chassis Material:** Metal
- **Color:** Black
- **Operating Temperature:** 0°C~40°C / 32°F~ 104°F
- **Storage Temperature:** -20°C~60°C / -4°F~140°F
- **Relative Humidity:** 20~90 % RH (non-condensing)
- **Power Consumption:** 12.98W

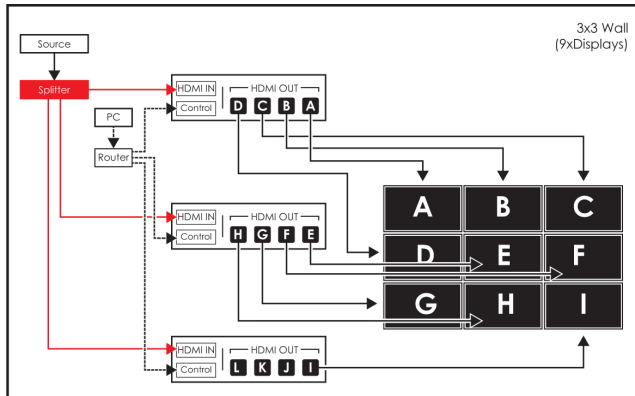
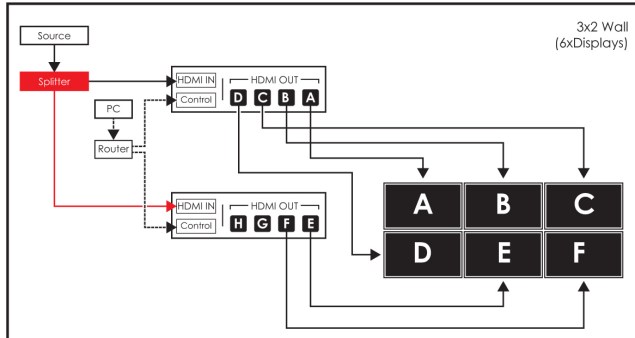
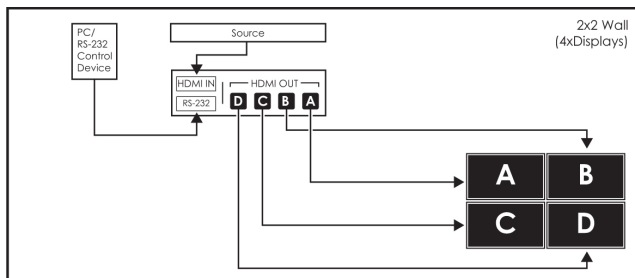
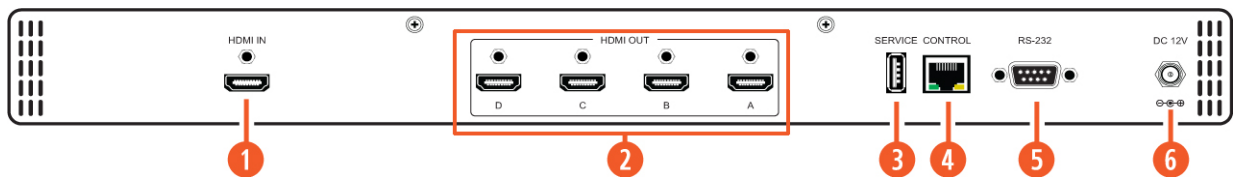
FRONT PANEL



**1 POWER:** Press the POWER button to power on the unit or set to standby mode. When power is disconnected, press this button again while connected to the power to reset the system back to default factory settings. When the power is on, press and hold this button for 3 seconds, the output monitor will show “USB Host Update MCU Firmware Start...”, then plug the USB (with Firmware upgrade bin file) to upgrade automatically. If monitor shows “Mass Storage Host Upgrade Running” it means that the upgrade is proceeding, after the upgrade is finished, the unit will reboot.

**Note:** If monitor did not show “Mass Storage Host Upgrade Running”, this means the firmware upgrade was not a success, please power off the unit and try again.

REAR PANEL



- 1 HDMI IN:** Connect with HDMI source equipment such as DVD/Blu-ray players and or PC/Laptop devices.
- 2 HDMI OUT A~D:** Connect with HDMI TV/displays for output image display. It is suggested that the connection sequence should be placed as the diagrams show for TV wall set up.
- 3 SERVICE:** This slot is for firmware update use only. Works with the Power button.
- 4 CONTROL:** Connect to an active network for Telnet control. Controlled with the “ANI-4K-VW” application for multi-device control.
- 5 RS-232:** Connect from a PC/Laptop with D-Sub 9pin cables for RS-232 commands control over the device.  
**Note:** RS-232 control system is limited to a single Video Wall unit. Whereas Telnet can control multi-video Wall units.
- 6 DC 12V:** Plug 12V DC power supply, which is included in the package, to the unit then connect the adaptor to an AC outlet.

### RS-232 PROTOCOLS

INPUT TIMING SUPPORTED	
PIN	Definition
1	NC
2	TxD
3	RxD
4	NC
5	GND
6	NC
7	NC
8	NC
9	NC

REMOTE CONTROLLER (PC)	
PIN	Definition
1	NC
2	RxD
3	TxD
4	NC
5	GND
6	NC
7	NC
8	NC
9	NC

Baud Rate: 115200bps  
 Data Bit: 8 bits  
 Parity: None  
 Flow Control: None  
 Stop Bit: 1

### RS-232 & TELNET COMMANDS

COMMAND	DESCRIPTION	PARAMETER		
HELP(?)	Show Command list	NONE		
HELP(?) N	Show Command description	N=Command name		
RRES	Request Current Output Resolution	NONE		
SRES N1	Set Output Resolution to N1	N1=0 (640x480@60) 1 (480p60) 2 (576p50) 3 (800x600@60) 4 (848x480@60) 5 (1024x768@60) 6 (720p50) 7 (720p60) 8 (1280x768@60) 9 (1280x800@60)	10 (1280x960@60) 11 (1280x1024@60) 12 (1360x768@60) 13 (1366x768@60) 14 (1400x1050@60) 15 (1440x900@60) 16 (1600x900RB@60) 17 (1600x1200@60) 18 (1680x1050@60) 19 (1080p50)	20 (1080p60) 21 (1920x1200RB@60) 22 (2048x1152RB@60) 23 (1080i50) 24 (1080i60) 25 (1080p24) 26 (1080p25) 27 (1080p30) <b>28 (Native)</b>
RINS	Get Input Resolution	0 (VGA60) 1 (VGA72) 2 (VGA75) 3 (VGA85) 4 (WXGA60) 5 (WXGA75) 6 (XGA60) 7 (XGA70) 8 (XGA75) 9 (XGA85) 10 (SXGA60) 11 (SXGA75) 12 (SVGA56) 13 (SVGA60) 14 (SVGA72) 15 (SVGA75)16 (SVGA85) 17 (DTV_480p60) 18 (DTV_576p50)	19 (DTV_480i60) 20 (DTV_576i50) 21 (HDTV_720p50) 22 (HDTV_720p60) 23 (HDTV_1080i50) 24 (HDTV_1080i60) 25 (HDTV_1080p24) 26 (HDTV_1080p50) 27 (HDTV_1080p60) 28 (V848_480_60) 29 (V852_480_60) 30 (V854_480_60) 31 (V1024_852_60) 32 (V1024_1024_60) 33 (V1280_800_60) 34 (V1280_960_60) 35 (V1360_768_60) 36 (V1366_768_60) 37 (V1440_900_60)	38 (V1400_1050_60) 39 (V1360_1024_60) 40 (V1600_900_60) 41 (V1600_1200_60) 42 (V1680_1050_60) 43 (V1920_1200_60) 44 (V2048_1080_24_1) 45 (V2048_1080_24_2) 46 (V2048_1080_60) 47 (V2048_1152_1) 48 (V2048_1152_2) 49 (V2048_1152_3) 50 (V3840_2160_24) 51 (V3840_2160_25) 52 (V3840_2160_30) 53 (V4096_2160_24) 54 (K_NO_SIGNAL) 55 (K_NO_SUPPORT)

**RS-232 & TELNET COMMANDS**

COMMAND	DESCRIPTION	PARAMETER
ROSDD	Request Current OSD Display State	NONE
SOSDD N1	Set OSD Display Enable/Disable	N1= <b>0 (OFF)</b> , 1 (ON)
ROSDH	Request Current OSD Horizontal Position	NONE
SOSDH N1	Set OSD Horizontal Position to N1	N1=0~20 ( <b>5</b> )
ROSDV	Request Current OSD Vertical Position	NONE
SOSDV N1	Set OSD Vertical Position to N1	N1=0~20 ( <b>5</b> )
ROSDT	Request OSD Display Current Timeout Setting	NONE
SOSDT N1	Set OSD Display Timeout Setting	N1=0 (Off), 5~50 ( <b>50</b> )
ROSDG	Request OSD Gain Correction	NONE
SOSDG N1	Set OSD Gain Value	N1=0~10 ( <b>2</b> )
SOSDI	Show OSD Information On/Off	NONE
SOSDR	Reset All OSD Settings	NONE
RBRI N1	Request Channel N1 Brightness Value	N1= 1~4
SBRI N1 N2	Set Channel N1 Brightness Value to N2	N1= 1~4, N2=0~100 ( <b>50</b> )
RCON N1	Request Chanel N1 Contrast Value	N1=1~4
SCON N1 N2	Set Channel N1 Contrast Value to N2	N1= 1~4, N2=0~100 ( <b>50</b> )
RSAT	Request Current Saturation Value	NONE
RSAT N1	Request Channel N1 Current Saturation Value	N1=1~4
SSAT N1 N2	Set Channel N1 Saturation Value to N2	N1= 1~4, N2=0~100 ( <b>50</b> )
RHUE N1	Request Channel N1 Current Hue Value	N1=1~4
SHUE N1 N2	Set Channel N1 Hue Value to N2	N1= 1~4, N2=0~100 ( <b>50</b> )
SIMRE N1	Reset Brightness/Contrast/Saturation/Hue Value to Default	N1=1 (Brightness), 2 (Contrast), 3 (Saturation), 4 (Hue)
SPIRE	Reset all Channels Brightness, Contrast, Saturation, Hue Value to Default	NONE
RIPM	Request Current IP Mode	NONE
SIPM N1	Set IP Mode to DHCP or Static	N1= <b>0 (Static)</b> , 1(DHCP) (192.168.1.50)
RIPA	Request Current Static IP Address to Screen	NONE
SIPA X.X.X.X	Set Static IP Address	X=0~255 (192.168.1.50)
RMAA	Request Current Static Subnet Address	NONE
SMAA X.X.X.X	Set Static Subnet Address	X=0~255 (255.255.255.0)
RGAA	Request Current Static Gateway Address	NONE
SGAA X.X.X.X	Set Static Gateway Address	X=0~255 (192.168.1.50)
RETIME	Request Current Ethernet Timeout	NONE
SETIME N1	Set Ethernet Timeout	N1=0 (OFF), 1 (10 Minutes), 2 (20 Minutes), 3 (30 Minutes), 4 (40 Minutes), 5 (50 Minutes), 6 (60 Minutes)
RLINK	Request Ethernet Address	NONE

**RS-232 & TELNET COMMANDS**

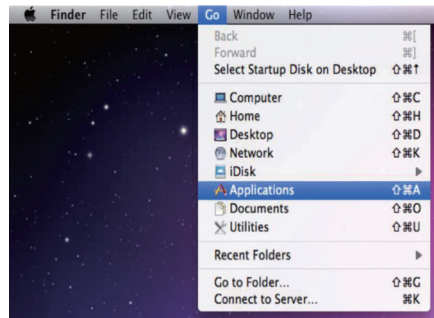
COMMAND	DESCRIPTION	PARAMETER			
RMUTE	Request Current Mute	NONE			
SMUTE N1	Set Mute Audio	N1=0 (Unmute), 1 (Mute)			
RPOW	Request Current Power State	NONE			
SPOW N1	Set the Unit Power On/Off	N1=0 (Off), 1 (On)			
RVER	Request Version	NONE			
SREL	Relink the Unit in 2 Seconds	NONE			
SDEF	Reset the Unit to Factory Defaults	NONE			
RMN	Request Current TV Wall Format	NONE			
SMN N1 N2	Set TV Wall N1 Row and N2 Column	N1=1~15 (Row), N2=1~15 (Column)			
RBH	Request TV Wall Horizontal Bezel Correction	NONE			
SBH N1	Set TV Wall Horizontal Bezel Correction	N1=0~255			
RBV	Request TV Wall Vertical Bezel Correction	NONE			
SBV N1	Set TV Wall Vertical Bezel Correction	N1=0~255			
RBEZ	Request Current Bezel Correction State	NONE			
SBEZ N1	Set Bezel Correction Enable/Disable	N1=0 (Off), 1 (On)			
RMDN	Request Unit ID Number	NONE			
SMDN N1	Set Unit ID Number to N1	N1=0~255			
SWDE	Reset All TV Wall Settings	NONE			
SHOT N1	Fast Setting TV Wall Format from Hotkey N1	N1=0 (1x1) 1 (2x2) 2 (3x3) 3 (4x4) 4 (5x5) 5 (6x6)	6 (2x3) 7 (3x2) 8 (3x4) 9 (4x2) 10 (4x3) 11 (4x5)	12 (1x2) 13 (2x1) 14 (1x3) 15 (3x1) 16 (1x4) 17 (4x1)	18 (2x4) 19 (3x5) 20 (5x4) 21 (5x3) 22 (6x2) 23 (6x3)
SFAVE N1	Save Current TV Wall Settings to N1	N1=1~5			
RFAVE N1	Recall TV Wall Settings from N1	<b>N1=1~5</b>			

**Note:**

1. All the RS-232 command will be not executed unless followed with a carriage return. All commands are insensitive.
2. RS-232 control is set to single device only, not for use with Cascade/Bypass output's connection device.
3. Bold values are the default settings.



TELNET CONTROL



To access the Telnet control in Windows 7, click on the 'Start' menu and type "cmd" in the Search field then press Enter. Under Windows XP go to the 'Start' menu and click on "Run", type "cmd" with then press Enter.

Under Mac OS X, go to Go→Applications→Utilities→Terminal. See reference.

```
Microsoft Windows [Version 6.1.7601]
Copyright (c) 2009 Microsoft Corporation. All rights reserved.

C:\Users\Administrator>telnet 192.168.5.80 23
```

Once in the command line interface (CLI) type 'telnet', then the IP address of the unit (default is 192.168.1.50) and hit Enter. If the Telnet port (unit's port) is not set to the default of "23" then the correct port number will need to be entered after the IP address as shown.

```
Command List
-----
HELP
RRES
SRES
ROSDD
SOSDD
ROSDH
SOSDH
ROSDU
SOSDU
ROSDT
SOSDT
ROSDG
SOSDG
SOSDI
SOSDR
RBRI
SBRI
RCON
SCON
RSAT
SSAT
RHUE
SHUE
SIMRE
SPIRE
RIPM
SIPM
RIPA
SIPA
RMAA
SMAA
RGA
SGA
RETIME
SETIME
RLINK
SREL
RMUTE
SMUTE
RPOW
SPOW
SDEF
RUER
RNN
SN
RBH
SBH
RBU
SBU
RBEZ
SBEZ
RNDN
SNDN
SHOT
SFAUE
RFAUE
SVAUE
```

This will bring us into the unit which we wish to control. Type 'HELP' to list the available commands.

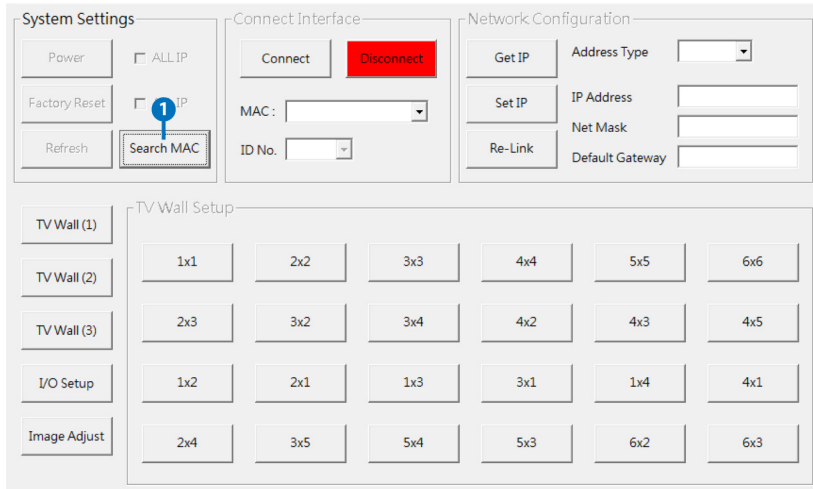
**Note:**

1. All the commands will be not executed unless followed by a carriage return. Commands are case-insensitive.
2. If the IP is changed then the IP Address required for Telnet access will also change accordingly.

PC APPLICATION CONTROL

Visit A-NeuVideo.com to download the software application for the ANI-4K-VW and execute it to control the Video Wall system.

**Note:** Before installing, remove any former verion that was existing. Once the application is installed successfully, click and open the “Video Wall Set”.



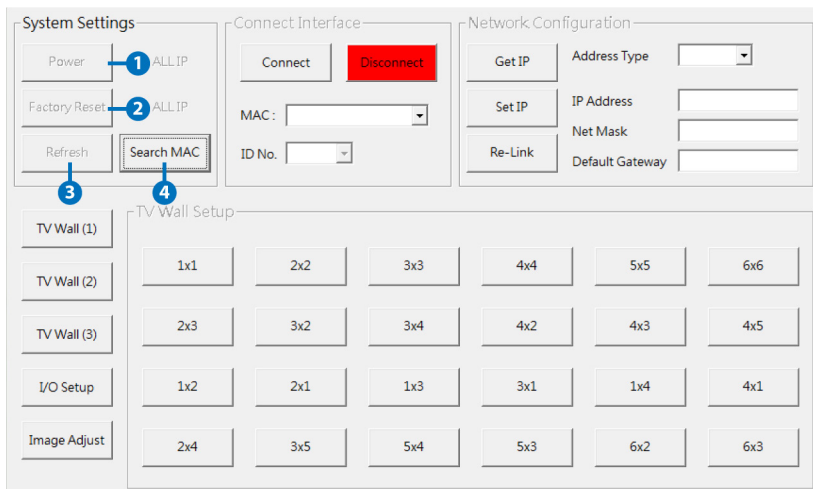
**1 SEARCH MAC:** Click on “Search MAC” to confirm how many TV Wall unit(s) are within the network system then, select the unit you wish to control.

**Note:** This action should be executed every time when the unit is Powered On or reset or re-run the “ANI-4k-VW” application.

Select the unit that is to be adjusted then pressed “Connect” to connecting the unit.

Every time the unit is connected successfully, a dialog will appear showing “refresh completed” base on the selected MAC, the application will display the current unit’s status. However, image display will not be refreshed automatically and can only be refreshed manually.

When using more than 1 unit for a TV Wall setting, set up the unit’s ID number is required to ensure the correct display of each single TV wall image.



SYSTEM SETTINGS

**1 POWER:** Click on “Power” to power on/off the controlled unit. To control all connected units, click on “ALL IP” then click Power. From Power ON to Power OFF the application will disconnect the link, to Power ON again please re-connect.

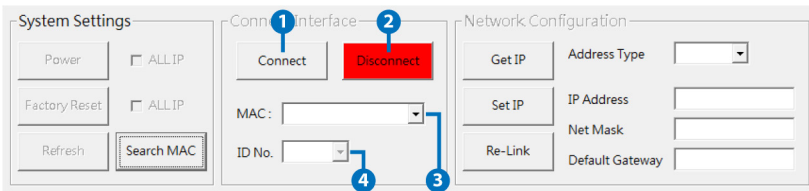
**2 FACTORY RESET:** Click on “Factory Reset” to set device settings to the default, to switch all devices back to default setting click ALL IP and then “Factory Reset”.

**3 REFRESH:** Click on “Refresh” to read the devices current settings, the status of all the TV Wall Sets will follow the current choosen device.

**Note:** Image Adjust will not refresh, users have to click on “Image Adjust” to manually refresh to read the Image Adjust current status.

**4 SEARCH MAC:** Click on “Search MAC” to define on-line TV Wall units.

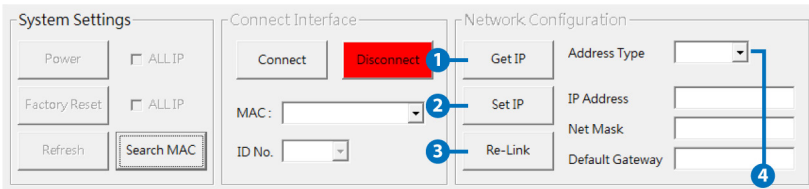
## PC APPLICATION CONTROL



### CONNECT INTERFACE

- 1 **CONNECT:** Click “Connect” to link the unit.
- 2 **DISCONNECT:** Click “Disconnect” to terminate the link.
- 3 **MAC:** Click on “MAC” with the arrow down button to show all the TV Wall units and select the nominated unit/MAC for connection.
- 4 **ID NO:** When more than one TV Wall unit is in use, it is important that the ID No. is set correctly in order to split and arrange the images correctly.

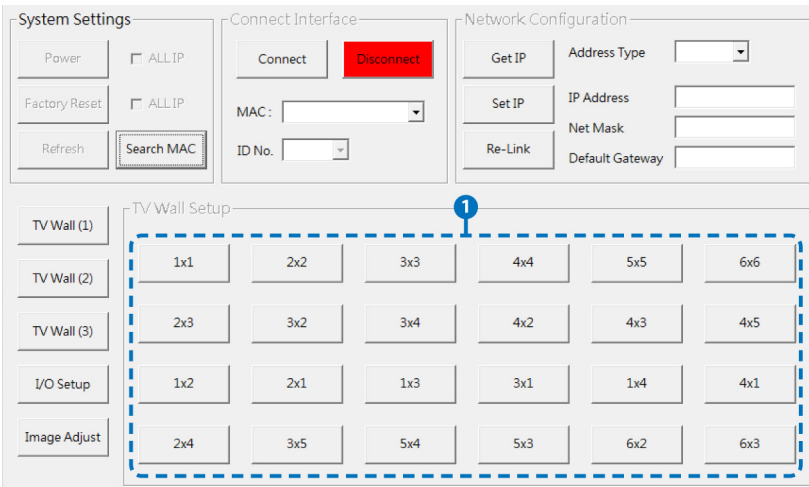
**Note:** All on-line units will show after running “Search MAC”.



### NETWORK CONFIGURATION

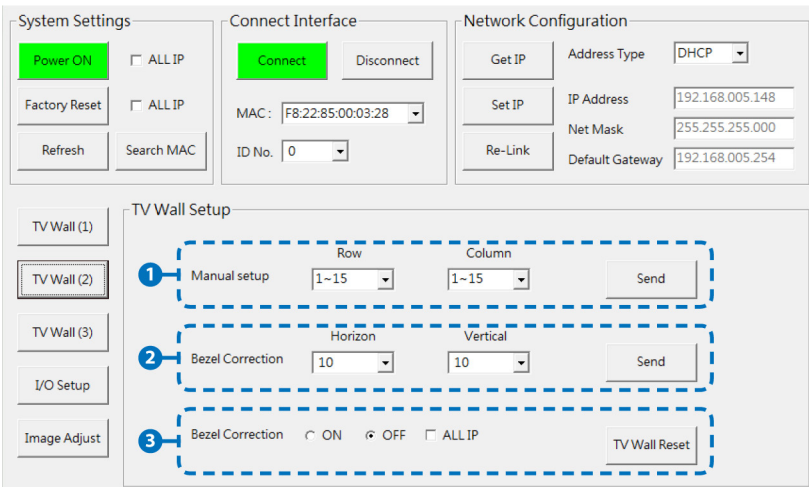
- 1 **GET IP:** Click “Get IP” to show current linking status.
- 2 **SET IP:** Click “Set IP” to adjust IP settings such as IP Type, IP Address...etc.
- 3 **RE-LINK:** Click “Re-Link” to confirm Network Configuration settings changes.
- 4 **ADDRESS TYPE:** Click on this drop-down menu to change the address type to DHCP/Static mode.

PC APPLICATION CONTROL



TV WALL SETUP (1)

**1 FAST TV WALL SETTING:** TV Wall's fast setting. Click on hot keys to preset the TV Wall setup.

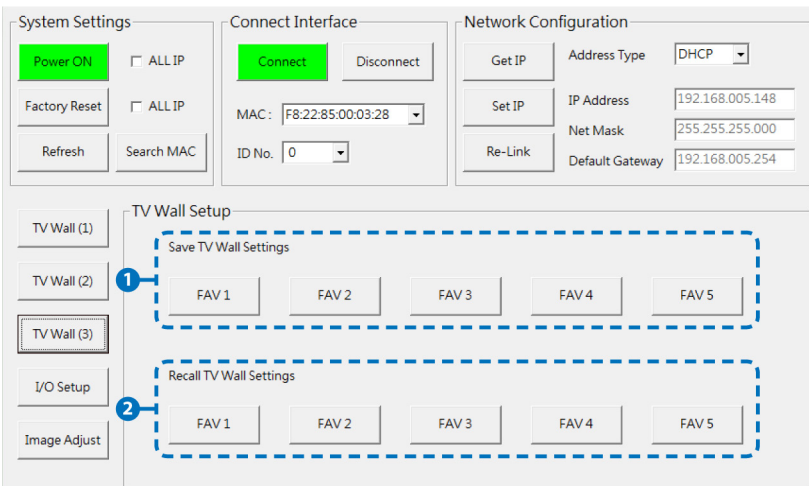


TV WALL SETUP (2)

**1 MANUAL SETUP:** Manually setup the TV wall's settings by rows and columns from 1~15 and click on Send to confirm the setting.

**2 BEZEL CORRECTION HORIZON & VERTICAL:** Set up the Bezel Correction figures on the selected MAC/ID No. The correction will be made on all outputs of the selected unit at once.

**3 BEZEL CORRECTION (ON/OFF):** When the above action is taken the Bezel Correction will switch to ON automatically, to switch it off click on OFF to terminate the function. To execute Bezel Correction on all units, click on ALL IP. It is suggested that when displaying moving content on the TV Wall the Bezel Correction should be set ON and when displaying static content, the Bezel correction can be set to OFF.

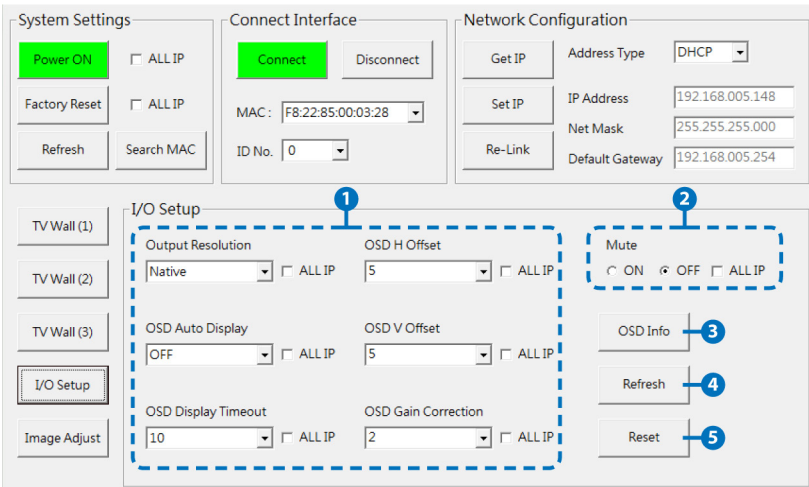


TV WALL SETUP (3)

**1 SAVE TV WALL SETTINGS:** Save current settings to Favorites. Up to 5 settings.

**2 RECALL TV WALL SETTINGS:** Recall restored TV Wall settings up to 5 settings.

PC APPLICATION CONTROL



I/O SETUP

- ❶ **OUTPUT RESOLUTION & OSD MENU ADJUSTMENT:** All settings under I/O Setup can be done with a single TV Wall unit or units with a single click on "ALL IP". Parameters and default values are as stated in RS-232 description parameters.
- ❷ **MUTE:** Set Audio Mute to ON/OFF.
- ❸ **OSD INFO:** Show/Close OSD Information.
- ❹ **REFRESH:** Refresh current page.
- ❺ **RESET:** Reset current page.

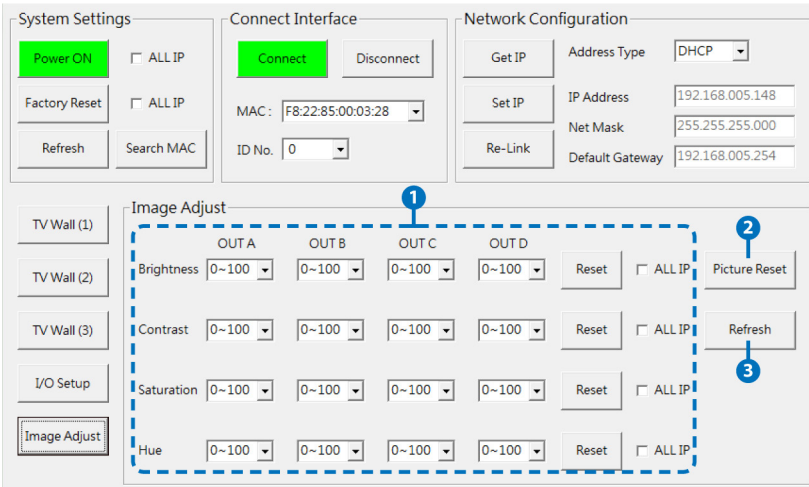


IMAGE ADJUST

- ❶ **BRIGHTNESS, CONTRAST, SATURATION AND HUE ADJUSTMENT:** Again all settings under Image Adjust can be done with a single TV Wall device or multiple TV Wall devices with a single click on "ALL IP". Parameters and default values are as stated in the RS-232 description.
- ❷ **PICTURE RESET:** Picture Reset button is to reset all settings of Image Adjust back to factory default values.
- ❸ **REFRESH:** Refresh button is to refresh Image Adjust page only.

**Note:**

- 1. When the Input signal is above 4K2K, the device only supports Color space RGB, YUV is not supported.
- 2. When on TV Wall split mode, different input/output resolutions, signal is limited (please refer to the Timing Limitations).

**SUPPORTED RESOLUTIONS**

INPUT RESOLUTION	OUTPUT RESOLUTION
640x480@60/72/75/85	640x480
1280x768@60/75	480p@60 (720x480)
1024x768@60/70/75/85	576p@50 (720x576)
1280x1024@60/75	800x600
800x600@56/60/72/75/85	848x480
480p@60	1024x768
576p@50	720p@50 (1280x720)
480i@60	720p@60 (1280x720)
576i@50	1280x768
720p@50/60	1280x800
1080i@50/60	1280x960
1080p@24/50/60	1280x1024
848x480@60	1360x768
852x480@60	1366x768
854x480@60	1400x1050
1024x852@60	1440x900
1024x1024@60	1600x900 (RB)
1280x800@60	1600x1200
1280x960@60	1680x1050
1360x768@60	1080p@50/60
1366x768@60	1920x1200 (RB)
1440x900@60	2048x1152 (RB)
1400x1050@60	1080i@50/60
1360x1024@60	1080p@24/25/30
1600x900@60	
1600x1200@60	
1680x1050@60	
1920x1200@60	
2048x1080@24	
2048x1152@60	
3840x2160@24/25/30	
4096x2160@24	

SUPPORTED RESOLUTIONS

INPUT RESOLUTION IS 3840x2160

VIDEO WALL	1x1	2x2	3x3	4x4	5x5	6x6	7x7	8x8	9x9	10x10	15x15
640x480	✓	✓	✗	✗	✗	✓	✓	✓	✓	✓	✓
480p@60 (720x480)	✓	✓	✗	✗	✗	✓	✓	✓	✓	✓	✓
576p@50 (720x576)	✓	✓	✗	✗	✗	✓	✓	✓	✓	✓	✓
800x600	✓	✓	✗	✗	✓	✓	✓	✓	✓	✓	✓
848x480	✓	✓	✗	✗	✓	✓	✓	✓	✓	✓	✓
1024x768	✓	✓	✗	✓	✓	✓	✓	✓	✓	✓	✓
720p50 (1280x720)	✓	✓	✓	✓	✓	✓	✓	✓	✓	✓	✓
720p60 (1280x720)	✓	✓	✓	✓	✓	✓	✓	✓	✓	✓	✓
1280x768	✓	✓	✓	✓	✓	✓	✓	✓	✓	✓	✓
1280x800	✓	✓	✓	✓	✓	✓	✓	✓	✓	✓	✓
1280x960	✓	✓	✓	✓	✓	✓	✓	✓	✓	✓	✓
1280x1024	✓	✓	✓	✓	✓	✓	✓	✓	✓	✓	✓
1360x768	✓	✓	✓	✓	✓	✓	✓	✓	✓	✓	✓
1366x768	✓	✓	✓	✓	✓	✓	✓	✓	✓	✓	✓
1400x1050	✓	✓	✓	✓	✓	✓	✓	✓	✓	✓	✓
1440x900	✓	✓	✓	✓	✓	✓	✓	✓	✓	✓	✓
1600x900 (RB)	✓	✓	✓	✓	✓	✓	✓	✓	✓	✓	✓
1600x1200	✓	✓	✓	✓	✓	✓	✓	✓	✓	✓	✓
1680x1050	✓	✓	✓	✓	✓	✓	✓	✓	✓	✓	✓
1080p@50	✓	✓	✓	✓	✓	✓	✓	✓	✓	✓	✓
1080p@60	✓	✓	✓	✓	✓	✓	✓	✓	✓	✓	✓
1920x1200 (RB)	✓	✓	✓	✓	✓	✓	✓	✓	✓	✓	✓
2048x1152 (RB)	✓	✓	✓	✓	✓	✓	✓	✓	✓	✓	✓
1080i@50	✓	✓	✓	✓	✓	✓	✓	✓	✓	✓	✓
1080i@60	✓	✓	✓	✓	✓	✓	✓	✓	✓	✓	✓
1080p@24	✓	✓	✓	✓	✓	✓	✓	✓	✓	✓	✓
1080p@25	✓	✓	✓	✓	✓	✓	✓	✓	✓	✓	✓
1080p@30	✓	✓	✓	✓	✓	✓	✓	✓	✓	✓	✓
Native	✓	✓	✓	✓	✓	✓	✓	✓	✓	✓	✓

SUPPORTED RESOLUTIONS

INPUT RESOLUTION IS 4096x2160

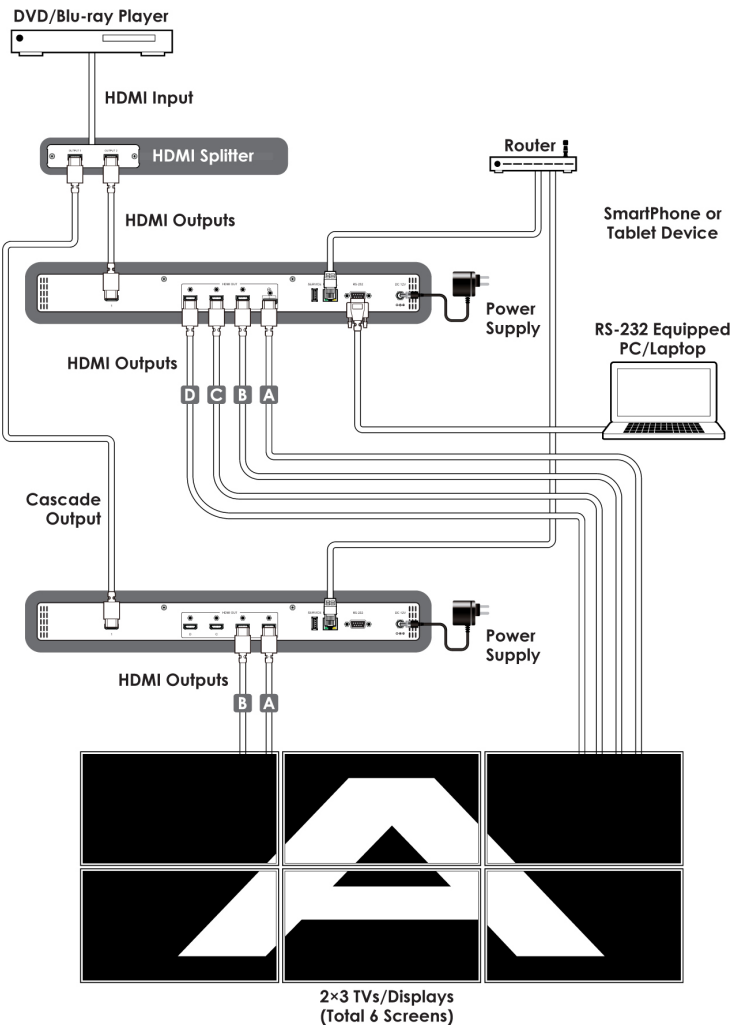
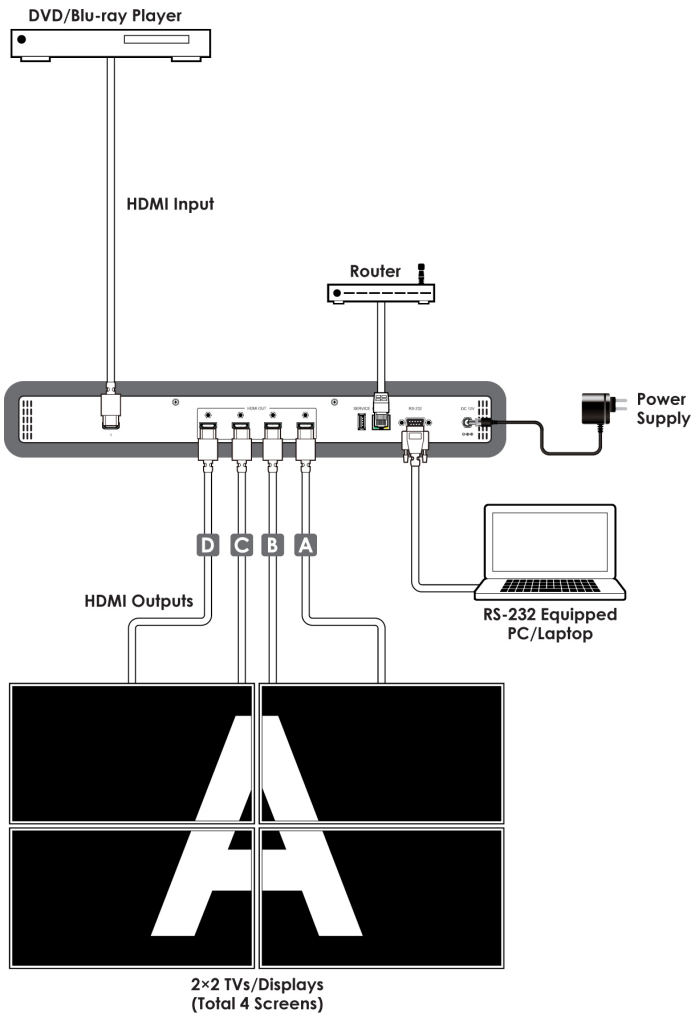
VIDEO WALL	1x1	2x2	3x3	4x4	5x5	6x6	7x7	8x8	9x9	10x10	15x15
640x480	✓	✓	✗	✗	✗	✗	✓	✓	✓	✓	✓
480p@60 (720x480)	✓	✓	✗	✗	✗	✓	✓	✓	✓	✓	✓
576p@50 (720x576)	✓	✓	✗	✗	✗	✓	✓	✓	✓	✓	✓
800x600	✓	✓	✗	✗	✗	✓	✓	✓	✓	✓	✓
848x480	✓	✓	✗	✗	✓	✓	✓	✓	✓	✓	✓
1024x768	✓	✓	✗	✓	✓	✓	✓	✓	✓	✓	✓
720p50 (1280x720)	✓	✓	✗	✓	✓	✓	✓	✓	✓	✓	✓
720p60 (1280x720)	✓	✓	✗	✓	✓	✓	✓	✓	✓	✓	✓
1280x768	✓	✓	✗	✓	✓	✓	✓	✓	✓	✓	✓
1280x800	✓	✓	✗	✓	✓	✓	✓	✓	✓	✓	✓
1280x960	✓	✓	✗	✓	✓	✓	✓	✓	✓	✓	✓
1280x1024	✓	✓	✗	✓	✓	✓	✓	✓	✓	✓	✓
1360x768	✓	✓	✓	✓	✓	✓	✓	✓	✓	✓	✓
1366x768	✓	✓	✓	✓	✓	✓	✓	✓	✓	✓	✓
1400x1050	✓	✓	✓	✓	✓	✓	✓	✓	✓	✓	✓
1440x900	✓	✓	✓	✓	✓	✓	✓	✓	✓	✓	✓
1600x900 (RB)	✓	✓	✓	✓	✓	✓	✓	✓	✓	✓	✓
1600x1200	✓	✓	✓	✓	✓	✓	✓	✓	✓	✓	✓
1680x1050	✓	✓	✓	✓	✓	✓	✓	✓	✓	✓	✓
1080p@50	✓	✓	✓	✓	✓	✓	✓	✓	✓	✓	✓
1080p@60	✓	✓	✓	✓	✓	✓	✓	✓	✓	✓	✓
1920x1200 (RB)	✓	✓	✓	✓	✓	✓	✓	✓	✓	✓	✓
2048x1152 (RB)	✓	✓	✓	✓	✓	✓	✓	✓	✓	✓	✓
1080i@50	✓	✓	✓	✓	✓	✓	✓	✓	✓	✓	✓
1080i@60	✓	✓	✓	✓	✓	✓	✓	✓	✓	✓	✓
1080p@24	✓	✓	✓	✓	✓	✓	✓	✓	✓	✓	✓
1080p@25	✓	✓	✓	✓	✓	✓	✓	✓	✓	✓	✓
1080p@30	✓	✓	✓	✓	✓	✓	✓	✓	✓	✓	✓
Native	✓	✓	✓	✓	✓	✓	✓	✓	✓	✓	✓



**SUPPORTED RESOLUTIONS**

INPUT RESOLUTION IS 2048x1080/2048x1152

VIDEO WALL	1x1	2x2	3x3	4x4	5x5	6x6	7x7	8x8	9x9	10x10	15x15
640x480	✓	✓	✗	✓	✓	✓	✓	✓	✓	✓	✓
480p@60 (720x480)	✓	✓	✓	✓	✓	✓	✓	✓	✓	✓	✓
576p@50 (720x576)	✓	✓	✓	✓	✓	✓	✓	✓	✓	✓	✓
800x600	✓	✓	✓	✓	✓	✓	✓	✓	✓	✓	✓
848x480	✓	✓	✓	✓	✓	✓	✓	✓	✓	✓	✓
1024x768	✓	✓	✓	✓	✓	✓	✓	✓	✓	✓	✓
720p50 (1280x720)	✓	✓	✓	✓	✓	✓	✓	✓	✓	✓	✓
720p60 (1280x720)	✓	✓	✓	✓	✓	✓	✓	✓	✓	✓	✓
1280x768	✓	✓	✓	✓	✓	✓	✓	✓	✓	✓	✓
1280x800	✓	✓	✓	✓	✓	✓	✓	✓	✓	✓	✓
1280x960	✓	✓	✓	✓	✓	✓	✓	✓	✓	✓	✓
1280x1024	✓	✓	✓	✓	✓	✓	✓	✓	✓	✓	✓
1360x768	✓	✓	✓	✓	✓	✓	✓	✓	✓	✓	✓
1366x768	✓	✓	✓	✓	✓	✓	✓	✓	✓	✓	✓
1400x1050	✓	✓	✓	✓	✓	✓	✓	✓	✓	✓	✓
1440x900	✓	✓	✓	✓	✓	✓	✓	✓	✓	✓	✓
1600x900 (RB)	✓	✓	✓	✓	✓	✓	✓	✓	✓	✓	✓
1600x1200	✓	✓	✓	✓	✓	✓	✓	✓	✓	✓	✓
1680x1050	✓	✓	✓	✓	✓	✓	✓	✓	✓	✓	✓
1080p@50	✓	✓	✓	✓	✓	✓	✓	✓	✓	✓	✓
1080p@60	✓	✓	✓	✓	✓	✓	✓	✓	✓	✓	✓
1920x1200 (RB)	✓	✓	✓	✓	✓	✓	✓	✓	✓	✓	✓
2048x1152 (RB)	✓	✓	✓	✓	✓	✓	✓	✓	✓	✓	✓
1080i@50	✓	✓	✓	✓	✓	✓	✓	✓	✓	✓	✓
1080i@60	✓	✓	✓	✓	✓	✓	✓	✓	✓	✓	✓
1080p@24	✓	✓	✓	✓	✓	✓	✓	✓	✓	✓	✓
1080p@25	✓	✓	✓	✓	✓	✓	✓	✓	✓	✓	✓
1080p@30	✓	✓	✓	✓	✓	✓	✓	✓	✓	✓	✓
Native	✓	✓	✓	✓	✓	✓	✓	✓	✓	✓	✓



THIS PAGE IS INTENTIONALLY LEFT BLANK.

PLEASE READ THE FOLLOWING TERMS AND CONDITIONS CAREFULLY BEFORE USING THIS HARDWARE, COMPONENTS AND SOFTWARE PROVIDED BY, THROUGH OR UNDER A-NeuVideo, INC (COLLECTIVELY, THE "PRODUCT"). By using installing or using the Product, you unconditionally signify your agreement to these Terms and Conditions. If you do not agree to these Terms and Conditions, do not use the Product and return the Product to A-NeuVideo, Inc. at the return address set forth on the Product's packing label at your expense. A-NeuVideo, Inc. may modify these Terms and Conditions at anytime, without notice to you.

#### **RESTRICTIONS ON USE OF THE PRODUCT**

It is your responsibility to read and understand the installation and operation instructions, both verbal and in writing, provided to you with respect to the Product. You are authorized to use the Product solely in connection with such instructions. Any use of the Product not in accordance with such instructions shall void any warranty pertaining to the Product. Any and all damages that may occur in the use of the Product that is not strictly in accordance with such instructions shall be borne by you and you agree to indemnify and hold harmless A-NeuVideo, Inc. from and against any such damage.

The Product is protected by certain intellectual property rights owned by or licensed to A-NeuVideo. Any intellectual property rights pertaining to the Product are licensed to you by A-NeuVideo, Inc. and/or its affiliates, including any manufacturers or distributors of the Product (collectively, "A-NeuVideo") for your personal use only, provided that you do not change or delete any proprietary notices that may be provided with respect to the Product.

The Product is sold to you and any use of any associated intellectual property is deemed to be licensed to you by A-NeuVideo for your personal use only. A-NeuVideo does not transfer either the title or the intellectual property rights to the Product and A-NeuVideo retains full and complete title to the intellectual property rights therein. All trademarks and logos are owned by A-NeuVideo or its licensors and providers of the Product, and you may not copy or use them in any manner without the prior written consent of A-NeuVideo, which consent may be withheld at the sole discretion of A-NeuVideo.

The functionality and usability of the Product is controlled by A-NeuVideo, Inc. from its offices within the State of Texas, United States of America. A-NeuVideo makes no representation that materials pertaining to the Product are appropriate or available for use in other locations other than the shipping address you provided with respect thereto. You are advised that the Product may be subject to U.S. export controls.

#### **DISCLAIMERS AND LIMITATION OF LIABILITY**

A-NeuVideo may change or modify the Product at any time, from time to time.

THE PRODUCT IS PROVIDED "AS IS" AND WITHOUT WARRANTIES OF ANY KIND EITHER EXPRESS OR IMPLIED. A-NEUVIDEO DOES NOT WARRANT OR MAKE ANY REPRESENTATIONS REGARDING THE USE OR THE RESULTS OF THE USE OF THE PRODUCT'S CORRECTNESS, ACCURACY, RELIABILITY, OR OTHERWISE.

A-NeuVideo has no duty or policy to update any information or statements pertaining to the Product and, therefore, such information or statements should not be relied upon as being current as of the date you use the Product. Moreover, any portion of the materials pertaining to the Product may include technical inaccuracies or typographical errors. Changes may be made from time to time without notice with respect to the Product.

TO THE FULLEST EXTENT PERMISSIBLE PURSUANT TO APPLICABLE LAW, A-NEUVIDEO DISCLAIMS ALL WARRANTIES, EXPRESS OR IMPLIED, INCLUDING, BUT NOT LIMITED TO IMPLIED WARRANTIES OF MERCHANTABILITY, FITNESS FOR A PARTICULAR PURPOSE AND NON-INFRINGEMENT. A-NEUVIDEO DOES NOT WARRANT THE ACCURACY, COMPLETENESS OR USEFULNESS OF ANY INFORMATION WITH RESPECT TO THE PRODUCT. A-NEUVIDEO DOES NOT WARRANT THAT THE FUNCTIONS PERTAINING TO THE PRODUCT WILL BE ERROR-FREE, THAT DEFECTS WITH RESPECT TO THE PRODUCT WILL BE CORRECTED, OR THAT THE MATERIALS PERTAINING THERETO ARE FREE OF DEFECTS OR OTHER HARMFUL COMPONENTS. A-NEUVIDEO WILL USE ITS REASONABLE EFFORTS TO CORRECT ANY DEFECTS IN THE PRODUCT UPON TIMELY WRITTEN NOTICE FROM YOU NOT TO EXCEED 10 BUSINESS DAYS AFTER RECEIPT BY YOU OF THE PRODUCT, BUT YOU (AND NOT A-NEUVIDEO) ASSUME THE ENTIRE COST OF ALL NECESSARY SERVICING, REPAIR AND CORRECTION THAT WAS CAUSED BY YOU UNLESS OTHERWISE AGREED TO IN A SEPARATE WRITING BY A-NEUVIDEO.

UNDER NO CIRCUMSTANCES, INCLUDING, BUT NOT LIMITED TO, NEGLIGENCE, SHALL A-NEUVIDEO BE LIABLE FOR ANY SPECIAL OR CONSEQUENTIAL DAMAGES THAT RESULT FROM THE USE OF, OR THE INABILITY TO USE THE PRODUCT IN ACCORDANCE WITH ITS SPECIFICATIONS, EVEN IF A-NEUVIDEO OR ITS REPRESENTATIVES HAVE BEEN ADVISED OF THE POSSIBILITY OF SUCH DAMAGES. IN NO EVENT SHALL A-NEUVIDEO'S TOTAL LIABILITY TO YOU FROM ALL DAMAGES, LOSSES, AND CAUSES OF ACTION (WHETHER IN CONTRACT, OR OTHERWISE) EXCEED THE AMOUNT YOU PAID TO A-NEUVIDEO, IF ANY, FOR THE PRODUCT.