

# BG-EXHD-70UWP-W

**18Gbps HDBaseT 230ft Wall Plate Kit with MDP/HDMI & KVM  
Function Wall Plate Transmitter & HDBaseT to HDMI Receiver**

## User Manual







## Table of Content

Statement	4
Safety Precaution	4
Surge protection device recommended	4
Introduction	5
Features	5
Packing List	5
Specifications	6
Product Dimensions	7
Operation Controls and Functions	8
Connection Diagram	10
Troubleshooting	11
Tech Support	12
Warranty	12
Mission Statement	13
Copyright	14



## Statement

---

Please read these instructions carefully before connecting, operating, or configuring this product. Please save this manual for future reference.

## Safety Precaution

---

- To prevent damaging this product, avoid heavy pressure, strong vibration, or immersion during transportation, storage, and installation.
- The housing of this product is made of organic materials. Do not expose to any liquid, gas, or solids which may corrode the shell.
- Do not expose the product to rain or moisture.
- To prevent the risk of electric shock, do not open the case. Installation and maintenance should only be carried out by qualified technicians.
- Do not use the product beyond the specified temperature, humidity, or power supply specifications.
- This product does not contain parts that can be maintained or repaired by users. Damage caused by dismantling the product without authorization from BZBGear is not covered under the warranty policy.
- Installation and use of this product must strictly comply with local electrical safety standards.

## Surge protection device recommended

---

This product contains sensitive electrical components that may be damaged by electrical spikes, surges, electric shocks, lightning strikes, etc. Use of surge protection systems is highly recommended to protect and extend the life of your equipment.



## Introduction

---

Introducing the BG-EXHD-70UWP-W, an innovative 18Gbps HDBaseT Wall Plate Kit designed for seamless connectivity and high-performance transmission in professional AV setups. This kit includes a Wall Plate Transmitter and an HDBaseT to HDMI Receiver, offering unparalleled versatility and reliability in signal distribution.

Designed to fit seamlessly into Decora-style wall plate openings, this kit features a sleek US one-gang enclosure. The Wall Plate Transmitter serves as a 2x1 switcher and HDBaseT transmitter, supporting HDMI and DisplayPort (DP) inputs while also integrating USB 2.0 KVM functionality.

## Features

---

- Compliant with HDMI 2.0b, HDCP 2.2, and DisplayPort 1.2a standards
- Supports a video bandwidth of 18Gbps
- Capable of displaying video resolutions up to 4K/UHD@60Hz 4:4:4
- HDBaseT output extends video transmission distance up to 230ft / 70m for 1080P or 131ft / 40m for 4K via a single CAT6/6a/7 cable
- Supports HDR10 and HDR10+ formats
- Audio formats supported include Dolby Atmos, TrueHD, Digital+, DTS X, HD Master Audio, HD High-Resolution Audio, and 5.1; PCM 2-8Ch
- Features HDMI and MDP input support
- Designed with a US one-gang enclosure for Decora-style wall plate openings
- Input signal selection supports both automatic and manual modes
- USB2.0 extension available with Receiver
- Supports POE function (only from Receiver to Transmitter)

## Packing List

---

- 1× 18Gbps HDBaseT 70M with MDP/HDMI & KVM Function Wall Plate Transmitter
- 1× HDBaseT to HDMI receiver
- 1× User Manual

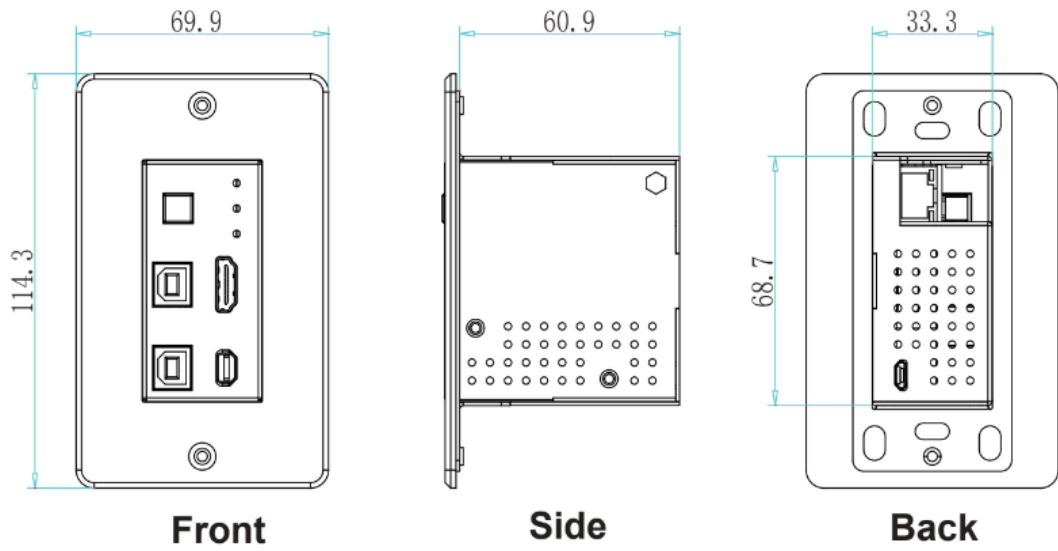


## Specifications

Technical	
HDMI Compliance	HDMI 2.0b, DisplayPort 1.2a
HDCP Compliance	HDCP 2.2
Video Bandwidth	18 Gbps
Video Resolution	4096x2160@24/25/30/50/60Hz, 3840x2160@24/25/30/50/60Hz, 2048x1080p, 1080p@23.98/24/25/29.97/30/50/59.94/60Hz, 1080i@50/59.94/60Hz, 720p@50/59.94/60Hz, 576p, 576i, 480p, 480i
Color Space	RGB, YCbCr 4:4:4, YCbCr 4:2:2, YUV 4:2:0
Color Depth	8/10/12-bit
HDR	HDR10, HDR10+
HDMI Audio Formats	Dolby Atmos, TrueHD, Digital+, Digital; DTS X, HD Master Audio, HD High Resolution Audio, 5.1; PCM 2-8Ch
Transmission Distance	Max distance (1080p) : 230ft / 70m over CAT6/6a/7 Max distance (UHD/4K): 131ft / 40m over CAT6/6a/7
ESD Protection	Human body model — ±8kV (Air-gap discharge) & ±4kV (Contact discharge)
Connection	
Transmitter	Inputs: 1 x HDMI Type A [19-pin female] 2 x USB-B 1 x miniDP [20-pin female] Output: 1 x HDBaseT Out [RJ45, 8-pin female] Control: 1x Micro USB [Update port]
Receiver	Inputs: 1x HDMI IN [Type A, 19-pin female] 1x HDBaseT IN [RJ45, 8-pin female] Outputs: 1x HDMI OUT [Type A, 19-pin female] 1x AUDIO OUT [Phoenix jack] Controls: 2x USB [USB A TYPE] 1x FW [Micro USB, Update port]
Mechanical	
Housing	Metal Enclosure
Color	White
Dimensions (W x D x H)	Wall plate: 1.31in x 2.6in x 2.7in [33.3mm x 65.7mm x 68.7mm] Faceplate: 2.8in x 0.12in x 4.5in [69.9mm x 3mm x 114.3mm] Receiver: 7.9in x 3.9in x 0.91in [200mm x 98mm x 23mm]
Weight	Wall plate: 0.43 lbs [196g], Receiver: 1.1 lbs [511g]
Power Supply	POE (only from Receiver to Transmitter)
Power Consumption	Wall plate: 9W (Max), Receiver: 11W (Max)
Operating Temperature	32 - 104°F / 0 - 40°C
Storage Temperature	-4 - 140°F / -20 - 60°C
Relative Humidity	20 - 90% RH (no condensation)



## Product Dimensions



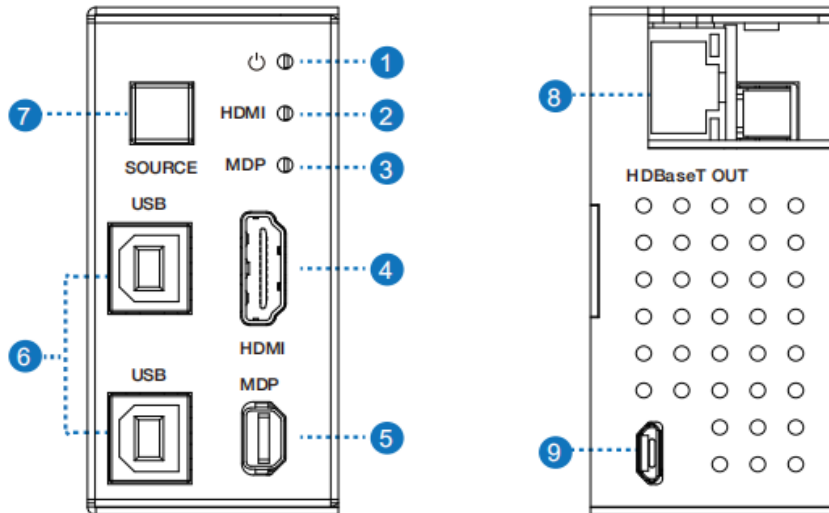
Unit: mm



## Operation Controls and Functions

### Front and Rear Panel

#### Transmitter Panel

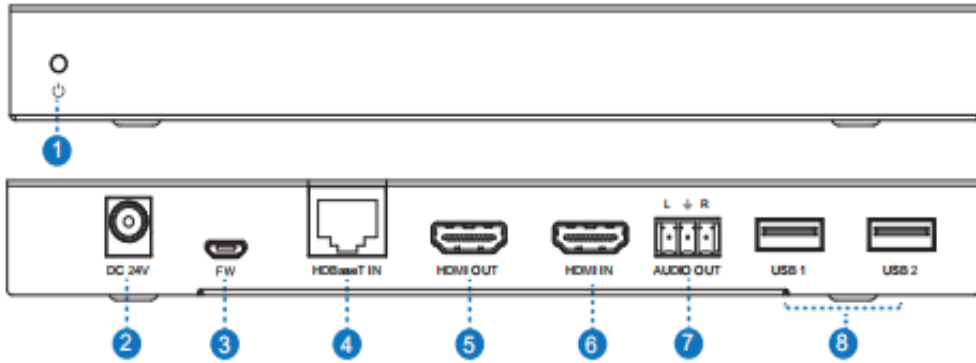


No.	Name	Function Description
1	Power LED	The power LED indicator will illuminate in green when the product is powered on, and red when the product is on standby.
2	HDMI LED	When the HDMI input port is active and the HDMI signal is detected, the green LED will be on.
3	MDP LED	When the MDP input port is active and MDP signal is detected, the green LED will be on.
4	HDMI port	HDMI input port, connect to HDMI source device.
5	MDP port	MDP signal input port.
6	USB-B port	Connect to the computer's USB port. Used for KVM function.
7	SOURCE button	Used to switch HDMI / MDP input signal.
8	HDBaseT OUT	Connect to the HDBaseT IN port of Receiver with a CAT6/6a/7 cable.
9	Micro-USB	Firmware update port.





**Receiver Panel**



No.	Name	Function Description
1	Power LED	When the product is powered on, the red LED indicator will be on.
2	DC 24V	DC 24V power supply port.
3	FW	Firmware update port.
4	HDBaseT IN	Connect to the HDBaseT OUT port of Transmitter with a CAT6/6a/7 cable.
5	HDMI OUT	HDMI output port, connect to HDMI display device.
6	HDMI IN	HDMI input port, connect to HDMI source device.
7	AUDIO OUT	Analog audio output port.
8	USB port	Two USB ports for KVM function.

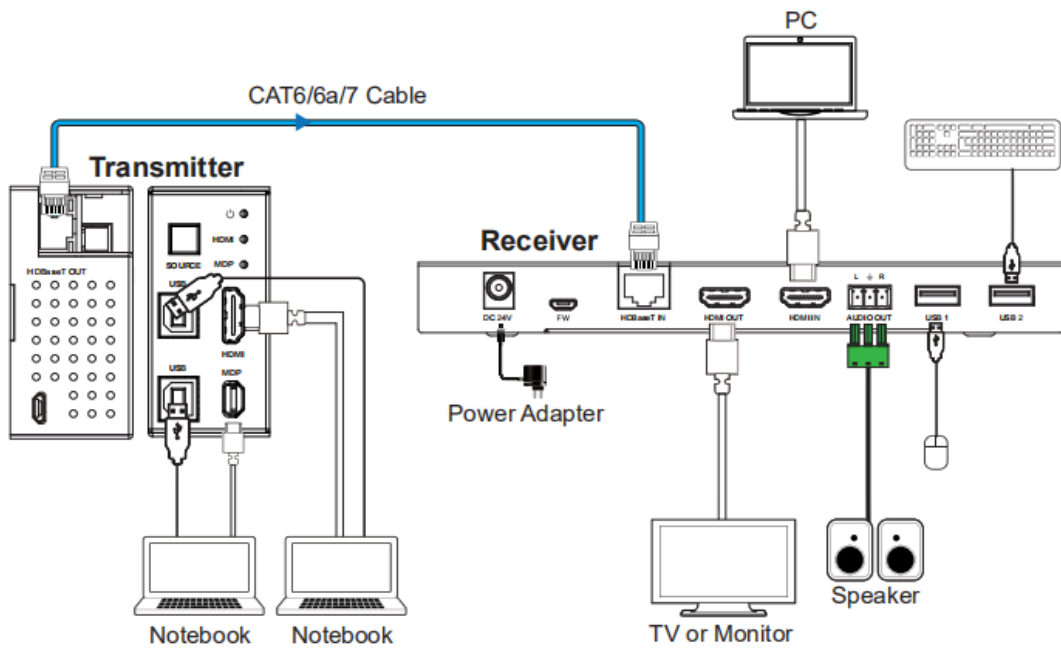
**Note:**

This transmitter supports automatic/manual mode for source signal input. In manual switching mode, press the SOURCE button to select HDMI/DP input source, and the USB-B port will follow the SOURCE switch.

In automatic switching mode, the last connected or the currently connected source signal will be selected automatically, and the USB-B port will follow the corresponding HDMI/DP input; When both HDMI and MDP ports are not connected to active signal, it will switch to the source signal of the Receiver.



# Connection Diagram





## Troubleshooting

Problems	Causes	Solutions
No Power / All LED off	Power supply not connected, connected fully, or wrong power supply.	Check if the power supply is connected correctly and the output voltage value is within recommended specifications.
No sound or sound issues	The HDMI connection is faulty, the audio format is not supported by the displays, or the source player is set to another port for audio output	Check if the HDMI cables are connected correctly. Check if the audio format is supported by the display and that a user has not changed the supported audio format on the player's audio output. Ensure output settings from the HDMI source device as set correctly.
No picture or picture flickers	The HDMI cable may be faulty or the category cable quality is faulty.	Check if the HDMI and category cable connections are correct and undamaged. Change to another good working HDMI cable or category cable (CAT6 or better cable is recommended).



## Tech Support

---

Have technical questions? We may have answered them already!

Please visit BZBGear's support page ([bzbgear.com/support](http://bzbgear.com/support)) for helpful information and tips regarding our products. Here you will find our Knowledge Base ([bzbgear.com/knowledge-base](http://bzbgear.com/knowledge-base)) with detailed tutorials, quick start guides, and step-by-step troubleshooting instructions. Or explore our YouTube channel, BZB TV ([youtube.com/c/BZBTVchannel](http://youtube.com/c/BZBTVchannel)), for help setting up, configuring, and other helpful how-to videos about our gear.

Need more in-depth support? Connect with one of our technical specialists directly:

<b>Phone</b>	<b>Email</b>	<b>Live Chat</b>
1.888.499.9906	<a href="mailto:support@bzbgear.com">support@bzbgear.com</a>	<a href="http://bzbgear.com">bzbgear.com</a>

## Warranty

---

BZBGear Pro AV products and cameras come with a three-year warranty. An extended two-year warranty is available for our cameras upon registration for a total of five years.

For complete warranty information, please visit [bzbgear.com/warranty](http://bzbgear.com/warranty).

For questions, please call 1.888.499.9906 or email [support@bzbgear.com](mailto:support@bzbgear.com).



## Mission Statement

---

BZBGear is a breakthrough manufacturer of high-quality, innovative audiovisual equipment ranging from AVoIP, professional broadcasting, conferencing, home theater, to live streaming solutions. We pride ourselves on unparalleled customer support and services. Our team offers system design consultation, and highly reviewed technical support for all the products in our catalog. BZBGear delivers quality products designed with users in mind.



## Copyright

---

All the contents in this manual and its copyright are owned by BZBGear. No one is allowed to imitate, copy, or translate this manual without BZBGear's permission. This manual contains no guarantee, standpoint expression or other implies in any form. Product specification and information in this manual is for reference only and subject to change without notice.

**All rights reserved.** No reproducing is allowed without acknowledgement.