

Thank you for purchasing the Music Garden system from Phase Technology. When properly installed, these speakers will provide years of listening enjoyment. Flexible mounting options mean these speakers can accommodate almost any outdoor space to provide full coverage and amazing audio in your private outdoor escape.

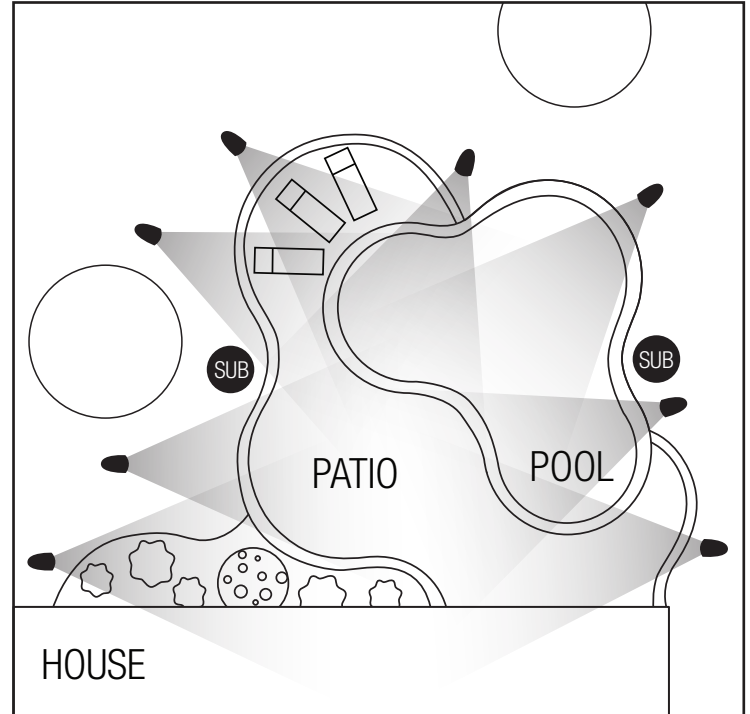
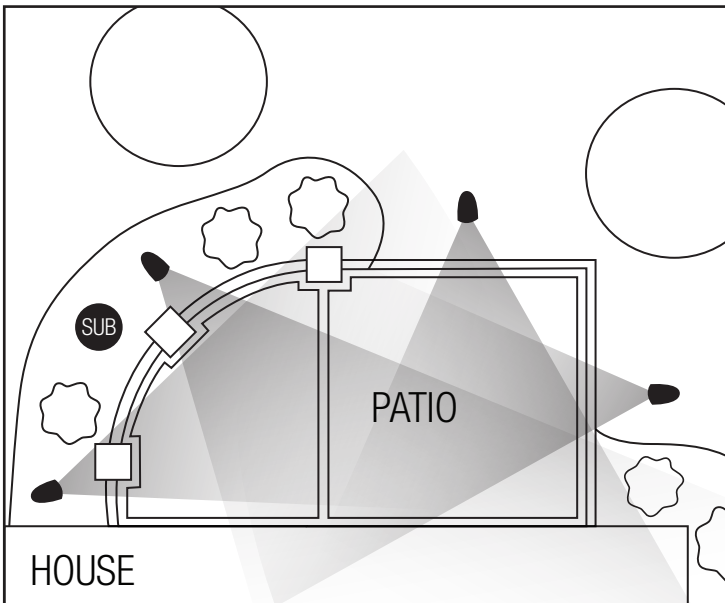
Site Preparation

There are several factors to consider when choosing mounting locations for your Music Garden landscape speakers:

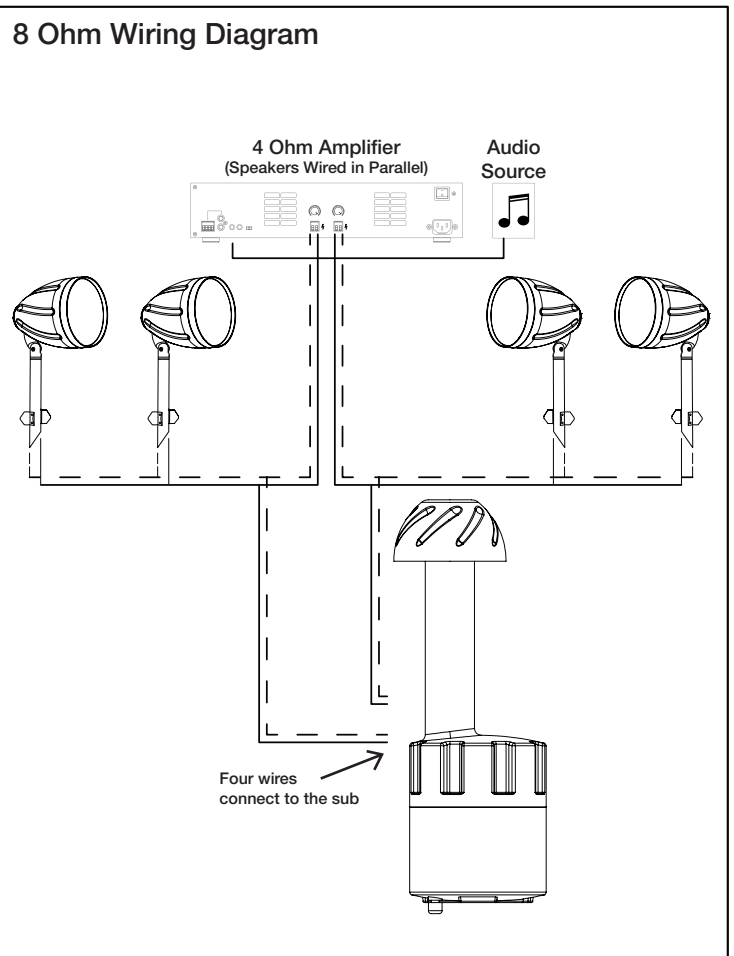
- The speakers may be mounted in the ground with the provided ground spike or they may be mounted on walls or vertical surfaces with the optional wall mounting plate.
- There should be a direct line of sight from the speaker to the listening area.
- Position each speaker so they are all approximately the same distance away from the listening area.
- Using high and low speaker locations will help to centralize the acoustic stage.
- Position the speakers 15' - 20' apart, but not more than 30' from the listening area.
- Be sure to select mounting locations that will not have high foot traffic or where landscaping equipment will frequently pass by.
- Do not place the speakers in areas that are prone to flooding with standing water.
- The speakers should not be positioned directly in front of, or in direct spray from, sprinklers.
- Do not aim the speaker at more than 45° from horizontal.
- A spike mount extension is available for installations requiring additional mounting depth.

The Music Garden System comes with one 8 inch dual-voice coil subwoofer and four 4 inch satellite speakers - the MG4. It is acceptable to add up to two additional MG4 units to one Music Garden system. For systems requiring eight or more satellite speakers, it is recommended to purchase two complete systems. The final number of speakers and subwoofers will depend on the coverage needed for the intended space. Sufficient amplifier power will need to be provided to accommodate the final number of speakers in the installation. Please call your PhaseTech dealer or email techsupport@mseaudio.com for technical support if needed.

Included are some typical installation layouts for reference.

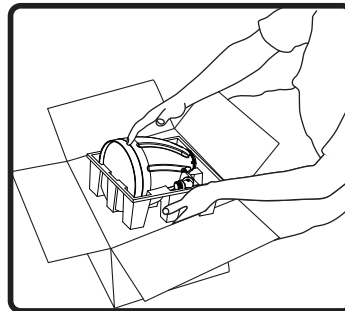


See the figure below for typical wiring configurations.



MG4 Speaker Installation

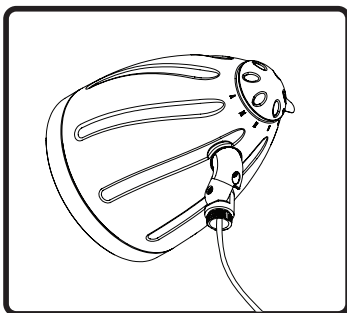
- PhaseTech recommends using either 14 gauge or 16 gauge direct-burial rated cable.
- It is best to lay out the direct-burial rated cable to each of the intended speaker locations before installing the speakers. Once the speakers are installed and the system has been tested, bury the speaker cable 3-5" deep in the ground.



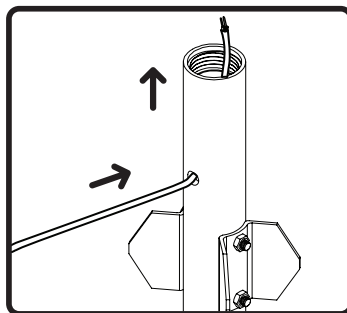
1. Remove speaker from the box.



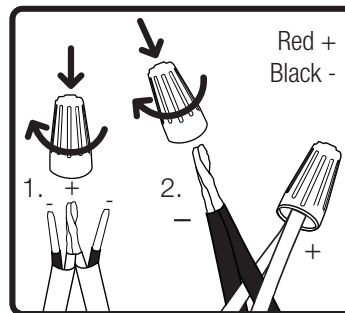
2. For in-ground installation, dig a hole 6 - 8" in diameter and 8" deep in the precise location where the speaker will be placed.



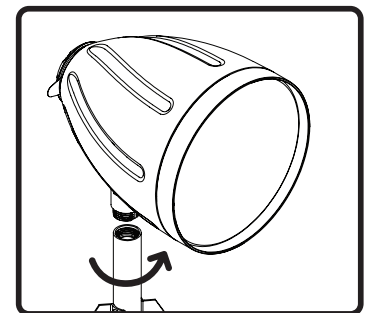
3. Strip and prepare wire ends for your desired speaker configuration.



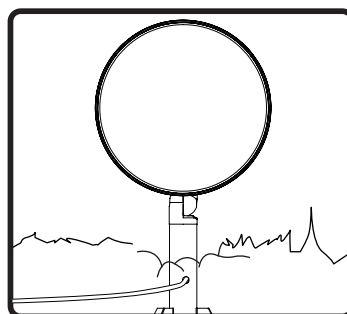
4. Pass the wire from the amplifier through the side hole in the mounting spike and out the top end. If daisy-chaining, pass the wire for the next speaker through the hole and out of the top as well. **DO NOT PASS THE SPEAKER WIRE(S) OUT OF THE BOTTOM OF THE MOUNTING SPIKE.**



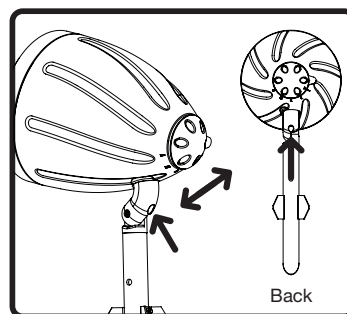
5. Trim the wire from the speaker to the appropriate length and use the supplied silicone wire nut to connect the positive lead from the speaker to the positive leads on the input wire. If daisy-chaining, be sure to also connect the positive wire for the next speaker in the chain. Repeat this step with the negative leads.



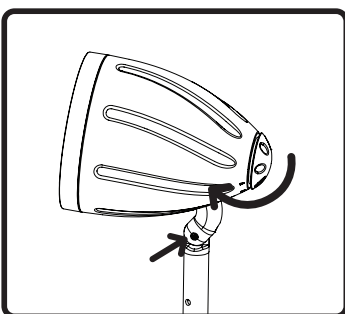
6. Gently place the wire nuts and speaker cable inside of the mounting spike and thread the speaker onto the mounting spike. Be sure to fully tighten the spike to the speaker mounting flange. Gently pull on the speaker wires coming out of the side of the hole to remove any excess wire inside the mounting spike.



7. Position the MG4 speaker in the hole, ensuring that it is aimed in the intended direction. The speaker should be deep enough in the ground that the wire(s) can be buried at least 1" below the final landscaping grade. Backfill the hole.



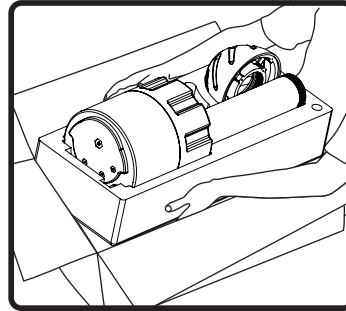
8. Speaker aiming can be fine-tuned using the included Allen wrench. Loosen the screw in the bottom of the gooseneck adapter and gently rotate the speaker into the desired position. Re-tighten the screw.



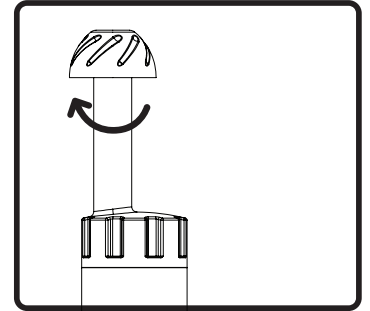
9. Adjust the vertical aiming (tilt aiming) by loosening the screw in the side of the mounting bracket assembly. Adjust the speaker to the desired tilt angle and re-tighten the screw. **DO NOT ADJUST THE SPEAKER TO AN ANGLE MORE THAN 45° FROM HORIZONTAL.**

Subwoofer Speaker Installation

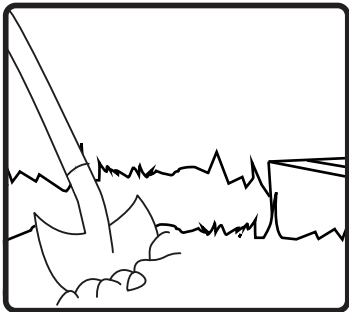
- It is recommended to add a 4" to 6" layer of crushed rock or gravel underneath the subwoofer. This will help protect the speaker from the ground water and minimize frost heaving.
- All subwoofers should be mounted such that the bottom edge of the vent tube cover is 3" to 5" above the final landscaping.
- Be sure to completely wire your system and fully test it before back-filling the subwoofer hole.



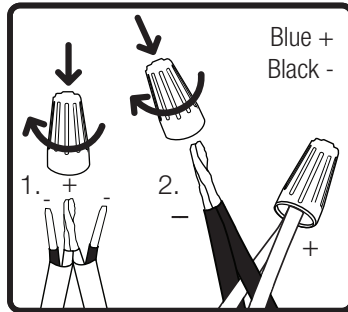
1. Remove speaker from the box.



2. Install the cap by threading it onto the end of the port tube clockwise.

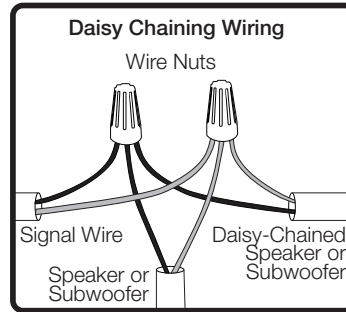


3. Dig a hole sufficient to bury the speaker to the correct depth (noted above) and to also accommodate 4-6" of gravel or crushed rock under the subwoofer housing.

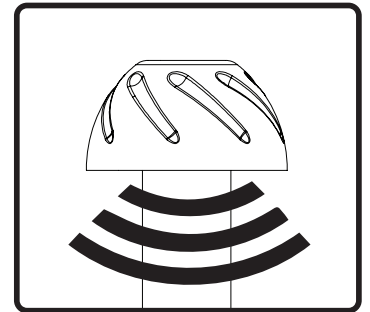


4. Connect the left input channel to the Blue (+) wire and the Black (-) wire from the subwoofer.

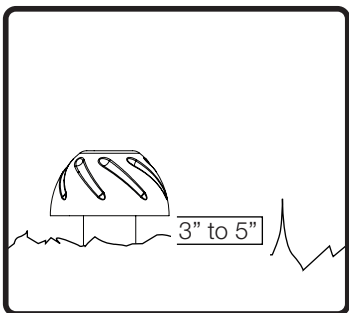
Connect the right input channel to the Brown (+) wire and the Yellow (-) wire from the subwoofer.



5. If daisy-chaining, be sure to also connect the wires going to the next speaker in the chain. Be sure to follow standard protocol for polarity and make sure the subwoofer is wired with the same polarity as the MG4 units.



6. Fully wire the rest of your system and test to make sure the system is performing correctly.

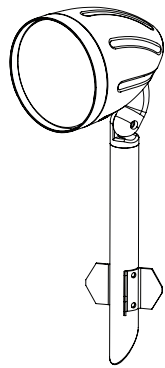


9. Back fill the subwoofer hole.

LIMITED WARRANTY: Phase Technology warrants its loudspeakers to be free from defects in material and workmanship for a period of ten (10) years for speaker product, limited lifetime for CI speakers, and three (3) years for the electronic components to the original purchaser. Purchase must be made from an authorized Phase Technology dealer.

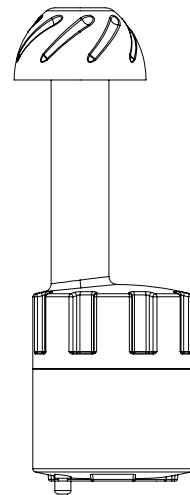
This warranty does not cover service or parts to repair damage caused by misuse, abuse, damage while in transit, alterations, unauthorized repairs, failure to follow instructions, fire, flood or any other cause beyond the reasonable control of Phase Technology. Defects in speaker cabinets or grilles must be brought to the attention of your dealer immediately after purchase. This warranty will be void if the products' serial number has been altered or removed.

Should your Phase Technology product require service, please call the MSE Audio customer service department for a return authorization. All merchandise returned to Phase Technology without prior authorization will be refused. For your return authorization number, please call 855.663.5600 or email sales@mseaudio.com.



MG™ 4

Description: 4" Landscape Speaker
Impedance: 16Ω
Tweeter: .75" Titanium Dome
Woofer: 4" Polypropylene Cone w/ NBR Surround
Frequency Response: 85 Hz - 22 kHz
Dimensions: 5.625" Dia. x 7.5" Depth x 17.75" H
Weight: 4.5 lbs.



MG™ Sub 8

Description: 8" In-Ground Landscape Subwoofer
Impedance: 8Ω
Woofer: 8" Polypropylene Cone w/ NBR Surround
Power: 50-150W
Frequency Response: 38 - 135 Hz
Dimensions: 28.5" H x 9.75" D
Weight: 13.5 lbs.