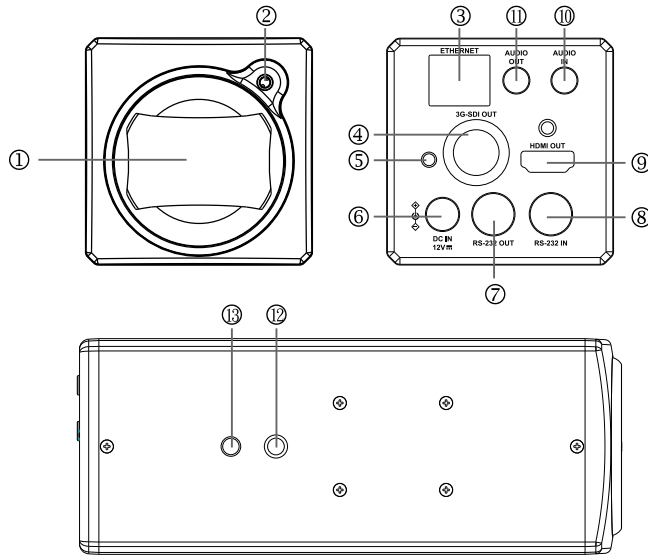


# VC-BC601P Quick Installation Guide

## 1. Product Introduction

1. Lens
2. Tally indicator light
3. Network port  
(IEEE 802.3af supply support)
4. 3G-SDI output
5. Power indicator light
6. DC12V power connector
7. RS232 output
8. RS232 input
9. HDMI output
10. Audio input
11. Audio output
12. Tripod screw holes  
(1/4", 20UNC)
13. Fiducial hole  
(Ø5; depth 2mm)

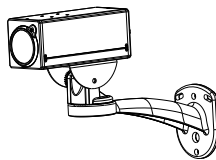


## 2. Installing Camera

2.1 Wall mount (optional): The camera is mounted on the wall using the Lumens VC-WM11 wall mount



2.2 Tripod (Shop by Yourself): The camera is mounted on a 1/4", 20 UNC PTZ tripod deck



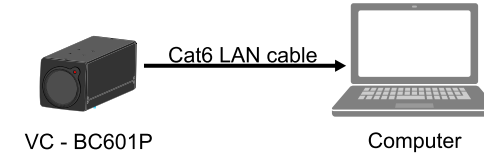
## 3. Cautions for Connection

- 3.1 Power supply
  - 3.1.1 Use the accessory DC12V power adapter for power supply
  - 3.1.2 Use a router or hub (IEEE 802.3 af) that supports power over Ethernet (PoE)

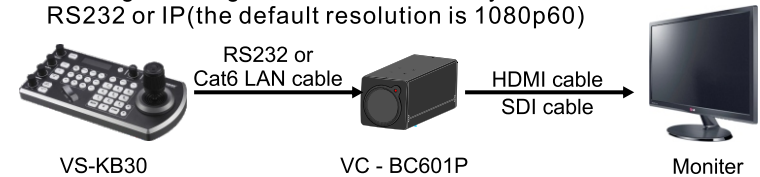
## 4. Single-camera Connection

4.1 Description for connecting a single camera

4.1.1 IP output: Use the network cables to connect to the computer; output the screen through IP; and control VC-BC601P



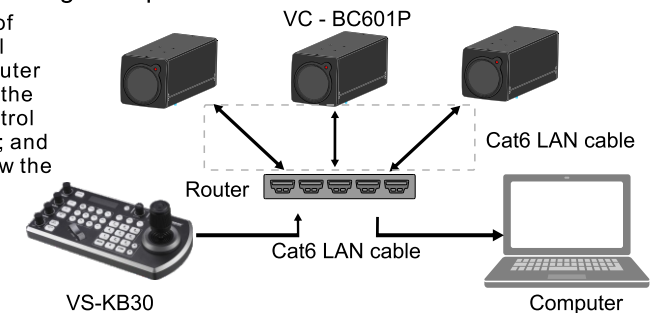
4.1.2 HDMI or SDI output: Use HDMI cable or SDI cable to connect to the screen for viewing the images; use the control keyboard to control VC-BC601P through RS232 or IP (the default resolution is 1080p60)



## 5. Multi-camera Connection

5.1 Description for connecting multiple cameras

5.1.1 Connect multiple units of VC-BC601P, the control keyboard and the computer to the same router; use the control keyboard to control VC-BC601P through IP; and use the computer to view the images.



## 6. Start Using

6.1 Confirm the camera IP address

- 6.1.1 For VC-BC601P, please directly connected to the computer  
The camera default IP is 192.168.100.100. Please set the computer IP address to be in the same network segment as that of the camera (192.168.100.xxx)
- 6.1.2 For VC-BC601P, please connected to the router

Please download Lumens VMS 5.0 at Lumens official website and install the software.  
The software can automatically search for the camera IP address assigned by the router

6.2 Open the browser and enter the camera IP address, the account, and password to gain access to view the camera images and control the camera

Account: admin  
Password: 9999