

AIDA

GENLOCK CONVERTER



GCON-SDI



GCON-HDMI

Operation Guide

Ver. 0.5 / May 2016

**CAUTION**

RISK OF ELECTRIC SHOCK.
DO NOT OPEN.

**CAUTION:**

TO REDUCE THE RISK OF ELECTRIC SHOCK, DO NOT REMOVE COVER (OR BACK) NO USER SERVICEABLE PARTS INSIDE. REFER SERVICING TO QUALIFIED SERVICE PERSONNEL.

**Warning**

This symbol indicates that dangerous voltage consisting a risk of electric shock is present within this unit.

**Precaution**

This exclamation point symbol is intended to alert the user to the presence of important operating and maintenance (servicing) instructions in the literature accompanying the appliance.

Warning

To prevent damage which may result in fire or electric shock hazard, do not expose this appliance to rain or moisture.

1. Be sure to use only the standard adapter that is specified in the specification sheet. Using any other adapter could cause fire, electrical shock, or damage to the product.
2. Incorrectly connecting the power supply or replacing battery may cause explosion, fire, electric shock, or damage to the product.
3. Do not connect multiple connectors to a single adapter. Exceeding the capacity may cause excessive heat or fire.
4. Securely plug the power cord into the power receptacle. Insecure connection may cause fire.

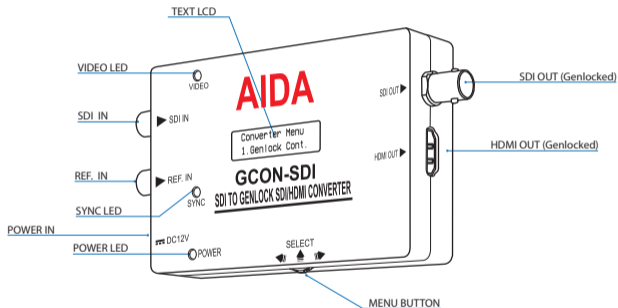
5. Do not drop the converter to avoid the damage or personal injury.
6. Do not place conductive objects (e.g. screw drivers, coins, metal items, etc.) or containers filled with water on top of the converter. Doing so may cause personal injury due to fire, electric shock, or falling objects.
7. Do not install the unit in humid, dusty, or sooty locations. Doing so may cause fire or electric shock.
8. If any unusual smells or smoke come from the unit, stop using the product. Immediately disconnect the power source and contact the service center. Continued use in such a condition may cause fire or electric shock.
9. If this product fails to operate normally, contact the nearest service center. Never disassemble or modify this product in any way.
10. When cleaning, do not spray water directly onto parts of the product. Doing so may cause fire or electric shock.

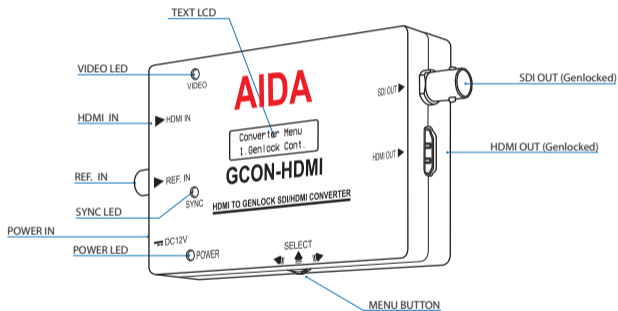
Precaution

Please read this Operation Guide before installing and using the converter & retain this copy for your reference.

1. Always follow the instructions in the operation guide when applying power. Fire and equipment damage can occur if power is applied incorrectly. For the correct power supply, refer to the specifications page.
2. Do not use converter if fumes, smoke or a strange odor is emitted from the camera, or if it seems not functional correctly. Disconnect the power source immediately and consult with your supplier.
3. Do not use the converter in extreme environments where high temperatures or high humidity exists. Use the camera under conditions where temperatures are between 32°F ~ 104°F, and humidity is below 90%.
4. If installed close to a TV, radio transmitter, magnet, electric motor transformer or audio speakers the magnetic field generated may interfere with or distort the image.
5. To prevent damage, do not drop the converter or subject it to strong shock or vibration.

GCON-SDI





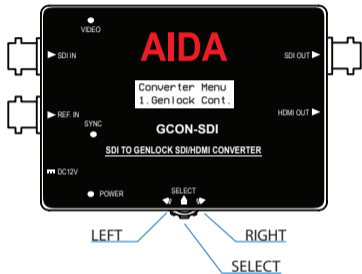
FEATURES

- SMPTE 292M & 424M standard high definition video format including 59.94Hz.
- SMPTE 352M Ancillary Data supported.
- Highly compatible with Tri Level reference.
- Adjustable V-sync & H-sync phases.
- Divisional picture comparison.
- Built in Pattern Generator.
- Built in LCD menu screen.
- Built in menu control button.
- Versatile, compact and rugged design.
- Embedded audio pass through via SDI & HDMI.
- Simultaneous SDI and HDMI Output.

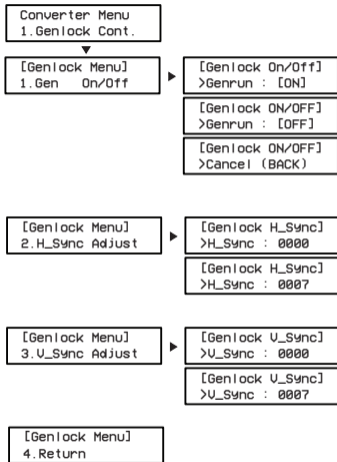
MENU	SUB MENU	
GENLOCK CONT.	GEN ON/OFF	GENRUN: [OFF]
		GENRUN: [ON]
		CANCEL(BACK)
	H_SYNC ADJUST	H_SYNC: 0000
		CANCEL(BACK)
	V_SYNC ADJUST	V_SYNC: 0000
		CANCEL(BACK)
RETURN		
PATTERN GEN..	PTN ON/OFF	PATTERN: [OFF]
		PATTERN: [ON]
		CANCEL(BACK)
	PTN TYPE	PTN WHITE
		PTN CROSS
		PTN HATCH
		PTN COLORBAR
		PTN GRAY
		PTN WINDOW
		PTN H_RAMP
		PTN WH_RAMP
		PTN WV_RAMP
		PTN DIAGONAL
		PTN RED
		PTN GREEN
		PTN BLUE
		RETURN

MENU	SUB MENU		
MISC CONT.	AUDIO CONT.	AUDIO ON/OFF	AUDIO [OFF]
			AUDIO [ON]
			CANCEL(BACK)
		AUDIO BITS	24 BITS
			20 BITS
			16 BITS
	CANCEL(BACK)		
	RETURN		
	PAYLOAD CONT.	PAYLOAD ON/OFF	PAYLOAD [OFF]
			PAYLOAD [ON]
CANCEL(BACK)			
RETURN			
RETURN			
DISPLAY CONT.	LCD CONT.	LCD BL ON/OFF	LCD [OFF]
			LCD [ON]
			CANCEL(BACK)
		DISP TYPE	DYNAMIC
			STATIC
			CANCEL(BACK)
	RETURN		
	HD/3G CONT.	2DIV COMPARE	2DIV [OFF]
			2DIV [ON]
		RETURN	
RETURN			
RESET	RESET RUN		
	RETURN		
	EXIT		

MENU OPERATION



- 1 Entering the main menu.
*Press Enter button **three times** to enter the main menu.*
- 2 Change the menu items.
Use Right or Left menu to toggle through the menu.
- 3 Select or enter the sub menu.
Use Enter button.



GENLOCK CONT.

GEN ON/OFF

*External reference input can be turned ON or OFF from this menu.
By using Left or Right button,
Select GENRUN[ON] to enable external reference input.
Select GENRUN[OFF] to disable external reference input.
Select CANCEL (BACK) to go back to the previous menu.*

SDI input signal and reference signal needs to be matched.

H_SYNC ADJUST

*H_Sync offset can be adjusted from this menu.
By using Left or Right button,
Select the right offset number on H_SYNC: 0000
Press SELECT button to apply the changes and go back to the previous menu.*

V_SYNC ADJUST

*V_Sync offset can be adjusted from this menu.
By using Left or Right button,
Select the right offset number on V_SYNC: 0000
Press SELECT button to apply the changes and go back to the previous menu.*

RETURN

Press SELECT button to Return to the main menu.

PATTERN GEN..

Converter Menu
2. Pattern Gen..

[Pattern Menu]
1. Ptn On/Off

[Pattern On/Off]
>Pattern : [OFF]

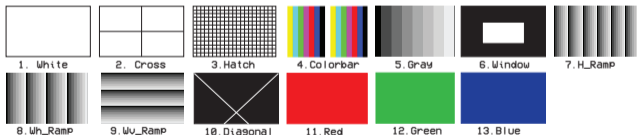
[Pattern ON/OFF]
>Pattern : [ON]

[Pattern ON/OFF]
>Cancel (BACK)

[Pattern Menu]
2. Ptn Type

[Pattern Type]
1. Ptn White

[Pattern Type]
14. Return



[Pattern Menu]
3. Return

PATTERN GEN..

PATTERN ON/OFF

Both SDI and HDMI outputs will generate patterns and input video will be disabled.

When GENLOCK is enabled, generated pattern will contain genlock signal.

By using Left or Right button,

Select PATTERN[ON] to enable pattern generation.

Select PATTERN[OFF] to disable pattern generation.

Select CANCEL (BACK) to go back to the previous menu.

PATTERN TYPE

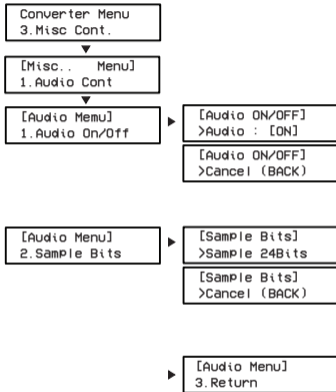
Converter provides thirteen different patterns.

By using Left or Right button,

By using Left or Right button, select the proper pattern type.

RETURN

Press SELECT button to Return to the main menu.



MISC CONT.

AUDIO CONT

Audio can be turned ON or OFF, and AUDIO Sample Rate can be adjusted.

►AUDIO ON/OFF

By using Left or Right button,

Select AUDIO[ON] to enable AUDIO to be passed through to SDI and HDMI outputs.

Select AUDIO[OFF] to disable AUDIO.

Select CANCEL (BACK) to go back to the previous menu.

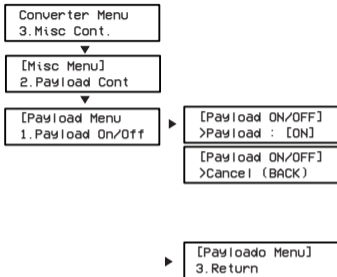
►SAMPLE BITS : 16 BITS, 20 BITS, 24 BITS

AUDIO sample rates can be adjusted from this menu.

RETURN

Press SELECT button to Return to the main menu.

MISC CONT. PAYLOAD



MISC CONT.

PAYLOAD CONT

Payload ID can be turned ON or OFF can be adjusted.

➤PAYLOAD ON/OFF

By using Left or Right button,

Select PAYLOAD [ON] to enable Payload ID.

Select PAYLOAD [OFF] to disable Payload ID.

Select CANCEL (BACK) to go back to the previous menu.

RETURN

Press SELECT button to Return to the main menu.

Converter Menu
4.Display Cont.



[Display Menu]
1.LCD Cont

▶ [LCD Disp Menu]
1.LCD BL On/Off

[LCD BL ON/OFF]
>LCD BL : [ON]

[LCD BL ON/OFF]
>Cancel (BACK)

▶ [LCD Disp Menu]
2.Display Type

[Display Type]
>Dynamic

[Display Type]
>Cancel (BACK)

▶ [Display Menu]
3.Return

DISPLAY CONT.

LCD CONT

This menu can control built in LCD display.

▶LCD BL ON/OFF

LCD display backlight can be turned ON or OFF from this menu.

By using Left or Right button,

Select LCD [ON] to enable LCD backlight.

Select LCD [OFF] to disable LCD backlight.

Select CANCEL (BACK) to go back to the previous menu.

▶DISPLAY TYPE : DYNAMIC. STATIC

LCD display type can be adjusted from this menu.

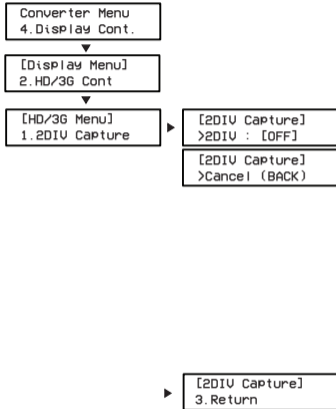
Select DYNAMIC to display the current input status of SDI and external reference.

Select STATIC to display the current external reference input and video output status.

RETURN

Press SELECT button to Return to the main menu.

DISPLAYCONT. 2DIV



DISPLAY CONT.

HD/3G CONT

2 division comparison provides still image and live image for image quality comparison.

>2DIV CAPTURE

Converter will capture the left half of the live image.
The other half of the screen is the live video.



Live Image
2DIV OFF



Live Image Captured image
2DIV ON

RETURN

Press SELECT button to Return to the main menu.

RESET

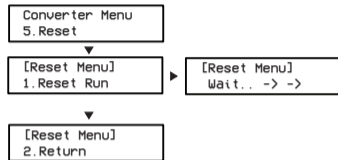
Converter setting can be defaulted to the factory setting from this menu.

RESET RUN

Select this menu to load factory default setting.

RETURN

Press **SELECT** button to Return to the main menu.



SPECIFICATION: GCON-SDI

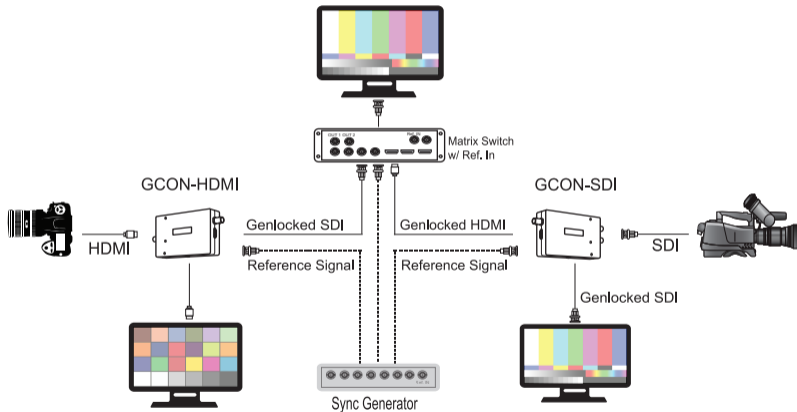
Input	3G-SDI, HD-SDI
SDI Input Format	SMPTE 292M, SMPTE 424M
Audio Input	Embedded SDI Audio
Input Resolution	1080p / 1080i: 1920 x 1080 Full HD 720p: 1280 x 720
Input Color Space	4:2:2(YCbCr) 10bit
Input Frame Rate	1080 60p / 59.94p / 50p / 30p / 29.97p / 25p 1080 60i / 59.94i / 50i 720 60p / 59.94p / 50p / 30p / 25p
SMPTE Standard	SMPTE 292M, SMPTE 424M
Video Signal Output	Genlocked HD-SDI/3G-SDI Pass Through Genlocked 10bit HDMI 1.3
Output Resolution	Same as Input
Output Frame Rate	Same as Input
Audio Output	16 Channel Embedded SDI Audio 8 Channel Embedded HDMI Audio
Synchronization	External Tri-Level Sync Input
Control	Control Button & LCD Display
Operation Temperature	15°F ~ 120°F
Dimension & Weight	127 x 77 x 28mm & 108g
Power Requirements	6W at 12VDC (+9 ~ +15VDC)

Specifications are subject to change without notice

Input	Full HD HDMI
SDI Input Format	SMPTE 292M, SMPTE 424M
Audio Input	Embedded SDI Audio
Input Resolution	1080p / 1080i: 1920 x 1080 Full HD 720p: 1280 x 720
Input Color Space	4:2:2(YCbCr) 10bit
Input Frame Rate	1080 60p / 59.94p / 50p / 30p / 29.97p / 25p 1080 60i / 59.94i / 50i
SMPTE Standard	720 60p / 59.94p / 50p / 30p / 25p SMPTE 292M, SMPTE 424M
Video Signal Output	Genlocked HD-SDI/3G-SDI Genlocked 10bit HDMI 1.3 Pass Through
Output Resolution	Same as Input
Output Frame Rate	Same as Input
Audio Output	16 Channel Embedded SDI Audio 8 Channel Embedded HDMI Audio
Synchronization	External Tri-Level Sync Input
Control	Control Button & LCD Display
Operation Temperature	15°F ~ 120°F
Dimension & Weight	127 x 77 x 28mm & 108g
Power Requirements	6W at 12VDC (+9 ~ +15VDC)

Specifications are subject to change without notice

CONNECTION





Disposal of Old Appliances

1. When this crossed-out wheel bin symbol is attached to a product it means the product is covered by the European Directive 2002/96/EC.
2. All electrical and electronic products should be disposed of separately from the municipal waste stream in accordance to laws designated by the government or the local authorities.
3. The correct disposal of your old appliance will help prevent potential negative consequences for the environment and human health.
4. For more detailed information about disposal of your old appliance, please contact your city office, waste disposal service or the shop where you purchased the product.



This equipment has been tested and found to comply with the limits for a Class A digital device, pursuant to part 15 of the FCC Rules.

These limits are designed to provide reasonable protection against harmful interference when the equipment is operated in a commercial environment.

This equipment generates, uses, and can radiate radio frequency energy and, if not installed and used in accordance with the instruction manual, may cause harmful interference to radio communications. Operation of this equipment in a residential area is likely to cause harmful interference in which case the user will be required to correct the interference at his own expense.