

August 2022

Installation and Operation Manual

Blackmagicdesign 

Blackmagic **URSA** **Broadcast G2**



Blackmagic URSA Broadcast G2

Languages

To go directly to your preferred language, simply click on the hyperlinks listed in the contents below.

English	3
日本語	282
Français	562
Deutsch	842
Español	1122
中文	1402
한국어	1682
Русский	1962
Italiano	2242
Português	2522
Türkçe	2802



Welcome

Thank you for purchasing Blackmagic URSA Broadcast G2!

Blackmagic URSA Broadcast G2 is an incredibly powerful camera designed for both traditional and online broadcasters. The camera's versatile design allows it to work as a 4K production camera, a 4K studio camera or a 6K digital film camera!

Built from strong, lightweight magnesium alloy, your Blackmagic URSA Broadcast G2 is perfectly balanced and comfortable to use all day with physical controls at your fingertips. This means you can change ND filters, shutter speed, white balance, ISO and more without looking away from the viewfinder.

Your URSA Broadcast G2 is compatible with B4 broadcast lenses and records to common file types such as Blackmagic RAW and Apple ProRes, plus highly efficient 10-bit broadcast quality H.264 and H.265. Dual native gain provides fantastic low light performance and is optimized to reduce grain and noise at higher ISOs while maintaining the full dynamic range of the sensor!

We hope you use your URSA Broadcast G2 to produce some of the world's most exciting television programming, documentaries and live studio content. We are extremely excited to see what creative work you produce and would love your feedback on new features you would like to see us add to URSA!

A handwritten signature in black ink that reads "Grant Petty". The signature is written in a cursive, flowing style.

Grant Petty

CEO Blackmagic Design

Contents

Getting Started	6	Settings	83
Attaching a Lens	6	Dashboard	83
Powering your Camera	7	Record Settings	83
Using Servo Zoom Lenses	9	File Naming Convention	89
Setting the Back Focus on B4 Lenses	15	Monitor Settings	90
Storage Media	19	Audio Settings	96
CFast Cards	19	Setup Settings	99
SD Cards	20	Presets	116
Recording to USB-C flash disks	22	LUTS	119
SSDs	23	Entering Metadata	122
Preparing Media for Recording	25	Gyro Stabilization	127
Preparing Media on Blackmagic URSA Broadcast G2	25	Streaming Video	129
Preparing Media on Mac	27	Smartphone Setup	130
Preparing Media on Windows	28	Settings	130
Recording	29	Setting the ATEM Camera ID	131
Recording Clips	29	Creating the XML File	131
Choosing the Codec, Resolution and Sensor Area	30	Exporting the XML File	131
Blackmagic RAW	31	Loading the XML File	132
Recording to Blackmagic RAW	31	URSA Mini Shoulder Kit	133
Choosing Frame Rates	34	Blackmagic URSA Viewfinder	136
Triggering Record on External Equipment	37	Mounting and Connecting to Blackmagic URSA Broadcast G2	136
Record Duration Table	37	Adjusting the Eyepiece	137
Playback	39	Button Features	137
URSA Broadcast G2 Connectors and Features	40	Menu Settings	138
Camera Front	40	Blackmagic URSA Studio Viewfinder	142
Left Side	41	Mounting and Connecting to Blackmagic URSA Broadcast G2	143
Left Side Controls	41	Adjusting the Blackmagic URSA Studio Viewfinder	145
Right Side	43	Button Features	148
Rear Panel	44	Menu Settings	150
Top Panel	46	Blackmagic Zoom and Focus Demands	155
Underside	46	Connecting and Attaching to your Camera	155
URSA Broadcast G2 Controls	47	Using Blackmagic Focus Demand	157
Forward Control Panel	47	Using Blackmagic Zoom Demand	158
Ergonomic Control Panel	50	Mounting Batteries	159
Internal Control Panel	55	Mounting V-mount or Gold Mount Batteries	159
Camera Video Outputs	57	Using your own Battery Plate	161
HD Monitoring Output	57	Blackmagic Fiber Converters	163
12G-SDI Output	57	Getting Started with Blackmagic Fiber Converters	164
Touchscreen Controls	59	About SMPTE Fiber	164
Upper Toolbar	59	Connecting SMPTE Fiber	166
Lower Toolbar	76		
Looping playback	82		

Why Connections on the Front?	170	Shimming mounts	210
Plugging in Camera SDI	171	URSA Mini Recorder	211
Plugging in Return SDI Outputs	171	Mounting and connecting	
Mounting Blackmagic Camera		URSA Mini Recorder	212
Fiber Converter	171	Using URSA Mini Recorder	214
Attaching the URSA Studio Viewfinder	174	Updating URSA Mini Recorder's	
Plugging in a Talkback Headset	174	internal software	215
Operating the Camera Fiber Converter	175	Understanding Studio Camera Control	216
Selecting a Return Feed	175	Using Camera Control	217
Using the Call Button	176	DaVinci Resolve Primary	
Using Talkback	176	Color Corrector	222
Using Tally	177	Using DaVinci Resolve	226
Status Indicators	177	Project Manager	226
Audio Inputs	178	Editing with the Cut Page	227
IP Video	179	Adding Clips to the Timeline	230
Power Specifications	179	Trimming Clips on the Timeline	231
Additional Camera Controls	180	Audio Trim View	231
Operating the Studio Fiber Converter	181	Adding Titles	232
Using the Menu	182	Working with Blackmagic RAW Files	233
Rack Mounting the Studio Unit	185	Color Correcting your Clips	
Camera Unit Connections	189	with the Color Page	237
Camera Power Connection	189	Adding a Power Window	240
PTZ Interface	189	Using Plugins	242
Talkback Connection	190	Mixing Your Audio	243
Tracker Interface	191	Adding VFX and Compositing	
DC Connection	191	on the Fusion Page	248
D-Tap Output	192	Mastering Your Edit	257
Reference Output and Operation	192	Quick Export	257
Studio Unit Connections	193	The Deliver Page	258
12G-SDI Output	193	Blackmagic Camera Setup Utility	259
Return SDI Inputs	193	Working with Third Party Software	260
Reference Input and Output	194	Working with Files from	
Talkback Interface	194	CFast 2.0 and SD cards	261
PTZ Interface	195	Working with Files from SSDs	261
Audio Outputs	196	Using Final Cut Pro X	262
Updating Internal Software	197	Using Avid Media Composer 2018	263
Updating Blackmagic Camera		Using Adobe Premiere Pro CC	263
Fiber Converter	197	Developer Information	265
Updating Blackmagic Studio		Blackmagic Bluetooth Camera Control	265
Fiber Converter	197	Blackmagic SDI and Bluetooth	
Interchangeable Lens Mount	198	Camera Control Protocol	267
Removing the B4 Mount	199	Example Protocol Packets	275
Blackmagic URSA Mini Pro EF Mount	199	Blackmagic Tally Control Protocol	276
Blackmagic URSA Mini Pro F Mount	201	Help	278
Blackmagic URSA Mini Pro PL Mount	205	Regulatory Notices	279
Blackmagic URSA Broadcast		Safety Information	280
G2 B4 Mount	208	Warranty	281
Shimming Lens Mounts	209		
Blackmagic URSA Mini Pro Shim Kit	209		

Getting Started

Getting started with your Blackmagic URSA Broadcast G2 is as simple as mounting a lens and powering your camera.

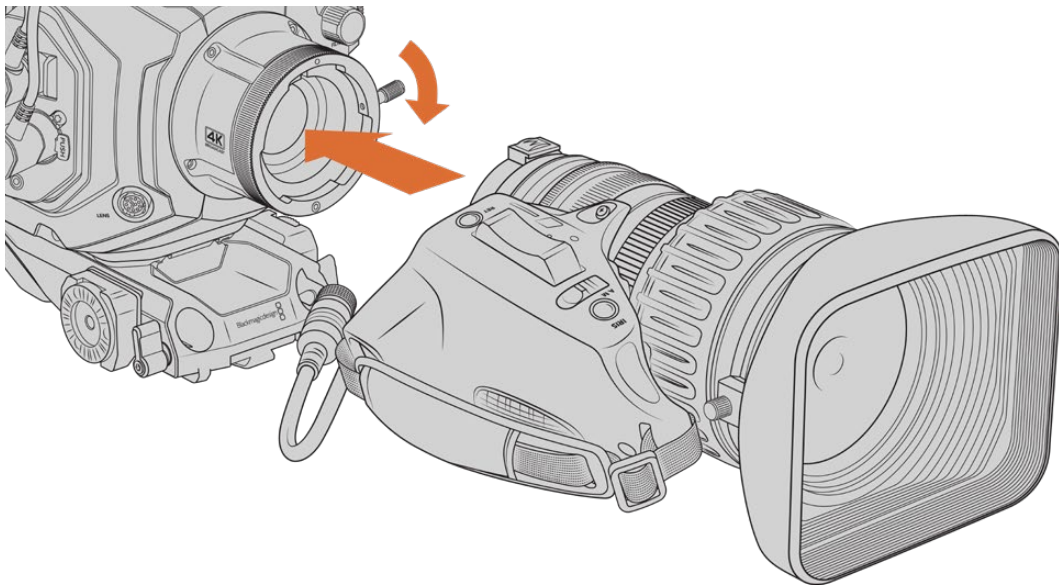
Attaching a Lens

Your URSA Broadcast G2 comes fitted with a B4 lens mount for HD and Ultra HD broadcast lenses. An additional EF mount is included so you can also use stills lenses, other compact-zoom or EF cine lenses. For instructions on switching lens mount types, refer to the 'Interchangeable lens mount' section later in this manual.

URSA Broadcast G2's B4 mount features optics specifically designed to work with your camera's sensor to produce the same field of view and depth of field as traditional broadcast cameras with 2/3" sensors. This means that if you already have a broadcast background, you can be comfortable mounting your existing B4 lenses to URSA Broadcast G2 and shoot confidently.

To remove the protective dust cap from the camera, rotate the outer locking ring counterclockwise and pull the dust cap away from the mount.

To attach a B4 mount lens:



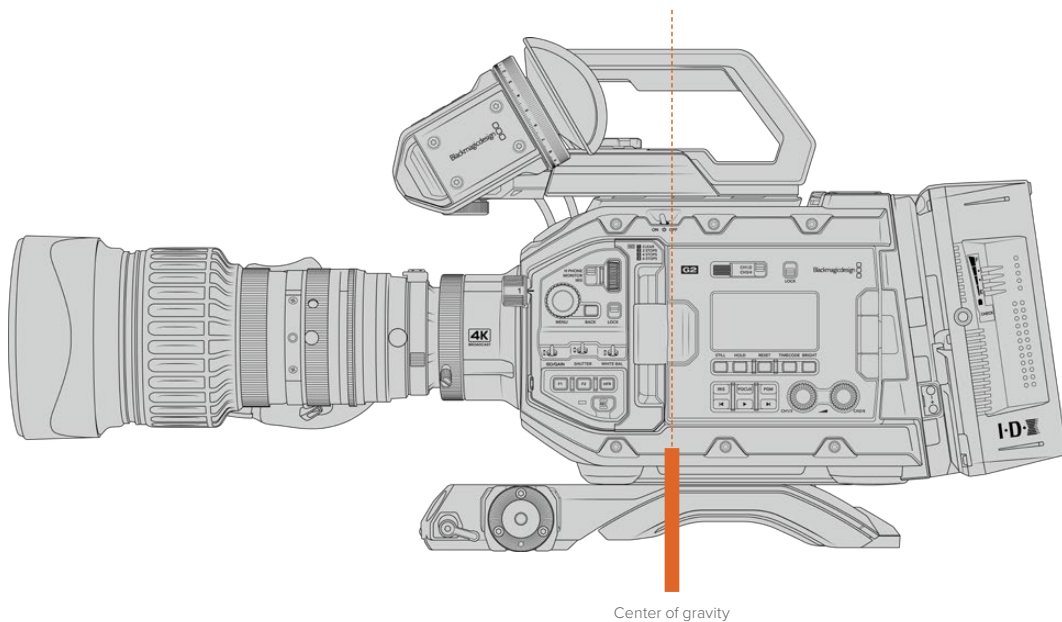
Rotate the locking ring clockwise to secure the lens to the camera

- 1 Turn the B4 lens locking ring counterclockwise to reveal the alignment slot inside the top of the mount. Align the B4 lens to your URSA Broadcast G2's B4 mount so the alignment pin on the lens matches the position of the alignment slot.
- 2 Hold the lens against the B4 mount so the mount plates are against each other and make sure the alignment pin is secured inside the alignment slot.
- 3 Turn the locking ring clockwise to tighten the lens against the mount and lock it into position.
- 4 To power the lens and provide lens control, simply plug the lens cable into the connector marked 'Lens' on the front of your URSA Broadcast G2's turret. Most B4 lenses will have the 12 pin lens connector and cable built in. This will provide power and control signals from your URSA Broadcast G2 to the lens.

For information on the types of B4 lenses and how to use them with your camera, refer to the 'Using Servo Zoom Lenses' section in this manual.

NOTE When no lens is attached to the camera, the optical element of URSA Broadcast G2's B4 mount is exposed to dust and other debris. Ensure that you keep the dust cap on whenever possible.

Many B4 lenses can be quite long due to their extreme zoom range. When using URSA Broadcast G2 with B4 lenses, your camera's center of gravity will move forward. The URSA Mini shoulder pad included with your camera can be adjusted accordingly.



When mounting URSA Broadcast G2 on the URSA Mini shoulder pad, it's a good idea to mount the camera towards the rear of the shoulder pad base when using longer zoom lenses. This moves your camera rig's center of gravity back over the middle of the pad, making it easier to balance on your shoulder and rest steadily when sitting on a desk or flat surface. Refer to the 'URSA Mini Shoulder Kit' section later in this manual for more information on fitting the shoulder pad.

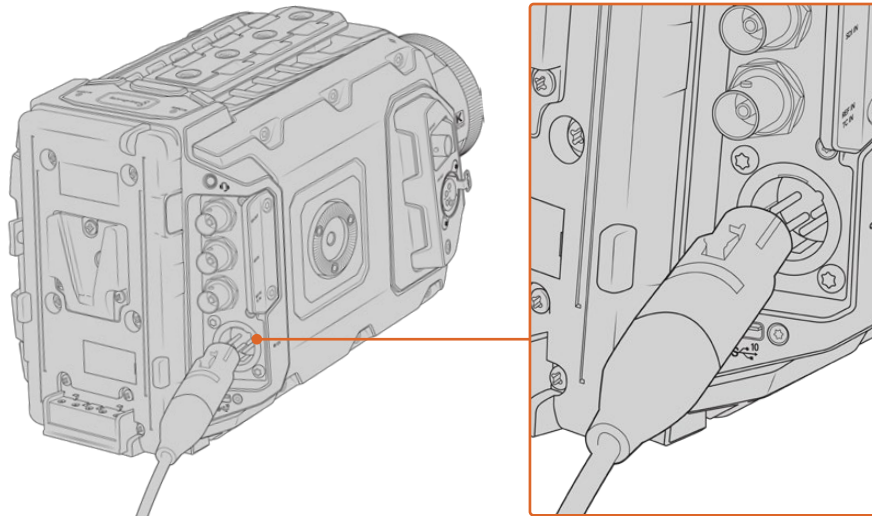
Powering your Camera

Now that you've attached a lens, you will need to supply power. The quickest way to power your camera is to connect external power using the supplied AC to 12V DC adapter.

To plug in external power:

- 1 Connect the AC to 12V DC adapter plug to your mains power socket.
- 2 Connect the AC to 12V DC adapter's 4 pin XLR connector to the 12-18V DC power connector on the camera.

If you have both external and battery power connected, only external power will be used. If you remove external power while a charged battery is connected, your camera will switch to battery power without interruption.



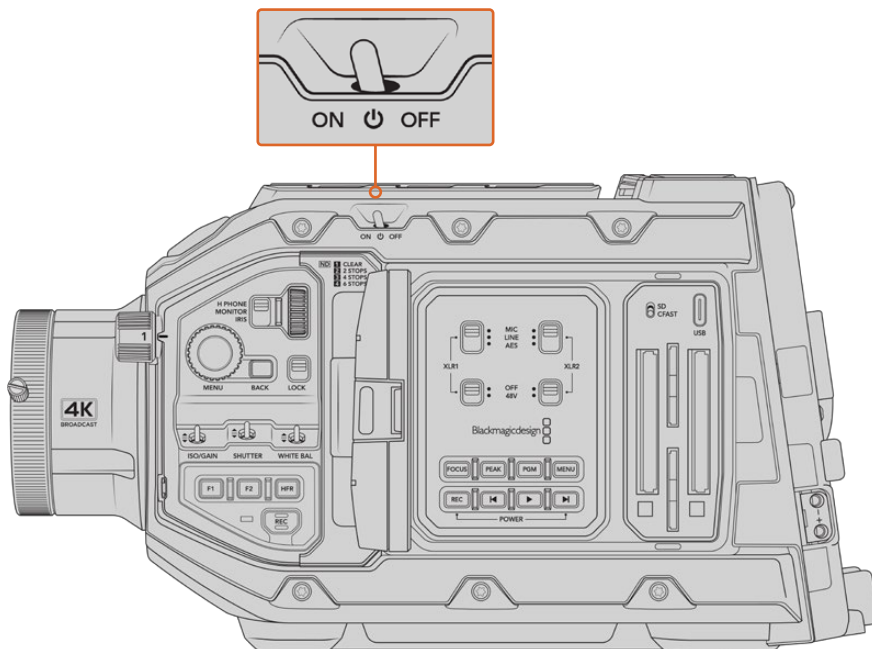
Use the supplied AC to 12V DC adapter to power your Blackmagic URSA Broadcast G2

Blackmagic URSA Broadcast G2 comes fitted with an URSA VLock Battery Plate. This lets you use industry standard V mount batteries with your camera. Refer to the 'mounting batteries' section for more information about mounting different types of battery plates to support different batteries.

To turn on URSA Broadcast G2:

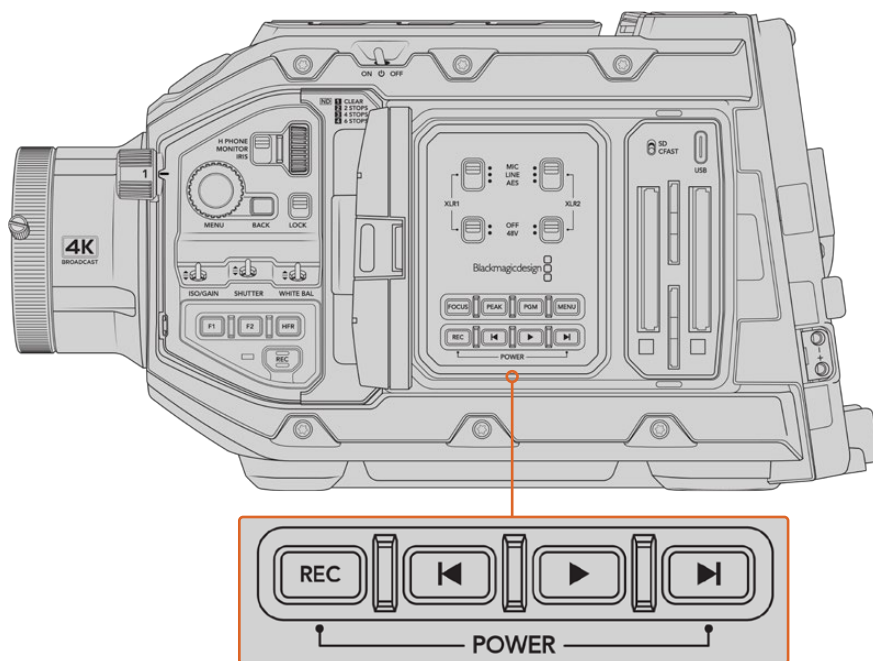
- 1 Move the power switch, located above the fold out LCD, to the 'on' position.
- 2 To turn the camera off, move the switch to the 'off' position.

You are now ready to insert your media and start recording!



Move the power switch to 'on' to power your camera

URSA Broadcast G2 also features a redundant power switch, which allows the camera to be turned on and off by holding down the 'rec' and 'forward skip' buttons on the inside control panel. While you wouldn't normally power your camera using this method, it is provided as a helpful alternative if the power switch along the top edge is obscured, for example when mounted on a custom rig.



If you need to, you can also hold down the record and forward skip buttons on the control panel behind the LCD to power your camera on or off

TIP If your URSA Broadcast G2 is turned off when the power switch is set to 'on', your camera may have been powered down via Bluetooth® control or by holding down the record and forward skip control panel buttons. Simply toggle the power switch 'off' and 'on,' or hold down the relevant control panel buttons to power the camera on.

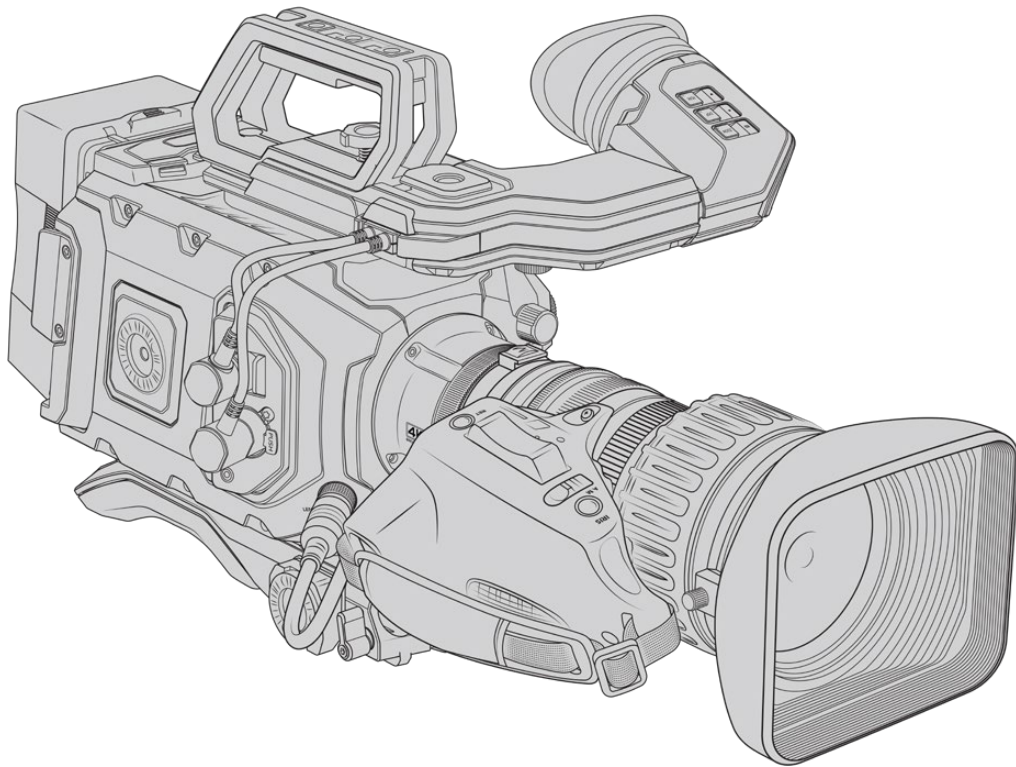
Using Servo Zoom Lenses

Your URSA Broadcast G2 natively supports servo driven B4 broadcast lenses. For information on fitting a B4 lens to your camera, refer to the 'attaching a lens' section at the start of this manual.

TIP With the optional URSA Mini Pro PL mount fitted, your URSA Broadcast G2 is also compatible with servo driven PL cine lenses.

B4 broadcast lenses offer several features that aren't typically present in still photography and cinema lenses. In addition to the ability to hold focus through a large zoom range, these lenses are distinguished by handgrip controls and servo driven iris and zoom functions. Some lenses also feature servo driven focus. With the lens connector fitted, iris and zoom can be controlled from the handgrip, from your camera or by using an optional Blackmagic Zoom Demand. You can even control your lens remotely via an ATEM switcher.

Lenses which have a focus servo can accept auto focus commands from the camera, continuously track focus using an optional Blackmagic Focus Demand or receive focus commands from an ATEM switcher.



B4 Lenses with iris and zoom control include:

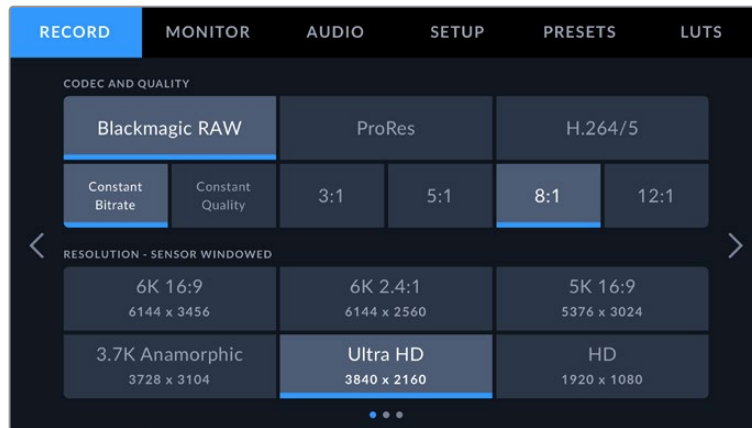
- Fujinon B4 lens models with HA, ZA, XA, UA and LA prefixes in their model name and RM in their suffix. For example, Fujinon **XA20sxBRM**.
- Canon B4 lens models with HJ, KJ and CJ prefixes and RSE or RSD in their suffix. For example Canon **KJ20x8.2B IRSD**.

B4 Lenses with full servo control for focus, iris and zoom include:

- Fujinon B4 lens models with HA, ZA and UA prefixes in their name and the letters RD or ZD in the suffix. For example, Fujinon **HA22x7.8 BERD**.
- Fujinon box lenses with XA and UA prefix in their name.
- Canon B4 lens models with HJ, KJ..ex and CJ prefixes in their name and the letters ASE or ASD in the suffix. For example, Canon **HJ24ex7.5B IASE**.
- Canon box lenses with XJ and UJ prefix in their name.

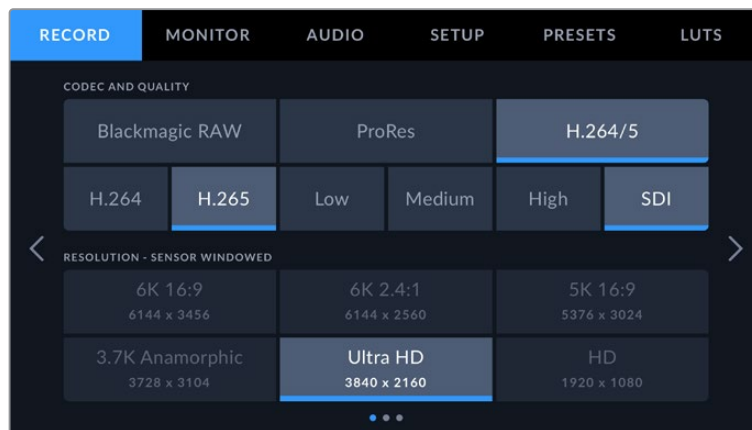
TIP Box lens models mentioned above support both zoom and focus servos. Please check with your lens supplier to confirm the servo motors are installed.

Your Blackmagic URSA Broadcast G2 is shipped ready to record to Blackmagic RAW Ultra HD. To confirm your record settings simply press the menu button to open the menu settings on the LCD. The first menu item is the 'record' tab and you can check your codec and resolution settings here. More information on how to use the menu settings is provided later in the manual.



The default Blackmagic RAW settings in the 'record' tab

Ultra HD is also the default resolution for both ProRes and H.265 codecs. If you'd like to shoot in HD that is also available in ProRes or H.264.



The record tab in the menu settings

TIP If you notice any vignetting in your images when using a B4 lens check that your resolution is set to Ultra HD when set to Blackmagic RAW. If you are recording ProRes or H.264/5, adjusting your camera's 'sensor area' to 4K will suit the optical area that the B4 mount covers. For more information, refer to the 'record settings' section later in the manual.

B4 lens controls

Iris

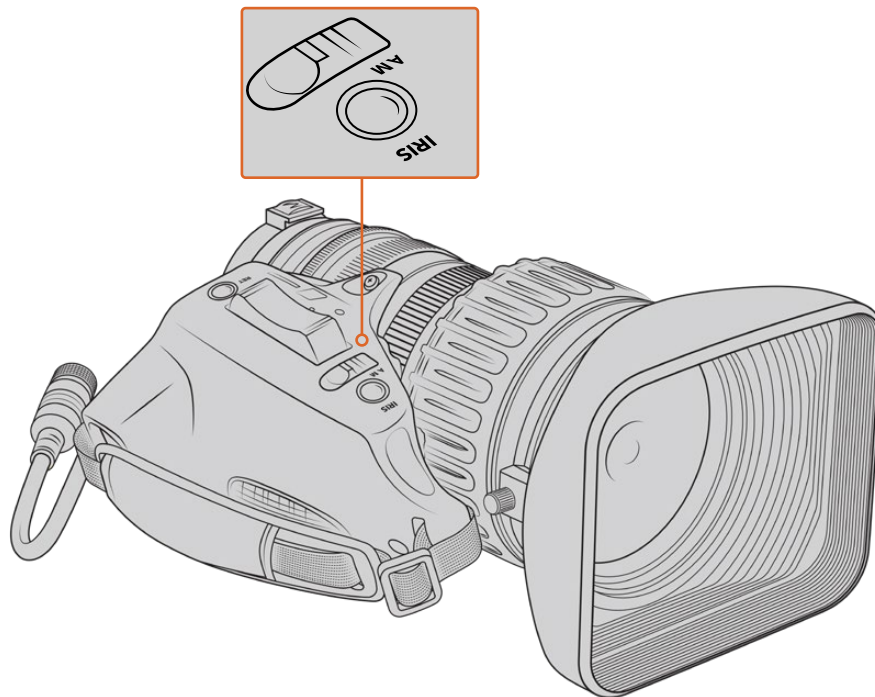
On the top of most B4 handgrips, you'll find an 'auto/manual' or 'A/M' switch, and a 'push auto' or 'iris' switch. These control your lenses' aperture ring.

Auto

Set this switch to 'auto' or 'a' to adjust your lens aperture via your URSA Broadcast G2, Blackmagic Zoom Demand or an ATEM switcher. You can adjust lens aperture from URSA Broadcast G2 using the iris wheel, internal control panel buttons, touchscreen controls, or iris based auto exposure modes. See the 'URSA Broadcast G2 controls' and 'touchscreen controls' sections in this manual for more details. While in 'auto' mode, the aperture ring on your B4 lens cannot be moved manually.

Manual

Set this switch to 'manual' or 'm' to adjust your lens aperture by turning the iris ring on the lens barrel. In this mode, your lens will not accept aperture commands from your URSA Broadcast G2 or ATEM switcher.



Push Auto/Iris

Use this button to momentarily activate 'auto' aperture control while in 'manual' mode. This can be combined with iris controls on your camera or ATEM switcher to great effect.

For example, with your camera set to an iris based auto exposure mode and your lens aperture set to 'manual,' you can freely adjust your lens iris by using the aperture ring on the lens barrel, however tapping the 'push auto/'iris' button will momentarily activate auto exposure, adjusting your iris for the current lighting conditions.

Alternatively, you can set an iris value using the controls on your URSA Broadcast G2's LCD touchscreen. While in 'manual' mode, you are free to adjust lens aperture using the aperture ring on the lens barrel, but tapping the 'push auto/'iris' button will return the lens to the preset value on your touchscreen.

Zoom

On the underside of most B4 handgrips, you'll find a 'zoom' switch that can be set to 'servo' or 'manual.' This controls zoom behavior.

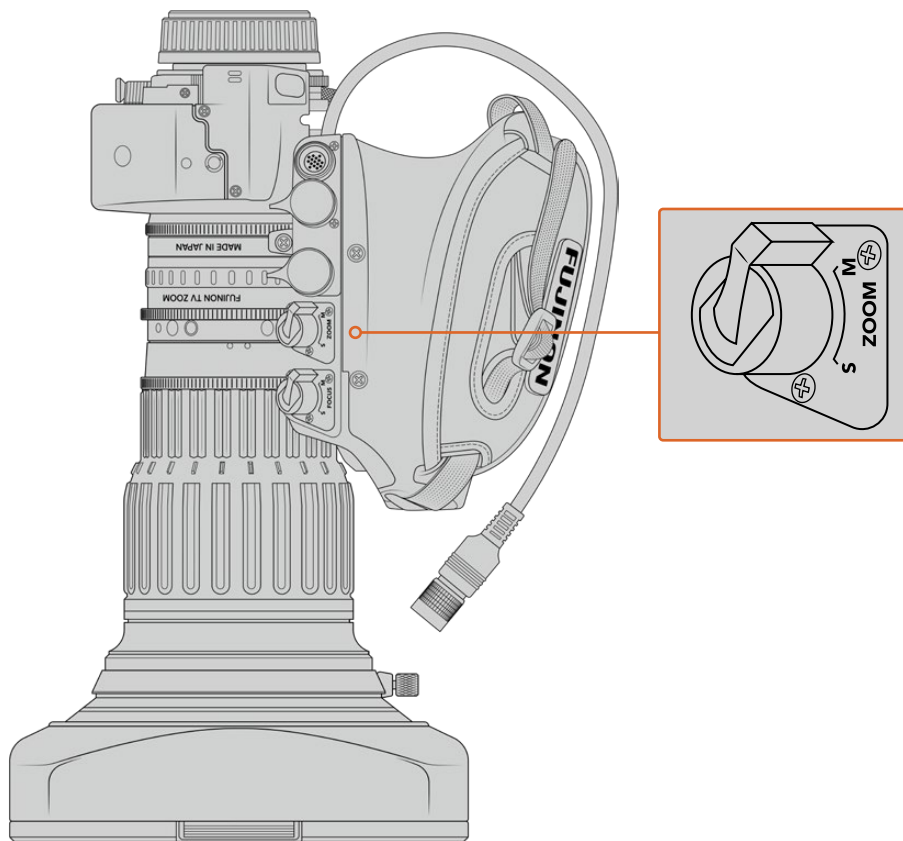
Servo

Set this switch to 'servo' or 's' to enable servo zoom control. In this mode, the rocker switch on your handset can be used to zoom your lens in and out, as well as any other zoom related controls, such as zoom speed and quickzoom. Your lens will also accept zoom commands from URSA Broadcast G2, Blackmagic Zoom Demand and ATEM switchers, so long as it is connected to the camera via the lens connector. In this mode, you typically can't adjust your lens's manual zoom ring.

TIP Handgrip zoom rockers are typically linked to zoom speed. Push the rocker down gently to zoom slowly, push down harder to zoom more rapidly.

Manual

Set this switch to 'manual' or 'm' to disable servo control and adjust zoom using the zoom ring on your lens barrel. In this mode, your lens will not accept zoom commands from the handgrip, URSA Broadcast G2, or ATEM switchers.



Focus

Some B4 lenses also have focus servo controls. If this control is present on your lens, you'll see a 'focus' switch on the underside of the handgrip with two settings, 'servo' and 'manual.'

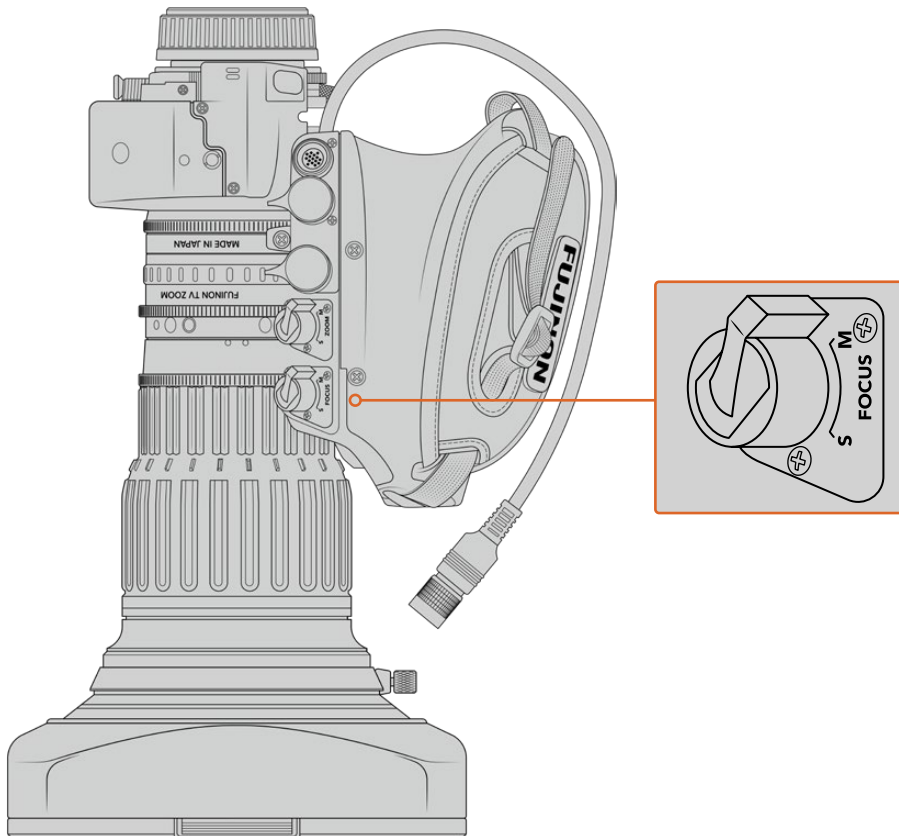
Servo

Set this switch to 'servo' or 's' to enable servo focus control. In this mode, your lens can accept focus commands from URSA Broadcast G2, Blackmagic Focus Demand or an ATEM switcher via the lens connector.

Manual

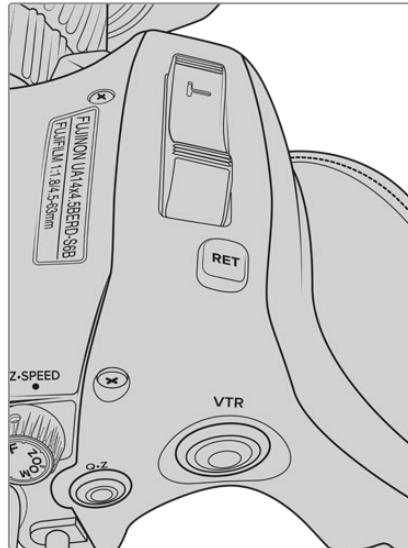
Set this switch to 'manual' to use the focus ring on the lens barrel to control focus. B4 lenses tend to autofocus quite slowly, so using manual control is more common.

NOTE Analog B4 lenses with servos are also supported although the camera will only power the zoom servo and support electronic iris control. Many of them are standard definition and may not have the standard 12 pin broadcast connector. If you are going to use an analog B4 lens, it's important to make sure it is compatible with your camera first as some have limited feature sets. It is also worth testing them for their image circle coverage as some of them may reveal resolution and light fall off towards the edge of the frame.



Ret and VTR

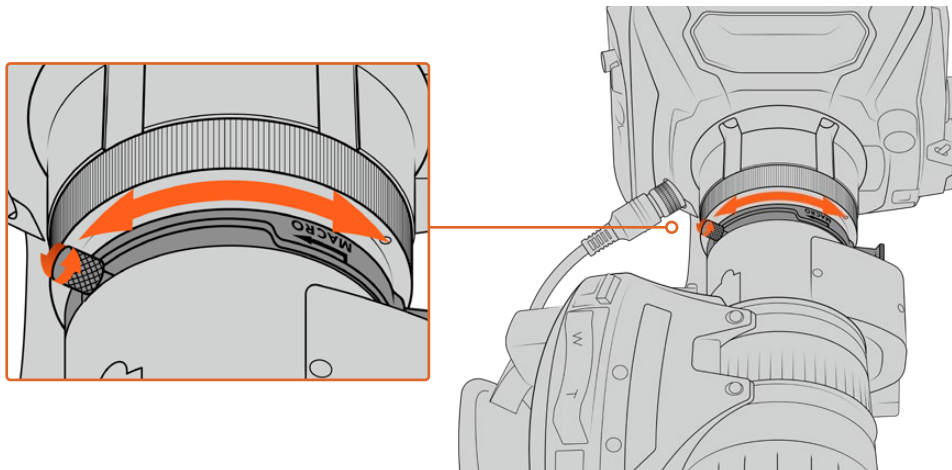
On a B4 lens, the 'vtr' button toggles recording and the 'ret' button is for 'program return'. For information on how you can configure the 'vtr' and 'ret' button as function buttons, see the 'set function button' section in 'setup settings' later in this manual.



The 'ret' and 'vtr' buttons on a B4 lens

Setting the Back Focus on B4 Lenses

One of the huge advantages of B4 lenses is that they are designed to be 'parfocal' which means they hold focus all the way through the zoom range. This means you can zoom in, get focus on an object and then when you zoom out it will remain in focus.



The back focus ring is typically located at the rear of the lens, close to the mount

Back focus is critical in ensuring that your HD or 4K B4 lenses retain focus right through the zoom range. When you first mount a B4 lens on your camera you should check that the back focus is correct. Back focus should also be checked when you swap lenses, and it's a good idea to periodically check back focus at the start of major projects.

To check the back focus of a B4 lens:

- 1 Place a focus test chart, or a flat white item with good high contrast detail, approximately seventy feet, or as far away as possible, from the camera.
- 2 Set the iris on the lens wide open and compensate for exposure by using the built in NDs if you need to. You'll want a shallow depth of field so you can exaggerate any focus issues.
- 3 Zoom into the chart and set focus.
- 4 Now zoom out. If you reach maximum wide and the focus remains sharp, then your back focus is correct and you don't need to make any adjustments.

However, if you zoomed out and the chart drifted out of focus, the back focus is incorrect. Zoom all the way out and adjust the back focus ring on the rear of the lens close to the mount. The back focus ring typically has a twist knob used to loosen and tighten. Simply loosen the twist knob and rotate the ring until your chart is in focus.

- 5 Now zoom in and out slowly and check if your chart remains in focus all the way through the zoom.
- 6 Repeat steps 4 and 5, zooming in and out and making adjustments to the back focus ring. If your lens holds focus all the way through the zoom range your back focus is now set correctly.

Setting back focus on Fuji LA16x8 BRM lenses

The process of setting back focus on a Fuji LA16x8 BRM lens is slightly different. Instead of an external back focus ring this lens sets back focus electronically using a button underneath the hand grip.

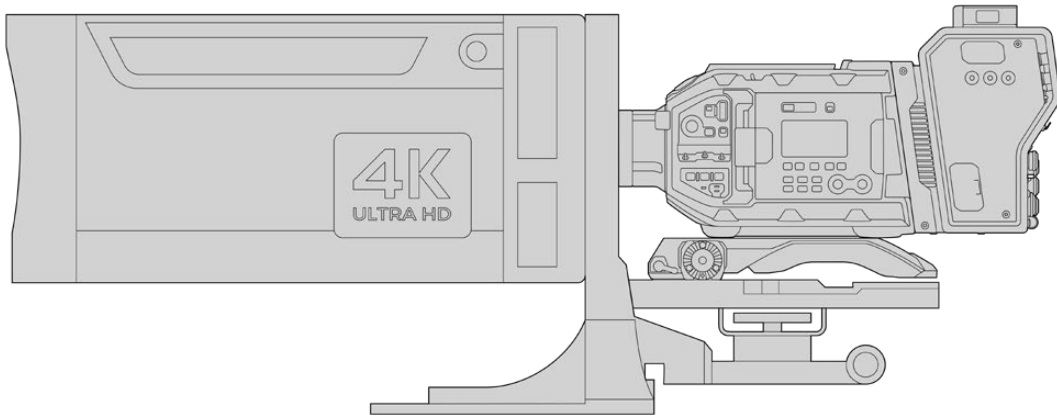
To set back focus on a Fuji LA16x8 BRM lens:

- 1 Place a focus test chart, or a flat white item with good high contrast detail, approximately seventy feet, or as far away as possible, from the camera.
- 2 Set the zoom switch underneath the lens handgrip to 'servo'.
- 3 Locate the 'F.f.' button next to the zoom switch. Press and hold the 'F.f.' button for 5 seconds. The indicator LED on top of the zoom rocker will flash red.
- 4 The lens will automatically zoom in. Set focus using the focus ring. It's important to note that if you have Blackmagic Focus Demand attached you will need to unplug it from your camera to adjust the physical focus ring or adjust the focus using the focus demand for this step and step 5.
- 5 Press the 'F.f.' button again and the lens will automatically zoom out. Set focus using the focus ring.
- 6 Press the 'F.f.' button to confirm the settings. The top indicator LED will flash red. The electronic back focus on your Fuji LA16x8 BRM lens is now set.
- 7 Now zoom in and out slowly and check if your chart remains in focus all the way through the zoom.
- 8 If your lens holds focus all the way through the zoom range your back focus is now set correctly. If you need to make further adjustments, repeat steps 3 to 6.

TIP As temperature changes and wear over time can have subtle effects on the back focus, it's worth regularly checking the back focus on B4 lenses to ensure it stays accurate.

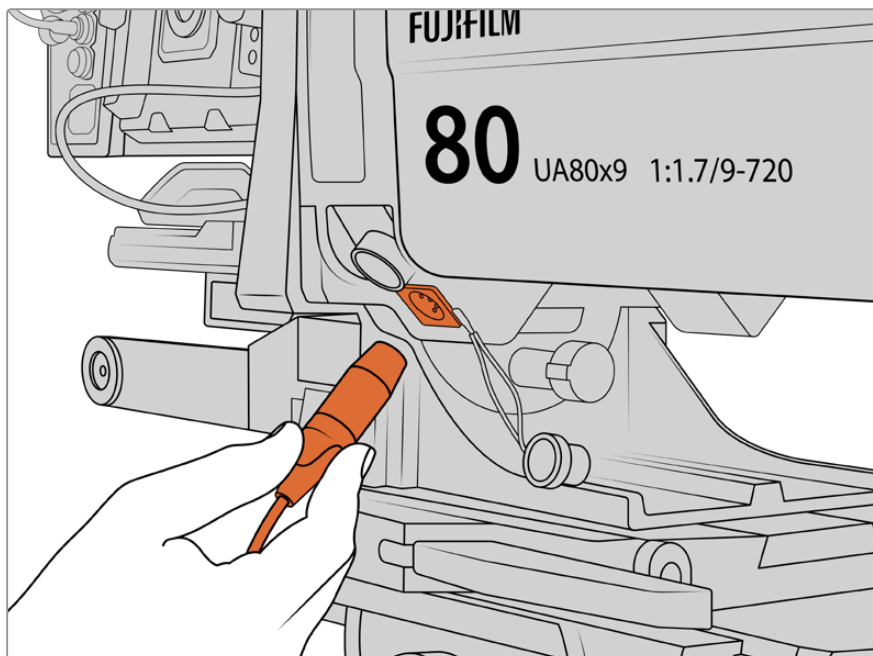
Using Box Lenses

Large studio box lenses like Fujinon's UA27x6.5 and UA125x8 and Canon's UHD Digisuper series lenses can also be used with URSA Broadcast G2's B4 mount. These types of box lenses allow horizontal and vertical image stabilization on studio style 27x lenses, as well as extreme zoom ranges with 80x and even 125x magnification which are incredible for broadcasting sports and outdoor events.



The large size of box lenses means that you will need to setup your camera correctly on a heavy duty tripod or pedestal, with adequate spacing. This is possible with URSA Mini Shoulder Kit, a VCT-14 plate and a box lens adapter.

Box lenses have a high power draw, and need to be powered separately. You can add additional power to the lens by using an URSA 12 volt power supply, or if you are using Blackmagic Camera Fiber Converter, you can run additional power from the 12 volt D-tap output on the side of the unit. Plug the lens connector from the lens support bracket into URSA Broadcast G2.



Add additional power to your box lens by plugging in a 4 pin XLR cable

Once additional power is connected, you can power up your camera and control the lens with your URSA Broadcast G2.

PL Servo Zoom Lenses

PL zoom lenses used for motion pictures can also be used with your URSA Broadcast G2. When using servo driven PL or EF lenses, the full 6K sensor area of URSA Broadcast G2 can be used to get the most out of these lenses. For more information on setting the sensor area on your URSA Broadcast G2, refer to the 'record settings' section later in this manual.

Super 35mm PL lenses with full servo control of focus, iris and zoom include:

Brand	Series	Model	Range	Max. Aperture
Fujinon	Cabrio	ZK2.5x14-SAF	14-35mm	T2.9
Fujinon	Cabrio	ZK4.7x19-SAFB	19-90mm	T2.9
Fujinon	Cabrio	ZK12x25 with ESM-15A-SA	25-300mm	T3.5-3.85
Fujinon	Cabrio	ZK3.5x85-SAF	85-300mm	T2.9-T4
Fujinon	Cabrio	XK6x20	20-120mm	T3.5
Canon	Cine-servo	CN7x17KAS S	17-120mm	T2.9-3.9
Canon	Cine-servo	CN10x25 IAS S/P1	25-250mm	T2.95-3.95
Canon	Cine-servo	CN20x50	50-1000mm	T5-8.9

Focus and zoom controls can also be used to drive focus and zoom from the pan handles in a studio environment on all of the servo zoom lenses listed above.

Hybrid Compact Servo Zoom Lenses

Recently, a new category of lenses known as 'compact-servo' zoom lenses have been introduced. These have some of the functionality of B4 and PL servo zoom lenses but use an EF mount. The zoom rocker for these lenses can be powered through the lens mount from URSA Broadcast G2 and information such as lens name, iris, focus and zoom position values are all able to be read and recorded by URSA Broadcast G2's lens metadata system.

Electronic control of the focus, iris and zoom is available with these lenses. When connected to a switcher, these can also be controlled remotely via ATEM Software Control. If you are operating in a live broadcast or studio environment, use of these lenses with Blackmagic Zoom and Focus Demands is possible provided the iris switch on the barrel of the lens is set to 'A', the focus switch is set to 'AF', and the zoom servo switch is set to 'servo'.

Lenses in this range include:

- Canon CN-E 18-80mm T4.4 Compact-servo
- Canon CN-E 70-200mm T4.4 Compact-servo

Storage Media

Your Blackmagic URSA Broadcast G2 uses standard SD cards, faster UHS-II SD cards or CFast 2.0 cards to record video.

Using the rear USB-C 3.2 Gen 2x1 port, you can connect high speed flash disks or high capacity solid state drives. You can also record to SSDs using the optional Blackmagic URSA Mini Recorder. For more information on connecting URSA Mini Recorder to your camera, refer to the 'URSA Mini Recorder' section later in this manual.

Important Notes About Media Speeds

Write and read speeds published by recording media manufacturers are often based on peak speeds for small files such as still images, and may not accurately reflect write speeds for a continuous stream of high speed video.

For reliable recording with your chosen frame rates, use only the cards recommended by Blackmagic Design.

CFast Cards

CFast 2.0 cards are capable of supporting very high data rates, so are perfect for recording HD and 4K video at high frame rates. Refer to the record duration table in the 'recording' section for details on the maximum frame rates that can be recorded in each format.

It's important to note that while CFast 2.0 cards are generally high speed cards, some cards have slower write speeds compared to read speeds, and maximum data rates can differ between models. For reliable recording with your chosen frame rates, use only the cards recommended by Blackmagic Design.

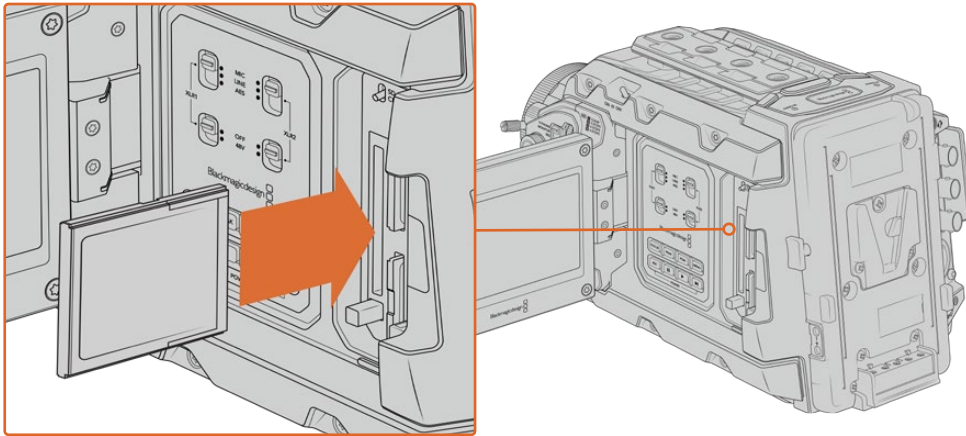
Inserting a CFast Card

To record using CFast cards you need to set your camera accordingly. To do this, set the storage media switch above the media slots to the 'CFAST' position.

To insert a CFast card.

- 1 Open the fold out monitor to access the CFast slots.
- 2 With the label of the CFast card facing towards the touchscreen, insert the card into the CFast card slot until you feel it lock in place. The card should insert easily without the need for excessive force. Push the CFast card ejector button underneath the CFast card slot to eject the card.

The storage information at the bottom of the LCD touchscreen will show the name and record time remaining of the detected CFast cards.



Blackmagic URSA Broadcast G2 has two CFast slots for continuous recording

TIP If you have CFast cards inserted but can not access them on the camera, check you have CFast selected on the storage media selection switch located above the media slots.

Choosing a CFast 2.0 Card

When working with high data rate video it's important to carefully check the CFast card you would like to use. This is because CFast 2.0 cards have different read and write speeds. For the most up to date information on supported CFast cards on Blackmagic URSA Broadcast G2, please refer to the Blackmagic Design support center at www.blackmagicdesign.com/support.

SD Cards

In addition to CFast 2.0 cards, Blackmagic URSA Broadcast G2 can record on high speed UHS-I and UHS-II type SD cards. Using high end SDXC UHS-II cards, you can record ProRes HQ footage in Ultra HD or even 6K in Blackmagic RAW!

With SD cards, you can use more affordable storage media when shooting compressed video formats in HD. SDXC and SDHC are a very common media storage format for consumer still and video cameras.

If you've ever shot video using a DSLR, or use a Blackmagic Micro Cinema Camera, Pocket Cinema Camera or Blackmagic Video Assist, you probably already have compatible SD cards to use.

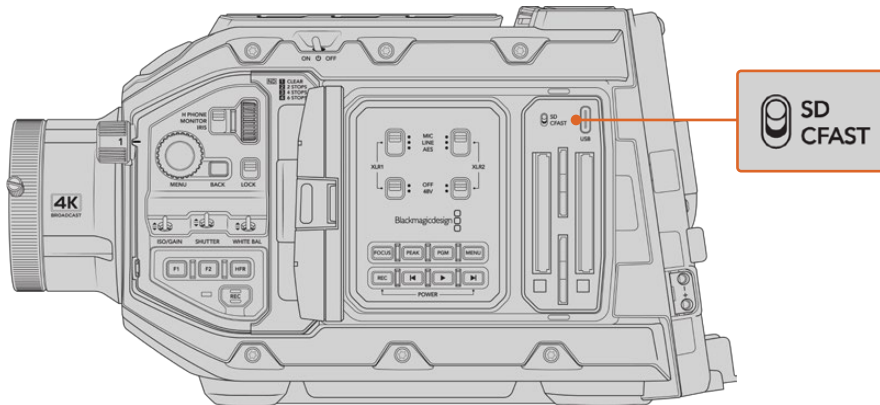
For projects that don't require the highest resolution Blackmagic RAW files, or for when long recording durations are needed, using SD cards can be very economical. Lower capacity and lower speed SD cards can also be used for storing and loading LUTs and Presets.

Inserting an SD Card

To insert an SD Card.

- 1 Open the fold out monitor to access the SD card slots. These are the smaller slots located between the CFast slots.
- 2 Set the storage media toggle switch above the slots to 'SD'.
- 3 With the label on the SD card facing away from the touchscreen, insert the card until you feel it lock into place. To remove an SD card, push the SD card in to eject it.

- The storage indicator at the bottom of the LCD touchscreen will show the name and record time remaining of detected cards.



When recording to SD cards on URSA Broadcast G2 make sure the storage media selection switch is set to 'SD'

Choosing a fast SD Card

If you are recording Ultra HD, then we recommend using the fastest high speed UHS-II type SD cards available. It's important to use high speed UHS-II SD cards for Ultra HD and HD recording, or UHS-1 cards for HD recording. These cards are rated for fast data speeds and support larger storage sizes. Generally the faster the cards, the better.

Before using your cards, you will need to format them to either HFS+ or exFAT formats. You can format your media with the storage manager or your computer. For more information, see the 'preparing media for recording' section.

If you want to, you can format your cards using a Mac or Windows computer. When using your media on Mac, you can use HFS+ which is the Mac disk format. If you are using Windows then you should use exFAT format, which is the Windows disk format that Mac computers can also read.

For the most up to date information on supported SD cards on Blackmagic URSA Broadcast G2, please refer to the Blackmagic Design support center at www.blackmagicdesign.com/support.

NOTE When filming high frame rate or Ultra HD footage on your URSA Broadcast G2, we recommend CFast 2.0 or SD UHS-II recording media, which are typically faster and available in higher storage capacities than SD UHS-I media.

Locking and Unlocking SD Cards

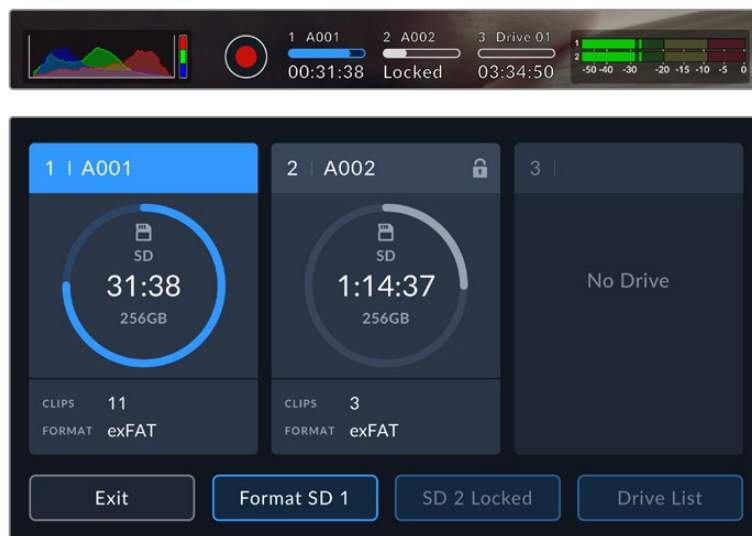
SD cards can be write protected, or 'locked', to prevent data from being overwritten.

When inserting an SD card, make sure the card is not write protected. Write protection is disabled by moving the plastic switch on the left side of the card to the position closest to the connectors. After recording, you can then write protect the card by sliding the switch back down to the bottom position.



Move the lock tab up or down to lock or unlock an SD card

Your URSA Broadcast G2 will let you know if you've inserted a locked SD card by displaying a 'locked' icon on the LCD touchscreen and storage menu. If the card is locked, you won't be able to record video, capture stills, or export LUTs and presets until it is unlocked.



Your URSA Broadcast G2 will indicate when locked SD storage media is inserted

Recording to USB-C flash disks

Blackmagic URSA Broadcast G2 features two USB-C ports. The USB-C 3.1 Gen 1 port on the side near the CFast card slots is for software updates. The port on the rear panel near the SDI connectors is for recording to high speed SSDs and USB-C flash disks via USB-C 3.2 Gen 2x1. These fast, high capacity drives allow you to record video for longer periods, which can be important when filming events with long durations.

When a USB-C flash disk is connected to your camera, it occupies the third media slot in your camera's operating system. Tapping the drive name in the storage menu sets it as the active drive. This means that recording, playback and storage management is exactly the same for USB-C flash disks as it is for CFast, SD cards and SSDs.

Once you have finished recording you can connect the same drive directly to your computer for editing and post production without having to copy media across.

To connect a USB-C flash disk:

- 1 Connect one end of a USB type-C cable to your USB-C flash disk.
- 2 On your URSA Broadcast G2, plug the USB-C cable into the USB-C port on the back panel below the SDI ports.
- 3 The USB-C flash disk will occupy the third media slot on your camera's LCD touchscreen.

- 4 To switch recording to the USB-C flash disk, press and hold the drive name in the lower toolbar of your camera's LCD display. The media bar will turn blue to indicate that the camera will now be recording to the USB-C flash disk. When recording the media bar will turn red.

Choosing a fast USB-C flash disk

USB-C flash disks are designed to offer fast, affordable storage for a wide range of devices and are readily available from a variety of consumer electronics outlets. It's important to note that film making is only one part of the USB-C flash disk market, so choosing the best drive is vital to making sure you have enough speed to record Blackmagic RAW and Ultra HD footage.

Many USB-C flash disks are designed for home computing and aren't fast enough to record Ultra HD.

For the most up to date list of recommended USB-C flash disks please go to www.blackmagicdesign.com/support.

Use Blackmagic Disk Speed Test to accurately measure whether your USB-C flash disk will be able to handle high data rate video capture and playback. Blackmagic Disk Speed Test uses data to simulate the storage of video so you get results similar to what you'll see when capturing video to a disk. During Blackmagic testing, we have found newer, larger models of USB-C flash disk and larger capacity USB-C flash disks are generally faster.

Blackmagic Disk Speed Test is available from the Mac app store. Windows and Mac versions are also included in Blackmagic Desktop Video, which you can download from the 'capture and playback' section of the Blackmagic Design support center at www.blackmagicdesign.com/support.

SSDs

With the optional Blackmagic URSA Mini Recorder, URSA Broadcast G2 can record video directly to solid state drives, or 'SSDs'. These fast, high capacity drives are readily available from a variety of consumer electronics outlets.

URSA Mini Recorder features a USB-C port enabling high speeds to work with standard 2.5" SATA SSDs as well as 7mm U.2 SSDs. M.2 solid state drives will work when using an M.2 to U.2 adapter. To reach the proper speeds available, a certified USB 3.1 Gen 2 cable is required. The supplied USB-C cable features locking connectors at each end to maintain a secure connection during use.

NOTE See the section 'Blackmagic URSA Mini Recorder' in this manual for information on installing Blackmagic URSA Mini Recorder.

Inserting an SSD

To insert an SSD:

- 1 Hold your SSD with the connection pins facing towards the front of your camera.
- 2 Open the spring loaded cover on Blackmagic URSA Mini Recorder and gently insert the SSD into the slot.

TIP Blackmagic URSA Mini Recorder has a pressure plate to keep different sized SSDs in place, so there's no need to use spacers to fit your drive.

- 3 Once your SSD is all the way into the slot gently push it home until you feel it register, then lower URSA Mini Recorder's cover.
- 4 The SSD will occupy the third media slot on your camera.
- 5 To switch recording to the SSD, press and hold the drive name in the lower toolbar of your camera's LCD display. The media bar will turn blue to indicate that the camera will now be recording to the SSD. When recording the media bar will turn red.

To remove an SSD:

Open URSA Mini Recorder's cover and gently grasp the drive between your thumb and forefinger. There's a small recess in the top of the bay to let you get a grip on the drive. Simply pull the drive out and close the cover.

Choosing a fast SSD for URSA Mini Recorder

SSDs are designed to offer fast, affordable storage for a wide range of devices. It's important to note that film making is only one part of the SSD market, so choosing the right drive is vital to ensuring that you have enough bandwidth to record Blackmagic RAW or Ultra HD footage. Many SSDs are designed for home computing and aren't fast enough to record Ultra HD video.

We highly recommend using only the SSDs from our recommended list, which have been tested with Blackmagic URSA Broadcast G2 to ensure support for continuous filming at the specified resolutions. For the most up to date list of recommended SSDs please go to www.blackmagicdesign.com/support

Important Notes About SSD Speed

Some models of SSD can't save video data at the speed the manufacturer claims. This is due to the disk using hidden data compression to attain higher write speeds. This data compression can only save data at the manufacturer's claimed speed when storing data such as blank data or simple files. Video data includes video noise and pixels which are more random so compression will not help, therefore revealing the true speed of the disk.

Some SSDs can have up to 50% lower write speed than the manufacturer's claimed speed. Even though the disk specifications claim an SSD has speeds fast enough to handle video, in reality the disk isn't fast enough when used to store video data for real time capture.

Use Blackmagic Disk Speed Test to accurately measure whether your SSD will be able to handle high data rate video capture and playback. Blackmagic Disk Speed Test uses data to simulate the storage of video so you get results similar to what you'll see when capturing video to a disk. During Blackmagic's rigorous testing, we have found newer, larger models of SSD and larger capacity SSDs are generally faster.

Preparing Media for Recording

You can format your recording media using Blackmagic URSA Broadcast G2's storage manager, or via a Mac or Windows computer. We recommend formatting storage media using URSA Broadcast G2 for best performance.

HFS+ is also known as OS X Extended and is the recommended format as it supports 'journaling'. Data on journaled media is more likely to be recovered in the rare event that your media becomes corrupted. HFS+ is natively supported by Mac OS. ExFAT is supported natively by Mac and Windows without needing to purchase any additional software. However, exFAT does not support journaling.

NOTE Before formatting your media, it's important to make sure the media storage switch has been set correctly to either SD card or CFAST card. Always check the settings carefully before formatting.

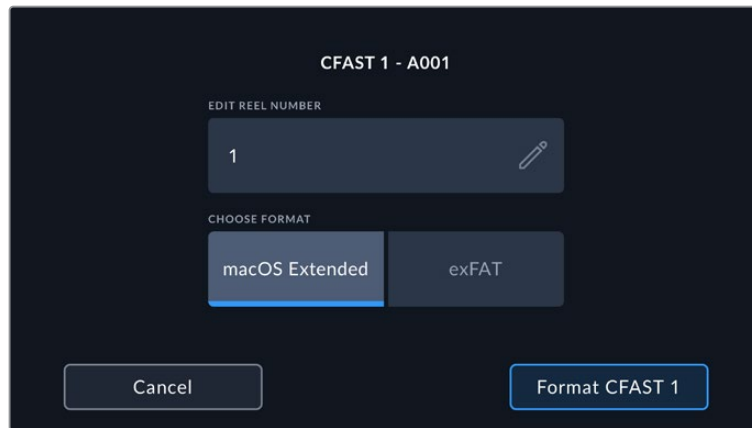
Preparing Media on Blackmagic URSA Broadcast G2

- 1 Tap any storage indicator at the bottom of the LCD touchscreen to enter the storage manager.
- 2 Tap a format button at the bottom of the touchscreen to format the card in slot 1 or 2, respectively. If you have a USB-C flash disk or SSD connected to the rear USB-C port of your URSA Broadcast G2, tap the 'Drive List' button. Then select the drive you want to format and tap 'Format Drive'.



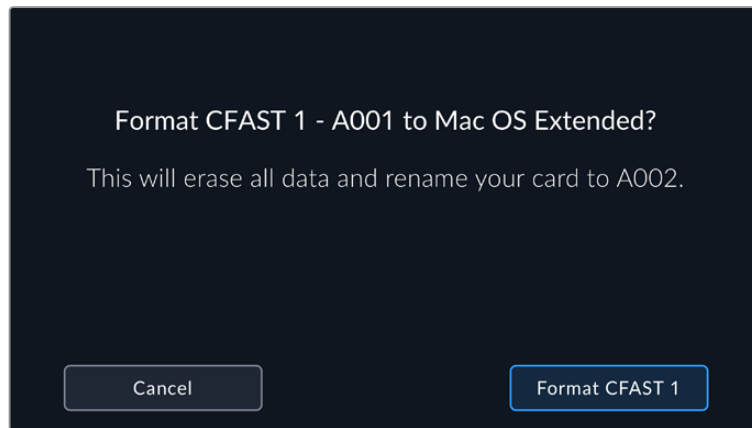
Use your URSA Broadcast G2's storage manager to format your camera's storage media

- 3 If you want to change the reel number, tap on the pencil icon to open the keyboard. Type the new reel number and tap 'update'.
- 4 Choose OS X Extended or exFAT format and tap the 'format' button.



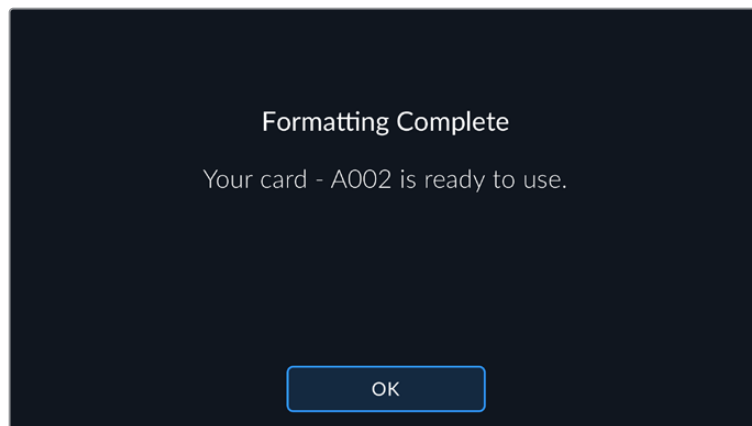
Tap the pencil icon to manually edit the reel number

- 5 You will be asked to confirm your selection. Tap the format button again to continue or 'cancel' to cancel the format.



Check that you have selected the correct card before formatting

- 6 You will be prompted to press and hold the 'format' button for 3 seconds. The camera will notify you once formatting is complete.



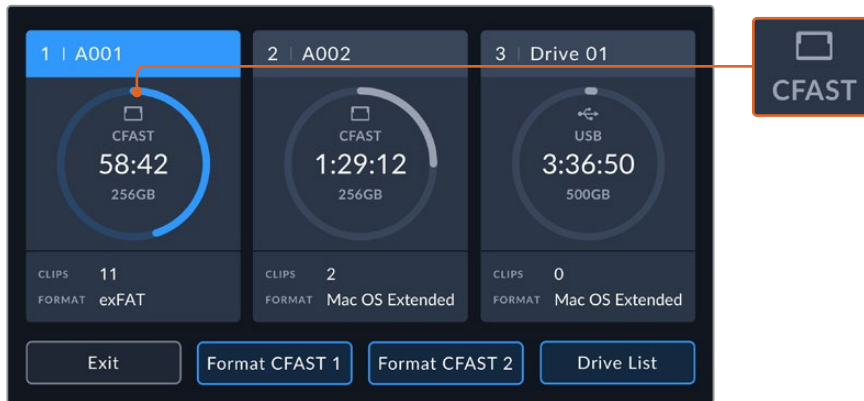
When formatting is complete your card is ready to use

- 7 Tap 'ok' to return to the storage manager.
- 8 Tap 'exit' to leave the storage manager.

When formatting recording media using the storage manager, your URSA Broadcast G2 will use the Camera ID from the slate and reel number to name the card. Your camera automatically increments reel numbers each time you format. If you need to manually enter a specific reel number, tap the 'pencil icon' and enter the number you want to format the card as.

When you start a new project, reel numbering will reset to 1 when you tap on 'reset data' in the 'project' tab of the slate.

It's worth mentioning that if your camera's media storage switch is set to SD or CFast, only the selected card type will be formatted when you tap 'format card'. For information on switching between CFast and SD storage see the 'SD Cards' section earlier in this manual.



The storage manager on your URSA Broadcast G2 will indicate whether you are currently managing CFast, SD, USB or SSD media

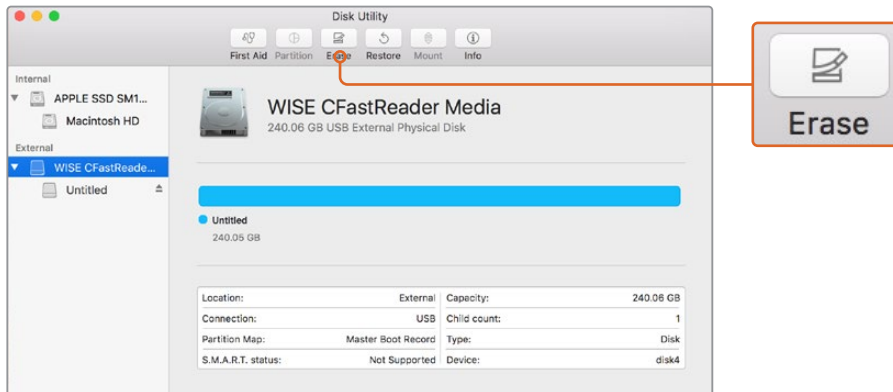
TIP If your URSA Broadcast G2 is set to record to SD cards and you have inserted a locked card, you will be unable to format that card. A padlock icon will appear next to the card's name in the storage manager. Simply unlock the card to format and record. For more information on locking SD cards, see the 'SD cards' section of this manual.

Preparing Media on Mac

The Disk Utility application included with Mac can format your CFast card, SD card, or SSD in the HFS+ or exFAT formats.

Make sure you back up anything important from your media as all data will be lost when it is formatted.

- 1 Connect the storage media to your computer using a card reader, dock or adapter, and dismiss any message offering to use your media for Time Machine backups.
- 2 Go to applications/utilities and launch Disk Utility.
- 3 Click on the disk icon for your camera's storage media and then click the 'erase' tab.
- 4 Set the 'format' to 'Mac OS extended (journaled)' or 'exFAT'.
- 5 Type a 'name' for the new volume and then click 'erase'. Your camera's storage media will quickly be formatted and made ready for use.

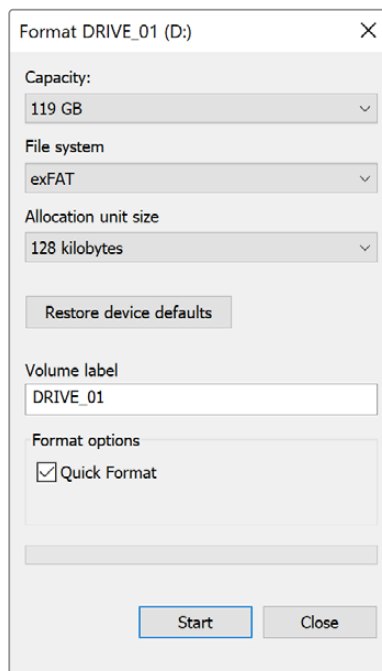


Use Disk Utility on Mac OS to erase your CFast card in the Mac OS extended (journaled) or exFAT format

Preparing Media on Windows

The 'format' dialog box can format a drive in the exFAT format on a Windows PC. Remember to back up anything important from your media as all data will be lost when it is formatted.

- 1 Connect your camera's storage media to your computer using an external reader/writer or SSD dock or adapter.
- 2 Open the 'start' menu or 'start' screen and choose 'computer'. Right click on your camera's storage media.
- 3 From the contextual menu, choose 'format'.
- 4 Set the file system to 'exFAT' and the allocation unit size to 128 kilobytes.
- 5 Type a volume label, select 'quick format' and click 'start'.
- 6 Your storage media will quickly be formatted and made ready for use.



Use the 'format' dialog box feature in Windows to format your CFast, SD card or SSD in the exFAT format

NOTE If your recordings are dropping frames, check that your card is on our list of recommended media for the codec and frame size you are using. For lower data rates try lowering your frame rate, resolution, or try a compressed codec such as ProRes. Check the Blackmagic Design website for the latest information at www.blackmagicdesign.com

Recording

Recording Clips

B4 broadcast lenses typically have a record button positioned on the lens handle where your thumb would be when shooting from the shoulder. Simply press the record button on the handle to start recording. Press again to stop recording.

Your camera has record buttons built into the camera itself. A record button is located on the inside control panel, and on the forward control panel for convenient access when shooting from the shoulder.

Triggering Record from External Sources

Using the 'Blackmagic Camera Control' app you can trigger recording remotely and adjust various camera settings via Bluetooth from your iPad. For more information on setting up and using the 'Blackmagic Camera Control' app refer to the 'Bluetooth' section later in this manual. If you are using an iPhone or Android smart phone there are also third party apps available that let you trigger recording on your URSA Broadcast G2 via Bluetooth.

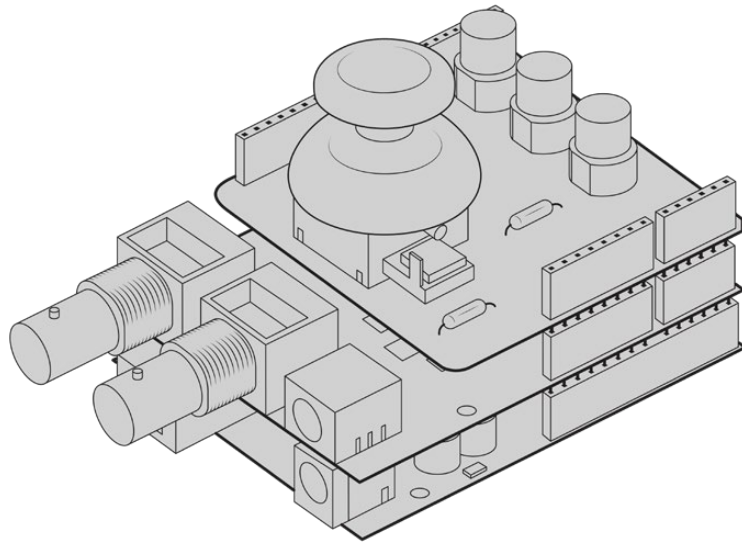
If you are using an optional Blackmagic Zoom Demand with your URSA Broadcast G2, you can trigger record using the function button. The function button on Blackmagic Zoom Demand sits under your thumb like the VTR button on a B4 lens. For more information on Blackmagic Zoom Demand, refer to the 'using Blackmagic Zoom Demand' section later in this manual.

When your Blackmagic URSA Broadcast G2 is connected to an ATEM Mini Pro or Extreme model switcher via a Blackmagic Micro Converter BiDirectional SDI/HDMI 3G, you can trigger recording from the ATEM switcher.

For example, the 'record stream' palette in ATEM Software Control has a checkbox labeled 'record in all cameras'. When this checkbox is enabled and you click or press record, all connected cameras will start recording as well. This means you only have to click or press one button to start recording on all cameras simultaneously. Refer to the ATEM Mini manual for more information.

Another option for starting and stopping record is to attach an external LANC controller to your URSA Broadcast G2's LANC input and trigger the record externally. For example, you may want to attach a LANC controller to your tripod so you can trigger the recording without taking your hands off the focus ring and tripod handle.

You can also trigger record on one or more URSA Broadcast G2 cameras using a Blackmagic 3G-SDI Shield for Arduino and the Blackmagic SDI Camera Control protocol. For more information, see the 'Developer Information' section of this manual or visit www.blackmagicdesign.com/developer and download the manual for Blackmagic 3G-SDI Shield for Arduino.



You can create your own hardware controller and plug it into your Blackmagic 3G-SDI Shield for Arduino for more interactive and refined control.

NOTE If you toggle the ‘storage media selection’ switch mid-recording, the camera will complete the current recording before switching to the other type of media. This ensures that you can not damage your recording if the switch is adjusted during a take.

Choosing the Codec, Resolution and Sensor Area

Your Blackmagic URSA Broadcast G2 can record using Blackmagic RAW with either a constant quality or constant bitrate setting. You can also use Apple ProRes, H.264 or H.265 compressed video codecs for recording in Ultra HD and HD resolutions. Sensor frame rate options will vary depending on the codec and resolution you choose.

Blackmagic RAW lets you use either a constant quality or constant bitrate compression. Blackmagic RAW 8:1, 12:1, Q3 or Q5 compression is recommended for ENG style shooting as its high compression offers long recording times with minimal visual reduction of image quality. For shots that contain a large amount of fine detail you can choose Blackmagic RAW 3:1 or Q0 for the highest level of image quality.

It’s worth noting that clips recorded using Blackmagic RAW are compatible with DaVinci Resolve, Blackmagic RAW Player and other applications that support Blackmagic RAW SDK. Blackmagic RAW has already been adopted by many post production platforms. It may not be supported natively in all editing software but most work with the plugins provided in our Camera Update and Blackmagic RAW installer. For more information, see the ‘Working with Third Party Software’ section.

Blackmagic RAW

Blackmagic URSA Broadcast G2 supports the new Blackmagic RAW file format. This format offers superior image quality, wide dynamic range and a broad selection of compression ratios. Blackmagic RAW features all the user benefits of RAW recording, but the files are very fast because most of the processing is performed in the camera where it can be hardware accelerated by the camera itself.

Blackmagic RAW also includes powerful metadata support so the software reading the files knows your camera settings. If you like shooting in video gamma because you need to turn around edits quickly and you don't have time for color correction, then this metadata feature means you can select video gamma, shoot in video gamma, and the file will display with video gamma applied when you open it in software. However underneath, the file is actually film gamma and the metadata in the file is what's telling the software to apply the video gamma.

So what all this means is if you want to color grade your images at some point, then you have all that film dynamic range preserved in the file. You don't have your images hard clipped in the whites or the blacks, so you retain detail and you can color grade to make all your images look cinematic. However, if you don't have time for color grading, that's fine because your images will have the video gamma applied and look like normal video camera images. You are not locked in on the shoot and you can change your mind later during post production.

Blackmagic RAW files are extremely fast and the codec is optimized for your computer's CPU and GPU. This means it has fast smooth playback and eliminates the need for hardware decoder boards, which is important for laptop use. Software that reads Blackmagic RAW also gets the advantage of processing via Apple Metal, Nvidia CUDA and OpenCL.

This means that Blackmagic RAW plays back at normal speed like a video file on most computers, without needing to cache it first or lower the resolution.

It's also worth mentioning that lens information is recorded in the metadata on a frame by frame basis. For example, when using compatible lenses, any zoom or focus changes performed over the length of a clip will be saved, frame by frame, to the metadata in the Blackmagic RAW file.

Recording to Blackmagic RAW

Blackmagic RAW works in two different ways. You have a choice to use either the constant bitrate codec, or the constant quality codec.

The constant bitrate codec works in a similar way to most codecs. It tries to keep the data rate at a consistent level and won't let the data rate go too high. This means even if you are shooting a complex image that might need a bit more data to store the image, a constant bitrate codec will just compress the image harder to make sure the images fit within the space allocated.

This can be fine for video codecs, however when shooting RAW you really want to ensure the quality is predictable. What would happen if the images you were shooting needed more data, but the codec just compresses harder to make a specified data rate? It's possible you could lose quality, but not be sure it's happening until you return from a shoot.

To solve this problem, Blackmagic RAW also has an alternative codec choice called constant quality. This codec is technically called a variable bitrate codec, but what it's really doing is allowing the size of the file to grow if your images need extra data. There is no upper limit on the file size if you need to encode an image but maintain quality.

So Blackmagic RAW set to the constant quality setting will just let the file grow as big as it needs to be to encode your images. It also means the files could be larger or smaller depending on what you are shooting. I guess if you leave your lens cap on the lens, you won't waste space on your media!

It is also worth noting that the quality settings for Blackmagic RAW are not obscure names, but are more meaningful as they are derived from what's happening technically. So for example when you have selected the constant bitrate codec, you will see quality settings of 3:1, 5:1, 8:1 and 12:1. These are the ratios of the uncompressed RAW file size vs the file sizes you should expect when shooting in Blackmagic RAW. 3:1 is better quality as the file is larger, while 12:1 is the smallest file size with the lowest quality. Many users of Blackmagic RAW find that 12:1 has been perfectly ok and they have not seen any quality limitations. However it's best to experiment and try various settings for yourself.

When using Blackmagic RAW in constant quality you will see the settings are Q0, Q1, Q3 and Q5. These are the compression parameters passed to the codec and they are setting how much compression is applied in a more technical way. This setting is different because the codec operates differently between constant bitrate vs constant quality. In this constant quality setting, you really cannot tell what the file size ratio will become as it varies a lot based on what you are shooting. So in this case the setting is different and the file will become the size needed to store your media.

Constant Bitrate Settings

The names for 3:1, 5:1, 8:1 and 12:1 represent the compression ratio. For example, 12:1 compression produces a file size roughly 12 times smaller than uncompressed RAW.

Constant Quality Settings

Q0, Q1, Q3 and Q5 refer to different levels of quantization. Q5 has a greater level of quantization but offers a greatly improved data rate. As mentioned above, the constant quality setting can result in files that grow and shrink quite a lot, depending on what you are shooting. This also means it's possible to shoot something and see the file size increase to beyond what your media card can keep up with. It could result in dropped frames. However the benefit is that you can instantly see if this happens on a shoot and then investigate your settings vs quality.

Blackmagic RAW Player

The Blackmagic RAW player included in your Blackmagic camera's software installer is a streamlined application for reviewing clips. Simply double click on a Blackmagic RAW file to open it, and you can quickly play and scroll through the file with its full resolution and bit depth.

When decoding frames, the CPU acceleration in the SDK library supports all main architectures, and also supports GPU acceleration via Apple Metal, Nvidia CUDA and OpenCL. It also works with the Blackmagic eGPU for extra performance. Blackmagic RAW player is available for Mac, Windows and Linux.

Sidecar Files

Blackmagic RAW sidecar files let you override metadata in a file without overwriting embedded metadata in the original file. This metadata includes the RAW settings as well as information on iris, focus, focal length, white balance, tint, color space, project name, take number and more. Metadata is encoded frame by frame over the duration of the clip, which is important for lens data if the lens is adjusted during a shot. You can add or edit metadata in sidecar files with DaVinci Resolve or even a text editor because it's a human readable format.

Sidecar files can be used to automatically add new RAW settings to a playback simply by moving the sidecar file into the same folder as the corresponding RAW file. If you move the sidecar file out of the folder and reopen the Blackmagic RAW file, the RAW settings are not applied and you see the file as it was originally shot. Any software that uses the Blackmagic RAW SDK can access these settings. Changes made are saved in the sidecar file and can then be seen by Blackmagic RAW Player or any other software capable of reading Blackmagic RAW files.

When shooting video gamma, the file stays in film gamma, and the metadata tells the Blackmagic RAW processing to display using video gamma. Video gamma is great when you don't want to grade the image and want to deliver content quickly, however if you want to pull up the black parts of the image, or pull down the white areas, all the detail is retained. You never clip the video and all the detail is still there if you want to access it at any time.

Blackmagic RAW in DaVinci Resolve

Settings can be adjusted for each Blackmagic RAW file, and then saved as a new sidecar file from the RAW tab in DaVinci Resolve for creative effect or optimized viewing. This also means you can copy your media for another DaVinci Resolve artist and they will have access to your modified gamma settings automatically on import. In addition to the other metadata your camera files contain, DaVinci Resolve can read your selected dynamic range, so your clips will automatically display in DaVinci Resolve with 'film', 'extended video' or 'video' dynamic range.

You can then customize these settings by adjusting the saturation, contrast and midpoint, as well as the highlight and shadow rolloff. Any adjustments can then be saved as a sidecar file, so the changes can be seen by anyone else working with the files in post. You can always return to the original camera metadata at any time.

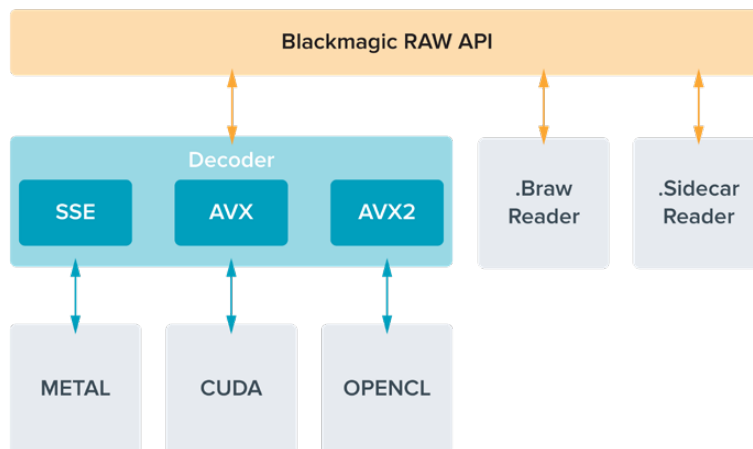
You can also export a single Blackmagic RAW frame from the RAW tab in DaVinci Resolve, which contains all adjustments, metadata, full resolution and color information so it is easy to share a single frame grab or reference file with others.

For more information on how to use Blackmagic RAW in DaVinci Resolve, see the 'Using DaVinci Resolve' chapter in this manual.

Blackmagic RAW Software Development Kit

The Blackmagic RAW Software Development Kit is an API developed by Blackmagic Design. You can use the Blackmagic RAW SDK to write your own applications to use the Blackmagic RAW format. This SDK library can be used by any developer to add support for reading, editing, and saving Blackmagic RAW files. The Blackmagic RAW SDK includes all the generation 4 and generation 5 color science so you can achieve organic cinematic images across any app that supports it. The Blackmagic RAW SDK supports Mac, Windows and Linux, and is available as a free download from the developer page of the Blackmagic website at www.blackmagicdesign.com/developer

The following diagram illustrates the components of the Blackmagic RAW API:



Choosing Frame Rates

Your camera is able to shoot video using many different frame rates and you may be wondering which is the best one to use. Your camera's sensor frame rate can also have a big impact on the 'look' of footage. Generally, when selecting a sensor frame rate, there are some common items to consider. For many years, there have been presentation standards for film and television. These have set frame rates that differ between countries, but all share the same purpose; to display an efficient number of frames every second that portrays pleasing and convincing motion.

Cinema, for example, uses a standard 24 frames per second and while there have been recent experiments with faster frame rates, 24 frames per second remains widely accepted for international audiences. Television frame rates have generally conformed to technical broadcast standards for each country. For example, if you were making television content you would typically record using 29.97 frames per second for North American distribution, and 25 frames per second for Europe.

However, as technology has improved, today we have more choices and broadcast standards are changing. It is now common for sporting events to be recorded and broadcasted at higher frame rates. For example, some sporting events are recorded and broadcasted at up to 59.94 frames per second in North America, and 50 frames per second in Europe. This provides smoother motion on fast action and appears more lifelike. Alternatively, streaming and online broadcasters normally use frame rates similar to television, however there is more freedom to experiment due to user selectable viewing formats, and being limited only to what the audience's screens are capable of displaying.

Generally, when choosing a frame rate for a project, let your delivery format guide your choice. This means your clips will play back at the same speed the event happened in real life. To achieve this, you will need to turn off the 'off speed' option on your camera.

If you are looking to create an interesting effect, for example slow motion, then you can set the sensor frame rate to a higher setting. The higher the sensor frame rate compared to the project frame rate, the slower the playback speed.

For more information on using off speed sensor frame rates to achieve creative effects, refer to the 'touchscreen controls' section.

Shooting at High Frame Rates

When shooting at high frame rates, your camera captures an increased number of frames per second when compared with the traditional sync speed frame rates of 24, 25 and 30 frames per second. This means that the image sensor has less time to collect light for each frame it captures and the resulting image from your camera will be darker.

So for example, if you switch from 25 to 50 frames per second, the amount of light reaching the sensor will be halved. To maintain your exposure you need to compensate for this change by opening up your lens an extra stop, by opening up your shutter angle from 180° to 360° or by adding some extra lighting to the scene that you are shooting.

When shooting at 60 frames per second you have 2.5 times less light than 24 frames per second so you may need to adjust multiple things such as lens aperture, shutter angle and lighting to achieve the same level of exposure.

Another thing to be mindful of when shooting at higher frame rates, is the fact that electronic light sources can add flicker to your recorded image. Artificial light sources such as tungsten, fluorescent and LED may introduce some flicker to your images. You may not see these flicker issues when previewing the scene on your LCD and SDI feed or while recording, so it's important to perform a test shoot with the lights you plan to use and to play the clip back to check for flicker.

Your shutter setting can also affect the visibility of flicker when shooting under lights, so your URSA Broadcast G2 can automatically calculate and display flicker free shutter options for your current frame rate. Note that the characteristics of individual light sources may still cause flicker even when using flicker free values. For more information, refer to the ‘touchscreen controls’ section.

If you have opened up your shutter to the slowest shutter speed or widest shutter angle possible and are still seeing flicker in recorded footage, you may need to consider using different light sources for your scene or look into using a faster lens.

Maximum Sensor Frame Rates and Data Rates

The table below contains available codecs and resolutions with their maximum sensor frame rates and data rates. It should be noted that the references to Blackmagic RAW, ProRes 444 and ProRes 422 are references to all of the supported variants within each particular codec.

Because of the data rates required for recording high resolutions in slow motion you will need to choose a fast CFast card, USB-C flash disk or SSD. Refer to the ‘storage media’ section for more information.

TIP You can test the speed your card can sustain by switching on the ‘stop recording’ option from the ‘if card drops frame’ settings menu and recording a test clip. This will allow you to test how long you can shoot at a particular frame rate in any given resolution. If the card stops recording too quickly, moving to the next available compression setting or resolution will lower the data rate and make it easier for the card to maintain.

Maximum Frame Rates for URSA Broadcast G2

	Resolution	Codec	Max Frame Rate	Max Data Rate
Ultra HD	3840x2160	Blackmagic RAW 3:1	60	254 MB/s
	3840x2160	Blackmagic RAW 5:1	60	152 MB/s
	3840x2160	Blackmagic RAW 8:1	60	96 MB/s
	3840x2160	Blackmagic RAW 12:1	60	64 MB/s
	3840x2160	Blackmagic RAW Q0	60	48.7 - 96.8 MB/s
	3840x2160	Blackmagic RAW Q1	60	32.6 - 77.6 MB/s
	3840x2160	Blackmagic RAW Q3	60	21.9 - 55.6 MB/s
	3840x2160	Blackmagic RAW Q5	60	13.4 - 32.6 MB/s
	3840x2160	ProRes HQ	60	220 MB/s
	3840x2160	ProRes 422	60	148 MB/s
	3840x2160	H.265 SDI	60	24.6 MB/s
	3840x2160	H.265 High	60	21.6 MB/s
	3840x2160	H.265 Medium	60	15.6 MB/s
	3840x2160	H.265 Low	60	6.4 MB/s

	Resolution	Codec	Max Frame Rate	Max Data Rate
HD	1920x1080	Blackmagic RAW 3:1	150	161.4 MB/s
	1920x1080	Blackmagic RAW 5:1	150	97.2 MB/s
	1920x1080	Blackmagic RAW 8:1	150	61.1 MB/s
	1920x1080	Blackmagic RAW 12:1	150	41 MB/s
	1920x1080	Blackmagic RAW Q0	150	121.2 - 241.6 MB/s
	1920x1080	Blackmagic RAW Q1	150	81.8 - 193.4 MB/s
	1920x1080	Blackmagic RAW Q3	150	54.4 - 138.4 MB/s
	1920x1080	Blackmagic RAW Q5	150	33 - 81.1 MB/s
	1920x1080	ProRes HQ	120	110 MB/s
	1920x1080	ProRes 422	120	74 MB/s
	1920x1080	H.264 SDI	60	14 MB/s
	1920x1080	H.264 High	60	11.2 MB/s
	1920x1080	H.264 Medium	60	6.4 MB/s
	1920x1080	H.264 Low	60	3.6 MB/s

It's important to note that Blackmagic RAW Q0, Q1, Q3 and Q5 use variable bit rate compression to achieve constant quality. Q0, Q1, Q3 and Q5 data rates depend on the complexity of the image subject matter and can vary considerably throughout a clip.

To select your desired codec and resolution:

- 1 Press the 'menu' button on the control panel.
- 2 Navigate to the first page of the 'record' tab.
- 3 Tap your desired combination of codec, quality, and resolution.
- 4 Press 'menu' to exit.

Recording Formats and Project Frame Rates

After setting your codec and resolution, you should set your 'project' and 'sensor' frame rates. Refer to the 'recording' section in this manual for more information about frame rates.

The project frame rates available are:

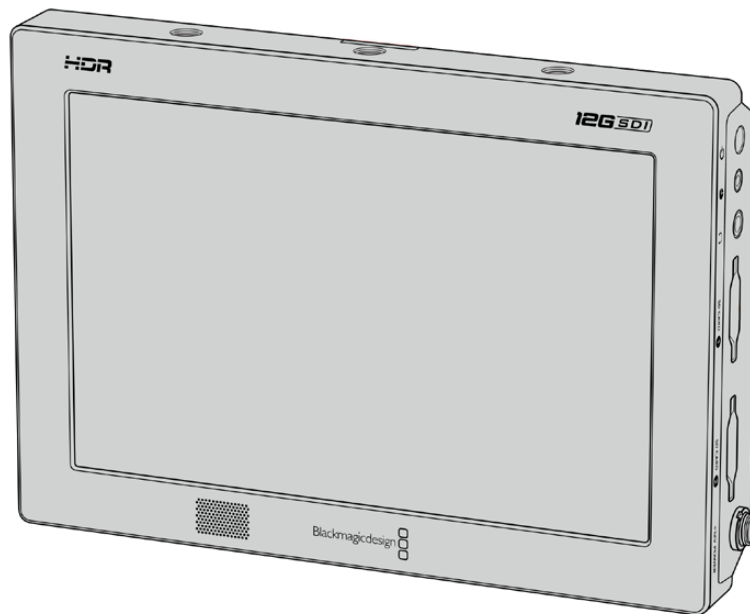
23.98, 24, 25, 29.97, 30, 50, 59.94, and 60 frames per second.

When using Blackmagic RAW and ProRes codecs up to ProRes 422 HQ, the maximum project frame rate is 60 frames per second at all resolutions.

Triggering Record on External Equipment

Your URSA Broadcast G2 automatically sends a signal via the SDI outputs that will trigger recording when connected to equipment that supports the SDI trigger record feature, such as Blackmagic Video Assist. This means when you press record on your camera, your external SDI equipment will also start recording, and will stop recording when you press record again.

You will also need to set your equipment to enable SDI trigger recording to make sure it responds to the trigger signal from your URSA Broadcast G2. If your SDI equipment supports SDI trigger recording, it can usually be enabled using your SDI equipment's settings menu.



You can trigger recording on other SDI video equipment, for example Blackmagic Video Assist 12G HDR, using the trigger record feature on your camera

Record Duration Table

Tables are provided showing approximate record duration in minutes and seconds compared to format, project frame rate and media size. The maximum recording duration for your storage media depends on its capacity, the recording format and the frame rate. For example, the storage rate for Apple ProRes 422 HQ at 3840 x 2160 is approximately 880 Mbps. At 24 frames per second, you can record approximately 47 minutes of video on a 256GB CFast 2.0 or SD card. At the same settings you can record approximately 23 minutes of video on a 128GB CFast 2.0 or SD card, which is approximately half the record duration of the 256GB card.

It should be noted that record duration on CFast 2.0 and SD cards can also vary slightly between cards from different manufacturers. It can also vary depending on whether the storage media is formatted as ExFat or Mac OS Extended.

Simple scenes containing less detail tend to require less data than more dense compositions. The values in these tables assume shots with a high complexity, which means you may get slightly longer record times depending on the nature of your shoot.

HD							
CFast Card	Frame Rate	ProRes 422 HQ	ProRes 422	H.264 SDI	H.264 High	H.264 Medium	H.264 Low
		Duration	Duration	Duration	Duration	Duration	Duration
256GB	23.98	189 mins	283 mins	635 mins	782 mins	1395 mins	2456 mins
	24	189 mins	283 mins	635 mins	782 mins	1395 mins	2456 mins
	25	182 mins	271 mins	602 mins	748 mins	1339 mins	2321 mins
	30	152 mins	227 mins	496 mins	612 mins	1118 mins	2079 mins
	50	91 mins	137 mins	371 mins	462 mins	841 mins	1852 mins
	60	76 mins	114 mins	331 mins	411 mins	716 mins	1520 mins

ULTRA HD					
CFast Card	Frame Rate	Blackmagic RAW 3:1	Blackmagic RAW 5:1	Blackmagic RAW 8:1	Blackmagic RAW 12:1
		Duration	Duration	Duration	Duration
256GB	23.98	41 mins	68 mins	110 mins	164 mins
	24	41 mins	68 mins	109 mins	164 mins
	25	39 mins	66 mins	105 mins	157 mins
	30	33 mins	55 mins	88 mins	131 mins
	50	19 mins	33 mins	52 mins	79 mins
	60	16 mins	27 mins	44 mins	66 mins

ULTRA HD							
CFast Card	Frame Rate	ProRes 422 HQ	ProRes 422	H.265 SDI	H.265 High	H.265 Medium	H.265 Low
		Duration	Duration	Duration	Duration	Duration	Duration
256GB	23.98	47 mins	71 mins	353 mins	404 mins	571 mins	1499 mins
	24	47 mins	71 mins	353 mins	404 mins	571 mins	1499 mins
	25	45 mins	68 mins	339 mins	389 mins	550 mins	1442 mins
	30	38 mins	57 mins	286 mins	325 mins	461 mins	1223 mins
	50	22 mins	34 mins	242 mins	280 mins	389 mins	960 mins
	60	18 mins	28 mins	241 mins	277 mins	325 mins	809 mins

Recording Motion Sensor Data

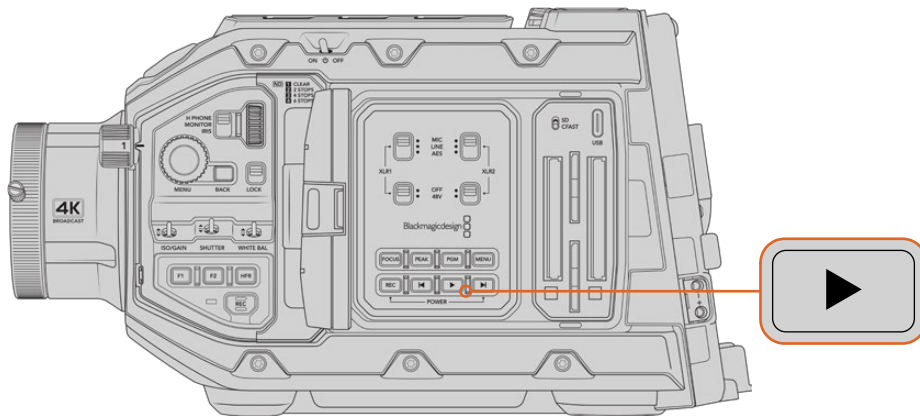
Your Blackmagic URSA Broadcast G2 Camera automatically records gyro data from the internal motion sensor. DaVinci Resolve can then use this data to stabilize clips. For more information refer to the 'gyro stabilization' section in this manual.

Playback

Playing Back Clips

Once you have recorded your video, you can use the transport control buttons to play back your clips.

Press the 'play' button once for instant playback and you'll see your recorded video on URSA Broadcast G2's LCD touchscreen. Your clips can also be viewed on any display connected to your URSA Broadcast G2's SDI outputs.



URSA Broadcast G2

TIP Blackmagic URSA Broadcast G2 has playback and transport controls buttons on both the internal and ergonomic control panels.

NOTE Blackmagic URSA Broadcast G2 will play back clips sharing the same codec family, frame rate and resolution. For example, if you want to play back HD clips recorded using ProRes 422 HQ at 29.97 fps, make sure your camera is set to the same frame rate and resolution, and a ProRes codec.

The controls of your camera work just like a CD player, so pressing the 'forward skip' button will skip to the start of the next clip. Press the 'reverse skip' button once to go to the start of the current clip or press twice to skip back to the start of the previous clip. Hold the 'forward' or 'reverse skip' button to play or reverse at 2x speed. Once shuttling forward or backwards, press the 'fast forward' or 'reverse skip' buttons twice for 4x, three times for x8 and four times for x16. You can also use the forward and reverse skip buttons to open or close the iris on compatible lenses while recording clips.

When recording a clip using a sensor frame rate that differs from your project frame rate, your clip's playback speed will also differ. For example, imagine you have set your camera's project frame rate to match your post production timeline of 24 frames per second. If you record a clip with your sensor frame rate set to 60 frames per second, your clips will play back in slow motion on both the camera and on your post production timeline.

TIP Refer to the 'recording' section of this manual for more information about frame rate.

URSA Broadcast G2 Connectors and Features

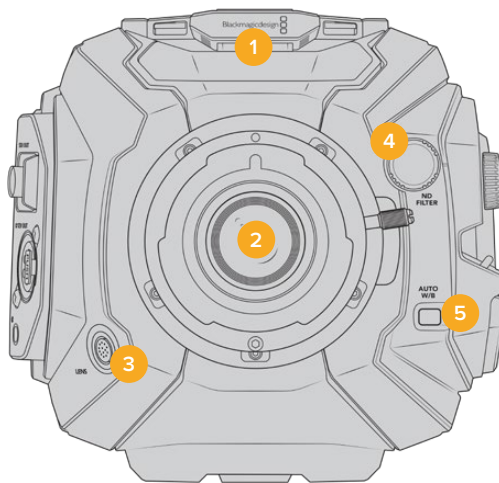
Industry standard BNC connectors are located on the right and rear panel of your URSA Broadcast G2 for SDI connections. There is also a LANC input on the right panel for the optional Blackmagic URSA Handgrip.

XLR inputs are on the top panel behind the mounting points for professional balanced analog audio and AES digital audio. A 4 pin XLR connector is provided on the rear panel for external power input, and an output is available on the right side for powering accessories such as Blackmagic URSA Viewfinder.

The USB port above the storage media slots is for connecting to a computer when updating your camera's internal software.

NOTE Your camera has additional ergonomic controls that make it easy to quickly access the camera's essential settings and functions without opening the foldout touchscreen.

Camera Front



URSA Broadcast G2 with B4 mount

1 Stereo Microphone

Built in high quality stereo microphone. Refer to the 'settings' section for information on microphone audio settings.

2 Lens Mount

URSA Broadcast G2 is supplied fitted with a B4 mount. However, it's interchangeable with the included EF mount and compatible with URSA Mini Pro PL and F mounts. Refer to the 'Interchangeable lens mount' section for more information.

3 Broadcast Lens Connector

This 12 pin connector provides power and control to compatible broadcast servo zoom lenses. Refer to the 'using servo zoom lenses' section in this manual for details on functionality available with these B4 and PL lenses.

4 ND Filters

Use this wheel to cycle through three built in neutral density filters, as well as a clear setting. See the section 'URSA Broadcast G2 Controls' for more information.

5 Auto White Balance

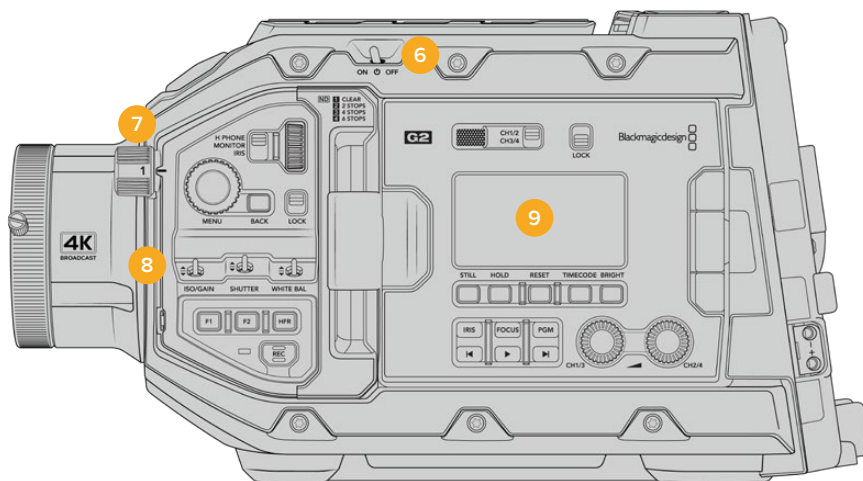
The auto white balance button is marked 'Auto W/B' and is used when you want to set the white balance based on what is currently in the center of the screen. For example, setting auto white balance on a gray card placed in front of the lens. See the section 'URSA Broadcast G2 Controls' for more information.

Left Side

URSA Broadcast G2's left side panel lets you insert CFast 2.0 cards, SDXC or SDHC cards, access the control panel and change settings. The USB-C port is located just above the CFast slots so you can easily plug into a computer when updating your URSA Broadcast G2's internal software.

Left Side Controls

The left side panel features additional controls for easy access to all of your camera's essential functions. These controls are split between the forward control panel, the ergonomic control panel located on the outside of the foldout touchscreen monitor, and a control panel on the inside of the foldout monitor.



URSA Broadcast G2 with touchscreen closed

6 Power Switch

Power switch for turning on the camera. There is also a backup power switch inside the fold out monitor that allows the camera to be powered on by pressing both the record and forward skip buttons at the same time.

7 ND Filters

Your URSA Broadcast G2 has three internal neutral density filters to adjust the amount of light reaching the sensor. Four settings are available, ranging from clear to six stops of light reduction. Simply turn this wheel to move through the available settings. The filter will click into place for each setting. For more information see the section 'URSA Broadcast G2 Controls' in this manual.

8 Forward Control Panel

The forward control panel provides quick access to all of your URSA Broadcast G2's essential functions. These controls are located for easy access when shooting on a tripod or on the shoulder, and you can use them to adjust settings such as ISO, shutter speed, iris, white balance, frame rate, and more. See the section 'URSA Broadcast G2 Controls' for more information.

9 Ergonomic Control Panel

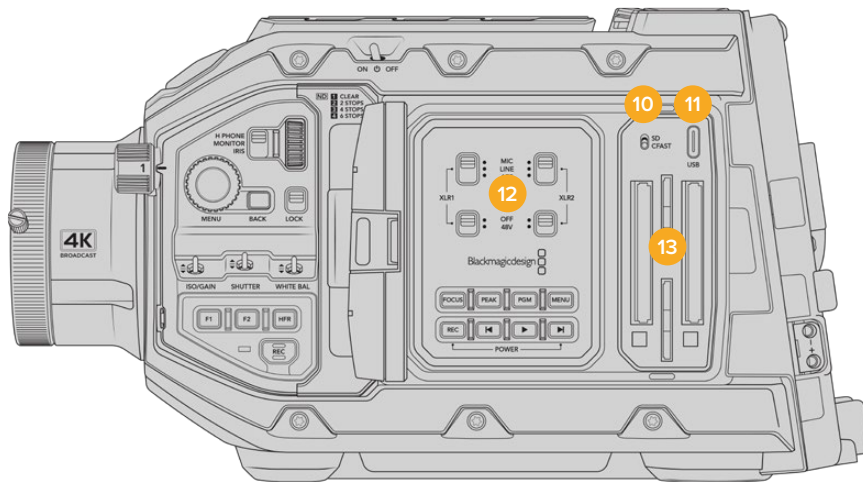
On the outside of your URSA Broadcast G2's foldout touchscreen monitor, you'll find an LCD status monitor and a variety of controls for fast, powerful monitoring control. Here you can see all of your camera's status information at a glance, as well as controlling a variety of powerful monitoring functions. See the section 'URSA Broadcast G2 Controls' for more information.

10 Storage Media Selection Switch

Use this switch to choose between CFast and SD storage media.

11 USB Port

USB-C port for updating internal software. See the section 'Blackmagic Camera Setup Utility' for more information.



URSA Broadcast G2 with touchscreen open

12 Internal Control Panel

When your URSA Broadcast G2's foldout monitor is open, you have access to the internal control panel. Use the controls here to set your audio inputs as well as phantom power settings. You can also access iris, focus, menu and playback controls and more. See the section 'URSA Broadcast G2 Controls' for more information.

13 Memory Card Slots

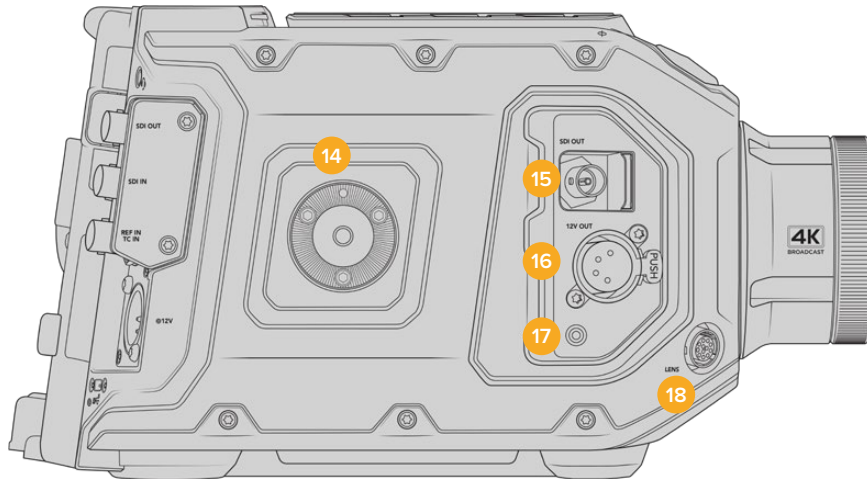
Insert CFast 2.0 cards, SDXC or SDHC cards for record and playback. Please note that you should check the list of certified cards on our website. See the section 'storage media' for more information.

Right Side

URSA Broadcast G2's right side panel gives you access to all the video, audio and power connectors plus the side handle rosette mount.

14 Side Rosette Mount

Standard rosette mount for the side handle. Refer to the 'Getting Started' and 'Blackmagic URSA Mini Shoulder Kit' sections.



URSA Broadcast G2 has a rosette mount built into the right side if you need to attach an optional URSA Mini side handle

15 HD Monitoring Output

3G-SDI connector for down converted 1080HD output. Use with Blackmagic URSA Viewfinder or external monitors. Refer to the 'camera video output' and 'Blackmagic URSA Viewfinder' sections for more information.

16 +12V Power Output

4 pin XLR connector for powering Blackmagic URSA Viewfinder, Blackmagic URSA Studio Viewfinder or external monitors and accessories. Refer to the 'Blackmagic URSA Viewfinder' and 'Blackmagic URSA Studio Viewfinder' sections for more information. This output combined with the Broadcast Lens Connector supplies 12 Volts at up to 2 Amps in total.

17 LANC Input

Dedicated 2.5mm TRS LANC connector for Blackmagic URSA Handgrip.

18 Broadcast Lens Control Connector

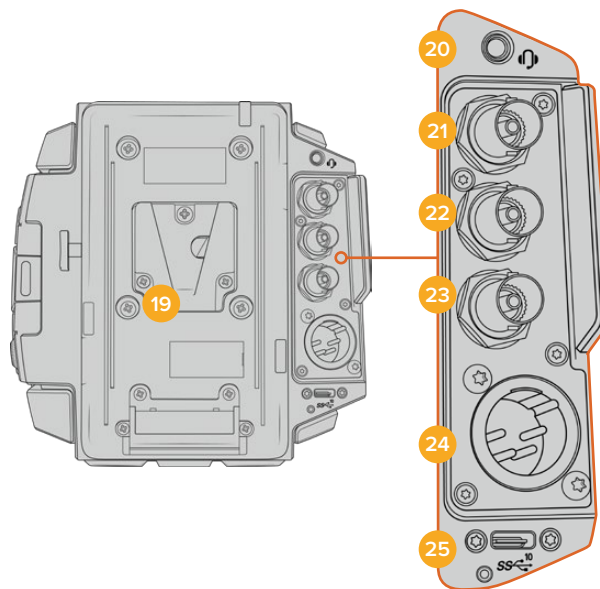
Provides power and control to compatible PL and B4 mount lenses with 12 pin connections. This output combined with the +12V Power Output supplies 12 Volts at up to 2 Amps in total.

Rear Panel

19 Battery Mount Plate

Your Blackmagic URSA Broadcast G2 comes fitted with Blackmagic URSA VLock Battery Plate for attaching VLock batteries to your camera. URSA VLock Battery Plate features a D-Tap port for powering accessories. The D-tap port can output a regulated 12 Volts at up to 1.5 Amps.

URSA VLock Battery Plate can be replaced with an optional Blackmagic URSA Gold Battery Plate or a third party battery plate. The battery plate can be removed to access a recessed Molex connector and to attach optional accessories such as Blackmagic Camera Fiber Converter or Blackmagic URSA Mini Recorder onto the back of the camera. If your connected accessory has a D-tap power output then the Molex connector will supply a pass through output of 12 Volts at up to 1.5 Amps. For more information, refer to the chapter for 'Mounting Batteries', 'Getting Started with Blackmagic Fiber Converters' and 'URSA Mini Recorder'.



20 Headphone/Headset

The 3.5mm jack output is used for headphone monitoring and talkback. You can plug in iPhone and Android compatible headsets that have a built in microphone for quick and easy talkback. Talkback audio is embedded in channels 15 and 16 of the SDI output.

TIP When using URSA Broadcast G2's 3.5mm jack for talkback, a very affordable option is using an iPhone or Android compatible headset. These typically feature an inline button that can be used to mute and unmute their microphone. If you would like to use a broadcast headset without this inline switch you can configure your URSA Broadcast G2's function buttons to offer the same functionality. See the 'setup settings' section of this manual for more information.

21 12G-SDI Out

Blackmagic URSA Broadcast G2's 12G-SDI output is used to send HD and Ultra HD video to SDI equipment such as routers, monitors, SDI capture devices, and broadcast switchers. You can also connect the 12G-SDI output to an external recorder such as the Blackmagic Video Assist for backup recording.

22 12G-SDI In

The 12G-SDI input is used for connecting to a switcher or external recorder. This means if you're using URSA Broadcast G2 in a live broadcast, you can plug in the switcher's program output and monitor it during the shoot, or check playback from an external recorder. Press and hold the program button to see your program feed.

For more information, refer to the 'Ergonomic Control Panel' section in this manual.

You can also use an ATEM switcher's 'camera control' feature to remotely adjust many URSA Broadcast G2 functions. See the section 'Understanding Studio Camera Control' for more information. Blackmagic 3G-SDI Shield for Arduino can also be used to provide custom control of the camera over SDI.

To receive tally and talkback via the SDI input, make sure you have set your ATEM Camera ID in the camera's setup menu. If you want to use the SDI input to receive an external reference signal, you will need to select 'program' as your reference source in the setup settings. 'REF' will appear next to the timecode display on your camera's LCD screen when the external reference is locked. Refer to the 'setup settings' in the manual for more information.

On URSA Broadcast G2 the SDI Input can be used for feeding external timecode to the camera as well. This will lock to the incoming timecode automatically if the frame rate of the incoming SDI signal matches and has valid timecode. The 'EXT' logo will appear on URSA Broadcast G2's LCD when external timecode is locked. If you unplug the cable timecode will remain jammed and the logo will switch to 'INT' to let you know it is now running from URSA Broadcast G2's internal timecode clock.

23 Reference and Timecode In

This input automatically recognizes and switches between timecode and reference input signals. Synchronize Blackmagic URSA Broadcast G2 to a common reference signal, such as tri-level sync, by connecting to the 'reference' BNC input marked 'REF In'. It's worth noting that to use a reference signal through this input, you must set your reference source to 'external' in your URSA Broadcast G2's setup menu.

Alternatively you can use this connector to match an external timecode source to sync up multiple cameras, or audio and picture when shooting dual-system. This ensures audio and picture, or video from multiple cameras, can be easily synchronized during post production. When external timecode with a matching frame rate is plugged into this connector the camera will lock to the incoming timecode automatically. The 'EXT' logo will appear on URSA Broadcast G2's LCD when external timecode is locked. If you unplug the cable, timecode will remain jammed and the logo will switch to 'INT' to let you know it is now running from URSA Broadcast G2's internal timecode clock.

You can also set your camera to use the reference signal from an ATEM switcher via the Program SDI Input. This is helpful when working with ATEM switchers because all cameras can receive program return, camera control and be referenced together using a single SDI signal. See the 'setup settings' section in this manual for more information.

24 12V+ Power Input

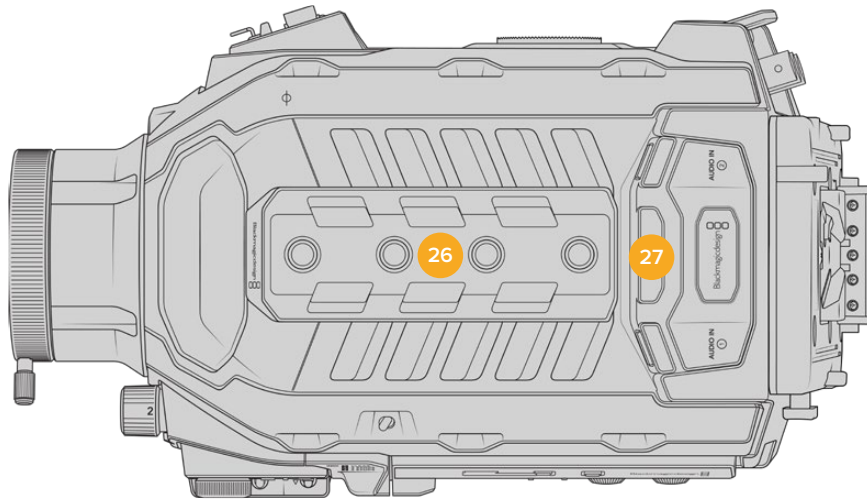
Use the 4 pin 12-18 Volt DC XLR connector to plug in power from external sources such as the supplied power adapter, or portable batteries.

25 USB Port

USB-C 3.2 Gen 2x1 port for recording to an external flash disk or to an SSD using Blackmagic URSA Mini Recorder. Also used for connecting Blackmagic Zoom and Focus Demand to your camera for focus and zoom control with compatible lenses.

The threaded connector under the USB-C port works with the locking USB cable supplied with URSA Mini Recorder to maintain a secure connection during use. For more information refer to the 'URSA Mini Recorder' section in this manual.

Top Panel



External analog audio can be plugged into the balanced XLR connectors on the top panel

26 1/4 Inch Mounting Points

Your camera's top panel contains 4 strong mounting points for attaching the top handle and accessories.

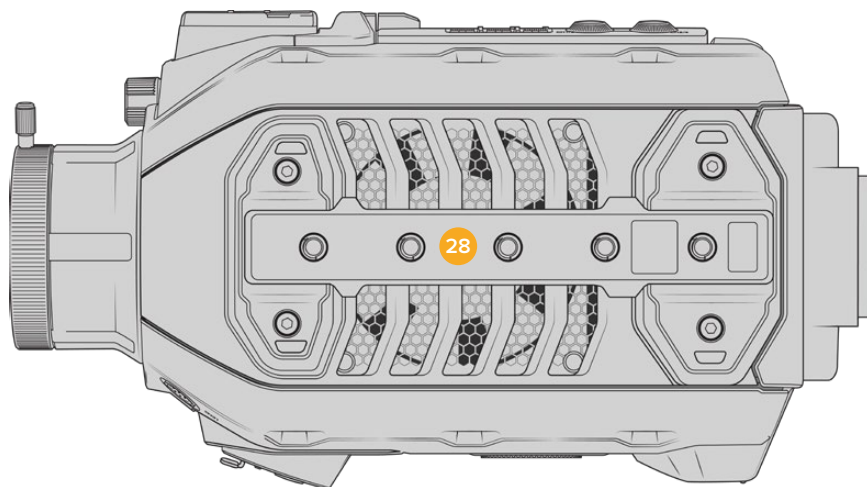
27 XLR Audio In

Use the balanced XLR inputs to plug in external analog audio from professional equipment such as audio mixers, PA systems or external microphones. The XLR connectors supply 48V phantom power so you can use microphones that aren't self powered. Refer to the 'URSA Broadcast G2 controls/internal control panel' section for more information on phantom power.

Underside

28 1/4 Inch Mounting Points

The 5 mounting points on the underside are used for attaching tripod heads, the URSA Mini Shoulder Kit and other accessories.

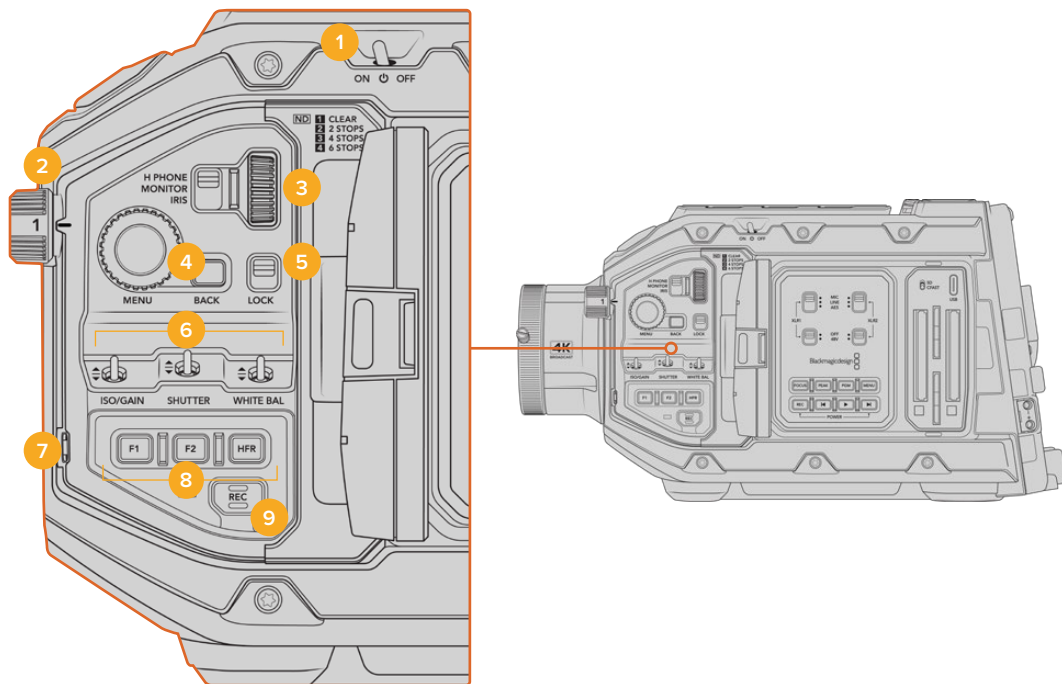


URSA Broadcast G2 Controls

Blackmagic URSA Broadcast G2 has control panels on the chassis, outside and inside of the foldout touchscreen monitor to give you quick, easy access to all of its essential functions as well as powerful monitoring tools. These panels are designed to be close to hand whether shooting from a tripod, handheld or with the URSA Mini Shoulder Kit.

Forward Control Panel

Your camera's forward control panel groups together all of the controls you might need to adjust when setting up a shot and recording. These are all designed for easy access while shooting with the foldout monitor closed, such as when using the shoulder kit.



URSA Broadcast G2 forward control panel

1 Power Switch

Power your URSA Broadcast G2 by moving this switch to the 'on' position. Power off by moving the switch to the 'off' position.

TIP You can also power your URSA Broadcast G2 on or off via a combination of control panel switches. Holding the 'rec' and 'forward skip' buttons will power up the camera if it is turned off, or power it off if it is turned on. If your camera's power switch is set to 'on' but your camera is powered down, it may have been powered down via the control panel. Toggle the power switch to return it to normal operation.

2 ND Filters

Your URSA Broadcast G2 has three internal neutral density filters. Together with a clear filter, the available settings are 1/4, 1/16th and 1/64th. These filters allow you to reduce the amount of light reaching your URSA Broadcast G2's sensor by a preset fraction.

By reducing the exposure, you can continue shooting at wide apertures in bright conditions such as outdoors on sunny days.

To adjust your neutral density setting, rotate the wheel upwards or downwards. The 'clear' setting means there is no ND filter being used. From settings 1/4 to 1/64th, the ND filters gradually increase in density so you can decrease light if you need to.

Because different people prefer to use different terms for each ND filter, the measurement of your ND settings can be customized in the LCD menu. You can identify the ND filter number, amount of stops in light reduction, or the fraction representing the amount of light reduced for the filters to suit your preference.

Neutral Density Filter Settings

Wheel position	ND number	Stops	Fraction
1	clear	0	1
2	0.6	2	1/4
3	1.2	4	1/16
4	1.8	6	1/64

3 Settings Wheel

Set this wheel's function by adjusting the adjacent three position switch next to the wheel. The options are 'headphone,' 'monitor' and 'iris'.

Headphone

When set to 'headphone', the settings wheel will adjust headphone audio levels. Rotate the wheel upwards to increase volume, and downwards to decrease.

Monitor

When set to 'monitor', the settings wheel adjusts audio levels on your camera's built in monitor speaker. The speaker is located on the outside of the LCD monitor door and can be used to monitor audio without headphones. Rotate the wheel upwards to increase volume, and downwards to decrease. This function is disabled while recording from the camera's internal microphone to prevent unwanted feedback.

Iris

When set to 'iris', the settings wheel is used to adjust the aperture of compatible lenses mounted to your URSA Broadcast G2. Rotating the wheel downwards opens the iris, and turning the wheel upwards closes the iris. These directions mimic the operation of aperture on adjustable still and cinema lenses.

TIP To change aperture settings via the settings wheel, URSA Broadcast G2 must be fitted with a lens that supports changing aperture via the camera. If you are using a B4 or PL lens connected via the broadcast 12 pin connector, make sure that the lens iris switch on the handgrip is set to 'A' or 'auto'.

4 Menu Wheel and Back Button

When 'status text' is turned on for your camera's front SDI output, you can use the menu wheel to navigate many of the head up display features usually accessed via the LCD touchscreen.

Simply press the menu wheel as you would a button to access your URSA Broadcast G2's head up display on an external monitor such as Blackmagic SmartView, Video Assist or URSA Viewfinder. While the menu wheel is active, turn the wheel to select features such as LCD monitor options, frame rate, ISO, white balance and tint. Press the wheel to confirm selections and make additional changes, and use the 'back' button next to the wheel to cancel. You can also use the back button to move up a menu level, or exit the menu completely if you're at the top level. The menu will automatically close after one minute of inactivity.

For more information on setting status text and the controls available, see the 'touchscreen controls' and 'monitor settings' sections of this manual.

5 Lock

Toggle this switch to lock all of the controls on the forward control panel to prevent them from being accidentally adjusted while shooting. Move this switch to the lower position to lock, and the upper position to unlock.

TIP When shooting in busy or uncontrolled environments, you can lock your URSA Broadcast G2's forward control panel when you leave your camera unattended. This ensures that your settings are not changed unintentionally by others.

6 ISO, Shutter and White Balance Switches

These small switches are used to adjust your ISO/Gain, white balance, and shutter settings. They are helpful when you want to make fast adjustments without taking your eyes off the shot. Gently push the switches up or down to make setting adjustments. The switches are spring loaded so they always return to a neutral position.

ISO/Gain

Push this switch up or down to adjust your camera's gain setting. Pushing up will increase the setting by 1/3 stop, and pushing down will decrease by 1/3 stop. The available settings range from -12 to 36dB.

Shutter

Use this switch to adjust the camera's shutter speed. Pushing up will increase the shutter speed to the next available preset, and pushing down will decrease to the next available preset. Holding the switch up or down will move more quickly through available values. There are twelve shutter speed presets between 1/24 and 1/2000.

TIP Your URSA Broadcast G2 can also suggest flicker free shutter speeds based on the power frequency in your region. These must be selected through the LCD touchscreen menu. For more information see the 'touchscreen controls' section in this manual.

White Balance

This switch is used to adjust the camera's white balance. Pushing up will increase the color temperature by 50K, and pushing down will decrease it by 50K. Holding the switch up or down will move more quickly through available values.

7 Auto White Balance

Pressing this button will reveal a white 'auto white balance' box in the center of the LCD for five seconds. This box will also appear on any SDI output that has 'status text'

enabled in the menu settings. The white box indicates the specific area of your image where the white balance will be calculated from, so your gray card should be positioned within this box. Pressing and holding the 'Auto W/B' button for three seconds will perform an 'auto white balance', and the square will change from white to green to confirm that this has been performed successfully.

For more information on enabling status text for your URSA Broadcast G2's front or main SDI outputs, see the 'monitor settings' section in this manual.

8 F1 and F2

The F1 and F2 keys are 'function' keys that can be programmed to a variety of commonly used functions using your URSA Broadcast G2's 'setup' menu. By default, F1 is set to toggle 'focus zoom' on the LCD and front SDI output, while F2 is set to toggle 'false color' on the LCD.

For more information, see the 'touchscreen controls' section of this manual.

HFR

Use the HFR or high frame rate button to toggle off speed frame rates. To use this button, simply set the off speed frame rate you'd like to use in your URSA Broadcast G2's 'frame rate' menu. Pressing this button will toggle between your chosen off speed frame rate and project frame rate. It's worth mentioning that this setting can only be adjusted when the recording is stopped. The HFR button can also operate as a function button that you can program to a variety of commonly used functions, or can be disabled.

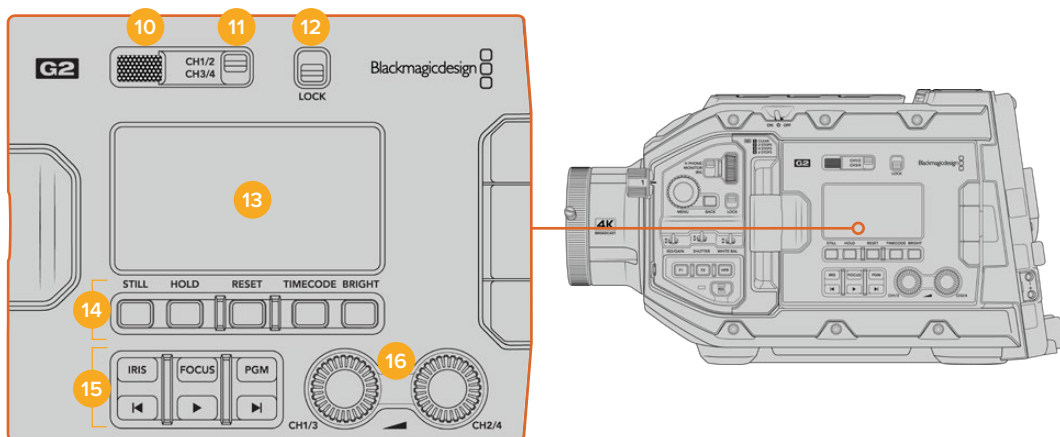
For more information on project and off speed frame rates, see the 'touchscreen controls' section in this manual.

9 Record

The 'record' button is marked REC on your Blackmagic URSA Broadcast G2's left side. Press the record button to start and stop recording. Refer to the 'recording' section for more information.

Ergonomic Control Panel

On the outside of your URSA Broadcast G2's touchscreen monitor, you'll find an LCD status monitor and a variety of monitoring controls. This panel lets you see all of your camera's status information at a glance, as well as monitoring and adjusting audio levels. Automatic focus can be set using compatible lenses and the transport controls let you playback clips.



URSA Broadcast G2 ergonomic control panel

10 Monitor Speaker

The small speaker built into the outside control panel lets you monitor audio when in playback. It is located where your ear would normally be when shooting with the camera on your shoulder.

To adjust the volume of the speaker, simply rotate the settings wheel as described in the 'URSA Broadcast G2 Controls' section.

11 Monitor Channel Select

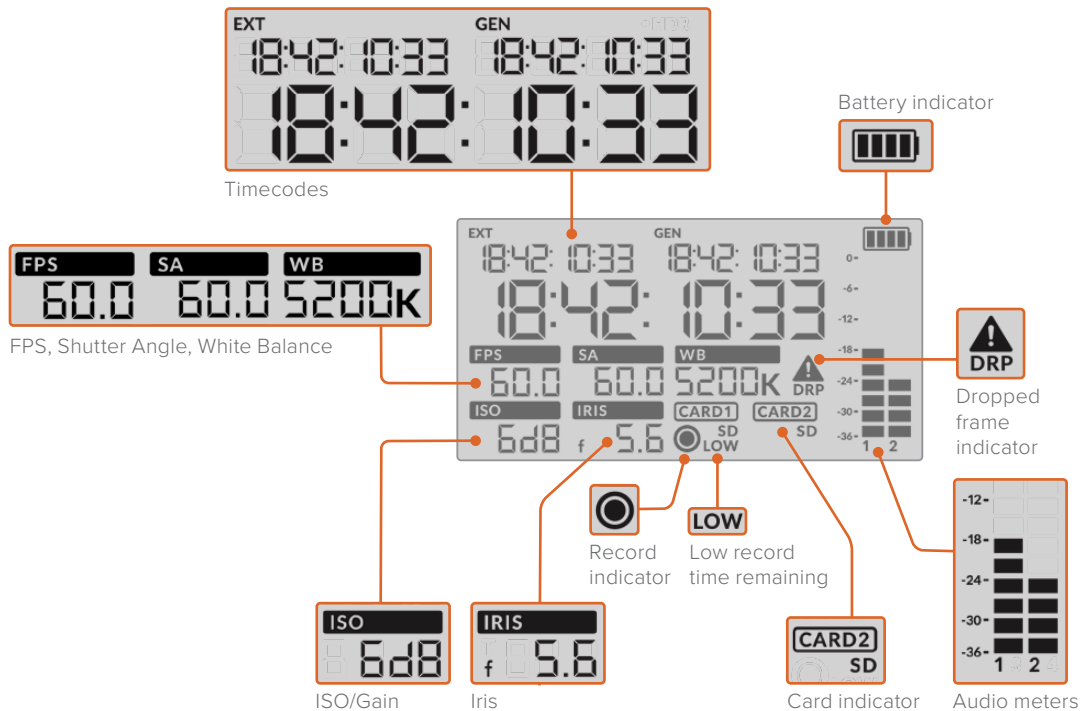
Your URSA Broadcast G2 supports two channels of audio.

12 Lock

Use this switch to lock all of the settings on your URSA Broadcast G2's ergonomic control panel. The only controls that will remain active while the lock switch is 'on' are the monitor channel select switches.

13 Status LCD

This display shows you your URSA Broadcast G2's essential settings at a glance, without needing to open the internal touchscreen. This screen is designed to be visible even in bright daylight. The following information is available:



Timecodes

Your URSA Broadcast G2 displays three timecodes. If you have an external timecode connected, this will be shown under the 'ext' indicator in the top left of the status LCD. Your camera's internally generated timecode is shown next to this under the 'gen' indicator. Both the external and generated timecodes are shown in hours, minutes, seconds and frames.

The larger, main timecode indicator displays your current timecode as either clip duration or timecode. You can switch between these two display modes by pressing the 'timecode' button underneath the status LCD.

Battery indicator

If your URSA Broadcast G2 is running on battery power, this indicator displays remaining battery life in 25% increments. Each of the battery indicator's four bars corresponds to

25% battery life remaining. When your battery drops below 20% charge, the color of the status LED, near the record button begins to flash. It will alternate slowly between red and orange during recording and alternate between white and orange during standby mode.

If the mains power connector is plugged into your camera, the battery indicator shows as full.

FPS, Shutter Angle, White Balance

The 'FPS,' 'SA,' and 'WB' indicators display your camera's current frame rate, shutter angle and white balance. The 'fps' indicator shows the current sensor frame rate.

For more information on sensor and project frame rates, see the 'touchscreen controls' section in this manual.

ISO/Gain

Displays your camera's currently set gain.

Iris

Displays your current lens aperture. Depending on your lens type, this will be displayed as an 'f' or 'T' stop.

Card Information

The 'card 1' and 'card 2' indicators will appear on your URSA Broadcast G2's status LCD when these slots are occupied.

The 'SD' indicator appears if you are recording on SD cards, and disappears if you are recording on CFast cards.

Record Indicator

While recording, a circular indicator will appear under the card or cards being currently written to.

Low Time Remaining

A 'low' indicator will appear under the relevant card when you have approximately 5 minutes of record time remaining.

Audio Meters

The peak audio meters display audio levels when using the internal microphone, or via external audio when connected. The display is calibrated to dBFS units and features peak hold indicators which stay visible for a short time so you can clearly see the maximum levels reached.

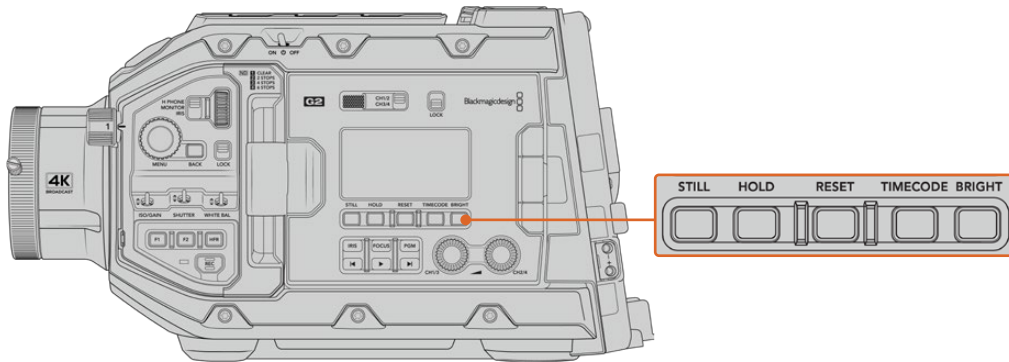
To achieve optimum audio quality, ensure your audio levels do not reach 0 dBFS. This is the maximum level that your camera can record, meaning that any audio that exceeds this level will be clipped, resulting in distortion.

Dropped Frame Indicator

This indicator will flash when your camera detects dropped frames. Once you stop recording, the indicator will remain on the screen to let you know that the previous clip detected dropped frames. This warning disappears the next time you start recording, or if you power cycle the camera. For more information on avoiding dropped frames, see the 'storage media' section in this manual.

NOTE You can set your URSA Broadcast G2 to stop recording if dropped frames are detected. See the 'record settings' section in this manual for more information. This feature is user selectable as you may be able to get away with brief periods of 'burst' recording at higher frame rates or resolutions when shooting to slower media.

14 Status LCD Controls



URSA Broadcast G2 status LCD controls

Still

Press this button to capture a still image as a single uncompressed DNG frame. Image files will be saved to the 'stills' folder in the root directory of the media you are currently recording to. These will follow the file naming convention for video clips but the filename will have an 'S001' representing the 'still number' as the last four digits of the filename. To confirm you have successfully saved a still, an image of a camera will show in the top right corner of the URSA Broadcast G2 touchscreen, and the record indicator on the status LCD will flash three times.

Hold

Use this button to temporarily hold the main status LCD timecode when the timecode is in free running time of day code. The timecode will continue to run in the background and return to its actual position when you release the 'hold' button. While holding you can take note of the timecode for a particular event. This can be useful in electronic news gathering or documentary situations for noting key timecode points.

Reset

The reset button allows you to reset the timecode to 00:00:00:00 when you are setting your preset timecode.

Timecode

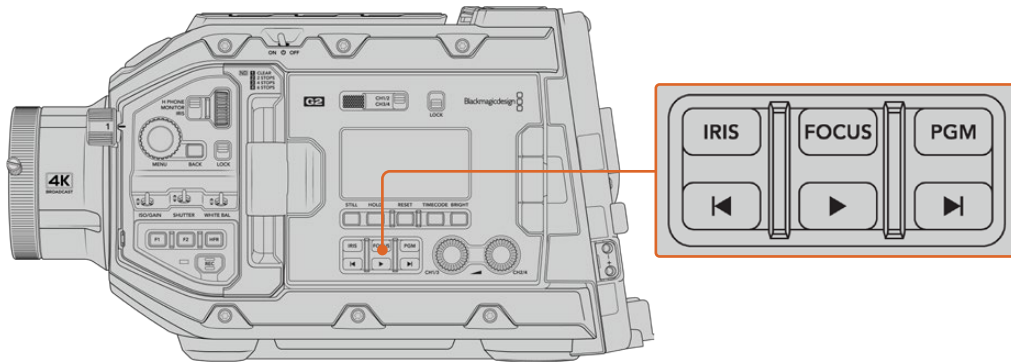
Press the 'timecode' button to toggle the main timecode display's format between clip duration and timecode. By default the timecode will be free running time of day code as this is the most frequently used. If you press and hold the 'timecode' button for five seconds it will switch the camera into record run timecode and the timecode generator will flash as well as the first two digits of the large timecode display. This indicates that you are now editing your preset timecode and allows you to set a specific timecode number for your preset timecode.

Pressing 'reset' at this stage will zero the timecode and then you can turn and press the menu wheel to set the desired value starting with hours, minutes, seconds and then frames. When you are happy with the timecode, press and hold the 'timecode' button again for three seconds to set this as your preset timecode point. You will notice that the timecode generator now shows this value and will only increment when the camera is recording giving you continuous ascending timecode values. To switch your timecode back to free running time of day code, press the 'timecode' and 'hold' buttons simultaneously for three seconds.

Bright

Press the 'bright' button to cycle through four brightness settings for your URSA Broadcast G2's LCD status display. The settings are 'off,' 'low,' 'medium' and 'high.'

15 Control and Playback Buttons



URSA Broadcast G2 control and playback buttons

Iris

The 'iris' button activates the automatic aperture setting on compatible lenses. When using video dynamic range settings, a single press of the iris button will set an average exposure based on the highlights or shadows in your shot. When using film dynamic range settings, pressing the iris button sets your exposure to the brightest highlight in your shot. This button works with compatible EF lenses and PL lenses connected with a compatible broadcast lens controller.

To set your aperture manually, press the forward and reverse skip transport buttons.

Focus

When using a B4 or EF lens that supports electronic focus adjustments, press the 'focus' button to activate auto focus. A white focus square will appear on any viewfinder or monitor connected to your URSA Broadcast G2. Anything within the square will be correctly focused. When the lens is focused, the square will disappear.

NOTE To use the 'focus' button, your B4 lens must have servo focus control, with the servo activated. See the 'getting started' section for more information. Some EF lenses have both manual and auto focus modes. If using the optional EF lens mount, in order for URSA Broadcast G2 to be able to auto focus with your lens, you need to ensure that your lens is set to auto focus mode.

Program

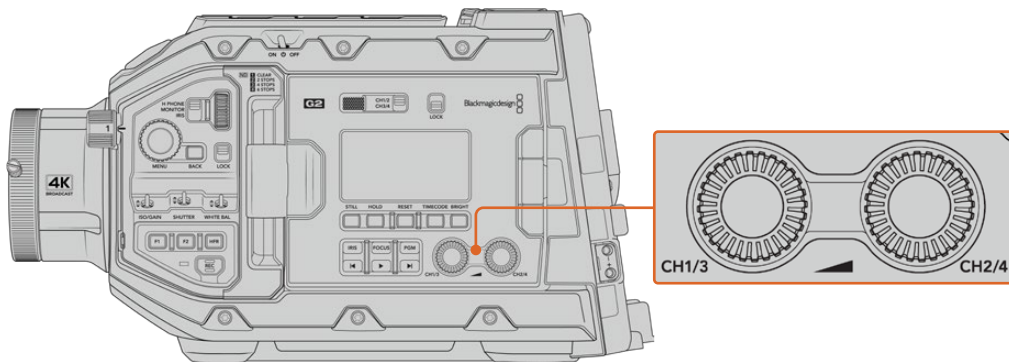
The program button is marked PGM and lets you switch the LCD and front SDI output between the camera view and any signal plugged into the 12G-SDI input on the rear panel. This means if you're using the camera in a live broadcast, you can plug in the switcher's program output and monitor it during the shoot. Press and hold the program button to see your program feed. The program feed will continue to display whilst the program button is being held.

If you want to lock the LCD and front SDI output to display the program input feed, then double press the program button to lock to the program feed. Pressing the program button again will exit the program feed and return to the camera view.

Playback Control Buttons

The playback buttons let you start and stop playback, plus skip to the next or previous clip. When using an EF lens, the forward and reverse skip buttons can also be used to open or close the iris when using compatible lenses. Refer to the 'playback' section for more information on how to use the playback buttons.

16 Audio Level Adjustment Knobs

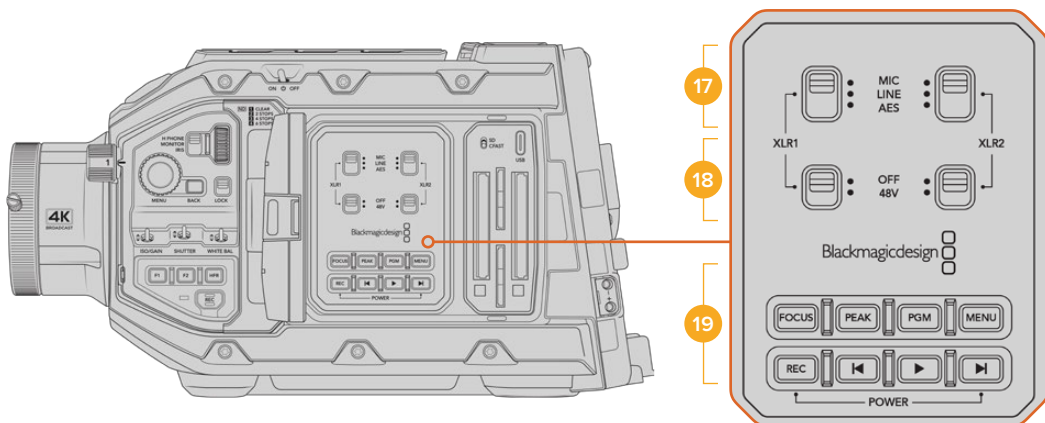


URSA Broadcast G2 audio adjustment knobs

Use the built in adjustment knobs to set the recording levels for audio channels 1 and 2. Turn each knob clockwise or counterclockwise to increase or decrease the recording level for each channel of audio. Monitor the corresponding on screen audio meters as you adjust each knob so you can see the best level to set it to.

Internal Control Panel

With your URSA Broadcast G2's foldout monitor open, you can access the internal control panel. Use the controls here to set your audio inputs as well as phantom power settings, iris, focus, menu and playback controls and more.



URSA Broadcast G2 internal control panel

17 XLR1/XLR2

Use these switches to set how your URSA Broadcast G2's XLR inputs behave when selected as an input source. The options available are mic audio, line level audio and AES digital audio.

18 Phantom Power

The camera's XLR inputs can provide 48V phantom power so you can use microphones that aren't self powered. Move this switch to '48V' to enable phantom power for any microphone connected to the XLR above, or 'off' to disable phantom power.

It is standard practice to plug in your XLR cable before switching phantom power on. It is also important to switch phantom power to 'off' when you no longer have a phantom powered microphone connected. Connecting devices that don't have phantom power protection built into their AES XLR outputs whilst still sending phantom power from the camera's XLR audio inputs may damage your equipment. Always ensure that the +48V switch is turned 'off' when you disconnect your microphone.

19 Control and Playback Buttons

Focus

When using a B4 or EF lens that supports electronic focus adjustments, press the 'focus' button to activate auto focus. A white focus square will appear on the fold out monitor. Anything within the square will be correctly focused. When the lens is focused, the square will disappear.

To use the 'focus' button, your B4 lens must have servo focus control, with the servo activated. See the 'getting started' section for more information. Some EF lenses also have both manual and auto focus modes. In order for URSA Broadcast G2 to be able to auto focus with your lens, you need to ensure that your lens is set to auto focus mode.

Peak

Press the 'Peak' button to activate focus peaking. Your camera has two focus peaking modes, traditional focus peaking, which artificially sharpens areas of the image that are in focus, and 'colored lines' which overlays the sharp areas of your image with black, white, red, green or blue colored lines. See the 'monitor settings' section of this manual for more information.

TIP If you are recording your video output to a Blackmagic Video Assist or HyperDeck Studio HD Mini, you may want to ensure that you don't have peaking switched on for that output. This can be done by using our 'clean feed' feature on your front SDI or main SDI.

For more information on outputting a 'clean feed' see the 'monitor settings' section in this manual.

Program

The program button is marked PGM and lets you switch the LCD and front SDI output between the camera view and any signal plugged into the camera's 12G-SDI input on the rear panel. This means if you're using your camera in a live broadcast, you can plug in the switcher's program output and monitor it during the shoot. Press and hold the program button to see your program feed. Double press the button to lock the program feed on. Press again to turn the program feed off.

To display a switcher's program output, your camera and switcher must be set to the same resolution and frame rate.

Menu

Press the 'menu' button to open the dashboard. Refer to the 'settings' section for more information about the dashboard feature and how to adjust settings.

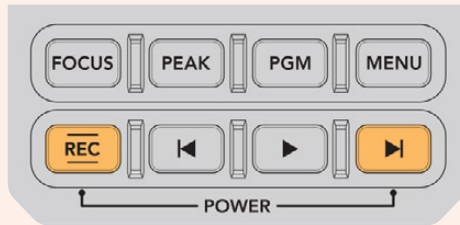
Record

Press any of the record buttons marked REC to start and stop recording. Refer to the 'recording' section for more information.

Playback Control Buttons

The playback buttons let you start and stop playback, plus skip to the next or previous clip. When using the EF mount, the forward and reverse skip buttons can also be used to open or close the iris when using compatible lenses. Refer to the 'playback' section for more information on how to use the playback buttons.

NOTE You can power your URSA Broadcast G2 on or off via a combination of internal control panel buttons. Holding the 'rec' and 'forward skip' buttons will power up the camera if it is turned off, or power it off if it is turned on. If your camera's power switch is set to 'on' but your camera is powered down, it may have been powered down via the control panel. Toggle the power switch to return it to normal operation.



Camera Video Outputs

HD Monitoring Output

Blackmagic URSA Broadcast G2's down converted 3G-SDI out connector always outputs 1080 HD video so you can easily connect to routers, monitors, SDI capture devices, broadcast switchers and other SDI devices. This output is labeled 'front SDI' in the touchscreen settings menu.

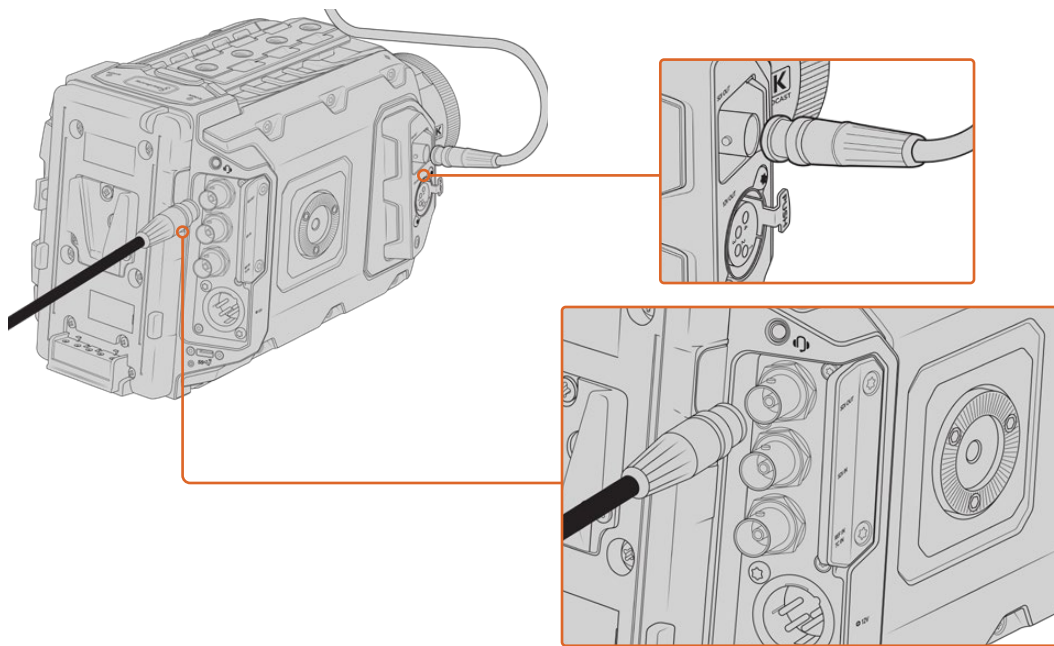
12G-SDI Output

The 12G-SDI out connector on the rear panel supports HD and Ultra HD video including high frame rate progressive formats such as 2160p50, 59.94 and 60 on a single SDI cable. Interlaced HD formats are also supported including 1080i50, 59.94 and 60. You can use the 12G-SDI output to connect to any SDI monitor as well as Ultra HD switchers such as ATEM Production Studio 4K. This output can be switched between HD and Ultra HD by selecting 1080p or 2160p in the 'SDI output' setting for the 'main SDI' on the 'monitor' tab on the touchscreen. For more information please refer to the 'monitor settings' section later in this manual.

Connecting to Video Switchers

The SDI outputs allow you to use your camera for live television production. You can connect the rear panel SDI output directly to production switchers for live production work, or to ATEM Camera Converters to convert your signal to optical so you can send it hundreds of meters to a broadcast truck on location.

When connected to a switcher, you can easily view the switcher's program output on your Blackmagic URSA Broadcast G2. To do this, first connect the switcher to your camera's rear 12G-SDI input. Now press the 'program' button marked PGM on your camera's fold out monitor. To switch back to the camera image, simply press the PGM button again.



You can connect the 12G-SDI output to any 1080 HD or Ultra HD live production switcher or monitor. The HD monitoring output can be plugged into an external viewfinder, such as the Blackmagic URSA Viewfinder, or plugged into an external monitor when mounted to production equipment. For example a jib arm or crane

Connecting to Monitors

SDI monitoring can be really helpful when accessing the fold out monitor is impractical, such as when secured high on a jib arm, on a crane, or mounted on a vehicle.

Monitoring information is displayed via your HD-SDI monitoring out connector by adjusting the settings for the 'front SDI' on the 'monitor' tab on the touchscreen. These settings enable frame guides and information such as recording details and camera settings. If you simply want to monitor your shots, you can always turn overlays off for a clean SDI output.

Connect the camera's SDI output to SDI monitors or to a Blackmagic SmartScope Duo 4K for live waveform monitoring.

NOTE The rear SDI output and 3G-SDI monitoring output automatically flag HDR video with ancillary metadata when you are working in 'Film' dynamic range and use the Gen 5 Film to Rec 2020 Hybrid Log Gamma or Gen 5 Film to Rec 2020 PQ Gamma LUT on the SDI output. This means you can display stunning HDR images on HDR enabled screens from either SDI output.

SDI Output Formats

Rear SDI Output	2160p23.98, 24, 25, 29.97, 30, 50, 59.94, 60. 1080p23.98, 24, 25, 29.97, 30, 50, 59.94, 60. 1080i50, 59.94, 60.
3G-SDI Monitoring Output	1080p23.98, 24, 25, 29.97, 30, 50, 59.94, 60. 1080i50, 59.94, 60.

TIP To make a live recording with two codecs at once or a simultaneous backup, you can feed the rear SDI out from URSA Broadcast G2 to a Blackmagic Video Assist or HyperDeck.

Touchscreen Controls

Touchscreen

Your Blackmagic URSA Broadcast G2's fold out LCD touchscreen pivots for shooting high and low angles. Buttons on the outside of the LCD panel let you control your URSA Broadcast G2 when mounted on your shoulder using the URSA Viewfinder and the LCD closed.

Touchscreen Features

The LCD touchscreen features a touch and gesture based interface that is specifically designed for fast and intuitive user operation. By touching and swiping on different areas of URSA Broadcast G2's LCD touchscreen, you can quickly access the camera's functions while shooting.

The touchscreen display features upper and lower toolbars. The upper toolbar provides access to commonly used settings such as shutter speed, iris and gain controls. The lower toolbar includes storage indicators, audio meters, transport controls and a histogram.

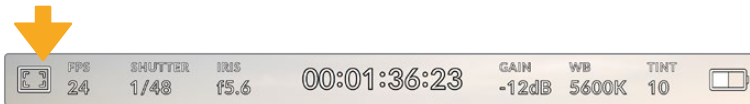


Your URSA Broadcast G2's LCD touchscreen has a comprehensive head up display and gives you easy access to your camera's most used settings

Upper Toolbar

LCD Monitor Options

Tap the 'monitor' icon at the top left of your URSA Broadcast G2's LCD touchscreen to access the LCD monitor settings. These settings let you toggle and adjust the appearance of your URSA Broadcast G2's monitoring features, including zebra, focus assist, frame guide, and grids. When accessing LCD monitor options, the controls for these features appear in a tabbed menu along the bottom edge of the LCD touchscreen.

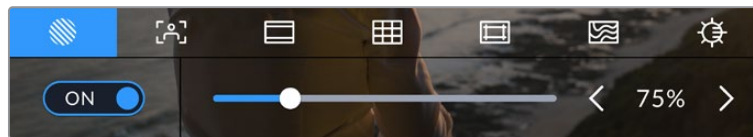


Tap the icon at the top left of your URSA Broadcast G2's LCD touchscreen to access LCD monitor options

Zebra

The 'zebra' setting toggles the appearance of zebra on the LCD touchscreen, as well as setting the zebra level for all URSA Broadcast G2's outputs.

Zebra displays diagonal lines over areas of your image that exceed a set exposure level. For example, setting zebra to 100% shows which areas are completely overexposed. This is useful for achieving optimum exposure in fixed lighting conditions.



Tap the 'zebra' icon while accessing 'LCD monitor options' to access your URSA Broadcast G2's zebra settings

To toggle zebra for the LCD touchscreen, tap the switch icon in the bottom left of the screen while in the 'zebra' tab.

Set the exposure level that zebra appears at by dragging the slider left and right, or tapping the arrow buttons next to the zebra level indicator. There are eight zebra presets available including middle gray and middle gray plus one stop, then in five percent increments from 75 to 100 percent exposure.

For information on enabling zebra on your camera's front and main SDI outputs, see the 'monitor settings' section in this manual.

TIP If you're shooting in variable light such as outdoors on a partly overcast day, setting your zebra level lower than 100 can warn you of potential overexposure.

Focus Assist

The 'focus assist' setting toggles the appearance of focus assist on the LCD touchscreen, as well as setting the level of focus assistance for all outputs on your URSA Broadcast G2.



Tap the 'focus assist' icon while accessing 'LCD monitor options' to access your URSA Broadcast G2's focus assist settings

To toggle focus assistance for the LCD touchscreen, tap the switch icon in the bottom left of the screen while in the 'focus assist' tab.

To set the level of focus assistance for all outputs on your URSA Broadcast G2, drag the slider left and right along the bottom of your touchscreen, or tap the arrow buttons next to the focus assist level.

The optimum level of focus assistance varies shot by shot. When focusing on actors, for example, a higher level of focus assistance can help resolve edge detail in faces. A shot of foliage or brickwork, on the other hand, may show distracting amounts of focus information at higher settings.

For information on enabling focus assist on your camera's front and main SDI outputs, see the 'monitor settings' section in this manual.

TIP Your URSA Broadcast G2 has two focus assist modes. You can switch between 'peaking' and 'colored lines' focus assistance in the 'monitor' settings menu. For more information, see the 'monitor settings' section and the 'focus assist' section.

Frame Guides

The 'frame guide' setting toggles the appearance of frame guides on the LCD touchscreen. You can also choose from frame guide options for all outputs on your URSA Broadcast G2.

Frame guides include aspect ratios for various cinema, television and online standards.



Tap the 'frame guides' icon while accessing 'LCD monitor options' to access your URSA Broadcast G2's frame guide settings

To toggle the appearance of frame guides on your URSA Broadcast G2's LCD touchscreen, tap the switch icon in the bottom left of the screen.

Choose the frame guide you want to use by dragging the slider left and right, or tapping the arrow buttons on either side of the currently selected aspect ratio.

The available guides are:

2.35:1, 2.39:1 and 2.4:1

Displays the broad widescreen aspect ratio compatible with anamorphic or flat widescreen cinema presentation. The three widescreen settings differ slightly based on the changing cinema standards over time. 2.39:1 is one of the most prominent cinema widescreen standards in use today.

2:1

Displays a ratio slightly wider than 16:9 but not as wide as 2.35:1.

1.85:1

Displays another common flat widescreen cinema aspect ratio. This ratio is slightly wider than HDTV 1.78:1 but not as wide as 2.39:1.

16:9

Displays a 1.78:1 aspect ratio compatible with 16:9 HD television and computer screens.

This ratio is most commonly used for HD broadcasting and online videos. The same aspect ratio has also been adopted for Ultra HD broadcasting.

14:9

Displays a 14:9 aspect ratio used by some television broadcasters as a compromise between 16:9 and 4:3 television sets. Ideally, both 16:9 and 4:3 footage remains legible when center cropped to fit 14:9. You can use this as a compositional guide if you know your project may be broadcast by a television station that uses 14:9 cropping.



URSA Broadcast G2 LCD touchscreen with 14:9 frame guides enabled

4:3

Displays the 4:3 aspect ratio compatible with SD television screens, or to help with framing when using 2x anamorphic adapters.

1:1

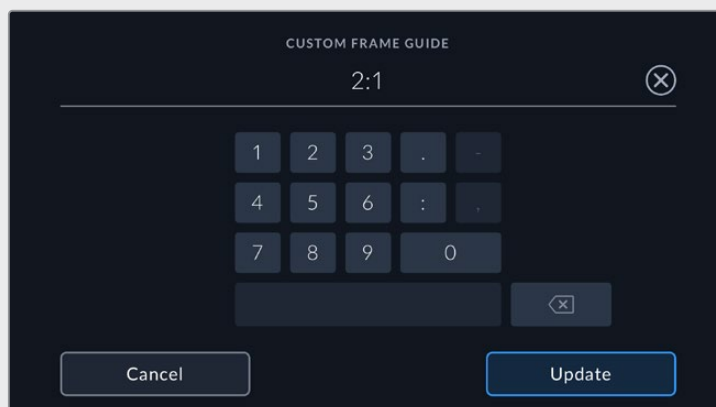
Displays a 1:1 ratio slightly narrower than 4:3. This square ratio is growing in popularity on social media.

4:5

Displays a 4:5 aspect ratio. This vertical aspect ratio is ideal for portraits and viewing on smartphones.

Custom Frame Guide Ratio

To create your own frame guide ratio for a unique appearance, tap on the ratio displayed between the arrow buttons. On the 'custom frameguide' screen tap the backspace button to delete the current ratio, then use the numeric keypad to specify a new ratio. Tap 'update' to apply your custom frame guide ratio and return to shooting.



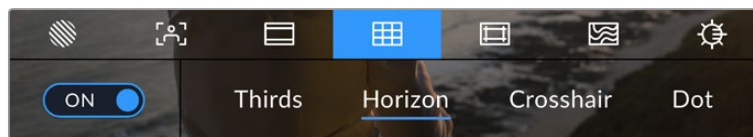
Use the numeric keypad on the 'custom frame guide' screen to enter a new frame guide ratio

TIP You can change the opacity of frame guide overlays. For more information see the 'monitor settings' section of this manual.

NOTE For information on enabling frame guides on your camera's front and main SDI outputs, see the 'monitor settings' section in this manual.

Grids

The 'grids' setting toggles the appearance of a rule of thirds grid, crosshair or center dot on the LCD touchscreen, as well as setting the overlay that will be visible on all URSA Broadcast G2's outputs.

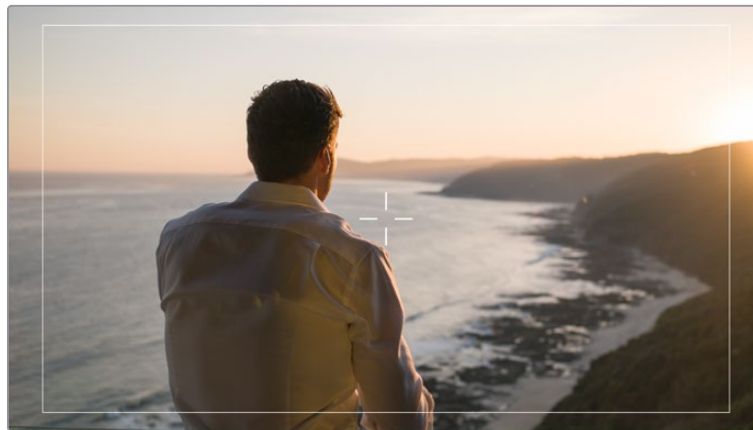


Tap the 'grids' icon while accessing 'LCD monitor options' to access your URSA Broadcast G2's grid settings

Grids and crosshairs are overlays that can help with image composition. When 'grids' are enabled, your URSA Broadcast G2 can show a rule of thirds grid, crosshairs, or center dot.

To toggle the appearance of grids on your URSA Broadcast G2 touchscreen, tap the switch icon in the bottom left of the screen while in the 'frame guides' tab.

When your URSA Broadcast G2 is set up and connected to an ATEM switcher as the current program source, and 'grids' are set to 'on', the red 'program' tally outline will automatically illuminate on the LCD.



When connected to an ATEM switcher sending a tally signal, a red border will appear around your camera's image preview when grids are set to 'on'

To set which overlay you want to display on all URSA Broadcast G2 outputs, tap the 'thirds,' 'crosshairs,' or 'center dot' options.



The rule of thirds grid automatically scales to any on screen frame guides

Thirds

The 'thirds' setting displays a grid with two vertical and horizontal lines placed in each third of the image. Thirds are an extremely powerful tool to help compose your shots. For example, the human eye typically looks for action near the points where the lines intersect, so it's helpful to frame key points of interest in these zones. An actor's eyeline is commonly framed along the top third of the screen, so you can use the top horizontal third to guide your framing. Thirds are also useful to maintain framing consistency between shots.

Horizon

The 'horizon' meter indicates when your camera is rolled left or right and tilted up or down. This can help you keep the horizon level during handheld shots and balance the camera tilt on a gimbal.

The gray vertical and horizontal indicators move away from the center as the camera is rolled and tilted. The distance the lines move away from the central crosshair is proportional to the amount of roll or tilt. After you calibrate the camera's motion sensor, the motion indicators will illuminate blue when the camera's roll and tilt become level.

Note that if the camera is tilted straight down for an overhead shot or straight up, the horizon meter takes this into account. If you roll the camera to shoot in portrait orientation, the horizon meter rotates its axes 90 degrees.

This table shows examples of the horizon meter indicating tilt and roll of the camera.

Horizon meter	Description
	Straight and level
	Tilted down and level
	Straight and rolled left
	Tilted up and rolled right

For normal use, calibrate the horizon meter for straight and level operation. If you want to use the horizon meter to help maintain a consistent 'dutch angle' or a consistent tilt for a low or high shot, you can calibrate the horizon meter at an incline. For information on how to calibrate the horizon meter, see the 'motion sensor calibration' section.

Crosshairs

The 'crosshair' setting places a crosshair in the center of the frame. Like thirds, the crosshair is a very useful compositional tool, making it easy to frame the subject of a shot in the very center of a frame. This is sometimes used when filming scenes that will be assembled using very fast cuts. Keeping viewers' eyes focused on the center of a frame can make rapid editing easier to follow.

Center Dot

The 'center dot' setting places a dot in the center of the frame. This works in exactly the same way as the 'crosshair' setting, albeit with a smaller overlay that you may find less intrusive.

You can enable a combination of 'thirds' and 'crosshairs' or 'thirds' and 'center dot' by tapping both options in the 'grids' menu. 'Crosshairs' and 'center dot' cannot be selected together.

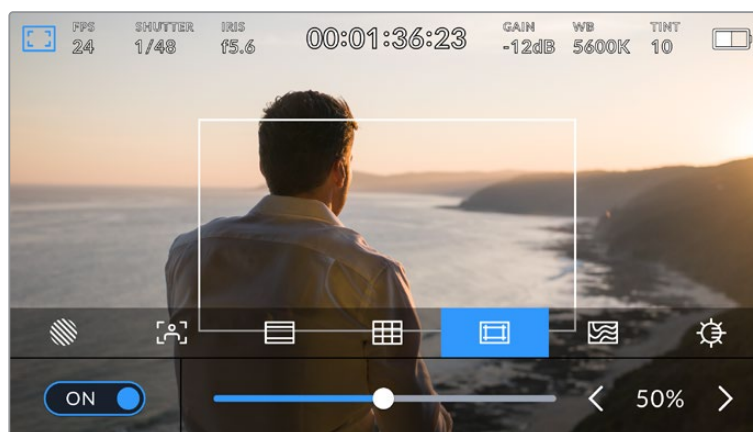
TIP For information on enabling grids on your URSA Broadcast G2's front and main SDI outputs, see the 'monitor settings' section in this manual.

Safe Area Guides

The 'safe area guides' setting toggles the safe area guides on or off the LCD touchscreen, as well as setting the size of safe area guides for all outputs on your URSA Broadcast G2.

Safe areas can be used in broadcast production to ensure that the most important parts of a shot can be seen by viewers. By keeping the most important parts of your shot within a central 'safe area,' you can avoid cropping on some televisions, as well as leaving space for a broadcaster to add bugs, news tickers and other overlays along the edges of the screen. Many broadcasters require footage to be submitted within a 90% safe area.

Safe area guides can also be used to assist with framing your shot where you know that the shot will be stabilized in post production, which can crop the edges of the image. They can also be used to indicate a specific crop. For example by setting it to 50% whilst recording at Ultra HD 3840x2160 you can see what a 1920x1080 crop of the frame would look like. The safe area guides also scale to your frame guides, so they will adjust to indicate the chosen percentage of your target frame.



The 'safe area' indicator set to 50%

To toggle safe area guides for the LCD touchscreen, tap the switch icon in the bottom left of the screen while in the 'safe area guides' tab. To set the level of safe area guides for all outputs on your URSA Broadcast G2, tap the left or right arrows on either side of the current numerical value at the bottom of your touchscreen. Alternatively, you can drag the slider left or right.

False Color

The 'false color' setting toggles the appearance of false color exposure assistance on the LCD touchscreen.

False color overlays different colors onto your image that represent exposure values for different elements in your image. For example, pink represents optimum exposure for lighter skin tones, while green is a good match to darker skin tones. By monitoring the pink or green false color when recording people, you can maintain consistent exposure for their skin tones.

Similarly, when elements in your image change from yellow to red, that means they are now over exposed.



The IRE false color chart on the left side of your camera's display shows you how to interpret the different false colors.

False Color	Meaning
95%WC	White clipping
80%WC	Near white clipping
MG+1	One stop over middle gray
18%MG	Middle gray
NBDL	Near black detail loss
BDL	Black detail loss



In a well exposed image, skin tones are represented by green and pink false colors

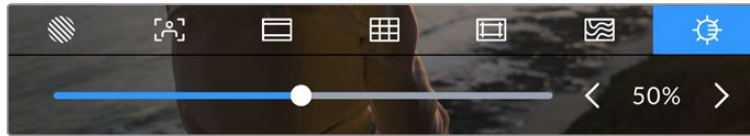
To toggle false color for the LCD touchscreen, tap the switch icon in the bottom left of the screen while in the 'false color' tab.



The 'false color' exposure assistance tab

Screen Brightness

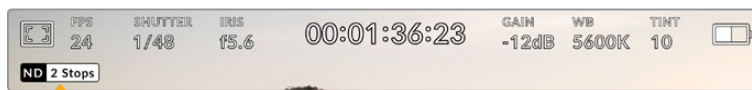
Tap the 'screen brightness' icon and drag the slider to the left or right to adjust the brightness of your URSA Broadcast G2's touchscreen.



The 'screen brightness' setting set to 50%.

ND Filter indicator

Your URSA Broadcast G2 has an ND filter indicator in the top left of the LCD touchscreen and any SDI outputs set to show status text. The indicator uses the format you've selected in the 'setup' menu.

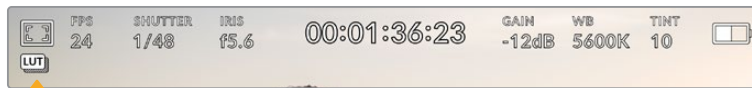


ND filter setting indicator on your URSA Broadcast G2

NOTE You can adjust the terminology used by the ND filter indicator to reflect the conventions you're used to. The options are ND number, stops and fractions. You can set your preferred format in your URSA Broadcast G2's 'setup' menu.

LUT indicator

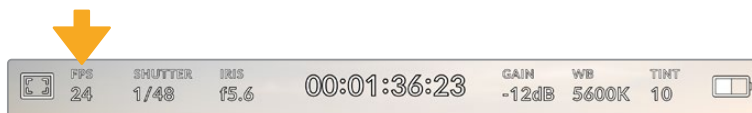
A white icon will be visible on the LCD, front SDI or main SDI when 'status text' is switched on and you have a LUT applied to that output. If you are recording to Blackmagic RAW and have 'Apply LUT in File' switched on in the 'Record' settings the LUT icon will be blue.



The LUT icon lets you know that you have a LUT applied to the image

Frames Per Second

The 'FPS' indicator displays your currently selected frames per second.



URSA Broadcast G2's frames per second indicator. Tap this to access frame rate settings

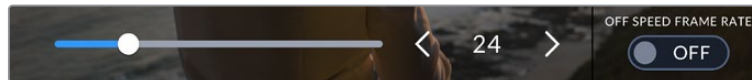
Tapping the 'FPS' indicator lets you change your camera's sensor and project frame rates via a menu at the bottom of your LCD touchscreen.

Project frame rate

The project frame rate is URSA Broadcast G2's recording format frame rate and provides a selection of common frame rates used in the film and television industry. This frame rate is normally set to match your playback speed used in your post production workflow.

Your Blackmagic URSA Broadcast G2 has 8 project frame rate settings including 23.98, 24, 25, 29.97, 30, 50, 59.94 and 60 frames per second.

To adjust your URSA Broadcast G2's project frame rate while in the 'FPS' menu, tap the left or right arrows next to the current frame rate at the bottom left of your touchscreen. Alternatively, you can drag the slider left or right.

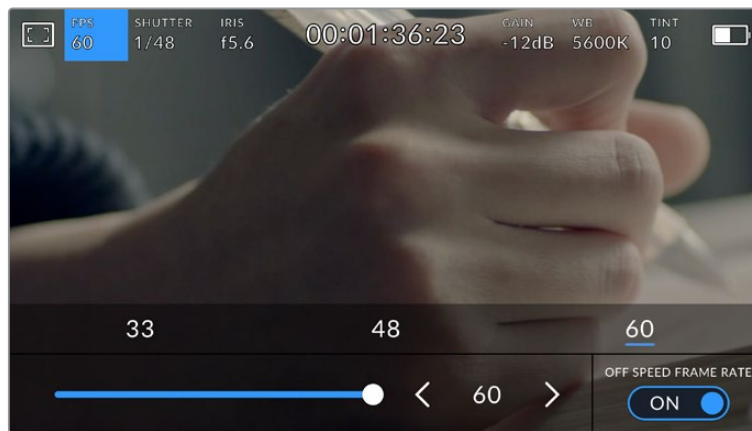


Tap the arrows on either side of the project frame rate or move the slider to make adjustments

TIP Your URSA Broadcast G2's project frame rate also sets the frame rate of the front and main SDI outputs.

Sensor frame rate

The sensor frame rate sets how many actual frames from the sensor are recorded every second. This frame rate will affect how fast or slow your video will play back at your set project frame rate.



With 'off speed frame rate' enabled, tap a preset or the arrows on either side of the sensor frame rate or move the slider to make adjustments

By default, your URSA Broadcast G2's project and sensor frame rates are matched for a natural playback speed. However, by tapping the 'off speed frame rate' switch icon in the bottom right hand side of your URSA Broadcast G2's 'FPS' menu, you can independently set your sensor frame rate. It's worth mentioning that the 'off speed frame rate' option is only available when recording to Blackmagic RAW or ProRes codecs.

To change your sensor frame rate, tap the arrows next to the sensor frame rate indicator in the lower left of your touchscreen. You can also drag the slider left or right to increase or decrease the frame rate. Once you release the slider, the sensor frame rate will be selected. Above the slider, you can tap on a common off speed frame rate. These are based on your current project frame rate.

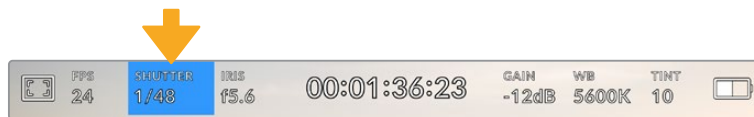
You can create dynamic and interesting speed effects in your clips by varying the sensor frame rate. Setting the sensor frame rate higher than your project frame rate will create slow motion during playback. For example, shooting with a 60 FPS sensor frame rate and playing back at a 24 FPS project frame rate creates slow motion at less than half the real speed of action. Alternatively, the lower your sensor frame rate, the faster your clips will appear. The principle is similar to overcranking and undercranking a film camera. Overcranking speeds up the sensor frame rate so you can stretch out moments in time during playback to enhance emotion. Undercranking slows down the sensor frame rate so you can increase the action in fast moving scenes. The creative possibilities are endless and entirely up to you!

For information on the maximum frame rates available for each recording format and codec, refer to the table in the 'recording' section of this manual.

NOTE When 'off speed frame rate' is selected your URSA Broadcast G2's audio and video are no longer synced. This is true even if you set the same project and sensor frame rate. For this reason, 'off speed frame rate' should never be selected if you want to guarantee audio syncing.

Shutter

The 'Shutter' indicator displays your shutter speed. By tapping this indicator, you can manually change your URSA Broadcast G2's shutter speed or configure shutter priority auto exposure modes.



URSA Broadcast G2's shutter indicator. Tap this to access shutter settings

Shutter speed defines the level of motion blur in your video, and can be used to compensate for varying light conditions. The shutter speed setting for natural motion blur, and the settings available, depend on the frame rate you are using. For example, when shooting at 30p, a 1/60 of a second shutter speed is the equivalent of a 180 degree shutter angle, a very common setting for film projects. However if you are shooting at 25p, you will need to set the shutter to 1/50 for the same look.

For natural motion blur you can calculate the shutter speed by doubling your frame rate. So at 30p, set your shutter speed to 1/60 of a second for natural motion blur.

If you need more light on the sensor, you can set the shutter at the slowest setting corresponding with your frame rate. For example, 1/25 for 25p, or 1/30 for 30p. At the slowest shutter speed, your motion blur will appear slightly exaggerated.

If you want to reduce the motion blur so action appears sharper and more defined, set the shutter to a faster speed, such as 1/120 of a second for 30p, or 1/100 of a second for 25p. If you are familiar with shutter angles, this equates to a shutter angle of 90 degrees.

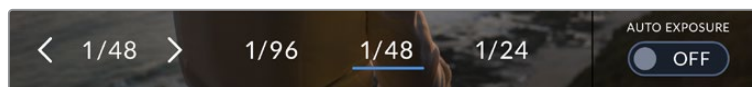
It's worth experimenting with different shutter speeds to see how this setting can provide different levels of motion blur to your image.

When shooting under lights, your shutter speed can affect the visibility of flicker. Your URSA Broadcast G2 will automatically calculate flicker free shutter speeds for your current frame rate. These speeds are affected by mains power frequency in your region. You can set your local power frequency to 50Hz or 60Hz in your URSA Broadcast G2's setup menu. See the 'setup settings' section in this manual for more information.

Tapping the 'shutter' indicator brings up the shutter speed menu along the bottom of your URSA Broadcast G2's touch screen. If you have auto exposure set to 'off,' this screen will show you your currently selected shutter speed, as well as the available flicker free shutter speeds, based on the mains power frequency you have selected in your URSA Broadcast G2's 'setup' menu. For more information, see the 'setup settings' section in this manual.

NOTE The characteristics of different light sources may still cause flicker even when using flicker free shutter speeds. We recommend always performing a test shoot when not using continuous lights.

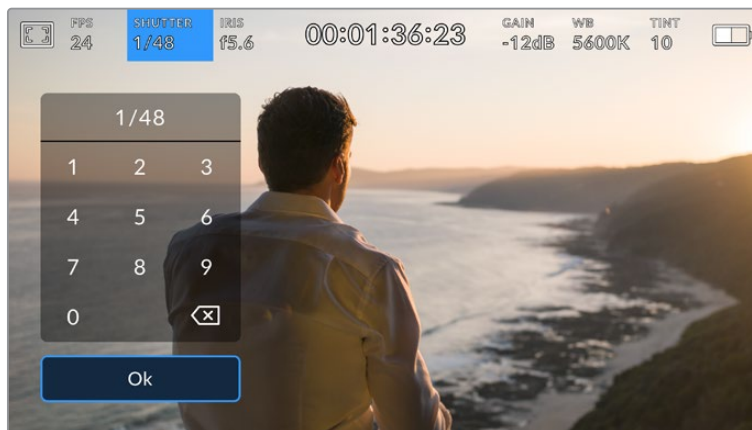
To select one of the flicker free shutter speeds, simply tap on one of the displayed shutter values. Using the arrows on either side of the current shutter value indicator will cycle through some of the most commonly used values.



Your URSA Broadcast G2 will suggest flicker free shutter speeds based on the mains power frequency you choose in the 'setup' menu

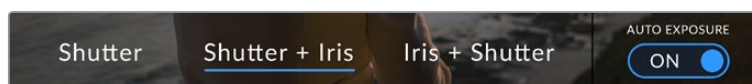
If you would like to choose a specific shutter value, you can do so by double tapping the current shutter indicator at the bottom left of your screen. This will bring up a keypad that allows you to type in any shutter value you wish.

If you type in a shutter value that is less than your current frame rate, for example 1/25th when shooting at 29.97 frames per second, the nearest achievable shutter value will be used. The nearest shutter speed in this example would be 1/30th.



The manual shutter keypad allows you to type in any shutter value you wish

Your URSA Broadcast G2 has three shutter based auto exposure modes. To select one of these, tap the 'auto exposure' button in the far right of the shutter menu.



Tap 'auto exposure' to access shutter based auto exposure modes

Shutter

This setting automatically adjusts shutter speed to maintain a constant exposure while keeping iris aperture constant. If you want to maintain a fixed depth of field, this is the setting to choose. It's worth mentioning that the subtle automatic adjustments of the shutter may have an effect on motion blur. It's also worth keeping an eye out for any flicker that may be introduced from various light fixtures on indoor shoots. URSA Broadcast G2's auto iris feature is not available when the 'shutter' auto exposure mode is selected.

Shutter + Iris

Maintains the correct exposure levels by adjusting the shutter, then the aperture. If the maximum or minimum available shutter speed is reached and exposure still cannot be maintained, URSA Broadcast G2 will begin adjusting the aperture to keep exposure constant.

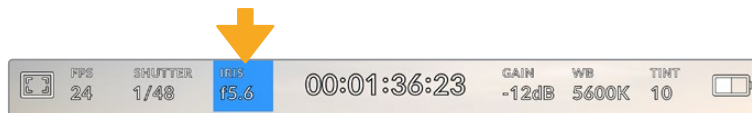
Iris + Shutter

Maintains the correct exposure levels by adjusting the aperture, then the shutter speed. If the maximum or minimum available aperture is reached and exposure still cannot be maintained, URSA Broadcast G2 will begin adjusting the shutter speed to keep exposure constant.

TIP When an auto exposure mode that effects the shutter is enabled, a small "A" will appear next to the shutter speed indicator at the top of your URSA Broadcast G2 touchscreen.

Iris

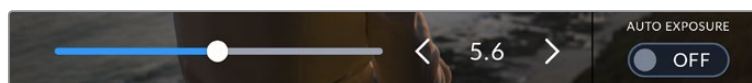
The 'Iris' indicator displays your current lens aperture. By tapping this indicator, you can change the aperture of compatible lenses and configure iris based auto exposure modes.



Your URSA Broadcast G2's iris indicator. Tap this to access iris settings

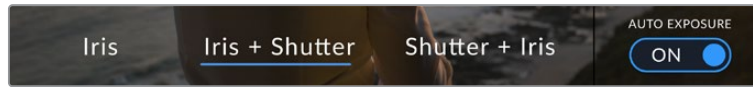
NOTE To adjust your iris from the LCD touchscreen, your URSA Broadcast G2 must be fitted with a lens that supports changing aperture via the camera. If you are using a B4 or PL lens connected via the broadcast 12 pin connector, make sure that the lens iris switch on the handgrip is set to 'A' or 'auto.'

Tapping the 'iris' indicator once brings up the iris menu along the bottom of your URSA Broadcast G2 touchscreen. You'll see your current lens aperture at the far left of this menu. You can change the aperture by tapping the left and right arrows on either side of the current aperture, or moving the slider left or right.



While in the 'iris' menu, tap the arrows on either side of the iris indicator or use the slider to adjust iris settings

Tapping the 'auto exposure' switch icon at the far right of the iris menu opens the iris auto exposure menu.



While in the iris menu, tap 'auto exposure' to access iris based auto exposure modes

This gives you the following auto exposure options.

Iris

This setting automatically adjusts the aperture to maintain a constant exposure, while keeping shutter speed constant. This will keep motion blur constant, but may affect your depth of field.

Iris + Shutter

Maintains the correct exposure levels by adjusting the aperture, then the shutter speed. If the maximum or minimum available aperture is reached and exposure still cannot be maintained, URSA Broadcast G2 will begin adjusting the shutter speed to keep exposure constant.

Shutter + Iris

Maintains the correct exposure levels by adjusting the shutter, then the aperture. If the maximum or minimum available shutter speed is reached and exposure still cannot be maintained, URSA Broadcast G2 will begin adjusting the aperture to keep exposure constant.

When an auto exposure mode that effects the iris is enabled, a small "A" will appear next to the iris indicator at the top of your URSA Broadcast G2 touchscreen.

TIP Automatic exposure works smoothly with compatible B4 or PL lenses which are designed for video or film production. EF lenses may produce noticeable 'steps' in exposure when changing aperture. For this reason, we recommend using only 'shutter' auto exposure mode if shooting with EF lenses.

Duration Display

At the top of your URSA Broadcast G2 LCD touchscreen, you'll see your camera's duration display.



Your URSA Broadcast G2's duration display. This will turn red while recording

The duration display provides a timecode counter for checking the duration of your clips and monitoring timecode during recording and playback. The counter displays a time sequence showing Hours:Minutes:Seconds:Frames and will progress through the sequence as you record or play back clips. The timecode will turn red during recording.

The displayed duration of each clip starts from 00:00:00:00 for each clip. The clip duration of the current, or last recorded, clip is displayed on the touchscreen. Time of day timecode is embedded into clips for easier post production.

To see the timecode, simply tap the duration display. Tap the duration display again to return to clip duration.

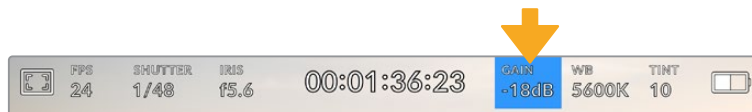
Additional status indicators may appear around the duration display:

-
- TC** Appears to the right of the duration display when showing timecode.
-
- EXT** Appears to the right of the duration display if an external timecode is connected and valid.
-
- INT** Appears to the right of the duration display if the camera is running off an internal timecode after being 'jam synced' and disconnected.
-
- PRE** Appears to the right of the duration display when you are viewing preset record run timecode.
-
- REF** Appears when a valid reference source is connected and locked, based on the reference input settings.
-
- W** Appears to the left of the duration display when your Blackmagic URSA Broadcast G2 is using a windowed sensor mode.
-

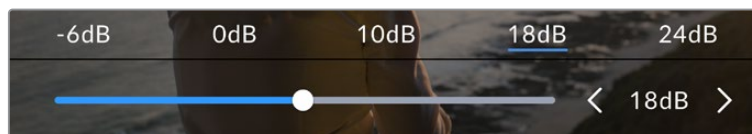
Gain

The 'Gain' indicator displays your URSA Broadcast G2's current gain setting, or light sensitivity. Tapping this indicator lets you adjust your gain to suit varying lighting conditions.

The optimum setting for URSA Broadcast G2 is 0dB.



Your URSA Broadcast G2's gain indicator. Tap the indicator to access gain settings

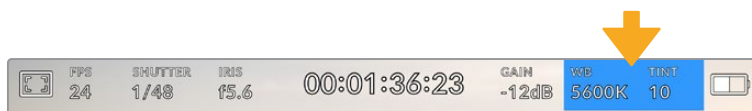


While in the 'gain' menu, your URSA Broadcast G2's gain settings appear along the bottom of the LCD touchscreen. The slider and arrows below the presets let you adjust the gain in 1/3 stop increments.

Depending on your situation, you may choose a lower or higher gain setting. For example, in low light conditions +18dB can be suitable but may introduce some visible noise. In bright conditions -6dB can provide richer colors.

White Balance






The 'WB' and 'TINT' indicators display your camera's current white balance and tint. Tapping these indicators lets you adjust your camera's white balance and tint to suit varying lighting conditions.



Tap the white balance and tint indicators to access white balance and tint settings

Every light source emits a color. For example, a candle flame emits a warm color, and an overcast sky emits a cool color. White balance settings are used to color balance your image so white stays white by adjusting the mix of orange and blue in your image. For example, when shooting under tungsten lamps which emit a warm, orange light, selecting 3200K adds some blue to the image. This balances the color so white is accurately recorded.

Your URSA Broadcast G2 comes with white balance presets for a variety of color temperature conditions. These are:

	Bright sunlight	(5600K)
	Incandescent bulbs	(3200K)
	Fluorescent bulbs	(4000K)
	Mixed light	(4500K)
	Cloud	(6500K)

You can customize any of these presets by tapping or holding the arrow icons to the left and right of the temperature indicator in the bottom left of the 'white balance' menu. Each tap moves the color temperature up or down 50K, but holding the arrow icons down will increase these increments for faster changes. Alternatively, you can move the temperature slider in the middle of the 'white balance' menu.

To further dial in your image, you can adjust the 'tint.' This adjusts the mix of green and magenta in your image. For example, adding some magenta can compensate for the green cast of many fluorescent lights. Many of your URSA Broadcast G2's white balance presets include some tint.



Tapping the white balance and tint indicator on your URSA Broadcast G2 gives you access to five presets, as well as a white balance indicator and slider on the left, and a tint indicator on the right. Adjust these to set a custom white balance for your lighting conditions

While in the 'white balance' menu, your camera's current tint setting is shown at the bottom right of the screen. To adjust the tint, simply tap or hold the arrows to the left and right of the tint indicator. The available range is -50 to +50 in one unit increments. Holding down on the arrows speeds up adjustment.

NOTE Customizing the white balance or tint will change your preset to 'CWB,' or custom white balance. Custom white balances are persistent; your CWB settings will stay configured between power cycles, and when switching to a preset and back to CWB. This makes it easy to compare a custom white balance to the last preset used.

Auto White Balance

Your URSA Broadcast G2 can set white balance automatically. Tapping 'AWB' will bring up the white balance screen.

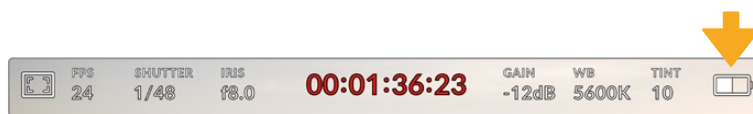
When setting white balance automatically, a square will be overlaid on the center of your image. Fill this square with a neutral surface such as a white or gray card and tap 'update.' Your URSA Broadcast G2 will automatically adjust its white balance and tint values to ensure that the average of the white or gray within the white balance square is as neutral as possible. Once updated, this will be set as your camera's custom white balance.



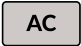
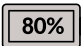

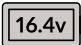

Tapping the 'AWB' icon in the white balance menu will bring up the auto white balance screen. Use this with a white or neutral gray surface to automatically set a neutral white balance

Power

Your URSA Broadcast G2's power status is displayed in the top right of the LCD screen. There are five possible indicators:



Your URSA Broadcast G2's power indicator is at the top right of the LCD touchscreen. While using battery power, tapping this toggles between 'voltage' and 'percentage' displays

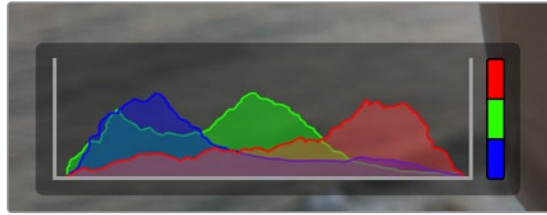
	AC	Displayed when your URSA Broadcast G2 is plugged into mains power.
	Percentage	If you are using a percentage accurate battery and plate combination and have your battery display set to 'percentage,' the indicator will display your battery level as a percentage. At 20% charge remaining, the indicator will turn red.
	Battery bars	If your battery display is set to 'percentage' but your battery plate and battery combination does not support percentage accurate battery information, your URSA Broadcast G2 will display a battery icon that drains in 25% increments. At 20% charge remaining, the battery bar will turn red.
	Voltage	When your battery display is set to 'voltage,' this indicator will display your battery's remaining voltage. When your battery drops below 12.5 volts, this indicator will turn red. Your URSA Broadcast G2 will automatically shut down once the battery reaches 11.9 volts.
	Fiber	Displayed when you have Blackmagic Camera Fiber Converter attached to your camera and are powering the camera through the SMPTE fiber cable. If you have an XLR power cable plugged into URSA Broadcast G2 whilst the converter is attached, the AC icon will be displayed instead.

When using battery power, you can switch between 'voltage' and 'percentage' or 'battery bars' power indicators by tapping the power indicator.

Lower Toolbar

Histogram

At the bottom left of your URSA Broadcast G2 touchscreen, you'll see the histogram. The RGB histogram shows the tonal distribution of the image separated into individual red, green and blue channels.



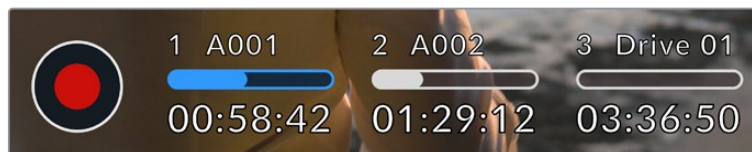
The histogram gives you an indication of the tonal range between shadows and highlights in your clip. It is also a helpful tool for checking the balance of your exposure and to prevent your highlights from clipping.

The left edge of the histogram displays shadows, or blacks, and the far right displays highlights, or whites. When you close or open the lens aperture, you'll notice the information in the histogram moves to the left or right accordingly. You can use this to check 'clipping' in your image shadows and highlights. When clipping occurs in the red, green or blue channel, the respective indicator on the right side of the histogram lights up. If the left and right of your edges of the histogram come to an abrupt stop rather than falling off gradually, you may be losing highlight or shadow detail.

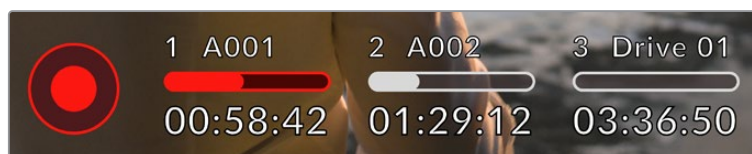
If you don't see a histogram in the bottom left of your touchscreen, your LCD monitor settings may be set to display 'codec and resolution.' See the 'monitor settings' section in this manual for more information.

Record button

Next to the histogram at the bottom of your URSA Broadcast G2's touchscreen, you'll see a round button with a red center. This is the 'record' button. Tap this once to begin recording, and tap it again to stop. While recording, button, media bar icon and the timecode at the top of your URSA Broadcast G2 touchscreen will turn red.



Your URSA Broadcast G2's 'record' button, next to the storage indicators at the bottom of the LCD touchscreen

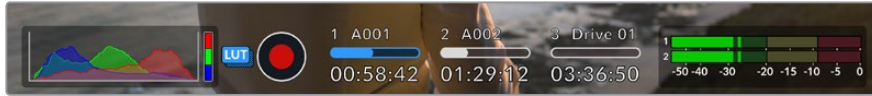


The 'record' button turns red when recording

Apply LUT in File

If you are recording to Blackmagic RAW and have chosen to apply a LUT to your recorded clips in the 'record' settings tab, a blue 'LUT' icon is displayed next to the 'record' button. The LUT indicator is displayed in both standby and record mode.

For more information on recording LUTs with Blackmagic RAW, refer to the 'Record Settings' section later in this manual.

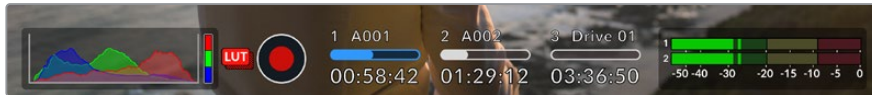


A blue 'LUT' icon is displayed when recording to Blackmagic RAW

Record LUT to Clip

If you are recording to ProRes, H.264 or H.265 and have chosen to record a LUT to your recorded clips, a red 'LUT' icon is displayed next to the 'record' button. The LUT indicator is displayed in both standby and record mode.

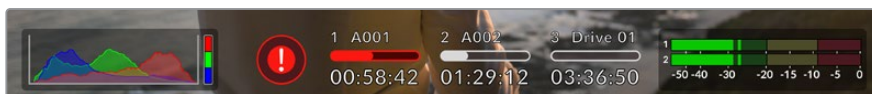
For more information on recording LUTs with ProRes, H.265 or H.264 video codecs, refer to the 'Record Settings' section later in this manual.



A red 'LUT' icon is displayed when recording to ProRes, H.265 or H.264

Dropped Frame Indicator

The 'record' button will be overlaid with a flashing '!' indicator if your URSA Broadcast G2 begins dropping frames while recording. The time remaining indicator for the affected card or cards will also turn red. For example, if you are recording in dual card mode and card 1 is dropping frames, the '!' indicator will appear over the 'record' button, and the time remaining indicator on card 1 will turn red. This lets you know if a particular card is too slow for your currently selected codec and resolution. The 'dropped frame indicator' will also display if you have dropped a frame on the previously recorded clip. This indicator will continue to display until another clip is recorded, or the camera is power cycled. Refer to the 'Choosing a CFast 2.0 card' 'Choosing a fast SD Card' and 'Choosing a fast SSD' sections in this manual, for more information on how to avoid dropping frames.



Dropped frame indicator for CFast card 1 dropping frames

TIP If you have your URSA Broadcast G2's status LED enabled, this will rapidly flash red when dropped frames are detected. For more information, see the 'setup settings' section in this manual.

NOTE You can set your URSA Broadcast G2 to stop recording if dropped frames are detected to prevent a situation where you waste time shooting unusable footage if you don't notice the dropped frame indicator. See the 'record settings' section in this manual for more information.

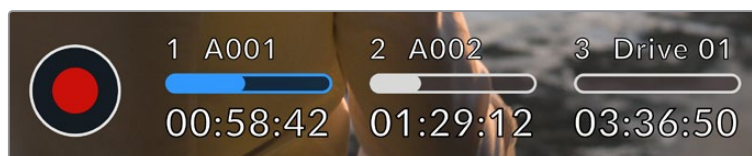
Storage Indicators

At the bottom of your URSA Broadcast G2 touchscreen next to the 'record' button, you'll see the storage indicators.

Recording Time Remaining

When a CFast or SD card is inserted, or a USB-C flash disk or SSD is attached to your camera, the storage indicators show how much recording time is left on each card or drive. The recording time is displayed in hours:minutes:seconds based on your chosen frame rate and codec and is automatically recalculated if you change either of these settings.

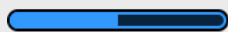
When there is approximately 5 minutes remaining on your card or drive, the indicator text will turn red. If you are recording to a single card or drive or have filled any additional storage attached to your camera, the indicator will blink slowly when there is 3 minutes remaining and blink quickly when there is less than 30 seconds of recording time remaining.



Your URSA Broadcast G2's storage indicator will display the name of your CFast card, SD card, SSD or USB flash disk and the remaining record time

Media Bar

The media bar icon above the recording time will be either blue, white or red depending on its current status and will display the used space on the card or drive.



The blue drive icon indicates the active drive. This is the drive that will be used for recording.



A white drive icon indicates there is media present, but not active. A solid white icon indicates the media is full.



The bar will illuminate red during recording.

To switch recording to a different card or drive, press and hold the name or media bar of the card, USB-C flash disk or SSD that you wish to record to.

Tapping the storage indicators will bring up the storage and formatting menu.



Tap the storage indicators on your URSA Broadcast G2's LCD touchscreen to access the storage manager

This menu displays the amount of free space on each CFAST card, SD card, USB-C flash disk or SSD currently connected to your URSA Broadcast G2, as well as the name of the card or drive, remaining record time, total number of clips, and the file format for each card or drive. Tapping the card or drive name in the storage menu sets it as the active card or drive. Your URSA Broadcast G2 will fill this card first.

You can format your media from this menu. For more information on formatting media using URSA Broadcast G2, see the 'preparing media on Blackmagic URSA Broadcast G2' section of this manual.

Audio Meter

The peak audio meters display audio levels for channels 1 and 2 when using the internal microphone, or via external audio when connected. You can display PPM or VU meters. To change the meter type, see the 'setup' settings later in this manual.

To achieve optimum audio quality, ensure your audio levels do not reach 0 dBFS. This is the maximum level that your camera can record, meaning that any audio that exceeds this level will be clipped, resulting in distortion.



The colored bars on the audio meter represent peak audio levels. Ideally your peak audio levels should fall in the upper end of the green zone. If your peaks enter into the yellow or red zones your audio is in danger of clipping.

You can tap the audio meter to bring up volume controls for audio input channels 1 and 2, as well as headset or speaker volume.



Tap the audio meters on your URSA Broadcast G2 LCD touchscreen to easily access volume and headset or speaker settings

Focus Zoom

You can magnify any part of your URSA Broadcast G2's preview image by double tapping the LCD touchscreen in the location you would like to zoom. You can move the magnified image by dragging your finger around the touchscreen. This is very helpful when checking focus. To return to the standard magnification, double tap on the touchscreen again.

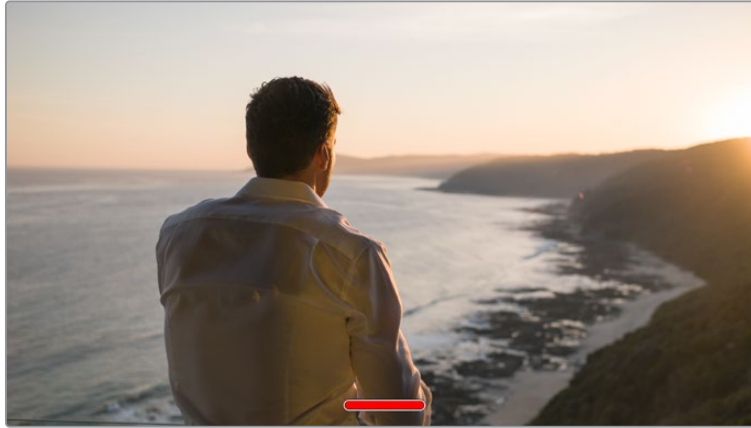
When you have 'focus zoom' enabled you can also make a pinch to zoom multitouch gesture to adjust the zoom level on the touchscreen. The 'setup' menu on your URSA Broadcast G2 lets you configure a function button as a 'focus zoom' toggle that behaves like a double tap on the touchscreen. This can be configured to show on the LCD or the front or main SDI to outputs. For information on how to configure a function button as 'focus zoom', see the 'Function Button Behaves as Preset or Toggle' section.



While zoomed in, an indicator in the top left of your LCD touchscreen will show which part of the image you are viewing. You can move around the image using the menu wheel or by dragging your finger around the screen.

Full Screen Mode

It can be useful when framing or focusing a shot to temporarily hide your touchscreen's status text and meters. Simply swipe up or down on URSA Broadcast G2's LCD touchscreen to hide these. The record indicator, frame guides, grids, focus assist and zebra will remain visible.



Swipe up or down to hide all status indicators on your URSA Broadcast G2 LCD touchscreen

Playback Menu

Press the 'play' control button to access the playback menu. You can control previously recorded clips with your camera's control buttons or the LCD touchscreen.










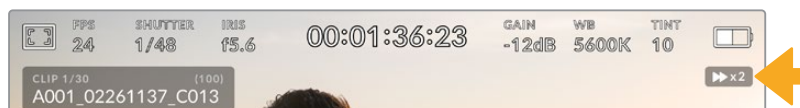
The LCD touchscreen displays a timeline of segments representing all the recorded clips. Each segment in the timeline represents an individual clip. The current clip name and number is shown at the top left of the display and the total number of clips on the card or drive is shown in brackets.

The counter ahead of the timeline displays the current location of the playhead and the counter after the timeline displays the total duration of all the clips.

The playback controls below the timeline let you navigate through the clips.



	Tap the 'record' button in playback mode to return your camera to standby mode, ready to record.
	Tap the 'play' button to view your clips. You are now in 'playback' mode.
	Press the 'stop' button to stop playback. Pressing the 'stop' button a second time will return your camera to standby mode.
	Tap the 'skip' back button once to move the playhead to the first frame of the current clip. If the playhead is already on the start of a clip, it will jump to the first frame of the previous clip.
	Tap the 'skip' forward button once to move the playhead to the last frame of the current clip. If the playhead is already at the end of a clip, it will jump to the first frame of the next clip.
	Press and hold the 'skip' back and 'skip' forward buttons to change them to 'rewind' and 'forward' shuttle buttons. Now you can use them to change the shuttle speed to 2x, 4x, 8x or 16x. To reduce the shuttle speed, simply tap the button in the opposite direction.
	






The shuttle speed indicator displays the speed and direction of footage being fast forwarded or reversed

You can change the playback mode from 'all clips' to 'single clip' in the 'setup' menu. In 'single clip' mode the last recorded clip is displayed when you press 'play'.

TIP Swipe up or down on your URSA Broadcast G2's touchscreen to hide status text while playing back footage. Entering the slate in playback mode will allow you to mark the current clip 'good take' in metadata. For more information, see the 'entering metadata' section in this manual.

Looping playback

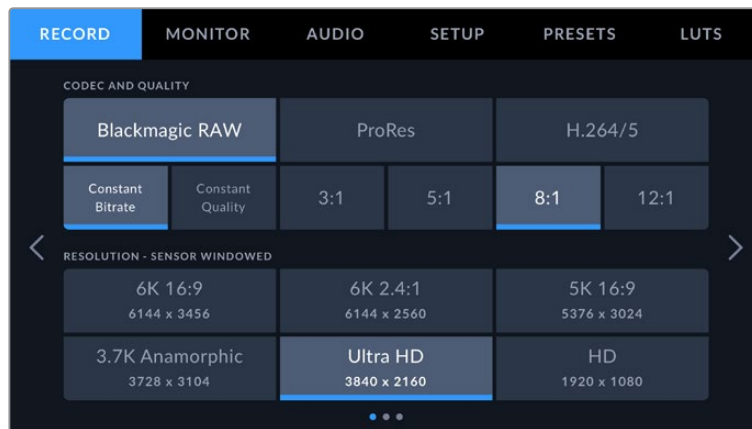
Tapping the play button more than once enables the 'loop' feature. Looping can be useful if you want to continue looping the same clip, or loop all clips on the timeline.

Loop		Once your clip is playing, press the 'play' button again to set your camera to play the current clip on a continuous loop.
Loop all		Tap 'play' again to play all your recorded clips on a continuous loop.
Play		Tap again to return to real time playback.

Settings

Dashboard

Pressing the 'menu' control button on your URSA Broadcast G2 will bring up your camera's dashboard. This is a tabbed menu containing the settings not available from your URSA Broadcast G2's head up display. Settings are divided by function into 'record,' 'monitor,' 'audio,' 'setup,' 'presets,' and 'LUTS' tabs. Some tabs, such as 'record,' 'monitor,' and 'setup' contain multiple pages. You can cycle between these pages by tapping the arrows on the left and right of the settings screen, or swiping left or right as you would on a smartphone or tablet.



Tap the 'record,' 'monitor,' 'audio,' 'setup,' 'presets,' and 'LUTS' headings to move between your URSA Broadcast G2's dashboard tabs

Record Settings

The 'record' tab allows you to set your video format, codec, and resolution, as well as other settings which affect the footage saved by your URSA Broadcast G2, such as preferred card and detail sharpening. This menu has three pages, which you can cycle through by tapping the arrows at the edge of your camera's touchscreen, or swiping left or right.

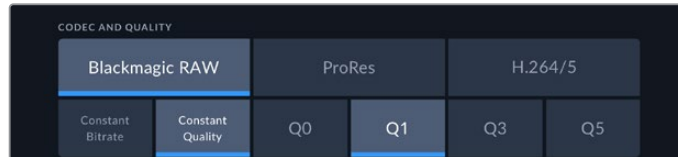
Record Settings 1

The first page of the 'record' settings tab contains the following settings.



Codec and Quality

The 'codec and quality' menu is split into two rows. The top row lets you choose between three codec families, Blackmagic RAW, Apple ProRes and H.264/5, while the bottom row offers quality options in those families. For example, the quality options available in the ProRes codec family are ProRes HQ and ProRes 422. Blackmagic RAW options are divided between four 'constant bitrate' and four 'constant quality' settings.



Blackmagic RAW 'constant bitrate' and 'constant quality' options

TIP The amount of video you can record on your storage media on URSA Broadcast G2 will increase when choosing codecs that utilize higher compression. Refer to the 'record duration table' in the 'recording' section for more information.

Resolution

This setting works in combination with the 'codec' setting. Use it to select the resolution for your desired recording format.

For example, if you want to record Ultra HD clips using ProRes HQ, select 'ProRes' and 'HQ' in the 'codec and quality' menu. Now choose 'Ultra HD' in the resolution menu.

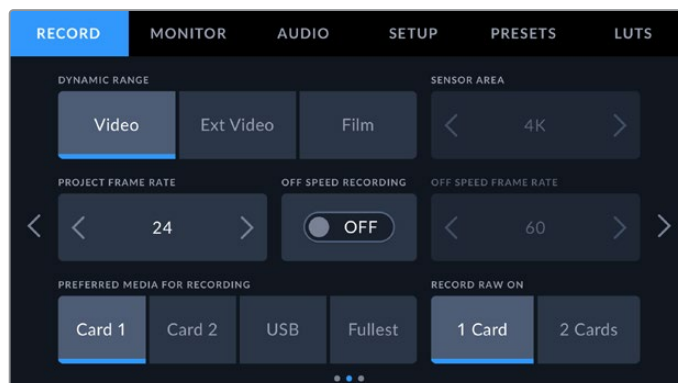


Blackmagic RAW 'resolution' options

NOTE Blackmagic URSA Broadcast G2 supports Blackmagic RAW in all resolutions, Apple ProRes in Ultra HD and HD, H.265 in Ultra HD and H.264 in HD.

Record Settings 2

The second page of the 'record' settings tab contains the following settings.



Dynamic Range

Adjust the 'dynamic range' setting by tapping the dynamic range icons. Blackmagic URSA Broadcast G2 has three dynamic range settings:

Video	The 'video' setting is the best choice for recording to a high contrast, saturated look suitable for direct delivery or minimal post processing. Video uses Rec.709 primaries with a pleasing roll off in the highlights. This is a good option if you want an accurate starting point that still has a pleasing gamma curve with room for grading if needed.
Ext Video	The 'extended video' setting is based on Blackmagic Wide Gamut with contrast and saturation applied. The most notable differences to the video mode come from the magenta/green axis having less saturation which is more typical of print film.
Film	The 'film' setting shoots video using a log curve that allows you to maintain the greatest dynamic range and maximizes the information in your video signal to help you get the most out of color grading software, such as DaVinci Resolve.

If you are using 'video' or 'extended video' dynamic range, make sure that display LUT is not enabled on any of the monitor outputs, LCD, Front SDI or Main SDI.

If the display LUT is enabled, the LUT indicator will be visible on the HUD and the image appears to have more saturation and contrast than intended. To check your display LUTs setting, see the 'monitor' settings later in this manual.

Sensor Area

This setting is available when shooting in ProRes, H.265 and H.264 video codecs. It lets you choose between scaling from the full '6K' sensor area, or using a smaller 'window' of the sensor area. Choosing a larger sensor area like 5.3K or 6K gives you a wider field of view whereas choosing a smaller sensor area like 2.7K gives you higher frame rate options. It's important to mention that windowing to a smaller area only uses the center of the camera's sensor, the field of view of any given lens will be narrower due to the crop involved.

When using broadcast lenses on URSA Broadcast G2's B4 mount you should ensure that your sensor area is set to 4K as this is the area of the frame that these lenses will cover. The 5.3K and 6K sensor area is roughly Super 35 size and so is compatible with most EF, F mount and PL lenses.

For more information on 'full' and 'window' formats, see the 'maximum sensor frame rates' section.

Project Frame Rate

The project frame rate is URSA Broadcast G2's recording format frame rate and provides a selection of common frame rates used in the film and television industry. For example, Ultra HD at 29.97 frames per second using ProRes HQ. This frame rate is normally set to match your playback speed and audio sync used in your post production workflow and delivery requirements.

Your Blackmagic URSA Broadcast G2 has 8 project frame rate settings including 23.98, 24, 25, 29.97, 30, 50, 59.94 and 60 frames per second.

NOTE Your camera's project frame rate has a large impact on the 'look' of footage. In broadcast environments, frame rates are typically set to 50, 59.94, or 60 frames per second. These relatively high frame rates are great for capturing smooth motion and eliminate or minimize stutter while panning.

Lower frame rates, such as 24 or 25 frames per second, are typically used for cinema production. These have a distinct filmic 'look,' but require much slower camera movement to avoid stutter.

Off Speed Recording

By default, your URSA Broadcast G2's project and sensor frame rates are matched for a natural playback speed. However, by tapping the 'off speed recording' switch icon you can set your sensor frame rate independently. This option is only available when recording to Blackmagic RAW or ProRes codecs.

Off Speed Frame Rate

With 'off speed frame rate' enabled, tap the arrows next to the 'off speed frame rate' indicator to set your URSA Broadcast G2's sensor frame rate.

The sensor frame rate sets how many actual frames from the sensor are recorded every second. This frame rate will affect how fast or slow your video will play back at your set project frame rate.

For more information on off speed frame rates, see the 'frames per second' section in the 'touchscreen features' section of this manual.

NOTE For information on the maximum frame rates available for each recording format and codec, refer to the 'maximum sensor frame rates' table in the 'recording' section of this manual.

Preferred Media for Recording

Use this setting to select which storage card, SSD or flash disk your URSA Broadcast G2 will record to first when more than one storage slot is in use. The options are 'card 1', 'card 2', 'USB' and 'fullest'. Picking either 'card 1' or 'card 2,' is a matter of personal preference, but using either consistently will let you know which card to swap out first as your storage fills up. 'Fullest card' can help group files chronologically when shooting a single camera project. The 'fullest card' setting is based on the percentage that your storage cards are filled, rather than their sizes or the amount of data used.

The setting you choose is applied when a CFast card, SD card or SSD is inserted or when a USB flash disk is connected. You can override this setting at any time by entering the storage manager and setting a different card as 'active.' It's important to note, however, that ejecting and reinserting cards will revert to the current 'preferred media for recording' setting.

Record RAW on

Recording Blackmagic RAW on two cards lets you record extremely high resolution clips at high frame rates with lower levels of compression. Insert a pair of CFast or SD Cards and choose the '2 cards' option. Since this relies on striping across both cards sequentially, the data rate of the slowest card will be the limiting factor, so you are advised to use two cards of the same or similar specification.

You can also stripe between a CFast card in storage slot 1 or 2 and a USB-C flash disk in storage slot 3.. When you use the '2 cards' option, the speed limit is twice the data rate of the slowest card in the striped array.

Merging files for Editing

Copy the .BRAW and .BRAW2 files from both memory cards into the same folder on your computer, and DaVinci Resolve will bring them in as a single, merged clip when you import them into your media pool. If the .BRAW and .BRAW2 files are separated, the clips can play independently at half the frame rate. To play back a .BRAW2 file independently, change the file extension from .BRAW2 to .BRAW.

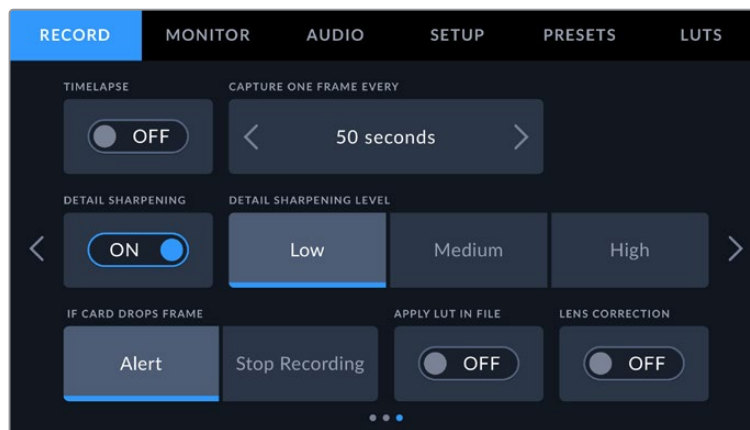
TIP You can use the Media Management tool in DaVinci Resolve to combine a .BRAW and .BRAW2 file into a single, independent clip.

Combining .BRAW files helps to make sure they can't be separated. This can be useful for media management or if you are sending files to another editor.

For more information, refer to the 'Using Media management' section in the Davinci Resolve manual.

Record Settings 3

The third page of the 'record' settings tab contains the following settings.



Timelapse

This setting activates the time lapse feature to automatically record a still frame at the following intervals:

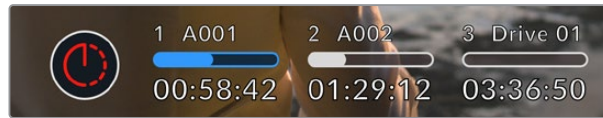
Frames	2 – 10
Seconds	1 – 10, 20, 30, 40, 50
Minutes	1 – 10

For example, you can set the camera to record a still frame every 10 frames, 5 seconds, 30 seconds, 5 minutes etc.

The time lapse feature offers many creative options. For example, setting a 2 frame time lapse interval will give your recorded video a high speed effect when played back.

The format of each still frame is based on your recording format, so if you set the camera to record Ultra HD using ProRes HQ, the time lapse setting will maintain this format. The frame rate will be based on your project frame rate. This is so your time lapse footage can be easily incorporated into your post production workflow.

When you record footage in timelapse mode, the timecode counter updates when a frame of video is recorded.



Your URSA Broadcast G2 will indicate it is in time lapse mode with an icon over the 'record' button

Detail Sharpening

Use this setting to sharpen your URSA Broadcast G2's image. When sharpening is enabled, decrease or increase the level of sharpening by selecting 'low', 'medium' or 'high'.

When sharpening is enabled, it will be applied to ProRes video recorded on camera as well as your URSA Broadcast G2's SDI output.

This setting is intended for live studio production where there is no time for post production and you want to output the image live to air. If you are doing extensive image manipulation and color correction in post production then we recommend leaving detail sharpening 'off'. For this reason sharpening is not applied to Blackmagic RAW files that are intended for significant post processing.

TIP When post processing your Blackmagic RAW files, you can achieve a comparable level of sharpening to these settings by using the blur/sharpening tool in DaVinci Resolve's 'color' page.

Set the tool to a radius of 0.48 and adjust the scaling to 0.6, 0.3 or 0.15 for comparable sharpening to 'high,' 'medium,' or 'low.'

For detailed information on sharpening in post production, see the 'motion effects and blur palettes' section in the full DaVinci Resolve manual.

If Card Drops Frame

Use this setting to configure your URSA Broadcast G2's behavior when dropped frames are detected. When set to 'alert' the dropped frame indicator will be displayed on the LCD touchscreen, and recording will continue with dropped frames. When set to 'stop recording' your camera will stop recording when dropped frames are detected. This can prevent you wasting time shooting unusable footage if you don't spot the dropped frames indicator.

Refer to the 'Choosing a CFast 2.0 card', 'Choosing a fast SD card', 'Choosing a fast SSD' and 'Choosing a fast USB-C flash disk' sections for more information on how to avoid dropping frames.

Apply LUT in File

If you are applying a LUT to any of the outputs from your URSA Broadcast G2, the selected LUT will be embedded into the Blackmagic RAW file you are recording.

This means that the LUT will be saved in the header of the file and can easily be applied to the clip in post production without needing to handle a separate file. When the 'Apply LUT in file' switch is set to 'on' in URSA Broadcast G2's record menu, this clip will open in Blackmagic RAW Player and DaVinci Resolve with the chosen LUT already applied to it. The LUT can then be easily toggled 'on' or 'off' but will always travel with the Blackmagic RAW file as it is written into the clip itself.

DaVinci Resolve also has an 'Apply LUT' switch in the RAW settings palette for enabling or disabling the 3D LUT in the Blackmagic RAW file. The 'Apply LUT' setting in DaVinci Resolve is the same setting as in the camera. This means that when shooting you can direct the colorist to use the LUT by setting it in the camera, but they can switch it off easily in DaVinci Resolve by setting 'Apply LUT' to 'off'.

Record LUT to Clip

The 'record LUT to clip' option is available when shooting with ProRes, H.265 or H.264 video codecs. Your Blackmagic URSA Broadcast G2 does not apply, or 'bake in,' LUTs by default to recorded footage, however you can choose to 'bake in' the LUT to your footage by tapping the 'record LUT to clip' switch icon.

This can be a useful option for situations where you do not have the time to grade your footage in post-production, or where you need to give the footage directly to a client or an editor. For more information, refer to the '3D LUTs' and 'touchscreen controls' sections.

Lens Correction

Broadcast zoom lenses can often suffer from color fringing at the edge of frame or near the corners of the image. This is more prominent in high contrast image areas on more affordable B4 lenses, particularly those with more extreme zoom ranges. The Lens Correction feature allows you to correct for this in-camera on URSA Broadcast G2 with broadcast B4 and broadcast PL lenses. It is switched on by default when the camera detects necessary information from the broadcast lens.

File Naming Convention

Clips are recorded in the Blackmagic RAW format, Apple ProRes and MP4 formats, depending upon which recording format you have chosen.

The table below shows an example of the file naming convention:

A001_08151512_C001.mov	QuickTime Movie Filename
A001_08151512_C001.mov	Camera index
A001_08151512_C001.mov	Reel Number
A001_ 08 151512_C001.mov	Month
A001_08 15 1512_C001.mov	Day
A001_0815 15 12_C001.mov	Hour
A001_081515 12 _C001.mov	Minute
A001_08151512_ C001 .mov	Clip Number

Still image files captured in DNG format using the still button will follow the file naming convention for video clips, however the filename will have an 'S001' representing the 'still number' as the last four digits of the filename in place of the clip number. For more information, refer to the 'Status LCD Controls' section in this manual.

Monitor Settings

The 'monitor' tab lets you adjust status text, overlays, and other monitoring options for your URSA Broadcast G2's LCD touchscreen, front and main SDI outputs. Options are arranged by output between 'LCD', 'front SDI' and 'main SDI'. Each of these menus have five pages of options, which you can cycle through by tapping the arrows at the edge of your camera's touch screen, or swiping left or right.

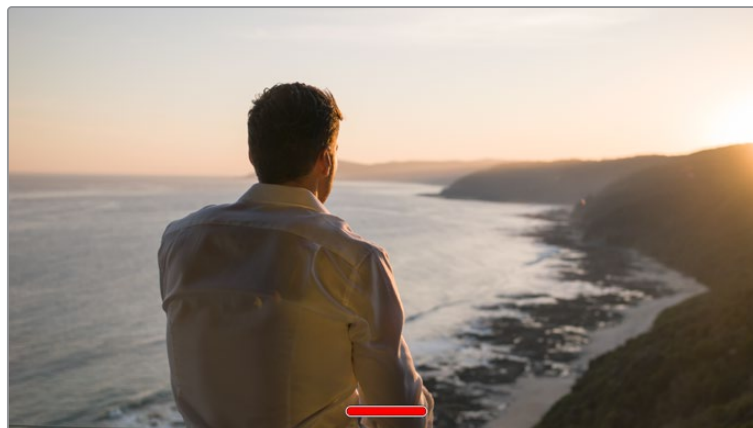
Monitor Settings 1

The first page of the 'LCD,' 'front SDI,' and 'main SDI,' monitor tab contains identical settings for each output. For example, you can set 'zebra' on for the LCD touchscreen, but off for the front or main SDI outputs.



Clean Feed

Tap the 'clean feed' switch in the 'LCD,' 'front SDI' and 'main SDI' menus to disable all status text and overlays for that output, except the record tally indicator.



Your URSA Broadcast G2 LCD touchscreen will still display a record tally in clean feed mode

NOTE LUTs will still be applied to outputs with 'clean feed' enabled. To disable LUTs, disable the 'display LUT' switch in the 'Monitor' menu for that output.

Display 3D LUT

Your URSA Broadcast G2 can apply 3D LUTs to any output to approximate the look of color graded footage. This is especially useful when shooting with 'film' dynamic range as it can produce an intentionally 'flat' low contrast image.

If your URSA Broadcast G2 has a 3D LUT active, use this setting to independently apply that LUT to your LCD touchscreen, front or main SDI output.

NOTE For more information on loading and using 3D LUTs, see the 'LUTS' section of this manual.

Zebra

Tap the 'zebra' switch in the 'LCD,' 'front SDI' and 'main SDI' menus to enable zebra guides for those outputs. For more information on zebra guides and setting zebra levels, see the 'touchscreen features' section in this manual.

Focus Assist

Tap the 'focus assist' switch in the 'LCD,' 'front SDI' and 'main SDI' menus to enable focus assist for those outputs. For more information on focus assist and setting focus assist levels, see the 'touchscreen features' section in this manual.

Frame Guide

Tap the 'frame guide' switch in the 'LCD,' 'front SDI' and 'main SDI' menus to enable frame guides for those outputs. For more information on frame guides and choosing different guides, see the 'touchscreen features' section in this manual.

Grid

Tap the 'grid' switch in the 'LCD,' 'front SDI' and 'main SDI' menus to enable a rule of thirds grid for those outputs. For more information on the rule of thirds grid, see the 'touchscreen features' section in this manual.

Safe Area Guide

Tap the 'safe area' switch in the 'LCD,' 'front SDI' and 'main SDI' menus to enable safe area overlay for those outputs.

For more information on safe area guides, and setting the level of safe area guides, see the 'touchscreen features' section in this manual.

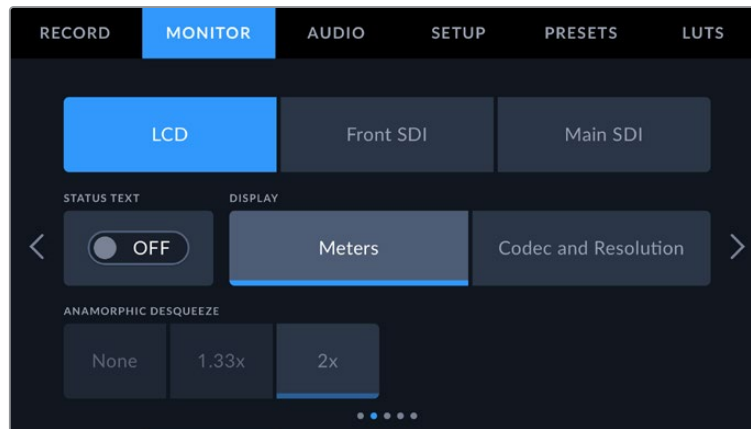
False Color

Tap the 'false color' switch in the 'LCD,' 'front SDI' and 'main SDI' menus to enable false color exposure assistance for those outputs.

For more information on false color, see the 'touchscreen features' section in this manual.

Monitor Settings 2

The second page of your URSA Broadcast G2's 'LCD' monitor tab contains some settings that vary depending on the selected output.



LCD, Front SDI and Main SDI

Status Text

It can be useful to hide the status text and meters on your LCD, front SDI or main SDI output, leaving only the information necessary to compose or direct a shot. Tap the 'status text' switch icon in the LCD, 'front SDI' or 'main SDI' monitor menus to toggle the appearance of status text and meters for that output. Overlays such as frame guides, grids, focus assist and zebra will remain visible, if enabled.

Swiping up or down on your URSA Broadcast G2's LCD touchscreen has the same effect for the touchscreen.

Anamorphic Desqueeze

When shooting with anamorphic lenses, the image will appear horizontally 'squeezed' on your URSA Broadcast G2's preview outputs and in recorded files. Enabling 'anamorphic desqueeze' will correct the preview image on your URSA Broadcast G2 as well as recording the desqueeze amount used in the clip metadata for easy correction in post.

The desqueeze amount you choose will vary depending on what you've set your URSA Broadcast G2 resolution to, but the resulting image will always be in the cinematic widescreen 2.4:1 aspect ratio.

Anamorphic lenses designed for film typically have a 2x squeeze factor. Your URSA Broadcast G2's '3.7K anamorphic' resolution is designed for use with these lenses and will perform a 2x desqueeze when set to this resolution with 'anamorphic desqueeze' set to '2x'.

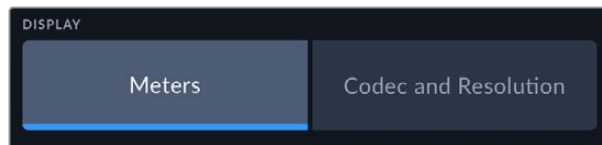
Anamorphic lenses designed for 16:9 digital image sensors often use a 1.33x squeeze factor to produce 2.4:1 cinematic widescreen images from the entire 16:9 sensor. Therefore, when your URSA Broadcast G2 is set to 16:9 resolutions such as '4K 16:9' and 'HD 16:9,' 'anamorphic desqueeze' should be set to '1.33x'.

TIP If your image appears horizontally stretched when shooting with a standard spherical lens, make sure you don't have 'anamorphic desqueeze' enabled.

LCD Only

Display

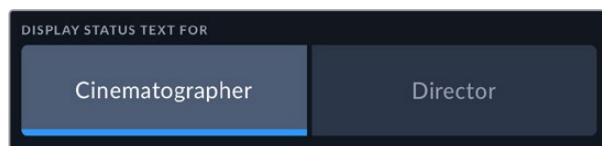
Instead of a histogram and audio meters, your URSA Broadcast G2 can display codec and resolution information at the left and right bottom edges of the LCD touchscreen. This can be useful if you prefer to use false color for dialing in exposure, or are recording audio separately and want to display additional information in the space normally used by the histogram and audio meter. Simply tap 'meters' or 'codec and resolution' in the 'LCD' menu to select your preferred view.



Front SDI and Main SDI

Display Status Text For Cinematographer or Director

The LCD touchscreen displays information such as ISO, white balance, and aperture that is useful to a camera operator or cinematographer setting up individual shots on that camera. Your camera's SDI output, however, can also show information useful to a director or script supervisor who is keeping track of multiple shots or cameras.



Setting the status text to 'director' in your URSA Broadcast G2's 'front SDI' or 'main SDI' monitor settings changes the status text for that output to show the following information.

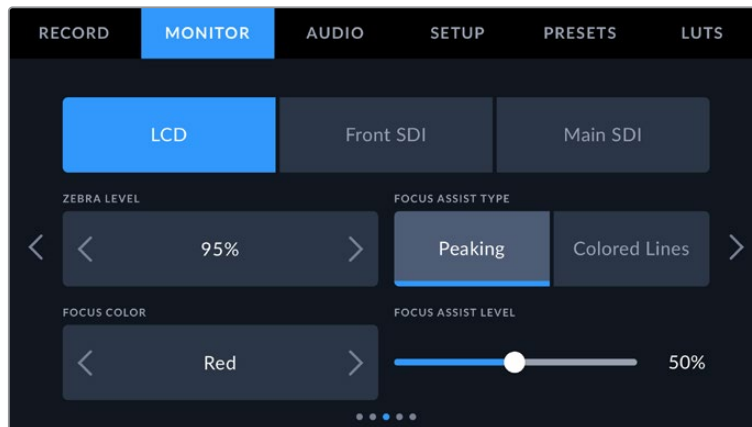
- **FPS**
Displays the currently selected frames per second. If off speed frame rate is disabled, only the project frame rate will be shown. If an off speed frame rate is being used, the sensor frame rate will be shown, followed by the project frame rate.
- **CAM**
Displays the camera index as set in your URSA Broadcast G2's Slate. See the 'slate' section in this manual for more information.
- **OPERATOR**
Identifies the camera operator as set in your URSA Broadcast G2's Slate. See the 'slate' section in this manual for more information.
- **DURATION DISPLAY**
Displays the duration of the current clip, while recording, or the last recorded clip in the following format: hours:minutes:seconds
- **REEL, SCENE, TAKE**
Displays the current reel, scene and take. For more information on reels, scenes, takes and their labelling conventions, refer to the 'slate' section in this manual.
- **DYNAMIC RANGE**
The bottom left hand corner of the monitor displays your URSA Broadcast G2's currently applied LUT, if applied to that output. If no LUT is applied, 'film' or 'video' dynamic range will be displayed.

- **TIMECODE**

The bottom right of the monitor displays your URSA Broadcast G2's timecode, in the following format: hours:minutes:seconds:frames.

Monitor Settings 3

The third page of the 'LCD', 'front SDI' and 'main SDI' monitor tab contains identical settings for each output. These settings act globally across all three monitoring outputs. For example, if focus assist is enabled on your Blackmagic URSA G2's LCD, Front SDI and Main SDI outputs changing the 'focus assist type' from 'peaking' to 'colored lines' will effect all three outputs.



Zebra Level

Set the exposure level that zebra appears at by tapping the arrow icons on either side of this setting. There are eight zebra level presets available, from middle gray through to 100 percent exposure.

For more information, see the 'zebra' guide in the 'touchscreen features' section of this manual.

Focus Assist Type

Your URSA Broadcast G2 camera has two focus assist modes, 'peaking' and 'colored lines.'

- **Peaking**

When 'peaking' style focus assist is selected, areas of the shot that are in focus are heavily sharpened on your LCD touchscreen or SDI outputs, but not in the recorded image itself. This causes focused parts of your shot to 'pop' out of the softer background on screen. As no additional overlays are used, this can be a very intuitive way to tell when focus is dialed in, especially when the subject you're focusing on is physically well separated from other elements in shot.

- **Colored Lines**

When 'colored lines' style focus assist is selected, a colored line is superimposed around the parts of the image that are in focus. This can be a little more intrusive than 'peaking' style focus assistance as the lines are drawn over your image, but especially in busy shots with a lot of visible elements, it can be a precise focus aid.

Focus Color

Use this setting to change the color of focus line overlays when using 'colored lines' style focus assistance. Changing the focus line color can make it easier to tell focus assistance lines apart from your image. The available options are 'white,' 'red,' 'green,' 'blue' and 'black.'

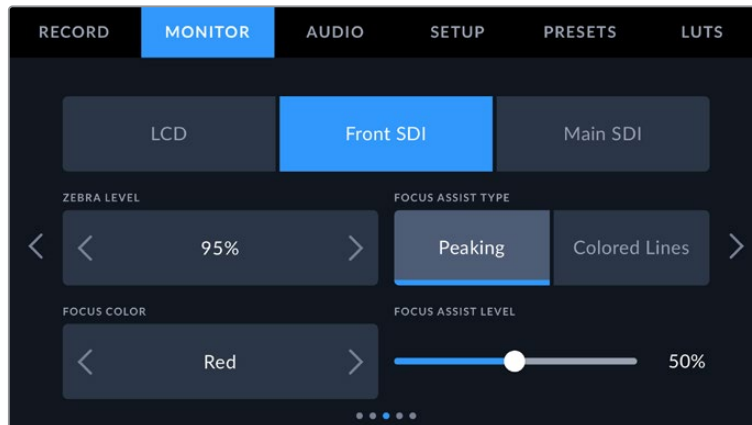
Focus Assist Level

To set the level of focus assistance for your LCD touchscreen, front SDI or main SDI, move the slider from left to right.

TIP The optimum level of focus assistance varies shot by shot. When focusing on actors, for example, a higher level of focus assistance can help resolve edge detail in faces. A shot of foliage or brickwork, on the other hand, may show distracting amounts of focus information at higher settings.

Monitor Settings 4

The fourth page of the 'LCD', 'front SDI' and 'main SDI' monitor tab contains identical settings for each output. These settings act globally across all three of your camera's monitor outputs.



Frame Guides

Tap the left or right arrows in the 'frame guides' menu setting to cycle through frame guide options for all outputs on your URSA Broadcast G2, including EVFs such as Blackmagic URSA Viewfinder. The options are detailed in the 'touchscreen features' section of this manual, and are also accessible from the LCD monitoring menu in your LCD touchscreen head up display.

Safe Area Guide

To adjust the size of the safe area overlay on your URSA Mini's LCD touchscreen, front SDI and main SDI outputs, tap the arrows to the left and right of the percentage displayed in this setting. This percentage indicates the size of the safe area in relation to the image frame. Most broadcasters require a 90% safe area.

Guide Opacity

Tap the left or right arrows in the 'guide opacity' menu setting to choose the opacity of the areas blocked out by frame guides on your LCD touchscreen, front and main SDI outputs. The options are 25%, 50%, 75% and 100%.

Guides Color

Tap the left or right arrows in the 'guides color' menu setting to choose a color for the guides.

Grids

To set which combination of grids and crosshairs you want to display on your URSA Broadcast G2's LCD touchscreen, front and main SDI outputs, tap the 'thirds', 'horizon', 'crosshairs,' or 'dot' options in this setting.

For more information, see the 'grids' guide in the 'touchscreen features' section earlier in this manual.

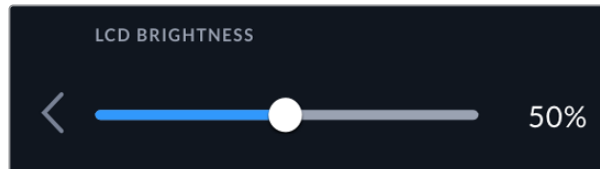
Monitor Settings 5

The fifth page of your URSA Broadcast G2's 'LCD' monitor tab contains some settings that vary depending on the selected output.

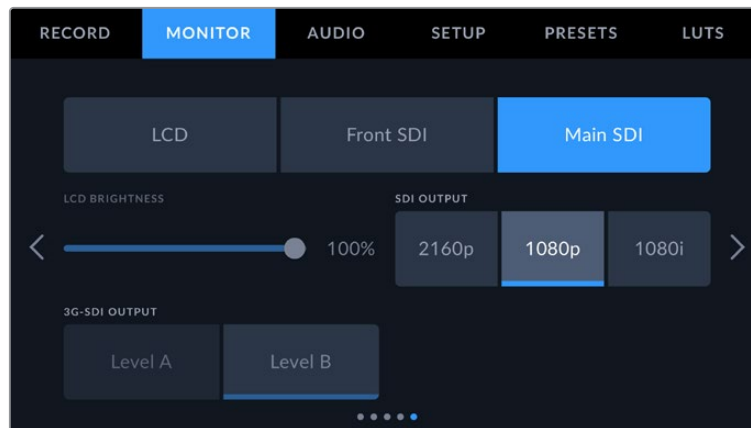
LCD only

LCD Brightness

Drag the 'LCD brightness' slider left or right to adjust the brightness of your URSA Broadcast G2's LCD touchscreen.



Front SDI and Main SDI



SDI Output

Both outputs allow you to choose between progressive and interlaced HD output or progressive Ultra HD. The options available in this setting depend on your camera's resolution and frame rate settings. Progressive HD, or '1080p' is always available regardless of your recording resolution and frame rate, while interlaced HD, or '1080i' is available when your project frame rate is set to 50, 59.94 or 60. Ultra HD SDI output, or '2160p' is available when shooting at Ultra HD resolutions.

3G-SDI Output

You can change the 3G-SDI output standard to maintain compatibility with equipment that can only receive level A or level B 3G-SDI video. This option will only appear when you are operating in 50, 59.94 or 60 frames per second and outputting 1080p. Tap the 'Level A' or 'Level B' icon to select each standard.

Audio Settings

The 'audio' tab lets you adjust the audio input and monitoring settings on your URSA Broadcast G2.

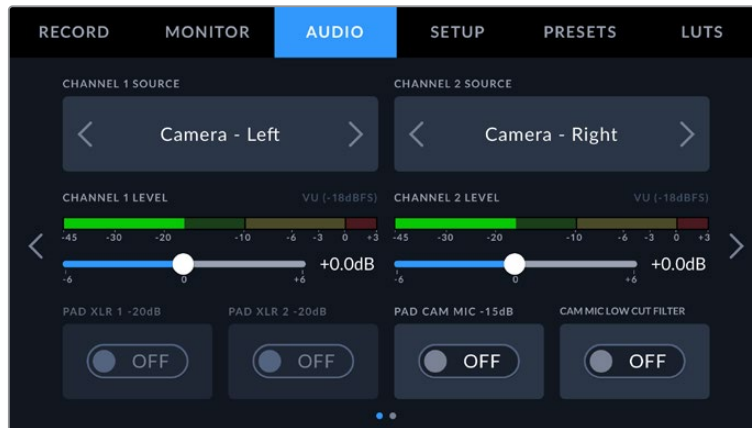
The settings are spread over two pages and divided between channels 1 and 2, while an upcoming software update will add two additional channels.

You can map each audio channel to a different source, as well as adjusting various settings such as padding and low cut filters.

These settings work together with the switches on your URSA Broadcast G2's internal control panel. So after you've set your audio source for a particular channel, you can use the internal control panel switches to set the signal type and whether phantom power is enabled for that channel.

Audio Settings 1

The first page of your URSA Broadcast G2's 'audio' tab contains the following settings.



Channel Source

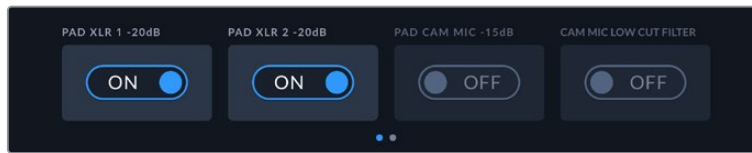
Use the 'channel 1 source' and 'channel 2 source' buttons to select your audio source for each audio channel. The options are:

- **Camera Left or Right**
Use this setting to record from your camera's internal microphones.
- **Camera Mono**
Use this setting to record audio from your URSA Broadcast G2's built in microphone's left and right channels onto a single audio channel.
- **XLR 1 or 2**
Use this setting to record from your camera's XLR inputs. Depending on which audio signal you've set on your URSA Broadcast G2's internal control panel switches, your XLR input may be listed as 'mic,' 'line,' or 'AES.' If phantom power is enabled and you have your XLR input set to 'mic' you'll also see a '+48V' indicator here. It is important to ensure that the +48V switch gets turned 'off' when you disconnect your phantom powered microphone.
- **XLR 1 or 2 - Mic Backup**
Use this setting to record audio from a microphone plugged into your URSA Broadcast G2 XLR 1 or 2 input at a lower level than the standard 'mic' recording. This can be used to avoid audio clipping in the event of an unexpected increase in loudness. This feature will only be available as a selectable item if the XLR 1 or 2 input switch is set to 'mic'.
- **None**
Use this setting to disable your audio channel.

Channel 1/2 Level

Use these sliders to adjust the recording levels of your chosen channel 1 and 2 sources. Audio meters are included with each slider to help you set the correct audio level. These levels will also update when you adjust the audio using the audio knobs on the ergonomic control panel.

To achieve optimum audio quality, ensure your audio levels do not reach 0 dBFS. This is the maximum level that your camera can record, meaning that any audio that exceeds this level will be clipped, resulting in distortion.



Pad XLR -20dB

The -20dB pad option gives you added control to further reduce the input gain levels on your URSA Broadcast G2's XLR audio inputs when shooting in a loud environment even after your input levels are already turned down.

Pad Cam Mic - 15 dB

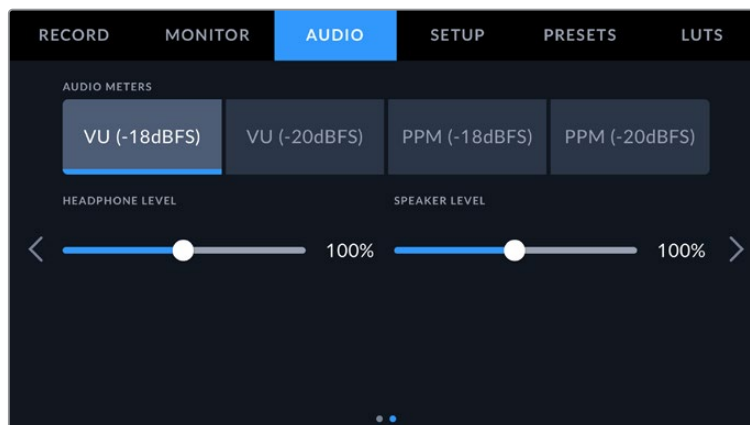
The -15dB pad option gives you added control to further reduce the microphone input gain levels on your URSA Broadcast G2's internal microphone when shooting in a loud environment even after your input levels are already turned down.

Cam Mic Low Cut Filter

Tap this switch icon to enable the low cut filter for your camera's internal microphones. This filter helps to reduce potential wind noise or low frequency rumbling that may occur in exterior shooting conditions. Note that the 'pad cam mic -15 dB' selector must be switched off for this function to work.

Audio Settings 2

The second page of your URSA Broadcast G2's 'Audio' tab contains the following settings.



Audio Meters

You can choose from two different audio meter display types.

VU	The VU meter, or 'volume units' meter, averages out short peaks and troughs in your audio signal. If you are using VU metering, adjust the input levels on you Blackmagic URSA Broadcast G2 so that the meter peaks at the 0db indicator on the audio meter. This maximizes the signal to noise ratio and ensures your audio is at the highest quality. If your audio peaks beyond the 0dB indicator there is a high risk of sound distortion.
PPM	PPM meters, or 'peak program meters' displays a 'peak hold' feature that momentarily holds the signal peaks and a slow fall back so you can easily see where your audio is peaking.

Both VU and PPM meters are available at reference levels of -18dBFS or -20dBFS so you can monitor your audio to suit different international broadcasting standards.

Audio meter setting	Standard
PPM (-20 dBFS)	SMPTE RP.0155
PPM (-18 dBFS)	EBU R.68

Headphone Level

This slider adjusts the output levels for headphones attached to URSA Broadcast G2's 3.5mm headphone jack. Move the audio slider left or right to adjust levels. These levels will also update when you adjust the headphone volume using the settings wheel on the forward control panel.

Speaker Level

This slider adjusts the output levels for your URSA Broadcast G2's built in speaker. Move the audio slider left or right to adjust levels. These levels will also update when you adjust the speaker volume using the settings wheel on the forward control panel.

Setup Settings

The 'setup' tab contains your URSA Broadcast G2's identification settings, software version, function button settings and other camera settings not directly linked to recording or monitoring. This menu has twelve pages, which you can cycle through by tapping the arrows at the edge of the LCD touchscreen, or swiping left or right.

Setup Settings Page 1

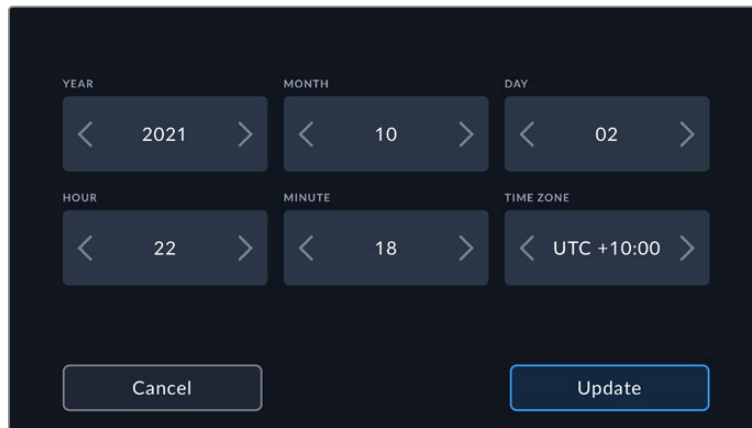
The first page of your URSA Broadcast G2's 'setup' tab contains the following settings.



Setup menu on URSA Broadcast G2

Date and Time

Tap the pencil icon to set your URSA Broadcast G2's date and time. The date format is year, month, day and the time format is 24 hour. Your URSA Broadcast G2's date and time are also used for time of day timecode if an external timecode source is not connected.



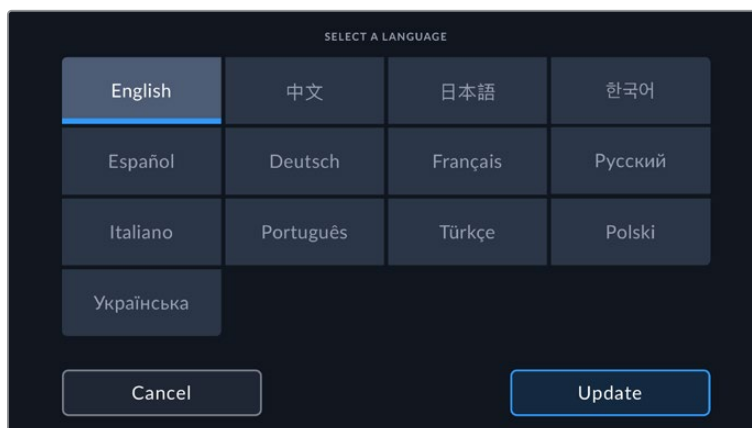
Language

URSA Broadcast G2 supports 13 popular languages including English, Chinese, Japanese, Korean, Spanish, German, French, Russian, Italian, Portuguese, Turkish, Polish and Ukrainian.

The language page will also appear on initial start up.

To select your language:

- 1 Tap the pencil icon and select your language from the list.
- 2 Select 'update' to return to the setup menu.



Shutter Measurement

Use this setting to select whether to display shutter information as 'shutter angle' or 'shutter speed'. It's important to note that both shutter measurements effect motion blur, but work in slightly different ways. See the 'touchscreen controls' section of this manual for a full explanation of shutter measurement.

Flicker Free Shutter Based On

Use this setting to change the mains power frequency your URSA Broadcast G2 uses to calculate flicker free shutter settings.

When shooting under lights, your shutter speed can effect the visibility of flicker. Your URSA Broadcast G2 will automatically calculate flicker free shutter speeds for your current frame rate and display suggestions in the 'shutter speed' menu. These speeds are effected by the frequency of the local mains power supply used to drive those lights. In most PAL countries, this frequency is 50Hz, while NTSC countries typically use 60Hz power. Simply tap '50Hz' or '60Hz' to set the right frequency for your region.

Characteristics of various light sources may still cause flicker even when using flicker free shutter values. We recommend performing a test shoot when not using continuous lights.

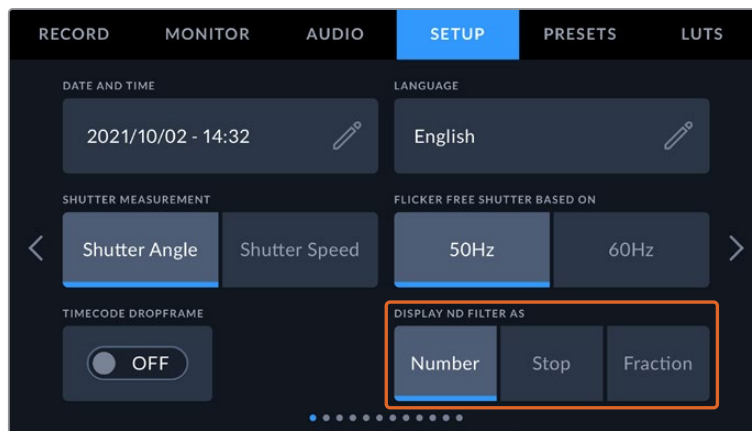
Drop Frame Timecode

Use the 'drop frame timecode' option to use drop frame timecode when using NTSC project frame rates of 29.97 and 59.94. Drop frame timecode drops a small number of frames from the timecode at set intervals. This keeps your project timecode accurate despite each second not containing a whole number of frames at NTSC frame rates.

Display ND Filter As

Use this setting to adjust how the ND filter indicator on your URSA Broadcast G2 displays your ND filter setting. Each setting corresponds to a different camera convention. Cinematographers typically use ND.number notation, while those familiar with DSLRs or broadcast cameras may prefer this information in f-stop format, or as a fraction of available light.

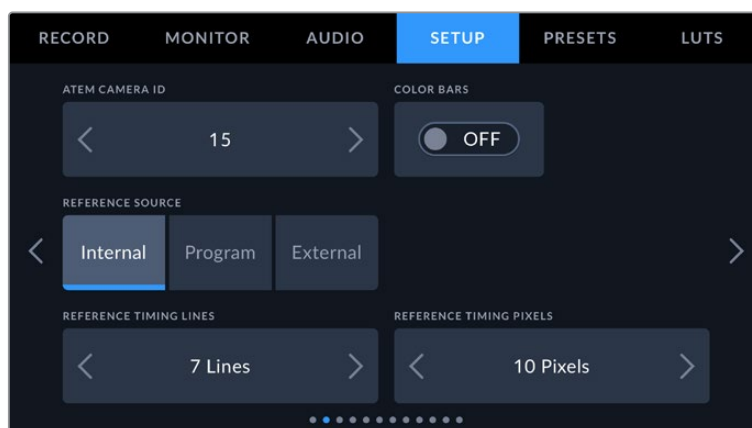
These options are available here as 'number,' 'stop,' and 'fraction,' respectively.



Setup menu in URSA Broadcast G2 with the option to customize how the ND filter information is displayed

Setup Settings Page 2

The second page of your URSA Broadcast G2's 'setup' tab contains the following settings.



ATEM Camera ID

If you're using URSA Broadcast G2 with an ATEM Switcher and want your camera to receive tally signals from the switcher, you'll need to set the camera number on your camera. This ensures the switcher sends the tally signal to the correct camera. The camera number can be set to a value of 1-99 by tapping the left or right buttons. The default setting is 1.

Color Bars

Outputting color bars rather than a preview image can be useful when connecting your URSA Broadcast G2 to a switcher or external monitor. The appearance of your URSA Broadcast G2's color bars on your switcher or monitor confirms the connection, and you can perform basic monitor calibration based on the colors of the bars. To turn on color bars for all outputs on your URSA Broadcast G2, including the LCD touchscreen, simply tap the 'color bars' switch icon.

Reference Source

This setting is used to select the reference source. Your URSA Broadcast G2 can lock to an internal or external reference source, or to the reference signal in the program input from an ATEM switcher. If you are using your URSA Broadcast G2 with an ATEM Switcher's camera control function, you should always set your reference source to 'program' unless the switcher itself and all connected cameras are set to an external reference.

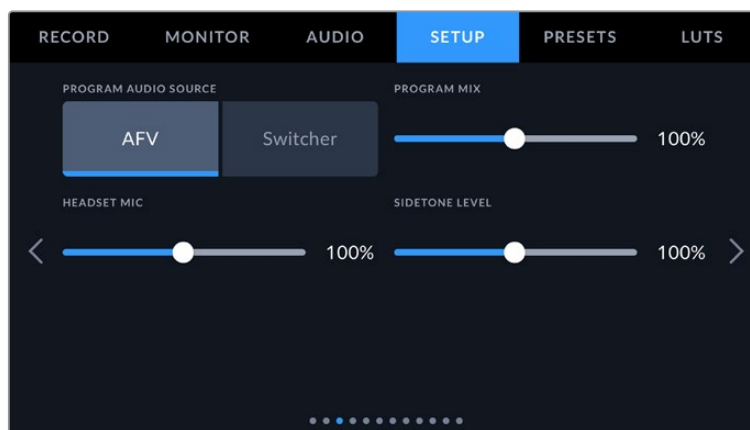
NOTE When you are setting your reference source for URSA Broadcast G2, you may experience a small dropout on your camera's outputs when switching between your reference sources. This is because the camera is adjusting its referencing timing to match that of the external source. For this reason it is important not to change this setting during a production and only while setting up.

Reference Timing

These settings allow you to manually adjust the reference timing on a line or pixel basis. Simply tap the arrow icons on either side of the "lines" and "pixels" settings to make adjustments.

Setup Settings Page 3

The third page of your URSA Broadcast G2's 'setup' tab contains the following settings.



Program Audio Source

When connected to an ATEM switcher, setting 'program audio source' to 'switcher' prioritizes the program return audio as your input source to be mixed with talkback when monitoring using headphones or a headset. This is useful when you are not feeding the switcher audio from your camera but you still want to listen to the program feed from the switcher via the 'SDI in' port. Setting 'program audio source' to 'AFV' prioritizes audio from your camera's internal mics or 'audio in' XLR ports, and is the default setting.

Program Mix

This setting changes the balance of camera sound to talkback sound. The headphones will output audio following what is displayed on the LCD. For instance, if you are in camera view,

camera audio is heard. If you are in program view, program audio is heard. The default setting is 100%.

Headset Mic

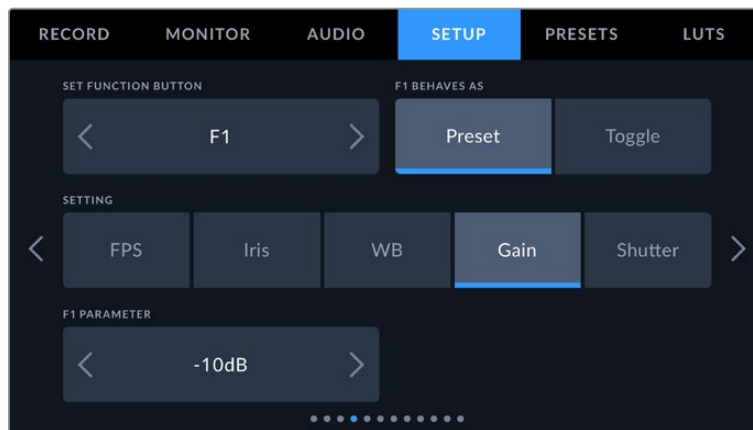
Move this volume slider left or right to increase or decrease audio microphone input levels. The default setting is 50%.

Sidetone Level

Adjust this slider to set the volume of your own voice mic in your headset.

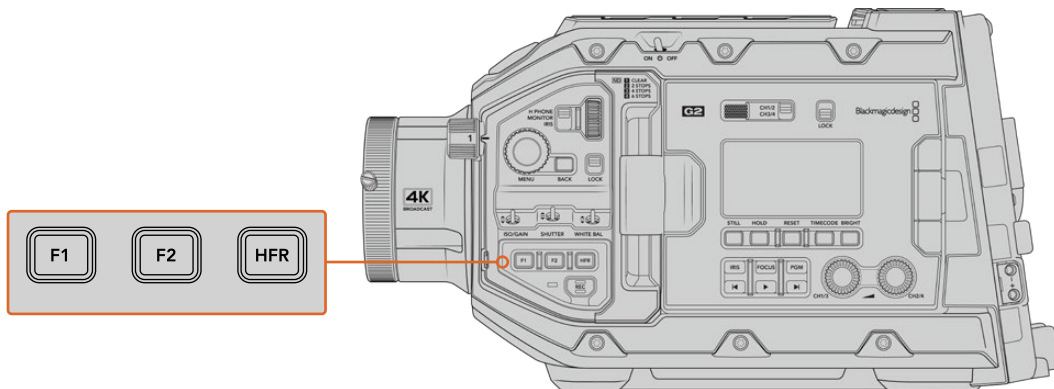
Setup Settings Page 4

The fourth page of your URSA Broadcast G2's 'setup' tab contains the following settings.



Set Function Button

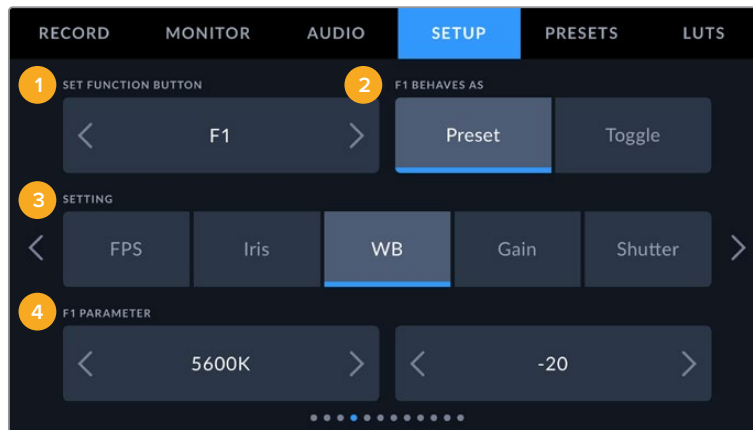
On the outside of your URSA Broadcast G2's LCD touchscreen, you'll notice two function buttons, 'F1' and 'F2.' These are mappable to frequently used features and are quickly accessible when using your camera with the LCD touchscreen closed, such as when you are using URSA Viewfinder. The default setting for the 'HFR' button is 'off speed rec', though you can assign other functions to it.



Your URSA Broadcast G2's 'F1', 'F2' and 'HFR' buttons are located on the forward control panel

TIP If your URSA Broadcast G2 has a B4 lens with a lens connector, you can configure the 'vtr' and 'ret' buttons as function buttons and assign preset or toggle functions in addition to the 'F1', 'F2' and 'HFR' buttons.

To set these buttons, use the arrows to select a function button and then its behavior, a setting, and a parameter for that setting.



1 Button 2 Behavior 3 Setting 4 Parameter

Function Button Behaves as Preset or Toggle

Once you have selected the function button you want to map, you can select a behavior. The available options are:

- **Preset**

When set to this behavior, pressing a function button will recall a combination of a setting and a parameter.

To set a preset, select the setting you want to use from the 'setting' menu, and adjust that setting by tapping the arrow icons on either side of the 'parameter' menu.

For example, to set the F1 button to recall a preset white balance, use the 'set function button' arrows to select 'F1', select the 'preset' behavior, tap the 'WB' setting, and tap the arrows on either side of the 'parameter' menu until you get to WB '5600K' and Tint '-20'.

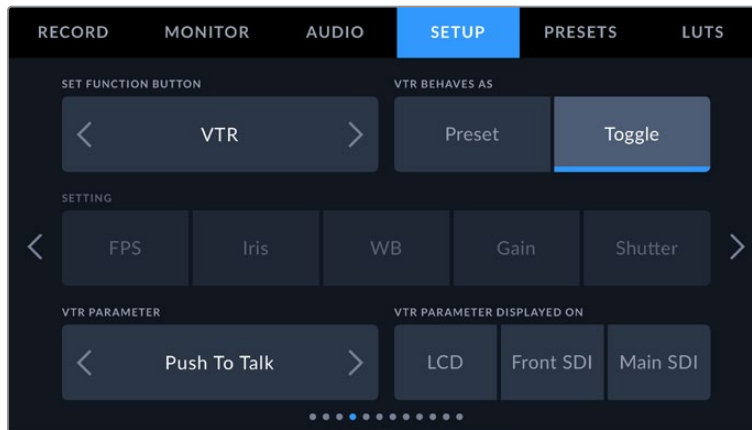
- **Toggle**

When set to this behavior, pressing a function button will toggle a particular setting on or off. The 'setting' menu is grayed out in this mode. Instead, tap the left or right arrows in the parameter menu to scroll through the available options. These are 'clean feed', 'display LUT', 'frame guides', 'focus assist', 'false color', 'zebra', 'grid', 'safe area guide', 'off speed recording', 'record', 'program return', 'color bars', 'push to talk', 'focus zoom' and 'none'.

When 'focus zoom' is enabled, you can use the menu wheel on the forward control panel to move the region of zoom and adjust the magnification level. Pressing the menu wheel toggles between zoom and magnification adjustment. For information on how to use 'focus zoom' when it is enabled on the LCD, see the 'focus zoom' section.

Using the 'toggle' behavior also lets you select the output this setting applies to. Simply tap any combination of 'LCD,' 'front SDI' and 'main SDI' to select. If the output for an option is not available, such as 'color bars' which always applies to all outputs, the 'LCD,' 'front SDI,' and 'main SDI' settings are disabled.

For example, you can configure URSA Broadcast G2 to use the 'ret' and 'vtr' buttons on a B4 lens as function buttons. If ISO recording is happening with a HyperDeck, a popular option is to set 'vtr' to act as a 'push to talk' button.

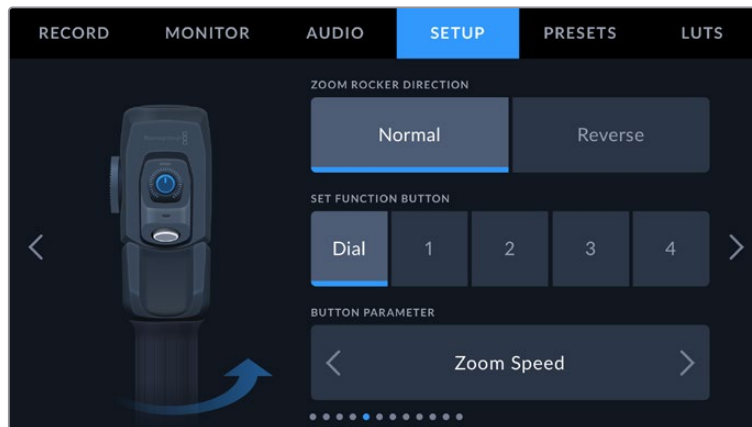


Configuring the 'vtr' button on a B4 lens to function as a 'push to talk' button

Setup Settings Page 5

The fifth page of your URSA Broadcast G2's 'setup' tab contains settings to configure the optional Blackmagic Zoom Demand. These settings are only active when you have Blackmagic Zoom Demand attached to your URSA Broadcast G2.

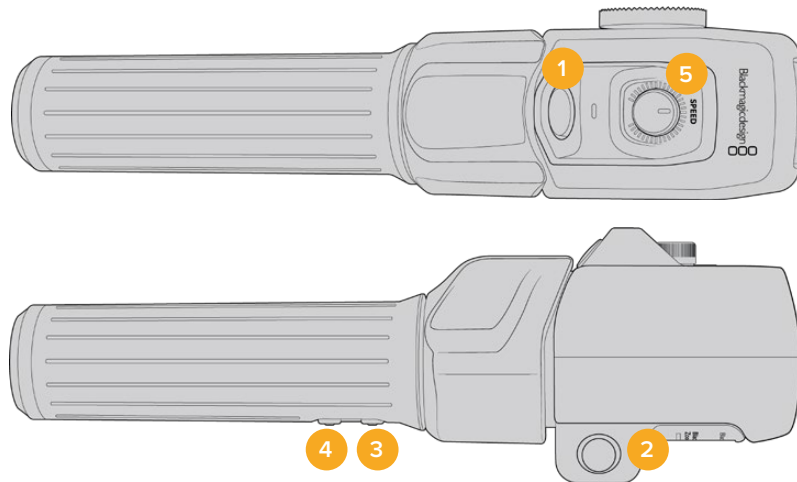
For more information on attaching and using Blackmagic Zoom Demand with your URSA Broadcast G2, refer to the 'Blackmagic Zoom and Focus Demand' section later in this manual.



Zoom Rocker Direction

- **Normal**
The default zoom rocker direction. Push the zoom rocker to the right to zoom in and to the left to zoom out.
- **Reverse**
When the zoom rocker direction is set to 'reverse' push the zoom rocker to the left to zoom in and to the right to zoom out.

Blackmagic Zoom Demand has four zoom function buttons and a speed dial that you can map to different functions.



1 Zoom F1 2 Zoom F2 3 Zoom F3 4 Zoom F4 5 Speed Dial

To assign a different function to the speed dial or one of the zoom buttons choose 'dial' or a button number from the 'set function button' menu. Next, choose a function by tapping the arrow icons on either side of the 'button parameter' menu.

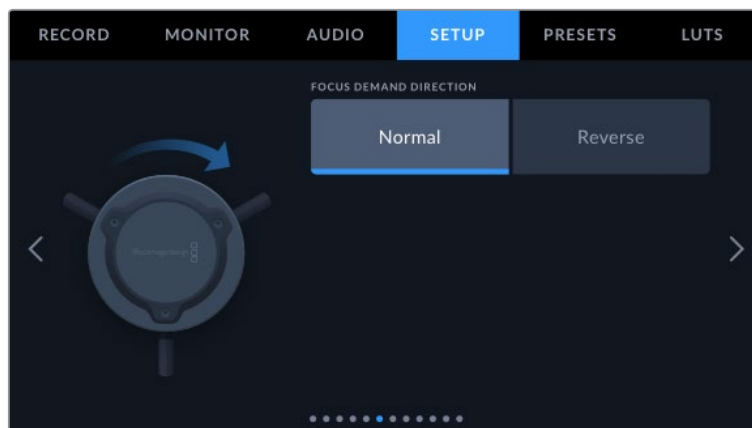
Dial and function button parameter options:

Speed Dial	Zoom speed, headphone level, iris adjustment, focus adjustment.
Zoom buttons 1 – 4	Record, push to talk, program return, focus zoom, frame guides, status text, auto focus, auto iris, auto white balance, playback.

Setup Settings Page 6

The sixth page of your URSA Broadcast G2's 'setup' tab contains settings to configure the optional Blackmagic Focus Demand. These settings are only active when you have Blackmagic Focus Demand attached to your URSA Broadcast G2.

For more information on attaching and using Blackmagic Focus Demand with your URSA Broadcast G2, refer to the 'Blackmagic Zoom and Focus Demand' section later in this manual.



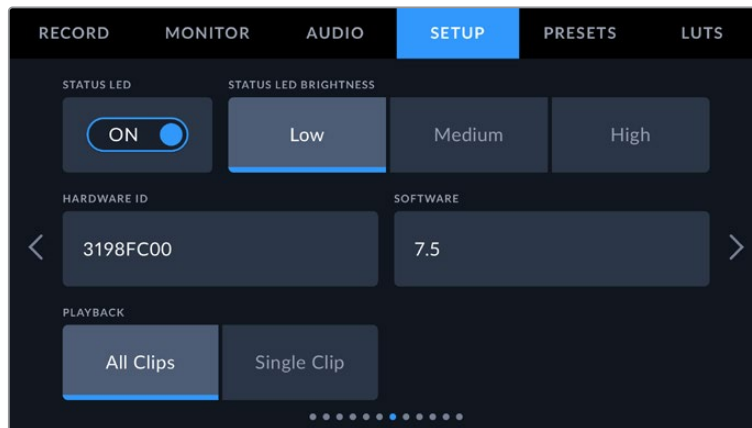
Focus Demand Direction

You can change the direction of the focus wheel on focus demand by selection either 'normal' or 'reverse'.

- **Normal**
Turn the focus wheel clockwise to focus on subjects closer to the lens and counterclockwise for subjects further away.
- **Reverse**
Turn the focus wheel counterclockwise to focus on subjects closer to the lens and clockwise for subjects further away.

Setup Settings Page 7

The seventh page of your URSA Broadcast G2's 'setup' tab contains the following settings.



Status LED

Your URSA Broadcast G2 has a small LED on the front panel that provides tally and status information. You can enable or disable it by tapping the 'Status LED' switch icon.

The LED will provide the following status indicators:

White	The camera is powered on and in standby mode.
Red	The camera is recording. Slow flashing indicates that your card space is low, while rapid flashing indicates dropped frames.
Green	The camera is in playback mode. The LED alternates slowly between green and off while a clip is playing. When inserted media is recognized, the status LED blinks green and white three times.
Orange	If your camera's battery is low, the LED will flash orange and your other current status color. For example, if currently recording, the LED indicator will slowly alternate between orange and red. If your camera is in standby mode, the LED will alternate between white and orange. The threshold for 'low' battery is 20 percent for batteries that support percentage accurate charge information, or 12.5 volts for batteries that don't.

Status LED Brightness

To set the brightness of your URSA Broadcast G2's status LED, simply tap 'low,' 'medium,' or 'high.'

TIP The status LED settings on your Blackmagic URSA Broadcast G2 also control the status LEDs on URSA Mini Recorder, Blackmagic Zoom Demand and Blackmagic Focus Demand.

Hardware ID

The 'Hardware ID' indicator displays an 8 character identifier for your URSA Broadcast G2. This is unique to each camera. A longer, 32 character version of this ID is also included in the metadata for Blackmagic RAW and ProRes video. This can be useful for identifying which footage came from a particular camera if filenames are changed as the camera hardware ID remains constant.

Software

Displays the current software version installed on your URSA Broadcast G2. See the 'Blackmagic Camera Setup Utility' section for more information on updating software.

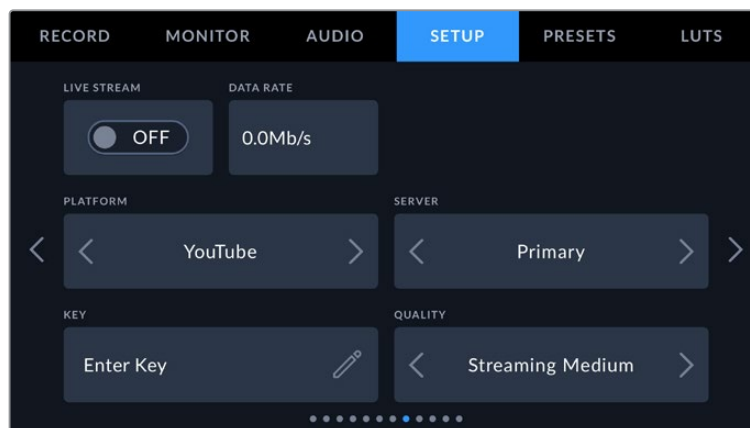
Playback

This setting allows you to select whether to play back a 'Single Clip' or 'All Clips' during playback. 'All Clips' will play back through all matching media sequentially, and 'Single Clip' will play one clip at a time. This also applies for the loop function. Selecting loop on 'All Clips' will play through all of the clips on your media and then loop. Selecting 'Single Clip' will loop one clip at a time.

Setup Settings Page 8

The eighth page of your URSA Broadcast G2's 'setup' tab contains settings that allow you to set your camera's streaming options.

For more information on setting up streaming from your URSA Broadcast G2, refer to the 'streaming video' section later in this manual.



Stream

Use the stream switch to toggle your stream on or off.

Data Rate

Displays the data rate of the stream during streaming.

Platform

Select your desired streaming platform. Options include YouTube, Twitter and Twitch.

Server

Use the arrow buttons to choose a server, these options will change depending on your streaming platform.

Key

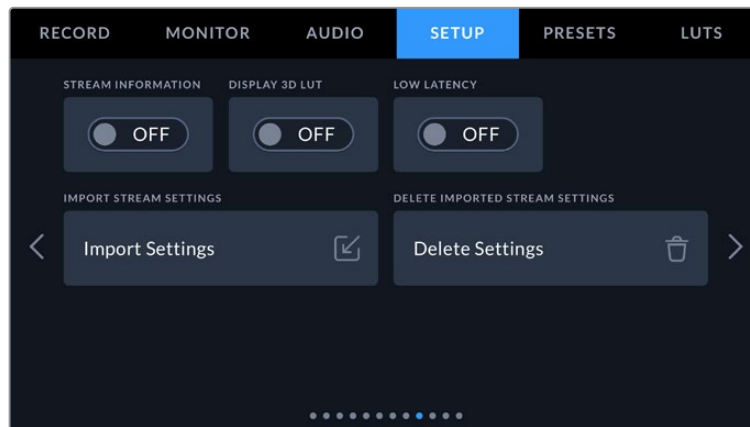
Tap the pencil icon to enter a stream key for your streaming platform.

Quality

Use the arrow buttons to select a streaming quality.

Setup Settings Page 9

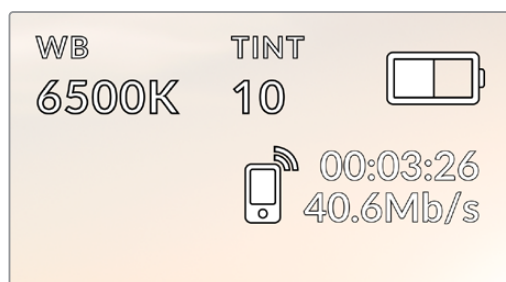
The ninth page of your URSA Broadcast G2's 'setup' tab contains settings that relate to your camera's streaming options.



Stream Information

Toggle the 'stream information' switch to 'on' to display information on your camera's status display. This will be viewable on the LCD, front SDI or main SDI output.

The information includes the connection being used for streaming, for example Ethernet or a smartphone, a duration counter that shows the duration of your stream and a data rate using megabits per second.



Display 3D LUT

Toggle this setting to 'on' if you want to apply a 3D LUT to your stream.

TIP Switching the 'display 3D LUT' setting to 'on' will only apply a LUT to the direct stream output.

If you are simultaneously recording to Blackmagic RAW or ProRes video codecs while streaming, you can use the LUT options in the record menu to add a LUT to your files, or the monitor settings to add a LUT on the LCD or SDI outputs. Refer to the 'record settings' section for more information.

Low Latency

Setting low latency to 'on' will ensure that there is minimum delay between what is happening live and what is being viewed by the audience. Setting it to 'off' gives you more buffering so is a more stable stream if you have an Internet connection that may be subject to dropouts or poor connection.

Import Stream Settings

Tap the 'import stream settings' button to import an XML setup file that has been created so your camera can find an ATEM Streaming Bridge on the Internet.

For more information on importing an XML setup file, refer to the 'streaming video' section later in this manual.

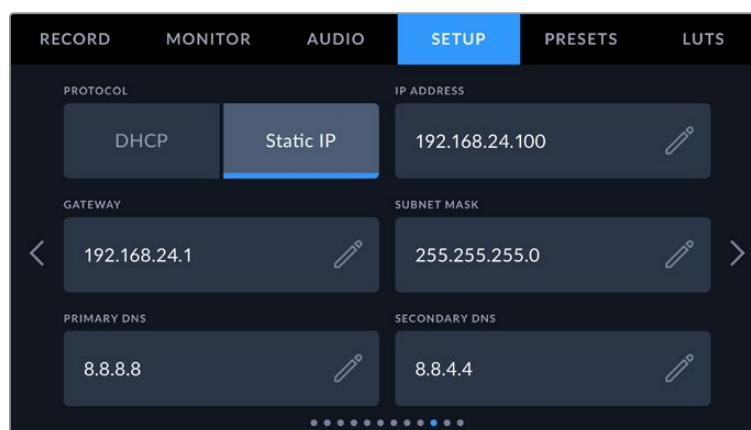
Delete Stream Settings

Press this button to delete your camera's imported streaming settings. You will be asked to confirm your selection.

Setup Settings Page 10

The tenth page of the 'setup' tab contains your camera's network settings.

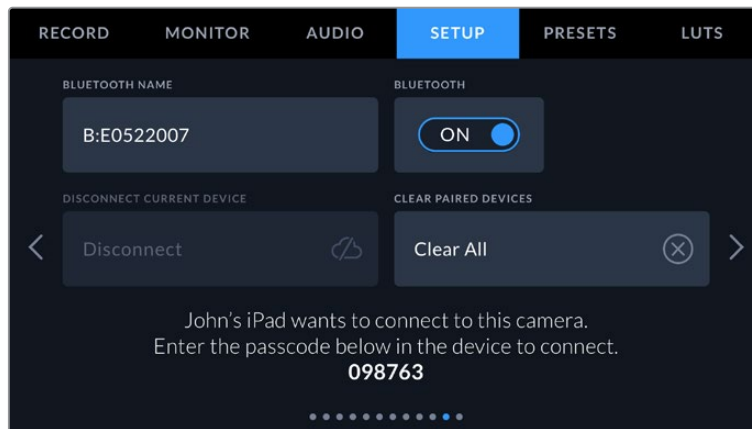
These settings allow you to configure options such as choosing between connecting to a network using DHCP or a static IP address.



You can connect to a network using a DHCP or a static IP address

Setup Settings Page 11

The eleventh page of your URSA Broadcast G2's 'setup' tab contains the following settings.



The camera Bluetooth name will be the letter of your camera as selected in the slate, followed by the 8 character hardware ID for your URSA Broadcast G2

Bluetooth®

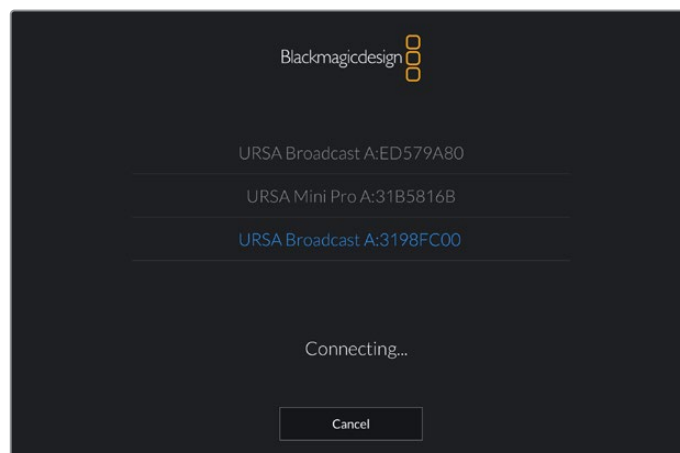
Bluetooth control allows you to control your camera wirelessly from portable devices. Using the 'Blackmagic Camera Control App' you can power the camera on or off, change settings, adjust metadata and trigger record remotely from an iPad. You can enable or disable Bluetooth by tapping the 'Bluetooth' switch icon in the 'setup' menu. When Bluetooth is enabled, the camera can be detected by Bluetooth devices up to 30 feet away.

Because URSA Broadcast G2 uses the same set of commands for Bluetooth control as it does for 'Blackmagic SDI Camera Control Protocol', you can write your own applications to control almost every setting in the camera remotely, from monitoring to audio settings, the camera's inbuilt DaVinci Resolve color corrector or lens control.

For more information see the 'Blackmagic SDI Camera Control Protocol' section in this manual.

To pair your camera with an iPad for the first time:

- 1 Enable Bluetooth by tapping the 'Bluetooth' switch icon in the 'setup' menu on your URSA Broadcast G2.
- 2 Open the 'Blackmagic Camera Control App' and select the URSA Broadcast G2 you would like to pair with. Available cameras will be listed by their camera letter, followed by their unique hardware ID. For example A:3198FC00.



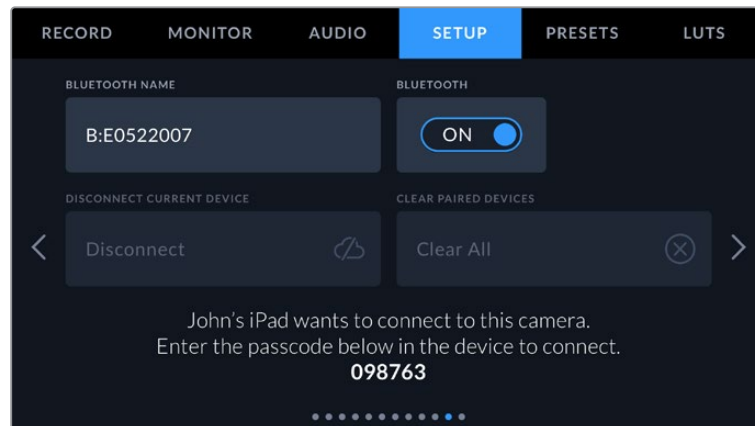
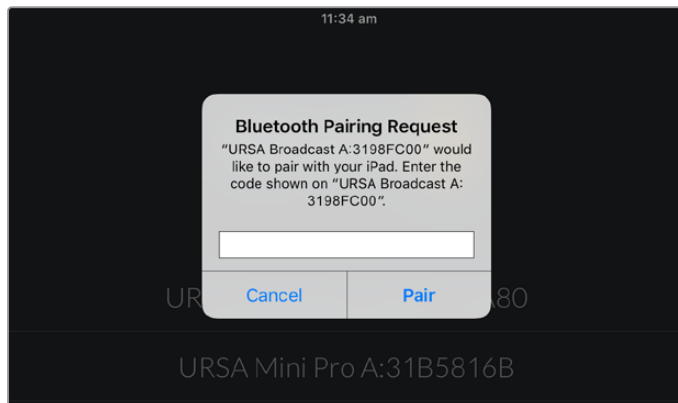
Select the URSA Broadcast G2 you would like to pair with

When you install the Blackmagic Camera Control App and run it for the first time, you will be asked if you want to 'allow location access.' If you select 'while using the app,' GPS readings from your iPad will be included in the metadata of the files you shoot, allowing you to geotag footage. This information can be viewed in Blackmagic DaVinci Resolve versions 14 or higher.

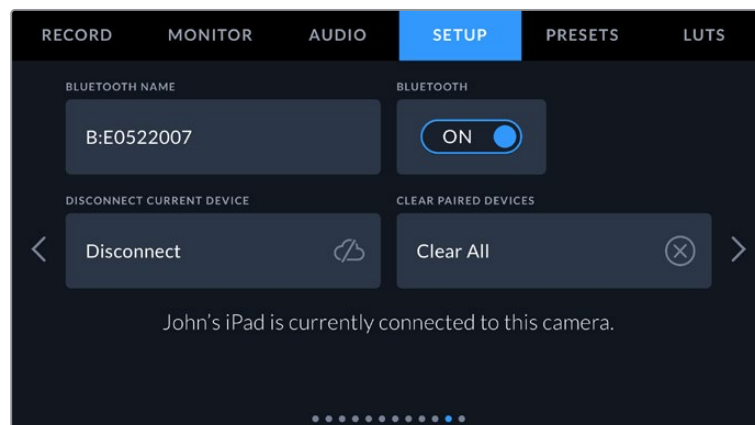
If you do not want to using this information, select 'never.'

To change settings, go to settings, privacy, location services, camera control on your iPad.

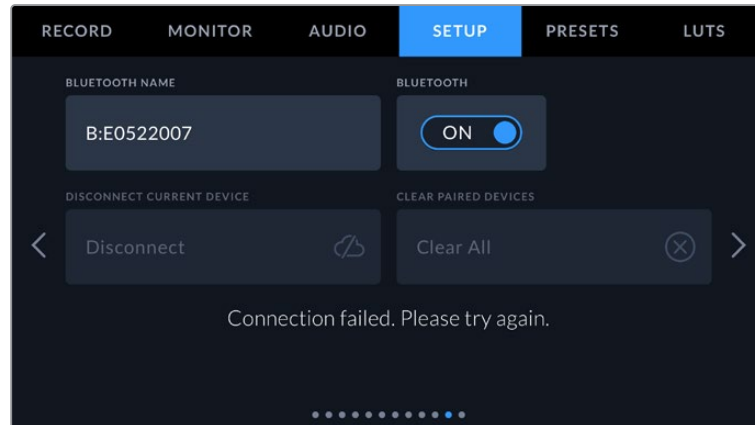
- 3 When you try to connect for the first time the Blackmagic Camera Control App will request a six digit code to pair with the camera. This code will be displayed on the camera's LCD screen. Type this code into the iPad.



- 4 The information on the screen will confirm that your URSA Broadcast G2 is now paired with your iPad.



- 5 If there is a problem pairing the camera to your iPad you will see the following error message:



NOTE If you are not using Bluetooth to control your URSA Broadcast G2, it is a good idea to turn Bluetooth off for the purpose of security.

Disconnect Current Device

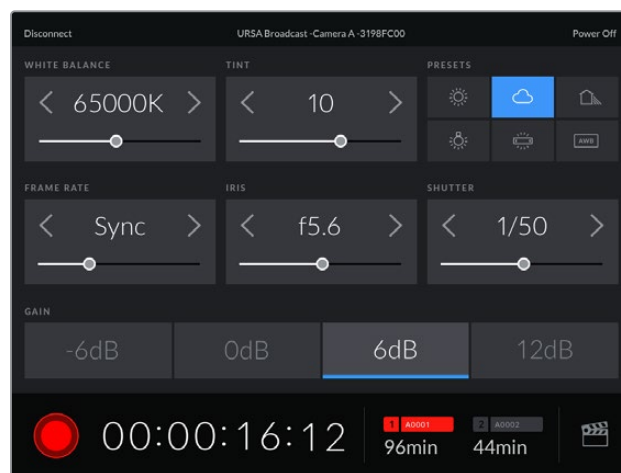
Use this setting to disconnect your URSA Broadcast G2 from the iPad it is currently paired with.

Clear Paired Devices

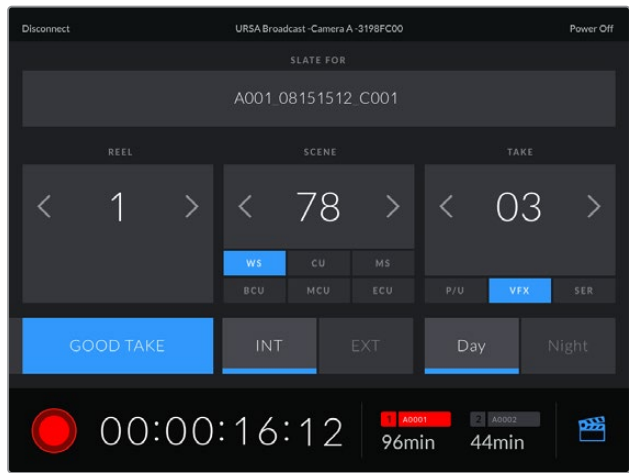
Use this setting to clear the list of devices that your URSA Broadcast G2 has been paired with.

Controlling Your Camera with the Blackmagic Camera Control App

Once you have successfully paired your URSA Broadcast G2 to your iPad, you can power the camera on or off, change settings, adjust metadata and trigger record remotely using the iPad app.



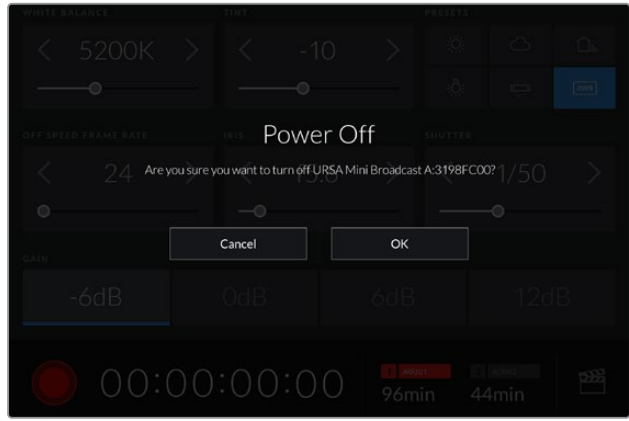
Once paired, the Blackmagic Camera Control app will display this screen, allowing you to adjust your settings and start recording



Tap the slate icon in the lower right corner to access and update the slate

URSA Broadcast G2 uses Bluetooth LE to communicate with devices for wireless control. As this is the same type of protocol used in portable devices, it only uses a minimal amount of battery power.

You can power off your URSA Broadcast G2 by tapping 'power off' in the top right corner.

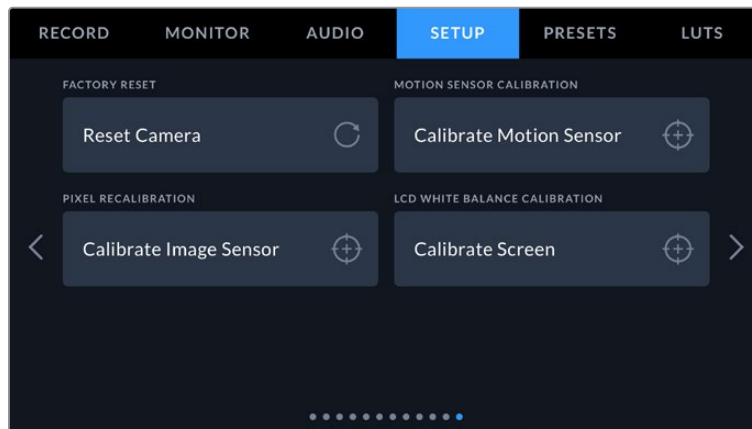


You will be prompted to confirm your selection before your camera is powered off

When Bluetooth is enabled and URSA Broadcast G2 is powered off, the name of your camera will still show up on the list of available devices in the Blackmagic Camera Control App. Since you have already paired with your camera, you can now switch it on remotely by selecting your camera name and tapping 'Connect'. Your camera will not show up in this list if Bluetooth is disabled.

Setup Settings Page 12

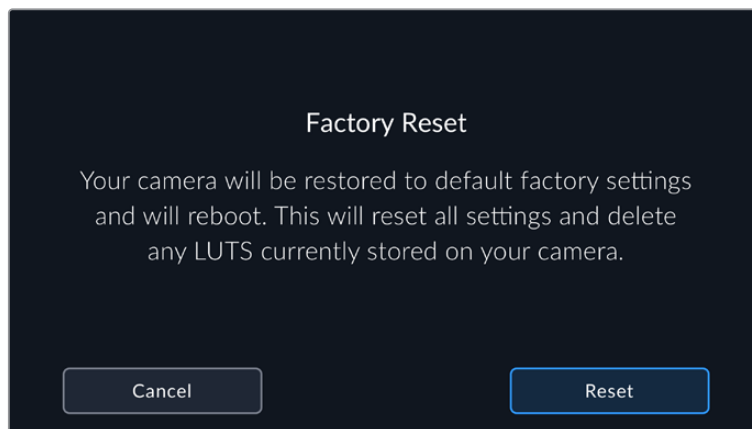
The twelfth page of your URSA Broadcast G2's 'setup' tab contains the following settings.



Factory Reset

To reset the camera to its default factory settings, tap the 'reset camera' button. You will be asked to confirm this action as it will erase any LUTs and presets currently stored on the camera. Tap 'reset' on the confirmation page to reset your camera settings.

It's important to note that a factory reset erases any presets and custom LUTs, and resets all settings. It is a good practice to export them to a memory card as a backup before performing a factory reset. After a factory reset, you can restore your presets and LUTs quickly by importing them from the memory card.



When selecting 'factory reset' you will be prompted to confirm your action

Motion Sensor Calibration

To calibrate the horizon meter on URSA Broadcast G2, place your camera on a surface you know is level and tap the 'calibrate motion sensor' button. It is essential that you keep the camera stable during calibration. This is to ensure that the recorded motion sensor metadata in the Blackmagic RAW files during filming is accurate. The process takes approximately five seconds to complete.

The horizon can be set off center if needed. For example, if you want to set the tilt at a consistent angle, calibrate the motion sensor with the camera at the angle you want, then use the horizon meter to maintain the same angle.

The motion sensor data can be used in DaVinci Resolve to stabilize clips. Refer to the 'gyro stabilization' section for more information.

Pixel Recalibration

The CMOS sensor used in your URSA Broadcast G2 is made up of millions of pixels that respond to light. As a result, they become more visible and become what is known commonly as hot pixels. All camera sensors, regardless of manufacturer, will develop this variation in pixel brightness over time.

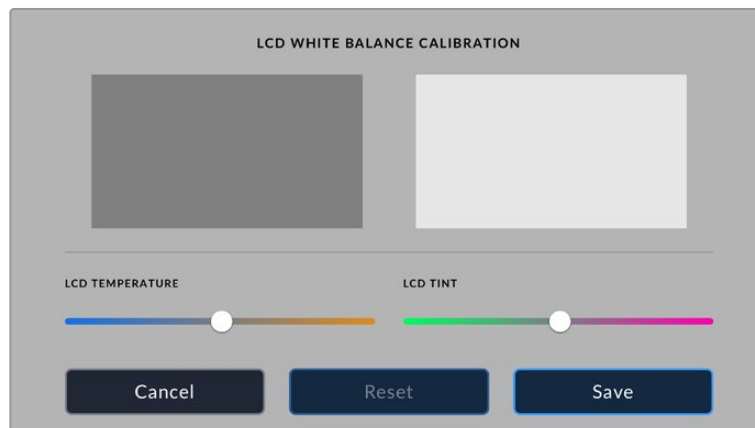
To solve this, URSA Broadcast G2 has a built in recalibration feature that you can run if you see any pixels that are brighter than others.

To begin this process, simply put on the lens cap and run the pixel recalibration feature by tapping the 'calibrate image sensor' button, then tap 'calibrate' to confirm your choice. The process takes approximately one minute to complete.



LCD White Balance Calibration

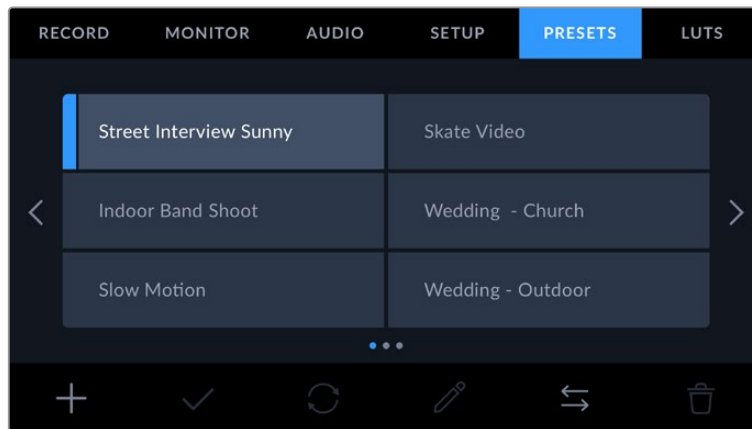
To perform LCD white balance calibration, adjust the 'LCD temperature' and 'LCD tint' controls so that the two reference patches look neutral. After you change the settings, you can use the 'reset' button to return the controls to the factory calibration. The 'restore' button brings back your new settings, which helps you compare the appearance before and after calibration. When the LCD shows an accurate white balance, save your settings.



Presets

The 'presets' tab lets you save and recall a complete collection of settings for your URSA Broadcast G2. This is very useful when one camera is used for multiple projects. For example, you may use your URSA Broadcast G2 for a variety of different shoots, from documentaries to music videos, with very different settings between types of projects. Your URSA Broadcast G2's 'presets' function lets you save the setup for a particular project or type of shoot and come back to it quickly and easily when required.

You can also import and export presets, which is very useful for setting up a multi camera shoot. Simply set up one URSA Broadcast G2 to suit your project, then export that preset for all the other URSA Broadcast G2s on set.



Your URSA Broadcast G2's Presets tab

NOTE Your URSA Broadcast G2 can save up to sixty presets to its internal memory.

Preset buttons

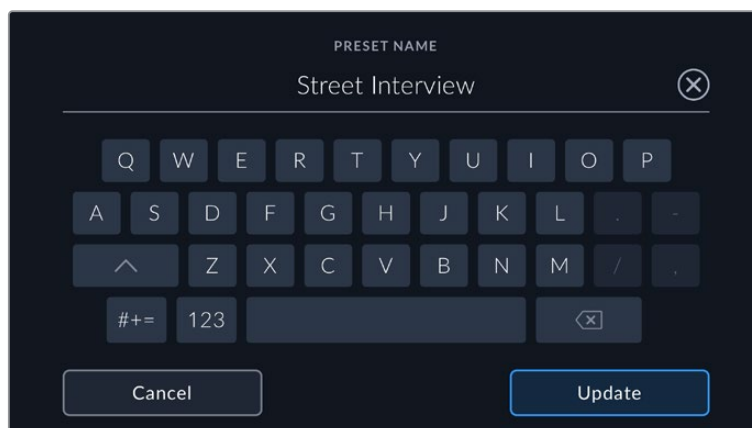
The button icons along the bottom of your URSA Broadcast G2's 'preset' menu correspond with the following functions.



Saving and loading presets

To create a new preset, tap the 'add' icon. This will bring up a touch keyboard on your LCD touchscreen where you can name your preset. Once you've typed in the name, tap 'update' to save all of your URSA Broadcast G2's current settings to that preset.

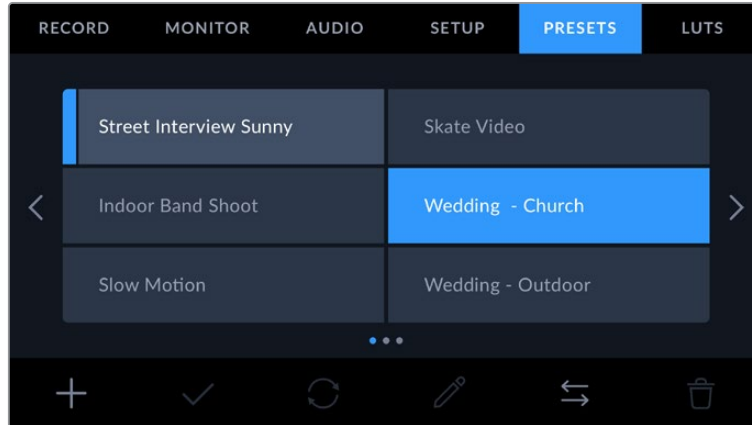
If your URSA Broadcast G2 already has a preset loaded with the same name, you will be prompted to overwrite the existing preset or keep both.



Enter a name for your preset by tapping the 'add' icon in the preset tab and using the touch keyboard

Once you have a preset saved, tap its name in the preset menu to select it. To load it tap the 'load' icon.

You can update a preset by tapping the 'update' icon. This will bring up a prompt asking you if you want to update the preset with your URSA Broadcast G2's current setting. Tap 'update' to confirm.



Select a preset and tap the 'load' icon to load it. Selected presets will appear solid blue, while currently loaded presets have a blue line on the left of their icon

Importing presets

To import a preset, tap the 'manage' icon at the bottom of the preset menu. Select either SD or CFast with the storage media selection switch, depending on where your presets are saved. You can also import presets from a USB-C flash disk or from an SSD if you are using URSA Mini Recorder.

From the 'import from' options tap the card or drive that contains the preset you want to import and confirm your selection by tapping the 'import' button. This will bring up the import screen. You can use the buttons at the top left of this screen to display any available presets on other cards or drives connected to your camera.

Your URSA Broadcast G2 will search the root directory and 'presets' folder on the selected storage media. It's worth noting that presets saved elsewhere on your storage media will not be visible.

Tap a preset to select it and tap 'import' to confirm. If the preset you want to import has the same name as a preset already saved to your camera, you will be prompted to overwrite the existing preset or keep both. At the top right of this screen, you'll see the number of remaining empty preset slots available on your camera.

NOTE If your URSA Broadcast G2's preset slots are full, the import menu will not be available. You will need to delete an existing preset to make room.

Exporting presets

To export a preset to a CFast or SD card, select the preset you want to export by tapping it, and tap the 'manage' icon.

From the 'manage preset' options choose 'export selected preset'. Use the storage media selection switch to select either SD or CFast, depending on the location you would like to export the preset to. You can also export presets to a USB-C flash disk or to an SSD if you are using URSA Mini Recorder. From the 'export to' options tap the card or drive you would like to export your preset to. Confirm your choice by tapping 'export'.

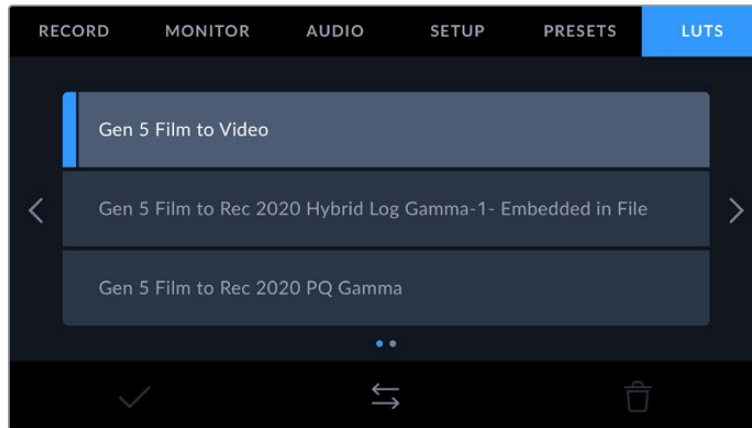
If the storage media you've chosen already has a preset saved to it with the same name as the one you're exporting, you will be prompted to overwrite the preset on the card, or keep both presets.

Deleting presets

Your URSA Broadcast G2 has space for sixty presets. To delete a preset, select it and tap the 'delete' icon. You will be prompted to confirm your choice. Tap 'delete' to confirm.

LUTS

The 'LUTS' menu lets you import, export and apply 3D LUTs to your camera's outputs.



Your URSA Broadcast G2's LUT tab

Introducing 3D LUTs

Your URSA Broadcast G2 can apply 3D LUTs to images on its LCD touchscreen, front SDI and main SDI. LUTs work by telling your camera what color and luminance output to show for a particular color and luminance input. For example you may want to record internally in camera with normal color but send a preview out to your monitors and switcher of what broadcast legal colors for your region will look like. This is also useful when shooting Blackmagic RAW footage or using 'film' dynamic range, both of which have an intentionally undersaturated, 'flat' appearance. By applying a LUT, you can get an idea of what your footage will look like after it has been graded.

It is easy to create 3D LUTs using DaVinci Resolve or other color correction software, and LUTs are available online from a variety of sources. Your URSA Broadcast G2 can store up to thirty 17 point or 33 point 3D LUTs, of up to 1.5 megabytes each. Once loaded, you can choose to display a given LUT on your camera's LCD touchscreen, front SDI, main SDI or any combination of these outputs.

Your URSA Broadcast G2 supports 33 point 3D LUTs in .cube format created in DaVinci Resolve and 17 point 3D LUTs converted to Resolve .cube format via LUT conversion programs. Your camera processes 3D LUTs using high quality tetrahedral interpolation.

For more information on displaying LUTs, see the 'monitor settings' section in this manual.

NOTE Your Blackmagic URSA Broadcast G2 does not apply, or 'bake in,' LUTs by default to recorded footage, however you can choose to 'bake in' the LUT to your footage.

This can be a useful option for situations where you do not have the time to grade your footage in post-production, or where you need to give the footage directly to a client or an editor.

When you are using LUTs as a preview tool on set, the information on the LUT applied is saved as metadata with your recordings. DaVinci Resolve can display this information in the 'LUT used' field in the metadata tab, which can be helpful for colorists to verify the name of the LUT that was used on set.

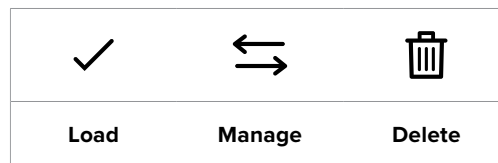
Built-in LUTs

Your URSA Broadcast G2 provides a number of built-in LUTs, that allow you to preview different looks whilst shooting in ‘film’ dynamic range or when shooting Blackmagic RAW.

- **Gen 5 Film to Extended Video**
Displays a wider dynamic range than the ‘film to video’ LUT, and applies a mild contrast change with a smooth roll off in the highlights.
- **Gen 5 Film to Rec 2020 Hybrid Log Gamma**
Displays a gamma curve that is suitable for HDR screens and compatible with standard dynamic range screens.
- **Gen 5 Film to Rec 2020 PQ Gamma**
Displays a gamma curve that is based on what we can perceive with our eyes, for efficient encoding of HDR images.
- **Gen 5 Film to Video**
Similar to the REC 709 color standard for high definition video, and has a high level of contrast and saturation. You may find this setting useful when using Blackmagic URSA Broadcast G2 alongside other broadcast cameras using the REC 709 color space.

LUTS buttons

The button icons along the bottom of your URSA Broadcast G2’s ‘LUTS’ screen correspond to the following functions:



Importing LUTs

To import a 3D LUT, tap the ‘manage’ icon at the bottom of the LUT menu. Select either SD or CFast with the storage media selection switch, depending on where your LUTs are saved. You can also import LUTs from a USB-C flash disk or from an SSD if you are using URSA Mini Recorder.

Tap the card or drive that contains the LUT you want to import from the ‘import from’ menu and tap the ‘import’ button. From the import screen you can use the buttons on the top left to display any available LUTs on other cards or drives attached to your camera.

Your URSA Broadcast G2 will search the root directory and ‘3DLUTS’ folder on your selected storage media. Any LUTs you have saved elsewhere will not be visible.

Tap a LUT to select it and tap ‘import’ to confirm your selection. The LUT will be saved to your URSA Broadcast G2.

NOTE If your URSA Broadcast G2’s thirty 3D LUT slots are full, you will not be able to import until you delete some existing LUTs to make space.

If the LUT you want to import has the same name as a LUT already saved to your camera, you will be prompted to overwrite the existing LUT or keep both. At the top right of this screen, you’ll see the number of remaining empty LUT slots available on your camera. You will only be able to import as many LUTs as you have free slots on your camera.

NOTE If you are having trouble importing a LUT to your URSA Broadcast G2, it may be the wrong size. You can use a LUT editor like Lattice to check its size, or open it in any text editor on your computer. Next to the tag 'LUT_3D_SIZE' will be a number indicating the LUT's size. If this value is not 17 or 33, you can use Lattice to resize your 3D LUT to 17 points.

Applying a LUT

Once you have a LUT saved onto your camera, tap it in the LUT menu to select it, and tap the 'load' icon. This will enable that LUT to all outputs on your camera. However, you will still have to turn 'display LUT' on in the monitor menu for each output to apply it. See the 'monitor settings' section in this manual for more information.

Exporting LUTs

To export a LUT to a CFast or SD card, select the LUT you want to export and tap the 'manage' icon. From the 'manage LUT' options choose 'export selected LUT'. Use the storage media selection switch to select either SD or CFast, depending on the location you would like to export the LUT to. You can also export LUTs to a USB-C flash disk or to an SSD if you are using URSA Mini Recorder.

From the 'export to' options choose the card or drive you want save your LUT to. Tap 'export' to confirm your choice. If a duplicate LUT is found on the card or drive you are exporting to, you will be asked if you want to overwrite the LUT or keep both.

Deleting LUTs

Your URSA Broadcast G2 has space for thirty 17 point or 33 point 3D LUTs. To delete LUTs you are no longer using, or make room for more, select the LUTs you want to delete and tap the icon. You will be prompted to confirm your choice. Tap 'delete' to confirm.

Embedded 3D LUTs

When a 3D LUT is used whilst shooting Blackmagic RAW on URSA Broadcast G2, the selected LUT will be embedded into the Blackmagic RAW file that you are recording. The 3D LUT is actually saved with your recorded files in the header of the .braw file, and can easily be applied to footage in post production without needing to handle a separate file.

So when Blackmagic RAW files are delivered to an editor or colorist, they will be able to easily access the LUT that was used whilst filming, which greatly reduces the possibility that the wrong 3D LUT could be applied to a clip. They can then choose whether to apply the 3D LUT whilst editing or color grading the footage, and can disable the 3D LUT at any time.

When the 'Apply LUT in file' switch is set to 'on' in URSA Broadcast G2's record menu, the recorded clip will open in Blackmagic RAW Player and DaVinci Resolve with the chosen 3D LUT already applied to it. The 3D LUT can then be easily toggled 'on' or 'off' but will always travel with the Blackmagic RAW file as it is written into the clip itself.

DaVinci Resolve also has an 'Apply LUT' switch in the RAW settings palette for enabling or disabling the 3D LUT in the Blackmagic RAW file. The 'Apply LUT' setting in DaVinci Resolve is the same setting as in the camera. This means that when shooting you can direct the colorist to use the LUT by setting it in the camera, but they can switch it off easily in DaVinci Resolve by setting 'Apply LUT' to 'off'.

Entering Metadata

Metadata is information saved inside your clip, such as shot numbers, camera settings and other identifying details. This is extremely useful when sorting and processing footage in post production. For example, take and shot and scene numbers are essential organizational tools, while lens information can be used to automatically remove distortion or better match VFX assets to plates.

Your Blackmagic URSA Broadcast G2 automatically saves some metadata to each clip, such as camera settings, timecode, date and time. You can use your camera's slate to add many additional details.

The Slate

Swiping left or right on your URSA Broadcast G2's touchscreen will bring up the slate.

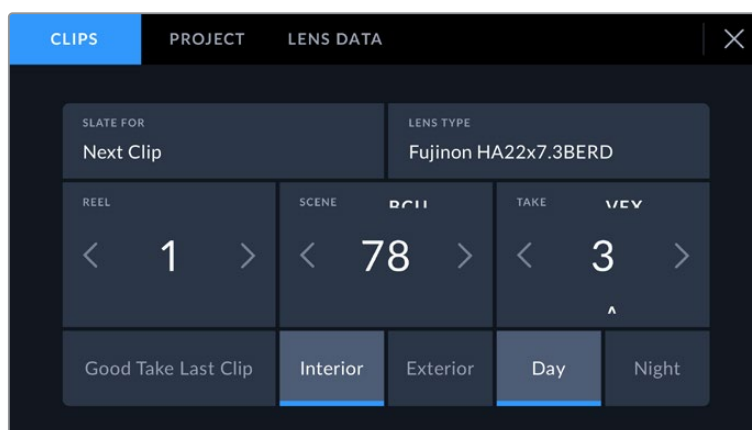
The slate is divided into 'clips', 'project' and 'lens data' tabs. The 'clips' tab contains information that may vary clip by clip, while 'project' is where you enter details common between clips, such as the project name, director, and camera and operator ID. The 'lens data' tab displays information about the lens fitted to your camera. If the lens automatically sends information back to your camera it will be displayed here. You can also enter lens data manually.

TIP Metadata entered into the slate is viewable on your URSA Broadcast G2's front or main SDI outputs when 'display status text for' is set to 'director' on the 'monitor' tab. See the 'monitor settings' section in this manual for more information.

'Clip' metadata

Changes made to clip metadata work slightly differently in standby mode, when your URSA Broadcast G2 is ready to record, and playback mode, when you're reviewing footage you've already shot. In 'standby,' clip metadata will be saved to the next clip recorded, except for 'good take last clip' which refers to the most recently recorded clip.

In playback mode clip metadata is always recorded to the current clip being viewed.



Your URSA Broadcast G2's slate is divided into 'clip', 'project' and 'lens data' tabs

Slate for

This setting shows the clip which the metadata currently displayed in the 'clip' applies to. In standby mode, this refers to the next clip that will be recorded.

Lens Type

This displays information about the lens attached to your camera. For more information about 'lens type' data, refer to the 'lens data' section below.

Reel

The 'reel' indicator shows the current reel.

Your URSA Broadcast G2 automatically increments reel numbers, so there is usually no need to enter this manually. When you are moving to a new project and want to start from reel '1' again go into the project tab of the slate and tap 'reset project data'.

Scene

The 'scene' indicator shows the current scene number, and can also show the current shot number and type.

The number on this indicator always refers to the current scene. You can adjust it with the left and right arrows on either side of the scene number, or tap the scene number to enter the scene number editor.

Scene numbers range from 1 to 999.

By adding a letter to the scene number in the scene number editor, you can also indicate the current shot. For example 23A indicates scene twenty three, shot one. If you have a shot letter added to your scene number, your camera suggests the next scene number and shot letter whenever you enter the scene number editor. For example, if your current scene number is 7B, the camera suggests '8' and '7C'.

The scene number indicator can also show information about the current shot type in the top right corner. You can select these in the scene number editor at the right hand side of the scene keyboard.

The shot types available are:

WS	wide shot
MS	medium shot
MCU	medium close up
CU	close up
BCU	big close up
ECU	extreme close up



When entering 'scene' metadata, your URSA Broadcast G2 will prompt you with increment suggestions to the left of the touch keyboard, and shot types to the right

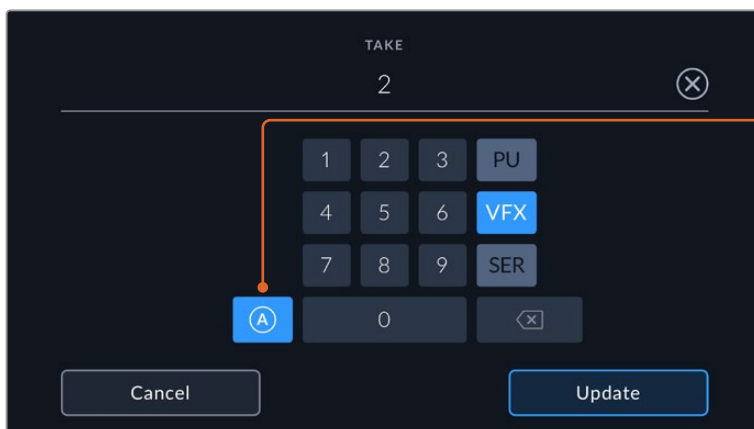
Take

The 'take' indicator shows the take number for the current shot. You can increment this up or down by tapping the left or right arrows on either side of the take number, or tapping the indicator to enter the take number editor.

TIP When the shot number or scene letter are advanced, the take number will revert to '1.'

You can add take descriptions in the take number editor. These are offered to the right of the take number keyboard, and correspond to the following scenarios:

PU	'Pick up.' This refers to a reshoot of a previous take to add additional material after principal photography has wrapped.
VFX	'Visual effects.' This refers to a take or shot for visual effect use.
SER	'Series.' This refers to a situation in which multiple takes are shot while the camera is kept running.



Tap 'A' to automatically increment the take number for each clip while in standby mode. A small 'A' appears next to the take number on the slate when enabled.

When entering 'take' metadata, your URSA Broadcast G2 will offer prompts for additional shot types to the right of the touch keyboard

Good take

Tap the 'good take' indicator to flag good takes for easy recall in post production. This tag applies to either the last clip recorded, if your URSA Broadcast G2 is in standby mode, or the clip currently being viewed in playback mode.

Interior/Exterior

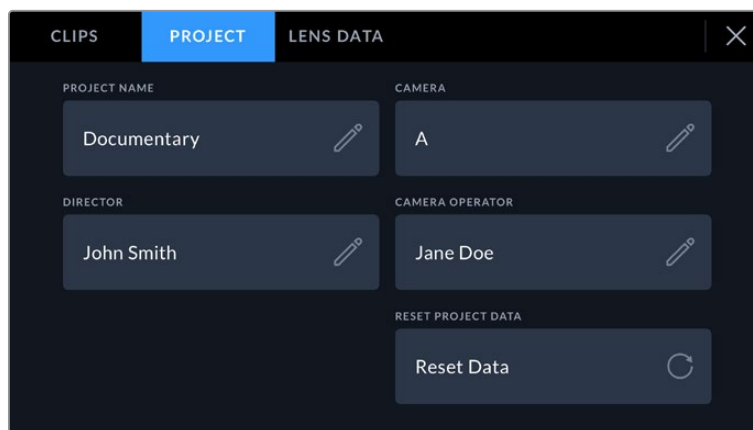
Tap 'interior' or 'exterior' to add a tag to the next clip in standby mode, or the current clip in playback mode.

Day/Night

Tap the 'day' or 'night' icons to add a 'day' or 'night' tag to the next clip in standby mode, or the current clip in playback mode.

'Project' Metadata

Project metadata behaves the same way whether you are in standby or playback mode. This metadata always refers to your project as a whole and is independent of clip numbers.



Your URSA Broadcast G2's 'project' slate tab

Project name

Displays your current project name. Tap the pencil icon to change the project name.

Camera

Displays a letter camera index. Tap the pencil icon to change the camera index.

Director

Displays the director's name for the current project. Tap the pencil icon to change the director name.

NOTE Camera index is used in metadata and for file naming purposes and differs from your URSA Broadcast G2's ATEM Camera ID, which is used when controlling your URSA Broadcast G2 with an ATEM switcher. For more information on ATEM Camera ID, see the 'Understanding Studio Camera Control' section in this manual.

Camera Operator

Displays the camera operator. Tap the pencil icon to change the camera operator name.

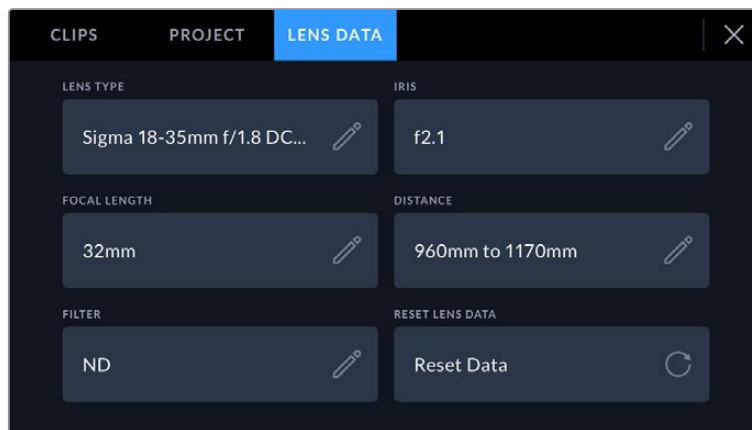
Reset project data

To clear project data tap the 'reset data' button and then confirm your choice. This will clear all the entered project data.

Lens Data

The 'lens data' page displays information about the lens fitted to your URSA Broadcast G2. Many electronic lenses automatically supply information such as the lens model, aperture and focal length.

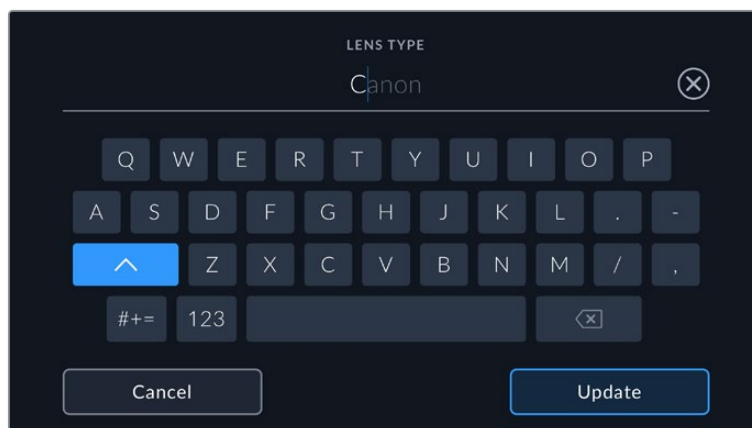
If you are using a lens that does not provide this information, or you want to enter additional data, you can tap the pencil icon in this setting to enter the information manually. This will bring up the 'lens data' menu, which contains the following information:



The lens data page showing information automatically populated from a Fujinon lens

• Lens Type

Shows the lens model. If your lens type is not automatically shown here, you can tap this setting to enter the data manually.



Use the touch keyboard to enter lens data if it is not provided automatically

• Iris

Shows the iris aperture setting at the start of your clip. If this information is supplied automatically it can be displayed in f- or T-stops depending on your lens. If the iris information for your lens is not automatically shown here, you can tap this setting to enter the data manually.

- **Focal length**

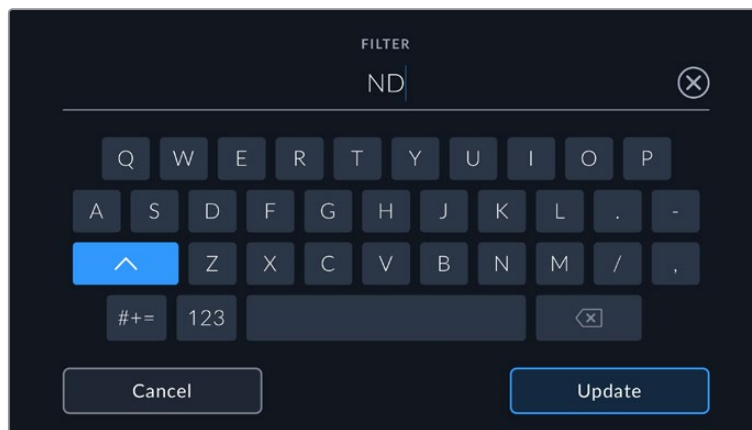
Shows the focal length setting of the lens at the start of the recorded clip. When automatically supplied, this is shown in millimeters. If the focal length information for your lens is not automatically shown here, you can tap this setting to enter the data manually.

- **Distance**

Shows the focus distance settings of the lens for the recorded clip. Some lenses can provide this data automatically and it will be provided in millimeters. If the focal distance information for your lens is not automatically shown here, you can tap this setting to enter the data manually.

- **Filter**

Shows the current lens filters used. Tap this setting to enter data manually. You can make multiple entries separated by commas.



Filter information needs to be entered manually

Reset lens data

You can clear lens data at any time by tapping the 'reset data' button. You will be prompted to confirm your choice. This will reinitialize communication with your lens and refresh the electronically populated data, any fields that have been manually added will also be cleared.

Gyro Stabilization

Your Blackmagic URSA Broadcast G2 Camera automatically records pan, tilt and roll data captured by an internal motion sensor. This data is also known as gyro data, which DaVinci Resolve can then use to stabilize handheld shots.

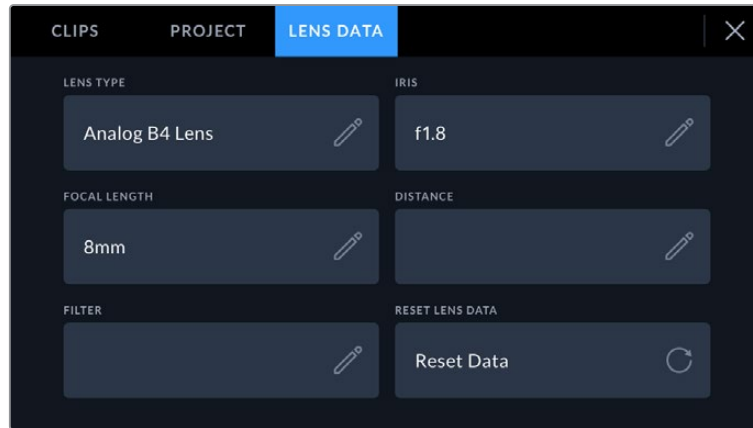
It's important to calibrate your camera's motion sensor prior to recording to ensure that the recorded gyro data is accurate. You can find more information in the 'settings' section under 'motion sensor calibration'.

NOTE To enable the gyro stabilization you will need to make sure your lens's optical image stabilization is turned off. EF and B4 lenses with built in optical stabilization have a physical switch to turn it on or off.

Recording Gyro Data with Manual Lenses

For gyro stabilization to work at its best, it requires accurate lens focal length information which is included in the metadata that is automatically recorded when using most EF and B4 lenses. For manual lenses that do not support electronic communication with the camera, or analog B4 lenses, you will need to enter this information into the camera's slate.

- 1 Swipe left or right on your camera's touchscreen from the main view to bring up the slate.
- 2 Tap the 'lens data' tab.
- 3 Tap on the 'focal length' section and type in the focal length of the lens you are using. For example, if you are using an analog B4 lens at a 8mm focal length type in '8mm'.



Enter 'lens data' when using lenses that do not have electronic communication with the camera

NOTE You will need to update this information each time you change focal lengths on manual or analog lenses. Lenses with in built electronics will automatically overwrite the metadata.

Applying Gyro Stabilization in DaVinci Resolve

After importing your clips and setting them up on a timeline:

- 1 Go to the 'edit' page's inspector window and scroll down to 'stabilization'.
- 2 Set the stabilization mode to 'gyro'.
- 3 Click 'stabilize'.

A progress bar will let you know when the stabilization is complete.



In the inspector window select 'camera gyro' to stabilize the footage using gyro data

TIP You can enhance the results by shooting with narrow shutter angles to minimize motion blur. For example, 45 degrees.

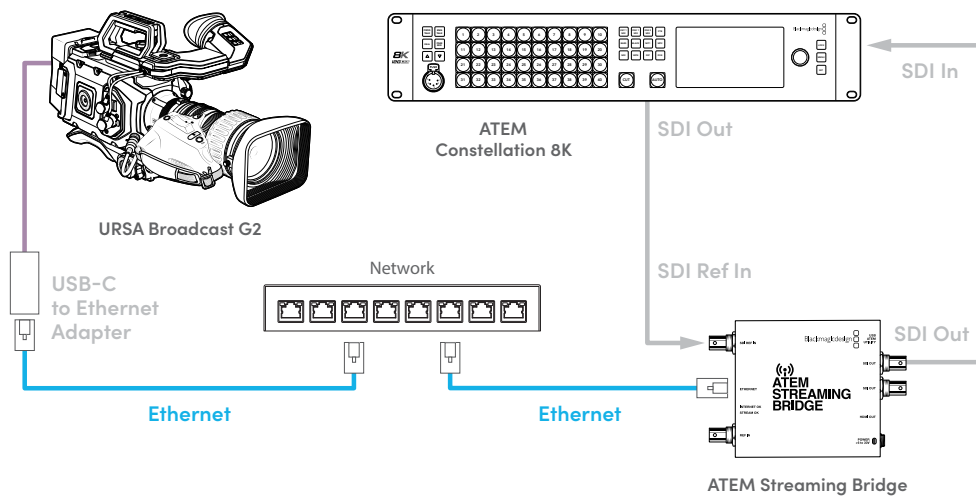
Streaming Video

URSA Broadcast G2 has its own built in streaming engine that enables the camera to stream directly to platforms such as YouTube, Facebook Live and Twitch.

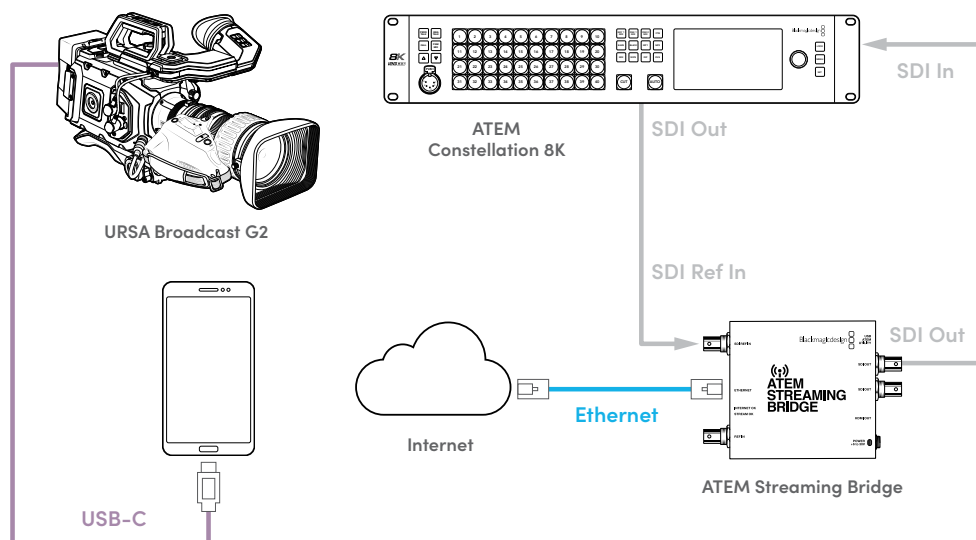
You can also connect URSA Broadcast G2 to an ATEM switcher on the same Ethernet network, or via the Internet anywhere in the world using an optional ATEM Streaming Bridge. When streaming to an ATEM switcher, this setup also includes tally, talkback and camera control functionality.

Below are two examples showing URSA Broadcast G2 connected to an ATEM switcher using an ATEM Streaming Bridge. The first shows connecting locally over a network and the second illustration shows transmitting video over the Internet using a smartphone.

Connecting over a Network



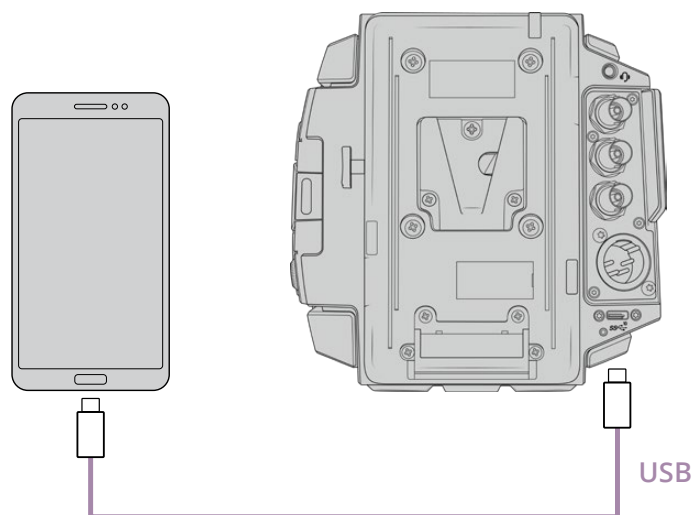
Connecting over the Internet



NOTE For streaming via an Ethernet adapter we recommend the Belkin USB-C to Gigabit Ethernet Adapter. While other USB-C to Ethernet adapters may work, the chipset used in the Belkin adapter is the most reliable for RTMP streaming video workflows.

Smartphone Setup

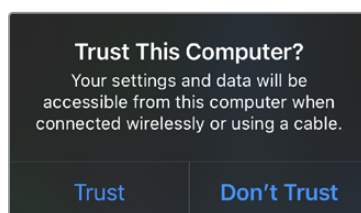
Connect a smartphone to your camera's USB-C expansion port using a USB-C cable. This connection lets you set up fast and be streaming to the world in any location where your smartphone has a 4G or 5G cellular connection.



Settings

The first step to setting up your smartphone for internet streaming is to make sure it has hotspot activated.

- 1 On your iOS device open settings>personal hotspot and make sure the 'allow others to join' option is on.
- 2 You will see a message appear asking whether to trust the connected computer. Select 'trust' and a green tethering icon will be visible on the screen. This is how you can verify the connection is working.



The tethering icon will appear when enabled

Your smartphone's clock will always appear within a green background icon while tethering is enabled.

For Android devices, swipe the screen to display the quick menu. Press and hold the hotspot icon and then turn on USB tethering.

TIP Once you have finished streaming, we recommend turning off tethering on your phone to save your phone's battery life.

Setting the ATEM Camera ID

The ATEM camera ID is a setting in your camera's menu settings that determines which SDI input your URSA Broadcast G2 is connected to on the ATEM switcher. When the camera ID corresponds to the switcher's input number, your camera will detect tally data for that input and tally and camera control will work correctly.

For more information on setting your camera's ATEM Camera ID, refer to the 'Setup Settings' section earlier in this manual.

Creating the XML File

To create an XML settings file connect ATEM Streaming Bridge to the internet by plugging a network cable from the 'Ethernet' port to an internet router or network switch.

Connect ATEM Streaming Bridge to your computer using a USB-C cable and launch ATEM Setup.

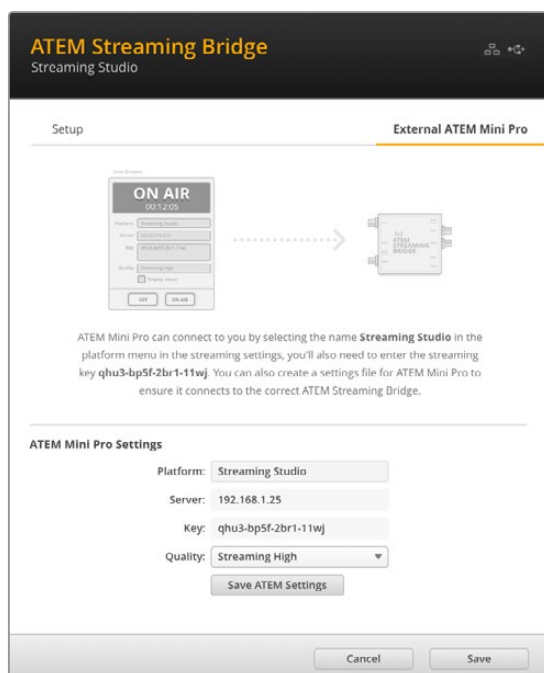
In the setup tab, confirm the network settings are correct and select 'internet' from the 'stream service' options. You should see a 'visible worldwide' message in the internet status box. This means everything is working correctly.

A Note About Port Forwarding

If you see a port forwarding or UPnP error in the 'internet status' box you will need to ask your internet provider or network administrator to set up port forwarding on your internet connection to 'TCP port 1935'.

Exporting the XML File

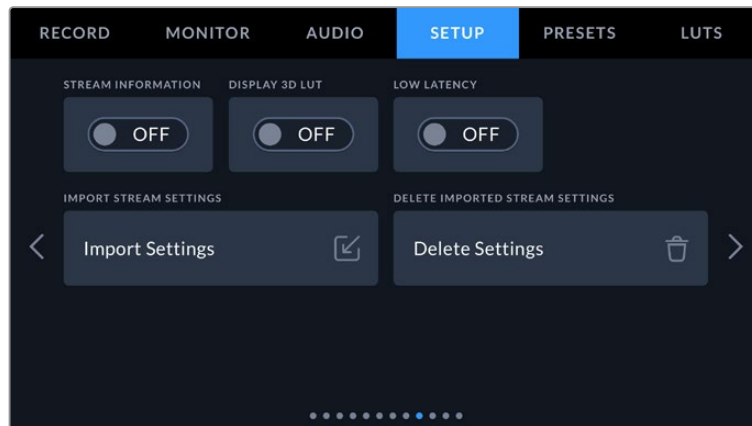
Once you have confirmed your settings in the ATEM Setup tab and have successfully connected your ATEM Streaming Bridge to your network or the internet, you can export the XML setup file.



- 1 Click the 'external ATEM Mini Pro' tab in the top right of the window.
- 2 Click in the 'platform' box and type a new name. This name will be the name listed in the remote Blackmagic URSA Broadcast G2's platform menu.
- 3 Select the quality you want to stream. This setting will set the quality setting in the remote URSA Broadcast G2.
- 4 Click the 'Save ATEM Settings' button, choose a location on your computer to save the XML file and click 'save'.
- 5 You can now email the saved XML file to the remote operator.

Loading the XML File

To import an XML settings file in to your URSA Broadcast G2, copy the file to an SD card, CFast card or USB-C flash disk.



- 1 On the ninth page of your camera's setup menu, tap on the button labeled 'import settings'.
- 2 At the top of the screen, tap the card or drive where the xml settings file is saved. Tap the file name and then tap 'import'. After the setup file has been successfully imported, the ATEM Streaming Bridge will automatically be selected in your camera's platform menu.

All you need to do now is tap your camera's live stream button to turn the stream 'on'.

You can test your setup is working by getting the switcher operator at the studio to switch to your camera. You will see the tally light illuminate on the camera including a red tally border around the camera's LCD. When your camera is switched to the preview output, the tally will illuminate green.



Try adjusting the iris and pedestal in ATEM Software Control's camera page to test camera control

URSA Mini Shoulder Kit

Attaching the shoulder kit

The URSA Mini Shoulder Kit lets you carry your Blackmagic URSA Broadcast G2 on the shoulder for ENG style shooting. Most of the items in the URSA Mini Shoulder kit are shipped with your Blackmagic URSA Broadcast G2, including the shoulder pad, baseplate, top handle and viewfinder adapter plate. The URSA Mini extension arm and long LANC cable are available as optional accessories.

The quick release mount on the baseplate lets you lock your camera into an ENG style tripod plate or place it on your shoulder so you can follow the action.

The URSA Mini Shoulder Kit works with any tripod plate modeled after the Sony VCT 14. These mounts are easily found at camera stores or online.

It's also worth mentioning that mounts modeled after the VCT U14 tripod plate are a different system and are not compatible.

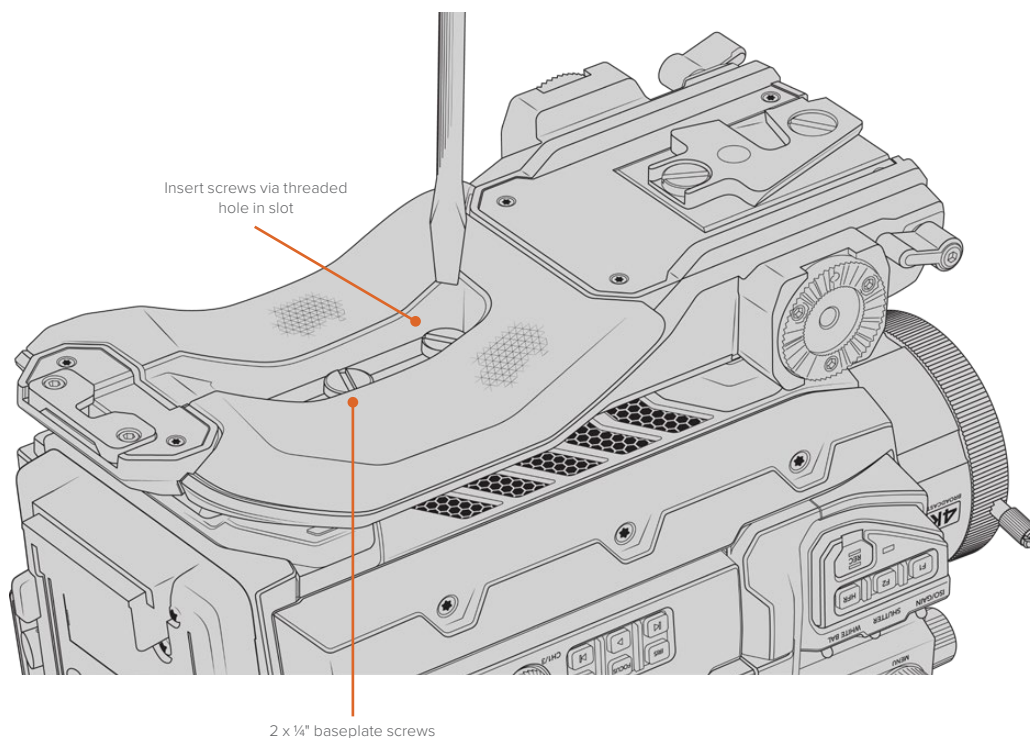
When attaching the Shoulder kit, you will need the following tools:

- 1 x flat head screwdriver for the 2 x ¼" shoulder mount base plate screws.
- 1 x 3/16" Hex key driver for the 2 x ¼" top handle screws.



To attach the shoulder kit to your URSA Broadcast G2 you will need a large flat head screwdriver and a 3/16" Hex Key driver for the top handle

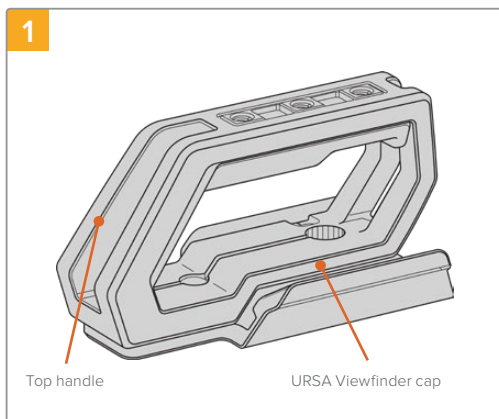
To attach the shoulder pad and baseplate



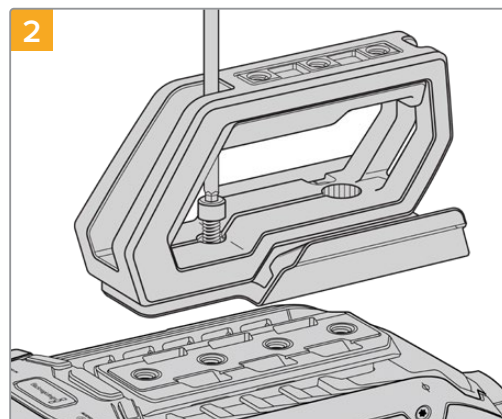
- 1 Gently place your URSA Broadcast G2 upside down on a flat, stable surface so you can easily access the base of your camera.
- 2 Fasten the shoulder kit baseplate to URSA Broadcast G2 using the 2 x 1/4" flat head screws and driver.
- 3 Tighten the screws until the baseplate is firmly attached and the screws won't loosen. Avoid over-tightening as it may damage the screw threads.

To attach the top handle with URSA Viewfinder adapter plate

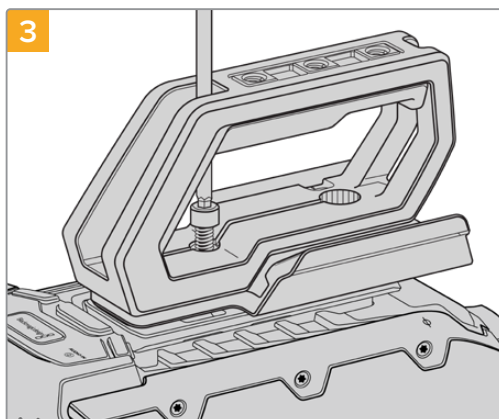
The top handle is supplied with URSA Viewfinder adapter plate already fitted. For information on installing the optional Blackmagic URSA Viewfinder, refer to the next section of this manual.



Place your URSA Broadcast G2 on a flat, stable surface so you can access the top of your camera.



Fasten the handle to any two of your URSA Broadcast G2's top 1/4" mounting points using the two supplied 1/4" screws with a 3/16" Hex key driver. URSA Broadcast G2's rear two mounting points are recommended for most situations, but you can choose any pair for better weight balance when using large lenses.



Tighten the screws until the handle is firmly in place and the screws won't easily loosen. Avoid over-tightening the screws as it may damage the screw threads.

The URSA Mini Shoulder Kit extension arm and LANC cable are available as optional accessories.

Attaching the extension arm

B4 lenses typically feature a handgrip on the lens body, so a side handle isn't necessary when shooting with URSA Broadcast G2 on your shoulder.

If you have a different lens mount fitted, however, you may find it useful to fit the optional URSA Mini side handle on an extension arm for comfortable shoulder based shooting.

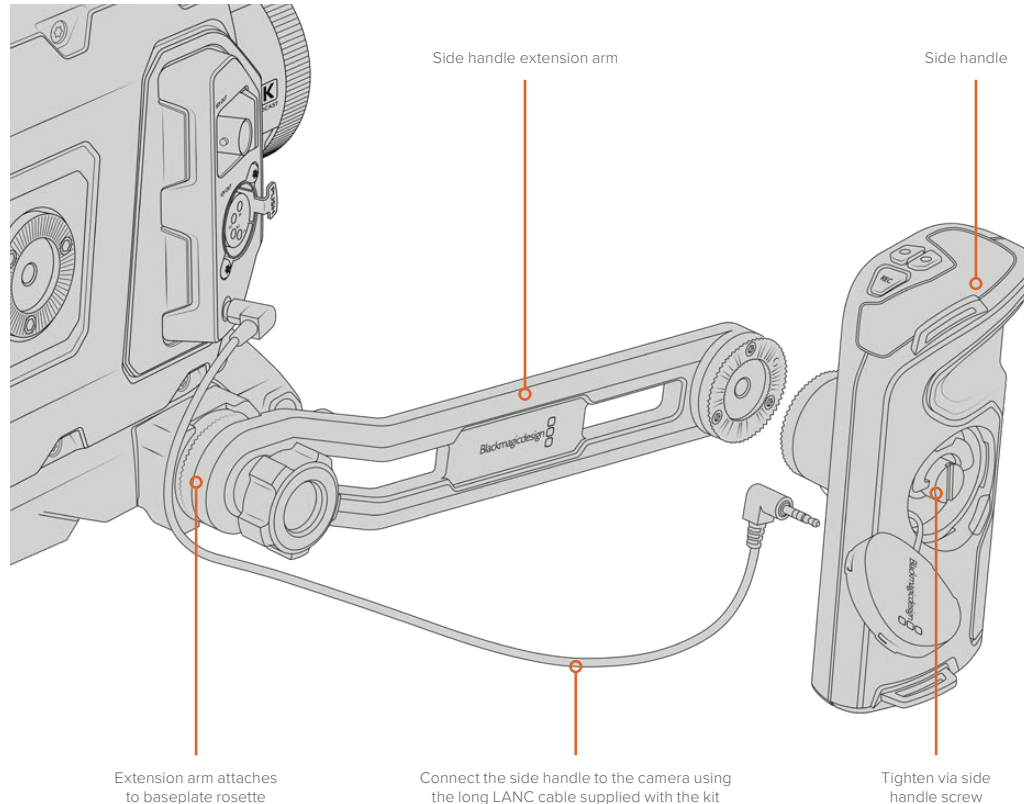
URSA Mini Shoulder Kit comes with an extension handle and longer LANC cable to move the optional side handle to a more ergonomic position.

To attach the side handle extension arm:

- 1 Place your URSA Broadcast G2 on a flat, stable surface allowing room next to the camera to lower the extension arm. Mounting URSA Broadcast G2 to a tripod is helpful for this purpose.
- 2 Attach the indented end of the extension arm to the baseplate rosette, lower the arm to suit, and fasten with the supplied rosette thumbscrew.
- 3 Attach the side handle to the extension arm's front rosette. Fasten by tightening the side handle screw with the large flat head screwdriver, or by twisting the D ring with your thumb and forefinger.
- 4 Connect the side handle LANC output to the camera LANC input using the long LANC cable supplied with your URSA Mini Shoulder Kit.

You can easily adjust the extension arm and side handle to suit your preference by loosening the rosette screws, making your adjustment, then retightening.

With your URSA Mini Shoulder Kit now attached, you have additional speed for fast shooting on the run, plus the ability to quickly mount your camera on a tripod for tight, stable shots!



Blackmagic URSA Viewfinder

Blackmagic URSA Viewfinder is a powerful electronic viewfinder designed for your Blackmagic URSA Broadcast G2. The 1080HD color OLED display and precision glass optics provides a bright, vivid, and lifelike image so you can quickly find focus and see the finest detail in your images.

This viewfinder is perfect for handheld operation on the shoulder, or for environments where you need absolute precision with zero reflection and light glare, for example in extremely bright shooting conditions.

The viewfinder is connected and powered by the camera and uses the embedded SDI data from the camera to generate the various display options. This means that your camera can output a clean SDI feed to the viewfinder but still allows you to toggle various display options within the viewfinder for quick access to camera status, plus accurate information.

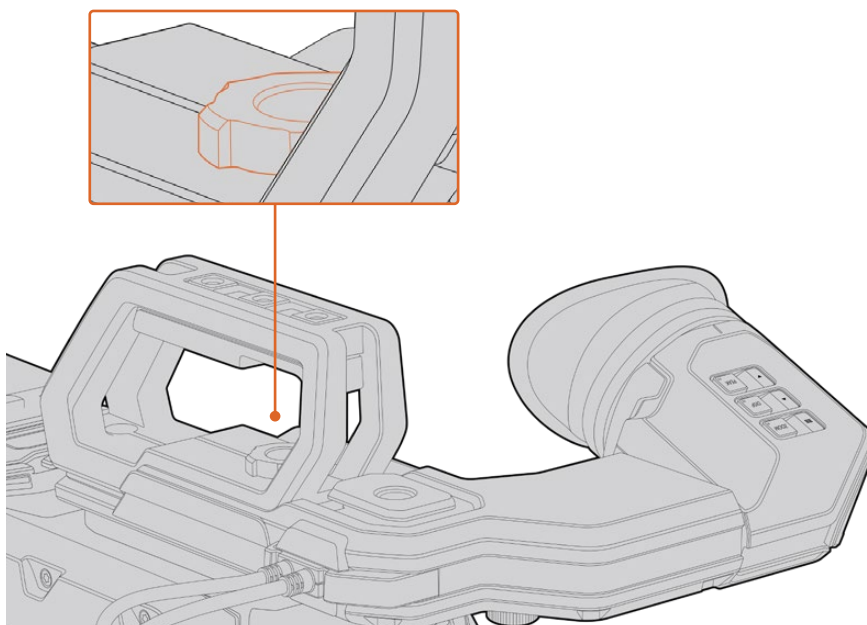
For example, if you select the '2.40:1' frame guide option in URSA Broadcast G2's menu, it will actually tell the viewfinder which frame guide is selected in the camera so when you toggle the frame guide display on the viewfinder, the same '2.40:1' frame guide is also displayed.

Mounting and Connecting to Blackmagic URSA Broadcast G2

Before mounting Blackmagic URSA Viewfinder to your URSA Broadcast G2, you will need to install the URSA Mini Shoulder Kit top handle that is included with your camera. Refer to the 'URSA Mini Shoulder Kit' section for more information.

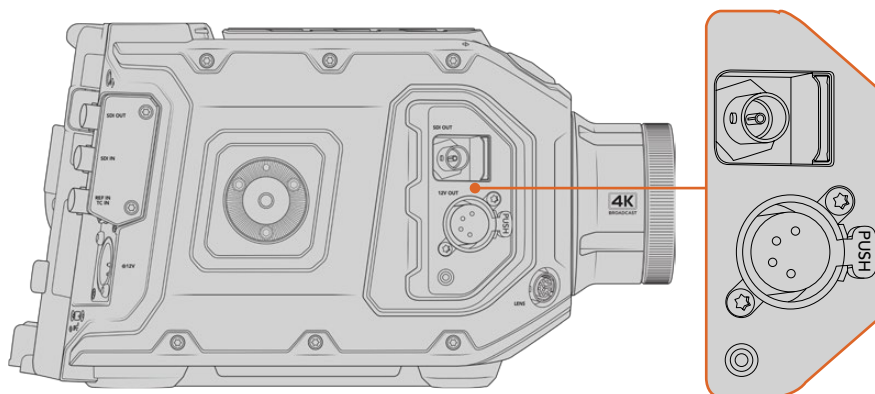
Slide URSA Viewfinder mount into the URSA Viewfinder adapter plate and use the 1/4" thumbscrew included in URSA Mini Shoulder Kit to secure URSA Viewfinder to the top handle and adapter plate.

There is no need to use any tools to secure the thumbscrew, finger pressure is sufficient and will prevent over tightening.



To mount your Blackmagic URSA Viewfinder to your URSA Broadcast G2, slide the viewfinder mount along your camera's handle ridges and tighten the thumbscrew to a 1/4" mounting point

To connect your URSA Viewfinder to your URSA Broadcast G2, simply connect the viewfinder's attached cables to your camera's front 12V power and 3G-SDI outputs. The URSA Viewfinder will turn on automatically when your camera is powered.



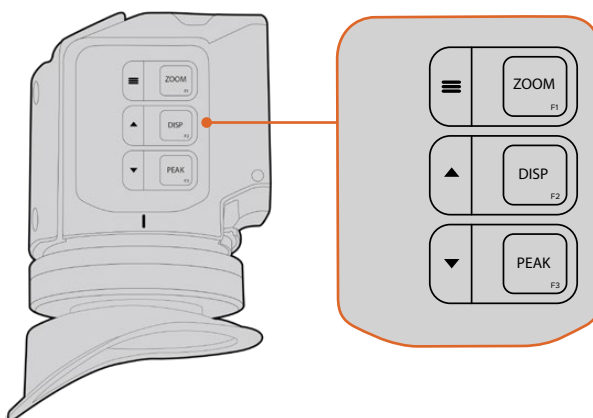
Connect your viewfinder's SDI and power cables to your URSA Broadcast G2's HD-SDI monitoring output and +12 volt output

Adjusting the Eyepiece

The detachable rubber eyepiece can be adjusted to fit your left or right eye. Adjust the viewfinder arm by loosening the knob on the bottom of the arm and sliding it left or right to comfortably fit your eye.

Button Features

On the top of the viewfinder you'll find the zoom, display and peak buttons. These buttons are used for zooming into your image, and turning overlays and focus peaking on or off.



The Zoom (F1), Display (F2) and Peak (F3) buttons are located on top of the URSA Viewfinder

They are also used for additional features, such as opening the menu and navigating settings. Icons printed on the side of the buttons show you which buttons are used to control the viewfinder menu and navigation features.

The buttons also have a customizable function feature so you can assign shortcuts to quickly enable common features you may use frequently. For example you may wish to assign the false color feature to the zoom button. Refer to the 'shortcuts' section for more information.

ZOOM (F1) - 'menu'

The 'zoom' feature helps you find sharp focus by zooming into your picture. Press the 'zoom' button to zoom in and press again to return to 100% view. When using the settings menu, the 'zoom' button also serves as the 'menu' button. Press and hold this button to open the settings menu. In the settings menu, press this button once to confirm setting changes.

DISPLAY (F2) - 'up'

Press the 'display' button to see the overlay view. When using the settings menu, this button also serves as the 'up' button. You can also quickly open the 'shortcuts' menu setting by pressing and holding this button. Refer to the 'shortcuts' section for information on how to set shortcuts.

PEAK (F3) - 'down'

The focus peaking feature creates a green edge around the sharpest parts of the image so you can easily confirm your focus. Press the 'peak' button to turn the peaking feature on. Press again to turn peaking off. When using the settings menu, this button also serves as the 'down' button. You can also quickly open the 'setup' menu by pressing and holding this button.

Menu Settings

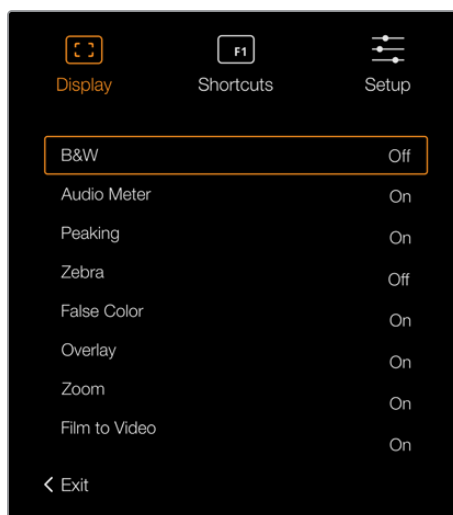
The settings menu contains three primary menu headings for display, shortcuts, and setup. To open the settings menu, press and hold the 'menu' ≡ button. Press the 'up' ▲ and 'down' ▼ button to navigate between the settings and press the 'menu' ≡ button again to confirm your selection.

Display

The 'display' menu provides the following features:

B&W

Switches between color and monochrome.



The 'display' menu in URSA Viewfinder

Meters

Switches between the types of meters to display in overlay view. The options are 'histogram', 'audio', 'both' or 'none'.

Peaking

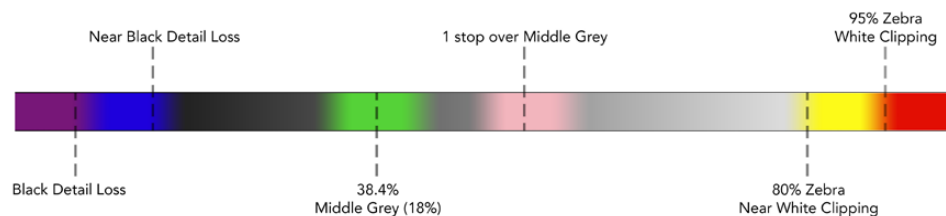
Switches peaking on and off.

Zebra

Switches zebra levels on and off. Set your desired zebra levels using the camera settings. For more information, refer to the 'settings' section in this manual.

False Color

Switches the false color feature on and off. False color overlays different colors onto your image that represent exposure values for different elements in your image. For example, pink represents optimum exposure for lighter skin tones, while green is a good match to darker skin tones. By monitoring the pink or green false color when recording people, you can maintain consistent exposure for their skin tones. Similarly, when elements in your image change from yellow to red, that means they are now over exposed.



False Color Chart

Overlay

Switches overlays on and off. You can select which types of overlay to display in your viewfinder's 'setup' menu. The style of these overlays, such as the safe area percentage, are set in your camera.

Zoom

Turns the zoom feature on and off.

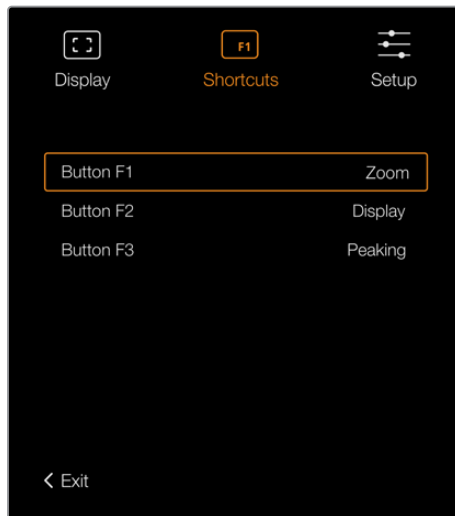
Film to Video

Switches between film and video display mode. Refer to the 'record settings' section in this manual for information on film and video mode. This setting is only available when your camera is outputting 'film' images to your viewfinder. It is disabled when receiving 'video' images to prevent applying a LUT over a LUT.

Shortcuts

The shortcut function is useful when you need to quickly access a particular setting for a frequently used feature. To customize your shortcut buttons:

- 1 In the 'shortcuts' menu, press the 'up' ▲ or 'down' ▼ button to move up or down and select one of the 3 buttons to make it your shortcut button. Press the 'menu' ≡ button to confirm your selection.
- 2 Press the 'up' ▲ or 'down' ▼ button to toggle and select one of the features below to assign to the shortcut button. Press the 'menu' ≡ button to confirm your selection.
 - B&W
 - Peaking
 - Zebra
 - False Color
 - Display
 - Zoom
 - Film to Video
 - Meters
 - Focus Chart
- 3 Scroll to 'exit' and press the 'menu' ≡ button to close the menu display view.



The 'shortcuts' settings in URSA Viewfinder

Setup

The 'setup' menu provides the following features:

Brightness Adjustment

Allows adjustments for the brightness of the display with range -10 to +10.

Tally Brightness

Allows adjustments of tally LED brightness.

Focus Chart

Your Blackmagic URSA Viewfinder has a built in focus chart so you can focus the eye piece to suit your eyes. Simply turn the focus diopter on the eyepiece until the chart is in perfect focus. Pressing any button on your viewfinder will close the focus chart display.

Frame Guides

Toggles the appearance of frame guides. When 'frame guides' are turned 'on' in your URSA Broadcast G2's 'front SDI' monitor settings, you can use this setting to toggle the appearance of these guides in your Blackmagic URSA Viewfinder.

For more information, see the 'Monitor Settings' section in this manual.

Safe Area Guide

Toggles the appearance of a safe area guide. When 'safe area guide' is turned 'on' in your URSA Broadcast G2's 'front SDI' monitor settings, you can use this setting to toggle its appearance in your Blackmagic URSA Viewfinder.

For more information, see the 'Monitor Settings' section in this manual.

Grid

Toggles the appearance of a rule of thirds grid, crosshair or center dot. When 'grids' are turned 'on' in your URSA Broadcast G2's 'front SDI' monitor settings, you can use this setting to toggle their appearance in your Blackmagic URSA Viewfinder.

For more information, see the 'Monitor Settings' section in this manual.

NOTE Enabling 'Grid' in your URSA Viewfinder setup menu will also allow your viewfinder to display tally signals sent from an ATEM switcher. Overlays must also be set to 'on' in the display menu.

Status Text

Toggles the appearance of status text, such as white balance, frame rate and ISO. When 'status text' is turned 'on' in your URSA Broadcast G2's 'front SDI' monitor settings, you can use this setting to toggle its appearance in your Blackmagic URSA Viewfinder.

For more information, see the 'Monitor Settings' section in this manual.

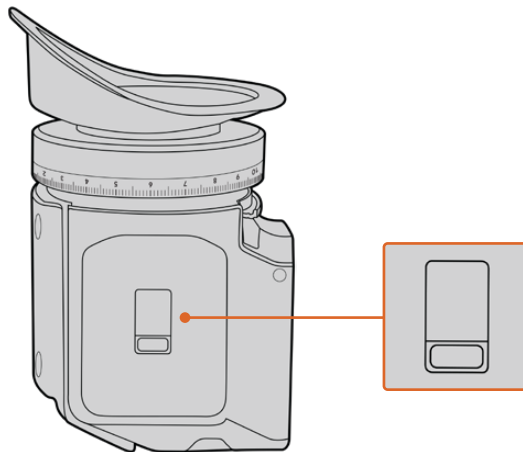
TIP When using Blackmagic Viewfinder with URSA Broadcast G2, the appearance of status text can clash if both the viewfinder and camera are set to show status text. In this situation, we recommend turning status text to 'on' in your camera, and status text to 'off' in your viewfinder.

IR Sensor

The IR Sensor on your viewfinder automatically detects when you are near the eyepiece and turns on the OLED display. If you are away from the viewfinder for over twenty seconds in standby mode, the display turns off to conserve power and to extend the life of the OLED display. While recording, the timeout sensor is extended to 5 minutes, at which point the OLED display will be slowly dimmed. Any movement in front of the eyepiece will reset this timer. The viewfinder will detect when you look into the viewfinder eyepiece, pressing any button on the viewfinder will also turn the display back on.



Deliberately blocking or covering the IR sensor could cause the viewfinder's display to remain powered for prolonged periods of time. This could decrease the lifespan of the display and cause image retention if high contrast images or frame guides are displayed on the viewfinder.



The IR sensor is located at the bottom of the URSA Viewfinder

Updating URSA Viewfinder's Internal Software

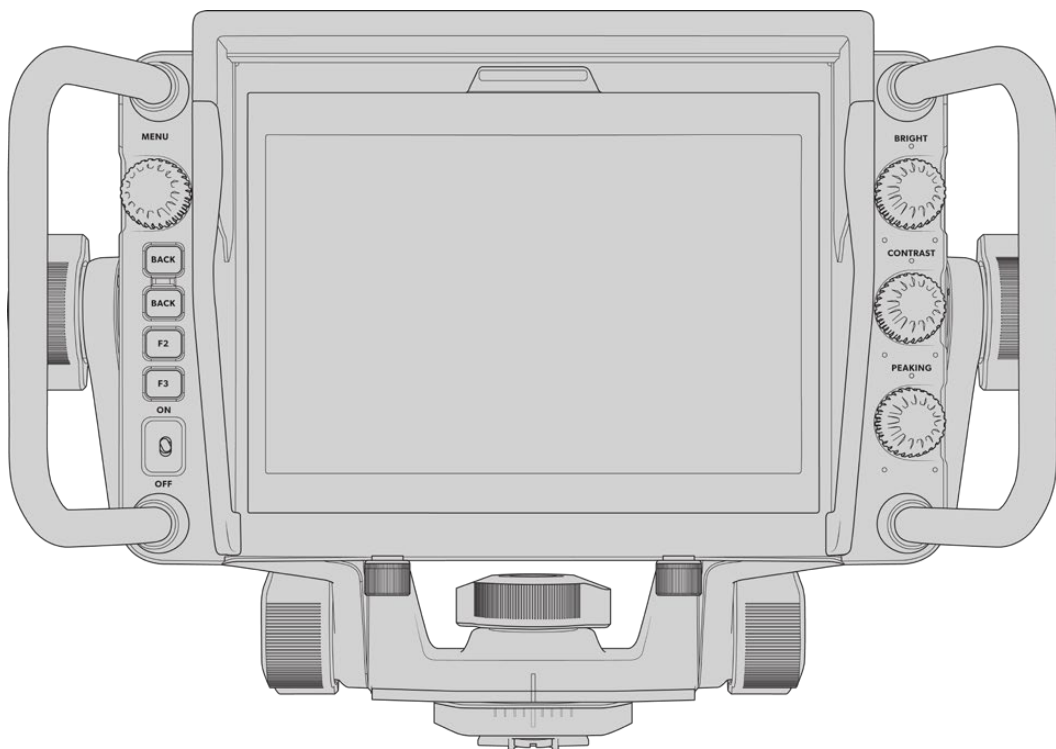
Update your viewfinder using the Blackmagic Camera Setup utility software. The viewfinder will need to be powered when updating, so we recommend keeping the viewfinder connected to your URSA Broadcast G2 during the update process. This also means your URSA Broadcast G2 will need to supply consistent power, so be sure to plug into external power.

Connect your computer to the small USB connection located at the front of your viewfinder, near the eyepiece. When Blackmagic Camera Utility is launched and your viewfinder is connected to your computer, you will be prompted to update if your computer detects that your viewfinder is using an older version. Follow the on screen prompts to update your viewfinder's internal software.

NOTE When using your Blackmagic URSA Viewfinder with URSA Broadcast G2, we recommend updating your viewfinder's internal software to the latest version to ensure compatibility. The latest software can be found at the Blackmagic Design support center at www.blackmagicdesign.com/support. Refer to the 'Blackmagic Camera Setup Utility' section in this manual for more information.

TIP We recommend updating all your Blackmagic URSA equipment at the same time for optimized performance.

Blackmagic URSA Studio Viewfinder



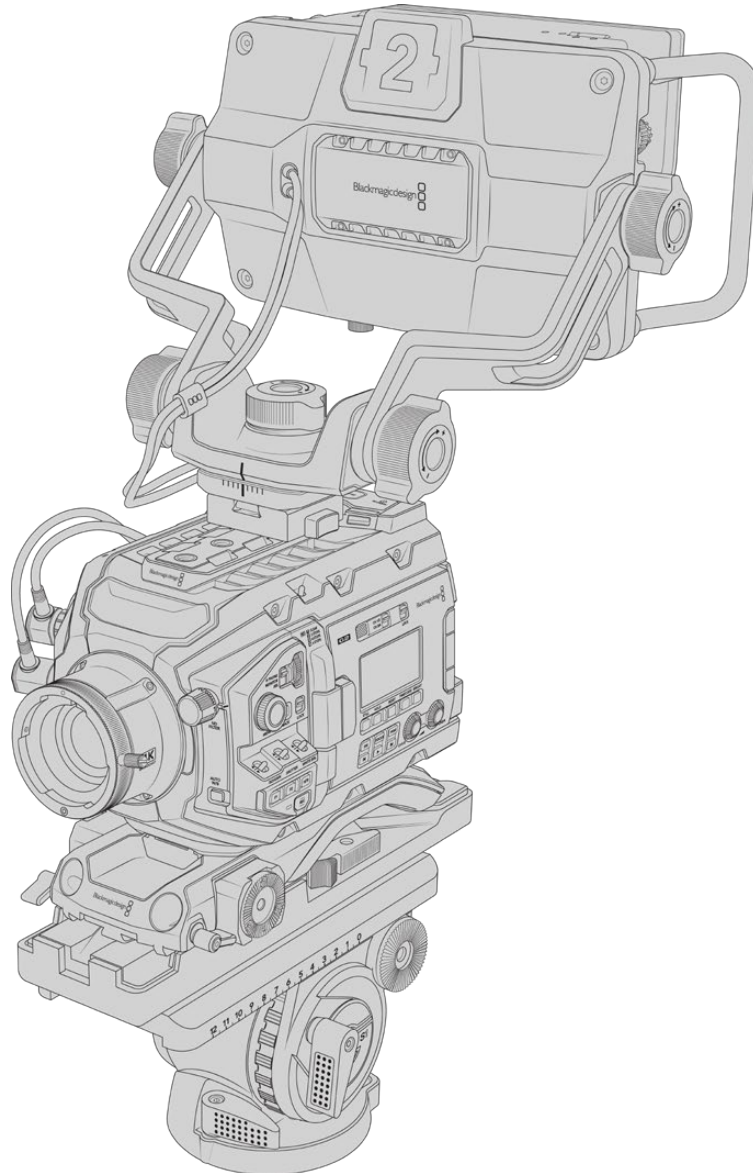
Blackmagic URSA Studio Viewfinder is a powerful viewfinder that allows you to turn your Blackmagic URSA Broadcast G2 into a professional live production camera. The studio viewfinder features a bright 7" screen and has a large easily viewable tally light, control knobs, large handles, sun hood and variable tension articulated mount. These features make it easy to stand behind the camera and comfortably follow the action for extended periods of time, especially when filming live concerts, sports, and other long events. The URSA Studio Viewfinder is perfect for professional live production in the studio or on location.

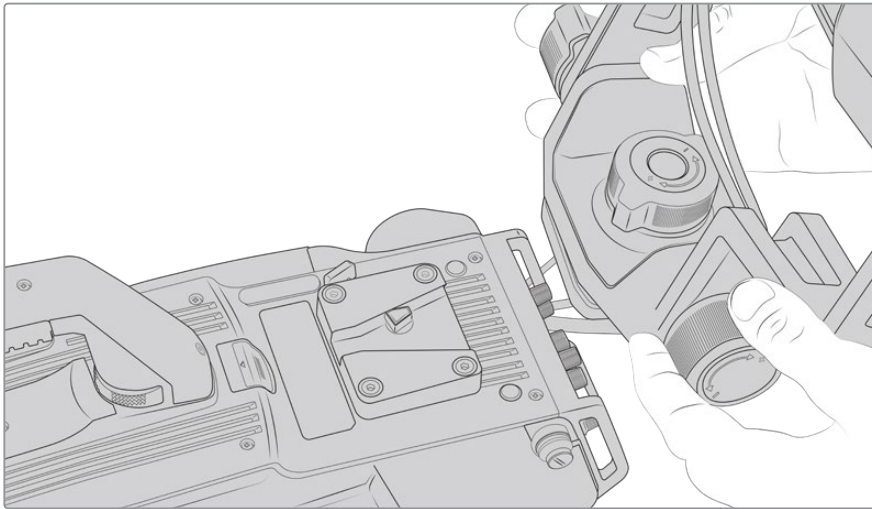
Mounting and Connecting to Blackmagic URSA Broadcast G2

When using the Blackmagic URSA Studio Viewfinder with Blackmagic URSA Broadcast G2, you have the option of mounting the unit to the camera in a number of ways.

Using the supplied VLock mount plate you can mount the Blackmagic URSA Studio Viewfinder directly to the top of your URSA Broadcast G2 or to the top handle of the URSA Mini Shoulder Kit that is included with your camera.

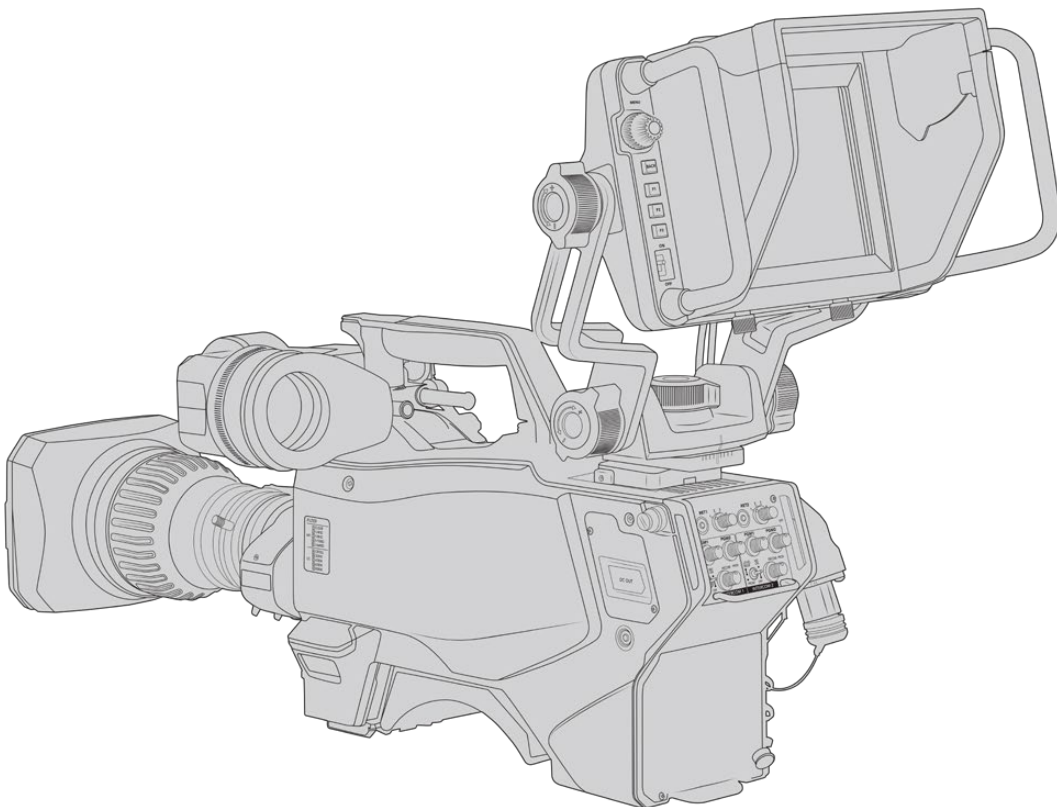
Attach the V-lock mount plate to the top of the camera with the supplied 1/4" screws. As this will make the center of gravity on the camera much higher. We recommend doing this while the camera is attached to a tripod for stability.





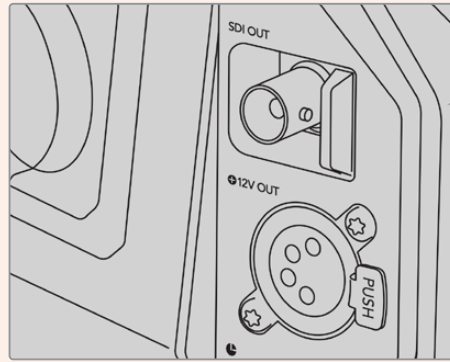
V-Lock mount plate being attached to 3rd party camera

The V-Lock mount plate can also be installed on any camera you want to use the URSA Studio Viewfinder with that has 1/4" mounting points, or by using a third party cheese plate. You can also mount the Blackmagic URSA Studio Viewfinder to a third party camera system that has an existing V-lock mount plate as many of them have this quick release plate on them already.



To connect your Blackmagic URSA Studio Viewfinder to your URSA Broadcast G2, simply connect the viewfinder's attached cables to your camera's front 12V power and 3G-SDI outputs.

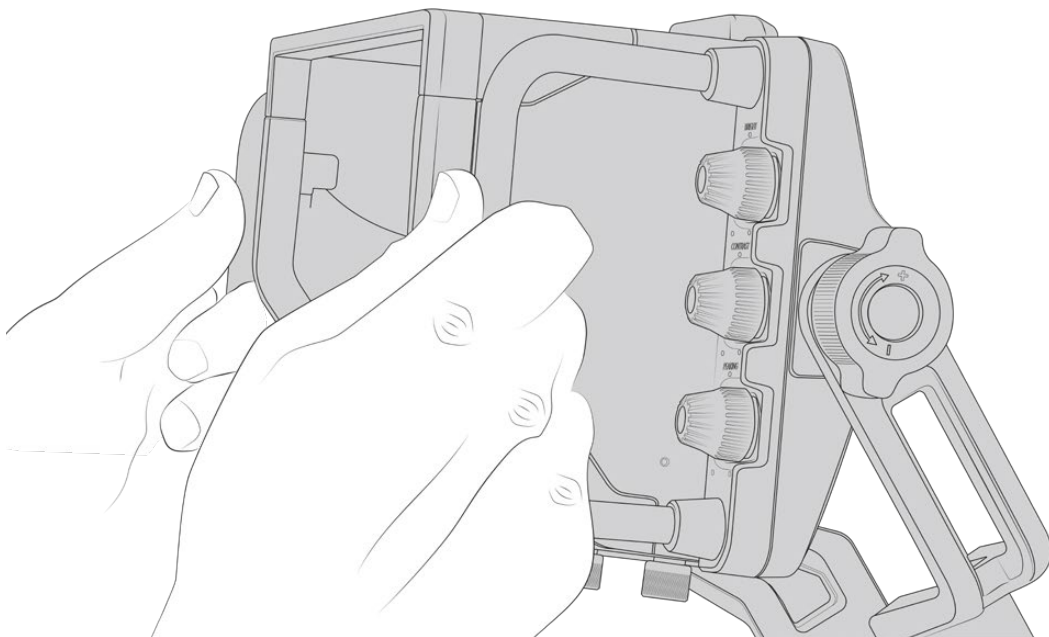
The power switch on the viewfinder will then allow you to turn on the viewfinder instantly when your camera is powered. Note that there are cable clamps on the side of the URSA Mini handle mount to keep your cables neat and hold the cables in place.



SDI and 12v power connections on URSA Broadcast G2

TIP The URSA Studio Viewfinder uses open standard SDI and broadcast 4 pin XLR power connections so it can be used with any other camera or even as an adjustable portable location monitor. It also uses the open standard ATEM tally and device control protocol so any other camera system can add this information to their SDI stream to allow them to work with the tally and overlays on the URSA Studio Viewfinder.

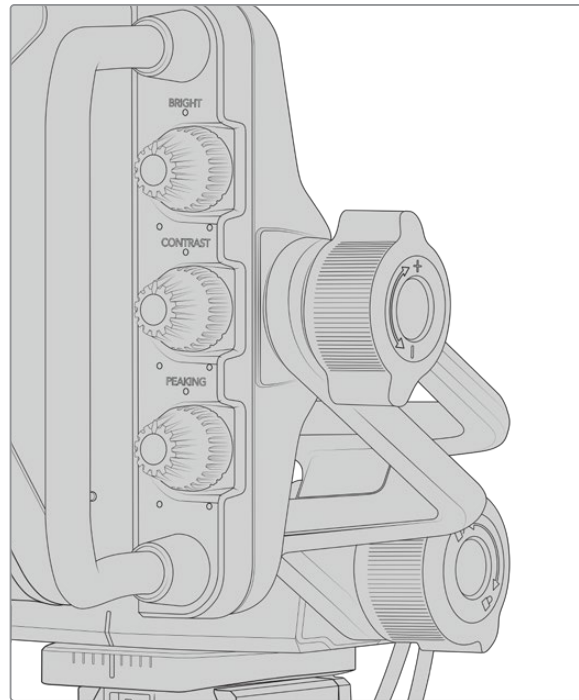
Adjusting the Blackmagic URSA Studio Viewfinder



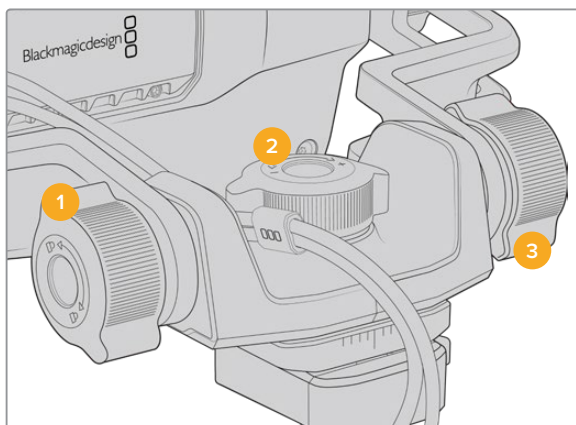
The Blackmagic URSA Studio Viewfinder features large handles and variable tension articulated mounting that allow you to adjust the position and angle of the viewfinder. The large handles allow you to quickly and easily take hold of the viewfinder and adjust the angle and direction of the unit. Combined with the sun hood the handles also help to protect the screen from damage, which means that you can store the fully assembled Blackmagic URSA Studio Viewfinder in a carry case without disassembly. The large handles also allow you easily to pick up and carry the unit between locations.

The supplied mount features tension dials for pan and tilt, with additional tension dials on either side of the viewfinder for additional friction control. The left hand dial allows you to adjust the drag friction of the arm and the right hand dial allows you to lock the Viewfinder in place once you have found the angle you require.

These tension dials have a very large range of tension adjustment, allowing you to select a specific amount of resistance. This allows you to easily pan and tilt the viewfinder to the precise position you require.



Tension dials on either side of the viewfinder

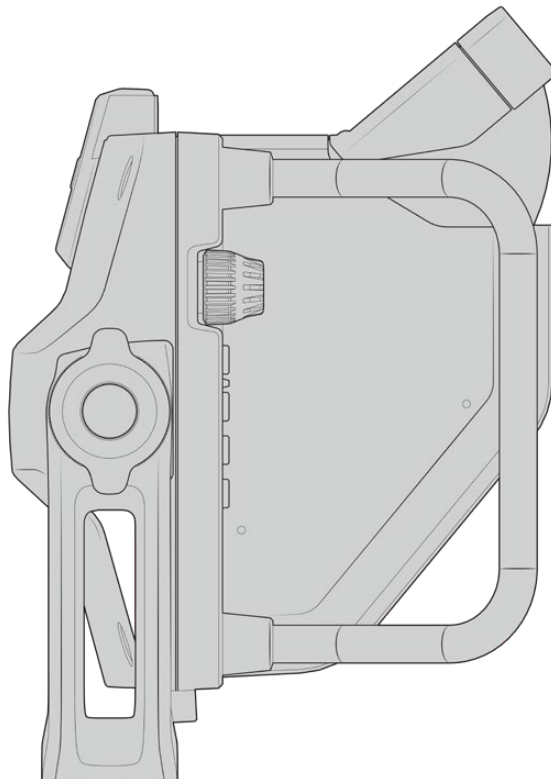
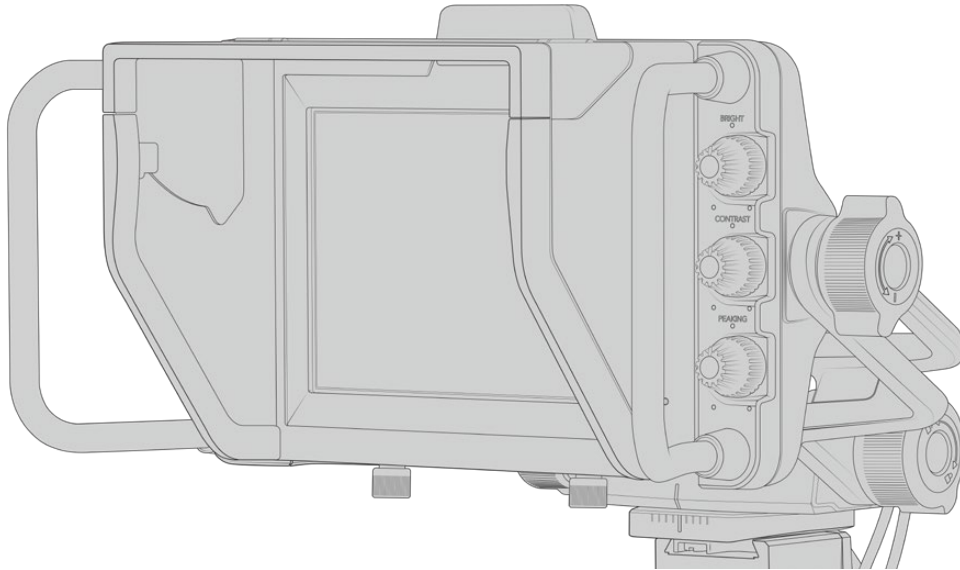


- 1 Tilt Lock Dial**
Locks the angle of tilt on the viewfinder mechanism.
- 2 Pan Tension Dial**
Controls pan tension.
- 3 Tilt Tension Dial**
Controls tilt tension.

TIP The center tension dial on the supplied mount controls pan tension, and can be loosened to allow you to take hold of the viewfinder and move the camera independently. This means that you can film things like motorsport, where you need to pan the camera left and right to follow the action, whilst holding the viewfinder positioned towards your eyes. A visual guide on the mount helps to ensure that the viewfinder can easily be returned to the center.

Sun hood

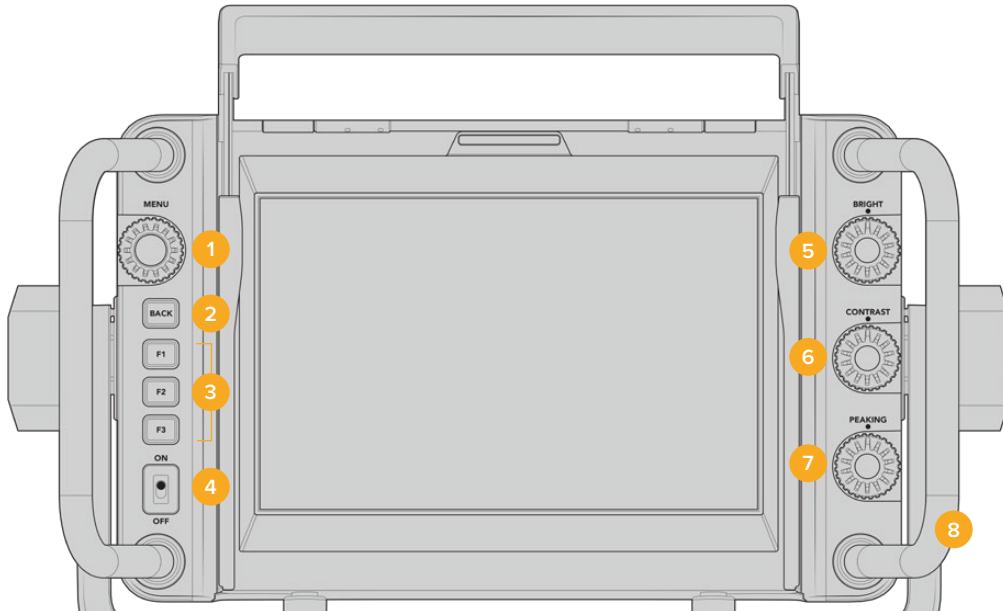
The sun hood helps you to see the screen in bright or sunny conditions. To attach the sun hood, slide it over the top of the Blackmagic URSA Studio Viewfinder and push it into place, securing it with the two captive screws on the base of the sun hood. The top section of the visor is adjustable, and can raise and lower to provide additional viewing angles. The sun hood provides additional protection for the 7" screen, and can be removed quickly and easily if desired or to access the USB-C connector for software updates.



Sun hood and adjustable visor

Button Features

The dials down the right hand side let you change brightness, contrast, peaking quickly and easily. The dials are ergonomically designed so you can adjust the dials from the side with your thumb when using the sun hood, or with two fingers for finer more controlled adjustment.



1 Menu Dial

The push button 'menu' dial allows you to enter the menu, and navigate through the viewfinder settings.

2 Back button

Exits the menu system

3 F1, F2, F3

Assignable function buttons. You can assign functions to these buttons for easy access to your most commonly used functions.

4 ON/OFF switch

Switches the Blackmagic URSA Studio Viewfinder on and off.

5 Bright

Adjusts the brightness of the image on screen. Overlays on screen will show the brightness level on a scale of -100 to +100.

6 Contrast

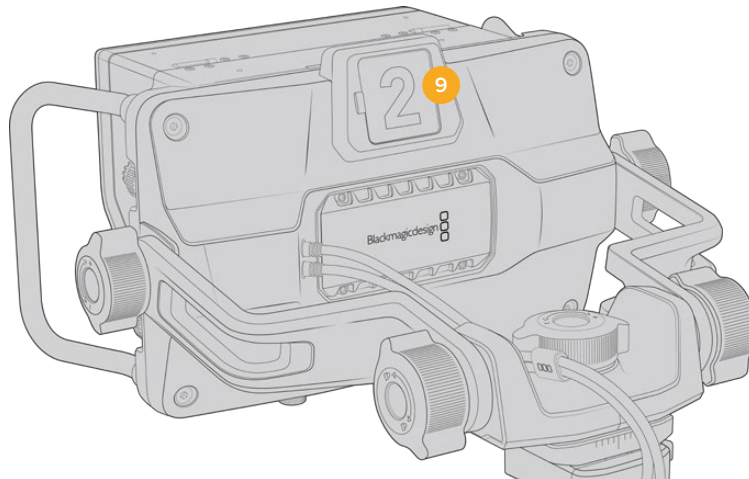
Adjusts the contrast of the image on screen. Overlays on screen will show the contrast level on a scale of -100 to +100.

7 Peaking

Adjusts the focus peaking level for the image on screen. Overlays on screen will show the peaking level on a scale of -100 to +100. In the setup menu you can select between various styles of peaking to suit your environment. There is the option for the traditional style of focus peaking that many will be familiar with from other broadcast systems, as well as the option to use colored lines for focus. As with URSA Broadcast G2 you have the option of 'red', 'green', 'blue', 'black' and 'white' lines which gives you flexibility to make them easily viewable when shooting in environments that have a lot of a particular color.

8 Handles

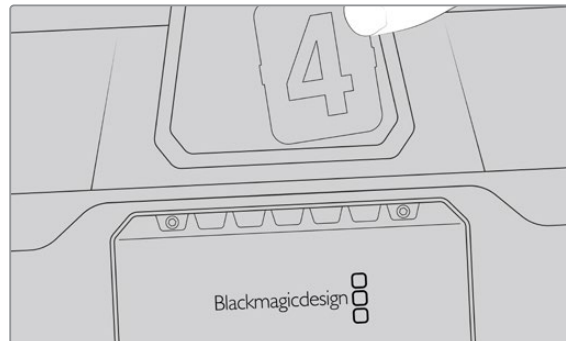
The built in handles are large and allow you to hold the Studio Viewfinder in place as you reposition the camera while shooting. They also provide protection for the screen when setting up and packing down.



9 Tally Light

The large tally light on the rear of the Blackmagic URSA Studio Viewfinder lets both the talent and operator know which camera is on the air, which camera is about to be on air, and if they are ISO recording. The tally illuminates red for on-air, green for preview and when used with URSA Broadcast G2 will illuminate orange for ISO record.

As the director cuts between cameras on the ATEM switcher, tally information is sent back to the camera over SDI so the light is lit when the camera is being previewed to switch to, on the air or recording. In addition, the URSA Studio Viewfinder also includes clip-on transparent camera numbers that attach to the tally light, making it easy for talent to clearly see camera numbers from up to 20 feet away.



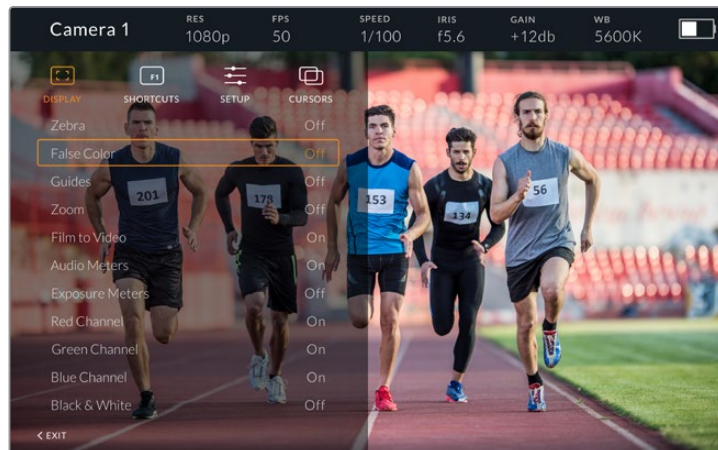
We have included editable PDF's in the software installer that allows you to edit and print out your own tally numbers to match the ones provided, and also to create your own custom tally number inserts. After installing the Blackmagic cameras software these can be found on a Mac in the Application > Blackmagic Cameras > Documents folder and on a PC in the Blackmagic Design > Documents folder.

The tally light will illuminate according to the ATEM switching operations, and when the camera is not connected to a switcher the tally light will illuminate red as a simple record tally indicator. Refer to the 'Understanding Studio Camera Control' section in this manual for more information.

TIP When using the Blackmagic URSA Studio Viewfinder with an ATEM switcher, it is important to select 'clean feed' on URSA Broadcast G2 to ensure that you don't see overlays or the focus box on the SDI output to the ATEM switcher. Navigate to the 'monitor' menu on URSA and select 'clean feed' for 'main SDI'.

Menu Settings

The push button 'menu' dial allows you to enter the menu by pressing it, whilst rotating the dial navigates up and down through the menu options. Pressing the 'menu' dial whilst a menu heading is highlighted, will allow you to switch between the display, shortcuts, setup and cursor sub menus. Rotating the dial will scroll through the settings in each menu. Pressing the dial when a setting is highlighted allows you to adjust that setting by rotating the 'menu' dial. Confirm your selection by pressing the 'menu' dial once more. You can exit out of the menu by hitting the 'back' button or by navigating to and selecting exit.



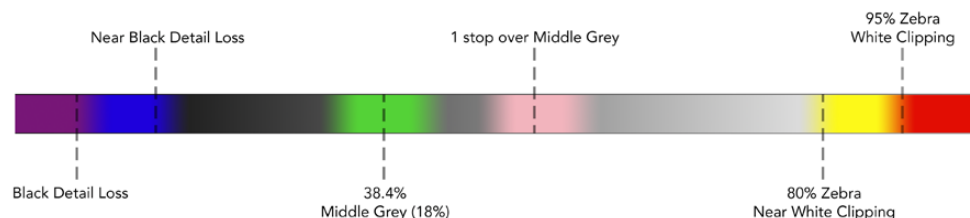
Display

Zebra

Switches zebra levels on and off. The level of zebra will be determined by the setting on your URSA Broadcast G2, in the third page of the 'Monitor' settings menu. When the Studio Viewfinder is not connected with URSA Broadcast G2, the zebra level will represent 95% of the luminance levels of a Rec 709 signal. For more information, refer to the 'settings' section in this manual.

False Color

Switches the false color feature on and off. False color overlays different colors onto your image that represent exposure values for different elements in your image. For example, pink represents optimum exposure for skin tones. By monitoring the pink false color when recording people, you can maintain consistent exposure for skin tones. Similarly, when elements in your image change from yellow to red, that means they are now over exposed. False color is a good feature to assign to one of the function buttons, as it provides quick and easy access to a commonly used reference tool for exposure.



False Color Chart

Guides

This setting gives you the option to show or hide your guides. The guides will match the style of guides that have been set in the URSA Broadcast G2, in the fourth page of the 'Monitor' settings menu.

The aspect ratio, frame guide opacity level, safe area percentage, and the type of grids shown will match what you have set in the camera. The 'setup' menu in the Studio Viewfinder then allows you to configure which type of guides you would like to see in the Studio Viewfinder when guides in the display menu are switched on. Guides then allows you to then switch these 'on' or 'off' with one command.

Zoom

Turns the 'zoom' feature on and off. The 'zoom' feature helps you find sharp focus by zooming into your picture. When zoomed in, you can navigate to specific parts of the screen by rotating the menu dial left and right. The overlay will indicate which part of the picture you are zoomed into.

Film to Video

When sending a 'film' dynamic range SDI signal from your URSA Broadcast G2, the 'film to video' setting allows you to apply a more colorful and contrasty LUT to the image. This setting will only be available when 'film' dynamic range is detected and will otherwise be grayed out to prevent the wrong LUT being applied to the image.

Audio Meters

The audio meters display the audio level that is being input via SDI into the Blackmagic URSA Studio Viewfinder, therefore the meters will show you URSA Broadcast G2's audio input levels. If you have program input selected, the audio meter will display these audio levels.

Exposure Meters

Switches the display of the histogram 'on' or 'off'.

Red Channel

Allows you to switch on or off the red channel of your image.

Green Channel

Allows you to switch on or off the green channel of your image.

Blue Channel

Allows you to switch on or off the blue channel of your image.

Black and White

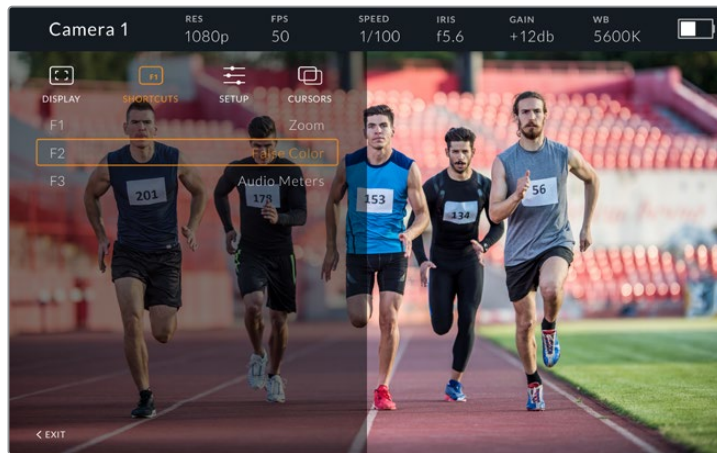
Switches between color and monochrome.

Shortcuts

The shortcut function allows you to map specific functions to the F1, F2 and F3 buttons. These shortcut buttons allow you to quickly toggle 'on' and 'off' any of the settings in the display menu, or your cursors. This is extremely useful when you need to quickly access a particular setting for a frequently used feature.

To customize your shortcut buttons: In the 'shortcuts' menu, rotate the push button 'menu' dial to move up or down and select one of the 3 buttons. Press the 'menu' dial to confirm your selection and then rotate the 'menu' dial to scroll through the assignable features. You will have the option to select one of the following features: 'zoom', 'cursor 1', 'cursor 2', 'cursor 3', 'zebra', 'false color', 'guides', 'film to video', 'audio meters', 'exposure meters', 'red channel', 'green channel', 'blue channel', 'black and white'. Once chosen click the menu button to confirm that selection, and assign that function to the chosen shortcut button. Pressing the shortcut button will now switch this feature 'on' and 'off'.

Once you have set up your shortcuts as required you can either scroll to 'exit' and press the 'menu' dial to close the menu display view, or hit the back button to exit out of the menu.



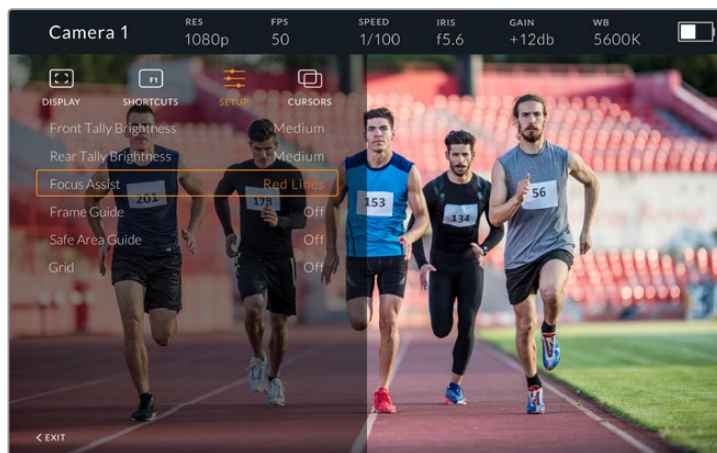
The 'shortcuts' submenu

Setup

The 'setup' menu is where you choose your preferences for how the viewfinder is setup.

Front Tally Brightness

Allows adjustments of tally LED brightness between 'off', 'low', 'medium' and 'high'. The tally light will illuminate whilst adjustments are being made so you can see what each brightness level represents.



The 'setup' submenu

Rear Tally Brightness

Allows adjustments of tally LED brightness between 'low', 'medium' and 'high'. The tally light will illuminate whilst adjustments are being made so you can see what each brightness level represents.

TIP A high LED brightness setting is recommended for bright conditions, as it will provide greater visibility for talent and operators in the conditions. A low LED brightness is recommended when filming in darker environments where it is easier to see when the light is on.

Focus Assist

The 'focus assist' setting toggles the appearance of peaking on the viewfinder. You have the choice of 'red', 'green', 'blue', 'black' and 'white' as well as traditional peaking.

Frame Guide

Gives you the option to show 'frame guides' as part of your Studio Viewfinder's 'Guides'. When connected to URSA Broadcast G2 they will match your camera's 'frame guides' aspect ratio. When connected to other systems they will default to the 14:9 aspect ratio.

Safe Area Guide

Gives you the option to show the 'safe area' indicator as part of your Studio Viewfinder's 'Guides'. When connected to URSA Broadcast G2 these will match your camera's 'safe area guide' percentage. When connected to other systems they will default to 90%.

Grid

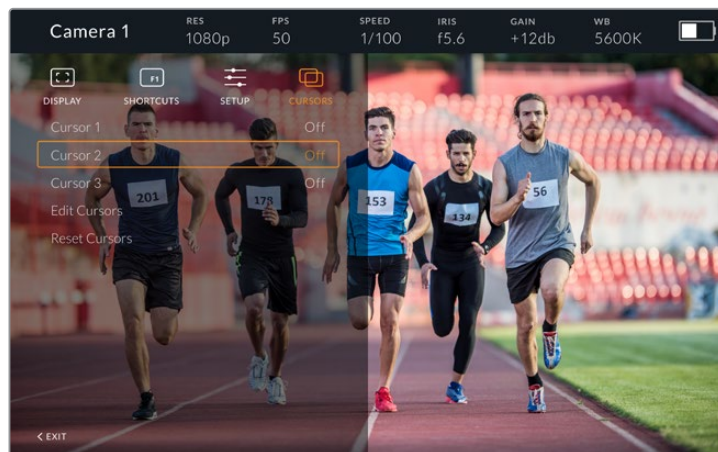
Gives you the option to show grids as part of your Studio Viewfinder's 'Guides'. When connected to URSA Broadcast G2 these will match your camera's 'grids' settings. When not connected, this will switch your crosshairs on or off.

LCD Brightness

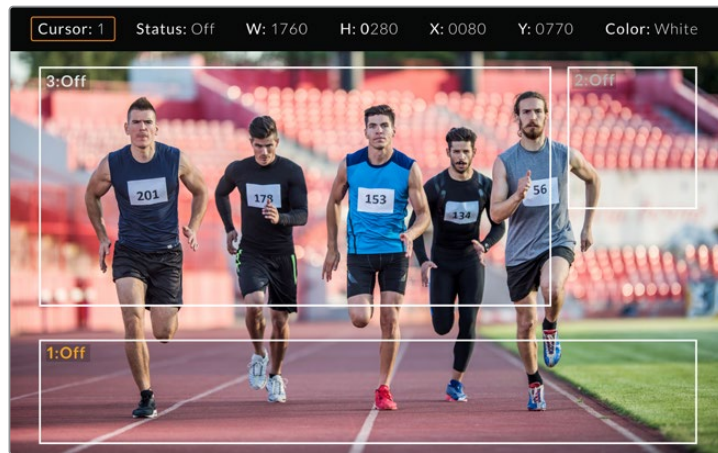
If you have the updated model of URSA Studio Viewfinder then the LCD Brightness setting will appear at the bottom of the setup menu. This adjusts your Studio Viewfinder LCD backlight brightness.

Cursors

The cursors allow you to mark an area on screen where graphics like a lower third, graphic, logo or ticker will be overlaid. To adjust these cursors go to 'cursors' and select 'edit cursors'. This will bring up a page that shows you all three cursors and allows you to select each one individually and then dial in the width, height, x and y co-ordinates for positioning each one individually.



The cursors submenu



Cursors displayed on screen

Once you have set them up they can be switched on or off from the 'cursors' menu or assigned to your function keys for quick access. This is important for live production, as it allows the camera operator to take this into consideration and accurately compose and frame shots. You can create up to three black or white custom cursors that can have variable height, width and position, making it easy to match the size and location for all the graphics that will be added live or during later broadcast. You also have the option to reset the cursors to their default state.

Using a headset with the Blackmagic URSA Studio Viewfinder

When using the Blackmagic URSA Studio Viewfinder with URSA Broadcast G2, the headphone connection on the camera will now become a talkback headset connection, allowing for direct communication with the director.

For more advanced talkback functionality, you can also use Blackmagic Camera Fiber Converter and Blackmagic Studio Converter to allow you to use standard broadcast headsets with 5 pin XLR connectors. For more information, refer to the 'Blackmagic Fiber Converters' section in this manual.

TIP Because URSA Broadcast G2's headphone socket is iPhone headset compatible, you can use your iPhone headset to communicate with the director. Pushing the button on the built-in remote will allow you to talk back to the director.

Updating URSA Studio Viewfinder's Internal Software

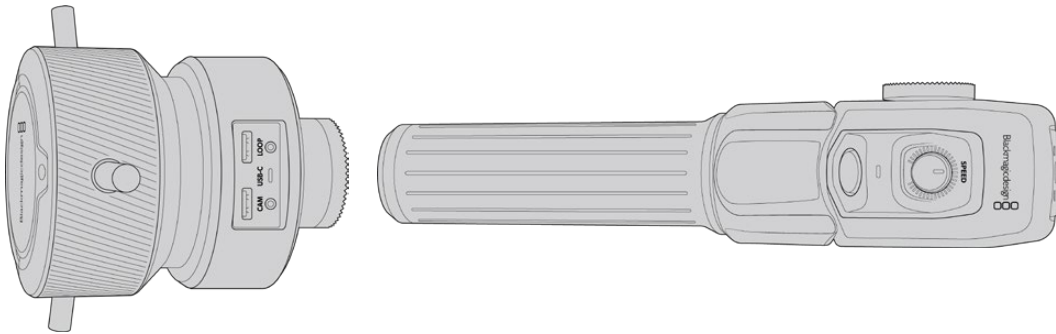
Update your viewfinder using the Blackmagic Camera Setup utility software. The viewfinder will need to be powered when updating, so we recommend keeping the viewfinder connected to your URSA Broadcast G2 during the update process. This also means your camera will need to supply consistent power, so be sure to plug into external power.

Remove the sun hood to provide access to the small USB-C connection located on the bottom of the Blackmagic URSA Studio Viewfinder, and connect your computer to the USB-C port. When Blackmagic Camera Utility is launched and your viewfinder is connected to your computer, you will be prompted to update if your computer detects that your viewfinder is using an older version. Follow the on screen prompts to update your viewfinder's internal software. Refer to the 'Blackmagic Camera Setup Utility' section in this manual for more information.

We recommend updating all your Blackmagic URSA equipment at the same time for optimized performance.

NOTE When using your Blackmagic URSA Studio Viewfinder with URSA Broadcast G2, we recommend updating your viewfinder's internal software to the latest version to ensure compatibility. The latest software can be found at the Blackmagic Design support center at www.blackmagicdesign.com/support. Refer to the 'Blackmagic Camera Setup Utility' section in this manual for more information.

Blackmagic Zoom and Focus Demands



Blackmagic Zoom Demand and Blackmagic Focus Demand are optional accessories for controlling focus and zoom when using compatible servo driven B4, EF and PL lenses.

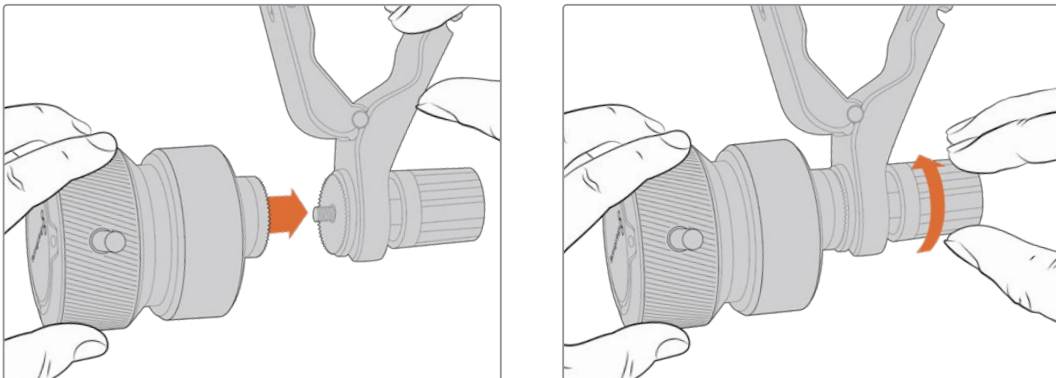
Each unit attaches to a tripod handle on your tripod or camera pedestal. This lets you control focus and zoom while simultaneously panning and tilting the camera using both hands. Additional buttons and controls let you refine the speed and sensitivity of the zoom control, engage talkback, monitor program return and more.

Connecting and Attaching to your Camera

Attaching to Tripod Handles

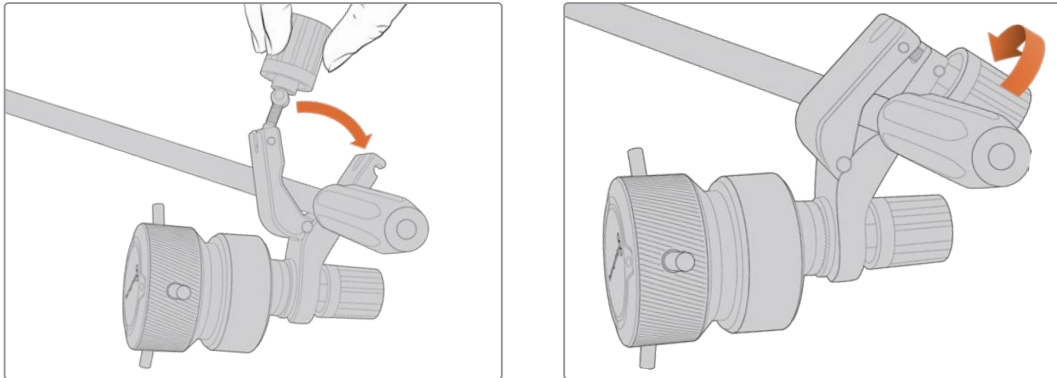
Each unit attaches to a tripod handle via their mounting brackets. Attach each unit to the brackets via their rosette mounts:

To attach the demand units to their brackets, simply connect them together via their rosette mounts and secure them by tightening the fastening knob.



- 1 Place the zoom demand or focus demand against their bracket's rosette mount.
- 2 Tighten their fastening knob so the demand units are firmly attached to their brackets.

Now that the units are attached to the brackets, you can attach the brackets to the tripod arms. One end of each bracket contains a 'T' shaped latch that hinges into a slot and is then tightened.



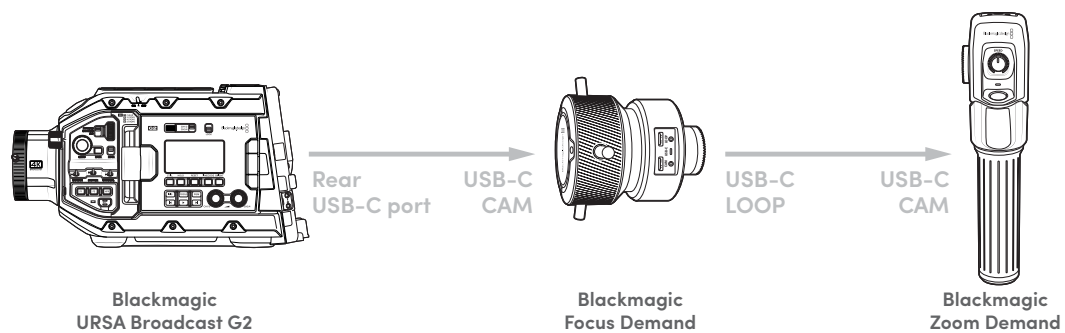
- 1 Loosen the latch by unscrewing the latch knob in a counterclockwise motion. This will release the 'T' shaped latch.
- 2 With the latch open, place the bracket onto the tripod arm and clamp the bracket shut by closing the latch into its fastening slot. Rotate the bracket to your preferred position on the tripod arm.
- 3 Tighten the latch knob to secure the bracket to the tripod arm.

Connecting to Your Camera

Blackmagic Focus and Zoom Demands have two USB-C ports. This lets you use one unit individually, or both units together.

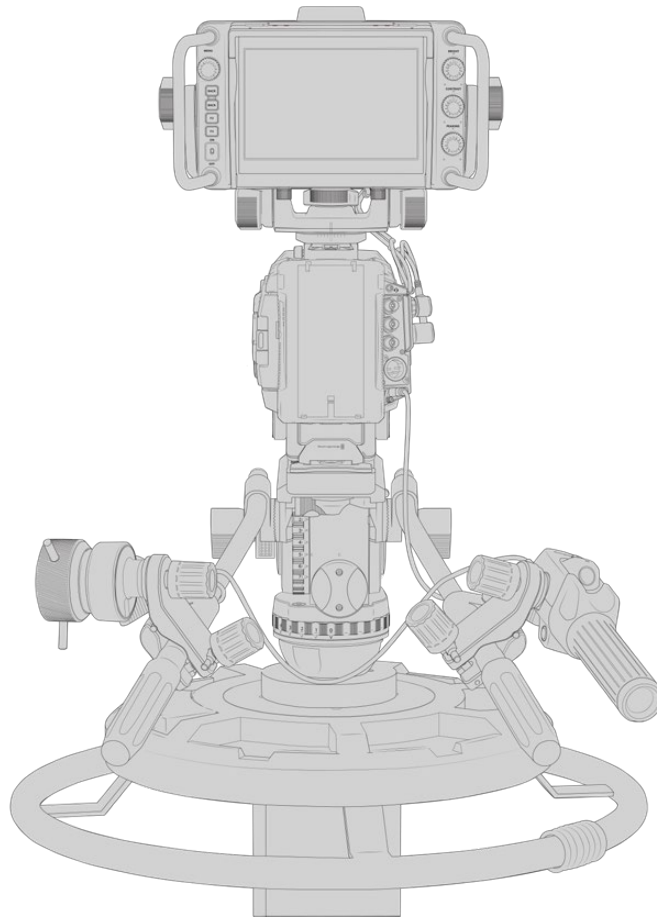
Each unit is supplied with a 1 meter long USB-C cable which is connected directly from your URSA Broadcast G2's rear USB-C port to the demand unit's 'cam' port.

If you are using both demand units, daisy chain them together by connecting the first unit to the second unit via USB-C.



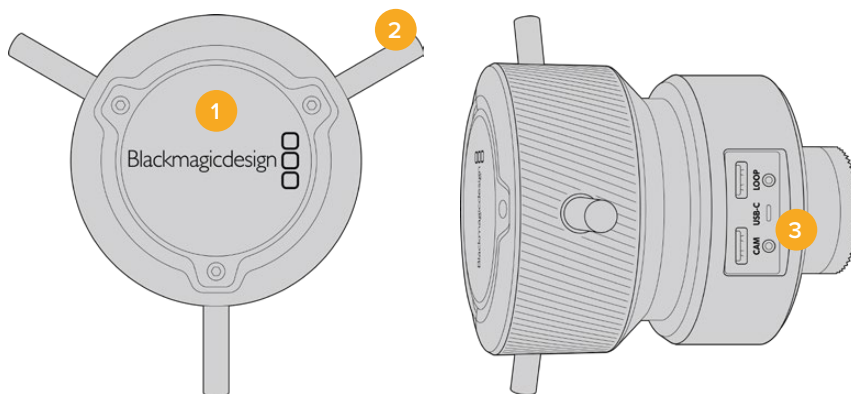
Daisy chaining allows for both units to be controlled using the rear USB-C port on your URSA Broadcast G2. For example, connect a USB-C cable into your camera's rear USB-C port and connect the other end of the cable into the focus demand's 'cam' port. With a second cable, plug the focus demand's 'loop' port into the zoom demand's 'cam' port.

The USB-C cable has locking screws on each end to secure the connectors to each unit, preventing accidental disconnection. You don't have to use the locking screws, but they are helpful for studio setups where the units are always connected to your URSA Broadcast G2.



The Blackmagic Focus and Zoom Demands let you control focus and zoom without moving your hands away from the handles

Using Blackmagic Focus Demand



1 Control Knob

Rotate the focus wheel clockwise to focus on subjects closer to the lens, or counterclockwise to focus on subjects further away. You can change the focus direction in the menu by setting it to either 'normal' or 'reverse'.

TIP If you are also using a Blackmagic Zoom Demand, press the quick zoom button to magnify the image as you focus using the focus demand.

2 Control Prongs

These three prongs expand the diameter of the control surface to let you make finer focus adjustments with the tip of a finger.

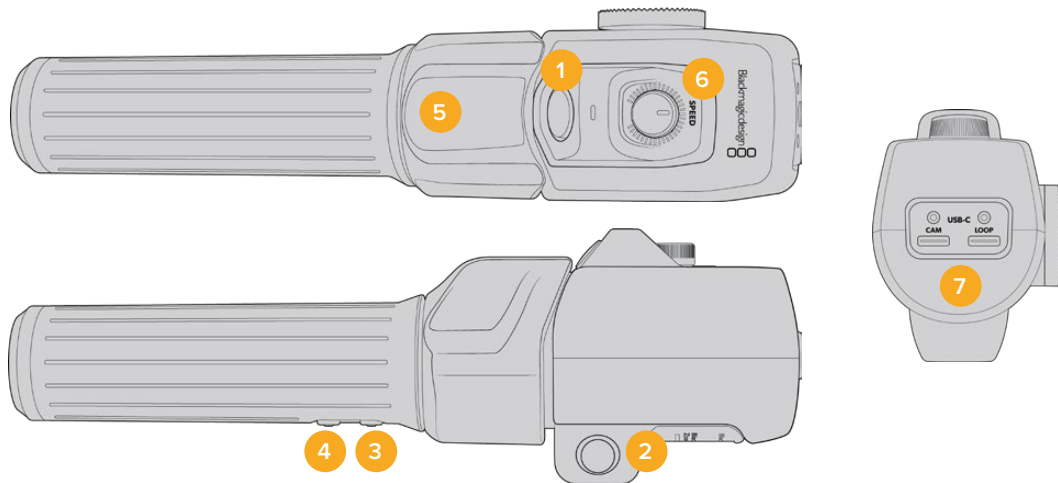
3 USB ports

Allows for connecting the focus demand to the camera and daisy chaining to the zoom demand. The 'cam' port is also used for updating the internal software via the Blackmagic Camera Setup utility.

Using Blackmagic Zoom Demand

The controls on the Zoom Demand are mappable through the Camera settings. To change the button functions, refer to the 'setup settings' chapter in the 'settings' section.

The following commands are set as default:



1 Zoom F1

This is the zoom function button 1. By default, it is mapped as a 'record' button.

2 Zoom F2

This is the zoom function button 2. On the other side of the controller is an identical button that performs the same function, allowing for left and right handed control. By default, it is set as a quick zoom function which instantaneously punches into the live image.

NOTE The quick zoom feature is only visible on the Blackmagic URSA Broadcast G2's LCD and will not be visible on the output video connected to a switcher or recorder.

3 Zoom F3

This is the zoom function button 3. The default action for this button is set to program return. This would normally be a switcher's program return feed, but can be any SDI signal connected to your camera's SDI input.

4 Zoom F4

This is the zoom function button 4. The default action for this button is set to push to talk. When connected to an ATEM switcher via SDI, press and hold the button to communicate with the switcher operator.

5 Thumb Rocker

The zoom demand handle provides a thumb rocker control. Push the thumb rocker left to zoom out, and right to zoom in. The direction of the zoom can be reversed using the camera's menu settings.

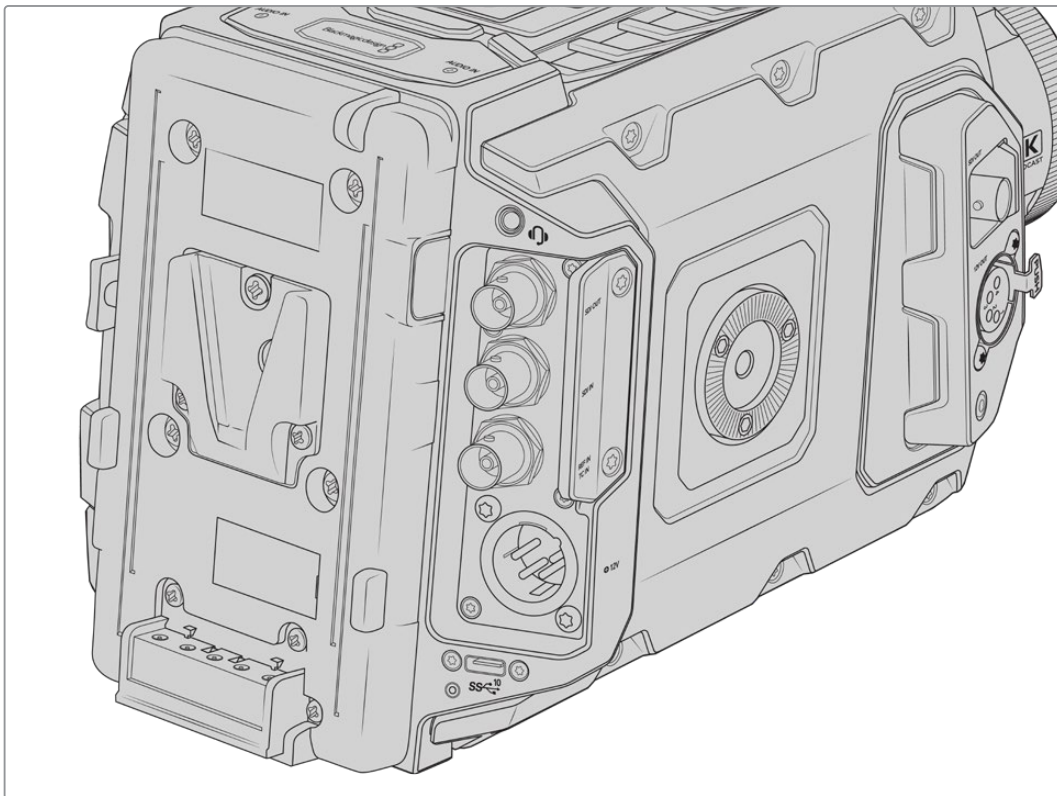
6 Speed Dial

Finely adjust the speed of the zoom by adjusting the speed dial at the top of the unit. You can map this dial to also control the headphone level, iris adjustment and even focus adjustment!

7 USB-C Ports

Allows for connecting the zoom demand to the camera and daisy chaining to the focus demand. The 'cam' port is also used for updating the internal software via the Blackmagic Camera Setup utility.

Mounting Batteries



Mounting V-mount or Gold Mount Batteries

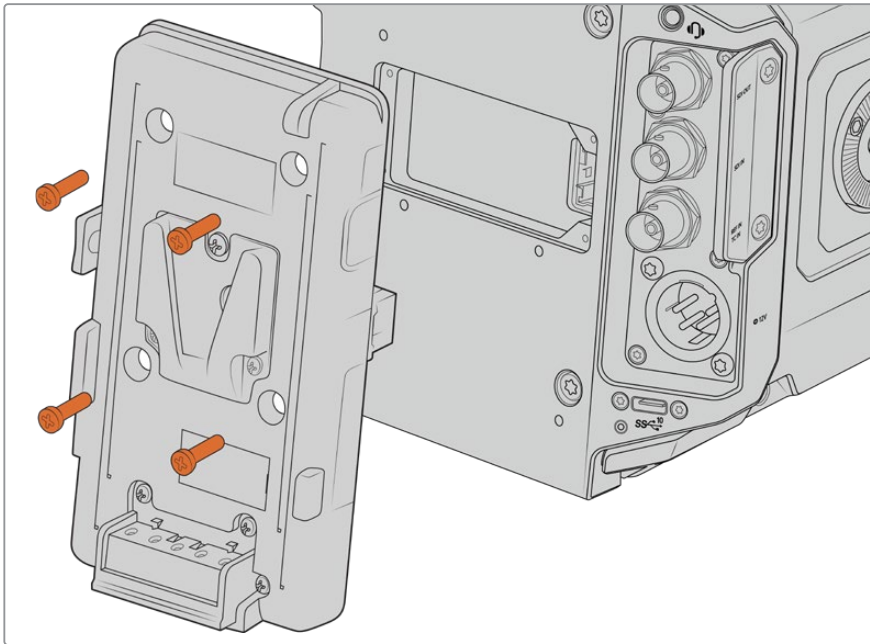
Your Blackmagic URSA Broadcast G2 comes fitted with a URSA VLock Battery Plate for attaching industry standard VLock batteries to your camera.

Other battery types can also be mounted by attaching an optional Blackmagic URSA Gold Battery Plate, or a third party battery plate.

TIP Blackmagic URSA VLock Battery Plate and URSA Gold Battery Plate support displaying percentage information with compatible batteries. Blackmagic battery plates have a '+12V out' connector referred to as a 'D-tap' or 'P-tap' to power accessories such as an external monitor. It is worth noting that because this output is regulated from the camera, it will power down safely when the camera switches off. This regulated output supplies 12 Volts at up to 1.5 Amps. Some third party URSA battery plates, and even some batteries, offer an unregulated D-tap output. These supply continuous power when the camera is rebooting or power cycled, but the voltage varies depending on the charge level of the battery and accessories plugged in will drain the battery continuously.

You can purchase Blackmagic URSA VLock Battery Plates and URSA Gold Battery Plates from Blackmagic Design resellers, or third party battery plates from suppliers of professional digital cinema and video equipment. If you want to modify your own battery plate to use with your Blackmagic URSA Broadcast G2, then you can use the supplied adapter cable and connector. Refer to the 'using your own battery plate' section for information about how any battery plate can be modified to use with URSA Broadcast G2.

To replace the battery plate on your Blackmagic URSA Broadcast G2:



- 1 Unscrew the 4 x M3 screws from each corner of the URSA VLock Battery Plate.
- 2 Disconnect the battery plate's moxle connector from your camera's moxle power connector.
- 3 Connect the new battery plate's moxle connector to your camera's moxle power connector.
- 4 Screw the battery plate onto your Blackmagic URSA Broadcast G2's plate mounting points using 4 x M3 screws. Make sure the connector cable is tucked safely into the cable slot and not crushed between the plates when tightening.
- 5 With the new battery plate connected to your camera, you can now mount a battery and power up your camera.

Using your own Battery Plate

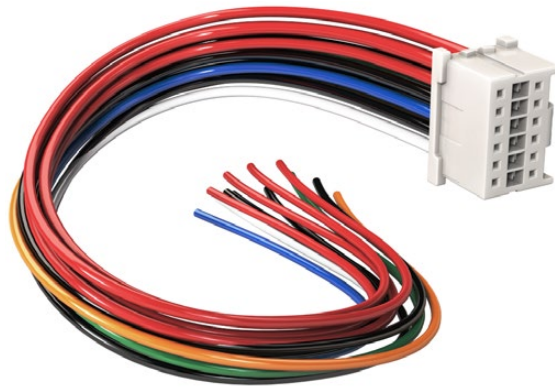
Adapter Cable and Connector

If you want to modify a third party battery plate for use with your URSA Broadcast G2, you can use the supplied adapter cable and connector, which is also available at your local Blackmagic Design support office.

To wire the adapter cable and connector to your battery plate:

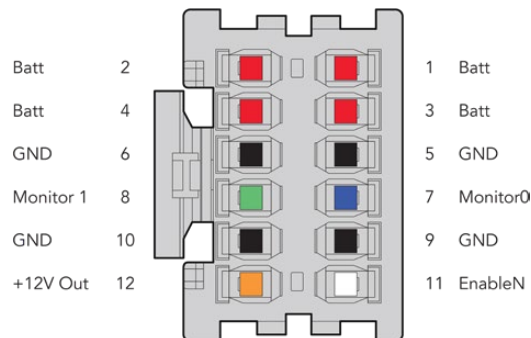
- 1 Strip approximately half an inch of insulation from the end of each red and black wire.
- 2 Solder all 4 x red 'Batt' wires to the corresponding 'positive' wire from your battery plate.
- 3 Solder all 4 x black 'GND' wires to the corresponding 'negative' wire from your battery plate.

Ensure the joins are well insulated.



If you need to modify any battery plate to plug into URSA Broadcast G2, use the supplied adapter cable and connector, which is also available from your local Blackmagic Design support office

This enables battery power to your camera. You can also connect additional wires for features such as 12 V output and battery status. Refer to your battery plate information, plus the diagram and tables on this page for help connecting the wires. If you require further assistance visit the Blackmagic Design support center at www.blackmagicdesign.com/support.



The rear view of the adapter's connector housing. Refer to the wire configuration table for a description of each pin

Wire Configuration Table

Pins	Signal	Color	Direction	Description
1, 2, 3, 4	Batt	Red	To URSA	12 V to 20 V
5, 6, 9, 10	GND	Black	–	–
7	Monitor0	Blue	To URSA	Analog battery level or open drain data line (20 V max)
8	Monitor1	Green	To URSA	Open drain clock line (3.4 V max)
12	+12 V out	Orange	From URSA	12 V regulated output 1.5 A max (18 W)
11	EnableN	White	To URSA	Connect to GND to enable +12 V out. Leave floating if +12 V out is not required.

Each Batt and GND pin supports 3 amps. Make sure all Batt and GND pins are connected. To monitor the battery status using Anton Bauer, IDX, or Blueshape plates, follow the connection table below:

Anton Bauer	Connect the blue/white striped wire to the housing blue wire at pin 7.
IDX	Connect the green wire to the housing green wire at pin 8, and the gray wire to the housing blue wire at pin 7.
Blueshape	Connect the blue wire labelled “SMBC” to the housing green wire at pin 8. Connect the brown wire labelled “SMBD” to the housing blue wire at pin 7.

Secure any unused wires by cutting them as close as possible to the rear of the adapter connector.

Blackmagic Fiber Converters

Blackmagic Camera Fiber Converter and Blackmagic Studio Fiber Converter are optional accessories that provide a SMPTE fiber connection between your URSA Broadcast G2 or URSA Mini camera and an ATEM switcher.

SMPTE fiber lets you connect all video, power, talkback, tally and camera control signals between an ATEM switcher and your camera using one single industry standard SMPTE hybrid fiber optic cable. Using a SMPTE fiber connection greatly reduces the amount of cables required, which helps makes the production setup more efficient and simpler to run. The standard connectors on Blackmagic Studio Fiber Converter allow you to easily add the fiber converters into an existing broadcast truck infrastructure.

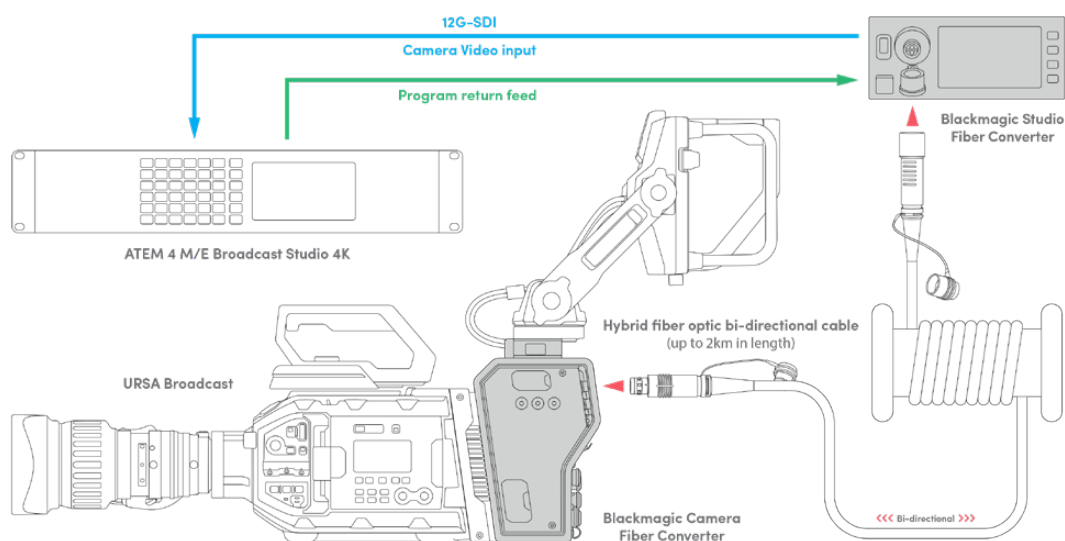


Blackmagic Camera Fiber Converter

Mounts to the back of your URSA Mini or URSA Broadcast G2 and connects to the Blackmagic Studio Fiber Converter via a standard SMPTE hybrid 304 connector.

Blackmagic Studio Fiber Converter

This converter converts the optical fiber SDI signal from the camera unit to SDI via BNC, which is then connected to an ATEM switcher. The converter also takes all return feed sources, including program return from the ATEM switcher, and sends them back to the camera unit.



The Blackmagic camera and studio fiber converters connect via optical fiber to provide efficient SDI video, power, talkback, tally and control signals via a single SMPTE fiber optic cable.

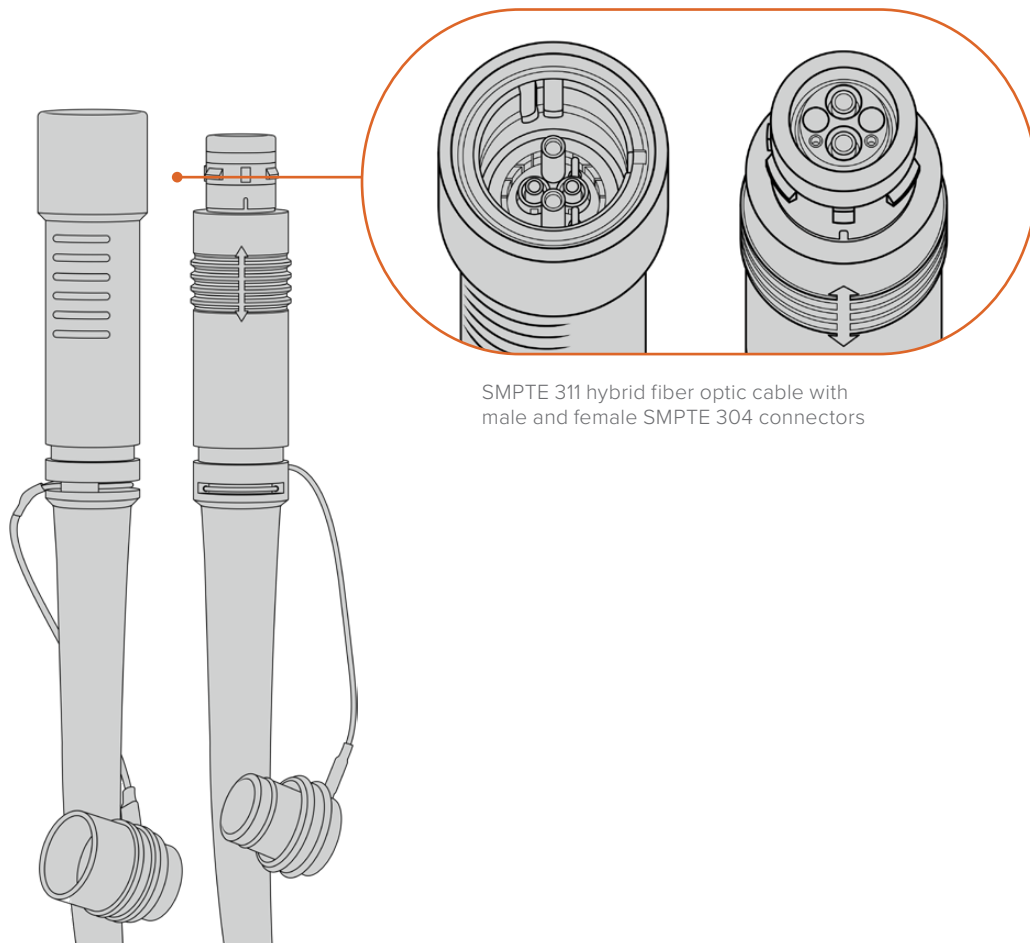
Getting Started with Blackmagic Fiber Converters

Getting started is fast and efficient. It won't take long before you are producing video content and enjoying the benefits of SMPTE fiber.

About SMPTE Fiber

SMPTE fiber cables provide you with a simplified way to carry multiple signals as well as power, over long distances. This is useful in broadcast scenarios, as you don't need to connect several cables for each camera that is connected to your switcher.

With a SMPTE 311 hybrid fiber optic cable, you can use one single industry standard optical fiber cable to connect each camera to your ATEM switcher, and provide all video, power, talkback, tally and control signals along one cable. With optical fiber you can also carry these signals and power over longer distances up to 2 kilometers.



SMPTE 311 hybrid fiber optic cable with male and female SMPTE 304 connectors

NOTE The male and female ends of a SMPTE 311 hybrid fiber optic cable can be identified by looking for the male and female pins inside the tip of the SMPTE 304 connector. The gender of the connectors is not determined by their outward appearance.

TIP Connect the rubber cap from each end of the SMPTE fiber cable into the rubber cap on each converter to prevent any dust or debris from entering the caps.

One of the main benefits of using a SMPTE fiber connection is to connect to the control room or broadcast truck in a traditional live broadcast environment. Most modern sporting stadiums already have optic fiber cables installed between camera positions and the control room or broadcast truck, so this means you can plug directly into these systems.

The optic fiber cable used to connect to an existing fiber system, or to connect the two Blackmagic fiber converters together, is a SMPTE 311 hybrid fiber optic cable with SMPTE 304 connectors.

Protecting SMPTE Connectors

It is very important that the SMPTE fiber cable's connectors are always protected by their rubber caps. This is because minute dust particles can collect very quickly on the polished ends of the glass fiber tubes which can interrupt signal flow. The best practice is to immediately replace the rubber cap as soon as a connector is exposed. For example, immediately prior to connection, and immediately after disconnection.

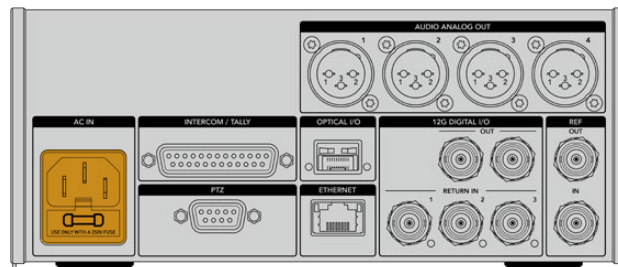
It's also a good idea to connect the rubber cap from each end of the SMPTE fiber cable into the rubber cap on the converters whilst in use, to prevent any dust or debris from entering the caps.

Plugging in Power

Power from the studio unit is sent through the fiber cable to the camera unit, therefore the first step to connecting power is to power the studio unit.

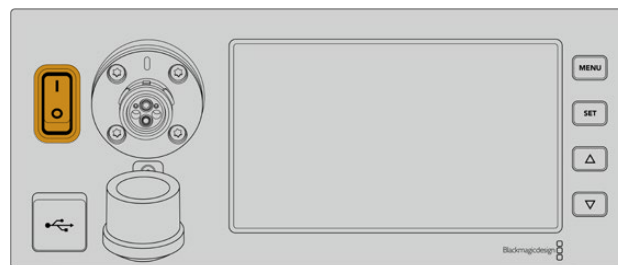
Powering the Studio Fiber Converter

Plug a standard IEC power cable into the power connector on the studio unit's rear panel.



Connect power to your studio fiber converter via a standard IEC power cable

To turn the unit on, set the power switch on the front control panel to the 'on' position.



Connecting SMPTE Fiber

The next step in getting started is to connect the SMPTE fiber cable between the studio fiber unit and the camera unit. This provides power from the studio unit to the camera unit, and fiber for all video feeds.

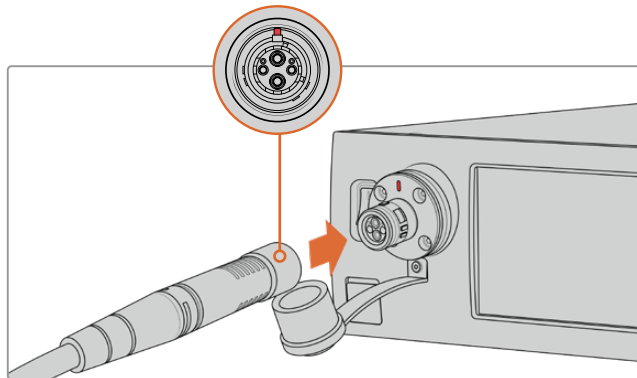
NOTE Extensive safety checks are initiated whenever a powered hybrid fiber optic cable is plugged into the converter and the power safety of the unit is continually monitored during use.

Connecting the Fiber Cable to the Studio Unit

The male end of the SMPTE fiber cable's locks securely onto the female fiber connector on the front panel of the Blackmagic Studio Fiber Converter. This is a secure lock ensuring that the cable is not accidentally disconnected during broadcast.

To connect the cable:

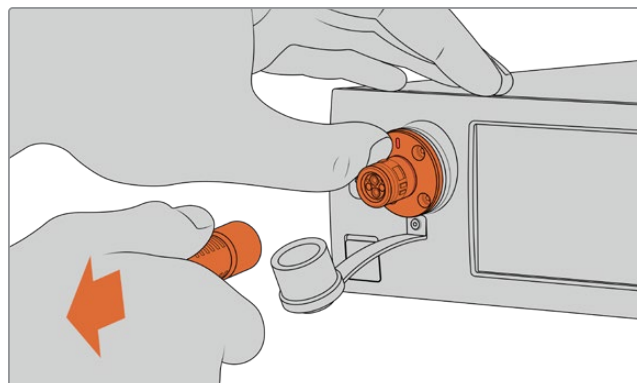
Align the red indicator on the cable connector with the red dot on the unit's fiber connector, and plug the connector in until it securely clicks into place.



Plug the male end of the SMPTE fiber cable into the female connector on the front of Blackmagic Studio Fiber Converter

To disconnect the cable:

Push the metal base of the studio unit's fiber connector towards the front panel and remove the cable connector.



Push the metal base of the studio unit's fiber connector towards the front panel to disengage the cable connector allowing you to pull the cable away from the unit.

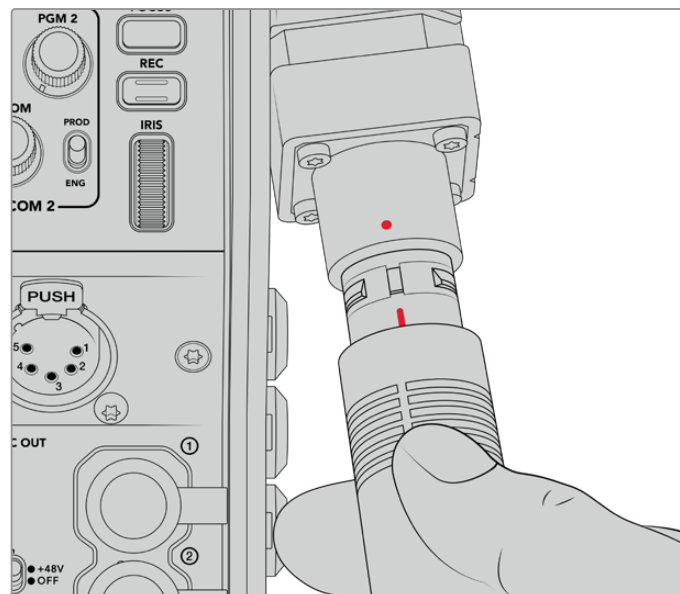
Once plugged in, it is a good idea to connect the rubber cap from the end of the SMPTE fiber cable into the rubber cap from the Blackmagic Studio Fiber Converter. This will prevent any dust or debris from entering the caps, and ensure that the caps remain clean.

Connecting the Fiber Cable to the Camera Unit

The female end of the SMPTE fiber cable locks into the male connector on the side of Blackmagic Camera Fiber Converter, ensuring that the cable is not accidentally disconnected during broadcast.

To connect the cable:

- 1 Align the red indicators on each connector, and plug the cable connector into the camera unit's connector until it securely clicks into place.
- 2 Once plugged in, it is a good idea to connect the rubber cap from the end of the SMPTE fiber cable into the rubber cap from the Blackmagic Camera Fiber Converter. This will prevent any dust or debris from entering the caps, and ensure that the caps remain clean.

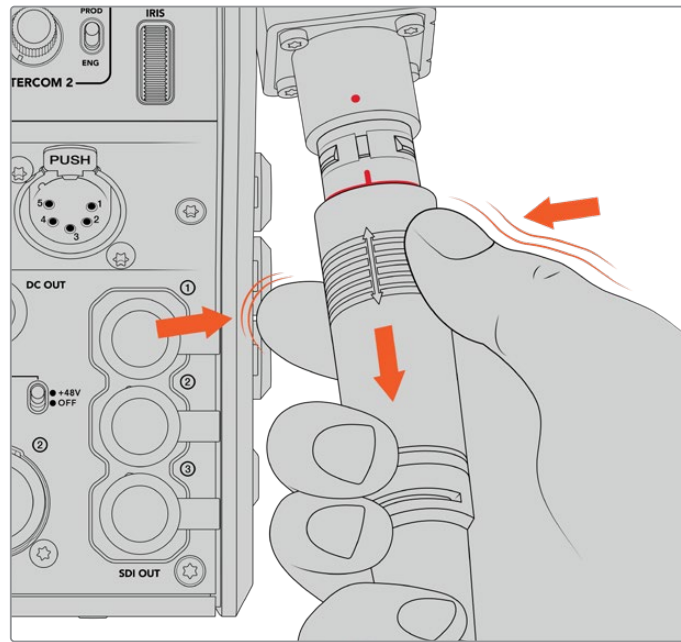


Align the red indicators to connect the SMPTE Hybrid Fiber Optic cable to the large connector on the Blackmagic Camera Fiber Converter

NOTE The SMPTE 304 connectors on the SMPTE 311 cable are very durable and lock firmly to the camera. If you need to disconnect the cable, please ensure that you have the camera firmly attached to a tripod head or are bracing the camera with your spare hand while trying to disconnect the cable.

To disconnect the cable:

- 1 Pinch the top section of the female end of the cable, and compress the rubber sheath around the cable, pulling it gently away from the tip of the cable until you can see the red ring under the sheath. This will detach the teeth from the locking mechanism.
- 2 Put one hand on the camera to brace it gently, and pull the cable away from the connector on the Blackmagic Camera Fiber Converter. The cable should disconnect easily without the need for excessive force.



Pinch the rubber around the tip of the cable to reveal the red ring below, then pull the cable to disconnect

NOTE The SMPTE hybrid fiber cable is the heart of the broadcast ecosystem, so it is crucial that great care is taken. For example, avoid kinks in the cable, always prevent the cable from being pressed under heavy items, and avoid bending at 90 degree angles. Avoid dropping the connectors and take care when connecting and disconnecting. Always cap the connectors as soon as they are exposed.

Confirming Power and Fiber

The two units will now establish a handshake process to determine that power is being supplied safely and fiber is securely connected.

This process involves the following:

- 1 The studio unit establishes a low power state with the camera unit. This is shown by the camera unit's red power status indicator.
- 2 Once power is determined as safely connected, a high power state is established and the camera unit's power indicator will illuminate green.
- 3 The fiber connection is confirmed and the fiber status indicator will illuminate green.

This is usually very fast and the indicators can turn green almost immediately. If you are using a cable over greater distances, the handshake process can take a moment longer before indicators illuminate green.

If the power light remains red for an extended period of time and does not turn green, or flickers between red and green, check that both ends of the fiber cable are securely connected. If the interruption persists, check the condition of your fiber cable.

Power Safety Considerations

The SMPTE hybrid fiber optic cable is capable of carrying high voltage over long distances so that you can power a camera and accessories that are located up to 2km away.

To ensure safe operation, your Blackmagic Studio Fiber Converter has safety mechanisms built in to ensure accurate monitoring and automatic management of the voltage being carried.

A dedicated micro controller along with internal handshaking and communication between the Blackmagic fiber converters ensure that a hybrid fiber optic cable remains off until it is plugged into the Camera Fiber Converter. It then goes into a low power state and completes safety checks before going into high power mode. High voltages are not enabled until the converters ensure that an optical signal is present, there is a 5mA signal core current loop, and there is less than 30mA of imbalance between the power cores.

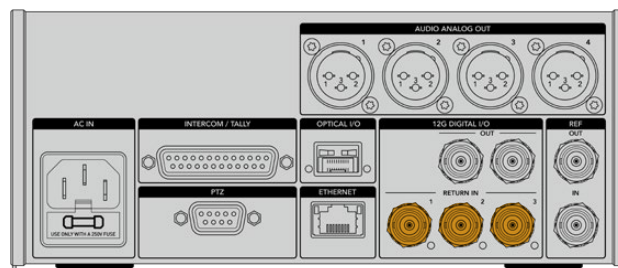
Connecting to an ATEM Switcher

How to connect Blackmagic Studio Fiber Converter to your switcher:

- 1 Connect a BNC cable from Blackmagic Studio Fiber Converter's rear 12G-SDI output to one of the SDI inputs on your switcher. Ensure your camera is set to use the same format and frame rate as your switcher.
- 2 Connect a BNC cable from your program return feed output on your switcher to the 'return in' 1 input on the studio unit's rear panel.

TIP When using multiple cameras in a live production, you may need to run the program return feed from the switcher through a Teranex Mini SDI Distribution 12G or a Smart Videohub. That is because there are a set number of program outputs on the switcher and you will likely need access to more.

- 3 If you require any other return feeds to be sent to your camera such as a clean program return feed, a teleprompter feed, an ISO feed from another camera, graphics or any other signal then plug these into 'return in' 2 or 3.



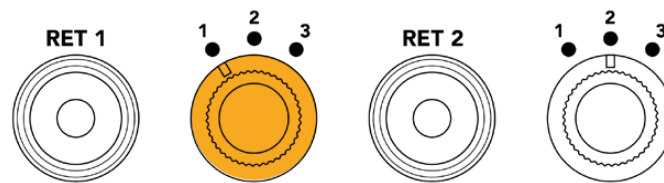
Plug the program return feed from the switcher and other return sources into the 'return' inputs on the studio unit's rear panel

Confirming Video

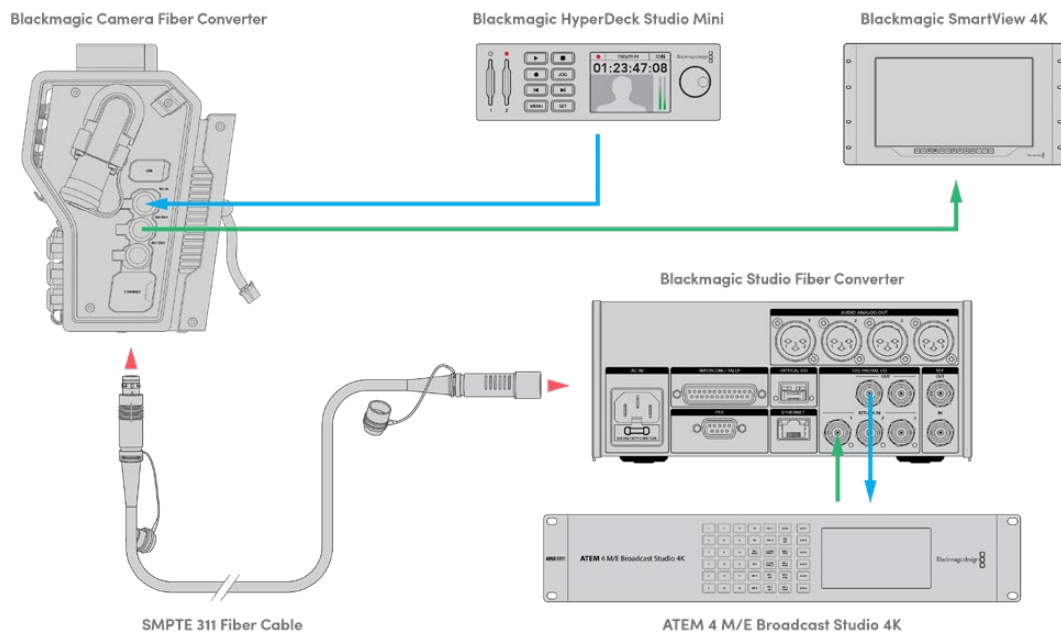
You can now check that video is working and all return feeds are present.

- 1 Ensure the ATEM switcher's program output is connected to the studio unit's SDI return input 1.
- 2 If you want to check all return feeds, plug video sources into SDI return inputs 2 and 3.
- 3 Now plug an SDI monitor, such as a Blackmagic SmartView 4K, into the 'SDI out' on the side panel of the camera unit.

With a monitor connected to the SDI output, rotate the corresponding selection knob next to the return button to switch between all three return feeds. You can set the two return buttons to monitor two different return feeds if you want to.



Switch between the return feeds on the camera unit and press the corresponding return button to view the selected feed on a monitor



To confirm video, plug video sources into the return feed inputs on the studio unit, then view them on a monitor connected to the camera unit

Why Connections on the Front?

The fiber connection is located on the front of the studio unit so it can become the optical patch connection in the rear of a rack. Typically, the studio converter will be installed facing the rear of a rack so the SMPTE cables can be plugged direct into the unit. This means there is no need for extra rack patch panels and the cost of an extra short cable to the fiber unit. The large LCD next to the SMPTE fiber connector lets you quickly verify a good connection to the camera.

Plugging in Camera SDI

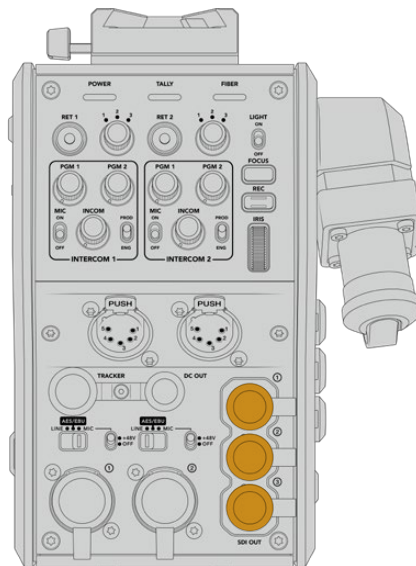
Connecting video signals between your Blackmagic Camera Fiber Converter and URSA Broadcast G2 or URSA Mini, is as simple as connecting two of the three included SDI cables from the side of your converter to the rear of your camera.

How to connect your Camera Fiber Converter to your camera

- 1 Connect one of the included BNC cables from Blackmagic URSA Broadcast G2 or URSA Mini's rear 12G-SDI output to the SDI input on Blackmagic Camera Fiber Converter.
- 2 Connect one of the included BNC cables from the SDI output on Blackmagic Camera Fiber Converter to the 12G-SDI input on Blackmagic URSA Broadcast G2 or URSA Mini's rear panel.

Plugging in Return SDI Outputs

The three SDI outputs marked 'SDI Out' on the front of the camera unit are loop outputs of the return feeds coming from the switcher. These let you connect the return feeds to other SDI equipment near the camera, for example a teleprompter or talent monitor.



The three return feed loop outputs can be connected to SDI equipment near the camera, for example a teleprompter or monitor

NOTE The return feed SDI loop outputs support 3G-SDI to provide enough bandwidth for three separate feeds. This means Ultra HD return feeds from the switcher up to 2160p60 are down converted to 1080p at the equivalent frame rate.

Mounting Blackmagic Camera Fiber Converter

Blackmagic Camera Fiber Converter mounts to the back of URSA Broadcast G2 and URSA Mini directly behind the camera body, and connects to your camera's rear SDI in and SDI out BNC connectors. If you have installed a battery plate to the rear of your camera, you will need to remove it before connecting the Blackmagic Camera Fiber Converter.

NOTE Before installing Blackmagic Camera Fiber Converter you should check that URSA Mini's internal software is version 4.4 or above and URSA Broadcast G2 is 4.6 or above. You can check your software version on page 4 of the camera's 'setup' menu. For more information on updating your camera firmware see the section 'Blackmagic Camera Setup Utility' in this manual.

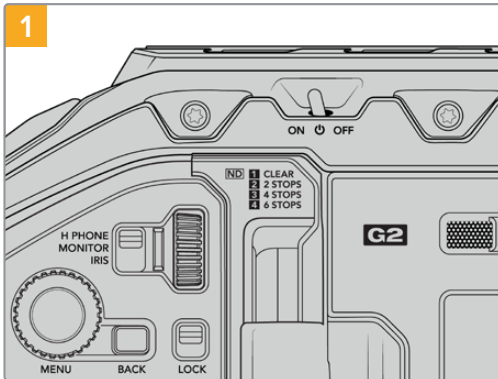
When attaching Blackmagic Camera Fiber Converter, you will need the following tools:

- 1 x phillips head screwdriver
- 1 x 2.5mm Hex driver

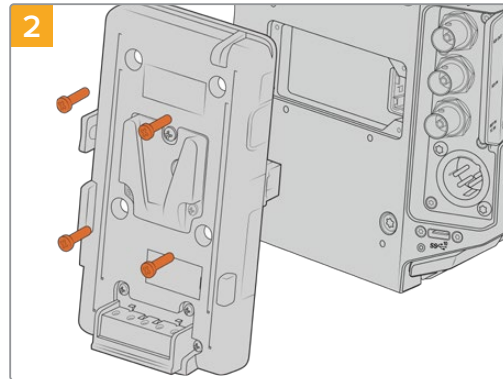


To attach the Blackmagic Camera Fiber Converter to your URSA Broadcast G2 or URSA Mini, you will need a large phillips head screwdriver and a 2.5mm Hex driver

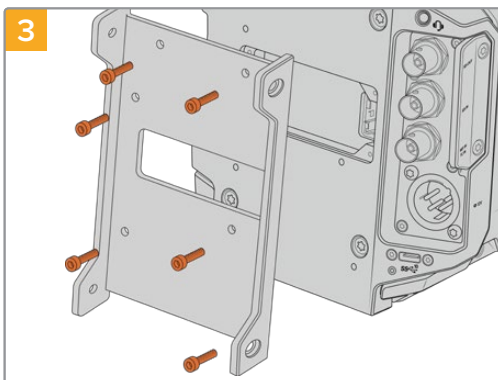
To mount and connect Blackmagic Camera Fiber Converter:



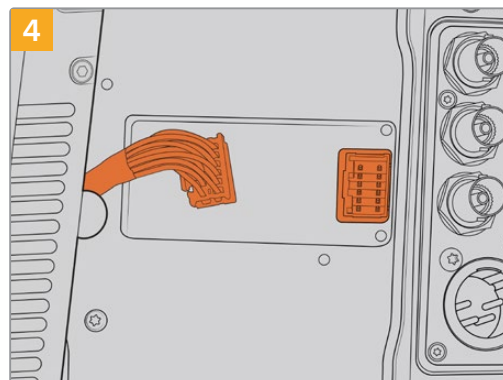
Ensure your camera is powered off. If using URSA Broadcast G2 or URSA Mini Pro, power it off by moving the power switch to 'off'.



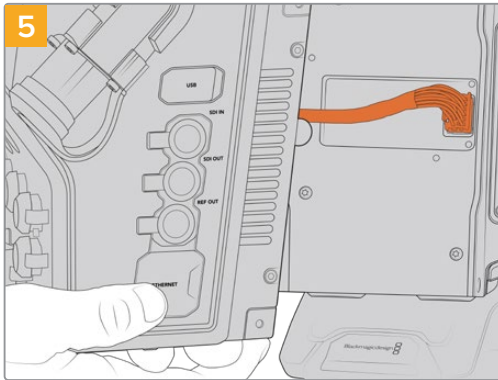
Remove the battery plate or molex power cover plate, if attached, using a phillips head screwdriver.



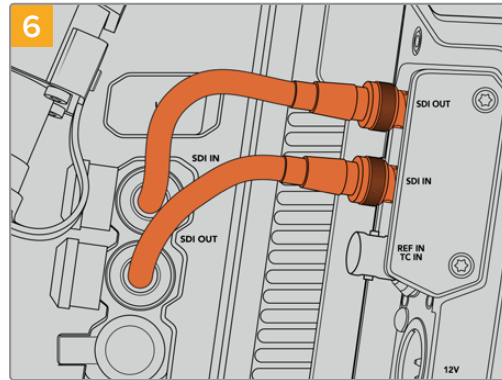
Attach Blackmagic Camera Fiber Converter's mounting bracket using 6 x 2.5mm Hex screws.



Plug the molex connector on Blackmagic Camera Fiber Converter into the molex power socket on your camera's rear panel.



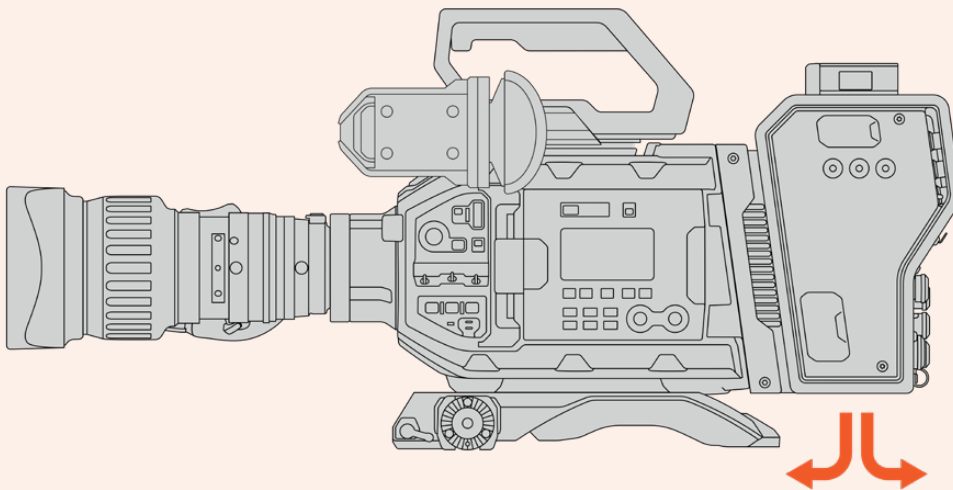
Slide the Blackmagic Camera Fiber Converter onto the mounting bracket, and attach it using 2 x 2.5mm Hex screws on each side of the bracket.



Use the included BNC cables to connect the SDI output on the back of your camera to the SDI input on Blackmagic Camera Fiber Converter, and the SDI output from the fiber converter to the SDI input on the rear of your camera.

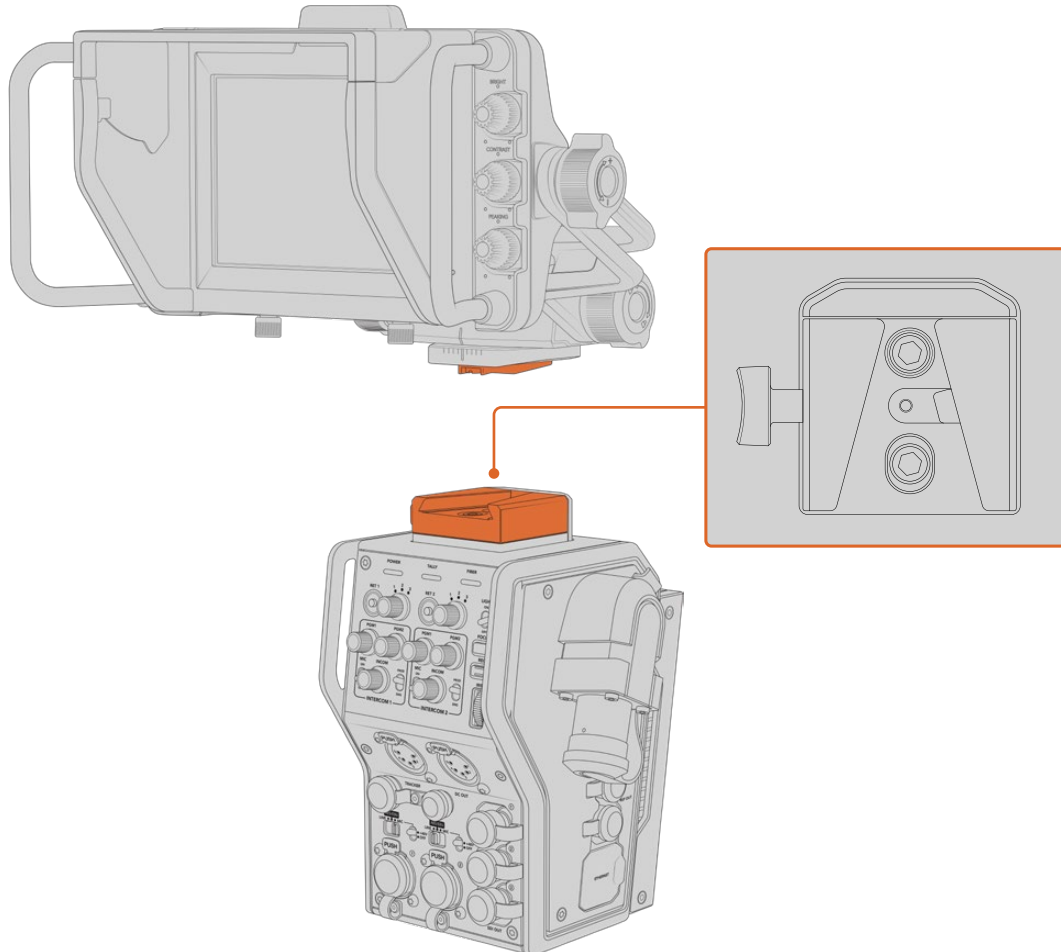
NOTE When setting up your production and using URSA Broadcast G2 or URSA Mini with the fiber unit attached, it's important to maintain some clearance underneath the fiber unit to allow adequate ventilation.

As your camera will often be used on a tripod, or shoulder mounted, clearance will already be provided. However, if you are operating the unit sitting flat on a surface it is a good idea to attach the URSA Mini shoulder pad, or third party baseplate or bridge plate as this will maintain the cooling fan's air flow in the underside of the Fiber Converter.



Attaching the URSA Studio Viewfinder

The attached V-lock plate on the top of the unit lets you connect a Blackmagic Studio Viewfinder. This positions the studio viewfinder directly at the eye level when the camera is mounted on a pedestal or tripod.



The V-Lock mount on the top of the camera unit lets you mount the Blackmagic URSA Studio Viewfinder

Plugging in a Talkback Headset

Plug a broadcast headset into one of the two 5 pin XLR connectors on the front of the camera unit. Having two headset connectors allows two people to communicate with crew simultaneously.

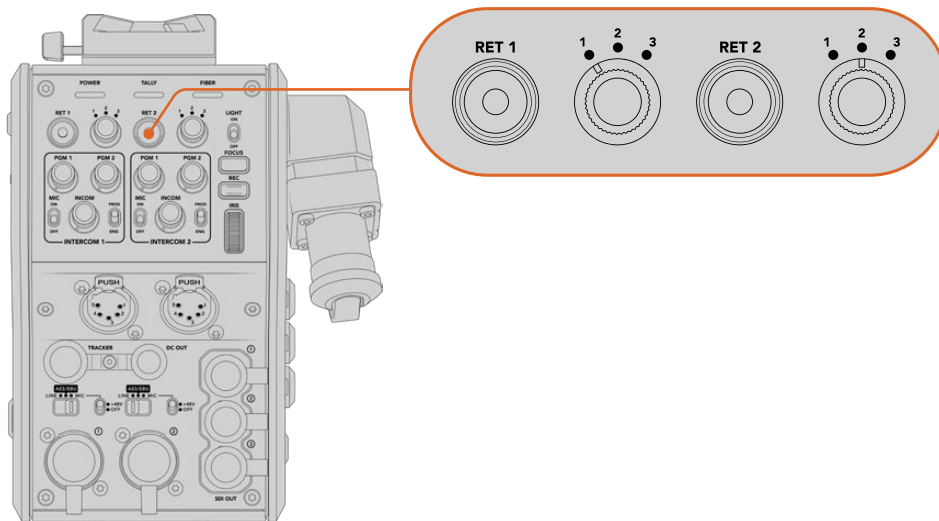
That's all there is to getting started! With the fiber converters powered and video connected via SMPTE fiber, you can start using the converters to create your live production with greater flexibility and efficiency. Please continue reading the manual for more information on how to use all the features on your Blackmagic fiber converters.

Operating the Camera Fiber Converter

Selecting a Return Feed

The two return buttons on the front panel can be used in the same way as the PGM button on the camera, to switch the feed on the LCD, Blackmagic URSA Studio Viewfinder and HD monitoring outputs between the camera view and program return view.

The two return buttons marked 'ret 1' and 'ret 2' switch between two chosen return feeds. The three way rotary switches next to the 'ret 1' and 'ret 2' buttons assign which return feed you would like to view when you press the corresponding button to the left of the switch. These positions on the rotary switch relate to the 'return in' 1, 2 and 3 SDI connectors that are on the back of the Studio Fiber Converter.



The return buttons and three way rotary switches allow you to select which return feed to view when the return buttons are pressed

Press and hold one of the return buttons to see the selected program feed. The program feed will continue to display whilst the return button is being held. Double press the return button to lock the display to the return feed. Pressing the return button again will exit the return feed and return to the camera view.

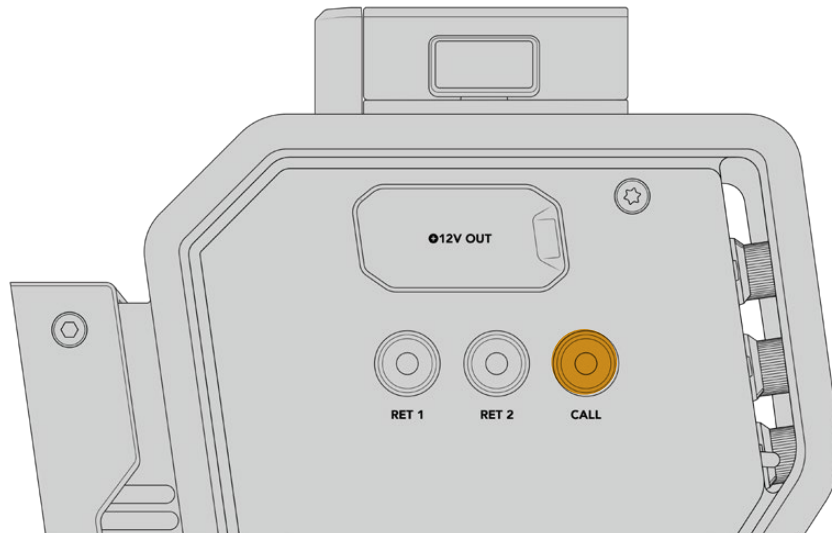
This means you can quickly and easily adjust which of the three return feeds being sent from Blackmagic Studio Fiber Converter you would like to have fast access to on the two return buttons. For example the three return feeds might be the switcher's program output feed complete with graphics, a teleprompter feed and a feed direct from another camera.

By using these switches you could assign 'ret 1' to be your program feed permanently and then use the second 'ret 2' button to check what is being sent to the teleprompter, and to occasionally switch it to check framing on another camera when you need to match its framing or angle.

There are also return buttons on the left side of the unit, marked 'ret 1' and 'ret 2' that provide additional access to view the return feeds when operating your camera from the side. They perform the same function as the return buttons on the front of the unit.

Using the Call Button

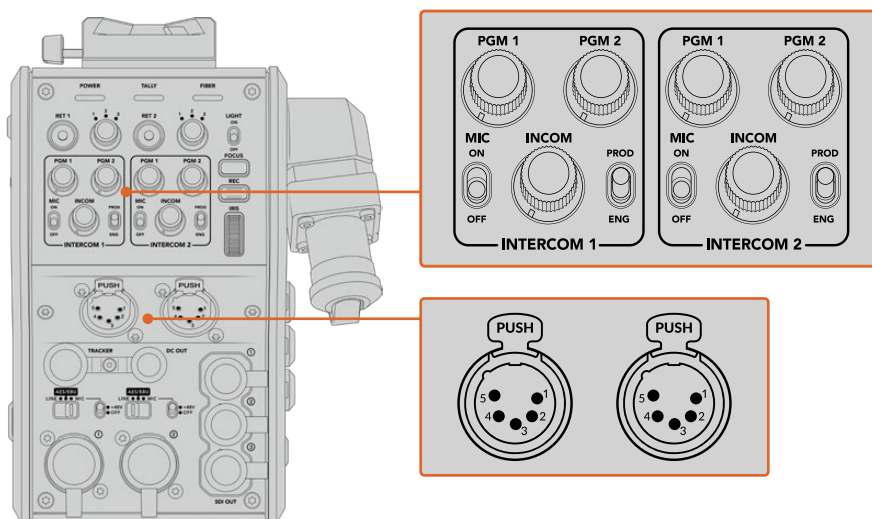
Next to the return buttons is a 'call' button, that when pressed, flashes the red tally indicator on your Blackmagic Studio Fiber Converter's LCD screen. The 'call' button also makes a numbered 'press to talk' button on the panel of ATEM Talkback Converter 4K flash red. These visual indicators are to alert people in the control room that you need assistance.



Using Talkback

The two female 5 pin XLR connectors allow you to plug in two headsets, so that you and another crew member can have communication with the rest of the crew simultaneously.

The intercom controls for each headset are grouped into two sets for two independent intercoms, and are effectively three way audio mixers for each headset XLR connector that is directly below.



The intercom controls for each headset are located directly above each headset connection

You will hear the audio from the feeds that you have selected for 'ret 1' and 'ret 2' through a connected headset. The 'pgm 1' and 'pgm 2' dials adjust the audio levels of those feeds, and the 'incom' dial adjusts the overall volume. The 'mic' switch allows the operator to turn their headset microphone 'on' or 'off'.

Each intercom also has 2 selectable channels, a production channel and an engineering channel. This means that for broadcast setups with a large crew, you can split your crew communications

between the two channels. The production channel lets you communicate with the director, producer and other crew members in the control room or broadcast truck, whilst the engineering channel lets you communicate with the lighting crew, technical operators and other camera operators. You can use the 'talkback' page in the menu of your Blackmagic Studio Fiber Converter to select the source for each channel as 'SDI + DB25' or 'intercom tally DB25' on your Studio Fiber Converter. For more information refer to the 'operating the studio fiber converter' section.

The Blackmagic Camera Fiber Converter also includes a standard 10 pin connection for tracker talkback, which is perfect when both headset connections are in use and you need to feed an additional talkback connection for your crane operator.

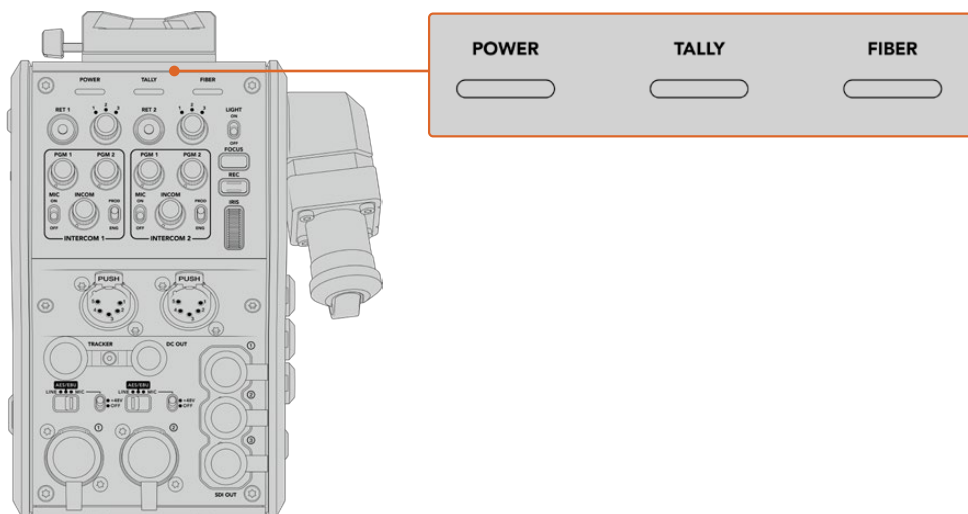
TIP Effective two-way communication between camera operators and the production and engineering crew is essential for busy broadcast and studio productions. Blackmagic Camera Fiber Converter has a 'call' button so camera operators can alert production and engineering crew and talk via their intercom headsets. Pressing this button flashes a numbered 'press to talk' button on ATEM Talkback Converter 4K, and makes the tally indicator on the LCD of Blackmagic Studio Fiber Converter flash. Likewise, if crew in a control room or broadcast truck have an urgent need to talk with a camera operator, they can press the 'call' button for that camera on the ATEM Camera Control panel. This makes the tally light on the Camera Fiber Converter flash and the tally light on the camera's URSA Viewfinder or URSA Studio Viewfinder flash.

Using Tally

The tally indicator on the front of the panel, provides a traditional tally indicator with red for program and green for preview, so that you know when the camera you are operating is on air.

Status Indicators

The 'power', 'tally' and 'fiber' status LEDs at the top of the converter will illuminate different colors depending on the status of the unit. When the fiber cable is unplugged, no lights are illuminated.



The status LEDs will illuminate different colors to let you know the status of the unit

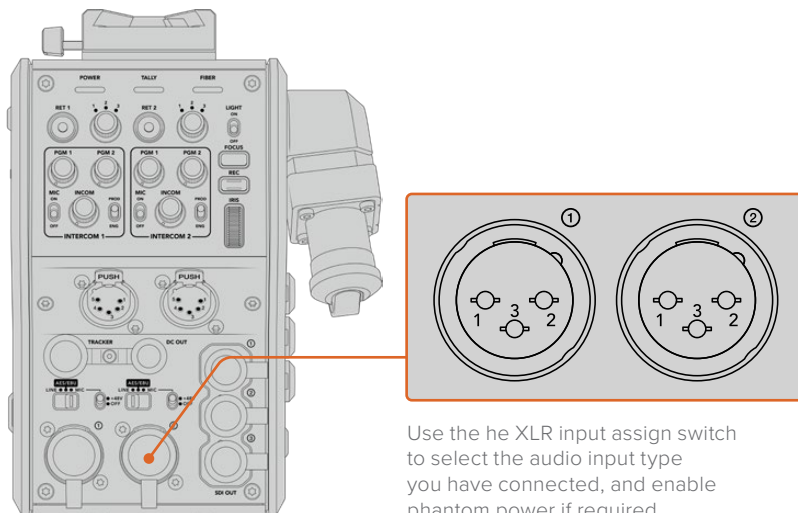
Below is a description of each LED color, LED action, and the status represented:

Power	Constant Red	When the SMPTE hybrid fiber optic cable is connected to a powered Blackmagic Studio Fiber Converter, and the other end of the cable is connected to Blackmagic Camera Fiber Converter, the power LED on the converter turns red to indicate that it is receiving power, and is in a low power state. In this low power state, intercom functionality is enabled but the full power required to operate the unit has not yet been enabled. If the power LED remains red for an extended period of time and does not turn green, check that both ends of your SMPTE hybrid fiber optic cable are securely connected. If the connection remains unstable, check the condition of your fiber cable.
	Constant Green	After a successful fiber connection has been established and Blackmagic Studio Fiber Converter has determined that the cable connection is safe, the power LED will turn green and the camera converter will enter high power mode.
	Flickering between Red and Green	If the power LED flickers between red and green, check that both ends of your SMPTE hybrid fiber optic cable are securely connected. If the connection remains unstable, check the condition of your fiber cable.
Tally	Constant Red	The tally LED illuminates red to indicate that the camera you are operating is currently on air.
	Constant Green	The tally LED illuminates green to indicate that the camera you are operating is currently in preview mode.
Fiber	Constant Red	When the SMPTE hybrid fiber optic cable is plugged into the camera fiber converter, the fiber LED will turn red to indicate that the handshake process has begun, and the converter is in a low power state. In this state, intercom functionality is enabled for use while setting up or for troubleshooting the camera chain in case the fiber link is down.
	Constant Green	Once a successful SMPTE hybrid fiber optic cable connection is established, the fiber LED will turn green.

Once both the power and fiber lights are green, this indicates that the safety checks have been completed, and the converters have entered high power mode.

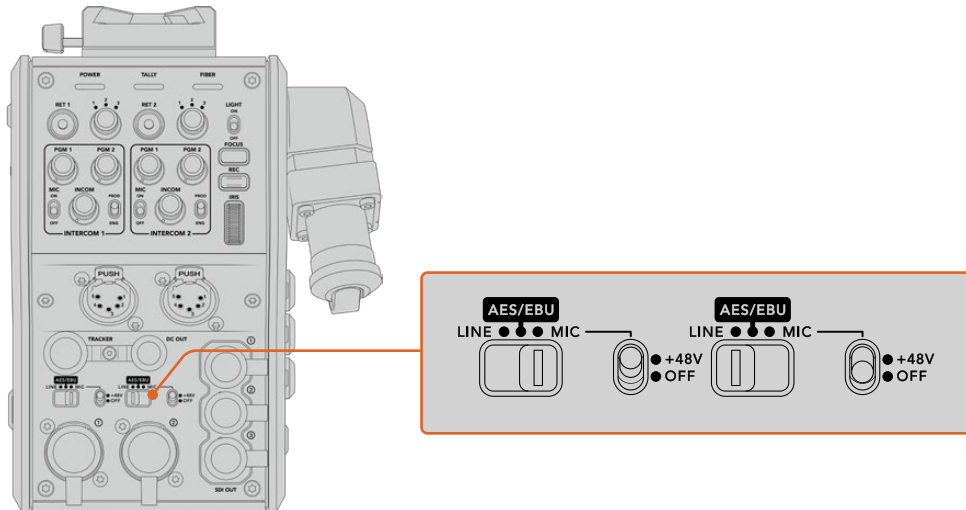
Audio Inputs

Your Blackmagic Camera Fiber Converter has two XLR inputs labelled '1' and '2' that allow you to plug in external analog audio from professional equipment such as audio mixers, PA systems or external microphones.



The camera audio is embedded into channels 1 and 2 of the camera feed, and the 2 audio inputs on the back of the camera fiber converter are embedded as channels 3 and 4. All 4 audio channels are also deembedded at the other end on the studio fiber converter as analog audio outputs.

The 'audio' page in the menu of your Blackmagic Studio Fiber Converter lets you adjust the input levels for audio sources connected to the XLR inputs on your Blackmagic Camera Fiber Converter. For more information refer to the 'operating the studio fiber converter' section. Once connected, you can use the XLR input assign switch to set how the XLR inputs behave when selected as an input source. The options available are mic audio, line level audio and AES digital audio.



If you would like to connect microphones that aren't self powered, you can enable 48V phantom power. Move the phantom power switch to '+48V' to enable phantom power for any microphone connected to the XLR below, or 'off' to disable phantom power.

IP Video

A connected SMPTE Fiber cable provides for a 10-Gbit IP link between your Camera Fiber Converter and the Studio Fiber Converter. This allows all of your video and return feeds to be IP video based using high end, visually lossless broadcast quality 10-bit video encoding and decoding. All other connections such as talkback, tally, camera control and lens control are also converted to low-latency IP so you get incredibly reliable performance.

Power Specifications


The Blackmagic Studio Fiber Converter provides power for Blackmagic Camera Fiber Converter, your camera and it's accessories. A molex connector plugs into the molex socket on your camera's rear panel to send power to your camera from the Camera Fiber Converter.

If you need to position your camera at a distance of more than 2.1 km from the broadcast truck, and your camera and converter are not receiving enough power over the long cable run, you can power the camera and converter locally by having the 4 pin XLR from the camera's power supply plugged into the +12V input on your URSA Broadcast G2 or URSA Mini. The power will be sent through the molex connector to the Camera Fiber Converter.

The '+12V out' connector, sometimes referred to as a 'D-tap' or 'P-tap' allows you to power accessories like an external monitor or a large box lens, with 12V DC nominal at up to 500 mA. The 'DC out' connector provides an additional option for powering accessories like an external monitor.

A pinout table for the DC out connector is provided below.

DC out connector Pinout Diagram

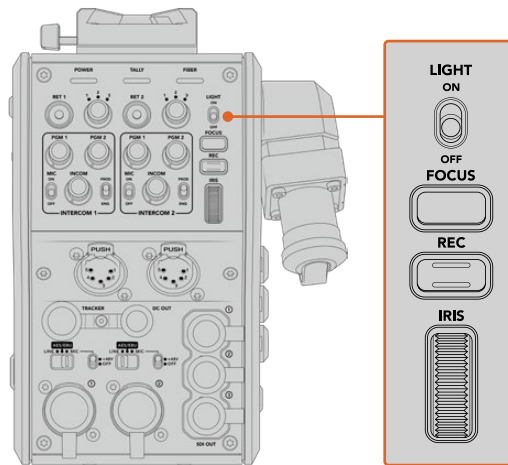
External view	Pins	Signal	I/O	Specifications
	1	Unregulated GND	–	GND for Unregulated Out
	2	NC	–	No connection
	3	NC	–	No connection
	4	Unregulated Out	Out	12V DC nominal at up to 500 mA.

'DC out' connector

Additional Camera Controls

When URSA Broadcast G2 or URSA Mini is being used as a studio camera, we have added camera controls on the fiber converter including iris and focus control, so you can control compatible lenses from behind the camera. This is helpful if you don't have a camera control operator controlling the lens remotely.

As a studio camera, URSA Broadcast G2 and URSA Mini still have the ability to record internally, so the record button lets you trigger internal recording on the camera.



Light

Turns on the backlight to illuminate the operation panel, so that all your controls can be seen easily when operating in a dark environment.

Focus

Pressing the button marked 'focus' will trigger the autofocus if you are using a lens that supports autofocus.

Record

Pressing the button marked 'rec' will trigger the recording when pressed, and will stop recording when pressed again.

Iris

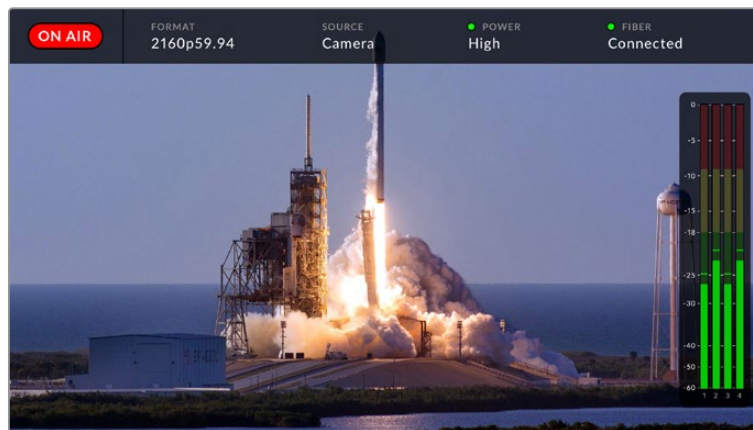
If you are using a compatible active lens that allows control from the camera, you can open or close the iris using the 'iris' wheel. Rotate the wheel up or down to open or close the lens aperture.

Operating the Studio Fiber Converter

Selecting the LCD Source

When powered on, your Blackmagic Studio Fiber Converter's large LCD will display the feed from your camera. As the central base unit, the Studio Fiber Converter takes the program feed from your switcher plus all return sources, and feeds them to the Blackmagic Camera Fiber Converter via the SMPTE fiber cable.

The built in LCD lets you monitor the camera feed and each source connected to the return feed inputs. It provides a heads-up type display with status information and audio meters.



The overlays allow you to confirm the name and format of the source you are monitoring when switching between feeds

On Air

The red 'on air' icon will be displayed when the connected camera is being used in the program feed, and will remain blank when not on air.

Format

Displays the resolution and frame rate of the current source.

Source

Displays the current source name.

Power

Displays the current power status. 'Low' will be displayed with a red status light during connection to indicate a low power state and 'high' will be displayed with a green status light after the unit has entered high power mode. For more information, refer to the 'status indicators' section in the 'operating the camera fiber converter'.

Fiber

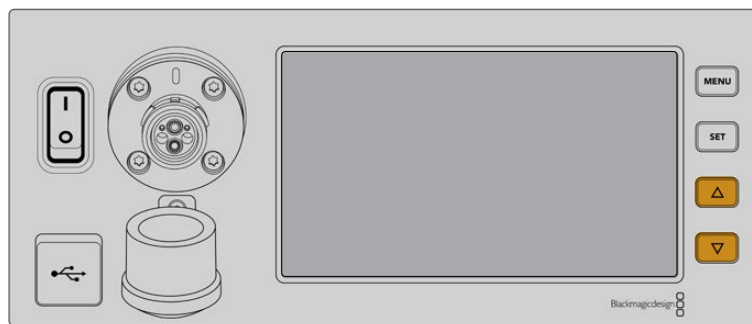
Displays the current fiber status. 'Connecting' will be displayed with a red status light during the initial connection process and 'connected' will be displayed with a green status light once a successful SMPTE hybrid fiber optic cable connection is established. For more information, refer to the 'status indicators' section in the 'operating the camera fiber converter'.

Audio Meters

The peak audio meters display audio levels when using camera audio embedded into channels 1 and 2 of the camera feed. Channels 3 and 4 correspond with audio sources connected to the two XLR inputs on the back of your Blackmagic Camera Fiber Converter. The display is calibrated to dBFS units and features peak hold indicators which stay visible for a short time so you can clearly see the maximum levels reached.

Using the Menu

Pressing the up and down arrow buttons will scroll through the four possible sources 'camera', 'return 1', 'return 2' and 'return 3'. Press the 'menu' button to enter the menu system and adjust your settings. The arrow buttons can then be used to navigate through the various menu screens and the options within each screen, whilst the 'set' button will confirm your selection. The settings in the menu are divided between 'audio', 'talkback' and 'setup' pages.

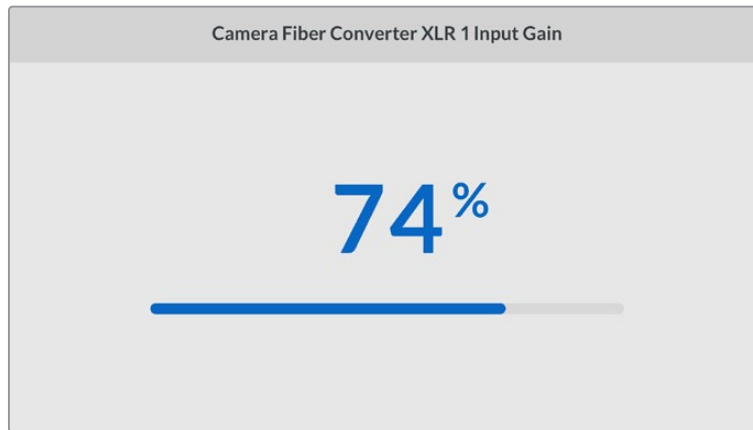


Press the up and down arrow buttons to scroll through the four possible sources and to navigate through the menu

Audio

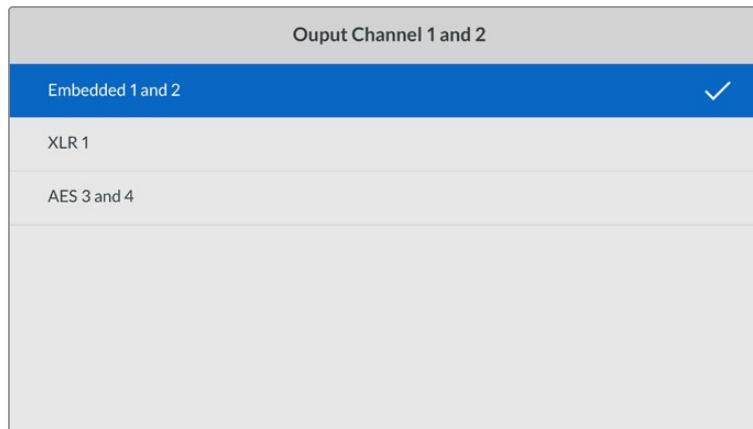
The 'audio' page lets you adjust the input levels for audio sources connected to the XLR inputs on your Blackmagic Camera Fiber Converter.

Audio	
Camera Fiber Converter XLR 1 Input Gain	50%
Camera Fiber Converter XLR 2 Input Gain	50%
Ouput Channel 1 and 2	Embedded 1 and 2
Ouput Channel 3 and 4	XLR 1 and 2



Use the arrow buttons to adjust the input level for each XLR input and the 'set' button to set the level

You can configure which audio channels from the Camera Fiber Converter get mapped to the embedded SDI and XLR outputs. The embedded audio channels from URSA Mini or URSA Broadcast G2 are on channels 1 and 2 by default. Line or Mic level XLR inputs that are plugged into the Camera Fiber Converter are mapped to channels 3 and 4 by default. You can adjust the output channel settings to change these mappings from their default settings. If either of the XLR inputs on the Camera Fiber Converter are set to AES, this expands your channel mapping options to include channel 5 and 6, which are sent on your embedded SDI output.



Mapping the embedded XLR channels from the camera to output channel 1 and 2

Talkback

Use the 'talkback' menu to select your program audio source and talkback source for the production and engineering channel. Set the talkback source to 'SDI + DB25' or 'intercom tally DB25' on your Studio Fiber Converter.

You can also adjust the 'headphone gain' and 'headset microphone gain' for each intercom headset to account for the impedance levels of the headsets. The 'phantom power' settings let you switch on the phantom power being sent to the respective headset. Adjust the 'sidetone level' settings to let camera operators hear their own voice in their headset at a clear and comfortable level.

Talkback	
Program Audio Source	SDI Channels 1 and 2
Production Channel Source	SDI +DB25
Engineering Channel Source	Intercom Tally DB25
Intercom 1	
Headphone Gain	50%
Headset Microphone Gain	50%
Headset Microphone Phantom Power	On
Sidetone Level	50%
Intercom 2	
Headphone Gain	50%
Headset Microphone Gain	50%
Headset Microphone Phantom Power	On
Sidetone Level	50%

The intercom section will be grayed out when nothing is connected to the XLR inputs and will display 'connecting' during connection

Setup

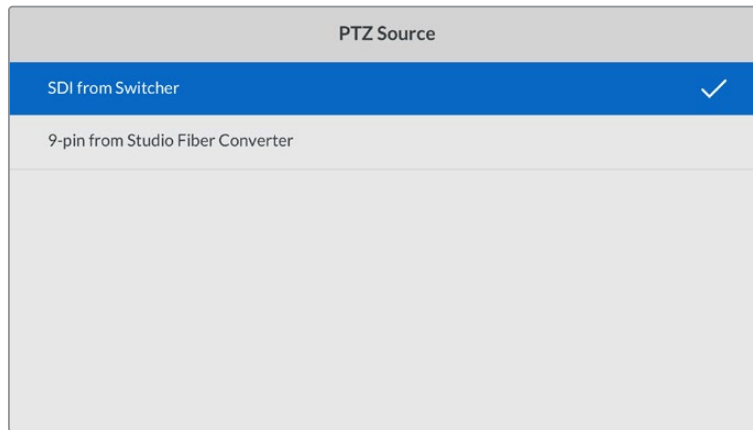
The 'setup' menu lets you configure the PTZ source, select the language for the menus, and select the type of SDI level return.

Setup	
PTZ Source	SDI from Switcher
Language	English
12G SDI Return	3G Level A

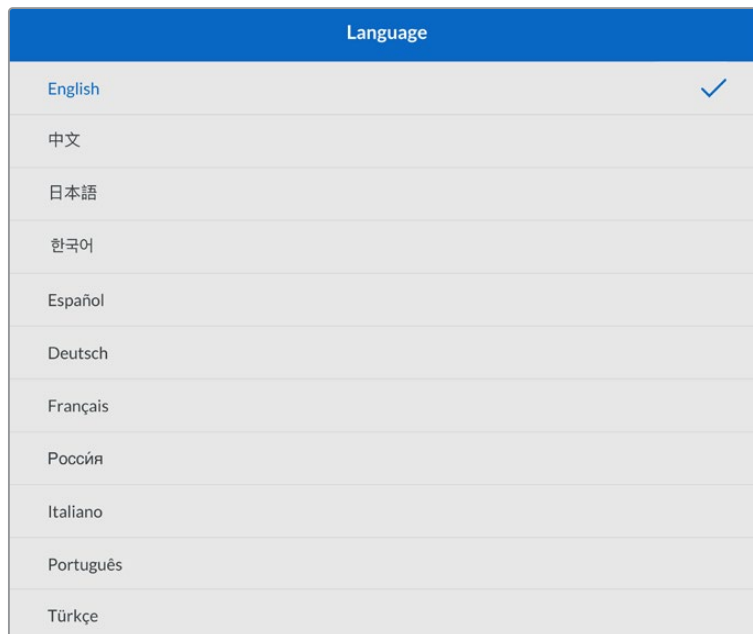
Select the source of PTZ commands using the PTZ source setting. You can select from 'SDI' or '9-pin', which correspond with the 'return in' SDI inputs and the DE-9 connector for PTZ on the rear of your Blackmagic Studio Fiber Converter.

This means that you can control a PTZ camera's pan, tilt and zoom on an ATEM switcher and send these PTZ commands to your Blackmagic Studio Fiber Converter via SDI. These commands will be sent along the SMPTE fiber cable to your Blackmagic Camera Fiber Converter, where they will be de-embedded and output via the DE-9 serial connector, for connection to a PTZ motorized head.

You can also connect a PTZ controller to your Blackmagic Studio Fiber Converter via the DE-9 connector, to control a remote head at the camera end.



The settings menu page provides the option to select 'SDI' or '9-pin' as the source of PTZ commands



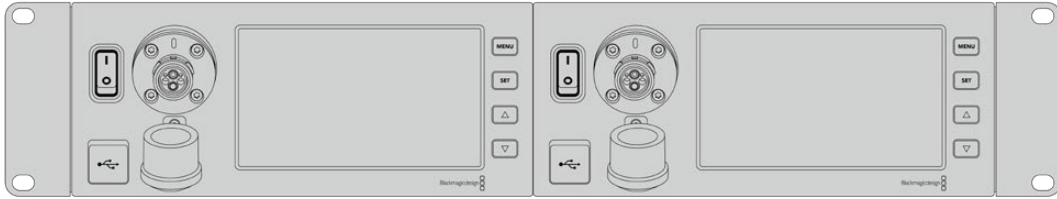
The 'language' setting sets the language for the menus. Studio Fiber Converter supports 11 popular languages: English, Chinese, Japanese, Korean, Spanish, German, French, Russian, Italian, Portuguese and Turkish. The language page will also appear on initial start up and after you update the internal software.

The '12G SDI return' option sets whether to down convert 12G program return signals to 3G Level A or 3G Level B. All 12G signals sent into return inputs on Studio Fiber Converter get down converted on their way to the Camera Fiber Converter.

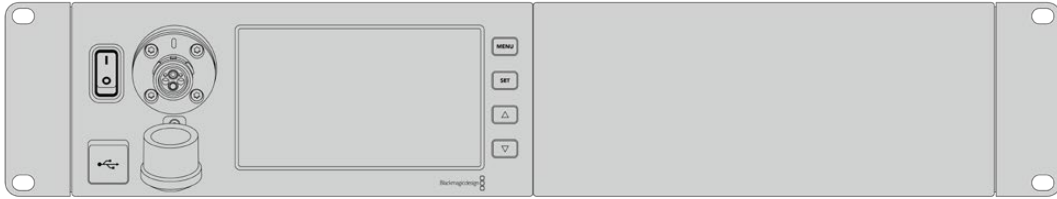
Rack Mounting the Studio Unit

If you're running multiple Blackmagic Studio Fiber Converters, you can use Blackmagic Studio Fiber Rack Kit to install your converters into a broadcast rack or road case. Using the rack kit, you can mount two studio units in a rack side by side, or fitted to either side. A blanking panel is supplied with the Studio Fiber Rack Kit to cover the empty side of the rack if you only want to mount a single unit.

Your Studio Fiber Converter is two rack units high, and is half the width of a standard rack shelf, so two Studio Fiber Converters can fit neatly side by side in a 2RU rack space.

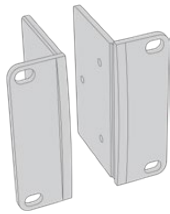


Blackmagic Studio Fiber Converters mounted side by side



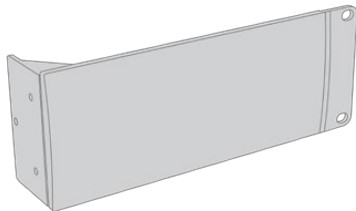
The supplied blanking plate can be used to cover an empty rack space if needed

The Blackmagic Studio Fiber Rack Kit contains the following items:



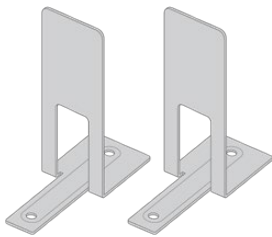
2x Rack ears

Attach rack 'ears' to the outside edge of Blackmagic Studio Fiber Converter for mounting in a rack.



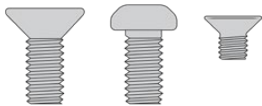
1x Half rack width blanking panel

The blanking panel has a mounting ear on one side so you can cover the empty rack space if you are installing a single unit. The illustration shows the ear on the right side. Simply rotate the panel 180° to mount it to the other side.



2x Support brackets

The T-shaped support brackets attach underneath the two Studio Fiber units where the two units meet at the front and the rear to provide support.



Screws

8 x M4 10mm

Rack ear screws

4 x M4 8mm

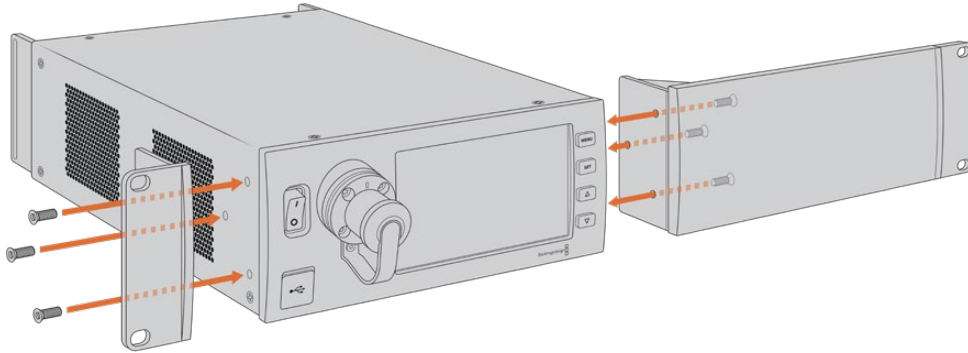
Blanking panel screws

5 x M3 5mm

Support bracket screws

Preparing the Blackmagic Studio Fiber Converter for installation into a rack:

- 1 Position the blanking panel on one of the sides of your Studio Fiber Converter, depending on whether you would like the unit to sit on the left or right side of the rack shelf. The front face of the blanking panel should be parallel with the front panel of the unit.
- 2 Attach the blanking panel to the side of your Studio Fiber Converter near the front using three of the supplied blanking panel screws.



- 3 Use three of the supplied rack ear screws to attach a rack ear to the other side of your Studio Fiber Converter.

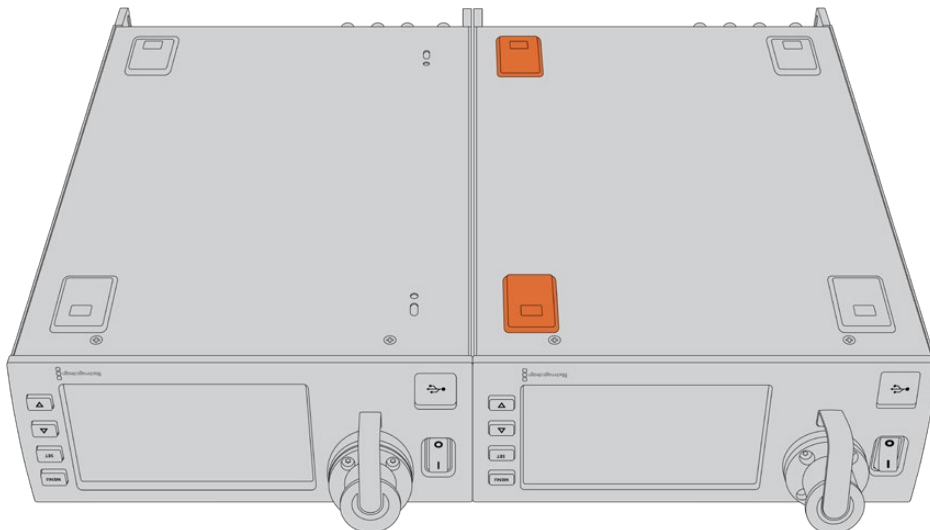
With the rack ear and blanking panel attached, you can now install your converter into a standard two rack unit space using the mounting holes on both sides and standard rack screws.

Preparing two Blackmagic Studio Fiber Converters for side by side installation into a rack:

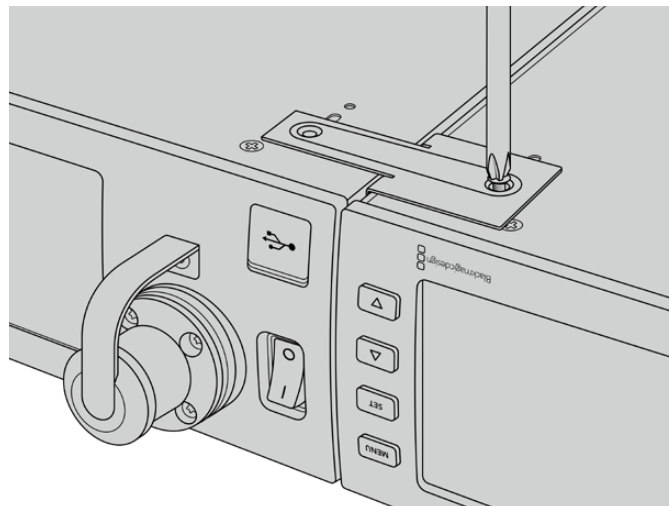
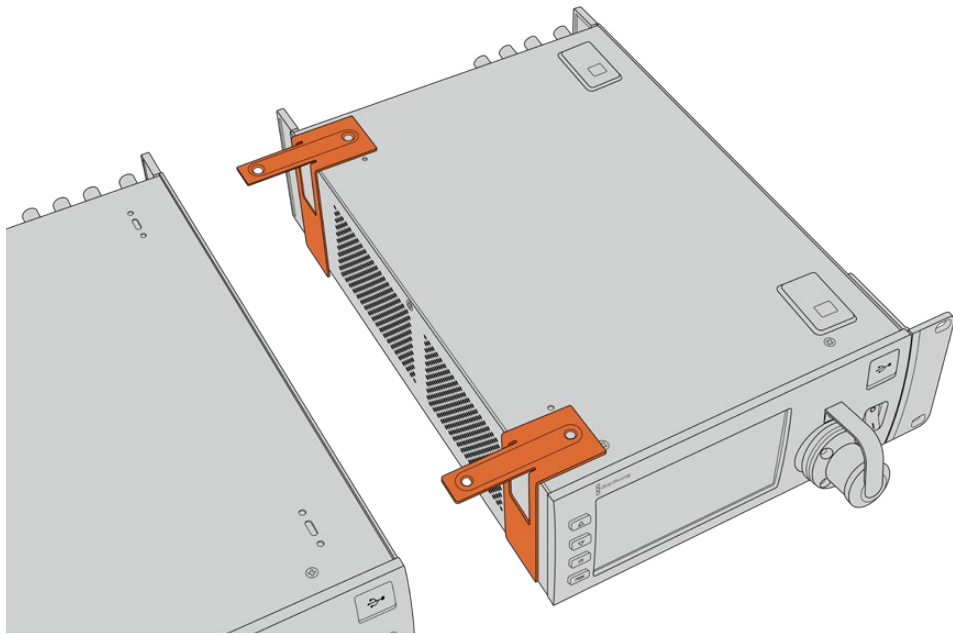
If you are mounting two converters side by side, you can attach them to each other using support brackets which secures them together so you can mount them more easily.

To secure the two units:

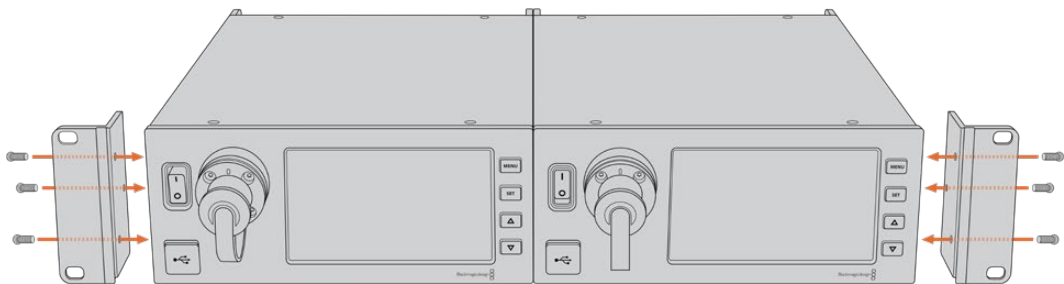
- 1 Turn the two converters over so that they are upside down and placed side by side. Remove two rubber feet from the edges of each converter where they meet.



- 2 Attach the two supplied T-shaped support brackets to the base of the two Studio Fiber units at the front and the back where the two units meet, using the screw holes provided and the supplied support bracket screws.



- 3 Turn the attached units back over and attach the rack ears to the outer edges near the front of both converters, using the supplied rack ear screws. Your converters are now ready to be installed into a rack using the mounting holes on both sides and standard rack screws.



Camera Unit Connections

Connections are located on Blackmagic Camera Fiber Converter's rear and side panels. When the connections are not in use, the rubber caps should be replaced to ensure weather sealing in rain and other outside environments. This is especially true for the SMPTE fiber connection, as dust particles can very quickly collect on the polished edge of the glass fibers which can disrupt signal flow. It's always a wise choice to remove the caps on both the cable and unit connector immediately before connection, and then replace the caps immediately after disconnection.

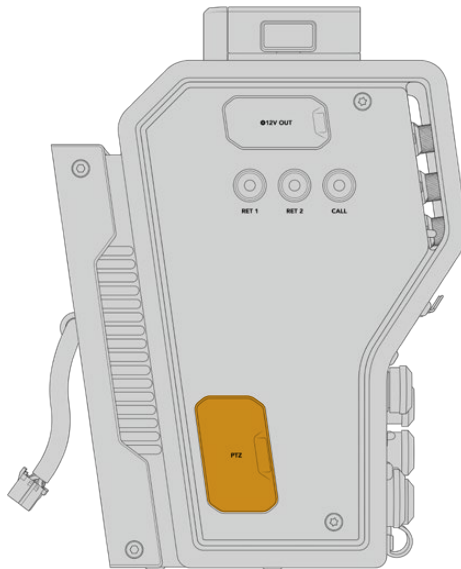
Camera Power Connection

Power is primarily supplied to the camera unit and your camera from the studio converter via a SMPTE hybrid fiber cable. This also powers all accessories that may be attached to the camera, for example Blackmagic URSA Studio Viewfinder.

However, you can also power the Blackmagic Camera Fiber Converter via the camera if your camera has its 12V XLR connector plugged into a power supply. This is not normally required, but is an option if you have your camera positioned further than 2 kilometers away from the studio unit where power may not be as reliable over the SMPTE fiber cable.

PTZ Interface

The DE-9 serial connector allows you to connect to a PTZ motorized head. For example, if your Blackmagic URSA Broadcast G2 or URSA Mini is attached to a camera crane using a pan, tilt, zoom head that is controlled remotely. You can select the source of PTZ commands being sent to your camera in the menu of your Blackmagic Studio Fiber Converter. The source of the commands can be set to the DE-9 connector on your Studio Fiber Converter or an SDI feed coming from an ATEM switcher. For more information refer to the 'operating the studio fiber converter' section.

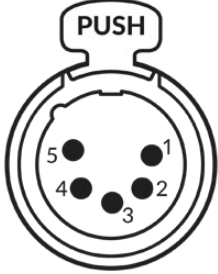


PTZ Interface

Talkback Connection

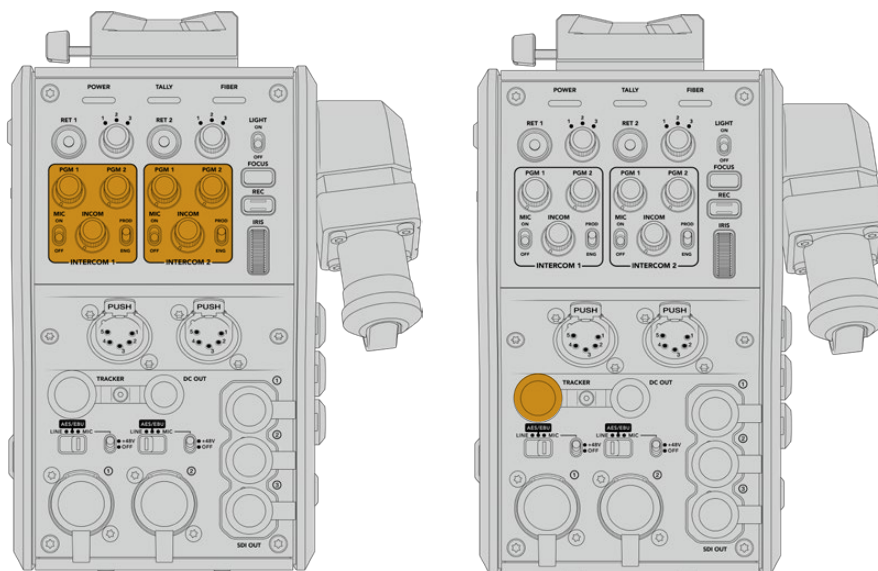
The two female 5 pin XLR connectors let you plug in two headsets, which allows two people to communicate via talkback simultaneously. For example, the camera operator's headset can be plugged into the first XLR connector, and a crane operator or fellow crew member, such as a sound operator, could plug into the second XLR headset connector. A pinout diagram for the headset XLR connector is included below.

Headset XLR Pinout Diagram

External views	Pins	Signal	I/O	Description
 <p>5 pin XLR 'headset' connector</p>	1	Intercom MIC (Y)	GND	The intercom mic input supports electret condenser mics and dynamic mics, which can be balanced or unbalanced. Pin 1 is the mic signal common, and pin 2 is the mic signal input for both types. With electret mics, a DC bias supply is also output via the same mic signal input pin.
	2	Intercom MIC (X)	In	
	3	GND	GND	GND
	4	Intercom left	Out	
	5	Intercom right	Out	

The corresponding intercom controls are located above each headset connection.

For more information on how to use the intercom controls, refer to the 'Operating the Camera Fiber Converter' section.



The intercom controls are used to mix talkback audio levels

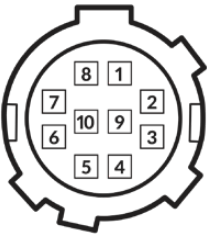
Tracker Interface connector

Tracker Interface

The 10 pin 'tracker' connector provides a multiplexed output for talkback and tally signals, plus data such as teleprompter information. This output is commonly used by support crew operating production equipment such as a camera crane.

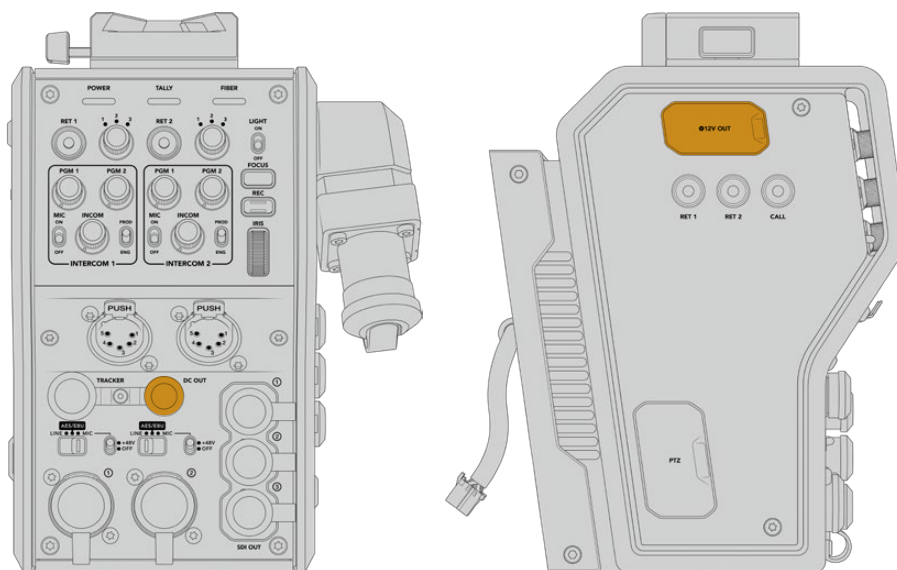
A pinout diagram is provided in this section if you want to build your own cable.

Tracker Output Pinout Diagram

External view	Pins	Signal	I/O	Specifications
 <p>10 pin 'tracker' connector</p>	1	Tracker left	Out	Tracker output, -20 dBu unbalanced
	2	GND (Talk)	–	GND for tracker talk
	3	GND (Receive/PGM/tally)	–	GND for receive/PGM/tally
	4	Tracker right	Out	Tracker output, -20 dBu unbalanced
	5	Unregulated	Out	12V DC (nom), 500mA (max)
	6	GND (Unregulated)	–	GND for unregulated
	7	Tracker talk (X)	In	Tracker talk 0 dBu /-20 dBu, high impedance balanced
	8	Tracker talk (Y)	In	
	9	G Tally	Out	On: 12V Off: high impedance (open)
	10	R Tally	Out	On: 12V Off: high impedance (open)

DC Connection

You can power additional accessories, for example an external monitor, via the DC out connector.



The DC out connector lets you power additional accessories, such as a monitor or external recording equipment

D-Tap Output

D-Tap Output

The +12V output on the left side panel is often referred to as a 'D-tap' or 'P-tap' and lets you power accessories like a monitor or a large box lens. The output supports box lenses that require +12 Volts DC nominal at 2 amps.

Reference Output and Operation

The reference output can be used to connect a reference signal to your camera via a BNC cable.

To connect a reference signal to your camera:

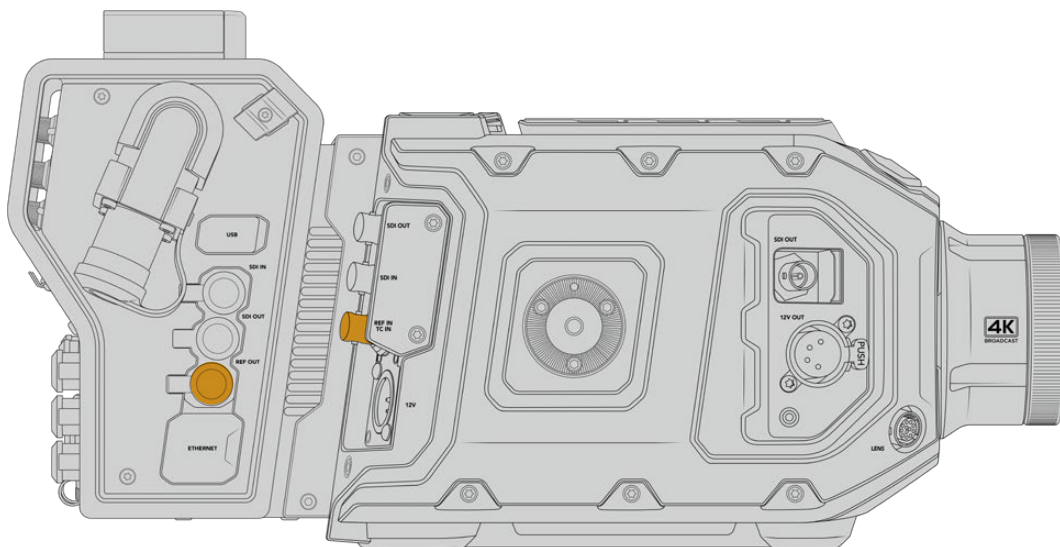
- 1 Connect the reference output from the Blackmagic Camera Fiber Converter, marked 'REF OUT', to the reference input on your camera marked 'REF IN' using one of the small SDI cables supplied with your camera fiber converter.
- 2 Set your camera's reference setting to the reference input.

A sync reference signal lets you genlock video equipment to a common reference, so all equipment shares the exact same timing. This means all video sources are synced and will switch smoothly.

ATEM switchers have built in re-synchronizers, so if you are using Blackmagic cameras with an ATEM Switcher then you don't need to worry about connecting a sync reference. The camera will lock to the incoming SDI program feed from the ATEM switcher, so all you need to do is make sure the 'program' input is selected in your URSA Broadcast G2 or URSA Mini's reference setting on page two of the 'setup' menu. The re-synchronizing process will add a frame delay.

If you want to reduce the latency of the re-synchronizing process within the ATEM, firstly apply a reference signal to the URSA Broadcast G2 or URSA Mini, then adjust the back timing so the line input is before the switch timing of the ATEM.

To adjust the reference sync on the URSA Broadcast G2 or URSA Mini, enter the 'setup' menu and change the line number under 'reference'.

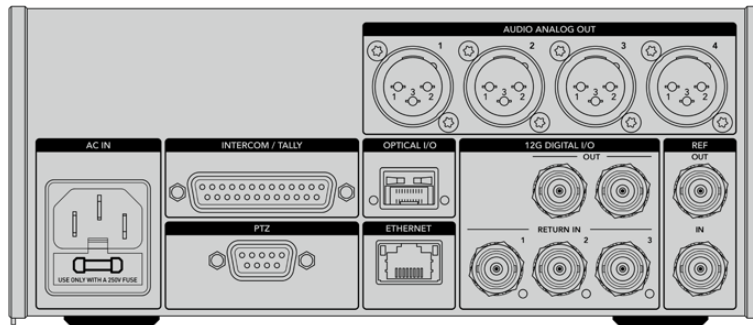


If you're using an external reference signal, connect the reference output from the camera fiber unit to URSA Broadcast G2 or URSA Mini's reference input.

Studio Unit Connections

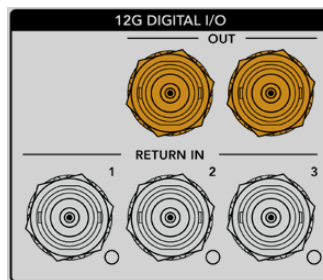
The rear panel of the Blackmagic Studio Fiber Converter provide SDI return feed and reference BNC connectors, intercom and tally DB-25 connector, PTZ 9 pin serial port, audio outputs, and Ethernet.

All SDI inputs support 12G-SDI for video formats up to Ultra HD 2160p60.



12G-SDI Output

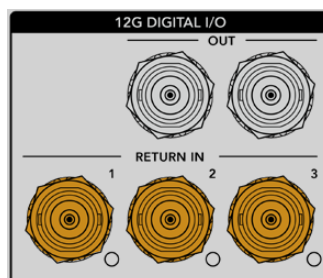
The two 12G-SDI outputs are for connecting the camera signal from the studio unit to any of your switcher's camera SDI inputs. The second connector can be used to output the same signal to other video equipment, for example a Blackmagic Videohub router, SmartView monitor or a HyperDeck Disk Recorder.



The 12G-SDI outputs allow for signals from 720p50 up to 2160p60

Return SDI Inputs

The 12G-SDI return feed BNC connectors give you the option to plug in up to three return SDI feeds. For example, the program feed from a switcher should be connected to return 1 and have a matched frame rate to that of your camera. Other sources like a second camera output, HyperDeck playback, or even a teleprompter can be connected to return feeds 2 and 3. If you are using an ATEM switcher, the program return connected to return 1 will also include tally, talkback, reference and camera control signals.

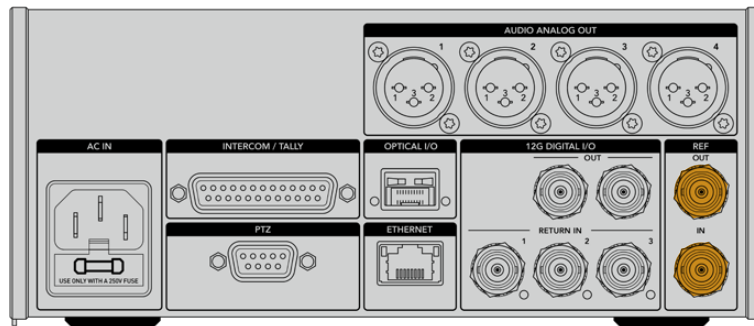


The return SDI inputs allow you to connect up to three return feeds from your switcher. These feeds will be fed to your camera so that they can be viewed by the camera operator, or fed out via SDI to other equipment.

NOTE If you connect Ultra HD to the return inputs, the Ultra HD video will be down converted to 1080p at the same frame rate, so the output from the camera unit will be HD. Down converting the Ultra HD return signals to HD allows for greater bandwidth so you can send multiple return sources.

Reference Input and Output

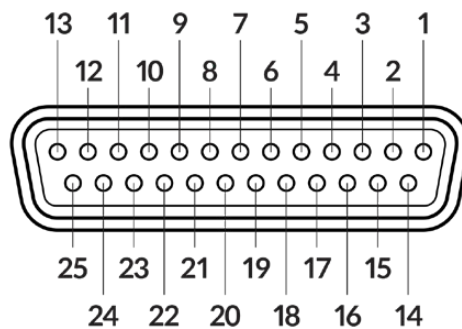
If you are not using an ATEM switcher and need to lock equipment to a common external reference signal, plug the externally generated signal into the reference BNC input. This sends the reference to the camera unit via the SMPTE fiber cable. The reference BNC output from the studio unit can be used to loop the reference source to other equipment.



Use the 'ref in' connection to send traditional reference timing from other broadcast equipment to your camera

Talkback Interface

The DB-25 intercom and tally connector lets you connect to third party intercom and tally systems. A pin out diagram is provided below if you need to build a custom cable. Once you have wired up to the pins for engineering, production, tally or program audio input, you will need to set the menu accordingly on your Blackmagic Studio Fiber Converter.



The external view of the 25 pin 'intercom/tally' connector

Talkback Pinout Diagram

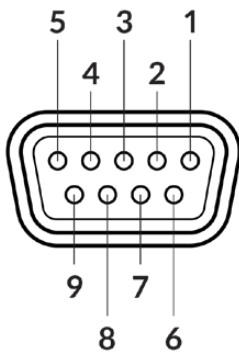
Pins	Signal	Specifications
1	ENG(R) IN+	Engineering channel input 0dBu balanced
2	ENG(R) IN-	
3	ENG GND	GND for ENG
4	ENG(T) OUT +	Engineering channel output 0dBu balanced
5	ENG(T) OUT -	
6	PGM IN+	-20dBu
7	PGM IN-	-20dBu
8	PGM GND	-20dBu
9	GND	GND for aux
10	N/C	-
11	Red Tally IN	On = 5-24Vdc, Off= 0Vdc
12	Red Tally GND	-
13	GND	Chassis GND
14	PROD(R) IN+	Production channel input 0dBu balanced
15	PROD(R) IN-	
16	PROD GND	-
17	PROD(T) OUT+	Production channel output 0dBu balanced
18	PROD(T) OUT-	
19	N/C	-
20	N/C	-
21	N/C	-
22	N/C	-
23	N/C	-
24	Green Tally IN	On = 5-24Vdc, Off= 0Vdc
25	Green Tally GND	-

PTZ Interface

Both the studio unit and camera unit has a DE-9 connector so you can connect a PTZ controller at the studio end, and the remote head at the camera end. The PTZ commands are embedded in the SDI signal connected between the units via the SMPTE fiber cable.

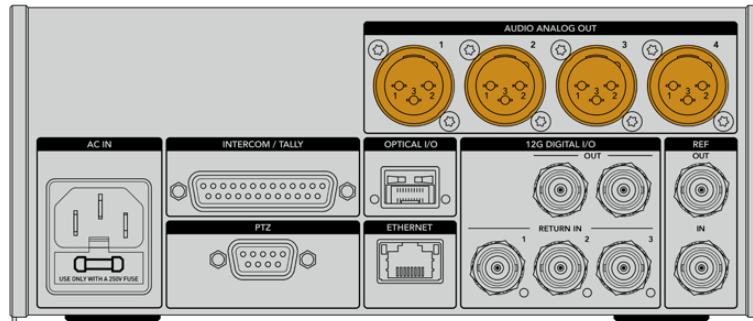
The settings menu on Blackmagic Studio Fiber Converter lets you select the source of PTZ commands that are sent to your Blackmagic Camera Fiber Converter. You have the option to select from the PTZ connector on the back of the Studio Fiber Converter or a program SDI feed coming from an ATEM Switcher instead. For more information, refer to the 'operating the studio fiber converter' section.

PTZ Interface Pinout Diagram

External view	Pins	Signal
 <p>9 pin 'PTZ' connector</p>	1	GND
	2	RS422 Tx-
	3	RS422 Rx+
	4	GND
	5	N/C
	6	GND
	7	RS422 Tx+
	8	RS422 Rx-
	9	GND

Audio Outputs

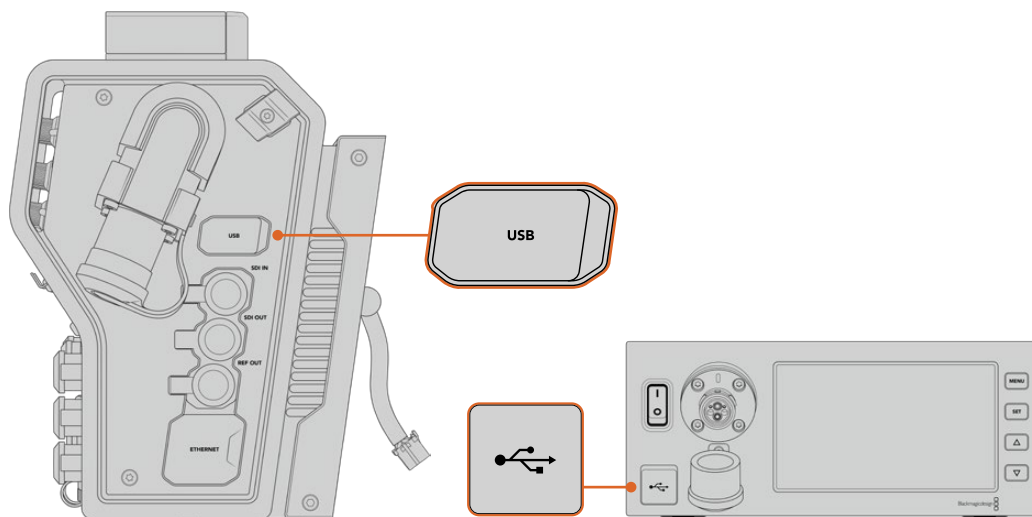
The four XLR audio outputs on the studio unit give you the option to output the audio plugged into inputs 1 and 2 from your URSA Broadcast G2 or URSA Mini camera, and the two XLR audio inputs on the Camera Fiber Converter.



Outputs 1 and 2 on the studio unit correspond to embedded XLR input channels 1 and 2 on URSA Broadcast G2 or URSA Mini by default. Outputs 3 and 4 on the studio unit correspond to XLR inputs 1 and 2 on the Blackmagic Camera Fiber Converter by default. You can use the menu to change these settings for mapping. For more information, see the 'using the menu' section.

Updating Internal Software

From time to time Blackmagic Design releases updates that can enhance and enable features on your Blackmagic Fiber Converters. We recommend checking the Blackmagic Design website regularly to ensure your fiber converters are using the latest internal software. Update your Fiber Converters using the Blackmagic Camera Setup Utility software.



The USB-C ports on the Blackmagic Fiber converters let you update their internal software.

Updating Blackmagic Camera Fiber Converter

Your Camera Fiber Converter will need to be powered when updating, so we recommend keeping the converter connected to URSA Broadcast G2 or URSA Mini during the update process.

It's important that you unplug the SMPTE Fiber cable from your Camera Fiber Converter, and power your camera via the supplied URSA camera Power Supply instead for consistent power.

Blackmagic Camera Fiber Converter has a USB-C connector on the right side of the unit for updating its internal software. Connect your computer to this USB connector and launch Blackmagic Camera Setup Utility. You will be prompted to update if your computer detects that your Camera Fiber Converter is using an outdated version. Follow the on screen prompts to update your converter's internal software.

Updating Blackmagic Studio Fiber Converter

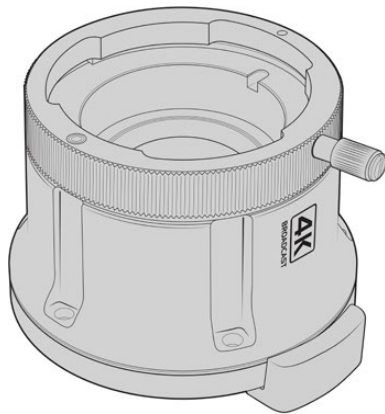
Your Studio Fiber Converter will need to be powered when updating, so we recommend keeping the IEC power cable plugged into the power connector on the studio unit's rear panel during the update process.

Blackmagic Studio Fiber Converter has a USB-C connector on the front of the unit for updating its internal software. Connect your computer to this USB connector and launch Blackmagic Camera Setup Utility. You will be prompted to update if your computer detects that your Studio Fiber Converter is using an outdated version. Follow the on screen prompts to update your converter's internal software.

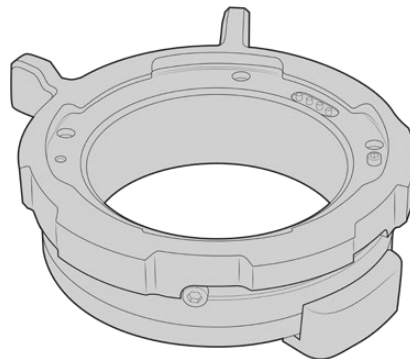
Interchangeable Lens Mount

Blackmagic URSA Broadcast G2 is shipped with its own custom B4 mount attached, as well as an additional EF mount. The interchangeable lens mount means you can also attach Blackmagic URSA Mini Pro PL or URSA Mini Pro F Mount kits to your camera. Lens mount kits are available from Blackmagic Design Resellers.

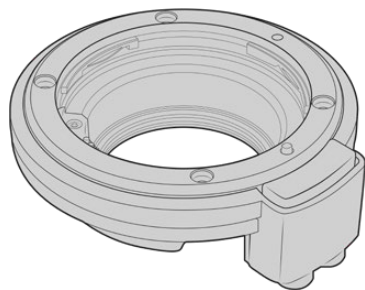
NOTE A B4 mount is available for Blackmagic URSA Mini Pro but this is not the same as the B4 mount on URSA Broadcast G2 camera and is designed for a different sensor. Use only the B4 mount that originally came with your URSA Broadcast G2 camera.



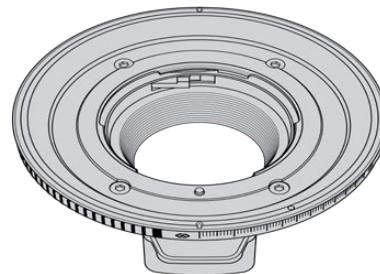
Broadcast B4 mount



PL mount



EF mount



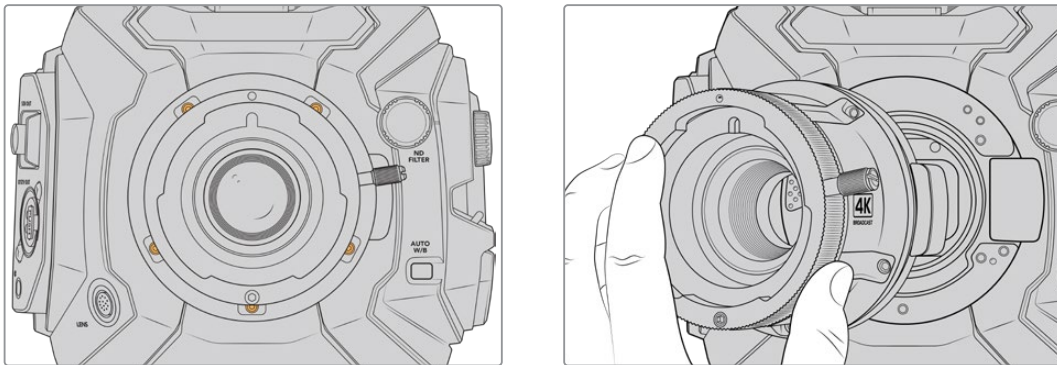
F mount

With the ability to interchange four separate mounts, you have the freedom to use different lenses based on the type of assignments you're working on. For example, the EF mount lets you use high quality stills lenses, the B4 mount is perfect if you want to use par-focal zoom lenses for electronic news gathering or wedding shoots, while the PL mount lets you use high end, robust cinema lenses designed for absolute precision and repeatable control. The F mount gives you access to a huge range of Nikon lenses manufactured from 1959 to today.

Attaching each mount is as simple as unscrewing the original B4 mount and replacing it with the new mount.

Removing the B4 Mount

To remove the B4 mount, simply unscrew the five M3 Hex screws using a 2mm Hex driver.



The B4 mount is removed by unscrewing the five M3 Hex screws and lifting the mount from the camera body.

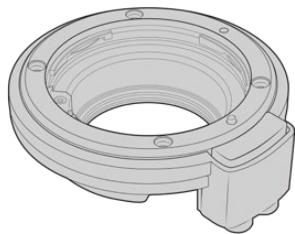
NOTE When removing the original B4 mount, make sure the shim underneath the mount always stays attached to your camera.

Keep reading this section for details about the PL, B4, and EF lens mount kits and how to install each mount to your URSA Broadcast G2.

Blackmagic URSA Mini Pro EF Mount

The EF mount lets you attach EF stills lenses to your URSA Broadcast G2.

The EF mount kit includes:



1x EF mount

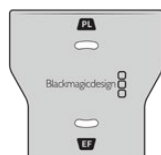
The EF mount lets you attach common EF stills lenses.



1 x Shim set

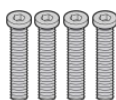
The shim set includes the following thicknesses:

0.50mm	0.18mm	0.10mm
0.30mm	0.15mm	0.05mm
0.20mm	0.12mm	0.025mm



1x Baffle tool

The baffle in the EF mount is not removable, however we have included a baffle tool in the EF kit as a spare item you can use if you also have the PL mount.

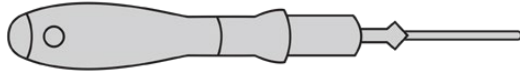


4 x 2mm Hex M3 x 18mm mount screws

The four M3 x 18mm Hex screws are exclusive to the EF mount so you can keep the screws together with the respective mount.

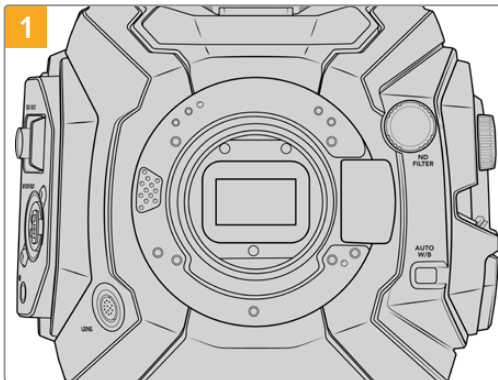
Tools Required

When attaching the EF mount, you will need a 2mm Hex driver. While it's not absolutely required, we recommend using a torque wrench able to accurately set a maximum torque of 0.45Nm to reduce the potential of over tightening the screws.

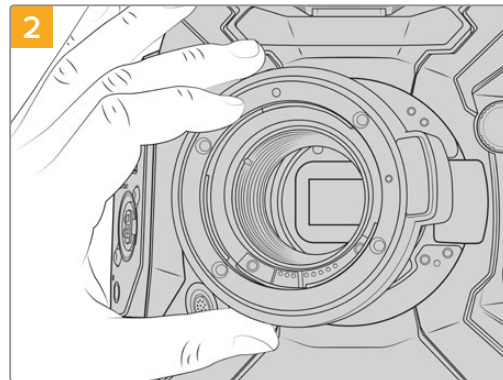


2mm Hex driver

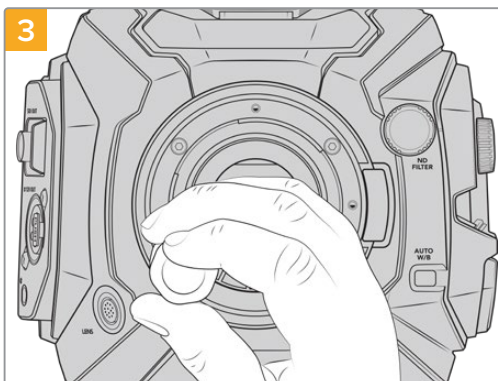
Attaching the EF Mount



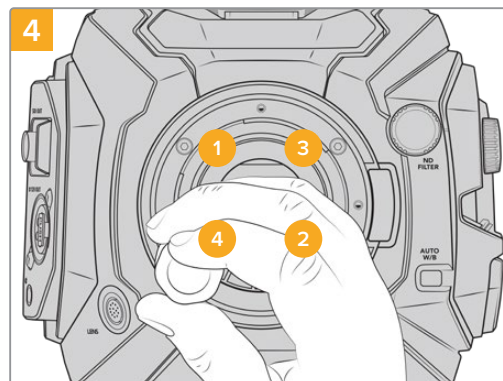
Place Blackmagic URSA Broadcast G2 vertically on a solid, clean bench top to ensure that the mount can be inserted vertically. If changing from the PL to the EF mount, ensure that you have removed the PL baffle before inserting the EF mount.



Carefully place the Blackmagic URSA Mini Pro EF mount onto the camera body ensuring the red dot is at the 12 o'clock position.



Loosely turn the four mounting screws until initial contact is made with the shoulder of the lens mount.

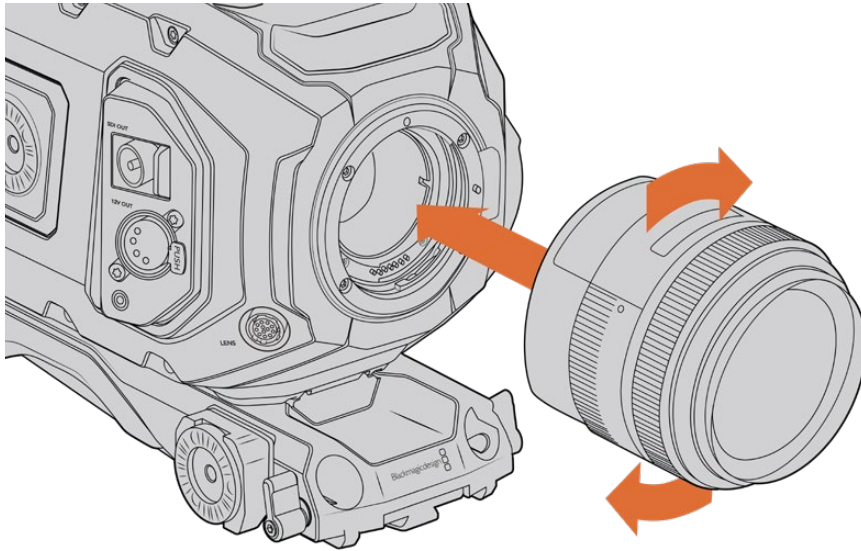


Using the 2mm Hex driver, or torque wrench with 2mm Hex key, apply one full turn of pressure to mounting screw 1, followed by one full turn to screw 2, and repeat for screw 3 and then 4. Continue to apply one full turn to each screw in the sequence above until all screws have reached the maximum torque of 0.45Nm.

NOTE When removing the EF mount, simply follow the instructions in reverse order from step 4 to step 1.

To attach an EF mount lens:

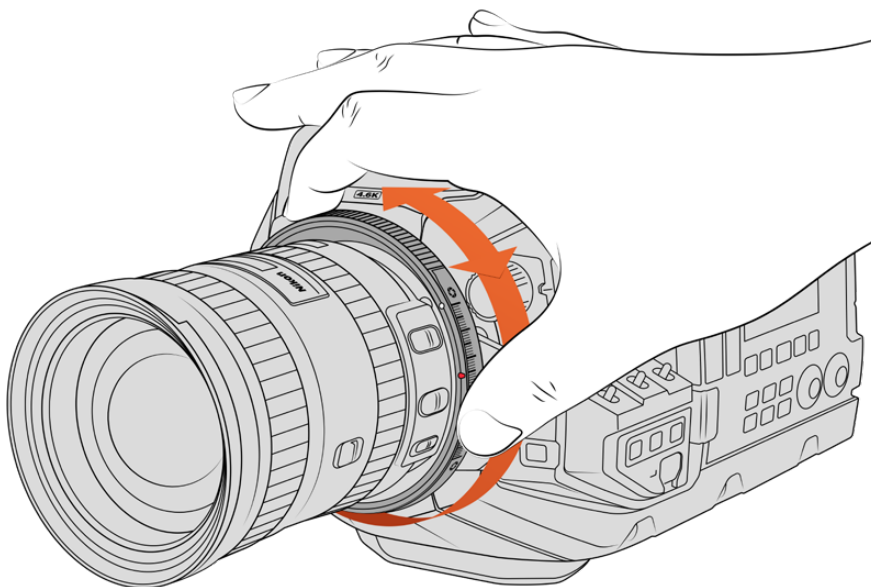
- 1 Align the dot on your lens with the dot on the camera mount. Many lenses have a visual indicator, for example a blue, red or white dot.
- 2 Insert the lens into the mount and twist clockwise until it locks into place.
- 3 To remove the lens, hold down the locking button, rotate the lens counterclockwise until its dot or indicator reaches the 12 o'clock position, and gently remove.



Attaching and removing an EF mount lens

Blackmagic URSA Mini Pro F Mount

With the Blackmagic URSA Mini Pro F Mount attached to your URSA Broadcast G2, you can use F mount lenses. Nikon's F mount system stretches back to 1959, and F mount lenses are still made today. This means that with the Blackmagic URSA Mini Pro F mount, you have access to a huge range of vintage and contemporary lenses.



Use URSA Mini Pro F mount's iris adjustment ring to smoothly change the aperture of F mount lenses.

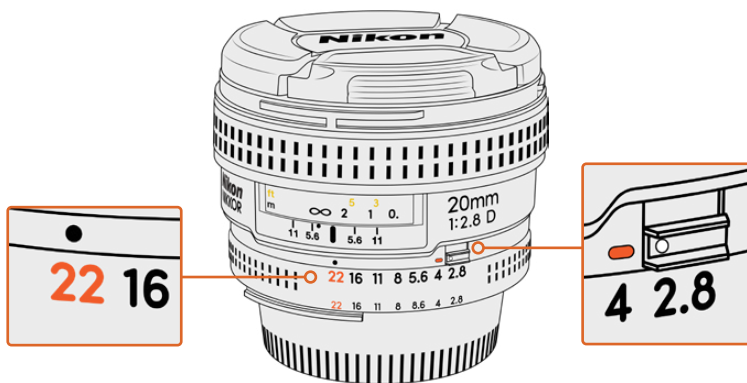
It's worth noting that the F mount is a mechanical mount. This means it does not offer electronic focus or iris control. Instead, the F mount features a mechanical iris adjuster. This moves the iris pin present in most Nikon lenses to achieve smooth cine style iris adjustment.

With an F mount mounted, simply move the iris adjuster on Blackmagic URSA Mini Pro F mount to achieve your preferred exposure. The red dot on the F mount and the markings on the iris adjuster let you mark iris settings to easily return to particular exposure or depth of field settings.

NOTE When removing the F mount, simply follow the instructions in reverse order from step 4 to step 1.

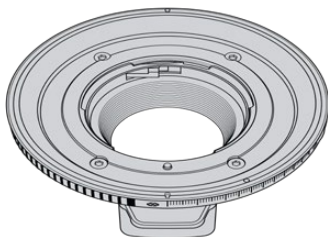
Nikon AF-D lenses

When using Nikon AF-D series lenses, it is necessary to lock your lens aperture to its smallest setting, such as f/22, to use the full range of Blackmagic URSA Mini Pro F mount's iris adjustment ring.



Setting and locking AF-D lenses to their smallest aperture is easiest before mounting to your camera.

The F mount kit includes:



1x F mount

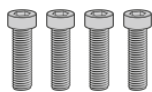
The F mount lets you attach common F stills lenses.



1 x Shim set

The shim set includes the following thicknesses:

0.50mm	0.18mm	0.10mm
0.30mm	0.15mm	0.05mm
0.20mm	0.12mm	0.025mm



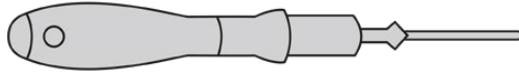
4 x 2mm Hex M3 x 18mm mount screws

The four M3 x 18mm Hex screws are used in the EF and F mount so it is best to keep the screws together with the respective mount.

The F mount kit also comes with a full spare sets of screws in case the originals are misplaced.

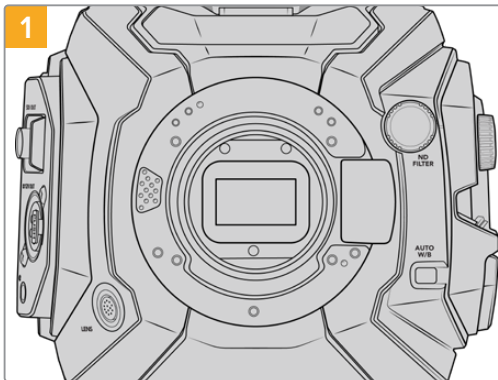
Tools Required

When attaching the F mount, you will need a 2mm Hex driver. While it's not absolutely required, we recommend using a torque wrench able to accurately set a maximum torque of 0.45Nm to reduce the potential of over tightening the screws.

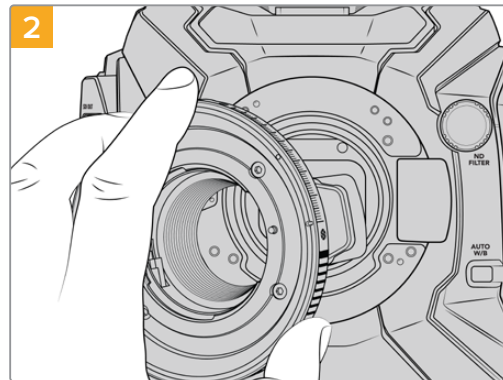


2mm Hex driver

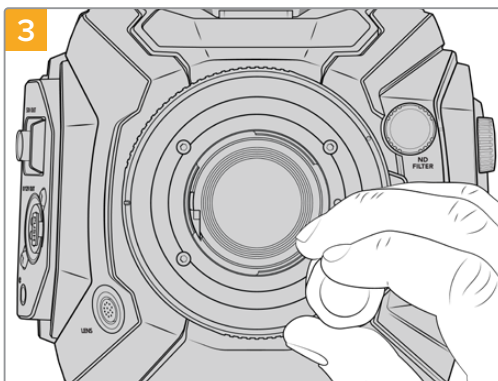
Attaching the F Mount



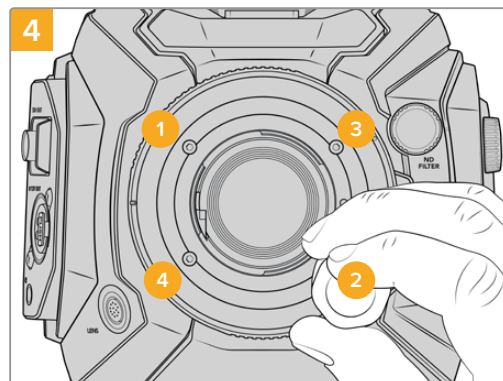
Place Blackmagic URSA Broadcast G2 vertically on a solid, clean bench top to ensure the mount can be attached vertically. If changing from the PL to the F mount, ensure that you have removed the PL baffle before inserting the F mount.



Carefully place the Blackmagic URSA Mini Pro F mount onto the camera body ensuring the white dot is at the 2 o'clock position.



Loosely turn the four mounting screws until initial contact is made with the shoulder of the lens mount.

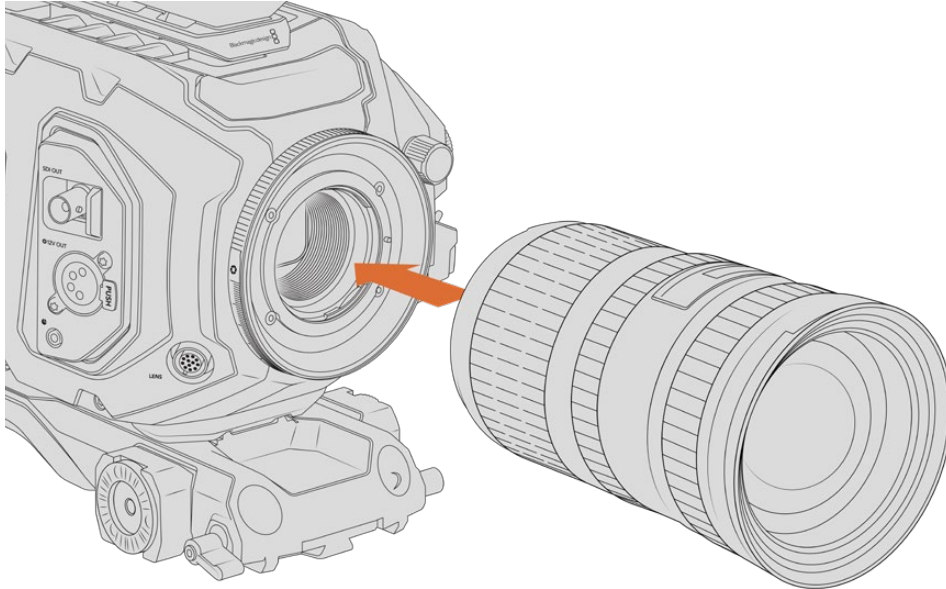


Using the 2mm Hex driver, or torque wrench with 2mm Hex key, apply one full turn of pressure to mounting screw 1, followed by one full turn to screw 2, and repeat for screw 3 and then 4. Continue to apply one full turn to each screw in the sequence above until all screws have reached the maximum torque of 0.45Nm.

NOTE Because of the way URSA Mini Pro F mount works, a small number of F mount lenses are not compatible.

These are Nikkor AF-S E series lenses, which do not offer mechanical iris control, and Nikon PC-E tilt-shift lenses like the 24mm f/3.5D PC-E and 85mm PC-E.

To attach a F mount lens:



Attaching and removing a F mount lens on Blackmagic URSA Broadcast G2 with the optional F mount fitted

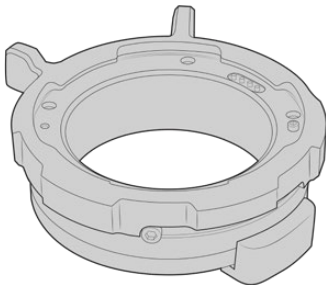
- 1 Align the dot on your lens with the dot on the camera mount. Many lenses have a visual indicator, for example a blue, red or white dot.
- 2 Insert the lens into the mount and twist counterclockwise until it locks into place.
- 3 To remove the lens, hold down the locking button, rotate the lens clockwise until its dot or indicator reaches the 2 o'clock position, and gently remove.

NOTE Blackmagic URSA Mini Pro F mount features a mechanical iris adjuster. To use older style F mount lenses with built in focus rings with this mount, your lenses aperture will need to be set and locked to its smallest setting, such as f/22.

Blackmagic URSA Mini Pro PL Mount

Attaching the PL mount to your URSA Broadcast G2 lets you use high end precision cinema lenses and Super 16mm PL lenses for feature film and television production.

The PL mount kit includes:



1x PL mount

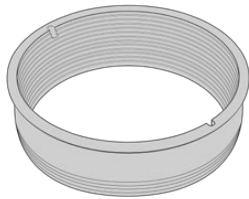
The PL mount is shipped with a protective dust cap.



1 x Shim set

The shim set includes the following thicknesses:

0.50mm	0.18mm	0.10mm
0.30mm	0.15mm	0.05mm
0.20mm	0.12mm	0.025mm



1x PL baffle

The PL mount baffle helps to control and direct the light entering the sensor.



1x Baffle tool

Use the PL baffle tool to tighten the baffle in your camera.

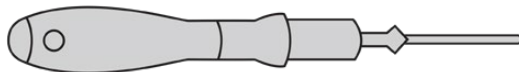


5 x 2mm Hex M2.5 x 22mm mount screws

The five M2.5 x 22mm Hex screws are exclusive to the PL mount so you can keep the screws together with the respective mount.

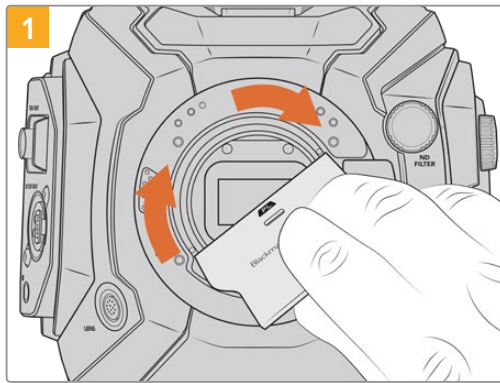
Tools Required

When attaching the PL mount, you will need a 2mm Hex driver. While it's not absolutely required, we recommend using a torque wrench able to accurately set a maximum torque of 0.45Nm to reduce the potential of over tightening the screws.

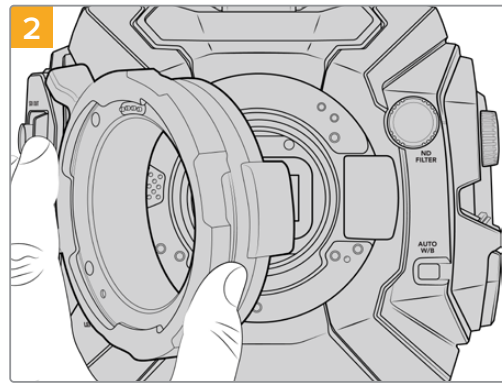


2mm Hex driver

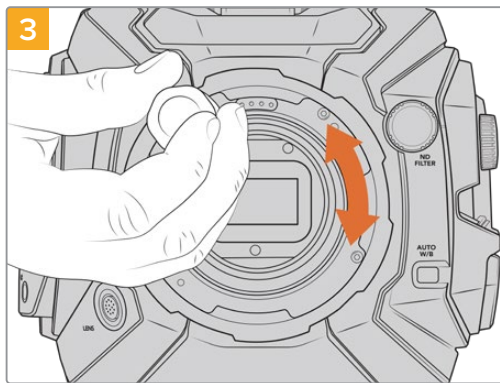
Attaching the PL Mount



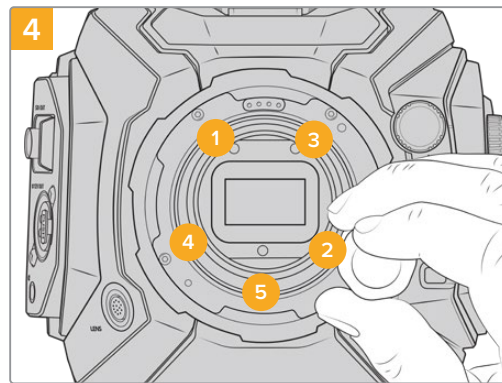
Gently insert the PL baffle into the center of the lens mount and turn until it is finger tight. Use the wide end of the baffle tool to tighten the baffle slightly. You need just enough pressure to keep it in place.



Ensure the pins on the PL mount for Cooke /i Technology are located at the 12 o'clock position.



Loosely turn the five mounting screws until initial contact is made with the shoulder of the lens mount. To access all five screws, you will need to rotate the PL locking ring, as some holes are obscured when the ring is either open or closed.



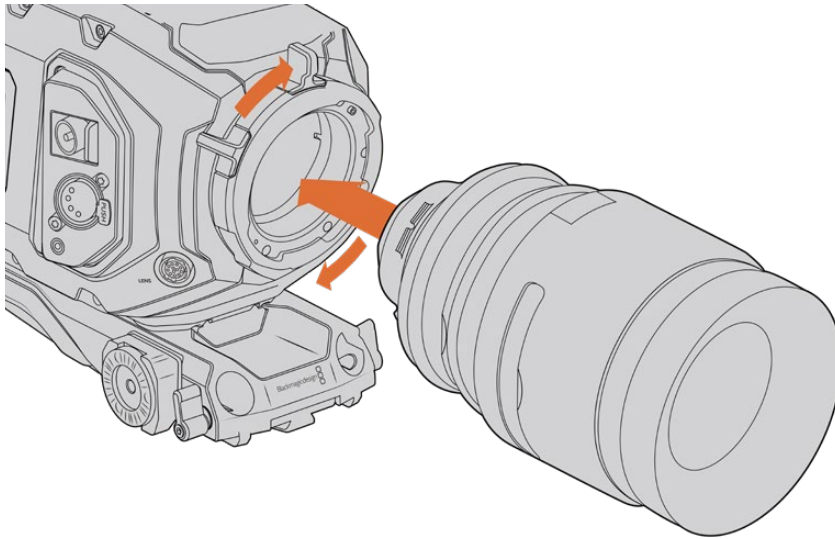
Using the 2mm Hex driver, or torque wrench with 2mm Hex key, apply one full turn of pressure to mounting screw 1, followed by one full turn to screw 2. Repeat for screws 3 and 4, then 5. Continue to apply one full turn to each screw in the sequence above until all screws have reached the maximum torque of 0.45Nm.

NOTE When removing the PL mount, simply follow the instructions in reverse order from step 4 to step 1. Don't forget to remove the PL baffle and store it securely with the PL mount.

To attach a PL mount lens:

- 1 Open your camera's PL locking ring by rotating it counterclockwise until it stops.
- 2 Align one of the lens' four flange notches with the locating pin on the camera mount. Be sure to align the lens for easy viewing of the lens marks.
- 3 Tighten the PL locking ring by rotating it clockwise. If attaching a PL lens with a servo unit to URSA Broadcast G2, you can also connect the 12 pin broadcast connector for servo control.

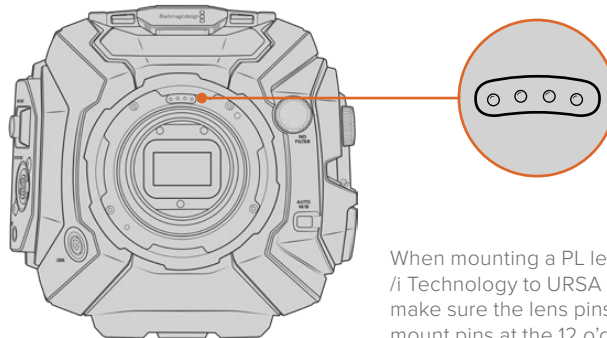
- 4 To remove the lens, rotate the locking ring counterclockwise until it stops, then gently remove the lens by pulling it directly out from the camera body. There is no need to rotate the lens.



Attaching and removing a PL lens

Cooke Lenses /i Technology Support

The optional Blackmagic URSA Mini Pro PL Mount available for URSA Broadcast G2 features four pins at the 12 o'clock position that are used to communicate with lenses featuring Cooke's /i Technology interface. The lenses that support this interface include lenses from Canon, Cooke, Fujinon, Leica and Zeiss. This lets you record lens information in your clips' metadata such as the lens model, focal length, aperture setting, focus distance and other lens specific information.



When mounting a PL lens with Cooke /i Technology to URSA Broadcast G2, make sure the lens pins align with the mount pins at the 12 o'clock position

The information that is recorded as metadata via Cooke's /i Technology interface can be very helpful in post production and VFX. Knowing the lenses used in production and their precise settings can be helpful in the event that the setup needs to be replicated at a later date.

This detailed information can also be utilized by powerful applications such as DaVinci Resolve and Blackmagic Fusion for a wide variety of advanced functions. For example, the recorded metadata can be used to simulate the specific lens in 3D space, or correct lens distortions.

PL Mount Servo Lenses

URSA Broadcast G2 supports control of PL 35mm lenses with servo handgrips. When the lens is plugged in to the lens connector on the camera, URSA Broadcast G2 will provide power and control signals to your lens in the same way it does with B4 lenses. For more information refer to the 'Using Servo Zoom Lenses' section in this manual.

Blackmagic URSA Broadcast G2 B4 Mount

The Broadcast B4 mount is the mount that your URSA Broadcast G2 camera originally ships with. If you have removed the mount to fit the included Blackmagic URSA EF mount or optional URSA PL or F mount, follow these instructions to reattach your B4 mount.

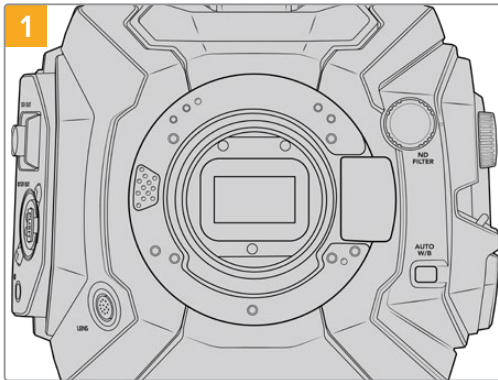
Tools Required

When attaching the B4 mount, you will need a 2mm Hex driver. While it's not absolutely required, we recommend using a torque wrench able to accurately set a maximum torque of 0.45Nm to reduce the potential of over tightening the screws.

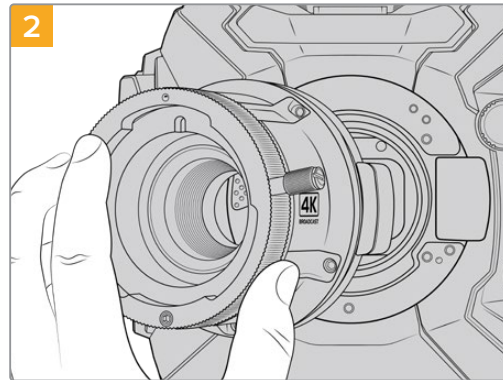


2mm Hex driver

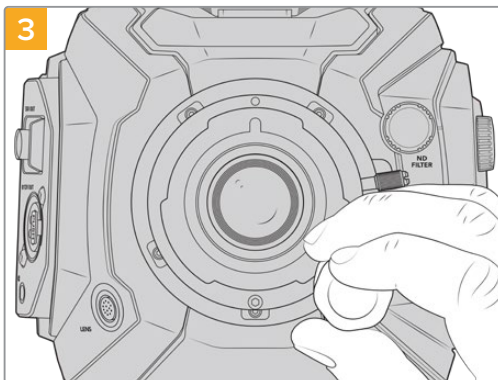
Attaching the B4 Lens Mount



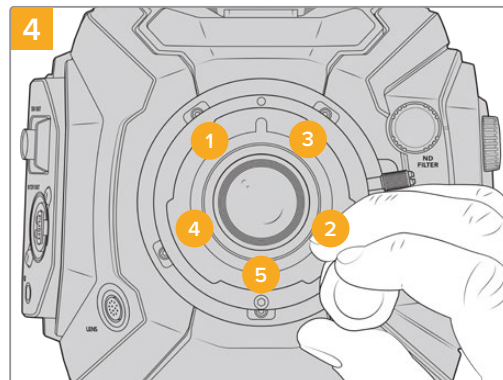
1 Place Blackmagic URSA Broadcast G2 vertically on a solid, clean bench top to ensure that the mount can be inserted vertically.



2 Keeping the original .50mm shim in place, gently put the Blackmagic URSA Broadcast G2 B4 mount onto the camera body ensuring the red dot is at the 12 o'clock position.



3 Loosely turn the five mounting screws until initial contact is made with the shoulder of the lens mount.



4 Using the 2mm Hex driver, or torque wrench with 2mm Hex key, apply one full turn of pressure to mounting screw 1, followed by one full turn to screw 2. Repeat for screws 3 and 4, then 5. Continue to apply one full turn to each screw in the sequence above until all screws have reached the maximum torque of 0.45Nm.

NOTE When removing the B4 mount, simply follow the instructions in reverse order from step 4 to step 1.

Shimming Lens Mounts

What is a Shim?

Shims are thin disks of varying thickness that let you make fine adjustments to the distance between your lens and URSA Broadcast G2's sensor. This distance is commonly known as the flange focal distance, and can change slightly due to variables such as lens age and the environmental conditions of your shoot.



URSA Broadcast G2 Shim

Shims are placed between the lens mount and the camera body so the distance from your subject to the sensor matches the focus marks on your lens. These are most commonly used for PL lenses. These cine lenses are manually focused and have very accurate focal distance markings on their barrels. Shims are also used for URSA Broadcast G2's interchangeable lens mount.

The Blackmagic URSA Mini Pro Shim Kit contains additional shim sets of various thicknesses, and can be purchased from your local Blackmagic Design reseller. A set of shims is also included with all mount kits and are compatible with URSA Broadcast G2. Use shim thicknesses depending on your back focus requirements.

Blackmagic URSA Mini Pro Shim Kit

Your URSA Broadcast G2 camera ships with two shims, a 0.10mm plastic shim and a 0.50mm metal shim. These shims set the proper focal distance for your URSA Broadcast G2 camera's B4, EF, and F mount lenses. Very occasionally, you will need to use additional shims to suit PL lenses that require very specific clearances to maintain accurate focus marks. Blackmagic URSA Mini Pro Shim Kit includes the following additional tools. Other thicknesses are included in the kit in case you need to re-shim your camera to suit PL lenses that may require slightly different clearances to maintain accurate focus marks.

The shim kit includes:



1x Baffle tool

Use the baffle tool to loosen or tighten the PL baffle when removing or attaching the PL mount to your URSA Broadcast G2.



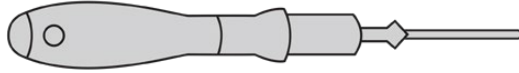
1 x Shim set

The shim set includes the following thicknesses:

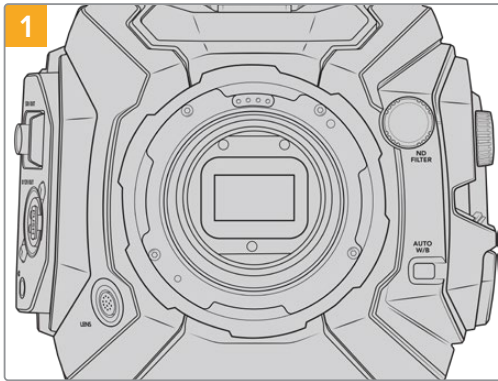
0.50mm	0.18mm	0.10mm
0.30mm	0.15mm	0.05mm
0.20mm	0.12mm	0.025mm

Shimming mounts

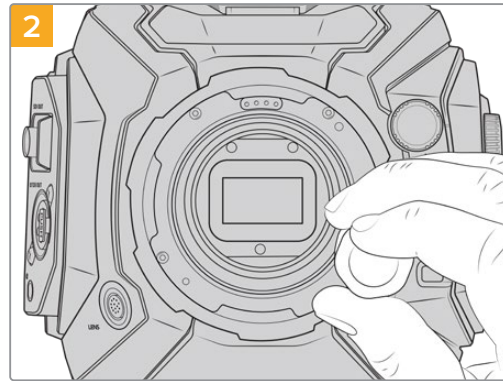
To shim your camera's mounts you'll need a torque wrench able to accurately set a maximum torque of 0.45Nm, with a 2.0mm Hex key and driver.



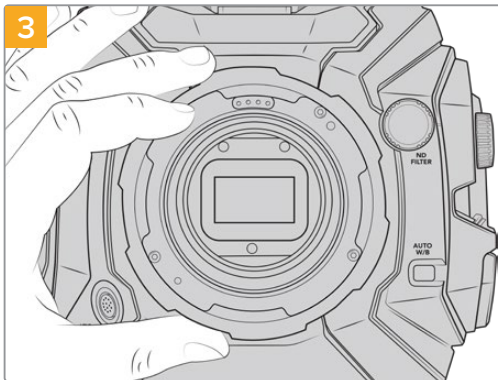
Torque wrench



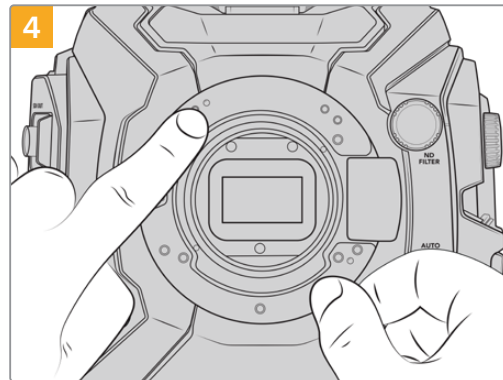
1 Place URSA Broadcast G2 vertically on a solid, clean bench top and remove your lens or dust cap. The filter covering the sensor will be exposed for the duration of the shimming process, so it's important to keep the filter as clean as possible. Be careful not to touch the filter while shimming mounts.



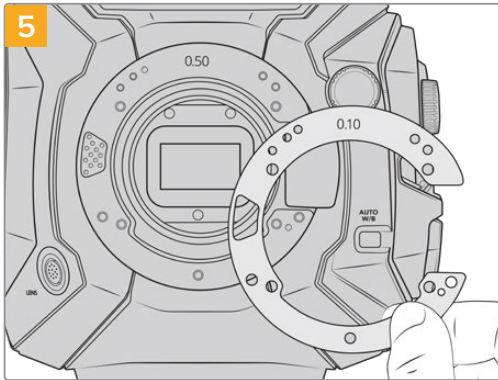
2 Remove the screws holding your mount in place using a 2.0mm Hex driver. For more information on removing particular mounts, see the 'interchangeable lens mount' section in this manual.



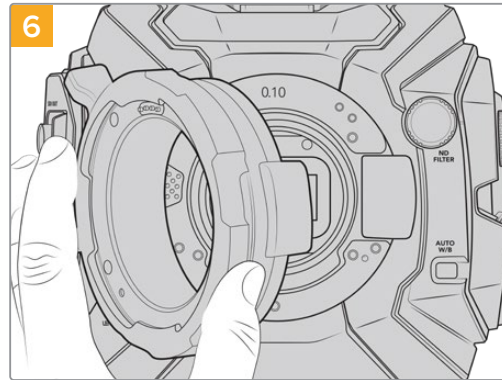
3 Carefully lift the lens mount away from the camera body. Keep the screws safely located close to the lens mount.



4 Note the alignment of the existing shim with the alignment pin at the 11 o'clock position.



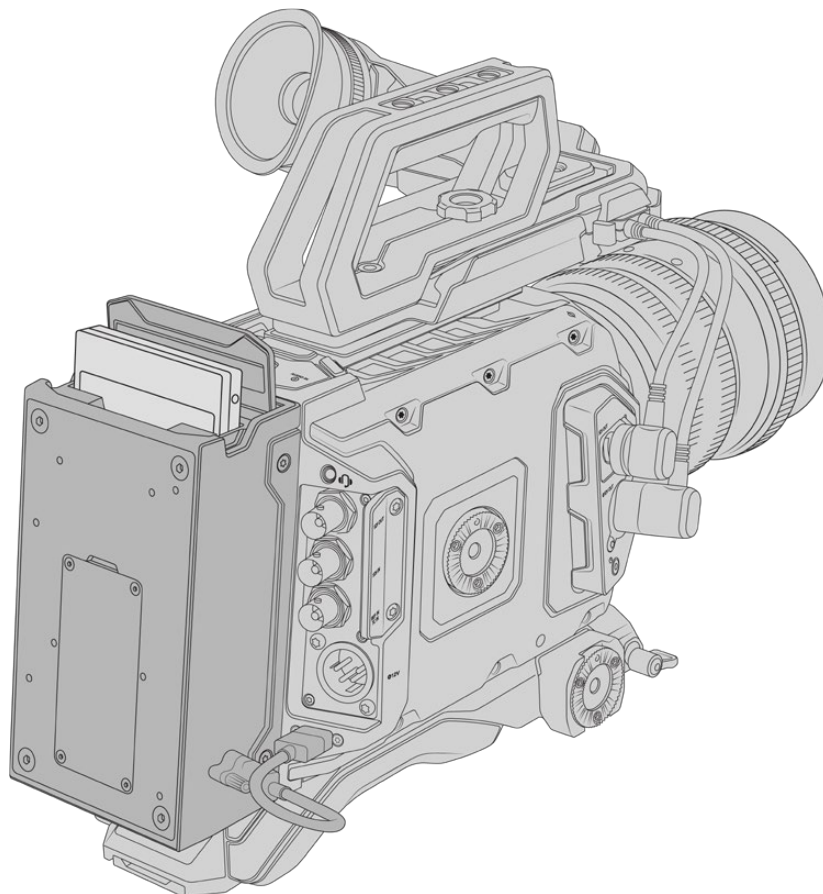
5 Add or remove shims to slightly change the depth of your mount. It is a good idea to start with a small shim thickness such as a 0.10mm.



6 Place your lens mount onto the camera body, tighten screws and remount your lens and check if your lens focus marks are now in alignment with the focal distance. If not then continue steps 1 to 6, adjusting shimming a small amount at a time until your lens is hitting hits marks.

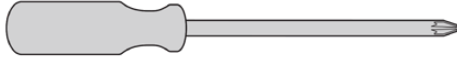
URSA Mini Recorder

Blackmagic URSA Mini Recorder is an optional module which attaches to the rear of URSA Broadcast G2. This recorder allows you to record footage, including 6K Blackmagic RAW files, to high capacity and inexpensive solid state drives, or 'SSDs'.



When attaching URSA Mini Recorder, you will need the following tools:

- 1 x phillips head screwdriver
- 1 x T10 torx screwdriver
- 1 x 2mm hex key driver

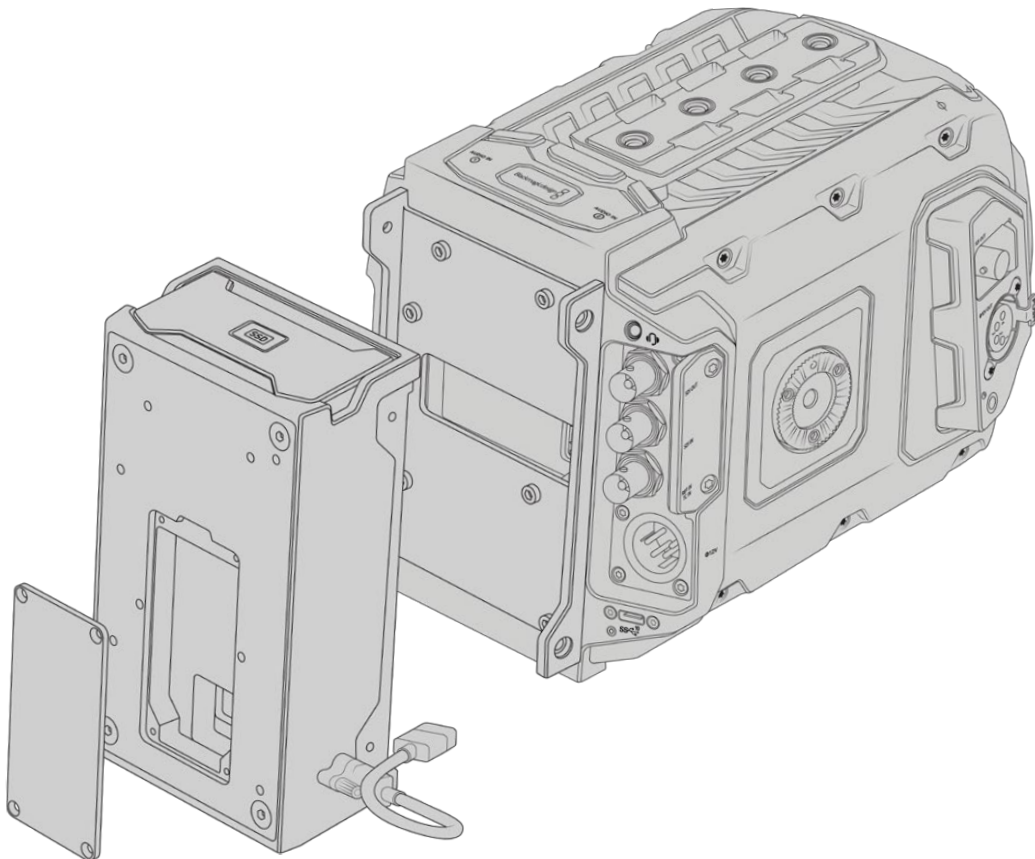


To attach the URSA Mini Recorder to your URSA Mini you will need a large phillips head screwdriver, a T10 torx driver, and a 2mm hex key driver

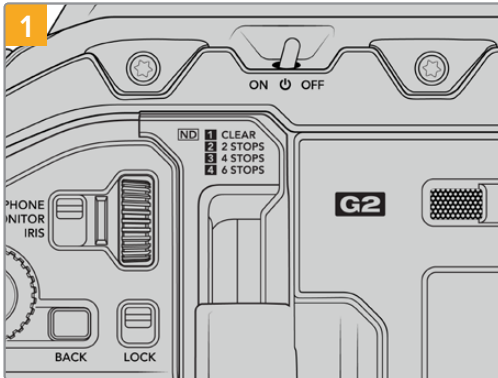
Mounting and connecting URSA Mini Recorder

URSA Mini Recorder mounts to the back of URSA Broadcast G2 directly behind the camera body, using your camera's rear USB-C data port to pass data to and from URSA Mini Recorder.

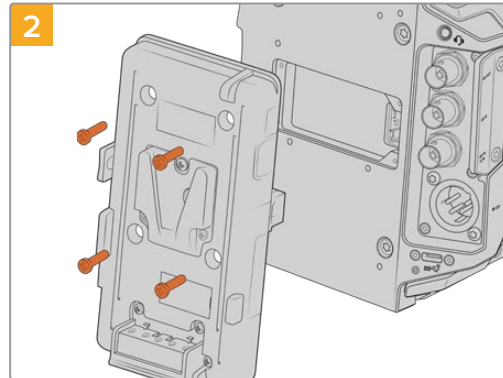
TIP URSA Mini Recorder features a passthrough cable for your camera's battery power supply, so you can attach V-mount or gold mount batteries to the rear of the camera behind the recorder.



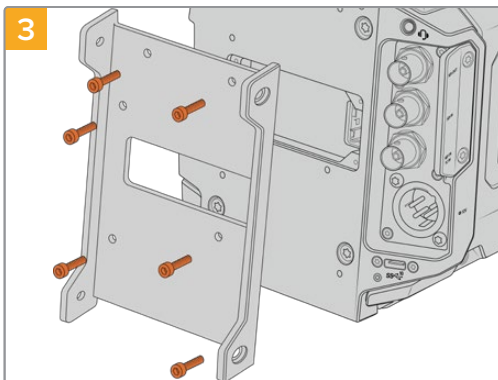
To mount and connect URSA Mini Recorder:



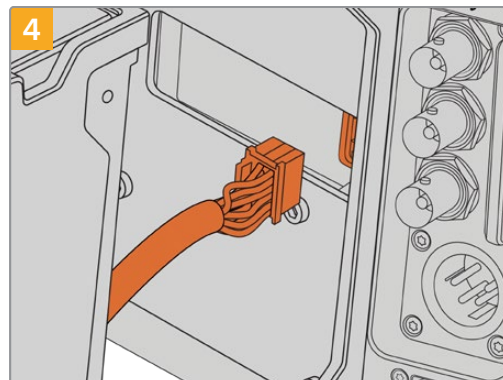
Power off URSA Broadcast G2 by moving the 'power' switch to 'off'.



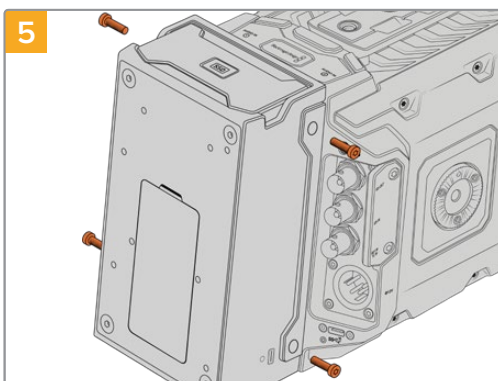
Unmount any battery plates currently fitted to your camera. For more information on mounting and unmounting battery plates, see the section 'mounting batteries' in this manual.



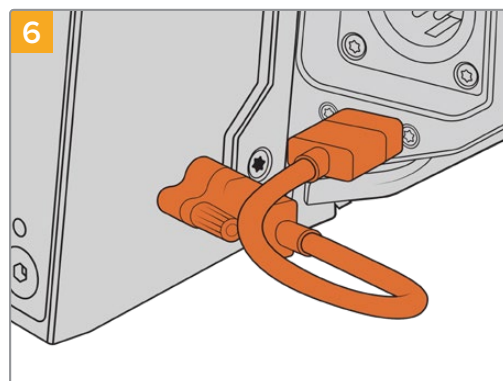
Attach URSA Mini Recorder's mounting bracket using 6 x T10 torx screws.



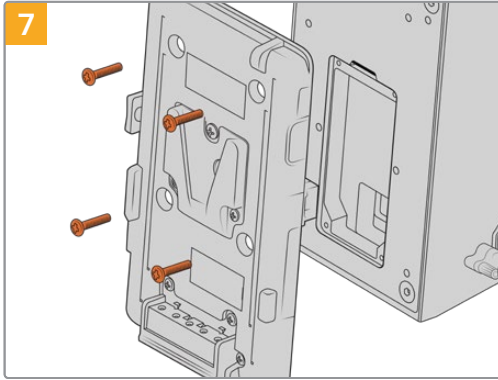
Plug the molex connector on URSA Mini Recorder into the molex socket on your camera's rear panel.



Attach URSA Mini Recorder to the mounting bracket using 2 x T10 torx screws on the left and right side of the brackets.



Connect the Mini Recorder's USB-C cable to the USB-C data port on the rear of URSA Broadcast G2. Tighten the locking connectors with your fingers, or use a 2mm hex key driver.



If you want to use a battery plate with URSA Mini Recorder, use a 2mm hex key driver to remove the four M3 screws holding the moxlex socket cover panel in place. Once the moxlex socket is uncovered, attach a battery plate using the steps outlined in the section 'mounting batteries' in this manual.

Using URSA Mini Recorder

When URSA Mini Recorder is connected and an SSD is loaded, the recorder occupies slot 3 in URSA Broadcast G2's operating system. You'll see an 'SSD' indicator over slot 3 on your camera's storage manager when URSA Mini Recorder is in use.



This means that recording, playback and storage management is exactly the same for SSDs as it is for CFAST or SD cards. For general information on storage management, as well as specific instructions for choosing SSDs, see the 'storage media' section of this manual.

Status LEDs

URSA Mini Recorder has one status light on the left side for 'SSD.' The brightness of this indicator can be set to 'low,' 'medium,' 'high' or 'off' in your camera's 'setup' menu.

SSD

The 'SSD' indicator shows the status of the SSD currently inserted. This LED provides the following status indicators:

White	Your URSA Mini Recorder will show a solid white light when powered on and communicating with your URSA Broadcast G2.
Red	Your URSA Mini Recorder will show a red light while it is recording to SSD. When the space on your SSD is running low the red light will begin to flash slowly. A fast flashing red light indicates that SSD is dropping frames. If this happens please check that you are using a disk from our recommended list of SSDs and that you are recording at a data rate that is compatible with your media.
Orange	If a problem has occurred while mounting the SSD the status light will go Orange. This may be the result of an improperly formatted or incompatible SSD. See the 'storage media' section in this manual for a list of compatible SSDs and formatting instructions.

TIP If the 'SSD' LED indicates a drive mounting error it may need to be 'initialized' on a mac or PC using disk utility or disk management.

Updating URSA Mini Recorder's internal software

Update your URSA Mini Recorder using the Blackmagic Camera Setup Utility software. The Mini Recorder will need to be powered when updating, so we recommend keeping the Mini Recorder connected to URSA Broadcast G2 during the update process. This also means your camera will need to supply consistent power, so be sure to plug into external power or battery pack.

Connect your computer to the Mini Recorder with a USB-C cable and launch Blackmagic Camera Setup Utility. You will be prompted to update if your computer detects that your URSA Mini Recorder is using outdated version. Follow the on screen prompts to update your URSA Mini Recorder's internal software. Refer to the 'Blackmagic Camera Setup Utility' section in this manual for more information.

TIP We recommend updating all your Blackmagic URSA equipment at the same time for optimized performance.

Understanding Studio Camera Control

Blackmagic URSA Broadcast G2 can be used as a studio camera and controlled from an ATEM switcher using the Camera Control feature in ATEM Software Control. This lets you add a camera with large sensor picture quality and amazing dynamic range to your broadcast studio and control it just as you would any studio camera.

Clicking on the 'camera' button opens the camera control feature. Settings such as iris, gain, focus and zoom control are easily adjusted using compatible lenses, plus you can color balance cameras and create unique looks using the DaVinci Resolve primary color corrector.

The ATEM switcher control works by broadcasting camera control packets via all the non down converted SDI outputs of an ATEM switcher. So this means you can connect an SDI output of an ATEM switcher to URSA Broadcast G2's 12G SDI input, your camera will detect the control packets in the SDI link and allow you to control features in the camera itself.



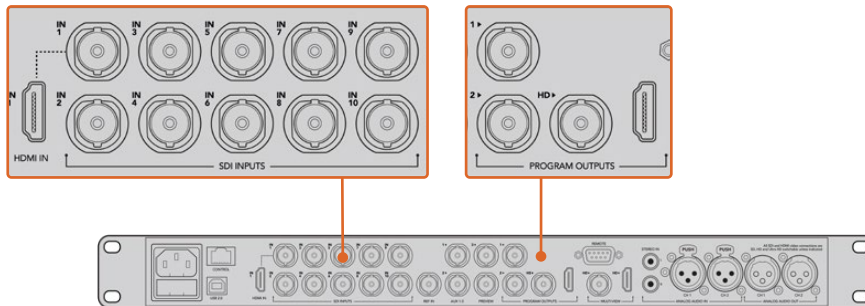
ATEM Camera Control

NOTE When using Blackmagic URSA Broadcast G2 with your ATEM switcher, we recommend updating the internal software to the latest version on both units to ensure compatibility. The latest software can be found at the Blackmagic Design support center at www.blackmagicdesign.com/support.

Connecting your URSA Broadcast G2

- 1 Connect your Blackmagic URSA Broadcast G2's 12G-SDI Out to any SDI In on the ATEM switcher.
- 2 Connect any one of the ATEM switcher's SDI outputs, except down converted or multi view outputs, to your URSA Broadcast G2's 12G-SDI input. Camera control signals are not sent via the multi view and down converted SDI outputs.
- 3 On your URSA Broadcast G2, navigate to 'ATEM Camera ID' in the 'setup' menu and set your camera's ATEM ID to match the switcher input. For example, if URSA Broadcast G2 1 is connected to Cam 1 on the ATEM switcher, the camera number must also be set to 1. This ensures tally is sent to the correct camera.

- 4 In the 'setup' menu select your 'reference source'. Unless you have a genlock signal being sent to all of your cameras and your switcher, we recommend setting 'reference source' to 'program' when attached to ATEM.
- 5 Navigate to the 'monitor' menu and ensure that you have selected 'clean feed' for 'main SDI' to ensure that you don't see overlays or the focus box on the SDI output to the ATEM switcher.



Connect your URSA Broadcast G2 to any of the ATEM switcher's SDI inputs

Using Camera Control

Launch ATEM Software Control and click on the 'camera' button located at the bottom of the software window. You'll see a row of labeled camera controllers containing tools to adjust and refine each camera's image. The controllers are easy to use. Simply click the buttons using your mouse, or click and drag to adjust.

Camera Control Selection

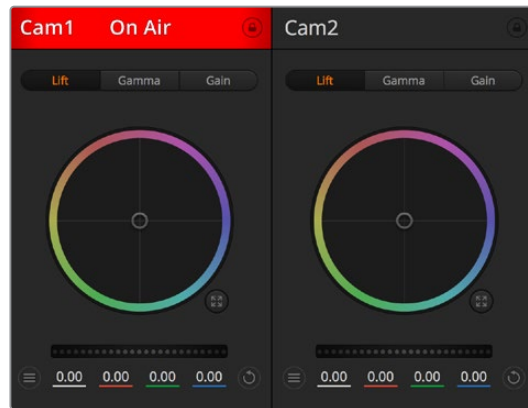
The button row at the top of the camera control page lets you select the camera number you would like to control. If you have more cameras that fit onto the window size, or you are running the color corrector window, then you can use these buttons to select between which camera you would like to control. If you are using an Aux output for monitoring your camera control, pushing these buttons to change the camera to control will also send that camera's video output to the Aux output setup in the switcher preferences.



Click on the settings icon to select the Aux output for camera control

Channel Status

The channel status at the top of each camera controller displays the camera label, On Air indicator and lock button. Press the lock button to lock all the controls for a specific camera. When on air, the channel status illuminates red and displays the On Air alert.



Each camera controller displays the channel status so you know which camera is on air. Use the color wheels to adjust each YRGB channel's lift, gamma and gain settings

Color Wheel

The color wheel is a powerful feature of the DaVinci Resolve color corrector and used to make color adjustments to each YRGB channel's lift, gamma and gain settings. You can select which setting to adjust by clicking on the three selection buttons above the color wheel.

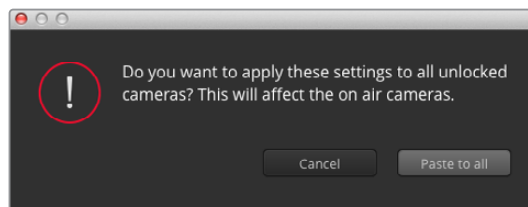
Master Wheel

Use the master wheel below the color wheel to make contrast adjustments to all YRGB channels at once, or luminance only for each lift, gamma or gain setting.

Reset Buttons

The reset button near the top right of each camera controller lets you easily choose color correction settings to reset, copy or paste. Each color wheel also has its own reset button. Press to restore a setting to its default state, or copy/paste a setting. Locked controllers are not affected by the Paste feature.

The master reset button on the top right corner of the color corrector panel lets you reset lift, gamma and gain color wheels plus Contrast, Hue, Saturation and Lum Mix settings. You can paste color correction settings to camera controllers individually, or all cameras at once for a unified look. Iris, focus, coarse and pedestal settings are not affected by the Paste feature. When applying Paste to all, a warning message will appear asking you to confirm your action. This is so you don't accidentally paste new settings to any unlocked cameras that are currently on air.



When applying Paste to all, a warning message will appear asking you to confirm your action. This is so you don't accidentally paste new settings to any unlocked cameras that are currently on air

Iris/Pedestal Control

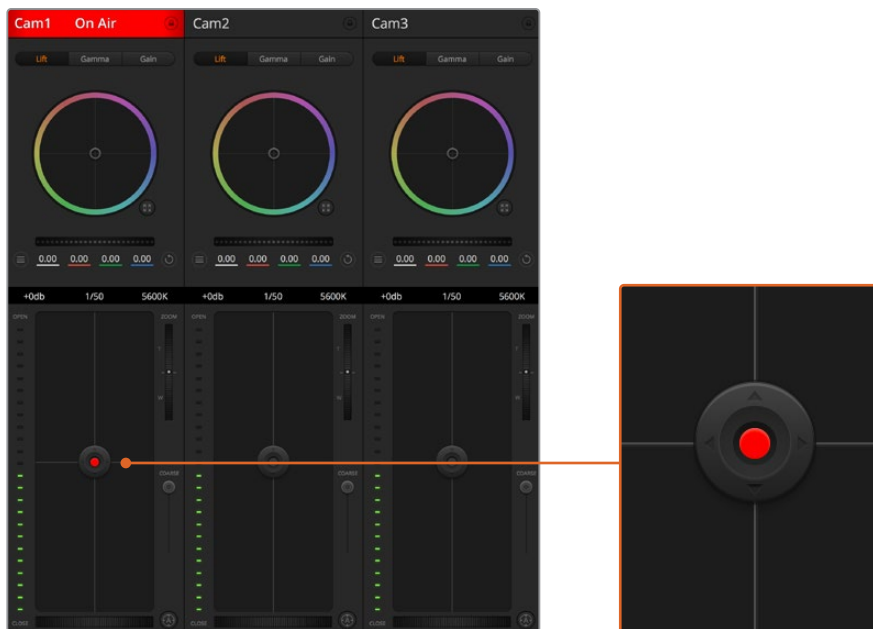
The iris/pedestal control is located within the cross hairs of each camera controller. The control illuminates red when its camera is on air.

To open or close the iris, drag the control up or down. Holding the shift key allows only iris adjustments.

NOTE When connected to ATEM ensure that you have Auto Exposure switched off. If you require Iris, zoom or focus control ensure that you have a lens that can be controlled electronically by the camera.

If you're using a B4 or PL lens connected via the broadcast 12 pin connector on URSA Broadcast G2, make sure the lens iris switch on the handgrip is set to 'A' or 'auto'.

To darken or lift the pedestal, drag the control left or right. Holding the command key on a Mac, or the Control key on Windows, allows only pedestal adjustments.



The iris/pedestal control illuminates red when its respective camera is on air

Zoom Control

When using compatible lenses with an electronic zoom feature, you can zoom your lens in and out using the zoom control. The controller works just like the zoom rocker on a lens, with telephoto on one end, and wide angle on the other. Click on the zoom control, located above the coarse slider, and drag up to zoom in, or drag down to zoom out.

If your lens does not have active lens control or your camera does not support zoom control via the SDI camera control protocol then these settings will have no effect. For example, EF lenses do not have built in servos that can zoom the lens electronically so will not be zoomable with ATEM camera control.

NOTE Analogue B4 lenses do not support ATEM zoom control. For more information on analogue B4 lenses refer to the 'using servo zoom lenses' section

Coarse Setting

The coarse setting is located to the left of the iris/pedestal control and is used to limit the iris range. This feature helps you prevent over exposed images from going to air.

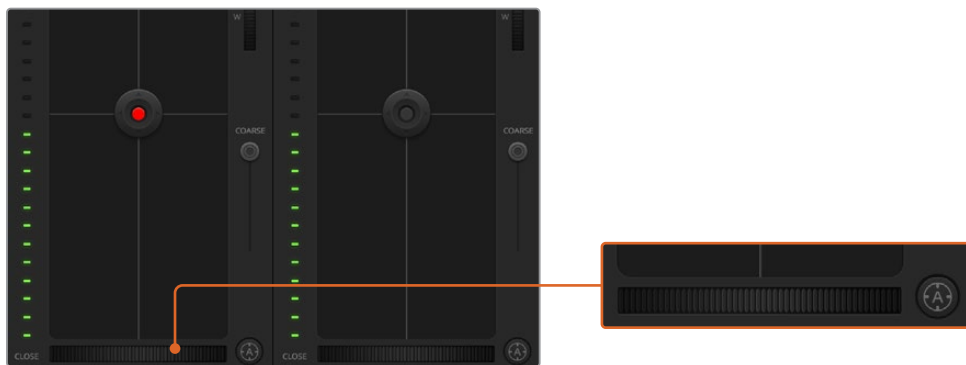
To set your coarse threshold, completely open the iris using the iris control, then drag the coarse setting up or down to set optimum exposure. Now when you adjust the iris, the coarse threshold will prevent it from going above optimum exposure.

Iris Indicator

The iris indicator is located to the left of the iris/pedestal control and displays a visual reference so you can easily see how open or closed the lens aperture is. The iris indicator is affected by the coarse setting.

Auto Focus Button

The auto focus button is located at the bottom left corner of each camera controller. Press to automatically set the focus when you have an active lens that supports electronic focus adjustments. It's important to know that while most lenses support electronic focus, some lenses can be set to manual or auto focus modes, and so you need to ensure your lens is set to auto focus mode. Sometimes this is set by sliding the focus ring on the lens forward or backward. On B4 lenses with servo zoom control, you will need to set the switch at the bottom of the handgrip to 'servo'.



Click on the auto focus button or drag the manual focus adjustment left or right to focus a compatible lens

Manual Focus Adjustment

When you want to manually focus your lens using ATEM Camera Control, you can use the focus adjustment located at the bottom of each camera controller. Drag the wheel control left or right to manually adjust focus while viewing the video feed from the camera to ensure your image is nice and sharp.

Manual focus control is only available from your switcher when using B4 and PL lenses with servo focus controls. As EF lenses do not have servo focus this option is not available when using EF lenses.

Camera Gain

When operating in varying light conditions, you might want to increase or decrease your camera's gain to avoid under exposing your images. To do this click the left arrow to decrease gain and the right arrow to increase gain.

Your ATEM switcher will display gain in dB. This corresponds to the gain settings on your camera in the following way:

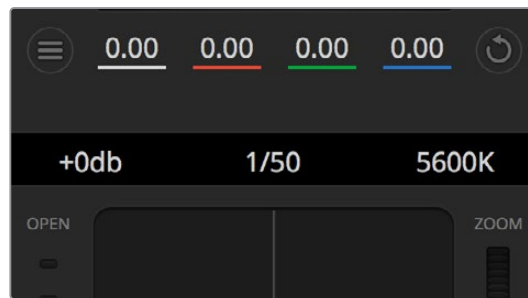
Gain
-6
0
+6
+12
+18

The gain settings are displayed using dB indicators

Shutter Speed Control

Shutter speed control is used to change your URSA Broadcast G2's shutter speed.

The shutter speed control is located between the color wheel and the iris/pedestal control. Decrease or increase the shutter speed by hovering your mouse pointer over the shutter speed indicator and clicking the left or right arrow.



Hovering your mouse pointer over the gain, shutter speed and white balance indicators reveal arrows you can click on to adjust their respective settings

NOTE As ATEM shutter speed control takes priority over the shutter speed selected on your URSA Broadcast G2, your camera's shutter speed controls are disabled when connected to an ATEM switcher.

The table below shows the available shutter speeds in shutter speed control and their equivalent shutter angles. It's worth noting that some shutter speeds fall outside of URSA Broadcast G2's minimum and maximum shutter angles of 11.25 and 360 degrees, respectively. If this happens, the closest available shutter angle is used.

When your URSA Broadcast G2 is connected to an ATEM switcher, the shutter speed setting is also visible in your camera's touchscreen status display. It is visible in an URSA Viewfinder if attached.

Shutter Speed	Shutter Angle at 23.98 fps	Shutter Angle at 24 fps	Shutter Angle at 25 fps	Shutter Angle at 29.97 fps	Shutter Angle at 50 fps	Shutter Angle at 59.94 fps
1/50	172.7	172.8	180	215.8	360	360*
1/60	143.9	144	150	179.8	300	359.6
1/75	115.1	115.2	120	143.9	240	287.7
1/90	95.9	96	100	120	200	239.8
1/100	86.3	86.4	90	107.9	180	215.8
1/120	71.9	72	75	89.9	150	179.8
1/150	57.5	57.6	60	71.9	120	143.9
1/180	48	48	50	59.9	100	119.9
1/250	34.5	34.6	36	43.2	72	86.3
1/360	24	24	25	29.97	50	59.94
1/500	17.3	17.3	18	21.6	36	43.2
1/725	11.9	11.9	12.4	14.9	24.8	29.8
1/1450	11.25*	11.25*	11.25*	11.25*	12.4	14.9
1/2000	11.25*	11.25*	11.25*	11.25*	11.25*	11.25*

*Shutter speeds outside URSA Broadcast G2's shutter angle range use its closest available minimum or maximum shutter angle.

TIP Decreasing shutter speed is a good way to brighten your images without using camera gain because you are increasing the exposure time of the image sensor. This can also reduce or eliminate light flicker when shooting under fluorescent lights. Increasing shutter speed reduces motion blur and is best used for action shots when you want your images to be clean and sharp.

White Balance

The white balance setting next to the shutter speed control can be adjusted by clicking on the left or right arrows on each side of the color temperature indicator. Different light sources emit warm or cool colors, so you can compensate by adjusting the white balance. This ensures the whites in your image stay white.

DaVinci Resolve Primary Color Corrector

If you have a color correction background, then you can change the camera control from a switcher style CCU interface to a user interface that's more like a primary color corrector on a post production color grading system.

Your Blackmagic URSA Broadcast G2 features a DaVinci Resolve primary color corrector built in. If you have used DaVinci Resolve, then creatively, grading in your URSA Broadcast G2 will be identical so you can use your color grading experience for live production. The color corrector panel can be expanded out of any camera controller and provides expanded color correction control with extra settings and a full primary color corrector interface.

You have color wheels and settings such as saturation available and you can see shadows, mid tones and highlight settings all at the same time. Simply switch between cameras using the camera selection controls at the top of the window as you need.

TIP DaVinci Resolve color correction is applied to your URSA Broadcast G2's SDI output and ProRes video recorded on camera. As RAW video is intended for extensive post processing, color correction is not applied to RAW video. When recording RAW video, however, color correction can still be applied to URSA Broadcast G2's SDI output.



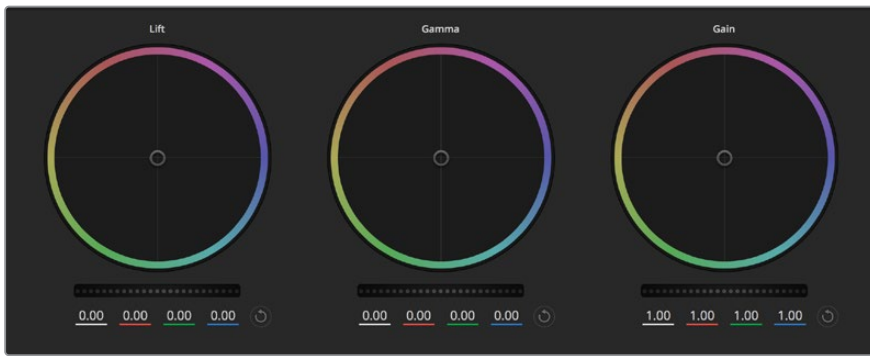
Click on the DaVinci Resolve primary color corrector button to expand the color correction window and adjust settings

Color Wheels

The Lift/Gamma/Gain controls allow tonally specific yet overlapping regions of adjustment. In photographic terms lift, gamma and gain corresponds to shadows, mid tones and highlights.

Use the color wheels in the following ways to make fine or aggressive adjustments:

- **Click and drag anywhere within the color ring:**
Note that you don't need to drag the color balance indicator itself. As the color balance indicator moves, the RGB parameters underneath change to reflect the adjustments being made to each channel.
- **Shift-Click and drag within the color ring:**
Jumps the color balance indicator to the absolute position of the pointer, letting you make faster and more extreme adjustments.
- **Double-click within the color ring:**
Resets the color adjustment without resetting the master wheel adjustment for that control.
- **Click the reset control at the upper-right of a color ring:**
Resets both the color balance control and its corresponding master wheel.



Lift, gamma and gain color wheels in the color corrector panel

Master Wheels

Use the master wheels below the color wheels to adjust each YRGB channels' lift, gamma and gain controls.

To make adjustments using the master wheel:

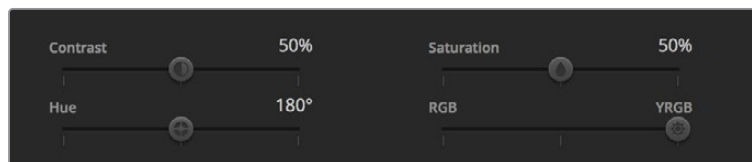
- Drag the master wheel left or right:** Dragging to the left darkens the selected parameter of the image, dragging to the right lightens that parameter. As you make an adjustment, the YRGB parameters underneath change to reflect the adjustment you're making. To make a Y-only adjustment, hold down the ALT or Command key and drag left or right. Because the color corrector uses YRGB processing, you can get quite creative and create unique affects by adjusting the Y channel only. Y channel adjustments work best when the Lum Mix setting is set to the right side to use YRGB processing vs the left side to use regular RGB processing. Normally, most DaVinci Resolve colorists use the YRGB color corrector as you get a lot more control of color balance without affecting overall gain, so you spend less time getting the look you want.



Adjust the master wheels by dragging the wheel control left or right

Contrast Setting

The Contrast setting gives you control over the distance between the darkest and lightest values of an image. The effect is similar to making opposing adjustments using the lift and gain master wheels. The default setting is 50%.



Drag the sliders left or right to adjust Contrast, Saturation, Hue and Lum Mix settings

Saturation Setting

The Saturation setting increases or decreases the amount of color in the image. The default setting is 50%.

Hue Setting

The Hue setting rotates all hues of the image around the full perimeter of the color wheel. The default setting of 180 degrees shows the original distribution of hues. Raising or lowering this value rotates all hues forward or backward along the hue distribution as seen on a color wheel.

Lum Mix Setting

The color corrector built into your Blackmagic URSA Broadcast G2 is based on the DaVinci Resolve primary color corrector. DaVinci has been building color correctors since the early 1980's and more Hollywood films are color graded on DaVinci Resolve than any other method.

This means the color corrector built into your URSA Broadcast G2 has some unique and creatively powerful features. The YRGB processing is one of those features.

When color grading, you can choose to use RGB processing, or YRGB processing. High end colorists use YRGB processing because you have more precise control over color and you can independently adjust the channels with better separation and more creative options.

When the Lum Mix control is set to the right side, you have the 100% output of the YRGB color corrector. When you have the Lum Mix control set to the left side, you get 100% output of the RGB corrector. You can set the Lum Mix to any position between the left and right to get a blend of output from both the RGB and YRGB correctors.

Which is the correct setting to use? That's up to you, as color correction is a pure creative process and there is no right and wrong, and the best setting is what you like the most and what you think looks good!

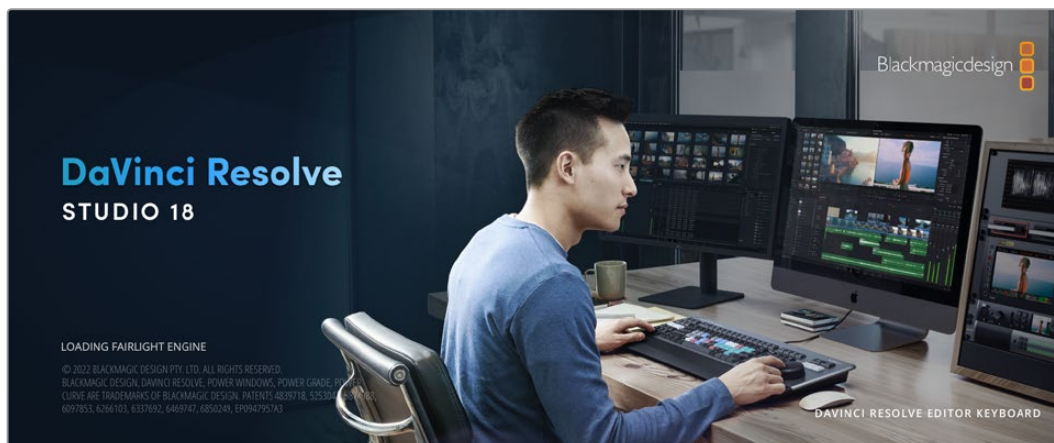
Synchronizing Settings

When connected, camera control signals are sent from the ATEM switcher to your Blackmagic URSA Broadcast G2. If a setting is accidentally adjusted from your URSA Broadcast G2, camera control will automatically reset that setting to maintain synchronization.

TIP Even if you disconnect its 12G-SDI input, your URSA Broadcast G2 will keep using any image adjustments made with DaVinci Resolve color correction. This lets you change camera angles without needing to dial in your image settings again. To return your URSA Broadcast G2 to its default color settings, simply power cycle your URSA Broadcast G2 after disconnecting its 12G-SDI input.

Using DaVinci Resolve

Shooting with your Blackmagic URSA Broadcast G2 is only part of the process of creating film and television content, and just as important is the process of media backup and management as well as editing, color correction and encoding final master files. Your Blackmagic URSA Broadcast G2 includes a version of DaVinci Resolve for Mac and Windows so you have a complete solution for shooting and post production!



NOTE We recommend using the latest version of DaVinci Resolve for accurate color treatment of clips shot using URSA Broadcast G2. Version 18 or later will provide accurate color for URSA Broadcast G2 and the latest Blackmagic RAW features like image gyro stabilization using the camera's recorded motion sensor data.

After connecting your CFast, SD card or SSD to your computer, you can use DaVinci Resolve's 'clone' tool, in the 'media' page, to create running backups as you shoot. This is recommended as any type of media is susceptible to becoming damaged or developing a fault so creating backups means your shots will be immune to loss. Once you have used DaVinci Resolve to backup your media, you can then add your clips to the DaVinci media pool, then edit, color correct, and finish your production without ever having to leave DaVinci Resolve.

DaVinci Resolve is the same tool used on most major blockbuster movies, so it's much more than a simple NLE software tool, as it has extremely advanced technology built in for high end digital film. You get the advantage of this technology when you use DaVinci Resolve to edit and color correct your work.

Included here is information on how to get started using DaVinci Resolve with your camera files. Of course, DaVinci Resolve is extremely advanced and includes a lot more features than you immediately see when first looking at its user interface. To learn more about how to use DaVinci Resolve, please check for the DaVinci Resolve instruction manual on the Blackmagic website, where you can also find many training courses and tutorial videos.

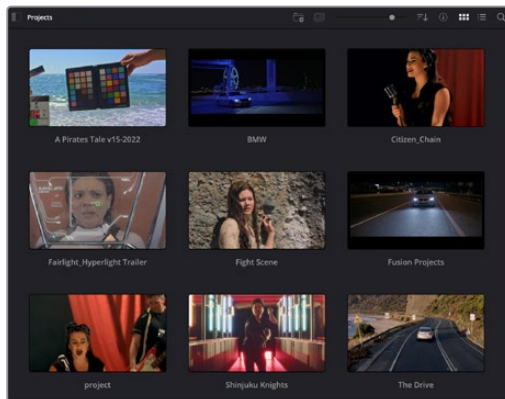
Project Manager

Before you import your clips and start editing, you will need to set up your project using the project manager.

The project manager is the first screen you will see when launching DaVinci Resolve, but you can open the manager at any time by clicking on the 'home' icon at the bottom right of the user interface. This is helpful when you want to open previous projects and create new ones.

To create a new project, click on 'new project' at the bottom of the window and give your project a name. Click 'create'.

Using the 'cut' page, you can start working on your edit immediately.



The project manager shows all projects belonging to the current user

For more information about the Project Manager, refer to the DaVinci Resolve manual which is available to download on the Blackmagic Design website support page.

Editing with the Cut Page

The 'cut' page gives you a fast, dynamic editing workflow that lets you quickly assemble, trim and edit clips efficiently.

Two active timelines let you work with your entire edit plus a detailed area simultaneously. This means you can drop clips anywhere on a large timeline, then refine your edit in a detailed timeline within the same workspace. Using this workflow, you can edit on a laptop without needing to zoom in and out and scroll as you work, which can be an enormous time saver.

The Cut Page Layout

When you open the cut page, you will see the media pool, viewer window and timeline. These three primary windows give you complete control over your edit.



The Cut page default workspace, with the Media Pool in icon view

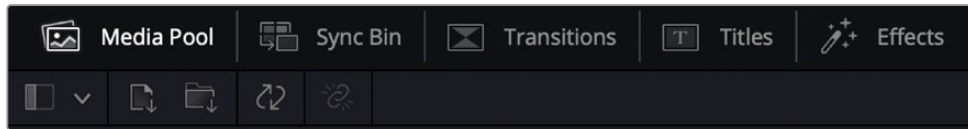
For more information on the Cut page, see the 'The Cut Page' chapter in the DaVinci Resolve manual.

Media Tabs

At the top left corner of the user interface you will see five tabs.

Click on these tabs to open the media toolsets you will use when creating your edit.

For example, the first tab is the media pool and you can see it is already selected. The other tabs are for the sync bin, media transitions, titles and effects.



- **Media Pool:** The media pool contains all your clips, folders and files you imported using the media page. You can also import files directly from the cut page, so you don't have to go back to the media page if you want to import a new clip.
- **Sync Bin:** This powerful feature automatically syncs all your clips via timecode, date and time so you can choose angles from all cameras on a multi camera project.
- **Transitions:** If you click on the neighboring transitions tab, you will see all the video and audio transitions you can use in your edit. These include common transitions such as cross dissolves and motion wipes.
- **Titles:** Next to transitions is the 'titles' tab. Here you can select the title type you want to use. For example a scroll, standard text or lower thirds title. There are also a list of Fusion templates you can use for more animated dynamic titles which can be customized in DaVinci Resolve's 'Fusion' page.
- **Effects:** The fifth tab is the 'effects' tab. This provides all the different filters and effects you can use to bring more life to your edit, for example customizable blurs, glows and lens effects. There are many powerful effects to choose from and you can find them quickly using the search tool.

TIP Use the search tool near the media tab icons to find the exact items you are looking for. For example, if you have the transitions tab selected, type "dissolve" in the search tool and only dissolve transition types will be shown in the viewer, making it quicker for you to find the dissolve transition you want.




Viewer Tabs

In the top left corner of the viewer window you will see the viewer mode buttons.



The viewer mode buttons

These buttons control which viewer is currently being used, including 'source clip', 'source tape', and 'timeline'. These viewer modes give you an enormous amount of control when selecting clips for your edit and it's worth spending a moment to look at how they work.



	Source Clip	The source clip viewer displays a single clip from the media pool and you can set in and out points along the entire length of the viewer timeline. This gives you greater control. Select a source clip to view by double clicking on a clip in the media pool, or dragging it into the viewer.
	Source Tape	Source tape lets you view all the source clips in the media pool. This powerful feature is helpful if you want to quickly search through all your clips to find a specific event. As you scrub the playhead over the clips, you will see their thumbnails selected in the media pool. This means once you have found the clip you want to edit, you can click on the source clip tab and its corresponding source clip will appear in the viewer automatically. The source tape viewer really lets you take advantage of non-linear editing, giving you the freedom to work on your edit, find shots quickly, try new ideas and stay in the moment.
	Timeline	The timeline viewer lets you view the edit timeline so you can play back your project and refine your edits.

Importing Clips to the Media Pool

Now you can start importing media into your project. You can do this in the media pool window of the cut page using the import tools at the top.



Select one of the import options to add media to your project

	Import Media	The import media option will import individual media files selected from your storage location.
	Import Media Folder	To import a folder from your media storage, select the import folder option. When importing a folder, DaVinci Resolve will keep the file structure, treating each folder as a separate bin so you can navigate between bins to find your videos and other media files.

To import media:

- 1 Click on the 'import media' or 'import media folder' icon.
- 2 Navigate to your media storage for the media you want to import.
- 3 Select the file or folder and click 'open'.

Once you've added media to your project, it is a good time to save your changes. DaVinci Resolve features a fast, on the go autosave called 'live save'. Once you save you project once, 'live save' will save further changes as you make them, removing the risk of losing your work.

For more information on 'live save' and other auto save functions, refer to the DaVinci Resolve Manual.

Adding Clips to the Timeline

Now that you are familiar with the media tabs and viewer mode buttons, you can open the media pool and quickly start adding clips to your timeline.



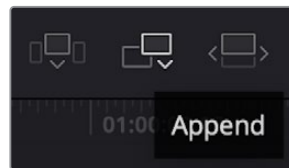
The timeline of the cut page, comprising the upper timeline and the zoomed in timeline below

The timeline is where you will build your edit and is like a board with tracks you can attach clips to, move them around and trim their edits. Tracks let you layer clips over others which gives you more flexibility to try different edits and build transitions and effects. For example, you can try an edit with a clip on one track without affecting other clips on tracks below it.

There are different ways to add clips to the timeline, such as smart insert, append, place on top and more.

Appending Clips

When selecting takes and assembling an edit, you will likely want to add these shots to your timeline one after the other. The append tool is perfect for this task and will get you editing very fast.



Click on the append icon to quickly add clips to the end of the last clip

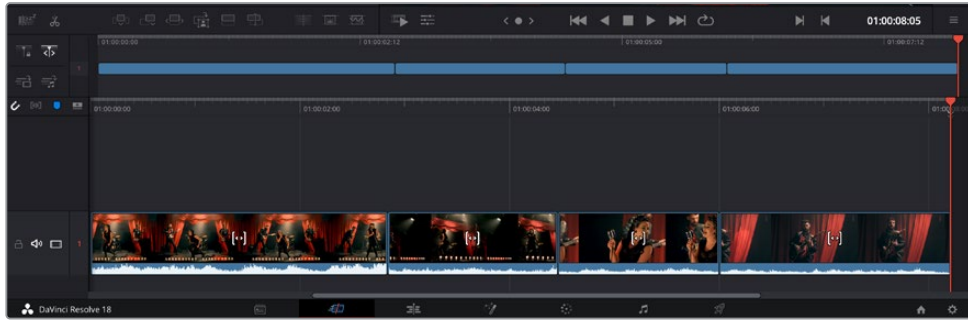
To append a clip:

- 1 Double click on a clip in the media pool to open it in the viewer.
- 2 Using the scratch trim tool, drag the in and out points to select the precise duration of your shot. You can also press the 'i' and 'o' keyboard shortcuts to set in and out points.



- 3 Now click the 'append' icon underneath the media pool.
Your first clip will be placed at the head of the timeline.

Repeat steps 1 to 3 to keep adding more clips and they will automatically append, ensuring there are no gaps in the timeline.



Appending clips ensures there are no gaps between them on the timeline

TIP You can speed up the process further by assigning a keyboard shortcut to the 'append' icon. For example, if you assign the 'P' key, you can set your in and out points using 'I' and 'O' then press 'P' to append the clip. Refer to the DaVinci Resolve manual for information on how to assign shortcut keys.

Trimming Clips on the Timeline

With clips added to the timeline, you have complete control to move them around and trim edits.

To trim an edit, hover the mouse over the start or end of a clip, then click and drag it left or right. For example, drag the end of the clip left or right to decrease or increase its duration. You might notice that all clips after that edit will shift on the timeline to accommodate the new adjustment. This is one way the 'cut' page helps to save you time.

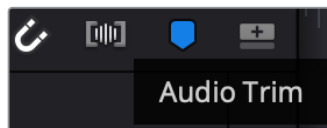
You can even pick the clip up and drop it on a new video track in the large timeline without having to zoom in or out. This speeds up the edit process because it minimizes time navigating a long timeline.

Audio Trim View

Audio trim view helps you make accurate audio edits by expanding the audio waveform in the timeline. This is useful if you're editing a dialogue scene or a music clip and makes it easy to find an edit point between words or beats.

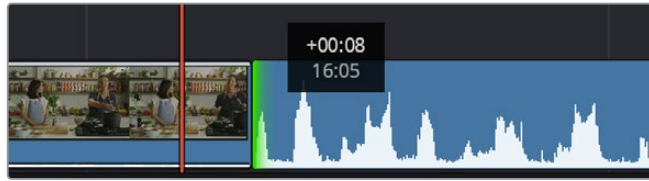
To use Audio Trim view:

- 1 Click the audio trim icon between the snapping and marker tools to the left of the timeline.



The Audio Trim view button

- 2 Now when you trim an edit you will see an expanded waveform in the timeline. When you finish trimming, the clips in the timeline will return to their normal size.



Audio trim view expands the audio waveform in the timeline.

After you have finished editing clips using the 'cut' page, you might want to add a title. The next section will show you how.

Adding Titles

Placing a title on your timeline is easy and you have many options.

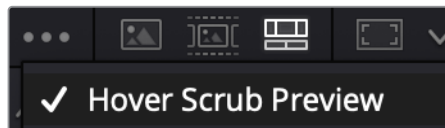
To see the different types of titles you can use, click on the 'titles' media tab at the top left corner of the user interface. In the selection window you will see all the different title generators you can use displayed as thumbnails, from lower thirds, scrolls, to a standard text title. You can even add any of the Fusion titles which are animated titles that you can customize.

Previewing Titles

Before you add a title to your timeline you can preview it from the 'titles' selection window. This lets you quickly scan through all the available options before making a choice.

To preview a title:

- 1 Click the option menu to the top right-hand side of the titles panel and check 'hover scrub preview'.



Enable Hover Scrub Preview from the option menu.

- 2 In the 'titles' selection window, hover your mouse pointer over a thumbnail to preview a title in the viewer. If you are previewing an animated or Fusion title move the pointer across the title's thumbnail from left to right to see the animation.



Hover over a title's thumbnail to preview it in the viewer.

Once you've chosen a title you can add it to your timeline.

To add a standard title:

- 1 Click on the title and drag it onto the timeline. It doesn't matter which timeline, but for greater accuracy we recommend using the detailed timeline. The title will automatically create a new video track for the title and will snap to the playhead.
- 2 Release the mouse and the title will appear on the new track. You can now move it or change its duration like you would another video clip.
- 3 To edit the title, click on the new title clip and then click the tools icon underneath the clip viewer.

You will now see a row of tools you can use to modify the title clip. For example transform, crop, dynamic zoom and more.
- 4 Now click the inspector tab.

This will open the inspector window where you can type in the title you want and edit the text settings, for example tracking, line spacing, font type, color and more.

You have a lot of options to customize the title exactly how you want it. We recommend playing with all the different settings to see how they can change the appearance and shape of your title.

TIP You can also use the hover scrub function to preview effects, transitions, generators and filters on the 'cut' and 'edit' pages.

Working with Blackmagic RAW Files

Blackmagic RAW clips give you maximum flexibility in post production. This lets you make adjustments to clips, such as white balance and ISO settings, as if you were changing the original camera settings. Working with Blackmagic RAW also retains more tonal information within shadows and highlights, which is useful for recovering details, for example in blown out skies and dark areas of the picture.

It's worth shooting in Blackmagic RAW if you are after the highest possible quality, or for shots where there is an extreme variance between highlights and shadows and you may need to push and pull those regions as much as possible in the grade.

The speed and small file size of Blackmagic RAW means you don't need to make proxy files and playback is just like a standard video clip. This section of the manual describes the features of Blackmagic RAW and how to use Blackmagic RAW files in your DaVinci Resolve workflow.

TIP It is a good practice to adjust the Blackmagic RAW settings for your clips on the 'color' page before you start color grading.

Clip Settings for Blackmagic RAW

When you first import Blackmagic RAW files, DaVinci Resolve will decode the camera data contained in the files using the ISO, white balance and tint settings used at the time of shooting. If you're happy with the look of these settings, you can start editing right away.

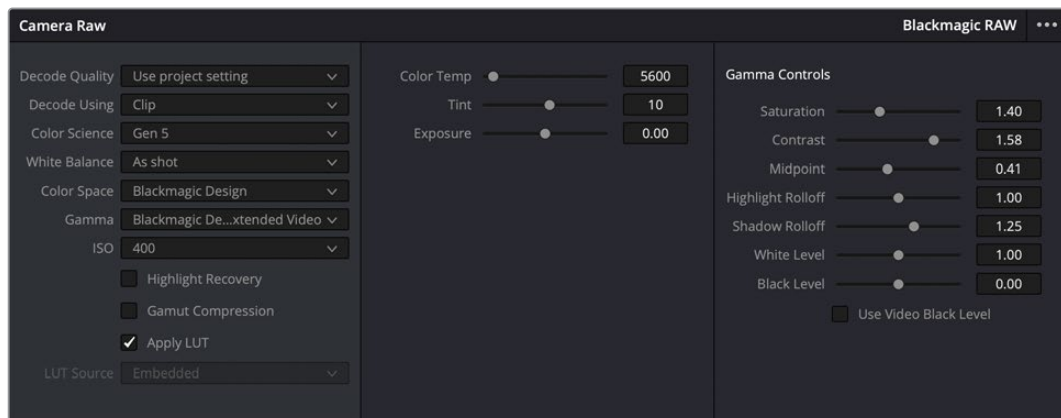
The great thing about shooting Blackmagic RAW is that you're not tied to these settings at all! The breadth of available post processing options when working with Blackmagic RAW files mean that you'll develop your own workflow over time. Experimenting with the 'clip' settings for

each clip in the 'camera raw' tab will show you just how powerful and flexible working with Blackmagic RAW can be.

Color Science

Lets you choose whether to interpret your footage with generation 4 or 5 color science. URSA Broadcast G2 uses Blackmagic Design generation 5 color science. Files made on different cameras with generation 4 color science can be reinterpreted with generation 5 color science to match your shots from URSA Broadcast G2.

Alternatively, if you are shooting mainly with cameras that create Blackmagic RAW files with generation 4 color science, you can mix in clips shot on URSA Broadcast G2 with generation 5 color science by reverting them to generation 4. This makes it easy to match shots filmed on cameras using different generations of Blackmagic color science.



In the 'camera raw' tab, select 'clip' from the 'decode using' menu to make adjustments to your clip's Blackmagic RAW settings

Changing Blackmagic RAW Settings

Once you have set DaVinci Resolve to enable clip settings for Blackmagic RAW, the clip settings and gamma controls are now adjustable. Adjusting these settings to optimize your clips can bring them close to a full primaries grade. This is especially powerful when using DaVinci Resolve's scopes which can help you neutralize and balance the clips ready for applying a look.

The following information contains descriptions for the clip and gamma controls.

ISO

The ISO value can be changed by increasing or decreasing this setting. This setting is helpful if you need to set the clip to a brighter or darker starting point for optimization.

Highlight Recovery

Check the box to reconstruct highlight information in clipped channels using information from non-clipped channels.

Gamut Compression

Check the box to automatically maintain safe Gamut levels.

Color Temp

Adjust the color temperature to warm or cool the image. This can be used to help neutralize the color balance in each image.

Tint

Adjusting this setting will add green or magenta into the image to help balance the color.

Exposure

Use this setting to refine the overall brightness of the image.

Saturation

Saturation controls default at 1 and range from 0 for the minimum saturation to 4 for maximum saturation.

Contrast

Defaulting at 1.0, drag the slider to the left for the least amount of contrast at 0 or to the right to increase the contrast up to 2.

Midpoint

In Blackmagic Design Film, your middle gray value defaults to 0.38, or 38.4%. Drag the slider to the left to lower your midpoint or to the right to raise it to 100. When contrast is adjusted away from the default setting, you can modify your highlight and shadow rolloff.

Highlight Rolloff

Adjust the highlights by dragging the slider to the left to lower the value to 0, or to the right to increase the highlights to 2. The default value is 1.

Shadow Rolloff

Drag the slider to the left to lower your shadows to 0 or to the right to raise your shadows to 2.

White Level

Adjust the white point of the gamma curve by dragging the slider from the highest value of 2 to the lowest value of 0. The default value is 1.

Black Level

Raise the black point of the custom gamma curve by dragging the slider to the right from the lowest value of -1 to a maximum of 1. The default value is 0.

Use Video Black Level

Check the box to set your black levels to video.

Export Frame

Clicking the 'export frame' button lets you export a single frame from your Blackmagic RAW clip.

Update Sidecar

Click this button to update the Blackmagic RAW sidecar file for the current clip.

Any changes you have made to your Blackmagic RAW clips will be identified by the gamma setting changing to Blackmagic Design Custom.

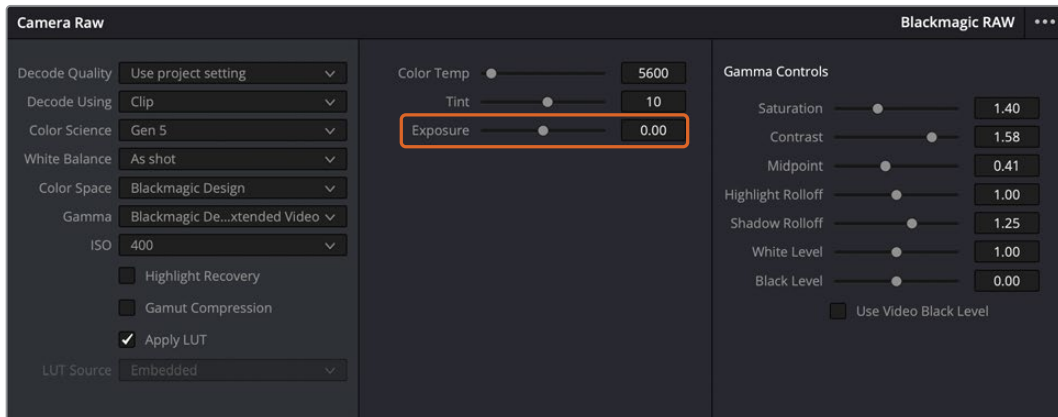
Adjusting Exposure using Blackmagic URSA Broadcast's Gain Setting

If you're familiar with the DaVinci Resolve workflow for other Blackmagic cameras, it's worth noting that URSA Broadcast G2's 'gain' setting is treated a bit differently to the 'ISO' setting on Blackmagic cinema cameras.

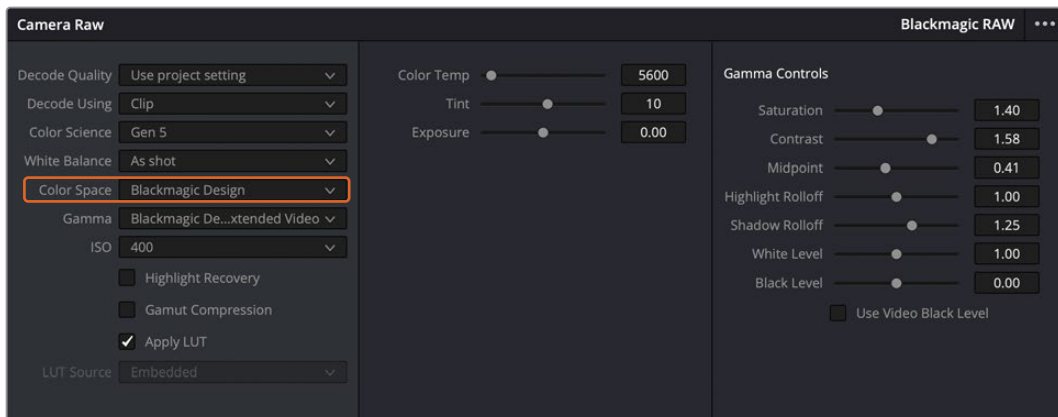
The 'gain' settings for URSA Broadcast G2 are applied at your camera sensor, rather than later in software. This is a similar method to how traditional broadcast cameras work, and can slightly reduce noise at some sensitivity settings. It also limits how far you can adjust the 'gain' of an URSA Broadcast G2 clip after filming. You'll notice that the 'ISO' box in DaVinci Resolve's Camera RAW settings will display the equivalent ISO to your camera's 'gain' setting for the clip.

You can increase the ISO by up to three steps from the ISO equivalent to your URSA Broadcast G2's 'gain' setting when you filmed the clip. Due to the wide dynamic range of Blackmagic RAW footage, you can make further changes that are functionally equivalent to changing camera gain by adjusting your clip exposure. Simply adjust the 'exposure' value to add or subtract up to

five stops of exposure. Each 'stop' is equivalent to one sensitivity step, for example 1 additional stop of exposure is the equivalent of going from -6 to 0 db of gain, or 200 to 400 ISO, however you have much finer adjustment here and can go to 0.01 of a stop.



Any changes you have made to your Blackmagic RAW clips will be identified by the gamma setting changing to Blackmagic Design Custom.



If you want to revert your clip to one of the default gamma options available, simply select it from the gamma dropdown menu.

TIP Gamma controls are disabled for footage shot with the 'video' dynamic range, but you have not lost your Blackmagic RAW data. Simply select Blackmagic Design Film or Blackmagic Design Extended Video from the dropdown gamma menu and make your adjustments.

Saving your Blackmagic RAW changes

- 1 Adjust the gamma controls for your Blackmagic RAW clip.
- 2 Click the 'update sidecar' button.

A 'sidecar' file will now be created in the same folder as your .braw file. When another user imports the Blackmagic RAW files, the sidecar files will automatically be read by DaVinci Resolve. If you make additional adjustments, press 'update sidecar' again.

TIP To remove your sidecar file, you can simply delete it from its location on your media drive.

Project Settings for Blackmagic RAW

If you need to make a setting change that is common to all the clips, for example a global change to the white balance or ISO setting, you can set the clips to use the project 'camera raw' settings and make global changes from there.

To set project settings for Blackmagic RAW:

- 1 Enter the project settings menu by clicking 'file,' and selecting 'project settings.'
- 2 In the 'Camera RAW' tab, you'll see a menu next to RAW profile. Click on the arrow to select Blackmagic RAW from the list.
- 3 Select 'project' in the 'Decode Using' menu.
- 4 Select a Color Science option from the menu.
- 5 Set the white balance to 'custom'.
- 6 Select 'Blackmagic Design Custom' from the gamma menu. Set the color space to 'Blackmagic Design'.
- 7 Choose your resolution from the 'Decode Quality' menu. A lower resolution will give you better playback on limited systems. You also have the flexibility to change to full resolution later on before delivery for the highest quality output.

Now you can adjust the camera settings for your clips such as saturation, contrast and midpoint. This will affect all clips in your project that are set to decode using 'project'.

Color Correcting your Clips with the Color Page

Now with your clips on the timeline and titles added, you can start color correcting using the 'color' page. The color page is extremely powerful and will define the overall look of your film, but for this example a good place to start is to neutralize all your clips so they are consistent. You can also return to the 'cut' or 'edit' page at any time if you want to make changes to your edit.

The color page lets you adjust the look of your edit and in many ways color correction is an art form in itself. You are really adding emotion to your work when you add color correction. It's an incredibly creative part of the workflow and very satisfying when you learn these skills and can see your work come alive! This is usually the first step and is referred to as primary color correction, or adjusting the primaries. After primary color correction is done, you can then make secondary color correction adjustments which is where you can make extremely precise color adjustments of specific objects in your images. That is a lot of fun, but is normally done after primaries because it helps make the process more efficient and you will get a better result!

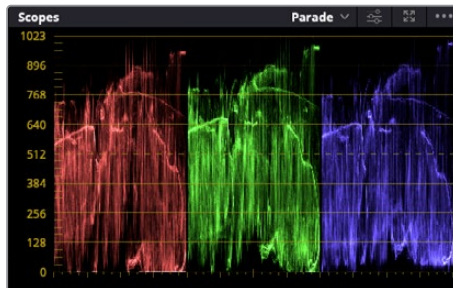
First click on the 'color' tab to open the color page.

You'll see the camera raw settings, color wheels, curves palettes and general color correction tools as well as the preview and nodes window. Don't feel overwhelmed by the vast array of features in front of you, they are all there to help you get the most amazing looking pictures. This getting started section will show the basics, but for more detailed information refer to the relevant sections in the manual. They will show you exactly what all the tools are for and how to use them in easy to follow steps. You'll learn the same techniques the professionals use in high end color correction facilities.

Generally, the first step for primary color correction is to optimize the levels for shadows, mid tones and highlights in your clips. In other words adjust the 'lift', 'gamma' and 'gain' settings. This will help get your pictures looking their brightest and best with a clean, balanced starting point from where you can begin grading the 'look' of your film. To optimize the levels, it's helpful to use the scopes.

Using Scopes

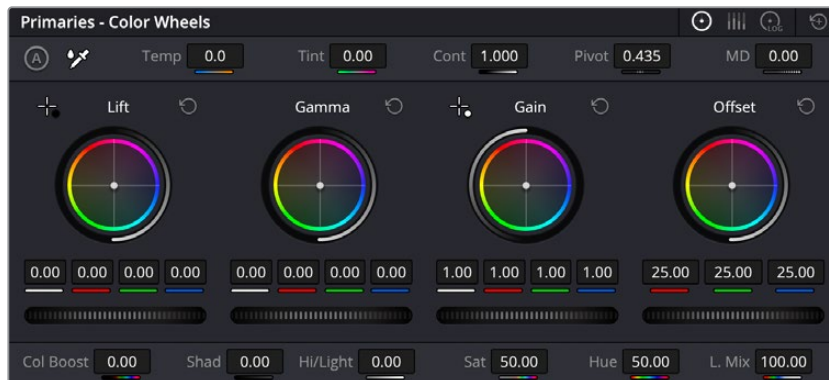
Most colorists make creative color choices by focusing on the emotion and the look they want their program to have and then simply work using the monitor to achieve that look. You can look at everyday objects and how different types of light interact with them to generate ideas on what you can do with your images and a little practice.



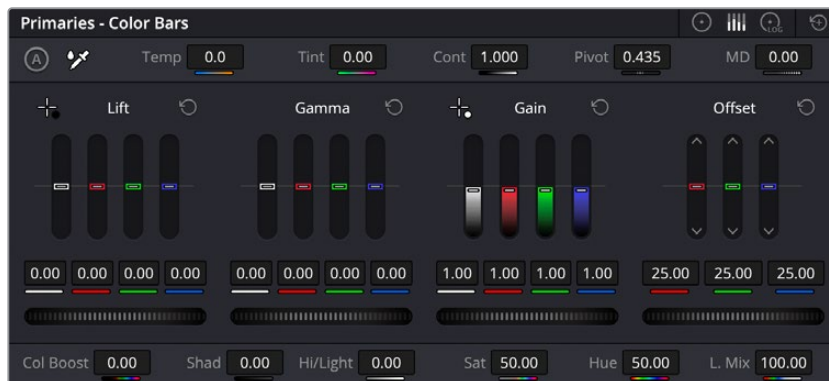
The parade scope helps you optimize highlights, mid tones and shadows

Another way to color grade is to use the built in scopes to help you balance shots. You can open a single video scope by clicking the 'scope' button, which is the second from the right on the palette toolbar. You can choose to display a waveform, parade, vectorscope, histogram or CIE chromaticity scope. Using these scopes you can monitor your tonal balance, check the levels of your video to avoid crushing your blacks and clipping the highlights, plus monitor any color cast in your clips.

The 'color wheels' palette contains the 'lift', 'gamma' and 'gain' controls which will generally constitute your first adjustment. If you've previously had experience with color correction, these should resemble controls you've seen in other applications for doing color and contrast adjustments.



The 'lift', 'gamma', 'gain' and 'offset' color wheels give you total control over the color and tonal balance of your clips. To make a uniform adjustment to all colors for each tonal region, drag the dial underneath the color wheels back and forth



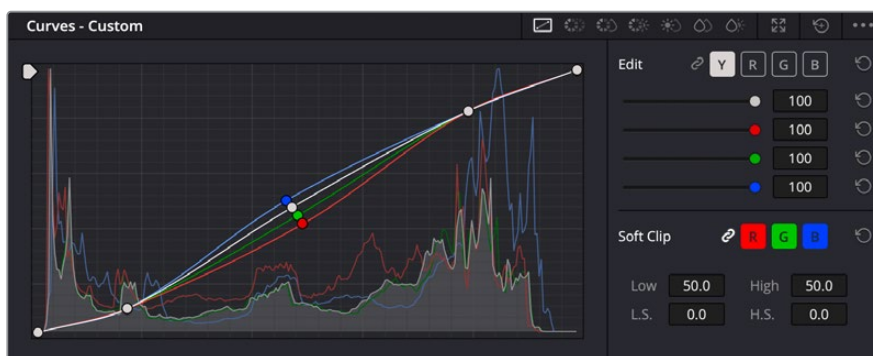
The primaries bars make color adjustments easier when using a mouse.

For more accurate control of each color using a mouse, you can change the color wheels to 'primaries bars' which let you adjust each color and luminance channel for the lift, gamma and gain controls separately. Simply select 'primaries bars' from the dropdown menu near the top right of the color wheels.

- **Adjusting the 'lift':** With your clip selected on the color timeline, click on the 'lift' dial underneath the first color wheel. Slide it back and forth and watch how it affects your image. You'll see the brightness of the dark regions of your picture increase and decrease.
Set it to where you want the dark areas to look their best. If you decrease the lift too much, you'll lose details in the blacks and you can use the parade scope to help avoid this. The optimal position for blacks on the waveform is just above the bottom line of the parade scope.
- **Adjusting the 'gain':** Click on the 'gain' dial and slide it back and forth. This adjusts the highlights which are the brightest areas of your clip. The highlights are shown on the top section of the waveform on the parade scope. For a brightly lit shot, these are best positioned just below the top line of the waveform scope. If the highlights rise above the top line of the waveform scope, they will clip and you will lose details in the brightest regions of your image.
- **Adjusting the 'gamma':** Click on the 'gamma' dial underneath the color wheel and slide it back and forth. As you increase the gamma you'll see the brightness of the image increase. Notice the middle section of the waveform will also move as you adjust the gamma. This represents the mid tones of your clip. The optimal position for mid tones generally falls between 50 to 70% on the waveform scope. However, this can be subjective based on the look you are creating and the lighting conditions in the clip.

You can also use the curves palette to make primary color corrections. Simply click to create control points on the diagonal line inside the curve graph, and drag them up or down to adjust the master RGB contrast at different areas of image tonality. The optimum points to adjust are the bottom third, mid, and top third of the curve line.

There are many more ways of doing primary color correction in DaVinci Resolve.



The curves palette is another tool you can use to make primary color corrections, or enhance specific areas of your clip when using a power window

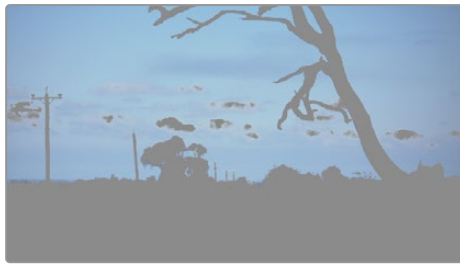
Secondary Color Correction

If you want to adjust a specific part of your image then you need to use secondary corrections. The adjustments you have been doing up until now using the lift, gamma and gain adjustments affect the whole image at the same time and so they are called primary color corrections.

However, if you need to adjust specific parts of your image, say for example you wanted to improve the color in the grass in a scene, or you wanted to deepen the blue in a sky, then you can use secondary corrections. Secondary color corrections are where you select a part of the image and then adjust only that part. With nodes, you can stack multiple secondary corrections so you can keep working parts of your image until everything is just right! You can even use windows and tracking to allow the selections to follow movement in your images.

Qualifying a Color

Often you'll find a specific color in your clip can be enhanced, for example grass by the side of a road, or the blue in a sky, or you may need to adjust color on a specific object to focus the audience's attention on it. You can easily do this by using the HSL qualifier tool.



Using the HSL qualifier to select colors in your image is helpful when you want to make areas of your image 'pop', to add contrast, or to help draw the audience's attention to certain areas of your shot

To qualify a color:

- 1 Add a new serial node.
- 2 Open the 'qualifier' palette and make sure the 'selection range' picker tool is selected.
- 3 Click on the color in your clip you want to affect.
- 4 Usually you'll need to make some adjustments to soften the edges of your selection and limit the region to only the desired color. Click on the 'highlight' button above the viewer to see your selection.
- 5 Adjust the 'width' control in the 'hue' window to broaden or narrow your selection.

Experiment with the high, low and softness controls to see how to refine your selection. Now you can make corrections to your selected color using the color wheels or custom curves.

Sometimes your selection can spill into areas of the shot you don't want to affect. You can easily mask out the unwanted areas using a power window. Simply create a new window and shape it to select only the area of color you want. If your selected color moves in the shot, you can use the tracking feature to track your power window.

Adding a Power Window

Power windows are an extremely effective secondary color correction tool that can be used to isolate specific regions of your clips. These regions don't have to be static, but can be tracked to move with a camera pan, tilt or rotation, plus the movement of the region itself.



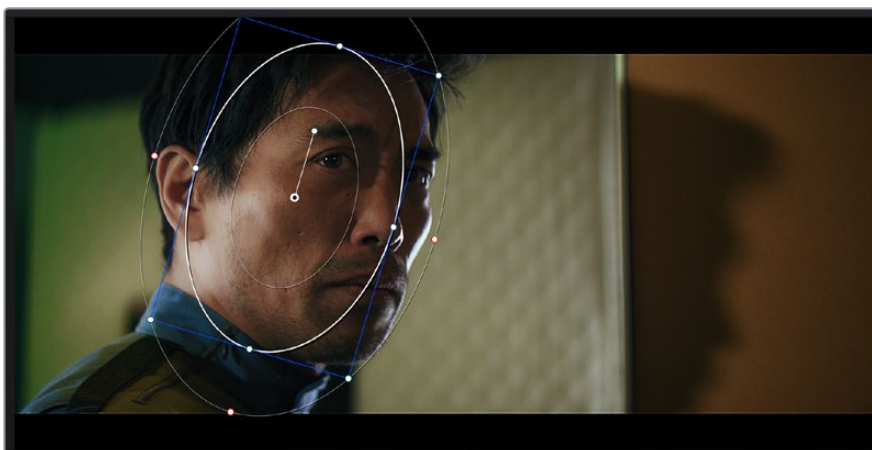
Use power windows to mask out areas you don't want to be affected by the HSL qualifier secondary adjustments

For example, you can track a window on a person in order to make color and contrast changes just to that person without affecting his or her surroundings. By making corrections like this you can influence the audience's attention on areas you want them to notice.

To add a power window to your clip:

- 1 Add a new serial node.
- 2 Open the 'window' palette and select a window shape by clicking on a shape icon. Your selected window shape will appear on the node.
- 3 Resize the shape by clicking and dragging the blue points around the shape. The red points adjust the edge softness. You can position the shape by clicking the center point and moving it to the area you want to isolate. Rotate the window using the point connected to the center.

Now you can make color corrections to your image in just the area you want.



Power windows let you make secondary corrections to specific parts of your image

Tracking a Window

The camera, object or area in your shot may be moving, so to make sure your window stays on your selected object or area, you can use DaVinci Resolve's powerful tracking feature. The tracker analyzes the pan, tilt, zoom and rotation of the camera or object in your clip so you can match your windows to that movement. If this isn't done, your correction can move off the selected target and call attention to itself, which you probably don't want.



You can track objects or areas in your clip using the tracker feature so power windows can follow the action

To track a window to a moving object:

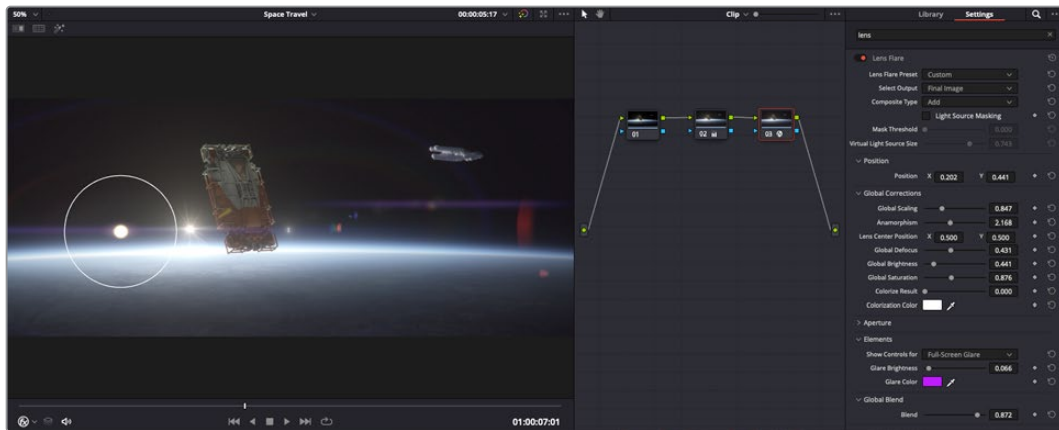
- 1 Create a new serial node and add a power window.
- 2 Go to the start of your clip and position and size the window to highlight just the object or area you want.
- 3 Open the 'tracker' palette. Select the pan, tilt, zoom, rotate, and perspective 3D settings appropriate for the movement in your clip by checking or unchecking the relevant 'analyze' checkboxes.
- 4 Click on the 'forward' arrow to the left of the checkboxes. DaVinci Resolve will now apply a cluster of tracking points on your clip and then step through the frames to analyze the movement. When the tracking is done, your power window will follow the path of the movement in your clip.

Most of the time automatic tracking is successful, but scenes can be complex and sometimes an object can pass in front of your selected area, interrupting or affecting your track. This can be solved manually using the keyframe editor. Refer to the DaVinci Resolve manual to find out more.

Using Plugins

While making secondary color corrections you can also add Resolve FX or Open FX plugins to create fast, interesting looks and effects using the 'color' page, or imaginative transitions and effects on your clips on the 'cut' and 'edit' pages. Resolve FX are installed with DaVinci Resolve, OFX plugins can be purchased and downloaded from third party suppliers.

After installing a set of OFX plugins, you can access them or Resolve FX plugins on the color page by opening the Open FX inspector to the right of the 'node editor'. Once you create a new serial node, simply click the 'Open FX' button to open the FX library and drag and drop a plugin onto the new node. If the plugin has editable settings, you can adjust these in the adjoining 'settings' panel.



OFX plugins are a quick and easy way to create an imaginative and interesting look

In the 'edit' page you can add plugin filters, generators and transitions to clips by opening the 'Open FX' panel in the 'effects library' and dragging your selected plugin onto the video clip or track above your clip on the timeline depending on the plugin requirements.

Mixing Your Audio

Mixing Audio in the Edit Page

Once you have edited and color corrected your project, you can begin to mix your audio. DaVinci Resolve has a helpful set of features for editing, mixing and mastering audio for your project directly in the 'edit' page. For projects requiring more advanced audio tools, the Fairlight page provides you with a full audio post production environment. If you are already familiar with the edit page and want to move straight to Fairlight, skip this section and move onto the next.

Adding Audio Tracks

If you are working in the edit page and want to mix a basic sound edit with lots of sound effects and music, you can easily add more audio tracks when you need them. This can be helpful when building your sound, and separating your audio elements into individual tracks, for example, dialogue, sound effects and music.

To Add an Audio Track to the Edit Page

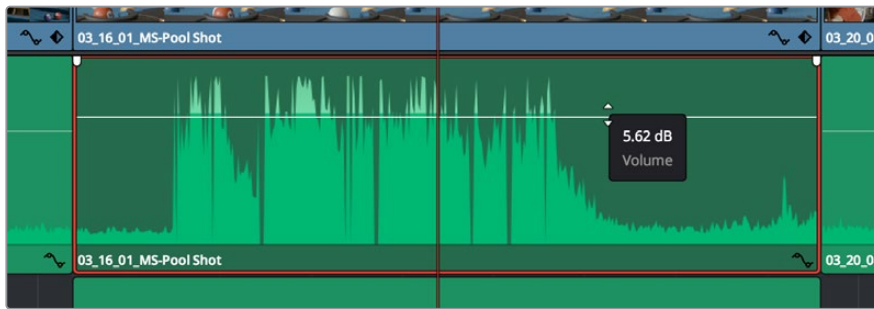
Right click next to the name of any audio track on your timeline and select 'add track' and choose from the options, including 'mono', 'stereo', and '5.1'. This will add the track to the bottom of the track list. Alternatively select 'add tracks' and select the position you would like the new track or multiple tracks placed.

Your new audio track will appear on the timeline.

TIP If you wish to change the type of track after creating it, right click next to the name of the track and select 'change track type to' and select the type of audio track you want, such as stereo, mono or 5.1.

Adjusting Audio Levels in the Timeline

Each clip of audio in the timeline has a volume overlay that lets you set that clip's level by simply dragging it up or down with the pointer. This overlay corresponds to the Volume parameter in the Inspector.

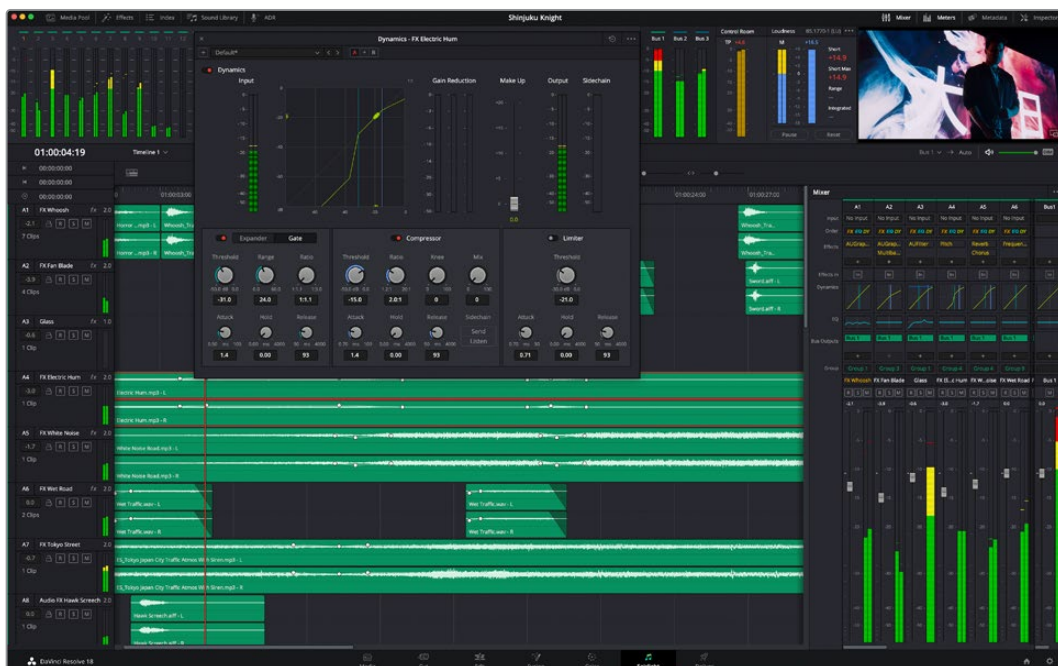


Dragging a volume overlay to adjust the clip level

For projects requiring more advanced audio tools, the Fairlight page provides you with a full audio post production environment.

The Fairlight Page

The 'Fairlight' page in DaVinci Resolve is where you adjust your project audio. In single monitor mode, this page gives you an optimized look at the audio tracks of your project, with an expanded mixer and custom monitoring controls that make it easy to evaluate and adjust levels in order to create a smooth and harmonious mix. Don't feel overwhelmed by the vast array of features in front of you, they are all there to help you deliver the best audio quality for your project.



This guide provides a basic overview of the features on the Fairlight page, but to learn more about all the details for each feature, refer to the DaVinci Resolve manual. The DaVinci Resolve manual provides details on the purpose of each tool and describes how to use them in easy to follow steps.

The Audio Timeline

- **Track Header:** At the left of each track is a header area that displays the track number, track name, track color, audio channels, fader value and audio meters. The track header also contains different controls for locking and unlocking tracks, plus solo and muting controls. These controls can help to keep your tracks organized, and let you preview individual tracks one at a time.
- **Tracks:** Each track on the Fairlight page is divided into lanes, which show each individual channel of clip audio for editing and mixing. The edit page hides these individual audio channels, displaying only a single clip in the timeline to make it easier to edit multi channel sources without needing to manage a huge number of tracks.



The track header on track A1 indicates a mono track with a single lane for mono audio, and the A2 track header indicates a stereo track with two lanes to accommodate stereo audio

What is a Bus?

A bus is essentially a destination channel made up of audio sources grouped together into a single signal that can be controlled via a single channel strip. Fairlight automatically creates a bus for you and all the audio tracks in your timeline are sent to this bus by default, this means you can adjust the overall level of your audio mix once you have adjusted the level of each individual track.

If your edit is a bit more complex you can create more buses and combine multiple tracks of audio that belong to the same category such as dialogue, music or effects so that everything in that category can be mixed as a single audio signal. For example, if you have five dialogue tracks, you can route the output of all five dialogue tracks to a separate bus, and the level of all dialogue can then be mixed with a single set of controls.

The Fairlight Flexbus structure gives you complete flexibility over bus types and signal routing including the option for bus-to-bus, track-to-bus and bus-to-track routing. For more information on audio bus settings in Fairlight, refer to the DaVinci Resolve manual.

The Mixer

Each audio track in your timeline corresponds to an individual channel strip in the Mixer, and by default there's a single strip on the right for the default bus labeled 'Bus 1'. Additional channel strips will appear on the right hand side with a set of controls for each additional bus you create. A set of graphical controls allows you to assign track channels to output channels, adjust EQ and dynamics, set levels and record automation, pan stereo and surround audio, and mute and solo tracks.

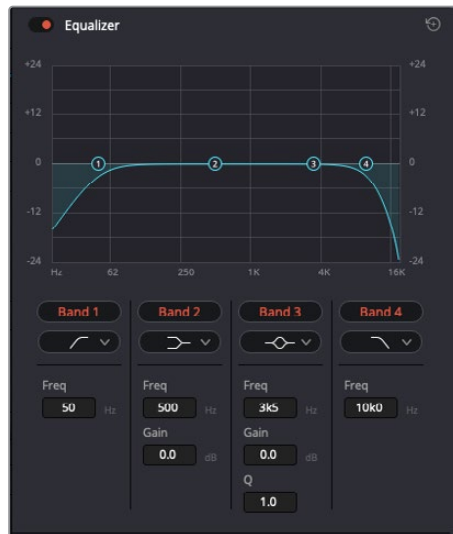


The audio mixer, with channel strips corresponding to the tracks in the timeline

Using the Equalizer to Enhance your Audio

After adjusting the audio levels of your audio clips in your project, you may find that the audio needs further finessing. In some cases you may find that the dialogue, music and sound effects are competing for the same frequency on the audio spectrum, making your audio too busy and unclear. This is where using EQ can help, as it allows you to specify the parts of the audio spectrum that each track occupies. You can also use an equalizer to help remove unwanted elements from your audio by isolating and reducing the level on particular frequencies that contain low rumbles, hums, wind noise and hiss, or simply to improve the overall quality of your sound so it is more pleasing to listen to.

DaVinci Resolve provides EQ filters that can be applied at a clip level to each individual clip or at the track level to affect entire tracks. Each audio clip in the timeline has a four band equalizer in the inspector panel, and each track has a 6 band parametric equalizer in the mixer panel. The graphical and numeric controls for boosting or attenuating different ranges of frequencies, and different filter types allow you to define the shape of the EQ curve.



The four band equalizer can be applied to every clip in the timeline

Outer bands let you make band filter adjustments using hi-shelf, lo-shelf, hi-pass and lo-pass filters. A pass filter affects all the frequencies above or below a particular frequency, by removing those frequencies completely from the signal. For example, a high pass filter will allow the high frequencies to pass through the filter while cutting the low frequencies. Any frequencies outside the cutoff frequency are cut gradually in a downward sloping curve.

A shelf filter is less aggressive, and is useful when you want to shape the overall top end or low end of the signal without completely removing those frequencies. The shelf filter boosts or cuts the target frequency and every frequency either above or below it evenly, depending on whether you use a high shelf or low shelf.

The middle sets of band controls let you make a wide variety of equalization adjustments, and can be switched between lo-shelf, bell, notch, and hi-shelf filtering options.

- **Bell:** Bell filters boost or cut frequencies around a given center point of the bell curve, and as the name suggests the shape of the curve is like a bell.
- **Notch:** Notch filters allow you to specifically target a very narrow range of frequencies. For example, removing a mains hum at 50 or 60Hz.
- **Lo-Shelf:** Low shelf filters boost or cut the target frequency at the low end, and every frequency below it
- **Hi-Shelf:** High shelf filters boost or cut the target frequency at the high end, and every frequency above it

To add EQ to an individual clip:

- 1 Select the clip in the timeline that you want to add the EQ filter to.
- 2 Click on the inspector and then click the 'equalizer' enable button.

To add EQ to a track:

- 1 Double click in the EQ section for one of your tracks in the mixer to open the equalizer for that track.
- 2 Select the band filter type from the dropdown menu for the band you want to adjust.



The EQ section in the mixer panel indicating an EQ curve has been applied to track one



The 6 Band parametric equalizer that can be applied to every track

Once you have added EQ to your clip or track, you can adjust the EQ for each band. Note that controls may vary depending on which band filter type is selected.

To adjust the EQ for a band filter:

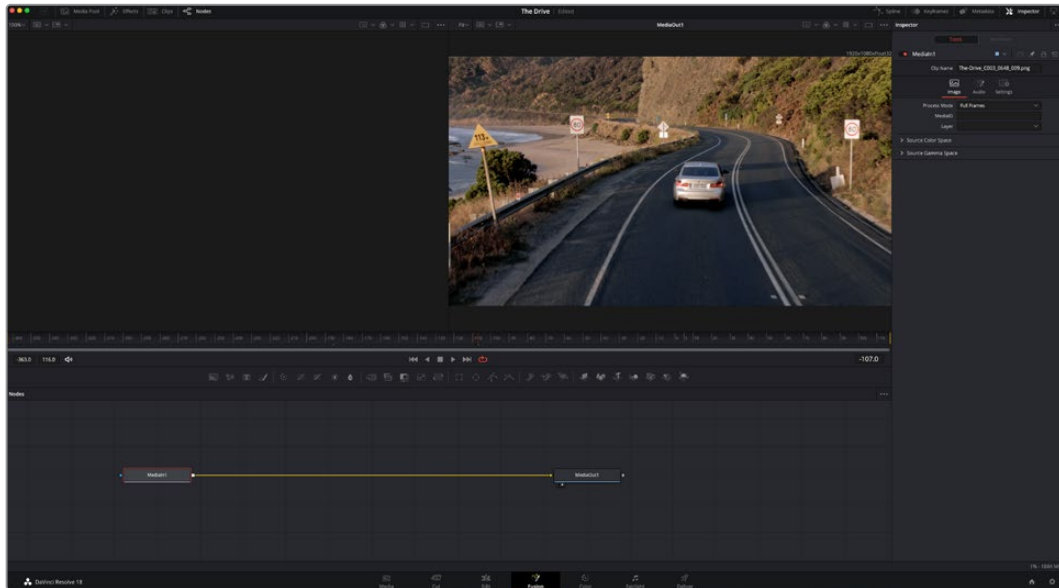
- 1 Select the band filter type from the dropdown menu for the band you want to adjust.
- 2 Adjust the 'frequency' value to select the center frequency of the EQ adjustment.
- 3 Adjust the 'gain' value to boost or attenuate the frequencies governed by that band.
- 4 Use the 'Q factor' value to adjust the width of affected frequencies.

Use the reset button to reset all controls in the EQ window to their defaults.

Fairlight has many controls you can use to improve the quality of each audio track. You can add more tracks and arrange buses to organize them, plus add effects like delay or reverb, and generally perfect your audio mix.

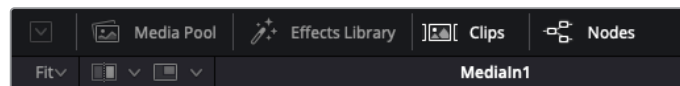
Adding VFX and Compositing on the Fusion Page

Now that you have completed your edit, you can open the Fusion page to add 2D or 3D visual effects and motion graphics right within DaVinci Resolve. Unlike layer based compositing software, Fusion uses nodes, giving you the freedom to build complex effects while routing image data in any direction. The nodes window clearly shows every tool used along the way. If you have experienced the node workflow in the color page, this will feel familiar to you.

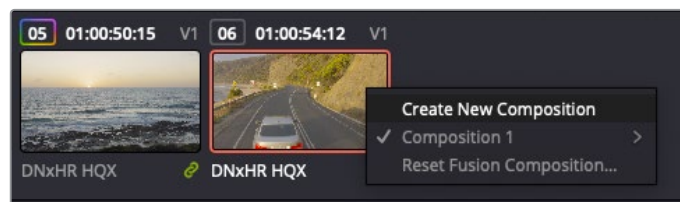


The Fusion Page

The Fusion page features 2 viewer windows across the top with transport controls to view your media, an inspector window to the right to access tool settings, and a nodes window at the bottom where you build your composition. While the viewers and transport controls are always visible, clicking on the icons on the interface toolbar at the very top of the display will let you show or hide the nodes and inspector windows, or reveal or hide additional windows including the effects library and editors for spline and keyframes.



- **Media Pool:** The media pool functions the same way as it appears in the edit page. Simply drag additional media from your bins directly to your composition.
- **Effects Library:** The effects library is where you will find your Fusion tools and templates sorted into categories including particle, tracking, filters and generators. You can either click on the tool or drag it to the nodes area to add it to your composition. The media pool and effects library take up the same screen area, so you can swap between the two to keep your viewers as large as possible.
- **Clips:** Clicking the clips tab will reveal or hide thumbnails representing clips on your timeline. The thumbnails are located underneath the nodes editor, letting you instantly navigate to other clips.



Create a new version of your composition by right clicking on a thumbnail and selecting 'create new composition'.

- **Viewers:** The viewers are always visible and let you see the different views of your composition, for example an overall 3D perspective via the merge 3D node, a camera output, or your final render output. These viewers also let you see how your changes are affecting a specific element.

You can choose which nodes to view by clicking on a node and typing '1' for the left viewer or '2' for the right viewer. White button icons appear beneath the node to let you know which viewer it is assigned to. If you're using external video monitoring, there will be a third button available to route your media to your external video monitor.

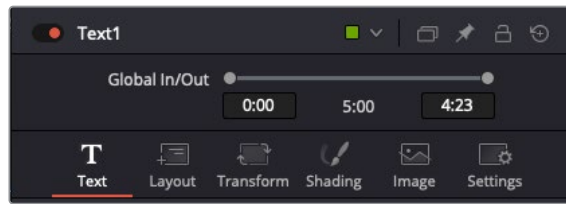
TIP You can also assign a node to a viewer by dragging the node into the viewer itself.

The transport controls underneath the viewers let you skip to the start or end of the clip, play forward or reverse, or stop playback. The time ruler displays the entire range of a clip, with yellow marks indicating the in and out points.



The yellow marks on the time ruler indicate your clip's in and out points on your timeline. If you are using a Fusion clip or compound clip, the time ruler will only show you the duration of the clip as it appears on the timeline, without handles.

- **Nodes:** The nodes window is the heart of the Fusion page where you build your node tree by connecting tools together from one node's output to another node's input. This area will change size depending on which editors are open, for example the spline or keyframes editor. A toolbar at the top of the nodes area features the most commonly used tools for fast access.
- **Spline:** When the spline editor is open, it will appear to the right of the nodes window. This editor lets you make precise adjustments to each node, such as smoothing the animation between two keyframes using bezier curves.
- **Keyframes:** Keyframes for each tool can be added, removed or modified using the keyframes editor. This also appears to the right of the nodes viewer.
- **Metadata:** The metadata window will show you metadata available for the active clip, including the codec, frame rate and timecode.
- **Inspector:** The inspector in the top right corner displays all settings and modifiers available for one or more selected nodes. Additional tab options will appear to provide quick access to other settings for nodes sorted by category.

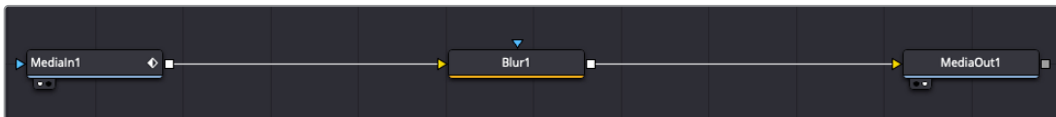


The text inspector contains additional tabs for text, layout, transform, shading, image and settings.

Getting Started with Fusion

To get started with Fusion, simply position your playhead over any clip on your timeline and click on the 'Fusion' tab to open the Fusion page.

On the Fusion page, your clip is immediately available in a media input node labelled 'MediaIn'. Every composition will begin with a 'mediain' and a 'mediaout' node. This mediain node represents the top most clip of your timeline at the playhead, and ignores any clips underneath. Any adjustments you've applied to the clip on the edit page, such as transform tools and cropping changes, are also included.



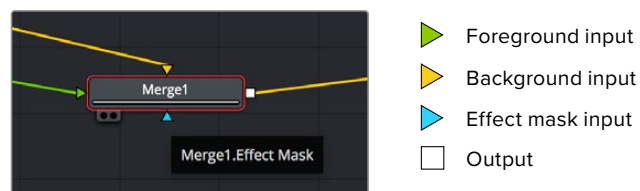
The media output node, named 'MediaOut', is the node that sends the output back to your timeline on DaVinci Resolve's edit page.

TIP ResolveFX or OFX plug-ins applied to clips in the cut or edit pages are not applied in the Fusion page. This is because Fusion effects occur prior to color correction and OFX/ResolveFX processing. If you want OFX applied before Fusion effects, right click the clip in the edit page and select 'new fusion clip' before clicking on the Fusion page.

Understanding Nodes

It can be helpful to think of each node as a visual icon representing a single tool or effect. Nodes are connected to other nodes to build the overall composition, much like ingredients in a cake. It's important to understand the inputs and outputs of each node as this will help you navigate the flow of your composition while building detailed visual effects.

Some tools have multiple inputs and outputs you can connect to other nodes. The merge node, for example, lets you attach a foreground input, background input, and a mask input for mattes or keys.

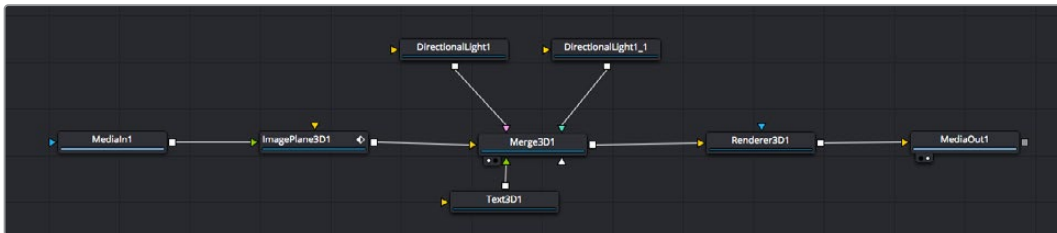


Multiple outputs on nodes means a single node can connect to many different nodes in your composition, so you don't have to duplicate clips as you would in layer based software. Arrows on the line between connected nodes are a great visual indicator to show you which direction the image data is flowing.

Adding Nodes to the Node Editor

Adding effects is as simple as placing nodes on the line between the 'mediain' and 'mediaout' nodes.

There are a few ways you can do this. You can hold down the shift button and drop a node between two nodes, or click on the node you want to attach an effect to and select the tool you want to add. The new node will automatically connect to the tool selected. You can also add a node anywhere on the node window and manually connect nodes by dragging the output of one to the input on another.



The most commonly used tool is the 2D or 3D merge node. This node is like a central hub that combines tools on the node editor into a single output.

The merge node has controls for how the inputs are managed, including settings for size, position, and blend. These settings are all accessible in the inspector panel when the merge node is selected.

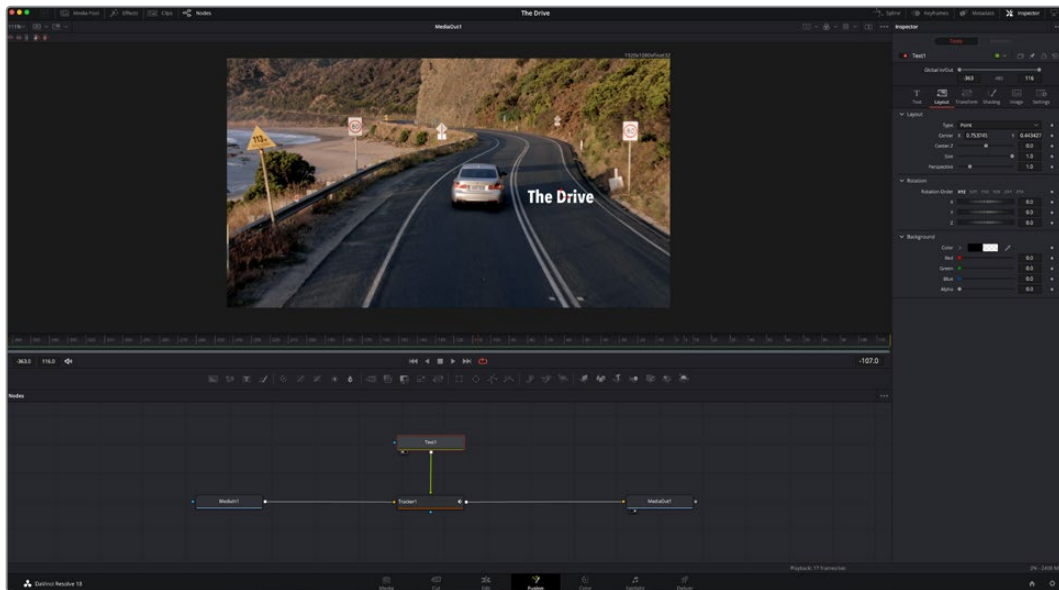
The toolbar above the node panel contains the most commonly used tools as icons that you can either click on to add the node, or drag the tool to the node panel. If you want to see all the complete tools available, click on the 'effects library' in the top left corner and expand the 'tools' option. Here you'll find all the tools sorted by category, as well as a set of pre-built 'templates' you can use, for example lens flares, shaders and backgrounds.

TIP Once you're familiar with the tool names, you can hold down 'shift' and press 'spacebar' on your keyboard and a 'select tools' menu will appear. As you type the tool name, the menu will suggest the relevant tool. This is a very fast way to select the tool you want.

Adjusting Nodes Using the Inspector Panel

Adjust your node settings using the inspector panel. Simply click on the node you want to modify and the panel will update to display its settings and controls.

With Fusion, you don't have to be viewing the node you're editing, as you can modify one node while viewing another in your composition. For example, you can modify the size and center position of a 'text+' node while the merge node is in the viewer, letting you view the text relative to the background.



Selected nodes appear with a red border. Here the inspector panel is displaying the layout tab controls for the text node.

There are different parameters and settings you can adjust for every node depending on its task, from sizing and center positions to changing the number of particles in an emitter node. Setting keyframes and changing the settings over time will animate the effect.

Working with Keyframes

In the inspector window, set a keyframe by right clicking on a setting and choosing 'animate' from the contextual menu. The keyframe icon to the right of the setting will turn red. This means keyframes are now active and any changes you make will be applied to the current frame only. When two or more keyframes are created by changing the setting parameters on a different frame, a transition is interpolated between them. Arrows on each side of the keyframe icon let you move the playhead to those exact positions on the timeline.



Here, the 'size' keyframe animation has been smoothed into a bezier curve. You can click the bezier handles to shorten or lengthen the curve, or the keyframe square icons to move the keyframe location.

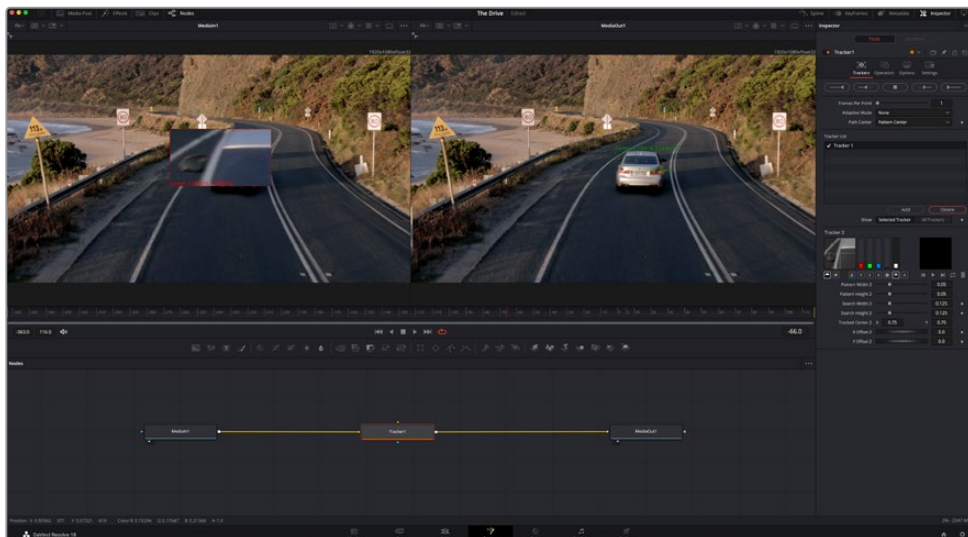
The splines panel gives you further control over keyframe animation. You can select keyframes, such as the first and last, and smooth the animation between them into a bezier curve by typing 'shift' + 's', or right clicking on a keyframe and selecting 'smooth'.

Using the Motion Tracker and Adding Text

To get a better idea of how to use Fusion, we have included the following examples to show how to use the tracker tool to track an element in a clip, plus add text and attach it to the element using the tracking data.

The 'tracker' tool tracks pixels over time on the x & y axis, and generates data you can use to attach other elements. This is great for when you want to match the position of text to a moving object, such as a car driving along the road, or a bird as it flies across frame.

- 1 In the 'effects library', select the 'tracker' tool and drag it to the line between the 'mediain' and the 'mediaout' nodes. Now click the tracker node to reveal its properties in the inspector.
- 2 Type '1' on your keyboard to see the 'tracker' node on the left viewer. The clip will appear in the viewer together with the tracker at its default position. Hover your mouse pointer over the tracker to reveal the tracker handle. Click on the tracker handle at the top left corner and drag the tracker to an area of interest on your clip. High contrast areas work well, for example the badge on the hood of a car. The tracker will magnify the image area for extra precision.
- 3 In the inspector window, click on the 'track forward' button to start tracking. A notification window will appear when the tracking is done. Click OK.

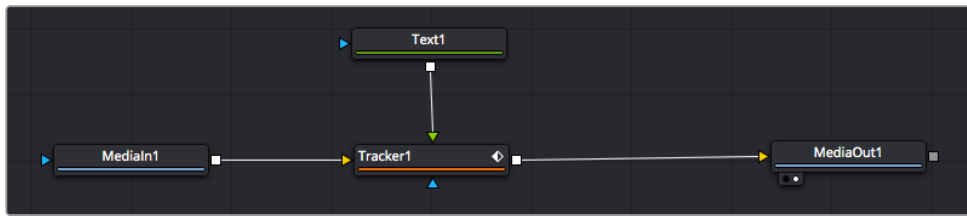


Tracking options in the inspector panel include track reverse from last frame or current frame, stop track or track forward from current frame or first frame.

TIP Track reverse or forward from current frame is great for situations where your area of interest disappears during the render range, such as a car or bird moving out of frame. This lets you track only the relevant footage.

Now you can take that tracking data and apply the motion path to a text tool.

- 4 Click on the 'text+' node icon from the toolbar of commonly used nodes and drag it to the node panel near the 'tracker' node. Connect the 'text' output square to the green foreground input on the 'tracker'.



- 5 Click on the 'tracker' node and type '1' so you can see the merged results on your left hand viewer. In the 'tracker' inspector panel, click on the 'operations' tab. Click the menu next to operation and select 'match move'.
- 6 Click the 'text' node to reveal the properties in the inspector. Type your text into the text box and change the font, color and size to suit your composition.

This will apply the tracking position data from your tracker to your text. If you want to change the text offset, click on the 'trackers' tab back in the inspector panel and use the x and y offset scroll wheels to modify the position.



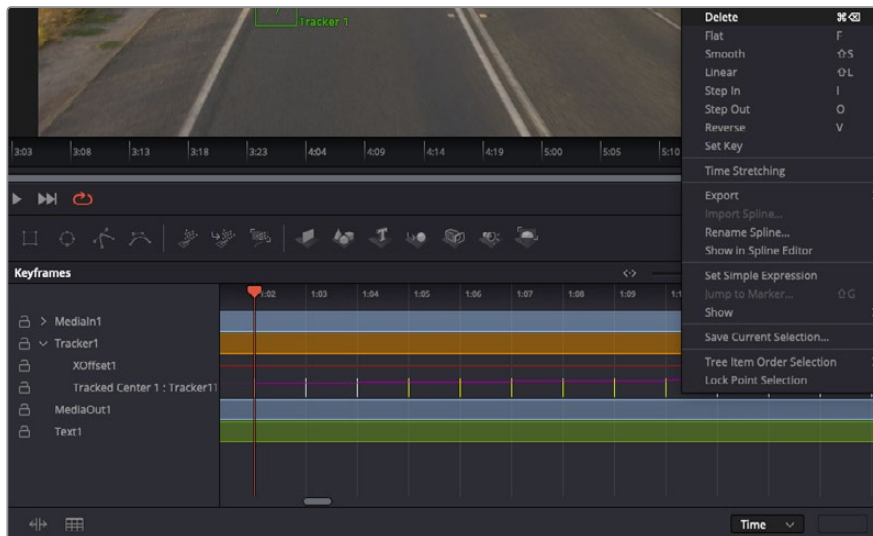
Scroll wheels at the bottom of the tracker inspector panel let you adjust the offset position for the text.

Now you can play back your composition and see your text attached to the object you have tracked!



The green square is the tracker's current position along the green path, and the red dashed line is the offset position used to animate the text.

For some shots you might want to remove track points after tracking, such as when the object you are tracking disappears off the screen. The keyframe editor makes this a very simple process.



- 7 Click on the keyframes tab above the inspector to open the keyframes editor. Any nodes with keyframes applied will have a small arrow next to the node label, and only the parameter with keyframes added will appear in the list below. Click on the magnify icon and drag a box around the area you want to edit. This will zoom into that area so you can see the keyframes easier.
- 8 Move the playhead to the location of the last keyframe you want. Now select the keyframes you wish to remove by drawing a box around them with your mouse. The keyframes will highlight yellow. Right click and choose delete from the menu.

TIP If your effects are particularly system intensive, right clicking on the transport controls area will give you viewer options, including proxy playback, helping you get the most out of your system while you build your composition. Refer to the DaVinci Resolve manual for further detail on all the playback options.

You have now completed your first composition animating text to match a movement in your footage!

If you want to track an area of the image that contains a flat surface you want to enhance or replace, you can use the planar tracker. Tracking 2D planes can be helpful for changing labels and signs in a moving image, or even adding an image to a monitor or TV in your shot.

For more information about the planar tracker and the many powerful tools in the DaVinci Resolve Fusion page, see the DaVinci Resolve manual.

TIP As you build visual effects in the Fusion page, it's worth noting if the effect you are building is a 2D effect, or a 3D effect, as this will determine which merge tool is used. You may discover yourself frequently combining 2D and 3D effects in the one composite. In this scenario, it's helpful to remember that any visual effect using the 3D space needs to be rendered as a 2D image before it can be merged into a 2D composite.

We believe you will have lots of fun with Fusion and exploring Fusion's visual effects with the power of DaVinci Resolve's edit, color, and Fairlight pages. With all these tools at your finger tips, DaVinci Resolve is incredibly powerful and there is really no limit to what you can create!

Mastering Your Edit

Now you've edited, graded, added vfx and mixed your audio, you'll want to share it with others. You can use the Quick Export button, or menu selection, to output the contents of the Timeline as a self contained file in one of a variety of different formats, or use the additional features of the 'deliver' page.



The 'deliver' page is where you export your edit. You can select from many different video formats and codecs

Quick Export

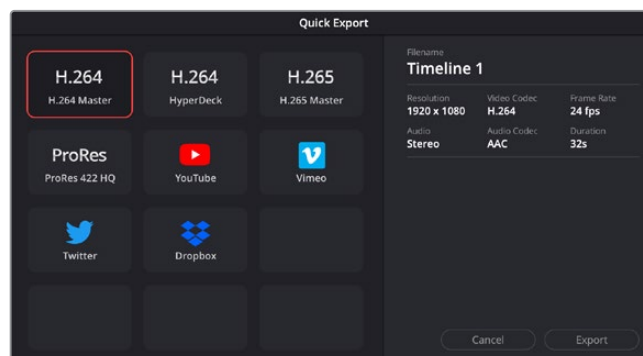
You can choose File > Quick Export to use one of a variety of export presets to export your program from any page of DaVinci Resolve. You can even use quick export to export and upload your program to one of the supported video sharing services, including YouTube, Vimeo, Twitter and Frame.io.

To use Quick Export:

- 1 In the 'cut', 'edit', 'fusion' or 'color' page, optionally set in and out points in the timeline to choose a range of the current program to export. If no timeline in or out points have been set, the entire timeline will be exported.

Choose File > Quick Export.

- 2 Select a preset from the top row of icons in the quick export dialog, and click 'export'.
- 3 Choose a directory location and enter a file name using the export dialog, then click 'save'. A progress bar dialog appears to let you know how long the export will take.



The quick export dialog

The Deliver Page

This page lets you select the range of clips you want to export, plus the format, codec and resolution you want. You can export in many types of formats such as QuickTime, AVI, MXF and DPX using codecs such as 8-bit or 10-bit uncompressed RGB/YUV, ProRes, DNxHD, H.264 and more.

To export a single clip of your edit:

- 1 Click on the 'deliver' tab to open the deliver page.
- 2 Go to the 'render settings' window on the top left of the page. Choose from a number of export presets, for example YouTube, Vimeo and audio presets, or you can set your own export settings manually by leaving it set to the default 'custom' preset and entering your own parameters. For this example, select YouTube, then click on the arrow next to the preset and select the 1080p video format.

The frame rate will be locked to your project frame rate setting.
- 3 Underneath the presets you will see the timeline filename and the target location for your exported video. Click the 'browse' button and choose the location where you want to save your exported file and then select 'single clip' from the render option.
- 4 Immediately above the timeline, you'll see an options box with 'entire timeline' selected. This will export the entire timeline, however you can select a range of the timeline if you want to. Simply choose 'in/out range' and then use the 'i' and 'o' hot key shortcuts to choose the in and out points in your timeline.
- 5 Go to the bottom of the 'render settings' and click on the 'add to render queue' button.

Your render settings will be added to the render queue on the right side of the page. Now all you have to do is click 'start render' and monitor the progress of your render in the render queue.

When your render is complete you can open the folder location, double click on your new rendered clip and watch your finished edit.

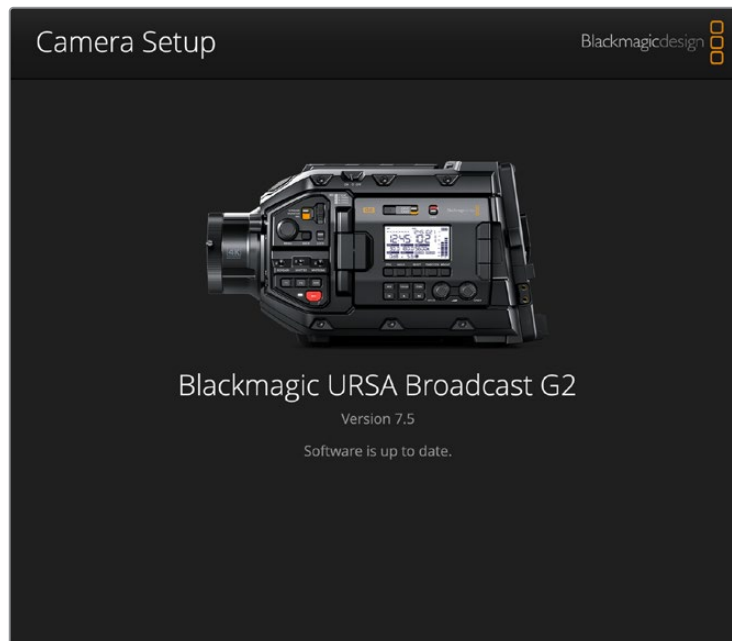
Now that you have a basic knowledge of how to edit, color, mix audio and add visual effects, we recommend experimenting with DaVinci Resolve. Refer to the DaVinci Resolve manual for more details on how each feature can help you make the most of your project!

Blackmagic Camera Setup Utility

Updating Camera Software – Mac

After downloading the Blackmagic Camera Setup utility software and unzipping the downloaded file, open the resulting disk image to reveal the Blackmagic Camera Setup Installer.

Launch the installer and follow the on screen instructions. After the installation has finished, go to your applications folder and open the Blackmagic Cameras folder, where you'll find this manual, the Blackmagic Camera setup utility, plus a documents folder containing readme files and information. You'll also find an uninstaller for when updating to later versions of Blackmagic Camera Setup.



Updating Camera Software – Windows

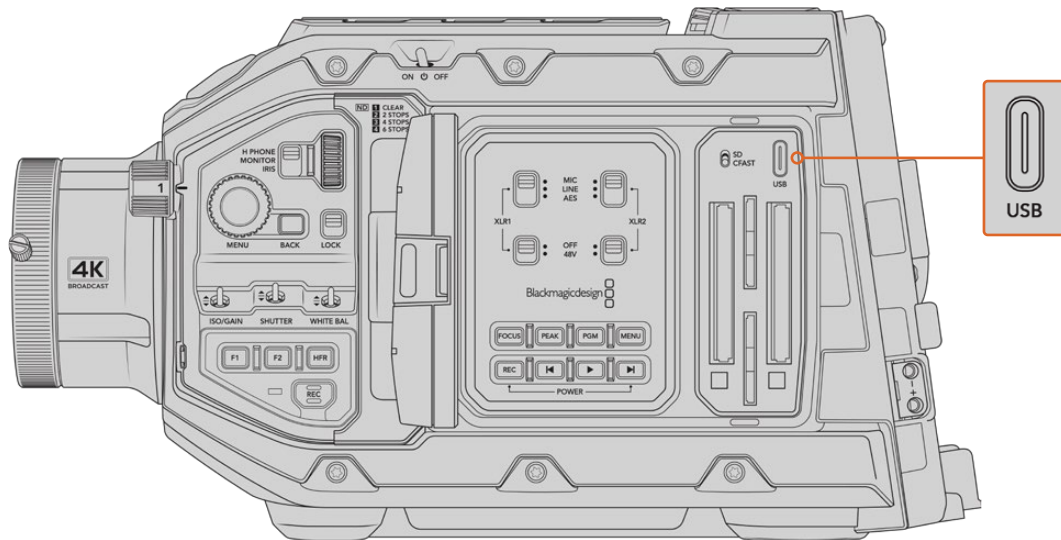
After downloading the Blackmagic Camera Setup utility software and unzipping the downloaded file, you should see a Blackmagic Camera Setup folder containing this PDF manual and the Blackmagic Camera Setup Installer. Double-click the installer and follow the on screen prompts to complete the installation.

In Windows 10, click the start button and select 'all apps'. Scroll down to the Blackmagic design folder. From here you can launch Blackmagic Camera Setup.

How to Update the Camera Software

After installing the latest Blackmagic Camera Setup utility on your computer, connect a USB cable between the computer and your Blackmagic URSA Broadcast G2. The USB port is located on the left side panel above the memory card slots.

Launch the Blackmagic Camera Setup utility and follow any on screen prompt to update the camera software. It's important to note that updating your camera software erases any presets and custom LUTs, and resets all settings. It is a good practice to export them to a memory card as a backup before performing a software update. After a software update, you can restore your presets and LUTs quickly by importing them from the memory card.



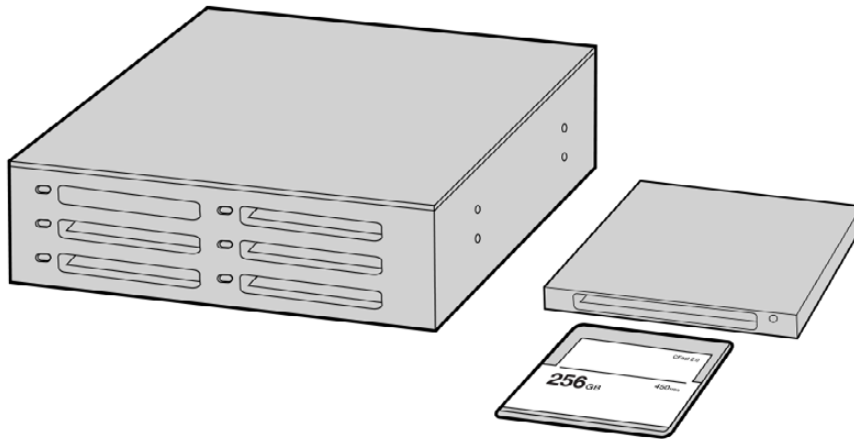
The USB-C port is used to update the camera software and can be found above the memory card slots, next to the media selection switch on Blackmagic URSA Broadcast G2

Working with Third Party Software

To edit your clips using your favorite editing software, you can copy your clips to an internal or external drive or RAID and then import your clips into the software. Or import your clips directly from your storage media using a dock or adapter for your CFAST or SD card or SSD.

NOTE Blackmagic RAW is supported on URSA Broadcast G2 with DaVinci Resolve 16.1.2 and later and has also been adopted by a wide range of third party post-production editing programs. Plugins for editing Blackmagic RAW in Avid Media Composer and Adobe Premiere Pro are available with Blackmagic RAW software, which you can download from www.blackmagicdesign.com/support.

Working with Files from CFast 2.0 and SD cards



Edit directly from your CFast card by removing it from your camera and mounting it on your computer using a CFast 2.0 reader/writer or CFast drive

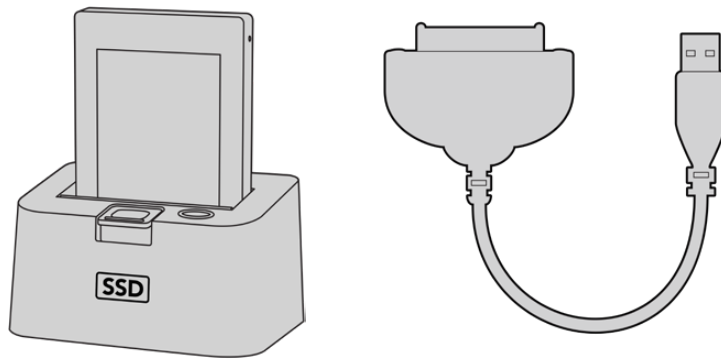
To import your clips from a CFast 2.0 or SD card:

- 1 Remove the CFast card or SD card your Blackmagic URSA Broadcast G2.
Mount the card to your Mac or Windows computer using a card reader.
- 2 Navigate to the card on your operating system to open it and you will see your list of Blackmagic RAW or QuickTime movie files.
- 3 Now you can simply drag the files you want from the card onto your desktop or another hard drive, or you can access the files straight from the card using your editing software.
- 4 Before you unplug the CFast or SD card from your computer, it is important to always eject your CFast or SD card from either Mac OS or Windows. Removing your card without ejecting can corrupt footage in some cases.

Working with Files from SSDs

To import your clips from a SSD:

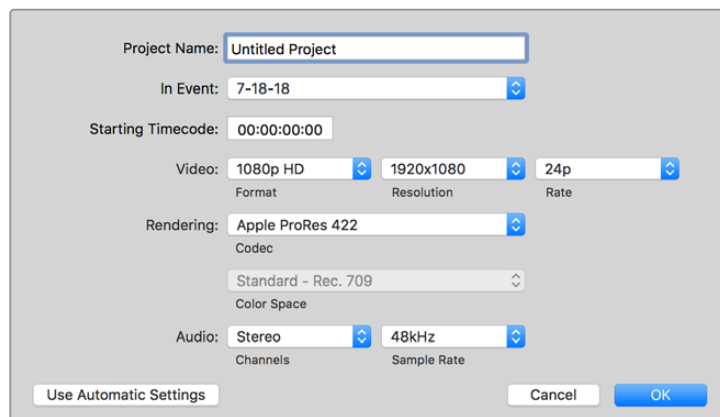
- 1 Remove the SSD from URSA Mini Recorder.
- 2 You can mount the SSD to your Mac or Windows computer using either an eSATA or Thunderbolt dock, for example Blackmagic MultiDock. You can also use an eSATA to USB adapter cable to plug the SSD straight into a USB port on your computer. USB 3.0 is preferable as USB 2.0 is not fast enough to edit video in real time.
- 3 Double click on the SSD to open it and you should see a list of QuickTime movie files or Blackmagic RAW files. Depending on the format you chose to record in, you might have a mixture of files, but they will all use the same naming convention.
- 4 Now you can simply drag the files you want from the SSD onto your desktop or another hard drive, or you can access the files straight from the SSD using your NLE software.
- 5 Before you unplug the SSD from your computer, it is important to eject the SSD safely from your computer first.



Edit directly from the SSD by removing it from your camera and mounting it on your computer using an eSATA Thunderbolt dock or USB 3.0 docking cable.

Using Final Cut Pro X

To edit your clips using Final Cut Pro X, create a new project and set a suitable video format and frame rate. This example uses ProRes 422 HQ 1080p24.



Final Cut Pro X project settings

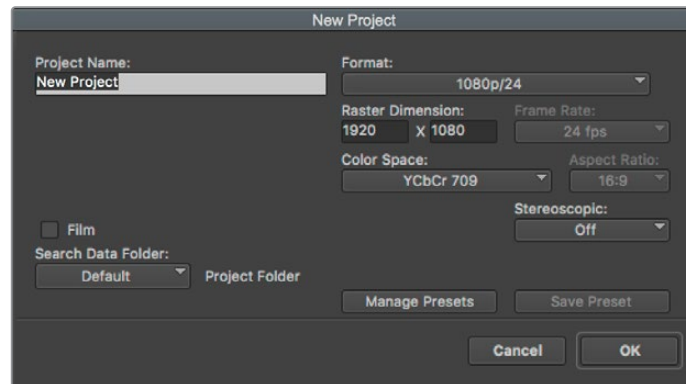
- 1 Launch Final Cut Pro X, go to the 'menu' bar and select 'file/new project'. A window will open containing project settings.
- 2 Name your project and select the 'custom' checkbox.
- 3 Set the 'video properties' settings to 1080p HD, 1920x1080 and 24p.
- 4 Set your 'audio' and 'render properties' settings to 'stereo, 48kHz, and Apple ProRes 422 HQ'
- 5 Click OK.

To import your clips into your project, go to the 'menu' bar and select 'file/import/media'. Choose your clips from your CFast card.

You can now drag your clips onto the timeline for editing.

Using Avid Media Composer 2018

To edit your clips using Avid Media Composer 2018, create a new project and set a suitable video format and frame rate. For this example, clips are set using 1080p24.



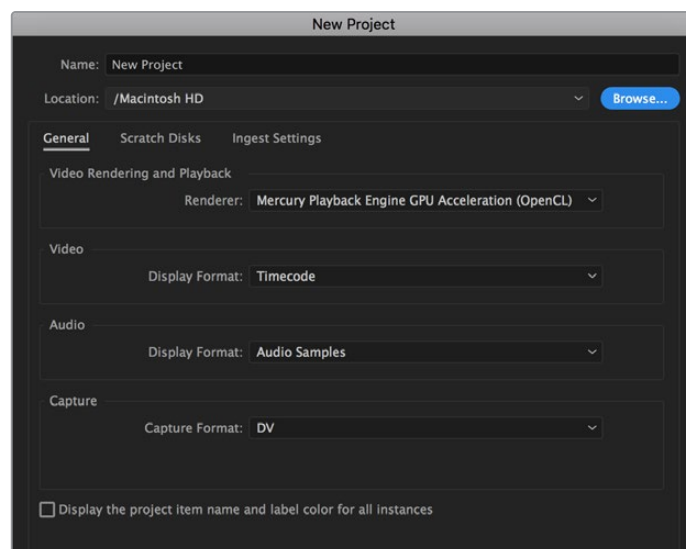
Setting the project name and project options in Avid Media Composer 2018

- 1 Launch Avid Media Composer 2018 and the 'select project' window will appear.
- 2 Click the 'new project' button and name your project in the 'new project' window.
- 3 In the 'format' drop down menu select HD 1080 > 1080p/24 and click 'ok' to create the project.
- 4 Double click the project in the 'select project' window to open it.
- 5 Select file > input > source browser and navigate to the files you wish to import.
- 6 Select your 'target bin' from the drop down menu and click 'import'.

When the clips appear within the media bin you can drag your clips onto the timeline and begin editing.

Using Adobe Premiere Pro CC

To edit your Apple ProRes 422 HQ clips using Adobe Premiere Pro CC, create a new project and set a suitable video format and frame rate. For this example, clips are set using ProRes 422 HQ 1080p25.



Setting the project name and project options in Adobe Premiere Pro CC

- 1 Launch Adobe Premiere Pro CC. In the 'welcome' window select 'new project'. A window will open containing project settings.
- 2 Name your project. Choose the location for your project by clicking 'browse' and selecting your desired folder. Once you've selected your location folder click OK in the 'new project' window.
- 3 Go to the Adobe Premiere Pro CC 'menu' bar, select 'file/import' and choose the clips you want to edit. Your clips will appear in the project window.
- 4 Drag the first clip you wish to edit onto the 'new item' icon at the bottom right of the project window. A new sequence will be created matching your clip settings.

You can now drag your clips onto the sequence timeline for editing.

Developer Information

Blackmagic Bluetooth Camera Control

Blackmagic cameras with Bluetooth LE implement a variety of features and commands that allow users to control their cameras wirelessly. Developers have full access to these features for their custom applications.

The following services and characteristics describe the full range of communication options that are available to the developer.

Service: Device Information Service

UUID: 180A

Characteristics

Camera Manufacturer

UUID: 2A29

Read the name of the manufacturer (always “Blackmagic Design”).

Camera Model

UUID: 2A24

Read the name of the camera model (“URSA Broadcast G2”).

Service: Blackmagic Camera Service

UUID: 291D567A-6D75-11E6-8B77-86F30CA893D3

Characteristics

Outgoing Camera Control (encrypted)

UUID: 5DD3465F-1AEE-4299-8493-D2ECA2F8E1BB

Send Camera Control messages

These messages are identical to those described in the Blackmagic SDI Camera Control Protocol section below. Please read that section for a list of supported messages and required formatting information.

For an example of how packets are structured, please see the ‘example protocol packets’ section in this document.

Incoming Camera Control (encrypted)

UUID: B864E140-76A0-416A-BF30-5876504537D9

Request notifications for this characteristic to receive Camera Control messages from the camera.

These messages are identical to those described in the Blackmagic SDI Camera Control Protocol section below. Please read that section for a list of supported messages and required formatting information.

Timecode (encrypted)

UUID: 6D8F2110-86F1-41BF-9AFB-451D87E976C8

Request notifications for this characteristic to receive timecode updates.

Timecode (HH:MM:SS:mm) is represented by a 32-bit BCD number:
(eg. 09:12:53:10 = 0x09125310)

Camera Status (encrypted)

UUID: 7FE8691D-95DC-4FC5-8ABD-CA74339B51B9

Request notifications for this characteristic to receive camera status updates.

The camera status is represented by flags contained in an 8-bit integer:

None	= 0x00
Camera Power On	= 0x01
Connected	= 0x02
Paired	= 0x04
Versions Verified	= 0x08
Initial Payload Received	= 0x10
Camera Ready	= 0x20

Send a value of 0x00 to power a connected camera off.

Send a value of 0x01 to power a connected camera on.

Device Name

UUID: FFAC0C52-C9FB-41A0-B063-CC76282EB89C

Send a device name to the camera (max. 32 characters).

The camera will display this name in the Bluetooth Setup Menu.

Protocol Version

UUID: 8F1FD018-B508-456F-8F82-3D392BEE2706

Read this value to determine the camera's supported CCU protocol version.

NOTE Encrypted characteristics can only be used once a device has successfully bonded or paired with the Blackmagic Camera. Once a connection has been established, any attempt to write to an encrypted characteristic will initiate bonding. For example, writing a 'Camera Power On' (0x01) message to the Camera Status characteristic.

Once bonding is initiated, the camera will display a 6-digit pin in the Bluetooth Setup Menu. Enter this pin on your device to establish an encrypted connection. The device will now be able to read, write and receive notifications from encrypted characteristics.

Blackmagic SDI and Bluetooth Camera Control Protocol

Version 1.6.2

If you are a software developer you can use the Blackmagic SDI and Bluetooth Camera Control Protocol to construct devices that integrate with our products. Here at Blackmagic Design, our approach is to open up our protocols and we eagerly look forward to seeing what you come up with!

Overview

This document describes an extensible protocol for sending a unidirectional stream of small control messages embedded in the non-active picture region of a digital video stream. The video stream containing the protocol stream may be broadcast to a number of devices. Device addressing is used to allow the sender to specify which device each message is directed to.

Assumptions

Alignment and padding constraints are explicitly described in the protocol document. Bit fields are packed from LSB first. Message groups, individual messages and command headers are defined as, and can be assumed to be, 32 bit aligned.

Blanking Encoding

A message group is encoded into a SMPTE 291M packet with DID/SDID x51/x53 in the active region of VANC line 16.

Message Grouping

Up to 32 messages may be concatenated and transmitted in one blanking packet up to a maximum of 255 bytes payload. Under most circumstances, this should allow all messages to be sent with a maximum of one frame latency.

If the transmitting device queues more bytes of message packets than can be sent in a single frame, it should use heuristics to determine which packets to prioritize and send immediately. Lower priority messages can be delayed to later frames, or dropped entirely as appropriate.

Abstract Message Packet Format

Every message packet consists of a three byte header followed by an optional variable length data block. The maximum packet size is 64 bytes.

Destination device (uint8)	Device addresses are represented as an 8 bit unsigned integer. Individual devices are numbered 0 through 254 with the value 255 reserved to indicate a broadcast message to all devices.
Command length (uint8)	The command length is an 8 bit unsigned integer which specifies the length of the included command data. The length does NOT include the length of the header or any trailing padding bytes.
Command id (uint8)	The command id is an 8 bit unsigned integer which indicates the message type being sent. Receiving devices should ignore any commands that they do not understand. Commands 0 through 127 are reserved for commands that apply to multiple types of devices. Commands 128 through 255 are device specific.
Reserved (uint8)	This byte is reserved for alignment and expansion purposes. It should be set to zero.
Command data (uint8[])	The command data may contain between 0 and 60 bytes of data. The format of the data section is defined by the command itself.

Padding (uint8[])	Messages must be padded up to a 32 bit boundary with 0x0 bytes. Any padding bytes are NOT included in the command length.
--------------------------	---

Receiving devices should use the destination device address and or the command identifier to determine which messages to process. The receiver should use the command length to skip irrelevant or unknown commands and should be careful to skip the implicit padding as well.

Defined Commands

Command 0 : change configuration

Category (uint8)	The category number specifies one of up to 256 configuration categories available on the device.
Parameter (uint8)	The parameter number specifies one of 256 potential configuration parameters available on the device. Parameters 0 through 127 are device specific parameters. Parameters 128 though 255 are reserved for parameters that apply to multiple types of devices.
Data type (uint8)	The data type specifies the type of the remaining data. The packet length is used to determine the number of elements in the message. Each message must contain an integral number of data elements.

Currently defined values are:

0: void/boolean	A void value is represented as a boolean array of length zero. The data field is a 8 bit value with 0 meaning false and all other values meaning true.
1: signed byte	Data elements are signed bytes
2: signed 16 bit integer	Data elements are signed 16 bit values
3: signed 32 bit integer	Data elements are signed 32 bit values
4: signed 64 bit integer	Data elements are signed 64 bit values
5: UTF-8 string	Data elements represent a UTF-8 string with no terminating character.

Data types 6 through 127 are reserved.

128: signed 5.11 fixed point	Data elements are signed 16 bit integers representing a real number with 5 bits for the integer component and 11 bits for the fractional component. The fixed point representation is equal to the real value multiplied by 2^{11} . The representable range is from -16.0 to 15.9995 (15 + 2047/2048).
-------------------------------------	---

Data types 129 through 255 are available for device specific purposes.

Operation type (uint8)	The operation type specifies what action to perform on the specified parameter. Currently defined values are:
0: assign value	The supplied values are assigned to the specified parameter. Each element will be clamped according to its valid range. A void parameter may only be 'assigned' an empty list of boolean type. This operation will trigger the action associated with that parameter. A boolean value may be assigned the value zero for false, and any other value for true.
1: offset/toggle value	Each value specifies signed offsets of the same type to be added to the current parameter values. The resulting parameter value will be clamped according to their valid range. It is not valid to apply an offset to a void value. Applying any offset other than zero to a boolean value will invert that value.

Operation types 2 through 127 are reserved.

Operation types 128 through 255 are available for device specific purposes.

Data (void)	The data field is 0 or more bytes as determined by the data type and number of elements.
--------------------	--

The category, parameter, data type and operation type partition a 24 bit operation space.

Group	ID	Parameter	Type	Index	Minimum	Maximum	Interpretation
Lens	0.0	Focus	fixed16	–	0.0	1.0	0.0 = near, 1.0 = far
	0.1	Instantaneous autofocus	void	–	–	–	trigger instantaneous autofocus
	0.2	Aperture (f-stop)	fixed16	–	-1.0	16.0	Aperture Value (where fnumber = $\sqrt{2^{AV}}$)
	0.3	Aperture (normalised)	fixed16	–	0.0	1.0	0.0 = smallest, 1.0 = largest
	0.4	Aperture (ordinal)	int16	–	0	n	Steps through available aperture values from minimum (0) to maximum (n)
	0.5	Instantaneous auto aperture	void	–	–	–	trigger instantaneous auto aperture
	0.6	Optical image stabilisation	boolean	–	–	–	true = enabled, false = disabled
	0.7	Set absolute zoom (mm)	int16	–	0	max	Move to specified focal length in mm, from minimum (0) to maximum (max)
	0.8	Set absolute zoom (normalised)	fixed16	–	0.0	1.0	Move to specified focal length: 0.0 = wide, 1.0 = tele
	0.9	Set continuous zoom (speed)	fixed16	–	-1.0	+1.0	Start/stop zooming at specified rate: -1.0 = zoom wider fast, 0.0 = stop, +1 = zoom tele fast

Group	ID	Parameter	Type	Index	Minimum	Maximum	Interpretation
Video	1.0	Video mode	int8	[0] = frame rate	-	-	fps as integer (eg 24, 25, 30, 50, 60)
				[1] = M-rate	-	-	0 = regular, 1 = M-rate
				[2] = dimensions	-	-	0 = NTSC, 1 = PAL, 2 = 720, 3 = 1080, 4 = 2kDCI, 5 = 2k16:9, 6 = UHD, 7 = 3k Anamorphic, 8 = 4k DCI, 9 = 4k 16:9, 10 = 4.6k 2.4:1, 11 = 4.6k
				[3] = interlaced	-	-	0 = progressive, 1 = interlaced
				[4] = Color space	-	-	0 = YUV
	1.1	Gain (up to Camera 4.9)	int8		1	128	1x, 2x, 4x, 8x, 16x, 32x, 64x, 128x gain
	1.2	Manual White Balance	int16	[0] = color temp	2500	10000	Color temperature in K
			int16	[1] = tint	-50	50	tint
	1.3	Set auto WB	void	-	-	-	Calculate and set auto white balance
	1.4	Restore auto WB	void	-	-	-	Use latest auto white balance setting
	1.5	Exposure (us)	int32		1	42000	time in us
	1.6	Exposure (ordinal)	int16	-	0	n	Steps through available exposure values from minimum (0) to maximum (n)
	1.7	Dynamic Range Mode	int8 enum	-	0	2	0 = film, 1 = video, 2 = extended video
	1.8	Video sharpening level	int8 enum	-	0	3	0 = off, 1 = low, 2 = medium, 3 = high
	1.9	Recording format	int16	[0] = file frame rate	-	-	fps as integer (eg 24, 25, 30, 50, 60, 120)
				[1] = sensor frame rate	-	-	fps as integer, valid when sensor-off-speed set (eg 24, 25, 30, 33, 48, 50, 60, 120), no change will be performed if this value is set to 0
				[2] = frame width	-	-	in pixels
				[3] = frame height	-	-	in pixels
				[4] = flags	-	-	[0] = file-M-rate
					-	-	[1] = sensor-M-rate, valid when sensor-off-speed-set
-					-	[2] = sensor-off-speed	
-	-	[3] = interlaced					
-	-	[4] = windowed mode					
1.10	Set auto exposure mode	int8	-	0	4	0 = Manual Trigger, 1 = Iris, 2 = Shutter, 3 = Iris + Shutter, 4 = Shutter + Iris	
1.11	Shutter angle	int32	-	100	36000	Shutter angle in degrees, multiplied by 100	
1.12	Shutter speed	int32	-	Current sensor frame rate	5000	Shutter speed value as a fraction of 1, so 50 for 1/50th of a second	
1.13	Gain	int8	-	-128	127	Gain in decibel (dB)	
1.14	ISO	int32	-	0	2147483647	ISO value	
1.15	Display LUT	int8	[0] = selected LUT	-	-	0 = None, 1 = Custom, 2 = film to video, 3 = film to extended video	
			[1] = enabled or not	-	-	0 = Not enabled, 1 = Enabled	
1.16	ND Filter Stop	fixed16	[0] = stop	0.0	15.0	filter power, as f-stop	
			[1] = display mode	-	-	0 = stop 1 = density 2 = transmittance	

Group	ID	Parameter	Type	Index	Minimum	Maximum	Interpretation
Audio	2.0	Mic level	fixed16	–	0.0	1.0	0.0 = minimum, 1.0 = maximum
	2.1	Headphone level	fixed16	–	0.1	1.0	0.0 = minimum, 1.0 = maximum
	2.2	Headphone program mix	fixed16	–	0.1	1.0	0.0 = minimum, 1.0 = maximum
	2.3	Speaker level	fixed16	–	0.1	1.0	0.0 = minimum, 1.0 = maximum
	2.4	Input type	int8	–	0	3	0 = internal mic, 1 = line level input, 2 = low mic level input, 3 = high mic level input
	2.5	Input levels	fixed16	[0] ch0	0.0	1.0	0.0 = minimum, 1.0 = maximum
				[1] ch1	0.0	1.0	0.0 = minimum, 1.0 = maximum
2.6	Phantom power	boolean	–	–	–	true = powered, false = not powered	
Output	3.0	Overlay enables	uint16 bit field	[0] = bit field	–	–	bit flags: [0] = display status, [1] = display frame guides [2] = clean feed Some cameras don't allow separate control of frame guides and status overlays.
			uint16 bit field	[1] = target displays bit field	–	–	bit flags: [0] = LCD [1] = HDMI [2] = EVF [3] = Main SDI [4] = Front SDI
	3.1	Frame guides style (Camera 3.x)	int8	–	0	8	0 = HDTV, 1 = 4:3, 2 = 2.4:1, 3 = 2.39:1, 4 = 2.35:1, 5 = 1.85:1, 6 = thirds
	3.2	Frame guides opacity (Camera 3.x)	fixed16	–	0.1	1.0	0.0 = transparent, 1.0 = opaque
	3.3	Overlays (replaces .1 and .2 above from Cameras 4.0)	int8	[0] = frame guides style	–	–	0 = off, 1 = 2.4:1, 2 = 2.39:1, 3 = 2.35:1, 4 = 1.85:1, 5 = 16:9, 6 = 14:9, 7 = 4:3, 8 = 2:1, 9 = 4:5, 10 = 1:1
				[1] = frame guide opacity	0	100	0 = transparent, 100 = opaque
				[2] = safe area percentage	0	100	percentage of full frame used by safe area guide (0 means off)
[3] = grid style				–	–	bit flags: [0] = display thirds, [1] = display cross hairs, [2] = display center dot, [3] = display horizon	

Group	ID	Parameter	Type	Index	Minimum	Maximum	Interpretation
Display	4.0	Brightness	fixed16	–	0.0	1.0	0.0 = minimum, 1.0 = maximum
	4.1	Exposure and focus tools	uint16 bit field	[0] = bit field	–	–	bit flags: [0] = Zebra [1] = Focus Assist [2] = False Color
				uint16 bit field	[1] = target displays bit field	–	–
	4.2	Zebra level	fixed16	–	0.0	1.0	0.0 = minimum, 1.0 = maximum
	4.3	Peaking level	fixed16	–	0.0	1.0	0.0 = minimum, 1.0 = maximum
	4.4	Color bar enable	int8	–	0	30	0 = disable bars, 1-30 = enable bars with timeout (seconds)
	4.5	Focus Assist	int8	[0] = focus assist method	–	–	0 = Peak, 1 = Colored lines
				[1] = focus line color	–	–	0 = Red, 1 = Green, 2 = Blue, 3 = White, 4 = Black
4.6	Program return feed enable	int8	–	0	30	0 = disable, 1-30 = enable with timeout (seconds)	
4.7	Timecode Source	signed byte	[0] = source	–	–	0 = Clip, 1 = Timecode	
Tally	5.0	Tally brightness	fixed16	–	0.0	1.0	Sets the tally front and tally rear brightness to the same level. 0.0 = minimum, 1.0 = maximum
	5.1	Front tally brightness	fixed16	–	0.0	1.0	Sets the tally front brightness. 0.0 = minimum, 1.0 = maximum
	5.2	Rear tally brightness	fixed16	–	0.0	1.0	Sets the tally rear brightness. 0.0 = minimum, 1.0 = maximum Tally rear brightness cannot be turned off
Reference	6.0	Source	int8 enum	–	0	2	0 = internal, 1 = program, 2 = external
	6.1	Offset	int32	–	–	–	+/- offset in pixels
Configuration	7.0	Real Time Clock	int32	[0] time	–	–	BCD - HHMMSSFF (UCT)
				[1] date	–	–	BCD - YYYYMMDD
	7.1	System language	string	[0-1]	–	–	ISO-639-1 two character language code
	7.2	Timezone	int32	–	–	–	Minutes offset from UTC
	7.3	Location	int64	[0] latitude	–	–	BCD - s0DDdddddddddd where s is the sign: 0 = north (+), 1 = south (-); DD degrees, ddddddddddd decimal degrees
[1] longitude				–	–	BCD - sDDDdddddddddd where s is the sign: 0 = west (-), 1 = east (+); DDD degrees, dddddddddd decimal degrees	

Group	ID	Parameter	Type	Index	Minimum	Maximum	Interpretation
Color Correction	8.0	Lift Adjust	fixed16	[0] red	-2.0	2.0	default 0.0
				[1] green	-2.0	2.0	default 0.0
				[2] blue	-2.0	2.0	default 0.0
				[3] luma	-2.0	2.0	default 0.0
	8.1	Gamma Adjust	fixed16	[0] red	-4.0	4.0	default 0.0
				[1] green	-4.0	4.0	default 0.0
				[2] blue	-4.0	4.0	default 0.0
				[3] luma	-4.0	4.0	default 0.0
	8.2	Gain Adjust	fixed16	[0] red	0.0	16.0	default 1.0
				[1] green	0.0	16.0	default 1.0
				[2] blue	0.0	16.0	default 1.0
				[3] luma	0.0	16.0	default 1.0
	8.3	Offset Adjust	fixed16	[0] red	-8.0	8.0	default 0.0
				[1] green	-8.0	8.0	default 0.0
				[2] blue	-8.0	8.0	default 0.0
				[3] luma	-8.0	8.0	default 0.0
	8.4	Contrast Adjust	fixed16	[0] pivot	0.0	1.0	default 0.5
				[1] adj	0.0	2.0	default 1.0
	8.5	Luma mix	fixed16	–	0.0	1.0	default 1.0
	8.6	Color Adjust	fixed16	[0] hue	-1.0	1.0	default 0.0
				[1] sat	0.0	2.0	default 1.0
8.7	Correction Reset Default	void	–	–	–	reset to defaults	

Group	ID	Parameter	Type	Index	Minimum	Maximum	Interpretation
Media	10.0	Codec	int8 enum	[0] = basic codec	-	-	0 = CinemaDNG, 1 = DNxHD, 2 = ProRes, 3 = Blackmagic RAW
					-	-	CinemaDNG: 0 = uncompressed, 1 = lossy 3:1, 2 = lossy 4:1
				[1] = code variant	-	-	ProRes: 0 = HQ, 1 = 422, 2 = LT, 3 = Proxy, 4 = 444, 5 = 444XQ
					-	-	Blackmagic RAW: 0 = Q0, 1 = Q5, 2 = 3:1, 3 = 5:1, 4 = 8:1, 5 = 12:1
	10.1	Transport mode	int8	[0] = mode	-	-	0 = Preview, 1 = Play, 2 = Record
				[1] = speed	-	-	-ve = multiple speeds backwards, 0 = pause, +ve = multiple speeds forwards
				[2] = flags	-	-	1<<0 = loop, 1<<1 = play all, 1<<5 = disk1 active, 1<<6 = disk2 active, 1<<7 = time-lapse recording
				[3] = slot 1 storage medium	-	-	0 = CFast card, 1 = SD, 2 = SSD Recorder
				[4] = slot 2 storage medium	-	-	0 = CFast card, 1 = SD, 2 = SSD Recorder
	10.2	Playback Control	int8 enum	[0] = clip	-	-	0 = Previous, 1 = Next
10.5	Stream	bool	[0] = enabled	-	-	true = enabled, false = disabled	
10.6	Stream Information	void bool	[0] = enabled	-	-	true = enabled, false = disabled	
10.7	Stream Display 3D LUT	void bool	[0] = enabled	-	-	true = enabled, false = disabled	
PTZ Control	11.0	Pan/Tilt Velocity	fixed 16	[0] = pan velocity	-1.0	1.0	-1.0 = full speed left, 1.0 = full speed right
				[1] = tilt velocity	-1.0	1.0	-1.0 = full speed down, 1.0 = full speed up
	11.1	Memory Preset	int8 enum	[0] = preset command	-	-	0 = reset, 1 = store location, 2 = recall location
			int8	[1] = preset slot	0	5	-

Example Protocol Packets

Operation	Packet Length	Byte															
		0	1	2	3	4	5	6	7	8	9	10	11	12	13	14	15
		header				command				data							
		destination	length	command	reserved	category	parameter	type	operation								
trigger instantaneous auto focus on camera 4	8	4	4	0	0	0	1	0	0								
turn on OIS on all cameras	12	255	5	0	0	0	6	0	0	1	0	0	0				
set exposure to 10 ms on camera 4 (10 ms = 10000 us = 0x00002710)	12	4	8	0	0	1	5	3	0	0x10	0x27	0x00	0x00				
add 15% to zebra level (15 % = 0.15 f = 0x0133 fp)	12	4	6	0	0	4	2	128	1	0x33	0x01	0	0				
select 1080p 23.98 mode on all cameras	16	255	9	0	0	1	0	1	0	24	1	3	0	0	0	0	0
subtract 0.3 from gamma adjust for green & blue (-0.3 ~ = 0xfd9a fp)	16	4	12	0	0	8	1	128	1	0	0	0x9a	0xfd	0x9a	0xfd	0	0
all operations combined	76	4	4	0	0	0	1	0	0	255	5	0	0	0	6	0	0
		1	0	0	0	4	8	0	0	1	5	3	0	0x10	0x27	0x00	0x00
		4	6	0	0	4	2	128	1	0x33	0x01	0	0	255	9	0	0
		1	0	1	0	24	1	3	0	0	0	0	0	4	12	0	0
		8	1	128	1	0	0	0x9a	0xfd	0x9a	0xfd	0	0				

Blackmagic Tally Control Protocol

Version 1.0 (30/04/14)

This section is for third party developers or anybody who may wish to add support for the Blackmagic Tally Control Protocol to their products or system. It describes the protocol for sending tally information embedded in the non-active picture region of a digital video stream.

Data Flow

A master device such as a broadcast switcher embeds tally information into its program feed which is broadcast to a number of slave devices such as cameras or camera controllers. The output from the slave devices is typically fed back to the master device, but may also be sent to a video monitor.

The primary flow of tally information is from the master device to the slaves. Each slave device may use its device id to extract and display the relevant tally information.

Slave devices pass through the tally packet on their output and update the monitor tally status, so that monitor devices connected to that individual output may display tally status without knowledge of the device id they are monitoring.

Assumptions

Any data alignment/padding is explicit in the protocol. Bit fields are packed from LSB first.

Blanking Encoding

One tally control packet may be sent per video frame. Packets are encoded as a SMPTE 291M packet with DID/SDID x51/x52 in the active region of VANC line 15. A tally control packet may contain up to 256 bytes of tally information.

Packet Format

Each tally status consists of 4 bits of information:

```
uint4
bit 0:    program tally status (0=off, 1=on)
bit 1:    preview tally status (0=off, 1=on)
bit 2-3:  reserved (0x0)
```

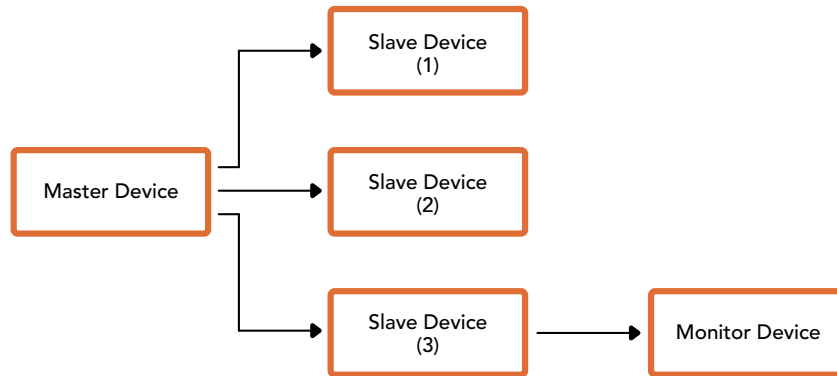
The first byte of the tally packet contains the monitor device tally status and a version number.

Subsequent bytes of the tally packet contain tally status for pairs of slave devices. The master device sends tally status for the number of devices configured/supported, up to a maximum of 510.

```
struct tally
```

```
uint8
bit 0:    monitor device program tally status (0=off, 1=on)
bit 1:    monitor device preview tally status (0=off, 1=on)
bit 2-3:  reserved (0b00)
bit 4-7:  protocol version (0b0000)
uint8[0]
bit 0:    slave device 1 program tally status (0=off, 1=on)
bit 1:    slave device 1 device preview tally status (0=off, 1=on)
bit 2-3:  reserved (0b00)
bit 4:    slave device 2 program tally status (0=off, 1=on)
bit 5:    slave device 2 preview tally status (0=off, 1=on)
bit 6-7:  reserved (0b00)
```

uint8[1]
bit 0: slave device 3 program tally status (0=off, 1=on)
bit 1: slave device 3 device preview tally status (0=off, 1=on)
bit 2-3: reserved (0b00)
bit 4: slave device 4 program tally status (0=off, 1=on)
bit 5: slave device 4 preview tally status (0=off, 1=on)
bit 6-7: reserved (0b00)
...



Byte	7 MSB	6	5	4	3	2	1	0 LSB
0	Version (0b0)	Version (0b0)	Version (0b0)	Version (0b0)	Reserved (0b0)	Reserved (0b0)	Monitor Preview	Monitor Program
1	Reserved (0b0)	Reserved (0b0)	Slave 1 Preview	Slave 1 Program	Reserved (0b0)	Reserved (0b0)	Slave 0 Preview	Slave 0 Program
2	Reserved (0b0)	Reserved (0b0)	Slave 3 Preview	Slave 3 Program	Reserved (0b0)	Reserved (0b0)	Slave 2 Preview	Slave 2 Program
3	...							

Help

The fastest way to obtain help is to go to the Blackmagic Design online support pages and check the latest support material available for your camera.

Blackmagic Design Online Support Pages

The latest manual, software and support notes can be found at the Blackmagic Design support center at www.blackmagicdesign.com/support.

Contacting Blackmagic Design Support

If you can't find the help you need in our support material, please use the "Send us an email" button on the support page to email a support request. Alternatively, click on the "Find your local support team" button on the support page and call your nearest Blackmagic Design support office.

Checking the Software Version Currently Installed

To check which version of Blackmagic Camera Utility software is installed on your computer, open the About Blackmagic Camera Utility window.

- On Mac, open Blackmagic Camera Utility from the Applications folder. Select About Blackmagic Camera Utility from the application menu to reveal the version number.
- On Windows, open Blackmagic Camera Utility from your Start menu or Start Screen. Click on the Help menu and select About Blackmagic Camera Utility to reveal the version number.

How to Get the Latest Software Updates

After checking the version of Blackmagic Camera Utility software installed on your computer, please visit the Blackmagic Design support center at www.blackmagicdesign.com/support to check for the latest updates. While it is usually a good idea to run the latest updates, it is wise to avoid updating any software if you are in the middle of an important project.

Regulatory Notices



Disposal of waste of electrical and electronic equipment within the European union.

The symbol on the product indicates that this equipment must not be disposed of with other waste materials. In order to dispose of your waste equipment, it must be handed over to a designated collection point for recycling. The separate collection and recycling of your waste equipment at the time of disposal will help conserve natural resources and ensure that it is recycled in a manner that protects human health and the environment. For more information about where you can drop off your waste equipment for recycling, please contact your local city recycling office or the dealer from whom you purchased the product.



This equipment has been tested and found to comply with the limits for a Class A digital device, pursuant to Part 15 of the FCC rules. These limits are designed to provide reasonable protection against harmful interference when the equipment is operated in a commercial environment. This equipment generates, uses, and can radiate radio frequency energy and, if not installed and used in accordance with the instructions, may cause harmful interference to radio communications. Operation of this product in a residential area is likely to cause harmful interference, in which case the user will be required to correct the interference at personal expense.

Operation is subject to the following two conditions:

- 1 This device may not cause harmful interference.
- 2 This device must accept any interference received, including interference that may cause undesired operation.



R-R-BMD-20210915001
R-R-BMD-20200421002
R-R-BMD-20200916001
R-R-BMD-20200916002
R-REM-BMD-201803004
R-REM-BMD-201803003
MSIP-REM-BMD-201612001



ISED Canada Statement

This device complies with Canadian standards for Class A digital apparatus.

Any modifications or use of this product outside its intended use could void compliance to these standards.

This equipment has been tested for compliance with the intended use in a commercial environment.

Bluetooth®

The URSA Broadcast G2 is a Bluetooth wireless technology enabled product.

Contains Transmitter Module FCC ID: QOQBGM113

This equipment complies with FCC radiation exposure limits set forth for an uncontrolled environment.

Contains Transmitter Module IC: 5123A-BGM113

This device complies with Industry Canada's license-exempt RSS standards and exception from routine SAR evaluation limits given in RSS-102 Issue 5.

Certified for Japan, certificate number: 209-J00204. This equipment contains specified radio equipment that has been certified to the Technical Regulation Conformity Certification under the Radio law.

This module has certification in South Korea, KC certification number: MSIP-CRM-BGT-BGM113
Hereby, Blackmagic Design declares that the URSA Broadcast G2 using wideband transmission systems in 2.4 GHz ISM band is in compliance with Directive 2014/53/EU

The full text of the EU declaration of conformity is available from
compliance@blackmagicdesign.com

Safety Information

The supplied AC to 12V DC power supply for Blackmagic URSA Broadcast G2 and the IEC power cable for Blackmagic Studio Fiber Converter, must be connected to a mains socket outlet with a protective earth connection.

Blackmagic URSA Broadcast G2 and Camera Fiber Converter are suitable for use in tropical locations with an ambient temperature of up to 40°C. Blackmagic Studio Fiber Converter is suitable for use in tropical locations with an ambient temperature of up to 50°C

Ensure that adequate ventilation is provided around the Blackmagic Studio Fiber Converter and Camera Fiber Converter so that ventilation is not restricted. When rack mounting the Studio Fiber Converter, ensure that the ventilation is not restricted by adjacent equipment.

No operator serviceable parts inside Blackmagic URSA Broadcast G2, Camera Fiber Converter or Studio Fiber Converter. Refer servicing to your local Blackmagic Design service center.

State of California statement

This product can expose you to chemicals such as trace amounts of polybrominated biphenyls within plastic parts, which is known to the state of California to cause cancer and birth defects or other reproductive harm.

For more information go to www.P65Warnings.ca.gov.

Blackmagic URSA Broadcast G2

During sunny conditions, consider shading of the camera to prevent exposure of the camera or Lithium battery to extended periods of sunlight. Keep Lithium batteries away from all sources of heat.

The 12V DC output connector is suitable to provide power to the Blackmagic URSA Viewfinder or Blackmagic URSA Studio Viewfinder. When connecting other accessories to this connector, ensure that the power consumption is less than 18W.



Blackmagic Studio Fiber Converter

To reduce the risk of electric shock, do not expose this equipment to dripping or splashing. Use only at altitudes not more than 2000m above sea level.

Blackmagic Camera Fiber Converter

Only use the converter when connected to the Blackmagic Studio Fiber Converter. Under normal use, the converter is designed to receive hazardous voltages from the Blackmagic Studio Fiber Converter.

Warranty

Limited Warranty

Blackmagic Design warrants that this product will be free from defects in materials and workmanship for a period of 12 months from the date of purchase. If a product proves to be defective during this warranty period, Blackmagic Design, at its option, either will repair the defective product without charge for parts and labor, or will provide a replacement in exchange for the defective product.

In order to obtain service under this warranty, you the Customer, must notify Blackmagic Design of the defect before the expiration of the warranty period and make suitable arrangements for the performance of service. The Customer shall be responsible for packaging and shipping the defective product to a designated service center nominated by Blackmagic Design, with shipping charges pre paid. Customer shall be responsible for paying all shipping charges, insurance, duties, taxes, and any other charges for products returned to us for any reason.

This warranty shall not apply to any defect, failure or damage caused by improper use or improper or inadequate maintenance and care. Blackmagic Design shall not be obliged under this warranty: a) to repair damage resulting from attempts by personnel other than Blackmagic Design representatives to install, repair or service the product, b) to repair damage resulting from improper use or connection to incompatible equipment, c) to repair any damage or malfunction caused by the use of non Blackmagic Design parts or supplies, or d) to service a product that has been modified or integrated with other products when the effect of such a modification or integration increases the time or difficulty of servicing the product.

Exposing URSA Viewfinder to direct sunlight could damage the viewfinder display as the viewfinder optics act as a magnifying glass. Image retention or burn-in could happen on OLED panels when static or high contrast images, such as frame guides, are displayed on the panels for extended periods. To avoid this, ensure the IR sensor for face detection is not covered deliberately and disconnect the viewfinder when not in use for prolonged periods. Image retention is not covered by this product warranty.

THIS WARRANTY IS GIVEN BY BLACKMAGIC DESIGN IN LIEU OF ANY OTHER WARRANTIES, EXPRESS OR IMPLIED. BLACKMAGIC DESIGN AND ITS VENDORS DISCLAIM ANY IMPLIED WARRANTIES OF MERCHANTABILITY OR FITNESS FOR A PARTICULAR PURPOSE. BLACKMAGIC DESIGN'S RESPONSIBILITY TO REPAIR OR REPLACE DEFECTIVE PRODUCTS DURING THE WARRANTY PERIOD IS THE WHOLE AND EXCLUSIVE REMEDY PROVIDED TO THE CUSTOMER. BLACKMAGIC DESIGN WILL NOT BE LIABLE FOR ANY INDIRECT, SPECIAL, INCIDENTAL OR CONSEQUENTIAL DAMAGES IRRESPECTIVE OF WHETHER BLACKMAGIC DESIGN OR THE VENDOR HAS ADVANCE NOTICE OF THE POSSIBILITY OF SUCH DAMAGES. BLACKMAGIC DESIGN IS NOT LIABLE FOR ANY ILLEGAL USE OF EQUIPMENT BY CUSTOMER. BLACKMAGIC IS NOT LIABLE FOR ANY DAMAGES RESULTING FROM USE OF THIS PRODUCT. USER OPERATES THIS PRODUCT AT OWN RISK.

© Copyright 2022 Blackmagic Design. All rights reserved. 'Blackmagic Design', 'URSA', 'DeckLink', 'HDLink', 'Workgroup Videohub', 'Multibrige Pro', 'Multibrige Extreme', 'Intensity' and 'Leading the creative video revolution' are registered trademarks in the US and other countries. All other company and product names may be trademarks of the respective companies with which they are associated.

Blackmagic URSA Broadcast G2





ようこそ

このたびはBlackmagic URSA Broadcast G2をお買い求めいただき誠にありがとうございました。

Blackmagic URSA Broadcast G2は、従来型の放送とオンライン放送の両方を考慮して作られた、極めてパワフルなカメラです。様々な用途に使用できるように設計されており、需要に合わせて4Kプロダクションカメラ、4Kスタジオカメラ、6Kデジタルフィルムカメラとして使用できます！

Blackmagic URSA Broadcast G2は堅牢かつ軽量のマグネシウム合金製であり、完璧にバランスが取れているため、終日の撮影でも快適に使用できます。また、物理的なコントロールが手元に配置されています。つまり、NDフィルター、シャッタースピード、ホワイトバランス、ISOなどをビューファインダーから目を離すことなく変更できます。

URSA Broadcast G2はB4放送用レンズと互換性があり、Blackmagic RAWやApple ProResに加え、極めて効率の高い10-bit放送品質のH.264およびH.265などの一般的なファイルに収録します。デュアルネイティブゲインにより、低照明条件でも優れた性能を発揮し、センサーのダイナミックレンジを完全に維持しながら、高いISO設定でもグレイとノイズを低減するように最適化されています。

URSA Broadcast G2が、世界で最もエキサイティングなテレビ番組、ドキュメンタリー、ライブスタジオコンテンツ制作の一翼を担えればと心より願っています。皆様が撮影した作品を拝見することをも楽しみにしています。また、URSAへの追加を希望する新機能のリクエストもお待ちしています！

A handwritten signature in black ink that reads "Grant Petty". The signature is written in a cursive, flowing style.

Blackmagic Design CEO

グラント・ペティ

目次

はじめに	286	ダッシュボード	363
レンズの取り付け	286	収録設定 (RECORD)	363
カメラの電源を入れる	287	ファイル命名規則	369
サーボズーム対応レンズの使用	289	モニター設定 (MONITOR)	370
B4レンズのバックフォーカス設定	295	オーディオ設定 (AUDIO)	376
ストレージメディア	299	セットアップ設定 (SETUP)	379
CFastカード	299	プリセット (PRESETS)	396
SDカード	300	LUT	399
USB-Cフラッシュディスクへの収録	302	メタデータ入力	402
SSD	303	ジャイロスタビライゼーション	407
撮影用にメディアを準備する	305	ビデオの配信	409
Blackmagic URSA Broadcast G2でメディアを準備する	305	スマートフォンを使用したセットアップ	410
Macでメディアを準備	307	設定	410
Windowsでメディアを準備	308	ATEMカメラIDを設定する	411
収録	309	XMLファイル	411
クリップの収録	309	XMLファイルの書き出し	411
コーデック、解像度、センサーエリアの選択	310	XMLファイルのローディング	412
Blackmagic RAW	311	URSA Mini Shoulder Kit	413
Blackmagic RAWで収録	311	Blackmagic URSA Viewfinder	416
フレームレートの選択	314	Blackmagic URSA Broadcast G2へのマウント/接続	416
外部機器からの収録のトリガー	317	アイピースの調整	417
収録時間一覧	317	ボタン機能	417
再生	319	メニュー設定	418
URSA Broadcast G2のコネクターと機能	320	Blackmagic URSA Studio Viewfinder	422
カメラ正面	320	Blackmagic URSA Broadcast G2へのマウント/接続	423
左側面	321	Blackmagic URSA Studio Viewfinderの調整	425
左側面のコントロール	321	ボタン機能	428
右側面	323	メニュー設定	430
リアパネル	324	Blackmagic Zoom Demand およびFocus Demand	435
トップパネル	326	カメラへ接続および取り付け	435
底面	326	Blackmagic Focus Demandを使用する	437
URSA Broadcast G2のコントロール	327	Blackmagic Zoom Demandを使用する	438
前方コントロールパネル	327	バッテリーのマウント	439
エルゴノミクスパネル	330	Vマウント/ゴールドマウントバッテリーの取り付け	439
内部コントロールパネル	335	独自のバッテリープレートの使用	441
カメラのビデオ出力	337	Blackmagicファイバーコンバーター	443
HDモニタリング出力	337	Blackmagicファイバーコンバーターを使用する前に	444
12G-SDI出力	337	SMPTEファイバーについて	444
タッチスクリーンコントロール	339	SMPTEファイバーの接続	446
上部ツールバー	339		
底部ツールバー	356		
ループ再生	362		
設定	363		

接続が前面にある理由	450	Blackmagic URSA Mini Pro Shim Kit	489
カメラSDIの接続	451	マウントのシム調整	490
リターンSDI出力の接続	451	URSA Mini Recorder	491
Blackmagic Camera Fiber Converterのマウント	451	URSA Mini Recorderのマウントおよび接続	492
URSA Studio Viewfinderの取り付け	454	URSA Mini Recorderを使用する	494
トークバックヘッドセットの接続	454	URSA Mini Recorderの内部ソフトウェアのアップデート	495
Camera Fiber Converterの操作	455	スタジオカメラコントロールの概要	496
リターンフィードの選択	455	カメラコントロールの使用	497
CALLボタンの使用	456	DaVinci Resolveプライマリーカラーコレクター	502
トークバックの使用	456	DaVinci Resolveの使用	506
タリーの使用	457	プロジェクトマネージャー	506
ステータスインジケーター	457	カットページを使用した編集	507
オーディオ入力	458	クリップをタイムラインに追加	510
IPビデオ	459	タイムラインでクリップをトリム	511
電源仕様	459	オーディオトリムビュー	511
追加のカメラコントロール	460	タイトルの追加	512
Studio Fiber Converterの操作	461	Blackmagic RAWファイルの使用	513
メニューの使用	462	カラーページでクリップのカラーコレクションを行う	517
スタジオ側ユニットのラックマウント	465	Power Windowを追加	520
カメラ側ユニットのコネクター	469	プラグインの使用	522
カメラ電源の接続	469	オーディオのミックス	523
PTZインターフェース	469	FusionページでVFXおよび合成を追加	528
トークバック接続	470	編集のマスタリング	537
トラッカーインターフェース	471	クイックエクスポート	537
DC接続	471	デリバリーページ	538
Dタップ出力	472	Blackmagic Camera Setup Utility	539
リファレンス出力と操作	472	サードパーティ製ソフトウェアの使用	540
スタジオ側ユニットのコネクター	473	CFast 2.0カード/SDカードからのファイルでの作業	541
12G-SDI出力	473	SSDファイルでの作業	541
リターンSDI入力	473	Final Cut Pro Xを使う	542
リファレンス入出力	474	Avid Media Composer 2018を使う	543
トークバックインターフェース	474	Adobe Premiere Pro CCを使う	543
PTZインターフェース	475	Developer Information	545
オーディオ出力	476	Blackmagic Bluetooth Camera Control	545
内部ソフトウェアのアップデート	477	Blackmagic SDI and Bluetooth Camera Control Protocol	547
Blackmagic Camera Fiber Converterのアップデート	477	Example Protocol Packets	555
Blackmagic Studio Fiber Converterのアップデート	477	Blackmagic Tally Control Protocol	556
交換可能なレンズマウント	478	ヘルプ	558
B4マウントの取り外し	479	規制に関する警告	559
Blackmagic URSA Mini Pro EF Mount	479	安全情報	560
Blackmagic URSA Mini Pro F Mount	481	保証	561
Blackmagic URSA Mini Pro PL Mount	485		
Blackmagic URSA Broadcast B4 Mount	488		
レンズマウントのシム調整	489		

はじめに

Blackmagic URSA Broadcast G2は、レンズをマウントして電源を入れるだけで簡単に使用できます。

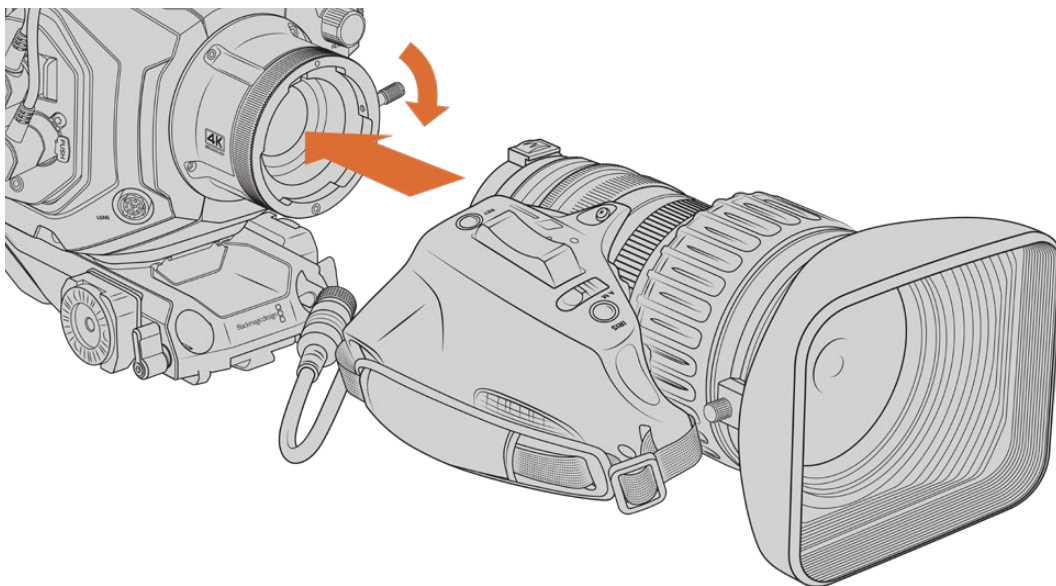
レンズの取り付け

URSA Broadcast G2にはB4レンズマウントが標準装備されており、HDおよびUltra HD放送用レンズを装着できます。EFマウントが同梱されているため、スチルレンズ、その他のコンパクトズームレンズ、EFレンズを取り付けて使用できます。レンズマウントの交換方法に関する詳細は、「交換可能なレンズマウント」に後述されています。

URSA Broadcast G2のB4マウントは、カメラのセンサーに合わせて特別に設計されたオプティクスを搭載しているため、2/3インチセンサーを使用する従来の放送用カメラと同等の視野および被写界深度が得られます。つまり、放送カメラを扱った経験があれば、手持ちのB4レンズをURSA Broadcast G2にマウントして、確信を持って撮影できます。

保護用のダストキャップをカメラから取り外すには、外側のロックリングを反時計回りに回し、ダストキャップをマウントから引き外します。

B4マウントレンズを取り付ける：



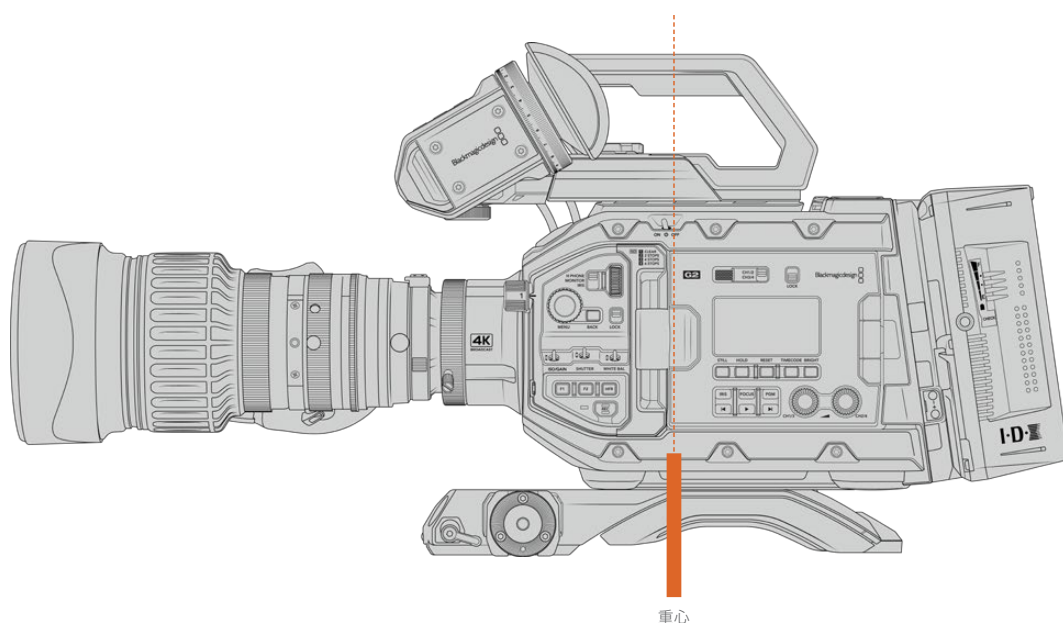
ロックリングを時計回りに回すとレンズをカメラに固定できます。

- 1 B4レンズのロックリングを反時計回りに回すと、マウント上部の内側にあるスロットが確認できます。レンズマウントのスロットとレンズのアライメントピンの位置が合うように、URSA Broadcast G2のB4マウントとB4レンズを合わせます。
- 2 レンズをB4マウントに合わせて持ち、両方のマウントプレートを合わせます。その際、アライメントピンがスロットに収まったことを確認してください。
- 3 ロックリングを時計回りに回してレンズをマウントに締め、正しい位置に固定します。
- 4 レンズに電源を供給してレンズコントロールを行うには、レンズケーブルをURSA Broadcast G2のターゲットの前方にある「Lens」コネクタに接続します。ほとんどのB4レンズは、12ピンコネクタおよびケーブルを搭載しています。これにより、URSA Broadcast G2からレンズに電源とコントロール信号を送ることができます。

B4レンズの種類とカメラとの使用方法に関する情報は、このマニュアルの「サーボズーム対応レンズの使用」セクションを参照してください。

メモ カメラにレンズを装着していない時は、URSA Broadcast G2のB4マウントのオプティクスがゴミや埃にさらされています。レンズの保護のために、可能な限りダストキャップを付けておくようにしてください。

多くのB4レンズはズーム域が非常に広いので、細長い形状となっています。URSA Broadcast G2でB4レンズを使用すると、カメラの重心は前方に移動します。同梱のURSA Miniショルダーパッドは、必要に応じて調整できます。



長いズームレンズを使用する場合、URSA Broadcast G2をURSA Miniショルダーパッドにマウントする際に、カメラをショルダーパッドのベースの後ろ側にマウントすると安定します。カメラリグの重心がショルダーパッドの中心より後ろに移動し、肩の上でバランスが取りやすくなるだけでなく、机など平面に置く場合の安定性も高まります。ショルダーパッドの取り付け方に関する詳細は、このマニュアルの「URSA Mini Shoulder Kit」セクションに後述されています。

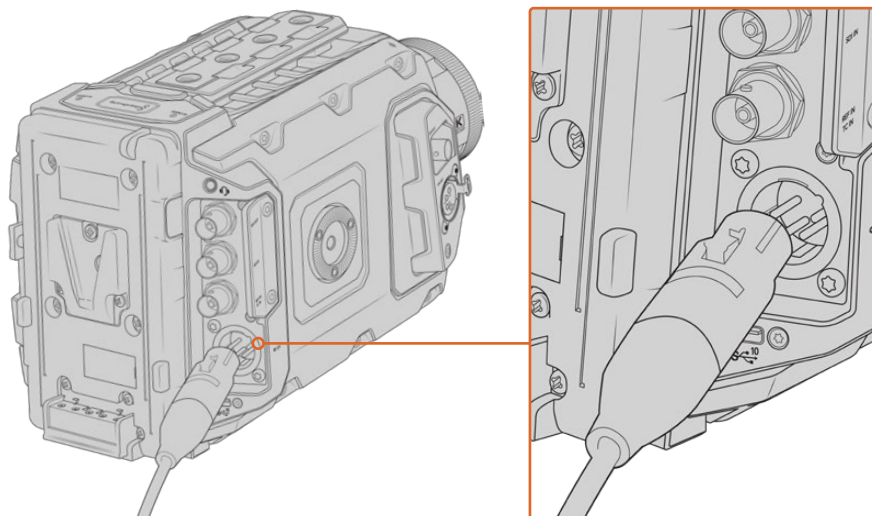
カメラの電源を入れる

レンズを装着したら、電源を供給します。カメラに電源を供給する一番簡単な方法は、同梱のAC-12V DCアダプターで外部電源に接続することです。

外部電源に接続：

- 1 AC-12V DCアダプタープラグを主電源ソケットに接続します。
- 2 AC-12V DCアダプターの4ピンXLRコネクタを、カメラの12-18V電源コネクタに接続します。

外部電源とバッテリー電源に接続している場合、外部電源のみが使用されます。充電されたバッテリーが接続されている時に外部電源を外した場合、カメラは動作を中断することなく、バッテリー電源に切り替えます。



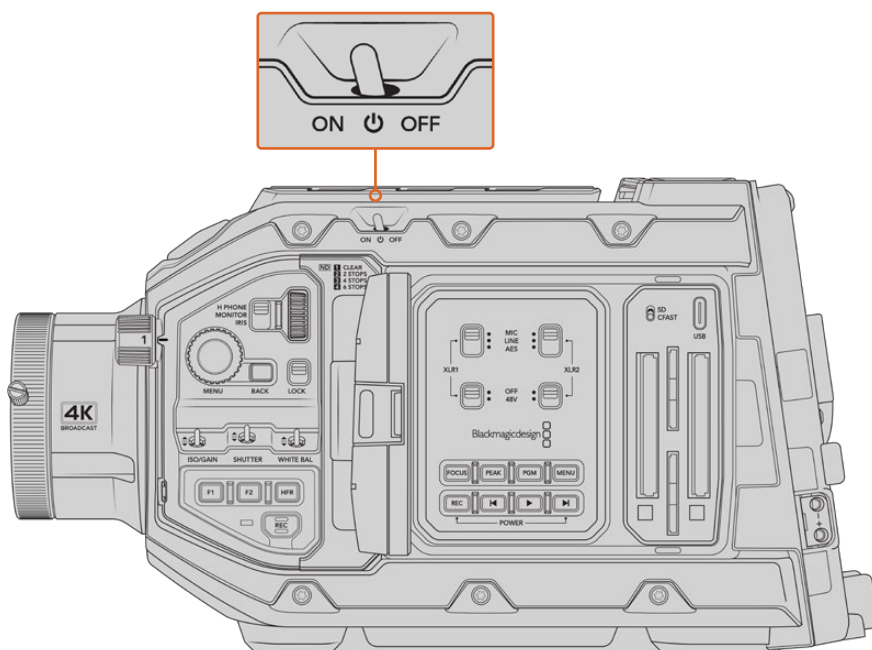
同梱のAC-12V DCアダプターを使ってBlackmagic URSA Broadcast G2に電源を接続

Blackmagic URSA Broadcast G2には、URSA VLock Battery Plateが標準装備されています。これにより、業界標準のVマウントバッテリーをカメラで使用できます。異なるタイプのバッテリー用のバッテリープレートのマウントに関する詳細は、「バッテリーのマウント」のセクションを参照してください。

URSA Broadcast G2をオンにする：

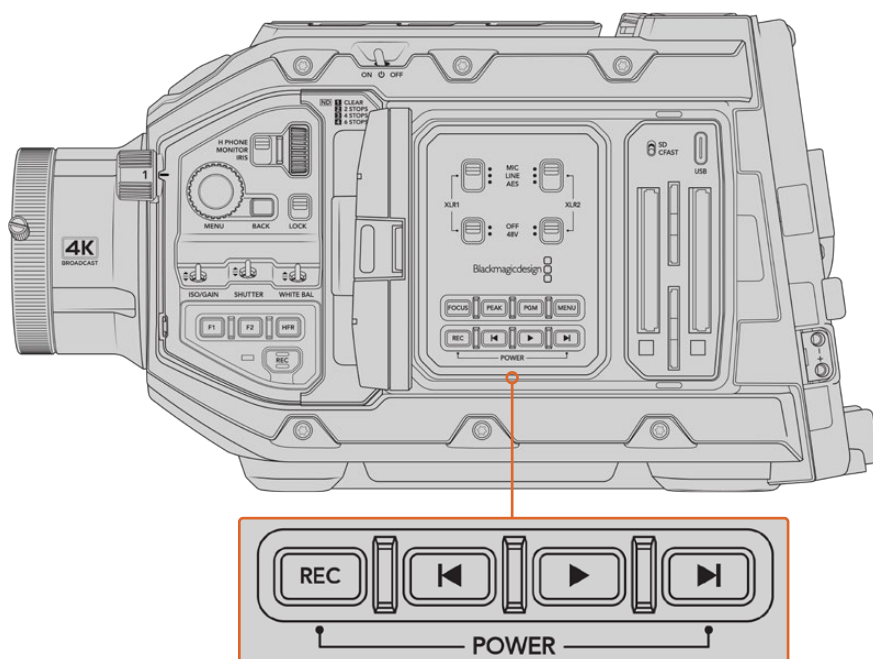
- 1 開閉式LCDの上にある電源スイッチを押して「ON」の位置にします。
- 2 スイッチを「OFF」の位置にするとカメラがオフになります。

あとはメディアを挿入するだけで、撮影の準備は完了です！



電源スイッチを「ON」の位置にするとカメラがオンになります。

URSA Broadcast G2はリダンダント電源スイッチにも対応しており、コントロールパネルの内側にある「録画 (REC)」ボタンと「次クリップ頭出し」ボタンを長押ししてカメラのオン/オフを切り替えられます。通常はこの方法でカメラをオンにすることはありませんが、カスタムリグにマウントしており、上部の電源スイッチにアクセスしにくい場合などの代替手段として役立ちます。



LCDの内側にある「録画 (REC)」ボタンと「次クリップ頭出し」ボタンを長押しして、カメラのオン/オフを切り替え可能

作業のこつ 電源スイッチがオンの状態でURSA Broadcast G2がオフになった場合、Bluetooth®による操作、または「録画 (REC)」ボタンと「次クリップ頭出し」ボタンを長押ししたことが原因の可能性があります。電源スイッチをオフ、オンの順に切り替えるか、コントロールパネルの該当ボタンを長押ししてカメラをオンにします。

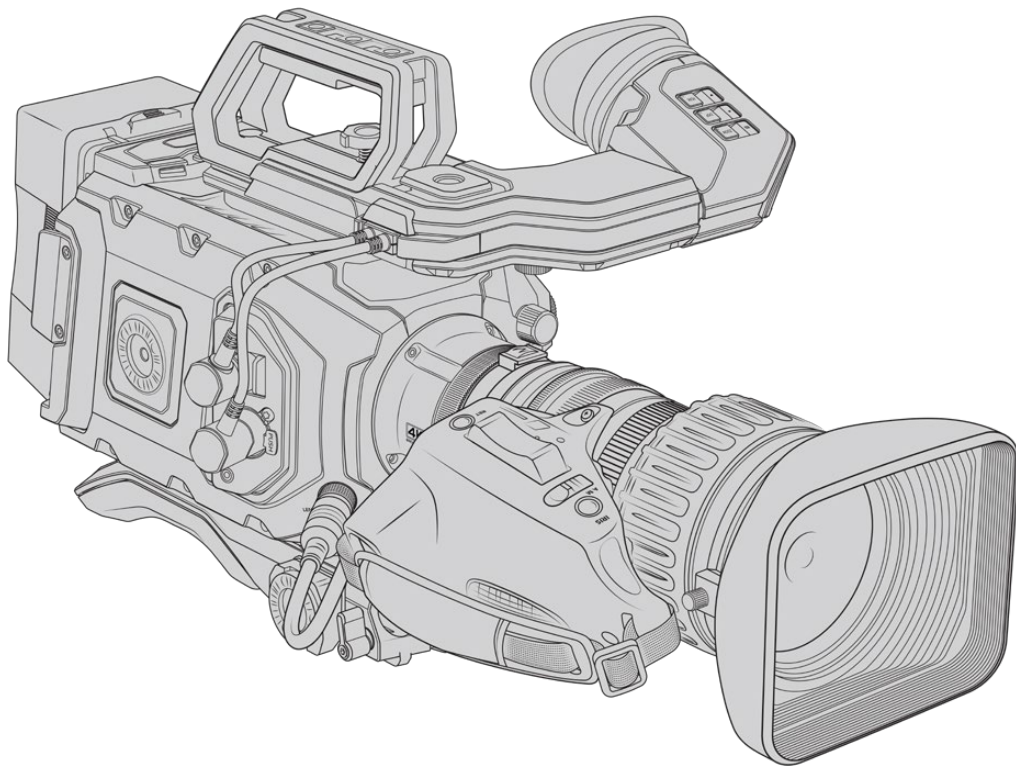
サーボズーム対応レンズの使用

URSA Broadcast G2カメラはサーボ駆動の放送用B4レンズにネイティブ対応しています。カメラにB4レンズを取り付ける方法に関する詳細は、このマニュアルの始めの「レンズの取り付け」を参照してください。

作業のこつ オプションのURSA Mini Pro PLマウントを取り付けると、URSA Broadcast G2でサーボ駆動のPLシネレンズを使用できます。

放送用のB4レンズは、一般的なスチルレンズやシネマレンズにはない機能を搭載しています。B4レンズは、幅広いズーム全域を通して焦点を維持できる機能に加え、ハンドグリップコントロールやサーボ駆動のアイリスおよびズーム機能にも対応しています。また、サーボ駆動のフォーカスに対応しているレンズもあります。レンズコネクタを接続したら、アイリスとズームは、ハンドグリップやカメラから操作でき、オプションのBlackmagic Zoom Demandを使用してコントロールすることも可能です。ATEMスイッチャーからリモートでレンズを操作することもできます。

フォーカスサーボに対応しているレンズでは、カメラからのオートフォーカス・コマンドを受信できます。また、オプションのBlackmagic Focus Demandを使用すると、フォーカスを継続的に維持することが可能です。ATEMスイッチャーからのフォーカスコマンドも受信できます。



アイリスとズームコントロールに対応したB4レンズ:

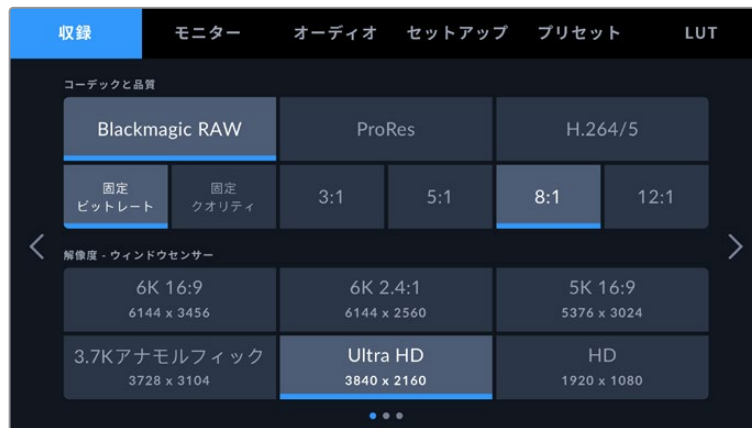
- Fujinon B4レンズモデル (名前にHA、ZA、XA、UA、LAプレフィックスが付き、サフィックスにRMが付くモデル)。例: Fujinon **XA20sxBRM**。
- Canon B4レンズモデル (HJ、KJ、CJプレフィックスが付き、サフィックスにRSEまたはRSDが付くモデル)。例: Canon **KJ20x8.2B IRSD**。

フォーカス、アイリス、ズームの完全なサーボコントロールに対応したB4レンズ:

- Fujinon B4レンズモデル (名前にHA、ZA、UAプレフィックスが付き、サフィックスにRDまたはZDが付くモデル)。例: Fujinon **HA22x7.8 BERD**。
- XAおよびUAが製品名の始めに付いているFujinonの箱型レンズ。
- Canon B4レンズモデル (名前にHJ、KJ.ex、CJプレフィックスが付き、サフィックスにASEまたはASDが付くモデル)。例: Canon **HJ24ex7.5B IASE**。)
- XJおよびUJが製品名の始めに付いているCanonの箱型レンズ。

作業のこつ 上記の箱形レンズは、ズームとフォーカスサーボ両方に対応しています。サーボモーターが組み込まれているかどうかは、レンズメーカーに確認してください。

Blackmagic URSA Broadcast G2は、Ultra HDのBlackmagic RAWで撮影できる状態で出荷されます。収録設定を確認するには、メニューボタンを押して、LCDのメニュー設定を開きます。一番左の「収録 (RECORD)」タブで、コーデックと解像度の設定を確認できます。メニュー設定に関する詳細は、このマニュアルに後述されています。



「収録 (RECORD)」タブのデフォルト状態のBlackmagic RAW設定

ProResおよびH.265コーデックのデフォルト解像度もUltra HDです。HDでの撮影は、ProResまたはH.264で対応しています。



メニュー設定の「収録 (RECORD)」タブ

作業のこつ B4レンズを使用時にイメージにビネットが生じる場合、Blackmagic RAWの解像度がUltra HDになっているか確認してください。ProResまたはH.264/5で収録している場合、カメラの「センサーエリア (SENSOR AREA)」を4Kにすることで、B4マウントがカバーする領域にマッチします。詳細は、後述の「収録設定 (RECORD)」セクションを参照してください。

B4レンズコントロール

Iris (アイリス)

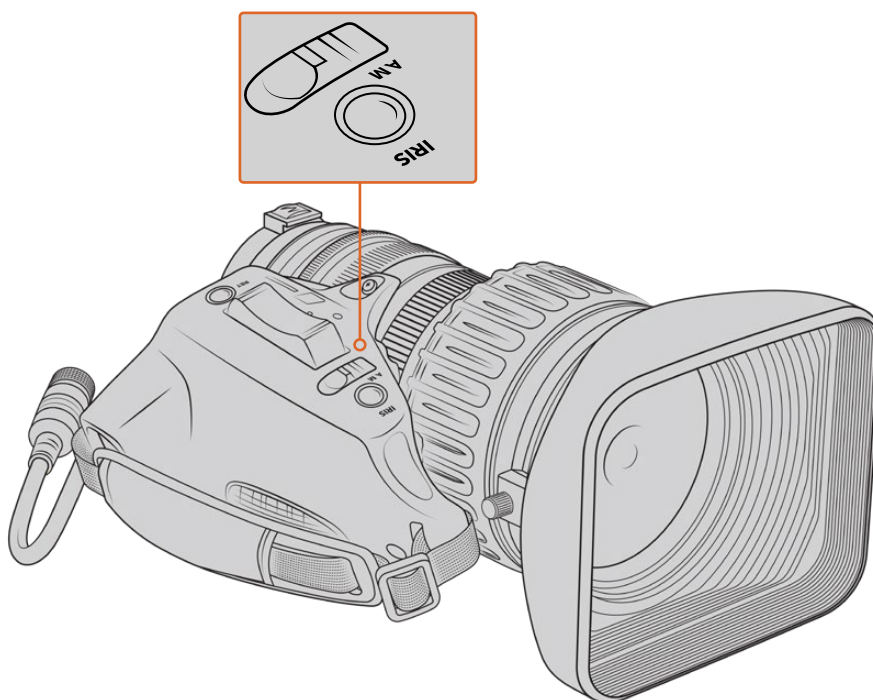
通常、B4ハンドグリップの上部には「Auto/Manual」または「A/M」スイッチと「Push Auto」または「Iris」スイッチがあります。これらのボタンでレンズの絞りリングをコントロールできます。

自動 (Auto)

スイッチを「Auto」または「A」に設定すると、レンズの絞りをURSA Broadcast G2、Blackmagic Zoom Demand、ATEMスイッチャーから調整できます。レンズの絞りをURSA Broadcast G2から調整する際は、アイリスホイール、コントロールパネルボタン、タッチスクリーンコントロールの使用や、アイリス制御によるオート露出モードの使用が可能です。詳細は、このマニュアルの「URSA Broadcast G2のコントロール」および「タッチスクリーンコントロール」セクションを参照してください。自動モードでは、B4レンズの絞りリングを手動で動かさません。

手動 (Manual)

スイッチを「Manual」または「M」に設定すると、レンズバレルの絞りリングを回して絞りを調整できます。このモードでは、レンズはURSA Broadcast G2やATEMスイッチャーからの絞りコマンドを使用しません。



プッシュオート/アイリス (Push Auto / Iris)

このボタンを使用すると、手動モードで一時的に自動絞り調整を有効にできます。この機能は、カメラやATEMスイッチャーのアイリスコントロールと合わせて使用すると効果的です。

例えば、カメラをアイリス制御のオート露出モードに設定し、レンズの絞りを手動モードに設定すると、レンズバレルの絞りリングでレンズアイリスを自由に調整できます。さらに「Push Auto」または「Iris」ボタンを押してオート露出を一時的に有効にし、現在の照明状況に応じてアイリスを自動調整できます。

または、アイリス値の設定はURSA Broadcast G2のLCDタッチスクリーンでも実行できます。手動モードでは、レンズバレルの絞りリングを使用してレンズ絞りを自由に調整でき、「Push Auto」または「Iris」ボタンを押すと、レンズをタッチスクリーンのプリセット値に戻せます。

ズーム (Zoom)

通常、B4ハンドグリップの下には「Zoom」スイッチがあり、「Servo」または「Manual」に設定できます。このスイッチでズーム動作をコントロールできます。

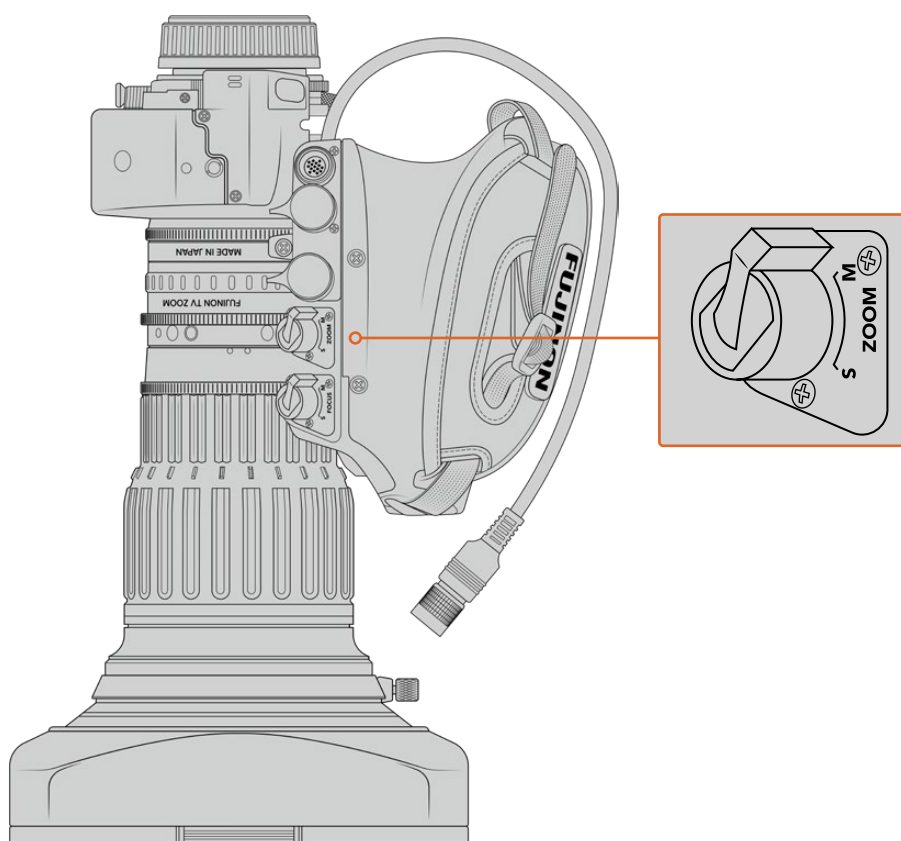
サーボ (Servo)

このスイッチを「Servo」または「S」に設定すると、サーボズームが有効になります。このモードでは、ハンドセットのロッカースイッチを使用して、レンズのズームイン/ズームアウトだけでなく、ズーム速度やクイックズームなどズームに関する他のコントロールが可能です。URSA Broadcast G2、Blackmagic Zoom Demand、ATEMスイッチャーからのズームコマンドをレンズで受信するには、レンズとカメラをレンズコネクターで接続する必要があります。通常、このモードではレンズの手動ズームリングは調整できません。

作業のこつ ハンドグリップのズームロッカーは、通常、ズーム速度と連動しています。ズームロッカーを弱く押すとゆっくりとズームし、強く押すと速くズームできます。

手動 (Manual)

このスイッチを「Manual」または「M」に設定すると、サーボコントロールが無効になり、レンズパレルのズームリングを使用した、マニュアル調整が可能になります。このモードでは、レンズはハンドグリップ、URSA Broadcast G2、ATEMスイッチャーからのズームコマンドを使用しません。



FOCUS (フォーカス)

B4レンズにはサーボフォーカスに対応したモデルもあります。サーボフォーカス対応のレンズはハンドグリップの下に「Focus」スイッチがあり、「Servo」または「Manual」に設定できます。

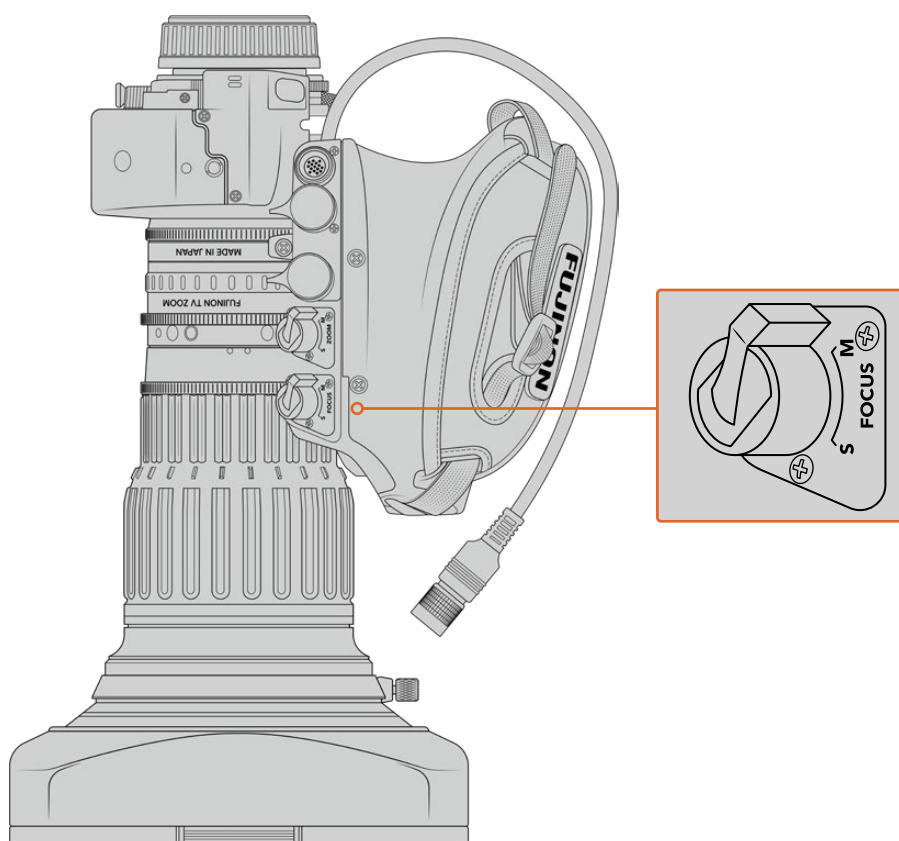
サーボ (Servo)

このスイッチを「Servo」または「S」に設定すると、サーボフォーカスが有効になります。このモードでは、レンズはURSA Broadcast G2、Blackmagic Focus Demand、ATEMスイッチャーからのフォーカスコマンドをレンズコネクター経由で受信できます。

手動 (Manual)

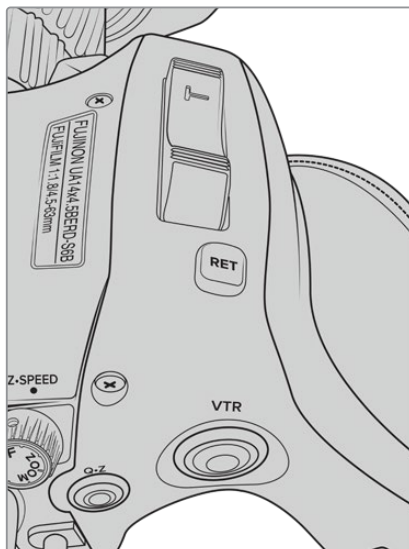
このスイッチを「Manual」に設定すると、レンズバレルのフォーカスリングを使用して、手動で焦点を調整できます。B4レンズのオートフォーカスはやや遅い場合が多いため、フォーカスはマニュアル調整するのが一般的です。

メモ サーボ対応のアナログB4レンズもサポートしていますが、カメラはズームサーボのみに給電し、電子アイリスコントロールをサポートします。多くのアナログB4レンズはSDで、標準の12ピン放送用コネクターに対応していない場合があります。アナログB4レンズは機能に制限がある場合があるため、先にカメラとの互換性を確認することが重要です。レンズによっては、フレームの端へ近づくとつれ、解像度と光が低下することがあるため、レンズテストを行い、イメージサークルの範囲を確認することをお勧めします。



リターン (RET) およびVTR

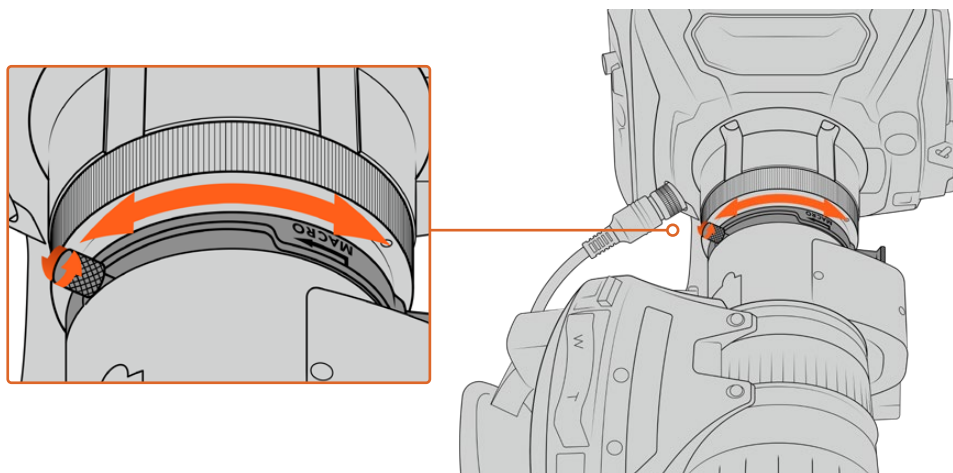
B4レンズは、収録を切り替える「VTR」ボタンと、プログラムリターンをコントロールする「RET」ボタンを搭載しています。「VTR」と「RET」ボタンを機能ボタンとして設定する方法は、後述の「機能ボタンの設定」セクションを参照してください。



B4レンズの「RET」と「VTR」ボタン

B4レンズのバックフォーカス設定

B4レンズの最大の利点のひとつに、パーフォーカル（同焦点）という特徴があります。これはズーム全域を通して、フォーカスを維持できることを意味しています。つまり、ズームインして対象物に焦点を合わせ、その後ズームアウトしても対象物へのフォーカスが維持できます。



バックフォーカスリングは一般的にレンズ後方のマウントに近い位置にあります。

HD/4KのB4レンズ使用時に、ズーム全域を通してフォーカスを正しく維持するために重要となるのがバックフォーカスです。B4レンズをカメラにマウントしたら、最初にバックフォーカスが適切であることを確認します。また、レンズ交換時にもバックフォーカスを確認する必要があります。それ以外にも、バックフォーカスは大規模なプロジェクトを開始する際などに定期的にチェックすることをお勧めします。

B4レンズのバックフォーカスを確認する：

- 1 フォーカステストチャート（または高コントラストのディテールを含む白い平面物体）を、カメラから約20メートル（またはカメラからできるだけ離れた位置）に配置します。
- 2 レンズのアイリスを開放にし、必要であれば内蔵NDフィルターを使用して露出を補正します。被写界深度は浅めに設定することで、フォーカスの問題が誇張され確認しやすくなります。
- 3 チャートにズームインし、フォーカスを合わせます。
- 4 ズームアウトします。限界までズームアウトしても焦点がしっかりと合っている場合は、バックフォーカスが正しく設定されているので調整の必要はありません。
ズームアウトすると焦点が外れる場合は、バックフォーカスの設定が正しくありません。最大限までズームアウトして、レンズの後方（マウントの近く）にあるバックフォーカスリングを調整します。通常、バックフォーカスリングには回転ノブが付いています。回転ノブを緩め、リングを回してチャートに焦点を合わせます。
- 5 ゆっくりとズームイン、ズームアウトし、ズーム全域を通してチャートへのフォーカスが維持されていることを確認します。
- 6 ステップ4と5を繰り返し、ズームイン/ズームアウトしながらバックフォーカスリングを調整します。ズーム全域を通して、レンズの焦点が維持されれば、バックフォーカスの設定は完了です。

Fujinon LA16x8BRMレンズのバックフォーカス設定

Fujinon LA16x8BRMレンズのバックフォーカスの設定方法は、若干異なります。バックフォーカスリングの代わりに、このレンズはハンドグリップの下にあるボタンを使用して、電子的にバックフォーカスを設定します。

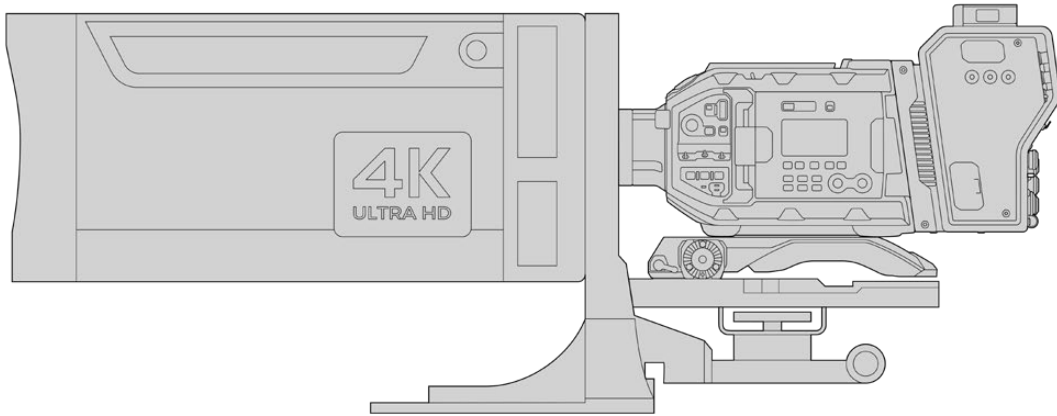
Fujinon LA16x8BRMレンズのバックフォーカスを設定する：

- 1 フォーカステストチャート（または高コントラストのディテールを含む白い平面物体）を、カメラから約20メートル（またはカメラからできるだけ離れた位置）に配置します。
- 2 レンズのハンドグリップの下にあるズームスイッチを「SERVO」にします。
- 3 ズームスイッチの隣にある「F.f.」ボタンを、5秒間長押しします。ズームロッカー上部のLEDが赤く点滅します。
- 4 レンズが自動的にズームインします。フォーカスリングを使用してフォーカスを設定します。Blackmagic Focus Demandを取り付けている場合、物理的なフォーカスリングを調整する際や、このステップとステップ5を実行するために、Focus Demandを使用してフォーカスを調整する際に、Focus Demandの接続をカメラから外す必要があります。
- 5 「F.f.」ボタンを再び押しすと、レンズは自動的にズームアウトします。フォーカスリングを使用してフォーカスを設定します。
- 6 「F.f.」ボタンを押して、設定を確定します。上部のLEDが赤く点滅します。Fujinon LA16x8BRMレンズの電子バックフォーカスが設定されました。
- 7 ゆっくりとズームイン、ズームアウトし、ズーム全域を通してチャートへのフォーカスが維持されていることを確認します。
- 8 ズーム全域を通して、レンズの焦点が維持されれば、バックフォーカスの設定は完了です。さらなる調整が必要な場合は、ステップ3～6を繰り返します。

作業のこつ 気温の変化や経年劣化は、バックフォーカスに影響を及ぼす場合があります。B4レンズのバックフォーカスを定期的にチェックして、正確性を保つことをお勧めします。

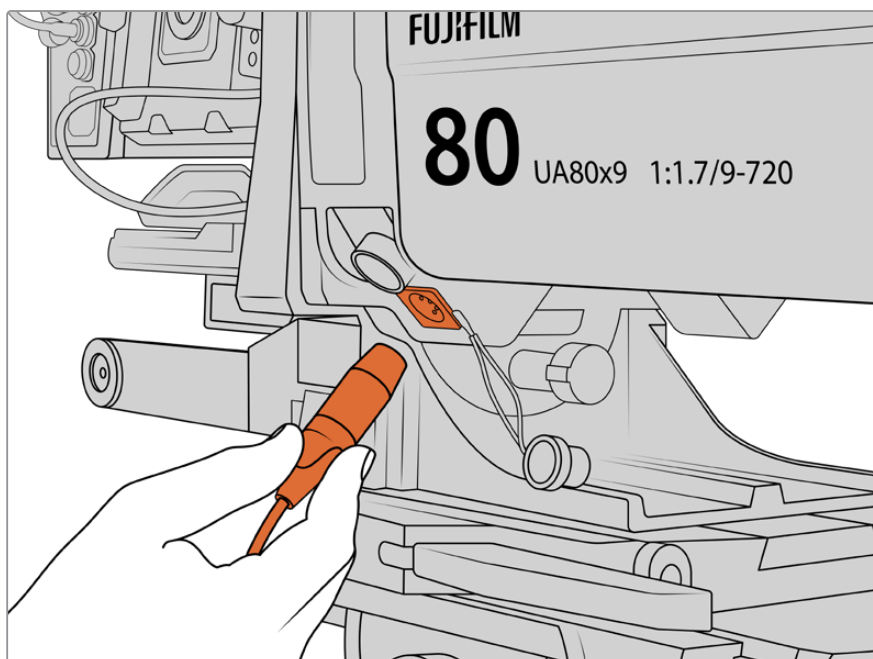
箱型レンズの使用

FujinonのUA27x6.5およびUA125x8や、CanonのUHD Digisuperシリーズのような箱型レンズもURSA Broadcast G2のB4マウントで使用できます。これらの箱型レンズは、水平・垂直方向のイメージスタビライズをスタジオスタイルの27倍レンズでサポートしています。また80倍、さらには125倍の極めて高倍率のズームが可能のため、スポーツや野外イベントの放送に最適です。



大型の箱型レンズを使用するには、耐荷重の大きな三脚やペDESTルに正しくセットアップし、適切なスペースを開ける必要があります。これには、URSA Mini Shoulder Kit、VCT-14プレート、箱型レンズアダプターを使用します。

箱型レンズは使用電力が多いので、個別に給電する必要があります。レンズは、URSAの12V電源から追加給電できます。また、Blackmagic Camera Fiber Converterを使用している場合は、ユニットの側面にある12VのDタップ出力から追加の電源が得られます。レンズサポートブラケットのレンズコネクタを、URSA Broadcast G2に差し込みます。



4ピンのXLRケーブルを接続して、箱型レンズに給電

追加の電源を接続したら、カメラの電源を入れ、URSA Broadcast G2でレンズをコントロールできます。

PLサーボズームレンズ

映画で使用されるPLズームレンズも、URSA Broadcast G2で使用できます。サーボ駆動のPLまたはEFレンズを使用する場合、URSA Broadcast G2のフルの6Kセンサーエリアを使用して、これらのレンズを最大限に活用できます。URSA Broadcast G2でセンサーエリアを設定する方法の詳細は、後述の「収録設定 (RECORD)」セクションを参照してください。

フォーカス、アイリス、ズームの完全なサーボコントロール対応のスーパー35mm PLレンズ:

メーカー	シリーズ	モデル	レンジ	最大 アパーチャ
Fujinon	Cabrio	ZK2.5x14-SAF	14-35mm	T2.9
Fujinon	Cabrio	ZK4.7x19-SAFB	19-90mm	T2.9
Fujinon	Cabrio	ZK12x25 with ESM-15A-SA	25-300mm	T3.5-3.85
Fujinon	Cabrio	ZK3.5x85-SAF	85-300mm	T2.9-T4
Fujinon	Cabrio	XK6x20	20-120mm	T3.5
Canon	Cine-servo	CN7x17KAS S	17-120mm	T2.9-3.9
Canon	Cine-servo	CN10x25 IAS S/P1	25-250mm	T2.95-3.95
Canon	Cine-servo	CN20x50	50-1000mm	T5-8.9

上記のサーボズームレンズはすべて、スタジオ環境において、パンハンドルからのフォーカスやズームのコントロールに対応しています。

ハイブリッドのコンパクトサーボズーム対応レンズ

近年、「コンパクトサーボ」ズームレンズという新しいレンズのカテゴリーが登場しています。これらのレンズは、B4およびPLサーボズーム対応レンズの機能の一部を有していますが、EFマウントを使用します。これらのレンズのズームロッカーにはURSA Broadcast G2のレンズマウントから給電できます。レンズ名、アイリス、フォーカス、ズームのポジション値などの情報は、URSA Broadcast G2のレンズメタデータ・システムにより読み込み/記録が可能です。

また、これらのレンズでフォーカス、アイリス、ズームの電子制御を使用できます。スイッチャーに接続した場合、ATEM Software Control経由でこれらをリモートコントロールすることも可能です。生放送やスタジオ環境で作業している場合は、Blackmagic Zoom DemandおよびFocus Demandをこれらのレンズと使用できます。その際、レンズパレルのアイリススイッチが「A」、フォーカススイッチが「AF」、ズームサーボスイッチが「SERVO」に設定されている必要があります。

コンパクトサーボレンズ:

- Canon CN-E 18-80mm T4.4 Compact-servo
- Canon CN-E 70-200mm T4.4 Compact-servo

ストレージメディア

Blackmagic URSA Broadcast G2は、ビデオの収録に標準のSDカード、高速のUHS-IIカード、CFast 2.0カードを使用します。

リアパネルにあるUSB-C 3.2 Gen 2ポートでは、高速のフラッシュディスクや大容量のソリッドステートドライブ (SSD) を使用できます。SSDには、オプションのBlackmagic URSA Mini Recorderでも収録できます。URSA Mini Recorderの取り付けに関する詳細は、このマニュアルの「URSA Mini Recorder」セクションに後述されています。

メディアの速度に関する大切な情報

製造業者が公表している読み込みおよび書き込み速度は、多くの場合、スチルイメージなどの小さなファイルでのピーク速度であるため、継続的な高速ビデオの書き込み速度を正確に示すものではありません。

希望するフレームレートで信頼性の高い収録を行うには、Blackmagic Designが推奨するカードを使用してください。

CFastカード

CFast 2.0カードは非常に高速のデータ転送が可能のため、高フレームレートのHDおよび4Kビデオの収録に最適です。各フォーマットで収録可能な最大フレームレートの詳細は、「収録」セクションの「収録時間一覧」を参照してください。

一般的にCFast 2.0カードは高速カードですが、書き込み速度が読み込み速度より遅いものもあり、最大転送速度はモデルによって異なります。希望するフレームレートで信頼性の高い収録を行うには、Blackmagic Designが推奨するカードを使用してください。

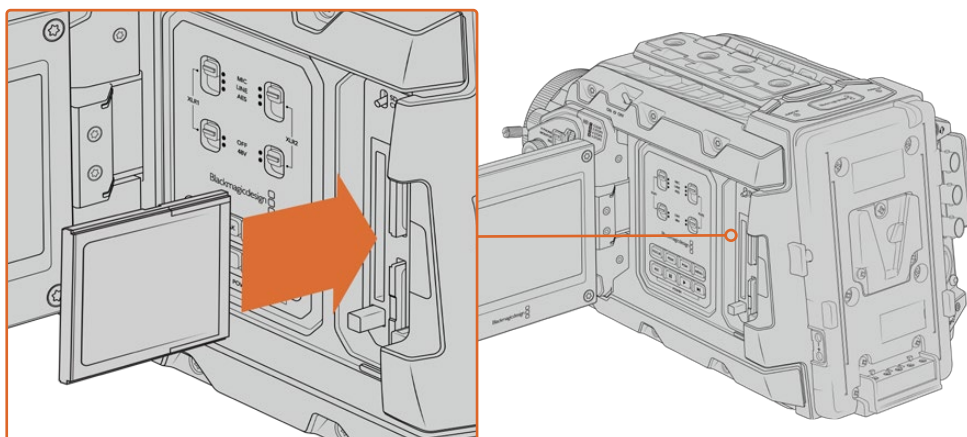
CFastカードの挿入

CFastカードを使用して収録するには、それに応じてカメラを設定する必要があります。メディアスロットの上部にあるストレージメディアスイッチを「CFAST」の位置に設定します。

CFastカードを挿入する：

- 1 開閉式モニターを開いて、CFastスロットにアクセスします。
- 2 CFastカードのラベル面をタッチスクリーンに向けて、CFastカードスロットの所定の位置まで挿入します。カードは、過度に力を入れる必要なく簡単に挿入できるはずですが、CFastカードを取り出すには、CFastカードスロットの下にあるイジェクトボタンを押します。

LCDタッチスクリーン底部のストレージ情報に、検出されたCFastカードの名前と録画可能時間が表示されます。



Blackmagic URSA Broadcast G2は2つのCFastスロットを搭載し、継続的な収録が可能

作業のこつ CFASTカードを挿入しているにも関わらず、カメラからアクセスできない場合は、メディアスロットの上にあるストレージメディア選択スイッチで「CFAST」が選択されているか確認してください。

CFast 2.0カードを選ぶ

CFastカードは読み込み/書き込み速度が異なるため、高データレートビデオを扱う際は使用するCFast 2.0カードを慎重に選ぶことが非常に重要です。Blackmagic URSA Broadcast G2の対応CFastカードに関する最新情報は、Blackmagic Designサポートセンターを参照してください。www.blackmagicdesign.com/jp/support

SDカード

Blackmagic URSA Broadcast G2は、CFast 2.0に加え、高速UHS-I/UHS-IIタイプのSDカードにも収録可能です。ハイエンドのSDXC UHS-IIカードを使用することで、ProRes HQフットageをUltra HDで収録でき、Blackmagic RAWでは6Kでも収録可能です。

SDカードを使用すれば、HDで圧縮ビデオフォーマットを撮影する場合、より低価格のストレージメディアを使用できます。SDXCおよびSDHCは、民生用のスチル/ビデオカメラ用の非常に一般的なメディアストレージフォーマットです。

これまでにDSLRで撮影したり、あるいはBlackmagic Micro Cinema Camera、Pocket Cinema Camera、Blackmagic Video Assistを使用したことがあれば、すでに互換性のあるSDカードを持っているでしょう。

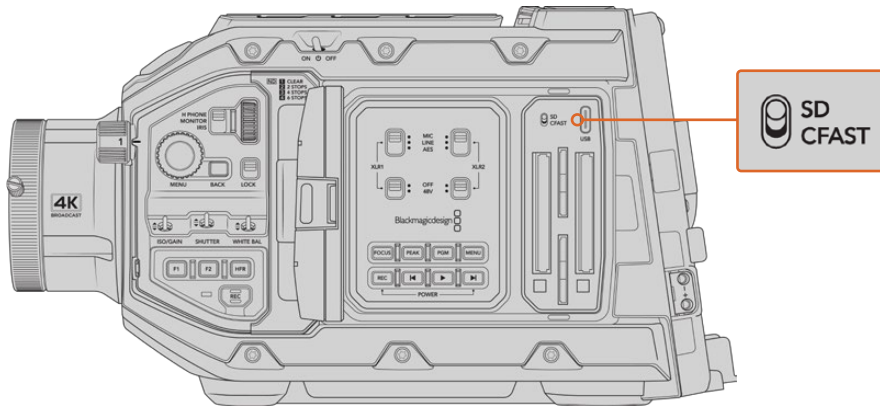
高解像度のBlackmagic RAWファイルを必要としないプロジェクト、あるいは長時間収録が必要な場合はSDカードを使用すると経費を抑えられます。低容量で低速のSDカードは、LUTおよびプリセットの保存やロードにも使用できます。

SDカードの挿入

SDカードを挿入する

- 1 開閉式モニターを開いて、SDカードスロットにアクセスします。SDカードスロットは、CFastスロットの間にある小さなスロットです。
- 2 スロットの上にあるストレージメディアのトグルスイッチを「SD」に設定します。
- 3 SDカードのラベル面をタッチスクリーンの反対に向けて、所定の位置まで挿入します。SDカードを取り出すには、SDカードを押してイジェクトします。

- 4 LCDタッチスクリーン底部のストレージインジケータに、検出されたカードの名前と録画可能時間が表示されます。



URSA Broadcast G2でSDカードに収録する場合、ストレージメディアのスイッチが「SD」になっていることを確認してください。

高速のSDカードを選ぶ

Ultra HDを収録する場合は、最高速のUHS-IIタイプのSDカードを使用することをお勧めします。Ultra HDおよびHD収録には高速UHS-IIカードを、HD収録にはUHS-1カードを使用することが重要です。これらのカードは高速データ転送速度に対応しており、大容量ストレージをサポートしています。一般的には、高速であるほど良い品質が得られます。

SDカードは、使用前にHFS+またはexFATフォーマットにフォーマットする必要があります。ストレージ管理またはコンピューターでメディアをフォーマットできます。詳細は「撮影用にメディアを準備する」セクションを参照してください。

また、MacまたはWindowsコンピューターを使ってカードをフォーマットすることも可能です。メディアをMacで使用する場合、MacのディスクフォーマットであるHFS+を使用できます。Windowsで使用する場合、WindowsのディスクフォーマットであるexFATフォーマットを使用してください。MacコンピューターでもexFATフォーマットを読み取れます。

Blackmagic URSA Broadcast G2の対応SDカードに関する最新情報は、Blackmagic Designサポートセンターを参照してください。 www.blackmagicdesign.com/jp/support

メモ 高フレームレートやUltra HDフッターをURSA Broadcast G2で撮影する際は、CFast 2.0またはSD UHS-IIカードの使用を推奨します。これらは、概して、SD UHS-Iメディアより高速で容量が大きいため、このような撮影により適しています。

SDカードのロック/解除

SDカードは書き込み保護、あるいは「ロック」してデータの上書きを防止できます。

SDカードを挿入する際は、カードが書き込み保護されていないことを確認してください。書き込み保護を無効にするには、カードの左側にあるプラスチックのスイッチをコネクター側に位置するように動かします。収録が終わったら、スイッチをスライドして下に戻すことで、カードの書き込み保護を有効にできます。



ロックタブを上下に動かして
SDカードをロック/解除

URSA Broadcast G2にロックされたSDカードが挿入されると、LCDタッチスクリーンとストレージメニューに「ロック」アイコンが表示されます。カードがロックされていると、ビデオの収録、スチルのキャプチャー、LUTおよびプリセットの書き出しができません。



URSA Broadcast G2はロックされたSDストレージメディアが挿入されるとロックアイコンを表示

USB-Cフラッシュディスクへの収録

Blackmagic URSA Broadcast G2は、2つのUSB-Cポートを搭載しています。側面のCFastカードスロットの近くにあるUSB-C 3.1 Gen 1ポートは、ソフトウェアアップデート用です。リアパネルのSDIコネクタの近くにあるUSB-C 3.1 Gen 2ポートは、高速SSDやUSB-Cフラッシュディスクへの収録用です。これらの高速大容量ドライブにはビデオをより長い時間収録できるため、長時間の撮影に非常に便利です。

USB-Cフラッシュディスクがカメラに接続されている場合、カメラのオペレーティングシステムで3つ目のメディアスロットが使用されます。ストレージメニューでドライブ名をタップして、アクティブなドライブとして設定します。つまり、USB-Cフラッシュディスクでの収録、再生、ストレージの管理は、CFast、SDカード、SSDの使用時と全く同じです。

収録が終わったら、同じドライブを直接コンピューターに接続し、編集やポストプロダクションの作業が行えます。メディアをコピーする必要はありません。

USB-Cフラッシュディスクを接続する：

- 1 USBタイプCケーブルの一端をUSB-Cフラッシュディスクに接続します。
- 2 URSA Broadcast G2のリアパネルのSDIポートの下にあるUSB-Cポートに、USB-Cケーブルを接続します。
- 3 USB-Cフラッシュディスクは、カメラのLCDタッチスクリーンの3つ目のメディアスロットを使用します。

- 4 USB-Cフラッシュディスクへの収録に切り替えるには、カメラのLCDディスプレイの底部にあるドライブ名を長押しします。カメラが収録に使用するメディアのバーが青くなり、USB-Cフラッシュディスクに収録が行われます。収録中、このバーは赤に変わります。

高速USB-Cフラッシュディスクを選ぶ

USB-Cフラッシュディスクは、幅広い種類の機器に高速かつ低価格のストレージを提供できるよう設計されており、様々な民生用電化製品店などで購入できます。映像制作はUSB-Cフラッシュディスクの使用目的の一部に過ぎないため、Blackmagic RAWまたはUltra HDフットページの収録に必要な速度のドライブを選ぶことは極めて重要です。

多くのUSB-Cフラッシュディスクは家庭用コンピューター向けに作られており、Ultra HDの収録に必要な速度に対応していません。

最新の推奨USB-Cフラッシュディスクのリストはサポートページでご確認ください。

www.blackmagicdesign.com/jp/support

Blackmagic Disk Speed Testでは、USB-Cフラッシュディスクが高データレートビデオのキャプチャー・再生に対応可能かを正確に計測できます。Blackmagic Disk Speed Testはデータを使用してビデオの保存をシミュレートするため、計測結果はディスクにビデオを収録する際と近似した数値が得られます。Blackmagicによるテストでは、新しく、大型のUSB-Cフラッシュディスクや大容量のUSB-Cフラッシュディスクが高速であるという結果が出ています。

Blackmagic Disk Speed Testは、Mac App Storeで入手可能です。WindowsおよびMacバージョンは、Blackmagic Desktop Videoにも含まれており、Blackmagic Designサポートセンター (www.blackmagicdesign.com/jp/support) の「キャプチャー・再生」セクションからダウンロードできます。

SSD

オプションのBlackmagic URSA Mini Recorderを使用すると、URSA Broadcast G2は大容量ソリッドステート・ドライブ (SSD) に直接ビデオを収録できます。このような高速の大容量ドライブは様々な家電販売店にて簡単に入手できます。

URSA Mini RecorderはUSB-Cポートを搭載しており、標準の2.5インチSATA SSDおよび7mm U.2 SSDを使用した高速の処理が可能です。M.2からU.2への変換アダプターを使用すると、M.2 SSDも使用できます。適切な速度を得るために、認証を取得したUSB 3.1 Gen 2ケーブルを使用する必要があります。同梱のUSB-Cケーブルは、両端のコネクタがロック式であるため、使用中に誤って外れることはありません。

メモ Blackmagic URSA Mini Recorderの取り付けに関する詳細は、このマニュアルの「URSA Mini Recorder」セクションを参照してください。

SSDの挿入

SSDを挿入する：

- 1 SSDの接続ピンをカメラの前面に向けて持ちます。
- 2 Blackmagic URSA Mini Recorderのスプリング式カバーを開け、スロットにSSDをゆっくりと差し込みます。

作業のこつ Blackmagic URSA Mini Recorderは、異なるサイズのSSDを固定するための圧板を搭載しているため、スペーサーは必要ありません。

- 3 スロットにSSDが入ったら、正しい位置に収まるまでそっと押して、その後URSA Mini Recorderのカバーを閉じます。
- 4 SSDは、カメラの3つ目のメディアスロットを使用します。
- 5 SSDへの収録に切り替えるには、カメラのLCDディスプレイの底部にあるドライブ名を長押しします。カメラが収録に使用するメディアのバーが青くなり、SSDに収録が行われます。収録中、このバーは赤に変わります。

SSDを取り出す：

URSA Mini Recorderのカバーを開け、親指と人差し指でドライブを掴みます。スロットの上部には小さなヘコミがあるので、ドライブをしっかりと持つことができます。ドライブを引き出し、カバーを閉じます。

URSA Mini Recorder用に高速のSSDを選ぶ

SSDは幅広い種類の機器で使用できる、高速かつ低価格のストレージですが、映像制作はSSDの使用目的の一部に過ぎないため、Blackmagic RAWまたはUltra HDフッテージの収録に必要なバンド幅があるドライブを選ぶことは極めて重要です。多くのSSDは家庭用コンピューター向けに作られており、Ultra HDビデオの収録に必要な速度に対応していません。

弊社の推奨リストに記載されているSSDを使用することをお勧めします。これらは、Blackmagic URSA Broadcast G2で、特定の解像度で継続した撮影が可能であることがテストにより確認されています。最新の推奨SSDリストはサポートページでご確認ください。www.blackmagicdesign.com/jp/support

SSDの速度に関する大切な情報

SSDカードのモデルによっては、製造業者の公表する速度でビデオデータを保存できないものがあります。その原因は、それらのディスクが高速の書き込み速度を実現するために隠れたデータ圧縮を実行していることにあります。このようなデータ圧縮を用いた処理では、製造業者の公表速度を実現できるのは空のデータやシンプルなファイルなどを保存する場合のみです。ビデオデータに含まれるノイズやピクセルは不規則であり、圧縮に適していないため、ディスクの本当の速度が露呈されます。

SSDの中には製造業者の公表する半分の書き込み速度しかないものがあります。SSDの仕様書にビデオを十分に取り扱える速度が記載されていても、リアルタイム収録でビデオを保存すると速度が十分でない場合があるのが現実です。

Blackmagic Disk Speed Testでは、SSDが高データレートビデオのキャプチャー・再生に対応可能かを正確に計測できます。Blackmagic Disk Speed Testはデータを使用してビデオの保存をシミュレートするため、計測結果はディスクにビデオを収録する際と近似した数値が得られます。Blackmagicによるテストでは、新しくサイズが大きいSSDや大容量のSSDが概して高速であるという結果が出ています。

撮影用にメディアを準備する

収録に使用するメディアは、Blackmagic URSA Broadcast G2のストレージ管理を使用するか、MacまたはWindowsコンピュータでフォーマットできます。最高の性能を得るには、URSA Broadcast G2を使ってストレージメディアをフォーマットすることをお勧めします。

HFS+は「OS X Extended」としても知られており、ジャーナリングをサポートしているため推奨されるフォーマットです。万が一、メディアが破損した場合、ジャーナリングされたメディアのデータは回復できる可能性があります。HFS+はMac OSでネイティブサポートされています。exFATはMacおよびWindowsでネイティブサポートされており、ソフトウェアを別途購入する必要はありません。exFATはジャーナリングに対応していません。

メモ メディアをフォーマットする前に、ストレージメディアスイッチがSDカードまたはCFastカードの適切な方に設定されているか確認することは非常に重要です。フォーマットする前に、設定を必ず確認してください。

Blackmagic URSA Broadcast G2でメディアを準備する

- 1 LCDタッチスクリーン底部のストレージインジケータのいずれかをタップしてストレージ管理に行きます。
- 2 タッチスクリーン底部のフォーマットボタンを押して、スロット1と2のカードをそれぞれフォーマットします。USB-CフラッシュディスクまたはSSDをURSA Broadcast G2のリアパネルにあるUSB-Cポートに接続している場合、「ドライブのリスト」ボタンをタップします。フォーマットを行うドライブを選択し、「ドライブを初期化」をタップします。



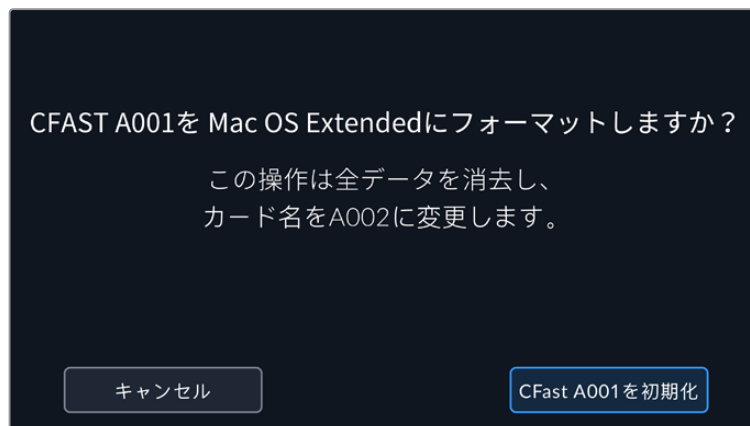
URSA Broadcast G2のストレージ管理でカメラのストレージメディアをフォーマット

- 3 リール番号を変更する必要がある場合は、鉛筆アイコンをタップするとキーボードが表示され、新しいリール番号を入力し、「アップデート」をタップします。
- 4 OS X ExtendedまたはexFATフォーマットを選択して「初期化 (Format)」ボタンを押します。



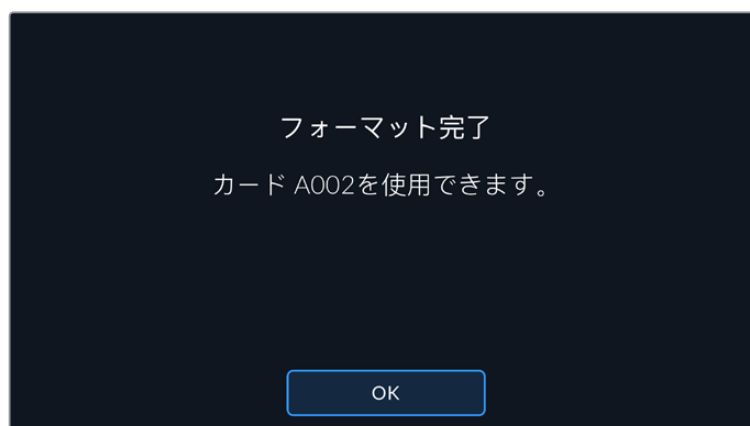
鉛筆アイコンをタップして、マニュアルでリール番号を変更

- 5 選択を確定するよう求められるので、継続するにはフォーマットボタンを再びタップし、キャンセルするには「キャンセル (Cancel)」をタップします。



フォーマットする前に正しいカードを選択しているか確認してください。

- 6 初期化のボタンを3秒間長押しするように指示する画面が表示されます。フォーマットが完了するとカメラが通知します。



フォーマットが終わると、カードを使用できます。

- 7 「OK」をタップしてストレージ管理に戻ります。
- 8 「閉じる (Exit)」をタップしてストレージ管理から出ます。

ストレージ管理で収録メディアをフォーマットする際、URSA Broadcast G2はカードの名前にスレートのカメラIDおよびリール番号を使用します。また、カメラはカードをフォーマットする度にリール番号を自動的に足していきます。特定のリール番号をマニュアルで入力するには、鉛筆アイコンをタップして、番号を入力します。

新しいプロジェクトを始める際、スレートの「プロジェクト (PROJECT)」タブの「データをリセット (Reset Data)」をタップするとリール番号は1にリセットされます。

ここで注意すべき点は「初期化」をタップした際に、カメラのストレージメディアスイッチで選択されているタイプ (SDまたはCFast) のカードだけがフォーマットされることです。CFastとSDカードストレージの切り替えに関する詳細は、このマニュアルに前述された「SDカード」セクションを参照してください。



URSA Broadcast G2のストレージ管理は、現在CFast/SDカード/USB/SSDのいずれを管理しているか表示

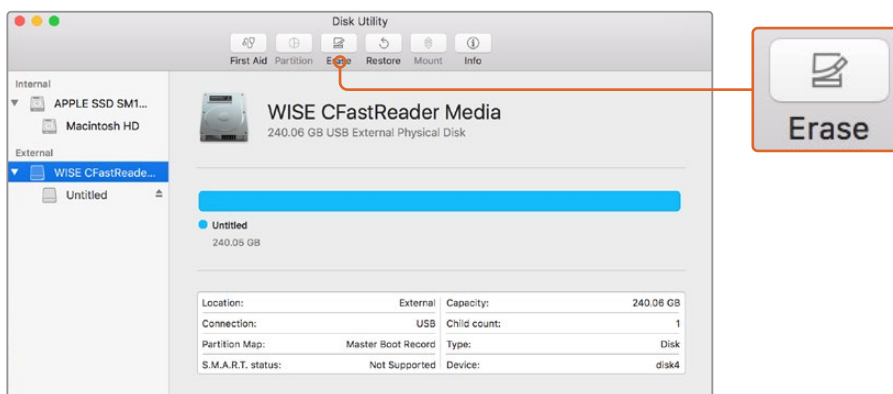
作業のこつ URSA Broadcast G2をSDカード収録に設定しても、挿入したカードがロックされている場合はカードをフォーマットできません。ストレージ管理のカード名の隣にロックアイコンが表示されます。カードのロックを解除してフォーマットを行うと、収録に使用できます。SDカードのロックに関する詳細は、このマニュアルの「SDカード」セクションを参照してください。

Macでメディアを準備

MacのDisk Utilityアプリケーションでは、CFast、SDカード、SSDをHFS+またはexFATでフォーマットできます。

フォーマットするとすべてのデータが消去されるので、重要なデータは事前にバックアップしてください。

- 1 カードリーダー/ドック/アダプターを使用して、ストレージメディアをコンピューターに接続します。このメディアをTime Machineバックアップに使用することを提案するメッセージは無視します。
- 2 Applications/Utility へ行き、Disk Utilityを起動します。
- 3 カメラのストレージメディアのディスクアイコンをクリックし、「Erase」タブをクリックします。
- 4 「Format」を「Mac OS Extended (Journaled)」または「exFAT」に設定します。
- 5 ボリューム名を入力し、「Erase」をクリックします。カメラのストレージメディアがフォーマットされ、使用できる状態になります。

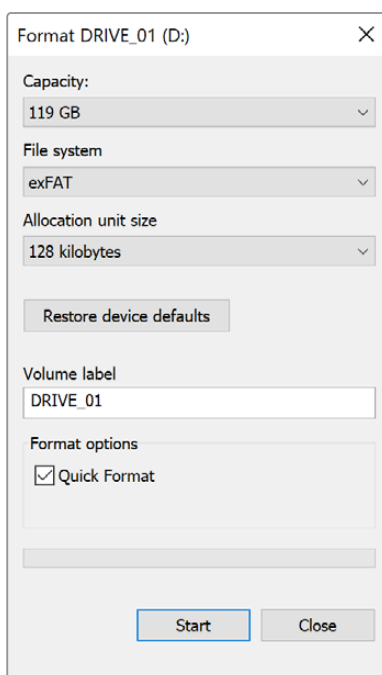


Mac OSのDisk Utilityを使用して、CFastカードをMac OS Extended (Journaled) またはexFATにフォーマット

Windowsでメディアを準備

Windowsでは、「Format」ダイアログボックスでドライブをexFATでフォーマットできます。フォーマットするとメディアのすべてのデータが消去されるので、重要なデータは事前にバックアップしてください。

- 1 外部リーダー/ライター、またはSSDDock/アダプターを使用して、カメラのストレージメディアをコンピューターに接続します。
- 2 「Start」メニューまたは「Start」スクリーンを開き、「Computer」を選択します。カメラのストレージメディアを右クリックします。
- 3 コンテキストメニューから「Format」を選択します。
- 4 ファイルシステムを「exFAT」に設定し、ユニットサイズ配分を128キロバイトに設定します。
- 5 ボリュームラベルを入力して「Quick Format」を選択し、「Start」をクリックします。
- 6 ストレージメディアがフォーマットされ、使用できる状態になります。



Windowsの「Format」ダイアログボックス機能で、CFast、SDカード、SSDをexFATでフォーマット

メモ 収録映像にコマ落ちが生じる場合は、弊社の推奨するメディアのリストを参照し、使用しているカードがコーデックおよびフレームサイズに適切かどうか確認してください。データレートを下げるには、フレームレートまたは解像度を下げるか、ProResなどの圧縮コーデックを使用します。最新の情報は、Blackmagic Designウェブサイトを参照してください。www.blackmagicdesign.com/jp

収録

クリップの収録

通常、放送用B4レンズのレンズハンドルには録画ボタンがあります。ボタンの位置はカメラを肩に乗せて撮影する際の親指の位置にあたります。ハンドルの録画ボタンを押すだけで収録を開始できます。撮影を停止するには録画ボタンをもう一度押します。

録画ボタンはカメラにも搭載されています。URSA Broadcast G2では、内側のコントロールパネル、さらに前方コントロールパネルにも録画ボタンがあります。

外部ソースから収録をトリガーする

「Blackmagic Camera Control」アプリを使用すると、収録のリモートトリガーや、様々なカメラ設定の変更がBluetoothを介してiPadから実行できます。Blackmagic Camera Controlアプリの設定と使用方法は、「Bluetooth」セクションに後述されています。iPhoneまたはAndroidスマートフォンを使用している場合、Bluetoothを介してURSA Broadcast G2の収録をトリガーできるサードパーティのアプリもあります。

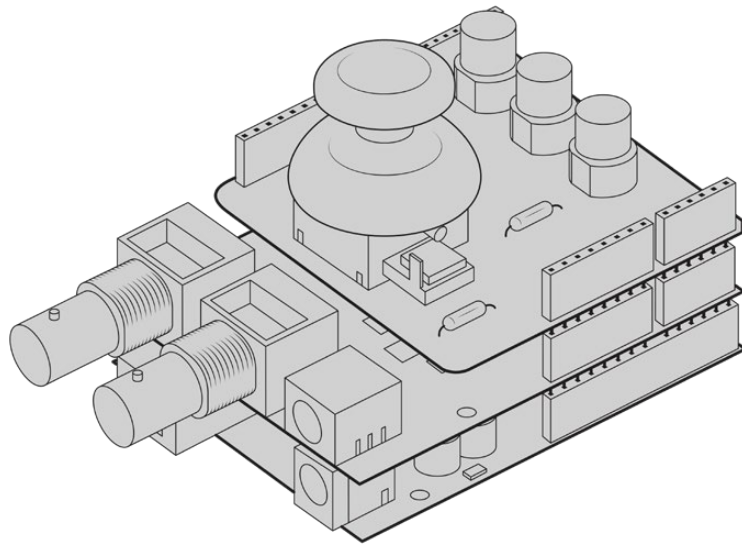
オプションのBlackmagic Zoom DemandをURSA Broadcast G2と使用している場合、機能ボタンで収録のトリガーが可能です。Blackmagic Zoom Demandの機能ボタンは、B4レンズのVTRボタンのように親指で操作します。Blackmagic Zoom Demandに関する詳細は、「Blackmagic Zoom Demandを使用する」セクションに後述されています。

Blackmagic URSA Broadcast G2が、Micro Converter BiDirectional SDI/HDMI 3Gを介して、ATEM Mini ProまたはATEM Mini Pro Extremeスイッチャーに接続されている場合、ATEMスイッチャーから収録をトリガーできます。

例えば、ATEM Software Controlの「配信の収録」パレットには、「全カメラで収録」というチェックボックスがあります。このチェックボックスが有効になっている場合、収録ボタンをクリックまたは押すと、接続されたカメラすべてで収録が開始します。つまり、ボタン1つをクリックするか、押すだけで、全カメラで同時に収録が始まります。詳細は、ATEM Miniマニュアルを参照してください。

別の録画の開始/停止方法として、外部LANCコントローラーをURSA Broadcast G2のLANC入力に取り付け、外部から録画をトリガーできます。例えば、LANCコントローラーを三脚に取り付ければ、フォーカスリングや三脚ハンドルから手を離さずに収録をトリガーできます。

Blackmagic 3G-SDI Shield for ArduinoとBlackmagic SDI Camera Control Protocolを使用すれば、複数のURSA Broadcast G2で収録をトリガーできます。詳細は、このマニュアルの「Developer Information」セクションを参照してください。あるいはwww.blackmagicdesign.com/jp/developerからBlackmagic 3G-SDI Shield for Arduinoのマニュアルをダウンロードしてください。



独自のハードウェアコントローラーを作成し、Blackmagic 3G-SDI Shield for Arduinoに接続すると、よりインタラクティブで精密なコントロールが可能

メモ 収録中にストレージメディアのスイッチを切り替えると、現在行っている収録が終了した後にメディアタイプが切り替わります。つまり、テイク中にスイッチが切り替えられても収録にダメージを与えることはありません。

コーデック、解像度、センサーエリアの選択

Blackmagic URSA Broadcast G2は、Blackmagic RAWの固定クオリティまたは固定ビットレート設定で収録できます。Apple ProRes、H.264、H.265圧縮ビデオコーデックを使用して、Ultra HDおよびHD解像度での収録が可能です。センサーフレームレートのオプションは、使用するコーデックや解像度によって変わります。

Blackmagic RAWでは、圧縮設定を固定クオリティと固定ビットレートから選べます。Blackmagic RAW 8:1、12:1、Q3、Q5は、ENGスタイルの撮影に向いています。その理由は、圧縮率が高く長時間の撮影が可能でありながら、画質への視覚的な影響は最小限であるためです。細かなディテールが多く含まれているショットでは、Blackmagic RAW 3:1またはQ0を選択すると最高の画質が得られます。

Blackmagic RAWで撮影されたクリップは、DaVinci Resolve、Blackmagic RAW Player、Blackmagic RAW SDKをサポートするその他のアプリケーションと互換性があります。Blackmagic RAWは、多数のポストプロダクション・プラットフォームで採用されています。すべての編集ソフトウェアでネイティブサポートされている訳ではありませんが、BlackmagicのソフトウェアアップデートやBlackmagic RAWインストーラーのプラグインを用いることで、多くのソフトウェアで使用できます。詳細は、「サードパーティ製ソフトウェアの使用」を参照してください。

Blackmagic RAW

Blackmagic URSA Broadcast G2は、Blackmagic RAWフォーマットに対応しています。このフォーマットは、優れた画質、ワイドダイナミックレンジ、幅広い圧縮率のオプションを特徴としています。Blackmagic RAWは、RAW収録の利点を余すところなく得られるだけでなく、非常に高速のファイル速度を実現しています。これは、ほとんどの処理がカメラで行われ、カメラ本体でハードウェアアクセラレーションが行われるためです。

また、Blackmagic RAWは豊富なメタデータに対応しているため、ファイルを読み取るソフトウェアがカメラの設定を認識できます。編集の締め切りが厳しく、カラーコレクションの時間がないため「Video」モードのビデオガンマを使用して撮影する場合、ビデオガンマで撮影したファイルをソフトウェアで開く際にビデオガンマが適用されます。しかし実際は、ファイルは「Film」モードで得られるフィルムガンマであり、ファイルのメタデータがソフトウェアに対してビデオガンマを適用するように指示しているだけです。

これは、将来的にイメージをカラーグレーディングすることになった場合に、ファイルに保存されているフィルムのダイナミックレンジが使用できることを意味します。ホワイトやブラックでイメージがハードクリップされないため、ディテールが維持されており、カラーグレーディングを施してイメージをシネマライクにできます。しかし、カラーグレーディングする時間がない場合でも、ビデオガンマがイメージに適用されているので、通常のビデオカメラのイメージのように見えます。撮影時の選択に固定されることなく、後のポストプロダクションで変更できます。

Blackmagic RAWファイルは非常に高速で、コーデックはコンピューターのCPUとGPUに最適化されます。つまり、すばやく滑らかな再生が可能で、ハードウェアのデコーダーボードは必要ありません。これは、ラップトップでは重要です。また、Apple Metal、Nvidia CUDA、OpenCLに対応しているため、Blackmagic RAWの読み取りに使用するソフトウェアでその利点を活用できます。

つまり、Blackmagic RAWは、事前にキャッシュしたり、解像度を下げる必要なく、ほとんどのコンピューターでビデオファイルのように通常速度で再生できます。

また、レンズ情報もフレームごとにメタデータとして記録されます。例えば、互換性のあるレンズを使用している場合、クリップの撮影中に行われたズームやフォーカスの変更は、フレームごとにBlackmagic RAWファイルにメタデータとして保存されます。

Blackmagic RAWで収録

Blackmagic RAWは2種類の方法でエンコードします。コーデックのオプションには、固定ビットレート (Constant Bitrate) と固定クオリティ (Constant Quality) があります。

固定ビットレートは、他のコーデックと同じように機能します。この設定では、データレートが一定のレベルを保ち、高くなりすぎないようにします。つまり、複雑なイメージを撮影していて、イメージを保存するために若干多くのデータが必要な場合、固定ビットレートではイメージの圧縮を高め、割り当てられたスペースにイメージが収まるようにします。

これは、ビデオコーデックでは良いかもしれませんが、RAWでの収録では予想通りの品質を得る必要があります。撮影しているイメージがより多くのデータを必要としているにもかかわらず、特定のデータレートに収まるように圧縮を高めると何が起きるのでしょうか？ 品質が落ちる場合がありますが、撮影を終えて戻るまで、それに気付くことができません。

これを解決するために、Blackmagic RAWには固定クオリティという別のエンコード方法があります。これは、厳密に言えば可変ビットレートですが、実際には固定クオリティでは、イメージにより多くのデータが必要な場合、ファイルサイズを大きくすることで対応します。ファイルサイズの上限がないため、イメージをエンコードする必要があり、画質を維持したい場合に適しています。

Blackmagic RAWの固定クオリティでは、イメージのエンコードに必要なだけファイルサイズを拡大します。これは、撮影対象によりファイルサイズが拡大または縮小することも意味しています。カメラのレンズキャップをつけたまま撮影しても、メディア容量を無駄にすることはないということです！

Blackmagic RAWの品質設定の名前は謎めいた意味のない名前ではなく、実際の技術的な側面を反映しています。例えば、固定ビットレートの品質設定には、3:1、5:1、8:1、12:1があります。これらの数字は、非圧縮RAWのファイルサイズに対するBlackmagic RAWのファイルサイズの比率を示します。3:1はより優れた画質が得られますが、それに応じてファイルサイズも大きくなります。12:1は品質設定のうち画質は最も低くなりますが、最も小さなファイルサイズが得られます。多数のBlackmagic RAWユーザーから、12:1の設定でまったく問題なく、品質面でも制約は感じられないとのフィードバックを受けています。しかし、自分で使ってみて、様々な設定を試すのが最も良いでしょう。

Blackmagic RAWの固定クオリティの品質設定には、Q0、Q1、Q3、Q5があります。これらの数字はコーデックで使用される圧縮パラメーターで、圧縮が適用される方法を技術的に設定します。Blackmagic RAWコーデックは、固定ビットレート設定と固定クオリティ設定で異なる方法で機能します。固定クオリティ設定では、撮影対象によってファイルサイズの比率が大いに異なります。そのため、ファイルサイズはメディアの保存に必要な大きさに応じて変わります。

固定ビットレート (Constant Bitrate) 設定

3:1、5:1、8:1、12:1は圧縮率を示します。例えば、12:1では非圧縮RAWと比較して、ファイルサイズは約12分の1になります。

固定クオリティ (Constant Quality) 設定

Q0、Q1、Q3、Q5は、量子化のレベルを意味します。Q5の量子化はより高いレベルですが、データレートが極めて優れています。上述したように、固定クオリティは撮影している対象により、ファイルサイズの大きさの振れ幅が大きい設定です。これは、メディアカードが対応可能なファイルサイズを超える場合があることを意味します。これにより、コマ落ちが発生する可能性があります。しかし、この利点は撮影中に問題をすぐに発見でき、設定と品質を調整できることです。

Blackmagic RAW Player

Blackmagic RAW Playerは、Blackmagicカメラのソフトウェアインストーラーに含まれており、クリップ再生用に効率化されたアプリケーションです。Blackmagic RAWファイルを開くには、ファイルをダブルクリックするだけです。フル解像度およびビット深度でファイルをすばやく再生およびスクロールできます。

フレームのデコードにおいては、SDKライブラリのCPUアクセラレーションはあらゆる主要なアーキテクチャをサポートしており、GPUアクセラレーションはApple Metal、Nvidia CUDA、OpenCLをサポートしています。また、Blackmagic eGPUにも対応しており、パフォーマンスをさらに向上できます。Blackmagic RAW Playerは、Mac、Windows、Linuxで使用できます。

サイドカーファイル

Blackmagic RAWのサイドカーファイルは、オリジナルのファイル内のエンベッドされたメタデータを上書きすることなく、ファイルのメタデータをオーバーライドできます。このメタデータには、RAW設定の他、アイリス、フォーカス、焦点距離、ホワイトバランス、ティント、カラースペース、プロジェクト名、テイク番号などの情報が含まれています。メタデータは、収録されたクリップの全域にわたって、フレームごとにエンコードされます。これは、撮影中にレンズを調整した場合、フレームごとのレンズデータを含むため役に立つ情報です。DaVinci Resolveだけでなく、テキストエディターでも、メタデータをサイドカーファイルで編集や追加できます。これは、人間が読める形式のメタデータが使用されているからです。

サイドカーファイルは、対応するRAWファイルの入っているフォルダーに移動させるだけで、新しいRAW設定を再生の際に自動的に追加できます。フォルダーからサイドカーファイルを取り出し、再度Blackmagic RAWを開くと、RAW設定は適用されず、オリジナルのファイルが再生されます。Blackmagic RAW SDKを使用するあらゆるソフトウェアで、これらの設定にアクセスできます。サイドカーファイルには変更の情報が保存されており、Blackmagic RAW Playerや、Blackmagic RAWの読み取りが可能なあらゆるソフトウェアで確認できます。

「Video」モードのビデオガンマで撮影する際は、ファイルは「Film」モードで得られるフィルムガンマを使用しますが、Blackmagic RAWを表示するにあたって、メタデータがビデオガンマを使用するように指示します。ビデオガンマは、イメージをグレーディングする余裕がなく、コンテンツをすみやかに納品する必要がある場合に優れています。Blackmagic RAWではイメージのブラックやホワイトを調整する上で必要なすべてのディテールが保存されています。ビデオがクリッピングすることなく、ディテールがすべて維持されているので、いつでもアクセスできます。

DaVinci ResolveでBlackmagic RAWを使用

各Blackmagic RAWファイルの設定は調整が可能で、DaVinci Resolveの「RAW」タブで新しいサイドカーファイルとして保存できます。これにより、クリエイティブなエフェクトの作成や視聴のための最適化が可能です。つまり、他のDaVinci Resolveユーザーのためにメタデータを複製でき、それを読み込むと、変更されたガンマ設定に自動的にアクセスできるようになります。さらに、DaVinci Resolveは、カメラファイルに含まれるその他のメタデータに加え、撮影時に選択したダイナミックレンジが読み込まれるため、「Film」、「Extended Video」、「Video」から適切なダイナミックレンジを自動的に選択してクリップを表示します。

これらの設定は、彩度、コントラスト、ミッドポイントに加え、「ハイライト ロールオフ」および「シャドウ ロールオフ」でカスタマイズできます。いかなる調整もサイドカーファイルとして保存されるので、ポストプロダクションで該当のファイルで作業をしている全ての人が確認できます。オリジナルのカメラメタデータには、いつでも戻すことが可能です。

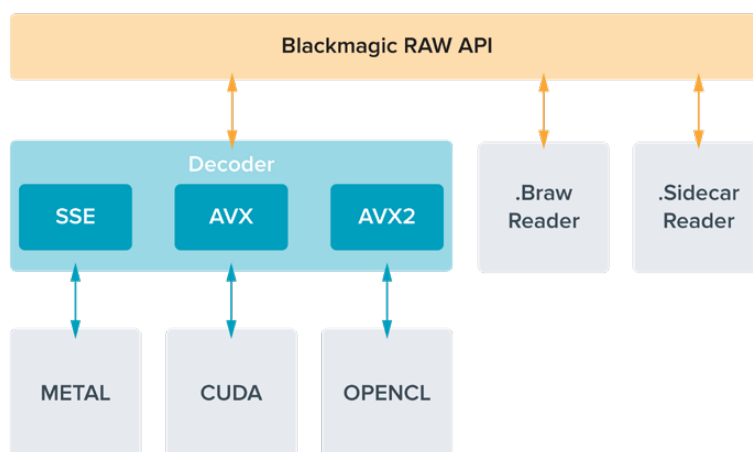
DaVinci Resolveの「RAW」タブでBlackmagic RAWの単一フレームを書き出すこともできます。これには、すべての調整、メタデータ、フル解像度、色情報が含まれているため、他のユーザーと単一のフレームや参照ファイルを簡単に共有できます。

DaVinci ResolveでのBlackmagic RAWの使用方法に関しては、このマニュアルの「DaVinci Resolveの使用」を参照してください。

Blackmagic RAWソフトウェア開発キット

Blackmagic RAW SDKは、Blackmagic Designにより開発されたAPIです。このSDKを使用して、Blackmagic RAWフォーマットを使用する、独自のアプリケーションを書くことができます。デベロッパーは、このSDKライブラリを使用して、Blackmagic RAWファイルの読み取り、編集、保存のサポートを追加できます。Blackmagic RAW SDKには、第4世代および第5世代カラーサイエンスが含まれているため、Blackmagic RAWをサポートするあらゆるアプリで、自然でシネマライクなイメージを得られます。Blackmagic RAW SDKは、Mac、Windows、Linuxに対応しており、Blackmagicのウェブサイトにあるデベロッパーページから無償でダウンロードできます。www.blackmagicdesign.com/jp/developer

Blackmagic RAW APIのコンポーネントの概要：



フレームレートの選択

フレームレートの選択肢が多いため、どのフレームレートが最適なのか迷うかもしれません。カメラのセンサーのフレームレートは、フッテージの"ルック"にも大きな違いを生み出します。一般的に、センサーフレームレートは、以下に挙げる要素を考慮して選択します。映画とテレビには、長年に渡って使用されている表示基準があります。国によってフレームレートの基準は異なりますが、1秒ごとのフレーム数の基準は、滑らかでリアルな動きを表現するという同一の目的のために設定されています。

例えば、映画では24fpsが基準となっています。近年、より高速のフレームレートが実験的に使用されていますが、世界的には24fpsが幅広く支持されていると言えます。テレビのフレームレートは、一般的に各国の放送技術基準に則しています。例えば、テレビのコンテンツ制作では、北アメリカでの放送用には29.97fpsで撮影し、ヨーロッパでの放送用には25fpsで撮影します。

しかし、技術の向上に伴ってより多くの選択肢が登場しており、放送基準は日々変化しています。スポーツイベントは、高フレームレートで撮影・放送されることが一般的になっています。例として、いくつかのスポーツイベントは、北アメリカでは59.94fps、ヨーロッパでは50fpsで撮影・放送されています。これにより、高速のアクションでも動きが滑らかで、よりリアルな映像になります。一方、ネット配信やオンライン放送では、一般的にテレビと似たフレームレートが使用されています。しかし、ユーザーが視聴フォーマットを選択可能であり、また視聴者が使用するスクリーンのディスプレイ性能により制限されるため、様々なフォーマットを試す機会の多い媒体です。

概して、プロジェクトのフレームレートは、納品フォーマットに基づいて決定します。つまり、撮影したクリップが、実際と同じ速度で再生されます。これを実行するには、カメラの「オフスピード収録」または「オフスピードフレームレート」をオフにする必要があります。

スローモーションなどの面白いエフェクトを作成したい場合は、センサーフレームレートを高く設定します。プロジェクトフレームレートに比べてセンサーフレームレートが高いと、再生速度が遅くなります。

オフスピードのセンサーフレームレートを使ったクリエイティブなエフェクトの作成に関しては、「タッチスクリーンコントロール」セクションを参照してください。

高フレームレートでの撮影

高フレームレートで撮影する際、カメラは通常の数値でのフレームレート（24、25、30fps）より毎秒のフレーム数を増やして撮影します。つまり、イメージセンサーが各フレームをキャプチャーする際の受光時間が短くなるため、イメージが暗くなります。

例えば、25fpsから50fpsに切り替えた場合、センサーに届く光量は半分になります。そのため、適切な露出を得るには、カメラのレンズを1段多く開けるか、シャッターアングルを180°から360°に開くか、照明を追加して補正する必要があります。

しかし、60fpsでの撮影では24fpsに比べて光量が2/5になるため、レンズアパーチャー、シャッターアングル、照明など複数の要素を調整することで、同じレベルの露出が得られます。

高フレームレートでの撮影時に注意すべき他のポイントは、電子的な照明はフリッカーの原因になる可能性があることです。タングステン、蛍光灯、LEDなどの人工的な照明は、イメージにフリッカーをもたらす原因になる場合があります。LCDおよびSDIフィードでシーンのチェックをする際や収録中には、フリッカーが生じていることが分からないことがあります。そのため、使用を検討している照明でテスト撮影を行い、フリッカーの有無を確認することは重要です。

照明を使用した撮影の際、シャッターの設定もフリッカーの原因となり得ます。URSA Broadcast G2は、現在のフレームレートに適したシャッターのオプションを自動的に分析・表示します。フリッカーの生じない値を使用しているにも関わらず、様々な照明の特性によりフリッカーが生じる場合があることに注意してください。詳細は、「タッチスクリーンコントロール」セクションを参照してください。

シャッター速度を最も遅くしたり、シャッターアングルを最大にしても、収録したフットageにフリッカーが確認できる場合、異なる照明を使用するか、より高速のレンズを使用することを推奨します。

最大センサーフレームレートおよび最大データレート

使用可能なコーデック、解像度、最大センサーフレームレート、最大データレートは、次の表を参照してください。表中のBlackmagic RAW、ProRes 444、ProRes 422は、各コーデックのサポートされているバージョンを含みます。

高解像度のスローモーションの収録に必要なデータレートに対応できるメディアを使用する必要があります。高速のCFastカード、USB-Cフラッシュディスク、SSDを選択してください。詳細は「ストレージメディア」セクションを参照してください。

作業のこつ カードが対応している速度は次の方法でテストできます。「コマ落ち発生時の対処方法 (IF CARD DROPS FRAME)」で「収録の停止 (Stop Recording)」を選択し、テストクリップを収録します。これにより、任意の解像度で特定のフレームレートを使用する際の撮影可能時間がテストできます。短時間でカードが収録を停止した場合、一つ高い圧縮設定、または一つ低い解像度にすることで、データレートが下がり、カードが対応しやすくなります。

URSA Broadcast G2の最大フレームレート

	解像度	コーデック	最大フレームレート	最大データレート
Ultra HD	3840x2160	Blackmagic RAW 3:1	60	254 MB/s
	3840x2160	Blackmagic RAW 5:1	60	152 MB/s
	3840x2160	Blackmagic RAW 8:1	60	96 MB/s
	3840x2160	Blackmagic RAW 12:1	60	64 MB/s
	3840x2160	Blackmagic RAW Q0	60	48.7~96.8 MB/s
	3840x2160	Blackmagic RAW Q1	60	32.6~77.6 MB/s
	3840x2160	Blackmagic RAW Q3	60	21.9~55.6 MB/s
	3840x2160	Blackmagic RAW Q5	60	13.4~32.6 MB/s
	3840x2160	ProRes HQ	60	220 MB/s
	3840x2160	ProRes422	60	148 MB/s
	3840x2160	H.265 SDI	60	24.6 MB/s
	3840x2160	H.265 高	60	21.6 MB/s
	3840x2160	H.265 中	60	15.6 MB/s
3840x2160	H.265 低	60	6.4 MB/s	

	解像度	コーデック	最大フレームレート	最大データレート
HD	1920x1080	Blackmagic RAW 3:1	150	161.4 MB/s
	1920x1080	Blackmagic RAW 5:1	150	97.2 MB/s
	1920x1080	Blackmagic RAW 8:1	150	61.1 MB/s
	1920x1080	Blackmagic RAW 12:1	150	41 MB/s
	1920x1080	Blackmagic RAW Q0	150	121.2~241.6 MB/s
	1920x1080	Blackmagic RAW Q1	150	81.8~193.4 MB/s
	1920x1080	Blackmagic RAW Q3	150	54.4~138.4 MB/s
	1920x1080	Blackmagic RAW Q5	150	33~81.1 MB/s
	1920x1080	ProRes HQ	120	110 MB/s
	1920x1080	ProRes422	120	74 MB/s
	1920x1080	H.264 SDI	60	14 MB/s
	1920x1080	H.264 高	60	11.2 MB/s
	1920x1080	H.264 中	60	6.4 MB/s
	1920x1080	H.264 低	60	3.6 MB/s

Blackmagic RAW Q0、Q1、Q3、Q5は一定の品質を得るために、圧縮に可変ビットレートを使用します。Q0、Q1、Q3、Q5のデータレートは、撮影している対象の複雑さに応じて変わり、内容によって1つのクリップ内で大いに変動することがあります。

使用したいコーデックと解像度を選択する：

- 1 コントロールパネルの「MENU」ボタンを押します。
- 2 「収録 (RECORD)」タブの1ページ目に行きます。
- 3 使用したいコーデック、品質、解像度をタップします。
- 4 「MENU」を押してメニューを終了します。

収録フォーマットおよびプロジェクトフレームレート

コーデックと解像度を設定したら、次にプロジェクトおよびセンサーフレームレートを設定します。フレームレートに関する詳細は、このマニュアルの「収録」セクションを参照してください。

対応プロジェクトフレームレート：

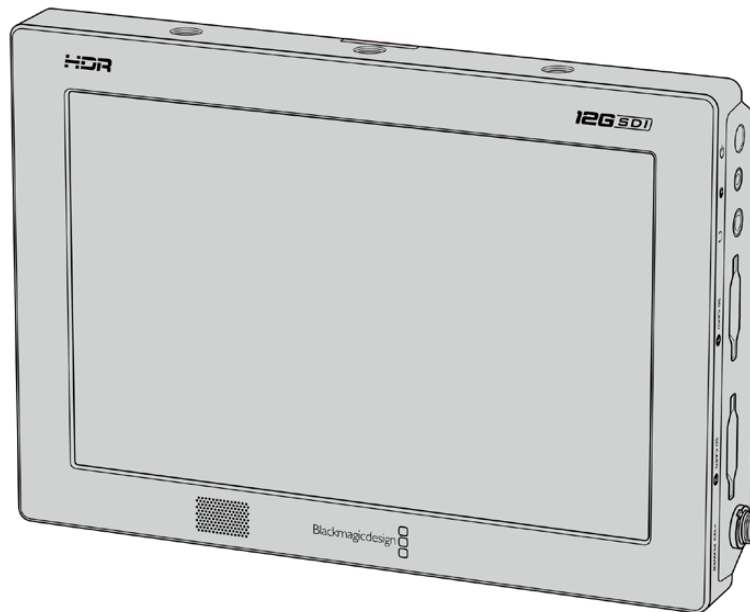
23.98、24、25、29.97、30、50、59.94、60 (fps)

Blackmagic RAWおよびProRes (ProRes 422 HQまで) コーデックを使用する場合、最大プロジェクトフレームレートは、すべての解像度で60fpsです。

外部機器からの収録のトリガー

SDIトリガー収録をサポートしている機器 (Blackmagic Video Assistなど) と接続している場合は、URSA Broadcast G2のSDI出力から自動的に信号が送信され、それがトリガーとなって収録が開始されます。つまり、カメラの録画ボタンを押すことで、接続している外部SDI機器で収録を開始できます。同様に、録画ボタンをもう一度押すと、収録を停止できます。

URSA Broadcast G2から送信されるトリガー信号を受信するには、使用している機器のSDIトリガー収録機能を有効にする必要があります。SDI機器がSDIトリガー収録に対応している場合は、通常、その機器の設定メニューから同機能を有効にできます。



カメラのトリガー収録機能を使用すれば、Blackmagic Video Assist 12G HDRなど、他のSDIビデオ機器でもトリガー収録が可能。

収録時間一覧

以下の表は、フォーマット、プロジェクトのフレームレート、メディアのサイズを比較して、およその収録時間を分と秒で示しています。ストレージメディアの最大収録時間は、容量、収録フォーマット、フレームレートにより異なります。例えば、3840x2160のApple ProRes 422 HQの場合、およそ880Mbpsです。24fpsの場合、256GBのCFast 2.0またはSDカードにおよそ47分収録可能です。同じ設定で、128GBのCFast 2.0/SDカードにおよそ23分収録可能です。これは256GBのカードのおよそ半分の収録時間です。

CFast 2.0/SDカードの収録時間は、カードのメーカーによっても若干の違いがあることに注意してください。また、exFatやMac OS Extendedなど、ストレージメディアのフォーマット形式によっても異なります。

ディテールが少ないシンプルなシーンは、複雑な構成のシーンよりもデータが少ない傾向があります。以下の表は、複雑なショットを撮影していることを前提とした数値です。撮影内容によっては、記載されている時間よりも少し長く収録できる可能性があります。

HD							
CFast カード	フレーム レート	ProRes 422 HQ	ProRes 422	H.264 SDI	H.264 高	H.264 中	H.264 低
		収録時間	収録時間	収録時間	収録時間	収録時間	収録時間
256GB	23.98	189分	283分	635分	782分	1395分	2456分
	24	189分	283分	635分	782分	1395分	2456分
	25	182分	271分	602分	748分	1339分	2321分
	30	152分	227分	496分	612分	1118分	2079分
	50	91分	137分	371分	462分	841分	1852分
	60	76分	114分	331分	411分	716分	1520分

ULTRA HD					
CFast カード	フレーム レート	Blackmagic RAW 3:1	Blackmagic RAW 5:1	Blackmagic RAW 8:1	Blackmagic RAW 12:1
		収録時間	収録時間	収録時間	収録時間
256GB	23.98	41分	68分	110分	164分
	24	41分	68分	109分	164分
	25	39分	66分	105分	157分
	30	33分	55分	88分	131分
	50	19分	33分	52分	79分
	60	16分	27分	44分	66分

ULTRA HD							
CFast カード	フレーム レート	ProRes 422 HQ	ProRes 422	H.265 SDI	H.265 高	H.265 中	H.265 低
		収録時間	収録時間	収録時間	収録時間	収録時間	収録時間
256GB	23.98	47分	71分	353分	404分	571分	1499分
	24	47分	71分	353分	404分	571分	1499分
	25	45分	68分	339分	389分	550分	1442分
	30	38分	57分	286分	325分	461分	1223分
	50	22分	34分	242分	280分	389分	960分
	60	18分	28分	241分	277分	325分	809分

モーションセンサーデータの記録

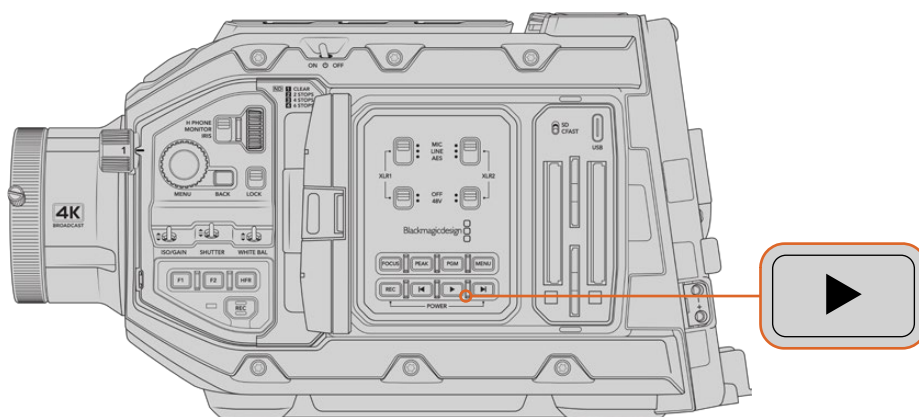
Blackmagic URSA Broadcast G2は、内部のモーションセンサーからのジャイロデータを自動的に記録します。DaVinci Resolveは、クリップのスタビライズにこのデータを使用できます。詳細は、このマニュアルの「ジャイロスタビライゼーション」セクションを参照してください。

再生

クリップの再生

カメラのトランスポートコントロールボタンを使って、撮影したクリップを再生できます。

再生ボタンを押すと録画したビデオが再生され、URSA Broadcast G2のLCDタッチスクリーンで確認できます。URSA Broadcast G2のSDI出力に接続したディスプレイでもクリップを確認できます。



URSA Broadcast G2

作業のこつ Blackmagic URSA Broadcast G2の再生コントロールボタンとトランスポートコントロールボタンは、内部コントロールパネルとエルゴノミクスパネルの両方にあります。

メモ Blackmagic URSA Broadcast G2は同一のコーデックファミリー、フレームレート、解像度のクリップを再生します。例えば、29.97fpsのProRes 422 HQで収録されたHDクリップを再生したい場合は、カメラが同じフレームレートと解像度、そしてProResコーデックに設定されていることを確認してください。

カメラのコントロールは、CDプレーヤーと同じように操作できます。「次クリップ頭出し」ボタンを押すと次のクリップの先頭へスキップします。「前クリップ頭出し」ボタンを1回押すと、現在のクリップの先頭に戻り、2回押すと前のクリップの先頭に戻ります。次クリップ/前クリップの頭出しボタンを長押しすると、2倍速で再生/逆方向再生します。倍速の再生/巻き戻し中に「早送り」または「巻き戻し」ボタンを2回押すと4倍速、3回押すと8倍速、4回押すと16倍速になります。互換性のあるレンズを使用している場合、次/前クリップの頭出しボタンを、クリップ収録中にアイリスの開閉ボタンとしても使用できます。

プロジェクトのフレームレートとは異なるセンサーフレームレートでクリップを撮影している場合、クリップの再生速度も変わります。例えば、カメラのプロジェクトフレームレートを、24fpsのポストプロダクションタイムラインに合わせて設定したとします。60fpsに設定したセンサーフレームレートでクリップを撮影すると、カメラおよびポストプロダクションタイムラインで、スローモーションで再生されます。

作業のこつ フレームレートに関する詳細は、このマニュアルの「収録」セクションを参照してください。

URSA Broadcast G2のコネクターと機能

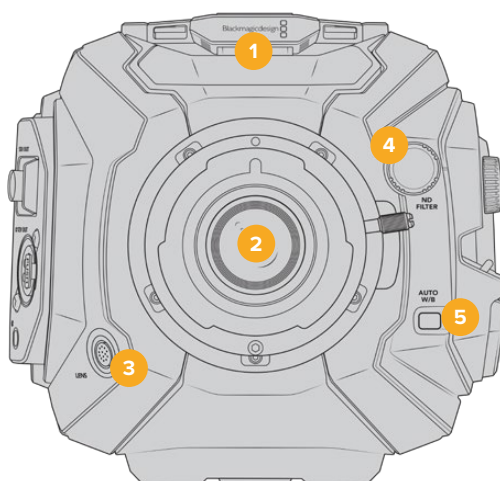
URSA Broadcast G2の右側面とリアパネルには、SDI接続用の業界標準BNCコネクターが付いています。また、右側面にはオプションのBlackmagic URSA Handgripを接続するためのLANC入力も搭載しています。

XLR入力はトップパネルのマウントポイントの後方にあり、プロ仕様のバランスアナログオーディオおよびAESデジタルオーディオを接続できます。リアパネルの4ピンXLRコネクターは外部電源入力に使用します。Blackmagic URSA Viewfinderなどのアクセサリに給電する電源出力はカメラの右側にあります。

ストレージメディアスロットの上にあるUSBポートは、カメラの内部ソフトウェアをアップデートする際にコンピューターとの接続に使用します。

メモ カメラには人間工学に基づいたコントロールが追加されているので、開閉式タッチスクリーンを開く必要なく、カメラの重要な設定や機能に簡単にすばやくアクセスできます。

カメラ正面



URSA Broadcast G2とB4マウント

1 ステレオマイク

高品質の内蔵ステレオマイク。マイクオーディオに関する詳細は「設定」セクションを参照してください。

2 レンズマウント

URSA Broadcast G2にはB4マウントが標準装備されています。レンズマウントは、同梱のEFマウントにも交換可能で、URSA Mini Pro PLマウントおよびFマウントとも互換性があります。詳細は、「交換可能なレンズマウント」セクションを参照してください。

3 放送用レンズコネクター

12ピンコネクターで、互換性のある放送サーボズームレンズに電源およびコントロール信号を送信します。B4およびPLレンズで使用できる機能に関しては、このマニュアルの「サーボズーム対応レンズの使用」セクションを参照してください。

4 NDフィルター

このホイールを使って、3つの内蔵NDフィルターおよび1つのクリアフィルターを切り替えられます。詳細は「URSA Broadcast G2のコントロール」セクションを参照してください。

5 自動ホワイトバランスボタン (AUTO W/B)

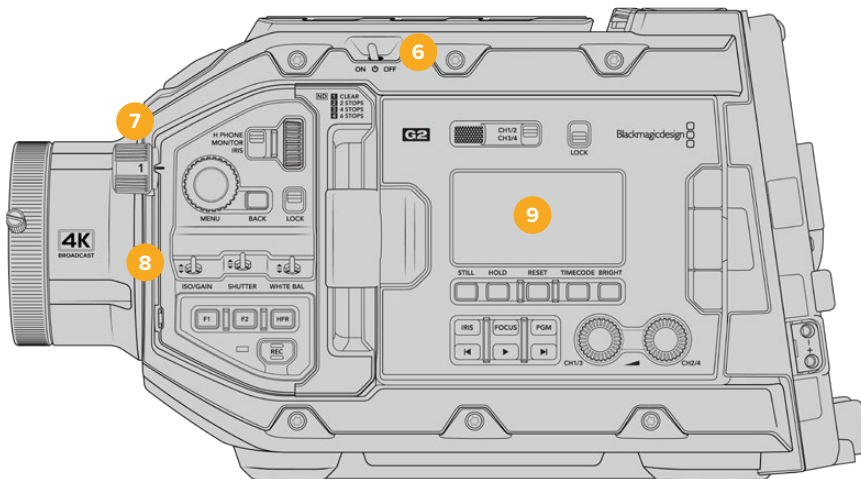
現在スクリーンの中央に表示されているものに基づいてホワイトバランスを設定します。例えば、レンズの正面にグレーのカードなどを置いて自動ホワイトバランスを設定します。詳細は「URSA Broadcast G2のコントロール」セクションを参照してください。

左側面

URSA Broadcast G2の左側面では、CFast 2.0、SDXC、SDHCカードの挿入、コントロールパネルへのアクセス、各種設定の変更が可能です。USB-CポートはCFastスロットのすぐ上にあり、URSA Broadcast G2の内部ソフトウェアをアップデートする際に簡単にコンピューターに接続できます。

左側面のコントロール

左パネルには追加コントロールが付いており、カメラのすべての重要な機能に簡単にアクセスできます。これらのコントロールは前方コントロールパネル、開閉式タッチスクリーンモニターの外側のエルゴノミクスパネル、開閉式モニターの内側のコントロールパネルに分けられます。



URSA Broadcast G2のタッチスクリーンを閉じた状態

6 電源スイッチ

カメラをオンにする電源スイッチ。開閉式モニターの内側にバックアップ電源スイッチがあり、「録画 (REC)」ボタンと「次クリップ頭出し」ボタンを同時に長押しすることでカメラの電源をオンにできます。

7 NDフィルター

URSA Broadcast G2は、3つのニュートラル・デンシティ・フィルターを内蔵しており、センサーに届く光量を調整できます。4つの設定で (クリアから6までのF値) 光量を削減できます。このホイールを回すだけで設定を選択できます。設定を変えるごとに該当のフィルターが定位置に収まります。詳細は、このマニュアルの「URSA Broadcast G2のコントロール」セクションを参照してください。

8 前方コントロールパネル

前方コントロールパネルでは、URSA Broadcast G2のすべての重要な機能にすばやくアクセスできます。これらのコントロールは三脚や肩寄せで撮影している場合でも簡単にアクセスできる配置になっています。これらを使用して、ISO、シャッタースピード、アイリス、ホワイトバランス、フレームレートなどの設定を調整できます。詳細は「URSA Broadcast G2のコントロール」セクションを参照してください。

9 エルゴノミクスパネル

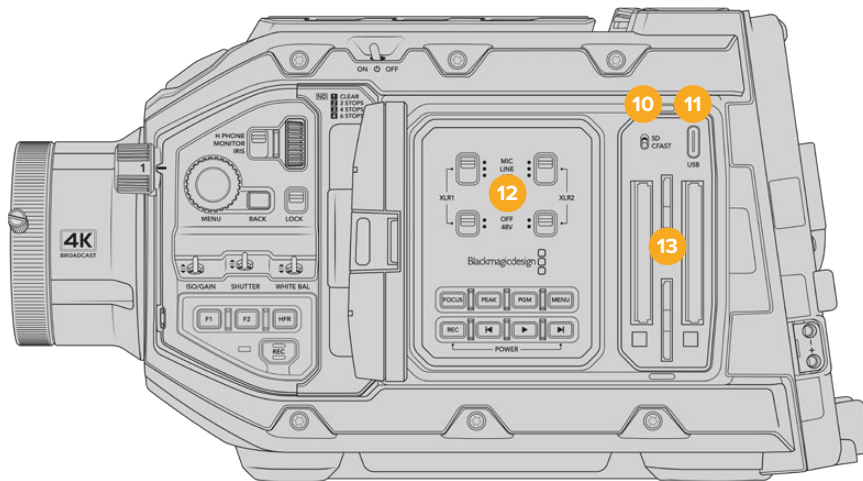
URSA Broadcast G2の開閉式タッチスクリーンモニターの外側にLCDステータスモニターと様々なコントロールが付いており、すばやくパワフルなモニタリングコントロールが可能です。ここではカメラのステータス情報を一目で確認でき、モニタリング機能をコントロールできます。詳細は「URSA Broadcast G2のコントロール」セクションを参照してください。

10 ストレージメディア選択スイッチ

CFastおよびSDストレージメディアの選択に使用するスイッチ。

11 USBポート

内部ソフトウェアアップデート用のUSB-Cポート。詳細は「Blackmagic Camera Setup Utility」セクションを参照してください。



URSA Broadcast G2のタッチスクリーンを開いた状態

12 内部コントロールパネル

URSA Broadcast G2の開閉式モニターを開くと、内部コントロールパネルにアクセスできます。このコントロールは、オーディオ入力の設定およびファンタム電源設定に使用します。また、アイリス、フォーカス、メニュー、再生コントロールなどにも使用できます。詳細は「URSA Broadcast G2のコントロール」セクションを参照してください。

13 メモリーカードスロット

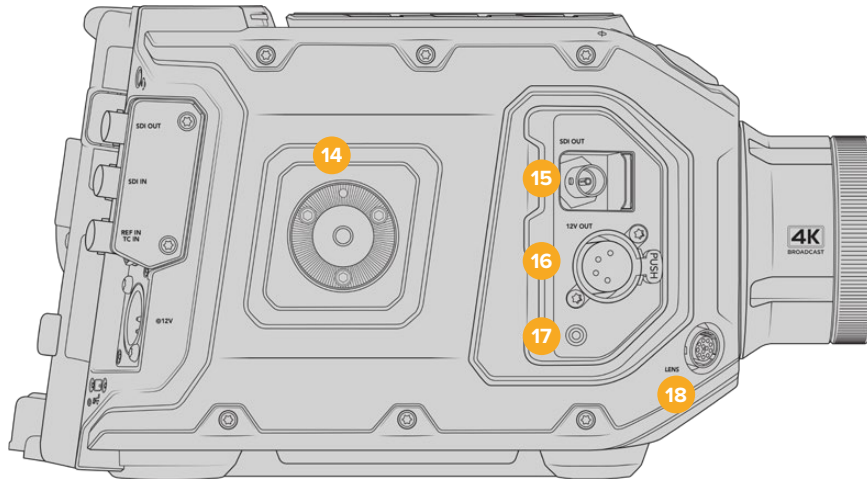
CFast 2.0カード、SDXC/SDHCカードをスロットに挿入して、収録・再生できます。弊社のウェブサイトで、認定カードのリストを確認してください。詳細は「ストレージメディア」セクションを参照してください。

右側面

URSA Broadcast G2の右パネルでは、すべてのビデオ、オーディオ、電源コネクタ、サイドハンドル用ロゼットマウントにアクセスできます。

14 サイドロゼットマウント

サイドハンドル用の標準ロゼットマウント。「はじめに」および「Blackmagic URSA Mini Shoulder Kit」セクションを参照してください。



URSA Broadcast G2の右側面にはロゼットマウントがあり、オプションのサイドハンドルを取り付け可能

15 HDモニタリング出力

ダウンコンバート1080HD出力用の3G-SDIコネクタ。Blackmagic URSA Viewfinderまたは外部モニターと使用します。詳細は「カメラのビデオ出力」および「Blackmagic URSA Viewfinder」セクションを参照してください。

16 +12V 電源出力

Blackmagic URSA Viewfinder、Blackmagic URSA Studio Viewfinder、外部モニター、その他のアクセサリに電源を供給する4ピンXLRコネクタ。詳細は「Blackmagic URSA Viewfinder」および「Blackmagic URSA Studio Viewfinder」セクションを参照してください。この出力と放送用レンズコントロールコネクタを使用することで、合計2アンペアまでの12Vの電源を供給できます。

17 LANC入力

Blackmagic URSA Handgrip専用の2.5mm TRS LANCコネクタ。

18 放送用レンズコントロールコネクタ

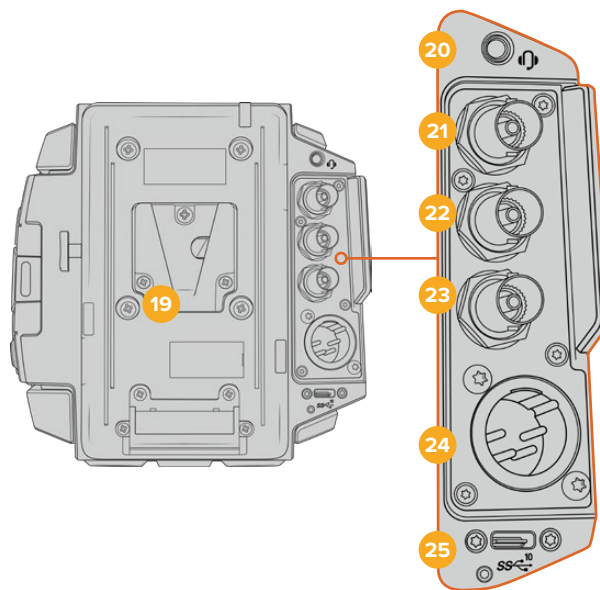
12ピン接続に対応した互換PL/B4マウントレンズに電源およびコントロール信号を送信します。この出力と+12V電源出力を使用することで、合計2アンペアまでの12Vの電源を供給できます。

リアパネル

19 バッテリーマウントプレート

Blackmagic URSA Broadcast G2には、Blackmagic URSA VLock Battery Plateが標準装備されており、Vロック・バッテリーをカメラに接続できます。URSA VLock Battery PlateはDタップポートを搭載しているため、アクセサリへの給電が可能です。Dタップポートは、1.5アンペアまでの安定化された12Vの電源を出力します。

URSA VLock Battery Plateは、オプションのBlackmagic URSA Gold Battery Plateまたはサードパーティ製のバッテリープレートに交換できます。バッテリープレートは取り外せるので、カメラ筐体に埋め込まれたMolexコネクタにアクセスしたり、Blackmagic Camera Fiber ConverterやURSA Mini Recorderなどのオプションのアクセサリをカメラの後部に接続できます。Dタップ電源出力を搭載したアクセサリを接続している場合、Molexコネクタは1.5アンペアまでの12Vの電源をパススルー出力します。詳細は、「バッテリーのマウント」、「Blackmagicファイバーコンバーターを使用する前に」、「URSA Mini Recorder」セクションを参照してください。



20 ヘッドフォン/ヘッドセット

ヘッドフォンモニタリングおよびトークバック用の3.5mmジャック出力。iPhoneおよびAndroidと互換性があり、トークバック用にマイクを内蔵したヘッドセットを接続できます。トークバックオーディオは、SDI出力のチャンネル15および16にエンベッドされます。

作業のこつ URSA Broadcast G2の3.5mmジャックでトークバック機能を最も低コストで使うには、iPhoneやAndroidと互換性のあるヘッドセットを使用します。これらのヘッドセットは、総じてマイクのミュートのオン/オフ用のボタンが埋め込まれています。この埋め込みスイッチを使わず放送ヘッドセットを使用したい場合、URSA Broadcast G2の機能ボタンを設定すると同じ機能が使用できます。詳細は、このマニュアルの「セットアップ設定 (SETUP)」セクションを参照してください。

21 12G-SDI出力

Blackmagic URSA Broadcast G2の12G-SDI出力は、ルーター、モニター、SDIキャプチャー機器、放送用スイッチャーなどのSDI機器に、HDおよびUltra HDビデオを送信します。12G-SDI出力をBlackmagic Video Assistなどの外部レコーダーに接続すれば、バックアップ収録が可能です。

22 12G-SDI入力

スイッチャーや外部レコーダーに接続する12G-SDI入力。URSA Broadcast G2を生放送で使用する際に、スイッチャーのプログラム出力を接続して、撮影中のモニタリングや、外部レコーダーから再生のチェックに使用できます。「PGM」ボタンを長押しするとプログラムフィードを表示できます。

詳細は、このマニュアルの「エルゴノミクスパネル」セクションを参照してください。

ATEMスイッチャーのカメラコントロール機能を使用して、URSA Broadcast G2の機能をリモートコントロールすることも可能です。詳細は「スタジオカメラコントロールの概要」セクションを参照してください。Blackmagic 3G-SDI Shield for Arduinoを使ってカメラをSDI経由でカスタムコントロールすることもできます。

SDI入力を介して、タリーおよびトークバックを受信するには、カメラの「セットアップ (SETUP)」メニューで「ATEMカメラID (ATEM CAMERA ID)」を設定してください。外部リファレンス信号を受信するためにSDI入力を使用したい場合は、「セットアップ (SETUP)」メニューの「リファレンスソース (REFERENCE SOURCE)」に「プログラム (Program)」を選択する必要があります。外部リファレンスがロックされると、「REF」がカメラのLCDスクリーンのタイムコードの隣に表示されます。詳細は、このマニュアルの「セットアップ設定 (SETUP)」セクションを参照してください。

URSA Broadcast G2では、SDI入力でカメラに外部タイムコードを送信できます。送信されてくるSDI信号のフレームレートが一致し、有効なタイムコードがある場合、送信されてくるタイムコードに自動的にロックします。外部タイムコードがロックされるとURSA Broadcast G2のLCDに「EXT」と表示されます。ケーブルを外すと、タイムコードはジャムシンクし続け、LCDの表示は「INT」に変わり、URSA Broadcast G2の内部タイムコードクロックに切り替わったことを示します。

23 リファレンス/タイムコード入力

タイムコードとリファレンス入力信号を自動的に認識して切り替えます。リファレンス入力BNCコネクタ「REF IN」に、3値シンクなどの一般的なリファレンス入力を接続してBlackmagic URSA Broadcast G2を同期します。この入力でリファレンス信号を使用する場合は、URSA Broadcast G2の「セットアップ (SETUP)」メニューで、「リファレンスソース (REFERENCE SOURCE)」を「外部 (External)」に設定する必要があります。

別の方法として、このコネクタを使って外部タイムコードソースとマッチさせ、複数のカメラを同期したり、デュアルシステムでの撮影においてオーディオと映像を同期できます。これにより、オーディオと映像または複数カメラからの映像をポストプロダクションで簡単に同期できます。フレームレートがマッチした外部タイムコードがこのコネクタに接続されると、送信されてくるタイムコードにカメラは自動的にロックします。外部タイムコードがロックされるとURSA Broadcast G2のLCDに「EXT」と表示されます。ケーブルを外すと、タイムコードはジャムシンクし続け、LCDの表示は「INT」に変わり、URSA Broadcast G2の内部タイムコードクロックに切り替わったことを示します。

ATEMスイッチャーからのリファレンス信号をプログラムSDI入力を介して使用するようにカメラを設定することもできます。ATEMスイッチャーと使用している際、すべてのカメラは単一のSDI信号でプログラムリターン、カメラコントロール、リファレンスを受信できるため、この機能は非常に役立ちます。詳細は、このマニュアルの「セットアップ設定 (SETUP)」セクションを参照してください。

24 12V+ 電源入力

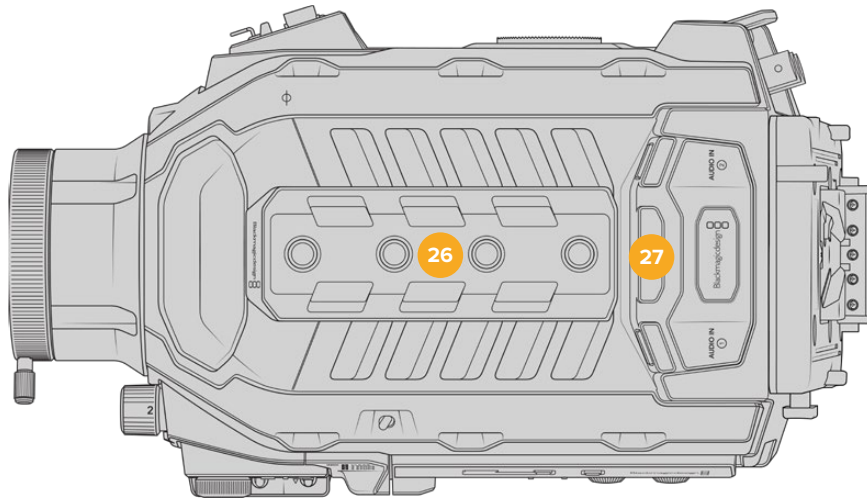
4ピンの12~18V DC XLRコネクタ。同梱の電源アダプターやポータブルバッテリーなどの外部ソース電源に接続します。

25 USBポート

外付けフラッシュディスクまたはBlackmagic URSA Mini Recorderを使用してSSDに収録する際に使用するUSB-C 3.2 Gen 2ポート。Blackmagic Zoom DemandおよびFocus Demandをカメラに接続する際にも使用し、互換性のあるレンズでフォーカスおよびズームをコントロールできます。

USB-Cポートの下にあるコネクタでは、URSA Mini Recorderに同梱されるUSBケーブルをロックできるため、使用中に接続が外れることはありません。詳細は、このマニュアルの「URSA Mini Recorder」セクションを参照してください。

トップパネル



外部アナログオーディオは、トップパネルのバランスXLRコネクタに接続可能

26 1/4インチマウントポイント

カメラのトップパネルには4つの丈夫なマウントポイントがあり、トップハンドルやアクセサリを取り付けられます。

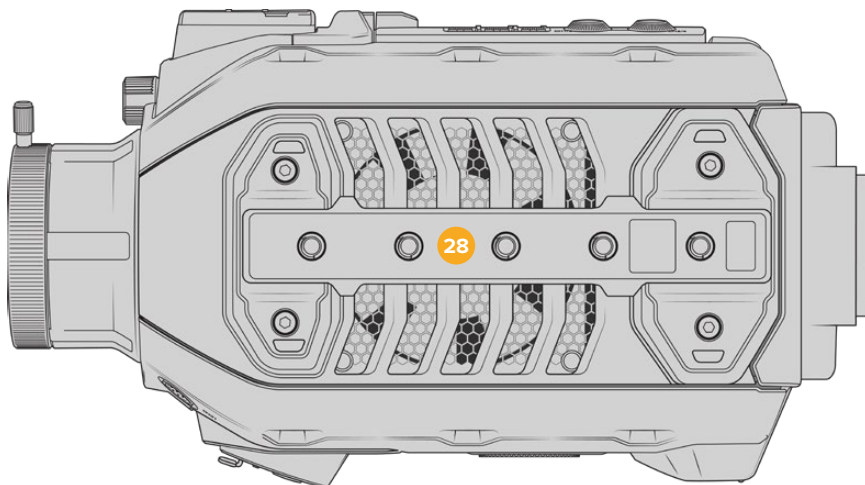
27 XLRオーディオ入力

バランスXLR入力を使って、オーディオミキサー、PAシステム、外付けマイクなどのプロ仕様機器から外部アナログオーディオを接続します。XLRコネクタは48Vファンタム電源に対応しているので、電源を内蔵していないマイクも使用できます。ファンタム電源に関する詳細は、「URSA Broadcast G2のコントロール」および「内部コントロールパネル」セクションを参照してください。

底面

28 1/4インチマウントポイント

底面の5つのマウントポイントは、三脚ヘッド、URSA Mini Shoulder Kit、その他のアクセサリの取り付けに使用します。

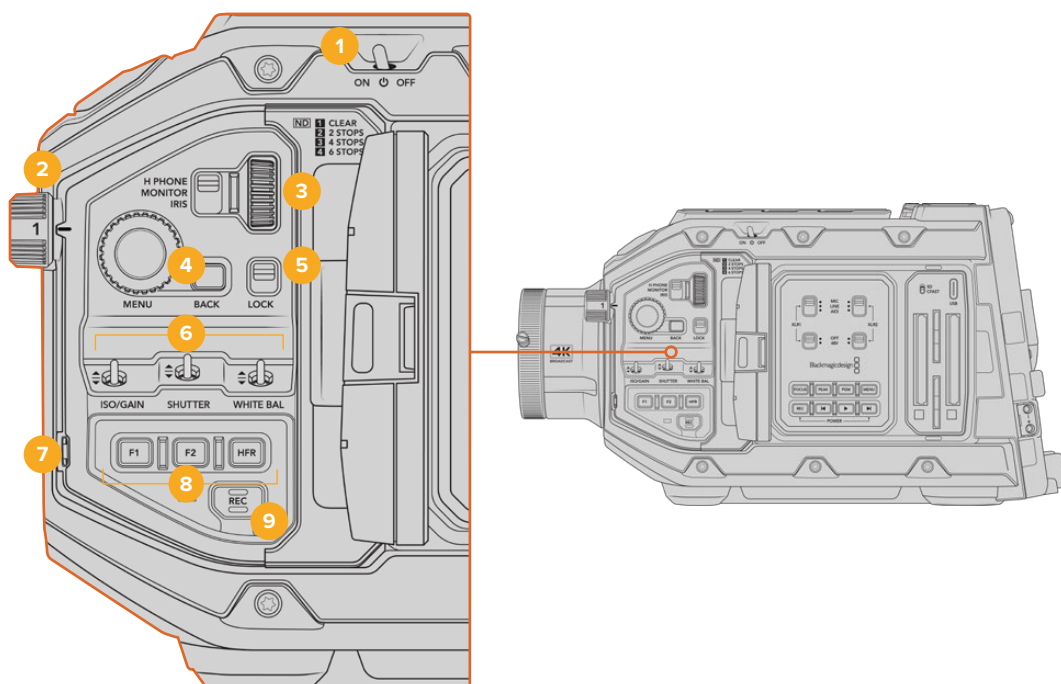


URSA Broadcast G2のコントロール

Blackmagic URSA Broadcast G2は、筐体、そして開閉式タッチスクリーンモニターの外側および内側にコントロールパネルを搭載しており、すべての重要な機能およびパワフルなモニタリングツールにすばやく簡単にアクセスできます。これらのパネルは三脚、ハンドヘルド、URSA Mini Shoulder Kitでの撮影で、指先で使用できるように設計されています。

前方コントロールパネル

URSA Broadcast G2の前方コントロールパネルには、撮影/収録のセットアップ中に調整が必要なコントロールがすべてまとめられています。URSA Mini Shoulder Kitを使い、開閉式モニターを閉じて撮影している場合などに簡単にアクセスできるよう設計されています。



URSA Broadcast G2の前方コントロールパネル

1 電源スイッチ

このスイッチを「ON」の位置にするとURSA Broadcast G2に電源が入ります。「OFF」の位置にするとオフになります。

作業のこつ URSA Broadcast G2の電源のオン/オフは、コントロールパネルのスイッチの組み合わせでも切り替えられます。「録画 (REC)」と「次クリップ頭出し」ボタンを長押しすることで、カメラの電源が入っていない場合はオン、入っている場合はオフにできます。カメラの電源スイッチが「ON」にセットされているにも関わらず電源が入っていない場合は、コントロールパネルで電源が切られた可能性があります。通常の操作に戻るには電源スイッチを切り替えてください。

2 NDフィルター

URSA Broadcast G2は、3つのNDフィルター (ニュートラル・デンシティ・フィルター) を内蔵しています。「クリア (CLEAR)」フィルターの他、設定値は1/4、1/16、1/64から選択できます。これらのフィルターを使用することで、URSA Broadcast G2のセンサーに入る光量を、分数のプリ

セットで削減できます。露出を減らすことで、野外や晴れた日など明るい環境での撮影において、ワイドアパーチャーで撮影を継続できます。

ニュートラル・デンシティ設定を調整するには、ホイールを回転させます。「クリア (CLEAR)」設定は、NDフィルターが使用されていない状態です。設定1/4～1/64では、NDフィルターのデンシティが徐々に上がるので、必要に応じて光量を減少できます。

各NDフィルターの呼称は人によって異なるため、LCDメニューでNDフィルターの名称をカスタマイズできます。NDフィルターを「番号 (Number)」、光量を削減する「F値 (Stop)」、フィルターにより削減される光量を表す「分数 (Fraction)」で識別できるので、任意の識別方法を選択してください。

ニュートラル・デンシティ・フィルター設定

ホイール位置	ND番号	F値	分数
1	クリア	0	1
2	0.6	2	1/4
3	1.2	4	1/16
4	1.8	6	1/64

3 設定ホイール

ホイールの隣にある3ポジションのスイッチで、同ホイールの機能を設定します。オプションは「ヘッドフォン (H PHONE)」、「モニター (MONITOR)」、「アイリス (IRIS)」です。

ヘッドフォン (H PHONE)

設定ホイールを「H PHONE」に設定すると、ヘッドフォンのオーディオレベルを調整できます。ホイールを上へ回すとボリュームが上がり、下へ回すと下がります。

モニター (MONITOR)

設定ホイールを「MONITOR」に設定すると、カメラの内蔵モニタースピーカのオーディオレベルを調整できます。スピーカはLCDモニタードアの外側に配置されており、ヘッドフォンを使用しなくてもオーディオモニタリングが可能です。ホイールを上へ回すとボリュームが上がり、下へ回すと下がります。カメラの内部マイクを使用して撮影している場合、フィードバックを防止するため、この機能は無効になります。

アイリス (IRIS)

設定ホイールを「IRIS」に設定すると、URSA Broadcast G2にマウントされた互換レンズのアパーチャーを調整できます。設定ホイールを下に回すとアイリスが開き、上に回すとアイリスが閉じます。この方向は、調整可能なスチル/シネマレンズのアパーチャー操作に倣っています。

作業のこつ アパーチャー設定を設定ホイールで変更するには、カメラ経由でアパーチャーを変更できるレンズがURSA Broadcast G2に装着されている必要があります。B4/PLレンズを放送用12ピンコネクタで接続して使用する場合は、ハンドグリップのレンズアイリススイッチが「A」または「Auto」に設定されていることを確認してください。

4 メニュー (MENU) ホイールおよびバック (BACK) ボタン

カメラの「フロントSDI (Front SDI)」出力の「ステータステキスト (STATUS TEXT)」をオンにしている場合、通常はLCDタッチスクリーン経由でアクセスするヘッドアップディスプレイ機能の多くに、メニューホイールを使ってナビゲートできます。

メニューホイールをボタンのように押すと、Blackmagic SmartView、Video Assist、URSA Viewfinderなどの外部モニターでURSA Broadcast G2のヘッドアップディスプレイにアクセスできます。メニューホイールをアクティブにしてホイールを回すと、LCDモニターオプション、フレームレート、ISO、ホワイトバランス、ティントなどの機能を選択できます。ホイールを押して選択を確定し、変更を続けます。キャンセルするにはホイールの隣にある「バック (BACK)」ボタンを押します。「BACK」ボタンを使用すると、メニューの上の階層に移動したり、一番上の階層にいる場合はメニューを終了することもできます。1分間使用していないと、メニューは自動的に閉じます。

ステータステキストの設定および使用可能なコントロールに関する詳細は、このマニュアルの「タッチスクリーンコントロール」および「モニター設定 (MONITOR)」セクションを参照してください。

5 ロック (LOCK)

このスイッチは、前方コントロールパネルのすべてのコントロールをロックでき、撮影中に誤って設定が変更されることを防ぎます。スイッチを下の方位置にするとロックがかかり、上の位置にするとロックが解除されます。

作業のこつ 慌ただしい、または予測がつかない環境でカメラを離れる場合、URSA Broadcast G2の前方コントロールパネルをロックできます。これにより、意図せずに設定が変更されてしまうことを防ぎます。

6 ISO、シャッター (SHUTTER)、ホワイトバランス (WHITE BAL) スイッチ

これらの小型スイッチは、ISO/ゲイン、ホワイトバランス、シャッター設定の調整に使用します。ショットから目を離さずにすばやく設定を調整したい場合に役立ちます。スイッチをゆっくりと上下に押すことで設定を調整できます。これらのスイッチはスプリング式なので、常にニュートラル・ポジションに戻ります。

ISO/ゲイン (ISO/GAIN)

スイッチをゆっくりと上下に押してカメラのゲイン設定を調整できます。スイッチを押し上げると設定が1/3段上がり、下げると1/3段下がります。設定できる範囲は-12~36dBです。

シャッター (SHUTTER)

カメラのシャッタースピードを調整します。上に押すとシャッタースピードが次のプリセットに上がり、下に押すとシャッタースピードが次のプリセットに下がります。スイッチを上または下に押し続けると数値が変わる速度が上がります。1/24~1/2000までの間で12のシャッタースピードのプリセットが用意されています。

作業のこつ URSA Broadcast G2は各地域の電力周波数に基づき、フリッカーフリーのシャッタースピードを表示します。これは、LCDタッチスクリーンメニューで選択する必要があります。詳細は、このマニュアルの「タッチスクリーンコントロール」セクションを参照してください。

ホワイトバランス (WHITE BAL)

カメラのホワイトバランスを調整できます。上に押すと色温度が50K上がり、下に押すと50K下がります。スイッチを上または下に押し続けると数値が変わる速度が上がります。

7 自動ホワイトバランスボタン (AUTO W/B)

このボタンを押すと、自動ホワイトバランスの白いボックスがLCDの中央に5秒間表示されます。このボックスは、メニュー画面でステータステキスト設定を有効にしているSDI出力すべてに表示されます。このボックス内のイメージに基づいてホワイトバランスが計算されるため、ボックス内にグレーのカードを配置するようにします。「自動ホワイトバランス (AUTO W/B)」

ボタンを3秒間長押しすると、自動ホワイトバランスが実行されます。適切に調整が実行されると、ボックスが白から緑に変わります。

URSA Broadcast G2のフロント/メインSDI出力のステータステキストの詳細は、このマニュアルの「モニター設定 (MONITOR)」セクションを参照してください。

8 F1およびF2

F1とF2は機能キーです。URSA Broadcast G2の「セットアップ (SETUP)」メニューを使い、使用頻度の高い機能をこれらのボタンにプログラムできます。デフォルトでは、F1はLCDおよびSDI出力で「フォーカスズーム (Focus Zoom)」、F2はLCDで「フォルスカラー (False Color)」に設定されています。

詳細は、このマニュアルの「タッチスクリーンコントロール」セクションを参照してください。

HFR

オフスピードフレームレートの切り替えに使用します。このボタンを使用するには、URSA Broadcast G2のフレームレートメニューで、使用したいオフスピードフレームレート (OFF SPEED FRAME RATE) を選択します。このボタンを押すと、選択したオフスピードフレームレートとプロジェクトフレームレート (PROJECT FRAME RATE) が切り替わります。この設定を変更できるのは、収録を停止している時だけです。HFRボタンは機能キーでもあり、頻繁に使用する機能をボタンにプログラムしたり、無効にできます。

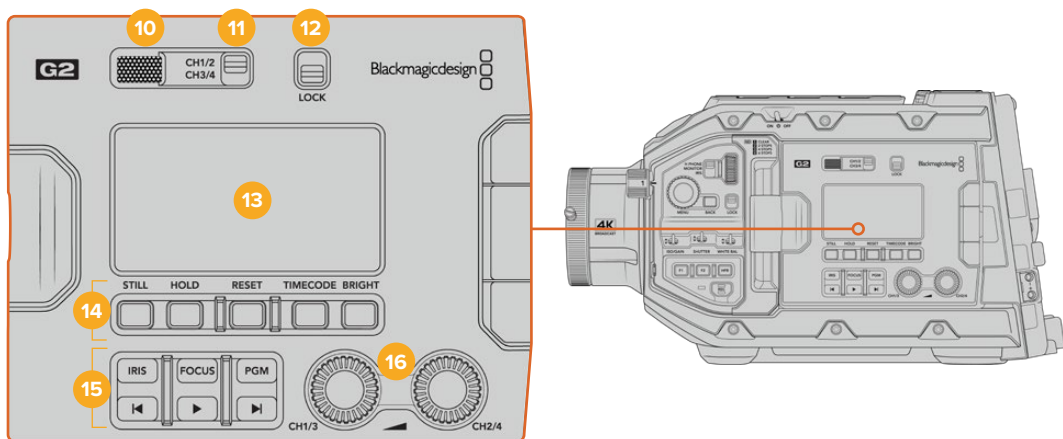
プロジェクトフレームレートおよびオフスピードフレームレートに関する詳細は、このマニュアルの「タッチスクリーンコントロール」セクションを参照してください。

9 録画

「REC」と印刷された録画ボタンは、URSA Broadcast G2の左パネルにあります。録画ボタンを押すと、収録を開始/停止できます。詳細は「収録」セクションを参照してください。

エルゴノミクスパネル

URSA Broadcast G2のタッチスクリーンモニターの外側には、LCDステータスマニターと様々なコントロールが付いています。このパネルではカメラのステータス情報を一目で確認でき、オーディオレベルのモニタリングおよび調整が可能です。互換性のあるレンズでオートフォーカスを設定でき、トランスポートコントロールでクリップを再生できます。



URSA Broadcast G2エルゴノミクスパネル

10 モニタースピーカー

コントロールパネルの外側に付いている小型スピーカーで、再生中にオーディオをモニタリングできます。このスピーカーはカメラを肩乗せで撮影する時に、耳の位置に合うように配置されています。

スピーカーのボリュームは設定ホイールを回して調整できます。詳細は「URSA Broadcast G2のコントロール」セクションを参照してください。

11 モニターチャンネル選択 (CH1/2、CH3/4)

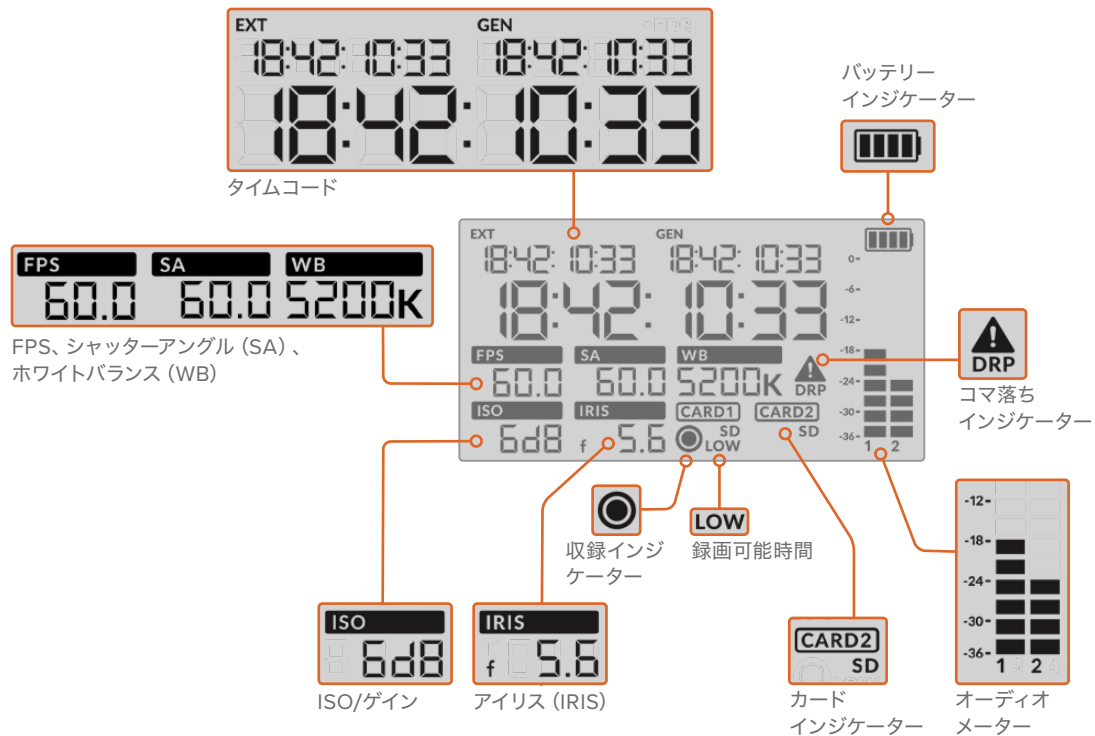
URSA Broadcast G2は、2つのオーディオチャンネルに対応しています。

12 ロック (LOCK)

このスイッチを使うと、URSA Broadcast G2のエルゴノミクスパネルのすべての設定をロックできます。ロックスイッチがオンになっていても使用できるコントロールは、モニターチャンネル選択スイッチだけです。

13 ステータスLCD

URSA Broadcast G2の主要な設定は、タッチスクリーンを開かなくてもステータスLCDで一目で確認できます。このスクリーンは明るい太陽光の下でも見やすいように設計されています。以下の情報を確認できます：



タイムコード

URSA Broadcast G2は3つのタイムコードを表示します。外部タイムコードを接続している場合は、ステータスLCDの左上の「EXT」インジケータの下に表示されます。カメラで内部生成されたタイムコードは、その隣の「GEN」インジケータの下に表示されます。外部タイムコードおよび内部生成タイムコードは、いずれも時間、分、秒、フレームで表示されます。

大きいメインのタイムコードインジケータは、現在のタイムコードをクリップ継続時間またはクリップタイムコードのどちらかで表示します。ステータスLCDの下にある「タイムコード (TIMECODE)」ボタンを押すと、この2つのディスプレイモードを切り替えられます。

バッテリーインジケータ

URSA Broadcast G2をバッテリー稼働している場合にバッテリー残量を25%刻みで表示します。バッテリーインジケータの4つのバーはそれぞれ25%のバッテリー残量を示します。

バッテリー残量が20%以下になると、録画ボタンの近くにあるステータスLEDの色が点滅し始めます。収録中は赤とオレンジが交互にゆっくり点滅し、スタンバイモードでは白とオレンジが交互に点滅します。

主電源コネクタがカメラに接続されている場合、バッテリーインジケータはフルと表示されます。

FPS、シャッターアングル (SA)、ホワイトバランス (WB)

「FPS」、「SA」、「WB」インジケータは、カメラの現在のフレームレート、シャッターアングル、ホワイトバランスを表示します。「FPS」インジケータには現在のセンサーフレームレートが表示されます。

センサー/プロジェクトフレームレートに関する詳細は、このマニュアルの「タッチスクリーンコントロール」セクションを参照してください。

ISO/ゲイン (ISO)

カメラの現在のゲインを表示します。

アイリス (IRIS)

現在のレンズアパーチャーを表示します。レンズの種類により、F値またはT値で表示されます。

カード情報

「CARD1」および「CARD2」インジケータは、対応するスロットにカードが挿入されている時にURSA Broadcast G2のステータスLCDに表示されます。

「SD」インジケータは、SDカードに収録している時に表示され、CFastカードに収録している時は非表示になります。

収録インジケータ

収録中、現在書き込まれているカードの下に丸いインジケータが表示されます。

録画可能時間インジケータ

録画可能時間が約5分になると対応するカードの下に「LOW」インジケータが表示されます。

オーディオメーター

ピークオーディオメーターは、内部マイクまたは外部オーディオのオーディオレベルを表示します。単位はdBFSで表示され、ピークホールド・インジケータはしばらく表示されるので、最大レベルに達したことがはっきりと確認できます。

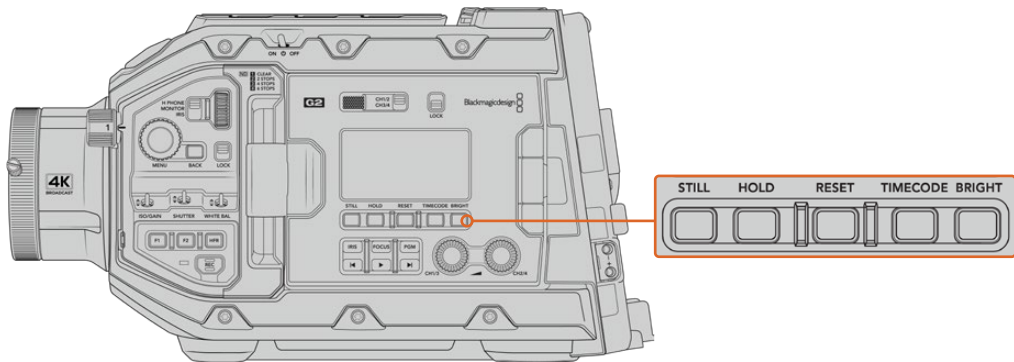
最適な音質を得るためには、オーディオレベルが0dBFSを越えないようにしてください。0dBFSはカメラが収録可能な最高のレベルなので、これを超えるオーディオはクリップされ、歪みの原因となります。

コマ落ちインジケータ

コマ落ちを検出すると点滅します。収録を停止してもインジケータはスクリーン上に表示され続け、前のクリップにコマ落ちが検出されたことを知らせます。次の収録を開始するか、カメラを再起動するとこの警告は非表示になります。コマ落ち発生の防止に関しては、このマニュアルの「ストレージメディアの選択」セクションを参照してください。

メモ URSA Broadcast G2は、コマ落ちが検出された際に収録を停止するように設定できます。詳細は、このマニュアルの「収録設定 (RECORD)」セクションを参照してください。この機能はユーザー任意の設定です。これは、高フレームレートや高解像度で遅いメディアに短時間の収録を行なっている場合、コマ落ちを回避できることがあるからです。

14 ステータスLCDコントロール



URSA Broadcast G2のステータスLCDコントロール

スチル (STILL)

このボタンを押すと、スチルイメージを単一の非圧縮DNGフレームとしてキャプチャーできます。イメージファイルは、現在収録しているメディアのルートディレクトリにある「Stills」フォルダーに保存されます。これらはビデオクリップのファイル命名規則に従いますが、ファイル名の末尾の4桁は、「スチル番号」を意味する「S001」になります。スチルが保存されると、カメライメージがURSA Broadcast G2タッチスクリーンの右上に表示され、ステータスLCDの収録インジケータが3回点滅します。

ホールド (HOLD)

タイムコードがフリーランの時刻コードの場合に、メインのステータスLCDタイムコードを一時的にホールドする時に使用します。タイムコードはバックグラウンドで回り続け、「HOLD」ボタンを離すと実際のタイムコードに戻ります。何らかの理由でタイムコードを書き留めたい場合に、ホールドしながらタイムコードをメモできます。ENG (電子的ニュース取材) やドキュメンタリーの制作で、キーポイントを手早くメモしたい場合などに最適です。

リセット (RESET)

プリセットタイムコードを設定する際、タイムコードを00:00:00:00にリセットできます。

タイムコード (TIMECODE)

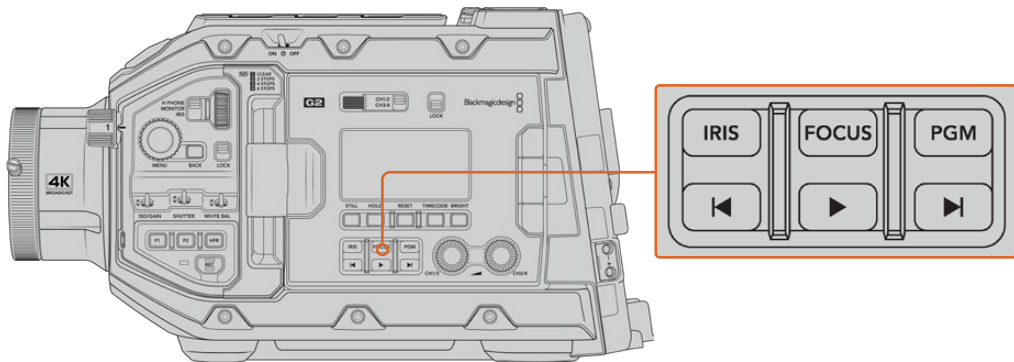
メインのタイムコード表示のフォーマットを、クリップの継続時間とタイムコードで切り替えられます。フリーランの時刻コードは最も使用頻度が高いので、デフォルトのタイムコードとして設定されています。「TIMECODE」ボタンを5秒間長押しすると、カメラがレックラン・タイムコードになり、タイムコードジェネレーターおよび大きなタイムコード表示の始めの2桁が点滅します。これは、プリセットタイムコードを編集していることを意味し、プリセットタイムコードに特定のタイムコードを設定できます。

この段階で「RESET」ボタンを押すとタイムコードがゼロになります。メニューホイール (MENU) を回して押すことで、時間、分、秒、フレームを希望の数値に設定できます。希望通りのタイムコードを設定したら、「TIMECODE」ボタンを3秒間長押しすると、プリセットタイムコード・ポイントとして設定できます。設定したらタイムコードジェネレーターがこの数値を表示します。これで、カメラが収録を行っている時にのみタイムコードの数値が動きます。タイムコードをフリーランの時刻コードに戻すには、「TIMECODE」と「HOLD」ボタンを同時に3秒間長押しします。

明るさ (BRIGHT)

URSA Broadcast G2のLCDの4つの明るさ設定を切り替えられます。設定には、オフ、低、中、高 (Off, Low, Medium, High) があります。

15 コントロール/再生ボタン



URSA Broadcast G2のコントロール/再生ボタン

アイリス (IRIS)

互換性のあるレンズで自動アパーチャー設定をオンにします。「Video」ダイナミックレンジを使用している場合、「IRIS」ボタンを1回押すと、ショットのハイライトまたはシャドウに基づいた平均の露出が設定されます。「Film」ダイナミックレンジ設定を使用している場合、「IRIS」ボタンを押すと、ショットの最も明るいハイライトに露出が設定されます。このボタンは、互換性のある放送用レンズコントローラーに接続した互換性のあるEF/PLレンズと機能します。

アパーチャーをマニュアルで設定するには、「次クリップ/前クリップの頭出し」ボタンを押します。

フォーカス (FOCUS)

電子フォーカス調整に対応するB4/EFレンズを使用している場合、「FOCUS」ボタンを押すとオートフォーカス機能がオンになります。白いフォーカススクエアが、URSA Broadcast G2に接続したあらゆるビューファインダーやモニターに表示されます。スクエアの内側にあるものに正確にフォーカスが合います。レンズがフォーカスされると、スクエアは消えます。

メモ 「FOCUS」ボタンを使用するには、B4レンズがサーボ駆動のフォーカスコントロールに対応しており、有効になっている必要があります。詳細は「はじめに」セクションを参照してください。一部のEFレンズは、マニュアルとオートフォーカスモードの両方を搭載しています。オプションのEFレンズマウントを使用しており、手持ちのレンズでURSA Broadcast G2のオートフォーカスを有効にするには、必ずレンズをオートフォーカスモードに設定してください。

プログラム (PGM)

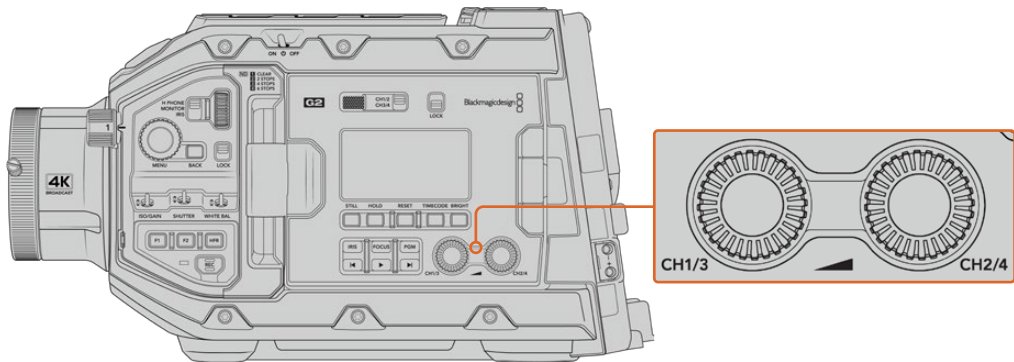
「PGM」と印刷されたプログラムボタンでは、LCDとフロントSDIの表示を、カメラビューとリアパネルの12G-SDI入力に接続された信号で切り替えられます。URSA Broadcast G2を生放送で使用する際にスイッチャーのプログラム出力を接続して、撮影中にモニタリングすることも可能です。「PGM」ボタンを長押しするとプログラムフィードを表示できます。プログラムフィードはボタンを押している間、表示されます。

LCDとフロントSDIをプログラム入力フィード表示にロックしたい場合は、「PGM」ボタンを2度押しするとプログラムフィードにロックできます。再度「PGM」ボタンを押すとプログラムフィード表示からカメラビューへ切り替わります。

再生コントロールボタン

再生の開始/停止、次/前のクリップの頭出しが可能です。互換性のあるEFレンズを使用している場合、次/前クリップの頭出しボタンを、アイリスの開閉ボタンとしても使用できます。再生コントロールボタンの使用に関する詳細は、「再生」セクションを参照してください。

16 オーディオレベル調整ノブ

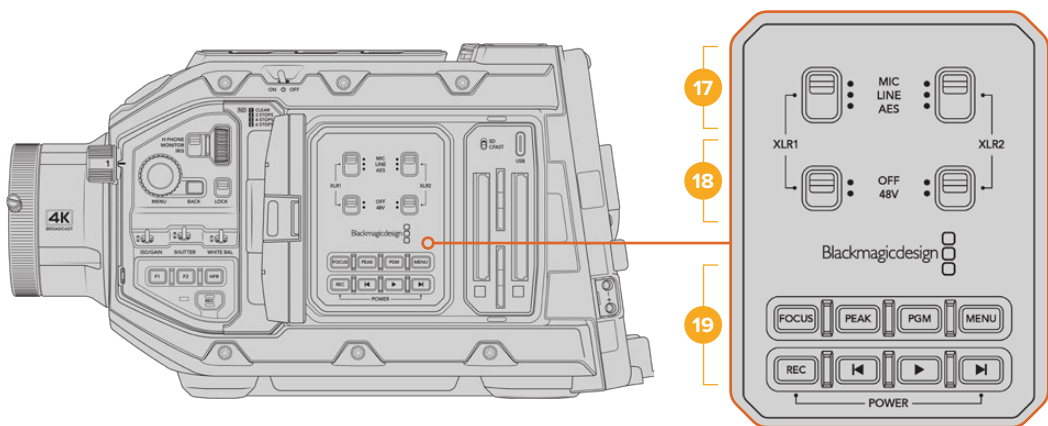


URSA Broadcast G2のオーディオ調整ノブ

内蔵の調整ノブでオーディオチャンネル1と2の収録レベルを設定します。各ノブを時計回り/反時計回りに回すと、各オーディオチャンネルの収録レベルを上下に調整できます。各ノブを調整しながらオンスクリーンの対応するオーディオメーターを確認できるので、最適なレベルに設定できます。

内部コントロールパネル

URSA Broadcast G2の開閉式モニターを開くと、内部コントロールパネルにアクセスできます。このコントロールは、オーディオ入力の設定およびファンタム電源設定、アイリス、フォーカス、メニュー、再生コントロールなどに使用します。



URSA Broadcast G2の内部コントロールパネル

17 XLR1 / XLR2

これらのスイッチは、URSA Broadcast G2のXLR入力が入力ソースとして選択されている時の機能を設定します。使用可能なオプションは、MICオーディオ、LINEレベルオーディオ、AESデジタルオーディオです。

18 ファンタム電源

URSA Broadcast G2のXLR入力は48Vファンタム電源に対応しているので、電源を内蔵していないマイクも使用できます。同スイッチを「48V」にして上のXLRに接続されたマイク用にファンタム電源を有効にするか、オフにしてファンタム電源を無効にします。

XLRケーブルはファンタム電源をオンにする前に接続してください。ファンタム電源を使ったマイクを接続していない場合は、必ずファンタム電源をオフにすることが重要です。カメラのXLRオーディオ入力からのファンタム電源を供給中に、ファンタム電源保護がAES XLR出力に内蔵されていないデバイスを接続すると機器が破損する原因となります。マイクを取り外す際は、必ず+48Vがオフになっているのを確認してください。

19 コントロール/再生ボタン

フォーカス (FOCUS)

電子フォーカス調整に対応するB4/EFレンズを使用している場合、「FOCUS」ボタンを押すとオートフォーカス機能がオンになります。開閉式モニターに、白いフォーカススクエアが表示されます。スクエアの内側にあるものに正確にフォーカスが合います。レンズがフォーカスされると、スクエアは消えます。

「FOCUS」ボタンを使用するには、B4レンズがサーボ駆動のフォーカスコントロールに対応しており、有効になっている必要があります。詳細は「はじめに」セクションを参照してください。EFレンズには手動/オートフォーカスモードの両方に対応しているモデルもあります。お使いのレンズでURSA Broadcast G2のオートフォーカスを有効にするには、必ずレンズをオートフォーカスモードに設定してください。

ピーク (PEAK)

フォーカスピーキングがオンになります。カメラには2つのフォーカスピーキングモードがあります。ピーキング (Peaking) はフォーカスになっているイメージの領域を人工的にシャープにし、カラーライン (Colored Lines) はイメージのシャープな領域を黒、白、赤、緑、青のラインのオーバーレイで表示します。詳細は、このマニュアルの「モニター設定 (MONITOR)」セクションを参照してください。

作業のこつ Blackmagic Video AssistまたはHyperDeck Studio HD Miniでビデオ出力を収録している場合、同出力のピーキングをオフにすることを推奨します。これは、「フロントSDI (Front SDI)」または「メインSDI (Main SDI)」の「クリーンフィード (CLEAN FEED)」で設定できます。

詳細は、このマニュアルの「モニター設定 (MONITOR)」設定」セクションの「クリーンフィード (CLEAN FEED)」を参照してください。

プログラム (PGM)

「PGM」と印刷されたプログラムボタンでは、LCDとフロントSDIの表示を、カメラビューとリアパネルの12G-SDI入力に接続された信号で切り替えられます。URSA Broadcast G2を生放送で使用する際にスイッチャーのプログラム出力を接続して、撮影中にモニタリングすることも可能です。「PGM」ボタンを長押しするとプログラムフィードを表示できます。ボタンを2度押しするとプログラムフィードにロックできます。再度ボタンを押すとプログラムフィードがオフになります。

スイッチャーのプログラム出力を表示するには、カメラとスイッチャーが同じ解像度およびフレームレートに設定されている必要があります。

メニュー (MENU)

「MENU」ボタンを押すとダッシュボードが開きます。ダッシュボード機能と設定の調整に関する詳細は、「設定」セクションを参照してください。

録画 (REC)

いずれかの「REC」ボタンを押すと、収録を開始/停止できます。詳細は「収録」セクションを参照してください。

再生コントロールボタン

再生の開始/停止、次/前のクリップの頭出しが可能です。EFマウントで互換性のあるEFレンズを使用している場合、次/前クリップの頭出しボタンを、アイリスの開閉ボタンとしても使用できます。再生コントロールボタンの使用に関する詳細は、「再生」セクションを参照してください。

メモ URSA Broadcast G2の内部コントロールパネルのボタンの組み合わせで電源をオン/オフできます。「録画 (REC)」と「次クリップ頭出し」ボタンを長押しすることで、カメラの電源が入っていない場合はオン、入っている場合はオフにできます。カメラの電源スイッチが「ON」にセットされているにもかかわらず電源が入っていない場合は、コントロールパネルで電源が切られた可能性があります。通常の操作に戻るには電源スイッチを切り替えてください。



カメラのビデオ出力

HDモニタリング出力

Blackmagic URSA Broadcast G2のダウンコンバート3G-SDI出力は、常に1080 HDビデオを出力するので、ルーター、モニター、SDIキャプチャー機器、放送用スイッチャー、その他のSDI機器に簡単に出力できます。この出力は、タッチスクリーンの設定メニューでは「フロント (Front SDI)」と表記されています。

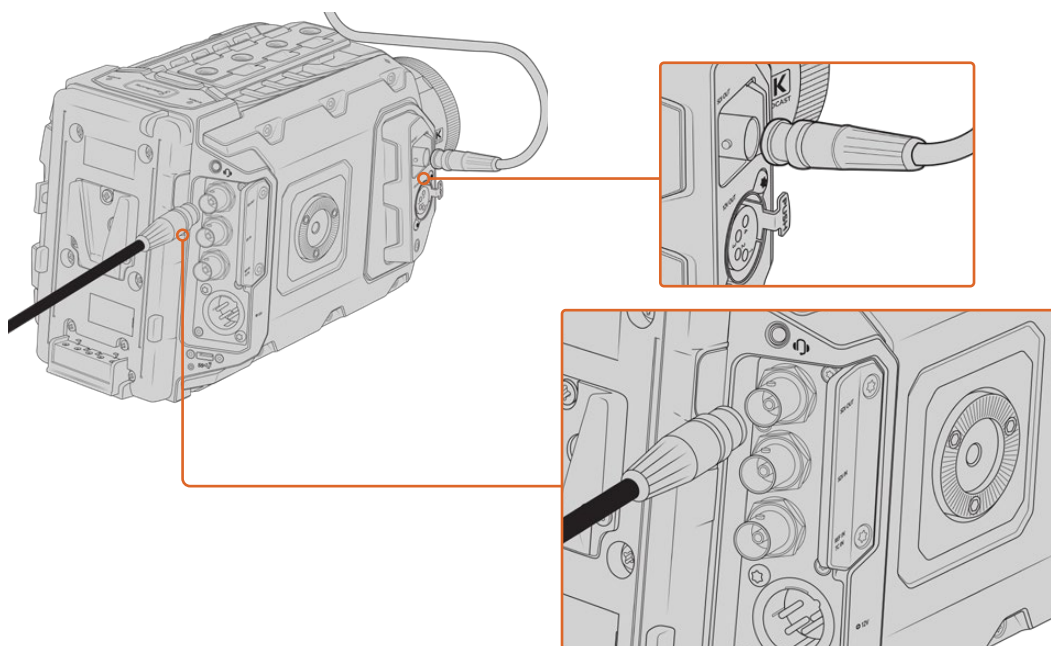
12G-SDI出力

リアパネルの12G-SDI出力コネクタは、1本のSDIケーブルで、2160p50、59.94、60など高フレームレートのプログレッシブ・フォーマットのHDおよびUltra HDビデオに対応しています。また1080i50、59.94、60を含むインターレースHDフォーマットもサポートしています。12G-SDI出力を使用して、あらゆるSDIモニター、さらにATEM Production Studio 4KなどのUltra HDスイッチャーに接続できます。この出力をHDまたはUltra HDに切り替えるには、タッチスクリーンの「モニター (MONITOR)」タブの「メインSDI (Main SDI)」で「SDI出力 (SDI OUTPUT)」を1080pまたは2160pに設定します。詳細は、このマニュアルの「モニター設定 (MONITOR)」セクションを参照してください。

ビデオスイッチャーに接続

SDI出力を使えば、カメラをテレビのライブプロダクションに使用できます。リアパネルのSDI出力をプロダクションスイッチャーに直接接続してライブプロダクションに使用したり、あるいはATEM Camera Converterに接続して信号を光ファイバーに変換すれば、ロケ現場で数百メートル離れた場所にある中継車にも送信可能です。

スイッチャーに接続すると、スイッチャーのプログラム出力をBlackmagic URSA Broadcast G2で簡単に確認できます。これを実行するには、まずスイッチャーをカメラ背面の12G-SDI入力に接続します。次にカメラの開閉式モニターで「プログラム (PGM)」ボタンを押します。カメラのイメージに戻すには、再度「PGM」ボタンを押します。



12G-SDI出力は、あらゆる1080 HD/Ultra HDライブプロダクションスイッチャーやモニターに接続できます。HDモニタリング出力は、Blackmagic URSA Viewfinderなどの外部ビューファインダーや、あるいはジブアームやクレーンなどのプロダクション機器にマウントしている場合は、外部モニターに接続できます。

モニターに接続

鳥瞰撮影やカーマウント、クレーンマウントの使用時など、開閉式モニターへのアクセスが困難な場合は、SDIモニタリングが非常に役立ちます。

HD-SDIモニタリング出力コネクターから表示するモニタリング情報は、「モニター (MONITOR)」タブの「フロントSDI (Front SDI)」で調整できます。これらの設定で、フレームガイドや、撮影の詳細、カメラ設定などの情報を有効にできます。単にショットをモニタリングしたい場合は、いつでもSDIオーバーレイ設定をオフにして、クリーンSDIフィードを出力できます。

SDI出力をSDIモニターやBlackmagic SmartScope Duo 4Kに接続すれば、波形のライブモニタリングが可能です。

メモ リアSDI出力および3G-SDIモニタリング出力は、「Film」ダイナミックレンジで「Gen 5 Film to Rec 2020 Hybrid Log Gamma」または「Gen 5 Film to Rec 2020 PQ Gamma」LUTをSDI出力に使用している場合、補助データ付きのHDRビデオに自動的にフラグを付けます。つまり、どちらかSDI出力をHDRが有効にされたスクリーンに接続すると、驚異的なHDRイメージを表示できます。

SDI出力フォーマット

リアSDI出力	2160p23.98、24、25、29.97、30、50、59.94、60 1080p23.98、24、25、29.97、30、50、59.94、60 1080i50、59.94、60
3G-SDIモニタリング出力	1080p23.98、24、25、29.97、30、50、59.94、60 1080i50、59.94、60

作業のコツ 一度に2つのコーデックを使用したライブ収録や、同時バックアップを行う場合、URSA Broadcast G2のリアSDI出力から、Blackmagic Video AssistやHyperDeckにフィードできます。

タッチスクリーンコントロール

タッチスクリーン

Blackmagic URSA Broadcast G2の開閉式LCDタッチスクリーンは回転するので、撮影状況に応じて角度を変更できます。カメラを肩に乗せてLCDを閉じ、URSA Viewfinderを使用して撮影する場合は、LCDパネルの外側にあるボタンでURSA Broadcast G2をコントロールできます。

タッチスクリーンの機能

LCDタッチスクリーンは、すばやく直感的な操作を可能にするよう設計されたタッチ/ジェスチャーベースのインターフェースです。URSA Broadcast G2のLCDタッチスクリーンの異なるエリアをタッチ/スワイプすることで、撮影中に様々なカメラ機能にすばやくアクセスできます。

タッチスクリーンには、上下にツールバーが表示されます。上部のツールバーでは、シャッタースピード、絞り、ゲインコントロールなどの頻繁に使用される設定にアクセスできます。底部のツールバーには、ストレンジインジケータ、オーディオメーター、トランスポートコントロール、ヒストグラムなどが含まれます。

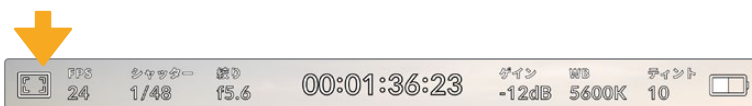


URSA Broadcast G2のLCDタッチスクリーンは包括的なヘッドアップディスプレイを搭載。最も頻繁に使用するカメラの設定に簡単にアクセス可能。

上部ツールバー

LCDモニターオプション

URSA Broadcast G2のLCDタッチスクリーンの左上にあるモニターアイコンをタップすると、LCDモニター設定にアクセスできます。これらの設定では、ゼブラ、フォーカスアシスト、フレームガイド、グリッドなど、URSA Broadcast G2のモニタリング機能の表示を切り替え/調整できます。LCDモニター設定にアクセス中は、これらの機能のコントロールはLCDタッチスクリーンの底部にタブメニューとして表示されます。

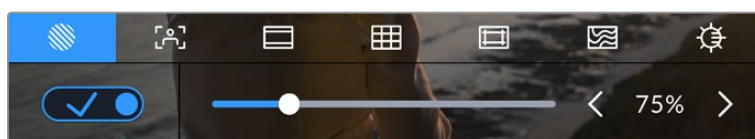


URSA Broadcast G2のLCDタッチスクリーンの左上にあるアイコンをタップして、LCDモニター設定にアクセス

ゼブラ

LCDタッチスクリーン上のゼブラ表示のオン/オフを切り替え、URSA Broadcast G2の全出力におけるゼブラレベルも設定できます。

ゼブラは、イメージ内で、設定した露出レベルを越えた箇所に斜線を表示します。例えば、ゼブラを100%に設定すると露出オーバーのエリアを表示します。この機能は、固定された照明条件で最適な露出を設定する際に役立ちます。



LCDモニターオプションでゼブラアイコンをタップして、URSA Broadcast G2のゼブラ設定にアクセス

LCDタッチスクリーンでゼブラのオン/オフを切り替えるには、ゼブラタブでスクリーン左下のスイッチをタップします。

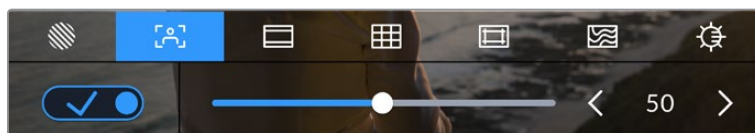
スライダーを左右にドラッグするか、ゼブラレベル (%) の左右にある矢印ボタンをタップして、ゼブラが表示される露出レベルを設定します。8種類のゼブラプリセットが搭載されており、「ミッドグレー」および「ミッドグレー +1ストップ」に続き、75%~100%の露出で5%ずつ調整できます。

カメラのフロント/メインSDI出力のゼブラの使用に関する詳細は、このマニュアルの「モニター設定 (MONITOR)」セクションを参照してください。

作業のこつ 少し雲がかかった日の屋外撮影など照明環境に変化がある場合は、ゼブラレベルを100未満に設定すると露出過多の注意が表示されることがあります。

フォーカスアシスト

LCDタッチスクリーン上のフォーカスアシスト表示のオン/オフを切り替え、URSA Broadcast G2の全出力のフォーカスアシストレベルを設定できます。



LCDモニターオプションでフォーカスアシストアイコンをタップして、URSA Broadcast G2のフォーカスアシスト設定にアクセス

LCDタッチスクリーンでフォーカスアシストのオン/オフを切り替えるには、フォーカスアシストタブで、スクリーン左下のスイッチをタップします。

URSA Broadcast G2の全出力におけるフォーカスアシストのレベルを設定するには、タッチスクリーン底部のスライダーを左右にドラッグするか、フォーカスアシストのレベルの左右にある矢印をタップします。

フォーカスアシストの最適なレベルはショットごとに異なります。例えば、人物にフォーカスを合わせる場合は、フォーカスアシストのレベルを上げることで顔のエッジのディテールを際立たせることができます。逆に草木やレンガなどのショットでは、フォーカスアシストを高く設定するとディテールが増えず、イメージの邪魔になる恐れがあります。

カメラのフロント/メインSDI出力のフォーカスアシストの使用に関する詳細は、このマニュアルの「モニター設定 (MONITOR)」セクションを参照してください。

作業のこつ URSA Broadcast G2のフォーカスアシストには2つのモードがあります。これらのモードは、「モニター (MONITOR)」設定メニューで「ピーキング (Peaking)」または「カラーライン (Colored Lines)」を選択して切り替えられます。詳細は「モニター設定 (MONITOR)」と「フォーカスアシスト」セクションを参照してください。

フレームガイド

LCDタッチスクリーン上のフレームガイド表示を切り替えます。URSA Broadcast G2の全出力に適用するフレームガイドも選択できます。

フレームガイドには、様々な映画、テレビ、オンライン規格のアスペクトレシオが含まれます。



LCDモニターオプションでフレームガイドアイコンをタップして、URSA Broadcast G2のフレームガイド設定にアクセス

URSA Broadcast G2のLCDタッチスクリーンでフレームガイド表示のオン/オフを切り替えるには、スクリーン左下のスイッチをタップします。

スライダーを左右にドラッグするか、現在選択されているアスペクトレシオの横の矢印ボタンをタップして、使用したいフレームガイドを選択します。

選択できるガイド：

2.35:1、2.39:1、2.4:1

幅広いワイドスクリーンのアスペクトレシオを表示します。アナモルフィック、あるいはフラット・ワイドスクリーンシネマと互換。この3つのワイドスクリーン設定は、時代と共に変わるシネマ規格の変更に依りて若干異なっています。2.39:1は、今日のシネマワイドスクリーン規格として最も多く使用されるアスペクトレシオのひとつです。

2:1

幅は、16:9より少し広く、2.35:1ほど広くない比率です。

1.85:1

もう1つの一般的なフラット・ワイドスクリーンのシネマアスペクトレシオを表示します。この比率は、HDTV 1.78:1より若干幅広く、2.39:1ほど広くはありません。

16:9

1.78:1のアスペクトレシオを表示します。16:9 HDテレビおよびコンピュータースクリーンと互換。

この比率は、HD放送やオンラインビデオで最も一般的に使用されています。同じアスペクトレシオがUltra HD放送にも使用されています。

14:9

14:9のアスペクトレシオを表示します。16:9と4:3の折衷的な比率として一部の放送局で使用されています。14:9に合わせてセンタークロップしても、16:9や4:3のフッターが使用可能な状態であることが理想的です。制作中のプロジェクトが14:9クロッピングを採用している放送局で使用されることが分かっている場合に、構図のガイドとして使用できます。



14:9フレームガイドを有効にしたURSA Broadcast G2のLCDタッチスクリーン

4:3

4:3のアスペクトレシオを表示します。SDテレビスクリーンと互換。2xアナモルフィックアダプターを使用している場合、フレーミングをサポート。

1:1

1:1のアスペクトレシオを表示。これは4:3より若干狭い比率です。この正方形のアスペクトレシオは、SNSで人気が高まっています。

4:5

4:5のアスペクトレシオを表示。この縦長のアスペクトレシオは、縦長の映像やスマートフォンでの視聴に適しています。

カスタムフレームガイド・レシオ

他にはない独自のフレームガイドの比率を作成するには、左右の矢印の間に表示されているアスペクトレシオをタップします。「カスタムフレームガイド (CUSTOM FRAME GUIDE)」画面で、バックスペースボタンをタップし、現在のアスペクトレシオを削除し、テンキーパッドで新しい比率を入力します。「アップデート (Update)」をタップして、カスタムフレームガイド・レシオを適用すると、その比率で撮影できるようになります。



「カスタムフレームガイド」画面でテンキーパッドを使用して、フレームガイドの新しいアスペクトレシオを入力

作業のこつ フレームガイドオーバーレイの不透明度は変更可能です。詳細は、このマニュアルの「モニター設定 (MONITOR)」セクションを参照してください。

メモ カメラのフロント/メインSDI出力でのフレームガイドの使用に関する詳細は、このマニュアルの「モニター設定 (MONITOR)」セクションを参照してください。

グリッド

LCDタッチスクリーン上の3x3グリッド (Thirds)、十字線 (Crosshairs)、ドット (Dot) の表示を切り替え、URSA Broadcast G2の全出力で表示するオーバーレイを設定できます。

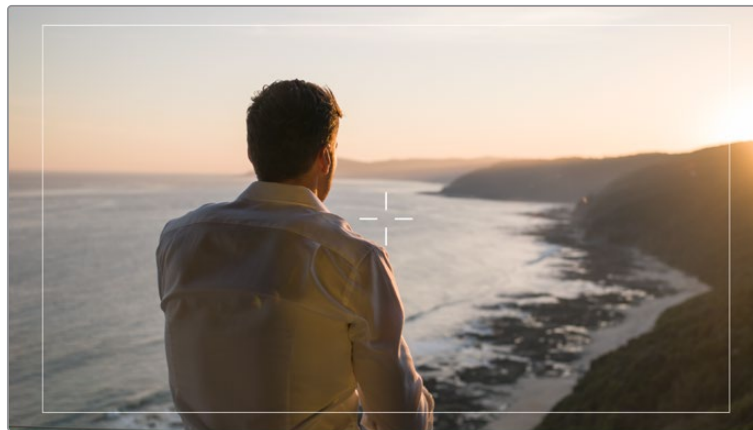


LCDモニターオプションでグリッドアイコンをタップして、URSA Broadcast G2のグリッド設定にアクセス

グリッドおよび十字線はイメージの構図に役立つオーバーレイです。グリッドが有効になっている場合、URSA Broadcast G2は、3x3グリッド、十字線、ドットのいずれかを表示します。

URSA Broadcast G2のタッチスクリーンでグリッド表示のオン/オフを切り替えるには、フレームガイドタブで、スクリーン左下のスイッチをタップします。

URSA Broadcast G2が現在のプログラムソースとして設定され、ATEMスイッチャーに接続されている場合、グリッドがオンに設定され、赤いプログラムタリーの枠が自動的にLCDに表示されます。



タリー信号を送信するATEMスイッチャーに接続されており、グリッドがオンになっている場合、カメラのイメージプレビューの周囲に赤いボーダーが表示されます。

URSA Broadcast G2の全出力に表示するオーバーレイを設定するには、「3x3グリッド (Thirds)」、「十字線 (Crosshairs)」、「ドット (Dot)」のいずれかをタップします。



3x3グリッドのグリッドはスクリーンのフレームガイドに合わせて自動的に調整されます。

3x3グリッド (Thirds)

縦横各2本のラインで画面を均等に3分割する3x3グリッドを表示します。3x3グリッドは、非常にパワフルなツールで、ショットの構図を決めるのに役立ちます。例えば、人間の目は一般的に、これらのラインが交差する付近で起こるアクションに注目するので、3x3グリッド設定は、これらのエリアに重要なポイントを配置する上で役立ちます。俳優の目は一般的にスクリーンの上から1/3のラインにフレーミングされるので、上の横ラインをフレーミングガイドとして使用できます。この設定は、複数のショットでフレーミングの一貫性を保つのに役立ちます。

水平 (Horizon)

水平メーターは、カメラが上下左右に傾いているか確認できるインジケータです。これは、ハンドヘルドでの撮影で水平を維持したり、ジンバルにマウントしたカメラの角度を調整する上で役立ちます。

グレーの縦線と横線が中央のグレーの十字線から離れていると、カメラが傾いていることを意味します。中央にある十字線と薄いグレーの線の間の距離は、傾きの割合と比例しています。カメラのモーションセンサーをキャリブレーションした後は、カメラの傾きが修正されるとインジケータが青に変わります。

カメラが真上を向いていたり、頭上からのショットのためにカメラが真下を向いている場合、水平メーターはこれを考慮して機能します。カメラを回転させ縦長で撮影する場合、水平メーターは軸を90°傾けます。

以下の表は、カメラの傾き状態を示す、水平メーターの表示例です。

水平メーター	意味
	カメラは真っ直ぐで水平
	カメラは水平だが下に傾いている
	カメラは真っ直ぐだが左に傾いている
	カメラは上と右に傾いている

通常の使用方法では、水平メーターが真っ直ぐで水平になるようにキャリブレーションしてください。特定のタッチアングルや、上または下からのショット用に一定の傾きを維持するために水平メーターを使用したい場合は、カメラを傾斜させて水平メーターをキャリブレーションできます。水平メーターのキャリブレーションに関しては、「モーションセンサー・キャリブレーション (MOTION SENSOR CALIBRATION)」を参照してください。

十字線 (Crosshairs)

フレームの中央に十字線を配置します。これは3x3グリッドと同様に非常に便利な構図ツールで、ショットの被写体をフレームの中央に簡単に配置できます。カットが極めてすばやく切り替わるシーンなどの撮影に使用されます。視聴者の目をフレームの中央にフォーカスさせておくことで、速いスピードの編集でもフォローしやすくなります。

ドット (Dot)

フレームの中央にドットを配置します。これは十字線と同じような役割を果たしますが、オーバーレイが小さいので邪魔になりません。

グリッドメニューで2つのオプションをタップすると、3x3グリッドと十字線、または3x3グリッドとドットを組み合わせ使用できます。十字線とドットは同時には使用できません。

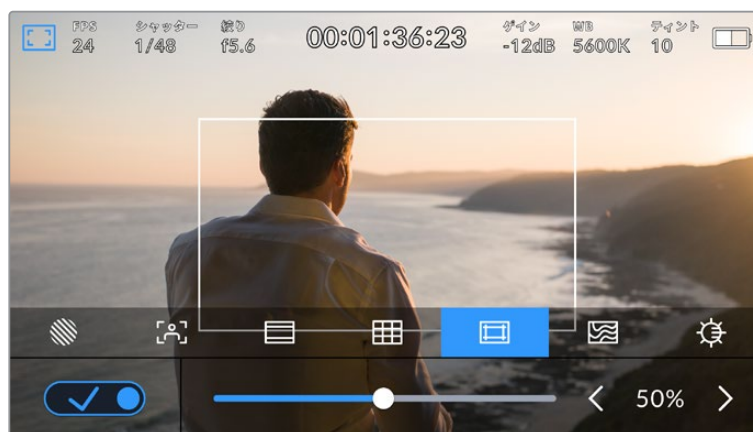
作業のこつ URSA Broadcast G2のフロント/メインSDI出力のグリッドの使用に関する詳細は、このマニュアルの「モニター設定 (MONITOR)」セクションを参照してください。

セーフエリアガイド

LCDタッチスクリーンのセーフエリアガイドのオン/オフを切り替え、URSA Broadcast G2の全出力で使用されるセーフエリアガイドのサイズを設定できます。

セーフエリアは、放送プロダクションで、視聴者がショット内の最も重要な部分を見られるかどうかを確認するために使用します。ショット内の最も重要な部分を、中央の「セーフエリア」内に収めることで、テレビなどでクロッピングされることを防ぎます。またスクリーンの端にウォーターマークやニュースティッカー、その他のオーバーレイを追加するスペースを確保できます。多くの放送局が90%セーフエリアに収まるフッターの納品を要望します。

また、ポストプロダクションでショットがスタビライズされ、イメージの端がクロップされることが事前に分かっている場合のショットのフレーミングに、セーフエリアガイドは役立ちます。またセーフエリアで特定のクロップを表示することもできます。例えば、Ultra HD 3840x2160の収録中にセーフエリアを50%に設定すると、1920x1080のフレームクロップがどのように見えるか確認できます。セーフエリアガイドは、フレームガイドに合わせて調整されます。つまり、選択したパーセンテージに応じて、ターゲットフレームの表示範囲が調整されます。



50%に設定したセーフエリア

LCDタッチスクリーンでセーフエリアガイドのオン/オフを切り替えるには、セーフエリアガイドタブでスクリーン左下のスイッチをタップします。URSA Broadcast G2の全出力のセーフエリアガイドのレベルを設定するには、タッチスクリーン底部で、現在の数値の隣にある左右の矢印アイコンをタップします。またはスライダーを左右にドラッグして調整することも可能です。

フォスカラー

LCDタッチスクリーンのフォスカラー露出アシスタントの表示を切り替えます。

フォスカラーは、イメージ内のエレメントに応じて、異なる露出値を様々なカラーでオーバーレイします。例えば、明るめのスキントーンに最適な露出はピンク、暗めのスキントーンはグリーンで表示されます。人物を撮影する際は、ピンク/グリーンのフォスカラーをモニタリングすることで、スキントーンで一貫性のある露出を維持できます。

同様に、イメージ内のエレメントが黄色から赤に変わった場合は、露出過多になったことを意味しています。



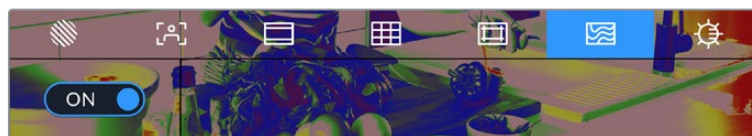
カメラのディスプレイ左側のIREフォスカラーチャートは、異なるフォスカラーの読み方を示します。

フォスカラー	意味
95%WC	ホワイトがクリッピング
80%WC	ホワイトがクリッピング間近
MG+1	中間グレーの1ストップ上
18%MG	中間グレー
NBDL	ブラックのディテールが損失間近
BDL	ブラックのディテールが損失



適切に露出されたイメージでは、スキントーンは緑とピンクのフォスカラーで表示

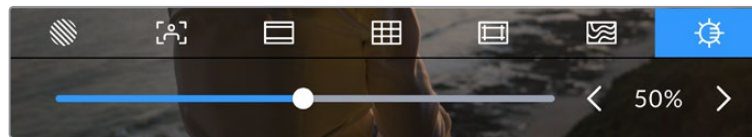
LCDタッチスクリーンでフォスカラーのオン/オフを切り替えるには、フォスカラータブでスクリーン左下のスイッチをタップします。



「フォスカラー」露出アシスタントタブ

LCDの明るさ (LCD BRIGHTNESS)

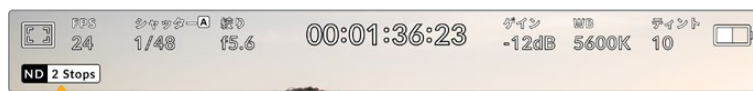
「LCDの明るさ」アイコンをタップし、スライダーを左右にドラッグして、URSA Broadcast G2のタッチスクリーンの明るさを調整します。



50%に設定された「LCDの明るさ (LCD BRIGHTNESS)」

NDフィルターインジケータ

URSA Broadcast G2には、LCDタッチスクリーンの左上にNDフィルターインジケータがあり、すべてのSDI出力にステータステキストが表示されます。インジケータは「セットアップ (SETUP)」メニューで選択した方式で表示されます。

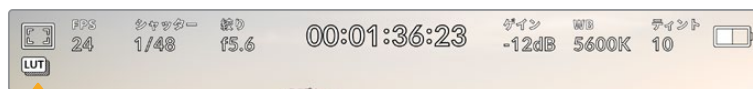


URSA Broadcast G2のNDフィルターインジケータ

メモ NDフィルターインジケータの名称を使い慣れた呼称に変更できます。「番号 (Number)」、「F値 (Stop)」、「分数 (Fraction)」から選択できます。この設定は、URSA Broadcast G2の「セットアップ (SETUP)」メニューで変更できます。

LUTインジケータ

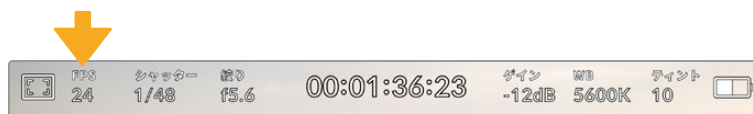
「ステータステキスト (STATUS TEXT)」をオンにしており、当該の出力にLUTを適用している場合、白いアイコンが、LCD、フロントSDI、メインSDIに表示されます。Blackmagic RAWで収録しており、「収録 (RECORD)」設定で「ファイルにLUTを適用 (APPLY LUT IN FILE)」をオンにしている場合、アイコンは青になります。



LUTアイコンでイメージにLUTが適用されていることが確認可能

フレーム/秒 (FPS)

「FPS」インジケータは、現在選択しているフレーム/秒を表示します。



URSA Broadcast G2のフレーム/秒インジケータ。タップしてフレームレート設定にアクセス

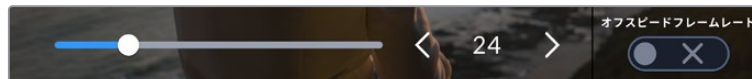
「FPS」インジケータをタップすると、LCDタッチスクリーン底部のメニューでカメラのセンサーおよびプロジェクトフレームレートを変更できます。

プロジェクトフレームレート

プロジェクトフレームレートはURSA Broadcast G2の収録フォーマットのフレームレートで、映画やテレビ業界で一般的に使用されているフレームレートを選択できます。通常、このフレームレートは、ポストプロダクション・ワークフローで使用する再生速度に合わせて設定します。

Blackmagic URSA Broadcast G2は、8つのプロジェクトフレームレート設定に対応しています。設定値は、23.98、24、25、29.97、30、50、59.94、60fpsです。

「FPS」メニューでURSA Broadcast G2のプロジェクトフレームレートを調整するには、タッチスクリーンの左下にある現在のフレームレートの横の矢印ボタンをタップします。またはスライダーを左右にドラッグして調整することも可能です。

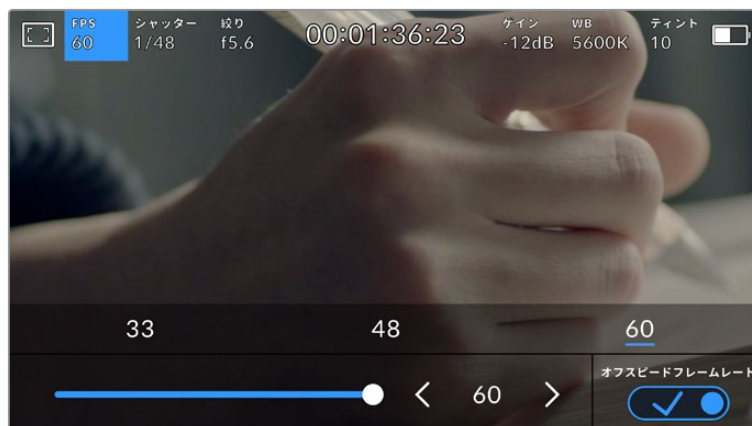


プロジェクトフレームレートの横の矢印をタップ、あるいはスライダーを動かして調整

作業のこつ URSA Broadcast G2で設定するプロジェクトフレームレートは、フロントSDI出力およびメインSDI出力にも適用されます。

センサーフレームレート

センサーフレームレートは、1秒間にセンサーから収録する実際のフレーム数を設定します。このフレームレートは、設定したプロジェクトフレームレートでビデオを再生する際の再生速度に影響します。



「オフスピードフレームレート (OFF SPEED FRAME RATE)」を有効にして、センサーフレームレートの横の矢印またはプリセットをタップ、あるいはスライダーを動かして調整

デフォルトでは、URSA Broadcast G2のプロジェクトフレームレートとセンサーフレームレートは、自然な再生速度では一致するようになっています。しかし、URSA Broadcast G2の「FPS」メニューの右下にある「オフスピードフレームレート (OFF SPEED FRAME RATE)」スイッチをタップすると、センサーフレームレートを独立して設定できます。「オフスピードフレームレート」は、Blackmagic RAWまたはProResコーデックで収録している場合のみに使用できます。

センサーフレームレートを変更するには、タッチスクリーンの左下にあるセンサーフレームレートインジケータの横の矢印をタップします。スライダーを左右にドラッグしてフレームレートを変更することも可能です。スライダーをリリースするとセンサーフレームレートが選択されます。スライダーの上には、一般的に使われているオフスピードフレームレートのオプションが表示されるので、これをタップして選択することも可能です。これらのオプションは、現在のプロジェクトフレームレートに基づいています。

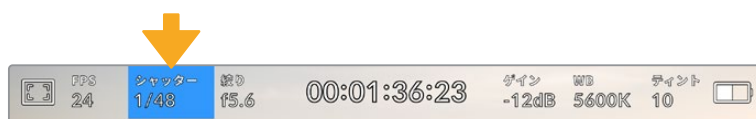
センサーフレームレートを変更することで、ダイナミックかつ視聴者の興味を引くようなスピードエフェクトを作成できます。センサーフレームレートをプロジェクトフレームよりも高く設定すると、再生した際にスローモーションの効果が得られます。例えば、センサーフレームレート60fpsで撮影し、プロジェクトフレームレート24fpsで再生すると、実際のスピードの半分以下の速度のスローモーションが得られます。反対に、センサーフレームレートを低く設定すると、ファストモーションの効果が得られます。これは、フィルムカメラのオーバークランクやアンダークランク撮影と同様の原理です。オーバークランク撮影はセンサーフレームレートを上げるので、再生時にスローモーションとなり、感情を引き立てる効果を得られます。アンダークランク撮影はセンサーフレームレートを下げるので、動きの速いシーンでアクションをスピードアップできます。無限のクリエイティビティの使い道はユーザー次第です！

各収録フォーマットおよびコーデックで使用できる最大フレームレートに関しては、このマニュアルの「収録」セクションにある表を参照してください。

メモ 「オフスピードフレームレート (OFF SPEED FRAME RATE)」をオンにすると、URSA Broadcast G2のオーディオとビデオの同期が解除されます。これは、プロジェクトフレームレートおよびセンサーフレームレートが同じ設定の場合でも同様です。この理由から、オーディオを確実に同期させたい場合は「オフスピードフレームレート」の選択は避けてください。

シャッター (SHUTTER)

「シャッター (SHUTTER)」インジケータは、シャッタースピードを表示します。このインジケータをタップすると、URSA Broadcast G2のシャッタースピードをマニュアルで変更したり、シャッターのオート露出モードを設定できます。



URSA Broadcast G2のシャッターインジケータ。タップしてシャッター設定にアクセス

シャッタースピードは、ビデオのモーションブラーのレベルを決定します。また、照明条件の変動を補うためにも使用できます。自然なモーションブラーが得られるシャッタースピードや使用可能なオプションは、撮影に使用するフレームレートによって異なります。例えば30pでの撮影では、1/60秒のシャッタースピードは180°のシャッターアングルに相当します。これは映画制作でよく使用される設定です。しかし25pの撮影で同じルックを得るには、シャッターを1/50に設定する必要があります。

自然なモーションブラーが得られるシャッタースピードを計算するには、フレームレートに2を掛けます。例えば30pの場合、シャッタースピードを1/60秒に設定すると自然なモーションブラーが得られます。

センサーにより多くの光が必要な場合は、シャッターを最も遅い値（フレームレートと同じ値）に設定できます。例えば25pでは1/25、30pでは1/30です。シャッタースピードを最も遅い設定にすると、モーションブラーはやや極端なものになります。

モーションブラーを減らし、アクションをシャープにはっきりと表示させたい場合は、シャッタースピードを速めに設定します。30pの場合で1/120秒、25pの場合で1/100秒の設定は、90度のシャッターアングルに相当します。

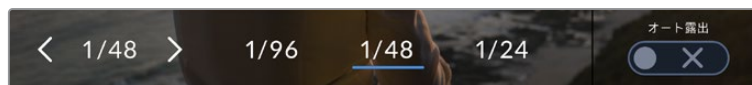
様々なシャッタースピードを試し、イメージのモーションブラーの度合いを確認してください。

照明の下で撮影する場合、シャッタースピードが原因でフリッカーが生じることがあります。URSA Broadcast G2は、現在のフレームレートでフリッカーが生じないシャッタースピードを自動的に算出します。これらのスピードは、それぞれの国や地域で電源に使用される主電源周波数によって異なります。電源周波数は、URSA Broadcast G2の「セットアップ (SETUP)」メニューで50Hzまたは60Hzに設定できます。詳細は、このマニュアルの「セットアップ設定 (SETUP)」セクションを参照してください。

「シャッター (SHUTTER)」インジケータをタップすると、URSA Broadcast G2のタッチスクリーン底部にシャッタースピードメニューが表示されます。「オート露出 (AUTO EXPOSURE)」がオフの場合、現在選択しているシャッタースピードに加え、URSA Broadcast G2の「セットアップ (SETUP)」メニューで選択した主電源周波数に基づく「フリッカーフリー (ちらつきが生じない)」のシャッタースピードが表示されます。詳細は、このマニュアルの「セットアップ設定 (SETUP)」セクションを参照してください。

メモ フリッカーフリーのシャッタースピードを使用しても、様々な照明の特性によってフリッカーが生じる場合があります。連続光を使用していない場合は、常にテスト撮影を行うことをお勧めします。

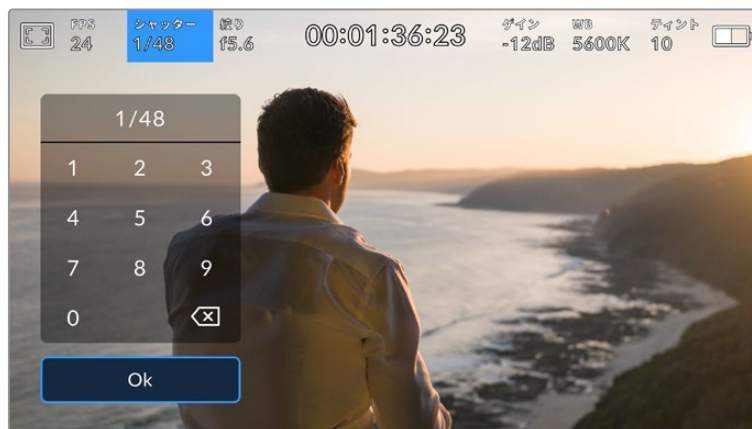
フリッカーの生じないシャッタースピードを選択するには、表示されているシャッターの値のいずれかをタップします。現在のシャッターの値の左右にある矢印を使用すると、一般的に使用されている値の中から選択できます。



URSA Broadcast G2は「セットアップ (SETUP)」メニューで選択した主電源周波数に基づき、フリッカーの生じないシャッタースピードを表示

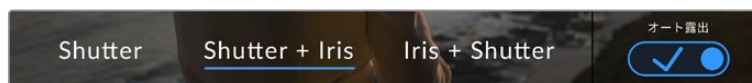
特定のシャッターの値を使用したい場合、スクリーンの左下にある現在のシャッターインジケータをダブルタップします。キーパッドが表示されるので、任意のシャッターの値を入力できます。

現在のフレームレートを下回るシャッターの値を入力した場合、使用可能な値に最も近いシャッターの値が使用されます。例えば、29.97fpsでの撮影で1/25を入力すると、シャッタースピードは1/30が使用されます。



シャッターキーパッドで、任意のシャッターの値をマニュアル入力

URSA Broadcast G2には3つのシャッターベースのオート露出モードがあります。これらを選択するには、シャッターメニューの一番右にある「オート露出 (AUTO EXPOSURE)」ボタンをタップします。



「オート露出 (AUTO EXPOSURE)」をタップしてシャッターベースのオート露出モードにアクセス

Shutter (シャッター)

アパーチャーを維持したまま、露出を一定に保つためにシャッタースピードを自動調整します。固定の被写界深度を維持したい場合に選択します。シャッターを自動調整すると、モーションブラーに影響がある場合があります。また、屋内撮影では、使用する様々な照明器具によってフリッカーが生じる場合があります。オート露出に「シャッター (Shutter)」を選択すると、URSA Broadcast G2の自動アイリス機能は使用できません。

Shutter + Iris (シャッター+アイリス)

シャッター、次にアパーチャーを調整して適切な露出レベルを維持します。シャッタースピードが最大値/最小値になっても露出が維持できない場合、URSA Broadcast G2はアパーチャーを調整して露出を一定に保ちます。

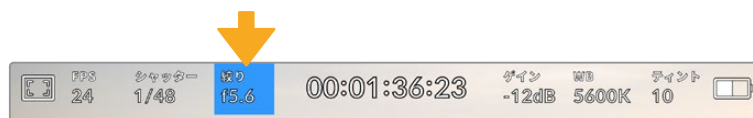
Iris + Shutter (アイリス+シャッター)

アパーチャー、次にシャッタースピードを調整して適切な露出レベルを維持します。アパーチャーが最大値/最小値になっても露出が維持できない場合、URSA Broadcast G2はシャッタースピードを調整して露出を一定に保ちます。

作業のこつ シャッターに影響するオート露出モードを有効にすると、URSA Broadcast G2のタッチスクリーン上部にあるシャッタースピードインジケータの隣に小さな「A」が表示されます。

絞り (IRIS)

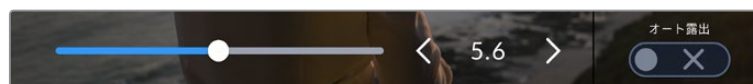
このインジケータは、現在のレンズアパーチャーを表示します。このインジケータをタップすると、互換性のあるレンズのアパーチャーを変更したり、アイリスベースのオート露出モードを設定できます。



URSA Broadcast G2の絞りインジケータ。タップしてアイリス設定にアクセス

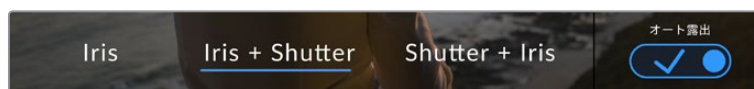
メモ アイリスをLCDタッチスクリーンで調整するには、カメラ経由でアパーチャーを変更できるレンズがURSA Broadcast G2に装着されている必要があります。放送用12ピンコネクタで接続したB4/PLレンズを使用する場合は、ハンドグリップのレンズアイリススイッチが「A」または「Auto」に設定されていることを確認してください。

「絞り」インジケータを1回タップすると、URSA Broadcast G2のタッチスクリーン底部にアイリスメニューが表示されます。メニューの一番左で現在のレンズアパーチャーを確認できます。現在のアパーチャーの横の矢印ボタンをタップするか、スライダーを左右にドラッグして、アパーチャーを変更します。



「絞り (IRIS)」メニューでアイリスインジケータの横の矢印ボタンをタップ、あるいはスライダーを使ってアイリス設定を調整

「絞り」メニューの一番右にある「オート露出 (AUTO EXPOSURE)」スイッチをタップすると、アイリスのオート露出メニューが開きます。



「絞り (IRIS)」メニューで「オート露出 (AUTO EXPOSURE)」をタップしてアイリススペースのオート露出モードにアクセス

以下のオート露出オプションが選択できます。

Iris (アイリス)

シャッタースピードを維持したまま、露出を一定に保つためにアパーチャーを自動調整します。モーショングラブラーは一定に保たれますが、被写界深度に影響が出る場合があります。

Iris + Shutter (アイリス+シャッター)

アパーチャー、次にシャッタースピードを調整して適切な露出レベルを維持します。アパーチャーが最大値/最小値になっても露出が維持できない場合、URSA Broadcast G2はシャッタースピードを調整して露出を一定に保ちます。

Shutter + Iris (シャッター+アイリス)

シャッター、次にアパーチャーを調整して適切な露出レベルを維持します。シャッタースピードが最大値/最小値になっても露出が維持できない場合、URSA Broadcast G2はアパーチャーを調整して露出を一定に保ちます。

アイリスに影響するオート露出モードを有効にすると、URSA Broadcast G2のタッチスクリーン上部にある絞りインジケータの隣に小さな「A」が表示されます。

作業のこつ オート露出はビデオ/映画制作用に設計された互換性のあるB4またはPLレンズでスムーズに機能します。EFレンズでは、アパーチャーを変更すると露出の変化が著しく段階的になる場合があります。この理由から、EFレンズで撮影を行う場合はオート露出モードを「シャッター (SHUTTER)」に設定することをお勧めします。

継続時間表示

URSA Broadcast G2のLCDタッチスクリーンの上部で、カメラの継続時間表示を確認できます。



URSA Broadcast G2の継続時間表示。収録中は赤に変わります。

継続時間表示は、タイムコードカウンターを表示するので、クリップの長さの確認や、収録/再生中にタイムコードのモニタリングが可能です。カウンターは経過時間を、時間:分:秒:フレーム数で表示します。これは、クリップの収録/再生に合わせて変わります。収録中、タイムコードは赤に変わります。

各クリップの継続時間表示は、最初のクリップは00:00:00:00から開始します。現在のクリップまたは最後に収録したクリップの継続時間は、タッチスクリーンに表示されます。時刻タイムコードは、ポストプロダクションで使用できるようにクリップにエンベッドされます。

タイムコードを確認するには、継続時間表示をタップします。継続時間表示を再びタップするとクリップの継続時間表示に戻ります。

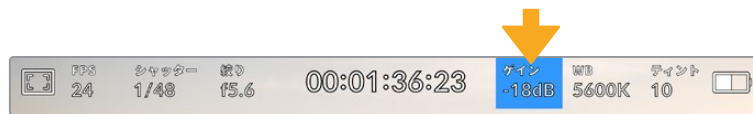
継続時間表示の周りに表示されるステータスインジケータ

- TC** タイムコードを表示している場合、継続時間表示の右に表示されます。
- EXT** 有効な外部タイムコードが接続されている場合、継続時間表示の右に表示されます。
- INT** 内部タイムコードがジャムシンクされて接続が切れた場合、継続時間表示の右に表示されません。
- PRE** レックランのプリセットのタイムコードを表示している場合、継続時間表示の右に表示されません。
- REF** リファレンス入力設定に基づいた有効なリファレンスソースが接続されて、ロックされた時に表示されます。
- W** Blackmagic URSA Broadcast G2をウィンドウセンサーモードで使用している場合、継続時間表示の左に表示されます。

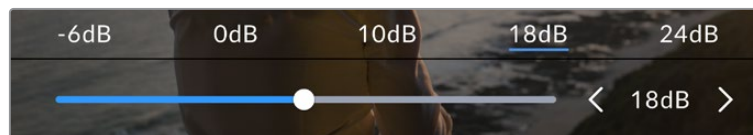
ゲイン (GAIN)

「ゲイン (GAIN)」インジケータは、URSA Broadcast G2の現在のゲイン設定または光感度を表示します。このインジケータをタップすると、様々な照明条件に適合するようゲインを調整できます。

URSA Broadcast G2の最適なゲイン設定は "0dB" です。



URSA Broadcast G2のゲインインジケータ。タップしてゲイン設定にアクセス

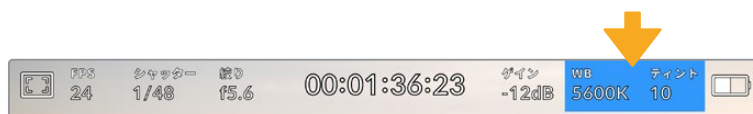


「ゲイン (GAIN)」メニューでは、LCDタッチスクリーン底部にURSA Broadcast G2のゲイン設定が表示されます。プリセットの下のスライダーまたは矢印で、ゲインを1/3段単位で調整できます。

状況に応じて、ゲインは高い/低い設定に変更できます。例えば、低照明条件では+18dBが適していますが、ノイズが発生することもあります。照明量が多く明るい場合は、-6dBに設定すると、よりリッチなカラーが得られます。

ホワイトバランス (WB)

「ホワイトバランス (WB)」および「ティント (TINT)」インジケータは、カメラの現在のホワイトバランスとティントを表示します。このインジケータをタップすると、様々な照明条件に適合するようカメラのホワイトバランスおよびティントを調整できます。



「WB」および「ティント (TINT)」インジケータをタップしてそれぞれの設定にアクセス

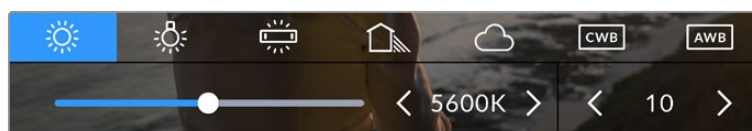
すべての光源は色を放射しています。例えば、ロウソクの炎は暖色を、曇り空は寒色を放射しています。ホワイトバランス設定は、イメージのオレンジとブルーのミックスを調整することで、イメージのカラーバランスを調整し、ホワイトをホワイトとして維持します。例えば、温かいオレンジの光を放射するタングステンライトの照明で撮影する場合、3200Kを選択すると、イメージに青味がかかります。これによりカラーバランスが取れ、ホワイトは正確に記録されます。

URSA Broadcast G2では、様々な色温度条件に合わせて、以下のようなホワイトバランスプリセットが用意されています。以下のオプションから選択できます。

	明るい太陽光	(5600K)
	白熱電球	(3200K)
	蛍光灯	(4000K)
	混合照明	(4500K)
	曇り	(6500K)

「WB」メニューの左下にある温度インジケータの横の矢印アイコンをタップ/長押しすることでこれらのプリセットをカスタマイズできます。1度のタップで色温度が50Kずつアップ/ダウンしますが、矢印アイコンを長押しするとすばやく変更できます。また、「WB」メニューの中央にある温度スライダを動かして調整することもできます。

さらにイメージの調整が必要な場合は、「ティント (TINT)」を調整します。「ティント (TINT)」は、イメージ内のグリーンとマゼンタのミックスを調整します。例えば、少量のマゼンタを加えることで、蛍光灯で生じがちなグリーンの色かぶりを相殺できます。URSA Broadcast G2のホワイトバランスプリセットの多くには、ティントが含まれています。



URSA Broadcast G2の「WB」または「ティント (TINT)」インジケータをタップして、5つのプリセット、ホワイトバランスインジケータおよびスライダー (左)、ティントインジケータ (右) にアクセス。これらを調整して、各照明条件にあったホワイトバランスをカスタム設定

「WB」メニューでは、スクリーンの右下にカメラの現在のティント設定が表示されます。ティントを調整するには、ティントインジケータの左右にある矢印をタップ/長押しします。-50~+50の幅で1単位ずつ調整できます。矢印を長押しするとすばやく調整できます。

メモ ホワイトバランスまたはティントを変更すると、プリセットが「カスタムホワイトバランス (CWB)」に変更されます。カスタムホワイトバランスは持続性のある設定で、電源を切って再起動したり、他のプリセットに変更してからCWBに戻した場合でも設定が保持されます。これにより、カスタムホワイトバランスと最後に使用したプリセットとの比較が簡単です。

自動ホワイトバランス (AWB)

URSA Broadcast G2はホワイトバランスを自動設定できます。「自動ホワイトバランス (AWB)」をタップするとホワイトバランス画面が表示されます。

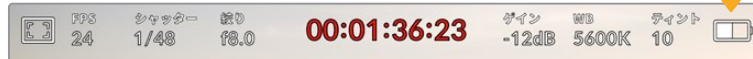
ホワイトバランスを自動設定する際、イメージの中央に四角い枠がオーバーレイされます。この枠内に、白やグレーのカードなど表面がニュートラルなものを写し、「WBを更新 (Update WB)」をタップします。URSA Broadcast G2は、枠内のホワイト/グレーの平均が可能な限りニュートラルになるように、自動的にホワイトバランスとティントを調整します。アップデートしたら、カメラのカスタムホワイトバランスとして設定されます。




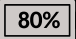
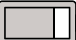
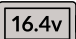

「WB」メニューで「自動ホワイトバランス (AWB)」アイコンをタップするとホワイトバランス画面を表示されます。表面が白または無彩色のグレーのものを使用し、ニュートラルなホワイトバランスを自動設定します。

電源

URSA Broadcast G2の電源状況は、LCDスクリーンの右上に表示されます。5つのインジケータで状況を表示します：



URSA Broadcast G2の電源インジケータは、LCDタッチスクリーンの右上に表示されます。バッテリー電源の使用時にインジケータをタップすると「ボルテージ」と「パーセンテージ」表示を切り替えます。

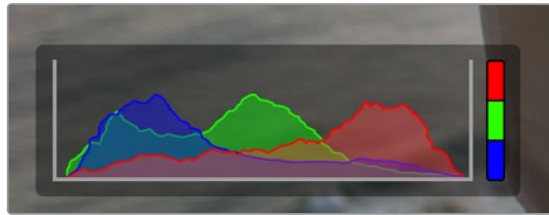
	AC	URSA Broadcast G2が主電源に接続されている場合に表示されます。
	パーセンテージ	正確なパーセンテージに対応したバッテリーおよびプレートを使用しており、「バッテリー表示 (BATTERY DISPLAY)」が「パーセンテージ」に設定されている場合、バッテリーレベルをパーセンテージで表示します。残り20%を切るとインジケータは赤に変わります。
	バッテリーバー	バッテリー表示が「パーセンテージ」に設定されていても、バッテリープレートとバッテリーが正確なパーセンテージ情報に対応していなければ、URSA Broadcast G2は25%区切りのバッテリーアイコンを表示します。残り20%を切るとバッテリーバーは赤に変わります。
	ボルテージ	バッテリー表示が「ボルテージ」に設定されている場合、このインジケータはバッテリーの残りボルテージを表示します。バッテリーが12.5v未満になるとインジケータは赤に変わります。11.9v以下になると、URSA Broadcast G2は自動的にシャットダウンします。
	ファイバー	Blackmagic Camera Fiber Converterがカメラに取り付けられ、SMPTEファイバーケーブル経由で給電されている場合に表示されます。コンバーターを取り付けた状態でURSA Broadcast G2にXLR電源ケーブルを接続している場合、ACアイコンが代わりに表示されます。

バッテリー電源を使用している場合は、電源インジケータをタップして表示をボルテージ、パーセンテージ、バッテリーバーで切り替えられます。

底部ツールバー

ヒストグラム

URSA Broadcast G2のタッチスクリーンの左下にはヒストグラムが表示されます。RGBヒストグラムは、赤、緑、青の個別のチャンネルごとに、イメージのトーンの分布を表示します。



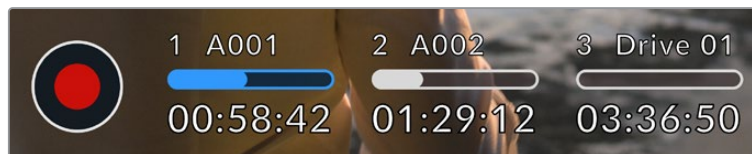
ヒストグラムは、クリップのシャドウとハイライトの間のトーンレンジの指標となります。また、露出のバランスを確認するのに役立つツールで、ハイライト部分がクリッピングされることを防ぎます。

ヒストグラム表示の左側はシャドウ（ブラック）で、右側はハイライト（ホワイト）です。レンズアパーチャを開閉すると、ヒストグラム上の情報が左右に動きます。これを用いて、イメージのシャドウ/ハイライトのクリッピングをチェックできます。赤、緑、青チャンネルでクリッピングが生じると、ヒストグラム右側のインジケータがそれぞれ点灯します。ヒストグラムの左右の端がなだらかに下降せず、急に途切れている場合、ハイライトまたはシャドウのディテールが損なわれています。

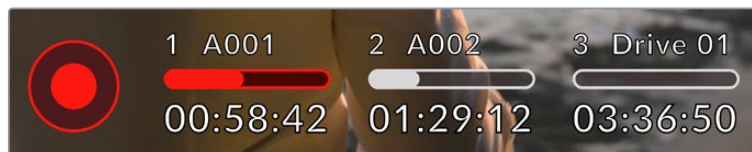
タッチスクリーンの左下にヒストグラムが表示されない場合は、LCDモニターが「コーデックと解像度（Codec and Resolution）」に設定されている可能性があります。詳細は、このマニュアルの「モニター設定（MONITOR）」セクションを参照してください。

録画ボタン

URSA Broadcast G2のタッチスクリーンの底部、ヒストグラムの隣に中央が赤の丸いボタンがあります。これは録画ボタンです。このボタンを1度タップすると収録が開始し、もう1度タップすると停止します。収録中、このボタン、メディアバーのアイコン、URSA Broadcast G2のタッチスクリーン上部のタイムコードは赤に変わります。



URSA Broadcast G2の録画ボタンは、LCDタッチスクリーン底部のストレージインジケータの横にあります。



収録中、録画ボタンは赤に変わります。

ファイルにLUTを適用 (APPLY LUT IN FILE)

Blackmagic RAWで収録しており、「収録 (RECORD)」設定で「ファイルにLUTを適用 (APPLY LUT IN FILE)」をオンにしている場合、録画ボタンの隣のLUTアイコンは青になります。LUTインジケータは、スタンバイモードおよび収録モードの両方で表示されます。

LUTを適用してBlackmagic RAWで収録する方法に関する詳細は、後述の「収録設定 (RECORD)」セクションを参照してください。



Blackmagic RAWで収録中に表示される青いLUTアイコン

クリップにLUTを収録 (RECORD LUT TO CLIP)

ProRes、H.264、H.265のいずれかで収録しており、「クリップにLUTを収録 (RECORD LUT TO CLIP)」をオンにしている場合、録画ボタンの隣のLUTアイコンは赤になります。LUTインジケータは、スタンバイモードおよび収録モードの両方で表示されます。

LUTを適用してProRes、H.264、H.265で収録する方法に関する詳細は、後述の「収録設定 (RECORD)」セクションを参照してください。



ProRes、H.264、H.265で収録中に表示される赤いLUTアイコン

コマ落ちインジケータ

収録中にコマ落ちが発生すると「録画」ボタンに「！」インジケータが点滅してオーバーレイされます。影響を受けたカードの録画可能時間インジケータが赤に変わります。例えば、デュアルカード・モードで収録しており、カード1にコマ落ちが発生した場合、「！」インジケータが「録画」ボタンの上に表示され、カード1の録画可能時間インジケータが赤に変わります。この機能により、特定のカードの速度が、現在選択しているコーデックと解像度には遅すぎることが分かります。コマ落ちインジケータは、事前に収録したクリップにコマ落ちがあった場合にも表示されます。次のクリップを収録するか、カメラを再起動するまでインジケータは表示され続けます。コマ落ちを避ける方法については、「CFast 2.0カードを選択」、「高速のSDカードを選ぶ」、「高速のSSDを選ぶ」セクションを参照してください。



CFastカード1でコマ落ちが発生した場合のコマ落ちインジケータ

作業のこつ URSA Broadcast G2のステータスLEDを有効にしている場合、ステータスLEDはコマ落ちが検出されると高速で赤く点滅します。詳細は、このマニュアルの「セットアップ設定 (SETUP)」セクションを参照してください。

メモ コマ落ち検出時に収録を停止するようにURSA Broadcast G2を設定することも可能です。これにより、コマ落ちインジケータに気づかないまま収録を続け、使用できないフットageのために時間を無駄にすることが避けられます。詳細は、このマニュアルの「収録設定 (RECORD)」セクションを参照してください。

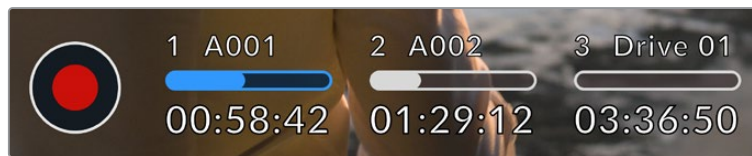
ストレージインジケータ

URSA Broadcast G2のタッチスクリーン底部の録画ボタンの隣には、ストレージインジケータがあります。

録画可能時間

カメラにCFastカード/SDカードを挿入、あるいはUSB-Cフラッシュディスク/SSDを接続している場合、ストレージインジケータに各カードやドライブの録画可能時間が表示されます。録画可能時間は「時間:分:秒」で表示され、選択したフレームレートやコーデックにより変わります。これらの設定を変更した場合、インジケータは自動的に録画可能時間を計算し直します。

ドライブの録画可能時間が約5分になると、インジケータの文字が赤に変わります。1枚のカードやドライブに収録している場合、またはカメラに取り付けている追加のストレージに収録している場合、録画可能時間が3分になるとインジケータがゆっくりと点滅し、30秒未満になるとすばやく点滅します。



URSA Broadcast G2のストレージインジケータは、CFast/SDカード/SSD/USBフラッシュディスクの名前と録画可能時間を表示

メディアバー

録画可能時間の上にあるメディアバーは、現在のステータスに応じて、青、白、赤でカードまたはドライブの使用量を表示します。

	青のドライブアイコンは、現在アクティブであることを意味します。このドライブが収録に使用されます。
	白のドライブアイコンは、メディアが存在するがアクティブではないことを意味します。バー全体が白く表示される場合は、メディアがフルになっています。
	収録中は、バーが赤くなります。

別のカードやドライブに切り替える場合は、収録したいカード/USB-Cフラッシュディスク/SSDの名前またはメディアバーを長押しします。

ストレージインジケータをタップすると、ストレージおよびフォーマットメニューが表示されます。



URSA Broadcast G2のLCDタッチスクリーンのストレージインジケータをタップして、ストレージ管理へアクセス

このメニューは、現在URSA Broadcast G2に挿入されている各CFast、SDカード、SSD、USB-Cフラッシュディスク、SSDの残り容量、カードやドライブ名、録画可能時間、クリップの総数、各カード/ドライブのファイルフォーマットを表示します。ストレージメニューでカード/ドライブ名をタップすると、アクティブなカード/ドライブとして設定できます。URSA Broadcast G2はこのカードに先に収録します。

このメニューからメディアのフォーマットが行えます。URSA Broadcast G2でメディアをフォーマットする方法の詳細は、このマニュアルの「Blackmagic URSA BroadcastでCFastカードを準備する」セクションを参照してください。

オーディオメーター

ピークオーディオメーターは、内部マイクを使用している場合はチャンネル1と2、外部オーディオを接続している場合は外部オーディオのオーディオレベルを表示します。メーターは、VUまたはPPMから選択できます。メーターの種類を変更する方法の詳細は、後述の「セットアップ設定 (SETUP)」セクションを参照してください。

最適な音質を得るためには、オーディオレベルが0dBFSを越えないようにしてください。0dBFSはカメラが収録可能な最高のレベルなので、これを超えるオーディオはクリップされ、歪みの原因となります。



オーディオメーターのカラーバーは、ピークオーディオレベルを表示します。ピークオーディオレベルが緑色のゾーン内の上限に近い位置に収まるのが理想的です。ピークレベルがイエローまたはレッドのゾーンになる場合は、オーディオクリッピングが生じる可能性があります。

オーディオメーターをタップすると、オーディオ入力チャンネル1と2、ヘッドセットやスピーカーのボリュームコントロールを表示できます。



URSA Broadcast G2のLCDタッチスクリーンでオーディオメーターをタップし、ボリュームおよびヘッドセット/スピーカー設定に簡単にアクセス

フォーカスズーム

LCDタッチスクリーンでズームしたい場所をダブルタップすると、URSA Broadcast G2のプレビューイメージのあらゆる部分を拡大できます。タッチスクリーン内を指でドラッグすると、拡大されたエリアを動かすことができます。この機能はフォーカスを確認する際に役立ちます。画面を元に戻すには、再びタッチスクリーンをダブルタップします。

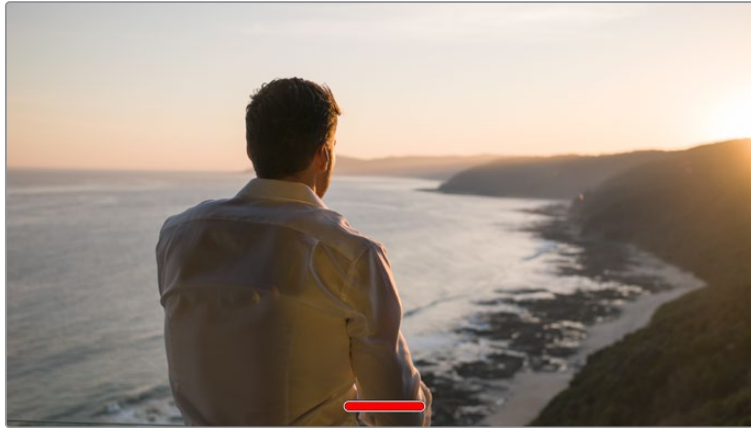
フォーカスズームを有効にしている場合、タッチスクリーンをつまんでズーム倍率を調整できます。URSA Broadcast G2の「セットアップ (SETUP)」メニューでは、フォーカスズームの切り替えを機能ボタンで実行できるように設定できます。これは、タッチスクリーンをダブルタップするのと同様に機能します。これは、LCD、フロントSDIまたはメインSDIからの出力で表示するように設定できます。機能ボタンをフォーカスズームの切り替えに使用方法に関しては「ボタンの挙動」セクションを参照してください。



ズームインしている際、LCDタッチスクリーン左上のインジケーターは、見ているイメージの領域を表示。メニューホイール (MENU) を使用するか、画面で指をドラッグすると、イメージを動かすことが可能。

フルスクリーンモード

タッチスクリーンのステータステキストやメーターを一時的に非表示にするので、ショットのフレーミングやフォーカス合わせの際に便利です。URSA Broadcast G2のLCDタッチスクリーンを上下にスワイプすると、これらを非表示にできますが、収録インジケータ、フレームガイド、グリッド、フォーカスアシスト、ゼブラ表示は残ります。



URSA Broadcast G2のLCDタッチスクリーンを上下にスワイプして、ステータス情報を隠します。

再生メニュー

再生コントロールボタンをタップすると、再生メニューにアクセスできます。カメラのコントロールボタンまたはLCDタッチスクリーンを使用して、事前に収録したクリップをコントロールできます。










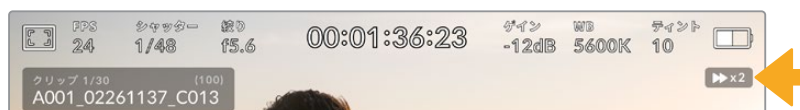
LCDタッチスクリーンは、収録された全クリップが並んだタイムラインを表示します。クリップごとに、タイムラインは区切られて表示されます。現在のクリップ名と番号がディスプレイの左上に表示され、カードまたはドライブ内のクリップの総数がカッコ内に表示されます。

タイムライン左側のカウンターは再生ヘッドの現在の位置を示し、右側は全クリップの合計の長さを示します。

タイムラインの下の再生コントロールでは、クリップ間をナビゲートできます。



	再生モードで録画コントロールボタンをタップすると、カメラがスタンバイモードになり、収録が可能な状態になります。
	再生ボタンをタップすると、クリップを確認できます。これにより、再生モードになります。
	停止ボタンを押すと再生が終了します。停止ボタンを再び押すと、カメラがスタンバイモードに戻ります。
	スキップ (逆方向) ボタンを一度押すと、再生ヘッドが現在のクリップの最初のフレームに移動します。再生ヘッドがすでにクリップの始めにある場合、前のクリップの最初のフレームにジャンプします。
	スキップ (順方向) ボタンを一度押すと、再生ヘッドが現在のクリップの最後のフレームに移動します。再生ヘッドがすでにクリップの最後にある場合、次のクリップの最初のフレームにジャンプします。
 	スキップ (逆方向/順方向) ボタンを長押しすると、巻き戻し/早送りボタンに変わります。ボタンが変わったら、シャトルを2倍、4倍、8倍、16倍速で実行できます。 シャトルの速度を下げるには、反対の方向のボタンをタップします。






シャトルスピードインジケータは、早送り/巻き戻し中のフッターの速度および方向を表示

再生モードは、「セットアップ (SETUP)」メニューで「全てのクリップ (All Clips)」から「単一のクリップ (Single Clip)」に変更できます。「単一のクリップ」モードでは、再生ボタンを押すと、最後に収録されたクリップが表示されます。

作業のこつ URSA Broadcast G2のタッチスクリーンを上下にスワイプして、フッターを再生しながらステータステキストを非表示にできます。再生モードでスレートを入力すると、現在のクリップを「グッドテイク (GOOD TAKE)」としてメタデータに記録できます。詳細は、このマニュアルの「メタデータ入力」セクションを参照してください。

ループ再生

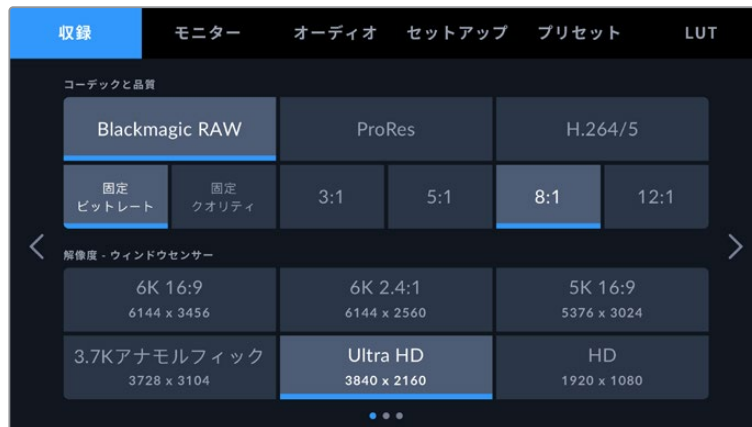
再生ボタンを2回以上タップすると、ループ機能が有効になります。同じクリップを継続してループさせた場合や、タイムラインの全クリップをループさせたい場合に、この機能は便利です。

ループ		クリップの再生中に、再生ボタンを再び押すと、現在のクリップを継続的にループさせるように設定できます。
すべてをループ		再生ボタンを再びタップすると、すべての収録クリップを継続的にループ再生します。
再生		もう一度タップすると、リアルタイム再生に戻ります。

設定

ダッシュボード

URSA Broadcast G2のメニューコントロールボタンを押すと、カメラのダッシュボードが表示されます。このタブメニューには、URSA Broadcast G2のヘッドアップディスプレイからはアクセスできない設定が含まれています。設定は、機能ごとに「収録 (RECORD)」、「モニター (MONITOR)」、「オーディオ (AUDIO)」、「セットアップ (SETUP)」、「プリセット (PRESETS)」、「LUT (LUTS)」タブに分かれています。「収録」、「モニター」、「セットアップ」タブには、複数のページが含まれます。設定スクリーンの左右にある矢印をタップしたり、スマートフォンやタブレットと同様に左右にスワイプすることでこれらのページを切り替えられます。



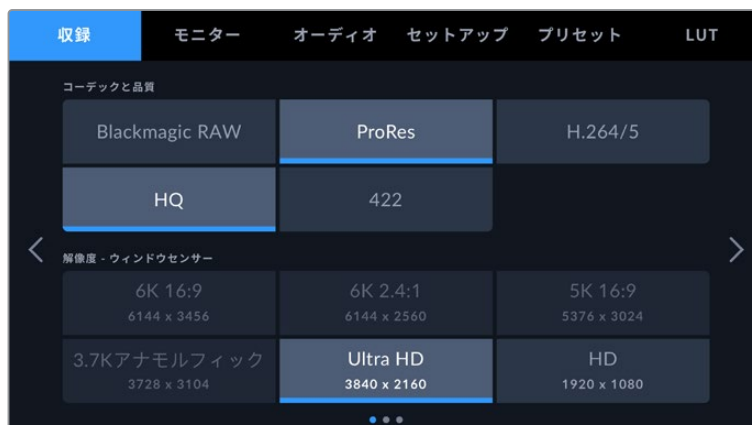
「収録 (RECORD)」、「モニター (MONITOR)」、「オーディオ (AUDIO)」、「セットアップ (SETUP)」、「プリセット (PRESETS)」、「LUT (LUTS)」のヘディングをタップして、URSA Broadcast G2のダッシュボードタブを移動

収録設定 (RECORD)

「収録 (RECORD)」タブでは、ビデオフォーマット、コーデック、解像度の設定に加え、使用したいカードやディテールのシャープニングなど、URSA Broadcast G2で収録するフッターにとって重要なその他の設定も調整できます。このメニューは3ページあり、カメラのタッチスクリーンの端にある矢印をタップするか、左右にスワイプして切り替えます。

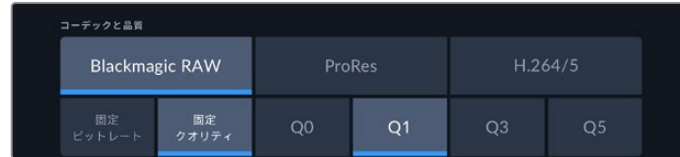
収録設定 1

「収録 (RECORD)」設定タブの1ページ目には以下の設定が含まれます。



コーデックと品質 (CODEC AND QUALITY)

「コーデックと品質 (CODEC AND QUALITY)」メニューは2段に分かれています。上の段では、Blackmagic RAW、Apple ProRes、H.264/5の3つのコーデックから選択でき、下の段ではこれらのコーデックの品質オプションを選択できます。例えば、ProResコーデックで使用できる品質オプションは、ProRes 422 HQとProRes 422です。Blackmagic RAWには、4種類の「固定ビットレート (Constant Bitrate)」の設定と4種類の「固定クオリティ (Constant Quality)」の設定があります。



Blackmagic RAWには、「固定ビットレート (Constant Bitrate)」の設定と「固定クオリティ (Constant Quality)」のオプションがあります。

作業のこつ 圧縮率の高いコーデックを選択すると、URSA Broadcast G2のストレージメディアにビデオを収録できる時間が長くなります。詳細は、「収録」セクションの「収録時間一覧」の表を参照してください。

解像度

この設定は、コーデック設定と連動しています。使用したい収録フォーマットに応じて解像度を選択してください。

例えば、ProRes HQを使ってUltra HDクリップを収録したい場合、「コーデックと品質 (CODEC AND QUALITY)」メニューで「ProRes」と「HQ」を選択します。その後、解像度メニューで「Ultra HD」を選択します。

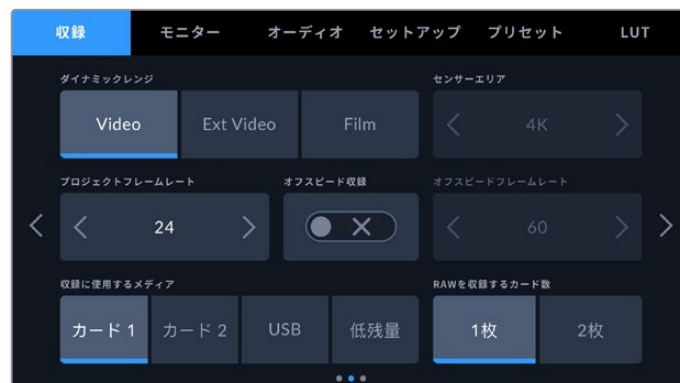


Blackmagic RAWの「解像度 (RESOLUTION)」オプション

メモ Blackmagic URSA Broadcast G2は、あらゆる解像度のBlackmagic RAW、Ultra HDおよびHDのApple ProRes、Ultra HDのH.265、HDのH.264をサポートしています。

収録設定 2

「収録 (RECORD)」設定タブの2ページ目には以下の設定が含まれます。



ダイナミックレンジ (DYNAMIC RANGE)

ダイナミックレンジのアイコンをタップして、「ダイナミックレンジ (DYNAMIC RANGE)」設定を調整できます。Blackmagic URSA Broadcast G2のダイナミックレンジ設定は3つあります：

Video	「Video」設定は、そのままの納品やポストプロダクションの作業が最低限で済む、高コントラストかつ高彩度のルックでの収録に最適です。この設定はRec.709を使用し、ハイライトが滑らかにロールオフします。これは、正確な開始点と同時に、美しいガンマカーブを得るのに適したオプションであり、必要に応じてグレーディングも行えます。
Ext Video	「Extended Video」設定は、Blackmagic Wide Gamutに基づいており、コントラストと彩度が適用されています。「Video」モードとの最も顕著な違いは、プリントフィルムの特徴であるマゼンタ/グリーン軸の彩度が少ないイメージとなることです。
Film	「Film」設定は、Logカーブを用いてビデオを収録します。最大のダイナミックレンジを維持することで最も多くのビデオ信号の情報が得られるため、DaVinci Resolveなどのカラーグレーディングソフトウェアの能力を最大限に活用できます。

「Video」または「Extended Video」ダイナミックレンジを使用している場合は、モニター出力、LCD、フロントSDI、メインSDIのすべてで「LUT表示 (DISPLAY LUT)」を必ず無効にしてください。

「LUT表示」が有効になっている場合、ヘッドアップディスプレイにLUTインジケーターが表示され、イメージの彩度とコントラストが意図したより強く表示されます。LUT表示の設定を確認する方法は、LUT表示の設定を確認する方法は、後述の「モニター設定 (MONITOR)」セクションを参照してください。

センサーエリア (SENSOR AREA)

この設定は、ProRes、H.265、H.264ビデオコーデックで撮影している際に使用できます。6Kのフルセンサーエリアか、小さな「ウィンドウ (Window)」センサーエリアから選択できます。5.3Kまたは6Kのような大きなセンサーエリアを選択すると広い画角が得られ、2.7Kなどの小さなセンサーエリアを選択すると高いフレームレートを使用できます。小さなセンサーエリアにすると、カメラセンサーの中央のみを使用するため、クロップファクターによってレンズの視野が狭く見えます。

URSA Broadcast G2のB4マウントに放送用レンズを装着している場合、センサーエリアを4Kに設定してください。これは、レンズがカバーするフレームの領域です。5.3Kおよび6Kセンサーエリアはスーパー35とほぼ同じサイズなので、ほとんどのPL、EF、Fマウントレンズと互換性があります。

フルまたはウィンドウフォーマットの詳細は、「最大センサーフレームレート」セクションを参照してください。

プロジェクトフレームレート (PROJECT FRAME RATE)

プロジェクトフレームレートはURSA Broadcast G2の収録フォーマットのフレームレートで、映画やテレビ業界で一般的に使用されているフレームレートを選択できます。例えば、Ultra HD ProRes HQで29.97fpsを選択できます。通常、このフレームレートは、ポストプロダクション・ワークフローと納品で求められる、再生速度およびオーディオ同期に合わせて設定します。

Blackmagic URSA Broadcast G2は、8つのプロジェクトフレームレート設定に対応しています。設定値は、23.98、24、25、29.97、30、50、59.94、60fpsです。

メモ カメラのプロジェクトフレームレートは、フッテージの "ルック" に大きく影響します。放送環境ではフレームレートを50、59.94、60fpsに設定するのが一般的です。これらの比較的高いフレームレートは、スムーズな動きの撮影に向いており、パン時に発生するカクつきの排除や抑制に優れています。

24や25fpsなど低めのフレームレートは、映画製作に使用されるのが一般的です。これらのフレームレートは高品質の映画的ルックを生み出しますが、カクつきを避けるにはカメラをかなりゆっくり動かす必要があります。

オフスピード収録 (OFF SPEED RECORDING)

デフォルトでは、URSA Broadcast G2のプロジェクトフレームレートとセンサーフレームレートは、自然な再生速度では一致するようになっています。しかし、「オフスピード収録 (OFF SPEED RECORDING)」スイッチをタップすると、個別にセンサーフレームレートを設定できます。このオプションは、Blackmagic RAWまたはProResでの収録のみで使用できます。

オフスピードフレームレート (OFF SPEED FRAME RATE)

「オフスピードフレームレート (OFF SPEED FRAME RATE)」を有効にし、オフスピードフレームインジケータの横にある矢印をタップして、URSA Broadcast G2のセンサーフレームレートを設定します。

センサーフレームレートは、1秒間にセンサーから収録する実際のフレーム数を設定します。このフレームレートは、設定したプロジェクトフレームレートでビデオを再生する際の再生速度に影響します。

オフスピードフレームレートに関する詳細は、このマニュアルの「タッチスクリーンの機能」セクションの「フレーム/秒」を参照してください。

メモ 各収録フォーマットおよびコーデックで使用できる最大フレームレートに関する詳細は、このマニュアルの収録セクションの「最大センサーフレームレート」の表を参照してください。

収録に使用するメディア (PREFERRED MEDIA FOR RECORDING)

2つ以上のスロットが使用されている場合に、この設定でURSA Broadcast G2で最初に使用するストレージカード/SSD/フラッシュディスクを選択します。オプションは「カード 1 (Card 1)」、「カード 2 (Card 2)」、「USB」、「低残量 (Fullest)」です。「カード 1」または「カード 2」のどちらを選択するかは個人の好みによりますが、どちらかを一貫して使用することで、ストレージが一杯になった時にどちらのカードを最初に交換すればよいか分かります。「低残量 (Fullest)」のオプションは、単一のカメラを使ったプロジェクトでファイルを古い順に分類する際に役立ちます。「低残量 (Fullest)」設定は、ストレージカードの使用容量のパーセンテージに基づいており、カードのサイズや使用しているデータ量に基づくものではありません。

選択した設定は、CFast/SDカード/SSDが挿入されている際、あるいはUSBフラッシュディスクが接続されている際に適用されます。この設定は、ストレージ管理で異なるカードを「アクティブ (Active)」に設定することでいつでもオーバーライドできます。しかし、メディアをイジェクトしたり、入れ直した場合は、現在の「収録に使用するカード (PREFERRED CARD FOR RECORDING)」の設定に戻るように注意してください。

RAWを収録するカード数 (RECORD RAW ON)

この設定では、高フレームレートの極めて高解像度のクリップを低めの圧縮率で収録できます。2枚のCFastまたはSDカードを挿入し、「2枚 (2 Cards)」を選択します。これは、両方のカードに逐次的にストライピングを行うため、データレートが遅い方のカードは収録を行う上で障害になる可能性があるため、同一または同様の仕様の2枚のカードを使用することを推奨します。

また、ストレージスロット1または2のCFastカードと、スロット3のUSB-Cフラッシュディスクでストライピングを実行することも可能です。「2枚」を選択すると、制限速度は、ストライピングアレイの遅い方のカードのデータレートの2倍になります。

また、ストレージスロット1のCFastカードと、スロット2のUSB-Cディスクでストライピングを実行することも可能です。「2枚のカードにRAW収録」オプションを使用すると、制限速度は、ストライピングアレイの遅い方のカードのデータレートの2倍になります。

編集用にファイルを統合する

両方のメモリーカードからの.BRAWおよび.BRAW2ファイルをコンピューターの同じフォルダーにコピーします。それらをメディアプールに読み込むと、DaVinci Resolveは単一のクリップに統合します。.BRAWおよび.BRAW2ファイルが別々になっている場合、クリップは個別に半分のフレームレートで再生されます。.BRAW2ファイルを個別に再生するには、ファイルの拡張子を.BRAW2から.BRAWに変更します。

作業のこつ DaVinci Resolveの「メディア管理」を使用すると、.BRAWおよび.BRAW2ファイルを結合して、単一の独立したクリップにできます。

.BRAWファイルを結合することで、別々になることを防ぎます。これは、メディア管理の観点で便利です。また、他のエディターにファイルを送信する際にも役立ちます。

詳細は、DaVinci Resolveマニュアルの「メディア管理の使用」セクションを参照してください。

収録設定 3

「収録 (RECORD)」設定タブの3ページ目には以下の設定が含まれます。



タイムラプス (TIMELAPSE)

タイムラプス機能が有効になり、以下のインターバルでスチルフレームを自動的に撮影します：

フレーム	2 - 10
秒	1 - 10、20、30、40、50
分	1 - 10

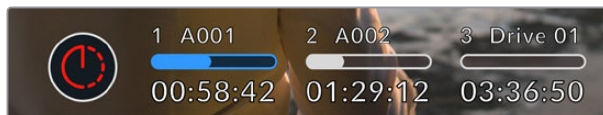
例えば、10フレーム、5秒、30秒、5分ごとにスチルフレームを撮影するように設定可能です。

タイムラプス機能を使用することで、クリエイティブなオプションが広がります。例えば、タイムラプスの間隔を2フレームに設定すると、再生した際に高速のエフェクトが得られます。

各スチルフレームのフォーマットは、収録フォーマットに基づきます。カメラをProRes HQを使用するUltra HDに設定すると、タイムラプス設定も同じフォーマットになります。フレームレートは設定したプ

プロジェクトフレームレート設定に基づきます。このため、タイムラプスフッテージを簡単にポストプロダクション・ワークフローに組み込むことができます。

タイムラプスモードでフッテージを収録する際は、ビデオフレームが収録される度にタイムコードカウンターが更新されます。



タイムラプス撮影の際に、URSA Broadcast G2の録画ボタンにオーバーレイ表示されるアイコン

ディテールシャープニング (DETAIL SHARPENING)

この設定ではURSA Broadcast G2のイメージをシャープにできます。シャープニング機能を有効にし、「低 (Low)」、「中 (Medium)」、「高 (High)」のいずれかを選択してシャープニングのレベルを設定します。

シャープニング機能が有効になっていると、シャープニングはカメラで収録したProResビデオおよびURSA Broadcast G2のSDI出力に適用されます。

この設定は、ポストプロダクションを行う時間がなく、イメージをライブでオンエアしたい場合のスタジオでのライブ制作に役立ちます。ポストプロダクションで詳細なイメージ調整やカラーコレクションを行う予定がある場合、シャープニングは「OFF」にすることを勧めます。この理由から、ポストプロダクションでの処理を前提としているBlackmagic RAWファイルにはシャープニングは適用されません。

作業のこつ Blackmagic RAWファイルをポスト処理する際は、DaVinci Resolveのカラーページに搭載されたブラー/シャープニングツールを使用すると、これらの設定と同等のシャープニング効果が得られます。

同ツールの範囲を0.48に設定し、スケーリングを0.6、0.3、0.15のいずれかに調整すると、「高 (High)」、「中 (Medium)」、「低 (Low)」と同等のシャープニングが適用されます。

ポストプロダクションで適用するシャープニングに関する詳細は、DaVinci Resolveマニュアルの「モーションエフェクトおよびブラーパレット」セクションを参照してください。

コマ落ち発生時の対処方法 (IF CARD DROPS FRAME)

コマ落ちが検出された時のURSA Broadcast G2の対処方法を設定できます。「警告 (Alert)」に設定すると、コマ落ちインジケーターがLCDタッチスクリーンに表示され、コマ落ちが発生したまま収録が継続されます。「収録の停止 (Stop Recording)」に設定すると、コマ落ちが検出されると収録を停止します。これにより、使用できないフッテージを収録することを防ぎ、時間を無駄にすることを防止できます。

コマ落ちを避ける方法については、「CFast 2.0カードを選ぶ」、「高速のSDカードを選ぶ」、「高速のSSDを選ぶ」、「高速USB-Cフラッシュディスクを選ぶ」セクションを参照してください。

ファイルにLUTを適用 (APPLY LUT IN FILE)

URSA Broadcast G2の出力にLUTを適用すると、選択したLUTは収録しているBlackmagic RAWファイルにエンベッドされます。

つまり、LUTはファイルのヘッダーに保存され、個別のファイルを扱う必要なく、ポストプロダクションで簡単に適用できます。「収録 (RECORD)」メニューで「ファイルにLUTを適用」スイッチがオンになっている場合、クリップをBlackmagic RAW PlayerおよびDaVinci Resolveで開くと、選択したLUTが適用されて表示されます。LUTは簡単にオン/オフできますが、クリップ自体に情報が存在するため、移動させてもBlackmagic RAWファイルに常に伴います。

DaVinci ResolveのRAW設定のパレットにも「LUTを適用」スイッチがあり、Blackmagic RAWファイルの3D LUTを有効/無効にできます。DaVinci Resolveの「LUTを適用」設定はカメラの設定と同様に機能します。これは、撮影時にカメラでLUTを設定して使用することで、直接カラリストに指示ができることを意味しますが、DaVinci Resolveの「LUTを適用」設定で簡単にLUTをオフにすることも可能です。

クリップにLUTを収録 (RECORD LUT TO CLIP)

この設定は、ProRes、H.265、H.264ビデオコーデックで撮影している際に使用できます。Blackmagic URSA Broadcast G2は、デフォルトでは収録されたフッターにLUTの適用や焼き付けを行いません。しかし、「クリップにLUTを収録 (RECORD LUT TO CLIP)」スイッチをタップすると、フッターにLUTを焼き付けるように選択できます。

これは、ポストプロダクションでフッターをグレーディングする時間がない場合や、クライアントやエディターに直接フッターを渡す必要がある場合に便利です。詳細は「3D LUT」および「タッチスクリーンコントロール」セクションを参照してください。

レンズ補正 (LENS CORRECTION)

放送ズームレンズでは、多くの場合、フレームの端またはイメージの角の部分にカラーフリッジが生じます。特に、低価格で高ズーム域のB4レンズで撮影した、ハイコントラストのイメージで一層顕著に現れます。レンズ補正機能は、URSA Broadcast G2に装着したB4レンズやPLレンズをカメラ内で補正できます。カメラが放送用レンズから必要な情報を検出すると、この機能はデフォルトでオンになります。

ファイル命名規則

クリップはユーザーが選択したフォーマットに応じて、Blackmagic RAWフォーマット、Apple ProRes、MP4フォーマットで収録されます。

以下はファイル命名規則の例です：

A001_08151512_C001.mov	QuickTimeムービーのファイル名
A001_08151512_C001.mov	カメラインデックス
A 001 _08151512_C001.mov	リール番号
A001_ 08 151512_C001.mov	月
A001_08 15 1512_C001.mov	日
A001_0815 15 12_C001.mov	時
A001_081515 12 _C001.mov	分
A001_08151512_ C001 .mov	クリップ番号

スチルボタンを使用して、DNGフォーマットでキャプチャーしたスチルイメージファイルは、ビデオクリップのファイル命名規則に従いますが、ファイル名の末尾の4桁は、クリップ番号の代わりに「スチル番号」を意味する「S001」になります。詳細は、このマニュアルの「ステータスLCDコントロール」セクションを参照してください。

モニター設定 (MONITOR)

「モニター (MONITOR)」タブでは、URSA Broadcast G2のLCDタッチスクリーンおよびフロント/メインSDI出力のステータステキスト、オーバーレイ、その他のモニタリングオプションを調整できます。オプションは出力ごとに「LCD」、「フロントSDI (Front SDI)」、「メインSDI (Main SDI)」に分かれて表示されます。これらのメニューは各5ページのオプションがあり、カメラのタッチスクリーンの端にある矢印をタップするか、左右にスワイプして切り替えます。

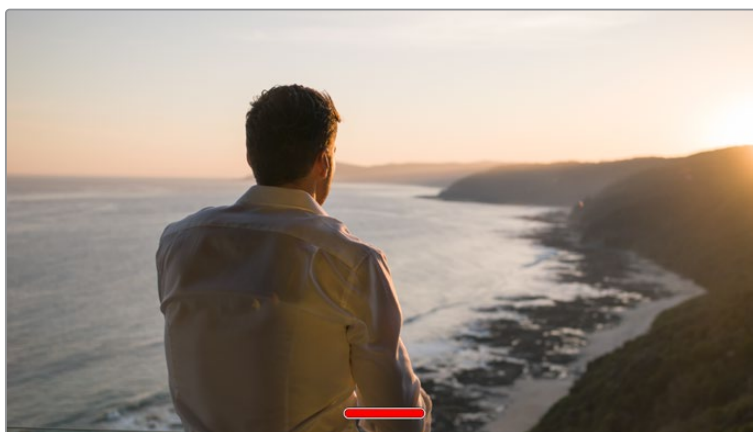
モニター設定 1

「モニター (MONITOR)」タブの「LCD」、「フロントSDI」、「メインSDI」設定の1ページ目には、各出力に同一の設定が含まれています。例えば、ゼブラ機能をLCDタッチスクリーンではオンにして、フロントSDIおよびメインSDIではオフに設定できます。



クリーンフィード (CLEAN FEED)

LCD、フロントSDI、メインSDIメニューで「クリーンフィード」スイッチをタップすると、該当出力で、収録タリーインジケータを除くすべてのステータステキストおよびオーバーレイがオフになります。



URSA Broadcast G2のLCDタッチスクリーンは、クリーンフィードモードで収録タリーのみを表示

メモ クリーンフィードを有効にしている場合でもLUTは出力に適用されます。特定の出力でLUTを無効にするには、その出力の「モニター (MONITOR)」メニューで「LUT表示 (DISPLAY LUT)」スイッチをオフにします。

3D LUTを表示 (DISPLAY 3D LUT)

URSA Broadcast G2は、あらゆる出力に3D LUTを適用して、カラーグレーディングされたフッテージのルックに近づけることができます。「Film」ダイナミックレンジでの撮影では、意図的に“フラット”な低コントラストイメージを作成するため、これが特に役立ちます。

URSA Broadcast G2で有効な3D LUTがある場合、この設定で、LCDタッチスクリーン、フロントSDI、メインSDI出力に個別にLUTを適用できます。

メモ 3D LUTのロード/使用に関する詳細は、このマニュアルの「LUT」セクションを参照してください。

ゼブラ (ZEBRA)

LCD、フロントSDI、メインSDIメニューで「ゼブラ」スイッチをタップすると、これらの出力でゼブラガイドを使用できます。ゼブラガイドおよびゼブラレベルの設定に関する詳細は、このマニュアルの「タッチスクリーンの機能」セクションを参照してください。

フォーカスアシスト (FOCUS ASSIST)

LCD、フロントSDI、メインSDIメニューで「フォーカスアシスト」スイッチをタップすると、これらの出力でフォーカスアシストを使用できます。フォーカスアシストおよびフォーカスアシスト・レベルの設定に関する詳細は、このマニュアルの「タッチスクリーンの機能」セクションを参照してください。

フレームガイド (FRAME GUIDE)

LCD、フロントSDI、メインSDIメニューで「フレームガイド」スイッチをタップすると、これらの出力でフレームガイドを使用できます。フレームガイドおよびガイドの選択に関する詳細は、このマニュアルの「タッチスクリーンの機能」セクションを参照してください。

グリッド (GRID)

LCD、フロントSDI、メインSDIメニューで「グリッド」スイッチをタップすると、これらの出力で3x3グリッドを使用できます。3x3グリッドに関する詳細は、このマニュアルの「タッチスクリーンの機能」セクションを参照してください。

セーフエリアガイド (SAFE AREA GUIDE)

LCD、フロントSDI、メインSDIメニューで「セーフエリアガイド」スイッチをタップすると、これらの出力でセーフエリアオーバーレイを使用できます。

セーフエリアガイド、セーフエリアガイドのレベル設定に関する詳細は、このマニュアルの「タッチスクリーンの機能」セクションを参照してください。

フォルスカラー (FALSE COLOR)

LCD、フロントSDI、メインSDIメニューで「フォルスカラー」スイッチをタップすると、これらの出力でフォルスカラーの露出アシスタントを使用できます。

フォルスカラーに関する詳細は、このマニュアルの「タッチスクリーンの機能」セクションを参照してください。

モニター設定 2

URSA Broadcast G2の「モニター (MONITOR)」タブの2ページ目には、選択した出力に応じて異なる設定が含まれます。



「LCD」、「フロントSDI」、「メインSDI」

ステータステキスト (STATUS TEXT)

LCD、フロントSDI、メインSDI出力でステータステキストやメーターを非表示にして、ショットの構成に必要な情報のみを使用したい場合に役立ちます。「モニター (MONITOR)」メニューの「LCD」、「フロントSDI (Front SDI)」、「メインSDI (Main SDI)」で「ステータステキスト」スイッチをタップして、ステータステキストとメーターの表示を切り替えます。フレームガイド、グリッド、フォーカスアシスト、ゼブラなどのオーバーレイ表示を有効にしている場合、これらのオーバーレイは残ります。

URSA Broadcast G2のLCDタッチスクリーンで上または下にスワイプすると同じ効果があります。

アナモルフィック・デスクイーズ (ANAMORPHIC DESQUEEZE)

アナモルフィックレンズで撮影している場合、イメージはURSA Broadcast G2のプレビュー出力および収録したファイルで、横方向にスクイーズされて表示されます。アナモルフィック・デスクイーズを有効にすることで、URSA Broadcast G2のプレビューイメージが修正され、ポストプロダクションが円滑に進むよう、使用されたデスクイーズ値がクリップメタデータに記録されます。

選択するデスクイーズ値は、URSA Broadcast G2で設定した解像度により異なりますが、デスクイーズの結果のイメージは常にシネマワイドスクリーンの2.4:1のアスペクトレシオになります。

映画用のアナモルフィックレンズは、一般的に2xのスクイーズファクターです。URSA Broadcast G2の「3.7Kアナモルフィック (3.7K Anamorphic)」解像度は、これらのレンズ用に設計されており、「アナモルフィック・デスクイーズ」が「2x」で、この解像度に設定されている場合、2xデスクイーズを実行します。

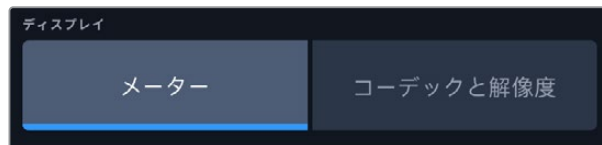
16:9デジタルイメージセンサー用に設計されたアナモルフィックレンズは、多くの場合、1.33xスクイーズファクターを使用して、16:9センサー全体から2.4:1のシネマワイドスクリーンのイメージを生成します。このため、URSA Broadcast G2が「4K 16:9」や「HD 16:9」などの16:9解像度に設定されている場合、「アナモルフィック・デスクイーズ」は「1.33x」に設定する必要があります。

作業のこつ 標準的な球面レンズで撮影したイメージが横方向に引き伸ばされて表示される場合は、「アナモルフィック・デスクイーズ (ANAMORPHIC DESQUEEZE)」をオフにしてください。

「LCD」のみ

ディスプレイ (DISPLAY)

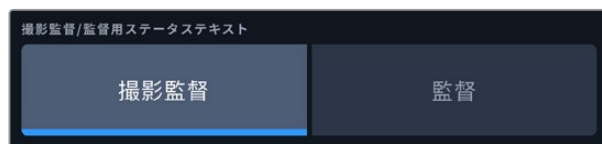
URSA Broadcast G2は、ヒストグラムとオーディオメーターの代わりに、コーデックおよび解像度情報をLCDタッチスクリーンの左下と右下に表示できます。露出の調整にフォルスカラーを使用する場合やオーディオを別に収録している場合など、ヒストグラムとオーディオメーターの代わりに、他の情報を表示したい時にこの機能が役立ちます。LCDメニューで「メーター (Meters)」または「コーデックと解像度 (Codec and Resolution)」をタップして、使用したいビューを選択します。



「フロントSDI」および「メインSDI」

撮影監督/監督用ステータステキスト (DISPLAY STATUS TEXT FOR)

LCDタッチスクリーンは、ISO、ホワイトバランス、アパーチャーなどカメラオペレーターや撮影監督がカメラで個別のショットをセットアップする際に役立つ情報を表示します。一方、カメラのSDI出力は、監督や、複数のショットやカメラの記録を取っているスクリプターにとって役立つ情報も表示します。



URSA Broadcast G2の「モニター (MONITOR)」メニューの「フロントSDI (Front SDI)」または「メインSDI (Main SDI)」でステータステキストを「監督 (DIRECTOR)」に設定すると、該当出力のステータステキストが以下の情報を表示します。

- ・ **FPS**
現在選択しているフレームレート (フレーム/秒) を表示します。オフスピードフレームレートが無効になっている場合、プロジェクトフレームレートのみを表示します。オフスピードフレームレートを使用している場合、プロジェクトフレームレートの後にセンサーフレームレートが表示されます。
- ・ **カメラ (CAM)**
URSA Broadcast G2のスレートで設定されたカメラインデックスを表示します。詳細は、このマニュアルの「スレート」セクションを参照してください。
- ・ **オペレーター (OPERATOR)**
URSA Broadcast G2のスレートで設定されたカメラオペレーターを表示します。詳細は、このマニュアルの「スレート」セクションを参照してください。
- ・ **継続時間表示**
現在収録中のクリップ、または最後に撮影されたクリップの継続時間を「時間:分:秒」で表示します。
- ・ **リール (REEL)、シーン (SCENE)、テイク (TAKE)**
現在のリール、シーン、テイクを表示します。リール、シーン、テイク、およびラベルの命名規則に関しては、このマニュアルの「スレート」セクションを参照してください。
- ・ **ダイナミックレンジ (DYNAMIC RANGE)**
出力にLUTを適用している場合、モニターの左下にURSA Broadcast G2が現在適用しているLUTが表示されます。LUTを適用していない場合、「Film」または「Video」ダイナミックレンジが表示されます。
- ・ **タイムコード (TIMECODE)**
モニターの右下にURSA Broadcast G2のタイムコードが「時間:分:秒:フレーム」で表示されます。

モニター設定 3

「モニター (MONITOR)」タブの「LCD」、「フロントSDI」、「メインSDI」設定の3ページ目には、各出力に同一の設定が含まれています。これらの設定は、3種類のモニタリング出力すべてで同じです。例えば、Blackmagic URSA Broadcast G2の「LCD」、「フロントSDI」、「メインSDI」出力で「フォーカスアシスト (FOCUS ASSIST)」が有効になっている場合、「フォーカスアシストの種類 (FOCUS ASSIST TYPE)」を「ピーキング (Peaking)」から「カラーライン (Colored Lines)」に変更すると、3つすべての出力が変わります。



ゼブラレベル (ZEBRA LEVEL)

横の矢印アイコンをタップして、ゼブラが表示される露出レベルを設定します。ゼブラレベルのプリセットは、中間グレーから100%の露出までの8種類が搭載されています。

詳細は、このマニュアルの「タッチスクリーンの機能」セクションの「ゼブラ」を参照してください。

フォーカスアシストの種類 (FOCUS ASSIST TYPE)

フォーカスアシスト (FOCUS ASSIST) URSA Broadcast G2カメラには「ピーキング (Peaking)」と「カラーライン (Colored Lines)」の2つのフォーカスアシストモードがあります。

・ ピーキング (Peaking)

ピーキングスタイルのフォーカスアシストを選択している場合、ショットのフォーカスが合っている領域はLCDタッチスクリーンおよびSDI出力で非常にシャープになりますが、収録されたイメージには適用されません。ショット内でフォーカスが合っている部分が、スクリーン上のソフトなバックグラウンドにくっきり浮き出て見えます。追加のオーバーレイが使用されないため、非常に直感的な方法でフォーカスを確認できます。これは、フォーカスする被写体がショット内の他のエレメントから物理的に離れている場合に特に役立ちます。

・ カラーライン (Colored Lines)

カラーラインスタイルのフォーカスアシストを選択している場合、フォーカスが合っている部分の周囲にカラーラインが表示されます。イメージ上に線が表示されるため、ピーキングスタイルのフォーカスアシストと比べて目立ちますが、画面上に多くのエレメントが存在する場合などに正確なフォーカスを得る助けになります。

フォーカスカラー (FOCUS COLOR)

カラーラインスタイルのフォーカスアシストを使用している場合、フォーカスラインオーバーレイの色を変更できます。フォーカスラインの色を変更すると、イメージ内のフォーカスアシストを確認しやすくなります。オプションは「ホワイト (White)」、「レッド (Red)」、「グリーン (Green)」、「ブルー (Blue)」、「ブラック (Black)」です。

フォーカスアシスト・レベル (FOCUS ASSIST LEVEL)

LCDタッチスクリーン、フロントSDI、メインSDIのフォーカスアシストのレベルを設定するには、スライダーを左右に動かします。

作業のこつ フォーカスアシストの最適なレベルは、ショットごとに異なります。例えば、人物にフォーカスを合わせる場合は、フォーカスアシストのレベルを上げることで顔のエッジのディテールを際立たせることができます。逆に草木やレンガなどのショットでは、フォーカスアシストを高く設定するとディテールが増えすぎ、イメージの邪魔になる恐れがあります。

モニター設定 4

「モニター (MONITOR)」タブの「LCD」、「フロントSDI」、「メインSDI」設定の4ページ目には、各出力に同一の設定が含まれています。これらの設定は、3種類のモニタリング出力すべてで同じです。



フレームガイド (FRAME GUIDES)

「フレームガイド」メニュー設定の左右の矢印をタップして、Blackmagic URSA Viewfinderなどの電子ビューファインダーを含む、URSA Broadcast G2の全出力でフレームガイドオプションを切り替えます。オプションに関する詳細は、このマニュアルの「タッチスクリーンの機能」セクションを参照してください。また、LCDタッチスクリーンのヘッドアップディスプレイに表示されるLCDモニタリングメニューからもアクセス可能です。

セーフエリアガイド (SAFE AREA GUIDE)

URSA Broadcast G2のLCDタッチスクリーンおよびフロント/メインSDI出力のセーフエリアオーバーレイのサイズを調整するには、パーセンテージ表示の左右にある矢印ボタンをタップします。このパーセンテージは、イメージフレームのセーフエリアサイズを示します。多くの放送局では90%のセーフエリアが求められます。

ガイド不透明度 (GUIDE OPACITY)

「ガイド不透明度」メニュー設定の左右の矢印をタップして、LCDタッチスクリーン、フロントSDI、メインSDI出力で、フレームガイドによりブロックされたエリアの不透明度を選択できます。オプションは25%、50%、75%、100%です。

ガイドの色 (GUIDES COLOR)

メニュー設定の左右にある矢印をタップして、ガイドに使用する色を選択します。

グリッド (GRIDS)

URSA Broadcast G2のLCDタッチスクリーン、およびフロント/メインSDI出力で表示する、グリッドおよび十字線の組み合わせを設定するには、この設定で「3x3グリッド (Thirds)」、「水平 (Horizon)」、「十字線 (Crosshairs)」、「ドット (Dot)」のいずれかをタップします。

詳細は、このマニュアルの「タッチスクリーンの機能」セクションの「グリッド」を参照してください。

モニター設定 5

URSA Broadcast G2の「モニター (MONITOR)」タブの5ページ目には、選択した出力に応じて異なる設定が含まれます。

「LCD」のみ

LCDの明るさ (LCD BRIGHTNESS)

「LCDの明るさ」スライダーを左右にドラッグして、URSA Broadcast G2のLCDタッチスクリーンの明るさを調整できます。



「フロントSDI」および「メインSDI」



SDI出力 (SDI OUTPUT)

両方の出力でプログレッシブおよびインターレースHD出力、またはプログレッシブUltra HDを選択できます。使用できるオプションは、カメラの解像度およびフレームレート設定により変わります。プログレッシブHD (1080p) は、収録解像度やフレームレートに関わらず常に使用できますが、インターレースHD (1080i) はプロジェクトフレームレートが50、59.94、60に設定されている場合のみ使用できます。Ultra HD SDI出力 (2160p) は、Ultra HD解像度で撮影している場合に使用できます。

3G-SDI出力 (3G-SDI OUTPUT)

3G-SDI出力規格を変更できるため、Level AまたはLevel Bの3G-SDIビデオのみを受信する機器との互換性を保てます。このオプションは、50fps、59.94fps、60fpsのいずれかで稼働しており、1080pで出力している際にのみ表示されます。「Level A」または「Level B」をタップして選択します。

オーディオ設定 (AUDIO)

「オーディオ (AUDIO)」タブでは、URSA Broadcast G2のオーディオ入力およびモニタリング設定の調整が可能です。

オーディオ設定は2ページに分かれています。現在はチャンネル1と2の設定が可能です。今後のソフトウェアアップデートで、さらに2つのチャンネルを追加予定です。

各オーディオは異なるソースにマッピングできます。また、パディングやローカットフィルターなどの様々な設定を調整できます。

これらの設定は、URSA Broadcast G2の内部コントロールパネルのスイッチと併せて使用するので、オーディオソースを特定のチャンネルに設定した後、内部コントロールパネルのスイッチで信号の種類やファンタム電源の有効化が行えます。

オーディオ設定 1

URSA Broadcast G2の「オーディオ (AUDIO)」タブの1ページ目には以下の設定が含まれます。



チャンネルソース (RECORD CHANNEL 1/2 SOURCE)

「チャンネル1ソース (CHANNEL 1 SOURCE)」および「チャンネル2ソース (CHANNEL 2 SOURCE)」ボタンを使用して、各オーディオチャンネルのオーディオソースを選択します。オプションは以下の通りです：

- ・ **カメラ左/右 (Camera - Left/Right)**
カメラの内蔵マイクで収録を行います。
- ・ **カメラモノ (Camera - Mono)**
URSA Broadcast G2の内蔵マイクの左右のチャンネルを単一のオーディオチャンネルに収録します。
- ・ **XLR 1/2**
カメラのXLR入力を収録します。URSA Broadcast G2の内部コントロールパネルのスイッチで設定しているオーディオ信号に応じて、XLR入力は「マイク (Mic)」、「ライン (Line)」、「AES」のいずれかで表示されます。ファンタム電源がオンになっていてXLR入力を「マイク」に設定している場合、「+48V」のインジケータも併せて表示されます。ファンタム電源マイクが接続されていない場合は、必ず「+48V」スイッチをオフにしてください。
- ・ **XLR 1/2 - マイクバックアップ (XLR 1/2 - Mic Backup)**
URSA Broadcast G2のXLR 1または2入りに接続されているマイクで、通常の「マイク (Mic)」収録より低いレベルで収録します。この設定は、予期せず音量が上がった際のオーディオクリッピングを防ぐためにも使用できます。この機能は、XLR 1または2入力スイッチが「MIC」に設定されている場合のみ選択可能です。
- ・ **なし (None)**
オーディオチャンネルを無効化します。

チャンネル1/2レベル (CHANNEL 1/2 LEVEL)

チャンネル1および2のソースの収録レベルは、このスライダーで調整できます。各スライダーにはオーディオメーターがついているので、オーディオレベルを的確に設定するのに役立ちます。エルゴノミクスパネルにあるオーディオノブでオーディオを調整すると、これらのレベルも同時に調整されます。

最適な音質を得るためには、オーディオレベルが0dBFSを越えないようにしてください。0dBFSはカメラが収録可能な最高のレベルなので、これを超えるオーディオはクリップされ、歪みの原因となります。



パッドXLR1/2 -20dB (PAD XLR 1/2 -20dB)

-20dBパッドのオプションは、騒がしい環境での撮影において入力レベルをすでに下げた状態で、URSA Broadcast G2のXLRオーディオ入力を入力ゲインレベルをさらに軽減できます。

パッド カメラマイク -15dB (PAD CAM MIC -15dB)

-15dBパッドのオプションは、騒がしい環境での撮影において入力レベルをすでに下げた状態で、URSA Broadcast G2の内部マイクでマイク入力ゲインレベルをさらに軽減できます。

マイク・ローカットフィルター (CAM MIC LOW CUT FILTER)

このスイッチをタップすると、カメラの内蔵マイクのローカットフィルターが有効になります。ローカットフィルターは、野外での撮影時などに発生する風騒音や低周波ランブルを軽減します。この機能を使用するには「パッド カメラマイク -15dB (PAD CAM MIC -15dB)」のスイッチをオフにする必要があります。

オーディオ設定 2

URSA Broadcast G2の「オーディオ (AUDIO)」タブの2ページ目には以下の設定が含まれます。



オーディオメーター (AUDIO METERS)

オーディオメーターは2種類から表示方法を選択できます。

VU	VUメーターは、オーディオ信号の短いピークおよびボトムの平均値を表示します。このメーターを使用する場合、オーディオメーターの0dbインジケーターでメーターがピークに達するように、Blackmagic URSA Broadcast G2の入力レベルを調整します。これによりS/N比が最大化され、最高品質のオーディオが保証されます。ピーク値が0dbを超えると、ピークノイズが発生するリスクが高くなります。
PPM	PPMメーターは「ピークホールド」機能に対応しており、信号のピークの表示が一時的に保持され、ゆっくりと戻るため、オーディオのピーク値が簡単に確認できます。

VUおよびPPMメーターは共に、リファレンスレベルを-18dBFSまたは-20dBFSから選択できるため、様々な国際放送基準に合わせたオーディオモニタリングが可能です。

オーディオメーター設定	規格
PPM (-20 dBFS)	SMPTE RP.0155
PPM (-18 dBFS)	EBU R.68

ヘッドフォンボリューム (HEADPHONES VOLUME)

このスライダーは、URSA Broadcast G2の3.5mmヘッドフォンジャックに接続したヘッドフォンの出力レベルを調整します。オーディオスライダーを左右に動かすことで、レベルを調整できます。前方コントロールパネルにあるオーディオノブでヘッドフォンレベルを調整すると、これらのレベルも同時に調整されます。

スピーカーボリューム (SPEAKER VOLUME)

このスライダーは、URSA Broadcast G2の内蔵スピーカーの出力レベルを調整します。オーディオスライダーを左右に動かすことで、レベルを調整できます。前方コントロールパネルにある設定ホイールでスピーカーの音量を調整すると、これらのレベルも同時に調整されます。

セットアップ設定 (SETUP)

「セットアップ (SETUP)」タブには、URSA Broadcast G2の識別設定、ソフトウェアバージョン、機能ボタン設定、収録やモニタリングと直接リンクしないその他のカメラ設定が含まれます。このメニューは12ページあり、LCDタッチスクリーンの端にある矢印をタップするか、左右にスワイプして切り替えます。

セットアップ設定 1ページ

URSA Broadcast G2の「セットアップ (SETUP)」タブの1ページ目には以下の設定が含まれます。



URSA Broadcast G2のセットアップメニュー

日付と時刻 (DATE AND TIME)

鉛筆アイコンをタップして、URSA Broadcast G2の日付と時刻を設定します。日付フォーマットは、年、月、日で、時刻フォーマットは24時間です。外部タイムコードソースが接続されていない場合、URSA Broadcast G2の日付および時刻は時刻タイムコードにも使用されます。



言語 (LANGUAGE)

対応言語は、日本語、英語、中国語、韓国語、スペイン語、ドイツ語、フランス語、ロシア語、イタリア語、ポルトガル語、トルコ語、ポーランド語、ウクライナ語です。

言語の選択ページは、初めて起動する際にも表示されます。

言語を選択する：

- 1 鉛筆アイコンをタップして、リストから任意の言語を選択します。
- 2 「アップデート (Update)」を押して、「セットアップ (SETUP)」メニューに戻ります。



シャッター表示 (SHUTTER MEASUREMENT)

シャッター情報の表示方法を「アングル (Shutter Angle)」と「スピード (Shutter Speed)」で切り替えられます。どちらもモーションブラーに影響しますが、機能の仕方が少し異なります。シャッターの表示単位の詳細は、このマニュアルの「タッチスクリーンコントロール」セクションを参照してください。

フリッカーの生じないシャッター (FLICKER FREE SHUTTER BASED ON)

URSA Broadcast G2が使用する主電源周波数を変更し、フリッカーの生じないシャッター設定を計算します。

照明の下で撮影する場合、シャッタースピードが原因でフリッカーが生じる場合があります。URSA Broadcast G2は、現在のフレームレートでフリッカーが生じないシャッタースピードを自動的に計算し、「シャッター (SHUTTER)」メニューで提案値を表示します。シャッタースピードは、照明に使う主電源の周波数により影響を受けます。PALを採用している国の多くでは50Hz、NTSCを採用している国では一般的に60Hzが使用されています。「50Hz」または「60Hz」をタップして、撮影を行なっている地域に適した周波数を設定します。

フリッカーの生じないシャッターの値を使用しているにも関わらず、様々な照明の特性によりフリッカーが生じる場合があります。連続光を使用していない場合は、テスト撮影を行うことをお勧めします。

ドロップフレームタイムコード (DROP FRAME TIMECODE)

29.97および59.94のNTSCプロジェクトフレームレートを使用している場合、このオプションでドロップフレームタイムコードを有効にします。ドロップフレームタイムコードは、特定の間隔で少数のフレームをタイムコードからドロップします。これにより、1秒間にNTSCフレームレートで全フレームが含まれていなくても、プロジェクトのタイムコードの正確性が保たれます。

NDフィルター表示 (DISPLAY ND FILTER AS)

URSA Broadcast G2のNDフィルターインジケーターでのNDフィルター設定の表示方法を変更できません。カメラの使用慣例によって設定を変更できます。一般的に、撮影監督はND番号による表示を使用します。DSLRや放送用カメラのユーザーはF値、または光量の割合での表示を使用する場合があります。

画面上では、それぞれ「番号 (NUMBER)」、「F値 (STOP)」、「分数 (FRACTION)」と表示されます。



URSA Broadcast G2の「セッティングアップ (SETUP)」メニューのオプションで、内蔵NDフィルター情報の表示方法をカスタマイズ可能

セッティングアップ設定 2ページ

URSA Broadcast G2の「セッティングアップ (SETUP)」タブの2ページ目には以下の設定が含まれます。



ATEMカメラID (ATEM CAMERA ID)

URSA Broadcast G2をATEMスイッチャーと併せて使用し、スイッチャーからのタリー信号をカメラで受信したい場合は、カメラでカメラ番号を設定する必要があります。これにより、スイッチャーから適切なカメラにタリー信号を送信できます。カメラ番号は左右の矢印ボタンをタップして、1~99に設定できます。デフォルト設定は1です。

カラーバー (COLOR BARS)

プレビューイメージの代わりにカラーバーを出力する機能は、URSA Broadcast G2をスイッチャーや外部モニターに接続している際に便利です。URSA Broadcast G2のカラーバーにより、スイッチャーやモニターで接続を確認でき、カラーバーの色に基づいて基本的なモニターのキャリブレーションを実行できます。LCDタッチスクリーンを含むURSA Broadcast G2の全出力でカラーバーをオンにするには、「カラーバー」スイッチをタップします。

リファレンスソース (REFERENCE SOURCE)

リファレンスソースの選択に使用します。URSA Broadcast G2は、内部/外部リファレンスソース、またはATEMスイッチャーからのプログラム入力のリファレンス信号にロックできます。URSA Broadcast G2をATEMスイッチャーのカメラコントロール機能と使用している場合、リファレンスソースは常に「プログラム (Program)」に設定してください。しかし、スイッチャーおよび接続されているすべてのカメラが外部リファレンスを使用している場合を除きます。

メモ URSA Broadcast G2のリファレンスソースを設定する際に、リファレンスソースの切り替えを行うとカメラ出力が一瞬途切れることがあります。これは、カメラが外部ソースとマッチするようにリファレンスのタイミングを調整することで発生します。こういった理由から、この設定の変更はセッティング時のみに行うようにし、制作中には行わないことが重要です。

リファレンスタイミング (REFERENCE TIMING)

リファレンスタイミングをライン/ピクセルベースでマニュアル調整できます。「ライン (Lines)」と「ピクセル (Pixels)」設定の横にある矢印アイコンをタップして調整します。

セットアップ設定 3ページ

URSA Broadcast G2の「セットアップ (SETUP)」タブの3ページ目には以下の設定が含まれます。



プログラムオーディオソース (PROGRAM AUDIO SOURCE)

ATEMスイッチャーに接続している場合、この設定を「スイッチャー (Switcher)」にすると、ヘッドフォンやヘッドセットを使用したモニタリングで、トークバックとミックスする入力ソースとしてプログラムリターンオーディオが優先されます。これは、カメラからオーディオをスイッチャーに送信していない状態で、スイッチャーからのプログラムフィードを「SDI IN」ポートを介して聞きたい場合に便利な機能です。この設定を「AFV」にすると、カメラの内部マイクまたは「AUDIO IN」XLRポートからのオーディオが優先されます。「AFV」はデフォルトの設定です。

プログラムミックス (PROGRAM MIX)

カメラ・サウンドとトークバック・サウンドのバランスを変更します。ヘッドフォンは、LCDに表示されている映像のオーディオを出力します。例えば、カメラの映像を表示している場合は、そのカメラのオーディオ

音を聞くことができます。プログラム映像を表示している場合は、プログラム映像のオーディオを聞くことができます。デフォルト設定は100%です。

ヘッドセットマイク (HEADSET MIC)

ボリュームスライダーを左右に動かすことで、オーディオマイクの入力レベルを調整できます。デフォルト設定は50%です。

サイドトーンレベル (SIDETONE LEVEL)

このスライダーで、ヘッドセットマイクの自分の声の音量を調整できます。

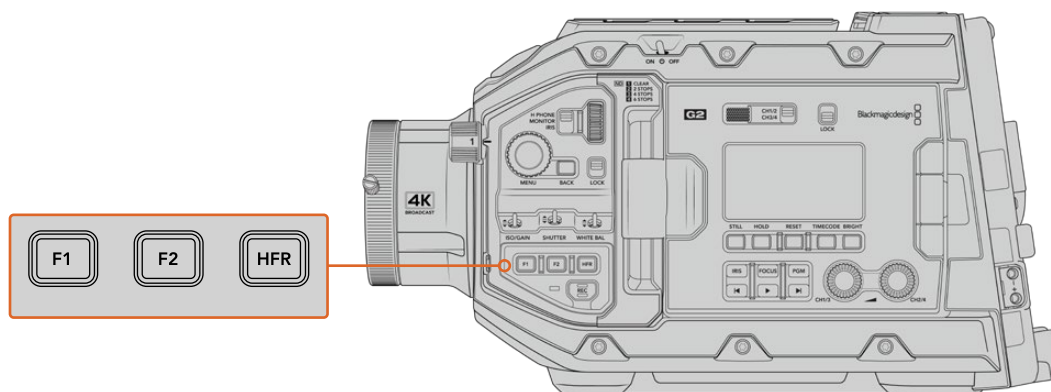
セットアップ設定 4ページ

URSA Broadcast G2の「セットアップ (SETUP)」タブの4ページ目には以下の設定が含まれます。



機能ボタンの設定 (SET FUNCTION BUTTON)

URSA Broadcast G2のLCDタッチスクリーンの外側には「F1」と「F2」の2つの機能ボタンがあります。これらのボタンは、頻繁に使用する機能にすばやくアクセスできるようマッピングでき、URSA Viewfinderを使用しており、LCDタッチスクリーンを閉じて使用する場合などに便利です。「HFR」ボタンのデフォルト設定は、「オフスピード収録 (Off Speed Rec)」です。もちろん、他の機能を割り当てることも可能です。



URSA Broadcast G2の「F1」、「F2」、「HFR」ボタンは前方コントロールパネルにあります。

作業のこつ レンズコネクターでB4レンズをURSA Broadcast G2に装着している場合、「VTR」と「RET」ボタンを機能ボタンとして設定でき、「F1」、「F2」、「HFR」ボタンと同様に、プリセットや機能の切り替えを割り当てられます。

これらのボタンを設定するには、まず矢印で機能ボタンを選択し、挙動、設定、パラメーターを選択します。



1 ボタン 2 挙動 3 設定 4 パラメーター

機能ボタンの挙動 (F1/F2/HFR BEHAVE AS)

マッピングする機能ボタンを選択した後、その挙動を選択します。選択できるオプション：

・プリセット (Preset)

この挙動に設定すると、機能ボタンを押した際に設定とパラメーターの組み合わせが呼び出されます。

プリセットを設定するには、「設定 (SETTING)」メニューで選択を行い、「パラメーター (PARAMETER)」メニューの横にある矢印アイコンをタップして調整します。

例えば、F1ボタンでホワイトバランスのプリセットの呼び出しを設定する場合、「機能ボタン設定 (SET FUNCTION BUTTON)」で「F1」を選択し、次に挙動を「プリセット (Preset)」に設定します。次に、「設定 (SETTING)」で「WB」を選択して、「パラメーター (PARAMETER)」メニューの矢印をタップして「5600K」に設定し、その横のフィールドでティントを「-20」に設定します。

・トグル (Toggle)

この挙動に設定すると、機能ボタンを押した際に特定の設定のオン/オフが切り替わります。このモードでは「設定 (SETTING)」メニューはグレーアウトします。「パラメーター (PARAMETER)」メニューで左右の矢印ボタンをタップし、使用可能なオプションをスクロールできます。オプションは以下になります。「クリーンフィード (Clean Feed)」、「LUT表示 (Display LUT)」、「フレームガイド (Frame Guides)」、「フォーカスアシスト (Focus Assist)」、「フォルスカラー (False Color)」、「ゼブラ (Zebra)」、「グリッド (Grid)」、「セーフエリアガイド (Safe Area Guide)」、「オフスピード収録 (Off Speed Recording)」、「収録 (Record)」、「プログラムリターン (Program Return)」、「カラーバー (Color Bars)」、「プッシュ・トゥ・トーク (Push To Talk)」、「フォーカスズーム (Focus Zoom)」、「なし (None)」。

「フォーカスズーム」が有効になっていると、前方コントロールパネルにあるメニューホイール (MENU) で、ズーム領域を動かし、拡大率を調整できます。メニューホイールを押すと、ズームと拡大率の調整で切り替えられます。LCDで「フォーカスズーム」が有効になっている場合の実行方法に関しては、「フォーカスズーム」のセクションを参照してください。

「トグル」では、設定を適用する出力を選択することもできます。「LCD」、「フロント (Front SDI)」、「メインSDI (Main SDI)」の組み合わせをタップして選択します。すべての出力に適用される「カラーバー」など、該当オプションが出力で使用できない場合は、「LCD」、「フロントSDI」、「メインSDI」の設定が無効になります。

例えば、URSA Broadcast G2で、B4レンズの「RET」および「VTR」ボタンを機能ボタンに設定できます。HyperDeckを使用して個別収録を行なっている場合、「VTR」ボタンを「プッシュトゥトーク」に割り当てることが多いようです。



B4レンズの「VTR」ボタンを「プッシュ トゥ トーク」に割り当て

セットアップ設定 5ページ

URSA Broadcast G2の「セットアップ (SETUP)」タブの5ページ目には、オプションのBlackmagic Zoom Demandの設定が含まれます。これらの設定は、URSA Broadcast G2にBlackmagic Zoom Demandが取り付けられている場合にのみ使用できます。

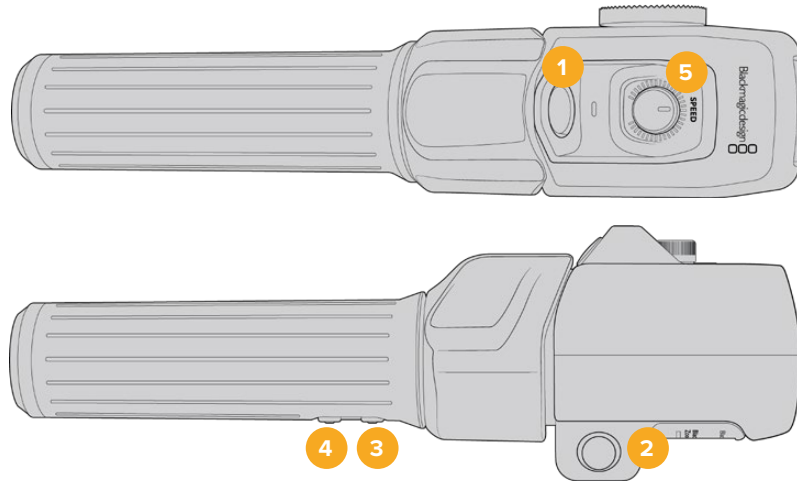
Blackmagic Zoom Demandの取り付けおよび使用方法に関する詳細は、「Blackmagic Zoom Demand およびFocus Demand」セクションに後述されています。



ズームロッカーの方向 (ZOOM ROCKER DIRECTION)

- 通常 (Normal)**
 デフォルトの設定です。ズームロッカーを右に押すとズームイン、左に押すとズームアウトします。
- 反転 (Reverse)**
 方向が反転し、ズームロッカーを左に押すとズームイン、右に押すとズームアウトします。

Blackmagic Zoom Demandには4つのズーム機能ボタンと1つの速度ダイヤルがあり、異なる機能をマッピングできます。



1 ズーム F1 2 ズーム F2 3 ズーム F3 4 ズーム F4 5 速度ダイヤル

速度ダイヤルやズームボタンに異なる機能を割り当てるには、「機能ボタンの設定 (SET FUNCTION BUTTON)」から「ノブ (Dial)」またはボタンの番号を選択します。次に、「ボタンパラメーター (BUTTON PARAMETER)」メニューの両側にある矢印アイコンをタップして、割り当てる機能を選択します。

速度ダイヤルおよび機能ボタンのパラメーターのオプション：

ノブ (Dial)	「ズーム速度 (Zoom Speed)」、「ヘッドフォンレベル (Headphone Level)」、「アイリス (Iris)」、「フォーカス (Focus)」
ズームボタン 1~4	「収録 (Record)」、「プッシュ・トゥ・トーク (Push to Talk)」、「プログラムリターン (Program Return)」、「フォーカスズーム (Focus Zoom)」、「フレームガイド (Frame Guides)」、「ステータステキスト (Status Text)」、「オートフォーカス (Auto Focus)」、「オートアイリス (Auto Iris)」、「オートホワイトバランス (Auto White Balance)」、「再生 (Playback)」

セットアップ設定 6ページ

URSA Broadcast G2の「セットアップ (SETUP)」タブの6ページ目には、オプションのBlackmagic Focus Demandの設定が含まれます。これらの設定は、URSA Broadcast G2にBlackmagic Focus Demandが取り付けられている場合のみ使用できます。

Blackmagic Focus Demandの取り付けおよび使用方法に関する詳細は、「Blackmagic Zoom Demand およびFocus Demand」セクションに後述されています。



フォーカスデマンドの方向 (FOCUS DEMAND DIRECTION)

Focus Demandのフォーカスホイールの方向は、「通常」または「反転」を選択することで変更できます。

- ・ **通常 (Normal)**

フォーカスホイールを時計回りに回すと、レンズに近い被写体にフォーカスします。反時計回りでは、レンズから離れた被写体にフォーカスします。

- ・ **反転 (Reverse)**

フォーカスホイールを反時計回りに回すと、レンズに近い被写体にフォーカスします。時計回りでは、レンズから離れた被写体にフォーカスします。

セットアップ設定 7ページ

URSA Broadcast G2の「セットアップ (SETUP)」タブの7ページ目には以下の設定が含まれます。



ステータスLED (STATUS LED)

URSA Broadcast G2のフロントパネルに搭載されたLEDで、タリーやステータス情報を確認できます。ステータスLEDの有効/無効は、「ステータスLED (STATUS LED)」スイッチをタップして切り替えられます。

LEDインジケータの表示の種類には下記があります：

白	カメラの電源がオンで、スタンバイモードになっています。
赤	カメラが収録中です。ゆっくり点滅する場合、カードの容量が残り少なくなっています。早く点滅する場合、コマ落ちが発生しています。
緑	カメラが再生モードです。クリップの再生中は、緑のLEDがゆっくりと点滅します。挿入したメディアが認識されると、ステータスLEDは緑と白で3回点滅します。
オレンジ	カメラのバッテリーが少ない場合、LEDはオレンジと他のステータスカラーに点滅します。例えば、現在収録中であればLEDインジケータはオレンジと赤にゆっくり点滅します。カメラがスタンバイモードであれば、LEDは白とオレンジに点滅します。低バッテリー残量のしきい値は、正確なパーセンテージ情報の表示に対応している場合20パーセントで、対応していない場合は12.5vです。

ステータスLEDの明るさ (STATUS LED BRIGHTNESS)

URSA Broadcast G2のステータスLEDの明るさは、「低 (Low)」、「中 (Medium)」、「高 (High)」をタップして設定できます。

作業のこつ Blackmagic URSA Broadcast G2のステータスLEDの設定は、URSA Mini Recorder、Blackmagic Zoom Demand、Blackmagic Focus DemandのステータスLEDも制御します。

ハードウェアID (HARDWARE ID)

URSA Broadcast G2を識別する8文字を表示します。これは各カメラ独自のものです。Blackmagic RAWおよびProResビデオのメタデータには、32文字バージョンのカメラIDが含まれます。ファイル名を変更した場合でもカメラのハードウェアIDは変わらないので、特定のカメラで撮影されたフッターを探する際に便利です。

ソフトウェア (SOFTWARE)

URSA Broadcast G2にインストールされている現在のソフトウェアバージョンを表示します。ソフトウェアのアップデートに関する詳細は、「Blackmagic Camera Setup Utility」セクションを参照してください。

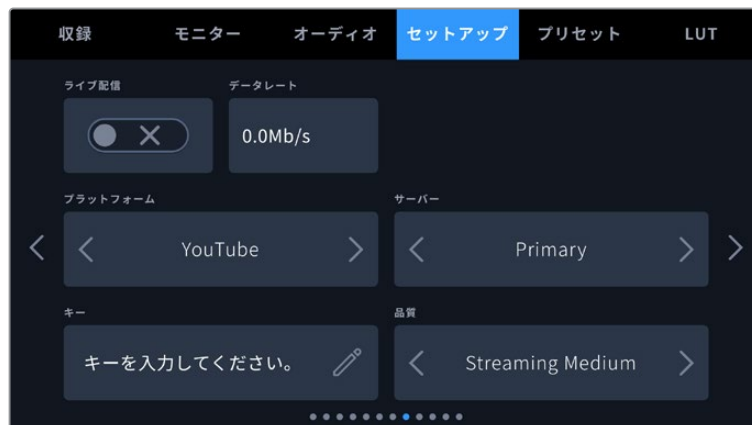
再生 (PLAYBACK)

再生時に「単一のクリップ (Single Clip)」を再生するか、「全てのクリップ (All Clips)」を再生するか選択できます。「全てのクリップ」を選択するとすべてのマッチするメディアが連続して再生され、「単一のクリップ」を選択すると1つのクリップだけが再生されます。これは、ループ機能にも適用されます。「全てのクリップ」でループを選択すると、メディアの全クリップを再生し、その後ループします。「単一のクリップ」を選択すると1つのクリップがループされます。

セットアップ設定 8ページ

URSA Broadcast G2の「セットアップ (SETUP)」タブの8ページ目には以下の設定が含まれます。これらの設定では、カメラの配信オプションを設定できます。

URSA Broadcast G2から配信を行う際の設定方法は、後述の「ビデオの配信」セクションを参照してください。



配信 (STREAM)

このスイッチで、配信のオン/オフを切り替えます。

データレート (DATA RATE)

配信中に、配信のデータレートが表示されます。

プラットフォーム (PLATFORM)

任意の配信プラットフォームを選択します。YouTube、Twitter、Twitchなどのオプションがあります。

サーバー (SERVER)

矢印ボタンでサーバーを選択できます。オプションは、配信プラットフォームに応じて変わります。

キー (KEY)

鉛筆アイコンをタップすると、配信プラットフォームの配信キーを入力できます。

品質 (QUALITY)

矢印ボタンで配信品質を選択できます。

セットアップ設定 9ページ

URSA Broadcast G2の「セットアップ (SETUP)」タブの9ページ目にはカメラの配信オプションに関連する以下の設定が含まれます。



配信情報 (STREAM INFORMATION)

このスイッチをオンにすると、カメラのステータス表示に配信情報が表示されます。この情報は、LCD、フロントSDI、メインSDI出力のいずれかで確認できます。

配信情報には、配信に使用している接続（例えば、イーサネットまたはスマートフォン）、配信の長さを表示するカウンターなどが含まれ、データレートはメガビット/秒 (Mb/s) で表示されます。



3D LUTを表示 (DISPLAY 3D LUT)

配信に3D LUTを適用したい場合は、この設定をオンにします。

作業のこつ 「3D LUTを表示」設定をオンにすると、直接配信に使用されている出力のみにLUTが適用されます。

配信と同時に、Blackmagic RAWまたはProResコーデックで収録を行っている場合、「収録 (RECORD)」メニューのLUTオプションを使用すると、ファイルにLUTを追加できます。また、「モニター (MONITOR)」設定でLCDまたはSDI出力にLUTを追加することも可能です。詳細は「収録設定 (RECORD)」セクションを参照してください。

低遅延 (LOW LATENCY)

この設定をオンにすることで、現在カメラの前で起きていることと、視聴者が配信で見ている映像の間に生じる遅延を最低限にすることが可能です。オフにすると、より多くのバッファが得られるため、インターネットの接続が良くなかったり、途切れる場合などに、より安定した配信を実行できます。

配信設定の読み込み (IMPORT STREAM SETTINGS)

このボタンをタップすると、XML設定ファイルを読み込みます。このファイルを使用すると、インターネット上のATEM Streaming Bridgeをカメラが検出できるようになります。

XMLファイルの読み込み方法に関しては、後述の「ビデオの配信」セクションを参照してください。

読み込んだ配信設定の消去 (DELETE IMPORTED STREAM SETTINGS)

このボタンを押すと、カメラに読み込まれた配信設定が削除されます。その後、選択を確定するメッセージが表示されます。

セットアップ設定 10ページ

URSA Broadcast G2の「セットアップ (SETUP)」タブの10ページ目には、カメラのネットワーク設定を実行できる以下の設定が含まれます。

ネットワークへの接続方法 (DHCPまたは静的IPアドレス) など、ネットワークのコンフィギュレーションに関するオプションを選択できます。



ネットワークの接続には、DHCPまたは静的IPアドレスを使用可能

セットアップ設定 11ページ

URSA Broadcast G2の「セットアップ (SETUP)」タブの11ページ目には以下の設定が含まれます。



カメラのBluetoothの名前は、スレートで選択したカメラの文字にURSA Broadcast G2の8文字のハードウェアIDが加わったものです。

Bluetooth®

Bluetoothコントロールにより、ポータブルデバイスからカメラをワイヤレスでコントロールできます。

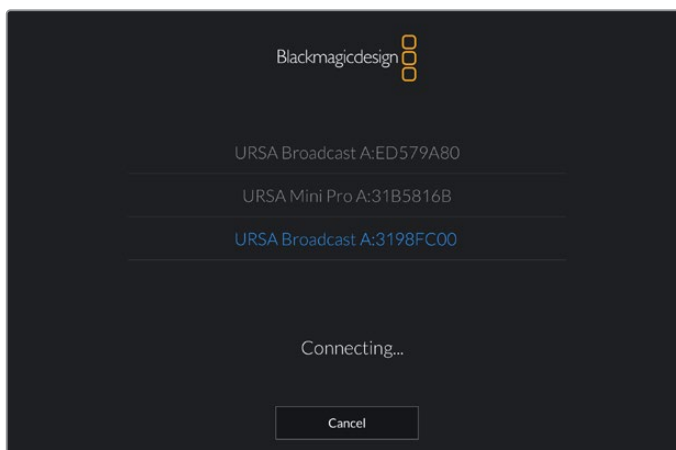
「Blackmagic Camera Control」アプリを使用して、カメラの電源のオン/オフ、設定の変更、メタデータの調整、収録のリモートトリガーをiPadから実行できます。Bluetoothのオン/オフは、「セットアップ (SETUP)」メニューの「BLUETOOTH」スイッチをタップして切り替えます。Bluetoothが有効になっていると、最長9メートル (30フィート) 離れた場所からBluetoothデバイスでカメラを検出できます。

URSA Broadcast G2は、「Blackmagic SDI Camera Control Protocol」に使用するのと同じBluetoothコントロールのコマンドセットを使用します。このため、独自のアプリケーションを作成して、オーディオ設定のモニタリング、カメラの内蔵DaVinci Resolveカラーコレクター、レンズコントロールなど、カメラのほぼすべての設定をリモートコントロールできます。

詳細は、このマニュアルの「Blackmagic SDI Camera Control Protocol」セクションを参照してください。

カメラとiPadを初めてペアリングする：

- 1 URSA Broadcast G2の「セットアップ (SETUP)」メニューの「BLUETOOTH」スイッチをタップして、Bluetoothを有効にします。
- 2 「Blackmagic Camera Control」アプリを開いて、ペアリングしたいURSA Broadcast G2を選択します。ペアリング可能なカメラは、カメラモデルごとにリストアップされます。カメラ名の後ろには、以下のようなハードウェアIDが続きます。例えば、A:3198FC00などです。



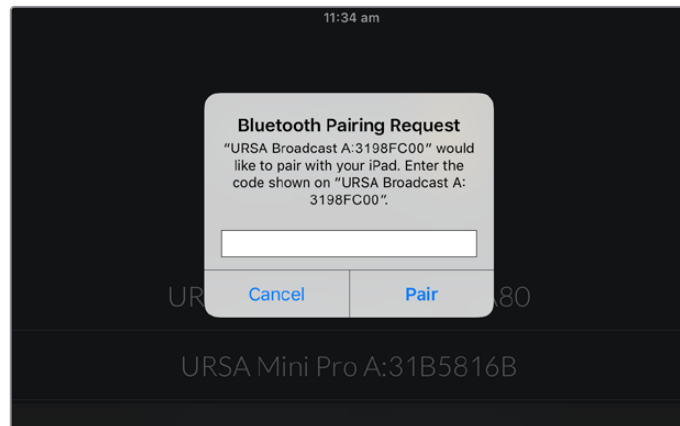
ペアリングしたいURSA Broadcast G2を選択

Blackmagic Camera Controlアプリをインストールして初めて起動する際、位置情報へのアクセス許可を確認するメッセージ「Allow location access」が表示されます。「While using the app（アプリ使用中）」を選択するとiPadからのGPS情報が撮影ファイルのメタデータに追加され、フッターにジオタグが付けられます。この情報は、DaVinci Resolve 14以降で確認できます。

この情報を使いたくない場合は、「Never（使用しない）」を選択します。

設定の変更は、iPadの「設定」>「プライバシー」>「位置情報サービス」>「Camera Control」で行えます。

- 初めて接続する場合、カメラとペアリングするためにBlackmagic Camera Controlアプリは6桁のコードを要求します。このコードは、カメラのLCDスクリーンに表示されるので、このコードをiPadに入力します。



- URSA Broadcast G2がiPadとペアリングされたことが、スクリーン上に表示されます。



- 5 カメラとiPadのペアリングに問題が生じた場合は、以下のエラーメッセージが表示されます：



メモ URSA Broadcast G2のコントロールにBluetoothを使用しない場合、セキュリティのためBluetoothをオフにしておくことを推奨します。

現在のデバイス接続を解除 (DISCONNECT CURRENT DEVICE)

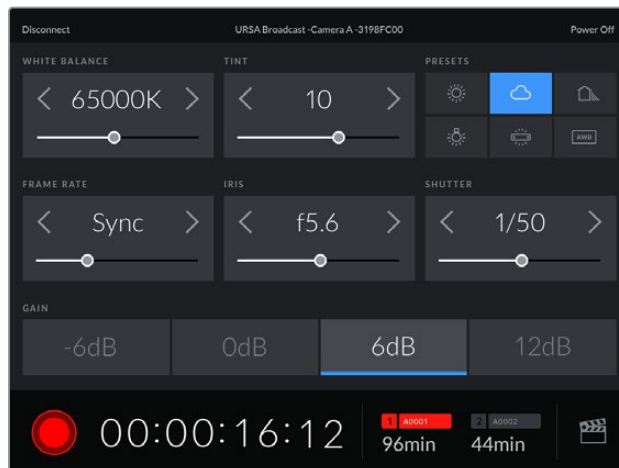
URSA Broadcast G2と現在ペアリングされているiPadの接続を解除します。

ペアリングデバイスをクリア (CLEAR PAIRED DEVICES)

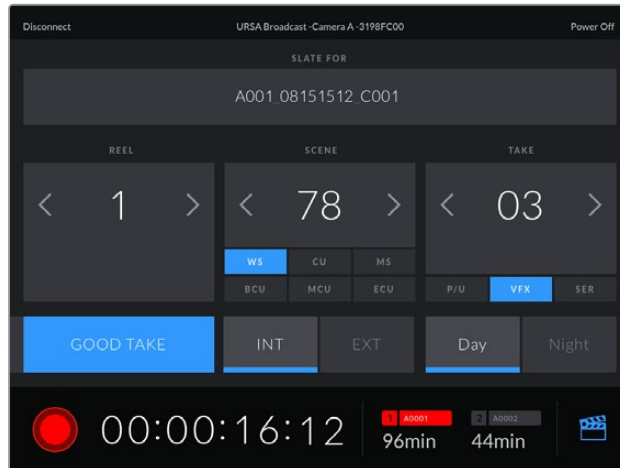
URSA Broadcast G2とペアリングされているデバイスのリストを消去します。

Blackmagic Camera Controlアプリでカメラをコントロール

URSA Broadcast G2をiPadとペアリングできたら、iPadアプリを使ってカメラの電源のオン/オフ、設定の変更、メタデータの調整、収録のリモートトリガーを実行できます。



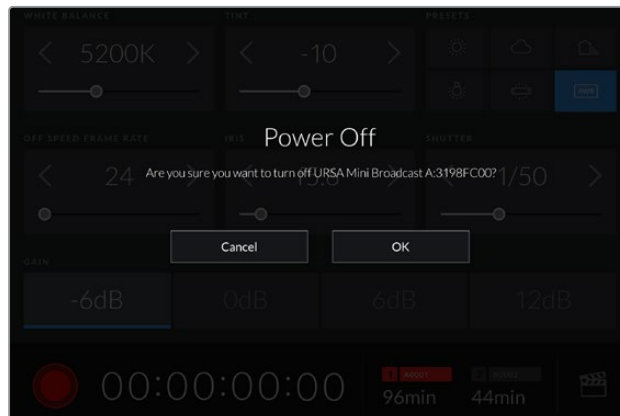
ペアリングすると、このスクリーンがBlackmagic Camera Controlアプリで表示され、設定の調整や収録の開始が可能になります。



右下にあるスレートアイコンをタップしてスレートにアクセスし、アップデート。

URSA Broadcast G2は、Bluetooth LEを使ってデバイスと通信し、ワイヤレスコントロールを実行します。これは、ポータブルデバイスに使用されるのと同じタイプのプロトコルで、バッテリー電源の使用を最小限に抑えられます。

URSA Broadcast G2の電源を切るには、右上の「電源オフ (Power Off)」をタップします。



カメラがオフになる前に、選択を確定するメッセージが表示されます。

URSA Broadcast G2の電源がオフになっていても、Bluetoothが有効になっていれば、カメラの名前はBlackmagic Camera Controlアプリで使用可能なデバイスのリストに表示されます。カメラをすでにペアリングしているので、カメラ名を選択して「接続 (Connect)」をタップすれば、リモートでスイッチをオンにできます。Bluetoothが無効になっている場合、カメラ名はリストに表示されません。

セットアップ設定 12ページ

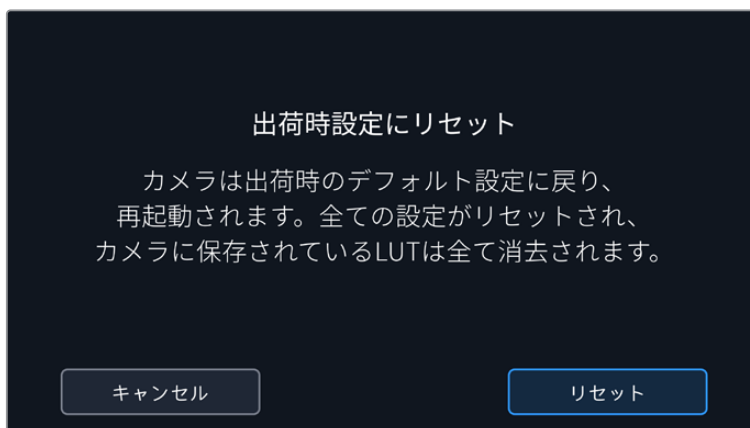
URSA Broadcast G2の「セットアップ (SETUP)」タブの12ページ目には以下の設定が含まれます。



出荷時設定にリセット (FACTORY RESET)

カメラを出荷時の設定にリセットするには、「カメラをリセット (Reset Camera)」ボタンをタップします。現在カメラに保存されているLUTやプリセットもすべて消去されるため、この処理の確定を確認するメッセージが表示されます。確認メッセージで「リセット (Reset)」をタップしてカメラ設定をリセットします。

「出荷時設定にリセット (FACTORY RESET)」は、すべてのプリセットやカスタムLUTを消去し、すべての設定がリセットされることに注意してください。出荷時の設定にリセットする前に、メモリーカードにバックアップとして書き出ししておくことをお勧めします。出荷時設定にリセットした後に、メモリーカードからプリセットやLUTを簡単に読み込んで再びカメラで使用できます。



「出荷時設定にリセット (FACTORY RESET)」を選択すると表示される確認メッセージ

モーションセンサー・キャリブレーション (MOTION SENSOR CALIBRATION)

URSA Broadcast G2で水平メーターのキャリブレーションを実行するには、カメラを水平な場所に置き、「モーションセンサーで実行 (Calibrate Motion Sensor)」ボタンを押します。キャリブレーション実行中、カメラは安定して動いていない必要があります。これにより、撮影中にBlackmagic RAWにモーションセンサーのメタデータが正確に記録されます。この処理には約5秒かかります。

水平メーターは、必要に応じて水平以外の角度に設定することも可能です。例えば、一定の角度にティルトさせて設定したい場合は、カメラをその角度にしてモーションセンサーのキャリブレーションを行うことで、その角度を維持するために水平メーターを使用できるようになります。

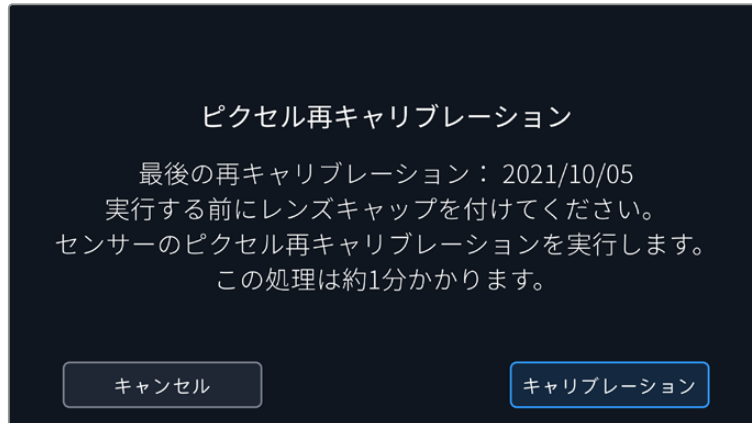
モーションセンサーのデータは、DaVinci Resolveでクリップをスタビライズするために使用できます。詳細は、このマニュアルの「ジャイロスタビライゼーション」セクションを参照してください。

ピクセル再キャリブレーション (PIXEL RECALIBRATION)

URSA Broadcast G2のCMOSセンサーは、数百万のピクセルで光を受光します。その結果、それらのピクセルはより目立つようになり、ホットピクセルと呼ばれる状態に変化します。メーカーにかかわらず、すべてのカメラセンサーは時間の経過と共にピクセルの明るさに変化が生じます。

この問題を解決するために、URSA Broadcast G2は再キャリブレーション機能を搭載しており、他のピクセルより明るいピクセルを見つけた場合、補正に使用できます。

再キャリブレーションを実行するには、レンズキャップを取り付け、「イメージセンサーで実行 (Calibrate Image Sensor)」をタップし、次に「キャリブレーション (Calibrate)」ボタンをタップします。この処理には約1分かかります。



LCDホワイトバランス・キャリブレーション (WHITE BALANCE CALIBRATION)

「LCDホワイトバランス・キャリブレーション」を実行するには、「LCD色温度 (LCD TEMPERATURE)」と「LCDティント (LCD TINT)」を調整して、2つの参照用パッチがニュートラルになるようにします。設定を変更した後に「リセット (Reset)」ボタンを押すと、工場出荷時のキャリブレーションに戻せます。

「元に戻す (Restore)」ボタンでは、新しい設定を呼び戻すことができるため、キャリブレーション前後の見た目を比較できます。LCDが適切なホワイトバランスを表示するようになったら、設定を保存します。



プリセット (PRESETS)

「プリセット (PRESETS)」タブでは、URSA Broadcast G2の全設定を保存、呼び出しできます。この機能は、複数のプロジェクトでカメラを使用する場合、非常に役立ちます。例えば、ドキュメンタリーやミュージックビデオなど、プロジェクトのタイプにより設定が異なる複数の撮影でURSA Broadcast G2を使用する場合などです。URSA Broadcast G2のプリセット機能は、特定のプロジェクトやタイプの撮影の設定を保存し、必要な際にすばやく簡単に呼び出せます。

また、プリセットの読み込み/書き出しも可能です。これは複数のカメラを使った撮影に非常に便利です。1台のURSA Broadcast G2をプロジェクトに合わせて設定し、プリセットを他のすべてのURSA Broadcast G2に書き出します。



URSA Broadcast G2のプリセットタブ

メモ URSA Broadcast G2は60個までのプリセットを内部メモリーに保存できます。

プリセットボタン

「プリセット (PRESETS)」メニューの底部に表示されるボタンアイコンは、それぞれ以下の機能に対応しています。

				
追加	ロード	更新	管理	削除

プリセットの保存とロード

新しいプリセットを作成するには、「追加」アイコンをクリックします。これにより、LCDタッチスクリーンにタッチキーボードが表示され、プリセットの名前を入力できます。名前を入力したら、「アップデート (Update)」をタップして、URSA Broadcast G2の現在の設定を該当のプリセットに保存します。

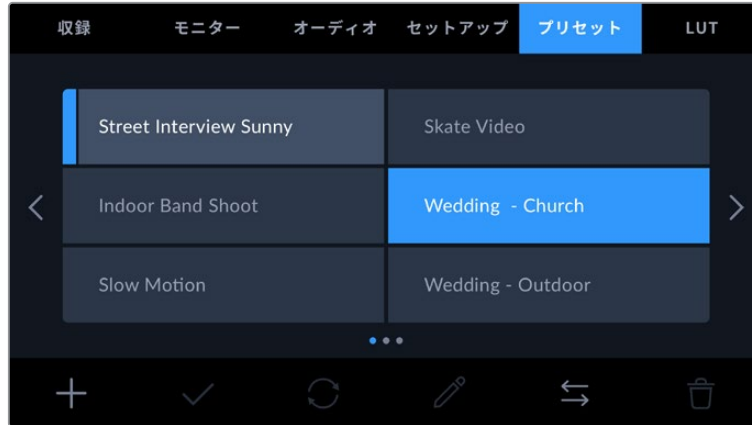
URSA Broadcast G2にすでに同名のプリセットがロードされている場合、既存のプリセットを上書きするか、両方キープするか選択できます。



「プリセット (PRESETS)」タブで「追加」アイコンをタップして、タッチキーボードでプリセット名を入力

プリセットを保存したら、「プリセット (PRESETS)」メニューで名前をタップして選択します。ロードするには「ロード」アイコンをタップします。

「更新」アイコンをタップするとプリセットをアップデートできます。URSA Broadcast G2の現在の設定にプリセットをアップデートするか確認するメッセージが表示されます。「アップデート (Update)」を押して確定します。



プリセットを選択し、「ロード」アイコンをタップしてロード。選択したプリセットが青く表示されます。現在ロードされているプリセットは、アイコンの左に青いラインが表示されます。

プリセットの読み込み

プリセットを読み込むには、「プリセット (PRESETS)」メニュー底部の「管理」アイコンをタップします。URSA Broadcast G2では、プリセットの保存場所に応じてストレージメディア選択スイッチで、SDまたはCFastを選択します。USB-Cフラッシュディスク、またはURSA Mini Recorderを使用している場合はSSDからプリセットを読み込むこともできます。

「読み込み元 (IMPORT FROM)」オプションで、読み込みたいプリセットが保存されているカードまたはドライブをタップし、「読み込み (Import)」ボタンをタップして選択を確定します。読み込みスクリーンが表示されます。画面左上のボタンを使用すると、カメラに接続されている他のカードやドライブに保存されている、使用可能なプリセットを表示できます。

URSA Broadcast G2は、選択したストレージメディアのルートディレクトリと「Presets」フォルダーを検索します。ストレージメディアの他の場所に保存されたプリセットは表示されないので注意してください。

プリセットをタップして選択し、「読み込み (Import)」で確定します。すでに同名のプリセットがカメラに保存されている場合、既存のプリセットを上書きするか、両方キープするか選択できます。スクリーンの右上に、カメラで使用できる空のプリセットスロット数が表示されます。

メモ URSA Broadcast G2のプリセットスロットがフルになると、読み込みメニューが無効になります。他のプリセットを読み込むには、既存のプリセットを削除する必要があります。

プリセットの書き出し

プリセットをCFastカードやSDカードに書き出すには、書き出したいプリセットをタップして選択し、「管理」アイコンをタップします。

「プリセットの管理」で「プリセットの書き出し (Export Selected Preset)」を選択します。ストレージメディア選択スイッチを使用して、プリセットを書き出したい場所に応じて、SDまたはCFastを選択します。USB-Cフラッシュディスク、またはURSA Mini Recorderを使用している場合はSSDにプリセットを書き出すこともできます。「書き出し先 (EXPORT TO)」オプションで、プリセットを書き出したいカードまたはドライブをタップします。「書き出し (Export)」をタップして、選択を確定します。

選択したストレージメディアにすでに同名のプリセットが保存されている場合、カードの既存のプリセットを上書きするか、両方キープするか選択できます。

プリセットの消去

URSA Broadcast G2は60個のプリセットを保存できます。プリセットを消去するには、選択して「消去」アイコンをタップします。この作業を確定するメッセージが表示されます。「削除 (Delete)」をタップして削除します。

LUT

「LUT (LUTS)」メニューでは、3D LUTの読み込み、書き出し、カメラ出力への適用が可能です。



URSA Broadcast G2のLUTタブ

3D LUTについて

URSA Broadcast G2では、LCDタッチスクリーン、フロントSDI、メインSDIのイメージに3D LUTを適用できます。LUTは、特定のカラー/輝度入力に対して、カメラで表示するカラー/輝度出力を指定します。例えば、カメラ内では通常の色で収録し、モニターやスイッチャーには各地域の放送規定カラーに基づくプレビュー出力を送信できます。この機能は、意図的に彩度の低いフラットな見た目にしてあるBlackmagic RAWフッターの収録や「Film」ダイナミックレンジを使用した収録などで便利です。LUTを適用することで、グレーディング後のフッターのルックを想定できます。

3D LUTは、DaVinci Resolveやその他のカラーコレクションソフトウェアで簡単に作成できます。またはオンラインでもLUTを様々な提供元からダウンロードできます。URSA Broadcast G2には、17ポイントまたは33ポイントの3D LUTを30個まで保存できます。それぞれの最大サイズは1.5メガバイトです。ロードしたLUTは、カメラのLCDタッチスクリーン、フロントSDI、メインSDI、またはそれらのあらゆる組み合わせに適用して表示できます。

URSA Broadcast G2は、DaVinci Resolveで作成した.cubeフォーマットの33ポイント3D LUT、さらにLUT変換プログラムでResolveの.cubeフォーマットに変換した17ポイント3D LUTをサポートしています。カメラの3D LUTは高品質の四面体補間法を使用します。

LUTの表示に関する詳細は、このマニュアルの「モニター設定 (MONITOR)」セクションを参照してください。

メモ Blackmagic URSA Broadcast G2は、デフォルトでは収録されたフッターにLUTの適用や焼き付けを行いません。しかし、フッターにLUTを焼き付けるように選択できます。

これは、ポストプロダクションでフッターをグレーディングする時間がない場合や、クライアントやエディターに直接フッターを渡す必要がある場合に便利です。

LUTをセットでプレビュー用に使用している場合、適用されているLUTの情報がメタデータとして、収録されたイメージに保存されます。DaVinci Resolveは、この情報をメタデータタブの「使用LUT」に表示します。これは、セットで使用されたLUTの名前を確認できるのでカларリストにとって便利な機能です。

内蔵LUT

URSA Broadcast G2は多数のLUTを内蔵しているため、「Film」ダイナミックレンジまたはBlackmagic RAWで撮影している際のプレビューに異なるルックを適用できます。

- **Gen 5 Film to Extended Video**
「Film to Video」LUTより広いダイナミックレンジで表示され、穏やかなコントラスト変化を適用し、ハイライトが滑らかにロールオフされます。
- **Gen 5 Film to Rec 2020 Hybrid Log Gamma**
HDRスクリーンに適したガンマカーブを表示します。通常のダイナミックレンジのスクリーンとも互換性があります。
- **Gen 5 Film to Rec 2020 PQ Gamma**
人間の目が感知できるカラーに基づいたガンマカーブで表示され、HDRイメージを効率的にエンコードします。
- **Gen 5 Film to Video**
HDビデオ用のRec.709カラー規格と似ており、高いレベルのコントラストと彩度を使用したLUTです。カラースペースがRec.709を使用している他の放送用カメラと共に、Blackmagic URSA Broadcast G2を使用する場合に便利な設定です。

LUTボタン

URSA Broadcast G2のLUTスクリーン底部のボタンアイコンは、それぞれ以下の機能に対応しています：

		
ロード	管理	削除

LUTの読み込み

3D LUTを読み込むには、「LUT」メニュー底部の「管理」アイコンをタップします。LUTの保存場所に応じて、ストレージメディア選択スイッチでSDまたはCFastを選択します。USB-Cフラッシュディスク、またはURSA Mini Recorderを使用している場合はSSDからLUTを読み込むこともできます。

「読み込み元 (IMPORT FROM)」メニューで、読み込みたいLUTが保存されているカードまたはドライブをタップし、「読み込み (Import)」ボタンをタップして選択します。画面左上のボタンを使用すると、カメラに接続されている他のカードやドライブに保存されている、使用可能なLUTを表示できます。

URSA Broadcast G2は、選択したストレージメディアのルートディレクトリと「3DLUTS」フォルダーを検索します。他の場所に保存されているLUTは表示されません。

LUTをタップして選択し、「読み込み (Import)」をタップして読み込みます。読み込んだLUTはURSA Broadcast G2に保存されます。

メモ URSA Broadcast G2の30個の3D LUTスロットがフルになると、既存のLUTを削除してスペースを空けない限り、LUTの読み込みはできません。

カメラにすでに同名のLUTが保存されている場合は、既存のLUTを上書きするか、両方キープするか選択できます。スクリーンの右上に、カメラで使用できる空のLUTスロットの数が表示されます。カメラに読み込めるLUTの数は、空のスロット数のみです。

メモ URSA Broadcast G2に読み込めないLUTは、サイズに問題がある場合があります。LatticeなどのLUT編集ツールを使用してサイズを確認するか、コンピューターのテキストエディターでLUTを開きます。"LUT_3D_SIZE"タグの隣にLUTのサイズを示す数字があります。この値が17または33以外である場合は、Latticeを使用して3D LUTのサイズを17ポイントに変更してください。

LUTの適用

LUTをカメラに保存したら、LUTメニューでLUTをタップして選択し、さらに「ロード」ボタンをタップします。これでLUTがカメラの全出力で有効になります。しかし、LUTを適用するには、モニター (MONITOR) メニューで各出力の「LUT表示 (DISPLAY LUT)」をオンにする必要があります。詳細は、このマニュアルの「モニター設定 (MONITOR)」セクションを参照してください。

LUTの書き出し

LUTをCFast/SDカードに書き出すには、書き出すLUTを選択して「管理」アイコンをタップします。「LUTの管理 (MANAGE LUT)」で「LUTの書き出し (Export Selected LUT)」を選択します。ストレージメディア選択スイッチを使用して、LUTを書き出したい場所に応じて、SDまたはCFastを選択します。USB-Cフラッシュディスク、またはURSA Mini Recorderを使用している場合はSSDにLUTを書き出すこともできます。

「書き出し先」オプションで、LUTを保存したいカードまたはドライブを選択します。「書き出し (Export)」をタップして、選択を確定します。書き出しを行うカードまたはドライブで同じLUTが検出された場合は、LUTを上書きするか、両方キープするか選択できます。

LUTの削除

URSA Broadcast G2には、30個の17ポイントまたは33ポイント3D LUTを保存できます。必要ないLUTを削除するには、削除したいLUTを選択してアイコンをタップします。この作業を確定するメッセージが表示されます。「削除 (Delete)」をタップして削除します。

エンベデッド3D LUT

URSA Broadcast G2を使用して、Blackmagic RAWで撮影する際に3D LUTを適用すると、選択したLUTは収録しているBlackmagic RAWファイルにエンベッドされます。3D LUTは.brawファイルのヘッダーに保存され、個別のファイルを扱う必要なく、ポストプロダクションで簡単にフッテージに適用できます。

エディターやカラリストはBlackmagic RAWファイルを受け取ると、撮影中に使用されたLUTに簡単にアクセスできるため、異なる3D LUTが適用されることを防ぎます。フッテージの編集やグレーディングを進めながら、3D LUTを適用するかどうか選択できます。また、3D LUTはいつでも無効にできます。

「収録 (RECORD)」メニューで「ファイルにLUTを適用」スイッチがオンになっている場合、収録されたクリップをBlackmagic RAW PlayerおよびDaVinci Resolveで開くと、選択した3D LUTが適用されて表示されます。3D LUTは簡単にオン/オフできますが、クリップ自体に情報が存在するため、移動させてもBlackmagic RAWファイルに常に伴います。

DaVinci ResolveのRAW設定のパレットにも「LUTを適用」スイッチがあり、Blackmagic RAWファイルの3D LUTを有効/無効にできます。DaVinci Resolveの「LUTを適用」設定はカメラの設定と同様に機能します。これは、撮影時にカメラでLUTを設定して使用することで、直接カラリストに指示ができることを意味しますが、DaVinci Resolveの「LUTを適用」設定で簡単にLUTをオフにすることも可能です。

メタデータ入力

メタデータはクリップの中に保存される情報で、ショット番号、カメラ設定、その他の識別情報などが含まれます。メタデータは、ポストプロダクションでのフッテージの分類や処理に極めて便利です。例えば、テイク/ショット/シーン番号はクリップの管理において必須であり、レンズに関する情報は歪みの自動除去やVFX素材とプレートのマッチングで役に立ちます。

Blackmagic URSA Broadcast G2は、クリップに一部のメタデータ（カメラ設定、タイムコード、日時など）を自動的に保存します。ユーザーはカメラのスレートを使用して自由にデータを追加できます。

スレート

URSA Broadcast G2のタッチスクリーンを左右にスワイプすると、スレートが表示されます。

スレートは「クリップ (CLIPS) 」と「プロジェクト (PROJECT) 」、「レンズデータ (LENS DATA) 」タブに分かれています。「クリップ」タブではクリップごとに異なる情報を確認できます。「プロジェクト」タブではプロジェクト名、監督、カメラID、オペレーターIDなど、クリップ間で共通する情報を入力できます。「レンズデータ」タブは、カメラに装着しているレンズに関する情報を表示します。レンズが自動的にカメラに情報を送信する場合、ここにその情報が表示されます。レンズデータはマニュアルで入力することも可能です。

作業のこつ スレートに入力したメタデータは、「モニター (MONITOR) 」タブで「撮影監督/監督用ステータステキスト (DISPLAY STATUS TEXT FOR) 」を「監督 (DIRECTOR) 」に設定すると、URSA Broadcast G2のフロントSDI出力またはメインSDI出力で確認できます。詳細は、このマニュアルの「モニター設定 (MONITOR) 」セクションを参照してください。

「クリップ (CLIPS) 」メタデータ

クリップメタデータの変更は、URSA Broadcast G2で収録を開始できるスタンバイモードと、収録済みのショットを確認できる再生モードで機能の仕方が少し異なります。スタンバイモードでは、クリップメタデータは次に収録するクリップに保存されます。「グッドテイク (GOOD TAKE) 」は最後に収録したクリップを参照します。

再生モードでは、クリップメタデータは常に現在再生しているクリップに保存されます。



URSA Broadcast G2のスレートは「クリップ (CLIPS) 」、「プロジェクト (PROJECT) 」、「レンズデータ (LENS DATA) 」タブに分かれています。

スレートの対象クリップ (SLATE FOR)

「クリップ」タブで現在表示しているメタデータが適用されるクリップです。スタンバイモードでは、ここに表示されるクリップは次に収録されるクリップです。

レンズの種類 (LENS TYPE)

カメラに装着しているレンズに関する情報を表示します。「レンズの種類」に関する詳細は、以下の「レンズデータ (LENS DATA)」セクションを参照してください。

リール (REEL)

このインジケーターには現在のリールが表示されます。

URSA Broadcast G2はリール番号を自動的に増加していくため、通常はマニュアルで入力する必要はありません。新しいプロジェクトに移行して、改めてリール1から開始したい場合は、スレートの「プロジェクト (PROJECT)」タブへ行き、「データをリセット (Reset Project Data)」をタップします。

シーン (SCENE)

現在のシーン番号が表示されます。さらに、現在のショットの番号および種類も表示できます。

このインジケーターの番号は、常に現在のシーンを意味します。この番号は、シーン番号の隣にある左右の矢印を使用して変更できます。またはシーン番号をタップして、シーン番号エディターに進みます。

シーン番号は1~999です。

現在のショットを特定するために、シーン番号エディターでシーン番号に文字を追加することも可能です。例えば"23A"と入力することで、シーン23のショット1であることが分かります。すでにシーン番号に文字を追加している場合、シーン番号エディターで入力を行うと、次のシーン番号と文字の候補を提案します。例えば現在のシーン番号が7Bである場合、カメラは"8"と"7C"を表示します。

シーン番号インジケーターは、右上に現在のショットの種類に関する情報を表示することもできます。これらの選択は、シーンキーボードの右側にあるシーン番号エディターで行います。

以下は選択できるショットタイプです。

WS	ワイドショット
MS	中間距離のショット
MCU	中間距離のクローズアップ
CU	クローズアップ
BCU	近いクローズアップ
ECU	極めて近いクローズアップ



「シーン (SCENE)」メタデータの入力では、URSA Broadcast G2はタッチキーボードの左に増加値の候補、右側にショットタイプを表示

テイク (TAKE)

このインジケータには、現在のショットのテイク番号が表示されます。テイク番号は左右の矢印をタップして変更できます。または同インジケータをタップして、テイク番号エディターに進みます。

作業のこつ ショット番号またはシーンの文字が進むと、テイク番号は1に戻ります。

テイク番号エディターでは、テイクの概要情報を追加できます。これらはテイク番号キーボードの右側に表示され、それぞれ以下を意味しています。

PU	ピックアップ。メインの撮影が終わった後、前のテイクに素材を追加するために撮り直したテイクです。
VFX	ビジュアルエフェクト。VFXに使用するテイク/ショットです。
SER	シリーズ。カメラを止めずに収録した複数のテイクです。



「A」をタップすると、スタンバイモードで各クリップのテイク番号が自動的に足されます。自動テイク番号増加が有効になっている場合、スレートのテイク番号の隣に小さく「A」と表示されます。

「テイク (TAKE)」メタデータを入力すると、URSA Broadcast G2はタッチキーボードの右側に追加のショットタイプのプロンプトを表示

グッドテイク (GOOD TAKE)

このインジケータをタップしてフラグ付けしておくことで、ポストプロダクションで良いテイクを見つけやすくなります。このタグは、URSA Broadcast G2がスタンバイモードの場合は最後に収録されたクリップに適用され、再生モードの場合は現在表示しているクリップに適用されます。

屋内/屋外 (Interior/Exterior)

「屋内」または「屋外」をタップすると、スタンバイモードでは次に収録されるクリップに、再生モードでは現在のクリップに「屋内」または「屋外」のタグを付けられます。

昼/夜 (DAY/NIGHT)

「昼」または「夜」をタップすると、スタンバイモードでは次に収録されるクリップに、再生モードでは現在のクリップに「昼」または「夜」のタグを付けられます。

「プロジェクト (PROJECT)」メタデータ

プロジェクトメタデータは、スタンバイモードでも再生モードでも同じように機能します。プロジェクトメタデータは常にプロジェクト全体を参照し、クリップ番号から独立したメタデータです。



URSA Broadcast G2の「プロジェクト (PROJECT)」タブ

プロジェクト名 (PROJECT NAME)

現在のプロジェクトの名前を表示します。鉛筆アイコンをタップすると、プロジェクト名を変更できます。

カメラ (CAMERA)

アルファベット一文字のカメラインデックスを表示します。鉛筆アイコンをタップすると、カメラインデックスを変更できます。

監督 (DIRECTOR)

現在のプロジェクトの監督名を表示します。鉛筆アイコンをタップすると、監督名を変更できます。

メモ カメラインデックスは、メタデータ内およびファイル名に使用されます。URSA Broadcast G2をATEMスイッチャーでコントロールする際に使用する「ATEMカメラID (ATEM CAMERA ID)」とは異なります。ATEMカメラIDに関する詳細は、このマニュアルの「スタジオカメラコントロールの概要」セクションを参照してください。

カメラオペレーター (CAMERA OPERATOR)

カメラオペレーターを表示します。鉛筆アイコンをタップすると、カメラオペレーターを変更できます。

プロジェクトデータをリセット (RESET PROJECT DATA)

プロジェクトデータを消すには、「データをリセット (Reset Data)」ボタンを押して、次に選択を確定します。これにより、入力されたプロジェクトデータがすべて削除されます。

レンズデータ (LENS DATA)

「レンズデータ」タブは、URSA Broadcast G2に装着しているレンズに関する情報を表示します。電子レンズの多くは、レンズモデル、アパーチャー、焦点距離などの情報を自動的に供給します。

レンズからこれらの情報が得られない場合や、追加データを入力したい場合は、鉛筆のアイコンをタップすると、情報をマニュアルで入力できます。この操作により、以下の情報を含むレンズデータメニューが表示されます：



「レンズデータ (LENS DATA)」タブに自動的に入力されたFujinonレンズの情報

・ レンズの種類 (LENS TYPE)

レンズのモデルが表示されます。レンズのモデルが自動的に表示されない場合は、この設定をタップしてデータをマニュアルで入力できます。



データが自動的に表示されない場合は、タッチキーボードでレンズデータをマニュアルで入力可能

・ 絞り (IRIS)

クリップの開始点でのアパーチャー設定を表示します。この情報が自動的に供給される場合は、使用しているレンズによってF値またはT値で表示されます。レンズのアイリスの情報が自動的に表示されない場合は、この設定をタップしてデータをマニュアルで入力できます。

- ・ **焦点距離 (FOCAL LENGTH)**

収録クリップの開始点におけるレンズの焦点距離を表示します。データが自動的に供給される場合は、ミリメートル (mm) 単位で表示されます。レンズの焦点距離の情報が自動的に表示されない場合は、この設定をタップしてデータをマニュアルで入力できます。

- ・ **距離 (DISTANCE)**

収録クリップのレンズの距離設定を表示します。レンズによっては、このデータを自動的に供給し、ミリメートル (mm) 単位で表示します。レンズの距離の情報が自動的に表示されない場合は、この設定をタップしてデータをマニュアルで入力できます。

- ・ **フィルター (FILTER)**

現在使用しているレンズフィルターを表示します。この設定をタップするとデータをマニュアルで入力できます。複数入力する場合はコンマで区切ります。



フィルター情報はマニュアルで入力

レンズデータをリセット (RESET LENS DATA)

「データをリセット (Reset Data)」をタップすると、レンズデータを消去できます。この作業を確定するメッセージが表示されます。これにより、レンズとの通信が再び初期化されます。電子的に入力されたデータが更新され、マニュアルで追加されたフィールドのデータも消去されます。

ジャイロスタビライゼーション

Blackmagic URSA Broadcast G2は、内部のモーションセンサーによりキャプチャーされるパン、ティルト、ロールのデータを自動的に記録します。このデータはジャイロデータとしても知られ、ハンドヘルドのショットのスタビライズのためにDaVinci Resolveで使用できます。

ジャイロデータを正確に記録するためには、収録前にカメラのモーションセンサーをキャリブレーションすることが重要です。詳細は「設定」セクションの「モーションセンサー・キャリブレーション (MOTION SENSOR CALIBRATION)」を参照してください。

メモ ジャイロスタビライゼーションを有効にするには、レンズの光学式手ぶれ補正を必ずオフにしてください。光学式手ぶれ補正を内蔵したEFおよびB4レンズは、物理的なスイッチでオン/オフを切り替えます。

マニュアルレンズでのジャイロデータの記録

ジャイロスタビライゼーションを最大限に活用するには、レンズの焦点距離の正確な情報が必要です。これは、ほとんどのEFおよびB4レンズでは自動的にメタデータに記録されます。カメラとの電子的な通信に対応していないマニュアルレンズやアナログB4レンズでは、この情報をカメラのスレートに入力する必要があります。

- 1 メインの画面で、カメラのタッチスクリーンを左右にスワイプするとスレートが表示されます。
- 2 「レンズデータ (LENS DATA)」タブをタップします。
- 3 「焦点距離 (FOCAL LENGTH)」セクションをタップし、使用しているレンズの焦点距離を入力します。例えば、8mmの焦点距離のアナログB4レンズを使用している場合、「8mm」と入力します。



カメラとの電子的な通信に対応していないレンズを使用する際は、「レンズデータ」を入力

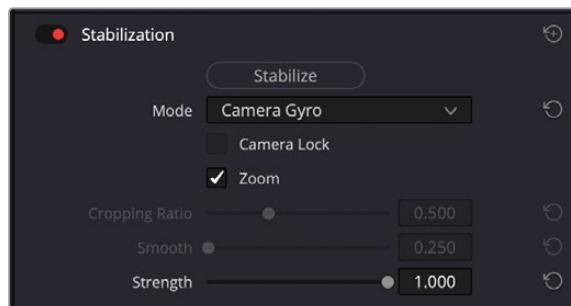
メモ この情報は、マニュアルまたはアナログレンズで焦点距離を変更するたびに更新する必要があります。エレクトロニクスを内蔵しているレンズは、メタデータを自動的に上書きします。

DaVinci Resolveでジャイロスタビライゼーションを適用する

クリップを読み込み、タイムラインに並べたら、以下の手順に従います：

- 1 エディットページのインスペクタに進み、「スタビライゼーション」までスクロールします。
- 2 スタビライゼーションの「モード」を「カメラジャイロ」に設定します。
- 3 「スタビライズ」をクリックします。

プログレスバーでスタビライゼーションの進行状況が確認できます。



インスペクタウィンドウで「カメラジャイロ」を選択し、ジャイロデータを使用してフッテージをスタビライズ

作業のこつ 狭いシャッターアングルで撮影し、モーションブラーを最小限にすることで、より優れた結果が得られることがあります。例えば、45°などに設定します。

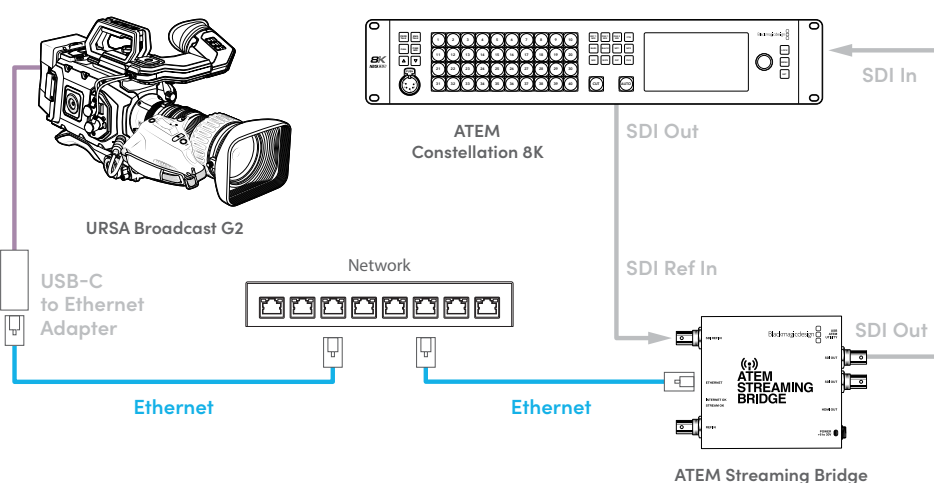
ビデオの配信

URSA Broadcast G2は配信エンジンを内蔵しているため、カメラから直接YouTube、Facebook Live、Twitchなどのプラットフォームに配信できます。

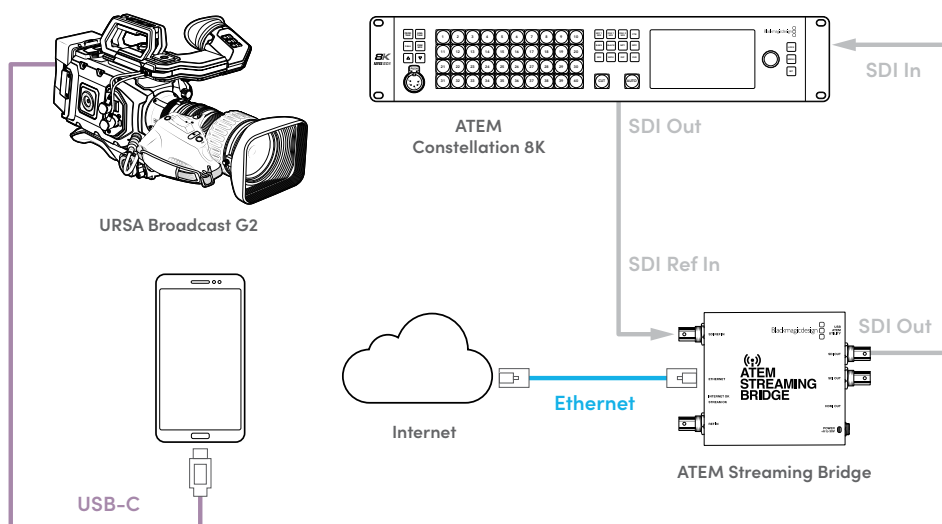
また、URSA Broadcast G2は、オプションのATEM Streaming Bridgeを使用すると、同じイーサネットネットワーク、またはインターネット経由で世界中のあらゆる場所に設置されたATEMスイッチャーに接続できます。ATEMスイッチャーに配信している場合、タリー、トークバック、カメラコントロール機能も使用できます。

以下は、URSA Broadcast G2をATEM Streaming Bridgeを使用してATEMスイッチャーに接続する2種類の方法です。最初の図はローカルネットワークを介した接続、2番目の図はスマートフォンを使用し、インターネット経由でビデオを送信する方法を示しています。

ネットワークを介した接続



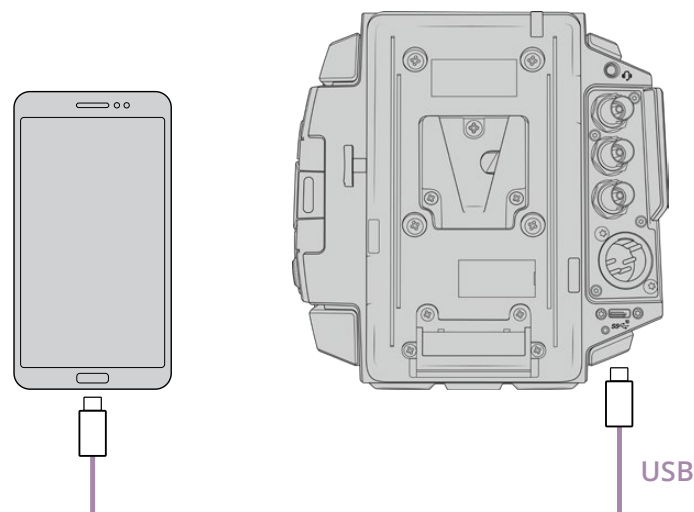
インターネットを介した接続



メモ イーサネット経由での配信には、Belkin社のUSB-Cからギガビットイーサネットのアダプターを推奨します。USB-Cからイーサネットのアダプターは他の製品も使用できますが、前述のBelkinアダプターのチップセットは、RTMP配信ビデオワークフローにおいて最も信頼性の高いものです。

スマートフォンを使用したセットアップ

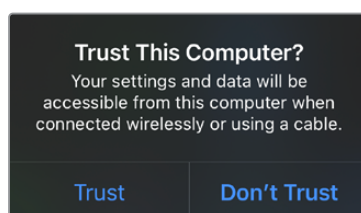
USB-Cケーブルを使用して、スマートフォンをカメラのUSB-C拡張ポートに接続します。この接続により、セットアップがすばやく行え、スマートフォンが4Gまたは5G接続を得られるサービスエリア内であれば、あらゆる場所から配信が行えます。



設定

インターネット配信を行うためにスマートフォンをセットアップする最初の手順は、ホットスポットを有効にすることです。

- 1 iOSデバイスでは「Settings」に進み、「Personal Hotspot」を開きます。「Allow Others to Join」を有効にします。
- 2 接続したコンピューターが信頼できるものかを確認するメッセージが表示されます。「Trust」を選択すると、緑のテザリングアイコンが画面に表示されます。この手順により、接続が適切に機能しているか確認できます。



有効になるとテザリングアイコンが表示されます。

テザリングが有効の状態では、スマートフォンの時計は緑のバックグラウンドアイコン内に常に表示されます。

Androidデバイスでは、スクリーンをスワイプして、クイック設定パネルを表示します。ホットスポットアイコンを長押しして、USBテザリングを有効にします。

作業のこつ 配信が終了したら、スマートフォンのバッテリーを節約するために携帯のテザリングをオフにすることをお勧めします。

ATEMカメラIDを設定する

カメラのメニュー設定でATEMカメラIDは設定でき、URSA Broadcast G2を接続しているATEMスイッチャーのSDI入力を指定します。カメラIDがスイッチャーの入力番号と一致する場合、カメラは該当の入力のタリーデータを検出し、タリーライトとカメラコントロールが適切に機能するようになります。

カメラのATEMカメラIDの設定方法は、前述の「セットアップ設定 (SETUP)」セクションを参照してください。

XMLファイル

XML設定ファイルを作成するには、ATEM Streaming Bridgeの「ETHERNET」ポートからネットワークケーブルをインターネットルーターまたはネットワークスイッチにつなげて、インターネットに接続します。

ATEM Streaming BridgeをUSB-Cケーブルでコンピューターに接続し、ATEM Setupを立ち上げます。

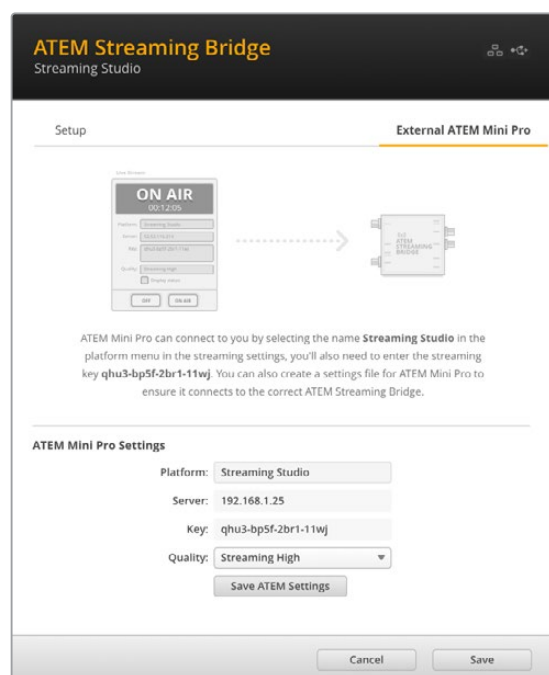
「Setup (セットアップ)」タブで、ネットワーク設定が正しいか確認し、「Stream Service (配信サービス)」で「Internet (インターネット)」を選択します。インターネットステータスに「Visible Worldwide」と表示されます。これは、すべてが正常に機能していることを意味します。

ポート転送に関して

「Internet Status (インターネットステータス)」に、ポート転送やUPnPにおけるエラーが表示されている場合、インターネットプロバイダーまたはネットワーク管理者に、使用しているインターネット接続でポート転送を「TCP port 1935」に設定するように依頼する必要があります。

XMLファイルの書き出し

ATEM Setupのタブで設定を確認し、ATEM Streaming Bridgeをネットワークまたはインターネットに接続したら、XML設定ファイルを書き出せます。



- 1 ウィンドウの右上にある「External ATEM Mini Pro (外部ATEM Mini Pro)」タブをクリックします。
- 2 「Platform (プラットフォーム)」をクリックし、新しい名前を入力します。この名前は、リモートのBlackmagic URSA Broadcast G2のプラットフォームメニューのリストに表示されます。Blackmagic URSA Broadcast G2's platform menu.
- 3 配信の品質を選択します。これにより、リモートのURSA Broadcast G2の品質が設定されます。Broadcast G2.
- 4 「Save ATEM Settings (ATEMの設定を保存)」ボタンをクリックし、XMLファイルの保存先を選択したら、「Save」をクリックします。
- 5 保存したXMLファイルは、遠隔で作業する担当者にメールで送信できます。

XMLファイルのローディング

URSA Broadcast G2にXML設定ファイルを読み込むには、ファイルをSDカード、CFastカード、USB-Cフラッシュディスクのいずれかにコピーします。



- 1 カメラの「セットアップ (SETUP)」タブの9ページ目で「設定を読み込む (Import Settings)」をタップします。
- 2 画面の上部で、XML設定ファイルが保存されているカードまたはドライブをタップします。使用するファイル名をタップし、次に「読み込み (Import)」をタップします。設定ファイルが適切に読み込まれると、カメラのプラットフォームメニューでATEM Streaming Bridgeが自動的に選択されます。
次に、カメラの「配信 (STREAM)」ボタンをタップすると、ライブ配信がオンになります。

セットアップが正常に機能しているか確認するには、スタジオのスイッチャーを該当のカメラに切り替えます。カメラのタリーライトが点灯し、カメラのLCDの周囲にタリーの赤い枠が表示されます。カメラがプレビュー出力にスイッチングされると、タリーが緑に点灯します。



ATEM Software Controlのカメラページで、アイリスとペダスタルを調整し、カメラコントロールが機能しているかテストします。

URSA Mini Shoulder Kit

ショルダーキットの取り付け

URSA Mini Shoulder Kitを使用すると、Blackmagic URSA Broadcast G2を肩に乗せるENGスタイルの撮影が可能になります。ショルダーパッド、ベースプレート、トップハンドル、URSA Viewfinderアダプタープレートなど、このキットのほとんどのアイテムはBlackmagic URSA Broadcast G2に同梱されています。エクステンションアームおよび長尺LANCケーブルは、オプションのアクセサリとして販売されています。

ベースプレートのクイックリリースマウントは、ENGスタイル三脚プレートにロックできるだけでなく、肩に乗せてアクションを追うことも可能です。

URSA Mini Shoulder Kitは、Sony VCT 14をモデルとする様々な三脚プレートと使用できます。これらのプレートは、カメラ販売店やオンラインで簡単に購入できます。

VCT U14三脚プレートモデルとするプレートはシステムが異なり、互換性がないので注意が必要です。

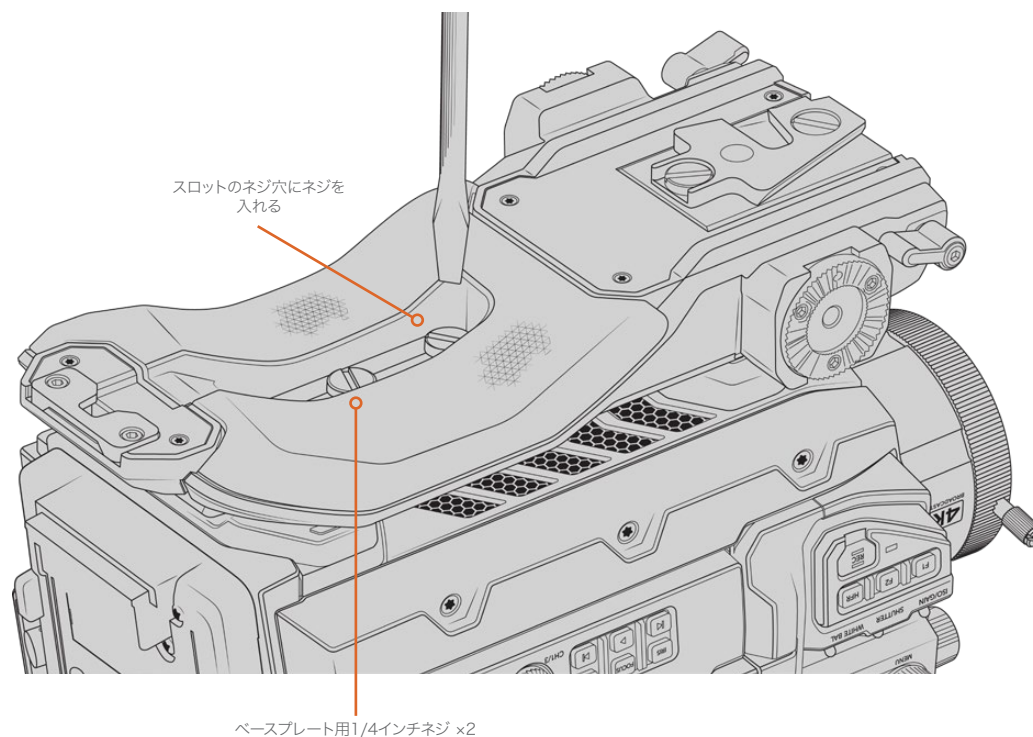
URSA Mini Shoulder Kitの取り付けには以下の工具が必要です：

- ・ マイナススクロッドライバー x1: ショルダーマウント・ベースプレートのネジ用 (1/4インチ x2)
- ・ 3/16インチ六角ドライバー x1: トップハンドルのネジ用 (1/4インチ x2)



ショルダーキットをURSA Broadcast G2に取り付けるには、大きめのマイナススクロッドライバーと、トップハンドルに使用する3/16インチの六角ドライバーが必要

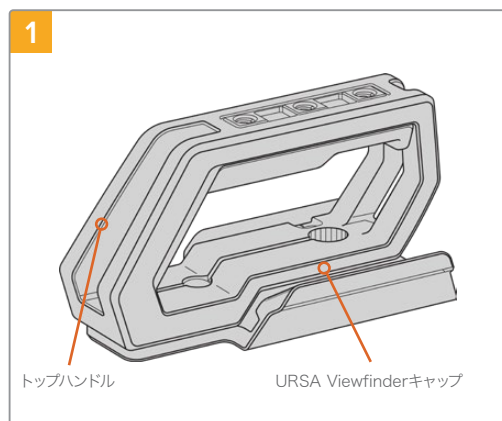
ショルダーパッドとベースプレートを取り付ける



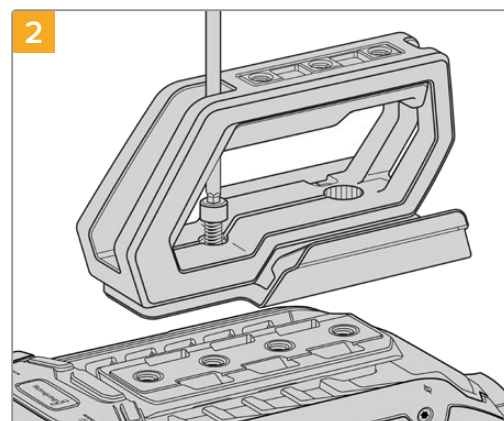
- 1 URSA Broadcast G2をゆっくりと逆さにし、平らで安定した場所に置いて、カメラの底面にアクセスできるようにします。
- 2 マイナススクレュードライバーと2つの1/4インチマイナスネジを使用して、ショルダーキットのベースプレートをURSA Broadcast G2に取り付けます。
- 3 ベースプレートがしっかりと固定されるまでネジを締め、緩まないようにします。締めすぎるとネジ山が破損する場合がありますので注意してください。

URSA Viewfinderのアダプタープレートが装着された トップハンドルを取り付ける

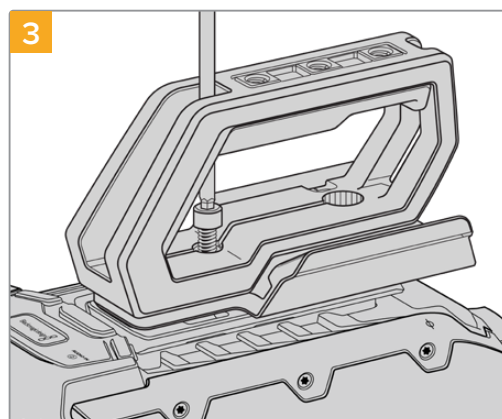
トップハンドルには、URSA Viewfinderのアダプタープレートが装着された状態で出荷されます。オプションのBlackmagic URSA Viewfinderの取り付け方法に関する詳細は、このマニュアルの次のセクションを参照してください。



URSA Broadcast G2を平らで安定した場所に置き、カメラの上面にアクセスできるようにします。



URSA Broadcast G2の上面にある1/4インチのマウントポイントのうち、いずれか2つを使用してハンドルを固定します。取り付けには同梱の1/4インチネジを2個と、3/16インチ六角ドライバーを使用します。基本的には、後ろ2つのマウントポイントの使用が推奨されますが、大型レンズの使用時にバランスを取る際など、状況に応じて適切なマウントポイントを使用できます。



ハンドルがしっかりと固定されるまでネジを締め、簡単に緩まないようにします。締めすぎるとネジ山が破損する場合がありますので注意してください。

URSA Mini Shoulder KitのエクステンションアームおよびLANCケーブルは、オプションのアクセサリとして販売されています。

エクステンションアームの取り付け

通常B4レンズは、レンズ本体にハンドグリップが付いています。したがってURSA Broadcast G2を肩に乗せて使用する場合でもサイドハンドルは必要ありません。

しかし、他のレンズマウントを装着している場合は、オプションのURSA Miniサイドハンドルを拡張アームに取り付けると肩乗せの撮影が楽になります。

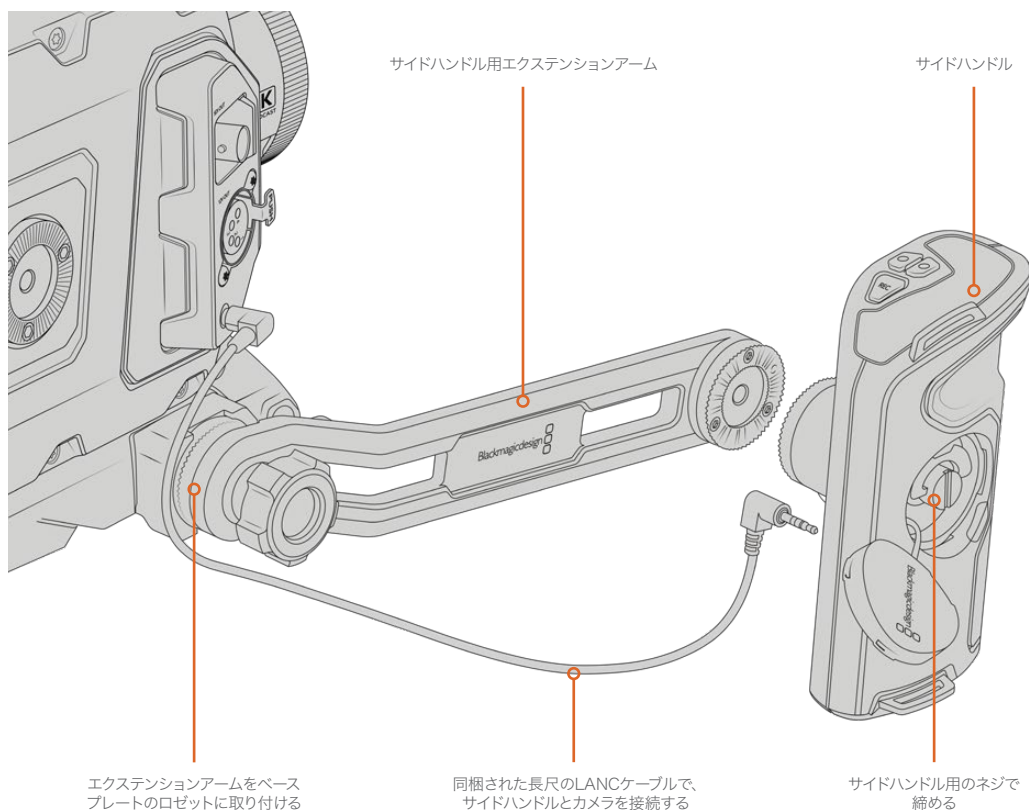
URSA Mini Shoulder Kitにはエクステンションハンドルと長尺LANCケーブルが同梱されているため、オプションのサイドハンドルは人間工学的に適切な使いやすい位置に移動できます。

サイドハンドル用エクステンションアームを取り付ける：

- 1 URSA Broadcast G2を平らで安定した場所に置きます。その際、エクステンションアームを下げられるよう、カメラの横にスペースを空けます。この作業は、URSA Broadcast G2を三脚に取り付けると簡単です。
- 2 エクステンションアームのジグザグ形のサイドをベースプレートのロゼットに取り付け、適切な位置までアームを下げ、同梱のロゼット用ツマミネジで留めます。
- 3 エクステンションアーム前面のロゼットに、サイドハンドルを取り付けます。サイドハンドルは、大きめのマイナススクリュードライバーでネジを締めるか、Dリングを指できつく締めて固定します。
- 4 URSA Mini Shoulder Kitに同梱された長尺のLANCケーブルを使用して、サイドハンドルのLANC出力とカメラのLANC入力を接続します。

エクステンションアームとサイドハンドルは、ユーザーの好みに応じて簡単に調整できます。ロゼットのネジを緩め、調整して、ネジを締め直すだけです。

URSA Mini Shoulder Kitの取り付けが完了しました。慌ただしい現場でもさらにスピーディな撮影が可能になり、またカメラをすばやく三脚にマウントできるため安定したショットも撮影できます！



Blackmagic URSA Viewfinder

Blackmagic URSA Viewfinderは、Blackmagic URSA Broadcast G2用に設計されたパワフルな電子ビューファインダーです。1080 HD有機ELディスプレイと精密な光学系で、明るく鮮やかな生き生きとしたイメージを得られるので、すばやくフォーカスを合わせて詳細を確認できます。

同ビューファインダーは、肩乗せでハンドヘルド操作する場合や、非常に明るい撮影環境など、反射やグレアのない絶対的な精密性が求められる環境に最適です。

ビューファインダーは、カメラに接続して給電でき、カメラからのエンベデッドSDIデータを使用して様々な表示方法が可能です。つまり、カメラからクリーンなSDIフィードをビューファインダーに出力でき、ビューファインダー内で様々な表示方法を切り替えてカメラ状況や正確な情報にアクセスできます。

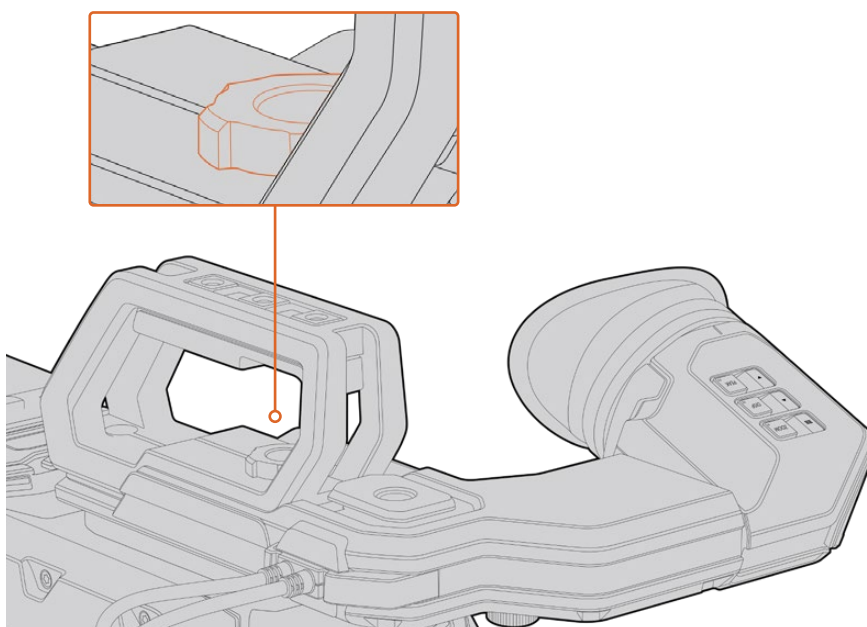
例えば、URSA Broadcast G2のメニューで「2.40:1」のフレームガイドオプションを選択した場合、カメラで選択したフレームガイドをビューファインダーに伝えるので、ビューファインダーでフレームガイド表示をオンにすると、同じ「2.40:1」フレームガイドが表示されます。

Blackmagic URSA Broadcast G2へのマウント/接続

Blackmagic URSA ViewfinderをURSA Broadcast G2に適切にマウントするには、カメラに同梱されているURSA Mini Shoulder Kitのトップハンドルを取り付ける必要があります。詳細は「URSA Mini Shoulder Kit」のセクションを参照してください。

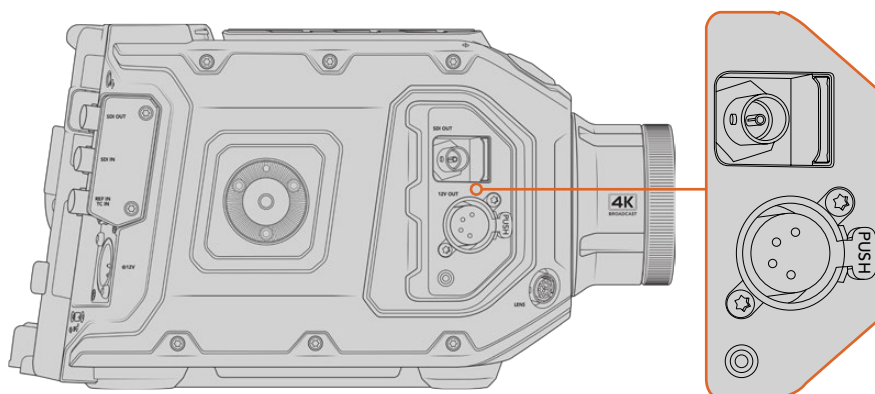
URSA ViewfinderマウントをURSA Viewfinderアダプタープレートに差し込み、URSA Mini Shoulder Kitに同梱された1/4インチのツマミネジで、URSA Viewfinderをトップハンドルおよびアダプタープレートに固定します。

ツマミネジを固定するのに工具は必要ありません。指の力だけで十分固定でき、締めすぎる心配もありません。



Blackmagic URSA ViewfinderをURSA Broadcast G2に取り付けるには、ビューファインダーのマウントをカメラのハンドルリッジに沿ってスライドさせ、ツマミネジを1/4インチのマウントポイントに固定

URSA ViewfinderをURSA Broadcast G2に接続するには、ビューファインダーの付属ケーブルをカメラの前方にある12V電源および3G-SDI出力に接続します。カメラに電源が供給されると、URSA Viewfinderも自動的にオンになります。



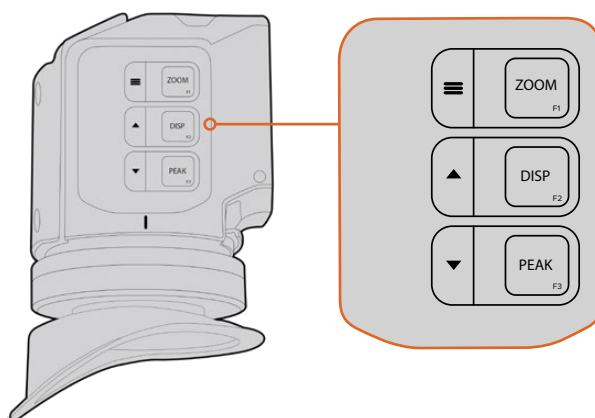
ビューファインダーのSDIと電源ケーブルを、URSA Broadcast G2のHD-SDIモニタリング出力と+12V出力に接続

アイピースの調整

取り外し可能なゴム製のアイピースは、左右どちらかの目にフィットするよう調整できます。アーム底部のノブを緩め、目にフィットするようアームを左右にスライドさせてビューファインダーアームを調整します。

ボタン機能

ビューファインダーの上部には、ズーム、ディスプレイ、ピークボタンが付いています。これらのボタンは、イメージへのズーム、オーバーレイとフォーカスピーキングのオン/オフに使用します。



ZOOM (F1)、DISP (F2)、PEAK (F3)ボタンは、URSA Viewfinderの上面にあります。

また、これらのボタンはメニューを開いたり、設定をナビゲートする際にも使用されます。ボタンの横のアイコンは、ビューファインダーのメニューのコントロール、および機能のナビゲートに使用されているボタンを示します。

また、これらのボタンはカスタマイズ可能なファンクション機能を搭載しているので、ショートカットを割り当て、頻繁に使用する機能にすばやくアクセスすることもできます。例えば、フォルスカラー機能をズームボタンに割り当てられます。詳細は「ショートカット」のセクションを参照してください。

ZOOM (F1) - 「メニュー」

この機能は、画像にズームすることで、フォーカスをシャープに合わせるサポートをします。「ZOOM」ボタンを押すとズームインし、再度押すと100%ビューに戻ります。メニュー設定を使用している場合、「ZOOM」ボタンは「メニュー」ボタンとして機能します。同ボタンを長押しするとメニュー設定が開きます。メニュー設定では、同ボタンを1度押すと設定の変更が確定します。

DISPLAY (F2) - 「上」

「DISP」ボタンを押すとオーバーレイビューを表示できます。メニュー設定を使用している場合、同ボタンは「上」ボタンとして機能します。また、このボタンを長押しすると、「ショートカット」メニュー設定をすばやく開けます。ショートカットの設定に関する詳細は、「ショートカット」セクションを参照してください。

PEAK (F3) - 「下」

フォーカスピーキング機能は、画像の最もシャープな部分を緑色で縁取りするので、フォーカスが合っているか簡単に確認できます。「PEAK」ボタンを押すとフォーカスピーキング機能がオンになり、再度押すとオフになります。メニュー設定を使用している場合、同ボタンは「下」ボタンとして機能します。また、このボタンを長押しすると「セットアップ (SETUP)」メニューをすばやく開けます。

メニュー設定

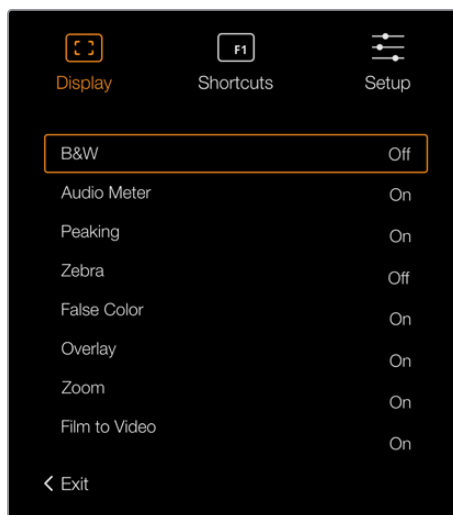
メニュー設定には、「ディスプレイ (Display)」、「ショートカット (Shortcuts)」、「セットアップ (Setup)」の3つのメニューが含まれます。メニュー設定を開くには、「メニュー」≡ボタンを長押しします。「上」▲「下」▼ボタンを押して設定をナビゲートし、「メニュー」≡ボタンを再度押すことで選択した項目を確定します。

ディスプレイ (Display)

ディスプレイメニューには以下の機能があります：

白黒 (B&W)

カラーと白黒を切り替えます。



URSA Viewfinderの「ディスプレイ (Display)」メニュー

メーター (Meters)

オーバーレイに表示するメーターの種類を切り替えます。ヒストグラム (Histogram)、オーディオ (Audio)、両方 (Both)、なし (None) から選択できます。

ピーキング (Peaking)

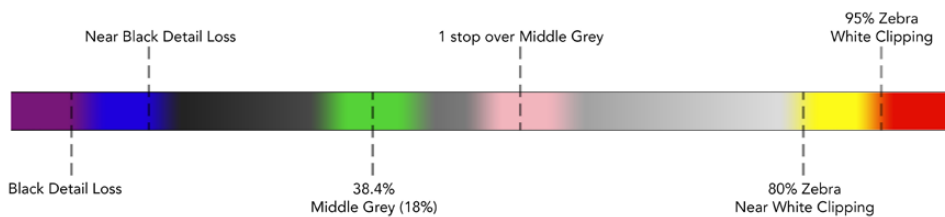
ピーキングのオン/オフを切り替えます。

ゼブラ (Zebra)

ゼブラレベルのオン/オフを切り替えます。カメラ設定を使用して、目的に応じたゼブラレベルを設定します。詳細は、このマニュアルの「設定」セクションを参照してください。

フォスカラー (False Color)

フォスカラー機能のオン/オフを切り替えます。フォスカラーは、イメージ内のエレメントに応じて、異なる露出値を様々なカラーでオーバーレイします。例えば、明るめのスキントーンに最適な露出はピンク、暗めのスキントーンはグリーンで表示されます。人物を撮影する際は、ピンク/グリーン/フォスカラーをモニタリングすることで、スキントーンで一貫性のある露出を維持できます。同様に、イメージ内のエレメントが黄色から赤に変わった場合は、露出過多になったことを意味しています。



フォスカラーチャート

オーバーレイ (Overlay)

オーバーレイのオン/オフを切り替えます。オーバーレイの種類はビューファインダーの「セットアップ (Setup)」メニューで選択できます。セーフエリアのパーセンテージなどのオーバーレイのスタイルはカメラで設定します。

ズーム (Zoom)

ズーム機能のオン/オフを切り替えます。

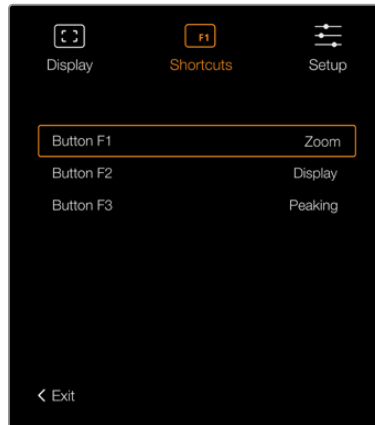
Film/Videoモード (Film to Video)

ディスプレイモードをFilm/Videoで切り替えます。FilmおよびVideoモードに関する詳細は「収録設定 (RECORD)」セクションを参照してください。この設定は、カメラがビューファインダーに「Film」イメージを出力している場合のみ使用できます。「Video」イメージを受信すると、LUT上にLUTが適用されるのを防ぐために、この設定は無効になります。

ショートカット (Shortcuts)

ショートカット機能は、特定の設定にアクセスし、頻繁に使用する機能がある場合に便利です。ショートカットボタンをカスタマイズする：

- 1 ショートカットメニューで「上」▲「下」▼ボタンを使用し、ショートカットを割り当てるボタンを3つのボタンから選択します。「メニュー」≡ボタンを押して選択を確定します。
- 2 「上」▲または「下」▼ボタンを押して、以下のいずれかの機能をショートカットボタンに割り当てます。「メニュー」≡ボタンを押して選択を確定します。
 - 白黒 (B&W)
 - ピーキング (Peaking)
 - ゼブラ (Zebra)
 - フォスカラー (False Color)
 - ディスプレイ (Display)
 - ズーム (Zoom)
 - Film/Videoモード (Film to Video)
 - メーター (Meters)
 - フォーカスチャート (Focus Chart)
- 3 「閉じる (Exit)」にスクロールして「メニュー」≡ボタンを押し、メニューディスプレイ表示を閉じます。



URSA Viewfinderの「ショートカット (Shortcuts)」設定

セットアップ (Setup)

セットアップメニューには以下の機能があります：

明るさの調整 (Brightness Adjustment)

ディスプレイの明るさを-10～+10の範囲で調整できます。

タリーの明るさ (Tally Brightness)

タリーLEDの明るさを調整できます。

フォーカスチャート (Focus Chart)

Blackmagic URSA Viewfinderにはフォーカスチャートが内蔵されており、アイピースの焦点をユーザーの視力に合わせて調整できます。フォーカスチャートの焦点が完璧になるまで、アイピースのフォーカスディオプターを回して調整します。ビューファインダーのいずれかのボタンを押すと、フォーカスチャートディスプレイが閉じます。

フレームガイド (Frame Guides)

フレームガイドの表示を切り替えます。URSA Broadcast G2のモニター (MONITOR) 設定の「フロントSDI (Front SDI)」で「フレームガイド (FRAME GUIDES)」がオンになっている場合は、この設定でBlackmagic URSA Viewfinderのガイドの表示方法を切り替えられます。

詳細は、このマニュアルの「モニター設定 (MONITOR)」セクションを参照してください。

セーフエリアガイド (Safe Area Guide)

セーフエリアガイドの表示を切り替えます。URSA Broadcast G2のモニター (MONITOR) 設定の「フロントSDI (Front SDI)」で「セーフエリアガイド (SAFE AREA GUIDE)」がオンになっている場合は、この設定でBlackmagic URSA Viewfinderのガイドの表示方法を切り替えられます。

詳細は、このマニュアルの「モニター設定 (MONITOR)」セクションを参照してください。

グリッド (Grid)

3x3グリッド、十字線、ドットの表示ルールを切り替えられます。URSA Broadcast G2のモニター (MONITOR) 設定の「フロントSDI (Front SDI)」で「グリッド (GRIDS)」がオンになっている場合は、この設定でBlackmagic URSA Viewfinderのグリッドの表示方法を切り替えられます。

詳細は、このマニュアルの「モニター設定 (MONITOR)」セクションを参照してください。

メモ URSA Viewfinderの「セットアップ (Setup)」メニューで「グリッド (Grid)」を有効にすると、ATEMスイッチャーからのタリー信号もビューファインダーに表示できます。オーバーレイ (Overlay) もディスプレイ (Display) メニューで有効にしてください。

ステータステキスト (Status Text)

ホワイトバランス、フレームレート、ISOなどステータステキストの表示を切り替えます。URSA Broadcast G2のモニター (MONITOR) 設定の「フロントSDI (Front SDI)」で「ステータステキスト (STATUS TEXT)」がオンになっている場合は、この設定でBlackmagic URSA Viewfinderのステータステキストの表示を切り替えられます。

詳細は、このマニュアルの「モニター設定 (MONITOR)」セクションを参照してください。

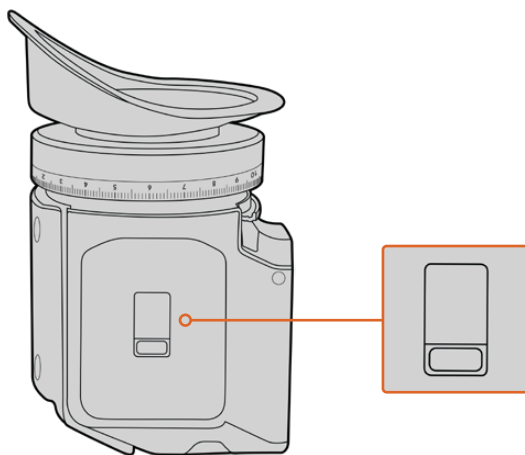
作業のこつ URSA Broadcast G2をBlackmagic Viewfinderと併用する際に、ビューファインダーとカメラの両方のステータステキストを表示する設定にしていると、ステータステキストが正しく表示されないことがあります。このような場合、カメラのステータステキスト表示を有効にし、ビューファインダーでの表示を無効にすることを推奨します。

IRセンサー

ビューファインダーのIRセンサーは、ユーザーがアイピースに近づくと自動的に検知し、有機ELディスプレイをオンにします。スタンバイモードでビューファインダーから20秒以上離れると、ディスプレイは電源の節約と有機ELディスプレイを長持ちさせるためにオフになります。収録中はタイムアウトセンサーが5分間に延長され、5分経つと有機ELディスプレイが徐々に暗くなります。アイピースの前で何らかの動きが検知されるとタイマーはリセットされます。アイピースを覗き込むとビューファインダーはその動きを検知します。またビューファインダーのボタンを押すとディスプレイがオンになります。



IRセンサーを物などで覆うと、ビューファインダーのディスプレイが長時間にわたり電源が入ったままの状態になる可能性があります。ディスプレイの寿命が短くなるだけでなく、ビューファインダーに高コントラストイメージやフレームガイドが表示されている場合は残像の原因となるので注意してください。



IRセンサーは、URSA Viewfinderの底部にあります。

URSA Viewfinder内部ソフトウェアのアップデート

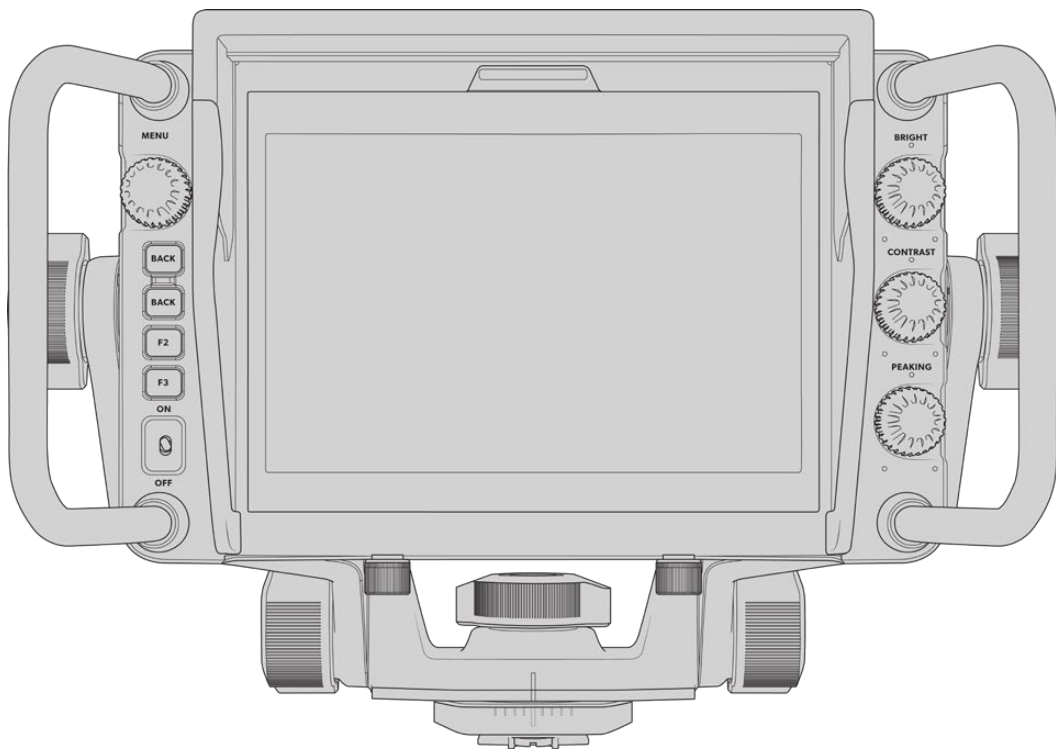
ビューファインダーのアップデートには、Blackmagic Camera Setup Utilityソフトウェアを使用します。アップデートはビューファインダーに電源が入った状態で行う必要があるため、アップデート中はビューファインダーとURSA Broadcast G2を接続したままにしておくことをお勧めします。安定した電源供給を得るため、カメラを外部電源に接続してください。

ビューファインダーの前面、アイピースの近くにある小さなUSBコネクタとコンピューターを接続します。Blackmagic Camera Setup Utilityソフトウェアが起動し、現在使用している内部ソフトウェアを検出します。古いバージョンを使用している場合は、アップデートを推奨するメッセージが表示されます。スクリーンの指示に従い、ビューファインダーの内部ソフトウェアをアップデートします。

メモ Blackmagic URSA ViewfinderをURSA Broadcast G2に取り付けて使用する際には、互換性を得るために、ビューファインダーの内部ソフトウェアを最新バージョンにアップデートすることをお勧めします。最新のソフトウェアは、www.blackmagicdesign.com/jp/supportのBlackmagicサポートセンターで確認できます。詳細は、このマニュアルの「Blackmagic Camera Setup Utility」セクションを参照してください。

作業のこつ パフォーマンスを最適化するため、Blackmagic URSAシリーズすべての機器をアップデートすることをお勧めします。

Blackmagic URSA Studio Viewfinder



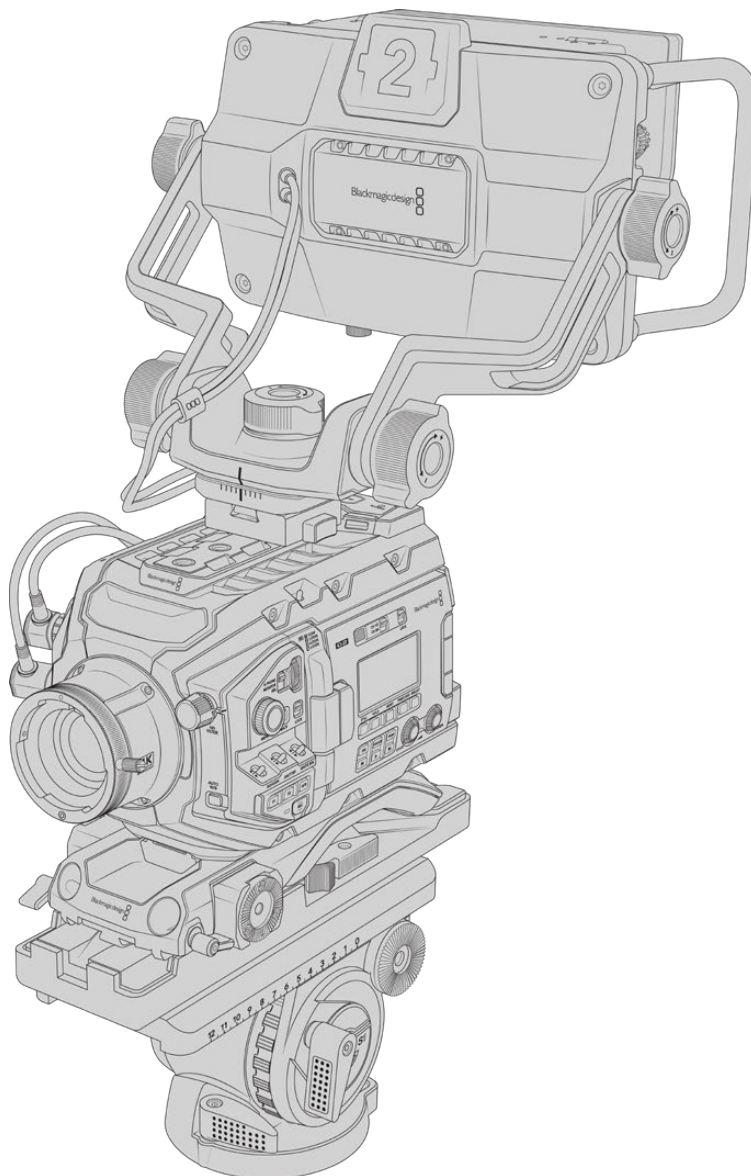
パワフルなビューファインダー、Blackmagic URSA Studio Viewfinderを追加すれば、URSA Broadcast G2がプロ仕様のライブプロダクションカメラに変身します！URSA Studio Viewfinderは、7インチの高輝度スクリーン、大きく見やすいタリーライト、コントロールノブ、大きなハンドル、サンシェード、テンション調整が可能な連結式マウントを搭載しています。これらの機能により、ライブコンサートやスポーツなど、長時間に渡るイベントの撮影でも、カメラの後ろに立って快適にアクションを追うことができます。URSA Studio Viewfinderは、スタジオやロケ現場でのプロ仕様のライブプロダクションに最適です。

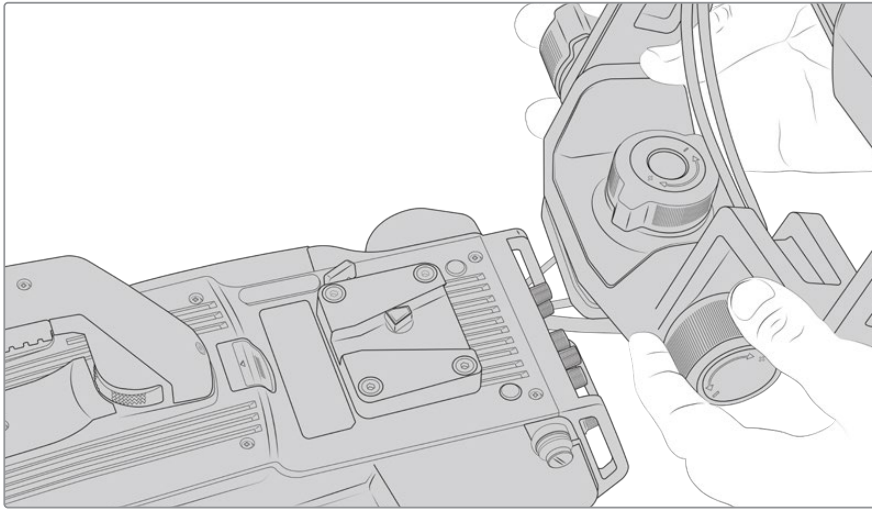
Blackmagic URSA Broadcast G2へのマウント/接続

Blackmagic URSA Studio ViewfinderをBlackmagic URSA Broadcast G2と使用する場合、カメラにユニットをマウントする方法は複数あります。

同梱のVロックマウントプレートを使用すると、Blackmagic URSA Studio ViewfinderをURSA Broadcast G2の上部に直接マウントできます。または、同梱のURSA Mini Shoulder Kitのトップハンドルプレートにマウントできます。

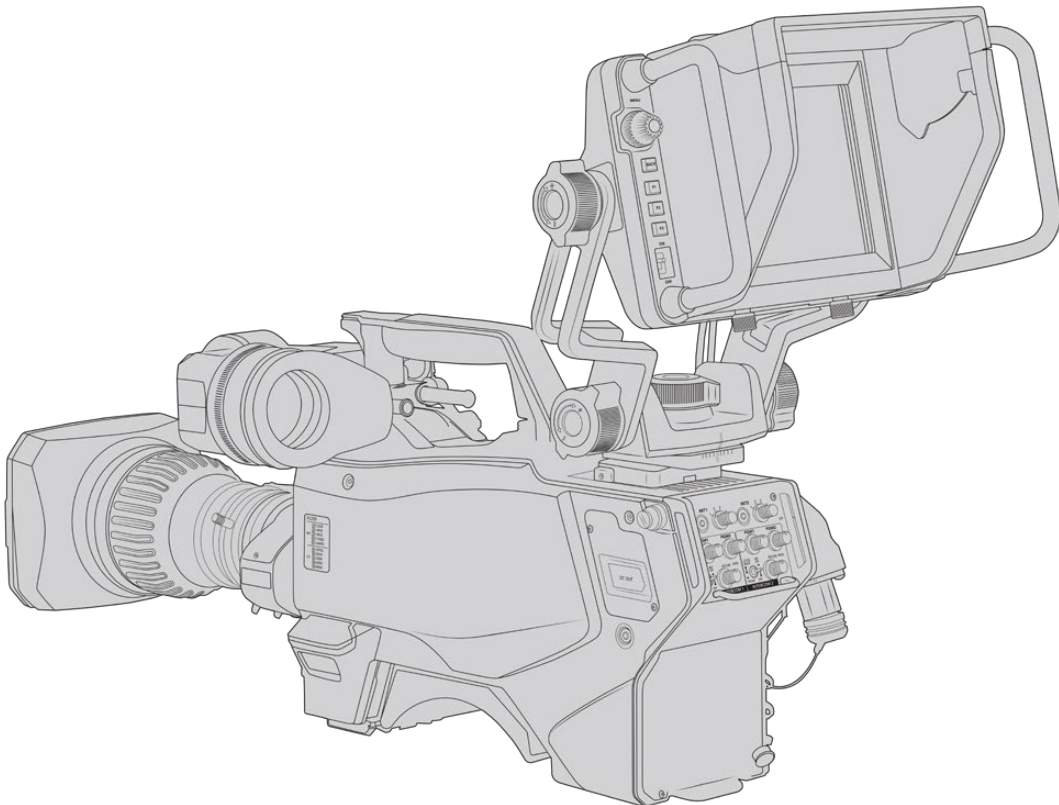
同梱の1/4インチネジを使用して、Vロックマウントプレートを実機の上に取り付けます。これによりカメラの重心が高くなります。カメラを三脚に取り付けて安定した状態で作業を行ってください。





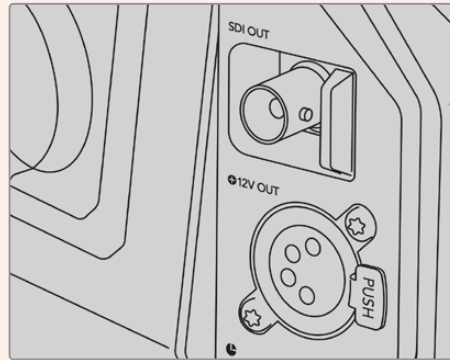
サードパーティ製カメラに取り付けたVロックマウントプレート

他のカメラでURSA Studio Viewfinderを使用したい場合、1/4インチマウントポイントが付いていればVロックマウントプレートをカメラに取り付けてURSA Studio Viewfinderを使用できます。サードパーティ製のチーズプレートを使用することもできます。また、多くのサードパーティ製のカメラシステムは、クイックリリース可能なVロックマウントプレートが付いているので、Blackmagic URSA Studio Viewfinderをマウントできます。



Blackmagic URSA Studio ViewfinderをURSA Broadcast G2に接続するには、ビューファインダーの付属ケーブルをカメラの前方の12V電源および3G-SDI出力に接続します。

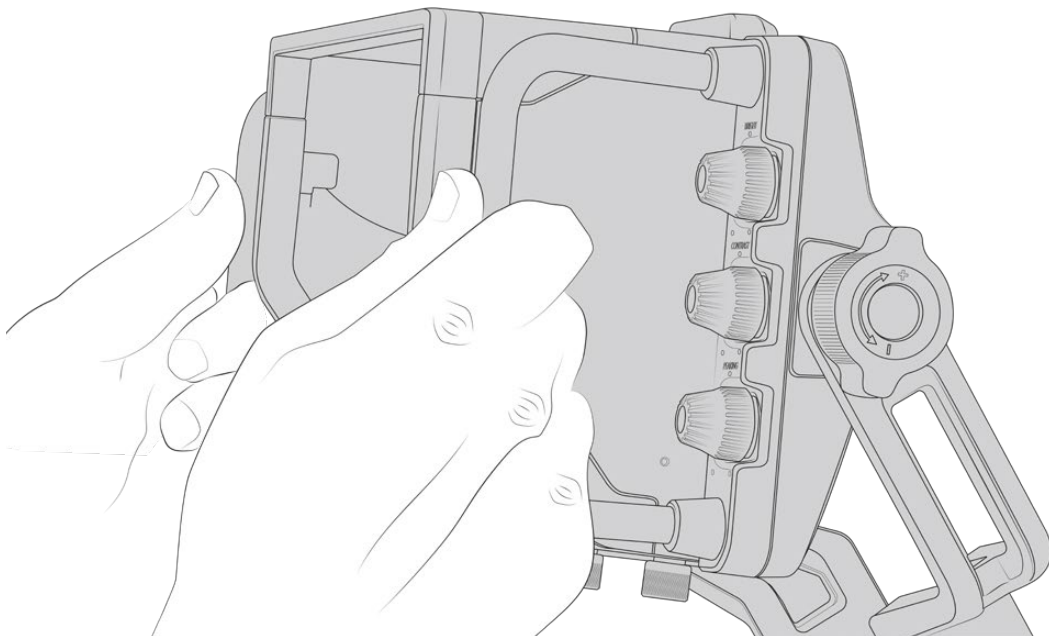
カメラの電源を入れると、すぐにビューファインダーの電源スイッチをオンにできるようになります。ハンドルマウントの横に、ケーブルをまとめるための固定金具が付いています。



URSA Broadcast G2のSDIおよび12V電源接続

作業のこつ URSA Studio Viewfinderは、オープンスタンダードのSDIおよび放送用の4ピンXLR電源接続を使用しているため、様々なカメラと使用でき、さらにロケ用の調整可能なポータブルモニターとしても使用できます。また、オープンスタンダードのATEMタリーおよびデバイスコントロール・プロトコルに対応しているため、他のカメラシステムでもこの情報をSDIストリームに追加することでURSA Studio Viewfinderでタリーおよびオーバーレイを使用できます。

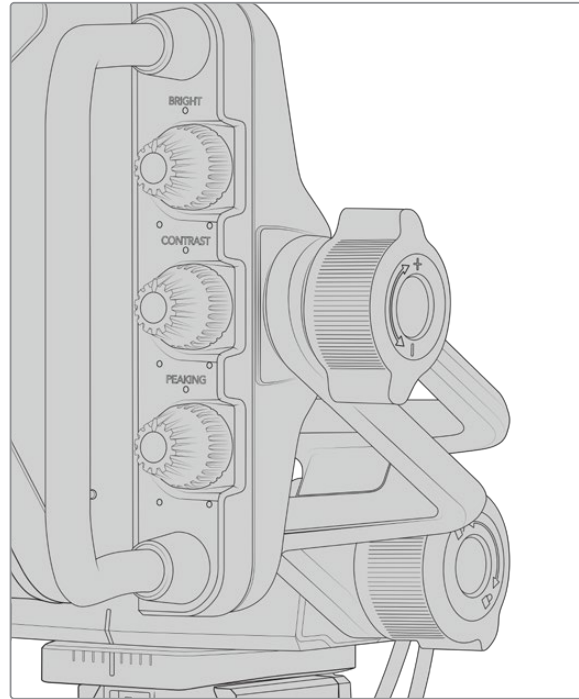
Blackmagic URSA Studio Viewfinderの調整



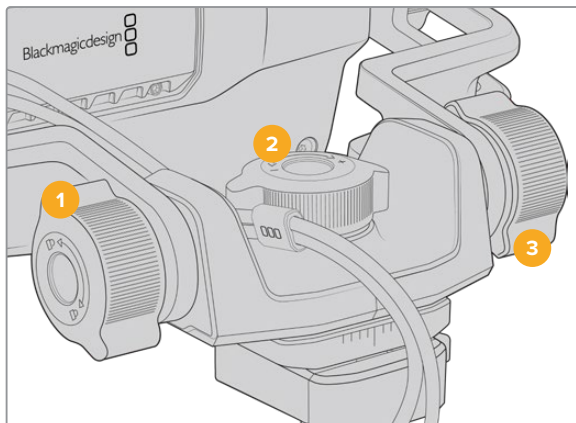
URSA Studio Viewfinderは、大型ハンドルとテンション調整の可能な連結式マウントを搭載しており、ビューファインダーの位置や角度を調整できます。大型ハンドルでビューファインダーをすばやく簡単に掴んで、ユニットの角度や方向を調整できます。ハンドルとサンシェードでスクリーンをダメージから保護できるので、Blackmagic URSA Studio Viewfinderを解体せず、組み立てたままの状態でもキャリケースなどで保管できます。また大型ハンドルが付いているため、簡単に持ち上げられ、現場間で持ち運びできます。

マウントにはパン/ティルト用のテンションダイヤルが付いており、ビューファインダーの両サイドには、摩擦制御用の追加テンションダイヤルがあります。左ハンドルのダイヤルはアームの抵抗摩擦の調整ができ、右ハンドルのダイヤルはアングルを設定した後ビューファインダーをロックできます。

これらのテンションダイヤルは非常に幅広いテンション調整が可能で、最適な抵抗力を選択できます。これにより、ビューファインダーを必要なポジションまで簡単にパン/ティルトできます。



ビューファインダーの両サイドのテンションダイヤル

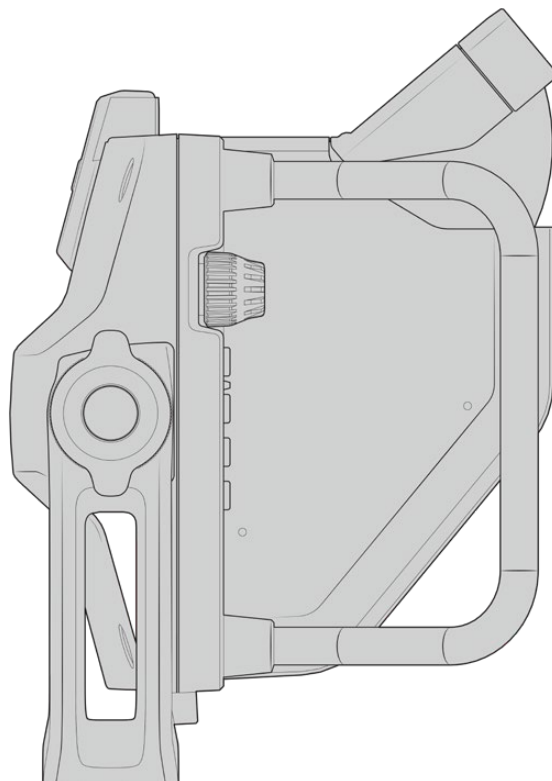
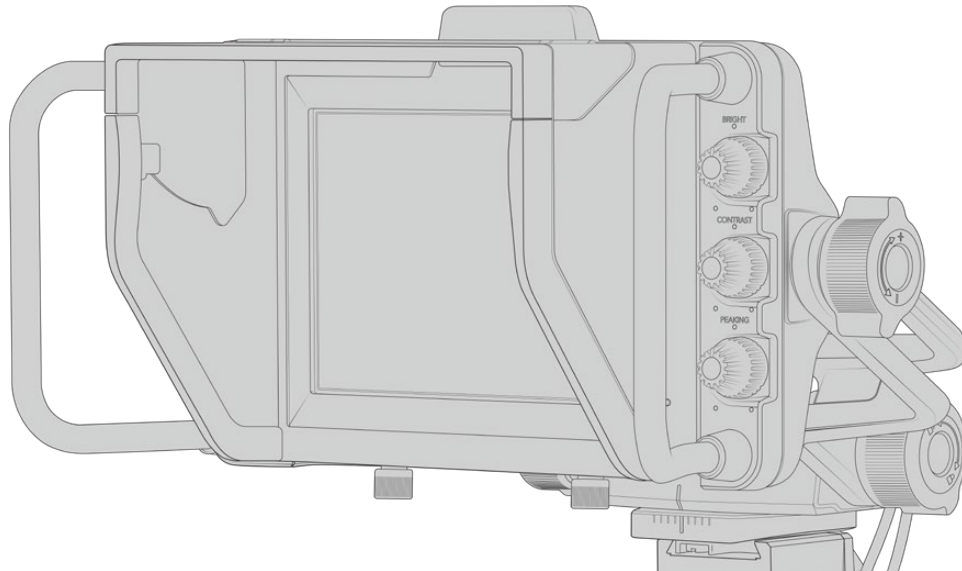


- 1 ティルトロック・ダイヤル**
ビューファインダーのティルトの角度をロック。
- 2 パンテンション・ダイヤル**
パンのテンションをコントロール。
- 3 ティルトテンション・ダイヤル**
ティルトのテンションをコントロール。

作業のこつ マウントコントロール中央のテンションダイヤルは、パンテンションをコントロールします。このダイヤルを緩めてビューファインダーを握ると、カメラを独立して動かせます。つまり、モータースポーツなど、被写体のアクションを追ってカメラを左右にパンする必要がある場合でも、目の位置にビューファインダーを配置して映像を確認できます。視覚ガイドによりビューファインダーを簡単に中央の位置に戻せます。

サンシェード

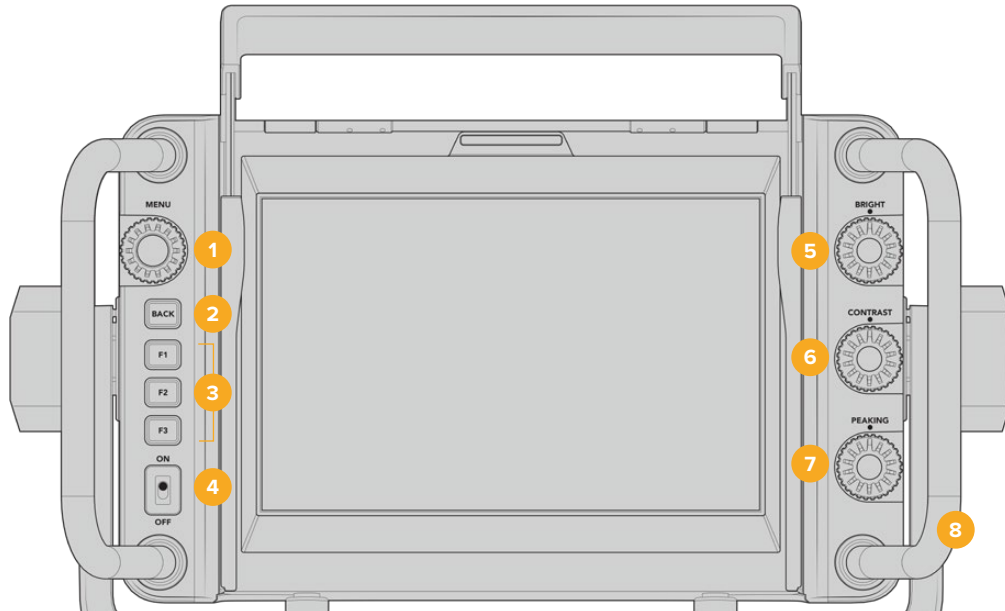
サンシェードを取り付けると、明るい環境や日が照っている環境でもスクリーンが見やすくなります。サンシェードを取り付けるには、Blackmagic URSA Studio Viewfinderの上部にスライドさせて所定の位置まで押し込み、2つの拘束ネジでサンシェードの土台に固定します。ひさしの上部は上げ下げ可能で、視野角を調整できます。また、サンシェードにより7インチスクリーンが保護されます。サンシェードが必要ない場合や、ソフトウェアアップデートのためにUSB-Cコネクタにアクセスしたい場合は、すばやく簡単に取り外せます。



サンシェードと調整可能なひさし

ボタン機能

右側にあるダイヤルでは、明るさ、コントラスト、ピーキングをすばやく簡単に変更できます。これらのダイヤルは人間工学に基づいて設計されており、サンシェードを使用している場合は親指を使って横から調整できます。あるいは2本の指でより詳細な調整も可能です。



1 メニューダイヤル (MENU)

プッシュボタンのメニューダイヤルを使うと、メニューへ進み、ビューファインダー設定をナビゲートできます。

2 バックボタン (BACK)

メニューシステムから出ます。

3 F1、F2、F3

割り当て可能な機能ボタン。頻繁に使用する機能に簡単にアクセスできるよう、これらのボタンは機能を割り当てられます。

4 ON/OFFスイッチ

Blackmagic URSA Studio Viewfinderのオン/オフを切り替えます。

5 明るさ (BRIGHT)

スクリーン上のイメージの明るさを調整します。スクリーン上のオーバーレイで、明るさのレベルが-100~+100で表示されます。

6 コントラスト (CONTRAST)

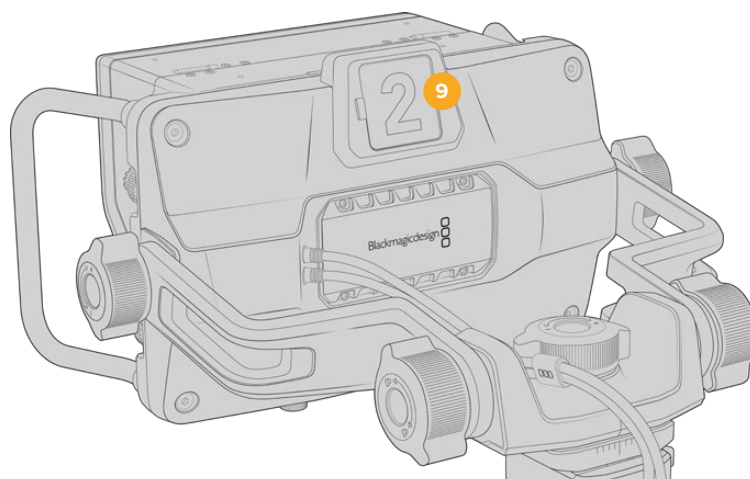
スクリーン上のイメージのコントラストを調整します。スクリーン上のオーバーレイで、コントラストのレベルが-100~+100で表示されます。

7 ピーキング (PEAKING)

スクリーン上のイメージのフォーカスピーキングレベルを調整します。スクリーン上のオーバーレイで、ピーキングのレベルが-100~+100で表示されます。「セットアップ (Setup)」メニューで、使用環境に適した様々なスタイルのピーキングを選択できます。他の放送システムを使用していた人でも親しみやすい従来スタイルのフォーカスピーキングのオプションや、フォーカスにカラーラインを使用するオプションなどがあります。URSA Broadcast G2と同様に、赤、緑、青、黒、白のラインのオプションがあるため、特定の色が多く使用されている撮影環境などにおいて、見やすいピーキングを柔軟に選択できます。

8 ハンドル

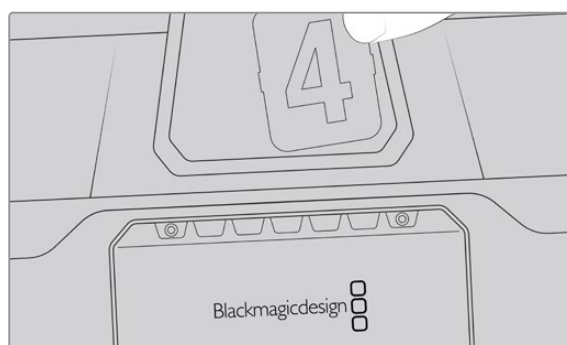
大型のハンドルは、撮影中にカメラの位置を動かした場合でも、Studio Viewfinderを適切な位置に保つことができます。また、セットアップや収納の際にスクリーンを保護する役割も果たします。



9 タリーライト

Blackmagic URSA Studio Viewfinderの背面にある大型のタリーライトは、出演者およびカメラオペレーターに、現在オンエアのカメラ、次にオンエアになるカメラ、そして個別収録中のカメラを知らせます。オンエアされているカメラのタリーは赤、プレビューは緑に光ります。URSA Broadcast G2と使用している場合、個別収録はオレンジに光ります。

ディレクターがATEMスイッチャーでカメラを切り替えると、タリー信号がSDI経由でカメラに送信され、プレビュー中のカメラ、オンエア中のカメラ、収録中のカメラでタリーライトが点灯します。また、URSA Studio Viewfinderにはクリップ式の透明なカメラ番号が同梱されます。これらをタリーライトに取り付けることで、出演者は離れた場所からでもカメラ番号を確認できます。



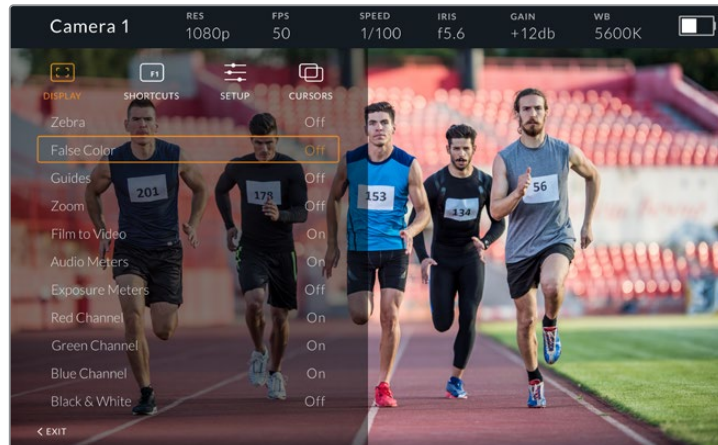
ソフトウェア・インストーラーに編集可能なPDFが含まれており、独自のタリー番号を編集・印刷できます。カスタマイズしたタリー番号の作成もできます。Blackmagic Cameraソフトウェアをインストールすると、これらのファイルはMacではApplication > Blackmagic Cameras > Documentsフォルダー、PCではBlackmagic Design > Documentsフォルダーに保存されます。

タリーライトはATEMの操作により点灯しますが、カメラをスイッチャーに接続していない場合、タリーライトは単に収録タリーインジケータとして赤く光ります。詳細は、このマニュアルの「スタジオカメラコントロールの概要」セクションを参照してください。

作業のこつ Blackmagic URSA Studio ViewfinderをATEMスイッチャーと使用している場合、ATEMスイッチャーへのSDI出力にオーバーレイやフォーカスボックスが入らないように、URSA Broadcast G2でクリーンフィードを選択することが重要です。URSAの「モニター (MONITOR)」メニューへ進み、メインSDI (Main SDI) で「クリーンフィード (CLEAN FEED)」を選択してください。

メニュー設定

プッシュボタンの「MENU」ダイヤルを押すとメニューへ移動します。ダイヤルを回すとメニューオプションを上下にナビゲートできます。メニューのヘディングがハイライトされている時に「MENU」ダイヤルを押すと、ディスプレイ (DISPLAY)、ショートカット (SHORTCUTS)、セットアップ (SETUP)、カーソル (CURSOR) のサブメニューを切り替えられます。ダイヤルを回すと各メニューの設定をスクロールできます。設定がハイライトされている時にダイヤルを押すと、「MENU」ダイヤルを回して該当の設定を調整できます。再度「MENU」ダイヤルを押して選択した内容を確定します。「BACK」ボタンを押すか、メニューをナビゲートして「閉じる (EXIT)」を選択するとメニューから出ます。



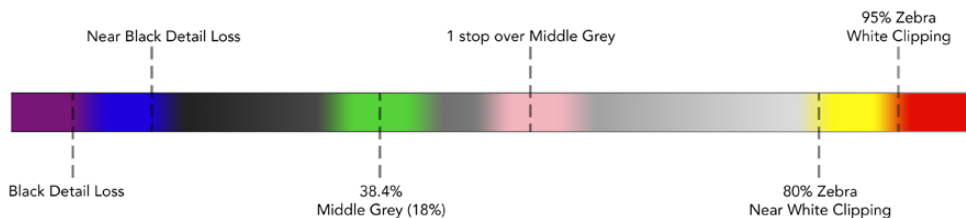
ディスプレイ (Display)

ゼブラ (Zebra)

ゼブラレベルのオン/オフを切り替えます。ゼブラのレベルは、URSA Broadcast G2のモニター (MONITOR) メニューの3ページ目での設定により決定されます。Studio ViewfinderをURSA Broadcast G2に接続していない場合、ゼブラレベルはRec709信号の95%輝度レベルを示します。詳細は、このマニュアルの「設定」セクションを参照してください。

フォルスカラー (False Color)

フォルスカラー機能のオン/オフを切り替えます。フォルスカラーは、イメージ内のエレメントに応じて、異なる露出値を様々なカラーでオーバーレイします。例えば、スキントーンに最適な露出はピンクで表示されます。人物を撮影する際は、ピンクのフォルスカラーをモニタリングすることで、スキントーンで一貫性のある露出を維持できます。同様に、イメージ内のエレメントが黄色から赤に変わった場合は、露出過多になったことを意味しています。フォルスカラーは機能ボタンへの割り当てに適した機能です。機能ボタンに割りあてることで、露出の参照として広く使用されているツールに、すばやく簡単にアクセスできます。



フォルスカラーチャート

ガイド (Guides)

ガイドの表示/非表示を選択できます。ガイド設定は、URSA Broadcast G2のモニター (MONITOR) メニューの4ページ目でスタイルを設定できます。

アスペクトレシオ、フレームガイドの不透明度、セーフエリアのパーセンテージ、表示するグリッドのタイプは、カメラの設定にマッチします。Studio Viewfinderの「セットアップ (SETUP)」メニューでは、ディスプレイ (DISPLAY) メニューのガイド (Guides) をオンにした場合にStudio Viewfinderに表示されるガイドを設定します。その後ガイド設定で、単一のコマンドでこれらをオン/オフに切り替えられます。

ズーム (Zoom)

ズーム機能のオン/オフを切り替えます。この機能は、画像にズームすることで、フォーカスをシャープに合わせるサポートをします。ズームインされていると、メニューダイヤルを左右に回すことで、スクリーンの特定の部分にナビゲートできます。ズームインしている場所をオーバーレイで表示します。

Film/Videoモード (Film to Video)

「Film」ダイナミックレンジの信号をURSA Broadcast G2から送信している際に、この設定で、よりカラフルでコントラストの強いLUTをイメージに適用できます。この設定は、「Film」ダイナミックレンジが検出されている場合にのみ使用可能です。検出されない場合はグレイアウトされ、誤ったLUTがイメージに適用されることを防ぎます。

オーディオメーター (Audio Meters)

オーディオメーターは、SDI経由でBlackmagic URSA Studio Viewfinderに入力されたオーディオレベル、つまりURSA Broadcast G2のオーディオ入力レベルを表示します。プログラム入力を選択している場合、オーディオメーターはこれらのオーディオレベルを表示します。

露出メーター (Exposure Meters)

ヒストグラム表示のオン/オフを切り替えます。

赤チャンネル (Red Channel)

イメージの赤チャンネルのオン/オフを切り替えます。

緑チャンネル (Green Channel)

イメージの緑チャンネルのオン/オフを切り替えます。

青チャンネル (Blue Channel)

イメージの青チャンネルのオン/オフを切り替えます。

白黒 (Black & White)

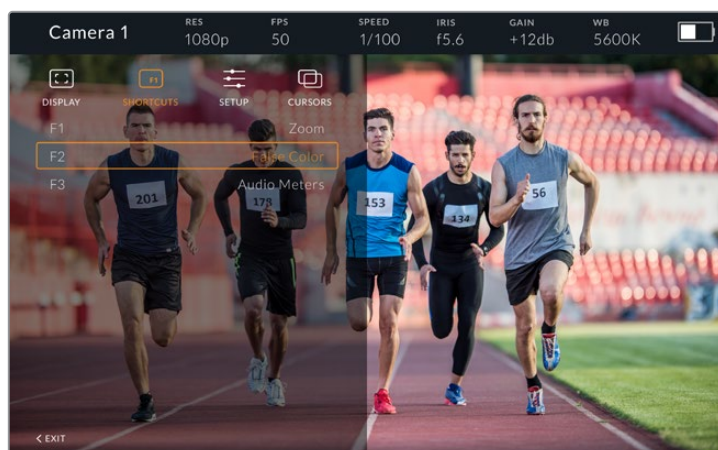
カラーと白黒を切り替えます。

ショートカット (Shortcuts)

ショートカット機能は、特定の機能をF1、F2、F3ボタンにマッピングできます。これらのショートカットボタンを使用すると、「ディスプレイ (DISPLAY)」メニューやカーソルの設定のオン/オフを切り替えられます。ショートカット機能は、頻繁に使用する機能がある場合に、特定の設定にすばやくアクセスするのに非常に便利です。

ショートカットボタンをカスタマイズする：ショートカット (SHORTCUTS) メニューでプッシュボタンの「MENU」ダイヤルを回し、3つのボタンから選択します。「MENU」ダイヤルを押して選択を確定し、「MENU」ダイヤルを回して割り当てられる機能をスクロールします。以下の機能を選択できます：「ズーム (Zoom)」、「カーソル1 (Cursor 1)」、「カーソル2 (Cursor 2)」、「カーソル3 (Cursor 3)」、「ゼブラ (Zebra)」、「フォルスカラー (False Color)」、「ガイド (Guides)」、「Film/Videoモード (Film to Video)」、「オーディオメーター (Audio Meters)」、「露出メーター (Exposure Meters)」、「赤チャンネル (Red Channel)」、「緑チャンネル (Green Channel)」、「青チャンネル (Blue Channel)」、「白黒 (Black & White)」。機能を選択したらメニューボタンを押して選択を確定し、該当の機能を選択したショートカットボタンに割り当てます。ショートカットボタンを押すと同機能のオン/オフが切り替わります。

必要に応じてショートカットを設定したら、「閉じる (EXIT)」にスクロールして「MENU」ダイヤルを押してメニューディスプレイを閉じるか、「BACK」ボタンを押してメニューから出ます。



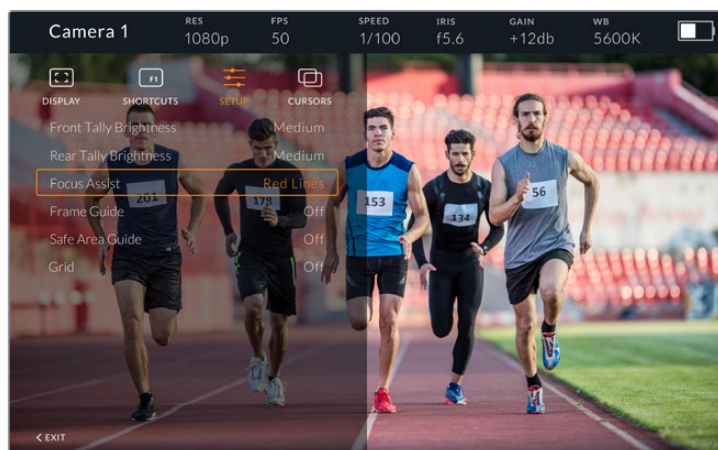
「ショートカット (SHORTCUTS)」のサブメニュー

セットアップ (Setup)

「セットアップ (SETUP)」メニューではビューファインダーの設定を選択できます。

フロントタリーの明るさ (Front Tally Brightness)

「オフ (Off)」、「低 (Low)」、「中 (Medium)」、「高 (High)」からタリーLEDの明るさを選択できます。タリーライトは調整中も光るので、各設定の明るさを確認しながら選択できます。



「セットアップ (SETUP)」のサブメニュー

リアタリーの明るさ (Rear Tally Brightness)

「低 (Low)」、「中 (Medium)」、「高 (High)」からタリーLEDの明るさを選択できます。タリーライトは調整中も光るので、各設定の明るさを確認しながら選択できます。

作業のこつ 明るい環境では、出演者やカメラオペレーターが見やすいようにLEDの明るさ設定を上げることをお勧めします。暗い環境での撮影ではライトが見やすいので「低 (Low)」設定にすると良いでしょう。

フォーカスアシスト (Focus Assist)

ビューファインダーのピーキングの表示を切り替えます。赤、緑、青、黒、白、そして従来のピーキングから選択できます。

フレームガイド (Frame Guide)

Studio Viewfinderの「ガイド (Guides)」の一部として、フレームガイドを表示するオプションを選択できます。URSA Broadcast G2に接続している場合、カメラの「フレームガイド (FRAME GUIDE)」のアスペクトレシオと同じになります。他のシステムに接続している場合、デフォルトで14:9アスペクトレシオになります。

セーフエリアガイド (Safe Area Guide)

Studio Viewfinderの「ガイド (Guides)」の一部として、セーフエリアを表示するオプションを選択できます。URSA Broadcast G2に接続している場合、カメラの「セーフエリアガイド (SAFE AREA GUIDE)」のパーセンテージと同じになります。他のシステムに接続している場合、デフォルトは90%です。

グリッド (Grid)

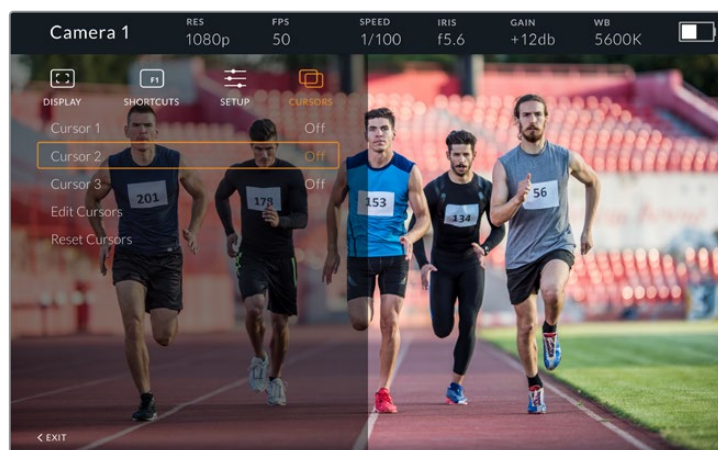
Studio Viewfinderの「ガイド (Guides)」の一部として、グリッドを表示するオプションを選択できます。URSA Broadcast G2に接続している場合、カメラの「グリッド (GRIDS)」設定と同じになります。接続していない場合、十字線のオン/オフを切り替えます。

LCDの明るさ (LCD Brightness)

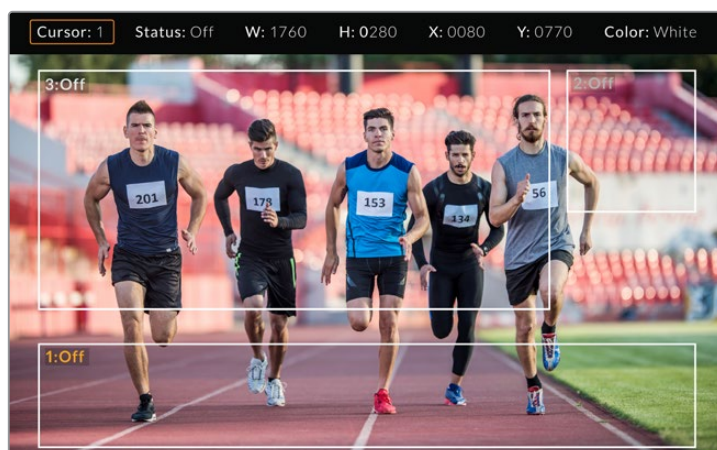
URSA Studio Viewfinderの新しいモデルでは、「セットアップ (SETUP)」メニューの下にLCDの明るさを調整できる設定が表示されます。これにより、Studio ViewfinderのLCDバックライトの明るさを調整できます。

カーソル (CURSORS)

ローワーサード、グラフィック、ロゴ、ティッカーなどのグラフィックがオーバーレイされるスクリーン上のエリアをマークします。これらのカーソルを調整するには、「カーソル (CURSORS)」へ行き、「カーソルを編集 (Edit Cursors)」を選択します。このページでは3つすべてのカーソルの編集できるので、1つずつ選択して幅、高さ、位置のX/Y座標を設定できます。



「カーソル (CURSORS)」のサブメニュー



スクリーンに表示されたカーソル

カーソルを設定したら「カーソル (CURSORS)」メニューからオン/オフの切り替えや、機能ボタンの割り当てができます。カメラオペレーターは、カーソルを考慮して正確にショットの構成やフレーミングができるため、ライブプロダクションでは非常に重要な機能です。さらに、高さ、幅、位置の異なるブラック/ホワイトのカーソルを3つまで作成できるため、ライブまたは後の放送で追加されるあらゆるグラフィックのサイズと位置と簡単にマッチできます。また、カーソルをデフォルトの状態に戻すオプションもあります。

Blackmagic URSA Studio Viewfinderでヘッドセットを使用

Blackmagic URSA Studio ViewfinderをURSA Broadcast G2と使用している場合、カメラのヘッドフォン接続はトークバック用のヘッドセット接続になり、ディレクターと直接通信できます。

Blackmagic Camera Fiber ConverterおよびBlackmagic Studio Converterを使用すると、5ピンのXLRコネクタのついた標準放送ヘッドセットを使用した、さらに高度なトークバックが可能です。詳細は、このマニュアルの「Blackmagicファイバーコンバーター」セクションを参照してください。

作業のこつ URSA Broadcast G2のヘッドフォンソケットはiPhoneヘッドセットと互換性があるため、iPhoneのヘッドセットを使って監督と通信できます。内蔵のリモートボタンを押すと、監督/ディレクターと通信できます。

URSA Studio Viewfinder内部ソフトウェアのアップデート

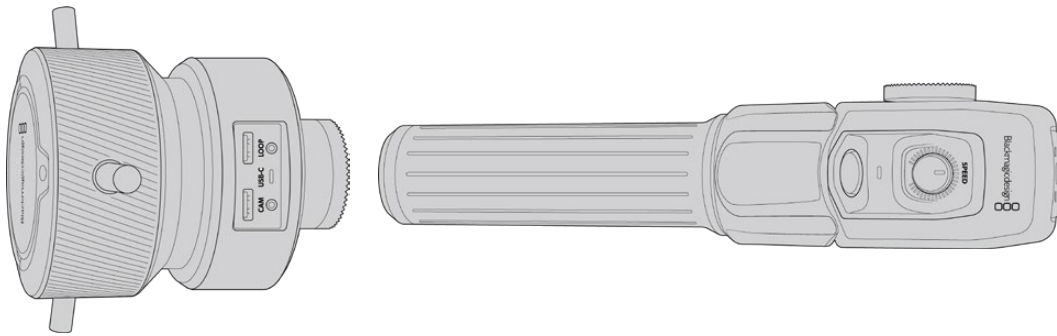
ビューファインダーのアップデートには、Blackmagic Camera Setup Utilityソフトウェアを使用します。アップデートはビューファインダーに電源が入った状態で行う必要があるため、アップデート中はビューファインダーとURSA Broadcast G2を接続したままにしておくことをお勧めします。安定した電源供給を得るため、カメラを外部電源に接続してください。

Blackmagic URSA Studio Viewfinderの底部にある小さなUSB-C接続にアクセスできるようサンシェードを取り外し、コンピューターをUSB-Cポートに接続します。Blackmagic Camera Setup Utilityソフトウェアが起動し、現在使用している内部ソフトウェアを検出します。古いバージョンを使用している場合は、アップデートを推奨するメッセージが表示されます。スクリーンの指示に従い、ビューファインダーの内部ソフトウェアをアップデートします。詳細は、このマニュアルの「Blackmagic Camera Setup Utility」セクションを参照してください。

パフォーマンスを最適化するため、Blackmagic URSAシリーズすべての機器をアップデートすることをお勧めします。

メモ Blackmagic URSA Studio ViewfinderをURSA Broadcast G2に取り付けて使用する際には、互換性を得るために、ビューファインダーの内部ソフトウェアを最新バージョンにアップデートすることをお勧めします。最新のソフトウェアは、www.blackmagicdesign.com/jp/support/のBlackmagicサポートセンターで確認できます。詳細は、このマニュアルの「Blackmagic Camera Setup Utility」セクションを参照してください。

Blackmagic Zoom Demand およびFocus Demand



Blackmagic Zoom DemandとBlackmagic Focus Demandは、互換性のあるサーボ駆動のB4、EF、PLレンズを使用している際にフォーカスおよびズームをコントロールできるオプションのアクセサリです。

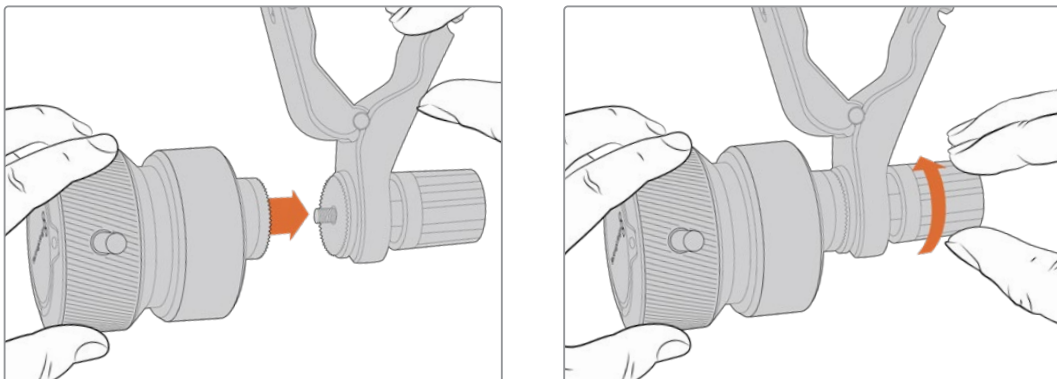
各ユニットは三脚やベDESTALのハンドルに取り付けます。これにより、カメラのパンおよびティルトを調整すると同時に両手で、フォーカスとズームをコントロールできます。ボタンとコントロールを使用して、ズームコントロールの速度と感度の微調整、トークバックの使用、プログラムリタンのモニタリングなどを実行できます。

カメラへ接続および取り付け

三脚ハンドルに取り付ける

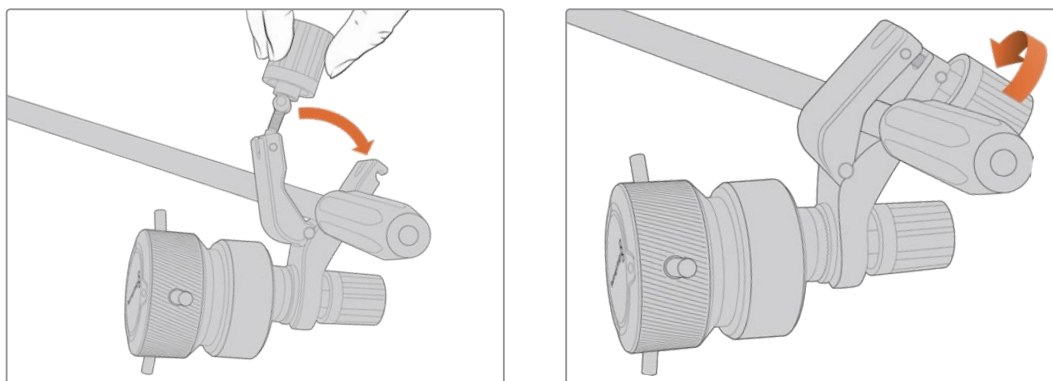
各ユニットは、マウント用ブラケットを介して三脚ハンドルに取り付けます。各ユニットは、ロゼットマウントを介してブラケットに取り付けます。

Zoom DemandおよびFocus Demandをブラケットに取り付けるには、ロゼットマウントを介して接続し、ノブを回して固定します。



- 1 Zoom DemandまたはFocus Demandのネジ部分をブラケットのロゼットマウントに向けて配置します。
- 2 ユニットがブラケットにしっかりと取り付けられるまで、ノブを回して固定します。

ユニットをブラケットに取り付けたら、それを三脚のアームに取り付けます。ブラケットの片側にはT型のラッチがついており、これをスロットにはめ入れ、その後ノブで固定します。



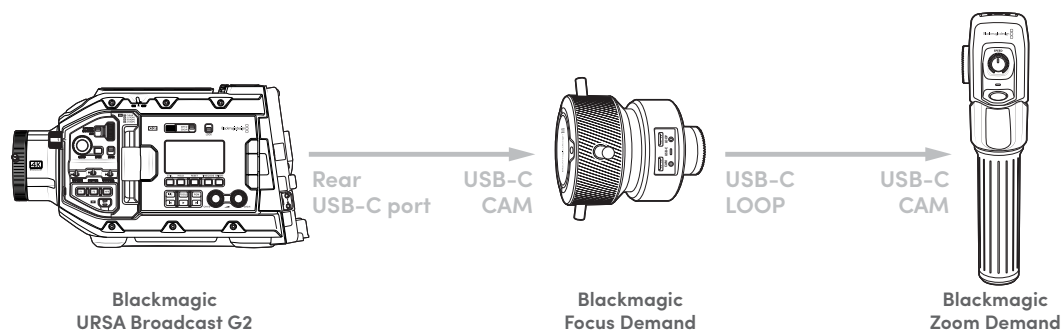
- 1 ラッチのノブを反時計回りに回して、ラッチを緩めます。これにより、T型のラッチがリリースされます。
- 2 ラッチが開いた状態で、三脚のアームをラッチで挟むようにし、ラッチをスロットにはめ込みます。希望の角度になるようにブラケットを回転させて調整します。
- 3 ラッチのノブを回して、三脚のアームにブラケットを固定します。

カメラに接続する

Blackmagic Zoom DemandおよびFocus Demandは、2つのUSB-Cポートを搭載しています。これにより、各ユニットを個別に、あるいは同時に両方を使用できます。

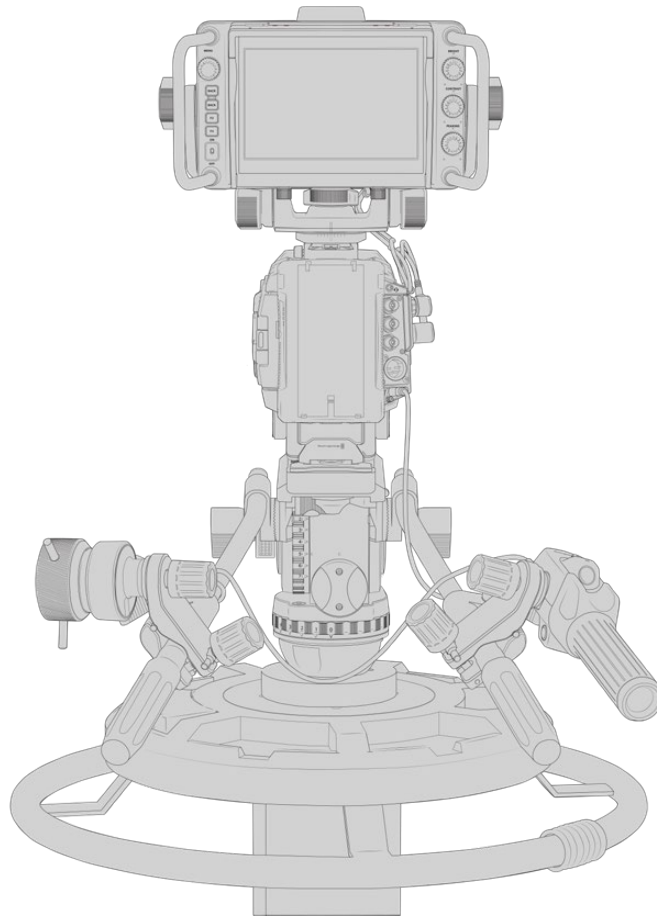
各ユニットには1メートルのUSB-Cケーブルが同梱されます。これは、URSA Broadcast G2のリアパネルにあるUSB-CポートからDemandの「CAM」ポートに直接接続します。

両方のユニットを使用する場合は、USB-Cを介して2つのユニットを接続して、デジチェーン接続します。



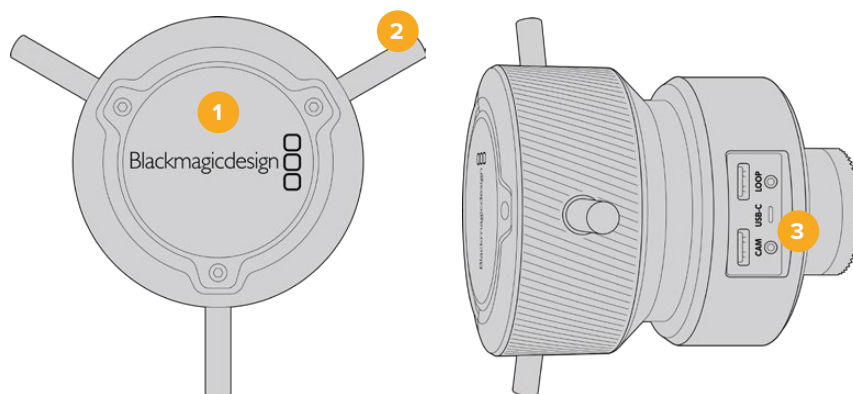
デジチェーンすることで、URSA Broadcast G2のリアパネルにあるUSB-Cポートから両方のユニットを操作できます。例えば、カメラのリアパネルにあるUSB-CポートにUSB-Cケーブルを接続して、もう一方をFocus Demandの「CAM」ポートに接続します。2本目のケーブルはFocus Demandの「LOOP」ポートからZoom Demandの「CAM」ポートに接続します。

USB-Cケーブルの両端にはロックネジが付いているので、各ユニットに固定でき、接続が誤って外れることを防ぎます。ロックネジを使用する必要はありませんが、ユニットがURSA Broadcast G2に常に接続されているスタジオセットアップでは役立ちます。



Blackmagic Focus DemandおよびZoom Demandは、ハンドルから手を離すことなく、フォーカスとズームを操作可能

Blackmagic Focus Demandを使用する



1 コントロールノブ

フォーカスホイールを時計回りに回すと、レンズに近い被写体にフォーカスします。反時計回りでは、レンズから離れた被写体にフォーカスします。フォーカスの方向は、メニューで「通常 (Normal)」または「後方 (Reverse)」に設定することで変更できます。

作業のこつ Blackmagic Zoom Demandと共に使用している場合、クイックズームボタンを押して、イメージを拡大しながら、Focus Demandでフォーカスします。

2 操作ピン

この3つのピンでは、より微細に操作できるため、指先でフォーカスをより繊細に調整できます。

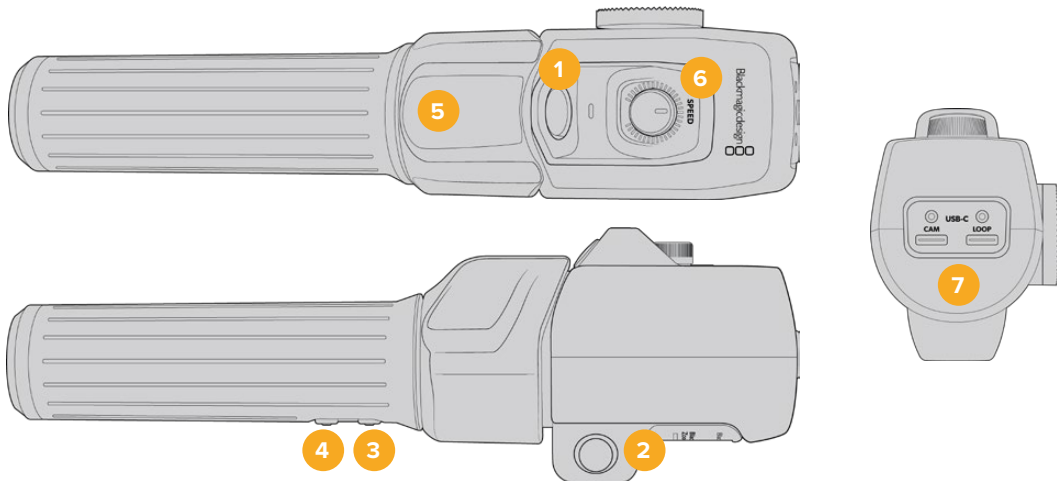
3 USBポート

Focus Demandをカメラに接続し、Zoom Demandにダイジーチェーン接続するために使用します。「CAM」ポートはBlackmagic Camera Setupユーティリティを介して内部ソフトウェアをアップデートする際にも使用します。

Blackmagic Zoom Demandを使用する

Zoom Demandのコントロールは、カメラの設定でマッピングできます。ボタンの機能を変更する方法は「設定」セクションの「セットアップ設定 (SETUP)」を参照してください。

以下の機能がデフォルトで割り当てられています：



1 ズーム F1

これは、ズーム機能ボタン 1です。デフォルトでは「収録 (Record)」ボタンとしてマッピングされています。

2 ズーム F2

これは、ズーム機能ボタン 2です。コントローラーの反対側には、同じ機能を実行するボタンが搭載されており、右利きと左利きに対応しています。デフォルトでは、クイックズーム機能が割り当てられており、ライブの画像に瞬時にズームできます。

✖ クイックズーム機能はBlackmagic URSA Broadcast G2のLCDのみに表示され、スイッチャーやレコーダーに接続された出力ビデオでは確認できません。

3 ズーム F3

これは、ズーム機能ボタン 3です。デフォルトでは「プログラムリターン (Program Return)」ボタンとしてマッピングされています。これは、通常スイッチャーのプログラムリターンフィードですが、カメラのSDI入力に接続されている、あらゆるSDI信号が表示されます。

4 ズーム F4

これは、ズーム機能ボタン 4です。デフォルトでは「プッシュ・トゥ・トーク (Push to Talk)」ボタンとしてマッピングされています。SDI経由でATEMスイッチャーに接続されている場合、このボタンを長押しするとスイッチャーの担当者と通信できます。

5 親指ロッカー

Zoom Demandは、親指ロッカーコントロールを搭載しています。親指ロッカーを左に押すとズームアウト、右に押すとズームインします。ズームイン/アウトは、カメラのメニュー設定で反転できます。

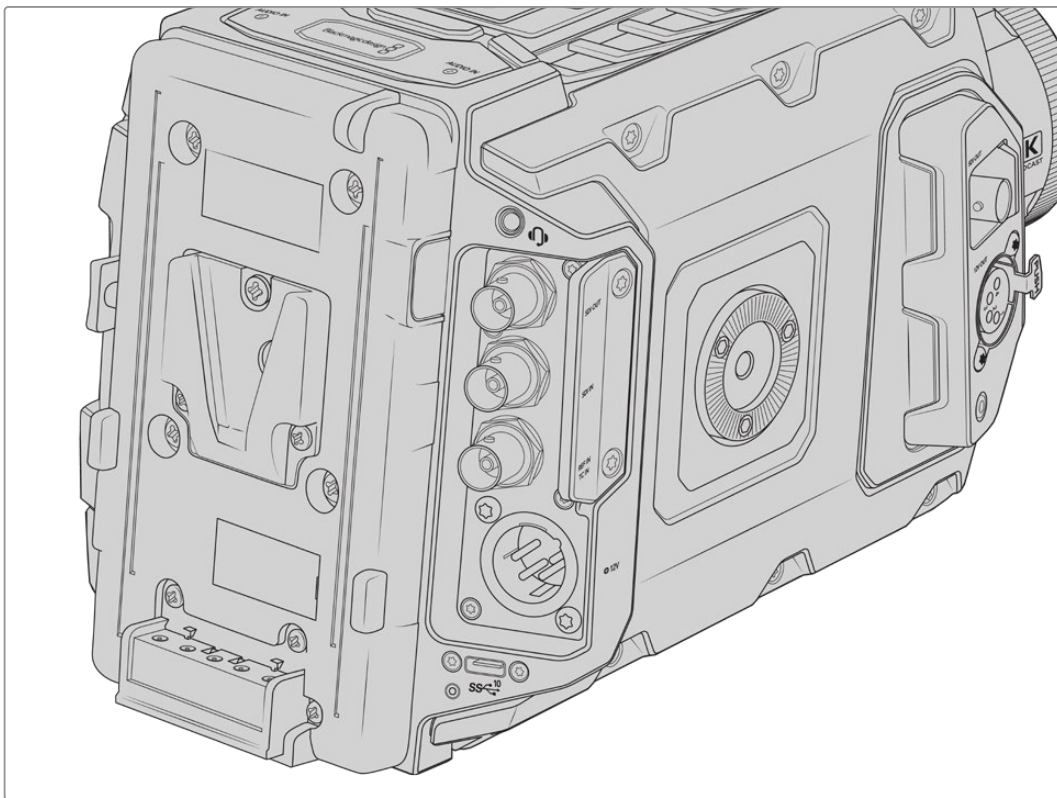
6 速度ダイヤル

ユニットの上部に付いている速度ダイヤルを調整することで、ズームの速度を微調整できます。このダイヤルは、ヘッドフォンレベルやアイリス調整だけでなく、フォーカス調整のコントロールとしてマッピングすることが可能です。

7 USB-Cポート

Zoom Demandをカメラに接続し、Focus Demandにデジチェーン接続するために使用します。「CAM」ポートはBlackmagic Camera Setupユーティリティを介して内部ソフトウェアをアップデートする際にも使用します。

バッテリーのマウント



Vマウント/ゴールドマウントバッテリーの取り付け

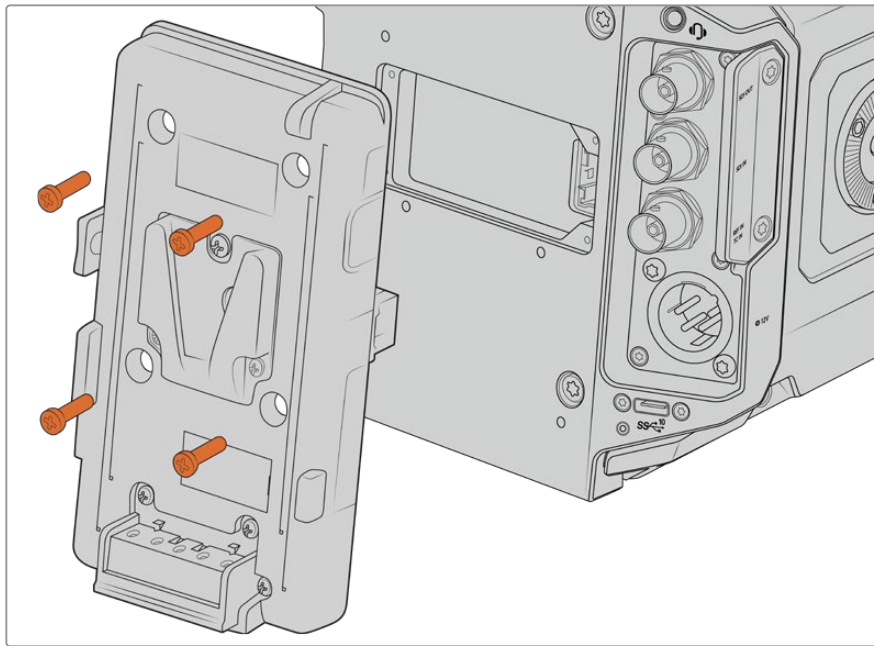
Blackmagic URSA Broadcast G2には、URSA VLock Battery Plateが標準装備されており、業界標準のVロック・バッテリーをカメラに接続できます。

オプションのBlackmagic URSA Gold Battery Plate、またはサードパーティ製のバッテリープレートを取り付けすることで、他の種類のバッテリーもマウント可能です。

作業のこつ Blackmagic URSA VLock Battery PlateおよびURSA Gold Battery Plateは、互換しているバッテリーの残量のパーセンテージ表示をサポートしています。Blackmagicのバッテリープレートは、+12V出力コネクタを搭載しています。これは、DタップまたはPタップと呼ばれ、外部モニターなどのアクセサリに電源を供給します。この出力はカメラから制御されているため、カメラの電源を切ると安全に電源が切られます。この安定化出力は、最大1.5アンペアまでの12Vの電源を供給します。一部のサードパーティ製のURSAシリーズ用バッテリープレート、さらには一部のバッテリーでも、安定化されていないDタップを出力する製品があります。これらの製品は、カメラを再起動したり、電源を入れ直す際にも継続的に給電しますが、バッテリーも充電残量によってその電圧が変わるため、接続しているアクセサリは絶え間なくバッテリーからの充電を使用します。

Blackmagic URSA VLock Battery PlateおよびURSA Gold Battery Plateは、Blackmagic Design販売店にて、またサードパーティ製バッテリープレートは、プロ用のデジタルシネマ/ビデオ機器のサプライヤーから購入できます。手持ちのバッテリープレートに手を加えて、Blackmagic URSA Broadcast G2と使用したい場合は、同梱のアダプターケーブルおよびコネクタを使用できます。URSA Broadcast G2で使えるようにバッテリープレートに手を加える場合は「独自のバッテリープレートの使用」セクションを参照してください。

Blackmagic URSA Broadcast G2のバッテリープレートを交換する：



- 1 URSA VLock Battery Plateから4本のM3ネジを外します。
- 2 カメラのMolex電源コネクタからバッテリープレートのMolexコネクタを外します。
- 3 新しいバッテリープレートのMolexコネクタをカメラのMolex電源コネクタに接続します。
- 4 バッテリープレートを、Blackmagic URSA Broadcast G2のプレートマウントポイントに4本のM3ネジで固定します。ネジを締める際に、プレート間でコネクタケーブルがつかないように、ケーブルスロットに安全にしまい込むようにしてください。
- 5 新しいバッテリープレートをカメラに接続したら、バッテリーをマウントし、カメラの電源をオンにできます。

独自のバッテリープレートの使用

アダプターケーブルおよびコネクター

URSA Broadcast G2と使用するために、サードパーティ製のバッテリープレートに手を加える場合は、同梱のアダプターケーブルとコネクターを使用できます。これらはBlackmagic Designのサポートオフィスでも入手可能です。

アダプターケーブルおよびコネクターをバッテリープレートに配線する：

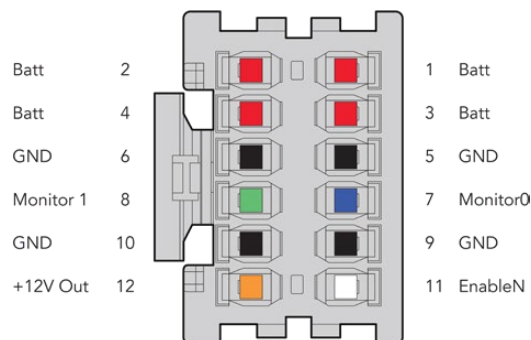
- 1 赤および黒のワイヤーの先端から約1/2インチの絶縁体をはがします。
- 2 4本の赤い「Batt」ワイヤーを、バッテリープレートの対応するポジティブワイヤーにはんだ付けします。
- 3 4本の黒い「GND」ワイヤーを、バッテリープレートの対応するネガティブワイヤーにはんだ付けします。

結合部分を絶縁体で完全に覆います。



URSA Broadcast G2に接続するためにバッテリープレートに手を加える場合は、同梱のアダプターケーブルとコネクターを使用。これらはBlackmagic Designのサポートオフィスでも入手可能

これでバッテリー電源を使用できます。12V出力やバッテリー残量などの機能に使うワイヤーを接続します。ワイヤーを接続する際は、使用するバッテリープレートの情報や、接続図および表を参照してください。さらなるサポートが必要な場合は、Blackmagic Designのサポートセンターを参照してください。www.blackmagicdesign.com/jp/support



アダプターの接続ハウジングの後面図。各ピンに関してはワイヤーコンフィギュレーションの表を参照

ワイヤーコンフィギュレーション

ピン	信号	色	方向	意味
1、2、3、4	Batt	赤	URSAへ	12V - 20V
5、6、9、10	GND	黒	-	-
7	Monitor0	青	URSAへ	アナログバッテリーレベル/オープン・ドレイン・データライン (最大20V)
8	Monitor1	緑	URSAへ	オープン・ドレイン・クロックライン (最大3.4V)
12	+12 V out	オレンジ	URSAから	12V安定化出力 最大1.5A (18W)
11	EnableN	白	URSAへ	GNDに接続して+12V出力を有効化。+12V出力を使用しない場合は接続なし。

各BattおよびGNDピンは3アンペアをサポートしています。すべてのBattおよびGNDピンが接続されていることを確認してください。アントンパワー、IDX、Blueshapeプレートでバッテリー残量を確認するには、以下の接続表に従ってください：

アントンパワー	青/白ストライプのワイヤーをピン7の青いワイヤーハウジングに接続。
IDX	緑のワイヤーをピン8の緑のワイヤーハウジングに接続。グレーのワイヤーをピン7の青いワイヤーハウジングに接続。
Blueshape	「SMBC」とラベルされている青のワイヤーをピン8の緑のワイヤーハウジングに接続。「SMBD」とラベルされているブラウンのワイヤーをピン7の青いワイヤーハウジングに接続。

使用していないワイヤーは、可能な限りアダプタコネクタの後部に近い部分で切断します。

Blackmagicファイバーコンバーター

Blackmagic Camera Fiber ConverterとBlackmagic Studio Fiber Converterはオプションのアクセサリで、URSA Broadcast G2/URSA MiniカメラとATEMスイッチャー間をSMPTEファイバーで接続できます。

SMPTEファイバーは、ATEMスイッチャーとカメラ間を1本の業界標準のSMPTEハイブリッド光ファイバーケーブルで接続し、ビデオ、電源、トークバック、タリー、カメラコントロール信号を伝送します。1本のSMPTEファイバーを使用することで必要なケーブルの数を大幅に削減でき、制作のセットアップがより効率的で扱いやすくなります。Blackmagic Studio Fiber Converterは標準コネクタを搭載しているため、ファイバーコンバーターを既存の中継車のインフラに簡単に追加できます。



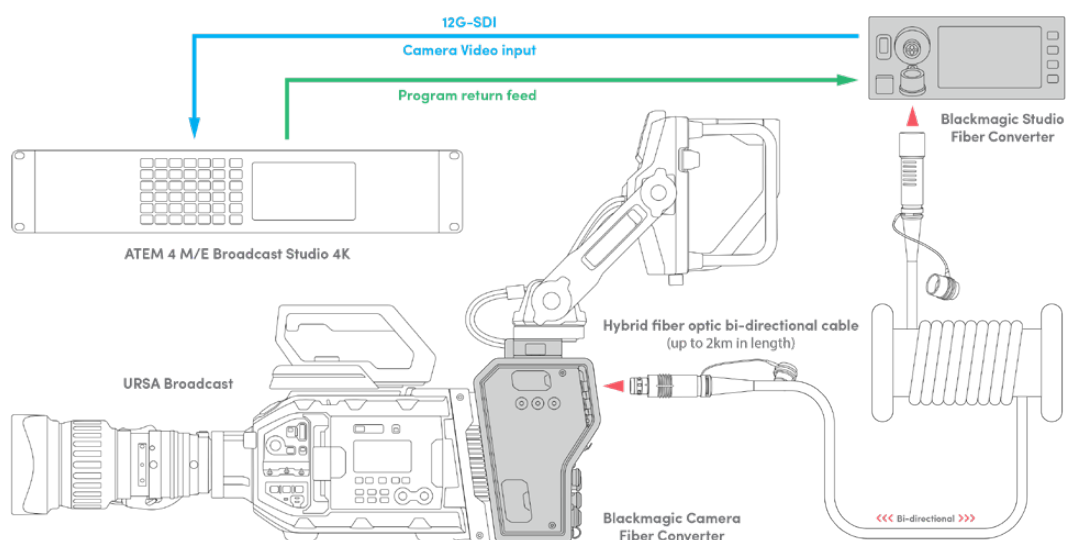
Blackmagic Camera Fiber Converter

URSA Mini/URSA Broadcast G2の背面に取り付け、SMPTEハイブリッド304コネクタでBlackmagic Studio Fiber Converterに接続して使用します。



Blackmagic Studio Fiber Converter

このコンバーターは、カメラ側のユニットからの光ファイバーSDI信号をBNC経由でSDIに変換し、接続したATEMスイッチャーに送信します。また、すべてのリターンフィードソースも送受信します。これには、ATEMスイッチャープログラムリターンをカメラ側のユニットに送り返す機能も含まれます。



Blackmagic Camera Fiber ConverterおよびStudio Fiber Converterは光ファイバーで接続し、SDIビデオ、電源、トークバック、タリー、コントロール信号を1本のSMPTE光ファイバーケーブルで効率的に伝送

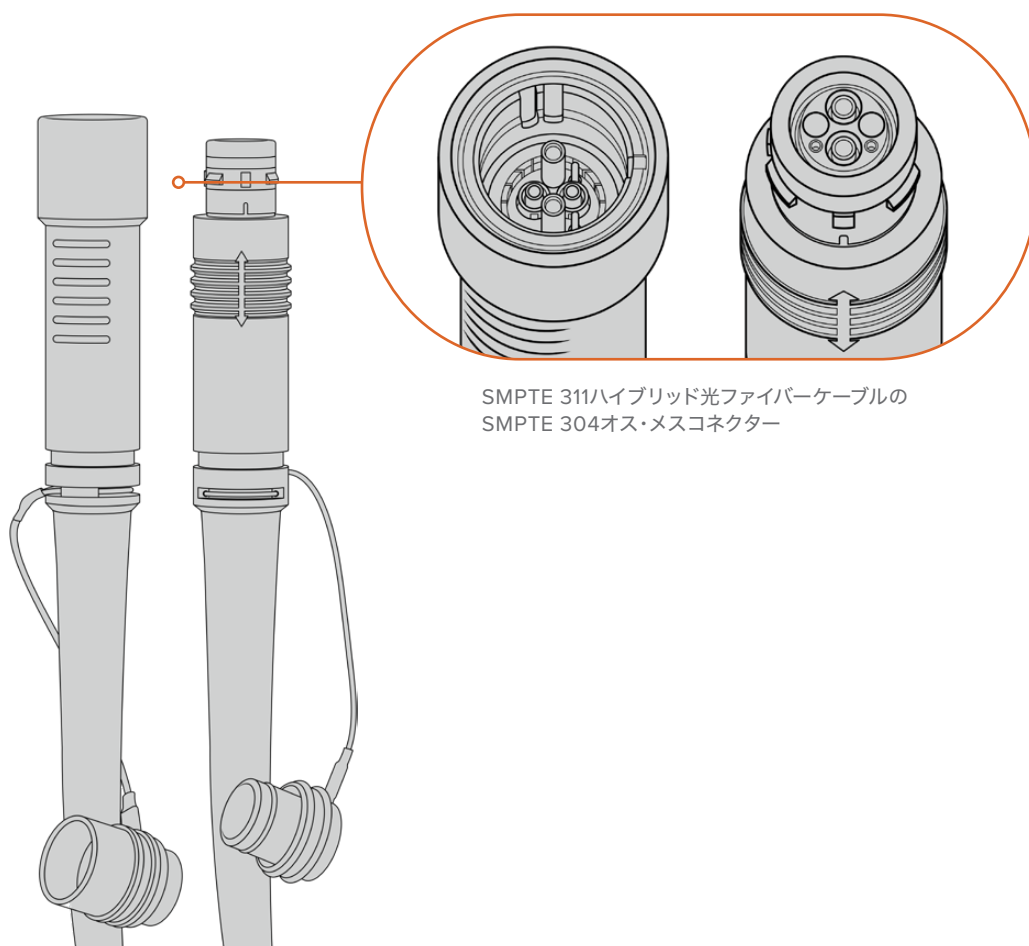
Blackmagicファイバーコンバーターを 使用する前に

ファイバーコンバーターは、すばやく効率的に使い始められます。ビデオコンテンツの制作をすぐに始められ、SMPTEファイバーの利点を実感できるはずです。

SMPTEファイバーについて

SMPTEファイバーケーブルは、複数の信号および電源を簡単に長距離伝送できます。スイッチャーに接続するために各カメラからの複数のケーブルを扱う必要がないので、放送において便利です。

SMPTE 311ハイブリッド光ファイバーケーブルでは、各カメラをATEMスイッチャーに1本の業界標準の光ファイバーケーブルで接続し、あらゆるビデオ、電源、トークバック、タリー、コントロール信号を伝送します。また、光ファイバーでは最長2kmまでこれらの信号や電源を伝送できます。



SMPTE 311ハイブリッド光ファイバーケーブルの
SMPTE 304オス・メスコネクタ

メモ SMPTE 311ハイブリッド光ファイバーケーブルのオス端子とメス端子は、SMPTE 304の先端内部のオスピンとメスピンで識別できます。コネクタ端子のオスメスの識別は、外観ではなくピンで識別します。

作業のこつ SMPTEファイバークーブルの両端のゴム製キャップを、コンバーターのゴム製キャップに接続し、キャップ内に埃やゴミが入らないようにしてください。

SMPTEファイバーを使用する利点の一つは、従来型の生放送においてコントロールルームや中継車と接続できることです。近代的なスポーツスタジアムには、カメラの設置場所とコントロールルームや中継車との間に光ファイバークーブルが設置されているため、システムに直接接続できます。

既存のファイバーシステムとの接続、または2台のBlackmagicファイバーコンバーターの接続に使用する光ファイバークーブルは、SMPTE 304コネクターの付いたSMPTE 311ハイブリッド光ファイバークーブルです。

SMPTEコネクターの保護

SMPTEファイバークーブルのコネクターが、常にゴム製キャップで保護されていることは非常に重要です。細かな埃の粒子がグラスファイバーのチューブの先端に蓄積されると、信号の流れを妨げるからです。コネクターが露出されたら、すぐにゴム製キャップを装着することが推奨されます。例えば、接続の直前まで外さないようにしたり、接続を抜いた直後に装着するなどです。

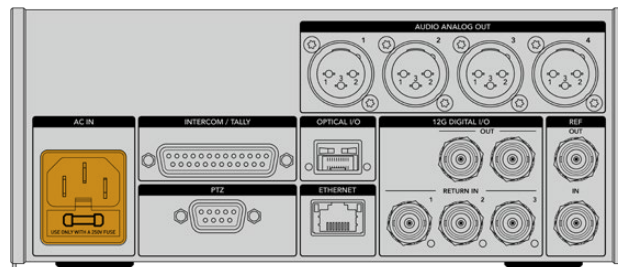
使用中にSMPTEファイバークーブルの両端のゴム製キャップを、コンバーターのゴム製キャップに接続し、キャップ内に埃やゴミが入らないようにすることも勧められます。

電源の接続

スタジオ側ユニットからの電源はファイバークーブル経由でカメラ側ユニットに送られるため、電源接続の第一段階はスタジオ側ユニットに給電することです。

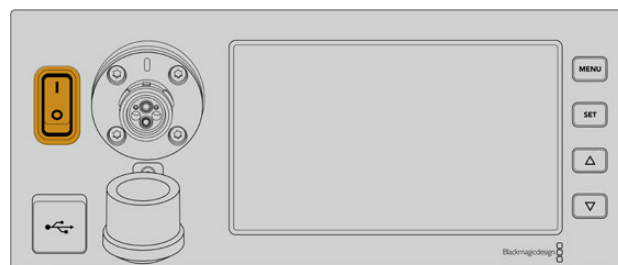
Studio Fiber Converterへの給電

一般的なIEC電源ケーブルを、スタジオ側ユニットのリアパネルにある電源コネクターに接続します。



Studio Fiber Converterを標準のIEC電源ケーブルで電源に接続

ユニットをオンにするには、フロントコントロールパネルの電源スイッチをオンにします。



SMPTEファイバーの接続

次に、SMPTEファイバーケーブルで、スタジオ側ユニットとカメラ側ユニットを接続します。これにより、スタジオ側ユニットからカメラ側ユニットに給電が行われ、同時にあらゆるビデオフィードもファイバーで送信されます。

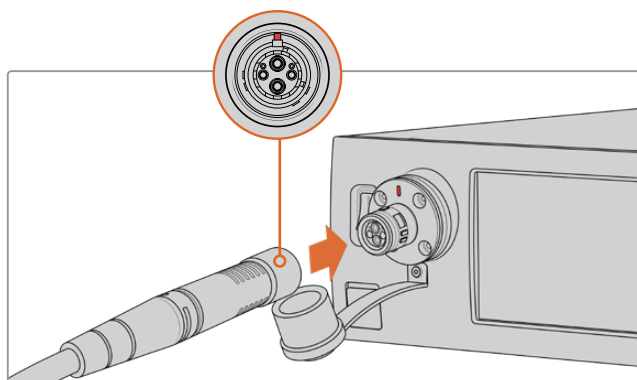
メモ 電源に接続されたハイブリッドファイバーケーブルがCamera Fiber Converterとされるたびに詳細な安全チェックが行われ、使用中もユニットの安全性が継続的にモニタリングされます。

スタジオ側ユニットにファイバーケーブルを接続

SMPTEファイバーケーブルのオス端子は、Blackmagic Studio Fiber Converterのフロントパネルのファイバーコネクタのメス端子にしっかりと固定されます。このロックにより、放送中にケーブルが外れることはありません。

ケーブルを接続する：

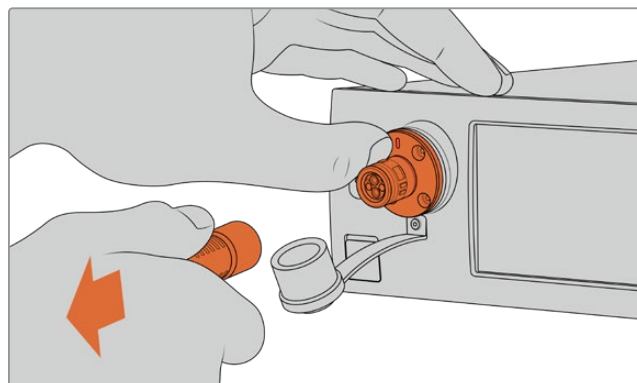
ケーブルの赤い印とユニットのファイバーコネクタの赤いドットを合わせて、カチッと収まるまでコネクタを差し込みます。



SMPTEファイバーケーブルのオス端子に、Blackmagic Studio Fiber Converterの前面にあるメス端子を接続

ケーブルを取り外す：

スタジオ側ユニットのファイバーコネクタの金属製のベースをフロントパネルに向かって押し、ケーブルのコネクタを取り外します。



スタジオ側ユニットのファイバーコネクタの金属製のベースをフロントパネルに向かって押し、ケーブルのコネクタが外れ、ユニットからケーブルを抜くことが可能

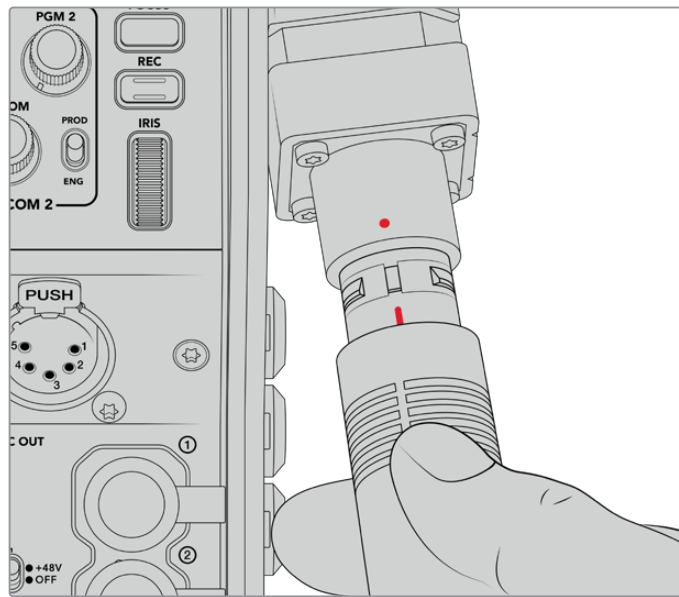
接続後、SMPTEファイバーケーブルのゴム製キャップを、Blackmagic Studio Fiber Converterのゴム製キャップに接続することが推奨されます。これにより、キャップ内への埃などの侵入を防ぎ、クリーンな状態が保てます。

カメラ側ユニットにファイバーケーブルを接続

SMPTEファイバーケーブルのメス端子は、Blackmagic Camera Fiber Converterの側面のオス端子にしっかりと固定されるため、放送中にケーブルが外れることはありません。

ケーブルを接続する：

- 1 それぞれのコネクターの赤い印を合わせて、カチッと収まるまでカメラ側ユニットのコネクターにケーブルコネクターを差し込みます。
- 2 接続後、SMPTEファイバーケーブルのゴム製キャップを、Blackmagic Camera Fiber Converterのゴム製キャップに接続することが推奨されます。これにより、キャップ内への埃などの侵入を防ぎ、クリーンな状態が保てます。

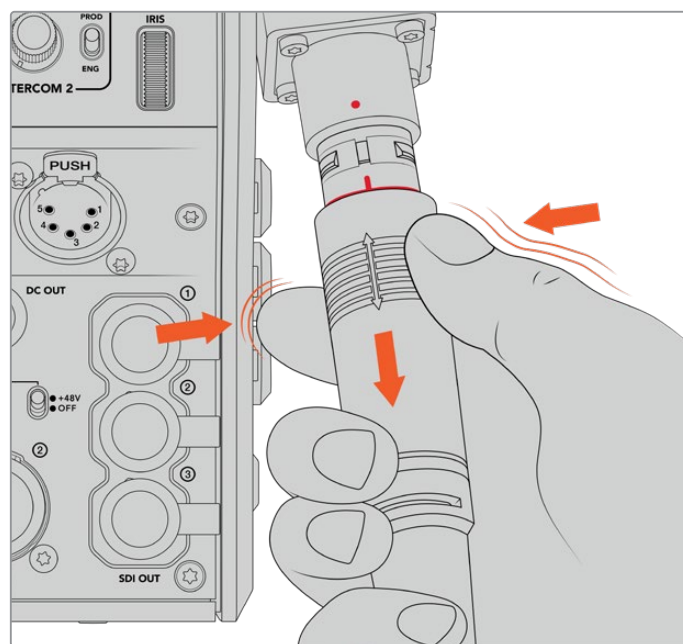


赤い印を合わせて、SMPTEハイブリッド光ファイバーケーブルのコネクターをBlackmagic Camera Fiber Converterの大きなコネクターに接続

メモ SMPTE 311ケーブルのSMPTE 304コネクターは耐久性に非常に優れ、カメラにしっかりと固定されます。ケーブルを取り外す場合、カメラをしっかりと三脚に固定した状態、またはもう一方の手でカメラをしっかりと押さえた状態でケーブルを引き抜いてください。

ケーブルを取り外す：

- 1 ケーブルのメス端子の部分をつまみ、ケーブルのゴム製シースを押しながらケーブルの先からシースを引き外すと、シースの下側の赤いリングが露出されます。これにより、ロック機構の歯が外れます。
- 2 カメラに片方の手を添え、Blackmagic Camera Fiber Converterのコネクターからケーブルをしっかりと引き抜きます。ケーブルは、過度に力を入れる必要なく簡単に外れるはずです。



ケーブルの先端のゴム部分をつまみ、シースの下の赤いリングが露出したら、その後ケーブルを引き抜いて接続を外します。

メモ SMPTEハイブリッド光ファイバーケーブルは、放送システムの中核であるため、十分な注意を払って取り扱うことが重要です。例えば、ケーブルのねじれを避けたり、重量物の下敷きにならないようにしたり、90度に折り曲げないなどの配慮が必要です。また、コネクタを落とさないようにし、接続や取り外しは注意深く行ってください。コネクタが露出されたら、すぐにキャップを装着してください。

電源とファイバーの確認処理

両ユニット間のハンドシェイク処理が確立され、給電が安全に行われているか、ファイバーがしっかりと接続されているかの確認が行われます。

この処理には以下が含まれます：

- 1 スタジオ側ユニットは、カメラ側ユニットとの接続を低電力状態で行います。この状態にある場合、カメラ側ユニットの電源ステータスインジケータが赤く点灯します。
- 2 電源の接続が安全であると確認されると高電力状態になり、カメラ側ユニットの電源ステータスインジケータが緑に点灯します。
- 3 ファイバーの接続が確認されると、ファイバーステータスインジケータが緑に点灯します。

この処理は非常に速いため、インジケータはほぼ瞬間的に緑に変わります。長距離でケーブルを使用している場合、ハンドシェイク処理が終わり、インジケータが緑に変わるまでにもう少し時間がかかります。

POWERライトが長時間に渡って赤のまま緑に変わらない場合、または緑と赤で点滅する場合、ファイバーケーブルの両端が正しく接続されているか確認してください。それでも、解決しない場合はファイバーケーブルの状態を確認してください。

電源の安全性に関して

SMPTEハイブリッド光ファイバケーブルは、高電圧を長距離に渡って伝送できるため、最長2km離れた場所にあるカメラやアクセサリに給電できます。

安全に操作するために、Blackmagic Studio Fiber Converterには安全機構が内蔵されており、伝送されるボルト数の正確なモニタリングおよび自動管理が行われます。

専用マイクロコントローラーに加え、Blackmagicファイバーコンバーター間のハンドシェイクおよび通信により、ハイブリッド光ファイバケーブルはCamera Fiber Converterに接続されるまでオンにはなりません。その後、低電力状態になり、安全チェックの完了後に高電力状態になります。コンバーターが光信号を検知し、5mAの信号コアのカレントループの存在、電源コア間の不均衡が30mA未満であることを確認するまで、高電圧は有効になりません。

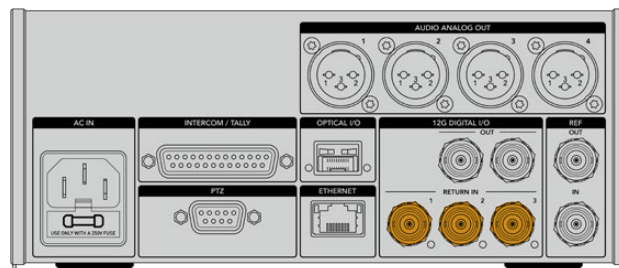
ATEMスイッチャーへの接続

Blackmagic Studio Fiber Converterをスイッチャーに接続する：

- 1 Blackmagic Studio Fiber Converterのリアパネルにある12G-SDI出力をスイッチャーのSDI入力にBNCケーブルで接続します。必ずカメラのフォーマットとフレームレート設定をスイッチャーと同じにしてください。
- 2 BNCケーブルで、スイッチャーのプログラムリターンフィード出力を、スタジオ側ユニットのリアパネルにある「RETURN IN」の1に接続します。

作業のコツ ライブプロダクションで複数のカメラを使用している場合、スイッチャーからのプログラムリターンフィードをTeranex Mini SDI Distribution 12GまたはSmart Videohub経由で送信する必要があることがあります。これは、スイッチャーのプログラム出力数以上の数が必要になることが多いからです。

- 3 カメラに他のリターンフィード（クリーンプログラムリターンフィード、テレプロンプターフィード、他のカメラのISOフィード、グラフィックなどの信号）を送信する必要がある場合、「RETURN IN」の2または3に接続します。



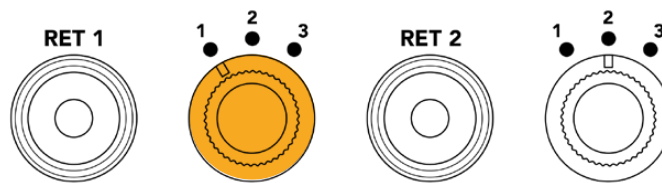
スイッチャーのプログラムリターンフィードやその他のリターンソースを、スタジオ側ユニットのリアパネルにある「RETURN」入力に接続

ビデオの確認

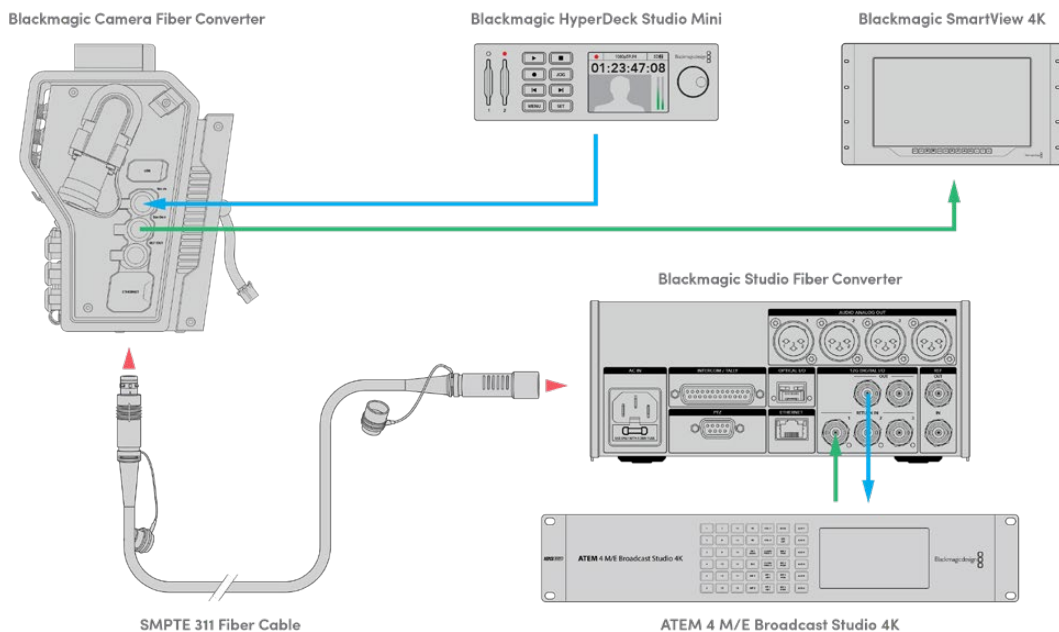
ビデオ機能が作動しており、すべてのリターンフィードが得られているか確認します。

- 1 ATEMスイッチャーのプログラム出力が、スタジオ側ユニットのSDI「RETURN IN」の1に接続されているか確認します。
- 2 すべてのリターンフィードをチェックしたい場合、ビデオソースをSDI「RETURN IN」の2と3に接続します。
- 3 Blackmagic SmartView 4KなどのSDIモニターをカメラ側ユニットの側面の「SDI OUT」出力に接続します。

SDI出力にモニターを接続した状態で、RET (リターン) ボタンの隣にある対応する選択ノブを回して、3つのリターンフィードを切り替えます。必要に応じて、RETボタンを異なる2つのリターンフィードのモニタリングに設定することもできます。



カメラ側ユニットのリターンフィードを切り替え、対応するRETボタンを押して、選択したフィードをモニターで確認



ビデオの確認を行うには、ビデオソースをスタジオ側ユニットのリターンフィード入力に接続し、カメラ側ユニットに接続したモニターで確認

接続が前面にある理由

ファイバー接続は、スタジオ側ユニットの前面にあるため、ラックの後ろにインストールした場合に光パッチ接続として使用できます。通常、Studio Fiber Converterはラックの背面に向けて設置されるため、SMPTEケーブルが直接ユニットに接続できます。つまり、追加のパッチパネルや、ファイバーユニットに接続するための短いケーブルは必要ありません。SMPTEファイバーコネクタの横にある大型LCDで、カメラとの接続が正しく行われているか、すばやく確認できます。

カメラSDIの接続

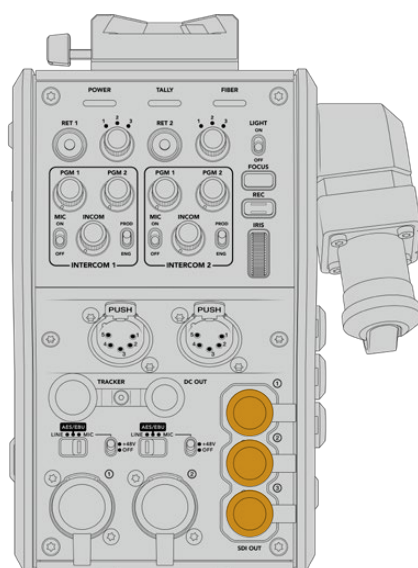
Blackmagic Camera Fiber ConverterとURSA Broadcast G2/URSA Miniの間のビデオ信号の接続に必要な作業は、コンバーターの側面から同梱の3本のSDIケーブルのうちの2本をカメラの背面に接続するだけです。

Camera Fiber Converterのカメラへの接続方法

- 1 同梱のBNCケーブルの1本を使い、Blackmagic URSA Broadcast G2/URSA Miniの背面の12G-SDI出力と、Blackmagic Camera Fiber ConverterのSDI入力を接続します。
- 2 同梱のBNCケーブルの1本を使い、Blackmagic Camera Fiber ConverterのSDI出力と、Blackmagic URSA Broadcast G2/URSA Miniのリアパネルの12G-SDI入力を接続します。

リターンSDI出力の接続

カメラ側ユニットの前面の「SDI OUT」とラベルのついた3つのSDI出力は、スイッチャーからのリターンフィードのループ出力です。これらを使用して、リターンフィードをカメラの近くに配置してある他のSDI機器（テレプロンプターや出演者用モニターなど）に接続できます。



3つのリターンフィードのループ出力は、カメラの近くにあるテレプロンプターや出演者用モニターなどのSDI機器に接続可能

メモ リターンフィードのSDIループ出力は3G-SDIをサポートしており、3つの個別のフィードに対応できる十分なバンド幅があります。つまり、スイッチャーからの2160p60までのUltra HDリターンフィードは、同等のフレームレートで1080pにダウンコンバージョンされます。

Blackmagic Camera Fiber Converterのマウント

Blackmagic Camera Fiber Converterは、URSA Broadcast G2/URSA Miniのカメラ筐体の背面に直接マウントし、カメラのリアパネルのSDI入出力BNCコネクタに接続します。カメラの背面にバッテリープレートが取り付けられている場合、Blackmagic Camera Fiber Converterをマウントする前に取り外す必要があります。

メモ Blackmagic Camera Fiber Converterを設置する前に、内部ソフトウェアがURSA Miniではバージョン4.4以降、URSA Broadcast G2ではバージョン4.6以降であることを確認してください。ソフトウェアのバージョンはカメラの「セットアップ (SETUP)」メニューの4ページ目で確認できます。カメラのファームウェアアップデートの詳細は、このマニュアルの「Blackmagic Camera Setup Utility」セクションを参照してください。

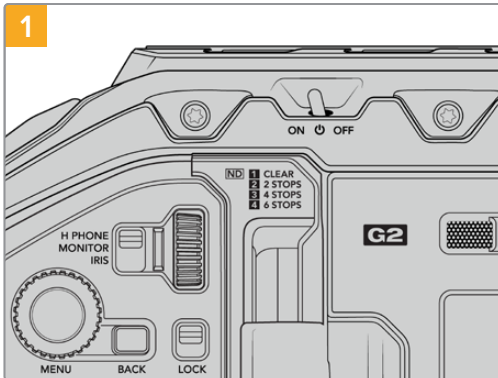
Blackmagic Camera Fiber Converterの取り付けには、以下の工具が必要です：

- ・ プラスドライバー x1
- ・ 2.5mm六角ドライバー x1

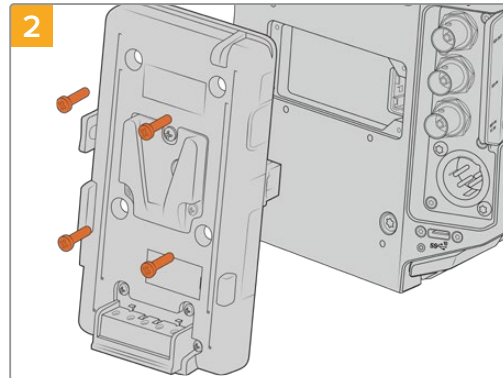


Blackmagic Camera Fiber ConverterをURSA Broadcast G2/URSA Miniに取り付けるには、大きめのプラスドライバー、2.5mm六角ドライバーが必要

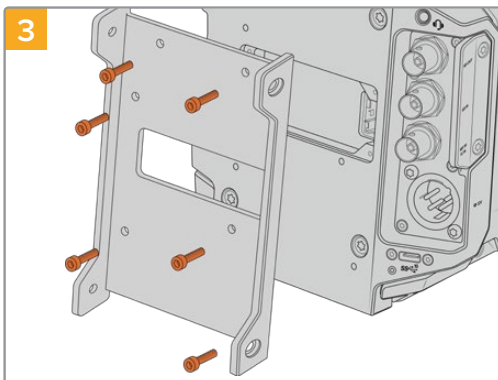
Blackmagic Camera Fiber Converterをマウント/接続する：



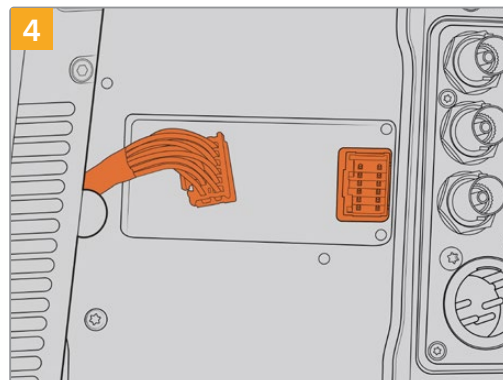
カメラの電源は必ずオフにしてください。URSA Broadcast G2/URSA Mini Proでは、スイッチをオフにして電源を切ります。



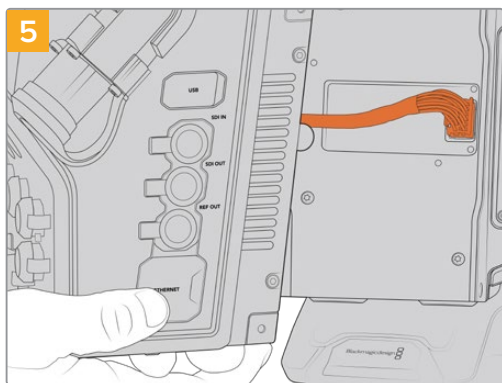
(取り付けている場合) バッテリープレートやMolex電源カバープレートをプラスドライバーで取り外します。



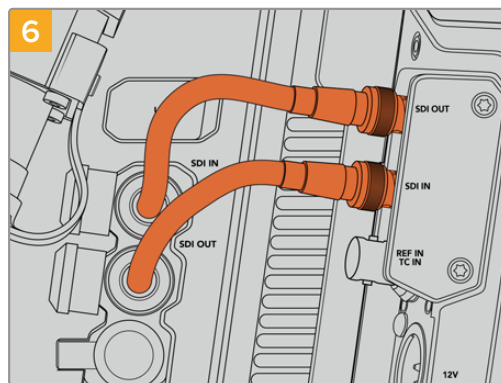
Blackmagic Camera Fiber Converterのマウント用ブラケットを6本の2.5mm六角ネジで取り付けます。



Blackmagic Camera Fiber ConverterのMolexコネクタを、カメラのリアパネルのMolex電源ソケットに接続します。



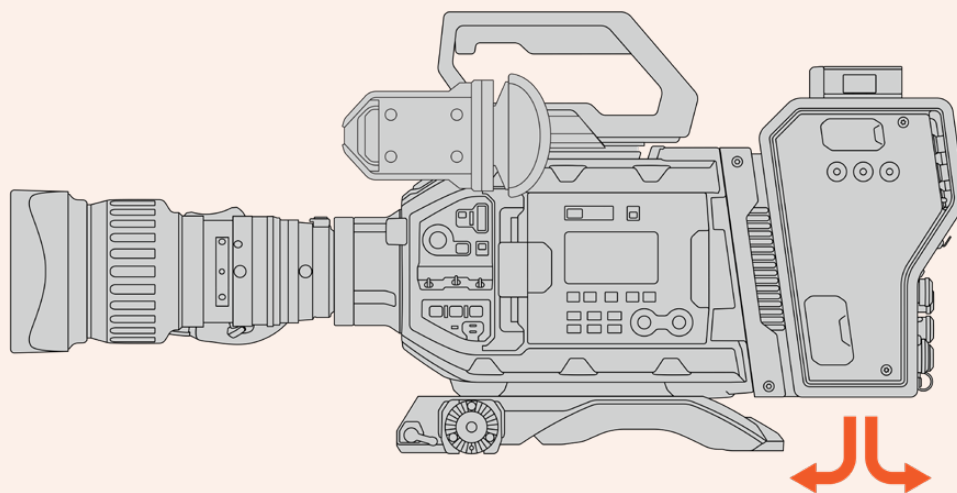
5 マウントブラケットにBlackmagic Camera Fiber Converterを2本の2.5mm六角ネジで取り付けます。



6 同梱のBNCケーブルでカメラの背面のSDI出力をBlackmagic Camera Fiber ConverterのSDI入力に接続し、Camera Fiber ConverterのSDI出力をカメラの背面のSDI入力に接続します。

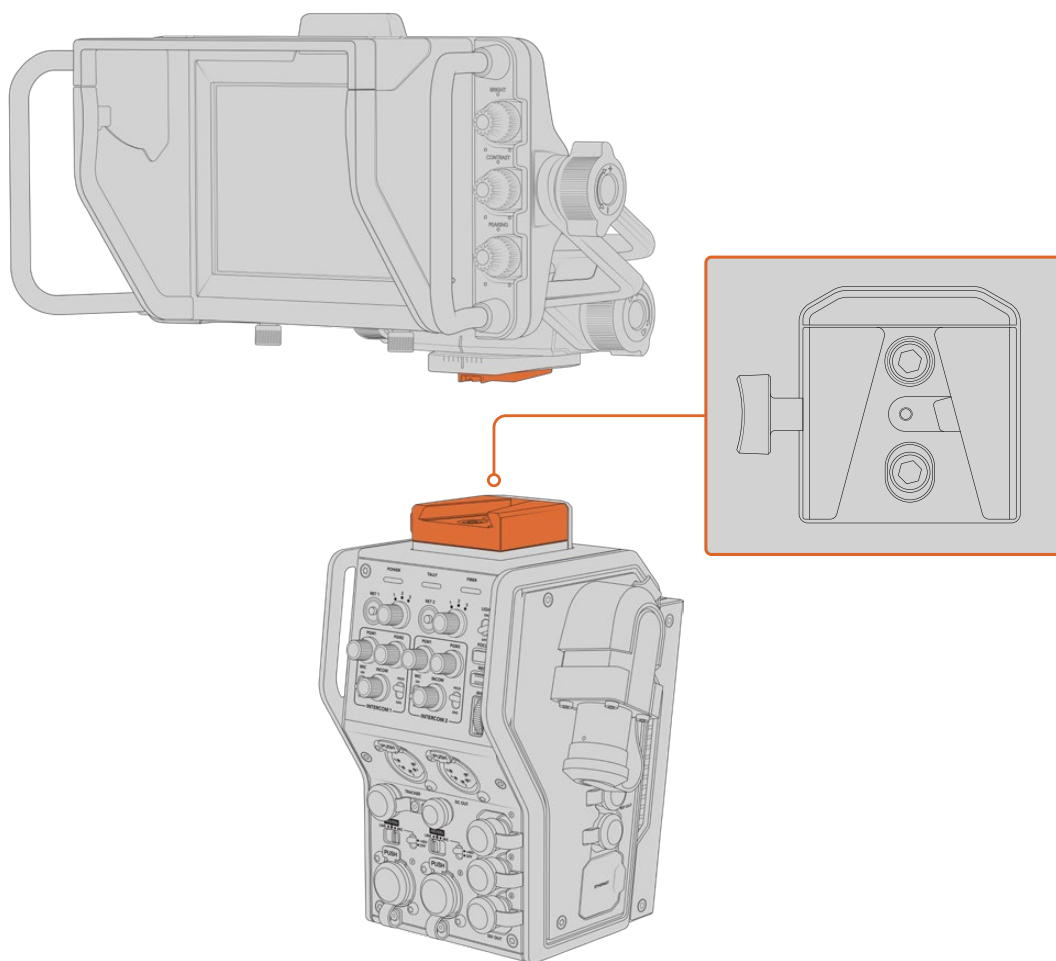
メモ プロダクションのセットアップを行っており、URSA Broadcast G2/URSA Miniにファイバーコンバーターを取り付けて使用している場合、コンバーターの下に十分なスペースを開けて、通気が適切に行えるようにしてください。

カメラは三脚に載せたり、ショルダーマウントで使用されることが多いので、通気に必要な十分な空間が得られています。しかし、台の上などに置いて操作する場合、URSA Miniショルダーパッドやサードパーティ製のベースプレート/ブリッジプレートを取り付け、ファイバーコンバーター底部の冷却ファンの通気を保つようにしてください。



URSA Studio Viewfinderの取り付け

ユニットの上部のVロックプレートにBlackmagic URSA Studio Viewfinderを取り付けられます。これにより、ベDESTALや三脚にカメラをマウントして使用する際に、Studio Viewfinderが目線の位置になります。



カメラ側ユニットの上部のVロックマウントでBlackmagic URSA Studio Viewfinderがマウント可能

トークバックヘッドセットの接続

放送ヘッドセットは、カメラ側ユニットの前面に搭載された2つの5ピンXLRコネクタに接続できます。2つのヘッドセットコネクタを搭載しているため、2人が同時に他のスタッフと通信できます。

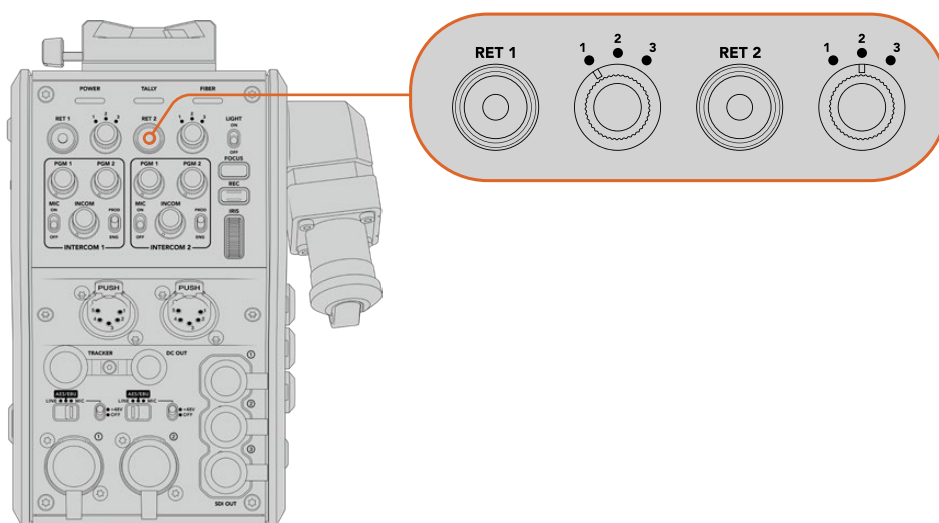
最初に必要な作業はこれだけです！両コンバーターが給電され、SMPTEファイバーでビデオが接続されると、コンバーターを使用してライブプロダクションを今まで以上に柔軟で効率的に行う準備が整いました。Blackmagicファイバーコンバーターの機能の詳細は、このマニュアルに後述されています。

Camera Fiber Converterの操作

リターンフィードの選択

フロントパネルの2つのRET (リターン) ボタンをカメラのPGMボタンと同じように使用することで、LCD、Blackmagic URSA Studio Viewfinder、HDモニタリング出力へのフィードを、カメラビューとプログラムリターンビューで切り替えられます。

「RET 1」および「RET 2」の2つのリターンボタンで、選択した2つのリターンフィードを切り替えます。「RET 1」と「RET 2」の横にある、3段階に調整可能な回転スイッチは、各スイッチの左側のリターンボタンを押した際に、表示するリターンフィードを割り当てます。回転スイッチの各数字は、Studio Fiber Converterの背面にある「RETURN IN (リターン入力)」のSDI出力端子1、2、3に対応しています。



RETボタンを押した際に、RETボタンおよび3段階に調整可能な回転スイッチを使用して、どのリターンフィードを表示するか選択

RETボタンを押し続けると、選択したプログラムフィードを表示します。プログラムフィードはRETボタンを押している間、表示されます。RETボタンを2回押すとリターンフィードにディスプレイをロックします。再度RETボタンを押すとリターンフィード表示からカメラビューへ切り替わります。

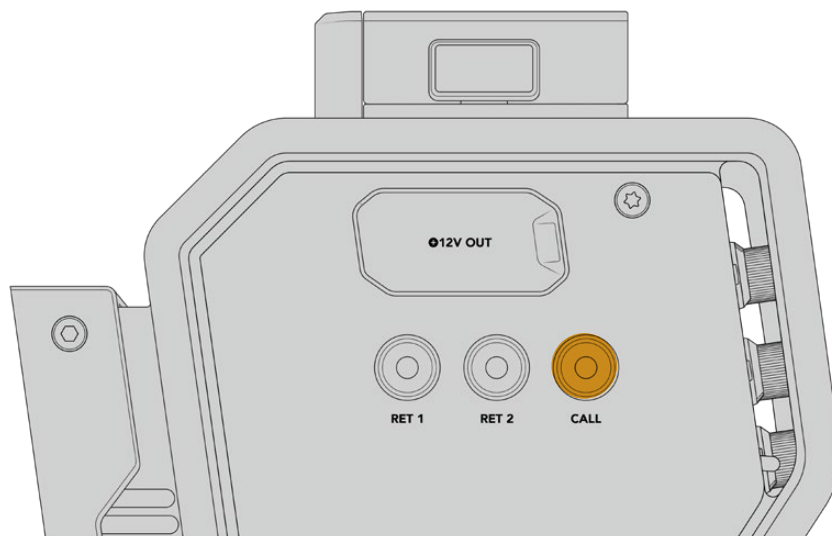
これにより、Blackmagic Studio Fiber Converterからの3つのリターンフィードをすばやく簡単に選択でき、2つのRETボタンで瞬時にそれらにアクセスできます。例えば、3つのリターンフィードには、スイッチャーのグラフィック付きのプログラム出力フィード、テレプロンプター用のフィード、他のカメラから直接送信されるフィードなどが選べます。

例えば、「RET 1」をプログラムフィード専用にして、「RET 2」をテレプロンプターに送られるフィードの確認に使用できます。さらに、フレーミングやアングルを確認するために、必要に応じて「RET 2」を別カメラのフィードに切り替えることもできます。

左側面にも「RET 1」と「RET 2」とラベルがついたリターンボタンがあり、カメラを側面から操作している際にもリターンフィードを確認できます。これらは、ユニットのフロントパネルのリターンボタンと同じ機能を果たします。

CALLボタンの使用

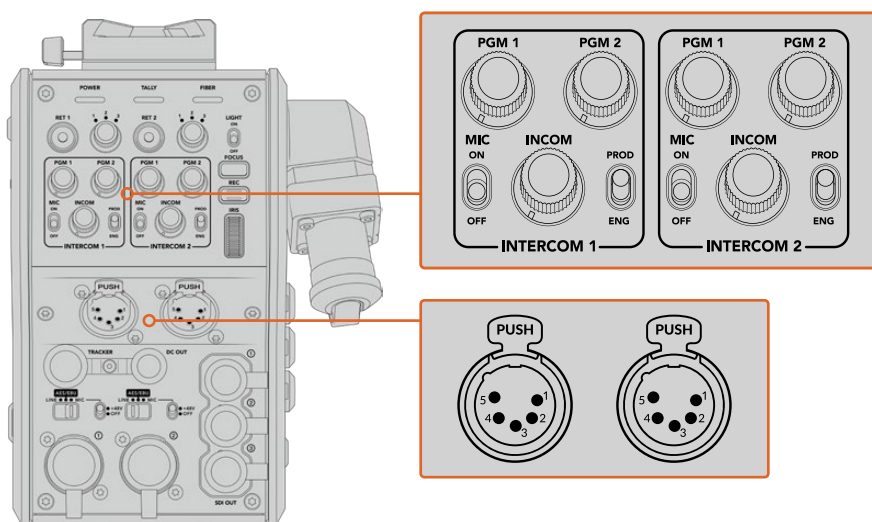
リターンボタンの隣の「CALL」ボタンを押すと、Blackmagic Studio Fiber ConverterのLCDスクリーンに表示される赤いタリーインジケータが点滅します。また、「CALL」ボタンを押すと、ATEM Talkback Converter 4Kのパネルに搭載された番号付きの「PRESS TO TALK (プレス・トゥ・トーク)」ボタンも赤く点滅します。これらの視覚的なインジケータによって、連絡を取る必要があることをコントロールルーム内のスタッフに知らせることができます。



トークバックの使用

5ピンXLRコネクタ（メス）が2つ搭載されているため、2つのヘッドセットを接続でき、カメラオペレーターともう一名のスタッフが、残りのスタッフとヘッドセットを介して同時にコミュニケーションできます。

各ヘッドセット用のINTERCOM 1および2は、2つのインターコム用の個別のコントロールで、その下にあるヘッドセット用XLRコネクタの3-Wayオーディオミキサーとして機能します。



各ヘッドセットのコントロールは、ヘッドセット端子の真上にあるINTERCOMコントロールで実行

「RET 1」および「RET 2」で選択したフィードのオーディオを、接続したヘッドセットで聞くことができます。「PGM 1」および「PGM 2」ダイヤルは、これらのフィードのオーディオレベルを調整し、「INCOM」ダイヤルは全体的なボリュームを調整します。「MIC」スイッチで、ヘッドセットのマイクのオン/オフを切り替えます。

各インターコムは、プロダクション用 (PROD) とエンジニア用 (ENG) の2チャンネルから選択できます。つまり、大人数のスタッフが携わっている放送現場では、スタッフ間のコミュニケーションを2つのチャンネルに分割できます。プロダクションチャンネルは、コントロールルームや中継車にいる監督/ディレクター、プロデューサー、他のスタッフとの通信に、エンジニアチャンネルは、照明、技術者、他のカメラオペレーターと連絡を取るために使用できます。Blackmagic Studio Fiber Converterのメニューの「トークバック (Talkback)」ページで、各チャンネルのソースを「SDIとDB25 (SDI + DB25)」または「インターコムタリー DB25 (Intercom tally DB25)」に設定できます。詳細は「Studio Fiber Converterの操作」セクションを参照してください。

さらに、Blackmagic Camera Fiber Converterは、トラッカートークバック用の標準10ピンコネクタも搭載しています。これは、ヘッドセット用のコネクタを両方使用しており、さらにクレーンのオペレーター用にトークバックが追加が必要となる場合などに最適です。

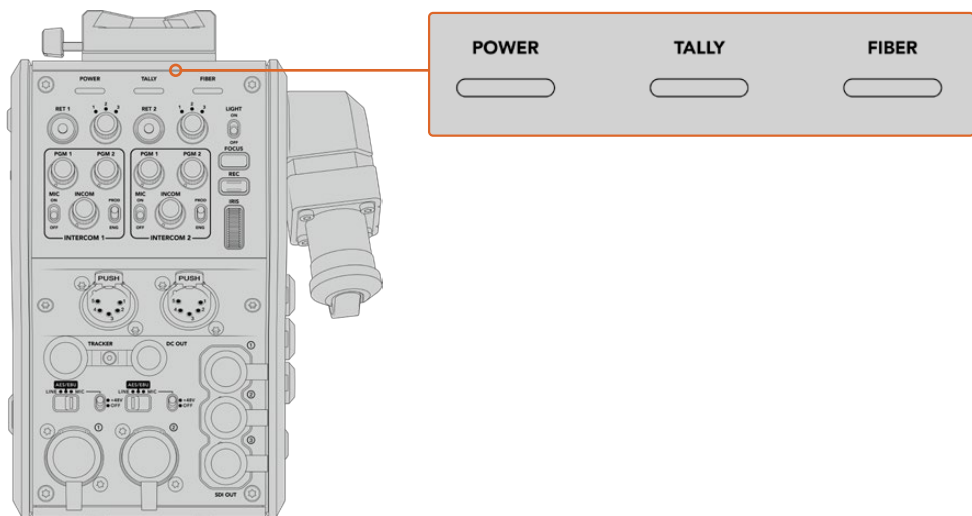
作業のこつ 放送局やスタジオなどの慌ただしい制作現場では、カメラオペレーターと制作/技術スタッフの間での円滑な双方向コミュニケーションが不可欠です。Blackmagic Camera Fiber Converterは「CALL (コール)」ボタンを搭載しているので、カメラオペレーターは制作/技術スタッフと通信し、インターコムヘッドセットを通じて会話できます。このボタンを押すと、ATEM Talkback Converter 4Kの番号付きの「PRESS TO TALK (プレス・トゥ・トーク)」ボタンと、Blackmagic Studio Fiber Converterに搭載されたLCDのタリーインジケータが点滅します。同様に、コントロールルームや中継車のスタッフがカメラオペレーターと緊急で話す必要がある場合も、ATEM Camera Control Panelで該当するカメラの「CALL」ボタンを使用できます。これにより、Camera Fiber Converterのタリーライトと、カメラに装着されたURSA ViewfinderまたはURSA Studio Viewfinderのタリーライトが点滅します。

タリーの使用

パネル前面のTALLY (タリー) インジケータは、従来型のタリーインジケータと同様、赤はプログラム、緑はプレビューを意味するため、操作しているカメラがオンエアであることが分かります。

ステータスインジケータ

コンバーター上部の「POWER (電源)」、「TALLY (タリー)」、「FIBER (ファイバー)」はユニットの状態により異なる色に点灯します。ファイバーケーブルが接続されていないと、これらのライトは点灯しません。



ユニットの状態により、ステータスLEDは異なる色に点灯

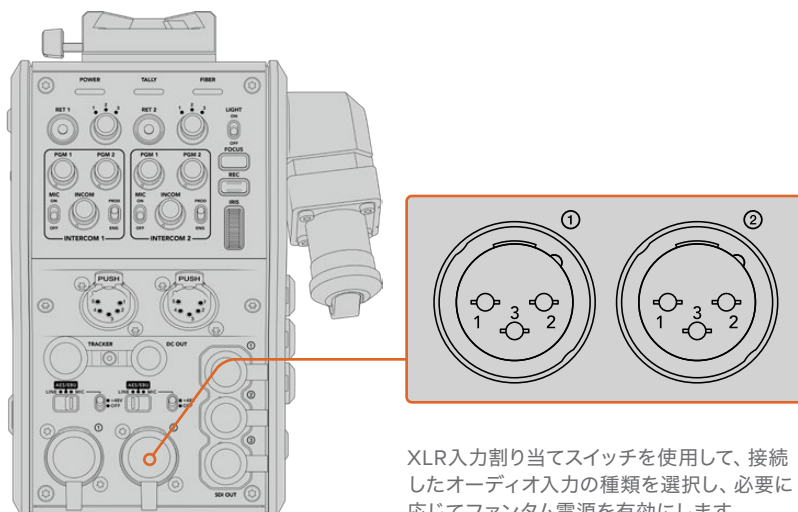
LEDの色、LEDの動作、それらの意味する状況：

POWER (電源)	赤の連続した点灯	SMPTEハイブリッド光ファイバーケーブルを、電源が入ったBlackmagic Studio Fiber Converterに接続し、ケーブルのもう一方の端をBlackmagic Camera Fiber Converterに接続すると、コンバーターの「POWER」LEDが赤に光り、給電されています。かつ低電力状態であることを示します。この低電力状態では、インターコムの機能は有効ですが、ユニットを操作するために必要な電源がフルの状態ではありません。 「POWER」LEDが長時間に渡って赤のままに緑に変わらない場合、SMPTEハイブリッド光ファイバーケーブルの両端が正しく接続されているか確認してください。それでも、接続が安定しない場合はファイバーケーブルの状態を確認してください。
	緑の連続した点灯	光ファイバーが正しく接続され、Blackmagic Studio Fiber Converterがケーブルの接続が安全であると判断した場合、「POWER」LEDが緑になり、Camera Fiber Converterが高電力モードになります。
	赤と緑の点滅	「POWER」LEDが赤と緑で点滅する場合、SMPTEハイブリッド光ファイバーケーブルの両端が正しく接続されているか確認してください。それでも、接続が安定しない場合はファイバーケーブルの状態を確認してください。
TALLY (タリー)	赤の連続した点灯	「TALLY」LEDが赤に点灯している場合、操作しているカメラは現在オンエアされています。
	緑の連続した点灯	「TALLY」LEDが緑に点灯している場合、操作しているカメラは現在プレビューモードです。
FIBER (ファイバー)	赤の連続した点灯	SMPTEハイブリッド光ファイバーケーブルがCamera Fiber Converterに接続されると、「FIBER」LEDが赤に点灯し、ハンドシェイク処理が始まり、コンバーターが低電力状態であることを示します。この状態では、インターコム機能はセットアップ時や光ファイバーの接続に不具合が生じた際のトラブルシューティングに使用できます。
	緑の連続した点灯	SMPTEハイブリッド光ファイバーケーブルの接続が確立されると「FIBER」LEDは緑に変わります。

POWERライトとFIBERライトの両方が緑になると、安全チェックが完了し、コンバーターが高電力モードに入ったことを意味します。

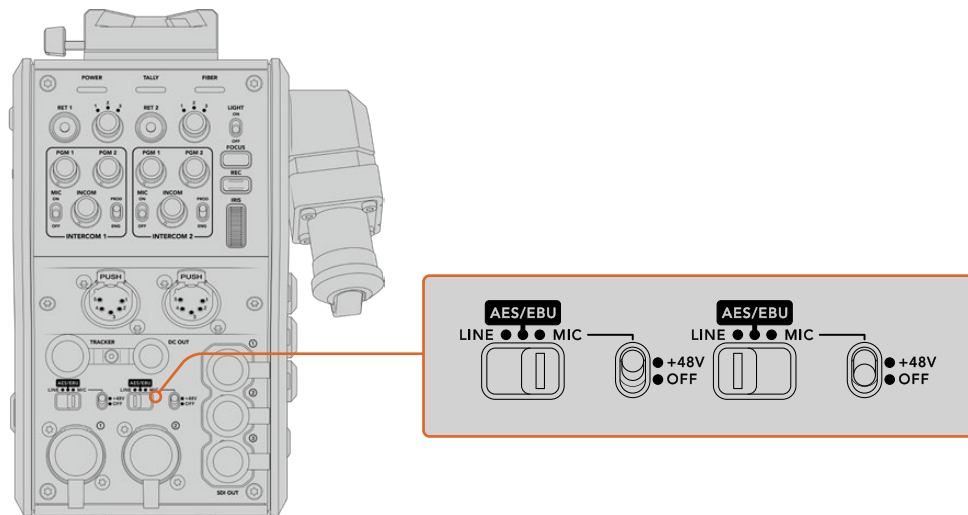
オーディオ入力

Blackmagic Camera Fiber Converterは、「1」と「2」というラベルが付いたXLR入力を搭載しており、オーディオミキサー、PAシステム、外付けマイクなどのプロ仕様機器からの外部アナログオーディオの接続に使用します。



カメラオーディオはカメラフィールドのチャンネル1と2にエンベッドされ、Camera Fiber Converter背面の2つのオーディオ入力にはチャンネル3と4にエンベッドされます。4つのオーディオチャンネルのすべては、Studio Fiber Converterでアナログオーディオ出力としてディエンベッドされます。

Blackmagic Studio Fiber Converterのメニューの「オーディオ (Audio)」ページで、Blackmagic Camera Fiber ConverterのXLR入力に接続されたオーディオソースの入力レベルを調整できます。詳細は「Studio Fiber Converterの操作」セクションを参照してください。接続後、XLR入力割り当てスイッチで、入力ソースとして選択されている際のXLR入力の機能を設定します。使用可能なオプションは、MICオーディオ、LINEレベルオーディオ、AESデジタルオーディオです。



電源を内蔵していないマイクを使用する場合、48Vファンタム電源を有効にします。ファンタム電源スイッチを「+48V」にして、下にあるXLRコネクタに接続されたマイク用にファンタム電源を有効にするか、オフにしてファンタム電源を無効にします。

IPビデオ

SMPTeファイバーケーブルで接続すると、Camera Fiber ConverterとStudio Fiber Converter間に10ギガビットのIPリンクができます。これにより、すべてのビデオおよびリターンフィードは、ハイエンドな放送品質の視覚的ロスレス10-bitエンコード/デコードによるIPベースのビデオになります。トークバック、タリ、カメラコントロール、レンズコントロールなど、その他のすべての接続も低遅延のIPに変換されるので信頼性の高い優れたパフォーマンスが得られます。

電源仕様


Blackmagic Studio Fiber Converterは、Blackmagic Camera Fiber Converter、カメラ、アクセサリに給電を行います。Molexコネクタを、カメラのリアパネルのMolexソケットに接続し、Camera Fiber Converterからカメラに電力を伝送します。

中継車から2.1 km以上離れた場所にカメラを配置する必要があり、カメラとコンバーターが長尺のケーブルから十分な電源を得ていない場合、カメラ電源の4ピンXLRをURSA Broadcast G2/URSA Miniの+12V入力に接続して、カメラおよびコンバーターにローカルで給電できます。電源はMolexコネクタ経由でCamera Fiber Converterに送られます。

「+12V OUT」コネクタは、DタップやPタップとも呼ばれ、500 mAまでの12V DC公称電圧で外部モニターや箱型レンズなどのアクセサリに給電できます。「DC OUT」コネクタでは、外部モニターなどの電源アクセサリへの給電も可能です。

DC出力コネクターのピン配列図は以下になります。

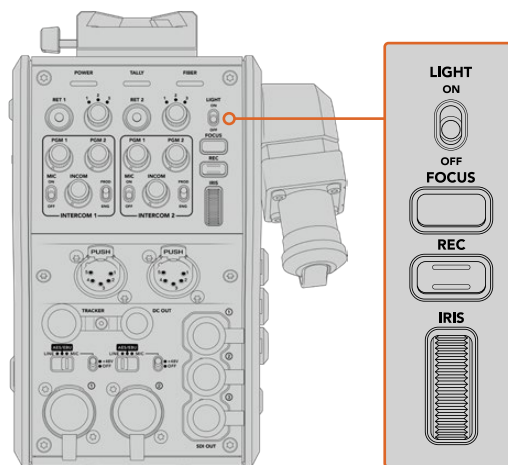
DC出力コネクターピン配列図

外観	ピン	信号	入力/出力	仕様
	1	Unregulated GND	–	GND for Unregulated Out
	2	NC	–	No connection
	3	NC	–	No connection
	4	Unregulated Out	Out	12V DC nominal at up to 500 mA.

追加のカメラコントロール

URSA Broadcast G2/URSA Miniをスタジオカメラとして使用することを考慮して、ファイバーコンバーターはアイリスやフォーカスコントロールなどの追加のカメラコントロールを搭載しているため、互換性のあるレンズをカメラの背面からコントロールできます。これは、レンズをリモートで操作する別のカメラコントロールスタッフがいない場合に便利です。

スタジオカメラとしてもURSA Broadcast G2/URSA Miniは内部収録が可能のため、録画ボタンでカメラの内部収録がトリガーできます。



LIGHT (ライト)

LIGHTボタンは、操作パネルのバックライトのオン/オフを切り替えます。暗い環境で操作する際に、コントロールが見やすくなります。

FOCUS (フォーカス)

オートフォーカス対応のレンズを使用している場合、FOCUSボタンを押すとオートフォーカスがトリガーされます。

REC (録画)

RECボタンを押すと収録を開始し、もう一度押すと収録を停止します。

IRIS (アイリス)

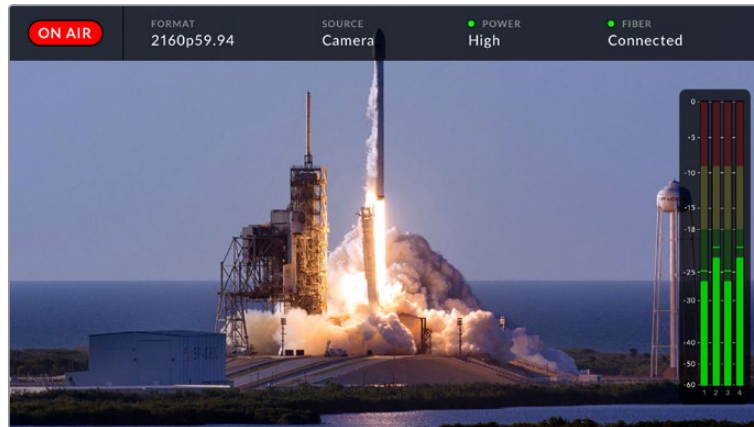
カメラからのコントロールが可能な互換性のあるアクティブ方式レンズを使用している場合、IRISホイールでアイリスを開閉できます。ホイールを上下させるとレンズアパーチャーの開閉が可能です。

Studio Fiber Converterの操作

LCDソースの選択

電源をオンにするとBlackmagic Studio Fiber Converterの大型LCDはカメラからのフィードを表示します。中心となるベースユニットとして、Studio Fiber Converterはスイッチャーからのプログラムフィードに加え、あらゆるリターンソースを受信し、SMPTEファイバークーブル経由でBlackmagic Camera Fiber Converterに送信します。

内蔵LCDでは、カメラフィードに加え、リターンフィード入力に接続された各ソースをモニタリングできます。ステータス情報とオーディオメーターをヘッドアップディスプレイのように表示します。



フィードをスイッチング中に、モニタリングしているソースの名前とフォーマットをオーバーレイで確認可能

オンエア (ON AIR)

接続しているカメラがプログラムフィードとして使用されると、赤い「ON AIR」アイコンが表示され、オンエアされていない場合は消えます。

フォーマット (FORMAT)

現在のソースの解像度およびフレームレートを表示します。

ソース (SOURCE)

現在のソースの名前を表示します。

電源 (POWER)

現在の電源状況を表示します。低電力状態では、赤のステータスライトと共に「低 (Low)」と表示され、高電力モードに入ると、緑のステータスライトと共に「高 (High)」と表示されます。詳細は「Studio Fiber Converterの操作」セクションの「ステータスインジケータ」を参照してください。

FIBER (ファイバー)

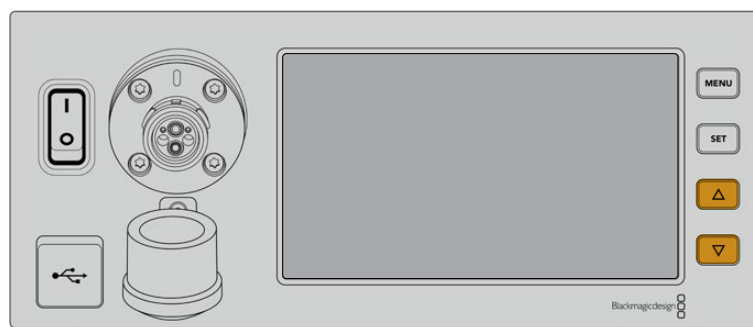
現在のファイバーの状況を表示します。最初の接続処理中は、赤のステータスライトと共に「接続中 (Connecting)」と表示され、SMPTEハイブリッド光ファイバークーブルの接続に成功すると緑のステータスライトと共に「接続済み (Connected)」と表示されます。詳細は「Studio Fiber Converterの操作」セクションの「ステータスインジケータ」を参照してください。

オーディオメーター

ピークオーディオメーターは、カメラフィールドのチャンネル1と2にエンベッドされているカメラオーディオを使用している場合にオーディオレベルを表示します。チャンネル3と4は、Blackmagic Camera Fiber Converterの背面にある、2つのXLR入力に接続されたオーディオソースです。単位はdBFSで表示され、ピークホールド・インジケータはしばらく表示されるので、最大レベルに達したことがはっきりと確認できます。

メニューの使用

上下の矢印ボタンを押して「カメラ (Camera)」、「リターン1 (Return 1)」、「リターン2 (Return 2)」、「リターン3 (Return 3)」の4つの選択肢をスクロールします。「MENU」ボタンを押してメニューシステムに進み、設定を調整します。矢印ボタンで、様々なメニュー画面およびオプションに移動できます。「SET」ボタンは選択の確定に使用します。メニューの設定は、「オーディオ (Audio)」、「トークバック (Talkback)」、「セットアップ (Setup)」ページに分かれています。

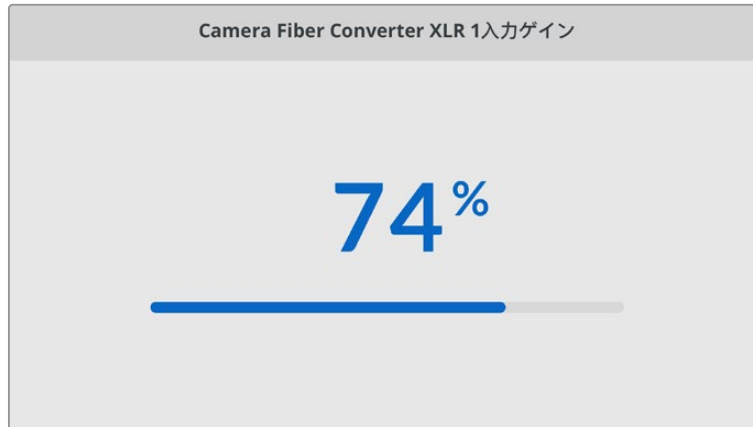


上下の矢印ボタンは、ソースの4つの選択肢をスクロールしたり、メニュー内の移動に使用

オーディオ (Audio)

「オーディオ (Audio)」ページで、Blackmagic Camera Fiber ConverterのXLR入力に接続されたオーディオソースの入力レベルを調整できます。

オーディオ	
Camera Fiber Converter XLR 1入力ゲイン	50%
Camera Fiber Converter XLR 2入力ゲイン	50%
出力チャンネル1と2	エンベッド1と2
出力チャンネル3と4	XLR 1と2



矢印ボタンで、各XLR入力の入力レベルを調整し「SET」ボタンで確定

エンベッドされたSDIおよびXLR出力にマッピングするCamera Fiber Converterからのオーディオチャンネルを設定できます。URSA MiniまたはURSA Broadcast G2からのエンベッドオーディオチャンネルは、デフォルトでチャンネル1と2を使用します。Camera Fiber Converterに接続されているライン/マイクレベルXLR入力は、デフォルトでチャンネル3と4を使用します。出力チャンネル設定を調整すると、これらのマッピングをデフォルト設定から変更できます。Camera Fiber ConverterのXLR入力がAESに設定されている場合、チャンネルマッピングのオプションでチャンネル5と6が使用できるようになります。この2つのチャンネルは、エンベッドSDI出力で送信されます。



カメラからのエンベッドXLRチャンネルは、チャンネル1と2にマッピング

トークバック (Talkback)

「トークバック」ページで、プロダクションおよびエンジニアチャンネルのプログラムオーディオソースおよびトークバックソースを選択します。Studio Fiber Converterで、トークバックソースを「SDI + DB25」または「Intercom tally DB25」に設定します。

また、ヘッドセットのインピーダンスレベルに合わせて、各インターコム・ヘッドセットの「ヘッドフォンゲイン (Headphone Gain)」と「ヘッドセットマイクゲイン (Headset Microphone Gain)」を調整できます。「ファンタム電源 (Phantom Power)」設定では、各ヘッドセットに送られるファンタム電源をオンにできます。「サイドトーンレベル (Sidetone Level)」では、カメラオペレーターがヘッドセットで聞こえる自分の声の音量を適度なレベルに調整できます。

トークバック	
プログラムオーディオソース	SDIチャンネル1と2
プロダクションチャンネル・ソース	SDI + DB25
エンジニアチャンネル・ソース	インターコム/タリー (DB25)
インターコム1	
ヘッドフォンゲイン	50%
ヘッドセットマイクゲイン	50%
ヘッドセットマイク ファンタム電源	On
サイドトーンレベル	50%
インターコム2	
ヘッドフォンゲイン	50%
ヘッドセットマイクゲイン	50%
ヘッドセットマイク ファンタム電源	On
サイドトーンレベル	50%

インターコムのセクションは、XLR入力に何も接続されていないとグレーアウトし、接続を試みている場合は、「接続中 (Connecting)」と表示

セットアップ (Setup)

「セットアップ」メニューでは、PTZソースの設定、メニューの表示言語の選択、SDIリターンのレベルの選択が可能です。

セットアップ	
PTZソース	スイッチャーからのSDI
言語	日本語
12G-SDIリターン	3G Level A

「PTZソース (PTZ Source)」設定を使用してPTZコマンドのソースを選択します。「SDI」または「9ピン (9-pin)」から選択できます。これらはそれぞれ、Blackmagic Studio Fiber Converterの背面にある「リターン入力 (RETURN IN)」SDI入力とPTZ用のDE-9コネクタに対応しています。

つまり、PTZカメラのパン、ティルト、ズームをATEMスイッチャーでコントロールでき、PTZコマンドをSDIを介してBlackmagic Studio Fiber Converterに送信できます。コマンドは、SMPTE光ケーブルでBlackmagic Camera Fiber Converterに送信され、DE-9コネクタを介してデエンベッドおよび出力され、PTZ電動ヘッドに接続されます。

PTZコントローラーをBlackmagic Studio Fiber ConverterにDE-9コネクタで接続し、カメラ側のリモートヘッドを操作することもできます。



このページで、PTZコマンドのソースとして「SDI」または「9ピン」を選択可能



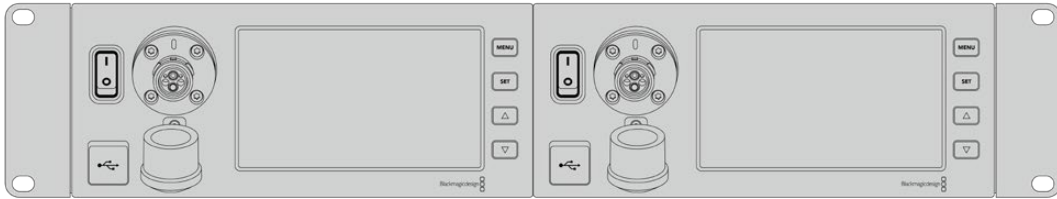
「言語 (Language)」設定でメニューを表示する言語を選択できます。Studio Fiber Converterは11ヶ国語をサポートしています。対応言語は、日本語、英語、中国語、韓国語、スペイン語、ドイツ語、フランス語、ロシア語、イタリア語、ポルトガル語、トルコ語です。「言語」ページは、最初の起動時と内部ソフトウェアの更新後にも表示されます。

「12G-SDIリターン (12G SDI Return)」では、12Gプログラムリターン信号を3G Level Aまたは3G Level Bのいずれかにダウンコンバートするか選択できます。Studio Fiber Converterのリターン入力に送信される12G信号はすべて、Camera Fiber Converterに送られる最中にダウンコンバートされます。

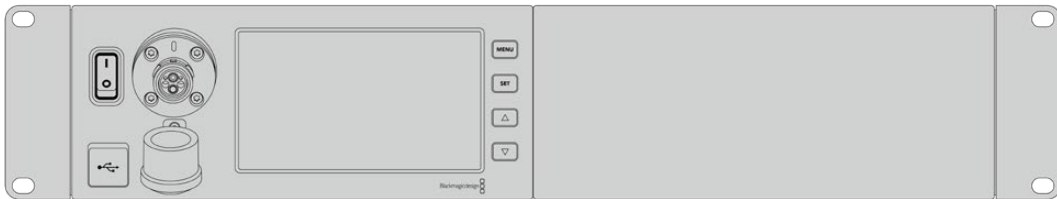
スタジオ側ユニットのラックマウント

複数のBlackmagic Studio Fiber Converterを使用している場合、Blackmagic Studio Fiber Rack Kitを使用すれば、これらのコンバーターを放送用ラックやロードケースに設置できます。ラックキットを使用すると、2台のスタジオ側ユニットを横に並べたり、ラックの片側に1台だけ配置してマウントできます。Studio Fiber Rack Kitにはブランクパネルが同梱されているため、1台のユニットのみをマウントする場合に空いている部分をカバーできます。

Studio Fiber Converterの高さは2Uで、幅は標準のラックの半分であるため、2Uのスペースに2台のStudio Fiber Converterを並べた際にぴったりと収まります。

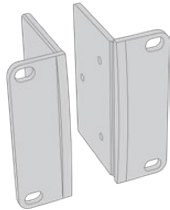


並べてマウントされたBlackmagic Studio Fiber Converter



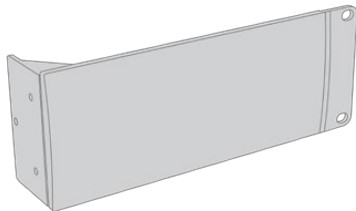
必要に応じて、同梱のblankパネルで空いているラックスペースをカバー可能

Blackmagic Studio Fiber Rack Kitの同梱物：



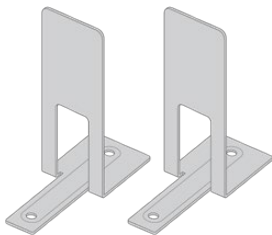
補助金具 x2

ラックマウント用補助金具。Blackmagic Studio Fiber Converterの側面に取り付けます。



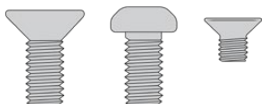
blankパネル (1/2ラック幅) x1

blankパネルの片側にはマウント用の金具が付いているため、ユニットを1台のみ設置する場合、空いているラックスペースをカバーできます。この図では金具は右側に位置しています。反対側にマウントする場合は、パネルを180°回転させてください。



サポートブラケット x2

T字形のサポートブラケット。2台のStudio Fiber Converterの接触面の前方および後方の底部に取り付けます。



ネジ

M4 (10mm) x8

補助金具用ネジ

M4 (8mm) x4

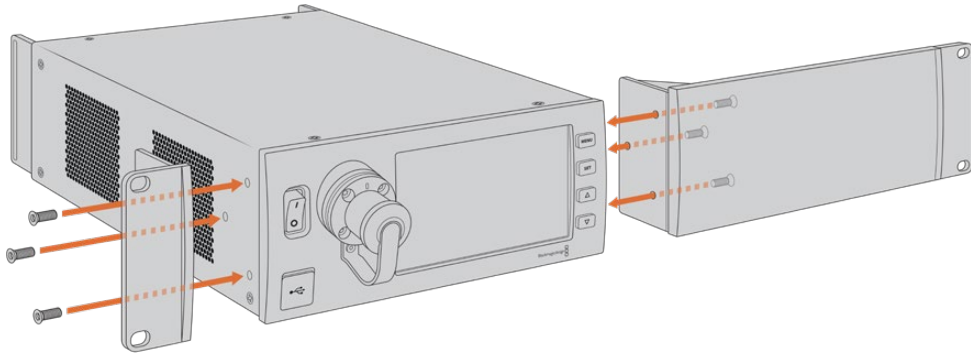
blankパネル用ネジ

M3 (5mm) x5

サポートブラケット用ネジ

Blackmagic Studio Fiber Converterをラックマウントする準備作業:

- 1 Studio Fiber Converterをラックの左右どちらに配置するか決め、空いている方のスペースにブランクパネルを配置します。ブランクパネルの前面がユニットの前面と平行になるようにします。
- 2 3本のブランクパネル用ネジで、ブランクパネルをStudio Fiber Converterのフロント近くの側面に取り付けます。



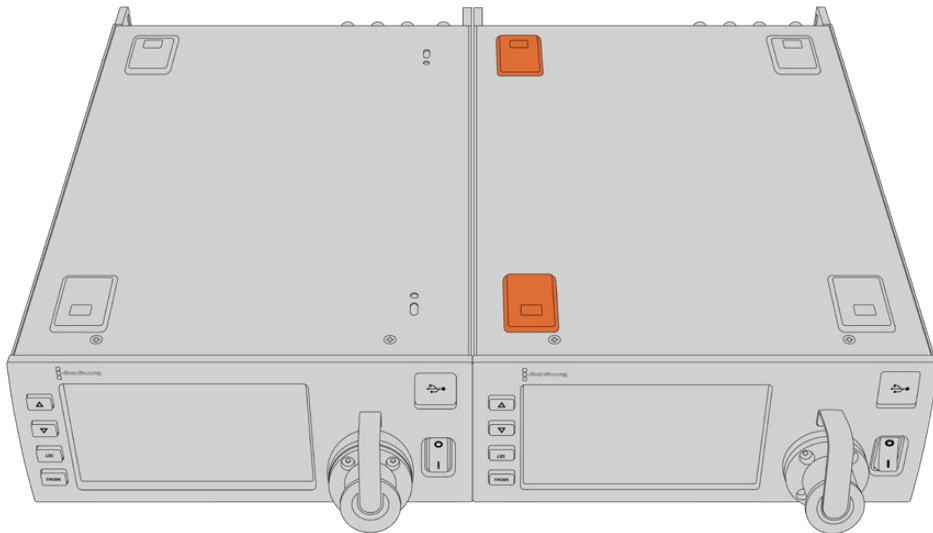
- 3 Studio Fiber Converterのもう一方の側面に、3本の補助金具用ネジで補助金具を取り付けます。補助金具とブランクパネルを取り付けたら、標準のラックネジおよびマウンティング用のネジ穴を使用して、コンバーターを2Uのスペースに固定する準備が整いました。

2台のBlackmagic Studio Fiber Converterを並べてラックマウントする準備作業:

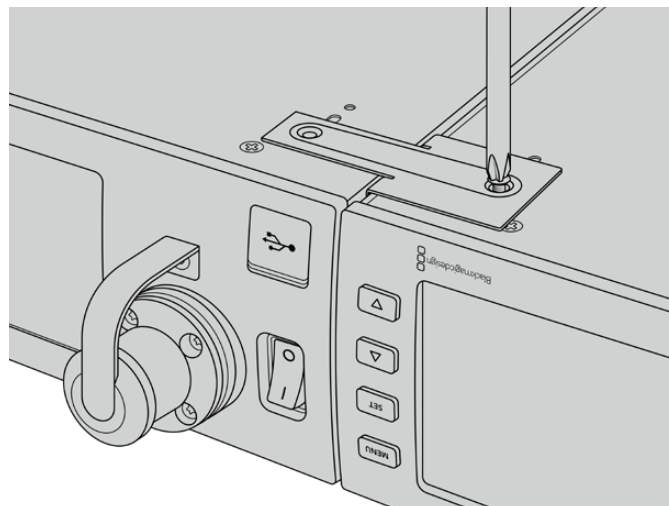
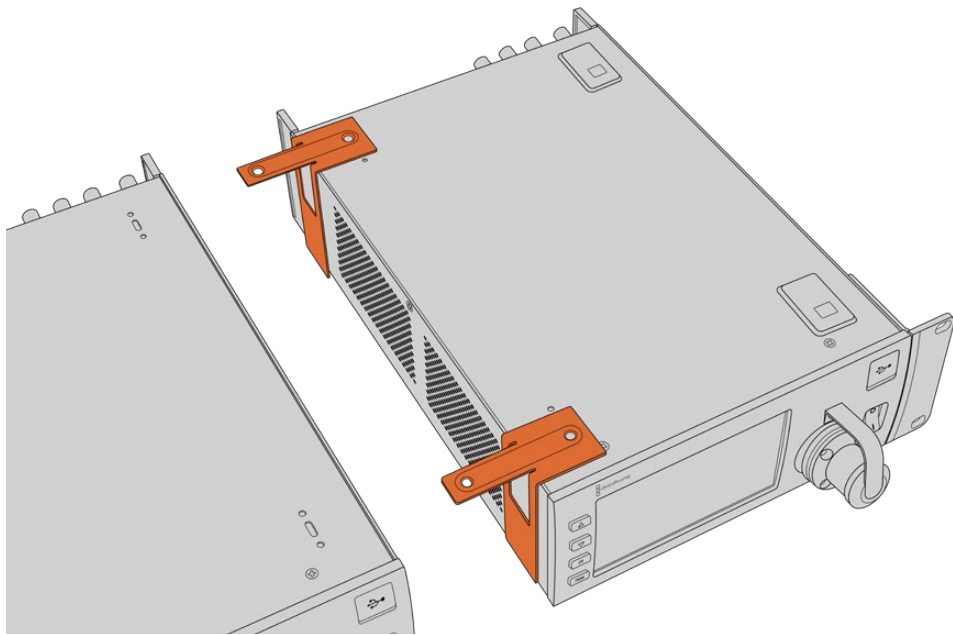
2台のコンバーターを並べてマウントする場合は、サポートブラケットでお互いを接続できるため、簡単にマウントできます。

2台のユニットを固定する:

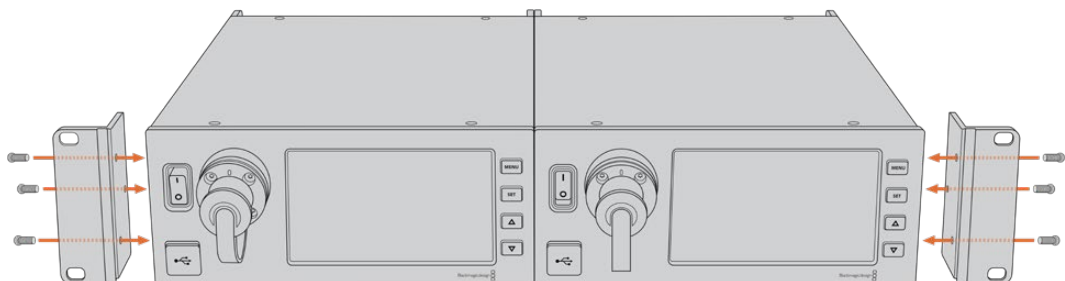
- 1 2台のコンバーターをひっくり返して、逆さまにした状態で並べて置きます。コンバーターの接触面の2つのゴム製の脚を各コンバーターから取り外します。



- 2 2つのT字形のサポートブラケットを、2台のStudio Fiber Converterの接触面の前方および後方の底部にサポートブラケット用のネジを使用して取り付けます。



- 3 接続した2台のユニットを再度ひっくり返して正しい向きに置きます。同梱の補助金具用ネジを使用して、各コンバーターの外側に補助金具を取り付けます。両側のネジ穴および標準のラックネジを使用して、コンバーターをラックに設置する準備が整いました。



カメラ側ユニットのコネクター

コネクターは、Blackmagic Camera Fiber Converterのリアパネルと側面に搭載されています。コネクターが使われていない場合、雨などから保護するためにゴム製キャップを取り付けてください。グラスファイバーの先端は細かい埃が蓄積されやすく、また埃は信号の流れを妨げるため、これはSMPTEファイバーコネクターでは特に重要です。ケーブルとユニットのコネクターのキャップは、常に接続の直前に外すようにし、接続を切った直後に付けることを推奨します。

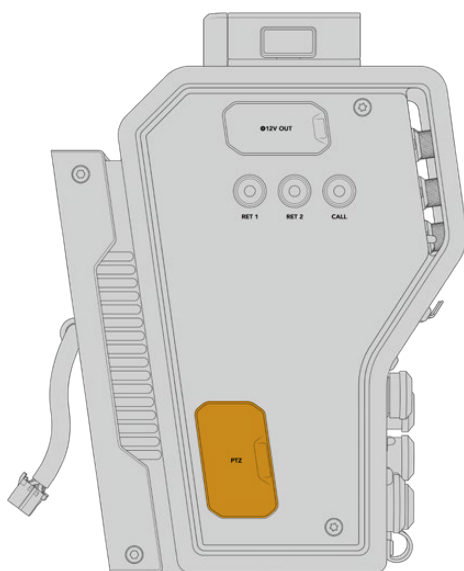
カメラ電源の接続

カメラ側ユニットとカメラへの給電は、SMPTEハイブリッド光ファイバーケーブル経由でStudio Fiber Converterから行われます。これには、カメラに取り付けたすべてのアクセサリ（Blackmagic URSA Studio Viewfinderなど）も含まれます。

カメラの12V XLRコネクターが電源に接続されている場合、Blackmagic Camera Fiber Converterはカメラからも給電できます。これは通常必要ありませんが、カメラをスタジオ側ユニットから2km以上離れた場所に設置する場合にこの方法で給電できます。SMPTEファイバーでは、このような長距離の電源の伝送は信頼性にかける場合があるからです。

PTZインターフェース

DE-9シリアルコネクターで、電動PTZヘッドに接続できます。例えば、Blackmagic URSA Broadcast G2/URSA Miniをカメラクレーンに載せている場合、リモートでPTZ（パン、ティルト、ズーム）ヘッドが操作できます。Blackmagic Studio Fiber Converterのメニューで、カメラに送信されるPTZコマンドのソースを選択できます。コマンドのソースは、Blackmagic Studio Fiber ConverterのDE-9コネクター、またはATEMスイッチャーのSDIフィードに設定できます。詳細は「Studio Fiber Converterの操作」セクションを参照してください。

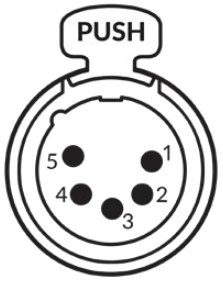


PTZインターフェース

トークバック接続

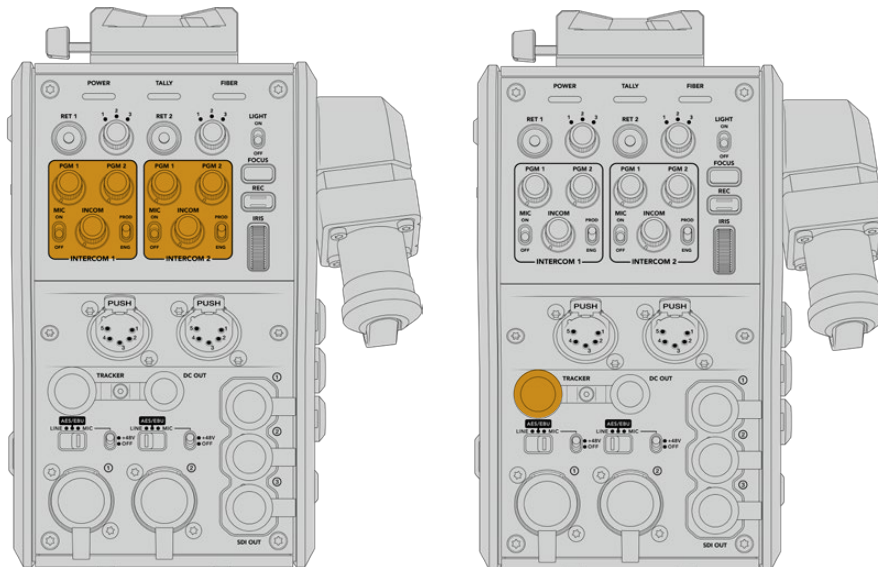
5ピンXLRコネクタ（メス）が2つ搭載されているため、2つのヘッドセットを接続でき、2人のスタッフがトークバックを介して同時にコミュニケーションできます。例えば、カメラオペレーターのヘッドセットを一方のXLRコネクタに接続し、もう一方にクレーンオペレーターやその他のスタッフ（音響オペレーターなど）のヘッドセットを接続できます。ヘッドセットXLRコネクタのピン配列図は以下になります。

ヘッドセットXLRピン配列図

外観	ピン	信号	入力/出力	意味
 <p>ヘッドセット用5ピンXLRコネクタ</p>	1	Intercom MIC (Y)	GND	インターコムのマイク入力は、エレクトレットコンデンサーマイクに加え、バランスまたはアンバランスを使用するダイナミックマイクをサポートしています。ピン1はGNDマイク信号、ピン2は両方のタイプのマイク入力信号です。エレクトレットマイクでは、同じマイク入力信号ピン経由で直流バイアスは出力されません。
	2	Intercom MIC (X)	In	
	3	GND	GND	GND
	4	Intercom left	Out	
	5	Intercom right	Out	

インターコムのコントロールは、ヘッドセット端子の真上にあるINTERCOMコントロールで行います。

インターコムコントロールの使用方法については、「Camera Fiber Converterの操作」セクションを参照してください。



インターコムコントロールはトークバックオーディオレベルのミックスに使用

トラッカーインターフェースコネクタ

トラッカーインターフェース

10ピンの「トラッカー」コネクタは多重化出力に使用され、トークバックおよびタリー信号に加え、テレプロンプターの情報などのデータを送信します。この出力は、カメラクレーンなどの機器を操作するスタッフが使用します。

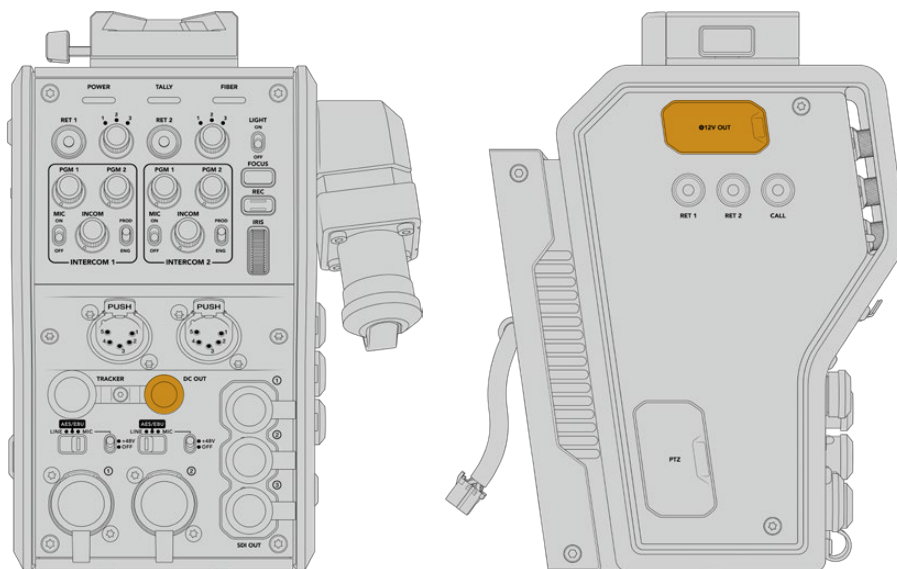
独自のケーブルを作成するにあたっては、このセクションのピン配列図を参照してください。

トラッカー出力ピン配列図

外観	ピン	信号	入力/出力	仕様
 <p>10ピン「トラッカー」コネクタ</p>	1	Tracker left	Out	Tracker output, -20 dBu unbalanced
	2	GND (Talk)	-	GND for tracker talk
	3	GND (Receive/PGM/tally)	-	GND for receive/PGM/tally
	4	Tracker right	Out	Tracker output, -20 dBu unbalanced
	5	Unregulated	Out	12V DC (nom), 500mA (max)
	6	GND (Unregulated)	-	GND for unregulated
	7	Tracker talk (X)	In	Tracker talk 0 dBu /-20 dBu, high impedance balanced
	8	Tracker talk (Y)	In	
	9	G Tally	Out	On: 12V Off: high impedance (open)
	10	R Tally	Out	On: 12V Off: high impedance (open)

DC接続

外部モニターなどの追加アクセサリは、DC出力コネクタで給電できます。



DC出力コネクタはモニターや外部出力機器などの追加アクセサリに給電可能

Dタップ出力

Dタップ出力

左側のパネルにある+12V出力は、「Dタップ」または「Pタップ」と一般的に呼ばれ、モニターや箱型レンズなどのアクセサリへの給電に使用します。この出力では、2アンペアの+12V DC公称電圧が必要な箱型レンズをサポートしています。

リファレンス出力と操作

リファレンス出力は、BNCケーブル経由でリファレンス信号をカメラに接続するために使用できます。

リファレンス信号をカメラに接続する：

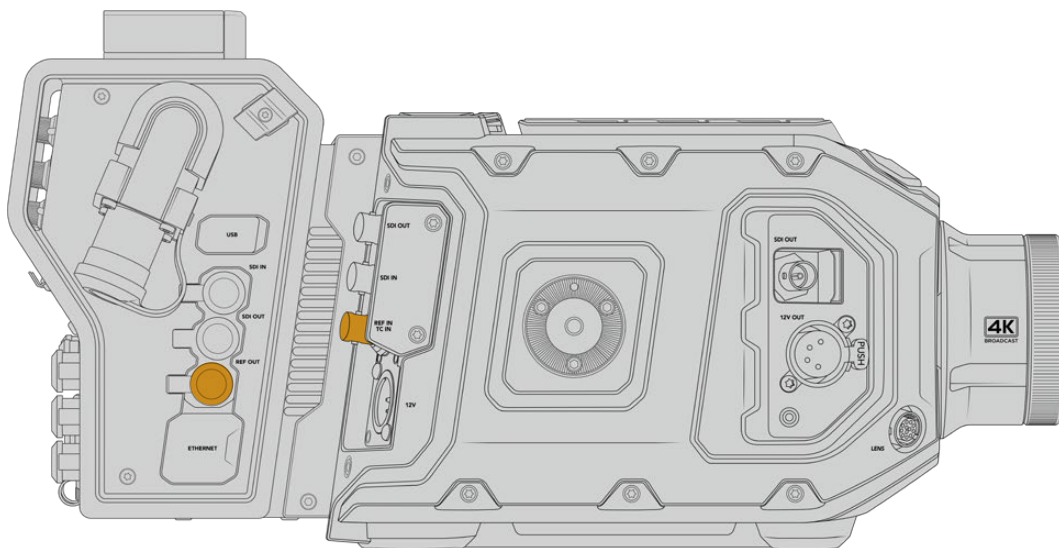
- 1 同梱の短いSDIケーブルを使用して、Blackmagic Camera Fiber Converterの「REF OUT」とラベルがついたリファレンス出力を、カメラの「REF IN」とラベルがついたリファレンス入力に接続します。
- 2 カメラのリファレンス設定をリファレンス入力に設定します。

同期リファレンス信号は、共通のリファレンスに機器をゲンロックするため、すべての機器は全く同じタイミングを共有します。つまり、すべてのビデオソースが同期し、スムーズに切り替わります。

ATEMスイッチャーは再同期機能を搭載しているため、BlackmagicのカメラをATEMスイッチャーと使用している場合、同期リファレンスに接続する必要はありません。カメラは、ATEMスイッチャーからのSDIプログラムフィードにロックされるため、必要な作業は、URSA Broadcast G2/URSA Miniの「セットアップ (SETUP)」メニューの2ページ目にある「リファレンスソース (REFERENCE SOURCE)」で「プログラム (Program)」を選択するだけです。再同期のプロセスでフレーム遅延が追加されます。

ATEMでスイッチングする際にカメラとの再同期の遅延を減らしたい場合、URSA Broadcast G2/URSA Miniにリファレンス信号を送信し、カメラから返信される信号のタイミングを調整して、ライン入力をATEMにマッチさせることで、スイッチングでのフレーム遅延が削減できます。

URSA Broadcast G2/URSA Miniでリファレンス同期を調整するには、「セットアップ (SETUP)」メニューの「リファレンスタイミング (REFERENCE TIMING)」で「ライン (Lines)」の数値を調整します。

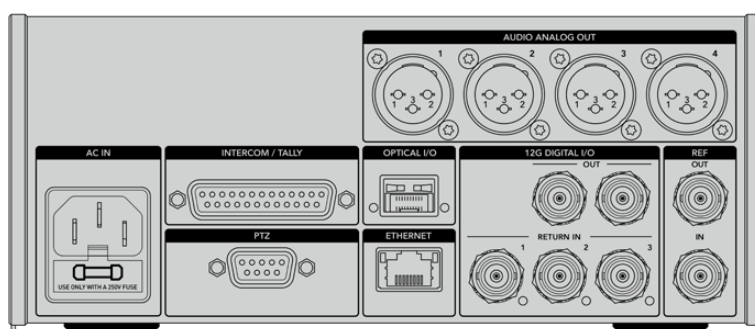


外部リファレンス信号を使用している場合、Camera Fiber Converterからのリファレンス出力をURSA Broadcast G2/URSA Miniのリファレンス入力に接続

スタジオ側ユニットのコネクター

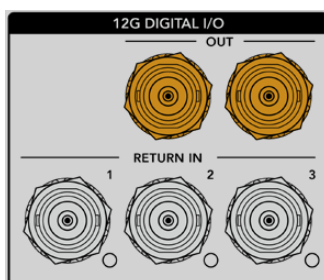
Blackmagic Studio Fiber Converterのリアパネルには、SDIリターンフィードおよびリファレンス用BNCコネクター、インターコムおよびタリー用DB-25コネクター、9ピンのPTZ用シリアルポート、オーディオ出力、イーサネットを搭載しています。

すべてのSDI入力には12G-SDIをサポートしており、Ultra HD 2160p60までのビデオフォーマットに対応しています。



12G-SDI出力

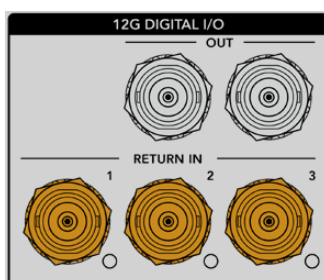
2つの12G-SDI出力は、スタジオ側ユニットからのカメラ信号を、スイッチャーのカメラSDI入力に接続するために使用します。2つ目のコネクターは、同じ信号を他のビデオ機器（Blackmagic Videohubルーター、SmartViewモニター、HyperDeckディスクレコーダーなど）に出力するために使用できます。



12G-SDI出力は、720p50から2160p60までの信号に対応

リターンSDI入力

12G-SDIリターンフィードのBNCコネクターには、最大3系統のSDIフィードを接続できます。例えば、スイッチャーからのプログラムフィードはRETURN 1に接続する必要があり、カメラのフレームレートとマッチしている必要があります。2台目のカメラの出力やHyperDeckの再生だけでなく、テレプロンプターなどの他のソースをRETURN 2や3に接続して使用できます。ATEMスイッチャーを使用している場合、RETURN 1のプログラムリターンには、タリー、トークバック、リファレンス、カメラコントロール信号が含まれます。

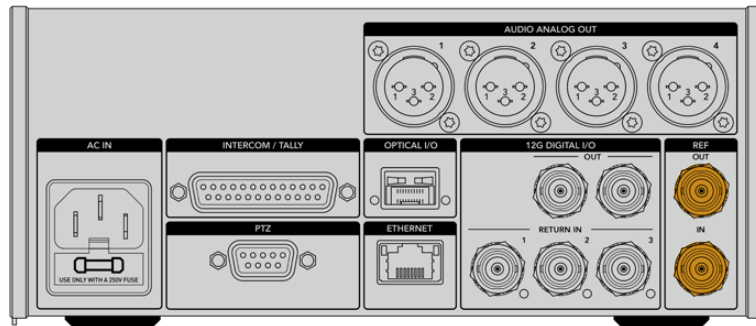


リターンSDI入力は、スイッチャーからのリターンフィードを最大3つ接続できます。これらのフィードはカメラに送信されるため、カメラオペレーターが確認したり、SDI経由で他の機器に出力することができます。

メモ リターン入口にUltra HDを接続する場合、Ultra HDビデオは同じフレームレートの1080pにダウンコンバージョンされるため、カメラ側ユニットでの出力はHDになります。Ultra HDリターン信号をHDにダウンコンバージョンすることで、バンド幅に余裕ができ、複数のリターンソースが送信できます。

リファレンス入出力

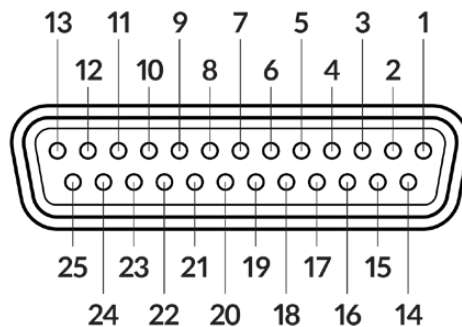
ATEMスイッチャーを使用せずに、外部リファレンス信号に機器をロックしたい場合、外部生成された信号をリファレンス用BNC入口に接続します。これにより、リファレンスはSMPTEファイバーケーブル経由でカメラに送信されます。スタジオ側ユニットのリファレンス用BNC出力は、リファレンスソースを他の機器にループすることもできます。



「REF IN」とラベルのついたリファレンス入力は、他の放送機器からの従来のリファレンスタイミングをカメラに送信

トークバックインターフェース

DB-25インターコム/タリーコネクタで、サードパーティのインターコム/タリーシステムを接続できます。カスタムケーブルを作成するにあたっては、以下のピン配列図を参照してください。エンジニアリング、プロダクション、タリー、プログラムオーディオ入力用のピンを接続したら、Blackmagic Studio Fiber Converterのメニューで必要に応じた設定を行う必要があります。



インターコム/タリー用25ピンコネクタの外観

トークバックピン配列図

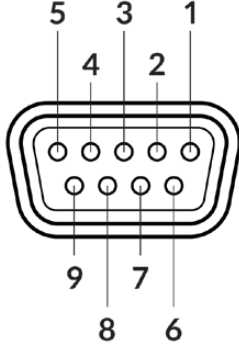
ピン	信号	仕様
1	ENG(R) IN+	Engineering channel input 0dBu balanced
2	ENG(R) IN-	
3	ENG GND	GND for ENG
4	ENG(T) OUT +	Engineering channel output 0dBu balanced
5	ENG(T) OUT -	
6	PGM IN+	-20dBu
7	PGM IN-	-20dBu
8	PGM GND	-20dBu
9	GND	GND for aux
10	N/C	-
11	Red Tally IN	On = 5-24Vdc, Off= 0Vdc
12	Red Tally GND	-
13	GND	Chassis GND
14	PROD(R) IN+	Production channel input 0dBu balanced
15	PROD(R) IN-	
16	PROD GND	-
17	PROD(T) OUT+	Production channel output 0dBu balanced
18	PROD(T) OUT-	
19	N/C	-
20	N/C	-
21	N/C	-
22	N/C	-
23	N/C	-
24	Green Tally IN	On = 5-24Vdc, Off= 0Vdc
25	Green Tally GND	-

PTZインターフェース

スタジオ側ユニットとカメラ側ユニットは共にDE-9コネクタを搭載しているため、スタジオ側にPTZコントローラーを接続し、カメラ側にリモートヘッドを接続して使用できます。PTZコマンドはSDI信号にエンベッドされ、SMPTEファイバークーブルでユニット間を接続します。

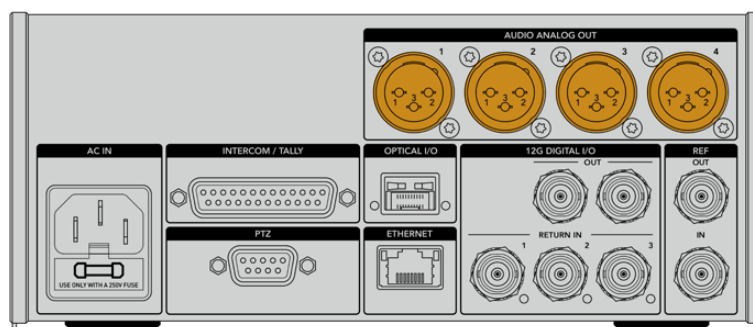
Blackmagic Studio Fiber Converterのメニューで、Blackmagic Camera Fiber Converterに送信するPTZコマンドのソースを選択します。コマンドのソースは、Blackmagic Studio Fiber Converterの背面にあるPTZコネクタ、またはATEMスイッチャーのプログラムSDIフィードに設定できます。詳細は「Studio Fiber Converterの操作」セクションを参照してください。

PTZインターフェースピン配列図

外観	ピン	信号
 <p>9ピンPTZコネクタ</p>	1	GND
	2	RS422 Tx-
	3	RS422 Rx+
	4	GND
	5	N/C
	6	GND
	7	RS422 Tx+
	8	RS422 Rx-
	9	GND

オーディオ出力

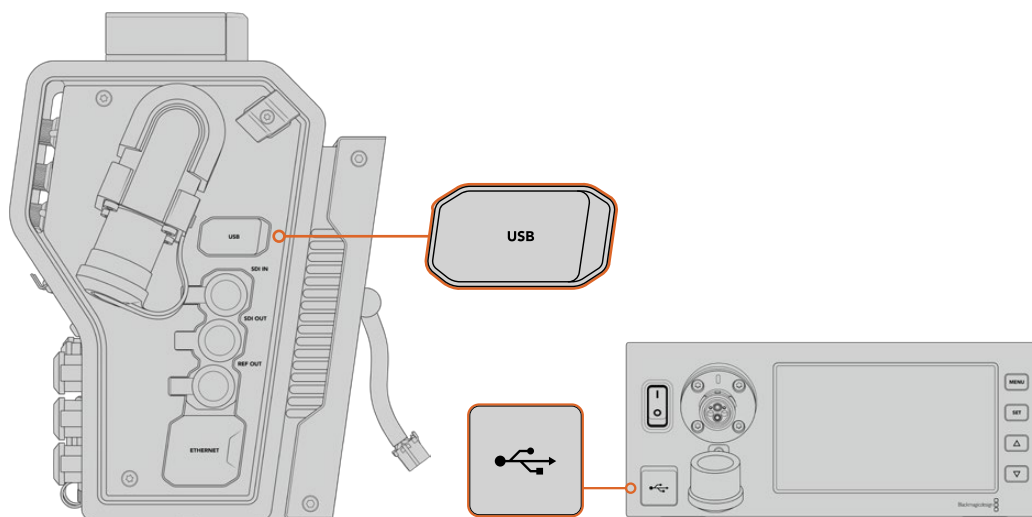
スタジオ側ユニットの4系統のXLRオーディオ出力は、入力1と2に接続されたURSA Broadcast G2/URSA Miniカメラからのオーディオ、およびCamera Fiber Converterの2系統のXLRオーディオ入力を入力できます。



スタジオ側ユニットのAUDIO ANALOG OUTの1と2は、デフォルトでURSA Broadcast G2/URSA MiniのエンベデッドXLR入力1と2に対応しています。スタジオ側ユニットのAUDIO ANALOG OUTの3と4は、デフォルトでBlackmagic Camera Fiber ConverterのXLR入力1と2に対応しています。これらの設定のマッピングをメニューで変更できます。詳細は「メニューの使用」セクションを参照してください。

内部ソフトウェアのアップデート

Blackmagic Designは随時ソフトウェアアップデートをリリースし、Blackmagicファイバーコンバーターの機能の向上および有効化を行っています。Blackmagic Designのウェブサイトを定期的にチェックし、ファイバーコンバーターの内部ソフトウェアを最新に更新することを推奨します。ファイバーコンバーターのアップデートには、Blackmagic Camera Setup Utilityソフトウェアを使用します。



BlackmagicファイバーコンバーターのUSB-Cポートで、内部ソフトウェアをアップデート可能

Blackmagic Camera Fiber Converterのアップデート

アップデート中、Camera Fiber Converterは給電されている必要があるため、アップデートの処理中はコンバーターをURSA Broadcast G2/URSA Miniに接続したままにしておくことをお勧めします。

安定した電源を得るために、Camera Fiber ConverterからSMPTEファイバーケーブルを抜き、カメラをURSAカメラの電源供給から給電することが重要です。

Blackmagic Camera Fiber Converterの右側面にあるUSB-Cコネクタを使用して、内部ソフトウェアをアップデートできます。このUSBにコンピューターを接続してBlackmagic Camera Setup Utilityを起動します。Camera Fiber Converterが古いバージョンを使用していることをコンピューターが検出すると、アップデートを推奨するメッセージが表示されます。スクリーンの指示に従い、コンバーターの内部ソフトウェアをアップデートします。

Blackmagic Studio Fiber Converterのアップデート

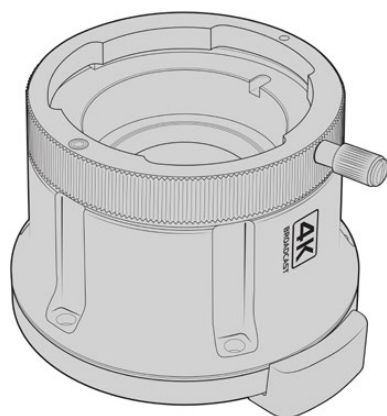
アップデート中、Studio Fiber Converterは給電されている必要があるため、アップデートの処理中はIEC電源ケーブルをスタジオ側ユニットのリアパネルにある電源コネクタに接続したままにしておくことをお勧めします。

Blackmagic Studio Fiber Converterの前面にあるUSB-Cコネクタを使用して、内部ソフトウェアをアップデートできます。このUSBにコンピューターを接続してBlackmagic Camera Setup Utilityを起動します。Studio Fiber Converterが古いバージョンを使用していることをコンピューターが検出すると、アップデートを推奨するメッセージが表示されます。スクリーンの指示に従い、コンバーターの内部ソフトウェアをアップデートします。

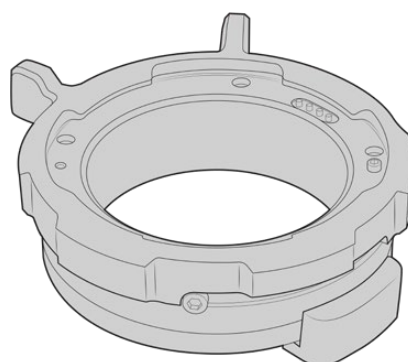
交換可能なレンズマウント

Blackmagic URSA Broadcast G2にはカスタムB4マウントが標準装備されており、EFマウントが同梱されています。レンズマウントが交換可能なため、カメラにBlackmagic URSA Mini Pro PL MountやURSA Mini Pro F Mountを取り付けられます。レンズマウントキットは、Blackmagic Design販売店にて購入可能です。

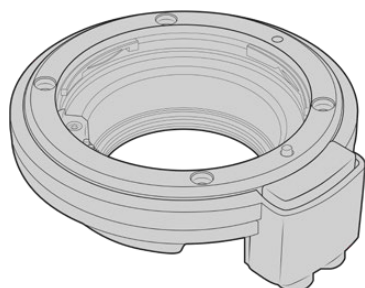
メモ Blackmagic URSA Mini Pro用のB4マウントはURSA Broadcast G2カメラのものと同じではなく、別のセンサー用に開発されたマウントです。URSA Broadcast G2カメラに同梱されるB4マウントのみを使用してください。



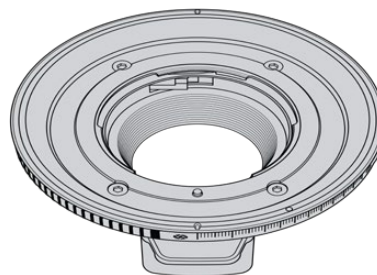
放送用B4マウント



PLマウント



EFマウント



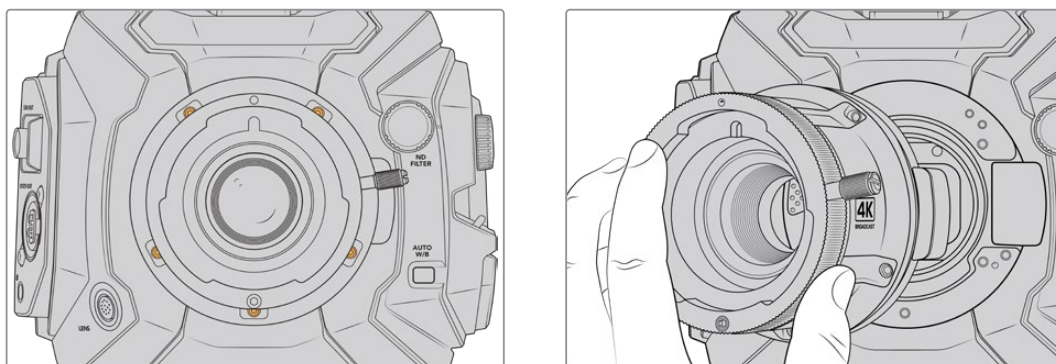
Fマウント

別売りのマウントに交換できるので、仕事の種類に応じて異なるレンズを使い分けられます。例えば、EFマウントで高品質のスチルレンズを使用できます。B4マウントはENGや結婚式でパーフォーカルズームレンズを使用したい場合に最適です。さらにPLマウントでは、完璧な精度を持ち、反復的なコントロールにも対応する、堅牢性に優れたハイエンドのシネマレンズを装着できます。FマウントではNikon製のレンズ（1959年以降のモデル）を幅広く使用できます。

各マウントの取り付けは、オリジナルのB4マウントのネジを外し、新しいマウントと交換するだけです。

B4マウントの取り外し

B4マウントの取り外しは、2mmの六角ドライバーを使用して5本のM3六角ネジを外すだけです。



B4マウントは、5本のM3六角ネジを外してカメラ本体から持ち上げるだけで取り外し可能

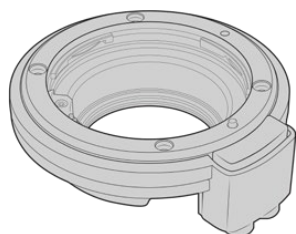
メモ オリジナルのB4マウントを取り外す際は、マウントの下にあるシムがカメラに必ずそのまま装着されているようにしてください。

PL、B4、EFレンズマウントキットの詳細と、URSA Broadcast G2への取り付け方法は下記を読み進めてください。

Blackmagic URSA Mini Pro EF Mount

EFマウントを使用するとURSA Broadcast G2でEFスチルレンズを装着できます。

EFマウントキット同梱品：



EFマウント x1

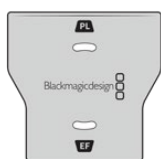
EFマウントを使用すると一般的なEFスチルレンズが使用可能となります。



シムセット x1

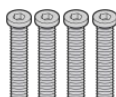
シムセットには、下記の厚みのシムが含まれます：

0.50mm	0.18mm	0.10mm
0.30mm	0.15mm	0.05mm
0.20mm	0.12mm	0.025mm



バツフルツール x1

EFマウントのバツフルは取り外せませんが、PLマウントをお持ちのユーザーのためにスペアパーツとしてEFマウントキットにもバツフルツールが同梱されています。

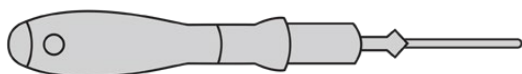


マウント用M3六角ネジ (2mm X 18mm) x4

この4本のM3六角ネジ (18mm) はEFマウント専用なので各マウント用のネジをそれぞれ一緒に保管することをお勧めします。

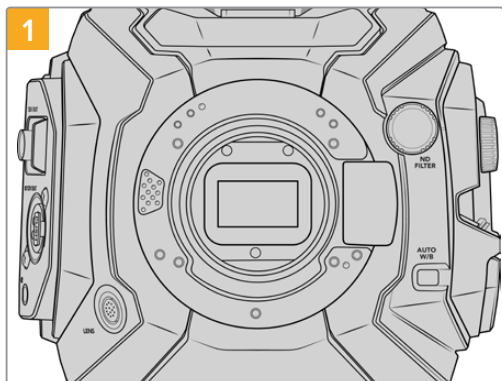
必要な工具

EFマウントの取り付けには2mmの六角ドライバーが必要です。必須ではありませんが、トルクレンチの使用を推奨します。最大トルクを0.45Nmに設定することでネジの締め過ぎを防ぎます。

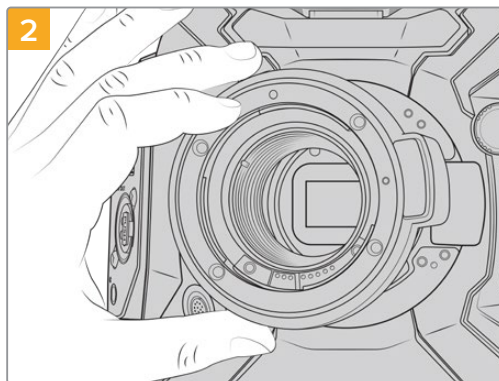


2mmの六角ドライバー

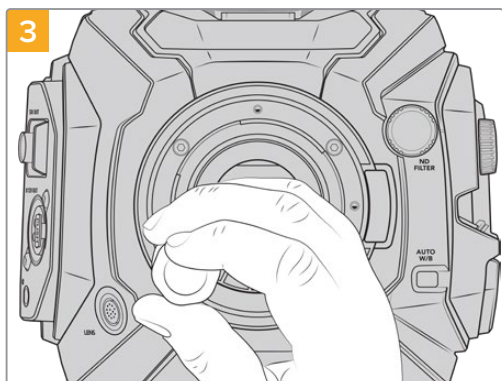
EFマウントの取り付け



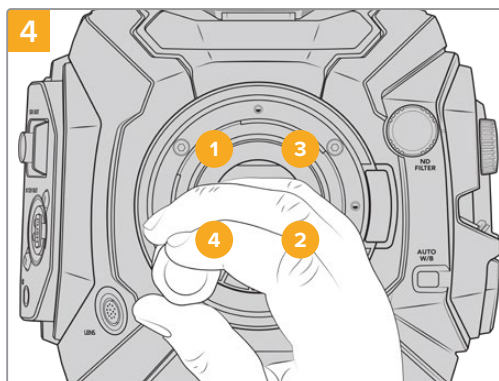
1 清潔で安定した台に、レンズを上にしてBlackmagic URSA Broadcast G2を置き、マウントを垂直に差し込めるようにします。PLからEFマウントに替える場合は、EFマウントを差し込む前に必ずPLパッフルを取り外すようにしてください。



2 Blackmagic URSA Mini Pro EF Mountをカメラ本体に取り付けます。その際、赤いドット（点）が12時の位置になるようにします。



3 レンズマウントのベースと接触するまで、4本のマウントネジを緩く締めます。

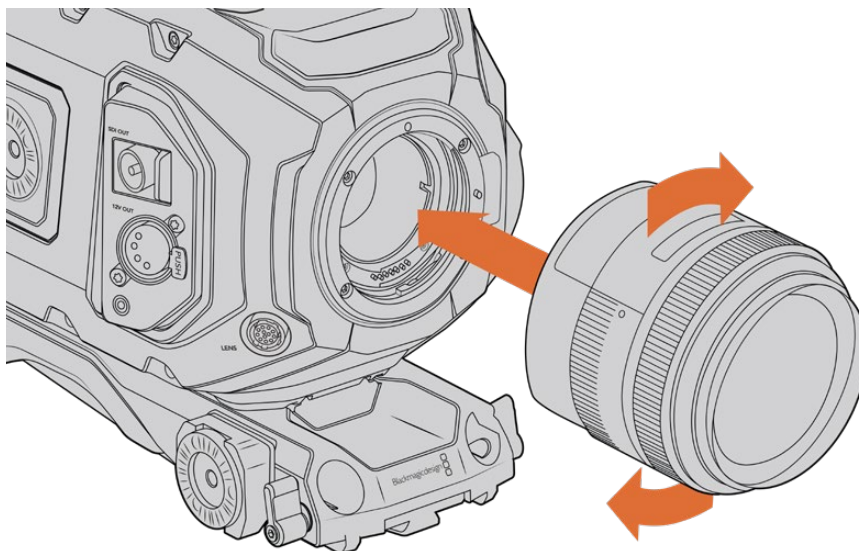


4 2mmの六角ドライバーまたはトルクレンチを使い、ネジ1を1周回して固定します。次に同様の作業をネジ2、3、4で行います。すべてのネジが最大トルク0.45Nmに締まるまでこの作業を続けます。

メモ EFマウントの取り外しは、取り付け方法のステップ1から4を逆の順序で行ってください。

EFマウントレンズを取り付ける：

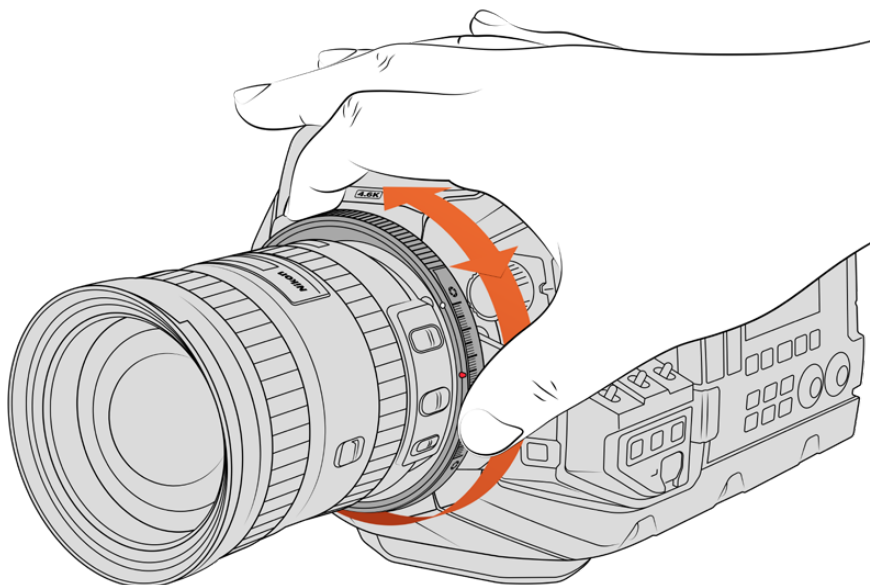
- 1 レンズ上のドット（点）とカメラのマウント部分のドットを合わせます。多くのレンズには、青、赤、白のドットか、その他の目印がついています。
- 2 レンズをマウント部に挿入し、ロックされるまで時計回りに回します。
- 3 レンズを外すには、ロックボタンを押しながら、レンズを反時計回りに12時の位置まで回し、ゆっくり外します。



EFマウントレンズの装着/取り外し

Blackmagic URSA Mini Pro F Mount

Blackmagic URSA Mini Pro F Mountが取り付けられている場合、Fマウントレンズが使用できます。NikonのFマウントの歴史は1959年にまで遡りますが現在も製造が続けられています。つまりBlackmagic URSA Mini Pro F Mountを取り付けると、年代物から最新のレンズまで多様なレンズが使用可能になります。



Blackmagic URSA Mini Pro F Mountのアイリス調整リングは、Fマウントレンズのアパーチャーをスムーズに調整

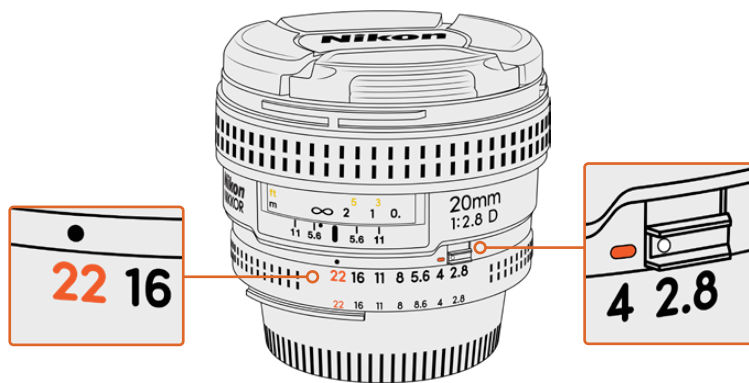
Fマウントの着目すべき特徴は機械式マウントであることです。すなわち、Fマウントでは電子フォーカスやアイリスコントロールは使用できません。代わりに、Fマウントではアイリス調整機構を採用しています。これにより、Nikonのほとんどのレンズが搭載しているアイリスピンを動かして、スムーズなシネマレンズスタイルのアイリス調整が行えます。

Fマウントを装着した状態でBlackmagic URSA Mini Pro F Mountのアイリス調整機構を動かすだけで、簡単に希望の露出が得られます。Fマウントの赤いドットおよびアイリス調整機構のマークを使用すると、特定のアイリス設定にマークを付けられ、特定の露出や被写界深度の設定に簡単に戻ることができます。

メモ Fマウントの取り外しは、取り付け方法のステップ1から4を逆の順序で行ってください。

Nikon AF-Dレンズ

NikonのAF-Dシリーズのレンズを使用する際は、レンズアパーチャーの設定を最小 (f/22など) にしてロックすることが重要です。これにより、Blackmagic URSA Mini Pro F Mountのアイリス調整リングがフルで使用できるようになります。



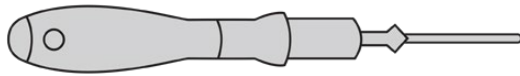
AF-Dレンズのアパーチャー設定を最小にしてロックする作業は、カメラにマウントする前に行うことをお勧めします。

Fマウントキット同梱品:

- | | | | | | | | | | | |
|---|---|---------|--------|--------|--------|--------|--------|--------|--------|---------|
|  | <p>Fマウント x1</p> <p>Fマウントを使用すると一般的なFスチルレンズが使用可能となります。</p> | | | | | | | | | |
|  | <p>シムセット x1</p> <p>シムセットには、下記の厚みのシムが含まれます:</p> <table border="0"> <tr> <td>0.50mm</td> <td>0.18mm</td> <td>0.10mm</td> </tr> <tr> <td>0.30mm</td> <td>0.15mm</td> <td>0.05mm</td> </tr> <tr> <td>0.20mm</td> <td>0.12mm</td> <td>0.025mm</td> </tr> </table> | 0.50mm | 0.18mm | 0.10mm | 0.30mm | 0.15mm | 0.05mm | 0.20mm | 0.12mm | 0.025mm |
| 0.50mm | 0.18mm | 0.10mm | | | | | | | | |
| 0.30mm | 0.15mm | 0.05mm | | | | | | | | |
| 0.20mm | 0.12mm | 0.025mm | | | | | | | | |
|  | <p>マウント用M3六角ネジ (2mm X 18mm) x4</p> <p>この4本のM3六角ネジ (18mm) はEFおよびFマウント用なので、各マウント用のネジをそれぞれ一緒に保管することをお勧めします。</p> <p>Fマウントキットには、紛失に備えてスペアのネジ一式が同梱されています。</p> | | | | | | | | | |

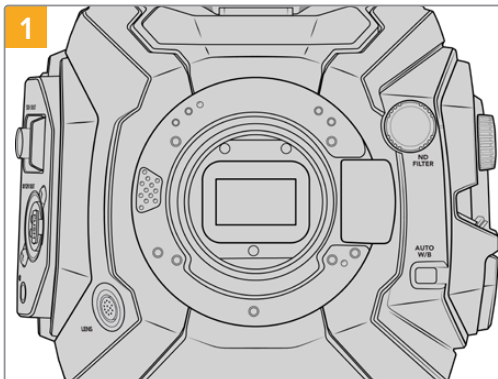
必要な工具

Fマウントの取り付けには2mmの六角ドライバーが必要です。必須ではありませんが、トルクレンチの使用を推奨します。最大トルクを0.45Nmに設定することでネジの締め過ぎを防ぎます。

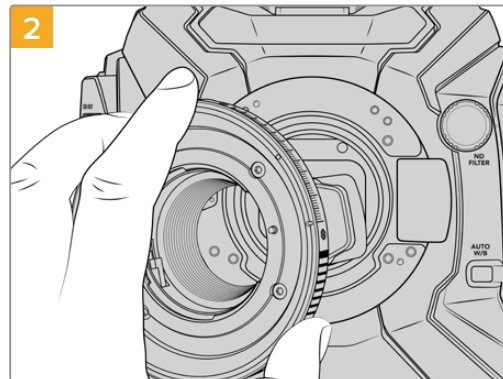


2mmの六角ドライバー

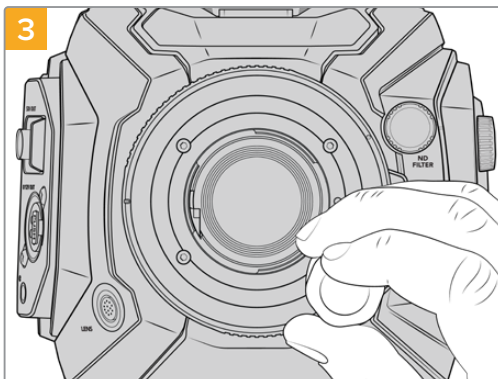
Fマウントの取り付け



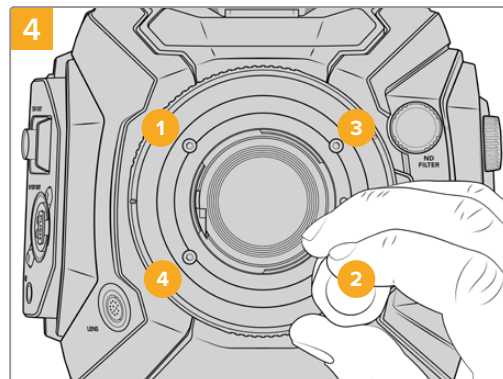
清潔で安定した台に、レンズを上にしてBlackmagic URSA Broadcast G2を置き、マウントを垂直に差し込めるようにします。PLからFマウントに替える場合は、Fマウントを差し込む前に必ずPLバツプルを取り外すようにしてください。



Blackmagic URSA Mini Pro F Mountをカメラ本体に取り付けます。その際、白いドットが2時の位置になるようにします。



レンズマウントのベースと接触するまで、4本のマウントネジを緩く締めます。

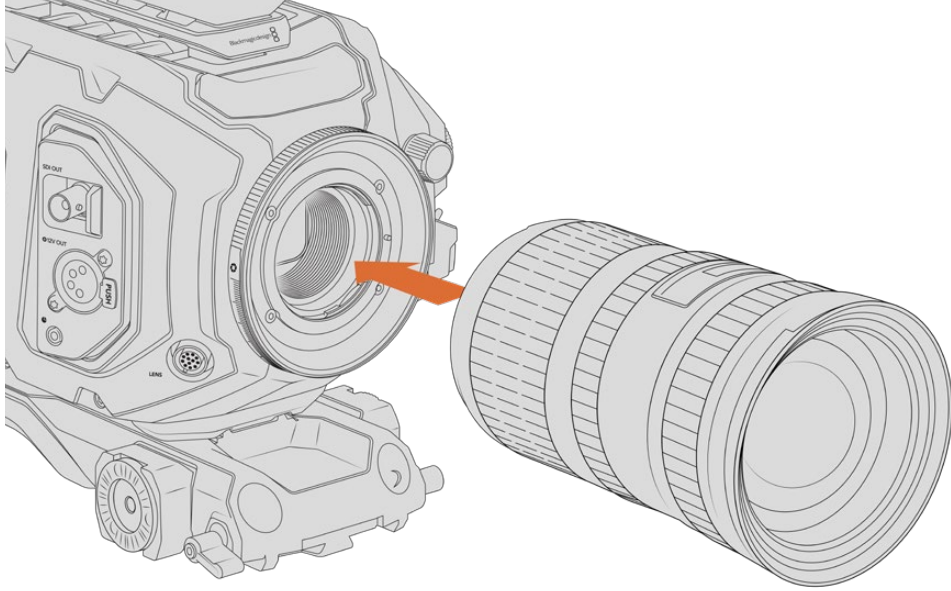


2mmの六角ドライバーまたはトルクレンチを使い、ネジ1を1周回して固定します。次に同様の作業をネジ2、3、4で行います。すべてのネジが最大トルク0.45Nmに締まるまでこの作業を続けます。

メモ URSA Mini Pro F Mountの性質上、一部のFマウントレンズとは互換性がありません。

これには、アイリスコントロール機構を搭載していないニッコールAF-S Eシリーズレンズや、シフト機能およびティルト機構を搭載したNikonのPC-E 24mm f/3.5Dや85mmなどが含まれます。

Fマウントレンズを取り付ける：



Fマウントの付いたBlackmagic URSA Broadcast G2
にFマウントレンズを装着/取り外し

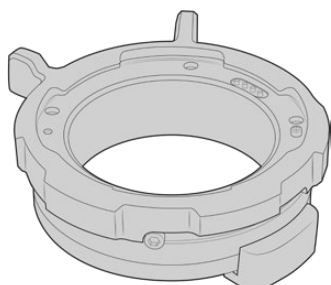
- 1 レンズ上のドット（点）とカメラのマウント部分のドットを合わせます。多くのレンズには、青、赤、白のドットか、その他の目印がついています。
- 2 レンズをマウント部に挿入し、ロックされるまで反時計回りに回します。
- 3 レンズを外すには、ロックボタンを押しながら、レンズを時計回りに2時の位置まで回し、ゆっくり外します。

メモ Blackmagic URSA Mini Pro F Mountはアイリス調整機構を採用しています。フォーカスリングを内蔵した旧式のFマウントレンズを使用するには、レンズのアパーチャーは最低値（f/22など）に設定/ロックされている必要があります。

Blackmagic URSA Mini Pro PL Mount

URSA Broadcast G2にPLマウントを取り付けることで、ハイエンドの高精度シネマレンズやスーパー16mm PLレンズの使用が可能となり、劇場映画やテレビ番組の撮影が行えます。

PLマウントキット同梱品:



PLマウント x1

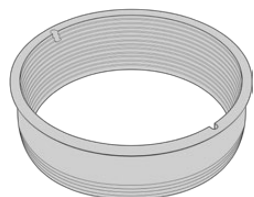
PLマウントは、保護用ダストキャップを取り付けた状態で出荷されます。



シムセット x1

シムセットには、下記の厚みのシムが含まれます:

0.50mm	0.18mm	0.10mm
0.30mm	0.15mm	0.05mm
0.20mm	0.12mm	0.025mm



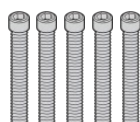
PLバッフル x1

PLマウントバッフルはセンサーに入る光のコントロールに役立ちます。



バッフルツール x1

PLバッフルツールは、カメラにバッフルをしっかりと締めるために使用します。

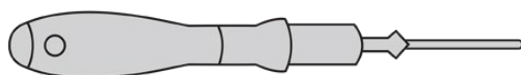


マウント用M2.5六角ネジ (2mm X 22mm) x5

この5本のM2.5六角ネジ (22mm) はPLマウント専用なので各マウント用のネジをそれぞれ一緒に保管することをお勧めします。

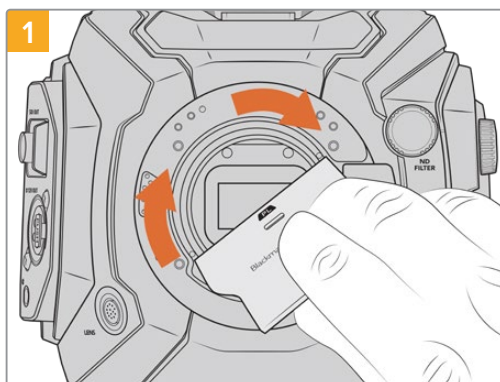
必要な工具

PLマウントの取り付けには2mmの六角ドライバーが必要です。必須ではありませんが、トルクレンチの使用を推奨します。最大トルクを0.45Nmに設定することでネジの締め過ぎを防ぎます。

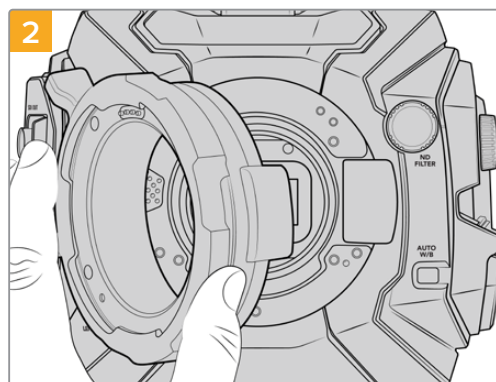


2mmの六角ドライバー

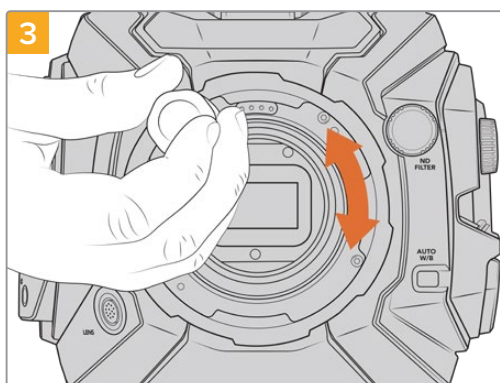
PLマウントの取り付け



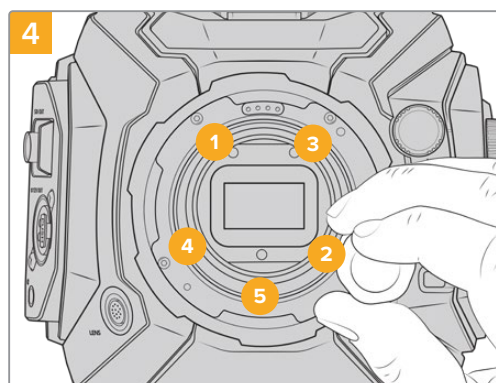
レンズマウントの中央にPLバッフルをゆっくりと挿入し、バッフルを手で回して固定します。PLバッフルツールの幅の広い方を使用してバッフルを軽く締めます。きつく締めすぎないようにしてください。



Cooke /i Technology用のPLマウントのピンは12時の位置になるようにしてください。



レンズマウントのベースと接触するまで、5本のマウントネジを緩く締めます。5本のネジを締めるには、PLロックリングを回すことで隠れたネジ穴が確認できます。



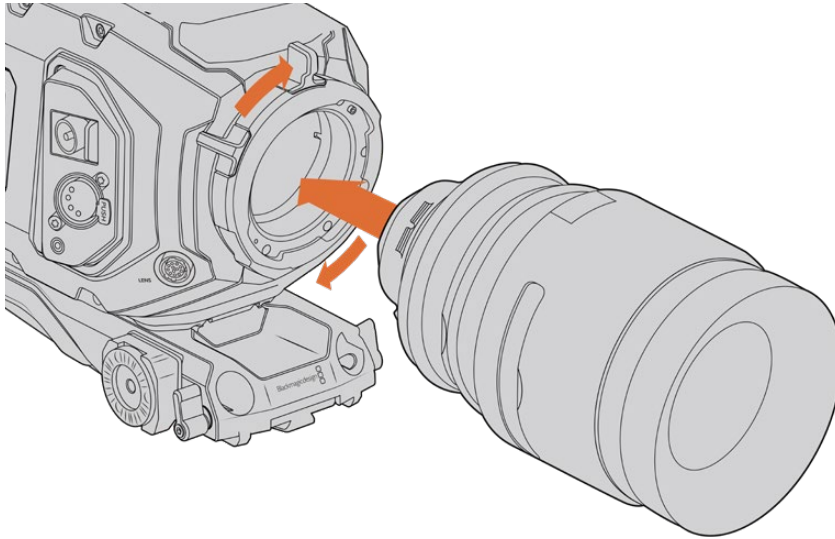
2mmの六角ドライバーまたはトルクレンチを使い、ネジ1を1周回して固定します。次に同様の作業をネジ2で行います。3、4、5の順番で1度に1回転ずつ上記の手順で締めていき、すべてのネジが最大トルク0.45Nmに締まるまでこの作業を続けます。

メモ PLマウントの取り外しは、取り付け方法のステップ1から4を逆の順序で行ってください。PLバッフルを取り外し、PLマウントと共に保管することを忘れないでください。

PLマウントレンズを取り付ける：

- 1 カメラのPLロックリングを反時計回りに止まるまで回します。
- 2 レンズの4つのフランジの刻み目のいずれか1つを、カメラマウントの位置決めピンに合わせます。レンズマークが簡単に確認できるようにレンズを合わせます。
- 3 PLロックリングを時計回りに回し、きつく固定します。URSA Broadcast G2にサーボユニット付きのPLレンズを取り付ける場合は、12ピン放送用コネクターに接続してサーボをコントロールできます。

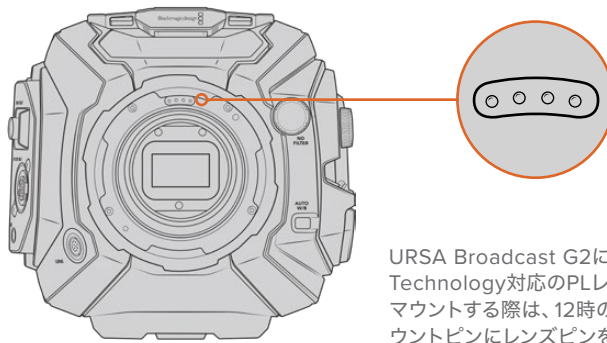
- 4 レンズを外すには、ロックリングを反時計回りに止まるまで回し、レンズをカメラ筐体から直接引き出し、ゆっくり外します。レンズを回す必要はありません。



PLレンズの装着/取り外し

Cookeレンズと/i Technologyのサポート

URSA Broadcast G2のオプションであるBlackmagic URSA Mini Pro PL Mountは、12時の位置に4ピンが付いています。これはCookeの/i Technologyインターフェース対応のレンズとの通信に使用されます。このインターフェースに対応するレンズには、Canon、Cooke、Fujinon、Leica、Zeissレンズが含まれます。これにより、クリップのメタデータに、レンズモデル、焦点距離、アパーチャー設定、フォーカス距離、その他のレンズ特有の情報などのレンズ情報を記録できます。



URSA Broadcast G2にCooke/i Technology対応のPLレンズをマウントする際は、12時の位置にあるマウントピンにレンズピンを合わせてください。

Cookeの/i Technologyインターフェース経由でメタデータとして記録された情報は、ポストプロダクションやVFXで役立ちます。プロダクションで使用したレンズとそれらの詳細な設定を把握しておくことは、後日同じ設定が必要になる場合に役立ちます。

また、これらの情報は、DaVinci ResolveやFusionなどパワフルなアプリケーションにおいて、他の様々な高度な機能に使用できます。例えば、記録されたメタデータは3D空間での特定のレンズのシミュレーションやレンズの歪み補正に使用されます。

PLマウントサーボレンズ

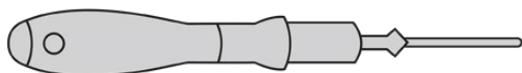
URSA Broadcast G2は、サーボハンドグリップを装備した35mmのPLレンズのコントロールをサポートしています。レンズがカメラのレンズコネクタに接続されている場合、URSA Broadcast G2は、B4レンズと同様の方法で電源とコントロール信号をレンズに供給します。詳細は、このマニュアルの「サーボズーム対応レンズの使用」セクションを参照してください。

Blackmagic URSA Broadcast B4 Mount

Blackmagic URSA Broadcast B4 Mountは、URSA Broadcast G2に同梱されるマウントです。すでにB4マウントを取り外して、同梱のBlackmagic URSA EFマウント、あるいはオプションのPLまたはFマウントを取り付けている場合は、以下のステップでB4マウントを再装着できます。

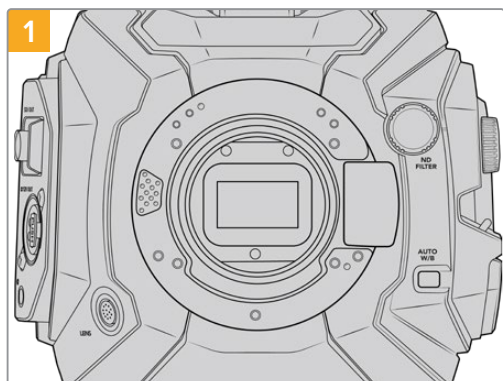
必要な工具

B4マウントの取り付けには2mmの六角ドライバーが必要です。必須ではありませんが、トルクレンチの使用を推奨します。最大トルクを0.45Nmに設定することでネジの締め過ぎを防ぎます。

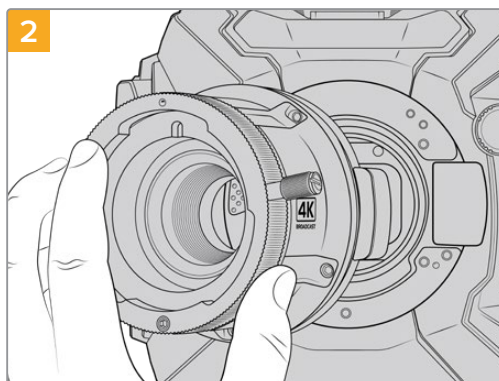


2mmの六角ドライバー

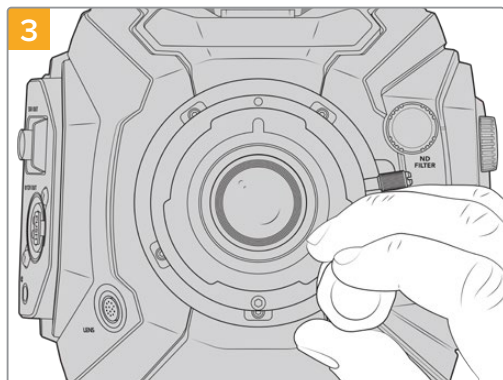
B4レンズマウントの取り付け



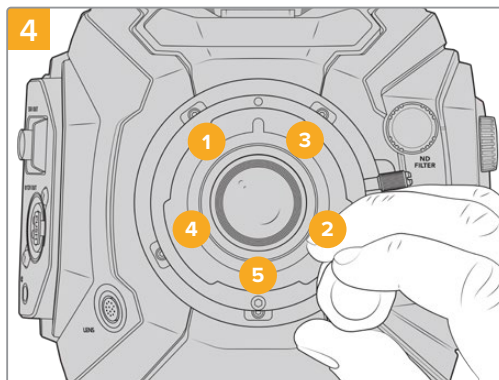
清潔で安定した台に、レンズを上にしてBlackmagic URSA Broadcast G2を置き、マウントを垂直に差し込めるようにします。



カメラに0.50mmシムを取り付け、その後Blackmagic Broadcast B4 Mountをカメラ本体に取り付けます。その際、赤いドットが12時の位置になるようにします。



レンズマウントのベースと接触するまで、5本のマウントネジを緩く締めます。



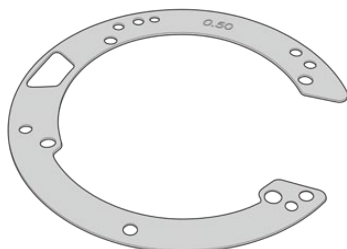
2mmの六角ドライバーまたはトルクレンチを使い、ネジ1を1周回して固定します。次に同様の作業をネジ2で行います。3、4、5の順番で1度に1回転ずつ上記の手順で締めていき、すべてのネジが最大トルク0.45Nmに締まるまでこの作業を続けます。

メモ B4マウントの取り外しは、取り付け方法のステップ1から4を逆の順序で行ってください。

レンズマウントのシム調整

シムとは

シムは、様々な厚みの薄いディスクです。レンズとURSA Broadcast G2のセンサー間の距離を微調整するために使用します。この距離はフランジ焦点距離として知られており、レンズの古さや撮影のコンディションなどの可変要因によりわずかに変動します。



URSA Broadcast Shim

シムは、レンズマウントとカメラ筐体の間に設置して、被写体からセンサーまでの距離をレンズのフォーカスマークと一致させます。これらは通常PLレンズに使用されています。こういったシネマレンズはマニュアルでフォーカスを行ない、レンズバレルの焦点距離のマークが極めて正確です。シムはURSA Broadcast G2の交換可能なレンズマウントにも使用できます。

Blackmagic URSA Mini Pro Shim Kitには様々な厚さのシムが含まれており、Blackmagic Designの取り扱い販売店で購入できます。シムセットは各種マウントキットにも含まれており、URSA Broadcast G2と互換性があります。後側焦点の要件に応じた厚さのシムを使用してください。

Blackmagic URSA Mini Pro Shim Kit

URSA Broadcast G2カメラには2つのシム（0.10mmのプラスチックシムと0.50mmの金属シム）が同梱されます。これらのシムを使用して、URSA Broadcast G2カメラでB4、EF、Fマウントレンズの適切な焦点距離を設定できます。非常に稀ですが、フォーカスマークを正確に保つ上で特定の間隔が求められるPLレンズでは、シムの追加が必要になる場合があります。Blackmagic URSA Mini Pro Shim Kitには以下が含まれています。また、キットには他の厚さのシムも含まれているので、フォーカスマークを正確に保つために、わずかな調整を行う必要がある場合に使用できます。

シムキット同梱品：



バッフルツール x1

URSA Broadcast G2にPLマウントの取り付け/取り外しを行う際に、バッフルツールを使ってPLバッフルを緩める/締めることができます。



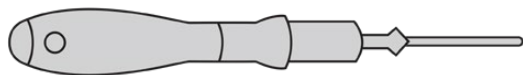
シムセット x1

シムセットには、下記の厚みのシムが含まれます：

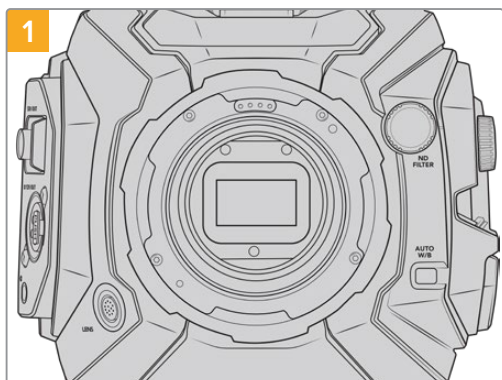
0.50mm	0.18mm	0.10mm
0.30mm	0.15mm	0.05mm
0.20mm	0.12mm	0.025mm

マウントのシム調整

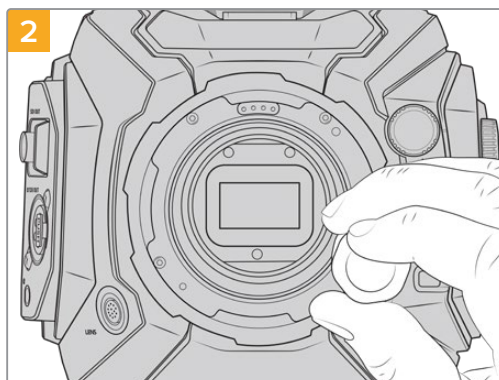
カメラのマウントにシムを装着するには、最大トルク0.45Nmに正確に設定できるトルクレンチ、2.0mmの六角ドライバーとドライバーが必要です。



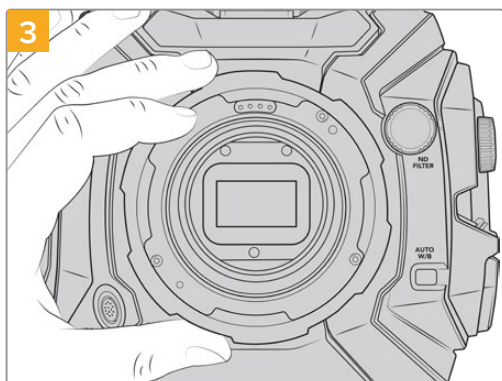
トルクレンチ



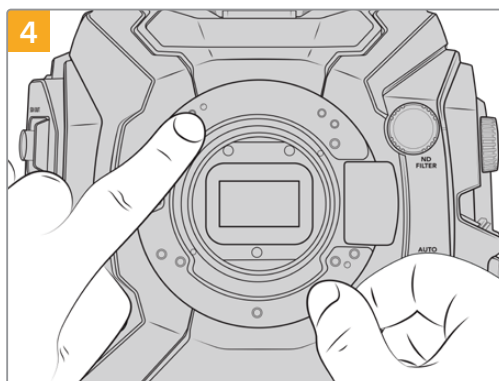
清潔で安定した台に、レンズを上にしてBlackmagic URSA Broadcast G2を置き、レンズまたはダストキャップを外します。シムの調整中はセンサーを覆うフィルターがむき出しになるので、フィルターをできる限り清潔に保つようにしてください。マウントにシムを装着する際は、フィルターに触れないようにしてください。



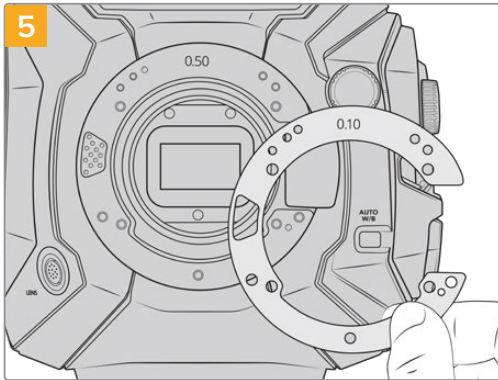
マウントを押さえながら、2.0mmの六角ドライバーでネジを外します。各レンズマウントの取り外しに関する詳細は、このマニュアルの「交換可能なレンズマウント」セクションを参照してください。



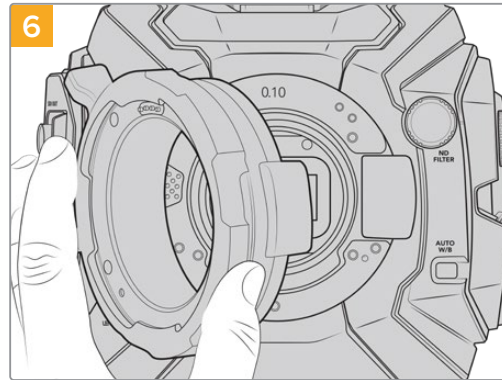
レンズマウントを注意深くカメラ筐体から取り外します。取り外したネジは、レンズマウントと共に保管してください。



装着されているシムは、11時の位置にアライメントピンがあります。



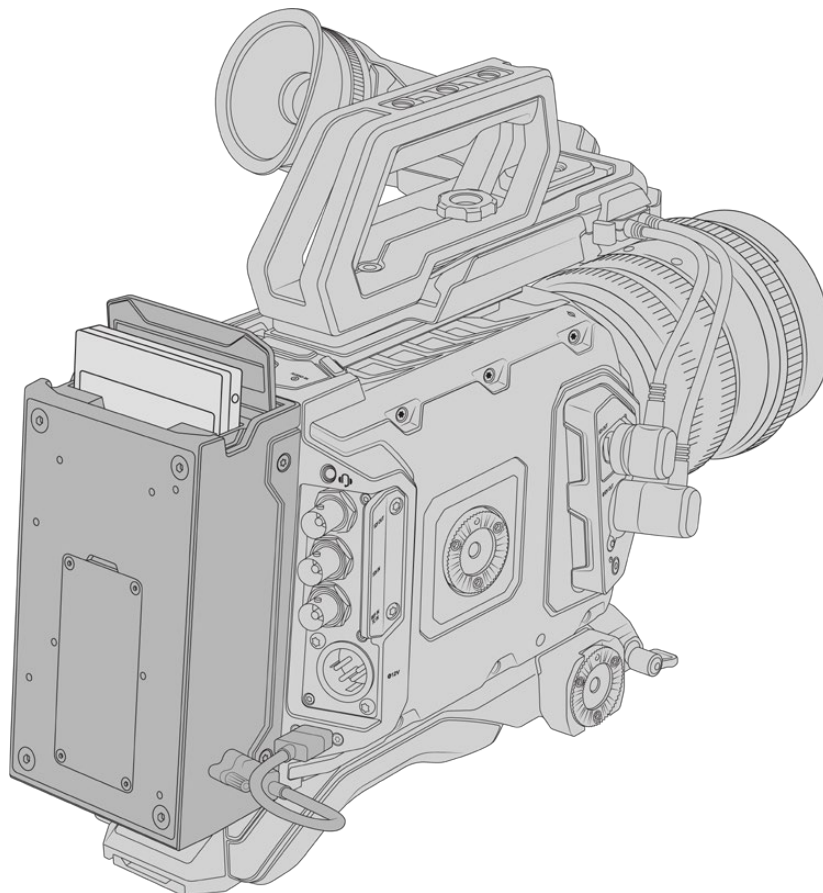
シムを追加または取り外して、マウントの位置を調整します。はじめは薄いシム（0.10mmなど）を使用して調整を開始することをお勧めします。



レンズマウントをカメラ筐体に取り付けてネジを締め、レンズを再びマウントします。次に、レンズのフォーカスマークが焦点距離と一致しているか確認します。一致していない場合はステップ1～6を繰り返し、シムを少しずつ調整して、フォーカスマークと焦点距離を合わせます。

URSA Mini Recorder

Blackmagic URSA Mini RecorderはURSA Broadcast G2の背面に取り付けるオプションのモジュールです。このレコーダーは、フッタージ（6K Blackmagic RAWファイルを含む）を安価な大容量ソリッドステート・ドライブ（SSD）に収録します。



URSA Mini Recorderの取り付けには、以下の工具が必要です：

- プラスドライバー x1
- T10トルクスドライバー x1
- 2mm六角ドライバー x1

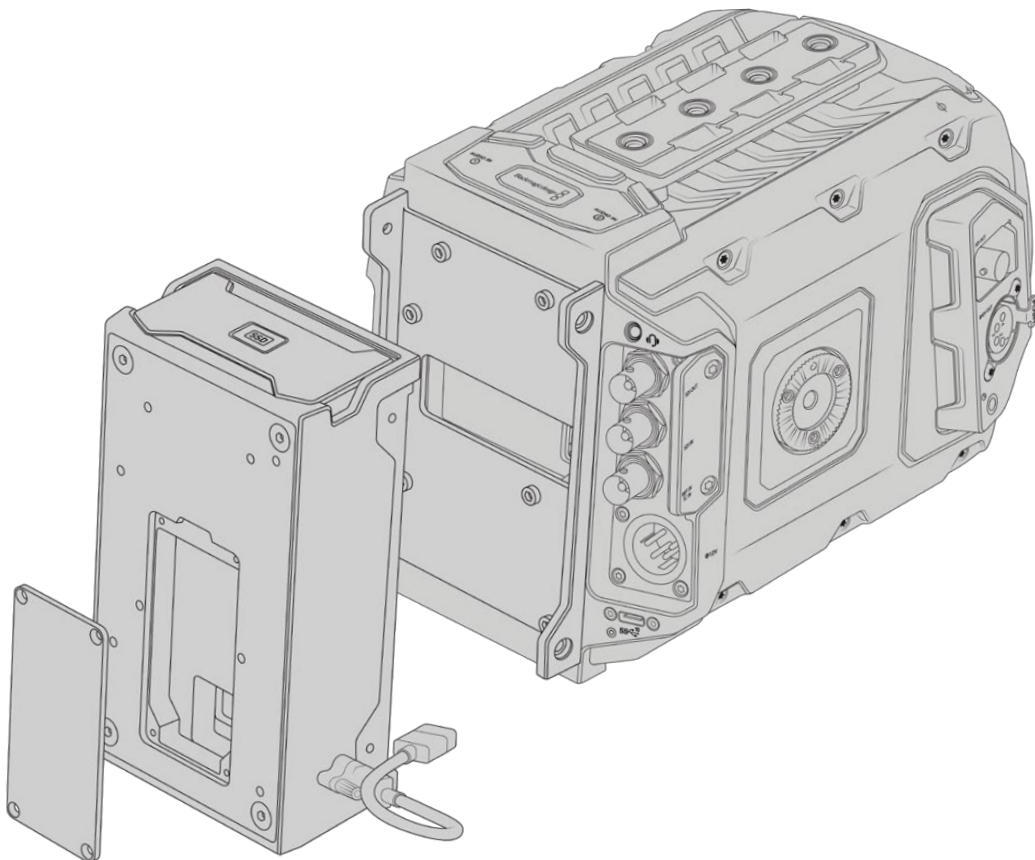


URSA Mini RecorderをURSA Broadcast G2に取り付けるには、大きめのプラスドライバー、T10トルクスドライバー、2mm六角ドライバーが必要です。

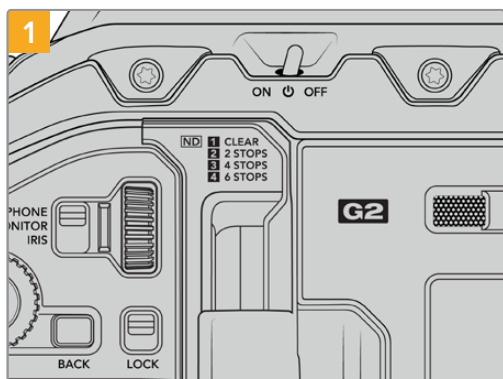
URSA Mini Recorderのマウントおよび接続

URSA Mini Recorderは Broadcast G2のカメラ本体の背面にマウントします。カメラの背面にあるUSB-Cデータポートを介してURSA Mini Recorderとデータ通信を行います。

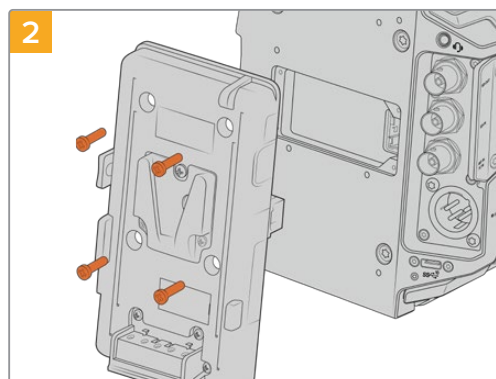
作業のこつ URSA Mini Recorderはカメラのバッテリーに給電を行うパススルーケーブルに対応しているため、Vマウントやゴールドマウントバッテリーをカメラの背面のレコーダーの後ろに取り付けられます。



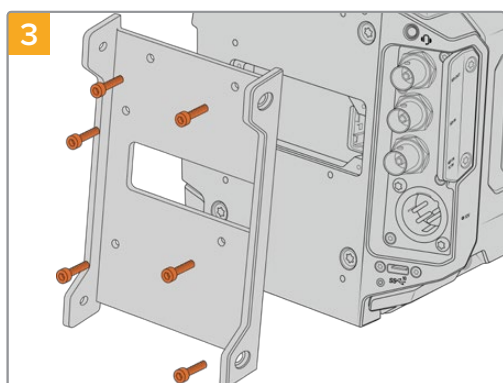
URSA Mini Recorderをマウントおよび接続する：



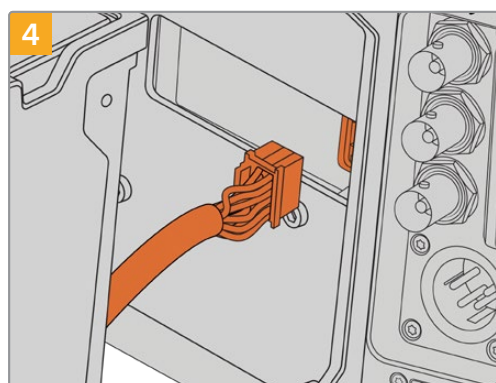
電源スイッチを「OFF」にしてURSA Broadcast G2の電源を切ります。



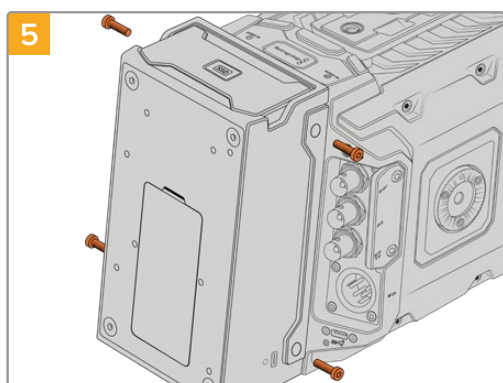
カメラに現在マウントされているバッテリープレートを取り外します。バッテリープレートのマウント/取り外しに関しては、このマニュアルの「バッテリーのマウント」セクションを参照してください。



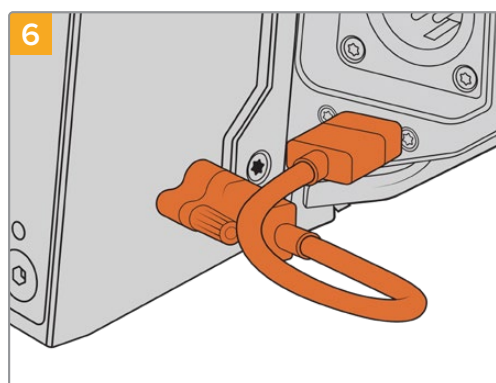
URSA Mini Recorderのマウント用ブラケットを6本のT10トルクスネジで取り付けます。



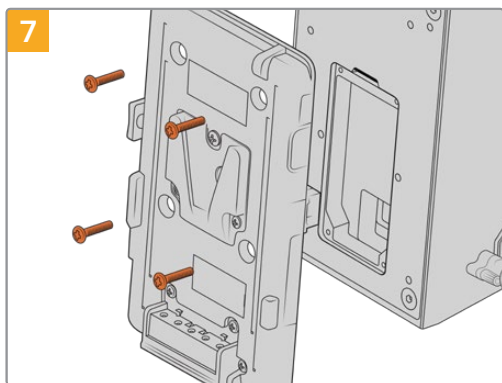
URSA Mini RecorderのMolexコネクタをカメラのリアパネルのMolexソケットに差し込みます。



マウント用ブラケットの左右に1本ずつ、計2本のT10トルクスネジを使って、URSA Mini Recorderを固定します。



Mini RecorderのUSB-CケーブルをURSA Broadcast G2の背面にあるUSB-Cデータポートに接続します。指または2mmの六角ドライバーでコネクタのロックを締めます。



URSA Mini Recorderと共にバッテリープレートを使用するには、2mmの六角ドライバーでMolexソケットのカバーパネルを固定している4本のM3ネジを外します。Molexソケットのカバーを取り外したら、このマニュアルの「バッテリーのマウント」セクションで説明されている手順に従ってバッテリープレートを取り付けます。

URSA Mini Recorderを使用する

URSA Mini Recorderが接続され、SSDがロードされると、URSA Broadcast G2のオペレーティングシステムの3番目のスロットを使用します。URSA Mini Recorder使用時には、カメラのストレージ管理のスロット3に「SSD」と表示されます。



URSA Mini RecorderにSSDが差し込まれると、カメラのストレージ管理のスロット3は「SSDレコーダー (SSD RECORDER)」と表示

つまり、SSDでの収録、再生、ストレージの管理は、CFastとSDカードの使用時と全く同じです。ストレージ管理に関する概要、SSDの選択についての詳細なガイドラインは「ストレージメディア」セクションを参照してください。

ステータスLED

URSA Mini Recorderは、左側にSSD用のステータスライトを1つ搭載しています。このライトは、カメラの「セットアップ (SETUP)」メニューでオン/オフの切り替えが可能で、明るさの設定は「低 (Low)」、「中 (Medium)」、「高 (High)」から選択できます。

SSD

SSDインジケータは現在、差し込まれているSSDのステータスを示すインジケータです。LEDインジケータの表示の種類には下記があります：

白	URSA Mini Recorderの電源が入っており、URSA Broadcast G2と通信していると、白のライトが点灯します。
赤	SSDへの収録中は、URSA Mini Recorderのインジケータは赤く点灯します。SSDの空き容量が少なくなると、赤いライトがゆっくりと点滅します。 ライトが高速に点滅する場合はSSDでコマ落ちが発生しています。その際には、推奨SSDリストに記載されているSSDを使用しているか、またメディアに互換しているデータレートで収録しているかを確認してください。
オレンジ	SSDをマウント中に問題が発生するとライトがオレンジになります。これは、フォーマット方法が不適切であるか、互換性のないSSDが挿入されていることを意味します。互換性のあるSSDのリストおよびフォーマット方法に関しては「ストレージメディア」セクションを参照してください。

作業のこつ SSDのLEDがドライブのマウントエラーを示している場合、MacのディスクユーティリティまたはPCのディスクの管理を使って初期化が必要な可能性があります。

URSA Mini Recorderの内部ソフトウェアのアップデート

URSA Mini Recorderのアップデートには、Blackmagic Camera Setup Utilityソフトウェアを使用します。アップデートはURSA Mini Recorderに電源が入った状態で行う必要があるため、アップデート中はURSA Mini RecorderとURSA Broadcast G2を接続したままにしておくことをお勧めします。安定した電源供給を得るため、カメラを外部電源またはバッテリーパックに接続してください。

コンピューターをUSB-CケーブルでURSA Mini Recorderに接続し、Blackmagic Camera Setup Utilityを起動します。URSA Mini Recorderが古いバージョンを使用していることをコンピューターが検出すると、アップデートを推奨するメッセージが表示されます。スクリーンの指示に従い、URSA Mini Recorderの内部ソフトウェアをアップデートします。詳細は、このマニュアルの「Blackmagic Camera Setup Utility」セクションを参照してください。

作業のこつ パフォーマンスを最適化するため、Blackmagic URSAシリーズすべての機器をアップデートすることをお勧めします。

スタジオカメラコントロールの概要

Blackmagic URSA Broadcast G2はスタジオカメラとして使用でき、ATEM Software Controlのカメラコントロール機能を使って、ATEMスイッチャーからコントロールできます。この機能を使用することで、大型センサーの画質と優れたダイナミックレンジを持つカメラを放送スタジオに追加し、他のスタジオカメラと同じようにコントロールできます。

「カメラ」ボタンをクリックすると、カメラコントロール機能が開きます。互換性のあるレンズを使用している場合は、アイリス、ゲイン、フォーカス、ズームコントロールなどの設定を簡単に調整できます。さらに、カメラのカラーバランスの調整や、DaVinci Resolveプライマリーカラーコレクターを使用したユニークなルックの作成も可能です。

ATEMスイッチャーのコントロール機能は、ATEMスイッチャーからのSDI出力（ダウンコンバートされている出力以外）を介して、カメラコントロール・パケットを送信することで機能します。つまり、ATEMスイッチャーのSDI出力をURSA Broadcast G2の12G-SDI入力に繋ぐと、カメラはSDIリンクでコントロール・パケットを検出し、カメラ自体の機能をコントロールできます。



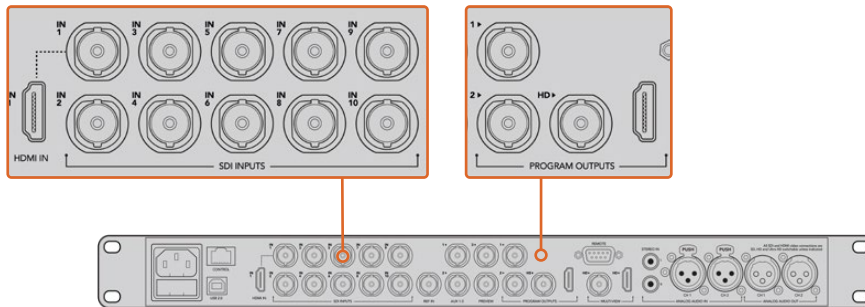
ATEMカメラコントロール

メモ Blackmagic URSA Broadcast G2をATEMスイッチャーと使用する際には、互換性を得るために、両ユニットの内部ソフトウェアを最新バージョンにアップデートすることをお勧めします。最新のソフトウェアは、www.blackmagicdesign.com/jp/supportのBlackmagicサポートセンターで確認できます。

URSA Broadcast G2の接続

- 1 Blackmagic URSA Broadcast G2の12G-SDI出力をATEMスイッチャーのSDI入力のいずれかに接続します。
- 2 ATEMスイッチャーのSDI出力（ダウンコンバート出力およびマルチビュー出力以外）を、URSA Broadcast G2の12G-SDI入力に接続します。カメラコントロール信号は、マルチビューおよびダウンコンバートSDI出力からは送信できません。
- 3 URSA Broadcast G2の「セットアップ (SETUP)」メニューにある「ATEMカメラID (ATEM CAMERA ID)」で、カメラのATEM IDをスイッチャーの入力と合わせます。例えば、URSA Broadcast G2 1がATEMスイッチャーのCam 1に接続されている場合、カメラ番号を「1」に設定します。これにより、タリー信号が正しいカメラに送信されます。

- 4 「セットアップ (SETUP)」メニューで「リファレンスソース (REFERENCE SOURCE)」を選択します。すべてのカメラとスイッチャーにゲンロック信号を送信していない限り、ATEMに接続した際にリファレンスソースの設定を「プログラム (Program)」にすることを推奨します。
- 5 ATEMスイッチャーへのSDI出力にオーバーレイやフォーカスボックスが表示されないよう、「モニター (MONITOR)」メニューの「メインSDI (Main SDI)」で「クリーンフィード (CLEAN FEED)」が選択されているか確認してください。



URSA Broadcast G2をATEMスイッチャーのSDI入力のいずれかに接続

カメラコントロールの使用

ATEM Software Controlを起動して、ソフトウェアウィンドウ底部の「カメラ」ボタンをクリックします。ラベル付きのカメラコントローラー列が表示され、各カメラのイメージを調整/微調整するツールを使用できます。これらのコントローラーの使い方は簡単です。マウスを使ってボタンをクリックしたり、クリック&ドラッグすることで調整できます。

カメラコントロールの選択

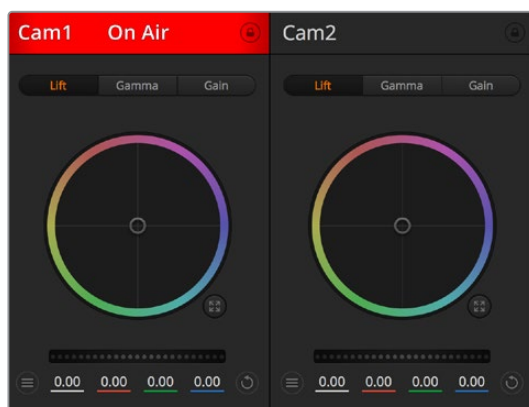
カメラコントロールページの上部にあるボタン列で、コントロールしたいカメラ番号を選択します。ウィンドウサイズに入りきらない数のカメラを使用している場合、あるいはカラーコレクターウィンドウを開いている場合は、これらのボタンを使ってコントロールしたいカメラを選択します。カメラコントロールのモニタリング用にAux出力を使用している場合は、これらのボタンを押して、コントロールするカメラを変更すると、該当のカメラのビデオ出力がスイッチャーの環境設定で設定したAux出力に送信されます。



設定アイコンをクリックしてカメラコントロールのAux出力を選択

チャンネルステータス

チャンネルステータスは、各カメラコントローラーの上部にあり、カメララベル、オンエア・インジケータ、ロックボタンを表示します。ロックボタンを押すと、該当のカメラのすべてのコントロール機能がロックされます。該当のカメラがオンエアされている場合、チャンネルステータスは赤くなり「On Air」と表示されます。



各カメラコントロールにチャンネルの状況が表示されるので、オンエア中のカメラが確認できます。カラーホイールを使用して、各YRGBチャンネルのリフト、ガンマ、ゲイン設定を調整します。

カラーホイール

カラーホイールはDaVinci Resolveカラーコレクターのパワフルな機能で、各YRGBチャンネルのリフト、ガンマ、ゲイン設定のカラー調整に使用します。カラーホイールの上にある3つの選択ボタンを押すと、調整する設定を選択できます。

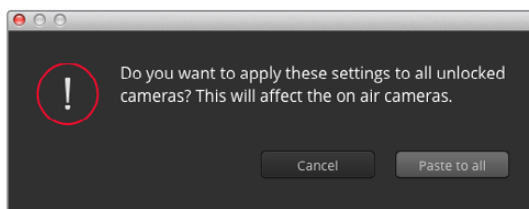
マスターホイール

カラーホイールの下にあるマスターホイールを使用すると、すべてのYRGBチャンネルのコントラストを一度に調整できます。あるいは、各リフト、ガンマ、ゲイン設定で輝度のみの調整も可能です。

リセットボタン

各カメラコントローラーの右上にあるリセットボタンを使えば、リセット、コピー、ペーストしたいカラーコレクション設定を簡単に選択できます。各カラーホイールにも、それぞれ独自のリセットボタンが付いています。ボタンを押すと、設定がデフォルトに戻るか、設定をコピー/ペーストできます。ロックされているコントローラーは、ペースト機能による影響を受けません。

カラーコレクターパネルの右上にあるマスターリセットボタンは、リフト/ガンマ/ゲインのカラーホイールに加え、コントラスト、彩度、色相、輝度ミックス設定をリセットします。カラーコレクション設定は各カメラコントローラーに個別にペーストできますが、すべてのカメラに同時にペーストして統一されたロックを得ることも可能です。アイリス、フォーカス、調整幅、ペDESTALの設定は、ペースト機能による影響を受けません。「すべてにペースト」を適用する際は、操作を確認する注意メッセージが表示されます。このメッセージは、現在オンエア中でロックされていないカメラに、誤って新しい設定をペーストすることを避けるために表示されます。



「すべてにペースト」を適用する際は、操作を確認する注意メッセージが表示されます。このメッセージは、現在オンエア中でロックされていないカメラに、誤って新しい設定をペーストすることを避けるために表示されます。

アイリス/ペDESTALレベル・コントロール

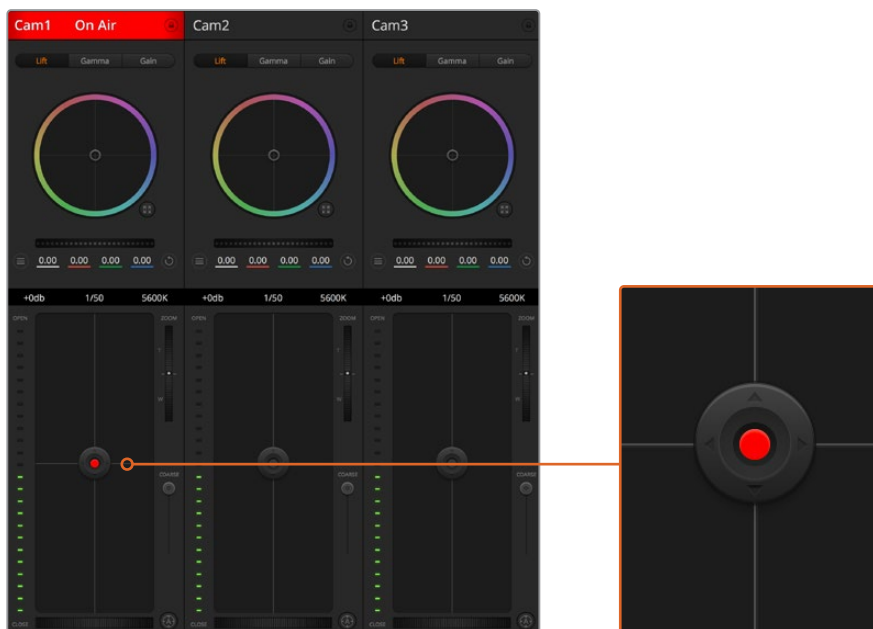
アイリス/ペDESTALレベル・コントロールは、各カメラコントローラーの十字線上にあります。該当のカメラがオンエアされている場合、このコントロールは赤く光ります。

アイリスを開く/閉じるには、コントロールを上下に動かします。「SHIFT」キーを押しながら操作するとアイリスのみを調整できます。

メモ ATEMに接続する際は自動露出を必ずオフにしてください。アイリス、ズーム、フォーカスを調整するには、カメラからの電子コントロールに対応したレンズが必要です。

B4/PLレンズを放送用12ピンコネクタでURSA Broadcast G2に接続して使用する場合は、ハンドグリップのレンズアイリススイッチが「A」または「Auto」に設定されていることを確認してください。

ペDESTALレベルを下げる/上げるには、コントロールを左右に動かします。Macでは「command」キー、Windowsでは「CONTROL」キーを押しながら操作すると、ペDESTALレベルのみを調整できます。



該当のカメラがオンエアされている場合、アイリス/ペDESTALレベル・コントロールは赤く光ります。

ズームコントロール

電子ズーム機能に対応した互換性のあるレンズを使用している場合は、ズームコントロールを使用してレンズをズームイン/アウトできます。コントローラーは、レンズのズームロッカーと同様に機能します。一方は望遠、もう一方はワイドアングルです。調整幅スライダーの上にあるズームコントロールをクリックすると、上へドラッグしてズームイン、下へドラッグしてズームアウトできます。

レンズにアクティブレンズコントロールがない場合、またはカメラがSDIカメラコントロール・プロトコルを使用したズームコントロールに対応していない場合は、これらの設定による影響はありません。例えば、EFレンズにはレンズの電子ズームを可能にするサーボが内蔵されていないため、ATEMカメラコントロールでズームすることはできません。

メモ アナログB4レンズはATEMズームコントロールをサポートしていません。アナログB4レンズに関する詳細は、「サーボズーム対応レンズの使用」セクションを参照してください。

調整幅設定

アイリス/ペDESTALレベル・コントロールの左側にある調整幅設定は、アイリスの幅を制限するために使用します。この機能は、露出過多の映像のオンエア防止に役立ちます。

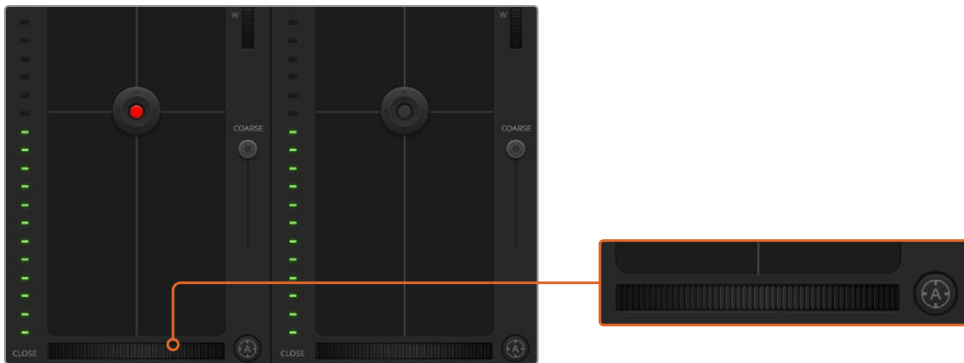
調整幅のしきい値を設定するには、まずアイリスコントロールを使用してアイリスを完全に開きます。次に調整幅設定を上下に動かして適正露出を設定します。調整幅のしきい値を設定したことで、アイリスを調整する際に適正露出を越えることを防止できます。

アイリス・インジケータ

アイリス/ペDESTALレベル・コントロールの左側にあるアイリス・インジケータは、レンズアパーチャーの開閉状態を視覚的に、簡単に確認できます。アイリス・インジケータは、調整幅設定の影響を受けます。

オートフォーカスボタン

オートフォーカスボタンは、各カメラコントローラーの左下にあります。電子フォーカス調整に対応するアクティブ方式のレンズを使用している場合、このボタンを押すと自動的にフォーカスを合わせることができます。多くのレンズは電子フォーカスに対応していますが、マニュアルまたはオートフォーカスモードに設定できるレンズもあります。使用するレンズがオートフォーカスモードになっていることを確認してください。レンズのフォーカスリングをスライドさせて設定できる場合もあります。サーボズームコントロールに対応したB4レンズでは、ハンドグリップ底部のスイッチを「Servo」に設定する必要があります。



オートフォーカスボタンを押すか、マニュアルフォーカス調整を左右にドラッグして互換性のあるレンズのフォーカスを合わせます。

マニュアルフォーカス調整

ATEMカメラコントロールを使用してレンズのフォーカスをマニュアル調整したい場合は、各カメラコントローラー底部のフォーカス調整を使用できます。ホイールコントロールを左右にドラッグすればマニュアルでフォーカスを調整できます。カメラからのビデオフィードで、イメージがシャープに見えるか確認できます。

マニュアルフォーカス調整は、サーボフォーカスコントロールに対応したB4/PLレンズを使用している場合にのみスイッチャーから実行できます。EFレンズはサーボフォーカスに対応していないため、このオプションはEFレンズでは使用できません。

カメラゲイン

照明環境が変化する状況で作業する場合は、カメラのゲインを増減することでイメージの露出不足を防げます。左矢印をクリックするとゲインが下がり、右クリックではゲインが上がります。

ATEMスイッチャーではゲインがdBで表示されます。dB値はカメラのゲイン設定と以下のように一致します：

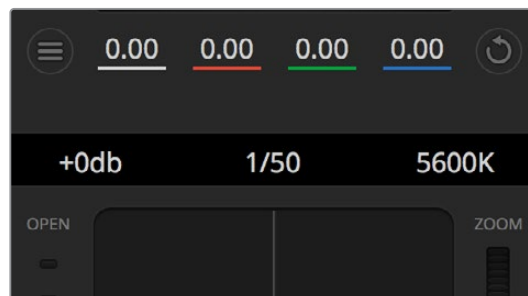
ゲイン
-6
0
+6
+12
+18

ゲイン設定はdBインジケータで表示されます。

シャッタースピード・コントロール

シャッタースピード・コントロールは、URSA Broadcast G2のシャッタースピードの変更に使います。

シャッタースピード・コントロールは、カラーホイールとアイリス/ペデスタルコントロールの間にあります。マウスカーソルをシャッタースピード・インジケータの上に置いて、左右の矢印をクリックすると、シャッタースピードを調整できます。



マウスカーソルをゲイン、シャッタースピード、ホワイトバランスのインジケータに重ねて矢印を表示。クリックして各設定を調整

メモ ATEMのシャッタースピード・コントロールはURSA Broadcast G2で選択するシャッタースピードよりも優先されるため、ATEMスイッチャーに接続している場合、カメラのシャッタースピード・コントロールは無効になります。

下の表には、シャッタースピード・コントロールで選択できるシャッタースピードと、それと同等のシャッターアングルが記載されています。シャッタースピードの中には、URSA Broadcast G2のシャッターアングル（最小11.25、最大360）の範囲外となるものがあります。その場合は、最も近い値のシャッターアングルが使用されます。

URSA Broadcast G2をATEMスイッチャーに接続している場合、シャッタースピード設定はカメラタッチスクリーンのステータス表示にも表示されます。（取り付けている場合）URSA Viewfinderにも表示されます。

シャッタースピード	シャッター アングル 23.98fps	シャッター アングル 24fps	シャッター アングル 25fps	シャッター アングル 29.97fps	シャッター アングル 50fps	シャッター アングル 59.94fps
1/50	172.7	172.8	180	215.8	360	360*
1/60	143.9	144	150	179.8	300	359.6
1/75	115.1	115.2	120	143.9	240	287.7
1/90	95.9	96	100	120	200	239.8
1/100	86.3	86.4	90	107.9	180	215.8
1/120	71.9	72	75	89.9	150	179.8
1/150	57.5	57.6	60	71.9	120	143.9
1/180	48	48	50	59.9	100	119.9
1/250	34.5	34.6	36	43.2	72	86.3
1/360	24	24	25	29.97	50	59.94
1/500	17.3	17.3	18	21.6	36	43.2
1/725	11.9	11.9	12.4	14.9	24.8	29.8
1/1450	11.25*	11.25*	11.25*	11.25*	12.4	14.9
1/2000	11.25*	11.25*	11.25*	11.25*	11.25*	11.25*

*URSA Broadcast G2のシャッターアングルの範囲外となるシャッタースピードには、最も近い最小/最大シャッターアングルが使用されます。

作業のコツ シャッタースピードを下げると、イメージセンサーの露出時間が長くなるので、カメラゲインを上げずにイメージを明るくできます。また、蛍光灯の照明環境で撮影する際の照明フリッカーも軽減/排除できます。シャッタースピードを上げるとモーションブラーが軽減されるため、クリーンでシャープなイメージが必要なアクションショットに最適です。

ホワイトバランス

ホワイトバランス設定は、シャッタースピード・コントロールの隣にあります。色温度インジケータの両側にある左右の矢印をクリックして調整できます。光源の種類によって、暖色や寒色など異なる色を発します。これらはホワイトバランスを調整して補正できます。この補正によって、映像内のホワイトを適切なホワイトに保持できます。

DaVinci Resolveプライマリーカラーコレクター

カラーコレクションの経験があるユーザーは、カメラコントロールのインターフェースをスイッチャースタイルのCCUインターフェースから、ポストプロダクションで使用するカラーグレーディングシステムのプライマリーカラーコレクター・ユーザーインターフェースに変更することもできます。

Blackmagic URSA Broadcast G2は、DaVinci Resolveのプライマリーカラーコレクターを内蔵しています。Blackmagic URSA Broadcast G2でのグレーディングはDaVinci Resolveと全く同じなので、ライブプロダクションでもDaVinci Resolveの経験を活かしたクリエイティブなカラーグレーディングが可能です。カラーコレクターパネルはすべてのカメラコントローラーから拡張でき、追加設定と完全なプライマリーカラーコレクター・インターフェースで、より多彩なカラーコレクション・コントロールが可能になります。

カラーホイール、そして彩度などの設定を調整でき、シャドウ、ミッドトーン、ハイライトの設定を同時に確認できます。必要に応じて、ウィンドウ上部のカメラ選択コントロールでカメラを切り替えます。

作業のこつ DaVinci Resolveのカラーコレクションは、URSA Broadcast G2のSDI出力およびカメラで収録するProResビデオに適用されます。RAWビデオはポストプロダクションで処理が行われることを前提としているため、カラーコレクションはRAWビデオには適用されません。しかし、RAWビデオの撮影時に、URSA Broadcast G2のSDI出力にカラーコレクションを適用することは可能です。



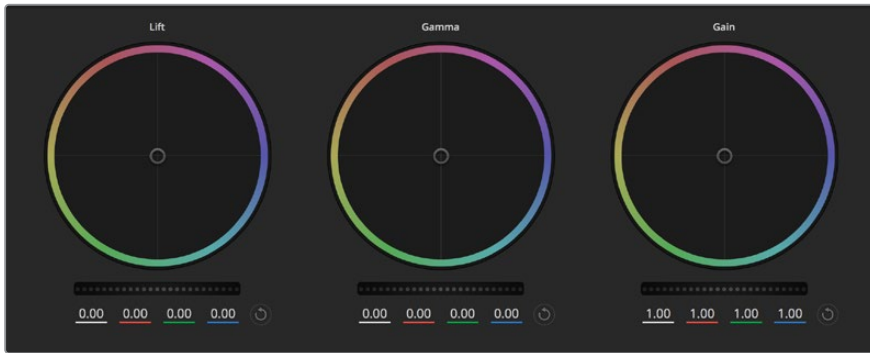
DaVinci Resolveプライマリーカラーコレクターボタンを押すと、カラーコレクションウィンドウが拡張し、設定の調整が可能。

カラーホイール

リフト/ガンマ/ゲインのコントロールを使えば、特定のトーンでオーバーラップする部分を調整できます。リフト、ガンマ、ゲインはそれぞれ、シャドウ、ミッドトーン、ハイライトに当たります。

カラーホイールを以下のように使用して、微調整や大胆な調整を行います：

- ・ **カラーリング内でクリック&ドラッグ：**
カラーバランス・インジケータ自体をドラッグする必要はありません。カラーバランス・インジケータを動かすと、下にあるRGBパラメーターに、各チャンネルの変更が反映されます。
- ・ **カラーリング内でシフトクリック&ドラッグ：**
カラーバランス・インジケータが、カーソルの絶対位置にジャンプするので、スピーディに大幅な調整が可能です。
- ・ **カラーリング内でダブルクリック：**
マスターホイール調整をリセットせずに、カラー調整をリセットします。
- ・ **カラーリング右上のリセットコントロールをクリック：**
カラーバランス・コントロールおよび対応するマスターホイールを両方リセットします。



カラーコレクションパネルのリフト/ガンマ/ゲイン・カラーホイール

マスターホイール

カラーホイールの下にあるマスターホイールで、各YRGBチャンネルのリフト、ガンマ、ゲインコントロールを調整できます。

マスターホイールを使った調整：

- マスターホイールを左右にドラッグ：**左にドラッグすると、選択したイメージのパラメーターが暗くなり、右にドラッグするとパラメーターが明るくなります。調整を行うと、下のYRGBパラメーターに変更が反映されます。Yのみ調整する場合は、ALTまたはCommandキーを押しながら左右にドラッグします。カラーコレクターはYRGB処理を採用しているため、創造力を発揮して、Yチャンネルのみを調整することでユニークなエフェクトを作成できます。Yチャンネル調整は、輝度ミックス設定が右側に設定されている時に最も効果的にYRGB処理を実行できます。通常のRGB処理の場合は左側です。通常、DaVinci Resolveのカラリストは、YRGBカラーコレクターを使用しますが、これは全体のゲインに影響を与えずに、より多彩なカラーバランス・コントロールが可能で、希望通りのルックを短時間で得られるためです。



ホイールコントロールを左右にドラッグしてマスターホイールを調整

コントラスト設定

コントラスト設定は、イメージの最も暗い部分と最も明るい部分の差をコントロールできます。リフトとゲインのマスターホイールをそれぞれ逆方向に調整すると同様の効果が得られます。デフォルト設定は50%です。



スライダーを左右にドラッグして、コントラスト、彩度、輝度ミックス設定を調整

彩度設定

彩度設定は、イメージの色量を調整します。デフォルト設定は50%です。

色相設定

色相設定は、イメージに含まれるすべての色相を、カラーホイールを中心に回転させます。デフォルト設定の180°では、オリジナルの色相配置が表示されます。この数値を上下に調整すると、カラーホイールに表示される色相配置に沿って、すべての色相が前後に回転します。

輝度ミックス設定

Blackmagic URSA Broadcast G2に内蔵されたカラーコレクターは、DaVinci Resolveプライマリーカラーコレクターに基づいています。DaVinci Resolveは1980年代初頭よりカラーコレクターを設計しており、多くのハリウッド映画がDaVinci Resolveを使用してカラーグレーディングされています。

つまり、Blackmagic URSA Broadcast G2に内蔵されたカラーコレクターには、ユニークで創造性に富んだパワフルな機能が搭載されています。YRGB処理はこれらの機能のうちの1つです。

カラーグレーディングの際、RGBまたはYRGB処理を選択できます。ハイエンドのカラリストたちはYRGB処理を好みますが、これは色をより正確にコントロールでき、各チャンネルをはっきりと区別して調整し、より多くのクリエイティブなオプションを使用できるためです。

輝度ミックス・コントロールが右に設定されていると、YRGBカラーコレクターの100%の出力を得られます。輝度ミックス・コントロールが左に設定されていると、RGBカラーコレクターの100%の出力を得られます。輝度ミックスを左/右の間に設定すると、RGBおよびYRGBコレクターを組み合わせた出力を得られます。

どちらの設定を使用するかは、ユーザー次第です。カラーコレクションは純粋にクリエイティブな作業であり、正解や間違いはありません。ユーザーが気に入った設定が、ベストな選択なのです。

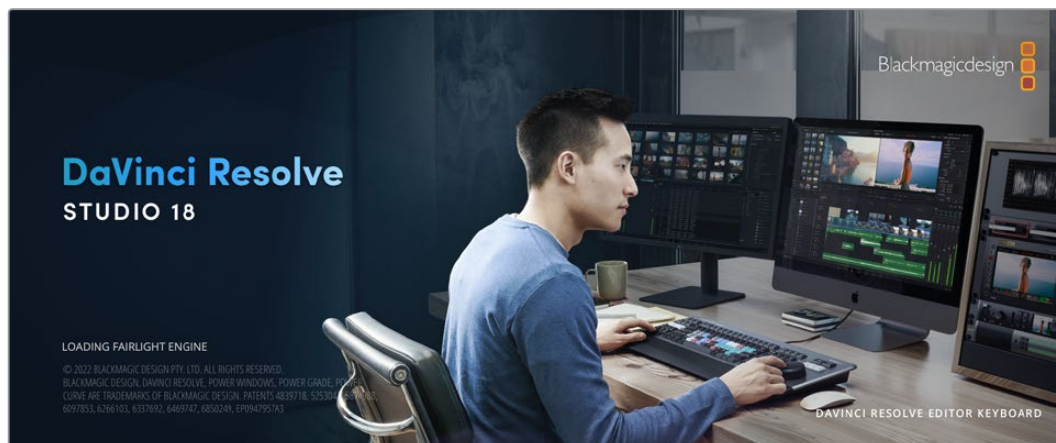
設定の同期

ATEMとURSA Broadcast G2を接続すると、カメラコントロール信号がATEMスイッチャーからBlackmagic URSA Broadcast G2へと送信されます。URSA Broadcast G2で誤って設定を調整した場合、カメラコントロールは同期を保持できるよう自動的にその設定をリセットします。

作業のこつ 12G-SDI入力の接続を外しても、URSA Broadcast G2はDaVinci Resolveカラーコレクションで作成したイメージ調整を使用し続けます。そのため、カメラアングルを変更する際もイメージ設定を再度調整する必要がありません。URSA Broadcast G2のカラー設定をデフォルトに戻したい場合は、12G-SDI入力の接続を外し、電源を入れ直してください。

DaVinci Resolveの使用

Blackmagic URSA Broadcast G2を使用した撮影は、映画/テレビコンテンツ制作の過程のひとつに過ぎず、メディアのバックアップや管理、編集、カラーコレクション、最終マスターファイルのエンコードも同様に極めて重要な作業です。Blackmagic URSA Broadcast G2は、DaVinci Resolve (Mac/Windows対応)を同梱しているため、完結型のソリューションとして撮影からポストプロダクションまでをカバーします！



メモ URSA Broadcast G2で撮影したクリップのカラーコレクションやグレーディングを正確に行うには、最新版のDaVinci Resolveを使用することを推奨します。バージョン18以降では、URSA Broadcast G2で正確なカラーが得られ、カメラに記録されたモーションセンサーデータを用いた、ジャイロによるイメージスタビライゼーションなどのBlackmagic RAWの最新機能をサポートしています。

CFast、SDカード、SSDをコンピューターに接続したら、DaVinci Resolveのメディアページでクローンツールを使用して、撮影を行いながら継続的にバックアップを作成できます。使用するメディアはその種類に関わらず、破損や不具合が生じる可能性があります。ショットの損失を防ぐため、常にデータのバックアップを作成することをお勧めします。DaVinci Resolveでメディアをバックアップしたら、DaVinciのメディアプールにクリップを追加して、編集やカラーコレクション、作品のフィニッシングまで、すべての作業をDaVinci Resolveで行えます。

DaVinci Resolveは、多くの大ヒット映画で使用されています。シンプルなNLEソフトウェアツールとは異なり、ハイエンドのデジタルフィルム用に極めて高度なテクノロジーを搭載しています。DaVinci Resolveを使用すれば、最先端のテクノロジーを利用した編集やカラーコレクションが実現します。

このセクションでは、DaVinci Resolveでカメラのファイルを扱う方法を説明します。DaVinci Resolveには極めて高度なテクノロジーが採用されており、その機能の多くはユーザーインターフェースを一目見ただけでは分かりません。DaVinci Resolveの使用方法に関する詳細は、BlackmagicウェブサイトのDaVinci Resolveインストラクション・マニュアルを参照してください。トレーニングコースやガイドビデオも多数掲載しています。

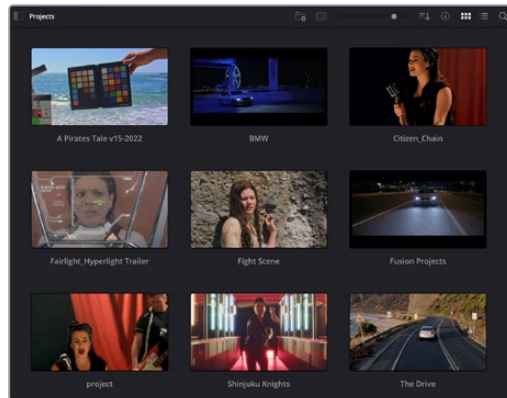
プロジェクトマネージャー

クリップを読み込んで編集を開始する前に、プロジェクトマネージャーでプロジェクトをセットアップする必要があります。

プロジェクトマネージャーは、DaVinci Resolveの起動時に最初に表示される画面です。この画面は、ユーザーインターフェース右下のホームアイコンをクリックすると、いつでも開くことができます。これは、前のプロジェクトを開いたり、新しいプロジェクトを作成したい場合に便利な機能です。

新しいプロジェクトを作成するには、ウィンドウ底部の「新規プロジェクト」をクリックし、プロジェクト名を設定します。「作成」をクリックします。

では、カットページを使用して、編集作業を早速開始しましょう。



プロジェクトマネージャーは、現在のユーザーのすべてのプロジェクトを表示。

プロジェクトマネージャーの詳細は、DaVinci Resolveマニュアルを参照してください。同マニュアルは、Blackmagic Designウェブサイトのサポートページからダウンロードできます。

カットページを使用した編集

カットページでは、高速でダイナミックな編集ワークフローを実現できます。クリップの配列、トリム、編集が効率的に実行できます。

アクティブなタイムラインが2つ表示されるため、編集全体を確認しながら、部分的にクリップの詳細を編集できます。つまり、大きなタイムラインにクリップを編集し、詳細を表示するタイムラインで編集を微調整する作業が、一つのワークスペースで実行できます。このワークフローでは、ラップトップで編集を進めるにあたって、ズームインやズームアウト、画面のスクロールをする必要がないため、時間を大幅に節約することも可能です。

カットページのレイアウト

カットページを開くと、メディアプール、ビューア、タイムラインが表示されます。これら3つを使用して、編集を完全にコントロールできます。



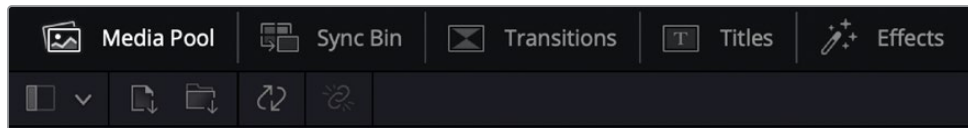
カットページのデフォルトワークスペース。メディアプールがアイコンで表示された状態。

カットページの詳細は、DaVinci Resolveマニュアルの「カットページ」チャプターを参照してください。

メディアタブ

ユーザーインターフェースの左上には5つのタブがあります。

これらのタブをクリックすると、編集を作成する際に使用するメディアツールセットが開きます。例えば、最初のタブであるメディアプールはすでに選択されています。それ以外のタブは、同期ビン、トランジション、タイトル、エフェクトです。



- **メディアプール**:メディアプールは、メディアページで読み込んだすべてのクリップ、フォルダー、ファイルを含んでいます。また、カットページから直接ファイルを読み込めるため、新しいクリップを読み込む際にメディアページに戻る必要はありません。
- **同期ビン**:全てのクリップをタイムコード、日付、時間に基づき自動的に同期するパワフルな機能です。マルチカメラのプロジェクトで全カメラからのアングルを選択する際に威力を発揮します。
- **トランジション**:このタブをクリックすると、編集で使用可能なすべてのビデオおよびオーディオトランジションが表示されます。これには、クロスディゾルブやモーショントランジションなどの広く使われているトランジションが含まれます。
- **タイトル**:トランジションタブの隣はタイトルタブです。ここで、使用したいタイトルの種類を選択できます。例えば、スクロール、標準テキスト、ローワーサードなどです。また、Fusionのテンプレートもリスト表示されます。これは、アニメーションを用いた、よりダイナミックなタイトルで、DaVinci ResolveのFusionでカスタマイズできます。
- **エフェクト**:5つ目のタブは、エフェクトタブです。編集に面白みを加えるフィルターやエフェクトを多数搭載しています。これには、カスタマイズ可能なブラー、グロー、レンズエフェクトなどが含まれます。多くのパワフルなエフェクトから選択でき、検索ツールで簡単に探しているエフェクトを見つけられます。

作業のこつ メディアタブのアイコンの近くにある検索ツールで、必要なアイテムを検索できます。例えば、トランジションタブを選択している場合、「ディゾルブ」と検索ツールに打ち込むと、ビューアにディゾルブトランジションのみが表示されるため、必要なディゾルブトランジションをリストの中からすばやく見つけられます。




ビューアタブ

ビューアウィンドウの左上に、ビューアモードのボタンがあります。



ビューアモードのボタン

これらのボタンで、現在使用しているビューアをコントロールできます。オプションは、「ソースクリップ」、「ソースステップ」、「タイムライン」の3つです。これらのモードを使い分けることで、編集でクリップを選択する上で多大なコントロールが得られるため、各モードの機能の仕方を以下で確認しておくことをお勧めします。



	ソースクリップ	ソースクリップビューアは、メディアプールの単一のクリップを表示します。ビューアタイムラインの長さいっぱいを使って、イン点とアウト点を設定できます。より詳細にわたるコントロールが可能です。メディアプールのクリップをダブルクリックするか、ビューアにドラッグして、表示するソースクリップを選択します。
	ソースステップ	ソースステップでは、メディアプールの全ソースクリップを表示できません。特定の箇所を探すために、すべてのクリップをすばやくチェックしたい場合に役立つ機能です。クリップ上で再生ヘッドをスクラブすると、メディアプールで選択されたサムネイルが表示されます。編集したいクリップを見つけたら、ソースクリップタブをクリックすると、該当のソースクリップがビューアに自動的に表示されます。 ソースステップビューアは、ノンリニア編集の利点を活かした作業が行えます。編集で自在に作業ができ、ショットをすばやく見つけることができ、新しいアイデアを試し、移動や切り替えをせずに編集作業を実行できます。
	タイムライン	タイムラインビューアには編集タイムラインが表示されるため、プロジェクトを再生して、編集を微調整するために使用できます。

メディアプールにクリップを読み込む

次は、プロジェクトにメディアを読み込みます。この作業には、カットページのメディアプールウィンドウ上部にある、読み込みツールを使用します。



読み込みオプションを使用して、プロジェクトにメディアを追加。

	メディアの読み込み	このオプションでは、ストレージロケーションから選択された各メディアファイルを読み込みます。
	メディアフォルダーの読み込み	メディアストレージからフォルダーを読み込むには、このオプションを選択します。フォルダーを読み込むにあたり、DaVinci Resolveはファイル構造を維持し、各フォルダーを個別のビンとして扱うため、ビデオやその他のメディアファイルを探すために複数のビンの間を行き来できます。

メディアを読み込む：

- 1 「メディアの読み込み」または「メディアフォルダーの読み込み」アイコンをクリックします。
- 2 読み込みたいメディアのあるメディアストレージまで進みます。
- 3 ファイルまたはフォルダーを選択し、「開く」をクリックします。

プロジェクトにメディアを追加したら、変更を保存します。DaVinci Resolveは「ライブ保存」と呼ばれる、高速の自動保存機能を搭載しています。プロジェクトを一度保存したら、その後に適用された変更は「ライブ保存」により保存されるため、作業内容が失われるリスクが減ります。

「ライブ保存」やその他の自動保存機能に関しては、DaVinci Resolveマニュアルを参照してください。

クリップをタイムラインに追加

メディアタブおよびビューアモードのボタンの使用方法を理解したので、次はメディアプールを開き、タイムラインにクリップを追加します。



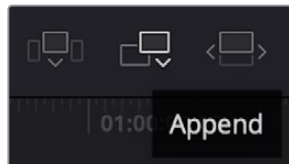
カットページのタイムライン。上のタイムラインと、それをズームした下のタイムラインで構成されています。

タイムラインは、編集を形作る場所で、クリップを配置するトラックが組み込まれたボードのようなものです。このボード上でクリップを色々と移動させたり、編集をトリミングしたりします。トラックは、クリップを積み重ねて表示するため、異なる編集を試したり、トランジションやエフェクトを構成する上で、より高い柔軟性が得られます。例えば、ひとつのトラックのクリップに編集を適用しても、その下のトラックにある他のクリップに影響を与えません。

タイムラインにクリップを追加する方法は多数あり、「スマート挿入」、「末尾に追加」、「最上位トラックに配置」はその一例です。

クリップの追加

テイクを選択し、編集を組み立てる作業を行う上で、タイムラインにショットを次々と順番に追加していきたいはずですが、「末尾に追加」ツールは、この作業に最適で、編集を高速に実行できます。



「末尾に追加」アイコンをクリックして、最後のクリップの末尾にクリップを追加。

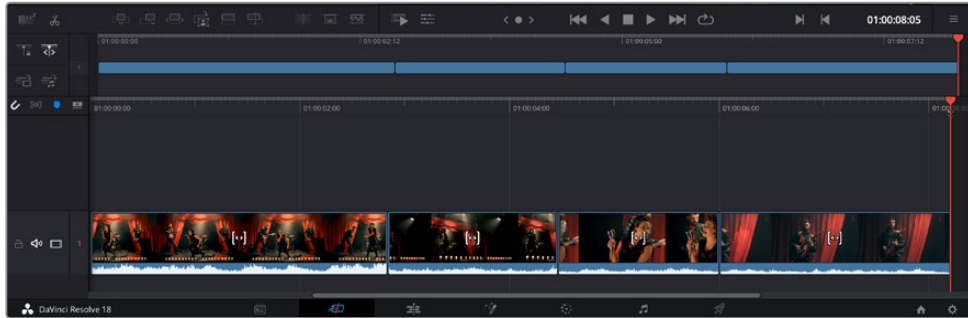
クリップを追加する：

- 1 メディアプールのクリップをダブルクリックして、ビューアで開きます。
- 2 スクラッチトリム・ツールを使用して、イン点とアウト点をドラッグして、ショットの使用したい範囲を正確に選択します。キーボードの「I」および「O」を押しても、イン点とアウト点を設定できます。



- 3 メディアプールの中の「末尾に追加」アイコンをクリックします。
最初のクリップがタイムラインの先頭に配置されます。

クリップをさらに追加するにはステップ1から3を繰り返します。追加するクリップは、タイムライン上にすでに存在するクリップの末尾に自動的に追加され、ギャップは生じません。



「末尾に追加」でクリップを追加すると、タイムラインのクリップ間にギャップが生じません。

作業のコツ 「末尾に追加」アイコンにキーボードショートカットを割り当てることで、作業をさらに効率化できます。例えば、「P」キーを割り当てると、「J」および「O」でイン点とアウト点を設定し、「P」でクリップを追加できます。ショートカットキーの割り当て方法は、DaVinci Resolveマニュアルを参照してください。

タイムラインでクリップをトリム

タイムラインにクリップを追加したので、クリップを移動し、編集を開始できるようになりました。

編集をトリミングするには、クリップの先頭または末尾をクリックし、左右にドラッグします。クリップを左右にドラッグすることで、クリップの長さを延長したり、短縮できます。その編集箇所には続くクリップすべてが、変更に対応するためにタイムライン上で連動して動きます。これは、カットページが時間を節約する上で役立つ機能のひとつです。

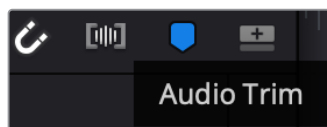
該当のクリップを選択して、大きなタイムラインの新しいビデオトラックに編集することも可能です。この作業を行うために、ズームインやズームアウトする必要はありません。これは、長いタイムラインをナビゲートする時間を最小限に抑えられるため、編集作業を高速化できます。

オーディオトリムビュー

オーディオトリムビューでは、タイムラインのオーディオ波形が拡大表示されるため、正確なオーディオ編集が可能です。この機能は、会話シーンやミュージッククリップの編集において、言葉やビートの間に編集点を作りたい場合に便利です。

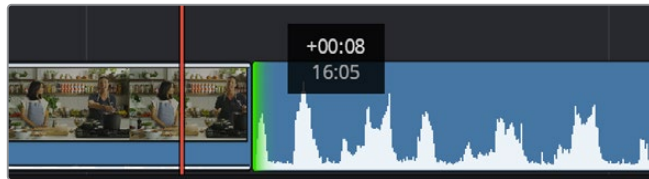
オーディオトリムビューを使用する：

- 1 タイムラインの左側で、スナップ機能とマーカーツールの間にある「オーディオトリム」アイコンをクリックします。



「オーディオトリム」ボタン

- 2 これで、編集点をトリムする際に、タイムラインの波形が拡大表示されます。トリムを終えると、タイムラインのクリップは通常のサイズに戻ります。



オーディオトリムビュー。タイムラインのオーディオ波形が拡大表示されます。

カットページでクリップの編集が終わったら、タイトルを追加する作業に移ります。その手順は、次のセクションで紹介します。

タイトルの追加

タイムラインにタイトルを配置するのは簡単で、その方法は多数あります。

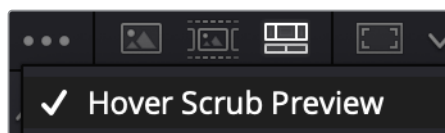
使用可能なタイトルの種類を確認するには、ユーザーインターフェース左上のタイトルタブをクリックします。ローワーサードやスクロール、標準テキストタイトルなど、使用可能なタイトルジェネレーターがすべて選択ウィンドウにサムネイルとして表示されます。また、アニメートされたFusionタイトルも追加できます。Fusionタイトルは様々にカスタマイズ可能です。

タイトルのプレビュー

タイトルは、タイムラインに追加する前に、タイトル選択ウィンドウでプレビューできます。これにより、タイトルを選択する前に、使用可能な全オプションにすばやく目を通すことが可能です。

タイトルをプレビューする：

- 1 タイトルパネルの右上にあるオプションメニューをクリックし、「ホバースクラブプレビュー」にチェックを入れます。



オプションメニューで「ホバースクラブプレビュー」を有効にします。

- 2 タイトル選択ウィンドウで、マウスポインターを任意のサムネイルに重ね、ビューアでタイトルをプレビューします。アニメートタイトルまたはFusionタイトルをプレビューする際は、ポインターをタイトルサムネイル上で左右に動かすことで、アニメーションを確認できます。



タイトルサムネイルにポインターを重ねてビューアでプレビュー。

選択するタイトルが決まったら、タイムラインに追加できます。

標準のタイトルを追加する：

- 1 選択したタイトルをクリックし、タイムラインにドラッグします。どのタイムラインにドラッグするかは問いませんが、より高い正確性を得るためには、詳細を表示するタイムラインを使用することをお勧めします。タイトルの新しいビデオトラックが自動的に作成され、再生ヘッドにスナップします。
- 2 マウスをリリースすると、タイトルが新しいトラックに表示されます。他のビデオクリップと同様に、タイトルは配置場所の移動や長さの変更が可能です。
- 3 タイトルを編集するには、新規タイトルクリップをクリックします。クリップビューアの下に「ツール」アイコンが表示されます。
タイトルクリップの調整に使用できるツールの一覧が表示されます。これには、変形、クロップ、ダイナミックズームなどが含まれます。
- 4 「インスペクタ」タブをクリックします。

インスペクタウィンドウが開くので、タイトルを入力し、テキスト設定を編集できます。例えば、トラッキング、行間、フォントの種類、色などを調整できます。

思い通りのタイトルを作成できるように、カスタマイズ可能なオプションが多数搭載されています。様々な設定を使ってみて、タイトルの見た目や形がいかにか変わるか試してみることをお勧めします。

作業のこつ ホバースクラブ機能は、カットページおよびエディットページのエフェクト、トランジション、ジェネレーター、フィルターのプレビューにも使用できます。

Blackmagic RAWファイルの使用

Blackmagic RAWクリップは、ポストプロダクションにおいて最大の柔軟性が得られ、カメラのオリジナルの設定を変更するかのようにホワイトバランスやISOの設定を調整できます。Blackmagic RAWにはハイライトやシャドウの色調情報が豊富に維持されているため、白飛びした空やイメージ内の暗い領域などのディテールを修復する際にも役立ちます。

可能な限り最高の品質を求めている場合や、ハイライトとシャドウの差が極めて大きく、それらの領域をできるだけ暗く/明るくグレーディングで調整したい場合などは、Blackmagic RAWでの撮影をお勧めします。

高速で小さなファイルサイズを実現するBlackmagic RAWでは、プロキシファイルを作成する必要がなく、通常のビデオクリップのように再生できます。このセクションでは、Blackmagic RAWの詳細、およびDaVinci ResolveでのBlackmagic RAWの使用方法を紹介します。

作業のこつ カラーグレーディングを始める前に、カラーページでクリップのBlackmagic RAW設定を調整することを習慣づけることをお勧めします。

Blackmagic RAWのクリップ設定

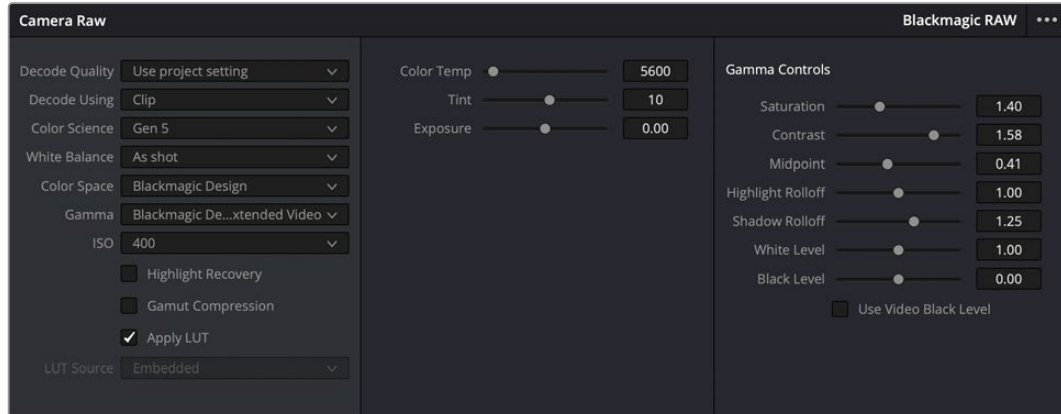
Blackmagic RAWファイルを読み込むと、DaVinci Resolveはファイルに含まれるカメラデータを、撮影時に使用されたISO、ホワイトバランス、ティント設定に基づいてデコードします。それらの設定に基づいたルックに問題がなければ、そのまますぐに編集を開始できます。

しかし、Blackmagic RAW収録のすばらしい点は、これらの設定に束縛される必要がまったくないことです！Blackmagic RAWファイルでは、ポストプロダクションで使用できる処理の幅が広がるため、独自のワークフローを構築できます。各クリップで「カメラRAW」タブの「クリップ」設定を色々試してみると、Blackmagic RAWでの作業がいかにかパワフルで柔軟性に富むものか分かるはずですよ。

カラーサイエンス

フッテージの読み取りに使用するカラーサイエンスを第4世代または第5世代から選択できます。URSA Broadcast G2は、第5世代のBlackmagic Designカラーサイエンスを使用します。第4世代カラーサイエンスを使用した、他機種のカメラからのファイルは、第5世代カラーサイエンスでの読み取りが可能です。URSA Broadcast G2のショットにマッチさせることができます。

あるいは、第4世代カラーサイエンスのBlackmagic RAWファイルを作成するカメラを主に使用する撮影では、URSA Broadcast G2からの第5世代カラーサイエンスのクリップを第4世代カラーサイエンスに変更することでショットをマッチできます。これにより、異なる世代のBlackmagicカラーサイエンスを使用したカメラで撮影したショットを簡単にマッチさせることが可能です。



「カメラRAW」タブの「デコードに使用」メニューで「クリップ」を選択し、クリップのBlackmagic RAW設定を調整

Blackmagic RAW設定の変更

DaVinci ResolveでBlackmagic RAWのクリップ設定を有効にすると、クリップ設定とガンマコントロールが使用できるようになります。これらの設定を調整することで、クリップを完全なプライマリーグレーディングを行なった状態に近づけることができます。DaVinci Resolveのスコープを使用している際に、特にこれはパワフルです。スコープは、クリップにルックを適用する前に、クリップをニュートラルにし、バランスを取る作業をアシストします。

以下で、クリップとガンマコントロールについて説明します。

ISO

この設定を上下させることで、ISOの値を変更できます。最適化のために、クリップをより明るい/暗い開始点に設定する必要がある場合に便利な設定です。

ハイライトリカバリー

チェックを入れると、クリッピングされていないチャンネルの情報を元に、クリッピングしたチャンネルのハイライト情報が再構成されます。

色域の圧縮

このチェックボックスを有効にすると、安全な色域レベルが自動的に維持されます。

色温度

色温度を調整して、イメージのルックを暖かく/冷たくします。各イメージのカラーバランスをニュートラルにする場合に便利な設定です。

ティント

イメージにグリーンまたはマゼンタを加えて、カラーバランスを調整します。

露出

イメージ全体の明るさを微調整するために使用します。

彩度

「彩度」はデフォルトでは1になっており、最低0から最大4の範囲で彩度を調整できます。

コントラスト

デフォルトは1.0です。左右にスライダーを動かしてコントラストを調整します。一番左は最低値の0で、一番右は最高値の2です。

ミッドポイント

Blackmagic Design Filmでは、中間グレーの値はデフォルトで0.38 (38.4%) になっています。スライダーを左にドラッグするとミッドポイントが下がり、右に動かすと100まで上げられます。コントラストがデフォルト設定から変更されている場合、「ハイライト ロールオフ」および「シャドウ ロールオフ」が調整できます。

ハイライト ロールオフ

スライダーを左右にドラッグしてハイライトを調整します。一番左は最低値の0で、一番右は最高値の2です。デフォルト値は1です。

シャドウ ロールオフ

スライダーを左にドラッグするとシャドウが0まで下がり、右に動かすと2まで上げられます。

白レベル

スライダーをドラッグすることで、ガンマカーブのホワイトポイントを調整します。最高値は2、最低値は0です。デフォルト値は1です。

黒レベル

スライダーを右にドラッグすることで、カスタムガンマカーブのブラックポイントを上げます。最低値は-1、最大値は1です。デフォルト値は0です。

ビデオの黒レベルを使用

チェックを入れると、黒レベルをビデオに設定します。

フレームの書き出し

「フレームの書き出し」ボタンをクリックして、Blackmagic RAWクリップから単一のフレームを書き出します。

サイドカーを更新

このボタンをクリックして、現在のクリップ用のBlackmagic RAWサイドカーファイルを更新します。

Blackmagic RAWクリップに加えた変更は、「ガンマ」設定に「Blackmagic Design Custom」として保存されます。

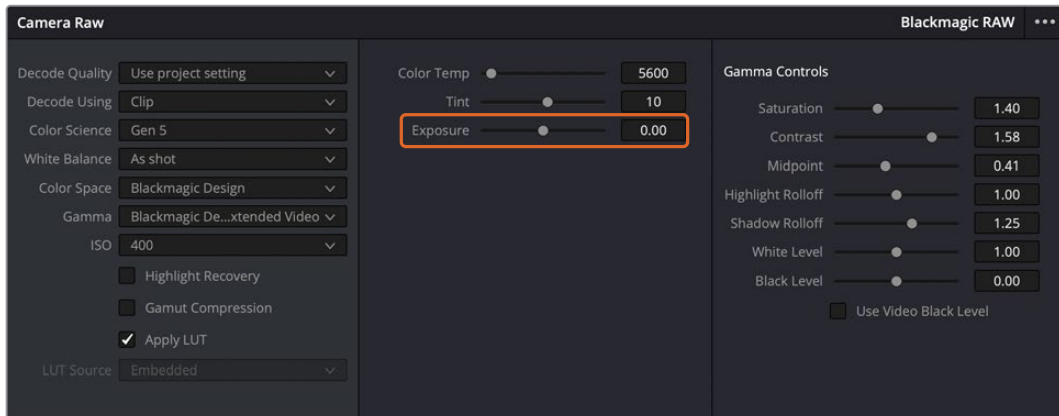
Blackmagic URSA Broadcastのゲイン設定を使用して露出を調整

他のBlackmagicカメラを用いたDaVinci Resolveワークフローを使用した経験があるユーザーは、それらのカメラとURSA Broadcast G2の違いを理解しておくとい良いでしょう。URSA Broadcastのゲイン設定は、BlackmagicシネマカメラのISO設定とは異なる方法で扱われます。

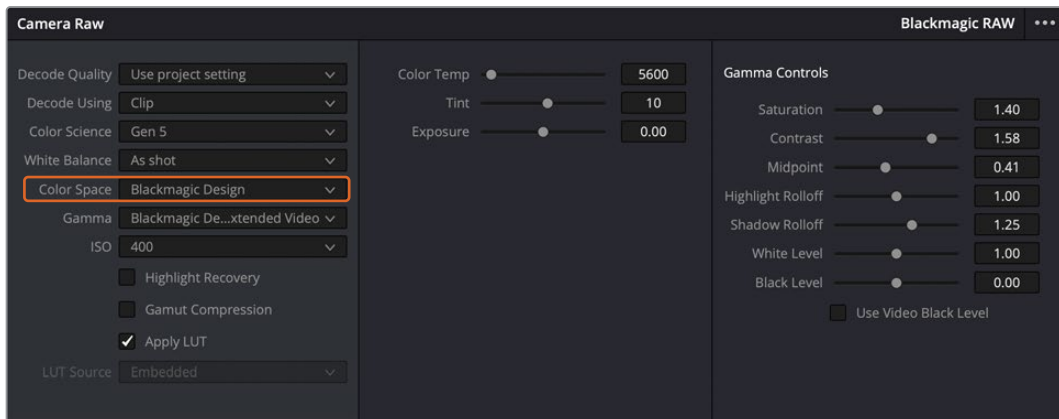
URSA Broadcast G2のゲイン設定は、後でソフトウェアで行われるのではなく、カメラセンサーで適用されます。これは従来の放送用カメラと似ており、特定の感度設定でノイズをわずかに低減できます。また、撮影終了後にURSA Broadcast G2で撮影したクリップのゲインで調整できる範囲を制限します。DaVinci Resolveの「カメラRAW」設定には「ISO」ボックスがあり、カメラでの該当のクリップに対するゲイン設定と同等のISO値が表示されます。

クリップを撮影した際にURSA Broadcast G2で使用したゲイン設定と同等のISOから3段上まで値を上げられます。しかし、Blackmagic RAWフッターはダイナミックレンジが広いので、クリップの露出を調整することで、カメラのゲインを変更すると機能的に同等の変更が可能です。「露出」パラメーターで、露出の値を上下5段まで調整できます。1段は感度の一段階と同等です。例えば、露出を1段上げるのは、

ゲインを-6dbから0dbにする（またはISOを200から400にする）のと同じです。しかし、このパラメーターでは1/100段単位での微調整が可能です。



Blackmagic RAWクリップに加えた変更は、「ガンマ」設定に「Blackmagic Design Custom」として保存されます。



クリップをデフォルトの「ガンマ」オプションに戻したい場合は、ガンマのドロップダウンメニューから任意のオプションを選択するだけで、それが適用されます。

作業のこつ ガンマのコントロールは、「Video」ダイナミックレンジで撮影されたフットージでは無効になっていますが、Blackmagic RAWデータが失われたわけではありません。「Blackmagic Design Film」または「Blackmagic Design Extended Video」をガンマ設定のドロップダウンメニューから選択すると調整できるようになります。

Blackmagic RAWの変更を保存

- 1 Blackmagic RAWのガンマのコントロールを調整します。
- 2 「サイドカーを更新」ボタンをクリックします。

サイドカー (.sidecar) ファイルがBlackmagic RAW (.braw) ファイルと同じフォルダーに作成されます。別のユーザーがBlackmagic RAWファイルを読み込むと、DaVinci Resolveは自動的にサイドカーファイルを読み取ります。さらに調整を加えた場合、再び「サイドカーを更新」ボタンを押します。

作業のこつ サイドカーファイルを取り除くには、メディアドライブから削除するだけです。

Blackmagic RAWのプロジェクト設定

ホワイトバランスやISO設定の全体的な変更など、すべてのクリップに共通した設定の変更が必要な場合、プロジェクト設定の「カメラRAW」を使用すると複数のクリップに渡って包括的に変更を加えられます。

Blackmagic RAW用のプロジェクト設定を設定する：

- 1 「ファイル」をクリックし、「プロジェクト設定」を選択して、プロジェクト設定を開きます。
- 2 「カメラRAW」タブの「RAWプロファイル」メニューで、矢印をクリックして「Blackmagic RAW」を選択します。
- 3 「デコードに使用」メニューで「プロジェクト」を選択します。
- 4 メニューから「カラーサイエンス」を選択します。
- 5 ホワイトバランスを「カスタム」にします。
- 6 ガンマのメニューで「Blackmagic Design Custom」を選択します。カラースペースを「Blackmagic Design」に設定します。
- 7 「デコード品質」メニューから解像度を選択します。低い解像度に設定すると、性能が限られたシステムでも円滑に再生できます。解像度は、後に納品のために高品質の出力を行う前に、フル解像度に変更することも可能です。

これで、彩度、コントラスト、ミッドポイントなどのカメラ設定を調整する準備が整いました。これは、デコードに「プロジェクト」を使用するように設定されたプロジェクトのすべてのクリップに影響します。

カラーページでクリップのカラーコレクションを行う

タイムラインにクリップを追加し、タイトルを付けたので、カラーページでカラーコレクションを実行する準備が整いました。カラーページは極めてパワフルな機能を搭載しており、作品の全体的なルックを決定づけます。ここでは、クリップに一貫性を持たせるために、クリップをニュートラルな状態にする作業を行います。編集に変更を加えたい場合、いつでもカットページやエディットページに戻って作業することも可能です。

カラーページは編集のルックを調整できます。色々な意味で、カラーコレクションは芸術形態のひとつと言えます。カラーコレクションを行うことで、作品に感情を追加できます。ワークフローの中でクリエイティビティが大いに要求される作業であり、様々なスキルを身に付け、その結果をスクリーンで目にすることで非常に高いやりがいを感じられます。これは、カラーコレクションの最初のステップで、プライマリーカラーコレクションまたはプライマリーと呼ばれます。プライマリーカラーコレクションが完了したら、セカンダリーカラーコレクションを行います。セカンダリーでは、イメージの特定の被写体に対して、極めて高精度な色の調整が可能です。これは非常に楽しい作業ですが、通常プライマリーの後に行われます。プライマリーを先に行うことで、作業をより効率化し、より良い結果が最終的に得られます。

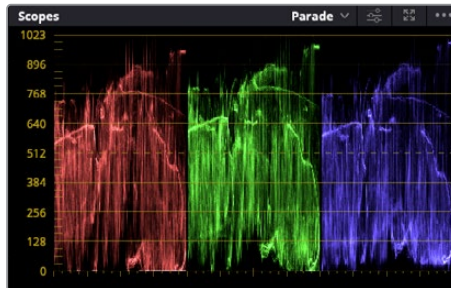
はじめに、「カラー」タブをクリックしてカラーページを開きます。

「カメラRAW」設定、カラーホイール、カーブパレット、カラーコレクションツール全般、プレビューウィンドウ、ノードウィンドウが表示されます。表示される膨大なツール群に戸惑う必要はありません。これらはすべて、ユーザーが素晴らしい映像を作成するのを手助けする機能です。このセクションは基礎を紹介するものです。詳細情報は、マニュアルの該当セクションを参照してください。マニュアルでは、すべてのツールの使用目的と使い方を簡単な手順で紹介しています。ハイエンドのカラーコレクションスタジオで専門家が用いるのと同じテクニックを習得できます。

通常、プライマリーカラーコレクションの最初のステップは、クリップのシャドウ、ミッドトーン、ハイライトのレベルを最適化することです。つまり、「リフト」、「ガンマ」、「ゲイン」の設定を調整します。この作業は、クリーンでバランスが取れた作業開始点を作成することで、その後に行うカラーグレーディングで最も素晴らしいルックを得るために役立ちます。レベルの最適化には、スコープが役立ちます。

スコープの使用

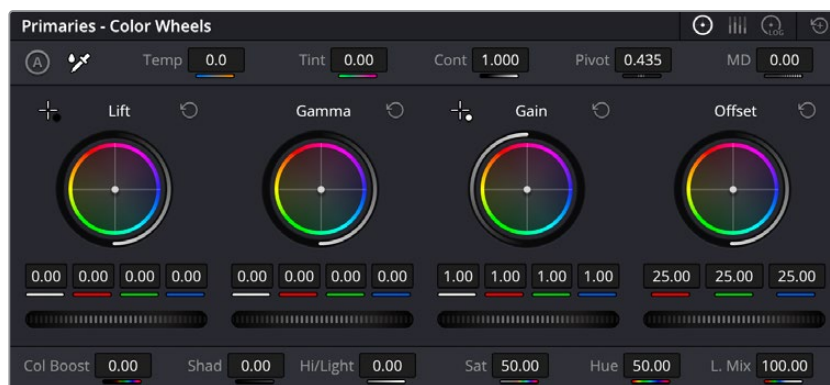
カラリストの多くは、作品に持たせたい感情/ルックに焦点を当てカラーを選択し、それに基づき、モニターを使用してそのルックを完成させます。日常的なオブジェクト、それらと相互作用する様々な光を見ることで、映像に対してどのような効果を加えられるか、実験しながらアイデアを生み出すことができます。



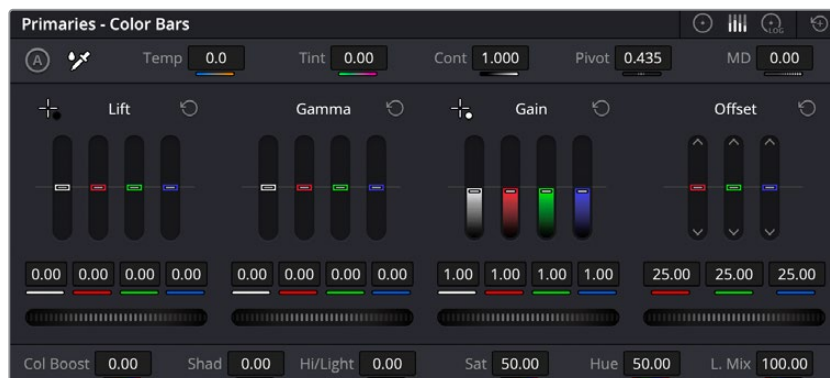
パレードスコープは、ハイライト、ミッドトーン、シャドウの最適化に役立ちます。

カラーグレーディングのもう一つの方法に、内蔵スコープを使用してショットのバランスを取る方法があります。ビデオスコープは「スコープ」ボタンをクリックして開きます。「スコープ」ボタンは、パレットツールバーの右から2番目のボタンです。スコープの表示は、波形、パレード、ベクトルスコープ、ヒストグラム、CIE色度スコープから選択できます。これらのスコープは、トーンのバランスのモニタリング、黒つぶれや白飛びを防ぐためのビデオレベルの確認、クリップ内の色かぶりチェックなど、様々な目的に使用できます。

「カラーホイール」には、一般的に最初の調整に使用する「リフト」、「ガンマ」、「ゲイン」のコントロールがあります。カラーコレクションの経験がある場合、これらは他のアプリケーションでカラーやコントラストの調整を行う上で使用したコントロールに似ていることに気付くでしょう。



「リフト」、「ガンマ」、「ゲイン」、「オフセット」のカラーホイールで、クリップのカラーおよびトーンのバランスを完全にコントロールできます。各トーン領域のすべてのカラーに同じ調整を加えたい場合は、各カラーホイールの下のダイヤルを左右にドラッグします。



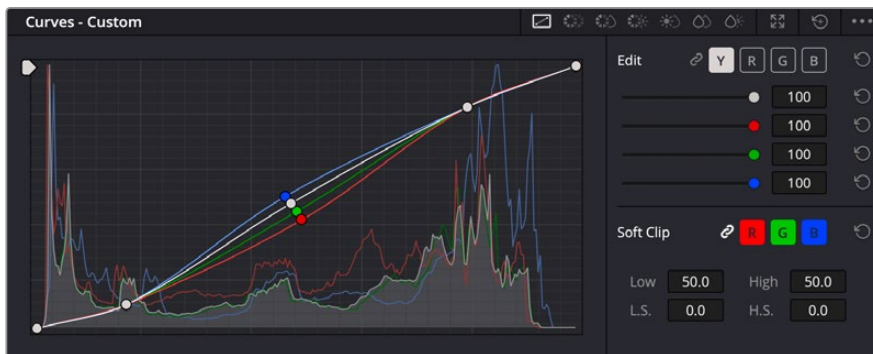
「プライマリーバー」は、マウスを使用してカラーの調整を簡単に実行できます。

マウスを使って各カラーをより正確にコントロールするには、カラーホイールを「プライマリーバー」に変更します。プライマリーバーは、リフト、ガンマ、ゲインを別々にコントロールして各カラーおよび輝度チャンネルを調整できます。カラーホイールの右上にあるドロップダウンメニューから「プライマリーバー」を選択します。

- ・ **「リフト」の調整**: カラーページのタイムラインでクリップを選択し、1つ目のカラーホイールの下にある「リフト」ダイヤルをクリックします。ダイヤルを左右にスライドし、イメージへの影響を確認します。イメージ内の暗い領域で明るさが増減するのが分かります。
暗い領域の明るさを、最適なレベルに設定します。リフトを下げ過ぎるとブラックのディテールが失われます。これを避けるには、パレードスコープが役立ちます。波形で確認する場合のブラックの最適な位置は、パレードスコープの底辺のすぐ上です。
- ・ **「ゲイン」の調整**: 「ゲイン」ダイヤルをクリックして、左右にスライドします。クリップの最も明るい部分であるハイライトを調整できます。ハイライトは、パレードスコープの波形の一番上の部分に表示されます。照明が明るいショットの場合、ハイライトの最適な位置は、波形スコープの一番上のラインのすぐ下です。ハイライトが波形スコープの一番上のラインを超えている場合、ハイライトはクリップされ、イメージ内の最も明るい領域のディテールが失われます。
- ・ **「ガンマ」の調整**: カラーホイールの下の「ガンマ」ダイヤルをクリックして、左右にスライドします。ガンマの値を上げるとイメージが明るくなるのが分かります。ガンマを調整すると、波形の中間の部分も動きます。この部分は、クリップのミッドトーンを示しています。ミッドトーンの最適な位置は、通常、波形スコープの50~70%の間ですが、作成するルックやクリップの照明条件、目的や好みにより異なります。

また、カーブパレットを使用してプライマリーカラーコレクションを行えます。カーブグラフの斜線をクリックしてコントロールポイントを作成します。それらを上下にドラッグして、イメージ色調の異なるエリアのマスターRGBコントラストを調整します。調整に最適なポイントは、カーブラインの下から3分の1、中間、上から3分の1の位置です。

DaVinci Resolveでプライマリーカラーコレクションを行う方法は他にもたくさんあります。



「カーブ」パレットは、プライマリーコレクションやPower Windowでクリップの特定の部分を強調する際に使用できるもうひとつのツールです。

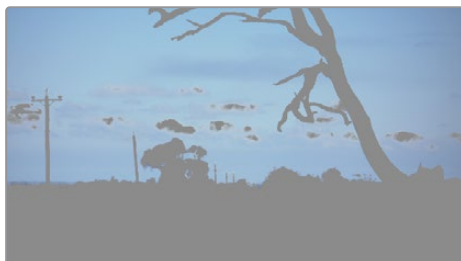
セカンダリーカラーコレクション

イメージの特定の部分を調整したい場合は、セカンダリーコレクションを使用する必要があります。リフト/ガンマ/ゲインを使用してこれまでに行った調整は、イメージ全体に同時に適用されるため、プライマリーカラーコレクションと呼ばれます。

一方、シーンの芝生のカラーや空のブルーのみを変更するなど、イメージの特定の部分を調整する必要がある場合は、セカンダリーコレクションを使用します。セカンダリーカラーコレクションでは、イメージを部分的に選択し、その部分のみを調整できます。ノードを使用して複数のセカンダリーコレクションを重ねられるため、すべてを別々に調整して完璧なイメージを作成できます！さらにウィンドウやトラッキングなどの機能で、イメージ内の動きを追跡できます。

カラーの分離

道路沿いの芝生や空のブルーなどクリップ内のカラーを強調したり、対象物のカラーを調整してオーディエンスの注意を引いたりなど、特定のカラーを強調することで様々な効果が得られます。HSLクオリファイアーツールを使用すれば、特定のカラーを簡単に分離できます。



HSLクオリファイアーツールでイメージ内のカラーを選択することは、イメージを部分的に際立たせたり、ショットの特定の部分にオーディエンスの注意を集めたい場合などに役立ちます。

特定のカラーを分離する：

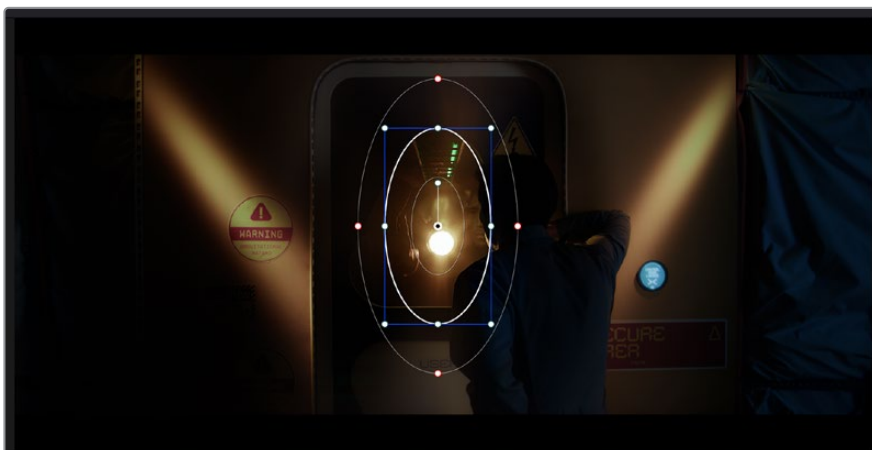
- 1 新しいシリアルノードを追加します。
- 2 「クオリファイアーツール」パレットを開き、「選択範囲」ピッカーツールを選択します。
- 3 クリップ内の調整したいカラーをクリックします。
- 4 通常、選択した領域のエッジを滑らかにし、目的のカラーのみに制限するには多少の調整が必要です。選択した領域を確認するには、ビューア上部にある「ハイライト」ボタンを押します。
- 5 「色相」の「幅」コントロールを調整して、選択する色相の幅を調整します。

「高」、「低」、「ソフトネス」コントロールを調整して、選択領域への影響を確認します。これで、カラーホイールまたはカスタムカーブを使用して、選択したカラーへのコレクションを開始できます。

時として、作業の影響を与えたくない領域のカラーもわずかに選択されてしまう場合があります。その場合はPower Windowを使用して、必要ない領域を簡単にマスクできます。新しいウィンドウを作成したら、目的のカラーの部分に合わせて形を整えるだけです。選択したカラーに動きがある場合は、トラッキング機能を使用してPower Windowを追跡できます。

Power Windowを追加

Power Windowは、クリップの特定の領域を分離できる、極めて効率的なセカンダリーカラーコレクション・ツールです。分離する領域は静止している必要はなく、カメラのパン、ティルト、回転、さらにはその領域の動き自体に合わせてトラッキングできます。



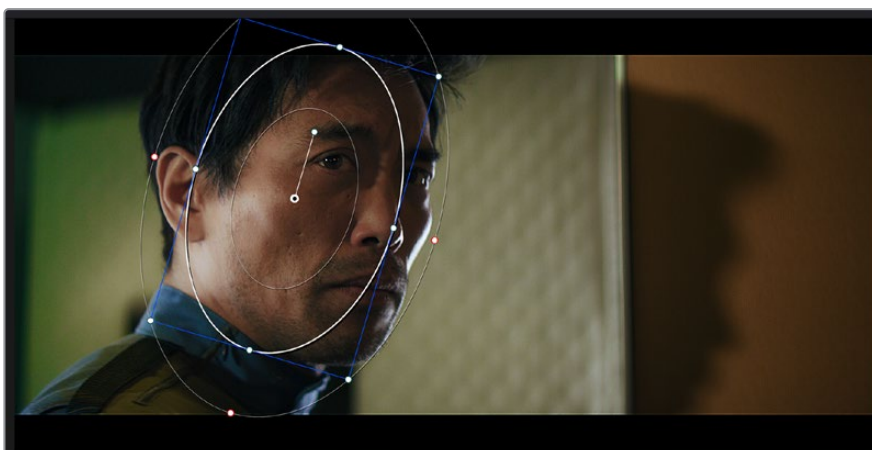
HSLクオリファイアーによるセカンダリーコレクションを適用したくない部分は、Power Windowでマスクできます。

例えば、人物に合わせたウィンドウをトラッキングして、周囲に影響を与えず、その人物のカラーとコントラストのみを調整できます。このようなカラーコレクションを行うことで、オーディエンスの注意を集めたい部分のみを強調できます。

クリップにPower Windowを追加する：

- 1 新しいシリアルノードを追加します。
- 2 「ウィンドウ」パレットを開き、シェイプアイコンをクリックしてウィンドウシェイプを選択します。選択したウィンドウシェイプがノードに表示されます。
- 3 シェイプの周りの青いポイントをクリック&ドラッグして、シェイプのサイズを調整します。赤いポイントでは、エッジのソフトネスを調整できます。作成したシェイプは、中央のポイントをクリック&ドラッグして位置を変更し、分離したい領域に合わせられます。中央のポイントとつながったポイントでは、シェイプを回転できます。

これで、必要な領域のみに制限したカラーコレクションが可能です。



Power Windowを使用して、イメージ内の特定の部分にセカンダリーコレクションを適用できます。

ウィンドウのトラッキング

撮影に使用したカメラまたは撮影した被写体には、動きがある場合があります。DaVinci Resolveのバワフルなトラッキング機能を使用すると、ウィンドウで被写体/領域を確実に追跡できます。トラッキング機能では、カメラや被写体のパン、ティルト、回転を分析して、それらの動きにウィンドウをマッチできます。この作業を行っていない場合は、選択したターゲットからカラーコレクションが外れ、望ましい結果が得られないことがあります。



トラッキング機能で被写体/領域を追跡できるため、Power Windowがアクションを追います。

動く被写体のウィンドウをトラッキングする：

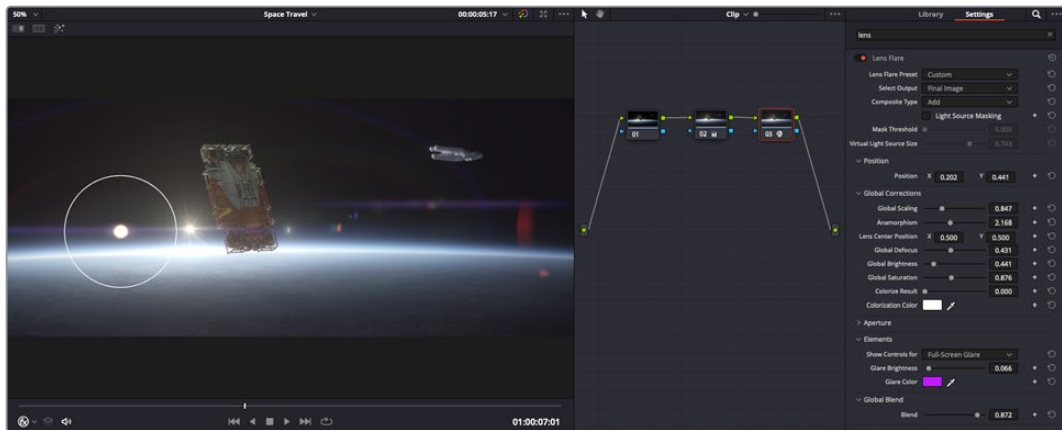
- 1 新しいシリアルノードを作成し、Power Windowを追加します。
- 2 クリップを開始点に合わせ、ウィンドウの位置やサイズを調整し、目的の被写体/領域のみに焦点を合わせます。
- 3 「トラッカー」パレットを開きます。パン、ティルト、ズーム、回転、遠近3Dから、クリップ内の動きに最適なものを選択し、チェックボックスをオンにします。
- 4 チェックボックスの左にある順方向への矢印をクリックします。DaVinci Resolveがトラッキングポイントをクリップに適用し、動きを分析しながら以降のフレームへと進みます。トラッキングが終わると、Power Windowがクリップ内の動きのパスを追跡します。

トラッキングはほとんどの場合に成功しますが、複雑なシーンや、選択した領域の前を障害物が通るケースでは、トラッキングに影響が出る場合があります。この問題は、キーフレームエディターを使用して解決できます。詳細は、DaVinci Resolveマニュアルを参照してください。

プラグインの使用

セカンダリーカラーコレクションでは、ResolveFXまたはOpenFXプラグインを追加できます。プラグインを追加することで、カラーページでは魅力的なルックやエフェクトを、カットページとエディットページでは想像力に富んだトランジションやエフェクトをすばやく作成できます。ResolveFXはDaVinci Resolveと一緒にインストールされ、OFXプラグインはサードパーティのサプライヤーから購入/ダウンロードできます。

OFXプラグインのインストールが完了したら、ResolveFXと同様に、カラーページの「ノードエディター」の右にある「OpenFX」インスペクタからアクセスできます。新しいシリアルノードを作成したら、「OpenFX」ボタンをクリックしてFXライブラリを開き、そのノードにプラグインをドラッグ&ドロップします。プラグインに変更可能な設定がある場合は、隣の「設定」パネルで調整できます。



OFXプラグインを使用して、想像力に富んだ魅力的なルックをすばやく簡単に作成できます。

エディットページでは、クリップにプラグインフィルター、ジェネレーター、トランジションを追加できます。この作業は、「エフェクトライブラリ」の「OpenFX」パネルを開き、プラグインの要件に合わせ、選択したプラグインをタイムライン上のクリップの上にあるビデオクリップまたはトラックにドラッグすることで実行できます。

オーディオのミックス

エディットページでオーディオをミックス

プロジェクトの編集とカラーコレクションが終わったら、オーディオのミックスを開始できます。DaVinci Resolveのエディットページには、オーディオの編集、ミックス、マスタリングが直接行える便利な機能が搭載されています。より高度なオーディオツールが必要なプロジェクトでは、完全なオーディオポストプロダクション環境を実現するFairlightページを使用できます。エディットページの使用方法をすでに理解しており、Fairlightに関する項目に進みたい場合は、このセクションを飛ばして次のセクションに進んでください。

オーディオトラックの追加

エディットページで基本的なサウンドをミックスする上で、サウンドエフェクトや音楽を多数使用する場合は、必要に応じてオーディオトラックを簡単に追加できます。オーディオトラックを追加すると、サウンドを構築する過程において会話、サウンドエフェクト、音楽などのオーディオ素材を別々のトラックに分けて管理できます。

エディットページにオーディオトラックを追加する

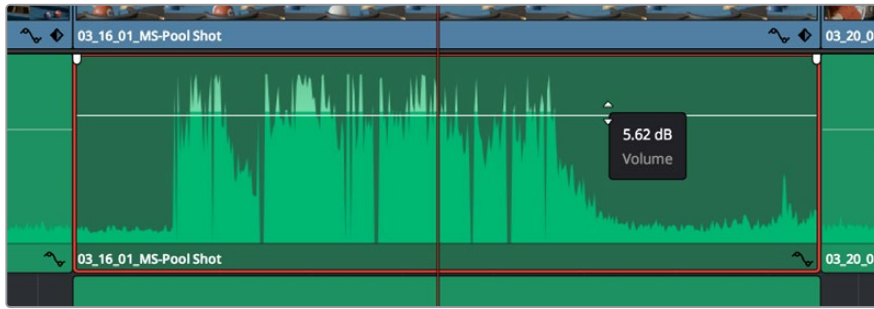
タイムラインでオーディオトラックのトラック名の領域を右クリックし、「トラックを追加」を選択します。「モノ」、「ステレオ」、「5.1」などの中から、任意のオプションを選択します。トラックリストの一番下にトラックが追加されます。あるいは「トラックを追加」を選択すると、1つまたは複数の新しいトラックを任意の位置に配置できます。

新しいオーディオトラックがタイムラインに表示されます。

作業のこつ トラックを作成した後に種類を変更したい場合、トラック名の隣を右クリックして「トラックの種類を変更」を選択すると、オーディオトラックの種類を「モノ」、「ステレオ」、「5.1」などに変更できます。

タイムラインでオーディオレベルを調整

タイムラインの各オーディオクリップには、ボリュームオーバーレイがあります。クリップのレベルはこのオーバーレイをポインターで上下にドラッグするだけで簡単に設定できます。このオーバーレイは、インスペクタの「ボリューム」パラメーターと連動しています。



ボリュームオーバーレイをドラッグしてクリップレベルを調整

より高度なオーディオツールが必要なプロジェクトでは、完全なオーディオポストプロダクション環境を実現するFairlightページを使用できます。

Fairlightページ

DaVinci ResolveのFairlightページではプロジェクトのオーディオの調整を行います。単一モニターモードでは、Fairlightページはプロジェクトのオーディオトラックに最適化されたレイアウトになります。拡大されたミキサーと様々なモニタリングコントロールでレベルの評価や調整を行い、滑らかでバランスの取れたミックスを作成できます。表示される膨大なツール群に戸惑う必要はありません。これらはすべて、優れたオーディオ品質を得るためのアシストを行う機能です。



このセクションではFairlightページの基本的な機能について説明します。各機能の詳細はDaVinci Resolveマニュアルを参照してください。DaVinci Resolveマニュアルでは各ツールの目的や使用方法が簡単なステップで紹介されています。

オーディオタイムライン

- ・ **トラックヘッダー**：各トラックの左にはヘッダーエリアがあります。ヘッダーにはトラック番号、トラック名、トラックカラー、オーディオチャンネル、フェーダー値、オーディオメーターが表示されます。またトラックヘッダーには、トラックのロック/解除や、ソロ/ミュートを切り替えるコントロールもあります。これらのコントロールはトラックを管理する上で便利だけでなく、各トラックを個別にモニタリングする場合にも使用できます。
- ・ **トラック**：Fairlightページの各トラックは複数のレーンに分かれています。これらのレーンは各クリップに含まれるオーディオチャンネルで、オーディオの編集やミックスのために表示されます。エディットページでは各オーディオチャンネルは非表示となり、タイムラインには単一のクリップのみ表示されます。多数のトラックを扱う必要がなくなるので、マルチチャンネルのソースを簡単に編集できます。



トラックヘッダーは各トラックの情報を表示します。トラック「A1」はレーンが1つ（モノ）のモノトラックです。トラック「A2」はレーンが2つ（ステレオ）のステレオトラックです。

バスとは

バスとは、複数のオーディオソースをグループ化して単一の信号にするためのチャンネルです。バスにまとめた信号は、1つのチャンネルストリップで制御できます。Fairlightは自動的にバスを作成し、タイムラインの全オーディオトラックがデフォルトでこのバスに送信されます。つまり、各トラックのレベルを調整した後で、オーディオミックス全体のレベルを調整できます。

複雑なプロジェクトでは、さらにバスを追加し、同じカテゴリーに属する複数のオーディオトラック（会話、音楽、エフェクトなど）を同じバスにまとめることで、各カテゴリー内の全素材を1つのオーディオ信号として扱い、ミックスを行えます。例えば、5つの会話トラックがある場合は、全5トラックの出力を1つのバスにルーティングすることで、すべての会話のレベルを1つのコントロールセットで調整できます。

FairlightのFlexbus構造では、バスの種類および信号のルーティングにおいて完全な柔軟性が得られ、バスからバス、トラックからバス、バスからトラックのルーティングが可能になりました。Fairlightのオーディオバス設定の詳細は、DaVinci Resolveマニュアルを参照してください。

ミキサー

ミキサーには、タイムラインの各オーディオトラックに対して1つずつチャンネルストリップがあります。さらに、デフォルトバス（Bus 1）用のストリップが1つ右側にあります。チャンネルストリップを追加すると、作成したバスのコントロールセットと一緒に右側に表示されます。これらのグラフィックコントロールを使用して、トラックチャンネルの出力チャンネルへの割り当て、EQやダイナミクスの調整、ボリュームやオートメーションの記録の設定、ステレオ/サラウンドオーディオのパン、トラックのミュートやソロなどを実行できます。

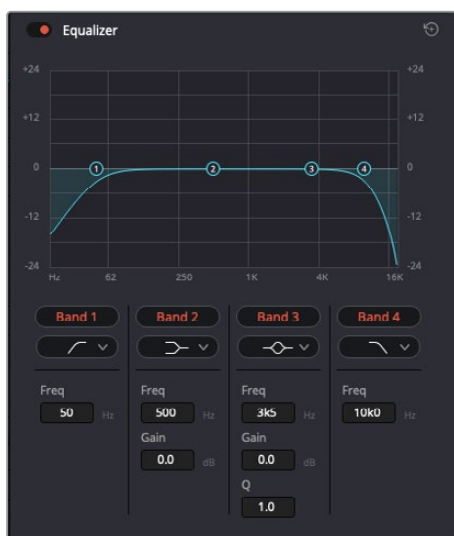


オーディオミキサー。タイムラインのトラックごとにチャンネルストリップがあります。

EQでオーディオを引き立てる

オーディオクリップのレベルを調整した後、他の微調整が必要な場合があります。例えば、会話、音楽、サウンドエフェクトのオーディオスペクトルが同じ周波数帯で競合し、オーディオが混み合って聞き取りにくいことがあります。このような場合はEQが便利で、各トラックが占めるオーディオスペクトルを設定できます。またEQは、特定の周波数（低いざわめき、騒音、風や空気のノイズなどが含まれる帯域）のレベルを限定的に下げ、オーディオの不要な成分を排除したり、音響の全体的な品質を向上させるためにも使用できます。

DaVinci ResolveのEQフィルターは、各クリップに個別に、あるいはトラック全体に適用できます。タイムラインの各オーディオクリップはインスペクタに4バンドのイコライザーがあります。また、各トラックはミキサーパネルに6バンドのパラメトリックイコライザーがあります。グラフィックおよび数値によるコントロールで異なる周波数帯域を増強/減衰させ、数種類のフィルターでEQカーブの形状を指定できます。



タイムラインのクリップには4バンドのイコライザーを適用できます。

両外側の2バンドのバンドフィルターには、ハイシェルフ/ローシェルフ/ハイパス/ローパスを選択できます。パスフィルターは特定の周波数より上（または下）の全周波数に影響し、それらの周波数は信号から完全に除去されます。例えばハイパスフィルターでは、高周波数はフィルターを通過し、低周波数はカットされます。しきい値を超えるすべての周波数は下向きのカーブで段階的にカットされます。

シェルフフィルターはパスフィルターよりやや控えめのフィルターで、信号の高周波数や低周波数を全体的に、しかし完全には除去せずに調整したい場合に便利です。ハイシェルフフィルターおよびローシェルフフィルターを使用して、特定の周波数およびその上（または下）の全周波数を均等にブースト/カットできます。

中央の2バンドでは様々なイコライザー調整が可能で、フィルターはローシェルフ、ベル、ノッチ、ハイシェルフから選択できます。

- ・ **ベル**：ベルフィルターを使用すると、設定したセンターポイントとその周辺の周波数をブースト/カットできます。フィルターの名前が示すようにベル（鐘）状のカーブが形成されます。
- ・ **ノッチ**：ノッチフィルターは、周波数を非常に狭い範囲で選択できます。例えば、ハムノイズを50または60Hzで除去します。
- ・ **ローシェルフ**：低域の特定の周波数およびそれ未満の全周波数をブースト/カットできます。
- ・ **ハイシェルフ**：高域の特定の周波数およびそれを超える全周波数をブースト/カットできます。

EQを個別のクリップに追加する：

- 1 EQフィルターを追加したいクリップをタイムラインで選択します。
- 2 インспекタをクリックし、「イコライザー」ボタンをクリックして有効にします。

EQをトラックに追加する：

- 1 ミキサーで任意のトラックのEQセクションをダブルクリックし、イコライザーを開きます。
- 2 調整を行うバンドのドロップダウンメニューから、バンドフィルターの種類を選択します。



ミキサーパネルのEQセクション。トラック1にEQカーブが適用されているのが分かります。



6バンドのパラメトリックイコライザー。トラック別に適用できます。

クリップまたはトラックのEQを追加した後は、各バンドを個別に調整できます。調整に使用できるコントロールは、選択しているバンドフィルターによって異なります。

バンドフィルターのEQを調整する：

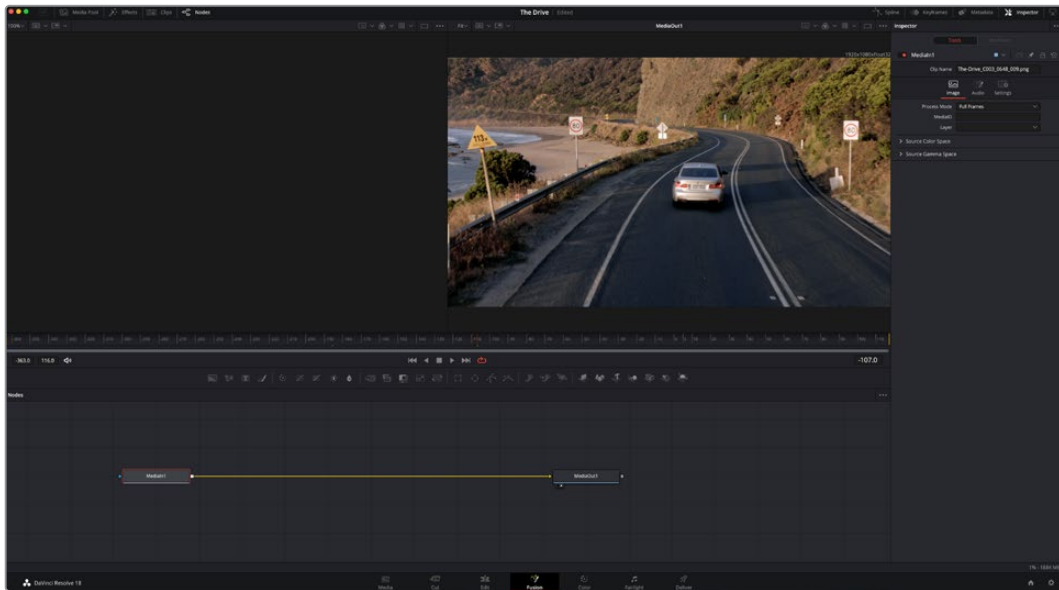
- 1 調整を行うバンドのドロップダウンメニューから、バンドフィルターの種類を選択します。
- 2 「周波数」の値を調整します。この値がEQ調整の中心になります。
- 3 「ゲイン」の値を調整して、対象周波数を増強/減衰させます。
- 4 「Qファクター」の値で、影響を受ける周波数の幅を調整します。

リセットボタンを押すと、EQウィンドウのすべてのコントロールがデフォルト値に戻ります。

Fairlightページには各オーディオトラックの品質を向上させるコントロールが数多く搭載されています。必要に応じてトラックを追加し、それらをバスに割り当てて管理し、さらにディレイやリバースなどのエフェクトを追加してオーディオミックスを上げることができます。

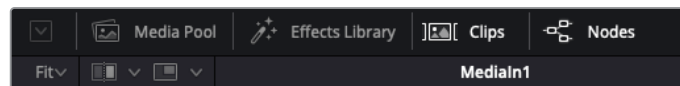
FusionページでVFXおよび合成を追加

編集が終わった後は、Fusionページで2D/3DのVFXやモーショングラフィックスをDaVinci Resolve内で追加できます。レイヤーベースの合成ソフトウェアと異なり、Fusionではノードを使用するため、イメージデータをあらゆる方向にルーティングしながら、複雑なエフェクトを柔軟に構築できます。ノードウィンドウには、作業の進行に合わせて、使用しているツールが表示されます。カラーページでノードを用いたワークフローの経験があるユーザーにとっては、慣れ親しんだ作業だと感じられるでしょう。

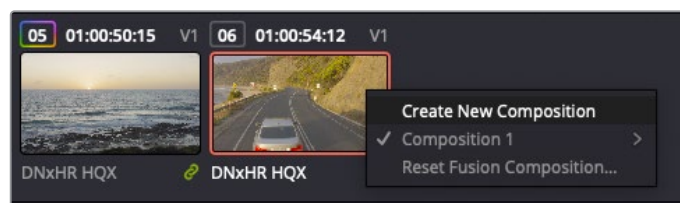


Fusionページ

Fusionページには、メディアを表示するための2つのビューアがトランスポートコントロールの上に搭載されており、右側の「インスペクタ」ウィンドウではツール設定にアクセスできます。画面下部のノードウィンドウは、合成の作成に使用します。ビューアとトランスポートコントロールは常に表示されていますが、ディスプレイの一番上にあるインターフェースツールバーのアイコンをクリックすると、ノードウィンドウと「インスペクタ」ウィンドウの表示/非表示を切り替えられます。また、エフェクトライブラリや、スプラインおよびキーフレームのエディターなどの追加ウィンドウも表示/非表示を切り替えられます。



- メディアプール:** メディアプールは、エディットページと同様に機能します。追加のメディアをビンから直接合成にドラッグ&ドロップするだけです。
- エフェクトライブラリ:** エフェクトライブラリにはFusionのツールやテンプレートがあり、パーティクル、トラッキング、フィルター、ジェネレーターなどカテゴリ別に分かれています。ツールをクリックするか、ノード領域にドラッグして、合成に追加します。メディアプールとエフェクトライブラリは画面の同じ領域に表示されるため、これらの表示を切り替えて使用することでビューアのサイズを最大に保てます。
- クリップ:** 「クリップ」タブをクリックすると、タイムラインのクリップと一致するサムネイルの表示/非表示を切り替えられます。サムネイルはノードエディターの下に表示されるため、瞬時に他のクリップにナビゲートできます。



新しいバージョンの合成を作成するには、サムネイルを右クリックして「新規コンポジションを作成」を選択します。

- ビューア:** ビューアは常に表示されており、合成の過程における異なる段階を確認できます。例えば、Merge 3Dノードを介した全体的な3D視点や、カメラ出力、最終レンダリング出力などを確認できます。これらのビューアは、特定の変更が各エレメントに与える影響を確認できます。表示するノードを選択するには、ノードをクリックし、左のビューアに表示する場合は「1」、右のビューアに表示する場合は「2」と入力します。ビューアに割り当てられているノードの下には、白いボタンのアイコンが表示されます。外部ビデオモニターを使用している場合は、メディアを外部ビデオモニターにルーティングするための3つ目のボタンが表示されます。

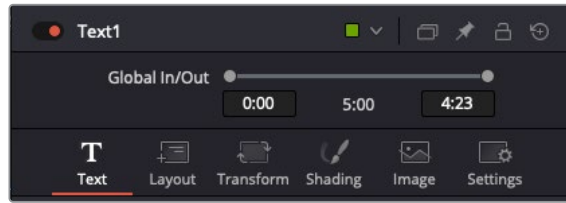
作業のこつ ノードをビューアに割り当てるには、ノードをビューアにドラッグします。

ビューア下のトランスポートコントロールでは、クリップの開始または終了部分へのスキップ、順方向/逆方向への再生、停止が実行できます。タイムルーラーはクリップ全体の長さを表示し、黄色のマークはイン点とアウト点を意味します。



タイムルーラーの黄色のマークは、タイムラインのクリップのイン点とアウト点を示します。Fusionクリップまたは複合クリップを使用している場合、タイムルーラーはタイムラインに表示されているクリップの長さのみをハンドルなしで表示します。

- ノード:** ノードウィンドウはFusionページの核となる部分です。ここで、1つのノード出力から別のノード入力にツールを接続することで、ノードツリーを作成します。この領域は、開いているエディター（スプラインエディターやキーフレームエディターなど）によって大きさが変わります。ノード領域の上にあるツールバーでは、最も頻繁に使用されるツールにすばやくアクセスできます。
- スプライン:** スプラインエディターを開くと、ノードウィンドウの右側に表示されます。このエディターでは、各ノードに詳細な調整を加えられます。例えば、ベジェカーブを使用して2つのキーフレーム間のアニメーションをスムーズにする場合などに使用します。
- キーフレーム:** 各ツールへのキーフレームは、キーフレームエディターから追加、除去、調整できます。このエディターもノードウィンドウの右側に表示されます。
- メタデータ:** メタデータウィンドウは、現在アクティブなクリップに使用可能なメタデータを表示します。これには、コーデック、フレームレート、タイムコードなどが含まれます。
- インスペクタ:** 右上にあるインスペクタは、選択された1つまたは複数のノードで使用可能なすべての設定と修飾機能 (Modifier) を表示します。ノードに応じて追加のタブが表示され、そのノードで使用できる他の設定にカテゴリー別に簡単にアクセスできます。

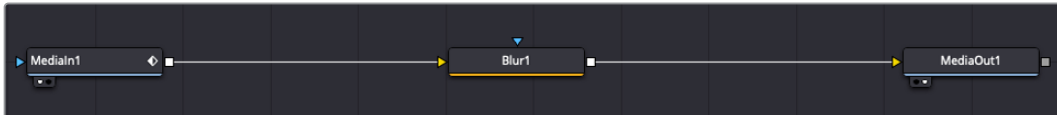


テキストインスペクタに含まれる、テキスト、レイアウト、変形、シェーディング、イメージ、設定の追加タブ

Fusionを使い始める

Fusionで作業を始めるには、再生ヘッドをタイムラインのクリップ上に配置し、「Fusion」タブをクリックしてFusionページを開きます。

Fusionページでは、クリップは「MediaIn」と名前がついたメディア入力ノードでただちに使用できます。すべての合成作業は、「MediaIn」および「MediaOut」ノードから始まります。「MediaIn」ノードは、再生ヘッドがある位置の一番上にあるクリップで、その下に位置するクリップは無視されます。エディットページで加えた調整（変形ツールやクロッピングの変更など）もすべて含まれます。



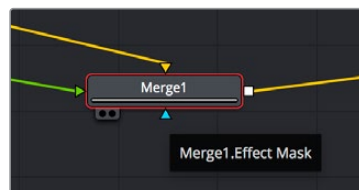
「MediaOut」と名前がついたメディア出力ノードは、DaVinci Resolveのエディットページのタイムラインに出力を送信するノードです。

作業のこつ カットまたはエディットページでクリップに適用されたResolveFXやOFXプラグインは、Fusionページでは適用されません。この理由は、FusionのエフェクトはカラーコレクションおよびOFX/ResolveFXの処理の前に実行されるからです。Fusionエフェクトの前にOFXを適用したい場合は、Fusionページをクリックする前に、エディットページでクリップを右クリックし、「新規Fusionクリップ...」を選択します。

ノードを理解する

Fusionを使用するにあたって、各ノードは単一のツールやエフェクトを意味する視覚的なアイコンであると考えれば作業がしやすくなります。ノードは、別のノードに接続することで合成を作り上げます。例えるなら、ケーキの材料のような存在です。各ノードの入力と出力を理解することで、ディテールに富んだVFXの作成にあたり、合成の流れを上手く構築できます。

一部のツールには、他のノードに接続できる入力と出力が複数あります。例えば、マージノードは、前景入力、後景入力、マットやキー用のマスク入力に接続できます。



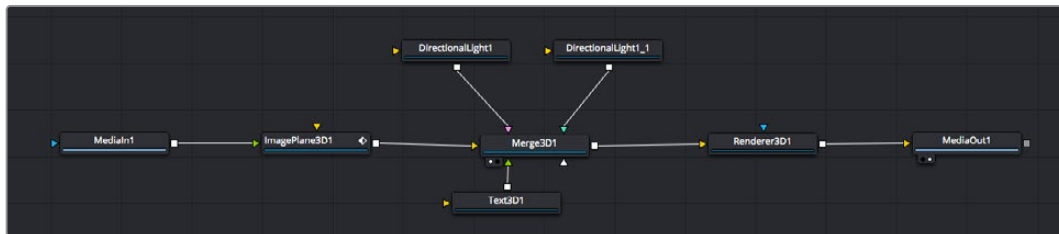
- ▶ 前景入力
- ▶ 後景入力
- ▶ エフェクトマスク入力
- 出力

ノードに複数の出力があることで、単一のノードを多数の異なるノードに接続できるため、クリップを複製する必要がありません。これが、レイヤーベースのソフトウェアと異なる点です。接続したノード間のライン上に表示される矢印は、イメージデータの流れの方向を示しています。

ノードエディターにノードを追加

エフェクトの追加は、「MediaIn」および「MediaOut」ノードの間のラインにノードを配置するだけで実行できます。

これを行うには複数の方法があります。1つ目は「Shift」を押しながらノードを2つのノード間にドロップする方法です。2つ目は、エフェクトを接続したいノードをはじめにクリックして、次に追加したいツールを選択する方法です。この方法では、選択したツールに新しいノードが自動的に接続されます。また、ノードウィンドウ内のあらゆる場所にノードを追加し、マニュアルでドラッグしてノード出力とノード入力を接続することも可能です。



最も頻繁に使用されるツールは、2Dまたは3Dマージノードです。ノードエディターの複数のツールを単一の出力にまとめるハブとして機能します。

マージノードでは、入力を接続するにあたって、サイズ、配置、ブレンドなどをコントロールできます。これらの設定は、マージノードが選択された際に表示される「インスペクタ」パネルから使用できます。

ノードパネルの上のツールバーには、使用頻度の最も高いツールがアイコンとして表示されます。ノードを追加するには、アイコンをクリックするか、ツールをノードパネルにドラッグします。使用可能な全ツールを確認するには、左上にある「エフェクトライブラリ」をクリックした後、「Tools」の隣の矢印をクリックします。すべてのツールがカテゴリー別にリストアップされます。さらに、事前に作られた「Templates」もここで同様に確認できます。テンプレートには、「Lens flares」、「Shaders」、「Backgrounds」などがあります。

作業のこつ ツールの名前を覚えたら、キーボードで「Shift」+「スペース」を押すと、「Select Tools」のウィンドウが表示されます。ツール名を入力すると、関連のツールに絞り込まれます。これは、必要なツールを非常にすばやく選択できる方法です。

インスペクタパネルを使用してノードを調整

「インスペクタ」パネルでノード設定を調整します。変更したいノードをクリックすると、パネルが更新され、該当の設定やコントロールが表示されます。

Fusionでは、編集しているノードを見る必要はなく、ノードを変更しながら合成の別のノードを見るのが可能です。例えば、「Merge」ノードをビューアに表示した状態で「Text+」ノードのサイズと中心位置を変更できます。これにより、背景に対するテキストの状態を見ながら作業が行えます。



選択したノードの外枠は赤に変わります。この写真では「インスペクタ」パネルに、テキストノードの「Layout」タブにあるコントロールが表示されています。

各ノードで調整できるパラメーターや設定はタスクによって変わります。例えば、サイズや中心位置の調整から「Emitter」ノードのパーティクル数の変更などに切り替わります。キーフレームを設定して、その後に行なった変更は、エフェクトのアニメートに影響します。

キーフレームを使用した作業

「インスペクタ」ウィンドウで設定の1つを右クリックして、コンテキストメニューから「Animate」を選択します。該当の設定の右側のキーフレームアイコンが赤に変わります。キーフレームがアクティブになり、今後行う変更は現在のフレームのみに適用されます。2つ以上のキーフレームが、異なるフレームで設定のパラメーターを変更したことで作成された場合、それらの間のトランジションは補間されます。キーフレームアイコンの左右の矢印で、それらのタイムライン上での位置に再生ヘッドを移動できます。



この写真では「Size」キーフレームアニメーションがベジェカーブで滑らかな曲線を描いています。ベジェハンドルをクリックしてカーブを長く/短くできます。またキーフレームの四角のアイコンをクリックして、キーフレームの場所を移動できます。

「スプライン」パネルでキーフレームのアニメーションをさらに詳細にコントロールできます。例えば、最初と最後のキーフレームを選択し、それらの間のアニメーションをベジェカーブでスムーズにできます。これは「Shift + S」、またはキーフレームを右クリックして「Smooth」を選択して実行できます。

モーショントラッカーの使用、テキストの追加

Fusionをいかに使用できるかを理解するために、以下に使用例をいくつか記載しています。ここでは、クリップの要素をトラッキングするトラッカーツールの使用方法、テキストを追加した後にトラッキングデータを使用して要素に接続させる方法を紹介します。

「Tracker」ツールは、X軸およびY軸のピクセルをトラッキングし、他の要素に接続するために使用できるデータを生成します。これは、動く被写体（走っている車やフレーム内を飛ぶ鳥など）にテキストの位置をマッチさせたい場合に便利です。

- 1 「エフェクトライブラリ」で「Tracker」ツールを選択し、「MediaIn」と「MediaOut」ノードの間のライン上にドラッグします。「Tracker」ノードをクリックして、「インスペクタ」でプロパティを表示します。
- 2 キーボードで「1」を押して、左のビューアに「Tracker」ノードを表示します。トラッカーがデフォルト位置に表示された状態で、クリップがビューアに表示されます。マウスポインターをトラッカーに重ねて、トラッカーハンドルを表示します。トラッカーハンドルの左上をクリックし、クリップ上でトラッキングしたい領域にトラッカーをドラッグします。高コントラストの領域で良い結果を得やすいので、トラッカーは車のボンネットのエンブレムなどに配置すると良いでしょう。トラッカーは、詳細な配置が可能のようにイメージ領域を拡大します。
- 3 「インスペクタ」ウィンドウで、「順方向にトラッキングする」ボタンを押してトラッキングを開始します。トラッキングが終了すると、それを伝えるウィンドウが表示されます。「OK」をクリックします。

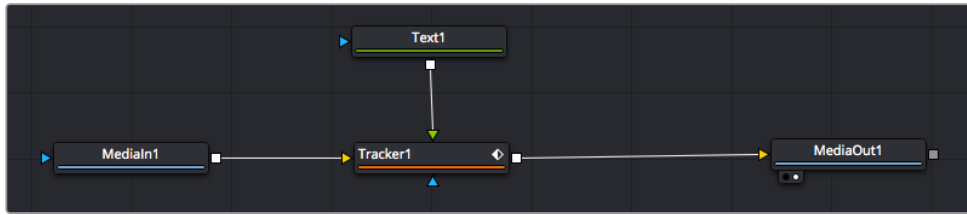


「インスペクタ」パネルのトラッキングのオプションでは、「最後のフレーム/現在のフレームから逆方向にトラッキング」、「停止」、「現在のフレーム/最初のフレームから順方向にトラッキング」が選択できます。

作業のこつ 「現在のフレームから逆方向/順方向にトラッキング」は、トラッキングしたい領域がレンダリングされている範囲外に出ってしまう場合に便利です。例えば、車や鳥がフレーム外に出る場合などです。これにより、関連したフッターのみをトラッキングできます。

生成されたトラッキングデータを用いて、モーショントラッカーを「Text」ツールに適用します。

- 4 頻繁に使用されるノードのツールバーで「Text+」ノードアイコンをクリックして、ノードパネルの「Tracker」ノードの近くまでドラッグします。「Text」の出力を「Tracker」の緑の前景入力に接続します。



- 5 「Tracker」ノードをクリックして、キーボードで「1」を押します。マージされた結果が左のビューアに表示されます。「インスペクタ」の「Tracker」パネルで「Operation」タブをクリックします。「Operation」メニューの矢印をクリックして「Match Move」を選択します。
- 6 「Text」ノードをクリックして「インスペクタ」でプロパティを表示します。テキストボックスに文字を入力し、合成に合うようにフォント、色、サイズを変更します。

これで、トラッカーで生成したトラッキング位置データが、テキストに適用されます。テキストのオフセット位置を変更したい場合、「インスペクタ」の「Tracker」タブをクリックし「X Offset」と「Y Offset」スクロールホイールを使用して調整します。



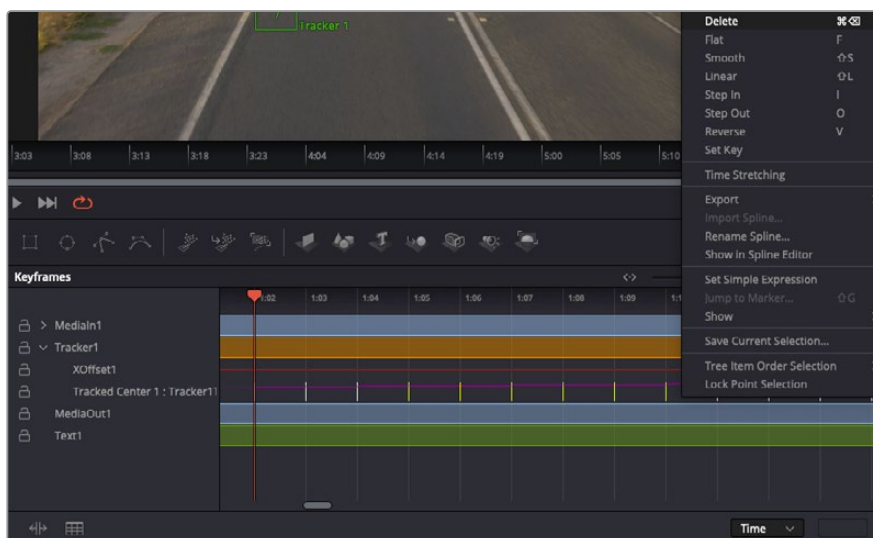
トラッカーのインスペクタパネル下にあるスクロールホイールでテキストのオフセット位置を調整可能

合成を再生すると、トラッキングした被写体にテキストが接続していることが確認できます。



緑のボックスは、トラッカーの現在の位置で、パスも緑で表示されています。赤の点線は、テキストをアニメートするために使用されるオフセット位置です。

一部のショットでは、トラッキング後にトラックポイントを取り除きたい場合もあるでしょう。例えば、トラッキングしている被写体がスクリーン外に出てしまうケースなどです。キーフレームエディターを使用すれば、これが極めて簡単に行えます。



- 7 「インスペクタ」の上にある「キーフレーム」タブをクリックして、キーフレームエディターを開きます。キーフレームが適用されたノードには、ノードラベルの横に小さな矢印が表示されます。キーフレームが追加されているパラメーターのみが下のリストに表示されます。虫めがねアイコンをクリックして、編集したい領域の周囲にボックスを描きます。これにより、その領域がズームされ、キーフレームが見やすくなります。
- 8 最後のキーフレームを配置したい位置に再生ヘッドを移動します。取り除きたいキーフレームの周囲に、マウスを使用してボックスを描きます。キーフレームは黄色にハイライトされます。右クリックして、メニューから「Delete」を選択します。

作業のこつ エフェクトによるシステムへの負荷が特に高い場合、トランスポートコントロールの領域を右クリックするとビューアのオプション（プロキシ再生など）が表示されるので、合成の構築中にシステムを最大限に利用できる方法を選択できます。再生オプションの詳細に関しては、DaVinci Resolveマニュアルを参照してください。

テキストをアニメートして、フッテージの動きにマッチさせる合成が完成しました！

トラッキングしたいイメージ領域に、強調させたり、置き換えたい平面がある場合は「Planar Tracker」を使用できます。2D平面のトラッキングは、移動するイメージのラベルや看板を変更するのに便利だけでなく、ショット内のモニターやテレビに画像を追加する目的でも使用できます。

「Planar Tracker」およびDaVinci ResolveのFusionページに搭載されている多数のパワフルなツールに関しては、DaVinci Resolveのマニュアルを参照してください。

作業のこつ FusionページでVFXを構築する上で、作成しているエフェクトが2Dであるか、3Dであるか理解することは重要です。エフェクトの種類により、使用するマージツールが異なるからです。1つの合成に2Dと3Dエフェクトを組み合わせることは多々あります。そういった場合、3D空間を使用しているVFXはすべて、2Dの合成にマージする前に、2Dのイメージとしてレンダリングする必要があります。

Fusionでの作業を楽しんでいただき、FusionのVFXをDaVinci Resolveの編集、カラー、Fairlightページと組み合わせて使用することで得られるメリットを理解していただければと思います。このようなツールが多数搭載されているDaVinci Resolveは、極めてパワフルであり、クリエイティビティを存分に発揮できるアプリケーションです。

編集のマスタリング

編集、カラーグレーディング、VFXの追加、オーディオミックスの作業が終わったので、次は他の人に送信するファイルの作成方法を説明します。ボタンを使用するか、メニューから「クイックエクスポート」を選択すると、タイムラインのコンテンツを様々なフォーマットのファイルで出力できます。あるいは、デリバリーページの他の機能を使用して出力することも可能です。



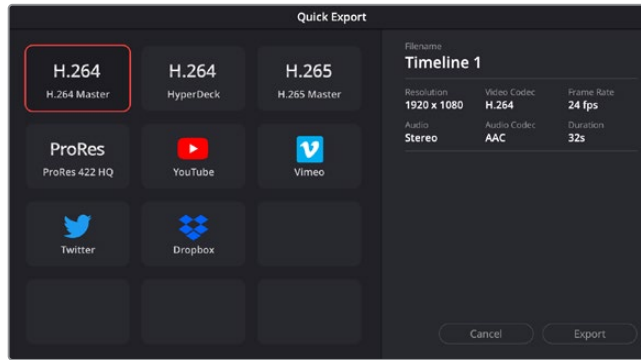
「デリバリー」ページで編集を書き出せます。様々なビデオフォーマットとコーデックが選択可能です。

クイックエクスポート

「ファイル」>「クイックエクスポート」を選択すると、DaVinci Resolveのあらゆるページから、様々な書き出しプリセットを使用して、プログラムを書き出せます。また、「クイックエクスポート」では、YouTube、Vimeo、Twitter、Frame.ioなどのサポートされているビデオ共有サービスにプログラムをアップロードすることも可能です。

「クイックエクスポート」を使用する：

- 1 カット、エディット、Fusion、カラーページで、希望に応じてタイムラインでイン点とアウト点を設定して、書き出し範囲を選択します。イン点とアウト点を設定していない場合、タイムライン全体が書き出されます。
「ファイル」>「クイックエクスポート」を選択します。
- 2 「クイックエクスポート」ダイアログで表示される一番上の列から、使用したいプリセットを選択して、「書き出し」をクリックします。
- 3 「書き出し」ダイアログで保存先のディレクトリを選択し、ファイル名を入力し、「保存」をクリックします。進捗バーが表示され、書き出しに必要な時間が確認できます。



「書き出し」ダイアログ

デリバーページ

デリバーページでは、書き出すクリップを選択し、フォーマット、コーデック、解像度を指定します。書き出しは、8/10-bit 非圧縮RGB/YUV、DNxHD、ProRes、H.264などのコーデックを使用し、QuickTime、AVI、MXF、DPXなど様々なフォーマットで実行できます。

編集を単一のクリップとして書き出す：

- 1 「デリバー」タブをクリックして、デリバーページを開きます。
- 2 ページ左上の「レンダー設定」ウィンドウに進みます。ここで、YouTube、Vimeo、オーディオプリセットなど、多くの書き出しプリセットから選択できます。または、デフォルトの「カスタム」プリセットに独自のパラメーターを入力して、独自の書き出し設定をマニュアルで設定することも可能です。例えば「YouTube」を選択し、次にプリセットの横にある矢印をクリックして1080pビデオフォーマットを選択します。

フレームレートは、プロジェクト設定のフレームレート設定にロックされます。

- 3 プリセットの下にタイムラインのファイル名と書き出したビデオのレンダリング先が表示されます。「ブラウズ」ボタンをクリックして、書き出したファイルの保存先を選択します。次にレンダー設定で「単一のクリップ」を選択します。
- 4 タイムラインの上に、「タイムライン全体」が選択されたオプションボックスが表示されます。これでタイムライン全体が書き出されますが、タイムラインの領域を選択することも可能です。「イン/アウトの範囲」を選択し、「I」および「O」のホットキーショートカットを使ってタイムラインでイン点/アウト点を選択します。
- 5 「レンダー設定」の下に行き、「レンダーキューに追加」をクリックします。

ページ右側のレンダーキューに、レンダー設定が追加されます。ここまでの作業が終わったら、後は「レンダー開始」をクリックして、レンダーキューでレンダリングの進行状況をモニタリングするだけです。

レンダリングが完了したら、書き出し先に指定したフォルダーを開き、レンダリングされた新しいクリップをダブルクリックして、完成した編集を確認できます。

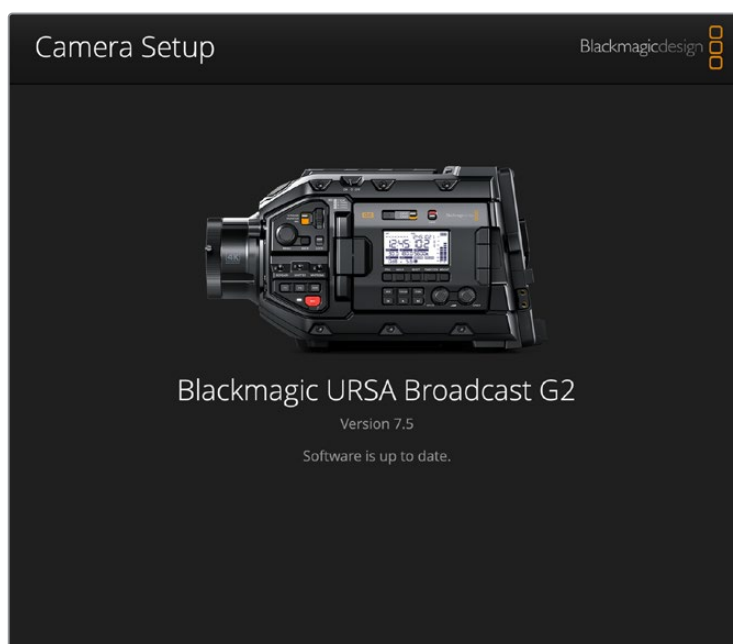
以上で紹介した、編集、カラーコレクション、オーディオミキシング、VFXの追加の基礎情報を活かして、DaVinci Resolveで色々と試してみることをお勧めします。DaVinci Resolveに搭載された、プロジェクトを最高の状態に導くための多数の機能の詳細は、DaVinci Resolveを参照してください。

Blackmagic Camera Setup Utility

カメラソフトウェアのアップデート - Mac

Blackmagic Camera Setup Utilityソフトウェアをダウンロードし、ダウンロードしたファイルを解凍します。ディスクイメージを開くとBlackmagic Camera Setup Installerが表示されます。

インストーラーを起動し、画面に表示される指示に従います。インストールが完了したら、アプリケーションフォルダーへ行き、Blackmagic Camerasフォルダーを開きます。そこには当マニュアル、Blackmagic Camera Setup Utility、そしてreadmeファイルおよびインフォメーションを含むドキュメントフォルダーが入っています。Blackmagic Camera Setupの最新バージョンにアップデートする際に必要なアンインストーラーも含まれます。



カメラソフトウェアのアップデート - Windows

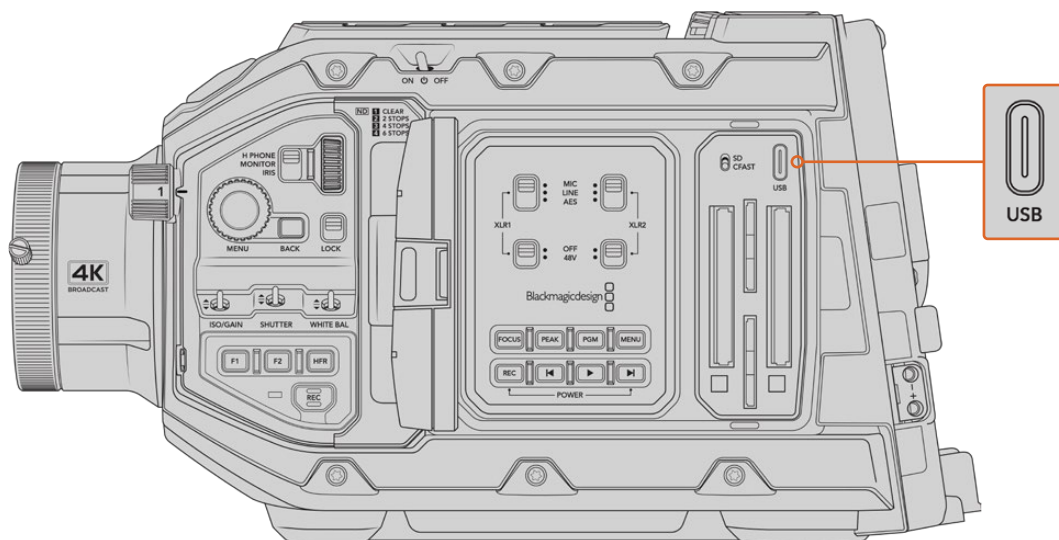
Blackmagic Camera Setup Utilityソフトウェアをダウンロードし、ダウンロードしたファイルを解凍します。PDFマニュアルとBlackmagic Camera Utility Installerが入ったBlackmagic Camera Utilityフォルダーが表示されます。インストーラーをダブルクリックし、画面の指示に従ってインストールします。

Windows 10では、「Start」ボタンを押して「All Apps」を選択します。「Blackmagic Design」フォルダーまでスクロールします。ここからBlackmagic Camera Setupを起動できます。

カメラソフトウェアをアップデート

コンピューターに最新のBlackmagic Camera Setup Utilityをインストールし、USBケーブルでコンピューターとBlackmagic URSA Broadcast G2を接続します。USBポートは左パネルのメモリーカードスロットの上にあります。

Blackmagic Camera Setup Utilityを起動し、画面の指示に従ってカメラソフトウェアをアップデートします。カメラソフトウェアをアップデートすると、すべてのプリセットやカスタムLUTを消去し、すべての設定がリセットされることに注意してください。ソフトウェアをアップデートする前に、メモリーカードにバックアップとして書き出ししておくことをお勧めします。ソフトウェアをアップデートした後に、メモリーカードからプリセットやLUTを簡単に読み込んで再びカメラで使用できます。



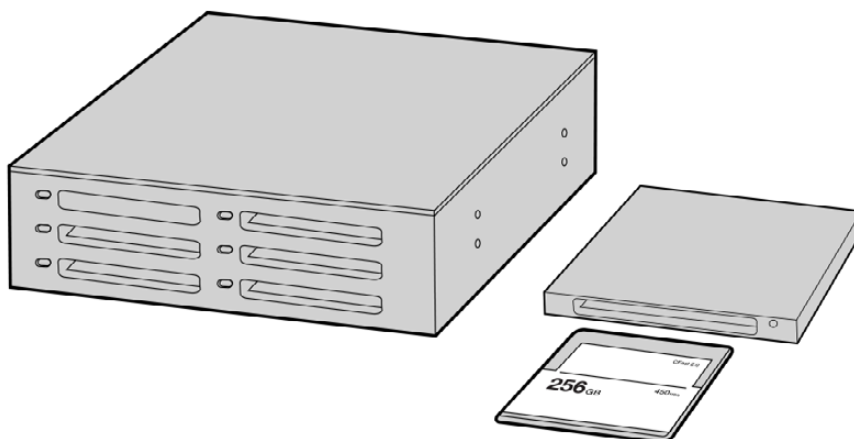
Blackmagic URSA Broadcast G2のメモリーカードスロットの上のストレージメディアスイッチの横にある、USB Cポートを使ってカメラソフトウェアをアップデート

サードパーティ製ソフトウェアの使用

お気に入りの編集ソフトウェアでクリップを編集するには、内蔵/外付けドライブまたはRAIDにクリップをコピーして、ソフトウェアに読み込みます。あるいは、クリップを直接CFast、SDカード、SSDなどのストレージメディアからドックやアダプターを使って読み込むこともできます。

メモ Blackmagic RAWは、DaVinci Resolve 16.1.2以降でサポートされており、多数のサードパーティ製ポストプロダクション編集プログラムでも採用されています。Avid Media ComposerおよびAdobe Premiere ProでBlackmagic RAWを編集するためのプラグインは、Blackmagic RAWソフトウェアで使用できます。ソフトウェアは、サポートセンターからダウンロードできます。<https://www.blackmagicdesign.com/jp/support/>

CFast 2.0カード/SDカードからのファイルでの作業



CFastカードをカメラから取り出し、CFast 2.0リーダー/ライター、あるいはCFastドライブを使用してコンピューターにマウントすると直接編集できます。

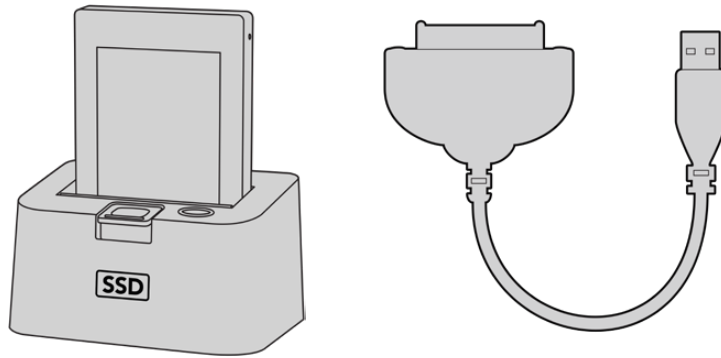
CFast 2.0/SDカードからクリップを読み込む：

- 1 Blackmagic URSA Broadcast G2からCFastカードを取り出します。
カードリーダーを使用して、CFastカードをMacまたはWindowsコンピューターにマウントします。
- 2 コンピューターのOSで該当のカードまで進むと、Blackmagic RAWまたはQuickTimeムービーファイルのリストが表示されます。
- 3 使用したいファイルをSDカードからデスクトップや他のハードドライブにドラッグします。または編集ソフトウェアから、SDカード上のファイルに直接アクセスすることも可能です。
- 4 CFast/SDカードをコンピューターから取り出す際は、必ずMac OS/WindowsでCFastまたはSDカードをイジェクトして取り出してください。カードをイジェクトせずに取り出すと、フッテージが破損することがあります。

SSDファイルでの作業

SSDからクリップを読み込む：

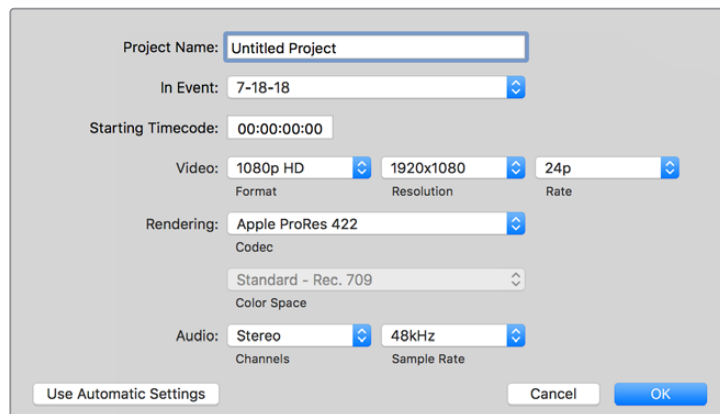
- 1 URSA Mini RecorderからSSDを取り出します。
- 2 eSATAまたはBlackmagic MultiDockなどのThunderboltドックを使用してSSDをMac/Windowsコンピューターにマウントします。eSATA - USBアダプターケーブルを使用して、SSDをコンピューターのUSBポートに直接接続することも可能です。リアルタイムのビデオ編集においてUSB 2.0は速度が十分でないため、USB 3.0の使用を推奨します。
- 3 SSDをダブルクリックして開くと、QuickTimeムービーファイルのリスト、またはBlackmagic RAWファイルの入ったフォルダーが表示されます。撮影時に選択したフォーマットによっては、異なる種類のファイルが存在しますが、すべてのファイルは同一のファイル命名規則に従っています。
- 4 使用したいファイルをSSDからデスクトップやその他のハードドライブにドラッグします。NLE（ノンリニア編集）ソフトウェアで、直接SSDのファイルにアクセスすることも可能です。
- 5 SSDをコンピューターから取り出す際は、必ずコンピューターからイジェクトして取り出してください。



SSDをカメラから取り出し、eSATA ThunderboltドックまたはUSB3.0ドッキングケーブルを使ってコンピューターにマウントし、直接編集できます。

Final Cut Pro Xを使う

Final Cut Pro Xでクリップを編集するには、新しいプロジェクトを作成して、適切なビデオフォーマットおよびフレームレートを設定します。ここではProRes 422 HQ 1080p24を使用します。



Final Cut Pro Xのプロジェクト設定画面

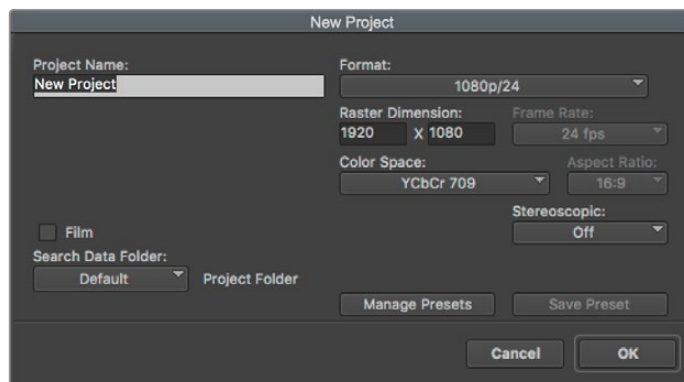
- 1 Final Cut Pro Xを起動してメニューバーへ行き、「File/New Project」を選択します。プロジェクト設定を含むウィンドウが開きます。
- 2 プロジェクトに名前を付け、「Custom」チェックボックスを選択します。
- 3 「Video」設定を1080p HD、1920×1080、24pに設定します。
- 4 「Audio」および「Rendering」設定をStereo、48kHz、Apple ProRes 422 HQに設定します。
- 5 「OK」をクリックします。

クリップをプロジェクトに読み込むには、メニューバーへ行き、「File/Import/Media」を選択します。CFastカードからクリップを選択します。

クリップをタイムラインにドラッグして編集を開始できます。

Avid Media Composer 2018を使う

Avid Media Composer 2018でクリップを編集するには、新しいプロジェクトを作成して、適切なビデオフォーマットおよびフレームレートを設定します。ここでは、クリップを1080p24に設定します。



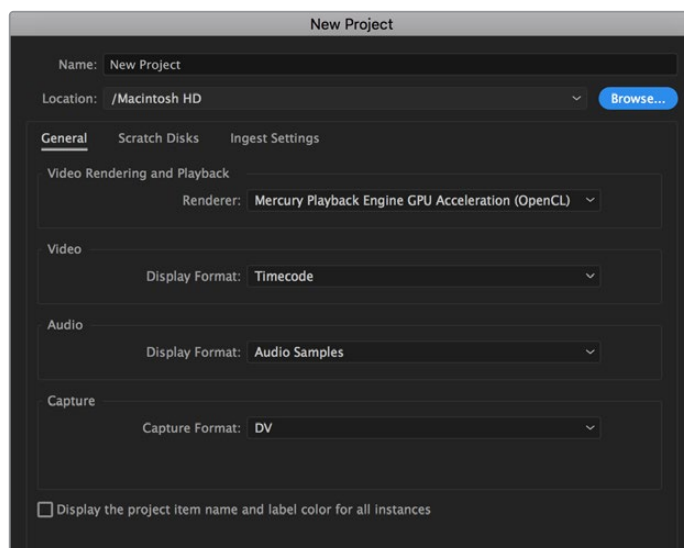
Avid Media Composer 2018でプロジェクト名およびオプションを設定

- 1 Avid Media Composer 2018を起動すると「Select Project」ウィンドウが表示されます。
- 2 「New Project」ボタンをクリックして、「New Project」ウィンドウでプロジェクト名を入力します。
- 3 「Format」ドロップダウンメニューで「HD 1080」>「1080p/24」を選択し、「OK」をクリックしてプロジェクトを作成します。
- 4 「Select Project」ウィンドウで、作成したプロジェクトをダブルクリックして開きます。
- 5 「File」>「Input」>「Source Browser」を選択し、読み込みたいファイルまで進みます。
- 6 ドロップダウンメニューから「Target Bin」を選択して「Import」をクリックします。

メディアビンにクリップが表示されたら、クリップをタイムラインにドラッグして編集します。

Adobe Premiere Pro CCを使う

Adobe Premiere Pro CCでApple ProRes 422 HQクリップを編集するには、新しいプロジェクトを作成して、適切なビデオフォーマットおよびフレームレートを設定します。ここでは、クリップをProRes 422 HQ 1080p25とします。



Adobe Premiere Pro CCでプロジェクト名およびオプションを設定

- 1 Adobe Premiere Pro CCを起動します。「Welcome」ウィンドウで「New Project」を選択します。プロジェクト設定を含むウィンドウが開きます。
- 2 プロジェクトに名前を付けます。「Browse」ボタンをクリックして使用するフォルダーを選び、プロジェクトの保存先を選択します。保存先フォルダーを選択したら、「New Project」ウィンドウで「OK」をクリックします。
- 3 Adobe Premiere Pro CCのメニューバーへ行き、「File/Import」を選択して編集したいクリップを選択します。「Project」ウィンドウにクリップが表示されます。
- 4 最初に編集したいクリップを、「Project」ウィンドウの右下にある「New Item」アイコンの上にドラッグします。クリップの設定に合った新しいシーケンスが作成されます。

クリップをシーケンス・タイムラインにドラッグして編集を開始できます。

Developer Information

Blackmagic Bluetooth Camera Control

Blackmagic cameras with Bluetooth LE implement a variety of features and commands that allow users to control their cameras wirelessly. Developers have full access to these features for their custom applications.

The following services and characteristics describe the full range of communication options that are available to the developer.

Service: Device Information Service

UUID: 180A

Characteristics

Camera Manufacturer

UUID: 2A29

Read the name of the manufacturer (always “Blackmagic Design”).

Camera Model

UUID: 2A24

Read the name of the camera model (“URSA Broadcast G2”).

Service: Blackmagic Camera Service

UUID: 291D567A-6D75-11E6-8B77-86F30CA893D3

Characteristics

Outgoing Camera Control (encrypted)

UUID: 5DD3465F-1AEE-4299-8493-D2ECA2F8E1BB

Send Camera Control messages

These messages are identical to those described in the Blackmagic SDI Camera Control Protocol section below. Please read that section for a list of supported messages and required formatting information.

For an example of how packets are structured, please see the ‘example protocol packets’ section in this document.

Incoming Camera Control (encrypted)

UUID: B864E140-76A0-416A-BF30-5876504537D9

Request notifications for this characteristic to receive Camera Control messages from the camera.

These messages are identical to those described in the Blackmagic SDI Camera Control Protocol section below. Please read that section for a list of supported messages and required formatting information.

Timecode (encrypted)

UUID: 6D8F2110-86F1-41BF-9AFB-451D87E976C8

Request notifications for this characteristic to receive timecode updates.

Timecode (HH:MM:SS:mm) is represented by a 32-bit BCD number:
(eg. 09:12:53:10 = 0x09125310)

Camera Status (encrypted)

UUID: 7FE8691D-95DC-4FC5-8ABD-CA74339B51B9

Request notifications for this characteristic to receive camera status updates.

The camera status is represented by flags contained in an 8-bit integer:

None	= 0x00
Camera Power On	= 0x01
Connected	= 0x02
Paired	= 0x04
Versions Verified	= 0x08
Initial Payload Received	= 0x10
Camera Ready	= 0x20

Send a value of 0x00 to power a connected camera off.

Send a value of 0x01 to power a connected camera on.

Device Name

UUID: FFAC0C52-C9FB-41A0-B063-CC76282EB89C

Send a device name to the camera (max. 32 characters).

The camera will display this name in the Bluetooth Setup Menu.

Protocol Version

UUID: 8F1FD018-B508-456F-8F82-3D392BEE2706

Read this value to determine the camera's supported CCU protocol version.

NOTE Encrypted characteristics can only be used once a device has successfully bonded or paired with the Blackmagic Camera. Once a connection has been established, any attempt to write to an encrypted characteristic will initiate bonding. For example, writing a 'Camera Power On' (0x01) message to the Camera Status characteristic.

Once bonding is initiated, the camera will display a 6-digit pin in the Bluetooth Setup Menu. Enter this pin on your device to establish an encrypted connection. The device will now be able to read, write and receive notifications from encrypted characteristics.

Blackmagic SDI and Bluetooth Camera Control Protocol

Version 1.6.2

If you are a software developer you can use the Blackmagic SDI and Bluetooth Camera Control Protocol to construct devices that integrate with our products. Here at Blackmagic Design, our approach is to open up our protocols and we eagerly look forward to seeing what you come up with!

Overview

This document describes an extensible protocol for sending a unidirectional stream of small control messages embedded in the non-active picture region of a digital video stream. The video stream containing the protocol stream may be broadcast to a number of devices. Device addressing is used to allow the sender to specify which device each message is directed to.

Assumptions

Alignment and padding constraints are explicitly described in the protocol document. Bit fields are packed from LSB first. Message groups, individual messages and command headers are defined as, and can be assumed to be, 32 bit aligned.

Blanking Encoding

A message group is encoded into a SMPTE 291M packet with DID/SDID x51/x53 in the active region of VANC line 16.

Message Grouping

Up to 32 messages may be concatenated and transmitted in one blanking packet up to a maximum of 255 bytes payload. Under most circumstances, this should allow all messages to be sent with a maximum of one frame latency.

If the transmitting device queues more bytes of message packets than can be sent in a single frame, it should use heuristics to determine which packets to prioritize and send immediately. Lower priority messages can be delayed to later frames, or dropped entirely as appropriate.

Abstract Message Packet Format

Every message packet consists of a three byte header followed by an optional variable length data block. The maximum packet size is 64 bytes.

Destination device (uint8)	Device addresses are represented as an 8 bit unsigned integer. Individual devices are numbered 0 through 254 with the value 255 reserved to indicate a broadcast message to all devices.
Command length (uint8)	The command length is an 8 bit unsigned integer which specifies the length of the included command data. The length does NOT include the length of the header or any trailing padding bytes.
Command id (uint8)	The command id is an 8 bit unsigned integer which indicates the message type being sent. Receiving devices should ignore any commands that they do not understand. Commands 0 through 127 are reserved for commands that apply to multiple types of devices. Commands 128 through 255 are device specific.
Reserved (uint8)	This byte is reserved for alignment and expansion purposes. It should be set to zero.
Command data (uint8[])	The command data may contain between 0 and 60 bytes of data. The format of the data section is defined by the command itself.

Padding (uint8[])	Messages must be padded up to a 32 bit boundary with 0x0 bytes. Any padding bytes are NOT included in the command length.
--------------------------	---

Receiving devices should use the destination device address and or the command identifier to determine which messages to process. The receiver should use the command length to skip irrelevant or unknown commands and should be careful to skip the implicit padding as well.

Defined Commands

Command 0 : change configuration

Category (uint8)	The category number specifies one of up to 256 configuration categories available on the device.
Parameter (uint8)	The parameter number specifies one of 256 potential configuration parameters available on the device. Parameters 0 through 127 are device specific parameters. Parameters 128 though 255 are reserved for parameters that apply to multiple types of devices.
Data type (uint8)	The data type specifies the type of the remaining data. The packet length is used to determine the number of elements in the message. Each message must contain an integral number of data elements.

Currently defined values are:

0: void/boolean	A void value is represented as a boolean array of length zero. The data field is a 8 bit value with 0 meaning false and all other values meaning true.
1: signed byte	Data elements are signed bytes
2: signed 16 bit integer	Data elements are signed 16 bit values
3: signed 32 bit integer	Data elements are signed 32 bit values
4: signed 64 bit integer	Data elements are signed 64 bit values
5: UTF-8 string	Data elements represent a UTF-8 string with no terminating character.

Data types 6 through 127 are reserved.

128: signed 5.11 fixed point	Data elements are signed 16 bit integers representing a real number with 5 bits for the integer component and 11 bits for the fractional component. The fixed point representation is equal to the real value multiplied by 2^{11} . The representable range is from -16.0 to 15.9995 (15 + 2047/2048).
-------------------------------------	---

Data types 129 through 255 are available for device specific purposes.

Operation type (uint8)	The operation type specifies what action to perform on the specified parameter. Currently defined values are:
0: assign value	The supplied values are assigned to the specified parameter. Each element will be clamped according to its valid range. A void parameter may only be 'assigned' an empty list of boolean type. This operation will trigger the action associated with that parameter. A boolean value may be assigned the value zero for false, and any other value for true.
1: offset/toggle value	Each value specifies signed offsets of the same type to be added to the current parameter values. The resulting parameter value will be clamped according to their valid range. It is not valid to apply an offset to a void value. Applying any offset other than zero to a boolean value will invert that value.

Operation types 2 through 127 are reserved.

Operation types 128 through 255 are available for device specific purposes.

Data (void)	The data field is 0 or more bytes as determined by the data type and number of elements.
--------------------	--

The category, parameter, data type and operation type partition a 24 bit operation space.

Group	ID	Parameter	Type	Index	Minimum	Maximum	Interpretation
Lens	0.0	Focus	fixed16	–	0.0	1.0	0.0 = near, 1.0 = far
	0.1	Instantaneous autofocus	void	–	–	–	trigger instantaneous autofocus
	0.2	Aperture (f-stop)	fixed16	–	-1.0	16.0	Aperture Value (where fnumber = $\sqrt{2^{AV}}$)
	0.3	Aperture (normalised)	fixed16	–	0.0	1.0	0.0 = smallest, 1.0 = largest
	0.4	Aperture (ordinal)	int16	–	0	n	Steps through available aperture values from minimum (0) to maximum (n)
	0.5	Instantaneous auto aperture	void	–	–	–	trigger instantaneous auto aperture
	0.6	Optical image stabilisation	boolean	–	–	–	true = enabled, false = disabled
	0.7	Set absolute zoom (mm)	int16	–	0	max	Move to specified focal length in mm, from minimum (0) to maximum (max)
	0.8	Set absolute zoom (normalised)	fixed16	–	0.0	1.0	Move to specified focal length: 0.0 = wide, 1.0 = tele
	0.9	Set continuous zoom (speed)	fixed16	–	-1.0	+1.0	Start/stop zooming at specified rate: -1.0 = zoom wider fast, 0.0 = stop, +1 = zoom tele fast

Group	ID	Parameter	Type	Index	Minimum	Maximum	Interpretation
Video	1.0	Video mode	int8	[0] = frame rate	–	–	fps as integer (eg 24, 25, 30, 50, 60)
				[1] = M-rate	–	–	0 = regular, 1 = M-rate
				[2] = dimensions	–	–	0 = NTSC, 1 = PAL, 2 = 720, 3 = 1080, 4 = 2kDCI, 5 = 2k16:9, 6 = UHD, 7 = 3k Anamorphic, 8 = 4k DCI, 9 = 4k 16:9, 10 = 4.6k 2.4:1, 11 = 4.6k
				[3] = interlaced	–	–	0 = progressive, 1 = interlaced
				[4] = Color space	–	–	0 = YUV
	1.1	Gain (up to Camera 4.9)	int8		1	128	1x, 2x, 4x, 8x, 16x, 32x, 64x, 128x gain
	1.2	Manual White Balance	int16	[0] = color temp	2500	10000	Color temperature in K
			int16	[1] = tint	-50	50	tint
	1.3	Set auto WB	void	–	–	–	Calculate and set auto white balance
	1.4	Restore auto WB	void	–	–	–	Use latest auto white balance setting
	1.5	Exposure (us)	int32		1	42000	time in us
	1.6	Exposure (ordinal)	int16	–	0	n	Steps through available exposure values from minimum (0) to maximum (n)
	1.7	Dynamic Range Mode	int8 enum	–	0	2	0 = film, 1 = video, 2 = extended video
	1.8	Video sharpening level	int8 enum	–	0	3	0 = off, 1 = low, 2 = medium, 3 = high
	1.9	Recording format	int16	[0] = file frame rate	–	–	fps as integer (eg 24, 25, 30, 50, 60, 120)
				[1] = sensor frame rate	–	–	fps as integer, valid when sensor-off-speed set (eg 24, 25, 30, 33, 48, 50, 60, 120), no change will be performed if this value is set to 0
				[2] = frame width	–	–	in pixels
				[3] = frame height	–	–	in pixels
				[4] = flags	–	–	[0] = file-M-rate
					–	–	[1] = sensor-M-rate, valid when sensor-off-speed-set
–					–	[2] = sensor-off-speed	
–	–	[3] = interlaced					
–	–	[4] = windowed mode					
1.10	Set auto exposure mode	int8	–	0	4	0 = Manual Trigger, 1 = Iris, 2 = Shutter, 3 = Iris + Shutter, 4 = Shutter + Iris	
1.11	Shutter angle	int32	–	100	36000	Shutter angle in degrees, multiplied by 100	
1.12	Shutter speed	int32	–	Current sensor frame rate	5000	Shutter speed value as a fraction of 1, so 50 for 1/50th of a second	
1.13	Gain	int8	–	-128	127	Gain in decibel (dB)	
1.14	ISO	int32	–	0	2147483647	ISO value	
1.15	Display LUT	int8	[0] = selected LUT	–	–	0 = None, 1 = Custom, 2 = film to video, 3 = film to extended video	
			[1] = enabled or not	–	–	0 = Not enabled, 1 = Enabled	
1.16	ND Filter Stop	fixed16	[0] = stop	0.0	15.0	filter power, as f-stop	
			[1] = display mode	–	–	0 = stop 1 = density 2 = transmittance	

Group	ID	Parameter	Type	Index	Minimum	Maximum	Interpretation
Audio	2.0	Mic level	fixed16	–	0.0	1.0	0.0 = minimum, 1.0 = maximum
	2.1	Headphone level	fixed16	–	0.1	1.0	0.0 = minimum, 1.0 = maximum
	2.2	Headphone program mix	fixed16	–	0.1	1.0	0.0 = minimum, 1.0 = maximum
	2.3	Speaker level	fixed16	–	0.1	1.0	0.0 = minimum, 1.0 = maximum
	2.4	Input type	int8	–	0	3	0 = internal mic, 1 = line level input, 2 = low mic level input, 3 = high mic level input
	2.5	Input levels	fixed16	[0] ch0	0.0	1.0	0.0 = minimum, 1.0 = maximum
				[1] ch1	0.0	1.0	0.0 = minimum, 1.0 = maximum
2.6	Phantom power	boolean	–	–	–	true = powered, false = not powered	
Output	3.0	Overlay enables	uint16 bit field	[0] = bit field	–	–	bit flags: [0] = display status, [1] = display frame guides [2] = clean feed Some cameras don't allow separate control of frame guides and status overlays.
			uint16 bit field	[1] = target displays bit field	–	–	bit flags: [0] = LCD [1] = HDMI [2] = EVF [3] = Main SDI [4] = Front SDI
	3.1	Frame guides style (Camera 3.x)	int8	–	0	8	0 = HDTV, 1 = 4:3, 2 = 2.4:1, 3 = 2.39:1, 4 = 2.35:1, 5 = 1.85:1, 6 = thirds
	3.2	Frame guides opacity (Camera 3.x)	fixed16	–	0.1	1.0	0.0 = transparent, 1.0 = opaque
	3.3	Overlays (replaces .1 and .2 above from Cameras 4.0)	int8	[0] = frame guides style	–	–	0 = off, 1 = 2.4:1, 2 = 2.39:1, 3 = 2.35:1, 4 = 1.85:1, 5 = 16:9, 6 = 14:9, 7 = 4:3, 8 = 2:1, 9 = 4:5, 10 = 1:1
				[1] = frame guide opacity	0	100	0 = transparent, 100 = opaque
				[2] = safe area percentage	0	100	percentage of full frame used by safe area guide (0 means off)
[3] = grid style				–	–	bit flags: [0] = display thirds, [1] = display cross hairs, [2] = display center dot, [3] = display horizon	

Group	ID	Parameter	Type	Index	Minimum	Maximum	Interpretation
Display	4.0	Brightness	fixed16	–	0.0	1.0	0.0 = minimum, 1.0 = maximum
	4.1	Exposure and focus tools	uint16 bit field	[0] = bit field	–	–	bit flags: [0] = Zebra [1] = Focus Assist [2] = False Color
				uint16 bit field	[1] = target displays bit field	–	–
	4.2	Zebra level	fixed16	–	0.0	1.0	0.0 = minimum, 1.0 = maximum
	4.3	Peaking level	fixed16	–	0.0	1.0	0.0 = minimum, 1.0 = maximum
	4.4	Color bar enable	int8	–	0	30	0 = disable bars, 1-30 = enable bars with timeout (seconds)
	4.5	Focus Assist	int8	[0] = focus assist method	–	–	0 = Peak, 1 = Colored lines
				[1] = focus line color	–	–	0 = Red, 1 = Green, 2 = Blue, 3 = White, 4 = Black
4.6	Program return feed enable	int8	–	0	30	0 = disable, 1-30 = enable with timeout (seconds)	
4.7	Timecode Source	signed byte	[0] = source	–	–	0 = Clip, 1 = Timecode	
Tally	5.0	Tally brightness	fixed16	–	0.0	1.0	Sets the tally front and tally rear brightness to the same level. 0.0 = minimum, 1.0 = maximum
	5.1	Front tally brightness	fixed16	–	0.0	1.0	Sets the tally front brightness. 0.0 = minimum, 1.0 = maximum
	5.2	Rear tally brightness	fixed16	–	0.0	1.0	Sets the tally rear brightness. 0.0 = minimum, 1.0 = maximum Tally rear brightness cannot be turned off
Reference	6.0	Source	int8 enum	–	0	2	0 = internal, 1 = program, 2 = external
	6.1	Offset	int32	–	–	–	+/- offset in pixels
Configuration	7.0	Real Time Clock	int32	[0] time	–	–	BCD - HHMMSSFF (UCT)
				[1] date	–	–	BCD - YYYYMMDD
	7.1	System language	string	[0-1]	–	–	ISO-639-1 two character language code
	7.2	Timezone	int32	–	–	–	Minutes offset from UTC
	7.3	Location	int64	[0] latitude	–	–	BCD - s0DDdddddddddd where s is the sign: 0 = north (+), 1 = south (-); DD degrees, ddddddddddd decimal degrees
[1] longitude				–	–	BCD - sDDDdddddddddd where s is the sign: 0 = west (-), 1 = east (+); DDD degrees, dddddddddd decimal degrees	

Group	ID	Parameter	Type	Index	Minimum	Maximum	Interpretation
Color Correction	8.0	Lift Adjust	fixed16	[0] red	-2.0	2.0	default 0.0
				[1] green	-2.0	2.0	default 0.0
				[2] blue	-2.0	2.0	default 0.0
				[3] luma	-2.0	2.0	default 0.0
	8.1	Gamma Adjust	fixed16	[0] red	-4.0	4.0	default 0.0
				[1] green	-4.0	4.0	default 0.0
				[2] blue	-4.0	4.0	default 0.0
				[3] luma	-4.0	4.0	default 0.0
	8.2	Gain Adjust	fixed16	[0] red	0.0	16.0	default 1.0
				[1] green	0.0	16.0	default 1.0
				[2] blue	0.0	16.0	default 1.0
				[3] luma	0.0	16.0	default 1.0
	8.3	Offset Adjust	fixed16	[0] red	-8.0	8.0	default 0.0
				[1] green	-8.0	8.0	default 0.0
				[2] blue	-8.0	8.0	default 0.0
				[3] luma	-8.0	8.0	default 0.0
	8.4	Contrast Adjust	fixed16	[0] pivot	0.0	1.0	default 0.5
				[1] adj	0.0	2.0	default 1.0
	8.5	Luma mix	fixed16	–	0.0	1.0	default 1.0
8.6	Color Adjust	fixed16	[0] hue	-1.0	1.0	default 0.0	
			[1] sat	0.0	2.0	default 1.0	
8.7	Correction Reset Default	void	–	–	–	reset to defaults	

Group	ID	Parameter	Type	Index	Minimum	Maximum	Interpretation
Media	10.0	Codec	int8 enum	[0] = basic codec	-	-	0 = CinemaDNG, 1 = DNxHD, 2 = ProRes, 3 = Blackmagic RAW
					-	-	CinemaDNG: 0 = uncompressed, 1 = lossy 3:1, 2 = lossy 4:1
				[1] = code variant	-	-	ProRes: 0 = HQ, 1 = 422, 2 = LT, 3 = Proxy, 4 = 444, 5 = 444XQ
					-	-	Blackmagic RAW: 0 = Q0, 1 = Q5, 2 = 3:1, 3 = 5:1, 4 = 8:1, 5 = 12:1
	10.1	Transport mode	int8	[0] = mode	-	-	0 = Preview, 1 = Play, 2 = Record
				[1] = speed	-	-	-ve = multiple speeds backwards, 0 = pause, +ve = multiple speeds forwards
				[2] = flags	-	-	1<<0 = loop, 1<<1 = play all, 1<<5 = disk1 active, 1<<6 = disk2 active, 1<<7 = time-lapse recording
				[3] = slot 1 storage medium	-	-	0 = CFast card, 1 = SD, 2 = SSD Recorder
				[4] = slot 2 storage medium	-	-	0 = CFast card, 1 = SD, 2 = SSD Recorder
	10.2	Playback Control	int8 enum	[0] = clip	-	-	0 = Previous, 1 = Next
10.5	Stream	bool	[0] = enabled	-	-	true = enabled, false = disabled	
10.6	Stream Information	void bool	[0] = enabled	-	-	true = enabled, false = disabled	
10.7	Stream Display 3D LUT	void bool	[0] = enabled	-	-	true = enabled, false = disabled	
PTZ Control	11.0	Pan/Tilt Velocity	fixed 16	[0] = pan velocity	-1.0	1.0	-1.0 = full speed left, 1.0 = full speed right
				[1] = tilt velocity	-1.0	1.0	-1.0 = full speed down, 1.0 = full speed up
	11.1	Memory Preset	int8 enum	[0] = preset command	-	-	0 = reset, 1 = store location, 2 = recall location
			int8	[1] = preset slot	0	5	-

Example Protocol Packets

Operation	Packet Length	Byte															
		0	1	2	3	4	5	6	7	8	9	10	11	12	13	14	15
		header				command				data							
		destination	length	command	reserved	category	parameter	type	operation								
trigger instantaneous auto focus on camera 4	8	4	4	0	0	0	1	0	0								
turn on OIS on all cameras	12	255	5	0	0	0	6	0	0	1	0	0	0				
set exposure to 10 ms on camera 4 (10 ms = 10000 us = 0x00002710)	12	4	8	0	0	1	5	3	0	0x10	0x27	0x00	0x00				
add 15% to zebra level (15 % = 0.15 f = 0x0133 fp)	12	4	6	0	0	4	2	128	1	0x33	0x01	0	0				
select 1080p 23.98 mode on all cameras	16	255	9	0	0	1	0	1	0	24	1	3	0	0	0	0	0
subtract 0.3 from gamma adjust for green & blue (-0.3 ~ = 0xfd9a fp)	16	4	12	0	0	8	1	128	1	0	0	0x9a	0xfd	0x9a	0xfd	0	0
all operations combined	76	4	4	0	0	0	1	0	0	255	5	0	0	0	6	0	0
		1	0	0	0	4	8	0	0	1	5	3	0	0x10	0x27	0x00	0x00
		4	6	0	0	4	2	128	1	0x33	0x01	0	0	255	9	0	0
		1	0	1	0	24	1	3	0	0	0	0	0	4	12	0	0
		8	1	128	1	0	0	0x9a	0xfd	0x9a	0xfd	0	0				

Blackmagic Tally Control Protocol

Version 1.0 (30/04/14)

This section is for third party developers or anybody who may wish to add support for the Blackmagic Tally Control Protocol to their products or system. It describes the protocol for sending tally information embedded in the non-active picture region of a digital video stream.

Data Flow

A master device such as a broadcast switcher embeds tally information into its program feed which is broadcast to a number of slave devices such as cameras or camera controllers. The output from the slave devices is typically fed back to the master device, but may also be sent to a video monitor.

The primary flow of tally information is from the master device to the slaves. Each slave device may use its device id to extract and display the relevant tally information.

Slave devices pass through the tally packet on their output and update the monitor tally status, so that monitor devices connected to that individual output may display tally status without knowledge of the device id they are monitoring.

Assumptions

Any data alignment/padding is explicit in the protocol. Bit fields are packed from LSB first.

Blanking Encoding

One tally control packet may be sent per video frame. Packets are encoded as a SMPTE 291M packet with DID/SDID x51/x52 in the active region of VANC line 15. A tally control packet may contain up to 256 bytes of tally information.

Packet Format

Each tally status consists of 4 bits of information:

```
uint4
bit 0:    program tally status (0=off, 1=on)
bit 1:    preview tally status (0=off, 1=on)
bit 2-3:  reserved (0x0)
```

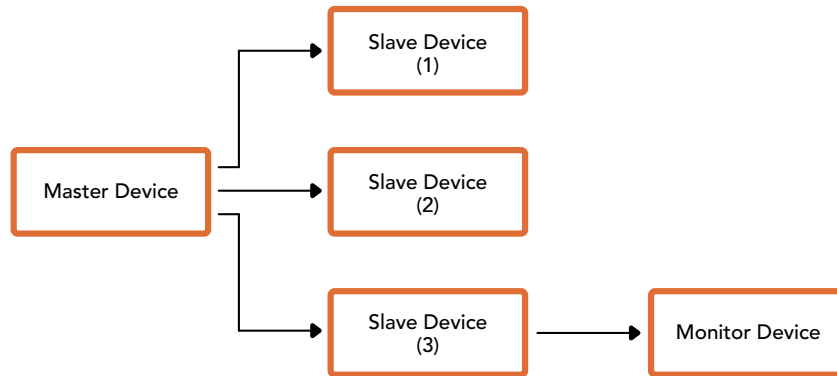
The first byte of the tally packet contains the monitor device tally status and a version number.

Subsequent bytes of the tally packet contain tally status for pairs of slave devices. The master device sends tally status for the number of devices configured/supported, up to a maximum of 510.

struct tally

```
uint8
bit 0:    monitor device program tally status (0=off, 1=on)
bit 1:    monitor device preview tally status (0=off, 1=on)
bit 2-3:  reserved (0b00)
bit 4-7:  protocol version (0b0000)
uint8[0]
bit 0:    slave device 1 program tally status (0=off, 1=on)
bit 1:    slave device 1 device preview tally status (0=off, 1=on)
bit 2-3:  reserved (0b00)
bit 4:    slave device 2 program tally status (0=off, 1=on)
bit 5:    slave device 2 preview tally status (0=off, 1=on)
bit 6-7:  reserved (0b00)
```

uint8[1]
bit 0: slave device 3 program tally status (0=off, 1=on)
bit 1: slave device 3 device preview tally status (0=off, 1=on)
bit 2-3: reserved (0b00)
bit 4: slave device 4 program tally status (0=off, 1=on)
bit 5: slave device 4 preview tally status (0=off, 1=on)
bit 6-7: reserved (0b00)
...



Byte	7 MSB	6	5	4	3	2	1	0 LSB
0	Version (0b0)	Version (0b0)	Version (0b0)	Version (0b0)	Reserved (0b0)	Reserved (0b0)	Monitor Preview	Monitor Program
1	Reserved (0b0)	Reserved (0b0)	Slave 1 Preview	Slave 1 Program	Reserved (0b0)	Reserved (0b0)	Slave 0 Preview	Slave 0 Program
2	Reserved (0b0)	Reserved (0b0)	Slave 3 Preview	Slave 3 Program	Reserved (0b0)	Reserved (0b0)	Slave 2 Preview	Slave 2 Program
3	...							

ヘルプ

すぐに情報が必要な方は、Blackmagic Designオンラインサポートページで、Blackmagic Cameraの最新サポート情報を確認できます。

Blackmagic Designオンラインサポートページ

最新のマニュアル、ソフトウェア、サポートノートは、www.blackmagicdesign.com/jp/supportのBlackmagicサポートセンターで確認できます。

Blackmagic Designサポートへの連絡

サポートページで必要な情報を得られなかった場合は、サポートページの「メールを送信」ボタンを使用して、サポートのリクエストをメール送信してください。あるいは、サポートページの「お住まいの地域のサポートオフィス」をクリックして、お住まいの地域のBlackmagic Designサポートオフィスに電話でお問い合わせください。

現在インストールされているソフトウェアのバージョンを確認する

コンピューターにインストールされているBlackmagic Camera Setup Utilityのソフトウェアバージョンを確認するには、「About Blackmagic Camera Utility」ウィンドウを開きます。

- Macでは、アプリケーションフォルダーから「Blackmagic Camera Utility」を開きます。アプリケーションメニューから「About Blackmagic Camera Utility」を選択し、バージョンを確認します。
- Windowsでは、スタートメニューまたはスタート画面から「Blackmagic Camera Utility」を開きます。ヘルプメニューをクリックして「About Blackmagic Camera Utility」を選択し、バージョンを確認します。

最新のソフトウェアアップデートを入手する

コンピューターにインストールされているBlackmagic Camera Utilityのバージョンを確認した後、Blackmagicサポートセンター (www.blackmagicdesign.com/jp/support) で最新のソフトウェアアップデートをチェックしてください。常に最新のソフトウェアを使用することを推奨しますが、重要なプロジェクトの実行中は、ソフトウェアのアップデートは行わない方がよいでしょう。

規制に関する警告



欧州連合内での電気機器および電子機器の廃棄処分

製品に記載されている記号は、当該の機器を他の廃棄物と共に処分してはならないことを示しています。機器を廃棄するには、必ずリサイクルのために指定の回収場所に引き渡してください。機器の廃棄において個別回収とリサイクルが行われることで、天然資源の保護につながり、健康と環境を守る方法でリサイクルが確実に行われるようになります。廃棄する機器のリサイクルのための回収場所に関しては、お住いの地方自治体のリサイクル部門、または製品を購入した販売業者にご連絡ください。



この機器は、FCC規定の第15部に準拠し、クラスAデジタル機器の制限に適合していることが確認されています。これらの制限は、商用環境で機器を使用している場合に有害な干渉に対する妥当な保護を提供するためのものです。この機器は無線周波エネルギーを生成、使用、放出する可能性があります。また、指示に従ってインストールおよび使用しない場合、無線通信に有害な干渉を引き起こす恐れがあります。住宅地域で当製品を使用すると有害な干渉を引き起こす可能性があり、その場合はユーザーが自己責任で干渉に対処する必要があります。

動作は次の2つを条件とします：

- 1 本機は、有害な干渉を起こさない。
- 2 本機は希望しない動作を発生しかねない干渉を含む、いかなる受信干渉も受け入れる必要がある。



R-R-BMD-20210915001
R-R-BMD-20200421002
R-R-BMD-20200916001
R-R-BMD-20200916002
R-REM-BMD-201803004
R-REM-BMD-201803003
MSIP-REM-BMD-201612001



ISED Canadaステートメント

本機は、カナダのクラスAデジタル機器の規格に準拠しています。

本機のいかなる改造、あるいは目的の用途以外での使用は、これらの規格への順守を無効にすることがあります。

本機は、商用環境で目的の用途に順守した使用においてテストを行なっています。

Bluetooth®

URSA Broadcast G2はBluetoothワイヤレステクノロジーが有効化されている製品です。

次のFCC IDの無線モジュールを含む：QOQBGM113

本機は、制御されていない環境に対して規定されたFCC被曝制限に準拠しています。

次のICの無線モジュールを含む：5123A-BGM113

本機は、カナダ産業省 (IC) のライセンス免除RSS規格に準拠しており、RSS-102 Issue 5に明記されている定期的なSAR試験の免除の上限規定を順守しています。

技術基準適合証明番号：209-J00204 本機は、電波法の技術基準適合証明を取得した特定無線設備です。

本モジュールは韓国のKCマークを取得しています。MSIP-CRM-BGT-BGM113

Blackmagic Designは、URSA Broadcast G2が2.4GHz帯ISMバンドの広帯域伝送システムを使用しており、無線機器指令2014/53/EUに準拠することをここに宣言します。

EUの「適合宣言」文書の全文は、compliance@blackmagicdesign.comから入手できます。

安全情報

同梱のBlackmagic URSA Broadcast G2のAC—12V DC電源、およびBlackmagic Studio Fiber ConverterのIEC電源ケーブルは、必ず保護接地のある主電源のコンセントに接続してください。

Blackmagic URSA Broadcast G2およびCamera Fiber Converterは、周囲温度が最高40°Cまでの熱帯地区での使用に適しています。Blackmagic Studio Fiber Converterは、周囲温度が最高50°Cまでの熱帯地区での使用に適しています。

通気が妨げられないように、Blackmagic Studio Fiber ConverterおよびCamera Fiber Converterの周囲は通気に十分なスペースを開けるようにしてください。Studio Fiber Converterをラックマウントする際は、隣接する機器で通気が妨げられないようにしてください。

Blackmagic URSA Broadcast G2、Camera Fiber Converter、Studio Fiber Converterには、ユーザーが保守できる部品はありません。メンテナンスに関しては、お近くのBlackmagic Designのサービスセンターにお問い合わせください。

カリフォルニア州ステートメント

この製品のユーザーは、プラスチック部品内の微量の多臭素化ビフェニルなどの化学物質にさらされる可能性があります。カリフォルニア州は、多臭素化ビフェニルは発がん性があり、先天異常や生殖機能へ危害を及ぼす物質であると認識しています。

詳細は、以下のウェブサイトをご確認ください。www.P65Warnings.ca.gov

Blackmagic URSA Broadcast G2

日が当たる条件では、カメラやリチウム電池が長期にわたって太陽光にさらされないように、カメラに日よけを使用したり、日陰に移すなどの考慮をしてください。リチウム電池は、あらゆる熱源に近づけないでください。

12V DC出力コネクタはBlackmagic URSA ViewfinderまたはBlackmagic URSA Studio Viewfinderの電源供給に適しています。同コネクタに、その他のアクセサリを接続している場合、必ず電源消費量が18W未満であるようにしてください。



Blackmagic Studio Fiber Converter

感電のリスクを減らすため、水が跳ねたり、滴るような場所には置かないでください。海拔2000m以上では使用しないでください。

Blackmagic Camera Fiber Converter

Blackmagic Studio Fiber Converterに接続されている場合のみ、コンバーターを使用してください。通常の使用条件で、コンバーターはBlackmagic Studio Fiber Converterから危険なレベルの電圧を受電できるように設計されています。

保証

限定保証

Blackmagic Designは、お買い上げの日から12ヶ月間、本製品の部品および仕上がりについて瑕疵がないことを保証します。この保証期間内に製品に瑕疵が見つかった場合、Blackmagic Designは弊社の裁量において部品代および人件費無料で該当製品の修理、あるいは製品の交換のいずれかで対応いたします。

この保証に基づいたサービスを受ける際、お客様は必ず保証期限終了前にBlackmagic Designに瑕疵を通知し、保証サービスの手続きを行ってください。お客様の責任において不良品を梱包し、Blackmagic Designが指定するサポートセンターへ配送料前払で送付いただきますようお願い致します。理由の如何を問わず、Blackmagic Designへの製品返送のための配送料、保険、関税、税金、その他すべての費用はお客様の自己負担となります。

不適切な使用、または不十分なメンテナンスや取扱いによる不具合、故障、損傷に対しては、この保証は適用されません。Blackmagic Designはこの保証で、以下に関してサービス提供義務を負わないものとします。a) 製品のインストールや修理、サービスを行うBlackmagic Design販売代理人以外の者によって生じた損傷の修理、b) 不適切な使用や互換性のない機器への接続によって生じた損傷の修理、c) Blackmagic Designの部品や供給品ではない物を使用して生じたすべての損傷や故障の修理、d) 改造や他製品との統合により時間増加や製品の機能低下が生じた場合のサービス。

Blackmagic URSA Viewfinderを直射日光にさらすとレンズが拡大鏡と同じように作用し、ビューファインダーのディスプレイが損傷する恐れがあります。フレームガイドなど、静止画像や高コントラスト画像を長時間にわたって有機ELディスプレイに表示すると、残像や焼き付きが生じる原因となります。これらの現象を避けるため、ユーザーを検知するIRセンサーが何かで覆われていないことを確認し、カメラを長期間にわたって使用しない場合はビューファインダーを取り外してください。残像等の問題は製品保証に含まれません。

この保証はBLACKMAGIC DESIGNが保証するもので、明示または黙示を問わず他の保証すべてに代わるものです。BLACKMAGIC DESIGNとその販売社は、商品性と特定目的に対する適合性のあらゆる黙示保証を拒否します。製品保証期間は、BLACKMAGIC DESIGNの不良品の修理あるいは交換の責任が、お客様に提供される完全唯一の救済手段となります。BLACKMAGIC DESIGNは、特別に、間接的、偶発的、または結果的に生じる損害に対して、BLACKMAGIC DESIGNあるいは販売社がそのような損害の可能性についての事前通知を得ているか否かに関わらず、一切の責任を負いません。BLACKMAGIC DESIGNはお客様による機器のあらゆる不法使用に対して責任を負いません。BLACKMAGIC DESIGNは本製品の使用により生じるあらゆる損害に対して責任を負いません。使用者は自己の責任において本製品を使用するものとします。

© Copyright 2022 Blackmagic Design 著作権所有、無断複写・転載を禁じます。「Blackmagic Design」、「URSA」、「DeckLink」、「HDLink」、「Workgroup Videohub」、「Multibrige Pro」、「Multibrige Extreme」、「Intensity」、「Leading the creative video revolution」は、米国ならびにその他諸国での登録商標です。その他の企業名ならびに製品名全てはそれぞれ関連する会社の登録商標である可能性があります。

Août 2022

Manuel d'installation et d'utilisation

Blackmagicdesign

Blackmagic URSA Broadcast G2



Blackmagic URSA Broadcast G2



Chère cliente, cher client,

Nous vous remercions d'avoir fait l'acquisition d'une Blackmagic URSA Broadcast G2 !

La Blackmagic URSA Broadcast G2 est une caméra ultra puissante conçue pour la diffusion traditionnelle et en ligne. Grâce à son design polyvalent, vous pouvez l'utiliser comme caméra de production 4K, caméra de studio 4K ou caméra de cinéma numérique 6K.

La Blackmagic URSA Broadcast G2 a été conçue en alliage de magnésium robuste et léger, et comprend des commandes à portée de main pour filmer confortablement toute la journée. Vous pouvez ainsi modifier les filtres gris neutre, la vitesse d'obturation, la balance des blancs, l'ISO et autres sans avoir à quitter le viseur des yeux.

Votre URSA Broadcast G2 est compatible avec les objectifs broadcast B4. Elle enregistre dans des formats standard comme Blackmagic RAW et Apple ProRes, mais aussi des formats H.264 et H.265 10 bits de qualité broadcast. Son double gain natif offre d'excellentes performances en faible luminosité. De plus, il est optimisé pour réduire le grain et le bruit à des ISO plus élevés tout en conservant l'intégralité de la plage dynamique du capteur.

Nous espérons que la URSA Broadcast G2 vous permettra de produire des programmes télé, des documentaires et du contenu live en studio exceptionnels. Nous attendons avec impatience de découvrir vos projets et de recevoir vos idées concernant de nouvelles fonctionnalités !

A handwritten signature in black ink that reads "Grant Petty". The signature is fluid and cursive, with a long, sweeping underline that extends to the right.

Grant Petty

PDG de Blackmagic Design

Sommaire

Mise en route	566	Paramètres	643
Monter un objectif	566	Menu de navigation	643
Alimenter la caméra	567	Paramètres d'enregistrement	643
Utiliser des objectifs à zoom motorisé	569	Convention de dénomination des fichiers	649
Régler la bague de mise au point arrière sur des objectifs B4	575	Onglet Moniteur	650
Supports de stockage	579	Paramètres Audio	656
Cartes CFast	579	Onglet Réglages	659
Cartes SD	580	Préréglages	676
Enregistrer sur des disques flash USB-C	582	LUTs	679
SSD	583	Saisir des métadonnées	682
Préparer les supports pour l'enregistrement	585	Stabilisation gyroscopique	687
Préparer un support sur la Blackmagic URSA Broadcast G2	585	Streamer une vidéo	689
Préparer le support sur Mac	587	Configurer un smartphone	690
Préparer le support sur Windows	588	Réglages	690
Enregistrement	589	Régler l'identifiant de la caméra pour l'ATEM	691
Enregistrer des clips	589	Créer le fichier XML	691
Choisir le codec, la résolution et la surface du capteur	590	Exporter le fichier XML	691
Blackmagic RAW	591	Charger le fichier XML	692
Enregistrer en Blackmagic RAW	591	Kit épaulière URSA Mini Shoulder Kit	693
Choisir la fréquence d'images	594	Blackmagic URSA Viewfinder	696
Déclencher l'enregistrement sur des équipements externes	597	Monter et connecter le viseur à la Blackmagic URSA Broadcast G2	696
Tableaux des durées d'enregistrement	597	Ajuster l'œilleton	697
Lecture	599	Boutons	697
Connecteurs et fonctionnalités de la URSA Broadcast G2	600	Menu de paramétrage	698
Face avant de la caméra	600	Blackmagic URSA Studio Viewfinder	702
Face gauche	601	Monter et connecter le viseur à la Blackmagic URSA Broadcast G2	703
Commandes de la face gauche	601	Régler le Blackmagic URSA Studio Viewfinder	705
Face droite	603	Boutons de fonction	708
Face arrière	604	Menu de paramétrage	710
Face supérieure	606	Blackmagic Zoom Demand et Focus Demand	715
Face inférieure	606	Connecter et monter les accessoires sur votre caméra	715
Commandes de la URSA Broadcast G2	607	Utiliser le Blackmagic Focus Demand	717
Panneau de contrôle avant	607	Utiliser le Blackmagic Zoom Demand	718
Panneau de contrôle ergonomique	610	Fixer la batterie	719
Panneau de contrôle interne	615	Monter des batteries V-mount ou Gold Mount	719
Sorties vidéo de la caméra	617	Utiliser votre propre support pour batterie	721
Sortie de monitoring HD	617	Blackmagic Fiber Converters	723
Sortie 12G-SDI	617	Mise en route des Blackmagic Fiber Converters	724
Commandes de l'écran tactile	619	À propos de la fibre SMPTE	724
Barre d'outils supérieure	619	Connecter la fibre optique SMPTE	726
Barre d'outils inférieure	636	Pourquoi les connexions sont à l'avant ?	730
Lecture en boucle	642		

Brancher la caméra via SDI	731	Blackmagic URSA Mini Pro Shim Kit	769
Brancher les sorties SDI de retour	731	Calage des montures	770
Fixer le Blackmagic Camera Fiber Converter	731	URSA Mini Recorder	771
Monter un URSA Studio Viewfinder	734	Monter et connecter le URSA Mini Recorder	772
Brancher un casque pour le réseau d'ordres	734	Utiliser un URSA Mini Recorder	774
Fonctionnement du Camera Fiber Converter	735	Mettre à jour le logiciel interne du URSA Mini Recorder	775
Sélectionner une voie de retour	735	Comprendre la fonction Contrôle caméra	776
Utiliser le bouton Call	736	Utiliser la fonction de contrôle des caméras	777
Utiliser le réseau d'ordres	736	Correcteur colorimétrique primaire DaVinci Resolve	782
Utiliser le tally	737	Utiliser DaVinci Resolve	786
Voyants d'état	737	Gestionnaire de projet	786
Entrées audio	738	Monter avec la page Cut	787
Vidéo IP	739	Ajouter des clips à la timeline	790
Spécifications pour l'alimentation	739	Raccorder des clips dans la timeline	791
Commandes supplémentaires pour la caméra	740	Affichage des trims audio	791
Fonctionnement du Studio Fiber Converter	741	Ajouter des titres	792
Utiliser le menu	742	Travailler avec des fichiers Blackmagic RAW	793
Monter le Studio Fiber Converter sur un rack	745	Étalonner vos clips avec la page Étalonnage	797
Connexions du Camera Fiber Converter	749	Ajouter une Power Window	800
Connexion pour l'alimentation de la caméra	749	Utilisation de plug-ins	802
Interface PTZ	749	Mixer l'audio	803
Connexion pour le réseau d'ordres	750	Ajouter des VFX et des compositions sur la page Fusion	808
Interface Tracker	751	Mastériser votre montage	817
Connexion DC	751	Exportation rapide	817
Sortie D-Tap	752	Page Exportation	818
Sortie de référence	752	Blackmagic Camera Setup Utility	819
Connexions du Studio Fiber Converter	753	Travailler avec un logiciel tiers	820
Sortie 12G-SDI	753	Travailler avec des fichiers provenant de cartes CFast 2.0 et de cartes SD	821
Entrées de retour SDI	753	Travailler avec des fichiers enregistrés sur disque SSD	821
Entrée et sortie de référence	754	Utiliser Final Cut Pro X	822
Interface du réseau d'ordres	754	Utiliser Avid Media Composer 2018	823
Interface PTZ	755	Utiliser Adobe Premiere Pro CC	823
Sorties audio	756	Developer Information	825
Mettre à jour le logiciel interne	757	Blackmagic Bluetooth Camera Control	825
Mettre à jour le Blackmagic Camera Fiber Converter	757	Blackmagic SDI and Bluetooth Camera Control Protocol	827
Mettre à jour le Blackmagic Studio Fiber Converter	757	Example Protocol Packets	835
Monture d'objectif interchangeable	758	Blackmagic Tally Control Protocol	836
Retirer la monture B4	759	Aide	838
Blackmagic URSA Mini Pro EF Mount	759	Avis réglementaires	839
Blackmagic URSA Mini Pro F Mount	761	Informations de sécurité	840
Blackmagic URSA Mini Pro PL Mount	765	Garantie	841
Blackmagic URSA Broadcast G2 B4 Mount	768		
Calage des montures	769		

Mise en route

Pour commencer à utiliser la Blackmagic URSA Broadcast G2, il vous suffit de monter l'objectif et d'alimenter la caméra.

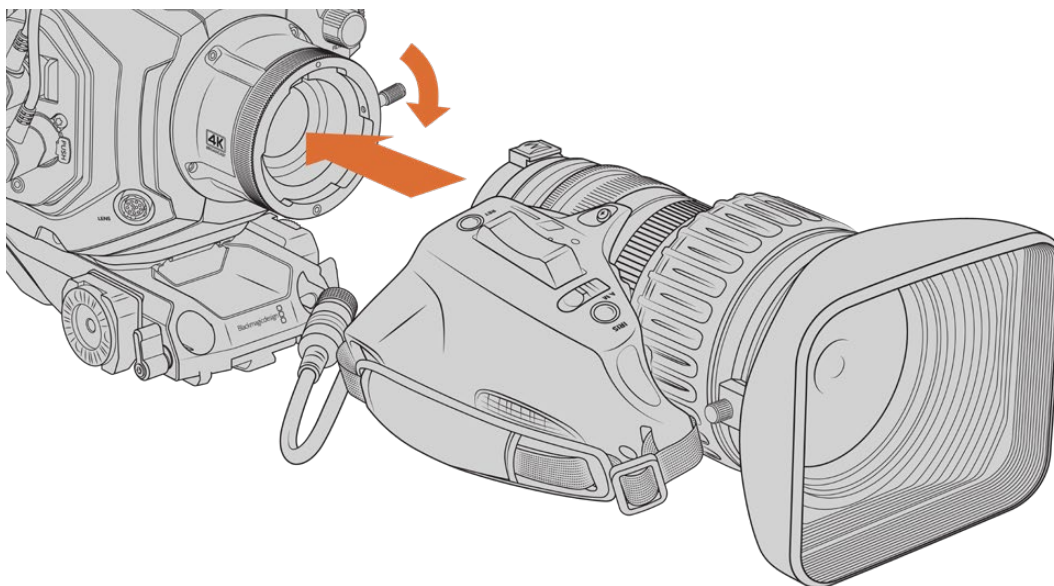
Monter un objectif

La URSA Broadcast G2 est équipée d'une monture d'objectif B4 pour les objectifs broadcast HD et Ultra HD. Une monture EF additionnelle est incluse pour vous permettre d'utiliser des objectifs photo, à zoom compact ou des objectifs cinéma EF. Pour obtenir des instructions sur la façon de changer la monture d'objectif, consultez la section « Monture d'objectif interchangeable » de ce manuel.

La monture B4 de la URSA Broadcast G2 intègre des lentilles spécifiquement conçues pour fonctionner avec le capteur de votre caméra, afin de reproduire les mêmes champs visuel et profondeur de champ qu'une caméra broadcast traditionnelle dotée d'un capteur 2/3". Ainsi, si vous avez déjà de l'expérience dans l'industrie broadcast, vous pourrez monter les objectifs B4 que vous possédez déjà et commencer à tourner en toute confiance.

Pour retirer le cache de protection de la monture d'objectif, faites tourner la bague de blocage externe dans le sens inverse des aiguilles d'une montre et retirez le cache de protection.

Monter un objectif à monture B4 :



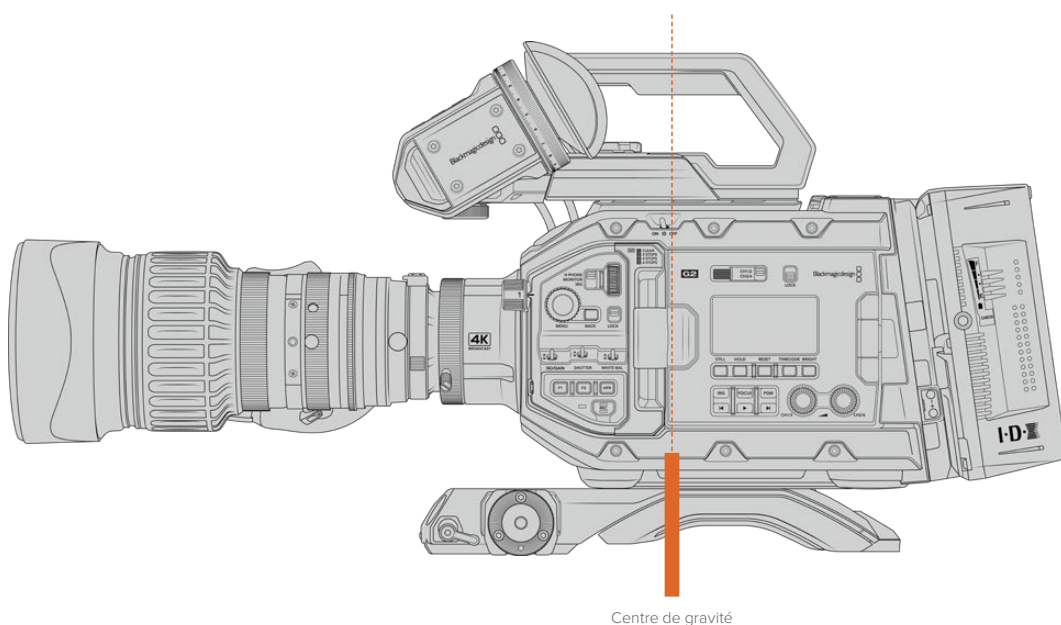
Tournez la bague de blocage dans le sens des aiguilles d'une montre pour sécuriser l'objectif à la caméra.

- 1 Tournez la bague de blocage dans le sens inverse des aiguilles d'une montre pour faire apparaître la fente d'alignement de la monture. Alignez l'objectif B4 avec la monture B4 de la URSA Broadcast G2 pour que la position du goujon d'alignement de l'objectif et de la fente d'alignement corresponde.
- 2 Tenez l'objectif contre la monture B4 afin que les deux supports de montage se touchent et veillez à ce que le goujon d'alignement se trouve dans la fente d'alignement.
- 3 Tournez la bague de blocage dans le sens des aiguilles d'une montre pour serrer l'objectif contre la monture et verrouiller sa position.
- 4 Pour alimenter et contrôler l'objectif, branchez simplement le câble de l'objectif au connecteur marqué **Lens** situé à l'avant de la tourelle de la URSA Broadcast G2. La majorité des objectifs B4 intègre un connecteur à 12 broches et un câble. Cela permet d'alimenter et de surveiller les signaux envoyés par la URSA Broadcast G2 vers l'objectif.

Pour en savoir plus sur les types d'objectifs B4 et sur la façon de les utiliser avec la caméra, consultez la section « Utiliser des objectifs à zoom motorisé » de ce manuel.

REMARQUE Pour protéger de la poussière le filtre en verre situé à l'avant du capteur de la monture B4 de la URSA Broadcast G2, il est vivement conseillé de garder le cache anti-poussière autant que possible lorsqu'aucun objectif n'est monté.

La plupart des objectifs B4 peuvent être assez longs à cause de l'amplitude de leur zoom. Lorsque vous montez un objectif B4 sur la URSA Broadcast G2, le centre de gravité de la caméra se déplacera vers l'avant. L'épaulière URSA Mini fournie avec la caméra peut être ajustée en conséquence.



Lorsque vous montez une URSA Broadcast G2 sur l'épaulière URSA Mini, il est préférable de monter la caméra vers l'arrière de la base de l'épaulière lorsque vous utilisez des objectifs plus longs. Cela replace le centre de gravité de la caméra vers le milieu de l'épaulière. Ainsi, il sera plus facile de positionner la caméra sur votre épaule et elle restera stable si vous l'installez sur un bureau ou une surface plane. Pour plus d'informations sur l'épaulière, consultez la section « URSA Mini Shoulder Kit » de ce manuel.

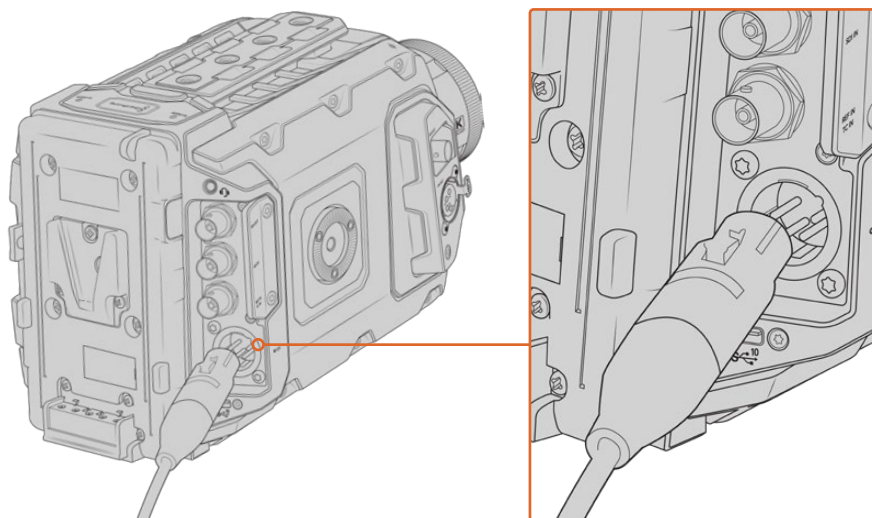
Alimenter la caméra

Une fois l'objectif monté, la caméra doit être alimentée. La façon la plus rapide d'alimenter votre caméra consiste à la connecter à une source d'alimentation externe à l'aide de l'adaptateur AC vers 12V DC fourni avec la caméra.

Connecter la caméra à une source d'alimentation externe :

- 1 Connectez l'adaptateur AC vers 12V DC à une prise secteur.
- 2 Connectez le connecteur XLR à 4 broches de l'adaptateur AC vers DC au connecteur d'alimentation 12-18V DC de la caméra.

Si la batterie et la source d'alimentation externe sont branchées, l'alimentation de la caméra se fera uniquement par la source externe. Lorsque vous débranchez la source d'alimentation externe alors que la batterie est installée, la caméra passe automatiquement sur la batterie pour un enregistrement en continu.



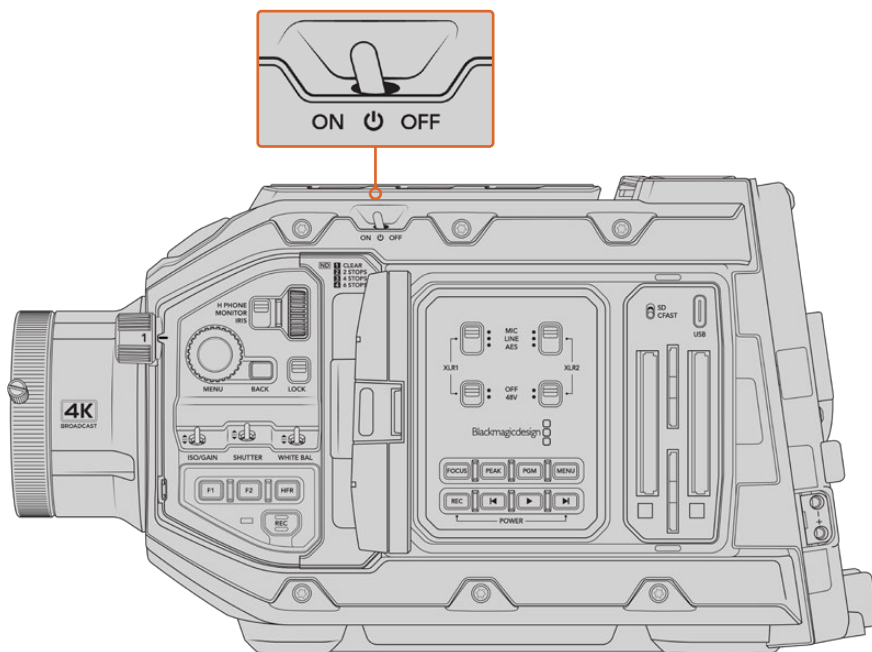
Alimentez la Blackmagic URSA Broadcast G2 à l'aide de l'adaptateur AC vers 12V DC fourni.

La Blackmagic URSA Broadcast G2 est équipée d'un support pour batterie VLock URSA. Vous pouvez ainsi utiliser des batteries V mount standard avec votre caméra. Pour plus d'informations sur l'installation de différents types de supports pour batteries, consultez la section « Fixer la batterie ».

Allumer la URSA Broadcast G2 :

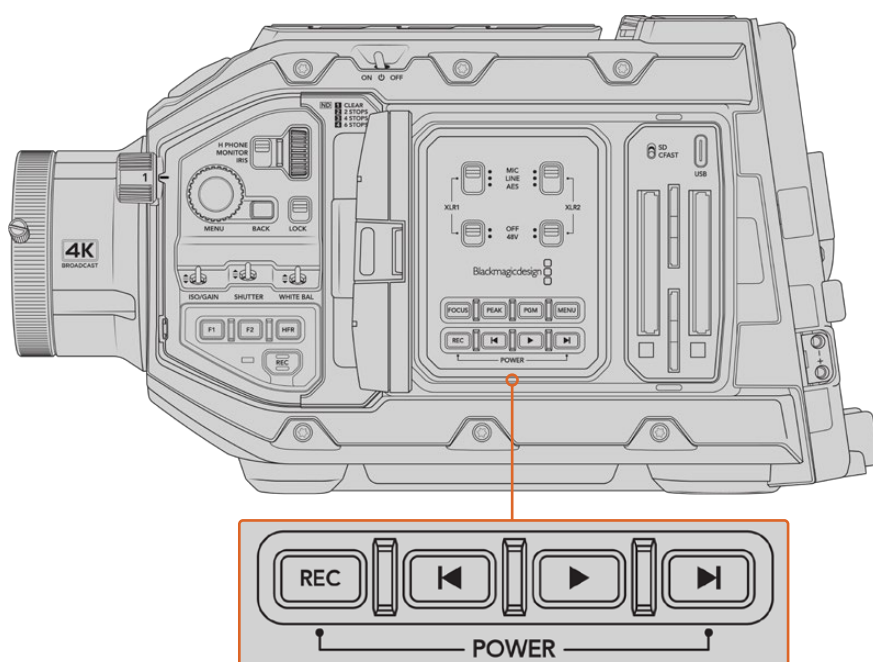
- 1 Déplacez l'interrupteur situé au-dessus de l'écran LCD rabattable sur **On**.
- 2 Pour éteindre la caméra, déplacez l'interrupteur sur **Off**.

Vous pouvez à présent insérer votre support et commencer l'enregistrement !



Déplacez l'interrupteur sur **On** pour allumer la caméra.

La URSA Broadcast G2 comprend également un interrupteur redondant, ce qui permet d'allumer et d'éteindre la caméra en maintenant les boutons **Rec** et **Avance rapide** enfoncés. Même si cette technique n'est pas la plus employée, vous pouvez l'utiliser si l'accès à l'interrupteur est impossible, par exemple, si la caméra est montée sur un rig.



Vous pouvez également maintenir les boutons d'enregistrement et d'avance rapide à l'arrière de l'écran LCD pour allumer et éteindre la caméra.

CONSEIL Si le bouton de mise en marche de la caméra est activé, mais que la URSA Broadcast G2 est éteinte, il se peut que vous l'ayez éteinte via Bluetooth® ou via les boutons **Rec** et **Avance rapide** du panneau de contrôle. Pour allumer la caméra, il suffit d'activer le bouton de mise en marche ou de maintenir les boutons d'enregistrement et d'avance rapide du panneau de contrôle enfoncés.

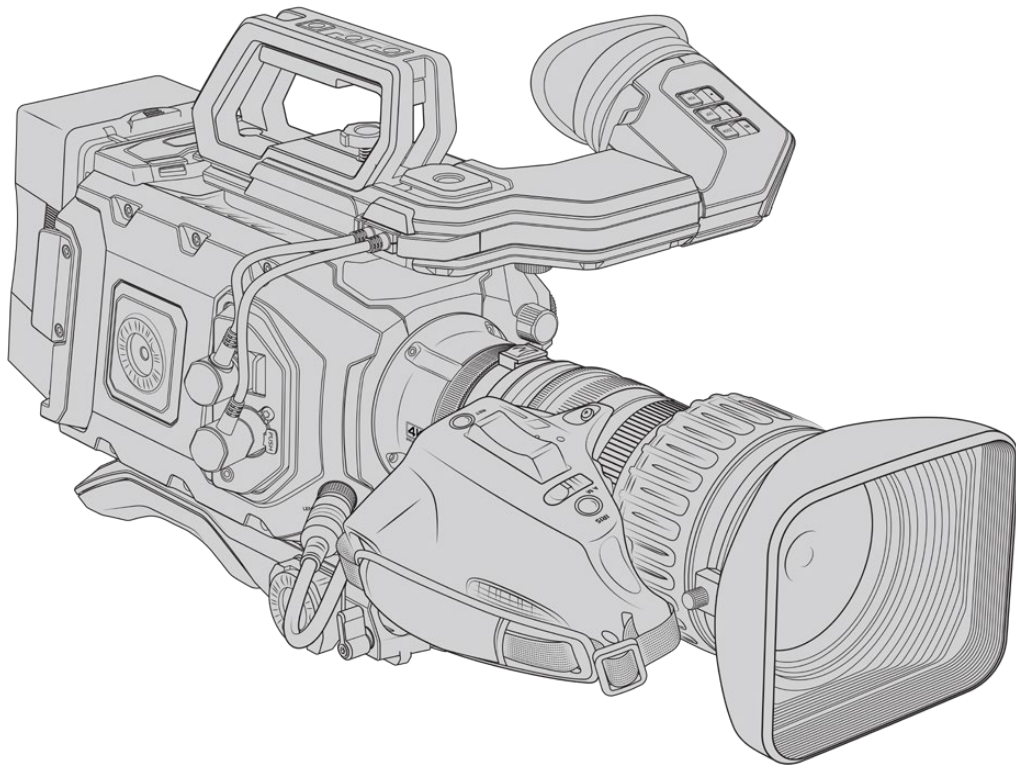
Utiliser des objectifs à zoom motorisé

Votre caméra URSA Broadcast G2 prend nativement en charge les objectifs broadcast B4 dotés de servomoteurs. Pour plus d'informations sur la façon de monter un objectif B4 sur la caméra, consultez la section « Monter un objectif » au début de ce manuel.

CONSEIL Lorsque vous utilisez la monture URSA Mini Pro PL en option, la URSA Broadcast G2 est compatible avec les objectifs cinéma PL motorisés.

Les objectifs broadcast B4 offrent des fonctionnalités qui ne sont pas disponibles sur les objectifs spécialisés pour la photographie ou le cinéma. En effet, en plus de pouvoir conserver la mise au point pendant le zoom, ces objectifs sont dotés du contrôle de l'iris motorisé, de fonctionnalités pour le zoom et d'autres commandes directement accessibles sur la poignée. Certains objectifs sont également dotés d'un contrôle de la mise au point motorisé. Lorsque le connecteur pour objectif est installé, l'iris et le zoom peuvent être contrôlés depuis la poignée, depuis la caméra, ou en utilisant un Blackmagic Zoom Demand en option. Vous pouvez même contrôler l'objectif à distance via un mélangeur ATEM.

Les objectifs dotés d'une mise au point motorisée sont capables de supporter les commandes d'autofocus de la caméra, de suivre continuellement la mise au point à l'aide d'un Blackmagic Focus Demand en option ou de recevoir des commandes de mise au point provenant d'un mélangeur ATEM.



Liste des objectifs B4 avec contrôle de l'iris et du zoom :

- Les modèles d'objectifs Fujinon B4 dont le nom commence par les lettres HA, ZA, XA et UA et finit par les lettres RM. Par exemple, Fujinon **XA20xBRM**.
- Les modèles d'objectifs Canon B4 dont le nom commence par les lettres HJ, KJ et CJ, et finit par les lettres RSE ou RSD. Par exemple, Canon **KJ20x8.2B IRSD**.

Liste des objectifs B4 avec contrôle motorisé complet pour la mise au point, l'iris et le zoom :

- Les modèles d'objectifs Fujinon B4 dont le nom commence par les lettres HA, ZA et UA et finit par les lettres RD ou ZD. Par exemple, Fujinon **HA22x7.8 BERD**.
- Les objectifs de studio Fujinon dont le nom commence par les lettres XA et UA.
- Les modèles d'objectifs Canon B4 dont le nom commence par les lettres HJ, KJ..ex et CJ, et finit par les lettres ASE ou ASD. Par exemple, Canon **HJ24ex7.5B IASE**.
- Les objectifs de studio Canon dont le nom commence par les lettres XJ et UJ.

CONSEIL Les modèles d'objectif de studio mentionnés ci-dessus prennent en charge les zoom et mise au point motorisés. Vérifiez auprès de votre fournisseur d'objectifs que les servomoteurs sont installés.

La Blackmagic URSA Broadcast G2 est directement prête pour enregistrer en Blackmagic RAW Ultra HD. Pour confirmer les paramètres d'enregistrement, il suffit d'appuyer sur le bouton menu pour ouvrir les menus de configuration sur l'écran LCD. Dans l'onglet **Enregistrer**, vous pourrez vérifier les paramètres du codec et de la résolution. Vous trouverez des informations supplémentaires sur la façon d'utiliser les menus de configuration plus loin dans ce manuel.



Paramètres Blackmagic RAW par défaut dans l'onglet **Enregistrer**.

L'Ultra HD est la résolution par défaut pour les codecs ProRes et H.265. Toutefois, vous pouvez également filmer en HD en ProRes ou H.264.



Onglet Enregistrer dans les menus de configuration.

CONSEIL Si vous apercevez du vignettage dans vos images lorsque vous utilisez un objectif B4, vérifiez que la résolution est réglée sur Ultra HD quand vous êtes en Blackmagic RAW. Si vous enregistrez en ProRes ou H.264/5, ajuster la surface du capteur sur 4K adaptera la surface optique couverte par la monture B4. Pour plus d'informations, consultez la section « Paramètres d'enregistrement » de ce manuel.

Commandes des objectifs B4

Iris

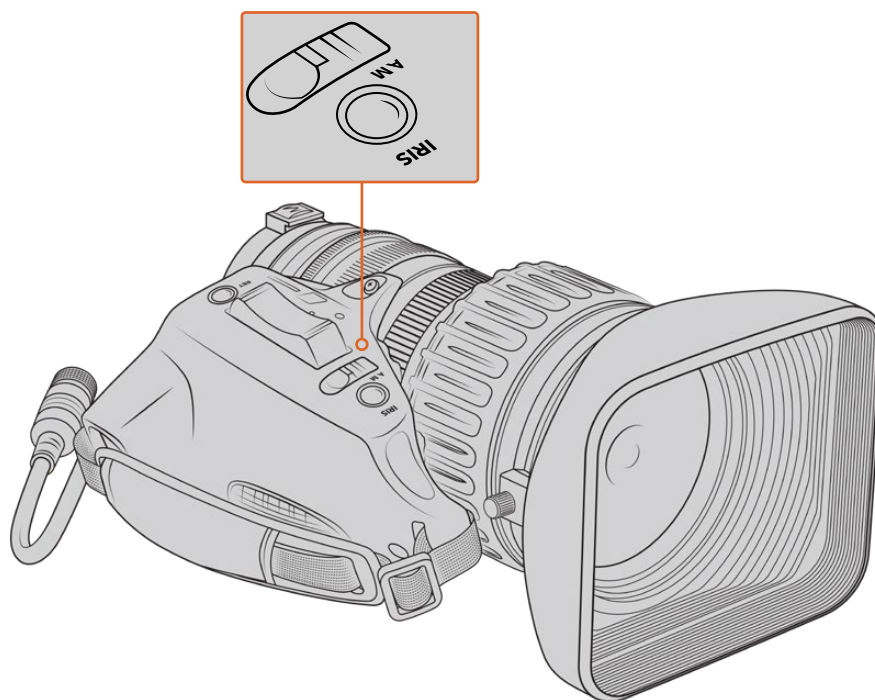
La plupart des poignées B4 possèdent un interrupteur **Auto/Manual** ou **A/M** et un bouton **Push auto** ou **Iris**. Ces commandes permettent de modifier l'ouverture des objectifs.

Auto

Pour contrôler l'ouverture de l'objectif via votre URSA Broadcast G2, Blackmagic Zoom Demand ou un mélangeur ATEM, positionnez l'interrupteur sur **Auto** ou **A**. Vous pouvez ajuster l'ouverture de l'objectif depuis la URSA Broadcast G2 en utilisant la molette de l'iris, les commandes tactiles, les boutons du panneau de contrôle ou en réglant les modes d'exposition automatique qui modifient l'iris. Pour plus d'informations, consultez les sections « Commandes de la URSA Broadcast G2 » et « Commandes de l'écran tactile » de ce manuel. Lorsque le mode **Auto** est activé, l'ouverture de l'objectif B4 ne peut pas être modifiée manuellement.

Manuel

Pour contrôler l'ouverture de l'objectif en tournant manuellement la bague de diaphragme située sur l'objectif, positionnez l'interrupteur sur **Manual** ou **M**. Lorsque ce mode est activé, vous ne pouvez pas contrôler l'ouverture depuis la URSA Broadcast G2 ou un mélangeur ATEM.



Push Auto / Iris

Lorsque vous êtes en mode **Manual**, appuyez sur ce bouton pour activer temporairement le contrôle de l'ouverture **Auto**. Vous pouvez combiner le contrôle de l'ouverture manuel avec le contrôle de l'iris automatique pour créer des effets.

Par exemple, si vous réglez votre caméra sur un mode d'exposition automatique de l'iris, et que l'ouverture de l'objectif est réglée sur **Manual**, vous pouvez librement ajuster l'iris de l'objectif en utilisant la bague d'ouverture située sur l'objectif. En revanche, appuyer sur le bouton **Push Auto / Iris** active momentanément le mode d'exposition automatique, et règle l'iris selon les conditions d'éclairage actuelles.

Sinon, vous pouvez prédéfinir la valeur de l'iris en utilisant les commandes tactiles de votre URSA Broadcast G2. Lorsque le mode **Manual** est activé, vous êtes libre d'ajuster l'ouverture de l'objectif via la bague d'ouverture située sur l'objectif. Mais, en appuyant sur

le bouton **Push Auto / Iris**, l'ouverture de l'objectif se réglera sur la valeur que vous avez prédéfinie sur l'écran tactile.

Zoom

Sur la face inférieure de la plupart des poignées B4 se trouve un interrupteur **Zoom** que vous pouvez régler sur **Servo** ou sur **Manual**. Cet interrupteur contrôle le comportement du zoom.

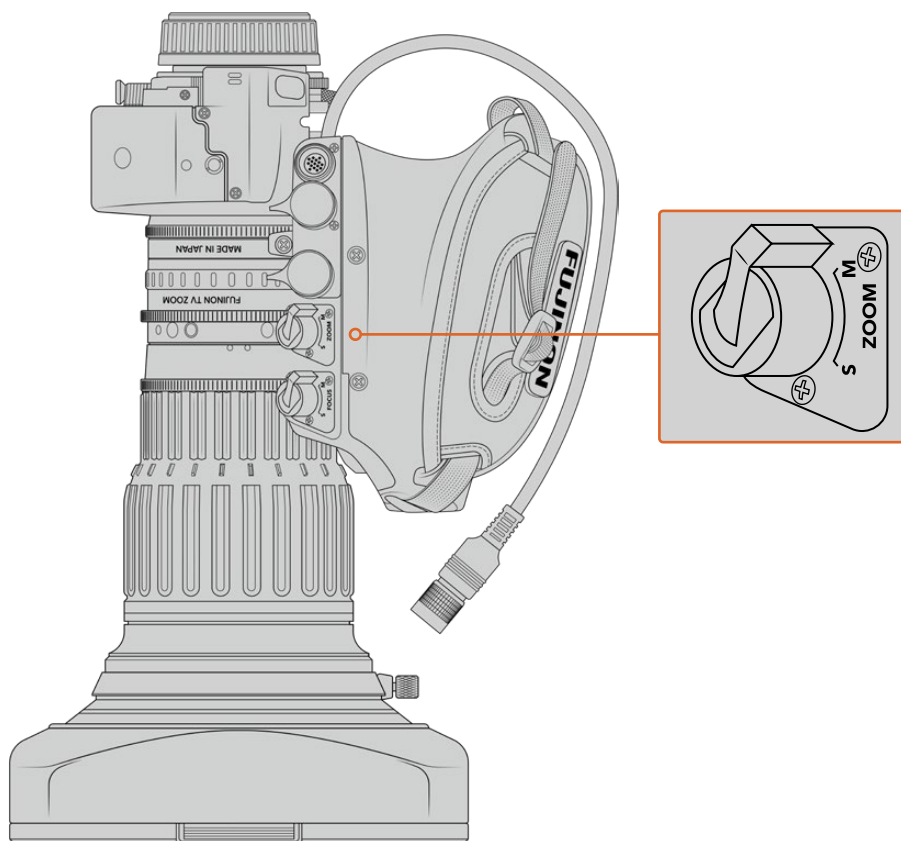
Servo

Positionnez l'interrupteur sur **Servo** ou **S** pour activer le contrôle motorisé du zoom. Lorsque ce mode est activé, vous pouvez effectuer des zooms avant et arrière via l'interrupteur à bascule de la poignée, mais aussi utiliser les autres commandes de contrôle pour régler la vitesse du zoom et activer la fonction Quickzoom. Vous pouvez également contrôler le zoom depuis la URSA Broadcast G2, un Blackmagic Zoom Demand ou un mélangeur ATEM, du moment que l'objectif est connecté à la caméra via le connecteur d'objectif. Dans ce mode, vous ne pouvez pas ajuster la bague de zoom de l'objectif manuellement.

CONSEIL La molette de zoom de la poignée contrôle la vitesse du zoom. Tournez délicatement la molette vers le bas pour zoomer lentement, et accélérez le mouvement pour zoomer plus rapidement.

Manuel

Positionnez l'interrupteur sur **Manual** ou **M** pour désactiver le contrôle automatique et pour régler le zoom via la bague de zoom de l'objectif. Lorsque ce mode est activé, vous ne pouvez pas contrôler le zoom depuis la poignée, la URSA Broadcast G2 ou un mélangeur ATEM.



Focus

Certains objectifs B4 sont dotés de la mise au point automatique. Si cette fonction est disponible sur votre objectif, vous verrez un interrupteur **Focus** sur la face arrière de la poignée, ainsi que deux réglages **Servo** et **Manual**.

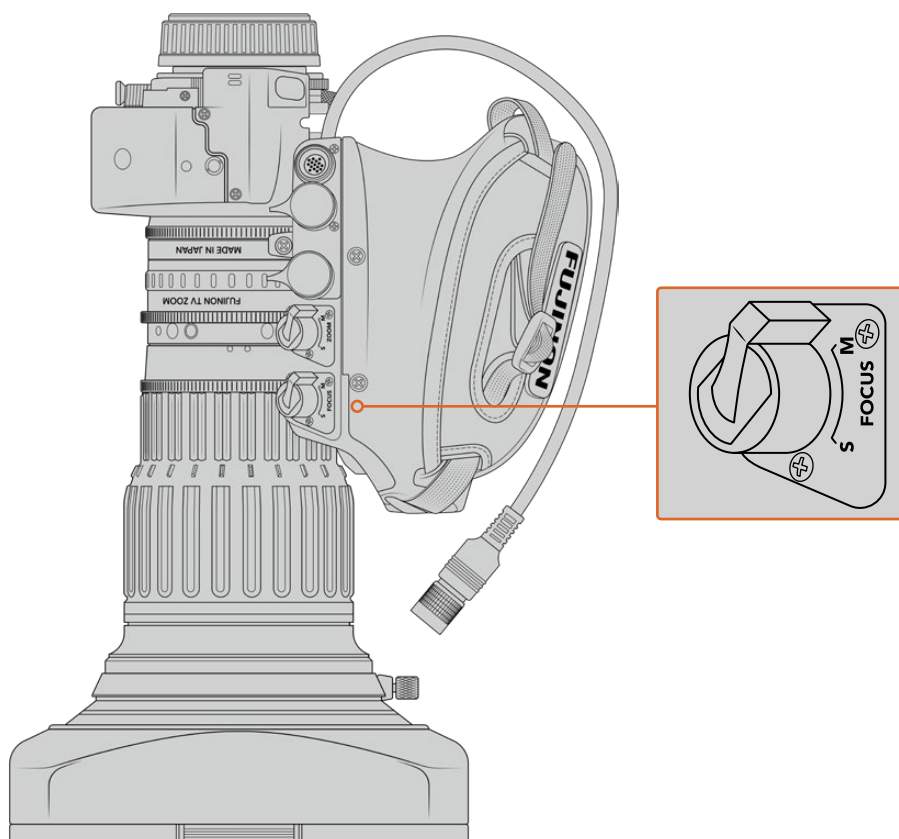
Servo

Positionnez l'interrupteur sur **Servo** ou **S** pour activer le contrôle automatique de la mise au point. Lorsque ce mode est activé, vous pouvez contrôler la mise au point depuis la URSA Broadcast G2, un Blackmagic Focus Demand ou un mélangeur ATEM via le connecteur d'objectif.

Manuel

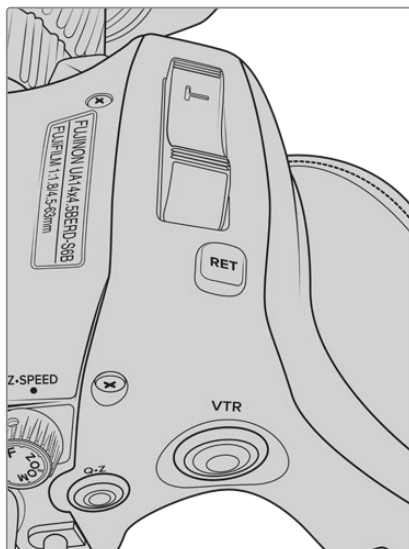
Positionnez cet interrupteur sur **Manual** pour contrôler la mise au point via la bague de mise au point située sur l'objectif. Comme la mise au point automatique des objectifs B4 est assez lente, la plupart des utilisateurs préfèrent la régler manuellement.

REMARQUE Les objectifs analogiques B4 dotés de servomoteurs sont également pris en charge. Cependant, la caméra n'alimentera que le zoom motorisé et prendra uniquement en charge le contrôle électronique de l'iris. La plupart de ces objectifs utilisent la définition standard et ne sont pas forcément dotés d'un connecteur broadcast à 12 broches. Avant d'utiliser un objectif analogique B4, vérifiez d'abord sa compatibilité avec votre caméra, car certains de ces objectifs possèdent un nombre réduit de fonctionnalités. Nous vous conseillons également de tester leur couverture du cercle d'image car, sur certains de ces objectifs, la lumière et la résolution peuvent se retrouver réduites sur les bords de l'image.



Ret et VTR

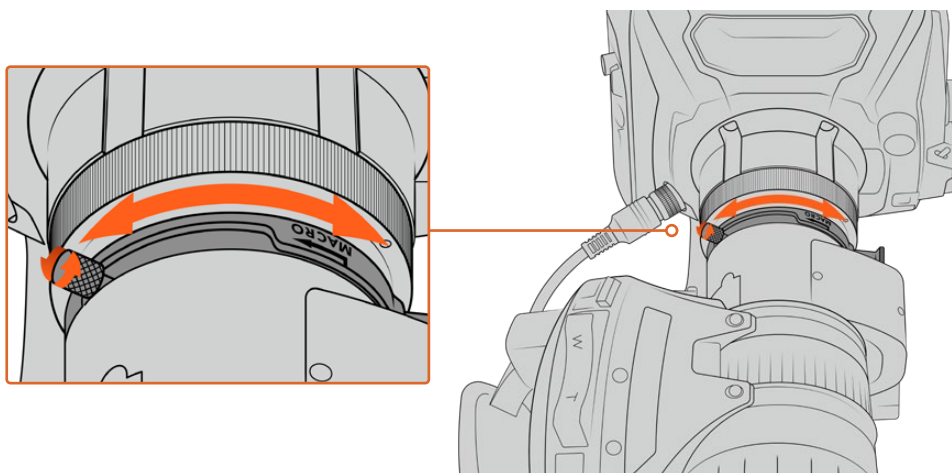
Sur un objectif B4, le bouton **VTR** permet d'enclencher l'enregistrement. Le bouton **Ret** correspond au bouton **Retour programme**. Pour plus d'informations concernant la configuration des boutons **VTR** et **Ret** en boutons de fonction, consultez la section « Configurer les boutons de fonction » de ce manuel.



Les boutons **Ret** et **VTR** sur un objectif B4.

Régler la bague de mise au point arrière sur des objectifs B4

Les objectifs B4 sont « parfocaux », ce qui signifie qu'ils conservent la mise au point pendant le zoom. Vous pouvez ainsi effectuer un zoom avant, régler la mise au point sur un objet, puis dézoomer tout en conservant la mise au point.



La bague de mise au point arrière est située à l'arrière de l'objectif, près de la monture.

Cette fonction est indispensable si vous souhaitez que vos objectifs B4 HD ou 4K conservent la mise au point pendant le zoom. Lorsque vous installez un objectif B4 pour la première fois ou que vous changez d'objectif, assurez-vous que la mise au point arrière est correctement réglée. De manière générale, nous vous conseillons de vérifier la mise au point arrière avant chaque projet important.

Vérifier la mise au point arrière sur un objectif B4 :

- 1 Placez une mire de Siemens ou un objet blanc et plat à motifs fortement contrastés à environ 20 mètres, ou à défaut le plus loin possible, de la caméra.
- 2 Ouvrez l'iris de l'objectif au maximum. Si besoin, utilisez les filtres ND pour compenser l'exposition. Vous devez avoir une faible profondeur de champ, pour pouvoir exagérer les problèmes de mises au point.
- 3 Effectuez un zoom avant sur la mire et réglez la mise au point.
- 4 Maintenant, effectuez un zoom arrière. Si vous arrivez à dézoomer au maximum tout en conservant une mise au point précise, cela signifie que votre mise au point arrière est correctement réglée.

En revanche, si vous effectuez un zoom arrière et que vous perdez la mise au point, cela signifie que votre mise au point arrière est mal réglée. Dézoomez au maximum et ajustez la bague de mise au point arrière située à l'arrière de l'objectif, près de la monture. La bague de mise au point possède une petite molette qui permet de la serrer ou de la desserrer. Desserrez la petite molette et faites tourner la bague jusqu'à ce que la mise au point soit effectuée sur la mire.

- 5 Maintenant, zoomez et dézoomez lentement pour vérifier que la mire reste parfaitement nette.
- 6 Répétez les étapes 4 et 5, en zoomant et dézoomant et en effectuant les ajustements de la bague de mise au point arrière. Lorsque vous zoomez et dézoomez au maximum et que la mise au point reste intacte, cela signifie que la mise au point arrière est correctement réglée.

Régler la mise au point arrière sur les objectifs Fuji LA16x8 BRM

Le réglage de la mise au point arrière sur un objectif Fuji LA16x8 BRM est légèrement différent. Au lieu de disposer d'une bague de mise au point arrière externe, cet objectif règle la mise au point arrière de façon électronique à l'aide d'un bouton situé sous la poignée.

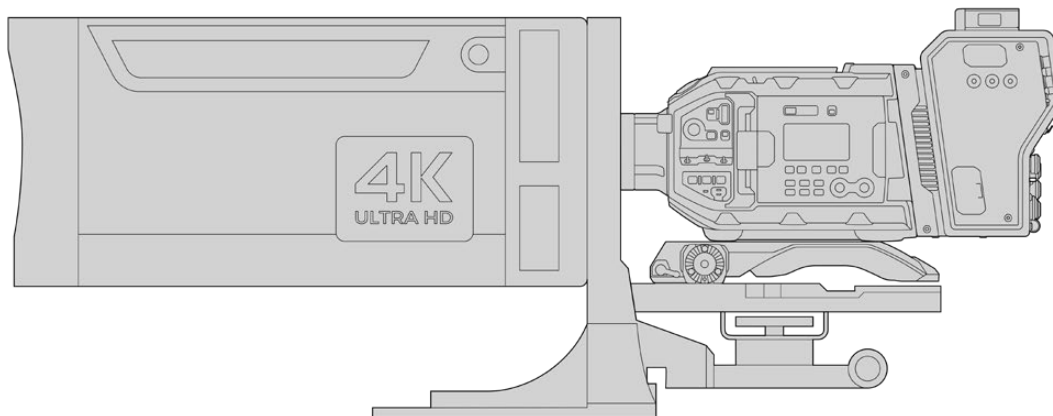
Régler la mise au point arrière sur un objectif Fuji LA16x8 BRM :

- 1 Placez une mire de Siemens ou un objet blanc et plat à motifs fortement contrastés à environ 20 mètres, ou à défaut le plus loin possible, de la caméra.
- 2 Réglez l'interrupteur du zoom situé sous la poignée de l'objectif sur **Servo**.
- 3 Appuyez sur le bouton F.f situé à côté de l'interrupteur du zoom pendant 5 secondes. Le voyant LED sur la bascule du zoom clignotera en rouge.
- 4 L'objectif zoomera automatiquement. Réglez la mise au point à l'aide de la bague. Il est important de noter que si vous utilisez un Blackmagic Focus Demand, vous devrez le débrancher de votre caméra pour ajuster la bague de mise au point, ou ajuster la mise au point avec le Focus Demand pour cette étape et l'étape 5.
- 5 Appuyez à nouveau sur le bouton F.f pour dézoomer automatiquement l'objectif. Réglez la mise au point avec la bague.
- 6 Appuyez sur le bouton F.f pour confirmer les paramètres. Le voyant LED du dessus clignotera en rouge. La mise au point arrière électronique de votre objectif Fuji LA16x8 BRM est à présent réglée.
- 7 Maintenant, zoomez et dézoomez lentement pour vérifier que la mire reste parfaitement nette.
- 8 Lorsque vous zoomez et dézoomez au maximum et que la mise au point reste intacte, cela signifie que la mise au point arrière est correctement réglée. Si vous devez la réajuster, répétez les étapes 3 à 6.

CONSEIL Les changements de températures et l'usure peuvent avoir un léger impact sur la précision de la mise au point arrière. Nous vous recommandons de vérifier régulièrement l'état de la mise au point arrière des objectifs B4.

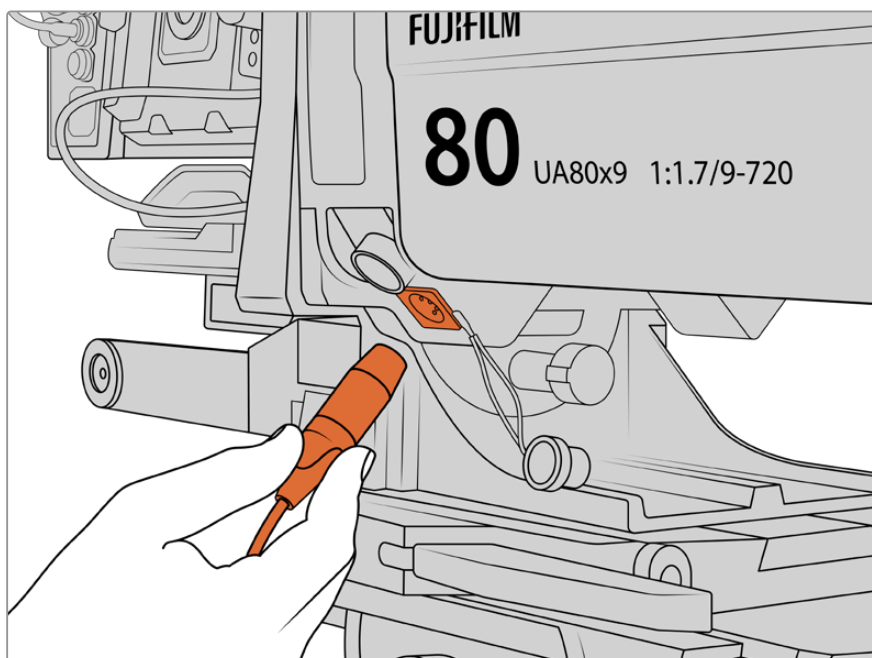
Utiliser des objectifs de studio

Les gros objectifs de studio, comme les séries UA27x6.5 et UA125x8 de Fujinon et UHD Digisuper de Canon sont compatibles avec la monture B4 de la URSA Broadcast G2. Ces objectifs permettent une stabilisation horizontale et verticale des images sur des objectifs 27x de style studio. Ils offrent également une plage de zoom extrêmement étendue avec des grossissements 80x et même 125x, parfaits pour la diffusion d'événements sportifs ou extérieurs.



De par la taille importante de ces objectifs, vous aurez besoin d'installer votre caméra correctement sur un trépied ou un socle résistant et de prévoir assez de place autour. Vous pouvez les fixer à l'aide du URSA Mini Shoulder Kit, d'une semelle VCT-14 et d'un adaptateur pour les gros objectifs de studio.

Ces objectifs ont une consommation électrique élevée et doivent être alimentés séparément. Vous pouvez ajouter une alimentation URSA 12 volts supplémentaire à l'objectif. Si vous utilisez le Blackmagic Camera Fiber Converter, vous pouvez également alimenter l'objectif depuis la sortie D-tap 12 volts située sur le côté de l'appareil. Branchez le connecteur d'objectif de l'objectif à la URSA Broadcast G2.



Ajoutez une alimentation supplémentaire en utilisant un câble XLR à 4 broches.

Lorsque l'alimentation supplémentaire est connectée, vous pouvez alimenter votre caméra et contrôler l'objectif avec votre URSA Broadcast G2.

Objectifs PL à zoom motorisé

Les objectifs PL à zoom motorisé, traditionnellement utilisés pour les films, sont compatibles avec votre URSA Broadcast G2. Lorsque vous utilisez des objectifs PL ou EF motorisés, la surface entière du capteur 6K de la URSA Broadcast G2 peut être utilisée pour profiter pleinement des avantages de ces objectifs. Pour plus d'informations sur le réglage de la surface du capteur de la URSA Broadcast G2, consultez la section « Paramètres d'enregistrement » de ce manuel.

Liste des objectifs PL Super 35mm avec contrôle motorisé complet pour la mise au point, l'iris et le zoom :

Marque	Série	Modèle	Plage	Ouverture max.
Fujinon	Cabrio	ZK2.5x14-SAF	14-35mm	T2.9
Fujinon	Cabrio	ZK4.7x19-SAFB	19-90mm	T2.9
Fujinon	Cabrio	ZK12x25 avec ESM-15A-SA	25-300mm	T3.5-3.85
Fujinon	Cabrio	ZK3.5x85-SAF	85-300mm	T2.9-T4
Fujinon	Cabrio	XK6x20	20-120mm	T3.5
Canon	Cine-servo	CN7x17KAS S	17-120mm	T2.9-3.9
Canon	Cine-servo	CN10x25 IAS S/P1	25-250mm	T2.95-3.95
Canon	Cine-servo	CN20x50	50-1000mm	T5-8.9

En studio, les commandes de mise au point et de zoom peuvent également être reliées aux manches pour tête panoramique sur tous les objectifs dotés de zooms motorisés listés ci-dessus.

Objectifs hybrides à zoom compact-servo

Récemment, une nouvelle catégorie d'objectifs à zoom « compact-servo » a vu le jour. Ces objectifs possèdent certaines fonctionnalités des objectifs B4 et PL à zoom motorisé, mais ils s'utilisent avec des montures EF. Le commutateur de zoom de ces objectifs peut être alimenté par la monture d'objectif de la caméra URSA Broadcast G2. Les informations comme le nom de l'objectif, les valeurs de position de l'iris, de la mise au point et du zoom peuvent toutes être lues et enregistrées par le système de métadonnées de l'objectif de la URSA Broadcast G2.

Le contrôle électronique de la mise au point, de l'iris et du zoom est disponible avec ces objectifs. Lorsque la caméra est connectée à un mélangeur, ces fonctions peuvent être contrôlées à distance via l'ATEM Software Control. Si vous faites de la diffusion en direct ou travaillez en studio, il est possible d'utiliser ces objectifs avec le Blackmagic Zoom Demand et le Blackmagic Focus Demand à condition que l'interrupteur de l'iris de l'objectif soit réglé sur **A**, l'interrupteur de la mise au point sur **AF** et l'interrupteur du zoom motorisé sur **Servo**.

Liste des objectifs de cette gamme :

- Canon CN-E 18-80mm T4.4 Compact-servo
- Canon CN-E 70-200mm T4.4 Compact-servo

Supports de stockage

La Blackmagic URSA Broadcast G2 enregistre de la vidéo sur des cartes SD standard, des cartes SD UHS-II plus rapides, ou des cartes CFast 2.0.

Vous pouvez connecter des disques flash très rapides ou des SSD haute capacité à l'aide du port USB-C 3.2 Gen 2x1. Vous pouvez également enregistrer sur des SSD à l'aide du Blackmagic URSA Mini Recorder en option. Pour plus d'informations sur l'installation du Blackmagic URSA Mini Recorder sur la caméra, consultez la section « Blackmagic URSA Mini Recorder » de ce manuel.

Remarque importante concernant la vitesse des supports

Les vitesses de lecture et d'écriture données par les fabricants de supports de stockage représentent souvent les vitesses maximales sur de petits fichiers, par exemple des photographies. Ces données ne sont pas fiables si vous écrivez les données d'une vidéo haut débit en continu.

Pour garantir un enregistrement fiable dans la fréquence d'images de votre choix, utilisez seulement les cartes recommandées par Blackmagic Design.

Cartes CFast

Les cartes CFast 2.0 prennent en charge des débits très élevés, elles sont donc parfaites pour enregistrer en HD et en 4K à des fréquences d'images élevées. Veuillez consulter les tableaux relatifs à la durée d'enregistrement dans la section « Enregistrement » de ce manuel pour connaître les fréquences d'images maximales qui peuvent être enregistrées avec chaque format.

Bien que les cartes CFast 2.0 soient généralement très rapides, leur vitesse d'écriture peut être plus lente que la vitesse de lecture. Le débit maximal varie en fonction des modèles. Pour garantir un enregistrement fiable dans la fréquence d'images de votre choix, utilisez seulement les cartes recommandées par Blackmagic Design.

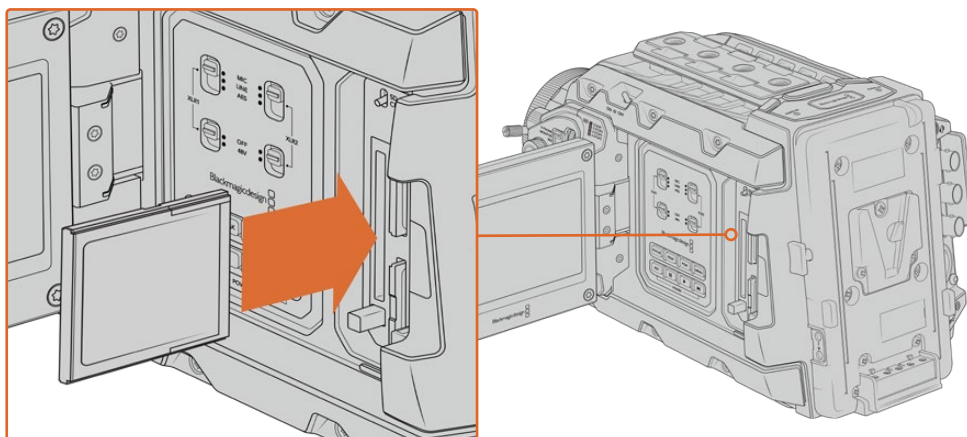
Insérer une carte CFast

Pour enregistrer vos images avec une carte CFast, vous devez configurer la caméra en conséquence. Pour ce faire, réglez l'interrupteur des supports de stockage placé au-dessus de la fente pour support sur **CFAST**.

Pour insérer une carte CFast :

- 1 Ouvrez l'écran rabattable pour accéder aux logements CFast.
- 2 Orientez le côté de la carte CFast doté de l'étiquette vers l'écran tactile et insérez la carte dans le logement pour carte CFast jusqu'à ce qu'elle s'enclenche. La carte doit pouvoir s'insérer aisément et sans forcer. Éjectez la carte CFast en appuyant sur le bouton d'éjection situé sous le logement pour carte CFast.

Les informations de stockage situées en bas de l'écran tactile indiquent le nom de la carte et le temps d'enregistrement restant sur cette carte.



La Blackmagic URSA Broadcast G2 est dotée de deux logements CFast pour un enregistrement en continu.

CONSEIL Si les cartes CFast sont insérées mais que vous n'y avez pas accès sur la caméra, vérifiez que l'option CFast est sélectionnée sur l'interrupteur de sélection du support situé au-dessus des logements.

Choisir une carte CFast 2.0

Lorsque vous travaillez sur des vidéos dont le débit est élevé, il est primordial de vérifier le type de carte CFast que vous utilisez, car les cartes CFast 2.0 ont différentes vitesses de lecture et d'écriture. Pour retrouver les informations les plus récentes sur les cartes CFast prises en charge par la Blackmagic URSA Broadcast G2, consultez la page d'assistance de Blackmagic Design : www.blackmagicdesign.com/fr/support.

Cartes SD

En plus des cartes CFast 2.0, la Blackmagic URSA Broadcast G2 enregistre sur des cartes SD UHS-I et UHS-II haut débit. Si vous choisissez des cartes SDXC UHS-II haut de gamme, vous pouvez enregistrer du ProRes HQ en Ultra HD et même du Blackmagic RAW en 6K.

Avec les cartes SD, vous pouvez utiliser des supports de stockage abordables lorsque vous filmez avec des formats vidéo compressés en HD. Les supports SDXC et SDHC sont très courants parmi les utilisateurs d'appareils photo et de caméras.

Si vous avez déjà tourné à l'aide d'un DSLR ou avec des Blackmagic Micro Cinema Camera, Pocket Cinema Camera ou Blackmagic Video Assist, vous possédez sans doute déjà des cartes SD.

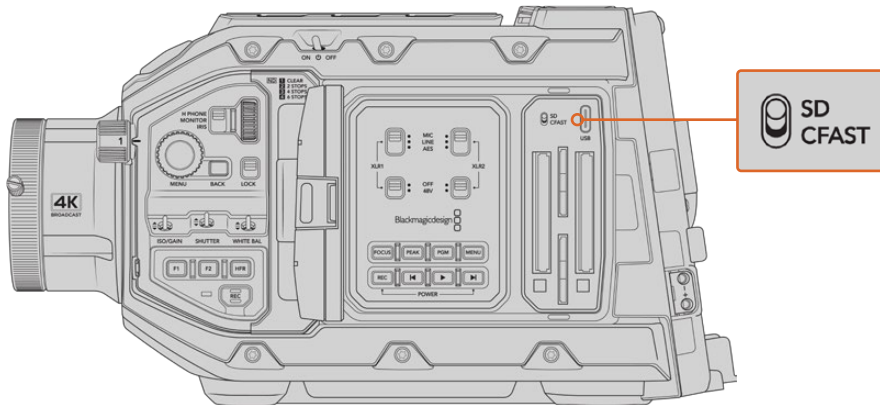
Pour les projets qui ne nécessitent pas de travailler avec des fichiers Blackmagic RAW en très haute résolution ou pour les projets relativement longs, les cartes SD sont particulièrement économiques. Les cartes SD dont le stockage et le débit sont moins importants permettent également de sauvegarder et de charger des LUTs et des préséglages.

Insérer une carte SD

Pour insérer une carte SD :

- 1 Ouvrez l'écran rabattable pour accéder aux logements SD. Ce sont les petits logements situés entre les logements CFast.
- 2 Réglez l'interrupteur des supports de stockage placé au-dessus des logements sur **SD**.
- 3 Orientez le côté de la carte SD sans étiquette vers l'écran tactile et insérez-la jusqu'à ce qu'elle s'enclenche. Appuyez sur la carte SD pour la retirer.

- 4 Les indicateurs de stockage situés en bas de l'écran tactile indiquent le nom de la carte et le temps d'enregistrement de la carte détectée.



Lorsque vous enregistrez sur des cartes SD avec la URSA Broadcast G2, assurez-vous que l'interrupteur des supports de stockage est réglé sur **SD**.

Choisir une carte SD rapide

Si vous enregistrez de l'Ultra HD, nous recommandons d'utiliser les cartes SD UHS-II haut débit les plus performantes. Il est important d'utiliser des cartes UHS-II haut débit pour l'enregistrement en Ultra HD et HD, et des cartes UHS-I pour l'enregistrement en HD, car elles sont reconnues pour leur rapidité de transfert des données et leur grande capacité de stockage. Les cartes les plus rapides sont en général plus performantes.

Avant de les utiliser, formatez les cartes SD au format HFS+ ou exFAT. Vous pouvez formater votre support sur le gestionnaire de stockage ou sur votre ordinateur. Pour plus d'informations, veuillez consulter la section « Préparer les supports pour l'enregistrement » de ce manuel.

Si vous le souhaitez, vous pouvez formater vos cartes sur un ordinateur Mac ou Windows. Si vous utilisez la carte avec un Mac, vous pouvez sélectionner le format de disque pour Mac HFS+. Si vous utilisez Windows, vous devrez sélectionner le format de disque pour Windows exFAT. Les ordinateurs Mac peuvent également lire le format exFAT.

Pour retrouver les informations les plus récentes sur les cartes SD prises en charge par la Blackmagic URSA Broadcast G2, consultez la page d'assistance de Blackmagic Design : www.blackmagicdesign.com/fr/support.

REMARQUE Lorsque vous filmez des séquences à fréquences d'images élevées ou Ultra HD avec la URSA Broadcast G2, nous recommandons d'utiliser des cartes CFast 2.0 ou SD UHS-II, qui sont en général plus rapides et qui offrent de plus grandes capacités de stockage que les cartes SD UHS-I.

Verrouiller et déverrouiller des cartes SD

En activant la protection en écriture, les cartes SD peuvent être « verrouillées » afin d'éviter d'effacer des données.

Lorsque vous insérez une carte SD, veillez à ce qu'elle ne soit pas protégée en écriture. La protection en écriture se désactive en déplaçant le petit poussoir en plastique situé à gauche de la carte. Après l'enregistrement, vous pouvez réactiver la protection en écriture en faisant glisser le poussoir dans sa position initiale.



Déplacez le poussoir pour verrouiller et déverrouiller la carte SD

La URSA Broadcast G2 affiche une icône à l'écran et sur le menu de stockage indiquant si la carte SD est verrouillée. Si la carte est verrouillée, vous ne pourrez pas enregistrer de vidéo, capturer d'images fixes ou exporter des LUTs et des préséglages.



La URSA Broadcast G2 affiche si la carte SD est verrouillée.

Enregistrer sur des disques flash USB-C

La Blackmagic URSA Broadcast G2 comprend deux ports USB-C. Le port USB-C 3.1 Gen 1 situé sur le côté, près des logements pour cartes CFast, sert aux mises à jour logicielles. Le port USB-C 3.1 Gen 2x1 sur la face arrière, près des connecteurs SDI, offre un enregistrement sur des SSD haut débit ou des disques flash USB-C. Grâce à ces disques rapides et à leur capacité de stockage élevée, vous pouvez enregistrer sur de plus longues périodes.

Lorsqu'un disque flash USB-C est connecté à votre caméra, il occupe le troisième logement dans le système d'exploitation de la caméra. Touchez le nom du disque dans le menu **Stockage** pour l'activer. L'enregistrement, la lecture et la gestion du stockage fonctionnent exactement de la même manière pour les disques flash USB-C, que pour les cartes CFast, les cartes SD ou les SSD.

Une fois l'enregistrement terminé, vous pouvez directement connecter le disque à votre ordinateur pour le montage et la post-production, sans devoir effectuer de copie.

Pour connecter un disque flash USB-C :

- 1 Connectez une extrémité du câble USB de type C au disque flash USB-C.
- 2 Sur la URSA Broadcast G2, branchez le câble USB-C au port USB-C situé sur la face arrière, au-dessous des ports SDI.
- 3 Le disque flash USB-C occupera le troisième logement sur l'écran tactile LCD de votre caméra.

- 4 Pour enregistrer sur le disque flash USB-C, appuyez longuement sur le nom du disque dans la barre d'outils en bas de l'écran LCD de votre caméra. La barre du support deviendra bleue pour indiquer que l'enregistrement sera effectué sur le disque flash USB-C. Cette barre devient rouge lorsque la caméra enregistre.

Choisir un disque flash USB-C

Les disques flash USB-C sont conçus pour offrir un stockage rapide et abordable pour de nombreux appareils et ils sont disponibles auprès de nombreux magasins d'électronique. Toutefois, il est important de noter que la réalisation de films ne représente qu'une partie de ce marché. C'est pourquoi vous devez vous assurer que la vitesse du disque flash USB-C est suffisante pour enregistrer de la vidéo en Blackmagic RAW et en Ultra HD.

De nombreux disques flash USB-C sont conçus pour l'informatique domestique et ne sont pas assez rapides pour enregistrer en Ultra HD.

Pour consulter la liste la plus récente des disques flash USB-C recommandés, veuillez vous rendre sur www.blackmagicdesign.com/fr/support.

Utilisez le Blackmagic Disk Speed Test pour mesurer si votre disque flash USB-C est capable de prendre en charge la capture et la lecture de vidéo à des vitesses élevées. Le Blackmagic Disk Speed Test utilise des données pour simuler le stockage de vidéo, les résultats sont donc similaires à ceux que vous obtenez en capturant de la vidéo sur un disque. Lors de nos tests, nous avons remarqué que les modèles les plus récents de disques flash USB-C, dont la capacité est plus importante, sont en général plus rapides.

L'application Blackmagic Disk Speed Test est disponible sur le Mac App Store. Les versions pour Windows et Mac sont incluses dans le Blackmagic Desktop Video, que vous pouvez télécharger à partir de la catégorie « Capture et Lecture » sur la page d'assistance technique de Blackmagic Design : www.blackmagicdesign.com/fr/support.

SSD

Avec le Blackmagic URSA Mini Recorder en option, la URSA Broadcast G2 peut enregistrer de la vidéo directement sur des disques état solide, appelés SSD. Ces disques performants sont disponibles auprès de nombreux magasins d'électronique.

Le URSA Mini Recorder comprend un port USB-C pour vous permettre de travailler avec de hauts débits sur des SSD SATA 2.5" standard et des SSD U.2 7mm. Les disques état solide M.2 fonctionnent avec un adaptateur M.2 vers U.2. Pour atteindre les débits disponibles, un câble USB 3.1 Gen 2 certifié est requis. Le câble USB-C fourni comprend des connecteurs sécurisés à chaque extrémité.

REMARQUE Pour plus d'informations sur l'installation du Blackmagic URSA Mini Recorder, consultez la section « Blackmagic URSA Mini Recorder » de ce manuel.

Insérer un SSD

Pour insérer un SSD :

- 1 Orientez les broches de connexion de votre SSD vers l'avant de la caméra.
- 2 Ouvrez le couvercle à ressort du Blackmagic URSA Mini Recorder et insérez délicatement le SSD dans son logement.

CONSEIL Le Blackmagic URSA Mini Recorder est doté d'une cale qui permet de maintenir les SSD de différentes tailles en place, vous n'avez donc pas besoin d'utiliser d'espaceur.

- 3 Une fois le SSD dans le logement, poussez-le gentiment jusqu'à ce qu'il se cale, puis abaissez le couvercle du URSA Mini Recorder.
- 4 Le SSD occupera le troisième logement pour support de votre caméra.
- 5 Pour enregistrer sur le SSD, appuyez longuement sur le nom du disque dans la barre d'outils en bas de l'écran LCD de votre caméra. La barre du support deviendra bleue pour indiquer que l'enregistrement sera effectué sur le SSD. Cette barre devient rouge lorsque la caméra enregistre.

Pour retirer un SSD :

Ouvrez le couvercle du URSA Mini Recorder et saisissez délicatement le disque entre votre pouce et votre index. La partie supérieure de la baie est dotée d'une petite encoche afin que vous puissiez tenir le disque fermement. Retirez simplement le disque et refermez le couvercle.

Choisir un SSD rapide pour le URSA Mini Recorder

Les SSD sont conçus pour fournir un stockage rapide et abordable à de nombreux appareils. Il est important de noter que la réalisation de films ne représente qu'une partie de ce marché. C'est pourquoi vous devez vous assurer que la bande passante est suffisante pour enregistrer de la vidéo en Blackmagic RAW ou en Ultra HD. De nombreux SSD sont conçus pour l'informatique domestique et ne sont pas assez rapides pour enregistrer de la vidéo en Ultra HD.

Nous recommandons vivement d'utiliser seulement les SSD énumérés dans notre liste, car ils ont été testés avec la Blackmagic URSA Broadcast G2 afin d'offrir un enregistrement continu aux résolutions spécifiées. Pour consulter la liste de SSD recommandés la plus récente, veuillez vous rendre sur www.blackmagicdesign.com/fr/support.

Remarque importante concernant la vitesse des SSD

Certains modèles de SSD ne sont pas capables d'enregistrer des données vidéo à la vitesse annoncée par le fabricant, car le disque compresse certaines données afin d'atteindre des vitesses d'écriture plus élevées. Cette compression des données permet uniquement de sauvegarder les données à la vitesse annoncée par le fabricant lorsqu'il s'agit de fichiers ou de données simples, comme des données vides. Toutefois, comme les données vidéo comprennent du bruit vidéo et des pixels aléatoires, la compression n'offre aucun avantage et la véritable vitesse du support est révélée.

Certains SSD ont une vitesse d'écriture jusqu'à 50 % moins élevée que celle indiquée par le fabricant. Par conséquent, bien que les spécifications du disque certifient qu'il est suffisamment rapide pour prendre en charge de la vidéo, il se peut qu'il ne soit pas assez rapide pour enregistrer de la vidéo en temps réel.

Utilisez le Blackmagic Disk Speed Test pour mesurer si votre SSD est capable de prendre en charge la capture et la lecture de vidéo à des vitesses élevées. Le Blackmagic Disk Speed Test utilise des données pour simuler le stockage de vidéo, les résultats sont donc similaires à ceux que vous obtenez en capturant de la vidéo sur un disque. Lors de nos tests rigoureux, nous avons remarqué que les modèles les plus récents de SSD dont la capacité est plus importante sont en général plus rapides.

Préparer les supports pour l'enregistrement

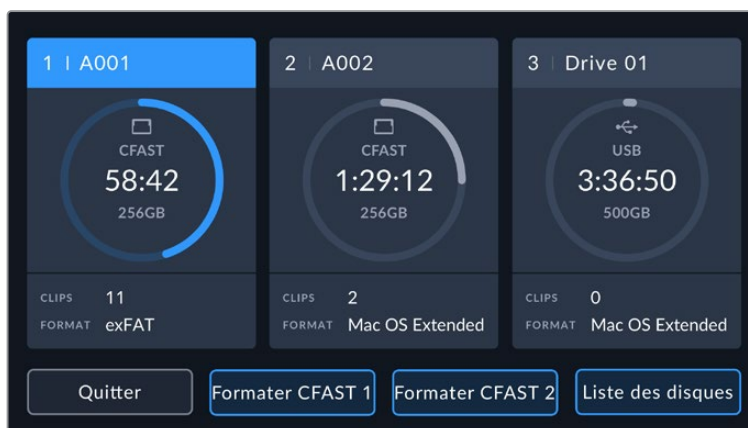
Vous pouvez formater vos supports d'enregistrement à l'aide du gestionnaire de stockage de la Blackmagic URSA Broadcast G2 ou via un ordinateur Mac ou Windows. Nous vous recommandons de formater les supports à l'aide de la URSA Broadcast G2 pour un résultat optimal.

Nous conseillons le format HFS+, également connu sous le nom de OS X Extended, car il prend en charge la journalisation. Les données stockées sur un support journalisé ont plus de chance d'être récupérées si le support est endommagé. Le format HFS+ est pris en charge nativement par Mac OS. Le format exFAT est pris en charge nativement par Mac et Windows, il n'est donc pas nécessaire d'utiliser de logiciel supplémentaire. Cependant, ce format ne prend pas en charge la journalisation.

REMARQUE Avant de formater le support, il est important de veiller à ce que l'interrupteur des supports soit réglé sur **SD** ou **CFast**. Veuillez toujours vérifier les paramètres avant de formater les supports.

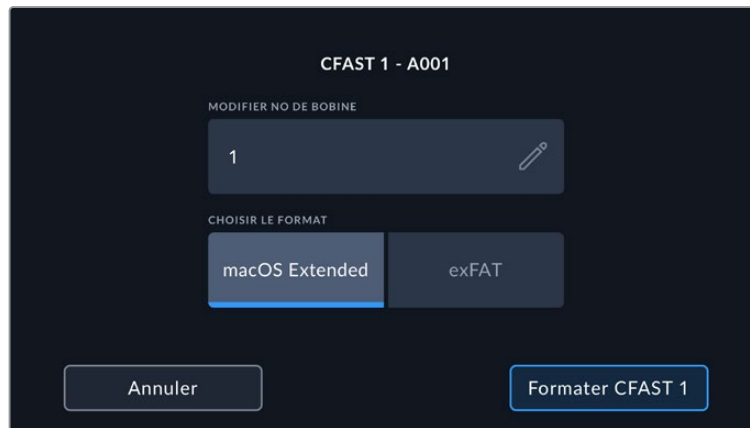
Préparer un support sur la Blackmagic URSA Broadcast G2

- 1 Appuyez sur un des indicateurs de stockage en bas de l'écran LCD tactile pour ouvrir le gestionnaire de stockage.
- 2 Appuyez sur un bouton de formatage en bas de l'écran pour formater la carte 1 ou 2. Si un disque flash USB-C ou un SSD est connecté au port USB-C à l'arrière de votre URSA Broadcast G2, appuyez sur le bouton **Liste des disques**. Puis, sélectionnez le disque que vous souhaitez formater et appuyez sur **Formater disque**.



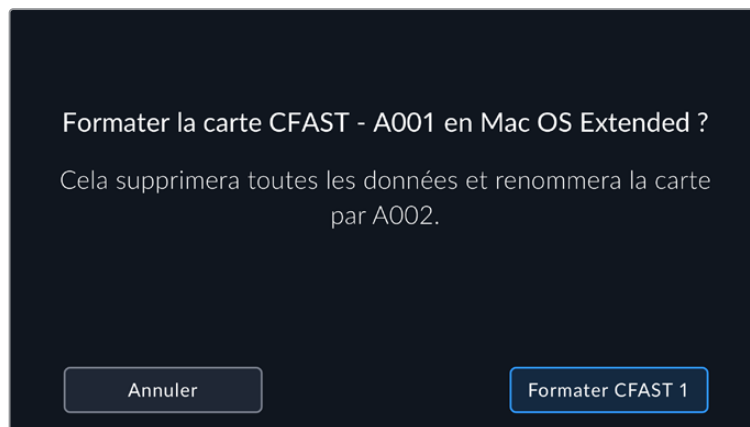
Utilisez le gestionnaire de stockage de la URSA Broadcast G2 pour formater les supports de la caméra.

- 3 Si vous souhaitez modifier le numéro de bobine, touchez l'icône crayon pour ouvrir le clavier. Saisissez le nouveau numéro et appuyez sur **Mettre à jour**.
- 4 Choisissez OS X Extended ou ExFAT et appuyez sur le bouton **Formater**.



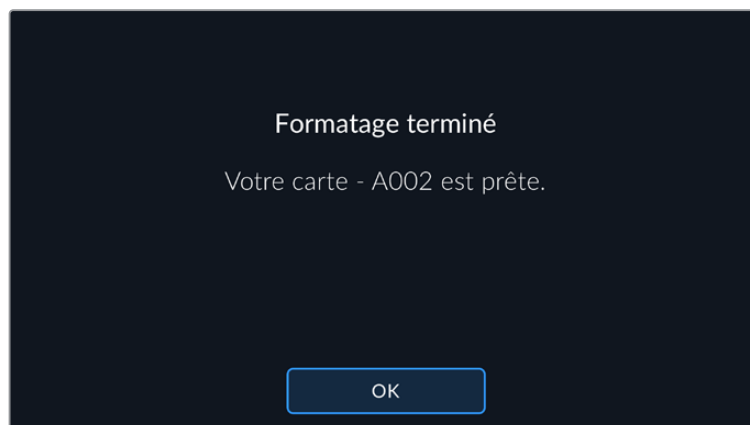
Touchez l'icône crayon pour modifier manuellement le numéro de bobine.

- 5 Un message apparaît pour que vous confirmiez votre sélection. Appuyez de nouveau sur le bouton de formatage pour continuer ou sur **Annuler** pour annuler le formatage.



Vérifiez que vous avez sélectionné la carte appropriée avant de la formater.

- 6 Il vous sera demandé d'appuyer pendant 3 secondes sur le bouton de formatage. La caméra vous notifiera lorsque le formatage est terminé.



Une fois le formatage terminé, votre carte est prête.

- 7 Appuyez sur **OK** pour retourner au gestionnaire de stockage.
- 8 Appuyez sur **Quitter** pour fermer le gestionnaire de stockage.

Lorsque vous formatez des supports d'enregistrement à l'aide du gestionnaire de stockage, la URSA Broadcast G2 utilisera le nom de la caméra et le numéro de la bobine pour renommer la carte. Le numéro de la bobine s'incrémente à chaque fois que vous formatez une carte. Pour saisir manuellement le numéro de bobine, il suffit de toucher l'icône crayon et de saisir le numéro avec lequel vous souhaitez formater la carte.

Quand vous commencez un nouveau projet, le numéro de bobine se réinitialise sur 1 lorsque vous sélectionnez **Réinitialiser les données** dans l'onglet **Projet** du clap.

Veillez noter que si l'interrupteur de stockage des supports est réglé sur SD ou CFast, seul le type de carte sélectionné sera formaté. Pour plus d'informations sur cette opération, consultez la section « Cartes SD » de ce manuel.



Le gestionnaire de stockage de la URSA Broadcast G2 indique si vous avez sélectionné le support CFast, SD, USB ou SSD.

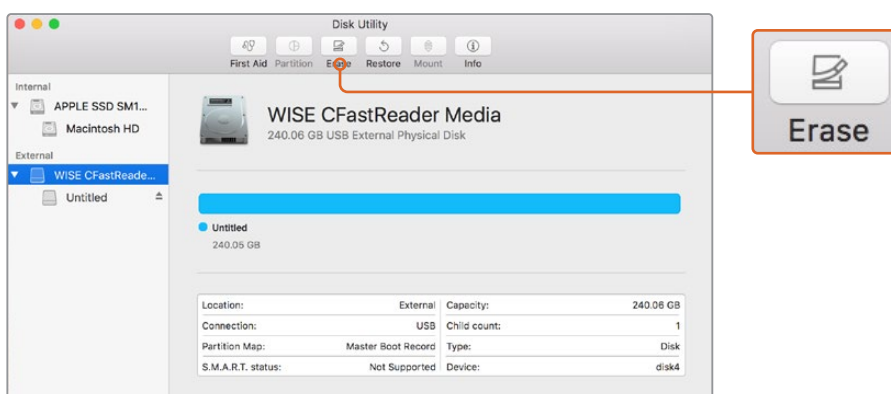
CONSEIL Si la URSA Broadcast G2 est réglée pour enregistrer sur des cartes SD, mais que la carte que vous avez insérée est verrouillée, vous ne pourrez pas la formater. Une icône de cadenas apparaît à côté du nom de la carte dans le gestionnaire de stockage. Il suffit de déverrouiller la carte pour la formater et pour enregistrer du contenu. Pour plus d'informations sur le verrouillage des cartes SD, consultez la section « Cartes SD » de ce manuel.

Préparer le support sur Mac

L'utilitaire de disque fourni avec Mac peut formater votre carte CFast, SD ou votre SSD au format HFS+ ou exFAT.

Veillez à sauvegarder toutes les informations importantes contenues sur votre support car toutes les données seront perdues lors du formatage.

- 1 Connectez le support de stockage à votre ordinateur à l'aide d'un lecteur de carte, d'une station d'accueil ou d'un adaptateur. Ignorez les messages proposant d'utiliser le support en tant qu'outil de sauvegarde Time Machine.
- 2 Allez dans le menu Applications/Utilitaires et lancez l'utilitaire de disque.
- 3 Cliquez sur l'icône représentant le support de stockage de la caméra, puis cliquez sur l'onglet **Effacer**.
- 4 Choisissez le format Mac OS étendu (journalisé) ou exFAT.
- 5 Saisissez un nom pour le nouveau volume, puis cliquez sur **Effacer**. Le support de stockage de votre caméra sera rapidement formaté et prêt à être utilisé.

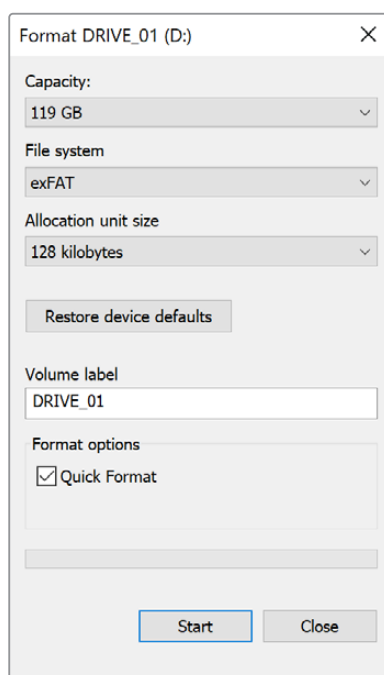


Utilisez l'utilitaire de disque sur Mac OS pour formater votre carte CFast en Mac OS étendu (journalisé) ou exFAT.

Préparer le support sur Windows

La boîte de dialogue Formater permet de formater un lecteur au format exFAT sur un PC Windows. N'oubliez pas de sauvegarder toutes les informations importantes contenues sur votre support car toutes les données seront perdues lors du formatage.

- 1 Connectez le support de stockage de la caméra à votre ordinateur à l'aide d'un lecteur/ graveur externe, d'une station d'accueil SSD ou d'un adaptateur.
- 2 Ouvrez le menu Démarrer ou l'écran d'accueil et choisissez l'option Ordinateur. Faites un clic droit sur le support de stockage de votre caméra.
- 3 Cliquez sur **Formater** à partir du menu contextuel.
- 4 Configurez le système de fichiers sur **exFAT** et la taille d'unité d'allocation sur 128 Kb.
- 5 Saisissez un nom de volume, sélectionnez l'option **Formatage rapide** puis cliquez sur **Démarrer**.
- 6 Votre support de stockage sera rapidement formaté et prêt à être utilisé.



Utilisez la boîte de dialogue **Formater** sous Windows pour formater votre carte CFast, SD ou votre SSD en exFAT.

REMARQUE En cas de perte d'images pendant l'enregistrement, vérifiez que la carte que vous utilisez figure sur la liste des supports recommandés, en fonction du codec et du format d'image sélectionnés. Pour les faibles débits, réduisez la fréquence d'images et la résolution, ou utilisez un codec compressé, par exemple le codec ProRes. Pour plus d'informations, consultez le site Internet de Blackmagic Design : www.blackmagicdesign.com/fr.

Enregistrement

Enregistrer des clips

Les objectifs B4 broadcast possèdent un bouton d'enregistrement sur leur poignée, au niveau de votre pouce lorsque vous filmez avec la caméra à l'épaule. Il vous suffit d'appuyer sur ce bouton pour commencer l'enregistrement. Appuyez à nouveau sur ce bouton pour arrêter l'enregistrement.

Votre caméra est dotée de boutons d'enregistrement intégrés. Un bouton d'enregistrement est situé sur le panneau de contrôle intérieur et avant, pour un accès rapide lorsque vous tournez à l'épaule.

Déclencher l'enregistrement à partir de sources externes

L'application **Blackmagic Camera Control** vous permet de déclencher l'enregistrement à distance et de changer différents paramètres de la caméra via Bluetooth depuis un iPad. Pour plus d'informations sur le réglage et l'utilisation de l'application **Blackmagic Camera Control**, consultez la section **Bluetooth** de ce manuel. Si vous utilisez un iPhone ou un smartphone Android, il existe également des appli tierces qui vous permettent de déclencher l'enregistrement sur votre URSA Broadcast G2 via Bluetooth.

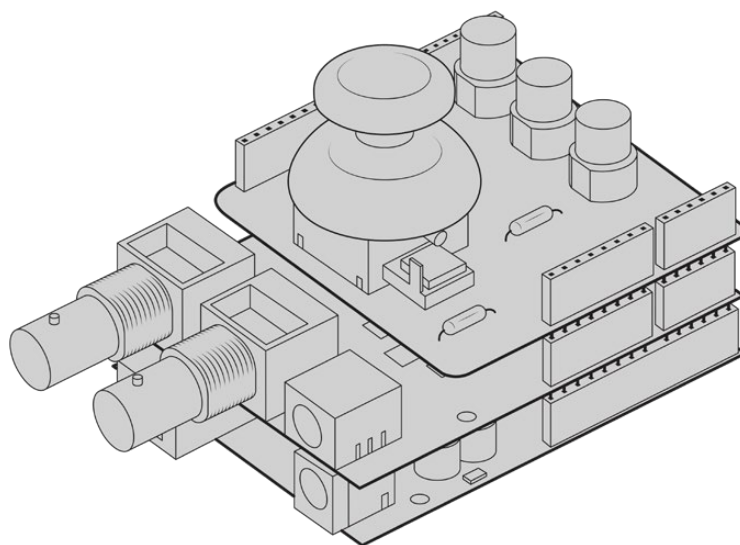
Si vous utilisez un Blackmagic Zoom Demand en option avec la URSA Broadcast G2, vous pouvez déclencher l'enregistrement à l'aide du bouton de fonction. Le bouton de fonction du Blackmagic Zoom Demand se trouve juste sous votre pouce, comme le bouton VTR sur un objectif B4. Pour plus d'informations sur le Blackmagic Zoom Demand, consultez la section « Utiliser le Blackmagic Zoom Demand » de ce manuel.

Lorsque votre Blackmagic URSA Broadcast G2 est connectée à un mélangeur ATEM Mini Pro ou Extreme via un Blackmagic Micro Converter BiDirectional SDI/HDMI 3G, vous pouvez déclencher l'enregistrement depuis le mélangeur ATEM.

Par exemple, la palette **Enregistrement du stream** dans l'ATEM Software Control dispose d'une case intitulée **Enregistrer sur toutes les caméras**. Quand cette option est activée et que vous cliquez ou appuyez pour lancer l'enregistrement, toutes les caméras connectées commenceront à enregistrer également. Cela signifie que vous n'avez qu'à cliquer ou à appuyer sur un seul bouton pour démarrer l'enregistrement sur toutes les caméras simultanément. Pour plus d'informations, consultez le manuel de l'ATEM Mini.

Pour déclencher et arrêter l'enregistrement en externe, vous pouvez également brancher un contrôleur LANC externe à l'entrée LANC de votre URSA Broadcast G2. Par exemple, vous pouvez choisir de fixer un contrôleur LANC au trépied pour déclencher l'enregistrement à distance, sans devoir toucher la bague de mise au point et la poignée du trépied.

Vous pouvez déclencher l'enregistrement sur une ou plusieurs URSA Broadcast G2 à l'aide du Blackmagic 3G-SDI Shield for Arduino et du protocole de contrôle caméra SDI Blackmagic. Pour obtenir plus d'informations à ce sujet, consultez la section « Informations pour les développeurs » de ce manuel ou téléchargez le manuel Blackmagic 3G-SDI Shield for Arduino sur le site www.blackmagicdesign.com/fr/developer.



Créez votre propre contrôleur matériel et fixez-le à la Blackmagic 3G-SDI Shield for Arduino pour un contrôle extrêmement précis.

REMARQUE Si vous modifiez la position de l'interrupteur des supports de stockage pendant l'enregistrement, la caméra termine l'enregistrement en cours avant de changer de type de support. Cela permet de conserver un enregistrement de qualité tout au long de la prise.

Choisir le codec, la résolution et la surface du capteur

La Blackmagic URSA Broadcast G2 peut enregistrer en Blackmagic RAW, avec un paramètre de qualité constante ou de débit constant. Vous pouvez également utiliser des codecs vidéo compressés Apple ProRes, H.264 ou H.265 pour enregistrer en résolutions Ultra HD et HD. Les différentes options de fréquences d'images du capteur dépendent du codec et de la résolution utilisés.

Le Blackmagic RAW permet d'utiliser une qualité constante ou une compression en débit constant. La compression Blackmagic RAW 8:1, 12:1, Q3 ou Q5 est recommandée pour les tournages à l'épaule, car son niveau élevé de compression permet de filmer pendant de longues heures sans perte de qualité. Pour les tournages qui contiennent une grande quantité de détails, vous pouvez choisir le Blackmagic RAW 3:1 ou Q0 pour la meilleure qualité d'image qui soit.

Il est important de noter que les clips enregistrés en Blackmagic RAW sont compatibles avec DaVinci Resolve, Blackmagic RAW Player et tous les autres logiciels prenant en charge le SDK Blackmagic RAW. Le Blackmagic RAW est d'ores et déjà disponible sur de nombreux outils de post-production. Si ce format n'est pas pris en charge nativement par une application, il suffit de télécharger nos mises à jour et notre programme d'installation Blackmagic RAW pour obtenir le plug-in nécessaire. Pour plus d'informations, consultez la section « Travailler avec un logiciel tiers » de ce manuel.

Blackmagic RAW

La Blackmagic URSA Broadcast G2 prend en charge le nouveau format de fichier Blackmagic RAW. Ce format offre une qualité d'image supérieure, une plage dynamique étendue et une large sélection de taux de compression. Grâce au Blackmagic RAW, vous bénéficiez de tous les avantages de l'enregistrement en RAW. Toutefois, les fichiers sont très rapides, car la plupart du traitement est effectué dans la caméra, où il subit une accélération matérielle.

Le Blackmagic RAW comprend également une prise en charge des métadonnées performante, qui permet de transmettre les paramètres de la caméra au logiciel de lecture des fichiers. Si vous n'avez que très peu de temps pour le montage et l'étalonnage, vous pouvez tourner en mode vidéo et les images seront affichées dans ce mode lorsque vous ouvrez le fichier dans le logiciel. Toutefois, en réalité, le fichier est en mode film. Ce sont les métadonnées du fichier qui communiquent au logiciel d'appliquer le mode vidéo.

Ainsi, si vous souhaitez étalonner les images ultérieurement, la plage dynamique est conservée dans le fichier. Les images ne seront pas écrêtées dans les hautes et les basses lumières, les détails seront donc préservés et vous pourrez procéder à l'étalonnage pour leur donner un rendu cinématographique. Toutefois, si vous n'avez pas suffisamment de temps pour l'étalonnage, ce n'est pas grave, car le mode vidéo sera appliqué aux images et elles auront ainsi le même rendu que celles des caméras vidéo standard. C'est donc une solution très polyvalente qui vous permet de changer d'avis durant la post-production.

Les fichiers Blackmagic RAW sont très rapides et ce codec est optimisé pour le CPU et le GPU de votre ordinateur. Ainsi, la lecture est fluide et les décodeurs matériels ne sont pas nécessaires, ce qui est important lorsque vous utilisez un ordinateur portable. Le logiciel qui lit le Blackmagic RAW bénéficie également du traitement via Apple Metal, Nvidia CUDA et OpenCL.

Cela signifie que le Blackmagic RAW lit le fichier à une vitesse normale, comme un fichier vidéo sur la plupart des ordinateurs, sans avoir à le mettre en cache ou à baisser la résolution.

De plus, les informations de l'objectif de chaque image sont enregistrées dans les métadonnées. Par exemple, lorsque vous utilisez des objectifs compatibles, toutes les modifications de zoom et de mise au point effectuées durant le clip seront sauvegardées, image par image, dans les données du fichier Blackmagic RAW.

Enregistrer en Blackmagic RAW

Le Blackmagic RAW fonctionne de deux façons différentes. Vous pouvez choisir un codec à débit constant, ou un codec à qualité constante.

Le codec à débit constant fonctionne à peu près de la même façon que la plupart des codecs. Son rôle est de maintenir le débit de données à un taux constant sans le laisser trop augmenter. Ainsi, lorsque vous tournez une image complexe qui utilise plus de données pour le stockage, le codec à débit constant compresse davantage l'image pour qu'elle corresponde à l'espace qui lui est attribué.

Cela ne pose en général pas de problème avec les codecs vidéo. Toutefois, lorsque vous tournez en RAW, il faut pouvoir garantir une certaine qualité. Que se passerait-il si les images filmées avaient besoin de plus de données, mais que le codec les compressait davantage pour atteindre un débit spécifique ? Vous perdriez sûrement en qualité et vous ne le remarqueriez peut-être qu'après le tournage.

Pour résoudre ce problème, le Blackmagic RAW propose également un codec appelé qualité constante. Techniquement, ce codec est un codec à débit variable, car il permet à la taille du fichier d'augmenter lorsque les images ont besoin de plus de données. Il n'y a pas de limite supérieure à la taille de fichier lorsque vous devez encoder une image en conservant sa qualité.

Ainsi, quand le Blackmagic RAW est réglé sur le paramètre qualité constante, la taille de fichier peut augmenter autant qu'il le faut pour encoder les images. Les fichiers sont donc plus ou moins volumineux selon les images tournées. .

Les noms des paramètres du Blackmagic RAW ont été choisis d'après des repères techniques. Par exemple, lorsque que le codec à débit constant est sélectionné, vous aurez accès aux paramètres de qualité 3:1, 5:1, 8:1 et 12:1. Ce sont les rapports entre la taille de fichier du format RAW non compressé et celle du format Blackmagic RAW. La compression 3:1 est de meilleure qualité car le fichier est plus volumineux, tandis que 12:1 est de moins bonne qualité car le fichier est plus petit. Toutefois, de nombreux utilisateurs du Blackmagic RAW n'ont vu aucun problème de qualité avec le format 12:1. Le plus judicieux est d'essayer plusieurs paramètres pour voir celui qui vous convient le mieux.

Les paramètres de qualité constante du Blackmagic RAW sont Q0, Q1, Q3 et Q5. Ce sont les paramètres de compression appliqués au codec. Ce réglage est différent car le codec traite le débit constant et la qualité constante de façon différente. En ce qui concerne la qualité constante, la taille de fichier peut varier selon les prises. .

Paramètres du débit constant

Ces paramètres sont 3:1, 5:1, 8:1 et 12:1. Ils représentent le ratio de compression. Par exemple, la compression 12:1 produit une taille de fichier environ 12 fois plus petite que le format RAW non compressé.

Paramètres de qualité constante

Q0, Q1, Q3 et Q5 font référence aux différents taux de quantification. Q5 a un taux de quantification plus élevé, mais offre un meilleur débit de données. Comme nous l'avons mentionné auparavant, le paramètre de qualité constante peut créer des fichiers plus au moins grands selon les prises. Il est donc possible que la taille d'une prise soit plus grande que l'espace disponible sur votre support, ce qui peut provoquer une perte d'images. L'avantage est que vous pouvez instantanément le voir sur le tournage et donc décider du paramètre le plus approprié.

Blackmagic RAW Player

Le lecteur Blackmagic RAW, fourni avec le programme d'installation du logiciel de la caméra, est une application qui permet de revoir les clips. Il suffit de double-cliquer sur un fichier Blackmagic RAW pour l'ouvrir. Vous pouvez ensuite le lire et le faire défiler en pleine résolution et profondeur de bits.

Lors du décodage des images, l'accélération CPU de la bibliothèque du SDK prend en charge la plupart des architectures, ainsi que l'accélération GPU via Apple Metal, Nvidia CUDA et OpenCL. Elle fonctionne également avec le Blackmagic eGPU, si vous souhaitez une solution encore plus performante. Le lecteur Blackmagic RAW est disponible pour Mac, Windows et Linux.

Fichiers sidecar

Les fichiers sidecar du Blackmagic RAW priment sur les métadonnées intégrées au fichier sans toutefois les écraser. Ces métadonnées comprennent les paramètres RAW ainsi que des informations sur l'iris, la mise au point, la distance focale, la balance des blancs, la teinte, l'espace colorimétrique, le nom du projet, le numéro de la prise et autres. Les métadonnées sont encodées image par image sur toute la durée du clip, ce qui est important pour les données de l'objectif, si celui-ci a été ajusté durant la prise. Vous pouvez ajouter ou modifier les métadonnées des fichiers sidecar avec DaVinci Resolve ou avec un éditeur de texte, car il s'agit d'un format lisible par l'homme.

Les fichiers sidecar peuvent être utilisés pour ajouter automatiquement de nouveaux paramètres RAW à la lecture. Pour ce faire, il suffit de déplacer le fichier sidecar dans le dossier du fichier RAW correspondant. Si vous retirez le fichier sidecar du dossier et que vous ouvrez à nouveau le fichier Blackmagic RAW, les paramètres RAW ne seront pas appliqués et vous verrez le fichier tel qu'il a été initialement filmé. Tout logiciel qui utilise le SDK Blackmagic RAW peut accéder à ces paramètres. Les changements apportés seront sauvegardés dans le fichier sidecar et pourront être lus par le Blackmagic RAW Player ou par tout autre logiciel capable de lire les fichiers Blackmagic RAW.

Lorsque vous tournez en mode vidéo, le fichier reste en mode film, et les métadonnées ordonnent au traitement Blackmagic RAW d'afficher les images en mode vidéo. Le mode vidéo est parfait lorsque vous ne voulez pas étalonner les images et que vous devez livrer rapidement le contenu. Toutefois, si vous souhaitez augmenter les basses lumières ou réduire les hautes lumières de l'image, tous les détails sont conservés. La vidéo ne sera jamais écrêtée et les détails seront préservés si vous souhaitez y accéder ultérieurement.

Blackmagic RAW dans DaVinci Resolve

Les paramètres de tous les fichiers Blackmagic RAW peuvent être ajustés, puis sauvegardés en tant que nouveau fichier sidecar à partir de l'onglet RAW de DaVinci Resolve afin de créer des effets créatifs ou d'optimiser la visualisation. Vous pouvez ainsi copier vos médias pour un autre utilisateur DaVinci Resolve afin qu'il ait automatiquement accès aux paramètres gamma modifiés lors de l'importation. En plus des autres métadonnées contenues dans les fichiers de la caméra, DaVinci Resolve peut lire la plage dynamique sélectionnée, afin que les clips soient automatiquement affichés en mode Film, Extended Video ou Video dans DaVinci Resolve.

Vous pouvez ensuite personnaliser ces paramètres en ajustant la saturation, le contraste et les moyennes lumières, ainsi que le roll-off des hautes et des basses lumières. Les ajustements peuvent ensuite être sauvegardés en tant que fichier sidecar. Les changements peuvent donc être visualisés par tous les utilisateurs qui travaillent sur ces fichiers en post. Vous pouvez à tout moment revenir aux métadonnées originales de la caméra.

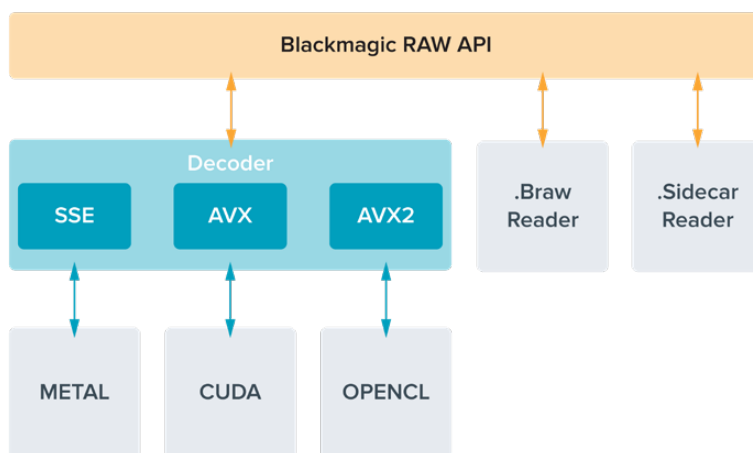
Il est également possible d'exporter une seule image Blackmagic RAW à partir de l'onglet RAW de DaVinci Resolve, qui contient toutes les informations concernant les ajustements, les métadonnées, la pleine résolution et les couleurs. Il est donc facile de partager les références d'une image ou d'un fichier avec d'autres utilisateurs.

Pour plus d'informations sur la façon d'utiliser le Blackmagic RAW dans DaVinci Resolve, consultez le chapitre « Utiliser DaVinci Resolve » de ce manuel.

Kit de développement logiciel Blackmagic RAW

Le kit de développement logiciel Blackmagic RAW est une API développée par Blackmagic Design. Vous pouvez utiliser le SDK Blackmagic RAW pour écrire vos propres applications pour le format Blackmagic RAW. La bibliothèque du SDK offre aux développeurs une prise en charge de la lecture, de la modification et de l'enregistrement des fichiers Blackmagic RAW. Le SDK Blackmagic RAW intègre la colorimétrie de 4e et de 5e génération. Vous pouvez donc obtenir des images cinématographiques naturelles dans toutes les applications qui la supportent. Le SDK Blackmagic RAW est compatible avec Mac, Windows et Linux. Il est disponible gratuitement sur la page Développeurs du site web de Blackmagic : www.blackmagicdesign.com/fr/developer

Le schéma suivant illustre les composants de l'API Blackmagic RAW :



Choisir la fréquence d'images

Votre caméra peut filmer à différentes fréquences d'images et il est important de savoir laquelle est la plus adaptée à votre projet. La fréquence d'images du capteur peut également avoir un impact considérable sur le rendu des séquences. Lorsque l'on choisit une fréquence d'images, il y a plusieurs éléments à prendre en compte. En effet, depuis plusieurs années, il existe des normes établies pour le cinéma et la télévision. Ces normes peuvent varier selon les pays mais elles partagent le même objectif ; afficher un nombre d'images par seconde optimal qui permette aux spectateurs d'apprécier le mouvement des images.

Par exemple, pour le cinéma on utilise 24 images par seconde. Bien que, récemment, certains contenus aient été filmés à des fréquences d'images plus rapides, 24 images par seconde restent la norme pour le public international. En général, les fréquences d'images pour la télévision dépendent des normes de diffusion de chaque pays. Par exemple, pour produire du contenu télévisuel en Amérique du Nord vous filmerez à 29,97 images par seconde, contre seulement 25 en Europe.

Cependant, grâce aux avancées technologiques, nous avons aujourd'hui plus de choix et les normes de diffusion sont en train de changer. Il est désormais commun d'enregistrer et de diffuser des événements sportifs à des fréquences d'images plus élevées. Certains événements sportifs sont enregistrés et diffusés jusqu'à 59,94 images par seconde en Amérique du Nord et jusqu'à 50 en Europe. Ces fréquences élevées apportent plus de fluidité et de réalisme aux images lors d'actions rapides. Les diffuseurs de streaming et de contenus en ligne utilisent en général la même fréquence d'images que la télévision. Cependant, ils ont plus de liberté pour expérimenter d'autres formats, car les spectateurs peuvent choisir celui de leur choix. Ces diffuseurs sont seulement limités par la capacité d'affichage des écrans.

Lorsque vous choisissez une fréquence d'images pour votre projet, il est généralement conseillé de vous référer au format d'exportation. Ainsi, vos clips seront lus à vitesse réelle. Pour ce faire, il faudra désactiver l'option **off speed** sur votre caméra.

Si vous souhaitez créer des effets, par exemple un ralenti, vous pouvez augmenter la fréquence d'images du capteur. Plus la différence entre la fréquence d'images du capteur et celle du projet est grande, plus les images seront ralenties lors de la lecture.

Pour plus d'informations sur le réglage des fréquences d'images du capteur pour créer des effets, veuillez consulter la section « Commandes de l'écran tactile ».

Tourner à des fréquences d'images élevées

Lorsque vous tournez à des fréquences d'images élevées, votre caméra capture davantage d'images par seconde comparé aux fréquences d'images traditionnelles de 24, 25 et 30 i/s. Cela veut dire que le capteur d'images a moins de temps pour recueillir la lumière de chaque image capturée. C'est pourquoi l'image de votre caméra est plus sombre.

Par exemple, si vous passez de 25 à 50 images par seconde, la quantité de lumière reçue par le capteur sera réduite de moitié. Pour maintenir l'exposition, vous devez compenser ce changement en ouvrant l'objectif d'un diaph, en ouvrant l'angle d'obturation de 180° à 360°, ou en ajoutant de la lumière à la scène que vous tournez.

Lorsque vous filmez à 60 images par seconde, vous disposez de deux fois et demie moins de lumière qu'à 24 images par seconde. Vous devrez donc peut-être ajuster plusieurs paramètres, tels que l'ouverture de diaphragme, l'angle d'obturation et la lumière pour obtenir le même niveau d'exposition.

Lorsque vous tournez à des fréquences d'images élevées, gardez également à l'esprit que les sources lumineuses électroniques peuvent faire scintiller l'image enregistrée. Les lumières artificielles, tungstènes, fluorescentes et LED, peuvent faire apparaître des scintillements. Parfois, ce problème ne se voit pas lors de la prévisualisation de la scène sur l'écran LCD, le flux SDI ou lors de l'enregistrement. Il est donc important de faire des essais avec les lumières que vous souhaitez utiliser et de lire le clip afin de vérifier l'image.

Le réglage de l'obturateur peut aussi affecter la visibilité du scintillement lorsque vous tournez avec des lumières. C'est pourquoi la URSA Broadcast G2 peut automatiquement calculer et afficher des options d'obturation sans scintillement pour la fréquence d'images utilisée. Notez que les caractéristiques de certaines sources lumineuses peuvent provoquer des scintillements même lorsque vous utilisez des valeurs sans scintillement. Pour plus d'informations, consultez la section « Commandes de l'écran tactile ».

Si vous avez réglé votre obturateur sur la vitesse d'obturation la plus lente ou sur l'angle d'obturation le plus grand et que vous voyez toujours du scintillement sur les images enregistrées, il se peut que vous deviez utiliser d'autres sources lumineuses pour votre scène ou utiliser un objectif plus rapide.

Fréquences d'images du capteur et débits maximums

Le tableau ci-dessous indique les différents codecs et résolutions disponibles, ainsi que la fréquence d'images du capteur et le débit maximum. Veuillez noter que les références au Blackmagic RAW, au ProRes 444 et au ProRes 422 font référence à toutes les variantes de chaque codec prises en charge.

En raison des débits de données requis pour l'enregistrement de hautes résolutions au ralenti, vous devrez choisir un SSD, un disque flash USB-C ou une carte CFast rapide. Pour plus d'informations à ce sujet, consultez la section « Supports de stockage ».

CONSEIL Vous pouvez tester la vitesse de votre carte en activant l'option **Stopper l'enregistrement** dans le menu **Si perte d'image** et en enregistrant un clip test. Cela vous permettra de tester combien de temps vous pouvez tourner à une fréquence d'images particulière dans une certaine résolution. Si la carte interrompt l'enregistrement trop rapidement, vous pourrez réduire la compression ou la résolution afin de ralentir le débit et faciliter l'enregistrement.

Fréquences d'images maximales de la URSA Broadcast G2

	Résolution	Codec	Fréquence d'images max.	Débit maximal :
Ultra HD	3840x2160	Blackmagic RAW 3:1	60	254 MB/s
	3840x2160	Blackmagic RAW 5:1	60	152 MB/s
	3840x2160	Blackmagic RAW 8:1	60	96 MB/s
	3840x2160	Blackmagic RAW 12:1	60	64 MB/s
	3840x2160	Blackmagic RAW Q0	60	48.7 – 96.8 MB/s
	3840x2160	Blackmagic RAW Q1	60	32.6 – 77.6 MB/s
	3840x2160	Blackmagic RAW Q3	60	21.9 – 55.6 MB/s
	3840x2160	Blackmagic RAW Q5	60	13.4 – 32.6 MB/s
	3840x2160	ProRes HQ	60	220 MB/s
	3840x2160	ProRes 422	60	148 MB/s
	3840x2160	H.265 SDI	60	24.6 MB/s
	3840x2160	H.265 Élevé	60	21.6 MB/s
	3840x2160	H.265 Modéré	60	15.6 MB/s
	3840x2160	H.265 Faible	60	6.4 MB/s

	Résolution	Codec	Fréquence d'images max.	Débit maximal
HD	1920x1080	Blackmagic RAW 3:1	150	161.4 MB/s
	1920x1080	Blackmagic RAW 5:1	150	97.2 MB/s
	1920x1080	Blackmagic RAW 8:1	150	61.1 MB/s
	1920x1080	Blackmagic RAW 12:1	150	41 MB/s
	1920x1080	Blackmagic RAW Q0	150	121.2 – 241.6 MB/s
	1920x1080	Blackmagic RAW Q1	150	81.8 – 193.4 MB/s
	1920x1080	Blackmagic RAW Q3	150	54.4 – 138.4 MB/s
	1920x1080	Blackmagic RAW Q5	150	33 – 81.1 MB/s
	1920x1080	ProRes HQ	120	110 MB/s
	1920x1080	ProRes 422	120	74 MB/s
	1920x1080	H.264 SDI	60	14 MB/s
	1920x1080	H.264 Élevé	60	11.2 MB/s
	1920x1080	H.264 Modéré	60	6.4 MB/s
	1920x1080	H.264 bas	60	3.6 MB/s

Veillez noter que les Blackmagic RAW Q0, Q1, Q3 et Q5 utilisent une compression de débit binaire variable pour fournir une qualité constante. Les débits Q0, Q1, Q3 et Q5 dépendent de la complexité de l'image et peuvent varier considérablement à l'intérieur d'un clip.

Pour sélectionner le codec et la résolution de votre choix :

- 1 Appuyez sur le bouton **Menu** du panneau de contrôle.
- 2 Allez sur la première page du menu **Enregistrer**.
- 3 Saisissez le codec, la qualité et la résolution souhaités.
- 4 Appuyez sur **Menu** pour fermer le menu.

Formats d'enregistrement et fréquences d'images du projet

Après avoir réglé le codec et la résolution, vous pouvez régler les fréquences d'images du projet et du capteur. Pour plus d'informations sur les fréquences d'images, consultez la section « Enregistrement » de ce manuel.

Les fréquences d'images du projet disponibles sont :

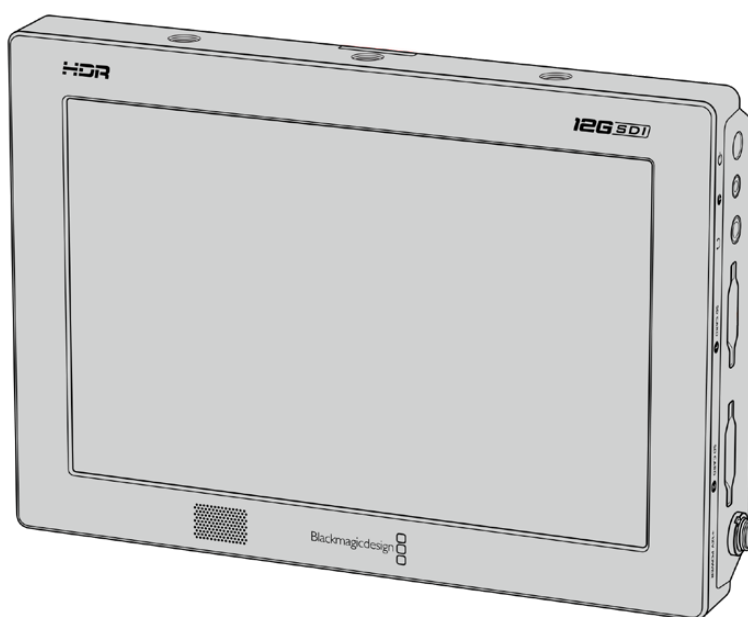
23.98, 24, 25, 29.97, 30, 50, 59.94 et 60 images par seconde.

Lorsque vous utilisez les codecs Blackmagic RAW et ProRes jusqu'à ProRes 422 HQ, la fréquence d'images maximale du projet est de 60 images par seconde dans toutes les résolutions.

Déclencher l'enregistrement sur des équipements externes

La URSA Broadcast G2 envoie automatiquement un signal via les sorties SDI. Ce signal déclenche alors l'enregistrement lorsque la caméra est connectée à du matériel qui prend en charge le démarrage de l'enregistrement via SDI, tel que le Blackmagic Video Assist. Ainsi, lorsque vous appuyez sur le bouton REC de votre caméra, le matériel SDI externe commence aussi à enregistrer, et lorsque vous appuyez à nouveau sur ce bouton, l'enregistrement s'arrête.

Il sera également nécessaire d'activer l'enclenchement de l'enregistrement via SDI sur votre matériel afin qu'il réponde au signal provenant de la URSA Broadcast G2. Si votre matériel SDI prend en charge le déclenchement de l'enregistrement via SDI, celui-ci peut généralement être activé dans le menu de paramétrage de l'appareil SDI.



Vous pouvez déclencher l'enregistrement sur d'autres équipements vidéo SDI, par exemple le Blackmagic Video Assist 12G HDR, à l'aide de la fonction de déclenchement de l'enregistrement de votre caméra.

Tableaux des durées d'enregistrement

Les tableaux ci-dessous présentent les durées d'enregistrement en minutes et secondes en fonction du format, de la fréquence d'images du projet et de la taille du support. La durée maximale d'enregistrement d'un support dépend de sa capacité de stockage, du format d'enregistrement et de la fréquence d'images. Par exemple, le débit d'un format Apple ProRes 422 HQ à 3840 x 2160 est approximativement de 880 Mb/s. À 24 images par seconde, il est possible d'enregistrer une vidéo de 47 minutes sur une carte CFast 2.0 ou une carte SD d'une taille de 256GB. Avec le même nombre d'images par seconde, il est possible d'enregistrer une vidéo de 23 minutes sur une carte CFast 2.0 ou sur une carte SD d'une taille de 128GB (c'est environ la moitié de la durée d'enregistrement qu'offre une carte de 256GB).

Veuillez noter que la durée des cartes CFast 2.0 et SD peuvent varier légèrement en fonction des marques. Les durées varient également en fonction du formatage du support (ExFat ou Mac OS Extended).

Les scènes ne comportant pas trop de détails nécessitent moins de données que les scènes complexes. Les valeurs indiquées dans ces tableaux supposent que vous filmez des scènes complexes. Le temps d'enregistrement pourra donc être plus ou moins long en fonction de la complexité des scènes.

HD							
Carte CFast	Fréquence d'images	ProRes 422 HQ	ProRes 422	H.264 SDI	H.264 Élevé	H.264 Modéré	H.264 bas
		Durée	Durée	Durée	Durée	Durée	Durée
256GB	23.98	189 min	283 min	635 min	782 min	1395 min	2456 min
	24	189 min	283 min	635 min	782 min	1395 min	2456 min
	25	182 min	271 min	602 min	748 min	1339 min	2321 min
	30	152 min	227 min	496 min	612 min	1118 min	2079 min
	50	91 min	137 min	371 min	462 min	841 min	1852 min
	60	76 min	114 min	331 min	411 min	716 min	1520 min

ULTRA HD					
Carte CFast	Fréquence d'images	Blackmagic RAW 3:1	Blackmagic RAW 5:1	Blackmagic RAW 8:1	Blackmagic RAW 12:1
		Durée	Durée	Durée	Durée
256GB	23.98	41 min	68 min	110 min	164 min
	24	41 min	68 min	109 min	164 min
	25	39 min	66 min	105 min	157 min
	30	33 min	55 min	88 min	131 min
	50	19 min	33 min	52 min	79 min
	60	16 min	27 min	44 min	66 min

ULTRA HD							
Carte CFast	Fréquence d'images	ProRes 422 HQ	ProRes 422	H.265 SDI	H.265 Élevé	H.265 Modéré	H.265 Faible
		Durée	Durée	Durée	Durée	Durée	Durée
256GB	23.98	47 min	71 min	353 min	404 min	571 min	1499 min
	24	47 min	71 min	353 min	404 min	571 min	1499 min
	25	45 min	68 min	339 min	389 min	550 min	1442 min
	30	38 min	57 min	286 min	325 min	461 min	1223 min
	50	22 min	34 min	242 min	280 min	389 min	960 min
	60	18 min	28 min	241 min	277 min	325 min	809 min

Enregistrer les données du capteur de mouvement

Votre Blackmagic URSA Broadcast G2 enregistre automatiquement les données gyroscopiques depuis son capteur de mouvement interne. DaVinci Resolve peut ensuite utiliser ces données pour stabiliser les clips. Pour plus d'informations, consultez la section « Stabilisation gyroscopique » de ce manuel.

Connecteurs et fonctionnalités de la URSA Broadcast G2

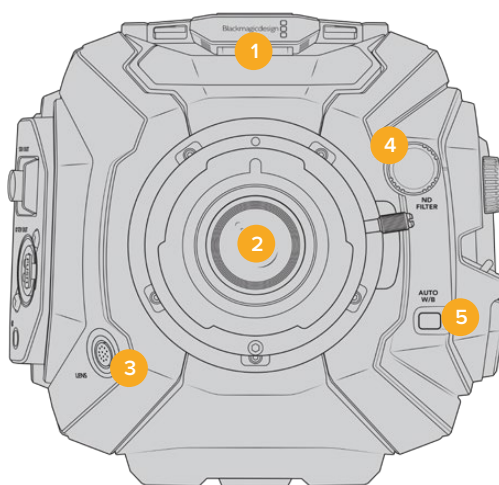
Les connecteurs BNC, conformes aux normes de l'industrie, se situent sur la face droite et les connecteurs SDI se situent sur la face arrière de la URSA Broadcast G2. La caméra comprend également une entrée LANC sur la face droite pour le Blackmagic URSA Handgrip en option.

Les entrées XLR se trouvent sur la face supérieure, derrière les pas de vis. Elles permettent de contrôler l'audio symétrique analogique et l'audio numérique AES. La face arrière de la caméra est équipée d'un connecteur XLR à 4 broches afin d'offrir une entrée d'alimentation externe. Enfin, la face droite est dotée d'une sortie d'alimentation pour brancher des accessoires, comme le Blackmagic URSA Viewfinder.

Le port USB situé au-dessus des logements pour support sert à mettre à jour le logiciel interne via un ordinateur.

REMARQUE Votre caméra est dotée de commandes ergonomiques supplémentaires pour accéder facilement aux fonctions et paramètres principaux de la caméra sans ouvrir l'écran tactile rabattable.

Face avant de la caméra



URSA Broadcast G2 avec la monture B4

1 Micro stéréo

Micro stéréo haut de gamme intégré. Pour plus d'informations concernant le paramétrage audio du micro, consultez la section « Paramètres » de ce manuel.

2 Monture d'objectif

La URSA Broadcast G2 est fournie avec une monture B4. Toutefois, elle peut être remplacée par la monture EF incluse. La caméra est aussi compatible avec les montures PL et F de la URSA Mini Pro. Pour plus d'informations, consultez la section « Monture d'objectif interchangeable » de ce manuel.

3 Connecteur pour objectif broadcast

Ce connecteur à 12 broches permet d'alimenter et de contrôler les objectifs à zoom motorisé broadcast compatibles. Pour plus d'informations sur les fonctionnalités disponibles avec les objectifs B4 et PL, consultez la section « Utiliser des objectifs à zoom motorisé » de ce manuel.

4 Filtres ND

Utilisez la molette pour visualiser les trois filtres gris neutre, et le paramètre pour le désactiver. Consultez la section « Commandes de la URSA Broadcast G2 » pour en savoir plus.

5 Balance des blancs automatique

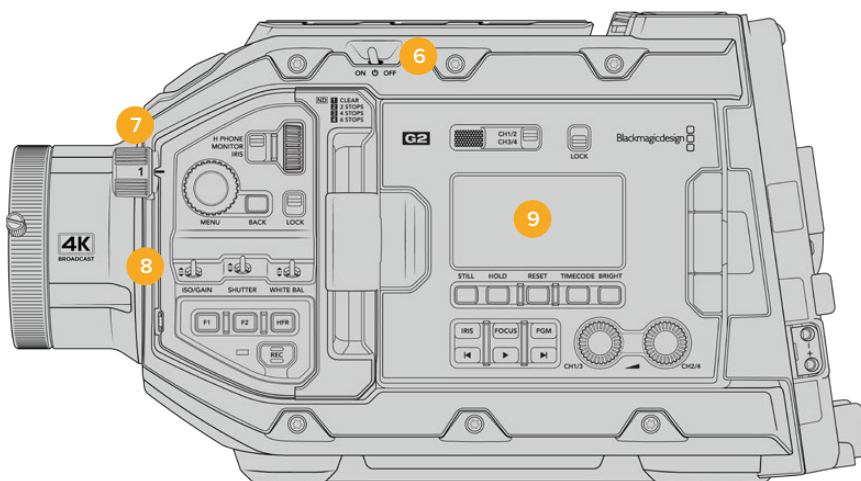
Le bouton balance des blancs automatique **Auto W/B** permet de régler la balance des blancs en fonction de ce qui se trouve au centre de l'écran. Par exemple, régler la balance des blancs automatique en plaçant une charte de gris devant l'objectif. Consultez la section « Commandes de la URSA Broadcast G2 » pour en savoir plus.

Face gauche

Sur la face gauche de la URSA Broadcast G2, vous pouvez insérer des cartes CFast 2.0, SDXC ou SDHC, accéder au panneau de contrôle et changer les paramètres. Le port USB situé juste au-dessus des logements CFast permet de brancher la caméra facilement à un ordinateur et ainsi mettre à jour son logiciel interne.

Commandes de la face gauche

La face gauche comprend des commandes additionnelles pour un accès rapide aux fonctions les plus importantes de la caméra. Ces commandes se situent sur le panneau de contrôle avant, sur le panneau de contrôle ergonomique situé à l'extérieur de l'écran tactile, et sur le panneau de contrôle situé à l'intérieur de l'écran tactile rabattable.



La URSA Broadcast G2 avec le panneau tactile rabattu.

6 Interrupteur général

Interrupteur permettant de mettre en marche la caméra. Vous pouvez également alimenter la caméra en appuyant simultanément sur les boutons d'enregistrement et d'avance rapide de l'écran rabattable.

7 Filtres ND

La URSA Broadcast G2 comprend trois filtres gris neutre pour régler la quantité de lumière qui entre dans la caméra. Il existe 4 réglages vous permettant d'ajuster jusqu'à six diaphragmes de réduction de lumière. Il suffit de tourner la molette pour naviguer entre les réglages. Le filtre est positionné en fonction du paramètre. Pour plus d'informations, consultez la section « Commandes de la URSA Broadcast G2 » de ce manuel.

8 Panneau de contrôle avant

Le panneau de contrôle avant offre un accès rapide aux fonctions essentielles de la URSA Broadcast G2. Ces commandes sont positionnées de façon à pouvoir filmer sur trépied ou à l'épaule, et pour ajuster les paramètres, tels que l'ISO, la vitesse d'obturation, l'iris, la balance des blancs, la fréquence d'images et autres. Consultez la section « Commandes de la URSA Broadcast G2 » pour en savoir plus.

9 Panneau de contrôle ergonomique

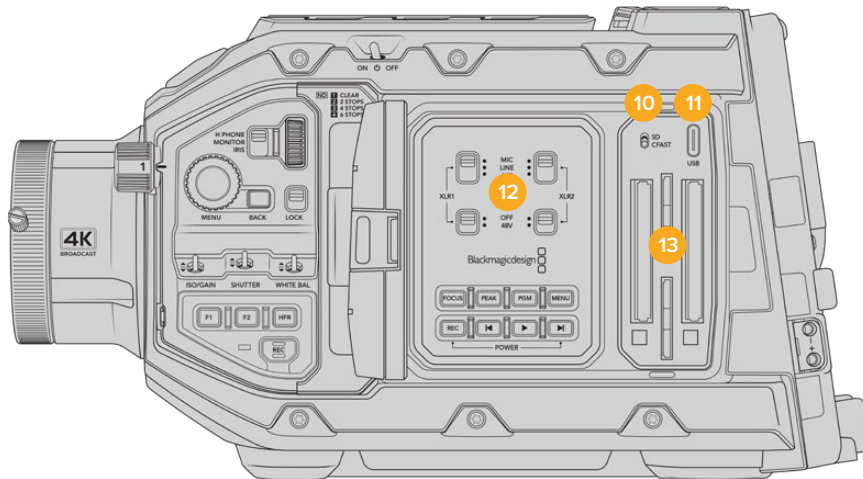
À l'extérieur de l'écran tactile de la URSA Broadcast G2, vous trouverez un écran d'état et une grande quantité de commandes pour un monitoring rapide et performant. Vous y trouvez toutes les informations d'état de la caméra ainsi que les fonctions les plus importantes. Consultez la section « Commandes de la URSA Broadcast G2 » pour en savoir plus.

10 Interrupteur pour les supports de stockage

Utilisez l'interrupteur pour choisir entre la carte CFast et la carte SD.

11 Port USB

Port USB-C pour les mises à jour du logiciel interne. Pour plus d'informations, consultez la section « Blackmagic Camera Setup Utility » de ce manuel.



La URSA Broadcast G2 avec l'écran tactile ouvert.

12 Panneau de contrôle interne

Lorsque l'écran rabattable de la URSA Broadcast G2 est ouvert, vous pouvez accéder au panneau de contrôle interne. Utilisez ces commandes pour régler les entrées audio et les paramètres de l'alimentation fantôme, mais aussi l'iris, la mise au point, et les commandes du menu et de la lecture. Consultez la section « Commandes de la URSA Broadcast G2 » pour en savoir plus.

13 Logements pour cartes mémoires

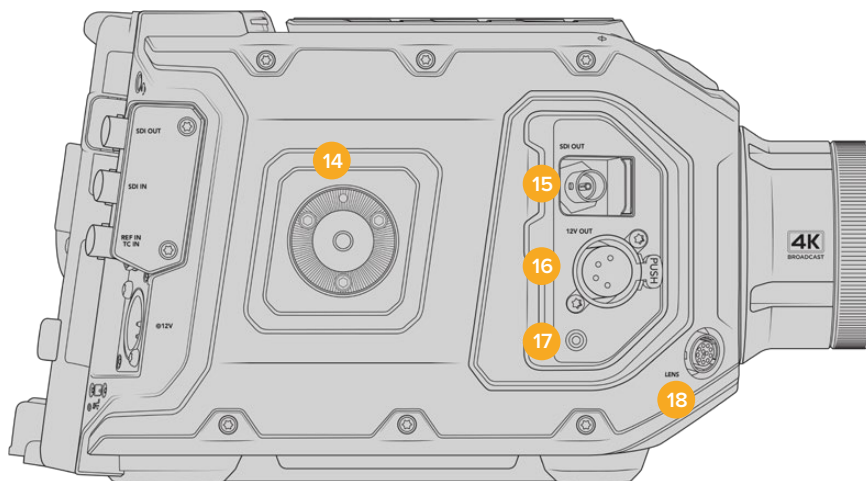
Insérez des cartes CFast 2.0, SDXC ou SDHC dans les logements pour l'enregistrement et la lecture. Veuillez vérifier la liste des cartes homologuées sur notre site Internet. Pour en savoir plus, consultez la section « Supports de stockage ».

Face droite

La face droite de la URSA Broadcast G2 permet d'accéder aux connecteurs vidéo, audio et à l'alimentation, ainsi qu'à la rosette destinée à la poignée latérale.

14 Rosette latérale

Rosette standard permettant de fixer la poignée latérale. Pour plus d'informations, consultez les sections « Mise en route » et « Blackmagic URSA Mini Shoulder Kit » de ce manuel.



La URSA Broadcast G2 possède une rosette intégrée sur la face droite pour fixer une poignée latérale en option.

15 Sortie de monitoring HD

Connecteur 3G-SDI pour la sortie HD 1080 down-convertie. Fonctionne avec le Blackmagic URSA Viewfinder ou d'autres moniteurs externes. Pour plus d'informations, consultez les sections « Sortie vidéo de la caméra » et « Blackmagic URSA Viewfinder » de ce manuel.

16 Sortie d'alimentation +12V

Connecteur XLR à 4 broches permettant d'alimenter le Blackmagic URSA Viewfinder, le Blackmagic URSA Studio Viewfinder ou les moniteurs externes et les accessoires. Pour plus d'informations, consultez les sections « Blackmagic URSA Viewfinder » et « Blackmagic URSA Studio Viewfinder » de ce manuel. Cette sortie et le connecteur d'objectif broadcast fournissent un total de 12 volts jusqu'à 2 ampères.

17 Entrée LANC

Connecteur LANC TRS de 2,5mm dédié pour la poignée Blackmagic URSA Handgrip.

18 Connecteur broadcast pour le contrôle de l'objectif

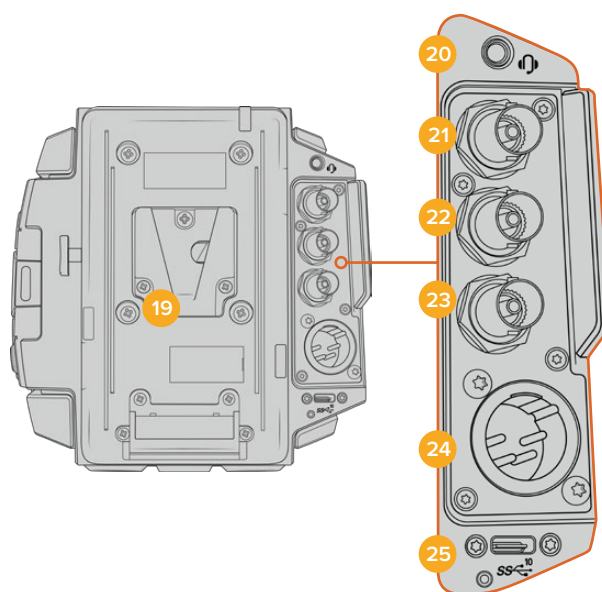
Connecteur à 12 broches permettant d'alimenter et de contrôler les montures d'objectif PL et B4 compatibles. Cette sortie et la sortie d'alimentation +12V fournissent un total de 12 volts jusqu'à 2 ampères.

Face arrière

19 Support pour batterie

La Blackmagic URSA Broadcast G2 est fournie avec un support pour batterie VLock URSA afin que vous puissiez fixer des batteries VLock à votre caméra. Le URSA VLock Battery Plate comprend un port D-Tap pour alimenter les accessoires. Le port D-Tap peut acheminer 12 volts jusqu'à 1,5 ampère.

Le URSA VLock Battery Plate peut être remplacé par un Blackmagic URSA Gold Battery Plate en option ou un support pour batterie tiers. Le support pour batterie peut être retiré pour accéder au connecteur Molex encastré afin de monter des accessoires en option, tels que le Blackmagic Camera Fiber Converter et le Blackmagic URSA Mini Recorder à l'arrière de la caméra. Si l'accessoire connecté est doté d'une sortie d'alimentation D-Tap, le connecteur Molex acheminera en sortie les 12 volts jusqu'à 1,5 ampère. Pour plus d'informations, consultez les sections « Fixer la batterie », « Mise en route des Blackmagic Fiber Converters » et « URSA Mini Recorder » de ce manuel.



20 Sortie casque

Sortie jack de 3,5mm pour un contrôle avec le casque et pour le réseau d'ordres. Vous pouvez brancher des micros-casques compatibles avec les appareils iPhone et Android pour utiliser le réseau d'ordres. Le réseau d'ordres est intégré aux canaux 15 et 16 de la sortie SDI.

CONSEIL Pour utiliser le jack de 3,5mm de la URSA Broadcast G2 sans vous ruiner, servez-vous d'un kit mains libres compatible avec iPhone ou Android. Ces kits sont équipés d'un bouton qui permet de couper ou de réactiver le son du micro. Si vous souhaitez utiliser un casque broadcast qui ne possède pas ce bouton, vous pouvez configurer les boutons de la URSA Broadcast G2 pour qu'ils offrent la même fonction. Pour plus d'informations, consultez la section « Onglet Réglages » de ce manuel.

21 Sortie 12G-SDI

La sortie 12G-SDI de la Blackmagic URSA Broadcast G2 permet d'acheminer des signaux vidéo HD et Ultra HD vers du matériel SDI, tel que des grilles de commutation, des moniteurs, des périphériques de capture SDI et des mélangeurs broadcast. Vous pouvez également relier la sortie 12G-SDI à un enregistreur externe, tel que le Blackmagic Video Assist pour faire une sauvegarde de votre enregistrement.

22 Entrée 12G-SDI

Entrée 12G-SDI permettant de connecter des mélangeurs ou des enregistreurs externes. Si vous utilisez une URSA Broadcast G2 pour votre production en direct, vous pouvez brancher la sortie du programme du mélangeur pour visionner ces signaux pendant le tournage ou visualiser les images sur un enregistreur externe. Appuyez sur ce même bouton et maintenez-le enfoncé pour visionner le flux de programme.

Pour plus d'informations, consultez la section « Panneau de contrôle ergonomique » de ce manuel.

Vous pouvez aussi utiliser la fonction **Contrôle Caméra** du mélangeur ATEM pour régler de nombreuses fonctionnalités de la URSA Broadcast G2 à distance. Pour plus d'informations, consultez la section « Comprendre le contrôle des caméras de studio » de ce manuel. Le Blackmagic 3G-SDI Shield for Arduino offre un contrôle personnalisé de la caméra via SDI.

Pour recevoir le tally et le réseau d'ordres via l'entrée SDI, assurez-vous d'avoir configuré le numéro de la caméra dans le menu Réglages de la caméra. Si vous souhaitez utiliser l'entrée SDI pour recevoir un signal de référence externe, vous devrez sélectionner **Programme** en tant que source de référence dans les paramètres. Lorsque le signal de référence externe est synchronisé, l'indicateur **REF** apparaît à côté du timecode sur l'écran LCD de la caméra. Pour plus d'informations, consultez la section « Onglet Réglages » de ce manuel.

Sur la URSA Broadcast G2, l'entrée SDI peut également être utilisée pour acheminer un timecode externe vers la caméra. La caméra se synchronisera automatiquement au timecode reçu, s'il correspond à la fréquence d'images du signal SDI acheminé et s'il est valide. Lorsque le signal de référence externe est synchronisé, l'indicateur **EXT** apparaît sur l'écran LCD de la URSA Broadcast G2. Si vous débranchez le câble, le timecode sera bloqué et l'indicateur **INT** apparaîtra pour vous indiquer que vous utilisez désormais l'horloge du timecode interne de la URSA Broadcast G2.

23 Entrée de référence et de timecode

Cette entrée détecte et commute automatiquement entre les signaux de timecode et les signaux de référence. Synchronisez la Blackmagic URSA Broadcast G2 avec un signal de référence standard, par exemple le signal tri-level, à l'aide du connecteur BNC **REF IN**. Il est important de noter que pour utiliser un signal de référence sur cette entrée, vous devez régler la source de référence sur **Externe** dans le menu de paramétrage de la URSA Broadcast G2.

Vous pouvez également utiliser ce connecteur pour faire correspondre une source de timecode externe et synchroniser plusieurs caméras, ou l'audio et l'image, lorsque vous tournez avec deux systèmes. Cette connexion facilite la synchronisation de l'audio et de l'image, notamment de vidéos provenant de plusieurs caméras, pendant la phase de postproduction. Lorsque vous envoyez un timecode externe avec une fréquence d'images correspondante sur cette entrée, la caméra se synchronisera automatiquement sur le timecode entrant. Lorsque le signal de référence externe est synchronisé, l'indicateur **EXT** apparaît sur l'écran LCD de la URSA Broadcast G2. Si vous débranchez le câble, le timecode sera bloqué et l'indicateur **INT** apparaîtra pour vous indiquer que vous utilisez désormais l'horloge du timecode interne de la URSA Broadcast G2.

Vous pouvez désormais régler la caméra pour utiliser le signal de référence depuis un mélangeur ATEM via l'entrée Program SDI. Ceci est particulièrement utile lorsque vous travaillez avec des mélangeurs ATEM, car les caméras peuvent recevoir le retour programme et les signaux de contrôle. Elles seront ainsi toutes synchronisées à l'aide d'un seul signal SDI. Pour plus d'informations, consultez la section « Onglet Réglages » de ce manuel.

24 Entrée d'alimentation 12V+

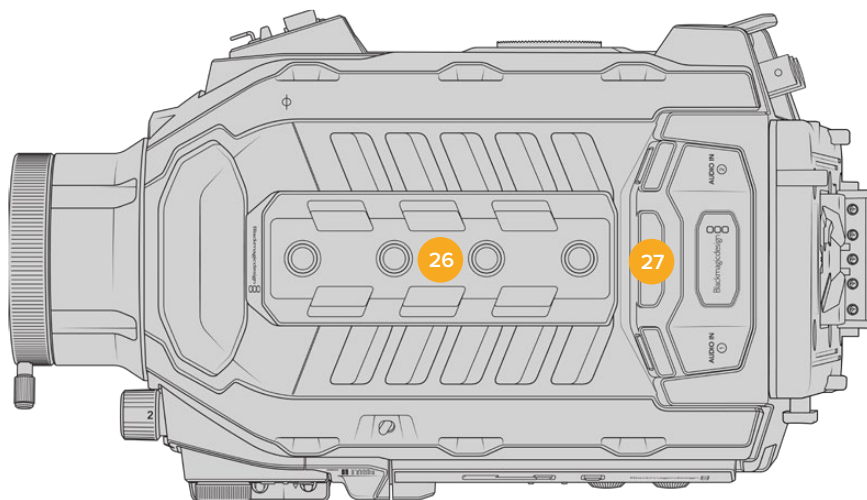
Branchez la caméra à des sources d'alimentation externes, telles que le bloc d'alimentation fourni et des batteries portables, à l'aide du connecteur XLR DC 12-18V à 4 broches.

25 Port USB

Port USB-C 3.2 Gen 2x1 pour enregistrer sur un disque flash externe ou sur un SSD à l'aide du Blackmagic URSA Mini Recorder. Ce port est également utilisé pour connecter le Blackmagic Zoom Demand et le Blackmagic Focus Demand à la caméra afin de contrôler la mise au point et le zoom avec les objectifs compatibles.

Le connecteur sous le port USB-C est compatible avec le câble USB fourni avec le URSA Mini Recorder afin d'obtenir une connexion sécurisée durant son utilisation. Pour plus d'informations, consultez la section « Utiliser un URSA Mini Recorder » de ce manuel.

Face supérieure



L'audio analogique externe peut être branché à des connecteurs XLR situés sur la face supérieure.

26 Pas de vis de 1/4 pouce

La face supérieure de la caméra est dotée de 4 pas de vis robustes sur lesquels il est possible de fixer la poignée supérieure et les accessoires.

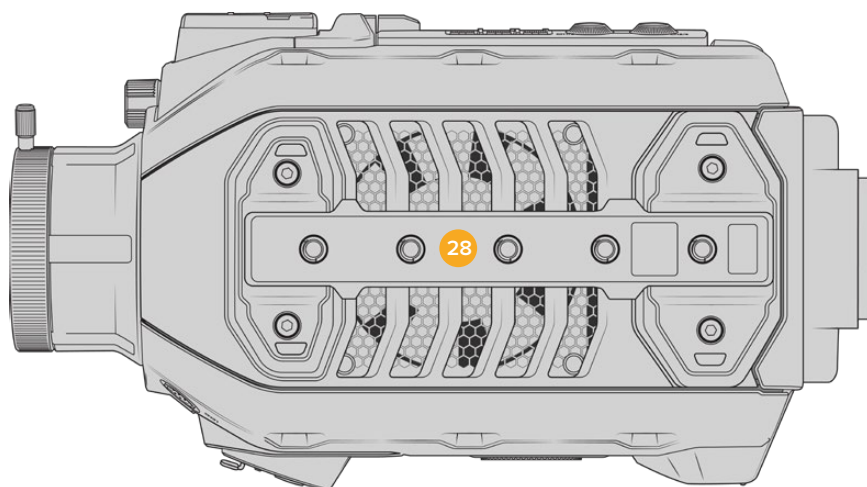
27 Entrée audio XLR

Utilisez les entrées symétriques XLR pour connecter du matériel audio externe professionnel, tel que des consoles de mixage audio, des systèmes PA ou des micros externes. Les connecteurs XLR fournissent une alimentation fantôme 48V pour une utilisation autonome des micros. Pour plus d'informations, consultez le paragraphe « Panneau de contrôle interne » dans la section « Commandes de la URSA Broadcast G2 » de ce manuel.

Face inférieure

28 Pas de vis de 1/4 pouce

Les cinq pas de vis de la face inférieure servent à attacher la tête du trépied, le URSA Mini Shoulder Kit et les autres accessoires.

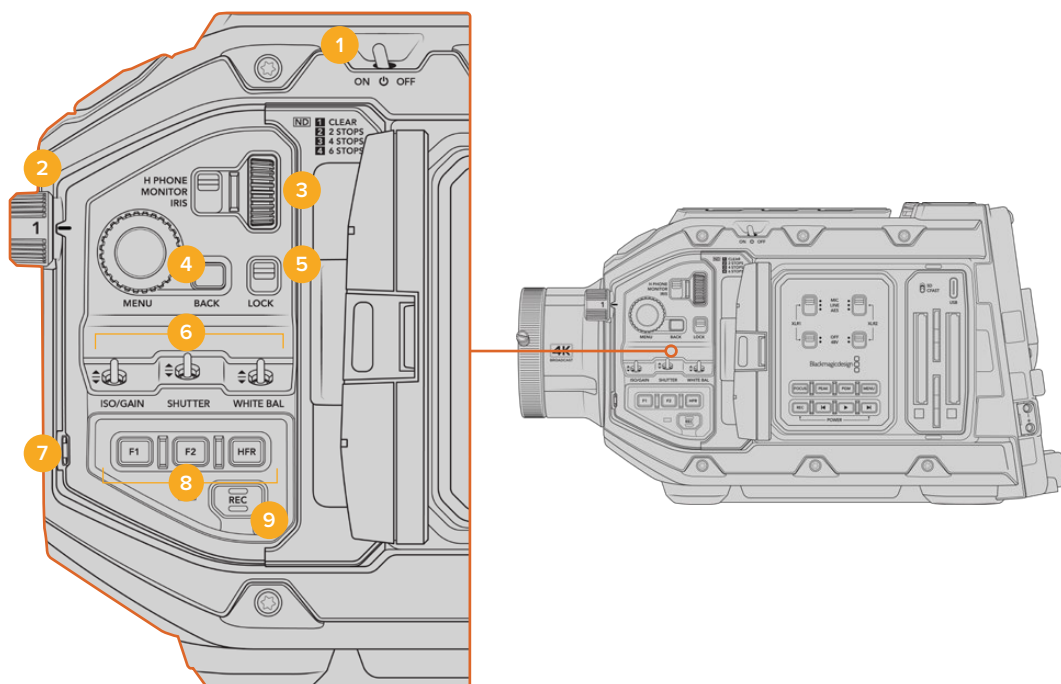


Commandes de la URSA Broadcast G2

La Blackmagic URSA Broadcast G2 possède des panneaux de contrôle sur son boîtier, ainsi que sur les faces externes et internes de l'écran tactile rabattable pour vous offrir un accès rapide à toutes les fonctions et aux outils de monitoring. Ces panneaux sont situés à portée de main, que vous tourniez avec un trépied, au poing ou avec le URSA Mini Shoulder Kit.

Panneau de contrôle avant

Le panneau de contrôle situé à l'avant de la URSA Broadcast G2 regroupe toutes les commandes dont vous avez besoin pour régler la caméra et enregistrer. Vous pouvez accéder facilement à ces commandes lorsque l'écran rabattable est fermé, par exemple lorsque vous utilisez le kit épaulière.



Panneau de contrôle avant de la URSA Broadcast G2

1 Interrupteur général

Alimentez la URSA Broadcast G2 en déplaçant l'interrupteur sur **On**. Déplacez l'interrupteur sur **Off** pour éteindre la caméra.

CONSEIL Vous pouvez également allumer ou éteindre la URSA Broadcast G2 à l'aide de plusieurs interrupteurs du panneau de contrôle. Pour allumer la caméra lorsqu'elle est éteinte, ou pour l'éteindre lorsqu'elle est allumée, il suffit de maintenir les boutons **Rec** et **Forward Skip** enfoncés. Si le bouton de mise en marche de la caméra est activé, mais que votre caméra est éteinte, il se peut que vous l'ayez éteinte via le panneau de contrôle. Le cas échéant, remplacez l'interrupteur sur sa position normale.

2 Filtres ND

La URSA Broadcast G2 possède trois filtres gris neutre (ND) internes. Il est possible de désactiver le filtre ou de choisir entre les paramètres 1/4, 1/16 et 1/64. Ces filtres permettent de réduire la quantité de lumière reçue par le capteur de la URSA Broadcast G2 par une fraction pré-réglée. En réduisant l'exposition, vous pouvez continuer à filmer avec de grandes ouvertures dans des conditions lumineuses, par exemple à l'extérieur par un jour ensoleillé.

Pour ajuster ce paramètre, faites tourner la molette vers le haut ou vers le bas. L'indicateur **Clear** indique qu'aucun filtre ND n'est utilisé. Lorsque vous utilisez les paramètres 1/4 à 1/64, la densité des filtres gris neutre augmente progressivement, ce qui vous permet de réduire la lumière si besoin est.

L'unité de mesure du paramètre ND peut être personnalisée dans le menu de l'écran LCD. Vous pouvez ainsi identifier le coefficient ND du filtre, la réduction de lumière en nombre de diaph ou la fraction représentant la réduction de lumière appliquée pour les filtres, avec les termes de votre choix.

Réglages du filtre gris neutre

Position de la molette	Coefficient ND	Diaph	Fraction
1	Clear	0	1
2	0.6	2	1/4
3	1.2	4	1/16
4	1.8	6	1/64

3 Molette de paramétrage

Réglez la fonction de cette molette en ajustant la position de l'interrupteur situé à côté de la molette. Les options disponibles sont **H Phone**, **Monitor** et **Iris**.

H Phone

Lorsque l'interrupteur est réglé sur **H Phone**, la molette ajuste les niveaux audio du casque. Faites tourner la molette vers le haut pour augmenter le volume, et vers le bas pour le réduire.

Monitor

Lorsque l'interrupteur est réglé sur **Monitor**, la molette ajuste les niveaux audio du haut-parleur de la caméra. Le haut-parleur est situé sur la face extérieure de l'écran LCD. Il peut être utilisé pour contrôler l'audio sans utiliser de casque. Faites tourner la molette vers le haut pour augmenter le volume, et vers le bas pour le réduire. Cette fonction est désactivée lorsque vous enregistrez à partir du micro interne de la caméra afin d'éviter tout feedback.

Iris

Lorsque l'interrupteur est réglé sur **Iris**, la molette de paramétrage permet d'ajuster l'ouverture des objectifs compatibles fixés sur votre URSA Broadcast G2. Pour ouvrir l'iris, faites tourner la molette vers le bas, et pour le fermer, faites tourner la molette vers le haut. Ces directions imitent le réglage de l'ouverture sur les objectifs photo et cinéma ajustables.

CONSEIL Pour modifier l'ouverture via la molette de paramétrage, la URSA Broadcast G2 doit être équipée d'un objectif qui prend en charge le changement d'ouverture sur la caméra. Si vous utilisez un objectif B4 ou PL connecté via le connecteur à 12 broches, assurez-vous que le bouton Iris de l'objectif est réglé sur **A** ou sur **Auto**.

4 Molette Menu et bouton Back

Lorsque les informations d'état sont activées sur la sortie SDI avant de la caméra, vous pouvez utiliser la molette Menu pour naviguer dans les nombreuses fonctions de l'affichage semi-transparent, auxquelles vous avez habituellement accès depuis l'écran tactile LCD.

Il suffit d'appuyer sur la molette Menu comme sur un bouton pour accéder à l'affichage semi-transparent de la URSA Broadcast G2 sur un moniteur externe, par exemple sur le Blackmagic SmartView, le Video Assist ou le URSA Viewfinder. Lorsque la molette Menu est activée, faites-la tourner pour sélectionner des fonctions, notamment les différentes options

de l'écran LCD, la fréquence d'images, l'ISO, la balance des blancs et la teinte. Appuyez sur la molette pour confirmer la sélection et apporter des modifications supplémentaires, et utilisez le bouton **Back** situé à côté de la molette pour annuler la sélection. Vous pouvez également utiliser le bouton **Back** pour revenir en arrière dans le menu, ou pour quitter le menu lorsque vous êtes dans le menu principal. Le menu se ferme automatiquement après une minute d'inactivité.

Pour plus d'informations concernant le réglage des informations d'état et les commandes disponibles, consultez les sections « Commandes de l'écran tactile » et « Paramètres du moniteur » de ce manuel.

5 Interrupteur Lock

Déplacez cet interrupteur pour verrouiller toutes les commandes situées sur le panneau avant, afin qu'elles ne soient pas accidentellement modifiées durant le tournage. Déplacez l'interrupteur vers le bas pour verrouiller les commandes et vers le haut pour les déverrouiller.

CONSEIL Lorsque vous tournez dans des lieux où il y a beaucoup de monde et que vous laissez votre caméra sans surveillance, vous pouvez verrouiller le panneau avant de la URSA Broadcast G2. Ainsi, les paramètres ne peuvent pas accidentellement être modifiés par d'autres utilisateurs.

6 Interrupteurs ISO, Shutter et White Bal

Ces petits interrupteurs permettent d'ajuster l'ISO/Gain, la balance des blancs et l'obturateur. Ils sont très pratiques lorsque vous souhaitez effectuer des ajustements rapides sans perdre l'image des yeux. Déplacez délicatement les interrupteurs vers le haut ou vers le bas pour ajuster les paramètres. Ces interrupteurs contiennent des ressorts, ils se remettent donc automatiquement en position neutre.

ISO/Gain

Déplacez cet interrupteur vers le haut ou vers le bas pour ajuster le paramètre Gain de la caméra. Si vous le déplacez vers le haut, le paramètre augmente d'1/3 de diaphragme et si vous le déplacez vers le bas, il diminue d'1/3 de diaphragme. La gamme de paramètres s'étend de -12 à 36dB.

Shutter

Utilisez cet interrupteur pour ajuster la vitesse d'obturation. Si vous le déplacez vers le haut, la vitesse d'obturation augmente d'un pré-réglage et si vous le déplacez vers le bas elle diminue d'un pré-réglage. Si vous maintenez l'interrupteur vers le haut ou vers le bas, les valeurs changent plus rapidement. Il y a douze pré-réglages disponibles entre 1/24 et 1/2000.

CONSEIL La URSA Broadcast G2 suggère des vitesses d'obturation sans scintillement en fonction de la fréquence du courant de votre région. Ces angles doivent être sélectionnés à partir du menu de l'écran tactile LCD. Pour plus d'informations, consultez la section « Commandes tactiles » de ce manuel.

White Bal

Cet interrupteur permet d'ajuster la balance des blancs de la caméra. Si vous déplacez l'interrupteur vers le haut, la température de couleur augmente de 50K, et si vous le déplacez vers le bas, la température de couleur diminue de 50K. Si vous maintenez l'interrupteur vers le haut ou vers le bas, les valeurs changent plus rapidement.

7 Balance des blancs automatique

Lorsque vous appuyez sur le bouton **Auto W/B**, un carré blanc représentant la balance des blancs automatique s'affiche au centre de l'écran LCD pendant cinq secondes. Ce carré s'affichera également sur les sorties SDI sur lesquelles les informations d'état sont activées. Le carré blanc indique la zone spécifique de l'image à partir de laquelle la balance des blancs va être calculée. Positionnez donc votre charte de gris à l'intérieur de cette fenêtre.

Appuyez et maintenez le bouton **Auto W/B** enfoncé pendant trois secondes pour effectuer une balance des blancs automatique. La fenêtre blanche deviendra verte pour confirmer la réussite de l'opération.

Pour plus d'informations concernant l'activation des informations d'état sur les sorties SDI avant et principales de la URSA Broadcast G2, consultez la section « Paramètres du moniteur » de ce manuel.

8 Boutons F1 et F2

Les boutons F1 et F2 peuvent être programmés sur une variété de fonctions fréquemment utilisées à l'aide du menu **Réglages** de la URSA Broadcast G2. Par défaut, le bouton F1 est réglé pour faire basculer la mise au point à l'aide du zoom sur l'écran LCD et la sortie SDI avant. Le bouton F2 est quant à lui réglé pour faire basculer les fausses couleurs sur l'écran LCD.

Pour plus d'informations, consultez la section « Commandes de l'écran tactile » de ce manuel.

HFR

Utilisez le bouton HFR pour basculer entre les fréquences d'images. Pour ce faire, il suffit de régler la fréquence d'images off speed que vous souhaitez utiliser dans le menu **Fréquence d'images** de la URSA Broadcast G2. Appuyez sur ce bouton pour basculer entre la fréquence d'images off speed choisie et la fréquence d'images du projet. Il est important de mentionner que ce paramètre ne peut pas être modifié durant l'enregistrement. Vous pouvez programmer le bouton HFR sur des fonctions fréquemment utilisées, ou vous pouvez le désactiver.

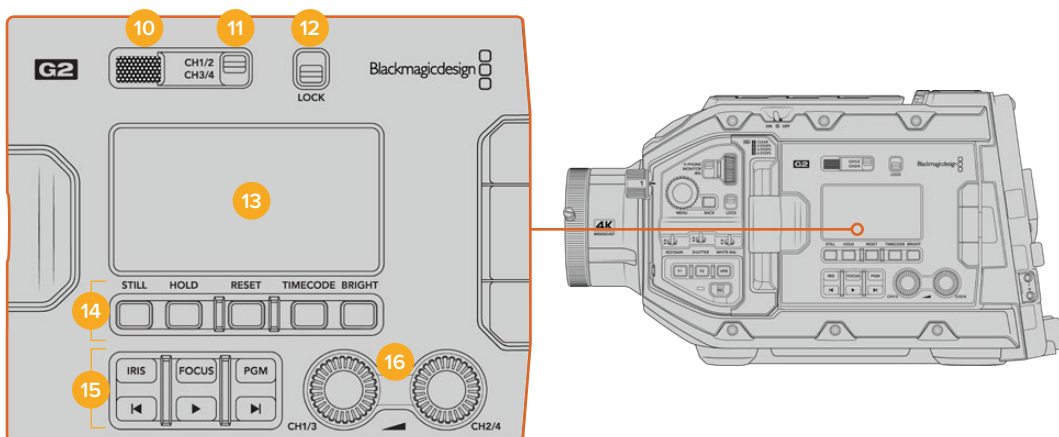
Pour plus d'informations sur les fréquences d'images du projet et off speed, consultez la section « Commandes tactiles » de ce manuel.

9 Enregistrement

Le bouton d'enregistrement REC de la Blackmagic URSA Broadcast G2 est situé sur la face gauche de la caméra. Pour démarrer ou arrêter l'enregistrement, appuyez sur le bouton REC. Pour plus d'informations, consultez la section « Enregistrement » de ce manuel.

Panneau de contrôle ergonomique

À l'extérieur de l'écran tactile de la URSA Broadcast G2, vous trouverez un écran d'état LCD et des commandes pour le monitoring. Ce panneau vous permet de visualiser toutes les informations d'état de la caméra en un coup d'œil, mais aussi de contrôler et d'ajuster les niveaux audio. La mise au point automatique peut être réglée avec des objectifs compatibles et les commandes de transport vous permettent de lire les clips.



Panneau de contrôle ergonomique de la URSA Broadcast G2

10 Haut-parleur du moniteur

Le petit haut-parleur situé à l'extérieur du panneau de contrôle permet d'écouter l'audio lors de la lecture. Lorsque l'opérateur filme à l'épaule, le petit haut-parleur est positionné à hauteur d'oreille.

Pour ajuster le volume du haut-parleur, il suffit de faire tourner la molette, comme décrit dans la section « Commandes de la URSA Broadcast G2 » de ce manuel.

11 Sélection du canal du moniteur

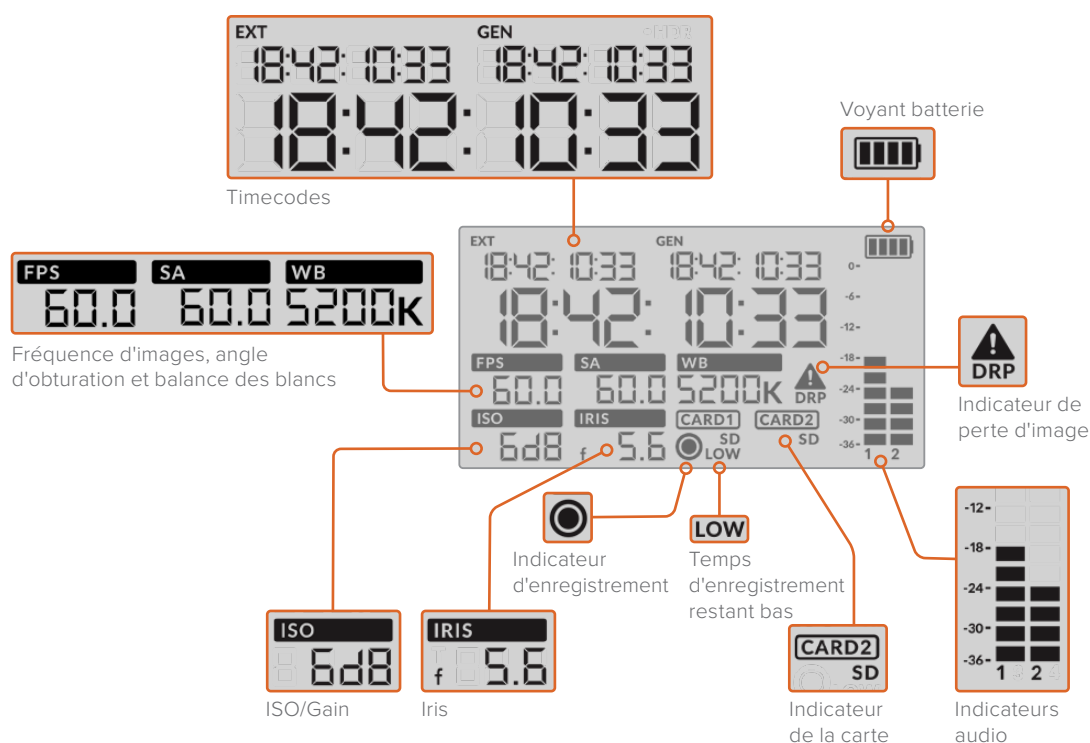
Votre caméra URSA Broadcast G2 prend en charge deux canaux audio.

12 Interrupteur Lock

Utilisez cet interrupteur pour verrouiller tous les paramètres du panneau de contrôle ergonomique de la URSA Broadcast G2. Les seules commandes qui resteront actives lorsque l'interrupteur Lock est activé sont les interrupteurs de sélection du canal du moniteur.

13 État d'état LCD

Cet écran affiche les paramètres importants de la URSA Broadcast G2, vous n'avez donc pas besoin d'ouvrir d'écran tactile interne. L'écran est visible, même en pleine lumière. Les informations disponibles sont les suivantes :



Timecodes

La URSA Broadcast G2 affiche trois timecodes. Si un timecode externe est connecté, il apparaîtra sous l'intitulé **Ext**, en haut à gauche de l'écran d'état LCD. Le timecode généré de façon interne par la caméra apparaît à côté, sous l'intitulé **Gen**. Ces deux timecodes sont affichés en heures, minutes, secondes et images.

L'indicateur de timecode principal affiche quant à lui le timecode en cours, sous forme de durée du clip ou de timecode. Vous pouvez passer d'un mode d'affichage à l'autre en appuyant sur le bouton **Timecode** situé sous l'écran d'état LCD.

Voyant batterie

Si vous utilisez la URSA Broadcast G2 avec une batterie, ce voyant affiche l'autonomie de la batterie par tranches de 25%. Chaque barre du voyant correspond à 25% de l'autonomie restante de la batterie. Lorsque la charge de la batterie passe au-dessous de 20%, le

voyant d'état LED situé près du bouton REC clignote. Lors de l'enregistrement, il clignotera entre rouge et orange. En mode veille, il clignotera entre blanc et orange.

Lorsque la caméra est branchée sur secteur, le voyant indique que la batterie est pleine.

Fréquence d'images, angle d'obturation, balance des blancs

Les indicateurs **FPS**, **SA** et **WB** affichent la fréquence d'images, l'angle d'obturation et la balance des blancs de la caméra. L'indicateur **FPS** indique la fréquence d'images actuelle du capteur.

Pour plus d'informations sur les fréquences d'images du projet et du capteur, consultez la section « Commandes de l'écran tactile » de ce manuel.

ISO/Gain

Affiche le gain actuellement réglé sur la caméra.

Iris

Affiche l'ouverture de l'objectif sélectionnée. Selon le type d'objectif utilisé, l'ouverture sera exprimée par la lettre f ou par la lettre T (F-Stop/T-Stop).

Informations relatives à la carte

Les indicateurs **Card 1** et **Card 2** apparaissent sur l'écran d'état LCD de la URSA Broadcast G2 lorsque ces logements sont occupés.

L'indicateur **SD** apparaît lorsque l'enregistrement est effectué sur une carte SD, et disparaît si vous enregistrez sur une carte CFast.

Indicateur d'enregistrement

Lorsque vous enregistrez, un indicateur circulaire apparaît sous la ou les cartes sur lesquelles l'enregistrement est effectué.

Temps d'enregistrement bas

L'indicateur **Low** apparaît sous la carte appropriée lorsqu'il reste environ 5 minutes de temps d'enregistrement.

Vumètres

Les indicateurs de crête audio affichent les niveaux audio lors de l'utilisation du micro interne ou via l'audio externe lorsqu'une source y est connectée. L'affichage est calibré en unités dBFS et intègre des indicateurs de crête qui restent visibles un petit moment, ce qui vous permet de visualiser clairement les niveaux maximaux atteints.

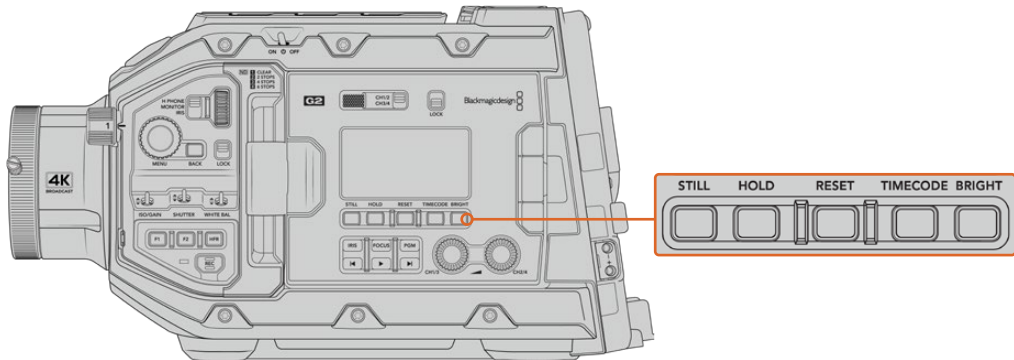
Pour obtenir une qualité audio optimale, vérifiez que vos niveaux audio ne dépassent pas 0 dBFS. Il s'agit en effet du niveau maximal auquel la caméra peut enregistrer. L'audio qui dépasse ce niveau sera écrêté et distordu.

Indicateur de perte d'images

Cet indicateur clignote lorsque la caméra détecte une perte d'images. Lorsque vous arrêtez l'enregistrement, l'indicateur reste affiché à l'écran pour vous indiquer qu'une perte d'images a été détectée sur le clip précédent. Cet avertissement disparaîtra lors du prochain enregistrement, ou du redémarrage de la caméra. Pour plus d'informations sur la perte d'images, consultez la section « Supports de stockage » de ce manuel.

REMARQUE Vous pouvez régler la URSA Broadcast G2 de façon à ce que l'enregistrement s'arrête lorsqu'une perte d'images est détectée. Pour plus d'informations, consultez la section « Paramètres d'enregistrement » de ce manuel. Cette fonction peut être sélectionnée à la discrétion de l'utilisateur, car il est possible que vous puissiez enregistrer quelques images à une fréquence d'images ou à une résolution plus élevée lorsque vous filmez avec un support plus lent.

14 Commandes de l'écran d'état LCD



Commandes de l'écran d'état LCD de la URSA Broadcast G2.

Still

Appuyez sur ce bouton pour capturer une image fixe au format DNG non compressé. Cette image sera sauvegardée dans le dossier **Stills** dans le répertoire racine du support sur lequel vous enregistrez. L'image sera enregistrée selon la convention de dénomination des fichiers relative aux clips vidéo, mais les quatre derniers caractères du nom de fichier porteront le numéro de l'image, par exemple **S001**. Afin de confirmer que l'image a été sauvegardée, une image représentant une caméra s'affiche dans le coin supérieur droit de l'écran tactile de la URSA Broadcast G2 et le voyant d'enregistrement de l'écran d'état LCD clignote trois fois.

Hold

Utilisez ce bouton pour mettre temporairement le timecode principal de l'écran d'état en pause, lorsque le timecode est en mode free run. Le timecode continuera à défiler en arrière-plan et reviendra à sa position normale lorsque vous relâcherez le bouton. Vous pourrez ainsi prendre note du timecode d'un événement particulier. Cela peut s'avérer très pratique pour noter les points-clés lorsque vous faites du journalisme électronique ou que vous réalisez un documentaire.

Reset

Ce bouton permet de réinitialiser le timecode sur 00:00:00:00 lorsque vous souhaitez pré régler le timecode.

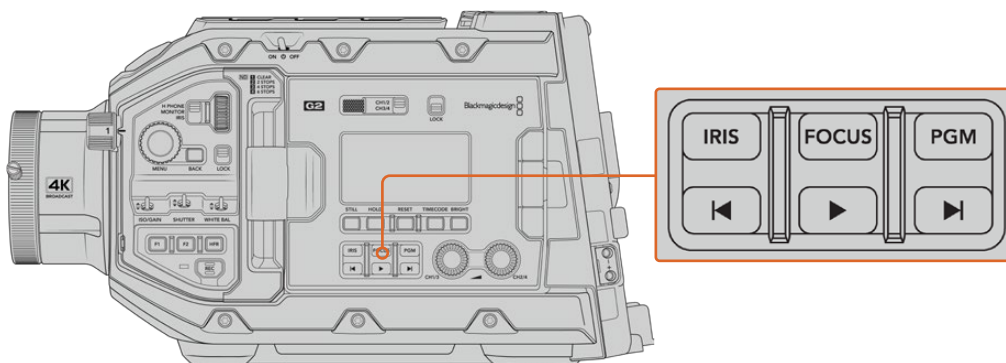
Timecode Appuyez sur ce bouton pour faire basculer le format du timecode principal entre durée du clip et timecode. Par défaut, le timecode est réglé en mode free run, car c'est le mode le plus fréquemment utilisé. Si vous maintenez le bouton **Timecode** enfoncé pendant cinq secondes, la caméra basculera en mode record run. Le générateur de timecode et les deux premiers chiffres de l'affichage du timecode principal clignoteront. Vous pourrez alors pré régler le timecode sur une valeur spécifique.

Si vous appuyez sur **Reset**, le timecode se réinitialisera et vous pourrez régler la valeur désirée en heures, minutes, secondes et images à l'aide de la molette Menu. Une fois que vous êtes satisfait du timecode, maintenez à nouveau le bouton **Timecode** enfoncé pendant trois secondes afin de pré régler le timecode sur cette valeur. Le générateur de timecode affichera alors cette valeur et il ne s'incrémentera que lorsque la caméra enregistrera. Vous obtiendrez donc des valeurs de timecode qui augmenteront continuellement. Pour revenir au mode free run, maintenez les boutons **Timecode** et **Hold** enfoncés pendant trois secondes.

Bright

Appuyez sur ce bouton pour commuter entre les quatre paramètres de luminosité de l'écran d'état de la URSA Broadcast G2. Faites votre choix entre : **Off**, **Low**, **Medium** et **High**.

15 Boutons de contrôle et de lecture



Boutons de contrôle et de lecture de la URSA Broadcast G2

Iris

Le bouton **Iris** active le réglage automatique de l'ouverture lorsque la caméra est utilisée avec un objectif compatible. Lorsque le mode **Video** est sélectionné dans les paramètres de la plage dynamique, une simple pression sur le bouton **Iris** règle l'exposition moyenne en fonction des hautes lumières et des zones d'ombre de la scène. Lorsque le mode **Film** est sélectionné dans les paramètres de la plage dynamique, une simple pression sur le bouton **Iris** règle l'exposition en fonction des plus hautes lumières de la scène. Ce bouton fonctionne avec les objectifs EF et PL compatibles, connectés à une télécommande d'objectif broadcast.

Pour régler l'ouverture manuellement, appuyez sur les commandes avance et retour rapide.

Focus

Appuyez sur le bouton **Focus** pour régler automatiquement la mise au point lorsque vous utilisez un objectif B4 ou EF compatible. Un carré de mise au point blanc apparaîtra sur le viseur ou le moniteur connecté à la URSA Broadcast G2. Il indique les éléments dont la mise au point sera correctement effectuée. Une fois la mise au point effectuée, le carré disparaît.

REMARQUE Pour utiliser le bouton **Focus**, assurez-vous que votre objectif B4 est doté du contrôle de la mise au point motorisé, et que cette fonction est activée. Pour plus d'informations, consultez la section « Mise en route » de ce manuel. Certains objectifs EF disposent d'un mode manuel et d'un mode autofocus. Pour que la URSA Broadcast G2 puisse effectuer une mise au point automatique lorsqu'elle est équipée d'une monture d'objectif EF, veillez à ce que l'objectif soit réglé en mode autofocus.

PGM

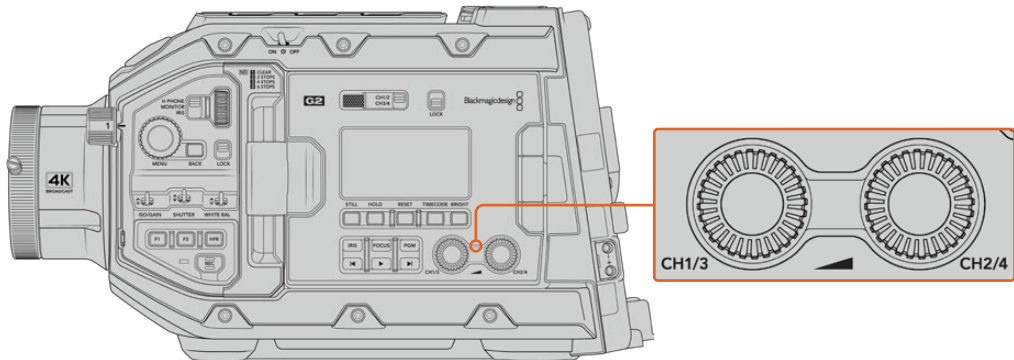
Le bouton **PGM** vous permet de commuter l'écran LCD et la sortie SDI avant entre la vue de la caméra et tout signal branché à l'entrée 12G-SDI de la face arrière de la caméra. Si vous utilisez la caméra pour votre production en direct, vous pouvez brancher la sortie du programme du mélangeur pour visionner ce signal pendant le tournage. Appuyez sur ce même bouton et maintenez-le enfoncé pour visionner le flux de programme. Ce flux est lu tant que le bouton **PGM** est enfoncé.

Si vous souhaitez verrouiller l'écran LCD et la sortie SDI avant sur le flux de programme, il suffit d'appuyer deux fois sur le bouton **PGM**. Si vous appuyez à nouveau sur ce bouton, vous quitterez le flux de programme et retournerez sur l'affichage du signal de la caméra.

Boutons de contrôle de la lecture

Les boutons de lecture vous permettent de démarrer et d'arrêter la lecture de la vidéo, ainsi que de passer au clip précédent ou suivant. Lorsque vous utilisez un objectif EF, les boutons **Avance/Retour** peuvent également être utilisés pour ouvrir et fermer le diaphragme lorsqu'il est utilisé avec des objectifs compatibles. Pour plus d'informations concernant l'utilisation des boutons de lecture, consultez la section « Lecture » de ce manuel.

16 Molettes d'ajustement du niveau audio

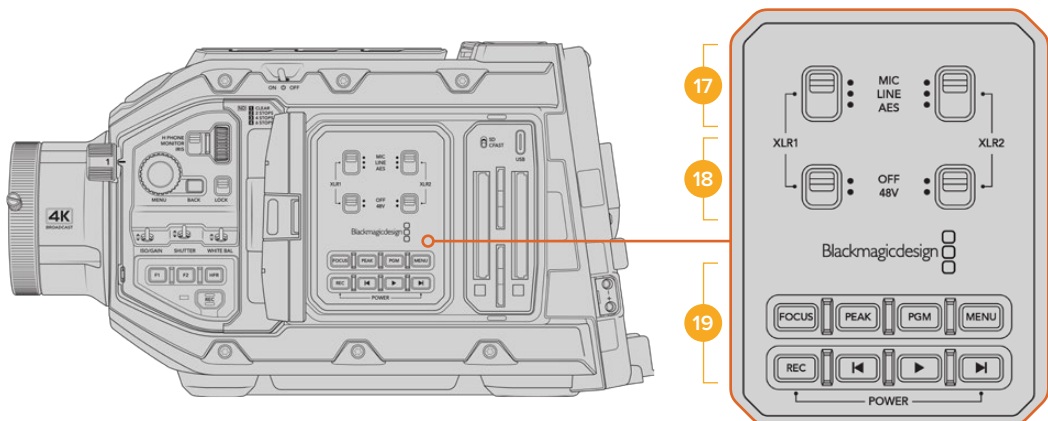


Molettes d'ajustement du niveau audio de la URSA Broadcast G2

Utilisez les molettes d'ajustement intégrées pour régler les niveaux d'enregistrement audio des canaux 1 et 2. Tournez chaque molette dans le sens des aiguilles d'une montre ou dans le sens inverse des aiguilles d'une montre pour augmenter ou diminuer les niveaux d'enregistrement de chaque canal. Sur l'écran, vérifiez le vumètre correspondant à la molette afin d'obtenir un réglage optimal.

Panneau de contrôle interne

Lorsque l'écran rabattable de la URSA Broadcast G2 est ouvert, vous pouvez accéder au panneau de contrôle interne. Utilisez ces commandes pour régler les entrées audio et les paramètres de l'alimentation fantôme, mais aussi l'iris, la mise au point, et les commandes du menu et de la lecture.



Panneau de contrôle interne de la URSA Broadcast G2

17 XLR1 / XLR2

Utilisez ces interrupteurs pour régler les entrées XLR de la URSA Broadcast G2, lorsqu'elles sont sélectionnées en tant que source d'entrée. Les options disponibles sont audio micro, audio de niveau ligne et audio numérique AES.

18 Alimentation fantôme

Les entrées XLR de la caméra peuvent fournir une alimentation fantôme de 48V, pour vous permettre d'utiliser des micros qui ne sont pas autonomes. Déplacez l'interrupteur sur **48V** pour activer l'alimentation fantôme du micro connecté à l'entrée XLR située au-dessus, ou sur **Off** pour la désactiver.

Il est recommandé de brancher le câble XLR avant d'activer l'alimentation fantôme. Il est également important de désactiver l'alimentation fantôme lorsqu'il n'y a plus de micro avec alimentation fantôme connecté. Si vous connectez des appareils dont les sorties XLR AES ne possèdent pas de protection contre l'alimentation fantôme et que vous envoyez de l'alimentation fantôme à partir des entrées audio XLR de la caméra, il se peut que vous endommagiez votre équipement. Vérifiez toujours que l'interrupteur +48V est désactivé lorsque vous déconnectez votre micro.

19 Boutons de contrôle et de lecture

Focus

Appuyez sur le bouton **Focus** pour régler automatiquement la mise au point lorsque vous utilisez un objectif B4 ou EF compatible. Un carré blanc indiquant la zone de mise au point apparaît alors à l'écran. Il indique les éléments dont la mise au point sera correctement effectuée. Une fois la mise au point effectuée, le carré disparaît.

Pour utiliser le bouton **Focus**, assurez-vous que votre objectif B4 est doté du contrôle de la mise au point motorisé, et que cette fonction est activée. Pour plus d'informations, consultez la section « Mise en route » de ce manuel. Certains objectifs EF disposent également d'un mode manuel et d'un mode autofocus. Pour que la URSA Broadcast G2 puisse effectuer une mise au point automatique avec votre objectif, veillez à ce que l'objectif soit réglé sur le mode autofocus.

Peak

Pour activer le focus peaking, appuyez sur le bouton **Peak**. La caméra possède deux modes de focus peaking. Le mode traditionnel, qui améliore artificiellement la netteté des zones de l'image mises au point, et le mode lignes de couleurs, qui superpose des lignes de couleurs noires, blanches, rouges, vertes ou bleues aux zones nettes de l'image. Pour plus d'informations, consultez la section « Paramètres du moniteur » de ce manuel.

CONSEIL Si vous enregistrez la sortie vidéo sur un Blackmagic Video Assist ou un HyperDeck Studio HD Mini, vérifiez que le peaking de cette sortie est désactivé. Pour ce faire, utilisez la fonction **Clean Feed** de la sortie SDI principale ou de la sortie SDI avant.

Pour plus d'informations à ce sujet, consultez la section « Paramètres du moniteur » de ce manuel.

PGM

Le bouton PGM vous permet de commuter l'écran LCD et la sortie SDI avant entre la vue de la caméra et tout signal branché à l'entrée 12G-SDI sur la face arrière de la caméra. Si vous utilisez la caméra pour votre production en direct, vous pouvez brancher la sortie de programme du mélangeur pour visionner ces signaux pendant le tournage. Appuyez sur ce même bouton et maintenez-le enfoncé pour visionner le flux de programme. Appuyez deux fois sur ce bouton pour verrouiller le flux de programme. Appuyez à nouveau sur le même bouton pour désactiver le flux de programme.

Pour afficher la sortie de programme du mélangeur, la caméra et le mélangeur doivent être réglés sur la même résolution et fréquence d'images.

Menu

Appuyez sur le bouton **Menu** pour ouvrir le menu de navigation. Pour plus d'informations concernant le menu de navigation et le réglage des paramètres, consultez la section « Réglages » de ce manuel.

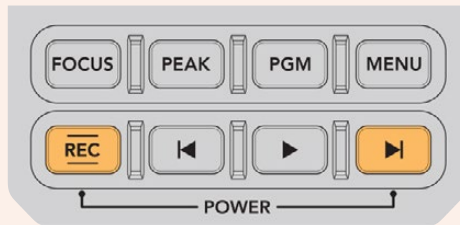
Rec

Pour démarrer ou arrêter l'enregistrement, appuyez sur l'un des boutons intitulés Rec. Pour plus d'informations, consultez la section « Enregistrement » de ce manuel.

Boutons de contrôle de lecture

Les boutons de lecture vous permettent de démarrer et d'arrêter la lecture de la vidéo, ainsi que de passer au clip précédent ou suivant. Lorsque vous utilisez la monture EF, les boutons Avance/Retour peuvent également être utilisés pour ouvrir et fermer le diaphragme lorsqu'il est utilisé avec des objectifs compatibles. Pour plus d'informations concernant l'utilisation des boutons de lecture, consultez la section « Lecture » de ce manuel.

REMARQUE Vous pouvez allumer ou éteindre la URSA Broadcast G2 à l'aide de plusieurs boutons du panneau de contrôle interne. Pour allumer la caméra lorsqu'elle est éteinte, ou pour l'éteindre lorsqu'elle est allumée, il suffit de maintenir les boutons **Rec** et **Forward Skip** enfoncés. Si le bouton de mise en marche de la caméra est activé, mais que votre caméra est éteinte, il se peut que vous l'ayez éteinte via le panneau de contrôle. Le cas échéant, remplacez l'interrupteur sur sa position normale.



Sorties vidéo de la caméra

Sortie de monitoring HD

Le connecteur de sortie 3G-SDI down-converti de la Blackmagic URSA Broadcast G2 achemine toujours de la vidéo HD 1080, vous pouvez ainsi facilement connecter la caméra à des grilles de commutation, des moniteurs, des appareils de capture SDI, des mélangeurs de diffusion et d'autres appareils SDI. Cette sortie est appelée **SDI avant** sur le menu de paramétrage de l'écran tactile.

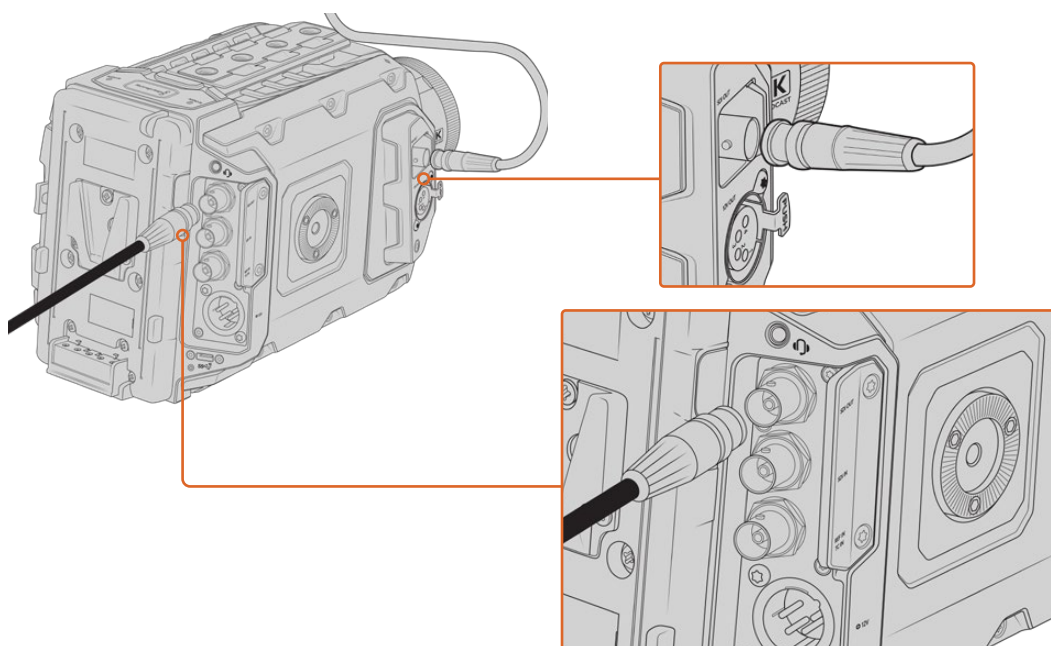
Sortie 12G-SDI

Le connecteur de sortie 12G-SDI situé sur la face arrière de la caméra prend en charge la vidéo HD et Ultra HD, notamment les formats progressifs à fréquences d'images élevées, tels que 2160p50, 59.94 et 60 sur un seul câble SDI. Les formats HD entrelacés sont également pris en charge, notamment le 1080i50, 59.94 et 60. Vous pouvez utiliser la sortie 12G-SDI pour connecter la caméra à un moniteur SDI ou à un mélangeur Ultra HD, tel que l'ATEM Production Studio 4K. Cette sortie commute entre la HD et l'Ultra HD en sélectionnant le format 1080p ou 2160p dans le paramètre **Sortie SDI** sous l'option **SDI principale** de l'onglet **Moniteur**. Pour plus d'informations, consultez la section « Paramètres du moniteur » de ce manuel.

Connexion à des mélangeurs vidéo

La sortie SDI vous permet d'utiliser votre caméra pour la production télévisée en direct. Vous pouvez connecter la sortie SDI située sur la face arrière directement à un mélangeur de production pour des travaux de production en direct, ou à un ATEM Camera Converter pour convertir le signal en signal optique et l'acheminer sur des centaines de mètres vers un car régie.

Lorsque la caméra est connectée à un mélangeur, vous pouvez visualiser la sortie de programme provenant du mélangeur sur votre Blackmagic URSA Broadcast G2. Pour ce faire, il suffit de connecter le mélangeur à l'entrée 12G-SDI située sur la face arrière de la caméra et d'appuyer sur le bouton PGM de l'écran rabattable. Pour revenir à l'image enregistrée par la caméra, appuyez à nouveau sur le bouton PGM.



Vous pouvez connecter la sortie 12G-SDI à n'importe quel moniteur ou mélangeur de production en direct HD 1080 ou Ultra HD. La sortie de monitoring HD peut être branchée à un viseur externe, tel que le Blackmagic URSA Viewfinder, ou à un moniteur externe lorsque la caméra est montée sur du matériel de production, notamment sur une grue.

Connexion à des moniteurs

Le monitoring SDI peut être très utile lorsque l'accès à l'écran rabattable est difficile, par exemple lorsque la caméra est installée sur une grue ou dans un véhicule.

Affichez les informations de monitoring via la sortie de monitoring HD-SDI en ajustant les paramètres **SDI Avant** dans l'onglet **Moniteur** de l'écran tactile. Ces paramètres permettent d'afficher les repères de cadrage et des informations concernant l'enregistrement et les paramètres de la caméra. Si vous souhaitez simplement visionner vos prises, vous pouvez désactiver ces informations.

Pour un monitoring de forme d'onde en direct, connectez la sortie SDI de la caméra à un moniteur SDI ou à un Blackmagic SmartScope Duo 4K.

REMARQUE La sortie SDI arrière et la sortie de monitoring 3G-SDI signalent automatiquement les signaux HDR contenant des métadonnées auxiliaires quand vous travaillez en plage dynamique **Film** avec une LUT Gen 5 Film to Rec 2020 Hybrid Log Gamma ou Gen 5 Film to Rec 2020 PQ Gamma sur la sortie SDI. Vous pouvez ainsi afficher des images HDR époustouflantes sur les écrans supportant le HDR à l'aide de ces sorties SDI.

Formats de sortie SDI

Sortie SDI arrière	2160p23.98, 24, 25, 29.97, 30, 50, 59.94, 60. 1080p23.98, 24, 25, 29.97, 30, 50, 59.94, 60. 1080i50, 59.94, 60.
Sortie de monitoring 3G-SDI	1080p23.98, 24, 25, 29.97, 30, 50, 59.94, 60. 1080i50, 59.94, 60.

CONSEIL Pour réaliser un enregistrement en direct simultané avec deux codecs ou réaliser une sauvegarde, vous pouvez envoyer le signal de la sortie SDI arrière de la URSA Broadcast G2 au Blackmagic Video Assist ou à l'HyperDeck.

Commandes de l'écran tactile

Écran tactile

L'écran tactile rabattable de 5 pouces de la Blackmagic URSA Broadcast G2 pivote afin de pouvoir filmer dans tous les angles de vues. Les boutons situés au dos de l'écran vous permettent de contrôler la URSA Broadcast G2 lorsque l'écran est rabattu et quand la caméra est équipée du viseur URSA pour une utilisation à l'épaule.

Fonctionnalités de l'écran tactile

L'écran tactile est doté d'une interface intuitive conçue pour une utilisation rapide de la caméra. Il suffit de toucher et de balayer l'écran de la URSA Broadcast G2 pour rapidement accéder aux fonctionnalités de la caméra pendant le tournage.

L'écran tactile comprend une barre d'outils supérieure et inférieure. La barre d'outils supérieure permet d'accéder aux paramètres utilisés fréquemment, comme la vitesse d'obturation, l'iris et le gain. La barre inférieure comprend quant à elle les indicateurs des supports, les indicateurs audio, les commandes de transport et un histogramme.

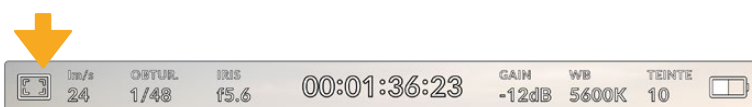


L'écran tactile de la URSA Broadcast G2 offre un grand nombre d'informations et vous permet d'accéder facilement aux paramètres les plus utilisés.

Barre d'outils supérieure

Options de l'écran LCD

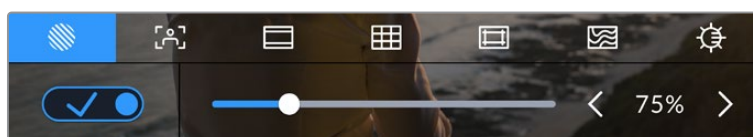
Touchez l'indicateur écran en haut à gauche de l'écran tactile de la URSA Broadcast G2 pour ouvrir les options de l'écran LCD. Ces options permettent de régler les paramètres de l'écran LCD de la URSA Broadcast G2, notamment le zébra, l'aide à la mise au point, les repères de cadrage et la grille. Lorsque vous ouvrez ces options, les fonctionnalités apparaissent dans un menu organisé par onglet en bas de l'écran.



Touchez l'icône en haut à gauche de l'écran tactile de la URSA Broadcast G2 pour ouvrir les options de l'écran LCD.

Zébra Ce paramètre affiche le zébra sur l'écran tactile et permet de régler le niveau de zébra pour toutes les sorties de la URSA Broadcast G2.

Le zébra affiche des hachures diagonales sur les zones de l'image qui dépassent le niveau d'exposition préalablement réglé. Par exemple, un réglage du zébra sur 100 % mettra en évidence les zones complètement surexposées. Ce paramètre est utile pour obtenir une exposition optimale en conditions lumineuses fixes.



Touchez l'indicateur zébra au sein des options de l'écran LCD pour ouvrir ce paramètre sur la URSA Broadcast G2.

Dans l'onglet du zébra, touchez le bouton en bas à gauche de l'écran pour afficher le zébra sur l'écran tactile.

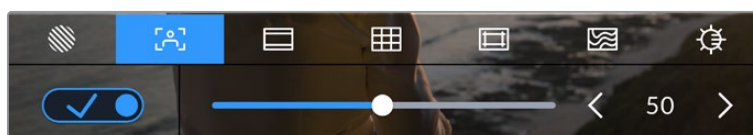
Réglez le niveau d'exposition des hachures en faisant glisser le curseur vers la gauche ou la droite, ou touchez les flèches pour incrémenter le pourcentage du zébra. Il y a huit pré-réglages zébra disponibles, en partant du gris moyen et un diaph au-dessus du gris moyen, puis en incréments de 5 %, de 75 % à 100 %.

Pour plus d'informations concernant l'activation du zébra sur les deux sorties SDI de la caméra, consultez la section « Paramètres du moniteur » de ce manuel.

CONSEIL Si vous tournez en conditions lumineuses variables, telles qu'en extérieur avec un ciel nuageux, régler le niveau de zébra en dessous de 100 peut vous permettre de voir les zones surexposées.

Focus Assist

Ce paramètre affiche l'aide à la mise au point sur l'écran tactile et permet de régler le niveau d'aide à la mise au point pour toutes les sorties de la URSA Broadcast G2.



Touchez l'indicateur d'aide à la mise au point au sein des options de l'écran LCD pour ouvrir ce paramètre sur la URSA Broadcast G2.

Pour afficher l'aide à la mise au point sur l'écran tactile, touchez le bouton en bas à gauche de l'écran.

Pour régler le niveau d'aide à la mise au point pour toutes les sorties de la URSA Broadcast G2, faites glisser le curseur vers la gauche et vers la droite en bas de l'écran tactile, ou touchez les flèches à côté du niveau du focus assist.

Le niveau optimal d'aide à la mise au point peut varier selon les plans. Par exemple, lorsque vous effectuez la mise au point sur les acteurs, un niveau d'aide à la mise au point plus élevé permet de bien définir le contour du visage. En revanche, si vous réglez un niveau élevé sur un plan représentant du feuillage ou un mur de briques, vous allez sans doute obtenir trop d'informations nettes.

Pour plus d'informations concernant l'activation de l'aide à la mise au point sur les deux sorties SDI de la caméra, consultez la section « Paramètres du moniteur » de ce manuel.

CONSEIL La URSA Broadcast G2 dispose de deux modes d'aide à la mise au point. Vous pouvez alterner entre **Peaking** et **Lignes colorées** dans l'onglet **Moniteur**. Pour plus d'informations à ce sujet, consultez les sections « Onglet Moniteur » et « Focus Assist ».

Repères de cadrage

Ce paramètre affiche les repères de cadrage sur l'écran tactile LCD. Vous pouvez choisir différents repères de cadrage pour chaque sortie de la URSA Broadcast G2.

Les repères de cadrage offrent des formats d'image propres aux normes du cinéma, de la télévision et d'Internet.



Touchez l'indicateur repères de cadrage au sein des options de l'écran LCD pour ouvrir ce paramètre sur la URSA Broadcast G2.

Pour afficher les repères de cadrage sur l'écran tactile de la URSA Broadcast B2, touchez le bouton en bas à gauche de l'écran.

Choisissez le repère de cadrage que vous souhaitez utiliser en faisant glisser le curseur vers la gauche et vers la droite, ou à l'aide des flèches.

Les repères disponibles sont :

2.35:1, 2.39:1 et 2.4:1

Affiche un rapport d'image très large compatible avec les projections cinéma au format large avec ou sans anamorphose. Ces trois paramètres sont un peu différents et représentent l'évolution de plusieurs normes cinématographiques. 2.39:1 est l'un des rapports d'image large standard les plus répandus aujourd'hui.

2:1

Ce rapport d'image est un peu plus large que le 16:9 mais pas autant que le 2.35:1.

1.85:1

Affiche un autre rapport d'image large très répandu au cinéma. Ce rapport est un peu plus large que le HDTV 1.78:1 mais pas autant que le 2.39:1.

16:9

Affiche un rapport d'image de 1.78:1 compatible avec les écrans d'ordinateur et de télévision HD 16:9.

Ce format est fréquemment utilisé pour la diffusion en HD et les vidéos en ligne. Toutefois, il a également été adopté pour la diffusion en Ultra HD.

14:9

Affiche le rapport d'image 14:9 utilisé pour la diffusion télévisuelle, car il représente un compromis entre les téléviseurs 16:9 et 4:3. Idéalement, les images 16:9 et 4:3 rognées latéralement peuvent être lues en format 14:9. Vous pouvez utiliser ces repères si votre projet est diffusé sur un téléviseur qui prend en charge le rapport d'image 14:9.



Écran tactile de la URSA Broadcast G2 sur lequel le repère de cadrage 14:9 est activé.

4:3

Affiche un rapport d'image de 4:3 compatible avec les écrans de télévision SD, ou en tant qu'aide de cadrage lorsque vous utilisez des adaptateurs anamorphiques x2.

1:1

Affiche un rapport d'image de 1/1 légèrement plus étroit que le 4:3. Ce rapport donne une image au format carré de plus en plus populaire sur les réseaux sociaux.

4:5

Affiche un rapport d'image de 4/5. L'aspect vertical de ce rapport est idéal pour les portraits et les affichages sur smartphones.

Ratios de repères de cadrage personnalisés

Pour personnaliser le ratio et obtenir une apparence unique, tapez sur le ratio affiché entre les flèches. Sur l'écran de repères de cadrages personnalisés, appuyez sur la touche de retour pour supprimer le ratio actuel. Puis, utilisez le clavier numérique pour entrer votre propre ratio. Touchez Mettre à jour pour appliquer le ratio et retourner à l'enregistrement.



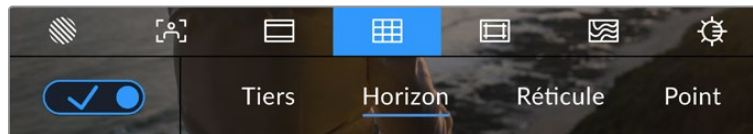
Utilisez le clavier numérique sur l'écran des **Repères personnalisés** pour saisir un nouveau ratio de repère de cadrage.

CONSEIL Vous pouvez changer l'opacité des repères de cadrage. Pour plus d'informations, consultez la section « Paramètres du moniteur » de ce manuel.

REMARQUE Pour plus d'informations concernant l'activation de l'aide à la mise au point sur les deux sorties SDI de la caméra, consultez la section « Paramètres du moniteur » de ce manuel.

Grille

Ce paramètre affiche une grille selon la règle des tiers, un réticule ou un point central sur l'écran tactile et permet de choisir les informations qui apparaîtront sur chaque sortie de la URSA Broadcast G2.

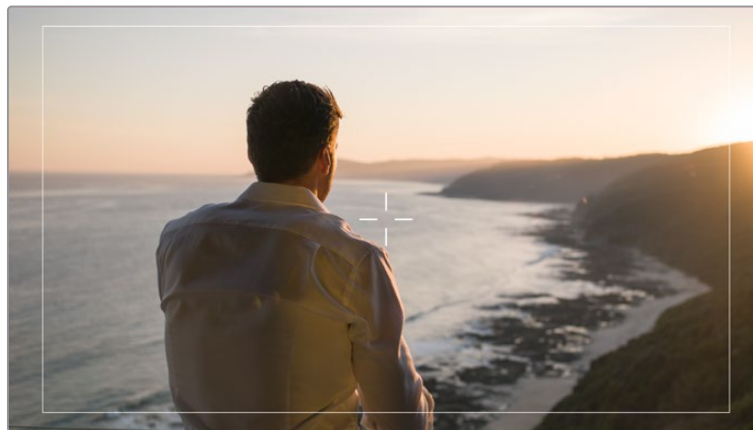


Touchez l'indicateur de la grille au sein des options de l'écran LCD pour ouvrir ce paramètre sur la URSA Broadcast G2.

La grille et le réticule affichent des informations qui facilitent la composition de l'image. Quand la grille est activée, la URSA Broadcast G2 affiche une grille selon la règle des tiers, un réticule ou un point central.

Pour afficher la grille sur l'écran tactile de la URSA Broadcast G2, touchez le bouton en bas à gauche de l'écran, lorsque vous êtes sur l'onglet des repères de cadrage.

Lorsque la URSA Broadcast G2 est réglée et connectée à un mélangeur ATEM comme source de programme et que la grille est réglée sur **On**, le contour tally rouge du programme s'allume à l'écran.



Lorsque la caméra est connectée à un mélangeur ATEM qui envoie un signal tally, une bordure rouge apparaît autour de la prévisualisation de l'image quand la grille est activée.

Pour sélectionner les informations que vous souhaitez afficher sur toutes les sorties de la URSA Broadcast G2, touchez **Tiers**, **Réticule** ou **Point**.



La grille de la règle des tiers s'adapte automatiquement à tous les repères de cadrage.

Tiers

Affiche une grille dotée de deux lignes verticales et de deux lignes horizontales divisant l'image en tiers. C'est un outil très pratique pour faciliter la composition de vos plans. Comme le regard se pose naturellement près des points d'intersection de ces lignes, il est utile de cadrer des éléments importants dans ces zones-là. Les yeux des acteurs doivent généralement être situés dans le tiers supérieur de l'écran, vous pouvez donc utiliser cette zone pour faciliter le cadrage. Cette division de l'image en tiers est très utile pour maintenir un cadrage cohérent de vos plans.

Horizon

Ce paramètre indique lorsque votre caméra est inclinée vers la gauche ou vers la droite et vers le haut ou vers le bas. Cela vous permet de mesurer l'horizon pour les prises au poing et ainsi d'équilibrer l'axe de la caméra sur un stabilisateur.

Les indicateurs gris verticaux et horizontaux s'éloignent du centre lorsque la caméra est inclinée. La distance entre les lignes et le réticule central est proportionnelle à l'inclinaison horizontale ou verticale. Après avoir calibré le capteur de mouvement de la caméra, les indicateurs de mouvement s'allument en bleu lorsque les inclinaisons horizontales et verticales sont équilibrées.

Notez que si la caméra est inclinée vers le bas pour une vue aérienne ou verticale, l'indicateur d'horizon le prendra en compte. Si vous inclinez la caméra sur le côté pour un portrait, l'indicateur d'horizon pivote son axe à 90 degrés.

Ce tableau présente des exemples d'inclinaisons de la caméra avec l'indicateur d'horizon.

Indicateur d'horizon	Description
	Rectiligne et à niveau
	Inclinée vers le bas et à niveau
	Rectiligne et inclinée vers la gauche
	Inclinée vers le haut et vers la droite

Pour une utilisation classique, calibrez l'indicateur d'horizon pour connaître l'inclinaison verticale ou horizontale. Si vous souhaitez utiliser l'indicateur d'horizon pour maintenir un « plan débullé » ou une inclinaison vers le bas ou le haut pour des prises en contre-plongée ou en plongée, vous pouvez calibrer l'indicateur d'horizon sur une inclinaison. Pour plus d'informations sur le calibrage de l'indicateur d'horizon, consultez la section « Calibrage du capteur de mouvement ».

Réticule

Ce paramètre place un réticule au centre de l'image. Comme la règle des tiers, le réticule est un outil de composition qui permet de placer le sujet au centre de l'image. Ce paramètre est parfois utilisé pour filmer des scènes qui seront ensuite montées très rapidement. Pour les spectateurs, il est plus facile de suivre un enchaînement rapide de scènes si l'élément important de la scène est maintenu au centre de l'image.

Point central

Ce paramètre place un point au centre de l'image. Il fonctionne de la même façon que le paramètre Réticule mais dispose d'un point central moins voyant.

Vous pouvez activer la combinaison Tiers et Réticule ou Tiers et Point central en appuyant sur ces deux options dans le menu Grille. Réticule et Point central ne peuvent pas être sélectionnés ensemble.

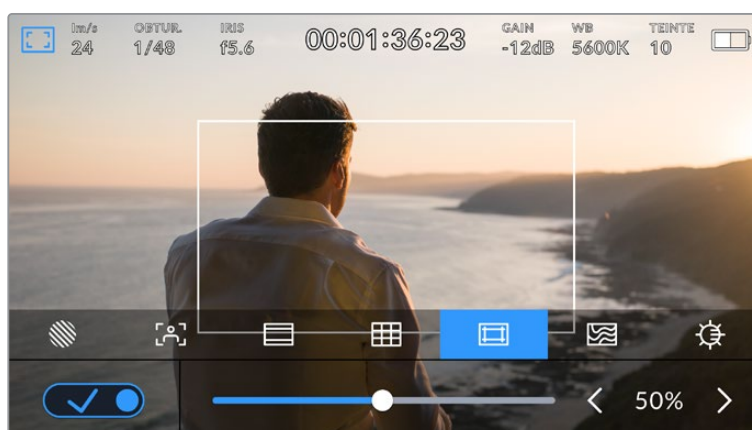
CONSEIL Pour plus d'informations concernant l'activation de la grille sur les sorties SDI avant et principale de la URSA Broadcast G2, consultez la section « Paramètres du moniteur » de ce manuel.

Zone de sécurité

Ce paramètre active ou désactive la zone de sécurité sur l'écran tactile et permet de régler sa taille sur toutes les sorties de la URSA Broadcast G2.

La zone de sécurité garantit que les zones les plus importantes de l'image seront visibles à l'écran. En gardant ces zones au centre de l'image, l'image n'est pas rognée sur certains téléviseurs. De plus, cela permet aux diffuseurs d'ajouter des logos, des synthés et d'autres informations sur les bords de l'écran. La plupart des diffuseurs doivent produire des séquences dans une zone de sécurité de 90%.

La zone de sécurité est également utile pour cadrer un plan qui sera stabilisé en post-production et dont les bords peuvent être rognés. Elle est aussi pratique pour indiquer un rognage spécifique. Par exemple, en réglant ce paramètre sur 50% lorsque vous enregistrez en Ultra HD 3840x2160, vous verrez à quoi un recadrage de 1920x1080 ressemble. La zone de sécurité redimensionne également les repères de cadrage, qui s'ajusteront pour refléter le pourcentage de l'image cible choisie.



Le repère indiquant la zone de sécurité est réglé sur 50%.

Dans l'onglet de la zone de sécurité, touchez le bouton en bas à gauche de l'écran pour ouvrir ce paramètre. Pour régler la valeur de la zone de sécurité pour toutes les sorties de la URSA Broadcast

G2, touchez les flèches gauche ou droite situées de part et d'autre de la valeur actuelle au bas de l'écran tactile. Vous pouvez aussi ajuster le curseur en le déplaçant vers la gauche ou vers la droite.

Fausses couleurs

Ce paramètre permet d'activer l'outil d'aide à l'exposition Fausses couleurs sur l'écran tactile.

La fonction Fausses couleurs applique différentes couleurs à différentes zones de l'image. Ces couleurs représentent les différentes valeurs d'exposition des éléments de votre image. Par exemple, la couleur rose représente une exposition optimale pour les peaux claires, alors que le vert correspond à une couleur de peau plus foncée. En vérifiant ces fausses couleurs lorsque vous filmez des êtres humains, vous maintiendrez une exposition stable de leur couleur de peau.

De même, lorsque la couleur des éléments de votre image passe du jaune au rouge, cela signifie qu'ils sont surexposés.



L'échelle IRE des fausses couleurs à gauche de l'écran de votre caméra vous montre comment interpréter les différentes fausses couleurs.

Fausses couleurs	Signification
95%WC	Blancs écrêtés
80%WC	Blancs presque écrêtés
MG+1	Un diaph au-dessus du gris moyen
18%MG	Gris moyen
NBDL	Détails noirs presque perdus
BDL	Détails noirs perdus



Lorsque l'image est correctement exposée, les tons chair sont représentés par des fausses couleurs vertes et roses.

Dans l'onglet des fausses couleurs, touchez l'icône en bas à gauche de l'écran pour activer cette fonction sur l'écran tactile.



Onglet d'aide à l'exposition fausses couleurs.

Luminosité de l'écran

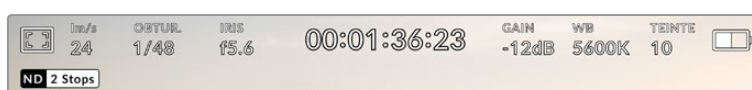
Touchez l'icône de la luminosité de l'écran et déplacez les curseurs vers la gauche ou vers la droite pour ajuster la luminosité de l'écran tactile de la URSA Broadcast G2.



Ce paramètre est réglé sur 50 %.

Indicateur du filtre ND

Lorsque vous ajustez le filtre gris neutre (ND) de la URSA Broadcast G2, l'indicateur ND apparaît en haut à gauche de l'écran tactile LCD ainsi que sur toutes les sorties SDI sur lesquelles les informations d'état sont activées. L'indicateur utilise le format sélectionné dans le menu **Réglages**.

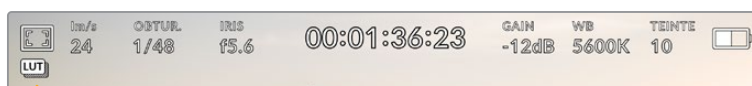


Indicateur de filtre ND sur la URSA Broadcast G2.

REMARQUE Vous pouvez choisir la terminologie utilisée par l'indicateur du filtre ND afin qu'elle reflète la convention souhaitée. Les options disponibles sont **Nombre**, **Diaph** et **Fraction**. Vous pouvez régler le format de votre choix dans le menu **Réglages** de la URSA Broadcast G2.

Indicateur de LUT

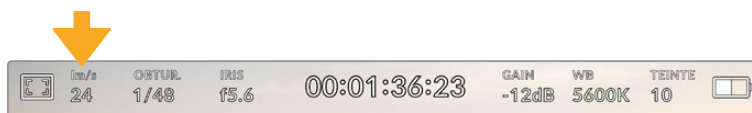
Une icône blanche s'affiche sur l'écran LCD, ou sur le moniteur SDI avant ou principal, lorsque les informations d'état sont activées et qu'une LUT est appliquée sur cette sortie. Si vous enregistrez en Blackmagic RAW et que la fonction **Appliquer LUT dans fichier** est activée dans les paramètres d'enregistrement, l'icône de la LUT sera bleue.



L'icône LUT vous permet de savoir qu'une LUT est actuellement appliquée à l'image.

Images par seconde

L'indicateur Im/s affiche le nombre d'images par seconde sélectionné.



L'indicateur images par seconde de la URSA Broadcast G2.
Touchez cet indicateur pour accéder aux paramètres de fréquence d'images.

Touchez l'indicateur **Im/s** pour changer la fréquence d'images du projet et du capteur via le menu situé en bas de l'écran.

Fréquence d'images du projet

La fréquence d'images du projet représente la fréquence d'images du format d'enregistrement de la caméra. Ce paramètre propose une sélection de fréquences d'images couramment utilisées dans l'industrie du cinéma et de la télévision. En général, on fait coïncider la fréquence d'images avec la vitesse de lecture utilisée dans le workflow de post-production.

La Blackmagic URSA Broadcast G2 possède 8 paramètres de fréquence d'images dont 23.98, 24, 25, 29.97, 30, 50, 59.94 et 60 im/s.

Pour régler la fréquence d'images du projet de la URSA Broadcast G2 dans le menu **Im/s**, touchez les flèches gauche et droite situées de part et d'autre de la fréquence d'images en bas de l'écran tactile. Vous pouvez aussi ajuster le curseur en le déplaçant vers la gauche ou vers la droite.

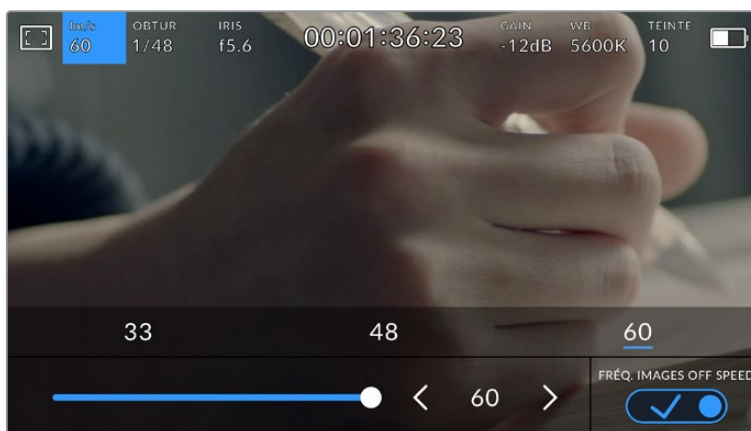


Touchez les flèches situées de part et d'autre de la fréquence d'images du projet ou déplacez le curseur pour régler ce paramètre.

CONSEIL La fréquence d'images du projet de la URSA Broadcast G2 règle également les fréquences d'images de la sortie SDI principale et de la sortie SDI avant.

Fréquence d'images du capteur

La fréquence d'images du capteur vous permet de régler le nombre d'images par seconde que le capteur enregistre. Cette fréquence d'images détermine la vitesse de lecture de votre vidéo en fonction de la fréquence d'images de projet choisie.



Lorsque la fonction **Fréq. images off speed** est activée, touchez un pré-réglage ou les flèches situées de part et d'autre de la fréquence d'images du capteur ou déplacez le curseur pour régler le paramètre.

Par défaut, les fréquences d'images du projet et du capteur correspondent pour que le clip soit lu en vitesse normale. Cependant, en touchant le bouton **Fréq. images off speed** situé en bas à droite du menu **Im/s** de la URSA Broadcast G2, vous pouvez régler vous-même la fréquence d'images du capteur. Il est important de noter que l'option **Fréq. images off speed** est uniquement disponible lorsque vous enregistrez en Blackmagic RAW ou ProRes.

Pour modifier la fréquence d'images du capteur, touchez les flèches situées de part et d'autre de la fréquence d'images en bas à gauche de l'écran tactile. Vous pouvez également déplacer le curseur vers la gauche ou vers la droite afin d'augmenter ou de réduire la fréquence d'images. Dès que vous relâchez le curseur, la fréquence d'images du capteur est sélectionnée. Au-dessus du curseur, vous pouvez choisir parmi les fréquences d'images off speed qui s'affichent. Elles sont basées sur la fréquence d'images du projet.

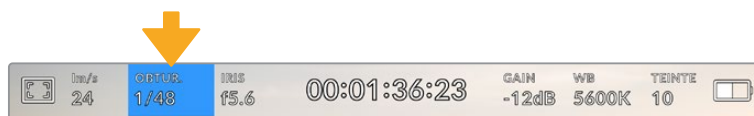
Vous pouvez également créer des effets de vitesse dynamiques et créatifs en variant la fréquence d'images du capteur. Si vous choisissez une fréquence d'images de capteur plus élevée que celle de votre projet, cela créera un ralenti durant la lecture. Par exemple, si la fréquence d'images du capteur est de 60 im/s et que vous réglez la lecture du projet à 24 im/s, cela créera un ralenti environ deux fois moins rapide que l'action réelle. En revanche, plus la fréquence d'images du capteur est basse, plus la vitesse de lecture de vos clips augmentera. Il s'agit des principes d'overcranking (création d'un effet de ralenti) et d'undercranking (création d'un effet d'accélération). L'overcranking accélère la fréquence d'images du capteur, un procédé qui permet par exemple de souligner un moment particulièrement émouvant. L'undercranking ralentit la fréquence d'images du capteur et permet notamment d'intensifier les scènes d'action. Vous disposez désormais d'un nombre illimité de possibilités !

Pour obtenir plus d'informations sur les fréquences d'images maximales disponibles avec chaque format d'enregistrement et avec chaque codec, consultez les tableaux dans la section « Enregistrement » de ce manuel.

REMARQUE Quand **Fréq. images off speed** est sélectionné, l'audio et la vidéo de la URSA Broadcast G2 ne sont plus synchronisés. Cela est vrai même si les fréquences d'images du projet et du capteur sont identiques. **Fréq. images off speed** ne devrait jamais être sélectionné si vous souhaitez synchroniser l'audio et la vidéo.

Obturateur

L'indicateur **Obtur.** affiche la vitesse d'obturation. Cet indicateur vous permet de changer manuellement la vitesse d'obturation de la URSA Broadcast G2 ou de configurer les règles de priorité des modes de l'exposition automatique.



Indicateurs de l'obturateur de la URSA Broadcast G2. Touchez cet indicateur pour accéder aux paramètres de l'obturateur.

La vitesse d'ouverture de l'obturateur détermine le niveau de flou de bougé de votre film, et peut être utilisée pour compenser les changements de conditions lumineuses. Les réglages de la vitesse d'obturation pour obtenir un flou de bougé naturel, ainsi que les réglages disponibles, dépendent de la fréquence d'images avec laquelle vous travaillez. Par exemple, si vous filmez en 30p, 1/60 de seconde de vitesse d'obturation correspondra à un angle d'obturation de 180 degrés, qui est un réglage très utilisé pour la réalisation de films. En revanche, si vous filmez en 25 im/s, vous devrez régler la vitesse d'obturation à 1/50 de seconde pour reproduire le même résultat.

Pour obtenir un flou de bougé naturel, vous pouvez calculer la vitesse d'obturation en doublant votre fréquence d'images. Ainsi, à 30 im/s, réglez votre vitesse d'obturation à 1/60.

Si vous avez besoin de faire passer plus de lumière dans le capteur, vous pouvez baisser la vitesse d'obturation au maximum, en la réglant sur la valeur de la fréquence d'images. Par exemple, 1/25 pour 25 im/s, ou encore 1/30 pour 30 im/s. Lorsque vous réduisez la vitesse d'obturation, le flou de bougé apparaîtra légèrement exagéré.

Si vous souhaitez réduire le flou de bougé pour obtenir plus de précision dans les mouvements, augmentez la vitesse d'obturation au maximum. Par exemple, 1/120 de seconde pour 30 im/s, ou 1/100 pour 25 im/s. Si vous êtes familier avec les angles d'obturation, cela équivaut à un angle à 90 degrés.

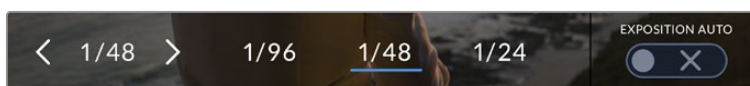
Il est intéressant de tester plusieurs vitesses d'obturation pour voir les différences de flou de bougé dans vos images.

Lorsque vous filmez sous un éclairage artificiel, la vitesse d'obturation choisie peut provoquer des scintillements. La URSA Broadcast G2 calcule automatiquement la vitesse d'obturation sans scintillement en fonction de la fréquence d'images. Ces vitesses peuvent être modifiées par la fréquence du courant de votre région du monde. Vous pouvez régler la fréquence du courant sur 50Hz ou 60Hz dans le menu **Réglages** de la URSA Broadcast G2. Pour plus d'informations, consultez la section « Onglet Réglages » de ce manuel.

Touchez l'indicateur **Obtur.** pour afficher le menu de l'obturateur en bas de l'écran tactile de la URSA Broadcast G2. Si le bouton de l'exposition automatique est désactivé, l'écran affiche la vitesse d'obturation actuellement sélectionnée ainsi que les vitesses d'obturation sans scintillement disponibles. Ce réglage se fera en fonction de la fréquence du courant sélectionnée dans le menu **Réglages** de la caméra. Pour plus d'informations, consultez la section « Onglet Réglages » de ce manuel.

REMARQUE Les caractéristiques des différentes sources lumineuses peuvent provoquer des scintillements même lorsque vous utilisez des vitesses d'obturation sans scintillement. Nous recommandons de toujours effectuer une prise test lorsque vous n'utilisez pas de lumière continue.

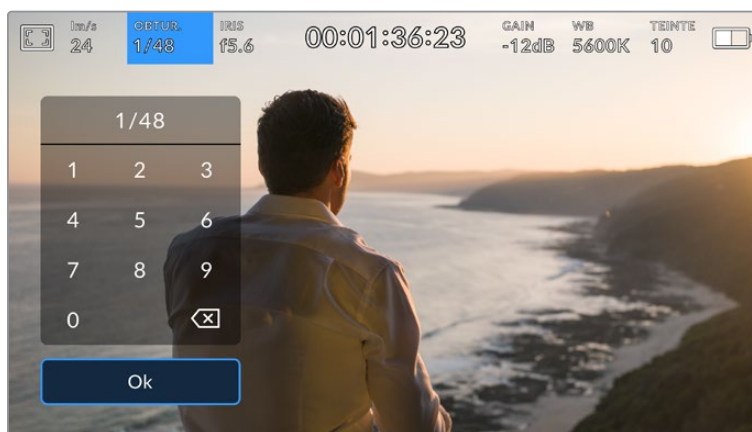
Pour sélectionner une vitesse d'obturation sans scintillement, touchez une des valeurs d'obturation affichées. En appuyant sur les flèches situées de chaque côté de la valeur sélectionnée, vous pourrez naviguer entre les valeurs les plus utilisées.



La URSA Broadcast G2 suggère des vitesses d'obturation sans scintillement en fonction de la fréquence du courant sélectionnée dans le menu **Réglages**.

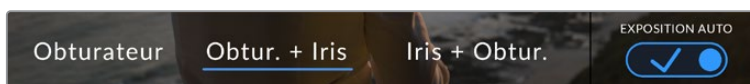
Si vous souhaitez utiliser une valeur d'obturation spécifique, touchez deux fois l'indicateur d'obturation situé en bas à gauche de l'écran. Un clavier numérique s'affichera et vous pourrez saisir la valeur d'obturation de votre choix.

Si vous entrez une valeur inférieure à la fréquence d'image actuellement sélectionnée, la valeur d'obturation la plus proche sera choisie par défaut. Par exemple, si vous entrez 1/25 alors que vous filmez à 29.97 im/s, la valeur la plus proche sera 1/30.



Le clavier numérique vous permet de saisir la valeur d'obturation de votre choix.

La URSA Broadcast G2 dispose de trois modes d'exposition automatique qui modifient l'obturateur. Pour sélectionner un de ces obturateurs, touchez le bouton **Exposition auto** à droite dans le menu de l'obturateur.



Touchez **Exposition auto** pour accéder aux modes d'exposition automatique qui modifient l'obturateur.

Obturbateur

Ce paramètre règle automatiquement la vitesse d'obturation pour offrir une exposition et une ouverture de l'iris stables. C'est le paramètre à sélectionner pour garder une profondeur de champ fixe. Il est toutefois important de noter que les subtiles ajustements automatiques de l'obturbateur peuvent avoir une incidence sur le flou de bougé. Il convient également de garder un œil sur les scintillements qui pourraient être introduits avec l'éclairage lors de prises en intérieur. La fonction de réglage automatique de l'iris de la URSA Broadcast G2 n'est pas disponible quand le mode d'exposition automatique est réglé sur **Obturbateur**.

Obtur. + Iris

Maintient le bon niveau d'exposition en modifiant l'obturation, puis l'ouverture. Lorsque la vitesse d'obturation maximale ou minimale a été atteinte et qu'il n'est toujours pas possible de maintenir la même exposition, la URSA Broadcast G2 ajuste l'ouverture pour que l'exposition reste stable.

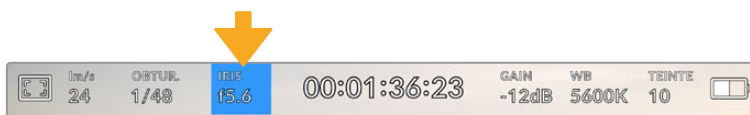
Iris + Obtur.

Maintient le bon niveau d'exposition en modifiant l'ouverture, puis la vitesse d'obturation. Lorsque l'ouverture maximale ou minimale a été atteinte et qu'il n'est toujours pas possible de maintenir la même exposition, la URSA Broadcast G2 ajuste la vitesse d'obturation pour que l'exposition reste stable.

CONSEIL Lorsque le mode **Exposition Auto** qui modifie l'obturbateur est activé, la lettre **A** apparaît à côté de l'angle d'obturation en haut de l'écran de la caméra.

Iris

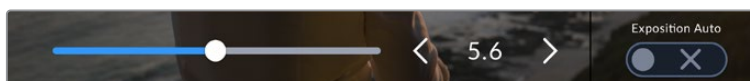
L'indicateur Iris affiche l'ouverture de l'objectif sélectionnée. En touchant cet indicateur, vous pouvez changer l'ouverture des objectifs compatibles et régler les modes d'exposition automatique qui modifient l'iris.



Indicateur de l'iris de la URSA Broadcast G2. Touchez cet indicateur pour accéder aux paramètres de l'iris.

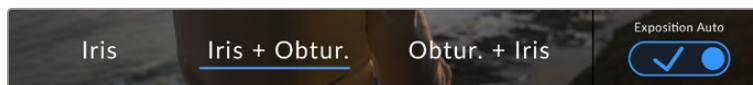
REMARQUE Pour utiliser le contrôle de l'iris sur l'écran tactile, la URSA Broadcast G2 doit être équipée d'un objectif qui prend en charge le changement d'ouverture via la caméra. Si vous utilisez un objectif B4 ou PL connecté via le connecteur à 12 broches, assurez-vous que le bouton Iris de l'objectif est réglé sur **A** ou sur **Auto**.

Touchez l'indicateur **Iris** pour afficher le menu de l'obturbateur en bas de l'écran tactile de la URSA Broadcast G2. L'ouverture de l'objectif choisie apparaît à gauche de l'écran. Vous pouvez changer l'ouverture en touchant les flèches gauche et droite situées autour de l'indicateur, ou déplacer le curseur vers la gauche ou la droite.



Dans le menu **Iris**, touchez les flèches situées autour de l'indicateur de l'iris ou utilisez le curseur pour régler ce paramètre.

Touchez le bouton **Exposition auto** situé à droite du menu pour ouvrir le menu d'exposition automatique de l'iris.



Dans le menu **Iris**, touchez **Exposition auto** pour ouvrir les modes d'exposition automatique qui modifient l'iris.

Cela vous offre les options d'exposition automatique suivantes :

Iris

Ce paramètre règle automatiquement l'ouverture pour offrir une exposition et une vitesse d'obturation stables. Cela permet de maintenir le flou de bougé, mais peut affecter la profondeur de champ.

Iris + Obtur.

Maintient le bon niveau d'exposition en modifiant l'ouverture, puis la vitesse d'obturation. Lorsque l'ouverture maximale ou minimale a été atteinte et qu'il n'est toujours pas possible de maintenir la même exposition, la URSA Broadcast G2 ajuste la vitesse d'obturation pour que l'exposition reste stable.

Obtur. + Iris

Maintient le bon niveau d'exposition en modifiant l'obturation, puis l'ouverture. Lorsque la vitesse d'obturation maximale ou minimale a été atteinte et qu'il n'est toujours pas possible de maintenir la même exposition, la URSA Broadcast G2 ajuste l'ouverture pour que l'exposition reste stable.

Lorsque le mode **Exposition auto** qui modifie l'iris est activé, la lettre **A** apparaît à côté de l'indicateur de l'iris en haut de l'écran URSA Broadcast G2.

CONSEIL L'exposition automatique fonctionne très bien avec des objectifs B4 ou PL compatibles conçus pour la production de films. Les objectifs EF peuvent produire une exposition saccadée lorsque vous changez l'ouverture. Pour cette raison, nous recommandons d'utiliser uniquement les paramètres d'exposition **Obturateur** si vous tournez avec des objectifs EF.

Affichage de la durée

L'affichage de la durée se trouve en haut de l'écran tactile de la URSA Broadcast G2.



Affichage de la durée sur la URSA Broadcast G2. Ce champ devient rouge pendant l'enregistrement.

Cet affichage fournit le timecode relatif à la durée des clips lors de l'enregistrement et de la lecture. Le timecode est exprimé en Heures:Minutes:Secondes:Images et augmente au fur et à mesure de l'enregistrement ou de la lecture. Il s'allume en rouge pendant l'enregistrement.

Chaque clip débute par 00:00:00:00. La durée du clip en cours d'enregistrement, ou ayant été enregistré précédemment, est affichée sur l'écran tactile. Pour faciliter le travail en post-production, le timecode sous forme de code horaire est intégré aux clips.

Pour voir le timecode, touchez simplement l'affichage de la durée. Touchez de nouveau cet affichage pour voir la durée du clip.

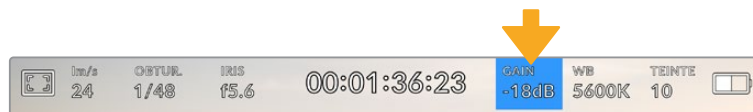
Les indicateurs d'état suivants peuvent apparaître à côté de l'affichage de la durée :

- TC** Apparaît à droite de l'affichage de la durée lorsque le timecode s'affiche.
- EXT** Apparaît à droite de l'affichage de la durée si un timecode externe est connecté et valable.
- INT** Apparaît à droite de l'affichage de la durée si la caméra repose sur le timecode interne « jam synced », puis qu'elle a été déconnectée.
- PRE** Apparaît à droite de l'affichage de la durée lorsque vous visualisez le pré-réglage du timecode en mode record run.
- REF** Apparaît lorsqu'une source de référence valable est connectée et synchronisée, en fonction des paramètres de l'entrée de référence.
- W** Apparaît à gauche de l'affichage de la durée lorsque la URSA Broadcast G2 utilise le mode Window.

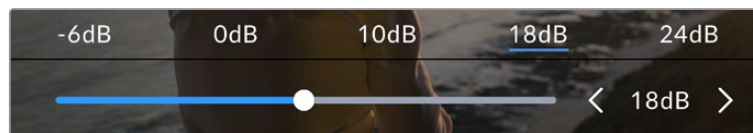
Gain

L'indicateur **Gain** affiche le gain (sensibilité de la lumière) actuellement réglé sur la URSA Broadcast G2. Toucher l'indicateur vous permet de régler le gain pour répondre aux besoins de différentes conditions d'éclairage.

Le réglage optimal pour la URSA Broadcast G2 est 0dB.



Indicateur du gain de la URSA Broadcast G2. Touchez l'indicateur pour accéder aux réglages du gain.

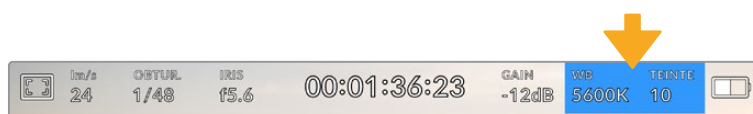


Dans le menu **Gain** de la URSA Broadcast G2, ces paramètres apparaissent en bas de l'écran tactile. Le curseur et les flèches permettent d'incrémenter le gain d'1/3 de diaphragme.

Toutefois, en fonction de la situation, vous pouvez choisir une sensibilité de la lumière plus ou moins élevée. Par exemple, en conditions de faible éclairage, une sensibilité de +18dB peut s'avérer nécessaire mais pourra introduire du bruit. Dans des conditions d'éclairage élevé, un réglage à -6dB permet de capturer la richesse des couleurs.

Balance des blancs






Les indicateurs **WB** et **Teinte** affichent la balance des blancs et la teinte de la caméra. Touchez ces indicateurs pour régler la balance des blancs et la teinte de la caméra afin de les faire correspondre à différentes conditions d'éclairage.



Touchez les indicateurs **WB** et **Teinte** pour accéder aux paramètres de la balance des blancs et de la teinte.

Chaque source lumineuse diffuse une couleur différente. Par exemple, une bougie diffuse une couleur chaude, alors qu'un ciel nuageux diffuse une couleur froide. Le paramètre de balance des blancs permet d'équilibrer les couleurs de votre image afin que le blanc reste bien blanc. Ce réglage s'effectue à l'aide du mélange des oranges et des bleus dans l'image. Par exemple, lorsque vous filmez sous une lumière tungstène qui diffuse une lumière chaude, régler la balance des blancs sur 3200K ajoutera du bleu à votre image. Cela permet d'équilibrer la couleur pour que le blanc soit correctement capturé.

La URSA Broadcast G2 dispose de préréglages de balance des blancs pour s'adapter aux différentes températures de couleurs. Les températures de couleurs sont les suivantes :

	Plein soleil	(5600K)
	Lumière halogène	(3200K)
	Lumière fluorescente	(4000K)
	Lumière variée	(4500K)
	Nuageux	(6500K)

Vous pouvez modifier ces préréglages en touchant ou en maintenant enfoncées les flèches gauche et droite situées autour de l'indicateur de température en bas à gauche du menu de balance des blancs. Chaque incrément de température de couleur augmente ou diminue par unité de 50K. Si vous maintenez ces flèches enfoncées, l'incrément est beaucoup plus rapide. Vous pouvez également déplacer le curseur qui se trouve dans le menu de balance des blancs.

Pour régler votre image de façon plus précise, vous pouvez aussi régler le paramètre **Teinte**. Ceci permet de régler le niveau de vert et de magenta dans l'image. Vous pouvez par exemple ajouter du magenta pour compenser le ton vert des lumières fluorescentes. La plupart des préréglages de balance des blancs de la URSA Broadcast G2 comprennent une teinte.



Toucher les indicateurs de balance des blancs et de teinte de la URSA Broadcast G2 vous permet d'accéder aux cinq préréglages, au curseur de la balance des blancs et à l'indicateur de teinte. Vous pouvez régler ces icônes pour personnaliser la balance des blancs en fonction des conditions d'éclairage.

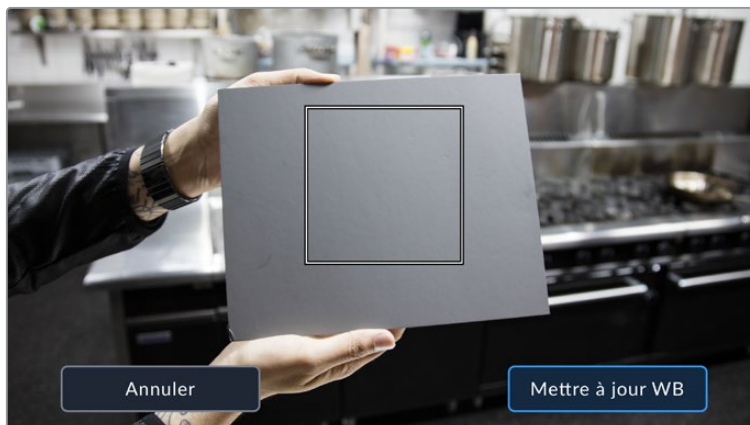
Dans le menu de balance des blancs, le paramètre de teinte de la caméra s'affiche en bas à droite de l'écran. Pour régler la teinte, touchez ou maintenez enfoncées les flèches gauche ou droite situées autour de cet indicateur. L'incrément augmente ou diminue par unité de 50K. Si vous maintenez ces flèches enfoncées, l'incrément est beaucoup plus rapide.

REMARQUE Si vous personnalisez la balance des blancs et la teinte, le nom du préréglage deviendra **CWB** (Custom White Balance). Les blancs personnalisés sont enregistrés malgré les charges et les changements de paramètres. Cela facilite la comparaison entre la balance des blancs personnalisée et les derniers réglages utilisés.

Balance des blancs automatique

La URSA Broadcast G2 peut régler la balance des blancs automatiquement. Toucher **AWB** affiche l'écran de la balance des blancs.

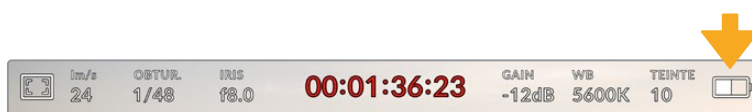
Lorsque la balance des blancs est réglée automatiquement, un carré s'affiche au centre de l'image. Positionnez une feuille blanche ou grise devant ce carré et appuyez sur **Mettre à jour WB**. La URSA Broadcast G2 règle alors automatiquement les valeurs de la balance des blancs et de la teinte pour capturer une valeur moyenne des blancs ou des gris et ainsi garantir une balance des blancs aussi neutre que possible. Une fois mis à jour, ce paramètre sera enregistré comme balance des blancs personnalisée.



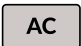
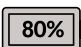



Toucher **AWB** dans le menu de la balance des blancs affiche l'écran de balance des blancs automatique. Utilisez une feuille blanche ou grise pour régler automatiquement une balance des blancs neutre.

Alimentation

L'état de l'alimentation de la URSA Broadcast G2 est affiché en haut à droite de l'écran. Il existe cinq icônes :



L'état de l'alimentation de la URSA Broadcast G2 est affiché en haut à droite de l'écran. Si vous alimentez la caméra par batterie, touchez cette icône pour voir les affichages **Tension** ou **Pourcentage**.

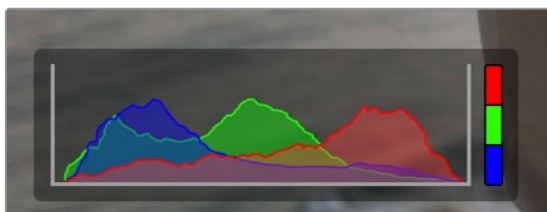
	Assistant opérateur	Apparaît lorsque la URSA Broadcast G2 est branchée sur secteur.
	Pourcentage	Si vous utilisez une batterie fixée à un support prenant en charge les pourcentages, et si l'affichage Pourcentage est activé, cette icône affiche alors le pourcentage de charge restante de la batterie. Lorsqu'il ne reste que 20%, l'icône s'allume en rouge.
	Barres de batterie	Si l'affichage de la batterie est réglé sur Pourcentage , mais que la batterie et son support ne prennent pas en charge les pourcentages, l'icône de la batterie diminue par incrément de 25%. Lorsqu'il ne reste que 20%, l'icône s'allume en rouge.
	Tension	Lorsque l'option Affichage batterie est réglée sur Tension , la tension restante de la batterie s'affiche. Lorsque la batterie descend au-dessous de 12,5 volts, l'indicateur devient rouge. La URSA Broadcast G2 s'éteint automatiquement lorsque la batterie atteint 11,9 volts.
	Fiber	S'affiche lorsqu'un Blackmagic Camera Fiber Converter est fixé à votre caméra et qu'il l'alimente via un câble fibre optique SMPTE. Si un connecteur XLR et un convertisseur sont reliés simultanément à votre caméra, alors la mention AC est affichée.

Quand vous alimentez la caméra par batterie, vous pouvez choisir entre les indicateurs **Tension**, **Pourcentage** et **Barres** en touchant l'indicateur de batterie.

Barre d'outils inférieure

Histogramme

L'histogramme est situé en bas à gauche de l'écran tactile de la URSA Broadcast G2. L'histogramme RVB montre la distribution tonale de l'image divisée en canaux indépendants rouges, verts et bleus.



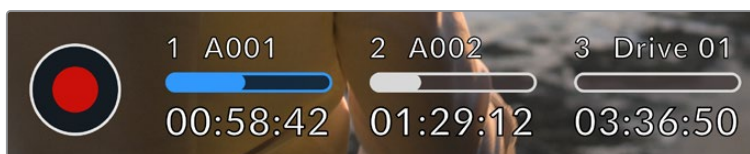
Il vous indique donc la plage tonale de votre clip. L'histogramme est également pratique pour vérifier l'exposition et éviter que les hautes lumières soient écrêtées.

Le côté gauche de l'histogramme représente les basses lumières, ou les noirs, et le côté droit représente les hautes lumières, ou les blancs. Lorsque vous ouvrez ou fermez l'ouverture de l'objectif, la distribution des informations sur l'histogramme change en conséquence vers la gauche ou vers la droite. Vous pourrez ainsi vérifier si les hautes ou les basses lumières de votre image sont écrêtées ou écrasées. Lorsqu'il y a un écrêtage dans le canal rouge, vert ou bleu, son indicateur respectif situé sur la droite de l'histogramme s'allume. Si les valeurs de l'histogramme ne diminuent pas progressivement sur les côtés gauche et droit, il se peut que vous perdiez des détails dans les hautes ou les basses lumières.

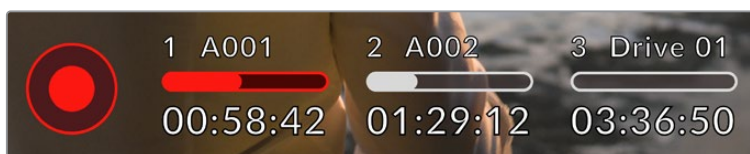
Si aucun histogramme n'apparaît en bas à gauche de votre écran tactile, le paramètre **Affichage** de l'onglet **Moniteur** est peut-être réglé sur **Codec et résolution**. Pour plus d'informations, consultez la section « Paramètres du moniteur » de ce manuel.

Bouton d'enregistrement

À côté de l'histogramme, au bas de l'écran tactile de la URSA Broadcast G2, vous trouverez un bouton rond au centre rouge. C'est le bouton d'enregistrement. Appuyez une fois sur ce bouton pour commencer l'enregistrement, et appuyez à nouveau pour l'arrêter. Lorsque la caméra enregistre, le bouton, la barre du support et le timecode situés sur l'écran tactile de la URSA Broadcast G2 deviennent rouges.



Le bouton d'enregistrement de la URSA Broadcast G2, situé à côté des indicateurs des supports, au bas de l'écran tactile.

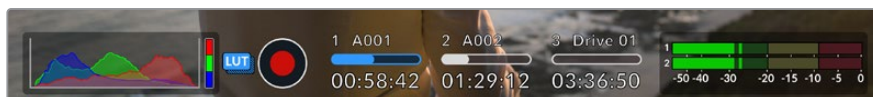


Le bouton d'enregistrement devient rouge lorsque la caméra enregistre.

Appliquer une LUT dans un fichier

Si vous enregistrez en Blackmagic RAW et que vous avez choisi d'appliquer une LUT aux clips enregistrés dans l'onglet **Enregistrer**, une icône LUT bleue s'affichera à côté du bouton d'enregistrement. L'indicateur LUT s'affiche en mode veille et en mode enregistrement.

Pour plus d'informations sur l'enregistrement de LUTs avec le Blackmagic RAW, consultez la section « Paramètres d'enregistrement » de ce manuel.

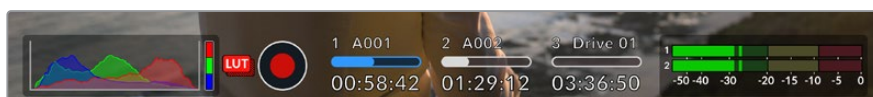


Une icône LUT bleue s'affiche lors de l'enregistrement en Blackmagic RAW.

Enregistrer une LUT sur un clip

Si vous enregistrez en ProRes, H.264 ou H.265 et que vous avez choisi d'enregistrer une LUT sur vos clips enregistrés, une icône LUT rouge s'affichera à côté du bouton d'enregistrement. L'indicateur LUT s'affiche en mode veille et en mode enregistrement.

Pour plus d'informations sur l'enregistrement de LUTs avec les codecs vidéo ProRes, H.265 ou H.264, consultez la section « Paramètres d'enregistrement » de ce manuel.



Une icône LUT rouge s'affiche lors de l'enregistrement en ProRes, H.265 ou H.264.

Indicateur de perte d'image

Lorsqu'une perte d'image se produit durant l'enregistrement, un point d'exclamation clignotant s'affiche sur le bouton d'enregistrement. L'indicateur de temps restant de la ou des carte(s) affectée(s) devient également rouge. Par exemple, si vous enregistrez en mode Dual Card et qu'il y a une perte d'image sur la carte 1, le point d'exclamation apparaîtra sur le bouton d'enregistrement, et l'indicateur de temps restant de la carte 1 deviendra rouge. Cela vous permet de savoir si une carte est trop lente pour le codec et la résolution sélectionnés. L'indicateur de perte d'image s'affiche également lorsqu'il y a eu une perte d'image sur le clip enregistré précédemment. L'indicateur restera ainsi jusqu'à ce qu'un autre clip ait été enregistré, ou que la caméra ait été redémarrée. Consultez les sections « Choisir une carte CFast 2.0 », « Choisir une carte SD » et « Choisir un SSD rapide » de ce manuel pour comprendre comment éviter les pertes d'images.



L'indicateur indique une perte d'image sur la carte CFast 1.

CONSEIL Si le voyant LED de la URSA Broadcast G2 est activé, il clignotera rapidement en rouge en cas de perte d'images. Pour plus d'informations, consultez la section « Onglet Réglages » de ce manuel.

REMARQUE Vous pouvez régler la URSA Broadcast G2 pour qu'elle interrompe l'enregistrement en cas de perte d'images afin d'éviter de continuer d'enregistrer une séquence inutilisable. Pour plus d'informations, consultez la section « Paramètres d'enregistrement » de ce manuel.

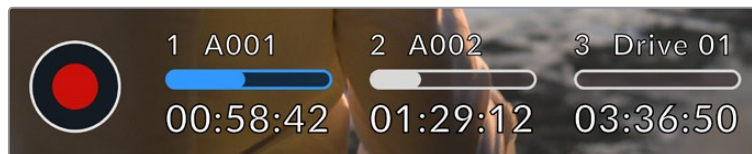
Indicateurs de stockage

Vous trouverez les indicateurs de stockage au bas de l'écran tactile de la URSA Broadcast G2, à côté du bouton d'enregistrement.

Temps d'enregistrement restant

Lorsqu'une carte CFast ou SD est insérée, ou qu'un disque flash USB-C ou un SSD est connecté à votre caméra, les indicateurs de stockage affichent le temps d'enregistrement restant sur chaque carte ou disque. Le temps d'enregistrement est affiché en heures:minutes:secondes selon la fréquence d'images et le codec choisis. Il est automatiquement recalculé si vous modifiez un de ces paramètres.

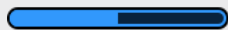
Lorsqu'il reste approximativement 5 minutes d'enregistrement sur votre carte ou disque, l'indicateur devient rouge. Si vous enregistrez sur une seule carte ou un seul disque, ou que vous avez rempli les supports additionnels connectés à votre caméra, l'indicateur clignotera lentement lorsqu'il restera 3 minutes, et rapidement lorsqu'il restera moins de 30 secondes de temps d'enregistrement.



Les indicateurs de stockage de la URSA Broadcast G2 affichent le nom de la carte CFast, de la carte SD, du SSD ou du disque flash USB et le temps d'enregistrement restant.

Barre du support

La barre du support, située au-dessus du temps d'enregistrement, s'affichera en bleu, en blanc ou en rouge selon son état. Elle affichera également l'espace utilisé sur la carte ou le disque.



La couleur bleue indique le disque actif. Ce dernier sera utilisé pour l'enregistrement.



La couleur blanche indique un support présent, mais inactif. Une barre toute blanche indique un disque plein.



La barre devient rouge durant l'enregistrement.

Pour enregistrer sur un support différent, appuyez longuement sur le nom ou la barre de la carte, du disque flash USB-C ou de SSD sur lequel vous souhaitez enregistrer.

Lorsque vous touchez les indicateurs des supports de stockage, le menu de stockage et de formatage s'affiche.



Touchez les indicateurs de stockage sur l'écran tactile de la URSA Broadcast G2 pour accéder au gestionnaire de stockage.

Ce menu affiche l'espace libre de chaque carte CFast, SD, disque flash USB-C ou SSD connecté à la URSA Broadcast G2, ainsi que le nom de la carte ou du disque, le temps d'enregistrement restant, le nombre total de clips et le format de fichier de chaque carte ou disque. Touchez le nom de la carte ou du disque dans le menu **Stockage** pour l'activer. La URSA Broadcast G2 commencera par enregistrer sur cette carte.

Vous pouvez également formater votre support à partir de ce menu. Pour plus d'informations sur le formatage des supports à l'aide de la URSA Broadcast G2, consultez la section « Préparer un support sur la Blackmagic URSA Broadcast G2 » de ce manuel.

Indicateurs audio

Les indicateurs de crête audio affichent les niveaux audio pour les canaux 1 et 2 lors de l'utilisation du micro interne ou via l'audio externe lorsqu'une source y est connectée. Vous pouvez choisir entre des indicateurs audio PPM et VU. Pour changer le type d'indicateur, consultez la section « Réglages » de ce manuel.

Pour obtenir une qualité audio optimale, vérifiez que vos niveaux audio ne dépassent pas 0 dBFS. Il s'agit en effet du niveau maximal auquel la caméra peut enregistrer. L'audio qui dépasse ce niveau sera écrêté et distordu.



Les barres de couleur sur l'indicateur audio représentent les niveaux audio maximaux. Idéalement, les niveaux audio doivent rester dans la zone verte. Si le niveau entre dans la zone jaune ou rouge, il se peut que le son que vous venez de capturer soit écrêté.

Vous pouvez toucher les indicateurs audio pour augmenter le volume des canaux audio 1 et 2, ainsi que celui du casque ou du haut-parleur.



Touchez les indicateurs audio sur l'écran tactile de la URSA Broadcast G2 pour accéder au volume et aux paramètres du casque ou du haut-parleur.

Zoom mise au point

Sur la URSA Broadcast G2, vous pouvez agrandir n'importe quelle zone de l'aperçu de l'image en touchant deux fois l'écran tactile. La zone que vous touchez sera agrandie et vous pourrez vous déplacer dans l'image en faisant glisser votre doigt sur l'écran. C'est une fonction très pratique pour vérifier la mise au point. Pour retourner à l'affichage standard, double-touchez une nouvelle fois l'écran.

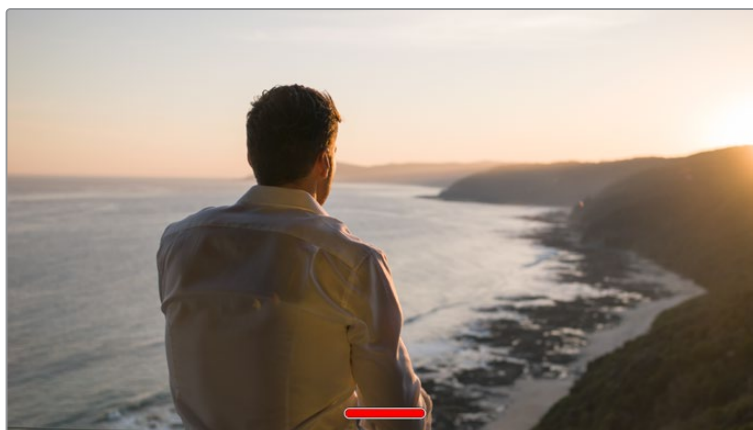
Lorsque cette fonction est activée, vous pouvez ajuster le zoom en pinçant avec vos deux doigts sur l'écran tactile. Le menu **Réglages** de la URSA Broadcast G2 vous permet de configurer un bouton de fonction comme double-toucher pour zoomer. Cela peut être configuré pour être affiché sur l'écran LCD ou sur les sorties SDI avant ou principale. Pour plus d'informations concernant la configuration d'un bouton de fonction en tant que double-toucher pour zoomer, consultez la section « Réglage des boutons de fonction » de ce manuel.



Lorsque vous zoomez dans l'image, l'indicateur situé en haut à gauche de l'écran tactile indique la zone de l'image que vous êtes en train de visualiser. Vous pouvez vous déplacer dans l'image à l'aide de la molette Menu ou en faisant glisser vos doigts sur l'écran.

Mode plein écran

Il est parfois utile lors du cadrage ou de la mise au point d'un plan, de masquer temporairement les informations d'état et les indicateurs audio affichés à l'écran. Pour ce faire, il suffit de balayer l'écran tactile de la URSA Broadcast G2 vers le haut ou vers le bas. L'indicateur d'enregistrement, les repères de cadrage, la grille de composition, l'aide à la mise au point et le zébra resteront visibles.



Balayez l'écran tactile de la URSA Broadcast G2 vers le haut ou vers le bas pour masquer les informations d'état.

Menu de lecture

Appuyez sur le bouton de lecture pour accéder au menu de lecture. Vous pouvez contrôler des clips enregistrés précédemment à l'aide des boutons de contrôle de la caméra ou de l'écran LCD tactile.



L'écran tactile LCD affiche une timeline de segments représentant tous les clips enregistrés. Chaque segment de la timeline représente un clip individuel. Le nom et le numéro du clip en cours s'affichent en haut à gauche de l'écran et le nombre total de clips sur la carte ou le disque est présenté entre parenthèses.

Le compteur devant la timeline indique l'emplacement actuel de la tête de lecture tandis que le compteur situé après la timeline affiche la durée totale de tous les clips.





Les commandes de lecture sous la timeline vous permettent de naviguer dans les clips.

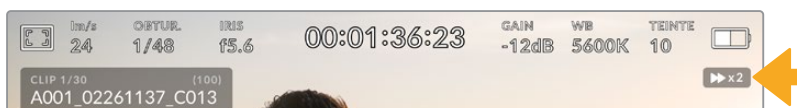


Si vous touchez le bouton d'enregistrement alors que vous êtes en mode de lecture, vous reviendrez en mode de veille et la caméra sera prête à enregistrer.



Touchez le bouton de lecture pour visionner vos clips. Vous êtes désormais en mode Lecture.

	Appuyez sur le bouton d'arrêt pour arrêter la lecture. Appuyez sur le bouton d'arrêt une deuxième fois pour revenir en mode veille.
	Appuyez une fois sur le bouton de retour rapide pour déplacer la tête de lecture sur la première image du clip en cours. Si la tête de lecture est déjà au début d'un clip, elle se placera sur la première image du clip précédent.
	Appuyez une fois sur le bouton d'avance rapide pour déplacer la tête de lecture sur la dernière image du clip en cours. Si la tête de lecture est déjà à la fin d'un clip, elle se placera sur la première image du clip suivant.
	Maintenez les boutons d'avance et de retour rapides enfoncés pour les changer en boutons de défilement arrière et avant. Vous pouvez à présent les utiliser pour modifier la vitesse de défilement en x2, x4, x8 ou x16. Pour réduire la vitesse, il suffit d'appuyer sur le bouton dans l'autre direction.






L'indicateur de vitesse de défilement affiche la vitesse et la direction de l'avance ou du retour rapides de la séquence.

Vous pouvez modifier le mode de lecture pour l'appliquer à tous les clips ou à un seul clip dans le menu **Réglages**. En mode **Un seul**, le dernier clip enregistré est affiché lorsque vous appuyez sur le bouton de lecture.

CONSEIL Balayez l'écran de la URSA Broadcast G2 vers le haut ou vers le bas pour masquer les informations d'état pendant la lecture des séquences. Ouvrir le clap pendant la lecture vous permettra de noter dans les métadonnées la qualité du clip que vous êtes en train de lire. Pour plus d'informations, consultez la section « Saisie des métadonnées » de ce manuel.

Lecture en boucle

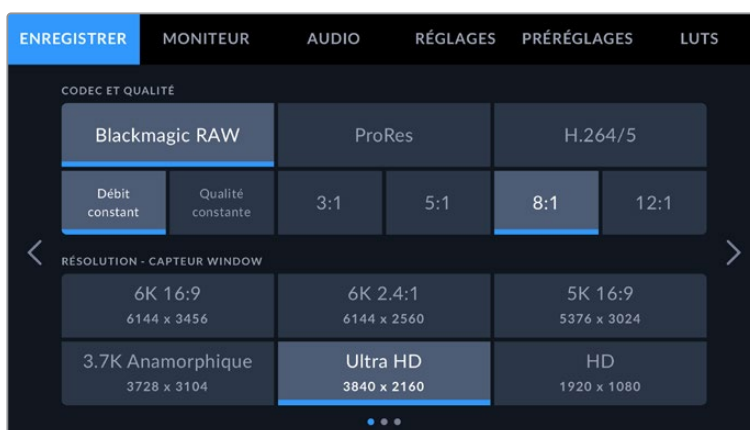
Toucher le bouton de lecture plus d'une fois active la lecture en boucle. La lecture en boucle peut être utile pour continuer la lecture d'un même clip continuellement, ou pour lire en boucle tous les clips de la timeline.

Lire en boucle		Une fois que le clip est en cours de lecture, appuyez à nouveau sur le bouton de lecture pour que la caméra lise le clip en boucle.
Tout lire en boucle		Touchez à nouveau le bouton de lecture pour lire tous les clips enregistrés en boucle.
Lire		Touchez à nouveau le bouton de lecture pour revenir à une lecture en temps réel.

Paramètres

Menu de navigation

Appuyez sur le bouton **Menu** de la URSA Broadcast G2 pour afficher le menu de navigation. C'est un menu à onglet qui contient des paramètres auxquels vous n'avez pas accès depuis l'écran de la URSA Broadcast G2. Les paramètres sont regroupés par fonction au sein des onglets **Enregistrer**, **Moniteur**, **Audio**, **Réglages**, **Préréglages** et **LUTS**. Certains onglets, tels que **Enregistrer**, **Moniteur** et **Réglages** contiennent plusieurs pages. Vous pouvez passer d'une page à l'autre en appuyant sur les flèches situées de part et d'autre de l'écran de paramétrage, ou en balayant l'écran vers la gauche ou vers la droite, comme sur un smartphone ou une tablette.



Touchez les intitulés **Enregistrer**, **Moniteur**, **Audio**, **Réglages**, **Préréglages** et **LUTS** pour vous déplacer entre les différents onglets du menu de navigation.

Paramètres d'enregistrement

L'onglet **Enregistrer** permet de régler le format vidéo, le codec et la résolution, ainsi que d'autres paramètres qui affectent les séquences enregistrées avec la URSA Broadcast G2, tels que la sélection de la carte et la netteté de l'image. Ce menu possède trois pages. Vous pouvez passer d'une page à l'autre en touchant les flèches situées de part et d'autre de l'écran, ou en balayant l'écran vers la gauche ou vers la droite.

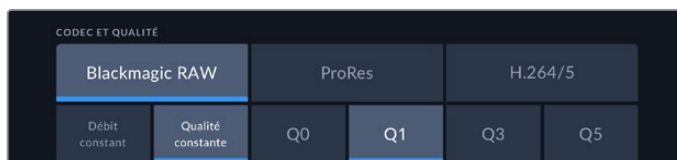
Paramètres d'enregistrement 1

La première page de l'onglet **Enregistrer** contient les paramètres suivants.



Codec et qualité

Le menu **Codec et Qualité** est réparti sur deux rangées. La rangée supérieure permet de choisir entre trois familles de codec, Blackmagic RAW, Apple ProRes et H.264/5, tandis que la rangée inférieure permet de choisir les options de qualité. Par exemple, les options de qualité de la famille de codec ProRes sont ProRes HQ et ProRes 422. Les options Blackmagic RAW sont divisées entre quatre paramètres de débit constant et quatre paramètres de qualité constante.



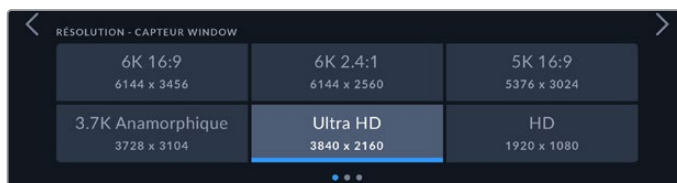
Options de débit constant et de qualité constante du Blackmagic RAW.

CONSEIL La quantité de vidéo que vous pouvez enregistrer sur le support de stockage de la URSA Broadcast G2 augmente lorsque vous choisissez des codecs qui utilisent une compression plus élevée. Pour obtenir de plus amples informations, consultez les « Tableaux des durées d'enregistrement » dans la section « Enregistrement » de ce manuel.

Résolution

Ce paramètre fonctionne en corrélation avec le paramètre **Codec**. Utilisez-le pour sélectionner la résolution en fonction du format d'enregistrement.

Par exemple, si vous souhaitez enregistrer des clips Ultra HD en ProRes HQ, sélectionnez **ProRes** et **HQ** dans le menu **Codec et Qualité**, puis **Ultra HD** dans le menu **Résolution**.



Options de résolution du Blackmagic RAW.

REMARQUE La Blackmagic URSA Broadcast G2 supporte le Blackmagic RAW dans toutes les résolutions, l'Apple ProRes en Ultra HD et HD, le H.265 en Ultra HD et le H.264 en HD.

Paramètres d'enregistrement 2

La deuxième page de l'onglet **Enregistrer** contient les paramètres suivants.



Plage dynamique

Ajustez le paramètre **Plage dynamique** en touchant les icônes de la plage dynamique. La URSA Broadcast G2 possède trois paramètres de plage dynamique :

Video	Le paramètre Video est le meilleur choix pour enregistrer un rendu très contrasté et saturé pour une exportation directe ou un traitement minimal en post. Ce paramètre utilise les roues primaires Rec.709 et un agréable roll off dans les hautes lumières. C'est une bonne option pour obtenir un point de départ précis avec une courbe de gamma agréable et la possibilité d'étalonner les images.
Ext Video	Ce paramètre repose sur le Blackmagic Wide Gamut avec le contraste et la saturation appliqués. Les différences les plus notables par rapport au mode Video viennent de l'axe magenta/vert moins saturé, ce qui est plus courant sur la pellicule.
Film	Le paramètre Film capture de la vidéo à l'aide d'une courbe logarithmique. Ce mode d'enregistrement vous offre la meilleure plage dynamique et exploite au maximum les informations de votre signal vidéo pour vous aider à tirer le meilleur parti des logiciels d'étalonnage, tels que DaVinci Resolve.

Lorsque vous utilisez la plage dynamique **Video** ou **Extended Video**, assurez-vous que le paramètre **Afficher LUT** est désactivé sur les sorties du moniteur, LCD, SDI avant ou SDI principale.

Si le paramètre **Afficher LUT** est activé, l'icône LUT s'affichera à l'écran et les images apparaîtront plus saturées et contrastées. Pour en savoir plus sur l'affichage des LUTs, veuillez consulter la section « Moniteur » de ce manuel.

Surface du capteur

Ce paramètre est disponible lorsque vous filmez avec des codecs vidéo ProRes, H265 et H.264. Il vous permet d'utiliser la surface complète du capteur 6K ou une plus petite zone de celle-ci. Choisir une surface de capteur plus grande, comme 5.3K ou 6K, vous offrira un champ visuel plus large, alors qu'une plus petite zone du capteur, comme 2.7K, vous offrira des options de fréquence d'images plus élevées. Il est important de mentionner que lorsque vous choisissez une plus petite zone, seul le centre du capteur de la caméra est utilisé. Ainsi, le champ de vision de l'objectif sera plus étroit à cause du rognage encouru.

Lorsque vous utilisez des objectifs broadcast avec la monture B4 de la URSA Broadcast G2, veillez à ce que la surface du capteur soit réglée sur 4K, car c'est la zone de l'image couverte par ces objectifs. Comme la surface du capteur 5.3K et 6K fait environ la taille du Super 35, elle est compatible avec la plupart des objectifs à monture EF, F et PL.

Pour plus d'informations sur les formats Full et Window, veuillez consulter la section « Fréquences d'images maximales du capteur ».

Fréquence d'images du projet

La fréquence d'images du projet représente la fréquence d'images du format d'enregistrement de la caméra. Ce paramètre propose une sélection de fréquences d'images couramment utilisées dans l'industrie du cinéma et de la télévision. Par exemple, 23,98 images par seconde en Ultra HD au format ProRes HQ. En général, on fait coïncider la fréquence d'images avec la vitesse de lecture et la synchronisation audio utilisées dans le workflow de postproduction.

La Blackmagic URSA Broadcast G2 possède 8 paramètres de fréquence d'images dont 23.98, 24, 25, 29.97, 30, 50, 59.94 et 60 im/s.

REMARQUE La fréquence d'images du projet modifie énormément le rendu de la séquence. Dans les environnements broadcast, les fréquences d'images les plus utilisées sont de 50, 59,94, ou 60 images par seconde. Ces fréquences assez élevées sont idéales pour capturer des mouvements fluides et pour rendre la lecture moins saccadée lorsque vous déplacez la caméra.

Les fréquences d'images basses, comme 24 ou 25 images par secondes, sont les plus utilisées pour le cinéma. Elles offrent un rendu cinématographique, mais vous devrez effectuer des mouvements de caméra plus lents afin d'éviter les saccades.

Enregistrement Off Speed

Par défaut, les fréquences d'images du projet et du capteur de la URSA Broadcast G2 correspondent pour que le clip soit lu en vitesse normale. Toutefois, vous pouvez régler la fréquence d'images du capteur indépendamment en touchant le commutateur du paramètre **Rec. off speed**. Cette option est uniquement disponible lorsque vous enregistrez avec les codecs Blackmagic RAW et ProRes.

Fréquence d'images off speed

Lorsque le paramètre **Enregistrement off speed** est activé, touchez les flèches situées au sein du paramètre **Fréq. images off speed** pour régler la fréquence d'images du capteur de la URSA Broadcast G2.

La fréquence d'images du capteur vous permet de régler le nombre d'images par seconde que le capteur enregistre. Cette fréquence d'images détermine la vitesse de lecture de votre vidéo en fonction de la fréquence d'images de projet choisie.

Pour plus d'informations concernant les fréquences d'images off speed, consultez le paragraphe « Images par seconde » de la section « Fonctionnalités de l'écran tactile » de ce manuel.

REMARQUE Pour obtenir plus d'informations sur les fréquences d'images maximales disponibles avec chaque format d'enregistrement et avec chaque codec, consultez le tableau « Fréquences d'images maximales du capteur » dans la section « Enregistrement » de ce manuel.

Support préféré pour enregistrer

Utilisez ce paramètre pour sélectionner le support sur lequel la URSA Broadcast G2 va enregistrer en premier lorsque plusieurs logements sont utilisés. Les options sont **Carte 1**, **Carte 2**, **USB**, et **Le plus plein**. Choisissez l'option **Carte 1** ou **Carte 2** selon votre préférence. Toutefois, si vous prenez l'habitude d'utiliser toujours la même option, vous saurez alors rapidement quelle carte doit être changée en premier lorsque la première carte est pleine. L'option **La plus pleine** facilite le regroupement de fichiers de façon chronologique lorsque vous filmez un projet à l'aide d'une seule caméra. Le paramètre **La plus pleine** est basé sur le pourcentage d'espace utilisé sur votre support plutôt que sur sa taille ou la quantité de données utilisées.

Le paramètre sélectionné s'applique dès qu'une carte CFast, SD ou qu'un SSD est inséré, mais aussi lorsqu'un disque flash USB est connecté. Vous pouvez modifier ce paramètre à tout moment dans le gestionnaire de stockage en sélectionnant une carte différente. Il est important de préciser que le fait d'éjecter et de réinsérer des cartes rétablira le paramètre **Support préféré pour enregistrer** actuel.

Enregistrer en RAW sur

Enregistrer en RAW sur deux cartes vous permet d'enregistrer des clips en très haute résolution à des fréquences d'images élevées et à des taux de compression plus bas. Il suffit d'insérer deux cartes CFast ou SD et d'activer l'option **Enregistrer RAW sur 2 cartes**. Comme cette option repose sur un enregistrement séquentiel sur les deux cartes, le débit de données de la carte la plus lente représente un facteur contraignant. Nous vous recommandons donc d'utiliser deux cartes ayant les mêmes spécifications ou des spécifications similaires.

Vous pouvez également utiliser une carte CFast dans le logement 1 ou 2 et un disque flash USB-C dans le logement 3. Lorsque vous utilisez l'option **2 cartes**, la limite de vitesse est deux fois plus élevée que le débit de données de la carte la plus lente.

Fusionner les fichiers pour le montage

Vous pouvez copier les fichiers .BRAW et .BRAW2 de vos deux cartes mémoire dans le même dossier sur votre ordinateur, et DaVinci Resolve les regroupera en un seul clip lorsque vous les importerez dans votre bibliothèque de médias. Quand les fichiers .BRAW et .BRAW2 sont séparés, les clips peuvent être lus indépendamment à une fréquence d'images deux fois moins élevée. Pour lire un fichier .BRAW2 de façon indépendante, changez l'extension du fichier de .BRAW2 à .BRAW.

CONSEIL Vous pouvez utiliser le gestionnaire de médias de DaVinci Resolve pour associer un fichier .BRAW et un fichier .BRAW2 en un unique clip indépendant.

Associer des fichiers .BRAW garantit qu'ils ne puissent pas être séparés. Cela peut être utile pour la gestion des médias ou si vous devez envoyer des fichiers à un autre monteur.

Pour plus d'informations à ce sujet, consultez la section « Using Media management » du manuel DaVinci Resolve.

Paramètres d'enregistrement 3

La troisième page de l'onglet **Enregistrer** contient les paramètres suivants.



Timelapse

Ce paramètre active la fonction Timelapse qui permet l'enregistrement automatique d'une image fixe aux intervalles suivants :

Images	2 - 10
Secondes	1 – 10, 20, 30, 40, 50
Minutes	1 - 10

Par exemple, vous pouvez régler votre caméra pour enregistrer une image fixe toutes les 10 images, 5 secondes, 30 secondes, 5 minutes, etc.

La fonction Timelapse offre de nombreuses options créatives. Par exemple, lorsque vous réglez l'intervalle de temps sur 2 images, vous obtiendrez un effet d'accélééré lors de la lecture de votre vidéo.

Le format de chaque image fixe est basé sur votre format d'enregistrement, ainsi si vous configurez la caméra sur un enregistrement en Ultra HD ProRes HQ, le paramètre Timelapse conservera ce format. La fréquence d'images sera basée sur la fréquence d'image de votre projet. Vos séquences en accéléré pourront alors facilement s'intégrer à votre workflow de post-production.

Lorsque vous enregistrez des séquences en mode Timelapse, le compteur du timecode se met à jour à chaque fois qu'une image vidéo est enregistrée.



Lorsque votre URSA Broadcast G2 est en mode Timelapse, une icône s'affiche sur le bouton d'enregistrement.

Netteté image

Ce paramètre permet de régler la netteté de l'image de la URSA Broadcast G2. Lorsque ce paramètre est activé, augmentez et diminuez le niveau de netteté en sélectionnant **Faible**, **Modéré** ou **Élevé**.

Lorsque ce paramètre est activé, il est appliqué sur les vidéos ProRes capturées par la caméra et sur la sortie SDI de la URSA Broadcast G2.

Ce réglage est principalement destiné à la production en direct pour laquelle il est impossible de passer par la post-production. Si vous comptez beaucoup retravailler ou étalonner l'image en post-production, nous vous recommandons de désactiver ce réglage. Ainsi, ce paramètre ne s'applique pas aux fichiers Blackmagic RAW, car ils nécessitent d'importants travaux de post-production.

CONSEIL Lorsque vous traitez vos fichiers Blackmagic RAW, vous pouvez obtenir un niveau de netteté comparable en utilisant l'outil de réglage de la netteté et du flou disponible sur la page **Étalonnage** de DaVinci Resolve.

Réglez le rayon de l'outil à 0,48 et ajustez l'échelle à 0,6, 0,3 ou 0,15 pour obtenir une netteté comparable aux réglages **Élevé**, **Modéré** ou **Faible**.

Pour plus d'informations sur le réglage de la netteté en post-production, consultez la section « Motion effects palette and blur palettes » du manuel complet DaVinci Resolve.

Si perte d'images

Utilisez le paramètre d'arrêt de l'enregistrement lors d'une perte d'images pour configurer la réponse de la URSA Broadcast G2 lorsqu'une perte d'images est détectée. Le paramètre activé, l'indicateur de perte d'images s'affichera sur l'écran tactile LCD et l'enregistrement se poursuivra avec la perte d'images. Lorsqu'il est réglé sur « arrêter l'enregistrement », l'enregistrement s'arrête lorsqu'une perte d'images est détectée. Cela vous évitera de perdre du temps à filmer des séquences inutilisables si vous n'avez pas remarqué l'indicateur de perte d'images.

CONSEIL Consultez les sections « Choisir une carte CFast 2.0 », « Choisir une carte SD », « Choisir un SSD rapide » et « Choisir un disque flash USB-C rapide » pour comprendre comment éviter les pertes d'images.

Appliquer une LUT dans un fichier

Si vous appliquez une LUT à une sortie de votre URSA Broadcast G2, la LUT sélectionnée sera intégrée au fichier Blackmagic RAW que vous enregistrez.

La LUT sera sauvegardée dans l'en-tête du fichier et vous pourrez facilement l'appliquer au clip en post-production, sans avoir à gérer un fichier séparé. Lorsque la fonction **Appliquer LUT dans fichier** est activée dans le menu, le clip s'ouvrira dans le Blackmagic RAW Player et dans DaVinci Resolve avec la LUT sélectionnée. Vous pouvez activer ou désactiver l'application de la LUT, mais elle sera toujours présente dans le fichier Blackmagic RAW.

DaVinci Resolve comprend également une fonction **Appliquer une LUT** dans ses paramètres, pour activer ou désactiver la LUT 3D dans le fichier Blackmagic RAW. La fonction **Appliquer une LUT** dans DaVinci Resolve est la même que dans la caméra. Ainsi, quand vous filmez, vous pouvez demander à l'étalonneur d'utiliser une LUT depuis la caméra. Mais vous pourrez facilement désactiver cette LUT dans DaVinci Resolve en réglant **Appliquer une LUT** sur **Off**.

Enregistrer LUT sur clip

L'option **Enregistrer LUT sur clip** est disponible lorsque vous filmez en ProRes, H.265 ou H.264. Avec la Blackmagic URSA Broadcast G2, vous ne pouvez pas appliquer ou intégrer de LUTs par défaut sur des clips enregistrés. Pour intégrer une LUT à vos clips, activez le bouton du paramètre **Enregistrer LUT sur clip**.

C'est une option pratique lorsque vous n'avez pas le temps d'effectuer l'étalonnage en post-production, ou quand vous devez fournir les images directement à un client ou au monteur. Pour plus d'informations, consultez les sections « LUTs 3D » et « Commandes de l'écran tactile ».

Correction de l'objectif

Le bord des images capturées par un objectif zoom broadcast comporte souvent des aberrations chromatiques. C'est particulièrement visible sur des images à contraste élevé et avec des objectifs B4 peu onéreux dont la plage de zoom est très étendue. La fonction de correction de l'objectif de la URSA Broadcast G2 vous permet de corriger ces défauts sur les objectifs broadcast B4 et PL. Par défaut, celle-ci est activée lorsque la caméra détecte les informations nécessaires sur l'objectif broadcast.

Convention de dénomination des fichiers

Les clips sont enregistrés au format Blackmagic RAW, Apple ProRes et MP4 en fonction du format d'enregistrement que vous avez choisi.

Le tableau ci-dessous présente un exemple de la convention de dénomination des fichiers :

A001_08151512_C001.mov	Nom du fichier QuickTime Movie
A001_08151512_C001.mov	Identifiant de la caméra
A001 _08151512_C001.mov	Numéro de la bobine
A001_ 08 151512_C001.mov	Mois
A001_08 15 1512_C001.mov	Jour
A001_0815 15 12_C001.mov	Heure
A001_081515 12 _C001.mov	Minute
A001_08151512_ C001 .mov	Numéro de clip

Les fichiers d'images fixes capturées au format DNG à l'aide du bouton Still seront enregistrés selon la convention de dénomination des fichiers relative aux clips vidéo. Toutefois, les quatre derniers caractères du nom de fichier porteront le numéro de l'image, par exemple **S001**, au lieu du numéro du clip. Pour plus d'informations, consultez la section « Commandes de l'écran d'état LCD » de ce manuel.

Onglet Moniteur

L'onglet **Moniteur** vous permet d'ajuster les informations à l'écran et d'autres options de monitoring pour l'écran tactile ainsi que pour les sorties SDI avant et principale de la URSA Broadcast G2. Les options sont organisées par sortie entre **LCD**, **SDI avant** ou bien **SDI principale**. Chacun de ces menus possède cinq pages. Vous pouvez passer d'une page à l'autre en touchant les flèches situées de part et d'autre de l'écran, ou en balayant l'écran vers la gauche ou vers la droite.

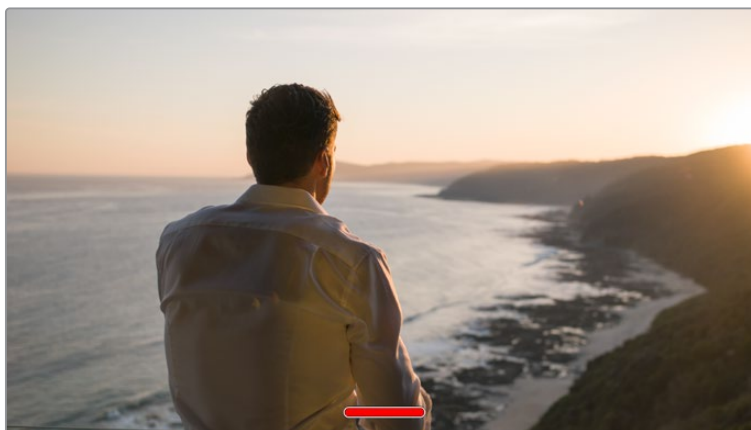
Paramètres de l'onglet Moniteur - Page 1

La première page de l'onglet **Moniteur** contient des paramètres identiques pour chaque sortie. Par exemple, vous pouvez activer le zébra sur l'écran tactile, mais le désactiver sur les sorties SDI avant et principale.



Clean Feed

Touchez le bouton **Clean Feed** dans les menus **LCD**, **SDI avant** et **SDI principale** pour désactiver les informations à l'écran de la sortie correspondante, excepté le voyant d'enregistrement tally.



L'écran tactile de la URSA Broadcast G2 affiche le voyant d'enregistrement tally, même en mode Clean Feed.

REMARQUE Les LUTs seront appliquées aux sorties pour lesquelles le paramètre **Clean Feed** est activé. Pour désactiver les LUTs, il suffit de désactiver le bouton **Afficher LUT** dans le menu **Moniteur** pour la sortie correspondante.

Afficher LUT 3D

La URSA Broadcast G2 peut appliquer des LUT 3D à n'importe quelle sortie pour lui donner un rendu de séquence étalonnée. C'est très pratique lorsque vous filmez avec une plage dynamique Film, car elles produisent des images peu contrastées.

Si la URSA Broadcast G2 possède une LUT active, utilisez ce paramètre pour appliquer cette LUT à la sortie de votre choix.

REMARQUE Pour plus d'informations sur le chargement et l'utilisation des LUTs 3D, consultez la section **LUTS** de ce manuel.

Zébra

Touchez le bouton **Zébra** dans les menus **LCD**, **SDI avant** et **SDI principale** pour activer le zébra sur ces sorties. Pour plus d'informations sur le zébra et la configuration des niveaux de zébra, consultez la section « Caractéristiques de l'écran tactile » de ce manuel.

Focus Assist

Touchez le bouton **Focus Assist** dans les menus **LCD**, **SDI avant** et **SDI principale** pour activer l'aide à la mise au point sur ces sorties. Pour plus d'informations sur l'aide à la mise au point et la configuration des niveaux de l'aide à la mise au point, consultez la section « Caractéristiques de l'écran tactile » de ce manuel.

Repères de cadrage

Touchez le bouton **Repères de cadrage** dans les menus **LCD**, **SDI avant** et **SDI principale** pour activer les repères de cadrage sur ces sorties. Pour plus d'informations sur les repères de cadrage et leur sélection, consultez la section « Caractéristiques de l'écran tactile » de ce manuel.

Grilles

Touchez le bouton **Grilles** dans les menus **LCD**, **SDI avant** et **SDI principale** pour activer la grille de composition selon la règle des tiers sur ces sorties. Pour plus d'informations sur la grille de composition selon la règle des tiers, consultez la section « Caractéristiques de l'écran tactile » de ce manuel.

Zone de sécurité

Touchez le bouton **Zone de sécurité** dans les menus **LCD**, **SDI avant** et **SDI principale** pour activer la zone de sécurité sur ces sorties.

Pour plus d'informations sur la zone de sécurité et la configuration de sa valeur, consultez la section « Caractéristiques de l'écran tactile » de ce manuel.

Fausses couleurs

Touchez le bouton **Fausses couleurs** dans les menus **LCD**, **SDI avant** et **SDI principale** pour activer les fausses couleurs sur ces sorties.

Pour plus d'informations sur les fausses couleurs, consultez la section « Caractéristiques de l'écran tactile » de ce manuel.

Paramètres de l'onglet Moniteur - Page 2

La deuxième page de l'onglet **Moniteur** contient des paramètres qui varient en fonction de la sortie sélectionnée.



LCD, SDI avant et SDI principale

Info. état

Il est pratique de pouvoir masquer les informations d'état et les vumètres affichés sur les sorties LCD, SDI avant et principale et ainsi conserver uniquement les informations nécessaires à la composition du plan. Touchez le bouton **Info. état** dans les menus **LCD**, **SDI avant** ou **SDI principale** du moniteur pour activer ou désactiver les informations d'état et les vumètres sur cette sortie. Les autres informations à l'écran, telles que les repères de cadrage, la grille, l'aide à la mise au point et le zébra resteront visibles, s'ils sont actifs.

Vous pouvez également balayer l'écran tactile de la URSA Broadcast G2 vers le haut ou vers le bas pour obtenir le même résultat.

Décompression anamorphique

Lorsque vous tournez avec des objectifs anamorphiques, l'image est étirée horizontalement sur les sorties de prévisualisation de la URSA Broadcast G2 ainsi que sur les fichiers enregistrés. Lorsque vous activez le paramètre **Décompression anamorphique**, l'image de prévisualisation de la URSA Broadcast G2 est corrigée. De plus, la valeur de la correction est enregistrée dans les métadonnées du clip afin de faciliter la correction en post.

La valeur de la correction varie selon le réglage de la résolution de la URSA Broadcast G2. Toutefois, l'image obtenue sera toujours au format écran large 2.4:1.

Les objectifs anamorphiques conçus pour le tournage de films ont en général un coefficient d'étirement de 2x. La résolution 3.7K anamorphosée de la URSA Broadcast G2 est conçue pour être utilisée avec ces objectifs. La caméra effectue une correction d'étirement de 2x lorsqu'elle est réglée sur cette résolution et que le paramètre **Décompression anamorphique** est activé.

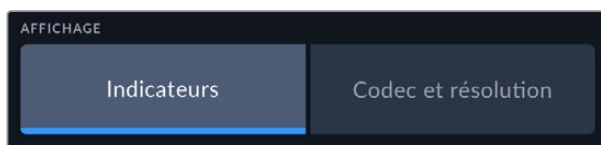
Les objectifs anamorphiques conçus pour les capteurs d'image numérique 16:9 utilisent souvent un coefficient d'étirement de 1.33x afin de produire des images au format écran large 2.4:1 à partir de l'intégralité du capteur 16:9. Par conséquent, lorsque la URSA Broadcast G2 est réglée sur des résolutions 16:9 telles que **4K 16:9** et **HD 16:9**, la décompression anamorphique devrait être réglée sur **1.33x**.

CONSEIL Si votre image est étirée horizontalement lorsque vous tournez avec un objectif sphérique standard, vérifiez que le paramètre **Décompression anamorphique** n'est pas activé.

LCD seulement

Affichage

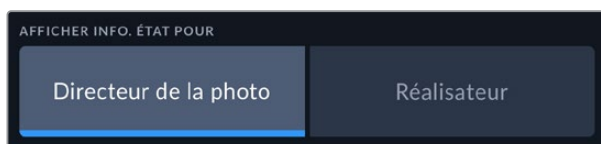
Au lieu de l'histogramme et des vumètres, la URSA Broadcast G2 peut afficher les informations relatives au codec et à la résolution dans les coins gauche et droit de l'écran tactile. C'est très pratique si vous préférez utiliser les fausses couleurs pour régler l'exposition ou si vous enregistrez l'audio séparément et souhaitez afficher des informations supplémentaires à l'endroit où l'histogramme et les indicateurs audio sont normalement affichés. Pour sélectionner l'affichage souhaité, il suffit de toucher les paramètres **Indicateurs** ou **Codec et résolution** dans le menu **LCD**.



SDI avant et SDI principale

Affichage des informations d'état destinées au directeur de la photo ou au réalisateur

L'écran tactile affiche des informations telles que l'ISO, la balance des blancs et l'ouverture. Ces informations sont pratiques pour le cameraman ou le directeur de la photo qui doivent régler des plans individuels sur la caméra. Toutefois, la sortie SDI peut également afficher des informations utiles au réalisateur ou au scripte qui doivent garder l'œil sur plusieurs plans ou caméras.



Lorsque vous réglez les informations d'état sur **Réalisateur** au sein des paramètres **SDI avant** ou **SDI principale** de l'onglet **Moniteur**, les informations d'état suivantes s'affichent :

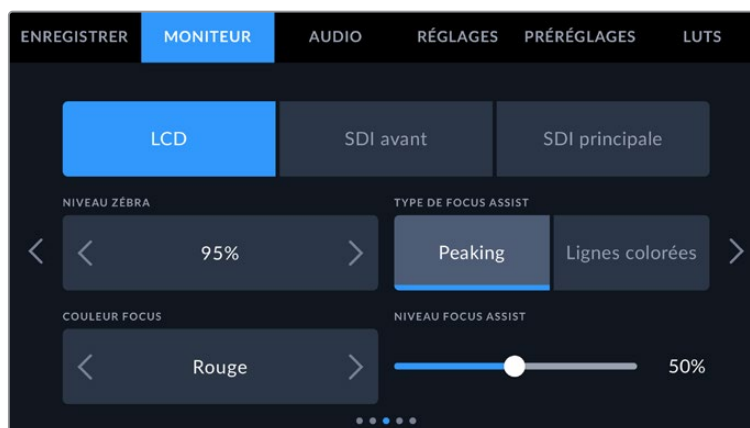
- **Im/s**
Affiche la fréquence d'images sélectionnée. Si le paramètre **Rec. off speed** est désactivé, seule la fréquence d'images du projet est affichée. Si le paramètre **Rec. off speed** est activé, la fréquence d'images du capteur s'affiche, suivie de la fréquence d'images du projet.
- **CAM**
Affiche l'identifiant de la caméra, comme réglé sur le clap de la URSA Broadcast G2. Pour plus d'information, consultez la section « Clap » de ce manuel.
- **OPÉRATEUR**
Identifie le cameraman, comme réglé sur le clap de la URSA Broadcast G2. Pour plus d'information, consultez la section « Clap » de ce manuel.
- **AFFICHAGE DE LA DURÉE**
Affiche la durée du clip en cours d'enregistrement, ou du dernier clip enregistré au format : heures:minutes:secondes.
- **BOBINE, SCÈNE, PRISE**
Affiche la bobine, la scène et la prise en cours. Pour plus d'informations sur la création des libellés bobine, scène et prise, consultez la section « Clap » de ce manuel.
- **PLAGE DYNAMIQUE**
La LUT appliquée à la sortie en cours est affichée dans le coin inférieur gauche de l'écran. Lorsqu'aucune LUT n'a été appliquée, la plage dynamique affiche **Film** ou **Video**.

- **TIMECODE**

Le timecode de la URSA Broadcast G2 est affiché en heures:minutes:secondes:images dans le coin inférieur droit de l'écran.

Paramètres de l'onglet Moniteur - Page 3

La troisième page de l'onglet **Moniteur** contient des paramètres identiques pour chaque sortie. Ces paramètres agissent globalement sur les trois sorties de monitoring. Par exemple, si le focus assist est activé sur l'écran LCD de votre Blackmagic URSA G2, sur les sorties **avant SDI** et **SDI principale**, changer le type d'aide à la mise au point de **Peaking** à **Lignes colorées** aura un impact sur les trois sorties.



Niveau zébra

Réglez le niveau d'exposition à partir duquel le zébra apparaît en touchant les flèches situées de part et d'autre du paramètre. Huit préréglages sont disponibles : de gris moyen à 100 % d'exposition.

Pour plus d'informations, consultez le paragraphe « Zébra » de la section « Caractéristiques de l'écran tactile ».

Type de focus assist

La caméra URSA Broadcast G2 intègre deux modes d'aide à la mise au point : **Peaking** et **Lignes colorées**.

- **Peaking**

Lorsque le mode **Peaking** est sélectionné, les zones de l'image qui sont très nettes sur l'écran tactile ou les sorties SDI ne le seront pas sur l'image enregistrée. À l'écran, les zones nettes de l'image ressortent clairement contre l'arrière-plan. Comme il n'y a pas d'autres informations affichées à l'écran, c'est une façon intuitive de savoir si la mise au point a été effectuée, car le sujet sur lequel vous focalisez est séparé des autres éléments du plan.

- **Lignes colorées**

Lorsque le mode **Lignes colorées** est sélectionné, une ligne de couleur s'affiche sur les zones nettes de l'image. Ce mode est un peu plus visible que le mode **Peaking**, car les lignes sont superposées à l'image. Cependant, c'est une aide à la mise au point précise pour les plans qui comportent de nombreux éléments.

Couleur Focus

Utilisez ce paramètre pour changer la couleur de la ligne de mise au point lorsque vous êtes en mode **Lignes colorées**. Modifier la couleur de cette ligne peut faciliter l'aide à la mise au point. Les options disponibles sont **Blanc**, **Rouge**, **Vert**, **Bleu** et **Noir**.

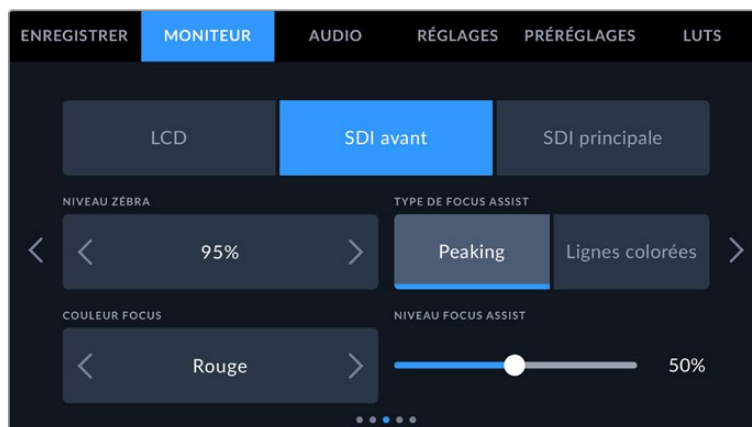
Niveau Focus Assist

Pour régler le niveau d'aide à la mise au point pour votre écran tactile, SDI avant et SDI principale, déplacez le curseur de gauche à droite.

CONSEIL Le niveau optimal d'aide à la mise au point peut varier selon les plans. Par exemple, lorsque vous effectuez la mise au point sur les acteurs, un niveau d'aide plus élevé permet de bien définir le contour du visage. En revanche, si vous réglez un niveau élevé sur un plan représentant du feuillage ou un mur de briques, vous allez sans doute obtenir trop d'informations nettes.

Paramètres de l'onglet Moniteur - Page 4

La quatrième page de l'onglet **Moniteur** contient des paramètres identiques pour chaque sortie. Ces paramètres agissent globalement sur les trois sorties de monitoring de votre caméra.



Repères de cadrage

Touchez les flèches gauche et droite du paramètre **Repères de cadrage** afin de choisir entre les options de repères de cadrage pour toutes les sorties de la URSA Broadcast G2, y compris les viseurs électroniques tels que le Blackmagic URSA Viewfinder. Ces options sont décrites dans la section « Caractéristiques de l'écran tactile » de ce manuel. Vous pouvez également y accéder à partir du menu de monitoring LCD de l'écran LCD tactile.

Zone de sécurité

Pour modifier la taille de la zone de sécurité sur l'écran tactile, la sortie SDI avant et la sortie SDI principale de la URSA Broadcast G2, touchez les flèches situées de part et d'autre de ce paramètre. Le pourcentage indique la taille de la zone de sécurité par rapport au cadre de l'image. La plupart des diffuseurs exigent une zone de sécurité de 90%.

Repères opacité

Touchez les flèches gauche et droite du paramètre **Repères opacité** pour choisir l'opacité des zones délimitées par les repères de cadrage sur l'écran tactile, ainsi que sur les sorties SDI avant et principale. Les options sont 25%, 50%, 75% et 100%.

Repères couleur

Touchez les flèches gauche et droite du paramètre **Repères couleur** afin de choisir une couleur pour les repères.

Grille

Pour régler les grilles et les réticules que vous souhaitez afficher sur l'écran tactile, la sortie SDI avant et la sortie SDI principale de la URSA Broadcast G2, touchez l'option **Tiers**, **Horizon**, **Réticule** ou **Point** de ce paramètre.

Pour plus d'informations, consultez le paragraphe **Grille** dans la section « Commandes de l'écran tactile » de ce manuel.

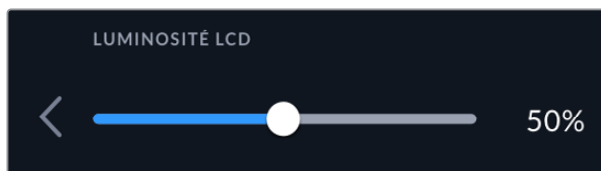
Paramètres de l'onglet Moniteur - Page 5

La cinquième page de l'onglet **Moniteur** contient des paramètres qui varient en fonction de la sortie sélectionnée.

LCD seulement

Luminosité LCD

Déplacez le curseur **Luminosité LCD** vers la gauche ou vers la droite dans le menu **LCD** pour ajuster la luminosité de l'écran tactile de la URSA Broadcast G2.



SDI avant et SDI principale



Sortie SDI

Les deux sorties vous permettent de sélectionner entre une sortie HD progressive ou entrelacée, ou Ultra HD progressive. Les options disponibles au sein de ce paramètre dépendent de la résolution et de la fréquence d'images de la caméra. L'option HD progressive ou **1080p** est toujours disponible, quelles que soient la résolution et la fréquence d'images de l'enregistrement. En revanche, l'option HD entrelacée ou **1080i** est disponible lorsque la fréquence d'images du projet est réglée sur 50, 59.94 ou 60. L'option sortie SDI Ultra HD ou **2160p** est disponible lorsque vous filmez en résolution Ultra HD.

Sortie 3G-SDI

Vous pouvez modifier la norme de la sortie 3G-SDI pour maintenir une compatibilité avec les équipements qui prennent uniquement en charge les signaux 3G-SDI de niveau A ou B. Cette option apparaît seulement si vous opérez à 50, 59,94 ou à 60 images par seconde en 1080p. Touchez **Niveau A** ou **Niveau B** pour sélectionner chaque norme.

Paramètres Audio

L'onglet **Audio** vous permet d'ajuster les paramètres de l'entrée audio et du monitoring sur la URSA Broadcast G2.

Les paramètres de la URSA Broadcast G2 sont regroupés sur deux pages et divisés entre les canaux 1 et 2. Deux canaux supplémentaires seront ajoutés lors d'une mise à jour logicielle ultérieure.

Vous pouvez attribuer une source différente à chaque canal et ajuster divers paramètres.

Ces paramètres fonctionnent de pair avec les interrupteurs situés sur le panneau de contrôle interne de la URSA Broadcast G2. Si besoin, après avoir réglé la source audio d'un canal particulier, vous

pouvez utiliser les interrupteurs du panneau de contrôle interne pour régler le type de signal et pour activer l'alimentation fantôme.

Onglet Audio - Page 1

La première page de l'onglet **Audio** de la URSA Broadcast G2 contient les options suivantes :



Sources des canaux

Utilisez les boutons **Source canal 1** et **Source canal 2** pour sélectionner la source audio de chaque canal audio. Les options disponibles sont :

- **Caméra Gauche ou Droit**
Utilisez ce paramètre pour enregistrer de l'audio à partir des micros internes de la caméra.
- **Caméra Mono**
Utilisez ce paramètre pour enregistrer de l'audio sur un seul canal, à partir des canaux gauche et droit du micro intégré de la URSA Broadcast G2.
- **XLR 1 ou 2**
Utilisez ce paramètre pour enregistrer de l'audio à partir des entrées XLR de la caméra. Selon le signal audio réglé sur les interrupteurs du panneau de contrôle interne de la URSA Broadcast G2, l'entrée XLR s'affiche en tant que **Micro**, **Ligne**, ou **AES**. Lorsque l'alimentation fantôme est activée et que l'entrée XLR est réglée sur **Micro**, l'indicateur **+48V** s'affiche également. Il est important de vérifier que l'interrupteur **+48V** est désactivé lorsque vous déconnectez le micro avec l'alimentation fantôme.
- **XLR 1 ou 2 - Backup Micro**
Utilisez ce paramètre pour enregistrer de l'audio à partir d'un micro branché à l'entrée XLR 1 ou 2 de la URSA Broadcast G2 à un niveau plus bas que celui d'un enregistrement micro standard. Cela permet d'éviter un écrêtage de l'audio lorsque le volume augmente de façon inattendue. Cette fonction est uniquement disponible lorsque l'interrupteur de l'entrée XLR 1 ou 2 est réglé sur **Micro**.
- **Aucun**
Utilisez ce paramètre pour désactiver le canal audio.

Niveau canal 1 et 2

Utilisez ces curseurs pour ajuster les niveaux de l'enregistrement audio sur le canal 1 ou 2. Des vumètres sont affichés au-dessus de chaque curseur pour vous aider à régler le niveau audio approprié. Ces niveaux se mettent à jour lorsque vous ajustez l'audio à l'aide des molettes audio situées sur le panneau de contrôle ergonomique.

Pour obtenir une qualité audio optimale, vérifiez que vos niveaux audio ne dépassent pas 0 dBFS. Il s'agit en effet du niveau maximal auquel la caméra peut enregistrer. L'audio qui dépasse ce niveau sera écrêté et distordu.



Pad XLR -20dB

Le paramètre **Pad Audio By -20dB** vous offre un meilleur contrôle sur la réduction du gain des entrées audio XLR de la URSA Broadcast G2 lorsque vous tournez dans des environnements bruyants, même quand les niveaux de l'entrée ont déjà été réduits.

Pad Micro Cam - 15 dB

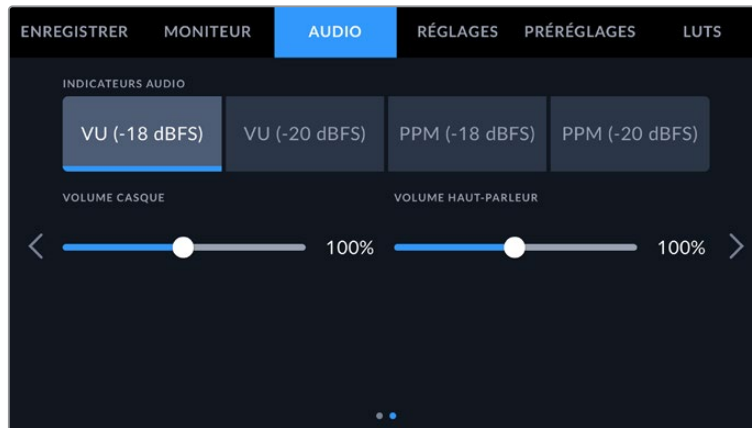
Le paramètre **Pad Audio By -15dB** vous offre un meilleur contrôle sur la réduction du gain de l'entrée micro de la URSA Broadcast G2, lorsque vous tournez dans des environnements bruyants, même quand les niveaux de l'entrée ont déjà été réduits.

Filtre Low Cut Mic. Cam

Touchez l'interrupteur du paramètre **Filtre Low Cut** pour activer le filtre passe-bas sur les micros internes de la caméra. Il permet de réduire le bruit du vent ou les vibrations parasites lors de tournages en extérieur. Pour que ce filtre puisse fonctionner, le paramètre **Pad Micro Cam -15 dB** doit être désactivé.

Onglet Audio - Page 2

La deuxième page de l'onglet **Audio** de la URSA Broadcast G2 contient les options suivantes :



Indicateurs audio

Vous avez le choix entre deux options d'affichage.

VU	Le vumètre, ou mesureur d'unités de volume, affiche une moyenne des crêtes et des creux de votre signal audio. Si vous utilisez le vumètre, ajustez les niveaux d'entrée sur la Blackmagic URSA Broadcast G2 de telle sorte que ce dernier atteigne l'indicateur 0dB. Cela maximise le rapport signal/bruit et vous permet d'obtenir un son de qualité optimale. Si votre audio dépasse l'indicateur 0dB, il y a de fortes chances pour que votre son soit distordu.
PPM	Le crête-mètre comprend une fonction qui maintient momentanément les crêtes du signal, et qui les fait redescendre lentement, ce qui vous permet de visualiser aisément à quel niveau votre audio est écrêté.

Le vumètre et le PPM intègrent un niveau de référence de -18dBFS ou de -20dBFS pour vous permettre d'effectuer votre monitoring audio selon différentes normes de diffusion internationales.

Réglage des indicateurs audio	Norme
PPM (-20 dBFS)	SMPTE RP.0155
PPM (-18 dBFS)	EBU R.68

Niveau du casque

Le curseur de ce paramètre permet d'ajuster les niveaux de la sortie du casque connecté au jack de 3,5mm de la URSA Broadcast G2. Déplacez le curseur audio vers la gauche ou vers la droite pour ajuster les niveaux. Ces niveaux se mettent également à jour lorsque vous ajustez le volume du casque à l'aide de la molette située sur le panneau de contrôle avant.

Niveau du haut-parleur

Ce curseur permet d'ajuster les niveaux de la sortie du haut-parleur intégré à la URSA Broadcast G2. Déplacez le curseur audio vers la gauche ou vers la droite pour ajuster les niveaux. Ces niveaux se mettent également à jour lorsque vous ajustez le volume du haut-parleur à l'aide de la molette située sur le panneau de contrôle avant.

Onglet Réglages

L'onglet **Réglages** contient les paramètres d'identification de la URSA Broadcast G2, la version du logiciel, les paramètres des boutons de fonction et d'autres paramètres de la caméra qui ne sont pas directement liés à l'enregistrement ou au monitoring. Ce menu possède douze pages. Vous pouvez passer d'une page à l'autre en touchant les flèches situées de part et d'autre de l'écran, ou en balayant l'écran vers la gauche ou vers la droite.

Onglet Réglages - Page 1

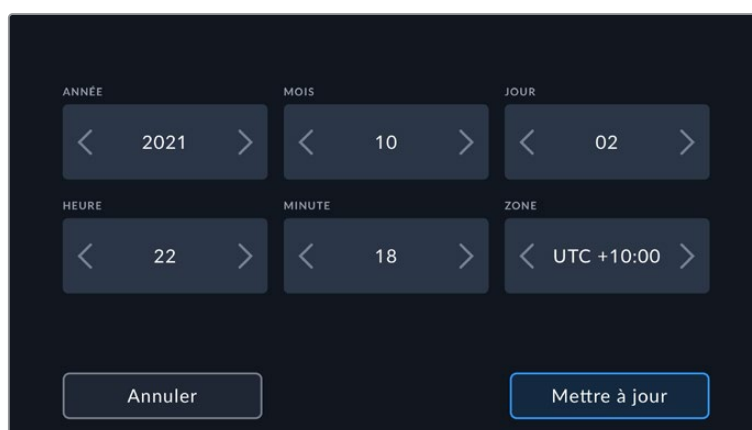
La première page de l'onglet **Réglages** de la URSA Broadcast G2 contient les options suivantes :



Le menu **Réglages** de la URSA Broadcast G2

Date et heure

Touchez l'icône crayon pour régler la date et l'heure sur votre URSA Broadcast G2. Le format de la date est année, mois, jour et le format de l'heure est 24 heures. Ce paramètre est également utilisé pour le timecode sous forme de code horaire lorsqu'aucune source de timecode externe n'est connectée.



Langue

La URSA Broadcast G2 prend en charge 13 langues dont l'anglais, le chinois, le japonais, le coréen, l'espagnol, l'allemand, le français, le russe, l'italien, le portugais, le turc, le polonais et l'ukrainien.

La page de la langue s'affichera également lors du premier démarrage.

Pour choisir la langue :

- 1 Touchez l'icône crayon et sélectionnez la langue dans la liste.
- 2 Touchez **Mettre à jour** pour revenir au menu de configuration.



Mesure obturation

Utilisez ce paramètre pour afficher l'angle d'obturation ou la vitesse d'obturation. Veuillez noter que ces deux mesures ont un effet sur le flou de bougé, mais ne fonctionnent pas de la même manière. Pour plus d'informations sur les mesures d'obturation, consultez la section « Commandes de l'écran tactile » de ce manuel.

Obturation Sans Scintillement Basée Sur

Utilisez ce paramètre pour modifier la fréquence du courant utilisée par la URSA Broadcast G2 pour calculer des angles d'obturation sans scintillement.

Lorsque vous filmez sous un éclairage artificiel, la vitesse d'obturation choisie peut provoquer des scintillements. La URSA Broadcast G2 calcule automatiquement des vitesses d'obturation sans scintillement en fonction de la fréquence d'images sélectionnée et des options d'affichage réglées dans le menu **Vitesse**. Ces vitesses peuvent être modifiées en fonction de la fréquence du courant de votre région. Dans la plupart des pays qui utilisent la norme PAL, cette fréquence est de 50Hz. En revanche, dans les pays qui utilisent la norme NTSC, cette fréquence est de 60Hz. Il suffit de toucher le paramètre **50Hz** ou **60Hz** pour régler la fréquence appropriée pour votre région.

Les caractéristiques de certaines sources lumineuses peuvent provoquer des scintillements même lorsque vous utilisez des valeurs d'obturation sans scintillement. Lorsque vous n'utilisez pas de lumière continue, nous vous recommandons d'effectuer un test avant de commencer le tournage.

Timecode pertes d'images

Utilisez le paramètre **Timecode pertes d'images** pour éliminer quelques images du timecode à intervalle régulier lorsque vous utilisez des fréquences d'images de projet NTSC de 29,97 et 59,94. Le timecode de votre projet sera ainsi toujours correct, bien que chaque seconde ne contienne pas un nombre entier d'images pour les fréquences d'images NTSC.

Affichage Filtre ND

Utilisez ce paramètre pour modifier l'affichage de l'indicateur filtre gris neutre (ND) sur la URSA Broadcast G2. Chaque paramètre correspond à une convention différente. En général, les cinéastes utilisent la notation coefficient ND. Cependant, ceux qui sont habitués aux boîtiers DSLR et aux caméras broadcast ont tendance à préférer le format F-Stop, ou fraction.

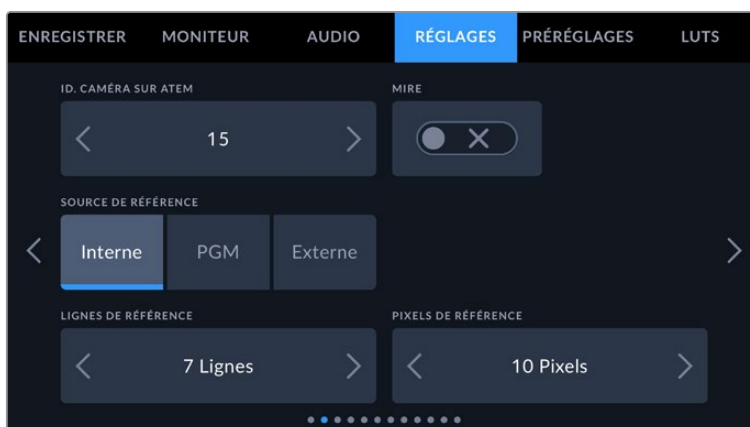
Les options disponibles sont respectivement **Nombre**, **Diaph** et **Fraction**.



Personnalisez l'affichage des informations du filtre ND à partir du menu **Réglages** de la URSA Broadcast G2

Onglet Réglages - Page 2

La deuxième page de l'onglet **Réglages** de la URSA Broadcast G2 contient les options suivantes :



ID. caméra sur ATEM

Si vous utilisez la URSA Broadcast G2 avec un mélangeur ATEM et si vous souhaitez que la caméra reçoive les signaux tally du mélangeur, il vous faudra personnaliser le numéro de la caméra. Cela permettra au mélangeur d'envoyer le signal tally à la bonne caméra. Le numéro de la caméra peut être réglé sur une valeur entre 1-99 en touchant les flèches gauche et droite du paramètre **ATEM Camera ID**. Par défaut, ce paramètre est réglé sur 1.

Mire

Acheminer la mire de barres couleurs plutôt qu'un aperçu de l'image peut s'avérer pratique lorsque vous connectez la URSA Broadcast G2 à un mélangeur ou à un moniteur externe. Lorsque la mire de barres couleurs de la URSA Broadcast G2 apparaît sur le mélangeur ou le moniteur, vous savez que les deux appareils sont connectés. Vous pouvez ainsi calibrer le moniteur selon la mire de barres couleurs. Pour activer la mire de barres couleurs sur toutes les sorties de la URSA Broadcast G2, y compris sur l'écran tactile, il suffit de déplacer le commutateur **Mire**.

Source de référence

Le paramètre **Source de référence** est utilisé pour sélectionner la source de référence. La URSA Broadcast G2 peut être verrouillée sur une source de référence interne ou externe, ou sur le signal de référence de l'entrée du programme d'un mélangeur ATEM. Si vous utilisez la URSA Broadcast G2 avec la fonction Camera Control de l'ATEM, il est important de toujours régler la source de référence sur **Programme**, sauf si le mélangeur et les caméras connectées sont réglés sur une référence externe.

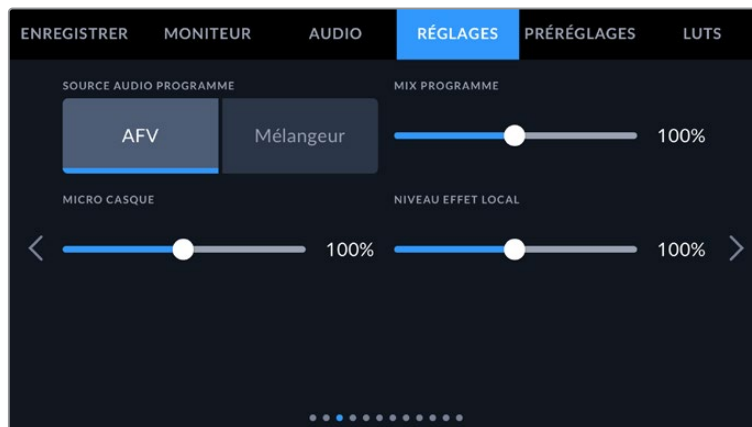
REMARQUE Lorsque vous réglez la source de référence de la URSA Broadcast G2, il se peut qu'une brève perte de signal se produise sur les sorties de la caméra lorsque vous changez de source de référence. Cela se produit car la caméra ajuste son rythme de référence afin qu'il corresponde à celui de la source externe, c'est pourquoi il est important de ne pas modifier ce paramètre durant la production, ou lors des réglages.

Timing de référence

Le paramètre **Timing de référence** vous permet d'ajuster manuellement le timing de référence défini par un nombre de lignes ou de pixels. Pour apporter des modifications, il suffit de toucher les flèches situées de part et d'autre des paramètres **Lignes** et **Pixels**.

Onglet Réglages - Page 3

La troisième page de l'onglet **Réglages** de la URSA Broadcast G2 contient les options suivantes :



Source audio programme

Si vous réglez le paramètre **Source audio programme** sur **Mélangeur** lorsqu'un mélangeur est connecté, la voie de retour audio est mixée en priorité au réseau d'ordres lors du monitoring sur casque. C'est très pratique lorsque vous n'acheminez pas le signal audio de la caméra vers le mélangeur, mais que vous souhaitez écouter le flux de programme provenant du mélangeur via le port **SDI In**. En réglant le paramètre **Source audio programme** sur **AFV**, l'audio provenant des micros internes de la caméra ou des ports **XLR Audio In** est envoyé en priorité. C'est également le paramètre par défaut.

Paramètre Program Mix

Ce paramètre permet de basculer de la balance du son de la caméra à celle du son du réseau d'ordres. Le casque achemine l'audio en fonction du contenu affiché sur l'écran LCD. Par exemple,

si le signal provenant de la caméra est affiché, vous entendrez l'audio provenant de la caméra. Par contre, si c'est le signal du programme qui est affiché, vous entendrez l'audio du programme. Par défaut, ce paramètre est réglé sur 100%.

Micro casque

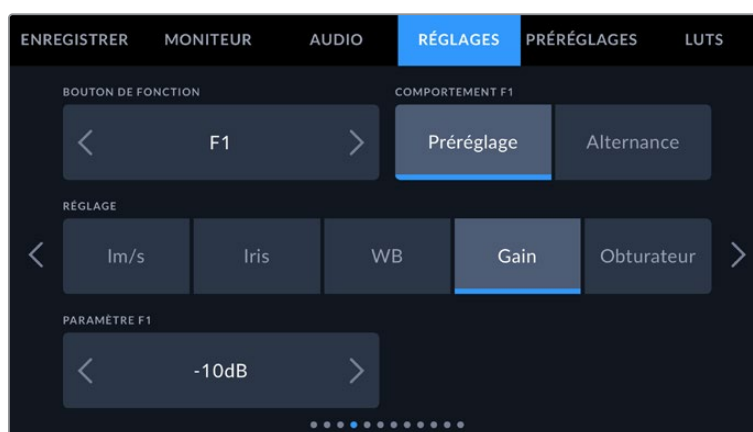
Déplacez le curseur de volume du paramètre **Micro casque** vers la gauche ou vers la droite pour augmenter ou diminuer les niveaux d'entrée audio du micro. Par défaut, ce paramètre est réglé sur 50%.

Niveau effet local

Ajustez ce curseur pour régler le volume du micro dans votre casque.

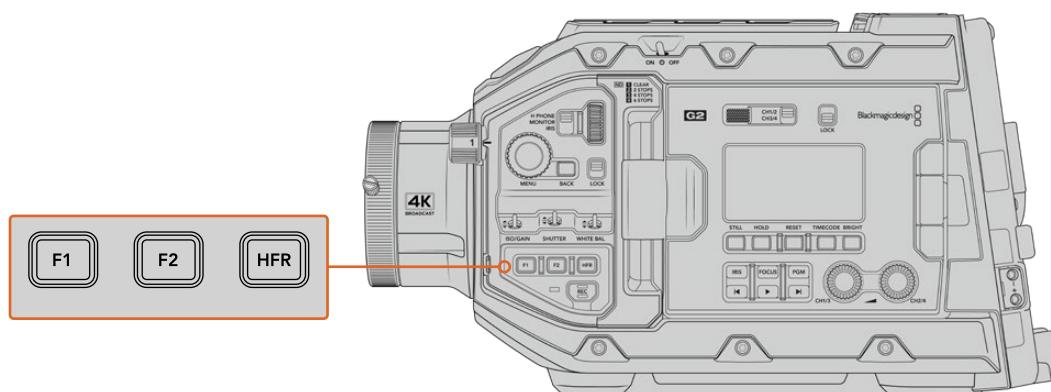
Onglet Réglages - Page 4

La quatrième page de l'onglet **Réglages** de la URSA Broadcast G2 contient les options suivantes :



Réglage des boutons de fonction

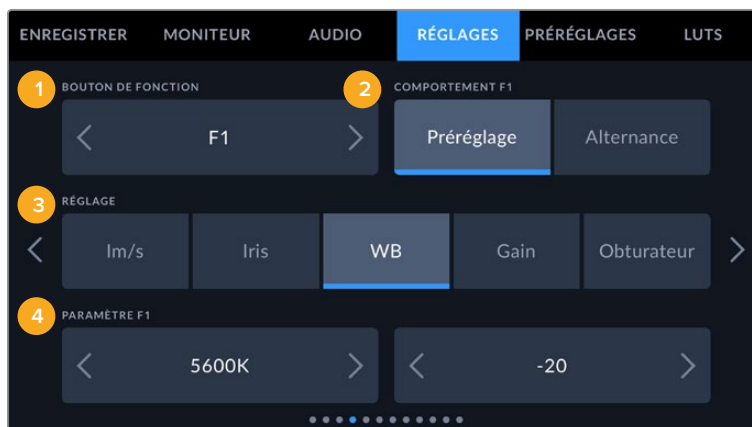
Sur la face externe de l'écran LCD de la URSA Broadcast G2, vous trouverez deux boutons de fonction nommés **F1** et **F2**. Ces boutons peuvent être mappés sur des fonctions fréquemment utilisées et être ainsi facilement accessibles lorsque l'écran tactile de la caméra est fermé, notamment lorsque vous utilisez le viseur URSA Viewfinder. Par défaut, le bouton **HFR** est réglé sur **Rec. off speed**, mais il peut être assigné à d'autres fonctions.



Les boutons **HFR**, **F1** et **F2** de la URSA Broadcast G2 sont situés sur le panneau de contrôle avant.

CONSEIL Si la URSA Broadcast G2 est équipée d'un objectif B4, vous pouvez configurer les boutons **VTR** et **Ret** pour qu'ils servent de boutons de fonction. Tout comme avec les boutons **HFR**, **F1** et **F2**, vous pourrez leur assigner des pré-réglages ou une fonction d'alternance.

Pour configurer ces boutons, utilisez les flèches pour sélectionner un bouton de fonction, puis sa fonction, un paramètre et une valeur pour ce paramètre.



1 Bouton 2 Comportement 3 Réglage 4 Paramètre

Comportement du bouton de fonction

Une fois que vous avez sélectionné le bouton que vous souhaitez mapper, vous pourrez sélectionner une fonction. Les options disponibles sont :

- **Préréglage**

Lorsque vous appuyez sur un bouton réglé sur cette fonction, un paramètre et une valeur sont rappelés en mémoire.

Pour régler un préréglage, sélectionnez le paramètre que vous souhaitez utiliser dans le menu **Réglage**, puis ajustez ce paramètre en touchant les flèches situées de part et d'autre du menu **Paramètre**.

Par exemple, pour régler le bouton F1 sur une balance des blancs en particulier, utilisez les flèches **Boutons de fonctions** pour aller sur **F1**, sélectionnez le comportement **Préréglages**, touchez le paramètre **WB**, puis touchez les flèches situées de part et d'autre du menu **Paramètre** jusqu'à ce que vous obteniez la valeur **WB 5600K** et Teinte **-20**.

- **Alternance**

Lorsque vous appuyez sur un bouton réglé sur cette fonction, le paramètre choisi va être activé ou désactivé. Le menu **Réglage** est grisé lorsque vous utilisez ce mode. Touchez les flèches gauche ou droite dans le menu **Paramètre** pour faire défiler les options disponibles parmi : Clean feed, Afficher LUT, Repères de cadrage, Focus assist, Fausse couleurs, Zébra, Grille, Zone sécurité, Rec. off speed, Enregistrer, Retour programme, Appuyer pour parler, Zoom mise au point et Aucun.

Quand **Zoom mise au point** est activé, vous pouvez utiliser la molette Menu sur le panneau de contrôle avant afin de déplacer la zone du zoom et ajuster le grossissement. Appuyer sur la molette Menu permet de basculer les ajustements de zoom et de grossissement. Pour plus d'informations sur l'utilisation de cette fonction lorsqu'elle est activée sur l'écran LCD, consultez la section « Zoom mise au point ».

La fonction **Alternance** vous permet également de sélectionner la sortie à laquelle ce paramètre s'applique. Pour ce faire, il suffit de sélectionner les sorties désirées à partir des options **LCD**, **SDI avant** et **SDI principale**. Si certaines sorties ne sont pas disponibles avec certaines options, par exemple pour la mire de barres couleurs qui s'applique toujours à toutes les sorties, les paramètres **LCD**, **SDI avant** et **SDI principale** sont désactivés.

Vous pouvez par exemple configurer les boutons **Ret** et **VTR** comme boutons de fonction sur la URSA Broadcast G2 équipée d'un objectif B4. Si l'enregistrement ISO est réalisé sur un HyperDeck, il est assez courant de régler le bouton **VTR** comme fonction **Appuyer pour parler**.



Configuration du bouton **VTR** sur la fonction **Appuyer pour parler** sur un objectif B4.

Onglet Réglages - Page 5

La cinquième page de l'onglet **Réglages** de la URSA Broadcast G2 contient les paramètres pour configurer le Blackmagic Zoom Demand en option. Ces paramètres ne sont actifs que lorsqu'un Blackmagic Zoom Demand est branché à votre URSA Broadcast G2.

Pour savoir comment brancher et utiliser le Blackmagic Zoom Demand, consultez la section « Blackmagic Zoom Demand et Focus Demand » de ce manuel.



Direction du zoom rocker

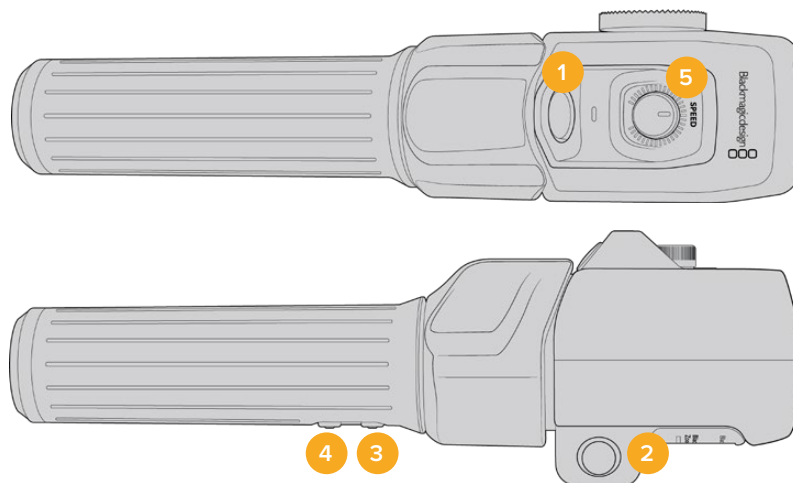
- **Normale**

La direction du zoom rocker par défaut. Poussez le zoom rocker vers la gauche pour dézoomer, et vers la droite pour zoomer.

- **Inversée**

Lorsque la direction du zoom rocker est réglée sur **inversée**, poussez le zoom rocker vers la gauche pour zoomer et vers la droite pour dézoomer.

Le Blackmagic Zoom Demand a quatre boutons de fonction et une molette de vitesse auxquels peuvent être assignés différentes fonctions.



1 Zoom F1 2 Zoom F2 3 Zoom F3 4 Zoom F4 5 Molette de vitesse

Pour attribuer une fonction différente à la molette de vitesse ou à l'un des boutons, choisissez **Mol.** ou un numéro de bouton dans le menu **Bouton de fonction**. Choisissez ensuite une fonction en appuyant sur les flèches de part et d'autre du menu **Paramètre bouton**.

Les paramètres sont les suivants :

Molette de vitesse	Vitesse du zoom, niveau du casque, ajustement iris, ajustement focus.
Boutons zoom 1 – 4	Enregistrer, appuyer pour parler, retour programme, zoom mise au point, repères de cadrage, info. état, auto focus, iris auto, balance des blancs auto, lecture.

Onglet Réglages - Page 6

La sixième page de l'onglet **Réglages** de la URSA Broadcast G2 contient les paramètres pour configurer le Blackmagic Focus Demand en option. Ces paramètres ne sont actifs que lorsqu'un Blackmagic Focus Demand est branché à votre URSA Broadcast G2.

Pour savoir comment brancher et utiliser le BlackmagicFocus Demand, consultez la section « Blackmagic Zoom Demand et Focus Demand » de ce manuel.



Direction du Focus Demand

Vous pouvez changer la direction de la molette de mise au point sur le Focus Demand en sélectionnant **Normale** ou **Inversée**.

- **Normale**
Tournez la molette dans le sens des aiguilles d'une montre pour faire la mise au point sur les sujets les plus proches de l'objectif, ou dans le sens inverse pour faire la mise au point sur les sujets les plus éloignés.
- **Inversée**
Tournez la molette dans le sens inverse des aiguilles d'une montre pour faire la mise au point sur les sujets les plus proches de l'objectif, ou dans le sens des aiguilles d'une montre pour faire la mise au point sur les sujets les plus éloignés.

Onglet Réglages - Page 7

La septième page de l'onglet **Réglages** de la URSA Broadcast G2 contient les options suivantes :



LED État

La URSA Broadcast G2 est dotée d'un petit voyant LED situé sur la face avant. Ce voyant fournit des informations relatives au tally et à l'état. Vous pouvez l'activer ou le désactiver en touchant le bouton du paramètre **LED État**.

Le voyant LED fournit les informations d'état suivantes :

Blanc	La caméra est alimentée et en mode de veille.
Rouge	La caméra enregistre. Si ce signal clignote lentement, cela signifie que votre carte est presque pleine. Si le clignotement est rapide, cela signifie qu'une perte d'images est détectée.
Vert	La caméra est en mode lecture. Le voyant clignote en vert et en blanc lorsque le plan est lu. Lorsque le média inséré est reconnu, le voyant d'état LED clignote trois fois en vert et en blanc.
Orange	Lorsque la charge de la batterie est basse, le voyant LED alterne entre la couleur orange et la couleur de l'état en cours. Par exemple, si la caméra est en train d'enregistrer, la couleur du voyant LED va alterner lentement entre l'orange et le rouge. Si votre caméra est en mode veille, la couleur du voyant LED va alterner entre le blanc et l'orange. La charge de la batterie est considérée comme étant basse à partir de 20 pour cent pour les batteries qui prennent en charge les niveaux de charge en pourcentage, ou à partir de 12,5 volts pour les autres batteries.

Luminosité LED État

Pour régler la luminosité du voyant LED de la URSA Broadcast G2, touchez simplement les options **Faible**, **Modérée** ou **Élevée**.

CONSEIL Les paramètres **LED État** sur votre Blackmagic URSA Broadcast G2 contrôlent aussi les LED d'état sur le URSA Mini Recorder, le Blackmagic Zoom Demand et le Blackmagic Focus Demand.

ID. Hardware

Le paramètre **ID. Hardware** affiche un identifiant à 8 caractères pour la URSA Broadcast G2. Chaque caméra possède un identifiant qui lui est propre. Une version de 32 caractères de cet identifiant est incluse dans les métadonnées pour la vidéo Blackmagic RAW et ProRes. Cela peut s'avérer pratique pour identifier de quelle caméra les séquences proviennent lorsque les noms de fichier ont été modifiés, car l'identifiant de la caméra ne change pas.

Logiciel

Affiche la version du logiciel installé sur la URSA Broadcast G2. Pour plus d'informations, consultez la section « Utilitaire Blackmagic Camera Setup » de ce manuel.

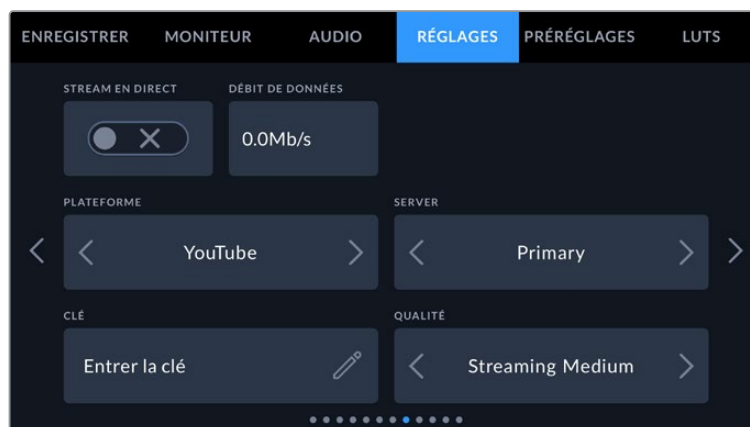
Lecture

Ce paramètre vous permet de sélectionner le mode de lecture des clips : **Un seul** ou **Tous**. Le mode **Tous** lit les médias dont les réglages sont identiques de manière séquentielle. Le mode **Un seul** lit un clip à la fois. Ces modes s'appliquent également avec la fonction de lecture en boucle. Lorsque le mode **Tous** est activé avec la lecture en boucle, tous les clips qui se trouvent sur le support de stockage sont lus en continu. Lorsque le mode **Un seul** est activé avec la lecture en boucle, un seul clip est lu en boucle.

Onglet Réglages - Page 8

La huitième page de l'onglet **Réglages** de votre URSA Broadcast G2 permet de paramétrer les options de streaming de la caméra.

Pour plus d'informations sur le réglage du streaming depuis la URSA Broadcast G2, consultez la section « Streamer une vidéo » de ce manuel.



Stream

Utilisez l'interrupteur du stream pour activer ou désactiver le streaming.

Débit

Affichez le débit du stream durant le streaming.

Plateforme

Sélectionnez votre plateforme de streaming. Vous avez le choix entre YouTube, Twitter et Twitch.

Serveur

Utilisez les flèches pour sélectionner un serveur. Ces options varient selon votre plateforme de streaming.

Clé

Appuyez sur l'icône crayon pour saisir une clé de stream pour votre plateforme de streaming.

Qualité

Utilisez les flèches pour sélectionner la qualité du streaming.

Onglet Réglages - Page 9

La neuvième page de l'onglet **Réglages** de votre URSA Broadcast G2 contient des paramètres relatifs aux options de streaming de la caméra.



Info du stream

Basculez cet interrupteur pour activer l'affichage des informations sur l'écran d'état de votre caméra. Elles seront visibles sur l'écran LCD, ainsi que sur la sortie SDI avant et principale.

Les informations comprennent la connexion utilisée pour le streaming (comme Ethernet ou un smartphone), une horloge indiquant la durée de votre stream et le débit en mégabits par seconde.



Affichage LUT 3D

Activez cet interrupteur pour appliquer une LUT 3D à votre stream.

CONSEIL Activer l'interrupteur Affichage LUT 3D appliquera seulement une LUT sur la sortie de streaming directe.

Si vous enregistrez en Blackmagic RAW ou en ProRes tout en streamant, vous pouvez utiliser les options de LUT du menu d'enregistrement pour ajouter une LUT à vos fichiers, ou les paramètres du moniteur pour ajouter une LUT sur l'écran LCD ou les sorties SDI. Pour plus d'informations, consultez la section « Onglet Enregistrement » de ce manuel.

Latence faible

Activer ce paramètre permet d'assurer un délai minimum entre ce qui est en direct et ce que voit le public. Désactiver ce paramètre augmente la capacité de la mémoire tampon et offre donc un flux plus stable si vous avez une mauvaise connexion Internet.

Importer les réglages du stream

Touchez ce bouton pour importer un fichier XML, afin que votre caméra puisse retrouver l'ATEM Streaming Bridge sur Internet.

Pour plus d'informations sur l'importation d'un fichier de paramètres XML, veuillez consulter la section « Streamer une vidéo » de ce manuel.

Supprimer les réglages du stream importés

Appuyez sur ce bouton pour supprimer les réglages de streaming importés sur votre caméra. Un message apparaît pour que vous confirmiez votre sélection.

Onglet Réglages - Page 10

La dixième page de l'onglet Réglages contient les paramètres réseau de votre caméra.

Ces paramètres vous permettent de configurer les options réseau, comme la connexion à un réseau via DHCP ou via une adresse statique IP.



Vous pouvez vous connecter à un réseau en utilisant un DHCP ou une adresse IP statique.

Onglet Réglages - Page 11

La onzième page de l'onglet Réglages de la URSA Broadcast G2 contient les options suivantes :



Le nom de la caméra Bluetooth est composé de la lettre de la caméra comme réglée sur le clap, suivi des 8 caractères de l'identifiant de votre URSA Broadcast G2.

Bluetooth®

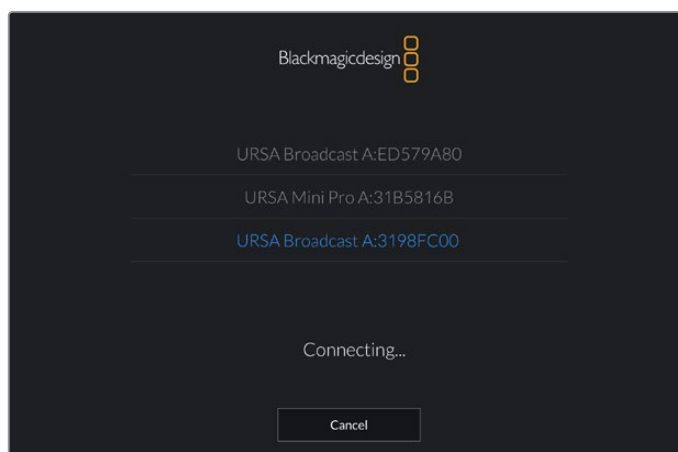
La fonction Bluetooth vous permet de contrôler la caméra à distance à partir d'appareils portables. En utilisant l'application **Blackmagic Camera Control App**, vous pouvez allumer ou éteindre la caméra, changer les paramètres, modifier les métadonnées et déclencher l'enregistrement à distance depuis un iPad. Vous pouvez activer et désactiver le Bluetooth en touchant l'interrupteur de la fonction **Bluetooth** dans le menu **Réglages**. Lorsque le Bluetooth est activé, la caméra peut être détectée par des appareils dotés du Bluetooth à une distance de 9 mètres.

Comme les commandes de la URSA Broadcast G2 pour le contrôle Bluetooth sont les mêmes que pour le **Protocole de contrôle caméra SDI Blackmagic**, vous pouvez créer vos propres applications pour contrôler quasiment tous les paramètres de la caméra à distance. Par exemple, vous pourrez contrôler à distance les paramètres de monitoring et audio, l'outil d'étalonnage DaVinci Resolve intégré ou l'objectif.

Pour plus d'informations, consultez la section « Protocole de contrôle caméra SDI Blackmagic » de ce manuel.

Pour associer votre caméra à un iPad pour la première fois :

- 1 Activez le Bluetooth en touchant l'interrupteur de la fonction **Bluetooth** dans le menu **Réglages** de votre URSA Broadcast G2.
- 2 Ouvrez l'application **Blackmagic Camera Control App** et choisissez la URSA Broadcast G2 que vous souhaitez associer. Les caméras disponibles seront affichées par leur lettre, suivie de leur identifiant unique. Par exemple A:3198FC00.



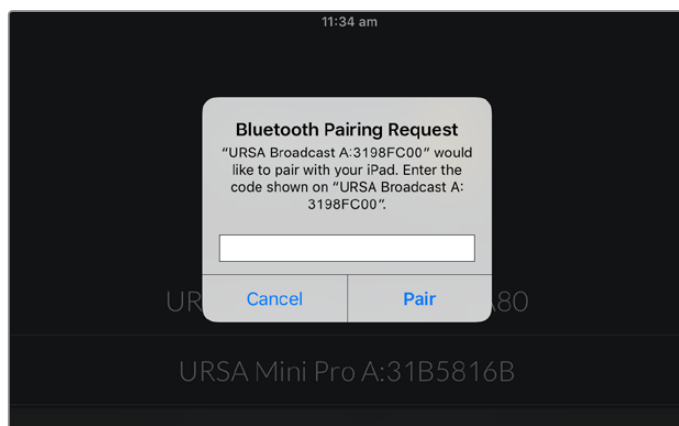
Choisissez la URSA Broadcast G2 que vous souhaitez associer.

Lorsque vous installez l'application Blackmagic Camera Control et que vous l'utilisez pour la première fois, un message s'affichera pour vous demander si vous souhaitez activer les services de localisation. Si vous sélectionnez l'option **while using the app** (lors de l'utilisation de l'appli), les données GPS de votre iPad seront intégrées aux métadonnées des fichiers que vous tournez, ce qui vous permettra de géotaguer les séquences. Ces informations peuvent être visualisées dans les versions Blackmagic DaVinci Resolve 14 ou plus récentes.

Si vous ne souhaitez pas utiliser ces informations, sélectionnez **Never**.

Pour changer ces paramètres depuis votre iPad, allez sur réglages, confidentialité, service de localisation, contrôle de la caméra.

- 3 Si vous vous connectez pour la première fois avec l'application, il vous sera demandé d'entrer un code à 6 chiffres pour permettre à l'iPad de s'associer à la caméra. Ce code sera affiché sur l'écran LCD de la caméra. Saisissez ce code dans l'iPad.



- 4 Les informations à l'écran vous confirmeront que votre URSA Broadcast G2 est désormais associée à votre iPad.



- 5 S'il y a un problème de connexion entre l'iPad et la caméra, le message d'erreur suivant s'affichera :



REMARQUE Pour des raisons de sécurité, nous vous conseillons de désactiver la fonction Bluetooth de votre URSA Broadcast G2 quand vous ne l'utilisez pas.

Déconnecter appareil actuel

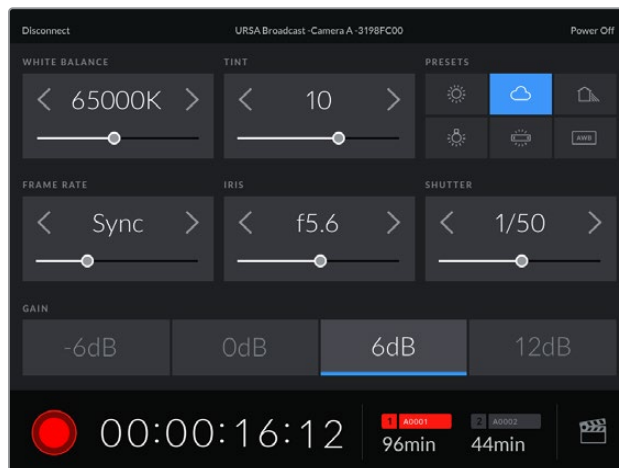
Utilisez le paramètre **Déconnecter appareil actuel** pour déconnecter votre URSA Broadcast G2 de l'iPad associé.

Effacer appareils associés

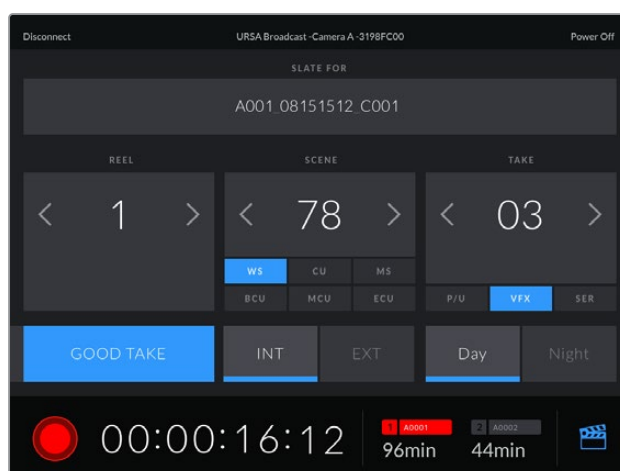
Utilisez le paramètre **Effacer appareils associés** pour supprimer la liste des appareils qui ont été associés à votre URSA Broadcast G2.

Contrôler votre caméra avec l'application Blackmagic Camera Control

Une fois que votre URSA Broadcast G2 est associée avec un iPad, vous pouvez allumer ou éteindre la caméra, changer les paramètres, régler les métadonnées et déclencher l'enregistrement à distance via l'application iPad.



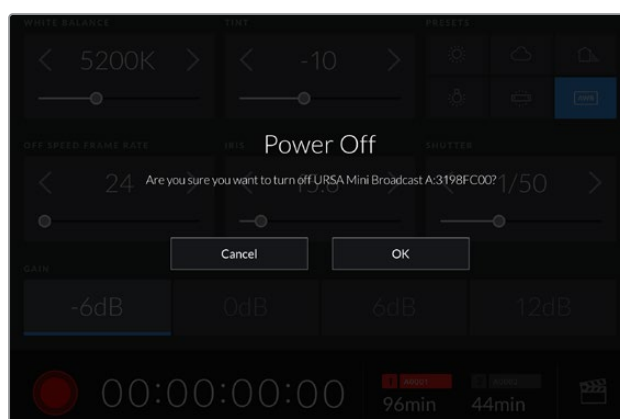
Quand la caméra est associée, l'application Blackmagic Camera Control affiche un écran vous permettant de régler les paramètres et de déclencher l'enregistrement.



Touchez l'icône du clap dans le coin inférieur gauche pour accéder aux fonctions du clap et le mettre à jour.

La URSA Broadcast G2 utilise la technologie Bluetooth Low Energy pour le contrôle à distance des appareils. Le protocole du Bluetooth est du même type que celui utilisé dans des appareils portables, ce qui permet d'optimiser l'utilisation de la batterie.

Pour éteindre votre URSA Broadcast G2, touchez le bouton **Power off** situé dans le coin supérieur droit.



Avant l'extinction de l'appareil, il vous sera demandé de confirmer votre choix.

Lorsque votre caméra URSA Broadcast G2 est éteinte mais que le Bluetooth reste activé, le nom de la caméra apparaît dans la liste des appareils disponibles de l'application Blackmagic Camera Control. Comme la caméra est associée, vous pourrez l'allumer à distance en sélectionnant son nom dans la liste et en touchant le bouton **Connect**. Le nom de votre caméra apparaît uniquement si la fonction Bluetooth est activée.

Onglet Réglages - Page 12

La douzième page de l'onglet **Réglages** de la URSA Broadcast G2 contient les options suivantes :



Réinitialisation d'usine

Si vous souhaitez réinitialiser la caméra sur ses paramètres d'usine, touchez le bouton **Réinitialiser la caméra**. Un message s'affichera pour vous demander de confirmer cette action. Si vous la confirmez, toutes les LUTS et les préréglages stockés sur la caméra seront effacés. Touchez **Réinitialiser** sur la page de confirmation pour réinitialiser les paramètres de la caméra.

La réinitialisation aux paramètres d'usine supprimera toutes les LUTs et tous les préréglages stockés, puis restaurera tous les réglages par défaut. Avant de réinitialiser les paramètres, il est conseillé d'exporter vos préréglages sur une carte mémoire, comme solution de stockage. Après une réinitialisation, vous pouvez restaurer rapidement vos préréglages et vos LUTs en les important de la carte mémoire.



Lorsque vous sélectionnez le paramètre **Réinitialisation**, un message s'affiche pour vous demander de confirmer l'action.

Calibrage mouvement

Pour calibrer l'indicateur d'horizon sur la URSA Broadcast G2, placez votre caméra sur une surface plane, puis appuyez sur **Calibrer le capteur de mouvement**. Il est essentiel de garder la caméra stable pendant tout le calibrage afin que les métadonnées du capteur de mouvement enregistrées dans les fichiers Blackmagic RAW durant le tournage soient correctes. L'opération prend environ cinq secondes.

L'horizon peut être décentré si nécessaire. Par exemple, si vous souhaitez régler le tilt à un angle constant, calibrez le capteur de mouvement avec l'angle de caméra choisi, puis utilisez l'indicateur d'horizon pour conserver le même angle.

Les données du capteur de mouvement peuvent être utilisées dans DaVinci Resolve pour stabiliser les clips. Pour plus d'informations, consultez la section « Stabilisation gyroscopique » de ce manuel.

Recalibrage pixels

Le capteur CMOS de votre Blackmagic Broadcast G2 est composé de millions de pixels sensibles à la lumière. En effet, ils peuvent devenir plus visibles, c'est ce qu'on appelle des « pixels chauds ». Tous les capteurs de caméras, peu importe le fabricant, créent ce genre de variations légères.

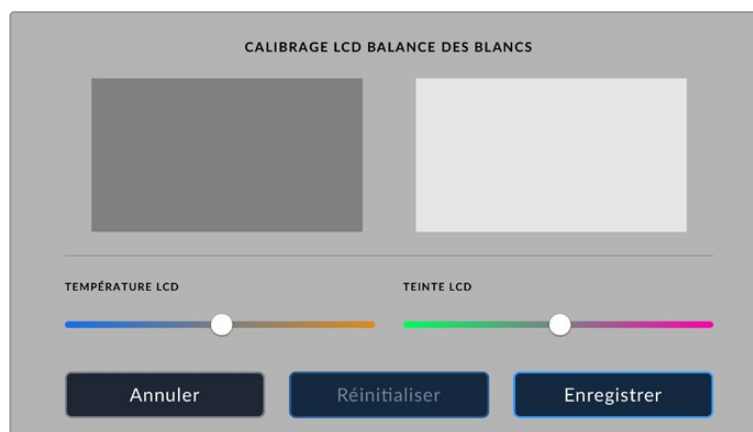
Pour régler ce problème, la URSA Broadcast G2 intègre une fonctionnalité de calibrage, que vous pouvez utiliser si des pixels plus lumineux apparaissent.

Pour cela, remettez le cache de l'objectif et lancez la fonctionnalité de recalibrage des pixels en appuyant sur le bouton **Calibrer le capteur d'image**, puis sur **Calibrer** pour confirmer votre choix. L'opération prend environ une minute.



Calibrage LCD balance des blancs

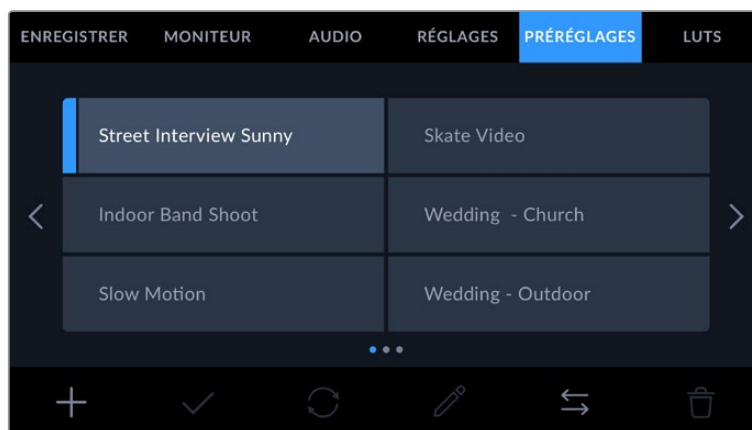
Pour calibrer la balance des blancs de l'écran LCD, ajustez les paramètres **Température LCD** et **Teinte LCD**, jusqu'à ce que les deux carrés de référence aient l'air neutres. Après avoir modifié les réglages, vous pouvez appuyer sur le bouton **Réinitialiser** pour revenir aux paramètres par défaut. Le bouton **Restaurer** restaure vos nouveaux réglages, ce qui permet de comparer l'affichage avant et après le calibrage. Lorsque la balance des blancs vous paraît correcte sur l'écran LCD, sauvegardez vos paramètres.



Préréglages

L'onglet **Préréglages** vous permet de sauvegarder et de rappeler toute une gamme de paramètres pour la URSA Broadcast G2. C'est très utile lorsqu'une caméra est utilisée sur plusieurs projets. Par exemple, vous pouvez utiliser la URSA Broadcast G2 pour des documentaires ou des clips musicaux et avoir des paramètres très différents selon le projet. La fonction **Préréglages** de la URSA Broadcast G2 vous permet de sauvegarder la configuration d'un projet ou d'un type de tournage et de le rappeler facilement quand vous en avez besoin.

Vous pouvez également importer et exporter des préréglages, ce qui est très pratique pour les tournages multicaméras. En effet, il suffit de configurer une caméra URSA Broadcast G2 pour votre projet, puis d'exporter ce préréglage sur toutes les autres URSA Broadcast G2 utilisées pour le tournage.



L'onglet **Préréglages** de la URSA Broadcast G2

REMARQUE La mémoire interne de la URSA Broadcast G2 peut sauvegarder jusqu'à soixante préréglages.

Boutons de préréglage

Les icônes situées en bas du menu **Préréglages** de la URSA Broadcast G2 correspondent aux fonctions suivantes.



Sauvegarder et rappeler les préréglages

Pour créer un nouveau préréglage, touchez l'icône **Ajouter**. Un clavier tactile s'affichera sur l'écran LCD et vous pourrez nommer le préréglage. Une fois le nom saisi, touchez l'icône **Mettre à jour** pour sauvegarder tous les paramètres de la URSA Broadcast G2 sur ce préréglage.

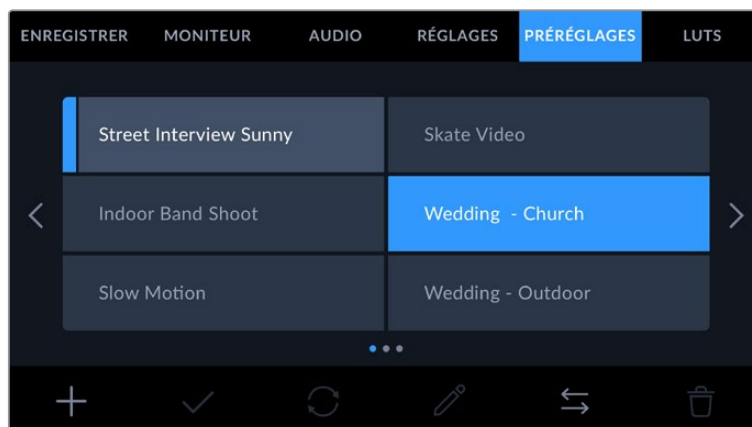
Si la URSA Broadcast G2 possède déjà un préréglage portant le même nom, vous pourrez remplacer le préréglage existant ou garder les deux préréglages.



Saisissez un nom pour le préréglage à l'aide du clavier tactile en touchant l'icône **Ajouter** de l'onglet **Préréglages**.

Une fois le préréglage sauvegardé, touchez son nom dans l'onglet **Préréglages** afin de le sélectionner. Pour le charger, il suffit de toucher l'icône **Charger**.

Vous pouvez mettre à jour un préréglage en touchant l'icône **Mettre à jour**. Un message s'affichera pour vous demander de confirmer la mise à jour. Touchez le bouton **Mettre à jour** pour confirmer.



Sélectionnez un préréglage et touchez l'icône **Charger** pour le charger. Les préréglages sélectionnés s'affichent en bleu, tandis que les préréglages chargés sont soulignés en bleu.

Importer des préréglages

Pour importer des préréglages, touchez l'icône **Gérer** située dans le bandeau inférieur. Sélectionnez le bouton de sélection des supports de stockage SD ou CFast, selon l'emplacement de sauvegarde de vos préréglages. Si vous utilisez un URSA Mini Recorder, vous pouvez également importer des préréglages depuis un disque flash USB-C ou un SSD.

Depuis l'option **Importer depuis**, sélectionnez la carte ou le disque qui contient les préréglages que vous souhaitez importer, puis touchez le bouton **Importer** pour confirmer votre choix. L'écran d'importation s'affiche. Vous pouvez utiliser les boutons en haut à gauche de cet écran pour afficher les préréglages disponibles sur d'autres cartes ou disques connectés à votre caméra.

La URSA Broadcast G2 effectue une recherche dans le répertoire racine et dans le dossier **Presets** du support sélectionné. Il est important de noter que les préréglages qui ont été sauvegardés à un autre emplacement sur le support de stockage ne seront pas visibles.

Touchez un préréglage pour le sélectionner et touchez le bouton **Importer** pour confirmer votre choix. Si le préréglage que vous souhaitez importer porte le même nom qu'un autre préréglage sauvegardé sur la caméra, il vous sera demandé de remplacer le préréglage existant ou de garder les deux. En haut à droite de l'écran, vous verrez un nombre qui représente les préréglages vides, disponibles sur la caméra.

REMARQUE Lorsque les emplacements pour les préréglages de la URSA Broadcast G2 sont pleins, le menu d'importation ne sera plus disponible. Il faudra alors supprimer un préréglage pour faire de la place.

Exporter des préréglages

Pour exporter un préréglage sur une carte CFast ou SD, sélectionnez le préréglage souhaité, puis touchez l'icône **Gérer**.

Depuis l'option **Gérer le préréglage**, sélectionnez **Exporter le préréglage**. Sélectionnez le bouton SD ou CFast, selon l'emplacement vers lequel vous souhaitez exporter les préréglages. Si vous utilisez un URSA Mini Recorder, vous pouvez également exporter des préréglages vers un disque flash USB-C ou un SSD. Depuis l'option **Exporter vers**, touchez la carte ou le disque sur lequel vous souhaitez exporter le préréglage. Confirmez votre choix en touchant **Exporter**.

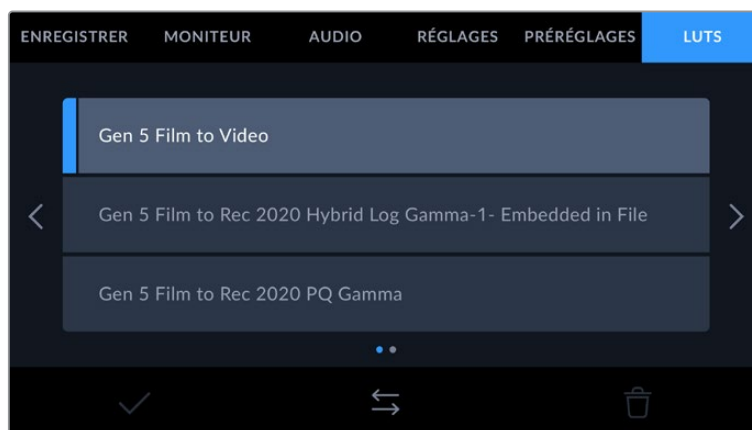
Si le support de stockage que vous avez choisi possède déjà un préréglage portant le même nom, vous pourrez remplacer le préréglage existant ou garder les deux préréglages.

Supprimer des préréglages

La URSA Broadcast G2 possède l'espace nécessaire pour soixante préréglages. Pour supprimer un préréglage, il suffit de le sélectionner et de toucher l'icône **Supprimer**. Un message s'affiche pour vous demander de confirmer votre choix. Touchez le bouton **Supprimer** pour confirmer.

LUTs

L'onglet **LUTS** vous permet d'importer, d'exporter et d'appliquer des LUTS 3D aux sorties de la caméra.



L'onglet LUT de la URSA Broadcast G2

Présentation des LUTs 3D

La URSA Broadcast G2 peut appliquer des LUTs 3D à des images affichées sur l'écran tactile, sur la sortie SDI avant et sur la sortie SDI principale. Les LUTs indiquent à la caméra quelle couleur et quelle luminance doivent s'afficher pour une couleur ou une luminance donnée. Par exemple, elles sont utiles si vous enregistrez en interne sur votre caméra avec des couleurs normales, mais que vous souhaitez prévisualiser le rendu sur vos moniteurs et mélangeurs avec les couleurs légales de diffusion de votre région. C'est également très pratique lorsque vous tournez des séquences en Blackmagic RAW, ou que vous utilisez le mode **Film**, qui offrent tous deux des images peu contrastées. Le fait d'appliquer une LUT vous donnera une meilleure idée du rendu de la séquence après l'étalonnage.

Il est facile de créer des LUTs 3D avec DaVinci Resolve ou d'autres logiciels d'étalonnage. De nombreuses LUTs sont également disponibles en ligne. La URSA Broadcast G2 peut stocker jusqu'à trente LUTs 3D à 17 ou 33 points, d'un maximum de 1,5 méga-octet chacune. Une fois la LUT chargée, vous pouvez l'afficher sur l'écran tactile de la caméra, sur la sortie SDI avant, sur la sortie SDI principale ou sur n'importe quelle combinaison de ces sorties.

La URSA Broadcast G2 prend en charge les LUTs 3D à 33 points au format .cube, créées au sein de DaVinci Resolve et les LUTs 3D à 17 points, converties au format .cube de Resolve via des programmes de conversion de LUT. La caméra traite les LUTs 3D à l'aide d'une interpolation tétraédrique d'excellente qualité.

CONSEIL Pour plus d'informations sur l'affichage des LUTs, consultez la section « Paramètres du moniteur » de ce manuel.

REMARQUE Avec la Blackmagic URSA Broadcast G2, vous ne pouvez pas appliquer ou intégrer de LUTs par défaut sur des clips enregistrés. Pour intégrer une LUT à vos clips, vous devrez activer cette fonction.

C'est une option pratique lorsque vous n'avez pas le temps d'effectuer l'étalonnage en post-production, ou quand vous devez fournir les images directement à un client ou au monteur.

Lorsque vous utilisez une LUT en tant qu'outil de prévisualisation, les informations de la LUT sont sauvegardées en tant que métadonnées avec vos enregistrements. DaVinci Resolve peut afficher ces informations dans le champ **LUT utilisée** de l'onglet des métadonnées. Cela peut être utile pour les étalonneurs qui souhaitent vérifier le nom de la LUT qui a été utilisée pendant le tournage.

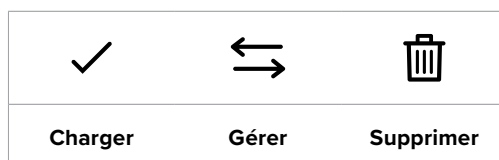
LUTs intégrées

La URSA Broadcast G2 vous offre des LUTs intégrées qui permettent de prévisualiser les différents styles tout en filmant avec la plage dynamique **Film** ou en Blackmagic RAW.

- **Gen 5 Film to Extended Video**
Affiche une plage dynamique plus étendue que la LUT Film to Video, tout en appliquant un léger changement de contraste et un affaiblissement progressif dans les hautes lumières.
- **Gen 5 Film to Rec 2020 Hybrid Log Gamma**
Affiche une courbe gamma compatible avec les écrans HDR et les écrans à plage dynamique standard.
- **Gen 5 Film to Rec 2020 PQ Gamma**
Affiche une courbe gamma calculée sur ce que perçoit l'œil humain, pour encoder efficacement les images HDR.
- **Gen 5 Film to Video**
Similaire à l'espace colorimétrique REC 709 pour la vidéo haute définition. Offre un niveau élevé de contraste et de saturation. Ce réglage peut être utile lorsque vous utilisez la Blackmagic URSA Broadcast G2 avec d'autres caméras broadcast et l'espace colorimétrique REC 709.

Boutons des LUTs

Les icônes situées au bas de l'écran **LUTS** de la URSA Broadcast G2 correspondent aux fonctions suivantes.



Importer des LUTs

Pour importer une LUT 3D, touchez l'icône **Gérer** située au-dessous du menu **LUTS**. Sélectionnez le bouton SD ou CFast, selon l'emplacement de sauvegarde de vos LUTs. Si vous utilisez un URSA Mini Recorder, vous pouvez également importer des LUTs depuis un disque flash USB-C ou un SSD.

Sélectionnez la carte ou le disque qui contient la LUT que vous souhaitez importer depuis le menu **Importer depuis**, puis touchez le bouton **Importer** pour confirmer votre choix. Depuis l'écran d'importation, vous pouvez utiliser les boutons en haut à gauche pour afficher les LUTs disponibles sur d'autres cartes ou disques connectés à votre caméra.

La URSA Broadcast G2 effectue une recherche dans le répertoire racine et dans le dossier **3DLUTS** du support de stockage sélectionné. Les LUTs que vous avez sauvegardées à un autre emplacement ne seront pas visibles.

Touchez une LUT pour la sélectionner et touchez le bouton **Importer** pour confirmer votre choix. La LUT sera sauvegardée sur la URSA Broadcast G2.

REMARQUE Lorsque les trente emplacements pour LUT 3D de la URSA Broadcast G2 sont pleins, vous devrez supprimer des LUTs existantes afin de pouvoir en importer des nouvelles.

Si la LUT que vous souhaitez importer porte le même nom qu'une autre LUT sauvegardée sur la caméra, vous pourrez remplacer la LUT existante ou garder les deux LUTs. En haut à droite de l'écran, vous verrez un nombre qui représente les LUTs vides, disponibles sur la caméra. Vous ne pourrez pas excéder ce nombre.

REMARQUE Si vous avez des problèmes pour importer une LUT sur la URSA Broadcast G2, c'est peut-être à cause de sa taille. Vous pouvez utiliser un éditeur de LUT tel que Lattice pour vérifier sa taille, ou l'ouvrir dans un éditeur de texte sur votre ordinateur. À côté de l'intitulé LUT_3D_SIZE, vous trouverez un nombre indiquant la taille de la LUT. Si cette valeur n'est pas de 17 ou 33 points, vous pouvez utiliser Lattice pour redimensionner la LUT 3D sur 17 points.

Appliquer une LUT

Une fois la LUT sauvegardée sur la caméra, sélectionnez-la dans le menu LUT, puis touchez l'icône **Charger**. La LUT sera ainsi activée sur toutes les sorties de la caméra. Il faudra toutefois activer le paramètre **Afficher LUT 3D** sous chaque sortie de l'onglet **Moniteur** pour l'appliquer. Pour plus d'information, consultez la section « Paramètres du moniteur » de ce manuel.

Exporter des LUTs

Pour exporter une LUT sur une carte CFast ou SD, sélectionnez la LUT de votre choix et touchez l'icône **Gérer**. Depuis l'option **Gérer la LUT**, sélectionnez **Exporter la LUT**. Sélectionnez le bouton SD ou CFast, selon l'emplacement vers lequel vous souhaitez exporter la LUT. Si vous utilisez un URSA Mini Recorder, vous pouvez également exporter des LUTs vers un disque flash USB-C ou un SSD.

Depuis l'option **Exporter vers**, touchez la carte ou le disque sur lequel vous souhaitez exporter la LUT. Confirmez votre choix en touchant **Exporter**. Si une LUT identique existe déjà sur la carte ou le disque que vous avez sélectionné, vous aurez le choix entre remplacer la LUT existante ou garder les deux LUTs.

Supprimer des LUTs

La URSA Broadcast G2 possède l'espace nécessaire pour accueillir trente LUTs 3D à 17 points ou 33 points. Pour supprimer des LUTs que vous ne souhaitez plus utiliser, sélectionnez les LUTs de votre choix et touchez l'icône **Supprimer**. Un message s'affiche pour vous demander de confirmer votre choix. Touchez le bouton **Supprimer** pour confirmer.

LUTs 3D intégrées

Lorsque vous utilisez une LUT 3D avec le format Blackmagic RAW sur une URSA Broadcast G2, la LUT sélectionnée sera intégrée au fichier Blackmagic RAW que vous enregistrez. Comme la LUT 3D est sauvegardée avec vos fichiers enregistrés dans l'en-tête du fichier .braw, vous pouvez facilement l'appliquer à vos clips en post-production, sans avoir à gérer un fichier supplémentaire.

Lorsque les fichiers Blackmagic RAW sont livrés à un monteur ou un étalonneur, ces derniers auront facilement accès à la LUT qui a été utilisée pendant le tournage. Ainsi, le risque de confondre les LUTs 3D et de les appliquer au mauvais clip est considérablement réduit. Ils peuvent choisir d'appliquer ou non la LUT 3D lors du montage ou de l'étalonnage, et peuvent désactiver la LUT à tout moment.

Lorsque la fonction **Appliquer LUT fichier** est activée dans le menu, le clip s'ouvrira dans le Blackmagic RAW Player et dans DaVinci Resolve avec la LUT sélectionnée. Vous pouvez activer ou désactiver l'application de la LUT 3D, mais elle sera toujours présente dans le fichier Blackmagic RAW.

DaVinci Resolve comprend également une fonction **Appliquer une LUT** dans ses paramètres, pour activer ou désactiver la LUT 3D dans le fichier Blackmagic RAW. La fonction **Appliquer une LUT** dans DaVinci Resolve est la même que dans la caméra. Ainsi, quand vous filmez, vous pouvez demander à l'étalonneur d'utiliser une LUT depuis la caméra. Mais vous pourrez facilement désactiver cette LUT dans DaVinci Resolve en réglant **Appliquer une LUT** sur **Off**.

Saisir des métadonnées

Les métadonnées sont des informations enregistrées dans le clip, telles que le numéro de plan et les paramètres de la caméra. Ce sont des données extrêmement pratiques pour trier et traiter les séquences en post-production. Par exemple, les numéros de prise, de plan et de scène sont des outils d'organisation essentiels. Les informations concernant l'objectif peuvent être utilisées pour corriger automatiquement la déformation de l'image ou pour mieux associer les VFX aux séquences.

La Blackmagic URSA Broadcast G2 enregistre automatiquement certaines métadonnées, telles que les paramètres de la caméra, le timecode, la date et l'heure. Vous pouvez également utiliser le clap de la caméra pour ajouter des informations supplémentaires.

Le clap

Balayez l'écran tactile vers la gauche ou vers la droite pour afficher le clap.

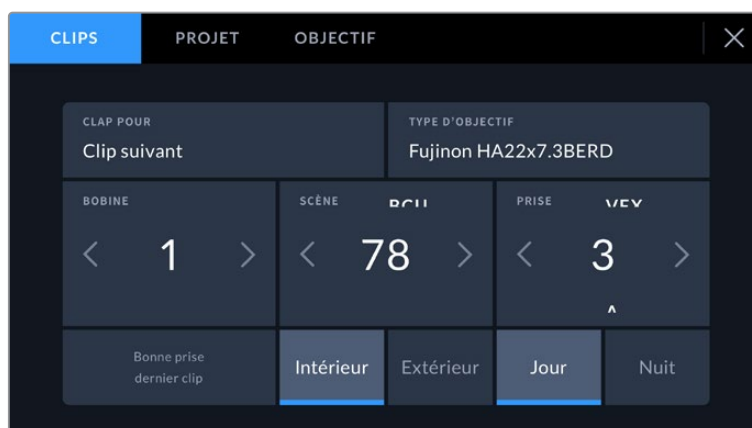
Le clap est divisé en trois onglets intitulés **Clips**, **Projet** et **Objectif**. L'onglet **Clips** contient des informations qui peuvent varier selon les clips. En revanche, les informations qui sont identiques pour tous les clips sont saisies dans l'onglet **Projet**, par exemple les noms du projet, du réalisateur, de la caméra et de l'opérateur. Le paramètre **Objectif** affiche des informations concernant l'objectif monté sur la caméra. Si l'objectif envoie automatiquement des informations vers votre caméra, elles s'afficheront. Vous pouvez également saisir manuellement ces données.

CONSEIL Les métadonnées saisies dans le clap sont affichées sur la sortie avant ou principale de la URSA Broadcast G2 lorsque l'option **Afficher info. état pour** est réglée sur **Réalisateur** dans l'onglet **Moniteur**. Pour plus d'informations, consultez la section « Paramètres du moniteur » de ce manuel.

Métadonnées des clips

Les modifications apportées aux métadonnées des clips fonctionnent différemment en mode de veille, lorsque la URSA Broadcast G2 est prête à enregistrer, et en mode de lecture, lorsque vous visionnez les séquences que vous avez tournées. En mode de veille, les métadonnées des clips sont enregistrées sur le clip suivant, excepté pour **Bonne prise dernier clip**, qui fait référence au clip qui vient d'être enregistré.

En mode de lecture, les métadonnées des clips sont toujours enregistrées sur le clip en cours de visionnement.



Le clap de la URSA Broadcast G2 est divisé en trois onglets intitulés **Clips**, **Projet** et **Objectif**.

Clap pour

Ce paramètre désigne le clip auquel les métadonnées affichées dans l'onglet **Clips** se réfèrent. En mode de veille, il se réfère au prochain clip enregistré.

Type d'objectif

Affiche les informations relatives à l'objectif monté sur votre caméra. Pour plus d'informations sur les données relatives au type d'objectif, veuillez consulter la section « Type d'objectif » ci-dessous.

Bobine

Le paramètre **Bobine** indique le numéro de la bobine en cours.

La URSA Broadcast G2 incrémente automatiquement le numéro de bobine, il n'est donc généralement pas nécessaire de saisir cette information manuellement. Quand vous passez à un autre projet et que vous souhaitez recommencer à partir de la bobine **1**, sélectionnez **Réinitialiser** dans l'onglet **Projet** du clap.

Scène

Ce paramètre indique le numéro de la scène. Il est également possible d'afficher le numéro du plan et son type.

Ce numéro fait toujours référence à la scène en cours. Vous pouvez l'ajuster à l'aide des flèches gauche et droite situées de part et d'autre du paramètre, ou en touchant le numéro de scène pour accéder à l'éditeur de numéro de scène.

Les numéros des scènes sont compris entre 1 et 999.

En ajoutant une lettre au numéro de scène dans l'éditeur de numéro de scène, vous pourrez également indiquer le plan en cours. Par exemple 23A indique que vous allez filmer le plan 1 de la scène 23. Si vous ajoutez une lettre au numéro de scène, la caméra suggérera le numéro de la prochaine scène et la lettre du prochain plan à chaque fois que vous accéderez à l'éditeur de numéro de scène. Par exemple, si l'identifiant de la scène actuelle est « 7B », la caméra suggérera « 8 » et « 7C ».

Le paramètre **Scène** peut également afficher des informations concernant le type de plan dans le coin supérieur droit. Vous pouvez sélectionner ces informations sur le côté droit du clavier numérique dans l'éditeur de numéro de scène.

Les types de plans disponibles sont :

PL	Plan large
PM	Plan moyen
PR	Plan rapproché
GP	Gros plan
PTS	Plan très serré
TGP	Très gros plan



Lorsque vous saisissez les métadonnées de la scène, la URSA Broadcast G2 proposera des incréments sur le côté gauche du clavier tactile, et des types de plans sur le côté droit.

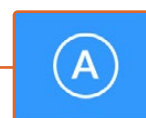
Prise

Ce paramètre indique le numéro de prise pour le plan en cours. Vous pouvez le faire augmenter ou le faire diminuer à l'aide des flèches gauche ou droite situées de part et d'autre du paramètre, ou en touchant le numéro afin d'accéder à l'éditeur de numéro de prise.

CONSEIL Lorsque le numéro du plan ou la lettre de la scène augmente, le numéro de prise retourne sur 1.

Vous pouvez également ajouter la description de la prise dans l'éditeur de numéro de prise. Ces descriptions sont proposées sur la droite du clavier tactile et correspondent aux scénarios suivants :

PU	Pick up. Fait référence au tournage d'éléments supplémentaires d'une prise déjà tournée afin d'enrichir la séquence.
VFX	Effets visuels. Fait référence à une prise ou à un plan auquel on ajoute des effets visuels.
SER	Séries. Fait référence à une situation où plusieurs prises ont été effectuées lors du même enregistrement.



Touchez le bouton **A** pour incrémenter automatiquement le numéro de la prise de chaque clip lorsque l'appareil est en mode veille. Un petit **A** apparaîtra alors à côté du numéro de la prise dans le clap.

Lorsque vous saisissez des métadonnées concernant la prise, la URSA Broadcast G2 propose des types de plans sur le côté droit du clavier tactile.

Bonne prise

Touchez le bouton **Bonne prise** pour marquer les bonnes prises afin de pouvoir les retrouver facilement en post-production. En mode de veille, ce paramètre s'applique au dernier clip enregistré. En mode de lecture, il s'applique au clip en cours de visionnement.

Intérieur/Extérieur

Touchez les paramètres **Int** ou **Ext** pour ajouter un marqueur intérieur ou extérieur au clip suivant en mode de veille, ou au clip en cours en mode de lecture.

Jour/Nuit

Touchez les paramètres **Jour** ou **Nuit** pour ajouter un marqueur **Jour** ou **Nuit** au clip suivant en mode de veille, ou au clip en cours en mode de lecture.

Métadonnées de l'onglet Projet

Les métadonnées du projet fonctionnent de la même façon en mode de veille ou en mode de lecture. Ces métadonnées font toujours référence à l'intégralité du projet et sont indépendantes des numéros de clip.



L'onglet **Projet** de la URSA Broadcast G2

Nom du projet

Affiche le nom du projet en cours. Touchez l'icône crayon pour modifier le nom du projet.

Caméra

Affiche une lettre représentant la caméra. Touchez l'icône crayon pour modifier cette lettre.

Réalisateur

Affiche le nom du réalisateur pour le projet en cours. Touchez l'icône crayon pour modifier le nom du réalisateur.

REMARQUE L'identifiant de la caméra est utilisé au sein des métadonnées et pour nommer les fichiers. Il est différent de l'identifiant ATEM de la caméra, qui est utilisé pour contrôler la URSA Broadcast G2 à l'aide d'un mélangeur ATEM. Pour plus d'informations sur l'identifiant ATEM de la caméra, consultez la section « Comprendre la fonction Contrôle Caméra » de ce manuel.

Cadreur

Affiche le nom de l'opérateur de la caméra. Touchez l'icône crayon pour modifier le nom de l'opérateur de la caméra.

Réinitialiser les données du projet

Pour réinitialiser les données du projet, appuyez sur **Réinitialiser les données** et confirmez votre choix. Cela supprimera toutes les données saisies.

Objectif

La fonction **Objectif** affiche les informations relatives à l'objectif monté sur votre URSA Broadcast G2. De nombreux objectifs électroniques fournissent automatiquement des informations telles que le modèle de l'objectif, l'ouverture et la distance focale.

Si vous utilisez un objectif qui ne fournit pas ces informations, ou si vous souhaitez saisir des données supplémentaires, touchez l'icône crayon de ce paramètre pour les saisir manuellement. Le menu **Objectif** s'affichera. Il contient les informations suivantes :



La page **Objectif** avec les informations générées automatiquement depuis un objectif Fujinon.

- **Type d'objectif** Indique le modèle de l'objectif. Si le type d'objectif ne s'affiche pas automatiquement, touchez ce paramètre pour saisir les données manuellement.



Utilisez le clavier tactile pour saisir les métadonnées de l'objectif si elles n'apparaissent pas automatiquement

- **Iris**
Indique l'ouverture de l'iris au début du clip. Lorsqu'elle est fournie automatiquement, cette information peut être affichée en f- ou T-Stops selon l'objectif utilisé. Si l'iris ne s'affiche pas automatiquement, touchez ce paramètre pour saisir les données manuellement.
- **Longueur focale**
Indique la longueur focale de l'objectif au début du clip enregistré. Lorsqu'elle est fournie automatiquement, la longueur focale est exprimée en millimètres. Si la longueur focale ne s'affiche pas automatiquement, touchez ce paramètre pour saisir les données manuellement.

- **Distance**

Indique la distance focale de l'objectif pour le clip enregistré. Certains objectifs fournissent automatiquement cette information en millimètres. Si la distance focale ne s'affiche pas automatiquement, touchez ce paramètre pour saisir les données manuellement.

- **Filtre**

Indique les filtres utilisés. Touchez l'icône crayon de ce paramètre pour saisir les données manuellement. Vous pouvez saisir plusieurs données en les séparant par des virgules.



Les informations sur les filtres doivent être saisies manuellement.

Réinitialiser les données de l'objectif

Vous pouvez effacer les données de l'objectif quand vous le souhaitez en appuyant sur **Réinitialiser les données**. Un message s'affiche pour vous demander de confirmer votre choix. Cela réinitialisera la communication avec votre objectif et actualisera les données renseignées électroniquement. Tous les champs qui ont été ajoutés manuellement seront également effacés.

Stabilisation gyroscopique

Votre Blackmagic URSA Broadcast G2 enregistre automatiquement les données pan, tilt et roll capturées par le capteur de mouvement interne. Ces données, aussi connues sous le nom de données gyroscopiques, peuvent être utilisées par DaVinci Resolve pour stabiliser les plans filmés au poing.

Il est important de calibrer le capteur de mouvement de votre caméra avant d'enregistrer pour vous assurer que les données gyroscopiques enregistrées sont correctes. Vous trouverez plus d'informations à ce sujet dans la section **Paramètres**, sous **Calibrage du capteur de mouvement**.

REMARQUE Pour activer la stabilisation gyroscopique, il faut vous assurer que la stabilisation d'image optique de votre objectif est désactivée. Les objectifs EF et B4 à stabilisation optique intégrée sont dotés d'un interrupteur qui permet de l'activer et de la désactiver.

Enregistrer les données gyroscopiques avec des objectifs manuels

Pour optimiser la stabilisation gyroscopique, il faut des informations précises concernant la longueur focale. Ces dernières sont incluses dans les métadonnées qui sont automatiquement enregistrées avec la plupart des objectifs EF et B4. Pour les objectifs manuels qui ne prennent pas en charge la communication électronique avec la caméra, ou pour les objectifs B4 analogiques, il faudra saisir ces informations dans le clap de la caméra.

- 1 Balayez l'écran tactile vers la gauche ou vers la droite pour afficher le clap.
- 2 Touchez l'onglet **Données objectif**.

- 3 Touchez la section **Longueur focale** et saisissez la longueur focale de l'objectif que vous utilisez. Par exemple, si vous utilisez un objectif B4 analogue à une longueur focale de 8mm, saisissez **8mm**.



Saisissez **Données objectif** lorsque vous utilisez des objectifs qui n'ont pas de communication électronique avec la caméra

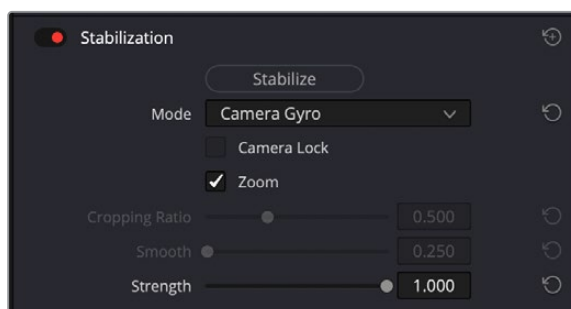
REMARQUE Il faudra mettre à jour cette information à chaque fois que vous changerez la longueur focale sur les objectifs manuels ou analogiques. Les objectifs intégrant l'électronique requise remplaceront automatiquement les métadonnées.

Appliquer la stabilisation gyroscopique dans DaVinci Resolve

Après avoir importé et placé vos clips sur une timeline :

- 1 Allez dans la fenêtre Inspecteur de la page Montage, puis sélectionnez **Stabilisation**.
- 2 Réglez le mode de stabilisation sur **Gyro**.
- 3 Cliquez sur **Stabiliser**.

Une barre de progression vous indiquera lorsque la stabilisation est terminée.



Dans la fenêtre Inspecteur, sélectionnez **Gyro caméra** pour stabiliser les séquences à l'aide des données gyroscopiques

CONSEIL Vous pouvez améliorer les résultats en tournant avec des angles d'obturation faibles pour minimiser le flou de bougé, par exemple 45 degrés.

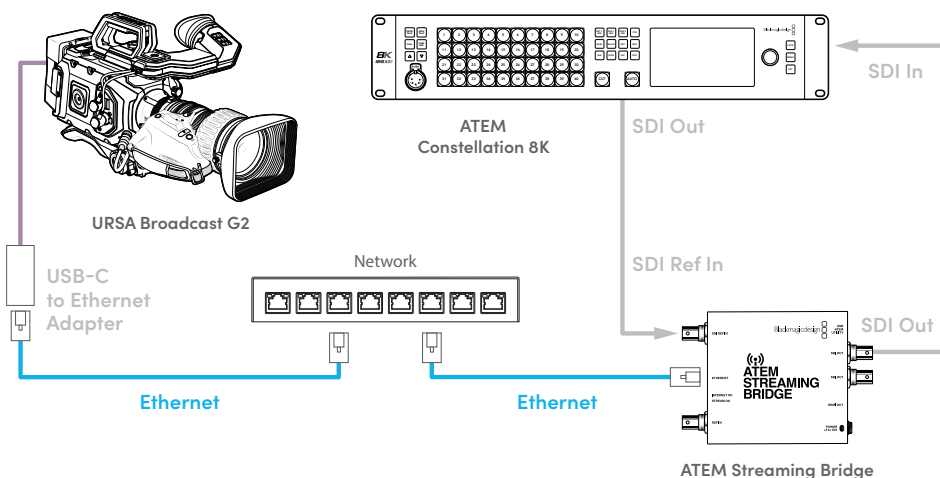
Streamer une vidéo

La URSA Broadcast G2 possède un moteur de streaming intégré permettant à la caméra de streamer directement sur des plateformes comme YouTube, Facebook Live et Twitch.

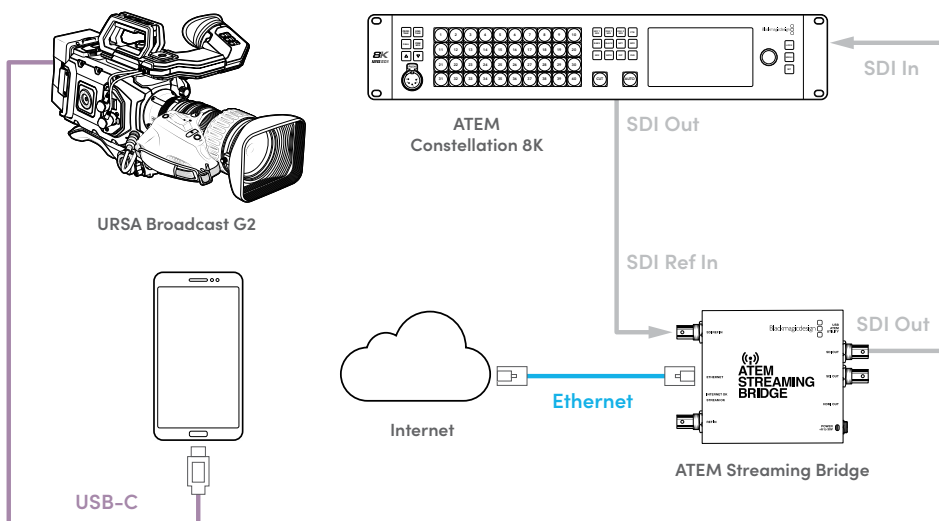
Vous pouvez également connecter la URSA Broadcast G2 à un mélangeur ATEM sur le même réseau Ethernet ou via Internet n'importe où dans le monde à l'aide d'un ATEM Streaming Bridge en option. Lorsque vous streamez vers un mélangeur ATEM, ce paramètre inclut également le tally, le réseau d'ordres et le contrôle caméra.

Veillez trouver ci-dessous deux exemples de la URSA Broadcast G2 connectée à un mélangeur ATEM à l'aide d'un ATEM Streaming Bridge. Le premier exemple montre une connexion locale via un réseau, et le deuxième la transmission d'une vidéo via Internet à l'aide d'un smartphone.

Connexion via un réseau



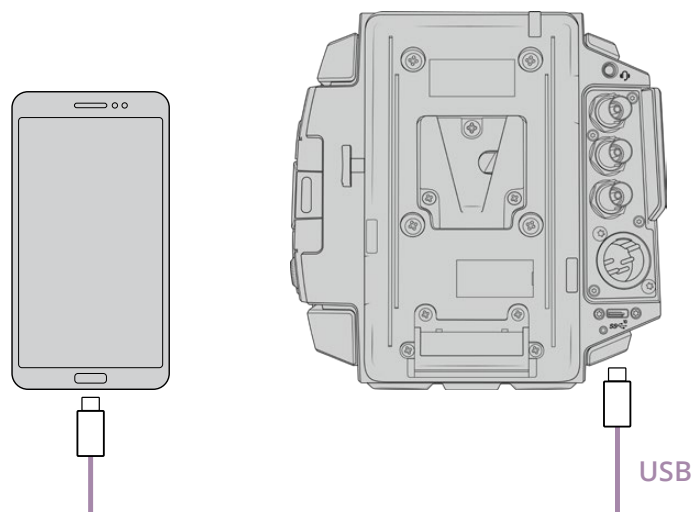
Connexion via Internet



REMARQUE Pour le streaming via un adaptateur Ethernet, nous vous recommandons d'utiliser un adaptateur USB-C to Gigabit Ethernet Belkin. Les autres adaptateurs USB-C to Ethernet peuvent fonctionner, mais le chipset des adaptateurs Belkin est plus fiable pour les workflows de streaming vidéo RTMP.

Configurer un smartphone

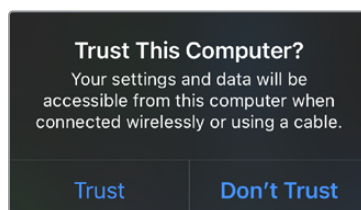
Connectez un smartphone au port expansion USB-C de votre caméra via un câble USB-C. Cette connexion permet de streamer rapidement depuis n'importe quel endroit où votre smartphone dispose d'une connexion mobile 4G ou 5G.



Réglages

La première étape pour configurer votre smartphone pour le streaming Internet est de vous assurer que le point d'accès est activé.

- 1 Sur votre appareil iOS ouvrez Réglages > Partage de connexion et veillez à ce que l'option **Autoriser d'autres utilisateurs** soit activée.
- 2 Un message apparaîtra, vous demandant si vous faites confiance à l'ordinateur connecté. Sélectionnez **Se fier** et une icône de partage de connexion verte sera visible sur l'écran. C'est ainsi que vous pouvez vérifier que la connexion fonctionne correctement.



L'icône de partage de connexion apparaît lorsqu'elle est activée

L'horloge de votre smartphone apparaîtra toujours sur un fond vert lorsque le partage de connexion est activé.

Sur les appareils Android, balayez l'écran pour afficher le menu. Appuyez longuement sur l'icône de point d'accès, puis activez le partage de connexion via USB.

CONSEIL Une fois le streaming terminé, nous vous recommandons de désactiver le partage de connexion afin d'économiser la batterie de votre téléphone.

Régler l'identifiant de la caméra pour l'ATEM

Le paramètre ID. CAMÉRA SUR ATEM de l'onglet Réglages détermine à quelle entrée SDI votre URSA Broadcast G2 est connectée sur le mélangeur ATEM. Lorsque l'identifiant de la caméra correspond au numéro de l'entrée du mélangeur, votre caméra va détecter les données tally pour cette entrée et le voyant tally et de contrôle caméra fonctionnera correctement.

Pour obtenir plus d'informations sur le réglage de l'identifiant de la caméra sur l'ATEM, consultez la section « Onglet Réglages » de ce manuel.

Créer le fichier XML

Pour créer un fichier de paramètres XML, connectez l'ATEM Streaming Bridge à Internet en branchant un câble réseau du port Ethernet au routeur Internet ou au commutateur réseau.

Connectez l'ATEM Streaming Bridge à votre ordinateur à l'aide d'un câble USB-C et lancez l'ATEM Setup.

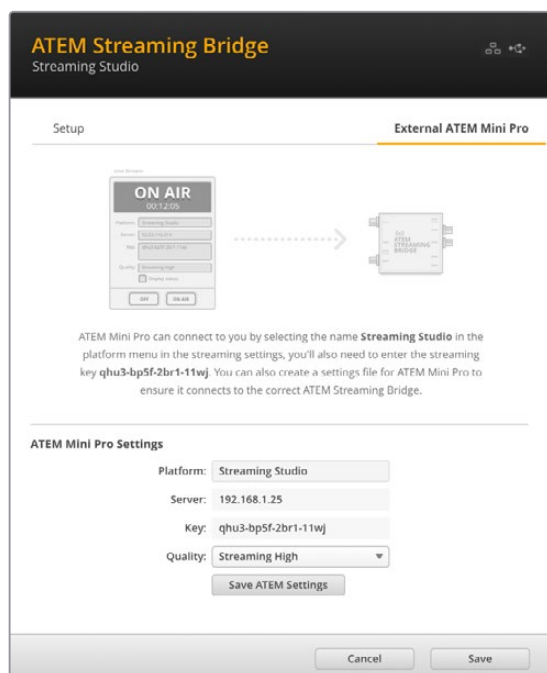
Dans l'onglet Setup, vérifiez que les paramètres réseau sont corrects et sélectionnez **Internet** dans les options **Stream service**. Le message **Visible worldwide** devrait s'afficher dans la boîte d'état d'Internet. Cela veut dire que tout fonctionne correctement.

Remarque sur la redirection de port

Si une erreur de redirection de port ou UPnP s'affiche dans la boîte d'état d'Internet, il faudra demander à votre fournisseur de services Internet ou à votre administrateur réseau de configurer la redirection de port de votre connexion Internet sur **TCP port 1935**.

Exporter le fichier XML

Une fois que vous avez confirmé vos paramètres dans l'onglet de l'ATEM Setup et que vous avez réussi à connecter l'ATEM Streaming Bridge à votre réseau ou à Internet, vous pouvez exporter le fichier XML.



- 1 Cliquez sur l'onglet **External ATEM Mini Pro** en haut à droite de la fenêtre.
- 2 Cliquez dans la case **Plateform**, puis saisissez le nouveau nom. Ce nom sera affiché dans le menu plateforme de la Blackmagic URSA Broadcast G2 connectée à distance.
- 3 Sélectionnez la qualité du streaming. Ce paramètre réglera la qualité de la URSA Broadcast G2 connectée à distance.
- 4 Cliquez sur le bouton **Save ATEM Settings**, choisissez un emplacement sur votre ordinateur pour sauvegarder le fichier XML et cliquez sur **Save**.
- 5 Vous pouvez maintenant envoyer par email le fichier XML sauvegardé à l'opérateur à distance.

Charger le fichier XML

Pour importer un fichier de paramètres XML dans votre URSA Broadcast G2, copiez le fichier sur une carte SD, une carte CFast ou un disque flash USB-C.



- 1 Dans la neuvième page de l'onglet Réglages de votre caméra, touchez le bouton appelé **Importer les réglages**.
- 2 En haut de l'écran, touchez la carte ou le disque où est sauvegardé le fichier XML. Appuyez sur le nom du fichier, puis sur **Importer**. Une fois le fichier de configuration importé, l'ATEM Streaming Bridge sera automatiquement sélectionné dans le menu plateforme de votre caméra.

Il vous suffit de toucher le bouton de stream en direct pour activer le streaming.

Vous pouvez tester votre configuration en demandant à l'opérateur du mélangeur dans votre studio de commuter sur votre caméra. Le voyant tally ainsi qu'une bordure rouge autour de l'écran LCD de la caméra s'allumeront. Lorsque votre caméra est commutée sur la sortie de prévisualisation, le tally s'allume en vert.



Essayez d'ajuster l'iris et le niveau de noir sur la page Caméra de l'ATEM Software Control pour tester le contrôle caméra

Kit épaulière URSA Mini Shoulder Kit

Attacher le kit

Le kit épaulière URSA Mini Shoulder Kit vous permet de tourner à l'épaule avec la Blackmagic URSA Broadcast G2. La plupart des éléments du kit URSA Mini Shoulder sont livrés avec votre Blackmagic URSA Broadcast G2, y compris l'épaulière, le support d'épaule, la poignée supérieure et le support du viseur. Le bras d'extension URSA Mini et le long câble LANC sont en option.

La fixation à attache rapide du support d'épaule vous permet de verrouiller la caméra sur une semelle de trépied ou de positionner la caméra sur votre épaule pour vous offrir plus de mobilité.

Le URSA Mini Shoulder Kit peut être installé sur n'importe quelle semelle pour trépied conçue sur le même modèle que la Sony VCT 14. Ce type de semelle se trouve facilement dans le commerce.

Veuillez noter que les semelles conçues sur le modèle de la VCT U14 sont pourvues d'un système différent et ne sont pas compatibles avec cette caméra.

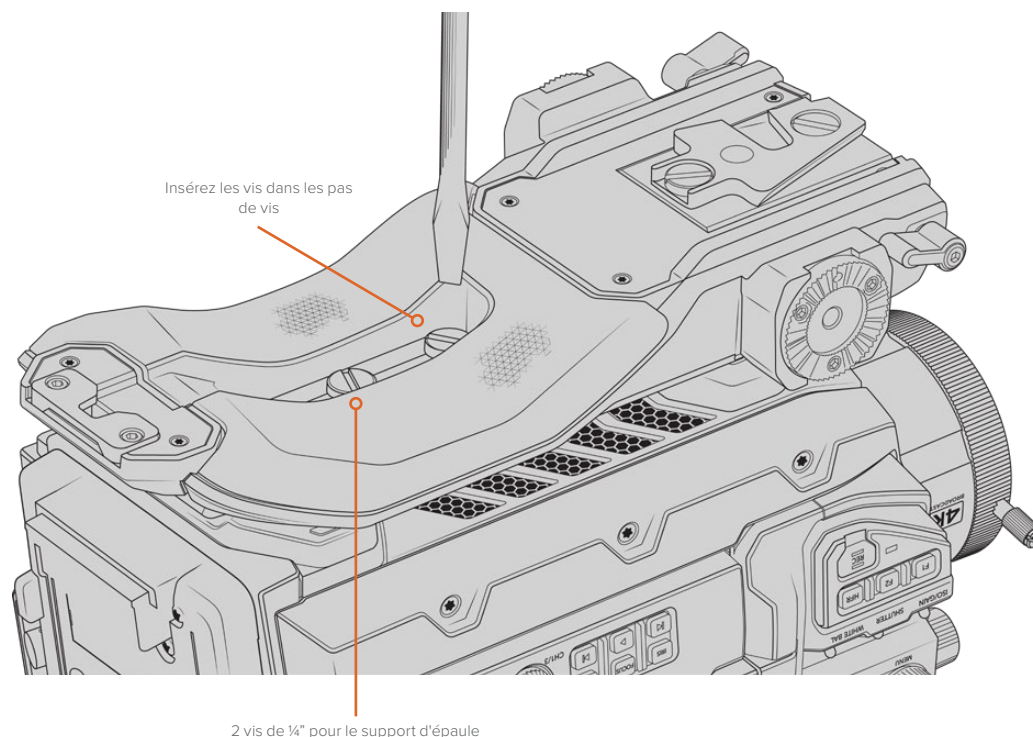
Lorsque vous installez le kit épaulière, vous aurez besoin des outils suivants :

- 1 x tournevis à tête plate pour les deux vis de 1/4" situées sur le support d'épaule.
- 1 x clé Allen de 3/16" pour les deux vis de 1/4" situées sur la poignée supérieure.



Pour fixer le kit épaulière à la URSA Broadcast G2, utilisez un grand tournevis à tête plate et une clé Allen de 3/16" pour la poignée supérieure.

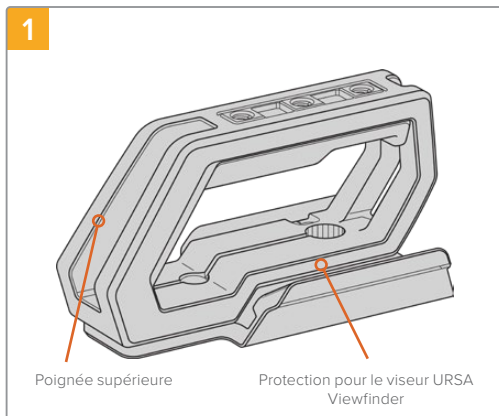
Pour fixer l'épaulière et le support d'épaule



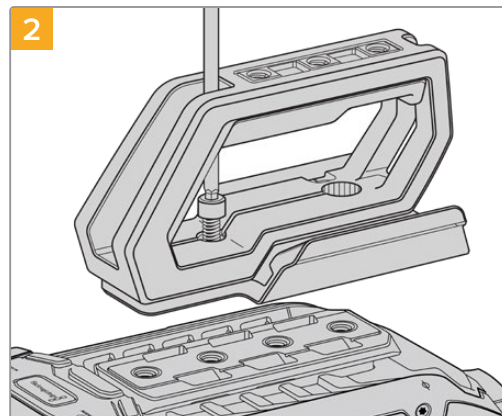
- 1 Posez délicatement votre URSA Broadcast G2 à l'envers sur une surface plate et stable afin d'accéder facilement à face inférieure de la caméra.
- 2 Vissez le support d'épaule à la URSA Broadcast G2 à l'aide des deux vis de 1/4" et du tournevis.
- 3 Serrez les vis jusqu'à ce que le support soit bien mis en place. Veillez à ne pas serrer trop fort pour ne pas endommager les vis.

Fixer la poignée supérieure avec le support pour le viseur URSA Viewfinder

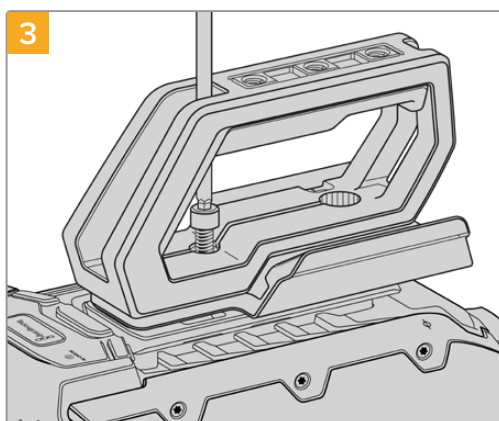
Le support pour le viseur URSA Viewfinder est monté sur la poignée supérieure. Pour découvrir comment installer le viseur Blackmagic URSA en option, consultez la section suivante du manuel.



Posez délicatement votre URSA Broadcast G2 sur une surface plate et stable afin d'accéder facilement à la face supérieure de la caméra.



Vissez la poignée sur deux des pas de vis de 1/4" situés sur la face supérieure de la URSA Broadcast G2 à l'aide des deux vis de 1/4" fournies et de la clé Allen de 3/16". Il est recommandé d'utiliser les deux derniers pas de vis de la URSA Broadcast G2 dans la plupart des situations, mais vous pouvez choisir la paire de votre choix afin de mieux équilibrer la caméra lorsque vous utilisez de gros objectifs.



Serrez les vis jusqu'à ce que la poignée soit bien mise en place. Évitez cependant de trop serrer, car cela pourrait endommager les vis.

Le bras d'extension URSA Mini et le câble LANC sont en option.

Fixer le bras d'extension

Les objectifs B4 broadcast possèdent une poignée accrochée à leur objectif. Ainsi, vous n'avez pas besoin d'ajouter une poignée latérale lorsque vous filmez avec la URSA Broadcast G2 à l'épaule.

Cependant, si vous utilisez un autre objectif, il peut être utile d'installer une poignée latérale URSA Mini en option sur un bras d'extension pour améliorer le confort d'utilisation lors de tournages à l'épaule.

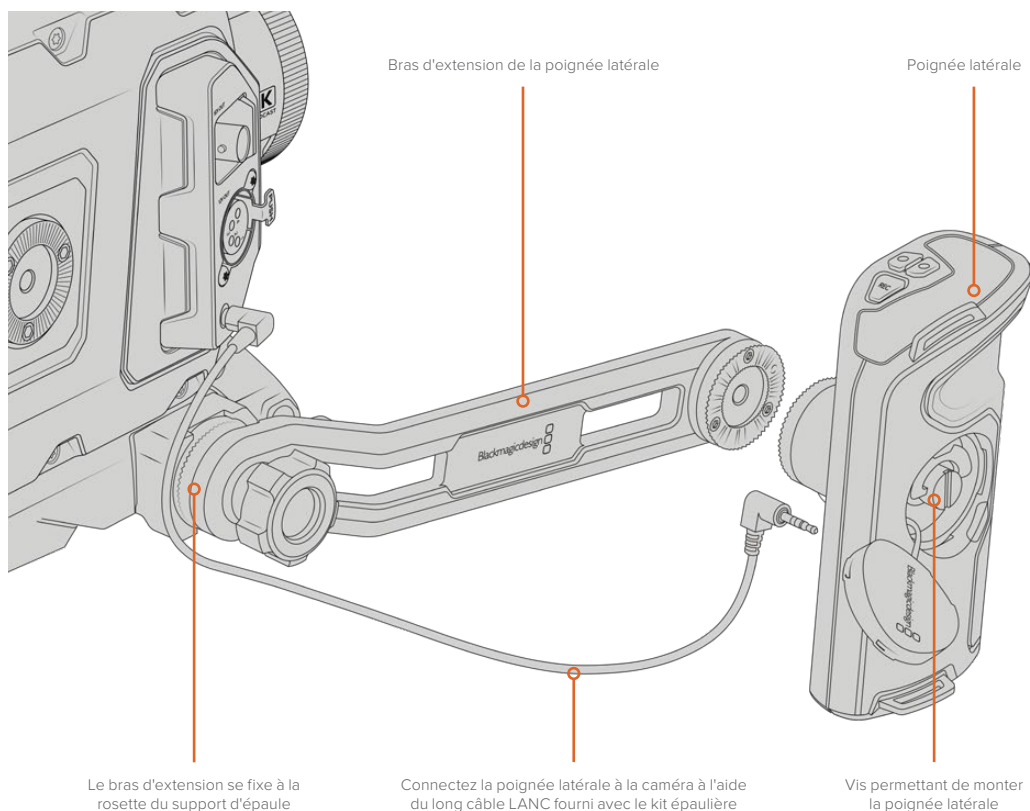
Le kit épaulière URSA Mini Shoulder Kit est fourni avec un bras d'extension et un long câble LANC pour positionner la poignée latérale de façon ergonomique.

Fixer le bras d'extension de la poignée latérale :

- 1 Posez délicatement votre URSA Broadcast G2 sur une surface plate et stable en laissant suffisamment d'espace à côté de la caméra pour abaisser le bras d'extension. Vous pouvez par exemple monter la URSA Broadcast G2 sur un trépied.
- 2 Fixez l'extrémité dentelée du bras d'extension à la rosette située sur le support d'épaule, abaissez le bras selon vos besoins, puis serrez la vis moletée de la rosette.
- 3 Fixez la poignée latérale à la rosette avant du bras d'extension. Serrez la vis de la poignée latérale à l'aide du grand tournevis à tête plate, ou en tournant l'anneau en D avec votre pouce et votre index.
- 4 Connectez la sortie LANC de la poignée latérale à l'entrée LANC de la caméra à l'aide du long câble LANC fourni avec le kit épaulière URSA Mini Shoulder Kit.

Pour ajuster la position du bras d'extension et de la poignée latérale, il suffit de desserrer les vis des rosettes, de positionner le bras à l'endroit souhaité, puis de resserrer les vis.

Le kit épaulière vous permet de tourner rapidement à l'épaule mais aussi de monter facilement la caméra sur un trépied pour obtenir plus de stabilité !



Blackmagic URSA Viewfinder

Le Blackmagic URSA Viewfinder est un viseur électronique performant, spécialement conçu pour votre URSA Broadcast G2. L'écran couleur OLED HD 1080 et les lentilles de précision en verre offrent une image claire, nette et réaliste, vous pouvez ainsi effectuer rapidement la mise au point et voir tous les détails de vos images.

Ce viseur est idéal pour le tournage à l'épaule, ou lorsque la luminosité est très intense et qu'il vous faut une précision absolue sans reflets.

Le viseur est connecté et alimenté par la caméra. Il utilise les données intégrées au signal SDI de la caméra pour générer différentes options d'affichage. La caméra peut ainsi acheminer un clean feed SDI au viseur tout en vous permettant de passer d'une option d'affichage à l'autre sur le viseur, notamment l'état de la caméra et d'autres informations précises.

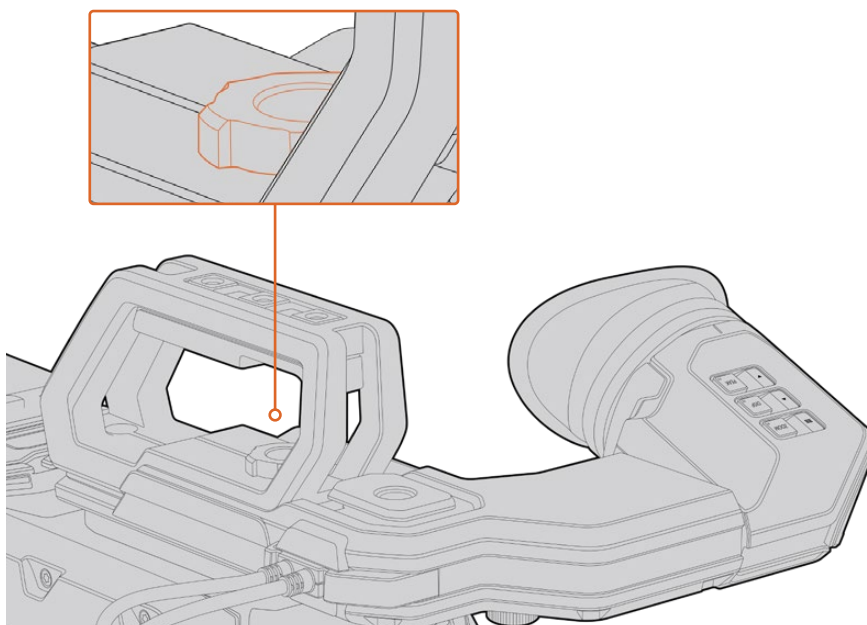
Par exemple, si vous sélectionnez l'option **2.40:1** dans le menu repère de cadrage de la caméra URSA Broadcast G2, cette information sera communiquée au viseur. Ainsi, lorsque vous passerez à l'affichage du repère de cadrage sur le viseur, le repère **2.40:1** sera également affiché.

Monter et connecter le viseur à la Blackmagic URSA Broadcast G2

Avant de monter le viseur Blackmagic URSA à la URSA Broadcast G2, vous devrez installer la poignée supérieure du kit épaulière URSA Mini Shoulder Kit fournie avec votre caméra. Pour plus d'informations, consultez la section « Kit épaulière URSA Mini Shoulder Kit » de ce manuel.

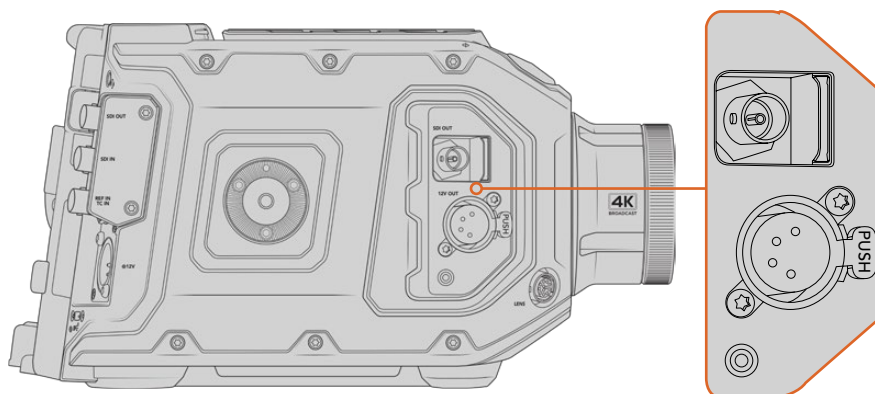
Faites glisser la monture du URSA Viewfinder sur le support du viseur URSA Viewfinder et utilisez une vis moletée 1/4" incluse dans le URSA Mini Shoulder Kit pour fixer le URSA Viewfinder à la poignée supérieure et au support du viseur.

Vous n'avez pas besoin d'outils pour serrer la vis moletée. Utiliser la force de vos mains suffit, de plus cela évite de trop serrer les vis.



Pour installer le Blackmagic URSA Viewfinder sur la caméra URSA Broadcast G2, faites-le glisser le long des rainures destinées à la poignée et vissez la vis moletée sur un des pas de vis de 1/4".

Pour connecter le viseur à la caméra URSA Broadcast G2, il suffit de connecter les câbles du viseur à la sortie d'alimentation de 12V et à la sortie 3G-SDI situées à l'avant de la caméra. Le viseur URSA s'allumera automatiquement lorsque la caméra est alimentée.



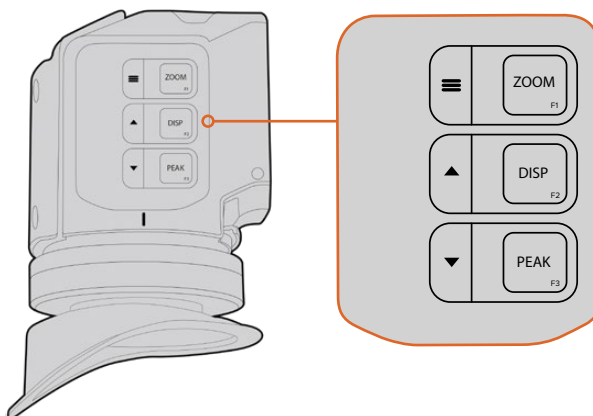
Connectez le câble SDI et le câble d'alimentation du viseur à la sortie de monitoring HD-SDI et à la sortie +12V de la caméra URSA Broadcast G2.

Ajuster l'ocilleton

L'ocilleton amovible peut être ajusté pour l'œil gauche ou l'œil droit. Ajustez le bras du viseur en dévissant la molette située sur la face inférieure du bras et en le faisant glisser vers la gauche ou vers la droite jusqu'à ce que vous obteniez un emplacement agréable à l'œil.

Boutons

Sur la face supérieure du viseur, vous trouverez les boutons Zoom, Disp, et Peak. Ces boutons permettent de zoomer dans l'image ainsi que d'activer et de désactiver les informations à l'écran et le focus peaking.



Les boutons Zoom (F1), Disp (F2) et Peak (F3) sont situés sur la face supérieure du URSA Viewfinder.

Ces boutons offrent également des fonctions supplémentaires, telles que l'ouverture du menu et la navigation entre les paramètres. Les icônes imprimées à côté des boutons vous indiquent quels sont les boutons qui permettent de contrôler le menu du viseur et ceux qui offrent des fonctions de navigation.

Ces boutons possèdent également une fonction personnalisable, vous pouvez ainsi attribuer des raccourcis aux fonctions que vous utilisez fréquemment. Par exemple, vous pouvez attribuer la fonction Fausses couleurs au bouton Zoom. Pour plus d'informations à ce sujet, consultez le paragraphe « Raccourcis » de cette section.

ZOOM (F1) - Menu

La fonction Zoom permet de zoomer dans l'image pour obtenir une mise au point très nette. Appuyez sur le bouton Zoom pour effectuer un zoom avant et appuyez à nouveau sur le même bouton pour revenir à un affichage 100 %. Lorsque vous êtes dans le menu de paramétrage, le bouton **Zoom** fait également office de bouton **Menu**. Appuyez sur ce bouton et maintenez-le enfoncé pour ouvrir le menu de paramétrage. Dans le menu de paramétrage, appuyez une fois sur ce bouton pour confirmer les changements de paramètres.

DISP (F2) - Déplacement vers le haut

Appuyez sur le bouton **Disp** pour afficher les informations à l'écran. Lorsque vous êtes dans le menu de paramétrage, ce bouton vous permet de vous déplacer vers le haut. Vous pouvez également ouvrir rapidement le menu **Raccourcis** en appuyant sur ce bouton et en le maintenant enfoncé. Pour plus d'informations sur la façon de créer des raccourcis, consultez la section « Raccourcis ».

PEAK (F3) - Déplacement vers le bas

La fonction focus peaking est une aide à la mise au point qui crée un bord vert autour des zones de l'image les plus nettes, ce qui vous permet de confirmer facilement votre mise au point. Pour activer le focus peaking, appuyez sur le bouton **Peak**. Appuyez à nouveau sur le même bouton pour désactiver cette fonction. Lorsque vous êtes dans le menu **Réglages**, ce bouton vous permet de vous déplacer vers le bas. Vous pouvez également ouvrir rapidement le menu **Réglages** en appuyant sur ce bouton et en le maintenant enfoncé.

Menu de paramétrage

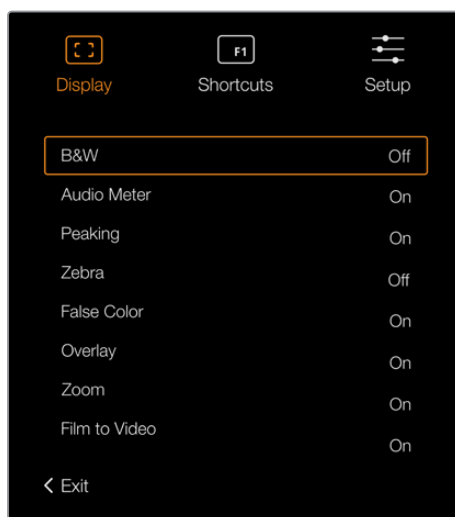
Le menu de paramétrage contient trois menus principaux : Display, Shortcuts et Setup. Appuyez sur le bouton **Menu** ≡ et maintenez-le enfoncé pour ouvrir le menu de paramétrage. Appuyez sur les boutons de déplacement vers le haut ▲ ou vers le bas ▼ pour naviguer entre les paramètres et appuyez à nouveau sur le bouton **Menu** ≡ pour confirmer votre sélection.

Menu Display

Le menu **Display** contient les fonctions suivantes :

B&W

Commute entre un affichage en couleurs et un affichage monochrome.



Le menu **Display** du viseur URSA Viewfinder

Audio meters

Commute entre les différents outils de mesure affichés à l'écran. Les options proposées sont **Histogram**, **Audio**, **Both** ou **None**.

Peaking

Active et désactive la fonction Peaking.

Zebra

Active et désactive le zebra. Réglez les niveaux de zebra à l'aide des paramètres de la caméra. Pour plus d'informations, consultez la section « Paramètres » de ce manuel.

False Color

Active et désactive la fonction False Color. Cette dernière applique différentes couleurs à différentes zones de l'image. Ces couleurs représentent les différentes valeurs d'exposition des éléments de votre image. Par exemple, la couleur rose représente une exposition optimale pour les peaux claires, alors que le vert correspond à une couleur de peau plus foncée. En vérifiant ces fausses couleurs lorsque vous filmez des êtres humains, vous maintiendrez une exposition stable de leur couleur de peau. De même, lorsque la couleur des éléments de votre image passe du jaune au rouge, cela signifie qu'ils sont surexposés.

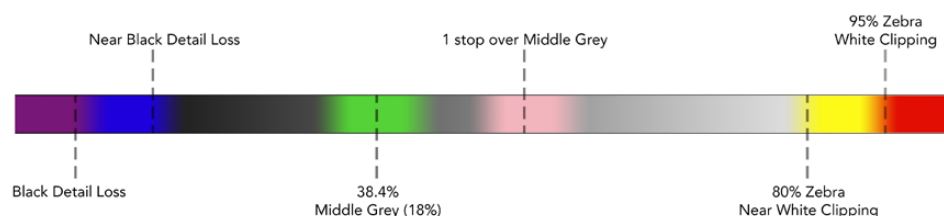


Schéma de la fonction False Color

Overlay

Active et désactive les informations à l'écran. Vous pouvez sélectionner le type d'informations que vous souhaitez afficher dans le menu de paramétrage du viseur. Toutefois, le style de ces informations, tel que le pourcentage de la zone de sécurité, est réglé à l'aide de la caméra.

Zoom

Active et désactive la fonction Zoom.

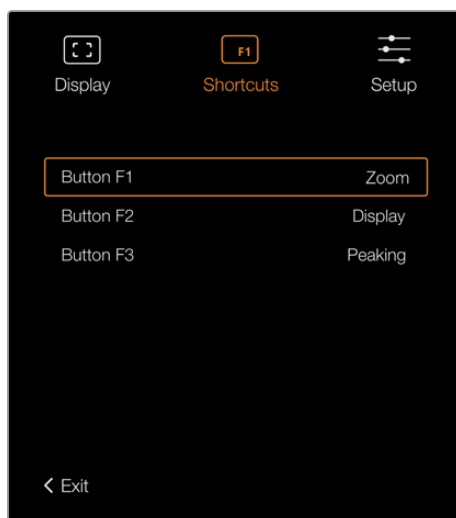
Film to Video

Commute entre les modes d'affichage Film et Video. Pour obtenir plus d'informations sur les modes Film et Video, consultez la section « Paramètres d'enregistrement » de ce manuel. Ce paramètre est uniquement disponible lorsque la caméra achemine des images en mode Film sur le viseur. Il est désactivé lorsque le viseur reçoit des images en mode Video pour éviter de superposer deux LUTs.

Shortcuts

Le menu **Shortcuts** est très utile lorsque vous souhaitez accéder rapidement à des paramètres que vous utilisez fréquemment. Pour créer vos propres raccourcis :

- 1 Dans le menu **Shortcuts**, appuyez sur les boutons de déplacement vers le haut ▲ ou vers le bas ▼ et sélectionnez un des trois boutons pour créer votre raccourci. Appuyez sur le bouton **Menu** ≡ pour confirmer la sélection.
- 2 Appuyez sur les boutons de déplacement vers le haut ▲ ou vers le bas pour sélectionner une des fonctions ci-dessous et l'attribuer à un des boutons raccourci. Appuyez sur le bouton **Menu** ≡ pour confirmer la sélection.
 - B&W
 - Peaking
 - Zebra
 - False Color
 - Display
 - Zoom
 - Film to Video
 - Indicators
 - Focus Chart
- 3 Allez sur **Exit** et appuyez sur le bouton **Menu** ≡ pour fermer le menu à l'écran.



Menu **Shortcuts** du URSA Viewfinder.

Menu Setup

Le menu **Setup** contient les fonctions suivantes :

Brightness Adjustment

Permet d'ajuster la luminosité de l'écran. Choisissez une valeur entre -10 et +10.

Tally Brightness

Permet d'ajuster la luminosité du voyant tally.

Focus Chart

Le Blackmagic URSA Viewfinder intègre une mire de Siemens pour une mise au point adaptée à votre œil. Il suffit d'ajuster le dioptre situé sur l'oculaire de visée jusqu'à ce que la mire soit parfaitement nette. Pour fermer l'affichage de la mire, appuyez sur n'importe quel bouton de votre viseur.

Frame Guides

Affiche uniquement les repères de cadrage. Quand les repères de cadrage sont activés dans le paramètre **SDI avant** de l'onglet **Moniteur** de la caméra URSA Broadcast G2, vous pouvez utiliser ce paramètre pour afficher les repères de cadrage sur le Blackmagic URSA Viewfinder.

Pour plus d'informations, consultez la section « Paramètres du moniteur » de ce manuel.

Safe Area Guide

Affiche la zone de sécurité. Quand la zone de sécurité est activée dans le paramètre **SDI avant** de l'onglet **Moniteur** de la caméra URSA Broadcast G2, vous pouvez utiliser ce paramètre pour afficher les repères de cadrage de la zone de sécurité sur le Blackmagic URSA Viewfinder.

Pour plus d'informations, consultez la section « Paramètres du moniteur » de ce manuel.

Grid

Affiche la grille selon la règle des tiers, le réticule et le point central. Quand les grilles sont activées dans le paramètre **SDI avant** de l'onglet **Moniteur** de la caméra URSA Broadcast G2, vous pouvez utiliser ce paramètre pour afficher les grilles sur le Blackmagic URSA Viewfinder.

Pour plus d'informations, consultez la section « Paramètres du moniteur » de ce manuel.

REMARQUE Lorsque la fonction **Grid** est activée dans le menu de paramétrage du URSA Viewfinder, le viseur affiche également les signaux tally envoyés à partir d'un mélangeur ATEM. La fonction **Overlays** doit également être activée dans le menu à l'écran.

Status Text

Affiche les informations d'état, telles que la balance des blancs, la fréquence d'images et l'ISO. Quand les informations d'état sont activées dans le paramètre **SDI Avant** de l'onglet **Moniteur** de la caméra URSA Broadcast G2, vous pouvez utiliser ce paramètre pour afficher les informations sur le Blackmagic URSA Viewfinder.

Pour plus d'informations, consultez la section « Paramètres du moniteur » de ce manuel.

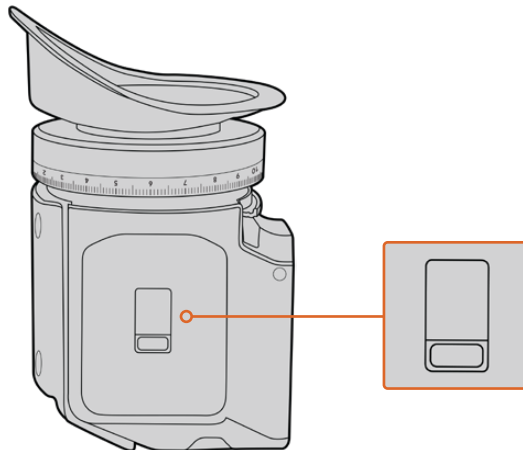
CONSEIL Lorsque vous utilisez le Blackmagic Viewfinder avec la URSA Broadcast G2, l'affichage des informations d'état peut être inadéquat si celles-ci sont activées à la fois sur le viseur et sur la caméra. Le cas échéant, nous vous recommandons d'activer les informations d'état sur la caméra et de les désactiver sur le viseur.

Capteur IR

Le capteur infrarouge situé sur votre viseur allume automatiquement l'écran OLED lorsque vous approchez votre œil de l'oculaire. Lorsque vous éloignez votre œil du viseur pendant plus de 20 secondes en mode veille, l'écran s'éteint pour économiser la batterie et augmenter la durée de vie de l'écran. Pendant l'enregistrement, le temps d'attente pour la mise en veille du capteur est de 5 minutes. Après ce délai, la luminosité de l'écran diminue progressivement. Tous les mouvements devant l'oculaire réinitialisent le compteur. Le viseur détectera automatiquement votre présence, cependant, vous pouvez également allumer l'écran en appuyant sur n'importe quel bouton du viseur.



Couvrir ou bloquer le capteur infrarouge de façon délibérée peut entraîner des dommages sur l'écran du viseur. L'écran étant maintenu allumé pendant une période prolongée, sa durée de vie pourrait en être diminuée. Un affichage prolongé d'images très contrastées ou de repères de cadrage entraînera également une rémanence de l'image à l'écran.



Le capteur infrarouge est situé en bas du boîtier du URSA Viewfinder.

Mise à jour du logiciel interne du URSA Viewfinder

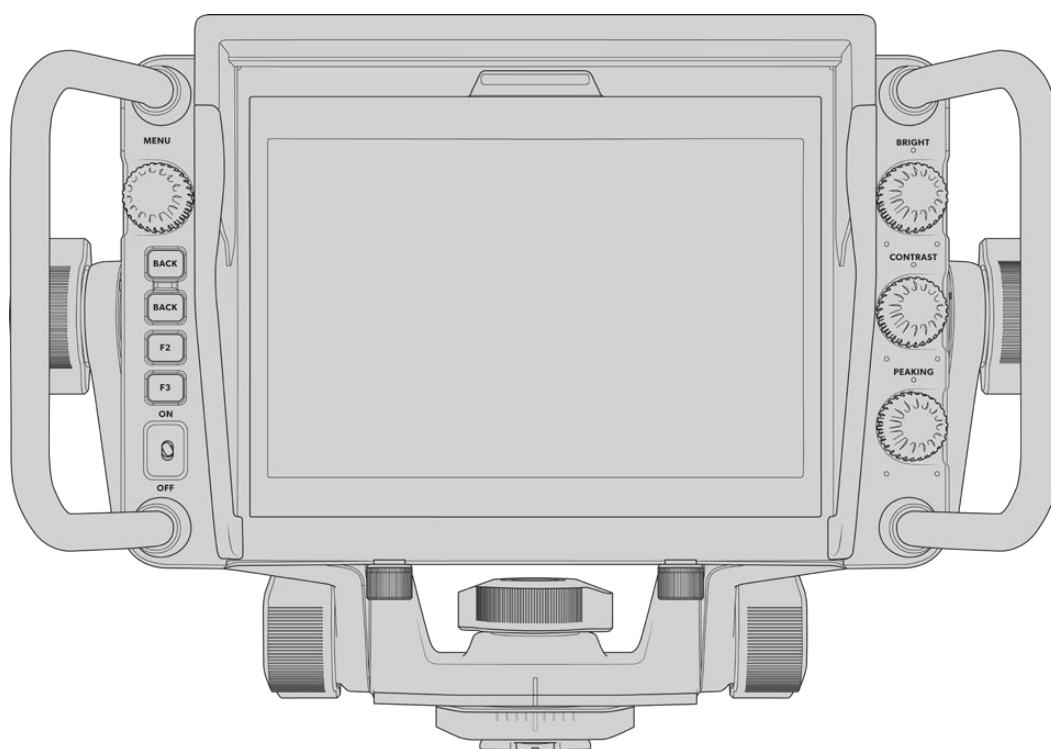
Vous pouvez mettre à jour votre URSA Viewfinder via l'utilitaire Blackmagic Camera Setup. Comme le viseur doit être alimenté pendant la mise à jour, nous vous recommandons d'installer le viseur sur la caméra URSA Broadcast G2 pendant toute la durée de la mise à jour. La URSA Broadcast G2 devra également être alimentée. Il faudra donc la brancher à une source d'alimentation externe.

Connectez votre ordinateur au port USB situé à l'avant du viseur, à côté de l'oculaire de visée. Lorsque l'utilitaire Blackmagic Camera Setup est lancé et que le viseur est connecté à votre ordinateur, la mise à jour vous sera proposée si l'ordinateur détecte que le viseur utilise une ancienne version du logiciel. Suivez les informations à l'écran pour mettre à jour le logiciel interne de votre URSA Viewfinder.

REMARQUE Lorsque vous utilisez le Blackmagic URSA Viewfinder avec votre URSA Broadcast G2, nous vous recommandons de mettre à jour le logiciel interne du Viewfinder sur la version la plus récente pour assurer la compatibilité des équipements. Vous trouverez la dernière version du logiciel sur la page d'assistance technique de Blackmagic Design : www.blackmagicdesign.com/fr/support. Pour plus d'informations, consultez la section « Utilitaire Blackmagic Camera Setup » de ce manuel.

CONSEIL Nous vous recommandons de mettre à jour tous vos équipements Blackmagic URSA au même moment pour un niveau de performance optimal.

Blackmagic URSA Studio Viewfinder



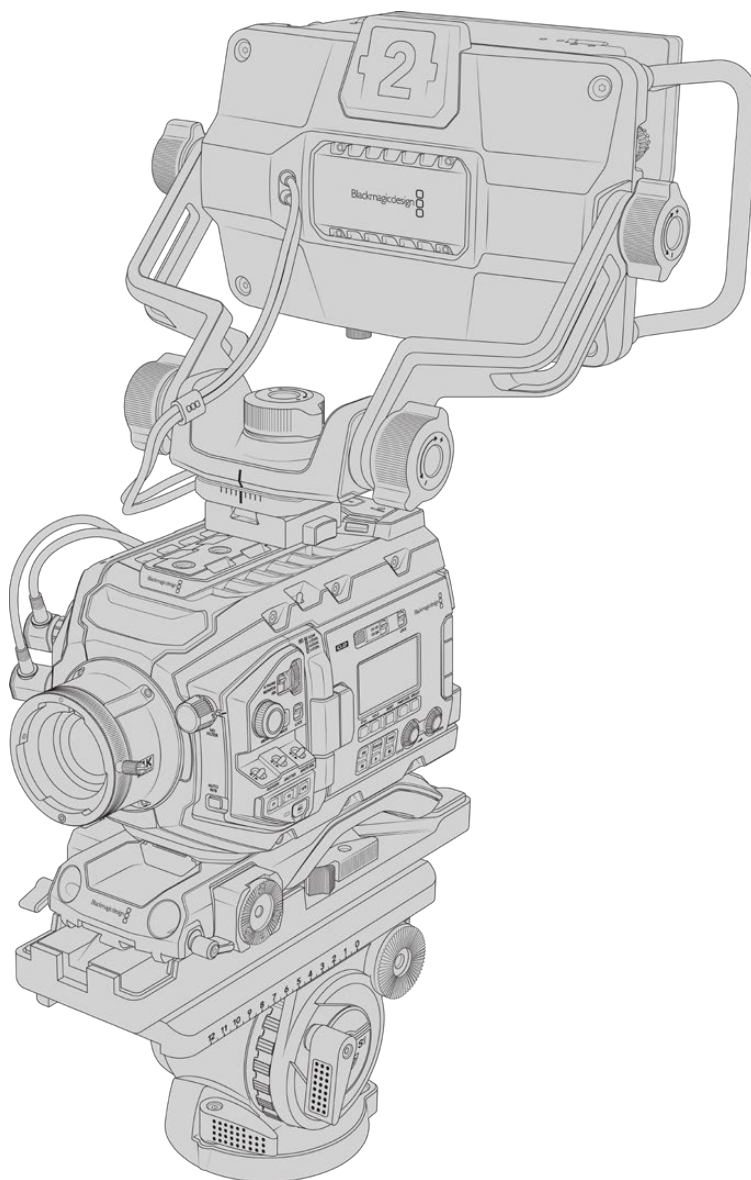
Transformez votre URSA Broadcast G2 en une véritable caméra numérique professionnelle grâce au URSA Studio Viewfinder. Le Studio Viewfinder comprend un écran de 7", un voyant tally, des molettes de contrôle, de larges poignées, un pare-soleil et des attaches rotatives réglables. Toutes ces fonctionnalités permettent ainsi de rester derrière la caméra pendant de longues heures pour capturer d'incroyables images. Le URSA Studio Viewfinder est la solution haut de gamme pour toutes vos productions en direct, que vous tourniez en studio ou en extérieur !

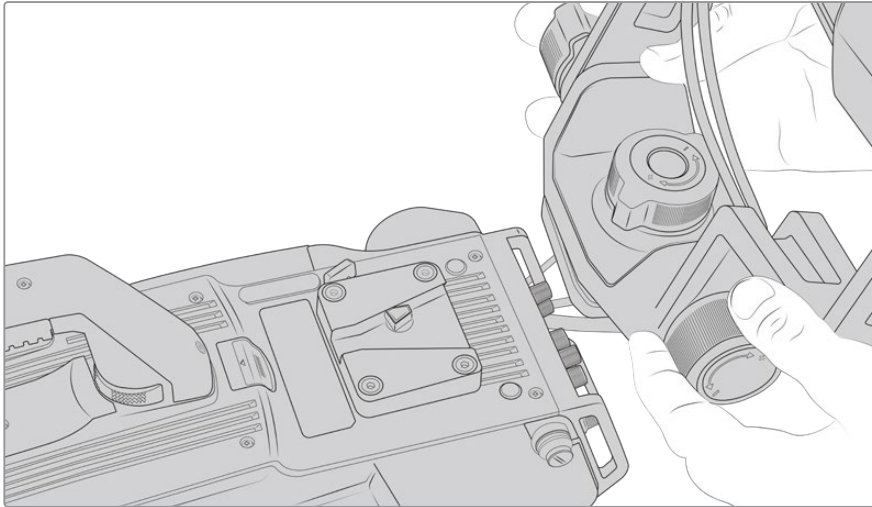
Monter et connecter le viseur à la Blackmagic URSA Broadcast G2

Lorsque vous utilisez le Blackmagic URSA Studio Viewfinder avec la Blackmagic URSA Broadcast G2, vous pouvez choisir de monter l'appareil à la caméra de différentes façons.

À l'aide du support V-lock, vous pouvez monter le Blackmagic URSA Studio Viewfinder directement sur la face supérieure de la Blackmagic URSA Broadcast G2 ou sur la poignée supérieure du kit épaulière URSA Mini Shoulder Kit inclus avec votre caméra.

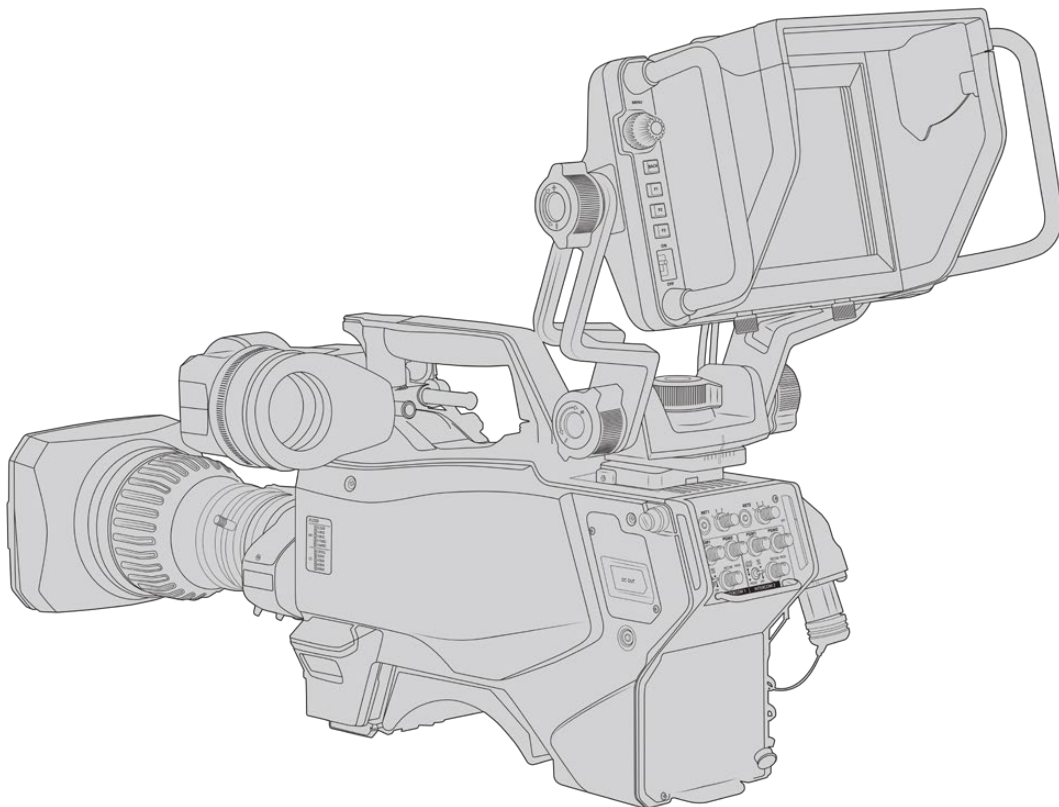
Vissez le support V-lock à la face supérieure de la caméra avec les vis 1/4" fournies. Puisque cette installation modifie le centre de gravité de la caméra, nous vous recommandons d'installer la caméra sur un trépied pour plus de stabilité.





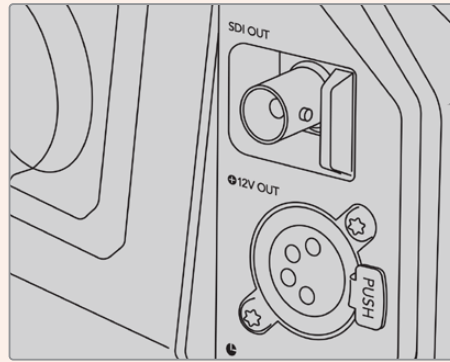
Support V-lock monté sur une caméra tierce

Si vous souhaitez utiliser le URSA Studio Viewfinder avec une autre caméra, installez un support V-lock ou un support tiers à la caméra de votre choix (dotée de pas de vis 1/4"). Vous pouvez également monter le Blackmagic URSA Studio Viewfinder à une caméra tierce équipée d'un support V-lock à attache rapide.



Pour connecter le viseur URSA Studio Viewfinder à la caméra URSA Broadcast G2, il suffit de connecter les câbles du viseur à la sortie d'alimentation de 12V et à la sortie 3G-SDI situées à l'avant de la caméra.

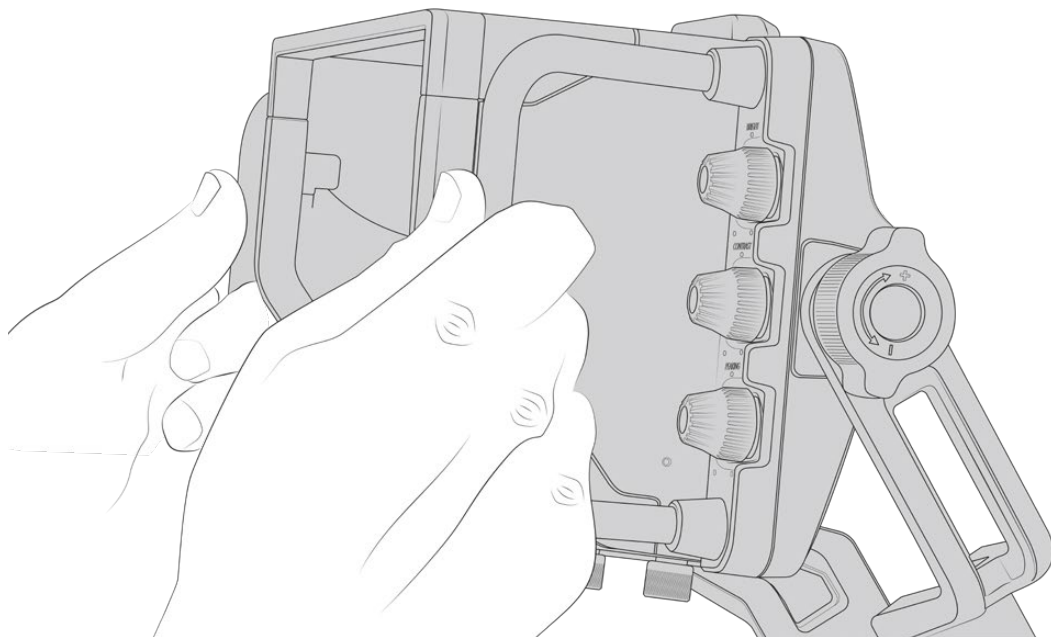
Le bouton d'alimentation du viseur permettra alors d'allumer le viseur instantanément lorsque la caméra est alimentée. Veuillez noter que les pinces situées sur les côtés du support pour poignée de la caméra permettent de maintenir les câbles en place.



Connexions 12V et SDI de la URSA Broadcast G2

CONSEIL Le URSA Studio Viewfinder intègre des connexions SDI à format ouvert et XLR à 4 broches. Vous pouvez donc utiliser ce viseur avec d'autres caméras ou comme écran portable sur le plateau. Il prend également en charge le protocole de contrôle de périphérique et le protocole ATEM tally format ouvert. Vous pouvez donc utiliser n'importe quelle caméra pour afficher le flux SDI. Ce flux permet notamment d'afficher le tally et les informations à l'écran sur le URSA Studio Viewfinder.

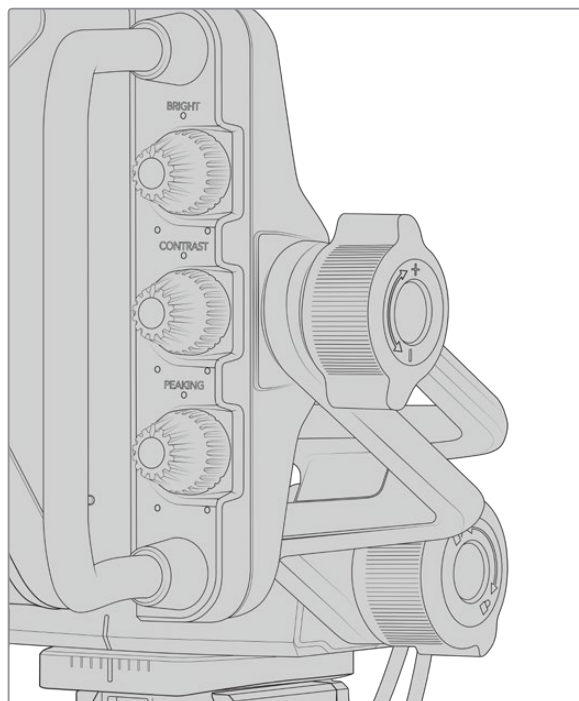
Régler le Blackmagic URSA Studio Viewfinder



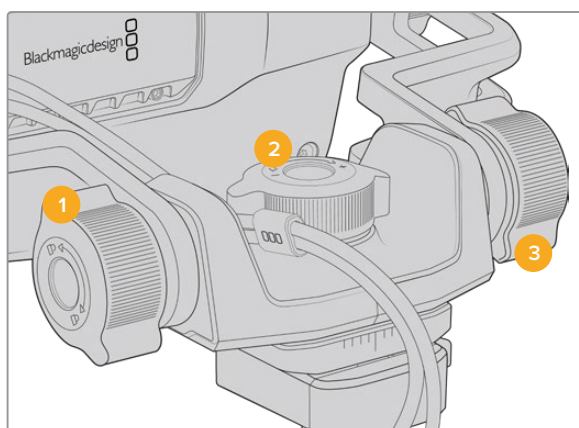
Le URSA Studio Viewfinder comprend de grandes poignées et des attaches rotatives réglables qui permettent de régler la position et l'angle du viseur. Les grandes poignées offrent une bonne prise en main et permettent de régler la position et l'angle du viseur rapidement. En plus du pare-soleil, les poignées permettent de protéger l'écran des dommages. Vous pouvez donc choisir de ranger le Blackmagic URSA Studio Viewfinder sans retirer le pare-soleil. Ses grandes poignées facilitent le transport de l'appareil entre chaque lieu de tournage.

Le support fourni avec le viseur comprend des molettes de tension pour la rotation horizontale et l'inclinaison verticale. De plus, d'autres molettes de tension sont situées de part et d'autre du viseur afin d'obtenir un contrôle encore plus précis.

La molette de gauche règle la tension du bras et la molette de droite verrouille le viseur une fois l'angle choisi. Ces molettes de tension offrent de nombreuses options d'ajustement et de résistance pour régler la rotation horizontale et l'inclinaison verticale du viseur de votre choix.



Molettes de tension situées de chaque côté du viseur



1 Molette de verrouillage de l'inclinaison

Verrouille l'angle d'inclinaison verticale du viseur.

2 Molette de tension de la rotation horizontale

Contrôle la tension de la rotation horizontale.

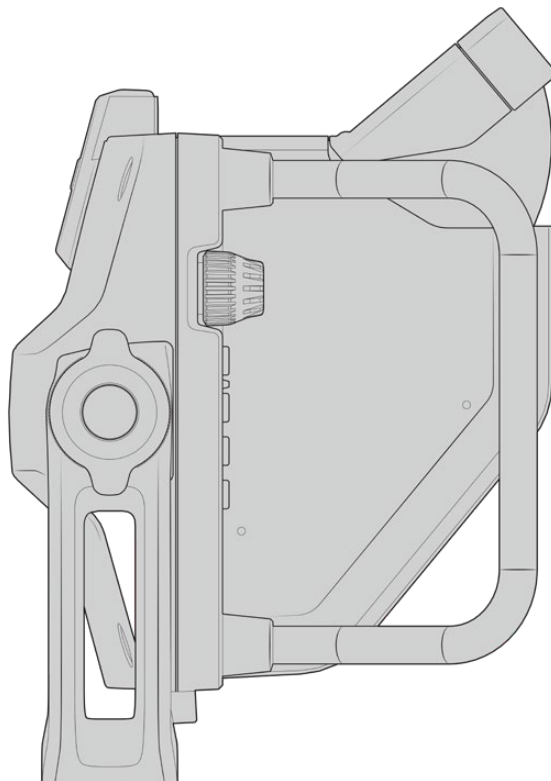
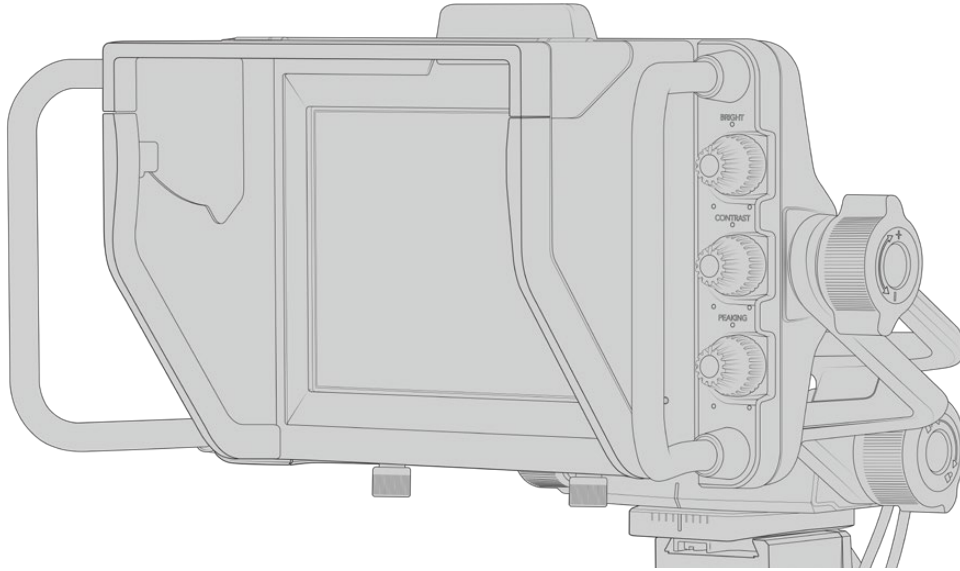
3 Molette de tension de l'inclinaison

Contrôle la tension de l'inclinaison verticale.

CONSEIL La molette de tension centrale située sur le support fourni avec l'écran permet de contrôler la rotation horizontale. Elle peut être desserrée pour modifier la position du viseur et de la caméra indépendamment. Cela signifie que lors de prises de vues de sports automobiles, par exemple, vous pourrez suivre l'action tout en gardant les yeux sur le viseur. Un repère visuel placé au centre du support facilite le repositionnement du viseur.

Pare-soleil

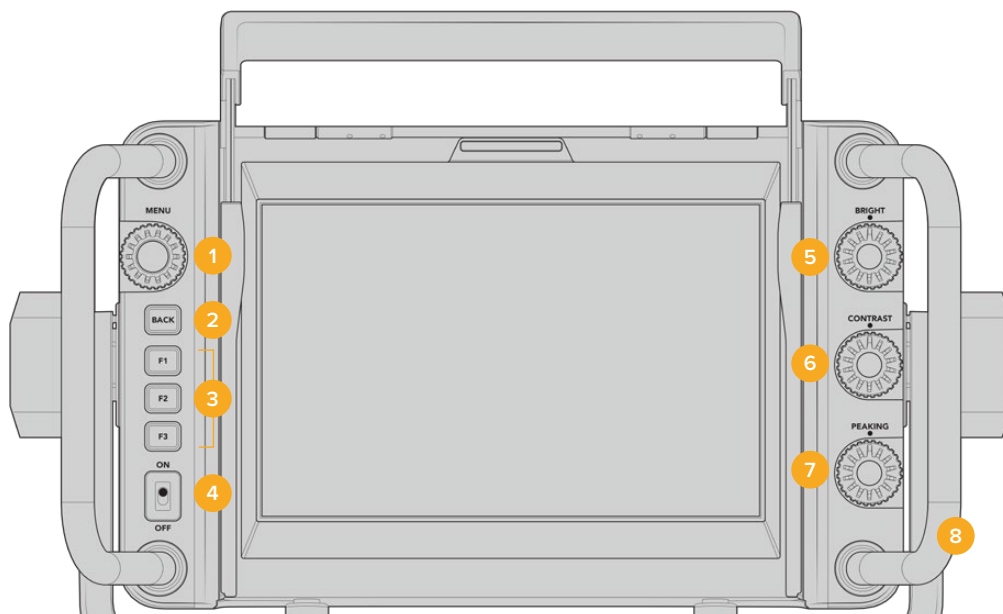
Le pare-soleil permet de voir l'écran même en conditions très lumineuses et très ensoleillées. Pour attacher le pare-soleil, faites-le glisser sur la face supérieure du Blackmagic URSA Studio Viewfinder. Il doit être attaché avec les vis imperdables. La partie supérieure du pare-soleil est réglable, elle peut être soulevée ou abaissée pour disposer d'une variété d'angles de visionnage. Le pare-soleil offre une protection supplémentaire à l'écran 7 pouces. Il peut être retiré rapidement et facilement si nécessaire ou pour accéder au connecteur USB-C pour les mises à jour logicielles.



Pare-soleil réglable

Boutons de fonction

Les molettes situées sur le côté droit du viseur vous permettent de changer rapidement la luminosité, le contraste et le peaking. Elles sont placées de façon à pouvoir être facilement réglées même lorsque vous utilisez un pare-soleil.



1 Molette Menu

Molette/bouton-poussoir **Menu** qui vous permet d'ouvrir le menu principal et de naviguer entre les paramètres du viseur.

2 Bouton Back

Permet de sortir du menu principal.

3 F1, F2, F3

Boutons de fonction personnalisables. Vous pouvez personnaliser ces boutons pour accéder facilement aux fonctions les plus courantes.

4 Interrupteur On/Off

Active et désactive le Blackmagic URSA Studio Viewfinder.

5 Molette Bright

Règle la luminosité de l'image à l'écran. L'affichage à l'écran indique le niveau de luminosité entre - 100 et + 100.

6 Molette Contrast

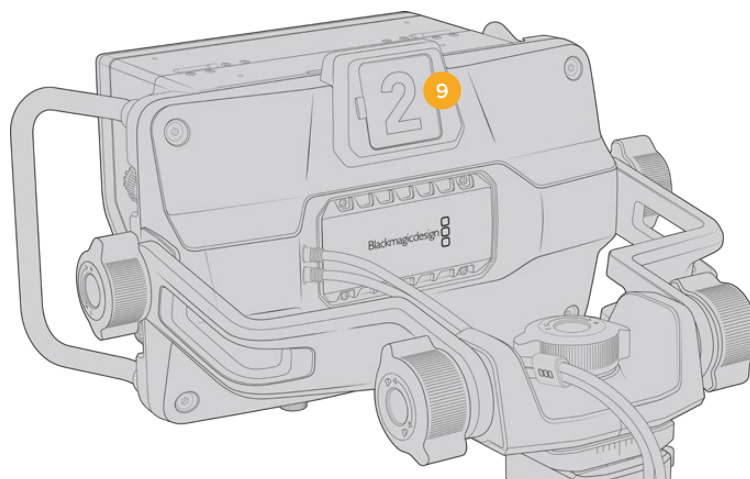
Règle le contraste de l'image à l'écran. L'affichage à l'écran indique le niveau de contraste entre - 100 et + 100.

7 Molette Peaking

Règle le niveau de focus peaking de l'image à l'écran. L'affichage à l'écran indique le niveau de peaking entre -100 et +100. Au sein de ce menu, vous pouvez choisir entre plusieurs styles de peaking en fonction de votre environnement. Il comprend l'option de focus peaking standard utilisée par les autres appareils broadcast, ainsi qu'une option pour changer la couleur des lignes de mise au point. Vous pouvez donc choisir entre les couleurs rouge, vert, bleu, noir et blanc. Cela vous permet de visualiser le peaking, quelles que soient les conditions lumineuses.

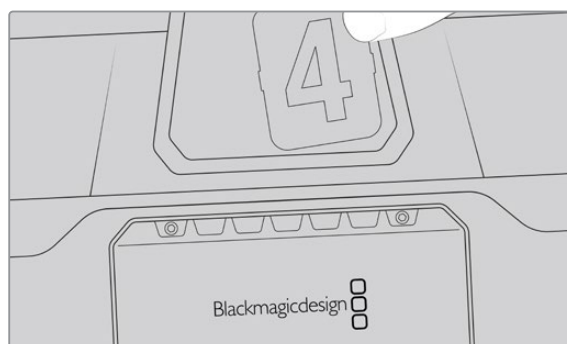
8 Poignées

Les grandes poignées vous permettent de maintenir le Studio Viewfinder immobile pendant que vous repositionnez la caméra. Elles offrent également une protection supplémentaire pour l'écran lorsque vous transportez le viseur.



- 9 Voyant Tally** Le voyant tally placé à l'arrière du Blackmagic URSA Studio Viewfinder permet de savoir quelle caméra est à l'antenne et si le signal d'enregistrement est isolé. Le voyant tally s'allume en rouge lorsque la caméra est à l'antenne, en vert pour la prévisualisation et en orange pour l'enregistrement isolé lorsque la URSA Broadcast G2 est connectée.

Lorsque le réalisateur passe d'une caméra à l'autre sur le mélangeur ATEM, les informations du tally sont envoyées à la caméra via SDI. Le voyant tally s'allume quand la commutation suivante est sélectionnée, quand le signal de la caméra est à l'antenne ou pendant l'enregistrement. En outre, le URSA Studio Viewfinder comprend des numéros transparents qui s'accrochent sur le voyant tally. Cela permet de voir le numéro de la caméra sur une distance de plus de 5 mètres !



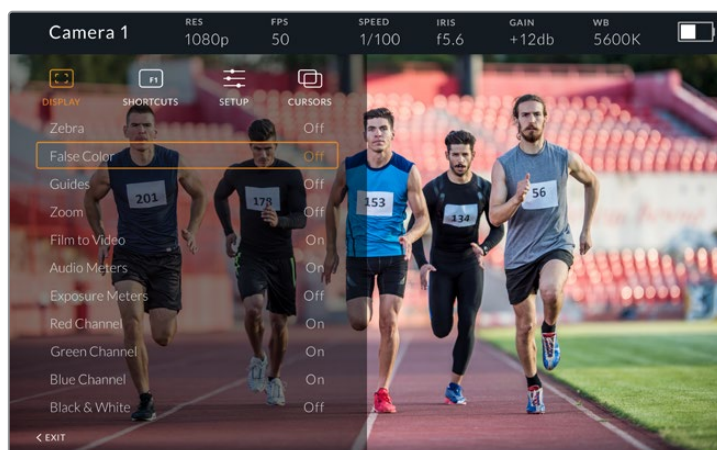
Le programme d'installation comprend un PDF modifiable qui permet de modifier et d'imprimer des numéros de tally similaires à ceux fournis avec le viseur. Vous pouvez également créer vos propres numéros de tally. Après avoir installé le logiciel Blackmagic Cameras, vous pourrez trouver les numéros sur Mac : Applications > Blackmagic Cameras > Documents. Sur PC : Blackmagic Design > Documents.

La couleur du voyant tally change en fonction du type de commutation effectué sur l'ATEM. Cependant, si la caméra n'est pas connectée à un mélangeur, le voyant tally s'allume simplement en rouge. Pour plus d'informations, consultez la section « Comprendre la fonction Contrôle Caméra » de ce manuel.

CONSEIL Lorsque vous utilisez le Blackmagic URSA Studio Viewfinder avec un mélangeur ATEM, il est important de cocher la case **Clean feed** sur la URSA Broadcast G2. Cela permet de garantir que les informations à l'écran et le cadre de mise au point ne seront pas visibles sur la sortie SDI du mélangeur ATEM. Naviguez dans le menu **Moniteur** de la URSA et sélectionnez **Clean feed** sous **SDI principale**.

Menu de paramétrage

Pour ouvrir le menu principal, appuyez sur le bouton-poussoir **Menu** et tournez la molette pour naviguer entre les différentes options. Appuyez de nouveau sur ce même bouton pour naviguer entre les menus **Display**, **Shortcuts**, **Setup** et **Cursors**. Une fois le menu sélectionné, faites défiler les paramètres à l'aide de la molette. Appuyez toujours sur ce même bouton-poussoir pour sélectionner le paramètre et tournez la molette **Menu** pour modifier le paramètre sélectionné. Appuyez de nouveau sur le bouton poussoir **Menu** pour confirmer la sélection. Pour refermer ce menu, appuyez sur **Back** ou allez sur l'option **Exit**.



Display

Zebra

Active et désactive le zébra. Sur la URSA Broadcast G2, vous pouvez déterminer le niveau de zébra depuis la troisième page de l'onglet **Moniteur**. Lorsque le Studio Viewfinder n'est pas connecté à la URSA Broadcast G2, le niveau de zébra représente 95% de la luminance du signal Rec 709. Pour plus d'informations, consultez la section « Paramètres » de ce manuel.

False Color

Active et désactive la fonction Fausses couleurs. La fonction **Fausses couleurs** applique différentes couleurs à différentes zones de l'image. Ces couleurs représentent les différentes valeurs d'exposition des éléments de votre image. Par exemple, la couleur rose représente une exposition optimale pour les tons chair. En contrôlant cette couleur lorsque vous enregistrez des images contenant des personnes, vous maintiendrez une exposition stable au niveau des tons chair. De même, lorsque la couleur des éléments de votre image passe du jaune au rouge, cela signifie qu'ils sont surexposés. Il est judicieux d'attribuer la fonction False Color à un des boutons de fonction, afin d'obtenir un accès rapide à cet outil de référence couramment utilisé pour le réglage de l'exposition.

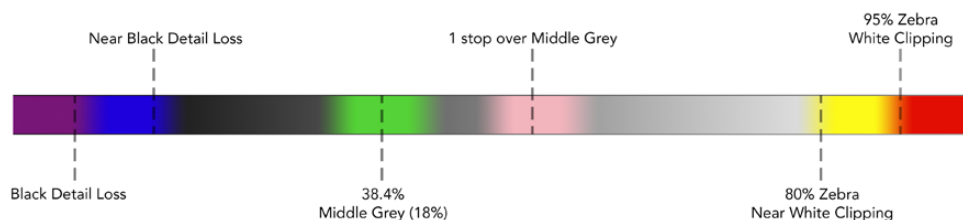


Schéma de la fonction fausses couleurs

Guides

Le paramètre **Guides** permet d'afficher ou de masquer les repères de cadrage. Les repères correspondent au réglage effectué depuis la quatrième page de l'onglet **Moniteur** de la URSA Broadcast G2.

Le format de l'image, le niveau d'opacité des repères, le pourcentage de la zone de sécurité et le type de repères affichés correspondent aux réglages effectués au sein de la caméra. Le menu **Setup** du Studio Viewfinder vous permet ensuite de configurer le type de repères que vous souhaitez afficher sur le Studio Viewfinder lorsque la fonction **Guides** du menu **Display** est activée. Ce paramètre vous permet alors d'activer ou de désactiver les repères avec un seul bouton.

Zoom

Active et désactive la fonction **Zoom**. La fonction Zoom permet de zoomer dans l'image pour obtenir une mise au point très nette. Une fois le zoom effectué, vous pouvez naviguer dans des zones spécifiques de l'image en faisant tourner la molette **Menu** vers la gauche ou vers la droite. Le cadre indique dans quelle zone de l'image vous avez zoomé.

Film to Video

Lorsque vous envoyez un signal SDI dont la plage dynamique est réglée sur « film » à partir de la URSA Broadcast G2, le paramètre **Film to Video** permet d'appliquer une LUT au contraste plus prononcé et aux couleurs plus vives à l'image. Ce paramètre est disponible uniquement lorsqu'une plage dynamique de type « film » est détectée. Dans les autres cas, il sera grisé afin d'empêcher qu'une LUT inadéquate ne soit appliquée à l'image.

Audio Meters

Les vumètres affichent le niveau audio acheminé via SDI vers le Blackmagic URSA Studio Viewfinder, ils indiquent donc les niveaux d'entrée audio de la URSA Broadcast G2. Lorsque l'entrée Programme est sélectionnée, les vumètres affichent ces niveaux audio.

Exposure Meters

Active ou désactive l'affichage de l'histogramme.

Red Channel

Permet d'activer ou de désactiver le canal rouge de l'image.

Green Channel

Permet d'activer ou de désactiver le canal vert de l'image.

Blue Channel

Permet d'activer ou de désactiver le canal bleu de l'image.

Black & White

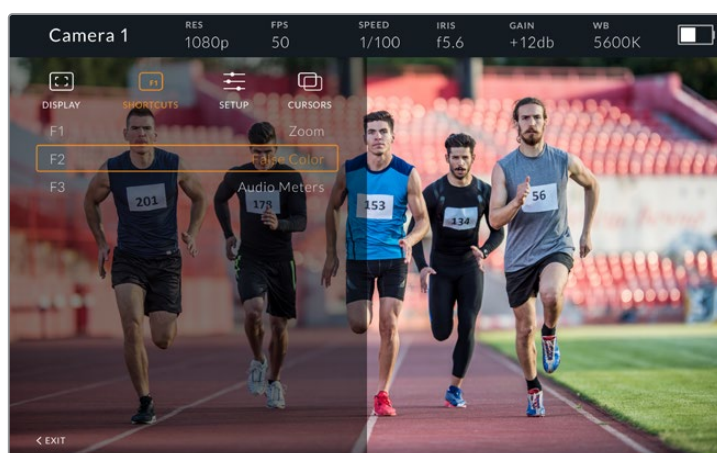
Commute entre un affichage en couleurs et un affichage monochrome.

Shortcuts

Le menu **Shortcuts** vous permet d'assigner des fonctions spécifiques aux boutons F1, F2 et F3. Vous pourrez ainsi rapidement activer ou désactiver les paramètres du menu Display, ou les curseurs. Ce menu est très utile lorsque vous souhaitez accéder rapidement à des paramètres que vous utilisez fréquemment.

Pour créer vos propres raccourcis : Dans le menu **Shortcuts**, faites tourner la molette **Menu** et sélectionnez un des trois boutons. Appuyez sur la molette pour confirmer votre sélection, puis faites-la tourner pour faire défiler les fonctions assignables. Les options offertes sont : **Zoom**, **Cursor 1**, **Cursor 2**, **Cursor 3**, **Zebra**, **False color**, **Guides**, **Film to video**, **Audio meters**, **Exposure meters**, **Red channel**, **Green channel**, **Blue channel**, **Black and white**. Une fois que vous avez fait votre choix, cliquez sur le bouton Menu pour confirmer la sélection et assigner la fonction au bouton de raccourci sélectionné. Pour activer ou désactiver cette fonction, il suffit désormais d'appuyer sur le bouton de raccourci.

Une fois les raccourcis configurés, vous pouvez sélectionner **Exit** et appuyer sur la molette **Menu** pour fermer l'affichage du menu, ou appuyer sur le bouton **Back** afin de quitter le menu.



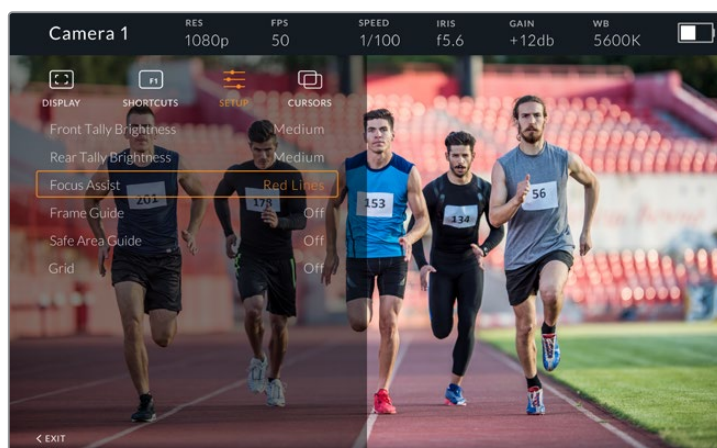
Le menu **Shortcuts**

Menu Setup

Le menu **Setup** permet de choisir la configuration du viseur.

Front Tally Brightness

Permet de régler la luminosité du voyant tally avant. Les options sont **Off**, **Low**, **Medium** et **High**. Le voyant tally s'allume lorsque vous le réglez pour visualiser le niveau de luminosité de chaque paramètre.



Le menu **Setup**

Rear Tally Brightness

Permet de régler la luminosité du voyant tally arrière. Les options sont **Low**, **Medium** et **High**. Le voyant tally s'allume lorsque vous le réglez pour visualiser le niveau de luminosité de chaque paramètre.

CONSEIL Il est recommandé de régler la luminosité du voyant LED sur **High** dans des conditions de forte luminosité, afin que les acteurs et les opérateurs puissent le voir facilement. En revanche, il est judicieux de régler la luminosité du voyant LED sur **Low** dans les environnements sombres.

Focus Assist

Le paramètre **Focus Assist** permet de modifier l'affichage du peaking sur le viseur. Les options proposées sont **Red**, **Green**, **Blue**, **Black** et **White**, ainsi que les options de peaking traditionnelles.

Frame Guide

Ce paramètre permet d'afficher les repères de cadrage à partir de la fonction **Guides** du Studio Viewfinder. Lorsque le viseur est connecté à la URSA Broadcast G2, les repères de cadrage correspondent au format des repères de cadrage de la caméra. Lorsqu'il est connecté à d'autres dispositifs, les repères de cadrage sont réglés par défaut sur un format d'image 14:9.

Safe Area Guide

Ce paramètre permet d'afficher la zone de sécurité à partir de la fonction **Guides** du Studio Viewfinder. Lorsque le viseur est connecté à la URSA Broadcast G2, le pourcentage de la zone de sécurité correspond à celui de la caméra. Lorsqu'il est connecté à d'autres dispositifs, la zone de sécurité est réglée par défaut sur 90%.

Grid

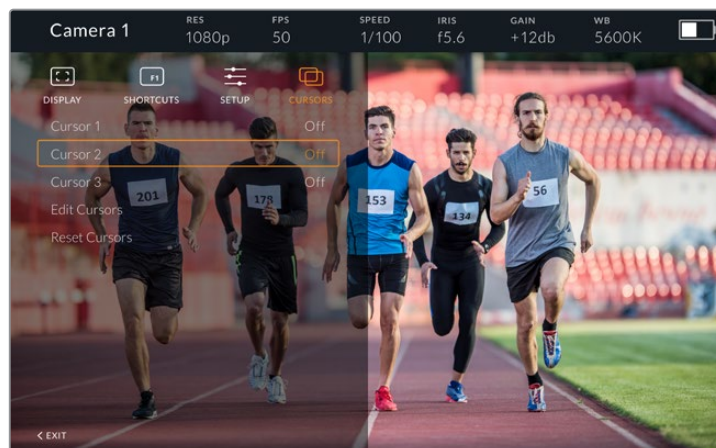
Ce paramètre permet d'afficher les grilles à partir de la fonction **Guides** du Studio Viewfinder. Lorsque le viseur est connecté à la URSA Broadcast G2, les grilles correspondent à celles réglées sur la caméra. Lorsqu'il n'est pas raccordé, ce paramètre active ou désactive les réticules.

LCD Brightness

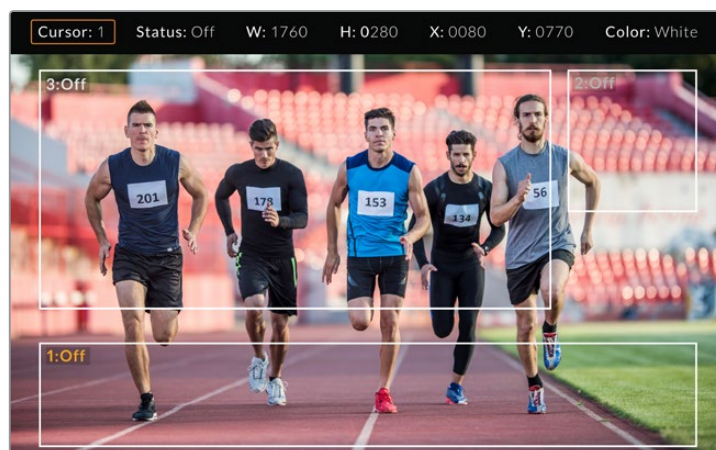
Si vous avez le modèle le plus récent du URSA Studio Viewfinder, ce paramètre apparaîtra en bas du menu **Setup**. Il permet d'ajuster la luminosité du rétroéclairage de l'écran LCD de votre Studio Viewfinder.

Cursors

Les curseurs vous permettent de créer une zone à l'écran dans laquelle des graphiques, tels que des synthés et des logos, seront affichés. Pour modifier les curseurs, allez dans le menu **Cursors** et sélectionnez **Edit Cursors**. Une page qui affiche les trois curseurs apparaît. Elle vous permet de sélectionner individuellement les curseurs et de choisir leur largeur, leur hauteur, ainsi que leurs coordonnées x et y pour les positionner.



Le menu **Cursors**



Les curseurs affichés à l'écran

Une fois les curseurs configurés, vous pouvez les activer ou les désactiver à partir du menu **Cursors** ou les assigner à un bouton de fonction pour y accéder rapidement. Cette fonction est très importante pour la production en direct, car elle permet à l'opérateur de la caméra de composer et de cadrer les prises avec précision. Vous pouvez personnaliser la hauteur, la largeur et l'emplacement de trois curseurs noirs ou blancs, ce qui vous permet de positionner avec précision les graphiques ajoutés en direct ou lors d'une diffusion ultérieure. Vous pouvez également régler les curseurs sur leurs paramètres par défaut.

Utiliser un casque avec le Blackmagic URSA Studio Viewfinder

Lorsque vous utilisez le Blackmagic URSA Studio Viewfinder avec la URSA Broadcast G2, la connexion pour casque de la caméra devient une connexion pour le réseau d'ordres, ce qui permet de communiquer directement avec le réalisateur.

Si vous souhaitez utiliser des fonctionnalités du réseau d'ordres plus avancées, le Blackmagic Camera Fiber Converter et le Blackmagic Studio Converter vous permettront de brancher des casques broadcast standard à connecteurs XLR à 5 broches. Pour plus d'informations, consultez la section « Blackmagic Fiber Converters » de ce manuel.

CONSEIL Comme la prise casque de la URSA Broadcast G2 est compatible avec les écouteurs pour iPhone, vous pouvez même appuyer sur le bouton des écouteurs pour communiquer avec le réalisateur.

Mise à jour du logiciel interne du URSA Studio Viewfinder

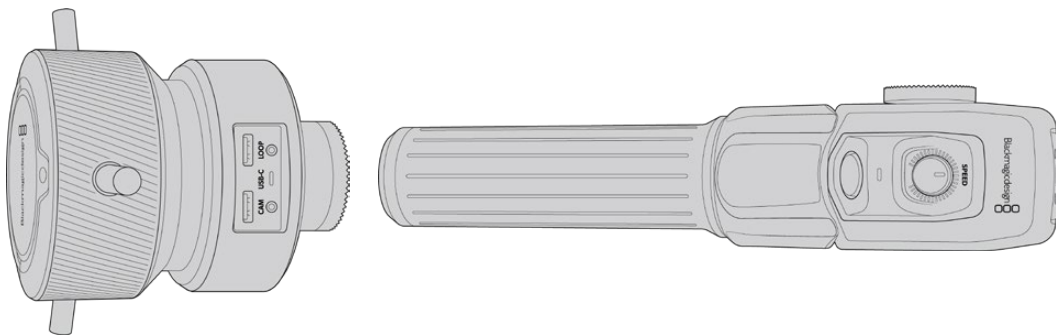
Vous pouvez mettre à jour votre URSA Viewfinder via l'utilitaire Blackmagic Camera Setup. Comme le viseur doit être alimenté pendant la mise à jour, nous vous recommandons d'installer le viseur sur la caméra URSA Broadcast G2 pendant toute la durée de la mise à jour. La caméra devra également être alimentée. Il faudra donc la brancher à une source d'alimentation externe ou disposer d'un bloc de batteries.

Retirez le pare-soleil pour accéder à la connexion USB-C située au bas du Blackmagic URSA Studio Viewfinder, et connectez votre ordinateur au port USB-C. Lorsque l'utilitaire Blackmagic Camera est lancé et que le viseur est connecté à votre ordinateur, la mise à jour vous sera proposée si l'ordinateur détecte que le viseur utilise une ancienne version du logiciel. Suivez les informations à l'écran pour mettre à jour le logiciel interne de votre URSA Viewfinder. Pour plus d'informations, consultez la section « Utilitaire Blackmagic Camera Setup » de ce manuel.

Nous vous recommandons de mettre à jour tous vos équipements Blackmagic URSA au même moment pour un niveau de performance optimal.

REMARQUE Lorsque vous utilisez le Blackmagic URSA Studio Viewfinder avec votre URSA Broadcast G2, nous vous recommandons de mettre à jour le logiciel interne du Viewfinder sur la version la plus récente pour assurer la compatibilité des équipements. Vous trouverez la dernière version du logiciel sur la page d'assistance technique de Blackmagic Design : www.blackmagicdesign.com/fr/support. Pour plus d'informations, consultez la section « Utilitaire Blackmagic Camera Setup » de ce manuel.

Blackmagic Zoom Demand et Focus Demand



Le Blackmagic Zoom Demand et le Blackmagic Focus Demand sont des accessoires en option qui permettent de contrôler la mise au point et le zoom avec des objectifs motorisés EF, PL et B4 compatibles.

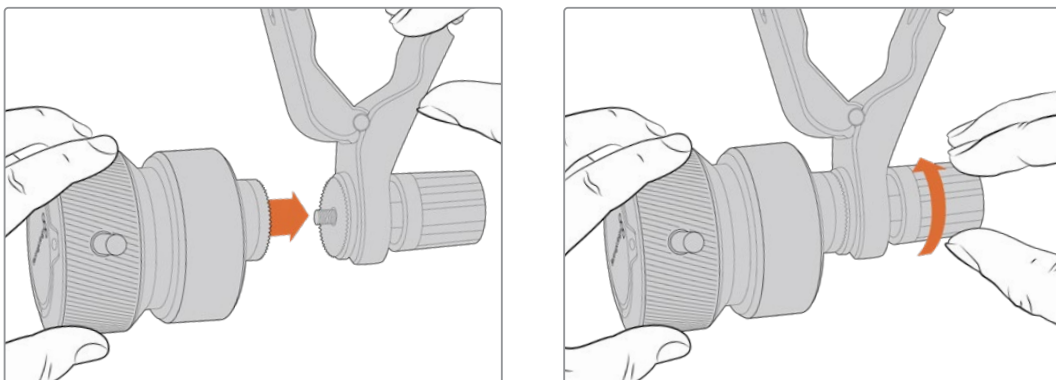
Chaque accessoire se fixe à une poignée de trépied sur votre trépied ou socle de caméra. Vous pouvez ainsi contrôler la mise au point et le zoom tout en effectuant des pan et des tilt avec la caméra à l'aide de vos deux mains. Des boutons et commandes supplémentaires vous permettent d'ajuster la vitesse et la sensibilité du contrôle du zoom, d'activer le réseau d'ordres, de contrôler le retour programme et bien plus.

Connecter et monter les accessoires sur votre caméra

Montage sur des poignées de trépied

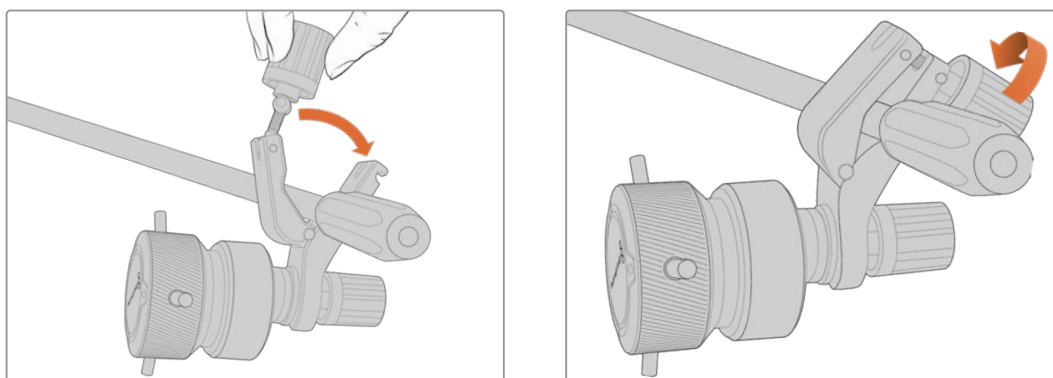
Chaque accessoire se fixe à une poignée de trépied via son support de montage. Fixez chaque appareil à son support via la rosette :

Connectez le Zoom Demand ou le Focus Demand à son support de montage via la rosette et fixez-les en resserrant la molette.



- 1 Placez le Zoom Demand ou le Focus Demand contre la rosette du support de montage.
- 2 Resserez la molette afin que les accessoires soient fermement fixés à leur support.

Une fois les accessoires montés sur leur support, vous pouvez fixer les ferrures du support à la poignée du trépied. L'extrémité de chaque ferrure contient un loquet en forme de T qui s'articule dans une fente afin d'être resserré.



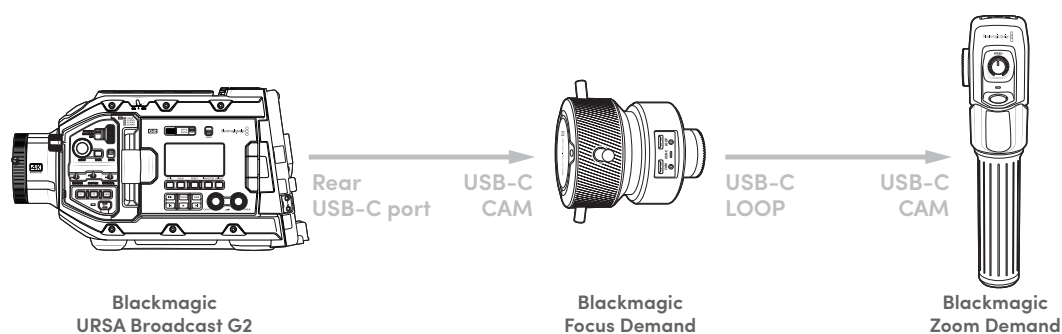
- 1 Desserrez le loquet en dévissant la molette du loquet dans le sens inverse des aiguilles d'une montre. Cela permettra de libérer le loquet en forme de T.
- 2 Une fois le loquet ouvert, placez le support sur le bras du trépied et fixez-le en refermant le loquet dans sa fente de fixation. Faites pivoter le support sur la position de votre choix.
- 3 Resserrez la molette du loquet pour fixer le support au bras du trépied.

Connecter les accessoires à votre caméra

Les Blackmagic Focus Demand et Zoom Demand ont chacun deux ports USB-C. Cela vous permet d'utiliser un appareil individuellement ou les deux ensemble.

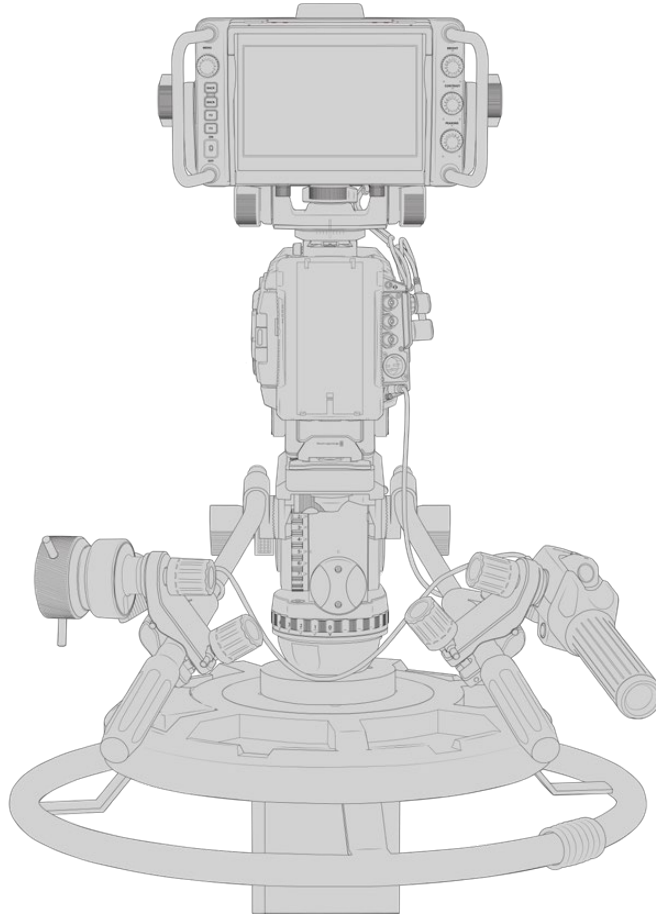
Un câble USB-C de 1 mètre de long est fourni avec chaque appareil. Il se connecte directement du port expansion USB-C de votre URSA Broadcast G2 au port caméra du Focus Demand ou du Zoom Demand.

Si vous utilisez les deux appareils ensemble, il faudra les relier en chaîne en connectant le premier appareil au second via USB-C.



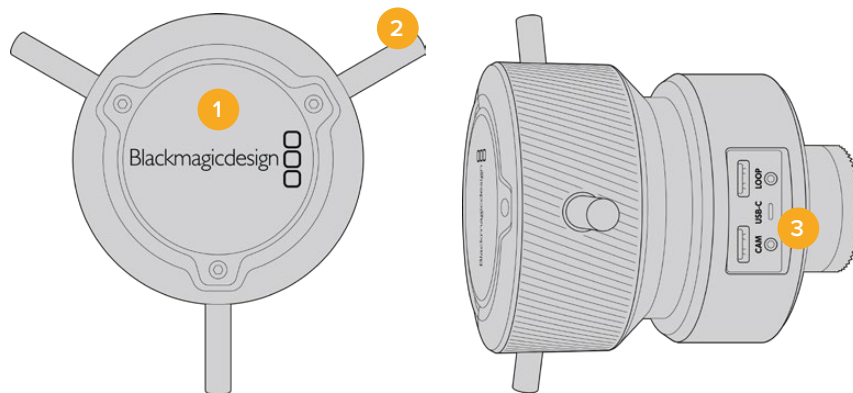
Grâce à la connexion en chaîne, les deux appareils peuvent être contrôlés via un seul port USB sur votre URSA Broadcast G2. Par exemple, vous pouvez connecter un câble USB-C au port USB-C à l'arrière de la caméra, et connecter l'autre extrémité du câble au port caméra du Focus Demand. Avec un deuxième câble, reliez le port loop du Focus Demand au port cam du Zoom Demand.

Le câble USB-C est doté de vis de sécurité à chaque extrémité pour éviter les risques accidentels de déconnexion. Vous n'êtes pas obligé d'utiliser les vis de sécurité, mais elles restent pratiques pour les installations en studio, lorsque les appareils sont connectés en permanence à votre URSA Broadcast G2.



Le Blackmagic Focus Demand et Zoom Demand vous permettent de contrôler la mise au point et le zoom sans enlever les mains des poignées

Utiliser le Blackmagic Focus Demand



1 Molette de contrôle

Tournez la roue dans le sens des aiguilles d'une montre pour faire la mise au point sur les sujets les plus proches de l'objectif, ou dans le sens inverse pour faire la mise au point sur les sujets les plus loin. Vous pouvez changer la direction de la mise au point dans le menu en réglant le paramètre sur **Normale** ou **Inversée**.

CONSEIL Si vous utilisez également le Blackmagic Zoom Demand, appuyez sur le bouton de zoom rapide pour grossir l'image tandis que vous faites la mise au point à l'aide du Focus Demand.

2 Barres de contrôle

Ces trois barres de contrôles agrandissent le diamètre de la surface de contrôle pour vous permettre de faire des ajustements de mise au point plus précis du bout du doigt.

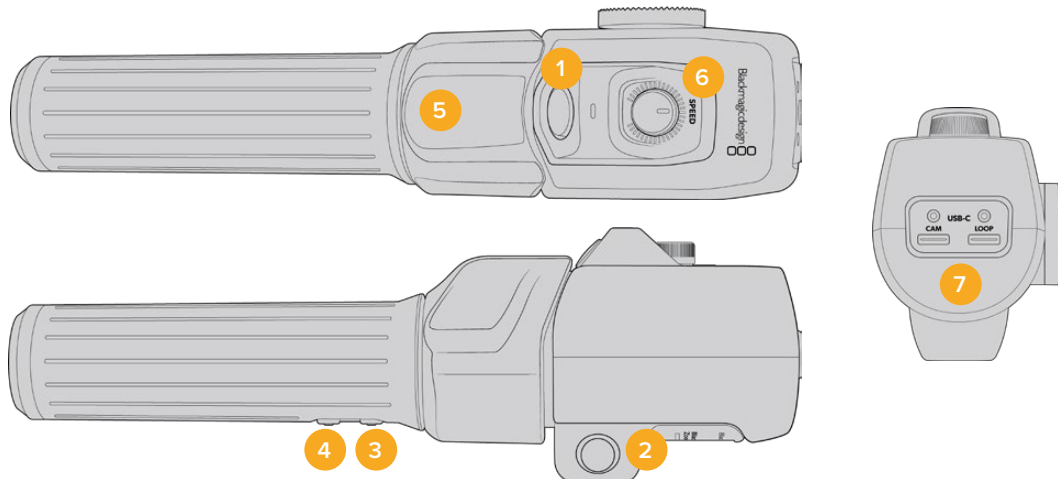
3 Ports USB

Permet de connecter le Focus Demand à la caméra et de le connecter en chaîne au Zoom Demand. Le port cam est également utilisé pour mettre à jour le logiciel interne via l'utilitaire Blackmagic Camera Setup.

Utiliser le Blackmagic Zoom Demand

Les commandes du Zoom Demand sont assignables depuis les Réglages de la caméra. Pour modifier les boutons de fonctions, consultez le chapitre « Onglet Réglages » de la section « Menu de paramétrage ».

Les commandes suivantes sont réglées par défaut :



1 Zoom F1

C'est le bouton 1 de la fonction zoom. Par défaut, il est assigné à la fonction d'enregistrement.

2 Zoom F2

C'est le bouton 2 de la fonction zoom. De l'autre côté du contrôleur, vous trouverez un bouton identique qui effectue la même fonction, pour une utilisation de la main droite ou gauche. Par défaut, il est assigné à une fonction de zoom rapide qui opère instantanément dans l'image en direct.

REMARQUE La fonctionnalité de zoom rapide est seulement visible sur l'écran LCD de la Blackmagic URSA Broadcast G2. Elle n'apparaîtra pas sur la sortie vidéo connectée à un mélangeur ou un enregistreur.

3 Zoom F3

C'est le bouton 3 de la fonction zoom. Ce bouton est assigné par défaut au retour programme. En général, c'est le retour programme du mélangeur, mais cela peut être aussi un signal SDI connecté à l'entrée SDI de votre caméra.

4 Zoom F4

C'est le bouton 4 de la fonction zoom. Ce bouton est assigné par défaut à la fonction Appuyer pour parler. Si vous êtes connecté à un mélangeur ATEM via SDI, restez appuyé sur ce bouton pour communiquer avec l'opérateur du mélangeur.

5 Thumb Rocker

Sur la poignée du Zoom Demand se trouve une commande de bascule contrôlable par le pouce. Poussez le Thumb rocker vers la gauche avec votre pouce pour dézoomer, et vers la droite pour zoomer. Vous pouvez inverser la direction du zoom depuis le menu de paramétrage de la caméra.

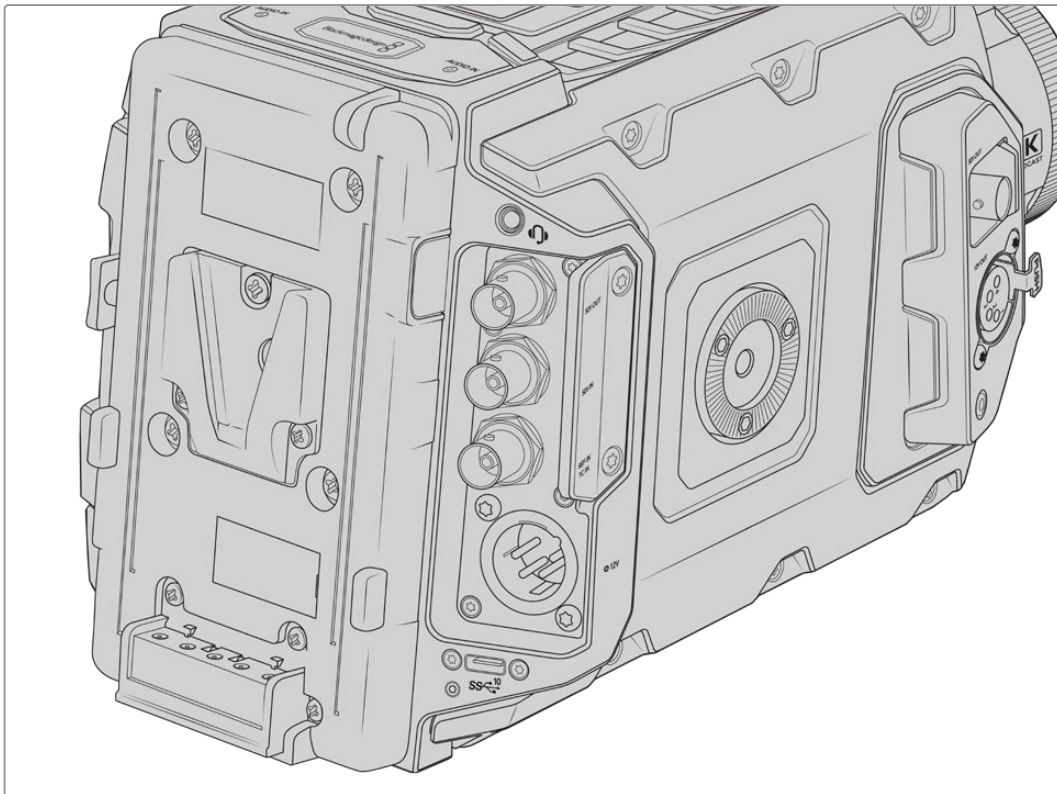
6 Molette de vitesse

Ajustez la vitesse du zoom avec finesse grâce à la molette de vitesse située sur le dessus de l'appareil. Vous pouvez également assigner cette molette au contrôle du niveau du casque, à l'ajustement de l'iris et même de la mise au point.

7 Ports USB-C

Permet de connecter le Zoom Demand à la caméra et de le connecter en chaîne au Focus Demand. Le port cam est également utilisé pour mettre à jour le logiciel interne via l'utilitaire Blackmagic Camera Setup.

Fixer la batterie



Monter des batteries V-mount ou Gold Mount

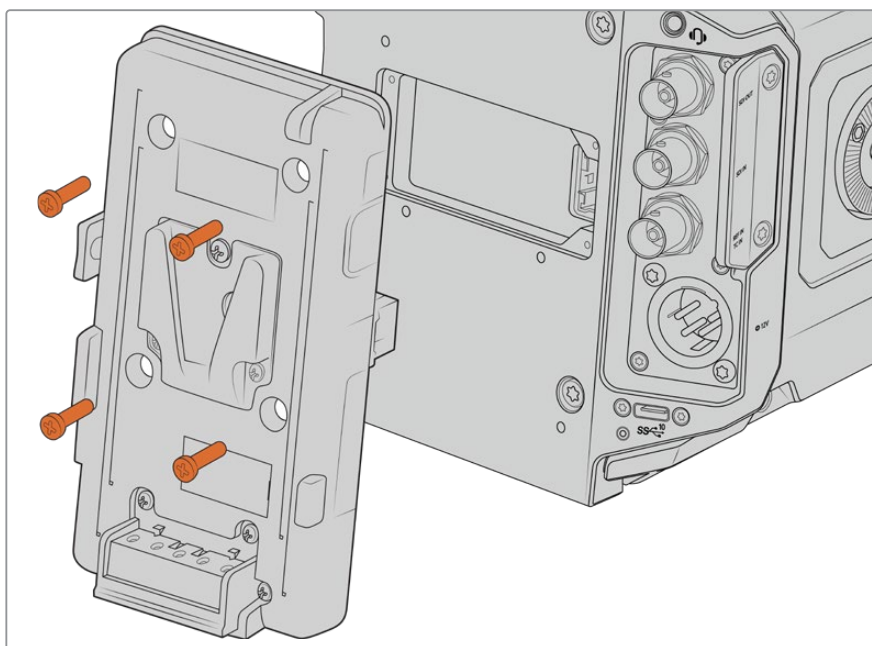
Votre Blackmagic URSA Broadcast G2 est équipée d'un support VLock pour fixer des batteries VLock standard à votre caméra.

D'autres types de batteries peuvent également être montés à l'aide d'une Blackmagic URSA Gold Battery Plate en option ou d'une fixation tierce.

ASTUCE Les fixations Blackmagic URSA VLock Battery Plate et URSA Gold Battery Plate permettent d'afficher les informations en pourcentage avec des batteries compatibles. Les fixations pour batterie Blackmagic sont dotées d'un connecteur **+12V out**, également appelé **D-tap** ou **P-tap**. Il permet d'alimenter des accessoires, par exemple un moniteur externe. Comme cette sortie est reliée à la caméra, elle sera éteinte en toute sécurité. Elle fournit 12 volts jusqu'à 1,5 ampère. Certaines fixations URSA tierces et même certaines batteries fournissent une sortie D-tap non régulée. L'alimentation est donc continue même si la caméra est éteinte ou si on la redémarre. En revanche, la tension varie en fonction du niveau de charge de la batterie et les accessoires branchés sont alimentés en permanence.

Vous pouvez vous procurer les fixations pour batterie Blackmagic URSA VLock Battery Plate et URSA Gold Battery Plate auprès des revendeurs Blackmagic Design ou des revendeurs d'équipement vidéo et de caméras numériques professionnelles. Si vous souhaitez faire des changements à votre propre fixation pour pouvoir vous en servir avec la Blackmagic URSA Broadcast G2, vous pouvez utiliser le câble et le connecteur adaptateurs fournis. Consultez la section « Utiliser votre propre support pour batterie » de ce manuel pour savoir comment adapter n'importe quelle fixation pour batterie à la caméra URSA Broadcast G2.

Pour remplacer la fixation sur votre Blackmagic URSA Broadcast G2 :



- 1 Dévissez les 4 vis M3 à chaque coin du support URSA VLock.
- 2 Déconnectez le connecteur Molex du support pour batterie du connecteur d'alimentation Molex de votre caméra.
- 3 Connectez le nouveau connecteur Molex du support pour batterie au connecteur d'alimentation Molex de votre caméra.
- 4 Vissez la fixation pour batterie au panneau arrière de la caméra à l'aide de 4 vis M3. Vérifiez que le connecteur est correctement inséré dans l'emplacement prévu à cet effet et non pas simplement coincé entre les fixations.
- 5 Grâce à cette fixation pour batterie installée sur la caméra, vous pouvez désormais fixer une batterie et alimenter votre caméra.

Utiliser votre propre support pour batterie

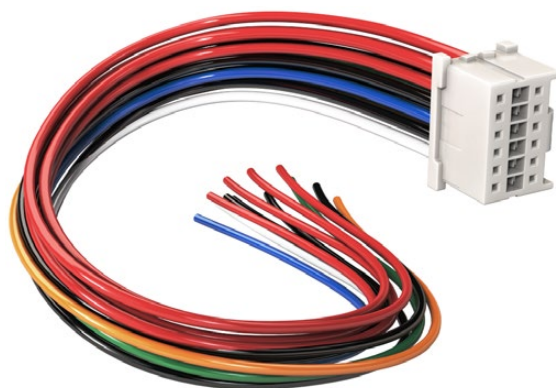
Câble et connecteur adaptateurs

Si vous devez modifier un support de batterie tiers pour le brancher à la URSA Broadcast G2, utilisez les câbles et connecteurs adaptateurs fournis, qui sont également disponibles auprès du centre d'assistance technique Blackmagic Design le plus proche de chez vous.

Pour raccorder le câble et le connecteur adaptateurs à votre support pour batterie :

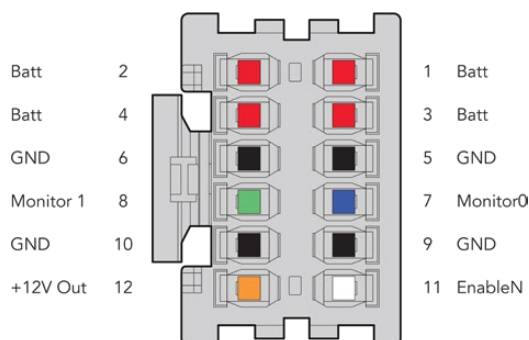
- 1 Dénudez environ 1 centimètre d'isolant plastique au bout de chaque fil rouge et noir.
- 2 Soudez les 4 fils rouges **Batt** au fil **positif** correspondant de votre support pour batterie.
- 3 Soudez les 4 fils noirs **GND** au fil **négatif** correspondant de votre support pour batterie.

Faites en sorte que les jointures soient bien isolées.



Si vous devez modifier un support de batterie pour le brancher à la URSA Broadcast G2, utilisez les câbles et connecteurs adaptateurs fournis, qui sont également disponibles auprès du centre d'assistance technique Blackmagic Design le plus proche de chez vous.

Ce procédé permet d'alimenter votre caméra par batterie. Vous pouvez également connecter des fils supplémentaires pour des fonctions telles que la sortie 12V et l'état de la batterie. Veuillez consulter les informations relatives à votre support de batterie, ainsi que le diagramme et les tableaux présents sur cette page pour vous aider à connecter les fils. Si vous avez besoin d'aide supplémentaire, veuillez visiter le centre de support technique Blackmagic Design à l'adresse suivante www.blackmagicdesign.com/fr/support.



Face arrière du boîtier de connexion. Veuillez vous référer au tableau de configuration des fils pour obtenir une description de chaque broche.

Tableau de configuration des fils

Broches	Signal	Couleur	Direction	Description
1, 2, 3, 4	Batt	Rouge	Vers URSA	12 V à 20 V
5, 6, 9, 10	GND	Noir	–	–
7	Monitor0	Bleu	Vers URSA	Niveau de batterie analogique ou ligne de données à collecteur ouvert (20 V max)
8	Monitor1	Vert	Vers URSA	Ligne synchronisée à collecteur ouvert (3.4 V max)
12	+12 V out	Orange	Depuis URSA	Sortie réglée à 12 V d'une intensité maximale de 1,5 A (18 W)
11	EnableN	Blanc	Vers URSA	Connectez à GND pour activer la sortie +12 V. Ne pas brancher si la sortie +12 V n'est pas nécessaire.

Chaque broche Batt et GND prend en charge 3 ampères. Vérifiez que toutes les broches Batt et GND sont bien connectées. Pour contrôler l'état de la batterie avec les fixations Anton Bauer, IDX, ou Blueshape, veuillez vous référer au tableau de connexion ci-dessous :

Anton Bauer	Connectez le fil rayé bleu/blanc au logement bleu de la broche 7.
IDX	Connectez le fil vert au logement vert de la broche 8, et le fil gris au logement bleu de la broche 7.
Blueshape	Connectez le fil bleu marqué SMBC au logement vert de la broche 8. Connectez le fil marron marqué SMBD au logement bleu de la broche 7.

Sécurisez tous les fils inutilisés en les coupant le plus près possible de l'arrière du connecteur.

Blackmagic Fiber Converters

Le Blackmagic Camera Fiber Converter et le Blackmagic Studio Fiber Converter sont des accessoires optionnels qui permettent de connecter la URSA Broadcast G2 ou la URSA Mini à un mélangeur ATEM via la fibre SMPTE.

La fibre SMPTE permet d'acheminer l'alimentation et les flux vidéo, du réseau d'ordres, du tally et du contrôle caméra entre le mélangeur ATEM et la caméra via un seul câble hybride fibre optique SMPTE standard. Grâce à la fibre SMPTE, l'installation est plus efficace et plus pratique, car vous n'avez pas besoin de vous encombrer de multiples câbles. Les connecteurs standard du Blackmagic Studio Fiber Converter vous permettent d'intégrer facilement les convertisseurs dans l'infrastructure broadcast déjà existante d'un car régie.



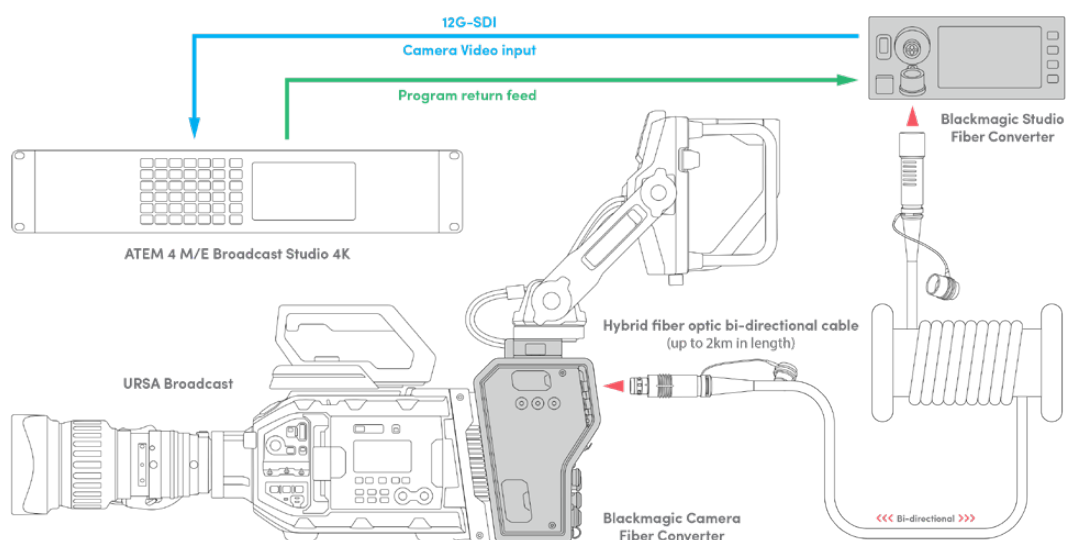
Blackmagic Camera Fiber Converter

Il se fixe à l'arrière de votre URSA Mini ou de votre URSA Broadcast G2 et se connecte au Blackmagic Studio Fiber Converter via un connecteur hybride SMPTE 304 standard.



Blackmagic Studio Fiber Converter

Il convertit le signal fibre optique de la caméra en SDI via BNC, qui est ensuite acheminé vers un mélangeur ATEM. Ce convertisseur reçoit également toutes les sources de retour, dont le retour programme provenant du mélangeur ATEM, puis les renvoie à la caméra.



Les convertisseurs Camera et Studio se connectent via un seul câble fibre optique SMPTE pour fournir l'alimentation, les flux vidéo, du réseau d'ordres, du tally et du contrôle caméra SDI.

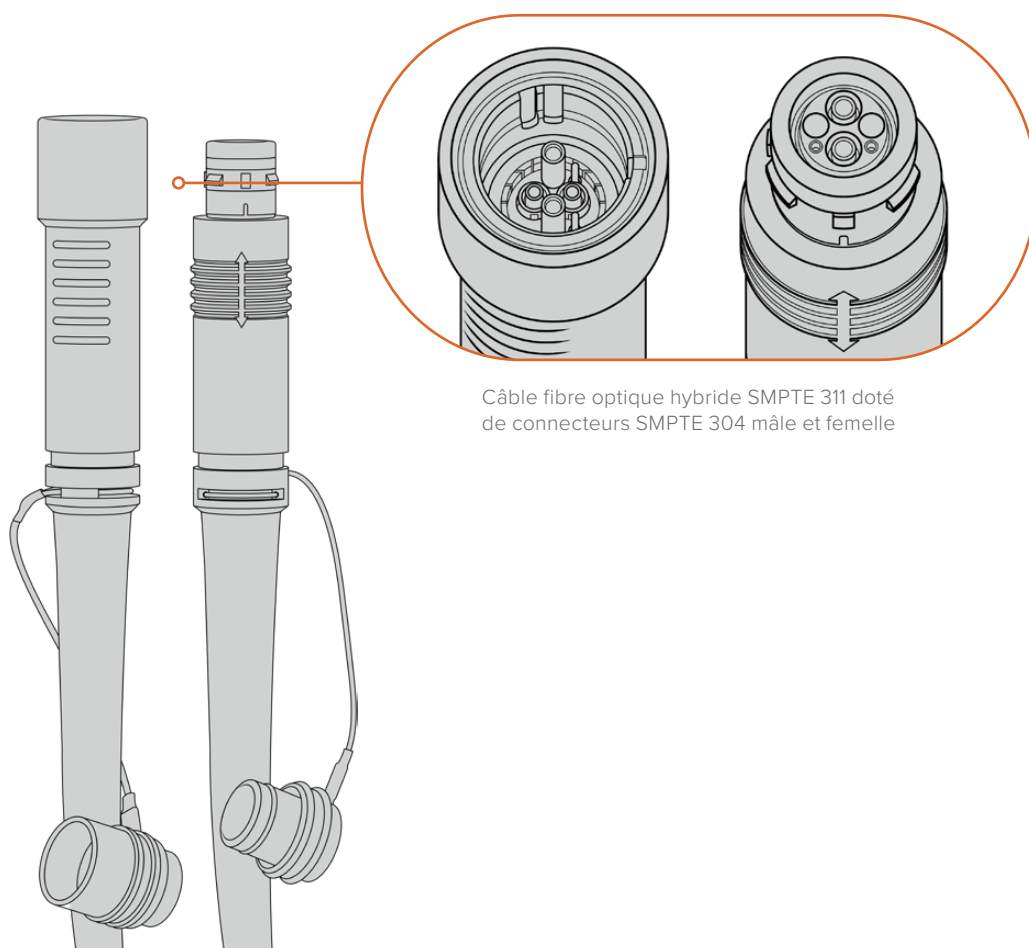
Mise en route des Blackmagic Fiber Converters

La mise en route est rapide et efficace. Vous pourrez produire des vidéos et profiter des avantages de la fibre SMPTE en un rien de temps !

À propos de la fibre SMPTE

Les câbles fibre SMPTE offrent une solution simple pour acheminer des signaux et l'alimentation sur de longues distances. C'est idéal si vous travaillez dans l'industrie broadcast, car vous n'aurez plus besoin de connecter plusieurs câbles à chaque caméra reliée à votre mélangeur.

Il suffit d'un câble à fibre optique hybride SMPTE 311 pour connecter chaque caméra à votre mélangeur ATEM et acheminer la vidéo, l'alimentation, le réseau d'ordres, le tally et le contrôle caméra sur une distance de 2 kilomètres.



Câble fibre optique hybride SMPTE 311 doté de connecteurs SMPTE 304 mâle et femelle

REMARQUE La forme des broches situées à chaque extrémité des connecteurs 304 permet d'identifier l'extrémité mâle et femelle. Le genre de chaque connecteur n'est pas reconnaissable de l'extérieur.

CONSEIL Connectez le capuchon de protection de chaque extrémité du câble fibre SMPTE au capuchon de chaque convertisseur pour éviter l'infiltration de poussière ou de débris dans les capuchons.

Grâce à la fibre SMPTE, vous pouvez vous connecter à la régie ou à un car régie pour diffuser des programmes en direct. La plupart des stades sportifs sont déjà équipés de câbles fibre optique, vous pouvez donc directement vous brancher aux systèmes existants.

Le câble utilisé pour connecter les deux Blackmagic Fiber Converters est un câble à fibre optique hybride SMPTE 311 doté de connecteurs SMPTE 304.

Protéger les connecteurs SMPTE

Il est essentiel de toujours protéger les connecteurs du câble fibre SMPTE avec leur capuchon de protection en caoutchouc. En effet, de minuscules particules de poussière peuvent s'accumuler très rapidement sur les extrémités du tube de la fibre optique, ce qui peut interrompre l'acheminement des signaux. Il est très fortement conseillé de remettre le capuchon dès que le connecteur est exposé, par exemple, juste avant et juste après la connexion.

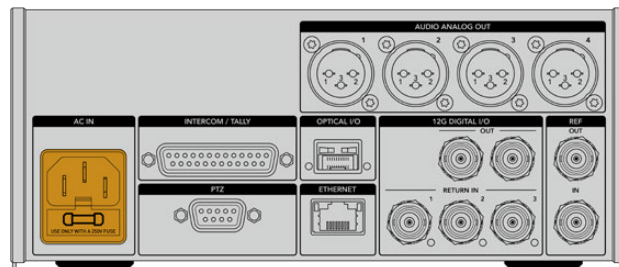
Lorsque vous utilisez les convertisseurs, nous vous recommandons d'emboîter le capuchon de chaque extrémité du câble fibre SMPTE avec le capuchon des convertisseurs pour éviter l'infiltration de poussière ou de débris.

Brancher l'alimentation

L'alimentation du Studio Converter est acheminée via le câble fibre optique jusqu'au Camera Converter. La première étape consiste donc à alimenter le Studio Converter.

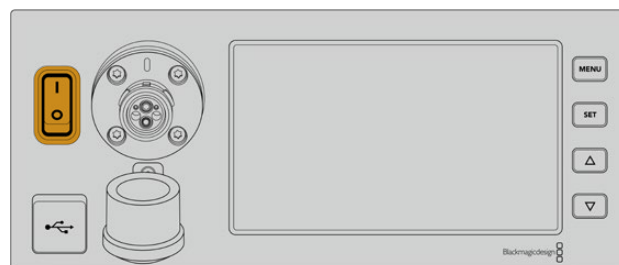
Alimenter le Studio Fiber Converter

Branchez un câble d'alimentation IEC standard au connecteur d'alimentation situé à l'arrière de l'appareil.



Alimentez votre Studio Fiber Converter via un câble d'alimentation IEC standard

Pour allumer l'appareil, activez le bouton de mise en marche situé à l'avant de l'appareil.



Connecter la fibre optique SMPTE

La prochaine étape consiste à connecter le câble fibre SMPTE aux deux convertisseurs. Cette connexion achemine l'alimentation et la fibre pour tous les flux vidéo du Studio Fiber Converter au Camera Fiber Converter.

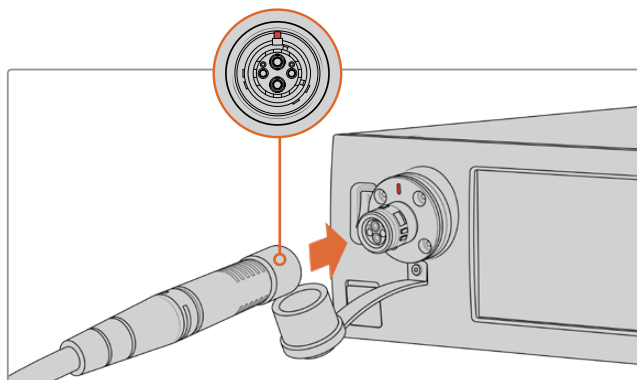
REMARQUE Dès qu'un câble fibre optique hybride est connecté aux convertisseurs, ces derniers effectuent un contrôle de sécurité complet. Le courant circulant entre les appareils est contrôlé en permanence pendant l'utilisation.

Connecter le câble au Studio Fiber Converter

L'extrémité mâle du câble fibre SMPTE se branche en toute sécurité sur le connecteur femelle situé à l'avant du Studio Fiber Converter. Le branchement est verrouillé pour éviter que le câble ne soit accidentellement déconnecté pendant la diffusion.

Pour connecter le câble :

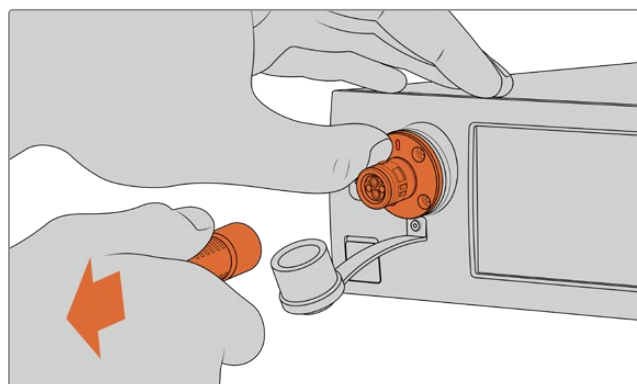
Alignez l'indicateur rouge, situé sur le connecteur du câble, au point rouge situé sur le connecteur du convertisseur, puis branchez-les jusqu'à ce qu'ils soient correctement verrouillés.



Branchez l'extrémité mâle du câble fibre SMPTE au connecteur femelle situé à l'avant du Blackmagic Studio Fiber Converter

Pour déconnecter le câble :

Appuyez sur la base en métal du connecteur du Studio Converter tout en le poussant vers l'avant, et retirez le câble.



Appuyez sur la base en métal du connecteur du Studio Converter tout en le poussant vers l'avant, et tirez sur le câble pour le déconnecter de l'appareil.

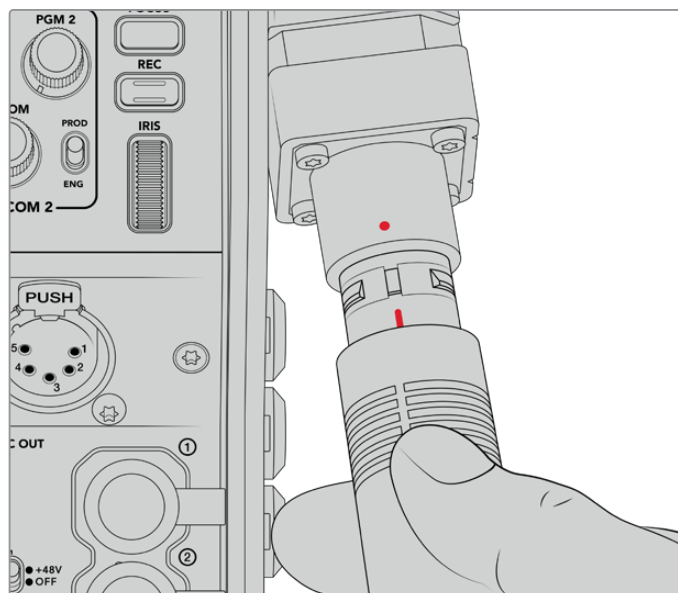
Lorsque le convertisseur est branché, nous vous recommandons d'emboîter le capuchon de l'extrémité du câble fibre SMPTE avec le capuchon du Blackmagic Studio Fiber Converter. Cela permettra de garder les capuchons propres en évitant que de la poussière ou des débris ne s'infiltrent.

Connecter le câble au Camera Fiber Converter

L'extrémité femelle du câble fibre SMPTE se verrouille sur le connecteur mâle situé sur le côté du Blackmagic Camera Fiber Converter, pour éviter que le câble ne soit accidentellement déconnecté pendant la diffusion.

Pour connecter le câble :

- 1 Alignez les indicateurs rouges de chaque connecteur, puis branchez-les jusqu'à ce qu'ils soient correctement verrouillés.
- 2 Lorsque le convertisseur est branché, nous vous recommandons d'emboîter le capuchon de l'extrémité du câble fibre SMPTE avec le capuchon du Blackmagic Camera Fiber Converter. Cela permettra de garder les capuchons propres en évitant que de la poussière ou des débris ne s'infiltrent.

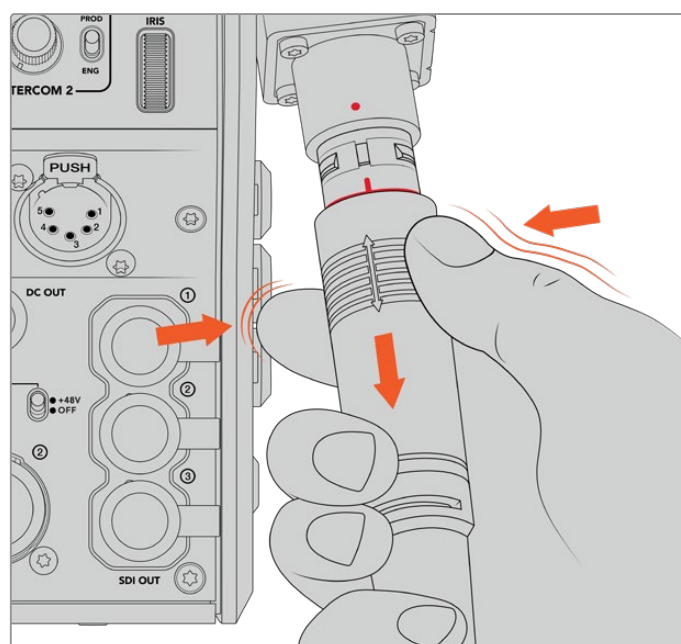


Alignez les indicateurs rouges pour connecter le câble hybride fibre optique SMPTE au connecteur du Blackmagic Camera Fiber Converter.

REMARQUE Les connecteurs SMPTE 304 du câble SMPTE 311 sont très résistants et se verrouillent fermement sur la caméra. Pour déconnecter le câble, assurez-vous que la caméra est fixée à une tête de trépied ou que vous la maintenez fermement avec une main pendant la déconnexion du câble.

Pour déconnecter le câble :

- 1 Pincez la partie supérieure de l'extrémité du câble femelle, puis pressez la gaine en caoutchouc tout en la retirant doucement jusqu'à apercevoir la bague rouge située sous la gaine. La denture du mécanisme de verrouillage devrait se détacher.
- 2 Maintenez la caméra avec une main, puis retirez le câble du connecteur du Blackmagic Camera Fiber Converter. Le câble doit pouvoir se déconnecter aisément et sans forcer.



Pressez la gaine en caoutchouc pour faire apparaître la bague rouge, puis retirez le câble

REMARQUE Le câble fibre optique hybride SMPTE est au cœur du réseau broadcast, il est donc primordial d'en prendre grand soin. Par exemple, évitez de le courber, de le placer sous des objets lourds ou de le plier à 90 degrés. Veillez à ne pas faire tomber les connecteurs et faites attention lors de la connexion et de la déconnexion. Mettez toujours les capuchons de protection sur les connecteurs lorsque ces derniers sont exposés.

Vérification de l'alimentation et de la fibre

Les deux appareils vont maintenant effectuer un établissement de liaison pour vérifier que l'alimentation est acheminée en toute sécurité et que la fibre est correctement connectée.

L'établissement de liaison se déroule de la manière suivante :

- 1 Le Studio Converter établit une liaison à basse puissance avec le Camera Converter. Lorsque la liaison est établie, l'indicateur d'état du Camera Converter s'allume en rouge.
- 2 Lorsque la connexion a été définie comme sécurisée, le courant à haute puissance est activé et l'indicateur du Camera Converter s'allume en vert.
- 3 La connexion avec la fibre est confirmée et l'indicateur d'état s'allume en vert.

Le contrôle de connexion est en général très rapide et il est possible que l'indicateur s'allume en vert presque immédiatement. Plus la distance de câblage est longue, plus l'établissement de liaison peut prendre de temps.

Si le voyant reste rouge pendant longtemps, qu'il ne devient pas vert, ou qu'il clignote entre le rouge et le vert, vérifiez que les deux extrémités du câble fibre optique sont correctement connectées. Si cela persiste, veuillez vérifier l'état du câble.

Précautions de sécurité pour l'alimentation

Le câble fibre optique hybride SMPTE peut acheminer des hautes tensions sur de longues distances pour alimenter une caméra et ses accessoires jusqu'à 2 km de distance.

Pour assurer la sécurité des opérations, le Blackmagic Studio Fiber Converter possède des mécanismes de sécurité intégrés qui assurent le monitoring et acheminent le courant.

Le micro-contrôleur dédié et le protocole d'établissement de liaison et de communication entre les Blackmagic Fiber Converters assurent que le câble fibre optique hybride reste désactivé jusqu'à ce qu'il soit correctement branché au Camera Fiber Converter. Un contrôle de sécurité complet est effectué avant que le mode de haute puissance soit activé. Pour que le courant à haute tension soit activé, il faut que les convertisseurs détectent un signal optique stable, que le signal de la boucle de courant soit de 5mA, et que la différence d'intensité entre les alimentations soit inférieure à 30mA.

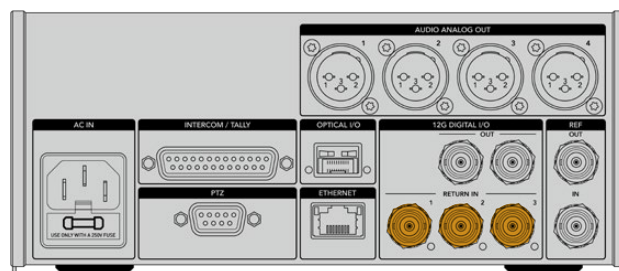
Connecter un mélangeur ATEM

Connecter un Blackmagic Studio Fiber Converter à votre mélangeur :

- 1 Connectez un câble BNC depuis la sortie 12G-SDI située à l'arrière du Blackmagic Studio Fiber à une des entrées SDI du mélangeur. Assurez-vous que le format et la fréquence d'images de la caméra et du mélangeur sont identiques.
- 2 Connectez un câble BNC depuis la sortie du flux de retour programme du mélangeur à l'entrée **Return in 1** située à l'arrière du Studio Converter.

CONSEIL Si vous utilisez plusieurs caméras pour vos productions en direct, vous aurez sûrement besoin d'acheminer le flux de retour programme provenant du mélangeur vers un Teranex Mini SDI Distribution 12G ou un Smart Videohub car il y a un nombre de sorties programme limité sur le mélangeur.

- 3 Pour acheminer une voie de retour supplémentaire, tel qu'un clean feed, une voie pour le prompteur, l'ISO d'une autre caméra, des graphiques ou autres, branchez-la à l'entrée **Return in 2** ou **3**.



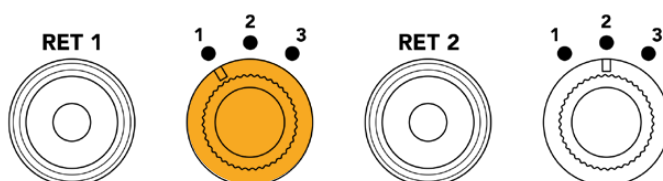
Branchez le flux de retour programme du mélangeur (ou d'autres sources de retour) aux entrées **Return in** situées à l'arrière du Studio Converter.

Confirmer la vidéo

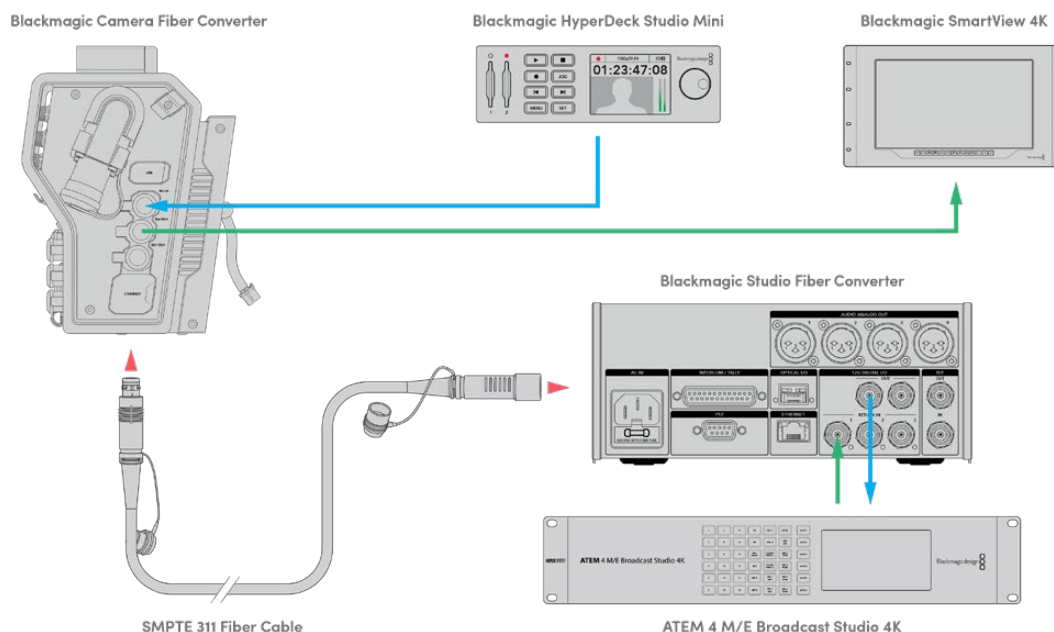
Vous pouvez maintenant vérifier que la vidéo fonctionne et que toutes les voies de retour sont présentes.

- 1 Assurez-vous que la sortie programme du mélangeur ATEM est connectée à l'entrée de retour SDI 1 du Studio Converter.
- 2 Si vous souhaitez vérifier toutes les voies de retour, branchez les sources vidéo aux entrées de retour SDI 2 et 3.
- 3 Maintenant, branchez un moniteur SDI, tel qu'un Blackmagic SmartView 4K, à la sortie SDI située sur le côté du Camera Fiber Converter.

Une fois que le moniteur est connecté à la sortie SDI, tournez la molette située près du bouton de retour correspondant pour commuter entre les trois voies de retour. Vous pouvez régler les deux boutons de retour pour contrôler deux voies de retour différentes si nécessaire.



Commutez entre les voies de retour sur le Camera Fiber Converter et appuyez sur le bouton de retour correspondant pour visualiser la voie sur un moniteur.



Pour confirmer la vidéo, branchez les sources vidéo sur les entrées des voies de retour du Studio Converter, puis visualisez-les sur un moniteur connecté au Camera Converter.

Pourquoi les connexions sont à l'avant ?

La connexion pour la fibre est située à l'avant du Studio Converter pour servir de tableau de raccordement optique à l'arrière du rack. La face avant du Studio Converter est prévue pour être installée à l'arrière du rack, afin de pouvoir brancher le câble SMPTE directement au convertisseur. Ainsi, vous n'avez pas besoin d'effectuer d'autres raccordements et de vous équiper d'un câble supplémentaire pour relier le convertisseur. L'écran LCD, situé près du connecteur de la fibre SMPTE, vous permet de vérifier rapidement la connexion à la caméra.

Brancher la caméra via SDI

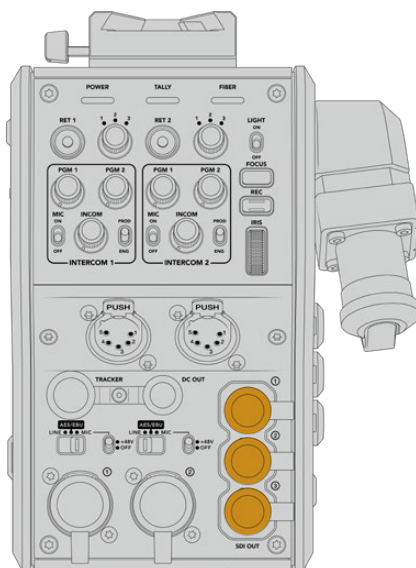
Connecter des signaux vidéo entre le Blackmagic Camera Fiber Converter et une caméra URSA Broadcast G2 ou URSA Mini est très simple. Il suffit de prendre deux des trois câbles SDI inclus, et de relier le côté du convertisseur à l'arrière de la caméra.

Connecter votre Camera Fiber Converter à votre caméra

- 1 Connectez un des câbles BNC inclus à la sortie 12G-SDI située à l'arrière de la URSA Mini ou de la URSA Broadcast G2, et branchez l'autre extrémité à l'entrée SDI du Blackmagic Camera Fiber Converter.
- 2 Connectez un des câbles BNC inclus à la sortie SDI du Blackmagic Camera Fiber Converter, et branchez l'autre extrémité à l'entrée 12G-SDI située à l'arrière de la URSA Mini ou de la URSA Broadcast G2.

Brancher les sorties SDI de retour

Les trois sorties SDI appelées **SDI Out** sur l'avant du Camera Fiber Converter sont les sorties en boucle des voies de retour provenant du mélangeur. Elles vous permettent de connecter les voies de retour à d'autres équipements SDI situés près de la caméra, tels qu'un prompteur ou un moniteur pour les acteurs.



Les trois sorties en boucle de la voie de retour peuvent être connectées à un équipement SDI, comme un prompteur ou un moniteur

REMARQUE Les sorties en boucle SDI de la voie de retour prennent en charge le 3G-SDI pour fournir assez de bande passante pour les trois voies. Les voies de retour Ultra HD jusqu'à 2160p60 provenant du mélangeur sont down-converties en 1080p à une fréquence d'image équivalente.

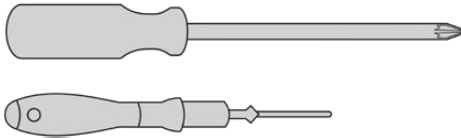
Fixer le Blackmagic Camera Fiber Converter

Le Blackmagic Camera Fiber Converter se fixe à l'arrière de la URSA Broadcast G2 ou de la URSA Mini et se connecte aux ports SDI in et SDI out via les connecteurs BNC. Si une fixation pour batterie est installée à l'arrière de la caméra, vous aurez besoin de la retirer avant de connecter le Blackmagic Camera Fiber Converter.

REMARQUE Avant d'installer le Blackmagic Camera Fiber Converter, assurez-vous que le logiciel interne de la URSA Mini est mis à jour sur la version 4.4 ou ultérieure, et celui de la URSA Broadcast G2 sur la version 4.6 ou ultérieure. Vous pouvez vérifier la version du logiciel sur la page 4 du menu **Réglages** de la caméra. Pour plus d'informations sur la mise à jour du firmware de votre caméra, veuillez consulter la section « Utilitaire Camera Setup » de ce manuel.

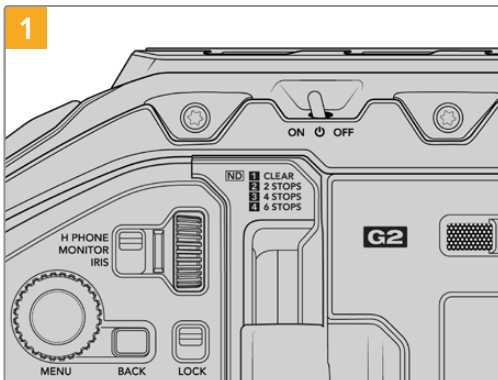
Lorsque vous installez le Blackmagic Camera Fiber Converter, vous aurez besoin des outils suivants :

- 1 tournevis cruciforme
- 1 clé Allen de 2,5mm

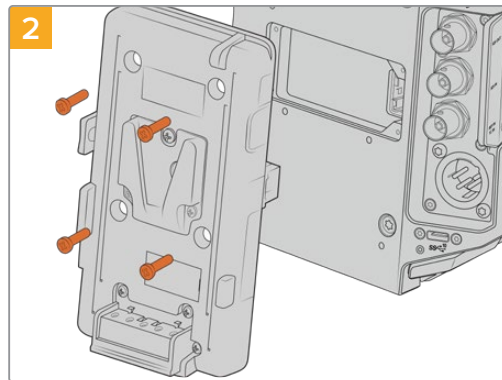


Pour fixer le Blackmagic Camera Fiber Converter sur votre URSA Broadcast G2 ou votre URSA Mini, vous aurez besoin d'un grand tournevis cruciforme et d'une clé Allen de 2,5mm.

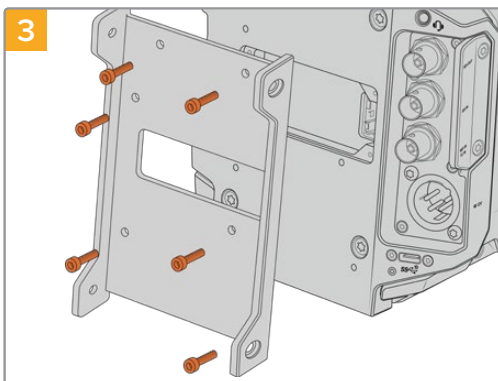
Pour fixer et connecter le Blackmagic Camera Fiber Converter :



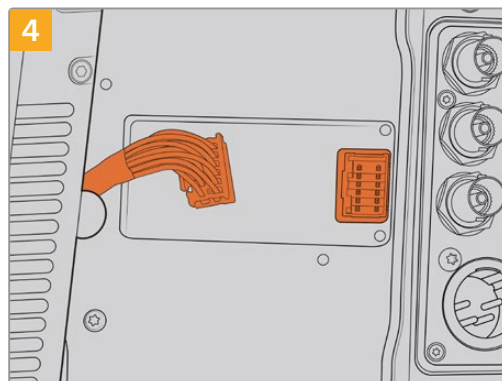
Assurez-vous que la caméra est éteinte. Si vous utilisez une URSA Broadcast G2 ou une URSA Mini Pro, éteignez-la en positionnant l'interrupteur de mise en marche sur Off.



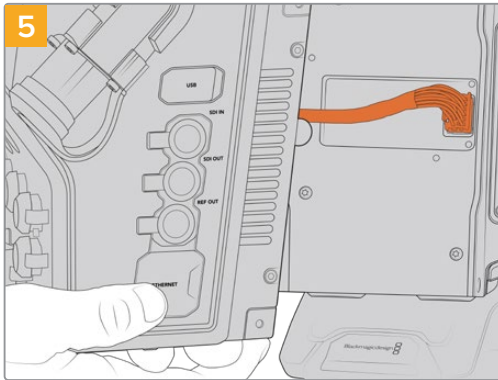
Retirez la fixation pour batterie (ou la fixation du cache Molex) à l'aide d'un tournevis cruciforme.



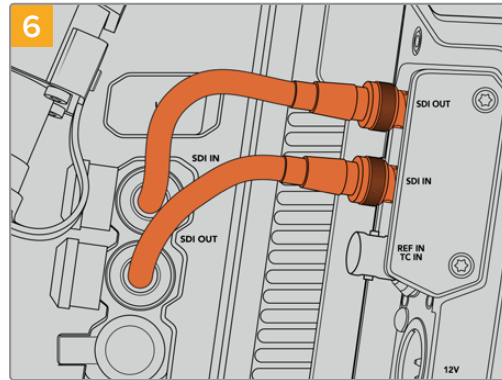
Fixez la barrette de fixation à l'aide de 6 x vis 2,5mm.



Branchez le connecteur Molex du Blackmagic Camera Fiber Converter à la prise d'alimentation Molex située à l'arrière de la caméra.



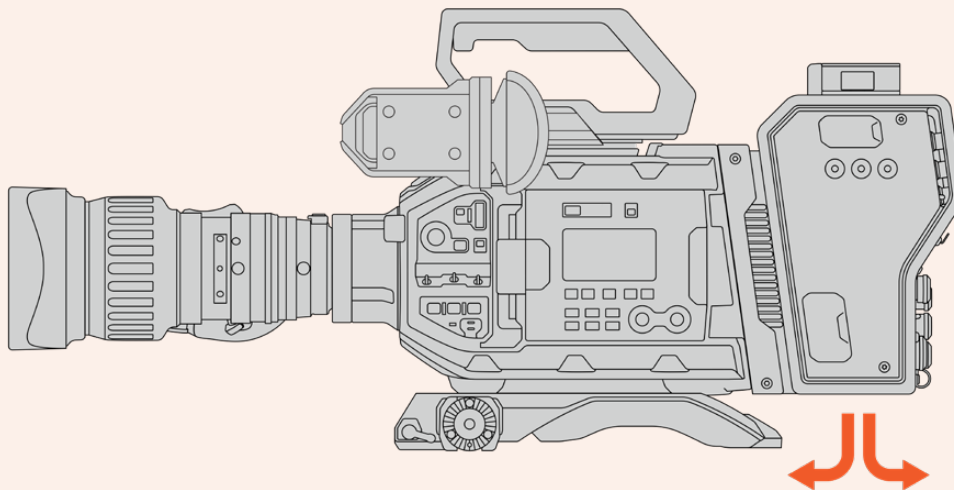
5 Faites glisser le Blackmagic Camera Fiber Converter dans la barrette de fixation, et vissez-le à l'aide de 2 x vis 2,5mm de chaque côté de la barrette.



6 Utilisez un des câbles BNC inclus pour connecter la sortie SDI à l'arrière de la caméra à l'entrée SDI du Blackmagic Camera Fiber Converter. Utilisez un autre câble BNC inclus pour connecter la sortie SDI du convertisseur à l'entrée SDI à l'arrière de la caméra.

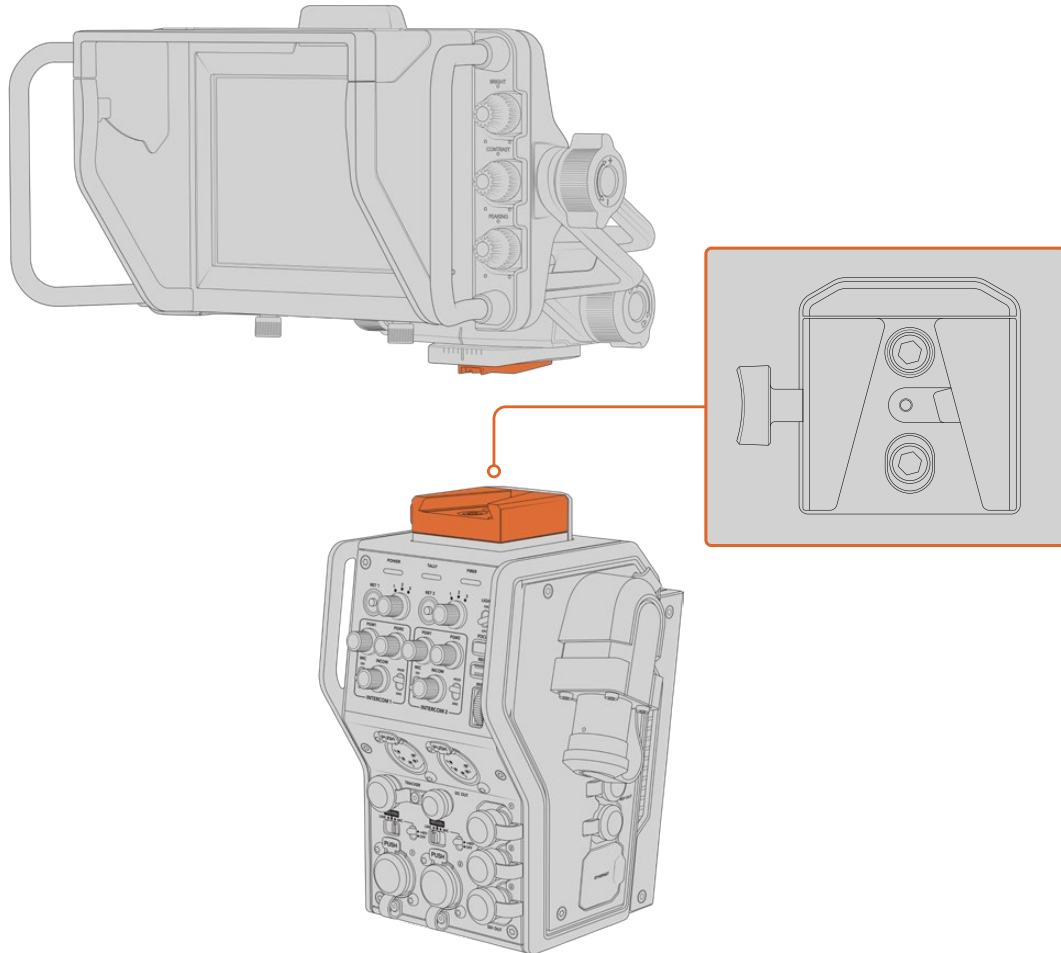
REMARQUE Lorsque vous installez vos équipements et que vous utilisez la URSA Broadcast G2 ou la URSA Mini avec un Camera Fiber Converter, il est important de laisser un espace dégagé sous le convertisseur pour ne pas compromettre la ventilation.

Si votre caméra est installée sur un trépied ou sur un support d'épaule, l'espace pour la ventilation est suffisant. Cependant, si votre équipement est installé sur une surface plate, nous vous recommandons de monter l'épaulière URSA Mini, ou un support d'épaule tiers pour que le ventilateur situé sous le convertisseur ne soit pas obturé.



Monter un URSA Studio Viewfinder

Le support V-Lock fixé sur le dessus du convertisseur vous permet de connecter un Blackmagic Studio Viewfinder. Ainsi, le Studio Viewfinder est à hauteur d'yeux lorsque la caméra est montée sur un socle ou un trépied.



Le support V-Lock en haut du Camera Converter permet de fixer un Blackmagic URSA Studio Viewfinder

Brancher un casque pour le réseau d'ordres

Branchez un casque broadcast à un des deux connecteurs XLR à 5 broches situés à l'avant du Camera Converter. Les deux connecteurs pour casque permettent à deux personnes de communiquer avec l'équipe simultanément.

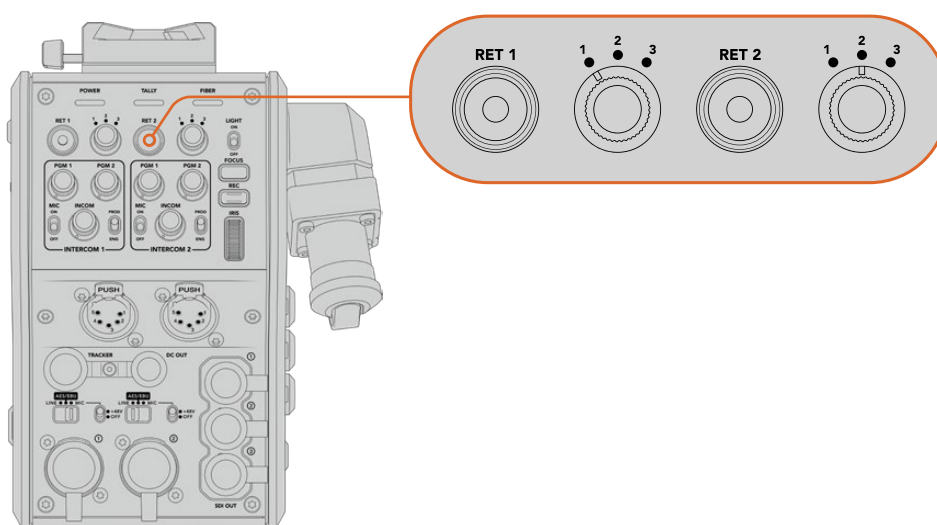
C'est tout ce qu'il vous faut savoir pour vous lancer ! Une fois que les convertisseurs sont alimentés et que la vidéo est connectée via la fibre SMPTE, vous pouvez commencer à utiliser les convertisseurs pour créer des productions en direct de manière flexible et efficace. Veuillez lire le reste de ce manuel pour comprendre l'utilisation de toutes les fonctionnalités des Blackmagic Fiber Converters.

Fonctionnement du Camera Fiber Converter

Sélectionner une voie de retour

Les deux boutons de retour, situés à l'avant, fonctionnent comme le bouton PGM de la caméra. Ils permettent de commuter entre les signaux de la caméra et du retour programme sur l'écran LCD, sur le Blackmagic URSA Studio Viewfinder et sur les sorties de moniteurs HD.

Les deux boutons de retour **Ret 1** et **Ret 2** commutent entre deux voies de retour. Lorsque vous sélectionnez un bouton de retour, la molette à trois crans située à gauche du bouton correspondant vous permet de sélectionner une voie de retour. Chaque cran de la molette correspond au connecteur SDI **Return in 1, 2 ou 3** situé à l'arrière du Studio Fiber Converter.



Les boutons de retour et les 3 molettes permettent de sélectionner la voie de retour que vous souhaitez visualiser

Maintenez un des boutons de retour enfoncé pour voir le flux de programme sélectionné. Ce flux est lu tant que le bouton de retour est enfoncé. Double-cliquez sur le bouton de retour pour verrouiller l'affichage sur la voie de retour. Si vous appuyez à nouveau sur ce bouton, vous quitterez la voie de retour et retournerez sur l'affichage du signal de la caméra.

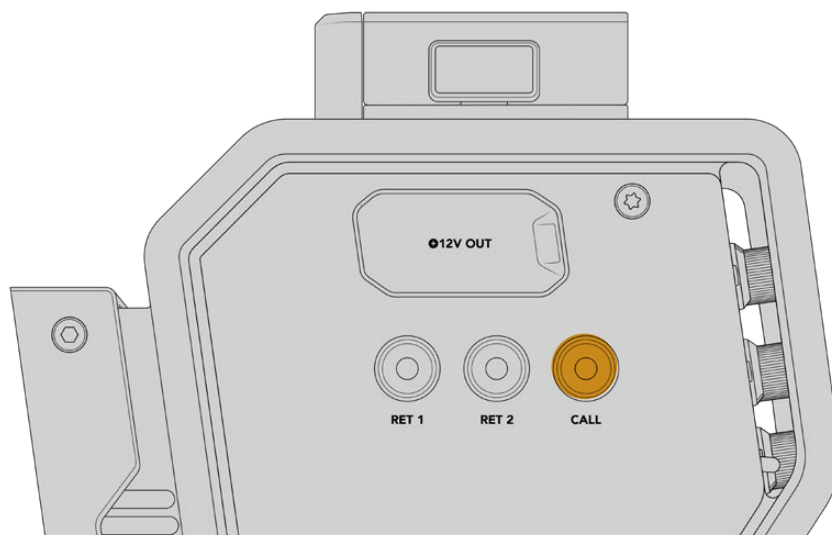
Vous pouvez facilement définir à quelle voie de retour provenant du Studio Fiber Converter vous voulez rapidement accéder via les deux boutons de retour. Par exemple, les trois voies de retour peuvent être le signal de sortie programme du mélangeur contenant des graphiques, le signal du prompteur et le signal d'une autre caméra.

Grâce à ces commandes, vous pouvez assigner le bouton **Ret 1** au flux de programme de manière permanente, puis utiliser le bouton **Ret 2** pour contrôler le prompteur, tout en commutant de temps en temps avec le signal d'une autre caméra pour vérifier le cadrage ou l'angle.

Vous trouverez les mêmes boutons de retour **Ret 1** et **Ret 2** sur le côté gauche du convertisseur. Ces boutons supplémentaires permettent de visualiser les voies de retour lorsque vous opérez depuis le côté de la caméra. Ils remplissent les mêmes fonctions que les boutons de retour situés à l'avant.

Utiliser le bouton Call

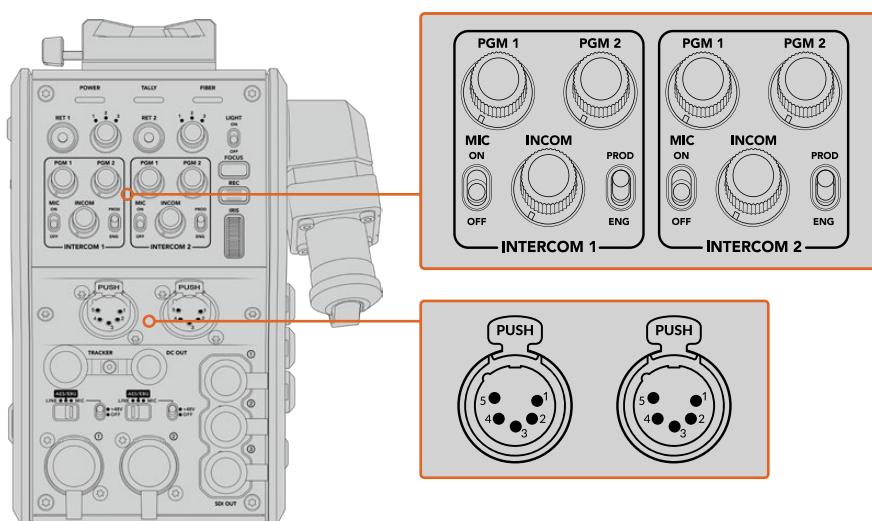
Juste à côté, vous trouverez le bouton **Call**. Lorsque vous appuyez sur ce bouton, le voyant du tally clignote en rouge sur l'écran LCD de votre Blackmagic Studio Fiber Converter. Ce bouton permet également de faire clignoter en rouge un bouton numéroté **Press to talk** sur le panneau de l'ATEM Talkback Converter 4K. Ces voyants permettent d'indiquer aux opérateurs de la salle de contrôle que vous avez besoin d'aide.



Utiliser le réseau d'ordres

Les deux connecteurs femelles XLR à 5 broches vous permettent de brancher des casques. Ainsi, une deuxième personne peut communiquer avec le reste de l'équipe simultanément.

L'appareil offre un interphone indépendant pour chaque casque, grâce aux deux groupes de commandes séparés. Chaque interphone est un véritable mixeur audio à trois voies et les connecteurs XLR correspondants sont situés juste au-dessous.



Les commandes de l'interphone sont situées directement au-dessus de la connexion de chaque casque

Vous entendrez l'audio provenant des flux que vous avez assignés aux boutons **Ret 1** et **Ret 2** via un casque connecté. Les molettes **PGM 1** et **PGM 2** ajustent les niveaux audio de ces flux, tandis que la molette **Incom** ajuste le volume général. L'interrupteur **Mic** permet à l'opérateur d'activer ou de désactiver le micro du casque.

Chaque interphone possède 2 canaux sélectionnables : un canal pour la production et un canal pour l'ingénierie. Ainsi, si vous travaillez sur un projet broadcast avec une grande équipe, vous pouvez partager les communications entre ces deux canaux. Le canal pour la production vous permet de communiquer avec le réalisateur, le producteur et d'autres membres de l'équipe dans le car régie. Le canal pour les ingénieurs permet de communiquer avec les éclairagistes, les opérateurs techniques et d'autres opérateurs caméra. Vous pouvez utiliser la page **Talkback** dans le menu de votre Blackmagic Studio Fiber Converter pour sélectionner la source pour chaque canal, parmi **SDI + DB25** ou **Intercom tally DB25** sur votre Studio Fiber Converter. Pour plus d'informations, consultez la section « Fonctionnement du Studio Fiber Converter » de ce manuel.

Le Blackmagic Camera Fiber Converter inclut également un connecteur à 10 broches standard pour la connexion Tracker du réseau d'ords. C'est idéal lorsque toutes les connexions du casque sont déjà utilisées et que vous avez besoin d'une connexion au réseau d'ords supplémentaire pour communiquer avec les opérateurs sur grue.

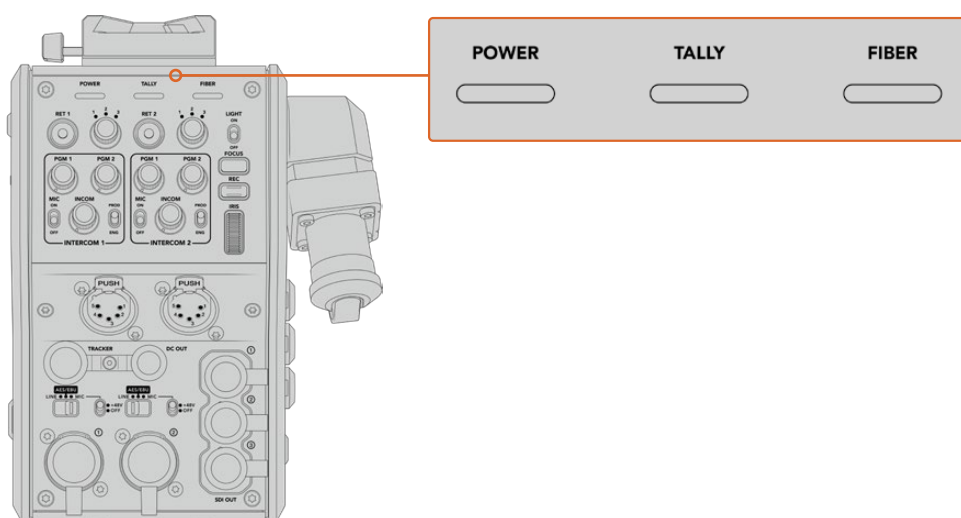
CONSEIL Une communication bi-directionnelle efficace entre les opérateurs caméra et les équipes de production et d'ingénierie est essentielle pour les productions broadcast et de studio. Le bouton **Call** du Blackmagic Camera Fiber Converter permet aux opérateurs caméra d'alerter la production et les ingénieurs et de leur parler via leur casque branché à l'interphone. En appuyant sur ce bouton, cela fait clignoter un bouton numéroté **Press to talk** sur l'ATEM Talkback Converter 4K ainsi que le voyant tally sur l'écran LCD du Blackmagic Studio Fiber Converter. De la même manière, si un membre de l'équipe dans la salle de contrôle ou dans un car régie doit communiquer urgemment avec un opérateur caméra, il peut presser le bouton **Call** pour cette caméra sur l'ATEM Camera Control Panel. Cela fera clignoter le voyant tally du Camera Fiber Converter ainsi que le voyant tally du Blackmagic URSA Viewfinder ou Studio Viewfinder.

Utiliser le tally

Le voyant tally situé à l'avant de l'appareil est un voyant tally traditionnel, qui s'allume en rouge pour le programme et en vert pour la prévisualisation. Ainsi, vous savez quand votre caméra est à l'antenne.

Voyants d'état

Les voyants **Power**, **Tally** et **Fiber**, situés sur la partie supérieure du convertisseur, s'allument de différentes couleurs selon l'état de l'appareil. Lorsque le câble optique est débranché, tous les voyants sont éteints.



Les voyants d'état affichent différentes couleurs en fonction de l'état de l'appareil

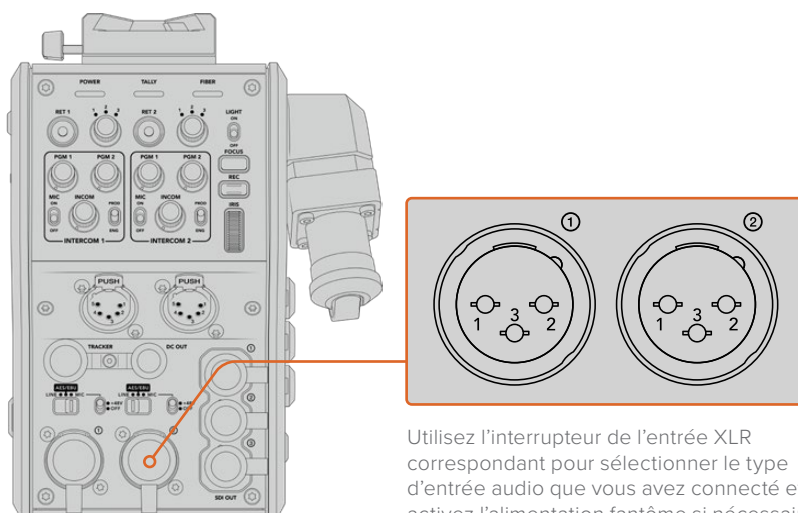
Vous trouverez ci-dessous une description de la couleur, de l'action et de l'état de chaque voyant :

Power	Lumière rouge fixe	Lorsqu'une extrémité du câble fibre optique hybride est connectée à un Studio Fiber Converter alimenté et que l'autre extrémité est branchée à un Camera Fiber Converter, le voyant situé sur le convertisseur devient rouge pour indiquer que l'appareil est alimenté en mode basse puissance. Lorsque ce mode est actif, la fonction d'interphone est disponible mais l'énergie requise pour faire fonctionner l'appareil n'a pas encore été activée. Si le voyant reste rouge pendant une longue période et qu'il ne devient jamais vert, vérifiez les connexions du câble fibre optique hybride SMPTE. Si la connexion reste instable, vérifiez l'état du câble.
	Lumière verte fixe	Une fois que la connexion fibre optique a été établie et que le Studio Fiber Converter a déterminé que la connexion du câble est sécurisée, le voyant devient vert et le Camera Fiber Converter entre en mode haute puissance.
	Clignotement rouge et vert	Si le voyant clignote en rouge et vert, vérifiez les connexions du câble fibre optique hybride SMPTE. Si la connexion reste instable, vérifiez l'état du câble.
Tally	Lumière rouge fixe	Le voyant tally s'allume en rouge pour indiquer que la caméra est à l'antenne.
	Lumière verte fixe	Le voyant tally s'allume en vert pour indiquer que la caméra est en mode prévisualisation.
Fiber	Lumière rouge fixe	Lorsque le câble fibre optique hybride SMPTE est branché au Camera Fiber Converter, ce voyant s'allume en rouge pour indiquer que les convertisseurs effectuent un établissement de liaison et que la puissance du courant est faible. Les fonctionnalités de l'interphone restent activées pendant l'établissement de liaison ou pendant un dépannage si la liaison avec la fibre optique est coupée.
	Lumière verte fixe	Lorsque que la connexion au câble fibre optique hybride SMPTE est établie, le voyant s'allume en vert.

Lorsque les deux voyants Power et Fiber sont verts, cela signifie que les contrôles de sécurité ont été effectués et que les convertisseurs sont en mode haute puissance.

Entrées audio

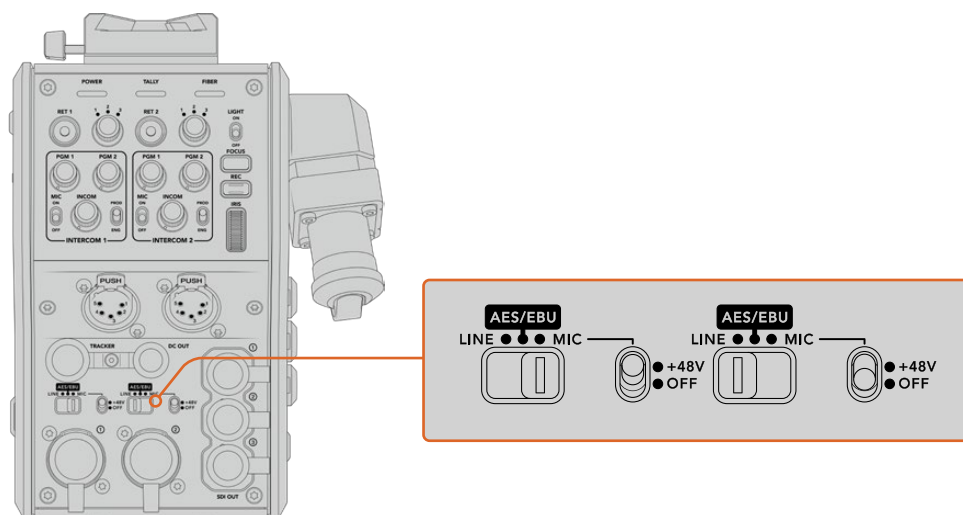
Votre Blackmagic Camera Fiber Converter possède deux entrées XLR notées 1 et 2, qui vous permettent de brancher de l'audio analogique externe depuis des équipements professionnels, tels que des mixeurs audio, des systèmes de sonorisation ou des micro externes.



Utilisez l'interrupteur de l'entrée XLR correspondant pour sélectionner le type d'entrée audio que vous avez connecté et activez l'alimentation fantôme si nécessaire

L'audio de la caméra est intégré aux canaux 1 et 2 du signal caméra. Les 2 entrées audio situées à l'arrière du Camera Fiber Converter sont intégrées aux canaux 3 et 4. Les quatre canaux audio sont également acheminés vers le Studio Fiber Converter en tant que sorties audio analogiques.

La page **Audio** dans le menu du Blackmagic Studio Fiber Converter permet d'ajuster les niveaux des signaux d'entrée pour les sources audio connectées aux entrées XLR du Blackmagic Camera Fiber Converter. Pour plus d'informations, veuillez consulter la section « Fonctionnement du Studio Fiber Converter ». Une fois les branchements effectués, vous pouvez utiliser l'interrupteur dédié à chaque entrée XLR pour configurer les entrées XLR lorsqu'elles sont sélectionnées en tant que source d'entrée. Les options disponibles sont audio micro (Mic), audio de niveau ligne (Line) et audio numérique AES.



Si vous souhaitez connecter des micros qui ne sont pas autonomes, vous pouvez activer l'alimentation fantôme 48V. Déplacez l'interrupteur de l'alimentation fantôme sur **+48V** pour activer l'alimentation fantôme du micro connecté à l'entrée XLR correspondante, ou sur **Off** pour la désactiver.

Vidéo IP

Le câble fibre SMPTE fournit une liaison IP de 10 Gbits entre le Camera Fiber Converter et le Studio Fiber Converter. Ainsi, toutes vos vidéos et les voies de retour sont basées sur un système de vidéo sur IP et utilisent des codecs vidéo 10 bits sans perte visuelle et de qualité broadcast. Toutes les autres connexions, comme le réseau d'ordres, le tally, le contrôle caméra et le contrôle des objectifs sont également converties en vidéo à faible latence sur IP, pour une performance optimale.

Spécifications pour l'alimentation


Le Blackmagic Studio Fiber Converter alimente le Blackmagic Camera Fiber Converter, la caméra et ses accessoires. Un connecteur Molex se branche à la prise Molex située à l'arrière de la caméra pour acheminer l'alimentation depuis le Camera Fiber Converter.

Si vous placez votre caméra à plus de 2,1 kilomètres de distance du car régie, il est possible que la caméra et le convertisseur ne reçoivent pas assez de courant. Dans ce cas, vous pouvez les alimenter localement en branchant le connecteur XLR à 4 broches à l'entrée +12V de votre URSA Mini ou URSA Broadcast G2. L'alimentation sera acheminée au Camera Fiber Converter via le connecteur Molex.

Le connecteur **+12V out**, également appelé **D-tap** ou **P-tap**, vous permet d'alimenter des accessoires (comme un moniteur externe ou un large objectif de studio), à une tension nominale de 12V DC jusqu'à 500 mA. Le connecteur **DC out** fournit une option supplémentaire pour alimenter les accessoires, comme un moniteur externe.

Veuillez vous référer au schéma de brochage ci-dessous.

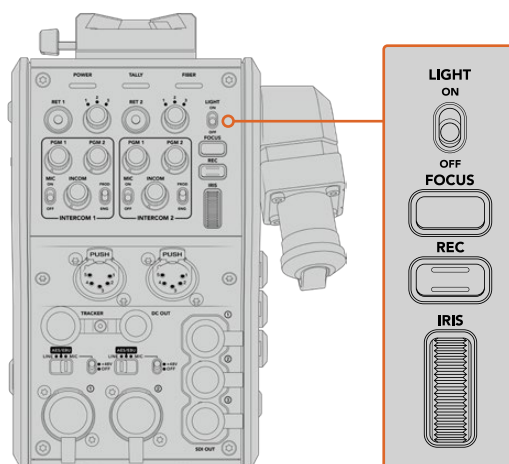
Schéma de brochage du connecteur DC Out

Vue extérieure	Broches	Signal	E/S	Spécifications
 <p>Connecteur DC Out</p>	1	Unregulated GND	–	GND for Unregulated Out
	2	NC	–	No connection
	3	NC	–	No connection
	4	Unregulated Out	Out	Tension nominale de 12V DC jusqu'à 500 mA.

Commandes supplémentaires pour la caméra

Nous avons ajouté des commandes pour le contrôle de l'iris et de la mise au point sur le convertisseur. Ainsi, vous pouvez contrôler les objectifs compatibles depuis l'arrière de la caméra URSA Broadcast G2 ou URSA Mini lorsque vous l'utilisez comme caméra de studio. C'est très pratique quand vous n'avez pas d'opérateur caméra pour contrôler les objectifs à distance.

Lorsqu'elle est utilisée comme caméra de studio, la URSA Broadcast G2 ou URSA Mini peut enregistrer en interne. Le bouton d'enregistrement vous permet d'enclencher l'enregistrement interne sur la caméra.



Light

Activez le rétro-éclairage pour éclairer le panneau, et ainsi repérer facilement les commandes lorsque vous travaillez dans un environnement sombre.

Focus

Ce bouton enclenche la mise au point automatique si vous utilisez des objectifs qui prennent en charge cette fonctionnalité.

Rec

Ce bouton déclenche l'enregistrement. Appuyez une seconde fois sur ce bouton pour arrêter l'enregistrement.

Iris

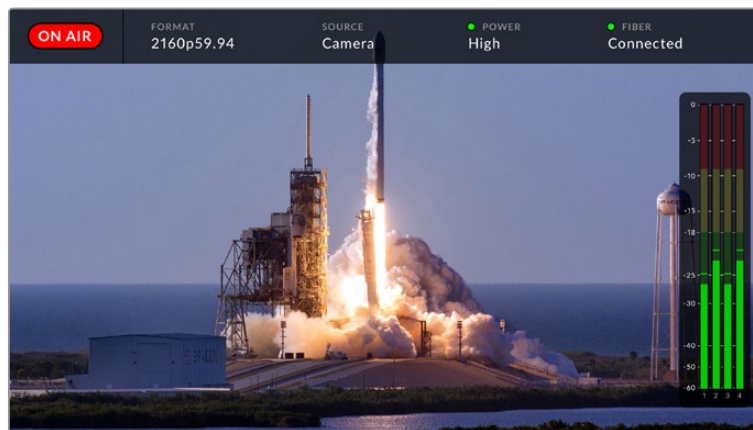
Cette molette permet d'ouvrir ou de fermer l'iris si vous utilisez des objectifs actifs compatibles qui prennent en charge le contrôle depuis la caméra. Tournez la molette vers le haut ou vers le bas pour modifier l'ouverture de l'iris.

Fonctionnement du Studio Fiber Converter

Sélectionner la source sur l'écran LCD

Une fois le Blackmagic Studio Fiber allumé, l'écran LCD affiche le signal provenant de la caméra. Le Studio Fiber Converter agit comme l'unité centrale. Il reçoit tous les flux de programme du mélangeur et les sources de retour, puis les envoie au Camera Fiber Converter via le câble fibre SMPTE.

L'écran LCD intégré vous permet de contrôler le flux caméra et chaque source connectée aux entrées des flux de retour. Les informations d'état et les vumètres s'affichent à l'écran.



L'affichage à l'écran permet de confirmer le nom et le format d'une source lorsque vous basculez entre les flux

On Air

L'icône rouge **On Air** s'affiche lorsque la caméra connectée est utilisée dans le flux du programme. L'icône reste vide lorsque la caméra connectée n'est pas à l'antenne.

Format

Affiche la résolution et la fréquence d'images de la source actuelle.

Source

Affiche le nom de la source actuelle.

Alimentation

Affiche l'état actuel de l'alimentation. **Basse** s'affiche avec un voyant rouge lorsque le niveau d'alimentation est faible. **Haute** s'affiche avec un voyant vert lorsque l'appareil est en mode haute puissance. Pour plus d'informations, veuillez consulter « Voyants d'état » de la section « Fonctionnement du Studio Fiber Converter ».

Fibre

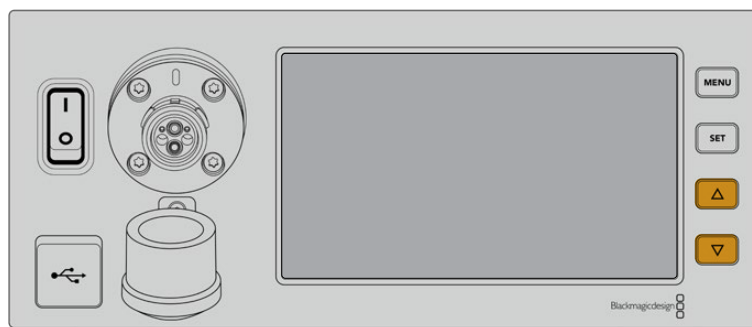
Affiche l'état actuel de la fibre. **Connexion** s'affiche avec un voyant rouge pendant la connexion initiale. **Connectée** s'affiche avec un voyant vert une fois que la connexion avec un câble fibre optique hybride SMPTE est établie. Pour plus d'informations, veuillez consulter « Voyants d'état » de la section « Fonctionnement du Studio Fiber Converter ».

Indicateurs audio

Les indicateurs de crête audio affichent les niveaux audio lorsque l'audio de la caméra est intégré aux canaux 1 et 2 du flux caméra. Les canaux 3 et 4 correspondent aux sources audio connectées aux deux entrées XLR à l'arrière de votre Blackmagic Camera Fiber Converter. L'affichage est calibré en unités dBFS et intègre des indicateurs de crête qui restent visibles un petit moment, ce qui vous permet de visualiser clairement les niveaux maximaux atteints.

Utiliser le menu

Les flèches haut et bas permettent de naviguer entre les quatre sources possible : **Caméra**, **Retour 1**, **Retour 2** et **Retour 3**. Appuyez sur le bouton **MENU** pour accéder au menu principal et régler vos paramètres. Utilisez les flèches pour naviguer entre les différents menus et options, puis confirmez vos sélections avec le bouton **SET**. Les paramètres du menu sont divisés entre les pages **Audio**, **Réseau d'ordres** et **Réglages**.

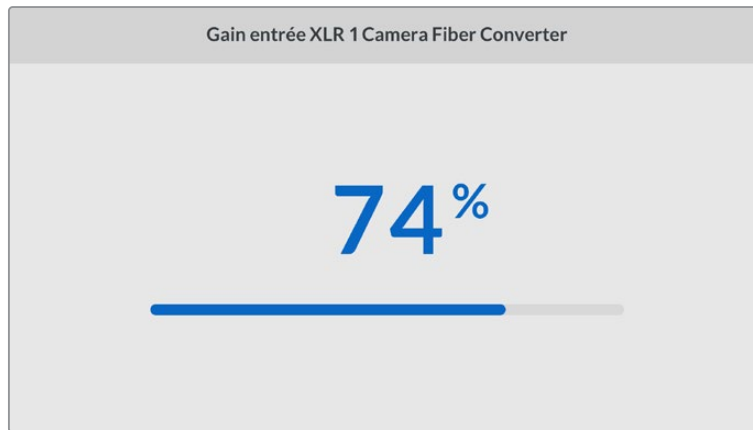


Utilisez les flèches haut et bas pour naviguer entre les quatre sources possibles et dans les menus.

Audio

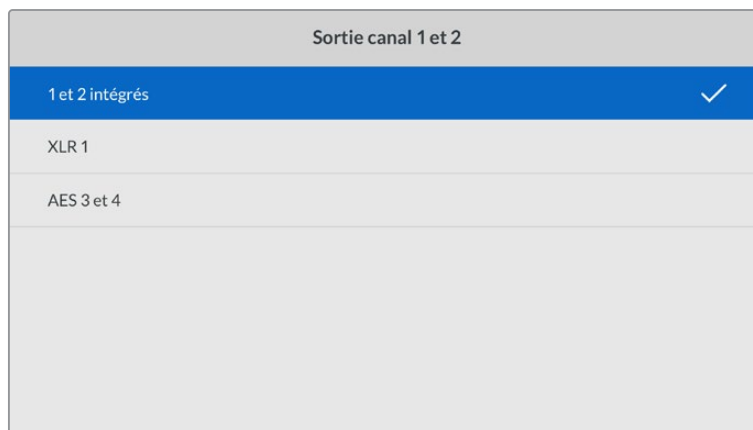
La page **Audio** permet d'ajuster les niveaux des signaux d'entrée pour les sources audio connectées aux entrées XLR du Blackmagic Camera Fiber Converter.

Audio	
Gain entrée XLR 1 Camera Fiber Converter	50%
Gain entrée XLR 2 Camera Fiber Converter	50%
Sortie canal 1 et 2	1 et 2 intégrés
Sortie canal 3 et 4	XLR 1 et 2



Utilisez les flèches pour ajuster le niveau de chaque entrée XLR, puis appuyez sur **SET** pour confirmer.

Vous pouvez configurer quels canaux audio du Camera Fiber Converter seront mappés aux sorties XLR et SDI intégrées. Les canaux audio intégrés de la URSA Mini ou de la URSA Broadcast G2 se trouvent par défaut sur les canaux 1 et 2. Les entrées XLR de niveau ligne ou micro qui sont branchées au Camera Fiber Converter sont mappées par défaut sur les canaux 3 et 4. Vous pouvez ajuster les paramètres des canaux de sortie pour modifier ces mappages. Si une des entrées XLR du Camera Fiber Converter est réglée sur AES, les options de mappage des canaux incluront les canaux 5 et 6, qui seront envoyés sur la sortie SDI intégrée.



Mappage des canaux XLR intégrés de la caméra sur les canaux 1 et 2

Réseau d'ordres

Utilisez le menu **Réseau d'ordres** pour sélectionner la source audio du programme et la source du réseau d'ordres pour les canaux de production et des ingénieurs. Réglez la source du réseau d'ordres sur **SDI + DB25** ou **Interphone tally DB25** sur votre Studio Fiber Converter.

Vous pouvez également ajuster le niveau de gain du micro et du casque pour chaque interphone, pour tenir compte de l'impédance du casque que vous utilisez. Le paramètre **Alimentation fantôme** permet d'activer l'alimentation fantôme envoyée au casque respectif. Ajustez le paramètre **Niveau Effet local** afin que les opérateurs des caméras puissent entendre leur propre voix dans leur casque à un volume clair et confortable.

Réseau d'ordres	
Source audio programme	Canaux SDI 1 et 2
Source canal production	SDI + DB25
Source canal ingénieurs	Interphone Tally DB25
Interphone 1	
Gain casque	50%
Gain micro casque	50%
Alimentation fantôme micro du casque	On
Niveau Effet local	50%
Interphone 2	
Gain casque	50%
Gain micro casque	50%
Alimentation fantôme micro du casque	On
Niveau Effet local	50%

La section de l'interphone sera grisée lorsqu'aucun appareil n'est connecté aux entrées XLR et elle affichera **Connexion** durant la connexion.

Réglages

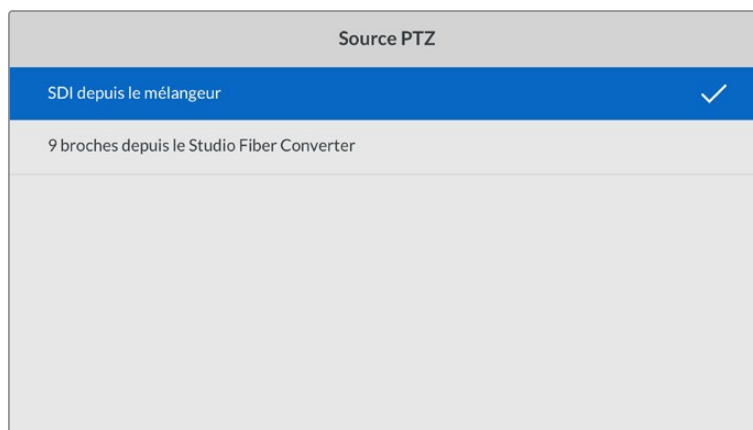
Ce menu permet de configurer la source PTZ, ainsi que de sélectionner la langue des menus et le type de niveau pour le retour SDI.

Réglages	
Source PTZ	SDI depuis le mélangeur
Langue	Français
Retour 12G SDI	3G Niveau A

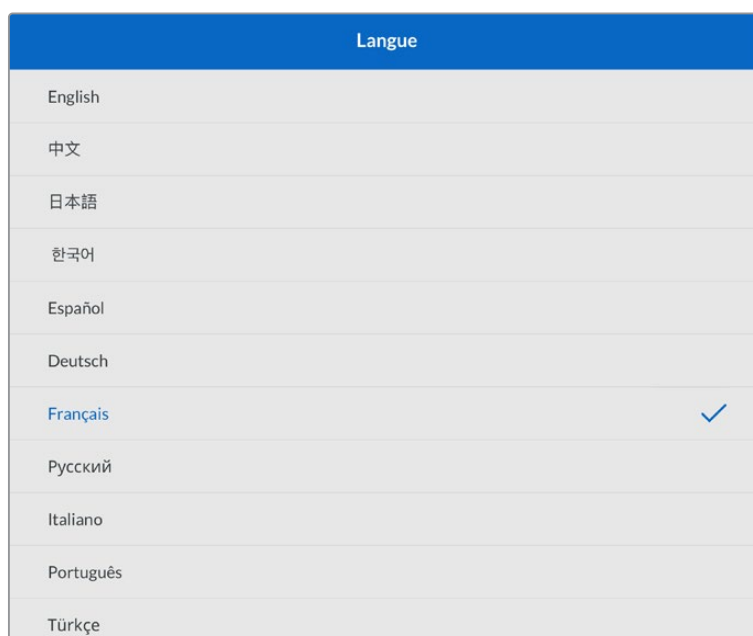
Sélectionnez la source des commandes PTZ en utilisant les réglages de la source PTZ. Vous avez le choix entre **SDI** pour sélectionner les entrées SDI Return in, ou **9 broches** pour le connecteur PTZ à 9 broches situé à l'arrière du Blackmagic Studio Fiber Converter.

Vous pouvez ainsi contrôler le pan, tilt et zoom d'une caméra PTZ depuis un mélangeur ATEM et envoyer ces commandes PTZ au Blackmagic Studio Fiber Converter via SDI. Ces commandes seront envoyées au Blackmagic Camera Fiber Converter via la fibre optique SMPTE, où elles seront isolées et acheminées via le connecteur en série DE-9, pour relier une tête motorisée PTZ.

Vous pouvez également connecter un contrôleur PTZ à votre Blackmagic Studio Fiber Converter via le connecteur DE-9, pour contrôler une tête de caméra robotisée.



Le menu de paramétrage permet de sélectionner la source **SDI** ou **9 broches** pour les commandes PTZ



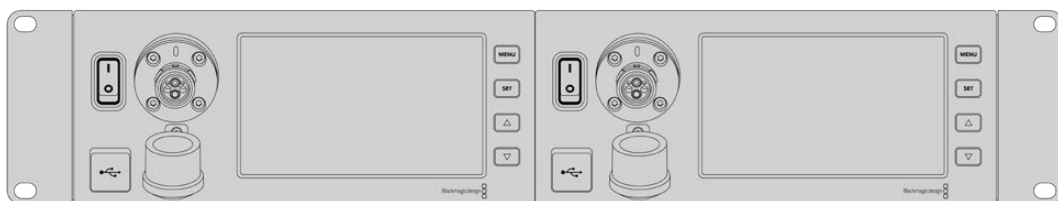
Le paramètre **Langue** permet de régler la langue des menus. Le Studio Fiber Converter supporte 11 langues répandues : l'anglais, le français, l'allemand, l'italien, le japonais, le coréen, le portugais, le russe, l'espagnol et le turc. La page des langues apparaît lors du démarrage et après la mise à jour du logiciel interne.

L'option **Retour 12G SDI** permet de down-convertir les signaux de retour programme 12G sur du 3G de niveau A ou B. Tous les signaux 12G envoyés aux entrées retour du Studio Fiber Converter sont down-converties lors du transfert vers le Camera Fiber Converter.

Monter le Studio Fiber Converter sur un rack

Si vous utilisez plusieurs Blackmagic Studio Fiber Converters, vous pouvez utiliser le Blackmagic Studio Fiber Rack Kit pour installer les convertisseurs dans un rack ou une caisse de transport broadcast. Grâce au Rack Kit, vous pouvez monter deux appareils dans un rack côte à côte. Une plaque d'obturation est incluse dans le Studio Fiber Rack Kit pour cacher la partie vide du rack si vous ne souhaitez monter qu'un seul appareil.

Le Studio Fiber Converter mesure 2 unités de rack de hauteur et la moitié de la largeur d'un rack standard. Vous pouvez donc faire tenir deux Studio Fiber Converters côte à côte dans deux unités de rack.

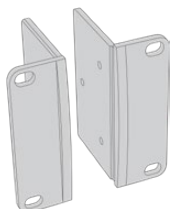


Deux Blackmagic Studio Fiber Converters côte à côte



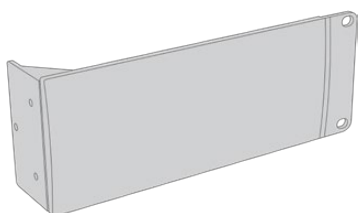
La plaque d'obturation peut être utilisée pour cacher la partie vide du rack

Le Blackmagic Studio Fiber Rack Kit inclut :



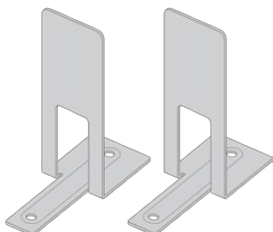
2x supports latéraux pour le montage sur rack

Fixez-les sur les bords externes du Blackmagic Studio Fiber Converter.



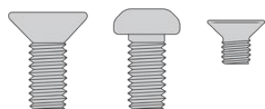
1x plaque d'obturation d'un demi rack de largeur

La plaque d'obturation possède un support latéral sur un côté afin de cacher l'espace vide du rack si vous n'installez qu'un seul appareil. L'illustration montre la plaque avec le support latéral sur le côté droit. Tournez la plaque à 180° pour la monter dans l'autre sens.



2x supports de montage

Les supports de montage en forme de T se fixent sous les deux Studio Fiber Converters, à l'avant et à l'arrière, au niveau de la jonction des deux convertisseurs.



Vis

8 x M4 10mm

Vis pour les supports latéraux

4 x M4 8mm

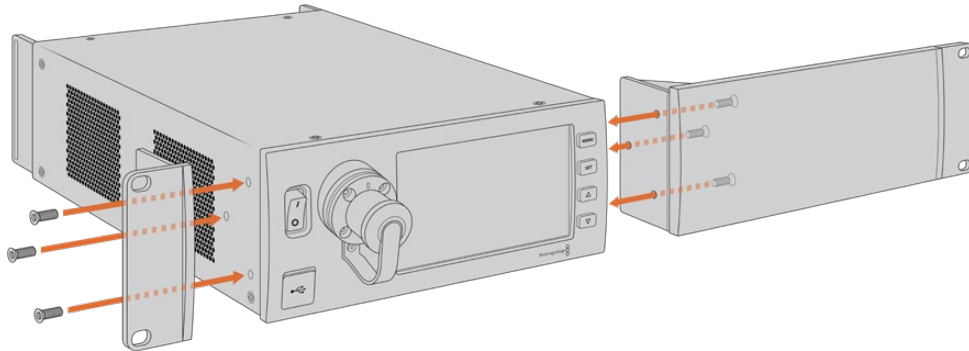
Vis pour la plaque d'obturation

5 x M3 5mm

Vis pour les supports de montage

Préparer un Blackmagic Studio Fiber Converter pour l'installation dans un rack :

- 1 Placez la plaque d'obturation sur le côté gauche ou le côté droit du Studio Fiber Converter, selon l'emplacement de l'appareil sur le rack. La face avant de la plaque doit être parallèle à la face avant de l'appareil.
- 2 Fixez la plaque d'obturation sur le côté et à l'avant du Studio Fiber Converter à l'aide des vis pour la plaque d'obturation fournies.



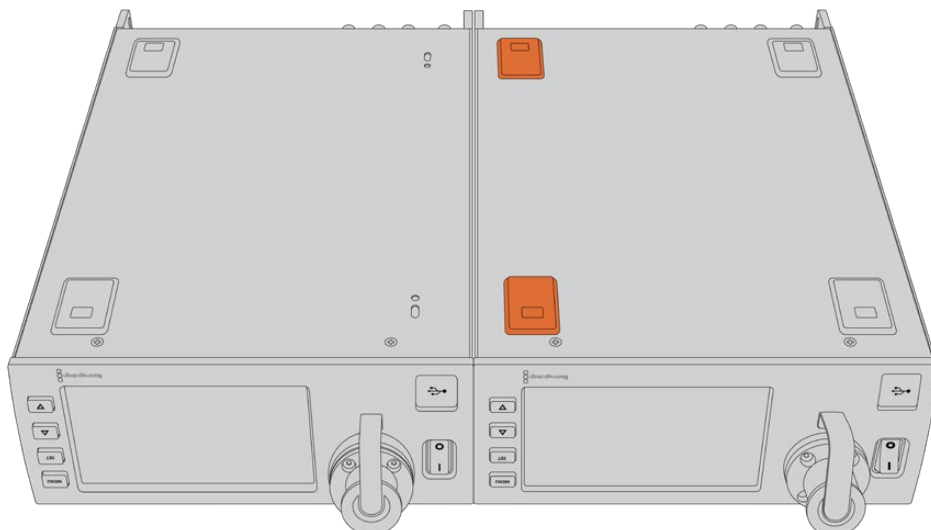
- 3 Utilisez trois vis du support latéral pour le fixer sur l'autre côté du Studio Fiber Converter. Une fois le support latéral et la plaque d'obturation fixés, vous pouvez installer le convertisseur sur deux unités de rack. Pour cela, utilisez les pas de vis sur les côtés et les vis standard.

Préparer deux Blackmagic Studio Fiber Converters pour l'installation côte à côte dans un rack :

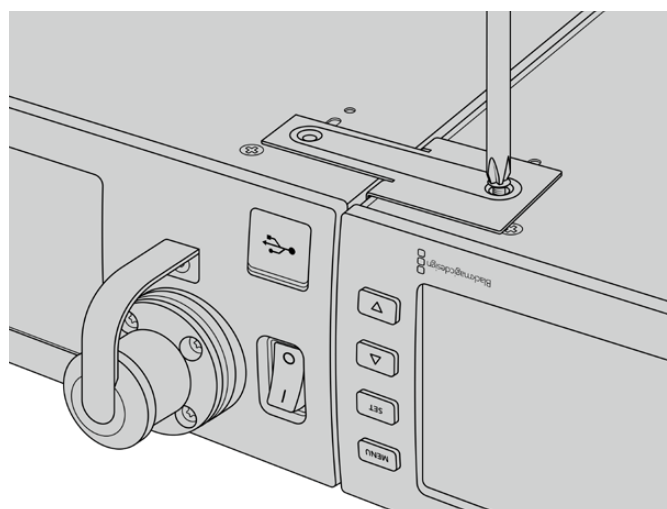
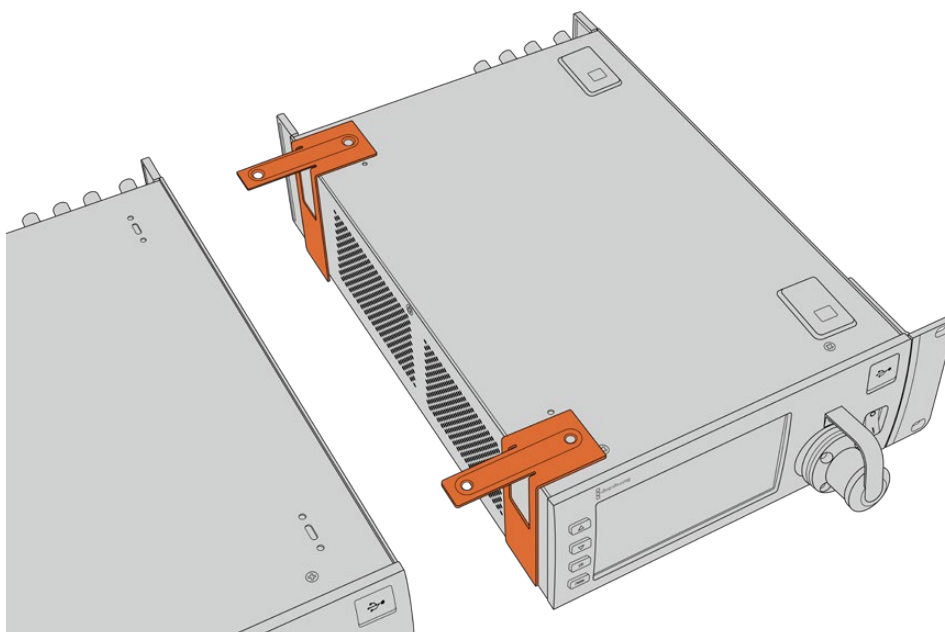
Si vous installez deux convertisseurs côte à côte, vous pouvez les fixer l'un à l'autre à l'aide des supports de montage.

Pour fixer les deux appareils :

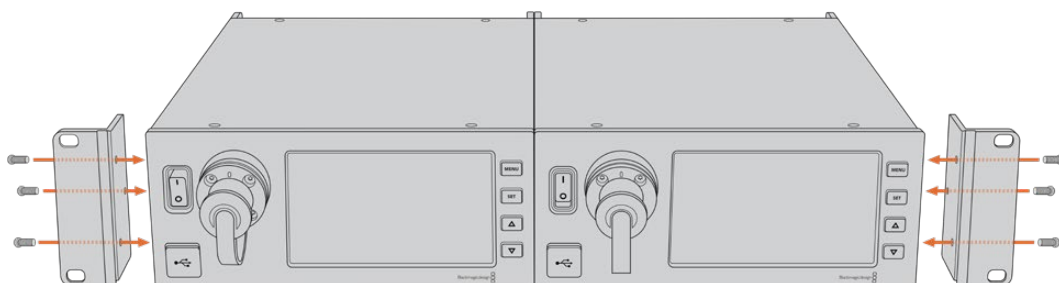
- 1 Tournez les deux convertisseurs à l'envers, afin que la face supérieure se retrouve en bas, puis placez-les côte à côte. Retirez les deux pieds en caoutchouc des bords de chaque convertisseur, au niveau de la jonction des deux convertisseurs.



- 2 Fixez les deux supports de montage en forme de T à la base des deux Studio Fiber Converters, à l'avant et à l'arrière à la jonction des deux convertisseurs, à l'aide des vis pour les supports de montage fournies.



- 3** Retournez les appareils et fixez les supports latéraux sur les bords externes près de la face avant des deux convertisseurs, à l'aide des vis fournies. Vos convertisseurs sont prêts à être installés dans un rack à l'aide des pas de vis sur chaque côté et des vis du rack standard.



Connexions du Camera Fiber Converter

Les connexions sont situées à l'arrière et sur le côté du Blackmagic Camera Fiber Converter. Lorsque l'appareil n'est pas connecté, nous vous recommandons de remettre les capuchons en caoutchouc pour protéger les connecteurs de la pluie et de l'environnement extérieur. Il est particulièrement important de protéger les connexions de la fibre SMPTE, car les particules de poussière peuvent s'accumuler rapidement sur les bords du tube de la fibre, ce qui peut interrompre la connexion. Nous vous conseillons de retirer les capuchons du câble et de l'appareil juste avant la connexion, puis de les remettre juste après la déconnexion.

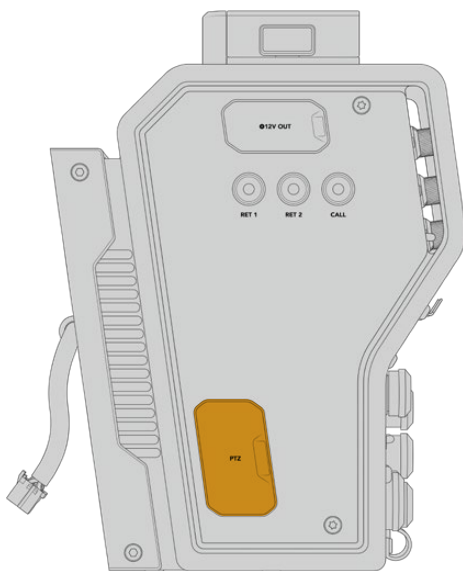
Connexion pour l'alimentation de la caméra

L'alimentation est acheminée au Camera Fiber Converter et à la caméra depuis le Studio Fiber Converter via le câble fibre optique hybride SMPTE. Tous les accessoires fixés à la caméra, tels qu'un Blackmagic URSA Studio Viewfinder, sont également alimentés.

Vous pouvez également alimenter le Blackmagic Camera Fiber Converter via la caméra si le connecteur XLR 12V de la caméra est branché à une source de courant. C'est une bonne option si votre caméra est positionnée à plus de 2 kilomètres du Studio Fiber Converter et que l'alimentation ne peut pas être fournie via le câble fibre SMPTE.

Interface PTZ

Le connecteur D-9 standard permet de connecter une tête PTZ motorisée. Vous pourrez, par exemple, contrôler une tête PTZ à distance avec votre URSA Broadcast G2 ou Mini fixée à une grue. Vous pouvez sélectionner la source des commandes PTZ envoyées à votre caméra dans le menu de votre Blackmagic Studio Fiber Converter. La source des commandes peut être réglée sur le connecteur DE-9 sur votre Studio Fiber Converter ou sur les flux SDI provenant d'un mélangeur ATEM. Pour plus d'informations, veuillez consulter la section « Fonctionnement du Studio Fiber Converter ».

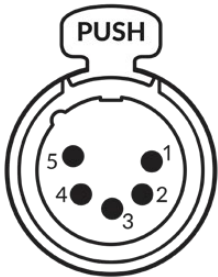


Interface PTZ

Connexion pour le réseau d'ordres

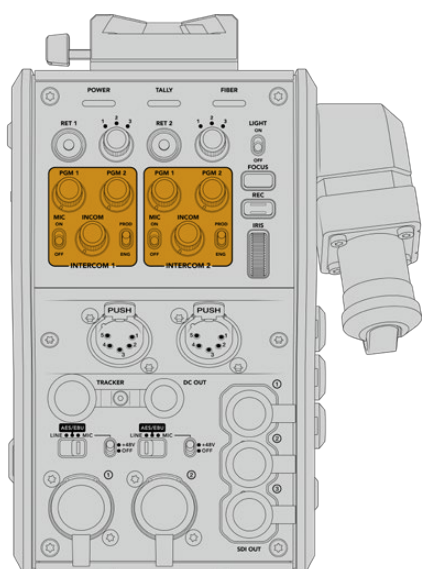
Les deux connecteurs femelle XLR à 5 broches vous permettent de brancher deux casques, pour que deux personnes puissent communiquer via le réseau d'ordres simultanément. Par exemple, le casque de l'opérateur caméra peut être branché au premier connecteur XLR, tandis qu'un opérateur grue ou un opérateur son branche son casque au second connecteur XLR. Veuillez vous reporter au schéma de brochage pour le connecteur XLR du casque ci-dessous.

Schéma de brochage XLR pour le casque

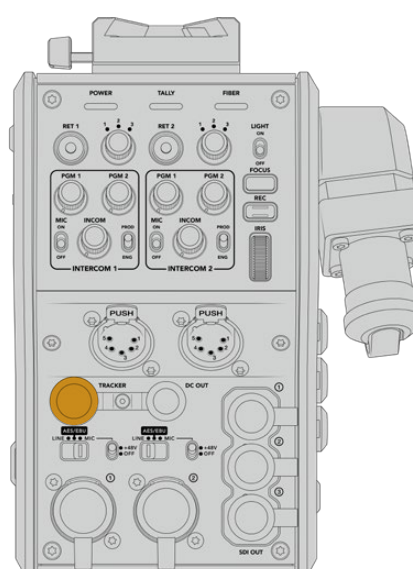
Vues extérieures	Broches	Signal	E/S	Description
 <p>Connecteur XLR à 5 broches pour casque</p>	1	Intercom MIC (Y)	GND	L'entrée du micro de l'intercom prend en charge les micros à condensateur électret et les micros dynamiques, symétriques ou asymétriques. La broche 1 correspond au signal micro GND et la broche 2 correspond à l'entrée accueillant les deux types de micro. Avec les micros électret, un courant de polarisation DC est envoyé sur la même broche d'entrée du signal.
	2	Intercom MIC (X)	In	
	3	GND	GND	GND
	4	Intercom left	Out	
	5	Intercom right	Out	

Les commandes de l'interphone correspondantes sont situées au-dessus de chaque connexion casque.

Pour plus d'informations sur l'utilisation des commandes de l'interphone, reportez-vous à la section « Fonctionnement du Camera Fiber Converter »



Les commandes de l'interphone sont utilisées pour mixer les niveaux audio du réseau d'ordres.



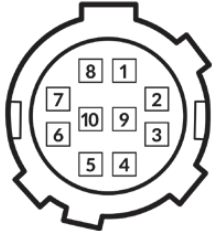
Connecteur de l'interface Tracker

Interface Tracker

Le connecteur « tracker » à 10 broches offre une sortie démultipliée pour les signaux du réseau d'ordres et du tally, et pour les données telles que les informations du prompteur. Cette sortie est couramment utilisée par l'équipe d'assistance quand elle opère sur des équipements de production, comme une grue.

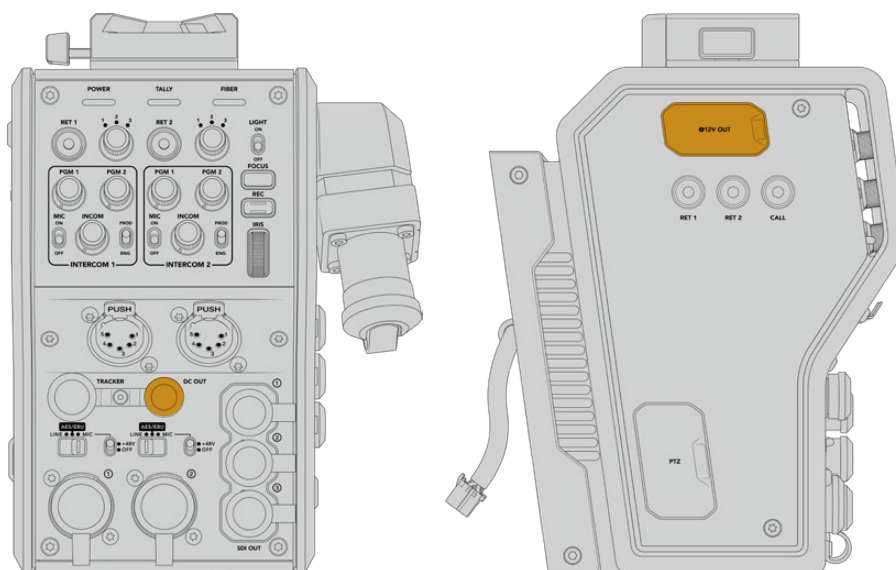
Reportez-vous au schéma de brochage dans cette section pour construire votre propre câble.

Schéma de brochage de la sortie Tracker

Vue extérieure	Broches	Signal	E/S	Spécifications
 <p>Connecteur « tracker » à 10 broches</p>	1	Tracker left	Out	Tracker output, -20 dBu unbalanced
	2	GND (Talk)	–	GND for tracker talk
	3	GND (Receive/PGM/tally)	–	GND for receive/PGM/tally
	4	Tracker right	Out	Tracker output, -20 dBu unbalanced
	5	Unregulated	Out	12V DC (nom), 500mA (max)
	6	GND (Unregulated)	–	GND for unregulated
	7	Tracker talk (X)	In	Tracker talk 0 dBu /-20 dBu, high impedance balanced
	8	Tracker talk (Y)	In	
	9	G Tally	Out	On : 12V Off: high impedance (open)
	10	R Tally	Out	On : 12V Off: high impedance (open)

Connexion DC

Vous pouvez alimenter des accessoires supplémentaires, par exemple un moniteur externe via le connecteur DC.



Le connecteur DC vous permet d'alimenter des accessoires supplémentaires, comme un moniteur ou un enregistreur externe.

Sortie D-Tap

Sortie D-Tap

La sortie +12V sur le côté gauche de l'appareil est souvent nommée **D-tap** ou **P-tap** et vous permet d'alimenter des accessoires, comme un moniteur ou un large objectif de studio. La sortie prend en charge les objectifs de studio d'une tension nominale de 12 Volts DC à 2 ampères.

Sortie de référence

La sortie de référence peut être utilisée pour connecter un signal de référence à votre caméra via un câble BNC.

Pour connecter un signal de référence à votre caméra :

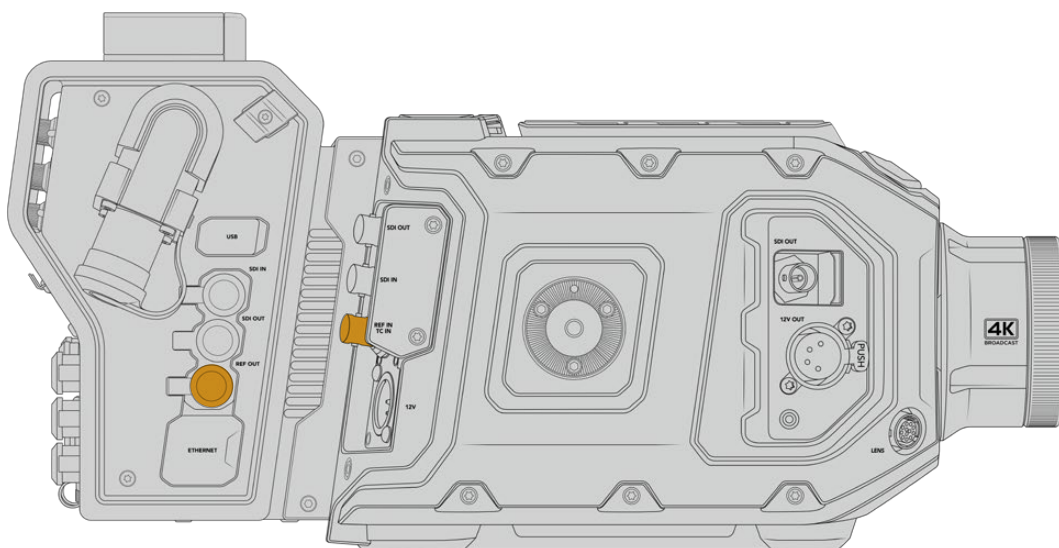
- 1 Connectez la sortie de référence du Blackmagic Camera Fiber Converter nommée **REF OUT** à l'entrée de référence de la caméra nommée **REF IN** à l'aide des petits câbles SDI fournis avec votre Camera Fiber Converter.
- 2 Réglez les paramètres de référence de votre caméra sur l'entrée de référence.

Un signal de référence synchronisé vous permet de synchroniser votre équipement vidéo sur une référence commune. Ainsi, tous les équipements partagent le même timing. Toutes les sources vidéo seront ainsi synchronisées et les commutations seront fluides.

Les mélangeurs ATEM possèdent des synchroniseurs intégrés. Ainsi, si vous travaillez avec des caméras et des mélangeurs Blackmagic Design, vous n'avez pas besoin de connecter une référence de synchronisation. La caméra sera synchronisée sur le signal du programme provenant du mélangeur ATEM. Assurez-vous que la sortie programme est sélectionnée sur la deuxième page du menu **Réglages** des paramètres de référence de votre URSA Mini ou URSA Broadcast G2. La procédure de synchronisation engendre un décalage d'image.

Pour réduire la latence causée par la synchronisation sur votre ATEM, assignez tout d'abord un signal de référence à la URSA Broadcast G2 ou URSA Mini. Ensuite, ajustez les paramètres de synchronisation sur la caméra afin que l'exécution de la ligne précède celle de la commutation de l'ATEM.

Pour ajuster le signal de référence synchronisé sur la URSA Broadcast G2 ou sur la URSA Mini, ouvrez le menu **Réglages** et changez le numéro de ligne dans **Timing de référence**.

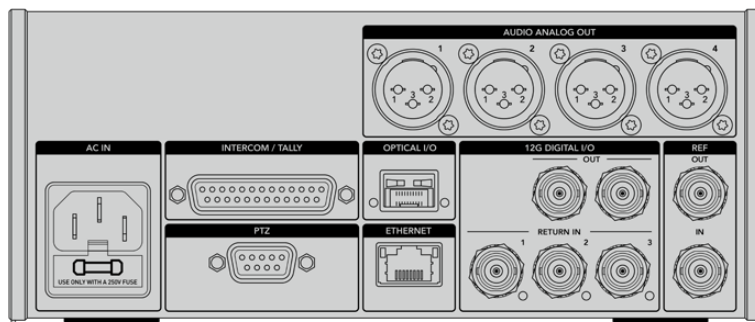


Si vous utilisez un signal de référence externe, connectez la sortie de référence du Camera Fiber Converter à l'entrée de référence de la URSA Broadcast G2 ou URSA Mini.

Connexions du Studio Fiber Converter

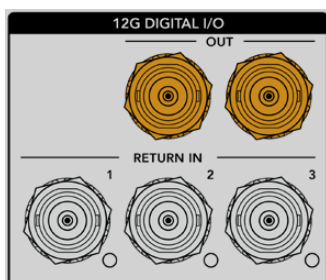
Sur la face arrière du Blackmagic Studio Fiber Converter se trouvent les connecteurs BNC pour les voies de retour SDI et pour le signal de référence, un connecteur DB-25 pour l'interphone et le tally, un port en série PTZ à 9 broches, des sorties audio et une connexion Ethernet.

Toutes les entrées SDI prennent en charge le 12G-SDI pour les formats vidéo jusqu'à 2160p60 en Ultra HD.



Sortie 12G-SDI

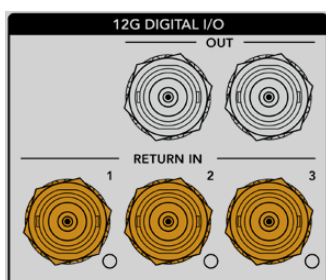
Les deux sorties 12G-SDI servent à connecter le signal de la caméra depuis le Studio Fiber Converter aux entrées SDI caméra de votre mélangeur. Le second connecteur peut être utilisé pour acheminer le même signal à d'autres équipements vidéo, comme une grille de commutation Blackmagic Videohub, un moniteur SmartView ou un enregistreur à disque HyperDeck.



Les sorties 12G-SDI prennent en charge des signaux de 720p50 jusqu'à 2160p60.

Entrées de retour SDI

Les connecteurs BNC des voies de retour 12G-SDI vous permettent de brancher jusqu'à trois voies de retour SDI. Par exemple, le flux de programme provenant d'un mélangeur devrait être connecté à la voie de retour 1 et avoir la même fréquence d'images que votre caméra. D'autres sources, telles qu'une deuxième sortie caméra, la lecture d'un HyperDeck, ou même un prompteur peuvent être connectées aux voies de retour 2 et 3. Si vous utilisez un mélangeur ATEM, le retour programme connecté au Retour 1 inclura également le tally, ainsi que les signaux de référence et de contrôle caméra.

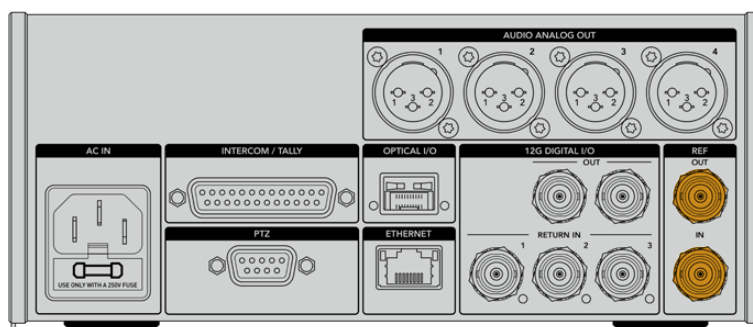


Les entrées de retour SDI vous permettent de connecter jusqu'à trois voies de retour depuis le mélangeur. Ces signaux seront acheminés à votre caméra pour être visualisés par l'opérateur caméra ou envoyés via SDI vers un autre équipement.

REMARQUE Si vous connectez une vidéo Ultra HD aux entrées de retour, elle sera down-convertie en 1080p à la même fréquence d'images. Le signal de sortie du Camera Fiber Converter sera donc en HD. Down-convertir les voies de retour Ultra HD en HD permet d'améliorer la bande passante et ainsi d'acheminer plusieurs sources de retour.

Entrée et sortie de référence

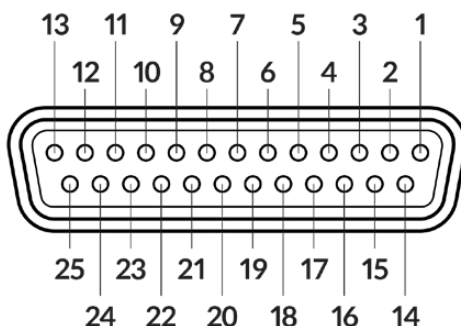
Si vous n'utilisez pas de mélangeur ATEM et que vous devez verrouiller un équipement sur un signal de référence externe commun, connectez le signal généré extérieurement à l'entrée BNC de référence. Cela enverra la référence au Camera Fiber Converter via le câble fibre SMPTE. La sortie BNC de référence du Studio Fiber Converter peut être utilisée pour connecter la source de référence à un autre équipement.



Utilisez la connexion **Ref in** pour envoyer un timing de référence depuis d'autres équipements broadcast à votre caméra.

Interface du réseau d'ordres

Le connecteur DB-25 pour l'interphone et le tally vous permet de connecter un interphone tiers et des systèmes pour le réseau d'ordres. Pour construire un câble personnalisé, veuillez vous reporter au schéma de brochage ci-dessous. Après avoir connecté les broches pour les ingénieurs, la production, le tally ou l'entrée du programme, vous devrez adapter les réglages du menu de votre Blackmagic Studio Fiber Converter selon ces branchements.



Vue externe du connecteur interphone/tally à 25 broches

Tableau de brochage du réseau d'ordres

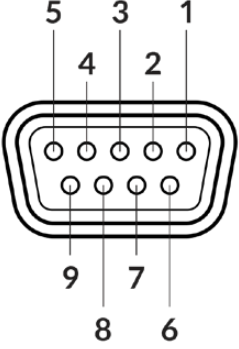
Broches	Signal	Spécifications
1	ENG(R) IN+	Engineering channel input 0dBu balanced
2	ENG(R) IN-	
3	ENG GND	GND for ENG
4	ENG(T) OUT +	Engineering channel output 0dBu balanced
5	ENG(T) OUT -	
6	PGM IN+	-20dBu
7	PGM IN-	-20dBu
8	PGM GND	-20dBu
9	GND	GND for aux
10	N/C	–
11	Red Tally IN	On = 5-24Vdc, Off= 0Vdc
12	Red Tally GND	–
13	GND	Chassis GND
14	PROD(R) IN+	Production channel input 0dBu balanced
15	PROD(R) IN-	
16	PROD GND	–
17	PROD(T) OUT+	Production channel output 0dBu balanced
18	PROD(T) OUT-	
19	N/C	–
20	N/C	–
21	N/C	–
22	N/C	–
23	N/C	–
24	Green Tally IN	On = 5-24Vdc, Off= 0Vdc
25	Green Tally GND	–

Interface PTZ

Les deux convertisseurs possèdent chacun un connecteur DE-9. Ainsi, vous pouvez connecter un contrôleur PTZ au Studio Fiber Converter et une tête de caméra robotisée au Camera Fiber Converter. Les commandes PTZ sont intégrées au signal SDI qui relie les convertisseurs via le câble fibre optique SMPTE.

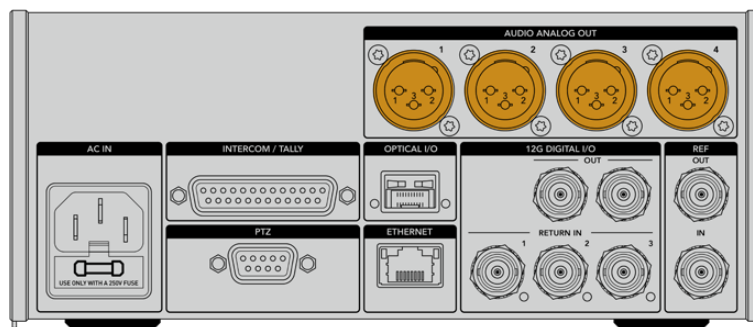
Le menu de paramétrage sur le Blackmagic Studio Fiber Converter vous permet de sélectionner la source des commandes PTZ envoyées vers votre Blackmagic Camera Fiber Converter. Vous pouvez sélectionner le connecteur PTZ situé à l'arrière du Studio Fiber Converter ou le flux de programme SDI provenant d'un mélangeur ATEM. Pour plus d'informations, veuillez consulter la section « Fonctionnement du Studio Fiber Converter ».

Schéma de brochage de l'interface PTZ

Vue extérieure	Broches	Signal
 <p>Connecteur PTZ à 9 broches</p>	1	GND
	2	RS422 Tx-
	3	RS422 Rx+
	4	GND
	5	N/C
	6	GND
	7	RS422 Tx+
	8	RS422 Rx-
	9	GND

Sorties audio

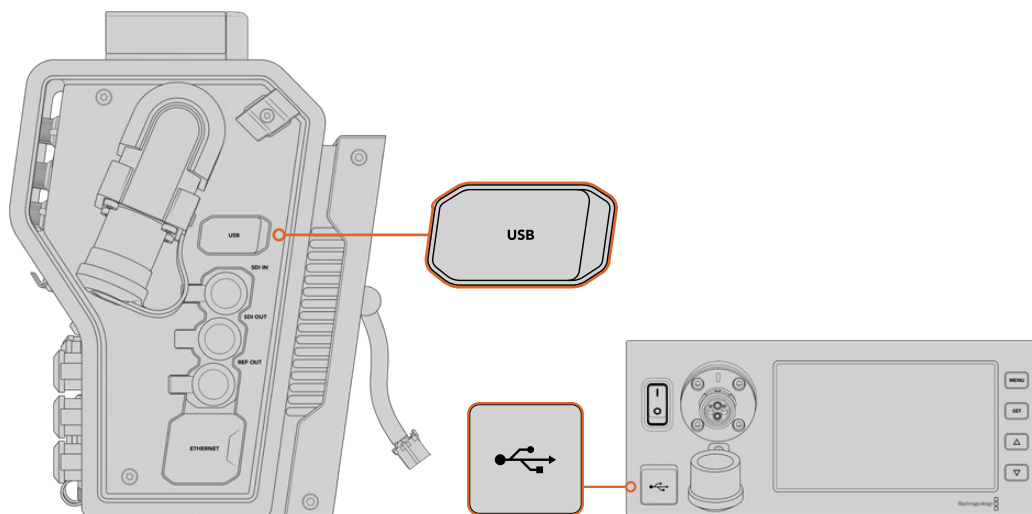
Les quatre sorties audio XLR du Studio Fiber Converter permettent d'acheminer l'audio branché sur les entrées 1 et 2 de votre caméra URSA Broadcast G2 ou URSA Mini et d'acheminer les deux entrées audio XLR vers le Camera Fiber Converter.



Les sorties 1 et 2 du Studio Fiber Converter correspondent aux entrées XLR 1 et 2 de la URSA Broadcast G2 ou URSA Mini. Les sorties 3 et 4 du Studio Fiber Converter correspondent par défaut aux entrées XLR 1 et 2 du Camera Fiber Converter. Vous pouvez utiliser le menu pour modifier les paramètres du mappage. Pour plus d'informations, consultez la section « Utiliser le menu ».

Mettre à jour le logiciel interne

De temps en temps, Blackmagic Design sort des mises à jour pour améliorer ou activer des fonctionnalités sur vos Blackmagic Fiber Converters. Nous vous recommandons donc de vérifier sur le site Internet de Blackmagic Design si une mise à jour pour vos convertisseurs est disponible. Les Fiber Converters peuvent être mis à jour à l'aide du logiciel Blackmagic Camera Setup Utility.



Les ports USB-C sur les Blackmagic Fiber Converters permettent de mettre à jour le logiciel interne.

Mettre à jour le Blackmagic Camera Fiber Converter

Le Camera Fiber Converter doit être alimenté pendant la mise à jour. Nous vous recommandons donc de garder le convertisseur connecté à la URSA Broadcast G2 ou URSA Mini pendant toute la durée de la mise à jour.

Il est important de déconnecter le câble fibre SMPTE du Camera Fiber Converter et d'alimenter la caméra via l'alimentation de la caméra.

Le Blackmagic Camera Fiber Converter possède un connecteur USB-C sur le côté droit pour les mises à jour du logiciel interne. Connectez votre ordinateur via ce port USB et lancez le Blackmagic Camera Setup Utility. Si votre ordinateur détecte que le Camera Fiber Converter utilise une ancienne version, il vous sera demandé d'effectuer une mise à jour. Suivez les informations à l'écran pour mettre à jour le logiciel interne de votre convertisseur.

Mettre à jour le Blackmagic Studio Fiber Converter

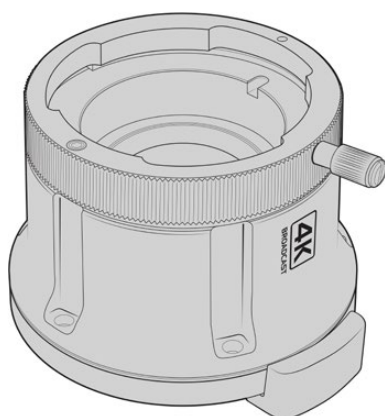
Le Studio Fiber Converter doit être alimenté pendant la mise à jour. Nous vous recommandons de garder le câble d'alimentation IEC branché à l'arrière de l'appareil pendant toute la durée de la mise à jour.

Le Blackmagic Studio Fiber Converter possède un connecteur USB-C à l'avant pour les mises à jour du logiciel interne. Connectez votre ordinateur via ce port USB et lancez le Blackmagic Camera Setup Utility. Si votre ordinateur détecte que le Studio Fiber Converter utilise une ancienne version, il vous sera demandé d'effectuer une mise à jour. Suivez les informations à l'écran pour mettre à jour le logiciel interne de votre convertisseur.

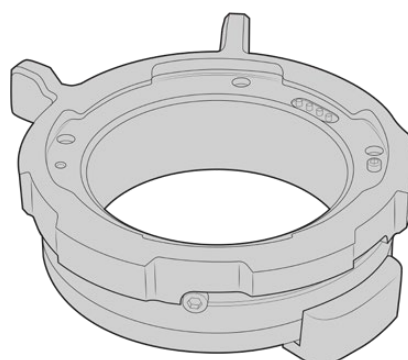
Monture d'objectif interchangeable

La Blackmagic URSA Broadcast G2 est livrée avec sa propre monture B4 déjà fixée, ainsi qu'une monture EF supplémentaire. Grâce aux montures interchangeables, vous pouvez fixer un kit de montures d'objectif Blackmagic URSA Mini Pro PL ou URSA Mini Pro F sur votre caméra. Les kits de montures d'objectif sont disponibles auprès des revendeurs Blackmagic Design.

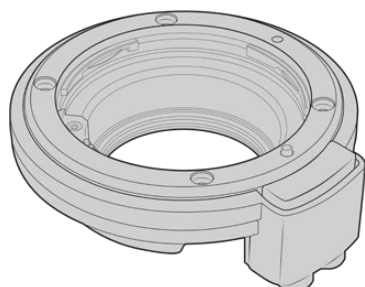
REMARQUE Les montures B4 de la URSA Mini Pro et de la URSA Broadcast G2 sont différentes et ont été conçues pour des capteurs différents. Utilisez uniquement la monture B4 originale fournie avec votre caméra URSA Broadcast G2.



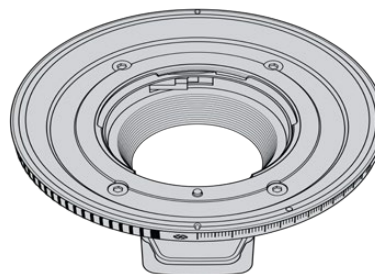
Monture B4 de la URSA Broadcast



Monture PL



Monture EF



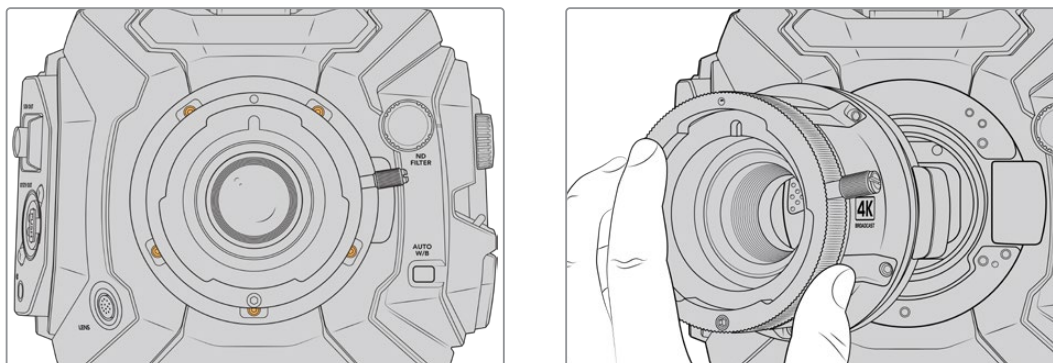
Monture F

La possibilité d'interchanger quatre montures vous offre la liberté d'utiliser différents objectifs, selon vos besoins. Par exemple, la monture EF vous permet de fixer des objectifs traditionnels pouvant capturer des images de haute qualité. La monture B4 est idéale si vous avez besoin d'utiliser des objectifs focalisés pour des tournages mobiles ou pour filmer des événements, comme un mariage. Enfin, grâce à la monture PL, vous pouvez travailler avec des objectifs haut de gamme, utilisés pour le cinéma, afin d'enregistrer des images d'une qualité irréprochable, et de bénéficier du contrôle de mouvement répété. La monture F vous permet d'utiliser une large gamme d'objectifs Nikon fabriqués de 1959 à aujourd'hui.

Pour fixer une monture, il suffit de dévisser la monture B4 originale et de la remplacer par une nouvelle.

Retirer la monture B4

Pour retirer la monture B4, dévissez simplement les cinq vis M3 à l'aide d'un tournevis hexadécimal de 2mm.



La monture B4 s'enlève en dévissant les cinq vis M3 et en retirant la monture du boîtier de la caméra.

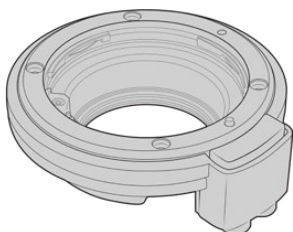
REMARQUE Lorsque vous retirez la monture B4 d'origine, vérifiez que la rondelle située sous la monture reste bien fixée à la caméra.

Dans cette section, vous trouverez toutes les informations sur les kits de montures d'objectifs PL, B4 et EF, ainsi que les étapes d'installation de chaque monture sur votre URSA Broadcast G2.

Blackmagic URSA Mini Pro EF Mount

La monture EF vous permet de fixer des objectifs traditionnels sur votre URSA Broadcast G2.

Le kit de monture EF comprend :



1x monture EF

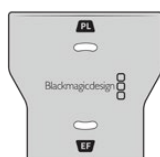
La monture EF vous permet de fixer des objectifs traditionnels.



1x kit de rondelles

Le kit de rondelles comprend des rondelles d'épaisseurs de :

0.50mm	0.18mm	0.10mm
0.30mm	0.15mm	0.05mm
0.20mm	0.12mm	0.025mm



1x outil pour déflecteur

Vous ne pouvez pas détacher le déflecteur de la monture EF. Cependant, si vous avez besoin d'utiliser le déflecteur avec une monture PL, un kit comprenant un déflecteur de rechange est fourni dans le kit EF.

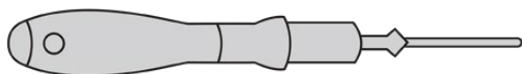


4x vis à 6 pans creux M.3 2mm x 18mm pour monture

Les quatre vis M3 de 18mm sont spécialement adaptées à la monture EF. Vous pouvez donc conserver les vis et la monture ensemble.

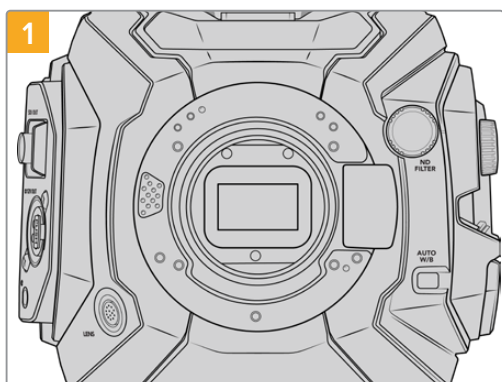
Outils requis

Pour caler la monture EF, vous aurez besoin d'un tournevis hexadécimal 2mm. Ce n'est pas obligatoire, mais nous vous recommandons vivement d'utiliser une clé dynamométrique qui permet de régler un couple de serrage maximal de 0,45 Nm, afin d'éviter de serrer les vis trop fort.

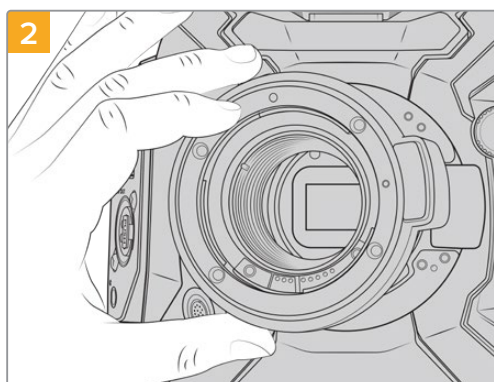


Tournevis hexadécimal de 2mm

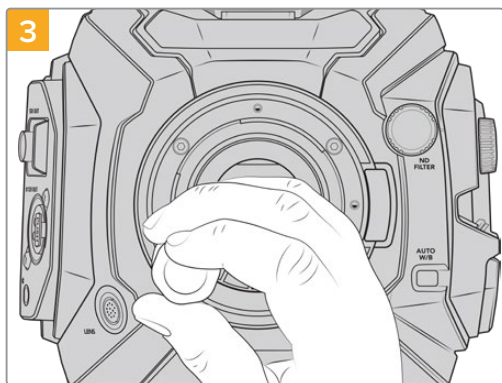
Caler une monture d'objectif EF



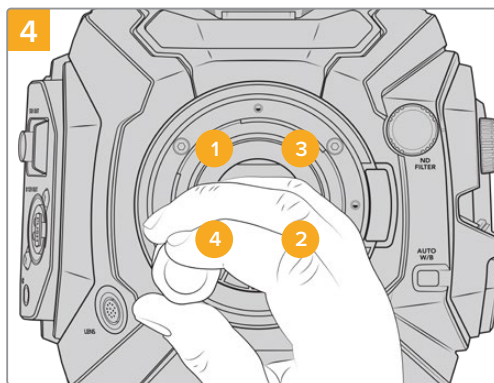
Placez la Blackmagic URSA Broadcast G2 en position verticale sur une surface solide et propre pour pouvoir insérer la monture verticalement. Si vous remplacez une monture PL par une monture EF, assurez-vous d'abord d'avoir retiré le déflecteur PL avant d'insérer la monture EF.



Positionnez délicatement la monture d'objectif EF de la URSA Mini Pro sur le boîtier de la caméra en faisant bien attention à ce que le point rouge soit en position de 12 heures.



Vissez les quatre vis sans trop serrer jusqu'à ce que l'embase de la monture d'objectif touche le boîtier de la caméra.

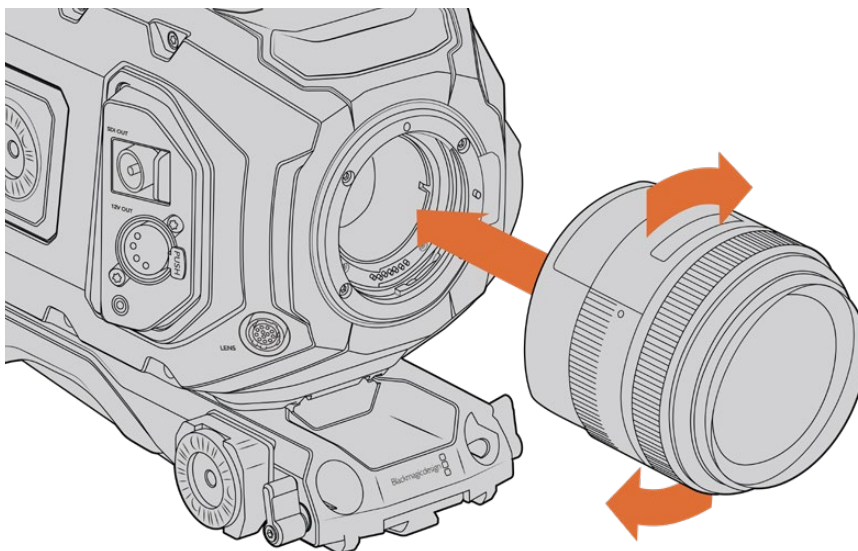


À l'aide d'un tournevis hexadécimal de 2mm, ou de la clé dynamométrique et d'une clé Allen de 2,0mm, serrez la vis 1 d'un tour complet, puis la vis 2 d'un tour complet et répétez l'opération pour les vis 3 et 4. Continuez à serrer les vis d'un tour complet dans le même ordre jusqu'à ce que toutes les vis aient atteint le couple de serrage maximal de 0,45Nm.

REMARQUE Lorsque vous retirez la monture EF, il suffit de suivre les instructions dans l'ordre inverse, c'est-à-dire de l'étape 4 à l'étape 1.

Monter un objectif à monture EF :

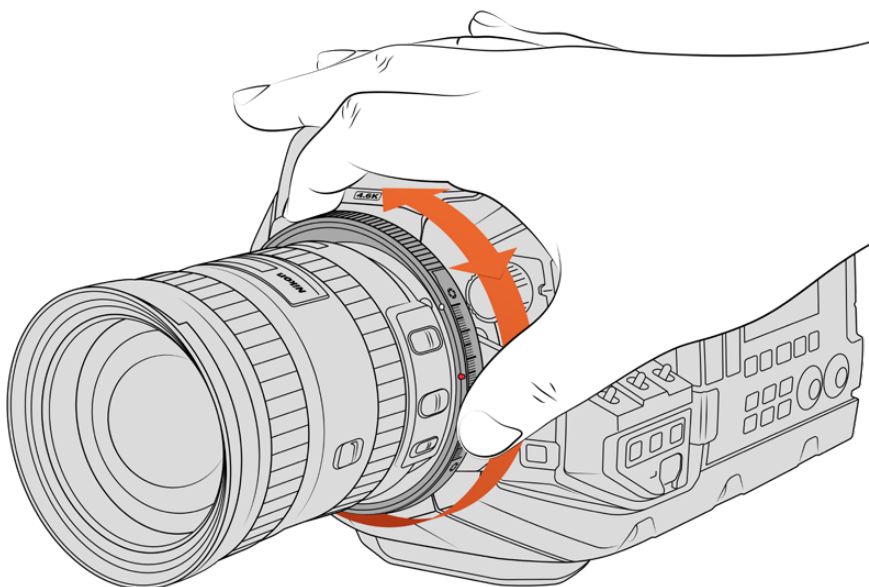
- 1 Aligned le point situé sur votre objectif avec celui de la monture. De nombreux objectifs possèdent un point bleu, rouge ou blanc ou un autre indicateur.
- 2 Insérez l'objectif dans la monture et tournez-le dans le sens des aiguilles d'une montre jusqu'à ce qu'il s'emboîte correctement.
- 3 Pour retirer l'objectif, maintenez le bouton de verrouillage enfoncé et tournez l'objectif dans le sens inverse des aiguilles d'une montre jusqu'à ce que le point atteigne la position de midi puis retirez-le délicatement.



Monter et retirer un objectif à monture EF

Blackmagic URSA Mini Pro F Mount

Si vous installez la monture F sur la URSA Broadcast G2, vous pourrez utiliser des objectifs à monture F. Le système à monture F de Nikon remonte à 1959, mais les objectifs à monture F sont toujours fabriqués aujourd'hui. Cette monture F vous donne accès à une large gamme d'objectifs vintage et contemporains.



Utilisez la bague de diaphragme de la URSA Mini Pro F Mount afin de modifier l'ouverture des objectifs à monture F de manière fluide.

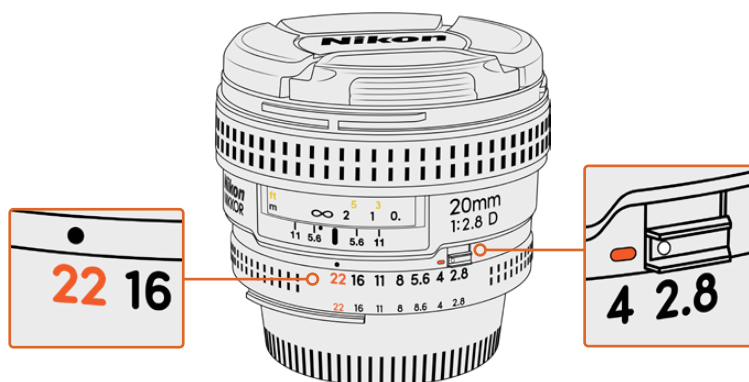
Il est bon à savoir que la monture F est une monture mécanique. Elle n'offre donc pas de contrôle électronique de la mise au point ou de l'iris. À la place, la monture F possède une bague de diaphragme mécanique. Ce dispositif déplace l'ergot présent sur la plupart des objectifs Nikon afin d'ajuster l'iris de manière fluide et cinématographique.

Lorsque la monture F est installée, il suffit de déplacer la bague de diaphragme de la Blackmagic URSA Mini Pro F Mount pour obtenir l'exposition souhaitée. Le point rouge sur la monture F et les repères sur la bague de diaphragme vous permettent de retrouver facilement une exposition ou une profondeur de champ particulière.

REMARQUE Lorsque vous retirez la monture F, il suffit de suivre les instructions dans l'ordre inverse, c'est-à-dire de l'étape 4 à l'étape 1.

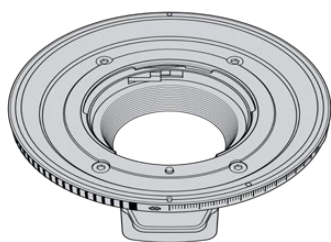
Objectifs Nikon AF-D

Lorsque vous utilisez la gamme d'objectifs Nikon AF-D, il est nécessaire de verrouiller l'ouverture de diaphragme sur la valeur minimale, par exemple f/22, pour pouvoir vous servir de toute l'étendue de la bague de diaphragme de la Blackmagic URSA Mini Pro F Mount.



Il est plus facile de régler et de verrouiller les objectifs AF-D sur la plus petite ouverture avant de les monter sur la caméra.

Le kit de monture F comprend :



1x monture F

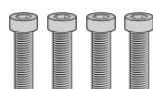
La monture F vous permet de fixer des objectifs photo F traditionnels.



1x kit de rondelles

Le kit de rondelles comprend des rondelles d'épaisseurs de :

0.50mm	0.18mm	0.10mm
0.30mm	0.15mm	0.05mm
0.20mm	0.12mm	0.025mm



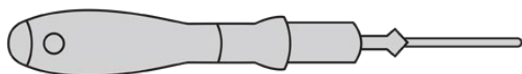
4x vis à 6 pans creux M.3 2mm x 18mm pour monture

Les quatre vis à 6 pans creux M3 de 18mm sont adaptées aux montures EF et F. Vous pouvez donc conserver les vis et la monture ensemble.

Le kit pour monture F contient également un lot de vis supplémentaires en cas de perte des vis originales.

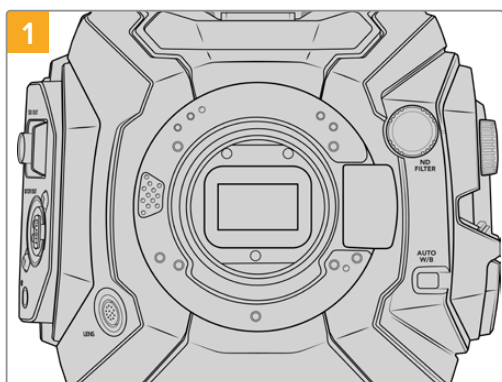
Outils requis

Pour caler la monture F, vous aurez besoin d'un tournevis hexadécimal de 2mm. Ce n'est pas obligatoire, mais nous vous recommandons vivement d'utiliser une clé dynamométrique qui permet de régler un couple de serrage maximal de 0,45 Nm, afin d'éviter de serrer les vis trop fort.

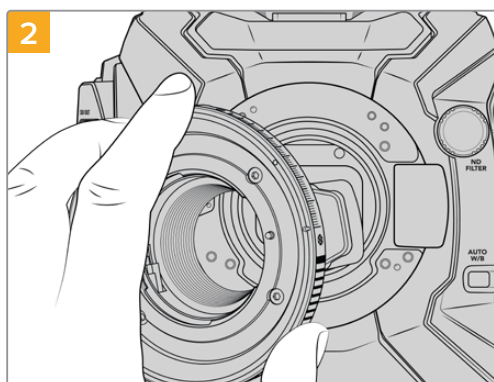


Tournevis hexadécimal de 2mm

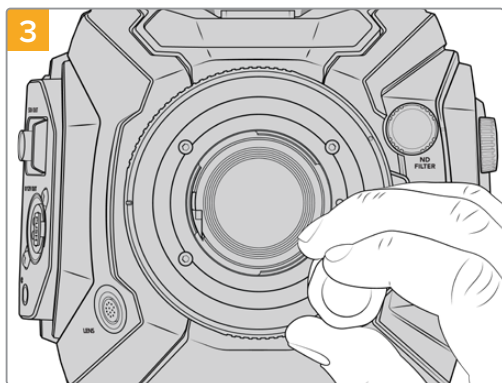
Caler une monture d'objectif F



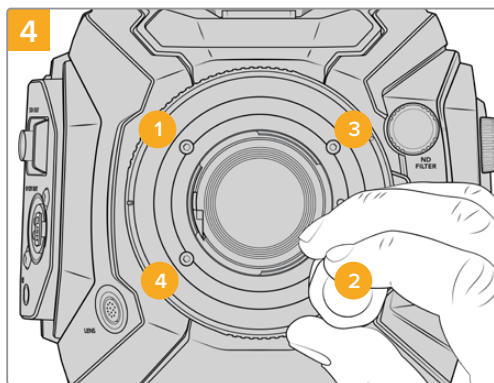
Placez la Blackmagic Broadcast G2 en position verticale sur une surface plane et propre pour pouvoir correctement attacher la monture. Si vous remplacez une monture PL par une monture F, assurez-vous d'abord d'avoir retiré le déflecteur PL avant d'insérer la monture F.



Positionnez délicatement la monture d'objectif F de la URSA Mini Pro sur le boîtier de la caméra en faisant bien attention à ce que le point blanc soit en position de 2 heures.



Vissez les quatre vis sans trop serrer jusqu'à ce que l'embase de la monture d'objectif touche le boîtier de la caméra.

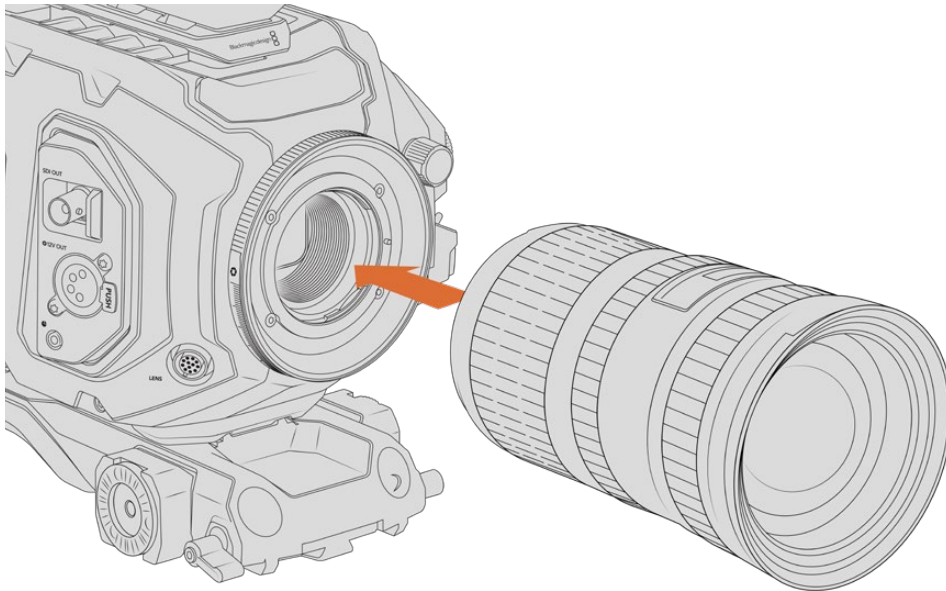


À l'aide d'un tournevis hexadécimal de 2mm, ou de la clé dynamométrique et d'une clé Allen de 2,0mm, serrez la vis 1 d'un tour complet, puis la vis 2 d'un tour complet et répétez l'opération pour les vis 3 et 4. Continuez à serrer les vis d'un tour complet dans le même ordre jusqu'à ce que toutes les vis aient atteint le couple de serrage maximal de 0,45Nm.

REMARQUE En raison de la particularité de la monture d'objectif F de la URSA Mini Pro, certains objectifs à monture F ne sont pas compatibles.

Par exemple, la gamme d'objectifs Nikkor AF-S E, qui n'offrent pas de contrôle mécanique de l'iris, et les objectifs Nikon PC-E tilt-shift, tels que le 24mm f/3.5D PC-E et le 85mm PC-E ne sont pas compatibles.

Monter un objectif à monture F :



Monter un objectif à monture F sur la Blackmagic URSA Broadcast G2 avec la monture F en option et le retirer

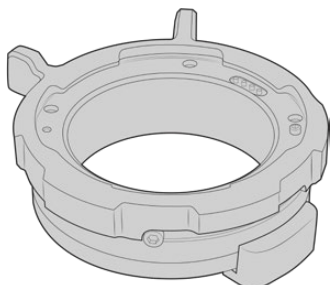
- 1 Aligned le point situé sur votre objectif avec celui de la monture. De nombreux objectifs possèdent un point bleu, rouge ou blanc ou un autre indicateur.
- 2 Insérez l'objectif dans la monture et tournez-le dans le sens inverse des aiguilles d'une montre jusqu'à ce qu'il s'emboîte correctement.
- 3 Pour retirer l'objectif, maintenez le bouton de verrouillage enfoncé et tournez l'objectif dans le sens des aiguilles d'une montre jusqu'à ce que le point atteigne la position de deux heures puis retirez-le délicatement.

REMARQUE La monture d'objectif F de la URSA Mini Pro est dotée d'une bague de diaphragme mécanique. Si vous souhaitez utiliser des objectifs à monture F plus anciens dotés de bagues de mise au point intégrées avec cette monture, il faudra régler et verrouiller l'ouverture de l'objectif sur sa valeur minimale, par exemple f/22.

Blackmagic URSA Mini Pro PL Mount

Grâce à la monture PL, vous pouvez travailler avec des objectifs d'une précision de pointe et des objectifs PL Super 16mm, adaptés pour le cinéma, les films et les émissions télévisées.

Le kit de monture PL comprend :



1x monture PL

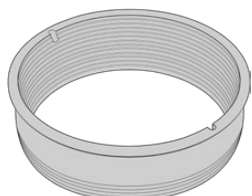
La monture PL est fournie avec un cache de protection.



1x kit de rondelles

Le kit de rondelles comprend des rondelles d'épaisseurs de :

0.50mm	0.18mm	0.10mm
0.30mm	0.15mm	0.05mm
0.20mm	0.12mm	0.025mm



1x déflecteur

Le déflecteur de la monture PL permet de contrôler et de diriger la lumière entrant dans le capteur.



1x outil pour déflecteur

Utilisez l'outil fourni pour installer le déflecteur sur votre caméra.

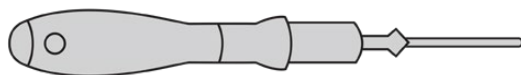


5x vis M2.5 de 22mm pour visser les montures

Les cinq vis M2.5 de 22mm sont spécialement adaptées à la monture PL. Vous pouvez donc conserver les vis et la monture ensemble.

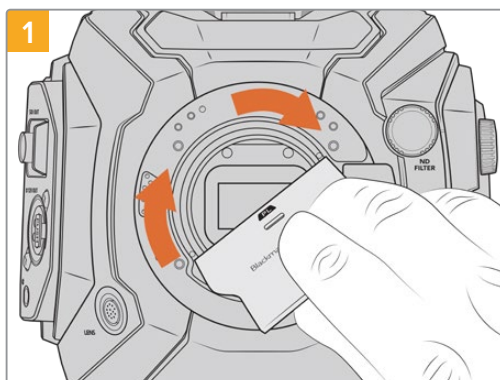
Outils requis

Pour caler la monture PL, vous aurez besoin d'un tournevis hexadécimal 2mm. Ce n'est pas obligatoire, mais nous vous recommandons vivement d'utiliser une clé dynamométrique qui permet de régler un couple de serrage maximal de 0,45 Nm, afin d'éviter de serrer les vis trop fort.

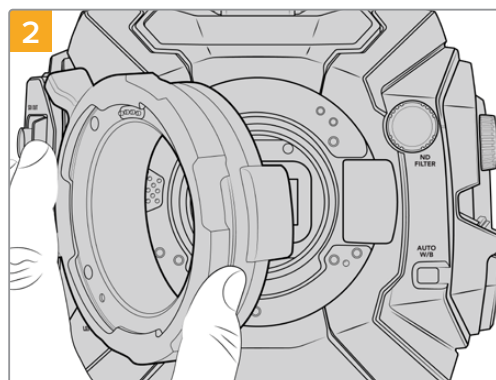


Tournevis hexadécimal de 2mm

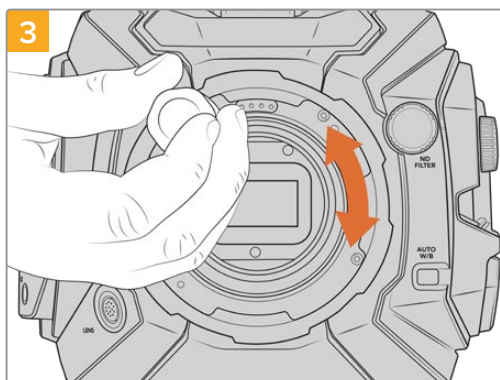
Calage de la monture PL



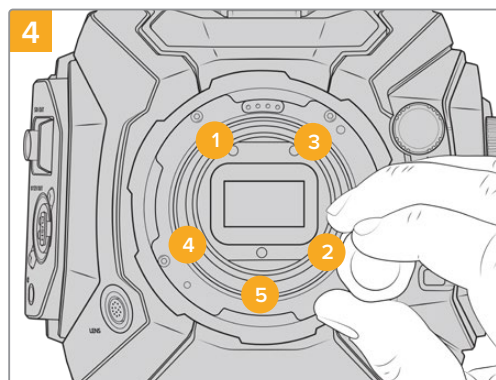
Insérez délicatement le déflecteur PL au centre de la monture d'objectif et tournez avec la main jusqu'à ce qu'il soit assez serré. Utilisez l'embout large de l'outil pour déflecteur afin de resserrer légèrement le déflecteur. Resserrez suffisamment pour que le déflecteur reste en place.



Assurez-vous que les goujons d'assemblage de la monture PL pour les objectifs Cooke/i technology soient à la position de 12 heures.



Vissez les cinq vis sans trop serrer jusqu'à ce que l'embase de la monture d'objectif touche le boîtier de la caméra. Pour avoir accès aux cinq vis, tournez la bague de verrouillage PL, car tous les trous ne sont pas forcément visibles quand la bague est ouverte ou fermée.



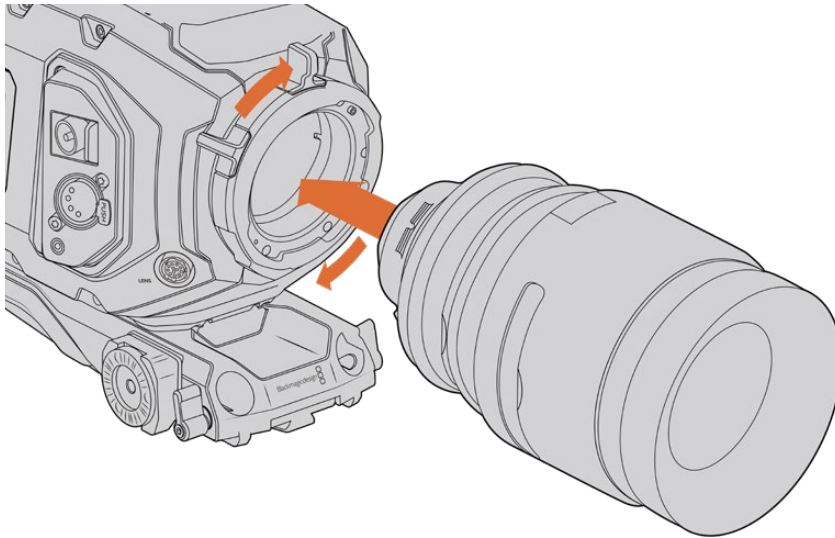
À l'aide d'un tournevis hexadécimal 2mm, ou de la clé dynamométrique et d'une clé Allen de 2,0mm, serrez la vis 1 d'un tour complet, puis la vis 2 d'un tour complet. Répétez l'opération pour les vis 3 et 4, puis pour la vis 5. Continuez à serrer les vis d'un tour complet dans le même ordre jusqu'à ce que toutes les vis aient atteint le couple de serrage maximal de 0,45Nm.

REMARQUE Lorsque vous retirez la monture PL, il suffit de suivre les instructions dans l'ordre inverse, c'est-à-dire de l'étape 4 à l'étape 1. N'oubliez pas de retirer le déflecteur PL et rangez-le dans un endroit sûr.

Monter un objectif à monture PL :

- 1 Ouvrez la bague de verrouillage PL de votre caméra en la faisant tourner dans le sens inverse des aiguilles d'une montre jusqu'à ce qu'elle s'arrête.
- 2 Alignez l'une des quatre encoches situées sur les ailettes de l'objectif avec la goupille d'arrêt située sur la monture de la caméra. Alignez l'objectif de façon à ce que les repères de l'objectif soient bien visibles.
- 3 Serrez la bague de blocage PL de la caméra en la faisant tourner dans le sens des aiguilles d'une montre. Si vous montez un objectif PL motorisé sur la URSA Broadcast G2, vous pouvez également brancher le connecteur à 12 broches pour utiliser le contrôle motorisé.

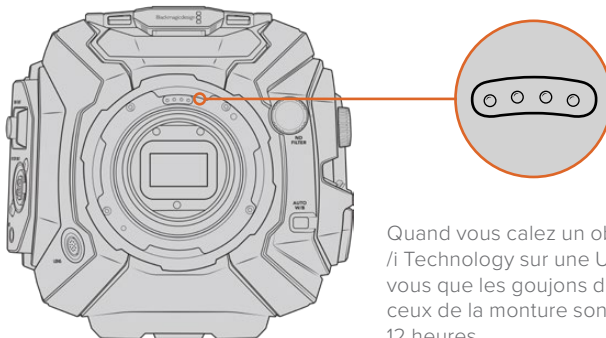
- 4 Pour retirer l'objectif, tournez la bague de verrouillage dans le sens inverse des aiguilles d'une montre jusqu'à ce qu'elle s'arrête, puis retirez délicatement l'objectif. Vous n'avez pas à faire tourner l'objectif.



Installer et retirer un objectif PL

Prise en charge des objectifs Cooke compatibles /i Technology

La monture Blackmagic URSA Mini Pro PL en option disponible pour les caméras URSA Broadcast G2 comprend quatre broches placées en haut de la monture pour communiquer avec les objectifs qui prennent en charge la technologie /i Technology de Cooke. Les objectifs qui prennent en charge cette interface comprennent les objectifs des marques Canon, Cooke, Fujinon, Leica et Zeiss. Cela permet d'enregistrer des informations concernant l'objectif dans les métadonnées des clips, telles que le modèle, la distance focale, l'ouverture, la distance de mise au point et d'autres informations concernant l'objectif.



Quand vous calez un objectif PL doté de la Cooke /i Technology sur une URSA Broadcast G2, assurez-vous que les goujons d'assemblage de l'objectif et ceux de la monture sont alignés à une position de 12 heures.

Les informations enregistrées sous forme de métadonnées par l'interface /i Technology de Cooke peuvent être très utiles en post-production et pour créer des VFX. Il est utile de connaître les objectifs et les paramètres précis utilisés pendant la production, car vous pourriez devoir les réutiliser ultérieurement.

Ces informations détaillées peuvent également être utilisées pour une utilisation avancée des logiciels DaVinci Resolve ou Blackmagic Fusion. Par exemple, les métadonnées peuvent permettre de simuler les caractéristiques d'un objectif en particulier dans un espace 3D ou de corriger les distorsions de l'objectif.

Objectifs motorisés à monture PL

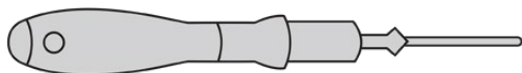
La URSA Broadcast G2 prend en charge les objectifs PL 35mm contrôlés par une poignée motorisée. Lorsque l'objectif est relié au connecteur à 12 broches situé sur la caméra, la URSA Broadcast G2 alimente et contrôle les signaux envoyés vers l'objectif de la même façon que pour les objectifs B4. Pour plus d'informations, consultez la section « Utiliser des objectifs à zoom motorisé » de ce manuel.

Blackmagic URSA Broadcast G2 B4 Mount

La Broadcast B4 Mount est la monture originale de la URSA Broadcast G2. Si vous l'avez retirée pour fixer la monture Blackmagic URSA EF incluse ou les montures URSA PL ou F optionnelles, veuillez suivre les instructions suivantes pour réinstaller la monture B4 d'origine :

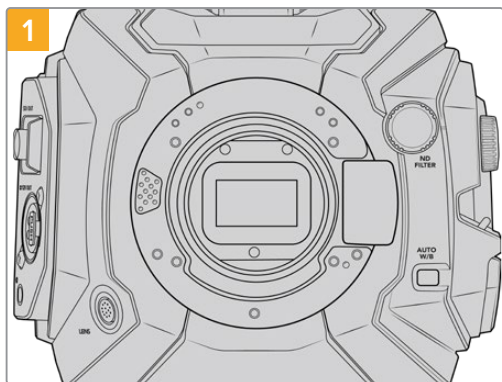
Outils requis

Pour caler la monture B4, vous aurez besoin d'un tournevis hexadécimal 2mm. Ce n'est pas obligatoire, mais nous vous recommandons vivement d'utiliser une clé dynamométrique qui permet de régler un couple de serrage maximal de 0,45 Nm, afin d'éviter de serrer les vis trop fort.

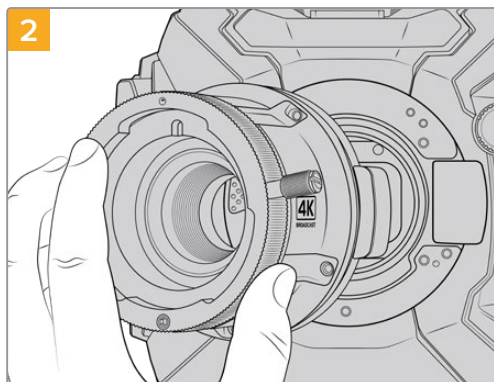


Tournevis hexadécimal de 2mm

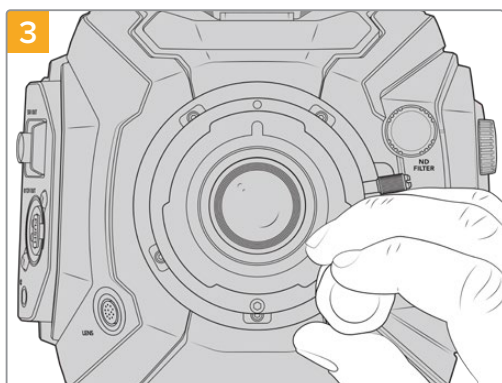
Caler une monture d'objectif B4



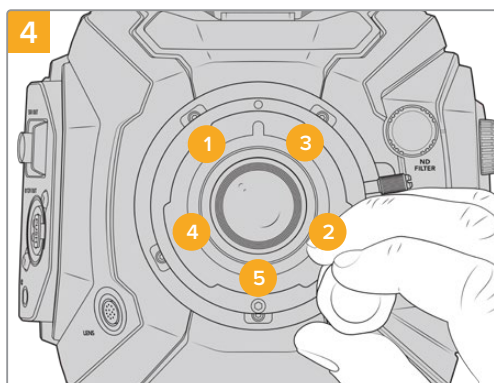
1 Placez la Blackmagic URSA Broadcast G2 en position verticale sur une surface solide et propre pour pouvoir insérer la monture verticalement.



2 Maintenez en place la rondelle originale de .50mm, et positionnez la monture d'objectif B4 de la URSA Broadcast G2 sur le boîtier de la caméra en faisant bien attention à ce que le point rouge soit en position de 12 heures.



3 Vissez les cinq vis sans trop serrer jusqu'à ce que l'embase de la monture d'objectif touche le boîtier de la caméra.



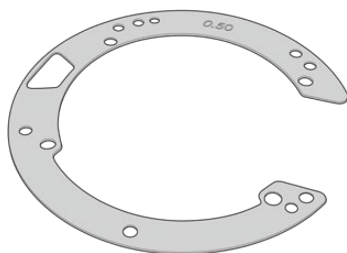
4 À l'aide d'un tournevis hexadécimal 2mm, ou de la clé dynamométrique et d'une clé Allen de 2,0mm, serrez la vis 1 d'un tour complet, puis la vis 2 d'un tour complet. Répétez l'opération pour les vis 3 et 4, puis pour la vis 5. Continuez à serrer les vis d'un tour complet dans le même ordre jusqu'à ce que toutes les vis aient atteint le couple de serrage maximal de 0,45Nm.

REMARQUE Lorsque vous retirez la monture B4, il suffit de suivre les instructions dans l'ordre inverse, c'est-à-dire de l'étape 4 à l'étape 1.

Calage des montures

À quoi sert la rondelle ?

Les rondelles, dont l'épaisseur est variable, vous permettent d'ajuster précisément la distance entre la monture PL et le capteur de la caméra Blackmagic URSA Broadcast G2. On nomme cette distance tirage mécanique. Elle peut être modifiée en fonction de divers facteurs tels que le nombre d'années d'utilisation de l'objectif et les conditions de tournage.



Rondelles de la URSA Broadcast G2

Les rondelles se placent entre la monture et le boîtier de la caméra afin que la distance séparant votre sujet du capteur coïncide avec les repères de mise au point de votre objectif. Les rondelles ci-dessus sont les plus fréquemment utilisées pour les objectifs PL. Ces objectifs, utilisés au cinéma, sont dotés d'un zoom manuel et de repères de distance focale très précis affichés sur le barillet. Les rondelles sont également utilisées pour les montures interchangeables de la URSA Broadcast G2.

Le kit de calage URSA Mini Pro contient des rondelles de rechange de différentes épaisseurs. Vous pouvez également vous procurer des rondelles auprès d'un revendeur Blackmagic Design. À l'achat d'une URSA Broadcast G2, un ensemble de rondelles est inclus. Choisissez l'épaisseur appropriée selon le tirage mécanique souhaité.

Blackmagic URSA Mini Pro Shim Kit

La URSA Broadcast G2 est livrée avec deux rondelles : une rondelle en plastique de 0,10mm et une rondelle en métal de 0,50mm. Ces rondelles permettent de régler la bonne distance focale pour les montures d'objectifs B4, EF, et F de votre URSA Broadcast G2. Très occasionnellement, il est possible que vous ayez besoin d'utiliser des rondelles supplémentaires pour les objectifs PL qui nécessitent des intervalles spécifiques afin de maintenir des repères de mise au point précis. Le Blackmagic URSA Mini Pro Shim Kit inclut des outils supplémentaires. D'autres épaisseurs de rondelles sont incluses dans le kit au cas où vous auriez besoin d'ajouter des rondelles à votre caméra.

Le kit de calage comprend :



1x outil pour défecteur

Utilisez l'outil pour défecteur afin de desserrer ou de resserrer le défecteur PL lorsque vous enlevez ou fixez la monture PL à votre URSA Broadcast G2.



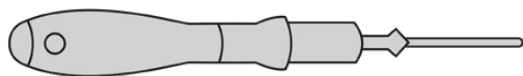
1x kit de rondelles

Le kit de rondelles comprend des rondelles d'épaisseurs de :

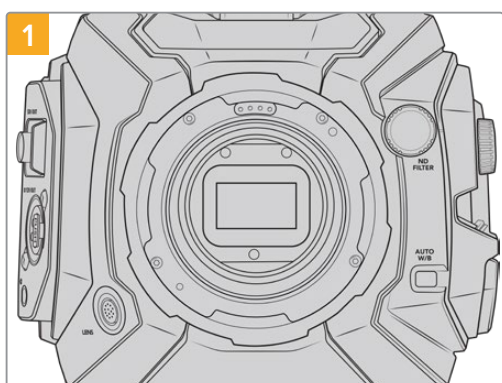
0.50mm	0.18mm	0.10mm
0.30mm	0.15mm	0.05mm
0.20mm	0.12mm	0.025mm

Calage des montures

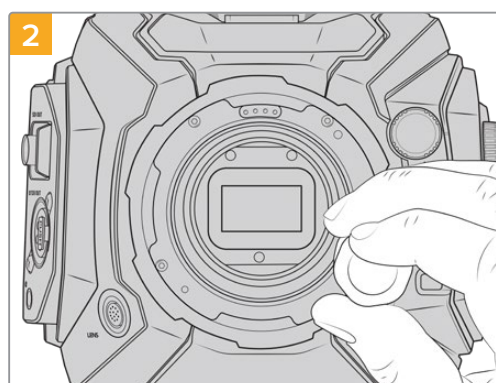
Pour caler les montures de votre caméra, vous aurez besoin d'une clé dynamométrique qui vous permette de régler un couple de serrage maximal de 0,45 Nm, avec une clé Allen de 2,0mm.



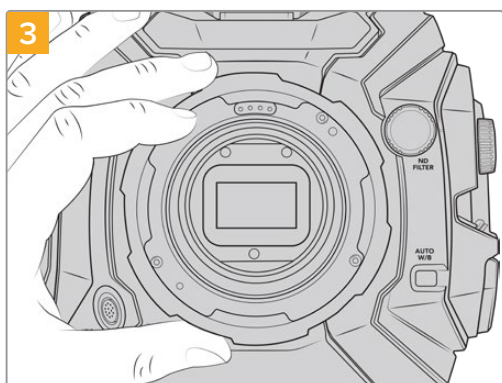
Clé dynamométrique



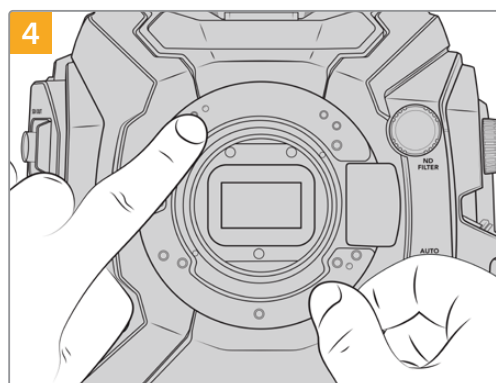
Placez la Blackmagic URSA Broadcast G2 verticalement sur une surface solide et propre, puis retirez le cache anti-poussière de votre objectif. Le filtre situé à l'avant du capteur sera exposé durant tout le processus de calage et il est important de faire en sorte qu'il reste aussi propre que possible. Faites bien attention de ne pas toucher le filtre lorsque vous calez les montures.



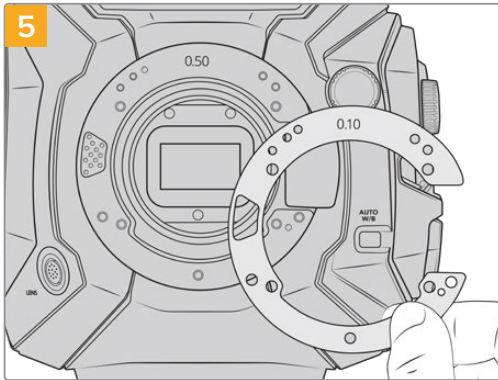
Retirez les vis de la monture à l'aide de la clé Allen de 2,0mm. Pour plus d'informations sur comment retirer chaque monture, consultez la section « Monture d'objectif interchangeable » de ce manuel.



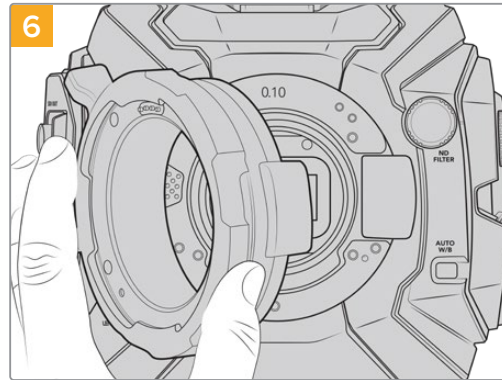
Soulevez délicatement la monture d'objectif pour la séparer du boîtier de la caméra. Gardez les vis à proximité de la monture d'objectif.



Notez que la rondelle est alignée avec le goujon d'assemblage à la position de 11 heures.



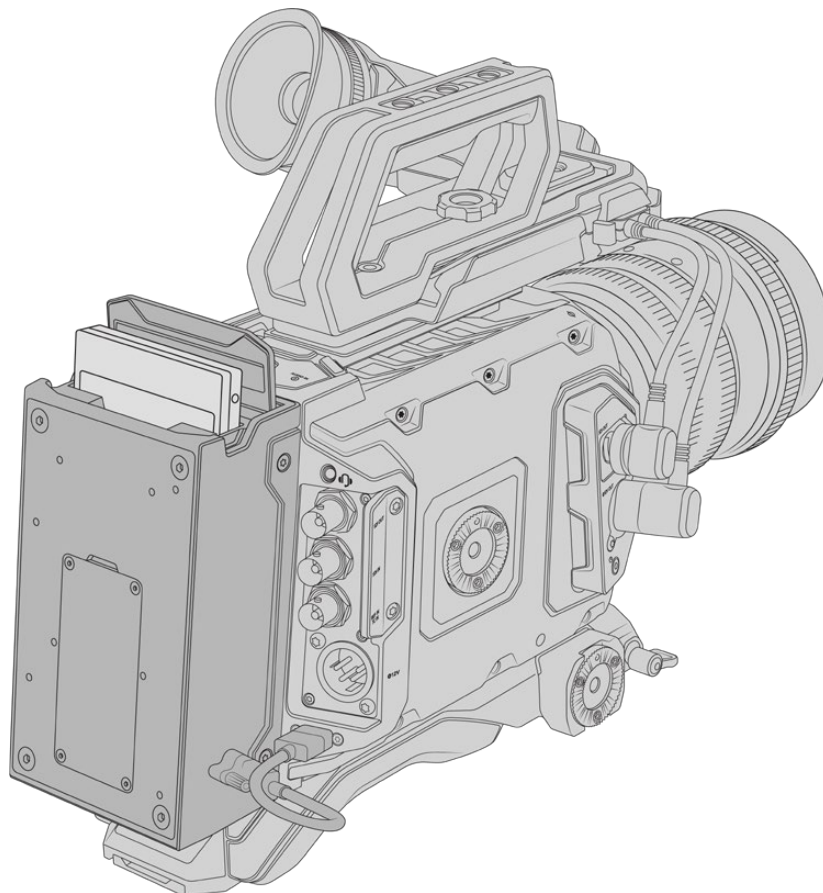
5 Ajoutez ou retirez des rondelles pour changer légèrement la profondeur de votre monture. Pour commencer, nous vous conseillons d'utiliser une rondelle fine, de 0,10mm par exemple.



6 Insérez la monture d'objectif dans le boîtier de la caméra, serrez les vis, puis montez votre objectif pour vérifier si les repères de mise au point sont alignés avec la distance focale. Si ce n'est pas le cas, répétez les étapes 1 à 6, en ajoutant ou retirant des rondelles petit à petit jusqu'à trouver le positionnement parfait de votre objectif.

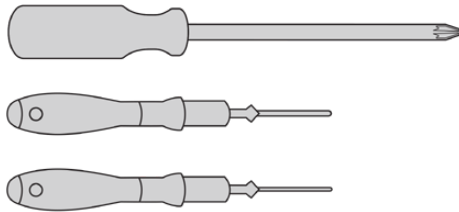
URSA Mini Recorder

L'enregistreur Blackmagic URSA Mini Recorder est un module optionnel qui se fixe à l'arrière de la URSA Broadcast G2. Cet enregistreur permet d'enregistrer des séquences, y compris des fichiers 6K Blackmagic RAW, sur des disques état solide haute capacité, également appelés SSD.



Lorsque vous installez le **URSA Mini Recorder**, vous aurez besoin des outils suivants :

- 1 x tournevis cruciforme
- 1 x tournevis T10 torx
- 1 x clé Allen de 2mm

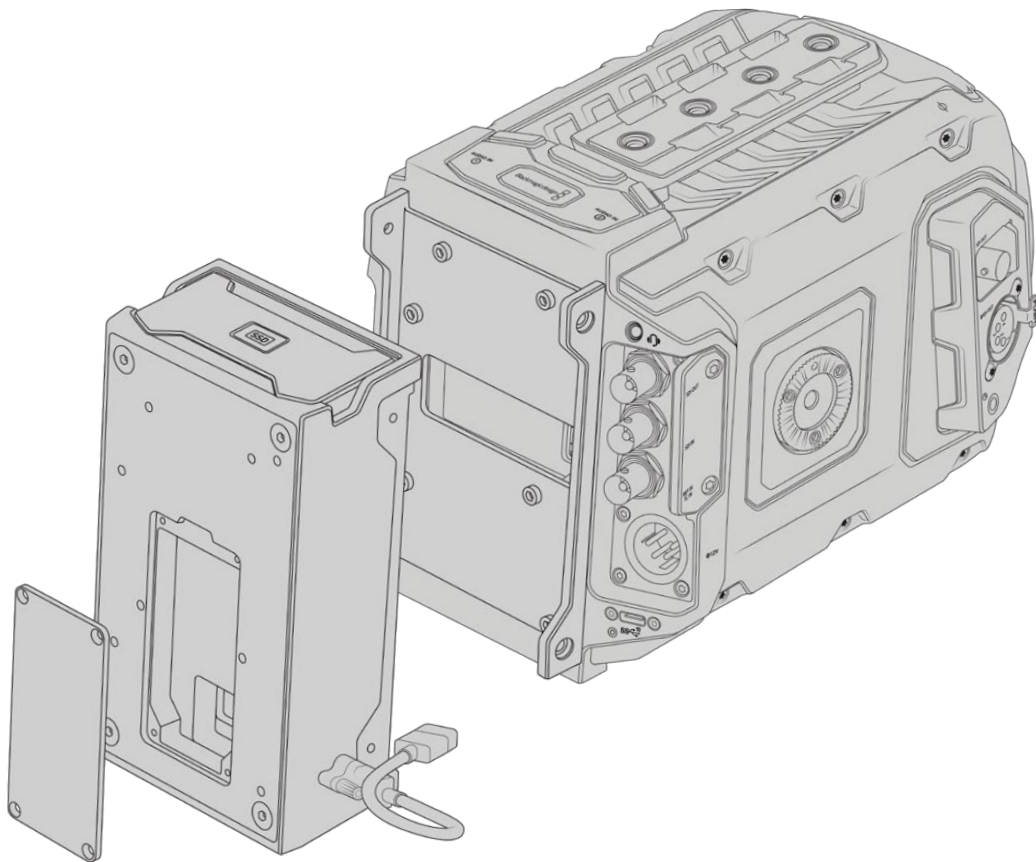


Pour fixer le URSA Mini Recorder sur votre URSA Broadcast G2, vous aurez besoin d'un grand tournevis cruciforme, d'un tournevis T10 torx et d'une clé Allen de 2mm.

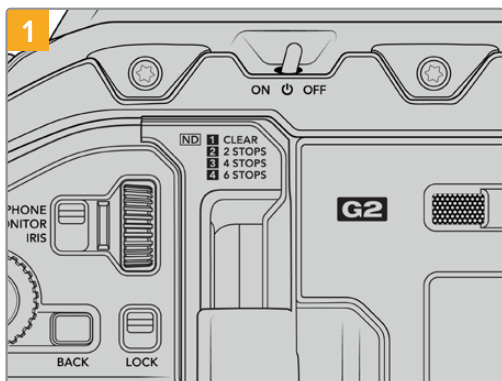
Monter et connecter le URSA Mini Recorder

L'enregistreur URSA Mini Recorder s'installe directement sur l'arrière du boîtier de la URSA Broadcast G2. Les données sont transmises depuis et vers le URSA Mini Recorder via le port USB-C situé à l'arrière de la caméra.

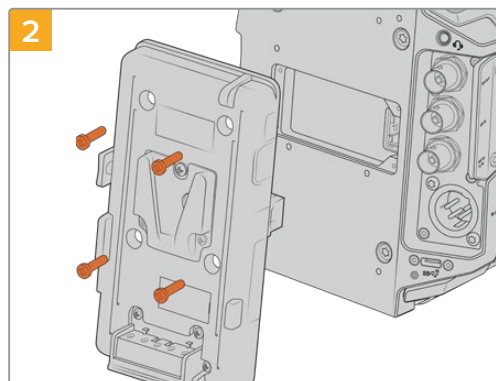
CONSEIL L'enregistreur URSA Mini Recorder comprend un câble offrant une liaison directe avec l'alimentation de votre caméra. Vous pouvez donc fixer des batteries V-mount ou Gold Mount à l'arrière de la caméra, derrière l'enregistreur.



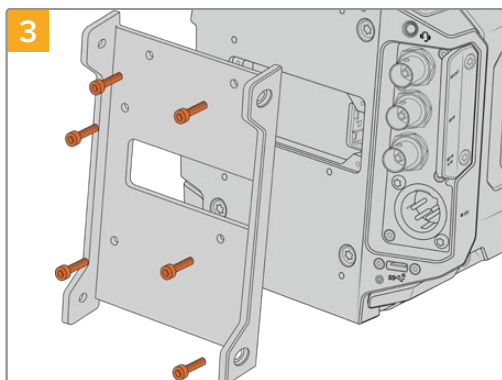
Pour monter et connecter le URSA Mini Recorder :



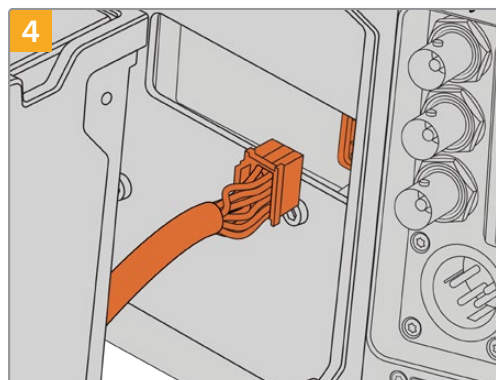
Éteignez la URSA Broadcast G2 en positionnant l'interrupteur Power **sur** Off.



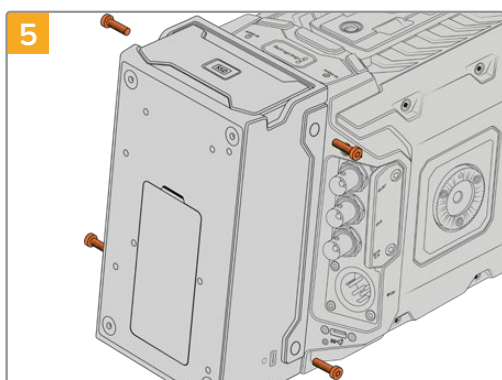
Retirez les éventuelles fixations pour batteries de votre caméra. Pour plus d'informations sur le montage et le démontage des fixations pour batteries, veuillez consulter la section « Fixer des batteries » de ce manuel.



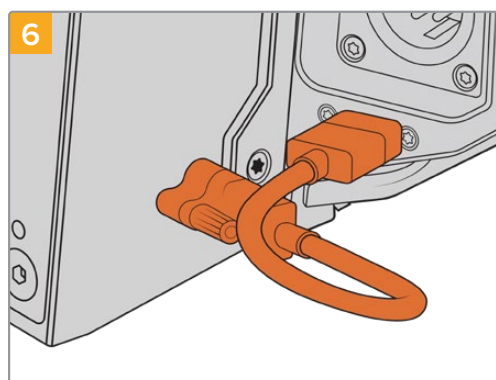
Installez un support de montage pour le Recorder à l'aide de 6 x vis T10 torx.



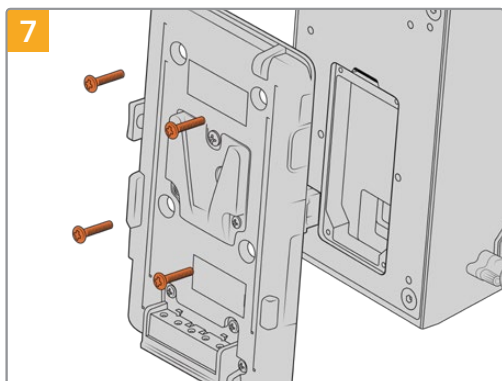
Branchez le connecteur Molex du URSA Mini Recorder à la prise Molex située sur la face arrière de la caméra.



Installez le URSA Mini Recorder sur le support de montage à l'aide de 2 x vis T10 torx sur les côtés gauche et droit du support.



Connectez le câble USB-C du Mini Recorder au port USB-C situé à l'arrière de la URSA Broadcast G2. Utilisez vos doigts ou une clé Allen de 2mm pour serrer les connecteurs sécurisés.



Si vous souhaitez utiliser un support pour batteries avec le URSA Mini Recorder, retirez les quatre vis M3 qui maintiennent le panneau de la prise Molex à l'aide d'une clé Allen de 2mm. Une fois le panneau détaché, fixez le support pour batteries en suivant les étapes décrites dans la section « Fixer des batteries » de ce manuel.

Utiliser un URSA Mini Recorder

Lorsque le URSA Mini Recorder est connecté et qu'un SSD est chargé, l'enregistreur occupe le logement 3 dans le système d'exploitation de la URSA Broadcast G2. De plus, lorsque vous utilisez le URSA Mini Recorder, le voyant **SSD** s'affichera sur le logement 3 du gestionnaire de stockage de votre caméra.



Lorsqu'un SSD est inséré dans le URSA Mini Recorder, le voyant **SSD Recorder** apparaît sur le logement de stockage 3 du gestionnaire de stockage de la caméra.

L'enregistrement, la lecture et la gestion du stockage fonctionnent exactement de la même manière pour les SSD que pour les cartes CFast ou SD. Pour obtenir des informations générales sur la gestion du stockage et sur les instructions d'utilisation des disques SSD, veuillez consulter la section « Supports de stockage » de ce manuel.

Voyants d'état LED

L'enregistreur URSA Mini Recorder dispose d'un voyant d'état **SSD** sur la face gauche. Vous pouvez régler la luminosité de ce voyant sur Faible, Modérée, Élevée ou la désactiver dans le menu Réglages de votre caméra.

SSD

Le voyant **SSD** indique l'état du SSD inséré. Ce voyant LED fournit les informations d'état suivantes :

Blanche	Le voyant d'état de votre URSA Mini Recorder s'allume en blanc lorsqu'il est alimenté et qu'il communique avec votre caméra URSA Broadcast G2.
Rouge	Le voyant d'état s'allume en rouge lorsque votre URSA Mini Recorder est en train d'enregistrer sur le SSD. Le voyant clignote lentement en rouge lorsque que le SSD commence à manquer d'espace. Le voyant clignote rapidement en rouge lorsque le SSD subit une perte d'image. Si cela se produit, vérifiez que le disque que vous utilisez fait bien partie de la liste des SSD recommandés et que vous enregistrez à un débit compatible avec vos médias.
Orange	Le voyant d'état s'allume en orange si un problème s'est produit pendant l'installation du SSD. Cela peut être dû à un SSD incorrectement formaté ou incompatible. Veuillez vous reporter à la section « Supports de stockage » de ce manuel pour consulter la liste des SSD compatibles et les instructions de formatage.

CONSEIL Si le voyant **SSD** indique une erreur pendant le montage, vous pourriez avoir besoin d'initialiser le SSD sur un Mac ou sur un PC avec l'utilitaire de disque ou le gestionnaire de disques.

Mettre à jour le logiciel interne du URSA Mini Recorder

Vous pouvez mettre à jour votre URSA Mini Recorder via le logiciel Blackmagic Camera Setup Utility. Le Mini Recorder doit être en charge pendant la mise à jour. Nous vous recommandons de garder le Mini Recorder connecté à la URSA Broadcast G2 pendant toute la durée de la mise à jour. La caméra devra également être alimentée. Il faudra donc la brancher à une source d'alimentation externe ou disposer d'un bloc de batteries.

Connectez votre ordinateur à l'enregistreur URSA Mini Recorder à l'aide d'un câble USB-C et lancez l'utilitaire Blackmagic Camera Setup. Si votre URSA Mini Recorder utilise une version obsolète, il vous sera demandé d'effectuer une mise à jour. Suivez les informations à l'écran pour mettre à jour le logiciel interne de votre URSA Mini Recorder. Pour plus d'informations, consultez la section « Utilitaire Blackmagic Camera Setup ».

CONSEIL Nous vous recommandons de mettre à jour tous vos équipements Blackmagic URSA au même moment pour un niveau de performance optimal.

Comprendre la fonction Contrôle caméra

Votre Blackmagic URSA Broadcast G2 peut être utilisée en tant que caméra de studio et contrôlée à partir du mélangeur ATEM au moyen de la fonction de contrôle des caméras sur le logiciel ATEM Software Control. Cela permet d'ajouter une caméra équipée d'un grand capteur et d'une plage dynamique étendue à votre installation. Vous pourrez ainsi contrôler la caméra comme n'importe quelle caméra de studio.

Pour ouvrir la fonction Camera Control, il suffit de cliquer sur le bouton **Caméra**. Les paramètres tels que l'iris, le gain, la mise au point et le contrôle du zoom sont facilement ajustables avec des objectifs compatibles. Vous pouvez également ajuster l'équilibrage des caméras et créer des rendus fabuleux à l'aide du correcteur de couleurs DaVinci Resolve Primary Color Corrector.

Le mélangeur ATEM contrôle la caméra en diffusant des paquets de contrôle via toutes les sorties SDI de votre mélangeur qui ne sont pas down-converties. Cela signifie que vous pouvez connecter la sortie SDI de votre mélangeur ATEM à l'entrée 12G SDI de la URSA Broadcast G2. Cette dernière détectera alors les paquets de contrôle de la connexion SDI et vous permettra de contrôler les fonctionnalités de la caméra.



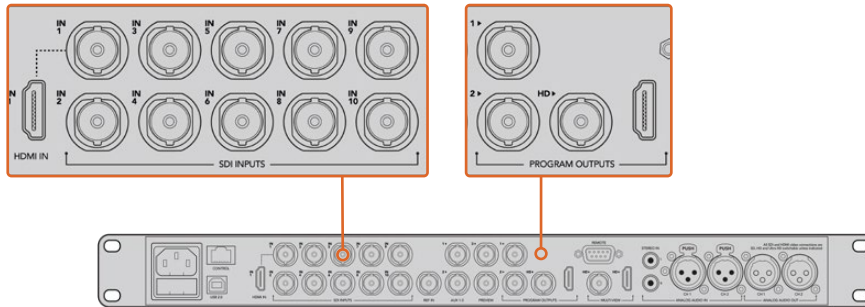
Fonction Camera Control de l'ATEM

REMARQUE Lorsque vous utilisez la Blackmagic URSA Broadcast G2 avec un mélangeur ATEM, nous vous recommandons de mettre à jour leur logiciel interne sur la version la plus récente afin d'assurer la compatibilité des équipements. Vous trouverez la dernière version du logiciel sur la page d'assistance technique de Blackmagic Design : www.blackmagicdesign.com/fr/support.

Connecter la URSA Broadcast G2

- 1 Connectez la sortie 12G-SDI de la Blackmagic URSA Broadcast G2 à n'importe quelle entrée SDI du mélangeur ATEM.
- 2 Connectez n'importe quelle sortie SDI du mélangeur ATEM, excepté les sorties down-converties ou Multi View, à l'entrée SDI de votre URSA Broadcast G2. Les signaux Camera Control ne sont pas acheminés via les sorties SDI down-converties et multi view.
- 3 Sur la URSA Broadcast G2, sélectionnez **ID Caméra sur ATEM** dans le paramètre **Réglages** et saisissez le nom de la caméra sur l'ATEM pour qu'il corresponde à l'entrée du mélangeur. Par exemple, si URSA Broadcast G2 1 est connectée à Cam 1 sur le mélangeur ATEM, le numéro de la caméra doit également être configuré sur 1. Ainsi, le tally est envoyé à la caméra appropriée.

- 4 Sélectionnez la source de référence dans le menu **Réglages**. Si aucun signal de synchronisation n'est envoyé aux caméras et au mélangeur, nous vous recommandons de régler la source de référence sur **PGM** lorsque la caméra est reliée à un mélangeur ATEM.
- 5 Lorsque vous utilisez le paramètre **SDI avant**, ouvrez le menu **Moniteur** et vérifiez que la case **Clean feed** est cochée. Cela permet de s'assurer que les informations à l'écran ou le cadre de mise au point ne seront pas visibles sur la sortie SDI du mélangeur ATEM.



Connectez votre URSA Broadcast G2 à n'importe quelle entrée SDI du mélangeur ATEM.

Utiliser la fonction de contrôle des caméras

Lancez le logiciel ATEM Software Control et cliquez sur le bouton **Caméra** situé au bas de la fenêtre du logiciel. Vous apercevrez une rangée de fenêtres qui permettent de commander toutes les caméras et qui contiennent des outils puissants pour ajuster et affiner l'image de chaque caméra. Les commandes sont très faciles à utiliser. Il vous suffit de cliquer sur les boutons à l'aide de votre souris, ou de cliquer et déplacer les curseurs pour effectuer des ajustements.

Sélection de la caméra à commander

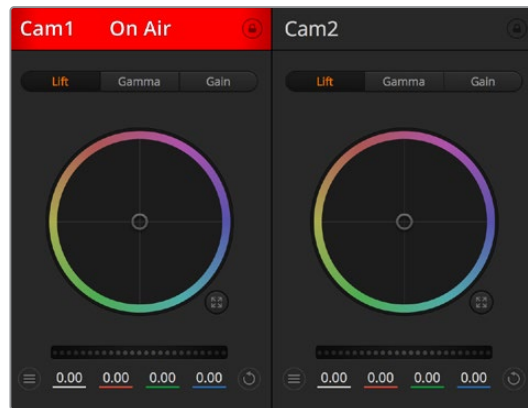
La rangée de boutons située sur le haut de la fenêtre de contrôle de la caméra vous permet de sélectionner le numéro de la caméra que vous souhaitez commander. Si vous avez de nombreuses caméras sur cette fenêtre, ou que vous utilisez la fenêtre de correction colorimétrique, il vous suffit d'appuyer sur ces boutons pour sélectionner la caméra que vous souhaitez commander. Si vous utilisez une sortie auxiliaire pour le monitoring du contrôle des caméras, les modifications apportées aux signaux de chaque caméra seront également envoyés vers la sortie auxiliaire choisie dans les préférences du mélangeur.



Cliquez sur la roue dentée pour sélectionner la sortie auxiliaire pour la fonction de contrôle des caméras.

État du canal

La section État du canal est située dans la partie supérieure de chaque fenêtre de contrôle de caméra et affiche le libellé de la caméra, l'indicateur de passage à l'antenne et le bouton de verrouillage. Appuyez sur le bouton de verrouillage pour verrouiller toutes les commandes relatives à une caméra spécifique. Lorsque la caméra est à l'antenne, la section État du canal s'allume en rouge et affiche l'alerte On Air.



Chaque fenêtre de contrôle de caméra affiche l'état du canal afin que vous sachiez quelle caméra est à l'antenne. Utilisez les roues chromatiques pour ajuster les paramètres Lift, Gamma et Gain de chaque canal YRGB

Roues chromatiques

La roue chromatique est une fonctionnalité puissante du correcteur de couleurs DaVinci Resolve. Elle permet d'effectuer des ajustements de couleur pour les paramètres lift, gamma et gain de chaque canal YRGB. Pour sélectionner le paramètre à ajuster, il vous suffit de cliquer sur un des trois boutons de sélection situés au-dessus de la roue chromatique.

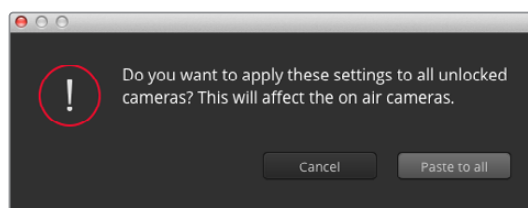
Roue maîtresse

Utilisez la roue maîtresse située sous la roue chromatique pour effectuer des ajustements de contraste sur tous les canaux YRGB en même temps, ou uniquement de luminance pour les paramètres lift, gamma ou gain.

Boutons de réinitialisation

Le bouton de réinitialisation situé dans la partie supérieure droite de la fenêtre de contrôle de la caméra vous permet de choisir aisément les paramètres de correction colorimétrique que vous souhaitez réinitialiser, copier ou coller. Chaque roue chromatique possède également son propre bouton de réinitialisation. Appuyez sur ce bouton pour restaurer le paramètre par défaut, ou pour copier/coller un paramètre. Les fenêtres de contrôle de caméra verrouillées ne sont pas affectées par la fonction Coller.

Le bouton de réinitialisation principal est situé en haut à droite de la fenêtre de correction colorimétrique. Il vous permet de réinitialiser les cercles chromatiques Lift, Gamma et Gain ainsi que les paramètres Contraste, Saturation, Teinte et Lum Mix. Vous pouvez coller les paramètres de correction colorimétrique à des fenêtres de contrôle de caméra individuelles ou à toutes les fenêtres en même temps pour créer un rendu uniforme. Les paramètres relatifs à l'iris, à la mise au point et au niveau de noir ainsi que le paramètre Limite ne sont pas affectés par la fonction Coller. Lorsque vous appliquez la fonction Coller tout, un message apparaît pour confirmer cette action. De cette façon, vous ne collez pas de nouveaux paramètres accidentellement aux caméras non verrouillées en cours de diffusion.



Lorsque vous appliquez la fonction Coller tout, un message apparaît pour confirmer cette action. De cette façon, vous ne collez pas de nouveaux paramètres accidentellement aux caméras non verrouillées en cours de diffusion

Contrôle de l'iris et du niveau de noir

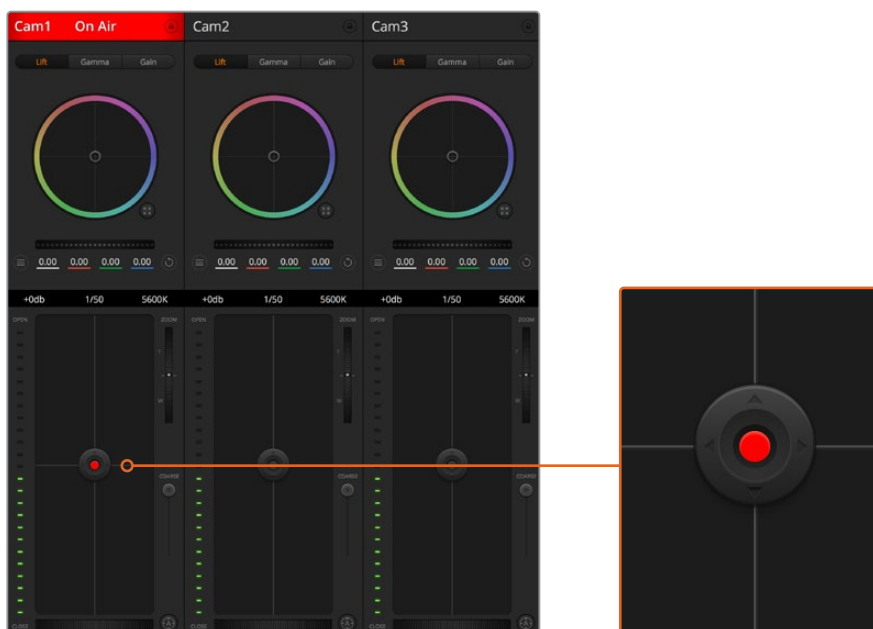
Le contrôle de l'iris et du niveau de noir est situé au sein de la croix de centrage de chaque fenêtre de contrôle de caméra. Le contrôle s'allume en rouge lorsque la caméra est à l'antenne.

Pour ouvrir ou fermer l'iris, déplacez le contrôle vers le haut ou vers le bas. En maintenant la touche MAJ enfoncée, vous pourrez ajuster uniquement l'iris.

REMARQUE Lorsque vous connectez la caméra à un mélangeur ATEM, assurez-vous que le bouton **Exposition auto** est désactivé. Si vous avez besoin de l'iris, du zoom ou du contrôle de la mise au point, assurez-vous que vous disposez d'un objectif qui puisse être contrôlé électroniquement par la caméra.

Si vous utilisez un objectif B4 ou PL connecté via le connecteur à 12 broches de la URSA Broadcast G2, assurez-vous que l'iris de l'objectif est réglé sur **A** ou sur **Auto**.

Pour assombrir ou éclaircir le niveau de noir, déplacez le bouton vers la gauche ou vers la droite. En maintenant la touche Command (Mac) ou Control (Windows) enfoncée vous pourrez ajuster uniquement le niveau de noir.



Le contrôle de l'iris/niveau de noir s'allume en rouge lorsque la caméra est à l'antenne

Contrôle du zoom

Lorsque vous utilisez des objectifs compatibles dotés d'un zoom électronique, vous pouvez effectuer des zooms avant et arrière à l'aide de la fonction de contrôle du zoom. Cette commande fonctionne de la même manière que la bague de zoom sur un objectif, avec le téléobjectif d'un côté et le grand-angle de l'autre. Cliquez sur le contrôle du zoom situé au-dessus du curseur Coarse, et déplacez-le vers le haut pour faire un zoom avant ou vers le bas pour faire un zoom arrière.

Si votre objectif ne dispose pas d'un contrôle actif de l'objectif ou si votre caméra ne prend pas en charge le contrôle du zoom via le protocole SDI de contrôle de caméra, alors ces paramètres n'auront aucune incidence. Par exemple, les objectifs EF n'intègrent pas de servomécanismes qui contrôlent le zoom de façon électronique. Le zoom ne fonctionnera pas avec la fonction de contrôle des caméras ATEM.

REMARQUE Les objectifs B4 à contrôle analogique ne prennent pas en charge le contrôle du zoom avec le mélangeur ATEM. Pour plus d'informations sur les objectifs analogiques B4, consultez la section « Utiliser des objectifs à zoom motorisé » de ce manuel.

Paramètre Limite

Ce paramètre est situé à gauche du contrôle de l'iris/niveau de noir et permet de limiter l'ouverture de l'iris. Cette fonctionnalité vous aide à ne pas faire passer des images surexposées à l'antenne.

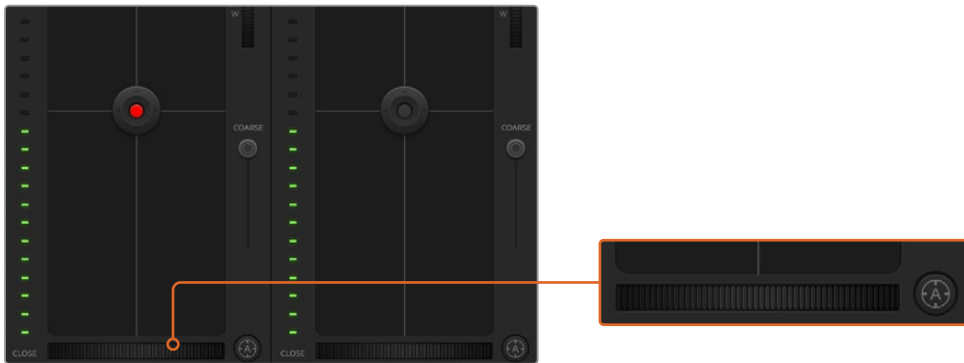
Pour configurer cette limite, ouvrez complètement l'iris à l'aide de la fonction de contrôle de l'iris, puis déplacez le curseur vers le haut ou vers le bas pour configurer l'exposition optimale. À présent, lorsque vous ajustez l'iris, la limite que vous avez configurée à l'aide du paramètre Coarse l'empêchera de dépasser l'exposition optimale.

Indicateur de l'iris

L'indicateur de l'iris est situé à gauche du contrôle de l'iris/niveau de noir et fait office de référence visuelle vous permettant de visualiser l'ouverture de lentille. L'indicateur de l'iris est affecté par le paramètre **Limite**.

Bouton de mise au point automatique

Le bouton de mise au point automatique est situé en bas à gauche de chaque fenêtre de contrôle de caméra. Appuyez sur ce bouton pour un réglage automatique de la mise au point lorsque vous utilisez un objectif actif qui prend en charge les ajustements de mise au point électronique. La plupart des objectifs prennent en charge la mise au point automatique, cependant, certains d'entre eux peuvent être réglés en mode manuel ou automatique. Il vous faudra donc vérifier que votre objectif est réglé en mode automatique. Pour ce faire, il suffit parfois de faire glisser la bague de mise au point vers l'avant ou vers l'arrière. Avec les objectifs B4 dotés d'un zoom servocommandé, réglez l'interrupteur situé en bas de la poignée sur **Servo**.



Cliquez sur le bouton de mise au point automatique ou déplacez le curseur de mise au point manuelle vers la gauche ou vers la droite pour effectuer la mise au point d'un objectif compatible.

Ajustement manuel de la mise au point

Lorsque vous voulez faire une mise au point manuelle de l'objectif avec la fonction de contrôle des caméras, vous pouvez utiliser le curseur de réglage situé sous chaque fenêtre de contrôle des caméras. Déplacez la roue vers la gauche ou vers la droite pour ajuster manuellement la mise au point tout en visualisant l'image pour vous assurer qu'elle est nette.

Le contrôle de la mise au point manuel est uniquement disponible sur le mélangeur lorsque l'objectif PL et B4 est doté de contrôle électronique de la mise au point. Les objectifs EF ne disposent pas de ce contrôle.

Gain de la caméra

Lorsque vous utilisez la caméra dans des conditions lumineuses différentes, vous pouvez augmenter ou réduire le gain de la caméra pour éviter de sous-exposer vos images. Pour cela, cliquez sur la flèche gauche pour réduire le gain et sur la flèche droite pour l'augmenter.

Le mélangeur ATEM affiche le gain en dB. Sur la caméra, cela correspond au réglage du gain suivant :

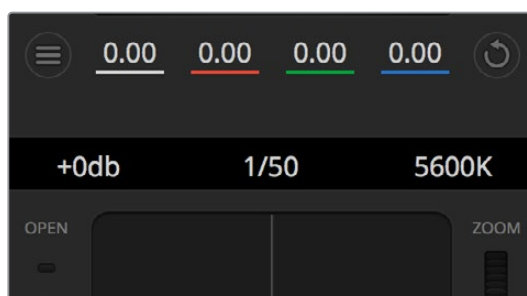
Gain
-6
0
+6
+12
+18

Les réglages du gain sont affichés en dB.

Contrôle de la vitesse d'obturation

Le contrôle de la vitesse d'obturation permet de changer la vitesse d'obturation de la URSA Broadcast G2.

Le contrôle de la vitesse d'obturation se situe entre la roue chromatique et le bouton de contrôle de l'iris/niveau de noir. Réduisez ou augmentez la vitesse d'obturation en faisant passer le pointeur de votre souris sur l'indicateur de la vitesse d'obturation, puis cliquez sur les flèches gauche ou droite.



Faites passer le pointeur de votre souris sur les indicateurs de gain, de vitesse d'obturation et de balance des blancs pour faire apparaître les flèches qui vous permettront d'ajuster leurs paramètres respectifs.

REMARQUE Comme le contrôle de la vitesse d'obturation de l'ATEM est prioritaire sur la vitesse d'obturation sélectionnée sur la URSA Broadcast G2, le contrôle de la vitesse d'obturation de la caméra est désactivé lorsque le mélangeur ATEM est connecté.

Le tableau de la page suivante présente les vitesses d'obturation disponibles et les angles d'obturation correspondants. Il est important de noter que certaines vitesses d'obturation se situent en dehors des angles d'obturation disponibles avec la URSA Broadcast G2, c'est-à-dire 11,25 et 360 degrés. Si cela se produit, l'angle d'obturation le plus proche sera choisi.

Lorsque la URSA Broadcast G2 est connectée à un mélangeur ATEM, le paramètre de vitesse d'obturation est également visible sur l'écran d'état de la caméra. Si un URSA Viewfinder est connecté, il sera également visible sur le viseur.

Vitesse	Angle d'obturation à 23.98 im/s	Angle d'obturation à 24 im/s	Angle d'obturation à 25 im/s	Angle d'obturation à 29.97 im/s	Angle d'obturation à 50 im/s	Angle d'obturation à 59.94 im/s
1/50	172.7	172.8	180	215.8	360	360*
1/60	143.9	144	150	179.8	300	359.6
1/75	115.1	115.2	120	143.9	240	287.7
1/90	95.9	96	100	120	200	239.8
1/100	86.3	86.4	90	107.9	180	215.8
1/120	71.9	72	75	89.9	150	179.8
1/150	57.5	57.6	60	71.9	120	143.9
1/180	48	48	50	59.9	100	119.9
1/250	34.5	34.6	36	43.2	72	86.3
1/360	24	24	25	29.97	50	59.94
1/500	17.3	17.3	18	21.6	36	43.2
1/725	11.9	11.9	12.4	14.9	24.8	29.8
1/1450	11.25*	11.25*	11.25*	11.25*	12.4	14.9
1/2000	11.25*	11.25*	11.25*	11.25*	11.25*	11.25*

*Vitesses d'obturation situées en dehors des valeurs supportées par l'angle d'obturation de la URSA Broadcast G2. L'angle d'obturation le plus proche est utilisé.

CONSEIL Diminuer la vitesse d'obturation est un bon moyen d'éclaircir vos images sans utiliser le gain de la caméra, car vous augmentez ainsi le temps de pose du capteur d'image. Cela permet aussi de réduire ou d'éliminer complètement le scintillement lumineux lorsque vous tournez sous des lumières fluorescentes. Augmenter la vitesse d'obturation réduit le flou de bougé et est particulièrement optimisée pour les scènes d'action. Les images sont alors propres et nettes.

Balance des blancs

Le paramètre de balance des blancs est situé à côté du contrôle de la vitesse d'obturation. Il peut être réglé en utilisant les flèches gauche et droite situées de chaque côté de l'indicateur de température de couleur. Les sources lumineuses émettent des couleurs plus ou moins chaudes ou froides, vous pouvez compenser cela en ajustant la balance des blancs. Les blancs de votre image resteront ainsi réellement blancs.

Correcteur colorimétrique primaire DaVinci Resolve

Si vous avez de l'expérience dans le domaine de la correction colorimétrique, il est possible de changer l'interface de commande des caméras pour obtenir un style d'interface qui ressemble à celle d'un outil d'étalonnage primaire communément installé sur les systèmes d'étalonnage.

Votre Blackmagic URSA Broadcast G2 intègre l'outil d'étalonnage primaire de DaVinci Resolve. Si vous avez utilisé DaVinci Resolve auparavant, l'étalonnage sur la Blackmagic URSA Broadcast G2 sera identique à celui de DaVinci, vous aurez donc l'opportunité de mettre votre expérience d'étalonnage à profit pour la production en direct. La fenêtre de correction colorimétrique peut être agrandie et fournit un contrôle de correction colorimétrique plus étendu comprenant des paramètres supplémentaires ainsi qu'une interface de correction colorimétrique primaire complète.

Vous disposez à présent de roues chromatiques et de paramètres, tels que la saturation. Vous pouvez également visualiser tous les paramètres relatifs aux basses lumières, aux tons moyens et aux hautes lumières en même temps. Il vous suffit de commuter entre les caméras à l'aide des commandes de sélection situées sur le haut de la fenêtre lorsqu'il est nécessaire.

CONSEIL L'outil d'étalonnage DaVinci Resolve s'applique à la sortie SDI de la URSA Broadcast G2 et aux vidéos ProRes enregistrées par la caméra. Le format RAW est utilisé lorsque vous effectuez des traitements complexes en post. Aucune correction n'est appliquée au format RAW. Lorsque vous enregistrez en RAW, l'étalonnage peut tout de même être appliqué à la sortie SDI de la URSA Broadcast G2.



Cliquez sur le bouton DaVinci Resolve pour agrandir la fenêtre de correction colorimétrique et ajuster les paramètres

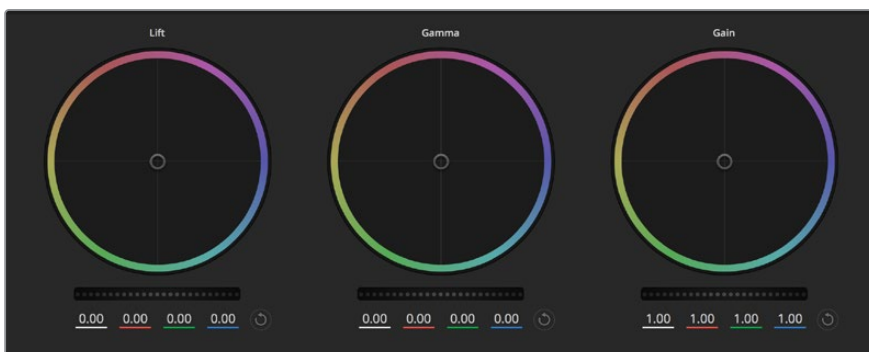
Roues colorimétriques

Les commandes Lift/Gamma/Gain permettent de contrôler des zones définies par leurs tons. Toutefois, ces zones se chevauchent. En photographie, les termes lift, gamma et gain correspondent aux basses lumières, tons moyens et hautes lumières.

Utilisez les cercles chromatiques de l'une ou l'autre des façons décrites ci-après pour effectuer des ajustements minutieux ou plus extrêmes :

- **Cliquez et déplacez-vous n'importe où dans le cercle de couleur :**
Notez qu'il n'est pas nécessaire de positionner votre pointeur sur l'indicateur de la balance des couleurs. Lorsque l'indicateur de la balance des couleurs se déplace, les paramètres RGB situés sous la roue chromatique se modifient pour refléter les ajustements apportés à chaque canal.
- **Cliquez en maintenant le bouton SHIFT enfoncé et déplacez-vous n'importe où dans le cercle de couleur :**
L'indicateur de la balance des couleurs se positionnera à l'endroit même où se trouve le pointeur, ce qui vous permet de faire des ajustements plus rapides et extrêmes.
- **Double-cliquez n'importe où dans le cercle de couleur :**
Réinitialise l'ajustement apporté à la couleur sans réinitialiser l'ajustement apporté à la roue maîtresse pour la commande en question.

- **Cliquez sur la commande de réinitialisation située en haut à droite du cercle de couleur :** Réinitialise le contrôle de la balance des couleurs ainsi que la roue maîtresse correspondante.



Roues chromatiques Lift, Gamma et Gain dans la fenêtre de correction colorimétrique

Roues maîtresses

Utilisez les roues maîtresses situées sous les roues chromatiques pour ajuster les commandes Lift, Gamma et Gain de chaque canal YRGB.

Pour effectuer des ajustements à l'aide de la roue maîtresse :

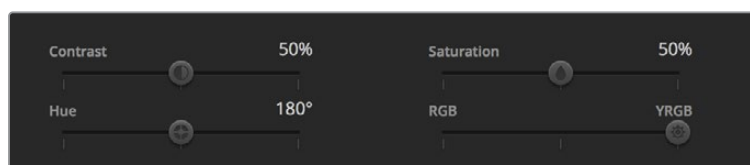
- **Déplacez la roue maîtresse vers la gauche ou vers la droite :** Un déplacement vers la gauche assombrit le paramètre sélectionné de l'image alors qu'un déplacement vers la droite éclaircit ce même paramètre. Lors de l'ajustement, les paramètres YRGB situés au-dessous de la roue maîtresse se modifient pour refléter l'ajustement en cours. Pour effectuer un ajustement n'affectant que la luminance, maintenez la touche ALT ou Command enfoncée et déplacez la roue vers la gauche ou vers la droite. Comme le correcteur colorimétrique prend en charge un traitement YRGB, il vous permet de faire preuve de créativité et de créer des effets uniques en ajustant uniquement le canal Y. Les ajustements du canal Y fonctionnent mieux lorsque le paramètre Lum Mix est réglé sur le côté droit pour un traitement YRGB et sur le côté gauche pour un traitement RGB standard. En général, la plupart des étalonneurs DaVinci Resolve utilisent le correcteur colorimétrique YRGB car on obtient une meilleure maîtrise de la balance des couleurs sans affecter le gain général. Il vous faudra ainsi moins de temps pour obtenir le rendu désiré.



Ajustez les roues maîtresses en déplaçant la commande vers la gauche ou vers la droite

Paramètre Contraste

Le paramètre Contraste vous permet de contrôler la distance entre les valeurs les plus sombres et les plus claires d'une image. L'effet ressemble à celui effectué lorsque vous utilisez les roues maîtresses Lift et Gain. Par défaut, ce paramètre est réglé sur 50%.



Déplacez les curseurs vers la gauche ou vers la droite pour ajuster les paramètres Contraste, Saturation, Teinte et Lum Mix

Paramètre Saturation

Le paramètre Saturation augmente ou réduit la quantité de couleur de l'image. Par défaut, ce paramètre est réglé sur 50%.

Paramètre Teinte

Le paramètre Teinte fait tourner toutes les teintes de l'image sur le périmètre complet de la roue chromatique. Le paramètre par défaut de 180 degrés affiche la distribution originale des teintes. L'augmentation ou la diminution de cette valeur fait tourner toutes les teintes vers l'avant ou vers l'arrière selon la distribution des teintes d'une roue chromatique.

Paramètre Lum Mix

Le correcteur colorimétrique intégré à votre URSA Broadcast G2 est basé sur l'outil d'étalonnage primaire de DaVinci Resolve. DaVinci crée des logiciels de correction colorimétrique depuis le début des années 80 et la plupart des films hollywoodiens sont étalonnés sur DaVinci Resolve.

Cela signifie que l'outil d'étalonnage intégré à votre URSA Broadcast G2 possède des fonctionnalités uniques et puissantes sur le plan créatif. Le traitement YRGB est l'une de ces fonctionnalités.

Lorsque vous étalonnez, vous pouvez choisir entre un traitement RGB ou un traitement YRGB. Les étalonneurs professionnels utilisent le traitement YRGB, car ils obtiennent ainsi un contrôle plus précis de la couleur et peuvent ajuster les canaux de façon indépendante avec une meilleure séparation et davantage d'options créatives.

Lorsque le paramètre Lum Mix est réglé sur le côté droit, vous avez une sortie provenant à 100% du correcteur colorimétrique YRGB. Lorsque le paramètre Lum Mix est réglé sur le côté gauche, vous obtenez une sortie provenant à 100% du correcteur RGB. Vous pouvez régler le paramètre Lum Mix sur n'importe quelle position entre la gauche et la droite pour obtenir un mélange de sortie provenant des deux correcteurs RGB et YRGB.

Quelle est la configuration idéale ? Cela n'en tient qu'à vous car la correction colorimétrique est un procédé purement créatif où il n'y a pas de juste ou de faux. Le meilleur paramétrage est donc celui qui vous plaît le plus !

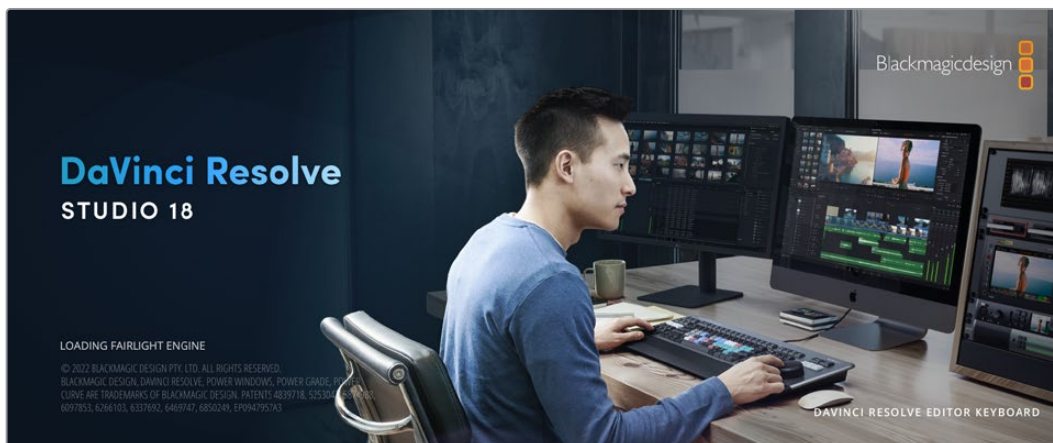
Synchronisation des paramètres

Lorsque les deux appareils sont connectés, les signaux du contrôle des caméras sont envoyés du mélangeur ATEM à votre caméra URSA Broadcast G2. Si un paramètre est accidentellement ajusté à partir de votre URSA Broadcast G2, la fonction de contrôle des caméras réinitialisera automatiquement le paramètre en question pour maintenir la synchronisation.

CONSEIL Même si vous déconnectez l'entrée 12G-SDI, la URSA Broadcast G2 conserve les réglages effectués avec DaVinci Resolve. Cela permet de changer les angles de prise de vue sans devoir de nouveau ouvrir les paramètres de l'image. Pour réinitialiser la URSA Broadcast G2 sur ses paramètres de couleurs par défaut, redémarrez simplement la caméra après avoir déconnecté l'entrée 12G-SDI.

Utiliser DaVinci Resolve

La production d'émissions télévisées ou de films avec votre Blackmagic URSA Broadcast G2 ne s'arrête pas au tournage. Il faut non seulement sauvegarder et organiser les médias mais aussi effectuer le montage, l'étalonnage et l'encodage des fichiers master. La Blackmagic URSA Broadcast G2 comprend le logiciel DaVinci Resolve pour Mac et Windows. Vous disposez ainsi d'une solution complète pour le tournage et la postproduction !



REMARQUE Nous recommandons d'utiliser la dernière version du logiciel DaVinci Resolve pour obtenir un traitement des couleurs optimal sur les clips tournés avec la URSA Broadcast G2. La version 18 ou ultérieure fournira des couleurs précises pour la URSA Broadcast G2 et les dernières fonctionnalités du Blackmagic RAW, comme la stabilisation d'image gyroscopique à l'aide des données enregistrées par le capteur de mouvement de la caméra.

Après avoir connecté le SSD, la carte SD ou la carte CFast à votre ordinateur, vous pouvez utiliser l'outil **Clone** de DaVinci Resolve situé sur la page **Média** pour créer des sauvegardes en cours de tournage. Cela permettra d'éviter de perdre des prises à cause de dommages ou de défauts. Une fois que vous avez utilisé DaVinci Resolve pour sauvegarder vos médias, vous pouvez charger vos clips dans la bibliothèque de médias de DaVinci, puis monter, étalonner et finaliser votre projet sans quitter le logiciel.

DaVinci Resolve est utilisé pour produire la plupart des grosses productions hollywoodiennes. Il offre bien plus de fonctionnalités qu'un logiciel de montage non linéaire standard et intègre une technologie de pointe destinée à la création de longs métrages haut de gamme. Vous bénéficiez des avantages de cette technologie lorsque vous utilisez DaVinci Resolve pour le montage et l'étalonnage de vos travaux.

Vous trouverez ci-dessous des informations relatives à l'utilisation de DaVinci Resolve avec les fichiers enregistrés à l'aide de votre caméra. Il va sans dire que DaVinci Resolve est un outil ultra performant et que son interface utilisateur renferme de nombreuses fonctionnalités. Pour plus d'informations sur l'utilisation de DaVinci Resolve, veuillez consulter le manuel d'utilisation de DaVinci Resolve sur le site internet de Blackmagic. Vous y trouverez également plusieurs formations et tutoriels.

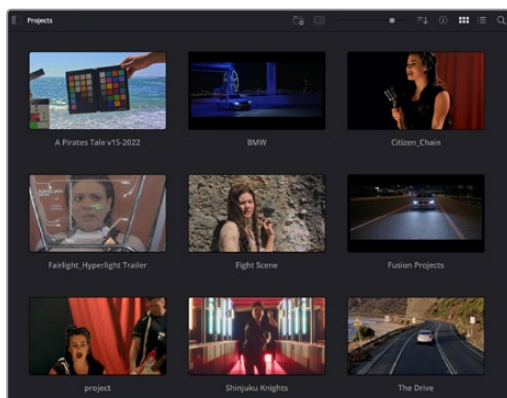
Gestionnaire de projet

Avant d'importer des clips et de commencer le montage, vous devez configurer votre projet à l'aide du Gestionnaire de projet.

Le Gestionnaire de projet est la première page qui s'affichera à l'écran lorsque vous lancez DaVinci Resolve, mais vous pouvez y accéder à tout moment en cliquant sur l'icône d'accueil située en bas à droite de l'interface. Il permet d'ouvrir d'anciens projets ou d'en créer de nouveaux.

Pour créer un nouveau projet, cliquez sur **Nouveau projet** en bas de la fenêtre, puis nommez le projet. Cliquez sur **Créer**.

En utilisant la page **Cut**, vous pouvez directement commencer le montage.



Le Gestionnaire de projet affiche tous les projets de l'utilisateur

Pour plus d'informations sur le Gestionnaire de projet, veuillez consulter le manuel DaVinci Resolve téléchargeable depuis la page d'assistance du site internet de Blackmagic Design.

Monter avec la page Cut

La page **Cut** offre un workflow de montage rapide et dynamique pour assembler, raccorder et monter vos clips de manière efficace.

Elle comprend deux timelines actives présentes simultanément à l'écran. La première affiche la totalité du montage, tandis que la deuxième offre une vue détaillée d'une zone en particulier. Ainsi, vous pouvez déposer vos clips dans la grande timeline, puis peaufiner votre montage dans la timeline détaillée, le tout au sein du même espace de travail. Grâce à ce workflow, vous pouvez monter vos clips depuis un ordinateur portable sans perdre de temps à zoomer ou à scroller dans la timeline.

Disposition de la page Cut

Lorsque vous ouvrez la page **Cut**, vous verrez la bibliothèque de médias, le viewer et la timeline. Ces trois fenêtres primaires offrent un contrôle complet sur votre montage.



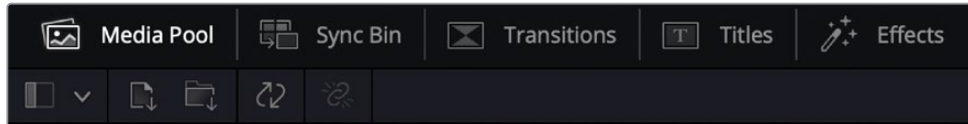
Disposition par défaut de la page Cut, avec la bibliothèque de médias affichée par vignette

Pour plus d'informations, veuillez consulter le chapitre « The Cut Page » du manuel DaVinci Resolve.

Onglets des médias

En haut à gauche de l'écran, vous trouverez cinq onglets.

Cliquez sur ces onglets pour ouvrir les outils que vous utiliserez pour réaliser votre montage. Par exemple, le premier onglet est la bibliothèque de médias, et elle est sélectionnée par défaut. Les autres onglets sont dédiés au Sync bin, aux transitions, aux titres et aux effets.



- **Bibliothèque de médias** : La bibliothèque de médias contient tous les clips, dossiers et fichiers que vous avez importés via la page Média. Vous pouvez également importer de nouveaux fichiers directement depuis la page Cut, pour éviter d'avoir à revenir sur la page Média.
- **Sync Bin** : Cette puissante fonction permet de synchroniser automatiquement tous vos clips via le timecode, la date et l'heure. Ainsi, vous pouvez choisir les angles depuis toutes les caméras sur un projet multicaméra.
- **Transitions** : En cliquant sur cet onglet, vous afficherez toutes les transitions vidéo et audio disponibles pour votre montage, dont les fondus enchaînés, les volets animés et d'autres transitions populaires.
- **Titres** : Cet onglet permet de sélectionner le type de titre de votre choix, comme un texte défilant ou un synthé. Vous pouvez également utiliser les modèles Fusion pour travailler avec des titres animés dynamiques, personnalisables depuis la page Fusion de DaVinci Resolve.
- **Effets** : Cet onglet affiche tous les filtres et effets que vous pouvez utiliser pour enrichir votre montage, comme des effets de flou, d'éclat et de flare personnalisables. Vous avez le choix parmi de nombreux effets, que vous pouvez retrouver facilement via l'outil de recherche.

CONSEIL Utilisez la barre de recherche pour retrouver facilement les éléments de votre choix. Par exemple, si l'onglet Transitions est sélectionné, entrez « Fondu » dans l'outil de recherche pour afficher uniquement les transitions de type fondu dans le viewer.




Icônes du viewer

En haut à gauche de la fenêtre du viewer, vous trouverez les boutons des modes du viewer.



Boutons des modes du viewer

Ces boutons permettent de contrôler quel mode du viewer est utilisé parmi **Plan source**, **Bande source** et **Timeline**. Ces modes du viewer offrent énormément d'options de contrôle lorsque vous sélectionnez les clips pour votre montage.



	Plan source	Le viewer Plan source affiche un seul clip depuis la bibliothèque de médias et vous pouvez régler des points d'entrée et de sortie sur toute la longueur de la timeline du viewer. Cette option vous offre davantage de contrôle. Sélectionnez un clip source à visualiser en double-cliquant sur un clip dans la bibliothèque de médias, ou en le faisant glisser dans le viewer.
	Bande source	Le mode Bande source permet de visionner tous les clips source dans la bibliothèque de médias. C'est très pratique pour rechercher rapidement un moment précis parmi tous vos clips. Alors que vous survolez les clips avec la tête de lecture, leurs vignettes sont sélectionnées dans la bibliothèque de médias. Ainsi, lorsque vous avez trouvé le clip que vous souhaitez monter, vous pouvez cliquer sur l'icône Plan source et son clip source correspondant apparaîtra automatiquement dans le viewer. Ce mode vous offre la liberté de travailler sur votre montage, de rechercher rapidement des prises, de tester de nouvelles idées tout en restant dans le moment.
	Timeline	Le viewer Timeline permet de voir la timeline de montage pour lire votre projet et peaufiner vos montages.

Importer des clips dans la bibliothèque de médias

Vous pouvez désormais commencer à importer des médias dans votre projet. Pour cela, utilisez les outils d'importation situés au-dessus de la bibliothèque de médias de la page Cut.



Sélectionnez une des options d'importation pour ajouter des médias à votre projet

	Importer un média	Cette option permet d'importer des fichiers de média individuellement depuis votre espace de stockage.
	Importer un dossier	Cette option permet d'importer un dossier depuis votre espace de stockage. Lors de l'importation d'un dossier, DaVinci Resolve conserve la structure des fichiers, traitant chaque dossier comme un chutier séparé. Ainsi, vous pourrez naviguer entre les chutiers pour retrouver vos vidéos et autres médias.

Pour importer des médias :

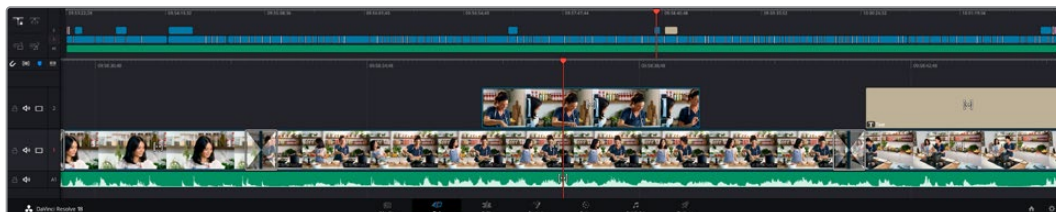
- 1 Cliquez sur l'icône d'importation d'un média ou d'un dossier.
- 2 Naviguez dans votre espace de stockage pour retrouver le média de votre choix.
- 3 Sélectionnez le fichier ou le dossier, puis cliquez sur **Ouvrir**.

Une fois les médias ajoutés à votre projet, pensez à sauvegarder vos changements. DaVinci Resolve comprend une fonctionnalité de sauvegarde automatique très rapide, appelée Enregistrement continu. Après avoir manuellement sauvegardé votre projet une première fois, l'enregistrement continu sauvegardera les prochaines modifications en temps réel. Ainsi, vous ne perdrez jamais votre travail.

Pour plus d'informations sur l'enregistrement continu et les autres fonctionnalités de sauvegarde, veuillez consulter le manuel DaVinci Resolve.

Ajouter des clips à la timeline

Maintenant que vous êtes familiarisé avec l'onglet des médias et les modes du viewer, vous pouvez ouvrir la bibliothèque de médias et ajouter rapidement des clips à votre timeline.



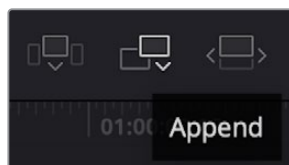
La timeline supérieure et la timeline inférieure zoomée de la page Cut

La timeline est l'endroit où vous allez effectuer votre montage. C'est comme un tableau avec des pistes sur lequel vous pouvez ajouter, déplacer et rogner des clips. Les pistes vous permettent de créer différentes couches pour superposer les clips. Ainsi, vous avez davantage de flexibilité pour essayer différents montages et pour créer des transitions et des effets. Par exemple, vous pouvez essayer un montage sur un clip d'une piste, sans que cela n'affecte les autres clips de la piste du dessous.

Vous pouvez ajouter des clips à la timeline de différentes façons, en utilisant par exemple les modes Insertion intelligente, Ajouter à la fin ou Placer au-dessus.

Ajouter des clips à la fin

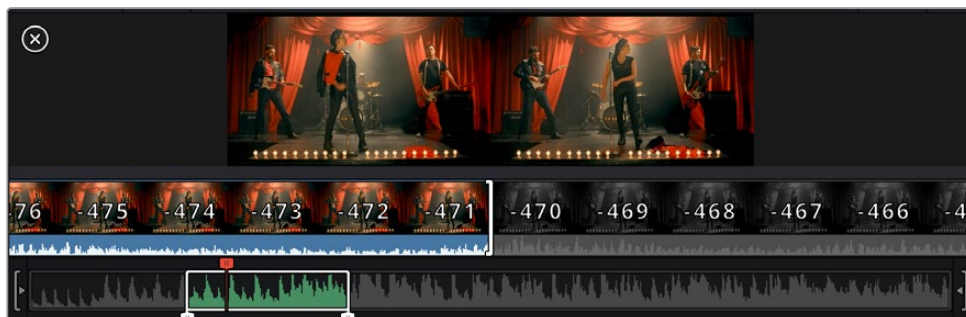
Lorsque vous sélectionnez des prises et que vous créez un montage, vous voudrez probablement ajouter ces prises à votre timeline les unes après les autres. L'outil Ajouter à la fin est parfait pour cela, car il vous permettra de monter vos clips rapidement.



Cliquez sur l'icône Ajouter à la fin pour placer un clip à la fin du dernier clip

Pour ajouter un clip à la fin :

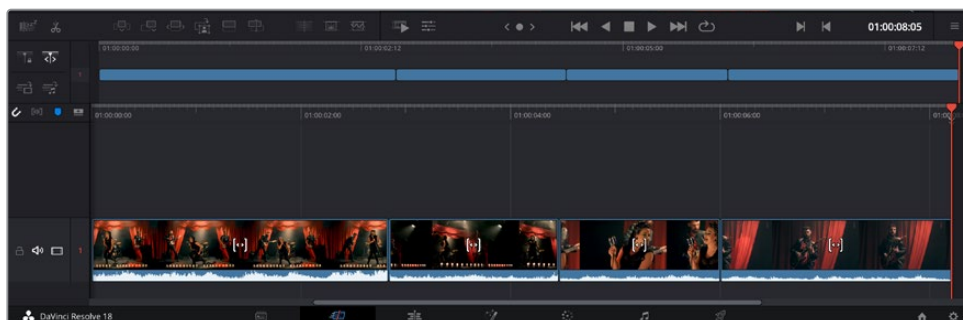
- 1 Double-cliquez sur un clip pour l'ouvrir dans le viewer.
- 2 À l'aide de l'outil scratch trim, réglez les points d'entrée et de sortie pour sélectionner la durée précise de votre prise. Vous pouvez également régler les points en appuyant sur les touches « i » ou « o » de votre clavier.



- 3 Cliquez sur l'icône **Ajouter à la fin** située dans la barre au-dessous de la bibliothèque de médias.

Votre premier clip sera placé au début de la timeline.

Répétez les étapes 1 à 3 pour ajouter des clips les uns après les autres, sans laisser d'espace entre eux.



En ajoutant des clips à la fin, vous n'aurez pas d'espace vide entre les clips

CONSEIL Vous pouvez travailler plus rapidement en assignant un raccourci clavier à la fonction **Ajouter à la fin**. Par exemple, en assignant la touche « p » à cette fonction, vous pouvez régler les points d'entrée et de sortie avec les touches « i » et « o », puis directement appuyer sur « p » pour ajouter le clip à la fin. Pour plus d'informations sur les raccourcis clavier, veuillez consulter le manuel DaVinci Resolve.

Raccorder des clips dans la timeline

Une fois les clips ajoutés dans la timeline, vous pouvez les déplacer et effectuer des raccords comme bon vous semble.

Pour rogner un clip, survolez le début ou la fin d'un clip avec votre souris, puis cliquez et faites glisser la souris vers la gauche ou la droite. Par exemple, glissez vers la gauche pour réduire sa durée, ou vers la droite pour l'augmenter. Vous remarquerez qu'après cette action, tous les clips seront déplacés dans la timeline pour s'adapter au nouvel ajustement. C'est une des nombreuses fonctionnalités de la page Cut qui vous permettra de gagner du temps.

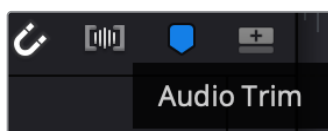
Vous pouvez même remonter le clip pour le déposer dans une nouvelle piste vidéo dans la grande timeline sans avoir à zoomer ou à dézoomer. Vous perdrez ainsi moins de temps à naviguer dans une longue timeline.

Affichage des trims audio

L'affichage Audio Trim vous permet de monter l'audio de manière précise, en agrandissant la forme d'onde audio dans la timeline. C'est très utile si vous travaillez sur une scène de dialogue ou un clip musical, car vous pourrez retrouver facilement un point de coupe entre les mots et les temps.

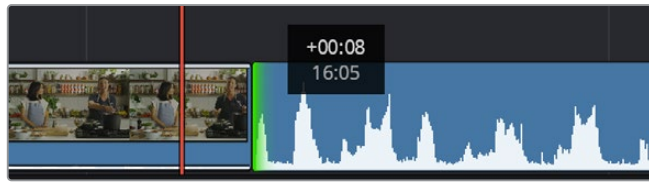
Pour utiliser l'affichage Audio Trim :

- 1 Cliquez sur l'icône Audio trim entre les outils Aimant et Marqueur à gauche de la timeline.



Le bouton d'affichage Audio Trim

- 2 Quand vous rognez un clip, vous verrez une forme d'onde agrandie dans la timeline. Une fois le rognage effectué, les clips de la timeline reprendront leur taille normale.



L'affichage Audio Trim agrandit la forme d'onde dans la timeline.

Après avoir monté vos clips avec la page Cut, vous pouvez insérer un titre. La section suivante vous montrera comment ajouter un titre.

Ajouter des titres

Il est très facile d'insérer différents types de titres dans votre timeline.

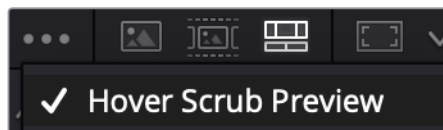
Pour cela, cliquez sur l'onglet **Titres** en haut à gauche de l'écran. La fenêtre de sélection affichera la liste de tous les types de titres disponibles sous forme de vignettes. Vous pouvez choisir un texte à afficher sur le tiers inférieur, en défilement, ou encore un texte standard. Vous pouvez même ajouter des titres animés Fusion personnalisables.

Prévisualiser les titres

Avant d'ajouter un titre à votre timeline, vous pouvez le prévisualiser depuis la fenêtre de sélection **Titres**. Ainsi, vous pourrez survoler toutes les options disponibles avant de faire votre choix.

Pour prévisualiser un titre :

- 1 Cliquez sur le menu d'options en haut à droite de la fenêtre des titres et cochez **Survol**.



Activez l'option Survol depuis le menu.

- 2 Dans la fenêtre de sélection **Titres**, passez le curseur sur la vignette pour prévisualiser un titre dans le viewer. Si vous prévisualisez un titre animé ou un titre Fusion, déplacez la souris de gauche à droite sur la vignette du titre pour voir l'animation.



Survolez la vignette d'un titre pour le prévisualiser dans la timeline.

Une fois que vous avez choisi un titre, vous pouvez l'ajouter à votre timeline.

Pour ajouter un titre standard :

- 1 Cliquez sur le titre et faites-le glisser dans la timeline. La timeline n'a pas d'importance, mais pour plus de précision, utilisons la timeline détaillée. Le titre va automatiquement créer une nouvelle piste vidéo pour le titre et va s'aimer à la tête de lecture.
- 2 Relâchez la souris et le titre va apparaître sur la nouvelle piste. Vous pouvez désormais le déplacer ou changer sa durée, comme pour un clip vidéo.
- 3 Pour modifier un titre, cliquez sur celui-ci, puis sur l'icône **Outils** sous le viewer du clip.
Une liste d'outils va s'afficher pour modifier le titre du clip, comme Transformation, Rogner, Zoom dynamique et bien plus.
- 4 Cliquez maintenant sur l'onglet Inspecteur.

La fenêtre de l'inspecteur va s'ouvrir, dans laquelle vous pouvez saisir le titre et configurer le tracking, l'espacement entre les lignes, la police, la couleur et autres réglages.

Vous avez de nombreuses options à disposition pour personnaliser votre titre. Nous vous conseillons de jouer avec les différents réglages pour voir comment cela modifie le titre.

CONSEIL Vous pouvez aussi utiliser la fonction Survol pour prévisualiser des effets, des transitions, des générateurs et des filtres dans les pages **Cut** et **Montage**.

Travailler avec des fichiers Blackmagic RAW

Les clips Blackmagic RAW offrent une grande flexibilité en post-production. Cela vous permet de faire des changements sur les clips, tels que la balance des blancs et l'ISO, comme si vous les faisiez dans les paramètres de la caméra. Le Blackmagic RAW offre également davantage d'informations tonales dans les ombres et dans les hautes lumières. Ceci est particulièrement utile pour récupérer les détails d'un ciel surexposé ou dans les zones d'ombre de l'image.

Si vous souhaitez obtenir la meilleure qualité possible ou si vous tournez des séquences comportant des contrastes importants entre les hautes lumières et les zones d'ombre, le Blackmagic RAW répondra parfaitement à vos exigences.

Grâce à la vitesse et à la petite taille de fichier du Blackmagic RAW, il n'est pas nécessaire de créer des fichiers proxy. La lecture est donc identique à celle d'un clip vidéo standard. Cette section du manuel décrit les fonctionnalités du Blackmagic RAW et la façon d'utiliser les fichiers Blackmagic RAW dans votre workflow DaVinci Resolve.

CONSEIL Nous vous recommandons d'ajuster les réglages Blackmagic RAW pour vos clips sur la page **Étalonnage** avant de les étalonner.

Paramètres des clips pour le Blackmagic RAW

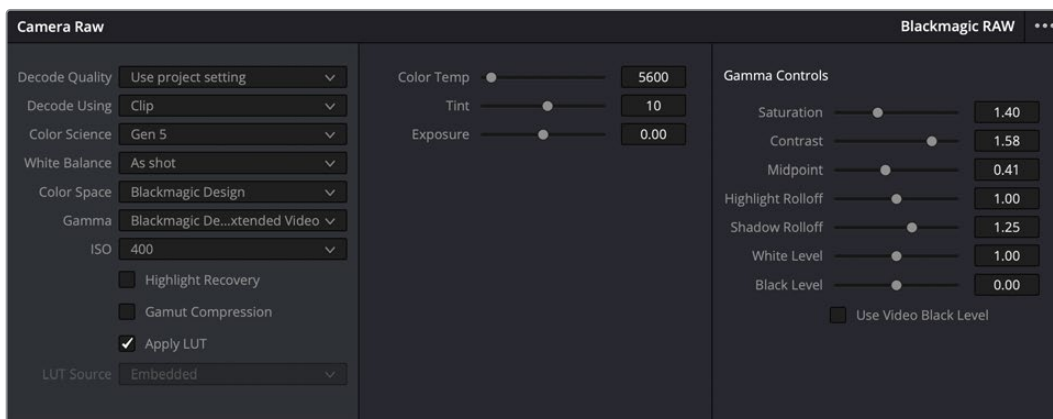
Quand vous importez des fichiers Blackmagic RAW, DaVinci Resolve décode les données de la caméra contenues dans les fichiers, notamment l'ISO, la balance des blancs et la teinte. Si les images vous plaisent, vous pouvez d'ores et déjà commencer le montage.

L'avantage de travailler au format Blackmagic RAW, c'est que vous pouvez changer ces réglages! En effet, le nombre d'options pour le traitement des fichiers Blackmagic RAW vous permet de mettre au point votre propre workflow. En utilisant les paramètres **Plan** de diverses façons pour chaque clip dans l'onglet **Caméra RAW**, vous comprendrez à quel point le travail en Blackmagic RAW est performant et polyvalent.

Colorimétrie

Ce menu vous permet de choisir entre une colorimétrie de 4e génération ou de 5e génération pour vos séquences. La URSA Broadcast G2 utilise la colorimétrie Blackmagic Design de 5e génération. Les fichiers tournés sur des caméras dotées de la colorimétrie de 4e génération peuvent être réinterprétés avec une colorimétrie de 5e génération pour faire correspondre vos plans à ceux de la URSA Broadcast G2.

En outre, si vous tournez principalement avec des caméras qui créent des fichiers Blackmagic RAW avec la colorimétrie de 4e génération, vous pouvez également les utiliser avec des clips filmés sur la URSA Broadcast G2 avec la colorimétrie de 5e génération auxquels vous aurez appliqué la colorimétrie de 4e génération. Il sera ainsi plus facile d'harmoniser les plans filmés sur des caméras utilisant différentes générations de colorimétrie Blackmagic Design.



Dans l'onglet **Caméra RAW**, sélectionnez **Plan** dans le menu **Dématricer avec** pour régler les paramètres Blackmagic RAW des clips.

Changer les paramètres Blackmagic RAW

Une fois que les paramètres des clips pour le Blackmagic RAW sont activés dans DaVinci, ces derniers ainsi que les commandes de gamma sont modifiables. Ajuster ces paramètres pour optimiser vos clips équivaut presque à un étalonnage primaire. C'est encore plus performant lorsque vous utilisez les scopes de DaVinci Resolve, car ils vous permettent de neutraliser et d'équilibrer les clips pour les préparer à un étalonnage plus poussé.

Vous trouverez ci-dessous une description des commandes relatives aux clips et au gamma.

ISO

La valeur ISO peut être modifiée en augmentant ou en diminuant ce paramètre. C'est très utile pour éclaircir ou assombrir le clip et ensuite l'optimiser.

Récupération des hautes lumières

Cochez cette case pour récupérer des informations dans les hautes lumières dans les canaux écrêtés en utilisant les informations des canaux non écrêtés.

Compression du gamut

Cochez la case pour maintenir automatiquement des niveaux de gamut adaptés.

Température

Ajustez la commande de température de la couleur pour réchauffer ou refroidir les tons de l'ensemble de l'image. Ce paramètre peut être utilisé pour neutraliser la balance des couleurs de chaque image.

Teinte

Ajustez ce paramètre pour ajouter du vert ou du magenta à l'image afin d'équilibrer les couleurs.

Exposition

Utilisez ce paramètre pour affiner la luminosité générale de l'image.

Saturation

Le curseur de saturation est réglé sur 1 par défaut. Vous pouvez la réduire jusqu'à 0 pour une saturation minimale et l'augmenter jusqu'à 4 pour une saturation maximale.

Contraste

Le curseur de contraste est réglé sur 1 par défaut. Vous pouvez le réduire jusqu'à 0 pour un contraste minimal et l'augmenter jusqu'à 2 pour un contraste maximal.

Point central

En mode Blackmagic Design Film, la valeur des tons moyens est réglée par défaut sur 0.38 ou 38.4%. Ajustez le curseur vers la gauche pour la réduire ou vers la droite pour l'augmenter jusqu'à 100. Lorsque le contraste n'est pas réglé par défaut, vous pouvez modifier le roll-off des hautes lumières et des ombres.

Affaiblissement (roll-off) des hautes lumières

Le curseur d'ajustement des hautes lumières est réglé sur 1 par défaut. Vous pouvez les atténuer jusqu'à 0 en déplaçant le curseur vers la gauche, ou les augmenter jusqu'à 2 en déplaçant le curseur vers la droite. La valeur par défaut est de 1.

Affaiblissement (roll-off) des basses lumières

Déplacez le curseur d'ajustement des basses lumières vers la gauche pour les atténuer jusqu'à 0, ou vers la droite pour les augmenter jusqu'à 2.

Niveau blancs

Ajustez le point blanc de la courbe de gamma en déplaçant le curseur. Les valeurs maximales et minimales sont respectivement de 2 et 0. La valeur par défaut est de 1.

Niveau noirs

Ajustez le point noir de la courbe de gamma en déplaçant le curseur. Les valeurs maximales et minimales sont respectivement de 1 et -1. La valeur par défaut est de 0.

Utiliser les niveaux vidéo de noir

Cochez cette case pour régler vos niveaux de noir sur Video.

Exporter l'image

En cliquant sur le bouton **Exporter l'image**, vous pouvez exporter une seule image du clip Blackmagic RAW.

Mettre à jour le Sidecar

Cliquez sur ce bouton pour mettre à jour le fichier sidecar Blackmagic RAW pour le clip actuel.

Lorsque vous effectuez des modifications sur vos clips Blackmagic RAW, le paramètre Gamma sera réglé sur Blackmagic Design Custom.

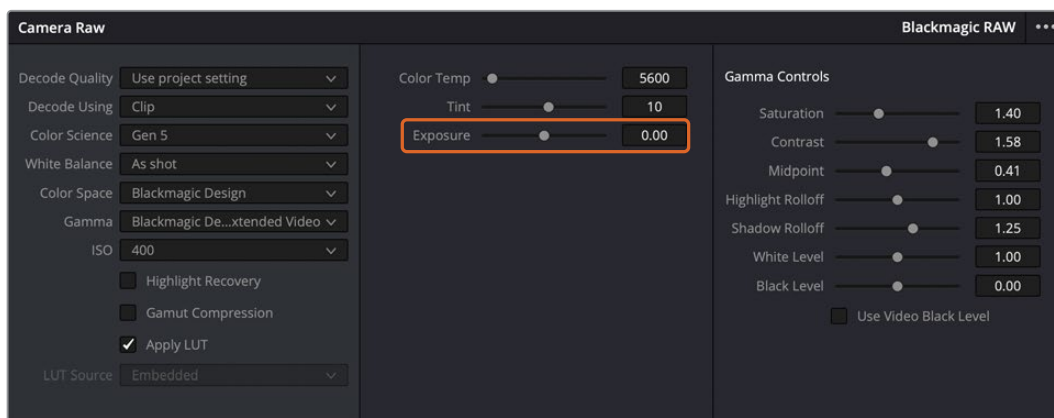
Ajuster l'exposition avec le réglage du gain de la Blackmagic URSA Broadcast

Si vous avez l'habitude de travailler avec un workflow DaVinci Resolve avec d'autres caméras Blackmagic, il est important de noter que le réglage du paramètre **Gain** de la URSA Broadcast G2 est traité de manière légèrement différente que le paramètre **ISO** présent sur les autres Blackmagic cinema cameras.

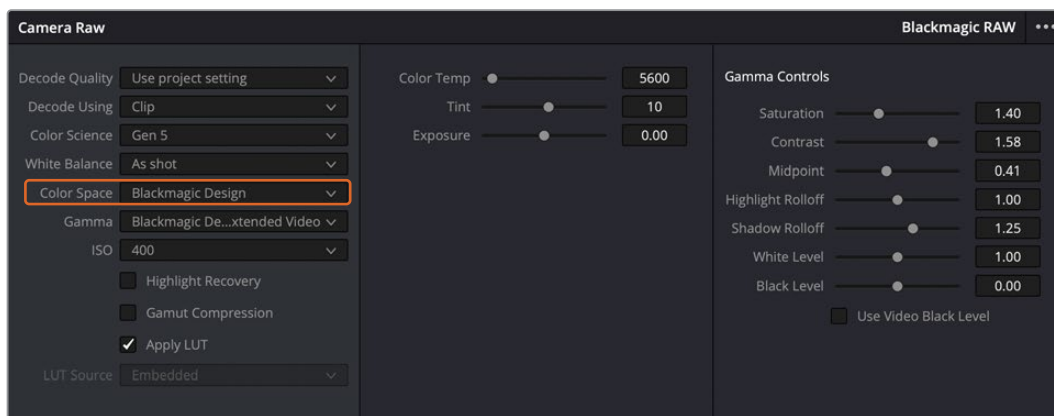
Les réglages du **Gain** sur la URSA Broadcast G2 sont appliqués directement au capteur de la caméra, et non pas via le logiciel. Cette méthode, utilisée sur les caméras broadcast traditionnelles, permet de réduire légèrement le bruit à certains niveaux de sensibilité. De plus, elle limite le réglage du gain d'un clip après le tournage. Dans DaVinci Resolve, l'équivalent ISO du paramètre Gain apparaîtra toujours dans la fenêtre **ISO** des paramètres Caméra RAW du clip.

Pendant le tournage, vous pouvez augmenter trois fois l'ISO par rapport au paramètre de gain de la URSA Broadcast G2. Grâce à la plage dynamique étendue qu'offre le format Blackmagic RAW, vous pouvez effectuer des réglages qui s'apparentent au changement du gain en modifiant l'exposition du clip. Il vous suffit d'ajuster la valeur du paramètre **Exposition**, en ajoutant ou en enlevant jusqu'à 5 diaphs. Chaque diaph correspond à un cran de sensibilité. Par exemple, lorsque vous ajoutez 1

diaph d'exposition, c'est comme si vous passiez de -6 à 0 db de gain, ou de 200 à 400 d'ISO. Grâce au curseur du paramètre d'exposition, vous pouvez ajuster la valeur avec précision car il est possible d'ajouter ou d'enlever seulement 0,01 diaph.



Lorsque vous effectuez des modifications sur vos clips Blackmagic RAW, le paramètre Gamma sera réglé sur Blackmagic Design Custom.



Si vous souhaitez restaurer vos clips sur un paramètre Gamma par défaut, sélectionnez une option dans le menu déroulant.

CONSEIL Les commandes Gamma sont désactivées lorsque vous filmez avec une plage dynamique Video, mais vos données Blackmagic RAW ne sont pas perdues. Sélectionnez Blackmagic Design Film ou Blackmagic Design Extended Video depuis le menu déroulant du paramètre Gamma et effectuez vos ajustements.

Sauvegarder les changements Blackmagic RAW

- 1 Réglez les commandes Gamma pour votre clip Blackmagic RAW.
- 2 Cliquez sur le bouton **Mettre à jour le Sidecar**.

Un fichier **Sidecar** est créé dans le même dossier que votre fichier .braw. Lorsqu'un autre utilisateur importe les fichiers Blackmagic RAW, le fichier sidecar sera automatiquement lu par DaVinci Resolve. Si vous effectuez des modifications supplémentaires, appuyez une nouvelle fois sur **Mettre à jour le Sidecar**.

CONSEIL Pour supprimer un fichier sidecar, effacez-le de son emplacement dans votre lecteur de média.

Paramètres du projet pour le Blackmagic RAW

Si vous souhaitez modifier un paramètre commun à tous les clips, par exemple la balance des blancs ou l'ISO, vous pouvez régler les clips afin qu'ils utilisent les paramètres **Caméra RAW** du projet. Vous pourrez ainsi apporter des changements à plusieurs clips en même temps.

Régler les paramètres du projet pour le Blackmagic RAW :

- 1 Ouvrez le menu de paramétrage du projet, en cliquant sur **Fichier** puis sur **Paramètres du projet**.
- 2 Dans l'onglet **Caméra RAW**, vous trouverez un menu près du profil RAW. Cliquez sur la flèche pour sélectionner Blackmagic RAW depuis la liste.
- 3 Dans le menu **Dématricer avec**, sélectionnez **Projet**.
- 4 Sélectionnez une colorimétrie dans le menu.
- 5 Réglez la **Balance des blancs** sur **Personnaliser**.
- 6 Dans le menu **Gamma**, sélectionnez **Blackmagic Design Custom**. Réglez l'espace colorimétrique sur **Blackmagic Design**.
- 7 Choisissez votre résolution depuis le menu **Qualité de dématricage**. Une basse résolution vous permettra d'améliorer la lecture sur des systèmes aux performances limitées. Pour un rendu optimal, vous pouvez changer la résolution plus tard, avant l'exportation.

Vous pouvez désormais ajuster les paramètres de la caméra tels que la saturation, le contraste et les tons moyens. Cela s'appliquera à tous les clips de votre projet réglés sur **Dématricer avec Projet**.

Étalonner vos clips avec la page Étalonnage

Une fois vos clips dans la timeline et vos titres ajoutés, vous pouvez commencer à étalonner vos images depuis la page **Étalonnage**. C'est une page très puissante qui vous permettra de définir le look général de votre film. Pour cet exemple, il est conseillé de commencer par rendre vos clips neutres afin qu'ils soient consistants. Vous pouvez également retourner sur les pages **Cut** ou **Montage** à tout moment pour effectuer des modifications dans votre montage.

La page **Étalonnage** vous permet d'ajuster le look de votre montage. L'étalonnage est un art en soi à bien des égards, car il permet d'ajouter une réelle émotion à votre travail. C'est une partie extrêmement créative de votre workflow et, une fois les techniques acquises, il n'y a rien de plus gratifiant que de voir vos images prendre vie ! C'est généralement la première étape, appelée correction colorimétrique primaire. Ensuite, vous pourrez passer à la correction colorimétrique secondaire, où vous pourrez faire des ajustements de couleur extrêmement précis sur des objets spécifiques dans vos images. La correction colorimétrique secondaire est très amusante, mais comme son nom l'indique, elle est généralement effectuée dans un deuxième temps pour obtenir de meilleurs résultats.

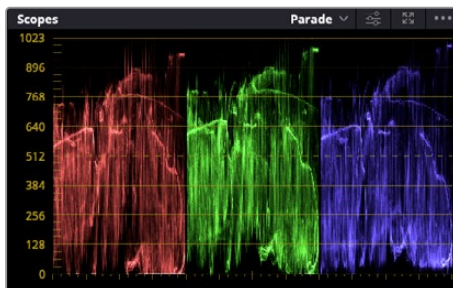
Commencez par cliquer sur l'onglet **Étalonnage** afin d'ouvrir la page **Étalonnage**.

Cette page contient les réglages **Caméra RAW**, les roues chromatiques, les palettes de courbes, des outils d'étalonnage de base ainsi qu'une fenêtre de prévisualisation et une fenêtre contenant les nœuds. Ne soyez pas intimidés par les nombreuses fonctionnalités proposées sur cette page, car elles sont là pour vous aider à obtenir des images époustouflantes. Dans cette section vous découvrirez les bases, mais pour des informations plus détaillées, veuillez consulter les sections spécifiquement dédiées à l'étalonnage dans le manuel. Il vous indiquera clairement à quoi ces outils servent et comment les utiliser. Vous apprendrez ainsi les techniques que les professionnels utilisent dans les studios d'étalonnage haut de gamme.

En général, la première étape de la correction colorimétrique primaire consiste à optimiser le niveau des ombres, des tons moyens et des hautes lumières dans vos clips. En d'autres termes, il faut ajuster les paramètres **Lift**, **Gamma** et **Gain**. Vous obtiendrez ainsi des images optimales pour entamer la phase d'étalonnage et obtenir l'esthétique souhaitée pour votre film. Les scopes s'avèrent très pratiques pour optimiser les niveaux.

Utiliser les scopes

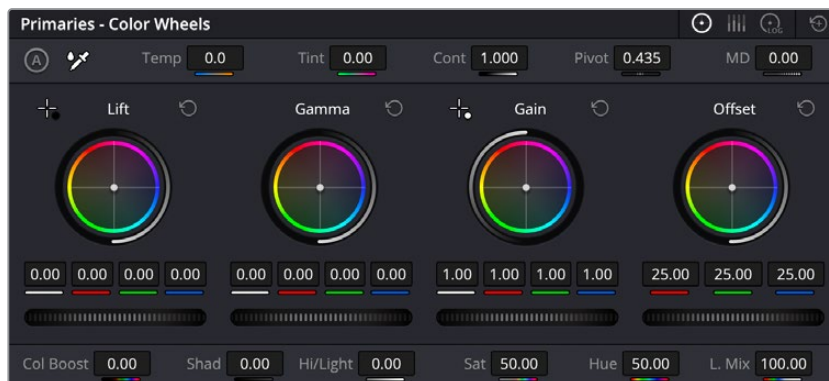
Les étalonneurs réalisent les corrections colorimétriques en fonction de l'émotion et du rendu qu'ils veulent donner aux programmes sur lesquels ils travaillent et n'utilisent en général qu'un simple écran pour effectuer les changements. Vous pouvez vous inspirer d'objets de tous les jours et la façon dont l'éclairage s'y reflète pour vos différents projets.



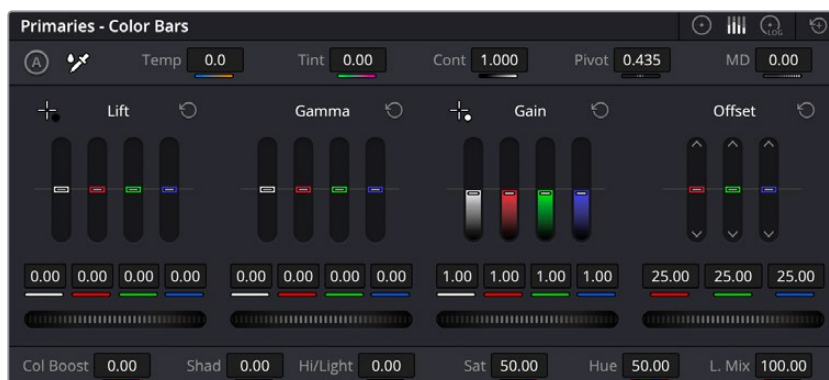
Le scope Parade vous permet d'optimiser les tons clairs, les tons moyens et les ombres

Mais il existe d'autres façons d'étalonner un film, notamment en s'aidant des scopes intégrés à DaVinci Resolve. Vous pouvez ouvrir un seul scope vidéo en cliquant sur le bouton **Scope** (le deuxième bouton à partir de la droite sur la barre d'outils). Vous avez le choix entre les scopes suivants : Oscilloscope (forme d'onde), Parade, Vecteurscope, Histogramme et Coordonnées chromatiques CIE. Grâce à ces scopes, vous pouvez contrôler l'équilibre des tons, les différents niveaux de la vidéo sans écraser les noirs ni écrêter les blancs, mais aussi contrôler la dominance des couleurs de vos clips.

La palette **Roues chromatiques** contient les commandes **Lift**, **Gamma** et **Gain** qui vous permettent d'effectuer les premiers ajustements. Si vous avez déjà fait de l'étalonnage, ces roues chromatiques ressemblent sûrement aux commandes que vous avez pu voir dans d'autres applications pour ajuster les couleurs et le contraste.



Les roues chromatiques **Lift**, **Gamma**, **Gain** et **Offset** vous offrent un contrôle complet sur l'équilibre des couleurs et des tons de vos clips. Pour régler toutes les couleurs de façon identique, tournez la roue située sous les roues chromatiques.



Les barres primaires permettent d'apporter des ajustements colorimétriques plus facilement avec une souris.

Pour un contrôle précis de chaque couleur, utilisez la souris. Vous pouvez régler les roues chromatiques sur **Barres primaires**, ce qui vous permet de régler séparément les canaux de couleurs et de luminosité pour le lift, le gamma et le gain. Sélectionnez simplement **Barres primaires** dans le menu déroulant situé en haut à droite des roues chromatiques.

- **Ajuster le Lift** : Après avoir sélectionné votre clip dans la timeline de la page Étalonnage, cliquez sur la roue **Lift** située sous la première roue chromatique. Faites-la tourner vers la gauche ou vers la droite pour constater les modifications apportées à l'image. Vous verrez que la luminosité des zones d'ombres de votre image augmente et diminue.
Réglez-la afin d'optimiser les zones d'ombres. Si vous baissez trop le Lift, certains détails des noirs disparaissent. Utilisez le scope Parade pour éviter que cela ne se produise. La position optimale des noirs sur le graphique se situe juste au-dessus de la ligne inférieure du scope Parade.
- **Ajuster le Gain** : Cliquez sur la roue **Gain** et faites-la tourner vers la gauche ou vers la droite. Cette roue règle les tons clairs, zones les plus lumineuses de l'image. Les tons clairs sont affichés dans la section supérieure du graphique dans le scope Parade. Pour une scène très lumineuse, la position optimale se situe juste en dessous de la ligne supérieure du scope Oscilloscope. Si les tons clairs dépassent la ligne supérieure de ce scope, ils sont écrêtés et les zones les plus claires perdent alors beaucoup de détails.
- **Ajuster le Gamma** : Cliquez sur la roue **Gamma** située sous la roue chromatique et faites-la tourner vers la gauche ou vers la droite. Si vous augmentez le gamma, la luminosité de l'image augmente et en fonction du réglage, la partie centrale de la roue change également. Cette partie représente les tons moyens du clip. La position optimale des tons moyens se situe généralement entre 50 et 70 % de l'affichage de la forme d'onde. Ceci n'est qu'une indication, car le réglage dépend surtout du rendu que vous souhaitez obtenir et des conditions d'éclairage du clip.

Vous pouvez également utiliser la palette Courbes pour faire vos corrections colorimétriques primaires. Pour créer des points de contrôle, il suffit de cliquer sur la ligne diagonale dans le graphique Courbes. Vous pouvez ensuite les déplacer vers le haut ou vers le bas pour ajuster le contraste RVB principal et obtenir différentes tonalités dans l'image. Le réglage optimal se situe dans le champ du tiers inférieur, du milieu et du tiers supérieur de la courbe.

Il existe différentes façons de faire de la correction colorimétrique primaire dans DaVinci Resolve.



La palette Courbes est un autre outil que vous pouvez utiliser pour faire de la correction colorimétrique primaire ou pour travailler certaines zones du clip avec une Power Window

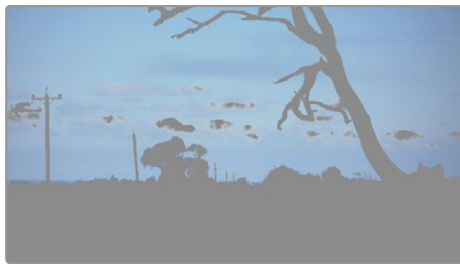
Correction colorimétrique secondaire

Si vous souhaitez corriger une partie spécifique de l'image, vous devrez utiliser les corrections secondaires. Les corrections que vous avez apportées jusqu'à présent à l'aide des réglages Lift, Gain et Gamma affectent l'intégralité de l'image, il s'agit donc de corrections colorimétriques primaires.

Cependant, si vous ne voulez modifier que certaines parties de l'image, comme la couleur de l'herbe dans une scène, ou la couleur du ciel, il faut alors utiliser les fonctions de correction colorimétrique secondaire. En effet, ces fonctions permettent de sélectionner et de ne modifier qu'une partie de l'image. Grâce aux nœuds, vous pouvez superposer plusieurs corrections et ainsi travailler l'image à la perfection ! Vous pouvez également utiliser les fenêtres et le tracking pour que la correction suive la partie de l'image sélectionnée.

Sélection d'une couleur

Vous avez sans doute pu constater qu'il est souvent nécessaire de changer la couleur d'un seul élément de l'image, par exemple l'herbe sur le côté de la route, le bleu du ciel, ou tout autre élément sur lequel vous souhaitez attirer le regard du spectateur. Pour effectuer ces modifications, il est utile d'utiliser l'outil sélecteur HSL.



Utiliser les sélecteurs HSL pour sélectionner les couleurs de vos images est très pratique lorsque vous voulez mettre en valeur certaines zones de l'image, ajouter du contraste ou attirer l'attention des spectateurs sur une partie de l'image.

Pour sélectionner une couleur :

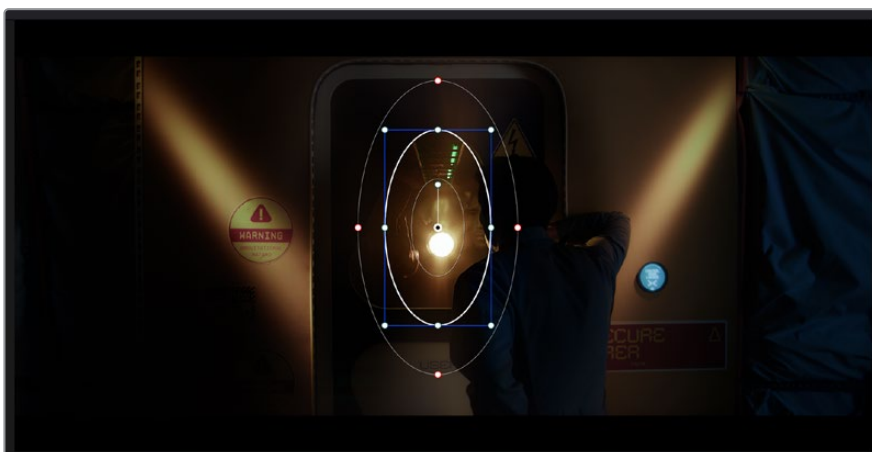
- 1 Créez un nouveau nœud Série.
- 2 Ouvrez la palette **Sélecteur** et vérifiez que la pipette d'échantillonnage **Plage de sélection** est bien sélectionnée.
- 3 Cliquez sur la couleur du clip que vous souhaitez modifier.
- 4 Il est en général nécessaire d'adoucir les contours afin de limiter la sélection à la couleur souhaitée. Pour visualiser votre sélection, cliquez sur le bouton **Masque** situé au-dessus du viewer.
- 5 Dans la fenêtre **Teinte**, réglez la commande **Largeur** pour élargir ou réduire la sélection.

Amusez-vous avec les commandes **Haut**, **Bas** et **Soft** afin d'affiner votre sélection. Vous pouvez désormais corriger les couleurs sélectionnées à l'aide des roues chromatiques ou des courbes personnalisées.

Parfois, les zones de sélection peuvent déborder sur des zones que vous ne souhaitez pas modifier. Il est alors facile de masquer ces zones à l'aide des Power Windows. Créez simplement une nouvelle Power Windows et donnez-lui la forme de la zone que vous souhaitez modifier. Si la couleur sélectionnée bouge au cours de la prise, vous pouvez utiliser la fonction de tracking pour suivre la Power Window.

Ajouter une Power Window

Les Power Windows sont des outils de correction colorimétrique extrêmement efficaces que vous pouvez utiliser pour isoler certaines zones de vos clips. Ces fenêtres dynamiques suivent les mouvements de la caméra ou des zones sélectionnées.



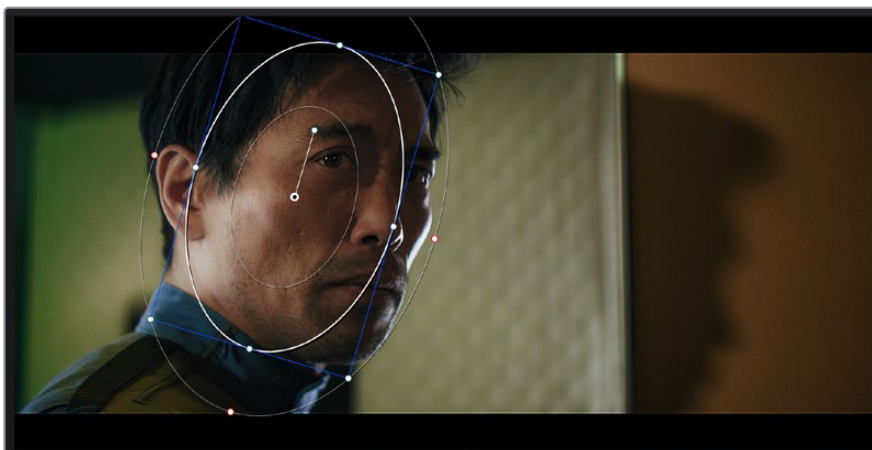
Utilisez les Power Windows pour masquer les zones que vous ne souhaitez pas modifier avec les sélecteurs HSL

Vous pouvez, par exemple, créer une fenêtre qui suivra les mouvements d'une personne afin de changer le contraste et les couleurs sans affecter les zones alentour. Grâce à ces modifications, vous attirez l'attention du spectateur vers la zone de votre choix.

Ajouter une Power Window à votre clip :

- 1 Créez un nouveau nœud Série.
- 2 Ouvrez la palette **Power Window** et sélectionnez la forme en cliquant sur l'une d'entre elles. La fenêtre de la forme apparaît sur le nœud.
- 3 Redimensionnez la forme à l'aide des points bleus qui entourent la forme. Les points rouges permettent de régler le flouté du contour. Vous pouvez repositionner correctement la forme à l'aide du point central. Faites pivoter la fenêtre à l'aide du point relié au point central.

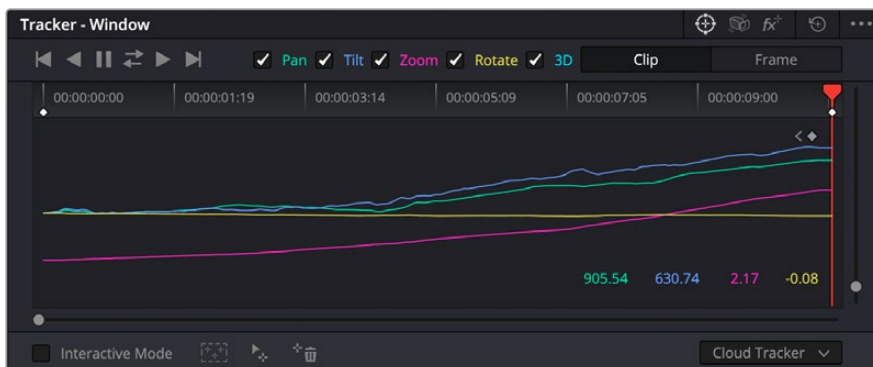
Vous pouvez désormais corriger les couleurs de la zone sélectionnée.



Les Power Windows vous permettent d'effectuer des corrections secondaires sur certaines zones de l'image.

Tracking d'une Power Window

Lorsque la caméra, l'objet ou la zone de votre prise bougent, utilisez l'outil de tracking disponible dans DaVinci Resolve pour garantir le tracking complet de la zone sélectionnée. Le Tracker analyse les mouvements de la caméra ou de l'objet pour que la fenêtre s'adapte à ces mouvements. Si vous n'activez pas cette fonction, la correction pourrait ne pas s'appliquer à la zone sélectionnée et produire un effet indésirable.



Pour que les Power Windows suivent les mouvements de certains objets ou certaines zones du clip, vous pouvez créer un suivi à l'aide de la fonction Tracking

Suivre un objet à l'aide d'une fenêtre :

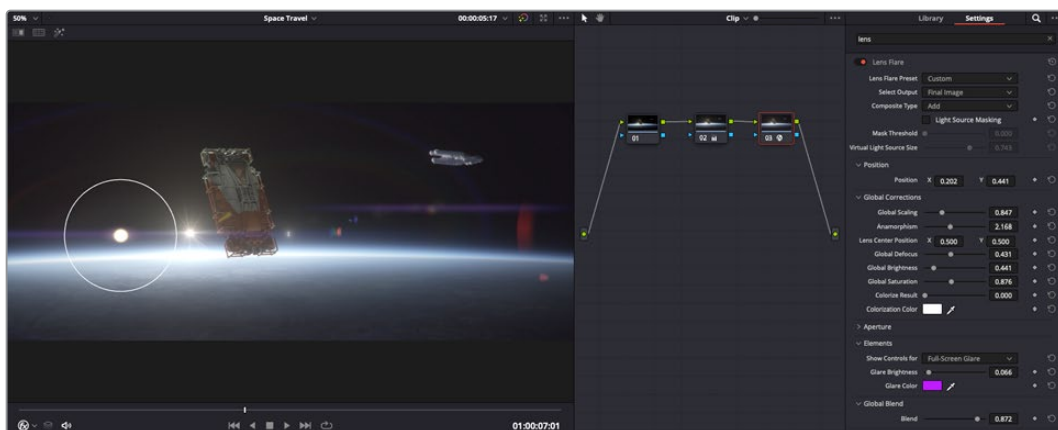
- 1 Créez un nouveau nœud série et ajoutez une Power Window.
- 2 Placez le curseur au début du clip, puis positionnez et dimensionnez la fenêtre pour ne sélectionner que l'objet ou la zone souhaités.
- 3 Ouvrez la palette **Tracker**. Cochez ou décochez les cases Pan, Tilt, Zoom et Perspective 3D en fonction des mouvements du clip.
- 4 Cliquez sur la flèche de lecture située à gauche des cases de sélection. DaVinci Resolve applique un ensemble de points de suivi à votre clip qui analyse les mouvements de chaque image. Lorsque le suivi est terminé, la Power Window suit le mouvement de l'objet dans le clip.

En général, le suivi automatique fonctionne sans problème, cependant, certaines scènes peuvent être complexes ou des objets peuvent se trouver devant la zone sélectionnée et ainsi interrompre ou affecter le suivi. Ce problème peut être résolu à l'aide de l'éditeur d'image. Consultez le manuel DaVinci Resolve pour en savoir plus.

Utilisation de plug-ins

Les corrections colorimétriques secondaires peuvent être effectuées à l'aide de plug-ins Resolve FX ou Open FX, qui permettent de créer des rendus rapides et des effets innovants au sein de la page **Étalonnage**. Il est également possible d'ajouter des transitions et des effets à vos clips au sein des pages **Cut** et **Montage**. Les effets Resolve FX sont fournis avec DaVinci Resolve. Les plug-ins OFX sont disponibles sur des sites fournisseurs tiers.

Vous pouvez accéder aux plug-ins OFX, une fois installés, et aux plug-ins Resolve FX, en allant sur la page **Étalonnage** et en ouvrant le panneau Open FX (situé à droite de l'éditeur de nœuds). Une fois que vous avez créé un nouveau nœud Série, cliquez sur le bouton **Open FX** pour ouvrir la bibliothèque d'effets, puis faites glisser un plug-in dans le nœud. Si le plug-in dispose de paramètres modifiables, vous pouvez le configurer dans le panneau **Paramètres** situé sur le côté.



Les plug-ins OFX sont des solutions rapides et faciles pour créer des rendus créatifs et innovants.

Dans la page **Montage**, vous pouvez ajouter des plug-ins filtres, générateurs et transitions aux clips en ouvrant le panneau **Open FX** dans **Bibliothèque d'effets**. Faites ensuite glisser le plug-in sélectionné sur le clip ou sur la piste au-dessus du clip dans la timeline, selon les besoins du plug-in.

Mixer l'audio

Mixer l'audio dans la page Montage

Une fois le montage et l'étalonnage finalisés, vous pouvez commencer à mixer l'audio. DaVinci Resolve possède de nombreux outils pour le montage, le mixage et le mastering audio de vos projets, accessibles directement sur la page Montage. Si vous avez besoin de fonctionnalités audio plus avancées, la page Fairlight vous offre un environnement de post-production audio complet. Si vous êtes familier avec la page Montage et que vous souhaitez directement passer à la page Fairlight, consultez la section suivante.

Ajouter des pistes audio

Si vous travaillez sur la page Montage et que vous souhaitez ajouter des effets et de la musique à un montage son, vous pouvez facilement ajouter des pistes audio selon vos besoins. C'est très pratique lorsque vous voulez séparer vos éléments audio en plusieurs pistes indépendantes, comme les dialogues, les effets sonores et la musique.

Pour ajouter des pistes audio dans la page Montage

Faites un clic droit à côté du nom de n'importe quelle piste audio de votre timeline, sélectionnez **Ajouter une piste** et choisissez entre les options **Mono**, **Stéréo** et **5.1**. Cette piste sera alors ajoutée en bas de la liste de pistes. Si vous voulez choisir la position de la piste ou de plusieurs pistes dans la liste, sélectionnez **Ajouter une piste** puis choisissez l'emplacement.

La nouvelle piste audio apparaît sur la timeline.

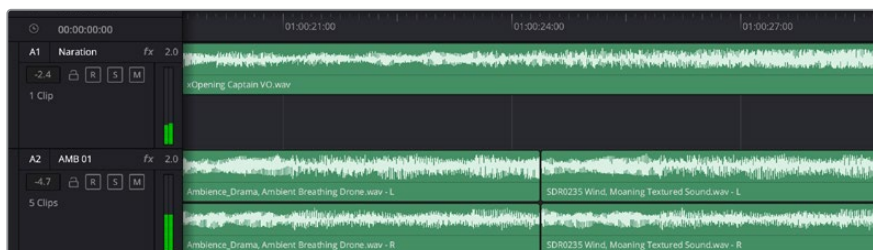
CONSEIL Pour changer le type de piste après l'avoir créée, faites un clic droit sur le nom de la piste, sélectionnez **Mettre la piste en**, puis choisissez le type de piste audio de votre choix. Par exemple, Stéréo, Mono ou 5.1.

Ajuster les niveaux audio dans la Timeline

Le niveau du volume de chaque clip audio est affiché. Vous pouvez l'ajuster en montant ou en descendant le pointeur. Cet affichage correspond aux paramètres de volume de l'inspecteur.

La timeline audio

- **En-tête de piste** : À gauche de chaque piste, vous trouverez un espace pour l'en-tête affichant le numéro, le nom et la couleur de la piste, les canaux audio, la valeur du fader et les indicateurs audio. L'en-tête de piste offre également des commandes pour verrouiller et déverrouiller des pistes et pour sélectionner les modes Solo et Mute. Ces commandes vous permettent de visualiser chaque piste séparément et de les organiser.
- **Pistes** : Chaque piste est divisée en voies, ce qui vous permet de visionner chaque canal du clip audio pour le montage et le mixage. Vous ne trouverez pas ces canaux individuels sur la page Montage. En effet, cette dernière n'affiche qu'un seul clip sur la timeline afin de faciliter le montage de sources multicanaux sans avoir à gérer un nombre de pistes trop important.



L'en-tête de piste de la piste A1 affiche une piste mono avec une seule voie pour l'audio mono. La piste A2 affiche quant à elle une piste stéréo comprenant deux voies pour l'audio stéréo.

Qu'est-ce qu'un bus ?

Un bus est un canal de destination comprenant des sources audio regroupées en un seul canal, contrôlable via une seule bande de canal. Fairlight crée automatiquement un bus pour vous, et toutes les pistes audio de votre timeline sont envoyées vers ce bus par défaut. Ainsi, vous pouvez ajuster le niveau global de votre mix audio une fois que vous avez ajusté le niveau de chaque piste individuellement.

Si votre montage est un peu plus complexe, vous pouvez créer davantage de bus et regrouper plusieurs pistes audio qui appartiennent à la même catégorie, comme les dialogues, la musique ou les effets. Ainsi, tous les éléments d'une même catégorie peuvent être mixés comme un signal audio unique. Par exemple, si vous avez cinq pistes de dialogue, vous pouvez acheminer le signal de ces cinq pistes vers un autre bus, et vous pourrez ainsi mixer le niveau des dialogues avec une commande unique.

La structure de Fairlight Flexbus vous offre une flexibilité complète sur les différents types de bus et les signaux de routage, dont les options de routage bus-to-bus, track-to-bus et bus-to-track. Pour plus d'informations sur les réglages des bus audio dans Fairlight, veuillez consulter le manuel DaVinci Resolve.

Le mixeur

Chaque piste audio de la timeline correspond à une bande de canal dans le mixeur. Par défaut, il y a une seule bande de canal sur le côté droit de l'interface pour le bus par défaut, appelé **Bus 1**. À chaque bus que vous créez, une bande de canal supplémentaire s'ajoute sur le côté droit, accompagnée de commandes de contrôle. Plusieurs commandes, sous forme de graphiques, vous permettent d'assigner et d'acheminer des canaux de piste, d'ajuster les égaliseurs et les effets dynamiques, de régler les niveaux et d'enregistrer l'automation, de modifier l'emplacement d'un son dans l'image stéréo ou surround, et de choisir le mode muet ou solo pour chaque piste.



Les bandes de canal du mixeur audio, correspondant aux pistes de la timeline

Utiliser l'égaliseur pour améliorer l'audio

Après avoir réglé les niveaux audio de vos clips, vous pourriez avoir envie d'apporter des ajustements supplémentaires. Par exemple, il arrive que les dialogues, la musique et les effets sonores se retrouvent sur la même fréquence dans le spectre audio, ce qui rend votre audio trop chargé et confus. Dans ce cas-là, l'égaliseur s'avère très utile car il vous permet de spécifier où doit se situer chaque piste dans le spectre audio. Vous pouvez aussi utiliser l'égaliseur pour supprimer des éléments indésirés dans votre audio en isolant et en atténuant le niveau sur des fréquences spécifiques qui contiennent de légers grondements, des bourdonnements, des bruits de vent, des sifflements, ou simplement pour améliorer la qualité du son.

DaVinci Resolve est doté de filtres que vous pouvez appliquer sur chaque clip individuellement, ou sur une piste entière. Chaque clip audio de la timeline possède un égaliseur à 4 bandes dans le panneau de l'inspecteur, et chaque piste possède un égaliseur paramétrique à 6 bandes dans le mixeur. Grâce aux commandes graphiques et numériques qui permettent d'amplifier ou d'atténuer des plages de fréquences et grâce aux différents types de filtres, vous pouvez définir la forme de la courbe de l'égaliseur.



L'égaliseur à quatre bandes peut être appliqué à tous les clips de la timeline

Les bandes situées aux extrémités vous permettent d'ajuster les filtres high-shelve, low-shelve, passe-haut et passe-bas. Les filtres de type « passe » suppriment du signal toutes les fréquences supérieures ou inférieures à une fréquence donnée. Par exemple, un filtre passe-haut laissera passer les hautes fréquences mais isolera les basses fréquences. Toutes les fréquences au-delà de la fréquence de coupure sont progressivement atténuées en une courbe descendante.

Les filtres shelve sont moins agressifs et très utiles si vous souhaitez traiter les hautes ou les basses fréquences sans forcément toutes les supprimer du signal. Ils amplifient ou atténuent uniformément la fréquence ciblée et toutes les fréquences définies en dessous ou en dessus de celui-ci, selon si vous choisissez un filtre high ou low shelve.

Les commandes de contrôle des bandes situées au milieu vous permettent d'appliquer les filtres low shelve, bell, notch et high shelve.

- **Bell** : Les filtres bell augmentent ou atténuent les fréquences qui se trouvent autour d'un certain point de la courbe en forme de cloche.
- **Notch** : Les filtres notch vous permettent de cibler une plage très réduite de fréquences. Vous pourrez par exemple supprimer un bourdonnement dans une fréquence de 50 ou de 60Hz.
- **Low Shelve** : Les filtres low shelve amplifient ou atténuent une fréquence basse cible, et toutes les fréquences qui se situent en dessous.
- **High Shelve** : Les filtres high shelve amplifient ou atténuent une fréquence haute cible, et toutes les fréquences qui se situent en dessus.

Pour ajouter un égaliseur à un clip individuel :

- 1 Sélectionnez le clip dans la timeline auquel vous voulez appliquer un filtre.
- 2 Cliquez sur l'inspecteur, puis sur le bouton d'activation de l'**Égaliseur**.

Pour ajouter un égaliseur à une piste :

- 1 Au niveau de l'égaliseur (**EQ**), double-cliquez sur la zone correspondante à la piste de votre choix, afin d'ouvrir l'égaliseur pour cette piste.
- 2 Choisissez le type de filtre à partir du menu déroulant pour la bande que vous souhaitez ajuster.



La zone de l'égaliseur dans le mixeur indique qu'une courbe a été appliquée sur la piste numéro une.



L'égaliseur paramétrique à 6 bandes peut être appliqué à toutes les pistes

Une fois que vous avez ajouté un égaliseur à votre clip ou à votre piste, vous pouvez égaliser chaque bande. Veuillez noter que les commandes peuvent varier selon le type de filtre sélectionné.

Pour régler l'égaliseur pour un filtre de bande :

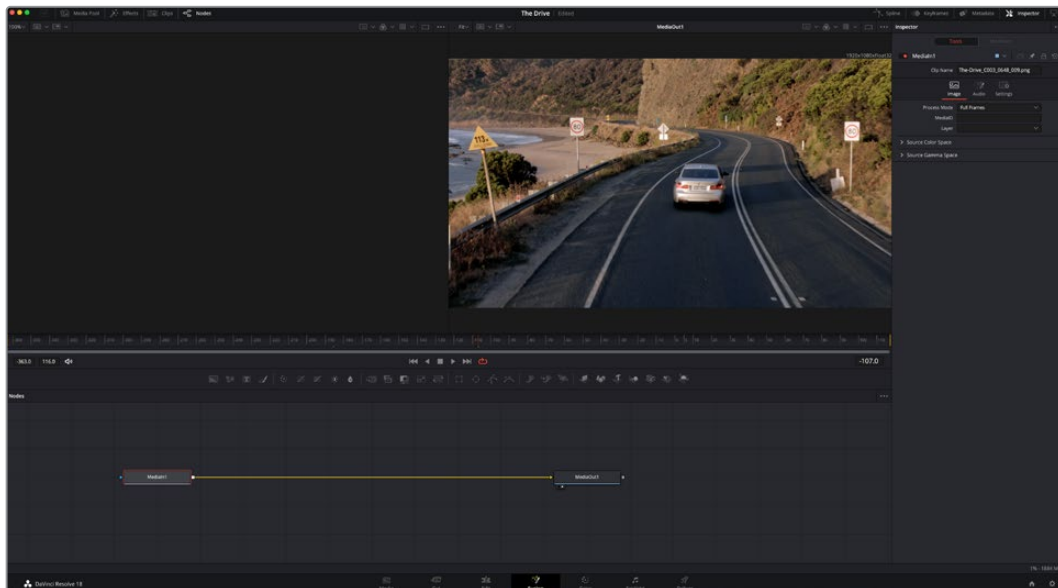
- 1 Choisissez le type de filtre à partir du menu déroulant pour la bande que vous souhaitez ajuster.
- 2 Ajustez la valeur du paramètre **Fréq.** pour sélectionner la fréquence centrale du réglage de l'égaliseur.
- 3 Ajustez la valeur du paramètre **Gain** pour amplifier ou atténuer les fréquences concernées par cette bande.
- 4 Utilisez la valeur du facteur **Q** pour ajuster la largeur de la plage des fréquences affectées.

Appuyez sur le bouton de réinitialisation pour rétablir toutes les commandes de l'égaliseur par défaut.

Fairlight possède de nombreuses fonctionnalités pour améliorer la qualité de chaque piste audio. Vous pouvez ajouter des pistes supplémentaires et organiser les bus, ajouter des effets tels que la réverbération et le délai, et apporter une amélioration générale à votre mix audio.

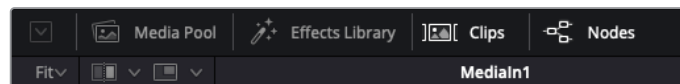
Ajouter des VFX et des compositions sur la page Fusion

Une fois le montage finalisé, vous pouvez ouvrir la page Fusion de DaVinci Resolve pour ajouter des effets visuels 2D ou 3D ainsi que des animations. Contrairement aux logiciels de compositing en couches, Fusion est doté d'une structure nodale qui vous offre la liberté de réaliser des effets complexes tout en acheminant les données d'image dans n'importe quelle direction. La fenêtre contenant les nœuds vous permet de voir tous les outils utilisés durant votre travail. Si vous avez utilisé la structure nodale sur la page Étalonnage, le workflow de Fusion vous sera familier.

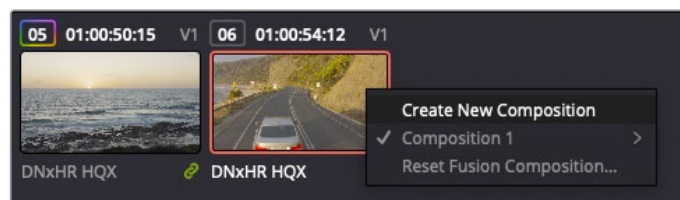


La page Fusion

La page Fusion se compose de deux viewers dans la partie haute de l'écran avec des commandes de transport pour visualiser vos médias, d'un inspecteur sur la droite pour accéder aux outils, et d'une fenêtre contenant les nœuds dans la partie basse pour créer vos compositions. Les viewers et les commandes de transport sont toujours apparents. En cliquant sur les icônes de la barre d'outils située tout en haut de l'écran, vous pouvez faire apparaître ou masquer les nœuds et l'inspecteur, ou encore révéler ou cacher d'autres fenêtres, comme la bibliothèque d'effets ou les éditeurs Spline et Images clés.



- **Bibliothèque de médias** : La bibliothèque de médias fonctionne de la même manière que celle de la page Étalonnage. Faites directement glisser les médias depuis les chutiers dans votre composition.
- **Bibliothèque d'effets** : Dans la bibliothèque d'effets, vous trouverez les outils Fusion et les modèles rangés par catégories, dont les particules, les outils de tracking, les filtres et les générateurs. Vous pouvez cliquer sur un outil ou le faire glisser dans la fenêtre des nœuds pour l'ajouter à votre composition. La bibliothèque de médias et la bibliothèque d'effets se partagent le même espace sur l'écran. Vous pouvez les intervertir afin d'avoir plus de place pour les viewers.
- **Plans** : En cliquant sur l'onglet Plans, vous pouvez afficher ou masquer les vignettes représentant les clips sur votre timeline. Les vignettes se trouvent sous l'éditeur de nœuds, ce qui vous permet d'aller d'un clip à un autre.



Vous pouvez créer une nouvelle version de votre composition en faisant un clic droit sur une vignette, puis en sélectionnant **Créer une nouvelle composition**.

- **Viewers** : Les viewers sont toujours visibles et vous permettent d'accéder aux différentes vues de votre composition. Par exemple, une vue 3D globale via le nœud Merge 3D, une sortie caméra ou le rendu final. Ces viewers vous permettent également de voir comment vos modifications affectent un élément en particulier.

Pour choisir quels nœuds vous souhaitez visualiser, cliquez sur un nœud, puis tapez « 1 » pour l'envoyer sur le viewer de gauche, ou « 2 » pour le viewer de droite. Des boutons blancs s'affichent sous le nœud pour vous indiquer à quel viewer il est associé. Si vous utilisez un moniteur externe, un troisième bouton s'affichera pour acheminer votre média vers ce moniteur.

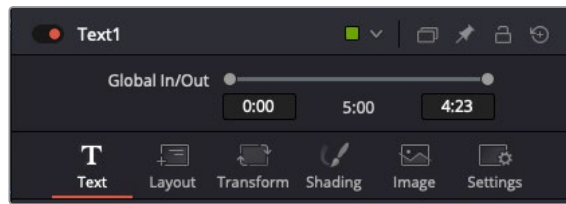
CONSEIL Vous pouvez également associer un nœud à un viewer en le faisant glisser directement dans celui-ci.

Les commandes de transport situées sous les viewers vous permettent d'aller au début ou à la fin du clip, de le lire d'avant en arrière, ou d'arrêter la lecture. La règle temporelle affiche les informations temporelles de l'ensemble du clip. Les indicateurs jaunes représentent les points d'entrée et de sortie.



Les indicateurs jaunes représentent les points d'entrée et de sortie de votre clip sur la timeline. Si vous travaillez avec un clip Fusion ou avec un clip composé, la règle temporelle affichera seulement la durée du clip tel qu'il apparaît sur la timeline, sans les poignées.

- **Nœuds** : La fenêtre comportant les nœuds est au cœur de la page Fusion. C'est ici que vous allez construire la structure nodale en connectant les outils d'un nœud à un autre. La taille de cette fenêtre est plus ou moins grande selon l'éditeur ouvert sur l'écran, comme Spline ou Images clés. Les outils les plus utilisés s'affichent en haut de la fenêtre des nœuds pour vous permettre d'y accéder rapidement.
- **Spline** : Lorsque vous cliquez sur l'éditeur Spline, ce dernier s'affiche sur la droite de la fenêtre de nœuds. Cet éditeur vous permet d'effectuer des ajustements précis pour chaque nœud. Vous pourrez par exemple adoucir une animation entre deux images clés à l'aide des courbes de Bézier.
- **Images clés** : À l'aide de l'éditeur Images clés, vous pouvez ajouter, supprimer ou modifier des images clés pour chaque outil. La fenêtre Images clés s'affiche également sur la droite de la fenêtre de nœuds.
- **Métadonnées** : La fenêtre Métadonnées affiche les métadonnées du clip actif, dont le codec, la fréquence d'images et le timecode.
- **Inspecteur** : L'inspecteur situé en haut à droite de l'écran, affiche tous les paramètres et modificateurs disponibles pour un ou plusieurs nœuds sélectionnés. Des onglets supplémentaires, triés par catégorie, sont également affichés pour vous permettre d'accéder rapidement à d'autres paramètres pour les nœuds.

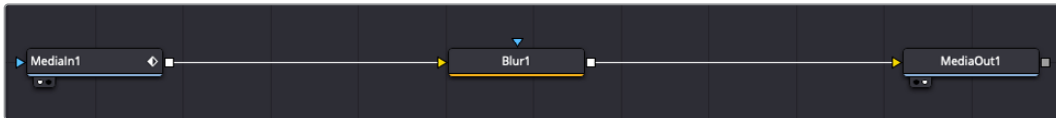


L'éditeur de texte de l'inspecteur offre des onglets supplémentaires pour le texte, la mise en forme, les ombres, les images et les paramètres.

Démarrer avec Fusion

Pour ouvrir la page Fusion, positionnez la tête de lecture sur un clip dans la timeline, puis cliquez sur l'onglet **Fusion**.

Ce clip apparaît immédiatement dans la fenêtre des nœuds en tant que média d'entrée, intitulé **MediaIn**. Chaque composition est constituée d'un nœud de média d'entrée **MediaIn**, et d'un nœud de média de sortie **MediaOut**. Le nœud MediaIn représente le clip d'entrée de votre timeline à la tête de lecture, et ignore les autres clips. Tous les ajustements effectués sur la page Montage, tels que l'utilisation des outils de transformation ou de rognage, sont inclus.



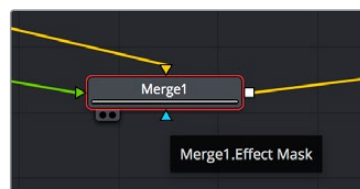
Le nœud MediaOut représente le nœud de sortie de votre timeline sur la page Montage.

CONSEIL Les plug-ins ResolveFX ou OFX appliqués aux clips dans la page Cut ou Montage ne sont pas répercutés sur la page Fusion. En effet, les effets de Fusion priment sur les traitements d'étalonnage et les plug-ins. Si vous souhaitez que les plug-ins OFX priment sur les effets Fusion, faites un clic droit sur le clip dans la page Montage et sélectionnez **Nouveau plan Fusion** avant de cliquer sur la page Fusion.

Comprendre les nœuds

Pour mieux comprendre la structure nodale, visualisez chaque nœud comme une icône représentant un outil ou un effet. Les nœuds sont connectés entre eux pour former la composition globale, c'est comme les ingrédients d'un gâteau ! Il est important de comprendre les entrées et les sorties de chaque nœud, car cela vous aidera à naviguer dans le flux de votre composition tout en créant des effets visuels précis.

Certains outils possèdent plusieurs entrées et sorties que vous pouvez connecter à d'autres nœuds. Par exemple, le nœud Merge vous permet de joindre une entrée d'avant-plan, une sortie d'arrière-plan et une entrée de masque pour les caches ou les incrustations.



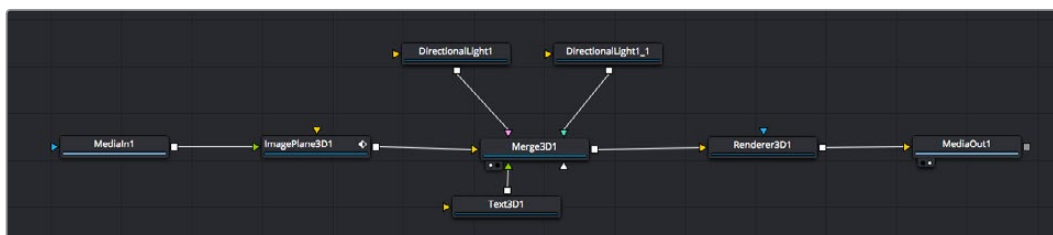
- ▶ Entrée premier plan
- ▶ Entrée arrière-plan
- ▶ Entrée Effet de masque
- ◻ Sortie

Le fait qu'un nœud possède plusieurs sorties signifie que vous pouvez le connecter à d'autres nœuds. Ainsi, contrairement aux structures en couches, vous n'avez pas besoin de dupliquer les clips. Les flèches entre les nœuds vous permettent de connaître la direction du flux des données d'image.

Ajouter des nœuds à l'éditeur de nœuds

Pour ajouter des effets, il vous suffit de placer des nœuds sur la ligne entre le nœud d'entrée et le nœud de sortie.

Il existe plusieurs façons de procéder. Vous pouvez maintenir le bouton Shift enfoncé et déposer un nœud entre deux autres nœuds. Vous pouvez également cliquer sur le nœud auquel vous souhaitez joindre un effet et sélectionner l'outil à ajouter, le nœud va automatiquement se connecter avec l'outil sélectionné. Enfin, vous pouvez ajouter un nœud n'importe où dans la fenêtre de nœuds et connecter manuellement la sortie d'un nœud à l'entrée d'un autre, à l'aide de votre souris.



Les outils les plus utilisés sont les outils Merge 2D ou 3D. Ils permettent de fusionner des outils en ne créant qu'une seule sortie.

Les outils Merge contrôlent la manière dont les entrées sont gérées, notamment la taille, la position et le fondu. Pour accéder à ces paramètres, sélectionnez un nœud Merge et ouvrez l'inspecteur.

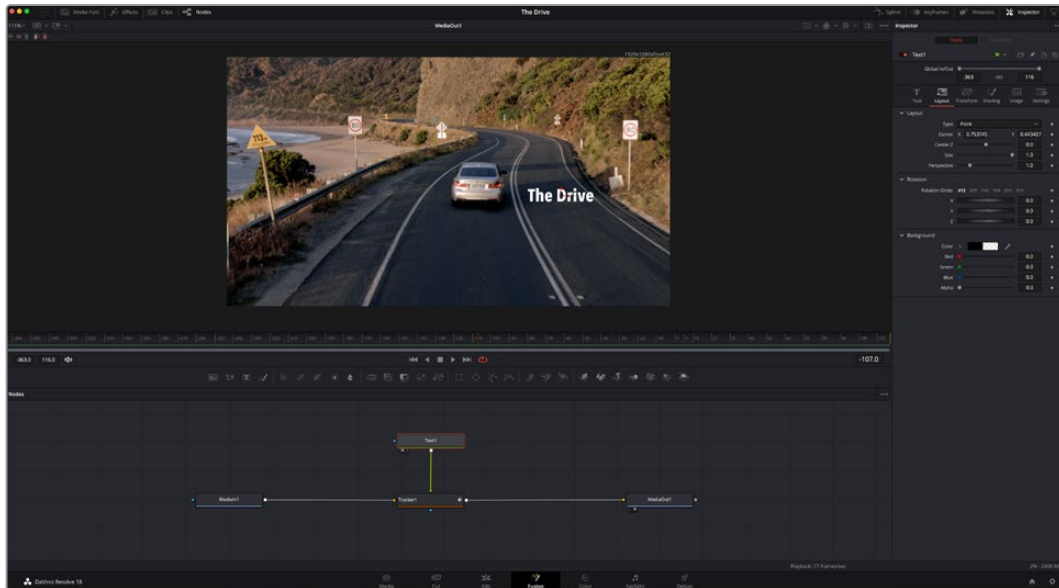
La barre d'outil située au-dessus de la fenêtre de nœuds affiche les icônes des outils les plus utilisés. Pour ajouter un nœud, cliquez sur une icône ou glissez-la dans la fenêtre de nœuds. Pour afficher la liste de tous les outils disponibles, cliquez sur **Bibliothèque d'effets** en haut à gauche de l'écran, puis agrandissez l'option **Tools**. Vous trouverez tous les outils triés par catégorie, ainsi que des templates que vous pouvez utiliser, comme Lens flare, Shader et Background.

CONSEIL Une fois familiarisé avec le nom des outils, maintenez le bouton **Shift** enfoncé et appuyez sur la barre d'espace de votre clavier pour faire apparaître le menu **Select Tool**. Lorsque vous saisissez un nom d'outil, le menu vous suggérera automatiquement l'outil le plus pertinent. C'est un moyen très rapide de sélectionner l'outil de votre choix.

Ajuster les nœuds avec l'inspecteur

Vous pouvez paramétrer les nœuds à l'aide de l'inspecteur. Cliquez sur le nœud que vous souhaitez modifier pour afficher ses paramètres dans l'inspecteur.

Dans Fusion, vous n'avez pas besoin de visualiser le nœud que vous êtes en train d'éditer. Vous pouvez modifier un nœud alors que vous en visionnez un autre dans votre composition. Par exemple, vous pouvez modifier la taille et le centrage d'un nœud **Text+** alors qu'un nœud **Merge** est dans le viewer. Cela vous permet de voir le texte sur un arrière-plan.



Lorsqu'un nœud est sélectionné, il est entouré d'une bordure rouge. Ici, l'inspecteur affiche la fenêtre de mise en forme du nœud Text.

Selon la fonction du nœud sélectionné, différents paramètres s'afficheront. Par exemple, vous pourrez modifier la taille, le centrage ou encore le nombre de particules. Petit à petit, régler les images clés et les paramètres animeront les effets.

Travailler avec des images clés

Dans la fenêtre de l'inspecteur, réglez une image clé en faisant un clic droit sur un paramètre et en sélectionnant **Animer** dans le menu contextuel. L'icône des images clés sur la droite s'affichera en rouge. La fonction Images clés est désormais active, et tous les changements que vous effectuerez ne seront appliqués qu'à l'image sélectionnée. Lorsque vous créez plusieurs images clés en changeant les paramètres d'une autre image, une transition est interpolée entre elles. Les flèches de chaque côté de l'icône de l'image clé vous permettent de déplacer la tête de lecture dans les mêmes positions que la timeline.



Ici, la taille de l'animation a été adoucie avec une courbe de Bézier. Pour raccourcir ou allonger la courbe, cliquez sur ses poignées. Pour déplacer l'animation, cliquez sur les icônes carrées.

La fenêtre Spline vous offre des paramètres supplémentaires pour contrôler votre animation d'image clé. Vous pouvez sélectionner des images clés, comme par exemple la première et la dernière, et adoucir l'animation entre elles avec une courbe de Bézier. Pour cela, saisissez les touches **Shift + s**, ou faites un clic droit sur une image clé et sélectionnez **Adoucir**.

Tracker des éléments en mouvement et ajouter du texte

Afin de vous donner un meilleur aperçu de Fusion, nous allons vous montrer comment tracker un élément dans un clip, ajouter du texte, puis l'intégrer à un élément à l'aide des données de tracking.

L'outil **Tracker** tracke les pixels sur un axe X et Y et génère des données que vous pouvez utiliser pour intégrer des éléments. C'est très utile pour faire correspondre la position d'un texte à un objet en mouvement, comme une voiture qui roule ou un oiseau qui vole sur plusieurs images.

- 1 Dans la page **Bibliothèque d'effets**, sélectionnez l'outil **Tracker** et faites-le glisser sur la ligne entre les nœuds **MediaIn** et **MediaOut**. Cliquez sur le nœud de tracking pour afficher ses propriétés dans l'inspecteur.
- 2 Saisissez « 1 » sur votre clavier pour afficher ce nœud dans le viewer de gauche. Le clip va s'afficher dans le viewer avec le tracker, positionné par défaut sur l'image. Passez votre souris sur le tracker pour afficher ses poignées. Cliquez en haut à gauche des poignées et déplacez le tracker dans la zone de l'image de votre choix. Le tracking est plus performant sur des zones contrastées, comme la marque d'une voiture sur sa carrosserie. Pour une précision optimale, l'image est grossie au passage du tracker.
- 3 Dans la fenêtre de l'inspecteur, cliquez sur le bouton de tracking vers l'avant. Une notification apparaîtra sur votre écran pour vous informer que le tracking est effectué. Cliquez sur OK.



Dans l'inspecteur, vous pouvez choisir de tracker vers l'arrière depuis la dernière image, tracker vers l'arrière depuis l'image sélectionnée, arrêter le tracking, tracker vers l'avant depuis l'image sélectionnée ou tracker vers l'avant depuis la première image.

CONSEIL Utilisez les boutons de tracking avant et arrière depuis une image sélectionnée lorsque la zone à suivre disparaît durant le segment sur lequel vous travaillez. Par exemple, lorsqu'une voiture ou un oiseau sort de l'image. Ainsi, vous trackerez seulement les plans pertinents.

Maintenant, vous pouvez utiliser les données de tracking et appliquer un chemin d'animation à du texte.

- 4 Cliquez sur l'icône du nœud **Text+** depuis la barre d'outils et glissez-le près du nœud **Tracker** dans la fenêtre des nœuds. Connectez la sortie carrée du nœud **Texte** à l'entrée verte du nœud **Tracker**.



- 5 Cliquez sur le nœud **Tracker** et saisissez « 1 » sur votre clavier pour afficher la fusion des deux nœuds dans le viewer de gauche. Dans l'inspecteur de nœud **Tracker**, cliquez sur l'onglet **Opération**. Cliquez sur la flèche du menu **Operation** et sélectionnez **Suivi du mouvement**.
- 6 Cliquez sur le nœud de texte pour afficher ses propriétés dans l'inspecteur. Tapez votre texte dans le champ de saisie et modifiez la police, la couleur et la taille des caractères, selon les besoins de votre composition.

Cela appliquera les données de position du tracker à votre texte. Si vous souhaitez décaler la position du texte, revenez sur la fenêtre du Tracker dans l'inspecteur, et utilisez les roues **Y Offset** et **X Offset**.



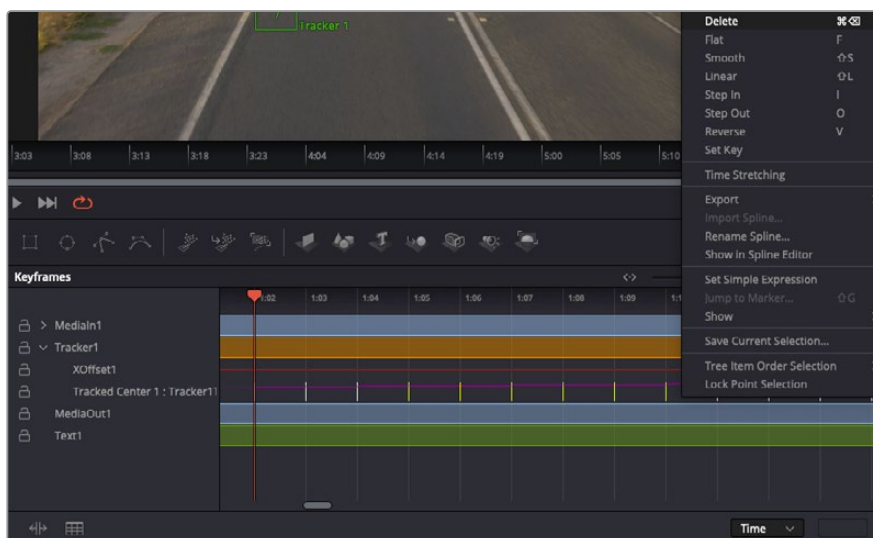
Tourner les roues Offset en bas de la fenêtre de l'inspecteur permet d'ajuster la position du texte.

Vous pouvez désormais lire votre composition et voir le texte suivre l'élément que vous avez tracké !



Le carré vert représente la position actuelle du tracker sur son tracé. La ligne en pointillé rouge représente la position de décalage pour animer le texte.

Pour certaines prises, vous pourriez vouloir supprimer les points de tracking, par exemple, quand l'objet que vous trackez disparaît de l'écran. Grâce aux images clés, c'est très simple à réaliser.



- 7 Cliquez sur la fenêtre Images clés située au dessus de l'inspecteur. Chaque nœud auquel vous appliquez des images clés comportera une petite flèche à côté de son nom. Seuls les paramètres avec des images clés s'afficheront dans la liste. Cliquez sur l'icône de grossissement et définissez la zone que vous souhaitez éditer. Cette zone sera grossie pour vous permettre de voir l'image clé plus facilement.
- 8 Déplacez la tête de lecture sur la dernière image clé de votre choix. Maintenant, sélectionnez les images clés que vous souhaitez supprimer en définissant une zone autour d'elles à l'aide de votre souris. Les images clés seront surlignées en jaune. Faites un clic droit et sélectionnez **Supprimer** pour les supprimer.

CONSEIL Si vos effets sont particulièrement lourds pour votre système, faites un clic droit sur la zone des commandes de transport pour voir d'autres options de lecture, comme la lecture proxy qui vous permet d'optimiser le traitement de votre système lorsque vous créez vos compositions. Pour plus de détails sur les options de lecture, veuillez consulter le manuel DaVinci Resolve.

Bravo, vous avez finalisé votre première composition en animant du texte qui suit un élément de votre séquence !

Pour tracker une surface plate que vous souhaitez améliorer ou remplacer, vous pouvez utiliser l'outil de tracking planaire. Tracker des surfaces planes en 2D peut être utile pour changer un nom ou une marque dans une image en mouvement, ou même pour ajouter une image à un écran TV.

Pour plus d'informations sur l'outil de tracking planaire et les puissants outils de la page Fusion, veuillez consulter le manuel DaVinci Resolve.

CONSEIL Lorsque vous créez des effets dans la page Fusion, il est important de savoir si ces effets sont en 2D ou en 3D. En effet, cela déterminera quel outil Merge sera utilisé. Il est possible que vous combiniez des effets 2D et 3D dans une seule composition. Dans ce cas, rappelez-vous que les effets visuels 3D doivent être rendus en tant qu'image 2D avant d'être intégrés dans une composition 2D.

Nous sommes persuadés que vous adorerez créer de puissants effets visuels avec Fusion et explorer les fonctions de montage, d'étalonnage et de post audio de DaVinci Resolve. Avec tous ces outils à votre disposition, les possibilités de création sont illimitées !

Mastériser votre montage

Une fois le montage, l'étalonnage, l'ajout de VFX et le mixage audio effectués, il est temps de partager votre création. Vous pouvez utiliser la fonction Exportation rapide pour exporter les contenus de la timeline en tant que fichier autonome dans différents formats, ou utiliser les fonctionnalités additionnelles depuis la page **Exportation**.



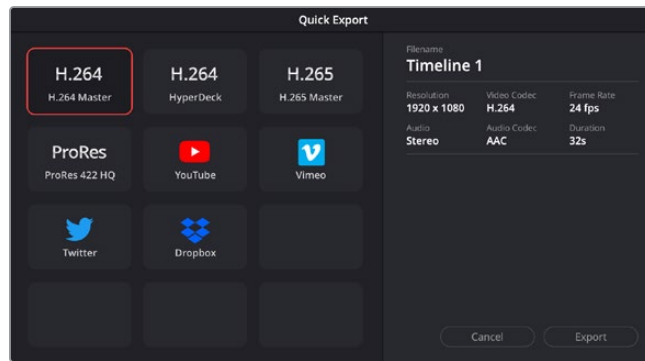
La séquence montée est exportée depuis la page **Exportation**. Vous pouvez choisir le format et les codecs de votre vidéo

Exportation rapide

Vous pouvez sélectionner Fichier > Exportation rapide pour utiliser les différents préréglages d'exportation, afin d'exporter votre programme depuis n'importe quelle page de DaVinci Resolve. Vous pouvez même utiliser l'exportation rapide pour exporter et charger votre programme vers les plateformes de partage vidéo prises en charge, dont YouTube, Vimeo, Twitter et Frame.io.

Pour utiliser l'Exportation rapide :

- 1 Depuis la page **Cut**, **Montage**, **Fusion** ou **Étalonnage**, réglez si besoin des points d'entrée et de sortie dans la timeline pour sélectionner la plage du programme à exporter. Si aucune timeline ou aucun point d'entrée ou de sortie n'ont été sélectionnés, la timeline toute entière sera exportée.
Choisissez Fichier > Exportation rapide.
- 2 Sélectionnez un préréglage parmi les icônes du bandeau supérieur de la boîte de dialogue, puis cliquez sur **Exporter**.
- 3 Choisissez un emplacement et nommez le fichier dans la boîte de dialogue, puis cliquez sur **Enregistrer**. Une barre de progression apparaîtra pour vous indiquer combien de temps durera l'exportation.



Boîte de dialogue de l'Exportation rapide

Page Exportation

Cette page vous permet de sélectionner les clips que vous souhaitez exporter et de choisir le format, le codec et la résolution souhaités. Vous pouvez exporter de nombreux formats, tels que QuickTime, AVI, MXF et DPX à l'aide de codecs non compressés RVB/YUV 8 bits ou 10 bits, ProRes, DNxHD, H.264 et autres.

Pour exporter la séquence montée en un seul clip :

- 1 Cliquez sur l'onglet **Exportation** pour ouvrir la page Exportation.
- 2 Dans la fenêtre **Paramètres d'export** en haut à gauche de la page, vous pouvez choisir les préférences d'exportation, par exemple YouTube, Vimeo et des préférences audio. Vous pouvez également configurer les paramètres d'exportation manuellement en conservant le préférence par défaut **Personnaliser** et en saisissant vos propres réglages. Dans cet exemple, sélectionnez YouTube puis cliquez sur la flèche située à côté du préférence et sélectionnez le format vidéo 1080p.

La fréquence d'images sera la même que la fréquence d'images de votre projet.

- 3 Sous les préférences apparaissent le nom de fichier de la timeline et l'emplacement vers lequel vos vidéos seront exportées. Cliquez sur **Parcourir**, choisissez l'emplacement où vous souhaitez sauvegarder les fichiers exportés, puis sélectionnez **Plan unique** parmi les options d'exportation.
- 4 Juste au-dessus de la timeline, vous verrez que la case **Toute la timeline** est sélectionnée. Cela exportera l'intégralité de la timeline, cependant, vous pouvez sélectionner une partie de la timeline si vous le souhaitez. Choisissez simplement **Sélection Entrée/Sortie** puis utilisez les raccourcis clavier **i** et **o** pour sélectionner les points d'entrée et de sortie sur la timeline.
- 5 Allez au bas de la fenêtre **Paramètres de rendu** et cliquez sur le bouton **Ajouter à la liste de rendu**.

Les paramètres de rendu sont ajoutés à la queue de rendus à droite de la page. Cliquez sur **Rendre**. Grâce à la queue de rendus, vous pouvez suivre la progression de votre rendu.

Lorsque le rendu est terminé, ouvrez le dossier, faites un double-clic sur le clip rendu et regardez le résultat.

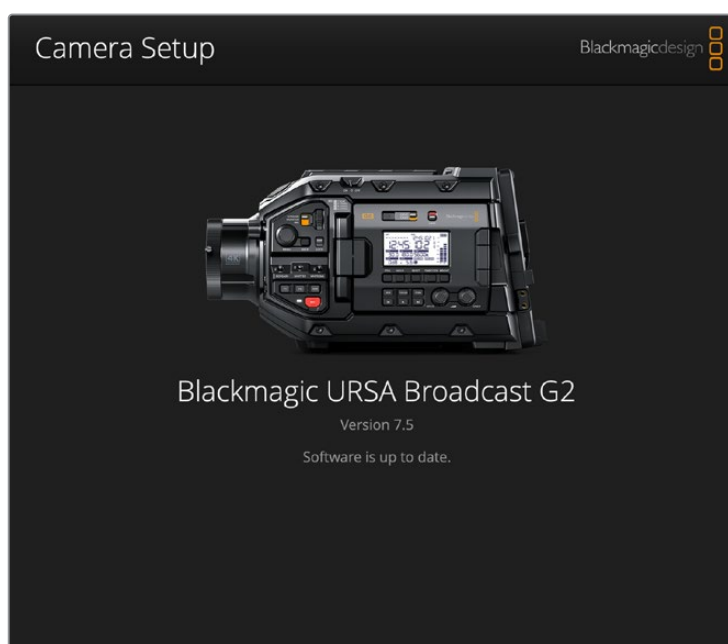
Maintenant que vous avez acquis les bases du montage, de l'étalonnage, du mix audio et des effets visuels, n'hésitez pas à vous lancer avec DaVinci Resolve ! Veuillez consulter le manuel DaVinci Resolve pour plus de détails sur chaque fonctionnalité.

Blackmagic Camera Setup Utility

Mise à jour du logiciel de la caméra sous Mac

Après avoir téléchargé le logiciel Blackmagic Camera Setup Utility et dézippé le fichier téléchargé, ouvrez l'image disque pour faire apparaître le Blackmagic Camera Setup Installer.

Lancez le programme d'installation et suivez les instructions figurant à l'écran. Une fois l'installation terminée, allez sur le dossier Applications et ouvrez le dossier Blackmagic Cameras. Vous y trouverez ce manuel, l'utilitaire Blackmagic Camera Setup et un dossier contenant des fichiers readme ainsi que des informations. Vous y trouverez également un désinstalleur que vous utiliserez pour les mises à jour du Blackmagic Camera Setup.



Mise à jour du logiciel de la caméra sous Windows

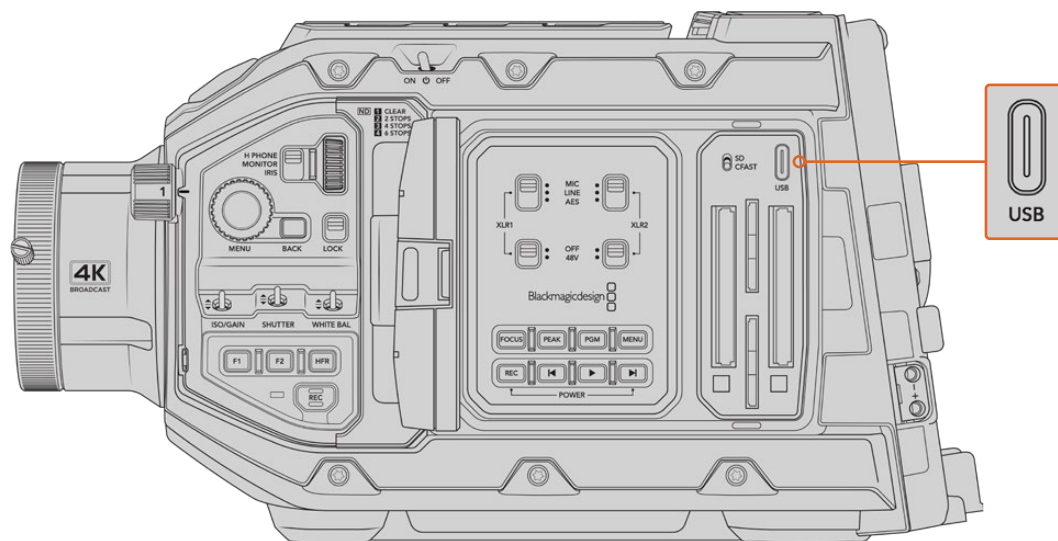
Après avoir téléchargé le logiciel Blackmagic Camera Setup Utility et dézippé le fichier téléchargé, un dossier Blackmagic Camera Setup s'affiche, contenant le PDF de ce manuel ainsi que le programme d'installation Blackmagic Camera Setup. Double-cliquez sur le programme d'installation et suivez les instructions figurant à l'écran pour terminer l'installation.

Sous Windows 10, appuyez sur le bouton de démarrage et sélectionnez **All apps**. Faites défiler vers le bas jusqu'au dossier Blackmagic Design, puis lancez le Blackmagic Camera Setup.

Comment mettre à jour le logiciel de la caméra

Après avoir installé la dernière version du logiciel Blackmagic Camera Setup sur votre ordinateur, connectez un câble USB entre l'ordinateur et la Blackmagic URSA Broadcast G2. Le port USB est situé sur la face gauche, au-dessus des fentes pour carte de stockage.

Lancez le logiciel Blackmagic Camera Setup et suivez les instructions figurant sur l'écran pour mettre à jour le logiciel de la caméra. Il est important de noter que mettre à jour le logiciel de votre caméra supprimera tous les préréglages et toutes les LUTs personnalisées, puis restaurera tous les réglages. Avant d'effectuer une mise à jour logicielle, il est conseillé de les exporter sur une carte mémoire, comme stockage de secours. Après la mise à jour, vous pourrez restaurer rapidement vos préréglages et vos LUTs en les important depuis la carte mémoire.



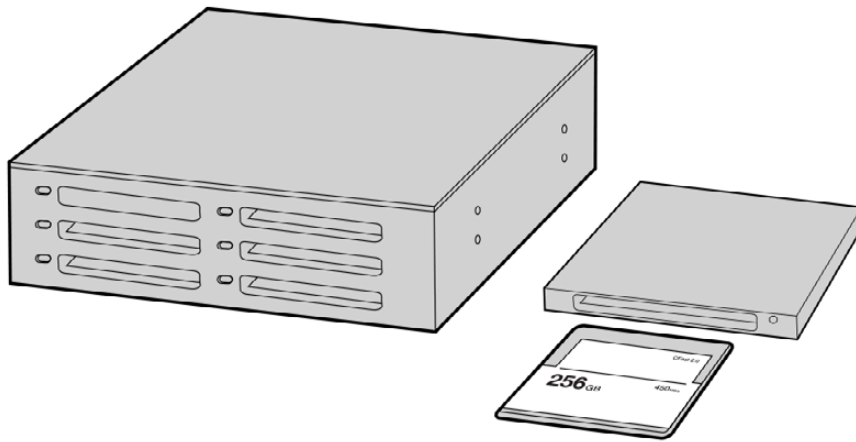
Sur la Blackmagic URSA Broadcast G2, le port USB de type C, situé au-dessus des fentes pour carte de stockage et à côté de l'interrupteur permettant de sélectionner le support, permet de mettre à jour le logiciel de la caméra.

Travailler avec un logiciel tiers

Pour monter vos clips à l'aide de votre logiciel de montage favori, vous pouvez copier vos clips sur un lecteur interne/externe ou RAID puis les importer dans le logiciel. Vous pouvez également importer vos enregistrements à partir de votre disque SSD au moyen d'une station d'accueil ou d'un adaptateur pour votre carte CFast, SD ou votre SSD.

REMARQUE Le Blackmagic RAW est pris en charge sur la URSA Broadcast G2 par DaVinci Resolve 16.1.2 ou une version ultérieure et a été adopté par une large gamme de programmes de post-production tiers. De nouveaux plug-ins permettant d'utiliser le format Blackmagic RAW sur Avid Media Composer and Adobe Premiere Pro sont disponibles sur le site : www.blackmagicdesign.com/fr/support.

Travailler avec des fichiers provenant de cartes CFast 2.0 et de cartes SD



Procédez au montage directement à partir de la carte CFast en la retirant de la caméra et en l'installant sur votre ordinateur à l'aide d'un lecteur/graveur de carte CFast 2.0 ou d'un lecteur de carte CFast

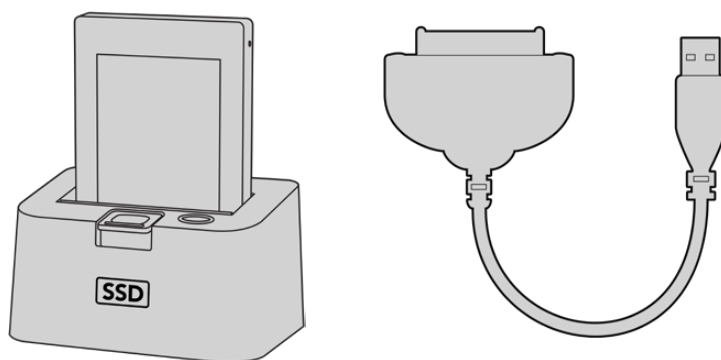
Pour importer vos clips à partir d'une carte CFast 2.0 ou d'une carte SD :

- 1 Retirez la carte CFast ou SD de votre caméra Blackmagic URSA Broadcast G2.
Installez la carte sur votre ordinateur Mac ou Windows à l'aide d'un lecteur de cartes.
- 2 Ouvrez la carte sur votre système d'exploitation. Vous devriez voir une liste de fichiers MOV QuickTime ou Blackmagic RAW.
- 3 Faites simplement glisser les fichiers que vous souhaitez utiliser de la carte SD vers le bureau ou vers un autre disque dur. Il est également possible d'accéder aux fichiers directement sur la carte à l'aide d'un logiciel de montage.
- 4 Il est important de toujours éjecter votre carte CFast ou SD de Mac OS ou de Windows avant de les débrancher de votre ordinateur. Sinon, il y a un risque que vos fichiers soient corrompus.

Travailler avec des fichiers enregistrés sur disque SSD

Importer des clips à partir d'un disque SSD :

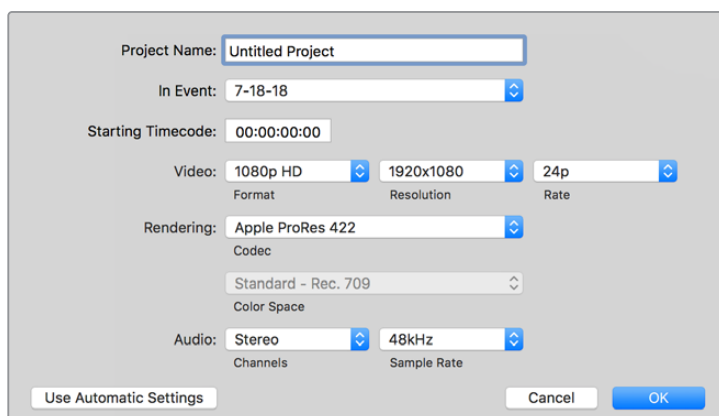
- 1 Retirez le SSD du URSA Mini Recorder.
- 2 Vous pouvez accéder au contenu de votre SSD sur un ordinateur Mac ou Windows en utilisant une baie eSATA ou Thunderbolt, telle que le Blackmagic MultiDock. Vous pouvez également utiliser un câble adaptateur eSATA vers USB pour brancher directement le SSD au port USB de votre ordinateur. Il est préférable d'utiliser un port USB 3.0, car l'USB 2.0 n'est pas assez rapide pour monter de la vidéo en temps réel.
- 3 Double-cliquez sur le SSD pour l'ouvrir. Vous devriez voir une liste de fichiers MOV QuickTime ou des fichiers Blackmagic RAW. Selon le format d'enregistrement choisi, vous aurez peut-être un mélange de fichiers, mais leur convention de dénomination sera la même.
- 4 Faites simplement glisser les fichiers que vous souhaitez utiliser du SSD vers le bureau ou vers un autre disque dur. Il est également possible d'accéder aux fichiers directement sur le disque à l'aide d'un logiciel de montage non linéaire.
- 5 Avant de retirer le disque SSD de votre ordinateur, veillez à l'éjecter correctement de ce dernier.



Pour monter directement vos fichiers à partir du disque SSD, il suffit de le retirer de votre caméra et de l'installer sur votre ordinateur en utilisant une baie eSATA Thunderbolt ou un câble USB 3.0.

Utiliser Final Cut Pro X

Pour monter des clips avec Final Cut Pro X, créez un nouveau projet et réglez le format vidéo et la fréquence d'images appropriés. Pour cet exemple, nous utiliserons le format ProRes 422 HQ 1080p24.



Paramètre du projet dans Final Cut Pro X

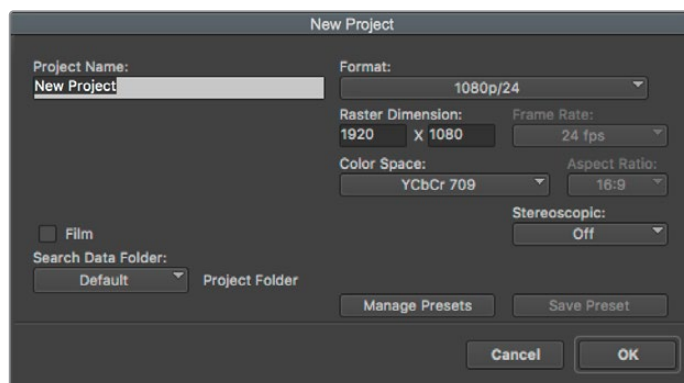
- 1 Lancez Final Cut Pro X, allez sur la barre de menu et sélectionnez **File/New Project**. Une fenêtre contenant les paramètres du projet apparaît.
- 2 Nommez votre projet et sélectionnez la case **Custom**.
- 3 Réglez les paramètres **Video Properties** sur 1080p HD, 1920x1080 et 24p.
- 4 Réglez les paramètres **Audio and Render Properties** sur **Stereo**, **48kHz**, et **Apple ProRes 422**.
- 5 Cliquez sur OK.

Pour importer vos clips dans le projet, allez sur la barre de menu et sélectionnez **File/Import/Media**. Choisissez vos clips à partir de la carte CFast.

Vous pouvez à présent faire glisser vos clips dans la timeline pour le montage.

Utiliser Avid Media Composer 2018

Pour monter des clips avec Avid Media Composer 2018, créez un nouveau projet et réglez le format vidéo et la fréquence d'images appropriés. Dans cet exemple, les clips sont réglés sur 1080p24.



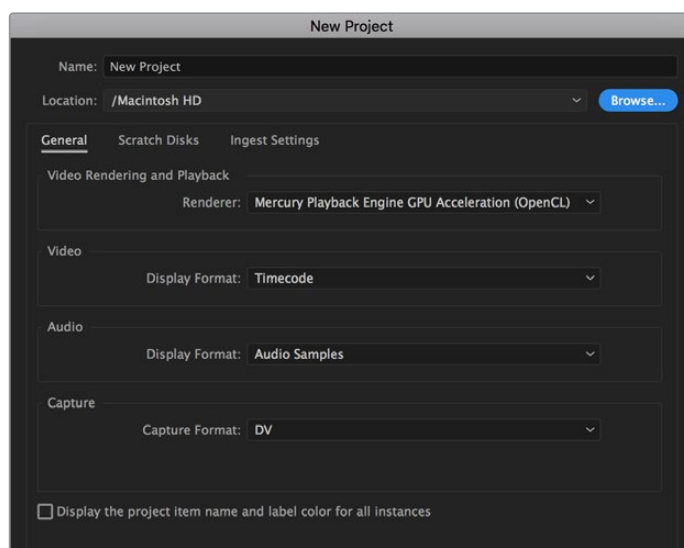
Régler le nom et les options de votre projet dans Avid Media Composer 2018

- 1 Lancez le logiciel Avid Media Composer 2018, la fenêtre de sélection du projet apparaît.
- 2 Cliquez sur le bouton **New Project** et nommez votre projet dans la fenêtre du nouveau projet.
- 3 Dans le menu déroulant **Format**, sélectionnez HD 1080 > 1080p/24 et cliquez sur **OK** pour créer le projet.
- 4 Double-cliquez sur le projet dans la fenêtre **Select Project** pour l'ouvrir.
- 5 Sélectionnez File > Input > Source browser et naviguez jusqu'aux fichiers à importer.
- 6 Sélectionnez votre chutier cible depuis le menu déroulant **Target bin**, puis cliquez sur **Import** pour importer les fichiers.

Lorsque les clips apparaissent dans le chutier, vous pouvez faire glisser vos clips dans la timeline et commencer le montage.

Utiliser Adobe Premiere Pro CC

Pour monter des clips Apple ProRes 422 HQ avec le logiciel Adobe Premiere Pro CC, créez un nouveau projet et réglez le format vidéo et la fréquence d'images appropriés. Dans cet exemple, les clips sont réglés sur ProRes 422 HQ 1080p25.



Choisissez le nom et réglez les options de votre projet dans Adobe Premiere Pro CC

- 1 Lancez Adobe Premiere Pro CC. Sur l'écran de bienvenue, sélectionnez **New Project**. Une fenêtre contenant les paramètres du projet apparaît.
- 2 Nommez votre projet. Choisissez un emplacement pour votre projet en cliquant sur **Parcourir** et en sélectionnant le dossier désiré. Une fois le dossier sélectionné, cliquez sur OK dans la fenêtre **New Project**.
- 3 Allez sur la barre de menu d'Adobe Premiere Pro CC et sélectionnez **File/Import**. Choisissez ensuite les clips que vous souhaitez monter. Les clips apparaissent dans la fenêtre Projet.
- 4 Faites glisser le premier clip que vous souhaitez monter sur l'icône **New Item** située en bas à droite de la fenêtre du projet. Une nouvelle séquence possédant les mêmes paramètres que votre clip est créée.

Vous pouvez à présent les faire glisser sur la timeline pour commencer le montage.

Developer Information

Blackmagic Bluetooth Camera Control

Blackmagic cameras with Bluetooth LE implement a variety of features and commands that allow users to control their cameras wirelessly. Developers have full access to these features for their custom applications.

The following services and characteristics describe the full range of communication options that are available to the developer.

Service: Device Information Service

UUID: 180A

Characteristics

Camera Manufacturer

UUID: 2A29

Read the name of the manufacturer (always “Blackmagic Design”).

Camera Model

UUID: 2A24

Read the name of the camera model (“URSA Broadcast G2”).

Service: Blackmagic Camera Service

UUID: 291D567A-6D75-11E6-8B77-86F30CA893D3

Characteristics

Outgoing Camera Control (encrypted)

UUID: 5DD3465F-1AEE-4299-8493-D2ECA2F8E1BB

Send Camera Control messages

These messages are identical to those described in the Blackmagic SDI Camera Control Protocol section below. Please read that section for a list of supported messages and required formatting information.

For an example of how packets are structured, please see the ‘example protocol packets’ section in this document.

Incoming Camera Control (encrypted)

UUID: B864E140-76A0-416A-BF30-5876504537D9

Request notifications for this characteristic to receive Camera Control messages from the camera.

These messages are identical to those described in the Blackmagic SDI Camera Control Protocol section below. Please read that section for a list of supported messages and required formatting information.

Timecode (encrypted)

UUID: 6D8F2110-86F1-41BF-9AFB-451D87E976C8

Request notifications for this characteristic to receive timecode updates.

Timecode (HH:MM:SS:mm) is represented by a 32-bit BCD number:
(eg. 09:12:53:10 = 0x09125310)

Camera Status (encrypted)

UUID: 7FE8691D-95DC-4FC5-8ABD-CA74339B51B9

Request notifications for this characteristic to receive camera status updates.

The camera status is represented by flags contained in an 8-bit integer:

None	= 0x00
Camera Power On	= 0x01
Connected	= 0x02
Paired	= 0x04
Versions Verified	= 0x08
Initial Payload Received	= 0x10
Camera Ready	= 0x20

Send a value of 0x00 to power a connected camera off.

Send a value of 0x01 to power a connected camera on.

Device Name

UUID: FFAC0C52-C9FB-41A0-B063-CC76282EB89C

Send a device name to the camera (max. 32 characters).

The camera will display this name in the Bluetooth Setup Menu.

Protocol Version

UUID: 8F1FD018-B508-456F-8F82-3D392BEE2706

Read this value to determine the camera's supported CCU protocol version.

NOTE Encrypted characteristics can only be used once a device has successfully bonded or paired with the Blackmagic Camera. Once a connection has been established, any attempt to write to an encrypted characteristic will initiate bonding. For example, writing a 'Camera Power On' (0x01) message to the Camera Status characteristic.

Once bonding is initiated, the camera will display a 6-digit pin in the Bluetooth Setup Menu. Enter this pin on your device to establish an encrypted connection. The device will now be able to read, write and receive notifications from encrypted characteristics.

Blackmagic SDI and Bluetooth Camera Control Protocol

Version 1.6.2

If you are a software developer you can use the Blackmagic SDI and Bluetooth Camera Control Protocol to construct devices that integrate with our products. Here at Blackmagic Design, our approach is to open up our protocols and we eagerly look forward to seeing what you come up with!

Overview

This document describes an extensible protocol for sending a unidirectional stream of small control messages embedded in the non-active picture region of a digital video stream. The video stream containing the protocol stream may be broadcast to a number of devices. Device addressing is used to allow the sender to specify which device each message is directed to.

Assumptions

Alignment and padding constraints are explicitly described in the protocol document. Bit fields are packed from LSB first. Message groups, individual messages and command headers are defined as, and can be assumed to be, 32 bit aligned.

Blanking Encoding

A message group is encoded into a SMPTE 291M packet with DID/SDID x51/x53 in the active region of VANC line 16.

Message Grouping

Up to 32 messages may be concatenated and transmitted in one blanking packet up to a maximum of 255 bytes payload. Under most circumstances, this should allow all messages to be sent with a maximum of one frame latency.

If the transmitting device queues more bytes of message packets than can be sent in a single frame, it should use heuristics to determine which packets to prioritize and send immediately. Lower priority messages can be delayed to later frames, or dropped entirely as appropriate.

Abstract Message Packet Format

Every message packet consists of a three byte header followed by an optional variable length data block. The maximum packet size is 64 bytes.

Destination device (uint8)	Device addresses are represented as an 8 bit unsigned integer. Individual devices are numbered 0 through 254 with the value 255 reserved to indicate a broadcast message to all devices.
Command length (uint8)	The command length is an 8 bit unsigned integer which specifies the length of the included command data. The length does NOT include the length of the header or any trailing padding bytes.
Command id (uint8)	The command id is an 8 bit unsigned integer which indicates the message type being sent. Receiving devices should ignore any commands that they do not understand. Commands 0 through 127 are reserved for commands that apply to multiple types of devices. Commands 128 through 255 are device specific.
Reserved (uint8)	This byte is reserved for alignment and expansion purposes. It should be set to zero.
Command data (uint8[])	The command data may contain between 0 and 60 bytes of data. The format of the data section is defined by the command itself.

Padding (uint8[])	Messages must be padded up to a 32 bit boundary with 0x0 bytes. Any padding bytes are NOT included in the command length.
--------------------------	---

Receiving devices should use the destination device address and or the command identifier to determine which messages to process. The receiver should use the command length to skip irrelevant or unknown commands and should be careful to skip the implicit padding as well.

Defined Commands

Command 0 : change configuration

Category (uint8)	The category number specifies one of up to 256 configuration categories available on the device.
Parameter (uint8)	The parameter number specifies one of 256 potential configuration parameters available on the device. Parameters 0 through 127 are device specific parameters. Parameters 128 though 255 are reserved for parameters that apply to multiple types of devices.
Data type (uint8)	The data type specifies the type of the remaining data. The packet length is used to determine the number of elements in the message. Each message must contain an integral number of data elements.

Currently defined values are:

0: void/boolean	A void value is represented as a boolean array of length zero. The data field is a 8 bit value with 0 meaning false and all other values meaning true.
1: signed byte	Data elements are signed bytes
2: signed 16 bit integer	Data elements are signed 16 bit values
3: signed 32 bit integer	Data elements are signed 32 bit values
4: signed 64 bit integer	Data elements are signed 64 bit values
5: UTF-8 string	Data elements represent a UTF-8 string with no terminating character.

Data types 6 through 127 are reserved.

128: signed 5.11 fixed point	Data elements are signed 16 bit integers representing a real number with 5 bits for the integer component and 11 bits for the fractional component. The fixed point representation is equal to the real value multiplied by 2^{11} . The representable range is from -16.0 to 15.9995 (15 + 2047/2048).
-------------------------------------	---

Data types 129 through 255 are available for device specific purposes.

Operation type (uint8)	The operation type specifies what action to perform on the specified parameter. Currently defined values are:
0: assign value	The supplied values are assigned to the specified parameter. Each element will be clamped according to its valid range. A void parameter may only be 'assigned' an empty list of boolean type. This operation will trigger the action associated with that parameter. A boolean value may be assigned the value zero for false, and any other value for true.
1: offset/toggle value	Each value specifies signed offsets of the same type to be added to the current parameter values. The resulting parameter value will be clamped according to their valid range. It is not valid to apply an offset to a void value. Applying any offset other than zero to a boolean value will invert that value.

Operation types 2 through 127 are reserved.

Operation types 128 through 255 are available for device specific purposes.

Data (void)	The data field is 0 or more bytes as determined by the data type and number of elements.
--------------------	--

The category, parameter, data type and operation type partition a 24 bit operation space.

Group	ID	Parameter	Type	Index	Minimum	Maximum	Interpretation
Lens	0.0	Focus	fixed16	–	0.0	1.0	0.0 = near, 1.0 = far
	0.1	Instantaneous autofocus	void	–	–	–	trigger instantaneous autofocus
	0.2	Aperture (f-stop)	fixed16	–	-1.0	16.0	Aperture Value (where fnumber = $\sqrt{2^{AV}}$)
	0.3	Aperture (normalised)	fixed16	–	0.0	1.0	0.0 = smallest, 1.0 = largest
	0.4	Aperture (ordinal)	int16	–	0	n	Steps through available aperture values from minimum (0) to maximum (n)
	0.5	Instantaneous auto aperture	void	–	–	–	trigger instantaneous auto aperture
	0.6	Optical image stabilisation	boolean	–	–	–	true = enabled, false = disabled
	0.7	Set absolute zoom (mm)	int16	–	0	max	Move to specified focal length in mm, from minimum (0) to maximum (max)
	0.8	Set absolute zoom (normalised)	fixed16	–	0.0	1.0	Move to specified focal length: 0.0 = wide, 1.0 = tele
	0.9	Set continuous zoom (speed)	fixed16	–	-1.0	+1.0	Start/stop zooming at specified rate: -1.0 = zoom wider fast, 0.0 = stop, +1 = zoom tele fast

Group	ID	Parameter	Type	Index	Minimum	Maximum	Interpretation
Video	1.0	Video mode	int8	[0] = frame rate	-	-	fps as integer (eg 24, 25, 30, 50, 60)
				[1] = M-rate	-	-	0 = regular, 1 = M-rate
				[2] = dimensions	-	-	0 = NTSC, 1 = PAL, 2 = 720, 3 = 1080, 4 = 2kDCI, 5 = 2k16:9, 6 = UHD, 7 = 3k Anamorphic, 8 = 4k DCI, 9 = 4k 16:9, 10 = 4.6k 2.4:1, 11 = 4.6k
				[3] = interlaced	-	-	0 = progressive, 1 = interlaced
				[4] = Color space	-	-	0 = YUV
	1.1	Gain (up to Camera 4.9)	int8		1	128	1x, 2x, 4x, 8x, 16x, 32x, 64x, 128x gain
	1.2	Manual White Balance	int16	[0] = color temp	2500	10000	Color temperature in K
			int16	[1] = tint	-50	50	tint
	1.3	Set auto WB	void	-	-	-	Calculate and set auto white balance
	1.4	Restore auto WB	void	-	-	-	Use latest auto white balance setting
	1.5	Exposure (us)	int32		1	42000	time in us
	1.6	Exposure (ordinal)	int16	-	0	n	Steps through available exposure values from minimum (0) to maximum (n)
	1.7	Dynamic Range Mode	int8 enum	-	0	2	0 = film, 1 = video, 2 = extended video
	1.8	Video sharpening level	int8 enum	-	0	3	0 = off, 1 = low, 2 = medium, 3 = high
	1.9	Recording format	int16	[0] = file frame rate	-	-	fps as integer (eg 24, 25, 30, 50, 60, 120)
				[1] = sensor frame rate	-	-	fps as integer, valid when sensor-off-speed set (eg 24, 25, 30, 33, 48, 50, 60, 120), no change will be performed if this value is set to 0
				[2] = frame width	-	-	in pixels
				[3] = frame height	-	-	in pixels
				[4] = flags	-	-	[0] = file-M-rate
					-	-	[1] = sensor-M-rate, valid when sensor-off-speed-set
-					-	[2] = sensor-off-speed	
-	-	[3] = interlaced					
-	-	[4] = windowed mode					
1.10	Set auto exposure mode	int8	-	0	4	0 = Manual Trigger, 1 = Iris, 2 = Shutter, 3 = Iris + Shutter, 4 = Shutter + Iris	
1.11	Shutter angle	int32	-	100	36000	Shutter angle in degrees, multiplied by 100	
1.12	Shutter speed	int32	-	Current sensor frame rate	5000	Shutter speed value as a fraction of 1, so 50 for 1/50th of a second	
1.13	Gain	int8	-	-128	127	Gain in decibel (dB)	
1.14	ISO	int32	-	0	2147483647	ISO value	
1.15	Display LUT	int8	[0] = selected LUT	-	-	0 = None, 1 = Custom, 2 = film to video, 3 = film to extended video	
			[1] = enabled or not	-	-	0 = Not enabled, 1 = Enabled	
1.16	ND Filter Stop	fixed16	[0] = stop	0.0	15.0	filter power, as f-stop	
			[1] = display mode	-	-	0 = stop 1 = density 2 = transmittance	

Group	ID	Parameter	Type	Index	Minimum	Maximum	Interpretation
Audio	2.0	Mic level	fixed16	–	0.0	1.0	0.0 = minimum, 1.0 = maximum
	2.1	Headphone level	fixed16	–	0.1	1.0	0.0 = minimum, 1.0 = maximum
	2.2	Headphone program mix	fixed16	–	0.1	1.0	0.0 = minimum, 1.0 = maximum
	2.3	Speaker level	fixed16	–	0.1	1.0	0.0 = minimum, 1.0 = maximum
	2.4	Input type	int8	–	0	3	0 = internal mic, 1 = line level input, 2 = low mic level input, 3 = high mic level input
	2.5	Input levels	fixed16	[0] ch0	0.0	1.0	0.0 = minimum, 1.0 = maximum
				[1] ch1	0.0	1.0	0.0 = minimum, 1.0 = maximum
2.6	Phantom power	boolean	–	–	–	true = powered, false = not powered	
Output	3.0	Overlay enables	uint16 bit field	[0] = bit field	–	–	bit flags: [0] = display status, [1] = display frame guides [2] = clean feed Some cameras don't allow separate control of frame guides and status overlays.
				[1] = target displays bit field	–	–	bit flags: [0] = LCD [1] = HDMI [2] = EVF [3] = Main SDI [4] = Front SDI
	3.1	Frame guides style (Camera 3.x)	int8	–	0	8	0 = HDTV, 1 = 4:3, 2 = 2.4:1, 3 = 2.39:1, 4 = 2.35:1, 5 = 1.85:1, 6 = thirds
	3.2	Frame guides opacity (Camera 3.x)	fixed16	–	0.1	1.0	0.0 = transparent, 1.0 = opaque
	3.3	Overlays (replaces .1 and .2 above from Cameras 4.0)	int8	[0] = frame guides style	–	–	0 = off, 1 = 2.4:1, 2 = 2.39:1, 3 = 2.35:1, 4 = 1.85:1, 5 = 16:9, 6 = 14:9, 7 = 4:3, 8 = 2:1, 9 = 4:5, 10 = 1:1
				[1] = frame guide opacity	0	100	0 = transparent, 100 = opaque
				[2] = safe area percentage	0	100	percentage of full frame used by safe area guide (0 means off)
[3] = grid style				–	–	bit flags: [0] = display thirds, [1] = display cross hairs, [2] = display center dot, [3] = display horizon	

Group	ID	Parameter	Type	Index	Minimum	Maximum	Interpretation
Display	4.0	Brightness	fixed16	–	0.0	1.0	0.0 = minimum, 1.0 = maximum
	4.1	Exposure and focus tools	uint16 bit field	[0] = bit field	–	–	bit flags: [0] = Zebra [1] = Focus Assist [2] = False Color
				uint16 bit field	[1] = target displays bit field	–	–
	4.2	Zebra level	fixed16	–	0.0	1.0	0.0 = minimum, 1.0 = maximum
	4.3	Peaking level	fixed16	–	0.0	1.0	0.0 = minimum, 1.0 = maximum
	4.4	Color bar enable	int8	–	0	30	0 = disable bars, 1-30 = enable bars with timeout (seconds)
	4.5	Focus Assist	int8	[0] = focus assist method	–	–	0 = Peak, 1 = Colored lines
				[1] = focus line color	–	–	0 = Red, 1 = Green, 2 = Blue, 3 = White, 4 = Black
4.6	Program return feed enable	int8	–	0	30	0 = disable, 1-30 = enable with timeout (seconds)	
4.7	Timecode Source	signed byte	[0] = source	–	–	0 = Clip, 1 = Timecode	
Tally	5.0	Tally brightness	fixed16	–	0.0	1.0	Sets the tally front and tally rear brightness to the same level. 0.0 = minimum, 1.0 = maximum
	5.1	Front tally brightness	fixed16	–	0.0	1.0	Sets the tally front brightness. 0.0 = minimum, 1.0 = maximum
	5.2	Rear tally brightness	fixed16	–	0.0	1.0	Sets the tally rear brightness. 0.0 = minimum, 1.0 = maximum Tally rear brightness cannot be turned off
Reference	6.0	Source	int8 enum	–	0	2	0 = internal, 1 = program, 2 = external
	6.1	Offset	int32	–	–	–	+/- offset in pixels
Confi- guration	7.0	Real Time Clock	int32	[0] time	–	–	BCD - HHMMSSFF (UCT)
				[1] date	–	–	BCD - YYYYMMDD
	7.1	System language	string	[0-1]	–	–	ISO-639-1 two character language code
	7.2	Timezone	int32	–	–	–	Minutes offset from UTC
	7.3	Location	int64	[0] latitude	–	–	BCD - s0DDdddddddddd where s is the sign: 0 = north (+), 1 = south (-); DD degrees, ddddddddddd decimal degrees
[1] longitude				–	–	BCD - sDDDdddddddddd where s is the sign: 0 = west (-), 1 = east (+); DDD degrees, dddddddddd decimal degrees	

Group	ID	Parameter	Type	Index	Minimum	Maximum	Interpretation
Color Correction	8.0	Lift Adjust	fixed16	[0] red	-2.0	2.0	default 0.0
				[1] green	-2.0	2.0	default 0.0
				[2] blue	-2.0	2.0	default 0.0
				[3] luma	-2.0	2.0	default 0.0
	8.1	Gamma Adjust	fixed16	[0] red	-4.0	4.0	default 0.0
				[1] green	-4.0	4.0	default 0.0
				[2] blue	-4.0	4.0	default 0.0
				[3] luma	-4.0	4.0	default 0.0
	8.2	Gain Adjust	fixed16	[0] red	0.0	16.0	default 1.0
				[1] green	0.0	16.0	default 1.0
				[2] blue	0.0	16.0	default 1.0
				[3] luma	0.0	16.0	default 1.0
	8.3	Offset Adjust	fixed16	[0] red	-8.0	8.0	default 0.0
				[1] green	-8.0	8.0	default 0.0
				[2] blue	-8.0	8.0	default 0.0
				[3] luma	-8.0	8.0	default 0.0
	8.4	Contrast Adjust	fixed16	[0] pivot	0.0	1.0	default 0.5
				[1] adj	0.0	2.0	default 1.0
	8.5	Luma mix	fixed16	–	0.0	1.0	default 1.0
8.6	Color Adjust	fixed16	[0] hue	-1.0	1.0	default 0.0	
			[1] sat	0.0	2.0	default 1.0	
8.7	Correction Reset Default	void	–	–	–	reset to defaults	

Group	ID	Parameter	Type	Index	Minimum	Maximum	Interpretation
Media	10.0	Codec	int8 enum	[0] = basic codec	-	-	0 = CinemaDNG, 1 = DNxHD, 2 = ProRes, 3 = Blackmagic RAW
					-	-	CinemaDNG: 0 = uncompressed, 1 = lossy 3:1, 2 = lossy 4:1
				[1] = code variant	-	-	ProRes: 0 = HQ, 1 = 422, 2 = LT, 3 = Proxy, 4 = 444, 5 = 444XQ
					-	-	Blackmagic RAW: 0 = Q0, 1 = Q5, 2 = 3:1, 3 = 5:1, 4 = 8:1, 5 = 12:1
	10.1	Transport mode	int8	[0] = mode	-	-	0 = Preview, 1 = Play, 2 = Record
				[1] = speed	-	-	-ve = multiple speeds backwards, 0 = pause, +ve = multiple speeds forwards
				[2] = flags	-	-	1<<0 = loop, 1<<1 = play all, 1<<5 = disk1 active, 1<<6 = disk2 active, 1<<7 = time-lapse recording
				[3] = slot 1 storage medium	-	-	0 = CFast card, 1 = SD, 2 = SSD Recorder
				[4] = slot 2 storage medium	-	-	0 = CFast card, 1 = SD, 2 = SSD Recorder
	10.2	Playback Control	int8 enum	[0] = clip	-	-	0 = Previous, 1 = Next
10.5	Stream	bool	[0] = enabled	-	-	true = enabled, false = disabled	
10.6	Stream Information	void bool	[0] = enabled	-	-	true = enabled, false = disabled	
10.7	Stream Display 3D LUT	void bool	[0] = enabled	-	-	true = enabled, false = disabled	
PTZ Control	11.0	Pan/Tilt Velocity	fixed 16	[0] = pan velocity	-1.0	1.0	-1.0 = full speed left, 1.0 = full speed right
				[1] = tilt velocity	-1.0	1.0	-1.0 = full speed down, 1.0 = full speed up
	11.1	Memory Preset	int8 enum	[0] = preset command	-	-	0 = reset, 1 = store location, 2 = recall location
			int8	[1] = preset slot	0	5	-

Example Protocol Packets

Operation	Packet Length	Byte															
		0	1	2	3	4	5	6	7	8	9	10	11	12	13	14	15
		header				command				data							
		destination	length	command	reserved	category	parameter	type	operation								
trigger instantaneous auto focus on camera 4	8	4	4	0	0	0	1	0	0								
turn on OIS on all cameras	12	255	5	0	0	0	6	0	0	1	0	0	0				
set exposure to 10 ms on camera 4 (10 ms = 10000 us = 0x00002710)	12	4	8	0	0	1	5	3	0	0x10	0x27	0x00	0x00				
add 15% to zebra level (15 % = 0.15 f = 0x0133 fp)	12	4	6	0	0	4	2	128	1	0x33	0x01	0	0				
select 1080p 23.98 mode on all cameras	16	255	9	0	0	1	0	1	0	24	1	3	0	0	0	0	0
subtract 0.3 from gamma adjust for green & blue (-0.3 ~ = 0xfd9a fp)	16	4	12	0	0	8	1	128	1	0	0	0x9a	0xfd	0x9a	0xfd	0	0
all operations combined	76	4	4	0	0	0	1	0	0	255	5	0	0	0	6	0	0
		1	0	0	0	4	8	0	0	1	5	3	0	0x10	0x27	0x00	0x00
		4	6	0	0	4	2	128	1	0x33	0x01	0	0	255	9	0	0
		1	0	1	0	24	1	3	0	0	0	0	0	4	12	0	0
		8	1	128	1	0	0	0x9a	0xfd	0x9a	0xfd	0	0				

Blackmagic Tally Control Protocol

Version 1.0 (30/04/14)

This section is for third party developers or anybody who may wish to add support for the Blackmagic Tally Control Protocol to their products or system. It describes the protocol for sending tally information embedded in the non-active picture region of a digital video stream.

Data Flow

A master device such as a broadcast switcher embeds tally information into its program feed which is broadcast to a number of slave devices such as cameras or camera controllers. The output from the slave devices is typically fed back to the master device, but may also be sent to a video monitor.

The primary flow of tally information is from the master device to the slaves. Each slave device may use its device id to extract and display the relevant tally information.

Slave devices pass through the tally packet on their output and update the monitor tally status, so that monitor devices connected to that individual output may display tally status without knowledge of the device id they are monitoring.

Assumptions

Any data alignment/padding is explicit in the protocol. Bit fields are packed from LSB first.

Blanking Encoding

One tally control packet may be sent per video frame. Packets are encoded as a SMPTE 291M packet with DID/SDID x51/x52 in the active region of VANC line 15. A tally control packet may contain up to 256 bytes of tally information.

Packet Format

Each tally status consists of 4 bits of information:

```
uint4
bit 0:    program tally status (0=off, 1=on)
bit 1:    preview tally status (0=off, 1=on)
bit 2-3:  reserved (0x0)
```

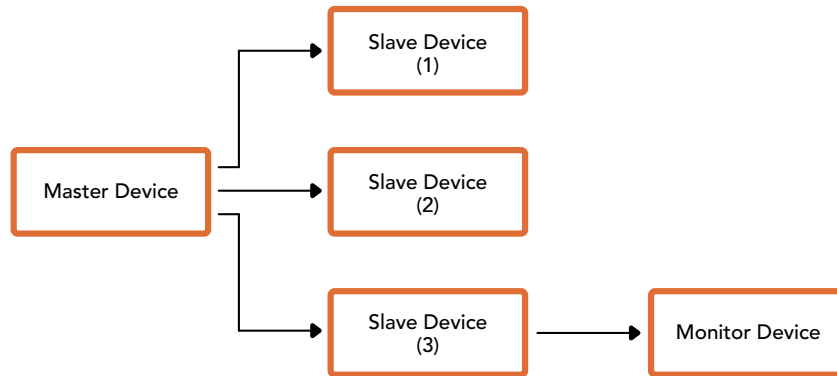
The first byte of the tally packet contains the monitor device tally status and a version number.

Subsequent bytes of the tally packet contain tally status for pairs of slave devices. The master device sends tally status for the number of devices configured/supported, up to a maximum of 510.

```
struct tally
```

```
uint8
bit 0:    monitor device program tally status (0=off, 1=on)
bit 1:    monitor device preview tally status (0=off, 1=on)
bit 2-3:  reserved (0b00)
bit 4-7:  protocol version (0b0000)
uint8[0]
bit 0:    slave device 1 program tally status (0=off, 1=on)
bit 1:    slave device 1 device preview tally status (0=off, 1=on)
bit 2-3:  reserved (0b00)
bit 4:    slave device 2 program tally status (0=off, 1=on)
bit 5:    slave device 2 preview tally status (0=off, 1=on)
bit 6-7:  reserved (0b00)
```

uint8[1]
bit 0: slave device 3 program tally status (0=off, 1=on)
bit 1: slave device 3 device preview tally status (0=off, 1=on)
bit 2-3: reserved (0b00)
bit 4: slave device 4 program tally status (0=off, 1=on)
bit 5: slave device 4 preview tally status (0=off, 1=on)
bit 6-7: reserved (0b00)
...



Byte	7 MSB	6	5	4	3	2	1	0 LSB
0	Version (0b0)	Version (0b0)	Version (0b0)	Version (0b0)	Reserved (0b0)	Reserved (0b0)	Monitor Preview	Monitor Program
1	Reserved (0b0)	Reserved (0b0)	Slave 1 Preview	Slave 1 Program	Reserved (0b0)	Reserved (0b0)	Slave 0 Preview	Slave 0 Program
2	Reserved (0b0)	Reserved (0b0)	Slave 3 Preview	Slave 3 Program	Reserved (0b0)	Reserved (0b0)	Slave 2 Preview	Slave 2 Program
3	...							

Aide

Le moyen le plus rapide d'obtenir de l'aide est d'accéder aux pages d'assistance en ligne de Blackmagic Design et de consulter les dernières informations concernant votre caméra.

Pages d'assistance en ligne de Blackmagic Design

Les dernières versions du manuel, du logiciel et des notes d'assistance peuvent être consultées sur la page d'assistance technique de Blackmagic Design : www.blackmagicdesign.com/fr/support.

Contactez le service d'assistance de Blackmagic Design

Si vous ne parvenez pas à trouver l'aide dont vous avez besoin dans nos pages d'aide, veuillez utiliser l'option « Envoyer un email », accessible sur la page d'assistance pour envoyer une demande d'assistance par email. Vous pouvez également cliquer sur le bouton « Trouver un support technique » situé sur la page d'assistance et ainsi contacter le centre d'assistance technique Blackmagic Design le plus proche de chez vous.

Vérification du logiciel actuel

Pour vérifier quelle version du logiciel Blackmagic Camera Utility est installée sur votre ordinateur, ouvrez la fenêtre intitulée About Blackmagic Camera Utility.

- Sur Mac, ouvrez le Blackmagic Camera Utility à partir du dossier Applications. Sélectionnez About Blackmagic Camera Utility dans le menu d'application pour connaître le numéro de version.
- Sur Windows, ouvrez le logiciel Blackmagic Camera Utility dans votre menu de Démarrage ou sur l'écran de Démarrage. Cliquez sur le menu Aide et sélectionnez About Blackmagic Camera Utility pour connaître le numéro de version.

Comment obtenir les dernières mises à jour du logiciel

Après avoir vérifié la version du logiciel Blackmagic Camera Utility installée sur votre ordinateur, veuillez vous rendre sur la page d'assistance Blackmagic Design à l'adresse suivante www.blackmagicdesign.com/fr/support pour vérifier les dernières mises à jour. Même s'il est généralement conseillé d'exécuter les dernières mises à jour, évitez d'effectuer une mise à jour logicielle au milieu d'un projet important.

Avis réglementaires



Élimination des déchets d'équipements électriques et électroniques au sein de l'Union européenne.

Le symbole imprimé sur ce produit indique qu'il ne doit pas être jeté avec les autres déchets. Cet appareil doit être déposé dans un point de collecte agréé pour être recyclé. Le tri, l'élimination et le recyclage séparés de vos équipements usagés permettent de préserver les ressources naturelles et d'assurer le recyclage de ces équipements dans le respect de l'homme et de l'environnement. Pour plus d'informations quant aux lieux d'éliminations des déchets d'équipements électriques, vous pouvez contacter votre mairie ou le service local de traitement des ordures ménagères.



Cet équipement a été testé et déclaré conforme aux limites imposées aux appareils numériques de classe A, en vertu du chapitre 15 des règles de la FCC. Ces limites ont pour objectif d'assurer une protection suffisante contre les interférences nuisibles lorsque l'équipement est utilisé dans un environnement commercial. Cet appareil génère, utilise et émet de l'énergie de fréquences radio et peut, en cas d'installation ou d'utilisation non conforme aux instructions, engendrer des interférences nuisibles au niveau des communications radio. L'utilisation de cet équipement en zone résidentielle est susceptible de provoquer des interférences nuisibles, auquel cas il sera demandé à l'utilisateur de corriger ces interférences à ses frais.

L'utilisation de cet appareil est soumise aux deux conditions suivantes :

- 1 Cet appareil ne doit pas causer d'interférences nuisibles.
- 2 Cet appareil doit accepter toute interférence reçue, y compris les interférences pouvant entraîner un dysfonctionnement.



R-R-BMD-20210915001
R-R-BMD-20200421002
R-R-BMD-20200916001
R-R-BMD-20200916002
R-REM-BMD-201803004
R-REM-BMD-201803003
MSIP-REM-BMD-201612001



Déclaration de ISDE Canada

Cet appareil est conforme aux normes canadiennes relatives aux appareils numériques de Classe A.

Toute modification ou utilisation de ce produit en dehors de son utilisation prévue peut annuler la conformité avec ces normes.

This equipment has been tested for compliance with the intended use in a commercial environment.

Bluetooth®

La URSA Broadcast G2 est dotée de la technologie sans fil Bluetooth.

Contient un module émetteur identification FCC: QOQBGM113

Cet équipement est conforme aux limites de radiation de la FCC comme indiqué pour un environnement non contrôlé.

Contient un module émetteur IC : 5123A-BGM113

Ce produit est conforme aux normes RSS sans licence d'Industrie Canada et aux limites applicables à l'exemption de l'évaluation courante DAS comme mentionné dans la RSS-102 Issue 5.

Certifié pour le Japon, numéro de certification : 209-J00204. Cet équipement contient des équipements radioélectriques spécifiques qui ont obtenu la certification de la conformité aux réglementations techniques conformément à la Loi de la Radio.

Ce module est certifié en Corée du Sud, numéro de certification KC : MSIP-CRM-BGT-BGM113

Par la présente, Blackmagic Design déclare que la URSA Broadcast G2 utilisant des systèmes de transmission à large bande dans la bande ISM de 2,45 GHz est conforme à la Directive 2014/53/EU

Pour obtenir le texte intégral de la déclaration EU de conformité, veuillez nous contacter à l'adresse suivante : compliance@blackmagicdesign.com

Informations de sécurité

L'alimentation fournie AC vers 12V DC pour la URSA Broadcast G2 et le câble d'alimentation IEC pour le Blackmagic Studio Fiber Converter doivent être connectés à une prise secteur équipée d'un conducteur de protection.

La caméra URSA Broadcast G2 et le Blackmagic Camera Fiber Converter peuvent être utilisés dans un climat tropical lorsque la température ambiante n'excède pas 40°C. Le Blackmagic Studio Fiber Converter peut être utilisé dans un climat tropical lorsque la température ambiante n'excède pas 50°C.

Veillez à ce que l'espace autour du produit soit suffisant afin de ne pas compromettre la ventilation du Blackmagic Studio Fiber Converter et du Blackmagic Camera Fiber Converter. Lorsque vous installez le Studio Fiber Converter sur rack, veillez à ce que la ventilation ne soit pas compromise par les autres équipements.

Les pièces de la Blackmagic URSA Broadcast G2, du Blackmagic Camera Fiber Converter et du Blackmagic Studio Fiber Converter ne sont pas réparables par l'opérateur. Toute opération d'entretien doit être effectuée par un centre de service Blackmagic Design.

Déclaration de l'État de Californie

Ce produit est susceptible de vous exposer à des produits chimiques, dont des traces de polybromobiphényle dans les parties en plastique, reconnu par l'État de Californie comme étant responsable de cancers, d'anomalies congénitales ou d'autres effets nocifs sur la reproduction.

Pour de plus amples informations, veuillez vous rendre sur www.P65Warnings.ca.gov.

Blackmagic URSA Broadcast G2

En cas d'ensoleillement, prenez soin de garder votre caméra à l'ombre. Évitez toute exposition de la caméra ou de la batterie en lithium à un ensoleillement prolongé. Gardez les batteries en lithium à l'abri des sources de chaleur.

Le connecteur DC 12V est compatible avec le Blackmagic URSA Viewfinder et le Blackmagic URSA Studio Viewfinder. Si vous utilisez ce connecteur pour d'autres accessoires, assurez-vous que la consommation d'énergie est inférieure à 18W.



Blackmagic Studio Fiber Converter

Afin de réduire le risque de décharge électrique, ne pas éclabousser ou renverser de liquide sur cet appareil. Cet appareil doit être utilisé à une altitude inférieure à 2000 mètres.

Blackmagic Camera Fiber Converter

N'utilisez pas le Blackmagic Camera Fiber Converter lorsque le Blackmagic Studio Fiber Converter n'est pas connecté. Dans des conditions normales d'utilisation, le convertisseur est conçu pour recevoir des tensions dangereuses du Blackmagic Studio Fiber Converter.

Garantie

Garantie limitée

Par la présente, Blackmagic Design garantit que ce produit sera exempt de défauts matériels et de fabrication pendant une durée d'un an à compter de la date d'achat. Si un produit s'avère défectueux pendant la période de garantie, Blackmagic Design peut, à sa seule discrétion, réparer le produit défectueux sans frais pour les pièces et la main-d'œuvre, ou le remplacer.

Pour se prévaloir du service offert en vertu de la présente garantie, il vous incombe d'informer Blackmagic Design de l'existence du défaut avant expiration de la période de garantie, et de prendre les mesures nécessaires pour l'exécution des dispositions de ce service. Le consommateur a la responsabilité de s'occuper de l'emballage et de l'expédition du produit défectueux au centre de service nommé désigné par Blackmagic Design, en frais de port prépayé. Il incombe au consommateur de payer tous les frais de transport, d'assurance, droits de douane et taxes et toutes autres charges relatives aux produits qui nous auront été retournés et ce, quelle que soit la raison.

La présente garantie ne saurait en aucun cas s'appliquer à des défauts, pannes ou dommages causés par une utilisation inappropriée ou un entretien inadéquat ou incorrect. Blackmagic Design n'est en aucun cas obligé en vertu de la présente garantie : a) de réparer les dommages résultant de tentatives de réparations, d'installations ou tous services effectués par du personnel non qualifié par Blackmagic Design, b) de réparer tout dommage résultant d'une utilisation inadéquate ou d'une connexion à du matériel incompatible, c) de réparer tout dommage ou dysfonctionnement causé par l'utilisation de pièces ou de fournitures n'appartenant pas à la marque de Blackmagic Design, d) d'examiner un produit qui a été modifié ou intégré à d'autres produits quand l'impact d'une telle modification ou intégration augmente les délais ou la difficulté d'examiner ce produit.

Exposer le viseur URSA Viewfinder directement à la lumière du soleil peut causer des dommages à l'écran du viseur, car les lentilles agissent comme une loupe. La rémanence ou les brûlures peuvent se produire sur les écrans OLED lorsque des images statiques ou des images fortement contrastées, tels que les repères de cadrage, sont affichées à l'écran pendant une période prolongée. Afin d'éviter tout désagrément, veillez à ce que le capteur infrarouge ne soit pas délibérément couvert et pensez à déconnecter le viseur lorsque celui-ci n'est pas utilisé pendant une période prolongée. La rémanence n'est pas couverte par la garantie du produit.

CETTE GARANTIE REMPLACE TOUTE GARANTIE EXPLICITE OU TACITE. BLACKMAGIC DESIGN ET SES REVENDEURS DÉCLINENT EXPRESSÉMENT TOUTE GARANTIE IMPLICITE DE COMMERCIALISATION OU D'ADAPTATION QUEL QU'EN SOIT LE BUT. LA RESPONSABILITÉ DE BLACKMAGIC DESIGN DE RÉPARER OU REMPLACER UN PRODUIT S'AVÉRANT DÉFECTUEUX PENDANT LA PÉRIODE DE LA GARANTIE CONSTITUE LA TOTALITÉ ET LE SEUL RECOURS EXCLUSIF PRÉVU ET FOURNI AU CONSOMMATEUR. BLACKMAGIC DESIGN N'EST PAS RESPONSABLE DES DOMMAGES INDIRECTS, SPÉCIFIQUES, ACCIDENTELS OU CONSÉCUTIFS, INDÉPENDAMMENT DU FAIT QUE BLACKMAGIC DESIGN OU LE REVENDEUR AIENT ÉTÉ AVISÉS AU PRÉALABLE DE L'ÉVENTUALITÉ DE CES DOMMAGES. BLACKMAGIC DESIGN NE PEUT ÊTRE TENU POUR RESPONSABLE DE TOUTE UTILISATION ILLICITE DU MATÉRIEL PAR LE CONSOMMATEUR. BLACKMAGIC DESIGN N'EST PAS RESPONSABLE DES DOMMAGES RÉSULTANT DE L'UTILISATION DE CE PRODUIT. LE CONSOMMATEUR UTILISE CE PRODUIT À SES SEULS RISQUES.

© Copyright 2022 Blackmagic Design. Tous droits réservés. 'Blackmagic Design', 'URSA', 'DeckLink', 'HDLink', 'Workgroup Videohub', 'Multibrige Pro', 'Multibrige Extreme', 'Intensity' et 'Leading the creative video revolution' sont des marques déposées aux États-Unis et dans les autres pays. Tous les autres noms de société et de produits peuvent être des marques déposées des sociétés respectives auxquelles ils sont associés.

August 2022

Installations- und Bedienungsanleitung

Blackmagicdesign

Blackmagic URSA Broadcast G2



Blackmagic URSA Broadcast G2



Willkommen

Vielen Dank, dass Sie sich zum Kauf einer Blackmagic URSA Broadcast G2 entschieden haben.

Die Blackmagic URSA Broadcast G2 ist eine unglaublich leistungsstarke Kamera, die gleichermaßen für traditionelle und Online-Broadcaster konzipiert ist. Das vielseitige Design der Kamera ermöglicht ihren Einsatz als 4K-Produktionskamera, 4K-Studiokamera oder 6K-Digitalfilmkamera.

Die Blackmagic URSA Broadcast G2 ist aus einer stabilen, leichten Magnesiumlegierung hergestellt und perfekt ausbalanciert. Da ihre Bedienelemente in greifbarer Nähe liegen, bietet sie bei ganztägigen Einsätzen eine komfortable Handhabung. So können Sie ND-Filter, Verschlusszeit, Weißabgleich, ISO-Wert und vieles mehr ändern, ganz ohne den Blick vom Sucher abzuwenden.

Ihre URSA Broadcast G2 ist mit B4-Objektiven kompatibel und ermöglicht Aufnahmen in gängigen Dateiformaten wie Blackmagic RAW und Apple ProRes sowie in hocheffizientem H.264 und H.265 in 10-Bit-Broadcastqualität. Die duale native Verstärkung für fantastische Low-Light-Performance ist dafür optimiert, Körnung und Rauschen bei höheren ISO-Werten zu reduzieren und trotzdem den vollen Dynamikbereich des Sensor zu bewahren.

Wir hoffen, Sie werden mit Ihrer URSA Broadcast G2 spannende Fernsehprogramme, Dokumentarfilme und Live-Studioinhalte von Weltklasse kreieren. Schon jetzt sind wir gespannt auf Ihre kreativen Werke und freuen uns auf Ihr Feedback und Vorschläge, welche weiteren Features Sie sich für die URSA wünschen!

A handwritten signature in black ink that reads "Grant Petty". The signature is fluid and cursive, with a long horizontal stroke at the end.

Grant Petty

CEO Blackmagic Design

Inhalt

Erste Schritte	846	Loop-Wiedergabe	922
Anbringen eines Objektivs	846	Einstellungen	923
Stromversorgung der Kamera	847	Dashboard	923
Einsatz von Servo-Zoomobjektiven	849	AUFNAHME-Einstellungen	923
Einstellen des Auflagemaßes bei B4-Objektiven	855	Dateinamenskonventionen	929
Datenträger	859	MONITORING-Einstellungen	930
CFast-Karten	859	AUDIO-Einstellungen	936
SD-Karten	860	SETUP-Einstellungen	939
Aufzeichnen auf USB-C-Laufwerke	862	PRESETS	956
SSDs	863	LUTS	959
Vorbereiten von Datenträgern für die Aufzeichnung	865	Eingeben von Metadaten	962
Vorbereiten von Datenträgern mit der Blackmagic URSA Broadcast G2	865	Gyrosensor-Stabilisierung	967
Vorbereiten von Datenträgern auf Mac	867	Video-Streaming	969
Vorbereiten von Datenträgern auf Windows	868	Smartphone-Setup	970
Aufzeichnen	869	Einstellungen	970
Aufzeichnen von Clips	869	Einstellen der ATEM Kamera-ID	971
Auswahl von Codec, Auflösung und Sensorfläche	870	Erstellen der XML-Datei	971
Blackmagic RAW	871	Exportieren der XML-Datei	971
Aufnehmen in Blackmagic RAW	871	Laden der XML-Datei	972
Auswählen der Framerate	874	URSA Mini Shoulder Kit	973
Trigger-Aufzeichnung auf externen Geräten	877	Blackmagic URSA Viewfinder	976
Tabellenübersicht der Aufzeichnungsdauer	877	Anbringen und Anschließen des Viewfinders an die Blackmagic URSA Broadcast G2	976
Wiedergabe	879	Anpassen der Sucherlupe	977
Anschlüsse und Funktionen der URSA Broadcast G2	880	Die Funktionen der Tasten	977
Kameravorderseite	880	Einstellungsmenü	978
Linke Kameraseite	881	Blackmagic URSA Studio Viewfinder	982
Linksseitige Bedienelemente	881	Anbringen und Anschließen des Viewfinders an die Blackmagic URSA Broadcast G2	983
Rechte Kameraseite	883	Anpassen der Position des Blackmagic URSA Studio Viewfinders	985
Rückseite	884	Die Funktionen der Tasten	988
Kameraoberseite	886	Einstellungsmenü	990
Kameraboden	886	Blackmagic Zoom und Focus Demands	995
Bedienen der URSA Broadcast G2	887	Anschließen und Anbringen an Ihre Kamera	995
Frontbedienfeld	887	Verwenden des Blackmagic Focus Demands	997
Ergonomisches Bedienfeld	890	Verwenden des Blackmagic Zoom Demands	998
Internes Bedienfeld	895	Anbringen von Akkus	999
Funktionsmerkmale des Touchscreens	897	Anbringen von V-Mount- oder Gold-Mount-Akkus	999
HD-Monitoring-Ausgang	897	Gebrauch eigener Akkuplatten	1001
12G-SDI-Ausgang	897	Blackmagic Fiber Converter	1003
Bedienung per Touchscreen	899	Erste Schritte mit Blackmagic Fiber Convertern	1004
Obere Menüleiste	899	Über SMPTE-Glasfaser	1004
Untere Menüleiste	916		

Anschließen von SMPTE-Glasfaser	1006	Broadcast G2 B4 Mount	1048
Warum sind die Anschlüsse an der Frontblende?	1010	Feinjustieren von Objektivanschlüssen	1049
Einbinden von Kamera-SDI-Signalen	1011	Blackmagic URSA Mini Pro Shim Kit	1049
Einbinden von Return-SDI-Ausgabesignalen	1011	Feinjustieren von Mounts	1050
Installieren des Blackmagic Camera Fiber Converters	1011	URSA Mini Recorder	1051
Anbringen des URSA Studio Viewfinders	1014	Installieren und Anschließen eines URSA Mini Recorders	1052
Anschließen eines Talkback-Headsets	1014	Betrieb des URSA Mini Recorders	1054
Bedienen des Camera Fiber Converters	1015	Aktualisieren der URSA Mini Recorder Produktsoftware	1055
Auswählen eines Return-Feeds	1015	Betrieb als Studiokamera per Software-Kamerasteuerung	1056
Verwenden der CALL-Taste	1016	Arbeiten mit der Kamerasteuerung	1057
Arbeiten mit Talkback	1016	DaVinci Resolve Primary Color Corrector	1062
Arbeiten mit Tally	1017	Anwenden von DaVinci Resolve Project Manager	1066
Statusanzeigen	1017	Schneiden im Cut-Arbeitsraum	1067
Audioeingänge	1018	Einfügen von Clips in die Timeline	1070
IP-Video	1019	Trimmen von Clips in der Timeline	1071
Stromspezifikationen	1019	Audio-Trim-Ansicht	1071
Zusätzliche Kamerabedienelemente	1020	Hinzufügen von Titeln	1072
Bedienen des Studio Fiber Converters	1021	Mit Blackmagic-RAW-Dateien arbeiten	1073
Verwenden des Menüs	1022	Farbkorrektur von Clips im Color-Arbeitsraum	1077
Rack-Montage des Studiokonverters	1025	Hinzufügen eines Power Windows	1080
Anschlüsse des Kamerakonverters	1029	Arbeiten mit Plug-ins	1082
Stromanschlüsse des Kamerakonverters	1029	Mixen von Ton	1083
PTZ-Schnittstelle	1029	Hinzufügen von VFX und Compositing im Fusion-Arbeitsraum	1088
Talkback-Anschluss	1030	Mastern Ihres Schnitts	1097
Tracker-Schnittstelle	1031	Quick Export	1097
DC-Anschluss	1031	Der Deliver-Arbeitsraum	1098
D-Tap-Ausgang	1032	Blackmagic Camera Setup Dienstprogramm	1099
Referenzanschluss und Bedienung	1032	Mit Fremdsoftware arbeiten	1100
Anschlüsse des Studiokonverters	1033	Arbeiten mit Dateien von CFast-2.0- und SD-Karten	1101
12G-SDI-Ausgang	1033	Arbeiten mit Dateien von SSDs	1101
Return-SDI-Eingänge	1033	Verwenden von Final Cut Pro X	1102
Ein- und Ausgabe von Referenzsignalen	1034	Verwenden von Avid Media Composer 2018	1103
Talkback-Schnittstelle	1034	Anwenden von Adobe Premiere Pro CC	1103
PTZ-Schnittstelle	1035	Developer Information	1105
Audioausgänge	1036	Blackmagic Bluetooth Camera Control	1105
Aktualisieren der Produktsoftware	1037	Blackmagic SDI and Bluetooth Camera Control Protocol	1107
Aktualisieren des Blackmagic Camera Fiber Converters	1037	Example Protocol Packets	1115
Aktualisieren des Blackmagic Studio Fiber Converters	1037	Blackmagic Tally Control Protocol	1116
Wechselbarer Objektivanschluss	1038	Hilfe	1118
Entfernen des B4-Mounts	1039	Gesetzliche Vorschriften	1119
Blackmagic URSA Mini Pro EF Mount	1039	Sicherheitshinweise	1120
Blackmagic URSA Mini Pro F Mount	1041	Garantie	1121
Blackmagic URSA Mini Pro PL Mount	1045		
Blackmagic URSA			

Erste Schritte

Die ersten Arbeitsschritte mit Ihrer Blackmagic URSA Broadcast G2 sind einfach: Stecken Sie ein Objektiv auf und schalten Sie Ihre Kamera ein.

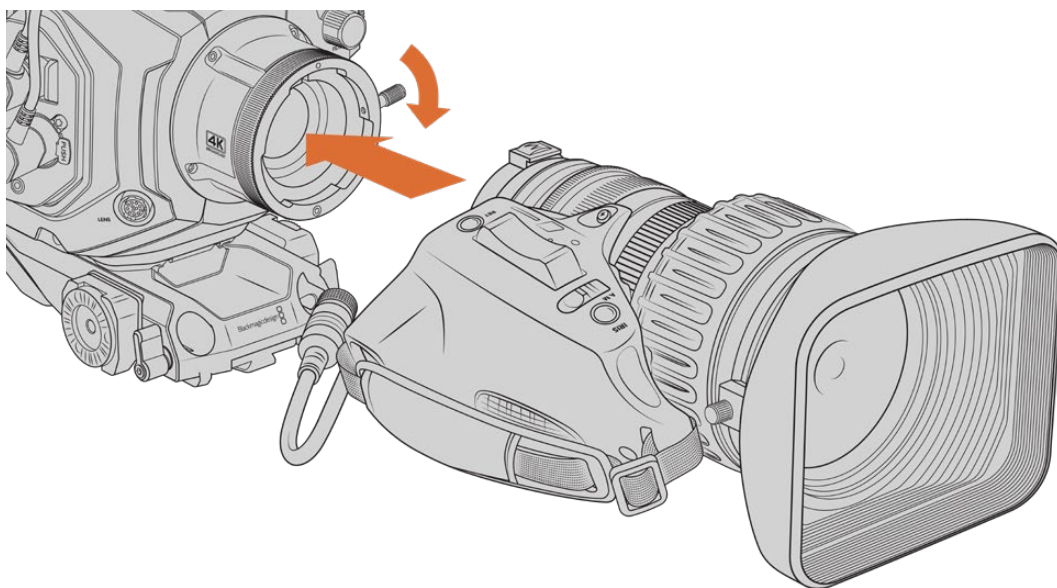
Anbringen eines Objektivs

Ihre URSA Broadcast G2 ist mit einem B4-Mount für den Anschluss von HD- und Ultra-HD-Broadcast-Objektiven ausgestattet. Für den Einsatz von Foto- und anderen kompakten Zoom- oder EF-Kinoobjektiven wird zudem ein EF-Anschluss mitgeliefert. Anweisungen zum Austauschen der Objektivanschlüsse finden Sie im Abschnitt „Auswechselbarer Objektivanschluss“ weiter hinten in diesem Handbuch.

Die Optiken des B4-Mounts der URSA Broadcast G2 wurden speziell für den Sensor der Kamera konzipiert. So erhält man das gleiche Sichtfeld und die gleiche Tiefenschärfe wie bei regulären Broadcastkameras mit 2/3-Zoll-Sensoren. Wenn Sie also bereits in der Broadcastbranche tätig sind, brauchen Sie lediglich Ihre vorhandenen B4-Objektive auf die URSA Broadcast G2 aufzustecken, um mit Zuversicht loszufilmen.

Entfernen Sie die Staubschutzkappe von der Kamera, indem Sie den äußeren Feststeller gegen den Uhrzeigersinn drehen und dann die Kappe vom Objektivanschluss abziehen.

So bringen Sie ein B4-Objektiv an:



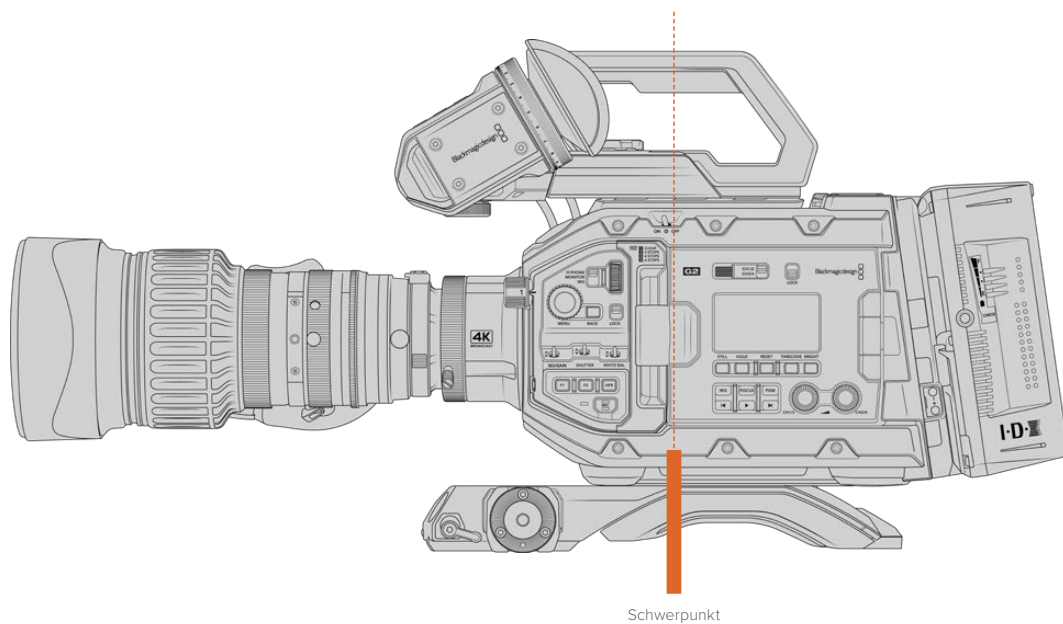
Drehen Sie den Sperrring im Uhrzeigersinn, um das Objektiv an der Kamera zu befestigen

- 1 Drehen Sie den Sperrring des B4-Objektivs gegen den Uhrzeigersinn, bis Sie die Ausrichtungskerbe oben an der Innenseite des Objektivanschlusses sehen. Richten Sie das B4-Objektiv so auf den B4-Mount Ihrer URSA Broadcast G2 aus, dass die objektivseitige Ausrichtungskerbe und der Ausrichtungsstift aufeinander treffen.
- 2 Positionieren Sie das Objektiv und den B4-Mount so, dass die Befestigungsringe aneinander anliegen, und vergewissern Sie sich, dass der Ausrichtungsstift fest in der Ausrichtungskerbe sitzt.
- 3 Drehen Sie den Sperrring im Uhrzeigersinn, um das Objektiv am Bajonett zu befestigen und zu verankern.
- 4 Um das Objektiv mit Strom zu versorgen und zu steuern, stecken Sie einfach das Objektivkabel in die mit „Lens“ gekennzeichnete Buchse vorne am Sensor Ihrer URSA Broadcast G2. Bei den meisten B4-Objektiven sind der Anschluss für den 12-poligen Steckverbinder und das Kabel integriert. So wird das Objektiv von der URSA Broadcast G2 mit Strom versorgt und gesteuert.

Weitere Informationen zu den Objektivtypen mit B4-Mount und wie Sie diese Objektiv mit Ihrer Kamera einsetzen, finden Sie im Abschnitt „Einsatz von Servo-Zoomobjektiven“.

HINWEIS Ohne angebrachtes Objektiv liegt das optische Element der URSA Broadcast G2 frei und kann leicht durch Staub oder andere Ablagerungen verschmutzt werden. Belassen Sie die Staubschutzkappe deshalb möglichst ständig an der Kamera.

Wegen ihres extremen Zoombereichs fallen viele B4-Objektive sehr lang aus. Beim Einsatz der URSA Broadcast G2 mit B4-Objektiven verlagert sich der Schwerpunkt Ihrer Kamera zum Objektiv hin. Das inbegriffene URSA Mini Shoulder Kit kann entsprechend angepasst werden.



Wenn Sie Zoomobjektive mit längeren Brennweiten verwenden und das URSA Mini Shoulder Kit an die URSA Broadcast G2 anbringen, empfiehlt es sich, die Kamera zum hinteren Ende der Schulterauflage hin zu befestigen. Das verlagert den Schwerpunkt Ihres Kamerarigs zur Mitte der Schulterauflage. So lässt sich die Kamera mühelos auf der Schulter balancieren und steht zudem stabil auf einem Tisch oder ebenen Untergrund. Weitere Informationen zum Anbringen der Schulterauflage finden Sie im Abschnitt „URSA Mini Shoulder Kit“ weiter hinten in diesem Handbuch.

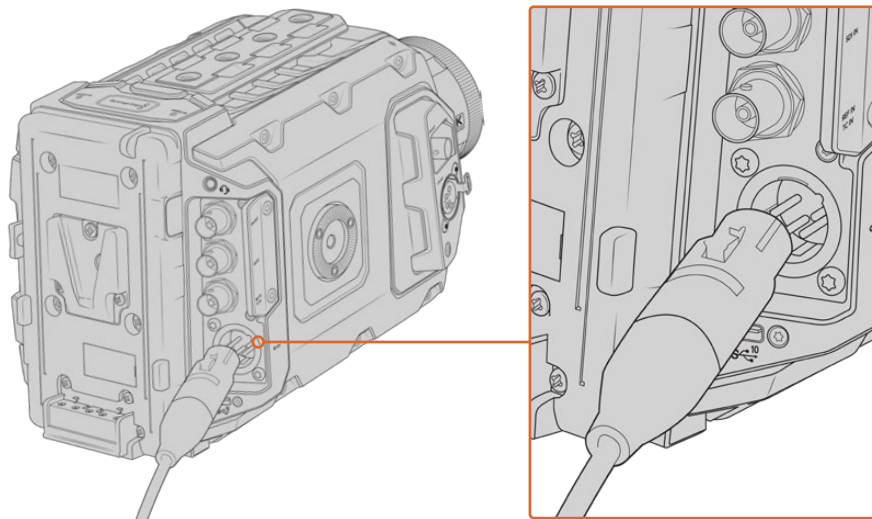
Stromversorgung der Kamera

Nachdem Sie ein Objektiv angebracht haben, heißt es, Ihre Kamera mit Strom zu versorgen. Am schnellsten geht das, indem Sie Ihre Kamera über den mitgelieferten AC-nach-12V-DC-Adapter an eine externe Stromquelle anschließen.

So koppeln Sie die Kamera an eine externe Stromquelle:

- 1 Stecken Sie den AC-nach-12V-DC-Adapterstecker in eine Netzstrom-Steckdose.
- 2 Stecken Sie den 4-poligen XLR-Verbinder des AC nach AC-nach-12V-DC-Adapter in die 12–18V-Strombuchse Ihrer Kamera.

Ist die Kamera gleichzeitig an eine externe Stromquelle und an Akkustrom angeschlossen, wird nur die externe Stromzufuhr benutzt. Wenn dieser Akku geladen ist, schaltet Ihre Kamera unterbrechungslos auf Akkustrom um, sobald die externe Stromquelle entfernt wird.



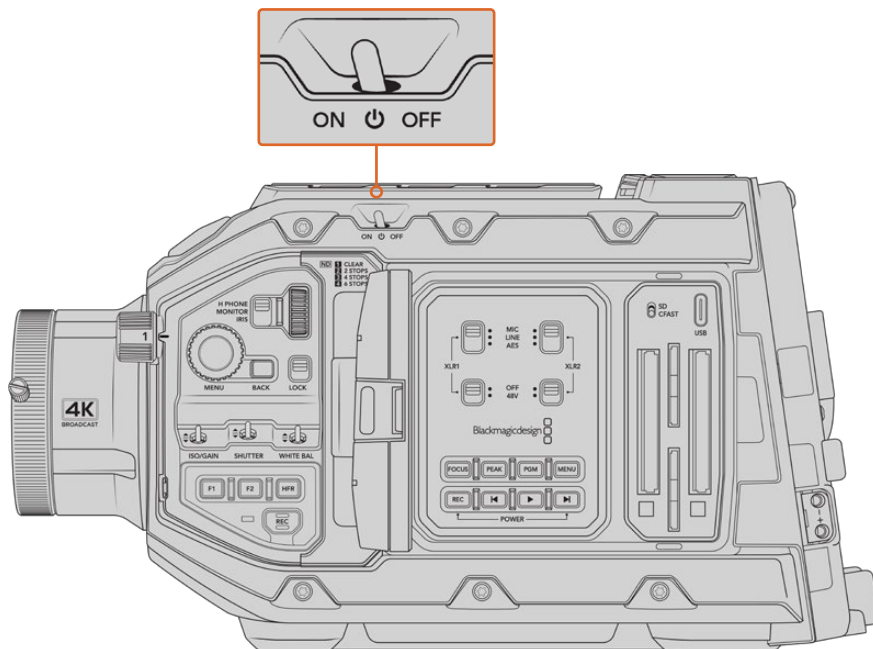
Speisen Sie Ihre Blackmagic URSA Broadcast G2 über den mitgelieferten AC/DC-Wandler für 12V-Strom

Die Blackmagic URSA Broadcast G2 ist bereits mit einer V-Lock-kompatiblen Trägerplatte, einer URSA VLock Battery Plate, ausgestattet. So lassen sich branchenübliche V-Lock-Akkus mit Ihrer Kamera verwenden. Im Abschnitt „Anbringen von Akkus“ wird erklärt, wie Sie die passende Akkuträgerplatte für verschiedene Akkutypen befestigen.

So schalten Sie Ihre URSA Broadcast G2 ein:

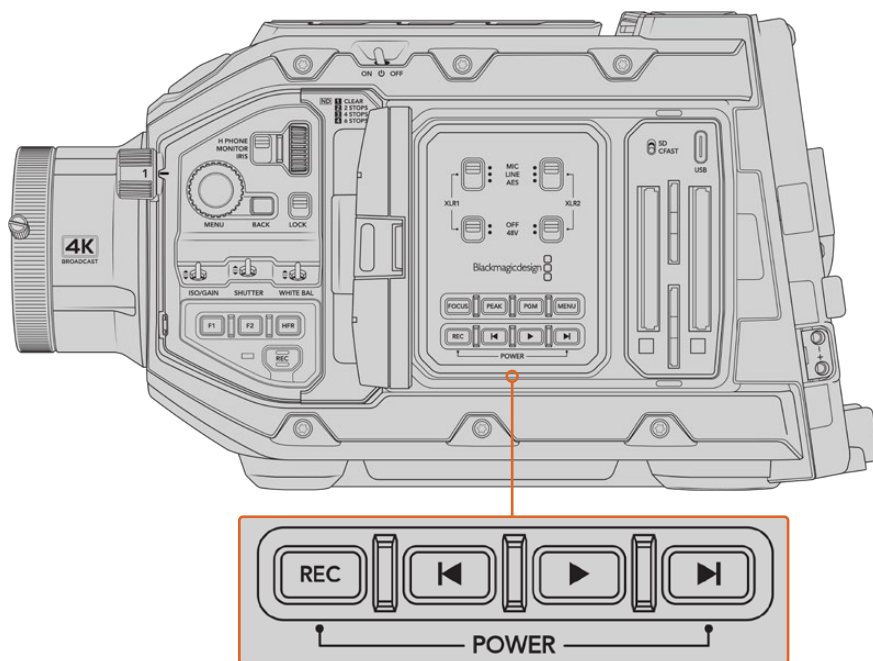
- 1 Stellen Sie den Ein-/Ausschalter über dem ausklappbaren LCD auf ON.
- 2 Um Ihre Kamera auszuschalten, stellen Sie den Schalter auf OFF.

Sie können nun Ihre Datenträger einlegen und mit dem Aufnehmen beginnen.



Stellen Sie den Schalter auf ON, um Ihre Kamera einzuschalten

Alternativ lässt sich die URSA Broadcast G2 ein- und ausschalten, indem Sie die Aufnahmetaste REC und die Vorlauftaste auf dem inneren Bedienfeld gedrückt halten. Unter normalen Umständen verwenden Sie diese Methode natürlich nicht. Sie eignet sich jedoch, wenn der Ein-/Ausschalter oben am Gerät verdeckt ist, bspw. wenn die Kamera an einem Rig befestigt ist.



Falls erforderlich, können Sie die Kamera ein- und ausschalten, indem Sie die REC- und Vorlauftasten auf dem Bedienfeld hinter dem LCD gedrückt halten

TIPP Sollte Ihre URSA Broadcast G2 ausgeschaltet sein, der Ein-/Ausschalter jedoch auf ON stehen, wurde Ihre Kamera möglicherweise über die Bluetooth®-Steuerung oder durch Gedrückthalten der Aufnahme- und Vorlauftaste auf dem Bedienfeld ausgeschaltet. Bringen Sie den Schalter einfach in die OFF- und erneut in die ON-Stellung oder halten Sie die entsprechenden Tasten auf dem Bedienfeld gedrückt, bis sich die Kamera wieder einschaltet.

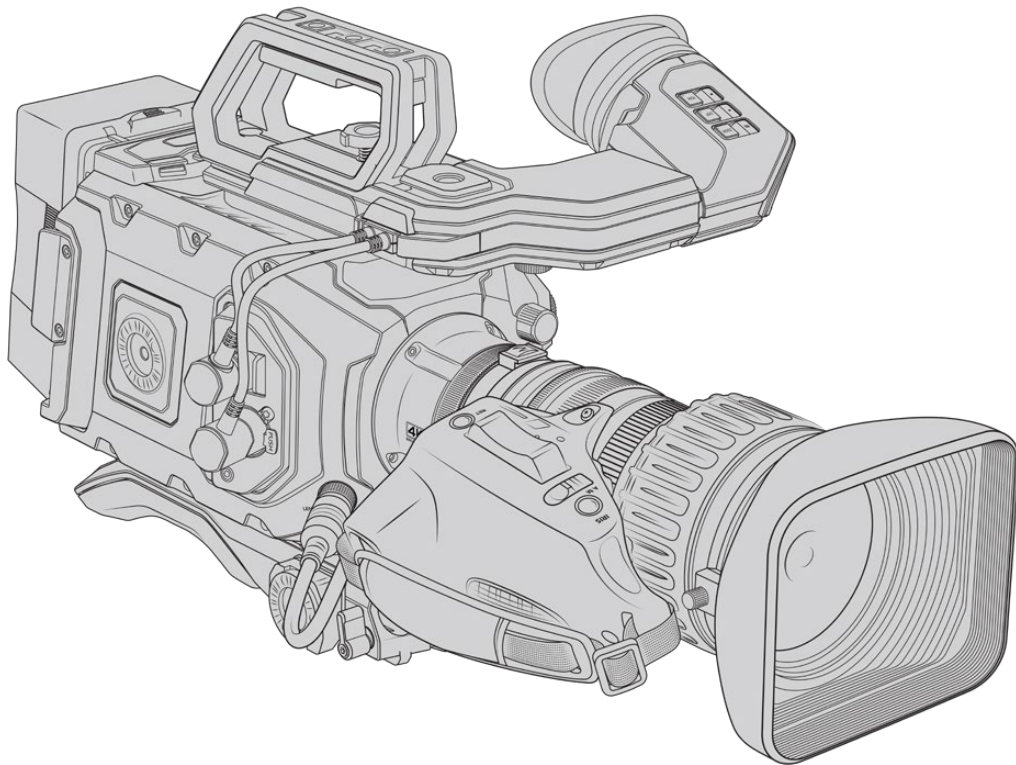
Einsatz von Servo-Zoomobjektiven

Ihre URSA Broadcast G2 unterstützt servobetriebene B4-Broadcast-Objektive nativ. Informationen zum Anbringen eines B4-Objektivs an Ihre Kamera finden Sie im Abschnitt „Anbringen eines Objektivs“ am Anfang dieses Handbuchs.

TIPP Bei Verwendung des optionalen URSA Mini Pro PL Mounts ist die URSA Broadcast G2 auch mit servobetriebenen PL-Kinoobjektiven kompatibel.

B4-Broadcast-Objektive bieten diverse Funktionen, die in der Standfotografie und bei Kinoobjektiven normalerweise nicht zur Verfügung stehen. Neben einer konstanten Fokussierung innerhalb eines breiten Zoombereichs zeichnen sich diese Objektive durch Steuerelemente am Handgriff sowie servobetriebene Blenden- und Zoomfunktionen aus. Einige Objektive unterstützen sogar servobetriebene Fokussierung. Nach Anschluss eines Bajonetts lassen sich Blende und Zoom vom Handgriff, von der Kamera oder mittels eines optionalen Blackmagic Zoom Demands steuern. Sie können Ihr Objektiv sogar über einen ATEM Mischer fernsteuern.

Objektive mit Servo-Fokussteuerung können Autofokusbefehle von der Kamera empfangen, den Fokus über das optionale Blackmagic Focus Demand kontinuierlich mitverfolgen oder Fokusbefehle von einem ATEM Mischer empfangen.



B4-Objektive mit Blenden- und Zoomsteuerung:

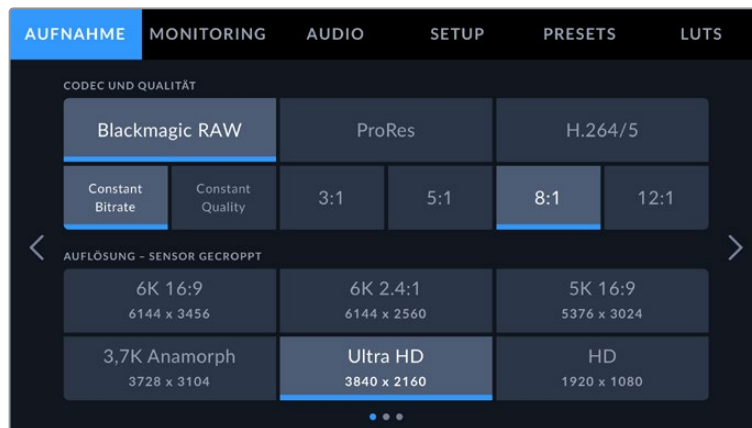
- B4-Objektive von Fujinon, deren Modellnamen mit HA, ZA, XA oder UA beginnen und auf RM enden. Zum Beispiel Fujinon **XA20sxBRM**.
- B4-Objektive von Canon, deren Modellnamen mit HJ, KJ oder CJ beginnen und auf RSE oder RSD enden. Zum Beispiel Canon **KJ20x8.2B IRSD**.

B4-Objektive mit voller Servo-Steuerung für Fokus, Blende und Zoom:

- B4-Objektive von Fujinon, deren Modellnamen mit HA, ZA oder UA beginnen und auf RD oder ZD enden. Zum Beispiel Fujinon **HA22x7.8 BERD**.
- Box-Objektive von Fujinon, deren Modellnamen mit XA und UA beginnen.
- B4-Objektive von Canon, deren Modellnamen mit HJ, KJ, .ex oder CJ beginnen und auf ASE oder ASD enden. Zum Beispiel Canon **HJ24ex7.5B IASE**.
- Box-Objektive von Canon, deren Modellnamen mit XJ und UJ beginnen.

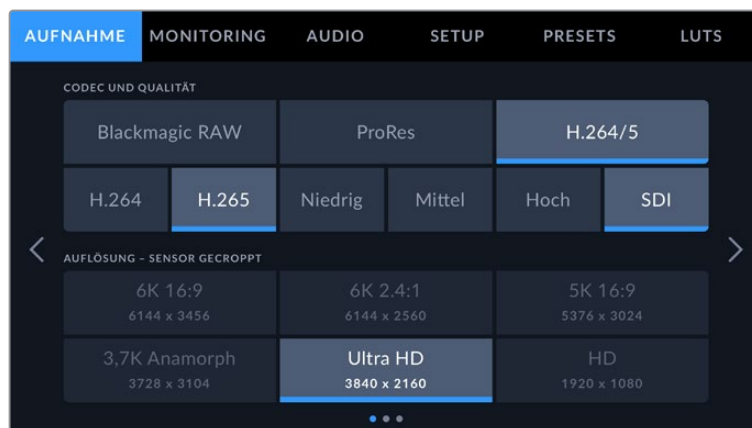
TIPP Die oben genannten Box-Objektivmodelle sind sowohl mit Zoom- als auch Fokusservos kompatibel. Informieren Sie sich bei Ihrem Objektivhändler, ob die Servomotoren installiert sind.

Ihre Blackmagic URSA Broadcast G2 wird so ausgeliefert, dass Sie sofort in Blackmagic RAW mit Ultra HD aufzeichnen können. Um die Einstellungen für Ihre Aufzeichnung vorzugeben, drücken Sie einfach die MENU-Taste. Dies öffnet das Einstellungsmenü auf dem LCD. An erster Stelle befindet sich der AUFNAHME-Tab mit den Einstellungen für Codec und Auflösung. Weitere Informationen zur Verwendung der Menüeinstellungen finden Sie weiter hinten in diesem Handbuch.



Die standardmäßigen Blackmagic-RAW-Einstellungen des AUFNAHME-Tabs

Ultra HD ist auch die Standardauflösung für die Codecs ProRes und H.265. Für Aufnahmen in HD können Sie auch ProRes oder H.264 verwenden.



Der AUFNAHME-Tab in den Menüeinstellungen

TIPP Wenn Sie bei der Verwendung eines B4-Objektivs eine Vignettierung in Ihren Bildern feststellen, überprüfen Sie, ob Ihre Auflösung bei Auswahl von Blackmagic RAW auf Ultra HD eingestellt ist. Wenn Sie in ProRes oder H.264/5 aufzeichnen, müssen Sie für die Sensorfläche Ihrer Kamera 4K wählen, damit der optische Bereich des B4-Mounts abgedeckt wird. Näheres finden Sie im Abschnitt „AUFNAHME-Einstellungen“ in diesem Handbuch.

B4-Blendensteuerung

Blende

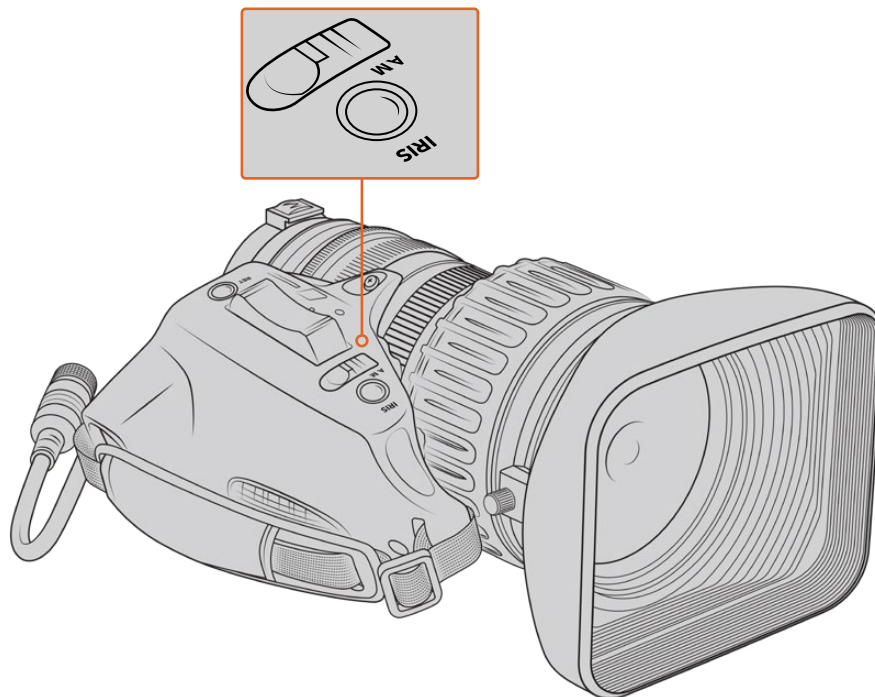
An der Oberseite der meisten B4-Handgriffe finden Sie einen mit „Auto/Manual“ oder „A/M“ sowie einen mit „Push Auto“ oder „Iris“ markierten Schalter. Diese Elemente steuern den Blendenring Ihres Objektivs.

Automatischer Modus

Stellen Sie diesen Schalter auf „Auto“ oder „A“, um die Blendenöffnung über Ihre URSA Broadcast G2, das Blackmagic Zoom Demand oder einen ATEM Mischer anzupassen. Die Blendenöffnung lässt sich von Ihrer URSA Broadcast G2 aus über das Blendenrad, die integrierten Bedienfeldtasten, den Touchscreen oder die blendengesteuerten Belichtungsmodi einstellen. Weitere Informationen finden Sie in den Abschnitten „Bedienen der URSA Broadcast G2“ und „Funktionsmerkmale des Touchscreens“ in diesem Handbuch. Im Auto-Modus kann der Blendenring Ihres B4-Objektivs nicht manuell bewegt werden.

Manual

Stellen Sie den Schalter auf „Manual“ oder „M“, um die Blendenöffnung per Blendenring am Objektivtubus einzustellen. In diesem Modus reagiert Ihr Objektiv nicht auf Befehle Ihrer URSA Broadcast G2 oder Ihres ATEM Mischers.



Push Auto/Iris

Mit diesen Tasten aktivieren Sie im manuellen Modus vorübergehend den automatischen Modus. Dieser kann für tolle Effekte mit den Blendensteuerungselementen Ihrer Kamera oder Ihres ATEM Mischers kombiniert werden.

Hier ein Beispiel: Befindet sich Ihre Kamera in einem blendenbasierten automatischen Belichtungsmodus und Ihre Blendenöffnung ist auf manuell eingestellt, können Sie die Blende Ihres Objektivs anhand des Blendenrings am Objektivtubus frei einstellen. Per Druck auf die „Push Auto“- bzw. „Iris“-Taste aktivieren Sie jedoch vorübergehend den Auto-Exposure-Modus und die Blende passt sich den derzeitigen Lichtverhältnissen automatisch an.

Alternativ können Sie auf dem LCD-Touchscreen Ihrer URSA Broadcast G2 einen Blendenwert vorgeben. Im manuellen Modus können Sie die Blendenöffnung anhand des Blendenrings nach Wunsch einstellen. Per Druck auf die Taste „Push Auto“ bzw. „Iris“ wird der Blendenwert auf den über den Touchscreen voreingestellten Wert zurückversetzt.

Zoom

An der Unterseite der meisten B4-Handgriffe befindet sich ein Zoom-Schalter, der auf „Servo“ oder „Manual“ eingestellt werden kann. Hierüber wird das Zoomverhalten gesteuert.

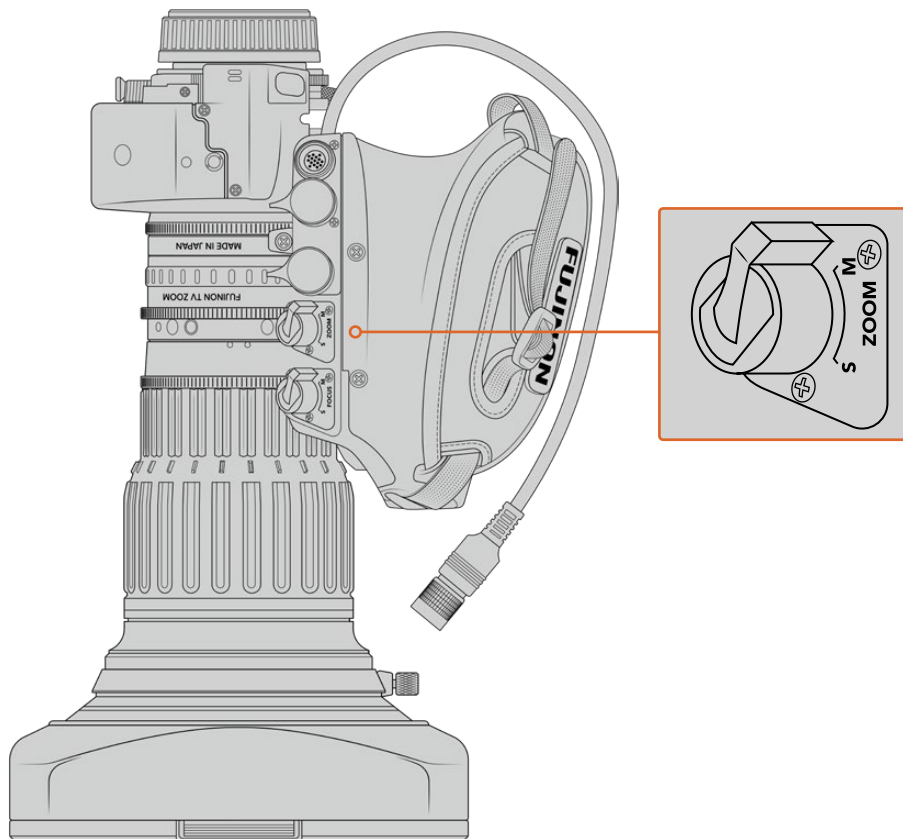
Servo

Stellen Sie den Schalter auf „Servo“ oder „S“, um die Servo-Zoomsteuerung zu aktivieren. In diesem Modus können Sie anhand der Wippe am Handset ein- und auszoomen. Zudem lassen sich auch alle anderen Zoomsteuerungen nutzen, wie bspw. Zoomgeschwindigkeit und Quick-Zoom. Ihr Objektiv empfängt darüber hinaus Befehle von der URSA Broadcast G2, den Blackmagic Zoom Demands und einem ATEM Mischer, sofern es über das Verbindungskabel mit der Kamera verbunden ist. In diesem Modus lässt sich der manuelle Zoomring Ihres Objektivs in der Regel nicht anpassen.

TIPP Zoomwippen am Handgriff ermöglichen in der Regel unterschiedliche Zoomgeschwindigkeiten. Bei leichtem Druck wird langsam gezoomt, bei festerem Druck jedoch schnell.

Manual

Stellen Sie diesen Schalter auf „Manual“ oder „M“, um die Servosteuerung außer Kraft zu setzen und den Zoom anhand des Zoomrings am Objektivtubus vorzugeben. In diesem Modus reagiert Ihr Objektiv nicht auf Befehle des Handgriffs, Ihrer URSA Broadcast G2 oder Ihres ATEM Mixers.



Focus

Einige B4-Objektive verfügen zudem über Servo-Fokussteuerungen. Ist diese Funktion an Ihrem Objektiv vorhanden, sehen Sie an der Unterseite des Handgriffs einen Fokus-Schalter mit den Einstellungen „Servo“ und „Manual“.

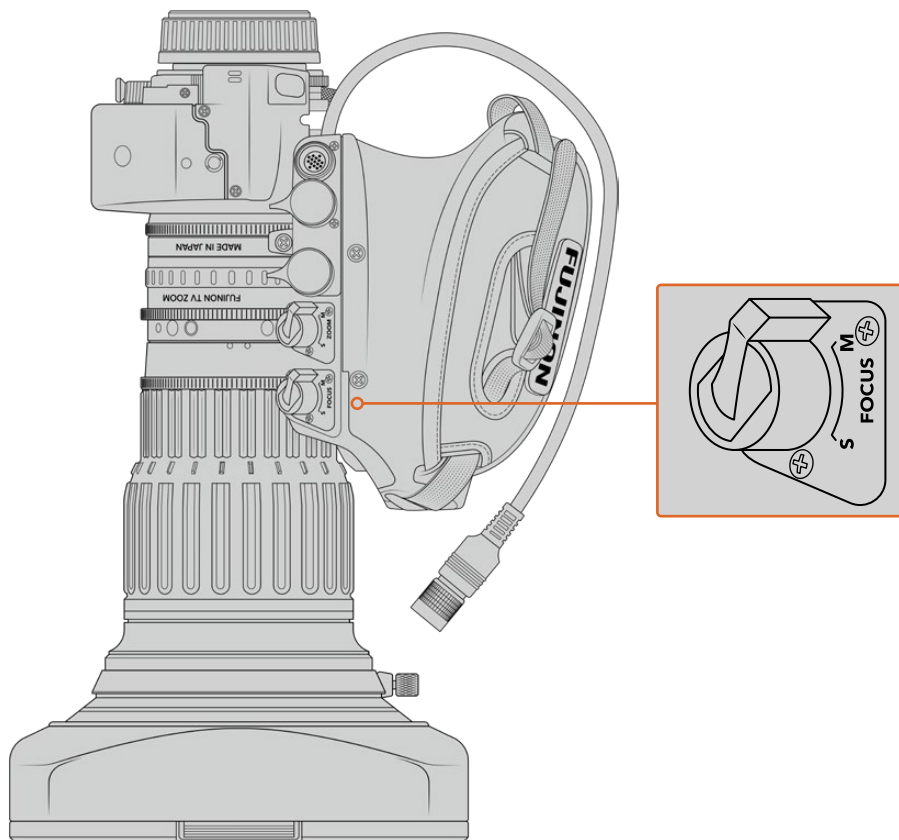
Servo

Stellen Sie den Schalter auf „Servo“ oder „S“, um die Servo-Fokussteuerung zu aktivieren. In diesem Modus empfängt Ihr Objektiv über den Anschluss Befehle von der URSA Broadcast G2, vom Blackmagic Focus Demand oder einem ATEM Mischer.

Manual

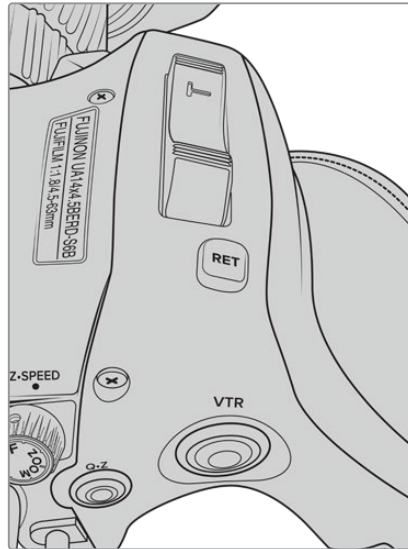
Stellen Sie den Schalter auf „Manual“, um den Fokus per Fokussierring am Objektivtubus zu steuern. B4-Objektive fokussieren im automatischen Modus manchmal sehr langsam, daher wird die manuelle Vorgabe oft bevorzugt.

HINWEIS Analoge B4-Objektive mit Servomotor werden ebenfalls unterstützt, doch die Kamera versorgt nur den Zoomservo mit Strom und unterstützt die elektronische Blendensteuerung. Viele dieser Objektive sind für Standard Definition ausgelegt und verfügen möglicherweise nicht über einen regulären zwölfpoligen Broadcast-Verbinder. Vergewissern Sie sich vor Gebrauch eines analogen B4-Objektivs zunächst, dass es mit Ihrer Kamera kompatibel ist, da einige Modelle nur eingeschränkte Funktionalitäten haben. Darüber hinaus empfiehlt es sich, vorab zu testen, inwieweit Bildkreise ausgeleuchtet werden. Bei manchen Modellen können Auflösung und Licht in Richtung Bildrand drastisch abnehmen.



RET und VTR

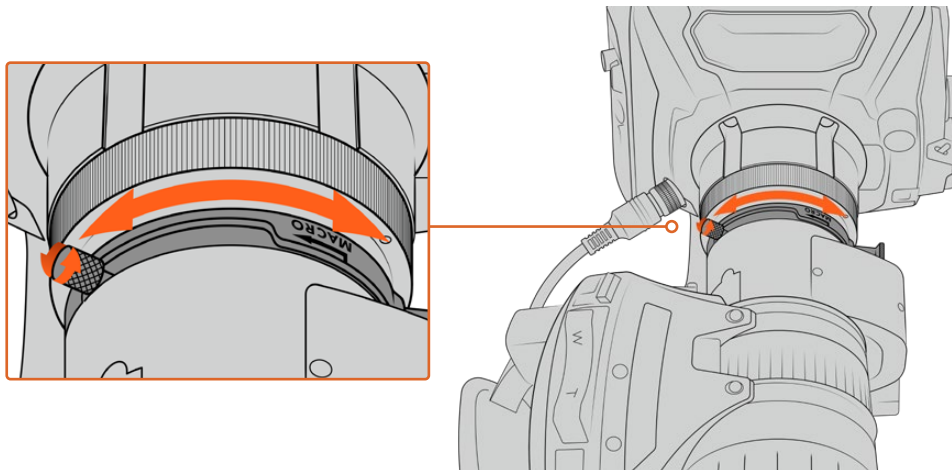
Bei einem B4-Objektiv schaltet die VTR-Taste zwischen Aufzeichnungsstart und -stopp hin und her. Die RET-Taste aktiviert die Rückführung des Programmbilds. Einzelheiten zur Konfiguration der VTR- und RET-Tasten auf der URSA Broadcast G2 als Funktionstasten finden Sie im Abschnitt „Funktionstaste einrichten“.



Ein B4-Objektiv mit RET- und VTR-Tasten

Einstellen des Auflagemaßes bei B4-Objektiven

Ein großer Vorteil von B4-Objektiven ist, dass sie parfokal konzipiert sind. Das bedeutet, dass sie innerhalb des gesamten Zoombereichs korrekt fokussiert bleiben. Sie können also einzoomen, auf ein Objekt fokussieren und beim Auszoomen bleibt der Fokus erhalten.



Der Schnittweitenring befindet sich normalerweise in der Nähe des Objektivanschlusses

Das Auflagemaß sorgt dafür, dass Ihr HD- oder 4K-B4-Objektiv innerhalb des gesamten Zoombereichs korrekt fokussiert. Wenn Sie zum ersten Mal ein B4-Objektiv auf Ihre Kamera stecken, sollten Sie sich des Auflagemaßes vergewissern. Das Auflagemaß sollte auch dann überprüft werden, wenn Sie Objektive austauschen. Auch vor Beginn größerer Projekte empfiehlt sich eine Überprüfung des Auflagemaßes.

So überprüfen Sie das Auflagemaß von B4-Objektiven:

- 1 Platzieren Sie einen Testchart oder ein flaches weißes Objekt mit einem kontrastreichen Detail ca. 20 m oder weiter von der Kamera entfernt.
- 2 Öffnen Sie die Blende des Objektivs und gleichen Sie die Belichtung ggf. anhand der Graufilter aus. Hierbei wird eine geringe Tiefenschärfe angestrebt, daher können Sie Fokussierprobleme intensivieren.
- 3 Zoomen Sie auf den Testchart ein und fokussieren Sie.
- 4 Zoomen Sie daraufhin aus. Wenn Sie die maximale Weite erreicht haben und weiterhin scharf fokussiert ist, ist das Auflagemaß korrekt eingestellt und Sie müssen keine Änderungen vornehmen.

Sollten Sie jedoch auszoomen und der Chart aus dem Fokus geraten, ist das Auflagemaß falsch eingestellt. Zoomen Sie komplett aus und passen Sie das Auflagemaß mithilfe des Schnittweitenrings in der Nähe des Objektivanschlusses an. Der Schnittweitenring verfügt normalerweise über einen Drehknopf zum Lockern und Feststellen. Lockern Sie den Drehknopf zunächst und drehen Sie den Ring, bis der Chart wieder scharf zu sehen ist.
- 5 Zoomen Sie nun zuerst ein und dann langsam wieder aus und vergewissern Sie sich, dass der Chart während des gesamten Zoomvorgangs scharf bleibt.
- 6 Wiederholen Sie Schritte 4 und 5 bei Bedarf, indem Sie ein und wieder auszoomen und den Schnittweitenring anpassen. Bleibt das Objektiv während des Zoomens durchgehend fokussiert, ist das Auflagemaß korrekt eingestellt.

Einstellen des Auflagemaßes bei Fuji LA16x8 BRM Objektiven

Bei Fuji LA16x8 BRM Objektiven erfolgt das Einstellen des Auflagemaßes etwas anders. Anstelle eines externen Schnittweitenrings wird das Auflagemaß bei diesem Objektiv elektronisch über eine Taste an der Unterseite des Handgriffs eingestellt.

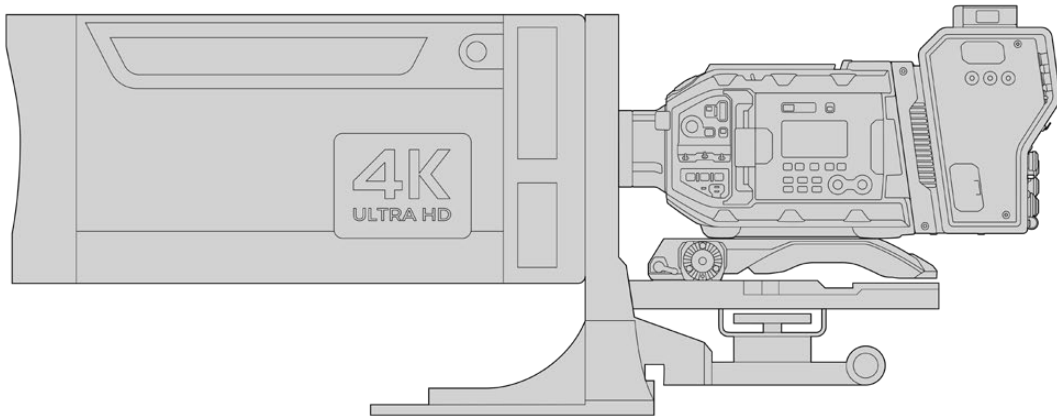
So stellt man das Auflagemaß bei Fuji LA16x8 BRM Objektiven ein:

- 1 Platzieren Sie einen Testchart oder ein flaches weißes Objekt mit einem kontrastreichen Detail ca. 20 Meter oder weiter von der Kamera entfernt.
- 2 Stellen Sie den Zoom-Schalter an der Unterseite des Objektivgriffs auf „Servo“.
- 3 Finden Sie die Taste „F.f“ neben dem Zoom-Schalter. Halten Sie die „F.f“-Taste fünf Sekunden lang gedrückt. Die LED oben auf der Zoomwippe blinkt rot.
- 4 Das Objektiv zoomt automatisch ein. Stellen Sie mit dem Fokussierring scharf. Wichtig: Ist ein Blackmagic Focus Demand angeschlossen, müssen Sie es von der Kamera abkoppeln, um den Fokussierring manuell zu bedienen. Alternativ nehmen Sie die Schärfziehung für diesen Schritt und Schritt 5 mithilfe des Focus Demands vor.
- 5 Durch erneutes Drücken der „F.f“-Taste zoomt das Objektiv automatisch aus. Stellen Sie mit dem Fokussierring scharf.
- 6 Bestätigen Sie Ihre Auswahl durch Drücken der „F.f“-Taste. Die obere LED-Anzeige blinkt rot. Das elektronische Auflagemaß Ihres Fuji LA16x8 BRM Objektivs ist nun eingestellt.
- 7 Zoomen Sie nun zuerst ein und dann langsam wieder aus und vergewissern Sie sich, dass der Chart während des gesamten Zoomvorgangs scharf bleibt.
- 8 Bleibt das Objektiv während des Zoomens durchgehend fokussiert, ist das Auflagemaß korrekt eingestellt. Wenn Sie weitere Einstellungen vornehmen müssen, wiederholen Sie Schritte 3 bis 6.

TIPP Temperaturschwankungen und Verschleiß können sich auf das Auflagemaß auswirken. Daher ist es empfehlenswert, dieses bei B4-Objektiven regelmäßig auf Korrektheit zu überprüfen.

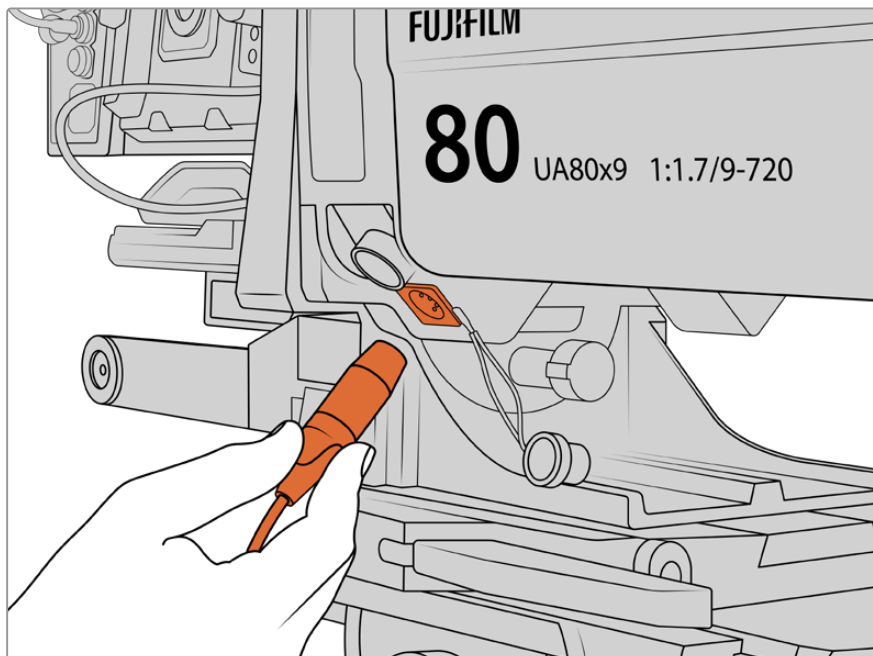
Einsatz von Box-Objektiven

Auch große Box-Objektive wie die Fujinon UA27x6.5 und UA125x8 Modelle sowie Canon Objektive der UHD-Digisuper-Serie sind mit dem B4-Mount der URSA Broadcast G2 kompatibel. Diese Art von Box-Objektiven erlaubt die horizontale und vertikale Bildstabilisierung bei 27x-Studioobjektiven sowie extreme Zoombereiche mit 80-facher und sogar 125-facher Vergrößerung. Das ist perfekt für Sportveranstaltungen und Events im Freien.



Aufgrund der Größe des Objektivs muss die Kamera auf einem robusten Stativ oder Pumpstativ mit adäquatem Abstand befestigt werden. Möglich ist dies mit einem URSA Mini Shoulder Kit, einer VCT-14-Stativadapterplatte und einem Box-Objektivadapter

Box-Objektive brauchen sehr viel Strom und müssen daher separat versorgt werden. Zusätzlichen Strom zum Objektiv liefert eine URSA 12V-Spannungsquelle. Wenn Sie einen Blackmagic Camera Fiber Converter verwenden, bekommen Sie zusätzlichen Strom vom 12V-D-Tap-Ausgang an der Geräteseite. Stecken Sie das Verbindungskabel der Objektivhalterung in die URSA Broadcast G2.



Schließen Sie für eine zusätzliche Stromzufuhr zum Box-Objektiv ein 4-poliges XLR-Kabel an

Sobald zusätzlicher Strom zugeführt wird, lässt sich Ihre Kamera starten und das Objektiv über Ihre URSA Broadcast G2 steuern.

Servo-Zoomobjektive mit PL-Mount

PL-Zoomobjektive, die bei Spielfilmen zum Einsatz kommen, lassen sich auch mit Ihrer URSA Broadcast G2 verwenden. Bei Einsatz von PL- oder EF-Objektiven kann die gesamte 6K-Sensorfläche der URSA Broadcast G2 ausgenutzt werden, um das Beste aus diesen Objektiven herauszuholen. Näheres zur Einstellung der Sensorfläche auf Ihrer URSA Broadcast G2 finden Sie im Abschnitt „AUFNAHME-Einstellungen“ weiter hinten in diesem Handbuch.

Super-35mm-PL-Objektive mit voller Servo-Steuerung für Fokus, Blende und Zoom:

Marke	Typ	Modell	Brennweite	Max. Blende
Fujinon	Cabrio	ZK2.5x14-SAF	14–35 mm	T2.9
Fujinon	Cabrio	ZK4.7x19-SAFB	19–90 mm	T2.9
Fujinon	Cabrio	ZK12x25 mit ESM-15A-SA	25–300 mm	T3.5-3.85
Fujinon	Cabrio	ZK3.5x85-SAF	85–300 mm	T2.9-T4
Fujinon	Cabrio	XK6x20	20–120 mm	T3.5
Canon	Cine-Servo	CN7x17KAS S	17–120 mm	T2.9-3.9
Canon	Cine-Servo	CN10x25 IAS S/P1	25–300 mm	T2.95-3.95
Canon	Cine-Servo	CN20x50	50–1000 mm	T5-8.9

In Studioumgebungen können Sie Fokus und Zoom zudem über den Schwenkgriff an allen oben aufgelisteten Objektiven mit Servo-Zoom betreiben.

Hybride Zoomobjektive mit Compact-Servo

Seit Kurzem gibt es eine neue Kategorie von Zoomobjektiven mit einem sogenannten Compact-Servo. Sie haben einige Funktionen von B4- und PL-Servo-Zoomobjektiven, verwenden jedoch einen EF-Mount. Die Zoomwippe für diese Objektive lässt sich über den Objektivanschluss der URSA Broadcast G2 betreiben. Ebenso lassen sich mit dem Objektiv-Metadatensystem der URSA Broadcast G2 Informationen wie Objektivname, Blende sowie Positionsangaben zu Fokus und Zoom lesen und erfassen.

Die elektronische Steuerung von Fokus, Blende und Zoom ist mit diesen Objektiven möglich. Besteht eine Verbindung zu einem Mischer, können diese Funktionen auch per ATEM Software Control ferngesteuert werden. Für Live-Übertragungen oder in einem Studio ist die Verwendung folgender Objektive mit Blackmagic Zoom und Focus Demands möglich. Dafür müssen der Blendenschalter am Objektivtubus auf „A“, der Fokusschalter auf „AF“ und der Servo-Zoom-Schalter auf „Servo“ eingestellt sein.

Objektive in dieser Serie:

- Canon CN-E 18–80 mm T4.4 Compact-Servo
- Canon CN-E 70–200 mm T4.4 Compact-Servo

Datenträger

Ihre Blackmagic URSA Broadcast G2 zeichnet Video auf handelsübliche SD-Karten, schnellere UHS-II-SD-Karten oder CFast-2.0-Karten auf.

An den rückseitigen USB-C 3.2 Gen 2x1 Anschluss können Sie Highspeed-Laufwerke oder leistungsstarke SSDs anschließen. Aufzeichnungen auf SSDs sind zudem mit dem optionalen Blackmagic URSA Mini Recorder möglich. Näheres zum Anschließen eines URSA Mini Recorders an Ihre Kamera finden Sie im Abschnitt „URSA Mini Recorder“ weiter hinten in diesem Handbuch.

Wichtige Hinweise zur Geschwindigkeit von Datenträgern

Die Herstellerangaben der Lese- und Schreibgeschwindigkeit von Datenträgern beruhen häufig auf den Höchstgeschwindigkeiten kleinerer Dateien, bspw. von Standbildern. Bei einem kontinuierlichen Fluss von hochschnellem Video stimmen diese Werte ggf. nicht genau.

Verwenden Sie für eine verlässliche Aufzeichnung mit Ihren ausgewählten Frameraten darum nur die von Blackmagic Design empfohlenen Karten.

CFast-Karten

CFast-2.0-Karten verarbeiten hohe Datenraten und sind damit perfekt für die Aufzeichnung von HD- und 4K-Video mit hohen Frameraten geeignet. Näheres zu den maximalen Frameraten eines jeden Formats finden Sie in der Aufzeichnungsdauer-Tabelle im Abschnitt „Aufzeichnen“.

Es ist zu beachten, dass CFast-2.0-Karten in der Regel zwar schnell sind, die Schreibgeschwindigkeit mancher Karten aber geringer als die Lesegeschwindigkeit ist. Zudem können die Datendurchsatzraten zwischen unterschiedlichen Modellen variieren. Verwenden Sie für eine verlässliche Aufzeichnung mit Ihren ausgewählten Frameraten darum nur die von Blackmagic Design empfohlenen Karten.

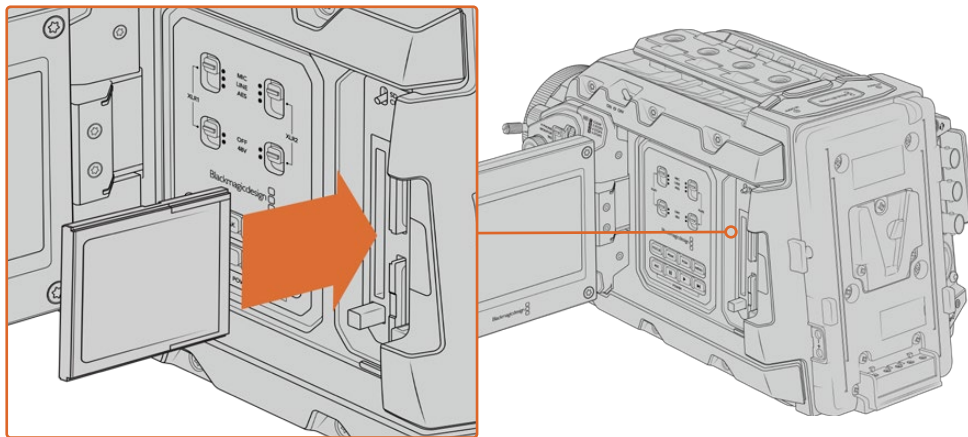
Einsetzen einer CFast-Karte

Bevor Sie auf CFast-Karten aufzeichnen, müssen Sie Ihre Kamera entsprechend einstellen. Setzen Sie hierfür den Datenträgerschalter über den Kartenschächten auf „CFAST“.

So legen Sie eine CFast-Karte ein:

- 1 Klappen Sie den Monitor aus, um an die CFast-Kartenschächte zu gelangen.
- 2 Halten Sie die CFast-Karte mit der Beschriftung zum Touchscreen hingewandt und schieben Sie sie in den CFast-Kartenschacht, bis sie spürbar einrastet. Die Karte sollte sich ohne übermäßigen Kraftaufwand einlegen lassen. Drücken Sie die Auswurf Taste unterhalb des CFast-Kartenschachts, um die CFast-Karte auszuwerfen.

Die Speicherangabe am unteren Rand des LCD-Touchscreens zeigt die Bezeichnung der erkannten CFast-Karten und die auf ihnen verbleibende Zeit an.



Die Blackmagic URSA Broadcast G2 hat zwei CFAST-Steckplätze für unterbrechungsfreies Aufzeichnen

TIPP Wenn Sie CFAST-Karten eingelegt haben, aber von der Kamera nicht darauf zugreifen können, überprüfen Sie, ob der Schalter zur Auswahl des Datenträgers über den Kartenschächten auf „CFAST“ steht.

Auswahl einer CFAST-2.0-Karte

Beim Verarbeiten von Videomaterial mit hohen Datenübertragungsraten will genau überlegt sein, welchen Typ von CFAST-Karte man verwendet. Dies ist notwendig, weil CFAST-2.0-Karten unterschiedliche Lese- und Schreibgeschwindigkeiten haben. Bitte informieren Sie sich im Blackmagic Design Support-Center unter www.blackmagicdesign.com/de/support über die aktuellsten Angaben zu empfohlenen CFAST-Karten für die Blackmagic URSA Broadcast G2.

SD-Karten

Zusätzlich zu CFAST-2.0-Karten kann die Blackmagic URSA Broadcast G2 auch auf extrem schnellen UHS-I- und UHS-II-SD-Karten aufzeichnen. Unter Verwendung von hochwertigen SDXC-UHS-II-Karten können Sie Ultra-HD-Inhalte in ProRes HQ oder sogar 6K in Blackmagic RAW aufzeichnen.

SD-Karten ermöglichen außerdem den Einsatz erschwinglicher Datenträger für Drehs in komprimierten HD-Videoformaten. Bei SDXC und SDHC handelt es sich um weit verbreitete Speicherformate, die Benutzer von Standbild- und Videokameras verwenden.

Falls Sie schon früher Videoaufnahmen mit einer DSLR, Blackmagic Micro Cinema Camera, Pocket Cinema Camera oder einem Blackmagic Video Assist gemacht haben, besitzen Sie wahrscheinlich bereits kompatible SD-Karten.

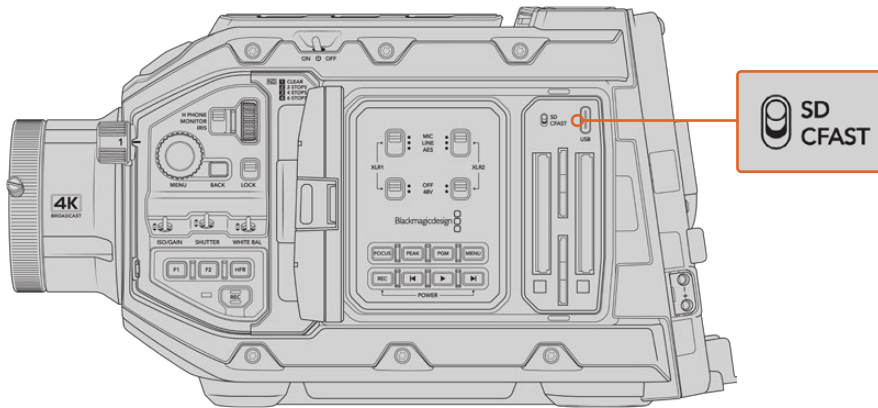
Für Projekte, die keine hochauflösten Blackmagic-RAW-Dateien erfordern, oder über lange Zeiträume aufgezeichnet werden, bieten SD-Karten ggf. eine preiswerte Alternative. SD-Karten mit geringer Leistung und Geschwindigkeit eignen sich auch für das Speichern und Laden von LUTs und Presets.

Einlegen einer SD-Karte

So führen Sie eine SD-Karte ein:

- 1 Klappen Sie den Monitor aus, um an die SD-Kartenschächte zu gelangen. Dabei handelt es sich um die kleinen Steckplätze zwischen den CFAST-Kartenschächten.
- 2 Stellen Sie den Datenträgerschalter über den Kartenschächten auf „SD“.

- 3 Halten Sie die SD-Karte mit der Beschriftung vom Touchscreen abgewandt und schieben Sie die Karte ein, bis sie spürbar einrastet. Um die SD-Karte zu entfernen, drücken Sie die Karte in den Schacht hinein, bis sie ausgeworfen wird.
- 4 Die Speicherangabe am unteren Rand des LCD-Touchscreens zeigt die Bezeichnung der erkannten Karten und die auf ihnen verbleibende Zeit an.



Wenn Sie mit der URSA Broadcast G2 auf SD-Karten aufzeichnen, sorgen Sie dafür, dass Ihr Datenträgerschalter auf „SD“ steht

Auswahl einer schnellen SD-Karte

Für Ultra-HD-Aufnahmen empfehlen wir, die schnellsten Hochgeschwindigkeits-SD-Karten des Typs UHS-II zu verwenden. Es ist wichtig, für die Aufzeichnung in Ultra HD und HD schnelle UHS-II-SD-Karten zu verwenden. Für HD-Aufnahmen eignen sich auch UHS-I-Karten. Die für hohe Datenraten konzipierten Karten bieten größere Speicherkapazitäten. Allgemein gilt: Je schneller die Karte, desto besser.

Vor Gebrauch müssen Sie Ihre Karten entweder in HFS+ oder exFAT formatieren. Sie können Ihre Datenträger in der Speicherverwaltung der Kamera oder mit Ihrem Computer formatieren. Weitere Informationen finden Sie unter „Datenträger für die Aufnahme vorbereiten“ in diesem Handbuch.

Sie können Ihre Karten auch mit einem Mac- oder Windows-Computer formatieren. Wer seine Datenträger auf einem Mac benutzt, kann das Mac-Datenträgerformat HFS+ verwenden. Wer unter Windows arbeitet, sollte das Windows-Datenträgerformat exFAT verwenden. Auch Mac-Computer können dieses Format lesen.

Bitte informieren Sie sich im Blackmagic Design Support-Center unter www.blackmagicdesign.com/de/support über die aktuellsten Angaben zu empfohlenen CFast-Karten für die Blackmagic URSA Broadcast G2.

HINWEIS Wenn Sie mit Ihrer URSA Broadcast G2 bei hohen Bildwechselraten oder in Ultra HD filmen, empfehlen wir CFast-2.0- oder SD-UHS-II-Datenträger, die generell schneller als SD-UHS-I-Medien und mit mehr Speicherkapazität verfügbar sind.

SD-Karten sperren und entsperren

SD-Karten können schreibgeschützt oder „gesperrt“ werden, um zu verhindern, dass Daten überschrieben werden.

Vergewissern Sie sich, dass eingelegte Karten nicht schreibgeschützt sind. Der Schreibschutz lässt sich durch Umlegen des kleinen Plastikschafters an der linken Kartenseite zu den Anschlüssen hin aufheben. Nach erfolgter Aufzeichnung können Sie den Schreibschutz der Karte wiederherstellen, indem Sie den Schalter in seine Abwärtsposition zurücklegen.



Schieben Sie den Sperrschalter nach oben oder unten, um eine SD-Karte zu sperren oder zu entsperren

Wenn Sie eine gesperrte SD-Karte eingeschoben haben, zeigt Ihre URSA Broadcast G2 auf dem LCD-Touchscreen und im Speichermenü den Status „Gesperrt“ an. Mit einer gesperrten Karte können Sie weder Videos aufzeichnen noch Standbilder festhalten oder LUTs und Presets exportieren. Das geht erst, wenn die Karte entsperrt ist.



Ihre URSA Broadcast G2 informiert Sie darüber, wenn gesperrte SD-Datenträger eingeschoben werden

Aufzeichnen auf USB-C-Laufwerke

Die Blackmagic URSA Broadcast G2 verfügt über zwei USB-C-Ports. Der USB-C 3.1 Gen 1 Port seitlich neben den CFast-Slots ist für Softwareupdates vorgesehen. Der USB-C 3.1 Gen 2x1 Port an der Rückseite in Nähe der SDI-Anschlüsse dient zur Aufzeichnung auf hochschnelle SSDs und USB-C-Laufwerke. Mit diesen schnellen, leistungsstarken Laufwerken zeichnen Sie Video über längere Zeiträume auf, was bei lang andauernden Drehs wichtig sein kann.

Ein an Ihre Kamera angeschlossenes USB-C-Laufwerk belegt den dritten Speicherslot im Betriebssystem Ihrer Kamera. Durch Antippen des Laufwerknamens im Speichermenü aktivieren Sie den jeweiligen Datenträger. Demnach erfolgen Aufzeichnung, Wiedergabe und Speicherverwaltung von USB-C-Laufwerken genauso wie mit CFast-, SD- und SSD-Datenträgern.

Wenn Sie mit der Aufnahme fertig sind, können Sie dasselbe Laufwerk für Schnitt und Postproduktion direkt an Ihren Computer anschließen, ohne die Daten kopieren zu müssen.

So schließen Sie ein USB-C-Laufwerk an:

- 1 Verbinden Sie ein Ende des USB-C-Kabels mit Ihrem USB-C-Laufwerk.
- 2 Stecken Sie das andere Ende des USB-C-Kabels in den USB-C-Port unterhalb der SDI-Anschlüsse an der Rückseite Ihrer URSA Broadcast G2.
- 3 Das USB-C-Laufwerk belegt den dritten Speicherslot auf dem LCD-Touchscreen Ihrer Kamera.

- 4 Um auf dem USB-C-Laufwerk aufzuzeichnen, halten Sie am unteren Rand des LCD-Displays Ihrer Kamera den Namen des Laufwerks gedrückt. Ein blauer Speicherträgerbalken zeigt an, dass die Kamera nun auf dem USB-C-Laufwerk aufzeichnen soll. Während der Aufzeichnung erscheint der Balken in Rot.

Auswahl eines schnellen USB-C-Laufwerks

USB-C-Laufwerke sind darauf ausgelegt, schnellen, erschwinglichen Speicherplatz für vielerlei Geräte zu liefern. Sie sind in zahlreichen Elektronikgeschäften erhältlich. Da das Filmmachen nur einer von vielen Einsatzzwecken für USB-C-Laufwerke ist, ist es sehr wichtig, das passende Laufwerk mit genügend Geschwindigkeit zum Aufzeichnen von Footage in Blackmagic RAW und Ultra HD zu wählen.

Vielen für Heimcomputer konzipierten USB-C-Laufwerken mangelt es an der nötigen Geschwindigkeit für Videoaufzeichnungen in Ultra HD.

Die aktuellste Liste mit empfohlenen USB-C-Laufwerken finden Sie unter www.blackmagicdesign.com/de/support.

Prüfen Sie mithilfe des Blackmagic Disk Speed Tests, ob Ihr USB-C-Laufwerk für die Aufzeichnung und Wiedergabe von hohen Datenraten geeignet ist. Beim Blackmagic Disk Speed Test wird anhand von Daten die Videospeicherung simuliert. Das zeigt Ihnen ähnliche Ergebnisse an, wie sie sich bei der Erfassung von Video auf einer Festplatte ergeben würden. Von Blackmagic durchgeführte Tests haben ergeben, dass neuere, größere Modelle von USB-C-Laufwerken und USB-C-Laufwerke mit höheren Kapazitäten in der Regel schneller sind.

Der Blackmagic Disk Speed Test ist im Mac App Store erhältlich. Windows- und Mac-Versionen sind ebenfalls in der Blackmagic Desktop Video Software enthalten. Diese steht Ihnen im Blackmagic Design Support Center auf www.blackmagicdesign.com/de/support unter „Aufzeichnung und Wiedergabe“ als Download zur Verfügung.

SSDs

Unter Einsatz eines optionalen URSA Mini Recorders zeichnet die URSA Broadcast G2 überdies auf speicherstarke Solid-State-Drives, sog. SSDs, auf. Diese schnellen speicherstarken Laufwerke sind heutzutage überall im Elektronikfachhandel erhältlich.

Über seinen USB-C-Anschluss ermöglicht der URSA Mini Recorder hohe Geschwindigkeiten fürs Arbeiten mit handelsüblichen 2,5"-SATA-SSDs und 7mm-U.2-SSDs. M.2-Solid-State-Laufwerke funktionieren unter Einsatz von M.2-nach-U.2-Adaptoren. Um die entsprechenden Geschwindigkeiten zu erzielen, ist ein zertifiziertes USB 3.1 Gen 2 Kabel erforderlich. Mit Sperrmechanismen an beiden Enden gewährleistet das mitgelieferte USB-C-Kabel während der Verwendung eine sichere Verbindung.

HINWEIS Wie Sie den Blackmagic URSA Mini Recorder anschließen, erfahren Sie im gleichnamigen Abschnitt dieses Handbuchs.

Einlegen einer SSD

So legen Sie eine SSD ein:

- 1 Halten Sie Ihre SSD so, dass die Anschlussstifte in Richtung Kamerafront zeigen.
- 2 Öffnen Sie die federgespannte Abdeckung am Blackmagic URSA Mini Recorder und schieben Sie die SSD vorsichtig in den Kartenschacht.

TIPP Der URSA Mini Recorder ist mit einer Druckplatte für SSDs unterschiedlicher Größen versehen, die so ohne Abstandhalter in Ihr Laufwerk passen.

- 3 Sobald die SSD eingerastet ist, schließen Sie die Abdeckung des URSA Mini Recorders wieder.
- 4 Die SSD belegt den dritten Speicherslot Ihrer Kamera.
- 5 Um auf der SSD aufzuzeichnen, halten Sie am unteren Rand des LCD-Displays Ihrer Kamera den Namen des Laufwerks gedrückt. Ein blauer Speicherträgerbalken zeigt an, dass die Kamera nun auf der SSD aufzeichnen soll. Während der Aufzeichnung erscheint der Balken in Rot.

So entnehmen Sie eine SSD:

Öffnen Sie die Abdeckung Ihres URSA Mini Recorders und halten Sie das Laufwerk vorsichtig zwischen Daumen und Zeigefinger. Der Kartenschacht ist oben leicht eingebuchtet, damit Sie das Laufwerk besser greifen können. Ziehen Sie das Laufwerk einfach heraus und schließen Sie die Abdeckung.

Auswahl einer schnellen SSD für den URSA Mini Recorder

SSDs sind als schnelle, erschwingliche Datenträger für die unterschiedlichsten Geräte konzipiert. Da das Filmemachen nur einer von vielen Einsatzzwecken für SSDs ist, ist es sehr wichtig, das richtige Laufwerk mit genügend Bandbreite zum Aufzeichnen von Footage in Blackmagic RAW oder Ultra HD zu wählen. Vielen für Heimcomputer konzipierten SSDs mangelt es an der nötigen Geschwindigkeit für Videoaufzeichnungen in Ultra HD.

Wir empfehlen unbedingt, ausschließlich die in unserer Tabelle aufgeführten SSDs einzusetzen. Diese mit der Blackmagic URSA Broadcast G2 getesteten SSDs unterstützen ununterbrochenes Filmen in den spezifizierten Auflösungen. Die aktuellste Tabelle empfohlener SSDs finden Sie unter www.blackmagicdesign.com/de/support

Wichtige Hinweise zur Geschwindigkeit von SSDs

Einige SSD-Modelle können Videodaten nicht in der vom Hersteller angegebenen Geschwindigkeit aufzeichnen. Das liegt an einer vom Speicher verwendeten versteckten Datenkompression, mit der höhere Schreibgeschwindigkeiten erreicht werden. Mit dieser Datenkompression können Daten nur dann in den vom Hersteller angegebenen Geschwindigkeiten gespeichert werden, wenn es sich um Fülldaten oder Standarddateien handelt. Videodaten enthalten Videorauschen und Pixel und damit willkürlichere Daten, die nicht so einfach komprimierbar sind und daher die wahre Geschwindigkeit des Speichers offenbaren.

Bei einigen SSDs sind die Schreibgeschwindigkeiten um bis zu 50 % geringer als vom Hersteller angegeben. Es kann sein, dass die SSD entgegen der für sie angegebenen technischen Daten nicht schnell genug für die Echtzeitaufzeichnung von Video ist.

Prüfen Sie mithilfe des Blackmagic Disk Speed Tests, ob sich Ihre SSD für die Aufzeichnung und Wiedergabe von hohen Datenraten eignet. Beim Blackmagic Disk Speed Test wird anhand von Daten die Videospeicherung simuliert. Das zeigt Ihnen ähnliche Ergebnisse an, wie sie sich bei der Erfassung von Video auf einer Festplatte ergeben würden. Von Blackmagic durchgeführte Tests haben ergeben, dass neuere, größere SSD-Modelle und SSDs mit höheren Kapazitäten in der Regel schneller sind.

Vorbereiten von Datenträgern für die Aufzeichnung

Sie können Ihre Datenträger über die Speicherverwaltung der Blackmagic URSA Broadcast G2 oder über einen Mac oder Windows-Computer formatieren. Für eine optimale Leistung empfiehlt sich die Formatierung Ihrer Datenträger mit der URSA Broadcast G2.

HFS+ wird auch als „OS X Extended“ bezeichnet und ist das empfohlene Format, da es Journaling unterstützt. Auf Datenträger mit Journaling gespeicherte Daten lassen sich im seltenen Fall einer Beschädigung Ihres Datenträgers mit höherer Wahrscheinlichkeit wiederherstellen. HFS+ wird nativ von Mac OS unterstützt. ExFAT wird von Mac und Windows nativ unterstützt und macht den Kauf zusätzlicher Software überflüssig. Die Journaling-Funktion unterstützt exFAT allerdings nicht.

HINWEIS Bevor Sie Ihre Medien formatieren, ist der Schalter für Ihren Datenträger entsprechend auf „SD“ oder „CFAST“ umzulegen. Überprüfen Sie die Einstellungen vor der Formatierung immer sorgfältig.

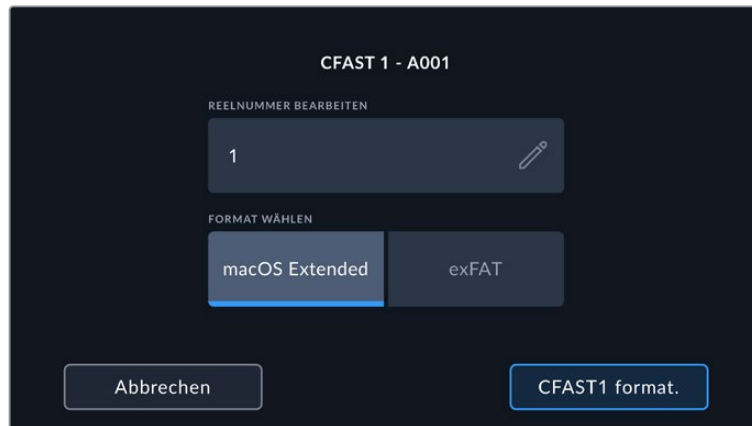
Vorbereiten von Datenträgern mit der Blackmagic URSA Broadcast G2

- 1 Tippen Sie auf eine der Speicheranzeigen am unteren Rand des LCD-Touchscreens, um die Speicherverwaltung zu öffnen.
- 2 Tippen Sie auf einen der Formatier-Buttons unten auf dem Touchscreen, um die Karte in Slot 1 oder Slot 2 zu formatieren. Sollte ein USB-C-Laufwerk oder eine SSD an den hinteren USB-C-Anschluss Ihrer URSA Broadcast G2 angeschlossen sein, tippen Sie auf die Schaltfläche „Laufwerksliste“. Wählen Sie dann das zu formatierende Laufwerk aus und tippen Sie auf „Laufwerk formatieren“.



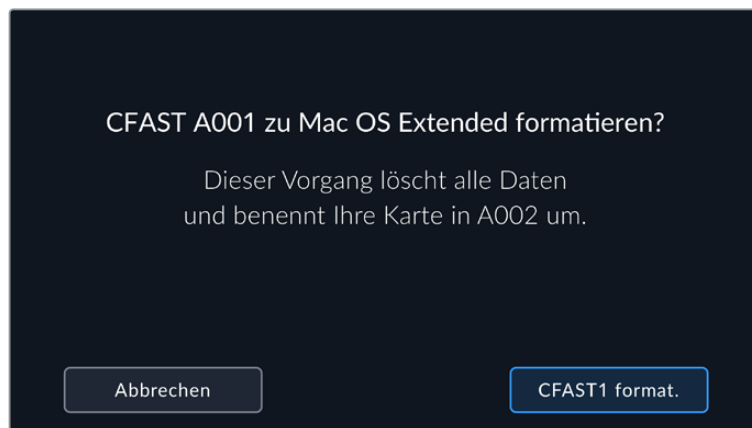
Formatieren Sie die Datenträger für Ihre Kamera über die Speicherverwaltung der URSA Broadcast G2

- 3 Zum Ändern der Reelnummer und Öffnen der Tastatur tippen Sie auf das Stiftsymbol. Geben Sie die neue Reelnummer ein und tippen Sie auf „Aktualisieren“.
- 4 Wählen Sie das Format OS X Extended oder exFAT und tippen Sie auf den Button „Laufwerk formatieren“.



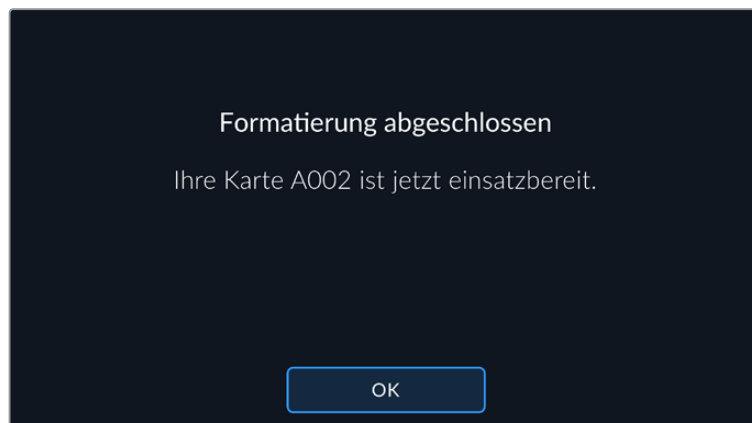
Tippen Sie auf das Stiftsymbol, um die Reelnummer manuell zu ändern

- 5 Sie werden nun aufgefordert, Ihre Auswahl zu bestätigen. Tippen Sie erneut auf den Button „Laufwerk formatieren“, um fortzufahren, oder auf „Abbrechen“, um den Vorgang zu stoppen.



Vergewissern Sie sich vor dem Formatieren, dass Sie die richtige Karte ausgewählt haben

- 6 Sie werden dazu aufgefordert, den Button „Laufwerk formatieren“ 3 Sekunden lang gedrückt zu halten. Nach abgeschlossener Formatierung zeigt Ihnen die Kamera eine Benachrichtigung an.



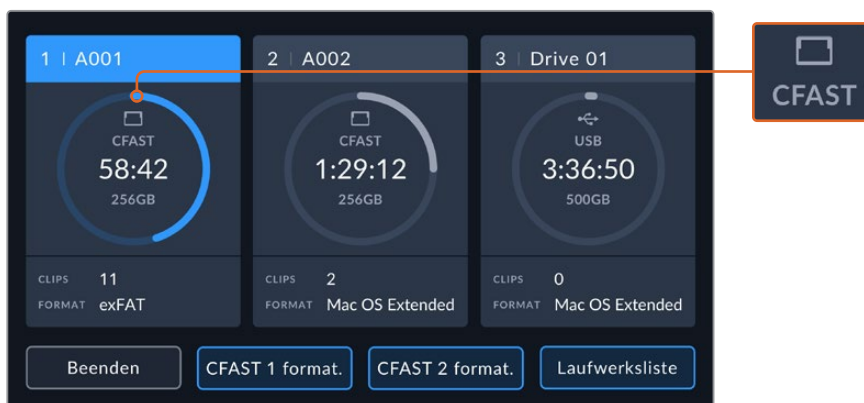
Nach abgeschlossener Formatierung ist Ihre Karte einsatzbereit

- 7 Tippen Sie auf OK, um zur Speicherverwaltung zurückzukehren.
- 8 Tippen Sie auf „Beenden“, um die Speicherverwaltung zu verlassen.

Wenn Sie CFAST- oder SD-Karten über die Speicherverwaltung formatieren, verwendet Ihre URSA Broadcast G2 für die Benennung der Karte die unter KAMERA-ID eingetragene Bezeichnung auf der Filmtafel sowie die Reelnummer. Ihre Kamera zählt die Reelnummer bei jeder Formatierung automatisch hoch. Möchten Sie manuell eine bestimmte Reelnummer eingeben, tippen Sie auf das Stiftsymbol und geben Sie die Nummer vor, die Ihrer Karte bei der Formatierung zugewiesen werden soll.

Zu Beginn eines neuen Projekts wird die Reelnummerierung auf 1 zurückgesetzt, wenn Sie auf dem PROJEKT-Tab der Filmtafel auf „Daten zurücksetzen“ tippen.

Wenn Sie auf „Karte formatieren“ tippen, wird je nach Stellung des Datenträgerschalters Ihrer Kamera auf „SD“ oder „CFAST“ nur der vorgegebene Kartentyp formatiert. Weitere Informationen zum Umschalten zwischen CFAST- und SD-Datenträgern finden Sie weiter oben in diesem Handbuch im Abschnitt „SD-Karten“.



Die Speicherverwaltung der URSA Broadcast G2 zeigt an, ob Sie aktuell mit CFAST-, SD- oder SSD-Medien arbeiten

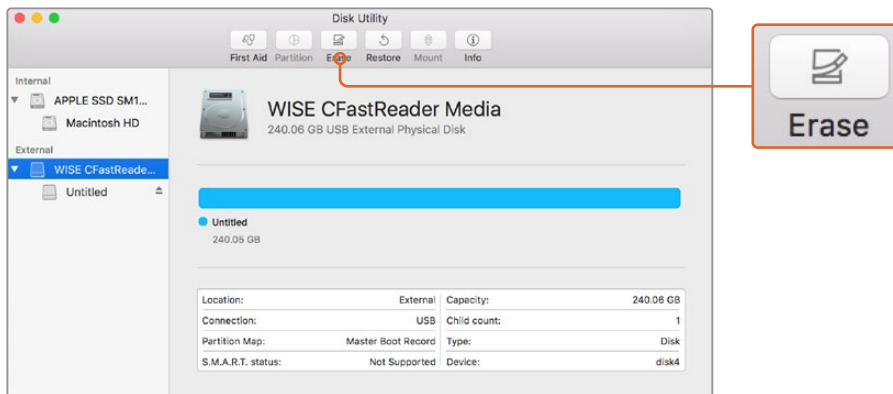
TIPP Wenn Ihre URSA Broadcast G2 auf den Einsatz von SD-Karten eingestellt ist und Sie eine gesperrte Karte einstecken, lässt sich diese nicht formatieren. In der Speicherverwaltung erscheint dann neben dem Namen der Karte ein Schlosssymbol. Entsperren Sie die Karte, um sie zu formatieren und darauf aufzuzeichnen. Weitere Informationen zum Entsperren von SD-Karten finden Sie im Abschnitt „SD-Karten“ in diesem Handbuch.

Vorbereiten von Datenträgern auf Mac

Benutzen Sie das auf Mac enthaltene Festplatten-Dienstprogramm, um Ihre CFAST-, SD-Karte oder SSD in HFS+ oder exFAT zu formatieren.

Erstellen Sie unbedingt eine Sicherungskopie aller wichtigen Inhalte auf Ihrem Datenträger, da beim Formatieren alle vorhandenen Daten gelöscht werden.

- 1 Verbinden Sie den CFAST-, SD- oder SSD-Datenträger mittels eines CFAST-2.0- oder SD-Kartenlesers bzw. SSD-Docks oder -Adapters mit Ihrem Computer. Schließen Sie zudem alle Aufforderungen, Ihren Datenträger für Time Machine Backups zu verwenden.
- 2 Gehen Sie zu „Programme“ > „Dienstprogramme“ und starten Sie das Festplatten-Dienstprogramm.
- 3 Klicken Sie auf das Laufwerksymbol für den Datenträger Ihrer Kamera und dann auf „Löschen“.
- 4 Geben Sie als Format „Mac OS Extended (Journaled)“ oder „exFAT“ vor.
- 5 Geben Sie einen Namen für das neue Volumen ein und klicken Sie auf „Löschen“. Der Datenträger Ihrer Kamera ist im Nu formatiert und einsatzbereit.

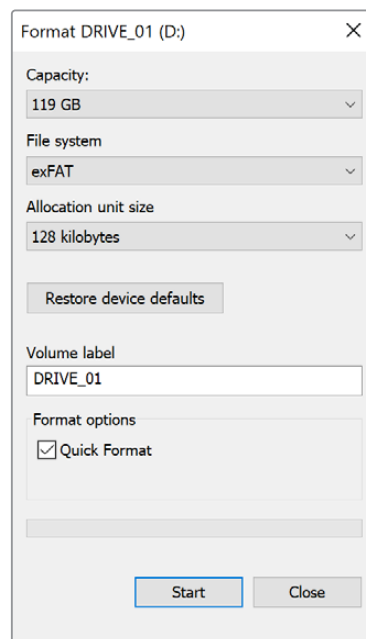


Verwenden Sie Disk Utility unter Mac OS X, um Ihre CFast-Karte im Format „Mac OS Extended“ (Journaled) oder exFAT zu löschen

Vorbereiten von Datenträgern auf Windows

Auf einem Windows-PC erfolgt die Formatierung eines Laufwerks in exFAT über das Dialogfeld „Formatieren“. Denken Sie daran, eine Sicherungskopie aller wichtigen Inhalte auf Ihrem Datenträger zu erstellen, da beim Formatieren alle vorhandenen Daten gelöscht werden.

- 1 Schließen Sie Ihren Kameradatenträger mittels eines externen Speicherkartenlesers/-schreibers oder über ein SSD-Dock bzw. einen -Adapter an Ihren Computer an.
- 2 Öffnen Sie das Startmenü oder den Startbildschirm und wählen Sie „Computer“ aus. Führen Sie einen Rechtsklick auf dem Datenträger Ihrer Kamera aus.
- 3 Wählen Sie im Kontextmenü „Formatieren“ aus.
- 4 Stellen Sie das Dateisystem auf „exFAT“ und die Größe der Zuordnungseinheit auf 128 Kilobytes ein.
- 5 Geben Sie eine Volumenkennung ein, wählen Sie „Schnellformatierung“ aus und klicken Sie auf „Start“.
- 6 Ihre Speicherkarte ist im Nu formatiert und einsatzbereit.



Formatieren Sie Ihr CFast-, SD- oder SSD-Medium unter Windows über das Dialogfeld „Formatieren“ im exFAT-Format

HINWEIS Sollten während Ihrer Aufzeichnung Bilder fallen gelassen werden, prüfen Sie, ob Ihre Karte auf unserer Liste empfohlener Medien steht und sich für die benutzte Framegröße eignet. Versuchen Sie Ihre Framerate oder Framegröße für geringere Datenraten zu reduzieren oder einen komprimierten Codec wie ProRes zu verwenden. Die aktuellsten Informationen finden Sie auf der Blackmagic Design Website unter www.blackmagicdesign.com/de

Aufzeichnen

Aufzeichnen von Clips

B4-Broadcast-Objektive verfügen meist über eine Aufzeichnungstaste am Handgriff des Objektivs, und zwar dort, wo sich beim Filmen von der Schulter normalerweise Ihr Daumen befindet. Drücken Sie einfach diese Aufzeichnungstaste am Handgriff, um die Aufnahme zu starten. Ein erneutes Drücken stoppt die Aufnahme.

Ihre Kamera verfügt darüber hinaus über integrierte Aufzeichnungstasten. Eine Aufnahmestaste befindet sich auf dem inneren Bedienfeld und eine weitere auf dem vorderen Bedienfeld, um leichteren Zugriff zu gewähren, wenn Sie von der Schulter filmen.

Auslösen der Aufnahme von externen Quellen

Mit der „Blackmagic Camera Control“-App können Sie die Aufzeichnung aus der Ferne auslösen und diverse Kameraeinstellungen über Bluetooth von Ihrem iPad aus vornehmen. Näheres zum Einrichten und Verwenden der „Blackmagic Camera Control“-App finden Sie im Abschnitt „Bluetooth“ weiter hinten in diesem Handbuch. Für iPhones oder Android-Smartphones sind Fremdanbieter-Apps verfügbar, um die Aufzeichnung auf Ihrer URSA Broadcast G2 mittels Bluetooth auszulösen.

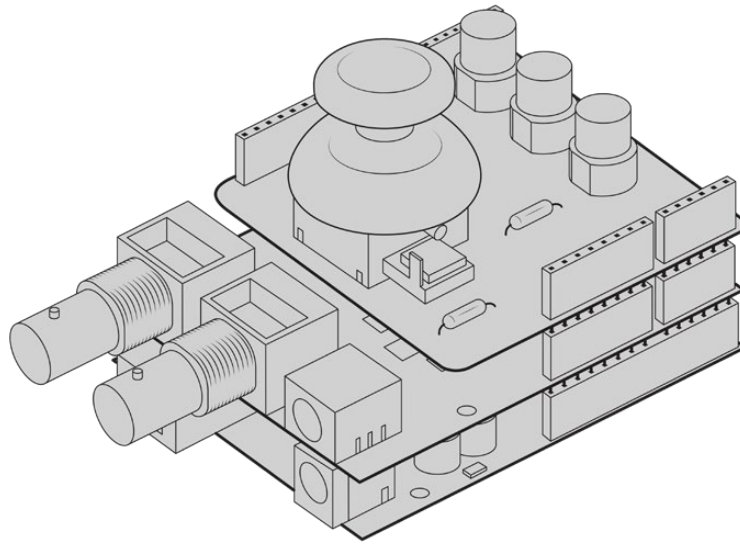
Unter Einsatz eines optionalen Blackmagic Zoom Demands ist das Auslösen der Aufzeichnung auf Ihrer URSA Broadcast G2 auch über die Funktionstaste möglich. Ähnlich wie die VTR-Taste an einem B4-Objektiv, befindet sich die Funktionstaste am Blackmagic Zoom Demand unter Ihrem Daumen. Weitere Informationen zum Blackmagic Zoom Demand finden Sie im Abschnitt „Verwenden des Blackmagic Zoom Demands“ weiter hinten in diesem Handbuch.

Ist Ihre Blackmagic URSA Broadcast G2 über einen Blackmagic Micro Converter BiDirectional SDI/HDMI 3G mit einem ATEM Mini Pro oder Extreme Modell verbunden, kann die Aufzeichnung über den ATEM Mischer ausgelöst werden.

Dafür kann man in ATEM Software Control in der Palette „Stream aufzeichnen“ bspw. das Kontrollkästchen „Auf allen Kameras aufzeichnen“ benutzen. Ist dieses Kontrollkästchen aktiviert ist und Sie tippen auf „Aufzeichnung“, dann startet die Aufzeichnung auf allen angeschlossenen Kameras. Um die Aufzeichnung auf allen Kameras gleichzeitig zu starten, müssen Sie entsprechend nur einen Button betätigen. Weitere Informationen finden Sie in der ATEM Mini Bedienungsanleitung.

Alternativ lässt sich die Aufzeichnung auch über eine an den LANC-Eingang Ihrer URSA Broadcast G2 angeschlossene externe LANC-Steuerung starten und stoppen. Beispielsweise möchten Sie vielleicht eine LANC-Steuerung an Ihrem Stativ anbringen, um die Aufzeichnung auszulösen, ohne dabei den Fokusserring und den Stativgriff loslassen zu müssen.

In Verbindung mit einem Blackmagic 3G-SDI Shield for Arduino können Sie mit dem Blackmagic SDI Camera Control Protokoll die Aufzeichnung auf einer oder mehreren URSA Broadcast G2 Kameras auslösen. Weitere Informationen finden Sie im englischsprachigen Abschnitt „Informationen für Entwickler“ in diesem Handbuch oder unter www.blackmagicdesign.com/de/developer, wo das Blackmagic 3G-SDI Shield for Arduino Handbuch zum Download bereit steht.



Bauen Sie für eine interaktivere und präzisere Steuerung Ihren eigenen Hardware-Controller und schließen Sie ihn an Ihr Blackmagic 3G-SDI Shield for Arduino an

HINWEIS Wenn Sie die Position des Auswahlschalters für Datenträger während der Aufzeichnung ändern, beendet die Kamera die aktuelle Aufzeichnung, bevor sie auf einen anderen Medientyp umschaltet. Damit wird gewährleistet, dass Ihre Aufzeichnung fehlerlos weiterläuft, wenn der Schalter während eines Takes umgelegt wird.

Auswahl von Codec, Auflösung und Sensorfläche

Ihre Blackmagic URSA Broadcast G2 kann in Blackmagic RAW wahlweise mit den Einstellungen „Constant Quality“ (konstante Qualität) oder „Constant Bitrate“ (konstante Bitrate) aufzeichnen. Um komprimiertes Ultra-HD- und HD-Video aufzuzeichnen, stehen zudem die Codecs Apple ProRes, H.264 und H.265 zur Verfügung. Die verfügbaren Sensor-Frameraten variieren je nach ausgewähltem Codec und Auflösung.

In Blackmagic RAW gibt es Kompressionsoptionen mit konstanter Qualität und konstanter Bitrate. Zum Filmen im ENG-Stil wird Blackmagic RAW 8:1, 12:1, Q3 oder Q5 empfohlen. Die hohe Komprimierung ermöglicht lange Aufnahmezeiten bei minimaler sichtbarer Beeinträchtigung der Bildqualität. Um für sehr detailreiche Aufnahmen eine höchstmögliche Bildqualität zu erzielen, können Sie Blackmagic RAW 3:1 oder Q0 wählen.

Hier sei angemerkt, dass in Blackmagic RAW aufgezeichnete Clips mit DaVinci Resolve, Blackmagic RAW Player und anderen Anwendungen kompatibel sind, die das Blackmagic RAW SDK unterstützen. Blackmagic RAW wird bereits von zahlreichen Anwendungen für die Postproduktion unterstützt. Obwohl der Codec noch nicht von allen Schnittsoftwares nativ unterstützt wird, funktioniert er über die mit unseren Kamera-Updates und dem Blackmagic RAW Installationsprogramm bereitgestellten Plug-ins. Näheres finden Sie im Abschnitt „Verwendung von Fremdsoftware“.

Blackmagic RAW

Die Blackmagic URSA Broadcast G2 unterstützt das neue Dateiformat Blackmagic RAW. Das Format liefert eine überragende Bildqualität und einen breiten Dynamikumfang in zahlreichen Kompressionsverhältnissen. Mit Blackmagic RAW genießt man alle Anwendervorteile von RAW-Aufzeichnungen. Da die Verarbeitung größtenteils in der Kamera stattfindet und die Hardware von der Kamera selbst beschleunigt wird, sind die Dateien sehr schnell zu handhaben.

Blackmagic RAW bietet ebenfalls umfangreichen Metadaten-Support, sodass die Software, die die Dateien liest, Ihre Kameraeinstellungen gleich miterfasst. Wenn Sie vorzugsweise in „Video“-Gamma drehen, weil Sie im Nu schneiden müssen und keine Zeit für Farbkorrekturen haben, dann eröffnet Ihnen die Metadaten-Feature eine neue Option. Sie können wie gehabt „Video“-Gamma auswählen und in „Video“-Gamma filmen. Beim späteren Öffnen der Datei in einer Software wird sie dann mit angewendetem „Video“-Gamma dargestellt. Unter all den aufgenommenen Daten enthält diese Datei aber auch die „Film“-Gammadaten. Die Datei wird nur deshalb in „Video“-Gamma angezeigt, weil die darin enthaltenen Metadaten die Software instruieren, „Video“-Gamma anzuzeigen.

Möchten Sie Ihre Bilder später doch irgendwann farbkorrigieren, verfügen Sie dank der in der Datei bewahrten Daten über den gesamten „Film“-Dynamikumfang. Da die Videoüberpegel Ihrer Bilder in den Weiß- und Schwarztönen nicht per „hartem Clipping“ abgeschnitten werden, reicht das vorhandene Detail, um all Ihren Bildern durch Colorgrading einen filmischen Look zu verleihen. Kein Problem, wenn Ihnen die Zeit fürs Grading fehlt, da die Bilder mit dem angewendeten „Video“-Gamma ohnehin wie reguläre Videokamerabilder aussehen. Ihre beim Dreh getroffene Entscheidung ist nicht verbindlich, da Sie sie später in der Postproduktion revidieren können.

Blackmagic-RAW-Dateien sind extrem schnell und der Codec ist für den Einsatz von CPUs und GPUs mit Ihrem Computer optimiert. So wird die reibungslose Wiedergabe beschleunigt und Hardware-Decoder, die bei der Verwendung auf Laptops wichtig sind, sind hinfällig. Software, die Blackmagic RAW lesen kann, bietet den zusätzlichen Vorteil der Verarbeitung mit Apple Metal, Nvidia CUDA oder OpenCL.

So lassen sich Blackmagic-RAW-Dateien auf den meisten Rechnern bei normaler Videodatei-Geschwindigkeit abspielen, ohne dass man sie zunächst cachen oder ihre Auflösung reduzieren muss.

Wissenswert ist auch, dass in den Metadaten für jedes Einzelbild die objektivbezogenen Daten mit aufgezeichnet werden. Beispiel: Alle im Laufe eines Clips an kompatiblen Objektiven vorgenommenen Änderungen der Zoomstellung oder Fokussierung werden für jeden einzelnen Frame in den Metadaten der Blackmagic-RAW-Datei gespeichert.

Aufnahmen in Blackmagic RAW

Blackmagic RAW arbeitet mit zwei verschiedenen Kompressionsmethoden. Sie haben die Wahl zwischen den Codec-Modi „Constant Bitrate“ mit konstanter Bitrate oder „Constant Quality“ mit konstanter Qualität.

Der Codec-Modus mit konstanter Bitrate funktioniert ähnlich wie die meisten Codecs. Er versucht, die Datenrate auf einem konstanten Niveau zu halten und verhindert, dass sie zu sehr ansteigt. Wenn es beim Drehen einer komplexen Einstellung gilt, mehr Bilddaten zu speichern, komprimiert der Codec-Modus mit konstanter Bitrate das Bild einfach stärker, damit die Daten in den zugeordneten Speicherplatz passen.

Für Video-Codecs mag das ausreichen. Beim Drehen in RAW ist es jedoch wichtig, für eine kalkulierbare Qualität zu sorgen. Was passiert nun, wenn Ihre Aufnahmen mehr Daten in Anspruch nehmen, der Codec sie aber bloß stärker komprimiert, damit eine vordefinierte Datenrate eingehalten wird? Womöglich beschert Ihnen das einen Qualitätsverlust. Sicher sein können Sie aber erst, wenn Sie das nach abgeschlossenem Dreh prüfen.

Blackmagic RAW löst dieses Problem mit einem alternativen Codec-Modus namens „Constant Quality“. Technisch ist dieser Codec bei konstanter Qualität ein Codec mit variabler Bitrate. Er erlaubt steigende Dateigrößen, wenn die Aufzeichnung Ihrer Bilder mehr Speicherplatz beansprucht. Soll ein Bild unter Beibehaltung der Qualität verschlüsselt werden, ist die Dateigröße in diesem Modus nach oben hin offen.

Hier ist es genau richtig, Blackmagic RAW auf „Constant Quality“ einzustellen, da die Datei so groß werden darf, wie fürs Encoding Ihrer Bilder erforderlich. Je nachdem, was für Motive Sie filmen,

dürfen die Dateien entsprechend größer oder kleiner ausfallen. Sollten Sie jemals versehentlich mit aufgestecktem Objektivdeckel filmen, wird kein Speicherplatz vergeudet.

Die Qualitätseinstellungen für Blackmagic RAW sind übrigens nicht willkürlich benannt. Die Namen leiten sich von den technischen Abläufen ab. Bei Auswahl des Codecs „Constant Bitrate“ werden Ihnen die Qualitätseinstellungen 3:1, 5:1, 8:1 und 12:1 angezeigt. Die Zahlen drücken das Verhältnis zwischen der Größe der Dateien in unkomprimiertem RAW und der Größe der beim Filmen in Blackmagic RAW zu erwartenden Dateien aus. Das Kompressionsverhältnis 3:1 liefert bessere Qualität, da die Datei größer ist. Die stärkste Kompression von 12:1 liefert bei geringster Qualität die kleinste Datei. Zahlreiche Anwender von Blackmagic RAW finden 12:1 völlig in Ordnung und bemerken keine augenfälligen Qualitätseinschränkungen. Experimentieren Sie einfach selbst mit den unterschiedlichen Einstellungen.

Wenn Sie Blackmagic RAW bei konstanter Qualität verwenden, werden Ihnen die Einstellungen Q0, Q1, Q3 und Q5 angezeigt. Die Kompressionsparameter für den Codec drücken das Maß der anzuwendenden Kompression technisch aus. Sie dienen zur Auswahl der Codecs. Abhängig davon, ob man mit konstanter Bitrate oder konstanter Qualität arbeitet, erfolgt die Verarbeitung unterschiedlich. Mit der Einstellung „Constant Quality“ kann man das resultierende Dateigrößenverhältnis nicht wirklich abschätzen, da es je nach Motiv der Aufnahme stark variiert. In diesem Fall wird die Datei einfach so groß, wie es zum Speichern Ihrer Mediendaten erforderlich ist.

„Constant Bitrate“-Einstellungen

Die Bezeichnungen 3:1, 5:1, 8:1 und 12:1 beschreiben das Kompressionsverhältnis. Bspw. entsteht bei einer 12:1-Kompression eine Datei, die um das 12-fache kleiner ist als der Umfang der unkomprimierten RAW-Daten.

„Constant Quality“-Einstellungen

Die Einstellungen Q0, Q1, Q3 und Q5 drücken verschiedene Quantisierungsstufen aus. Mit einer stärkeren Quantisierung erzielt Q5 eine erheblich bessere Datenrate. Mit der Einstellung für konstante Qualität kann es je nach Motiv wie gesagt zu erheblichen Variationen der resultierenden Dateigrößen kommen. Es kann also passieren, dass Sie mitten im Dreh bemerken, dass die Dateigröße über die Kapazität Ihres Speicherträgers hinauswächst. Das könnte zum Auslassen von Frames führen. Das Gute ist jedoch, dass Sie das beim Dreh sofort sehen und ggf. unter Erwägung der Qualität Ihre Einstellungen ändern können.

Blackmagic RAW Player

Der im Softwareinstallationsprogramm Ihrer Blackmagic Kamera enthaltene Blackmagic RAW Player ist eine optimierte Anwendung zum Sichten von Clips. Öffnen Sie eine Blackmagic-RAW-Datei einfach per Doppelklick, um sie sofort wiederzugeben und bei voller Auflösung und Bittiefe durch die Datei zu scrollen.

Beim Decodieren der Frames unterstützt die CPU-beschleunigte SDK-Bibliothek alle wichtigen Architekturen. Ebenfalls unterstützt wird GPU-Beschleunigung via Metal, Nvidia CUDA und OpenCL. Für extra Performance funktioniert der Blackmagic RAW Player auch mit der Blackmagic eGPU. Der Blackmagic RAW Player ist für Mac, Windows und Linux erhältlich.

Filialdateien

Blackmagic-RAW-Filialdateien (.sidecar) erlauben Ihnen, die Metadaten in einer solchen Sidecar-Datei zu überschreiben, ohne dabei die in der Originaldatei eingebetteten Metadaten zu ersetzen. Die Metadaten enthalten neben den RAW-Einstellungen auch Informationen zu Blende, Fokussierung, Brennweite, Weißabgleich, Tönung, Farbraum sowie Projektnamen, Take-Nummern usw. Das Encoding von Metadaten wird während der Dauer des Clips von Einzelbild zu Einzelbild vorgenommen. Wichtig ist das bspw. für Objektivdaten, falls beim Filmen einer Einstellung das Objektiv nachjustiert wurde. Da es sich um ein visuell lesbares Format handelt, können Sie mit DaVinci Resolve oder sogar mit einem Text-Editor Metadaten in Filialdateien bearbeiten oder neue hinzufügen.

Anhand von Filialdateien kann man eine Wiedergabe automatisch mit neuen RAW-Einstellungen versehen, indem man einfach die Filialdatei in denselben Ordner wie die dazugehörige RAW-Datei verschiebt. Wenn Sie die Filialdatei wieder aus dem Ordner ziehen und die Blackmagic-RAW-Datei erneut öffnen, wird Ihnen die Datei in ihrer ursprünglich gefilmten Darstellung ohne angewendete RAW-Einstellungen angezeigt. Jede Software, die das Blackmagic RAW SDK verwendet, kann auf diese Einstellungen zugreifen. Vorgenommene Änderungen werden in einer Filialdatei gespeichert,

auf die der Blackmagic RAW Player und alle anderen Softwares mit der Kapazität, Blackmagic-RAW-Dateien zu lesen, zugreifen können.

Beim Drehen in „Video“-Gamma werden in der Datei trotzdem auch die „Film“-Gammadaten gespeichert. Die Metadaten geben der Blackmagic RAW Verarbeitung jedoch den Befehl für die Anzeige in „Video“-Gamma. „Video“-Gamma ist großartig für Bilder, die Sie nicht graden, sondern unverzüglich ausgeben möchten. Trotzdem werden alle Einzelheiten festgehalten, sodass Sie später die Schwarztönebereiche eines Bildes hochziehen oder die weißen abschwächen können. Weil niemals Videoüberpegel abgeschnitten werden, bleibt die gesamte Zeichnung für den späteren Zugriff erhalten.

Blackmagic RAW in DaVinci Resolve

Für künstlerische Effekte oder optimiertes Sichten können die Einstellungen jeder einzelnen Blackmagic-RAW-Datei angepasst und über den „Blackmagic RAW“-Tab in DaVinci Resolve als neue Filialdatei (.sidecar) gespeichert werden. Somit können Sie Ihre Medien für andere DaVinci Resolve Artists kopieren, die dann nach dem Import automatisch Zugriff auf Ihre modifizierten Gamma-Einstellungen haben. Zusätzlich zu den anderen in Ihren Kameradateien enthaltenen Metadaten kann DaVinci Resolve Ihren ausgewählten Dynamikumfang lesen und zeigt die Clips automatisch in „Film“, „Extended Video“ oder „Video“ an.

Anschließend können Sie diese Einstellungen individualisieren, indem Sie die Werte für Sättigung, Kontrast und Mitteltöne sowie für Highlight- und Shadow-Roll-Off anpassen. Sämtliche Anpassungen werden dann in einer Filialdatei (.sidecar) gespeichert. Dort sind sie für jeden sichtbar, der in der Postproduktion an den Dateien arbeitet. Sie können aber jederzeit wieder auf die ursprünglichen Kamerametadaten zugreifen.

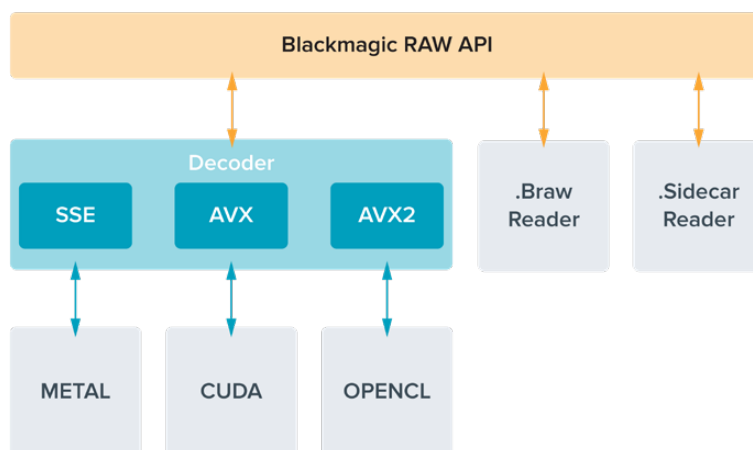
Einzelne Frames in Blackmagic RAW können zusammen mit allen Anpassungen, Metadaten, voller Auflösung und Farbinformationen über den „RAW“-Tab aus DaVinci Resolve exportiert werden. So ist es ein Leichtes, ein Einzelbild oder eine Referenzdatei mit anderen zu teilen.

Wie Sie Blackmagic RAW im Einzelnen in DaVinci Resolve verwenden, steht im Kapitel „Anwendung von DaVinci Resolve“ dieses Handbuchs.

Blackmagic RAW Software Development Kit

Das Blackmagic RAW Software Development Kit (SDK) ist eine von Blackmagic Design entwickelte Schnittstelle zur Anwendungsprogrammierung (API). Mit dem Blackmagic RAW SDK können Sie eigene Anwendungen so programmieren, dass sie das Blackmagic-RAW-Format verwenden. Entwickler können Anwendungen mithilfe der SDK-Bibliothek um Support zum Lesen, Bearbeiten und Speichern von Blackmagic-RAW-Dateien erweitern. Das Blackmagic RAW SDK beinhaltet den gesamten Code für die Farbverarbeitung der Generationen 4 und 5. Damit können Sie in allen Anwendungen, die sie unterstützen, organische filmische Bilder erzielen. Das Blackmagic RAW SDK unterstützt Mac, Windows und Linux. Es steht zum kostenlosen Download auf der Entwickler-Seite der Blackmagic Design Website unter www.blackmagicdesign.com/de/developer bereit.

Das nachstehende Diagramm veranschaulicht die Komponenten der Blackmagic RAW API:



Auswählen der Framerate

Ihre Kamera kann Video in vielen unterschiedlichen Bildwechselfrequenzen aufnehmen. Da mögen Sie sich fragen, welche Sie am besten verwenden. Die Sensor-Framerate Ihrer Kamera hat das Potenzial, den Look Ihrer Footage stark zu beeinflussen. In der Regel sind bei der Wahl der Sensor-Framerate einige generelle Faktoren zu berücksichtigen. Viele Jahre lang gab es Normen für die Darstellung von Film und Fernsehen. Diese definierten Frameraten, unterschieden sich pro Land, dienten aber dem gleichen Zweck: der Anzeige einer effizienten Anzahl von Einzelbildern pro Sekunde, um Bewegungen angenehm und überzeugend darzustellen.

Kino verwendet bspw. standardmäßig 24 Frames pro Sekunde. Obwohl es unlängst Experimente mit schnelleren Frameraten gegeben hat, sind 24 Frames pro Sekunde für ein internationales Publikum weitestgehend der gängige Standard. TV-Frameraten entsprachen im Allgemeinen den jeweiligen länderspezifischen technischen Sendestandards. TV-Inhalte zeichnete man für die Distribution in Nordamerika zum Beispiel üblicherweise mit 29,97 fps auf, für Europa aber mit 25 fps.

Aufgrund des technischen Fortschritts hat man heute jedoch mehr Auswahl. Zudem sind Sendestandards im Wandel begriffen. Inzwischen ist es üblich, Sportevents bei höheren Frameraten aufzuzeichnen und auszustrahlen. Manche Sportveranstaltungen in Nordamerika werden bspw. mit bis zu 59,94 fps und in Europa mit 50 fps aufgezeichnet und ausgestrahlt. Schnelle Action erscheint dadurch geschmeidiger in der Bewegung und realitätsnäher. Streaming- und Online-Broadcaster arbeiten normalerweise mit ähnlichen Frameraten wie beim Fernsehen. Sie haben allerdings mehr Experimentierfreiheit. Aufgrund nutzerspezifischer Ansichtsformate sind sie lediglich darauf beschränkt, was die Bildschirme des Publikums wiedergeben können.

Orientieren Sie sich bei der Auswahl der Framerate grundsätzlich am Ausgabeformat Ihres Projekts. So werden Ihre Clips mit der gleichen Geschwindigkeit wiedergegeben, mit der sich das Ereignis in Wirklichkeit abgespielt hat. Deaktivieren Sie dafür die Offspeed-Option Ihrer Kamera.

Wenn Sie einen interessanten Effekt, wie bspw. Zeitlupe, anwenden möchten, können Sie Ihre Sensor-Framerate hochsetzen. Je höher die Sensor-Framerate im Vergleich zur Projekt-Framerate, umso langsamer läuft die Wiedergabe.

Näheres zur Verwendung von Offspeed-Sensor-Frameraten für kreative Effekte finden Sie im Abschnitt „Bedienung per Touchscreen“.

Mit hohen Frameraten filmen

Beim Filmen mit hohen Bildwechselfrequenzen erfasst Ihre Kamera mehr Bilder pro Sekunde als mit den herkömmlichen Frameraten von 24, 25 und 30 fps zur Synchronisierung der Geschwindigkeit. So hat der Sensor weniger Zeit, das für jedes Einzelbild auf die Sensorfläche treffende Licht umzusetzen, und die Kamera liefert letztendlich ein dunkleres Bild.

Wenn Sie bspw. von 25 fps auf 50 fps wechseln, halbiert sich damit die auf den Sensor treffende Lichtmenge. Soll die aktuelle Belichtung beibehalten werden, muss diese Änderung kompensiert werden. Hierfür können Sie wahlweise Ihr Objektiv um einen weiteren Blendenschritt öffnen, den Verschlusswinkel von 180° auf 360° stellen oder die Szene Ihres Drehs stärker beleuchten.

Beim Filmen mit 60 Bildern pro Sekunde verfügen Sie über 2,5 Mal weniger Licht als mit 24 Bildern pro Sekunde. Möglicherweise sind zur Erzielung der gleichen Belichtung also mehrere Einstellungen zu justieren, bspw. Blendenöffnung, Verschlusswinkel und Beleuchtung.

Beim Filmen mit hohen Bildwechselfrequenzen ist auch die Tatsache zu berücksichtigen, dass elektronische Lichtquellen möglicherweise Flimmern im aufgezeichneten Bild verursachen. Künstliche Lichtquellen wie Kunstlicht, Leuchtstoffröhren und LEDs können in Ihren Bildern leichtes Flimmern erzeugen. Probleme mit Lichtflimmern sind bei der Voransicht einer Szene auf Ihrem LCD oder im SDI-Feed bei der Aufzeichnung nicht unbedingt erkenntlich. Deshalb sollte man einen Testdreh unter Einsatz der vorgesehenen Leuchten ausführen und den Clip bei der Wiedergabe auf Flimmern prüfen.

Auch die Verschlusseinstellung kann beim Filmen unter Leuchten sichtbares Flimmern bewirken. Darum kann Ihre URSA Broadcast G2 dies automatisch berechnen und Ihnen für Ihre aktuelle Framerate flimmerfreie Verschlusswerte anzeigen. Aufgrund der Eigenschaften individueller Lichtquellen kann es selbst mit flimmerfreien Verschlusswerten zu Flimmern kommen. Weitere Informationen hierzu finden Sie im Abschnitt „Funktionsmerkmale des Touchscreens“.

Wenn Sie bei maximaler Verschlussöffnung oder langsamster Verschlusszeit immer noch Flimmern im aufgezeichneten Bild erkennen, empfiehlt es sich ggf., andere Lichtquellen für die Szene oder den Einsatz eines schnelleren Objektivs zu erwägen.

Maximale Sensor-Frameraten und Datenraten

Die folgende Tabelle listet verfügbare Codecs, Auflösungen und ihre maximalen Sensor-Frameraten und Datenraten auf: Bitte beachten Sie, dass sich die Referenzwerte für Blackmagic RAW, ProRes 444 und ProRes 422 auf alle unterstützten Varianten innerhalb des jeweiligen Codecs beziehen.

Aufgrund der für hochaufgelöste Aufzeichnungen in Zeitlupe erforderlichen Datendurchsatzraten, sollten Sie hierfür eine schnelle CFast-Karte, einen USB-C-Stick oder eine SSD benutzen. Weitere Informationen finden Sie im Abschnitt „Datenträger“.

TIPP Prüfen Sie die von Ihrer Karte geleistete Geschwindigkeit, indem Sie unter BEI FRAME-AUSLASSUNGEN die Option „Aufnahmestopp“ aktivieren und einen Testclip aufzeichnen. So können Sie prüfen, wie lange Sie mit einer spezifischen Bildwechselrate und Auflösung filmen können. Falls die Karte die Aufzeichnung zu schnell stoppt, geben Sie die nächstniedrige Kompressionseinstellung oder Auflösung vor. Das reduziert die Datenrate und strapaziert die Karte weniger.

Maximale Frameraten der URSA Broadcast G2

	Auflösung	Codec	Max. Framerate	Max. Datenrate
Ultra HD	3840x2160	Blackmagic RAW 3:1	60	254 MB/s
	3840x2160	Blackmagic RAW 5:1	60	152 MB/s
	3840x2160	Blackmagic RAW 8:1	60	96 MB/s
	3840x2160	Blackmagic RAW 12:1	60	64 MB/s
	3840x2160	Blackmagic RAW Q0	60	48,7–96,8 MB/s
	3840x2160	Blackmagic RAW Q1	60	32,6–77,6 MB/s
	3840x2160	Blackmagic RAW Q3	60	21,9–55,6 MB/s
	3840x2160	Blackmagic RAW Q5	60	13,4–32,6 MB/s
	3840x2160	ProRes HQ	60	220 MB/s
	3840x2160	ProRes 422	60	148 MB/s
	3840x2160	H.265 SDI	60	24,6 MB/s
	3840x2160	H.265 Hoch	60	21,6 MB/s
	3840x2160	H.265 Mittel	60	15,6 MB/s
	3840x2160	H.265 Niedrig	60	6,4 MB/s

	Auflösung	Codec	Max. Framerate	Max. Datenrate
HD	1920x1080	Blackmagic RAW 3:1	150	161,4 MB/s
	1920x1080	Blackmagic RAW 5:1	150	97,2 MB/s
	1920x1080	Blackmagic RAW 8:1	150	61,1 MB/s
	1920x1080	Blackmagic RAW 12:1	150	41 MB/s
	1920x1080	Blackmagic RAW Q0	150	121,2–241,6 MB/s
	1920x1080	Blackmagic RAW Q1	150	81,8–193,4 MB/s
	1920x1080	Blackmagic RAW Q3	150	54,4–138,4 MB/s
	1920x1080	Blackmagic RAW Q5	150	33–81,1 MB/s
	1920x1080	ProRes HQ	120	110 MB/s
	1920x1080	ProRes 422	120	74 MB/s
	1920x1080	H.264 SDI	60	14 MB/s
	1920x1080	H.265 Hoch	60	11,2 MB/s
	1920x1080	H.265 Mittel	60	6,4 MB/s
	1920x1080	H.265 Niedrig	60	3,6 MB/s

Wichtig: Blackmagic RAW Q0, Q1, Q3 und Q5 komprimieren bei variabler Bitrate, um konstante Qualität zu erzielen. Die mit Q0, Q1, Q3 und Q5 generierten Datenraten hängen von der Komplexität der aufgenommenen Motive ab und variieren innerhalb eines Clips ggf. erheblich.

So wählen Sie Ihren bevorzugten Codec und Auflösung aus:

- 1 Drücken Sie auf dem Bedienfeld auf MENU.
- 2 Navigieren Sie zur ersten Seite, dem AUFNAHME-Tab.
- 3 Tippen Sie auf Ihre gewünschte Kombination von Codec, Qualität und Auflösung.
- 4 Drücken Sie zum Schließen erneut auf MENU.

Aufzeichnungsformate und Projekt-Frameraten

Bestimmen Sie Codec und Auslösung und geben Sie dann Ihre Projekt- und Sensor-Frameraten vor. Näheres zu Frameraten finden Sie im Abschnitt „Aufzeichnen“ dieser Bedienungsanleitung.

Folgende Projekt-Frameraten sind verfügbar:

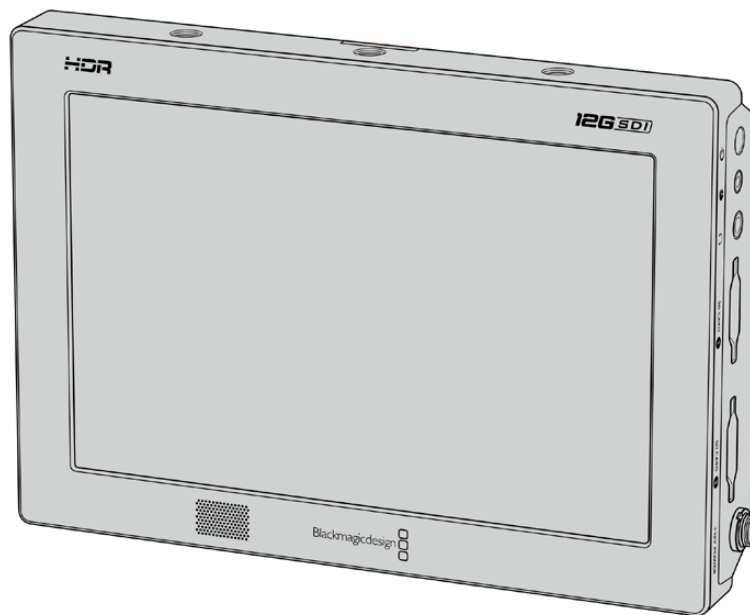
23,98; 24; 25; 29,97; 30; 50; 59,94 und 60 Bilder pro Sekunde.

Bei Verwendung von Blackmagic-RAW- oder ProRes-Codex bis zu ProRes 422 HQ beträgt die maximale Projekt-Framerate in allen Auflösungen 60 Bilder pro Sekunde.

Trigger-Aufzeichnung auf externen Geräten

Ihre URSA Broadcast G2 gibt über die SDI-Ausgänge automatisch ein Signal aus, das auf angeschlossenen Geräten mit unterstützter SDI-Trigger-Aufzeichnungsfunktion den Aufnahmevorgang auslöst, zum Beispiel auf einem Blackmagic Video Assist. Sobald Sie die Aufnahmetaste Ihrer Kamera drücken, beginnen diese externen SDI-Geräte ebenfalls aufzuzeichnen. Ein erneutes Drücken der Aufnahmetaste stoppt auch diese Geräte.

Aktivieren Sie die Funktion zur Trigger-Aufzeichnung per SDI auf angeschlossenen Geräten und prüfen Sie, dass diese auf das Auslösesignal von Ihrer URSA Broadcast G2 reagieren. Wenn Ihr SDI-Equipment die Aufzeichnung per SDI-Trigger unterstützt, lässt sich diese Funktion in der Regel im Einstellungsmenü des SDI-Geräts aktivieren.



Sie können die Aufzeichnung per Trigger Ihrer Kamera auch auf anderen SDI-Videogeräten auslösen, so zum Beispiel auf dem Blackmagic Video Assist 12G HDR

Tabellenübersicht der Aufzeichnungsdauer

Die nachstehende Tabelle gibt die ungefähre Aufzeichnungsdauer in Minuten und Sekunden im Verhältnis zu Format, Projekt-Framerate und Medienkapazität an. Die von Ihrem Datenträger unterstützte, maximale Aufzeichnungszeit richtet sich nach seiner Kapazität, dem Aufnahmeformat und der Framerate. Zum Beispiel liegt die Speicherrate für Apple ProRes 422 HQ mit 3840 x 2160 bei etwa 880 Mbit/s. Bei 24 Bildern pro Sekunde können Sie ungefähr 47 Minuten an Videomaterial auf eine 256 GB große CFast-2.0- oder SD-Karte aufzeichnen. Mit den gleichen Einstellungen passen auf eine 128 GB CFast-2.0- oder SD-Karte rund 23 Minuten Video. Das entspricht ungefähr der Hälfte der Aufzeichnungsdauer einer Karte mit 256 GB Kapazität.

Beachten Sie, dass sich auch die Aufzeichnungsdauern von CFast-2.0- und SD-Karten unterschiedlicher Hersteller ggf. leicht unterscheiden. Auch die Formatierung der CFast-Karte in ExFAT oder Mac OS Extended beeinflusst ggf. die Aufzeichnungsdauer von Datenträgern.

Einfache Szenen mit weniger Details erfordern weniger Speicherkapazität als kompliziertere Kompositionen. Den Werten in diesen Tabellen liegen hochkomplexe Einstellungen zugrunde. Je nach Art Ihres Drehs kann es also sein, dass Sie etwas längere Aufzeichnungsdauern erzielen.

HD							
CFast-Karte	Framerate	ProRes 422 HQ	ProRes 422	H.264 SDI	H.264 Hoch	H.264 Mittel	H.264 Niedrig
		Dauer	Dauer	Dauer	Dauer	Dauer	Dauer
256GB	23,98	189 Min.	283 Min.	635 Min.	782 Min.	1395 Min.	2456 Min.
	24	189 Min.	283 Min.	635 Min.	782 Min.	1395 Min.	2456 Min.
	25	182 Min.	271 Min.	602 Min.	748 Min.	1339 Min.	2321 Min.
	30	152 Min.	227 Min.	496 Min.	612 Min.	1118 Min.	2079 Min.
	50	91 Min.	137 Min.	371 Min.	462 Min.	841 Min.	1852 Min.
	60	76 Min.	114 Min.	331 Min.	411 Min.	716 Min.	1520 Min.

ULTRA HD					
CFast-Karte	Framerate	Blackmagic RAW 3:1	Blackmagic RAW 5:1	Blackmagic RAW 8:1	Blackmagic RAW 12:1
		Dauer	Dauer	Dauer	Dauer
256 GB	23,98	41 Min.	68 Min.	110 Min.	164 Min.
	24	41 Min.	68 Min.	109 Min.	164 Min.
	25	39 Min.	66 Min.	105 Min.	157 Min.
	30	33 Min.	55 Min.	88 Min.	131 Min.
	50	19 Min.	33 Min.	52 Min.	79 Min.
	60	16 Min.	27 Min.	44 Min.	66 Min.

ULTRA HD							
CFast-Karte	Framerate	ProRes 422 HQ	ProRes 422	H.265 SDI	H.264 Hoch	H.264 Mittel	H.264 Niedrig
		Dauer	Dauer	Dauer	Dauer	Dauer	Dauer
256GB	23,98	47 Min.	71 Min.	353 Min.	404 Min.	571 Min.	1499 Min.
	24	47 Min.	71 Min.	353 Min.	404 Min.	571 Min.	1499 Min.
	25	45 Min.	68 Min.	339 Min.	389 Min.	550 Min.	1442 Min.
	30	38 Min.	57 Min.	286 Min.	325 Min.	461 Min.	1223 Min.
	50	22 Min.	34 Min.	242 Min.	280 Min.	389 Min.	960 Min.
	60	18 Min.	28 Min.	241 Min.	277 Min.	325 Min.	809 Min.

Aufzeichnen von Bewegungssensordaten

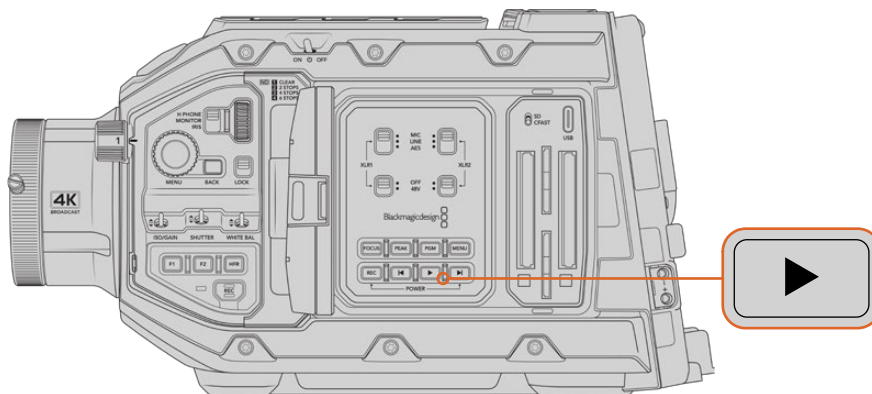
Ihre Blackmagic URSA Broadcast G2 Kamera zeichnet automatisch Gyrodaten vom internen Bewegungssensor auf. Diese Daten dienen dann zur Clipstabilisierung in DaVinci Resolve. Näheres finden Sie im Abschnitt „Gyrosensor-Stabilisierung“ in diesem Handbuch.

Wiedergabe

Wiedergabe von Clips

Nachdem Sie Ihr Video aufgezeichnet haben, können Sie es mithilfe der Transporttasten abspielen.

Drücken Sie einmal auf die Wiedergabetaste, um Ihr aufgezeichnetes Video sofort auf dem LCD-Touchscreen der URSA Broadcast G2 abzuspielen. Ihre Clips können auch auf beliebigen Displays wiedergegeben werden, die Sie an die SDI-Ausgänge Ihrer URSA Broadcast G2 anschließen.



URSA Broadcast G2

TIPP Die Blackmagic URSA Broadcast G2 verfügt über Wiedergabe- und Transporttasten auf dem ergonomischen Bedienfeld sowie über Buttons auf dem internen LCD.

HINWEIS Die Blackmagic URSA Broadcast G2 kann Clips derselben Codec-Familie, Framerate und Auflösung abspielen. Wenn Sie bspw. HD-Clips abspielen möchten, die in ProRes 422 HQ mit 29,97 fps aufgezeichnet wurden, sollten Sie sich vergewissern, dass Ihre Kamera auf dieselbe Framerate, Auflösung und denselben ProRes-Codec eingestellt ist.

Die Steuertasten der Kamera funktionieren wie bei einem CD-Player. Durch Drücken der Vorlauf-taste gelangen Sie zum Anfang des nächsten Clips. Drücken Sie einmal auf die Rücklauf-taste, um an den Anfang des aktuellen Clips zu gelangen oder drücken Sie sie zweimal, um zum Anfang des vorhergehenden Clips zurückzugehen. Halten Sie die Vor- oder Rücklauf-taste gedrückt, um Ihren Clip in doppelter Geschwindigkeit abzuspielen oder zurückzuspulen. Drücken Sie die Vorlauf- bzw. Rücklauf-taste beim Vor- bzw. Zurückspulen zweimal, bewirkt dies eine vierfache Beschleunigung. Drücken Sie sie dreimal für eine achtfache und viermal für eine sechzehnfache Beschleunigung. Bei Gebrauch kompatibler Objektive können Sie während der Clipaufzeichnung mithilfe der Vor- und Rücklauf-tasten darüber hinaus die Blende öffnen oder schließen.

Wird beim Aufzeichnen eines Clips eine von der Projekt-Framerate abweichende Sensor-Framerate verwendet, unterscheidet sich auch die Wiedergabegeschwindigkeit Ihres Clips. Nehmen wir an, dass Sie eine Projekt-Framerate vorgeben, die der Timeline Ihrer Postproduktion von 24 Frames pro Sekunde entspricht. Wenn Sie einen Clip mit einer auf 60 Frames pro Sekunde eingestellten Framerate aufnehmen, erfolgt die Wiedergabe Ihrer Clips sowohl auf der Kamera als auch in der Timeline Ihrer Postproduktion in Zeitlupe.

TIPP Im Kapitel „Aufzeichnen“ in diesem Handbuch finden Sie weitere Informationen zu Frameraten.

Anschlüsse und Funktionen der URSA Broadcast G2

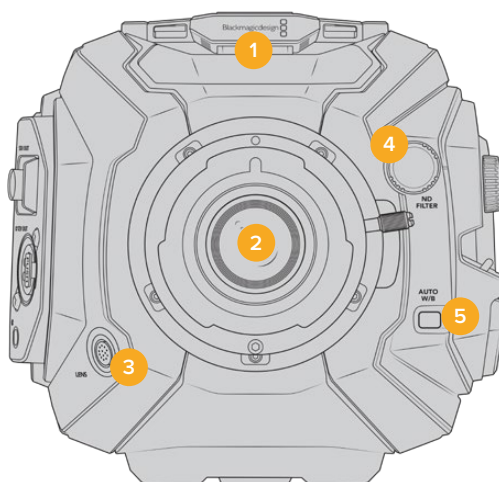
Branchenübliche BNC-Verbinders für SDI-Verbindungen befinden sich an der rechten sowie an der Geräterückseite Ihrer URSA Broadcast G2. Auf der rechten Seite befindet sich zudem ein LANC-Eingang für den optionalen Blackmagic URSA Handgrip.

XLR-Eingänge befinden sich an der Kameraoberseite hinter den Befestigungspunkten für professionelles Analogaudio und AES-Digitalaudio. An der Geräterückseite steht ein 4-poliger XLR-Verbinder für die externe Stromversorgung bereit. Von der rechten Seite aus hat man Zugriff auf einen Ausgang zum Betreiben von Zubehör wie dem Blackmagic URSA Viewfinder.

Der USB-Port über den Steckplätzen für die Datenträger erlaubt die Verbindung zu einem Computer, wenn Sie die Produktsoftware Ihrer Kamera aktualisieren wollen.

HINWEIS Ihre Kamera hat zusätzliche ergonomische Bedienelemente, mit denen der Zugriff auf die Grundeinstellungen und -funktionen der Kamera einfach und schnell geht, ohne den Ausklapp-Touchscreen öffnen zu müssen.

Kameravorderseite



URSA Broadcast G2 mit B4-Mount

- 1 Stereomikrofon**
Hochwertiges internes Stereomikrofon. Informationen zu Mikrofon- und Audio-Einstellungen finden Sie im Kapitel „Einstellungen“.
- 2 Objektivanschluss**
Die URSA Broadcast G2 wird mit einem installierten B4-Mount geliefert. Der Objektivanschluss ist jedoch gegen den ebenfalls mitgelieferten EF-Mount austauschbar und mit den PL- und F-Mounts der URSA Mini Pro kompatibel. Weitere Informationen finden Sie im Abschnitt „Wechselmounts“.
- 3 Anschluss für Broadcast-Objektive**
Über den 12-poligen Verbinder werden kompatible Servo-Zoomobjektive für Broadcastzwecke mit Strom versorgt und gesteuert. Näheres zu den Funktionen für die B4- und PL-Objektive finden Sie im Abschnitt „Verwenden von Servo-Zoomobjektiven“ in diesem Handbuch.

4 ND-Filter

Mit diesem Drehknopf navigieren Sie durch die integrierten Neutraldichtefilter und löschen Einstellungen. Weitere Informationen finden Sie im Abschnitt „Bedienen der URSA Broadcast G2“.

5 Automatischer Weißabgleich

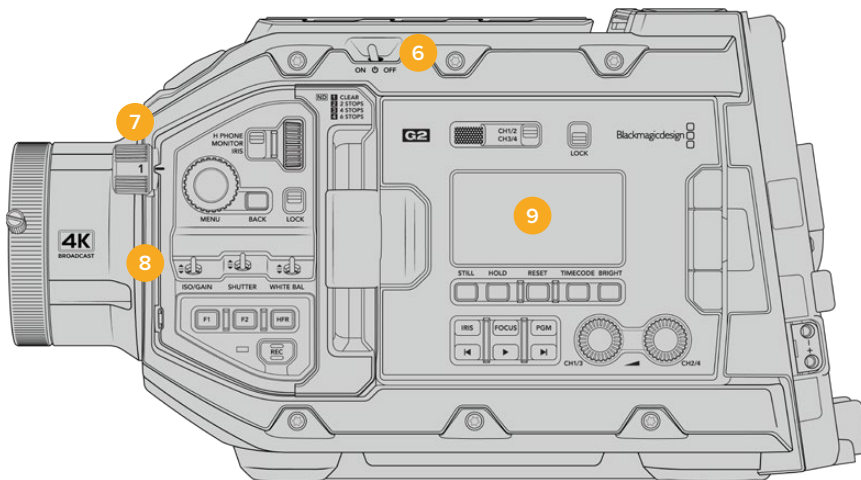
Der Schalter für den automatischen Weißabgleich ist mit „Auto W/B“ beschriftet und kommt zum Einsatz, wenn Sie Ihren Weißabgleich danach ausrichten möchten, was aktuell in der Mitte des Bildschirms zu sehen ist. So zum Beispiel Weißabgleich-Einstellungen mit Graukarten als Bezugspunkt vor Ihrem Objektiv. Weitere Informationen finden Sie im Abschnitt „Bedienen der URSA Broadcast G2“.

Linke Kameraseite

An der linken Seite der URSA Broadcast G2 können Sie CFast-2.0-, SDXC- oder SDHC-Karten einlegen, auf das Bedienfeld zugreifen und Einstellungen ändern. Der USB-C-Port befindet sich direkt über den Steckplätzen für die CFast-Karten, sodass Sie Ihre URSA Broadcast G2 zur Aktualisierung der Produktsoftware problemlos an einen Computer anschließen können.

Linksseitige Bedienelemente

Die linke Kameraseite enthält zusätzliche Bedienelemente, um den Zugriff auf grundlegende Kamerafunktionen zu erleichtern. Diese Bedienelemente sind zwischen dem Frontbedienfeld, dem linksseitigen Bedienfeld an der Außenseite des ausklappbaren Touchscreen-Monitors und dem internen Bedienfeld des Ausklappmonitors aufgeteilt.



URSA Broadcast G2 mit eingeklapptem Touchscreen

6 Ein-/Ausschalter

Mit dem Ein-/Ausschalter schalten Sie die Kamera ein. Darüber hinaus kann die Kamera auf der Innenseite des Ausklappmonitors eingeschaltet werden, indem Sie die REC-Taste und die Vorlauftaste gleichzeitig gedrückt halten.

7 ND-Filter

Ihre URSA Broadcast G2 enthält drei interne Neutraldichtefilter, um die auf den Sensor einfallende Lichtmenge zu steuern. Es gibt vier Einstellungen für die Lichtreduktion um null bis sechs Blendenstufen. Um durch die verfügbaren Einstellungen zu navigieren, drehen Sie einfach an diesem Rad. Der Filter rastet bei jeder Einstellung mit einem Klick ein. Weitere Informationen finden Sie im Abschnitt „Bedienen der URSA Broadcast G2“ in diesem Handbuch.

8 Frontbedienfeld

Das Frontbedienfeld bietet schnellen Zugriff auf die Grundfunktionen Ihrer URSA Broadcast G2. Auf die hiesigen Bedienelemente können Sie leicht zugreifen, wenn Sie auf einem Stativ oder von der Schulter drehen. Des Weiteren passen Sie hier Einstellungen wie ISO, Verschlusszeiten, Blende, Weißabgleich, Framerate und mehr an. Weitere Informationen finden Sie im Abschnitt „Bedienen der URSA Broadcast G2“.

9 Ergonomisches Bedienfeld

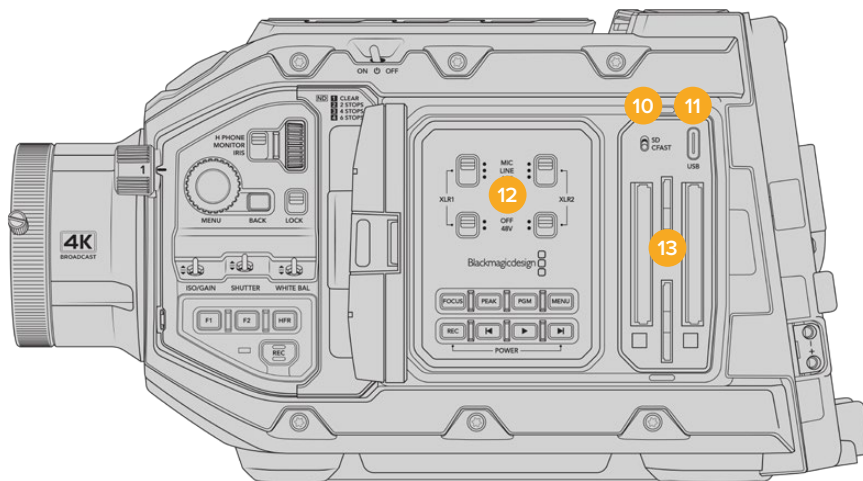
Am äußeren Rand des ausklappbaren Touchscreen-Monitors Ihrer URSA Broadcast G2 finden Sie den LCD-Statusmonitor sowie diverse Bedienelemente für die schnelle und effektive Bildkontrolle. Hier haben Sie alle Statusinformationen Ihrer Kamera im Blick. Auch etliche leistungsfähige Monitoring-Funktionen können hier gesteuert werden. Weitere Informationen finden Sie im Abschnitt „Bedienen der URSA Broadcast G2“.

10 Auswahlswitcher für Datenträger

Mit diesem Schalter wählen Sie zwischen CFast- und SD-Datenträgern.

11 USB-Port

USB-C-Port zum Aktualisieren der Produktsoftware. Weitere Informationen finden Sie im Abschnitt „Blackmagic Camera Setup Dienstprogramm“.



URSA Broadcast G2 mit ausgeklapptem Touchscreen

12 Internes Bedienfeld

Wenn der Ausklappmonitor Ihrer URSA Broadcast G2 ausgeklappt ist, haben Sie Zugriff auf das interne Bedienfeld. Mit den dort befindlichen Bedienelementen nehmen Sie Einstellungen für Ihre Audioeingaben und die Phantomspeisung vor. Zudem greifen Sie hier auf Blende und Fokus sowie auf Menü-, Transporttasten und mehr zu. Weitere Informationen finden Sie im Abschnitt „Bedienen der URSA Broadcast G2“.

13 Speicherkartenschächte

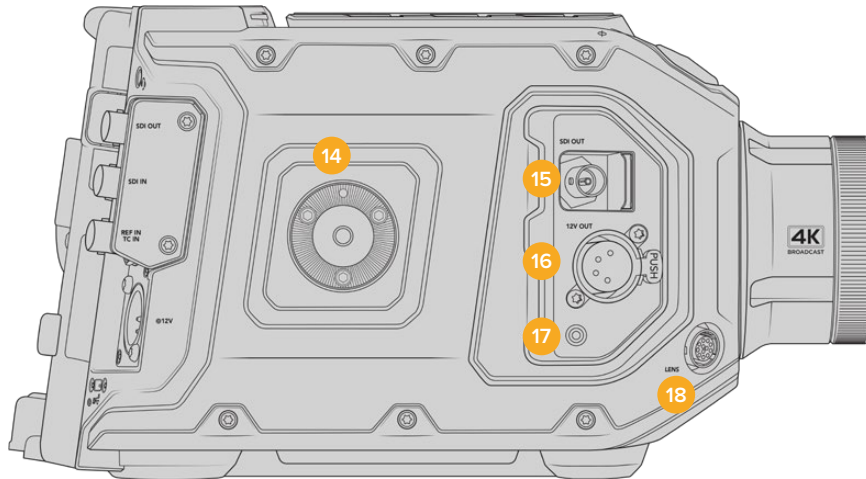
Führen Sie zum Aufnehmen und zur Wiedergabe CFast-2.0-Karten oder SDXC- bzw. SDHC-Karten in die Kartensteckplätze ein. Bitte informieren Sie sich über die zugelassenen Speicherkarten auf unserer Website. Weitere Informationen finden Sie im Abschnitt „Datenträger“.

Rechte Kameraseite

Das Bedienfeld an der rechten Seite der URSA Broadcast G2 bietet Zugriff auf alle Video-, Audio- und Stromanschlüsse sowie die Rosettenbefestigung für den Seitengriff.

14 Seitliche Rosettenbefestigung

Normgerechter Rosettenträger für den Seitengriff. Weiteres finden Sie in den Abschnitten „Erste Schritte“ und „Blackmagic URSA Mini Shoulder Mount Kit“.



Die URSA Broadcast G2 verfügt an der rechten Seite über eine interne Rosettenbefestigung, an der Sie einen optionalen URSA Mini Seitengriff befestigen können

15 HD-Monitoring-Ausgang

3G-SDI-Buchse für abwärtskonvertierte 1080-HD-Ausgaben. Zum Gebrauch mit dem Blackmagic URSA Viewfinder oder externen Monitoren. Siehe Abschnitte „Videoausgabe der Kamera“ und „Blackmagic URSA Viewfinder“ für weitere Informationen.

16 +12V-Strombuchse

Vierpolige XLR-Buchse zum Betrieb des Blackmagic URSA Viewfinders, des Blackmagic URSA Studio Viewfinders oder von externen Monitoren und Zubehör. Weitere Details finden Sie in den Abschnitten „Blackmagic URSA Viewfinder“ und „Blackmagic URSA Studio Viewfinder“. Dieser Ausgang und der Broadcast-Objektivanschluss liefern zusammen insgesamt 12 Volt bei bis zu 2 Ampere.

17 LANC-Eingang

Speziell für den Blackmagic URSA Handgrip vorgesehener 2,5mm-TRS-LANC-Anschluss.

18 Steueranschluss für Broadcast-Objektive

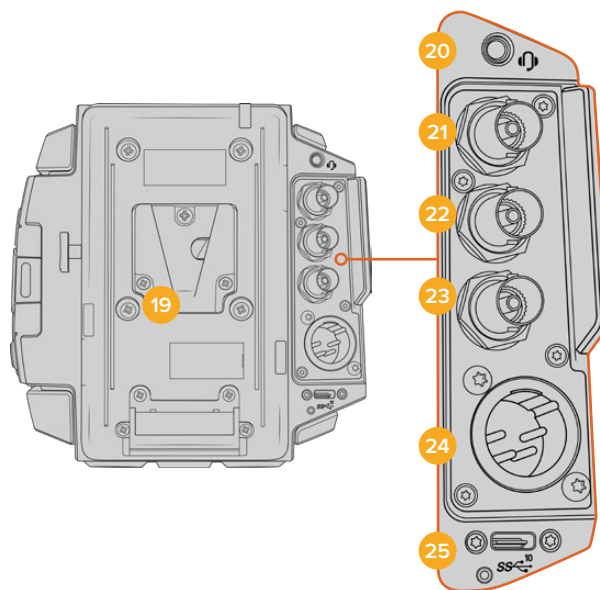
Über diesen Anschluss erfolgen die Stromversorgung und Steuerung kompatibler PL- und B4-Mount-Objektive mit 12-poligen Anschlüssen. Dieser Ausgang und die 12V-Strombuchse liefern zusammen insgesamt 12 Volt bei bis zu 2 Ampere.

Rückseite

19 Befestigungspunkte für Akkuträgerplatte

Die Blackmagic URSA Broadcast G2 ist mit einer Blackmagic URSA VLock Battery Plate ausgestattet, an die Sie Ihre V-Lock-Akkus anbringen. Zum Betreiben von zusätzlichem Equipment verfügt die URSA VLock Battery Plate über einen D-Tap-Ausgang. Der D-Tap-Ausgang kann eine geregelte 12-Volt-Spannung von bis zu 1,5 Ampere liefern.

Die URSA VLock Battery Plate lässt sich durch eine optionale Blackmagic URSA Gold Battery Plate oder eine Fremddakkuplatte ersetzen. Um auf den eingelassenen Molex-Verbinder zuzugreifen und optionales Zubehör wie einen Blackmagic Camera Fiber Converter oder Blackmagic URSA Mini Recorder anzuschließen, lässt sich die Akkuträgerplatte abnehmen. Verfügt Ihr angeschlossenes Zubehör über einen D-Tap-Stromanschluss, dann liefert der Molex-Verbinder bei bis zu 1,5 Ampere eine Durchgangsleistung von 12 Volt. Weitere Informationen finden Sie in den Abschnitten „Anbringen von Akkus“, „Erste Schritte mit Blackmagic Fiber Convertern“ und „URSA Mini Recorder“.



20 Kopfhörer/Headset

3,5mm-Klinkenbuchse für Kopfhörer-Monitoring und Talkback. Hierfür können Sie das kompatible Headset eines iPhone- oder Android-Mobiltelefons mit eingebautem Mikrofon benutzen. Talkback-Audio wird in die Kanäle 15 und 16 des SDI-Ausgangs eingebettet.

TIPP Für Talkback über die 3,5mm-Klinkenbuchse der URSA Broadcast G2 bietet sich der Einsatz eines erschwinglichen iPhone- oder Android-kompatiblen Headsets an. Diese haben normalerweise eine Inline-Taste, mit der das Mikrofon stumm oder aktiv geschaltet werden kann. Arbeiten Sie lieber mit Broadcast-Headsets ohne eine solche Inline-Taste, können Sie die Funktionstasten der URSA Broadcast G2 so konfigurieren, dass sie dieselbe Funktionalität bieten. Näheres finden Sie im Abschnitt „SETUP-Einstellungen“ in diesem Handbuch.

21 12G-SDI-Ausgang

Der 12G-SDI-Ausgang der Blackmagic URSA Broadcast G2 dient zur Übermittlung von HD- und Ultra-HD-Video an SDI-Geräte wie Kreuzschienen, Monitore, SDI-Aufzeichnungsgeräte und Broadcast-Mischer. Sie können den 12G-SDI-Ausgang auch mit einem externen Rekorder wie den Blackmagic Video Assist verbinden, um Backup-Aufzeichnungen zu machen.

22 12G-SDI-Eingang

Der 12G-SDI-Eingang dient zum Anschließen eines Mixers oder externen Rekorders.

Wenn Sie die URSA Broadcast G2 für eine Live-Übertragung verwenden, können Sie die Programmausgabe des Mixers anschließen und diese während des Filmens überprüfen oder aber die Wiedergabe von einem externen Rekorder prüfen. Halten Sie die PGM-Taste gedrückt, um Ihren Programmfeed zu betrachten.

Näheres erfahren Sie im Abschnitt „Ergonomisches Bedienfeld“ dieser Bedienungsanleitung.

Alternativ können Sie viele der URSA Broadcast G2 Funktionen über die Kamerasteuerung eines ATEM Mixers aus der Ferne steuern. Weitere Informationen finden Sie im Abschnitt „Betrieb als Studiokamera per Software-Kamerasteuerung“. Überdies bietet ein Blackmagic 3G-SDI Shield for Arduino die Möglichkeit, die Kamera über eine nutzerspezifische Steuerung über SDI zu bedienen.

Um über den SDI-Eingang Tally oder Talkback zu empfangen, vergewissern Sie sich, dass Sie im SETUP-Menü der Kamera Ihre ATEM KAMERA-ID eingestellt zu haben. Soll über Ihren SDI-Eingang ein externes Referenzsignal empfangen werden, müssen Sie in den SETUP-Einstellungen für Ihre Referenzquelle „Programm“ auswählen. Auf dem LCD Ihrer Kamera erscheint neben der Timecode-Anzeige das Kürzel REF, wenn mit dem externen Referenzsignal synchronisiert wird. Näheres finden Sie im Abschnitt „SETUP-Einstellungen“ in diesem Handbuch.

Auf der URSA Broadcast G2 kann über den SDI-Eingang auch externer Timecode in die Kamera eingespeist werden. Die Kamera greift den eingehenden Timecode automatisch auf, wenn die Framerate des eingehenden SDI-Signals passt und über einen gültigen Timecode verfügt. Wird mit externem Timecode synchronisiert, erscheint auf dem LCD der URSA Broadcast G2 erscheint das Kürzel EXT. Wenn Sie das Kabel entfernen, wird der Timecode gesperrt und es erscheint das Kürzel INT, das darauf hinweist, dass Timecode nun über den internen Timecode-Generator der URSA Broadcast G2 läuft.

23 Referenz- und Timecode-Eingang

Dieser Eingang erkennt eingehende Referenz- oder Timecode-Signale und schaltet automatisch zwischen diesen um. Synchronisieren Sie die Blackmagic URSA Broadcast G2 über ein gängiges Referenzsignal wie Tri-Level-Sync, indem Sie sie an den BNC-Referenzeingang REF IN anschließen. Wenn Sie auf diesem Anschluss ein Referenzsignal verwenden, denken Sie daran, Ihre Referenzquelle im SETUP-Menü der URSA Broadcast G2 unbedingt auf „Extern“ zu stellen.

Alternativ können Sie über diesen Anschluss externe Timecode-Quellen anpassen, um mehrere Kameras oder Ton und Bild zu synchronisieren. So lassen sich Ton und Bild oder Video von mehreren Kameras während der Postproduktion bequem synchronisieren. Ist eine externe Timecode-Quelle mit passender Framerate an diesen Anschluss gekoppelt, greift die Kamera automatisch den eingehenden Timecode auf. Auf dem LCD der URSA Broadcast G2 erscheint das Kürzel EXT, wenn mit externem Timecode synchronisiert wird. Wenn Sie das Kabel entfernen, wird der Timecode gesperrt und es erscheint das Kürzel INT, das darauf hinweist, dass Timecode nun über den internen Timecode-Generator der URSA Broadcast G2 läuft.

Alternativ können Sie auf Ihrer Kamera vorgeben, das Referenzsignal von einem ATEM Mischer über den Programm-SDI-Eingang zu verwenden. Dies ist bei der Arbeit mit ATEM Mixern von Vorteil, weil alle Kameras das rückgespeiste Programm und Kamerasteuerungssignale empfangen und dann gemeinsam auf einem einzigen SDI-Signal basierend getaktet werden können. Näheres finden Sie im Abschnitt „SETUP-Einstellungen“ in diesem Handbuch.

24 +12V-Strombuchse

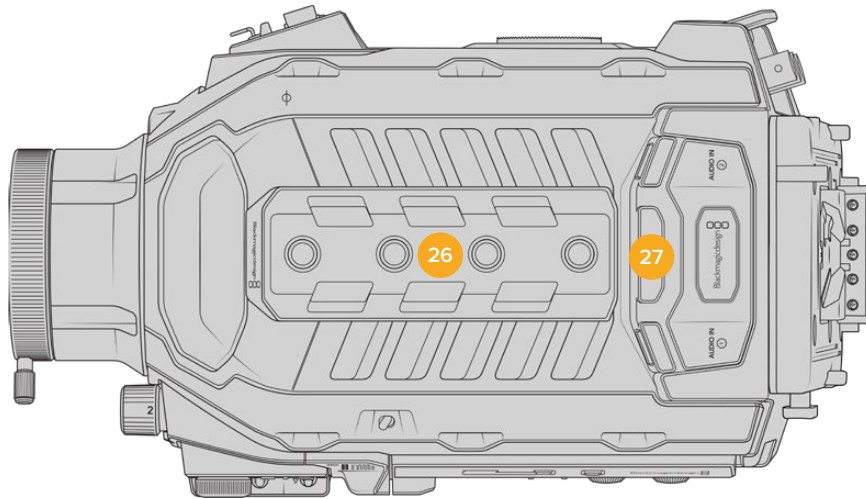
Die 4-polige XLR-Buchse für 12–18V DC dient zum Anschließen der Kamera an externe Stromquellen wie über das mitgelieferte Netzteil und tragbare Akkus.

25 USB-Port

USB-C 3.2 Gen 2x1 Port zur Aufzeichnung auf externe Flash-Laufwerke oder SSDs mithilfe eines Blackmagic URSA Mini Recorders. Dient zudem für den Anschluss von Blackmagic Zoom und Focus Demands an Ihre Kamera für die Fokus- und Zoomsteuerung kompatibler Objektive.

Der unter dem USB-C-Port befindliche Gewindestecker funktioniert mit dem verriegelbaren USB-Kabel, das mit dem URSA Mini Recorder geliefert wird, und gewährleistet eine sichere Verbindung während der Verwendung. Näheres finden Sie im Abschnitt „URSA Mini Recorder“ in diesem Handbuch.

Kameraoberseite



Externes Analogaudio kann über die symmetrischen XLR-Verbinders an der Geräteoberseite angeschlossen werden

26 1/4-Zoll-Befestigungspunkte

Die Kameraoberseite verfügt über vier robuste Befestigungspunkte zum Anbringen des Kamerahaltegriffs und Zubehörs.

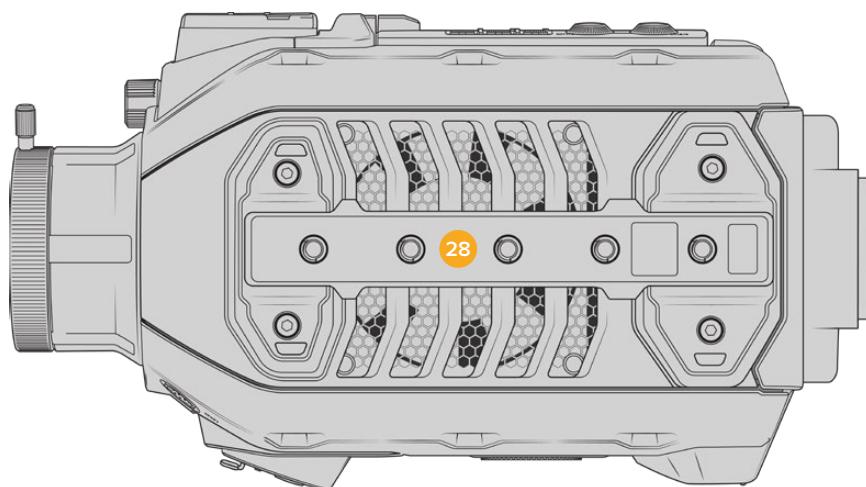
27 XLR-Audio-Eingang

Schließen Sie externes Audio, wie es von professionellen Anlagen wie Audiomischern, PA-Systemen oder externen Mikrofonen eingeht, an die symmetrischen XLR-Buchsen an. Die XLR-Buchsen liefern 48V-Phantomspannung und gestatten den Einsatz von Mikrofonen ohne eigene Stromzufuhr. Näheres zur Phantomspannung finden Sie im Abschnitt „Bedienelemente der URSA Broadcast G2 bzw. Internes Bedienfeld“.

Kameraboden

28 1/4-Zoll-Befestigungspunkte

Die fünf Befestigungspunkte an der Unterseite dienen zur Anbringung von Stativköpfen, des URSA Mini Shoulder Kits und anderem Zubehör.

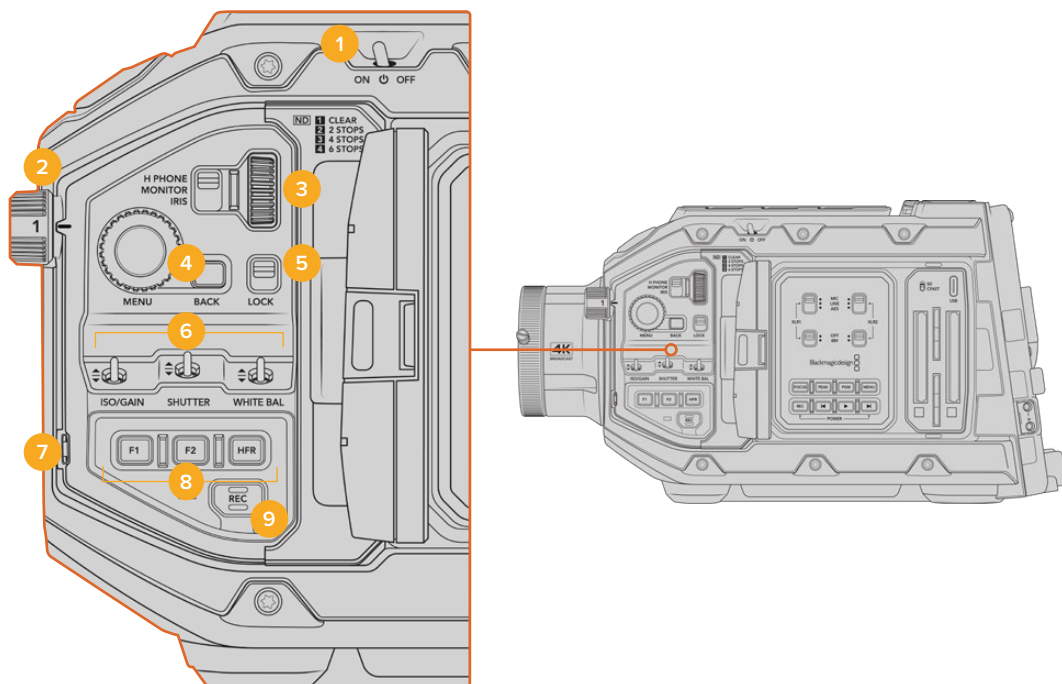


Bedienen der URSA Broadcast G2

Für den schnellen und bequemen Zugriff auf alle relevanten Kamerafunktionen und leistungsstarke Monitoring-Tools verfügt die Blackmagic URSA Broadcast G2 am Gehäuse sowie an der Außen- und an der Innenseite des Ausklapp-Touchscreens über mehrere Bedienfelder. Die Bedienfelder sind so ausgelegt, dass sie beim Kameraeinsatz vom Stativ, frei Hand oder mit einem URSA Mini Shoulder Kit direkt griffbereit sind.

Frontbedienfeld

Auf dem Frontbedienfeld Ihrer Kamera sind alle Bedienelemente gruppiert, die es möglicherweise zu justieren gilt, um eine Einstellung und die Aufzeichnung einzurichten. Alles ist auf einfachen Zugriff beim Drehen mit geschlossenem Ausklappmonitor getrimmt, beispielsweise wenn eine Schulteraufgabe benutzt wird.



Frontbedienfeld der URSA Broadcast G2

1 Ein-/Ausschalter

Schalten Sie Ihre URSA Broadcast G2 ein, indem Sie diesen Schalter in die ON-Position umlegen. Zum Ausschalten stellen Sie den Schalter auf OFF.

TIPP Ihre URSA Broadcast G2 kann auch per Tastenkombination auf dem Bedienfeld eingeschaltet werden. Halten Sie die REC- und Vorlauftasten gedrückt, um Ihre Kamera ein- oder auszuschalten. Sollte der Ein-/Ausschalter auf ON stehen, obwohl Ihre Kamera ausgeschaltet ist, wurde sie möglicherweise über das Bedienfeld ausgeschaltet. Legen Sie den Schalter erneut um, um zum Normalbetrieb zurückzukehren.

2 ND-Filter

Ihre URSA Broadcast G2 verfügt über drei interne Neutraldichtefilter. Die verfügbaren Einstellungen sind „Clear“, 1/4, 1/16 und 1/64. Die Filter reduzieren die auf den Sensor der URSA Broadcast G2 einfallende Lichtmenge um eine vordefinierte Bruchzahl. Die so

reduzierte Belichtung ermöglicht es Ihnen, in hellen Lichtverhältnissen mit breiteren Blenden zu filmen, beispielsweise an einem sonnigen Tag im Freien.

Stellen Sie den Neutraldichtefilter ein, indem Sie das Einstellrad nach oben oder unten bewegen. Die Einstellung „Clear“ besagt, dass kein ND-Filter eingesetzt wird. Mit den Einstellungen von 1/4 bis 1/64 nimmt die Dichte der eingesetzten ND-Filter stufenweise zu, sodass Sie bei Bedarf die einfallende Lichtmenge entsprechend reduzieren können.

Da Nutzer für jeden ND-Filter unterschiedliche Bezeichnungen verwenden, kann die Messeinheit Ihrer ND-Einstellungen im LCD-Menü vorgegeben werden. Zur Wahl stehen die Angabe als ND-Filternummer, als Anzahl der lichtreduzierenden Blendenstufen oder als Bruchzahl, die den durch den Filter erzielten Lichtverlust ausdrückt.

Einstellungen der Neutraldichtefilter

Position des Rads	ND-Zahl	Stops	Bruchzahl
1	Clear	0	1
2	0,6	2	1/4
3	1,2	4	1/16
4	1,8	6	1/64

3 Einstellrad

Bestimmen Sie die Funktion des Einstellrads anhand des dreistufigen Schalters neben dem Rad. Die verfügbaren Optionen sind H PHONE, MONITOR und IRIS.

H PHONE

In der Position H PHONE justiert man mit dem Einstellrad die Kopfhörerlautstärke. Drehen Sie das Rad nach oben bzw. unten, um die Lautstärke lauter bzw. leiser einzustellen.

MONITOR

In der Position MONITOR justiert man mit dem Einstellrad die Lautstärke des in die Kamera eingebauten Monitorlautsprechers. Der Lautsprecher befindet sich am Rücken des LCD-Klappmonitors. Er dient zur Tonkontrolle ohne Einsatz von Kopfhörern. Drehen Sie das Rad nach oben bzw. unten, um die Lautstärke lauter bzw. leiser einzustellen. Bei Tonaufnahmen mit dem eingebauten Kameramikrofon wird diese Funktion deaktiviert, um unerwünschte Rückkopplungen zu vermeiden.

IRIS

In der Position IRIS justiert man mit dem Einstellrad die Blendenöffnung von auf die URSA Broadcast G2 aufgesteckten kompatiblen Objektiven. Bewegen Sie das Rad nach unten, um die Blende zu öffnen oder nach oben, um sie zu schließen. Die jeweilige Richtung ist der Funktionsweise der Blenden bei einstellbaren Festbrennweiten und Kinoobjektiven nachempfunden.

TIPP Um Blendeneinstellungen über den Einstellungs-Drehregler zu ändern, muss die URSA Broadcast G2 mit einem entsprechenden Objektiv ausgestattet sein, das diese Funktion unterstützt. Vergewissern Sie sich bei einem an den 12-poligen Broadcastanschluss angeschlossenen B4- oder PL-Objektiv, dass der Blendenschalter am Handgriff auf „A“ oder „Auto“ steht.

4 MENU-Rad und BACK-Taste

Wenn die Funktion „Status Text“ für die Front-SDI-Ausgabe Ihrer Kamera aktiviert ist, können Sie anhand des Menürads zu vielen Features des Head-up-Displays navigieren, auf die normalerweise über den LCD-Touchscreen zugegriffen wird.

Drücken Sie das Menürad wie einen Knopf, um das Head-up-Display Ihrer URSA Broadcast G2 auf einem externen Bildschirm wie einem Blackmagic SmartView, Video Assist oder URSA Viewfinder aufzurufen. Drehen Sie das Rad in aktiviertem Zustand, um einzelne Features auszuwählen, wie bspw. die Monitoroptionen, Framerate, ISO, Weißabgleich und Tönung. Drücken Sie auf das Rad, um eine getroffene Auswahl zu bestätigen und um weitere Änderungen vorzunehmen. Brechen Sie den Vorgang mit der neben dem Rad befindlichen BACK-Taste ab. Sie können mit der BACK-Taste auch auf die nächsthöhere Menüebene springen oder, wenn Sie auf der höchsten Ebene angekommen sind, den Vorgang beenden. Nach einer Minute ohne Aktivität schließt sich das Menü automatisch.

Näheres zu den verfügbaren Statustext-Einstellungen und Bedienelementen finden Sie in den Abschnitten „Funktionsmerkmale des Touchscreens“ und „MONITORING-Einstellungen“ in diesem Handbuch.

5 LOCK

Durch Umlegen dieses Schalters sperren Sie alle Bedienelemente auf dem Frontbedienfeld, um deren versehentliche Betätigung beim Filmen zu unterbinden. Legen Sie den Schalter nach unten, um die Sperrung zu aktivieren bzw. nach oben, um sie zu deaktivieren.

TIPP Für Drehs in belebten Umgebungen können Sie das Frontbedienfeld der URSA Broadcast G2 sperren, sollten Sie sie unbeaufsichtigt lassen. Auf diese Weise werden Einstellungen nicht versehentlich von anderen Personen verändert.

6 Die Schalter ISO, SHUTTER, WHITE BAL

Mit diesen kleinen Schaltern justieren Sie die Gain/ISO-, Weißabgleichs- und Verschlusseinstellungen. Praktisch für flinke Anpassungen, ohne den Blick vom Motiv abzuwenden. Schieben Sie die Schalter behutsam hoch oder runter, um Einstellungen zu justieren. Die Schalter sind federbelastet und schnappen stets in eine neutrale Position zurück.

GAIN/ISO

Schieben Sie diesen Schalter hoch oder runter, um die Gain-Werte Ihrer Kamera zu modifizieren. Hochschieben erhöht die Einstellung um eine Drittel-Blendenstufe, Runterschieben senkt sie um eine Drittel-Blendenstufe. Die verfügbaren Einstellungen bewegen sich zwischen -12 und 36 dB.

SHUTTER

Stellen Sie mit diesem Schalter die Verschlusszeit der Kamera ein. Hochschieben erhöht die Verschlusszeit auf die nächste verfügbare Voreinstellung (Preset). Runterschieben hingegen senkt sie auf die nächste verfügbare Voreinstellung ab. Wird der Schalter beim Hoch- oder Runterschieben gedrückt gehalten, beschleunigt dies die Navigation durch die verfügbaren Werte. Für die Verschlusszeit gibt es 12 Presets, die von 1/24 bis 1/2000 reichen.

TIPP Ihre URSA Broadcast G2 kann Ihnen auch flimmerfreie Verschlusszeiten entsprechend der Netzfrequenz in Ihrer Region vorschlagen. Wählen Sie diese über das LCD-Touchscreenmenü aus. Weitere Informationen finden Sie im Abschnitt „Funktionsmerkmale des Touchscreens“ in diesem Handbuch.

WHITE BAL

Mit diesem Schalter wird der Weißabgleich der Kamera eingestellt. Durch Hochschieben wird die Farbtemperatur jeweils in Schritten von 50 Kelvin erhöht, Runterschieben reduziert sie jeweils um 50 Kelvin. Durch Gedrückthalten des Schalters beim Hoch- oder Runterschieben beschleunigt man die Navigation durch die verfügbaren Werte.

7 AUTO W/B

Durch Drücken der AUTO W/B-Taste erscheint mitten auf dem LCD ein weißes Feld für den automatischen Weißabgleich, das fünf Sekunden lang eingeblendet bleibt. Das Feld wird

auch auf allen SDI-Ausgaben angezeigt, für die „Statustext“ in den Menüeinstellungen aktiviert ist. Das weiße Feld zeigt die spezifische Bildpartie an, anhand derer der Weißabgleich berechnet wird. Richten Sie Ihre Graukarte demnach so aus, dass sie innerhalb dieses Felds liegt. Halten Sie die AUTO W/B-Taste drei Sekunden lang gedrückt, um einen automatischen Weißabgleich vorzunehmen. Dabei wechselt die Farbe des Felds von weiß zu grün, was Ihnen den erfolgten Weißabgleich bestätigt.

Weitere Informationen zum Aktivieren des Statustext-Modus für Front- und Haupt-SDI-Ausgaben der URSA Broadcast G2 finden Sie im Abschnitt „MONITORING-Einstellungen“ in diesem Handbuch.

8 F1 und F2

Hierbei handelt es sich um Funktionstasten, die über das SETUP-Menü Ihrer URSA Broadcast G2 mit vielerlei häufig benutzten Funktionen belegt werden können. Standardmäßig ist F1 fürs LCD und die SDI-Ausgabe auf „Fokuszoom“, und F2 auf dem LCD auf „Falschfarben“ eingestellt.

Weitere Informationen finden Sie im Abschnitt „Funktionsmerkmale des Touchscreens“ in diesem Handbuch.

HFR

Die HFR-Taste für hohe Framerraten dient zum Hin- und Herschalten zwischen verschiedenen Offspeed-Framerraten. Um sie zu benutzen, geben Sie nach der PROJEKT-FRAMERATE einfach die zu verwendende OFFSPEED-FRAMERATE vor. Wenn Sie dann die Taste drücken, wird zwischen Ihrer vorgegebenen Offspeed-Framerate und der Projekt-Framerate hin und her gewechselt. Hier ist zu erwähnen, dass sich diese Einstellung nur bei gestoppter Aufzeichnung modifizieren lässt. Alternativ dient die HFR-Taste als Funktionstaste, die Sie mit einer Auswahl gebräuchlicher Funktionen belegen oder deaktivieren können.

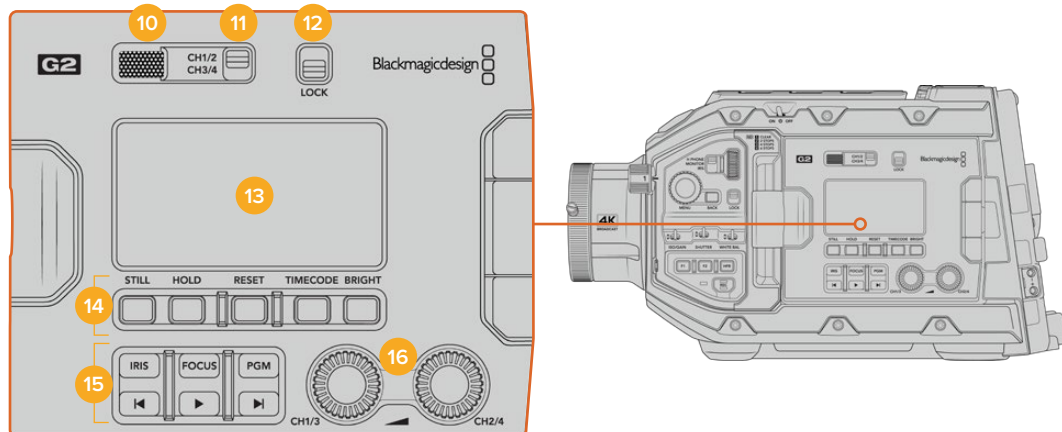
Weitere Informationen zu den Projekt- und Offspeed-Framerraten finden Sie im Abschnitt „Funktionsmerkmale des Touchscreens“ in diesem Handbuch.

9 REC

Die Aufnahmetaste ist mit REC gekennzeichnet und befindet sich an der linken Seite Ihrer Blackmagic URSA Broadcast G2. Drücken Sie die REC-Taste, um die Aufzeichnung zu starten und stoppen. Näheres hierüber finden Sie im Abschnitt „Aufzeichnen“.

Ergonomisches Bedienfeld

An der Außenseite des Touchscreen-Monitors Ihrer URSA Broadcast G2 finden Sie einen LCD-Status-Monitor und diverse Bedienelemente fürs Monitoring. Dieses Bedienfeld zeigt Ihnen auf einen Blick sämtliche Statusinformationen der Kamera an. Überdies erfolgen das Monitoring und die Tonpegelung von hier. Auch die automatische Fokussierung kompatibler Objektive können Sie über das Bedienfeld einstellen, und anhand der Transportelemente Clips abspielen.



Ergonomisches Bedienfeld der URSA Broadcast G2

10 Monitorlautsprecher

Über den kleinen, in die Außenseite des Bedienfelds eingelassenen Lautsprecher können Sie während der Wiedergabe den Ton mithören. Der Lautsprecher ist dort verortet, wo sich beim Filmen mit geschulterter Kamera in der Regel das Ohr des Operators befindet.

Drehen Sie zur Anpassung des Lautsprecherpegels einfach das Einstellrad, das im Abschnitt „Bedienen der URSA Broadcast G2“ beschrieben ist.

11 Kanalauswahl am Monitor

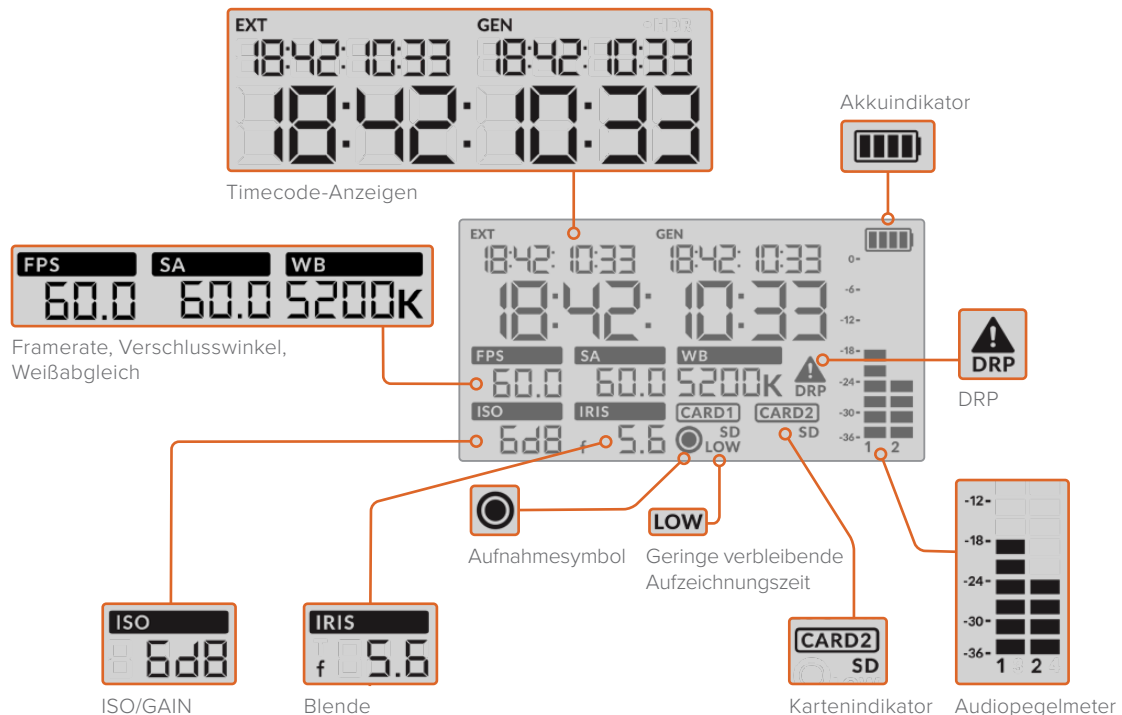
Aktuell unterstützt Ihre URSA Broadcast G2 zwei Audiokanäle.

12 LOCK

Mit dieser Taste sperren Sie alle Einstellungen auf dem ergonomischen Bedienfeld Ihrer URSA Broadcast G2. Die Tasten zur Auswahl der Monitorkanäle bleiben als einzige Elemente aktiv, während die LOCK-Taste auf ON steht und Funktionen sperrt.

13 Status-LCD

Dieser Bildschirm zeigt alle wichtigen Einstellungen Ihrer URSA Broadcast G2 auf einen Blick an. Den internen Touchscreen braucht man hierfür nicht aufzuklappen. Der Bildschirm ist für gute Sichtbarkeit ausgelegt, selbst bei hellem Tageslicht. Er zeigt die nachstehenden Informationen an:



Timecodes

Ihre URSA Broadcast G2 zeigt drei Timecodes an. Bei Einspeisung eines externen Timecodes in die Kamera wird dieser unterhalb der EXT-Anzeige oben links auf dem Status-LCD angezeigt. Der von Ihrer Kamera intern generierte Timecode wird daneben auf der GEN-Anzeige dargestellt. Der externe wie auch der kameragenerierte Timecode werden in Stunden, Minuten, Sekunden und Frames angezeigt.

Die größere Timecode-Hauptanzeige gibt Ihren aktuellen Timecode wahlweise als Clipdauer oder Timecode an. Um zwischen den beiden Anzeigemodi hin und her zu wechseln, drücken Sie die TIMECODE-Taste unter dem Status-LCD.

Akkuanzeige

Bei Benutzung Ihrer URSA Broadcast G2 mit Akkustrom zeigt Ihnen dieser Indikator die verbleibende Akkulaufzeit in 25%-Schritten an. Jeder der vier Akkuanzeige Balken entspricht 25 % der verbleibenden Akkulaufzeit. Sinkt der Akkustand unter 20 % des

verbleibenden Stroms ab, wechselt die LED neben der Aufnahmetaste die Farbe und beginnt zu blinken. Während der Aufzeichnung blinkt sie abwechselnd langsam rot und orangefarben. Im Standby-Modus blinkt sie abwechselnd weiß und orangefarben.

Wenn die Kamera an den Netzstrom angeschlossen ist, wird der Akku-Ladezustand als voll angezeigt.

FPS, SA, WB

Diese Indikatoren zeigen die aktuelle Framerate (FPS), den Verschlusswinkel (SA) und den Weißabgleich (WB) Ihrer Kamera an. Unter FPS wird die aktuelle Sensor-Framerate angegeben.

Näheres zu den Sensor- und Projekt-Frameraten finden Sie im Abschnitt „Funktionsmerkmale des Touchscreens“ in diesem Handbuch.

GAIN/ISO

Zeigt den aktuell eingestellten Gain-Wert Ihrer Kamera an.

IRIS

Zeigt die aktuell eingestellte Blendenstufe an. Je nach Objektivtyp wird die Blendenstufe als f- oder T-Stop angezeigt.

Karteninformationen

Wenn beide Kartenschächte besetzt sind, erscheinen die Indikatoren CARD 1 und CARD 2 auf dem Status-LCD Ihrer URSA Broadcast G2.

Der SD-Indikator erscheint beim Aufzeichnen mit SD-Karten, verschwindet aber beim Aufzeichnen auf CFast-Karten.

Aufnahmesymbol

Das kreisförmige Aufnahmesymbol erscheint unter der bzw. den Karten, auf die aktuell aufgezeichnet wird.

LOW

Steht für geringe verbleibende Aufnahmedauer. Die LOW-Anzeige erscheint, wenn weniger als circa 5 Minuten Aufnahmezeit verbleiben.

Audiopegelmeter

Die Audiopegelmeter zeigen die Spitzenpegel bei Gebrauch des internen Mikrofons oder einer angeschlossenen externen Audioquelle an. Das Tonpegel-Display ist in dBFS kalibriert und verfügt über Peak-Indikatoren mit Haltefunktion (Peak Hold), die nach der Übersteuerung kurzfristig sichtbar bleiben. Dies zeigt Ihnen erreichte Höchstpegel deutlich an.

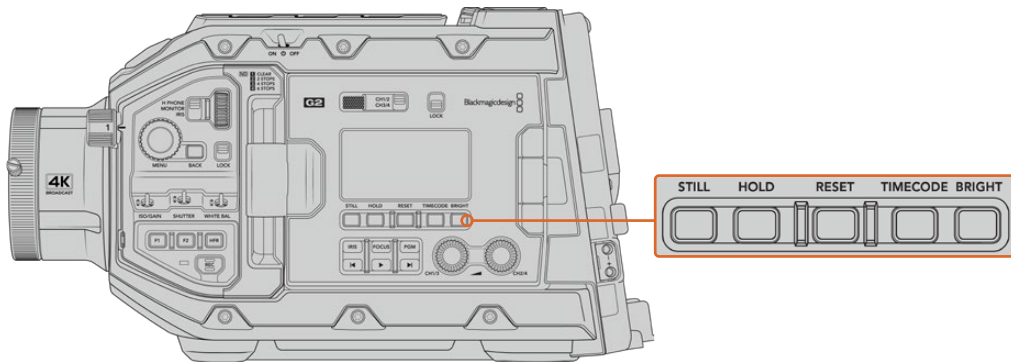
Eine optimale Tonqualität wird mit Audiopegeln unter 0 dBFS gewährleistet. Hierbei handelt es sich um den Höchstpegel, den Ihre Kamera aufzeichnen kann. Audio, das diesen Wert überschreitet, wird abgeschnitten, was zu Verzerrungen führt.

DRP

Der Dropped-Frame-Indikator blinkt, wenn Ihre Kamera erkennt, dass Einzelbilder fallengelassen werden. Sobald Sie die Aufzeichnung stoppen, verbleibt der Indikator auf dem Bildschirm, um Ihnen anzuzeigen, dass im vorherigen Clip das Fallenlassen von Frames erkannt wurde. Dieser Warnhinweis verschwindet, wenn Sie die Aufzeichnung wiederaufnehmen oder die Kamera aus- und wieder einschalten. Weitere Informationen, wie sich das Fallenlassen von Einzelbildern vermeiden lässt, finden Sie im Abschnitt „Datenträger“.

HINWEIS Sie können Ihre URSA Broadcast G2 so einstellen, dass sie die Aufzeichnung bei Erkennung fallengelassener Frames stoppt. Näheres finden Sie im Abschnitt „AUFNAHME-Einstellungen“ in diesem Handbuch. Diese Funktion ist vom Benutzer aktivierbar, da es bei kurzen, burstartigen Aufnahmeperioden ggf. gelingt, bei höheren Frameraten oder Auflösungen erfolgreich auf langsamere Datenträger aufzuzeichnen.

14 Bedienelemente des Status-LCDs



Bedienelemente des Status-LCDs der URSA Broadcast G2

STILL

Drücken Sie diese Taste, um ein Standbild als einzelnen verlustfreien Frame in DNG zu erfassen. Gespeichert werden Bilddateien im Stills-Ordner im Stammverzeichnis des Speicherträgers, auf den aktuell aufgezeichnet wird. Die Dateinamen für gespeicherte Standbilder werden gemäß der für Videoclips üblichen Namenskonvention erteilt, wobei Kürzel wie „S001“ die Anzahl der Standbilder mit den letzten vier Stellen des Dateinamens angeben. Die erfolgreiche Speicherung eines Standbilds wird durch ein oben rechts auf dem URSA Broadcast G2 Touchscreen erscheinendes Kamerasymbol und durch dreimaliges Blinken des Aufnahmeindikators auf der LCD-Statusanzeige bestätigt.

HOLD

Mit dieser Taste lässt sich der Timecode auf dem Haupt-Status-LCD zeitweilig anhalten, wenn er sich im frei laufenden Tageszeitenmodus befindet. Der Timecode läuft im Hintergrund weiter und geht bei Loslassen der HOLD-Taste auf seinen aktuellen Stand zurück. Das Anhalten gestattet Ihnen, sich den Timecode für ein spezielles Event zu notieren. Das kann sich bei elektronischen Berichterstattungen oder Dokumentationen als praktisch erweisen, damit man sich wichtige Timecode-Werte notieren kann.

RESET

Mit dieser Taste setzen Sie den Timecode auf 00:00:00:00 zurück, sollten Sie einen voreingestellten Timecode vorgeben wollen.

TIMECODE

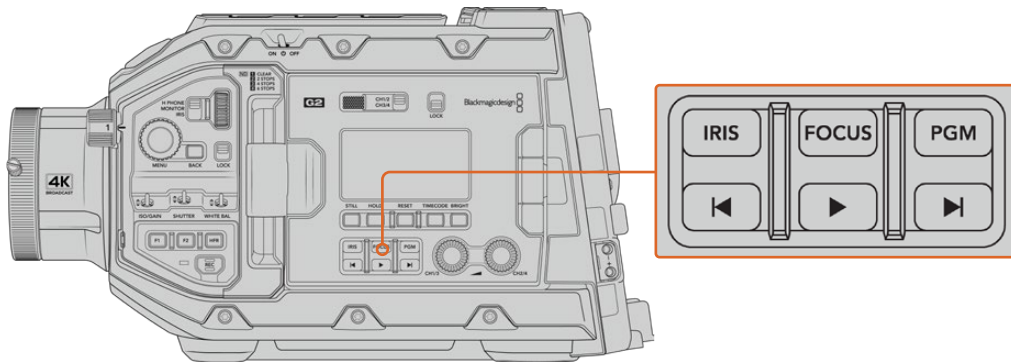
Durch Drücken der TIMECODE-Taste wird auf der Haupt-Timecode-Anzeige zwischen den Timecode-Formaten Clipdauer und Timecode hin und her gewechselt. Standardmäßig ist der Timecode auf fortlaufenden Uhrzeit-Timecode eingestellt, da dieser am häufigsten verwendet wird. Wenn Sie die TIMECODE-Taste fünf Sekunden lang gedrückt halten, wechselt die Kamera zu Record Run Timecode. Der Timecode-Generator und die ersten beiden Ziffern des großen Timecode-Displays beginnen zu blinken. Das bedeutet, dass Sie den voreingestellten Timecode nun auf einen gewünschten Wert ändern können.

Wenn Sie in diesem Zustand RESET drücken, wird der Timecode auf Null zurückgesetzt. Per Druck auf das Menürad gelangen Sie vom Stundenwert zum Minutenwert und anschließend zu den Sekunden und Frames. Durch Drehen des Menürads lässt sich der Wert anpassen. Wenn Sie Ihre gewünschten Werte vorgegeben haben, halten Sie die TIMECODE-Taste drei Sekunden lang gedrückt. Der Wert wird somit als voreingestellter Timecode gespeichert. Der Timecode-Generator zeigt nun diesen Wert an und zählt nur dann weiter hoch, wenn die Kamera aufzeichnet. Das sorgt für durchgehend fortlaufende Timecode-Werte. Um zu fortlaufendem Uhrzeit-Timecode zurückzukehren, halten Sie die TIMECODE- und HOLD-Taste gleichzeitig drei Sekunden lang gedrückt.

BRIGHT

Durch Drücken dieser Taste werden die vier Helligkeitseinstellungen für das LCD-Status-Display Ihrer URSA Broadcast G2 durchlaufen. Verfügbare Einstellungen sind: OFF (Aus), LOW (Niedrig), MEDIUM (Mittel) und HIGH (Hoch).

15 Steuer- und Wiedergabetasten



Die Steuer- und Wiedergabetasten der URSA Broadcast G2

IRIS

Bei Einsatz kompatibler Objektive aktiviert die IRIS-Taste die automatische Blendeneinstellung. Bei Verwendung der Dynamikumfang-Einstellungen für „Video“ wird durch einmaliges Drücken der IRIS-Taste eine durchschnittliche Belichtungszeit basierend auf der Helligkeitsverteilung in Ihrer Aufnahme eingestellt. Bei Verwendung der Dynamikumfang-Einstellungen „Film“ wird die Belichtung durch Drücken der IRIS-Taste auf die Spitzlichter in Ihrer Aufnahme eingestellt. Diese Taste funktioniert mit kompatiblen EF- und PL-Objektiven, die über eine kompatible Broadcast-Objektivsteuerung angeschlossen sind.

Um die Blende manuell einzustellen, drücken Sie die Vor- bzw. Rücklauftaste.

FOCUS

Bei Einsatz eines B4- oder EF-Objektivs, das elektronische Fokusanpassungen unterstützt, aktivieren Sie den Autofokus per Druck auf die FOCUS-Taste. Im Sucher oder auf den an Ihre URSA Broadcast G2 angeschlossenen Monitoren erscheint dann ein weißes Fokussier-Rechteck. Innerhalb des Rechtecks wird alles korrekt scharf gestellt. Sobald das Objektiv fokussiert hat, verschwindet das Rechteck wieder.

HINWEIS Um die FOCUS-Taste benutzen zu können, benötigen Sie eine servogesteuerte Fokussierung. Darüber hinaus muss „Servo“ aktiviert sein. Im Abschnitt „Erste Schritte“ finden Sie weitere Informationen. Manche EF-Objektive haben einen manuellen und einen automatischen Fokussiermodus. Sollten Sie den optionalen EF Mount verwenden, vergewissern Sie sich, dass der Auto-Fokus-Modus des Objektivs aktiviert ist, damit die URSA Broadcast G2 selbstständig fokussieren kann.

PGM

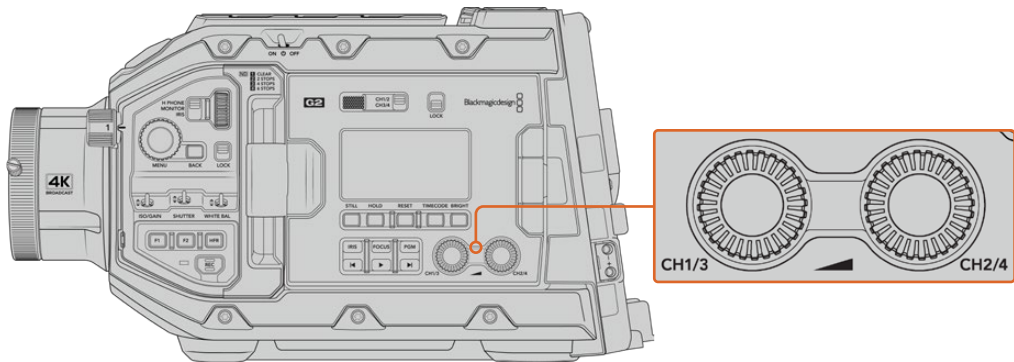
Anhand der mit PGM gekennzeichneten Programmtaste schalten Sie das LCD zwischen der Kameraansicht und dem Signal einer beliebigen, mit dem rückwärtigen 12G-SDI-Eingang verbundenen Signalquelle um. Wenn Sie die Kamera für eine Live-Übertragung verwenden, können Sie die Programmausgabe des Mixers anschließen und diese während des Films überprüfen. Halten Sie die PGM-Taste gedrückt, um Ihren Programmfeed zu betrachten. Solange die PGM-Taste gedrückt wird, bleibt der Programmfeed zu sehen.

Wenn der Monitor auf die Anzeige des eingehenden Programmfeeds eingestellt bleiben soll, drücken Sie die PGM-Taste zweimal. Ein erneuter Druck auf die PGM-Taste beendet den Programmfeed und bringt den Monitor auf die Kameraansicht zurück.

Transporttasten für die Wiedergabe

Mit den Transporttasten können Sie die Wiedergabe von Clips starten und stoppen sowie zum nächsten oder vorherigen Clip springen. Beim Gebrauch eines kompatiblen EF-Objektivs dienen die Vorwärts- und Rückwärtstasten darüber hinaus zum Öffnen bzw. Schließen der Blende. Näheres zur Verwendung der Transporttasten finden Sie im Abschnitt „Wiedergabe“.

16 Tonpegelregler

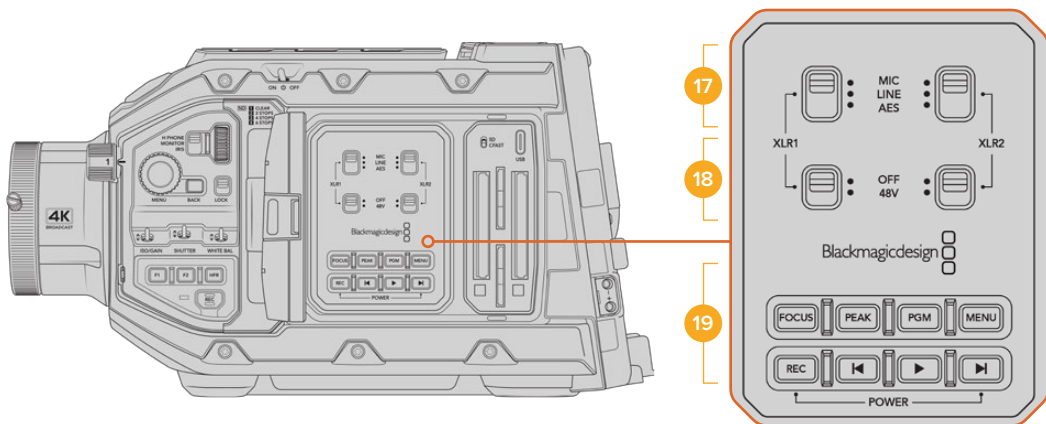


Die Tonpegelregler der URSA Broadcast G2

Stellen Sie die Aufnahmepegel für die Audiokanäle 1 und 2 mithilfe der eingebauten Drehregler ein. Drehen Sie den jeweiligen Regler im oder gegen den Uhrzeigersinn, um den Aufzeichnungspegel für den entsprechenden Audiokanal anzuheben oder zu senken. Achten Sie dabei auf die Audiopegelmesser auf dem Display, damit Sie den für Sie günstigsten Wert einstellen können.

Internes Bedienfeld

Wenn der Ausklappmonitor Ihrer URSA Broadcast G2 geöffnet ist, haben Sie Zugriff auf das interne Bedienfeld. Dort befinden sich die Bedienelemente zum Einrichten Ihrer Audioeingaben und zum Einstellen der Phantomspeisung. Auch die Tasten für Blende, Fokussierung, Menü und den Transport sind hier zu finden.



Internes Bedienfeld der URSA Broadcast G2

17 XLR1 / XLR2

Bestimmen Sie anhand dieser Schalter das Verhalten der XLR-Eingänge Ihrer URSA Broadcast G2, wenn diese als Eingabequelle aktiviert sind. Zur Auswahl stehen die Optionen MIC für Mikrofonton, LINE für Bezugspegelton und AES für Digitalaudio.

18 Phantomspeisung

Die XLR-Eingänge Ihrer URSA Broadcast G2 können externe Mikrofone, die sonst nicht mit Strom versorgt werden, mit 48 Volt Phantomstrom speisen. Stellen Sie diesen Schalter für die jeweilige XLR-Buchse – siehe Kennzeichnung über dem Schalter – auf 48 V, um ein angeschlossenes Mikrofon mit Strom zu versorgen. In der OFF-Position erfolgt keine Phantomspeisung.

Hinweis Es ist übliche Praxis, immer erst das XLR-Kabel anzuschließen und anschließend die Phantomspeisung einzuschalten. Schalten Sie die Phantomspeisung unbedingt auch dann aus, wenn kein phantomspeistes Mikrofon mehr angeschlossen ist. Geräte

anzuschließen, die keinen Schutz für die Phantomspeisung in die AES-XLR-Ausgänge integriert haben, während noch Phantomspeisung von den XLR-Audioeingängen der Kamera eingeht, kann Ihr Equipment beschädigen. Sorgen Sie immer dafür, dass der +48V-Schalter auf OFF steht, wenn Sie Ihr Mikrofon entkoppeln.

19 Steuer- und Wiedergabetasten

FOCUS

Bei Einsatz eines B4- oder EF-Objektivs, das elektronische Fokusanpassungen unterstützt, aktivieren Sie den Autofokus per Druck auf die FOCUS-Taste. Auf dem Ausklappmonitor wird nun ein weißes Rechteck zum Fokussieren angezeigt. Innerhalb des Rechtecks wird alles korrekt scharf gestellt. Sobald das Objektiv fokussiert hat, verschwindet das Rechteck wieder.

HINWEIS Um die FOCUS-Taste benutzen zu können, benötigen Sie eine servogesteuerte Fokussierung. Darüber hinaus muss Servo aktiviert sein. Im Abschnitt „Erste Schritte“ finden Sie weitere Informationen. Manche EF-Objektive haben sowohl einen manuellen als auch einen automatischen Fokussiermodus. Die URSA Broadcast G2 kann mit Ihrem Objektiv nur automatisch fokussieren, wenn Sie auf Ihrem Objektiv den Modus „Auto Focus“ vorgeben.

PEAK

Drücken Sie die PEAK-Taste, um Focus Peaking zu aktivieren. Ihre Kamera bietet zwei Focus-Peaking-Modi. Im klassischen Focus-Peaking-Modus werden fokussierte Bildpartien künstlich geschärft. Im Modus „Farbige Linien“ werden die fokussierten Bildpartien mit Overlays in Form schwarzer, weißer, roter, grüner oder blauer Linien überlagert. Näheres finden Sie im Abschnitt „MONITORING-Einstellungen“ in diesem Handbuch.

TIPP Beim Aufzeichnen Ihrer Videoausgabe auf einen Blackmagic Video Assist oder einen HyperDeck Studio HD Mini, empfiehlt es sich, die Peaking-Anzeige für diese Ausgabe unbedingt auszuschalten. Tun Sie dies mittels der „Clean Feed“-Funktion für den Front- bzw. Haupt-SDI-Ausgang der Kamera.

Weitere Infos zur Ausgabe eines Clean-Feeds finden Sie im Abschnitt „MONITORING-Einstellungen“ in diesem Handbuch.

PGM

Die mit PGM gekennzeichnete Programmtaste lässt Sie das LCD und die Front-SDI-Ausgabe zwischen Kamerasicht und einem beliebigen an den hinteren 12G-SDI-Anschluss angeschlossenen Signal hin und her schalten. Wenn Sie Ihre Kamera für eine Live-Übertragung verwenden, können Sie die Programmausgabe des Mixers anschließen und diese während des Filmens überprüfen. Halten Sie die PGM-Taste gedrückt, um Ihren Programmfeed zu betrachten. Zweimaliges Drücken der Taste bindet den Programmfeed fest an. Ein erneuter Tastendruck schaltet den Programmfeed wieder aus.

Um die Programmausgabe eines Mixers anzeigen zu können, müssen Ihre Kamera und der Mixer auf dieselbe Framerate eingestellt sein.

MENU

Drücken Sie auf die MENU-Taste, um das Dashboard aufzurufen. Weitere Informationen über die Dashboard-Funktion und Einstellungsmöglichkeiten finden Sie im Abschnitt „Einstellungen“.

REC

Drücken Sie eine der mit REC markierten Aufnahmetasten, um die Aufnahme zu starten und stoppen. Einzelheiten hierüber finden Sie im Abschnitt „Aufzeichnen“.

Transporttasten für die Wiedergabe

Mit den Transporttasten können Sie die Wiedergabe von Clips starten und stoppen sowie zum nächsten oder vorherigen Clip springen. Bei Einsatz des EF-Mounts dienen die Vor- und Rücklauf-tasten bei Gebrauch kompatibler Objektive darüber hinaus zum Öffnen bzw. Schließen der Blende. Näheres zur Verwendung der Transporttasten finden Sie im Abschnitt „Wiedergabe“.

HINWEIS Alternativ lässt sich Ihre URSA Broadcast G2 anhand einer Tastenkombination über das Bedienfeld ein- oder ausschalten. Halten Sie die REC- und Vorlauf-tasten gedrückt, um Ihre Kamera ein- oder auszuschalten. Sollte der Ein-/Ausschalter auf ON stehen, obwohl Ihre Kamera ausgeschaltet ist, wurde sie möglicherweise über das Bedienfeld ausgeschaltet. Legen Sie den Schalter erneut um, um zum Normalbetrieb zurückzukehren.



Funktionsmerkmale des Touchscreens

HD-Monitoring-Ausgang

Der abwärtskonvertierte 3G-SDI-Ausgang der Blackmagic URSA Broadcast G2 gibt Video stets in 1080 HD aus. So können Sie die Kamera bequem an Kreuzschienen, Monitore, SDI-Aufzeichnungsgeräte, Broadcastmischer und andere SDI-Geräte anschließen. Dieser Ausgang ist im Einstellungsmenü des Touchscreens als „Front SDI“ gekennzeichnet.

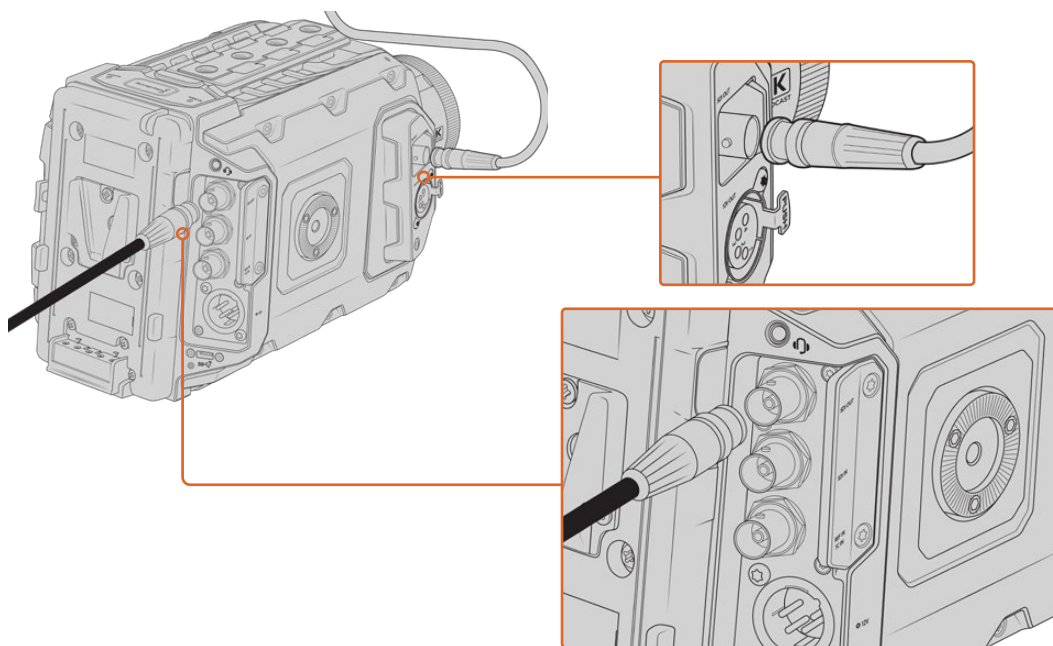
12G-SDI-Ausgang

Der 12G-SDI-Ausgang an der Gehäuserückseite unterstützt HD- und Ultra-HD-Video, darunter progressive HFR-Formate wie 2160p/50, 59,94 und 60 über ein einzelnes SDI-Kabel. HD-Formate mit Zeilensprungverfahren werden auch unterstützt, darunter 1080i/50, 59,94 und 60. An den 12G-SDI-Ausgang können Sie beliebige SDI-Monitore ebenso wie Ultra-HD-Mischer wie bspw. einen ATEM Production Studio 4K anschließen. Dieser Ausgang lässt sich zwischen HD und Ultra HD umschalten, indem Sie auf dem Touchscreen im MONITORING-Tab unter SDI-AUSGABE die Option 1080p oder 2160p wählen. Näheres dazu finden Sie im Abschnitt „MONITORING-Einstellungen“ weiter hinten in diesem Handbuch.

Anschließen von Videomischern

Dank der SDI-Ausgänge lässt sich Ihre Kamera für Live-Fernsehproduktionen einsetzen. Für Liveproduktionsarbeiten können Sie den SDI-Ausgang an der Kamerarückseite direkt an Produktionsmischer anschließen oder ihn zur Umwandlung Ihres Signals in ein optisches an ATEM Camera Converter anschließen, was eine Übertragung über mehrere Hundert Meter an Ü-Wagen vor Ort ermöglicht.

Bei Anschluss der Kamera an einen Mischer können Sie die Programmausgabe des Mixers bequem auf Ihrer Blackmagic URSA Broadcast G2 sichten. Schließen Sie dafür zuerst den Mischer an den 12G-SDI-Eingang an der Rückseite Ihrer Kamera an. Drücken Sie die mit PGM gekennzeichnete Programmtaste auf dem Ausklappmonitor Ihrer Kamera. Ein erneutes Drücken der PGM-Taste bringt das Kamerabild zurück.



Sie können den 12G-SDI-Ausgang an einen beliebigen 1080-HD- oder Ultra-HD-Live-Produktionsmischer anschließen. Der Ausgang für das HD-Monitoring lässt sich an einen externen Sucher – etwa einen Blackmagic URSA Viewfinder – anschließen oder an einen externen Monitor, wenn die Kamera an Produktionsequipment gekoppelt ist, zum Beispiel an einen Ausleger oder Kran

Anschließen von Monitoren

SDI-Monitoring ist eine hilfreiche Alternative, wenn der Ausklappmonitor nur schwer oder umständlich zugänglich ist, weil die Kamera hoch oben an einem Ausleger, Kran oder auf einem Fahrzeug angebracht ist.

Monitoring-Informationen werden über Ihren HD-SDI-Monitoring-Ausgang angezeigt. Passen Sie hierfür im MONITORING-Tab die Anzeigeeinstellungen für „Front SDI“ an. Diese Einstellungen aktivieren Bildrandmarkierungen und Aufnahmeinformationen sowie Kamera-Einstellungen. Wenn Sie lediglich Ihre Aufnahmen kontrollieren möchten, schalten Sie die Overlays für eine saubere SDI-Ausgabe aus.

Schließen Sie den SDI-Ausgang der Kamera für Live-Waveform-Monitoring an SDI-Monitore oder einen Blackmagic SmartScope Duo 4K an.

HINWEIS Am rückwärtigen SDI-Ausgang und am 3G-SDI-Monitoring-Ausgang wird HDR-Video automatisch mit zusätzlichen Metadaten versehen, wenn Sie mit dem „Film“-Dynamikumfang arbeiten und die LUT „Gen 5 Film to Rec. 2020 Hybrid Log Gamma“ oder „Gen 5 Film to Rec. 2020 PQ Gamma“ auf die SDI-Ausgabe anwenden. So können Sie über einen beliebigen der beiden SDI-Ausgänge beeindruckende HDR-Bilder auf HDR-fähigen Bildschirmen anzeigen.

SDI-Ausgabeformate

Hinterer SDI-Ausgang	2160p/23,98; 24; 25; 29,97; 30; 50; 59,94; 60. 1080p/23,98; 24; 25; 29,97; 30; 50; 59,94; 60. 1080i/50; 59,94; 60.
3G-SDI-Monitoring-Ausgang	1080p/23,98; 24; 25; 29,97; 30; 50; 59,94; 60. 1080i/50; 59,94; 60.

TIPP Um eine Liveaufzeichnung mit zwei verschiedenen Codecs gleichzeitig oder parallel eine Sicherungskopie zu machen, können Sie den Feed über den hinteren SDI-Ausgang der URSA Broadcast G2 an einen Blackmagic Video Assist oder HyperDeck Rekorder ausgeben.

Bedienung per Touchscreen

Touchscreen

Der ausklappbare LCD-Touchscreen Ihrer Blackmagic URSA Broadcast G2 lässt sich neigen, um aus hohen oder niedrigen Winkeln aufzuzeichnen. Wenn Sie Ihre URSA Broadcast G2 auf der Schulter tragen und den URSA Viewfinder benutzen, können Sie die Kamera über die Tasten an der Rückseite des eingeklappten Bildschirms bedienen.

Funktionsmerkmale des Touchscreens

Für eine schnelle und intuitive Handhabung lässt sich der LCD-Touchscreen per Tipp- und Wischgesten bedienen. Wenn Sie in verschiedenen Bereichen des LCD-Touchscreens Tipp- oder Wischgesten ausführen, können Sie während des Filmens schnell auf die Kamerafunktionen zugreifen.

Die Hauptseite des Touchscreens umfasst eine obere und eine untere Menüleiste. Die obere Menüleiste bietet Zugriff auf häufig verwendete Einstellungen wie Verschlusszeit, Blende und Gain. Die untere Menüleiste beinhaltet Speicher-Indikatoren, Audiopegelmeter, Transportsteuerung und ein Histogramm.

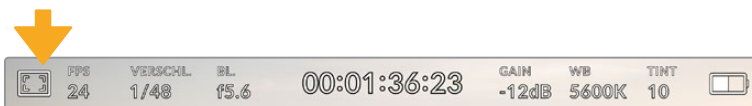


Der LCD-Touchscreen Ihrer URSA Broadcast G2 verfügt über ein umfassendes Head-up-Display mit Zugriff auf die am häufigsten verwendeten Kameraeinstellungen

Obere Menüleiste

LCD-Monitoring-Optionen

Tippen Sie auf das Monitoring-Icon oben links auf dem LCD-Touchscreen Ihrer URSA Broadcast G2, um zu den LCD-Monitoring-Einstellungen zu gelangen. Mithilfe dieser Einstellungen lässt sich das Erscheinungsbild der Monitoringfunktionen der URSA Broadcast G2 verändern und anpassen. Geboten werden Zebra, Focus Assist, Bildrandmarkierungen und Raster. Beim Zugriff auf die MONITORING-Optionen fürs LCD erscheinen die Bedienelemente für die jeweiligen Features in Form von Schaltflächen entlang des unteren Randes des LCD-Touchscreens.

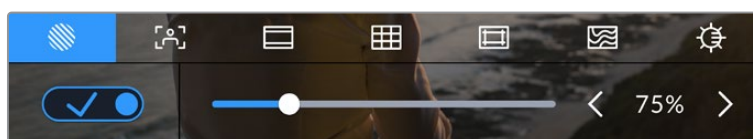


Tippen Sie auf das Icon oben links auf dem LCD-Touchscreen, um auf die MONITORING-Optionen fürs LCD zuzugreifen

Zebra

Mit dieser Einstellung verändern Sie das Erscheinungsbild der Zebra-Funktion auf dem LCD-Touchscreen und stellen das Zebra-Niveau für alle URSA Broadcast G2 Ausgaben ein.

Im Zebra-Modus werden auf Bildbereichen, die den voreingestellten Belichtungspegel übersteigen, diagonale Streifen eingeblendet. Wenn Sie Zebra bspw. auf 100 % einstellen, wird Ihnen angezeigt, welche Bereiche komplett überbelichtet sind. Diese Funktion ist hilfreich, um bei gleichbleibenden Lichtbedingungen einen optimalen Belichtungspegel beizubehalten.



Tippen Sie in den LCD-Monitoringoptionen auf die Zebra-Schaltfläche, um auf die Zebra-Einstellungen zuzugreifen

Die Zebra-Einstellung für den LCD-Touchscreen aktivieren Sie, indem Sie im Zebra-Tab unten links auf das Schalter-Icon tippen.

Um die gewünschte Prozentzahl für den Zebra-Modus einzustellen, ziehen Sie den Schieberegler nach rechts oder links oder tippen auf die Pfeilsymbole. Es gibt acht Zebra-Presets, darunter „Mittlerer Grauwert“ und „Mittlerer Grauwert + 1 Stop“ sowie Einstellungen für die Belichtung, die sich in Fünf-Prozent-Schritten von 75 bis 100 Prozent vorgeben lässt.

Weitere Informationen zum Aktivieren des Zebra-Modus für die Front- und Haupt-SDI-Ausgaben der Kamera finden Sie im Abschnitt „MONITORING-Einstellungen“ in diesem Handbuch.

TIPP Beim Filmen in variablen Lichtverhältnissen – bspw. im Freien an einem teils bewölkten Tag – warnt Sie ein auf unter 100 eingestellter Zebra-Wert vor Überbelichtung.

Focus Assist

Mit dieser Einstellung passen Sie das Erscheinungsbild der Fokussierhilfe auf dem LCD-Touchscreen an. Gleichzeitig können Sie das Niveau der Fokussierhilfe für alle Ausgaben Ihrer URSA Broadcast G2 einstellen.



Tippen Sie in den MONITORING-Optionen fürs LCD auf die Focus-Assist-Schaltfläche, um auf die jeweiligen Einstellungen zuzugreifen

Die Focus-Assist-Einstellung für den LCD-Touchscreen aktivieren Sie, indem Sie im Focus-Assist-Tab unten links auf das Schalter-Icon tippen.

Um auf der URSA Broadcast G2 für alle Ausgaben das Niveau der Fokussierhilfe einzustellen, ziehen Sie den Schieberegler am unteren Rand des Touchscreens nach links und rechts, oder tippen auf die Pfeiltasten.

Der optimale Grad der Fokussierhilfe richtet sich nach dem jeweiligen Shot. Wird bspw. auf Darsteller scharf gestellt, erzielt man mit einer höher eingestellten Fokussierhilfe mehr Zeichnung an den Konturen von Gesichtern. Bei Aufnahmen von Blättern oder Mauerwerk hingegen würden zusätzlich erfasste Details eventuell ablenkend wirken.

Weitere Informationen zum Aktivieren des Focus-Assist-Modus für die Front- und Haupt-SDI-Ausgaben Ihrer Kamera finden Sie im Abschnitt „MONITORING-Einstellungen“ in diesem Handbuch.

TIPP Ihre URSA Broadcast G2 verfügt über zwei Focus-Assist-Modi. Im MONITORING-Einstellungsmenü können Sie zwischen den Modi „Peaking“ und „Farbige Linien“ hin- und herwechseln. Weitere Informationen finden Sie in den Abschnitten „MONITORING-Einstellungen“ und „FOCUS ASSIST“.

Bildrandmarkierungen

Mit dieser Einstellung geben Sie vor, wie die Bildrandmarkierungen auf Ihrem LCD-Touchscreen dargestellt werden. Es stehen verschiedene Bildrandmarkierungen für alle Ausgaben Ihrer URSA Broadcast G2 zur Wahl.

Die Bildrandmarkierungen umfassen Seitenverhältnisse für verschiedene Kino-, TV- oder Online-Normen.



Tippen Sie in den MONITORING-Optionen fürs LCD auf die Schaltfläche für Bildrandmarkierungen, um auf die Bildrandmarkierungs-Einstellungen Ihrer URSA Broadcast G2 zuzugreifen

Um die Darstellung der Bildrandmarkierungen auf dem LCD-Touchscreen Ihrer URSA Broadcast G2 anzupassen, tippen Sie links unten im Display auf das Schalter-Icon.

Wählen Sie die gewünschte Bildrandmarkierung aus, indem Sie den Schieberegler nach links oder rechts ziehen oder die Pfeilsymbole beiderseits des aktuell ausgewählten Bildseitenverhältnisses antippen.

Es stehen folgende Bildrandmarkierungen zur Verfügung:

2,35:1; 2,39:1 und 2,4:1

Zeigt das mit anamorphotischer oder kontrastarmer Darstellung auf Breitbildkinoleinwänden kompatible Breitbildseitenverhältnis an. Die drei Breitbildeinstellungen unterscheiden sich nur geringfügig. Das liegt daran, dass sich die Kinostandards mit der Zeit immer wieder leicht geändert haben. 2,39:1 ist heute eins der am häufigsten verwendeten Breitbildformate fürs Kino.

2:1

Zeigt ein etwas breiteres Verhältnis als 16:9 an, aber schmaler als 2,35:1.

1,85:1

Zeigt ein weiteres gängiges kontrastarmes Seitenverhältnis für Breitbildschirme an. Dieses Verhältnis ist etwas breiter als HDTV 1,78:1, aber schmaler als 2,39:1.

16:9

Zeigt ein 1,78:1-Bildseitenverhältnis an, das mit 16:9 HD TV- und Computerbildschirmen kompatibel ist. Dieses Bildseitenverhältnis wird vor allem für HD-Broadcasts und Online-Videos verwendet. Das gleiche Bildseitenverhältnis wurde auch fürs Broadcasting in Ultra HD übernommen.

14:9

Zeigt ein 14:9-Bildseitenverhältnis an, das von einigen Sendeanstalten verwendet wird, um einen Kompromiss zwischen 16:9- und 4:3-Fernsehgeräten zu finden. Idealerweise bleibt sowohl 16:9- als auch 4:3-Footage gut erkennbar, wenn sie auf das 14:9-Format beschnitten wird. Sie können dieses Verhältnis als kompositorische Markierung verwenden, wenn Sie wissen, dass Ihr Projekt von einem Fernsehsender ausgestrahlt wird, der in 14:9 sendet.



Der LCD-Touchscreen der URSA Broadcast G2 mit aktivierten 14:9-Bildrandmarkierungen

4:3

Zeigt das mit SD-Fernsehbildschirmen kompatible 4:3-Seitenverhältnis an. Das Format hilft zudem bei der Bildeinstellung, wenn zwei anamorphotische Adapter verwendet werden.

1:1

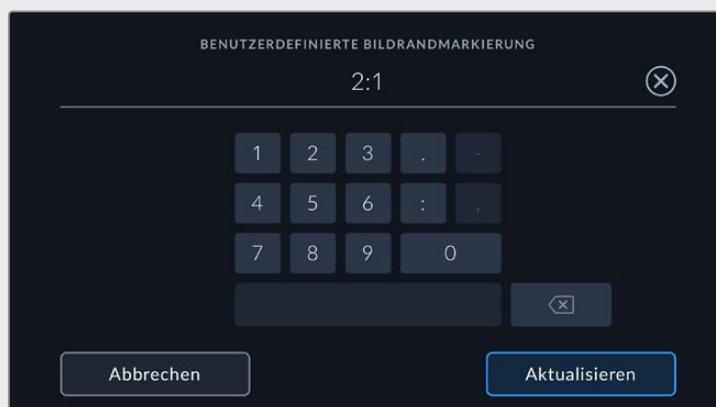
Zeigt ein 1:1-Seitenverhältnis an, das etwas schmaler ist als 4:3. Dieses quadratische Seitenverhältnis erfreut sich zunehmender Beliebtheit in den sozialen Medien.

4:5

Zeigt ein 4:5-Seitenverhältnis an. Dieses vertikale Bildseitenverhältnis eignet sich für Portraitaufnahmen und die Ansicht auf Smartphones.

Benutzerdefinierte Bildrandmarkierung

Um für eine einzigartige Darstellung Ihre eigene Bildrandmarkierung zu erstellen, tippen Sie auf den eingblendeten Wert zwischen den beiden Pfeilsymbolen. Tippen Sie auf dem Bildschirm „Benutzerdef. Bildrandmarkierung“ auf die Rücktaste, um das aktuelle Seitenverhältnis zu löschen und geben Sie über den Ziffernblock ein neues Seitenverhältnis ein. Tippen Sie auf „Aktualisieren“, um Ihre eingegebene Bildrandmarkierung zu übernehmen und zum Aufzeichnungsmodus zurückzukehren.



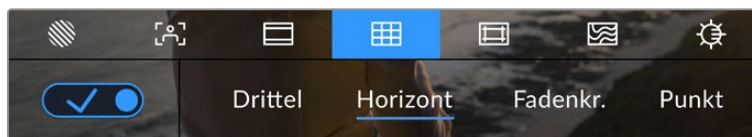
Eine neue Bildrandmarkierung wird auf dem Bildschirm „Benutzerdef. Bildrandmarkierung“ über den Ziffernblock eingegeben

TIPP Sie können die Deckkraft der eingeblendeten Bildrandmarkierungen ändern. Näheres finden Sie im Abschnitt „MONITORING-Einstellungen“ in diesem Handbuch.

HINWEIS Weitere Informationen zum Aktivieren der Bildrandmarkierungen für die Front- und Haupt-SDI-Ausgaben Ihrer Kamera finden Sie im Abschnitt „MONITORING-Einstellungen“ in diesem Handbuch.

Raster

Mit dieser Einstellung wechselt man auf dem LCD-Touchscreen zwischen einem Raster nach der Drittelregel, einem Fadenkreuz und einem mittigen Punkt hin und her. Man bestimmt damit auch das in allen Ausgaben der URSA Broadcast G2 sichtbare Overlay.

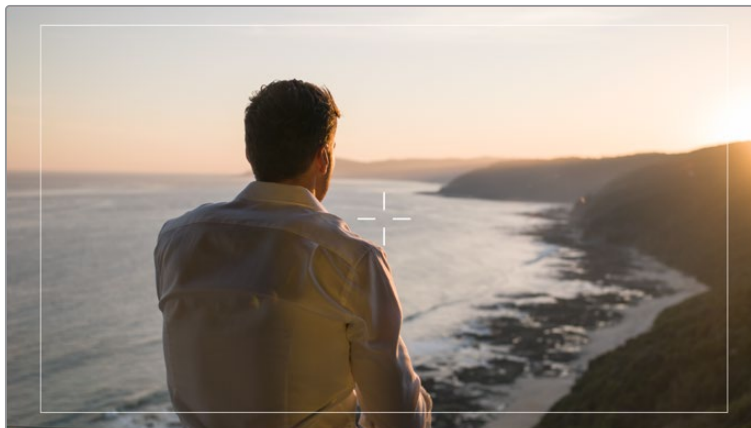


Tippen Sie in den MONITORING-Optionen fürs LCD auf die Raster-Schaltfläche, um auf die Raster-Einstellungen zuzugreifen

Raster- und Fadenkreuz-Overlays sind eine nützliche Hilfe für die Bildkomposition. Ist der Raster-Modus aktiviert, zeigt Ihre URSA Broadcast G2 wahlweise ein Raster nach der Drittelregel, ein Fadenkreuz oder einen mittigen Punkt an.

Um die Raster-Darstellung auf dem Touchscreen Ihrer URSA Broadcast G2 anzupassen, tippen Sie links unten im Raster-Tab auf das Schalter-Icon.

Ist Ihre URSA Broadcast G2 als derzeitige Programm-Quelle an einen ATEM Mischer angeschlossen und es sind Raster aktiviert, dann erscheint die rote Programm-Tally-Markierung automatisch auf dem LCD.



Wenn Sie bei Anschluss der Kamera an einen ATEM Mischer ein Tally-Signal senden, wird bei aktiviertem Raster ein roter Rand um die Vorschau Ihres Kamerabilds eingeblendet

Um einzustellen, welches Overlay Sie in allen URSA Broadcast G2 Ausgaben angezeigt bekommen, tippen Sie auf „Drittel“, „Fadenkreuz“ oder „Mittiger Punkt“.



Das Drittel-Raster passt sich automatisch an den Maßstab jeder Bildrandmarkierung an

Drittel

Diese Einstellung zeigt ein Raster mit zwei vertikalen und zwei horizontalen Linien an, die das Bild in Drittel unterteilen. Mit dem Drittel-Prinzip lassen sich Einstellungen sehr effektiv komponieren. Zum Beispiel erwartet das menschliche Auge in der Regel, dass sich die Action im Schnittpunktbereich dieser Linien abspielt. Deshalb platziert man dort gerne Dinge, auf die aufmerksam gemacht werden soll. Die Augenpartie eines Schauspielers wird oftmals im oberen Drittel des Bildschirms positioniert. Bei der Platzierung hilft Ihnen hier die Markierung des horizontalen oberen Drittel des Bilds. Überdies dienen Drittel zum Erhalt einer einheitlichen Kadrierung von einer Einstellung zur nächsten.

Horizont

Das Horizont-Meter zeigt an, wenn Ihre Kamera nach links oder rechts bzw. nach vorne oder hinten geneigt bzw. gekippt ist. Es unterstützt Sie bei Freihandaufnahmen eine waagrecht verlaufende Horizontlinie zu bewahren und vertikale Kameraneigungen auf einem Gimbal zu kompensieren.

Die grauen vertikalen und horizontalen Indikatoren bewegen sich von der Mitte weg, wenn die Kamera gedreht und geneigt wird. Die Entfernung zwischen den Linien und dem mittigen Fadenkreuz verhält sich proportional zum Grad der horizontalen oder vertikalen Neigung. Nach der Kalibrierung des Bewegungssensors der Kamera leuchten die Bewegungsindikatoren blau, wenn die Dreh- und Neigungswinkel der Kamera übereinstimmen.

Beachten Sie, dass das Horizont-Meter die Neigung der Kamera für Auf- und Untersichten miteinberechnet. Wenn Sie die Kamera entsprechend für eine Portraitaufnahme rotieren, rotiert auch das Horizont-Meter seine Achse um 90 Grad.

Die folgende Tabelle zeigt anhand des Horizont-Meters, ob die Kamera nach links/rechts bzw. unten/oben geneigt ist.

Horizont-Meter	Beschreibung
	Keine Neigung
	Nur nach unten geneigt
	Nur nach links geneigt
	Nach oben und rechts geneigt

Für reguläre Verwendungen kalibrieren Sie Ihr Horizont-Meter ohne Kameraneigung. Wenn Sie das Horizont-Meter zur Beibehaltung einer gleichbleibenden Neigung oder für konsistentes Ab- und Aufschwenken verwenden möchten, können Sie es bei Schräglage der Kamera kalibrieren. Informationen zur Kalibrierung des Horizont-Meters finden Sie im Abschnitt „Bewegungssensor-Kalibrierung“.

Fadenkreuz

Diese Einstellung zeigt in der Mitte des Bildes ein Fadenkreuz an. Wie das Drittel-Raster ist auch das Fadenkreuz ein sehr hilfreiches Kompositionswerkzeug. So fängt man das Objekt genau in der Bildmitte ein. Diese Option wird manchmal verwendet, wenn Szenen gedreht werden, die später in schnellen Schnittfolgen zusammengesetzt werden. Oft ist es für den Zuschauer leichter, schnellen Schnitten zu folgen, wenn sich die Augen auf die Mitte konzentrieren.

Mittiger Punkt

Bei dieser Einstellung wird ein Punkt in der Mitte des Bildes eingeblendet. Der mittige Punkt hat denselben Zweck wie das Fadenkreuz, ist aber ein dezenteres Overlay, das weniger aufdringlich wirkt.

Durch Antippen zweier Optionen im „Raster“-Menü können Sie eine Kombination aus „Drittel“ und „Fadenkreuz“ oder „Drittel“ und „Mittiger Punkt“ aktivieren. „Fadenkreuz“ und „Mittiger Punkt“ können nicht gemeinsam ausgewählt werden.

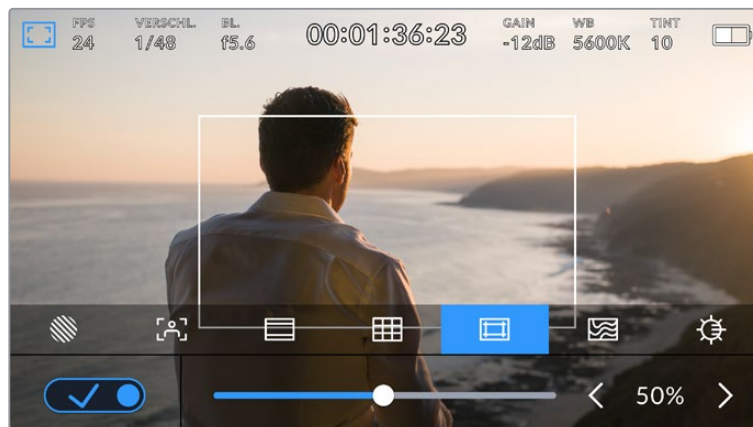
TIPP Weitere Informationen zum Aktivieren des Raster-Modus für die Front- und Haupt-SDI-Ausgaben der URSA Broadcast G2 finden Sie im Abschnitt „MONITORING-Einstellungen“ in diesem Handbuch.

Schutzbereichlinien

Über diese Einstellung lassen sich Schutzbereichlinien auf dem LCD-Touchscreen ein- und ausschalten. Auch die Größe dieser Markierungen lassen sich hier für alle Ausgaben Ihrer URSA Broadcast G2 vorgeben.

Schutzbereiche können in Fernsehproduktionen eingesetzt werden, um sicherzustellen, dass die wichtigsten Bereiche eines Shots von den meisten Zuschauern gesehen werden können. Indem Sie die wichtigsten Objekte Ihres Shots in diesem zentrierten sicheren Bereich halten, können Sie verhindern, dass das Bild auf einigen Fernsehgeräten abgeschnitten wird. Zudem hat der Broadcaster die Möglichkeit, Fliegen, Newsticker und andere Overlays am Bildschirmrand einzublenden. Viele Broadcaster benötigen Material, das sich zu 90 % im Schutzbereich befindet.

Schutzbereiche dienen auch der Kadrierung von Einstellungen, wenn Sie bspw. wissen, dass ein Shot in der Postproduktion stabilisiert werden soll. Dadurch können die Kanten des Bildes abgeschnitten werden. Sie können auch dafür genutzt werden, einen bestimmten Zuschnitt anzuzeigen. Hier ein Beispiel: Bei einer Einstellung von 50 % können Sie beim Aufzeichnen in Ultra HD 3840 x 2160 sehen, wie eine Framegröße von 1920 x 1080 aussehen würde. Schutzbereiche werden entsprechend Ihrer Bildrandmarkierungen skaliert. D. h. sie passen sich so an, dass sie die ausgewählte Prozentzahl Ihres Zielframes anzeigen.



Der Schutzbereich-Indikator ist auf 50 % eingestellt

Um Schutzbereiche auf dem LCD-Touchscreen ein- oder auszuschalten, tippen Sie unter der Schutzbereich-Schaltfläche unten links auf das Schalter-Icon. Die Größe des Schutzbereichs für alle Ausgaben Ihrer URSA Broadcast G2 stellen Sie über die Links- und Rechtspfeile seitlich der derzeitigen numerischen Werte am unteren Rand des Touchscreens ein. Oder ziehen Sie den Schieberegler nach rechts oder links.

Falschfarben

Über diese Einstellung lässt sich die Darstellung der Falschfarben-Belichtungshilfe auf dem LCD-Touchscreen und der SDI-Monitorausgaben anpassen.

Falschfarben-Overlays stellen unterschiedliche Helligkeitswerte der Elemente in Ihrem Bild in Farben dar. Pink repräsentiert bspw. eine optimale Belichtung für hellere Hauttöne, während Grün für dunklere Hauttöne besser geeignet ist. Wenn Sie beim Filmen von Menschen anhand der Falschfarben-Funktion Pink oder Grün kontrollieren, lässt sich eine gleichmäßige Belichtung von Hauttönen erzielen.

Gleichermaßen zeigt Ihnen eine vom Gelben ins Rote wechselnde Falschfarben-Darstellung an, dass diese Bildbereiche nun überbelichtet sind.



Das IRE-Falschfarbendiagramm links vom Kameradisplay verdeutlicht, was die verschiedenen Falschfarben bedeuten.

Falschfarben	Bedeutung
95%WC	Weißer Bildbereiche werden beschnitten
80%WC	Nahezu weiße Bildbereiche werden beschnitten
MG+1	Eine Blendenstufe über mittlerer Grauwert
18%MG	Mittlerer Grauwert
NBDL	Nahezu schwarze Details gehen verloren
BDL	Schwarze Details gehen verloren



In einem ausgewogen belichteten Bild werden Hauttöne als grüne und rosa Falschfarben dargestellt

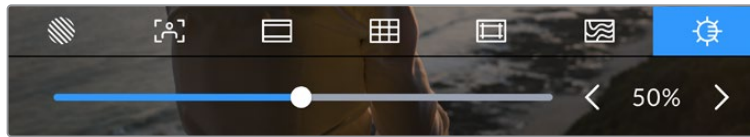
Um die Falschfarbendarstellung auf dem LCD-Touchscreen anzupassen, tippen Sie unter der Falschfarben-Schaltfläche unten links auf das Schalter-Icon.



Die Falschfarben-Schaltfläche für die Belichtungshilfe

Bildschirmhelligkeit

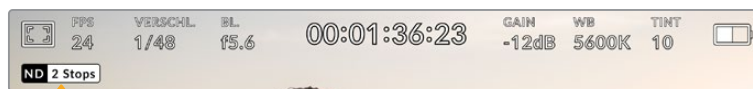
Um die Helligkeit Ihres URSA Broadcast G2 Touchscreens anzupassen, tippen Sie auf das Symbol für „Bildschirmhelligkeit“ und ziehen den Schieberegler nach links oder rechts.



Die Bildschirmhelligkeit mit einer Einstellung von 50 %

ND-Filteranzeige

Die ND-Filteranzeige Ihrer URSA Broadcast G2 wird links oben auf dem LCD-Touchscreen und über die SDI-Ausgaben eingblendet, für die die Statustextanzeige aktiviert ist. Die Anzeige verwendet das im SETUP-Menü vorgegebene Format.

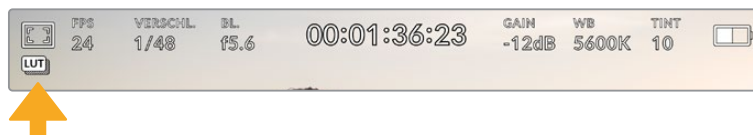


ND-Filteranzeige auf Ihrer URSA Broadcast G2

HINWEIS Sie können die vom ND-Filter-Indikator verwendete Terminologie Ihren eigenen Konventionen entsprechend ändern. Es gibt die Optionen ND-Nummer, Blendenstufe und Bruchzahl. Geben Sie Ihr bevorzugtes Format im SETUP-Menü Ihrer URSA Broadcast G2 vor.

LUT-Anzeige

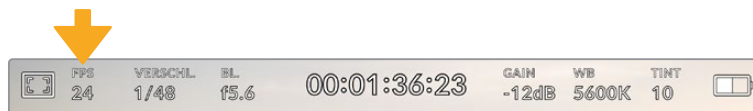
Ein weißes LUT-Icon erscheint, wenn die Funktion „Statustext“ eingeschaltet ist und eine LUT auf diese Ausgabe angewendet wird. Wenn Sie in Blackmagic RAW aufzeichnen und in den Aufnahmeeinstellungen die Option LUT IN DATEI ANWENDEN aktiviert haben, wird das LUT-Icon blau angezeigt.



Das LUT-Icon zeigt Ihnen an, dass eine LUT auf das Bild angewendet wird

Bilder pro Sekunde

Die FPS-Anzeige zeigt die derzeit ausgewählte Anzahl der Bilder pro Sekunde an.



Der FPS-Indikator Ihrer URSA Broadcast G2. Tippen Sie darauf, um auf die Framerraten-Einstellungen zuzugreifen

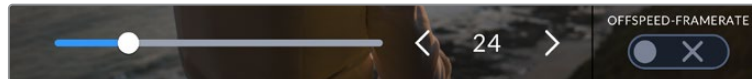
Wenn Sie auf den FPS-Indikator tippen, können Sie die Sensor- und Projekt-Framerate über das Menü am unteren Rand Ihres LCD-Touchscreens ändern.

Projekt-Framerate

Die Projekt-Framerate ist die Framerate des Aufzeichnungsformats der URSA Broadcast G2. Hierfür gibt es eine Auswahl von in der Film- und Fernsehbranche gebräuchlichen Frameraten. Diese Framerate ist in der Regel so eingestellt, dass sie der in Ihrem Postproduktions-Workflow verwendeten Wiedergabegeschwindigkeit entspricht.

Ihre Blackmagic URSA Broadcast G2 verfügt über 8 Projekt-Frameraten: 23,98; 24; 25; 29,97; 30; 50; 59,94 und 60 fps.

Um die Projekt-Framerate Ihrer URSA Broadcast G2 im FPS-Menü anzupassen, tippen Sie auf die Pfeilsymbole neben der derzeit ausgewählten Framerate unten links auf dem Display. Oder ziehen Sie den Schieberegler nach links oder rechts.

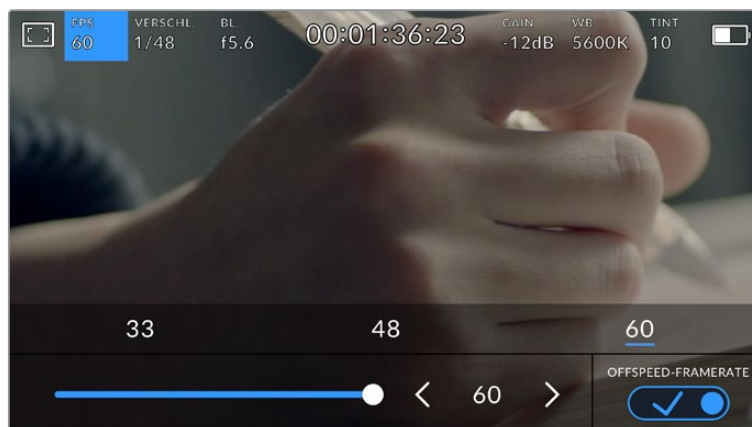


Um Anpassungen vorzunehmen, tippen Sie auf die Pfeilsymbole neben der Projekt-Framerate oder bewegen den Schieberegler hin und her

TIPP Mit der Projekt-Framerate Ihrer URSA Broadcast G2 wird auch die Framerate für die Front- und Haupt-SDI-Ausgaben mitbestimmt.

Sensor-Framerate

Anhand der Sensor-Framerate wird vorgegeben, wie viele Vollbilder pro Sekunde der Sensor tatsächlich aufzeichnet. Diese Framerate wirkt sich darauf aus, wie schnell oder langsam Ihr Video bei Ihrer vorgegebenen Projekt-Framerate wiedergegeben wird.



Aktivieren Sie zunächst die Offspeed-Framerate. Um Anpassungen vorzunehmen, tippen Sie auf die Pfeilsymbole neben der Sensor-Framerate oder bewegen den Schieberegler hin und her

Standardmäßig sind die Projekt- und die Sensor-Framerate auf eine natürliche Wiedergabegeschwindigkeit eingestellt. Wenn Sie jedoch auf das Schalter-Icon für Offspeed-Framerate rechts unten im FPS-Menü Ihrer URSA Broadcast G2 tippen, können Sie die Sensor-Framerate frei wählen. Hier sei erwähnt, dass die Option Offspeed-Framerate nur beim Aufzeichnen in den Codecs Blackmagic RAW oder ProRes verfügbar ist.

Um die Sensor-Framerate zu ändern, tippen Sie auf die Pfeile neben der Sensor-Framerate-Anzeige unten links auf dem Touchscreen. Alternativ ziehen Sie den Schieberegler nach links oder rechts, um die Framerate anzuheben oder zu verringern. Sobald Sie den Schieberegler loslassen, wird die Sensor-Framerate ausgewählt. Im Feld über dem Schieberegler können Sie gängige Offspeed-Frameraten antippen. Diese beruhen auf ihrer aktuellen Projekt-Framerate.

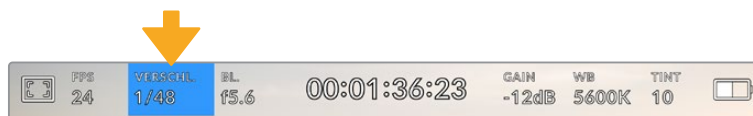
Sie können Ihre Clips mit dynamischen, interessanten Tempoeffekten versehen, indem Sie unterschiedliche Sensor-Frameraten einstellen. Ist die Sensor-Framerate auf einen höheren Wert als Ihre Projekt-Framerate eingestellt, entsteht während der Wiedergabe ein Zeitlupeneffekt. Ein Beispiel: Beim Filmen mit einer Sensor-Framerate von 60 fps und der Wiedergabe mit einer Projekt-Framerate von 24 fps wird die tatsächliche Geschwindigkeit der Action um mehr als die Hälfte verlangsamt. Umgekehrt gilt: Je niedriger Ihre Sensor-Framerate, desto schneller werden Ihre Clips wiedergegeben. Dieser Effekt gleicht dem Prinzip des Overcranking und Undercranking einer Filmkamera. Durch Overcranking wird die Sensor-Framerate beschleunigt, was eine Ausdehnung von Zeitspannen bei der Wiedergabe bewirkt und so Emotionen betont. Undercranking hingegen verlangsamt die Sensor-Framerate, was Sie die Action in Szenen mit viel Bewegung weiter beschleunigen lässt. Die kreativen Möglichkeiten sind unendlich und liegen völlig in Ihrer Hand.

Näheres zu den maximalen Bildwechselraten, die für die einzelnen Aufzeichnungsformate und Codecs verfügbar sind, finden Sie in der entsprechenden Tabelle im Abschnitt „Aufzeichnen“.

HINWEIS Bei aktivierter Option Offspeed-Framerate werden Audio und Video Ihrer URSA Broadcast G2 nicht mehr synchronisiert. Das ist sogar der Fall, wenn Sie für Projekt und Sensor die gleiche Framerate gesetzt haben. Deshalb sollte die Offspeed-Framerate nie ausgewählt sein, wenn die Tonsynchronisation gewährleistet werden soll.

Verschluss

Der Verschluss-Indikator zeigt die Verschlusszeit an. Wenn Sie auf diesen Indikator tippen, können Sie die Verschlusszeit Ihrer URSA Broadcast G2 manuell ändern oder bevorzugte Modi für die Belichtungsautomatik konfigurieren.



Der Verschluss-Indikator Ihrer URSA Broadcast G2. Tippen Sie darauf, um auf die Verschluss-Einstellungen zuzugreifen

Die Verschlusszeit bestimmt den Grad der Bewegungsunschärfe in Ihrem Video. Man kann damit wechselnde Lichtverhältnisse kompensieren. Die Verschlusszeiteinstellung für natürliche Bewegungsunschärfe und die verfügbaren Einstellungen sind von der verwendeten Framerate abhängig. Wenn Sie bspw. bei 30p filmen, entspricht eine Verschlusszeit von 1/60 einer Sekunde einem Verschlusswinkel von 180 Grad. Das ist ein gängiger Wert für Filmprojekte. Sollten Sie bei 25p filmen, muss der Verschluss auf 1/50 eingestellt werden, um den gewünschten Look beizubehalten.

Für natürliche eine Bewegungsunschärfe können Sie die Verschlusszeit berechnen, indem Sie die Framerate verdoppeln. Stellen Sie Ihre Verschlusszeit bei 30p demnach auf 1/60 einer Sekunde ein.

Wenn Sie möchten, dass mehr Licht auf den Sensor trifft, können Sie den Verschluss auf die für Ihre gewählte Framerate langsamste Einstellung setzen, bspw. 1/25 für 25p oder 1/30 für 30p. Bei der langsamsten Einstellung wirkt die Bewegungsunschärfe leicht überspitzt.

Wenn Sie die Bewegungsunschärfe reduzieren möchten, um die Bewegung schärfer erscheinen zu lassen, geben Sie eine schnellere Verschlusszeit vor, bspw. 1/120 für 30p oder 1/100 für 25p. Wenn Sie sich mit Verschlusswinkeln auskennen, entspricht diese Zahl einem Verschlusswinkel von 90 Grad.

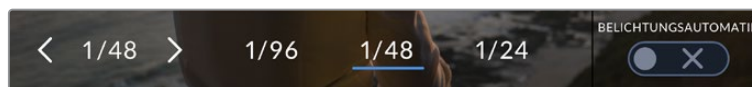
Es lohnt sich, mit unterschiedlichen Verschlusszeiten herumzuxperimentieren. Dabei bekommen Sie einen Eindruck, inwieweit sich die Einstellungen auf die Bewegungsunschärfe in Ihrem Bild auswirken.

HINWEIS Beim Drehen in Kunstlicht kann Ihre Verschlusszeit die Sichtbarkeit von Flimmern begünstigen. Ihre URSA Broadcast G2 berechnet flimmerfreie Verschlusszeiten automatisch anhand der derzeitigen Framerate. Diese Zeiten werden von der Netzfrequenz Ihrer Region beeinflusst. Im SETUP-Menü Ihrer URSA Broadcast G2 können Sie die lokale Netzfrequenz auf 50 Hz oder 60 Hz einstellen. Näheres finden Sie im Abschnitt „SETUP-Einstellungen“ in diesem Handbuch.

Durch Antippen des Verschluss-Indikators öffnet sich das Verschlusszeitmenü am unteren Rand des URSA Broadcast G2 Touchscreens. Wenn „Belichtungsautomatik“ ausgeschaltet ist, zeigt dieses Display Ihnen die derzeit ausgewählte Verschlusszeit sowie die verfügbaren flimmerfreien Verschlusszeiten entsprechend der Netzfrequenz an, die Sie im URSA Broadcast G2 SETUP-Menü ausgewählt haben. Näheres finden Sie im Abschnitt „SETUP-Einstellungen“ in diesem Handbuch.

HINWEIS Aufgrund der Eigenschaften unterschiedlicher Lichtquellen kann es selbst mit flimmerfreien Verschlusszeiten zu Flimmern kommen. Bei unregelmäßigem Licht ist es darum ratsam, immer einen Probedreh vorzunehmen.

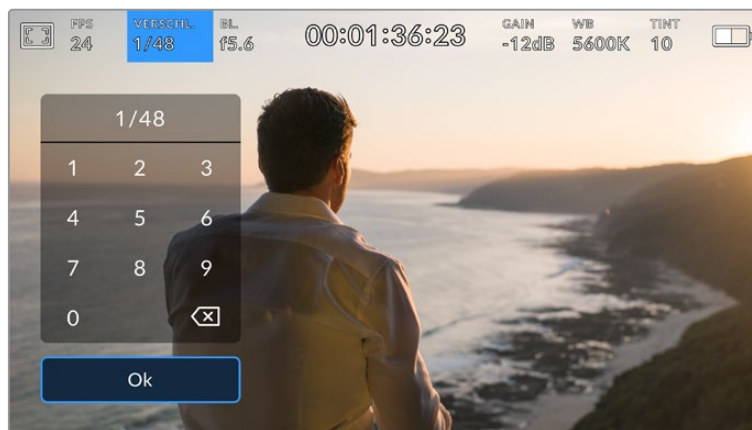
Um eine flimmerfreie Verschlusszeit auszuwählen, tippen Sie einfach auf einen der angezeigten Verschlusswerte. Mithilfe der Pfeile auf beiden Seiten des Indikators können Sie einige der gängigsten Werte durchgehen.



Ihre URSA Broadcast G2 schlägt Ihnen flimmerfreie Verschlusszeiten entsprechend der Netzfrequenz vor, die Sie im SETUP-Menü ausgewählt haben

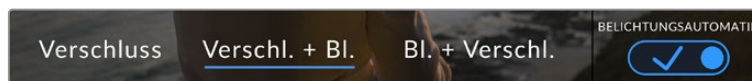
Durch zweimaliges Tippen auf den aktuellen Indikator unten links auf dem Bildschirm können Sie einen bestimmten Wert für die Verschlusszeit auswählen. Es öffnet sich eine Tastatur, über die Sie einen beliebigen Wert für die Verschlusszeit eingeben können.

Wenn Sie einen Wert eingeben, der niedriger ist als die aktuelle Framerate, wird der nächstmögliche Wert verwendet, bspw. 1/25 für die Aufzeichnung mit 29,97 fps. Die diesem am nächsten kommende Verschlusszeit wäre 1/30.



Über die Tastatur können Sie jeden gewünschten Wert für die Verschlusszeit eingeben

Ihre URSA Broadcast G2 verfügt über drei verschlussbasierte Belichtungsautomatik-Modi. Um einen davon auszuwählen, tippen Sie auf den Button BELICHTUNGSAUTOMATIK ganz rechts im Verschlussmenü.



Tippen Sie auf BELICHTUNGSAUTOMATIK, um auf die verschlussbasierten Belichtungsautomatik-Modi zuzugreifen

Verschluss

Diese Einstellung justiert die Verschlusszeit automatisch, um eine konstante Belichtung zu gewährleisten, während die Blendenöffnung konstant gehalten wird. Um eine feste Schärfentiefe beizubehalten, wählen Sie diese Einstellung. Denken Sie jedoch daran, dass sich kleinste automatische Anpassungen des Verschlusses auf die Bewegungsunschärfe auswirken. Beim Drehen in geschlossenen Räumen ist es zudem ratsam, auf etwaiges Flimmern zu achten, das durch unterschiedliche Beleuchtungskörper hervorgerufen werden kann. Die Blendenautomatik der Blackmagic URSA Broadcast G2 ist nicht verfügbar, wenn der Verschlussmodus BELICHTUNGSAUTOMATIK ausgewählt ist.

Verschl. + Bl.

Behält die korrekte Belichtungsstärke bei, indem zunächst der Verschluss und anschließend die Blendenöffnung angepasst wird. Wenn die maximal oder minimal verfügbare Verschlusszeit erreicht ist und die Belichtung dennoch nicht beibehalten werden kann, beginnt die URSA Broadcast G2 mit der Anpassung der Blendenöffnung, um die Belichtung konstant zu halten.

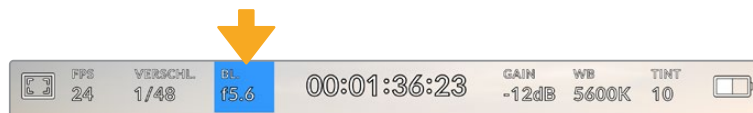
Bl. + Verschl.

Behält die korrekte Belichtungsstärke bei, indem zunächst die Blendenöffnung und danach der Verschluss angepasst wird. Wenn die Belichtung selbst bei maximal oder minimal verfügbarer Blendenöffnung nicht beibehalten werden kann, beginnt die URSA Broadcast G2 mit der Anpassung der Verschlusszeit, um die Belichtung konstant zu halten.

TIPP Wenn sich der aktivierte Modus für automatische Belichtung auf den Verschluss auswirkt, erscheint oben auf dem Touchscreen Ihrer URSA Broadcast G2 neben dem Verschlussindikator ein kleines „A“.

Blende

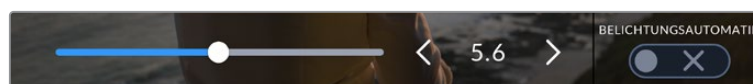
Der Blenden-Indikator zeigt die derzeit ausgewählte Blendenöffnung an. Durch Antippen dieses Indikators lassen sich die Blendenöffnung an kompatiblen Objektiven anpassen und die blendenbasierten Belichtungsautomatik-Modi konfigurieren.



Der Blenden-Indikator Ihrer URSA Broadcast G2. Tippen Sie darauf, um auf die Blenden-Einstellungen zuzugreifen

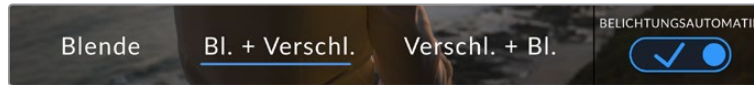
HINWEIS Die Blende lässt sich über den LCD-Touchscreen steuern, wenn Ihre URSA Broadcast G2 mit einem Objektiv versehen ist, das die Vornahme von Änderungen der Blendenwerte über die Kamera unterstützt. Vergewissern Sie sich bei einem an den 12-poligen Broadcastanschluss angeschlossenen B4- oder PL-Objektiv, dass der Blendenschalter am Handgriff auf „A“ oder „Auto“ steht.

Durch Antippen des Blenden-Indikators öffnet sich das Blenden-Menü am unteren Rand des URSA Broadcast G2 Touchscreens. Ihre aktuelle eingestellte Blendenöffnung wird ganz links im Menü angezeigt. Sie können die Blendeneinstellung ändern, indem Sie auf die Pfeile neben der aktuellen Blendeneinstellung tippen oder den Schieberegler nach links oder rechts ziehen.



Tippen Sie im Blendenmenü auf die Pfeile neben dem Blendenindikator oder benutzen Sie den Schieberegler, um Blendeneinstellungen anzupassen

Das Antippen des Schalter-Icons für BELICHTUNGSAUTOMATIK ganz rechts im Blendenmenü öffnet das Blendenautomatik-Menü.



Tippen Sie im Blendenmenü auf BELICHTUNGSAUTOMATIK, um auf die blendenbasierten Belichtungsautomatik-Modi zuzugreifen

Hier stehen Ihnen folgende Optionen zur Verfügung:

Blende

Diese Einstellung justiert die Blendenöffnung automatisch, um eine konstante Belichtung zu gewährleisten, während die Verschlusszeit konstant gehalten wird. Dies hält die Bewegungsunschärfe konstant, beeinflusst ggf. jedoch die Schärfentiefe.

Bl. + Verschl.

Behält die korrekte Belichtungsstärke bei, indem zunächst die Blendenöffnung und danach der Verschluss angepasst wird. Wenn die maximal oder minimal verfügbare Blendenöffnung erreicht ist und die Belichtung dennoch nicht beibehalten werden kann, beginnt die URSA Broadcast G2 mit der Anpassung der Verschlusszeit, um die Belichtung konstant zu halten.

Verschl. + Bl.

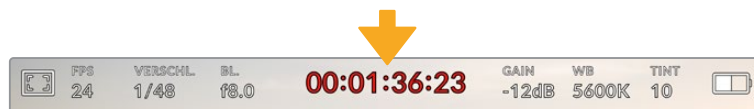
Behält die korrekte Belichtungsstärke bei, indem zunächst der Verschluss und anschließend die Blendenöffnung angepasst wird. Wenn die maximal oder minimal verfügbare Verschlusszeit erreicht ist und die Belichtung dennoch nicht beibehalten werden kann, beginnt die URSA Broadcast G2 mit der Anpassung der Blendenöffnung, um die Belichtung konstant zu halten.

Wirkt sich der aktivierte Modus für automatische Belichtung auf die Blende aus, erscheint oben auf dem Touchscreen Ihrer URSA Broadcast G2 neben dem Blendenindikator ein kleines „A“.

TIPP Mit kompatiblen B4- oder PL-Objektiven, die speziell für die Video- oder Filmproduktion konzipiert wurden, funktioniert die Belichtungsautomatik reibungslos. Bei EF-Objektiven kann es ggf. zu erkennbaren Abstufungen kommen, wenn sich die Blendenöffnung ändert. Fürs Filmen mit EF-Objektiven empfehlen wir aus diesem Grund, ausschließlich den automatischen Belichtungsmodus „Verschluss“ zu verwenden.

Clipdaueranzeige

Ganz oben auf dem LCD-Touchscreen Ihrer URSA Broadcast G2 sehen Sie die Clipdaueranzeige.



Die Clipdaueranzeige Ihrer URSA Broadcast G2 leuchtet während der Aufzeichnung rot

Anhand der Clipdaueranzeige in Form eines Timecode-Zählers lassen sich die Dauer Ihrer Clips prüfen und der Timecode bei Aufnahme und Wiedergabe kontrollieren. Der Zähler zeigt eine Sequenz in Stunden:Minuten:Sekunden:Frames an und durchläuft während der Aufnahme oder Wiedergabe von Clips die gesamte Sequenz. Der Timecode färbt sich während der Aufzeichnung rot.

Die angezeigte Dauer eines jeden Clips beginnt bei 00:00:00:00. Die Dauer des derzeitigen oder zuletzt aufgezeichneten Clips wird auf dem Touchscreen angezeigt. Der Uhrzeit-Timecode wird in die Clips eingebettet. Dies vereinfacht die Postproduktion.

Um den Timecode anzuzeigen, tippen Sie einfach auf die Clipdaueranzeige. Tippen Sie erneut darauf, um zur Clipdaueranzeige zurückzukehren.

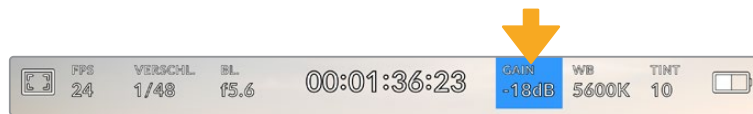
Folgende zusätzliche Statusindikatoren erscheinen ggf. mit der Daueranzeige:

-
- | | |
|-----------|--|
| TC | Erscheint rechts neben der Clipdaueranzeige, wenn der Timecode angezeigt wird. |
|-----------|--|
-
- | | |
|------------|--|
| EXT | Erscheint rechts neben der Daueranzeige, wenn ein gültiger externer Timecode erkannt wird. |
|------------|--|
-
- | | |
|------------|--|
| INT | Erscheint rechts neben der Daueranzeige, wenn die Kamera nach einem Jam-Sync und einer Unterbrechung einen internen Timecode abspielt. |
|------------|--|
-
- | | |
|------------|---|
| PRE | Wird beim Sichten von Preset-Record-Run-Timecode rechts neben der Dauer eingeblendet. |
|------------|---|
-
- | | |
|------------|---|
| REF | Erscheint, wenn eine gültige Referenzquelle basierend auf den Referenzeingangeinstellungen angeschlossen und per Genlock gesichert wurde. |
|------------|---|
-
- | | |
|----------|--|
| W | Erscheint links neben der Clipdaueranzeige, wenn Ihre URSA Broadcast G2 von einem gefensterten Sensormodus Gebrauch macht. |
|----------|--|
-

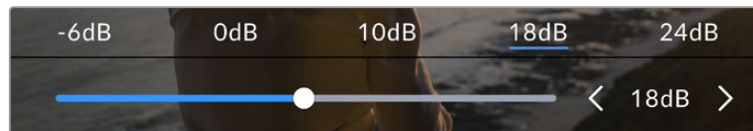
Gain

Der Gain-Indikator zeigt die derzeitige Gain-Einstellung bzw. Lichtempfindlichkeit der URSA Broadcast G2 an. Durch Antippen dieses Indikators können Sie Gain-Einstellungen entsprechend wechselnder Lichtverhältnisse anpassen.

Die optimale Einstellung für die URSA Broadcast G2 ist 0 dB.



Der Gain-Indikator Ihrer URSA Broadcast G2. Tippen Sie darauf, um auf die Gain-Einstellungen zuzugreifen

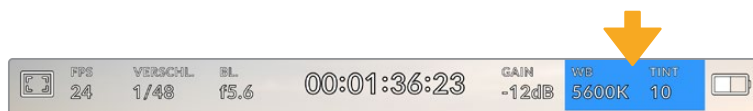


Im Gain-Menü erscheinen die Gain-Einstellungen Ihrer URSA Broadcast G2 am unteren Rand des LCD-Touchscreens. Mit dem Schieberegler unter den Presets können Sie den Gain-Wert in Drittel-Blendenstufen anpassen

Je nach Situation mag eine niedrigere oder höhere Gain-Einstellung geeigneter sein. Bei schwachem Licht mag ein Wert von +18 dB zwar geeignet sein, könnte aber möglicherweise sichtbares Bildrauschen hervorrufen. In hellen Lichtverhältnissen kann ein Wert von -6 dB stärker gesättigte Farben bewirken.

Weißabgleich

Die Indikatoren WB und TINT zeigen den aktuellen Weißabgleich und Farbton Ihrer Kamera an. Durch Antippen dieser Indikatoren können Sie den Weißabgleich sowie den Farbton Ihrer Kamera bei variierenden Lichtverhältnissen anpassen.








Tippen Sie auf die Indikatoren WB und TINT, um auf die Einstellungen für Weißabgleich und Tönung zuzugreifen

Lichtquellen geben Licht verschiedener Färbung aus. Eine Kerze strahlt bspw. warmes Licht aus und ein bedeckter Himmel kühleres Licht. Die Weißabgleich-Einstellungen dienen für den Farbgleich eines

Bildes, damit Weißbereiche auch wirklich weiß bleiben. Dies geschieht durch Anpassen der Orange- und Blautöne in Ihrem Bild. Beispiel: Beim Filmen unter Kunstlichtlampen, die warmes, orangefarbenes Licht abgeben, bewirkt man durch Auswahl von 3200 K, dass dem Bild zusätzliches Blau beigefügt wird. Der hiermit bewirkte farbliche Abgleich sorgt für eine akkurate Aufzeichnung von Weiß.

Auf Ihrer URSA Broadcast G2 sind eine Reihe an Farbtemperaturbedingungen für den Weißabgleich voreingestellt. Folgende Presets sind vorhanden:

	Bright sunlight (Helles Sonnenlicht)	(5600 K)
	Incandescent bulbs (Glühlampen)	(3200 K)
	Fluorescent bulbs (Leuchtstofflampen)	(4000 K)
	Mixed light (Gemischtes Licht)	(4500 K)
	Cloud (Wolken)	(6500 K)

Sie können all diese Voreinstellungen nach Belieben anpassen. Tippen Sie dafür auf die Pfeilsymbole links und rechts neben dem Temperatur-Indikator unten links im Weißabgleich-Menü. Durch jedes Antippen wird die Farbtemperatur um 50 K angehoben bzw. abgesenkt. Wenn Sie die Pfeilsymbole gedrückt halten, ändern sich die Werte schneller. Alternativ können Sie auch den Schieberegler in der Mitte des Weißabgleich-Menüs bewegen.

Um Ihr Bild noch weiter anzupassen, können Sie zudem den Farbton anpassen. Dies verändert die Grün- und Magentaanteile in Ihrem Bild. Das Hinzufügen von Magentaanteilen kann bspw. den Grünstich kompensieren, den Leuchtstofflampen häufig verursachen. Viele der Weißabgleich-Presets der URSA Broadcast G2 enthalten einen leichten Farbstich.



Wenn Sie auf den WB- und TINT-Indikator tippen, erhalten Sie Zugriff auf fünf Voreinstellungen sowie einen Weißabgleich-Indikator und Schieberegler auf der linken und einen Farbton-Indikator auf der rechten Seite. Passen Sie diese an, um einen beliebigen Weißabgleich für Ihre Lichtverhältnisse einzustellen

Im Weißabgleich-Menü wird die derzeitige Farbton-Einstellung der Kamera rechts unten auf dem Touchscreen angezeigt. Um den Farbton anzupassen, tippen Sie einfach kurz auf die Pfeile links und rechts neben dem Farbton-Indikator oder halten Sie sie gedrückt. Der verfügbare Bereich liegt bei -50 bis +50 in Abstufungen von einer Einheit. Halten Sie die Pfeile gedrückt, um den Wert schneller zu verändern.

HINWEIS Die Vorgabe eines benutzerspezifischen Weißabgleichs oder Tönungswerts bewirkt, dass Ihr Preset auf CWB wechselt. Benutzerspezifische Weißabgleich-Einstellungen haben hohe Priorität und bleiben nach dem Ein- und Ausschalten konfiguriert. Das Gleiche gilt, wenn zu einem Preset und wieder zurück zu CWB gewechselt wird. So ist es ein Leichtes, einen benutzerspezifischen Weißabgleich mit dem zuletzt verwendeten Preset zu vergleichen.

Automatischer Weißabgleich

Ihre URSA Broadcast G2 kann den Weißabgleich automatisch vorgeben. Durch Antippen von AWB (Automatischer Weißabgleich) gelangen Sie ins Weißabgleich-Menü.

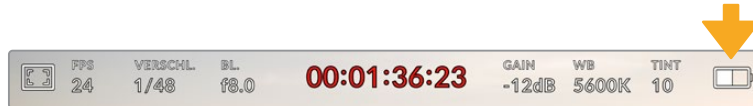
Wenn Sie den automatischen Weißabgleich einstellen, erscheint ein Quadrat-Overlay in der Mitte Ihres Bildes. Richten Sie dieses Quadrat auf eine neutrale Oberfläche wie eine weiße oder graue Karte und tippen Sie auf „WB aktualisieren“, um den Weißabgleich zu aktualisieren. Ihre URSA Broadcast G2 passt den Weißabgleich und die Farbtonwerte nun automatisch an, um sicherzustellen, dass die durchschnittlichen Weiß- oder Grautöne innerhalb des Quadrats so neutral wie möglich wirken. Sobald Sie den Weißabgleich aktualisiert haben, verwendet Ihre Kamera ihn als standardmäßige Einstellung.



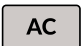
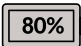
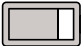
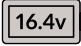

Wenn Sie im Weißabgleich-Menü auf das AWB-Icon tippen, rufen Sie den Bildschirm für den automatischen Weißabgleich auf. Verwenden Sie eine weiße oder neutral graue Oberfläche, um automatisch einen neutralen Weißabgleich vorzugeben

Stromversorgung

Der Stromstatus Ihrer URSA Broadcast G2 wird oben rechts auf dem LCD-Touchscreen angezeigt. Es gibt fünf verschiedene Indikatoren:



Der Strom-Indikator Ihrer URSA Broadcast G2 befindet sich oben rechts auf dem LCD-Touchscreen. Bei Verwendung von Akkustrom schalten Sie durch Antippen dieses Indikators zwischen der Volt- und der Prozentanzeige hin und her

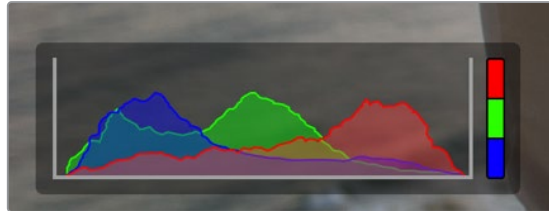
	AC	Wird angezeigt, wenn Ihre URSA Broadcast G2 an den Netzstrom angeschlossen ist.
	Prozent	Wenn Sie eine Kombination aus Akku und Akkuplatte verwenden, die Ladestandanzeigen in Prozent unterstützt, und der Indikator auf Prozent eingestellt ist, zeigt er den Ladezustand des Akkus in Prozent an. Bei einem verbleibenden Ladezustand von 20 % färbt sich der Indikator rot.
	Akkubalken	Wenn der Indikator auf Prozent eingestellt ist, die Kombination aus Akku und Akkuplatte aber keine prozentgenauen Akkuinformationen unterstützt, zeigt das Akku-Icon Ihrer URSA Broadcast G2 das Entleeren in 25%-Schritten an. Bei einem verbleibenden Ladezustand von 20 % färbt sich der Akkubalken rot.
	Spannung	Ist Ihr Strom-Indikator auf Spannung eingestellt, wird die verbleibende Spannung Ihres Akkus angezeigt. Sinkt die Spannung unter 12,5 Volt, leuchtet dieser Indikator rot. Ihre URSA Broadcast G2 schaltet sich automatisch aus, wenn eine Spannung von 11,9 Volt erreicht ist.
	Glasfaser	Wird angezeigt, wenn an Ihrer Kamera ein Blackmagic Camera Fiber Converter angebracht ist und die Kamera über ein SMPTE-Glasfaserkabel mit Strom versorgt wird. Wenn Sie bei angeschlossenem Konverter ein XLR-Stromkabel an Ihre URSA Broadcast G2 anschließen, erscheint stattdessen das AC-Icon.

Beim Filmen mit Akkustrom schalten Sie durch Antippen dieses Indikators zwischen der Volt- und der Prozentanzeige hin und her.

Untere Menüleiste

Histogramm

Unten rechts auf dem Touchscreen Ihrer URSA Broadcast G2 wird das Histogramm angezeigt. Das RGB-Histogramm stellt die Tonwertverteilung in einem Bild in separaten Kanälen für Rot, Grün und Blau dar.



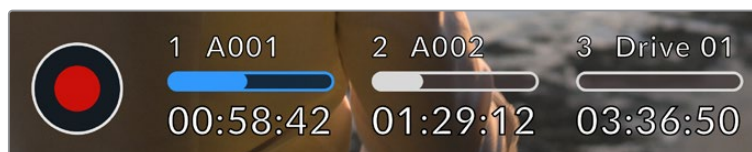
Das Histogramm verschafft Ihnen einen Überblick über die Tonwertspanne zwischen Schatten und Lichtern in Ihrem Clip. Es ist außerdem ein hilfreiches Werkzeug, um die Ausgewogenheit der Belichtung zu überprüfen und das Clipping von Lichtern zu vermeiden

Am linken Rand des Histogramms werden die Schatten bzw. Schwarzwerte und ganz rechts die Lichter bzw. Weißwerte angezeigt. Wenn Sie die Blende schließen oder öffnen, verschieben sich die Helligkeitsinformationen im Histogramm entsprechend nach links oder rechts. Sie können so die Schatten und Lichter Ihrer Bilder auf Clipping überprüfen. Werden die Tonwerte im roten, grünen oder blauen Kanal beschnitten, leuchtet die jeweilige Anzeige rechts neben dem Histogramm auf. Wenn der linke und der rechte Rand Ihres Histogramms abrupt abfallen und nicht graduell auslaufen, gehen möglicherweise Details in den hellen und dunklen Bereichen verloren.

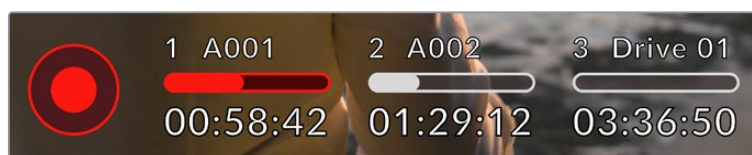
Ist unten links an Ihrem Touchscreen kein Histogramm zu sehen, sind Ihre MONITORING-Einstellungen für „LCD“ möglicherweise auf die Anzeige von „Codec und Auflösung“ eingestellt. Näheres finden Sie im Abschnitt „AUFNAHME-Einstellungen“ in diesem Handbuch.

Aufnahme-Button

Neben dem Histogramm am unteren Rand des URSA Broadcast G2 Touchscreens sehen Sie einen Button, der außen grau und innen rot ist. Dies ist der Aufnahme-Button. Tippen Sie darauf, um mit der Aufzeichnung zu beginnen. Tippen Sie erneut, um die Aufzeichnung zu stoppen. Während des Aufzeichnungsvorgangs leuchten der Button, Datenträgerbalken und Timecode am oberen Rand des Touchscreens rot.



Der Aufnahme-Button Ihrer URSA Broadcast G2 befindet sich neben den Speicher-Indikatoren am unteren Rand des LCD-Touchscreens



Der Aufnahme-Button wird während der Aufzeichnung in Rot angezeigt

LUT in Datei anwenden

Beim Aufzeichnen in Blackmagic RAW wird neben dem Aufnahme-Button ein blaues LUT-Icon angezeigt, wenn Sie auf dem AUFNAHME-Tab vorgegeben haben, eine LUT auf Ihre aufgenommenen Clips anzuwenden. Das LUT-Icon erscheint sowohl im Standby- als auch im Aufnahmemodus.

Weitere Informationen zum Aufzeichnen von LUTs in Blackmagic RAW finden Sie im Abschnitt „AUFNAHME-Einstellungen“ weiter hinten in diesem Handbuch.



Beim Aufzeichnen in Blackmagic RAW wird ein blaues LUT-Icon angezeigt

LUT im Clip aufzeichnen

Beim Aufnehmen in ProRes, H.264 oder H.265 wird neben dem Aufnahme-Button ein rotes LUT-Icon angezeigt, wenn Sie auf dem AUFNAHME-Tab vorgegeben haben, eine LUT im Clip aufzuzeichnen. Das LUT-Icon erscheint sowohl im Standby- als auch im Aufnahmemodus.

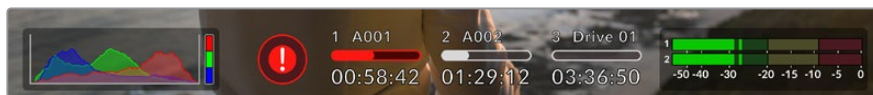
Weitere Informationen zum Aufzeichnen von LUTs in den Videocodecs ProRes, H.265 oder H.264 finden Sie im Abschnitt „AUFNAHME-Einstellungen“ weiter hinten in diesem Handbuch.



Beim Aufzeichnen in ProRes, H.265 oder H.264 wird ein rotes LUT-Icon angezeigt

DRP

Der Aufnahme-Button wird mit einem blinkenden „!“ überdeckt, wenn Ihre URSA Broadcast G2 während der Aufzeichnung Bilder auslässt. Der Indikator für die verbleibende Aufnahmedauer der betroffenen Karte oder Karten leuchtet zudem rot. Wenn Sie bspw. im Dualkartenmodus aufzeichnen und Karte 1 lässt Bilder aus, erscheint der „!“-Indikator auf dem Aufnahme-Button und der Indikator für die verbleibende Aufnahmedauer von Karte 1 leuchtet rot. Das informiert Sie darüber, ob eine bestimmte Karte zu langsam für den ausgewählten Codec oder die ausgewählte Auflösung ist. Die Anzeige für ausgelassene Bilder zeigt außerdem an, ob es beim vorherigen Clip ausgelassene Bilder gegeben hat. Der Indikator wird so lange angezeigt, bis ein neuer Clip aufgezeichnet oder die Kamera aus- und wieder eingeschaltet wird. Wie man vermeidet, dass Frames fallengelassen werden, wird in den Abschnitten „Auswahl einer CFast-2.0-Karte“, „Auswahl einer schnellen SD-Karte“ und „Auswahl einer schnellen SSD“ erklärt.



Indikator zeigt für CFast-Karte 1 ausgelassene Bilder an

TIPP Sind Status-LEDs Ihrer URSA Broadcast G2 aktiviert, beginnt sie schnell rot zu blinken, sobald fallengelassene Frames erkannt werden. Näheres finden Sie im Abschnitt „SETUP-Einstellungen“ in diesem Handbuch.

HINWEIS Sie können Ihre URSA Broadcast G2 so einstellen, dass sie aufhört aufzuzeichnen, sobald fallengelassene Bilder erkannt werden. So kann es Ihnen nie passieren, dass Sie Zeit mit dem Filmen unbrauchbarer Footage vertun, falls Sie den Indikator für ausgelassene Bilder übersehen. Näheres finden Sie im Abschnitt „AUFNAHME-Einstellungen“ in diesem Handbuch.

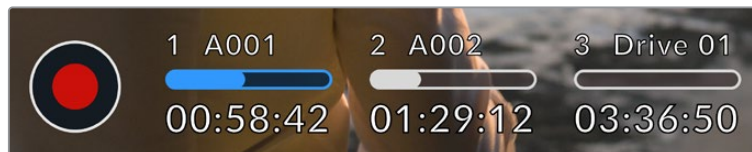
Speicher-Indikatoren

Der Aufnahme-Button Ihrer URSA Broadcast G2 befindet sich neben den Speicher-Indikatoren am unteren Rand des LCD-Touchscreens.

Verbleibende Aufnahmedauer

Wird eine CFast- bzw. SD-Karte eingeschoben, oder ein USB-C-Laufwerk oder eine SSD an Ihre Kamera angeschlossen, zeigen die Speicher-Indikatoren die auf der Karte oder dem Laufwerk verbleibende Aufnahmedauer an. Die in Stunden:Minuten:Sekunden angezeigte Aufnahmedauer basiert auf Ihrer ausgewählten Framerate und Ihrem Codec. Bei Änderung dieser Einstellungen wird der Wert automatisch neu berechnet.

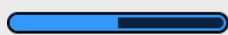
Bei einer verbleibenden Aufnahmedauer von 5 Minuten auf Ihrer Karte oder Ihrem Laufwerk leuchtet die Anzeige rot. Wenn Sie auf einer einzelnen Karte oder einem einzelnen Laufwerk aufzeichnen oder weitere an Ihre Kamera angeschlossene Datenträger voll sind, blinkt die Anzeige bei 3 Minuten verbleibender Aufnahmedauer langsam. Bei weniger als 30 Sekunden blinkt sie schnell.



Die Speicher-Indikatoren Ihrer URSA Broadcast G2 zeigen den Namen Ihres CFast-, SD-, SSD- oder USB-Mediums sowie die verbleibende Aufnahmedauer an

Datenträgerbalken

Je nach aktuellem Status werden die Datenträgerbalken über der Aufnahmedauer in blau, weiß oder rot angezeigt. Sie stellen den Füllstand des Datenträgers dar.



Der blaue Balken zeigt den aktiven Datenträger an, der für die Aufzeichnung benutzt wird.



Ein weißer Balken bedeutet, dass zwar ein Datenträger vorhanden, aber nicht aktiv ist. Ist der Balken durchgängig weiß, ist der Datenträger voll.



Der Balken leuchtet beim Aufzeichnen rot.

Um auf eine andere Karte oder ein anderes Laufwerk aufzuzeichnen, tippen Sie auf den Namen bzw. Balken des gewünschten Mediums und halten es gedrückt.

Durch Tippen auf die Speicher-Indikatoren rufen Sie das Speicher- und Formatierungsmenü auf.



Tippen Sie auf die Speicher-Indikatoren auf dem LCD-Touchscreen Ihrer URSA Broadcast G2, um auf die Speicherverwaltung zuzugreifen

Das Menü zeigt den freien Speicherplatz eines jeden CFAST-, SD- und USB-C-Mediums oder einer aktuell an Ihre URSA Broadcast G2 angeschlossenen externen SSD an. Angezeigt werden auch der Name des Datenträgers, die verbleibende Aufnahmedauer, die Gesamtzahl der Clips und das Dateiformat für jedes Medium. Durch Antippen des Karten- oder Laufwerknamens im Speichermenü aktivieren Sie den jeweiligen Datenträger. Ihre URSA Broadcast G2 befüllt diese Karte dann zuerst.

Sie können Ihre Datenträger über dieses Menü formatieren. Weitere Informationen zur Formatierung von Datenträgern mit der URSA Broadcast G2 finden Sie im Abschnitt „Vorbereiten von Datenträgern mit der Blackmagic URSA Broadcast G2“ in diesem Handbuch.

Audiopegelmeter

Bei Gebrauch des internen Mikrofons oder einer angeschlossenen externen Audioquelle zeigen die Peak-Audiopegelmeter die Tonpegel der Kanäle 1 und 2 an. Man hat die Wahl zwischen PPM- und VU-Metern. Wie Sie verschiedene Pegelmeter einstellen, erfahren Sie im Abschnitt „SETUP-Einstellungen“ weiter hinten in diesem Handbuch.

Eine optimale Tonqualität wird mit Audiopegeln unter 0 dBFS gewährleistet. Hierbei handelt es sich um den Höchstpegel, den Ihre Kamera aufzeichnen kann. Diesen Wert überschreitendes Audio wird abgeschnitten, was zu Verzerrungen führt.



Die farbigen Balken des Audiopegelmeters zeigen die maximalen Audiopegel an. Idealerweise sollten die Pegelspitzen im oberen grünen Bereich liegen. Schlagen die Pegelspitzen jedoch in den gelben oder roten Bereich aus, so besteht die Gefahr einer Übersteuerung Ihres Tons

Tippen Sie auf die Audiopegelmeter, um die Lautstärkereger für Audioeingangskanäle 1 und 2 sowie für die Kopfhörer- oder Lautsprecherlautstärke aufzurufen.



Durch Antippen der Audiopegelmeter auf dem LCD-Touchscreen Ihrer URSA Broadcast G2 greifen Sie mühelos auf die Lautstärke-, Kopfhörer- oder Lautsprechereinstellungen zu

Fokuszoom

Durch doppeltes Tippen auf den LCD-Touchscreen Ihrer URSA Broadcast G2 können Sie einen beliebigen Bereich des Vorschaubilds vergrößern. Verschieben Sie den vergrößerten Ausschnitt, indem Sie mit dem Finger über den Touchscreen fahren. Besonders hilfreich ist das beim Überprüfen der Fokussierung. Um zur normalen Bildgröße zurückzukehren, tippen Sie erneut zweimal hintereinander auf den Touchscreen.

Wenn Sie „Fokuszoom“ aktiviert haben, können Sie die Zoomstärke auch mit einer Multi-Touch-Geste anpassen, indem Sie auf dem Touchscreen zwei Finger auseinander- oder zusammenziehen. Über das SETUP-Menü Ihrer URSA Broadcast G2 können Sie eine Funktionstaste als „Fokuszoom“-Umschalter konfigurieren, die wie Doppeltippen auf dem Touchscreen fungiert. Die Umschaltfunktionen lassen sich für die LCD-, Front-SDI- oder Haupt-SDI-Ausgabe konfigurieren. Näheres zur Konfiguration von Funktionstasten als Fokuszoom finden Sie im Abschnitt „FUNKTIONSTASTE FUNGIERT ALS Preset/Umschalter“.



Haben Sie in das Bild hineingezoomt, zeigt ein Indikator oben links auf Ihrem LCD-Touchscreen an, welchen Teil des Bildes Sie zurzeit anzeigen. Verwenden Sie das Menürad oder Wischgesten, um sich auf dem Bildschirm durch das Bild zu bewegen

Vollbildschirm-Modus

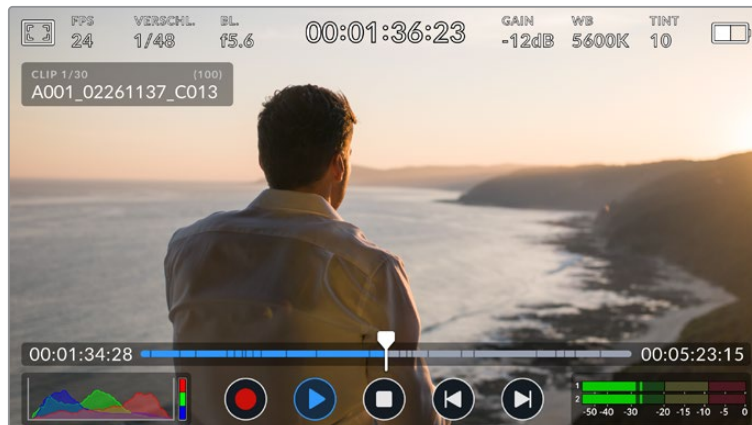
Bei der Einstellung oder Fokussierung eines Shots ist es manchmal hilfreich, den Statustext und die Messwerte auf dem Touchscreen vorübergehend auszublenden. Um dies zu tun, wischen Sie mit dem Finger auf dem LCD-Touchscreen Ihrer URSA Broadcast G2 nach oben oder unten. Der Aufnahme-Indikator, Bildrandmarkierungen, Raster, die Fokussierhilfe und Zebra bleiben weiterhin sichtbar.



Wischen Sie nach oben oder unten, um alle Statusindikatoren auf dem LCD-Touchscreen Ihrer URSA Broadcast G2 auszublenden

Wiedergabemenü

Drücken Sie die Wiedergabe-Taste, um auf das Wiedergabemenü zuzugreifen. Bereits aufgezeichnete Clips können Sie mit den Bedienelementen auf dem LCD-Touchscreen Ihrer Kamera steuern.










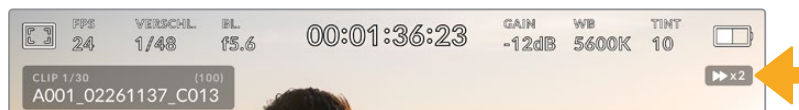
Der LCD-Touchscreen zeigt eine Timeline aus Segmenten, die alle aufgezeichneten Clips darstellen. Jedes Timeline-Segment steht für einen einzelnen Clip. Name und Nummer des aktuellen Clips sind oben links auf dem Display zu sehen. Dahinter wird in Klammern die Gesamtanzahl der Clips auf der Karte oder dem Laufwerk angezeigt.

Der Zähler vor der Timeline zeigt die aktuelle Stelle des Abspielkopfes an. Der Zähler hinter der Timeline entspricht der Gesamtdauer aller Clips.

Die Wiedergabesteuerung unterhalb der Timeline dient zum Navigieren durch Clips.



	Das Antippen des Aufnahme-Buttons im Wiedergabemodus versetzt die Kamera in den Standby-Modus, also aufnahmebereit.
	Tippen Sie auf den Wiedergabe-Button, um Ihre Clips zu sichten. Jetzt ist der Wiedergabemodus aktiviert.
	Tippen Sie auf den Stopp-Button, um die Wiedergabe zu beenden. Wenn Sie „Stopp“ ein zweites Mal antippen, kehrt Ihre Kamera in den Standby-Modus zurück.
	Tippen Sie einmal auf den Rücklauf-Button, um den Abspielkopf auf den ersten Frame des aktuellen Clips zu rücken. Wenn sich der Abspielkopf bereits am Anfang eines Clips befindet, springt er zum ersten Frame des vorherigen Clips.
	Tippen Sie einmal auf den Vorlauf-Button, um den Abspielkopf auf den letzten Frame des aktuellen Clips zu setzen. Wenn sich der Abspielkopf bereits am Ende eines Clips befindet, springt er zum ersten Frame des nächsten Clips.
 	Halten Sie die Vor- oder Rücklauf-Buttons gedrückt, um sie als Shuttle-Regler zum Vor- und Zurückspulen zu verwenden. Der Shuttle-Betrieb lässt sich auf die 2-, 4-, 8-, oder 16-fache Geschwindigkeit einstellen. Um die Shuttle-Geschwindigkeit zu verringern, tippen Sie den in die andere Richtung zeigenden Button an.






Der Shuttle-Indikator für den Vor- oder Rücklauf zeigt die Geschwindigkeit und Laufrichtung an

Sie können den Wiedergabemodus im SETUP-Menü von „Alle Clips“ auf „Einzelner Clip“ ändern. Wenn Sie im Modus „Einzelner Clip“ auf „Wiedergabe“ tippen, wird der zuletzt aufgenommene Clip angezeigt.

TIPP Mit einer Wischgeste auf dem Touchscreen Ihrer URSA Broadcast G2 nach oben oder unten verbergen Sie den Statustext bei der Wiedergabe von Footage. Wenn Sie die Filmtafel im Wiedergabemodus öffnen, können Sie den aktuellen Clip in den Metadaten als „Guter Take“ markieren. Weitere Informationen finden Sie im Abschnitt „Eingeben von Metadaten“ in diesem Handbuch.

Loop-Wiedergabe

Durch mehrmaliges Tippen des Wiedergabe-Buttons aktivieren Sie die Loop-Funktion. Die Loop-Wiedergabe ist nützlich, wenn Sie ein und denselben Clip auf unbestimmte Zeit in Dauerschleife abspielen oder alle Clips einer Timeline in Dauerschleife wiedergeben möchten.

Dauerschleife – aktueller Clip		Tippen Sie während der Clip-Wiedergabe auf „Wiedergabe“, damit Ihre Kamera den aktuellen Clip in Dauerschleife abspielt.
Dauerschleife – alle Clips		Tippen Sie erneut auf „Wiedergabe“, um alle Ihre aufgezeichneten Clips in Dauerschleife abzuspielen.
Wiedergabe		Tippen Sie erneut, um zur Echtzeit-Wiedergabe zurückzukehren.

Einstellungen

Dashboard

Durch Drücken der MENU-Taste an Ihrer URSA Broadcast G2 gelangen Sie zum Dashboard der Kamera. Das Menü aus mehreren Tabs bietet Einstellungen, die über das Head-up-Display Ihrer URSA Broadcast G2 verfügbar sind. Die Einstellungen sind nach Funktion in die Tabs AUFNAHME, MONITORING, AUDIO, SETUP, PRESETS und LUTS aufgeteilt. Einige Tabs, wie bspw. AUFNAHME, MONITORING und SETUP bestehen aus mehreren Seiten. Zu den einzelnen Seiten gelangen Sie über die Pfeile links und rechts. Oder wischen Sie wie bei einem Smartphone oder Tablet nach links bzw. rechts.



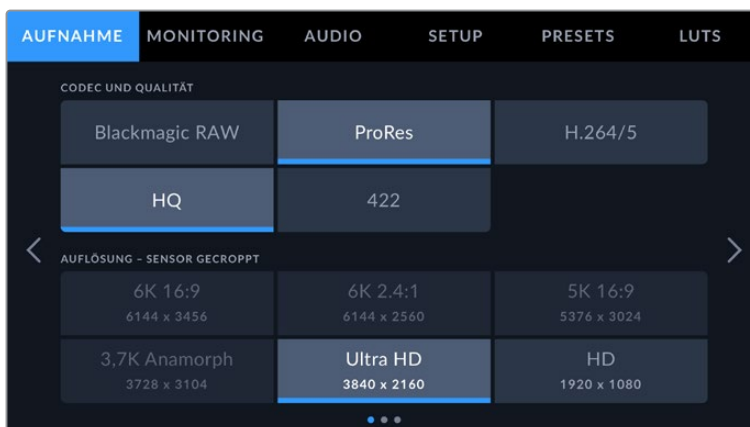
Tippen Sie auf die Tabs AUFNAHME, MONITORING, AUDIO, SETUP, PRESETS und LUTS, um zu den entsprechenden Menüs Ihrer URSA Broadcast G2 zu gelangen

AUFNAHME-Einstellungen

Über den AUFNAHME-Tab geben Sie Videoformat, Codec und Auflösung sowie andere Einstellungen vor, die das von Ihrer URSA Broadcast G2 aufgezeichnete Material betreffen. Dazu gehören auch die bevorzugte Karte oder Detailschärfung. Dieses Menü besteht aus drei Seiten, zu denen Sie jeweils über die Pfeilsymbole am Rand der Kamera oder mittels Wischgesten nach links oder rechts gelangen.

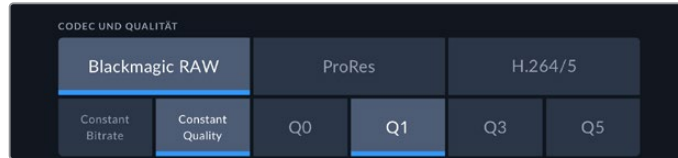
AUFNAHME-Einstellungen 1

Die erste Seite der AUFNAHME-Einstellungen bietet folgende Optionen:



CODEC UND QUALITÄT

Das Menü für die Einstellungen von Codec und Qualität ist in zwei Reihen aufgeteilt. Die obere Reihe lässt Sie zwischen drei Codec-Familien wählen – Blackmagic RAW, Apple ProRes und H.264/5. Die untere Reihe bietet eine Auswahl an Qualitätsoptionen innerhalb dieser Familien an. Zu den verfügbaren Qualitätsoptionen der ProRes-Codecfamilie zählen bspw. ProRes HQ und ProRes 422. Die Optionen für Blackmagic RAW sind in vier „Constant Bitrate“- und zwei „Constant Quality“-Einstellungen unterteilt.



Die Optionen für Blackmagic RAW „Constant Bitrate“ und „Constant Quality“

TIPP Die Auswahl von Codecs mit höherer Kompression steigert die Menge an speicherbaren Videoinhalten, die Sie mit der URSA Broadcast G2 aufzeichnen können. Näheres finden Sie unter „Tabellenübersicht der Aufnahmedauer“ im Kapitel „Aufzeichnen“.

AUFLÖSUNG

Diese Einstellung steht in Zusammenhang mit der CODEC-Einstellung. Wählen Sie hier die Auflösung für das gewünschte Aufnahmeformat aus.

Wenn Sie bspw. Ultra-HD-Clips in ProRes HQ aufzeichnen wollen, wählen Sie „ProRes“ und „HQ“ im Menü CODEC UND QUALITÄT aus. Wählen Sie anschließend unter AUFLÖSUNG „Ultra HD“ aus.



Auflösungsoptionen für Blackmagic RAW

HINWEIS Die Blackmagic URSA Broadcast G2 unterstützt Blackmagic RAW in allen Auflösungen sowie Apple ProRes in Ultra HD und HD, H.265 in Ultra HD und ProRes und H.264 in HD.

AUFNAHME-Einstellungen 2

Die zweite Seite der AUFNAHME-Einstellungen beinhaltet folgende Einstellungen:



DYNAMIKUMFANG

Justieren Sie die Einstellungen für den Dynamikumfang, indem Sie auf die jeweilige Option unter DYNAMIKUMFANG tippen. Die Blackmagic URSA Broadcast G2 verfügt über drei Einstellungen für den Dynamikumfang:

Video	Die Einstellung „Video“ ist die beste Wahl für Aufzeichnungen mit einem kontrastreichen und gesättigten Look und eignet sich für die direkte Auslieferung oder mit minimaler Nachbearbeitung. Sie verwendet den Rec.709-Farbraum für primäre Korrekturen und erzeugt einen angenehmen Roll-off in den Highlights. Sie dient als solide Ausgangsbasis mit einer ansprechenden Gammakurve und ermöglicht bei Bedarf Spielraum fürs Grading.
Ext. Video	Der Modus „Extended Video“ basiert auf dem Blackmagic Wide Gamut Farbraum, liefert jedoch mehr Kontrast und Sättigung. Die auffälligsten Unterschiede zum „Video“-Modus werden von der weniger gesättigten Magenta-Grün-Achse verursacht, wie man sie eher bei Filmnegativen findet.
Film	Im „Film“-Modus wird Video unter Anwendung einer Log-Kurve aufgezeichnet. So können Sie den höchsten Dynamikumfang bewahren und maximale Daten über Ihr Videosignal aufzeichnen. Dies ermöglicht Ihnen den optimalen Einsatz von Farbkorrektursoftwares wie DaVinci Resolve.

Wenn Sie den Dynamikumfang „Video“ oder „Extended Video“ verwenden, stellen Sie sicher, dass die LUT-Anzeige weder zum Monitoring noch für die LCD-, Front-SDI- oder Haupt-SDI-Ausgabe aktiviert ist.

Bei aktivierter LUT-Anzeige wird der LUT-Indikator in die Blickfeldanzeige eingeblendet und das Bild mit mehr Sättigung und mehr Kontrast als beabsichtigt dargestellt. Wie Sie Ihre Einstellung zur Anzeige von LUTs prüfen, erfahren Sie im Abschnitt „MONITORING-Einstellungen“ in diesem Handbuch.

Sensorfläche

Diese Einstellung steht für Aufnahmen in den Videocodern ProRes, H.265 und H.264 zur Verfügung. Sie ermöglicht die Arbeit mit der gesamten 6K-Sensorfläche oder einer kleineren gecropten Sensorfläche. Mit einer größeren Sensorfläche wie etwa 5,3K oder 6K erhalten Sie ein größeres Sichtfeld. Eine kleinere Sensorfläche wie bspw. 2,7K bietet hingegen Optionen für höhere Bildwechselfrequenzen. Man sollte wissen, dass beim Croppen auf eine kleinere Fläche nur der mittige Bereich des Kamerasensors verwendet wird, was bei diversen Objektiven ein schmaleres Sichtfeld erzeugt.

Bei Anschluss eines Broadcast-Objektivs an den B4-Mount Ihrer URSA Broadcast G2 sollten Sie sicherstellen, dass Ihre Sensorfläche auf 4K eingestellt ist, weil diese Objektive nur diesen Bereich abdecken. Die 5,3K- und 6K-Sensorflächen entsprechen in etwa der Größe von Super-35-Sensoren und sind daher mit den meisten EF-, F-Mount- und PL-Objektiven kompatibel.

Näheres zu vollen und gecropten Formaten finden Sie im Abschnitt „Maximale Sensor-Frameraten“.

PROJEKT-FRAMERATE

Die Projekt-Framerate ist die Framerate, mit der Ihre URSA Broadcast G2 aufzeichnet. Hierfür gibt es eine Auswahl von in der Film- und Fernsehbranche gebräuchlichen Frameraten. Zum Beispiel: Ultra HD mit 29,97 Frames pro Sekunde unter Verwendung von ProRes HQ. Diese Framerate ist in der Regel so eingestellt, dass sie der in Ihrem Postproduktions-Workflow verwendeten Wiedergabegeschwindigkeit und der Audio-Synchronisation sowie den Auslieferungsvorschriften entspricht.

Ihre Blackmagic URSA Broadcast G2 verfügt über 8 Projekt-Frameraten: 23,98; 24; 25; 29,97; 30; 50; 59,94 und 60 fps.

HINWEIS Die Projekt-Framerate Ihrer Kamera kann den Look Ihrer Footage potenziell stark beeinflussen. In Broadcastumgebungen wird die Framerate in der Regel auf 50, 59,94 oder 60 fps eingestellt. Diese relativ hohen Frameraten eignen sich sehr gut zum Festhalten weicher Bewegungen und minimieren oder eliminieren durch Schwenkbewegungen verursachtes Ruckeln.

Bei Kinofilmproduktionen werden häufig niedrigere Frameraten wie 24 oder 25 fps eingesetzt. Diese Frameraten sorgen für einen filmischen Look. Zum Verhindern von Bildrucklern erfordert dies jedoch erhebliche langsamere Kamerabewegungen.

OFFSPEED-AUFZEICHNUNG

Standardmäßig sind die Projekt- und Sensor-Frameraten auf eine natürliche Wiedergabegeschwindigkeit eingestellt. Wenn Sie jedoch das Schalter-Icon unter OFFSPEED-AUFZEICHNUNG antippen, können Sie Ihre Sensor-Framerate selbst wählen. Diese Option steht nur beim Aufzeichnen in den Codecs Blackmagic RAW oder ProRes zur Verfügung.

OFFSPEED-FRAMERATE

Ist diese Option aktiviert ist, tippen Sie auf die Pfeile neben dem Indikator für OFFSPEED-FRAMERATE, um die Sensor-Framerate Ihrer URSA Broadcast G2 einzustellen.

Anhand der Sensor-Framerate wird vorgegeben, wie viele Vollbilder pro Sekunde der Sensor tatsächlich aufzeichnet. Diese Framerate wirkt sich darauf aus, wie schnell oder langsam Ihr Video bei Ihrer vorgegebenen Projekt-Framerate wiedergegeben wird.

Weitere Informationen zu Offspeed-Frameraten finden Sie unter „FPS“ im Abschnitt „Funktionsmerkmale des Touchscreens“ in diesem Handbuch.

HINWEIS Näheres zu den maximalen Bildwechselraten, die für die einzelnen Aufzeichnungsformate und Codecs verfügbar sind, finden Sie unter „Maximale Sensor-Frameraten“ im Kapitel „Aufzeichnen“.

BEVORZUGTES MEDIUM FÜR AUFZEICHNUNG

Mit dieser Einstellung können Sie wählen, welche Speicherkarte, SSD oder welches Laufwerk Ihre URSA Broadcast G2 zuerst bespielen soll, wenn mehr als ein Slot in Benutzung sind. Die Optionen lauten „Karte 1“, „Karte 2“, „USB“ und „Vollstes“. Ob Sie „Karte 1“ oder „Karte 2“ wählen, ist eine Frage der persönlichen Vorliebe. Wenn Sie sich jedoch konsequent für die eine oder andere Karte entscheiden, wissen Sie immer, welche Karte Sie bei knapp werdendem Speicherplatz zuerst austauschen müssen. Die Option „Vollstes“ ist hilfreich zum chronologischen Gruppieren von Dateien eines mit nur einer Kamera gefilmten Projekts. Die Einstellung „Vollstes“ richtet sich nach dem belegten Speicherplatz auf Ihrem Datenträger und nicht nach seiner Kapazität oder der anfallenden Datenmenge.

Die gewählte Einstellung wird angewandt, sobald ein CFast-, SD- oder SSD-Medium eingeschoben oder ein USB-Laufwerk angeschlossen wird. Sie können diese Einstellung jederzeit außer Kraft setzen, indem Sie in der Speicherverwaltung eine andere Karte aktiv schalten. Wichtig: Sobald Sie einen Datenträger auswerfen und wieder einschieben, tritt die Einstellung für den bevorzugten Datenträger wieder in Kraft.

RAW AUFZEICHNEN AUF 2 Karten

Wenn Sie Blackmagic RAW auf 2 Karten aufzeichnen, können Sie extrem hochauflöste Clips mit hohen Frameraten bei niedrigerer Kompression erfassen. Legen Sie zwei CFast- oder SD-Karten ein und aktivieren Sie die Option „2 Karten“. Bei der Aufzeichnung werden die Daten per Striping auf beide Karten verteilt und die Datenrate wird durch die langsamste Karte begrenzt. Daher sollte man 2 Karten mit gleicher oder zumindest ähnlicher Leistung wählen.

Zudem ist Striping zwischen einer CFast-Karte in Speicherslot 1 oder 2 und einem USB-C-Laufwerk in Speicherslot 3 möglich. Beim Aufzeichnen mit der Option „2 Karten“ entspricht das Geschwindigkeitslimit der zweifachen Datenrate der langsamsten Karte im RAID-System.

Zusammenführen von Dateien für den Schnitt

Kopieren Sie die BRAW- und BRAW2-Dateien von beiden Datenträgern in denselben Ordner auf Ihrem Computer. Beim Importieren in den Media Pool fügt DaVinci Resolve sie dann in einem einzelnen Clip zusammen. Sollten die BRAW- und BRAW2-Dateien getrennt werden, lassen sich die Clips mit halber Framerate auch unabhängig voneinander abspielen. Um eine BRAW2-Datei einzeln wiederzugeben, ändern Sie die Dateierweiterung von BRAW2 auf BRAW.

TIPP Mithilfe des Media-Management-Tools in DaVinci Resolve können Sie BRAW- und BRAW2-Dateien zu einem einzelnen Clip kombinieren.

Indem Sie BRAW-Dateien zusammenführen, verhindern Sie ihre Trennung. Dies mag sowohl für die Medienverwaltung als auch zur Übertragung von Dateien auf ein anderes Schnittsystem nützlich sein.

Weitere Informationen finden Sie im englischsprachigen DaVinci Resolve Handbuch unter „Using Media management“.

AUFNAHME-Einstellungen 3

Die dritte Seite der AUFNAHME-Einstellungen bietet folgende Optionen:



ZEITRAFFER

Diese Einstellung aktiviert die Zeitraffer-Funktion, um Standbilder in folgenden Intervallen automatisch aufzuzeichnen:

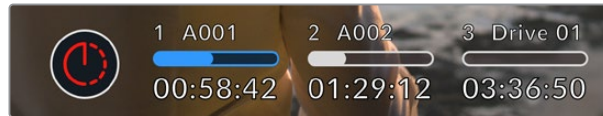
Frames	2–10
Sekunden	1–10, 20, 30, 40, 50
Minuten	1–10

Sie können bspw. festlegen, dass die Kamera alle 10 Frames, alle 5 Sekunden, alle 30 Sekunden oder alle 5 Minuten etc. ein Standbild aufnimmt.

Die Zeitraffer-Funktion bietet viele kreative Möglichkeiten. Beispiel: Wenn ein Zeitraffer-Intervall von 2 Frames eingestellt ist, ergibt dies bei der Wiedergabe des aufgezeichneten Videos einen stroboskopischen Effekt.

Das Format der einzelnen Standbilder basiert auf dem Aufnahmeformat. Wenn die Kamera also auf ProRes HQ in Ultra HD eingestellt ist, behält die Zeitraffer-Einstellung dieses Format bei. Die Framerate basiert auf der Einstellung Ihrer Projekt-Framerate. Auf diese Weise können Sie Zeitraffer-Aufnahmen problemlos in Ihren Postproduktions-Workflow integrieren.

Tipp Wenn Sie bei aktiviertem Zeitraffer-Modus filmen, aktualisiert sich der Timecode-Zähler mit jeder Videoframe-Aufnahme.



Ein Icon über dem Aufnahme-Button zeigt an, dass sich Ihre URSA Broadcast G2 im Zeitraffer-Modus befindet

DETAILSCHÄRFUNG

Diese Einstellung dient zur Schärfung des Bilds Ihres URSA Broadcast G2. Bei aktivierter Detailschärfung können Sie den Schärfungsgrad erhöhen oder verringern, indem Sie „Niedrig“, „Mittel“ oder „Hoch“ wählen.

Wenn die Schärfung aktiviert ist, wird dies auf das von der Kamera aufgezeichnete ProRes-Video sowie die SDI-Ausgabe der URSA Broadcast G2 angewendet.

Diese Einstellung eignet sich für Live-Produktionen, wo keine Zeit für die Postproduktion bleibt, weil das Bild live ausgestrahlt wird. Sollten Sie in der Postproduktion umfangreiche Bild- und Farbkorrekturen vornehmen wollen, empfehlen wir, diese Option zu deaktivieren. Auf diese Weise werden die Schärfereinstellungen nicht auf die für die Postproduktion bestimmten Blackmagic-RAW-Dateien angewendet.

TIPP Nutzen Sie bei der Nachbearbeitung von Blackmagic-RAW-Dateien im DaVinci Resolve Color-Arbeitsraum das Blur/Sharpening-Tool, um ein vergleichbares Ausmaß an Schärfung zu erreichen.

Stellen Sie den Radius des Tools auf 0,48 und je nachdem, ob Sie eine Schärfung entsprechend der Einstellung „Hoch“, „Mittel“ oder „Niedrig“ wünschen, die Skalierung auf 0,6, 0,3 oder 0,15 ein.

Detaillierte Informationen zur Schärfung in der Postproduktion finden Sie im englischsprachigen DaVinci Resolve Handbuch im Abschnitt „Motion Effects and Blur Palettes“.

BEI FRAME-AUSLASSUNGEN

Über diese Einstellung können Sie das Verhalten der URSA Broadcast G2 konfigurieren, wenn fallengelassene Frames erkannt werden. Ist „Warnung“ für Frameauslassungen ausgewählt, erscheint eine Warnung auf dem LCD-Touchscreen und die Aufzeichnung wird mit Frameauslassungen fortgesetzt. Ist „Aufnahmestopp“ eingestellt, stoppt Ihre Kamera die Aufzeichnung, wenn fallengelassene Frames erkannt werden. Dies verhindert, dass Sie kostbare Zeit vergeuden, indem Sie unbrauchbares Material aufzeichnen, weil Sie den Indikator für ausgelassene Bilder nicht bemerkt haben.

Wie man vermeidet, dass Frames fallengelassen werden, wird in den Abschnitten „Auswählen einer CFast-2.0-Karte“, „Auswählen einer schnellen SD-Karte“, „Auswählen einer schnellen SSD“ und „Auswählen eines schnellen USB-C-Laufwerks“ erklärt.

LUT IN DATEI ANWENDEN

Wenn Sie auf eine der Ausgaben Ihrer URSA Broadcast G2 eine LUT anwenden, wird die ausgewählte LUT beim Aufzeichnen in die Blackmagic-RAW-Datei eingebettet.

Die LUT wird in den Kopfdaten der Datei gespeichert und lässt sich in der Postproduktion mühelos auf den Clip anwenden. Man muss also keine separate Datei handhaben. Ist der Schalter LUT IN DATEI ANWENDEN im AUFNAHME-Menü der URSA Broadcast G2 aktiviert, wird dieser Clip beim Öffnen im Blackmagic RAW Player und in DaVinci Resolve mit der ausgewählten LUT angezeigt. Die LUT lässt sich leicht ein- und ausschalten. Sie bleibt aber immer in der Blackmagic-RAW-Datei erhalten, da die entsprechenden Daten im Clip selbst gespeichert sind.

In DaVinci Resolve bietet das Menü mit den RAW-Einstellungen einen „Apply LUT“-Schalter, mit dem sich die 3D-LUT in der Blackmagic-RAW-Datei de- bzw. aktivieren lässt. Die „Apply LUT“-Einstellung in DaVinci Resolve gleicht der Einstellung in der Kamera. Dies ermöglicht Ihnen, dem Coloristen schon beim Dreh anhand der in der Kamera angewendeten LUT eine Orientierungshilfe zu geben. Diese LUT kann in DaVinci Resolve aber einfach deaktiviert werden, indem man „Apply LUT“ auf OFF setzt.

LUT IM CLIP AUFZEICHNEN

Die Option LUT IM CLIP AUFZEICHNEN ist beim Filmen in ProRes-, H.265- oder H.264-Videocodecs verfügbar. Standardmäßig werden LUTs von Ihrer Blackmagic URSA Broadcast G2 weder auf aufgenommene Footage angewendet noch eingebrannt. Sie können diese Vorgänge jedoch aktivieren, indem Sie auf das Schalter-Icon unter LUT IM CLIP AUFZEICHNEN tippen.

Diese Option kann nützlich sein, wenn Sie in der Postproduktion keine Zeit für das Grading Ihrer Footage haben oder die Footage direkt an den Kunden oder Editor übergeben werden muss. Weitere Informationen hierzu finden Sie in den Abschnitten „3D-LUTs“ und „Funktionsmerkmale des Touchscreens“.

OBJEKTIVKORREKTUR

Broadcast-Zoomobjektive führen häufig zu Farbsaum an den Kanten eines Einzelbilds oder in der Nähe der Ecken von Bildern. Dies tritt verstärkt in kontrastreichen Bereichen auf Bildern von günstigeren B4-Objektiven auf, insbesondere denen mit extremeren Zoombereichen. Die Objektivkorrektur-Funktion ermöglicht Ihnen kamerainterne Korrekturen auf der URSA Broadcast G2 mit B4- und PL-Broadcast-Objektiven. Sie wird standardmäßig eingeschaltet, wenn die Kamera die notwendigen Informationen vom Broadcast-Objektiv erkennt.

Dateinamenskonventionen

Je nachdem, welches Aufnahmeformat Sie ausgewählt haben, werden Clips im Blackmagic-RAW-Format, in Apple ProRes- oder MP4-Formaten aufgezeichnet.

Die nachstehende Tabelle zeigt ein Beispiel der Namenskonvention:

A001_08151512_C001.mov	QuickTime-Movie-Dateiname
A001_08151512_C001.mov	Kamera-Index
A001_08151512_C001.mov	Bandnummer
A001_0 8 151512_C001.mov	Monat
A001_08 15 1512_C001.mov	Tag
A001_0815 15 12_C001.mov	Stunde
A001_081515 12 _C001.mov	Minute
A001_08151512_ C001 .mov	Clip-Nummer

Mit der STILL-Taste im DNG-Format aufgenommene Standbilder folgen derselben Dateinamenskonvention wie Videoclips. Jedoch enthält der Dateiname statt der Clipnummer die Endung „S001“. Diese steht für die Standbildnummer. Näheres finden Sie im Abschnitt „Bedienelemente des Status-LCDs“ in diesem Handbuch.

MONITORING-Einstellungen

Der MONITORING-Tab lässt Sie Statustext, Overlays und andere Monitoring-Optionen für den LCD-Touchscreen sowie die Front- und Haupt-SDI-Ausgaben Ihrer URSA Broadcast G2 anpassen. Optionen sind nach der jeweiligen Ausgabe angeordnet: LCD, Front-SDI und Haupt-SDI. Jedes dieser Menüs besteht aus fünf Seiten, zu denen Sie jeweils über die Pfeilsymbole am Rand der Kamera oder durch Wischen nach links oder rechts gelangen.

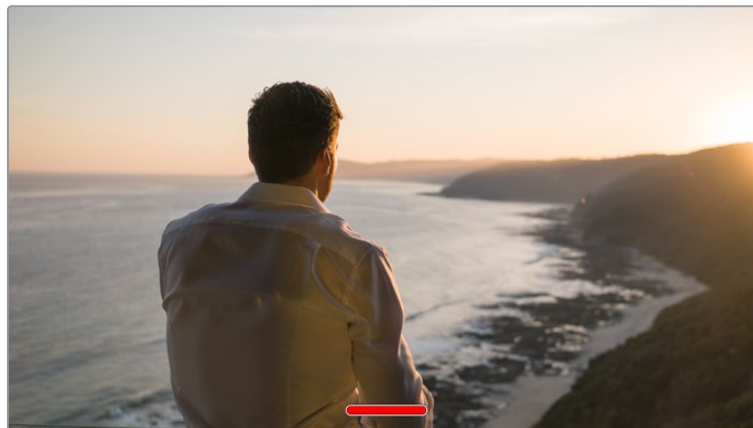
MONITORING-Einstellungen 1

Die erste Seite des MONITORING-Tabs für „LCD“, „Front-SDI“ und „Haupt-SDI“ enthält identische Einstellungen für jeden Ausgang. Beispiel: Sie können Zebra für den LCD-Touchscreen aktivieren, aber für den Front- oder Haupt-SDI-Ausgang ausschalten.



CLEAN-FEED

Tippen Sie auf das Schalter-Icon unter CLEAN-FEED in den „LCD“- , „Front-SDI“- und „Haupt-SDI“-Menüs, um bis auf den Aufnahme-Tally-Indikator den gesamten Statustext und alle Overlays für den jeweiligen Ausgang zu deaktivieren.



Der LCD-Touchscreen Ihrer URSA Broadcast G2 zeigt auch im Clean-Feed-Modus weiterhin das Tally an

HINWEIS LUTs werden auch bei aktiviertem Clean-Feed auf die Ausgaben angewendet. Die LUTs lassen sich ausschalten, indem Sie im MONITORING-Menü für die jeweilige Ausgabe das Schalter-Icon unter MIT 3D LUT ANZEIGEN deaktivieren.

MIT 3D-LUT ANZEIGEN

Ihre URSA Broadcast G2 kann 3D-LUTs auf jeden beliebigen Ausgang anwenden, um den Look von gegradetem Material anzupassen. Dies ist besonders dann hilfreich, wenn Sie mit dem „Film“-Dynamikumfang aufzeichnen, da dieser ein gewollt flaches Bild generiert, das verhältnismäßig kontrastarm ist.

Sind auf Ihrer URSA Broadcast G2 3D-LUTs aktiviert, können Sie diese in diesen Einstellungen auf Ihren LCD-Touchscreen, den Front- oder Haupt-SDI-Ausgang anwenden.

HINWEIS Näheres zum Laden und Anwenden von 3D-LUTs finden Sie im Abschnitt „LUTs“ dieses Handbuchs.

ZEBRA

Tippen Sie auf das Schalter-Icon unter ZEBRA in den „LCD“- , „Front-SDI“- und „Haupt-SDI“-Menüs, um die Zebra-Funktion für diese Ausgaben zu aktivieren. Weitere Informationen zur Zebra-Funktion und wie Sie deren Grad einstellen, finden Sie im Abschnitt „Funktionsmerkmale des Touchscreens“ in diesem Handbuch.

FOCUS ASSIST

Tippen Sie auf das Schalter-Icon unter FOCUS ASSIST in den „LCD“- , „Front-SDI“- und „Haupt-SDI“-Menüs, um die Fokussierhilfe für diese Ausgaben zu aktivieren. Weitere Informationen zur Fokussierhilfe finden Sie im Abschnitt „Funktionsmerkmale des Touchscreens“ in diesem Handbuch.

BILDRAND-MARKIERUNG

Tippen Sie auf das Schalter-Icon unter BILDRAND-MARKIERUNG in den „LCD“- , „Front-SDI“- und „Haupt-SDI“-Menüs, um Bildrandmarkierungen für diese Ausgaben zu aktivieren. Weitere Informationen zu Bildrandmarkierungen und wie Sie diese auswählen, finden Sie im Abschnitt „Funktionsmerkmale des Touchscreens“ in diesem Handbuch.

RASTER

Tippen Sie auf das Schalter-Icon unter RASTER in den „LCD“- , „Front-SDI“- und „Haupt-SDI“-Menüs, um das Drittel-Raster für diese Ausgaben zu aktivieren. Weitere Informationen zum Raster entsprechend der Drittel-Regel finden Sie im Abschnitt „Funktionsmerkmale des Touchscreens“ in diesem Handbuch.

SCHUTZBEREICH-LINIEN

Tippen Sie auf das Schalter-Icon unter SCHUTZBEREICH-LINIEN in den „LCD“- , „Front-SDI“- und „Haupt-SDI“-Menüs, um das Schutzbereich-Overlay für diese Ausgänge zu aktivieren.

Weitere Informationen zu Schutzbereichen und den jeweiligen Einstellungen finden Sie im Abschnitt „Funktionsmerkmale des Touchscreens“ in diesem Handbuch.

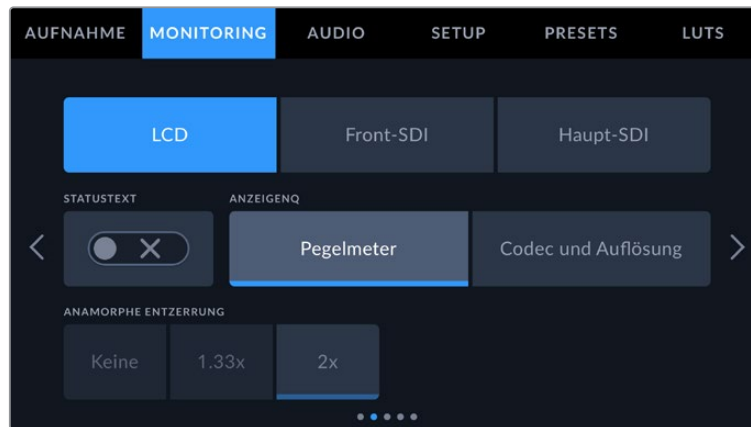
FALSCHFARBEN

Tippen Sie auf das Schalter-Icon unter FALSCHFARBEN in den „LCD“- , „Front-SDI“- und „Haupt-SDI“-Menüs, um die Falschfarbenerkennung für diese Ausgänge zu aktivieren.

Weitere Informationen zur Falschfarben-Funktion finden Sie im Abschnitt „Funktionsmerkmale des Touchscreens“ in diesem Handbuch.

MONITORING-Einstellungen 2

Die zweite Seite des MONITORING-Tabs Ihrer URSA Broadcast G2 beinhaltet je nach ausgewählter Ausgabe unterschiedliche Einstellungen.



LCD, Front-SDI und Haupt-SDI

STATUSTEXT

Manchmal ist es von Vorteil, den Statustext und die Meter nicht über LCD, den Front- oder Haupt-SDI-Ausgang auszugeben und lediglich die Informationen anzuzeigen, die für die Komposition oder Regie eines Shots notwendig sind. Tippen Sie im „Front-SDI“- oder „Haupt-SDI“-Menü auf das Schalter-Icon für STATUSTEXT, um das Erscheinungsbild des Statustexts und der Meter für die jeweilige Ausgabe einzustellen. Overlays wie Bildrandmarkierungen, Raster, Focus Assist und Zebra sind – falls aktiviert – weiterhin sichtbar.

Denselben Effekt erzielen Sie, wenn Sie auf dem LCD-Touchscreen Ihrer URSA Broadcast G2 mit dem Finger nach oben oder unten wischen.

ANAMORPHE ENTZERRUNG

Beim Dreh mit anamorphen Objektiven erscheint das Bild in der Vorschauausgabe und den aufgezeichneten Dateien Ihrer URSA Broadcast G2 horizontal gestaucht. Die Option ANAMORPHE ENTZERRUNG korrigiert das Vorschaubild Ihrer URSA Broadcast G2 und zeichnet den Grad der Entstauchung in den Metadaten für eine mühelose Korrektur in der Postproduktion auf.

Der gewählte Entstauchungsgrad hängt von der auf Ihrer URSA Broadcast G2 eingestellten Auflösung ab. Das daraus resultierende Bild wird jedoch immer im Breitbildformat 2,4:1 angezeigt.

Anamorphe Objektive arbeiten in der Regel mit einem zweifachen Faktor. Die Auflösung „3,7K Anamorph“ Ihrer URSA Broadcast G2 ist für den Gebrauch mit diesen Objektiven konzipiert und entstaucht das Bild um den Faktor 2, wenn diese Auflösung in Zusammenhang mit ANAMORPHE ENTZERRUNG aktiviert ist.

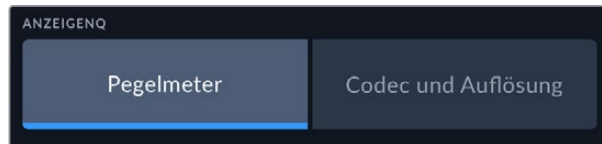
Anamorphe Objektive, die für digitale 16:9-Bildsensoren gebaut wurden, arbeiten meist mit einem Stauchungsfaktor von 1,33, um ein 2,4:1-Breitbild vom gesamten 16:9-Sensor zu produzieren. Wenn Ihre URSA Broadcast G2 auf eine 16:9-Auflösung wie „4K 16:9“ oder „HD 16:9“ eingestellt ist, sollte als Entstauchungsfaktor „x 1,33“ ausgewählt sein.

TIPP Wenn Ihr Bild beim Filmen mit einem normalen sphärischen Objektiv horizontal gestreckt wirkt, vergewissern Sie sich, dass ANAMORPHE ENTZERRUNG deaktiviert ist.

Nur LCD

ANZEIGEN

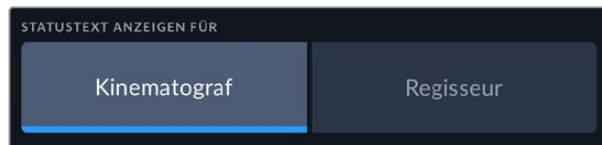
Anstelle des Histogramms und den Audiopegelmessern kann Ihre URSA Broadcast G2 in der linken und rechten unteren Ecke des LCD-Touchscreens Codec- und Auflösungsinformationen anzeigen. Dies ist dann hilfreich, wenn Sie lieber die Falschfarben-Funktion für die richtige Belichtung verwenden oder wenn Sie Audio separat aufzeichnen und an der Stelle, an der normalerweise das Histogramm und die Audiopegelmessers erscheinen, zusätzliche Informationen einblenden möchten. Tippen Sie im LCD-Menü einfach auf „Pegelmeter“ oder „Codec und Auflösung“, um die bevorzugte Ansicht auszuwählen.



Front-SDI oder Haupt-SDI

STATUSTEXT ANZEIGEN FÜR Kinematograf/Regisseur

Auf dem LCD-Touchscreen werden Informationen wie ISO, Weißabgleich und Blendeneinstellungen angezeigt. Diese sind für den Kameraoperator oder Kinematografen, der die Kamera für individuelle Shots einstellt, sehr hilfreich. Über die Front- und Haupt-SDI-Ausgabe können jedoch zusätzlich Informationen angezeigt werden, die dem Regisseur oder Script Supervisor dienen, der mehrere Shots bzw. Kameras im Auge behalten muss.



Wenn Sie auf Ihrer URSA Broadcast G2 in den MONITORING-Einstellungen für „Front-SDI“ oder „Haupt-SDI“ unter STATUSTEXT ANZEIGEN FÜR die Option „Regisseur“ wählen, werden folgende Informationen angezeigt:

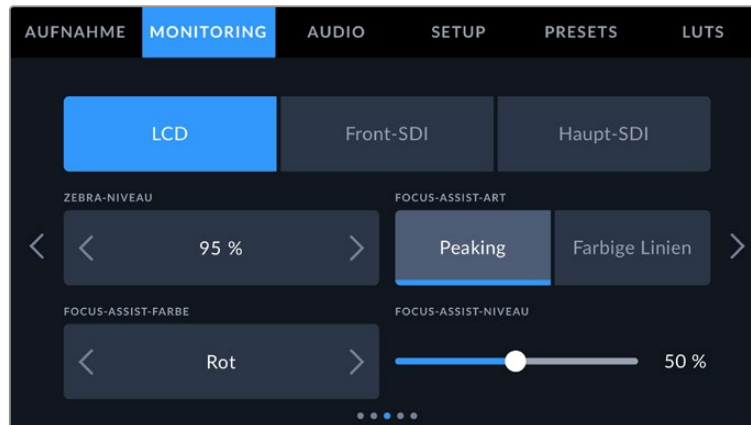
- **FPS**
Zeigt die derzeit ausgewählte Framerate in Bildern pro Sekunde an. Ist OFFSPEED-FRAMERATE deaktiviert, wird nur die Projekt-Framerate angezeigt. Wird von einer OFFSPEED-FRAMERATE Gebrauch gemacht, erscheint die Sensor-Framerate gefolgt von der PROJEKT-FRAMERATE.
- **CAM**
Zeigt den Kamera-Index gemäß der Filmtafel-Einstellungen Ihrer URSA Broadcast G2 an. Im Abschnitt „Die Filmtafel“ in diesem Handbuch finden Sie nähere Informationen.
- **OPERATOR**
Identifiziert den Kameraoperator gemäß der Filmtafel-Einstellungen Ihrer URSA Broadcast G2. Im Abschnitt „Die Filmtafel“ in diesem Handbuch finden Sie nähere Informationen.
- **DAUERANZEIGE**
Zeigt die Dauer des derzeitigen Clips während der Aufzeichnung oder des vorherigen Clips im Format Stunden:Minuten:Sekunden an.
- **REEL, SZENE, TAKE**
Zeigt das derzeitige Band, die Szene und den Take an. Weitere Informationen zu Bändern, Szenen und Takes sowie deren Kennzeichnungskonventionen finden Sie im Abschnitt „Die Filmtafel“ in diesem Handbuch.
- **DYNAMIKUMFANG**
In der linken unteren Ecke des Touchscreens werden die derzeit angewendeten LUTs der URSA Broadcast G2 angezeigt – sofern für diese Ausgabe aktiviert. Wird keine LUT angewendet, erscheint der Dynamikumfang „Film“ bzw. „Video“.

- **TIMECODE**

In der rechten unteren Ecke erscheint der Timecode Ihrer URSA Broadcast G2 im Format Stunden:Minuten:Sekunden:Frames.

MONITORING-Einstellungen 3

Die erste Seite des MONITORING-Tabs für „LCD“, „Front-SDI“ und „Haupt-SDI“ enthält identische Einstellungen für alle Ausgaben. Diese Einstellungen beziehen sich global auf alle drei Monitoring-Ausgaben. Ist bspw. Focus Assist für „LCD“, „Front-SDI“ und „Haupt-SDI“-Ausgaben Ihrer Blackmagic URSA G2 aktiviert, betrifft eine Änderung der FOCUS-ASSIST-ART von „Peaking“ auf „Farbige Linien“ alle drei Ausgaben.



ZEBRA-NIVEAU

Tippen Sie auf die Pfeile, um die Intensität der Zebra-Funktion einzustellen. Zur Wahl stehen acht Presets fürs Zebra-Niveau, von „Mittlerer Grauwert“ bis „100 %“ Belichtung.

Weitere Informationen zu Zebra finden Sie im Abschnitt „Funktionsmerkmale des Touchscreens“ in diesem Handbuch.

FOCUS-ASSIST-ART

Ihre URSA Broadcast G2 verfügt über zwei Focus-Assist-Modi: „Peaking“ und „Farbige Linien“.

- **Peaking**

Wird der „Peaking“-Modus ausgewählt, werden die fokussierten Bereiche in Ihrem Shot auf dem LCD-Touchscreen oder über die SDI-Ausgaben extrem scharf dargestellt, jedoch nicht im aufgezeichneten Bild selbst. Auf diese Weise heben sich scharfgestellte Bereiche in Ihrem Shot vom weicheren Hintergrund ab. Da keine weiteren Overlays verwendet werden, ist dies eine sehr intuitive Weise zu fokussieren, besonders dann, wenn sich das Motiv, das Sie scharfstellen, gut von den anderen Elementen des Shots abhebt.

- **Farbige Linien**

Ist die Option „Farbige Linien“ ausgewählt, werden die fokussierten Bereiche im Bild von farbigen Linien überlagert. Dies ist etwas auffälliger als die „Peaking“-Option, da die Linien genau auf dem Bild erscheinen. In Shots mit vielen sichtbaren Elementen ist es jedoch eine präzise Fokussierhilfe.

FOCUS-ASSIST-FARBE

Wenn Sie die Option „Farbige Linien“ aktiviert haben, ändert sich hier die Farbe der Fokuslinien. Eine Farbänderung der Fokuslinien kann nützlich sein, um die Linien von Ihrem übrigen Bild zu unterscheiden. Die verfügbaren Optionen sind „Weiß“, „Rot“, „Grün“, „Blau“ und „Schwarz“.

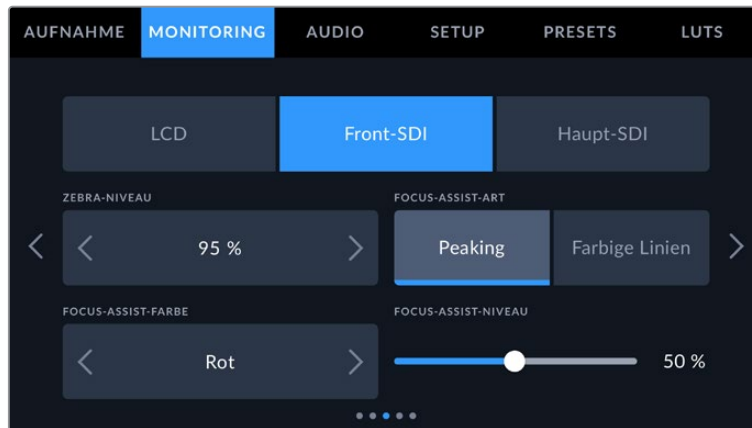
FOCUS-ASSIST-NIVEAU

Den Grad der Fokussierhilfe für den LCD-Touchscreen und die Front- und Haupt-SDI-Ausgaben stellen Sie durch Verschieben des Sliders von links nach rechts ein.

TIPP Der optimale Grad der Fokussierhilfe variiert von Einstellung zu Einstellung. Wird bspw. auf Darsteller scharf gestellt, empfiehlt sich eine stärkere Fokussierhilfe, um mehr Einzelheiten an den Konturen der Gesichter festzuhalten. Bei einer Einstellung mit Laub oder Mauerwerk würden die dabei zusätzlich erfassten Details womöglich ablenkend wirken.

MONITORING-Einstellungen 4

Die vierte Seite des MONITORING-Tabs für „LCD“, „Front-SDI“ und „Haupt-SDI“ enthält identische Einstellungen für alle Ausgaben. Diese Einstellungen beziehen sich global auf alle drei Monitoring-Ausgaben Ihrer Kamera.



BILDRAND-MARKIERUNG

Tippen Sie unter BILDRAND-MARKIERUNG auf die Pfeile, um zwischen den Optionen für alle Ausgaben Ihrer URSA Broadcast G2 hin und her zu wechseln. Dazu gehören EVFs wie der Blackmagic URSA Viewfinder. Die Optionen werden im Abschnitt „Funktionsmerkmale des Touchscreens“ in diesem Handbuch näher erläutert und sind zudem über das MONITORING-Menü Ihres Head-up-Displays abrufbar.

SCHUTZBEREICH-LINIEN

Um die Größe des Schutzbereich-Overlays auf dem LCD-Touchscreen sowie den Front-SDI- und Haupt-SDI-Ausgaben Ihrer URSA Broadcast G2 anzupassen, tippen Sie auf die Pfeile neben der Prozentangabe. Die Prozentzahl drückt die Größe des Schutzbereichs im Verhältnis zum Bildausschnitt aus. Die meisten Fernsehsender verlangen einen sendesicheren Bereich von 90 %.

MARKIERUNGS-DECKKRAFT

Tippen Sie auf die Pfeile im Menü MARKIERUNGS-DECKKRAFT, um die Deckkraft der Bildrandmarkierungen für den LCD-Touchscreen, die Front- und Haupt-SDI-Ausgaben festzulegen. Es gibt folgende Optionen: 25 %, 50 %, 75 % und 100 %.

MARKIERUNGS-FARBE

Tippen Sie auf die Pfeile links und rechts der MARKIERUNGS-FARBE-Einstellungen, um die Farbe für die Bildrandmarkierungen auszuwählen.

RASTER

Um einzustellen, welche Kombination aus Rastern und Fadenkreuz Sie auf dem LCD-Touchscreen und den Front- und Haupt-SDI-Ausgaben Ihrer URSA Broadcast G2 ausgeben wollen, tippen Sie auf die Optionen „Drittel“, „Fadenkreuz“ oder „Punkt“.

Weitere Informationen zu den Rastern finden Sie im Abschnitt „Funktionsmerkmale des Touchscreens“ weiter vorne in diesem Handbuch.

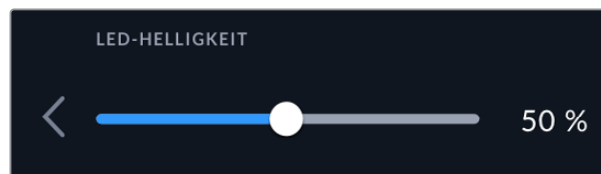
MONITORING-Einstellungen 5

Die fünfte Seite des MONITORING-Tabs Ihrer URSA Broadcast G2 enthält je nach ausgewählter Ausgabe unterschiedliche Einstellungen.

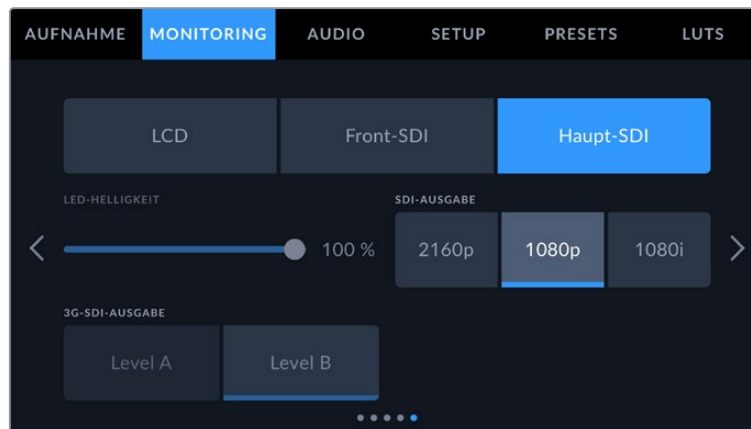
Nur LCD

LCD-Helligkeit

Ziehen Sie den Schieberegler für LCD-HELLIGKEIT nach links oder rechts, um die Helligkeit des LCD-Touchscreens Ihrer URSA Broadcast G2 anzupassen.



Front-SDI oder Haupt-SDI



SDI-AUSGABE

Beide Ausgänge erlauben die Wahl zwischen HD-Ausgaben in „progressive“ und „interlaced“ oder „progressive“ Ultra HD. Die verfügbaren Optionen hängen von den Auflösungs- und Framerate-Einstellungen Ihrer Kamera ab. „Progressive HD“ bzw. „1080p“ ist immer verfügbar, während „Interlaced HD“ bzw. „1080i“ nur dann wählbar ist, wenn Ihre Projekt-Framerate auf 50; 59,94 oder 60 eingestellt ist. Beim Filmen mit Ultra-HD-Auflösungen sind Ultra-HD-Ausgaben bzw. „2160p“ verfügbar.

3G-SDI-AUSGABE

Sie können den 3G-SDI-Ausgabestandard ändern, um die Kompatibilität mit Equipment zu gewährleisten, das lediglich Level-A- oder Level-B-3G-SDI-Video empfangen kann. Diese Option wird nur angezeigt, wenn Sie mit 50, 59,94 oder 60 Vollbildern pro Sekunde filmen und in 1080p ausgeben. Tippen Sie zur Auswahl des Standards auf „Level A“ oder „Level B“.

AUDIO-Einstellungen

Auf dem AUDIO-Tab lassen sich die Audioeingabe- und -Monitoring-Einstellungen Ihrer URSA Broadcast G2 anpassen.

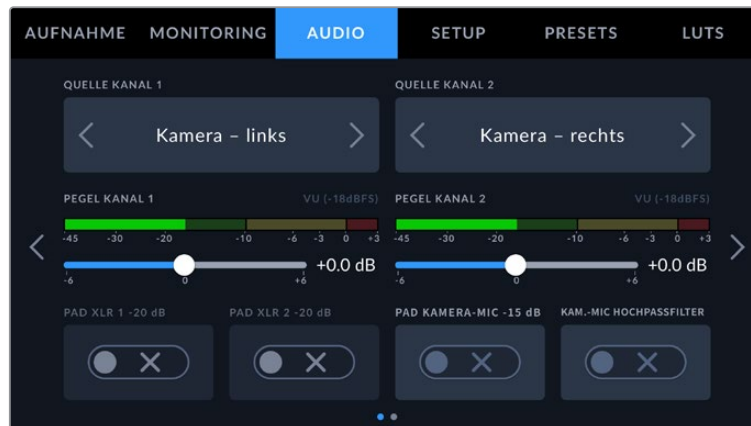
Die Einstellungen sind auf zwei Seiten verteilt und in Kanäle 1 und 2 unterteilt. Ein anstehendes Softwareupdate wird zwei weitere Kanäle beinhalten.

Jeder Audiokanal kann einer anderen Quelle zugewiesen werden. Ebenso lassen sich diverse Einstellungen wie Padding und Hochpassfilter anpassen.

Diese Einstellungen funktionieren mit den Tasten auf dem internen Bedienfeld Ihrer URSA Broadcast G2. Wenn Sie also für Ihre Audioquelle einen bestimmten Kanal eingestellt haben, können Sie auf dem internen Bedienfeld Ihren Signaltyp vorgeben und bestimmen, ob für diesen Kanal Phantomspeisung aktiviert werden soll.

AUDIO-Einstellungen 1

Auf der ersten Seite des AUDIO-Tabs Ihrer URSA Broadcast G2 sind folgende Einstellungen enthalten:



QUELLE KANAL 1 bzw. 2

Mit den Schaltflächen QUELLE KANAL 1 bzw. QUELLE KANAL 2 wählen Sie Ihre Audioquelle für die einzelnen Audiokanäle aus. Es gibt folgende Optionen:

- **Kamera – links bzw. rechts**
Mit dieser Einstellung zeichnen Sie von den internen Kameramikrofonen auf.
- **Kamera – Mono**
Mit dieser Einstellung zeichnen Sie Audio von den linken und rechten Kanälen des internen Mikrofons Ihrer URSA Broadcast G2 auf einen einzelnen Audiokanal auf.
- **XLR 1 bzw. XLR 2**
Diese Einstellung verwenden Sie, um von den XLR-Eingängen Ihrer Kamera aufzuzeichnen. Je nachdem, welches Audiosignal Sie für die Schalter auf dem internen Bedienfeld Ihrer URSA Broadcast G2 vorgegeben haben, wird Ihr XLR-Eingang als „Mic“, „Line“ oder „AES“ gelistet. Ist Phantomspeisung aktiviert und Ihre XLR-Eingänge sind auf „Mic“ eingestellt, wird hier auch der +48V-Indikator eingeblendet. Vergewissern Sie sich, dass der +48V-Schalter deaktiviert ist, wenn Sie Ihr phantomgespeistes Mikrofon abkoppeln.
- **XLR 1 bzw. 2 – Mic-Backup**
Diese Einstellung benötigen Sie, wenn Sie Audio von einem Mikrofon aufzeichnen möchten, das über einen XLR-1- oder XLR-2-Eingang an Ihre URSA Broadcast G2 angeschlossen und leiser eingestellt ist als die Lautstärke für eine standardmäßige „Mic“-Aufzeichnung. Mit dieser Einstellung lässt sich vermeiden, dass Audio im Fall eines unerwarteten Lautheitsanstiegs übersteuert wird. Diese Funktion steht nur als selektierbare Option bereit, wenn der Schalter für den XLR-1- oder XLR-2-Eingang auf „Mic“ eingestellt ist.
- **Keine**
Mit dieser Einstellung deaktivieren Sie Ihren Audiokanal.

PEGEL KANAL 1 bzw. 2

Mit diesen Schiebereglern regeln Sie die Aufzeichnungspegel für Ihre ausgewählten Kanalquellen 1 und 2. Audiopegelmesser begleiten jeden Schieberegler, um Ihnen die korrekte Einstellung Ihrer Audiopegel zu ermöglichen. Diese Pegel werden automatisch aktualisiert, wenn Sie Audio mit den Drehreglern auf dem ergonomischen Bedienfeld verändern.

Eine optimale Tonqualität wird mit Audiopegeln gewährleistet, die den Wert von 0 dBFS nicht erreichen. Hierbei handelt es sich um den Höchstpegel, den Ihre Kamera aufzeichnen kann. Audio, das diesen Wert überschreitet, wird abgeschnitten, was zu Verzerrungen führt.



PAD XLR -20 dB

Die Option PAD XLR -20 dB ermöglicht es Ihnen, Ihre bereits abgesenkten Verstärkungspegel (Gain) an den XLR-Audioeingängen Ihrer URSA Broadcast G2 noch weiter zu reduzieren – bspw. beim Filmen in lärmreichen Umgebungen.

PAD KAMERA-MIC -15 dB

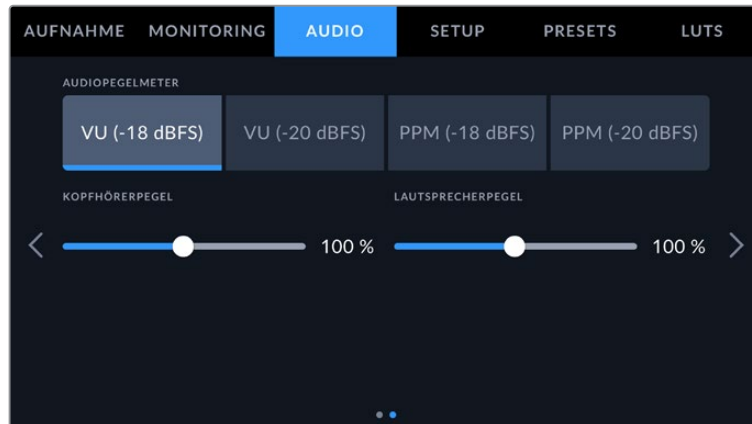
Die Option PAD KAMERA-MIC -15 dB des internen Mikrofons ermöglicht es Ihnen, Ihre bereits abgesenkten Verstärkungspegel (Gain) am Mikrofoneingang Ihrer URSA Broadcast G2 noch weiter zu reduzieren – bspw. beim Filmen in lärmreichen Umgebungen.

KAM.-MIC HOCHPASSFILTER

Tippen Sie auf dieses Schalter-Icon, um den Hochpassfilter für das kamerainterne Mikrofon zu aktivieren. Dieser Filter hilft, potenzielle Windgeräusche oder Brummen in niedrigen Frequenzen zu reduzieren, was häufig beim Drehen im Freien vorkommt. Bitte beachten Sie, dass der Schalter unter PAD KAMERA-MIC -15 dB deaktiviert sein muss, damit diese Funktion genutzt werden kann.

AUDIO-Einstellungen 2

Auf der zweiten Seite des AUDIO-Tabs Ihrer URSA Broadcast G2 sind folgende Einstellungen enthalten:



AUDIOPEGELMETER

Sie haben die Wahl zwischen zwei verschiedenen Anzeigeoptionen für Audiometer.

VU	„Volume Units“-Meter erstellen einen Durchschnittswert aus einzelnen Höchst- und Tiefstwerten in Ihrem Audiosignal. Passen Sie die Eingabepegel bei Verwendung von VU-Metern auf der Blackmagic URSA Broadcast G2 so an, dass der Spitzenwert auf dem Audiometer bei 0 dB liegt. Dies gewährleistet eine optimale Signalaussteuerung bei höchster Tonqualität. Schlagen die Höchstwerte Ihres Tons über die 0 dB-Anzeige hinaus aus, besteht ein hohes Risiko einer Tonverzerrung.
PPM	Diese „Peak Program Meter“ verfügen über eine „Peak-Hold“-Funktion, die Signalhöchstwerte kurzzeitig hält und dann langsam absenkt, sodass sich der Spitzenwert Ihres Tons leicht ablesen lässt.

Sowohl für VU- als auch PPM-Meter lassen sich Referenzpegel von -18 dBFS oder -20 dBFS vorgeben. Dies gestattet das Audiomonitoring nach unterschiedlichen internationalen Sendenormen.

Audiometereinstellung	Standard
PPM (-20 dBFS)	SMPTE RP.0155
PPM (-18 dBFS)	EBU R.68

KOPFHÖRERPEGEL

Mit dem Schieberegler passen Sie die Ausgabepegel für Kopfhörer an, die an die 3,5mm-Klinkenbuchse der URSA Broadcast G2 angeschlossen sind. Schieben Sie den Audio-Schieberegler zum Justieren der Pegel nach links oder rechts. Diese Pegel werden auch aktualisiert, wenn Sie die Kopfhörerlautstärke mit dem Einstellrad auf dem vorderen Bedienfeld anpassen.

LAUTSPRECHERPEGEL

Dieser Schieberegler passt die Ausgabepegel der eingebauten Lautsprecher Ihrer URSA Broadcast G2 an. Schieben Sie den Audio-Schieberegler zum Justieren der Pegel nach links oder rechts. Diese Pegel werden auch aktualisiert, wenn Sie die Lautsprecherlautstärke mit dem Einstellrad auf dem vorderen Bedienfeld anpassen.

SETUP-Einstellungen

Auf dem SETUP-Tab finden Sie identifizierende Einstellungen, die Softwareversion, Einstellungen für die Funktionstasten und andere Kamera-Einstellungen Ihrer URSA Broadcast G2, die nicht im direkten Zusammenhang mit Aufnahme und Monitoring stehen. Dieses Menü besteht aus zwölf Seiten, zu denen Sie jeweils über die Pfeile am Rand des Touchscreens oder durch Wischen nach links oder rechts gelangen.

SETUP-Einstellungen 1

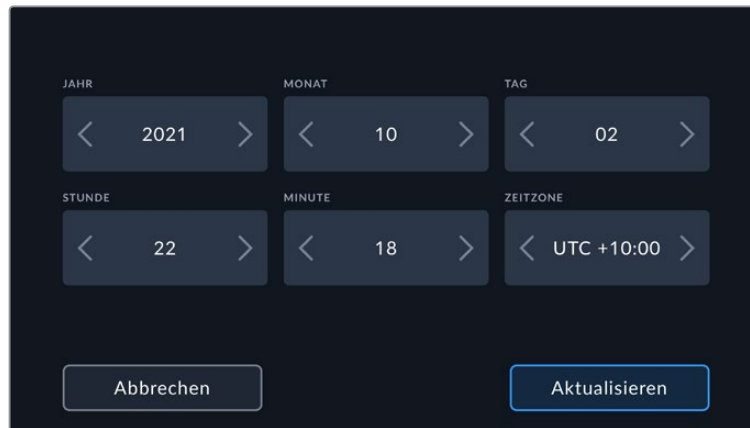
Auf der ersten Seite des SETUP-Tabs Ihrer URSA Broadcast G2 sind folgende Einstellungen enthalten:



SETUP-Menü der URSA Broadcast G2

DATUM UND ZEIT

Tippen Sie auf das Stift-Icon, um Datum und Zeit für Ihre URSA Broadcast G2 vorzugeben. Das Datumsformat wird in Jahr/Monat/Tag angezeigt, die Uhrzeit im 24-Stunden-Format. Diese Einstellungen Ihrer URSA Broadcast G2 werden außerdem für den Uhrzeit-Timecode verwendet, wenn keine externe Timecode-Quelle angeschlossen ist.



SPRACHE

Die URSA Broadcast G2 unterstützt 13 verbreitete Sprachen, neben Deutsch auch Chinesisch, Englisch, Französisch, Italienisch, Japanisch, Koreanisch, Polnisch, Portugiesisch, Russisch, Spanisch, Türkisch und Ukrainisch.

Der Bildschirm SPRACHE AUSWÄHLEN wird Ihnen beim ersten Hochfahren angezeigt.

So wählen Sie Ihre Sprache:

- 1 Tippen Sie zuerst auf das Stift-Icon und wählen Sie dann die gewünschte Sprache aus der Liste.
- 2 Tippen Sie auf „Aktualisieren“, um zum SETUP-Tab zurückzukehren.



VERSCHLUSSWERT

Verwenden Sie diese Einstellung, um auszuwählen, ob Verschlusswerte als Winkel oder Zeit angezeigt werden sollen. Bitte beachten Sie, dass beide Maßeinheiten Bewegungsunschärfe erwirken, jedoch auf etwas unterschiedliche Weise. Eine ausführliche Erklärung zu Verschlussmaßeinheiten finden Sie im Abschnitt „Funktionsmerkmale des Touchscreens“ in diesem Handbuch.

FLICKERFREIER VERSCHLUSS BEI

Hier können Sie die Netzstromfrequenz Ihrer URSA Broadcast G2 einstellen. Die Kamera verwendet sie, um flimmerfreie Verschlusseinstellungen zu berechnen.

Beim Dreh in Kunstlicht kann Ihre Verschlusszeit die Sichtbarkeit von Flimmern begünstigen. Ihre URSA Broadcast G2 berechnet flimmerfreie Verschlusszeiten automatisch anhand der aktuellen Framerate und den unter „Verschlusszeit“ angezeigten Vorschlägen. Verschlusszeiten hängen vom lokalen Netzstrom ab, mit dem die Lampen betrieben werden. In den meisten PAL-Ländern liegt die Frequenz bei 50 Hz, in NTSC-Ländern in der Regel bei 60 Hz. Tippen Sie also einfach entsprechend Ihrer Region auf „50 Hz“ oder „60 Hz“.

Aufgrund der Eigenschaften unterschiedlicher Lichtquellen kann es selbst mit flimmerfreien Verschlusszeiten zu Flimmern kommen. Wir empfehlen daher, beim Filmen in unregelmäßigem Licht einen Probedreh vorzunehmen.

TIMECODE AUSGEL. FRAMES

Aktivieren Sie TIMECODE AUSGEL. FRAMES, um bei NTSC-Projekt-Frameraten von 29,97 und 59,94 Drop-Frame-Timecode zu verwenden. Drop-Frame-Timecode lässt in regelmäßigen Abständen eine geringe Anzahl an Einzelbildern fallen. So haben Sie immer den richtigen Timecode, auch wenn eine Sekunde bei NTSC-Frameraten nicht die Gesamtzahl von Einzelbildern enthält.

ND-FILTER ANZEIGEN ALS

Diese Einstellung lässt Sie vorgeben, wie die ND-Filteranzeige Ihrer URSA Broadcast G2 ND-Filter anzeigt. Jede Einstellung korrespondiert mit einer anderen Kamerakonvention. Kinematografen verwenden üblicherweise ND-Nummer-Bezeichnungen, während DSLR- oder Broadcastkamera-Kenner diese Information vielleicht lieber im Blendenstufenformat oder als Bruchzahl des verfügbaren Lichts darstellen.

Hier sind diese Optionen als „Zahl“, „Stop“ und „Bruchzahl“ verfügbar.



Einstellung für die Anzeige von ND-Filterinformationen im SETUP-Menü der URSA Broadcast G2

SETUP-Einstellungen 2

Auf der zweiten Seite des SETUP-Tabs Ihrer URSA Broadcast G2 sind folgende Einstellungen enthalten:



ATEM KAMERA-ID

Wenn Sie die URSA Broadcast G2 in Verbindung mit einem ATEM Mischer verwenden und Sie möchten, dass die Kamera Tally-Signale von diesem Mischer empfängt, müssen Sie die Kameranummer auf Ihrer Kamera einstellen. Dies gewährleistet, dass der Mischer das Tally-Signal an die richtige Kamera übermittelt. Für die Kameranummer ist eine Zahl zwischen 1–99 möglich. Tippen Sie hierfür auf die Pfeile. Die Standardeinstellung ist 1.

FARBALKEN

Manchmal ist es von Vorteil, anstelle der Vorschau Farbbalken auszugeben. Das gilt bspw. dann, wenn die URSA Broadcast G2 an einen Mischer oder externen Monitor angeschlossen wird. Erscheinen die Farbbalken der URSA Broadcast G2 auf Ihrem Mischer oder Monitor, bestätigt das die Verbindung und Sie können Ihren Monitor anhand der Farbbalken kalibrieren. Tippen Sie einfach auf das Schalter-Icon, um Farbbalken für alle Ausgaben Ihrer URSA Broadcast G2 – inkl. des LCD-Touchscreens – zu aktivieren.

REFERENZQUELLE

Diese Einstellung dient zur Auswahl der Referenzquelle. Ihre URSA Broadcast G2 kann mit einer internen bzw. externen Referenzquelle oder dem Referenzsignal aus der Programmeingabe eines ATEM Mixers verkoppelt werden. Wenn Sie die URSA Broadcast G2 in Verbindung mit der Kamerasteuerungsfunktion eines ATEM Mixers verwenden, sollten Sie Ihre Referenzquelle stets auf „Programm“ einstellen, es sei denn der Mischer selbst und alle angeschlossenen Kameras sind auf eine externe Referenz eingestellt.

HINWEIS Wenn Sie die Referenzquelle für Ihre URSA Broadcast G2 vorgeben, kann es beim Hin- und Herschalten zwischen den Referenzquellen zu kurzen Signalunterbrechungen kommen. Dies rührt daher, dass die Kamera ihre Referenzzeiten an die externe Quelle anpasst. Deshalb ist es wichtig, diese Einstellung nicht während einer Produktion, sondern nur in der Setup-Phase vorzunehmen.

REFERENZZEIT

Diese Einstellungen erlauben Ihnen die manuelle Anpassung der Referenzzeit nach Zeilen oder Pixeln. Tippen Sie einfach auf die Pfeile, um Anpassungen vorzunehmen.

SETUP-Einstellungen 3

Auf der dritten Seite des SETUP-Tabs Ihrer URSA Broadcast G2 sind folgende Einstellungen enthalten:



PROGRAMM-AUDIOQUELLE

Bei angeschlossenem ATEM Mischer kann beim Monitoring über einen Kopfhörer oder ein Headset der Ton aus dem rückgeführten Programmfeed als Eingabequelle zum Mixen in das Talkback-Audio priorisiert werden. Dafür wählt man für PROGRAMM-AUDIOQUELLE die Option MISCHER. Das ist praktisch, wenn der Mischerton nicht über Ihre Kamera läuft, Sie aber den Programmfeed vom Mischer mithören möchten. Die Einstellung der PROGRAMM-AUDIOQUELLE auf „AFV“ priorisiert von den kamerainternen Mikrofonen oder von den XLR-Buchsen eingehenden Ton. AFV ist die Standardeinstellung.

PROGRAMM-MIX

Diese Einstellung ändert das Lautstärkeverhältnis von Kameraton zu Talkback-Ton. Die Kopfhörer geben den jeweils auf dem LCD angezeigten Ton aus. Beispiel: Wenn Sie sich in der Kameraansicht

befinden, ist der Ton von der Kamera zu hören. Befinden Sie sich jedoch in der Programmansicht, ist das Programmaudio zu hören. Die Standardeinstellung ist 100 %.

HEADSET-MIC

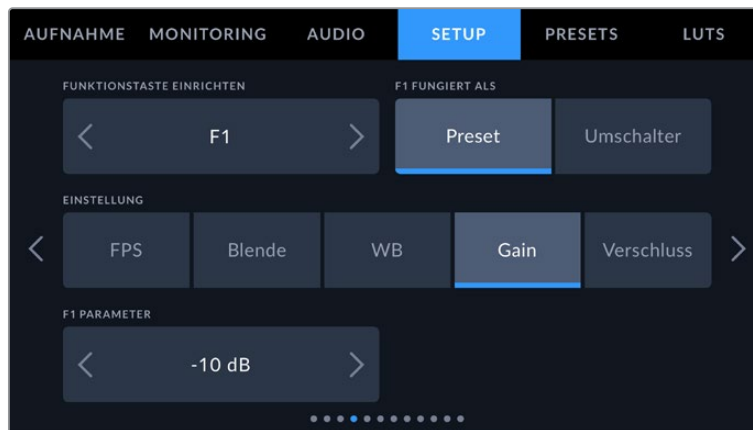
Bewegen Sie zum Erhöhen oder Verringern der Audio-Eingabepegel des Mikrofons den Lautstärke-Schiebereglern nach links oder rechts. Die Standardeinstellung ist 50 %.

MITHÖRTONPEGEL

Mit diesem Schieberegler stellen Sie die Lautstärke Ihrer eigenen Stimme für Ihr Headset ein.

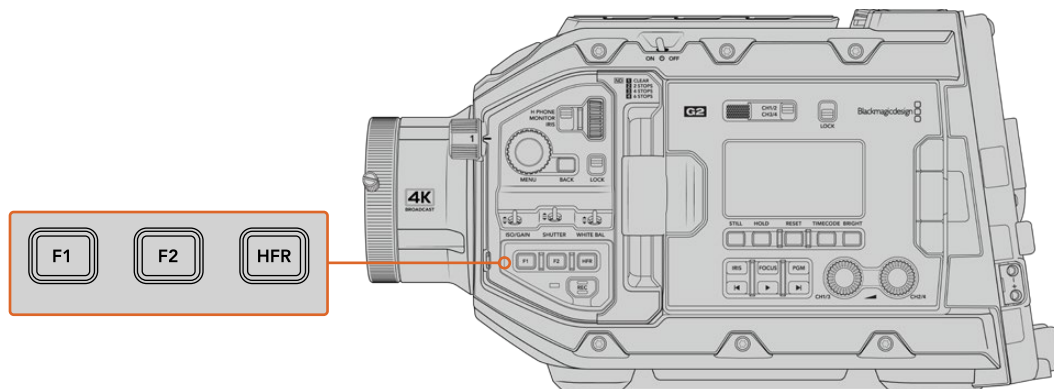
SETUP-Einstellungen 4

Auf der vierten Seite des SETUP-Tabs Ihrer URSA Broadcast G2 sind folgende Einstellungen enthalten:



FUNKTIONSTASTE EINRICHTEN

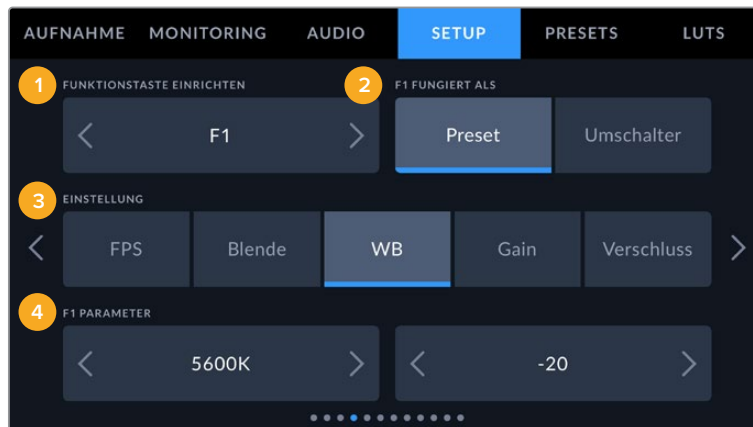
Neben dem LCD-Touchscreen Ihrer URSA Broadcast G2 finden Sie die beiden Funktionstasten F1 und F2. Diese lassen sich mit häufig verwendeten Funktionen belegen, die wiederum schnell abrufbar sind, wenn Sie Ihre Kamera ohne den LCD-Touchscreen verwenden, z. B. aber mit dem URSA Viewfinder. Standardmäßig ist die HFR-Taste mit „Offspeed-Aufzeichnung“ auf die Aufnahme mit der Offspeed-Framerate eingestellt. Sie können ihr jedoch andere Funktionen zuweisen.



Die Tasten F1, F2 und HFR befinden sich am vorderen Bedienfeld der URSA Broadcast G2

TIPP Wenn Ihre URSA Broadcast G2 mit einem B4-Objektiv mit Objektivverbinder bestückt ist, können Sie die VTR- und RET-Tasten als Funktionstasten konfigurieren und ihnen Preset- oder Umschaltfunktionen zuweisen. Das geht zusätzlich zu den F1-, F2- und HFR-Tasten.

Um diese Tasten zu belegen, wählen Sie zunächst anhand der Pfeiltasten eine Funktionstaste und dann ihr Verhalten, eine Einstellung und einen Parameter für diese Einstellung.



1 Taste 2 Verhalten 3 Einstellung 4 Parameter

FUNKTIONSTASTE FUNGIERT ALS „Preset“ oder „Umschalter“

Sobald Sie die Funktionstaste ausgewählt haben, die Sie belegen möchten, können Sie ihr Verhalten bestimmen. Es gibt folgende Möglichkeiten:

- **Preset**

Durch Einstellen auf „Preset“, also Voreinstellung, ruft das Drücken dieser Taste eine Kombination aus einer Einstellung und einem Parameter ab.

Um ein Preset festzulegen, wählen Sie aus dem EINSTELLUNG-Menü eine Einstellung, die Sie verwenden möchten und passen Sie sie mithilfe der Pfeile an.

Um bspw. die F1-Taste so einzustellen, dass sie einen voreingestellten Weißabgleich abrufen, wählen Sie mit den Pfeilen unter FUNKTIONSTASTE EINRICHTEN die Option „F1“. Stellen Sie dann unter F1 FUNGIERT ALS das Verhalten auf „Preset“ ein. Tippen Sie auf „WB“ und dann solange auf die Pfeile im „F1 PARAMETER“-Menü, bis der WB-Wert bei 5600K und der Tint bei -20 liegt.

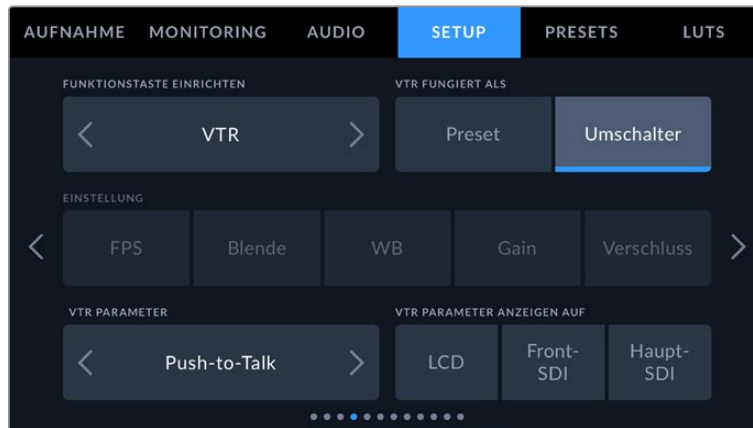
- **Umschalter**

Wenn eine Funktionstaste auf dieses Verhalten eingestellt ist, schaltet das Drücken der Taste eine bestimmte Einstellung ein oder aus. In diesem Modus ist das EINSTELLUNG-Menü ausgegraut. Tippen Sie stattdessen auf die Pfeile im PARAMETER-Menü, um die verfügbaren Optionen zu durchlaufen. Diese sind Clean-Feed, Mit LUT anzeigen, Bildrandmarkierungen, Focus Assist, Falschfarben, Zebra, Raster, Schutzbereichlinien, Offspeed-Aufzeichnung, Aufzeichnen, Programm-Return, Farbbalken, Fokuszoom und „Keine“.

Wenn Fokuszoom aktiviert ist, können Sie den Zoombereich mit dem Einstellrad am vorderen Bedienfeld verstellen und den Vergrößerungsgrad anpassen. Durch Drücken des Einstellrads wechselt man zwischen Zoom und Vergrößerung hin und her. Weitere Informationen zur Benutzung der auf das LCD angewendeten Zoomfunktion finden Sie im Abschnitt „Fokuszoom“.

Bei „Umschalter“-Verhalten können Sie auswählen, auf welche Ausgabe diese Einstellung angewendet werden soll. Tippen Sie dafür eine beliebige Kombination aus „LCD“, „Front-SDI“ und „Haupt-SDI“ an. Ist eine Ausgabe für eine Option nicht verfügbar, werden die Einstellungen für „LCD“, „Front-SDI“ und „Haupt-SDI“ deaktiviert. Ein Beispiel ist die Option „Farbbalken“. Diese wird immer auf alle Ausgaben angewendet.

An der URSA Broadcast G2 können Sie bspw. auch die RET- und VTR-Tasten eines B4-Objektivs als Funktionstasten konfigurieren. Für ISO-Aufzeichnungen über einen HyperDeck belegen viele Benutzer die VTR-Taste mit der Push-to-Talk-Funktion.



Konfigurieren der VTR-Taste eines B4-Objektivs als Push-to-Talk-Taste

SETUP-Einstellungen 5

Die fünfte Seite des SETUP-Tabs Ihrer URSA Broadcast G2 beinhaltet Einstellungen zum Konfigurieren des optionalen Blackmagic Zoom Demands. Diese Einstellungen sind nur aktiv, wenn ein Blackmagic Zoom Demand an Ihre URSA Broadcast G2 angebracht ist.

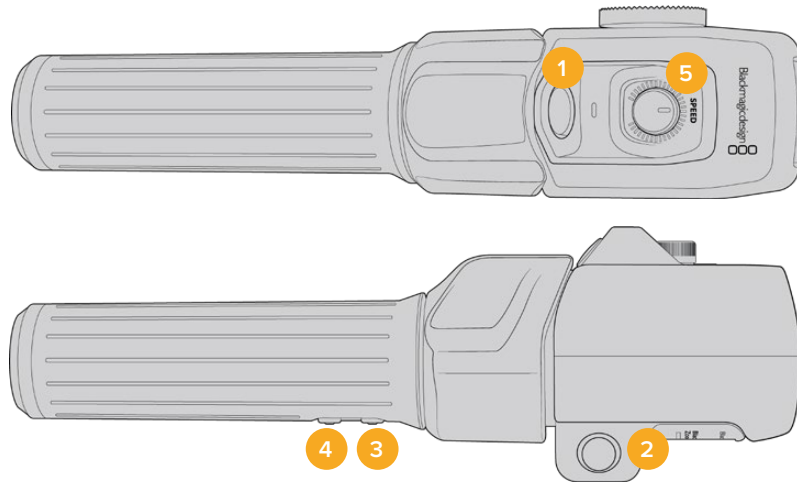
Weitere Informationen zum Anbringen und Verwenden des Blackmagic Zoom Demands mit Ihrer URSA Broadcast G2 finden Sie im Abschnitt „Blackmagic Zoom und Focus Demand“ weiter hinten im Handbuch.



ZOOMWIPPEN-RICHTUNG

- **Standard**
Die Standardrichtung der Zoomwippe. Durch Umlegen der Zoomwippe nach rechts zoomt man ein und durch Drücken nach links aus.
- **Umgekehrt**
Ist die Zoomwippen-Richtung auf „Umgekehrt“ eingestellt, drücken Sie die Zoomwippe zum Hineinzoomen nach links und zum Herauszoomen nach rechts.

Das Blackmagic Zoom Demand hat vier Funktionstasten und ein Einstellrad, denen Sie verschiedene Funktionen zuweisen können.



1 Zoom F1 2 Zoom F2 3 Zoom F3 4 Zoom F4 5 Rad

Um dem Rad oder einer der Zoomtasten eine andere Funktion zuzuweisen, wählen Sie „Rad“ oder eine Tastenzahl aus dem Menü FUNKTIONSTASTE EINRICHTEN. Wählen Sie als nächstes eine Funktion aus, indem Sie auf die Pfeiltasten auf beiden Seiten des Menüs TASTENPARAMETER tippen.

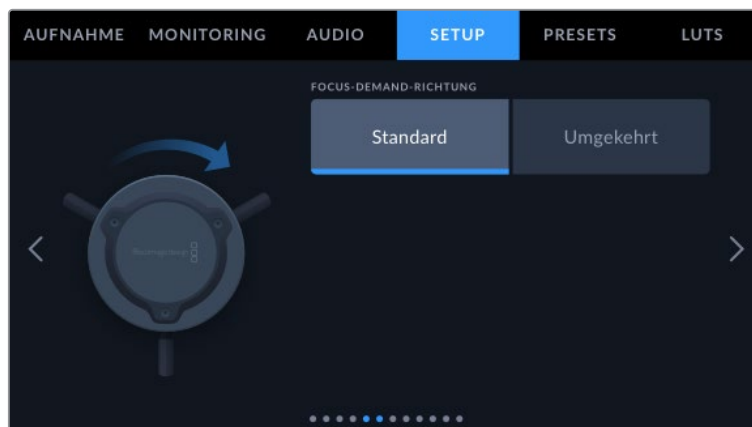
Parameteroptionen für Rad- und Funktionstasten:

Rad	Zoomgeschwindigkeit, Kopfhörerpegel, Blende, Fokus
Zoomtasten 1–4	Aufzeichnen, Push-to-Talk, Programm-Return, Fokuszoom, Bildrandmarkierungen, Statustext, Autofokus, Blendautomatik, Autom. Weißabgleich, Wiedergabe

SETUP-Einstellungen 6

Die sechste Seite des SETUP-Tabs Ihrer URSA Broadcast G2 beinhaltet je Einstellungen zum Konfigurieren des optionalen Blackmagic Focus Demands.

Weitere Informationen zum Anbringen und Verwenden des Blackmagic Focus Demands mit Ihrer URSA Broadcast G2 finden Sie im Abschnitt „Blackmagic Zoom und Focus Demand“ weiter hinten im Handbuch.



FOCUS-DEMAND-RICHTUNG

Die Richtung des Fokusrads am Focus Demand ändern Sie durch Auswählen von „Standard“ oder „Umgekehrt“.

- **Standard**
Um Motive in Objektivnähe scharfzustellen, drehen Sie das Fokusrad im Uhrzeigersinn, und für weiter entfernte Motive gegen den Uhrzeigersinn.
- **Umgekehrt**
Um Motive in Objektivnähe scharfzustellen, drehen Sie das Fokusrad gegen den Uhrzeigersinn, und für weiter entfernte Motive im Uhrzeigersinn.

SETUP-Einstellungen 7

Auf der siebten Seite des SETUP-Tabs Ihrer URSA Broadcast G2 sind folgende Einstellungen enthalten:



STATUS-LED

Am Frontbedienfeld der URSA Broadcast G2 befindet sich eine kleine LED, die Tally- und Statusinformationen anzeigt. Diese können Sie durch Antippen des Schalter-Icons ein- oder ausschalten.

Die LED zeigt folgende Statusmeldungen an:

Weiß	Die Kamera wird mit Strom versorgt und befindet sich im Standby-Modus.
Rot	Die Kamera zeichnet auf. Ein langsames Blinken zeigt an, dass Ihre Karte fast voll ist, während ein schnelles Blinken auf fallengelassene Frames hindeutet.
Grün	Die Kamera befindet sich im Wiedergabemodus. Ein langsames Blinken der grünen LED zeigt an, dass Ihre Kamera aktuell Clips wiedergibt. Bei Erkennen eines eingeführten Datenträgers blinkt die Status-LED abwechselnd dreimal grün und weiß.
Orange	Ist der Akku der Kamera schwach, beginnt die LED orangefarben sowie in der derzeitigen Statusfarbe zu blinken. Befindet sich die Kamera bspw. gerade im Aufzeichnungsvorgang, blinkt die LED orangefarben und rot. Befindet sich Ihre Kamera im Standby-Modus, blinkt die LED abwechselnd weiß und orangefarben. Die Grenze für einen schwachen Akku liegt bei prozentgenauen Akkus bei einem Ladezustand von 20 %, für andere Akkus bei 12,5 V.

STATUS-LED-HELLIGKEIT

Um die Helligkeit der Status-LED Ihrer URSA Broadcast G2 einzustellen, tippen Sie einfach auf „Niedrig“, „Mittel“ oder „Hoch“.

TIPP Die Status-LED-Einstellungen Ihrer Blackmagic URSA Broadcast G2 steuern auch die Status-LEDs am URSA Mini Recorder, dem Blackmagic Zoom Demand und dem Blackmagic Focus Demand.

HARDWARE-ID

Der Indikator HARDWARE-ID zeigt einen achtstelligen Identifikationscode für Ihre URSA Broadcast G2 an. Dieser ist einmalig und gilt nur für Ihre Kamera. Eine längere, 32-stellige Version dieses Codes ist außerdem in den Metadaten von Blackmagic-RAW- und ProRes-Video enthalten. Dies ist dann von Nutzen, wenn Sie herausfinden möchten, welches Material mit welcher Kamera gedreht wurde, sollten Dateinamen geändert worden sein.

SOFTWARE

Zeigt die derzeit auf Ihrer URSA Broadcast G2 installierte Softwareversion an. Weitere Informationen zum Aktualisieren der Software finden Sie unter „Blackmagic Camera Setup Dienstprogramm“.

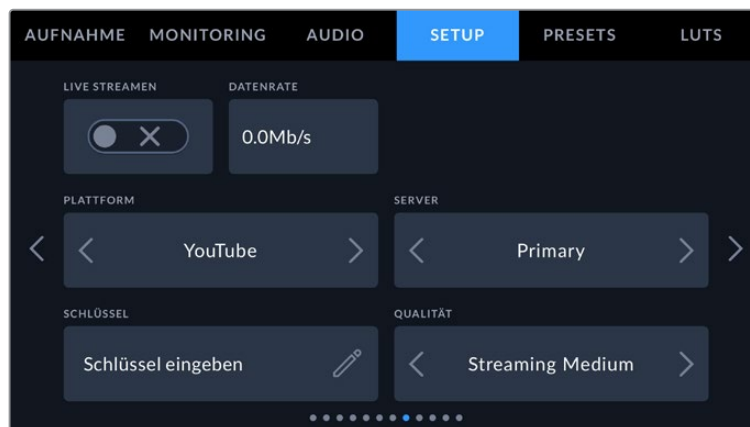
WIEDERGABE

Mithilfe dieser Einstellung legen Sie fest, ob Sie einen einzelnen Clip oder alle Clips wiedergeben möchten. „Alle Clips“ spielt alle passenden Medien der Reihe nach ab. „Einzelner Clip“ hingegen spielt jeweils nur einen Clip nach dem anderen ab. Dies gilt auch für die Loop-Funktion. Wird zusätzlich zu „Alle Clips“ die Loop-Funktion gewählt, werden alle Clips von Ihrem Speichermedium in Dauerschleife wiedergegeben. Ist „Einzelner Clip“ aktiviert, wird nur ein Clip in Dauerschleife gespielt.

SETUP-Einstellungen 8

Auf der achten Seite des SETUP-Tabs Ihrer URSA Broadcast G2 sind Einstellungen enthalten, um die Streaming-Optionen Ihrer Kamera vorzugeben.

Näheres zum Einrichten eines Streams auf Ihrer URSA Broadcast G2 finden Sie im Abschnitt „Video-Streaming“ weiter hinten in diesem Handbuch.



LIVE STREAMEN

Schalten Sie Ihren Stream mit dem Umschalter ein oder aus.

DATENRATE

Zeigt die Datenrate beim Streamen an.

PLATTFORM

Wählen Sie Ihre gewünschte Streaming-Plattform. Zur Wahl stehen u. a. YouTube, Twitter und Twitch.

SERVER

Wählen Sie den Server mit den Pfeilbuttons. Die Optionen unterscheiden sich je nach Streaming-Plattform.

SCHLÜSSEL

Tippen Sie auf das Stiftsymbol, um einen Streamschlüssel für Ihre Streaming-Plattform einzugeben.

QUALITÄT

Wählen Sie die Streamqualität mit den Pfeilbuttons.

SETUP-Einstellungen 9

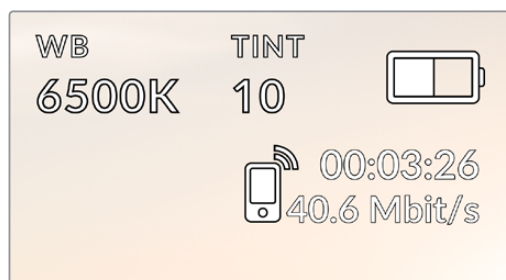
Auf der neunten Seite des SETUP-Tabs Ihrer URSA Broadcast G2 sind Einstellungen enthalten, die sich auf die Streaming-Optionen Ihrer Kamera beziehen.



STREAMDATEN

Schalten Sie die „Streamdaten“ mit dem Umschalter ein oder aus, um Informationen auf dem Statusdisplay Ihrer Kamera anzuzeigen. Diese erscheinen auf dem LCD, der Front-SDI- und der Haupt-SDI-Ausgabe.

Die Informationen beinhalten die fürs Streaming verwendete Verbindung, bspw. Ethernet oder ein Smartphone, einen Zähler, der die Dauer Ihres Streams anzeigt, sowie die Datenrate in Megabits pro Sekunde.



MIT 3D-LUT ANZEIGEN

Schalten Sie diese Einstellung ein, wenn Sie eine 3D-LUT auf Ihren Stream anwenden möchten.

TIPP Aktivieren der Einstellung MIT 3D-LUT ANZEIGEN wendet eine LUT nur auf die Direktausgabe des Streams an.

Wenn Sie beim Streamen gleichzeitig in Blackmagic-Raw- oder ProRes-Videocodern aufzeichnen, können Sie eine LUT mit den LUT-Optionen im AUFNAHME-Menü auf eine Datei oder in den MONITORING-Einstellungen auf die LCD- oder SDI-Ausgaben anwenden. Näheres hierüber finden Sie im Abschnitt „AUFNAHME-Einstellungen“.

NIEDRIGE LATENZ

Das Aktivieren von NIEDRIGE LATENZ sorgt für minimale Verzögerung zwischen dem Live-Geschehen und dem, was die Zuschauer sehen. Ist die Option deaktiviert, entsteht mehr Pufferung. Das ist hilfreich bei schlechten Internetverbindungen, die ggf. manchmal unterbrochen werden.

STREAM-EINSTELLUNGEN IMPORTIEREN

Tippen Sie auf „Einstellungen importieren“, um eine XML-Setupdatei zu importieren, damit Ihre Kamera eine ATEM Streaming Bridge im Internet finden kann.

Weitere Informationen zum Import einer XML-Setupdatei finden Sie im Abschnitt „Video-Streaming“ weiter hinten in diesem Handbuch.

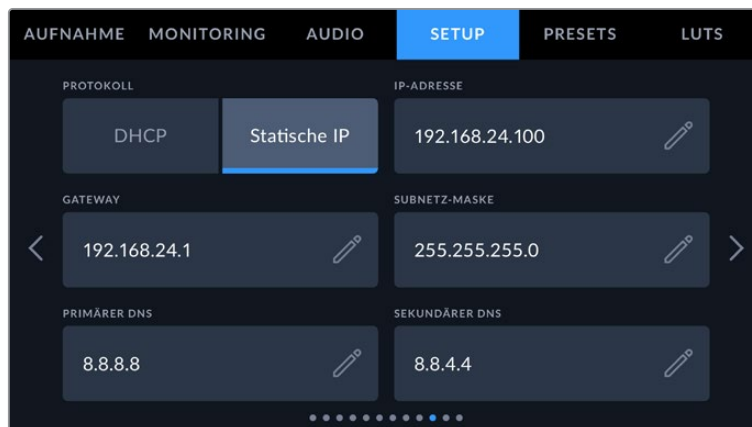
STREAM-EINSTELLUNGEN LÖSCHEN

Tippen Sie auf „Einstellungen löschen“, um die auf Ihre Kamera importierten Stream-Einstellungen zu löschen. Sie werden aufgefordert, Ihre Auswahl zu bestätigen.

SETUP-Einstellungen 10

Auf der zehnten Seite des SETUP-Tabs finden Sie die Netzwerkeinstellungen Ihrer Kamera.

Über diese Optionen konfigurieren Sie die Netzwerkeinstellungen. Hier geben Sie bspw. vor, ob Sie sich über DHCP oder eine statische IP-Adresse mit einem Netzwerk verbinden möchten.



Sie können sich über DHCP oder eine statische IP-Adresse mit einem Netzwerk verbinden

SETUP-Einstellungen 11

Auf der elften Seite des SETUP-Tabs Ihrer URSA Broadcast G2 sind folgende Einstellungen enthalten:



Der Bluetooth-Name der Kamera setzt sich aus dem in der Filmtafel vorgegebenen Buchstaben und der achtstelligen Hardware-ID Ihrer URSA Broadcast G2 zusammen

Bluetooth®

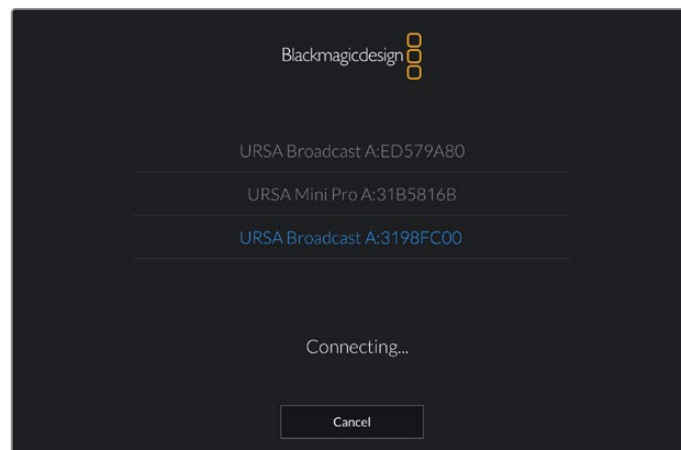
Die Bluetooth-Funktion der URSA Broadcast erlaubt es Ihnen, Ihre Kamera von anderen Geräten aus kabellos zu steuern. Mit der Blackmagic Camera Control App schalten Sie Ihre Kamera ein bzw. aus, ändern Einstellungen, justieren Metadaten und zeichnen von einem iPad aus der Ferne auf. Bluetooth lässt sich aktivieren und deaktivieren. Tippen Sie dazu auf das BLUETOOTH-Schalter-Icon im SETUP-Menü. Ist Bluetooth aktiviert, lässt sich die Kamera von Bluetooth-Geräten aus bis zu 9 Metern Entfernung erkennen.

Da die URSA Broadcast G2 für die Bluetooth-Steuerung dieselben Befehle verwendet wie für das Blackmagic SDI Camera Control Protocol, können Sie ihre eigenen Programme schreiben und so gut wie jede Kameraeinstellung fernsteuern – von der Bildkontrolle über Audioeinstellungen bis hin zur kamerainternen Farbkorrektur mit DaVinci Resolve sowie die Objektivsteuerung.

Weitere Informationen finden Sie im Abschnitt „Blackmagic SDI Camera Control Protocol“ in diesem Handbuch.

So koppeln Sie Ihre Kamera erstmalig mit einem iPad:

- 1 Bluetooth lässt sich aktivieren und deaktivieren. Tippen Sie dazu auf das BLUETOOTH-Schalter-Icon im SETUP-Menü Ihrer URSA Broadcast G2.
- 2 Öffnen Sie die Blackmagic Camera Control App und wählen Sie die URSA Broadcast G2 aus, mit der Sie sich verbinden wollen. Verfügbare Kameras werden mit ihrem Kennbuchstaben und ihrer eigenen Hardware-ID aufgelistet, bspw. A:3198FC00.



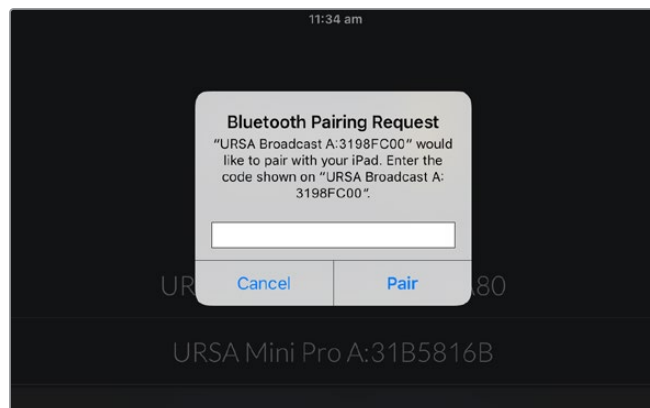
Wählen Sie die URSA Broadcast G2 aus, mit der Sie sich verbinden möchten

Nach der Installation und dem erstmaligen Öffnen der Blackmagic Camera Control App werden Sie gefragt, ob Sie mit „Allow location access“ Standortzugriff erlauben wollen. Wenn Sie dies für die Gebrauchsdauer der App mit „While using the app“ bejahen, werden die GPS-Koordinaten von Ihrem iPad in die Metadaten Ihrer gedrehten Dateien aufgenommen. So versehen Sie Ihre Footage mit Geotags. Diese Tags können in DaVinci Resolve 14 oder höheren Versionen eingesehen werden.

Wenn Sie diese Informationen nie verwenden wollen, wählen Sie „Never“.

Um diese Einstellungen zu ändern, gehen Sie auf Ihrem iPad unter „Einstellungen“ zu „Datenschutz“ > „Ortungsdienste“ > „Camera Control“.

- 3 Wenn die Kamera zuvor noch nicht mit Ihrem iPad gekoppelt war, fordert die Blackmagic Camera Control App Sie auf, einen sechsstelligen Code einzugeben. Dieser Code wird auf dem LCD der Kamera eingeblendet. Geben Sie den Code auf dem iPad ein.



- 4 Nun erscheint auf dem Bildschirm eine Bestätigung, dass Ihre URSA Broadcast G2 mit Ihrem iPad verbunden ist.



- 5 Verläuft die Verbindung mit Ihrem iPad nicht fehlerfrei, erscheint die folgende Fehlermeldung:



HINWEIS Sollten Sie Ihre URSA Broadcast G2 nicht per Bluetooth steuern, empfehlen wir, Bluetooth aus Sicherheitsgründen auszuschalten.

AKTUELLES GERÄT TRENNEN

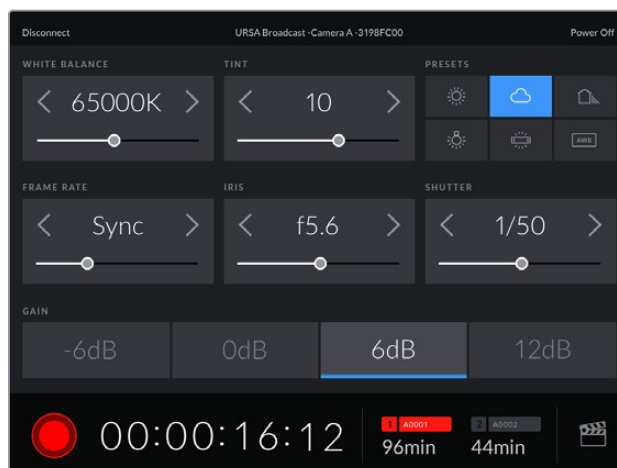
Trennen Sie Ihre URSA Broadcast G2 mithilfe dieser Option von dem iPad, mit dem die Kamera derzeit verbunden ist.

GEKOPPELTE GERÄTE LÖSCHEN

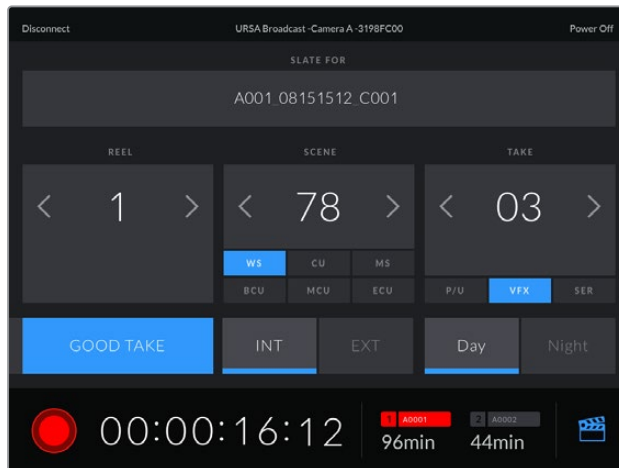
Verwenden Sie diese Einstellung, um die Liste aller Geräte zu löschen, mit denen Ihre URSA Broadcast G2 vorab verbunden war.

Steuerung der Kamera per Blackmagic Camera Control App

Sobald Ihre URSA Broadcast G2 erfolgreich mit Ihrem iPad verbunden ist können Sie Ihre Kamera ein- bzw. ausschalten, Einstellungen ändern, Metadaten anpassen und vom iPad aus der Ferne aufzeichnen.



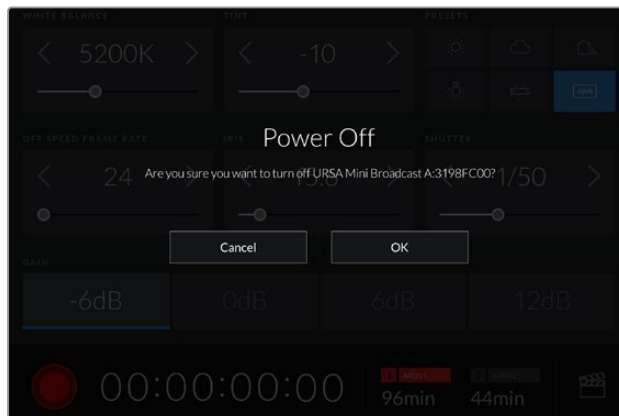
Sind beide Geräte miteinander verbunden, zeigt die Blackmagic Camera Control App diese Oberfläche an, über die Sie Einstellungen anpassen und die Aufzeichnung starten können



Öffnen und aktualisieren Sie über das Filmtafel-Icon in der unteren rechten Ecke die Filmtafel

Geräte kommunizieren zur drahtlosen Steuerung der URSA Broadcast G2 per Bluetooth LE. Da dieselbe Art von Protokoll auch von mobilen Geräten verwendet wird, benötigt es nur eine geringe Menge an Akkustrom.

Schalten Sie Ihre URSA Broadcast G2 aus, indem Sie in der oberen rechten Ecke auf „Camera Off“ tippen.

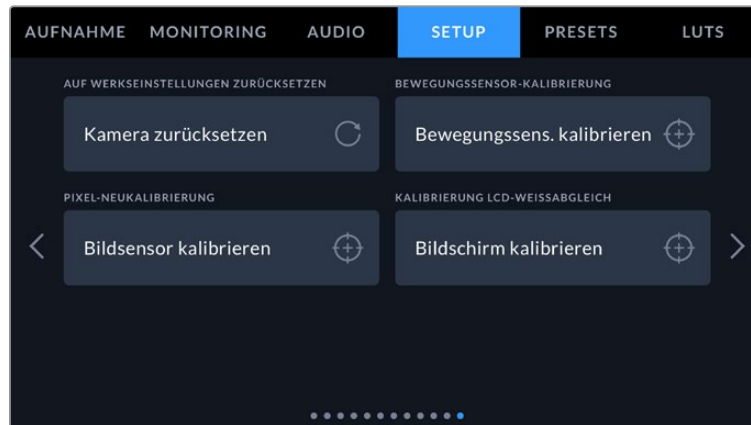


Sie werden aufgefordert, Ihre Auswahl zu bestätigen, bevor die Kamera ausgeschaltet wird

Ist Bluetooth aktiviert und die URSA Broadcast G2 ausgeschaltet, wird der Name der Kamera weiterhin in der Liste verfügbarer Geräte in der Blackmagic Camera Control App angezeigt. Da Kamera und iPad bereits gekoppelt sind, können Sie Ihre URSA Broadcast G2 nun aus der Ferne einschalten, indem Sie den Namen Ihrer Kamera auswählen und auf „Connect“ tippen. Ist Bluetooth deaktiviert, erscheint die Kamera nicht in der Liste.

SETUP-Einstellungen 12

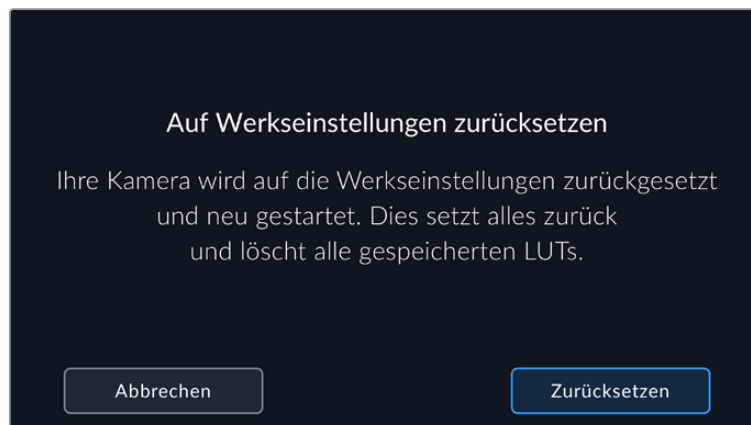
Auf der zwölften Seite des SETUP-Tabs Ihrer URSA Broadcast G2 sind folgende Einstellungen enthalten:



AUF WERKSEINSTELLUNGEN ZURÜCKSETZEN

Um die Kamera auf ihre Werkseinstellungen zurückzusetzen, tippen Sie auf **AUF WERKSEINSTELLUNGEN ZURÜCKSETZEN**. Sie werden dann aufgefordert, diese Auswahl noch einmal zu bestätigen, da derzeit gespeicherte LUTs und Presets dabei gelöscht werden. Tippen Sie im Bestätigungsfenster auf „Zurücksetzen“, um Ihre Kameraeinstellungen zurückzusetzen.

Wichtig: Das Zurücksetzen auf die Werkseinstellungen löscht sämtliche Presets und benutzerdefinierte LUTs und setzt alle Einstellungen zurück. Als bewährte Praxis fertigen Sie ein Backup dieser Daten auf einer Speicherkarte an, bevor Sie die Kamera auf ihre Werkseinstellungen zurücksetzen. Nach dem Zurücksetzen auf die Werkseinstellungen können Sie Ihre Presets und LUTs per Import von der Speicherkarte schnell wiederherstellen.



Beim Zurücksetzen auf die Werkseinstellungen werden Sie aufgefordert, Ihre Auswahl zu bestätigen

BEWEGUNGSSENSOR-KALIBRIERUNG

Um das Horizont-Meter zu kalibrieren, stellen Sie Ihre Kamera auf eine ebene Oberfläche und tippen Sie auf „Bewegungssensor kalibrieren“. Es ist wichtig, die Kamera während der Kalibrierung stillzuhalten. Auf diese Weise wird sichergestellt, dass die beim Filmen in Blackmagic-RAW-Dateien aufgezeichneten Metadaten des Bewegungssensors korrekt sind. Dieser Prozess dauert ungefähr fünf Sekunden.

Der Horizont kann bei Bedarf auch dezentriert eingestellt werden. Wenn Sie beispielsweise eine Neigung in einem gleichbleibenden Winkel einfangen wollen, kalibrieren Sie den Bewegungssensor einfach im gewünschten Winkel. Verwenden Sie dann das Horizont-Meter, um diesen Winkel beim Dreh beizubehalten.

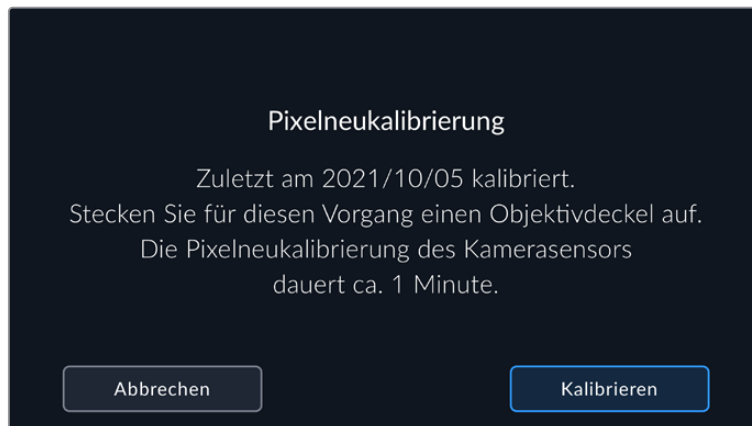
Die Daten des Bewegungssensors dienen in DaVinci Resolve zur Clipstabilisierung. Näheres finden Sie im Abschnitt „Gyrosensor-Stabilisierung“.

PIXEL-NEUKALIBRIERUNG

Der in Ihre URSA Broadcast G2 verbaute CMOS-Sensor besteht aus Millionen von Pixeln, die auf Licht reagieren. Sie werden somit sichtbar und aufgrund dessen im Allgemeinen als „Hot Pixel“ bezeichnet. Alle Kamerasensoren – unabhängig vom Hersteller – entwickeln mit der Zeit diese Abweichung in der Pixel-Helligkeit.

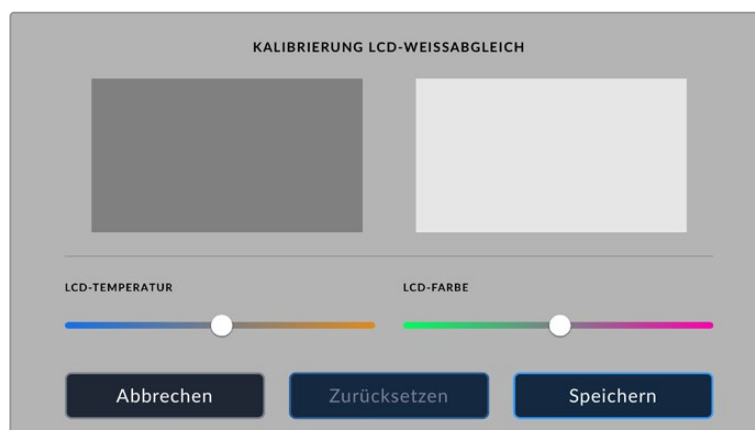
Um diese zu beheben, ist in die URSA Broadcast G2 eine Kalibrierungsfunktion integriert, die Sie ausführen können, wenn manche Pixel heller als andere sind.

Starten Sie diesen Vorgang, indem Sie den Objektivdeckel aufsetzen. Führen Sie dann die PIXEL-NEUKALIBRIERUNG aus, indem Sie auf „Bildsensor kalibrieren“ tippen. Bestätigen Sie Ihre Auswahl mit „Kalibrieren“. Dieser Prozess dauert ungefähr eine Minute.



KALIBRIERUNG LCD-WEISSABGLEICH

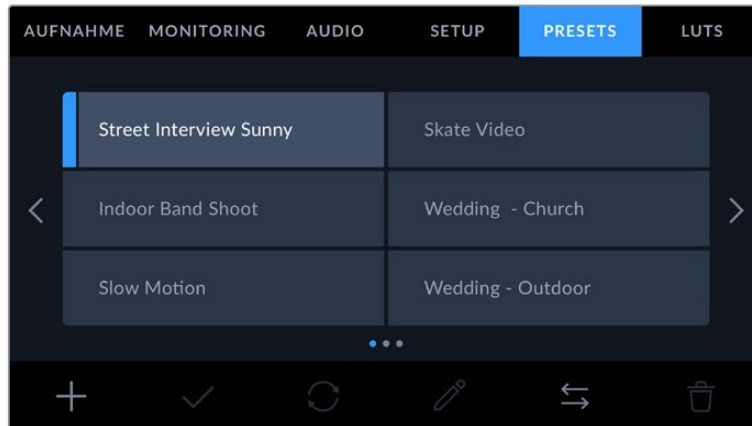
Um den Weißabgleich des LCDs zu kalibrieren, justieren Sie die Werte für LCD-TEMPERATUR und LCD-FARBE, bis die beiden Referenzflächen neutral wirken. Nach Ändern der Einstellungen können Sie anhand des „Zurücksetzen“-Buttons zu den werksseitigen Kalibriereinstellungen zurückkehren. Der „Wiederherstellen“-Button bringt Ihre geänderten Einstellungen zurück. So lässt sich der Stand vor und nach der Kalibrierung besser vergleichen. Wenn der Weißabgleich auf dem LCD stimmt, speichern Sie Ihre Einstellungen.



PRESETS

Über den PRESETS-Tab können Sie eine ganze Sammlung an Einstellungen für Ihre URSA Broadcast G2 als Voreinstellung speichern und wieder abrufen. Das ist nützlich, wenn Ihre Kamera für mehrere Projekte verwendet wird. Es könnte ja sein, dass Sie Ihre URSA Broadcast G2 für eine ganze Reihe verschiedener Shots einsetzen, z. B. Dokumentationen oder Musikvideos, die alle unterschiedlicher Einstellungen bedürfen. Mit der Presets-Funktion Ihrer URSA Broadcast G2 können Sie das Setup eines bestimmten Projekts oder Shot-Typs abspeichern, um es bei Bedarf schnell und mühelos wieder abzurufen.

Außerdem lassen sich Presets importieren und exportieren. Das ist für Dreharbeiten mit mehreren Kameras praktisch. Stellen Sie die URSA Broadcast G2 einfach Ihrem Projekt entsprechend ein und exportieren Sie die Voreinstellungen für alle anderen URSA Broadcast G2s am Set.



PRESETS-Tab Ihrer URSA Broadcast G2

HINWEIS Der interne Speicher Ihrer URSA Broadcast G2 fasst bis zu 60 Presets.

Presets-Icons

Die Icons am unteren Rand des PRESETS-Menüs Ihrer URSA Broadcast G2 entsprechen folgenden Funktionen:

				
Hinzufügen	Laden	Aktualisieren	Verwalten	Löschen

Speichern und Laden von Presets

Tippen Sie zum Erstellen eines neuen Projekts auf das Hinzufügen-Icon. Es erscheint eine Tastatur auf Ihrem LCD-Touchscreen. Geben Sie dort den Namen für Ihr Preset ein. Tippen Sie anschließend auf „Aktualisieren“, um alle aktuellen Einstellungen Ihrer URSA Broadcast G2 in diesem Preset zu speichern.

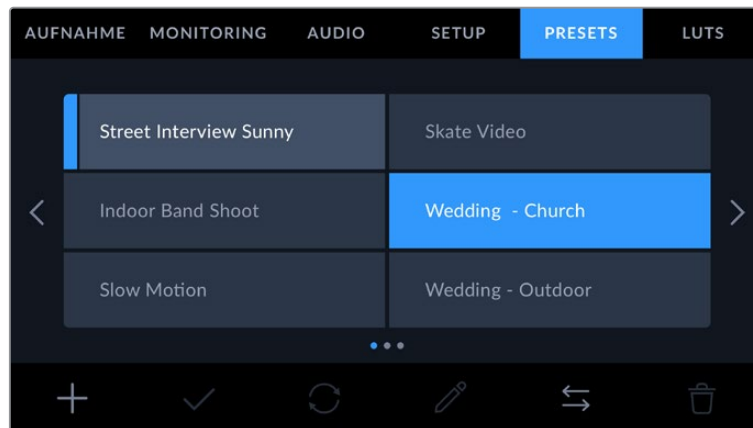
Sollte die URSA Broadcast G2 bereits ein Preset mit demselben Namen geladen haben, werden Sie aufgefordert, das existierende Preset zu ersetzen oder beide zu behalten.



Tippen Sie auf dem PRESETS-Tab auf das Hinzufügen-Icon und geben Sie mithilfe der Tastatur einen Namen ein

Wenn Sie ein gespeichertes Preset abrufen möchten, tippen Sie auf seinen Namen. Tippen Sie auf das Laden-Icon, um es zu laden.

Sie können ein Preset aktualisieren, indem Sie auf den „Aktualisieren“-Button tippen. Es erscheint ein Fenster, das abfragt, ob Sie die aktuelle Einstellung Ihrer URSA Broadcast G2 für das Preset übernehmen wollen. Tippen Sie zur Bestätigung auf den „Aktualisieren“-Button.



Wählen Sie ein Preset und laden Sie es über das Laden-Icon. Ausgewählte Presets erscheinen komplett in Blau, während aktuell geladene Presets mit einem blauen Balken am linken Rand der Schaltfläche angezeigt werden

Importieren von Presets

Um Presets zu importieren, tippen Sie auf das Verwalten-Icon am unteren Rand des PRESETS-Menüs. Stellen Sie den Datenträgerschalter je nachdem, wo Ihre Presets gespeichert sind, auf „SD“ oder „CFAST“. Sie können Presets auch von einem USB-C-Laufwerk oder einer SSD importieren, falls Sie einen URSA Mini Recorder verwenden.

Tippen Sie unter IMPORTIEREN VON auf die Karte oder das Laufwerk, auf dem sich das zu importierende Preset befindet, und bestätigen Sie Ihre Auswahl mit dem „Importieren“-Button. Es erscheint der Import-Bildschirm. Benutzen Sie die Reiter links oben auf dem Bildschirm, um alle verfügbaren Presets auf diesen Karten anzuzeigen.

Ihre URSA Broadcast G2 durchsucht daraufhin das Stammverzeichnis und den „Presets“-Ordner auf dem gewählten Datenträger. Bitte beachten Sie, dass Presets, die in anderen Ordnern auf Ihrem Datenträger gesichert wurden, nicht gefunden werden können.

Tippen Sie auf ein Preset, um es auszuwählen, und anschließend zur Bestätigung auf „Importieren“. Hat das Preset denselben Namen wie ein bereits auf Ihrer Kamera gespeichertes Preset, werden Sie aufgefordert, das existierende Preset zu ersetzen oder beide zu behalten. Oben rechts auf dem Touchscreen sehen Sie die Anzahl der verfügbaren Preset-Slots auf Ihrer Kamera.

HINWEIS Wenn alle Preset-Slots auf Ihrer URSA Broadcast G2 besetzt sind, ist das Importmenü nicht verfügbar. Schaffen Sie dann durch Löschen vorhandener Presets wieder Platz.

Exportieren von Presets

Wenn Sie ein Preset auf eine CFast- oder SD-Karte exportieren möchten, tippen Sie zunächst auf das Preset und dann auf das Verwalten-Icon.

Wählen Sie unter PRESET VERWALTEN „Ausgewähltes exportieren“. Stellen Sie den Datenträgerschalter je nachdem, wohin Sie das Preset exportieren möchten, auf „SD“ oder „CFAST“. Sie können Presets auch auf ein USB-C-Laufwerk oder eine SSD exportieren, falls Sie einen URSA Mini Recorder verwenden. Tippen Sie unter EXPORTIEREN NACH auf die Karte oder das Laufwerk, auf das Sie Ihr Preset exportieren möchten. Bestätigen Sie Ihre Auswahl mit „Exportieren“.

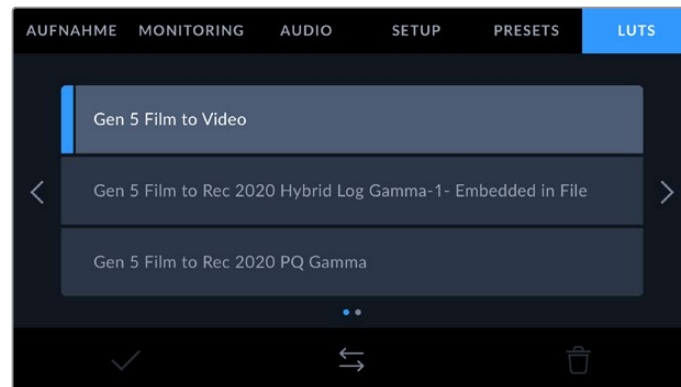
Ist auf dem Datenträger bereits ein Preset mit demselben Namen gespeichert, werden Sie aufgefordert, dieses Preset zu ersetzen oder beide zu behalten.

Löschen von Presets

Ihre URSA Broadcast G2 bietet Platz für 60 Presets. Zum Löschen eines Presets, wählen Sie es aus und tippen auf das Löschen-Icon. Sie werden aufgefordert, Ihre Auswahl zu bestätigen. Tippen Sie zur Bestätigung auf „Löschen“.

LUTS

Im LUTS-Menü können Sie 3D-LUTs importieren, exportieren und auf die Ausgaben Ihrer Kamera anwenden.



LUTS-Tab Ihrer URSA Broadcast G2

3D-LUTs vorgestellt

Ihre URSA Broadcast G2 erlaubt die Anwendung von 3D-LUTs auf Bilder über den LCD-Touchscreen, den Front- und den Haupt-SDI-Ausgang. LUTs geben der Kamera vor, welche Farbe und Luminanz sie in der Ausgabe auf welche Farbe und Luminanz der Eingabe anwenden soll. Das ist praktisch, wenn Sie bspw. kameraintern mit normaler Farbgebung filmen, gleichzeitig aber Vorschau-Signale mit sendesicheren Farben an einen Monitor oder Mischer weiterleiten möchten. Auch bei der Aufzeichnung von Blackmagic-RAW-Material oder bei Verwendung des Dynamikumfangs „Film“ ist das nützlich. Beides liefert ein gewollt ungesättigt und kontrastarm wirkendes Bild. Wenden Sie eine LUT auf Ihr Material an, bekommen Sie einen Eindruck, wie Ihre Footage nach der Farbkorrektur aussehen wird.

3D-LUTs lassen sich problemlos in DaVinci Resolve oder einer anderen Farbkorrektur-Software erstellen. Außerdem sind LUTs auch online erhältlich. Ihre URSA Broadcast G2 kann bis zu dreißig 17-Punkt- oder 33-Punkt-3D-LUTs mit je bis zu 1,5 Megabytes speichern. Sobald eine LUT geladen ist, können Sie sie auf dem LCD-Touchscreen bzw. der Front- oder Haupt-SDI-Ausgabe oder in einer beliebigen Kombination aus allen anzeigen.

Ihre URSA Broadcast G2 unterstützt 33-Punkt-3D-LUTs im .cube-Format von DaVinci Resolve und ins Resolve .cube-Format konvertierte 17-Punkt-3D-LUTs. Möglich ist die Konvertierung mit LUT-Konvertierungsprogrammen. Ihre Kamera verarbeitet 3D-LUTs mithilfe von qualitativ hochwertiger tetrahedraler Interpolation.

Näheres zur Anzeige von LUTs finden Sie im Abschnitt „MONITORING-Einstellungen“ in diesem Handbuch.

HINWEIS Ihre URSA Broadcast G2 wendet LUTs nicht standardmäßig auf aufgenommene Footage an oder brennt sie ein. Sie können jedoch vorgeben, die LUT in Ihre Footage einzubrennen.

Diese Option kann nützlich sein, wenn Sie in der Postproduktion keine Zeit für das Grading Ihrer Footage haben oder die Footage direkt an den Kunden oder Editor übergeben werden muss.

Bei der Verwendung von LUTs als Vorschautool am Set werden die Informationen der angewendeten LUT als Metadaten zusammen mit Ihren Aufnahmen gespeichert. DaVinci Resolve

zeigt diese Informationen im Metadata-Tab im Feld „LUT Used“ (Verwendete LUT) an. Dies kann für Coloristen hilfreich sein, um den Namen der am Set verwendeten LUT zu überprüfen.

Integrierte LUTs

Ihre URSA Broadcast G2 verfügt über unterschiedliche LUTs. Material, das im Dynamikumfang „Film“ oder in Blackmagic RAW aufgezeichnet wurde, können Sie im Vorschaumodus somit verschiedene Looks verpassen.

- **Gen 5 Film to Extended Video**
Stellt einen breiteren Dynamikumfang als die LUT „Film to Video“ dar. Liefert unter Anwendung einer leichten Änderung am Kontrast ein geschmeidiges Roll-Off in den Highlights.
- **Gen 5 Film to Rec 2020 Hybrid Log Gamma**
Zeigt eine für HDR-Bildschirme geeignete Gammakurve an und ist kompatibel mit Bildschirmen mit Standard-Dynamikumfang.
- **Gen 5 Film to Rec 2020 PQ Gamma**
Bietet eine Vorschau mit Gammakurve, die darauf basiert, was das menschliche Auge wahrnehmen kann. Eignet sich für effizientes Encoding von HDR-Bildern.
- **Gen 5 Film to Video**
Ähnlich der Rec.709-Farbnorm für High-Definition-Video mit hohen Kontrast- und Sättigungspegeln. Die Einstellung kann sich als hilfreich erweisen, wenn Sie die URSA Broadcast G2 zusammen mit anderen Broadcastkameras einsetzen, die auf den Rec.709-Farbraum beschränkt sind.

LUTS-Icons

Die Icons am unteren Rand des LUTS-Menüs Ihrer URSA Broadcast G2 unterstützen folgende Funktionen:



Importieren von LUTs

Um eine 3D-LUT zu importieren, tippen Sie auf das Verwalten-Icon am unteren Rand des LUTS-Menüs. Stellen Sie den Datenträgerschalter je nachdem, wo Ihre LUTs gespeichert sind, auf „SD“ oder „CFAST“. Sie können LUTs auch von einem USB-C-Laufwerk oder einer SSD importieren, falls Sie einen URSA Mini Recorder verwenden.

Tippen Sie unter IMPORTIEREN VON auf die Karte oder das Laufwerk, auf dem sich die zu importierende LUT befindet, und dann auf den „Importieren“-Button. Benutzen Sie die Reiter links oben auf dem Bildschirm, um alle verfügbaren LUTs auf anderen Karten oder an Ihre Kamera angeschlossenen Laufwerken anzuzeigen.

Ihre URSA Broadcast G2 durchsucht daraufhin das Stammverzeichnis und den „3DLUTS“-Ordner auf dem gewählten Datenträger. An anderer Stelle gespeicherte LUTs können nicht gefunden werden.

Wählen Sie eine LUT aus und tippen Sie zur Bestätigung auf „Importieren“. Die LUT wird auf Ihrer URSA Broadcast G2 gespeichert.

HINWEIS Sind alle sechs Plätze für 3D-LUTs Ihrer URSA Broadcast G2 befüllt, können Sie erst dann weitere importieren, wenn Sie durch Löschen vorhandener LUTs Platz schaffen.

Hat die LUT denselben Namen wie eine bereits auf Ihrer Kamera gespeicherte LUT, werden Sie aufgefordert, die existierende LUT zu ersetzen oder beide zu behalten. Oben rechts auf dem Touchscreen sehen Sie die Anzahl der verfügbaren LUT-Slots auf Ihrer Kamera. Sie können nur so viele LUTs laden, wie Slots vorhanden sind.

HINWEIS Sollte beim Importieren einer LUT in Ihre URSA Broadcast G2 ein Problem auftreten, ist ihre Größe womöglich inkorrekt. Die Größe einer LUT können Sie mithilfe eines LUT-Editors wie Lattice oder mit einem beliebigen Texteditor auf Ihrem Rechner prüfen. Die neben dem Tag „LUT_3D_SIZE“ erscheinende Zahl gibt Aufschluss über die Größe der LUT. Beträgt dieser Wert weder 17 noch 33, können Sie Ihre 3D-LUT mithilfe von Lattice auf 17 Punkte reduzieren.

Anwenden einer LUT

Sobald Sie eine LUT auf Ihrer Kamera gespeichert haben, wählen Sie sie aus und tippen Sie anschließend auf das Laden-Icon. Daraufhin wird die LUT auf alle Ausgänge Ihrer Kamera angewendet. Jedoch müssen Sie zusätzlich die Option „Mit LUT anzeigen“ für jede Ausgabe im MONITORING-Menü aktivieren, um sie auch tatsächlich anzuzeigen. Näheres finden Sie im Abschnitt „MONITORING-Einstellungen“ in diesem Handbuch.

Exportieren von LUTs

Um eine LUT auf eine CFast- oder SD-Karte zu exportieren, wählen Sie sie aus und tippen Sie auf das Verwalten-Icon. Wählen Sie unter LUT VERWALTEN „Ausgewählte exportieren“. Stellen Sie den Datenträgerschalter je nachdem, wohin Sie die LUT exportieren möchten, auf „SD“ oder „CFAST“. Sie können LUTs auch auf ein USB-C-Laufwerk oder eine SSD exportieren, falls Sie einen URSA Mini Recorder verwenden.

Tippen Sie unter EXPORTIEREN NACH auf die Karte oder das Laufwerk, auf das Sie Ihre LUT exportieren möchten. Bestätigen Sie Ihre Auswahl mit „Exportieren“. Wird auf der Karte oder dem Laufwerk für den Export ein LUT-Duplikat gefunden, werden Sie gefragt, ob Sie die LUT ersetzen oder beide LUTs behalten möchten.

Löschen von LUTs

Ihre URSA Broadcast G2 bietet Platz für 30 x 17-Punkt- oder 33-Punkt-3D-LUTs. Wenn Sie eine LUT löschen möchten, weil Sie sie nicht mehr benötigen oder weil Sie Platz schaffen möchten, wählen Sie die entsprechende LUT aus und tippen Sie auf das Löschen-Icon. Sie werden aufgefordert, Ihre Auswahl zu bestätigen. Tippen Sie zur Bestätigung auf „Löschen“.

Eingebettete 3D-LUTs

Ist beim Filmen in Blackmagic RAW auf der URSA Broadcast G2 eine 3D-LUT angewendet, wird diese in die aufgezeichnete Blackmagic-RAW-Datei eingebettet. Die 3D-LUT wird mit Ihren aufgezeichneten Dateien in der Kopfzeile der BRAW-Datei (.braw) gespeichert. So kann man die LUT in der Postproduktion mühelos auf die Footage anwenden, ohne eine separate Datei handhaben zu müssen.

Mit Blackmagic-RAW-Dateien können Editoren oder Coloristen leicht auf die beim Filmen verwendete LUT zugreifen. Das reduziert das Risiko, dass versehentlich eine falsche 3D-LUT auf einen Clip angewendet wird. Während des Schnitts oder Colorgradings der Footage kann die 3D-LUT jederzeit aktiviert oder deaktiviert werden.

Ist das Schalter-Icon unter LUT IN DATEI ANWENDEN im AUFNAHME-Menü der URSA Broadcast G2 aktiviert, wird dieser Clip beim Öffnen im Blackmagic RAW Player und in DaVinci Resolve mit der angewendeten ausgewählten 3D-LUT dargestellt. Die 3D-LUT lässt sich durch Antippen des Schalter-Icons leicht ein- und ausschalten. Sie ist aber immer in der Blackmagic-RAW-Datei enthalten, da die entsprechenden Daten im Clip gespeichert sind.

In DaVinci Resolve bietet das Menü mit den RAW-Einstellungen einen „Apply LUT“-Schalter, mit dem sich die 3D-LUT in der Blackmagic-RAW-Datei de- bzw. aktivieren lässt. Die „Apply LUT“-Einstellung in DaVinci Resolve gleicht der Einstellung in der Kamera. Dies ermöglicht Ihnen, dem Coloristen schon beim Dreh anhand der in der Kamera angewendeten LUT eine Orientierungshilfe zu geben. Diese LUT kann in DaVinci Resolve aber einfach deaktiviert werden, indem man „Apply LUT“ auf OFF setzt.

Eingeben von Metadaten

Metadaten sind Informationen, die innerhalb eines Clips gespeichert werden. Dazu gehören Shot-Nummern, Kameraeinstellungen und andere identifizierende Angaben. Metadaten sind extrem nützlich, um Footage in der Postproduktion zu sortieren und zu bearbeiten. Bspw. sind Take- und Shot-Nummern das A und O für die Organisation, während Objektivinformationen dazu genutzt werden können, Verzeichnungen automatisch zu entfernen oder VFX-Assets besser auf Matten abzustimmen.

Ihre Blackmagic URSA Broadcast G2 speichert Clips automatisch mit einigen Metadaten ab. Dazu gehören Kameraeinstellungen, Timecode, Datum und Uhrzeit. Sie können die Filmtafelfunktion Ihrer Kamera nutzen, um viele weitere Informationen hinzuzufügen.

Die Filmtafel

Wenn Sie auf dem Touchscreen der URSA Broadcast G2 nach links oder rechts wischen, wird die Filmtafel eingeblendet.

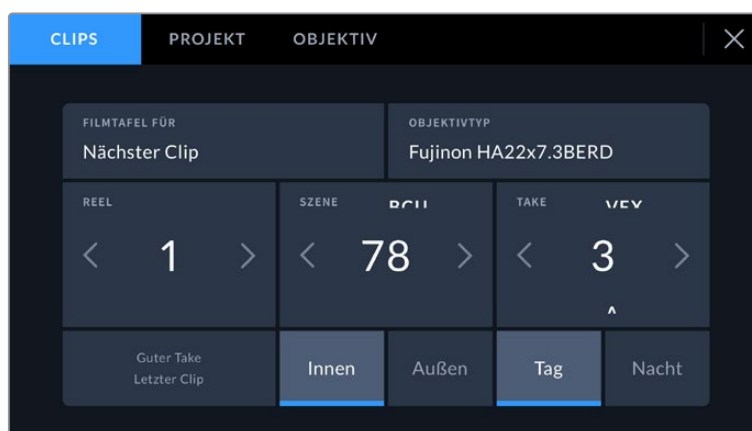
Die Filmtafel ist in drei Tabs unterteilt: CLIPS, PROJEKT und OBJEKTIV. Auf dem Tab CLIPS finden Sie Informationen, die von Clip zu Clip variieren, während Sie unter PROJEKT gängige Details eingeben, wie bspw. Projektname, Regisseur sowie Kamera und Kameraoperator. Der OBJEKTIV-Tab zeigt Informationen zum Objektiv an, das an Ihrer Kamera angebracht ist. Wenn das Objektiv Informationen automatisch an Ihre Kamera zurückübermittelt, werden diese hier angezeigt. Sie können Objektivdaten auch manuell eingeben.

TIPP Über die Filmtafel eingegebene Metadaten können über die Front- oder Haupt-SDI-Ausgabe Ihrer URSA Broadcast G2 eingesehen werden, wenn auf dem MONITORING-Tab unter STATUSTEXT ANZEIGEN FÜR „Regisseur“ eingestellt ist. Näheres finden Sie im Abschnitt „MONITORING-Einstellungen“ in diesem Handbuch.

CLIP-Metadaten

Wie Metadaten gespeichert werden, hängt davon ab, ob sich Ihre URSA Broadcast G2 aufnahmebereit im Standby-Modus befindet oder im Wiedergabemodus bereits aufgenommenes Material gesichtet wird. Im Standby-Modus werden Clip-Metadaten für den nächsten Clip aufgezeichnet, es sei denn, es handelt sich um einen Clip mit der Kennzeichnung „Guter Take Letzter Clip“, die sich auf den letzten aufgezeichneten Clip bezieht.

Im Wiedergabemodus werden Metadaten immer für den derzeit abgespielten Clip aufgezeichnet.



Die Filmtafel Ihrer URSA Broadcast G2 ist in die Tabs CLIPS, PROJEKT und OBJEKTIV unterteilt

FILMTAFEL FÜR

Diese Einstellung zeigt an, auf welchen Clip sich die aktuell angezeigten Metadaten beziehen. Im Standby-Modus gelten diese Einstellungen für den nächsten Clip, der aufgenommen wird.

OBJEKTIVTYP

Hier werden Informationen zum Objektiv angezeigt, das an Ihrer Kamera angebracht ist. Weitere Informationen zum Objektivtyp finden Sie im nachstehenden Abschnitt.

REEL

Der REEL-Indikator zeigt die aktuelle Bandnummer an.

Ihre URSA Broadcast G2 erhöht die Bandnummer in der Regel automatisch, sodass Sie dies nicht manuell tun müssen. Wenn Sie für ein neues Projekt mit Band 1 anfangen möchten, tippen Sie auf dem PROJEKT-Tab der Filmtafel auf „Daten zurücksetzen“, um Ihre Projektdaten zurückzusetzen.

SZENE

Der SZENE-Indikator zeigt die aktuelle Szenennummer an. Gleichzeitig können auch Shot-Nummer und -Typ angezeigt werden.

Die Zahl auf dieser Anzeige bezieht sich immer auf die aktuelle Szene. Mithilfe der Rechts- und Linkspfeile neben der Szenennummer können Sie diese anpassen. Oder tippen Sie auf die Szenennummer, um für eine manuelle Eingabe auf den Editor zuzugreifen.

Szenennummern reichen von 1 bis 999.

Wenn Sie die aktuelle Einstellung (Shot) kennzeichnen möchten, fügen Sie einfach im Szenennummern-Editor einen Buchstaben hinzu. Beispiel: „23A“ steht für Szene 23 und Einstellung 1. Wenn Sie Ihrer Szenennummer einen Shot-Buchstaben hinzugefügt haben, schlägt Ihre Kamera beim Öffnen des Szenennummer-Editors jedes Mal die nächste Szenennummer und den entsprechenden Shot-Buchstaben vor. Wenn Ihre aktuelle Szenennummer bspw. 7B ist, schlägt Ihnen die Kamera „8“ und „7C“ vor.

Der Szenennummern-Indikator kann außerdem Informationen über den Shot-Typ in der oberen rechten Ecke anzeigen. Wählen Sie diese im Szenennummern-Editor rechts neben der Tastatur aus.

Folgende Shot-Typen sind verfügbar:

WS	Wide Shot (Totale)
MS	Medium Shot (Halbnah)
MCU	Medium Close Up (Nah)
CU	Close Up (Großaufnahme)
BCU	Big Close Up (Nahaufnahme)
ECU	Extreme Close Up (Detail)



Beim Eingeben von Szenen-Metadaten werden Ihnen auf der Touchtastatur Ihrer URSA Broadcast G2 Hochzählarten links und Shot-Typen rechts vorgeschlagen

TAKE

Der TAKE-Indikator zeigt die Takenummer des derzeitigen Shots an. Diese können Sie entweder durch Antippen der Pfeile neben der Takenummer oder über den Takenummern-Editor durch Tippen auf den Indikator erhöhen oder verringern.

TIPP Bei erweiterten Shot-Nummern oder Szenenbuchstaben, geht die Takenummer auf 1 zurück.

Im Takenummern-Editor lassen sich zudem Beschreibungen hinzufügen. Diese werden Ihnen rechts neben der Takenummern-Tastatur angeboten und beziehen sich auf folgende Szenarien:

PU	Pick up: Dies bezieht sich auf den Re-Shoot eines vorherigen Takes, um zusätzliches Material hinzuzufügen, nachdem die Dreharbeiten bereits beendet wurden.
VFX	Visual Effects: Dies bezieht sich auf einen Take oder Shot, der für visuelle Effekte gedacht ist.
SER	Series: Dies bezieht sich auf eine Situation, in der mehrere Takes aufgezeichnet werden, während die Kamera ununterbrochen filmt.



Tippen Sie auf „A“, um automatisches Take-Hochzählen für alle Clips im Standby-Modus zu aktivieren. Bei Aktivierung erscheint nun ein kleines „A“ neben der Take-Nummer auf der Slate

Beim Eingeben von Take-Metadaten auf Ihrer URSA Broadcast G2 werden Ihnen rechts neben der Touchtastatur zusätzliche Shot-Typen vorgeschlagen

Guter Take

Tippen Sie auf die „Guter Take“-Schaltfläche, um gute Aufnahmesequenzen für einen schnellen Abruf in der Postproduktion zu markieren. Diese Markierung bezieht sich entweder auf den letzten aufgezeichneten Clip, wenn Ihre URSA Broadcast G2 im Standby-Modus ist, oder auf den Clip, der zurzeit im Wiedergabemodus abgespielt wird.

Innen/Außen

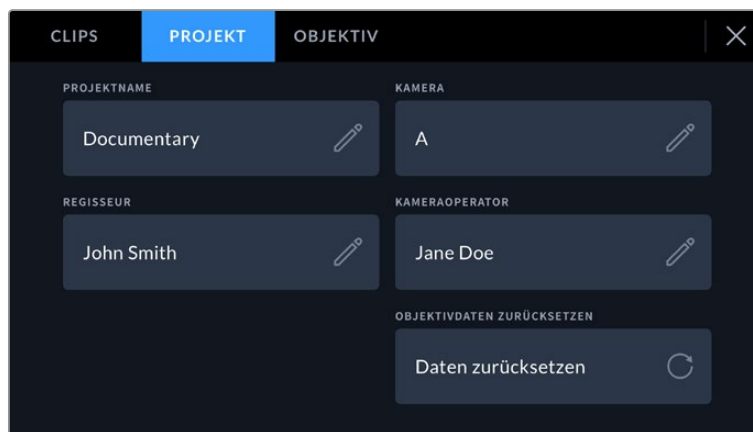
Tippen Sie auf „Innen“ oder „Außen“, um im Standby-Modus den nächsten, bzw. im Wiedergabemodus den aktuellen Clip zu markieren.

Tag / Nacht

Tippen Sie auf „Tag“ oder „Nacht“, um im Standby-Modus den nächsten bzw. im Wiedergabemodus den aktuellen Clip zu markieren.

PROJEKT-Metadaten

Für Projektmetadaten ist es unerheblich, ob sich die Kamera im Standby- oder Wiedergabemodus befindet. Diese Metadaten beziehen sich auf Ihr gesamtes Projekt und stehen daher nicht in Verbindung mit Clipnummern.



Filmtafel-Tab Ihrer URSA Broadcast G2

PROJEKTNAME

Zeigt den Namen Ihres aktuellen Projekts an. Tippen Sie auf das Stift-Icon, um den Projektnamen zu ändern.

KAMERA

Zeigt einen aus Buchstaben bestehenden Kamera-Index an. Tippen Sie auf das Stift-Icon, um den Kamera-Index zu ändern.

REGISSEUR

Zeigt den Namen des Regisseurs für das aktuelle Projekt an. Tippen Sie auf das Stift-Icon, um den Namen des Regisseurs zu ändern.

HINWEIS Der Kameraindex wird für die Metadaten und zur Benennung von Dateien verwendet. Er unterscheidet sich von der Kamerakennung ATEM Kamera-ID, die zum Bedienen Ihrer URSA Broadcast G2 mit einem ATEM Mischer eingesetzt wird. Näheres zur ATEM Kamera-ID finden Sie im Abschnitt „Betrieb als Studiokamera per Softwaresteuerung“ in diesem Handbuch.

KAMERAOPERATOR

Zeigt den Namen des Kameraoperators an. Tippen Sie auf das Stift-Icon, um den Namen des Kameraoperators zu ändern.

PROJEKTDATEN ZURÜCKSETZEN

Um Projektdaten zu löschen, tippen Sie auf „Daten zurücksetzen“ und bestätigen Sie Ihre Auswahl. Dieser Vorgang löscht alle eingegebenen Projektdaten.

OBJEKTIV

Der OBJEKTIV-Tab zeigt Informationen zum Objektiv an, das an Ihrer URSA Broadcast G2 angebracht ist. Viele elektronische Objektive stellen Informationen zu Modell, Blende und Brennweite automatisch zur Verfügung.

Sollte Ihr Objektiv diese Informationen nicht liefern oder sollten Sie zusätzliche Informationen eingeben wollen, tippen Sie auf das Stift-Icon und geben Sie die Informationen manuell ein. Das OBJEKTIV-Menü enthält folgende Informationen:



Der OBJEKT-Tab mit automatisch generierten Daten eines Fujinon-Objektivs

• OBJEKTIVTYP

Zeigt den Objektivtyp an. Sollte Ihr Objektivtyp nicht automatisch angezeigt werden, können Sie auf diese Einstellung tippen und die Informationen manuell eingeben.



Geben Sie Objektivdaten mithilfe der Touchtastatur ein, sollten diese nicht automatisch erscheinen

• BLENDE

Zeigt die Einstellung der Blende zu Beginn Ihres Clips an. Werden diese Informationen automatisch übermittelt, können sie je nach verwendetem Objektivtyp in f- oder T-Stufen angezeigt werden. Sollten die Informationen zu Ihrer Blende hier nicht automatisch erscheinen, können Sie auf diese Einstellung tippen, um die Daten manuell einzugeben.

• BRENNWEITE

Zeigt die Brennweitereinstellung des Objektivs zu Beginn des aufgezeichneten Clips an. Wird diese Information automatisch übermittelt, erscheint sie in Millimetern. Sollten die

Informationen zu Ihrer Brennweite hier nicht automatisch erscheinen, können Sie auf diese Einstellung tippen, um die Daten manuell einzugeben.

- **ENTFERNUNG**

Zeigt die Einstellungen für den Fokusabstand für den aufgezeichneten Clip an. Einige Objektive liefern diese Informationen automatisch in Millimetern. Sollten die Informationen zu Ihrer Entfernung hier nicht automatisch erscheinen, können Sie auf diese Einstellung tippen, um die Daten manuell einzugeben.

- **FILTER**

Zeigt die derzeit verwendeten Objektivfilter an. Tippen Sie auf diese Einstellung, um Informationen manuell einzugeben. Sie können mehrere Eingaben vornehmen und diese durch Kommata trennen.



Filterinformationen müssen manuell eingegeben werden

OBJEKTIVDATEN ZURÜCKSETZEN

Objektivdaten lassen sich jederzeit durch Tippen auf „Daten zurücksetzen“ löschen. Sie werden aufgefordert, Ihre Auswahl zu bestätigen. Dieser Vorgang initialisiert die Kommunikation mit Ihrem Objektiv neu und aktualisiert die elektronisch generierten Daten. Alle manuell eingegebenen Informationen werden ebenfalls gelöscht.

Gyrosensor-Stabilisierung

Ihre Blackmagic URSA Broadcast G2 Kamera zeichnet die von einem internen Bewegungssensor erfassten Schwenk-, Neige- und Drehdaten automatisch auf. Diese Daten werden auch als Gyrodaten bezeichnet und dienen in DaVinci Resolve zur Stabilisierung von Freihandaufnahmen.

Um zu gewährleisten, dass die erfassten Gyrodaten präzise sind, muss der Bewegungssensor Ihrer Kamera vor der Aufzeichnung kalibriert werden. Weitere Informationen finden Sie im Abschnitt „Einstellungen“ unter „Bewegungssensor-Kalibrierung“.

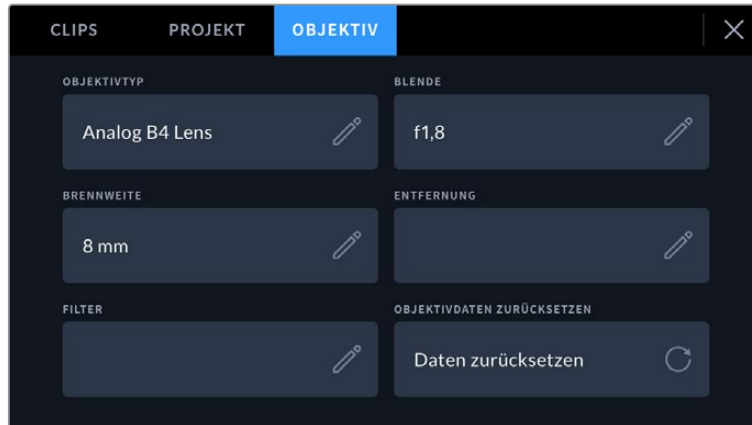
HINWEIS Um die Gyrosensor-Stabilisierung zu aktivieren, muss die optische Bildstabilisierung Ihres Objektivs deaktiviert sein. EF- und B4-Objektive mit integrierter optischer Stabilisierung verfügen zum Ein- und Ausschalten über einen physischen Schalter.

Aufzeichnen von Gyrodaten mit manuellen Objektiven

Damit die Gyrosensor-Stabilisierung optimal funktioniert, sind genaue Informationen zur Objektivbrennweite nötig. Bei den meisten EF- und B4-Objektiven sind diese in den automatisch aufgezeichneten Metadaten enthalten. Bei manuellen Objektiven, die keine elektronische Kommunikation mit der Kamera unterstützen, sowie bei analogen B4-Objektiven, müssen diese Daten in den Slate-Einstellungen der Kamera eingegeben werden.

- 1 Wischen Sie auf dem Touchscreen aus der Hauptansicht Ihrer Kamera nach rechts oder links, um das Slate-Menü aufzurufen.

- 2 Tippen Sie auf den Tab OBJEKTIV.
- 3 Tippen Sie in das Feld BRENNWEITE und geben Sie den Wert für die Brennweite Ihres verwendeten Objektivs ein. Für ein analoges B4-Objektiv mit einer Brennweite von 8 mm bspw. geben Sie „8 mm“ ein.



Geben Sie bei Einsatz von Objektiven ohne elektronische Kommunikation mit der Kamera Objektivdaten ein

HINWEIS Sie müssen diese Eingaben jedes Mal aktualisieren, wenn Sie bei Verwendung eines manuellen oder analogen Objektivs die Brennweite ändern. Bei Objektiven mit integrierter Elektronik werden die Metadaten automatisch überschrieben.

Anwenden der Gyrosensor-Stabilisierung in DaVinci Resolve

Nachdem Sie Ihre Clips in eine Timeline importiert haben, tun Sie folgendes:

- 1 Öffnen Sie im Edit-Arbeitsraum das Inspector-Fenster und scrollen Sie nach unten zum Menüpunkt „Stabilization“.
- 2 Wählen Sie unter Mode die Option „Camera Gyro“.
- 3 Klicken Sie auf den Button „Stabilize“.

Ein Fortschrittsbalken zeigt an, wenn die Stabilisierung abgeschlossen ist.



Wählen Sie im Inspector-Fenster die Option „Camera Gyro“, um Footage mithilfe von Gyrodaten zu stabilisieren

TIPP Drehen Sie mit einem kleinen Verschlusswinkel, zum Beispiel 45 Grad, um die Bewegungsunschärfe zu minimieren und bessere Ergebnisse zu erzielen.

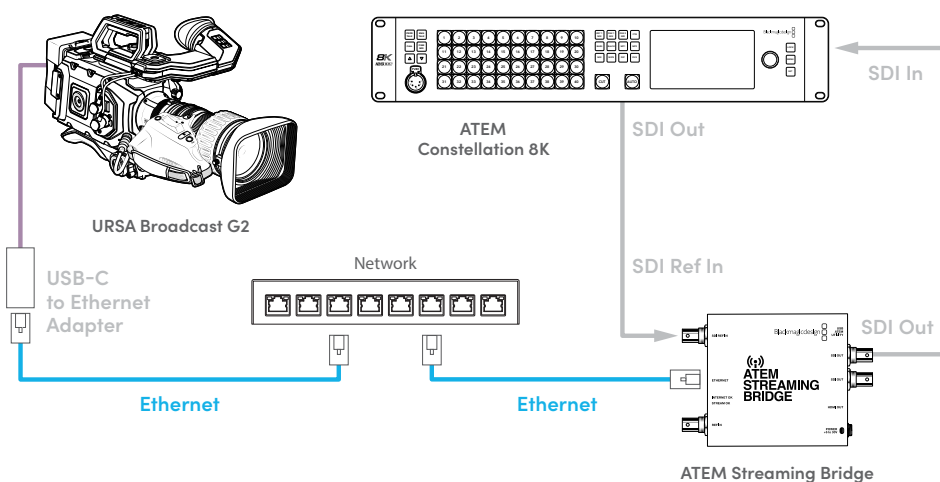
Video-Streaming

Die URSA Broadcast G2 hat ihre eigene interne Streamingengine, mit der die Kamera direkt an Plattformen wie YouTube, Facebook Live und Twitch streamen kann.

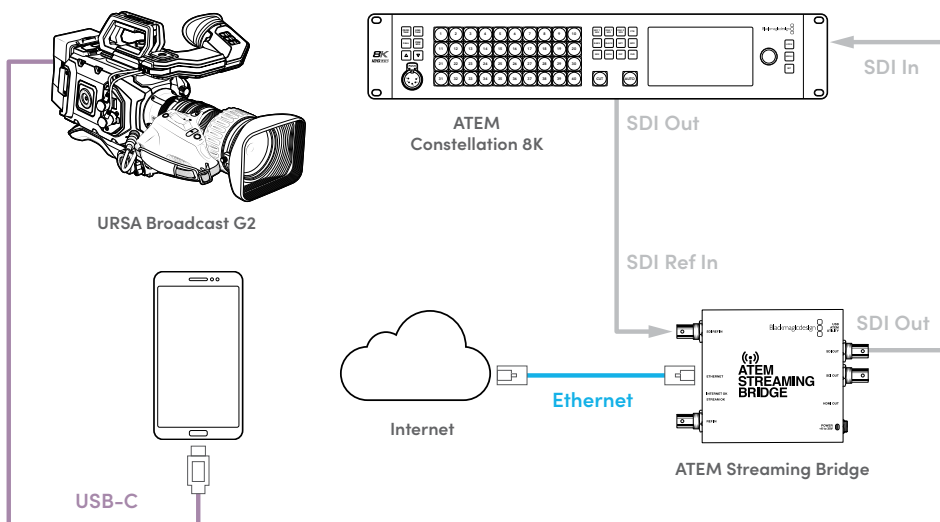
Überdies können Sie die URSA Broadcast G2 mit einem ATEM Mischer im selben Ethernet-Netzwerk verbinden, oder per Internet überall auf der Welt mithilfe einer optionalen ATEM Streaming Bridge. Beim Streamen an einen ATEM Mischer unterstützt das Setup auch Tally, Talkback und Kamerasteuerung.

Die beiden nachstehenden Beispiele demonstrieren, wie die URSA Broadcast G2 mithilfe einer ATEM Streaming Bridge mit einem ATEM Mischer eingebunden werden kann. Das erste Beispiel zeigt, wie dies über ein lokales Netzwerk geschieht. Die zweite Abbildung veranschaulicht, wie Video mithilfe eines Smartphones über das Internet übertragen werden kann.

Einbindung über ein Netzwerk



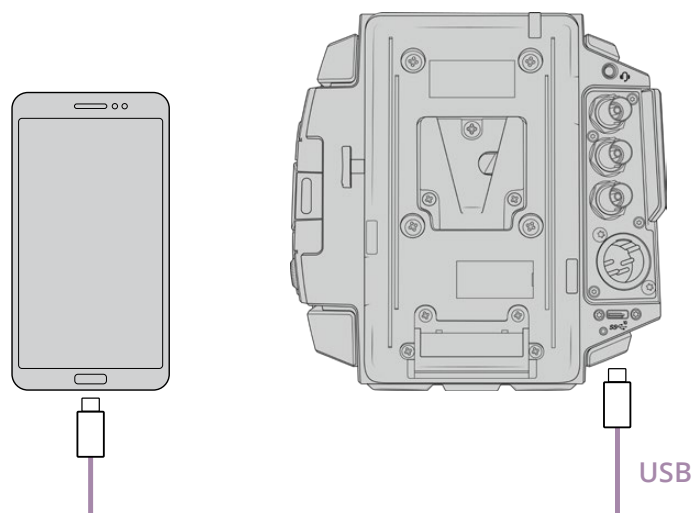
Einbindung über das Internet



HINWEIS Für das Streaming über einen Ethernet-Adapter empfehlen wir den Belkin USB-C-zu-Gigabit-Ethernet-Adapter. Andere USB-C-zu-Ethernet-Adapter funktionieren wahrscheinlich auch, jedoch verfügt der Belkin-Adapter über ein Chip-Set, das sich für RTMP-Streaming-Workflows als am zuverlässigsten erwiesen hat.

Smartphone-Setup

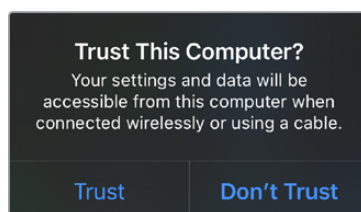
Schließen Sie ein Smartphone per USB-C-Kabel an den USB-C-Erweiterungsport Ihrer Kamera an. Über diese Verbindung können Sie sich zügig einrichten und von jedem Ort, an dem Ihr Smartphone eine 4G- oder 5G-Mobilfunkverbindung hat, in alle Welt streamen.



Einstellungen

Um Ihr Smartphone fürs Streaming übers Internet einzurichten, müssen Sie als Erstes den Hotspot aktivieren.

- 1 Gehen Sie auf iOS-Geräten zu „Einstellungen“ > „Persönlicher Hotspot“, um sicherzustellen, dass die Option „Zugriff für andere erlauben“ aktiviert ist.
- 2 Es erscheint eine Meldung, ob Sie dem angeschlossenen Computer vertrauen. Wählen Sie „Vertrauen“. Es wird ein grünes Tethering-Icon auf dem Bildschirm eingeblendet. So verifizieren Sie, dass die Verbindung steht.



Dieses Icon erscheint, wenn Tethering aktiviert ist

Solange Tethering aktiviert ist, wird die Uhrzeit auf Ihrem Smartphone vor einem grünen Hintergrund-Icon angezeigt.

Wischen Sie auf Android-Geräten vom oberen Rand nach unten, um ins Quick-Menü zu gelangen. Tippen Sie auf das Hotspot-Icon und halten Sie es gedrückt, um dann USB-Tethering zu aktivieren.

TIPP Um Akkulaufzeit zu sparen, empfehlen wir, Tethering nach Beenden des Streams auf Ihrem Handy zu deaktivieren, um Akkulaufzeit zu sparen.

Einstellen der ATEM Kamera-ID

Die Einstellung „ATEM Kamera-ID“ in den Menüeinstellungen Ihrer Kamera bestimmt, über welchen SDI-Eingang Ihrer URSA Broadcast G2 mit dem ATEM Mischer verbunden wird. Wenn die Kamera-ID mit der Eingangsnummer des Mixers übereinstimmt, erkennt Ihre Kamera das Tally-Signal für diesen Eingang, sodass Tally und Kamerasteuerung ordnungsgemäß funktionieren.

Näheres zur Vorgabe der ATEM Kamera-ID auf Ihrer Kamera finden Sie im Abschnitt „SETUP-Einstellungen“ in diesem Handbuch.

Erstellen der XML-Datei

Um eine XML-Datei mit den Einstellungen zu erstellen, verbinden Sie die ATEM Streaming Bridge mit dem Internet, indem Sie ein Netzkabel vom Ethernet-Port zu einem Router oder Netzwerk-Switch anschließen.

Schließen Sie die ATEM Streaming Bridge über ein USB-C-Kabel an Ihren Computer an und starten Sie ATEM Setup.

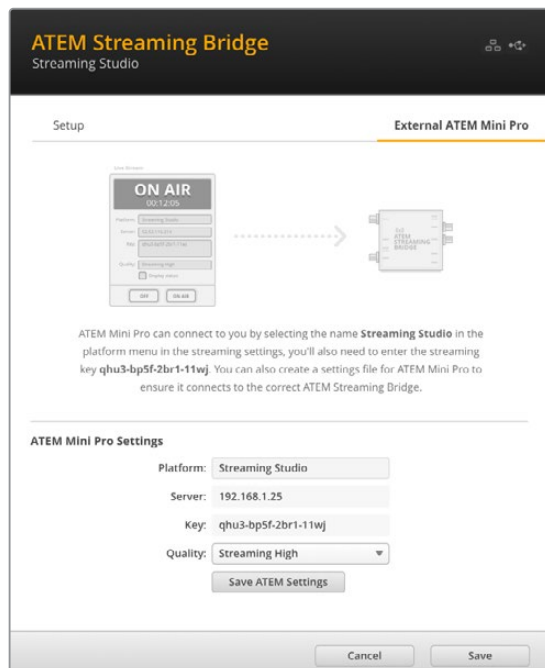
Bestätigen Sie die korrekten Netzwerkeinstellungen auf dem Setup-Tab und wählen Sie unter „Stream Service“ die Option „Internet“. Es dürfte die Meldung „Visible worldwide“ (Weltweit sichtbar) im Feld „Internetstatus“ erscheinen. Das bedeutet, dass alles anständig funktioniert.

Ein Hinweis zur Portweiterleitung

Wenn Ihnen im Feld „Internetstatus“ ein Portweiterleitungs- oder UPnP-Fehler angezeigt wird, sollten Sie Ihren Internetanbieter oder Netzwerkadministrator bitten, die Portweiterleitung für Ihre Internetverbindung auf „TCP-Port 1935“ einzustellen.

Exportieren der XML-Datei

Nachdem Sie Ihre Einstellungen auf dem ATEM Setup-Tab bestätigt und erfolgreich eine Verbindung von Ihrer ATEM Streaming Bridge mit Ihrem Netzwerk oder dem Internet hergestellt haben, können Sie die XML-Setup-Datei exportieren.



- 1 Gehen Sie zum „ATEM Mini Pro“-Tab oben rechts im Fenster.
- 2 Klicken Sie auf das „Plattform“-Feld und geben Sie einen neuen Namen ein. Der gleiche Name wird auch unter „Plattform“ auf der remote eingesetzten Blackmagic URSA Broadcast G2 angezeigt.
- 3 Geben Sie die gewünschte Streamqualität vor. Diese Einstellung gibt die Qualität für die remote eingesetzte URSA Broadcast G2 vor.
- 4 Um die XML-Datei zu speichern, klicken Sie auf „Save ATEM Settings“. Wählen Sie einen Speicherort auf Ihrem Computer und klicken Sie auf „Save“.
- 5 Nun können Sie die gespeicherte XML-Datei an den Remote-Operator schicken.

Laden der XML-Datei

Um Ihre XML-Settingsdatei auf Ihre URSA Broadcast G2 zu importieren, kopieren Sie die Datei auf eine SD- oder CFast-Karte oder ein USB-C-Flash-Laufwerk.



- 1 Tippen Sie auf der neunten Seite des SETUP-Menüs Ihrer Kamera auf die Schaltfläche „Einstellungen importieren“.
- 2 Tippen Sie am oberen Bildschirmrand auf die Karte oder das Laufwerk, auf dem die XML-Settingsdatei gespeichert ist. Tippen Sie auf den Dateinamen und dann auf „Importieren“. Nach erfolgreichem Import der Setupdatei wird die ATEM Streaming Bridge im Kameramenü automatisch unter PLATTFORM ausgewählt.

Nun brauchen Sie bloß den Schalter unter LIVE STREAMEN auf Ihrer Kamera zu aktivieren.

Um Ihr Setup zu testen, bitten Sie einfach den Bildmischer im Studio, auf Ihre Kamera umzuschalten. Wenn alles funktioniert, leuchten das Tally-Licht sowie die rote Umrandung um das LCD der Kamera. Wenn Ihre Kamera auf Vorschauausgabe geschaltet wird, leuchtet das Tally grün.



Um die Kamerasteuerung zu testen, versuchen Sie, Blende und Schwarzabhebung über die „Kamera“-Seite in ATEM Software Control anzupassen

URSA Mini Shoulder Kit

Anbringen des Schulter-Kits

Mit dem URSA Mini Shoulder Kit können Sie die Blackmagic URSA Broadcast G2 auf Ihrer Schulter tragen und im Reportagenstil filmen. Die meisten Elemente im URSA Mini Shoulder Kit sind mit Ihrer Blackmagic URSA Broadcast G2 inbegriffen, einschließlich der Schulterauflage, der Trägerplatte, dem Tragegriff und der Adapterplatte für den Sucher. Der URSA Mini Verlängerungsarm und lange LANC-Kabel sind als optionales Zubehör erhältlich.

Dank der Schnellwechselplatte am Geräteboden können Sie Ihre Kamera auf einem Stativ befestigen oder sie auf der Schulter tragen. So können Sie der Action folgen.

Das URSA Mini Shoulder Kit ist mit jeder der Sony VCT 14 nachempfundenen Stativplatte kompatibel. Derartige Mounts sind im Fachhandel oder auch online problemlos erhältlich.

An dieser Stelle sollte jedoch auch erwähnt werden, dass die dem VCT U14 Mount nachempfundenen Stativplatten nicht kompatibel sind.

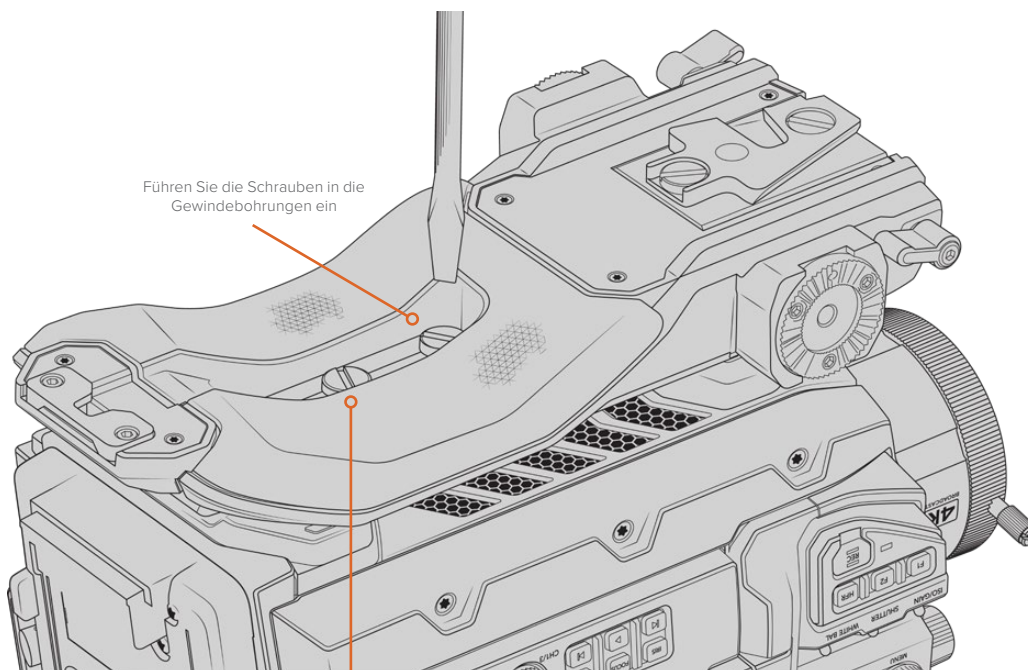
Zum Anbringen des Schulter-Kits benötigen Sie folgende Werkzeuge:

- 1 x Schlitzschraubendreher für the 2 x ¼"-Schrauben der Trägerplatte für die Schulterauflage.
- 1 x 3/16"-Sechskantschlüssel für die 2 x ¼"-Schrauben des Tragegriffs.



Zum Anbringen des Schulter-Kits an Ihre URSA Broadcast G2 benötigen Sie einen großen Schlitzschraubendreher, einen 3/16"-Sechskantschlüssel für den Tragegriff

Anbringen der Schulterauflage und Trägerplatte



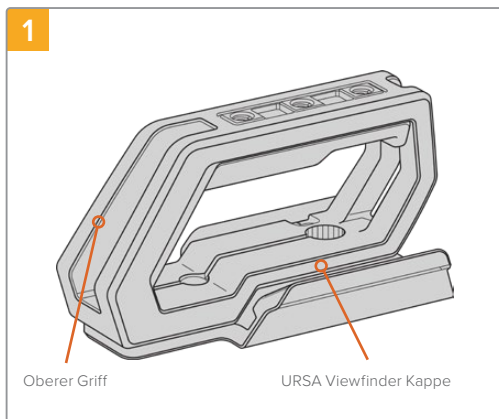
Führen Sie die Schrauben in die Gewindebohrungen ein

2 x ¼"-Schrauben für die Trägerplatte

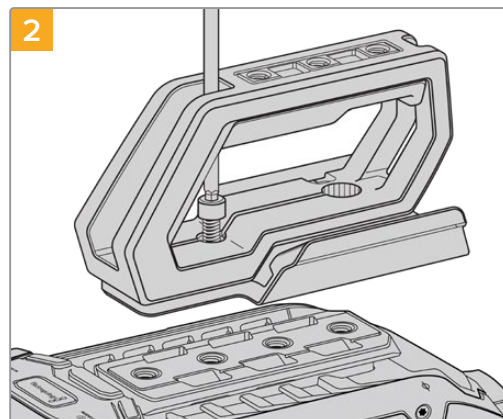
- 1 Stellen Sie Ihre URSA Broadcast G2 vorsichtig verkehrt herum auf eine ebene, stabile Oberfläche, sodass Sie freien Zugang zum Kameraboden haben.
- 2 Befestigen Sie die Trägerplatte für die Schulterauflage mithilfe der 2 x ¼"-Flachkopfschrauben und des Schraubendrehers an der URSA Broadcast G2.
- 3 Ziehen Sie die Schrauben fest, bis die Trägerplatte sicher befestigt ist und sich die Schrauben nicht mehr selbstständig lösen. Ziehen Sie die Schrauben jedoch nicht zu fest, da sonst die Gewinde beschädigt werden könnten.

Anbringen des Tragegriffs in Kombination mit der URSA Viewfinder Adapterplatte

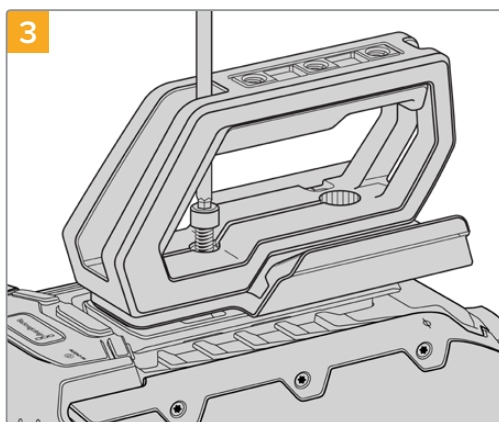
Der Tragegriff wird bereits an die URSA Viewfinder Adapterplatte montiert ausgeliefert. Weitere Informationen zur Installation des optionalen Blackmagic URSA Viewfinders finden Sie im nächsten Abschnitt des Handbuchs.



Stellen Sie Ihre URSA Broadcast G2 so auf eine ebene, stabile Oberfläche, dass Sie freien Zugriff auf die Oberseite Ihrer Kamera haben.



Bringen Sie den Griff mithilfe der zwei mitgelieferten ¼"-Schrauben und einem 3/16"-Sechskantschlüssel an zwei beliebigen ¼"-Befestigungspunkten an der Oberseite Ihrer URSA Broadcast G2 an. In den meisten Fällen ist es ratsam, die hinteren beiden Befestigungspunkte an der URSA Broadcast G2 zu wählen. Beim Gebrauch von großen Objektiven können Sie die Punkte zur besseren Gewichtsverteilung jedoch beliebig wählen.



Ziehen Sie die Schrauben fest, bis der Griff sicher befestigt ist und sich die Schrauben nicht mehr selbstständig lösen. Ziehen Sie die Schrauben nicht zu fest, da dies die Gewinde beschädigen könnte.

Der URSA Mini Shoulder Kit Verlängerungsarm und LANC-Kabel sind als optionales Zubehör erhältlich.

Anbringen des Verlängerungsarms

B4-Objektive verfügen in der Regel über einen Handgriff am Objektivtubus. Daher ist ein Seitengriff beim Filmen mit Ihrer URSA Broadcast G2 von der Schulter überflüssig.

Sollten Sie jedoch einen anderen Objektivanschluss verwenden, ist es ggf. hilfreich, den optionalen URSA Mini Seitengriff an einem Auslegearm anzubringen. Das erleichtert das Filmen von der Schulter.

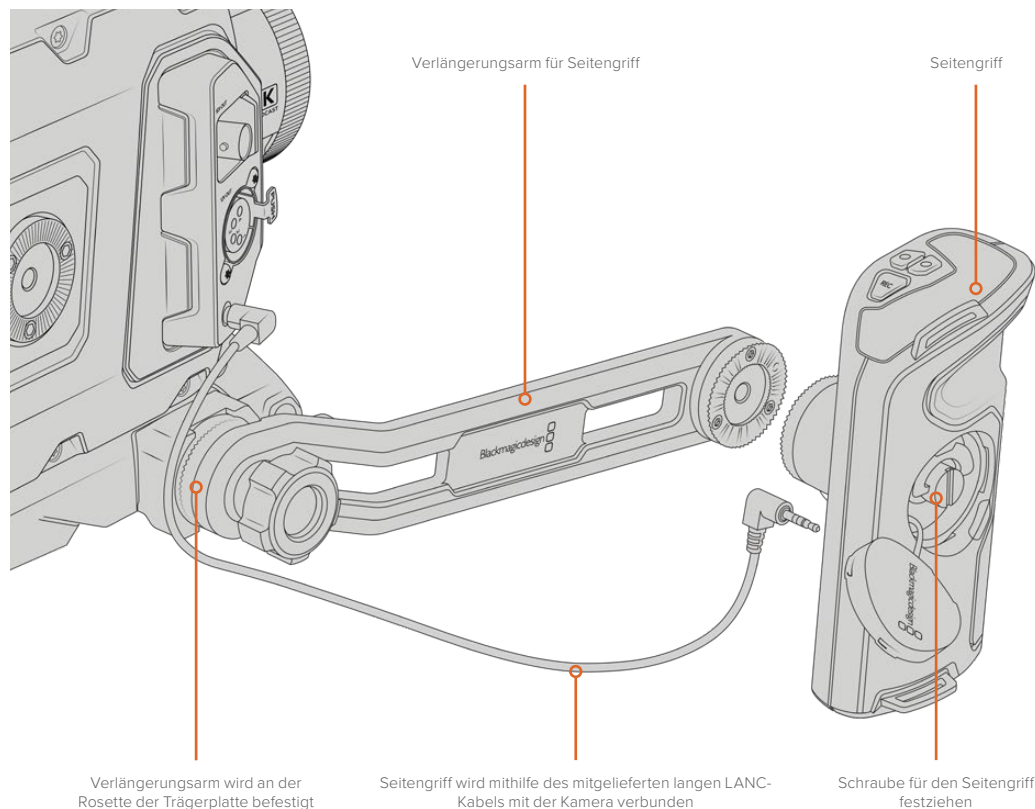
Das URSA Mini Shoulder Kit wird mit einem Verlängerungsarm und einem längeren LANC-Kabel geliefert, um den optionalen Seitengriff in eine ergonomischere Position zu bringen.

So bringen Sie den Verlängerungsarm an:

- 1 Stellen Sie Ihre URSA Broadcast G2 auf eine ebene, stabile Oberfläche. Neben der Kamera sollte genügend Platz sein, damit der Verlängerungsarm abgesenkt werden kann. Hierfür ist es von Vorteil, die URSA Broadcast G2 auf einem Stativ zu befestigen.
- 2 Legen Sie das entsprechende Ende des Verlängerungsarms an der Rosette der Trägerplatte an. Bringen Sie den Arm in die gewünschte Position und stellen Sie ihn mithilfe der Rändelschraube fest.
- 3 Befestigen Sie den Seitengriff an der vorne am Verlängerungsarm befindlichen Rosette. Ziehen Sie die Schraube des Seitengriffs mit einem Schlitzschraubendreher fest oder indem Sie den D-förmigen Ring zwischen Daumen und Zeigefinger festdrehen.
- 4 Benutzen Sie das mit dem URSA Mini Shoulder Kit mitgelieferte lange LANC-Kabel, um den LANC-Ausgang des Seitengriffs mit dem LANC-Eingang der Kamera zu verbinden.

Sie können die Position des Verlängerungsarms und des Seitengriffs jederzeit mühelos anpassen, indem Sie die Rosettenschrauben lösen, die Anpassung vornehmen und die Schrauben anschließend wieder festziehen.

Dank des nun angebrachten URSA Mini Shoulder Kits sind Sie noch beweglicher und können im Laufen filmen. Zudem können Sie Ihre Kamera für hautnahe, standsichere Aufnahmen blitzschnell auf einem Stativ befestigen.



Blackmagic URSA Viewfinder

Der speziell für die Blackmagic URSA Broadcast G2 konzipierte Blackmagic URSA Viewfinder ist eine leistungsstarke elektronische Sucherlupe. Das farbige OLED-Display in 1080 HD und die Optiken aus Präzisionsglas liefern strahlend helle, lebensechte Bilder, die sich mit den feinsten Einzelheiten im Blick im Nu fokussieren lassen.

Ein idealer Sucher für den Freihandbetrieb der Kamera von der Schulter oder für Umgebungen, die absolute Genauigkeit ohne jegliche Reflektion oder Blitzlichter erfordern, bspw. beim Filmen in extrem hellen Verhältnissen.

Der Sucher wird an der Kamera befestigt und über diese mit Strom versorgt. Er verwendet die eingebetteten SDI-Daten von der Kamera, um verschiedene Ansichtsoptionen darzustellen. Somit kann Ihre Kamera einen sauberen SDI-Feed an den Sucher ausgeben und auf dem Sucher zwischen verschiedenen Ansichtsmodi hin und her schalten. Beispielsweise zum schnellen Zugriff auf den Kamerastatus und akkurate Daten.

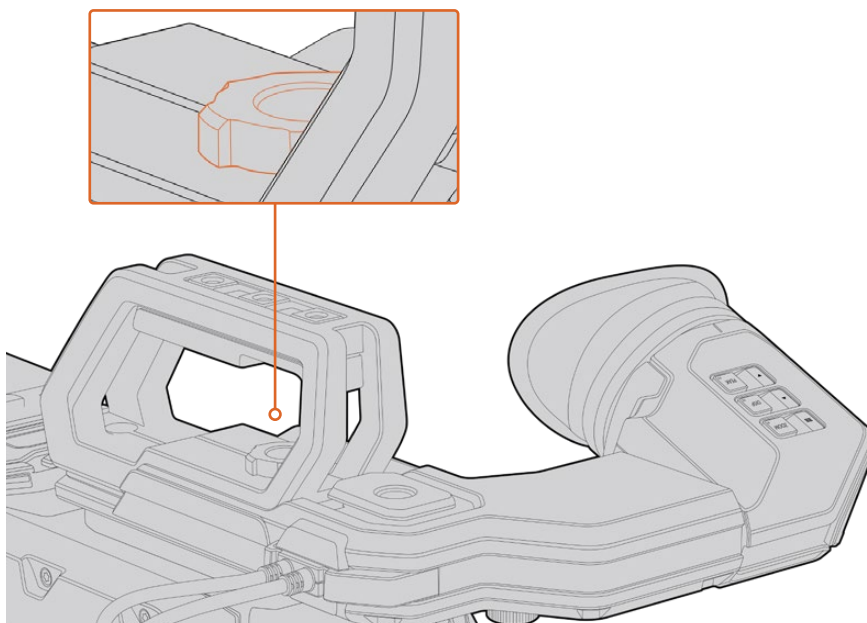
Beispiel: Wenn Sie im Menü der URSA Broadcast G2 unter BILDRAND-MARKIERUNG die Option „2,40:1“ auswählen, kommuniziert die Kamera den ausgewählten Bildrandmarkierungsmodus an den Sucher. Wird nun von der Frame-Guide-Ansicht zum Sucher gewechselt, zeigt dieser die gleiche Bildrandmarkierung an, nämlich 2,40:1.

Anbringen und Anschließen des Viewfinders an die Blackmagic URSA Broadcast G2

Vor der Montage des Blackmagic URSA Viewfinders an Ihre URSA Broadcast G2, müssen Sie den URSA Mini Shoulder Kit Tragegriff installieren, der mit der Kamera geliefert wird. Einzelheiten hierüber finden Sie im Abschnitt „URSA Mini Shoulder Kit“.

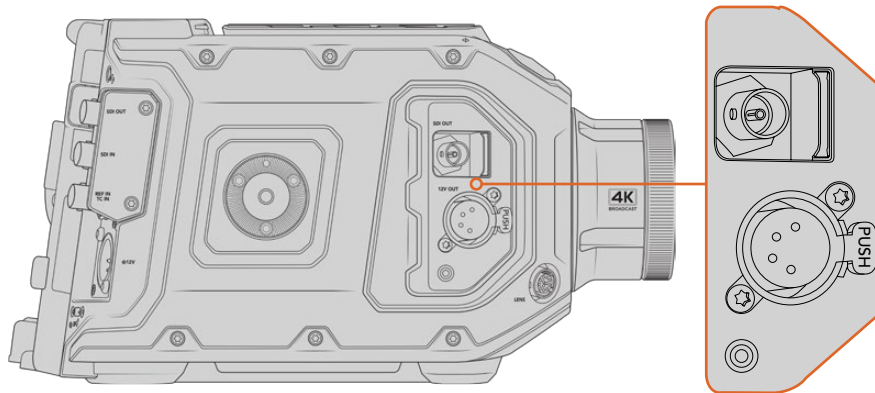
Schieben Sie die URSA Viewfinder Befestigung auf die URSA Viewfinder Adapterplatte auf und ziehen Sie die im URSA Mini Shoulder Kit enthaltene 1/4"-Rändelschraube fest, um den URSA Viewfinder an Tragegriff und Adapterplatte zu befestigen.

Zum Anziehen der Rändelschraube ist kein Werkzeug notwendig. Die eigene Kraft ist völlig ausreichend und verhindert ein zu festes Anziehen der Schraube.



Bringen Sie Ihren Blackmagic URSA Viewfinder an Ihre URSA Broadcast G2 an, indem Sie den Sucherarm in die Furchen an der Geräteoberseite schieben und die Rändelschraube an einem der 1/4"-Gewinde festziehen

Schließen Sie Ihren URSA Viewfinder dann einfach über die am Sucher befindlichen Kabel an die 12-Volt-Strom- und 3G-SDI-Ausgänge im vorderen Bereich Ihrer URSA Broadcast G2 an. Der URSA Viewfinder schaltet sich automatisch ein, sobald die Kamera mit Strom versorgt und eingeschaltet wird.



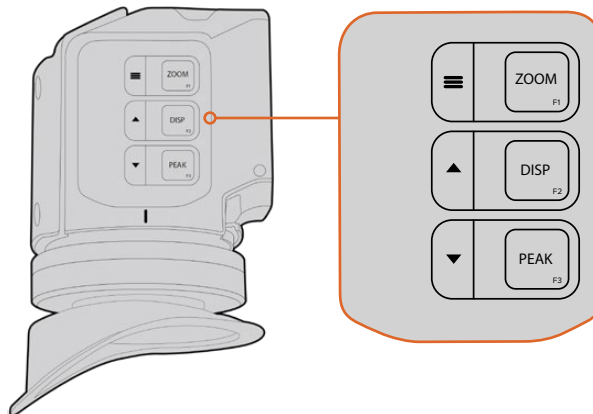
Schließen Sie den Sucher mittels der SDI- und Stromkabel an den HD-SDI-Monitoring- und den +12-Volt-Ausgang Ihrer URSA Broadcast G2 an

Anpassen der Sucherlupe

Die Sucherlupe mit der abnehmbaren Gummimuschel lässt sich für Ihr rechtes oder linkes Auge anpassen. Justieren Sie den Arm der Sucherlupe, indem Sie die äußere Rändelschraube an der Unterseite des Arms lockern und passend für Ihr Auge nach rechts oder links schieben.

Die Funktionen der Tasten

An der Oberseite des Suchers finden Sie die ZOOM-, DISPLAY- und PEAK-Tasten. Diese dienen zum Einzoomen in Ihr Bild und zum Ein- oder Ausschalten von Overlays und Focus Peaking.



Die Tasten für die Funktionen Zoom (F1), Display (F2) und Peak (F3) befinden sich oben an Ihrem URSA Viewfinder

Die Tasten erfüllen auch weitere Funktionen, wie das Aufrufen von Menü- und Navigationseinstellungen. Die Aufdrucke seitlich der Tasten informieren Sie darüber, mit welchen sich das Sucher-Menü und die Navigationsfunktionen steuern lassen.

Die Funktion der Tasten ist überdies benutzerdefinierbar und Tasten können mit Kurzbefehlen für häufig benutzte Funktionen belegt werden. Beispiel: Vielleicht möchten Sie die Falschfarben-Funktion der Zoom-Taste zuweisen. Einzelheiten hierüber finden Sie im Abschnitt „Shortcuts“.

ZOOM (F1) – Menü

Die Zoom-Funktion erleichtert die präzise Scharfstellung, indem Sie in das Bild hineinzoomen. Drücken Sie die ZOOM-Taste, um hineinzuzoomen. Ein erneutes Drücken bringt die 100%-Ansicht zurück. Bei Verwendung des Einstellungsmenüs fungiert die ZOOM-Taste außerdem als Menütaste. Halten Sie diese Taste gedrückt, um das Einstellungsmenü aufzurufen. Aus dem Einstellungsmenü heraus werden dort vorgenommene Änderungen durch einmaliges Drücken bestätigt.

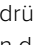



DISPLAY (F2) – Aufwärts

Per Druck auf die Displaytaste DISP erscheint die Overlay-Ansicht. Bei Verwendung des Einstellungsmenüs dient diese Taste außerdem als Aufwärtstaste. Durch Gedrückthalten dieser Taste können Sie auch das Einstellungsmenü für Kurzbefehle „Shortcuts“ im Nu öffnen. Näheres zur Vorgabe von Kurzbefehlen finden Sie im Abschnitt „Shortcuts“.

PEAK (F3) – Abwärts

Mit der Focus-Peaking-Funktion werden die schärfsten Bildbereiche grün umrandet, damit Sie sich mühelos Ihrer Scharfstellung vergewissern können. Ein Druck auf die PEAK-Taste aktiviert die Peaking-Funktion. Erneutes Drücken schaltet sie wieder aus. Bei Verwendung des Einstellungsmenüs dient diese Taste außerdem als Abwärts-Taste. Durch Gedrückthalten dieser Taste können Sie auch das Setup-Menü schnell aufrufen.

Einstellungsmenü

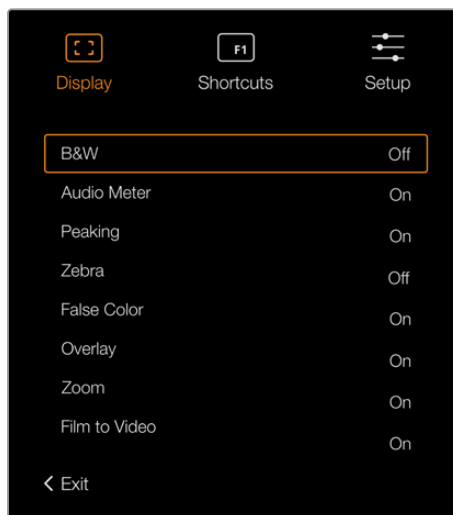
Das Einstellungsmenü enthält die drei Hauptmenütitel „Display“, „Shortcuts“ und „Setup“. Halten Sie die MENU-Taste  gedrückt, um das Einstellungsmenü aufzurufen. Drücken Sie zur Navigation zwischen Einstellungen die Tasten für Aufwärts  und Abwärts  und bestätigen Sie Ihre Auswahl durch erneutes Drücken der Menü-Taste .

Display

Das „Display“-Menü bietet folgende Funktionen:

B&W

Wechselt zwischen Farbe und Monochrom.



Das „Display“-Menü des URSA Viewfinders

Audio Meter

Schaltet zwischen den verschiedenen Metertypen um und zeigt diese in der Overlay-Ansicht an. Es besteht die Wahl zwischen „Histogram“, „Audio“, „Both“ (Beide) und „None“ (Keine).

Peaking

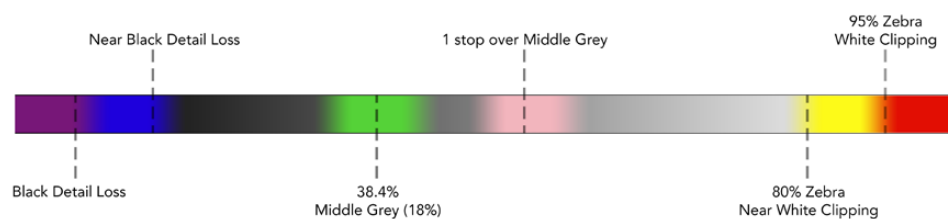
Aktiviert bzw. deaktiviert Focus Peaking.

Zebra

Aktiviert bzw. deaktiviert den Zebra-Modus. Geben Sie Ihre gewünschte Zebra-Schraffur anhand der Kameraeinstellungen vor. Näheres finden Sie im Abschnitt „Einstellungen“ in diesem Handbuch.

False Color

Aktiviert bzw. deaktiviert die Falschfarben-Funktion. Falschfarben stellen unterschiedliche Helligkeitswerte von Elementen in Ihrem Bild in Farben dar, die dem jeweiligen Wertebereich entsprechen. Pink repräsentiert bspw. eine optimale Belichtung für hellere Hauttöne, während Grün für dunklere Hauttöne besser geeignet ist. Wenn Sie beim Filmen von Menschen anhand der Falschfarben-Funktion Pink oder Grün kontrollieren, lässt sich eine gleichmäßige Belichtung von Hauttönen erzielen. Gleichmaßen zeigt Ihnen eine vom Gelben ins Rote wechselnde Falschfarben-Darstellung an, dass diese Bildbereiche nun überbelichtet sind.



Falschfarbentabelle

Overlay

Schaltet eingblendete Bildinformationen ein oder aus. Sie können die einzublendenden Overlay-Typen im „Setup“-Menü Ihres Suchers vorgeben. Die Art der Overlays wie die Prozentzahl der sendesicheren Bereiche sind auf Ihrer Kamera festgelegt.

Zoom

Schaltet die Zoom-Funktion ein und aus.

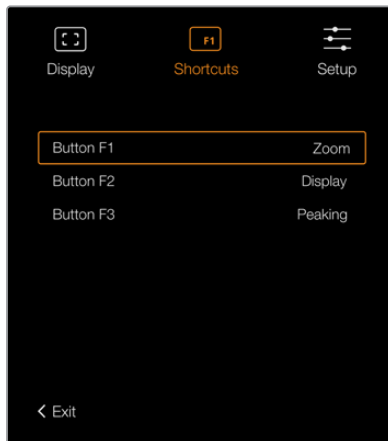
Film to Video

Schaltet zwischen den Displaymodi „Film“ und „Video“ um. Näheres zu den Film- und Videomodis finden Sie im Abschnitt „AUFNAHME-Einstellungen“ in diesem Handbuch. Diese Einstellung ist nur verfügbar, wenn Ihre Kamera „Film“-Inhalte an Ihren Sucher ausgibt. Er wird während des Empfangs von Videobildern deaktiviert, um zu verhindern, dass eine LUT eine andere LUT überschreibt.

Shortcuts

Die Kurzbefehlfunktion bietet sich an, wenn Sie für eine häufig verwendete Funktion schnell auf eine bestimmte Einstellung zugreifen müssen. So richten Sie Ihre Kurzbefehle individuell ein:

- 1 Drücken Sie im „Shortcuts“-Menü die Taste für Aufwärts ▲ oder Abwärts ▼, um nach oben oder unten zu navigieren und belegen Sie eine der drei Tasten mit Ihrem Kurzbefehl. Drücken Sie die MENU-Taste ≡, um Ihre Auswahl zu bestätigen.
- 2 Drücken Sie die Aufwärtstaste ▲ oder Abwärtstaste ▼, um eine der nachstehenden Funktionen auszuwählen und Ihrer Taste einen Kurzbefehl zuzuweisen. Drücken Sie die MENU-Taste ≡, um Ihre Auswahl zu bestätigen.
 - B&W
 - Peaking
 - Zebra
 - False Color
 - Display
 - Zoom
 - Film to Video
 - Meters
 - Focus Chart
- 3 Scrollen Sie zum Befehl „Exit“ und drücken Sie die MENU-Taste ≡, um die Menü-Anzeige zu schließen.



Einstellungen für Kurzbefehle im URSA Viewfinder

Setup

Das „Setup“-Menü bietet folgende Funktionen:

Brightness Adjustment

Ermöglicht Justierungen an der Display-Helligkeit auf einer Skala von -10 bis +10.

Tally Brightness

Ermöglicht das Anpassen der Helligkeit der Tally-LED-Leuchte.

Focus Chart

Ihr Blackmagic URSA Viewfinder verfügt über eine integrierte Fokussiertabelle. Dies gestattet eine Ihrer Sehstärke gerechte Fokussierung der Sucherlupe. Drehen Sie zur Fokussierung einfach den Dioptrienring, bis die Tabelle perfekt scharf ist. Das „Focus Chart“-Display lässt sich mit jeder beliebigen Taste Ihres Suchers schließen.

Frame Guides

Dient zum Wechsel der jeweils eingeblendeten Bildrandmarkierung. Ist die Option BILDRAND-MARKIERUNG in den MONITORING-Einstellungen Ihrer URSA Broadcast G2 unter „Front-SDI“ aktiviert, können Sie über diese Einstellung zwischen den im Blackmagic URSA Viewfinder angezeigten verschiedenen Markierungen hin und her wechseln.

Näheres finden Sie im Abschnitt „MONITORING-Einstellungen“ in diesem Handbuch.

Safe Area Guide

Wechselt zwischen den Markierungen für sendesichere Bildbereiche hin und her. Ist die Option SCHUTZBEREICH-LINIEN in den MONITORING-Einstellungen Ihrer URSA Broadcast G2 unter „Front-SDI“ aktiviert, können Sie über diese Einstellung zwischen den im Blackmagic URSA Viewfinder angezeigten verschiedenen Markierungen hin und her wechseln.

Näheres finden Sie im Abschnitt „MONITORING-Einstellungen“ in diesem Handbuch.

Grid

Wechselt zwischen den Ansichten Drittel-Raster, Fadenkreuz und mittiger Punkt hin und her. Ist die Option RASTER in den MONITORING-Einstellungen Ihrer URSA Broadcast G2 unter „Front-SDI“ aktiviert, können Sie über diese Einstellung zwischen den im Blackmagic URSA Viewfinder angezeigten verschiedenen Markierungen hin und her wechseln.

Näheres finden Sie im Abschnitt „MONITORING-Einstellungen“ in diesem Handbuch.

HINWEIS Aktivieren Sie die Raster-Funktion „Grid“ im Einrichtungsmenü Ihres URSA Viewfinders, um auf dem Sucher von einem ATEM Mischer gesendete Tally-Signale einzublenden. Auch die Overlay-Funktion muss im Displaymenü auf ON eingestellt sein.

Status Text

Wechselt zwischen den angezeigten Statustexten wie Weißabgleich, Framerate und ISO hin und her. Ist die Option STATUSTEXT in den MONITORING-Einstellungen Ihrer URSA Broadcast G2 unter „Front-SDI“ aktiviert, können Sie über diese Einstellung zwischen den im Blackmagic URSA Viewfinder angezeigten verschiedenen Markierungen hin und her wechseln.

Näheres finden Sie im Abschnitt „MONITORING-Einstellungen“ in diesem Handbuch.

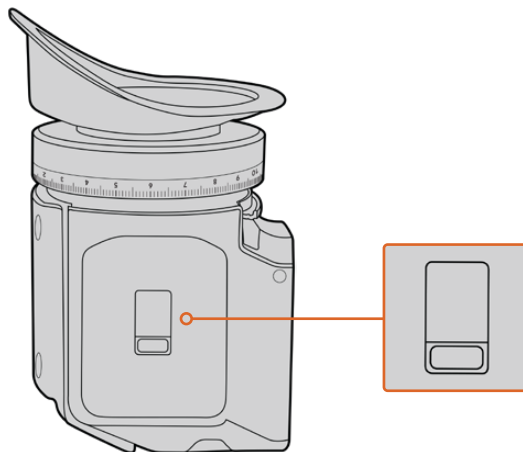
TIPP Wenn Sie einen Blackmagic Viewfinder zusammen mit einer URSA Broadcast G2 verwenden und die Statustextfunktion auf beiden aktiviert ist, kann Statustext fehlerhaft erscheinen. In solchen Fällen empfehlen wir, die Statustextfunktion auf Ihrer Kamera ein- und auf Ihrem Suchermonitor auszuschalten.

IR-Sensor

Der IR-Sensor Ihres Suchers erkennt automatisch, wenn Sie sich der Sucherlupe nähern und schaltet das OLED-Display ein. Wenn Sie sich länger als 20 Sekunden vom Sucher entfernt aufhalten, schaltet das OLED-Display in den Standby-Modus um. Das spart Strom und verlängert die Lebensdauer des OLED-Bildschirms. Bei laufender Aufzeichnung verlängert sich die Zeitabschaltungsdauer auf fünf Minuten, ehe der Timeout-Sensor den OLED-Bildschirm allmählich verdunkelt. Jede Bewegung vor der Sucherlupe setzt den Timer zurück. Obwohl der Sucher automatisch erkennt, wenn Sie in die Sucherlupe schauen, lässt sich das Display auch durch Betätigung einer beliebigen Taste an Ihrem Sucher einschalten.



Wenn Sie den IR-Sensor bewusst blockieren oder verdecken, verhindert dies ggf. die Selbstabschaltung des Sucherdisplays und bedeutet, dass es über längere Zeiträume eingeschaltet bleibt. Das kann die Lebensdauer des Displays verringern und bei der Darstellung kontrastreicher Bilder oder Bildrandmarkierungen im Sucher zu Einbrennerscheinungen führen.



Der IR-Sensor befindet sich unten am URSA Viewfinder

Aktualisieren der Produktsoftware des URSA Viewfinders

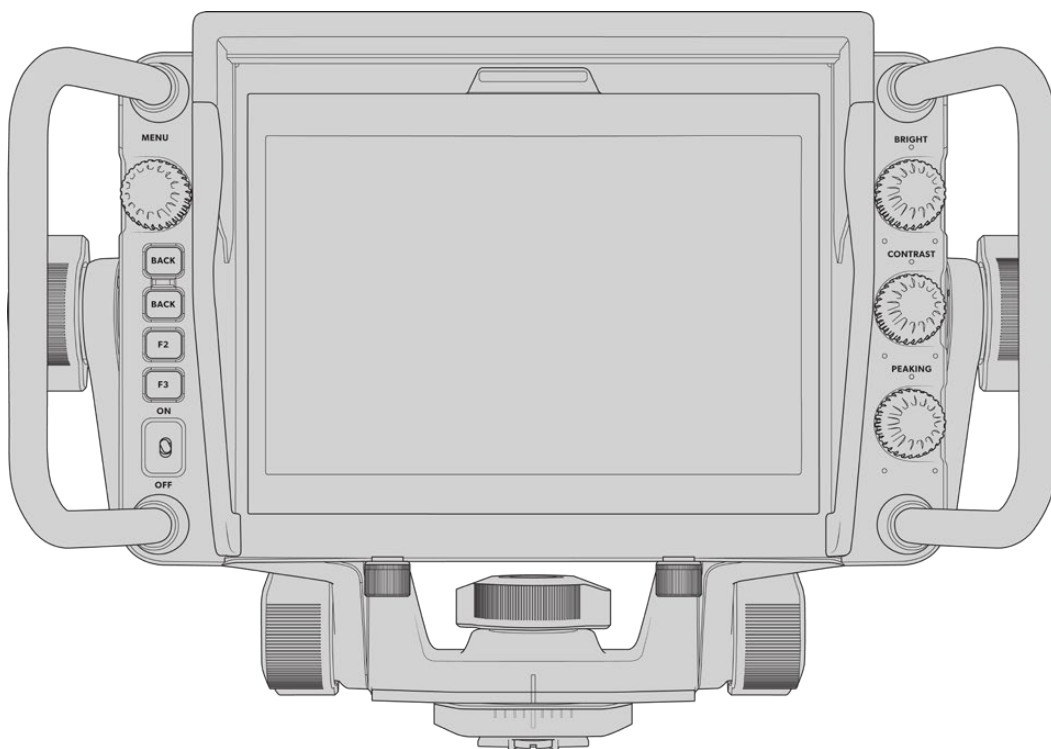
Ein Update Ihres Suchers lässt sich über das Blackmagic Camera Setup Dienstprogramm vornehmen. Der Sucher muss für das Update mit Strom versorgt werden. Wir empfehlen daher, den Sucher während des Updates an Ihre URSA Broadcast G2 angeschlossen zu lassen. Für diesen Vorgang muss Ihre URSA Broadcast G2 durchgängig Strom liefern. Schließen Sie sie deshalb an eine externe Stromzufuhr an.

Verbinden Sie Ihren Computer mit dem kleinen USB-Anschluss vorne am Sucher neben der Sucherlupe. Wenn das Dienstprogramm Blackmagic Camera Setup läuft und Ihr Sucher an einen Computer angeschlossen ist, erhalten Sie eine Update-Aufforderung, sobald Ihr Computer eine veraltete Version erkennt. Folgen Sie den Anweisungen auf Ihrem Bildschirm, um die Produktsoftware Ihres Suchers zu aktualisieren.

HINWEIS Beim Einsatz Ihres Blackmagic URSA Viewfinders mit der URSA Broadcast G2 empfehlen wir, die Produktsoftware Ihres Suchers aus Kompatibilitätsgründen auf die neueste Version zu aktualisieren. Die aktuellste Version der Software steht im Blackmagic Support Center unter www.blackmagicdesign.com/de/support bereit. Weitere Informationen finden Sie in diesem Handbuch im Abschnitt „Blackmagic Camera Setup Dienstprogramm“.

TIPP Für optimale Leistung empfehlen wir Ihnen, Ihre komplette Blackmagic URSA Ausrüstung auf einmal zu aktualisieren.

Blackmagic URSA Studio Viewfinder



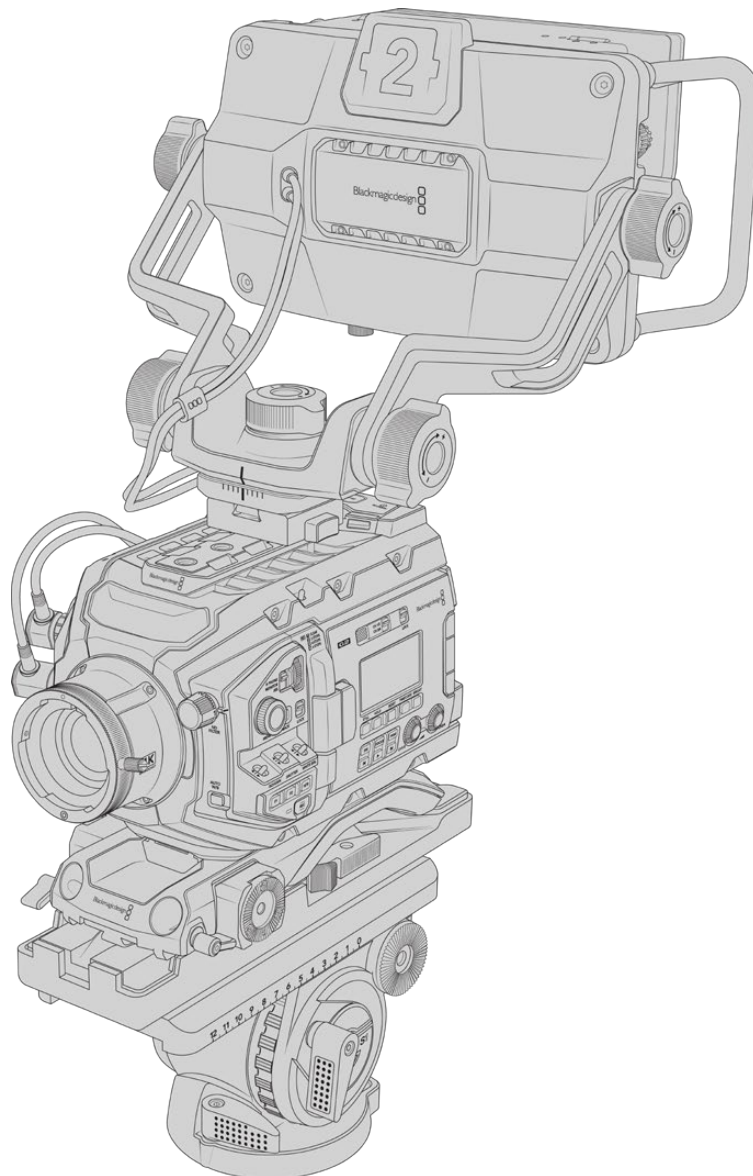
Der Blackmagic URSA Studio Viewfinder ist ein gewaltiger Suchermonitor, der Ihre Blackmagic URSA Broadcast G2 in eine professionelle Live-Produktionskamera verwandelt. Der Studio Viewfinder hat einen hellen 7-Zoll-Bildschirm mit einem gut sichtbaren Tally-Licht, Steuerknöpfen, großen Haltegriffen, Gegenlichtblende und Schwenkpunkten mit variabler Spannung. Dank dieser Features kann die Action hinter der Kamera auch für längere Zeiträume bequem verfolgt werden. Das gilt besonders beim Filmen von Live-Konzerten, Sportveranstaltungen und anderen lange dauernden Events. Der URSA Studio Viewfinder eignet sich perfekt für die professionelle Live-Produktion im Studio oder unterwegs.

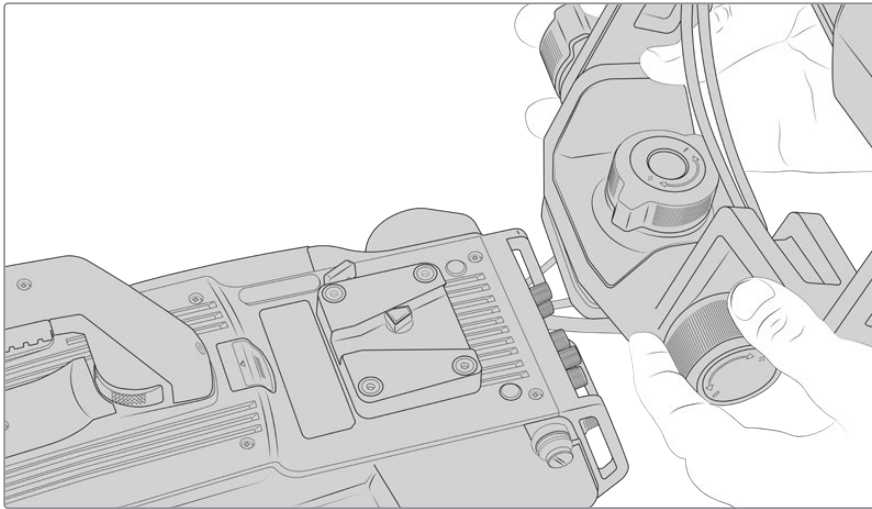
Anbringen und Anschließen des Viewfinders an die Blackmagic URSA Broadcast G2

Um den Blackmagic URSA Studio Viewfinder zusammen mit der Blackmagic URSA Broadcast G2 einzusetzen, können Sie ihn auf vielerlei Weise an der Kamera befestigen.

Mithilfe der mitgelieferten V-Lock-Platte können Sie den Blackmagic URSA Studio Viewfinder direkt an der Geräteoberseite der Blackmagic URSA G2 oder am Tragegriff des URSA Mini Shoulder Kits befestigen, der mit Ihrer Kamera geliefert wird.

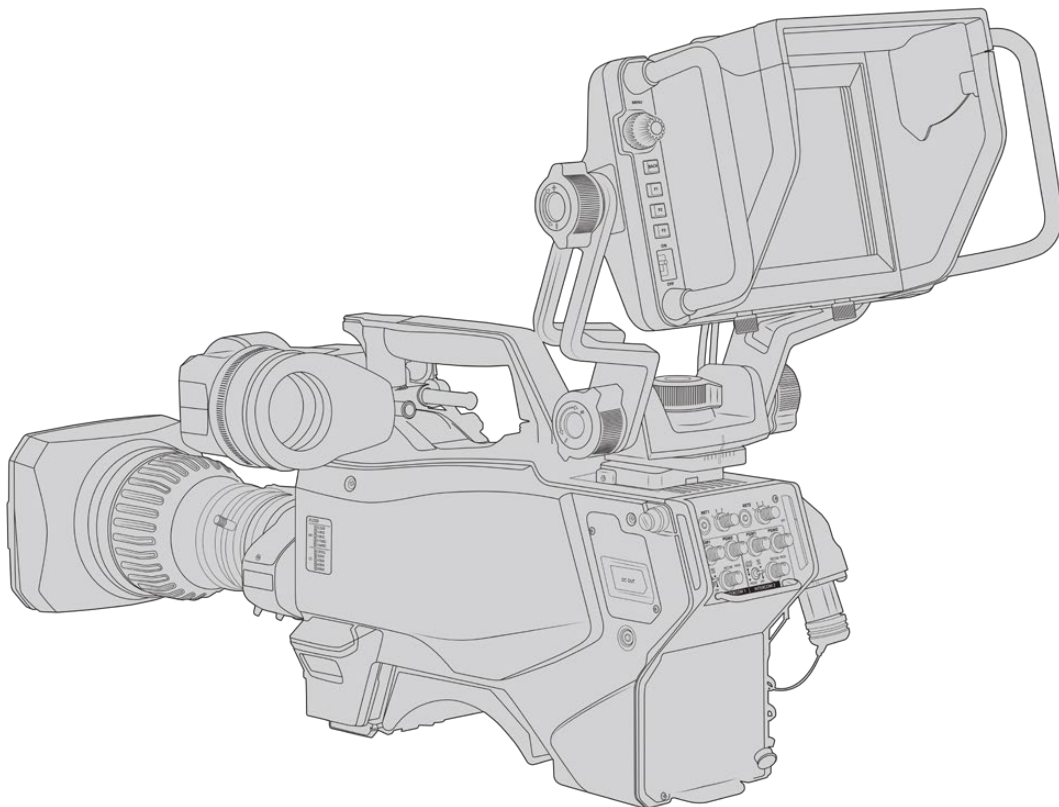
Bringen Sie die V-Lock-Platte mithilfe der beigelegten 1/4"-Schrauben an der Oberseite der Kamera an. Dies verlagert den Schwerpunkt der Kamera weiter nach oben. Wir empfehlen, die Kamera dabei für mehr Stabilität auf einem Stativ zu befestigen.





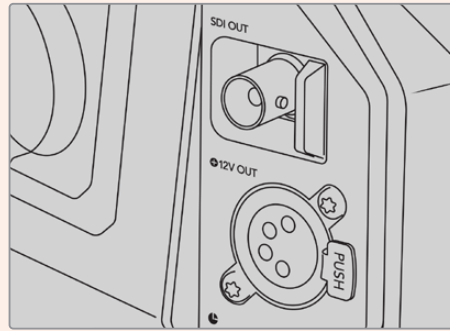
An eine Drittanbieter-Kamera angebrachte V-Lock-Platte

Die V-Lock-Platte kann zudem an jeder anderen beliebigen Kamera befestigt werden, die Sie in Verbindung mit dem Blackmagic URSA Studio Viewfinder nutzen wollen, vorausgesetzt sie verfügt über 1/4"-Montagebohrungen. Verwenden Sie alternativ eine Adapterplatte. Auch an Fremdkameras, die bereits über ein Schnellwechselsystem wie eine V-Lock-Platte verfügen, kann der Blackmagic URSA Studio Viewfinder angebracht werden.



Schließen Sie Ihren Blackmagic URSA Studio Viewfinder dann einfach über die am Sucher befindlichen Kabel an die 12V-Strom- und 3G-SDI-Ausgänge im vorderen Bereich Ihrer URSA Broadcast G2 an.

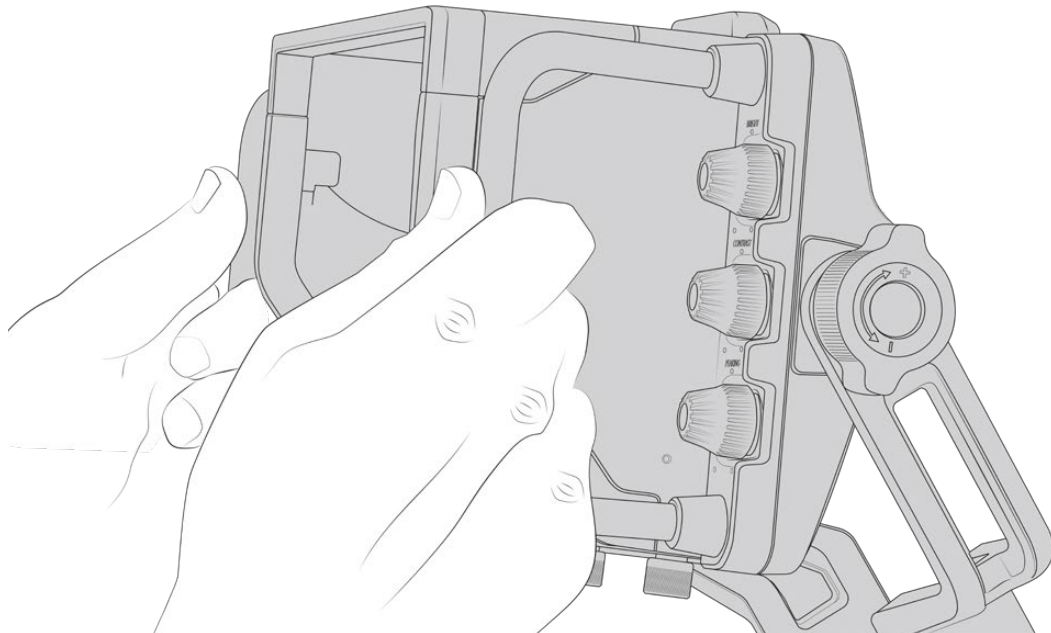
Wird Ihre Kamera mit Strom versorgt, lässt sich der Suchermonitor über den Ein-/Ausschalter einschalten. Seitlich der URSA Broadcast Griffhalterung befinden sich Kabelklemmen, die Ihre Kabel ordentlich an ihrem Platz halten.



SDI- und 12V-Stromanschlüsse an der URSA Broadcast

TIPP Der URSA Studio Viewfinder verwendet 4-polige SDI- und Broadcast-XLR-Stromverbinder offenen Standards. Somit lässt er sich mit jeder beliebigen Kamera oder sogar als justierbarer Mobilbildschirm am Set einsetzen. Dieser Suchermonitor ist überdies für das ATEM Tally- und Gerätesteuerprotokoll ausgelegt. Seine Signale lassen sich also über die SDI-Datenströme beliebiger anderer Kamerasysteme transportieren, die dann auf die Tallys und Overlays vom URSA Studio Viewfinder reagieren.

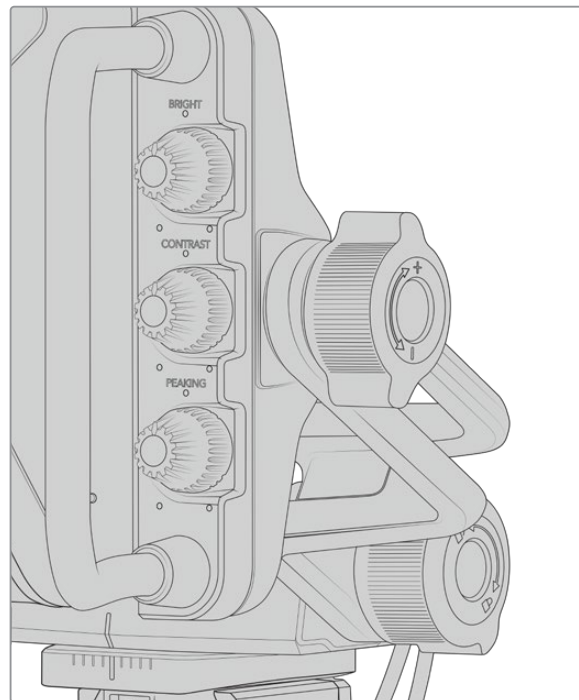
Anpassen der Position des Blackmagic URSA Studio Viewfinders



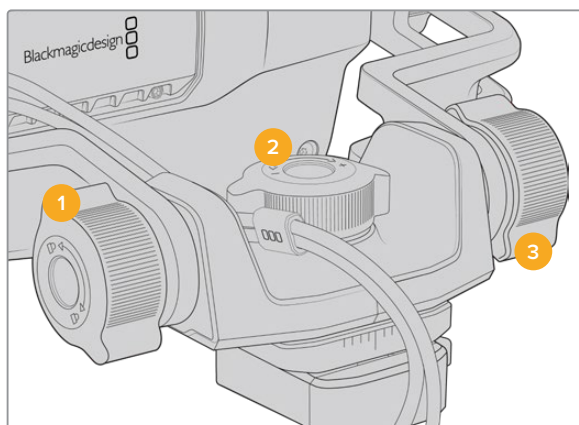
Der Blackmagic URSA Studio Viewfinder verfügt über große Haltegriffe und Schwenkpunkte mit variabler Spannung. Über diese können Sie die Position und den Winkel des Suchermonitors einstellen. Dank der großen Haltegriffe bekommen Sie den Suchermonitor schnell und mühelos zu fassen. So können Sie Winkel und Position bestimmen. Zusammen mit der Gegenlichtblende schützen sie außerdem den Bildschirm vor Beschädigungen. Sie können den einsatzfertig zusammengebauten Blackmagic URSA Studio Viewfinder also in einem Tragekoffer verstauen, ohne ihn vorher auseinanderzubauen. Dank der großen Haltegriffe lässt sich der Suchermonitor spielend leicht fassen und von A nach B tragen.

Die Halterung verfügt über Spanschrauben zum Schwenken und Neigen. An beiden Seiten des Suchermonitors befinden sich weitere Spanschrauben für eine zusätzliche Reibungskontrolle. Hierbei lässt sich über die linke Spanschraube der Reibungswiderstand des Arms anpassen. Mithilfe der rechten Schraube fixieren Sie den Suchermonitor in dem von Ihnen benötigten Winkel.

Dank des umfangreichen Einstellungsbereichs für die Spannung ist es möglich, den Widerstandswert gezielt zu justieren. Somit können Sie den Suchermonitor zur präzisen Positionierung schwenken und neigen.



Spanschrauben auf beiden Seiten des Suchermonitors

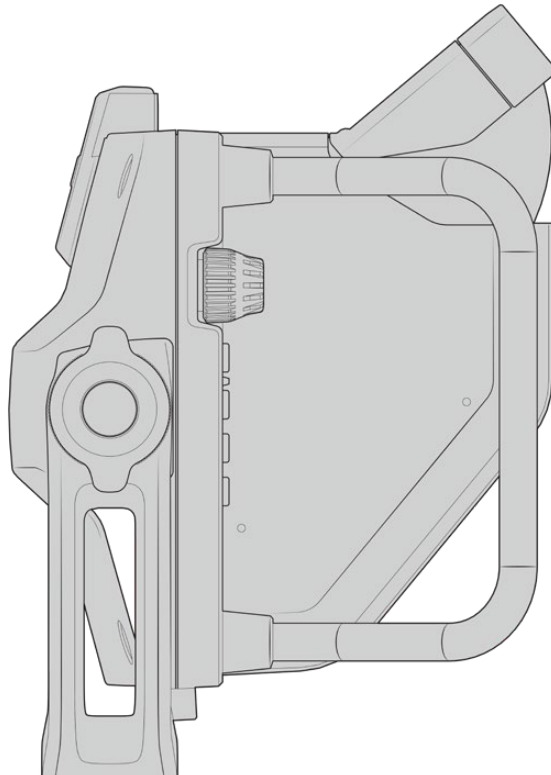
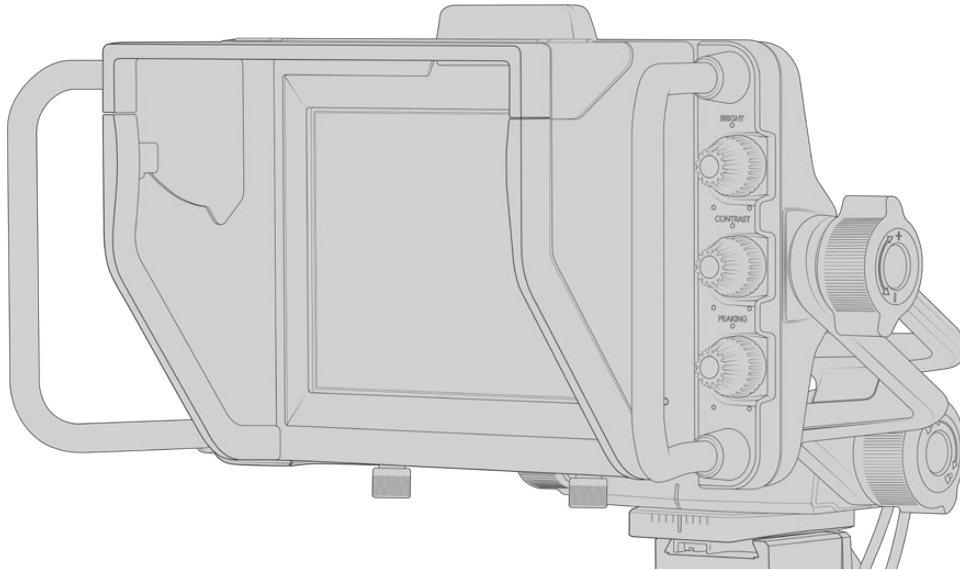


- 1 Feststellschraube zum Neigen**
Zum Feststellen des Neigewinkels.
- 2 Spanschraube zum Schwenken**
Zum Justieren der Schwenkspannung.
- 3 Spanschraube zum Neigen**
Zum Justieren der Neigespannung.

TIPP Über die mittlere Spanschraube an der mitgelieferten Halterung kann man die Spannung für Schwenks vorgeben. Soll die Kamera unabhängig bewegt werden, kann man sie lockern und per Hand festhalten. Beim Filmen von Motorsportereignissen, bei denen man die Kamera beim Verfolgen der Action dauernd nach links und rechts schwenkt, können Sie den Suchermonitor so immer auf Ihren Blickwinkel ausgerichtet halten. Anhand einer visuellen Markierung an der Halterung versetzt man den Suchermonitor bequem wieder in seine mittige Position zurück.

Gegenlichtblende

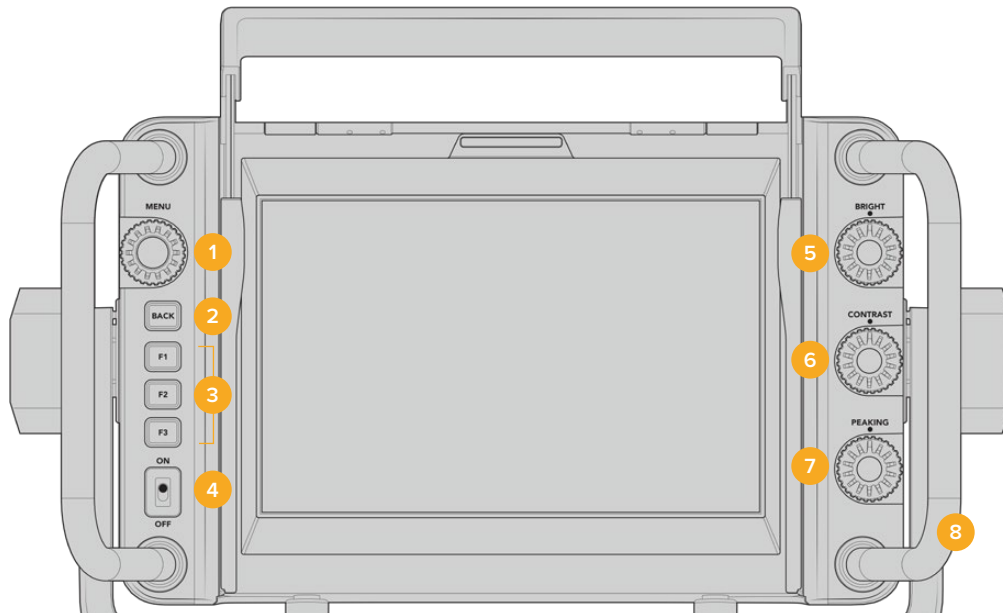
Mit der Gegenlichtblende können Sie das Monitorbild auch in hellen und sonnigen Umgebungen noch sehen. Befestigen Sie die Gegenlichtblende, indem Sie sie auf die Geräteoberseite des Blackmagic URSA Studio Viewfinders schieben und sie mithilfe der beiden unverlierbaren Schrauben am Ansatz der Gegenlichtblende feststellen. Der obere Teil der Blende ist verstellbar. Für zusätzliche Betrachtungswinkel kann er angehoben oder gesenkt werden. Die Gegenlichtblende bietet zusätzlichen Schutz für das 7-Zoll-Display und kann nach Belieben schnell und einfach entfernt werden, um für Softwareupdates auf den USB-C-Anschluss zugreifen zu können.



Gegenlichtblende mit einstellbarem Schirm

Die Funktionen der Tasten

Über die Drehregler an der rechten Seite lassen sich die Optionen BRIGHT, CONTRAST und PEAKING schnell und mühelos einstellen. Dank des ergonomischen Designs lassen sich die Drehregler seitlich mit dem Daumen oder – für eine kontrolliertere Justierung – mit zwei Fingern anpassen, wenn Sie die Gegenlichtblende verwenden.



1 MENU-Regler

Der Drehregler MENU mit Druckknopffunktion erlaubt Zugriff auf das Menü sowie die Navigation durch die Suchereinstellungen.

2 BACK-Taste

Hierüber verlassen Sie die Menüführung

3 F1, F2, F3

Zuweisbare Funktionstasten. Für einen schnellen Zugriff können Sie diesen Tasten häufig genutzte Funktionen zuweisen.

4 ON/OFF-Schalter

Schaltet den Blackmagic URSA Studio Viewfinder ein und aus.

5 BRIGHT

Passt die Helligkeit des Bilds auf dem Bildschirm an. Overlays zeigen den Helligkeitspegel auf einer Skala von -100 bis +100 im Bildschirm an.

6 CONTRAST

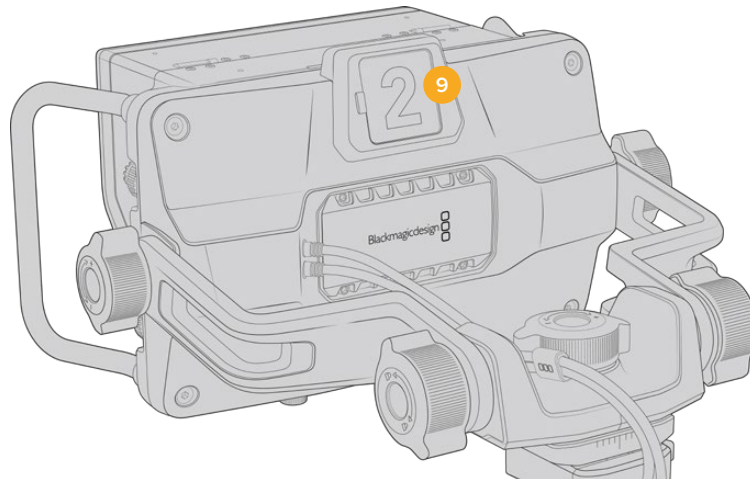
Passt den Kontrast des Bilds auf dem Bildschirm an. Overlays zeigen den Kontrastpegel auf einer Skala von -100 bis +100 im Bildschirm an.

7 PEAKING

Passt den Focus-Peaking-Pegel für das Bild auf dem Bildschirm an. Overlays zeigen den Peaking-Pegel auf einer Skala von -100 bis +100 im Bildschirm an. Im Einstellungsmenü können Sie zwischen unterschiedlichen Peaking-Stilen wählen, die Ihrer Arbeitsumgebung entsprechen. Mit dem traditionellen Focus-Peaking-Stil werden die meisten bereits von anderen Broadcastsystemen vertraut sein. Gleiches gilt für die farbigen Fokuslinien. Wie auch bei der URSA Broadcast G2 haben Sie die Wahl zwischen den Linienfarben „Red“ (Rot), „Green“ (Grün), „Blue“ (Blau) und „White“ (Weiß). Das bietet Ihnen Flexibilität und macht die Linien leicht sichtbar, wenn Sie in Umgebungen mit einer bestimmten dominierenden Farbe drehen.

8 Haltegriffe

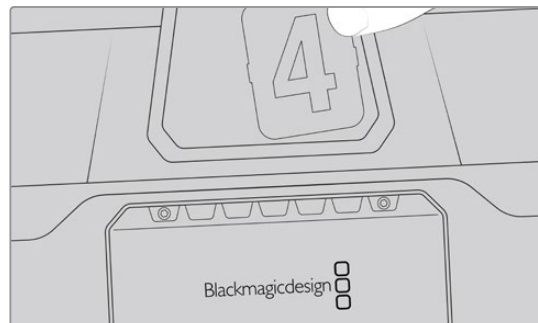
Die integrierten Haltegriffe sind groß genug, um den Studio Viewfinder auch beim Neuausrichten der Kamera während des Drehs in Position zu halten. Beim Aufbau und Abbau eines Sets schützen sie außerdem den Bildschirm.



9 Tally

Das große Tally-Licht an der Rückseite des Blackmagic URSA Studio Viewfinders zeigt sowohl Moderator als auch Kameraoperator an, welche Kamera auf Sendung ist bzw. auf Sendung geht und ob im ISO-Modus aufgezeichnet wird. Das Tally leuchtet rot, wenn die Kamera auf Sendung ist, grün, wenn sich der Studio Viewfinder in Verbindung mit der URSA Broadcast G2 im Vorschaumodus befindet und orange, wenn im ISO-Modus aufgezeichnet wird.

Während der Regisseur über den ATEM Mischer zwischen Kameras hin und her schaltet, werden Tally-Signale über SDI zurück zur Kamera geschickt, damit das Licht zu leuchten beginnt, bevor sie auf Sendung geht, wenn sie auf Sendung ist und während sie aufzeichnet. Der URSA Studio Viewfinder wird mit transparenten Kameranummern geliefert, die sich am Tally-Licht befestigen lassen. So kann ein Moderator die Kameranummern auch aus einer Entfernung von bis zu sechs Metern noch klar sehen.



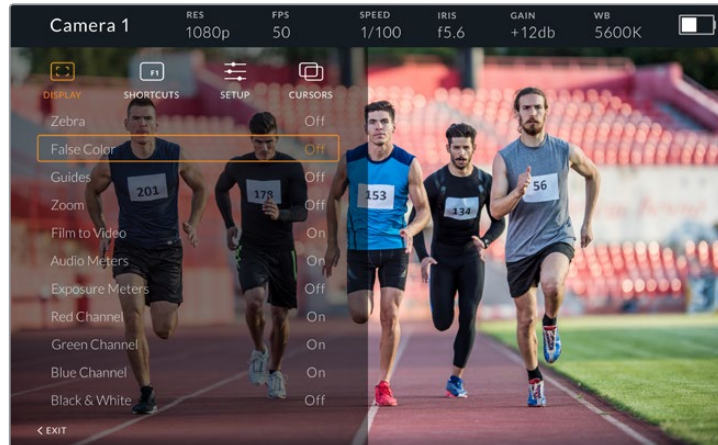
Wir haben dem Software-Installer außerdem editierbare PDF-Dateien hinzugefügt. Mithilfe dieser können Sie sich Ihre eigenen Tally-Nummern erstellen und ausdrucken. Nach Installation der Blackmagic Cameras Software können diese auf einem Mac auch unter „Programme“ > „Blackmagic Cameras“ > „Documents“ bzw. auf einem PC unter „Blackmagic Design“ > „Documents“ gefunden werden.

Das Tally-Licht leuchtet entsprechend den ATEM Mischerbefehlen auf. Ist Ihre Kamera nicht mit einem Mischer verbunden, verhält sich das Tally-Licht wie ein einfacher Aufzeichnungsindikator und leuchtet rot. Näheres erfahren Sie im Abschnitt „Betrieb als Studiokamera per Software-Kamerasteuerung“ in dieser Bedienungsanleitung.

TIPP Wählen Sie beim Einsatz des Blackmagic URSA Studio Viewfinders mit einem ATEM Mischer auf der URSA Broadcast G2 unbedingt die Option CLEAN-FEED aus. Dies gewährleistet, dass in der zum ATEM Mischer gesendeten SDI-Ausgabe weder Overlays noch das Fokussierkästchen zu sehen sind. Navigieren Sie auf der URSA zum MONITORING-Menü und wählen Sie für die „Haupt-SDI“-Ausgabe die Option CLEAN-FEED aus.

Einstellungsmenü

Per Druck auf den Drehregler MENU erhalten Sie Zugriff auf das Menü. Durch Drehen des Reglers navigieren Sie durch die Menüoptionen. Wenn Sie auf den MENU-Drehregler drücken, während eine Menü-Überschrift markiert ist, können Sie zwischen den Untermenüs DISPLAY, SHORTCUTS, SETUP und CURSORS hin und her schalten. Durch Drehen des Reglers scrollen Sie durch die jeweiligen Einstellungen eines Menüs. Wenn Sie auf den Regler drücken, während eine Einstellung markiert ist, können Sie diese durch Drehen des Reglers anpassen. Bestätigen Sie Ihre Auswahl durch erneutes Drücken des Drehreglers. Sie verlassen das Menü durch Betätigen der BACK-Taste oder indem Sie zur Option „Exit“ navigieren.



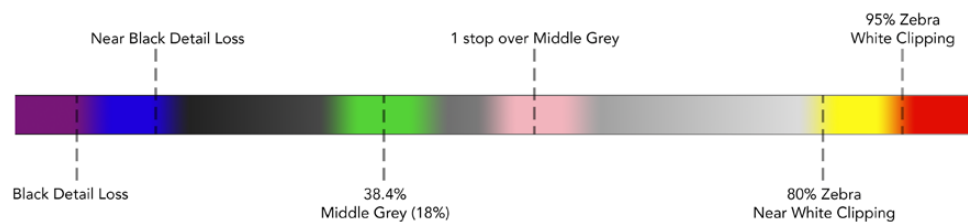
DISPLAY

Zebra

Aktiviert bzw. deaktiviert den Zebra-Modus. Das Zebraniveau wird auf der URSA Broadcast G2 auf der dritten Seite des MONITORING-Einstellungsmenüs vorgegeben. Ist der Studio Viewfinder nicht mit einer URSA Broadcast G2 verbunden, repräsentiert das Zebraniveau 95 % der Luminanzpegel eines Rec.709-Signals. Näheres finden Sie im Abschnitt „Einstellungen“ in diesem Handbuch.

False Color

Aktiviert bzw. deaktiviert die Falschfarben-Funktion. Falschfarben stellen unterschiedliche Helligkeitswerte von Elementen in Ihrem Bild in Farben dar, die dem jeweiligen Wertebereich entsprechen. Beispielsweise zeigt Pink optimal belichtete Hauttöne an. Wenn Sie beim Filmen von Menschen anhand der Falschfarben-Funktion das Pink kontrollieren, lässt sich eine gleichförmige Belichtung von Hauttönen erzielen. Gleichermaßen zeigt Ihnen eine vom Gelben ins Rote wechselnde Falschfarben-Darstellung an, dass diese Bildbereiche nun überbelichtet sind. Die Falschfarben-Funktion eignet sich gut zur Belegung einer der Funktionstasten, da die Tasten einen schnellen und mühelosen Zugriff auf häufig verwendete Referenztools für die Belichtung bieten.



Falschfarbentabelle

Guides

Über diese Einstellung können Sie Hilfslinien anzeigen oder ausblenden. Die Hilfslinien entsprechen dem Stil, der auf der vierten Seite des MONITORING-Einstellungsmenüs der URSA Broadcast G2 festgelegt wurde.

Das Bildseitenverhältnis, die Sichtbarkeit der Bildrandmarkierungen, die Prozentzahl der sendesicheren Bereiche und die Art der angezeigten Gitter entsprechen jenen, die Sie auf der Kamera festgelegt haben. Über das SETUP-Menü des Studio Viewfinders können Sie dann vorgeben, welche Art von Hilfslinien Sie auf dem Bildschirm des Studio Viewfinders sehen möchten, sollten Hilfslinien im DISPLAY-Menü aktiviert sein. Diese können dann mithilfe eines einzelnen Befehls aktiviert bzw. deaktiviert werden.

Zoom

Schaltet die Zoom-Funktion ein und aus. Die Zoom-Funktion erleichtert die präzise Scharfstellung, indem Sie in das Bild hineinzoomen. Ist eingezoomt, können Sie über den Drehregler zu bestimmten Abschnitten des Bildschirms navigieren. Das Overlay zeigt dabei an, welcher Bildbereich eingezoomt ist.

Film to Video

Wenn ein SDI-Signal mit dem Dynamikumfang „Film“ von Ihrer URSA Broadcast G2 gesendet wird, erlaubt Ihnen die Einstellung „Film to Video“, eine farb- und kontrastreichere LUT auf Ihr Bild anzuwenden. Diese Einstellung ist nur dann verfügbar, wenn der Dynamikumfang „Film“ erkannt wird. Ansonsten wird sie ausgegraut, damit keine falsche LUT auf Ihr Bild angewendet wird.

Audio Meters

Die Audiopegelmeter zeigen den Tonpegel an, der über SDI an den Blackmagic URSA Studio Viewfinder gesendet wird. Daher werden Ihnen die Toneingabepegel der URSA Broadcast G2 angezeigt. Haben Sie den Programmeingang ausgewählt, zeigt der Audiopegelmessers diese Tonpegel an.

Exposure Meters

Schaltet die Histogrammanzeige für den Belichtungsmesser ein oder aus.

Red Channel

Hierüber schalten Sie den roten Kanal Ihres Bildes ein oder aus.

Green Channel

Hierüber schalten Sie den grünen Kanal Ihres Bildes ein oder aus.

Blue Channel

Hierüber schalten Sie den blauen Kanal Ihres Bildes ein oder aus.

Black & White

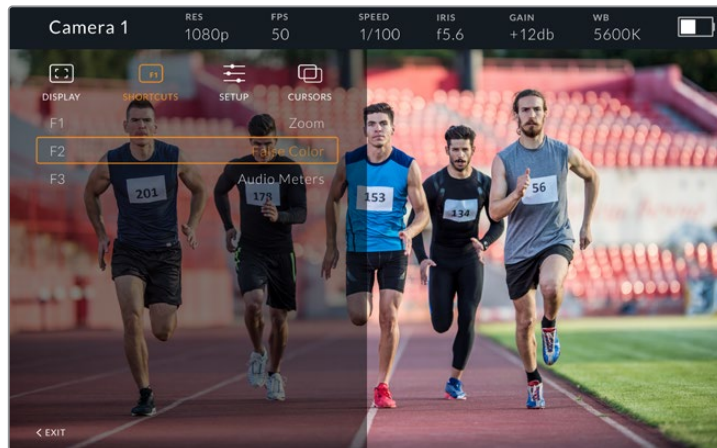
Wechselt zwischen Farbe und Monochrom.

SHORTCUTS

Die Shortcut-Funktion erlaubt Ihnen die Belegung der Tasten F1, F2 und F3 mit bestimmten Funktionen. Über diese Shortcut-Tasten können Sie beliebige Einstellungen aus dem DISPLAY-Menü oder Ihre Cursor ein- und ausschalten. Das bietet sich besonders dann an, wenn Sie für eine häufig verwendete Funktion schnell auf eine bestimmte Einstellung zugreifen müssen.

So richten Sie Ihre Kurzbefehle individuell ein: Drehen Sie den Drehregler im SHORTCUTS-Menü, um nach oben bzw. unten zu scrollen und wählen Sie eine der drei Tasten. Drücken Sie auf den MENU-Drehregler, um die Auswahl zu bestätigen. Drehen Sie ihn anschließend, um durch die zuweisbaren Funktionen zu scrollen. Sie haben die Möglichkeit, zwischen den folgenden Funktionen zu wählen: Zoom, Cursor 1, Cursor 2, Cursor 3, Zebra, False Color, Guides, Film to Video, Audio Meters, Exposure Meters, Red Channel, Green Channel, Blue Channel, Black & White. Sobald Sie Ihre Auswahl getroffen haben, drücken Sie zur Bestätigung auf den MENU-Drehregler, um die jeweilige Feature der ausgewählten Funktionstaste hinzuzufügen. Durch Drücken der Funktionstaste wird diese Funktion nun aktiviert bzw. deaktiviert.

Sobald Sie Ihre Shortcuts wie benötigt festgelegt haben, können Sie entweder zu „Exit“ scrollen und auf den MENU-Drehregler drücken oder die BACK-Taste betätigen, um die Menüanzeige zu schließen.



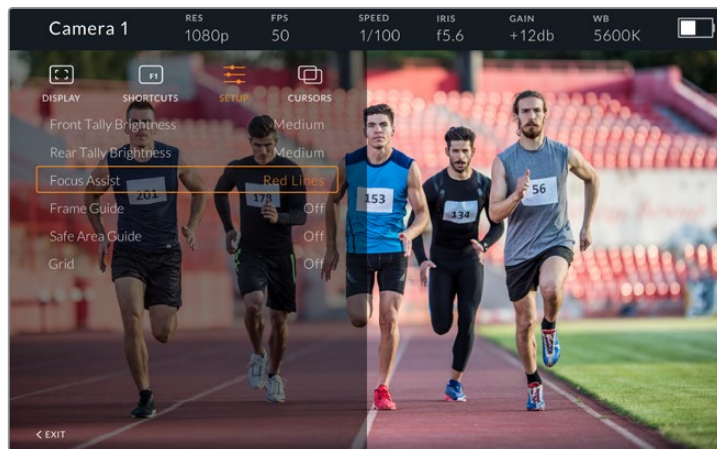
Das Untermenü „Shortcuts“

SETUP

Im SETUP-Menü legen Sie die Grundeinstellungen Ihres Suchermonitors fest.

Front Tally Brightness

Passt die Helligkeit der Tally-LED an. Mögliche Einstellungen sind: „Off“ (Aus), „Low“ (Niedrig), „Medium“ (Mittel) und „High“ (Hoch). Das Tally-Licht bleibt beim Justieren der Helligkeit erleuchtet, um die Wirkung einer jeden Einstellungsoption nachvollziehbar zu machen.



Das Untermenü SETUP

Rear Tally Brightness

Passt die Helligkeit der Tally-LED an. Mögliche Einstellungen sind: „Low“ (Niedrig), „Medium“ (Mittel) und „High“ (Hoch). Das Tally-Licht bleibt beim Justieren der Helligkeit erleuchtet, um die Wirkung einer jeden Einstellungsoption nachvollziehbar zu machen.

TIPP Für helle Lichtverhältnisse empfehlen wir eine hohe Einstellung der LED-Helligkeitswerte, damit Darsteller und Operatoren das Tally besser erkennen können. Beim Filmen in dunkleren Umgebungen ist jedoch eine geringere LED-Helligkeit angebrachter, da man ein erleuchtetes Tally dann ohnehin besser sieht.

Focus Assist

Die Einstellung „Focus Assist“ verändert das Aussehen der Peaking-Funktion auf dem Suchermonitor. Sie haben die Wahl zwischen „Red“ (Rot), „Green“ (Grün), „Blue“ (Blau), „Black“ (Schwarz) und „White“ (Weiß) sowie traditionellem Peaking.

Frame Guide

Über diese Funktion können Sie sich als Teil der Guides (Hilfslinien) Ihres Studio Viewfinders auch Bildrandmarkierungen anzeigen lassen. In Verbindung mit einer URSA Broadcast G2 entsprechen diese dem Bildseitenverhältnis für Bildrandmarkierungen Ihrer Kamera. In Verbindung mit anderen Systemen wird das Bildseitenverhältnis auf den Standard von 14:9 eingestellt.

Safe Area Guide

Über diese Funktion können Sie sich als Teil der Guides (Hilfslinien) Ihres Studio Viewfinders auch sendesichere Bereiche anzeigen lassen. In Verbindung mit einer URSA Broadcast G2 entsprechen diese dem auf Ihrer Kamera eingestellten Prozentsatz für sendesichere Bereiche. In Verbindung mit anderen Systemen beträgt der Standardwert 90 %.

Grid

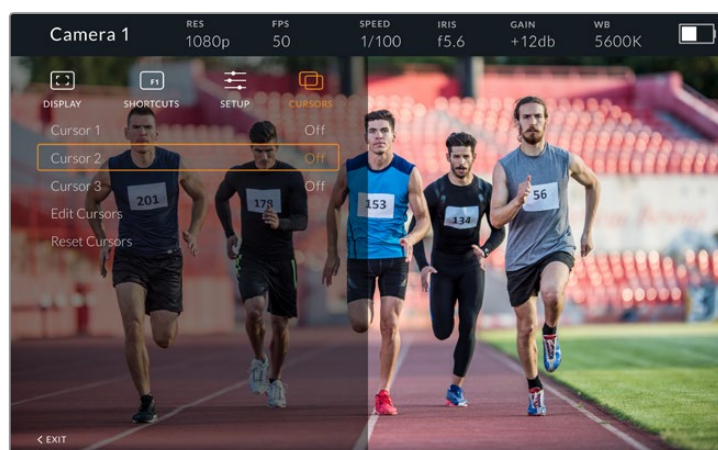
Über diese Funktion können Sie sich als Teil der Guides (Hilfslinien) Ihres Studio Viewfinders auch Gitter anzeigen lassen. In Verbindung mit einer URSA Broadcast G2 entsprechen diese den RASTER- Einstellungen Ihrer Kamera. Ist der Suchermonitor nicht verbunden, wird hier das Fadenkreuz aktiviert bzw. deaktiviert.

LCD-Helligkeit

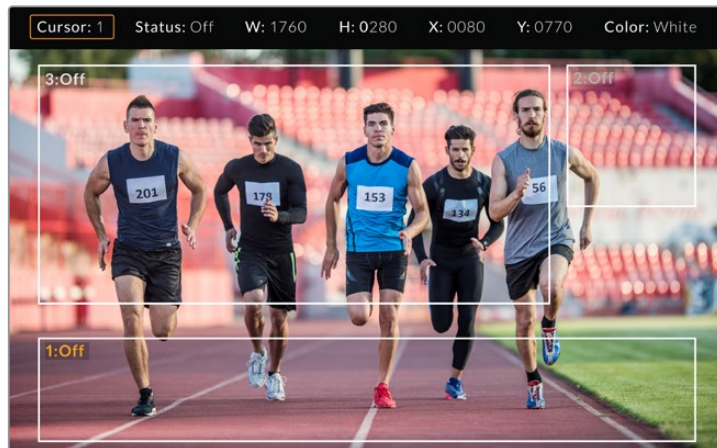
Wenn Sie das neuere Modell des URSA Studio Viewfinders besitzen, werden die Helligkeitseinstellungen für das LCD am unteren Rand des SETUP-Menüs angezeigt. Damit passen Sie die Hintergrundbeleuchtung Ihres Studio Viewfinder LCDs an.

CURSORS

Mithilfe der Cursors können Sie Bereiche im Bildschirm markieren, in die Grafiken wie Bauchbinden, Logos oder Lauftexte eingblendet werden sollen. Um diese Cursors anzupassen, gehen Sie zu CURSORS und wählen Sie „Edit Cursors“. Es erscheint eine Seite mit allen drei Cursors, auf der Sie einen individuellen Cursor wählen und anschließend seine Breite, Höhe sowie die X- und Y-Koordinaten für die Positionierung bestimmen können.



Das Untermenü CURSORS



Eingeblendete Cursors

Sobald Cursors eingerichtet wurden, können diese über das Menü CURSORS aktiviert bzw. deaktiviert oder einer der Funktionstasten zugeordnet werden. Das ist besonders bei Live-Produktionen wichtig, weil der Kameraoperator Shots somit akkurat zusammenstellen und kadrieren kann. Es können bis zu drei schwarze oder weiße Cursors erstellt werden, deren Höhe, Breite und Position sich variabel vorgeben lassen und dort platziert werden, wo später live oder bei der Übertragung Grafiken hinzugefügt werden. Des Weiteren haben Sie die Möglichkeit, die Standardeinstellungen der Cursors wiederherzustellen.

Gebrauch eines Headsets mit dem Blackmagic URSA Studio Viewfinder

Wenn Sie den Blackmagic URSA Studio Viewfinder in Verbindung mit einer URSA Broadcast G2 einsetzen, fungiert die Kopfhörerbuchse Ihrer Kamera als Headset-Verbindung für Talkback zur direkten Kommunikation mit dem Regisseur.

Für eine fortschrittlichere Talkback-Funktionalität sorgen der Blackmagic Camera Fiber Converter und der Blackmagic Studio Converter. Diese gestatten die Verwendung 5-poliger XLR-Headsets. Näheres finden Sie im Abschnitt „Blackmagic Fiber Converters“ in diesem Handbuch.

TIPP Da die Kopfhörerbuchse an der URSA Broadcast G2 mit iPhone-Headsets kompatibel ist, können Sie für die Kommunikation mit dem Regisseur Ihr iPhone-Headset benutzen. Drücken Sie die eingebaute Fernsprechtaste, um vom Regisseur gehört zu werden.

Aktualisieren der Produktsoftware des URSA Studio Viewfinders

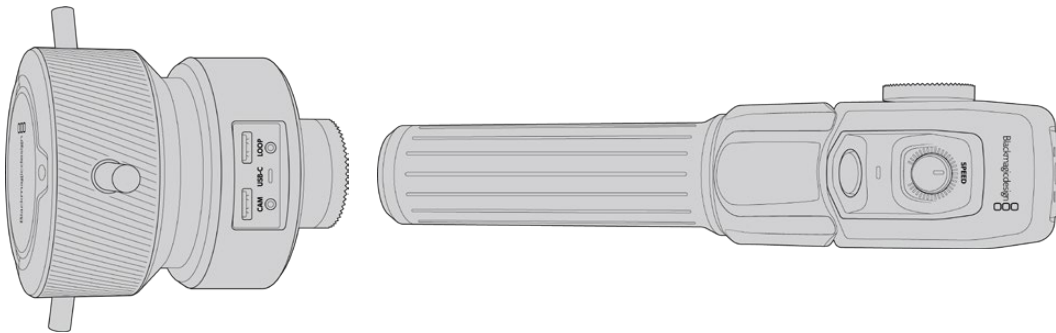
Ein Update Ihres Suchers lässt sich über das Blackmagic Camera Setup Dienstprogramm vornehmen. Der Sucher muss für das Update mit Strom versorgt werden. Wir empfehlen daher, den Sucher während des Updates an Ihre URSA Broadcast G2 angeschlossen zu lassen. Für diesen Vorgang muss Ihre Kamera durchgängig Strom liefern. Schließen Sie sie deshalb an eine externe Stromzufuhr an.

Entfernen Sie die Gegenlichtblende, um Zugriff auf den kleinen USB-C-Anschluss am Unterteil des Blackmagic URSA Studio Viewfinders zu bekommen und verbinden Sie ihn über den USB-C-Port Ihres Computers. Wenn das Dienstprogramm Blackmagic Camera Setup läuft und Ihr Sucher an einen Computer angeschlossen ist, erhalten Sie eine Update-Aufforderung, sobald Ihr Computer eine veraltete Version erkennt. Folgen Sie den Anweisungen auf Ihrem Bildschirm, um die Produktsoftware Ihres Suchers zu aktualisieren. Weitere Informationen finden Sie in diesem Handbuch im Abschnitt „Blackmagic Camera Setup Dienstprogramm“.

Für optimale Leistung empfehlen wir, Ihre komplette Blackmagic URSA Ausrüstung auf einmal zu aktualisieren.

HINWEIS Beim Einsatz Ihres Blackmagic URSA Studio Viewfinders mit der URSA Broadcast G2 empfehlen wir, die Produktsoftware Ihres Suchers aus Kompatibilitätsgründen auf die neueste Version zu aktualisieren. Die aktuellste Version der Software steht im Blackmagic Support Center unter www.blackmagicdesign.com/de/support bereit. Weitere Informationen finden Sie in diesem Handbuch im Abschnitt „Blackmagic Camera Setup Dienstprogramm“.

Blackmagic Zoom und Focus Demands



Das Blackmagic Zoom Demand und das Blackmagic Focus Demand sind optionale Steuergeräte für Zoom und Schärfe an kompatiblen servobetriebenen B4-, EF- und PL-Objektiven.

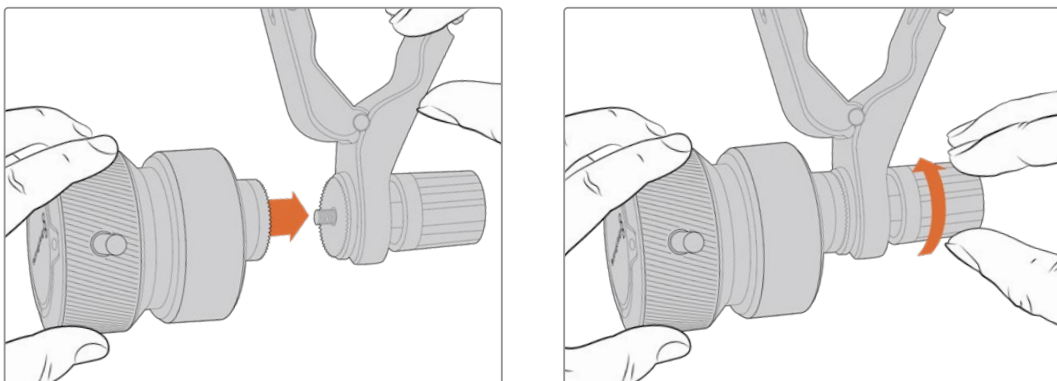
Beide Geräte können am Griff Ihres Dreibeinstativs oder Pumpstativs angebracht werden. Sie können darüber Fokus und Zoom steuern, während Sie die Kamera mit beiden Händen schwenken und neigen. Mit weiteren Tasten und Bedienelementen justieren Sie die Geschwindigkeit und Empfindlichkeit der Zoomsteuerung, aktivieren Talkback, prüfen den rückgeführten Programmfeed und mehr.

Anschließen und Anbringen an Ihre Kamera

Anbringen am Stativgriff

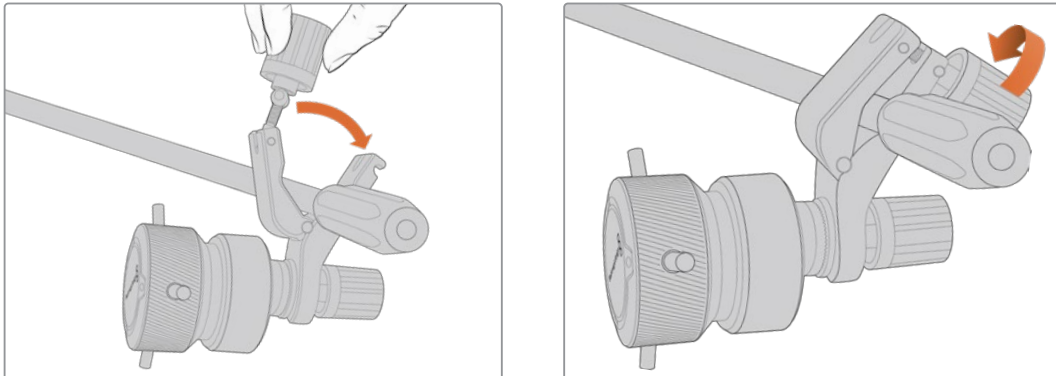
Beide Geräte lassen sich über Montagehalterungen an einen Stativgriff anbringen. Bringen Sie jedes Gerät mithilfe der Rosettenbefestigung an seine Halterung an:

Bringen Sie jedes Gerät mithilfe der Rosettenbefestigung an seine Halterung an und sichern Sie es dann, indem Sie den jeweiligen Feststellknopf festdrehen.



- 1 Legen Sie das Zoom oder Focus Demand an die Rosettenbefestigung der Halterung an.
- 2 Drehen Sie den Feststellknopf, bis das Steuergerät fest an seiner Halterung angebracht ist.

Jetzt, da die Geräte an der Halterung befestigt sind, können Sie die Halterungen am Stativgriff anbringen. An einem Ende jeder Halterung gibt es eine T-förmige Verriegelung, die in eine Kerbe einrastet und sich festschrauben lässt.



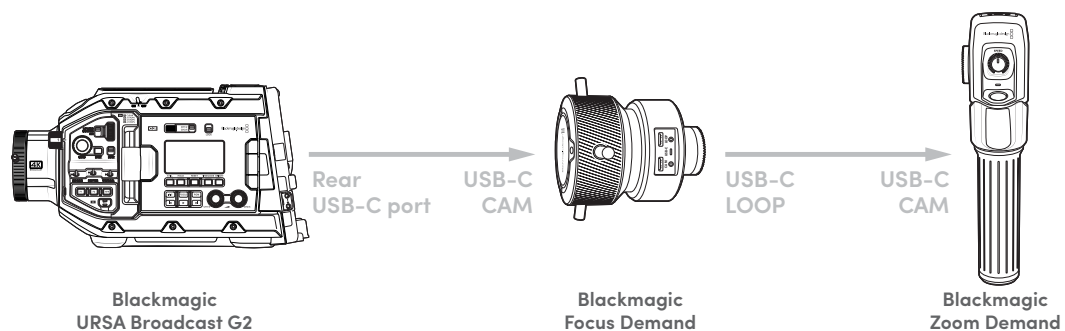
- 1 Lockern Sie die Verriegelung, indem Sie den Feststellknopf gegen den Uhrzeigersinn drehen. Dies löst die T-förmige Verriegelung.
- 2 Legen Sie die Halterung mit der geöffneten Verriegelung an den Stativgriff an und klemmen Sie die Halterung fest, indem Sie die Verriegelung in die Kerbe legen. Rücken Sie die Halterung an die gewünschte Stelle am Stativgriff.
- 3 Drehen Sie den Feststellknopf, bis die Halterung fest am Stativgriff sitzt.

Anschließen an Ihre Kamera

Die Blackmagic Focus und Zoom Demands haben je zwei USB-C-Ports, über die Sie jedes Gerät einzeln oder beide zusammen anschließen können.

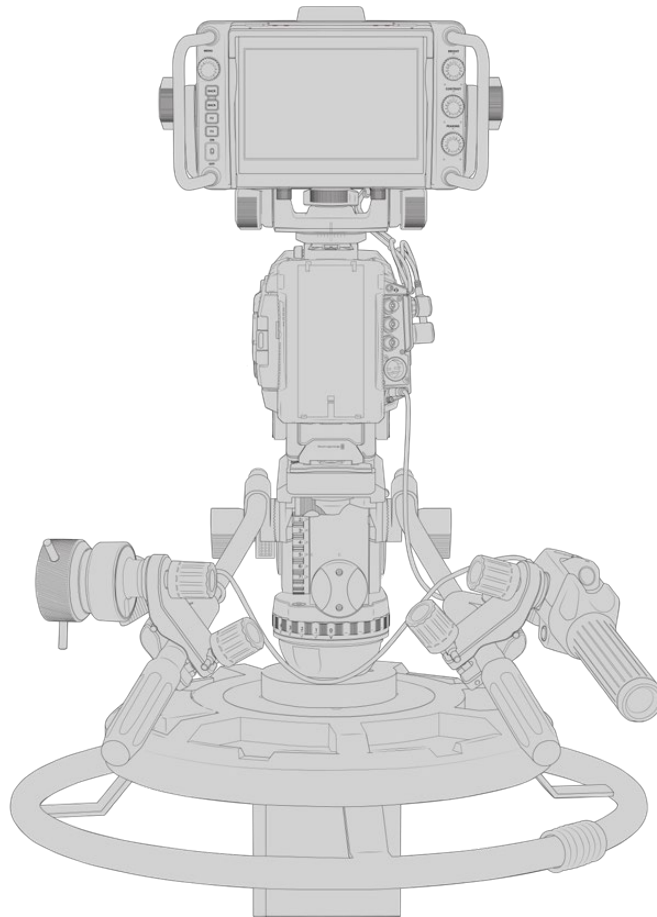
Jedes Gerät wird mit einem 1 Meter langen USB-C-Kabel geliefert, das von einem der USB-C-Erweiterungsports an beiden Seiten Ihrer URSA Broadcast G2 mit dem „CAM“-Port des Steuergeräts verbunden wird.

Bei Einsatz beider Steuergeräte schalten Sie sie in Reihe, indem Sie das erste Gerät per USB-C mit dem zweiten verbinden.



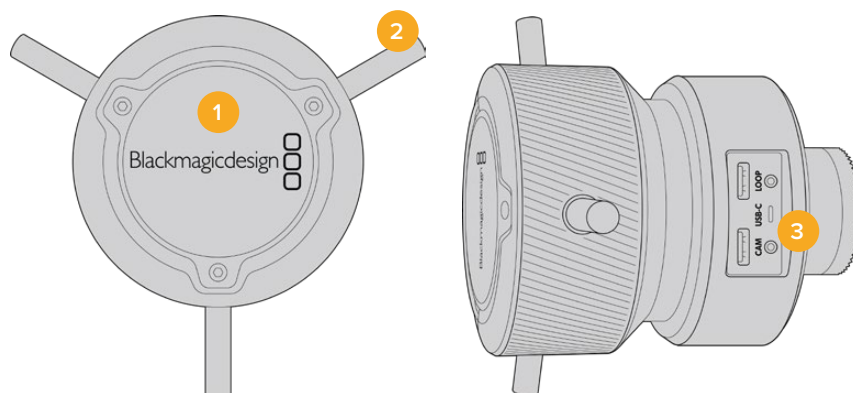
Die Reihenschaltung ermöglicht die Steuerung beider Geräte über den hinteren USB-C-Port Ihrer URSA Broadcast G2. Schließen Sie bspw. ein USB-C-Kabel an den hinteren USB-C-Port Ihrer Kamera an und verbinden Sie das andere Kabelende mit dem „CAM“-Port des Focus Demands. Verbinden Sie mit einem weiteren Kabel den „LOOP“-Port des Focus Demands mit dem „CAM“-Port des Zoom Demands.

Das USB-C-Kabel verfügt über Sicherungsschrauben an jedem Ende, um den Stecker fest an den Geräten anzuschließen und eine versehentliche Trennung zu vermeiden. Sie müssen die Sicherungsschrauben nicht zwingend verwenden. In Studiosetups, wo die Geräte dauerhaft mit Ihrer URSA Broadcast G2 verbunden sind, sind sie jedoch praktisch.



Die Blackmagic Focus und Zoom Demands ermöglichen Ihnen die Fokus- und Zoomsteuerung, ohne Ihre Hände von den Griffen zu nehmen

Verwenden des Blackmagic Focus Demands



1 Steuerregler

Um Motive in Objektivnähe scharfzustellen, drehen Sie das Fokusrad im Uhrzeigersinn. Um weiter entfernte Motive scharfzustellen, drehen Sie es gegen den Uhrzeigersinn. Indem Sie entweder „Standard“ oder „Umgekehrt“ vorgeben, ändern Sie die Fokusrichtung im Menü.

TIPP Drücken Sie bei Einsatz eines Blackmagic Zoom Demands die Schnellzoom-Taste, um das Bild beim Scharfstellen mit dem Focus Demand zu vergrößern.

2 Steuerstifte

Diese drei Stifte erweitern die Reichweite für die Bedienung. Sie erleichtern präzisere Fokusanpassungen mit den Fingerspitzen.

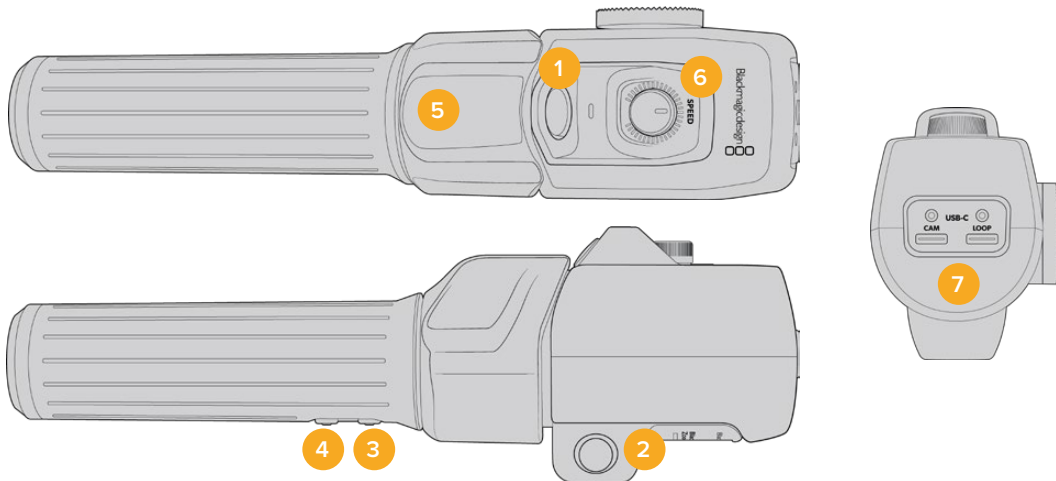
3 USB-Ports

Ermöglichen den Anschluss des Focus Demands an die Kamera und die Reihenschaltung mit dem Zoom Demand. Der „CAM“-Port dient zudem zum Aktualisieren der Produktsoftware über das Dienstprogramm Blackmagic Camera Setup.

Verwenden des Blackmagic Zoom Demands

Die Bedienelemente des Zoom Demands lassen sich über die Kameraeinstellungen zuweisen. Wie Sie die Tastenfunktionen ändern, erfahren Sie im Abschnitt „SETUP-Einstellungen“ im Kapitel „Einstellungen“.

Standardmäßig sind folgende Befehle eingestellt:



1 Zoom F1

Dies ist die Zoom-Funktionstaste 1. Standardmäßig ist diese Taste auf Aufnahme eingestellt.

2 Zoom F2

Dies ist die Zoom-Funktionstaste 2. An der anderen Seite des Controllers befindet sich eine identische Taste, um dieselbe Funktion auszuführen. Dies erleichtert die Bedienung für Rechts- und Linkshänder. Standardmäßig ist diese Taste als Schnellzoom-Funktion eingerichtet, mit der Sie sofort in ein Livebild einzoomen können.

HINWEIS Die Schnellzoom-Funktion wird nur auf dem LCD der Blackmagic URSA Broadcast G2 ausgeführt, jedoch nicht in der Videoausgabe eines angeschlossenen Mischers oder Rekorders.

3 Zoom F3

Dies ist die Zoom-Funktionstaste 3. Standardmäßig ist diese Taste auf Programm-Return eingestellt. Normalerweise ist dies der rückgeführte Programmfeed eines Mischers. Dazu können jedoch sämtliche an den SDI-Eingang Ihrer Kamera angeschlossenen SDI-Signale dienen.

4 Zoom F4

Dies ist die Zoom-Funktionstaste 4. Standardmäßig ist diese Taste auf Push-to-Talk eingestellt. Ist die Kamera per SDI mit einem ATEM Mischer verbunden, können Sie die Taste gedrückt halten, um mit dem Mischerbediener zu sprechen.

5 Zoomwippe

Der Griff des Zoom Demands ist mit einer Zoomwippe für die Steuerung ausgestattet. Durch Umlegen der Zoomwippe nach links zoomt man aus und durch Drücken nach rechts ein. Die Zoomrichtung lässt sich in den Menüeinstellungen der Kamera umkehren.

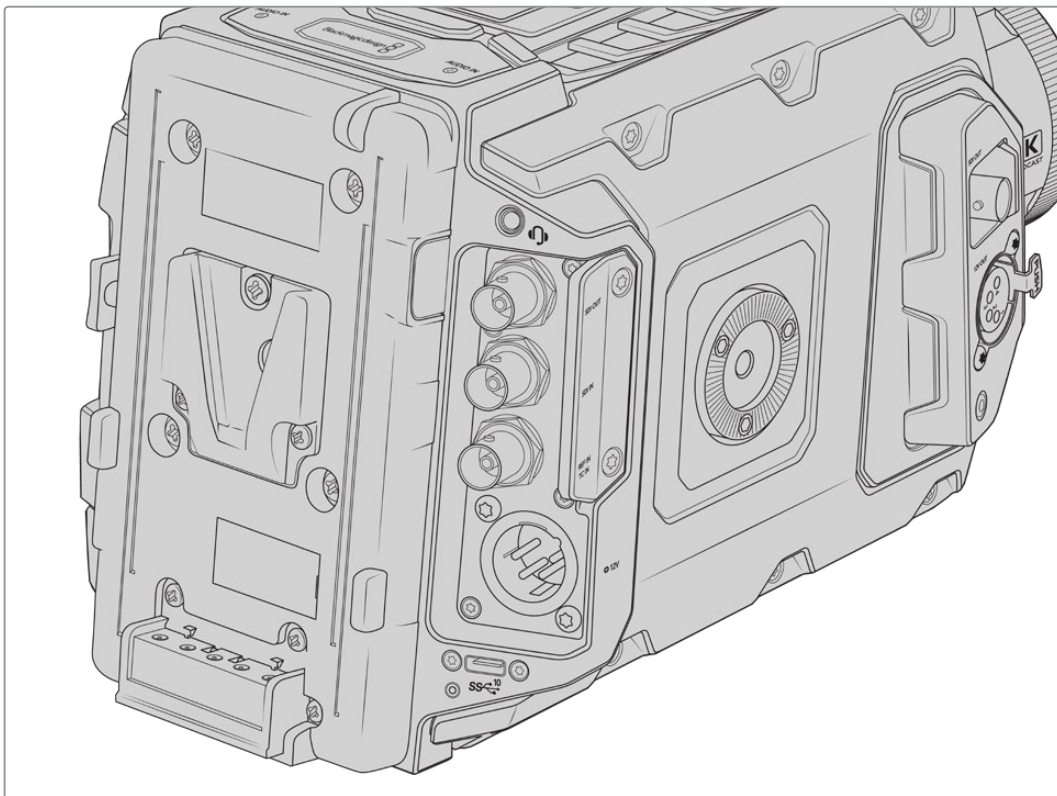
6 Rad

Feine Änderungen der Zoomgeschwindigkeit nehmen Sie durch Anpassen des Speed Dials oben am Gerät vor. Sie können diese Funktion auch so einstellen, dass sie Kopfhörerpegel, Blende oder sogar Fokussierung steuert.

7 USB-C-Ports

Ermöglichen den Anschluss des Zoom Demands an die Kamera und die Reihenschaltung mit dem Focus Demand. Der „CAM“-Port dient zudem zum Aktualisieren der Produktsoftware über das Dienstprogramm Blackmagic Camera Setup.

Anbringen von Akkus



Anbringen von V-Mount- oder Gold-Mount-Akkus

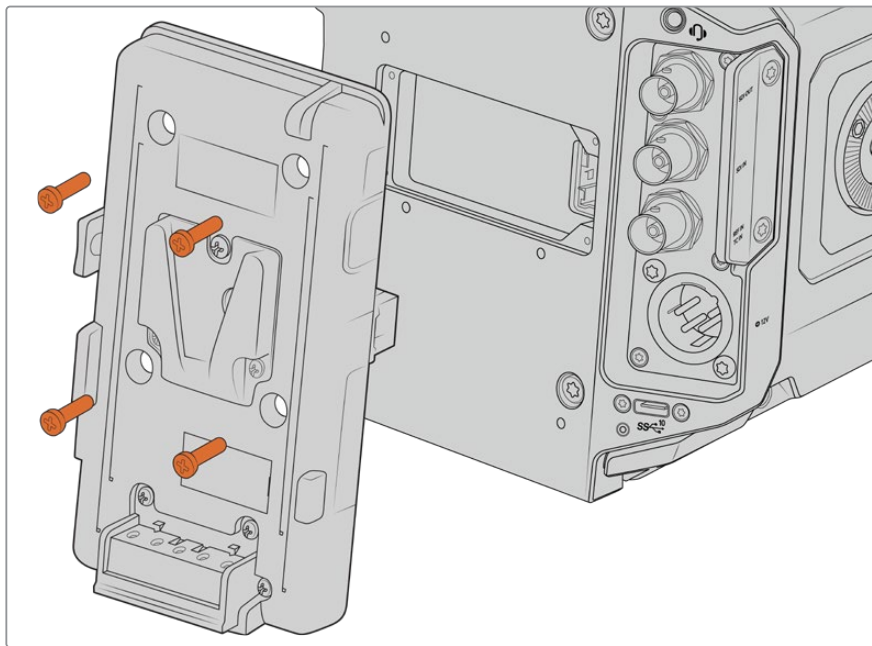
Zur Anbringung branchenüblicher VLock-Akkus wird Ihre Blackmagic URSA Broadcast G2 mit einer bereits montierten URSA VLock Battery Plate ausgeliefert.

Zudem lassen sich andere Akkutypen durch Anbringen einer optionalen Blackmagic URSA Gold Battery Plate oder einer Fremdherstellerplatte montieren.

TIPP Beim Einsatz kompatibler Akkus unterstützen die Blackmagic URSA VLock Battery Plate und URSA Gold Battery Plate Ladestandanzeigen in Prozent. Über den als D-Tap- oder P-Tap-Anschluss bezeichneten +12V-Ausgang der Blackmagic Akkuträgerplatten kann Zubehör, bspw. ein externer Monitor, mit Strom versorgt werden. Es ist wissenswert, dass dieser Anschluss über die Kamera geregelt und somit beim Ausschalten der Kamera ebenfalls sicher ausgeschaltet wird. Dieser geregelte Ausgang liefert 12-Volt-Strom mit bis zu 1,5 Ampere. Einige URSA Akkuträger und sogar einige Akkus von Fremdherstellern haben einen nicht regulierten D-Tap-Ausgang. Diese Akkus liefern beim Hochfahren oder Ein- und Ausschalten der Kamera kontinuierlich Strom. Allerdings schwankt die Spannung je nach Ladestand des Akkus und angeschlossenem Zubehör und der Akku wird ständig beansprucht.

Blackmagic URSA VLock Battery Plates und URSA Gold Battery Plates sind von Blackmagic Design Resellern erhältlich. Alternativ erhalten Sie Fremd-Akkuträgerplatten im Fachhandel für professionelles Digitalfilm- und Video-Equipment. Wenn Sie sich Ihre eigene Akkuplatte zur Verwendung mit Ihrer Blackmagic URSA Broadcast G2 basteln möchten, können Sie sich hierfür des mitgelieferten Adapterkabels mit Verbinder bedienen. Nähere Informationen zur Modifikation beliebiger Akkuträgerplatten für den Gebrauch mit einer URSA Broadcast G2 finden Sie im Abschnitt „Gebrauch eigener Akkuplatten“.

So ersetzen Sie die Akkuplatte an Ihrer Blackmagic URSA Broadcast G2:



- 1** Lösen Sie die 4 M3-Schrauben an den Ecken der URSA VLock Battery Plate.
- 2** Verbinden Sie den Molex-Stecker der Akkuplatte mit der Molex-Strombuchse Ihrer Kamera.
- 3** Verbinden Sie den Molex-Stecker der neuen Akkuplatte mit der Molex-Strombuchse Ihrer Kamera.
- 4** Schrauben Sie die Akkuplatte an den 4 Befestigungspunkten Ihrer URSA Broadcast G2 fest. Benutzen Sie 4 Schrauben mit dem Profil M3. Achten Sie beim Festschrauben darauf, dass das Verbindungskabel sicher im Kabelschacht verstaut ist und nicht zwischen den beiden Platten eingeklemmt wird.
- 5** Sobald die neue Akkuplatte an Ihrer Kamera befestigt ist, können Sie einen Akku anbringen und die Kamera einschalten.

Gebrauch eigener Akkuplatten

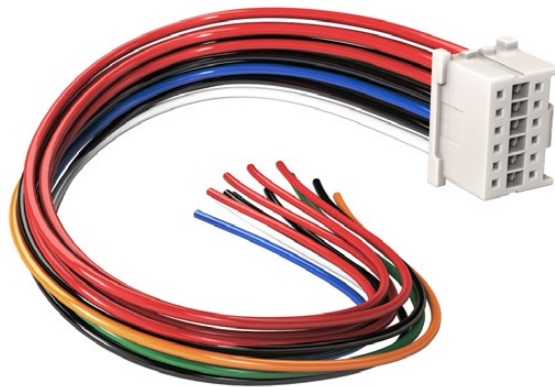
Adapterkabel mit Verbinder

Wenn Sie beliebige Fremd-Akkuträgerplatten zum Anschluss an die URSA Broadcast G2 modifizieren möchten, benutzen Sie das mitgelieferte Adapterkabel mit Verbinder. Letzteres ist auch bei einer Blackmagic Design Support-Stelle in Ihrer Nähe erhältlich.

So verdrahten Sie Adapterkabel und Verbinder mit Ihrer Akkutträgerplatte:

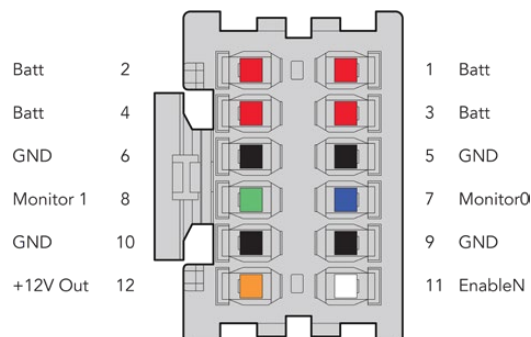
- 1 Trennen Sie am Ende aller roten und schwarzen Leiter ca. 1,5 Zentimeter von der Isolierung ab.
- 2 Löten Sie die vier roten Akkuleiter („Batt“) an den entsprechenden positiven Leitern Ihrer Akkutträgerplatte fest.
- 3 Löten Sie die vier schwarzen Erdungsleiter („GND“) an den entsprechenden negativen Leitern Ihrer Akkutträgerplatte fest.

Sorgen Sie für eine angemessene Isolierung der Verbindungsstellen.



Wenn Sie beliebige Akkutträgerplatten zum Anschluss an die URSA Broadcast G2 modifizieren möchten, benutzen Sie das mitgelieferte Adapterkabel mit Verbinder. Letzteres ist auch bei einer Blackmagic Design Support-Stelle in Ihrer Nähe erhältlich

Dies gestattet die Versorgung Ihrer Kamera mit Akkustrom. Sie können auch zusätzliche Leiter für Features wie einen 12V-Ausgang und Akkustatus anschließen. Orientieren Sie sich als Hilfestellung zum Anschließen der Leiter an den Informationen Ihrer Akkutträgerplatte sowie an dem auf dieser Seite befindlichen Diagramm und der Tabelle. Bitte besuchen Sie bei weiteren Fragen das Blackmagic Design Support-Center unter www.blackmagicdesign.com/de/support.



Rückansicht des Verbindergehäuses des Adapters. Die Pole sind in der Kabelkonfigurationstabelle einzeln beschrieben

Kabelkonfigurationstabelle

Pol	Signal	Farbe	Richtung	Beschreibung
1, 2, 3, 4	Batt (Akku)	Rot	Zur URSA	12–20 V
5, 6, 9, 10	GND	Schwarz (Black)	–	–
7	Monitor0	Blau	Zur URSA	Analoger Akkupegel oder Open-Drain-Datenleitung (max. 20 V)
8	Monitor1	Grün	Zur URSA	Open-Drain-Uhrleitung (max. 3,4 V)
12	+12 V Out	Orange	Von der URSA	12 V regulierte Ausgabe max. 1,5 A (18 W)
11	EnableN	Weiß	Zur URSA	Anschluss an GND (Erdung) für +12 V-Ausgabe. Schweben lassen wenn keine +12 V-Ausgabe erforderlich ist.

Jeder mit „Batt“ und „GND“ gekennzeichnete Pol unterstützt 3 Ampere. Vergewissern Sie sich, dass alle „Batt“- und „GND“-Pole verbunden sind. Orientieren Sie sich an der folgenden Verbindungstabelle, um den Akkustatus bei Gebrauch von Anton-Bauer- oder IDX-Trägerplatten zu prüfen:

Anton Bauer	Schließen Sie den blauweiß gestreiften Leiter an den blauen Gehäuseleiter bei Pol 7 an.
IDX	Schließen Sie den grünen Leiter an den grünen Gehäuseleiter an Pol 8 an, und den grauen Leiter an den blauen Gehäuseleiter an Pol 7.
Blueshape	Schließen Sie den mit „SMBC“ gekennzeichneten blauen Leiter an den grünen Gehäuseleiter bei Pol 8 an. Schließen Sie den mit „SMBD“ gekennzeichneten braunen Leiter und den blauen Gehäuseleiter bei Pol 7 an.

Sichern Sie unbelegte Leiter, indem Sie diese möglichst nahe an der Rückseite des Adapterverbinders abtrennen.

Blackmagic Fiber Converter

Blackmagic Camera Fiber Converter und Blackmagic Studio Fiber Converter sind optionale Zubehörgeräte, die eine SMPTE-Glasfaser Verbindung zwischen Ihrer URSA Broadcast G2 oder URSA Mini Kamera und einem ATEM Mischer herstellen.

Auf diese Weise lassen sich alle verfügbaren Video-, Talkback-, Tally- und Kamerasteuersignale sowie Strom über ein einzelnes SMPTE-Hybrid-Glasfaserkabel übertragen. Die Anzahl benötigter Kabel reduziert sich somit auf ein einziges. Das macht Ihr Produktions-Setup effizienter und einfacher zu bedienen. Dank der Standardanschlüsse am Blackmagic Studio Fiber Converter lässt er sich mühelos in existierende Ü-Wagen-Strukturen integrieren.

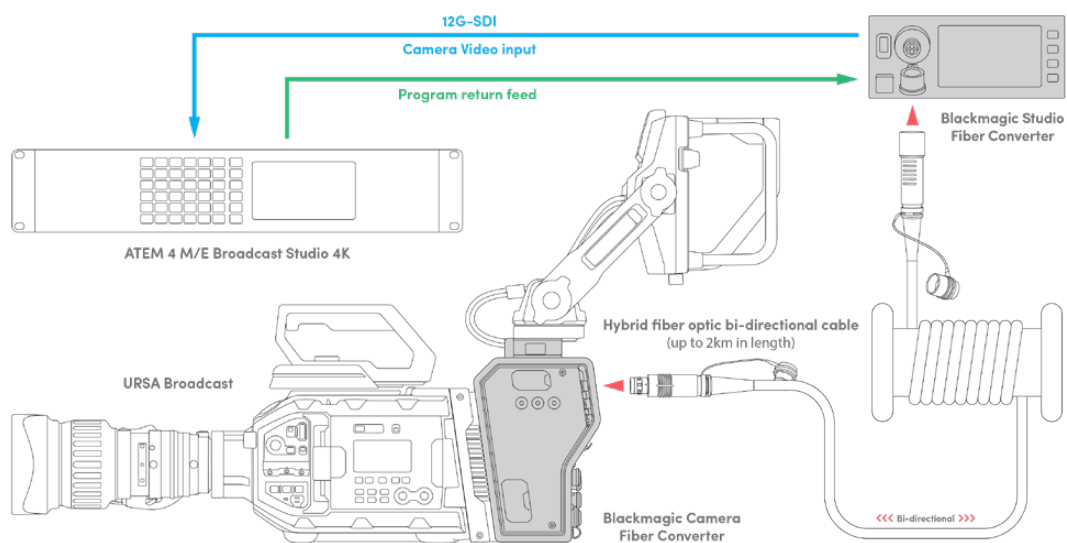


Blackmagic Camera Fiber Converter

Der Kamerakonverter wird hinten an der URSA Broadcast G2 oder URSA Mini befestigt und stellt über ein branchenübliches SMPTE-Glasfaserkabel mit Hybrid-304-Stecker eine Verbindung zum Blackmagic Studio Fiber Converter her.

Blackmagic Studio Fiber Converter

Der Studiokonverter wandelt optische Signale des Kamerakonverters in SDI-Signale und leitet diese per BNC an einen ATEM Mischer. Darüber hinaus leitet der Studiokonverter alle Return-Feed-Quellen, inklusive des Programm>Returns vom ATEM Mischer, an den Kamerakonverter zurück.



Blackmagic Kamera- und Studiokonverter werden über ein einzelnes SMPTE-Glasfaserkabel verbunden und besorgen den effizienten Fluss von SDI-Video-, Talkback-, Tally- und Steuersignalen sowie die Stromversorgung

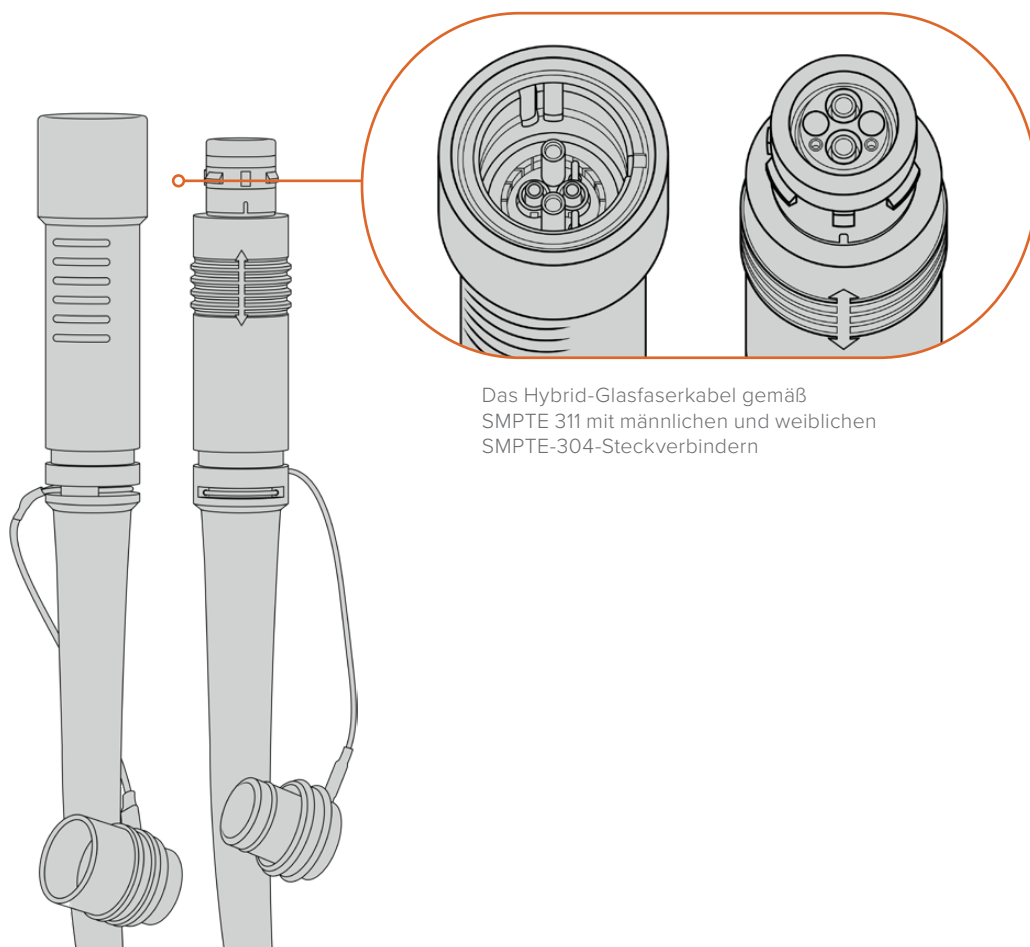
Erste Schritte mit Blackmagic Fiber Convertern

Der Einstieg geht schnell und mühelos. Im Nullkommanichts werden Sie Videoinhalte erstellen und sich an den Vorteilen von SMPTE-Glasfaser erfreuen.

Über SMPTE-Glasfaser

SMPTE-Glasfaserkabel übertragen mehrere Signalarten sowie Strom über weite Entfernungen. Das ist in Broadcasting-Umgebungen praktisch, da nicht für jede mit dem Mischer verbundene Kamera mehrere Kabel verlegt werden müssen.

Pro Kamera genügt ein einziges SMPTE-311-Hybridkabel, um eine Verbindung zum ATEM Mischer herzustellen und einen Austausch aller Video-, Talkback-, Tally- und Steuersignale sowie die Stromzufuhr zu gestatten. Dank Lichtwellenleitern funktioniert dies über Entfernungen von bis zu 2 Kilometern.



Das Hybrid-Glasfaserkabel gemäß SMPTE 311 mit männlichen und weiblichen SMPTE-304-Steckverbindern

HINWEIS Die männlichen und weiblichen Enden eines SMPTE-311-Hybrid-Glasfaserkabels erkennt man an den in der Spitze verborgenen weiblichen bzw. männlichen Polen der SMPTE-304-Steckverbinder. Von außen ist das Geschlecht eines Steckverbinders nicht ersichtlich.

TIPP Stecken Sie die Gummiabdeckungen der beiden Enden des SMPTE-Lichtwellenleiters zum Schutz vor Staub und sonstigen Verschmutzungen auf die Gummiabdeckungen der beiden Konverter.

Bei Live-Übertragungen bieten SMPTE-Glasfaserverbindungen den Vorteil, dass Kameras so mit dem Regieraum bzw. einem Ü-Wagen in ständigem Austausch bleiben. Die meisten modernen Sportstadien verfügen bereits über eine Infrastruktur aus Lichtwellenleitern zwischen einzelnen Kamerapositionen und dem Regieraum oder Ü-Wagen. Diese Systeme können Sie also sofort nutzen.

Zum Verbinden an ein vorhandenes Lichtwellenleitersystem oder zum Verbinden der beiden Blackmagic Glasfaserkonverter benötigen Sie lediglich ein SMPTE-311-Hybridkabel mit 304-Steckern.

Schutz der SMPTE-Stecker

Es ist sehr wichtig, dass die Stecker des SMPTE-Glasfaserkabels jederzeit durch ihre Gummikappen geschützt werden. An den polierten Enden der Lichtwellenleiter sammeln sich sonst sehr schnell Staubpartikel, die den Datenfluss stören könnten. Deshalb ist es empfehlenswert, sofort die Gummikappen über freigelegte Stecker zu stülpen. Bspw. unmittelbar vor dem Anschließen und sofort nach dem Trennen der Verbindung.

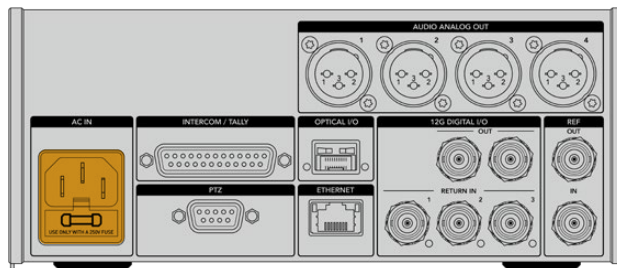
Darüber hinaus wird empfohlen, auch die Gummikappen an den Enden der SMPTE-Kabel in das jeweilige Gegenstück am Konverter zu schieben. Das verhindert eine Verschmutzung der Gummikappen.

Anschließen an das Stromnetz

Strom wird vom Studiokonverter über das Glasfaserkabel an den Kamerakonverter geleitet. Daher muss zunächst der Studiokonverter mit Strom versorgt werden.

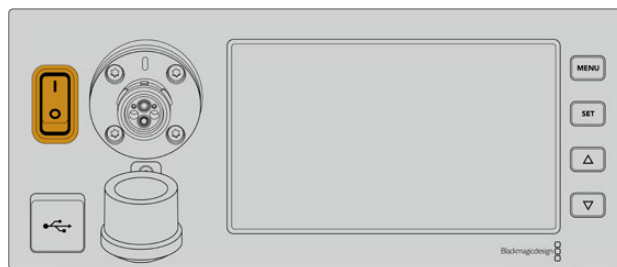
Stromversorgung des Studio Fiber Converters

Stecken Sie ein reguläres IEC-Stromkabel in den Stromanschluss am Geräterücken des Studiokonverters.



Versorgen Sie Ihren Studio Fiber Converter über ein reguläres IEC-Kabel mit Netzstrom

Schalten Sie das Gerät ein, indem Sie den Schalter an der Frontblende in die Ein-Position setzen.



Anschließen von SMPTE-Glasfaser

Verbinden Sie als nächstes den Studiokonverter per SMPTE-Glasfaserkabel mit dem Kamerakonverter. Der Kamerakonverter wird daraufhin vom Studiokonverter mit Strom versorgt. Zusätzlich können nun alle Video-Feeds via Lichtwellenleiter übertragen werden.

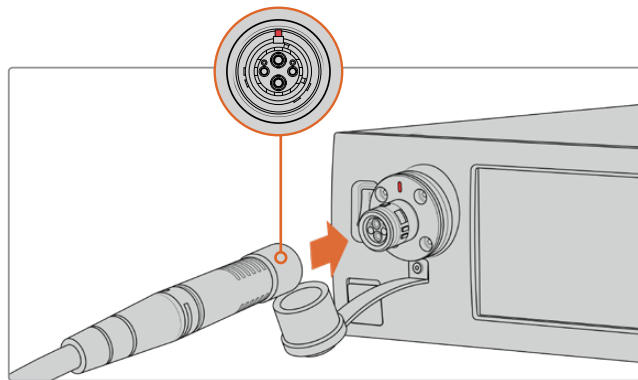
HINWEIS Sobald ein Hybrid-Glasfaserkabel in den Blackmagic Studio Fiber Converter eingesteckt wird, erfolgen ausführliche Sicherheitschecks. Darüber hinaus wird die Sicherheit des Geräts beim Gebrauch kontinuierlich überprüft.

Anschließen des Glasfaserkabels an den Studiokonverter

Der männliche Stecker des SMPTE-Glasfaserkabels rastet sicher in der Glasfaserbuchse an der Frontblende des Blackmagic Studio Fiber Converters ein. Eine sichere Sperre verhindert das versehentliche Herausziehen des Kabels während einer Übertragung.

So schließen Sie das Kabel an:

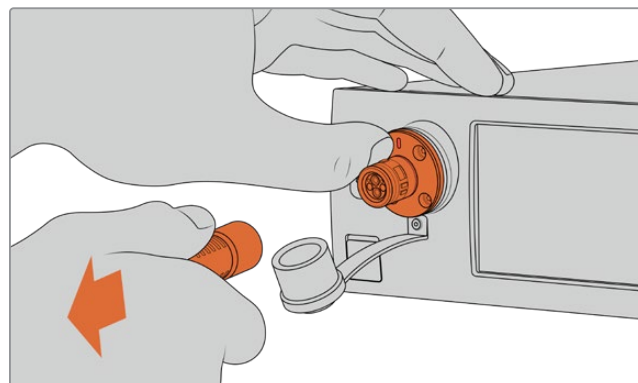
Richten Sie die rote Markierung am Kabelstecker auf den roten Punkt der Gerätebuchse aus und führen Sie den Stecker ein, bis er sicher einrastet.



Führen Sie den männlichen Stecker des SMPTE-Glasfaserkabels in die Glasfaserbuchse an der Frontblende des Blackmagic Studio Fiber Converters ein

So entfernen Sie das Kabel:

Drücken Sie die Metallplatte der Gerätebuchse Richtung Frontblende und ziehen Sie den Stecker heraus.



Drücken Sie die Metallplatte der Gerätebuchse Richtung Frontblende. Das löst die Kabelsperre und Sie können den Stecker aus dem Gerät herausziehen

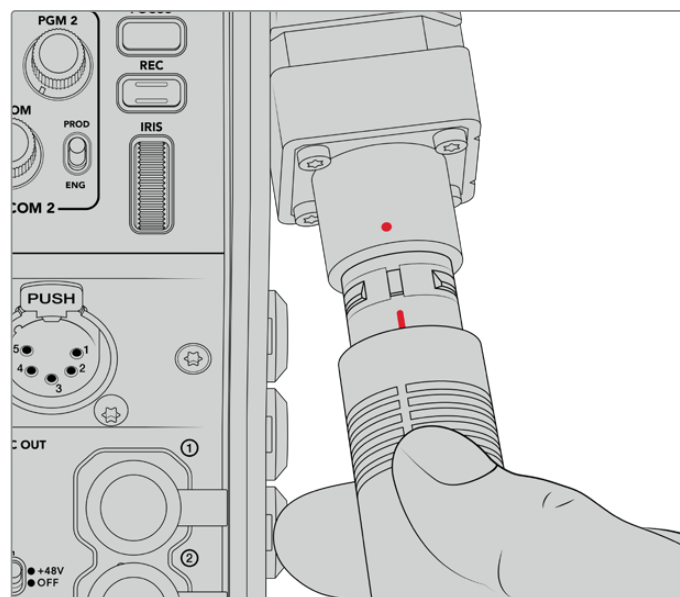
Ist das Kabel angeschlossen, wird empfohlen, die Gummikappe des SMPTE-Kabelsteckers in die Gummikappe der Gerätebuchse des Blackmagic Studio Fiber Converters zu stecken. So gelangt kein Staub oder Schmutz in die Gummikappen und sie bleiben sauber.

Anschließen des Glasfaserkabels an den Kamerakonverter

Der weibliche Stecker des SMPTE-Glasfaserkabels passt in die Gerätebuchse seitlich am Blackmagic Camera Fiber Converter. Auch hier verhindert eine Sperre, dass die Verbindung während einer Übertragung versehentlich unterbrochen wird.

So schließen Sie das Kabel an:

- 1 Richten Sie die roten Markierungen an Stecker und Buchse aufeinander aus und führen Sie den Stecker ein, bis er fest einrastet.
- 2 Ist das Kabel angeschlossen, wird empfohlen, die Gummikappe des SMPTE-Kabelsteckers in die Gummikappe der Gerätebuchse des Blackmagic Camera Fiber Converters zu stecken. So gelangt kein Staub oder Schmutz in die Gummikappen und sie bleiben sauber.

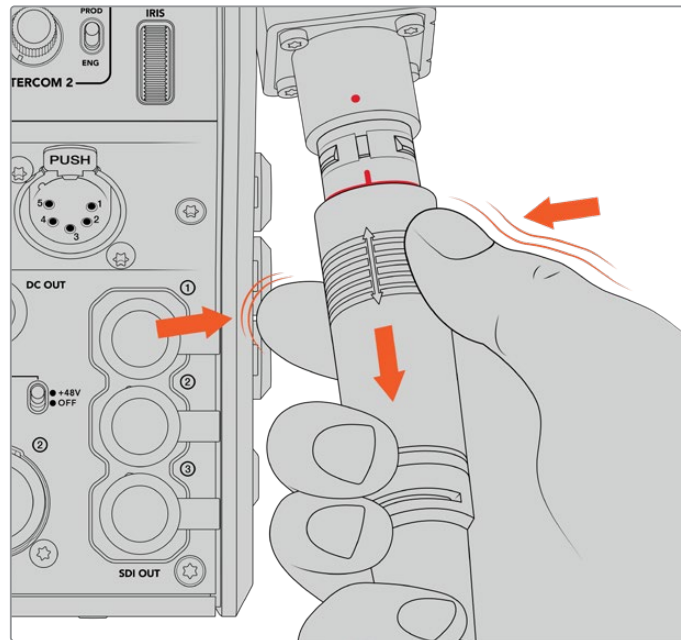


Richten Sie die roten Markierungen aufeinander aus, um das SMPTE-Hybridkabel in die Buchse am Blackmagic Camera Fiber Converter einzuführen

HINWEIS Die SMPTE-304-Anschlüsse am SMPTE-311-Kabel sind äußerst robust und sitzen fest in der Kamera. Sorgen Sie beim Entfernen des Kabels dafür, dass die Kamera sicher an einem Stativkopf befestigt ist oder stabilisieren Sie sie mit Ihrer freien Hand, während Sie das Kabelende mit der anderen Hand aus der Kamera herausziehen.

So entfernen Sie das Kabel:

- 1 Drücken Sie die Gummiummantelung des Kabels am Stecker zusammen und ziehen Sie ihn vorsichtig zurück, bis Sie den roten Ring unter der Ummantelung sehen können. Auf diese Weise werden die Zähne des Sperrmechanismus gelöst.
- 2 Stabilisieren Sie mit einer Hand die Kamera und ziehen Sie den Stecker aus der Buchse des Blackmagic Camera Fiber Converters. Das Kabel sollte sich ohne Kraftaufwand entfernen lassen.



Drücken Sie die Gummiummantelung am Stecker zusammen, bis der rote Ring darunter sichtbar wird und ziehen Sie das Kabel heraus

HINWEIS Da das SMPTE-Hybrid-Glasfaserkabel das Herzstück des gesamten Broadcast-Systems ist, sollte es mit größter Achtsamkeit behandelt werden. Vermeiden Sie bspw. Kabelknicks, die durch den Druck von schweren, auf dem Kabel stehenden Gegenständen oder durch Biegen um mehr als 90-Grad entstehen können. Es ist auch zu vermeiden, die Anschlüsse beim Anschließen und Abnehmen fallen zu lassen. Versehen Sie freigelegte Anschlüsse immer sofort wieder mit ihrer Abdeckung.

Prüfen der Strom- und Glasfaserverbindung

Beide Konverter durchlaufen nun einen Handshaking-Prozess, um sicherzustellen, dass sowohl die Strom- als auch die Glasfaserverbindung sicher hergestellt werden kann.

Dieser Prozess funktioniert wie folgt:

- 1 Der Studiokonverter leitet Strom in einem niedrigen Spannungsbereich zum Kamerakonverter. Anzeigt wird dies durch das rote Statuslämpchen am Kamerakonverter.
- 2 Sobald die Verbindung als sicher gilt, erhöht sich die Spannung und das POWER-Lämpchen am Kamerakonverter leuchtet grün.
- 3 Wird auch die sichere Glasfaserverbindung bestätigt, beginnt das FIBER-Lämpchen ebenfalls grün zu leuchten.

Dieser Vorgang geht in der Regel sehr schnell vonstatten, sodass die Lämpchen beinahe sofort grün leuchten. Sollten Sie mit Kabellängen über größere Entfernungen arbeiten, kann es etwas länger dauern, bis die Lämpchen grün leuchten.

Bleibt das Licht für einen längeren Zeitraum rot und wechselt nicht zu grün, bzw. blinkt abwechselnd rot und grün, überprüfen Sie, dass beide Kabelenden richtig eingesteckt worden sind. Besteht das Problem weiterhin, überprüfen Sie den Zustand Ihres Glasfaserkabels.

Anmerkungen zur elektrischen Sicherheit

Über ein SMPTE-Hybrid-Glasfaserkabel kann Hochspannungsstrom über beträchtliche Distanzen hinweg transportiert werden. Auf diese Weise können Sie eine bis zu 2 km entfernte Kamera mitsamt Zubehör mit Strom versorgen.

Zur Gewährleistung des sicheren Betriebs verfügt der Blackmagic Studio Fiber Converter über Sicherheitsmechanismen, die für eine akkurate Überprüfung und automatische Handhabung des übermittelten Stroms sorgt.

Ein spezieller Microcontroller, internes Handshaking und Kommunikation zwischen den beiden Blackmagic Glasfaserkonvertern gewährleisten, dass das Kabel so lange inaktiv bleibt, bis es in den Camera Fiber Converter gesteckt wird. Es geht dann in einen niedrigen Spannungszustand über und wird erst nach erfolgten Sicherheitschecks in einen Hochspannungsstatus versetzt. Hohe Spannungen werden erst dann ermöglicht, wenn die Konverter ein beständiges optisches Signal und eine Stromschleifenschnittstelle von 5 mA erkennen. Gleichzeitig darf das Ungleichgewicht zwischen den Leitern nicht mehr als 30 mA betragen.

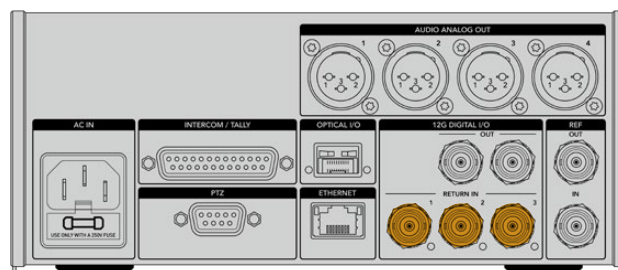
Anschließen an einen ATEM Mischer

So verbinden Sie den Blackmagic Studio Fiber Converter mit Ihrem Mischer:

- 1 Verbinden Sie den 12G-SDI-Ausgang des Blackmagic Studio Fiber Converters über ein BNC-Kabel mit einem der SDI-Eingänge Ihres Mixers. Vergewissern Sie sich, dass Ihre Kamera auf dasselbe Format und dieselbe Framerate wie Ihr Mixer eingestellt ist.
- 2 Verbinden Sie den Programm-Return-Feed-Ausgang Ihres Mixers mit dem Eingang RETURN IN 1 an der Rückseite des Studiokonverters.

TIPP Beim Einsatz von mehreren Kameras für eine Liveproduktion ist es ggf. erforderlich, den vom Mixer rückgeführten Programm-Feed über einen Teranex Mini SDI Distribution 12G oder eine Smart Videohub Kreuzschiene zu leiten. Dies richtet sich nach der Anzahl Ihrer benötigten Anschlüsse und der Anzahl der am Mixer verfügbaren Programmausgänge.

- 3 Sollen weitere Return-Feeds an Ihre Kamera gesendet werden, wie bspw. ein Clean-Feed, ein Teleprompter-Feed, ein ISO-Feed von einer anderen Kamera, Grafiken oder ein beliebiges anderes Signal, verwenden Sie dafür RETURN IN 2 oder 3.



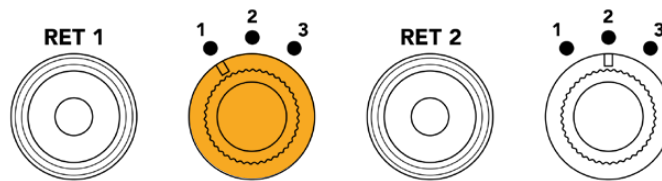
Leiten Sie den Programm-Return-Feed des Mixers sowie andere Return-Quellen an die Eingänge RETURN IN an der Rückseite des Studiokonverters

Prüfen des Videosignals

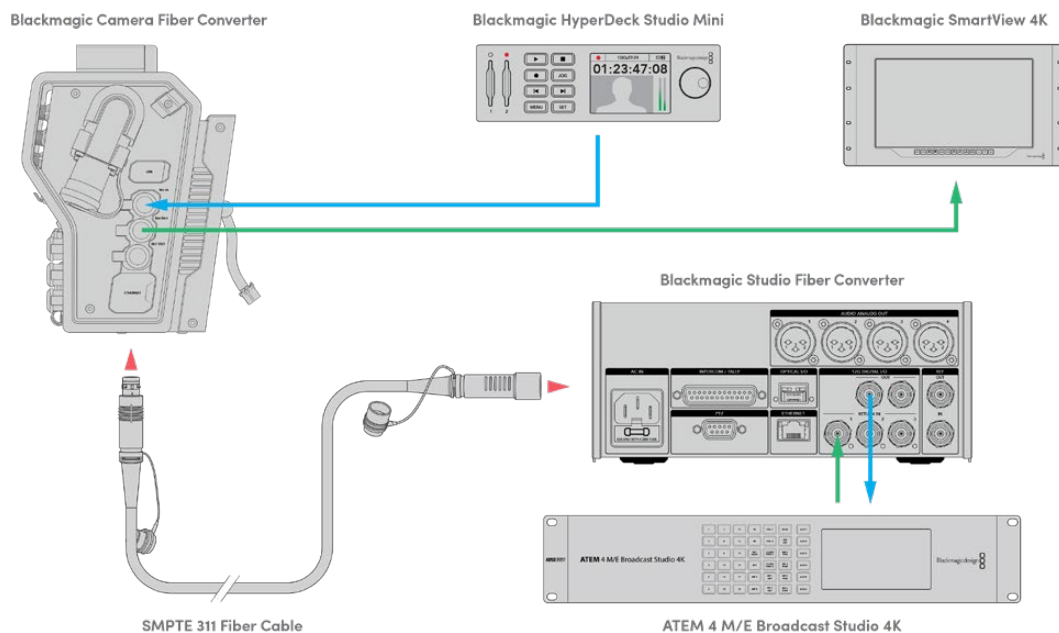
Nun können Sie überprüfen, ob alle Videosignale und Return-Feeds korrekt übertragen werden.

- 1 Vergewissern Sie sich, dass der Programmausgang des ATEM Mischers mit dem SDI-Return-Eingang 1 des Studiokonverters verbunden ist.
- 2 Wenn Sie alle Return-Feeds überprüfen möchten, schließen Sie an die SDI-Return-Eingänge 2 und 3 ebenfalls Videoquellen an.
- 3 Verbinden Sie nun einen SDI-Monitor, bspw. einen Blackmagic SmartView 4K, mit dem seitlichen SDI-Ausgang des Kamerakonverters.

Drehen Sie am entsprechenden Drehknopf neben dem SDI-Ausgang, um zwischen den 3 Return-Feeds zu wählen. Anhand der Drehknöpfe können Sie bei Bedarf 2 Return-Feeds fürs Monitoring wählen.



Schalten Sie auf dem Kamerakonverter zwischen Return-Feeds um und drücken Sie die entsprechende Return-Taste, um den ausgewählten Feed auf dem Monitor anzuzeigen



Um Videosignale zu prüfen, verbinden Sie die Videoquellen mit den Return-Feed-Eingängen am Studiokonverter und sichten Sie sie auf einem an den Kamerakonverter angeschlossenen Monitor

Warum sind die Anschlüsse an der Frontblende?

Der Glasfaseranschluss befindet sich an der Frontblende des Studiokonverters, damit er hinten im Rack als optisches Patchfeld fungieren kann. In der Regel wird der Studiokonverter nach hinten gerichtet im Rack installiert, sodass SMPTE-Kabel direkt an das Gerät angeschlossen werden können. Dies erspart Ihnen zusätzliche Patchfelder im Rack ebenso wie die Kosten eines zusätzlichen kurzen Kabels zum Glasfasergerät. Das große LCD neben dem SMPTE-Glasfaseranschluss lässt Sie die Güte der Verbindung zur Kamera schnell überprüfen.

Einbinden von Kamera-SDI-Signalen

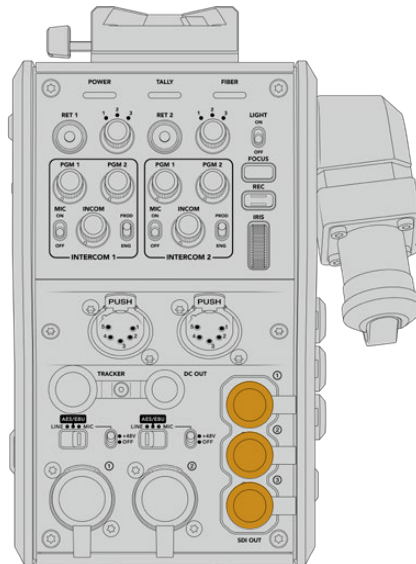
Das Einbinden von Videosignalen zwischen Blackmagic Camera Fiber Converter und URSA Broadcast G2 oder URSA Mini ist ein Kinderspiel: Einfach 2 der 3 mitgelieferten SDI-Kabel seitlich an den Konverter und an die Rückseite der Kamera anschließen.

So verbinden Sie den Camera Fiber Converter mit Ihrer Kamera:

- 1 Verbinden Sie mittels eines der mitgelieferten BNC-Kabel den 12G-SDI-Ausgang an der Rückseite der Blackmagic URSA Broadcast G2 oder URSA Mini mit dem SDI-Eingang am Blackmagic Camera Fiber Converter.
- 2 Verbinden Sie mittels eines der mitgelieferten BNC-Kabel den SDI-Ausgang am Blackmagic Camera Fiber Converter mit dem 12G-SDI-Eingang an der Rückseite der Blackmagic URSA Broadcast G2 oder URSA Mini.

Einbinden von Return-SDI-Ausgabesignalen

Die 3 mit SDI OUT markierten SDI-Ausgänge am Kamerakonverter sind Durchschleifausgänge für die vom Mischer gesendeten Return-Feeds. Sie können diese Return-Feeds somit an anderes SDI-Equipment nahe der Kamera weiterleiten, bspw. an einen Teleprompter oder Moderatorenmonitor.



Die 3 Return-Feed-Durchschleifausgaben können an anderes SDI-Equipment nahe der Kamera weitergeleitet werden, bspw. an einen Teleprompter oder Moderatorenmonitor

HINWEIS Die SDI-Durchschleifausgänge für den Return-Feed unterstützen 3D-SDI und bieten somit eine ausreichende Bandbreite für 3 separate Feeds. Return-Feeds in Ultra HD bis 2160p/60 vom Mischer werden in der entsprechenden Framerate auf 1080p abwärtskonvertiert.

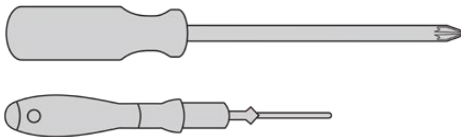
Installieren des Blackmagic Camera Fiber Converters

Der Blackmagic Camera Fiber Converter wird hinten am Kameragehäuse der URSA Broadcast G2 oder URSA Mini angebracht und per BNC-Verbinder an den hinteren SDI-Eingang und -Ausgang angeschlossen. Ist hinten an der Kamera eine Akkuträgerplatte installiert, muss diese vor Anbringen des Blackmagic Camera Fiber Converters entfernt werden.

HINWEIS Prüfen Sie vor der Installation eines Blackmagic Camera Fiber Converters, dass auf der URSA Broadcast G2 Software in der Version 4.6 oder höher installiert ist bzw. auf der URSA Mini die Version 4.4 oder höher. Die aktuell auf Ihrer Kamera geladene Softwareversion können Sie auf Seite 4 im SETUP-Menü der Kamera nachsehen. Näheres zur Aktualisierung der Produktsoftware Ihrer Kamera finden Sie im Abschnitt „Blackmagic Camera Setup Dienstprogramm“ dieses Handbuchs.

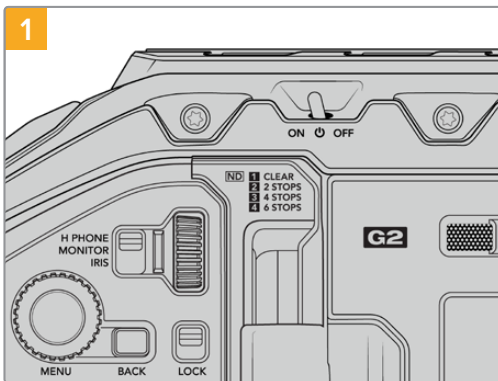
Zum Anbringen des Blackmagic Camera Fiber Converters benötigen Sie folgende Werkzeuge:

- 1 Kreuzschlitzschraubendreher
- 1 x 2,5mm-Sechskantschraubendreher

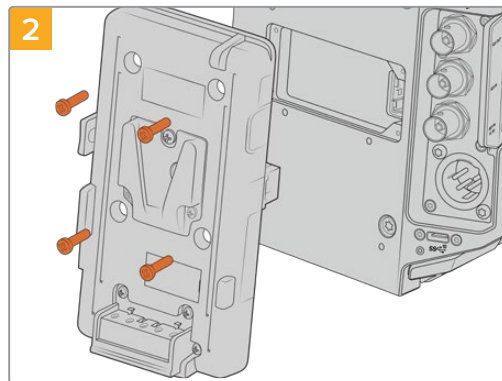


Zum Anbringen des Blackmagic Camera Fiber Converters an Ihre URSA Broadcast G2 oder URSA Mini benötigen Sie einen großen Kreuzschlitzschraubendreher und einen 2,5mm-Sechskantschraubendreher

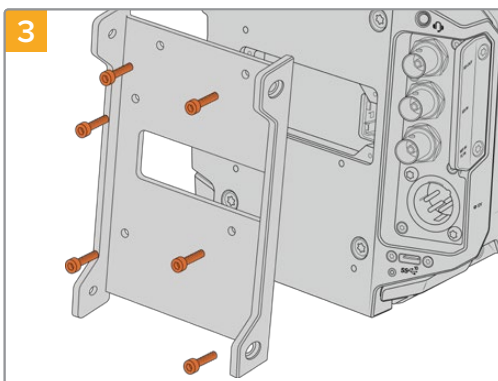
So bringen Sie den Blackmagic Camera Fiber Converter an:



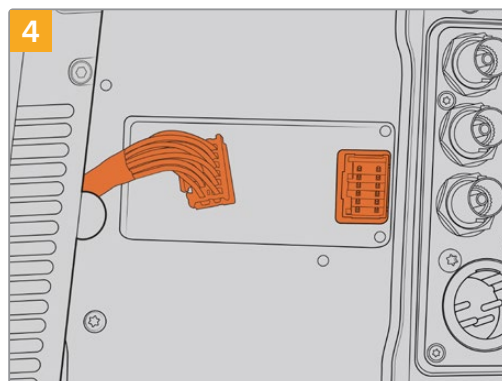
Vergewissern Sie sich, dass die Kamera ausgeschaltet ist. Schalten Sie Ihre URSA Broadcast G2 oder URSA Mini aus, indem Sie den Ein-/Ausschalter auf OFF umlegen.



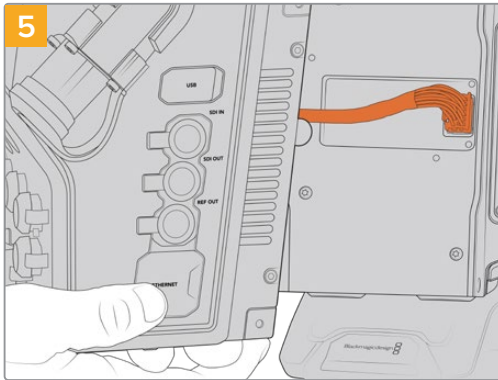
Entfernen Sie die Akkuträgerplatte oder Molex-Abdeckung mithilfe eines Kreuzschlitzschraubendrehers.



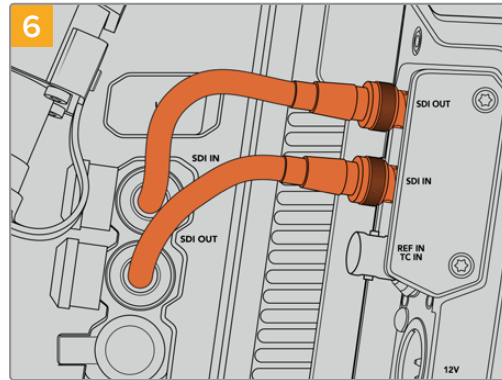
Installieren Sie die Montagehalterung des Blackmagic Camera Fiber Converters mit den 6 x 2,5mm-Sechskantschrauben.



Stecken Sie den Molex-Verbinder des Blackmagic Camera Fiber Converters in die Molex-Buchse an der Kamerarückseite.



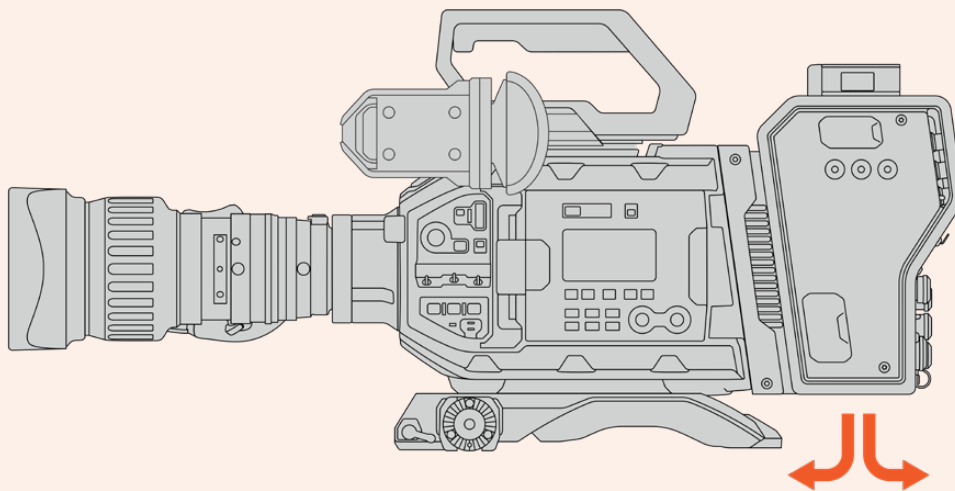
Schieben Sie den Blackmagic Camera Fiber Converter auf die Montagehalterung und befestigen Sie ihn mit den zwei 2,5mm-Sechskantschrauben an beiden Seiten der Halterung.



Verbinden Sie mithilfe der mitgelieferten BNC-Kabel den SDI-Ausgang an der Rückseite Ihrer Kamera mit dem SDI-Eingang des Blackmagic Camera Fiber Converters und den SDI-Ausgang des Camera Fiber Converters mit dem SDI-Eingang an der Rückseite Ihrer Kamera.

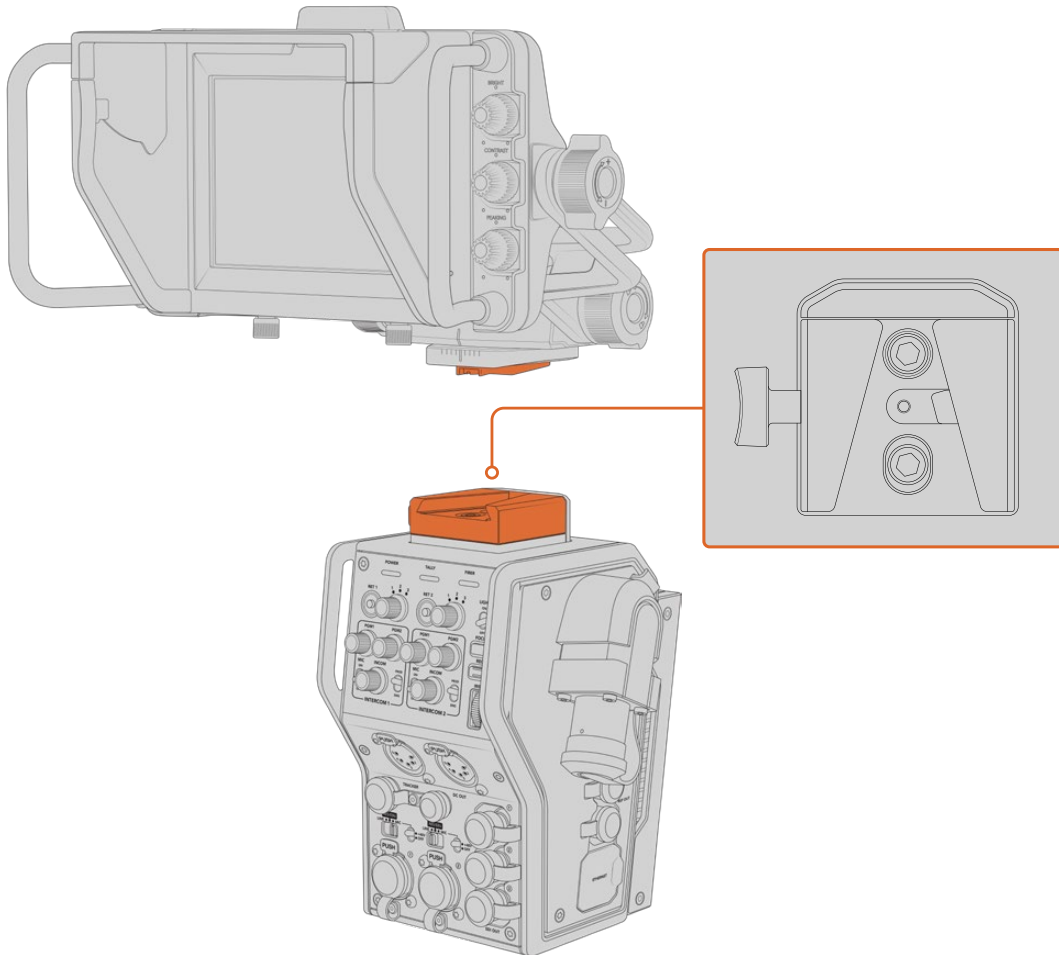
HINWEIS Wenn Sie beim Einrichten der Technik für Ihre Produktion eine mit einem Glasfaserkonverter versehene URSA Broadcast G2 oder URSA Mini einbeziehen, ist es wichtig, dass der zwischen Konverter und Kamera verbleibende Abstand eine angemessene Belüftung zulässt.

Für einen solchen Abstand ist beim Einsatz der Kamera auf einem Stativ oder auf der Schulter bereits gesorgt. Wird der Konverter jedoch plan auf einer Oberfläche platziert eingesetzt, empfiehlt es sich, das Schulterpolster des URSA Mini Shoulder Kits oder eine Träger- bzw. Brückenplatte von einem Fremdhersteller zu installieren, damit die Kühlerluft frei unter dem Konverter zirkulieren kann.



Anbringen des URSA Studio Viewfinders

An der V-Lock-Platte an der Geräteoberseite lässt sich ein Blackmagic Studio Viewfinder anbringen. Ist die Kamera auf einem Stativ oder Pumpstativ befestigt, befindet sich der Suchermonitor somit direkt auf Augenhöhe.



An der V-Lock-Platte an der Geräteoberseite lässt sich ein Blackmagic URSA Studio Viewfinder anbringen

Anschließen eines Talkback-Headsets

Schließen Sie ein Broadcast-Headset an einen der beiden 5-poligen XLR-Anschlüsse an der Kamerafront an. Dank der zwei Headset-Anschlüsse können zwei Personen gleichzeitig mit der Crew kommunizieren.

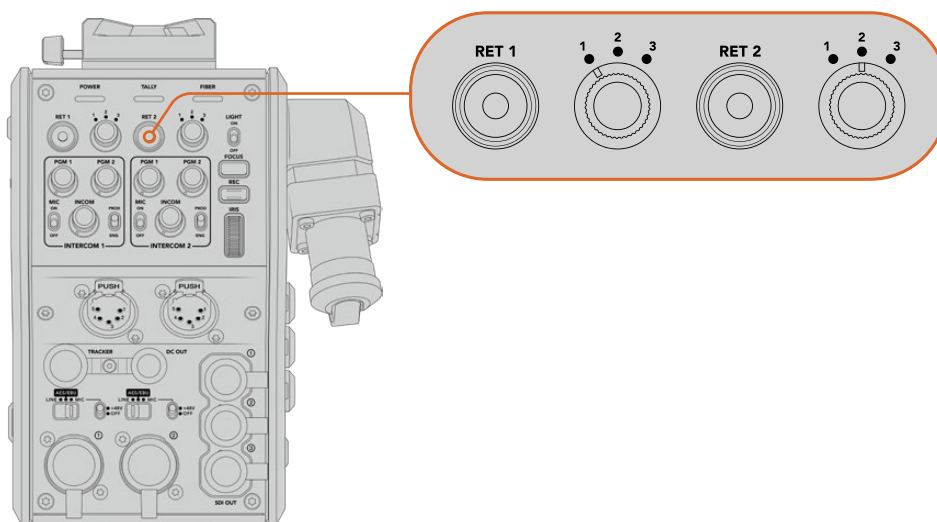
Für den Einstieg war das schon alles. Da die Blackmagic Fiber Converter nun einsatzbereit und Video per SMPTE-Glasfaser angeschlossen ist, können Sie loslegen und Ihre Liveproduktion flexibel und effizient gestalten. Im weiteren Verlauf des Handbuchs erfahren Sie, wie Sie von all den Funktionen Ihres Blackmagic Fiber Converters Gebrauch machen.

Bedienen des Camera Fiber Converters

Auswählen eines Return-Feeds

Die zwei Return-Tasten (RET) an der Frontblende werden auf dieselbe Weise benutzt wie die PGM-Taste der Kamera. Sie dienen zum Umschalten des Feeds zwischen Kamera- und Programm-Return-Ansicht auf dem LCD, dem Blackmagic URSA Studio Viewfinder und den HD-Monitoring-Ausgängen.

Die Tasten RET 1 und RET 2 schalten zwischen zwei ausgewählten Return-Feeds um. Mit den 1-2-3-Reglern legen Sie fest, welcher Return-Feed angezeigt wird, sobald die links daneben gelegene RET-Taste gedrückt wird. Die Reglerpositionen 1, 2 und 3 entsprechen den SDI-Anschlüssen RETURN IN an der Rückseite des Studio Fiber Converters.



Mit den 1-2-3-Reglern wählen Sie bei gedrückter RET-Taste, welcher Return-Feed angezeigt werden soll

Halten Sie eine der RET-Tasten gedrückt, um den ausgewählten Programmfeed anzusehen. Solange die RET-Taste gedrückt wird, bleibt der Programmfeed zu sehen. Drücken Sie die RET-Taste zweimal direkt hintereinander, um den Return-Feed dauerhaft anzuzeigen. Erneutes Drücken der RET-Taste beendet den Return-Feed und bringt auf dem Monitor die Kameraansicht zurück.

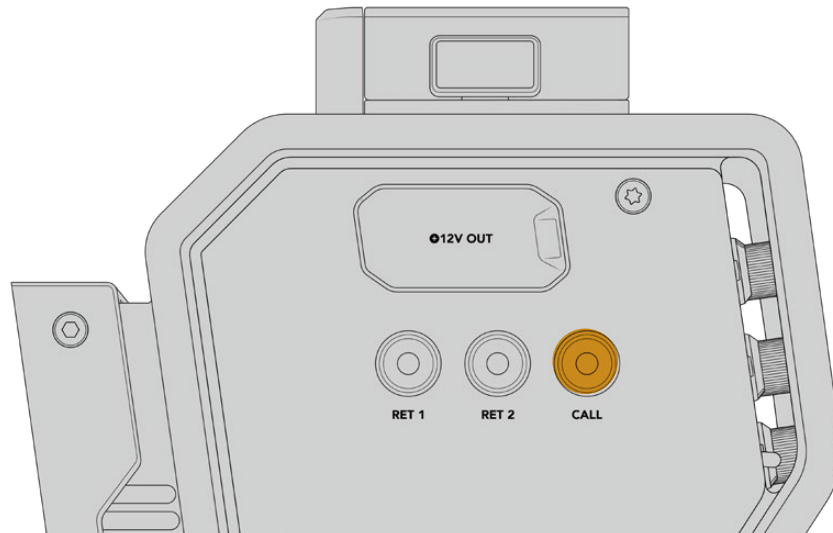
Auf diese Weise können Sie schnell und mühelos vorgeben, auf welche der drei vom Blackmagic Studio Fiber Converter gesendeten Return-Feeds Sie über die beiden RET-Tasten schnell zugreifen können. Die drei Return-Feeds könnten bspw. die Programmausgabe des Mixers inkl. Grafiken, ein Teleprompter-Feed und Kamera-Feed direkt von einer weiteren Kamera sein.

Beispiel: Sie können die Taste RET 1 permanent als Programm-Feed festlegen und RET 2 dafür nutzen, die an den Teleprompter gesendeten Signale zu kontrollieren und gelegentlich zu einer weiteren Kamera zu schalten, um ihren Bildausschnitt zu überprüfen, wenn die Cadrage oder der Winkel justiert werden müssen.

Es befinden sich auch links am Gerät mit RET 1 und RET 2 gekennzeichnete Return-Tasten für einen alternativen Zugriff auf die Return-Feeds beim Bedienen der Kamera von der Seite. Sie haben dieselbe Funktion wie die Tasten vorne am Gerät.

Verwenden der CALL-Taste

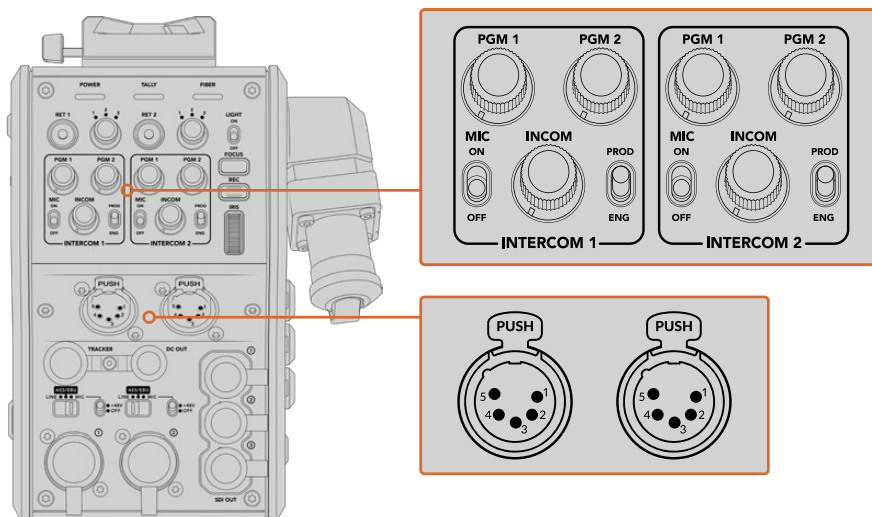
Neben den RET-Tasten befindet sich eine CALL-Taste. Wird diese Ruftaste gedrückt, beginnt der rote Tally-Indikator auf dem LCD des Blackmagic Studio Fiber Converters zu blinken. Das Drücken der Ruftaste bewirkt zudem, dass an der Frontblende des ATEM Talkback Converter 4K eine nummerierte PTT-Taste rot blinkt. Mit diesen optischen Anzeigen signalisieren Sie den Leuten im Regieraum, dass Sie Unterstützung brauchen.



Arbeiten mit Talkback

Die beiden weiblichen 5-poligen XLR-Verbindere ermöglichen den Anschluss von zwei Headsets, damit Sie und ein weiteres Crew-Mitglied zeitgleich mit der übrigen Crew kommunizieren können.

Die Bedienelemente für jedes Headset sind in je zwei Sätze für zwei individuelle Gegensprecheinrichtungen unterteilt. Im Grunde handelt es sich um Dreibege-Audiomixer für jeden direkt darunter gelegenen XLR-Headset-Anschluss.



Die Bedienelemente für jedes Headset befinden sich direkt über dem Headset-Anschluss

Den Ton der Feeds, die Sie für RET 1 und RET 2 ausgewählt haben, können Sie über ein angeschlossenes Headset abhören. Mit den Drehreglern PGM 1 und PGM 2 stellt man die Tonpegel dieser Feeds ein und mit dem Drehregler INCOM die Gesamtlautstärke. Der MIC-Schalter erlaubt es dem Bediener, sein Headset-Mikrofon ein- oder auszuschalten.

Jede Gegensprecheinrichtung hat zwei auswählbare Kanäle, einen Produktionskanal und einen Technikerkanal. In Broadcast-Umgebungen mit großen Crews können Sie die Kommunikation daher auf zwei Kanäle aufteilen. Der Produktionskanal dient der Kommunikation mit dem Regisseur, dem Produzenten und anderen Crew-Mitgliedern im Regieraum oder Ü-Wagen. Der Technikerkanal hingegen kann zur Kommunikation mit der Beleuchtungscrew, Technikern und anderen Kameraoperatoren genutzt werden. Im Menü Ihres Blackmagic Studio Fiber Converters lassen sich auf der „Talkback“-Seite die Quellen für alle Kanäle Ihres Studio Fiber Converters als „SDI + DB25“ oder „Intercom Tally DB25“ vorgeben. Näheres finden Sie im Abschnitt „Bedienen des Studio Fiber Converters“.

Des Weiteren ist der Blackmagic Camera Fiber Converter mit einem 10-poligen Anschluss für Tracker-Talkback ausgestattet. Dieser ist praktisch, wenn beide Headset-Anschlüsse in Benutzung sind und Sie bspw. eine zusätzliche Talkback-Verbindung zu Ihrem Kranbediener herstellen müssen.

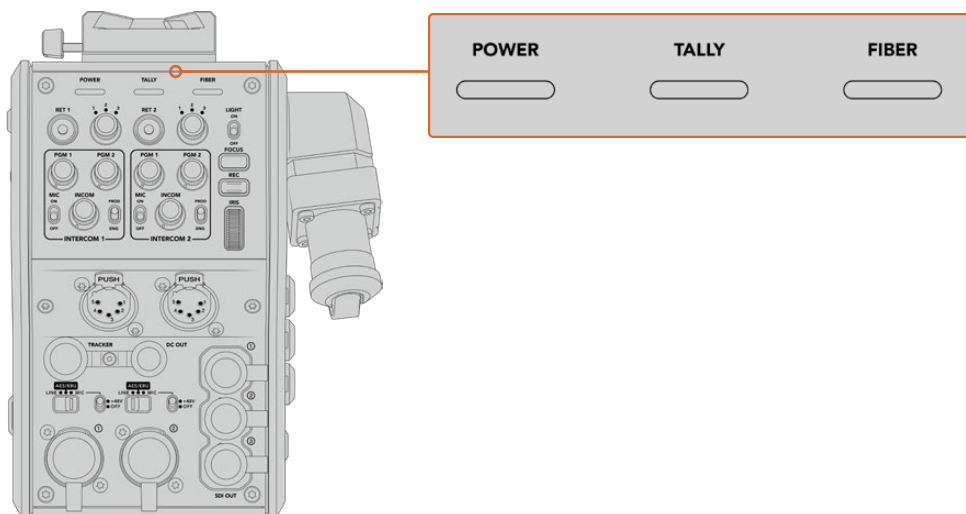
TIPP Bei hektischen Broadcast- und Studioübertragungen ist eine effektive Kommunikation zwischen Kamerabedienern und dem Produktions- und Technikerteam unabdingbar. Mithilfe der CALL-Taste des Blackmagic Camera Fiber Converters können Kameraoperatoren mit den Produktions- und Technikerteams kommunizieren und über die Intercom-Headsets miteinander sprechen. Wird diese Taste gedrückt, blinkt am ATEM Talkback Converter 4K eine nummerierte PTT-Taste sowie der Tally-Indikator auf dem LCD des Blackmagic Studio Fiber Converters. Muss ein Crewmitglied vom Regieraum oder Ü-Wagen aus dringend mit einem Kameraoperator sprechen, ist dies durch Drücken der CALL-Taste auf dem entsprechenden Kameracontroller des ATEM Camera Control Panels möglich. Daraufhin blinken die Tally-LEDs sowohl am Camera Fiber Converter als auch am URSA Viewfinder der Kamera bzw. am URSA Studio Viewfinder.

Arbeiten mit Tally

Der Tally-Indikator an der Frontblende ist eine traditionelle Tally-Anzeige. Rotes Licht steht für die Programmausgabe und grünes Licht für Vorschau. So wissen Sie, ob die von Ihnen bediente Kamera auf Sendung ist.

Statusanzeigen

Die Status-LEDs POWER, TALLY und FIBER oben am Kamerakonverter leuchten je nach Status des Geräts in unterschiedlichen Farben. Ist das Glasfaserkabel nicht eingesteckt, leuchtet keines dieser Lichter.



Die verschiedenen Farben der Status-LEDs zeigen Ihnen den jeweiligen Status des Geräts an

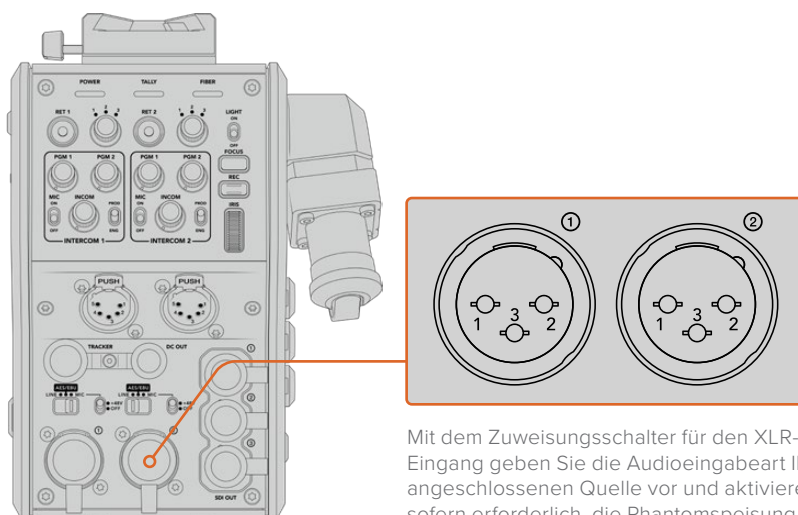
Nachstehend werden die LED-Farben, das LED-Verhalten und der so angezeigte Status beschrieben:

POWER	Konstantes Rot	Ist das eine Ende des SMPTE-Hybrid-Glasfaserkabels mit einem mit Strom versorgten Blackmagic Studio Fiber Converter verbunden und das andere Ende mit einem Blackmagic Camera Fiber Converter, leuchtet die POWER-LED an den Convertern rot. Das zeigt an, dass er Strom erhält und sich im Niederspannungsmodus befindet. In diesem Zustand ist zwar die Gegensprechfunktion einsatzbereit, der volle Spannungszustand des Converters ist aber noch nicht aktiviert. Bleibt die LED für einen längeren Zeitraum rot und wechselt nicht zu grün, bzw. blinkt abwechselnd rot und grün, überprüfen Sie, dass beide Kabelenden richtig eingesteckt sind. Bleibt die Verbindung weiterhin instabil, überprüfen Sie Ihr Glasfaserkabel.
	Konstantes Grün	Wurde eine erfolgreiche Glasfaserverbindung hergestellt und der Blackmagic Studio Fiber Converter hat die Kabelverbindung als sicher befunden, wird die POWER-LED grün und der Kamerakonverter in den vollen Spannungszustand versetzt.
	Rot-grünes Blinken	Blinkt die LED rot und grün, überprüfen Sie, dass beide Enden Ihres SMPTE-Hybrid-Glasfaserkabels richtig eingesteckt sind. Bleibt die Verbindung weiterhin instabil, überprüfen Sie Ihr Glasfaserkabel.
TALLY	Konstantes Rot	Die rot leuchtende Tally-LED zeigt an, dass die von Ihnen bediente Kamera derzeit auf Sendung ist.
	Konstantes Grün	Die grün leuchtende Tally-LED zeigt an, dass die von Ihnen bediente Kamera derzeit im Vorschaumodus ist.
FIBER	Konstantes Rot	Ist das SMPTE-Glasfaserkabel an den Kamerakonverter angeschlossen, bedeutet die rot leuchtende LED, dass der Handshaking-Prozess gestartet wurde und sich das Gerät in einem niedrigen Spannungszustand befindet. In diesem Zustand ist die Gegensprechfunktionalität einsatzbereit und steht während des Setups eines Kameraverbunds im Problemfall zum Troubleshooting bereit.
	Konstantes Grün	Sobald die Verbindung über das Glasfaserkabel erfolgreich hergestellt ist, wird die LED grün.

Leuchten sowohl die POWER-LED als auch die FIBER-LED, ist die Sicherheitsüberprüfung abgeschlossen und die Converter haben den vollen Spannungszustand erreicht.

Audioeingänge

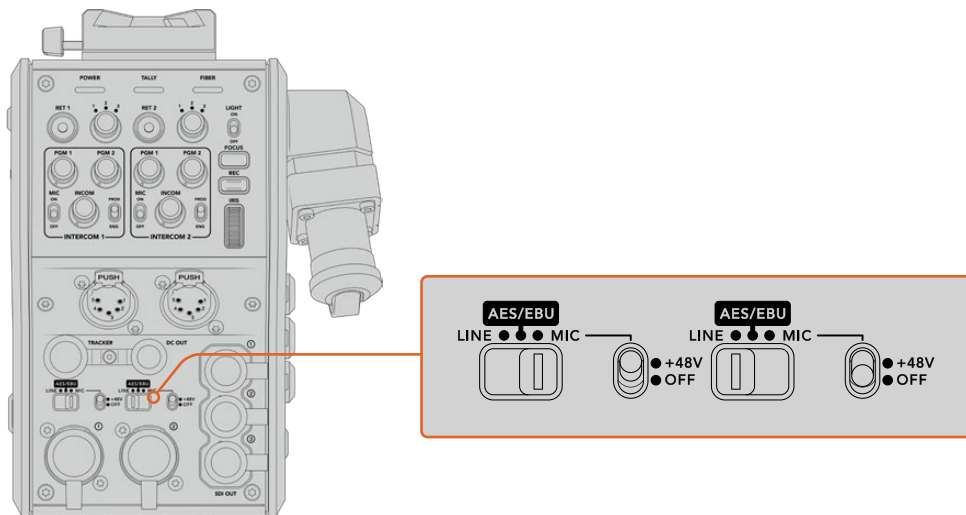
Ihr Blackmagic Camera Fiber Converter hat zwei XLR-Eingänge, die mit 1 und 2 gekennzeichnet sind. Daran können Sie externes Analogaudio von professionellen Anlagen wie Audiomischern, PA-Systemen oder externen Mikrofonen anschließen.



Mit dem Zuweisungsschalter für den XLR-Eingang geben Sie die Audioeingabeart Ihrer angeschlossenen Quelle vor und aktivieren, sofern erforderlich, die Phantomspannung.

Der Kamerakonverter wird in die Kanäle 1 und 2 des Kamera-Feeds eingebettet, die Signale der beiden Audioeingänge an der Rückseite des Kamerakonverters hingegen in Kanal 3 und 4. Alle vier Audiokanäle werden dann vom Studiokonverter als analoge Audioausgaben extrahiert.

Über die „Audio“-Seite im Menü Ihres Blackmagic Studio Fiber Converters lassen sich die Eingangspegel aller Audioquellen anpassen, die an die XLR-Eingänge Ihres Blackmagic Studio Fiber Converters angeschlossen sind. Näheres finden Sie im Abschnitt „Bedienen des Studio Fiber Converters“. Nach Herstellen der Verbindung bestimmen Sie über den XLR-Auswahlschalter das Verhalten der XLR-Eingänge, wenn diese als Eingabequelle gewählt werden. Zur Auswahl stehen die Optionen MIC für Mikrofonen, LINE für Bezugspegelton und AES für AES-Digitalaudio.



Für den Einsatz von Mikrofonen ohne eigene Stromzufuhr lässt sich die 48V-Phantomspeisung aktivieren. Stellen Sie den entsprechenden Schalter für die jeweilige XLR-Buchse auf „+48V“, um ein angeschlossenes Mikrofon mit Strom zu versorgen. In der OFF-Position erfolgt keine Phantomspeisung.

IP-Video

Ein angeschlossenes SMPTE-Glasfaserkabel sorgt für eine 10 Gbit IP-Verbindung zwischen Camera Fiber Converter und Studio Fiber Converter. Somit können all Ihre Video- und Return-Feeds mithilfe von hochwertigem, visuell verlustfreiem 10-Bit-Video-Encoding und -Decoding in sendetaugliches IP-Video umgewandelt werden. Auch alle anderen Verbindungen wie Talkback, Tally, Kamera- und Objektivsteuerung werden für eine hochgradig zuverlässige Performance in IP-Signale mit geringer Latenz konvertiert.

Stromspezifikationen


Der Blackmagic Studio Fiber Converter versorgt den Blackmagic Camera Fiber Converter, Ihre Kamera und Ihr Zubehör mit Strom. Über eine Molex-Verbindung an der Rückseite Ihrer Kamera wird der Blackmagic Camera Fiber Converter mit Strom versorgt.

Wenn Sie Ihre Kamera mehr als 2,1 Kilometer vom Ü-Wagen entfernt positionieren müssen und sowohl Kamera als auch Konverter über das Kabel nicht genügend Strom empfangen, können beide Geräte auch lokal mit Strom versorgt werden. Stecken Sie hierfür lediglich den 4-poligen XLR-Stecker der Kamerastromquelle in den +12V-Anschluss Ihrer URSA Broadcast G2 oder URSA Mini. Der Strom wird dann via Molex-Verbindung an den Kamerakonverter geleitet.

Der manchmal auch D-Tap oder P-Tap genannte +12V-Anschluss erlaubt den Betrieb von Zubehör wie einem externen Monitor oder großen Studioobjektiven mit einer Nennspannung von 12 V DC bis 500 mA. Der Anschluss DC OUT bietet eine zusätzliche Stromversorgungsmöglichkeit für Zubehör wie externe Monitore.

Eine Pinbelegungstabelle für den DC-Ausgang finden Sie unten.

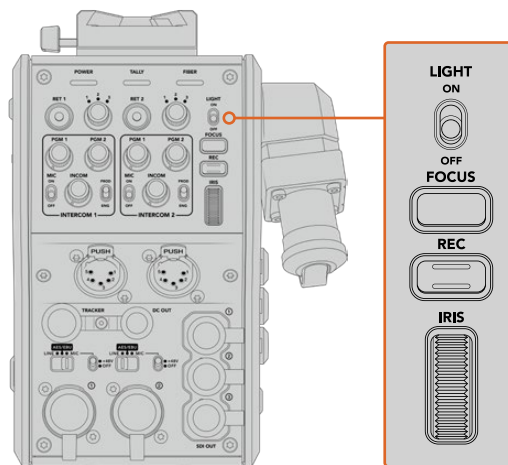
Pinbelegung des DC-Ausgangs

Außenansicht	Pin	Signal	I/O	Spezifikationen
 DC OUT	1	Unregulierte Erdung	-	Erdung für unregulierte Ausgangsspannung
	2	N. a.	-	Nicht angeschlossen
	3	N. a.	-	Nicht angeschlossen
	4	Unregulierte Ausgangsspannung	Out	12V DC-Nennspannung bis 500 mA

Zusätzliche Kamerabedienelemente

Für den Einsatz der URSA Broadcast G2 oder URSA Mini als Studiokamera, verfügt der Kamerakonverter über zusätzliche Bedienelemente, bspw. zur Blenden- und Fokussteuerung. Auf diese Weise lassen sich kompatible Objektive aus einer Position hinter der Kamera bedienen. Das ist insbesondere dann hilfreich, wenn es keinen gesonderten Kamerabediener gibt, der das Objektiv fernsteuert.

Auch als Studiokameras können die URSA Broadcast G2 und die URSA Mini geräteintern aufzeichnen. Demnach löst die Aufnahmetaste die kamerainterne Aufzeichnung aus.



LIGHT

Mit ON wird die Hintergrundbeleuchtung des Bedienfelds eingeschaltet, damit die Bedienelemente auch in dunklen Umgebungen gut sichtbar sind.

FOCUS

Ein Druck auf die FOCUS-Taste löst bei Einsatz eines Objektivs, das Autofokus unterstützt, eben diese Funktion aus.

REC

Per Druck auf die REC-Taste wird die Aufzeichnung ausgelöst. Erneutes Drücken stoppt die Aufzeichnung.

IRIS

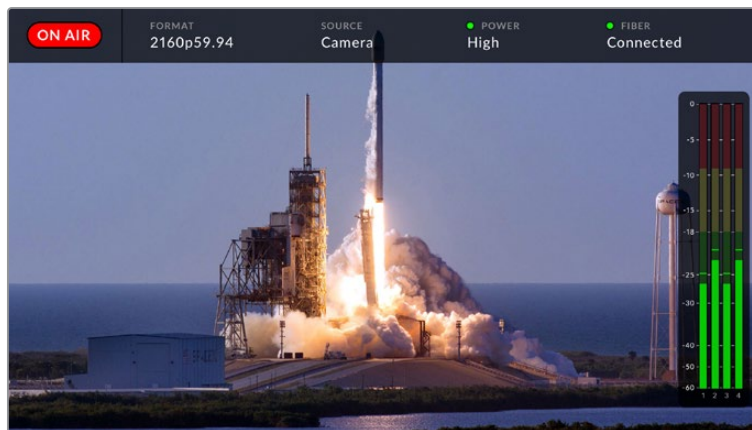
Bei Einsatz kompatibler aktiver Objektive, die die Steuerung über eine Kamera unterstützen, können Sie die Blende mithilfe des Blendenrads öffnen oder schließen. Bewegen Sie das Rad zum Öffnen oder Schließen der Blendenöffnung nach oben oder unten.

Bedienen des Studio Fiber Converters

Auswählen der LCD-Quelle

Nach dem Einschalten wird auf dem großen LCD Ihres Blackmagic Studio Fiber Converters der Feed Ihrer Kamera angezeigt. Als zentrale Einheit leitet der Studio Fiber Converter den Programm-Feed des Mixers sowie alle Return-Quellen per SMPTE-Glasfaser an den Blackmagic Camera Fiber Converter.

Über das eingebaute LCD können Sie die Kamerafeeds und alle an die Return-Feed-Eingänge angeschlossenen Quellen überprüfen. Angezeigt wird ein Head-up-Display mit Statusinformationen und Audiopegelmetern.



Name und Format der zu prüfenden Quelle lassen sich beim Wechseln zwischen verschiedenen Feeds über eingeblendete Overlays bestätigen

ON AIR

Ist die angeschlossene Kamera für den Programm-Feed im Einsatz, wird der rote ON AIR-Indikator angezeigt. Ist die Kamera nicht auf Sendung, bleibt er schwarz.

FORMAT

Zeigt die Auflösung und Bildwechselfrequenz der aktuellen Quelle an.

SOURCE

Zeigt den Namen der aktuellen Quelle an.

POWER

Zeigt den aktuellen Stromversorgungsstand an. Im niedrigen Spannungszustand („Niedrig“) wird ein rotes Statuslämpchen angezeigt und mit Erreichen des Hochspannungsmodus („Hoch“) ein grünes. Näheres dazu finden Sie im Abschnitt „Bedienen des Camera Fiber Converters“.

FIBER

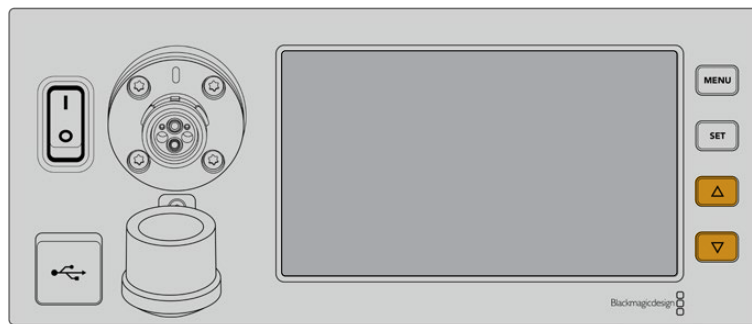
Zeigt den aktuellen Stand der Glasfaserverbindung an. Beim erstmaligen Herstellen einer Verbindung wird der Status mit der Info „Wird verbunden ...“ und einer roten Leuchte angezeigt. Sobald die Verbindung über ein SMPTE-Hybridglasfaserkabel erfolgreich hergestellt ist, werden „Connected“ und eine grüne Leuchte angezeigt. Näheres dazu finden Sie im Abschnitt „Bedienen des Camera Fiber Converters“.

Audiopegelmeter

Die Peakmeter zeigen die Audiopegel bei Benutzung des in Kanal 1 und 2 der Kamerafeeds eingebetteten Kameratons an. Kanal 3 und 4 entsprechen den an die beiden XLR-Eingänge auf der Rückseite Ihres Blackmagic Camera Fiber Converters angeschlossenen Audioquellen. Die Tonpegel-Anzeige ist in dBFS kalibriert. Sie verfügt über Peak-Indikatoren mit Haltefunktion (Peak Hold), die nach einer Übersteuerung kurzfristig sichtbar bleiben und erreichte Höchstpegel deutlich anzeigen.

Verwenden des Menüs



Durch Drücken der Pfeiltasten scrollen Sie durch die 4 verfügbaren Quellen: KAMERA, RETURN 1, RETURN 2 und RETURN 3. Halten Sie die MENU-Taste gedrückt, um das Einstellungsmenü aufzurufen und die Einstellungen anzupassen. Mit den Pfeiltasten navigieren Sie durch diverse Untermenüs und Optionen. Ihre Auswahl bestätigen Sie mit der SET-Taste. Das Menü ist in die Seiten „Audio“, „Talkback“ und „Setup“ aufgeteilt.

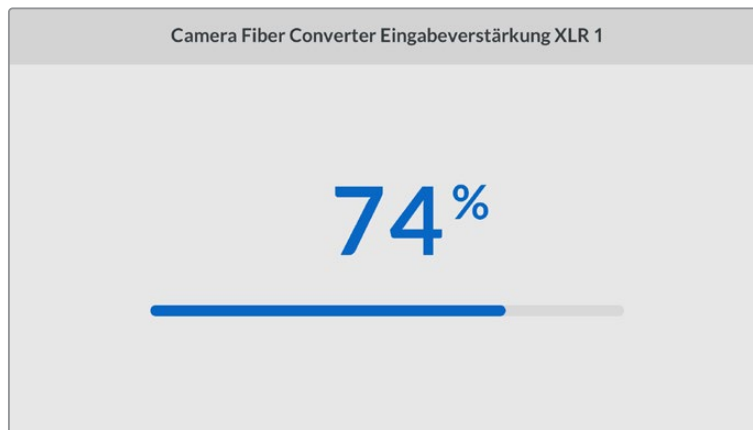


Drücken Sie die Pfeiltasten, um durch die 4 verfügbaren Quellen oder das Menü zu navigieren

Audio

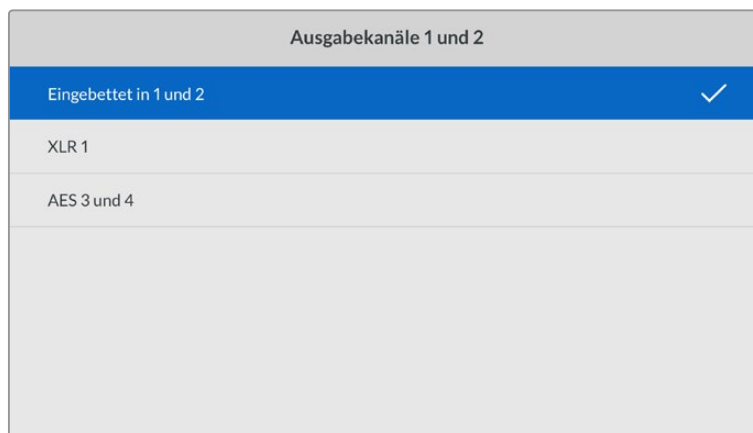
Über die „Audio“-Seite lassen sich die Eingangspegel für alle Audioquellen anpassen, die an die XLR-Eingänge Ihres Blackmagic Camera Fiber Converters angeschlossen sind.

 Audio 	
Camera Fiber Converter Eingabeverstärkung XLR 1	50 %
Camera Fiber Converter Eingabeverstärkung XLR 2	50 %
Ausgabekanäle 1 und 2	Eingebettet in 1 und 2
Ausgabekanäle 3 und 4	XLR 1 und 2



Mit den Pfeiltasten passen Sie den Eingangspegel für jeden XLR-Eingang an. Mit der SET-Taste bestätigen Sie den Pegel

Welche eingebetteten Audiosignale vom Camera Fiber Converter den SDI- und XLR-Ausgaben zugeordnet werden, können Sie konfigurieren. Die eingebetteten Audiokanäle der URSA Broadcast G2 oder URSA Mini finden Sie standardmäßig auf den Kanälen 1 und 2. An den Camera Fiber Converter angeschlossene Quellen – seien diese auf LINE oder MIC eingestellt – werden standardmäßig den Kanälen 3 und 4 zugeordnet. Um die Standardzuordnung zu ändern, können Sie die Einstellungen für die Ausgabekanäle anpassen. Ist einer der XLR-Eingänge des Camera Fiber Converters auf AES eingestellt, erweitert das Ihre Zuordnungsmöglichkeiten um die Kanäle 5 und 6. Diese werden an den Ausgang für eingebettetes SDI gesendet.



Zuordnung der Kanäle für eingebettetes XLR von der Kamera an die Ausgabekanäle 1 und 2

Talkback

Im „Talkback“-Menü wählen Sie Ihre Programm-Audioquellen für die Produktions- und Technikerkanäle aus. Die Talkback-Quelle Ihres Studio Fiber Converters kann auf „SDI + DB25“ oder „Intercom tally DB25“ eingestellt werden.

Die Kopfhörer- und Headsetmikrofon-Verstärkung für jede einzelne Gegensprecheinrichtung lässt sich auch für die Impedanzpegel Ihres Headsets anpassen. Über die Option „Headsetmikrofon-Phantomspannung“ wird die Phantomspannung für das entsprechende Headset eingeschaltet. Durch Anpassen des Mithörton-Pegels können Kameraoperatoren ihre eigene Stimme auf ihrem Headset in einer deutlich vernehmbaren, angenehmen Lautstärke hören.

Talkback	
Quelle Programmaudio	SDI-Kanäle 1 und 2
Quelle Produktionskanal	SDI + DB25
Quelle Technikerkanal	Intercom/Tally DB25
Intercom 1	
Kopfhörer-Verstärkung	50%
Headsetmikrofon-Verstärkung	50%
Headsetmikrofon-Phantomspesung	On
Mithörtonpegel	50%
Intercom 2	
Kopfhörer-Verstärkung	50%
Headsetmikrofon-Verstärkung	50%
Headsetmikrofon-Phantomspesung	On
Mithörtonpegel	50%

Ohne an die XLR-Eingänge angeschlossene Quellen bleiben die Gegensprecheinrichtungsoptionen ausgegraut. Beim Anschließen einer Quelle, erscheint die Meldung „Wird verbunden ...“

Setup

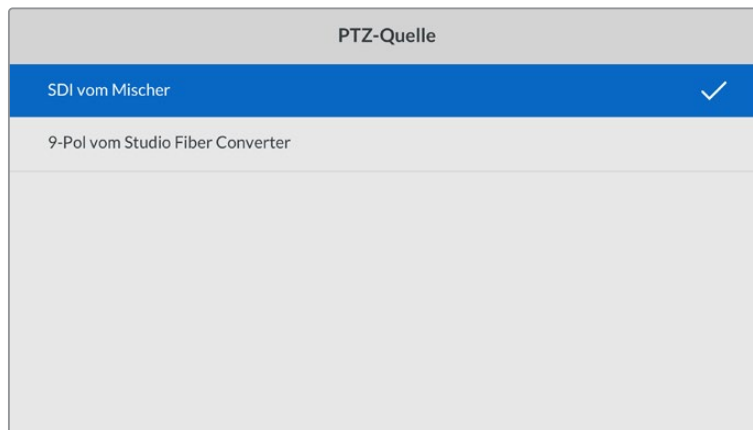
Über das „Setup“-Menü können Sie die PTZ-Quelle konfigurieren, die Menüsprache auswählen und den Signaltyp für rückgeführtes SDI vorgeben.

Setup	
PTZ-Quelle	SDI from Switcher
Sprache	Deutsch
12G SDI Return	3G Level A

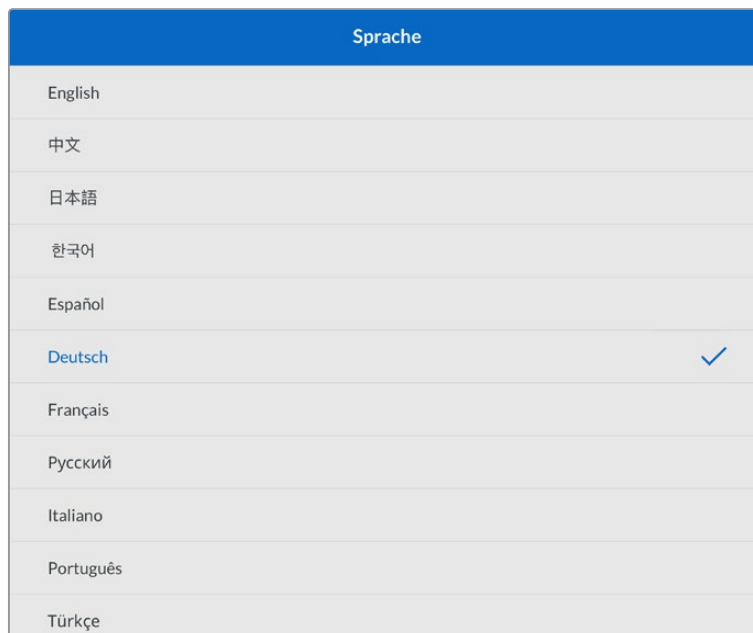
Wählen Sie die Quelle der PTZ-Befehle über das Menü „PTZ-Quelle“. Zur Wahl stehen „SDI“ oder „9 Pin“, also die SDI-Eingänge für eingehende Return-Feeds, oder der DE-9-Anschluss für PTZ auf der Rückseite Ihres Blackmagic Studio Fiber Converters.

Die Schwenk-, Neige- und Zoom-Funktionen einer PTZ-fähigen Kamera lassen sich mit einem ATEM Mischer steuern und die PTZ-Befehle per SDI an Ihren Blackmagic Studio Fiber Converter übermitteln. Die Befehle werden per SMPTE-Glasfaserkabel an Ihren Blackmagic Camera Fiber Converter gesendet, dort „entpackt“ und über den DE-9-Anschluss ausgegeben, um ggf. einen motorisierten Kamerakopf anzuschließen.

Um einen Kamerakopf zu steuern, lassen sich über den DE-9-Anschluss auch PTZ-Controller an Ihren Blackmagic Studio Fiber Converter anschließen.



Als Quelle der PTZ-Befehle bietet das Einstellungsmenü „SDI vom Mischer“ oder „9-Pin vom Studio Fiber Converter“ an



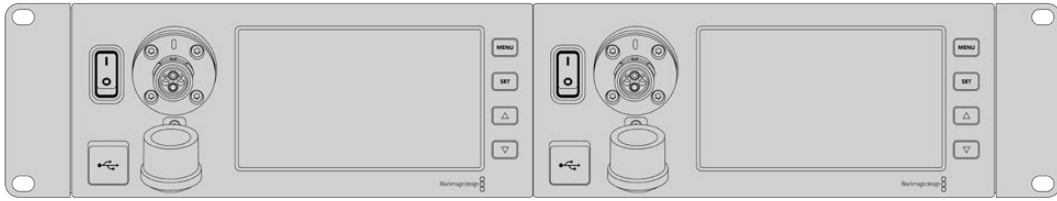
Die Option „Sprache“ gibt die Menüsprache vor. Der Studio Fiber Converter unterstützt 11 verbreitete Sprachen: Neben Englisch und Deutsch sind das Französisch, Spanisch, Italienisch, Portugiesisch, Russisch, Türkisch, Chinesisch, Japanisch und Koreanisch. Der Bildschirm mit der Sprachauswahl erscheint auch beim ersten Hochfahren und nach dem Aktualisieren der Produktsoftware.

Mit der Option „12G SDI Return“ geben Sie vor, ob die rückgeführten 12G-Programmsignale in 3G Level A oder 3G Level B downkonvertiert werden. Alle an die Return-Eingänge des Studio Fiber Converters übermittelten 12G-Signale werden unterwegs zum Camera Fiber Converter downkonvertiert.

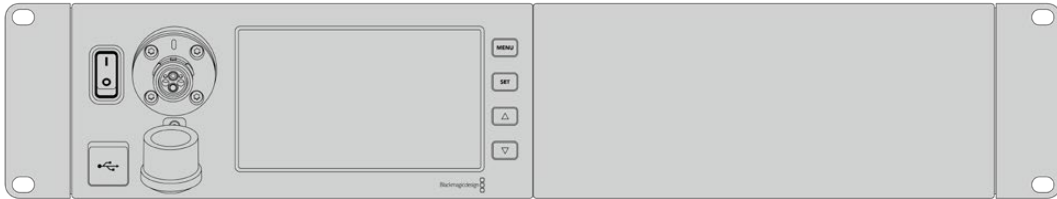
Rack-Montage des Studiokonverters

Wenn Sie mehrere Blackmagic Studio Fiber Converter betreiben, können Sie das Blackmagic Studio Fiber Rack Kit benutzen, um Ihre Konverter in einem Broadcast-Rack oder Roadcase zu installieren. Mithilfe des Rack-Kits lassen sich 2 Studiokonverter nebeneinander im Rack montieren. Sollten Sie nur einen Studiokonverter im Einsatz haben, können Sie die ungenutzte Seite des Racks mit einer Zierblende versehen.

Der Studio Fiber Converter ist 2 Rack-Höheneinheiten hoch und eine halbe Rack-Breite breit. Somit passen zwei Einheiten in 2 HE sauber nebeneinander.

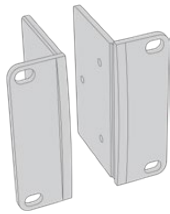


Blackmagic Studio Fiber Converter nebeneinander montiert



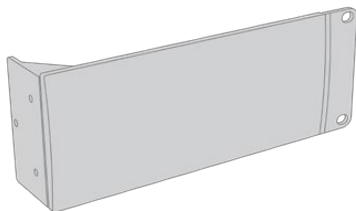
Mit der mitgelieferten Zierblende kann man den ungenutzten Rack-Platz abdecken

Das Blackmagic Studio Fiber Rack Kit enthält die folgenden Teile:



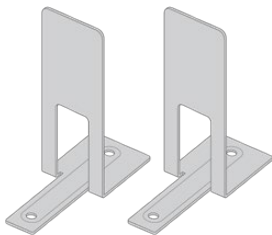
2 Rackhalterungen

Befestigen Sie die Rack-Halterungen zur Rack-Montage an den Seiten des Blackmagic Studio Fiber Converters.



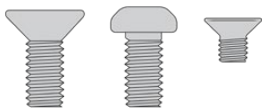
1 Zierblende in halber Rack-Breite

Die Zierblende verfügt an einer Seite über einen Rackwinkel. Wenn nur eine Einheit im Rack installiert ist, können Sie so freien Rackplatz abdecken. Die Abbildung zeigt den Rackwinkel rechts angebracht. Drehen Sie die Zierblende einfach um 180 Grad, um sie seitenverkehrt zu installieren.



2 Stützwinkel

Die Stützwinkel in T-Form werden dort angebracht, wo sich beide Einheiten vorne und hinten berühren und bieten Halt für die Geräte.



Schrauben

8 x M4 10 mm

Schrauben für
Rackhalterungen

4 x M4 8 mm

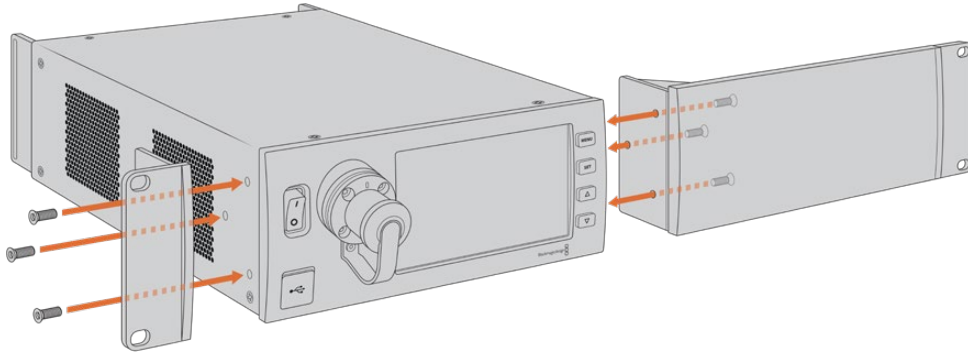
Schrauben für
Zierblende

5 x M3 5 mm

Schrauben für
Stützwinkel

Vorbereiten des Blackmagic Studio Fiber Converters für die Installation im Rack:

- 1 Platzieren Sie die Zierblende je nach der gewünschten Position im Rack an die linke oder rechte Seite Ihres Studio Fiber Converters. Richten Sie die Vorderseite der Zierblende dabei parallel zur Frontblende des Converters aus.
- 2 Befestigen Sie die Zierblende mit drei der mitgelieferten Schrauben seitlich der Frontblende Ihres Studio Fiber Converters.



- 3 Befestigen Sie eine der Rack-Halterungen auf der anderen Seite Ihres Studio Fiber Converters mit den jeweiligen mitgelieferten Schrauben.

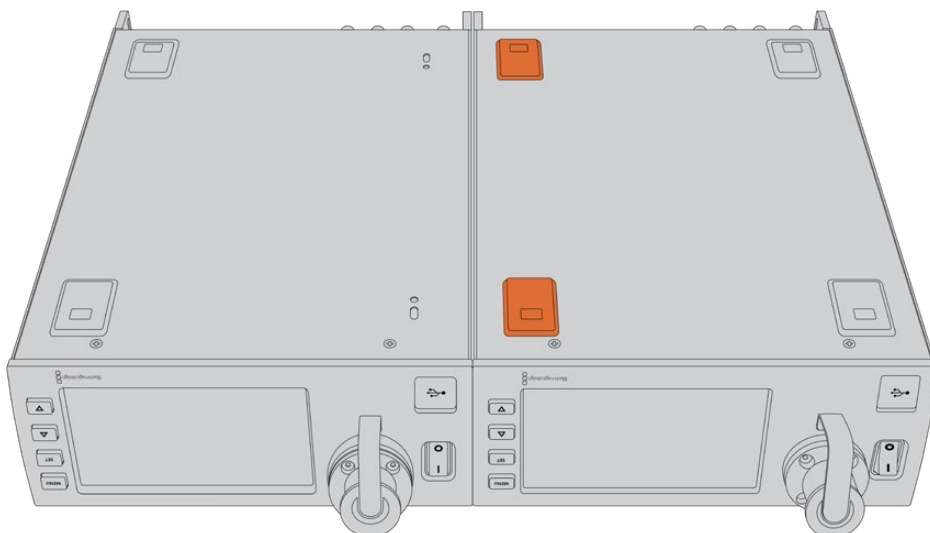
Sobald die Rack-Halterungen und die Zierblende angebracht sind, können Sie Ihren Converter auf einer Fläche von zwei Rack-Einheiten mithilfe der Befestigungsbohrungen auf beiden Seiten und standardmäßigen Rack-Schrauben installieren.

Vorbereiten zweier Blackmagic Studio Fiber Converters für die Installation im Rack:

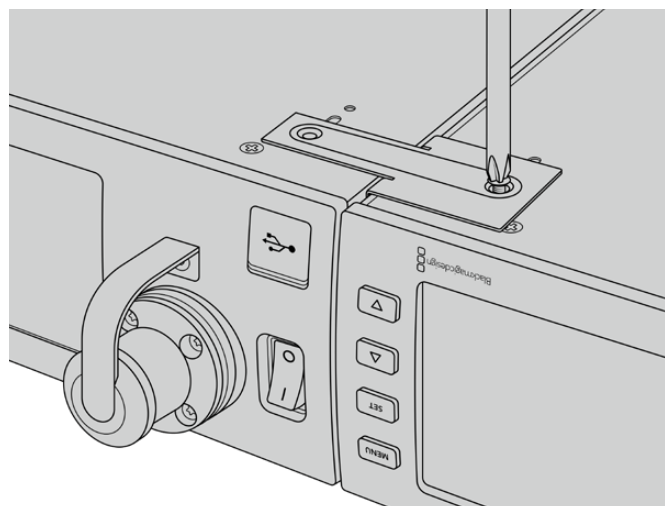
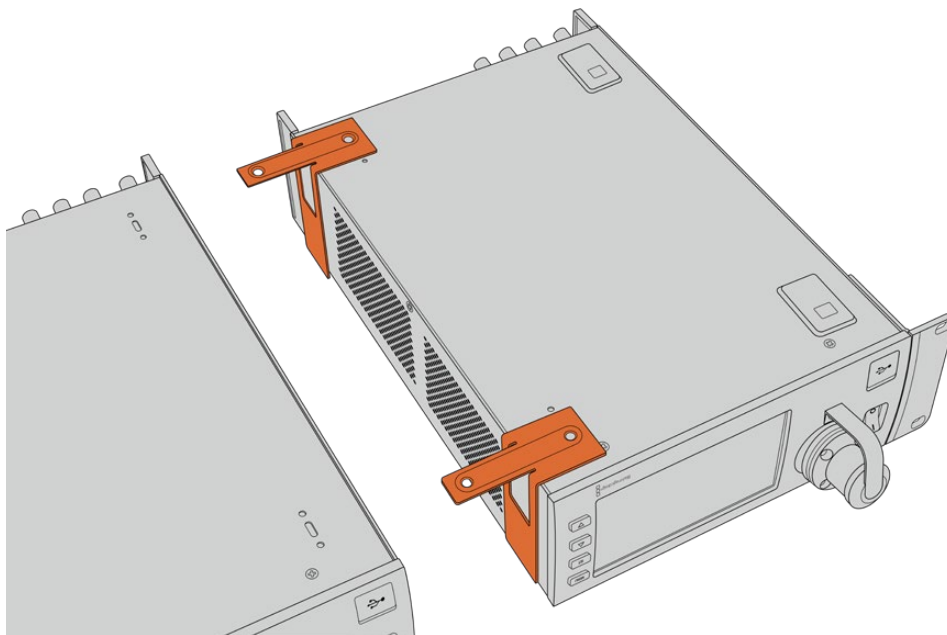
Wenn Sie zwei Converter nebeneinander im Rack installieren, können Sie beide Einheiten mithilfe der Rackhalterungen aneinander schrauben. Das erleichtert die Installation.

So installieren Sie zwei Einheiten:

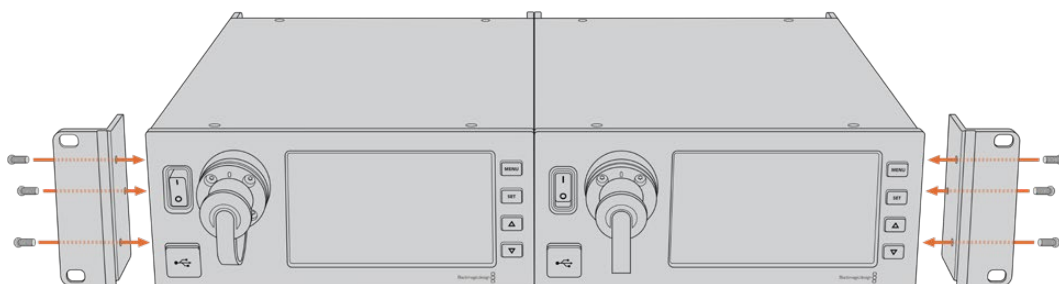
- 1 Legen Sie die zwei Converter mit den Geräteböden nach oben zeigend nebeneinander. Entfernen Sie die beiden GummifüÙe an den Kanten, an denen sich die Converter berühren.



- 2 Montieren Sie die mitgelieferten T-förmigen Stützwinkel vorne und hinten am Boden der beiden Blackmagic Studio Fiber Converter, wo beide Geräte sich berühren. Nutzen Sie hierfür die vorhandenen Montagebohrungen sowie die mitgelieferten Stützwinkelschrauben.



- 3** Drehen Sie die zusammengefügte Einheiten herum und versehen Sie sie an beiden Außenseiten neben der Frontblende mithilfe der mitgelieferten Schrauben mit Rackhalterungen. Ihre Konverter können nun im Rack installiert werden. Dies geschieht über die Montagebohrungen auf beiden Seiten sowie mithilfe üblicher Rack-Schrauben.



Anschlüsse des Kamerakonverters

Anschlüsse befinden sich seitlich und an der Rückseite des Blackmagic Camera Fiber Converters. Nicht benutzte Anschlüsse sollten mit den Gummikappen verschlossen werden, um sie vor Wittereinwirkungen wie Regen und anderen Umwelteinflüssen in Außenbereichen zu schützen. Dies gilt insbesondere für die SMPTE-Glasfaseranschlüsse, da sich Staubpartikel schnell an den polierten Enden von Lichtwellenleitern sammeln und den Datenfluss unterbrechen können. Daher ist es empfehlenswert, die Kappen sowohl vom Kabel als auch von der Gerätebuchse erst direkt vor dem Anschließen zu entfernen und sofort nach dem Trennen der Verbindung wieder aufzusetzen.

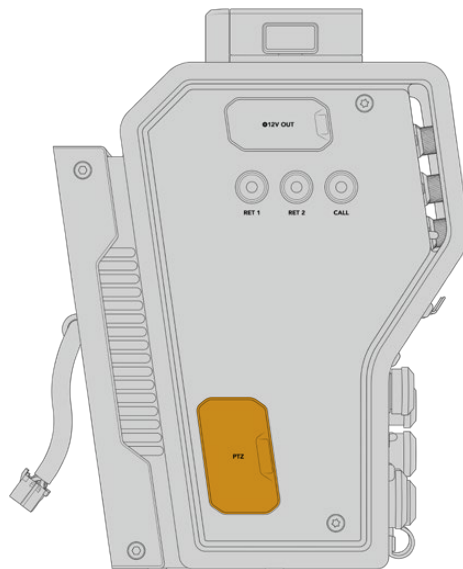
Stromanschlüsse des Kamerakonverters

Strom für den Kamerakonverter und Ihre Kamera wird primär vom Studiokonverter per SMPTE-Hybrid-Glasfaserkabel geliefert. Gleichzeitig werden darüber alle mit der Kamera verbundenen Zubehörteile betrieben, z. B. der Blackmagic URSA Studio Viewfinder.

Alternativ lässt sich der Blackmagic Camera Fiber Converter über den 12V-XLR-Anschluss Ihrer Kamera betreiben, wenn diese an eine Stromquelle angeschlossen ist. In der Regel ist dies nicht notwendig. Es ist jedoch eine Option für den Fall, dass Ihre Kamera mehr als zwei Kilometer vom Studiokonverter entfernt ist und der Strom über das SMPTE-Glasfaserkabel nicht mehr zuverlässig geleitet werden kann.

PTZ-Schnittstelle

Der serielle DE-9-Anschluss dient zum Verbinden von motorisierten Kameraköpfen, wenn Ihre Blackmagic URSA Broadcast G2 oder URSA Mini bspw. an einem Kamerakran mit ferngesteuertem Kamerakopf zum Schwenken, Neigen und Zoomen befestigt ist. Die Quelle der an die Kamera zu übermittelnden PTZ-Befehle können Sie im Menü Ihres Blackmagic Studio Fiber Converters vorgeben. Die Quelle der Befehle kann auf den DE-9-Anschluss Ihres Studio Fiber Converters oder auf einen von einem ATEM Mischer eingehenden SDI-Feed eingestellt werden. Näheres finden Sie im Abschnitt „Bedienen des Studio Fiber Converters“.

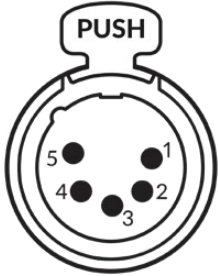


PTZ-Schnittstelle

Talkback-Anschluss

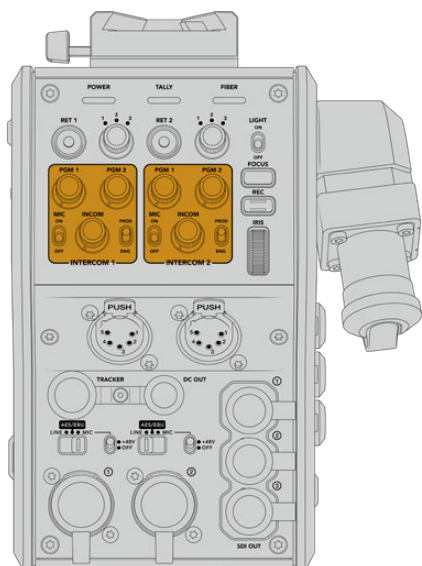
Die beiden weiblichen 5-poligen XLR-Anschlüsse erlauben den Anschluss von zwei Headsets, sodass zwei Personen gleichzeitig per Talkback kommunizieren können. So kann bspw. das Headset des Kamerabedieners an den ersten XLR-Anschluss gekoppelt werden und das des Kranbedieners oder eines anderen Crew-Mitglieds, wie dem Tonmeister, an den zweiten XLR-Anschluss. Ein Pinbelegungsdiagramm für den Headset-XLR-Anschluss finden Sie unten.

XLR-Pinbelegung von Headsets

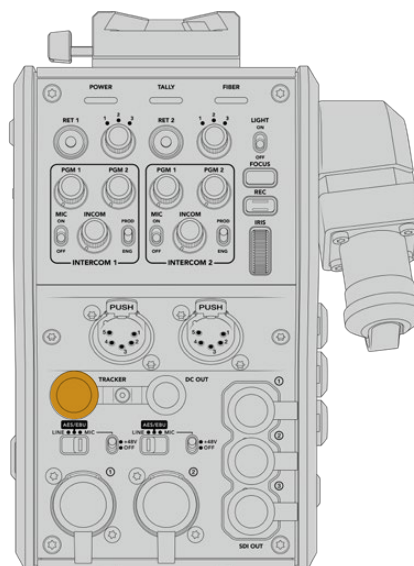
Außenansicht	Pin	Signal	I/O	Beschreibung
 <p>5-poliger XLR-Headset-Anschluss</p>	1	Gegensprech-Mikrofon (Y)	GND	Der Gegensprech-Mikrofoneingang unterstützt Elektretkondensatormikrofone und dynamische Mikrofone, sowohl symmetrischer als auch unsymmetrischer Art. Pin 1 ist für gebräuchliche Mikrofon-signale. Pin 2 dient als Mikrofon-signaleingang für beide Arten. Bei Elektretmikrofonen wird über denselben Mikrofon-signalausgabepin auch DC-Ruhestrom ausgegeben.
	2	Gegensprech-Mikrofon (X)	In	
	3	GND	GND	GND
	4	Gegensprecheinrichtung links	Out	
	5	Gegensprecheinrichtung rechts	Out	

Die Bedienelemente für jedes Headset befinden sich direkt über dem Headset-Anschluss.

Wie Sie die Bedienelemente für die Gegensprecheinrichtung einsetzen, erfahren Sie im Abschnitt „Bedienen des Camera Fiber Converters“.



Die Gegensprech-Bedienelemente dienen zum Mischen der Talkback-Tonpegel



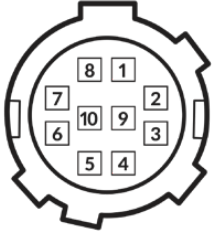
Anschluss für die Tracker-Schnittstelle

Tracker-Schnittstelle

Der 10-polige Tracker-Anschluss bietet einen Multiplex-Ausgang für Talkback- und Tally-Signale sowie für Daten wie Teleprompter-Informationen. Dieser Ausgang wird häufig von Support-Crews benutzt, die Produktionsequipment wie Kamerakräne bedienen.

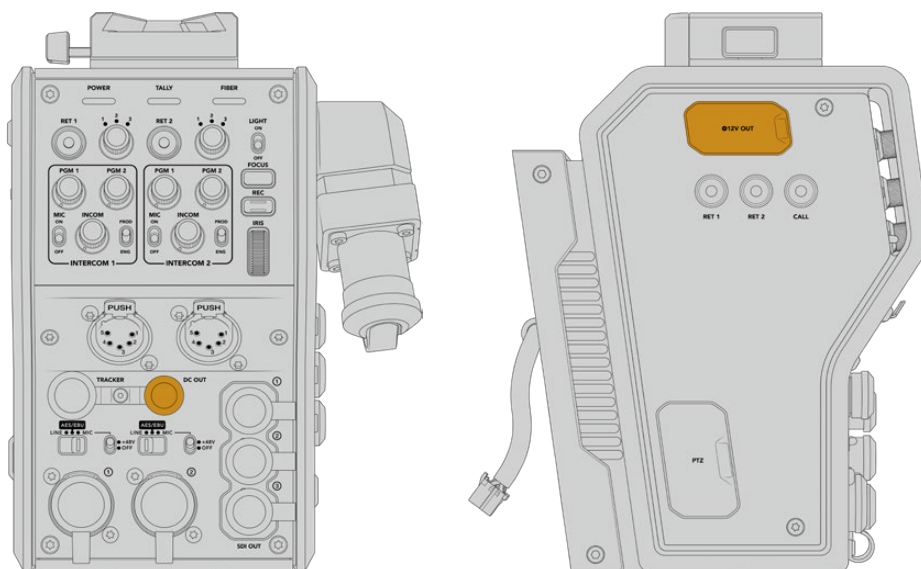
In diesem Abschnitt ist ein Pinbelegungsdiagramm enthalten, sollten Sie Ihr eigenes zusammenstellen wollen.

Pinbelegung der Tracker-Schnittstelle

Außenansicht	Pin	Signal	I/O	Spezifikationen
 <p>10-poliger Tracker-Anschluss</p>	1	Tracker links	Out	Tracker-Ausgabe, -20 dBu, unsymmetrisch
	2	GND (Sprechen)	–	GND für Tracker-Sprechsingnale
	3	GND (Empfang/PGM/Tally)	–	GND für Empfang/PGM/Tally
	4	Tracker rechts	Out	Tracker-Ausgabe, -20 dBu, unsymmetrisch
	5	Unreguliert	Out	12V DC (Nennwert), 500 mA (max.)
	6	GND (Unreguliert)	–	GND für unregulierten Strom
	7	Tracker-Sprechsingnale (X)	In	Tracker-Sprechsingnale 0 dBu /-20 dBu, mit hoher Impedanz, symmetrisch
	8	Tracker-Sprechsingnale (Y)	In	
	9	G Tally	Out	Ein: 12 V Aus: hohe Impedanz (offen)
	10	R Tally	Out	Ein: 12 V Aus: hohe Impedanz (offen)

DC-Anschluss

Über den DC-OUT-Anschluss können Sie zusätzliches Equipment wie bspw. einen externen Monitor betreiben.



Über den DC-OUT-Anschluss können Sie zusätzliches Equipment wie bspw. einen Monitor oder externe Aufnahmegeräte betreiben

D-Tap-Ausgang

D-Tap-Ausgang

Der Ausgang +12V OUT an der linken Geräteseite wird oft als D-Tap oder P-Tap bezeichnet. Darüber lässt sich Zubehör wie ein Monitor oder ein großes Studioobjektiv mit Strom versorgen. Diese Strombuchse unterstützt Studioobjektive, die +12-V-DC-Nennstrom mit 2 Ampere brauchen.

Referenzausgang und Bedienung

Der Referenzausgang kann dazu genutzt werden, ein Referenzsignal über ein BNC-Kabel an Ihre Kamera zu leiten.

So leiten Sie ein Referenzsignal an Ihre Kamera:

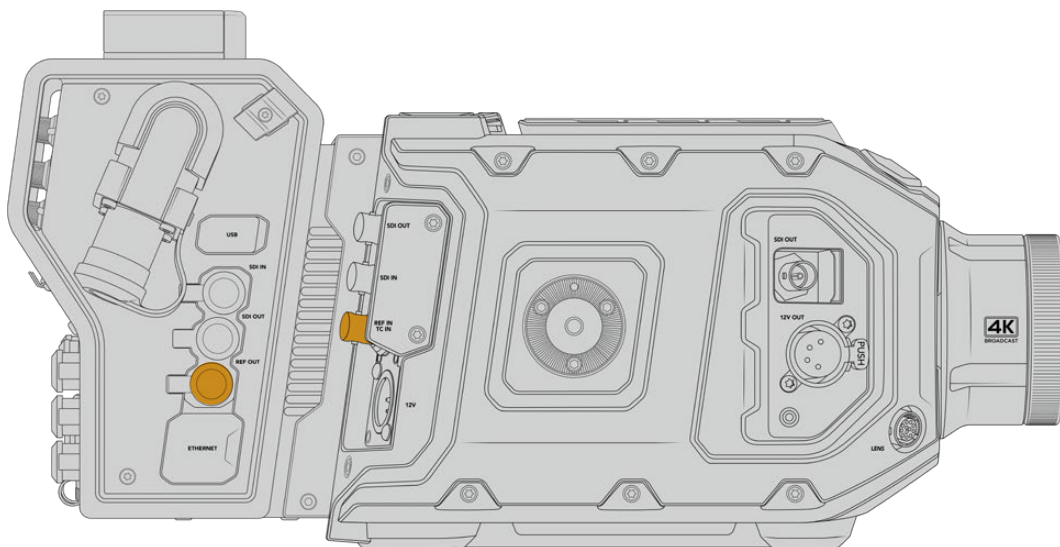
- 1 Verbinden Sie den mit REF OUT gekennzeichneten Referenzausgang des Blackmagic Camera Fiber Converters mit dem mit REF IN gekennzeichneten Referenzeingang Ihrer Kamera mithilfe eines der kleinen SDI-Kabel, die im Lieferumfang Ihres Camera Fiber Converters enthalten sind.
- 2 Stellen Sie die Referenzeinstellungen Ihrer Kamera auf den Referenzeingang ein.

Dank eines Sync-Referenzsignals kann Ihr Videoequipment mit einer gängigen Referenz synchronisiert werden, sodass sich alle Geräte nach derselben Zeitvorgabe richten. Das bedeutet, dass alle Videoquellen synchronisiert sind und flüssig umgeschaltet werden können.

ATEM Mischer verfügen über einen eingebauten Resynchronisierer. Sollten Sie daher ausschließlich Blackmagic Design Kameras mit einem ATEM Mischer verwenden, brauchen Sie keine Referenzquelle zur Synchronisierung anzuschließen. Das Referenzsignal ist in den SDI-Programm-Return-Feed des ATEM Mixers eingebettet. Vergewissern Sie sich daher lediglich, dass an Ihrer URSA Broadcast G2 oder URSA Mini auf Seite 2 des SETUP-Menüs in den Referenzeinstellungen der Programmeingang gewählt ist. Durch die Resynchronisierung entsteht eine Verzögerung von einem Frame.

Um die Latenz des Resynchronisierungsprozesses im ATEM Mischer zu reduzieren, legen Sie zunächst ein Referenzsignal für die URSA Broadcast G2 oder die URSA Mini an. Passen Sie anschließend das Backtiming so an, dass die Bildzeileneingabe der Kamera zeitlich vor der des ATEM Mixers erfolgt.

Um die Referenzsynchronisierung der URSA Broadcast G2 oder URSA Mini anzupassen, gehen Sie ins SETUP-Menü und ändern Sie unter „Referenz“ die Bildzeilenzahl.

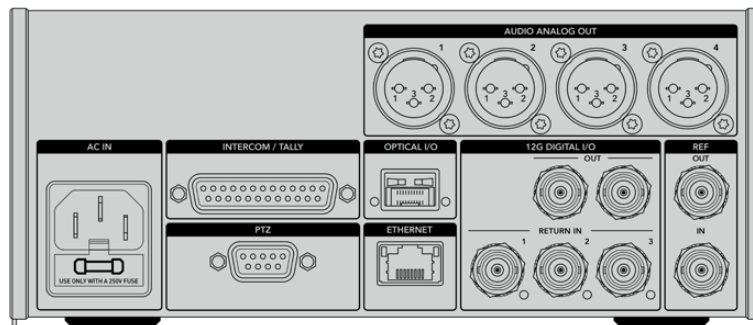


Wenn Sie ein externes Referenzsignal nutzen, verbinden Sie den Referenzausgang des Kamerakonverters mit dem Referenzeingang der URSA Broadcast G2 oder URSA Mini

Anschlüsse des Studiokonverters

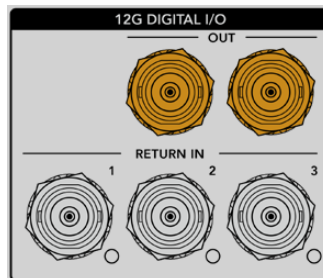
Die Rückseite des Blackmagic Studio Fiber Converters bietet Anschlüsse für den SDI-Return-Feed und Referenzsignale per BNC, einen DB-25-Anschluss für die Gegensprecheinrichtung und Tally, einen 9-poligen seriellen PTZ-Port, Audioausgänge und einen Ethernet-Port.

Alle SDI-Eingänge unterstützen 12G-SDI für Videoformate bis Ultra HD 2160p/60.



12G-SDI-Ausgang

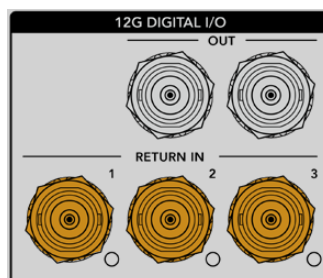
Die zwei 12G-SDI-Ausgänge dienen zur Verbindung der Kamerasignale vom Studiokonverter mit einem beliebigen SDI-Eingang Ihres Mischers. Der zweite Anschluss kann dafür genutzt werden, dasselbe Signal an anderes Videozubehör auszugeben, z. B. eine Blackmagic Videohub Kreuzschiene, einen SmartView Monitor oder einen HyperDeck Disk Recorder.



Die 12G-SDI-Ausgänge unterstützen Signale von 720p/50 bis 2160p/60

Return-SDI-Eingänge

Über die BNC-Anschlüsse für 12G-SDI-Return-Feeds können Sie bis zu drei SDI-Return-Feeds anschließen. Der Programm-Feed von einem Mischer sollte bspw. an RETURN IN 1 angeschlossen und auf die gleiche Framerate wie Ihre Kamera eingestellt sein. Andere Quellen wie die Ausgabe einer Zweitkamera, die Wiedergabe eines HyperDeck Rekorders oder eines Teleprompters können an RETURN IN 2 und RETURN IN 3 angeschlossen werden. Bei Einsatz eines ATEM Mischers enthält der an RETURN IN 1 gekoppelte Programm-Return-Feed zudem Tally-, Talkback-, Referenz- und Kamerasteuersignale.

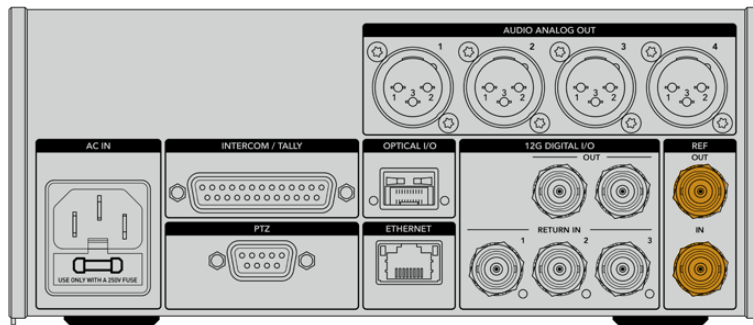


An die SDI-Return-Eingänge lassen sich bis zu drei Return-Feeds von Ihrem Mischer anschließen. Diese Feeds werden an Ihre Kamera weitergeleitet, damit sie vom Kamerabediener gesichtet oder via SDI an anderes Equipment weitergeleitet werden können.

HINWEIS Das Ultra-HD-Video von an die Return-Eingänge angeschlossenen Ultra-HD-Quellen wird nach 1080p in der gleichen Framerate abwärtskonvertiert. Der Kamerakonverter gibt also HD-Signale aus. Durch die Konvertierung der Ultra-HD-Return-Signale in HD wird Bandbreite frei, sodass Sie die rückgeführten Signale von mehreren Quellen übermitteln können.

Ein- und Ausgabe von Referenzsignalen

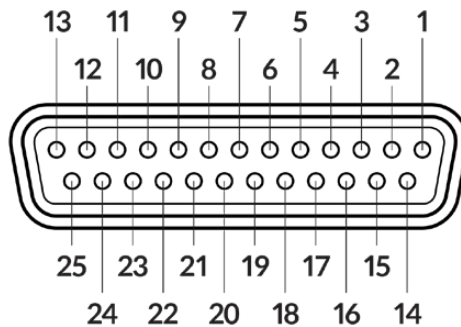
Wenn Sie keinen ATEM Mischer verwenden und Equipment mit einem gängigen externen Referenzsignal synchronisieren müssen, verbinden Sie die externe Signalquelle mit dem BNC-Anschluss. Dann wird das Referenzsignal über das SMPTE-Glasfaserkabel an den Kamerakonverter geleitet. Der BNC-Referenzausgang des Studiokonverters kann zum Durchschleifen der Referenzquelle an weitere Geräte benutzt werden.



Nutzen Sie REF IN zum Senden klassischer Referenzsignale von anderen Broadcastgeräten an Ihre Kamera

Talkback-Schnittstelle

Der DB-25-Anschluss für die Gegensprecheinrichtung und Tally bietet Ihnen die Möglichkeit, sich mit Gegensprech- und Tally-Systemen von Fremdanbietern zu verbinden. Weiter unten finden Sie ein Pinbelegungsdiagramm mit Anweisungen zur Eigenanfertigung von Kabeln. Nachdem Sie das Techniker- bzw. Produktions-Talkback, Tally oder Programmaudio angeschlossen haben, müssen Sie das Menü Ihres Blackmagic Studio Fiber Converters entsprechend anpassen.



Außenansicht eines 25-poligen Intercom/Tally-Anschlusses

Pinbelegung von Talkback-Schnittstellen

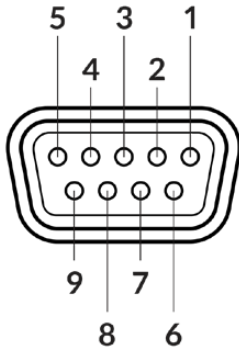
Pin	Signal	Spezifikationen
1	ENG(R) IN+	Technikerkanal-Eingang 0 dBu, symmetrisch
2	ENG(R) IN-	
3	ENG GND	GND für ENG
4	ENG(T) OUT +	Technikerkanal-Ausgang 0 dBu, symmetrisch
5	ENG(T) OUT -	
6	PGM IN+	-20 dBu
7	PGM IN-	-20 dBu
8	PGM GND	-20 dBu
9	GND	GND für Aux
10	N/C	–
11	Rotes Tally IN	On = 5–24 Vdc, Off = 0 Vdc
12	Rotes Tally GND	–
13	GND	Gehäuse GND
14	PROD(R) IN+	Produktionskanal-Eingang 0 dBu, symmetrisch
15	PROD(R) IN-	
16	PROD GND	–
17	PROD(T) OUT+	Produktionskanal-Ausgang 0 dBu, symmetrisch
18	PROD(T) OUT-	
19	N/C	–
20	N/C	–
21	N/C	–
22	N/C	–
23	N/C	–
24	Grünes Tally IN	On = 5–24 Vdc, Off = 0 Vdc
25	Grünes Tally GND	–

PTZ-Schnittstelle

Sowohl der Studio- als auch der Kamerakonverter verfügen über einen DE-9-Anschluss, sodass Sie einen PTZ-Controller an den Studiokonverter und einen Kamerakopf an den Kamerakonverter anschließen können. PTZ-Befehle werden in das SDI-Signal eingebettet, das per SMPTE-Glasfaserkabel zwischen beiden Einheiten übermittelt wird.

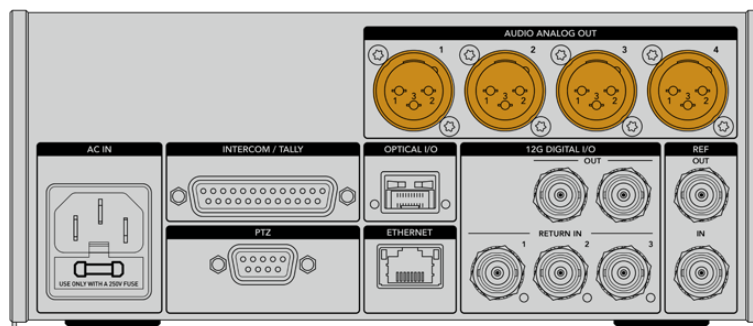
Im Einstellungsmenü Ihres Blackmagic Studio Fiber Converters können Sie die Quelle der an den Blackmagic Camera Fiber Converter zu übermittelnden PTZ-Befehle vorgeben. Zur Wahl steht der PTZ-Anschluss auf der Rückseite des Studio Fiber Converters und ein SDI-Programm-Feed von einem ATEM Mischer. Näheres dazu finden Sie im Abschnitt „Bedienen des Studio Fiber Converters“.

Pinbelegung der PTZ-Schnittstelle

Außenansicht	Pin	Signal
 <p>9-poliger PTZ-Anschluss</p>	1	GND
	2	RS422 Tx-
	3	RS422 Rx+
	4	GND
	5	N/C
	6	GND
	7	RS422 Tx+
	8	RS422 Rx-
	9	GND

Audioausgänge

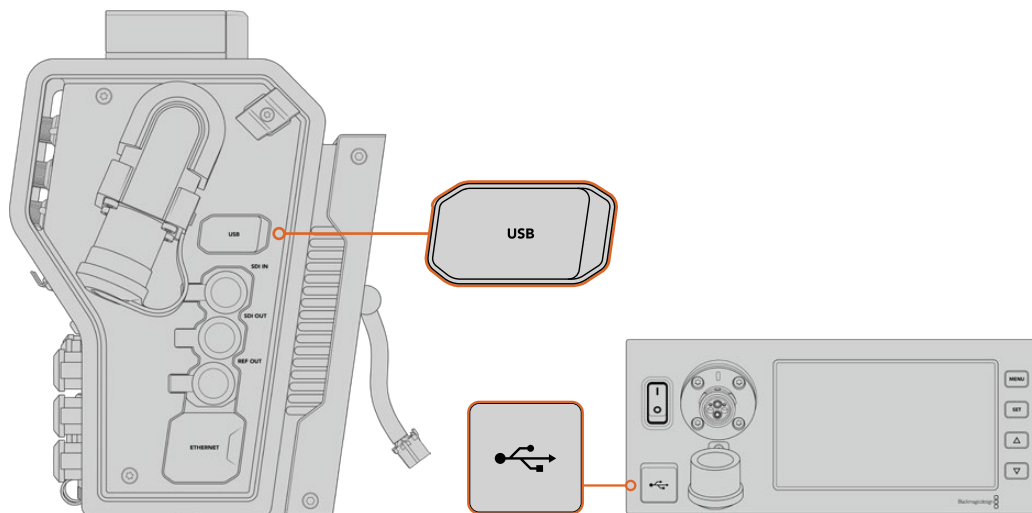
Die 4 XLR-Audioausgänge am Studiokonverter ermöglichen die Ausgabe der an die Eingänge 1 und 2 der URSA Broadcast G2 oder URSA Mini sowie an die beiden XLR-Audioeingänge am Camera Fiber Converter angeschlossenen Quellen.



Die Ausgänge 1 und 2 am Studiokonverter entsprechen standardmäßig den Eingabekanälen 1 und 2 für eingebettetes XLR an der URSA Broadcast G2 bzw. URSA Mini. Die Ausgänge 3 und 4 am Studiokonverter entsprechen standardmäßig den XLR-Eingängen 1 und 2 am Blackmagic Camera Fiber Converter. Die Zuordnung können Sie über das Menü ändern. Weitere Informationen finden Sie im Abschnitt „Verwenden des Menüs“.

Aktualisieren der Produktsoftware

Blackmagic Design veröffentlicht von Zeit zu Zeit Updates, die die Funktionen Ihrer Blackmagic Fiber Converter verbessern bzw. neue Funktionen hinzufügen. Wir empfehlen allen Nutzern, auf der Blackmagic Design Website regelmäßig nach Updates zu sehen, damit auf Ihren Blackmagic Fiber Convertern immer die neueste Produktsoftware läuft. Aktualisieren Sie Ihre Blackmagic Fiber Converter über das Blackmagic Camera Setup Dienstprogramm.



Über den USB-C-Port an den Blackmagic Fiber Convertern lässt sich die Produktsoftware aktualisieren

Aktualisieren des Blackmagic Camera Fiber Converters

Ihr Camera Fiber Converter muss für das Update mit Strom versorgt werden. Wir empfehlen daher, den Converter während des Updates an Ihre URSA Broadcast G2 oder URSA Mini angeschlossen zu lassen.

Hierbei ist es wichtig, das SMPTE-Glasfaserkabel von Ihrem Camera Fiber Converter zu entfernen und Ihre Kamera über das mitgelieferte URSA Kameranetzteil mit Strom zu versorgen.

Der Blackmagic Camera Fiber Converter verfügt für die Aktualisierung der Produktsoftware über einen USB-C-Port an der rechten Geräteseite. Schließen Sie Ihren Computer an diesen USB-Port an und starten Sie das Blackmagic Camera Setup Dienstprogramm. Wenn Ihr Computer eine vorhandene ältere Version auf Ihrem Camera Fiber Converter erkennt, werden Sie zu einem Update aufgefordert. Folgen Sie den Anweisungen auf Ihrem Bildschirm, um die Produktsoftware Ihres Converters zu aktualisieren.

Aktualisieren des Blackmagic Studio Fiber Converters

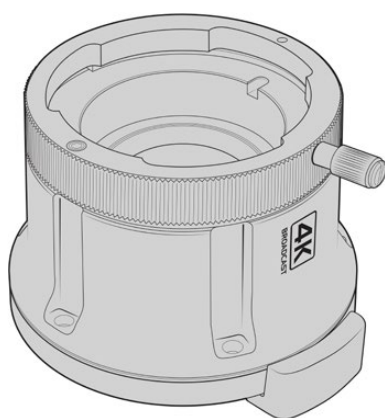
Ihr Studio Fiber Converter muss für das Update mit Strom versorgt werden. Wir empfehlen daher, das IEC-Stromkabel während des Updates an der Geräterückseite des Studiokonverters angeschlossen zu lassen.

Der Blackmagic Studio Fiber Converter verfügt für die Aktualisierung der Produktsoftware über einen USB-C-Port an der Frontblende. Schließen Sie Ihren Computer an diesen USB-Port an und starten Sie das Blackmagic Camera Setup Dienstprogramm. Wenn Ihr Computer eine vorhandene ältere Version auf Ihrem Studio Fiber Converter erkennt, werden Sie zu einem Update aufgefordert. Folgen Sie den Anweisungen auf Ihrem Bildschirm, um die Produktsoftware Ihres Converters zu aktualisieren.

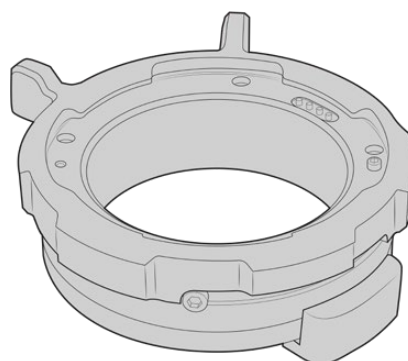
Wechselbarer Objektivanschluss

Die Blackmagic URSA Broadcast G2 wird mit einem werksseitig installierten speziellen B4-Mount sowie einem zusätzlichen EF-Mount geliefert. Da der Objektivanschluss als Wechselmount ausgeführt ist, können Sie Ihre Kamera alternativ mit einem Objektivanschluss aus den Blackmagic URSA Mini Pro PL oder URSA Mini Pro F Mount Kits ausstatten. Objektivanschluss-Kits sind bei Blackmagic Design Resellern erhältlich.

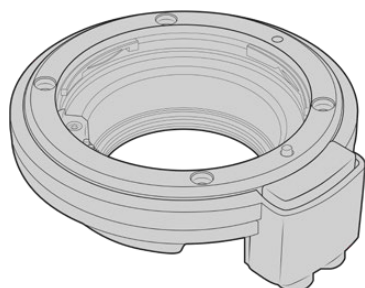
HINWEIS Ein B4-Mount ist auch für die Blackmagic URSA Mini Pro erhältlich. Da er für einen anderen Sensor ausgelegt ist, unterscheidet er sich jedoch vom B4-Mount der URSA Broadcast G2. Verwenden Sie Ihre URSA Broadcast G2 daher ausschließlich mit dem werksseitig mit der Kamera gelieferten B4-Mount.



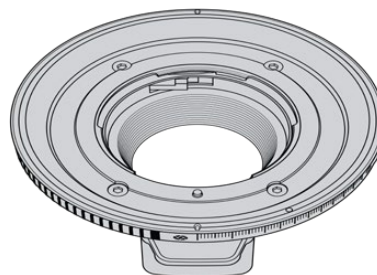
Broadcast-B4-Mount



PL-Mount



EF-Mount



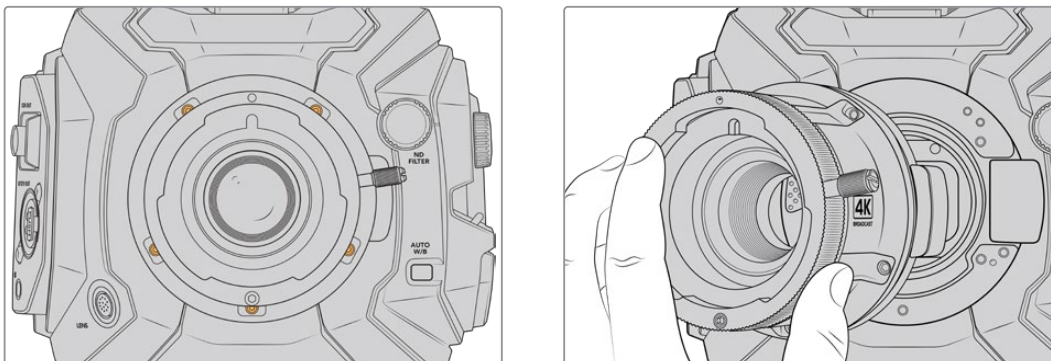
F-Mount

Vier unterschiedliche Mounts im Wechsel verwenden zu können, gibt Ihnen die Freiheit, für jeden Auftrag das passende Objektiv einzusetzen. Bspw. ermöglicht der EF-Objektivanschluss den Einsatz hochwertiger Optiken für Standbilder. Der B4-Mount ist perfekt, wenn Sie parfokale Zoomobjektive für EB-Zwecke und Hochzeiten brauchen. Der PL-Mount ermöglicht es, robuste Highend-Filmobjektive für absolute Präzision und ein wiederholgenaues Setup zu verwenden. Ein F-Mount eröffnet Ihnen eine riesige Auswahl an Nikon Objektiven, die seit 1959 bis heute hergestellt werden.

Die einzelnen Mounts sind schnell angebracht. Schrauben Sie einfach den Original-B4-Mount ab und ersetzen Sie ihn mit dem neuen Mount.

Entfernen des B4-Mounts

Um den B4-Mount zu entfernen, schrauben Sie die 5 M3-Sechskantschrauben mit einem 2mm-Sechskantschraubendreher heraus.



Der Original-B4-Mount lässt sich leicht entfernen. Lösen Sie die 5 M3-Sechskantschrauben und heben Sie den Mount vorsichtig vom Kameragehäuse ab

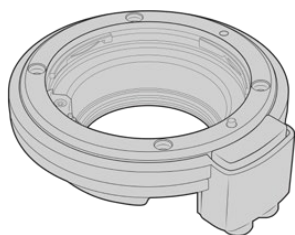
HINWEIS Sorgen Sie beim Entfernen des originalen B4-Mounts dafür, dass Sie das Shim hinter dem Objektivanschluss stets an Ihrer Kamera belassen.

In diesem Abschnitt folgen weitere Informationen zu den PL-, B4- und EF-Mount-Kits und wie Sie die einzelnen Mounts an Ihre URSA Broadcast G2 anbringen.

Blackmagic URSA Mini Pro EF Mount

Mit dem EF-Mount können Sie gängige EF-Fotoobjektive auf Ihre URSA Broadcast G2 stecken.

Das EF-Mount-Kit enthält:



1 EF-Mount

Mit dem EF-Mount können Sie gängige EF-Fotoobjektive anbringen.



1 Shim-Satz

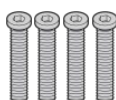
Der Shim-Satz enthält verschieden dicke Einstellplättchen wie folgt:

0,50 mm	0,18 mm	0,10 mm
0,30 mm	0,15 mm	0,05 mm
0,20 mm	0,12 mm	0,025 mm



1 Streulichtblenden-Tool

Die interne Streulichtblende am EF-Mount ist nicht abnehmbar. Allerdings befindet sich im EF-Kit ersatzweise ein Streulichtblenden-Tool, das Sie verwenden können, wenn Sie auch einen PL-Mount besitzen.

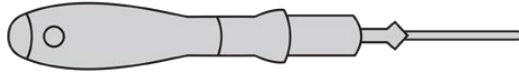


4 x 2 mm M3 x 18mm-Sechskantschrauben

Die 4 M3 x 18mm-Sechskantschrauben gehören ausschließlich zum EF-Mount. Bewahren Sie die Schrauben und den Mount entsprechend zusammen auf.

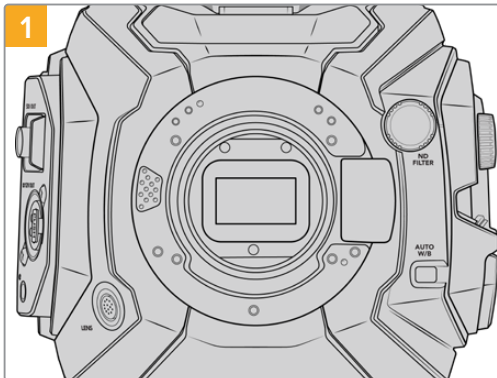
Benötigte Werkzeuge

Um Ihren EF-Mount anzubringen, benötigen Sie einen 2mm-Sechskantschraubendreher. Obwohl dies nicht absolut notwendig ist, empfehlen wir einen Drehmomentschlüssel, der ein maximal zulässiges Drehmoment von 0,45 Nm präzise umsetzt. Er verhindert, dass die Schrauben zu fest angezogen werden.

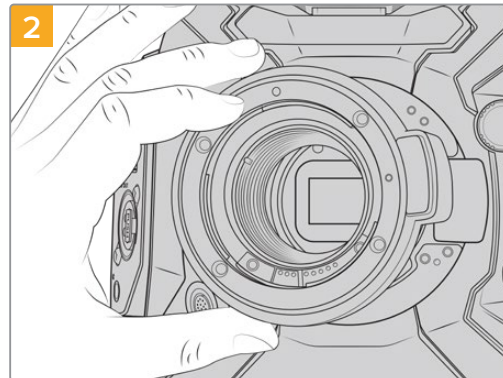


2mm-Sechskantschraubendreher

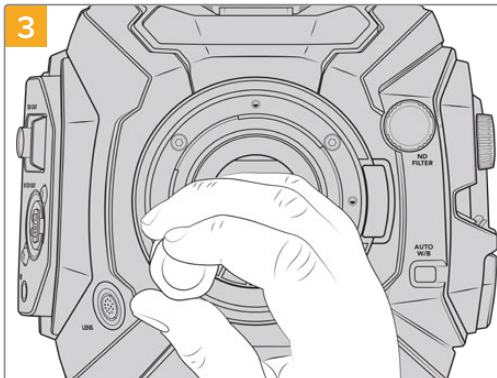
Anbringen eines EF-Mounts



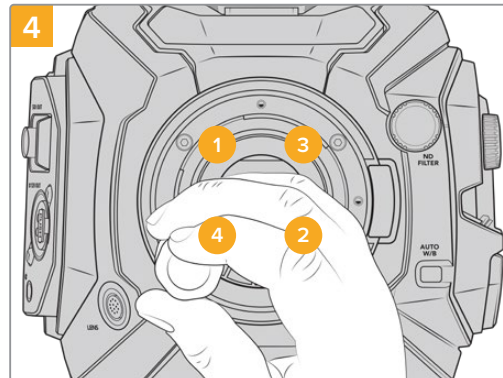
Setzen Sie die Blackmagic URSA Broadcast G2 vertikal auf eine stabile, saubere Arbeitsfläche, um den Objektivanschluss in vertikaler Richtung einsetzen zu können. Wenn Sie von einem PL- zu einem EF-Mount wechseln, entfernen Sie die PL-Streichblende, bevor Sie Ihren EF-Mount anbringen.



Setzen Sie den Blackmagic URSA Mini Pro EF Mount auf das Kameragehäuse. Achten Sie darauf, dass sich der rote Punkt dabei in der 12-Uhr-Position befindet.



Drehen Sie die 4 Befestigungsschrauben locker fest, bis sich die Kamera und die Schulter des Objektivanschlusses berühren.

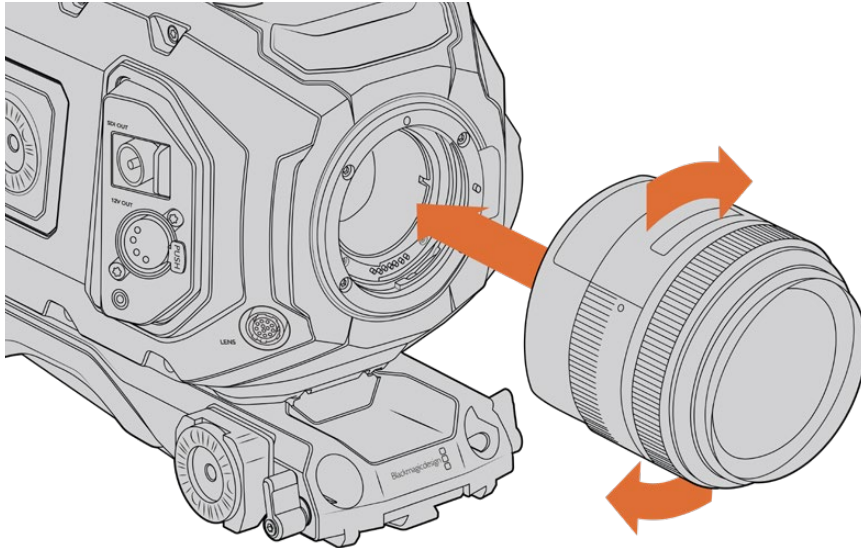


Befestigen Sie Schraube 1 unter Druck mit einer kompletten Umdrehung des 2mm-Sechskantschlüssels oder eines Drehmomentschlüssels mit einem 2mm-Inbusschlüssel, gefolgt von einer kompletten Umdrehung für Schraube 2. Wiederholen Sie diesen Schritt für Schraube 3 und dann 4. Führen Sie nach dem oben genannten Schema nacheinander jeweils eine komplette Umdrehung durch, bis alle Schrauben mit einem maximalen Drehmoment von 0,45 Nm befestigt sind.

HINWEIS Befolgen Sie beim Entfernen des EF-Mounts die Anweisungen in umgekehrter Reihenfolge von Schritt 4 bis Schritt 1.

So bringen Sie ein EF-Objektiv an:

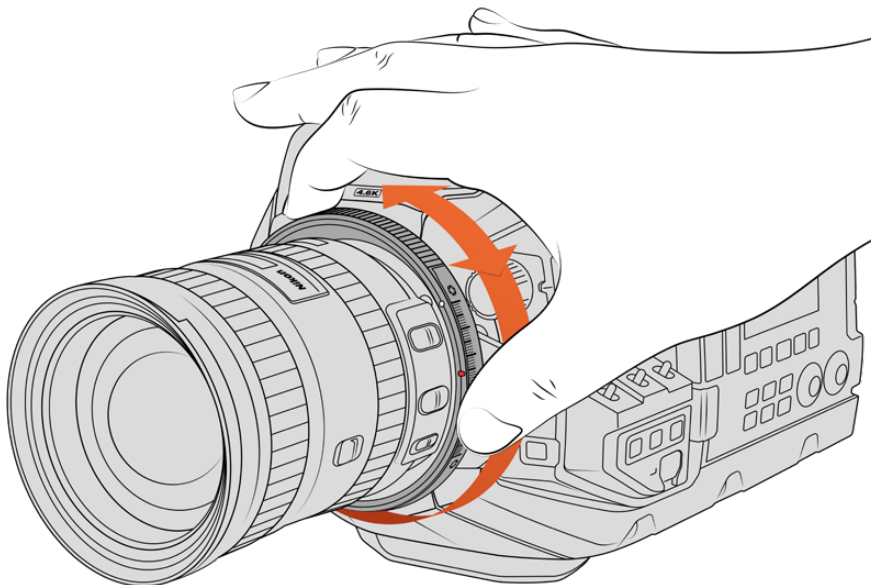
- 1 Richten Sie den Punkt an Ihrem Objektiv auf den Punkt am Objektivanschluss der Kamera aus. Viele Objektive sind mit einer Ansetzmarkierung wie einem blauen, roten oder weißen Punkt versehen.
- 2 Stecken Sie das Objektiv auf den Mount und drehen Sie es im Uhrzeigersinn, bis es einrastet.
- 3 Halten Sie zum Abnehmen des Objektivs die Verriegelungstaste gedrückt und drehen Sie es gegen den Uhrzeigersinn, bis der Punkt bzw. die Ansetzmarkierung die 12-Uhr-Position erreicht hat. Nehmen Sie das Objektiv vorsichtig ab.



Anbringen und Abnehmen eines EF-Mount-Objektivs

Blackmagic URSA Mini Pro F Mount

Mit einem an der URSA Broadcast G2 angebrachten Blackmagic URSA Mini Pro F Mount können Sie F-Mount-Objektive benutzen. Das F-Mount-System der Firma Nikon gibt es seit 1959. Bis heute werden F-Mount-Objektive hergestellt. Der Blackmagic URSA Mini Pro F Mount eröffnet Ihnen eine riesige Auswahl an klassischen und modernen Objektiven.



Nutzen Sie den Blendenjustiering, um die Blendenwerte für F-Mount-Objektive geschmeidig zu ändern

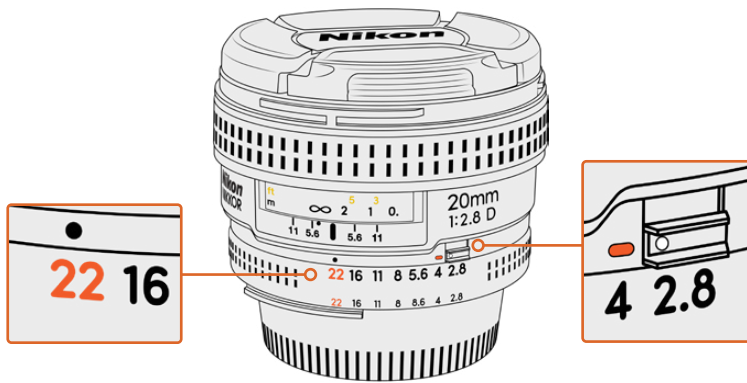
Bitte beachten Sie jedoch, dass der F-Mount ein mechanischer Objektivanschluss ist. Demgemäß bietet er weder elektronische Fokussierung noch Blendensteuerung. Stattdessen verfügt der F-Mount über einen mechanischen Blendenregler. Dieser Regler bewegt den in den meisten Nikon-Objektiven verbauten Blendenzapfen und bewirkt geschmeidige kinoartige Blendenjustagen.

Bei installiertem F-Mount erzielen Sie Ihre favorisierte Belichtung durch Bewegen des Blendenreglers am Blackmagic URSA Mini Pro F Mount. Anhand des roten Punkts am F-Mount und der Markierungen am Blendenregler können Sie Einstellungen kennzeichnen und bequem auf eine bestimmte Belichtungs- und Schärfentiefeeinstellung zurückgreifen.

HINWEIS Befolgen Sie beim Entfernen des EF-Mounts die Anweisungen in umgekehrter Reihenfolge von Schritt 4 bis Schritt 1.

Nikon AF-D Objektive

Beim Einsatz von Objektiven der Nikon AF-D Serie muss die Blende Ihres Objektivs auf ihre kleinste Öffnung, bspw. f/22, fixiert werden, damit die gesamte Spanne des Blendenjustierings am Blackmagic URSA Mini Pro F Mount einsetzbar ist.



Bei AF-D-Objektiven lässt sich die kleinste Blendenöffnung des Objektivs am einfachsten einstellen und fixieren, bevor man es auf die Kamera setzt

Das F-Mount-Kit enthält:

-
- 

1 F-Mount
Mit dem F-Mount können Sie gängige F-Fotoobjektive anbringen.
-
- 

1 Shim-Satz
Der Shim-Satz enthält verschieden dicke Einstellplättchen wie folgt:

0,50 mm	0,18 mm	0,10 mm
0,30 mm	0,15 mm	0,05 mm
0,20 mm	0,12 mm	0,025 mm
-
- 

4 x 2 mm M3 x 18mm-Sechskantschrauben
Die 4 M3 x 18mm-Sechskantschrauben passen zum EF- wie auch zum F-Mount. Bewahren Sie die Schrauben am besten zusammen mit dem entsprechenden Mount auf.
Im Fall des Verlusts der Originalschrauben steht im F-Mount-Kit ein kompletter Satz an Ersatzschrauben bereit.
-

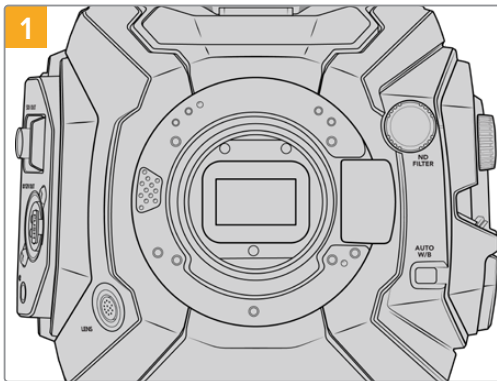
Benötigte Werkzeuge

Zum Anbringen Ihres F-Mounts benötigen Sie einen 2mm-Sechskantschraubendreher. Obwohl dies nicht absolut notwendig ist, empfehlen wir einen Drehmomentschlüssel, der ein maximal zulässiges Drehmoment von 0,45 Nm präzise umsetzt. Er verhindert, dass die Schrauben zu fest angezogen werden.

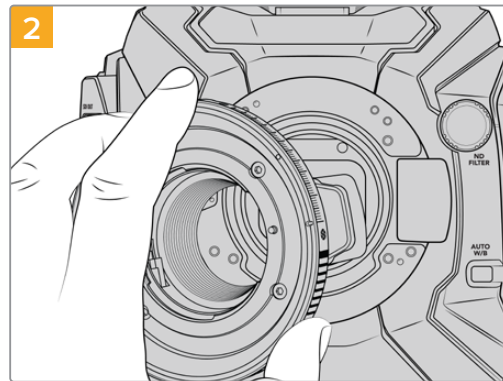


2mm-Sechskantschraubendreher

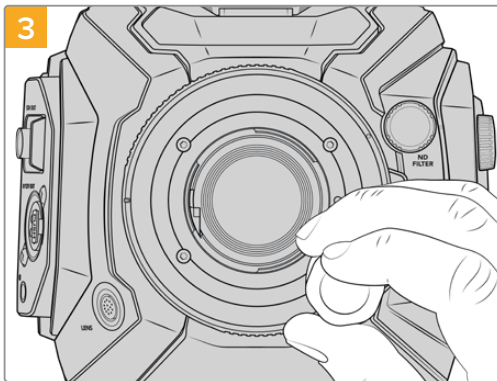
Anbringen eines F-Mounts



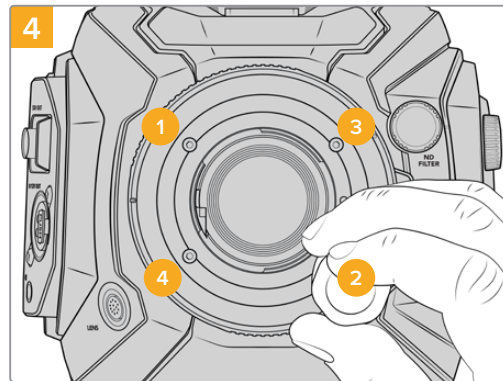
Setzen Sie die Blackmagic URSA Broadcast G2 vertikal auf eine stabile, saubere Arbeitsfläche, um den Objektivanschluss in vertikaler Richtung einsetzen zu können. Wenn Sie von einem PL- zu einem F-Mount wechseln, entfernen Sie die innere PL-Streichblende, bevor Sie den F-Mount anbringen.



Setzen Sie den Blackmagic URSA Mini Pro F Mount auf das Kameragehäuse. Achten Sie darauf, dass sich der weiße Punkt dabei in der 2-Uhr-Position befindet.



Drehen Sie die 4 Befestigungsschrauben locker fest, bis die Kamera den Objektivanschluss berührt.

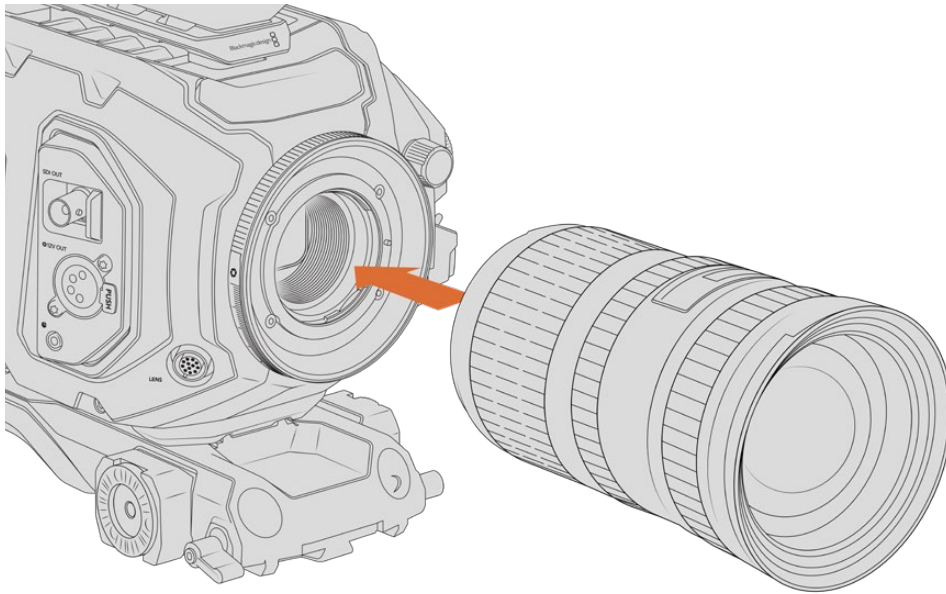


Befestigen Sie Schraube 1 unter Druck mit einer kompletten Umdrehung des 2mm-Sechskantschlüssels oder eines Drehmomentschlüssels mit einem 2mm-Inbusschlüssel, gefolgt von einer kompletten Umdrehung für Schraube 2. Wiederholen Sie diesen Schritt für Schraube 3 und dann 4. Führen Sie nach dem oben genannten Schema nacheinander jeweils eine komplette Umdrehung durch, bis alle Schrauben mit einem maximalen Drehmoment von 0,45 Nm befestigt sind.

HINWEIS Aufgrund der Funktionsweise des URSA Mini Pro F Mounts ist dieser mit einigen wenigen F-Mount-Objektiven nicht kompatibel.

Dies gilt u. a. für die Objektive der Nikkor AF-S E-Serie, die keine mechanische Blendensteuerung aufweisen, sowie für Nikon PC-E Tilt-Shift-Objektive wie das 24mm f/3.5D PC-E und das 85mm PC-E.

So bringen Sie ein F-Mount-Objektiv an:



Anbringen und Entfernen eines F-Mount-Objektivs bei einer Blackmagic URSA Broadcast G2 mit optionalem F-Mount

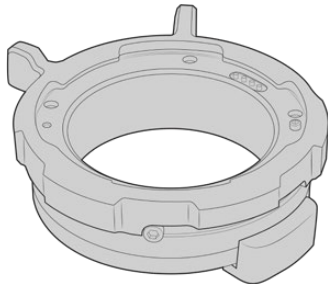
- 1** Richten Sie den Punkt an Ihrem Objektiv auf den Punkt am Objektivanschluss der Kamera aus. Viele Objektive sind mit einer Ansetzmarkierung wie einem blauen, roten oder weißen Punkt versehen.
- 2** Stecken Sie das Objektiv auf den Objektivanschluss und drehen Sie es gegen den Uhrzeigersinn, bis es einrastet.
- 3** Halten Sie zum Abnehmen des Objektivs die Verriegelungstaste gedrückt, drehen Sie das Objektiv im Uhrzeigersinn, bis der Punkt bzw. die Ansetzmarkierung die 2-Uhr-Position erreicht hat. Nehmen Sie das Objektiv dann vorsichtig ab.

HINWEIS Der Blackmagic URSA Mini Pro F Mount verfügt über einen mechanischen Blendenregler. Wenn Sie diesen Mount mit klassischen F-Mount-Objektiven mit integrierten Fokussierringen einsetzen, stellen Sie die Blende auf den kleinsten Öffnungswert ein und fixieren Sie sie, bspw. auf f/22.

Blackmagic URSA Mini Pro PL Mount

Wenn Sie Ihre URSA Broadcast G2 mit einem PL-Mount ausstatten, können Sie für Spielfilme und Fernsehproduktionen hochpräzise Highend-Kinoobjektive und Super-16mm-PL-Optiken verwenden.

Das PL-Mount-Kit enthält:



1 PL-Mount

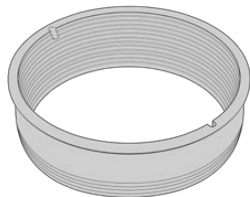
Der PL-Mount wird mit einer Staubschutzkappe geliefert.



1 Shim-Satz

Der Shim-Satz enthält verschieden dicke Einstellplättchen wie folgt:

0,50 mm	0,18 mm	0,10 mm
0,30 mm	0,15 mm	0,05 mm
0,20 mm	0,12 mm	0,025 mm



1 interne PL-Streulichtblende

Die PL-Mount-Streulichtblende hilft das durch den Sensor einfallende Licht zu lenken.



1 Streulichtblenden-Tool

Mit dem Streulichtblenden-Tool ziehen Sie die Streulichtblende in Ihrer Kamera fest.

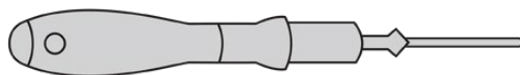


5 x 2 mm M2,5 x 22mm-Sechskantschrauben

Die 5 M2,5 x 22mm-Sechskantschrauben gehören ausschließlich zum PL-Mount. Bewahren Sie die Schrauben und den Objektivanschluss also zusammen auf.

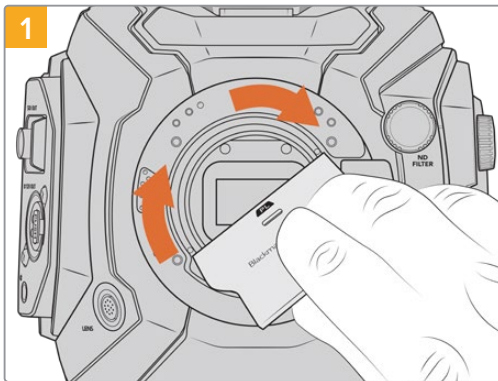
Benötigte Werkzeuge

Für die Installation Ihres PL-Mounts benötigen Sie einen 2mm-Sechskantschraubendreher. Es ist zwar nicht absolut notwendig, doch wir empfehlen einen Drehmomentschlüssel, der ein maximal zulässiges Drehmoment von 0,45 Nm präzise bewältigt. Er verhindert, dass die Schrauben zu fest angezogen werden.

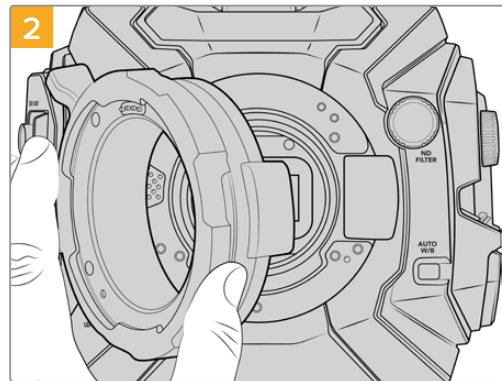


2mm-Sechskantschraubendreher

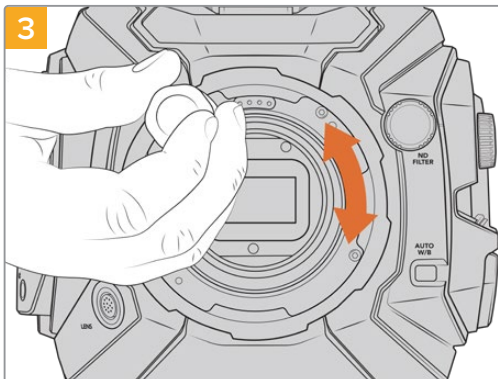
Anbringen eines PL-Mounts



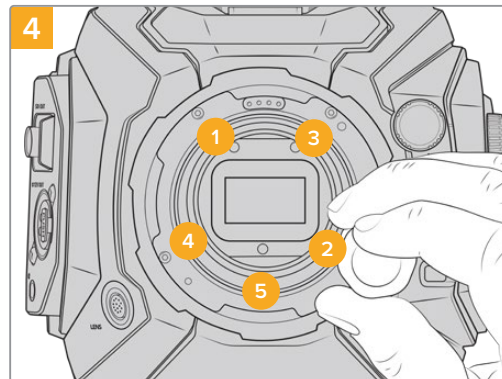
Setzen Sie die PL-Streulichtblende vorsichtig mittig in den Objektivanschluss ein und drehen Sie sie handfest. Ziehen Sie die Streulichtblende mit dem breiten Ende des Streulichtblenden-Tools leicht an. Sie soll lediglich so fest angezogen werden, dass sie nicht wackelt.



Sorgen Sie dafür, dass sich die mit Cooke /i Technology kompatiblen Stifte am PL-Mount in der 12-Uhr-Position befinden.



Drehen Sie die 5 Befestigungsschrauben locker fest, bis die Kamera die Schulter des Mounts berührt. Um auf alle 5 Schrauben zuzugreifen, müssen Sie den PL-Feststellring drehen, da einige Löcher verdeckt sind, wenn der Ring festgestellt oder gelockert ist.



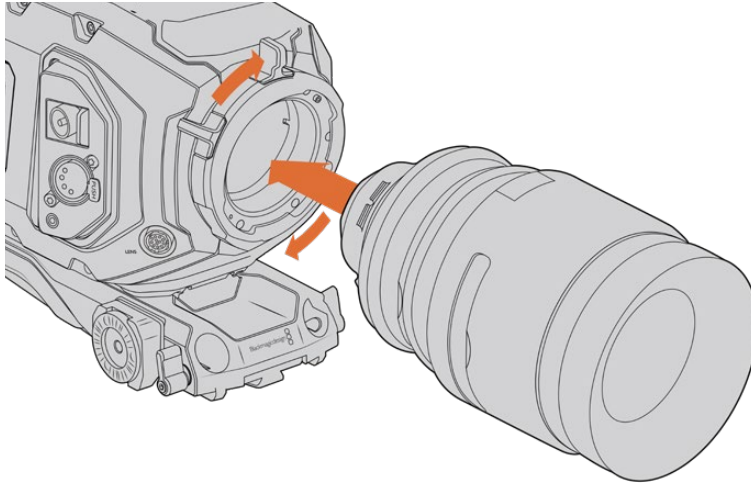
Befestigen Sie Schraube 1 unter Druck mit einer kompletten Umdrehung des 2mm-Sechskantschlüssels oder eines Drehmomentschlüssels mit 2mm-Inbusschlüssel, gefolgt von einer kompletten Umdrehung für Schraube 2. Wiederholen Sie diesen Schritt für Schraube 3, 4 und 5. Führen Sie nach dem oben genannten Schema nacheinander jeweils eine komplette Umdrehung durch, bis alle Schrauben mit einem maximalen Drehmoment von 0,45 Nm befestigt sind.

HINWEIS Befolgen Sie beim Entfernen des PL-Mounts die Anweisungen in umgekehrter Reihenfolge von Schritt 4 bis Schritt 1. Vergessen Sie nicht, die PL-Streulichtblende zu entfernen und sicher mit dem PL-Mount zu verwahren.

So bringen Sie ein PL-Mount-Objektiv an:

- 1 Um den PL-Feststellung Ihrer Kamera zu lösen, drehen Sie diesen bis zum Anschlag gegen den Uhrzeigersinn.
- 2 Richten Sie eine der 4 Flanschkerben Ihres Objektivs auf den Fixierstift am Mount Ihrer Kamera aus. Vergewissern Sie sich, dass Ihr Objektiv korrekt ausgerichtet ist und die Objektivmarkierungen gut sichtbar sind.

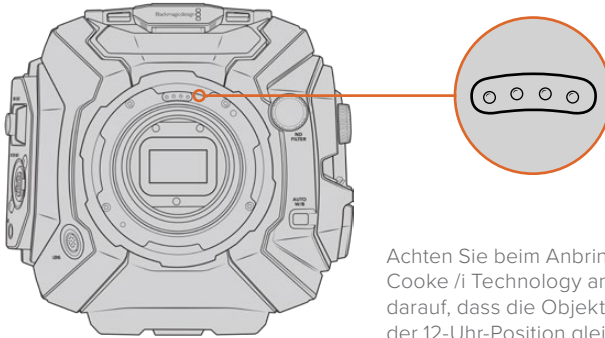
- 3 Drehen Sie den PL-Sperring der Kamera im Uhrzeigersinn fest. Wenn Sie der URSA Broadcast G2 ein PL-Objektiv mit Servo aufstecken, können Sie auch den 12-poligen Broadcastverbinder für die Servosteuerung anschließen.
- 4 Zum Abnehmen des Objektivs drehen Sie den Verriegelungsring gegen den Uhrzeigersinn bis zum Anschlag und nehmen das Objektiv vorsichtig ab, indem Sie es direkt aus der Kamera herausziehen. Das Objektiv muss nicht abgedreht werden.



Anbringen und Abnehmen eines PL-Objektivs

Unterstützung von Cooke Objektivem und /i Technology

Der für die URSA Broadcast G2 optional erhältliche Blackmagic Design PL-Mount hat 4 Pins an der 12-Uhr-Position, um mit Objektivem zu kommunizieren, die über eine Cooke /i Technology Schnittstelle verfügen. Objektivem, die diese Schnittstelle unterstützen, gibt es von Canon, Cooke, Fujinon, Leica und Zeiss. So können Sie Informationen zu Ihrem Objektiv wie z. B. Modell, Brennweite, Blendeneinstellungen, Fokusabstand und andere objektivspezifische Informationen in den Clipmetadaten aufzeichnen.



Achten Sie beim Anbringen eines PL-Objektivs mit Cooke /i Technology an die URSA Broadcast G2 darauf, dass die Objektivpins mit den Mountpins in der 12-Uhr-Position gleich ausgerichtet sind

Informationen, die mittels Cooke /i-Technology als Metadaten aufgezeichnet werden, sind besonders für die Postproduktion und visuelle Effekte nützlich. Wenn man die während einer Produktion verwendeten Objektivem und ihre genauen Einstellungen gut kennt, kann man ein Setup zu einem späteren Zeitpunkt leichter nachbauen.

Diese Detaildaten werden außerdem von leistungsstarken Applikationen wie DaVinci Resolve und Fusion von Blackmagic für eine breite Funktionspalette genutzt. Zum Beispiel lassen sich mit den erfassten Metadaten bestimmte 3D-Objektivem effekte simulieren oder Objektivem verzeichnungen korrigieren.

Servo-Objektivem mit PL-Mount

Die URSA Broadcast G2 unterstützt die Steuerung von 35mm-PL-Objektivem mit Servo-Handgriffen. Ist das Objektiv über den Broadcastverbinder mit der Kamera verbunden, versorgt die URSA Broadcast G2 es genauso wie B4-Objektivem mit Strom und Steuersignalen. Näheres finden Sie im Abschnitt „Einsatz von Servo-Zoom-Objektivem“ in diesem Handbuch.

Blackmagic URSA Broadcast G2 B4 Mount

Der Broadcast B4-Mount ist der Objektivanschluss, mit dem Ihre URSA Broadcast G2 Kamera vom Werk aus geliefert wird. Wenn Sie den B4-Mount entfernt und den mitgelieferten Blackmagic URSA EF-Mount oder einen optionalen PL- oder F-Mount installiert haben, folgen Sie diesen Schritten, um den B4-Mount erneut anzubringen.

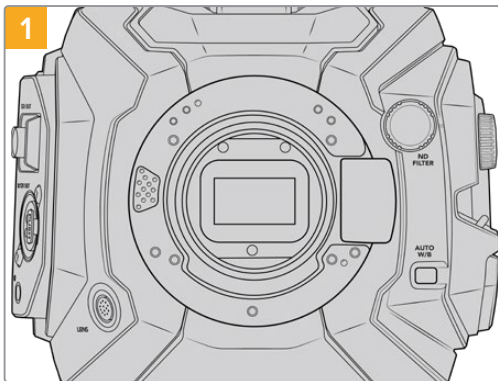
Benötigte Werkzeuge

Um Ihren B4-Mount anzubringen, benötigen Sie einen 2mm-Sechskantschraubendreher. Obwohl dies nicht absolut notwendig ist, empfehlen wir einen Drehmomentschlüssel, der ein maximal zulässiges Drehmoment von 0,45 Nm präzise umsetzt. Er verhindert, dass die Schrauben zu fest angezogen werden.

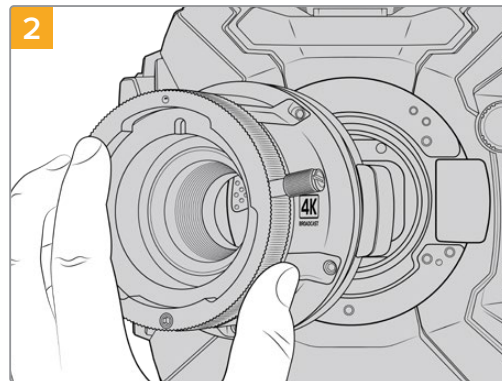


2mm-Sechskantschraubendreher

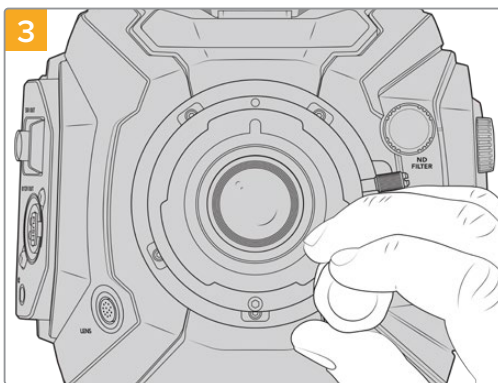
Anbringen eines B4-Mounts



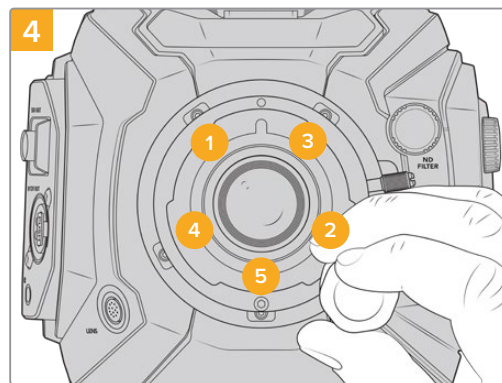
1 Setzen Sie die Blackmagic URSA Broadcast G2 vertikal auf eine stabile, saubere Arbeitsfläche, um den Objektivanschluss in vertikaler Richtung einzusetzen.



2 Belassen Sie das originale 0,50mm-Shim an seinem Platz und setzen Sie dann den Blackmagic URSA Broadcast G2 B4 Mount auf. Achten Sie dabei darauf, dass sich der rote Punkt in der 12-Uhr-Position befindet.



3 Drehen Sie die 5 Befestigungsschrauben locker fest, bis die Kamera die Schulter des Mounts berührt.



4 Befestigen Sie Schraube 1 unter Druck mit einer kompletten Umdrehung des 2mm-Sechskantschlüssels oder eines Drehmomentschlüssels mit 2mm-Inbusschlüssel, gefolgt von einer kompletten Umdrehung für Schraube 2. Wiederholen Sie diesen Schritt für Schraube 3, 4 und 5. Führen Sie nach dem oben genannten Schema nacheinander jeweils eine komplette Umdrehung durch, bis alle Schrauben mit einem maximalen Drehmoment von 0,45 Nm befestigt sind.

HINWEIS Befolgen Sie beim Entfernen des B4-Mounts die Anweisungen in umgekehrter Reihenfolge von Schritt 4 bis Schritt 1.

Feinjustieren von Objektivanschlüssen

Was sind Shims?

Blackmagic Shims sind dünne Plättchen unterschiedlicher Dicke, die zur Feinjustierung des Abstands zwischen Ihrem Objektiv und dem Sensor der URSA Broadcast G2 dienen. Dieser Abstand heißt Schnittweite, wird aber umgangssprachlich als Auflagemaß bezeichnet und kann sich je nach Alter des Objektivs und den Umgebungsbedingungen Ihres Drehs leicht verändern.



URSA Broadcast G2 Shim

Shims werden zwischen Mount und Kameragehäuse positioniert, sodass der Abstand zwischen Subjekt und Sensor den Fokussmarkierungen auf Ihrem Objektiv entspricht. Sie kommen insbesondere für PL-Objektive zum Einsatz. Diese Kinoobjektive werden manuell fokussiert und weisen am Objektivtubus präzise Brennweitenmarkierungen auf. Shims werden auch mit dem Wechselmount der URSA Broadcast G2 verwendet.

Das Blackmagic URSA Mini Pro Shim Kit enthält zusätzliche Shim-Sätze unterschiedlicher Dicke und ist bei Ihrem Blackmagic Design Reseller vor Ort erhältlich. Ein Shim-Satz ist auch in allen Mountkits enthalten und kompatibel mit der URSA Broadcast G2. Wählen Sie die Dicke der Einstellplättchen je nach dem erforderlichen Backfokus aus.

Blackmagic URSA Mini Pro Shim Kit

Ihre URSA Broadcast G2 wird mit 2 Shims geliefert, und zwar einem 0,10mm-Kunststoff-Shim und einem 0,50mm-Metall-Shim. Shims dienen zur akkuraten Auflagemaßeinstellung von B4-, EF- und F-Objektiven an Ihrer URSA Broadcast G2. Hin und wieder ist es notwendig, zusätzliche Shims zu verwenden. Das gilt bspw. für PL-Objektive, bei denen ein ganz bestimmter Abstand zu Fokussiermarken eingehalten werden muss. Das Blackmagic URSA Mini Pro Shim Kit enthält die folgenden zusätzlichen Werkzeuge. Weitere verschieden dicke Shims sind im Kit inbegriffen. Damit können Sie Ihre Kamera für den Einsatz von PL-Objektiven feinjustieren, falls diese leicht andere Abstände für präzise Fokussiermarken erfordern.

Das Shim-Kit enthält:



1 Streulichtblenden-Tool

Mit dem Streulichtblenden-Tool lösen oder befestigen Sie die interne PL-Streulichtblende beim Anbringen eines PL-Mounts an Ihre URSA Broadcast G2.



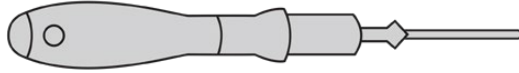
1 Shim-Satz

Der Shim-Satz enthält verschieden dicke Einstellplättchen wie folgt:

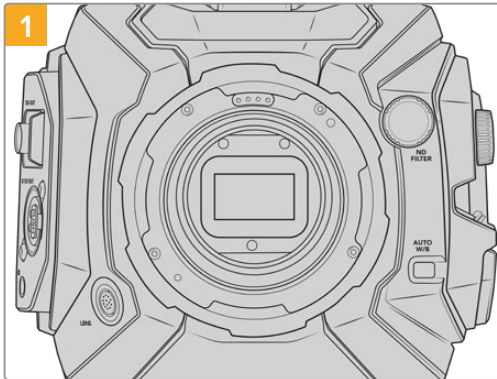
0,50 mm	0,18 mm	0,10 mm
0,30 mm	0,15 mm	0,05 mm
0,20 mm	0,12 mm	0,025 mm

Feinjustieren von Mounts

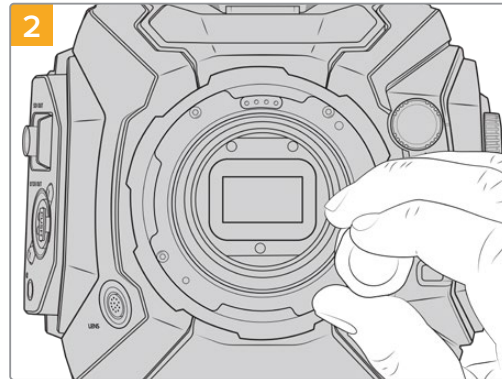
Zur Feinjustierung Ihres Kameramounts brauchen Sie einen Drehmomentschlüssel, der unter Einsatz eines 2,0mm-Sechskantschraubendrehers mit Steckgriff ein maximal zulässiges Drehmoment von 0,45 Nm umsetzt.



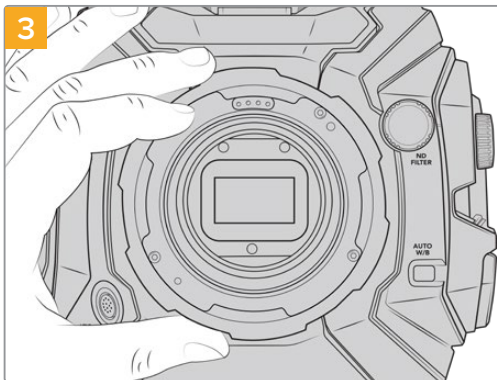
Drehmomentschlüssel



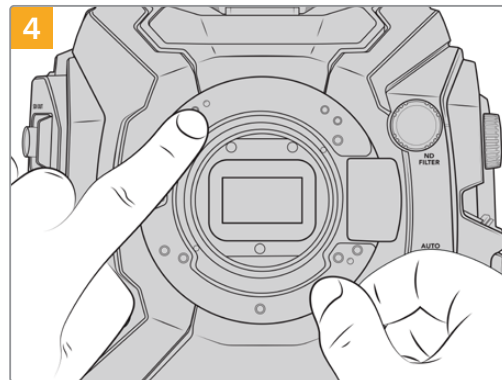
1 Platzieren Sie die URSA Broadcast G2 vertikal auf eine stabile, saubere Arbeitsfläche und entfernen Sie das Objektiv bzw. die Gehäuseverschlusskappe. Der Sensor wird von einem Filter geschützt, der während der Dauer der Feinjustierung freiliegt. Führen Sie diesen Vorgang daher in einer möglichst staub- und schmutzfreien Umgebung aus. Vermeiden Sie bei der Feinjustierung des Mounts jegliche Berührung des Filters.



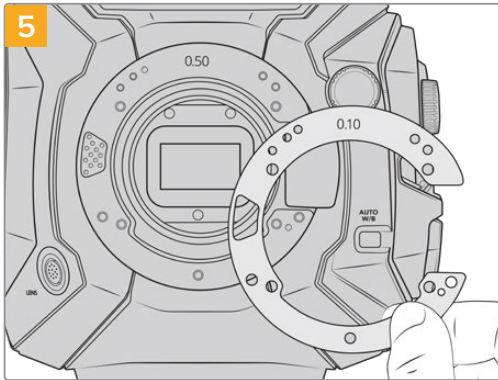
2 Entfernen Sie die Schrauben, mit denen der Objektivanschluss befestigt ist, mit einem 2mm-Sechskantschraubendreher. Weitere Informationen zum Entfernen der einzelnen Objektivanschlüsse finden Sie im Abschnitt „Wechselbarer Objektivanschluss“.



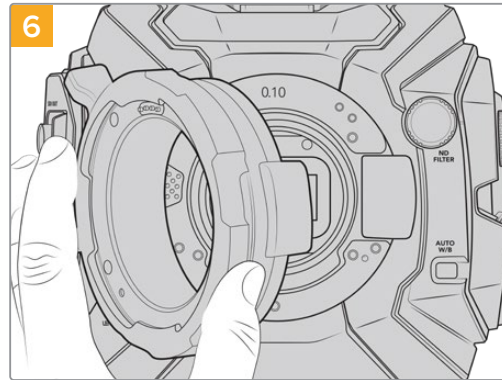
3 Heben Sie den Mount vorsichtig vom Kameragehäuse ab. Verwahren Sie Schrauben und Mount möglichst zusammen.



4 Merken Sie sich die Ausrichtung des vorhandenen Shims mit dem Feinjustierstift in der 11-Uhr-Position.



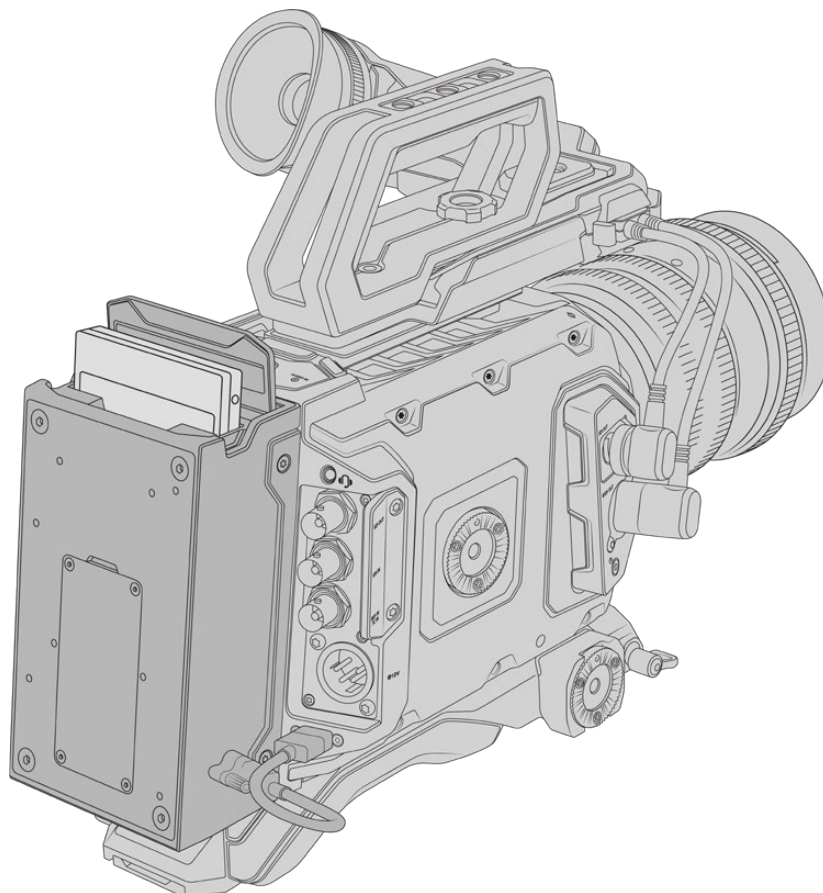
Fügen Sie Shims hinzu oder entfernen Sie sie, um die Tiefe Ihres Objektivanschlusses leicht zu verändern. Beginnen Sie am besten mit einer geringen Dicke, wie bspw. 0,10 mm.



Setzen Sie den Objektivanschluss auf das Kameragehäuse, drehen Sie die Schrauben fest und stecken Sie Ihr Objektiv erneut auf. Überprüfen Sie, ob Fokussiermarken und Brennweite nun miteinander übereinstimmen. Sollte dies nicht der Fall sein, folgen Sie den Schritten 1–6 erneut, bis Ihr Objektiv feinjustiert ist.

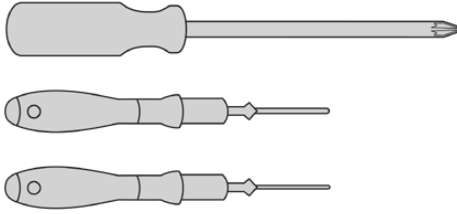
URSA Mini Recorder

Der Blackmagic URSA Mini Recorder ist ein optionales Modul, das am Heck der URSA Broadcast G2 angebracht wird. Mit diesem Rekorder können Sie Footage, u. a. Blackmagic-RAW-Dateien in 6K auf speicherstarke, kostengünstige Solid State Drives, sogenannte SSDs, aufzeichnen.



Zum Anbringen des URSA Mini Recorders benötigen Sie folgende Werkzeuge:

- 1 Kreuzschlitzschraubendreher
- 1 T10-Torx-Schraubendreher
- 1 x 2mm-Sechskantschraubendreher

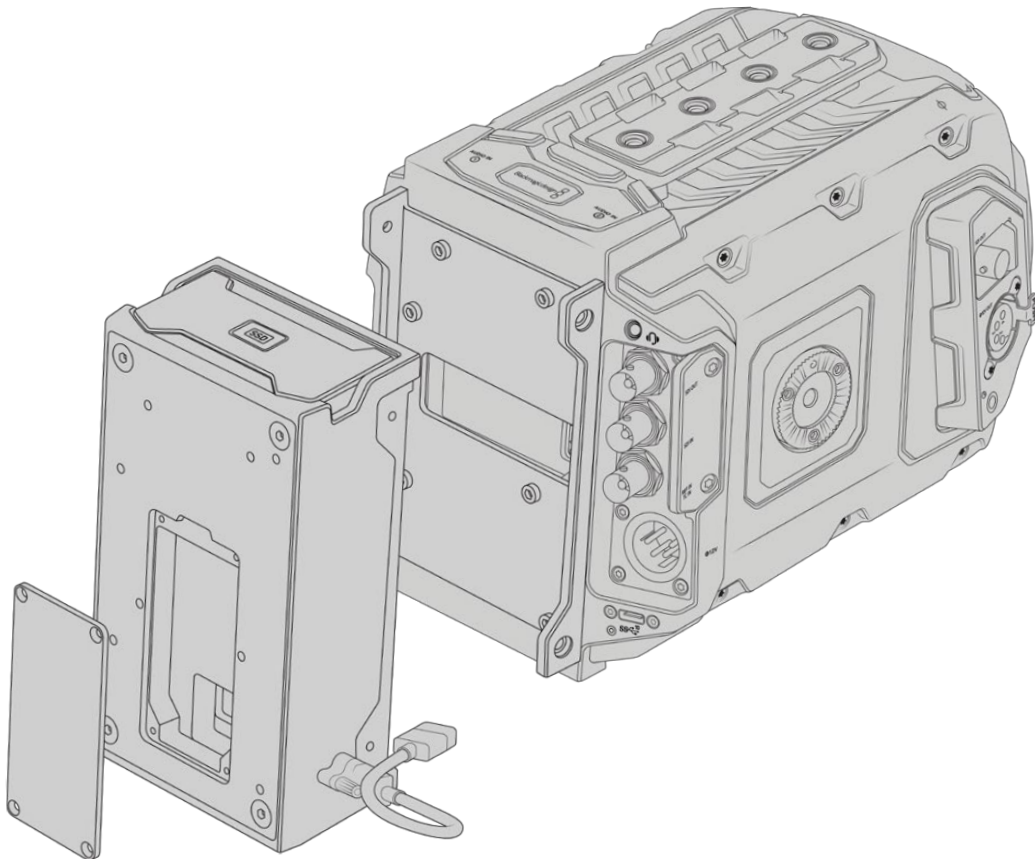


Zum Anbringen des URSA Mini Recorders an Ihre URSA Broadcast G2 benötigen Sie einen großen Schlitzschraubendreher, einen T10-Torx-Schraubendreher und einen 2mm-Sechskantschraubendreher

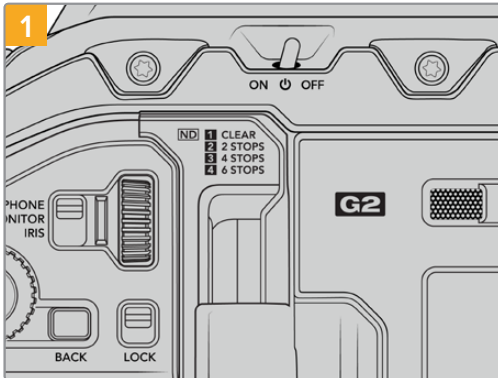
Installieren und Anschließen eines URSA Mini Recorders

Der URSA Mini Recorder wird am Heck der URSA Broadcast G2 direkt an das Kameragehäuse montiert. Der Datenfluss vom und zum URSA Mini Recorder erfolgt über die rückwärtigen BNC-SDI-Ein- und -Ausgänge der Kamera.

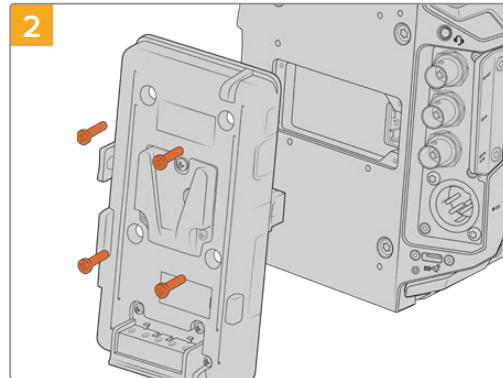
TIPP Der URSA Mini Recorder hat ein Passthrough-Kabel für den Akku Ihrer Kamera. So können Sie hinter dem Rekorder am Kameraheck einen V-Mount- oder Gold-Mount-Akku anschließen.



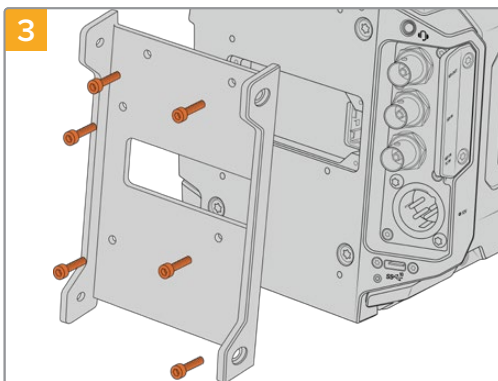
So wird ein URSA Mini Recorder installiert und angeschlossen:



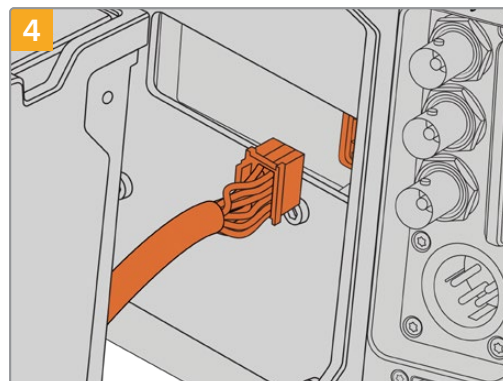
Schalten Sie Ihre URSA Broadcast G2 aus, indem Sie den Ein-/Ausschalter auf OFF umlegen.



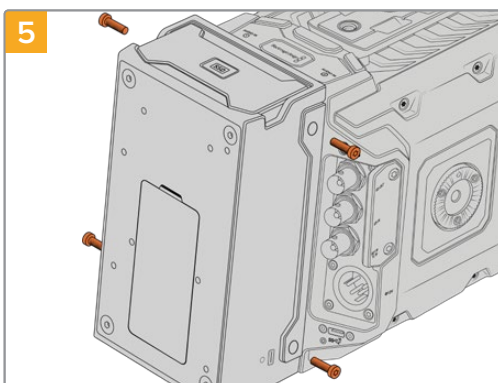
Entfernen Sie aktuell an Ihrer Kamera angebrachte Akkuplatten. Näheres zum Installieren und Entfernen von Akkus finden Sie im Abschnitt „Anbringen von Akkus“ in diesem Handbuch.



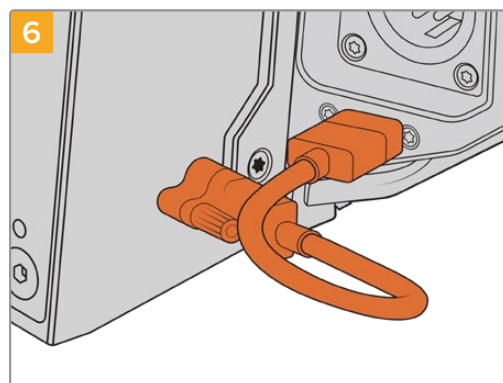
Befestigen Sie die Montagevorrichtung des URSA Mini Recorders mit 6 T10-Torx-Schrauben.



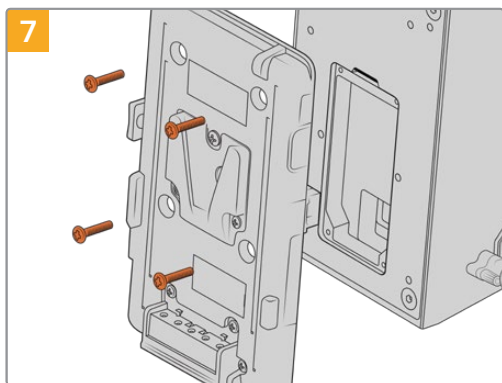
Stecken Sie den Molex-Verbinder des URSA Mini Recorders in die Molex-Buchse an der Kamerarückseite.



Befestigen Sie den URSA Mini Recorder mit 2 T10-Torx-Schrauben links und rechts der Montagevorrichtung.



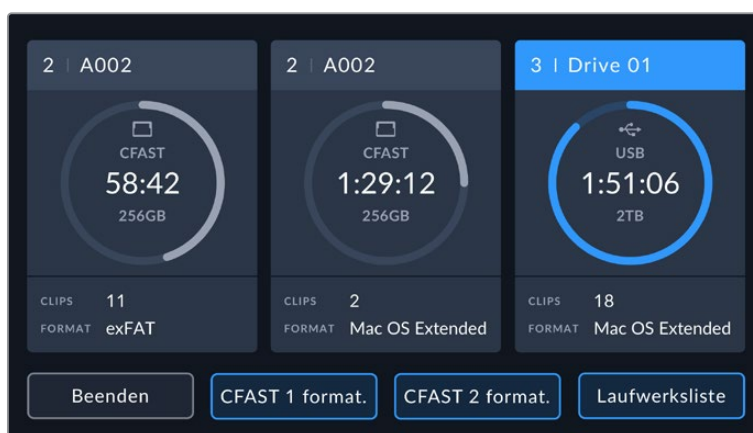
Verbinden Sie das USB-C-Kabel des Mini Recorders mit dem USB-C-Datenport an der Rückseite der URSA Broadcast G2. Ziehen Sie die Verriegelungsschrauben mit den Fingern oder einem 2mm-Sechskantschraubendreher fest.



Um eine Akkuplatte mit dem URSA Mini Recorder einzusetzen, entfernen Sie die 4 M3-Schrauben, die die Abdeckung der Molex-Buchse fixieren, mit einem 2mm-Sechskantschraubendreher. Legen Sie die Molex-Buchse frei und bringen Sie eine Akkuplatte an. Folgen Sie hierfür den im Abschnitt „Anbringen von Akkus“ in diesem Handbuch aufgeführten Schritten.

Betrieb des URSA Mini Recorders

Ist ein URSA Mini Recorder angeschlossen und mit einer SSD bestückt, belegt er im Betriebssystem der URSA Broadcast G2 den Speicherslot 3. Bei Betrieb des URSA Mini Recorders erscheint in der Speicherverwaltung Ihrer Kamera über Slot 3 die Anzeige „SSD“.



Wenn eine SSD im URSA Mini Recorder steckt, erscheint in der Speicherverwaltung Ihrer Kamera über Slot 3 die Anzeige „SSD“.

Demnach erfolgen Aufzeichnung, Wiedergabe und Speicherverwaltung mit SSDs genauso wie mit CFast- oder SD-Karten. Allgemeines über die Speicherverwaltung sowie spezifische Anweisungen zur Auswahl von SSDs finden Sie im Abschnitt „Speichermedien“ dieses Handbuchs.

Status-LEDs

Der URSA Mini Recorder verfügt linksseitig über eine Statusleuchte für SSD. Im SETUP-Menü Ihrer Kamera kann man die Helligkeit dieser Leuchten auf „Niedrig“, „Mittel“ oder „Hoch“ einstellen oder ausschalten.

SSDs

Die SSD-LED zeigt den Status der aktuell eingelegten SSD an. Die LED zeigt folgende Statusmeldungen an:

Weiß	Die LED Ihres URSA Mini Recorders leuchtet durchgehend weiß, wenn er eingeschaltet ist und mit Ihrer URSA Broadcast G2 kommuniziert.
Rot	Beim Aufzeichnen auf eine SSD leuchtet die LED Ihres URSA Mini Recorders rot. Ein blinkendes rotes Licht besagt, dass der verbleibende Speicherplatz auf Ihrer SSD langsam knapp wird. Ein schnell blinkendes rotes Licht zeigt an, dass die SSD Bilder fallen lässt. Prüfen Sie in diesem Fall, ob Sie eine der empfohlenen SSDs von unserer Liste benutzen und ob Sie bei einer mit Ihrem Datenträger kompatiblen Datenrate aufzeichnen.
Orange	Sollte beim Einführen der SSD ein Problem aufgetreten sein, leuchtet die Status-LED orangefarben. Die Ursache könnte in einer fehlerhaft formatierten oder inkompatiblen SSD liegen. Eine Liste mit kompatiblen SSDs und Anweisungen zur Formatierung finden Sie im Abschnitt „Speichermedien“ dieses Handbuchs.

TIPP Zeigt die SSD-LED einen Fehler mit dem eingeführten Laufwerk an, muss die SSD ggf. auf einem Mac oder PC anhand des Festplattendienstprogramms bzw. über die Speicherverwaltung initialisiert werden.

Aktualisieren der URSA Mini Recorder Produktsoftware

Nehmen Sie Updates an Ihrem URSA Mini Recorder über das Dienstprogramm Blackmagic Camera Setup vor. Der Mini Recorder muss für das Update mit Strom versorgt werden. Wir empfehlen daher, den Recorder während des Updates an Ihre URSA Broadcast G2 angeschlossen zu lassen. Für diesen Vorgang muss Ihre Kamera durchgängig Strom liefern. Schließen Sie sie deshalb an eine externe Stromzufuhr oder einen Akku an.

Verbinden Sie Ihren Computer über ein USB-C-Kabel mit dem Mini Recorder und starten Sie Blackmagic Camera Setup. Wenn Ihr Computer eine vorhandene ältere Version auf Ihrem URSA Mini Recorder erkennt, werden Sie zu einem Update aufgefordert. Folgen Sie den Anweisungen auf dem Bildschirm, um die Produktsoftware Ihres URSA Mini Recorders zu aktualisieren. Weitere Informationen finden Sie in diesem Handbuch im Abschnitt „Blackmagic Camera Setup Dienstprogramm“.

TIPP Für optimale Leistung empfehlen wir Ihnen, Ihre komplette Blackmagic URSA Ausrüstung auf einmal zu aktualisieren.

Betrieb als Studiokamera per Software-Kamerasteuerung

Ihre Blackmagic URSA Broadcast G2 lässt sich als Studiokamera verwenden und von einem ATEM Mischer über die Funktion „Kamerasteuerung“ in der Bediensoftware ATEM Software Control bedienen. So können Sie Ihr Broadcaststudio um eine Kamera mit großem Sensor und entsprechend hoher Bildqualität und einem großartigen Dynamikumfang erweitern, und sie wie jede andere Studiokamera bedienen.

Ein Klick auf die „Kamera“-Schaltfläche ruft die Feature „Kamerasteuerung“ auf. Die Einstellungen für Blende, Gain und Fokus lassen sich bei Einsatz kompatibler Objektive bequem justieren. Sie können auch mehrere Kameras farblich abgleichen und mit DaVinci Resolve Primary Color Corrector, dem Tool für die primäre Farbkorrektur, einzigartige Looks kreieren.

Mit der ATEM Mischersteuerung werden Datenpakete zur Steuerung der Kamera über alle nicht abwärtskonvertierten SDI-Ausgänge eines ATEM Mixers übermittelt. Sie können also einen SDI-Ausgang Ihres ATEM Mixers an den 12G-SDI-Eingang der URSA Broadcast G2 anschließen. Da die Kamera die Steuerungspakete über die SDI-Verbindung erkennt, erlaubt dies die Steuerung von Funktionen in der Kamera selbst.



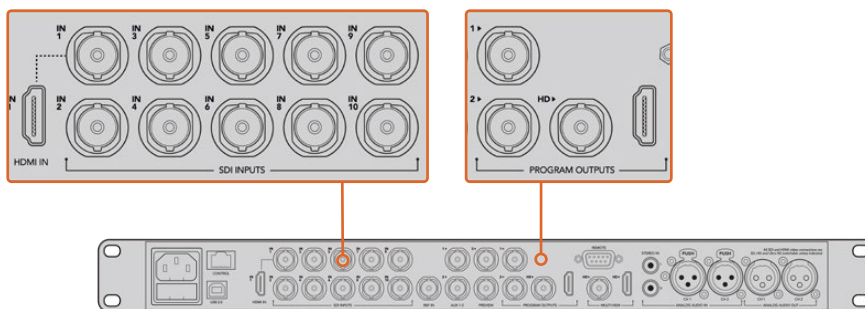
ATEM Kamerasteuerung

HINWEIS Bei Einsatz Ihrer Blackmagic URSA Broadcast G2 mit einem ATEM Mischer empfehlen wir, die Produktsoftware beider Geräte zur Wahrung der Kompatibilität auf die jeweils aktuellsten Versionen zu aktualisieren. Die aktuellste Version der Software steht im Blackmagic Support Center unter <https://www.blackmagicdesign.com/de/support> bereit.

Anschließen der URSA Broadcast G2

- 1 Verbinden Sie den 12G-SDI-Ausgang Ihrer URSA Broadcast G2 mit einem beliebigen SDI-Eingang am ATEM Mischer.
- 2 Verbinden Sie einen SDI-Ausgang des ATEM Mixers, außer den abwärtskonvertierten oder Multiview-Ausgängen, mit dem 12G-SDI-Eingang Ihrer URSA Broadcast G2. Die Multi View Ausgänge oder abwärtskonvertierte SDI-Ausgänge übermitteln keine Kamerasteuerungssignale.

- 3 Navigieren Sie im SETUP-Menü Ihrer URSA Broadcast G2 zu „ATEM Kamera-ID“ und gleichen Sie die ATEM-ID Ihrer Kamera mit dem Mischereingang ab. Beispiel: Wenn die URSA Broadcast G2 Nr. 1 an den ATEM Mischereingang „CAM 1“ angeschlossen ist, muss die Kameranummer ebenfalls auf 1 eingestellt sein. So wird das Tally-Signal an die richtige Kamera übermittelt.
- 4 Wählen Sie Ihre Referenzquelle im SETUP-Menü aus. Wenn kein Genlock-Signal an Ihre mit einem ATEM Mischer verbundenen Kameras und an den Mischer gesendet wird, empfehlen wir, als Referenzquelle die Einstellung „Programm“ vorzugeben.
- 5 Gehen Sie zum MONITOR-Menü und vergewissern Sie sich, dass für „Haupt-SDI“ die Option „Clean-Feed“ ausgewählt ist, damit in der SDI-Ausgabe zum ATEM Mischer keine Overlays oder Fokussierrahmen zu sehen sind.



Schließen Sie Ihre URSA Broadcast G2 an einen beliebigen SDI-Eingang Ihres ATEM Mischers an

Arbeiten mit der Kamerasteuerung

Starten Sie ATEM Software Control und klicken Sie am unteren Rand der Benutzeroberfläche auf die Registerkarte mit dem Kamerasymbol. Nun wird eine Zeile mit gekennzeichneten Kamerabedienfeldern angezeigt, die leistungsfähige Tools zur Anpassung und Verfeinerung des Bilds der jeweiligen Kamera enthalten. Die Bedienfelder sind einfach handhabbar. Klicken Sie die Symbole mit Ihrer Maus an oder nehmen Sie Anpassungen per Klick und einer Ziehbewegung vor.

Auswahl der zu steuernden Kameras

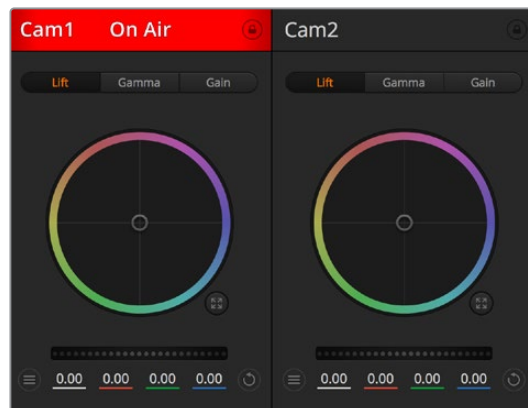
Die Schaltflächenzeile im oberen Bereich des Kamera-Arbeitsraums erlaubt es Ihnen, die zu steuernde Kamera anhand ihrer Nummer auszuwählen. Wenn Sie mehrere Kameras haben, deren Bedienfelder den Arbeitsraum füllen und ohne Scrollen sichtbar sind, oder das Farbkorrekturfenster geöffnet ist, können Sie über diese Schaltflächen die jeweils zu steuernde Kamera auswählen. Wird die Kamerasteuerung über einen Aux-Ausgang kontrolliert, bewirkt das Drücken einer dieser Schaltflächen, dass eine andere Kamera gesteuert wird und überdies deren Videoausgabe zum in den Voreinstellungen des Mischers eingestellten Aux-Ausgang gesendet wird.



Klicken Sie auf das Einstellungssymbol, um Ihren Aux-Ausgang für die Kamerasteuerung vorzugeben

Kanalstatus

Die Kanalstatus-Box am oberen Rand jedes Kamerabedienfelds zeigt die Kamerakennung, den On-Air-Status und eine Sperrschaltfläche an. Mit einem Klick auf die Sperrschaltfläche sperren Sie alle Bedienelemente für eine spezifische Kamera. Wenn die Kamera auf Sendung ist, leuchtet der Kanalstatus rot und zeigt die On-Air-Warnung an.



Die Kanalstatus-Box in jedem Kamerabedienfeld zeigt an, welche Kamera sich auf Sendung befindet. Justieren Sie anhand der Farbräder die Einstellungen von Lift, Gamma und Gain einzelner YRGB-Kanäle

Farbrad

Das Farbrad ist eine leistungsstarke Funktion des DaVinci Resolve Farbkorrektors zur Vornahme farblicher Anpassungen an den Einstellungen für „Lift“, „Gamma“ und „Gain“ einzelner YRGB-Kanäle. Die Auswahl der anzupassenden Einstellung erfolgt per Klick auf eine der drei Auswahlschaltflächen über dem Farbrad.

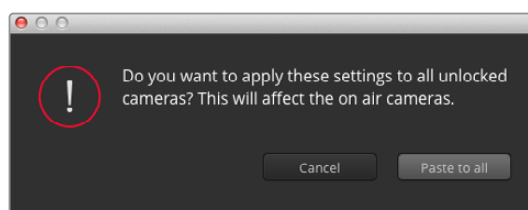
Masterrad

Passen Sie mithilfe des Masterrads unterhalb des Farbrads die Kontraste aller YRGB-Kanäle einmal an oder justieren Sie jeweils nur die Leuchtdichte der Einstellungen für Lift, Gamma und Gain.

RESET-Tasten

Anhand des Reset-Symbols oben rechts in allen Kamerabedienfeldern, können Sie bequem auswählen, welche Farbkorrektoreinstellungen zurückgesetzt, kopiert oder eingefügt werden sollen. Jedes Farbrad verfügt über ein zugehöriges Reset-Symbol. Klicken Sie es an, um eine Einstellung auf ihren Standardwert zurückzusetzen oder zu kopieren bzw. einzufügen. Gesperrte Bedienelemente bleiben von der Einfügefunktion unberührt.

Das Master-Reset-Symbol oben rechts im Farbkorrektorfenster lässt Sie die Farbräder für Lift, Gamma und Gain sowie die Einstellungen für Kontrast, Sättigung, Farbton und Leuchtdichtemischung zurücksetzen. Sie können Farbkorrektoreinstellungen in einzelne Kamerabedienfenster kopieren oder dies für einen durchgängigen Look für alle Kameras auf einmal tun. Die Einstellungen für Blende, Fokus, Blendengrenzung („Grob“) und Schwarzabhebung bleiben von der Einfügefunktion unberührt. Bei Anwendung von „In alle einfügen“ fordert Sie ein Warnhinweis auf, den Vorgang zu bestätigen. Dies soll das versehentliche Einfügen neuer Einstellungen für auf Sendung befindliche Kameras verhindern.



Bei Anwendung von „In alle einfügen“ fordert Sie ein Warnhinweis auf, den Vorgang zu bestätigen. Dies soll das versehentliche Einfügen neuer Einstellungen für auf Sendung befindliche Kameras verhindern

Blenden-/Schwarzabhebungssteuerung

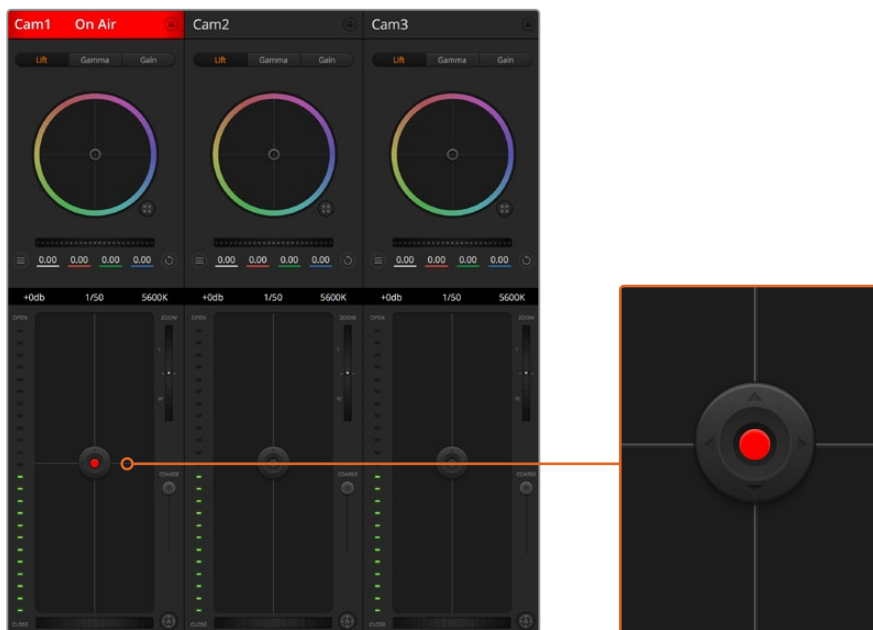
Blende und Schwarzabhebung werden über den kreisförmigen Button im Fadenkreuz der einzelnen Kamerabedienfelder gesteuert. Dieser Button leuchtet rot, wenn die Kamera auf Sendung ist.

Ziehen Sie den Button zum Öffnen oder Schließen der Blende nach oben oder unten. Bei gedrückt gehaltener SHIFT-Taste ist nur der Blendenwert anpassbar.

HINWEIS Vergewissern Sie sich, dass bei Kameras, die an einen ATEM Mischer angeschlossen sind, die Belichtungsautomatik ausgeschaltet ist. Wenn Sie auf Blenden-, Zoom- oder Fokusssteuerung angewiesen sind, brauchen Sie ein Objektiv, das elektronisch über die Kamera gesteuert werden kann.

Vergewissern Sie sich bei einem B4- oder PL-Objektiv, das an den 12-poligen Broadcast-Anschluss der URSA Broadcast G2 angeschlossen ist, dass der Blendenschalter am Handgriff auf „A“ oder „Auto“ steht.

Ziehen Sie den Button nach links oder rechts, um die Schwarzabhebung zu vertiefen oder abzuflachen. Bei gedrückt gehaltener Command-Taste (Mac) bzw. gedrückt gehaltener Steuerungstaste (Windows) lässt sich die Schwarzabhebung separat justieren.



Eine rot leuchtende Blenden-/Schwarzabhebungssteuerung zeigt an, dass die jeweilige Kamera auf Sendung ist

Zoom-Steuerung

Bei Einsatz kompatibler Objektive mit elektronischer Zoomfunktion können Sie Ihr Objektiv mithilfe der Zoom-Steuerung ein- und auszoomen. Das Steuerelement funktioniert so ähnlich wie eine Zoomwippe an einem Objektiv, mit Teleobjektiveinstellungen am einen und Weitwinkelobjektiveinstellungen am anderen Ende. Klicken Sie auf die Zoom-Steuerung über dem GROB-Schieberegler und ziehen Sie sie zum Einzoomen nach oben bzw. zum Auszoomen nach unten.

Wenn Ihr Objektiv über keine aktive Objektivsteuerung verfügt oder Ihre Kamera keine Zoom-Steuerung über das SDI-Kamerasteuerungsprotokoll unterstützt, bleiben diese Einstellungen wirkungslos. Bspw. haben EF-Objektive keine eingebauten Servos zum elektronischen Zoomen und können daher nicht über die ATEM Kamerasteuerung bedient werden.

HINWEIS Die ATEM Zoomsteuerung wird von analogen B4-Objektiven nicht unterstützt. Weitere Informationen zu analogen B4-Objektiven erhalten Sie im Abschnitt „Einsatz von Servo-Zoomobjektiven“.

GROB-Einstellung

Mit dem links vom Blenden/Schwarzabhebungs-Button angeordneten GROB-Schieberegler lassen sich die zulässigen Blendenwerte begrenzen. Diese Funktion hilft zu verhindern, dass überbelichtete Bilder auf Sendung gehen.

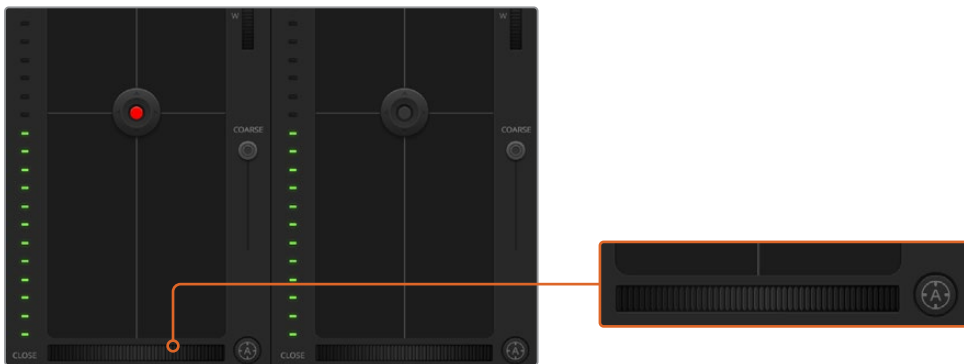
So stellen Sie den Grob-Grenzwert ein: Öffnen Sie die Blende mithilfe der Blendensteuerung so weit es geht. Ziehen Sie dann den GROB-Regler nach oben oder unten, um den optimalen Blendenwert einzustellen. Jetzt verhindert der Grob-Grenzwert beim Einstellen der Blende, dass Ihr optimaler Blendenwert überschritten wird.

Blenden-Indikator

Der Blenden-Indikator links neben der Blenden-/Schwarzabhebungssteuerung stellt den Öffnungsstand der Blende visuell dar. So sehen Sie, wie weit sie geöffnet oder geschlossen ist. Der Blenden-Indikator wird durch die GROB-Einstellung beeinflusst.

Autofokus-Button

Jedes Kamerabedienfenster weist unten links einen Autofokus-Button auf. Klicken Sie auf diesen Button, um bei Einsatz eines Objektivs mit elektronischer Blendensteuerung automatisch zu fokussieren. Wichtig: Die meisten Objektive unterstützen elektronische Fokussierung. Stellen Sie jedoch bei Objektiven, die sowohl automatisch als auch manuell fokussierbar sind, den Autofokusmodus ein. Bei manchen Objektiven erfolgt dies durch Vorwärts- oder Rückwärtsschieben des Fokusrings. Bei B4-Objektiven mit Servo-Zoomsteuerung müssen Sie den Schalter am Handgriff auf „Servo“ stellen.



Klicken Sie zur Scharfstellung eines kompatiblen Objektivs auf das Autofokus-Symbol oder ziehen Sie den Fokussier-Regler nach rechts oder links

Manuelle Fokuseinstellung

Wenn Sie Ihr Objektiv mithilfe von ATEM Kamerasteuerung manuell fokussieren möchten, können Sie von der Fokusanpassung im unteren Bereich eines jeden Kamerabedienfelds Gebrauch machen. Ziehen Sie den Fokusring nach links oder rechts, um die Schärfe manuell einzustellen. Prüfen Sie dabei anhand des Videofeeds von der Kamera, ob Ihr Bild scharf ist.

Manuelle Fokuseinstellungen sind nur bei Verwendung von B4- und PL-Objektiven mit Servo-Fokussteuerung über den Mischer möglich. Da EF-Objektive keinen Servo-Fokus haben, ist diese Option bei Einsatz von EF-Objektiven nicht verfügbar.

Kameraeinstellung „Gain“

Beim Dreh in unterschiedlichen Lichtverhältnissen ist es ratsam, den „Gain“-Pegel Ihrer Kamera anzuheben oder zu senken, um zu verhindern, dass Ihre Bilder unterbelichtet werden. Klicken Sie auf den Linkspfeil, um „Gain“ zu verringern, und auf den Rechtspfeil, um „Gain“ anzuheben.

Ihr ATEM Mischer zeigt den „Gain“-Wert in dB an. Dies entspricht den Gain-Einstellungen Ihrer Kamera wie folgt:

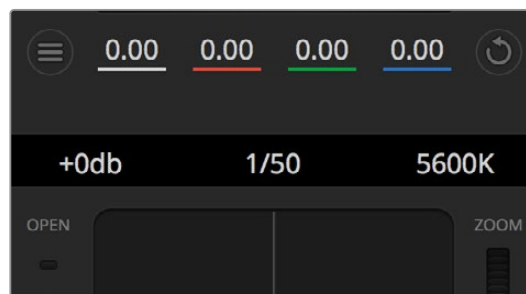
GAIN
-6
0
+6
+12
+18

Gain-Einstellungen werden mit dB-Indikatoren angezeigt

Verschlusszeit-Steuerung

Über die Verschlusszeit-Steuerung wird die Verschlusszeit Ihrer URSA Broadcast G2 verändert.

Die Verschlusszeit-Steuerung befindet sich zwischen dem Farbrad und der Blenden-/Schwarzabhebungssteuerung. Reduzieren oder erhöhen Sie die Verschlusszeit, indem Sie Ihre Maus über die Verschlusszeitanzeige bewegen und den Links- oder Rechtspfeil anklicken.



Schieben Sie Ihren Mauszeiger über die Anzeigen für Gain, Verschlusszeit und Weißabgleich. Über die nun angezeigten Pfeile lassen sich die jeweiligen Einstellungen justieren

HINWEIS Da die ATEM Verschlusszeit-Steuerung Vorrang über die auf Ihrer URSA Broadcast G2 ausgewählte Verschlusszeit hat, wird die Verschlusszeit-Steuerung Ihrer an einen ATEM Mischer angeschlossenen Kamera außer Kraft gesetzt.

Die verfügbaren Verschlusszeiten der Verschlusszeit-Steuerung und die dazugehörigen Verschlusswinkel sind in der nachstehenden Tabelle aufgeführt. An dieser Stelle ist zu erwähnen, dass einige Verschlusszeiten außerhalb des kleinst- und höchstmöglichen Verschlusswinkelbereichs von 11,25 bzw. 360 Grad der URSA Broadcast G2 fallen. In diesem Fall wird der jeweils nächstliegende verfügbare Verschlusswinkel gewählt.

Ist Ihre URSA Broadcast G2 mit einem ATEM Mischer verbunden, erscheint die Verschlusszeit-Einstellung auch auf der Touchscreen-Statusanzeige Ihrer Kamera. Sie ist auch auf einem angeschlossenen URSA Viewfinder zu sehen.

Verschlusszeit	Verschlusswinkel bei 23,98 fps	Verschlusswinkel bei 24 fps	Verschlusswinkel bei 25 fps	Verschlusswinkel bei 29,97 fps	Verschlusswinkel bei 50 fps	Verschlusswinkel bei 59,94 fps
1/50	172,7	172,8	180	215,8	360	360*
1/60	143,9	144	150	179,8	300	359,6
1/75	115,1	115,2	120	143,9	240	287,7
1/90	95,9	96	100	120	200	239,8
1/100	86,3	86,4	90	107,9	180	215,8
1/120	71,9	72	75	89,9	150	179,8
1/150	57,5	57,6	60	71,9	120	143,9
1/180	48	48	50	59,9	100	119,9
1/250	34,5	34,6	36	43,2	72	86,3
1/360	24	24	25	29,97	50	59,94
1/500	17,3	17,3	18	21,6	36	43,2
1/725	11,9	11,9	12,4	14,9	24,8	29,8
1/1450	11,25*	11,25*	11,25*	11,25*	12,4	14,9
1/2000	11,25*	11,25*	11,25*	11,25*	11,25*	11,25*

*Bei Verschlusszeiten, die außerhalb des Verschlusswinkelbereichs der URSA Broadcast G2 liegen, wird der diesem Wert am nächsten liegende Verschlusswinkel angewendet.

TIPP Durch eine kürzere Verschlusszeit lassen sich Ihre Bilder ohne Einsatz der Gain-Einstellung aufhellen, da der Bildsensor so länger dem Licht ausgesetzt wird. Das kann gleichzeitig etwaiges Flimmern reduzieren oder beseitigen, wenn bei Leuchtstofflicht gefilmt wird. Eine Verlängerung der Verschlusszeit reduziert Bewegungsunschärfe und wird am besten dann eingesetzt, wenn Sie saubere, gestochen scharfe Bilder erzielen wollen.

Weißabgleich

Die Weißabgleichseinstellung neben der Verschlusszeitanzeige lässt sich durch Anklicken der Links- und Rechtspfeile an beiden Seiten der Farbtemperaturanzeige anpassen. Verschiedene Lichtquellen geben unterschiedlich warme oder kalte Farben aus, was Sie durch Anpassen des Weißabgleichs kompensieren können. So wird dafür gesorgt, dass die Weißtöne in Ihrem Bild weiß bleiben.

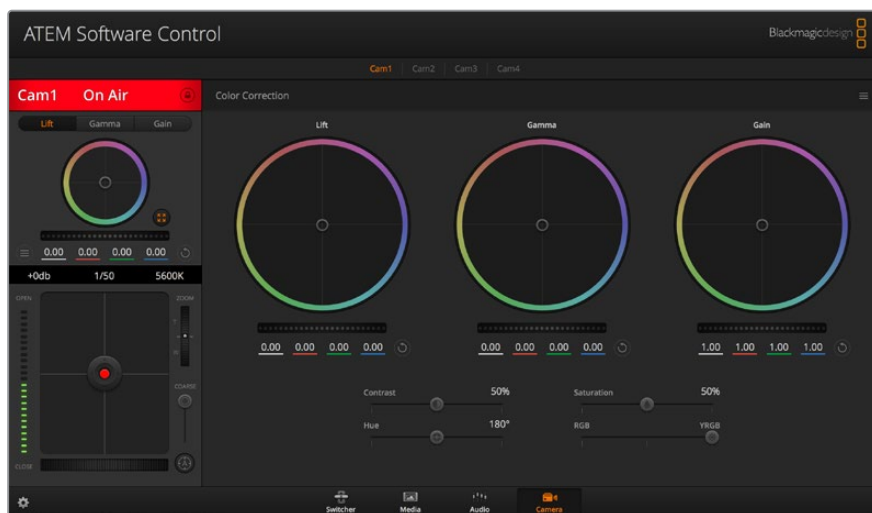
DaVinci Resolve Primary Color Corrector

Wer mit Farbkorrektur vertraut ist, kann statt der für Mischer gebräuchlichen CCU-Benutzeroberfläche zur Kamerasteuerung für eine Benutzeroberfläche optieren, die dem Tool für die primäre Farbkorrektur eines Postproduktions-Grading-Systems gleicht.

Ihre Blackmagic URSA Broadcast G2 ist mit einem integrierten DaVinci Resolve Tool für die primäre Farbkorrektur ausgestattet. Wenn Sie bereits mit DaVinci Resolve gearbeitet haben, können Sie Ihre Erfahrung auch für das Colorgrading bei Liveproduktionen mit der Blackmagic URSA Broadcast G2 kreativ einsetzen, da dies genauso funktioniert. Das Farbkorrekturfenster lässt sich von jedem Kamerabedienfeld aus aufklappen und bietet eine erweiterte Farbkorrektursteuerung mit zusätzlichen Einstellungen und einer Bedienoberfläche mit allen Tools für die primäre Farbkorrektur.

Zur Verfügung stehen Ihnen hier Farbräder und Einstellungen wie Sättigung. Die Einstellungen für Schatten, Mitteltöne und Lichter werden alle auf einmal eingeblendet. Wechseln Sie mithilfe der Kameraauswahl-Schaltflächen oben im Fenster einfach zwischen Kameras hin und her.

TIPP Die DaVinci Resolve Farbkorrektur wird auf die SDI-Ausgabe Ihrer URSA Broadcast G2 und auf mit der Kamera aufgezeichnetes ProRes-Video angewendet. Da RAW-Video für die ausführliche Nachbearbeitung gedacht ist, wird die Farbkorrektur nicht auf dieses Format angewendet. Beim Aufzeichnen von RAW-Video kann die Farbkorrektur jedoch auf die SDI-Ausgabe der URSA Broadcast G2 angewendet werden.



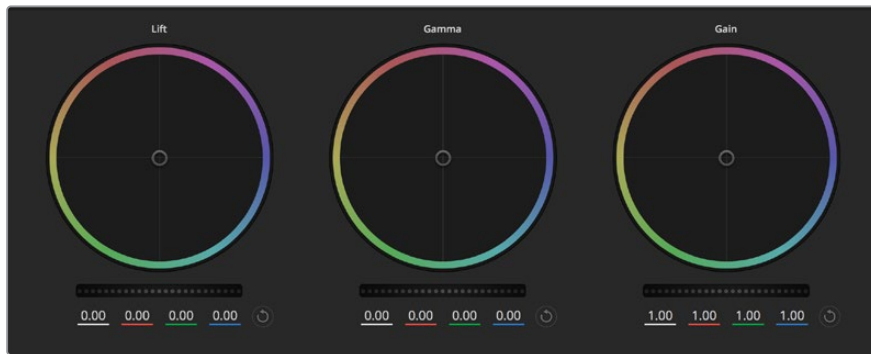
Klicken Sie das DaVinci Resolve Primary Color Corrector Icon an, um das Farbkorrekturfenster zu erweitern und Einstellungen anzupassen

Farbräder

Die Schaltflächen „Lift“, „Gamma“ und „Gain“ gestatten die Anpassung entlang des gesamten Tonwertspektrums, selbst in sich überlappenden Bereichen. Im fotografischen Sinne versteht man unter „Lift“, „Gamma“ und „Gain“ die Schatten, Mitten und Lichter.

So verwenden Sie die Farbräder, um feine oder rigorose Anpassungen vorzunehmen:

- **Ausführen eines Klicks und einer Ziehbewegung irgendwo im Farbrad:**
Achten Sie darauf, dass die Farbbalance-Anzeige selbst nicht bewegt werden muss. Die unter der Farbbalance-Anzeige gelegenen RGB-Parameter verschieben sich analog zur Farbbalance-Justierung und reflektieren so an einzelnen Kanälen vorgenommene Anpassungen.
- **Ausführen eines Shift-Klicks und einer Ziehbewegung im Farbrad:**
Versetzt die Farbbalance-Anzeige auf die absolute Position des Mauszeigers und gestattet die Vornahme schnellerer, extremerer Anpassungen.
- **Ausführen eines Doppelklicks im Farbrad:**
Setzt die Farbanpassung zurück, ohne die Anpassung des Masterrads für dieses Steuerelement zu berühren.
- **Anklicken des Reset-Symbols oben rechts in einem Farbrad:**
Setzt die Farbbalance zusammen mit dem dazugehörigen Masterrad zurück.



Die Farbräder für Lichter, Mitten und Schatten im Farbkorrekturfenster

Masterräder

Benutzen Sie die Masterräder unter den Farbrädern, um die „Lift“- „Gamma“- und „Gain“-Steuerungen für jeden YRGB-Kanal individuell anzupassen.

So nehmen Sie Anpassungen mithilfe des Masterrads vor:

- **Ziehen des Masterrads nach links oder rechts:** Durch Ziehen nach links wird der ausgewählte Parameter des Bilds verdunkelt, durch Drehen nach rechts wird er erhellt. Wenn Sie eine Anpassung vornehmen, ändern sich dabei die darunter liegenden YRGB-Parameter und reflektieren Ihre soeben vorgenommene Anpassung. Führen Sie bei gedrückt gehaltener ALT- bzw. Command-Taste eine Ziehbewegung nach links oder rechts aus, um nur den Y-Wert anzupassen. Da sich der Farbkorrektor der YRGB-Verarbeitung bedient, können Sie Ihre Kreativität ausleben und allein durch Anpassen des Y-Kanals einzigartige Optiken erzielen. Am besten lassen sich Anpassungen am Y-Kanal vornehmen, wenn die „Lum Mix“-Einstellung für YRGB-Verarbeitung nach rechts gesetzt ist. Für reguläre RGB-Verarbeitung hingegen setzt man sie nach links. Normalerweise arbeiten die meisten DaVinci Resolve Coloristen mit dem YRGB-Farbkorrektor, da dieser mehr Möglichkeiten zur Steuerung der Farbbalance bietet, ohne dabei die hellen Bereiche bzw. Gain insgesamt zu beeinflussen. So kriegen Sie Ihren gewünschten Look schneller hin.



Passen Sie die Masterräder an, indem Sie den Regler nach links oder rechts ziehen

Kontrasteinstellung

Unter „Kontrast“ stellen Sie die Spanne zwischen den dunkelsten und hellsten Tonwerten in einem Bild ein. Die erzielte Wirkung ähnelt dem Einsatz der Lift- und Gain-Masterräder zur Vornahme entgegengesetzter Anpassungen. Die Standardeinstellung beträgt 50 %.



Ziehen Sie die Schieberegler nach rechts oder links, um die Einstellungen für Kontrast, Sättigung, Farbton und Luminanzmischung anzupassen

Sättigungseinstellung

Unter „Sättigung“ lässt sich der Farbanteil im Bild erhöhen oder senken. Die Standardeinstellung beträgt 50 %.

Farbtoneinstellung

Mit der Einstellung „Farbton“ lassen sich alle Farbtöne in einem Bild um den gesamten Umfang des Farbrads drehen. Die Standardeinstellung von 180 Grad zeigt die ursprüngliche Farbtonverteilung an. Die Erhöhung bzw. Senkung dieses Werts bewirkt, dass alle Farbtöne gemäß der auf dem Farbrad sichtbaren Farbtonverteilung gedreht werden.

„Lum Mix“-Einstellung

Der integrierte Farbkorrektor Ihrer Blackmagic URSA Broadcast G2 basiert auf dem DaVinci Resolve Tool für die primäre Farbkorrektur. DaVinci baut seit Anfang der 1980er Jahre Farbkorrektursysteme und inzwischen werden mehr Hollywood-Spielfilme mit DaVinci Resolve gegradet als mit jeder anderen Applikation.

Demnach verfügen Sie mit dem integrierten Farbkorrektor Ihrer URSA Broadcast G2 über allerlei einzigartige Features für mehr kreativen Spielraum. Eine davon ist die YRGB-Verarbeitung.

Für das Colorgrading können Sie wahlweise RGB-Verarbeitung oder YRGB-Verarbeitung einsetzen. Highend-Coloristen favorisieren YRGB-Verarbeitung, da diese mehr Kontrolle über die Farbe gewährt, die Anpassung separater Kanäle ermöglicht und mehr kreative Möglichkeiten bietet.

Ein ganz nach rechts gezogener „Luminanz“-Schieberegler bedeutet eine 100-prozentige Ausgabe des YRGB-Farbkorrektors. Ist der „Lum Mix“-Regler ganz nach links gezogen, bedeutet das eine 100-prozentige Ausgabe des RGB-Korrektors. Der „Luminanz“-Regler kann beliebig weit nach rechts oder links gezogen werden, um eine im entsprechenden Verhältnis gemischte Ausgabe der RGB- und YRGB-Korrektoren zu bewirken.

Welche Einstellung ist die richtige? Das ist bei diesem rein kreativen Vorgang allein Ihre Entscheidung. Es gibt kein richtig und falsch, denn es zählt nur, was Ihnen am besten gefällt!

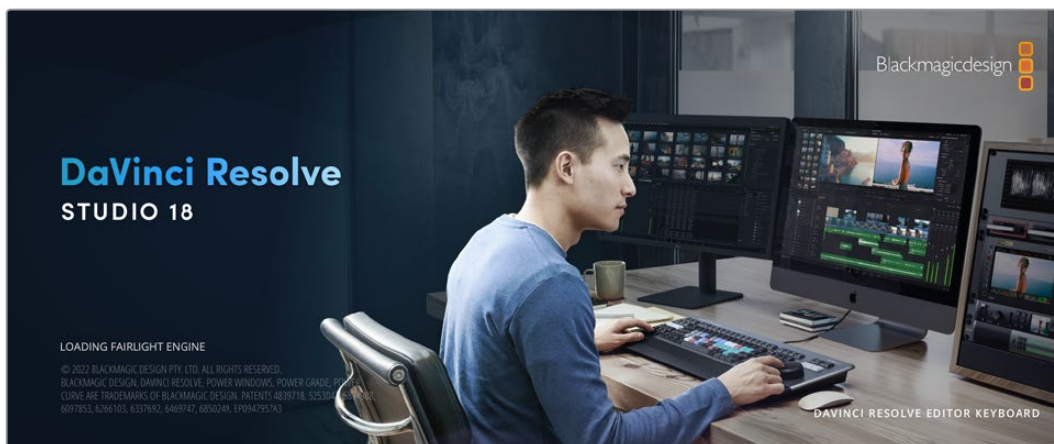
Synchronisation von Einstellungen

Ist die Kamera an einen ATEM Mischer angeschlossen, übermittelt dieser Signale zur Kamerasteuerung an Ihre Blackmagic URSA Broadcast G2. Wenn versehentlich eine Einstellung Ihrer URSA Broadcast G2 geändert wird, setzt die Kamerasteuerung diese Einstellung automatisch zurück, damit die Synchronisation erhalten bleibt.

TIPP Auch wenn Sie die Verbindung zum 12G-SDI-Eingang Ihrer URSA Broadcast G2 trennen, wendet sie weiterhin alle mit der DaVinci Resolve Farbkorrektur vorgenommenen Bildanpassungen an. So können Sie Kamerawinkel verändern, ohne Ihre Bildeinstellungen erneut aufrufen zu müssen. Um Ihre URSA Broadcast G2 auf ihre Standardfarbeinstellungen zurückzusetzen, trennen Sie die Verbindung zum 12G-SDI-Eingang und schalten Sie die Kamera dann einfach aus und wieder ein.

Anwenden von DaVinci Resolve

Das Filmen mit Ihrer Blackmagic URSA Broadcast G2 ist nur ein Teil der Erzeugung von Film- und TV-Inhalten. Ebenso wichtig sind der Sicherungs- und Verwaltungsprozess von Medien, der Schnitt, die Farbkorrektur und die Kodierung finaler Masterdateien. Ihre Blackmagic URSA Broadcast G2 wird mit einer Version von DaVinci Resolve für macOS und Windows geliefert, was Ihnen eine Komplettlösung für Dreh und Postproduktion gibt.



HINWEIS Um auf der URSA Broadcast G2 gedrehte Clips farblich präzise zu bearbeiten, empfehlen wir die neueste Version von DaVinci Resolve. Version 18 oder höher bietet präzise Farben für die URSA Broadcast G2 und ermöglicht den Einsatz der neuesten Blackmagic RAW-Funktionen wie die Gyrosensor-Bildstabilisierung mithilfe der von der Kamera aufgezeichneten Bewegungssensordaten.

Nachdem Sie eine CFast- bzw. SD-Karte oder SSD an Ihren Rechner angeschlossen haben, können Sie mithilfe des Clone-Tools im Media-Arbeitsraum von DaVinci Resolve beim Dreh fortlaufend Backups erstellen. Dies empfiehlt sich, da bei jeder Art von Speichermedien das Risiko einer Beschädigung oder Störung besteht. Mit einer Sicherungskopie schützen Sie sich vor dem Verlust Ihrer Shots. Nach erfolgreichem Backup Ihrer Medien mit DaVinci Resolve können Sie Ihre Clips in den DaVinci Media Pool laden und sie dann schneiden, farblich nachbearbeiten und Ihre Produktion fertigstellen, ohne DaVinci Resolve je zu verlassen.

DaVinci Resolve wird für das Gros bedeutender Kinohits benutzt. Es bietet also viel mehr als nur ein simples NLE-Softwaretool, weil in dieser für Highend-Digitalfilm konzipierten Anwendung äußerst hochentwickelte Technologie steckt. Sie profitieren von dieser Technologie, wenn Sie Ihre Projekte mit DaVinci Resolve schneiden und farbkorrigieren.

Hier werden Ihnen die ersten Schritte zum Gebrauch von DaVinci Resolve mit Ihren Kameradateien erklärt. Als hochkomplexe Software bietet DaVinci Resolve natürlich weitaus mehr Features als der erste Blick auf die Bedienoberfläche ahnen lässt. Weitere Informationen zur Verwendung von DaVinci Resolve finden Sie in der englischsprachigen Bedienungsanleitung auf der Blackmagic Website, wo auch zahlreiche Trainingskurse und Videotutorials zur Verfügung stehen.

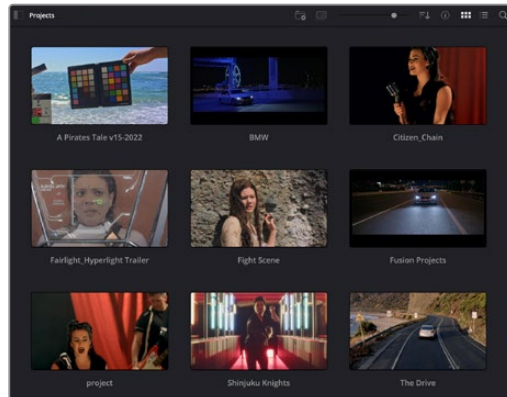
Project Manager

Bevor Sie Ihre Clips zur Bearbeitung importieren, müssen Sie Ihr Projekt im Projektmanager einrichten.

Das „Project Manager“-Fenster öffnet sich beim Starten von DaVinci Resolve. Es kann auch sonst jederzeit durch Anklicken des Home-Icons unten rechts auf der Bedienoberfläche aufgerufen werden. Das ist nützlich, wenn Sie bestehende Projekte öffnen und neue erstellen möchten.

Zum Erstellen eines neuen Projekts klicken Sie am unteren Fensterrand des Projektmanagers auf „New Project“ und benennen Ihr Projekt. Klicken Sie zur Bestätigung auf „Create“.

Im Cut-Arbeitsraum können Sie sofort den Schnitt aufnehmen.



Der Projektmanager zeigt alle vom aktuellen User verwendeten Projekte an

Weitere Informationen zum Projektmanager finden Sie unter „Project Manager“ im englischsprachigen DaVinci Resolve Handbuch, das auf den Support-Seiten der Blackmagic Design Website heruntergeladen werden kann.

Schneiden im Cut-Arbeitsraum

Der Cut-Arbeitsraum unterstützt einen schnellen, dynamischen Schnitt-Workflow, mit dem Sie Clips zügig und effizient zusammenstellen, trimmen und bearbeiten können.

Zwei aktive Timelines lassen Sie ganze Edits sowie einzelne Abschnitte gleichzeitig bearbeiten. So können Sie Clips beliebig in eine große Timeline platzieren und anschließend in derselben Arbeitsumgebung in einer detaillierten Timeline bearbeiten. Dieser Workflow ermöglicht das Schneiden und Arbeiten auf Laptops, ohne zu zoomen oder zu scrollen, was Ihnen viel Zeit spart.

Das Layout des Cut-Arbeitsraums

Wenn Sie den Cut-Arbeitsraum öffnen, werden der Media Pool (Medienspeicher), Viewer (Ansichtsfenster) und die Timeline eingblendet. Diese drei primären Arbeitsbereiche geben Ihnen die volle Kontrolle über Ihren Edit.



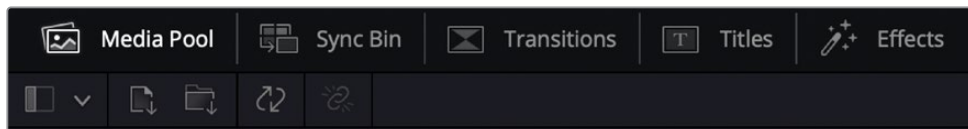
Im Cut-Arbeitsraum wird der Media Pool standardmäßig in der Icon-Ansicht dargestellt

Weitere Informationen zur Verwendung des Cut-Arbeitsraums finden Sie im Kapitel „Using the Cut Page“ des englischsprachigen DaVinci Resolve Handbuchs.

Medien-Menü

Oben links auf der Bedienoberfläche befinden sich fünf Tabs.

Klicken Sie auf einen dieser Tabs, um zum jeweiligen Medientoolset für Ihren Schnitt zu gelangen. Der erste Tab steht für den Media Pool, der bereits ausgewählt ist. Über die anderen Tabs werden die Sync Bin, Übergänge, Titel und Effekte aufgerufen.



- **Media Pool:** Der Media Pool enthält alle Ihre über den Media-Arbeitsraum importierten Clips, Ordner und Dateien. Wenn Sie einen neuen Clip importieren möchten, ist der Dateiimport auch direkt im Cut-Arbeitsraum möglich, ohne in den Media-Arbeitsraum zurückzukehren.
- **Sync Bin:** Diese leistungsstarke Funktion synchronisiert alle Ihre Clips automatisch nach Timecode, Datum und Uhrzeit. So können Sie in Mehrkameraprojekten aus allen Kamerawinkeln wählen.
- **Transitions:** Über den Transitions-Tab daneben gelangen Sie zu den Video- und Audioübergängen, die Sie in Ihrem Edit anwenden können. Sie umfassen gängige Übergänge wie Überblendungen und Wischblenden.
- **Titles:** Neben den Übergängen befindet sich der Tab für Titel. Hier können Sie einen Titeltyp auswählen. Möglich sind z. B. Roll- bzw. Kriechtexte, Vollbildtexte oder Bauchbinden. Darüber hinaus gibt es eine Liste mit Fusion-Titelvorlagen für stärker animierte dynamische Titel, die im Fusion-Arbeitsraum von DaVinci Resolve eigens definiert werden können.
- **Effects:** Der fünfte Tab ist den Effekten gewidmet. Hier gibt es sämtliche Filter und Effekte wie individualisierbare Weichzeichnungs-, Leucht- und Blendeneffekte, mit denen Sie Ihren Edit lebendiger gestalten können. Es stehen zahlreiche wirkungsvolle Effekte zur Auswahl, die Sie über die Suchfunktion schnell finden.

TIPP Über das Suchfeld in der Leiste unter den Tabs finden Sie Ihre gewünschten Elemente. Wenn Sie z. B. für Übergänge den Transitions-Tab geöffnet haben und „Dissolve“ in das Suchfeld eingeben, werden ausschließlich Überblendungen im Viewer angezeigt, was Ihre Suche nach Dissolve-Übergängen beschleunigt.




Viewer-Menü

In der oberen linken Ecke des Viewers finden Sie Buttons für die verschiedenen Ansichtsmodi.



Ansichtsmodus-Buttons

Diese Buttons bestimmen, welcher Viewer gerade aktiv ist. Es gibt die Optionen „Source Clip“, „Source Tape“ und „Timeline“ (Quellclip, Quellband und Timeline). Diese Ansichtsmodi geben Ihnen beträchtliche Kontrolle bei der Clipauswahl für Ihren Edit, weshalb Sie sich Ihre Funktionsweise kurz anschauen sollten.



	Source Clip	Der „Source Clip“-Viewer dient der Sichtung eines einzelnen Quellclips aus dem Media Pool. Er unterstützt das Setzen von In- und Out-Punkten entlang der gesamten Viewer-Timeline. Das bringt mehr Kontrolle. Wählen Sie einen Quellclip zur Sichtung aus. Doppelklicken Sie dafür auf einen Clip im Media Pool oder ziehen Sie ihn direkt ins Viewer-Fenster.
	Source Tape	Der „Source Tape“-Viewer dient der Ansicht aller Quellclips im Media Pool. Diese leistungsstarke Funktion ist nützlich, wenn Sie auf der Suche nach einem bestimmten Ereignis schnell alle Ihre Clips durchsehen wollen. Wenn Sie die Clips im Viewer mit dem Abspielkopf durchlaufen, werden die entsprechenden Thumbnails im Media Pool ebenfalls mit ausgewählt. Wenn Sie also Ihren zu bearbeitenden Clip gefunden haben, können Sie auf die „Source Clip“-Schaltfläche klicken, woraufhin der dazugehörige Quellclip automatisch im Viewer erscheint. Mit dem „Source Tape“-Viewer profitieren Sie voll vom nichtlinearen Schnitt und verschaffen sich die Freiheit, Edits zu bearbeiten, Shots schnell zu finden und Neues auszuprobieren, während Sie mitten im Geschehen bleiben.
	Timeline	Im Timeline-Viewer können Sie die Schnitt-Timeline betrachten, um Projekte wiederzugeben und Edits zu verfeinern.

Importieren von Clips in den Media Pool

Jetzt können Sie damit beginnen, Medien in Ihr Projekt zu importieren. Sie tun das im Cut-Arbeitsraum mithilfe der Import-Tools, die sich am oberen Rand des Media-Pool-Fensters befinden.



Wählen Sie eine der Importoptionen aus, um Medien zu Ihrem Projekt hinzuzufügen

	Import Media	Diese Option importiert einzelne Mediendateien von einem vorgegebenen Speicherort.
	Import Media Folder	Wählen Sie diese Option, um einen ganzen Ordner von Ihrem Medienspeicherort zu importieren. Beim Importieren von Ordnern behält DaVinci Resolve die Ordnerstruktur bei und behandelt jeden Ordner als separate Bin. So können Sie zum Auffinden von Videos und anderen Dateien durch Bins navigieren.

So importieren Sie Medien:

- 1 Klicken Sie auf das Icon „Import Media“ oder „Import Media Folder“.
- 2 Navigieren Sie zu dem Medienspeicherort, wo sich Ihre zu importierenden Medien befinden.
- 3 Wählen Sie die Datei oder den Ordner aus und bestätigen Sie mit „Open“.

Wenn Sie Medien zu Ihrem Projekt hinzugefügt haben, empfiehlt es sich, diese Änderungen zu speichern. DaVinci Resolve hat eine automatische Speicherfunktion namens „Live Save“, die Ihr Projekt schnell und fortwährend speichert. Ist Ihr Projekt einmal gespeichert, wird mit der Live-Save-Funktion jede weitere Änderung automatisch neu gespeichert. So geht keine Arbeit verloren.

Weitere Informationen zu „Live Save“ und anderen Speicherfunktionen finden Sie im englischsprachigen DaVinci Resolve Handbuch.

Einfügen von Clips in die Timeline

Nachdem Sie die Menüs und Modi für Medien und Viewer kennengelernt haben, können Sie jetzt den Media Pool öffnen und Clips direkt in Ihre Timeline einfügen.



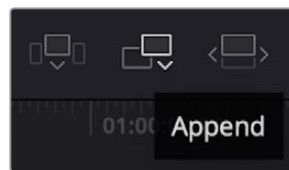
Die Timeline im Cut-Arbeitsraum mit der oberen und der herangezoomten Timeline darunter

In der Timeline stellen Sie Ihren Edit zusammen. Wie an einem Reißbrett können Sie hier Spuren mit Clips versehen, Clips verschieben und Edits trimmen. Mithilfe von Spuren lassen sich Clips in Ebenen anordnen. Das bietet mehr Flexibilität, um unterschiedliche Edits auszuprobieren und Übergänge und Effekte zu erstellen. Zum Beispiel könnten Sie in einem Edit einen Clip in eine Spur platzieren, ohne dass dieser die Clips auf den anderen Spuren darunter beeinflusst.

Clips können auf unterschiedliche Weise zur Timeline hinzugefügt werden. Es gibt „Smart Insert“, „Append“, „Place on top“ und andere Methoden.

Hinzufügen von Clips per Append

Wenn Sie Takes auswählen und einen Edit zusammenstellen, empfiehlt es sich, Shots nacheinander in die Timeline einzufügen. Das „Append“-Tool eignet sich für diesen Zweck und ermöglicht Ihnen schnelles Editieren.



Klicken Sie auf das „Append“-Icon, um Clips im Schnellverfahren nach dem letzten Clip einzufügen

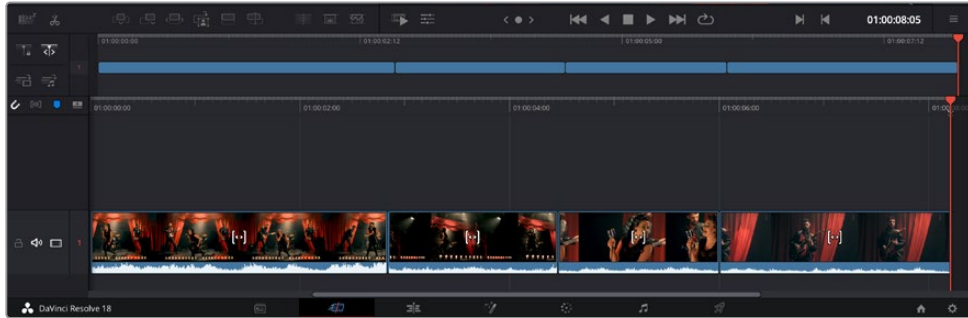
So fügen Sie einen Clip per „Append“ ein:

- 1 Doppelklicken Sie auf einen Clip im Media Pool, um ihn im Viewer zu öffnen.
- 2 Setzen Sie mit dem sogenannten Scratch-Trim-Tool In- und Out-Punkte, um einen bestimmten Abschnitt in Ihrem Shot zu markieren. In- und Out-Punkte können auch mit den I- und O-Tasten Ihrer Tastatur gesetzt werden.



- 3 Klicken Sie nun unterhalb des Media Pools auf das „Append“-Icon.
Der erste Clip wird am Anfang der Timeline platziert.

Wiederholen Sie zum Einfügen weiterer Clips Schritte 1 bis 3. Um in der Timeline Lücken zu vermeiden, werden die Clips automatisch am Ende angehängt.



Per „Append“ werden Clips verlässlich ohne Lücken in die Timeline eingefügt

TIPP Dieser Prozess lässt sich weiter beschleunigen, indem Sie dem „Append“-Icon einen Tastaturbefehl zuweisen. Wenn Sie beispielsweise die P-Taste zuweisen, können Sie Ihre In- und Out-Punkte mit den I- und O-Tasten vorgeben und den Clip anschließend durch Drücken der P-Taste am Ende anhängen. Weitere Informationen zur Vergabe von Tastaturkürzeln finden Sie im englischsprachigen DaVinci Resolve Handbuch.

Trimmen von Clips in der Timeline

Befinden sich Ihre Clips erst einmal in der Timeline, haben Sie die volle Kontrolle über sie. Sie können sie umherbewegen und Edits trimmen.

Halten Sie zum Trimmen eines Edits die Maus über den Anfang oder das Ende eines Clips und klicken und ziehen Sie mit gedrückter Maustaste nach links oder rechts. Indem Sie bspw. das Ende eines Clips nach links oder rechts ziehen, verlängern oder verkürzen Sie ihn. Sie werden merken, dass alle Clips im Anschluss an diesen Edit in der Timeline nachrücken, um die Änderung zu ermöglichen. Dies ist nur eine Methode, mit der der Cut-Arbeitsraum Ihnen Zeit spart.

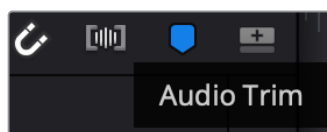
Sie können einen Clip auch mit der Maus greifen und ohne zu zoomen in eine neue Videospur der großen Timeline platzieren. Das beschleunigt den Editingprozess, weil die Navigation durch lange Timelines minimiert wird.

Audio-Trim-Ansicht

Die Audio-Trim-Ansicht hilft Ihnen beim Ausführen präziser Tonschnitte durch Einblenden der Audio-Waveform in der Timeline. Dies ist beim Bearbeiten von Dialogszenen oder Musikclips praktisch, da es das Setzen von Schnittmarken zwischen einzelnen Wörtern oder Beats erleichtert.

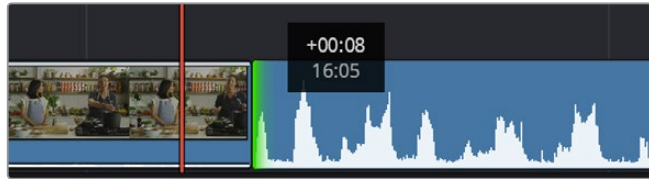
So verwenden Sie die Audio-Trim-Ansicht:

- 1 Klicken Sie auf das Audio-Trim-Icon zwischen den Snapping- und Marker-Tools links der Timeline.



Button für die Audio-Trim-Ansicht

- 2 Beim Trimmen eines Schnitts sehen Sie nun eine erweiterte Wellenform in der Timeline. Nach beendetem Trimmen werden die Clips in der Timeline wieder in der gewohnten Größe angezeigt.



Die Audio-Trim-Ansicht blendet die Audio-Waveform in der Timeline ein

Wenn Sie Ihre Clips im Cut-Arbeitsraum fertig bearbeitet haben, möchten Sie vielleicht noch einen Titel hinzufügen. Im nächsten Abschnitt erfahren Sie, wie das geht.

Hinzufügen von Titeln

Es geht leicht, einen Titel in die Timeline einzufügen. Sie haben mehrere Möglichkeiten.

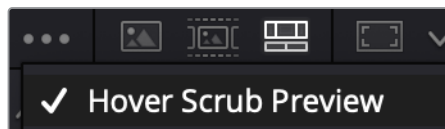
Um die verfügbaren Titeltypen zu sehen, klicken Sie im Media-Bereich oben links auf der Bedienoberfläche auf den Tab „Titles“. Im Auswahlfenster werden alle verfügbaren Titelgeneratoren wie Bauchbinden, Rolltitel und regulärer Text als Thumbnails angezeigt. Sie können sogar beliebige Titel aus Fusion hinzufügen. Dabei handelt es sich um animierte Titel, die Sie selbst gestalten können.

Titel als Vorschau anzeigen

Vor dem Einfügen eines Titels in Ihre Timeline können Sie ihn sich durch Auswählen im „Titles“-Fenster als Vorschau anzeigen lassen. So lassen sich schnell alle verfügbaren Optionen durchsehen, bevor Sie sich für eine entscheiden.

So zeigen Sie einen Titel als Vorschau an:

- 1 Wählen Sie in den Menüoptionen oben rechts neben dem „Titles“-Fenster „Hover Scrub Preview“ aus.



Diese Menüoption aktiviert die Vorschau, sobald Sie den Mauszeiger über ein Thumbnail bewegen

- 2 Bewegen Sie Ihren Mauszeiger im „Titles“-Auswahlfenster über ein Thumbnail, um den Titel als Vorschau im Viewer zu sichten. Um die Animation eines animierten oder eines Fusion Titels zu sehen, bewegen Sie den Mauszeiger von links nach rechts über das Thumbnail dieses Titels.



Um einen Titel als Vorschau im Viewer zu sichten, bewegen Sie den Mauszeiger auf dem Thumbnail

Nach Auswahl eines Titels können Sie ihn in Ihre Timeline einfügen.

So fügen Sie einen Standard-Titel ein:

- 1 Klicken Sie auf den Titel und ziehen Sie ihn in die Timeline. Das ist in beiden Timelines möglich, doch für mehr Präzision empfehlen wir die detaillierte Timeline zu verwenden. Diese Aktion erstellt automatisch eine neue Videospur und der Titel rastet am Abspielkopf ein.
- 2 Mit dem Loslassen der Maustaste erscheint der Titel in der neuen Spur. Sie können ihn nun wie jeden anderen Videoclip verschieben und seine Länge verändern.
- 3 Klicken Sie zur Titelbearbeitung auf den neuen Titelclip und dann unterhalb des Clip-Viewers auf das Werkzeug-Icon.

Das Anklicken ruft mehrere Tools auf, mit denen Sie den Titelclip bearbeiten können. Zum Beispiel gibt es „Transform“, „Crop“ und „Dynamic Zoom“ (Transformieren, Beschneiden, Dynamischer Zoom).
- 4 Klicken Sie nun auf die Inspector-Schaltfläche.

Das Inspector-Fenster wird geöffnet, in dem Sie Ihren Titeltext eingeben und Text Einstellungen wie Tracking, Zeilenabstand, Schriftart, Schriftfarbe und mehr bearbeiten können.

Es gibt zahlreiche Möglichkeiten, Ihren Titeltext exakt nach Wunsch zu individualisieren. Es empfiehlt sich mit den unterschiedlichen Einstellungen zu spielen, um zu sehen, wie sie die Erscheinung und Form Ihres Titels beeinflussen.

TIPP Die „Hover Scrub Preview“-Funktion können Sie auch benutzen, um Effekte, Übergänge, Generatoren und Filter im Cut- oder Edit-Arbeitsraum einzufügen.

Mit Blackmagic-RAW-Dateien arbeiten

Clips in Blackmagic RAW geben Ihnen in der Postproduktion maximalen Spielraum. So können Sie Änderungen an Ihren Clips – bspw. am Weißabgleich und an den ISO-Werten – vornehmen, als würden Sie die ursprünglichen Kameraeinstellungen ändern. In Blackmagic RAW bleiben überdies mehr Tonwerte in den Schatten und Spitzlichtern erhalten. Das ist sehr praktisch für die Wiederherstellung von Details wie bspw. in einem überbelichteten Himmel oder in den dunklen Bereichen des Bilds.

Das Filmen in Blackmagic RAW lohnt sich, wo eine höchstmögliche Qualität angestrebt wird. Auch Aufnahmen mit extremen Kontrasten zwischen Spitzlichtern und Schatten profitieren davon, da Sie diese Bereiche beim späteren Grading eventuell optimieren müssen.

Dank der Geschwindigkeit und kleinen Dateien von Blackmagic RAW brauchen Sie keine Proxydateien mehr zu erstellen, da Blackmagic-RAW-Dateien wie reguläre Videoclips wiedergegeben werden. Dieser Abschnitt der Bedienungsanleitung befasst sich mit den Funktionsmerkmalen von Blackmagic RAW und dem Umgang mit Blackmagic-RAW-Dateien in Ihrem DaVinci Resolve Workflow.

TIPP Es ist gängige Praxis, die Blackmagic-RAW-Einstellungen für Ihre Clips im Color-Arbeitsraum anzupassen, bevor Sie mit der Farbkorrektur beginnen.

Clip-Einstellungen für Blackmagic RAW

Beim ersten Importieren von RAW-Dateien entschlüsselt DaVinci Resolve die in diesen Dateien enthaltenen Kameradaten. Die Software verwendet dann die zur Zeit der Aufzeichnung eingestellten ISO-, Weißabgleich- und Farbtonwerte. Wenn Ihnen der mit diesen Einstellungen erzielte Look gefällt, können Sie sofort mit dem Schnitt beginnen.

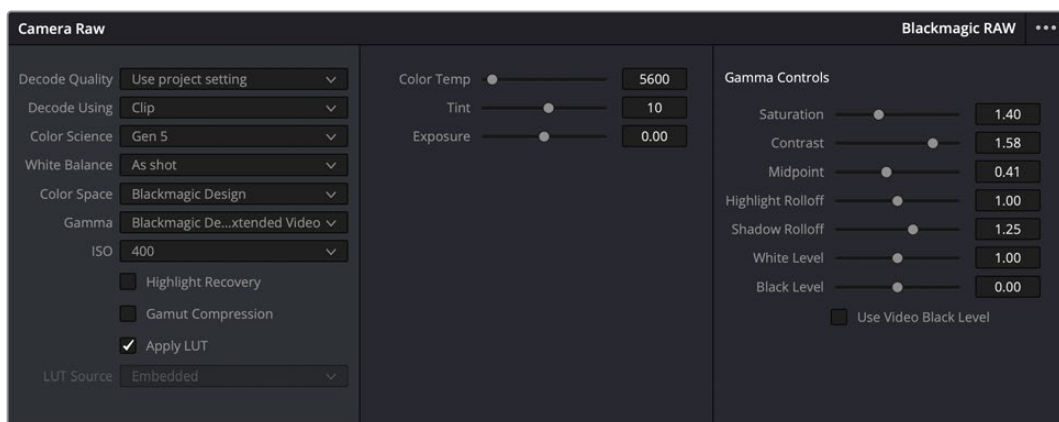
Der große Vorteil des Filmens in Blackmagic RAW liegt darin, dass man nicht an diese Einstellungen gebunden ist. Die mit Blackmagic-RAW-Dateien in der Postproduktion gegebenen vielfältigen

Möglichkeiten erlauben es Ihnen, im Laufe der Zeit einen eigenen Arbeitsfluss zu entwickeln. Wenn Sie mit den „Clip“-Einstellungen einzelner Clips experimentieren, erkennen Sie schnell, wie leistungsfähig und flexibel es sein kann, mit Blackmagic RAW zu arbeiten.

Color Science

Mit der Option „Color Science“ geben Sie vor, ob Ihre Footage mit der Farbverarbeitung der 4. oder 5. Generation umgesetzt wird. Die URSA Broadcast G2 verwendet die Blackmagic Design Farbverarbeitung der 5. Generation. Auf verschiedenen Kameras mit Farbverarbeitung der 4. Generation erstellte Dateien lassen sich zum Abgleich Ihrer auf der URSA Broadcast G2 gedrehten Einstellungen mit der Farbverarbeitung der 5. Generation neu interpretieren.

Wer vorrangig mit Kameras filmt, die Blackmagic-RAW-Dateien mit Generation 4 Farbverarbeitung generieren, kann das Material aber trotzdem mit auf der URSA Broadcast G2 mit Generation 5 Farbverarbeitung gefilmten Clips mischen, indem man diese Clips auf Generation 4 zurücksetzt. Das vereinfacht den Abgleich von Einstellungen, die auf Kameras mit Blackmagic Farbverarbeitung anderer Generationen entstanden sind.



Um Anpassungen an den Blackmagic-RAW-Einstellungen Ihres Clips vorzunehmen, wählen Sie im „Camera Raw“-Tab im Menü „Decode Using“ (Dekodieren mit) die Option „Clip“

Ändern von Blackmagic-RAW-Einstellungen

Sobald Sie die Clip-Einstellungen für Blackmagic RAW in DaVinci Resolve aktiviert haben, können Sie die Clip-Einstellungen und Gamma-Steuerelemente anpassen. Durch Anpassen dieser Einstellungen können Sie Ihre Clips annähernd so gut optimieren wie mit einer vollständigen primären Farbkorrektur. Das ist besonders dann wirkungsvoll, wenn Sie mit den Scopes in DaVinci Resolve arbeiten. Vor der Anwendung eines Looks können Sie so Ihre Clips neutralisieren und abstimmen.

Nachstehend werden die Clip- und Gamma-Steuerelemente im Einzelnen beschrieben.

ISO

Das Erhöhen oder Verringern dieser Einstellung passt den ISO-Wert an. Das ist nützlich, wenn Sie einen Clip zur Optimierung insgesamt heller oder dunkler setzen möchten.

Highlight Recovery

Aktivieren Sie diese Funktion, wenn Sie Highlight-Angaben in beschnittenen Clipkanälen mit Informationen aus unbeschnittenen Kanälen wiederherstellen möchten.

Gamut Compression

Aktivieren Sie dieses Kästchen, um automatisch sendesichere Farbraumpegel beizubehalten.

Color Temp

Um das Bild wärmer oder kühler zu machen, passen Sie die Farbtemperatur an. Mithilfe dieser Einstellung neutralisieren Sie die Farbbalance eines Bilds.

Tint

Durch Anpassen der Tönung wird dem Bild Grün oder Magenta hinzugefügt, um die Farben auszugleichen.

Exposure

Diese Einstellung hebt die Helligkeit im Bild insgesamt an.

Sättigung

Die Sättigungseinstellungen reichen von 0 für die geringste Sättigung bis 4 für maximale Sättigung. Der Standardwert ist 1.

Contrast

Der Standardwert ist 1.0. Der geringste Kontrast liegt bei 0, der stärkste bei 2. Ziehen Sie den Regler nach links, um den Kontrast zu reduzieren bzw. nach rechts, um ihn anzuheben.

Midpoint

Im Modus „Blackmagic Design Film“ liegt der standardmäßige Graustufenwert bei 0,38 bzw. 38,4 %. Ziehen Sie den Regler nach links, um die Mittelwerte zu reduzieren oder nach rechts, um sie auf max. 100 % anzuheben. Wenn der Kontrast auf einen anderen als den Standardwert angepasst wird, können Sie Ihre Werte für Highlight- und Shadow-Roll-Off modifizieren.

Highlight Rolloff

Sie justieren die Lichter, indem Sie den Regler nach links ziehen, um sie zu reduzieren (0 ist der niedrigste Wert) oder nach rechts, um sie hochzufahren (2 ist der höchste Wert). Der Standardwert beträgt 1.

Shadow Rolloff

Ziehen Sie den Regler nach links, um die Schatten auf 0 zu reduzieren oder nach rechts, um sie auf 2 anzuheben.

White Level

Sie justieren den Weißpunkt in der Gammakurve, indem Sie den Regler vom Höchstwert 2 auf den Niedrigstwert 0 ziehen. Der Standardwert beträgt 1.

Black Level

Sie heben den Schwarzpunkt in der benutzerdefinierbaren Gammakurve an, indem Sie den Regler nach rechts ziehen. -1 ist der niedrigste Wert, 1 ist der höchste Wert. Der Standardwert beträgt 0.

Use Video Black Level

Um die Schwarzwerte auf „Video“ zu setzen, aktivieren Sie dieses Kontrollkästchen.

Export Frame

Durch Klicken des Buttons „Export Frame“ können Sie einen einzelnen Frame aus dem Blackmagic-RAW-Clip exportieren.

Update Sidecar

Klicken Sie diesen Button, um die Filialdatei für den aktuellen Clip zu aktualisieren.

An Ihren Blackmagic-RAW-Clips vorgenommene Änderungen sind daran erkennbar, dass Gamma zur benutzerdefinierten Einstellung „Blackmagic Design Custom“ wechselt

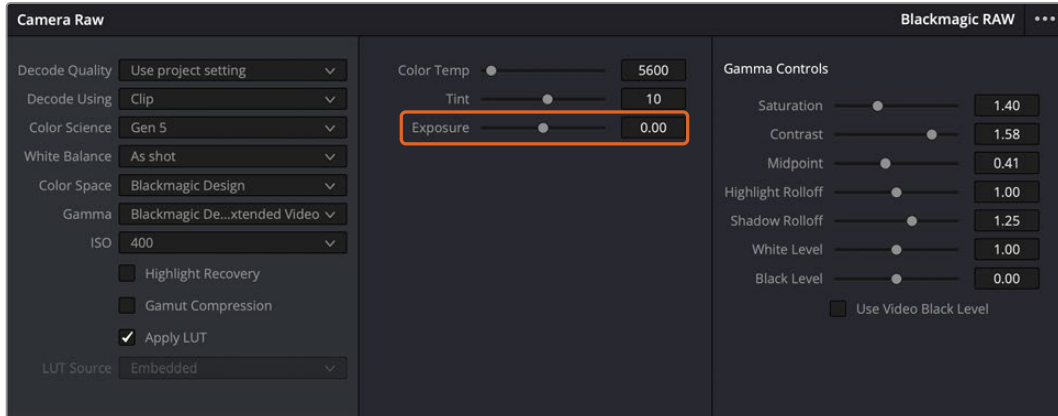
Anpassen der Belichtung mit der Gain-Einstellung der Blackmagic URSA Broadcast

Auch wenn Sie mit dem DaVinci Resolve Workflow in Zusammenhang mit anderen Blackmagic Kameras bereits vertraut sind, sollten Sie bedenken, dass sich die Gain-Einstellung der URSA Broadcast G2 von der ISO-Einstellung der Blackmagic Kinokameras unterscheidet.

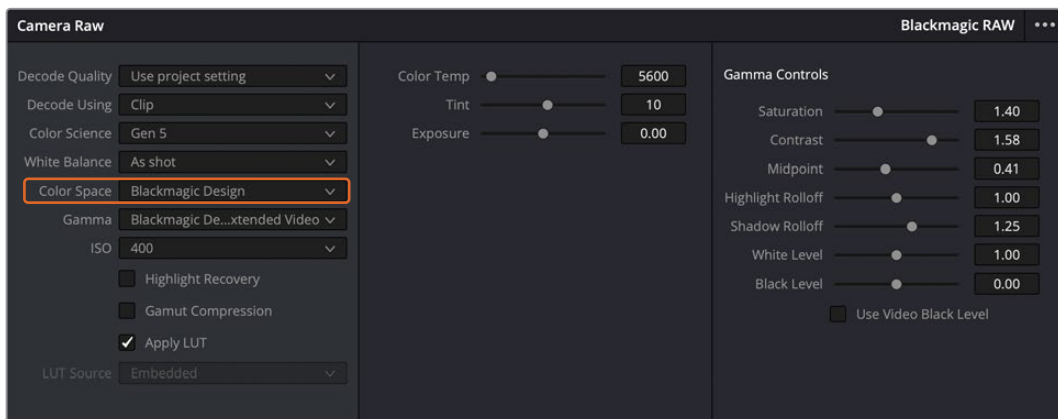
Die Gain-Einstellungen der URSA Broadcast G2 werden direkt auf den Kamerasensor angewendet, anstatt später per Software. Diese Methode ähnelt der Funktionsweise traditioneller Broadcastkameras und führt bei gewissen Einstellungen der Empfindlichkeit ggf. zu einer leichten Rauschreduktion. Das bedeutet jedoch auch, dass die Verstärkung in einem Clip der URSA Broadcast G2 nach dem Filmen nur beschränkt angepasst werden kann. Sie werden bemerken, dass das ISO-Kästchen in den RAW-Einstellungen des Clips in DaVinci Resolve den der Gain-Einstellung Ihrer Kamera entsprechenden ISO-Wert anzeigt.

Sie können den ISO-Wert um bis zu drei Werte höher einstellen als den der Gain-Einstellung Ihrer URSA Broadcast G2 entsprechenden ISO-Wert zum Zeitpunkt des Filmens. Aufgrund des breiten

Dynamikumfangs von Blackmagic-RAW-Footage lassen sich aber weiterhin Belichtungsanpassungen vornehmen, die einer Änderung des Gain-Werts im Clip entsprechen. Erhöhen oder verringern Sie den Belichtungswert dazu einfach um 5 Blendenstufen (Stop). Jeder Stop entspricht einer Empfindlichkeitsstufe. Hier ein Beispiel: 1 zusätzliche Blendenstufe ist das Äquivalent zu einem Gain-Anstieg von -6 auf 0 dB bzw. von 200 auf 400 ISO. Jedoch können hier viel feinere Anpassungen von 0,01 eines Stops vorgenommen werden.



An Ihren Blackmagic-RAW-Clips vorgenommene Änderungen sind daran erkennbar, dass Gamma zur benutzerdefinierten Einstellung „Blackmagic Design Custom“ wechselt



Um Ihren Clip wieder auf eine der verfügbaren Gamma-Standardoptionen zurückzusetzen, wählen Sie diese im Gamma-Drop-down-Menü

TIPP Für Footage, die mit dem „Video“-Dynamikumfang gefilmt wurde, sind die Gamma-Steuerelemente gesperrt. Ihre Blackmagic-RAW-Daten sind jedoch nicht verloren gegangen. Wählen Sie im Drop-down-Menü „Gamma“ einfach „Blackmagic Design Film“ oder „Blackmagic Design Extended Video“ aus und nehmen Sie Ihre Änderungen vor.

Speichern von Änderungen in Blackmagic RAW

- 1 Passen Sie die Gamma-Steuerelemente Ihres Blackmagic-RAW-Clips an.
- 2 Klicken Sie auf den Button „Update Sidecar“.

Nun wird im Ordner mit Ihrer BRAW-Datei eine Filialdatei, sprich Sidecar-Datei, generiert. Importieren andere Nutzer die Blackmagic-RAW-Dateien, so liest DaVinci Resolve automatisch die Sidecar-Dateien. Wenn Sie weitere Änderungen vornehmen, klicken Sie erneut auf „Update Sidecar“.

TIPP Um Sidecar-Dateien zu entfernen, löschen Sie sie einfach von Ihrem Speichermedium.

Projekteinstellungen für Blackmagic RAW

Wenn Sie für alle Clips eine gemeinsame Einstellung ändern müssen, wie z. B. eine globale Änderung für Weißabgleich oder ISO, können Sie für Ihre Clips projektbezogene „Camera RAW“-Einstellungen vorgeben und die globalen Änderungen von hier aus vornehmen.

So geben Sie Projekteinstellungen für Blackmagic RAW vor:

- 1 Öffnen Sie das Projekteinstellungsmenü, indem Sie auf „File“ und dann auf „Project Settings“ klicken.
- 2 Neben dem Blackmagic-RAW-Profil sehen Sie im „Camera RAW“-Tab ein Menü. Um Blackmagic RAW aus der Liste auszuwählen, klicken Sie auf den Pfeil.
- 3 Wählen Sie im Menü „Decode Using“ (Dekodieren mit) die Option „Project“ (Projekt) aus.
- 4 Wählen Sie aus dem Menü eine „Color Science“-Option für die Farbverarbeitung aus.
- 5 Geben Sie für „White Balance“ (Weißabgleich) „Custom“ (Benutzerdefiniert) vor.
- 6 Wählen Sie aus dem Menü für „Gamma“ die Option „Blackmagic Design Custom“ aus. Wählen Sie für „Color Space“ die Farbraum-Option „Blackmagic Design“ aus.
- 7 Wählen Sie im „Decode Quality“-Menü Ihre Auflösung aus. Eine geringere Auflösung gibt Ihnen auf weniger leistungsstarken Systemen eine bessere Wiedergabe. Sie haben die Flexibilität, dies später auf volle Auflösung zu ändern, um Ihr Material in der höchsten Qualität auszugeben.

Jetzt können Sie die Kameraeinstellungen wie Sättigung, Kontrast und Mitteltöne für Ihre Clips anpassen. Dies wirkt sich auf alle Clips in Ihrem Projekt aus, für die die Decodieroption „Project“ ausgewählt ist.

Farbkorrektur von Clips im Color-Arbeitsraum

Nachdem Sie Ihre Clips in die Timeline importiert und mit Titeln versehen haben, können Sie zur Farbkorrektur im Color-Arbeitsraum übergehen. Dieser Arbeitsbereich ist überaus leistungsstark und kann den gesamten Look Ihres Films bestimmen. Für das vorliegende Beispiel empfiehlt es sich jedoch, alle Clips zu neutralisieren und sie damit einheitlich zu gestalten. Sie können jederzeit in den Cut- oder Edit-Arbeitsraum zurückkehren, um an Ihren Edit Änderungen vorzunehmen.

Im Color-Arbeitsraum macht vor allem der Look Ihres Edits eine Veränderung durch. Die Farbkorrektur ist in vielerlei Hinsicht eine Kunstform, mit der Sie Ihrer Arbeit Ausdruck verleihen. Sie ist ein äußerst kreativer Teil des gesamten Arbeitsablaufs. Es ist sehr zufriedenstellend, diese Fähigkeit zu erlernen und zu sehen, wie die Arbeit lebendig wird. Dies ist in der Regel der erste Bearbeitungsschritt, der als primäre Farbkorrektur oder als Anpassung der Primärfarbwerte bekannt ist. Wenn die primäre Farbkorrektur steht, können Sie zur sekundären Farbkorrektur übergehen. Hier sind höchst präzise Farbanpassungen bestimmter Elemente in Ihren Bildern möglich. Dieser spaßige Teil passiert normalerweise im Anschluss an die primären Anpassungen, da dies den Arbeitsablauf effizienter macht und zu einem besseren Ergebnis führt.

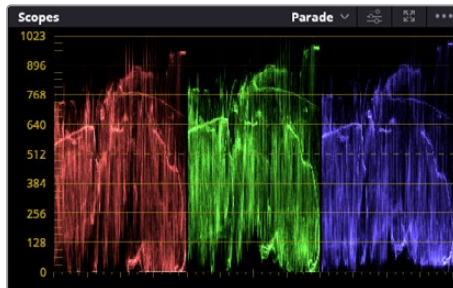
Klicken Sie zunächst auf den „Color“-Tab, um den Color-Arbeitsraum zu öffnen.

Dort finden Sie die Camera-RAW-Einstellungen, Farbräder, Kurven und generelle Farbkorrektur-Tools sowie die Fenster „Preview“ für die Vorschau und „Nodes“ für Operatoren. Lassen Sie sich von der riesigen Auswahl an Features nicht abschrecken. Mit ihnen werden Sie die großartigsten Bilder schaffen. In diesem Abschnitt lernen Sie die ersten Schritte und Grundlagen. Ausführlichere Informationen finden Sie in den entsprechenden Abschnitten des englischsprachigen DaVinci Resolve Handbuchs. Dort erfahren Sie Schritt für Schritt, wofür die Tools da sind und wie man sie benutzt. Sie erlernen dieselben Techniken, die auch Profis in Highend-Farbkorrekturstudios anwenden.

Im Rahmen der primären Farbkorrektur werden in Ihren Clips in der Regel zuerst die Pegel für Schatten, Mitteltöne und Lichter optimiert. Sie justieren also die Einstellungen für „Lift“, „Gamma“ und „Gain“ (Schatten-, Mittel- und Weißtonwerte). So bringen Sie Ihre Bilder auf einen ausgewogenen Ausgangspunkt mit optimaler Leuchtstärke und Klarheit. Von hier können Sie durch farbliches Grading einen Look für Ihren Film erarbeiten. Für Pegeloptimierung eignen sich die Scopes.

Verwenden von Scopes

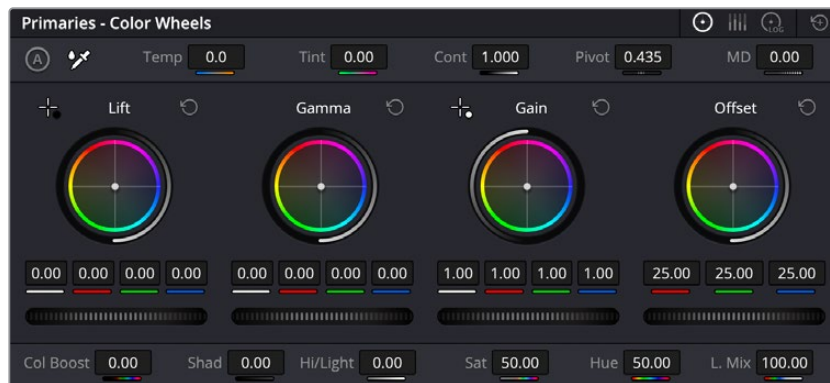
Die meisten Coloristen treffen kreative Farbentscheidungen, indem Sie sich auf die Wirkung und den Look konzentrieren, den sie ihrem Programm verleihen möchten. Mithilfe des Monitors arbeiten sie dann daran, dies umzusetzen. Sehen Sie sich alltägliche Gegenstände an, und wie unterschiedliche Lichtquellen auf sie einwirken. Sie werden erfahrener und geübter darin, was sich aus Ihren Bildern machen lässt.



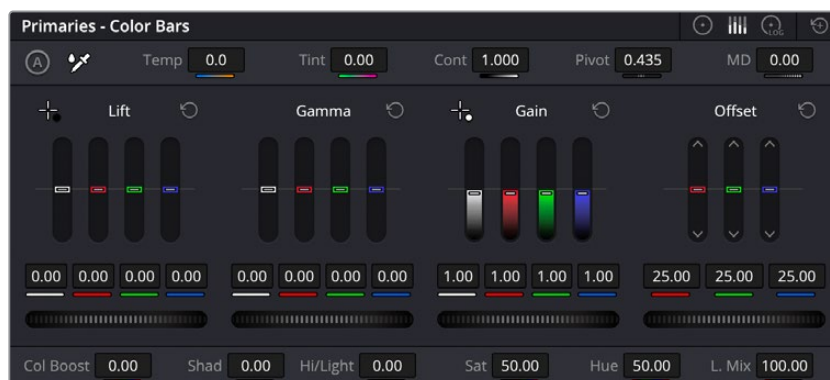
Optimieren Sie anhand des Parade-Scope die Lichter, Mitteltöne und Schatten

Ein weiterer Weg der Farbkorrektur, ist der Gebrauch von eingebauten Scopes, um Ihre Aufnahmen abzugleichen. Sie können ein einzelnes Videoskop öffnen, indem Sie auf die „Scope“-Schaltfläche klicken, die sich an zweiter Stelle von rechts in der Werkzeugleiste befindet. Zur Auswahl stehen Scopes für Wellenform, Parade, Vektorgramm, Histogramm und CIE-Chromatizität. Überprüfen Sie anhand dieser Scopes die tonale Balance und die Pegel Ihres Videos, um ein Stauchen der Schwarz- und ein Clipping der Weißwerte zu verhindern. Zusätzlich können Sie Ihre Clips auf Farbstiche untersuchen.

Im Farbrad-Menü befinden sich die Regler für „Lift“, „Gamma“ und „Gain“, die Sie üblicherweise als Erstes anpassen. Wenn Sie Erfahrungen im Colorgrading mitbringen, werden Ihnen die Steuerelemente für Farb- und Kontrastanpassungen bekannt vorkommen.



Die Farbräder „Lift“, „Gamma“, „Gain“ und „Offset“ geben Ihnen die volle Kontrolle über die farbliche und tonale Balance Ihrer Clips. Bewegen Sie das Einstellrad unter den Farbrädern, um die Farben jedes einzelnen tonalen Bereichs einheitlich anzupassen



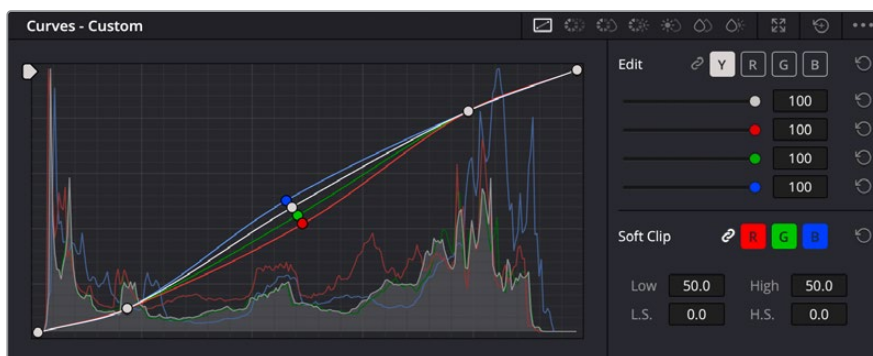
Die Primaries-Balken erleichtern Farbanpassungen mit der Maus.

Um die Farben mit der Maus noch akkurater zu steuern, können Sie in der „Color Wheels“-Palette von den Farbrädern „Primary Wheels“ zu den Farbbalken „Primary Bars“ wechseln. Mit ihnen lässt sich jede Farbe und jeder Luminanzkanal für Schatten, Mitten und Lichter separat einstellen. Wählen Sie hierfür im Drop-down-Menü der Farbrad-Palette „Color Wheels“ oben rechts einfach die Option „Primaries Bars“ aus.

- **Anpassen von „Lift“ (Schwarzöne):** Wählen Sie einen Clip in der Farb-Timeline aus und klicken Sie auf die „Lift“-Skala unterhalb des ersten Farbrads. Schieben Sie das Einstellrad vor und zurück und beobachten Sie die Auswirkungen auf Ihr Bild. Sie werden sehen, wie die Helligkeit der dunklen Bereiche Ihres Bilds zu- bzw. abnimmt.
Stellen Sie sie so ein, dass die dunklen Bereiche optimal aussehen. Wenn Sie die Schatten zu sehr verringern, gehen womöglich Details im Schwarzbereich verloren. Dies lässt sich mithilfe des Parade-Scopes verhindern. Die optimale Position von Schwarzönen im Kurvenverlauf befindet sich direkt über der unteren Linie des Parade-Scopes.
- **Anpassen von „Gain“ (Weißöne):** Klicken Sie auf das Einstellrad für „Gain“ und schieben Sie es hin und her. Dies justiert die Lichter, womit die hellsten Bereiche in Ihrem Clip gemeint sind. Die Lichter werden im oberen Abschnitt des Kurvenverlaufs im Parade-Scope angezeigt. Für eine gut beleuchtete Aufnahme bringt man diese am besten direkt unter die obere Linie des Waveform-Scopes. Wenn die Lichter über die obere Linie des Waveform-Scopes ausschlagen, werden sie abgeschnitten und es gehen Details in den hellsten Bereichen Ihres Bilds verloren.
- **Anpassen von „Gamma“ (Mitteltöne):** Klicken Sie auf das Einstellrad für „Gamma“ unter dem Farbrad und schieben Sie es hin und her. Wenn Sie die Mitteltonwerte erhöhen, sehen Sie, wie auch die Helligkeit Ihres Bilds zunimmt. Sie werden merken, dass sich beim Anpassen der Gammawerte auch der mittlere Abschnitt der Wellenform verändert. Dieser repräsentiert die Mitteltöne Ihres Clips. Im Waveform-Scope liegt die optimale Position für Mitteltöne in der Regel zwischen 50–70 Prozent. Dies ist jedoch Geschmackssache und hängt vom zu kreierenden Look und den Lichtverhältnissen im Clip ab.

Sie können anhand der Kurven-Feature auch primäre Farbkorrekturen vornehmen. Erstellen Sie per Klick einfach Steuerpunkte auf der diagonalen Linie im Kurvendiagramm und ziehen Sie diese nach oben oder unten, um die Haupteinstellungen des RGB-Kontrasts für verschiedene Tonwertbereiche im Bild anzupassen. Am besten lassen sich im unteren Drittel, in der Mitte sowie im oberen Drittel der Kurve liegende Punkte anpassen.

Es gibt noch viele andere Möglichkeiten der primären Farbkorrektur in DaVinci Resolve.



Die „Curves“-Palette ist ein weiteres Tool für primäre Farbkorrekturen oder um bei Verwendung eines Power Windows bestimmte Bereiche in Ihrem Clip zu optimieren

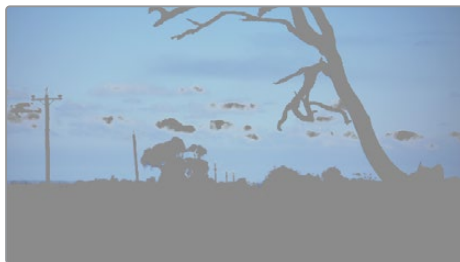
Sekundäre Farbkorrektur

Wenn Sie einen bestimmten Bereich Ihres Bilds verfeinern möchten, benutzen Sie sekundäre Farbkorrekturen. Die Anpassungen, die Sie bisher mithilfe von „Lift“, „Gamma“ und „Gain“ vorgenommen haben, haben sich auf das gesamte Bild ausgewirkt. Man bezeichnet sie daher als primäre Farbkorrekturen.

Sollen jedoch spezifische Bereiche Ihres Bilds verfeinert werden, können Sie von der sekundären Farbkorrektur Gebrauch machen, wenn Sie beispielsweise die Farbe von Gras in einer Szene verbessern oder das Blau des Himmels vertiefen wollen. Bei der sekundären Farbkorrektur wählt man einen spezifischen Bereich aus, den man dann isoliert bearbeitet. Mithilfe von Nodes lassen sich mehrere sekundäre Korrekturen übereinanderlegen. Damit können Sie einen Bereich Ihres Bilds bis zur Perfektion bearbeiten. Sie können sogar von Windows und Tracking Gebrauch machen. So kann ein ausgewählter Bereich Bewegungen in Ihren Bildern folgen.

Qualifizieren einer Farbe

Sie werden häufig feststellen, dass eine bestimmte Farbe in Ihrem Clip optimierbar ist, z. B. Gras am Straßenrand oder das Blau des Himmels. Vielleicht empfiehlt sich auch die Justierung der Farbe eines bestimmten Objekts, um die Aufmerksamkeit des Publikums darauf zu lenken. Mit dem HSL-Qualifizierer-Tool ist dies problemlos möglich.



Das Auswählen von Farben in Ihrem Bild mithilfe des HSL-Qualifizierer-Tools ist besonders dann praktisch, wenn gewisse Bereiche hervorstechen sollen. So können Sie den Kontrast erhöhen oder die Aufmerksamkeit des Publikums auf bestimmte Bereiche Ihres Shots lenken

So qualifizieren Sie eine Farbe:

- 1 Fügen Sie einen neuen „Serial Node“ (Serieller Node) hinzu.
- 2 Öffnen Sie das Qualifizierfenster „Qualifier“ und vergewissern Sie sich, dass das Pipetten-Tool im Auswahlabschnitt „Selection Range“ ausgewählt ist.
- 3 Klicken Sie in Ihrem Clip auf die Farbe, die Sie bearbeiten möchten.
- 4 In der Regel werden Sie einige Anpassungen vornehmen müssen, um die Kanten Ihrer Auswahl weichzuzeichnen und den Bereich ausschließlich auf die gewünschte Farbe zu begrenzen. Klicken Sie über dem Viewer auf die Schaltfläche „Highlight“, um Ihre hervorgehobene Auswahl zu sichten.
- 5 Passen Sie im Farbton-Fenster „Hue“ die Bandbreite über „Width“ an und erweitern oder verengen Sie Ihre Auswahl.

Experimentieren Sie mit den Steuerelementen „High“, „Low“ und „Softness“, um Ihre Auswahl zu verfeinern. Nun können Sie Ihre ausgewählte Farbe mithilfe von Farbrädern oder benutzerdefinierten Kurven anpassen.

Es kann vorkommen, dass Ihre Auswahl in Bereiche des Bilds vordringt, die nicht einbezogen werden sollen. Sie können die unerwünschten Bereiche mühelos mit einem Power Window ausmaskieren. Erstellen Sie dazu einfach ein neues Fenster und formen Sie es entsprechend, um lediglich den gewünschten Farbbereich auszuwählen. Wenn sich die ausgewählte Farbe in der Aufnahme bewegt, können Sie Ihr Power Window mithilfe der Tracking-Funktion verfolgen.

Hinzufügen eines Power Windows

Power Windows sind ein extrem effektives Tool für die sekundäre Farbkorrektur, das zur Isolierung bestimmter Bereiche Ihres Clips dient. Diese Bereiche müssen nicht statisch sein und lassen sich auch bei einem Kameraschwenk oder einer Drehung sowie der Bewegung des Bereichs selbst verfolgen.



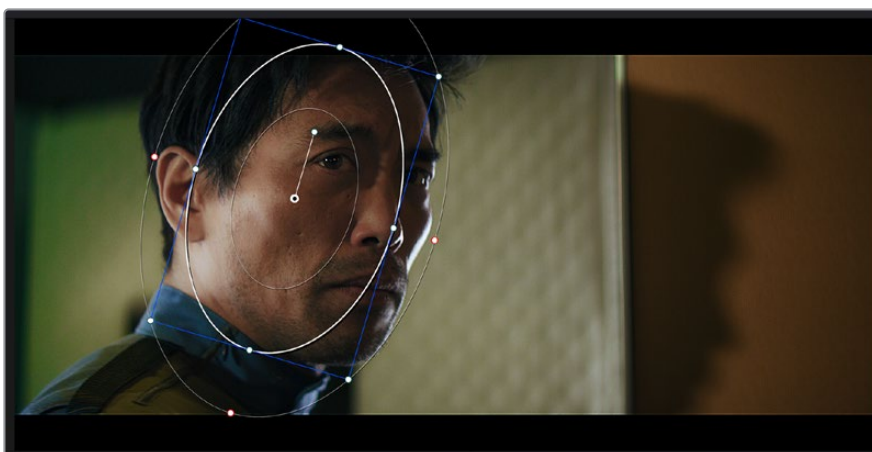
Power Windows dienen zum Ausmaskieren von Bereichen, die nicht von den sekundären HSL-Qualifizierer-Anpassungen berührt werden sollen

Zum Beispiel können Sie mithilfe eines solchen Windows die Bewegungen einer Person verfolgen, um Farb- und Kontraständerungen ausschließlich an dieser Person vorzunehmen, ohne ihre Umgebung zu beeinflussen. Mit solchen Korrekturen können Sie die Aufmerksamkeit des Publikums auf bestimmte Bereiche lenken.

So versehen Sie Ihren Clip mit einem Power Window:

- 1 Fügen Sie einen neuen „Serial Node“ (Serieller Node) hinzu.
- 2 Öffnen Sie die „Window“-Palette und wählen Sie eine Form für Ihr Power Window aus, indem Sie auf ein Form-Icon klicken. Das Window in der gewünschten Form erscheint nun im Node.
- 3 Passen Sie die Form an, indem Sie auf die blauen Punkte klicken und diese in Form ziehen. Entlang der roten Punkte werden die Kanten weichgezeichnet. Positionieren Sie die Form, indem Sie auf den Mittelpunkt klicken und sie auf den zu isolierenden Bereich schieben. Mit dem Punkt, der mit dem Mittelpunkt verbunden ist, lässt sich das Fenster rotieren.

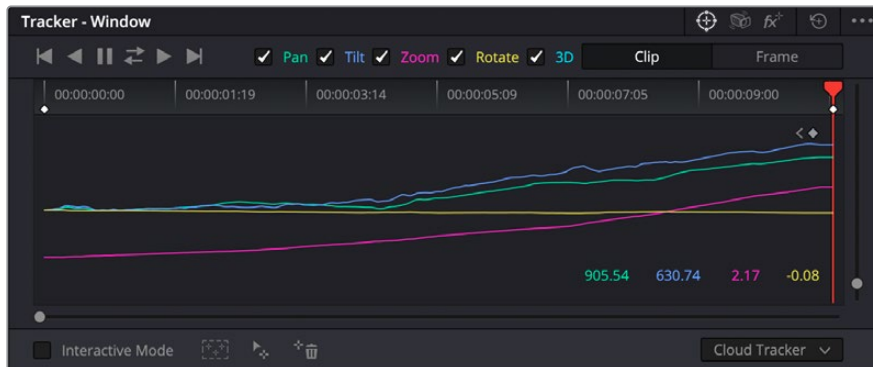
Nun können Sie Farbkorrekturen an Ihrem Bild in genau dem Bereich vornehmen, den Sie bearbeiten möchten.



Power Windows lassen Sie in bestimmten Bereichen Ihres Bilds sekundäre Korrekturen vornehmen

Tracking mit einem Power Window

Die Kamera, das Objekt oder der Bereich in Ihrer Aufnahme bewegen sich gegebenenfalls. Um sicherzustellen, dass das Power Window auf dem ausgewählten Objekt oder Bereich haften bleibt, steht Ihnen das leistungsstarke Tracking-Tool von DaVinci Resolve zur Verfügung. Der Tracker analysiert die Schwenk-, Neige-, Zoom- und Rotationsbewegung der Kamera oder des Objekts in Ihrem Clip, womit Sie Ihr Window der Bewegung anpassen. Geschieht dies nicht, erfolgt Ihre Korrektur ggf. außerhalb des vorgegebenen Zielbereichs und fällt unnötig auf, was vermutlich unerwünscht ist.



Mithilfe der Tracking-Funktion können Sie Objekte oder Bereiche in Ihrem Clip verfolgen. Power Windows folgen dann der Bewegung

So verfolgen Sie ein bewegtes Objekt mit einem Power Window:

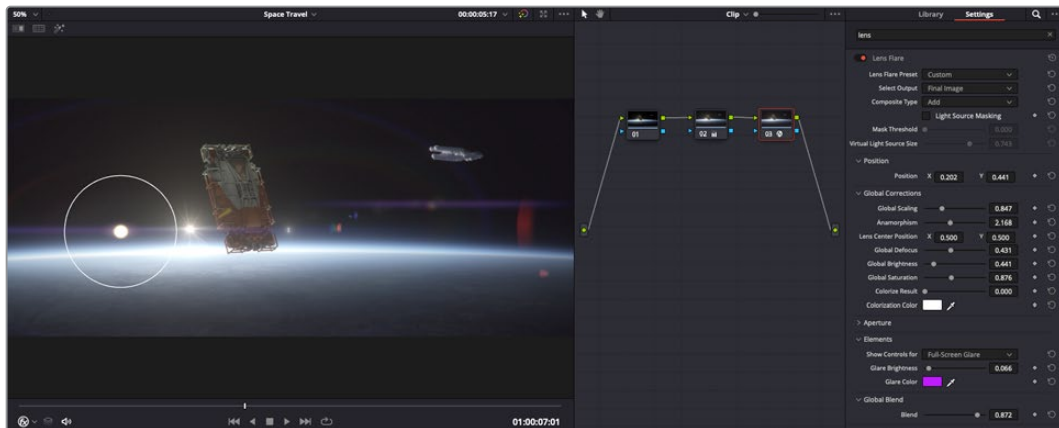
- 1 Erstellen Sie einen neuen „Serial Node“ und fügen Sie diesem ein Power Window hinzu.
- 2 Gehen Sie zum Anfang Ihres Clips, positionieren Sie ein Window auf dem gewünschten Objekt oder Bereich und passen Sie seine Größe an.
- 3 Öffnen Sie die „Tracker“-Palette. Wählen Sie die geeigneten Schwenk-, Neige-, Zoom-, Rotations- und 3D-Einstellungen für die Bewegung in Ihrem Clip aus, indem Sie in die jeweiligen Kontrollkästchen ein Häkchen setzen oder es entfernen.
- 4 Klicken Sie auf den Vorwärtspfeil links von den Dialogboxen. DaVinci Resolve wird nun ein Cluster diverser Tracking-Punkte auf Ihren Clip applizieren und sich anschließend durch die Frames arbeiten, um Bewegungen zu analysieren. Nach abgeschlossenem Tracking-Vorgang verfolgt Ihr Power Window die Bewegungen in Ihrem Clip.

Meist ist das automatische Tracking erfolgreich. In komplexen Szenen kommt es jedoch gelegentlich vor, dass ein Objekt sich an Ihrem ausgewählten Bereich vorbei bewegt und damit das Tracking unterbricht oder stört. Dies kann manuell mithilfe des Keyframe-Editors gelöst werden. Näheres dazu finden Sie im englischsprachigen DaVinci Resolve Handbuch.

Arbeiten mit Plug-ins

Während der sekundären Farbkorrektur können Sie außerdem ResolveFX- oder OpenFX-Plug-ins hinzufügen. Damit lassen sich im Color-Arbeitsraum schnelle, interessante Looks und Effekte oder im Cut- oder Edit-Arbeitsraum einfallsreiche Übergänge für Ihre Clips kreieren. ResolveFX sind bereits in DaVinci Resolve installiert. OpenFX-Plug-ins sind bei Fremdanbietern zum Download erhältlich.

Nach erfolgter Installation eines Satzes von OpenFX-Plug-ins greifen Sie über den Color-Arbeitsraum auf diese OFX- oder die ResolveFX-Plug-ins zu. Öffnen Sie hierfür den OpenFX Inspector rechts neben dem Node-Editor. Erstellen Sie zunächst einen seriellen Node. Öffnen Sie dann per Klick auf den „OpenFX“-Button die Effektbibliothek und ziehen Sie ein Plug-in per Drag-and-drop auf den Node. Verfügt das Plug-in über eigene Einstellungen, können Sie diese im angrenzenden „Settings“-Menü ändern.



OFX-Plug-ins bieten eine schnelle und einfache Möglichkeit, einfallsreiche und interessante Looks zu kreieren

Im Edit-Arbeitsraum können Sie Clips mit Plug-in-Filtern und Übergängen versehen, indem Sie das „OpenFX“-Menü in der Effektbibliothek öffnen und das gewünschte Plug-in auf die Videospur Ihres Clips in der Timeline ziehen.

Mixen von Ton

Tonmischen im Edit-Arbeitsraum

Sobald Sie Ihr Projekt geschnitten und farblich bearbeitet haben, können Sie mit dem Mischen von Ton beginnen. DaVinci Resolve bietet direkt im Edit-Arbeitsraum eine praktische Auswahl an Features zum Schneiden, Mixen und Mastern von Audio. Werden für Ihr Projekt noch ausgeklügeltere Audiotools benötigt, haben Sie im Fairlight-Arbeitsraum Zugriff auf eine komplette Postproduktionsumgebung für Ton. Wenn Sie bereits mit dem Edit-Arbeitsraum vertraut sind und direkt mit Fairlight weitermachen wollen, überspringen Sie den nächsten Abschnitt.

Hinzufügen von Audiospuren

Wenn Sie im Edit-Arbeitsraum arbeiten und einen elementaren Tonschnitt mit vielen Toneffekten und Musik mischen wollen, können Sie bei Bedarf mühelos weitere Audiospuren hinzufügen. Das kann praktisch sein, wenn Sie Ihren Sound bauen und Ihre Audioelemente für einen Soundmix auf unterschiedliche Spuren verteilen möchten, wie bspw. Gesang, Toneffekte und Musik.

Hinzufügen einer Audiospur im Edit-Arbeitsraum

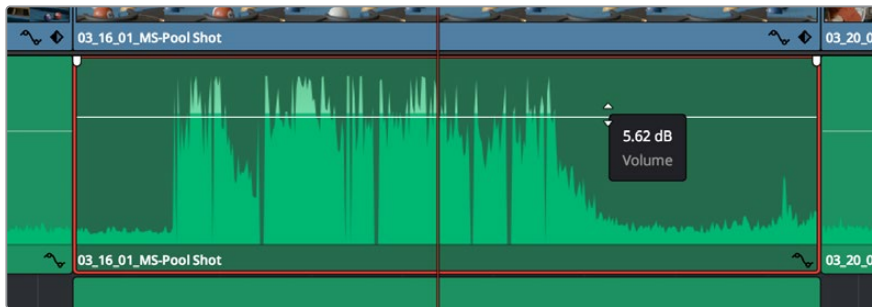
Führen Sie neben dem Namen einer Audiospur in Ihrer Timeline einen Rechtsklick aus und wählen Sie „Add Track“ sowie eine der Optionen „Mono“, „Stereo“ oder „5.1“. Dies fügt eine Audiospur unten zur Liste hinzu. Wählen Sie alternativ „Add Tracks“ und anschließend die Position, an der eine oder mehrere neue Spuren eingefügt werden sollen.

Ihre neue Audiospur erscheint nun in der Timeline.

TIPP Wenn Sie einen Spurtyp im Nachhinein ändern möchten, wählen Sie neben dem Spurnamen per Rechtsklick den Befehl „Change track type to“ und dann aus den Optionen „Stereo“, „Mono“ und „5.1“ Ihre bevorzugte Option.

Anpassen von Audiopegeln in der Timeline

Jeder Audioclip hat in der Timeline sein eigenes Lautstärke-Overlay, über das Sie die Lautstärke des Clips einstellen können. Ziehen Sie den Zeiger dafür lediglich hoch oder runter. Das Overlay korreliert mit dem Lautstärkeparameter im Inspector.

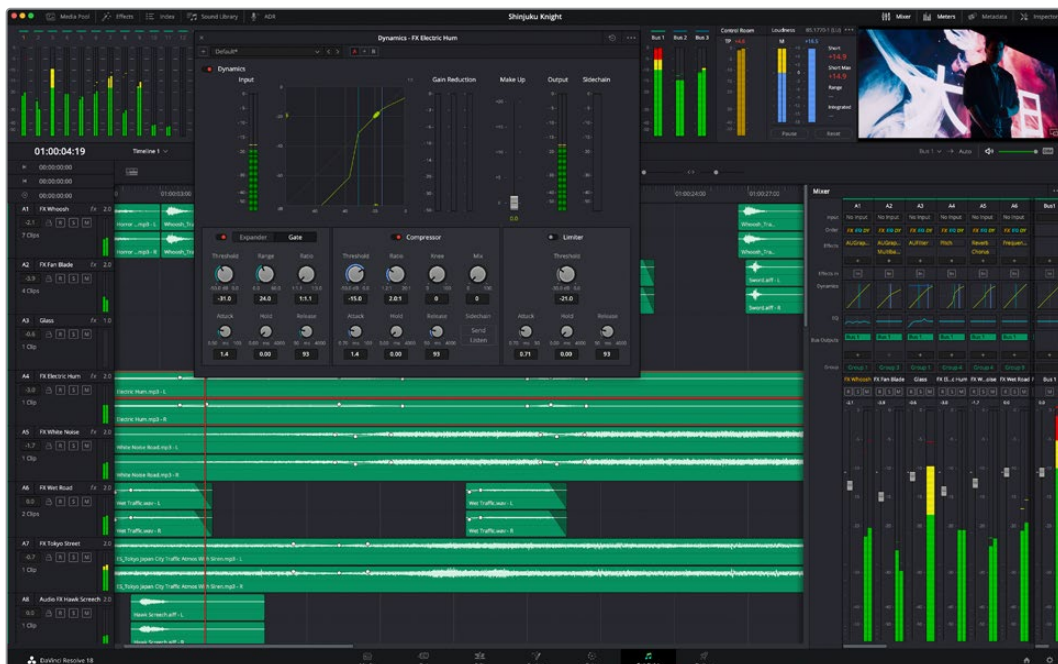


Bewegen Sie den Zeiger im Lautstärke-Overlay, um den Lautstärkepegel des Clips anzupassen.

Werden für Ihr Projekt noch ausgeklügeltere Audiotools benötigt, haben Sie im Fairlight-Arbeitsraum Zugriff auf eine komplette Postproduktionsumgebung für Ton.

Der Fairlight-Arbeitsraum

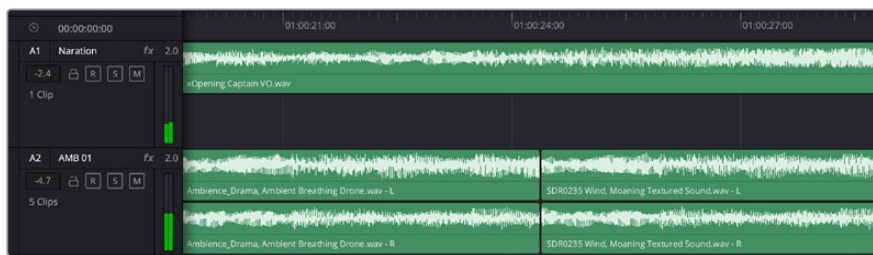
Im Fairlight-Arbeitsraum in DaVinci Resolve bearbeiten Sie den Ton Ihres Projekts. Im Einzelmonitor-Modus bietet Ihnen dieser Arbeitsraum eine optimierte Übersicht über die Audiospuren Ihres Projekts. Ein erweiterter Mixer und spezielle Monitoring-Elemente vereinfachen die Beurteilung und Anpassung von Pegeln, um einen gleichmäßigen und harmonischen Mix zu kreieren. Lassen Sie sich von der riesigen Auswahl an Features nicht abschrecken. Mit ihnen werden Sie die bestmögliche Tonqualität für Ihr Projekt erreichen.



Diese Anleitung gibt Ihnen einen grundlegenden Überblick über die Funktionen im Fairlight-Arbeitsraum. Einzelheiten finden Sie im englischsprachigen DaVinci Resolve Handbuch. Das DaVinci Resolve Handbuch erklärt den Nutzen eines jeden Tools und beschreibt in leicht verständlichen Schritten, wie Sie es einsetzen.

Die Audio-Timeline

- **Spur-Header:** Links neben jeder Spur befindet sich ein Spur-Header, der die Spurnummer, den Spurnamen, die Spurfarbe, Audiokanäle, Fader-Werte und Audiopegelmeter anzeigt. Die Kopfzeile enthält darüber hinaus einen Button zum Sperren und Entsperren von Spuren sowie Solo- und Stummschalt-Buttons. Diese Steuerelemente helfen Ihnen dabei, Spuren zu organisieren und ermöglichen die Vorschau einzelner Spuren.
- **Spuren:** Jede Spur im Fairlight-Arbeitsraum ist in Unterspuren aufgeteilt. Jede dieser Unterspuren stellt einen individuellen Kanal des Cliptons zum Schneiden und Mixen dar. Der Edit-Arbeitsraum verbirgt die individuellen Audiokanäle und zeigt stattdessen nur einen einzelnen Clip in der Timeline an. Das macht es einfacher, Mehrkanalquellen zu schneiden, ohne eine große Anzahl an Spuren verwalten zu müssen.



Der Spur-Header von Spur A1 verweist auf eine Monospur mit einer einzelnen Unterspur für Monoton. Bei Spur A2 hingegen handelt es sich um eine Stereospur für Stereoton

Was ist ein Bus?

Ein Bus ist im Grunde genommen ein Zielkanal, der aus mehreren gruppierten Audioquellen besteht. Die Spuren werden zu einem einzelnen Signal zusammengemischt, das dann über einen einzelnen Kanalzug steuerbar ist. Fairlight erstellt automatisch einen Bus für Sie. Alle Audiospuren in der Timeline werden standardmäßig an diesen Bus gesendet. Nachdem Sie den Pegel jeder einzelnen Spur eingestellt haben, können Sie den Gesamtpegel Ihrer Tonmischung anpassen.

Für komplexere Tonschnitte können Sie weitere Busse erstellen und darin Audiospuren gleicher Kategorie zusammenfassen, bspw. Dialoge, Musik oder Effekte. Auf diese Weise können alle Elemente derselben Kategorie als einzelnes Audiosignal gemixt werden. Beispiel: Wenn Sie 5 Dialogspuren haben, können Sie die Ausgabe aller 5 Dialogspuren an einen separaten Bus weiterleiten. Die Pegel aller Dialogspuren lassen sich so mit einem einzelnen Satz von Reglern anpassen.

Die Fairlight-Flexbus-Struktur bietet Ihnen völlige Flexibilität über die Bustypen und Signalverteilung, einschließlich Routingoptionen von Bus zu Bus, von Spur zu Spur und von Bus zu Spur. Weitere Informationen zu den Audiobus-Einstellungen in Fairlight finden Sie im englischsprachigen DaVinci Resolve Handbuch.

Der Mixer

Jede Audiospur in der Timeline entspricht einem individuellen Kanalzug im Mixer. Standardmäßig befindet sich rechts neben dem Main-Bus ein mit „Bus 1“ beschrifteter einzelner Kanalzug. Für jeden weiteren Bus, den Sie erstellen, erscheint rechtsseitig ein zusätzlicher Kanalzug mit einem Satz von Reglern. Mit einem Satz grafischer Steuerelemente können Sie Ausgabekanäle Spurkanäle zuweisen, EQ und Dynamik anpassen, Pegel und Aufnahmeautomatisierung einstellen, Stereo- und Surround-Ton positionieren sowie Spuren auf Solo oder stummschalten.

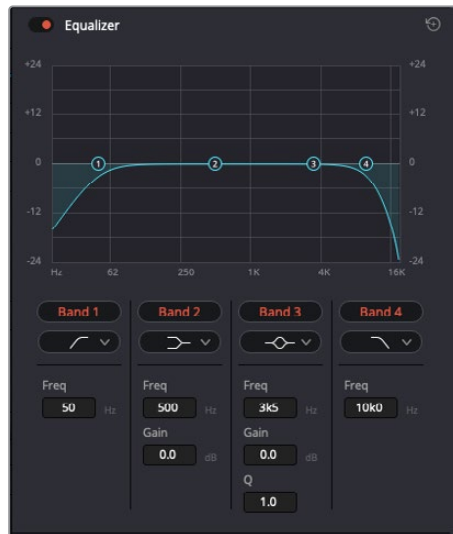


Audiomixer mit den zu den Spuren in der Timeline gehörigen Kanalzügen

Verfeinern von Audio mit dem Equalizer

Vielleicht stellen Sie nach Anpassen der Tonpegel Ihrer Audioclips fest, dass der Ton weiteren Verfeinerungen bedarf. Es kann vorkommen, dass Dialoge, Musik und Soundeffekte um dieselben Frequenzen im Klangspektrum konkurrieren. Das kann dazu führen, dass der Sound aufdringlich oder unklar klingt. Hier kann der Equalizer Abhilfe schaffen, da Sie darüber jene Bereiche des Klangspektrums bestimmen können, den jede Spur für sich beansprucht. Mit einem Equalizer können Sie darüber hinaus unerwünschte Elemente aus Ihrem Audio entfernen. Das geschieht, indem Pegel in bestimmten Frequenzen, die ein Dröhnen, Surren, Zischen oder auch Windgeräusche enthalten, isoliert oder reduziert werden. Auch die allgemeine Klangqualität lässt sich damit verbessern.

DaVinci Resolve stellt EQ-Filter bereit, die auf Clipsebene für individuelle Clips oder auf Spurebene für individuelle Spuren angewendet werden können. Jeder Audioclip in der Timeline verfügt im Inspector-Fenster über einen 4-Band-Equalizer. Im Mixer-Fenster steht für jede Spur ein parametrischer 6-Band-Equalizer bereit. Mit den grafischen und numerischen Steuerelementen zum Verstärken oder Dämpfen von Frequenzbereichen sowie unterschiedlichen Filterarten lässt sich die Form der EQ-Kurve definieren.



Der 4-Band-Equalizer kann auf jeden Clip in der Timeline angewendet werden

Über die äußeren Bänder lassen sich Bandfilter mithilfe von Hi-Shelf-, Lo-Shelf-, Hi-Pass- und Lo-Pass-Filtern anpassen. Ein Pass-Filter wirkt sich auf alle Frequenzen über oder unter einem bestimmten Frequenzwert aus, da diese Frequenzen komplett aus dem Signal entfernt werden. Beispiel: Ein Hochpassfilter lässt die hohen Frequenzen passieren und stoppt die niedrigen Frequenzen. Sämtliche außerhalb der Grenzfrequenz liegenden Frequenzen werden in einer graduell abfallenden Kurve herausgeschnitten.

Ein Shelf-Filter ist weniger aggressiv und dann hilfreich, wenn Sie die oberen und unteren Frequenzbereiche eines Signals allgemein formen wollen, ohne diese Frequenzen komplett außen vor zu lassen. Je nachdem, ob Sie einen High- oder einen Low-Shelf-Filter verwenden, verstärkt oder dämpft der Shelf-Filter die Zielfrequenz sowie alle darüber bzw. darunter liegenden Frequenzen.

Mit den Steuerelementen der mittleren Bänder können Sie eine große Vielfalt an Equalizer-Anpassungen vornehmen und zwischen Low-Shelf-, Bell-, Notch- und High-Shelf-Filteroptionen hin und her schalten.

- **Bell:** Bell-Filter verstärken oder dämpfen Frequenzen rund um den vorgegebenen Mittelpunkt einer Glockenkurve. Wie der Name sagt, handelt es sich dabei um eine glockenförmige Kurve.
- **Notch:** Mit Notch-Filtern lassen sich sehr schmale Frequenzbandbreiten bearbeiten. Beispielsweise lässt sich Netzbrummen bei 50 oder 60 Hz entfernen.
- **Lo-Shelf:** Low-Shelf-Filter verstärken oder kappen die Zielfrequenz am unteren Ende sowie alle Frequenzen, die darunter liegen.
- **Hi-Shelf:** High-Shelf-Filter verstärken oder kappen die Zielfrequenz am oberen Ende sowie alle Frequenzen, die darüber liegen.

So versehen Sie einen einzelnen Clip mit einem EQ:

- 1 Wählen Sie den Clip, auf den Sie den EQ-Filter anwenden wollen, in der Timeline aus.
- 2 Klicken Sie dann in den Inspector und anschließend auf den Aktivierungs-Button „Equalizer“.

So versehen Sie eine Spur mit einem EQ:

- 1 Doppelklicken Sie im Mixer in das EQ-Feld einer Ihrer Spuren, um den Equalizer für diese Spur zu öffnen.
- 2 Wählen Sie im Drop-down-Menü für das anzupassende Band den Bandfilter aus.



Der EQ-Bereich im Mixer-Fenster zeigt an, dass eine EQ-Kurve zu Spur 1 hinzugefügt wurde



Der parametrische 6-Band-Equalizer kann auf jede Spur angewendet werden

Sobald Sie Ihren Clip oder Ihre Spur mit einem EQ versehen haben, können Sie den EQ für jedes Band anpassen. Bitte beachten Sie, dass sich die Steuerelemente je nach ausgewählter Filterart unterscheiden.

So passen Sie den EQ für einen Bandfilter an:

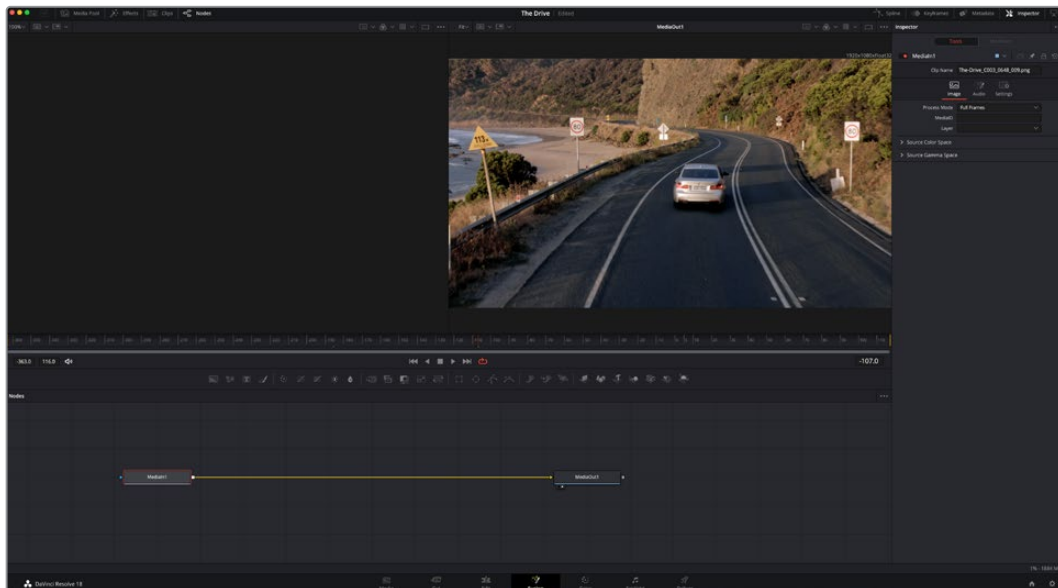
- 1 Wählen Sie im Drop-down-Menü für das anzupassende Band den Bandfilter aus.
- 2 Passen Sie den Frequenzwert „Frequency“ an, um die Mittenfrequenz für den EQ festzulegen.
- 3 Passen Sie den „Gain“-Wert an, um die von den Bändern gesteuerten Frequenzen zu verstärken oder zu dämpfen.
- 4 Geben Sie über den „Q Factor“-Wert die Bandbreite der betroffenen Frequenzen vor.

Setzen Sie mit dem Zurücksetzen-Button alle Steuerelemente im EQ-Fenster auf ihre Standardwerte zurück.

Fairlight bietet eine Vielfalt an Steuerelementen, mit denen Sie das Beste aus jeder Audiospur herausholen können. Fügen Sie Spuren hinzu, verwalten und organisieren Sie Busse und fügen Sie Effekte wie Laufzeitverzögerungen oder Hall hinzu. Oder polieren Sie Ihren Audiomix ganz allgemein auf.

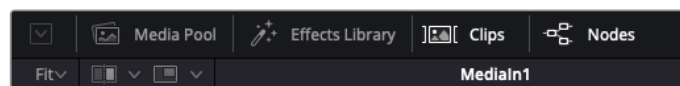
Hinzufügen von VFX und Compositing im Fusion-Arbeitsraum

Nach abgeschlossenem Schnitt können Sie den Fusion-Arbeitsraum öffnen und direkt von DaVinci Resolve aus visuelle Effekte und Bewegtbilder in 2D oder 3D hinzufügen. Im Gegensatz zu ebenenbasierten Compositing-Softwares verwendet Fusion sogenannte Nodes, anhand derer Sie Bilddaten in beliebige Richtungen lenken können und so die Freiheit haben, komplexe Effekte zu bauen. Das Node-Fenster zeigt auf einen Blick alle im Laufe dieses Vorgangs verwendeten Tools an. Wenn Sie den Node-Workflow im Color-Arbeitsraum verwendet haben, werden Sie damit vertraut sein.

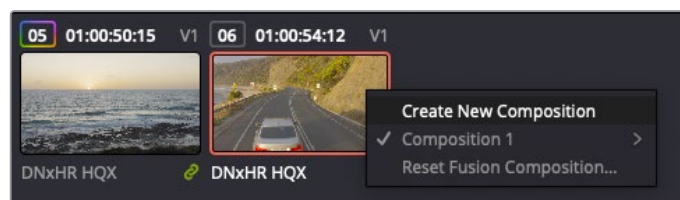


Der Fusion-Arbeitsraum

Der Fusion-Arbeitsraum bietet im oberen Bereich zwei Ansichtsfenster (Viewer) mit Transportsteuerung zum Sichten Ihrer Medien. Rechts daneben ist das Inspector-Fenster für den Zugriff auf Tool-Einstellungen. Im „Nodes“-Fenster, dem sogenannten Node-Editor, im unteren Bereich erstellen Sie Ihre Kompositionen, fachsprachlich Compositings genannt. Die Viewer und die Transportsteuerung werden immer angezeigt. Per Klick auf die Icons der Bedienoberflächen-Toolbar können Sie jedoch die Fenster „Nodes“ und „Inspector“ oder zusätzliche Fenster einschließlich der „Effects Library“ (Effektbibliothek) und Spline- und Keyframe-Editoren aufrufen oder verbergen.



- **Media Pool:** Der Media Pool funktioniert hier genauso wie im Edit-Arbeitsraum. Ziehen Sie einfach zusätzliche Medien aus Ihren Bins direkt in Ihr Compositing.
- **Effects Library:** In der Effektbibliothek finden Sie Fusion Tools und Vorlagen, die in Kategorien wie Partikel, Tracking, Filter und Generatoren sortiert sind. Sie können Tools anklicken oder in den Node-Editor ziehen, um sie Ihrem Compositing hinzuzufügen. Der Media Pool und die Effektbibliothek sind im gleichen Bildschirmbereich verortet und man wechselt zwischen beiden hin und her. So werden die Viewer möglichst groß angezeigt.
- **Clips:** Per Klick auf den „Clips“-Tab werden die Thumbnails für die Clips in Ihrer Timeline aufgerufen oder verborgen. Die Thumbnails sind unterhalb des Node-Editors verortet, wo Sie unmittelbar zu anderen Clips navigieren können.



Erstellen Sie eine neue Version Ihres Compositings, indem Sie ein Thumbnail anklicken und „Create New Composition“ wählen

- **Viewer:** Die Ansichtsfenster sind stets eingblendet und zeigen verschiedene Darstellungen Ihres Compositings an. Bspw. eine 3D-Gesamtperspektive der Infos des 3D-Merge-Nodes, die Kameraausgabe oder Ihre finale Rendrausgabe. In den Viewern sehen Sie auch, wie sich Ihre Änderungen auf ein spezifisches Element auswirken. Sie können die Node-Ansichten in den Viewern bestimmen, indem Sie auf einen Node klicken und „1“ für den linken und „2“ für den rechten Viewer eingeben. Der neben dem Node erscheinende weiße Punkt zeigt an, welchem der beiden Ansichtsfenster er zugewiesen ist. Bei Verwendung eines externen Videomonitors erscheint ein dritter Button, über den Sie Ihre Medien Ihrem externen Monitor zuweisen können.

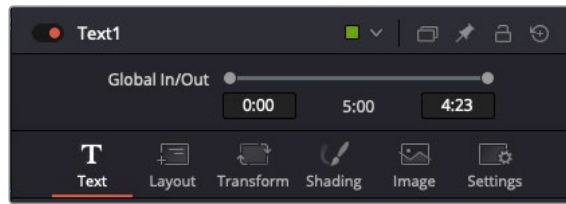
TIPP Alternativ können Sie einen Node einem Viewer zuweisen, indem Sie den Node direkt in den Viewer ziehen.

Mit den Transportsteuerelementen unter den Viewern können Sie zum Anfang oder Ende eines Clips springen, ihn vor- oder rückwärts abspielen oder seine Wiedergabe anhalten. Das Zeitlineal zeigt den gesamten Clipbereich an, wobei die In- und Out-Punkte mit gelben Markern versehen sind.



Die gelben Marker auf dem Zeitlineal zeigen die In- und Out-Punkte Ihres Clips in der Timeline an. Wenn Sie einen Fusion Clip oder Compound Clip verwenden, sehen Sie auf dem Zeitlineal nur die Dauer des Clips, wie er in der Timeline erscheint, d. h. ohne Handles

- **Nodes:** Das „Nodes“-Fenster, der sogenannte Node-Editor, ist das Herz des Fusion-Arbeitsraums. Dort bauen Sie Ihren Node-Baum, indem Sie Tools und den Ausgang eines Nodes mit dem Eingang eines anderen verknüpfen. Die Größe dieses Bereichs variiert je nach dem geöffneten Editor, bspw. der Spline- oder Keyframe-Editor. Die Toolbar direkt über dem Node-Editor bietet schnellen Zugriff auf häufig benutzte Tools.
- **Spline:** Der geöffnete Spline-Editor wird rechts vom Node-Editor eingblendet. Mit diesem Editor können Sie präzise Anpassungen an einzelnen Nodes vornehmen, bspw. um die Animation zwischen zwei Keyframes mithilfe von Bézier-Kurven zu glätten.
- **Keyframes:** Anhand des Keyframe-Editors kann man jedes Tool mit Keyframes versehen, diese entfernen oder modifizieren. Auch dieser Editor wird rechts vom „Nodes“-Fenster eingblendet.
- **Metadaten:** Im Metadatenfenster werden Ihnen die für einen aktiven Clip verfügbaren Metadaten wie Codec, Framerate und Timecode angezeigt.
- **Inspector:** Der „Inspector“ oben rechts auf der Bedienoberfläche zeigt alle für eine oder mehrere aktive Nodes verfügbaren Einstellungen und Modifier an. Dort werden auch zusätzliche, nach Kategorie sortierte Tab-Optionen für schnellen Zugriff eingblendet.

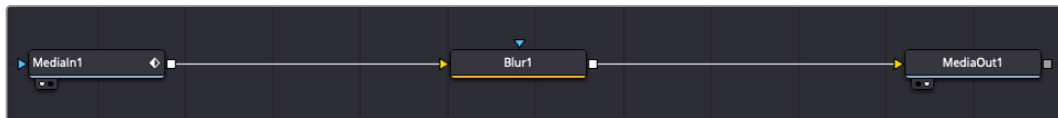


Der Text-Inspector bietet zusätzliche Tabs für Text, Layout, Transform, Shading, Bild und Einstellungen

Erste Schritte mit Fusion

Um mit Fusion loszulegen, platzieren Sie den Abspielkopf auf irgendeinen Clip in Ihrer Timeline. Öffnen Sie dann den Fusion-Arbeitsraum per Klick auf den „Fusion“-Tab.

Im Fusion-Arbeitsraum ist Ihr Clip dann in Form eines als „MediaIn“ gekennzeichneten Medieneingabe-Nodes sofort verfügbar. Jedes Compositing beginnt mit einem „MediaIn“- und einem „MediaOut“-Node. Dieser „MediaIn“-Node stellt den obersten Clip in Ihrer Timeline dar und ignoriert alle darunter liegenden Clips. Sämtliche im Edit-Arbeitsraum am Clip vorgenommenen Änderungen werden einbezogen. Bspw. an Transform-Tools oder ausgewählten Bildausschnitten.



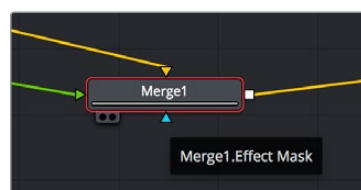
Der als „MediaOut“ gekennzeichnete Medienausgabe-Node sendet die Ausgabe zurück in die Timeline des Edit-Arbeitsraums von DaVinci Resolve

TIPP ResolveFX- oder OFX-Plug-ins, mit denen Clips im Cut- oder Edit-Arbeitsraum versehen wurden, werden im Fusion-Arbeitsraum nicht angewendet. Das liegt daran, dass Fusion Effekte bereits vor der Farbkorrektur und vor den OFX/ResolveFX verarbeitet werden. Um OFX in der Verarbeitungskette vor Fusion Effekten anzuwenden, klicken Sie im Edit-Arbeitsraum auf den Clip und wählen Sie „New Fusion Clip“. Klicken Sie erst dann auf den Tab für den Fusion-Arbeitsraum.

Nodes verstehen

Man kann sich einen Node als visuelles Icon vorstellen, das ein einzelnes Tool oder einen Effekt darstellt. Nodes werden mit anderen Nodes verknüpft und so wird durch Hinzufügen von Elementen eine Gesamtkomposition gebaut. Es ist wichtig, die Ein- und Ausgänge der einzelnen Nodes zu verstehen. Das hilft Ihnen bei der Gestaltung von detaillierten visuellen Effekten, den Fluss Ihres Compositings zu navigieren.

Manche Tools verfügen über mehrere Ein- und Ausgänge, die sich mit anderen Nodes verknüpfen lassen. So können Sie einen Merge-Node bspw. mit einem Vordergrundeingang, einem Hintergrundeingang und einem Maskeneingang für Matten und Keys koppeln.



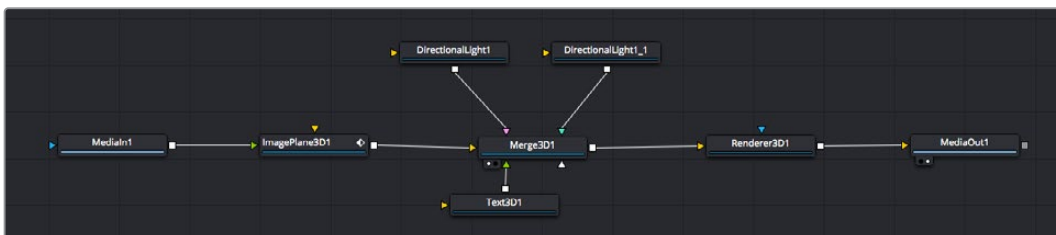
- ▶ Eingabe Vordergrund
- ▶ Eingabe Hintergrund
- ▶ Eingabe Maskeneffekt
- Timecode-Ausgabe

Demnach kann ein einzelner Node mit mehreren Ausgängen an mehrere verschiedene Nodes in Ihrem Compositing geknüpft werden. Anders als mit einer ebenenbasierten Software brauchen Sie diese Clips nicht zu duplizieren. Die Verbindungslinien zwischen Nodes sind mit Pfeilen versehen, die die Richtung des Bilddatenflusses illustrieren.

Hinzufügen von Nodes in den Node-Editor

Effekte fügt man einfach hinzu, indem man Nodes auf die Verbindungslinie zwischen die „MediaIn“- und „MediaOut“-Nodes setzt.

Dafür gibt es mehrere alternative Methoden. Sie können einen Node mit gedrückter Shift-Taste zwischen zwei Nodes einsetzen. Alternativ klicken Sie auf den Node, an den Sie einen Effekt anknüpfen möchten, und wählen Sie das gewünschte Tool aus. Der neue Node wird automatisch mit dem ausgewählten Tool verbunden. Sie können einen Node auch irgendwo im Node-Editor hinzufügen und die Nodes manuell verknüpfen, indem Sie den Ausgang des einen zum Eingang des anderen Nodes ziehen.



Der Merge-Node für 2D oder 3D ist das meistgebrauchte Tool. Dieser Node fungiert als Drehscheibe, der Tools im Node-Editor in einen einzelnen Ausgang zusammenführt

Der Merge-Node verfügt über Steuerelemente für die Handhabung der Eingänge, einschließlich von Attributen wie Größe, Position und Mix. Ist der Merge-Node ausgewählt, hat man im „Inspector“-Fenster Zugriff auf all diese Einstellungen.

Die gebräuchlichsten Tools sind als Icons in der Toolbar aufgereiht. Um einem Node ein Tool hinzuzufügen, klicken Sie auf sein Icon oder ziehen Sie es in den Node-Editor. Um alle verfügbaren Tools zu sichten, klicken Sie oben links auf „Effects Library“ und erweitern Sie die Option „Tools“. Dort finden Sie alle Tools nach Kategorie sortiert sowie einen Satz vorgefertigter „Templates“. Diese Vorlagen können Sie bspw. als Blendeneffekte, Shader und Hintergründe verwenden.

TIPP Sobald Ihnen die Werkzeugnamen vertraut sind, können Sie das Auswahlmenu „Select Tools“ aufrufen, indem Sie bei gedrückter Shift-Taste die Leertaste Ihrer Tastatur drücken. Beim Eintippen des Werkzeugnamens wird Ihnen das relevante Tool aus dem Menü vorgeschlagen. So wählt man das gewünschte Tool sehr schnell aus.

Anpassen von Nodes mit dem Inspector

Passen Sie Ihre Node-Einstellungen im „Inspector“-Fenster an. Ein Klick auf den zu modifizierenden Node aktualisiert das Fenster und zeigt die Einstellungen und Steuerelemente des Nodes an.

Mit Fusion brauchen Sie den aktuell bearbeiteten Node nicht zu sichten, da Sie einen Node modifizieren können, während Ihnen ein anderer in Ihrem Compositing angezeigt wird. Beispiel: Sie können die Größe und die mittige Platzierung eines „Text“-Nodes ändern, während der Merge-Node im Viewer angezeigt wird. Dies lässt Sie den Text im Bezug auf den Hintergrund sichten.



Ausgewählte Nodes sind rot umrandet. Der Inspector zeigt unter „Layout“ die Tabs mit den Steuerelementen für den Text-Node an

Die unterschiedlichen Parameter und Einstellungen können Sie für jeden Node je nach Aufgabe anpassen. Sei dies die Größenvorgabe, das Zentrieren der Platzierung oder eine Änderung an der Anzahl von Partikeln eines Emitter-Nodes. Durch die Vorgabe von Keyframes und Einstellungen, die sich über einen Zeitverlauf ändern, wird der Effekt animiert.

Arbeiten mit Keyframes

Setzen Sie im „Inspector“-Fenster einen Keyframe, indem Sie einen Rechtsklick auf einer Einstellung ausführen und im Kontextmenü „Animate“ wählen. Das Keyframe-Icon rechts neben der Einstellung erscheint nun in Rot. Dies besagt, dass der Keyframe jetzt aktiviert ist und jede von Ihnen vorgenommene Änderung nur auf den aktuellen Frame angewendet wird. Werden zwei oder mehr Keyframes erstellt, indem die Einstellungsparameter eines anderen Frames geändert werden, wird dazwischen ein Übergang interpoliert. Anhand der Pfeile rechts und links vom Keyframe-Icon können Sie den Abspielkopf auf der Timeline genau an diese Positionen bewegen.



Hier wurde die Keyframe-Animation „Size“ mit einer Bézierkurve geglättet. Um die Kurve zu kürzen oder zu verlängern, klicken Sie die Bézier-Ziehpunkte an. Um die Keyframe-Platzierung zu ändern, klicken Sie die rechteckigen Keyframe-Icons an

Die Freiformkurve im „Spline“-Fenster gibt Ihnen noch mehr Kontrolle über Ihre Keyframe-Animation. Wählen Sie damit Keyframes aus, bspw. den ersten und letzten, und glätten Sie die Animation dazwischen anhand einer Bézierkurve. Drücken Sie hierfür Shift und die S-Taste oder rechtsklicken Sie auf einen Keyframe und geben Sie „Smooth“ vor.

Mit dem Motion Tracker arbeiten und Text hinzufügen

Die folgenden Beispiele sollen Ihnen den Einsatz von Fusion besser verständlich machen. Sie veranschaulichen, wie Sie anhand des Tracker-Werkzeugs ein Element in einem Clip verfolgen und wie Sie dieses Element unter Verwendung der Trackingdaten mit Text versehen.

Der Tracker verfolgt die Pixel entlang der X- und Y-Achsen. Anhand der so generierten Daten können Sie an ein Element weitere anknüpfen. Das ist ideal, wenn Sie die Position von Text an die Bewegung eines Objekts anpassen wollen, bspw. an ein fahrendes Auto oder an einen durch das Bild fliegenden Vogel.

- 1 Wählen Sie in der „Effects Library“ das „Tracking“-Tool aus und ziehen Sie es auf die Linie zwischen die „MediaIn“- und die „MediaOut“-Nodes. Klicken Sie jetzt auf den Tracker-Node, um seine Eigenschaften im Inspector zu öffnen.
- 2 Tippen Sie auf Ihrem Keyboard „1“, um den Tracker-Node im linken Viewer zu sichten. Nun erscheint der Clip mit dem Tracker an seiner standardmäßigen Position im Viewer. Bewegen Sie den Mauszeiger über den Tracker bis der Tracker-Ziehpunkt erscheint. Klicken Sie oben links auf den Tracker-Ziehpunkt und ziehen Sie den Tracker auf den zu verfolgenden Bereich in Ihrem Clip. Hochkontrastige Bereiche lassen sich gut verfolgen, bspw. die Kühlerfigur eines Autos. Für extra Präzision vergrößert der Tracker den betroffenen Bildbereich.
- 3 Klicken Sie im Inspector auf den „Track Forward“-Button, um mit dem Tracking zu beginnen. Nach abgeschlossenem Tracking erscheint ein Hinweisfenster. Klicken Sie auf „OK“.



Die im Inspector verfügbaren Tracking-Möglichkeiten umfassen u. a. das Rückwärts-Tracking vom letzten oder vom aktuellen Frame oder das Anhalten am bzw. Vorwärts-Tracking vom aktuellen Frame oder vom ersten Frame

TIPP Das Rückwärts- oder Vorwärts-Tracking vom aktuellen Frame aus bietet sich für Situationen an, in denen der betroffene Bereich mitten im Renderabschnitt verschwindet. Bspw. wenn sich ein Auto oder ein Vogel aus dem Bild herausbewegt. Dies gestattet es, nur die relevante Footage zu verfolgen.

Nun können Sie die Trackingdaten des Bewegungspfad auf ein Text-Tool anwenden.

- 4 Klicken Sie in der Toolbar mit den gängigen Nodes auf den „Text+“-Node und ziehen Sie diesen in das „Nodes“-Fenster in die Nähe des Tracker-Nodes. Verbinden Sie das kleine Ausgaberechteck „Text“ mit dem grünen Vordergrundeingang am „Tracker“-Node.



- 5 Klicken Sie auf den „Tracker“-Node und tippen Sie „1“, um das Merge-Ergebnis im linken Ansichtsfenster zu betrachten. Klicken Sie im Inspector im Feld „Tracker“ auf den „Operations“-Tab. Klicken Sie auf das Menü neben „Operation“ und wählen Sie „Match Move“ aus.
- 6 Klicken Sie auf den „Text“-Node, um seine Eigenschaften im Inspector zu öffnen. Tippen Sie Ihren Text in das Textfeld und ändern Sie entsprechend Ihres Compositings die Art, Farbe und Größe der Schrift.

Auf diese Weise werden die Trackingpositionsdaten Ihres Trackers auf den Text angewendet. Um per Offset eine versetzte Platzierung des Textes zu bewirken, klicken Sie im Inspector auf den „Trackers“-Tab. Modifizieren Sie die Platzierung dort anhand der X- und Y-Scrollräder.



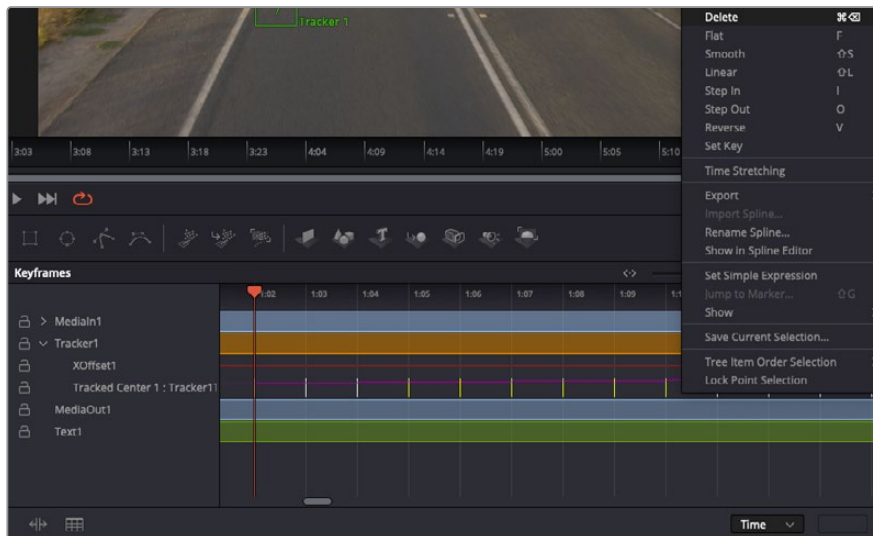
Die Scrollräder unten im Tracker-Fenster des Inspectors dienen zum Anpassen der Offset-Platzierung von Text

Wird das Compositing jetzt wiedergegeben, sehen Sie, wie der Text an Ihrem getrackten Objekt haftet.



Das grüne Quadrat zeigt die aktuelle Tracker-Position entlang des grünen Pfads an, und die rote gestrichelte Linie steht für die zur Textanimation benutzte Offset-Position

Bei manchen Shots werden Sie nach abgeschlossenem Tracking vermutlich die Tracking-Punkte entfernen wollen. Bspw. wenn Ihr verfolgtes Objekt vom Bildschirm verschwindet. Mit dem Keyframe-Editor ist das ein einfacher Vorgang.



- 7 Öffnen Sie den Keyframe-Editor, indem Sie über dem Inspector auf den „Keyframes“-Tab klicken. Mit Keyframes versehene Nodes erkennt man an, einem kleinen Pfeil neben dem Node-Label. In der Liste unten erscheinen nur die Parameter mit zugefügten Keyframes. Klicken Sie auf das Vergrößerungssymbol und ziehen Sie ein Kästchen um den zu bearbeitenden Bereich. Dies zoomt in den Bereich hinein und lässt Sie die Keyframes besser erkennen.
- 8 Bewegen Sie den Abspielkopf an den Standort des letzten gewünschten Keyframes. Wählen Sie jetzt die zu entfernenden Keyframes aus, indem Sie mit Ihrer Maus ein Rechteck um diese herum ziehen. Die Keyframes werden nun gelb markiert. Führen Sie einen Rechtsklick aus und wählen Sie zum Löschen im Menü „Delete“.

TIPP Wenn Ihre Effekte das System stark belasten, können Sie im Bereich der Transportsteuerung per Rechtsklick die Viewer-Optionen einblenden. Dort gibt es bspw. die Proxy-Wiedergabe, mit der Sie beim Erstellen von Compositings das Beste aus Ihrem System herausholen. Weitere Einzelheiten zu allen Wiedergabeoptionen finden Sie im englischsprachigen DaVinci Resolve Handbuch.

Ihr erstes Compositing mit einem animierten Text, das einer Bewegung in Ihrer Footage folgt, ist nun vollbracht!

Um einen Bereich in Ihrem Bild mit einer planen Fläche zu verfolgen, den Sie verbessern oder ersetzen möchten, steht der Planar-Tracker zur Verfügung. Die 2D-Flächenverfolgung ist praktisch, um in einem Bewegtbild bewegte Beschriftungen und Schilder zu ändern. Man kann damit sogar ein Bild auf einen in Ihrer Footage erscheinenden Monitor oder TV-Bildschirm setzen.

Einzelheiten zum Planar-Tracker und zu den vielen leistungsstarken Werkzeugen in DaVinci Resolves Fusion-Arbeitsraum finden Sie im englischsprachigen DaVinci Resolve Handbuch.

TIPP Entscheiden Sie beim Erstellen von visuellen Effekte im Fusion-Arbeitsraum, ob es 2D- oder 3D-Effekte werden sollen, da dies bestimmt, welches Merge-Tool verwendet wird. Es kann gut sein, dass Sie in einem Compositing häufig sowohl 2D- als auch 3D-Effekte kombinieren. Bedenken Sie dabei, dass jeder im 3D-Raum erstellte visuelle Effekt erst als 2D-Bild gerendert werden muss, bevor er in ein 2D-Compositing eingefügt werden kann.

Wir wünschen Ihnen viel Vergnügen beim Erkunden von Fusion und seinen VFX zusammen mit der geballten Power von DaVinci Resolves Edit-, Farb- und Fairlight-Arbeitsräumen. Mit so vielen mächtigen Tools in greifbarer Nähe, kennt die Umsetzung Ihrer Ideen in DaVinci Resolve keine Grenzen mehr.

Mastern Ihres Schnitts

Jetzt, da Sie Ihren Edit bearbeitet, visuelle Effekte hinzugefügt und Ihren Ton gemischt haben, möchten Sie ihn bestimmt mit anderen teilen. Über den „Quick Export“-Button oder die Menüauswahl können Sie Ihren Timeline-Content als eigenständige Datei in einem von vielen verfügbaren Formaten ausgeben, oder weitere im Deliver-Arbeitsraum verfügbare Features verwenden.



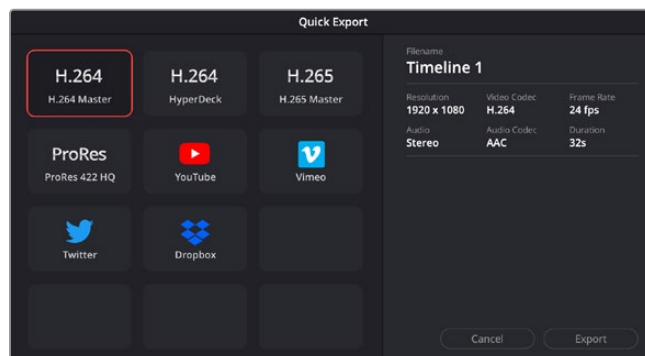
Der Export Ihres Schnitts erfolgt im Deliver-Arbeitsraum. Es stehen viele verschiedene Videoformate und Codecs zur Wahl

Quick Export

Per „File“ > „Quick Export“ können Sie Ihr Programm schnell von jedem Arbeitsraum in DaVinci Resolve ausgeben. Verwenden Sie dazu eines von diversen Export-Presets. Die Option „Quick Export“ ermöglicht auch das Exportieren und Hochladen Ihres Programms an einen unterstützten Video-Sharing-Dienst wie YouTube, Vimeo, Twitter und Frame.io.

So verwenden Sie Quick Export:

- 1 Setzen Sie wahlweise im Cut-, Edit-, Fusion- oder Color-Arbeitsraum In- und Out-Punkte in der Timeline, um in Ihrem aktuellen Programm eine Sequenz für die Ausgabe zu bestimmen. Werden keine In- und Out-Punkte vorgegeben, dann wird die gesamte Timeline exportiert.
Wählen Sie in der Menüleiste „File“ > „Quick Export“.
- 2 Wählen Sie im Dialogfenster „Quick Export“ aus der oben verlaufenden Icon-Zeile ein Preset und klicken Sie auf „Export“.
- 3 Wählen Sie einen Verzeichnisort, geben Sie im Export-Fenster einen Dateinamen ein und klicken Sie auf „Save“. Der nun im Fenster erscheinende Fortschrittsbalken zeigt die Exportdauer an.



Das Dialogfenster „Quick Export“

Der Deliver-Arbeitsraum

In diesem Arbeitsraum wählen Sie die zu exportierenden Clips aus. Zusätzlich können Format, Codec und die gewünschte Auflösung eingestellt werden. Sie können in diversen Formaten wie QuickTime, AVI, MXF und DPX exportieren und zwar unter Verwendung der folgenden Codecs: 8 Bit oder 10 Bit unkomprimiertes RGB/YUV, ProRes, DNxHD, H.264 und mehr.

So exportieren Sie einen einzelnen Clip Ihres Schnitts:

- 1 Klicken Sie auf den Tab „Deliver“, um den Deliver-Arbeitsraum zu öffnen.
- 2 Gehen Sie links oben im Arbeitsraum zum Fenster „Render Settings“ mit den Render-Einstellungen. Für den Export haben Sie eine Reihe von Presets zur Auswahl, bspw. Presets für YouTube, Vimeo und Ton. Oder Sie erstellen eigene Export-Einstellungen, indem Sie diese auf dem standardmäßigen Preset „Custom“ belassen und Ihre Parameter eingeben. Hier ein Beispiel: Wählen Sie YouTube, klicken Sie auf den Pfeil neben dem Preset und anschließend auf das Videoformat 1080p.

Die Framerate wird durch die in den Projekteinstellungen angegebene Framerate bestimmt.

- 3 Unterhalb der Presets sehen Sie den Timeline-Dateinamen und den Zielort für Ihr exportiertes Video. Klicken Sie auf den Button „Browse“ und bestimmen Sie den Ort, an dem die exportierte Datei gespeichert werden soll. Wählen Sie dann aus den Renderoptionen „Single Clip“.
- 4 Im Optionsfeld unmittelbar über der Timeline ist „Entire Timeline“ vorgegeben. Dies bedeutet, dass die gesamte Timeline exportiert wird. Sie können jedoch auch nur einen Bereich der Timeline festlegen. Wählen Sie „In/Out Range“ und bestimmen Sie mithilfe der Shortcuts „I“ und „O“ die In- und Out-Punkte in Ihrer Timeline.
- 5 Klicken Sie unten in den Render-Einstellungen „Render Settings“ auf die Schaltfläche „Add to Render Queue“.

Ihre Render-Einstellungen werden dann der Render-Warteschleife rechts im Arbeitsraum hinzugefügt. Klicken Sie jetzt lediglich auf „Start Render“ und verfolgen Sie den Fortschritt in der Warteschleife.

Nach abgeschlossenem Rendern können Sie den ausgewählten Ordner öffnen, auf Ihren Clip klicken und Ihren fertiggestellten Schnitt ansehen.

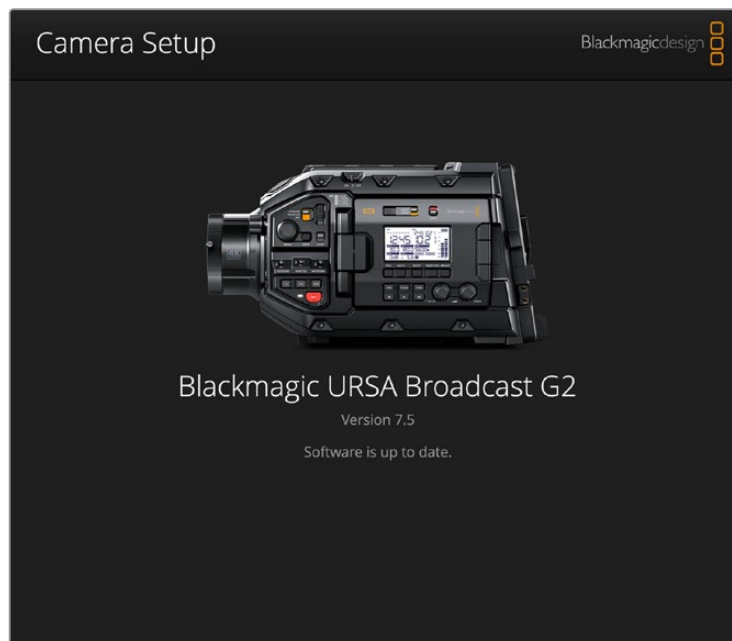
Sie verfügen nun über Grundkenntnisse zu Schnitt, Farbe, Vertonung und visuellen Effekten. Wir empfehlen Ihnen, mit DaVinci Resolve zu experimentieren, um diese Fertigkeiten zu vertiefen. Einzelheiten wie Sie mit den Funktionen das Beste aus Ihrem Projekt herausholen, finden Sie im DaVinci Resolve Handbuch.

Blackmagic Camera Setup Dienstprogramm

Aktualisieren der Kamerasoftware auf Mac

Laden Sie das Blackmagic Camera Setup Dienstprogramm herunter und entpacken Sie die heruntergeladene Datei. Klicken Sie dann auf das Disk-Image, um sich das Installationsprogramm Blackmagic Camera Setup Installer anzeigen zu lassen.

Starten Sie das Programm und folgen Sie den Anweisungen auf dem Bildschirm. Gehen Sie nach abgeschlossener Installation zu Ihrem Programme-Ordner und öffnen Sie den Ordner „Blackmagic Cameras“. Dieser enthält diese Bedienungsanleitung, das Blackmagic Camera Setup Dienstprogramm sowie einen Dokumente-Ordner mit Readme-Dateien und Informationen. Sie finden dort auch ein Deinstallationsprogramm, das Sie für Updates mit neueren Versionen des Blackmagic Camera Setup Dienstprogramms benötigen werden.



Aktualisieren Ihrer Kamerasoftware auf Windows

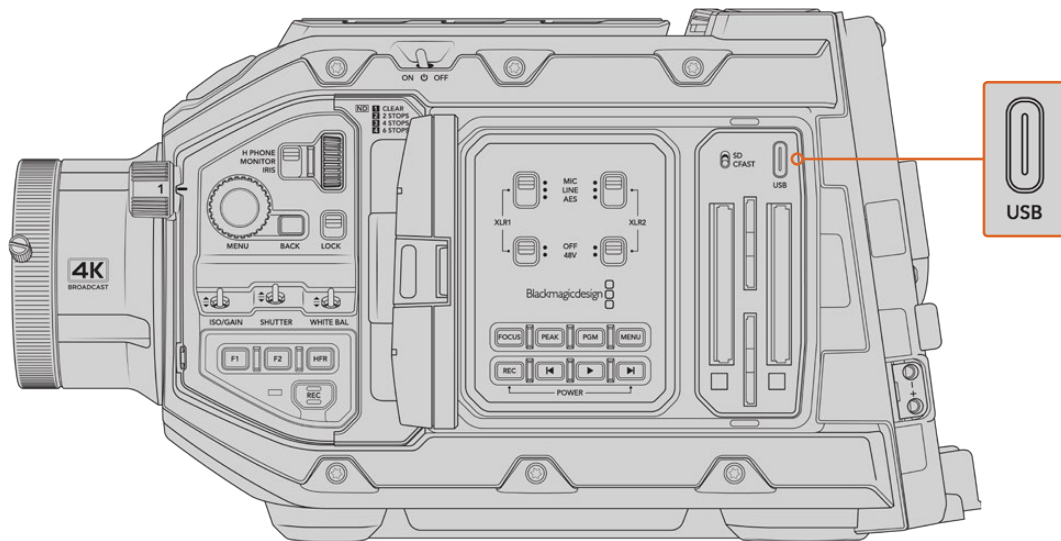
Nachdem Sie das Blackmagic Camera Setup Dienstprogramm heruntergeladen und die Datei entpackt haben, ist ein Ordner namens Blackmagic Camera Setup zu sehen, der eine PDF-Version dieser Bedienungsanleitung und das Programm Blackmagic Camera Setup Installer enthält. Doppelklicken Sie auf das Installationsprogramm und folgen Sie den Bildschirmanweisungen zur Fertigstellung der Installation.

Auf Windows 10: Klicken Sie auf den „Start“-Button und wählen Sie „All Apps“ (Alle Programme). Scrollen Sie zum Blackmagic Design Ordner. Starten Sie von dort das Blackmagic Camera Setup Dienstprogramm.

So aktualisieren Sie Ihre Kamerasoftware

Schließen Sie Ihren Computer nach erfolgter Installation des aktuellsten Blackmagic Camera Setup Dienstprogramms über ein USB-Kabel an Ihre Blackmagic URSA Broadcast G2 an. Der USB-Port befindet sich an der linken Kameraseite über den Kartenschächten.

Starten Sie Blackmagic Camera Setup und folgen Sie den Bildschirmanweisungen zur Aktualisierung der Kamerasoftware. Beachten Sie, dass mit dem Aktualisieren Ihrer Kamerasoftware alle Presets und benutzerdefinierten LUTs gelöscht und Einstellungen zurückgesetzt werden. Als bewährte Praxis empfiehlt es sich, ein Backup dieser Daten auf einer Speicherkarte anzufertigen, bevor Sie die Kamerasoftware aktualisieren. So können Sie Ihre Presets und LUTs nach erfolgter Softwareaktualisierung per Import von der Speicherkarte schnell wiederherstellen.



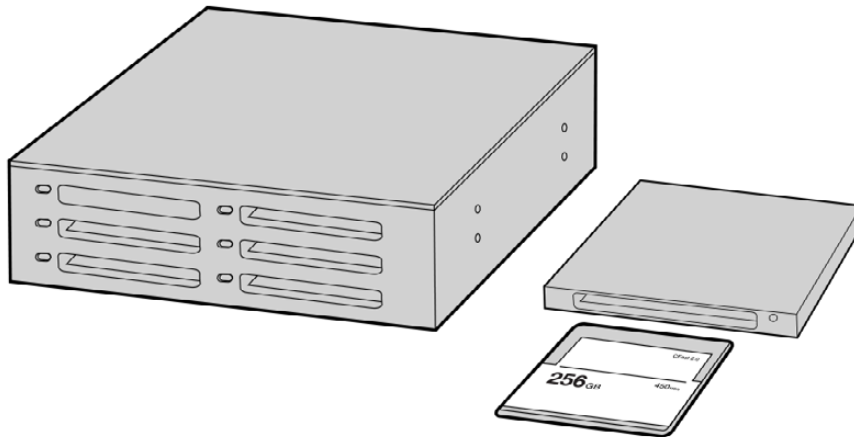
Der USB-C-Port zur Aktualisierung der Kamerasoftware befindet sich über den Kartenschächten neben dem Auswahlschalter für die Datenträger der Blackmagic URSA Broadcast G2

Mit Fremdsoftware arbeiten

Um Clips mit Ihrer bevorzugten Schnittsoftware zu bearbeiten, können Sie sie auf ein internes oder externes Laufwerk oder einen RAID kopieren und sie anschließend in die Software importieren. Alternativ importieren Sie Ihre Clips direkt von Ihrem Speicherträger. Dies erfolgt über ein Dock bzw. einen Adapter für Ihre CFast- oder SD-Karte bzw. SSD.

HINWEIS Blackmagic RAW wird von URSA Broadcast G2 Kameras zur Bearbeitung in DaVinci Resolve ab Version 16.1.2 unterstützt. Zahlreiche Schnittanwendungen für die Postproduktion von anderen Herstellern unterstützen mittlerweile ebenfalls Blackmagic RAW. Plug-ins zum Schneiden von Blackmagic RAW in Avid Media Composer und Adobe Premiere Pro sind in der Blackmagic-RAW-Software enthalten. Die steht zum Download auf www.blackmagicdesign.com/de/support bereit.

Arbeiten mit Dateien von CFast-2.0- und SD-Karten



Schneiden Sie direkt von Ihrer CFast-Karte, indem Sie sie aus Ihrer Kamera entnehmen und über ein CFast-2.0-Lese-/Schreibgerät oder CFast-Laufwerk an Ihren Computer anschließen

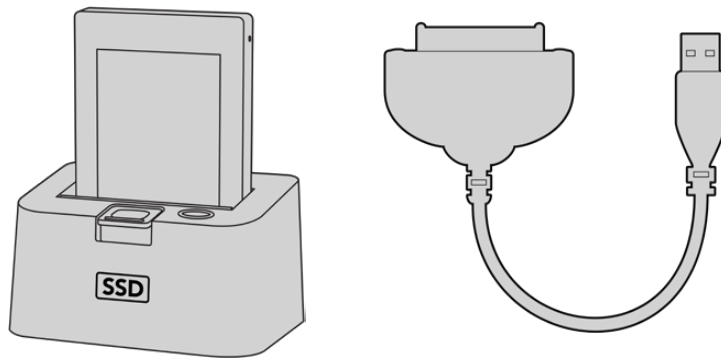
So importieren Sie Clips von einer CFast-2.0- oder SD-Karte:

- 1 Entnehmen Sie die CFast- oder SD-Karte aus Ihrer Blackmagic URSA Broadcast G2.
Schließen Sie die Karte über ein Kartenlese-/schreibgerät an Ihren Mac- oder Windows-Computer an.
- 2 Navigieren Sie in Ihrem Betriebssystem zur Karte, um sie zu öffnen. Dort ist eine Liste mit Ihren Blackmagic-RAW- bzw. QuickTime-Movie-Dateien zu sehen.
- 3 Ziehen Sie jetzt per Drag-and-Drop die gewünschten Dateien von der SD-Karte auf Ihren Desktop oder ein anderes Laufwerk. Alternativ greifen Sie über Ihre Schnittsoftware direkt auf die Dateien auf der Speicherkarte zu.
- 4 Bevor Sie die CFast- oder SD-Karte aus Ihrem Computer entnehmen, ist es wichtig, diese zunächst unter Mac oder Windows auf sichere Weise auszuwerfen. Wenn Ihr Datenträger nicht sicher ausgeworfen wird, besteht das Risiko einer Beschädigung Ihrer Footage.

Arbeiten mit Dateien von SSDs

So importieren Sie Clips von einer SSD:

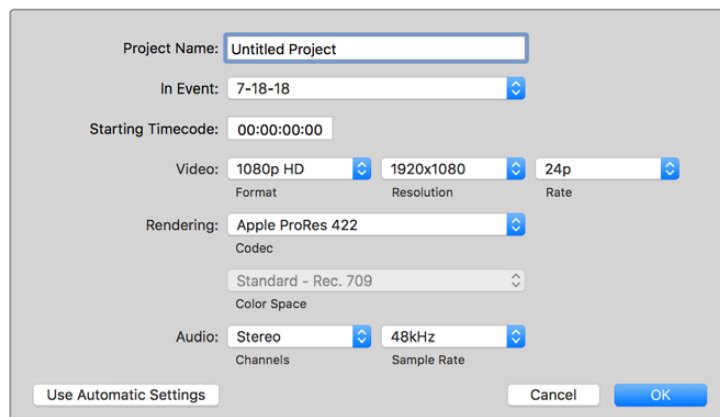
- 1 Entnehmen Sie die SSD aus dem URSA Mini Recorder.
- 2 Die SSD lässt sich über ein eSATA- oder Thunderbolt-Dock, z. B. ein Blackmagic MultiDock, auf Ihrem Mac- oder Windows-Computer einlesen. Alternativ können Sie die SSD mit einem eSATA-USB-Adapterkabel direkt an einen USB-Port Ihres Computers anschließen. Verwenden Sie vorzugsweise USB 3.0, da USB 2.0 für den Videoschnitt in Echtzeit nicht schnell genug ist.
- 3 Öffnen Sie die SSD per Doppelklick. Nun müsste Ihnen eine Liste mit QuickTime-Movie oder Blackmagic-RAW-Dateien angezeigt werden. Je nach ausgewähltem Aufnahmeformat liegt Ihnen möglicherweise eine Mischung aus verschiedenen Dateien vor, deren Namenskonvention jedoch identisch ist.
- 4 Ziehen Sie jetzt einfach per Drag-and-Drop die gewünschten Dateien von der SSD auf Ihren Desktop oder auf ein anderes Laufwerk. Sie können auch direkt über Ihre NLE-Software auf die Dateien auf der SSD zugreifen.
- 5 Es ist wichtig, zunächst die SSD sicher auszuwerfen, bevor Sie sie aus Ihrem Computer ziehen.



Schneiden Sie Video direkt von der SSD. Entnehmen Sie hierfür die SSD aus der Kamera und verbinden Sie sie über ein eSATA-Thunderbolt-Dock oder ein USB-3.0-Dockingkabel mit Ihrem Computer

Verwenden von Final Cut Pro X

Um Ihre Clips in Final Cut Pro X zu bearbeiten, müssen Sie ein neues Projekt mit dem Videoformat und der Framerate Ihrer Clips erstellen. In diesem Beispiel wird ProRes 422 HQ 1080p/24 verwendet.



Projekteinstellungen in Final Cut Pro X

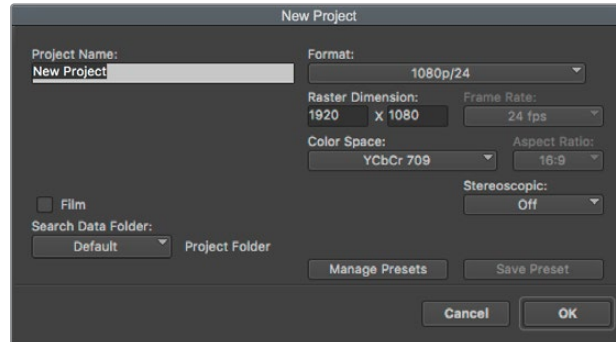
- 1 Starten Sie Final Cut Pro X, gehen Sie auf die Menüleiste und wählen Sie „File“ > „New Project“ (Datei > Neues Projekt) aus. Es öffnet sich ein Fenster mit den Projekteinstellungen.
- 2 Benennen Sie Ihr Projekt, und aktivieren Sie das Kontrollkästchen „Custom“ (Benutzerdefiniert).
- 3 Stellen Sie die Videoeigenschaften auf 1080p HD, 1920x1080 und 24p ein.
- 4 Stellen Sie Ihre „Audio and render properties“ (Audio- und Render-Eigenschaften) auf Stereo, 48 kHz, und Apple ProRes 422 HQ ein.
- 5 Klicken Sie auf „OK“.

Gehen Sie zum Importieren von Clips in Ihr Projekt auf die Menüleiste und wählen Sie „File“ > „Import“ > „Media“ (Datei > Importieren > Medien) aus. Wählen Sie die Clips von Ihrer CFast-Karte aus.

Ihre Clips lassen sich jetzt zur Bearbeitung auf die Timeline ziehen.

Verwenden von Avid Media Composer 2018

Um Ihre Clips mit Avid Media Composer 2018 zu bearbeiten, erstellen Sie ein neues Projekt, das dem Videoformat und der Framerate Ihres Clips entspricht. In diesem Beispiel sind die Clips auf 1080p/24 eingestellt.



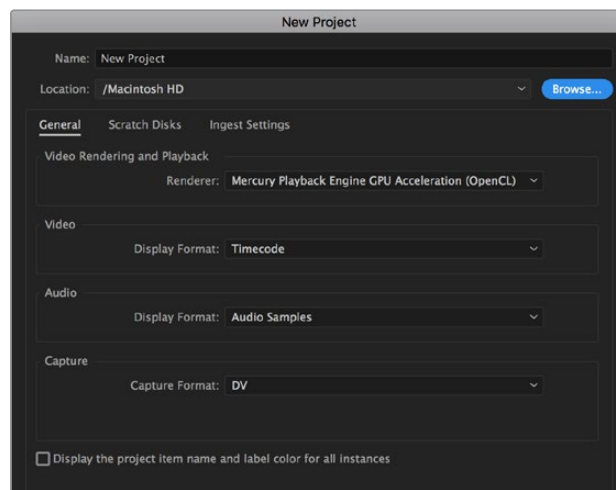
Eingabe des Projektnamens und der Projektoptionen in Avid Media Composer 2018

- 1 Starten Sie Avid Media Composer 2018. Das „Select Project“-Fenster (Projekt auswählen) erscheint.
- 2 Klicken Sie auf den Button „New Project“ (Neues Projekt) und benennen Sie Ihr neues Projekt im Fenster „New Project“.
- 3 Geben Sie im Drop-down-Menü „Format“ „HD 1080“ > „1080p/24“ vor und klicken Sie auf „OK“, um das Projekt zu erstellen.
- 4 Um das Projekt zu öffnen, doppelklicken Sie es im „Select Project“-Fenster.
- 5 Wählen Sie „File“ > „Input“ > „Source Browser“ (Datei > Eingabe > Quellbrowser) und navigieren Sie zu den zu importierenden Dateien.
- 6 Wählen Sie im Drop-down-Menü Ihre „Target Bin“ (Ziel-Bin) und klicken Sie auf „Import“.

Sobald die Clips in der Medien-Bin erscheinen, können Sie Ihre Clips in die Timeline ziehen und mit der Bearbeitung beginnen.

Anwenden von Adobe Premiere Pro CC

Um Ihre in Apple ProRes 422 HQ erstellten Clips mit Adobe Premiere Pro CC zu schneiden, müssen Sie ein neues Projekt erstellen und ein passendes Videoformat sowie eine geeignete Framerate einstellen. In diesem Beispiel sind die Clips auf ProRes 422 HQ 1080p/25 eingestellt.



Eingabe des Projektnamens und der Projektoptionen in Adobe Premiere Pro CC

- 1 Starten Sie Adobe Premiere Pro CC. Wählen Sie im Willkommensfenster „New Project“ (Neues Projekt) aus. Es öffnet sich ein Fenster mit den Projekteinstellungen.
- 2 Benennen Sie Ihr Projekt. Wählen Sie den Speicherort für Ihr Projekt per Klick auf die Schaltfläche „Browse“ und geben Sie den gewünschten Ordner vor. Klicken Sie nach Auswahl Ihres Speicherort-Ordners im Fenster „New Project“ auf „OK“.
- 3 Wählen Sie auf der Adobe Premiere Pro CC Menüleiste per „File“ > „Import“ (Datei > Importieren) die zu bearbeitenden Clips. Ihre Clips erscheinen im Projektfenster.
- 4 Ziehen Sie den ersten zu bearbeitenden Clip unten rechts im Projektfenster auf das Icon „New item“ (Neues Objekt). Daraufhin wird eine neue Sequenz erstellt, die mit Ihren Clip-Einstellungen übereinstimmt.

Sie können Ihre Clips jetzt zur Bearbeitung in die Sequenz-Timeline ziehen.

Developer Information

Blackmagic Bluetooth Camera Control

Blackmagic cameras with Bluetooth LE implement a variety of features and commands that allow users to control their cameras wirelessly. Developers have full access to these features for their custom applications.

The following services and characteristics describe the full range of communication options that are available to the developer.

Service: Device Information Service

UUID: 180A

Characteristics

Camera Manufacturer

UUID: 2A29

Read the name of the manufacturer (always “Blackmagic Design”).

Camera Model

UUID: 2A24

Read the name of the camera model (“URSA Broadcast G2”).

Service: Blackmagic Camera Service

UUID: 291D567A-6D75-11E6-8B77-86F30CA893D3

Characteristics

Outgoing Camera Control (encrypted)

UUID: 5DD3465F-1AEE-4299-8493-D2ECA2F8E1BB

Send Camera Control messages

These messages are identical to those described in the Blackmagic SDI Camera Control Protocol section below. Please read that section for a list of supported messages and required formatting information.

For an example of how packets are structured, please see the ‘example protocol packets’ section in this document.

Incoming Camera Control (encrypted)

UUID: B864E140-76A0-416A-BF30-5876504537D9

Request notifications for this characteristic to receive Camera Control messages from the camera.

These messages are identical to those described in the Blackmagic SDI Camera Control Protocol section below. Please read that section for a list of supported messages and required formatting information.

Timecode (encrypted)

UUID: 6D8F2110-86F1-41BF-9AFB-451D87E976C8

Request notifications for this characteristic to receive timecode updates.

Timecode (HH:MM:SS:mm) is represented by a 32-bit BCD number:
(eg. 09:12:53:10 = 0x09125310)

Camera Status (encrypted)

UUID: 7FE8691D-95DC-4FC5-8ABD-CA74339B51B9

Request notifications for this characteristic to receive camera status updates.

The camera status is represented by flags contained in an 8-bit integer:

None	= 0x00
Camera Power On	= 0x01
Connected	= 0x02
Paired	= 0x04
Versions Verified	= 0x08
Initial Payload Received	= 0x10
Camera Ready	= 0x20

Send a value of 0x00 to power a connected camera off.

Send a value of 0x01 to power a connected camera on.

Device Name

UUID: FFAC0C52-C9FB-41A0-B063-CC76282EB89C

Send a device name to the camera (max. 32 characters).

The camera will display this name in the Bluetooth Setup Menu.

Protocol Version

UUID: 8F1FD018-B508-456F-8F82-3D392BEE2706

Read this value to determine the camera's supported CCU protocol version.

NOTE Encrypted characteristics can only be used once a device has successfully bonded or paired with the Blackmagic Camera. Once a connection has been established, any attempt to write to an encrypted characteristic will initiate bonding. For example, writing a 'Camera Power On' (0x01) message to the Camera Status characteristic.

Once bonding is initiated, the camera will display a 6-digit pin in the Bluetooth Setup Menu. Enter this pin on your device to establish an encrypted connection. The device will now be able to read, write and receive notifications from encrypted characteristics.

Blackmagic SDI and Bluetooth Camera Control Protocol

Version 1.6.2

If you are a software developer you can use the Blackmagic SDI and Bluetooth Camera Control Protocol to construct devices that integrate with our products. Here at Blackmagic Design, our approach is to open up our protocols and we eagerly look forward to seeing what you come up with!

Overview

This document describes an extensible protocol for sending a unidirectional stream of small control messages embedded in the non-active picture region of a digital video stream. The video stream containing the protocol stream may be broadcast to a number of devices. Device addressing is used to allow the sender to specify which device each message is directed to.

Assumptions

Alignment and padding constraints are explicitly described in the protocol document. Bit fields are packed from LSB first. Message groups, individual messages and command headers are defined as, and can be assumed to be, 32 bit aligned.

Blanking Encoding

A message group is encoded into a SMPTE 291M packet with DID/SDID x51/x53 in the active region of VANC line 16.

Message Grouping

Up to 32 messages may be concatenated and transmitted in one blanking packet up to a maximum of 255 bytes payload. Under most circumstances, this should allow all messages to be sent with a maximum of one frame latency.

If the transmitting device queues more bytes of message packets than can be sent in a single frame, it should use heuristics to determine which packets to prioritize and send immediately. Lower priority messages can be delayed to later frames, or dropped entirely as appropriate.

Abstract Message Packet Format

Every message packet consists of a three byte header followed by an optional variable length data block. The maximum packet size is 64 bytes.

Destination device (uint8)	Device addresses are represented as an 8 bit unsigned integer. Individual devices are numbered 0 through 254 with the value 255 reserved to indicate a broadcast message to all devices.
Command length (uint8)	The command length is an 8 bit unsigned integer which specifies the length of the included command data. The length does NOT include the length of the header or any trailing padding bytes.
Command id (uint8)	The command id is an 8 bit unsigned integer which indicates the message type being sent. Receiving devices should ignore any commands that they do not understand. Commands 0 through 127 are reserved for commands that apply to multiple types of devices. Commands 128 through 255 are device specific.
Reserved (uint8)	This byte is reserved for alignment and expansion purposes. It should be set to zero.
Command data (uint8[])	The command data may contain between 0 and 60 bytes of data. The format of the data section is defined by the command itself.

Padding (uint8[])	Messages must be padded up to a 32 bit boundary with 0x0 bytes. Any padding bytes are NOT included in the command length.
--------------------------	---

Receiving devices should use the destination device address and or the command identifier to determine which messages to process. The receiver should use the command length to skip irrelevant or unknown commands and should be careful to skip the implicit padding as well.

Defined Commands

Command 0 : change configuration

Category (uint8)	The category number specifies one of up to 256 configuration categories available on the device.
Parameter (uint8)	The parameter number specifies one of 256 potential configuration parameters available on the device. Parameters 0 through 127 are device specific parameters. Parameters 128 though 255 are reserved for parameters that apply to multiple types of devices.
Data type (uint8)	The data type specifies the type of the remaining data. The packet length is used to determine the number of elements in the message. Each message must contain an integral number of data elements.

Currently defined values are:

0: void/boolean	A void value is represented as a boolean array of length zero. The data field is a 8 bit value with 0 meaning false and all other values meaning true.
1: signed byte	Data elements are signed bytes
2: signed 16 bit integer	Data elements are signed 16 bit values
3: signed 32 bit integer	Data elements are signed 32 bit values
4: signed 64 bit integer	Data elements are signed 64 bit values
5: UTF-8 string	Data elements represent a UTF-8 string with no terminating character.

Data types 6 through 127 are reserved.

128: signed 5.11 fixed point	Data elements are signed 16 bit integers representing a real number with 5 bits for the integer component and 11 bits for the fractional component. The fixed point representation is equal to the real value multiplied by 2^{11} . The representable range is from -16.0 to 15.9995 (15 + 2047/2048).
-------------------------------------	---

Data types 129 through 255 are available for device specific purposes.

Operation type (uint8)	The operation type specifies what action to perform on the specified parameter. Currently defined values are:
0: assign value	The supplied values are assigned to the specified parameter. Each element will be clamped according to its valid range. A void parameter may only be 'assigned' an empty list of boolean type. This operation will trigger the action associated with that parameter. A boolean value may be assigned the value zero for false, and any other value for true.
1: offset/toggle value	Each value specifies signed offsets of the same type to be added to the current parameter values. The resulting parameter value will be clamped according to their valid range. It is not valid to apply an offset to a void value. Applying any offset other than zero to a boolean value will invert that value.

Operation types 2 through 127 are reserved.

Operation types 128 through 255 are available for device specific purposes.

Data (void)	The data field is 0 or more bytes as determined by the data type and number of elements.
--------------------	--

The category, parameter, data type and operation type partition a 24 bit operation space.

Group	ID	Parameter	Type	Index	Minimum	Maximum	Interpretation
Lens	0.0	Focus	fixed16	–	0.0	1.0	0.0 = near, 1.0 = far
	0.1	Instantaneous autofocus	void	–	–	–	trigger instantaneous autofocus
	0.2	Aperture (f-stop)	fixed16	–	-1.0	16.0	Aperture Value (where fnumber = $\sqrt{2^{AV}}$)
	0.3	Aperture (normalised)	fixed16	–	0.0	1.0	0.0 = smallest, 1.0 = largest
	0.4	Aperture (ordinal)	int16	–	0	n	Steps through available aperture values from minimum (0) to maximum (n)
	0.5	Instantaneous auto aperture	void	–	–	–	trigger instantaneous auto aperture
	0.6	Optical image stabilisation	boolean	–	–	–	true = enabled, false = disabled
	0.7	Set absolute zoom (mm)	int16	–	0	max	Move to specified focal length in mm, from minimum (0) to maximum (max)
	0.8	Set absolute zoom (normalised)	fixed16	–	0.0	1.0	Move to specified focal length: 0.0 = wide, 1.0 = tele
	0.9	Set continuous zoom (speed)	fixed16	–	-1.0	+1.0	Start/stop zooming at specified rate: -1.0 = zoom wider fast, 0.0 = stop, +1 = zoom tele fast

Group	ID	Parameter	Type	Index	Minimum	Maximum	Interpretation
Video	1.0	Video mode	int8	[0] = frame rate	-	-	fps as integer (eg 24, 25, 30, 50, 60)
				[1] = M-rate	-	-	0 = regular, 1 = M-rate
				[2] = dimensions	-	-	0 = NTSC, 1 = PAL, 2 = 720, 3 = 1080, 4 = 2kDCI, 5 = 2k16:9, 6 = UHD, 7 = 3k Anamorphic, 8 = 4k DCI, 9 = 4k 16:9, 10 = 4.6k 2.4:1, 11 = 4.6k
				[3] = interlaced	-	-	0 = progressive, 1 = interlaced
				[4] = Color space	-	-	0 = YUV
	1.1	Gain (up to Camera 4.9)	int8		1	128	1x, 2x, 4x, 8x, 16x, 32x, 64x, 128x gain
	1.2	Manual White Balance	int16	[0] = color temp	2500	10000	Color temperature in K
			int16	[1] = tint	-50	50	tint
	1.3	Set auto WB	void	-	-	-	Calculate and set auto white balance
	1.4	Restore auto WB	void	-	-	-	Use latest auto white balance setting
	1.5	Exposure (us)	int32		1	42000	time in us
	1.6	Exposure (ordinal)	int16	-	0	n	Steps through available exposure values from minimum (0) to maximum (n)
	1.7	Dynamic Range Mode	int8 enum	-	0	2	0 = film, 1 = video, 2 = extended video
	1.8	Video sharpening level	int8 enum	-	0	3	0 = off, 1 = low, 2 = medium, 3 = high
	1.9	Recording format	int16	[0] = file frame rate	-	-	fps as integer (eg 24, 25, 30, 50, 60, 120)
				[1] = sensor frame rate	-	-	fps as integer, valid when sensor-off-speed set (eg 24, 25, 30, 33, 48, 50, 60, 120), no change will be performed if this value is set to 0
				[2] = frame width	-	-	in pixels
				[3] = frame height	-	-	in pixels
				[4] = flags	-	-	[0] = file-M-rate
					-	-	[1] = sensor-M-rate, valid when sensor-off-speed-set
-					-	[2] = sensor-off-speed	
-	-	[3] = interlaced					
-	-	[4] = windowed mode					
1.10	Set auto exposure mode	int8	-	0	4	0 = Manual Trigger, 1 = Iris, 2 = Shutter, 3 = Iris + Shutter, 4 = Shutter + Iris	
1.11	Shutter angle	int32	-	100	36000	Shutter angle in degrees, multiplied by 100	
1.12	Shutter speed	int32	-	Current sensor frame rate	5000	Shutter speed value as a fraction of 1, so 50 for 1/50th of a second	
1.13	Gain	int8	-	-128	127	Gain in decibel (dB)	
1.14	ISO	int32	-	0	2147483647	ISO value	
1.15	Display LUT	int8	[0] = selected LUT	-	-	0 = None, 1 = Custom, 2 = film to video, 3 = film to extended video	
			[1] = enabled or not	-	-	0 = Not enabled, 1 = Enabled	
1.16	ND Filter Stop	fixed16	[0] = stop	0.0	15.0	filter power, as f-stop	
			[1] = display mode	-	-	0 = stop 1 = density 2 = transmittance	

Group	ID	Parameter	Type	Index	Minimum	Maximum	Interpretation
Audio	2.0	Mic level	fixed16	–	0.0	1.0	0.0 = minimum, 1.0 = maximum
	2.1	Headphone level	fixed16	–	0.1	1.0	0.0 = minimum, 1.0 = maximum
	2.2	Headphone program mix	fixed16	–	0.1	1.0	0.0 = minimum, 1.0 = maximum
	2.3	Speaker level	fixed16	–	0.1	1.0	0.0 = minimum, 1.0 = maximum
	2.4	Input type	int8	–	0	3	0 = internal mic, 1 = line level input, 2 = low mic level input, 3 = high mic level input
	2.5	Input levels	fixed16	[0] ch0	0.0	1.0	0.0 = minimum, 1.0 = maximum
				[1] ch1	0.0	1.0	0.0 = minimum, 1.0 = maximum
2.6	Phantom power	boolean	–	–	–	true = powered, false = not powered	
Output	3.0	Overlay enables	uint16 bit field	[0] = bit field	–	–	bit flags: [0] = display status, [1] = display frame guides [2] = clean feed Some cameras don't allow separate control of frame guides and status overlays.
			uint16 bit field	[1] = target displays bit field	–	–	bit flags: [0] = LCD [1] = HDMI [2] = EVF [3] = Main SDI [4] = Front SDI
	3.1	Frame guides style (Camera 3.x)	int8	–	0	8	0 = HDTV, 1 = 4:3, 2 = 2.4:1, 3 = 2.39:1, 4 = 2.35:1, 5 = 1.85:1, 6 = thirds
	3.2	Frame guides opacity (Camera 3.x)	fixed16	–	0.1	1.0	0.0 = transparent, 1.0 = opaque
	3.3	Overlays (replaces .1 and .2 above from Cameras 4.0)	int8	[0] = frame guides style	–	–	0 = off, 1 = 2.4:1, 2 = 2.39:1, 3 = 2.35:1, 4 = 1.85:1, 5 = 16:9, 6 = 14:9, 7 = 4:3, 8 = 2:1, 9 = 4:5, 10 = 1:1
				[1] = frame guide opacity	0	100	0 = transparent, 100 = opaque
				[2] = safe area percentage	0	100	percentage of full frame used by safe area guide (0 means off)
[3] = grid style				–	–	bit flags: [0] = display thirds, [1] = display cross hairs, [2] = display center dot, [3] = display horizon	

Group	ID	Parameter	Type	Index	Minimum	Maximum	Interpretation
Display	4.0	Brightness	fixed16	–	0.0	1.0	0.0 = minimum, 1.0 = maximum
	4.1	Exposure and focus tools	uint16 bit field	[0] = bit field	–	–	bit flags: [0] = Zebra [1] = Focus Assist [2] = False Color
				uint16 bit field	[1] = target displays bit field	–	–
	4.2	Zebra level	fixed16	–	0.0	1.0	0.0 = minimum, 1.0 = maximum
	4.3	Peaking level	fixed16	–	0.0	1.0	0.0 = minimum, 1.0 = maximum
	4.4	Color bar enable	int8	–	0	30	0 = disable bars, 1-30 = enable bars with timeout (seconds)
	4.5	Focus Assist	int8	[0] = focus assist method	–	–	0 = Peak, 1 = Colored lines
				[1] = focus line color	–	–	0 = Red, 1 = Green, 2 = Blue, 3 = White, 4 = Black
4.6	Program return feed enable	int8	–	0	30	0 = disable, 1-30 = enable with timeout (seconds)	
4.7	Timecode Source	signed byte	[0] = source	–	–	0 = Clip, 1 = Timecode	
Tally	5.0	Tally brightness	fixed16	–	0.0	1.0	Sets the tally front and tally rear brightness to the same level. 0.0 = minimum, 1.0 = maximum
	5.1	Front tally brightness	fixed16	–	0.0	1.0	Sets the tally front brightness. 0.0 = minimum, 1.0 = maximum
	5.2	Rear tally brightness	fixed16	–	0.0	1.0	Sets the tally rear brightness. 0.0 = minimum, 1.0 = maximum Tally rear brightness cannot be turned off
Reference	6.0	Source	int8 enum	–	0	2	0 = internal, 1 = program, 2 = external
	6.1	Offset	int32	–	–	–	+/- offset in pixels
Configuration	7.0	Real Time Clock	int32	[0] time	–	–	BCD - HHMMSSFF (UCT)
				[1] date	–	–	BCD - YYYYMMDD
	7.1	System language	string	[0-1]	–	–	ISO-639-1 two character language code
	7.2	Timezone	int32	–	–	–	Minutes offset from UTC
	7.3	Location	int64	[0] latitude	–	–	BCD - s0DDdddddddddd where s is the sign: 0 = north (+), 1 = south (-); DD degrees, ddddddddddd decimal degrees
[1] longitude				–	–	BCD - sDDDdddddddddd where s is the sign: 0 = west (-), 1 = east (+); DDD degrees, dddddddddd decimal degrees	

Group	ID	Parameter	Type	Index	Minimum	Maximum	Interpretation
Color Correction	8.0	Lift Adjust	fixed16	[0] red	-2.0	2.0	default 0.0
				[1] green	-2.0	2.0	default 0.0
				[2] blue	-2.0	2.0	default 0.0
				[3] luma	-2.0	2.0	default 0.0
	8.1	Gamma Adjust	fixed16	[0] red	-4.0	4.0	default 0.0
				[1] green	-4.0	4.0	default 0.0
				[2] blue	-4.0	4.0	default 0.0
				[3] luma	-4.0	4.0	default 0.0
	8.2	Gain Adjust	fixed16	[0] red	0.0	16.0	default 1.0
				[1] green	0.0	16.0	default 1.0
				[2] blue	0.0	16.0	default 1.0
				[3] luma	0.0	16.0	default 1.0
	8.3	Offset Adjust	fixed16	[0] red	-8.0	8.0	default 0.0
				[1] green	-8.0	8.0	default 0.0
				[2] blue	-8.0	8.0	default 0.0
				[3] luma	-8.0	8.0	default 0.0
	8.4	Contrast Adjust	fixed16	[0] pivot	0.0	1.0	default 0.5
				[1] adj	0.0	2.0	default 1.0
	8.5	Luma mix	fixed16	–	0.0	1.0	default 1.0
	8.6	Color Adjust	fixed16	[0] hue	-1.0	1.0	default 0.0
[1] sat				0.0	2.0	default 1.0	
8.7	Correction Reset Default	void	–	–	–	reset to defaults	

Group	ID	Parameter	Type	Index	Minimum	Maximum	Interpretation
Media	10.0	Codec	int8 enum	[0] = basic codec	-	-	0 = CinemaDNG, 1 = DNxHD, 2 = ProRes, 3 = Blackmagic RAW
					-	-	CinemaDNG: 0 = uncompressed, 1 = lossy 3:1, 2 = lossy 4:1
				[1] = code variant	-	-	ProRes: 0 = HQ, 1 = 422, 2 = LT, 3 = Proxy, 4 = 444, 5 = 444XQ
					-	-	Blackmagic RAW: 0 = Q0, 1 = Q5, 2 = 3:1, 3 = 5:1, 4 = 8:1, 5 = 12:1
	10.1	Transport mode	int8	[0] = mode	-	-	0 = Preview, 1 = Play, 2 = Record
				[1] = speed	-	-	-ve = multiple speeds backwards, 0 = pause, +ve = multiple speeds forwards
				[2] = flags	-	-	1<<0 = loop, 1<<1 = play all, 1<<5 = disk1 active, 1<<6 = disk2 active, 1<<7 = time-lapse recording
				[3] = slot 1 storage medium	-	-	0 = CFast card, 1 = SD, 2 = SSD Recorder
				[4] = slot 2 storage medium	-	-	0 = CFast card, 1 = SD, 2 = SSD Recorder
	10.2	Playback Control	int8 enum	[0] = clip	-	-	0 = Previous, 1 = Next
10.5	Stream	bool	[0] = enabled	-	-	true = enabled, false = disabled	
10.6	Stream Information	void bool	[0] = enabled	-	-	true = enabled, false = disabled	
10.7	Stream Display 3D LUT	void bool	[0] = enabled	-	-	true = enabled, false = disabled	
PTZ Control	11.0	Pan/Tilt Velocity	fixed 16	[0] = pan velocity	-1.0	1.0	-1.0 = full speed left, 1.0 = full speed right
				[1] = tilt velocity	-1.0	1.0	-1.0 = full speed down, 1.0 = full speed up
	11.1	Memory Preset	int8 enum	[0] = preset command	-	-	0 = reset, 1 = store location, 2 = recall location
			int8	[1] = preset slot	0	5	-

Example Protocol Packets

Operation	Packet Length	Byte															
		0	1	2	3	4	5	6	7	8	9	10	11	12	13	14	15
		header				command				data							
		destination	length	command	reserved	category	parameter	type	operation								
trigger instantaneous auto focus on camera 4	8	4	4	0	0	0	1	0	0								
turn on OIS on all cameras	12	255	5	0	0	0	6	0	0	1	0	0	0				
set exposure to 10 ms on camera 4 (10 ms = 10000 us = 0x00002710)	12	4	8	0	0	1	5	3	0	0x10	0x27	0x00	0x00				
add 15% to zebra level (15 % = 0.15 f = 0x0133 fp)	12	4	6	0	0	4	2	128	1	0x33	0x01	0	0				
select 1080p 23.98 mode on all cameras	16	255	9	0	0	1	0	1	0	24	1	3	0	0	0	0	0
subtract 0.3 from gamma adjust for green & blue (-0.3 ~ = 0xfd9a fp)	16	4	12	0	0	8	1	128	1	0	0	0x9a	0xfd	0x9a	0xfd	0	0
all operations combined	76	4	4	0	0	0	1	0	0	255	5	0	0	0	6	0	0
		1	0	0	0	4	8	0	0	1	5	3	0	0x10	0x27	0x00	0x00
		4	6	0	0	4	2	128	1	0x33	0x01	0	0	255	9	0	0
		1	0	1	0	24	1	3	0	0	0	0	0	4	12	0	0
		8	1	128	1	0	0	0x9a	0xfd	0x9a	0xfd	0	0				

Blackmagic Tally Control Protocol

Version 1.0 (30/04/14)

This section is for third party developers or anybody who may wish to add support for the Blackmagic Tally Control Protocol to their products or system. It describes the protocol for sending tally information embedded in the non-active picture region of a digital video stream.

Data Flow

A master device such as a broadcast switcher embeds tally information into its program feed which is broadcast to a number of slave devices such as cameras or camera controllers. The output from the slave devices is typically fed back to the master device, but may also be sent to a video monitor.

The primary flow of tally information is from the master device to the slaves. Each slave device may use its device id to extract and display the relevant tally information.

Slave devices pass through the tally packet on their output and update the monitor tally status, so that monitor devices connected to that individual output may display tally status without knowledge of the device id they are monitoring.

Assumptions

Any data alignment/padding is explicit in the protocol. Bit fields are packed from LSB first.

Blanking Encoding

One tally control packet may be sent per video frame. Packets are encoded as a SMPTE 291M packet with DID/SDID x51/x52 in the active region of VANC line 15. A tally control packet may contain up to 256 bytes of tally information.

Packet Format

Each tally status consists of 4 bits of information:

```
uint4
bit 0:   program tally status (0=off, 1=on)
bit 1:   preview tally status (0=off, 1=on)
bit 2-3: reserved (0x0)
```

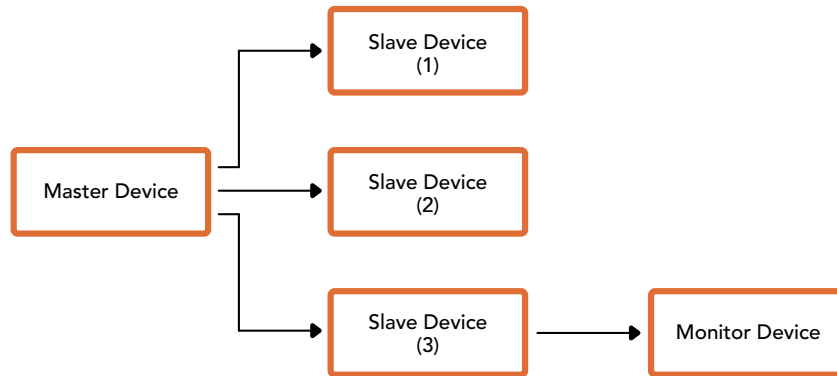
The first byte of the tally packet contains the monitor device tally status and a version number.

Subsequent bytes of the tally packet contain tally status for pairs of slave devices. The master device sends tally status for the number of devices configured/supported, up to a maximum of 510.

```
struct tally
```

```
uint8
bit 0:   monitor device program tally status (0=off, 1=on)
bit 1:   monitor device preview tally status (0=off, 1=on)
bit 2-3: reserved (0b00)
bit 4-7: protocol version (0b0000)
uint8[0]
bit 0:   slave device 1 program tally status (0=off, 1=on)
bit 1:   slave device 1 device preview tally status (0=off, 1=on)
bit 2-3: reserved (0b00)
bit 4:   slave device 2 program tally status (0=off, 1=on)
bit 5:   slave device 2 preview tally status (0=off, 1=on)
bit 6-7: reserved (0b00)
```

uint8[1]
bit 0: slave device 3 program tally status (0=off, 1=on)
bit 1: slave device 3 device preview tally status (0=off, 1=on)
bit 2-3: reserved (0b00)
bit 4: slave device 4 program tally status (0=off, 1=on)
bit 5: slave device 4 preview tally status (0=off, 1=on)
bit 6-7: reserved (0b00)
...



Byte	7 MSB	6	5	4	3	2	1	0 LSB
0	Version (0b0)	Version (0b0)	Version (0b0)	Version (0b0)	Reserved (0b0)	Reserved (0b0)	Monitor Preview	Monitor Program
1	Reserved (0b0)	Reserved (0b0)	Slave 1 Preview	Slave 1 Program	Reserved (0b0)	Reserved (0b0)	Slave 0 Preview	Slave 0 Program
2	Reserved (0b0)	Reserved (0b0)	Slave 3 Preview	Slave 3 Program	Reserved (0b0)	Reserved (0b0)	Slave 2 Preview	Slave 2 Program
3	...							

Hilfe

Am schnellsten erhalten Sie Hilfe über die Online-Support-Seiten auf der Blackmagic Design Website. Sehen Sie dort nach der aktuellsten Support-Dokumentation für Ihre Kamera.

Blackmagic Design Online Support Seiten

Die aktuellste Bedienungsanleitung, Produktsoftware und Support-Hinweise finden Sie im Blackmagic Support Center unter www.blackmagicdesign.com/de/support.

Kontaktaufnahme mit Blackmagic Design Support

Wenn unser Support-Material Ihnen nicht wie gewünscht hilft, gehen Sie bitte auf unsere Support-Seite. Klicken Sie dort auf „Senden Sie uns eine E-Mail“ und schicken Sie uns Ihre Support-Anfrage. Oder klicken Sie auf „Finden Sie Ihr lokales Support-Team“ und rufen Sie Ihre nächstgelegene Blackmagic Design Supportstelle an.

Überprüfen der aktuell installierten Softwareversion

Um zu überprüfen, welche Version des Blackmagic Camera Setup Utility auf Ihrem Computer installiert ist, öffnen Sie das Fenster „About Blackmagic Camera Utility“.

- Öffnen Sie unter Mac über den Ordner „Programme“ das Dienstprogramm Blackmagic Camera Utility. Wählen Sie im Anwendungsmenü „About Blackmagic Camera Utility“ aus, um die Versionsnummer nachzusehen.
- Öffnen Sie auf Windows das Dienstprogramm Blackmagic Camera Utility über das Startmenü oder den Startbildschirm. Klicken Sie auf das Menü „Hilfe“ und wählen Sie „About Blackmagic Camera Utility“, um die Versionsnummer nachzusehen.

Einholen der aktuellsten Softwareaktualisierungen

Prüfen Sie zunächst, welche Version des Dienstprogramms Blackmagic Camera Utility auf Ihrem Computer installiert ist. Sehen Sie dann im Blackmagic Support Center www.blackmagicdesign.com/de/support nach den neuesten Aktualisierungen. In der Regel empfiehlt es sich, die neuesten Updates zu laden. Vermeiden Sie jedoch Software-Updates mitten in einem wichtigen Projekt.

Gesetzliche Vorschriften



Entsorgung von elektrischen und elektronischen Geräten innerhalb der Europäischen Union.

Das auf dem Produkt abgebildete Symbol weist darauf hin, dass dieses Gerät nicht zusammen mit anderen Abfallstoffen entsorgt werden darf. Altgeräte müssen daher zur Wiederverwertung an eine dafür vorgesehene Sammelstelle übergeben werden. Mülltrennung und Wiederverwertung von Altgeräten tragen zum nachhaltigen Umgang mit natürlichen Ressourcen bei. Gleichzeitig wird sichergestellt, dass die Wiederverwertung nicht zulasten der menschlichen Gesundheit und der Umwelt geht. Weitere Informationen zur Entsorgung von Altgeräten sowie zu den Standorten der zuständigen Sammelstellen erhalten Sie von Ihren örtlichen Müllentsorgungsbetrieben sowie vom Händler, bei dem Sie dieses Produkt erworben haben.



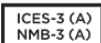
Dieses Gerät wurde geprüft und entspricht den Grenzwerten für Digitalgeräte der Klasse A gemäß Abschnitt 15 der FCC-Bestimmungen für Funkentstörung. Diese Grenzwerte dienen dem angemessenen Schutz gegen schädliche Störungen bei Betrieb des Geräts in einer gewerblichen Umgebung. Geräte dieser Art erzeugen und verwenden Hochfrequenzen und können diese auch ausstrahlen. Bei Nichteinhaltung der Installations- und Gebrauchsvorschriften können sie zu Störungen beim Rundfunkempfang führen. Der Betrieb solcher Geräte im Wohnbereich führt mit großer Wahrscheinlichkeit zu Funkstörungen. In diesem Fall kann vom Betreiber verlangt werden, selbst für die Beseitigung solcher Störungen aufzukommen.

Der Betrieb unterliegt den folgenden zwei Bedingungen:

- 1 Dieses Gerät darf keine schädigenden Störungen hervorrufen.
- 2 Das Gerät muss unanfällig gegenüber beliebigen empfangenen Störungen sein, einschließlich solcher, die einen unerwünschten Betrieb verursachen.



R-R-BMD-20210915001
R-R-BMD-20200421002
R-R-BMD-20200916001
R-R-BMD-20200916002
R-REM-BMD-201803004
R-REM-BMD-201803003
MSIP-REM-BMD-201612001



ISED-Zertifizierung für den kanadischen Markt

Dieses Gerät erfüllt die kanadischen Vorschriften für digitale Geräte der Klasse A.

Jedwede an diesem Produkt vorgenommene Änderung oder unsachgemäße Verwendung kann die Konformitätserklärung zum Erlöschen bringen.

Die Ausstattung wurde unter Einhaltung der beabsichtigten Nutzung in einer gewerblichen Umgebung getestet.

Bluetooth®

Die URSA Broadcast G2 ist ein für die drahtlose Bluetooth-Technologie befähigtes Produkt.

Ausgestattet mit Sendermodul FCC ID: QQQBGM113

Das vorliegende Gerät erfüllt die Grenzwertbestimmungen der FCC für die Strahlenbelastung in unkontrollierten Umgebungen.

Ausgestattet mit Sendermodul IC: 5123A-BGM113

Dieses Gerät erfüllt die von Industry Canada vorgegebenen lizenzfreien RSS-Normen und ist gemäß RSS-102 Ausgabe 5 von den routinemäßigen SAR-Bewertungsgrenzen ausgenommen.

Zertifiziert für Japan unter Zertifikatnummer: 209-J00204. Dieses Gerät enthält spezifiziertes Funkequipment, das unter den Richtlinien für die Zertifizierung technischer Konformität gemäß des japanischen Funkgesetzes zertifiziert ist.

Dieses Modul ist in Südkorea zertifiziert, KC-Zertifizierungsnummer: MSIP-CRM-BGT-BGM113
Hiermit erklärt Blackmagic Design, dass die von der URSA Broadcast G2 verwendeten Breitband-Übertragungssysteme für den Einsatz im 2,4 GHz ISM-Band die Vorschriften der EU-Richtlinie 2014/53/EU erfüllen.

Die Volltextversion der EU-Konformitätserklärung ist per Anfrage an compliance@blackmagicdesign.com erhältlich.

Sicherheitshinweise

Der mit der Blackmagic URSA Broadcast G2 mitgelieferte AC zu 12 V DC-Wandler und das IEC-Stromkabel für den Blackmagic Studio Fiber Converter dürfen nur an Netzstromsteckdosen mit Schutzerdungskontakt angeschlossen werden.

Die Blackmagic URSA Broadcast G2 und der Camera Fiber Converter eignen sich für den Einsatz in tropischen Gebieten mit einer Umgebungstemperatur von bis zu 40 °C. Der Blackmagic Studio Fiber Converter eignet sich für den Einsatz in tropischen Gebieten mit einer Umgebungstemperatur von bis zu 50 °C.

Sorgen Sie für eine ausreichende Luftzufuhr um den Blackmagic Studio Fiber Converter und den Camera Fiber Converter herum, damit die Belüftung nicht eingeschränkt wird. Achten Sie bei der Installation des Studio Fiber Converters im Rack darauf, dass die Luftzufuhr nicht durch andere Geräte eingeschränkt wird.

Innerhalb der Blackmagic URSA Broadcast G2, des Camera Fiber Converters oder des Studio Fiber Converters befinden sich keine vom Bediener zu wartenden Teile. Wenden Sie sich für die Wartung an ein Blackmagic Design Service-Center in Ihrer Nähe.

California Proposition 65

Plastikteile dieses Produkts können Spuren von polybromierten Biphenylen enthalten. Im US-amerikanischen Bundesstaat Kalifornien werden diese Chemikalien mit Krebs, Geburtsfehlern und anderen Schäden der Fortpflanzungsfähigkeit in Verbindung gebracht.

Weitere Informationen finden Sie unter www.P65Warnings.ca.gov.

Blackmagic URSA Broadcast G2

Sorgen Sie bei sonnigen Verhältnissen für Schatten, um zu vermeiden, dass Ihre Kamera und der Lithium-Akku für längere Zeit direkter Sonneneinstrahlung ausgesetzt sind. Halten Sie alle Lithium-Akkus von Hitzequellen fern.

Mit dem Verbinder für die Ausgabe von 12V-DC-Strom werden der Blackmagic URSA Viewfinder und der Blackmagic URSA Studio Viewfinder mit Strom versorgt. Sorgen Sie dafür, dass der Stromverbrauch von über diesen Verbinder angeschlossenen Geräten unter 18 W liegt.



Blackmagic Studio Fiber Converter

Um das Risiko eines elektrischen Schlages zu verringern, setzen Sie das Gerät weder Tropfen noch Spritzern aus. Nicht in Höhen von über 2000 m über dem Meeresspiegel einsetzen.

Blackmagic Camera Fiber Converter

Benutzen Sie den Kamerakonverter nur, wenn er an den Blackmagic Studio Fiber Converter angeschlossen ist. Bei normaler Verwendung werden vom Blackmagic Studio Fiber Converter lebensgefährliche Spannungen an den Konverter geleitet.

Garantie

Eingeschränkte Garantie

Für dieses Produkt gewährt die Firma Blackmagic Design eine Garantie auf Material- und Verarbeitungsfehler von 12 Monaten ab Kaufdatum. Sollte sich ein Produkt innerhalb dieser Garantiezeit als fehlerhaft erweisen, wird die Firma Blackmagic Design nach ihrem Ermessen das defekte Produkt entweder ohne Kostenerhebung für Teile und Arbeitszeit reparieren oder Ihnen das defekte Produkt ersetzen.

Zur Inanspruchnahme der Garantieleistungen müssen Sie als Kunde Blackmagic Design über den Defekt innerhalb der Garantiezeit in Kenntnis setzen und die entsprechenden Vorkehrungen für die Leistungserbringung treffen. Es obliegt dem Kunden, für die Verpackung und den bezahlten Versand des defekten Produkts an ein spezielles von Blackmagic Design benanntes Service Center zu sorgen und hierfür aufzukommen. Sämtliche Versandkosten, Versicherungen, Zölle, Steuern und sonstige Abgaben im Zusammenhang mit der Rücksendung von Waren an uns, ungeachtet des Grundes, sind vom Kunden zu tragen.

Diese Garantie gilt nicht für Mängel, Fehler oder Schäden, die durch unsachgemäße Handhabung oder unsachgemäße oder unzureichende Wartung und Pflege verursacht wurden. Blackmagic Design ist im Rahmen dieser Garantie nicht verpflichtet, die folgenden Serviceleistungen zu erbringen: a) Behebung von Schäden infolge von Versuchen Dritter, die Installation, Reparatur oder Wartung des Produkts vorzunehmen, b) Behebung von Schäden aufgrund von unsachgemäßer Handhabung oder Anschluss an nicht kompatible Geräte, c) Behebung von Schäden oder Störungen, die durch die Verwendung von nicht Blackmagic Design Ersatzteilen oder -Verbrauchsmaterialien entstanden sind, d) Service für ein Produkt, das verändert oder in andere Produkte integriert wurde, sofern eine solche Änderung oder Integration zu einer Erhöhung des Zeitaufwands oder zu Schwierigkeiten bei der Wartung des Produkts führt.

Schützen Sie Ihren URSA Viewfinder vor direktem Sonnenlicht, da seine Optik wie eine Lupe wirkt und das Sucher-Display andernfalls beschädigt werden könnte. Wenn auf dem OLED über einen längeren Zeitraum statische oder hochkontrastige Bilder wie Bildrandmarkierungen angezeigt werden, können dort Geisterbilder und Burn-ins auftreten. Verhindern Sie dies, indem Sie ein versehentliches Verdecken des IR-Sensors vermeiden und den Sucher ausschalten, wenn er für einen längeren Zeitraum nicht in Gebrauch ist. Das Auftreten von Geisterbildern fällt nicht unter die Produktgarantie.

ÜBER DIE IN DIESER GARANTIEERKLÄRUNG AUSDRÜCKLICH AUFGEFÜHRTEN ANSPRÜCHE HINAUS ÜBERNIMMT BLACKMAGIC DESIGN KEINE WEITEREN GARANTIEEN, WEDER AUSDRÜCKLICH NOCH STILLSCHWEIGEND. DIE FIRMA BLACKMAGIC DESIGN UND IHRE HÄNDLER LEHNEN JEGLICHE STILLSCHWEIGENDEN GARANTIEEN IN BEZUG AUF AUSSAGEN ZUR MARKTGÄNGIGKEIT UND GEBRAUCHSTAUGLICHKEIT FÜR EINEN BESTIMMTEN ZWECK AB. DIE VERANTWORTUNG VON BLACKMAGIC DESIGN, FEHLERHAFTE PRODUKTE WÄHREND DER GARANTIEZEIT ZU REPARIEREN ODER ZU ERSETZEN, IST DIE EINZIGE UND AUSSCHLIESSLICHE ABHILFE, DIE GEGENÜBER DEM KUNDEN ZUR VERFÜGUNG GESTELLT WIRD. BLACKMAGIC DESIGN HAFTET NICHT FÜR INDIREKTE, SPEZIELLE, NEBEN- ODER FOLGESCHÄDEN, UNABHÄNGIG DAVON, OB BLACKMAGIC DESIGN ODER DER HÄNDLER VON DER MÖGLICHKEIT SOLCHER SCHÄDEN ZUVOR IN KENNTNIS GESETZT WURDE. BLACKMAGIC DESIGN IST NICHT HAFTBAR FÜR JEGLICHE WIDERRECHTLICHE VERWENDUNG DER GERÄTE DURCH DEN KUNDEN. BLACKMAGIC HAFTET NICHT FÜR SCHÄDEN, DIE SICH AUS DER VERWENDUNG DES PRODUKTS ERGEBEN. NUTZUNG DES PRODUKTS AUF EIGENE GEFAHR.

© Copyright 2022 Blackmagic Design. Alle Rechte vorbehalten. „Blackmagic Design“, „URSA“, „DeckLink“, „HDLink“, „Workgroup Videohub“, „Multibrige Pro“, „Multibrige Extreme“, „Intensity“ und „Leading the creative video revolution“ sind eingetragene Warenzeichen in den USA und in anderen Ländern. Alle anderen Unternehmens- und Produktnamen sind möglicherweise Warenzeichen der jeweiligen Firmen, mit denen sie verbunden sind.

Agosto 2022

Manual de instalación y funcionamiento

Blackmagicdesign 

Blackmagic **URSA** **Broadcast G2**



Blackmagic URSA Broadcast G2



Bienvenido

Gracias por haber adquirido este producto.

El modelo Blackmagic URSA Broadcast G2 es una versión de alta gama diseñado para transmitir por medios tradicionales o Internet. Su diseño versátil permite utilizar la unidad como una cámara cinematográfica digital 6K o en estudios y producciones en resolución 4K.

Fabricada a partir de una aleación de magnesio liviana, esta cámara es cómoda de usar durante todo el día, y es muy fácil acceder a sus controles. De este modo, resulta sencillo cambiar los filtros, la velocidad de obturación, el balance de blancos y la sensibilidad ISO sin quitar la vista del visor.

El modelo URSA Broadcast G2 es compatible con objetivos B4 profesionales y graba en formatos de archivo comunes, tales como Blackmagic RAW y ProRes, así como H.264 y H.265 con una calidad de 10 bits. A su vez, la ganancia doble ofrece permite obtener imágenes excepcionales en condiciones de escasa luminosidad y ha sido optimizada para reducir la granulosidad y el ruido al emplear valores ISO más altos, conservando al mismo tiempo todo el rango dinámico del sensor.

Esperamos que este modelo te permita crear programas televisivos apasionantes, documentales y contenidos en directo desde el estudio. Estamos entusiasmados por ver plasmada toda tu creatividad y nos encantaría recibir tus sugerencias sobre las nuevas herramientas que deberíamos incluir en los próximos lanzamientos.

Grant Petty

Director ejecutivo de Blackmagic Design

Índice

Primeros pasos	1126	Reproducción continua	1202
Instalación del objetivo	1126	Ajustes	1203
Alimentación de la cámara	1127	Panel de opciones	1203
Uso de objetivos con servomecanismo	1129	Ajustes de grabación	1203
Configuración del registro focal en objetivos B4	1135	Convención para la nomenclatura de archivos	1209
Soportes de grabación	1139	Ajustes de monitorización	1210
Tarjetas CFast	1139	Ajustes de audio	1216
Tarjetas SD	1140	Configuración	1219
Grabación en unidades USB-C	1142	Ajustes	1236
Unidades SSD	1143	Tablas de conversión (LUT)	1239
Preparación de soportes para la grabación	1145	Metadatos	1242
Preparación de soportes en el modelo Blackmagic URSA Broadcast G2	1145	Estabilización giroscópica	1247
Preparación de soportes en equipos Mac	1147	Estado de la transmisión	1249
Preparación de soportes en equipos Windows	1148	Configuración con teléfonos móviles	1250
Grabación	1149	Ajustes	1250
Grabación de clips	1149	Identificación de la cámara	1251
Selección del formato, la resolución y el área del sensor	1150	Crear el archivo XML	1251
Blackmagic RAW	1151	Exportar el archivo XML	1251
Grabación en Blackmagic RAW	1151	Cargar el archivo XML	1252
Selección de la frecuencia de imagen	1154	URSA Mini Shoulder Kit	1253
Inicio de la grabación en equipos externos	1157	Blackmagic URSA Viewfinder	1256
Tiempo de grabación	1157	Montaje y conexión	1256
Reproducción	1159	Ajuste del ocular	1257
Conexiones y funciones del modelo URSA Broadcast G2	1160	Botones	1257
Parte frontal	1160	Menú de ajustes	1258
Lateral izquierdo	1161	Blackmagic URSA Studio Viewfinder	1262
Controles en el lateral izquierdo	1161	Montaje y conexión	1263
Lateral derecho	1163	Ajuste del visor	1265
Panel trasero	1164	Botones	1268
Panel superior	1166	Menú de ajustes	1270
Panel inferior	1166	Blackmagic Zoom y Focus Demand	1275
Controles del modelo URSA Broadcast G2	1167	Conexión e instalación en la cámara	1275
Panel de control frontal	1167	Uso del accesorio Blackmagic Focus Demand	1277
Panel de control ergonómico	1170	Uso del accesorio Blackmagic Zoom Demand	1278
Panel de control interno	1175	Instalación de baterías	1279
Salidas de video	1177	Instalación de baterías V-Lock o Gold Mount	1279
Salida para supervisar señales HD	1177	Otros soportes para baterías	1281
Salida SDI 12G	1177	Convertidores para fibra óptica	1283
Controles de la pantalla táctil	1179	Primeros pasos	1284
Barra superior	1179	Acerca de la fibra óptica SMPTE	1284
Barra inferior	1196	Conexión del cable SMPTE	1286
		Conexiones en el panel frontal	1290
		Conexión del convertidor a la cámara	1291
		Salidas para señales de retorno	1291

Instalación del modelo		Montura para objetivos B4	1328
Blackmagic Camera Fiber Converter	1291	Uso de anillos adaptadores	1329
Instalación del visor URSA		Anillos adaptadores para el	
Studio Viewfinder	1294	modelo URSA Mini Pro	1329
Conexión de auriculares con micrófono	1294	Uso de anillos adaptadores	1330
Funcionamiento del modelo		URSA Mini Recorder	1331
Camera Fiber Converter	1295	Instalación y conexión del grabador	1332
Selección de señales de retorno	1295	Uso del grabador	1334
Uso del botón de llamada	1296	Actualización del grabador	1335
Sistema de comunicación	1296	Descripción general sobre el	
Señalización	1297	control de cámaras	1336
Indicadores de estado	1297	Uso de la función de control de cámaras	1337
Entradas de audio	1298	Herramientas de DaVinci	
Video por IP	1299	Resolve para correcciones primarias	1342
Especificaciones energéticas	1299	DaVinci Resolve	1346
Controles adicionales	1300	Organizador de proyectos	1346
Funcionamiento del modelo		Edición con el módulo Montaje	1347
Blackmagic Studio Fiber Converter	1301	Agregar clips a la línea de tiempo	1350
Uso del menú en pantalla	1302	Recortar clips en la línea de tiempo	1351
Instalación en bastidores	1305	Vista para recorte de audio	1351
Conexiones del modelo		Agregar títulos	1352
Camera Fiber Converter	1309	Archivos Blackmagic RAW	1353
Alimentación del dispositivo	1309	Etalonaje en el módulo Color	1357
Interfaz PTZ	1309	Power Windows	1360
Conexión para el sistema		Complementos	1362
de comunicación	1310	Mezcla de audio	1363
Interfaz de seguimiento	1311	Efectos visuales y	
Conexión para corriente continua	1311	composiciones en el módulo Fusion	1368
Salida D-Tap	1312	Masterización	1377
Salida de referencia y funcionamiento	1312	Exportación rápida	1377
Conexiones del modelo		Módulo Entrega	1378
Studio Fiber Converter	1313	Programa utilitario de la cámara	1379
Salida SDI 12G	1313	Otros programas de edición	1380
Entradas SDI para señales de retorno	1313	Acceso a archivos en tarjetas SD	
Entrada y salida para señales de		y CFast 2.0	1381
referencia	1314	Acceso a archivos almacenados	
Interfaz de comunicación	1314	en unidades SSD	1381
Interfaz PTZ	1315	Final Cut Pro X	1382
Salidas de audio	1316	Media Composer 2018	1383
Actualización de los conversores	1317	Premiere Pro CC	1383
Actualización del modelo		Developer Information	1385
Camera Fiber Converter	1317	Blackmagic Bluetooth Camera Control	1385
Actualización del modelo		Blackmagic SDI and Bluetooth	
Studio Fiber Converter	1317	Camera Control Protocol	1387
Montura intercambiable	1318	Example Protocol Packets	1395
Cómo quitar la montura B4	1319	Blackmagic Tally Control Protocol	1396
Montura EF para el modelo		Ayuda	1398
URSA Mini Pro	1319	Normativas	1399
Montura F para el modelo URSA Mini Pro	1321	Seguridad	1400
Montura PL para el modelo		Garantía	1401
URSA Mini Pro	1325		

Primeros pasos

Para comenzar a utilizar la cámara, basta con colocar un objetivo y encenderla.

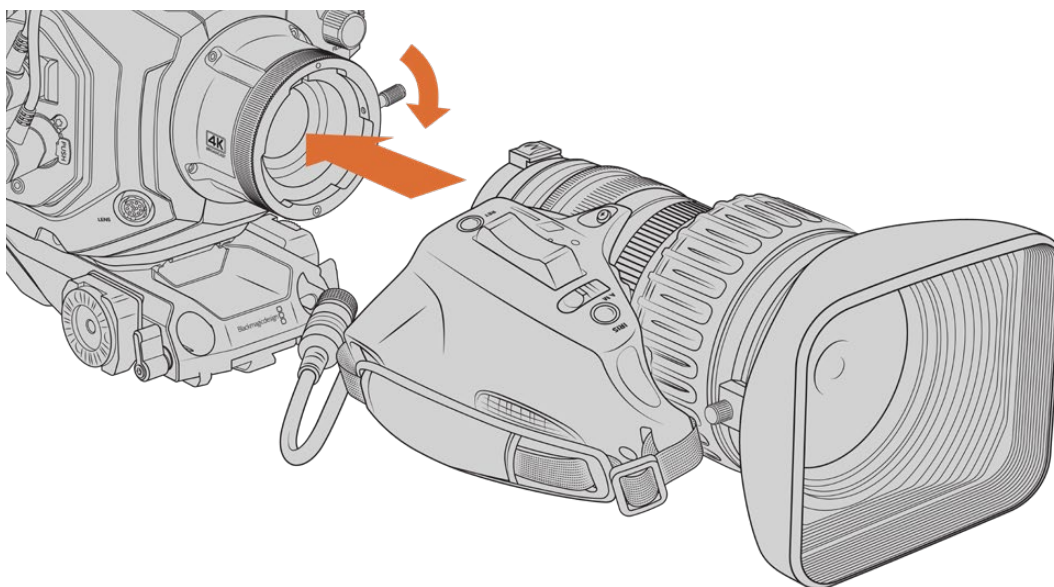
Instalación del objetivo

La cámara viene equipada con una montura B4 para objetivos HD y UHD. Además, incluye una montura EF adicional que también permite emplear objetivos fotográficos o de distancia focal variable compactos. Consulte el apartado *Montura intercambiable* para obtener más información al respecto.

El sistema óptico de la montura B4 ha sido específicamente diseñado para el sensor UHD de este modelo, a fin de lograr la misma visión y profundidad de campo que las cámaras de televisión tradicionales con sensores de 2/3. De este modo, quienes estén familiarizados con este tipo de unidades podrán instalar un objetivo B4 y comenzar a grabar con total confianza.

Gire el aro de seguridad exterior hacia la izquierda y retire la tapa protectora de la montura.

Para colocar un objetivo con montura B4:



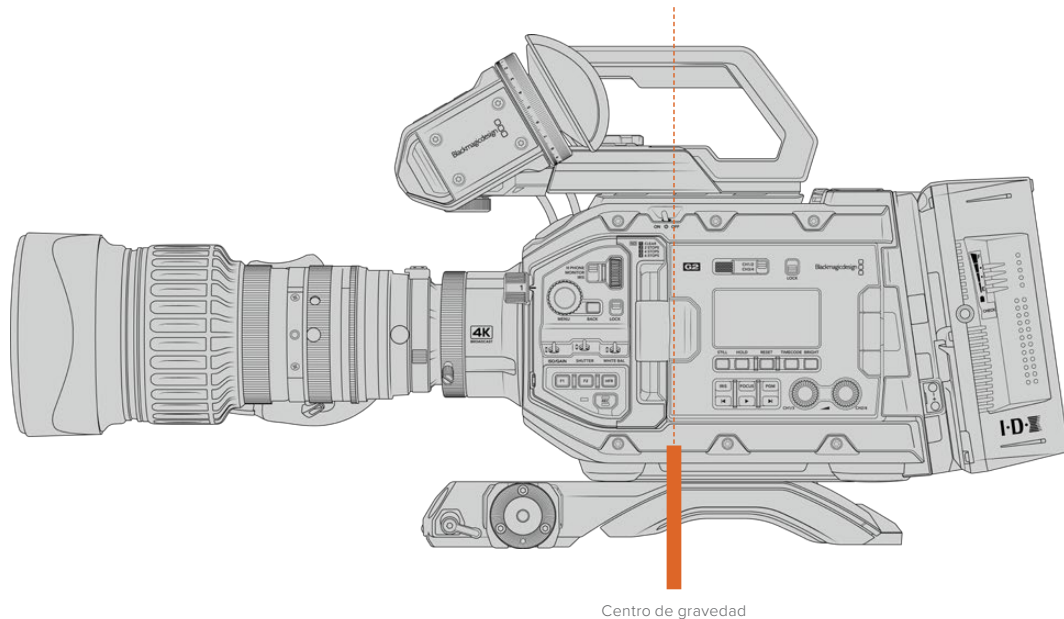
Gire el aro de seguridad en sentido horario para sujetar el objetivo a la cámara.

- 1 Gire el aro de seguridad del objetivo hacia la izquierda para acceder al pasador de alineación de la montura. Coloque el objetivo sobre la montura y verifique que el pasador de alineación coincida con el orificio correspondiente.
- 2 Sostenga el objetivo contra la montura y compruebe que el pasador de alineación haya quedado firme dentro del orificio.
- 3 Gire el aro de seguridad hacia la derecha para apretar el objetivo hasta que quede firme.
- 4 A fin de suministrar corriente eléctrica al objetivo y controlarlo desde la cámara, simplemente conéctelo a la entrada **LENS** en la parte frontal del módulo del sensor. La mayoría de los modelos B4 incluyen un conector de 12 pines con un cable integrado para tal fin.

Consulte el apartado *Uso de objetivos con servomecanismo* para obtener más información al respecto.

NOTA: Cuando no hay ningún objetivo instalado, el elemento óptico de la montura queda expuesto al polvo y la suciedad. Por tal motivo, recomendamos cubrirlo con la tapa protectora.

Algunos objetivos B4 pueden ser bastante largos debido a la gran amplitud del rango de distancia focal. En consecuencia, al instalar uno de ellos, el centro de gravedad de la cámara se traslada hacia adelante. El soporte para el hombro incluido con este modelo puede ajustarse según sea necesario.



En caso de emplear un soporte para el hombro URSA Mini con el modelo URSA Broadcast G2, aconsejamos colocar la cámara sobre la parte trasera del mismo al utilizar objetivos largos. De esta forma, el centro de gravedad se trasladará al medio del soporte, y resultará más sencillo equilibrar la unidad sobre el hombro o apoyarla sobre una superficie plana. Consulte el apartado *Soporte para el hombro* a fin de obtener más información al respecto.

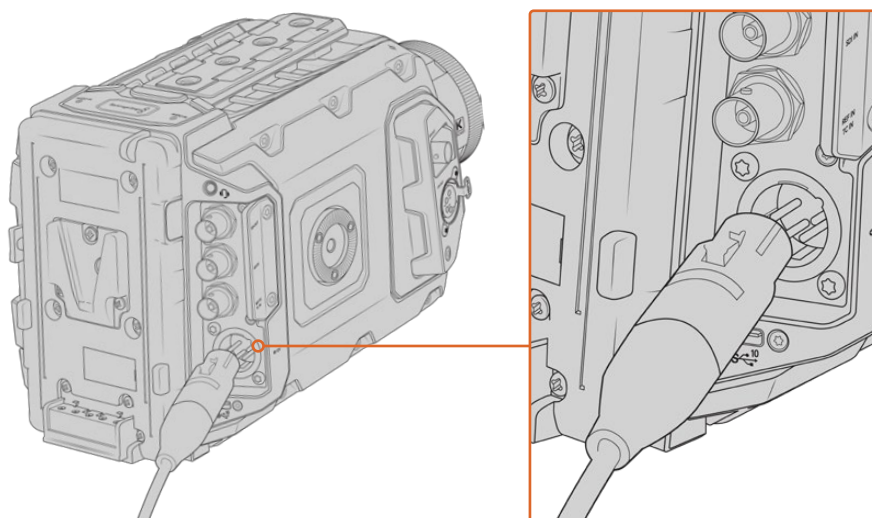
Alimentación de la cámara

Una vez colocado el objetivo, es necesario suministrar corriente eléctrica a la cámara. La forma más rápida de hacerlo es conectando el transformador de 12 V (CC) incluido.

Para conectar la cámara a una fuente de alimentación externa:

- 1 Conecte el enchufe del transformador a la red de suministro eléctrico.
- 2 Enchufe el conector XLR del transformador a la entrada de alimentación (12-18 V) de la cámara.

Si hay una batería y una fuente de alimentación externa conectadas simultáneamente, la cámara solo utilizará la corriente suministrada por esta última. Al desconectar dicha fuente, la unidad seguirá funcionando con la batería.



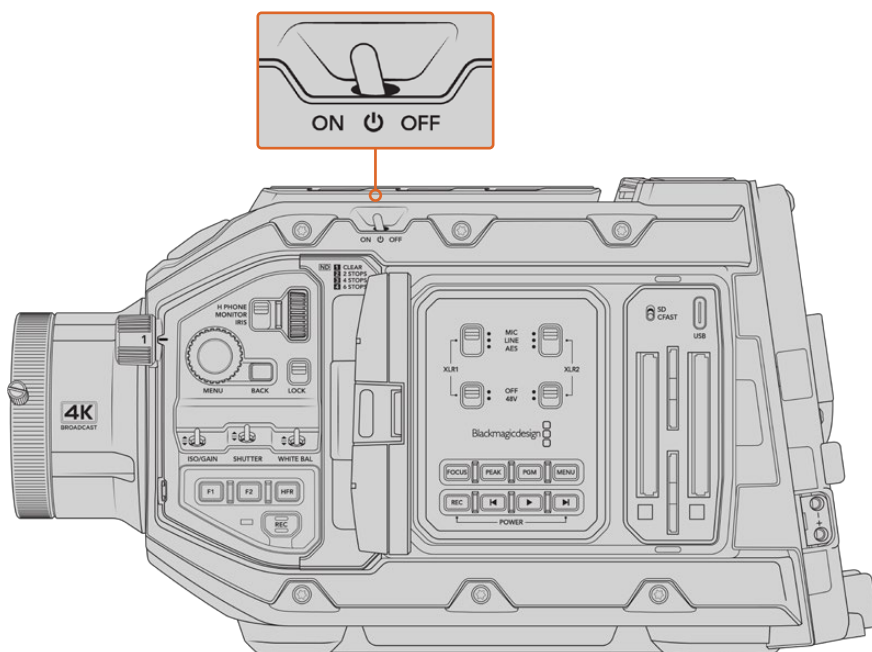
Utilice el transformador de 12 V para suministrar corriente eléctrica a la cámara.

El modelo Blackmagic URSA Broadcast G2 incluye un soporte para baterías que permite emplear baterías con montura tipo V convencionales. Consulte el apartado *Instalación de baterías* para obtener más información al respecto.

Para encender la cámara:

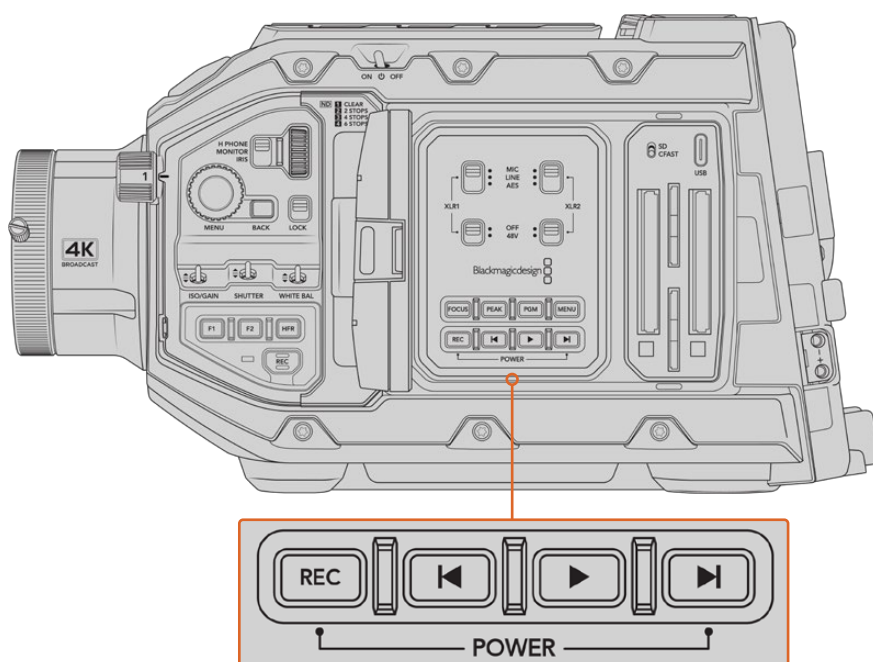
- 1 Mueva el interruptor situado encima de la pantalla plegable a la posición **ON**.
- 2 Para apagar la cámara, mueva el interruptor a la posición **OFF**.

Ya está todo listo para insertar un soporte de almacenamiento y comenzar a grabar.



Mueva el interruptor de encendido a la posición **ON** para prender la cámara.

También es posible prender o apagar la cámara manteniendo presionados los botones de grabación y avance rápido situados en el panel de control interno. A pesar de que este no es el modo más convencional de encender la unidad, es una alternativa útil en caso de no tener acceso al interruptor en la parte superior.



Es posible mantener presionados los botones de grabación y avance situados detrás de la pantalla LCD para encender o apagar la cámara.

SUGERENCIA: Si el interruptor del modelo URSA Broadcast G2 se encuentra en la posición **ON** y la cámara no está encendida, es posible que se haya apagado mediante la conexión Bluetooth® o presionando los botones de grabación y avance rápido en el panel de control. En tal caso, simplemente mueva el interruptor a la posición **OFF** y luego a la posición **ON** nuevamente. De manera alternativa, mantenga presionados dichos botones para encender la unidad.

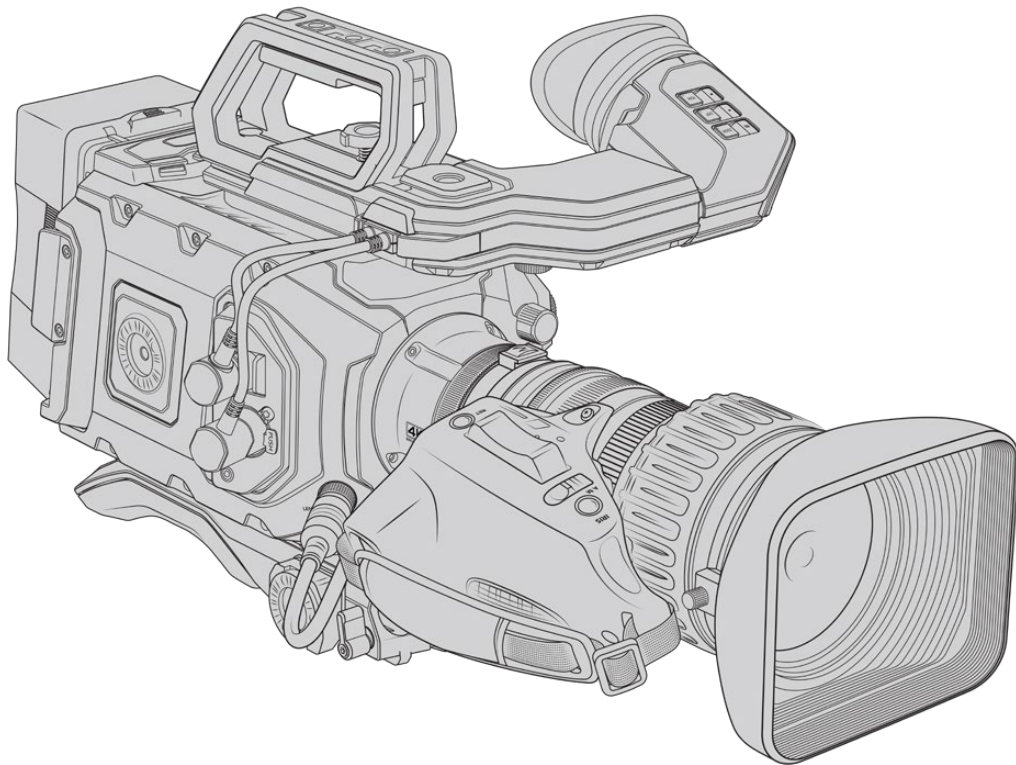
Uso de objetivos con servomecanismo

El modelo URSA Broadcast G2 admite el uso de objetivos B4 con servomecanismo. Consulte el apartado *Instalación del objetivo* para obtener más información al respecto.

SUGERENCIA: La montura PL opcional para el modelo URSA Broadcast G2 también permite utilizar objetivos cinematográficos con servomecanismo.

Estos objetivos ofrecen características diferentes a las de las versiones para fotografía. Además de un rango de distancia focal más amplio, se distinguen por tener mandos situados en la empuñadura y un servomotor que permite controlar la apertura del diafragma y la distancia focal, o incluso el enfoque en algunos casos. Gracias al conector de 12 pines, es posible modificar estos parámetros desde la empuñadura de la cámara, la unidad misma o un dispositivo Blackmagic Zoom Demand. También es posible hacerlo de forma remota mediante un mezclador ATEM.

Los objetivos que cuentan con un servomecanismo de enfoque permiten aprovechar la función de enfoque automático de la cámara y son capaces de mantenerlo al usar un dispositivo Blackmagic Focus Demand. Además, es posible controlar este parámetro desde un mezclador ATEM.



Objetivos B4 con control de la distancia focal y la apertura del diafragma:

- Los modelos Fujinon B4 cuyo nombre incluye los prefijos HA, ZA, XA o UA y el sufijo RM ofrecen la posibilidad de controlar electrónicamente estas funciones, por ejemplo, Fujinon **XA20sxBRM**.
- Los modelos Canon B4 cuyo nombre incluye los prefijos HJ, KJ o CJ y los sufijos RSE o RSD ofrecen la posibilidad de controlar electrónicamente estas funciones, por ejemplo, Canon **KJ20x8.2B IRSD**.

Objetivos B4 con servomecanismo de control para el enfoque, la distancia focal y la apertura del diafragma:

- Los modelos Fujinon B4 cuyo nombre incluye los prefijos HA, ZA o UA o los sufijos RD o ZD ofrecen la posibilidad de controlar electrónicamente estas funciones, por ejemplo, Fujinon **HA22x7.8 BERD**.
- Los objetivos Fujinon cuyo nombre incluye los prefijos XA o UA.
- Los modelos Canon B4 cuyo nombre incluye los prefijos HJ, KJ..ex o CJ o los sufijos ASE o ASD, por ejemplo, Canon **HJ24ex7.5B IASE**.
- Los objetivos Canon cuyo nombre incluye los prefijos XJ o UJ.

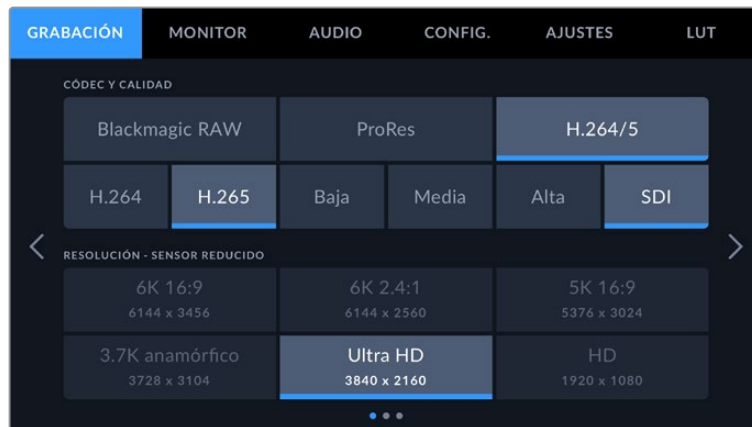
SUGERENCIA: Los modelos mencionados anteriormente son compatibles con servomecanismos capaces de controlar el enfoque y la distancia focal. Para confirmar el modelo instalado en el objetivo, comuníquese con su distribuidor.

De forma predeterminada, la cámara graba en formato Blackmagic RAW UHD. Presione el botón correspondiente al menú de ajustes para acceder a la configuración en la pantalla LCD. La primera pestaña incluye los ajustes relativos a la grabación y permite verificar el códec y la resolución. Más adelante en este manual se proporciona información adicional sobre el uso de los menús.



Ajustes predeterminados para el formato Blackmagic RAW en la pestaña **Grabación**

La resolución predeterminada para los códecs ProRes y H.265 es UHD. Por su parte, los formatos ProRes y H.264 también permiten grabar en alta definición.



Pestaña **Grabación** en el menú de ajustes

SUGERENCIA: Si aparece un viñetado en las imágenes al usar objetivos B4, verifique que la resolución para el formato Blackmagic RAW sea UHD. Al grabar en ProRes o H.264/5, ajuste el área aprovechable del sensor a 4K, a fin de que coincida con el área óptica de la montura B4. Consulte el apartado *Ajustes de grabación* para obtener más información al respecto.

Controles en objetivos B4

Diafragma

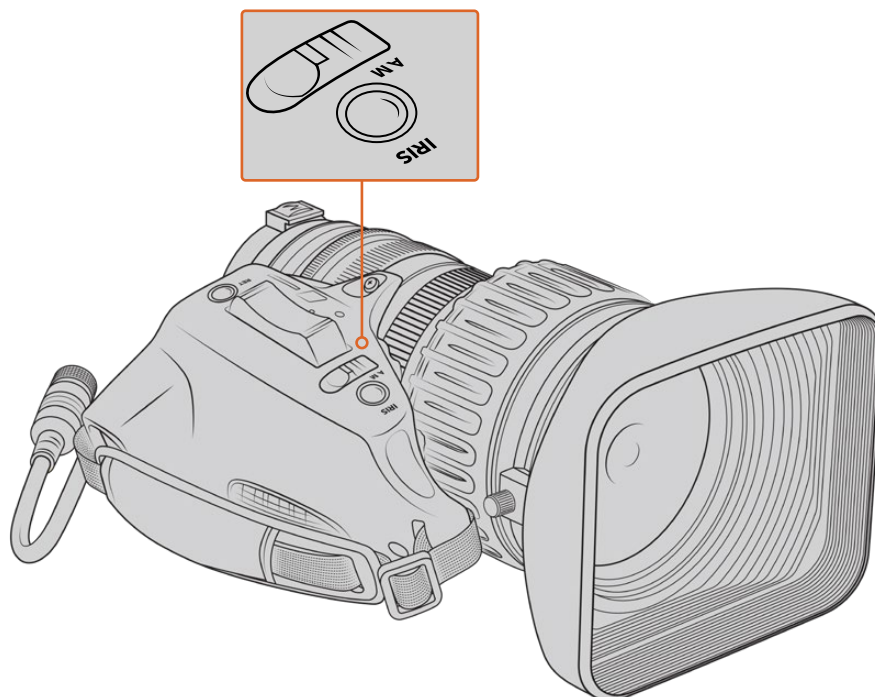
En la parte superior de la empuñadura de muchos objetivos B4, es posible encontrar dos interruptores: **Auto/Manual** o **A/M**, y **Push Auto** o **Iris**. Estos permiten controlar el anillo de apertura del diafragma.

Automático

Mueva el interruptor a la posición **Auto** o **A** para ajustar la apertura del diafragma desde la cámara, un dispositivo Blackmagic Zoom Demand o un mezclador ATEM. En el modelo URSA Broadcast G2, es posible hacerlo mediante la rueda del diafragma, los controles situados en el panel interno y en la pantalla táctil, o los modos de exposición automática. Consulte el apartado *Controles del modelo URSA Broadcast G2* y *Controles de la pantalla táctil* para obtener más información al respecto. Cabe mencionar que, en esta modalidad de funcionamiento, no es posible mover el anillo de apertura manualmente.

Manual

Mueva el interruptor a la posición **Manual** o **M** para ajustar la apertura del diafragma girando la rueda en el objetivo. En esta modalidad de funcionamiento, no es posible realizar ajustes desde la cámara o el mezclador.



Activación temporaria

El botón **Push Auto** o **Iris** permite activar momentáneamente la función de apertura automática mientras la cámara se encuentra en modo manual. Esta opción facilita el control del diafragma desde la cámara o el mezclador, a fin de lograr mejores resultados.

Por ejemplo, si la cámara está configurada en modo manual y con la exposición automática basada en la apertura del diafragma, es posible ajustar este parámetro mediante el anillo del objetivo. Sin embargo, al presionar el botón **Push Auto** o **Iris**, el modo automático se activará de forma momentánea, y la apertura se ajustará según las condiciones lumínicas predominantes.

De manera alternativa, configure los valores de apertura del diafragma desde la pantalla táctil de la cámara. Al presionar el botón **Push Auto** o **Iris** cuando el modo manual se encuentra activado, se restablecen los valores predeterminados para este parámetro.

Ampliar

En la parte inferior de la empuñadura de muchos objetivos B4, es posible encontrar un interruptor denominado **ZOOM** que permite controlar la distancia focal manualmente o mediante un servomecanismo.

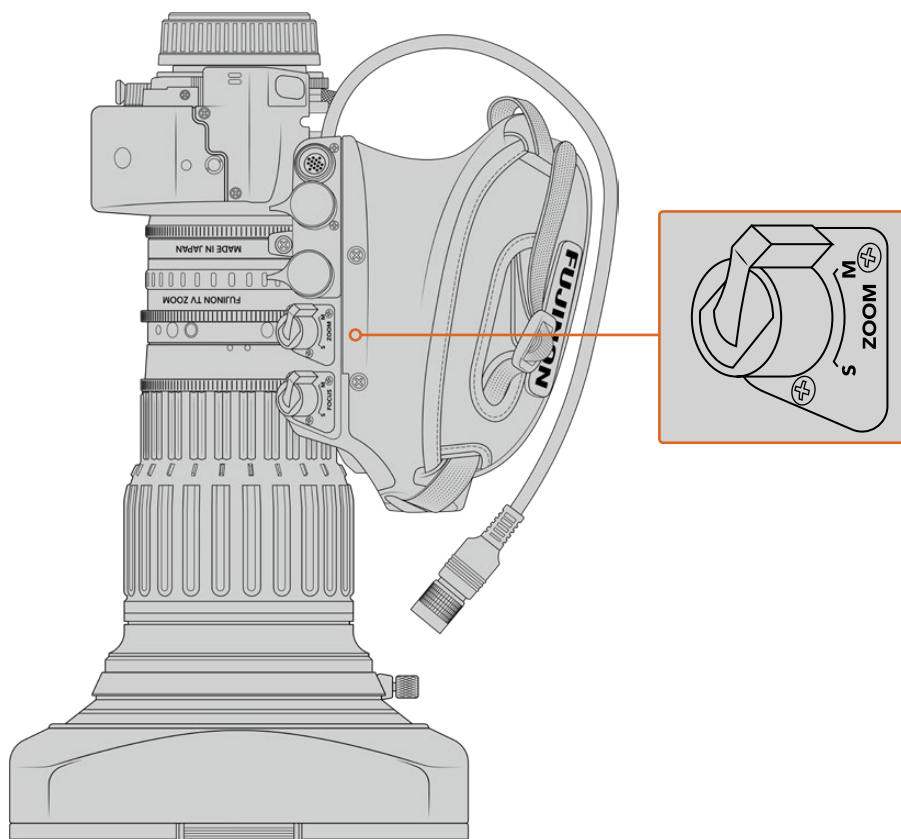
Servo

Mueva el interruptor a la posición **Servo** o **S** para activar el servomecanismo de control de la distancia focal. En este modo, el interruptor situado en la empuñadura puede emplearse para alejar o acercar la imagen o ajustar otros parámetros, tales como la velocidad focal. Asimismo, es posible controlar el objetivo desde una cámara URSA Broadcast G2, un dispositivo Blackmagic Zoom Demand o un mezclador ATEM, siempre y cuando se encuentre conectado a la unidad a través del conector de 12 pines. Generalmente, en esta modalidad de funcionamiento, no es posible modificar la distancia focal de forma manual.

SUGERENCIA: Por lo general, el interruptor de distancia focal en la empuñadura permite controlar la velocidad a la que varía dicho parámetro. Mueva el interruptor ligeramente hacia abajo para que esto suceda de manera más paulatina, o del todo, a fin de acercar o alejar la imagen con mayor rapidez.

Manual

Mueva el interruptor a la posición **Manual** o **M** para poder ajustar la distancia focal mediante el anillo correspondiente en el objetivo. En este modo, no es posible modificar este parámetro desde la empuñadura, la cámara o el mezclador.



Enfoque

Algunos objetivos B4 cuentan con un servomecanismo de control para el enfoque. En estos casos, el interruptor **Focus** se encuentra en la parte inferior de estos y presenta las opciones **Servo** y **Manual**.

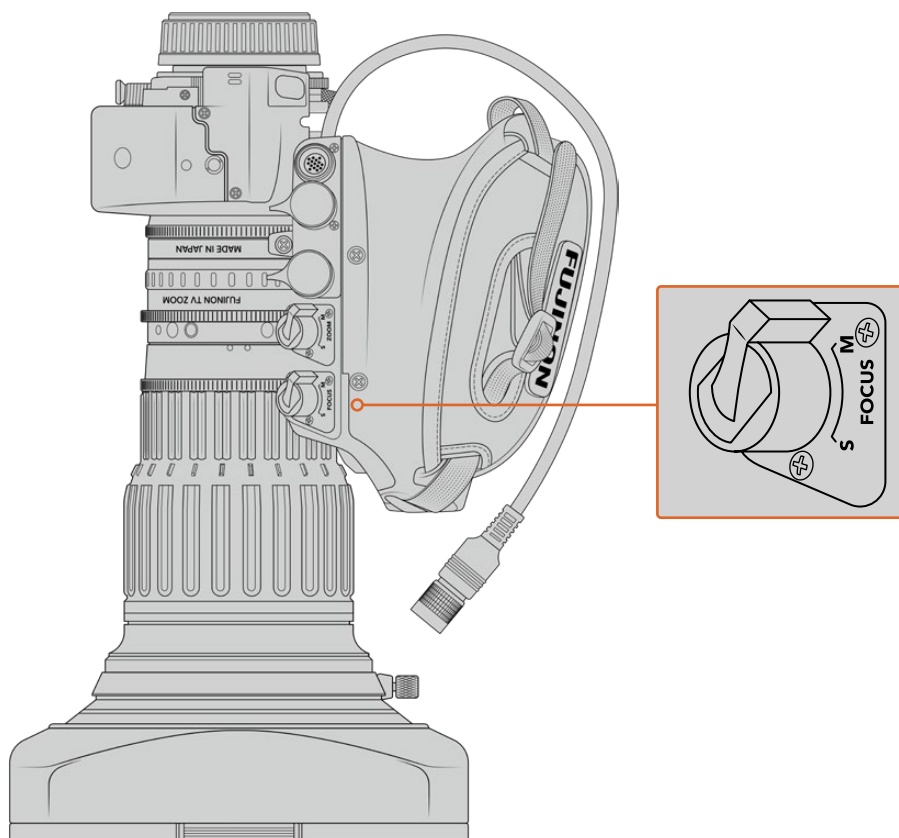
Servo

Mueva el interruptor a la posición **Servo** o **S** para activar el servomecanismo de control para el enfoque. En este modo, es posible controlar dicho parámetro mediante la cámara, un dispositivo Blackmagic Focus Demand o un mezclador ATEM si el objetivo se encuentra conectado a la cámara.

Manual

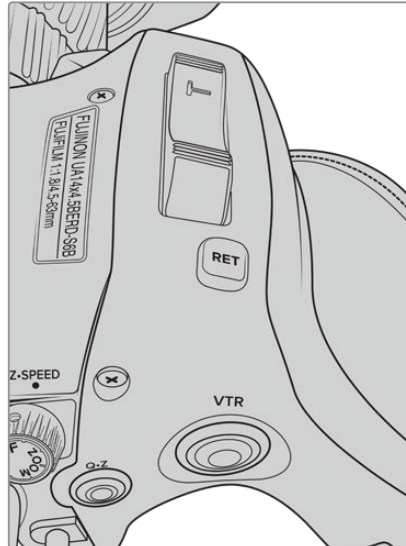
Mueva el interruptor a la posición **Manual** para controlar el enfoque mediante el anillo correspondiente en el objetivo. El modo de enfoque automático en estos objetivos suele ser lento, por lo que es más común hacerlo de forma manual.

NOTA: Aunque la cámara también admite objetivos B4 analógicos con servomecanismo, en tal caso solo es posible ajustar la distancia focal y el control electrónico del diafragma. Muchos de ellos solo permiten captar imágenes en definición estándar y no cuentan con el conector convencional de 12 pines. Verifique que el modelo utilizado sea compatible con la cámara. Asimismo, recomendamos comprobar el área del sensor que cubren para evitar que aparezcan bordes negros en la imagen.



RET y VTR

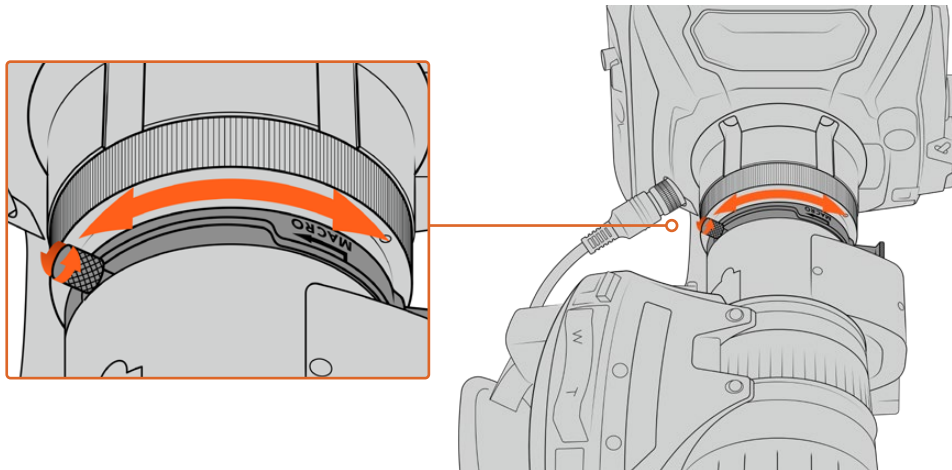
En objetivos B4, el botón **VTR** permite activar la grabación, mientras que el botón **RET** se emplea para la señal de retorno. Consulte el apartado *Botones programables* para obtener más información al respecto.



Botones **RET** y **VTR** en un objetivo B4

Configuración del registro focal en objetivos B4

Una de las principales ventajas de estos objetivos es que han sido diseñados para ser parafocales. Esto significa que el enfoque se mantiene, aunque la distancia focal cambie. En otras palabras, es posible acercar la imagen, enfocar un objeto y a continuación alejarla conservando el enfoque.



Generalmente, el anillo para el registro focal se encuentra en la parte trasera del objetivo, cerca de la montura.

Este parámetro es esencial para garantizar que el enfoque permanezca invariable al modificar la distancia focal en objetivos B4 HD o 4K. Al instalar un objetivo B4 en la cámara por primera vez, compruebe que el registro focal sea apropiado. Asimismo, este parámetro debe ser verificado nuevamente al cambiar el objetivo y al comenzar proyectos importantes.

Para comprobar el registro focal en objetivos B4:

- 1 Coloque una carta de enfoque o un objeto plano de color blanco con un nivel de contraste alto a unos 20 metros de la cámara, o tan alejado de ella como sea posible.
- 2 Aumente la apertura del diafragma al máximo y compense la exposición mediante los filtros de densidad neutra si es necesario. La profundidad de campo debe ser baja, a efectos de resaltar cualquier inconveniente.
- 3 Acerque la imagen y enfoque la carta de calibración.
- 4 A continuación, aleje la imagen. Si al alcanzar la apertura máxima el enfoque permanece nítido, el registro focal se ha configurado adecuadamente, y no será necesario realizar ningún otro ajuste.
Si la carta de enfoque no se ve con nitidez, aleje totalmente la imagen y ajuste el anillo de registro focal situado en la parte trasera del objetivo, cerca de la montura. Dicho anillo cuenta con un control giratorio para aflojarlo o apretarlo. Simplemente aflójelo y gírelo hasta que la carta de enfoque se vea nítida.
- 5 A continuación, acerque la imagen y aléjela lentamente para comprobar si el enfoque se mantiene.
- 6 Repita los pasos 4 y 5, alejando y acercando la imagen y realizando los ajustes necesarios en el anillo de registro focal. Este parámetro se habrá ajustado correctamente si el objetivo mantiene el enfoque.

Configuración del registro focal en objetivos LA16x8 BRM de Fuji

La configuración del registro focal en este tipo de objetivos es un tanto diferente. No cuentan con un anillo de ajuste, sino que dicho parámetro se modifica electrónicamente mediante un botón situado debajo de la empuñadura.

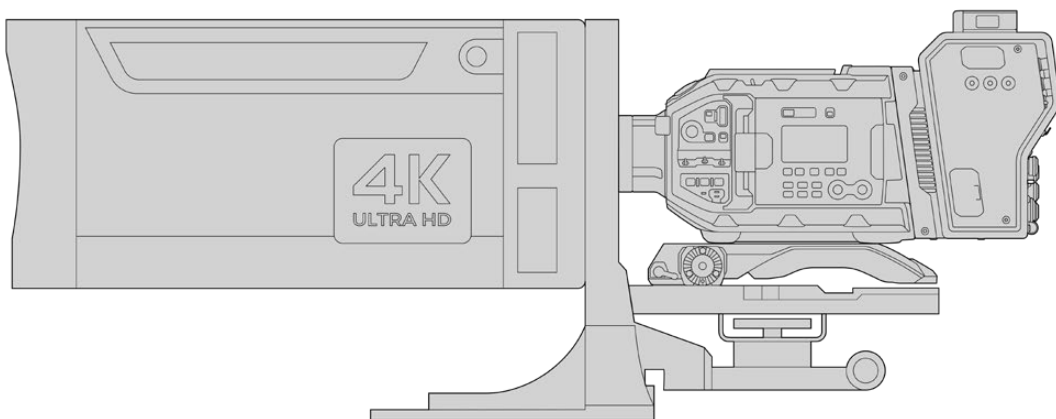
Para configurar el registro focal en objetivos LA16x8 BRM:

- 1 Coloque una carta de enfoque o un objeto plano de color blanco con un nivel de contraste alto a unos 20 metros de la cámara, o tan alejado de ella como sea posible.
- 2 Coloque el interruptor de la distancia focal debajo de la empuñadura del objetivo en la posición **SERVO**.
- 3 Busque el botón **F.f.** junto al interruptor. Manténgalo presionado durante 5 segundos. El led indicador encima del interruptor se encenderá de color rojo en forma intermitente.
- 4 El objetivo acercará la imagen automáticamente. Ajuste el enfoque mediante el anillo correspondiente. Cabe destacar que al instalar un dispositivo Blackmagic Focus Demand, es necesario desconectarlo de la cámara para ajustar el anillo de enfoque.
- 5 Presione el botón **F.f.** nuevamente para alejar la imagen. Ajuste el enfoque mediante el anillo correspondiente.
- 6 Presione el botón **F.f.** para confirmar los ajustes. El led indicador superior se encenderá de color rojo en forma intermitente. El registro focal electrónico del objetivo se habrá configurado correctamente.
- 7 A continuación, acerque la imagen y aléjela lentamente para comprobar si el enfoque se mantiene.
- 8 Este parámetro se habrá ajustado correctamente si el objetivo mantiene el enfoque. Para realizar modificaciones, repita los pasos 3 a 6.

SUGERENCIA: Recomendamos comprobar de forma regular la precisión del registro focal, ya que podría sufrir variaciones sutiles con los cambios de temperatura o el transcurso del tiempo.

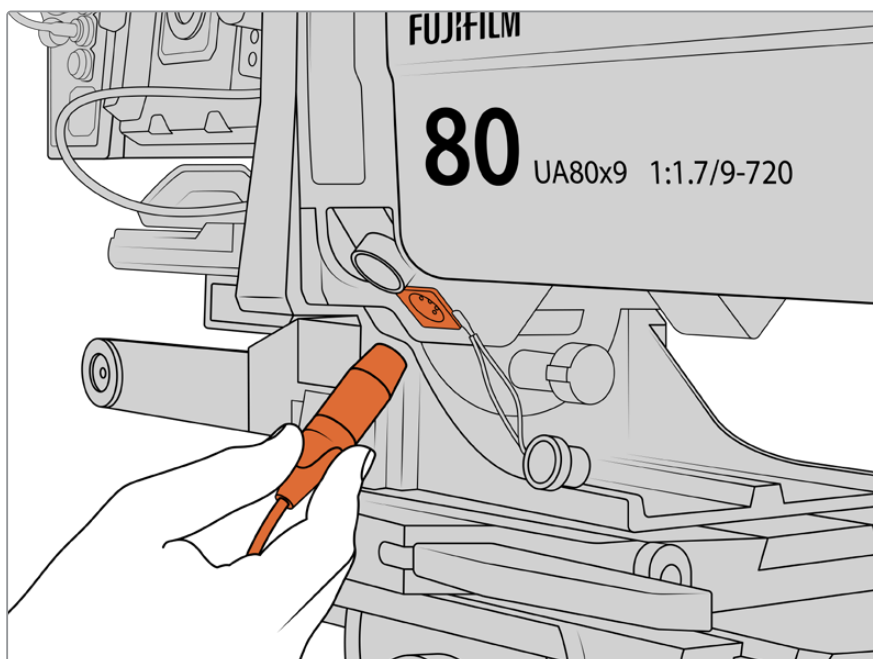
Objetivos de estudio/campo

Los objetivos de estudio/campo (tipo caja) de gran tamaño, tales como los modelos UA27x6.5 y UA125x8 de Fujinon, o UHD Digisuper de Canon, son compatibles con la montura B4 del modelo URSA Broadcast G2. Este tipo de lentes permiten la estabilización vertical y horizontal de la imagen en las versiones 27x, así como en aquellas con una ampliación de 80x y hasta 125x, lo cual resulta ideal para transmitir eventos deportivos y espectáculos en directo.



Debido a sus dimensiones, es preciso instalar la cámara correctamente sobre un trípode o pedestal de gran resistencia, con el espacio adecuado. Esto es posible con el soporte para el hombro (URSA Mini Shoulder Kit), una base VCT-14 y un adaptador para dichos objetivos.

Asimismo, dado su consumo energético, estos objetivos deben ser alimentados de forma independiente. Para tal fin, es posible utilizar una fuente de alimentación de 12 V o la salida D-Tap en el lateral del dispositivo Blackmagic Camera Fiber Converter. Basta con enchufar el conector del objetivo en la cámara.



Conecte un cable XLR de 4 pines para alimentar el objetivo.

Una vez conectada la fuente de alimentación, encienda la cámara para controlar el objetivo.

Objetivos PL con servomecanismo

Los objetivos PL empleados en la industria cinematográfica son compatibles con el modelo URSA Broadcast G2. Al emplear este tipo de lentes o versiones EF con servomecanismo, es posible aprovechar todo el sensor en resolución 6K. Consulte el apartado *Ajustes de grabación* para obtener más información al respecto.

Objetivos PL Super 35 mm con control del enfoque, la distancia focal y la apertura del diafragma:

Marca	Serie	Modelo	Rango	Máx. apertura
Fujinon	Cabrio	ZK2.5x14-SAF	14-35 mm	T2.9
Fujinon	Cabrio	ZK4.7x19-SAFB	19-90 mm	T2.9
Fujinon	Cabrio	ZK12x25 con ESM-15A-SA	25-300 mm	T3.5-3.85
Fujinon	Cabrio	ZK3.5x85-SAF	85-300 mm	T2.9-T4
Fujinon	Cabrio	XK6x20	20-120 mm	T3.5
Canon	Cine-servo	CN7x17KAS S	17-120 mm	T2.9-3.9
Canon	Cine-servo	CN10x25 IAS S/P1	25-250 mm	T2.95-3.95
Canon	Cine-servo	CN20x50	50-1000 mm	T5-8.9

También es posible emplear controladores para el enfoque y la distancia focal en todos los objetivos con servomecanismo mencionados anteriormente.

Objetivos híbridos con servomecanismo

Recientemente ha surgido en el mercado una nueva categoría de objetivos compactos de distancia focal variable. Estos ofrecen las mismas funciones que los modelos B4 y PL con servomecanismo, pero cuentan con una montura EF, y son compatibles con las cámaras URSA Broadcast G2. El nombre del objetivo y otros parámetros relativos al enfoque y la apertura del diafragma se guardan como metadatos al grabar una secuencia.

Por otro lado, es posible controlar el enfoque, la apertura del diafragma y la distancia focal de estos objetivos electrónicamente. Asimismo, si la cámara está conectada a un mezclador, se puede controlar en forma remota mediante el programa ATEM Software Control. Al trabajar en estudios o producciones en directo, es posible usar estos objetivos con los dispositivos Blackmagic Zoom Demand y Blackmagic Focus Demand. Para ello, el interruptor del diafragma en el objetivo debe estar en la posición **A**, el interruptor de enfoque en la posición **AF**, y el servomecanismo en modo **SERVO**.

Modelos disponibles:

- Canon CN-E 18-80 mm T4.4 COMPACT-SERVO
- Canon CN-E 70-200 mm T4.4 COMPACT-SERVO

Soportes de grabación

El modelo Blackmagic URSA Broadcast G2 graba imágenes en tarjetas SD, UHS-II o CFast 2.0.

Por su parte, el puerto USB-C de segunda generación ubicado en la parte trasera de la cámara permite conectar memorias USB de alta velocidad o unidades SSD de gran capacidad. Estas últimas también son compatibles con el grabador opcional Blackmagic URSA Mini Recorder. Consulte el apartado correspondiente a dicho dispositivo para obtener más información al respecto.

Información importante sobre la velocidad de las unidades de almacenamiento

La velocidad de lectura y escritura indicada por los fabricantes de este tipo de soportes generalmente se basa en valores máximos para archivos pequeños, tales como imágenes fijas, y podría no reflejar el rendimiento real de las unidades para secuencias con una tasa de transferencia elevada.

Por consiguiente, aconsejamos emplear solo las tarjetas recomendadas en este manual para garantizar la calidad de la grabación a la frecuencia de imagen seleccionada.

Tarjetas CFast

Estas unidades son capaces de procesar datos a gran velocidad, de modo que son ideales para grabar contenidos en HD y 4K con una frecuencia de imagen alta. Consulte el apartado *Grabación* a fin de obtener más información sobre las frecuencias máximas para cada formato.

Aunque por lo general las tarjetas CFast 2.0 son rápidas, conviene señalar que en algunas unidades la velocidad de escritura es menor a la de lectura. Asimismo, la rapidez en el procesamiento de datos puede variar de un modelo a otro. Por consiguiente, aconsejamos emplear solo las tarjetas recomendadas en este manual para garantizar la calidad de la grabación a la frecuencia de imagen seleccionada.

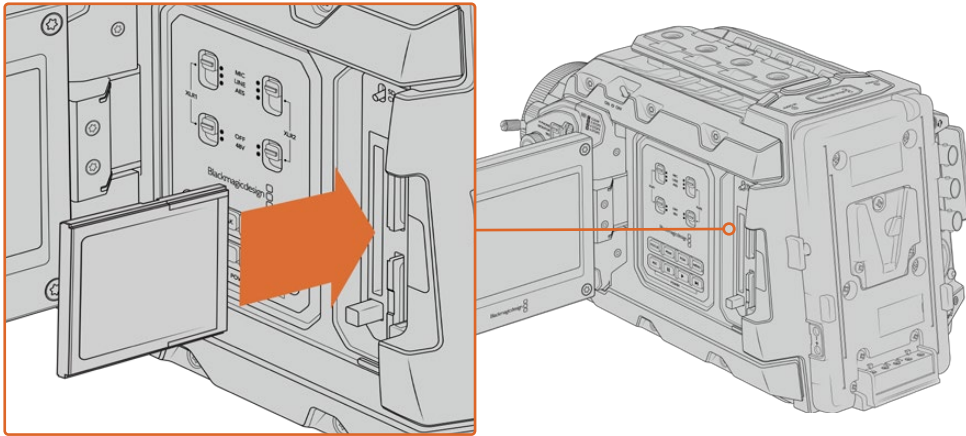
Para insertar una tarjeta CFast:

Para grabar en tarjetas CFast, es necesario configurar la cámara correctamente. Para ello, basta con mover el interruptor situado arriba de las ranuras para tarjetas a la posición **CFAST**.

Para insertar una tarjeta CFast:

- 1 Abra el monitor plegable para acceder a las ranuras para tarjetas CFast.
- 2 Inserte la tarjeta con la etiqueta orientada hacia la pantalla táctil y empújela hasta que calce en su lugar. Para ello, no debería ser necesario ejercer demasiada fuerza. Presione el botón situado debajo de la ranura para retirar la tarjeta.

La información sobre el soporte de almacenamiento en la parte inferior de la pantalla táctil muestra el nombre de las tarjetas CFast detectadas y el tiempo de grabación restante.



El modelo URSA Broadcast G2 cuenta con dos ranuras para tarjetas CFast que permiten grabar sin interrupciones.

SUGERENCIA: Si la cámara no detecta las tarjetas CFast insertadas en la unidad, compruebe que el interruptor situado arriba de los compartimientos para dichos soportes de grabación se encuentra en la posición **CFAST**.

Elección de tarjetas CFast 2.0

Al trabajar con imágenes que requieren transferir datos con una gran rapidez, es importante verificar cuidadosamente la tarjeta CFast empleada, ya que estas unidades de almacenamiento ofrecen distintas velocidades de lectura y escritura. Visite nuestra página de soporte técnico para obtener información adicional sobre tarjetas CFast compatibles con el modelo URSA Broadcast G2

Tarjetas SD

Por otro lado, el modelo Blackmagic URSA Broadcast G2 también permite grabar en tarjetas UHS-I y UHS-II de alta velocidad. Al emplear unidades UHS-II SDXC de alta gama, es posible almacenar secuencias ProRes HQ en resolución UHD o incluso 6K con el formato Blackmagic RAW.

Las tarjetas SD brindan un medio de almacenamiento más económico al grabar en formatos comprimidos con alta definición. Las versiones SDXC y SDHC se utilizan habitualmente en cámaras fotográficas y videocámaras comunes.

Si ha empleado con anterioridad una versión DSLR, o los modelos Blackmagic Micro Cinema Camera, Pocket Cinema Camera o Blackmagic Video Assist, probablemente ya disponga de tarjetas SD compatibles.

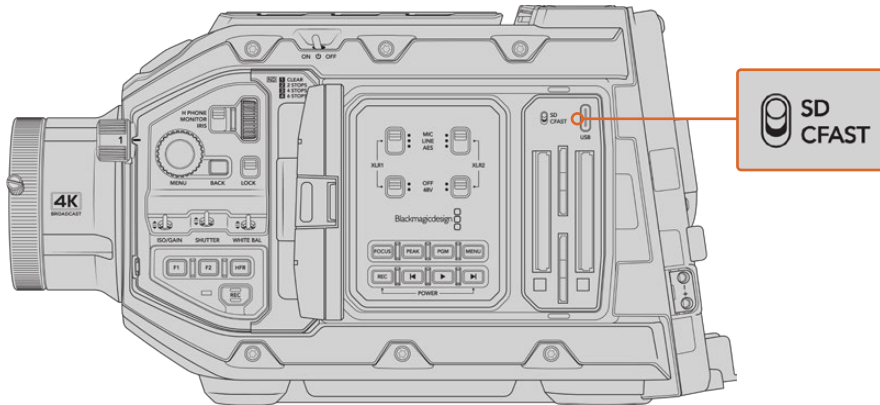
En proyectos que no requieren archivos Blackmagic RAW de alta resolución, o cuando es necesario grabar durante períodos prolongados, este tipo de tarjetas resulta más económico. También es posible emplear unidades de menor velocidad y capacidad para almacenar tablas de conversión (LUT) y ajustes predeterminados.

Cómo insertar una tarjeta SD

Para insertar una tarjeta SD:

- 1 Abra el monitor plegable a fin de acceder a las ranuras para tarjetas SD, situadas entre las ranuras de mayor tamaño para unidades CFast.
- 2 Mueva el interruptor situado arriba de las ranuras a la posición **SD**.
- 3 Inserte la tarjeta con la etiqueta orientada hacia la pantalla táctil y empújela hasta que calce en su lugar. Presione la tarjeta para extraerla.

- 4 El indicador de capacidad, situado en la parte inferior de la pantalla táctil, muestra el nombre de las tarjetas detectadas y el tiempo de grabación restante.



Al emplear tarjetas SD en el modelo URSA Broadcast G2, es necesario asegurarse de que el interruptor correspondiente esté en la posición **SD**.

Elección de una unidad SSD

Recomendamos emplear tarjetas UHS-II de mayor velocidad para grabar en HD y UHD, o UHS-I para material audiovisual en alta definición. Estas unidades permiten procesar datos rápidamente y brindan más capacidad. Generalmente, los modelos más rápidos ofrecen un mejor rendimiento.

Antes de grabar archivos en una tarjeta, es necesario formatearla mediante el sistema HFS+ o exFAT. Es posible formatear los soportes de almacenamiento desde la cámara o el equipo informático. Consulte el apartado *Preparación de soportes para la grabación* a fin de obtener más información al respecto.

También es posible formatear la tarjeta mediante un equipo Mac o Windows. En el primer caso, recomendamos utilizar el formato HFS+ propio del sistema operativo macOS. El formato exFAT es más adecuado para Windows, aunque es compatible con ambos sistemas.

Visite nuestra página de soporte técnico para obtener información adicional sobre tarjetas SD compatibles con el modelo URSA Broadcast G2.

NOTA: Al filmar a una frecuencia de imagen alta o en definición UHD con el modelo URSA Broadcast G2, recomendamos utilizar tarjetas CFast 2.0 o SD UHS-II, ya que son más rápidas y ofrecen una mayor capacidad de almacenamiento.

Bloqueo y desbloqueo de tarjetas SD

Es posible bloquear las tarjetas SD para evitar que se modifique su contenido.

Antes de insertar una tarjeta SD, compruebe que no se encuentre protegida. La protección contra la escritura de datos puede desactivarse moviendo el pequeño interruptor situado en el lado izquierdo de la unidad hacia la posición más cercana a los conectores. Después de copiar contenidos, es posible activar la protección nuevamente desplazando el interruptor hacia su posición original.



Mueva el interruptor hacia arriba o abajo para bloquear o desbloquear la tarjeta SD.

El modelo URSA Broadcast G2 indica si se ha insertado una tarjeta SD protegida mediante un ícono en la pantalla táctil y en el menú del soporte de almacenamiento. Si la tarjeta está bloqueada, no será posible grabar, tomar fotografías o exportar tablas de conversión ni ajustes predeterminados hasta que se desbloquee.



El modelo URSA Broadcast G2 indica si la tarjeta SD insertada está bloqueada.

Grabación en unidades USB-C

Este modelo incluye dos puertos USB-C, uno de primera generación situado en el lateral, cerca de las ranuras para tarjetas CFast, que permite actualizar el dispositivo, y otro de segunda generación en el panel trasero, cerca de las conexiones SDI, a fin de grabar en memorias USB y unidades SSD de gran velocidad. Además de ofrecer una gran capacidad, dichas unidades son rápidas y brindan la posibilidad de grabar durante períodos más prolongados, lo cual es importante al filmar eventos extensos.

Al conectar una unidad USB-C a la cámara, esta aparece en el tercer espacio correspondiente a los soportes de almacenamiento en el sistema operativo de la cámara. Pulse el nombre de la unidad en el menú de almacenamiento para activarla. La grabación, la reproducción y el almacenamiento se llevan a cabo de la misma manera que en una tarjeta SD o CFast.

Una vez finalizada la grabación, la unidad puede conectarse directamente a un equipo informático para editar el material sin necesidad de copiarlo.

Para conectar una memoria USB-C:

- 1 Conecte el extremo de un cable USB-C a la memoria.
- 2 Conecte el otro extremo del cable al puerto USB-C en el panel trasero, debajo de las conexiones SDI.
- 3 La memoria aparece en el tercer espacio correspondiente a los soportes de grabación en el sistema operativo de la cámara.

- 4 Para grabar en la memoria USB-C, mantenga presionado el nombre de la unidad en la pantalla de la cámara. La barra se destaca de color azul para mostrar que las imágenes se grabarán en el soporte indicado. Durante la grabación, esta se resalta en rojo.

Elección de una memoria USB-C adecuada

Estas unidades han sido diseñadas para ofrecer mayor velocidad y capacidad de almacenamiento. Además de ser compatibles con una amplia variedad de dispositivos, pueden adquirirse fácilmente en cualquier tienda especializada en productos electrónicos. Sin embargo, conviene mencionar que la cinematografía es solo uno de los fines con los que se emplean, de modo que es fundamental escoger el modelo adecuado, a efectos de contar con la velocidad suficiente para grabar imágenes en formato Blackmagic RAW y definición UHD.

Muchos modelos han sido diseñados para equipos informáticos domésticos, y su velocidad no es lo suficientemente rápida como para almacenar imágenes en dicha definición.

Visite nuestra página de soporte técnico para consultar una lista actualizada de modelos recomendados.

El programa Blackmagic Disk Speed Test permite determinar con precisión si la memoria USB es adecuada para grabar y reproducir archivos audiovisuales a una alta velocidad. Esta aplicación simula el almacenamiento de datos, por lo que los resultados son similares a los que se obtendrían al grabar imágenes. Según las pruebas rigurosas que realizamos, podemos afirmar que los modelos más nuevos y de mayor capacidad son, por lo general, más rápidos.

La aplicación Blackmagic Disk Speed Test puede descargarse desde el App Store, y además existen versiones para Windows y macOS incluidas en el programa Blackmagic Desktop Video, que está disponible en la categoría *Captura y reproducción* de nuestra página de soporte técnico.

Unidades SSD

El dispositivo Blackmagic URSA Mini Recorder permite grabar directamente en unidades de estado sólido (SSD) de gran capacidad que pueden adquirirse en cualquier tienda de productos electrónicos.

Este dispositivo incluye un puerto USB-C de alta velocidad que brinda la posibilidad de trabajar con unidades SSD SATA de 2.5 pulgadas o U.2 de 7 mm., e incluso M.2 mediante el adaptador correspondiente. Además, a efectos de alcanzar las velocidades de transferencia disponibles, es preciso disponer de un cable USB 3.1 de segunda generación certificado. Cabe mencionar que el cable USB-C suministrado presenta un mecanismo de bloqueo en cada extremo para garantizar la seguridad de la conexión durante su uso.

NOTA: Consulte el apartado *URSA Mini Recorder* para obtener más información al respecto.

Cómo insertar una unidad SSD

Para insertar una unidad SSD:

- 1 Sostenga la unidad con los contactos orientados hacia la parte frontal de la cámara.
- 2 Abra la tapa en el grabador e inserte la tarjeta en el compartimiento correspondiente.

SUGERENCIA: El grabador contiene un adaptador que permite el uso de unidades SSD de distintos tamaños sin necesidad de emplear espaciadores para ajustarlas.

- 3 Después de insertar la unidad en el compartimiento, empújela ligeramente hasta que calce en su lugar y cierre la tapa protectora.
- 4 La unidad SSD aparecerá en el tercer espacio correspondiente a los soportes de almacenamiento en el sistema operativo de la cámara.
- 5 Para grabar en la unidad SSD, mantenga presionado el nombre de la misma en la pantalla de la cámara. La barra se destaca de color azul para mostrar que las imágenes se grabarán en el soporte indicado. Durante la grabación, esta se resalta en rojo.

Para extraer una unidad SSD:

Abra la tapa del grabador y sujete la unidad con cuidado entre el dedo índice y el pulgar. El hueco en la parte superior del compartimiento permite agarrarla con mayor facilidad. Simplemente retire la unidad y cierre la tapa.

Elección de una unidad SSD rápida para el grabador

Estas unidades ofrecen un modo de almacenamiento rápido y accesible para una amplia variedad de dispositivos. Sin embargo, conviene mencionar que la cinematografía es solo uno de los fines con los que se utilizan, de modo que es fundamental escoger el modelo adecuado, a fin de disponer de un ancho de banda suficiente para grabar en UHD o Blackmagic RAW. Muchos modelos han sido diseñados para equipos informáticos domésticos, y su velocidad no es lo suficientemente rápida como para almacenar imágenes en dicha definición.

Aconsejamos emplear solo las unidades SSD recomendadas, ya que estas han sido probadas en el modelo Blackmagic URSA Broadcast G2 y garantizan la posibilidad de grabar en las resoluciones indicadas sin interrupciones. Visite nuestra página de soporte técnico para consultar una lista actualizada de modelos recomendados.

Información importante sobre la velocidad de las unidades SSD

Algunas unidades SSD no son capaces de grabar imágenes a la velocidad estipulada por el fabricante. Esto se debe a que se comprimen los datos ocultos para lograr una mayor velocidad de escritura, pero dicha técnica solo brinda la posibilidad de alcanzar tal velocidad al almacenar archivos simples. Sin embargo, la información de una imagen incluye el ruido y otros datos relativos a los píxeles que no pueden comprimirse demasiado.

La velocidad de escritura de algunas unidades SSD puede ser hasta un 50 % menor que la indicada por el fabricante. Por consiguiente, aunque según sus especificaciones son capaces de almacenar material audiovisual, en realidad carecen de la velocidad necesaria para grabar imágenes en tiempo real.

El programa Blackmagic Disk Speed Test permite determinar con precisión si la unidad SSD es adecuada para grabar y reproducir archivos audiovisuales a una alta velocidad. Esta aplicación simula el almacenamiento de datos, por lo que los resultados son similares a los que se obtendrían al grabar imágenes. Según las pruebas rigurosas que realizamos, podemos afirmar que los modelos más nuevos y de mayor capacidad son, por lo general, más rápidos.

Preparación de soportes para la grabación

Es posible formatear los soportes de grabación directamente en la cámara o mediante un equipo informático Mac o Windows. Recomendamos la primera opción para lograr un mejor rendimiento de la unidad.

El formato HFS+ (también conocido como Mac OS X Extended) es el más recomendado, ya que permite registrar la transferencia de los datos a medida que esta se lleva a cabo. De este modo, es más probable que la información pueda recuperarse en caso de un mal funcionamiento de la unidad. El formato HFS+ se utiliza en equipos Mac. El sistema ExFAT puede emplearse en sistemas operativos macOS y Windows sin necesidad de adquirir programas adicionales. No obstante, este último no permite realizar un registro de la transferencia de datos.

NOTA: Antes de formatear el soporte de grabación, es importante asegurarse de que la posición del interruptor sea la correcta (SD/CFast). Se recomienda comprobar los ajustes en forma previa al inicio del procedimiento.

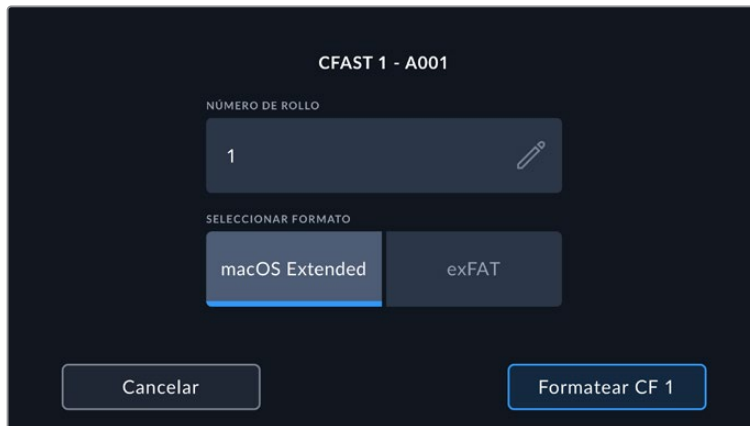
Preparación de soportes en el modelo Blackmagic URSA Broadcast G2

- 1 Pulse el indicador correspondiente al soporte de grabación en la parte inferior de la pantalla a fin de acceder a las opciones para dicha unidad.
- 2 Pulse el indicador correspondiente en la parte inferior de la pantalla para formatear la tarjeta en la ranura 1 o 2, respectivamente. Si hay una memoria USB-C o una unidad SSD conectada a la cámara mediante el puerto trasero, pulse el botón **Unidades**. A continuación, seleccione la unidad y pulse **Formatear**



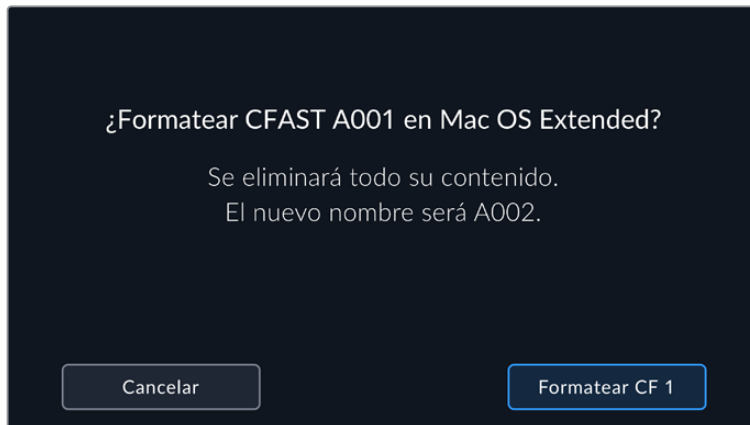
Opciones para formatear tarjetas SD en el modelo URSA Broadcast G2

- 3 Para cambiar el número de rollo, pulse el ícono del lápiz a fin de acceder al teclado numérico. Seleccione el número deseado y pulse **Aceptar**.
- 4 Seleccione **OS X Extended** o **ExFAT** y pulse la opción **Formatear**.



Pulse el ícono del lápiz para cambiar el número de rollo.

- 5 El sistema solicitará una confirmación antes de proceder. Pulse el botón **Formatear** para continuar o **Cancelar** para suspender el procedimiento.



Antes de formatear la tarjeta, compruebe que la unidad seleccionada sea la correcta.

- 6 El sistema le solicitará que mantenga el botón **Formatear** presionado durante 3 segundos. Aparecerá una notificación en la pantalla cuando el procedimiento haya finalizado.



Una vez formateada, la unidad está lista.

- 7 Pulse **Aceptar** para volver a la pantalla anterior.
- 8 Pulse **Salir** para regresar a la pantalla de inicio.

Al formatear soportes de almacenamiento en el modelo URSA Broadcast G2, la cámara asignará una denominación a la unidad según el nombre identificador y el número de rollo introducido en la claqueta virtual. Cada vez que se formatea el soporte de grabación, este valor se incrementa automáticamente. Pulse el ícono del lápiz para introducir un número específico.

Pulse la opción **Restablecer datos** en la pestaña **PROYECTO** de la claqueta virtual si desea restablecer la numeración al comenzar un nuevo proyecto.

Cabe destacar que solo será posible formatear el tipo de tarjeta que indique la posición del interruptor correspondiente. Consulte el apartado *Tarjetas SD* para obtener más información al respecto.



En la pantalla de la cámara, se indica el tipo de unidad de almacenamiento.

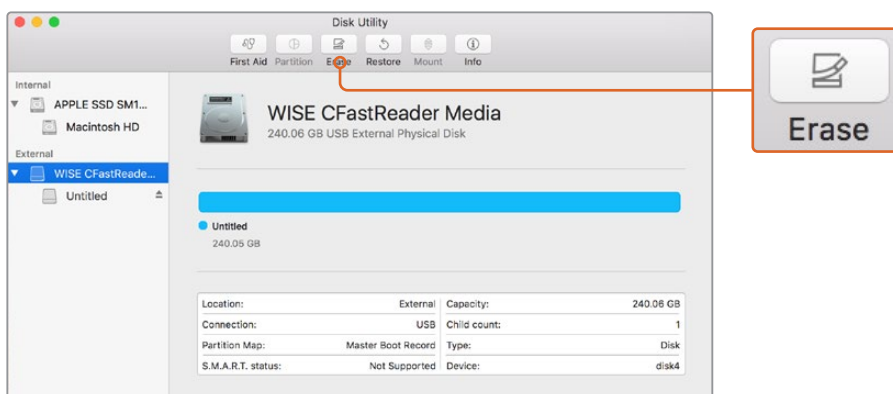
SUGERENCIA: Si la cámara se ha configurado para grabar en tarjetas SD y se inserta una unidad protegida, no será posible formatearla. El ícono de bloqueo aparece junto al nombre de la tarjeta en la pantalla respectiva. Basta con desbloquearla para poder continuar y comenzar a grabar. Consulte el apartado correspondiente para obtener más información al respecto.

Preparación de soportes en equipos Mac

La aplicación Utilidad de Discos, incluida en el sistema operativo macOS, permite formatear soportes de almacenamiento mediante el sistema HFS+ o exFAT.

Asegúrese de respaldar cualquier información importante que contenga la unidad, ya que al iniciar el proceso se borrarán todos los datos.

- 1 Inserte el soporte de almacenamiento en la ranura correspondiente del equipo informático o utilice un dispositivo de lectura o un adaptador para este tipo de unidades. Ignore cualquier mensaje relativo a su uso para realizar copias de seguridad mediante la función **Time Machine**.
- 2 Haga clic en **Aplicaciones** y luego seleccione **Utilidades**. A continuación, ejecute la aplicación **Utilidad de Discos**.
- 3 Haga clic en el ícono de la unidad y luego en la pestaña **Borrar**.
- 4 Seleccione la opción **Mac OS Extended (con registro)** o **exFAT**.
- 5 Escriba un nombre para la unidad y luego haga clic en **Borrar**. Se dará formato a la unidad rápidamente y esta quedará lista para usar.

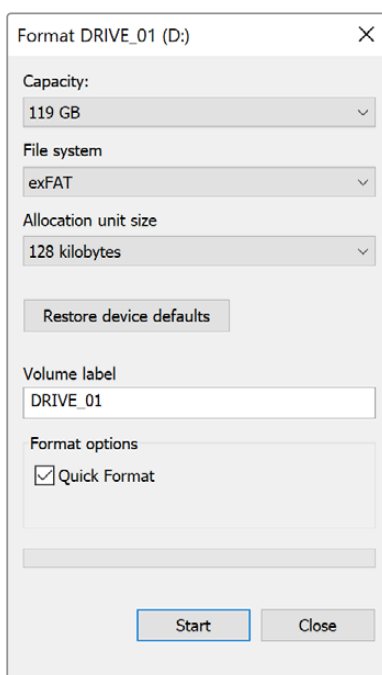


El programa **Utilidad de Discos** en macOS permite formatear una tarjeta CFast mediante el sistema Mac OS Extended (con registro) o exFAT.

Preparación de soportes en equipos Windows

El cuadro de diálogo **Formato** en el sistema operativo Windows permite formatear unidades de almacenamiento mediante el sistema exFAT. Asegúrese de respaldar cualquier información importante que contenga la unidad, ya que al iniciar el proceso se borrarán todos los datos.

- 1 Conecte el equipo informático a un adaptador o lector externo para unidades SSD.
- 2 Abra el menú **Inicio** o la **Pantalla de Inicio** y seleccione la opción **PC**. Haga clic con el botón derecho en la unidad de almacenamiento.
- 3 En el menú contextual, seleccione la opción **Formato**.
- 4 Elija la opción **exFAT** para el sistema de archivos y **128 kilobytes** para el tamaño de la unidad de asignación.
- 5 Ingrese un nombre para la unidad, marque la casilla **Formato rápido** y haga clic en **Iniciar**.
- 6 Se dará formato a la unidad rápidamente y esta quedará lista para usar.



Utilice el cuadro de diálogo **Formato**

en Windows para dar formato exFAT a la unidad de almacenamiento.

NOTA: Si se omiten fotogramas durante la grabación, compruebe que la unidad sea una de las recomendadas, según la resolución y el formato seleccionados. En caso de que la transferencia de datos no se realice a una velocidad adecuada, intente reducir la resolución o la frecuencia de imagen, o seleccione un formato con compresión, por ejemplo, ProRes. Visite nuestro sitio web para obtener más información al respecto.

Grabación

Grabación de clips

Generalmente, los objetivos B4 incluyen un botón de grabación situado en la manija del objetivo, en la posición que ocuparía el dedo pulgar al filmar con la cámara al hombro. Presione dicho botón para comenzar a grabar. Oprímalo nuevamente para detener la grabación.

La cámara también cuenta con un botón de grabación en el panel de control interno y otro adicional en la parte frontal, al cual resulta más fácil acceder cuando se filma con la cámara al hombro.

Inicio de la grabación desde fuentes externas

Mediante la aplicación Blackmagic Camera Control, es posible iniciar la grabación en forma remota y modificar varios ajustes de la cámara desde un dispositivo iPad, a través de una conexión Bluetooth. Consulte el apartado *Conectividad Bluetooth* más adelante para obtener información adicional al respecto. También existen aplicaciones de terceros para teléfonos móviles que permiten comenzar la grabación.

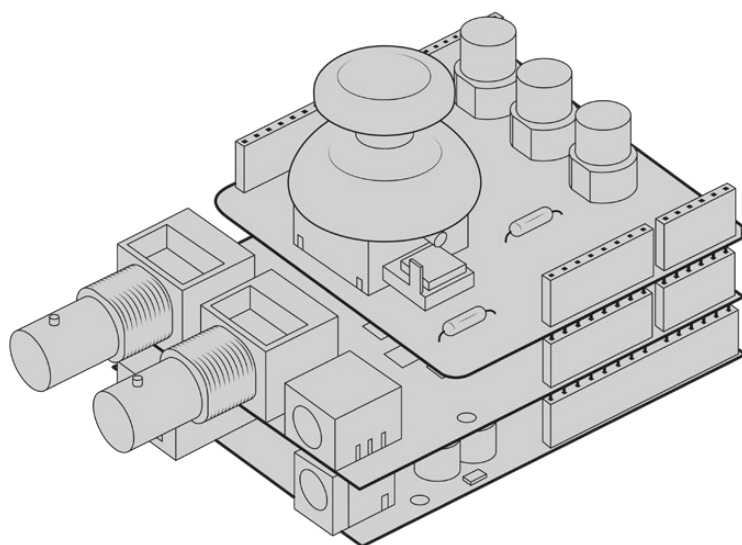
Al emplear un dispositivo Blackmagic Zoom Demand, es posible iniciar la grabación mediante el botón situado debajo del dedo pulgar, al igual que el botón **VTR** en un objetivo B4. Consulte el apartado relativo a dicho dispositivo para obtener más información al respecto.

Al conectar la cámara a un mezclador ATEM Mini Pro o Extreme mediante un dispositivo Blackmagic Micro Converter BiDirectional SDI/HDMI 3G, es posible iniciar la grabación desde el mezclador.

La opción para grabar la transmisión en el programa ATEM Software Control incluye una casilla denominada **Grabar en todas las cámaras**. Al marcarla y presionar o hacer clic en el botón de grabación, todas las unidades conectadas comenzarán a grabar simultáneamente, sin necesidad de presionar botones adicionales. Consulte el manual del modelo ATEM Mini para obtener más información al respecto.

Asimismo, es posible iniciar o detener la grabación conectando un controlador externo a la entrada LANC de la cámara. Por ejemplo, este permite comenzar a grabar sin quitar las manos del anillo de enfoque o la manija del trípode.

También es posible iniciar la grabación en una o varias unidades URSA Broadcast G2 a través de una tarjeta Blackmagic 3G-SDI Shield for Arduino, mediante el protocolo de control SDI. Consulte el apartado *Información para desarrolladores* a fin de obtener más información al respecto o visite nuestro sitio web y descargue el manual correspondiente.



Es posible desarrollar controladores personalizados y conectarlos a una tarjeta Blackmagic 3G-SDI Shield for Arduino a fin de lograr una mayor interacción y precisión.

NOTA: Al mover el interruptor correspondiente al tipo de unidad de almacenamiento durante la filmación, la cámara cambiará al soporte seleccionado una vez finalizada la grabación en curso. Esto permite evitar que se dañe el material grabado al ajustar el interruptor durante una toma.

Selección del formato, la resolución y el área del sensor

El modelo Blackmagic URSA Broadcast G2 permite grabar en formato Blackmagic RAW con distintas opciones de codificación para lograr una calidad o velocidad de transferencia constantes. Asimismo, existe la oportunidad de usar otros códecs adicionales, tales como ProRes, H.264 o H.265, tanto en definición HD como UHD. Es posible elegir distintas frecuencias de imagen, según la resolución y el códec seleccionado.

El formato Blackmagic RAW permite grabar con calidad constante o a una tasa de compresión invariable. Recomendamos las variantes 8:1, 12:1, Q3 o Q5 al filmar durante la recopilación electrónica de noticias, por ejemplo, ya que el alto grado de compresión de estas opciones ofrece un mayor tiempo de grabación con una reducción mínima en la calidad visual de las imágenes. En tomas con un gran nivel de detalles, aconsejamos seleccionar las opciones Blackmagic RAW 3:1 o Q0 a fin de lograr la mejor calidad.

Cabe mencionar que el material grabado en formato Blackmagic RAW es compatible con el programa DaVinci Resolve, el reproductor Blackmagic RAW Player y otras aplicaciones creadas mediante las respectivas herramientas de desarrollo. Este formato ya ha sido adoptado por una gran cantidad de plataformas de posproducción, y aunque en un principio no sea compatible con todos los programas de edición, debería funcionar mediante los complementos que brindamos a través de las actualizaciones para la cámara y el instalador Blackmagic RAW. Consulte el apartado *Otros programas de edición* para obtener más información al respecto.

Blackmagic RAW

El modelo URSA Broadcast G2 es compatible con el nuevo formato Blackmagic RAW. Este brinda una calidad de imagen superior, un rango dinámico amplio y una gran variedad de opciones de compresión. Además, conserva todas las ventajas de la grabación en dicho formato con un procesamiento más rápido, gracias a que la cámara dinamiza gran parte del mismo.

Blackmagic RAW también admite el uso de metadatos avanzados, de manera que el programa empleado para procesar los archivos tendrá acceso a los ajustes de la cámara. Por ejemplo, al seleccionar el modo Video durante el rodaje, porque es preciso editar con rapidez y no hay tiempo para el etalonaje, esta función permite mostrar las imágenes con los ajustes cromáticos correspondientes a dicho modo al abrirlas en el programa de edición. Sin embargo, en realidad el archivo presenta la colorimetría del modo Film, y los metadatos son los que indican que se deben aplicar los ajustes correspondientes al modo Video.

En otras palabras, si en algún momento es necesario etalonar las imágenes, el archivo original aún conservará todo el rango dinámico. Por ello, el material grabado no pierde información en las luces ni en las sombras, de modo que se mantienen todos los detalles, y es posible realizar los ajustes cromáticos pertinentes a fin de que tenga un aspecto cinematográfico. No obstante, en caso de no tener tiempo para el etalonaje, las imágenes se verán de manera adecuada al aplicar el modo Video. Esto brinda mayor flexibilidad durante la posproducción.

Los archivos Blackmagic RAW se procesan con rapidez y han sido optimizados para aprovechar la GPU y la CPU del equipo informático, lo que permite reproducirlos sin interrupción y prescindir del uso de placas de decodificación, que son de particular relevancia al usar equipos portátiles. Por otro lado, los programas compatibles con este formato también brindan la posibilidad de emplear plataformas tales como Metal, CUDA y OpenCL.

De este modo, los archivos Blackmagic RAW se reproducen a una velocidad normal en la mayoría de los equipos, sin necesidad de emplear la memoria caché o una resolución inferior.

Cabe destacar que la información de los objetivos también se registra en los metadatos correspondientes a cada fotograma. Por ejemplo, al utilizar modelos compatibles, cualquier cambio en el enfoque o la distancia focal quedará registrado en los metadatos.

Grabación en Blackmagic RAW

El formato Blackmagic RAW brinda la posibilidad de elegir entre una velocidad constante al transferir datos o una calidad invariable.

En el primer caso, la velocidad de transferencia se mantiene constante sin que sea demasiado elevada. De este modo, las imágenes complejas que incluyen una mayor cantidad de datos se comprimen más para que quepan en el espacio asignado.

Sin embargo, al grabar en formato RAW, es preferible que la calidad sea consistente. ¿Qué sucede si las imágenes incluyen más datos, pero estas se comprimen a fin de que quepan en el espacio asignado? Probablemente haya una pérdida de calidad, aunque no es posible saberlo hasta reproducir el material.

Con el propósito de solucionar este problema, Blackmagic RAW ofrece una alternativa que brinda una calidad constante. Técnicamente, la velocidad de transferencia en esta opción es variable, pero en realidad genera un archivo de mayor tamaño si las imágenes lo requieren, sin que haya un límite específico a la hora de codificar el material conservando su calidad.

Es por esto que la opción de calidad constante del formato Blackmagic RAW permite que el tamaño del archivo varíe según los requerimientos de la codificación o el tipo de material grabado.

Asimismo, merece la pena destacar que el nombre de los archivos no es incomprensible, sino que contiene información significativa derivada de los aspectos técnicos. Por ejemplo, al seleccionar el modo de velocidad constante, las opciones disponibles son **3:1**, **5:1**, **8:1** y **12:1**. Estos números representan la relación entre el tamaño del archivo RAW sin compresión y su versión comprimida. De este modo, la opción **3:1** brinda una mejor calidad en un archivo de mayor tamaño, mientras que al seleccionar **12:1** se obtiene un archivo más pequeño con la menor calidad. No obstante, muchos usuarios afirman que esta última opción es perfectamente aceptable y que no han encontrado limitaciones en términos de calidad, aunque recomendamos probar distintos ajustes.

El modo de calidad constante incluye las opciones **Q0**, **Q1**, **Q3** y **Q5**. Estas representan los parámetros de compresión transmitidos y determinan el grado de compresión aplicado. La diferencia se debe a que el códec funciona de forma distinta al seleccionar una velocidad o una calidad constante. Al elegir esta última opción, no es posible saber con certeza el tamaño de los archivos resultantes, ya que dependerá del material grabado.

Velocidad constante

Las opciones **3:1**, **5:1**, **8:1** y **12:1** representan el grado de compresión. Por ejemplo, el tamaño del archivo generado mediante la opción **12:1** es aproximadamente 12 veces inferior al del formato RAW sin compresión.

Calidad constante

Las opciones **Q0**, **Q1**, **Q3** y **Q5** representan distintos niveles de cuantización. Este es mayor en la segunda opción, aunque mejora la velocidad al transferir datos. Como se ha mencionado, dichos ajustes generan archivos de tamaño variable, según el material grabado. Si el tamaño del archivo sobrepasa la capacidad de la unidad de almacenamiento, es posible que se omitan fotogramas. Sin embargo, la ventaja es que, si esto sucede, se notará inmediatamente, lo cual brinda la oportunidad de cambiar los ajustes sobre la marcha.

Reproductor Blackmagic RAW

El reproductor Blackmagic RAW, incluido en el instalador del programa utilitario de la cámara, es una aplicación optimizada que permite ver los clips grabados en dicho formato. Basta con hacer doble clic en el archivo correspondiente para reproducir, avanzar o retroceder las imágenes.

Al decodificar fotogramas, la función de aceleración por CPU, incluida en las herramientas de desarrollo, es compatible con las principales arquitecturas y admite el uso de la GPU con plataformas tales como Metal, CUDA y OpenCL. Además, es posible emplear una unidad Blackmagic eGPU, a fin de mejorar el funcionamiento. El reproductor está disponible para Mac, Windows y Linux.

Archivos Sidecar

Los archivos .sidecar del formato Blackmagic RAW permiten anular metadatos integrados en el archivo original sin eliminarlos. Estos incluyen tanto ajustes RAW como información relativa al diafragma, el enfoque, la distancia focal, el balance de blancos, el tinte, el espacio cromático, el nombre del proyecto y el número de toma, entre otros parámetros, y están codificados por fotograma, lo cual resulta importante al modificar los valores del objetivo durante el rodaje. Es posible añadir o editar estos metadatos con DaVinci Resolve o incluso un editor de textos.

Los archivos .sidecar permiten aplicar automáticamente distintos ajustes RAW a un clip añadiéndolos a la carpeta que contiene el material grabado. Al mover el archivo .sidecar fuera de la carpeta y reproducir nuevamente el clip Blackmagic RAW, vemos el original tal como fue grabado. Asimismo, es posible acceder a estos ajustes desde cualquier programa compatible con las herramientas de desarrollo para Blackmagic RAW. Los cambios realizados se guardan en el archivo .sidecar, y las imágenes modificadas pueden verse en el reproductor Blackmagic RAW Player o en cualquier otra aplicación compatible con este formato.

Al grabar en modo **Video**, el archivo original conserva las características del modo **Film**, pero los metadatos permitirán que el material grabado se muestre con la apariencia del modo **Video**. Este último es ideal cuando no es preciso etalonar el material grabado y los plazos son limitados. Sin embargo, si se desea ajustar las partes más oscuras o brillantes de la imagen, se conservan todos los detalles sin perder información, en caso de que sea necesario acceder a ellos posteriormente.

Blackmagic RAW en DaVinci Resolve

El panel **Ajustes RAW** en DaVinci Resolve permite modificar la apariencia del material grabado en un archivo Blackmagic RAW y guardar dichos ajustes en un nuevo archivo .sidecar, a fin de lograr efectos creativos o mejorar su visualización. También es posible copiarlos y enviárselos a otros usuarios del programa para que puedan acceder a ellos al importarlos. Por otro lado, DaVinci Resolve no solo es capaz de leer los metadatos de los archivos generados por la cámara, sino que además reconoce automáticamente el rango dinámico seleccionado al reproducir los clips.

Luego, es posible personalizar dichos ajustes modificando la saturación, el contraste y los tonos intermedios, así como la atenuación de las luces y las sombras. A su vez, al guardar estos cambios en un archivo .sidecar, cualquier otra persona que trabaje con el mismo material durante la posproducción tendrá acceso a ellos. También es sencillo restaurar los metadatos originales de la cámara, de ser necesario.

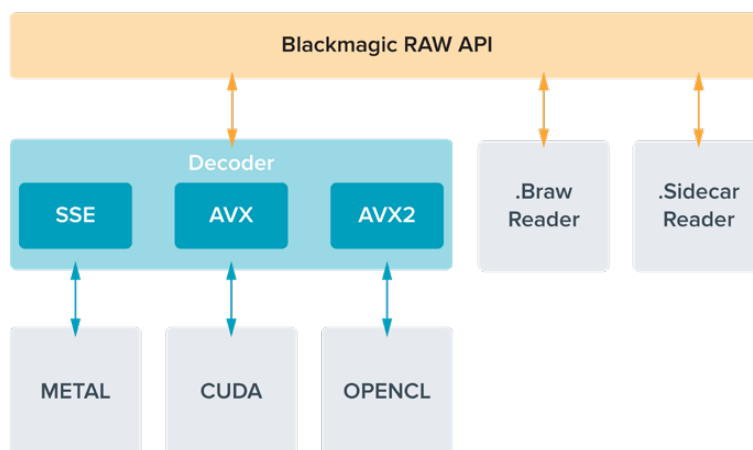
Por otra parte, el panel **Ajustes RAW** en DaVinci Resolve permite exportar un fotograma con todos los ajustes, los metadatos, la resolución y la información cromática, lo que brinda la posibilidad de compartir capturas o archivos de referencia.

Consulte el apartado *DaVinci Resolve* para obtener más información al respecto.

Herramientas de desarrollo Blackmagic RAW

Estas herramientas constituyen una interfaz de programación desarrollada por Blackmagic Design con el propósito de que los usuarios puedan crear sus propias aplicaciones compatibles con el formato Blackmagic RAW. Pueden ser empleadas por cualquier desarrollador para leer, modificar y guardar este tipo de archivos, e incluyen las nuevas colorimetrías de cuarta y quinta generación, que permiten obtener imágenes con un aspecto natural y cinematográfico en cualquier programa compatible, ya sea en sistemas operativos Mac, Windows o Linux. Estas herramientas pueden descargarse de forma gratuita desde nuestra página para desarrolladores.

El siguiente diagrama muestra los componentes de la interfaz de programación para el formato Blackmagic RAW:



Selección de la frecuencia de imagen

La cámara permite grabar a distintas frecuencias de imagen, y a veces es difícil saber cuál es la más adecuada. Este parámetro puede afectar en gran medida el aspecto del material grabado, por lo cual es preciso considerar varios factores al determinar un valor apropiado. Desde hace varios años, existen distintos formatos de presentación para el cine y la televisión. A pesar de que las frecuencias de imagen de cada uno son distintas según el país, todas cumplen el mismo propósito: mostrar una cantidad determinada de fotogramas o cuadros por segundo para que la imagen fluya de manera agradable y convincente.

Por ejemplo, en el cine se emplea una frecuencia de 24 f/s, y aunque recientemente se han realizado pruebas con otras más rápidas, esta es la más aceptada en todo el mundo. Con respecto a la televisión, las frecuencias de imagen generalmente cumplen con las normas técnicas de teledifusión en cada país. Por ejemplo, los contenidos televisivos se graban a 29.97 f/s para su distribución en América del Norte, y a 25 f/s para Europa.

No obstante, con el avance de la tecnología, en la actualidad existe una gama más amplia de opciones, y dichos formatos han ido evolucionando. Ahora es común que los eventos deportivos se graben y se transmitan a frecuencias de imagen más altas, por ejemplo, hasta 59.94 f/s en América del Norte, y 50 f/s en Europa. Esto permite que las imágenes fluyan con mayor facilidad y parezcan más auténticas. Por otra parte, al transmitir por Internet, normalmente se emplean frecuencias similares a las de la televisión, aunque en este caso existe una mayor flexibilidad debido a que los usuarios pueden elegir diferentes formatos de visualización, según las especificaciones de las distintas pantallas.

Normalmente, a la hora de escoger una frecuencia de imagen para un proyecto, el formato de entrega constituye un factor decisivo, a fin de que las imágenes se reproduzcan a la misma velocidad en la que se desarrolló el evento. Para lograrlo, es necesario activar la opción **FREC. INDEPENDIENTE** en la cámara.

Si el objetivo es crear un efecto interesante, por ejemplo, cámara lenta, es posible elegir una frecuencia de imagen más alta para el sensor. Cuanto mayor sea esta en comparación con la frecuencia de imagen del proyecto, menor será la velocidad de reproducción.

Consulte el apartado *Controles de la pantalla táctil* para obtener más información al respecto.

Grabación a frecuencias de imagen altas

Al grabar a frecuencias de imagen altas, la cámara capta una mayor cantidad de fotogramas por segundo, en comparación con otros valores tradicionales, tales como 24, 25 y 30 f/s. En consecuencia, el tiempo de exposición del sensor es menor, y por lo tanto la imagen obtenida será más oscura.

Por ejemplo, al incrementar la frecuencia de 25 a 50 f/s, se reduce un 50 % la cantidad de luz captada por el sensor. A fin de conservar el nivel de exposición y compensar este cambio, es necesario abrir un paso el objetivo, aumentar el ángulo de obturación de 180° a 360°, o incorporar más luz en la escena que se está filmando.

Al grabar a 120 f/s, la cantidad de luz es 2.5 veces menor que al hacerlo a 24 f/s, de modo que es preciso ajustar varios parámetros, tales como la apertura del diafragma, el ángulo de obturación y la iluminación, con el propósito de lograr el mismo nivel de exposición.

Otro punto por considerar en estas situaciones es el hecho de que posiblemente las fuentes lumínicas artificiales generen un parpadeo en la imagen grabada, por ejemplo, al emplear lámparas LED, fluorescentes o de tungsteno. Cabe la posibilidad de que estos artefactos no aparezcan al ver la escena en la pantalla LCD y en la señal SDI, o mientras se graba. Por lo tanto, es fundamental realizar pruebas previas y luego reproducir el clip nuevamente para determinar la presencia del parpadeo.

Por otro lado, la configuración del obturador también puede afectar la visibilidad del parpadeo al grabar con poca luz. En consecuencia, el modelo URSA Broadcast G2 calculará automáticamente el ángulo de obturación sin parpadeo para la frecuencia de imagen seleccionada. Cabe destacar que las características de ciertas fuentes de luz pueden ocasionar parpadeo, incluso al emplear valores que evitan este tipo de artefacto. Consulte el apartado *Controles de la pantalla táctil* para obtener más información al respecto.

En caso de seguir notando un parpadeo a pesar de haber reducido al mínimo la velocidad de obturación o utilizado el valor máximo permitido para el ángulo de obturación, es posible que sea preciso emplear una fuente de luz distinta para la escena o un objetivo más rápido.

Frecuencias de imagen máximas para el sensor

La siguiente tabla indica los códecs y las resoluciones disponibles para el modelo URSA Broadcast, con las frecuencias de imagen máximas y las velocidades de transferencia de datos correspondientes. Cabe destacar que las denominaciones Blackmagic RAW, ProRes 444 y ProRes 422 incluyen todas las variantes compatibles.

Debido a la velocidad de transferencia requerida para grabar a resoluciones altas en cámara lenta, es necesario escoger un soporte de almacenamiento rápido, ya sea una tarjeta CFast, una memoria USB-C o una unidad SSD. Consulte el apartado *Almacenamiento* para obtener más información al respecto.

SUGERENCIA: Para verificar la velocidad de la tarjeta, seleccione **Detener** en la opción **AL OMITIR FOTOGRAMAS** y grabe un clip de prueba. Esto permitirá corroborar por cuánto tiempo es posible filmar a una frecuencia de imagen determinada en cualquier resolución. Si la grabación se detiene demasiado pronto, inténtelo nuevamente con un grado de compresión o una resolución menor para disminuir la velocidad de transferencia y lograr que se mantenga constante.

Frecuencias máximas para el modelo URSA Broadcast G2

	Resolución	Códec	Frecuencia máxima	Velocidad máxima
UHD	3840x2160	Blackmagic RAW 3:1	60	254 MB/s
	3840x2160	Blackmagic RAW 5:1	60	152 MB/s
	3840x2160	Blackmagic RAW 8:1	60	96 MB/s
	3840x2160	Blackmagic RAW 12:1	60	64 MB/s
	3840x2160	Blackmagic RAW Q0	60	48.7 - 96.8 MB/s
	3840x2160	Blackmagic RAW Q1	60	32.6 - 77.6 MB/s
	3840x2160	Blackmagic RAW Q3	60	21.9 - 55.6 MB/s
	3840x2160	Blackmagic RAW Q5	60	13.4 - 32.6 MB/s
	3840x2160	ProRes HQ	60	220 MB/s
	3840x2160	ProRes 422	60	148 MB/s
	3840x2160	H.265 SDI	60	24.6 MB/s
	3840x2160	H.265 (alta)	60	21.6 MB/s
	3840x2160	H.265 (media)	60	15.6 MB/s
	3840x2160	H.265 (baja)	60	6.4 MB/s

	Resolución	Códec	Frecuencia máxima	Velocidad máxima
HD	1920x1080	Blackmagic RAW 3:1	150	161.4 MB/s
	1920x1080	Blackmagic RAW 5:1	150	97.2 MB/s
	1920x1080	Blackmagic RAW 8:1	150	61.1 MB/s
	1920x1080	Blackmagic RAW 12:1	150	41 MB/s
	1920x1080	Blackmagic RAW Q0	150	121.2 - 241.6 MB/s
	1920x1080	Blackmagic RAW Q1	150	81.8 - 193.4 MB/s
	1920x1080	Blackmagic RAW Q3	150	54.4 - 138.4 MB/s
	1920x1080	Blackmagic RAW Q5	150	33 - 81.1 MB/s
	1920x1080	ProRes HQ	120	110 MB/s
	1920x1080	ProRes 422	120	74 MB/s
	1920x1080	H.264 SDI	60	14 MB/s
	1920x1080	H.264 (alta)	60	11.2 MB/s
	1920x1080	H.264 (media)	60	6.4 MB/s
	1920x1080	H.264 (baja)	60	3.6 MB/s

Cabe destacar que, en las opciones Blackmagic RAW Q0, Q1, Q3 y Q5, la velocidad de transferencia varía con el propósito de lograr una calidad constante. Esta dependerá de la complejidad de las imágenes y puede cambiar considerablemente durante la grabación.

Para seleccionar el códec y la resolución:

- 1 Presione el botón **MENU** en el panel de control.
- 2 Acceda al primer grupo de ajustes en la pestaña **GRABACIÓN**.
- 3 Seleccione el códec, la calidad y la resolución.
- 4 Presione el botón **MENU** para salir.

Formatos de grabación y frecuencia de imagen del proyecto

Una vez que haya seleccionado el códec y la resolución, deberá configurar las frecuencias de imagen para la grabación y la reproducción. Consulte el apartado *Grabación* para obtener más información al respecto.

Las frecuencias de imagen disponibles son las siguientes:

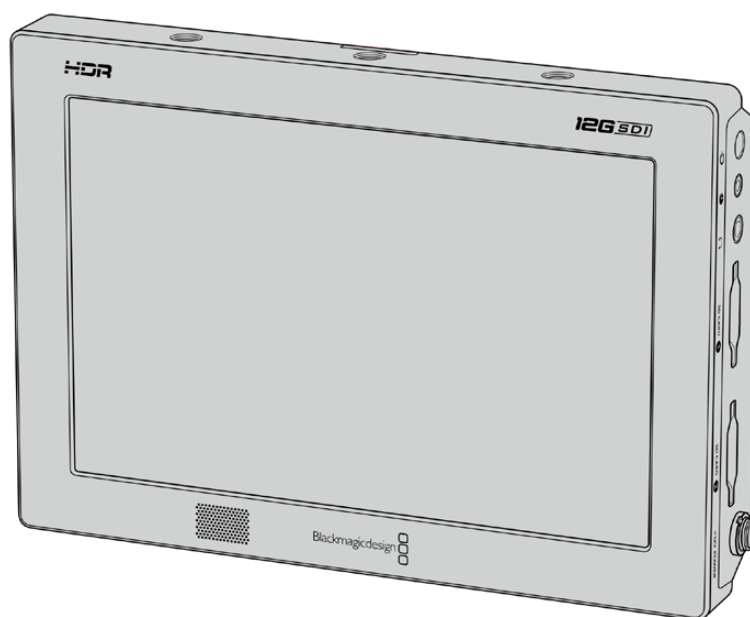
23.98, 24, 25, 29.97, 30, 50, 59.94 y 60 f/s.

Al emplear los códecs Blackmagic RAW y ProRes, incluido ProRes 422 HQ, la frecuencia de imagen máxima para el proyecto es de 60 f/s, independientemente de la resolución.

Inicio de la grabación en equipos externos

El modelo URSA Broadcast G2 transmite una señal automáticamente desde las salidas SDI que permite iniciar la grabación al conectar un dispositivo compatible con dicha función, por ejemplo, un monitor Blackmagic Video Assist. De este modo, al presionar el botón de grabación en la cámara, la unidad externa inicia la captura de imágenes. Al volver a presionarlo, este proceso se detiene en ambos dispositivos.

Asimismo, es necesario activar la función de grabación automática en el equipo, a fin de que reconozca la señal de la cámara. Por lo general, esto se realiza desde el menú de configuración en dicho dispositivo.



Es posible iniciar la grabación automática en cualquier otro equipo SDI, por ejemplo, un dispositivo Blackmagic Video Assist 12G HDR, utilizando dicha función en la cámara.

Tiempo de grabación

Las siguientes tablas muestran el tiempo de grabación aproximado en minutos y segundos según el formato, la resolución y el soporte de almacenamiento. La duración máxima no solo dependerá de la capacidad del soporte, sino también del formato y la frecuencia de imagen escogidos. Por ejemplo, la velocidad de transferencia para el formato ProRes 422 (HQ) a una resolución de 3840 x 2160 es de aproximadamente 880 Mb/s. A una frecuencia de 24 f/s, una tarjeta SD o CFast 2.0 de 256 GB permite grabar durante unos 47 minutos. Con los mismos ajustes, es posible grabar aproximadamente 23 minutos en una tarjeta SD o CFast 2.0 de 128 GB, casi la mitad que con una tarjeta de 256 GB.

Cabe destacar que la duración en este tipo de unidades puede variar ligeramente, según el fabricante. Otro factor determinante es el sistema empleado para formatear el soporte de almacenamiento (ExFat o Mac OS Extended).

Las escenas simples suelen requerir menos detalles que las composiciones más complejas. Los valores en las siguientes tablas contemplan tomas de alta complejidad. De este modo, es posible grabar durante más tiempo, dependiendo de la naturaleza propia de cada toma.

HD							
Tarjetas CFast	Frecuencia de imagen	ProRes 422 HQ	ProRes 422	H.264 SDI	H.264 (alta)	H.264 (media)	H.264 (baja)
		Duración	Duración	Duración	Duración	Duración	Duración
256 GB	23.98	189 min	283 min	635 min	782 min	1395 min	2456 min
	24	189 min	283 min	635 min	782 min	1395 min	2456 min
	25	182 min	271 min	602 min	748 min	1339 min	2321 min
	30	152 min	227 min	496 min	612 min	1118 min	2079 min
	50	91 min	137 min	371 min	462 min	841 min	1852 min
	60	76 min	114 min	331 min	411 min	716 min	1520 min

UHD					
Tarjetas CFast	Frecuencia de imagen	Blackmagic RAW 3:1	Blackmagic RAW 5:1	Blackmagic RAW 8:1	Blackmagic RAW 12:1
		Duración	Duración	Duración	Duración
256 GB	23.98	41 min	68 min	110 min	164 min
	24	41 min	68 min	109 min	164 min
	25	39 min	66 min	105 min	157 min
	30	33 min	55 min	88 min	131 min
	50	19 min	33 min	52 min	79 min
	60	16 min	27 min	44 min	66 min

UHD							
Tarjetas CFast	Frecuencia de imagen	ProRes 422 HQ	ProRes 422	H.265 SDI	H.264 (alta)	H.264 (media)	H.264 (baja)
		Duración	Duración	Duración	Duración	Duración	Duración
256 GB	23.98	47 min	71 min	353 min	404 min	571 min	1499 min
	24	47 min	71 min	353 min	404 min	571 min	1499 min
	25	45 min	68 min	339 min	389 min	550 min	1442 min
	30	38 min	57 min	286 min	325 min	461 min	1223 min
	50	22 min	34 min	242 min	280 min	389 min	960 min
	60	18 min	28 min	241 min	277 min	325 min	809 min

Grabación de datos del sensor de movimiento

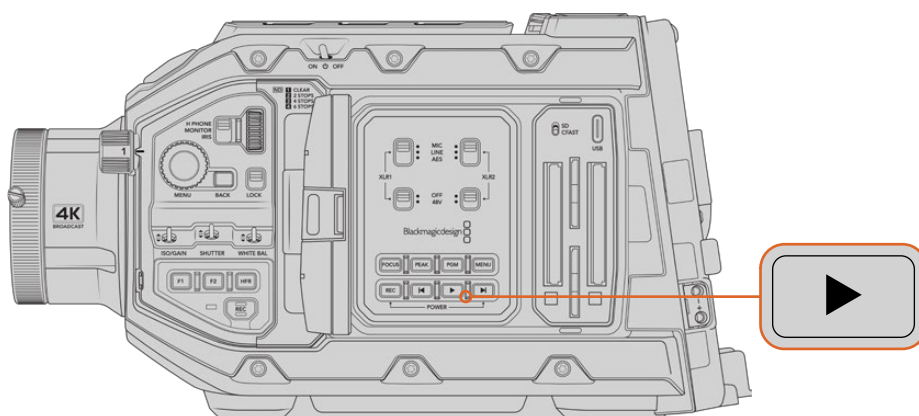
El modelo Blackmagic URSA Broadcast G2 graba automáticamente los datos giroscópicos captados por el sensor de movimiento interno. Posteriormente, DaVinci Resolve emplea esta información para estabilizar los clips. Consulte el apartado correspondiente para obtener más información al respecto.

Reproducción

Reproducción de clips

Después de realizar la grabación, es posible utilizar los controles de reproducción para ver las imágenes en la pantalla de la cámara.

Presione el botón de reproducción una vez para verlas de forma inmediata en la pantalla táctil del modelo URSA Broadcast G2 o en cualquier dispositivo conectado a las salidas SDI de la cámara.



URSA Broadcast G2

SUGERENCIA: El modelo Blackmagic URSA Broadcast G2 dispone de botones de reproducción tanto en el panel de control interno como en el ergonómico.

NOTA: El modelo Blackmagic URSA Broadcast G2 reproducirá los clips que compartan los mismos parámetros en cuanto al tipo de códec, la frecuencia de imagen y la resolución. Por ejemplo, para reproducir clips en alta definición grabados en ProRes 422 HQ a 29.97 f/s, compruebe que dichos valores coincidan en la cámara.

Los controles de la cámara funcionan de la misma manera que los de un reproductor de CD. Para adelantar hasta el comienzo del siguiente clip, presione el botón de avance una vez. Oprima el botón de retroceso una vez a fin de reproducir el clip desde el inicio, o dos veces para retroceder hasta el comienzo del clip anterior. Mantenga presionados los botones de avance o retroceso para adelantar o retroceder las imágenes al doble de velocidad. Presiónelos 2, 3 o 4 veces para aumentar la velocidad 4, 8 o 16 veces, respectivamente. Estos botones también pueden utilizarse para modificar la apertura del diafragma en objetivos compatibles durante la grabación.

Al grabar a una frecuencia diferente a la seleccionada para el proyecto, la velocidad de reproducción de las imágenes también será distinta. A modo de ejemplo, cuando se elige una frecuencia de 24 f/s para el proyecto en la cámara, a fin de que coincida con la utilizada en la etapa de posproducción, si la frecuencia del sensor es de 60 f/s, al reproducir las imágenes, estas se verán en cámara lenta, tanto en la pantalla de la cámara como en la interfaz del programa de edición.

SUGERENCIA: Consulte el apartado *Grabación* para obtener más información al respecto.

Conexiones y funciones del modelo URSA Broadcast G2

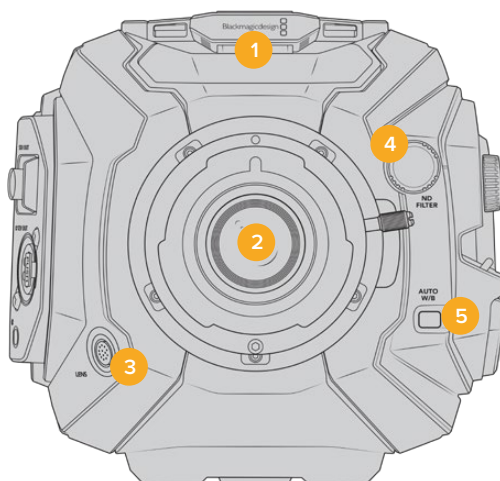
El panel trasero de la cámara incluye conectores BNC convencionales para señales SDI. A su vez, hay una entrada LANC en el lateral derecho para la empuñadura opcional Blackmagic URSA Handgrip.

Las entradas XLR se encuentran en el panel superior, detrás de los orificios roscados. La cámara también incluye un conector XLR de 4 pines en el panel trasero para fuentes de alimentación externa, así como una salida en el lateral derecho que permite suministrar corriente eléctrica a diversos accesorios.

A su vez, el puerto USB situado en la parte superior de las ranuras para tarjetas permite conectar un equipo informático, a fin de actualizar la cámara.

NOTA: El modelo URSA Broadcast incluye controles ergonómicos adicionales que facilitan el acceso a los ajustes y las funciones esenciales de la cámara sin necesidad de abrir la pantalla plegable.

Parte frontal



Modelo URSA Broadcast G2 con montura B4

1 Micrófono estéreo

Micrófono estéreo integrado de alta calidad. Consulte el apartado *Ajustes* para obtener más información al respecto.

2 Montura del objetivo

El modelo URSA Broadcast G2 viene equipado una montura B4 que se puede reemplazar por la versión EF incluida. A su vez, es compatible con las monturas PL y F para el modelo URSA Mini Pro. Consulte el apartado *Montura intercambiable* para obtener más información al respecto.

3 Conector para objetivos

Este conector de 12 pines permite alimentar y controlar objetivos compatibles con servomecanismo. Consulte el apartado *Uso de objetivos con servomecanismo* más adelante para obtener información adicional al respecto.

4 Filtros de densidad neutra

Este selector permite elegir entre los tres filtros de densidad neutra disponibles. Consulte el apartado *Controles del modelo URSA Broadcast G2* para obtener más información al respecto.

5 Balance de blancos automático

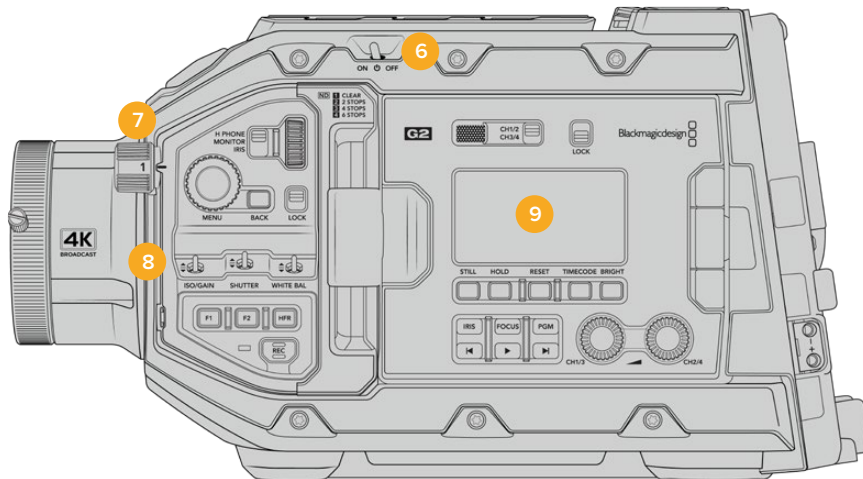
El botón **AUTO W/B** permite establecer el balance de blancos según lo que se ve en el centro de la pantalla, por ejemplo, una tarjeta gris situada frente al objetivo. Consulte el apartado *Controles del modelo URSA Broadcast G2* para obtener más información al respecto.

Lateral izquierdo

El panel izquierdo de este modelo incluye ranuras para tarjetas CFast 2.0, SDXC o SDHC y permite acceder al panel de control a fin de modificar ajustes. El puerto USB-C situado arriba de estas brinda la posibilidad de conectar un equipo informático con el propósito de actualizar la cámara.

Controles en el lateral izquierdo

El lateral izquierdo incluye controles adicionales que facilitan el acceso a todas las funciones esenciales de la cámara. Estos se encuentran en el panel de control frontal, la parte externa del monitor plegable y su panel interior.



Modelo URSA Broadcast G2 con la pantalla plegable cerrada

6 Interruptor de encendido

Interruptor utilizado para encender la cámara. Otra alternativa para encender la unidad es presionar simultáneamente los botones de grabación y avance rápido, situados en el interior de la pantalla plegable.

7 Filtros de densidad neutra

El modelo URSA Broadcast G2 cuenta con tres filtros de densidad neutra integrados que permiten ajustar la cantidad de luz captada por el sensor. Se incluyen cuatro opciones disponibles, con un máximo de seis pasos de reducción. Basta con girar el dial para seleccionar el ajuste deseado. El filtro elegido calzará perfectamente en su lugar. Consulte el apartado *Controles del modelo URSA Broadcast G2* para obtener más información al respecto.

8 Panel de control frontal

Este panel brinda acceso a todas las funciones esenciales de la cámara. Sus controles son ideales al utilizar un trípode, o un soporte para el hombro, y permiten ajustar parámetros tales como la sensibilidad ISO, la velocidad de obturación, el diafragma, el balance de blancos y la frecuencia de imagen. Consulte el apartado *Controles del modelo URSA Broadcast G2* para obtener más información al respecto.

9 Panel de control ergonómico

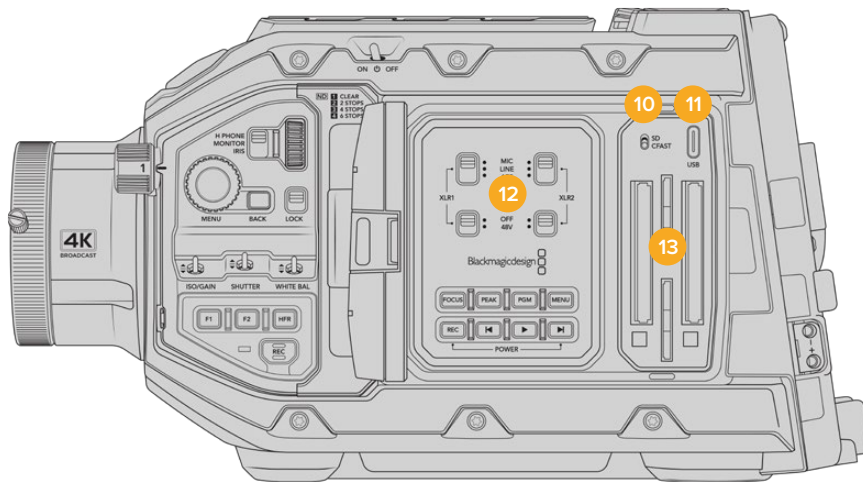
La parte externa del monitor plegable en el modelo URSA Broadcast cuenta con diversos controles de monitorización y una pantalla LCD. Esta permite visualizar fácilmente toda la información de la cámara y controlar distintas funciones para supervisar la calidad de las imágenes. Consulte el apartado *Controles del modelo URSA Broadcast G2* para obtener más información al respecto.

10 Interruptor para seleccionar la unidad de almacenamiento

Utilice este interruptor para grabar en tarjetas SD o CFast.

11 Puerto USB

Puerto USB-C para actualizar el sistema operativo interno de la unidad. Consulte el apartado *Programa utilitario de la cámara* para obtener más información al respecto.



Modelo URSA Broadcast G2 con la pantalla plegable abierta

12 Panel de control interno

Al abrir el monitor plegable, se accede al panel de control interno, que permite configurar las entradas de audio y los ajustes del modo de alimentación fantasma. Por otro lado, ofrece controles para el diafragma, el enfoque, la reproducción y los diversos menús. Consulte el apartado *Controles del modelo URSA Broadcast G2* para obtener más información al respecto.

13 Ranuras para tarjetas de memoria

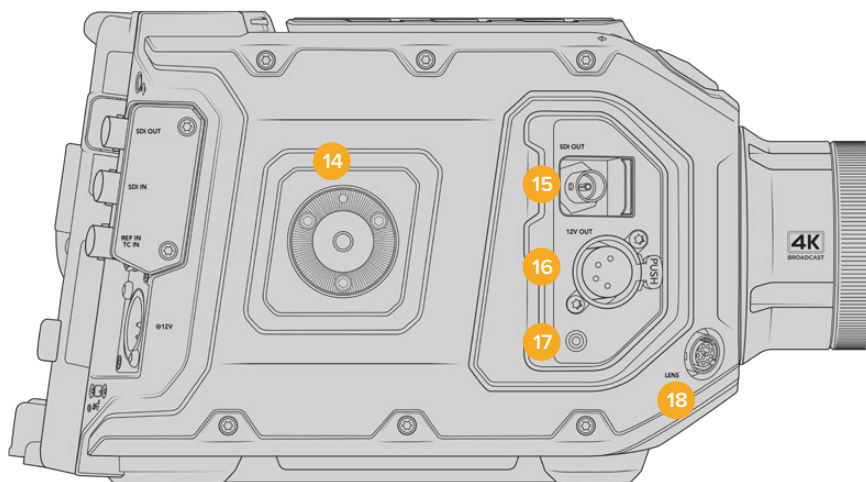
Inserte tarjetas CFast 2.0, SDXC o SDHC en estas ranuras para grabar y reproducir contenidos. Recomendamos consultar la lista de modelos certificados en nuestro sitio web. Consulte el apartado *Almacenamiento* para obtener más información al respecto.

Lateral derecho

El lateral derecho de la cámara incluye todas las conexiones para señales audiovisuales y fuentes de alimentación, así como una roseta que permite sujetar la empuñadura.

14 Roseta lateral

Permite sujetar la empuñadura. Consulte los apartados *Inicio* y *Soporte para el hombro* a fin de obtener más información al respecto.



El modelo URSA Broadcast G2 cuenta con una roseta en el lateral derecho que ofrece la posibilidad de colocar la manija lateral diseñada para la versión URSA Mini.

15 Salida para supervisar señales HD

Esta conexión SDI 3G brinda la posibilidad de transmitir señales en formato HD 1080 y puede utilizarse para conectar monitores externos o accesorios, tales como el visor electrónico Blackmagic URSA Viewfinder. Consulte los apartados *Salida de video de la cámara* y *Blackmagic URSA Viewfinder* para obtener más información al respecto.

16 Salida de +12 V

Conector XLR de 4 pines para suministrar corriente eléctrica a diversos accesorios, tales como los visores Blackmagic URSA Viewfinder y Blackmagic URSA Studio Viewfinder, u otros monitores y dispositivos externos. Consulte los apartados *Blackmagic URSA Viewfinder* y *Blackmagic URSA Studio Viewfinder* para obtener más información al respecto. Esta salida y el conector para objetivos profesionales permiten dispensar un total de 12 voltios a un máximo de 2 amperes.

17 Entrada LANC

Conector TRS LANC de 2.5 mm para la empuñadura Blackmagic URSA Handgrip.

18 Conector para el control de objetivos

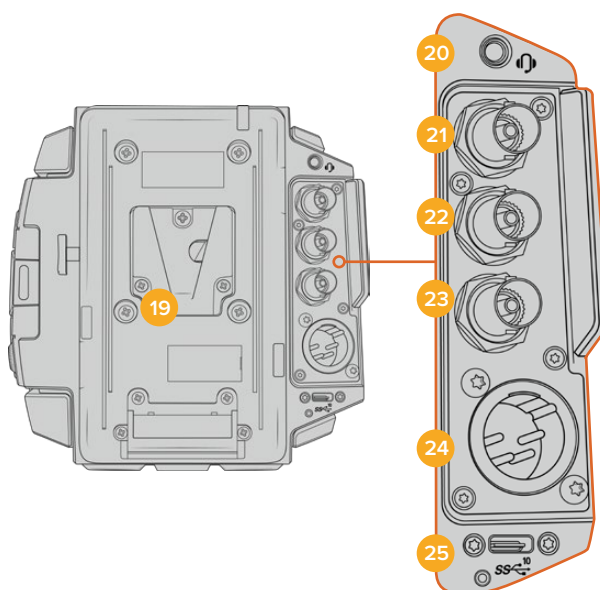
Permite controlar objetivos PL y B4 compatibles y suministrarles corriente eléctrica mediante conexiones de 12 pines. Esta conexión y la salida de +12 V permiten dispensar un total de 12 voltios a un máximo de 2 amperes.

Panel trasero

19 Base para soporte de batería

El modelo Blackmagic URSA Broadcast G2 incluye un soporte para baterías tipo VLock con un puerto D-Tap que permite alimentar diversos accesorios. Esta conexión es capaz de proporcionar 12 voltios a un máximo de 1.5 amperes.

El soporte URSA VLock Battery Plate puede sustituirse por la versión Blackmagic URSA Gold Battery Plate o por modelos de otros fabricantes. Además, es posible quitarlo a fin de acceder al conector Molex o con el propósito de instalar accesorios opcionales en la parte trasera de la cámara, tales como un dispositivo Blackmagic Camera Fiber Converter o un grabador URSA Mini Recorder. Si el accesorio instalado dispone de una salida D-Tap, el conector Molex podrá suministrarle una corriente de 12 voltios a un máximo de 1.5 amperes. Consulte los apartados *Instalación de baterías*, *Blackmagic Fiber Converter: Primeros Pasos* y *URSA Mini Recorder* para obtener más información al respecto.



20 Auriculares

Conector hembra de 3.5 mm para monitorizar la señal de audio y comunicarse con otros miembros del equipo mediante el uso de auriculares. Permite utilizar modelos compatibles con dispositivos iPhone y Android que incluyan un micrófono integrado. El audio correspondiente al sistema de intercomunicación se transmite mediante los canales 15 y 16 de la salida SDI.

SUGERENCIA: El modelo URSA Broadcast G2 dispone de una conexión de 3.5 mm que ofrece la posibilidad de emplear auriculares para teléfonos iPhone o Android. Generalmente, estos disponen de un mando para activar o silenciar el micrófono. Asimismo, es posible configurar los botones de la cámara para que cumplan esta misma función si los auriculares profesionales empleados no cuentan con dicho control. Consulte el apartado *Ajustes generales* para obtener más información al respecto.

21 Salida SDI 12G

Esta salida se utiliza para transmitir señales HD o UHD a equipos tales como matrices de conmutación, monitores, dispositivos de captura y mezcladores profesionales. Permite conectar la cámara a mezcladores o grabadores externos, como el modelo Blackmagic Video Assist, para realizar copias de respaldo.

22 Entrada SDI 12G

Permite conectar la cámara a mezcladores o grabadores externos. De esta forma, al utilizar el modelo URSA Broadcast G2 durante transmisiones en directo, es posible visualizar los contenidos transmitidos mediante la salida principal del mezclador para supervisarlos durante el rodaje, o verificar la reproducción desde el dispositivo externo. Mantenga presionado el botón **PGM** para ver la señal principal temporalmente.

Consulte el apartado *Panel de control ergonómico* para obtener más información al respecto.

Asimismo, la función para el control de cámaras que ofrece la línea de mezcladores ATEM facilita el ajuste de diversos parámetros en forma remota. Consulte el apartado *Descripción general sobre el control de cámaras* para obtener más información al respecto. También es posible emplear una tarjeta Blackmagic 3G-SDI Shield for Arduino para controlar la cámara mediante una conexión SDI.

Para poder comunicarse con el equipo o activar la luz piloto mediante la salida SDI, asegúrese de que la opción **IDENTIFICACIÓN EN ATEM** esté configurada en la pestaña **PREFERENCIAS** de la cámara. Si desea utilizar la salida SDI con el propósito de recibir señales de referencia externas, deberá seleccionar como fuente de sincronización la opción **Programa** en el menú de ajustes. Cuando haya una señal de referencia bloqueada, aparecerá el indicador **REF** junto al código de tiempo en la pantalla. Consulte el apartado *Ajustes* para obtener más información al respecto.

En el modelo URSA Broadcast G2, la entrada SDI puede emplearse para recibir un código de tiempo externo. De este modo, es posible sincronizar la unidad automáticamente si la frecuencia de imagen de la señal SDI entrante coincide y cuenta con un código de tiempo válido. El indicador **EXT** aparecerá en la pantalla de la cámara. Al desconectar el cable, dicho indicador cambiará a **INT**, a fin de informar al usuario que se utilizará el código de tiempo interno de la unidad.

23 Entrada para código de tiempo y señales de referencia

Esta entrada reconoce automáticamente el tipo de señal y permite utilizar la conexión **REF** para sincronizar la cámara con una señal de referencia común, por ejemplo, Tri-level Sync. Cabe destacar que para ello es necesario seleccionar la opción **Externa** en el menú de preferencias de la unidad.

Por otro lado, es posible emplear este conector para sincronizar varias cámaras con una fuente de código de tiempo externa, o el audio y la imagen al grabar con un sistema doble. Esto facilita la sincronización de la imagen y el sonido durante la posproducción. Al detectar un código de tiempo externo con una frecuencia de imagen que coincide, la cámara se sincroniza automáticamente. El indicador **EXT** aparecerá en la pantalla de la cámara. Al desconectar el cable, dicho indicador cambiará a **INT**, a fin de informar al usuario que se utilizará el código de tiempo interno de la unidad.

También es posible emplear la entrada SDI principal para utilizar una señal de referencia proveniente del mezclador. Esto resulta útil al trabajar con los modelos de la línea ATEM, dado que dicha conexión facilita el control y la sincronización de las cámaras. Consulte el apartado *Ajustes generales* para obtener más información al respecto.

24 Entrada de alimentación de 12 V+

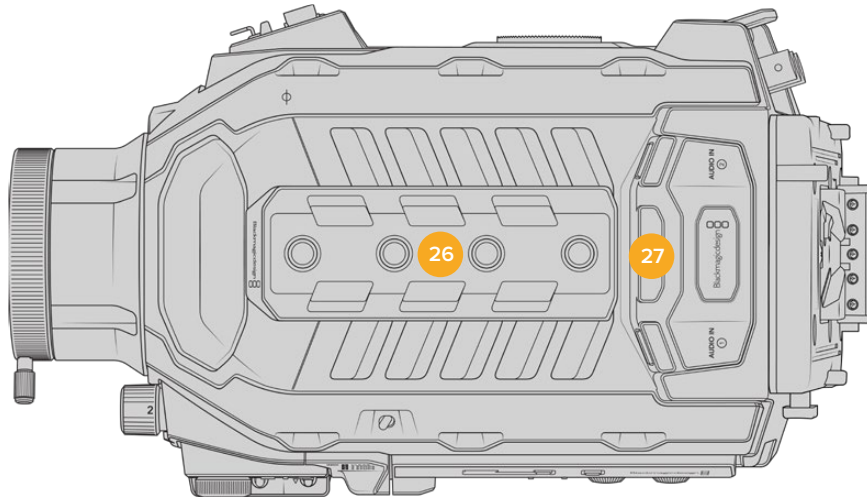
El conector XLR de 4 pines (12-18 voltios CC) permite suministrar energía eléctrica a la cámara mediante fuentes externas, tales como baterías portátiles o el transformador incluido.

25 Puerto USB

Puerto USB-C de segunda generación para grabar en memorias USB o unidades SSD externas mediante el dispositivo Blackmagic URSA Mini Recorder. Además, permite conectar accesorios Blackmagic Zoom Demand y Blackmagic Focus Demand a fin de controlar objetivos compatibles.

El conector roscado debajo del puerto brinda la posibilidad de asegurar la conexión al usar el cable USB suministrado con el grabador. Consulte el apartado *URSA Mini Recorder* para obtener más información al respecto.

Panel superior



Los conectores XLR situados en el panel superior permiten emplear equipos de audio analógicos.

26 Orificios roscados de 6.35 mm

El panel superior incluye cuatro orificios roscados para sujetar la manija y otros accesorios.

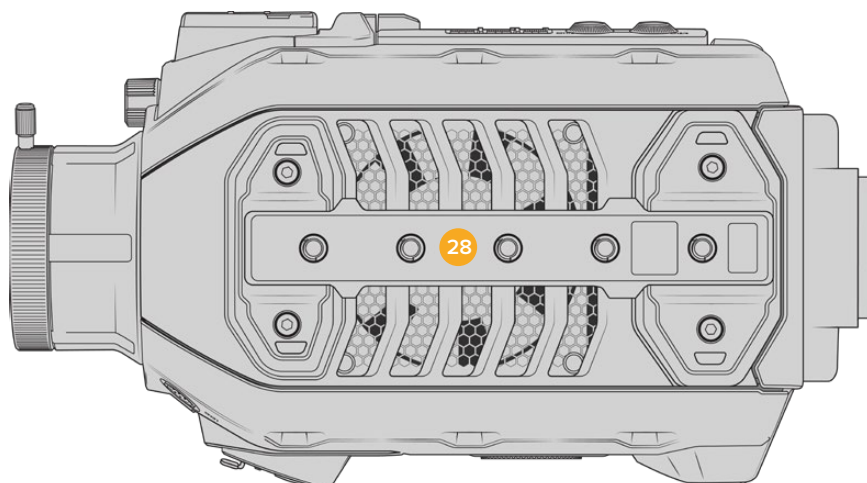
27 Entrada XLR

Las entradas XLR para señales balanceadas permiten conectar equipos de audio analógico profesionales, tales como mezcladores de audio, sistemas de megafonía o micrófonos externos. Asimismo, son capaces de suministrar una corriente eléctrica de 48 V mediante el modo de alimentación fantasma, brindando de esta manera la posibilidad de utilizar micrófonos que no cuentan con un sistema de alimentación propio. Consulte el apartado correspondiente para obtener más información al respecto.

Panel inferior

28 Orificios roscados de 6.35 mm

Los cinco orificios roscados situados en el panel inferior permiten sujetar cabezales para trípodes, el soporte opcional para el hombro (URSA Mini Shoulder Mount Kit) y otros accesorios.

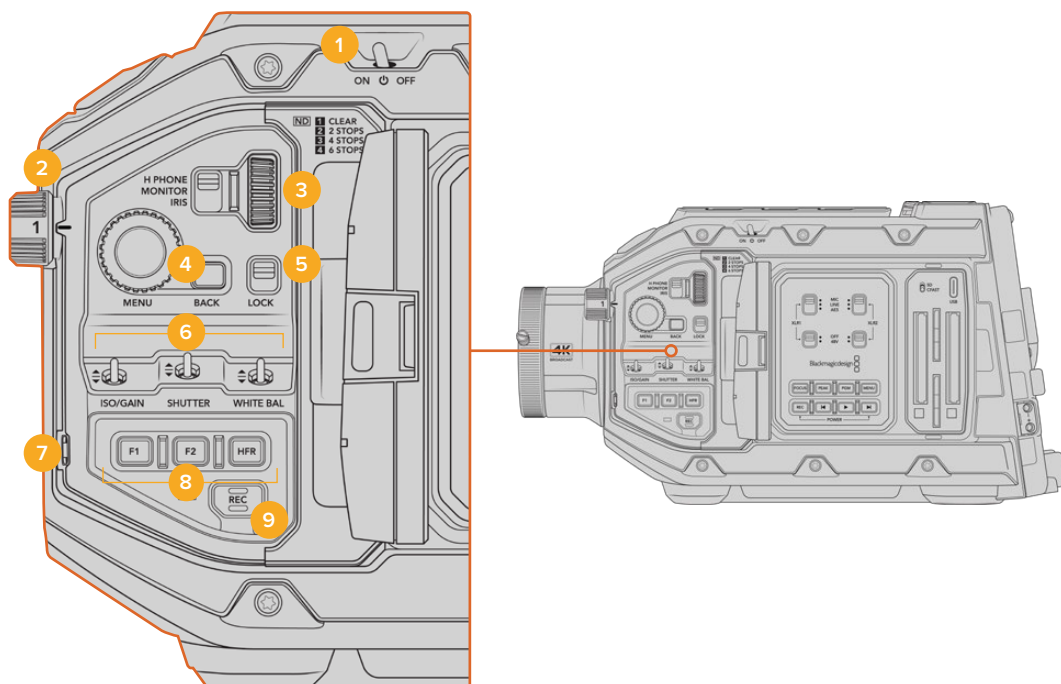


Controles del modelo URSA Broadcast G2

Este modelo incluye paneles de control en su armazón, así como en el interior y exterior del monitor plegable, a fin de facilitar el acceso a todas las funciones esenciales de la cámara y a las diversas herramientas de monitorización. Estos paneles han sido diseñados para poder acceder a los distintos controles con facilidad al grabar con la cámara en la mano, sobre un trípode o con el soporte para el hombro.

Panel de control frontal

Este panel incluye controles para aquellos ajustes que puede ser necesario modificar antes de comenzar a rodar o durante la filmación. Asimismo, estos han sido diseñados de forma tal que resulte sencillo acceder a ellos con el monitor plegable cerrado, por ejemplo, al grabar con la cámara al hombro.



Panel de control frontal del modelo URSA Broadcast G2

1 Interruptor de encendido

Mueva este interruptor a la posición **ON** para encender la cámara o a la posición **OFF** para apagarla.

SUGERENCIA: También es posible encender o apagar la cámara manteniendo presionados los botones de grabación y avance, situados en el panel de control. Si el interruptor de encendido se encuentra en la posición **ON** y la cámara no está prendida, es posible que la unidad se haya apagado mediante dichos botones. Cambie la posición del interruptor para que vuelva a funcionar de manera habitual.

2 Filtros de densidad neutra

El modelo URSA Broadcast G2 cuenta con tres filtros de densidad neutra integrados. Las opciones disponibles son **CLEAR**, **2 STOPS**, **4 STOPS** y **6 STOPS**. Estos filtros permiten reducir la cantidad de luz captada por el sensor de la cámara, según dichos ajustes predeterminados. Al disminuir la exposición, es posible continuar grabando con una apertura amplia, por ejemplo, en exteriores durante un día soleado.

Para cambiar el filtro de densidad neutra, basta con girar la rueda hacia arriba o abajo. Al seleccionar la opción **CLEAR**, no se aplica ningún filtro, mientras que las opciones **2/4/6 STOPS** permiten aumentar gradualmente la densidad para disminuir la cantidad de luz captada.

Dado que los usuarios pueden preferir otra terminología para referirse a cada filtro, es posible personalizar la forma en que estos se miden desde el menú en pantalla, a fin de identificarlos mediante un número, la cantidad de pasos de reducción de luz, o la fracción que representa la disminución lumínica.

Ajustes disponibles para filtros de densidad neutra

Posición	Número	Pasos	Fracción
1	claro	0	1
2	0.6	2	1/4
3	1.2	4	1/16
4	1.8	6	1/64

3 Rueda de ajustes

Ajuste la función de la rueda moviendo el interruptor situado a la izquierda de la misma. Las opciones son **H PHONE**, **MONITOR** e **IRIS**.

Auriculares

Al seleccionar la opción **H PHONE**, la rueda permite ajustar el volumen de los auriculares. Gírela hacia arriba para aumentarlo o hacia abajo para disminuirlo.

Monitor

Al seleccionar la opción **MONITOR**, la rueda permite ajustar el volumen del altavoz integrado en la cámara. Este se encuentra en la parte externa del monitor plegable y permite supervisar el audio sin necesidad de utilizar auriculares. Gírela hacia arriba para aumentarlo o hacia abajo para disminuirlo. Esta función se desactiva al grabar el audio mediante el micrófono integrado de la cámara para evitar un retorno no deseado.

Diafragma

Al seleccionar la opción **IRIS**, la rueda permite ajustar la apertura del diafragma en objetivos compatibles con la cámara. Al girarla hacia abajo, se abre, mientras que al hacerlo hacia arriba, se cierra. Esto imita el funcionamiento de los objetivos fotográficos y cinematográficos con diafragma ajustable.

SUGERENCIA: Para cambiar la apertura del diafragma mediante la rueda de ajustes, el modelo URSA Broadcast G2 debe estar equipado con un objetivo compatible con dicha función. Al emplear lentes B4 o PL, verifique que el interruptor del diafragma en la empuñadura se encuentre en la posición **A** o **Auto**.

4 Selector de menús y botón BACK

Al activar la opción **TEXTO EN PANTALLA** para la salida SDI frontal de la cámara, esta rueda permite acceder a las distintas opciones que están disponibles en la pantalla táctil.

Basta con presionarla al igual que un botón para visualizar las opciones en monitores externos, tales como los modelos Blackmagic SmartView, Video Assist o URSA Viewfinder. Cuando esta rueda está activa, es posible girarla para seleccionar diversos ajustes, por ejemplo, las opciones para la pantalla LCD, la frecuencia de imagen, la sensibilidad ISO, el balance de blancos y el matiz. Simplemente presiónela para confirmar la opción elegida y realizar cambios adicionales, o utilice el botón **BACK** para cancelar o cambiar de menú. El menú se cierra automáticamente después de que la unidad permanezca inactiva durante un minuto.

Consulte los apartados *Pantalla táctil* y *Ajustes de monitor* para obtener más información al respecto.

5 Bloqueo

Este interruptor permite bloquear todos los controles del panel frontal, a fin de evitar que se realicen ajustes inadvertidamente durante la grabación. Mueva el interruptor a la posición inferior para bloquear los controles, y a la superior para desbloquearlos.

SUGERENCIA: Al grabar en entornos concurridos, es posible bloquear el panel frontal del modelo URSA Broadcast G2 cuando la unidad no se está utilizando. Esto permite evitar que alguien modifique los ajustes inadvertidamente.

6 Sensibilidad ISO, obturación y balance de blancos

Estos pequeños interruptores se utilizan para ajustar la ganancia, la sensibilidad ISO, la obturación y el balance de blancos. Resultan útiles para llevar a cabo modificaciones rápidas sin apartar la vista de la escena. Basta con moverlos hacia arriba o abajo para realizar los ajustes. Dado que estos interruptores cuentan con un mecanismo de resorte, siempre regresan a su posición inicial.

Ganancia

Mueva el interruptor hacia arriba o abajo para ajustar la ganancia en intervalos de 1/3 de paso. Las opciones disponibles se sitúan entre -12 dB y 36 dB.

Obturación

El interruptor **SHUTTER** permite ajustar la velocidad de obturación de la cámara. Al moverlo hacia arriba o abajo, esta aumenta o disminuye hasta el siguiente ajuste predeterminado, respectivamente. Si se mantiene el interruptor en la posición superior o inferior, los valores cambian rápidamente. Existen 12 opciones disponibles entre 1/24 y 1/2000.

SUGERENCIA: La cámara recomendará ciertos parámetros basados en la frecuencia eléctrica de la región que pueden seleccionarse en la pantalla. Consulte el apartado *Controles de la pantalla táctil* para obtener más información al respecto.

Balance de blancos

El interruptor **WHITE BAL** permite ajustar la temperatura del color en intervalos de 50K. Si se mantiene el interruptor en la posición superior o inferior, los valores cambian rápidamente.

7 Balance de blancos automático

Al presionar el botón **AUTO W/B**, se muestra un recuadro en el centro de la pantalla LCD durante cinco segundos. Asimismo, este se visualiza en cualquier monitor conectado a la salida SDI, si la opción **TEXTO EN PANTALLA** está activada. El recuadro blanco indica el área específica de la imagen a partir de la cual se calculará el balance de blancos, de modo que la tarjeta gris debería situarse dentro del mismo. Al mantener presionado el botón

AUTO W/B durante tres segundos, se realiza un balance automático de blancos. El color del recuadro cambia de blanco a verde para confirmar que el procedimiento se ha completado con éxito.

Consulte el apartado *Ajustes del monitor* para obtener más información al respecto.

8 Botones F1 y F2

Las funciones de los botones **F1** y **F2** pueden modificarse desde el menú **CONFIG.** en el modelo URSA Broadcast G2. Por defecto, el botón **F1** está asignado a la función **Ampliar imagen** en la pantalla LCD y el monitor SDI conectado a la cámara, mientras que el botón **F2** permite activar la función **Falso color** en la pantalla de la unidad.

Consulte el apartado *Controles del modelo URSA Broadcast G2* para obtener más información al respecto.

HFR

Utilice el botón **HFR** a fin de alternar entre distintas frecuencias de imagen. Para ello, seleccione la frecuencia de grabación en el menú correspondiente del modelo URSA Broadcast G2. Al presionar este botón, se alterna entre la frecuencia de grabación y la del proyecto. Cabe destacar que este ajuste solo puede modificarse cuando se detiene la grabación. Este botón también puede programarse para controlar una amplia variedad de funciones comunes. Alternativamente, es posible desactivarlo por completo.

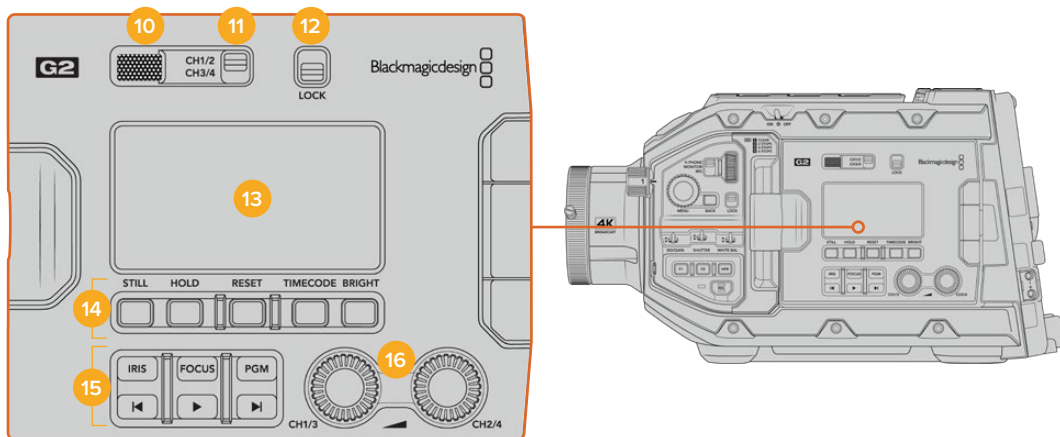
Consulte el apartado *Controles de la pantalla táctil* para obtener más información al respecto.

9 Grabación

El botón **REC** en lateral izquierdo del modelo Blackmagic URSA G2 permite comenzar y detener la grabación. Consulte el apartado *Grabación* para obtener más información al respecto.

Panel de control ergonómico

La parte externa del monitor plegable en el modelo URSA Broadcast G2 cuenta con una pantalla LCD y diversos controles de monitorización. Este panel permite visualizar toda la información de la cámara con facilidad, así como supervisar y ajustar la intensidad del audio. También es posible configurar el enfoque automático al emplear objetivos compatibles, mientras que los controles de transporte facilitan la reproducción de los clips.



Panel de control ergonómico del modelo URSA Broadcast G2

10 Altavoz

El pequeño altavoz integrado en la parte externa del panel permite escuchar el audio durante la reproducción de imágenes. Este queda situado a la altura de la oreja cuando la cámara se utiliza sobre un soporte para el hombro.

Para ajustar el volumen del altavoz, basta con girar la rueda de ajustes, como se indica en el apartado *Botones de control del modelo URSA Broadcast G2*.

11 Selector de canales

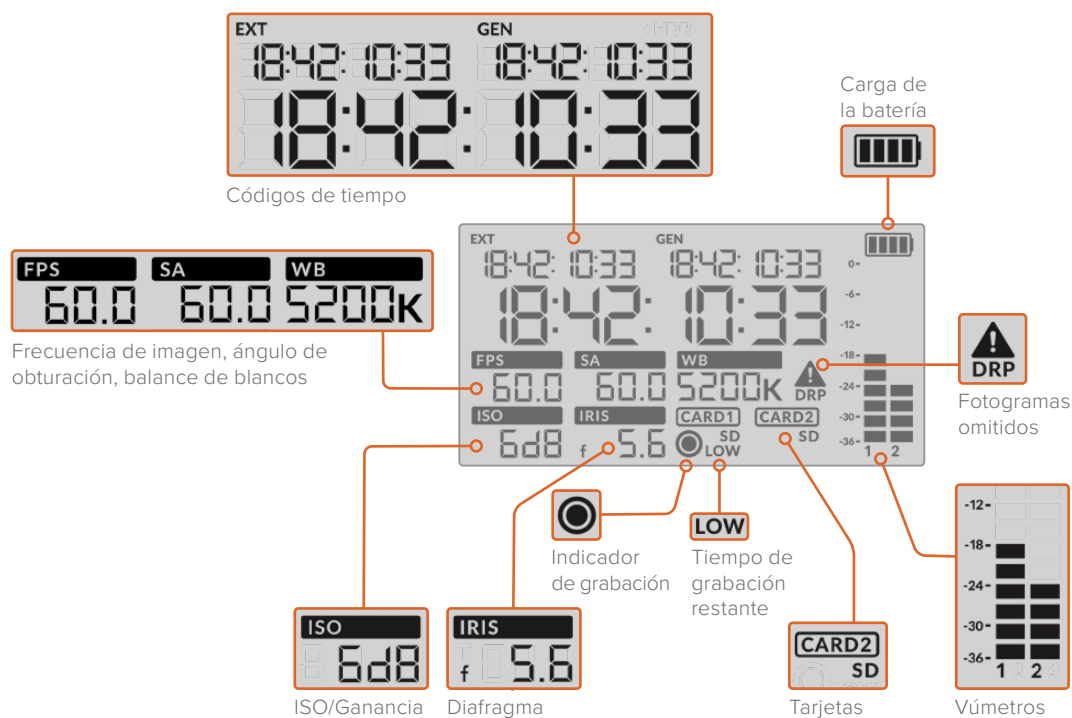
El modelo URSA Broadcast G2 admite dos canales de audio.

12 Bloqueo

El interruptor **LOCK** permite bloquear todos los controles del panel ergonómico del modelo URSA Broadcast G2. No obstante, cabe destacar que los interruptores para la selección de canales permanecen activos.

13 Pantalla LCD

Muestra los ajustes principales de la cámara, sin necesidad de abrir el monitor plegable. Asimismo, su diseño permite ver los distintos valores incluso a plena luz del día. La pantalla ofrece la siguiente información:



Códigos de tiempo

El modelo URSA Broadcast G2 muestra tres códigos de tiempo. Si hay un código de tiempo externo, este se muestra debajo del indicador **EXT**, en la esquina superior izquierda de la pantalla. El código de tiempo generado por la cámara se sitúa debajo del indicador **GEN**. Ambos se expresan en horas, minutos, segundos y fotogramas.

El indicador principal de mayor tamaño muestra el código de tiempo actual, según la duración del clip o la hora del día. Es posible alternar entre estos dos modos presionando el botón **TIMECODE**, situado debajo de la pantalla.

Indicador de batería

Si se conecta una batería al modelo URSA Broadcast G2, este indicador muestra el nivel de la misma mediante cuatro barras. Cada una de ellas representa un 25 % de la carga total. Cuando dicho valor disminuye por debajo de 20 %, el led situado cerca del botón **REC**

parpadeará de color rojo y naranja si la cámara está grabando. Cuando la unidad se encuentra en modo de espera, alterna entre blanco y naranja.

Si la cámara está conectada a la red de suministro eléctrico, el indicador de batería se mostrará completo.

Frecuencia de imagen, ángulo de obturación y balance de blancos

Estos parámetros se muestran junto a los indicadores **FPS**, **SA** y **WB**, respectivamente. El primero de ellos corresponde a la frecuencia de imagen de grabación.

Consulte el apartado *Controles de la pantalla táctil* para obtener más información al respecto.

ISO/Ganancia

Muestra el valor seleccionado para la ganancia.

Diafragma

El indicador **IRIS** muestra la apertura del diafragma. Esta se indica mediante las opciones **f** o **T**, según el objetivo empleado.

Información de la tarjeta

Los indicadores **CARD 1** y **CARD 2** aparecen en la pantalla LCD del modelo URSA Broadcast G2 cuando se insertan tarjetas en las ranuras correspondientes.

El indicador **SD** aparece al grabar en tarjetas SD, y se oculta al usar unidades CFast.

Indicador de grabación

Al grabar, aparece un círculo debajo del indicador correspondiente a la tarjeta utilizada.

Poco tiempo restante

El indicador **LOW** aparecerá debajo de la tarjeta correspondiente cuando queden aproximadamente 5 minutos de grabación.

Vúmetros

Estos medidores muestran la intensidad del audio al utilizar el micrófono interno o conectar fuentes externas. Este parámetro se mide en dBFS (decibelios a escala completa) y, al alcanzar su nivel máximo, se enciende un indicador que permanece iluminado brevemente.

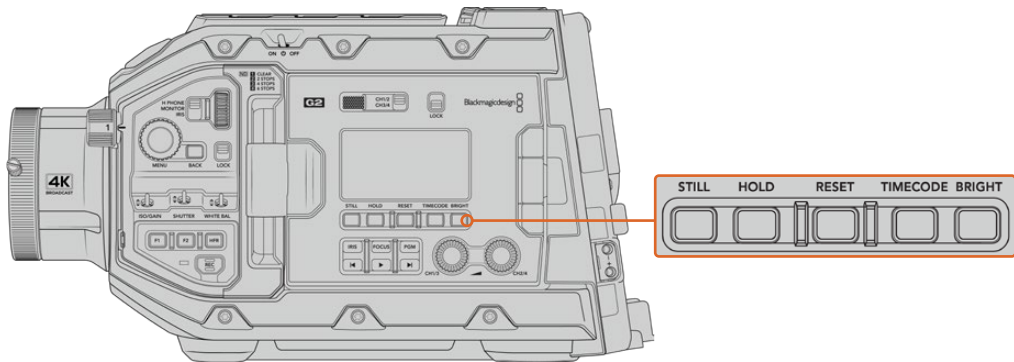
Mantenga el volumen por debajo de los 0 dBFS para optimizar la calidad del sonido. Este valor representa el nivel máximo al cual la cámara puede registrar el audio, y si se excede, podría ocurrir una distorsión.

Omisión de fotogramas

El indicador **DRP** parpadea cuando la cámara detecta fotogramas omitidos. Al detener la grabación, este permanece en pantalla, a fin de indicar que se detectaron fotogramas omitidos en el clip grabado. Esta advertencia desaparece cuando se reanuda la grabación o se reinicia la cámara. Consulte el apartado *Almacenamiento* para obtener más información al respecto.

NOTA: Es posible configurar el modelo URSA Broadcast G2 para que detenga la grabación al detectar fotogramas omitidos. Consulte el apartado *Ajustes de grabación* para obtener más información al respecto. La activación de esta función depende del usuario, dado que, al emplear soportes de almacenamiento más lentos, se pueden llevar a cabo grabaciones de breve duración a una resolución o frecuencia de imagen más alta en forma esporádica.

14 Controles de la pantalla LCD



Controles de la pantalla LCD en el modelo URSA Broadcast G2

Foto

Presione el botón **STILL** para tomar una foto en formato DNG sin pérdida de información. Los archivos se guardan en la carpeta **Stills**, ubicada en el directorio raíz del soporte de grabación. Estos se denominan según la nomenclatura empleada para los clips, y se añade **S001** al final del nombre a efectos de indicar el número de imagen. En la esquina superior derecha de la pantalla táctil aparecerá la imagen de una cámara, y el indicador de grabación en la pantalla de cristal líquido parpadeará tres veces para señalar que el archivo se ha guardado correctamente.

Pausa

El botón **HOLD** permite pausar temporalmente el código de tiempo (hora del día) que se muestra en la pantalla. Este continúa avanzando en segundo plano y regresa a la normalidad cuando se suelta dicho botón. Al utilizar esta función, es posible registrar el código de tiempo para un evento en particular, lo que puede resultar útil durante la recopilación electrónica de noticias o en la documentación de situaciones, puesto que permite anotar el valor correspondiente a un punto importante en la secuencia.

Reiniciar

El botón **RESET** permite reiniciar el código de tiempo al configurar la opción predeterminada para este parámetro.

Código de tiempo

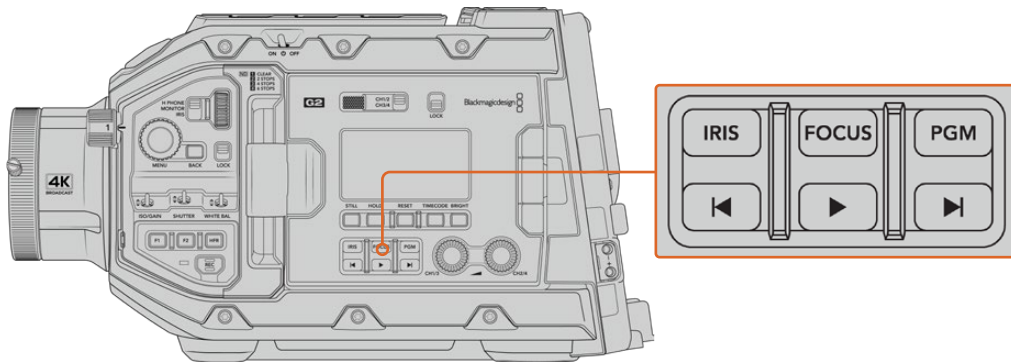
Presione el botón **TIMECODE** para ver el código de tiempo correspondiente a la duración del clip o a la hora del día. Por defecto, este valor reflejará la fecha y hora actuales, dado que este modo es el más empleado. Mantenga pulsado el botón **TIMECODE** durante cinco segundos para activar el modo de grabación de la cámara y el generador de código de tiempo. Los dos primeros dígitos de dicho código comenzarán a parpadear. Esto indica que se puede editar el código de tiempo predeterminado, por lo que el usuario podrá ajustarlo según sus necesidades.

Pulse el botón **RESET** para que el código de tiempo vuelva a cero. A continuación, podrá girar y presionar la rueda **MENU** a fin de configurar los valores deseados para las horas, los minutos, los segundos y los fotogramas. Una vez realizado esto, mantenga presionado de nuevo el botón **TIMECODE** durante tres segundos para guardar estos ajustes como predeterminados. El generador de código de tiempo mostrará estos valores y únicamente comenzará a incrementarse cuando la cámara se encuentre en modo de grabación. Para volver a restablecer los valores predeterminados, presione los botones **TIMECODE** y **HOLD** simultáneamente durante tres segundos.

Brillo

Presione el botón **BRIGHT** para seleccionar entre cuatro opciones de brillo disponibles para la pantalla LCD del modelo URSA Broadcast G2. Los ajustes disponibles son **Off**, **Low**, **Medium** y **High**.

15 Botones de control y reproducción



Botones de control y reproducción en el modelo URSA Broadcast G2

Diafragma

El botón **IRIS** activa la función de apertura automática del diafragma en objetivos compatibles. Al utilizar el rango dinámico en el modo **Video**, presiónelo una vez para establecer un valor de exposición promedio según las partes más claras y oscuras de la imagen. Al emplearlo en el modo **Film**, oprímalo para ajustar la exposición según las zonas más brillantes de la imagen. Este botón funciona en objetivos EF y PL compatibles que dispongan de un controlador profesional.

Para ajustar la apertura en forma manual, presione los botones de avance y retroceso en el monitor plegable.

Enfoque

Presione el botón **FOCUS** para activar la función de enfoque automático en objetivos B4 y EF compatibles. Se mostrará un recuadro blanco en cualquier visor o monitor conectado a la cámara. Todos los objetos que se encuentren dentro del mismo estarán enfocados correctamente. El cuadrado desaparece cuando el objetivo termina de enfocar.

NOTA: A fin de utilizar el botón **FOCUS**, el objetivo B4 con servomecanismo empleado debe ser compatible con la función de control de enfoque. Consulte el apartado *Primeros pasos* para obtener más información al respecto. Algunos objetivos EF cuentan con modos de enfoque manual y automático. A fin de que la cámara funcione en modo automático, es necesario configurar el objetivo de manera correspondiente.

Programa

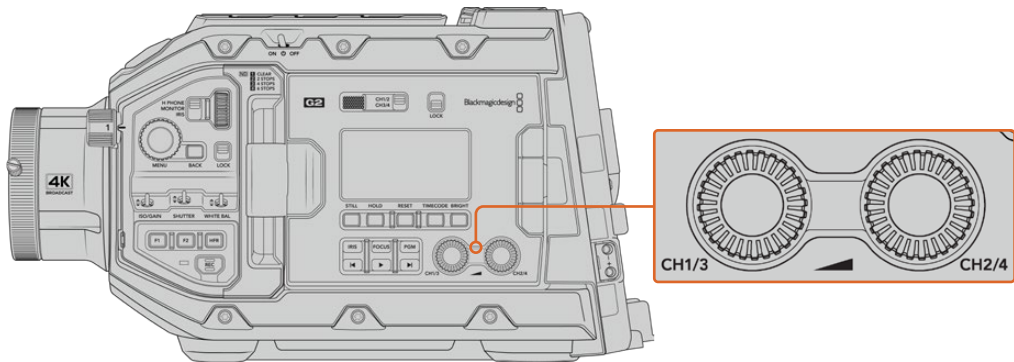
El botón **PGM** permite ver en la pantalla LCD o en un monitor conectado a la salida SDI frontal las imágenes captadas por la cámara o cualquier señal proveniente de una fuente conectada a la entrada SDI 12G en el panel trasero. De esta forma, al utilizar el modelo URSA Broadcast durante transmisiones en directo, es posible visualizar los contenidos transmitidos mediante la salida principal del mezclador para supervisarlos durante el rodaje. Mantenga presionado el botón **PGM** para ver la señal principal temporalmente. La señal continuará mostrándose en la pantalla mientras el botón se mantenga oprimido.

Para que la pantalla LCD y el monitor muestren solamente la señal recibida por la cámara, presione este botón dos veces. Presiónelo nuevamente para ver las imágenes captadas por la cámara.

Botones de control y reproducción

Estos botones permiten comenzar y detener la reproducción, así como retroceder al clip anterior o avanzar al siguiente. Al emplear un objetivo EF, los botones de avance y retroceso también pueden utilizarse para abrir o cerrar el diafragma. Consulte el apartado *Reproducción* para obtener más información al respecto.

16 Controles para la intensidad del audio

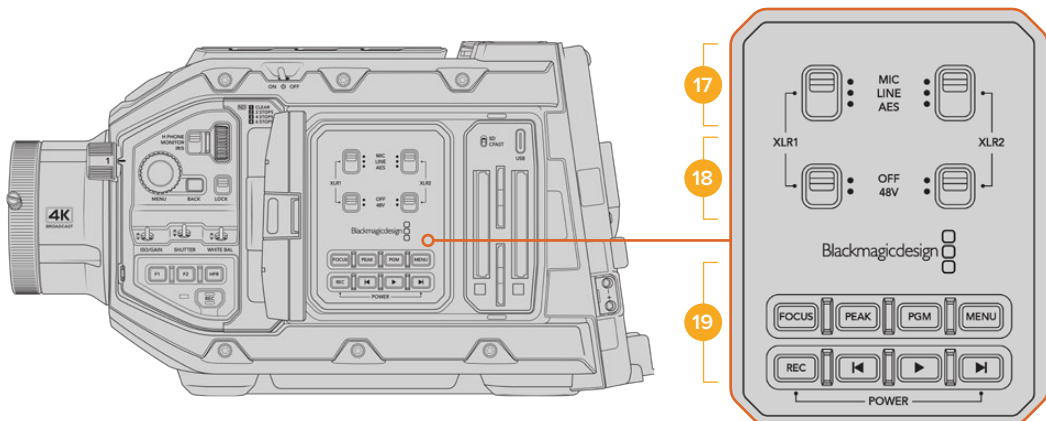


Controles para la intensidad del audio en el modelo URSA Broadcast G2

Permiten establecer la intensidad del volumen en los canales 1 y 2 durante la grabación. Gire los mandos hacia la derecha o la izquierda para aumentar o disminuir respectivamente la intensidad de la señal de audio en cada canal durante la grabación. Compruebe los vúmetros en la pantalla al realizar los ajustes para obtener un valor óptimo.

Panel de control interno

Al abrir el monitor plegable, se accede al panel de control interno, que permite configurar las entradas de audio, los ajustes del modo de alimentación fantasma, la apertura del diafragma, el enfoque y los controles de reproducción, entre otras funciones.



Panel de control interno del modelo URSA Broadcast G2

17 XLR1/XLR2

Estos interruptores permiten configurar el comportamiento de las entradas XLR en el modelo URSA Broadcast G2 cuando hay una fuente de audio conectada. Las opciones disponibles son **MIC**, **LINE** y **AES**.

18 Alimentación fantasma

Las entradas XLR de la cámara son capaces de suministrar una corriente eléctrica de 48 V mediante el modo de alimentación fantasma, brindando de esta manera la posibilidad de utilizar micrófonos que no cuentan con un sistema de alimentación propio. Al mover el interruptor a la posición **48V**, se activa dicho modo de alimentación para cualquier micrófono conectado. En la posición **OFF**, el modo de alimentación fantasma se desactiva.

En general, siempre se conecta el cable XLR antes de activar el modo de alimentación fantasma. Además, es importante desactivar este modo de alimentación cuando no hay un micrófono conectado. Nótese asimismo que los dispositivos que no cuentan con la

protección adecuada en las salidas AES XLR pueden resultar dañados al intentar suministrarles corriente eléctrica mediante las entradas XLR de la cámara. Asegúrese de que el interruptor **48V** está en la posición **OFF** al desconectar el micrófono.

19 Botones de control y reproducción

Enfoque

Presione el botón **FOCUS** para activar la función de enfoque automático en objetivos B4 y EF compatibles. La pantalla del monitor plegable mostrará un cuadrado blanco. Todos los objetos que se encuentren dentro del mismo estarán enfocados correctamente. El cuadrado desaparece cuando el objetivo termina de enfocar.

A fin de utilizar el botón **FOCUS**, el objetivo B4 con servomecanismo empleado debe ser compatible con la función de control de enfoque. Consulte el apartado *Primeros pasos* para obtener más información al respecto. Algunos objetivos EF cuentan con modos de enfoque manual y automático. A fin de que la cámara funcione en modo automático, es necesario configurar el objetivo de manera correspondiente.

Indicador de enfoque

Presione el botón **PEAK** para activar el indicador de enfoque. La cámara ofrece dos modos: uno tradicional, que de manera artificial hace que las áreas correctamente enfocadas de la imagen se vean más nítidas, y otro llamado **Líneas de color**, que muestra líneas de color negro, blanco, rojo, verde o azul en dichas partes de la imagen. Consulte el apartado *Ajustes del monitor* para obtener más información al respecto.

SUGERENCIA: Al grabar imágenes mediante dispositivos Blackmagic Video Assist o Hyperdeck Studio HD Mini, se recomienda no tener el indicador de enfoque activado para la señal transmitida a través de dicha salida. A tales efectos, seleccione la opción **Señal limpia** para la salida SDI principal o frontal.

Consulte el apartado *Ajustes del monitor* para obtener más información al respecto.

Programa

El botón **PGM** permite ver en la pantalla LCD o en un monitor conectado a la salida SDI frontal las imágenes captadas por la cámara o cualquier señal proveniente de una fuente conectada a la entrada SDI 12G en el panel trasero. De esta forma, al utilizar el modelo URSA Broadcast G2 durante transmisiones en directo, es posible visualizar los contenidos transmitidos mediante la salida principal del mezclador para supervisarlos durante el rodaje. Mantenga presionado el botón **PGM** para ver la señal principal temporalmente. Presiónelo dos veces a fin de cambiar a dicha señal de forma permanente. Oprímalo nuevamente para cancelar esta función.

Nótese que las frecuencias de imagen en la cámara y el mezclador deben coincidir para poder ver la señal principal en el monitor plegable.

Menú

Presione el botón **MENU** para acceder al panel de opciones. Consulte el apartado *Ajustes* para obtener más información al respecto.

Grabación

Presione cualquiera de los botones **REC** para comenzar o detener la grabación. Consulte el apartado *Grabación* para obtener más información al respecto.

Controles de reproducción

Estos botones permiten comenzar y detener la reproducción, así como retroceder al clip anterior o avanzar al siguiente. Al emplear un objetivo EF, los botones de avance y retroceso también pueden utilizarse para abrir o cerrar el diafragma. Consulte el apartado *Reproducción* para obtener más información al respecto.

NOTA: Es posible encender o apagar el modelo URSA Broadcast G2 manteniendo presionados los botones de grabación y avance, situados en el panel de control. Si el interruptor de encendido se encuentra en la posición **ON** y la cámara no está prendida, es posible que la unidad se haya apagado mediante dichos botones. Cambie la posición del interruptor para que vuelva a funcionar de manera habitual.



Salidas de video

Salida para supervisar señales HD

La salida SDI 3G del modelo URSA Broadcast G2 permite transmitir imágenes en formato HD 1080, brindando de este modo la posibilidad de conectar las cámaras a matrices de conmutación, monitores, dispositivos de captura, mezcladores y otros equipos SDI. Dicha salida se denomina **SDI frontal** en la pantalla táctil.

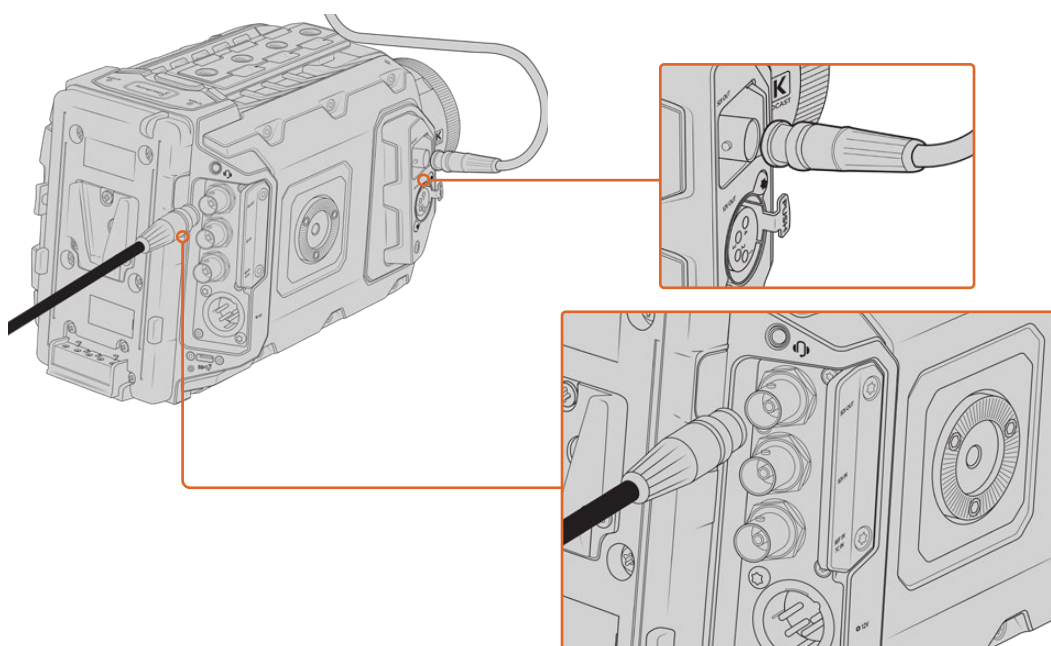
Salida SDI 12G

La conexión SDI 12G situada en el panel trasero permite transmitir señales en definición HD o UHD con alta frecuencia de imagen y en formato progresivo mediante un único cable SDI, incluso en resolución 2160. Asimismo, la compatibilidad con el modo de exploración entrelazado facilita el procesamiento de imágenes en formato 1080i50/59.94/60. Por otra parte, esta salida puede utilizarse para conectar monitores SDI o mezcladores UHD, tales como el modelo ATEM Production Studio 4K. A su vez, brinda la posibilidad de alternar entre señales HD y UHD seleccionando **1080p** o **2160p** en la opción **SDI principal** de la pestaña **MONITOR**. Consulte el apartado *Ajustes de monitorización* para obtener más información al respecto.

Conexión a mezcladores

Las salidas SDI situadas en el panel trasero permiten utilizar la cámara para producir programas televisivos en directo. Es posible conectarla directamente a un mezclador o a un dispositivo ATEM Camera Converter para enviar señales por fibra óptica a unidades móviles situadas a cientos de metros de distancia.

Cuando la cámara está conectada a un mezclador, es posible ver la señal proveniente del mismo en el monitor plegable. Para ello, utilice la entrada SDI 12G situada en el panel trasero y a continuación presione el botón **PGM** en el monitor plegable. Para volver a ver las imágenes captadas por la cámara, oprima dicho botón nuevamente.



Es posible conectar la salida SDI 12G a cualquier mezclador o monitor HD 1080 o UHD para realizar producciones en directo. La salida para supervisar señales en alta definición se puede conectar a un visor (por ejemplo, el modelo Blackmagic URSA Viewfinder) o monitor externo cuando la cámara se coloca en ciertos equipos, tales como brazos telescópicos o grúas.

Conexión a monitores

La salida SDI para supervisar señales puede resultar muy útil, especialmente cuando la cámara se coloca en un lugar que dificulta o impide el acceso al monitor plegable.

Para mostrar información superpuesta en las imágenes transmitidas mediante esta salida, acceda a las opciones de monitorización en el menú correspondiente de la cámara. Asimismo, es posible ver las guías de encuadre, los datos de la grabación y la configuración de la unidad. Desactive el interruptor para ocultar esta información y ver una imagen limpia.

Conecte la salida SDI de la cámara a monitores que admitan el mismo tipo de señal, o a un dispositivo Blackmagic SmartScope Duo 4K para monitorizar la onda en tiempo real.

NOTA: Se utilizan metadatos auxiliares para identificar las imágenes de alto rango dinámico (HDR) transmitidas mediante las salidas SDI al grabar en modo **Film** y aplicar las tablas de conversión *Gen 5 Film to Rec.2020 Hybrid Log Gamma* o *Gen 5 Film to Rec.2020 to PQ Gamma*. Esto permite visualizar imágenes deslumbrantes de alto rango dinámico en monitores compatibles mediante la salida respectiva.

Formatos SDI compatibles

Salida SDI trasera	2160p23.98, 24, 25, 29.97, 30, 50, 59.94, 60. 1080p23.98, 24, 25, 29.97, 30, 50, 59.94, 60. 1080i50, 59.94, 60.
Salida SDI 3G para supervisar señales	1080p23.98, 24, 25, 29.97, 30, 50, 59.94, 60. 1080i50, 59.94, 60.

SUGERENCIA: Para grabar en directo con dos códecs al mismo tiempo o realizar respaldos simultáneos, es posible transmitir la señal desde la salida SDI trasera a un dispositivo HyperDeck o Blackmagic Video Assist.

Controles de la pantalla táctil

Pantalla táctil

El monitor plegable del modelo URSA Broadcast G2 puede inclinarse para captar imágenes desde diferentes ángulos. Los botones situados en la parte posterior permiten controlar la cámara al sostenerla sobre el hombro con la pantalla cerrada cuando se utiliza el ocular electrónico URSA Viewfinder.

Características de la pantalla táctil

La pantalla táctil incluye una interfaz intuitiva que responde a simples toques o desplazamientos del dedo para facilitar el uso de la cámara. Esta permite acceder con rapidez a las funciones de la cámara que se utilizan con mayor frecuencia durante el rodaje.

La pantalla principal muestra diferentes parámetros y opciones en una barra superior y otra inferior. La primera brinda acceso a ajustes utilizados habitualmente, tales como la velocidad de obturación, la apertura del diafragma y la ganancia. Por otro lado, la barra inferior incluye los controles de reproducción, los indicadores de las unidades de almacenamiento y un histograma.

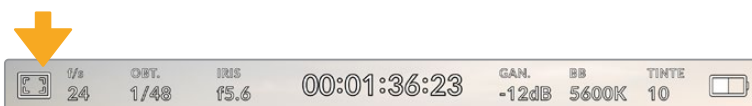


La pantalla táctil del modelo URSA Broadcast G2 brinda diversos datos y facilita el acceso a las funciones de la cámara utilizadas con mayor frecuencia.

Barra superior

Opciones de monitorización

Pulse el primer ícono situado en la parte superior izquierda de la pantalla para acceder a las opciones de monitorización. Estas permiten personalizar la apariencia de diversas herramientas que incluyen la función Cebra, la cuadrícula, el indicador de enfoque y las guías de encuadre. Al acceder a las mismas, los controles correspondientes aparecen en pestañas situadas en la parte inferior de la pantalla.

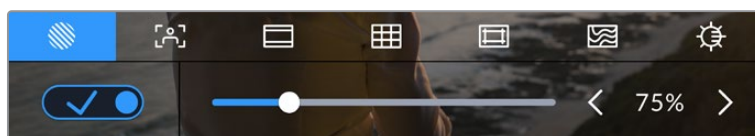


Pulse el primer ícono situado en la parte superior izquierda de la pantalla para acceder a las opciones de monitorización.

Cebra

Este ajuste permite activar o desactivar dicha función y ajustar su intensidad en la imagen.

La función Cebra muestra líneas diagonales sobre las zonas de la imagen que superan el límite de exposición predeterminado. Por ejemplo, al seleccionar un valor de 100 %, se indicarán las áreas completamente sobrepuestas. Esto resulta de suma utilidad para lograr un nivel de exposición adecuada en condiciones de iluminación estables.



Pulse el primer ícono en la parte inferior de la pantalla para acceder a los ajustes de la función Cebra.

Para activar la función Cebra, pulse el interruptor situado en la esquina inferior izquierda de la pantalla.

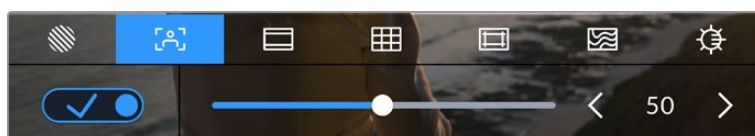
Mueva el control deslizante hacia la izquierda o la derecha para modificar la intensidad de las líneas. De manera alternativa, pulse una de las flechas situadas junto al indicador del nivel. Existen ocho opciones predeterminadas, inclusive gris intermedio (GI) y gris intermedio más un paso (GI+1), así como incrementos porcentuales del 5 % entre 75 % y 100 %.

Consulte el apartado *Ajustes del monitor* para obtener más información al respecto.

SUGERENCIA: Al grabar en condiciones de luz variable, por ejemplo, al aire libre durante un día parcialmente nublado, la cámara podría advertirle sobre una posible sobrexposición cuando se selecciona un valor inferior a 100 para la función Cebra.

Indicador de enfoque

Este ajuste permite activar o desactivar dicha función y ajustar su transparencia en la imagen.



Pulse el segundo ícono en la parte inferior de la pantalla para acceder a esta herramienta.

Para activar esta función, pulse el interruptor situado en la esquina inferior izquierda.

A fin de seleccionar la intensidad del indicador, mueva el control deslizante hacia la izquierda o la derecha en la parte inferior de la pantalla, o pulse una de las flechas junto al valor mostrado.

La intensidad óptima para el indicador de enfoque varía según la toma. Por ejemplo, al enfocar a los actores, un mayor nivel puede ayudar a mejorar los detalles en los rostros. Por el contrario, si este es demasiado alto al filmar vegetación o una pared de ladrillos, es posible que resulte difícil percibir otros detalles en la imagen.

Consulte el apartado *Ajustes del monitor* para obtener más información al respecto.

SUGERENCIA: El modelo URSA Broadcast G2 cuenta con dos modos para el indicador de enfoque. En tal sentido, es posible alternar entre las opciones **Indicador** y **Líneas de color** en la pestaña **MONITOR**. Consulte los apartados *Ajustes de monitorización* y *Asistente de enfoque* para obtener más información al respecto.

Guías de encuadre

Este ajuste permite ver las guías de encuadre en la pantalla u ocultarlas. En tal sentido, existen varias opciones disponibles en el modelo URSA Broadcast G2.

Las guías de encuadre incluyen relaciones de aspecto para el cine, la televisión e Internet.



Pulse el tercer ícono en la parte inferior de la pantalla para acceder a los ajustes correspondientes de las guías de encuadre.

Para activarlas o desactivarlas, pulse el interruptor situado en la esquina inferior izquierda de la pantalla.

Mueva el control deslizante hacia la izquierda o la derecha para seleccionar el tipo de guía. De manera alternativa, pulse una de las flechas situadas junto a la relación de aspecto.

Las opciones disponibles son las siguientes:

2.35:1, 2.39:1 y 2.4:1

Muestra la relación de aspecto compatible con la presentación anamórfica o de pantalla ancha que se utiliza en el cine. Las tres opciones varían ligeramente según los cambios que se han producido en los estándares cinematográficos con el correr del tiempo. El formato 2.39:1 es uno de los más usados en la actualidad.

2:1

Muestra una relación de aspecto levemente mayor que la opción 16:9, aunque de menor ancho que el formato 2.35:1.

1.85:1

Muestra otra relación de aspecto para pantallas anchas muy común en la industria del cine. El ancho es levemente mayor que en los televisores de alta definición con una relación de 1.78:1, aunque no alcanza la medida del formato 2.39:1.

16:9

Muestra una relación de aspecto de 1.78:1 compatible con televisores HD y pantallas de equipos informáticos cuya relación es de 16:9.

Este formato se utiliza generalmente para difundir contenidos en alta definición a través de Internet y la televisión. Dicha relación de aspecto también se ha adoptado a efectos de transmitir material audiovisual en UHD.

14:9

Muestra una relación de aspecto de 14:9 utilizada por algunos canales de televisión como término medio entre los formatos 16:9 y 4:3, lo cual brinda un mayor grado de compatibilidad con ambos. Esta opción resulta adecuada si las imágenes van a ser televisadas por una emisora que utilice dicho estándar.



Pantalla del modelo URSA Broadcast G2 con la opción 14:9 activada.

4:3

Muestra una relación de aspecto 4:3 compatible con televisores de definición estándar o facilita el encuadre al utilizar adaptadores anamórficos 2x.

1:1

Muestra una relación de aspecto un poco más estrecha que la opción 4:3. Esta proporción cuadrada es la más común en redes sociales.

4:5

Muestra una relación de aspecto de 4:5 (vertical), ideal para retratos o contenidos en teléfonos inteligentes.

Guías personalizadas

A fin de crear guías de encuadre personalizadas para lograr un estilo único, pulse el valor de la relación de aspecto entre las flechas. En la pantalla **GUÍAS PERSONALIZADAS**, borre el valor actual mediante el botón de retroceso e introduzca uno nuevo utilizando el teclado numérico. Pulse **Actualizar** a fin de aplicar los cambios y continuar grabando.



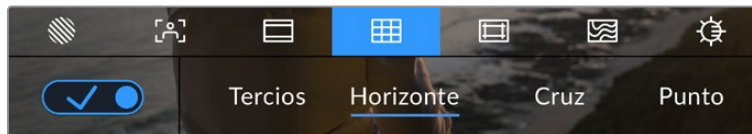
Utilice el teclado numérico para introducir una relación de aspecto distinta.

SUGERENCIA: Es posible cambiar la opacidad de las guías de encuadre. Consulte el apartado *Ajustes de monitorización* para obtener más información al respecto.

NOTA: Consulte el apartado *Ajustes del monitor* para obtener más información sobre cómo ver las guías de encuadre en las imágenes transmitidas por la cámara.

Cuadrícula

Esta opción permite ver una cuadrícula de 3x3 (regla de los tercios), una cruz filar o un punto central sobre la imagen visualizada en la pantalla táctil o los monitores conectados a la cámara.

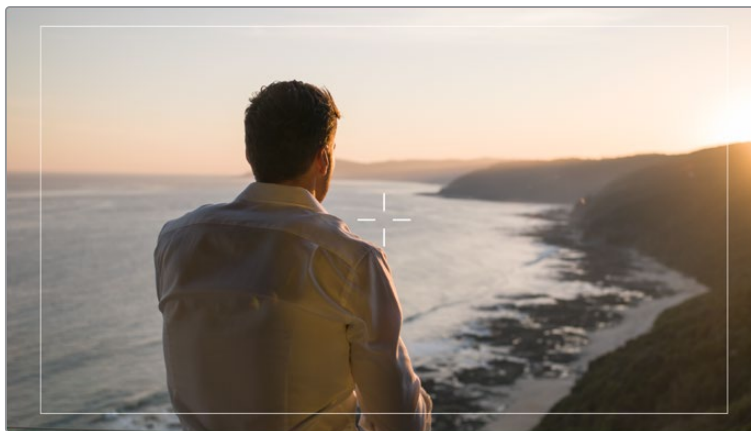


Pulse el cuarto ícono en la parte inferior de la pantalla para acceder a los ajustes correspondientes a la cuadrícula.

Estas herramientas facilitan la composición de las imágenes. Al activarlas, es posible ver una cuadrícula, una cruz filar o un punto central en la pantalla.

Para ello, pulse el interruptor situado en la esquina inferior izquierda de la pantalla.

Cuando la cámara se encuentra conectada a un mezclador ATEM y se ha activado esta opción, es posible ver un borde rojo alrededor de la imagen en la pantalla LCD.



Cuando la cámara se conecta a un mezclador ATEM y esta opción se ha activado, es posible ver un borde rojo alrededor de la imagen.

Pulse una de las opciones disponibles: **Tercios**, **Horizonte**, **Cruz filar** o **Punto**.



La cuadrícula correspondiente a la regla de los tercios se ajusta automáticamente según las guías de encuadre visualizadas en la pantalla.

Tercios

Esta opción muestra dos líneas verticales y dos líneas horizontales superpuestas en cada tercio de la imagen. Esta es una herramienta muy conveniente para componer planos. Habitualmente, el ojo humano se enfoca en los puntos de intersección de las líneas, y por ello es una herramienta de gran utilidad para situar centros de interés en estas zonas. Por lo general, el horizonte de visión del actor se ubica en el tercio superior de la pantalla, de manera que es posible utilizar esta sección horizontal como guía para el encuadre. A su vez, la cuadrícula permite mantener la consistencia entre las distintas tomas.

Horizonte

Este indicador permite saber si la cámara está girada o inclinada ayuda a mantener la cámara nivelada al sostenerla con la mano y a calibrar su inclinación al colocarla en un estabilizador. El indicador gris vertical y el horizontal se alejan del centro a medida que la cámara se gira o inclina. La distancia que separa la línea de la cruz filar es proporcional al giro o la inclinación. Una vez calibrado el sensor de movimiento de la unidad, los indicadores se destacarán en azul cuando la cámara se encuentra nivelada.

Cabe destacar que, si la cámara enfoca hacia arriba o abajo para filmar una toma desde un ángulo inclinado, el indicador lo tendrá en cuenta. Al girar la cámara 90 grados para grabar en modo retrato, el indicador también rotará.

La siguiente tabla muestra ejemplos del indicador con distintas inclinaciones de la cámara.

Indicador	Descripción
	Nivelada
	Inclinada hacia abajo y nivelada
	Girada hacia la izquierda y nivelada
	Inclinada hacia arriba y girada a la derecha

Para un uso normal de la cámara, calibre el horizonte virtual de manera que el indicador quede derecho y nivelado. Al utilizar esta función para mantener un plano holandés o una inclinación consistente, a fin de captar imágenes con un ángulo determinado, es posible configurar un valor específico. Consulte el apartado *Calibración del sensor de movimiento* para obtener más información al respecto.

Cruz filar

Esta opción permite ver una cruz filar en el centro de la imagen. Al igual que la anterior, es una herramienta muy útil para componer planos y centrar el objeto de interés. Se utiliza a menudo al filmar escenas en las que se implementarán cortes rápidos. Esto hace posible que el espectador mantenga su atención en el centro de la imagen cuando el material editado contiene transiciones rápidas entre distintos planos.

Punto

Esta opción permite ver un punto en el centro de la imagen. Funciona de la misma forma que la cruz filar, aunque no distrae tanto la atención.

Cabe destacar que este menú permite combinar los tercios con la cruz filar o el punto eligiendo ambas opciones. Sin embargo, no es posible seleccionar simultáneamente el punto y la cruz filar.

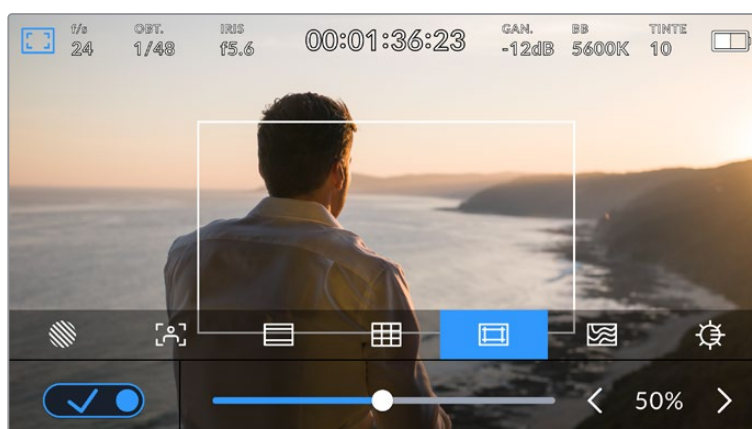
SUGERENCIA: Para obtener más información sobre cómo activar las diferentes opciones de cuadrícula en las imágenes transmitidas por la cámara, consulte el apartado correspondiente en este manual.

Área de seguridad

Esta opción permite mostrar u ocultar el área de seguridad en la pantalla táctil, así como ajustar su tamaño en las imágenes transmitidas a través de las salidas de la cámara.

El área de seguridad se utiliza durante las producciones para garantizar que las partes más importantes de un plano puedan ser vistas por los espectadores. Al mantener los elementos más destacados dentro del área de seguridad, se evita perder partes de la imagen en televisores de mayor antigüedad y se proporciona un espacio adicional para que las teledifusoras puedan agregar logotipos, textos móviles u otro tipo de información en la pantalla. La mayoría de estas exigen que el 90 % del material grabado se encuentre dentro del área de seguridad.

Esta opción también puede ser útil para ayudar a encuadrar las imágenes si se tiene la certeza de que se van estabilizar durante la posproducción, ya que durante este proceso es posible que sus bordes se recorten. Asimismo, sirve para indicar un tipo de recorte específico. Por ejemplo, si se ajusta al 50 % mientras se graba con calidad UHD a una resolución de 3840 x 2160, es posible ver cómo quedaría la imagen con una resolución de 1920 x 1080. Cabe destacar además que el área de seguridad se ajusta según la opción seleccionada para las guías de encuadre.



El valor predeterminado para este indicador es 50 %.

Para activar esta función, pulse el interruptor situado en la parte inferior izquierda de la pantalla. Para activar el área de seguridad en las imágenes transmitidas a través de todas las salidas de la cámara, pulse las flechas que se encuentran a cada lado del valor numérico, en la parte inferior de la pantalla táctil. De manera alternativa, mueva el control deslizante hacia la izquierda o la derecha.

Falso color

Esta opción permite ver distintos colores en la imagen para lograr una exposición adecuada.

Esta herramienta superpone diferentes colores en la imagen para representar los valores de exposición correspondientes a diversos elementos. Por ejemplo, el rosa representa un nivel de exposición ideal para tonos de piel más claros, mientras que el verde es adecuado para matices más oscuros. Al observar dichos colores cuando se filma el rostro de una persona, es posible mantener un rango de luminancia y brillo constante en este elemento específico.

De manera similar, resulta sencillo identificar las áreas sobrepuestas de la imagen cuando el color cambia de amarillo a rojo.



Los valores IRE en el lateral izquierdo de la cámara indican cómo interpretar el falso color.

Falso color	Significado
95%WC	Pérdida de detalles en las zonas más claras
80%WC	Pérdida de detalles inminente en las zonas más claras
MG+1	Un paso por encima del gris medio
18%MG	Gris medio
NBDL	Pérdida de detalles inminente en las zonas más oscuras
BDL	Pérdida de detalles en las zonas más oscuras



En una imagen con una exposición adecuada, los tonos de piel se representan mediante matices verdes y rosados.

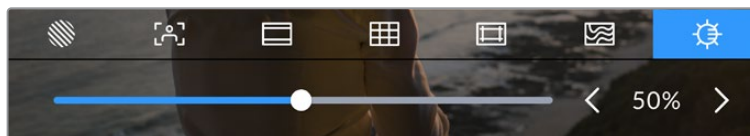
Para activar o desactivar esta función, pulse el interruptor situado en la esquina inferior izquierda de la pantalla.



Interruptor para activar o desactivar la función de color falso

Brillo de la pantalla

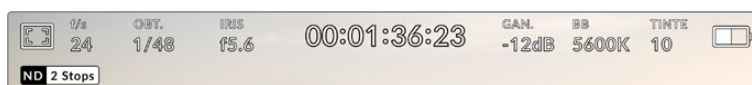
Mueva este control hacia la izquierda o la derecha para ajustar el brillo de la pantalla táctil.



La opción predeterminada es 50 %.

Indicador de filtros de densidad neutra

Al cambiar el filtro de densidad neutra en el modelo URSA Broadcast G2, el indicador **ND** aparece en la esquina superior izquierda de la pantalla táctil y en los monitores conectados a la salida SDI, según el formato seleccionado en el menú de preferencias.

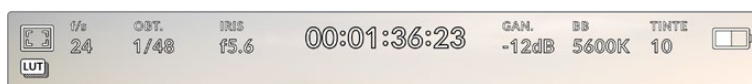


Indicador de filtros de densidad neutra en el modelo URSA Broadcast G2

NOTA: Es posible cambiar la terminología que utiliza el indicador de filtros de densidad neutra según las preferencias del usuario. Las opciones disponibles incluyen el número de filtro, pasos o fracciones. Seleccione el formato deseado en el menú **CONFIG**.

Indicador LUT

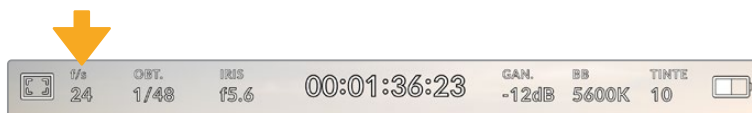
Este ícono se visualiza en la pantalla LCD o en las imágenes transmitidas mediante las salidas SDI cuando la opción **TEXTO EN PANTALLA** está activada y se ha aplicado una LUT al material grabado. Al grabar en formato Blackmagic RAW con la opción **APLICAR LUT AL GRABAR** activada en la pestaña **GRABACIÓN**, el ícono se destacará en azul.



El ícono **LUT** permite determinar si se ha aplicado una tabla de conversión a la imagen.

Fotogramas por segundo

El indicador **F/S** muestra la frecuencia de imagen seleccionada en fotogramas por segundo.



Pulse el indicador **F/S** a fin de acceder a las opciones disponibles para la frecuencia de imagen.

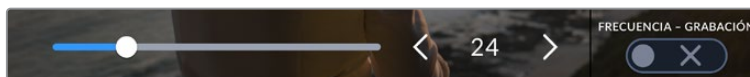
Al pulsar el indicador **F/S**, es posible modificar los valores para el sensor de la cámara y la frecuencia de imagen del proyecto mediante las opciones en la parte inferior de la pantalla.

Frecuencia de imagen del proyecto

Se trata de la frecuencia de imagen del formato seleccionado en la cámara para el proyecto y permite elegir entre diferentes velocidades comúnmente utilizadas en la industria del cine y la televisión. Normalmente, este valor se ajusta de manera que coincida con la velocidad de reproducción que se empleará durante el proceso de posproducción.

Las ocho opciones disponibles para este ajuste son 23.98, 24, 25, 29.97, 30, 50, 59.94 y 60 f/s.

Para ajustar este parámetro, pulse una de las flechas situadas a los costados del valor correspondiente a la frecuencia de imagen en la parte inferior de la pantalla. De manera alternativa, mueva el control deslizante hacia la izquierda o la derecha.

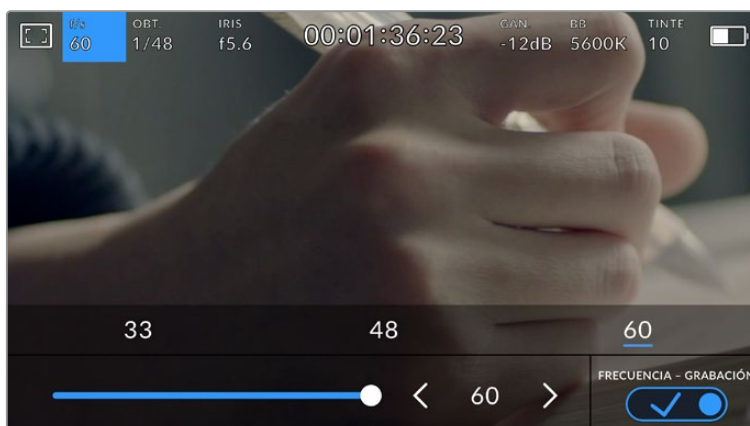


Pulse las flechas situadas a los costados del valor correspondiente a la frecuencia de imagen o mueva el control para realizar ajustes.

SUGERENCIA: Al configurar la frecuencia de imagen del proyecto en el modelo URSA Broadcast G2, también se modifica dicho parámetro en las imágenes transmitidas por la cámara.

Frecuencia de imagen del sensor

Este ajuste determina la cantidad de fotogramas por segundo que el sensor graba, lo cual incide en la velocidad de reproducción de las imágenes según la frecuencia seleccionada para el proyecto.



Si la opción **FRECUENCIA DE GRABACIÓN** está activada, seleccione una de las opciones disponibles. De manera alternativa, pulse las flechas situadas a ambos lados del valor correspondiente a la frecuencia de imagen o mueva el control deslizante para realizar ajustes.

Por defecto, la frecuencia de imagen del sensor y del proyecto coinciden para que el material grabado se reproduzca a una velocidad normal. Sin embargo, al activar la opción **FRECUENCIA DE GRABACIÓN**, es posible determinar valores diferentes para estos parámetros. Cabe mencionar que dicha opción solo está disponible al grabar en Blackmagic RAW o ProRes.

Para cambiar la frecuencia de imagen del sensor, pulse las flechas situadas junto al indicador en la parte inferior de la pantalla. También es posible mover el control deslizante hacia la izquierda o la derecha para aumentar o disminuir dicho valor. Al soltar dicho control, la frecuencia de imagen para el sensor quedará seleccionada. Por otro lado, arriba del mismo se brindan distintas opciones habituales basadas en la frecuencia de imagen del proyecto.

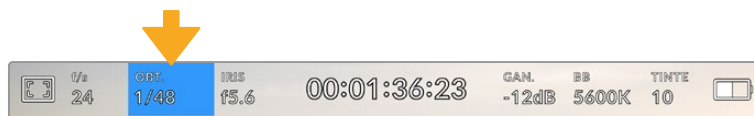
Es posible crear efectos dinámicos e interesantes cambiando la frecuencia de imagen del sensor. Si este valor es mayor para la grabación que para la reproducción, se generará un efecto de cámara lenta. Por ejemplo, al elegir una frecuencia de 60 f/s para el sensor y de 24 f/s para el proyecto, las imágenes se reproducirán menos de un 50 % más lento que la velocidad normal. Por el contrario, cuanto menor sea la frecuencia de imagen seleccionada para el sensor, mayor será la velocidad de reproducción del material grabado. Este principio se asemeja a la operación mecánica de modificar la velocidad de giro de la cinta en una cámara cinematográfica antigua. Al mover la manivela más rápido, aumenta la cantidad de fotogramas que capta el sensor, de manera que es posible prolongar determinadas escenas durante la reproducción, a fin de realzar su carga emotiva. Por el contrario, reduciendo el ritmo de giro se disminuye la velocidad con el propósito de destacar la acción en secuencias con movimientos rápidos. Las posibilidades creativas son infinitas y dependen completamente de cada usuario.

Consulte la tabla en el apartado *Grabación* para obtener más información al respecto.

NOTA: Al seleccionar la opción **FRECUENCIA DE GRABACIÓN**, el audio y la imagen no estarán sincronizados. Esto sucede incluso al configurar la misma frecuencia de imagen para el sensor y el proyecto. Por tal motivo, evite seleccionar esta función si desea mantener la sincronización del audio con las imágenes.

Obturador

El indicador **OBT.** muestra la velocidad de obturación. Al pulsarlo, es posible modificar dicho valor o seleccionar uno de los modos disponibles para la exposición automática.



Pulse el indicador **OBT.** a fin de acceder a las opciones disponibles para el obturador.

La velocidad del obturador define el rastro que dejan los objetos en movimiento y puede utilizarse para compensar los cambios en las condiciones de iluminación. Los ajustes generales y de desenfoque dinámico para este parámetro dependerán de la frecuencia de imagen que se emplea en cada momento. Por ejemplo, una frecuencia de 30p y una velocidad de obturación de 1/60 es el equivalente a un ángulo de obturación de 180 grados, que es muy común en proyectos cinematográficos. Sin embargo, para conseguir el mismo aspecto grabando con una frecuencia de 25p, es preciso cambiar la velocidad de obturación a 1/50.

De este modo, es posible calcular la velocidad de obturación duplicando la frecuencia de imagen, a fin de obtener un desenfoque dinámico con aspecto natural.

Si se requiere que el sensor capte una mayor cantidad de luz, será necesario ajustar el obturador al valor mínimo según la frecuencia de imagen empleada, por ejemplo, 1/25 para 25p o 1/30 para 30p. A la velocidad de obturación más lenta, el efecto de desenfoque dinámico parecerá ligeramente exagerado,

por lo cual para reducirlo y que la imagen se muestre más nítida y definida, habrá que aumentar dicho valor a 1/120 para 30p o 1/100 para 25p. Estos ajustes equivalen a un ángulo de obturación de 90 grados.

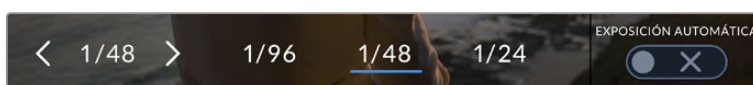
Recomendamos probar distintas velocidades de obturación con el objetivo de conseguir diversos grados de desenfoque dinámico.

Al grabar con luz artificial, la velocidad de obturación puede afectar la visibilidad del parpadeo. La cámara calculará automáticamente valores que evitan el parpadeo con la frecuencia de imagen seleccionada. Estas dependerán de la frecuencia eléctrica utilizada en cada región. En este sentido, el menú de preferencias de la cámara permite seleccionar las opciones **50 Hz** o **60 Hz**. Consulte el apartado *Ajustes generales* para obtener más información al respecto.

Al pulsar el indicador **OBT.**, aparecen diversos valores de obturación sugeridos en la parte inferior de la pantalla. Si la función de exposición automática está desactivada, se mostrará la velocidad utilizada junto con los valores que permiten eliminar el parpadeo en la imagen, según la frecuencia eléctrica seleccionada en el menú de configuración de la cámara. Consulte el apartado *Ajustes generales* para obtener más información al respecto.

NOTA: Las características de ciertas fuentes de luz pueden ocasionar parpadeo, incluso al utilizar velocidades de obturación que permiten evitar este artefacto. Se recomienda primero realizar una grabación de prueba cuando no se utilizan luces continuas.

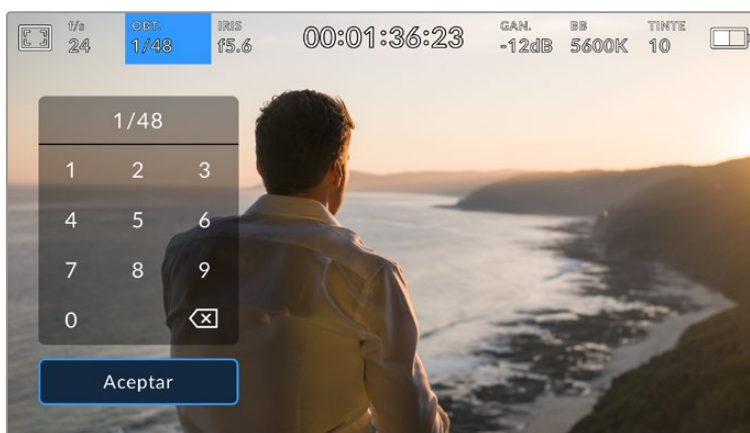
Para seleccionar una velocidad de obturación sin parpadeo, pulse unos de los valores que se muestran en la pantalla. Las flechas a ambos lados del indicador permiten alternar entre algunos de los valores más habituales.



La cámara recomendará ciertos parámetros basados en la frecuencia de la red de suministro eléctrico seleccionada en la pestaña de configuración.

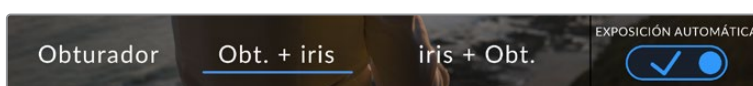
Para elegir un valor de obturación específico, pulse dos veces el indicador en la parte inferior izquierda de la pantalla. Aparecerá un teclado numérico que permite introducir una cifra determinada.

Si el valor introducido es menor que la frecuencia de imagen empleada, por ejemplo 1/25 al grabar a 29.97 f/s, la cámara seleccionará automáticamente el valor más cercano. En este caso, la velocidad de obturación más próxima sería 1/30.



El teclado numérico permite introducir un valor de obturación específico.

El modelo URSA Broadcast G2 ofrece tres modos para la exposición automática basados en distintos parámetros de obturación. Para seleccionar uno de ellos, pulse el interruptor **EXP. AUTOMÁTICA** en la esquina inferior derecha de la pantalla.



Pulse la opción **EXP. AUTOMÁTICA** para acceder a los distintos modos de obturación.

Obturador

Esta opción permite ajustar automáticamente el valor de obturación para mantener la exposición sin modificar la apertura del diafragma y resulta adecuada cuando es necesario conservar la profundidad de campo. Cabe destacar que cualquier ajuste sutil del obturador puede afectar el desenfoque dinámico. Asimismo, al rodar en interiores, es importante verificar que las fuentes de luz no generen parpadeo en la imagen. Nótese que la opción de ajuste automático del diafragma no está disponible al seleccionar este modo.

Obturador y diafragma

La opción **Obt. + iris** permite mantener una exposición adecuada ajustando primero el valor de obturación y luego la apertura del diafragma. Si a pesar de haber alcanzado el nivel máximo o mínimo de obturación no es posible mantener la exposición, la cámara intentará ajustar la apertura del diafragma para lograr dicho objetivo.

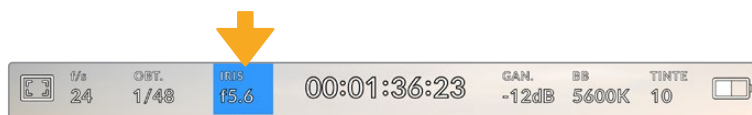
Diafragma y obturador

La opción **Iris + obt.** permite mantener una exposición adecuada ajustando primero la apertura del diafragma y luego el valor de obturación. Si a pesar de haber alcanzado el nivel máximo o mínimo de apertura no es posible mantener la exposición, la cámara intentará ajustar la velocidad de obturación para lograr dicho objetivo.

SUGERENCIA: Al activar el modo de exposición automática, aparecerá la letra A junto al indicador **OBT.** en la parte superior de la pantalla.

Diafragma

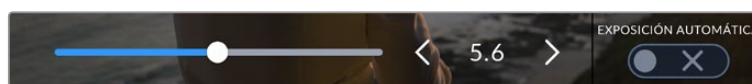
El indicador **IRIS** muestra la apertura del diafragma. Al pulsarlo, es posible modificar este valor en objetivos compatibles y seleccionar distintos modos de exposición automática.



Pulse el indicador **IRIS** en el modelo URSA Broadcast G2 a fin de acceder a las opciones disponibles para el diafragma.

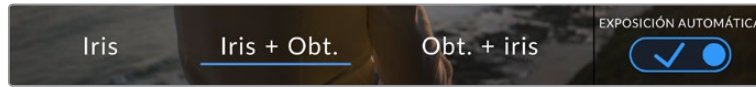
NOTA: Para ajustar la apertura del diafragma desde la pantalla táctil, es preciso utilizar un objetivo compatible con esta función. Al emplear lentes B4 o PL, verifique que el interruptor del diafragma en la empuñadura se encuentre en la posición **A** o **Auto**.

Al pulsar el indicador **IRIS**, aparecen diversas opciones para la apertura del diafragma en la parte inferior de la pantalla. A la izquierda, se muestra el valor actual. Para modificarlo, pulse las flechas situadas a ambos lados del mismo o mueva el control deslizante.



Utilice las flechas situadas a ambos lados del valor de apertura o el control deslizante para modificar este parámetro.

Al pulsar el interruptor **EXP. AUTOMÁTICA** situado en la parte inferior derecha de la pantalla, es posible acceder a diversas opciones.



Pulse la opción **EXP. AUTOMÁTICA** para acceder a los distintos modos de obturación.

Estas se describen a continuación.

Diafragma

La opción **Iris** permite ajustar automáticamente la apertura del diafragma para mantener la exposición sin modificar la velocidad de obturación. Esto brinda la posibilidad de conservar un desenfoque dinámico constante, pero podría afectar a la profundidad de campo.

Diafragma y obturador

La opción **Iris + obt.** permite mantener una exposición adecuada ajustando primero la apertura del diafragma y luego el valor de obturación. Si a pesar de haber alcanzado el nivel máximo o mínimo de apertura no es posible mantener la exposición, la cámara intentará ajustar la velocidad de obturación para lograr dicho objetivo.

Obturador y diafragma

La opción **Obt. + iris** permite mantener una exposición adecuada ajustando primero el valor de obturación y luego la apertura del diafragma. Si a pesar de haber alcanzado el nivel máximo o mínimo de obturación no es posible mantener la exposición, la cámara intentará ajustar la apertura del diafragma para lograr dicho objetivo.

Al activar el modo de exposición automática, aparecerá la letra A junto al indicador **IRIS** en la parte superior de la pantalla.

SUGERENCIA: La exposición automática funciona sin problemas en objetivos B4 o PL compatibles que han sido diseñados para producciones audiovisuales. Sin embargo, en modelos EF es posible notar cambios bruscos en este parámetro al modificar la apertura del diafragma. Por esta razón, recomendamos utilizar solamente la opción **Iris** al filmar con este tipo de lentes.

Duración

Este indicador se encuentra en la parte superior de la pantalla.



El tiempo de grabación se muestra en rojo cuando la cámara está grabando.

Este indicador permite verificar la duración de los clips y controlar el código de tiempo durante la grabación o la reproducción. La secuencia temporal se expresa en horas, minutos, segundos y fotogramas. El código de tiempo se muestra en rojo durante la grabación.

Este valor comienza en 00:00:00:00, y en la pantalla se indica la duración de la secuencia actual o del último clip grabado. La hora se incluye en los metadatos, a fin de simplificar la etapa de posproducción.

Pulse el indicador para ver el código de tiempo. Púlselo nuevamente para ver la duración de la grabación.

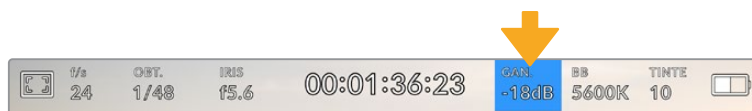
Junto a la duración, pueden aparecer los siguientes indicadores:

-
- TC** Aparece a la derecha de la duración cuando se muestra el código de tiempo.
-
- EXT** Aparece a la derecha de la duración cuando se detecta un código de tiempo externo válido.
-
- INT** Aparece a la derecha de la duración cuando la cámara funciona con un código de tiempo interno, luego de sincronizarla y desconectarla.
-
- PRE** Aparece a la derecha de la duración cuando se muestra el código de tiempo predeterminado para la grabación.
-
- REF** Aparece cuando se detecta una señal de referencia válida, según los ajustes para la entrada correspondiente.
-
- W** Aparece a la izquierda de la duración al reducir el área aprovechable del sensor.
-

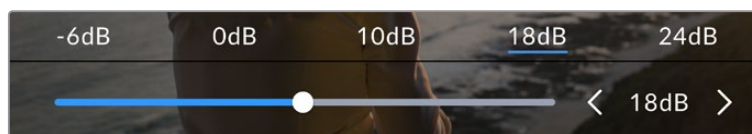
Ganancia

El indicador **GAN.** muestra la ganancia o sensibilidad lumínica en el modelo URSA Broadcast G2. Al pulsarlo, es posible modificar este valor según las condiciones de iluminación.

El valor óptimo es 0 dB.



Pulse el indicador **GAN.** en el modelo URSA Broadcast G2 para acceder a los ajustes correspondientes.

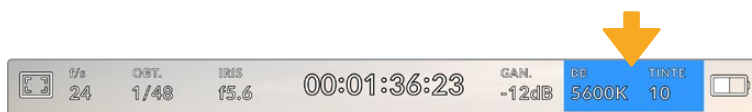


Las opciones disponibles aparecen en la parte inferior de la pantalla. El control deslizante debajo de las mismas permite ajustar la ganancia en incrementos de 1/3 de paso.

En función de las circunstancias, es posible seleccionar parámetros distintos. Por ejemplo, un valor de +18 dB podría resultar apropiado en condiciones de luz escasa, pero a su vez es posible que genere algo de ruido en la imagen. Al filmar con buena iluminación, se recomienda elegir un valor de -6 dB para obtener colores más intensos.

Balance de blancos

Los indicadores **BB** y **TINTE** muestran los valores para el balance de blancos y el matiz, respectivamente. Al pulsarlos, es posible realizar ajustes según las condiciones de iluminación.



Pulse los indicadores **BB** y **TINTE** a fin de acceder a los ajustes para el balance de blancos y el matiz, respectivamente.

Cada fuente de luz emite un color. A modo de ejemplo, la luz de una vela emite un color cálido, mientras que un cielo cubierto por nubes emite un color frío. El balance de blancos se utiliza para ajustar los colores y evitar así que el blanco adopte otras tonalidades. Esto se consigue modificando la mezcla de azul y naranja en la imagen. Por ejemplo, al filmar bajo lámparas de tungsteno que emiten una luz cálida anaranjada, un valor de 3200 K permite obtener una imagen más azulada. Esta función permite ajustar el color para que el blanco se registre de forma correcta.

El modelo URSA Broadcast G2 incluye valores predeterminados para diferentes temperaturas de color, según se indica a continuación:

	Luz solar brillante	(5600 K)
	Bombillas incandescentes	(3200 K)
	Bombillas fluorescentes	(4000 K)
	Mezcla	(4500 K)
	Nubes	(6500 K)

Para personalizar cualquiera de estas opciones, pulse o mantenga presionadas las flechas situadas a ambos lados del valor correspondiente a la temperatura cromática en la parte inferior izquierda de la pantalla. Al pulsar una de las flechas, este aumenta o disminuye 50 K. Al mantenerlas presionadas, dicho valor cambia con mayor rapidez. De manera alternativa, es posible mover el control deslizante situado en el medio.

También es posible modificar el matiz para realizar ajustes con mayor precisión. Esto brinda la posibilidad de cambiar la proporción de verde y magenta presentes en la imagen. Por ejemplo, al añadir más magenta, se compensa la tonalidad verdosa de las luces fluorescentes. La mayoría de las configuraciones predeterminadas para el balance de blancos que ofrece el modelo URSA Broadcast G2 presentan un cierto matiz.



Al pulsar los indicadores **BB** y **TINTE**, es posible acceder a cinco configuraciones predeterminadas o modificar estos parámetros en forma individual. Realice los ajustes necesarios según las condiciones de iluminación.

El matiz se muestra en la parte inferior derecha de la pantalla. Para ajustarlo, pulse o mantenga presionada una de las flechas situadas a ambos lados del valor. El rango disponible abarca de -50 a +50 en incrementos de una unidad. Al mantener una flecha presionada, dicho valor cambia con mayor velocidad.

NOTA: Al modificar el matiz o el balance de blancos, la configuración predeterminada cambia a **CWB**. Estos ajustes no se verán afectados si se reinicia el dispositivo o se elige otra opción, lo cual facilita la comparación entre distintos valores.

Balance de blancos automático

El modelo URSA Broadcast G2 es capaz de establecer el balance de blancos de forma automática. Al pulsar la opción **AWB**, se accede a las opciones disponibles para este parámetro.

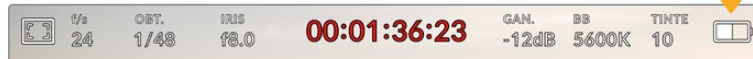
Cuando el balance de blancos se determina de manera automática, aparece un cuadrado en el centro de la imagen. Hágalo coincidir con una superficie neutral de color blanco o gris y luego pulse el botón **Aceptar**. La cámara ajustará el balance y el matiz automáticamente para garantizar que la predominancia de dichos colores dentro del cuadrado sea lo más neutral posible. Una vez finalizado el proceso, estos valores se utilizarán en forma predeterminada al grabar.



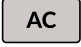
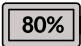

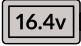

Al pulsar la opción **AWB**, se accede a las opciones disponibles para el balance de blancos automático. Utilice una superficie gris o blanca para establecer un valor neutro.

Alimentación

Este indicador se encuentra en la parte superior derecha de la pantalla. Existen cinco opciones posibles:



El indicador situado en la parte superior derecha de la pantalla permite visualizar el voltaje y la carga restante de la batería.

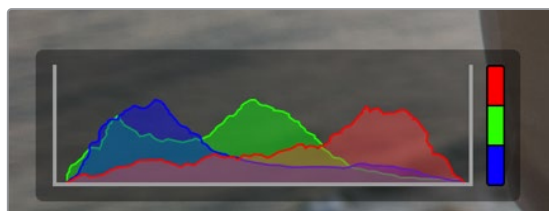
	CA	Aparece cuando la cámara está conectada a la red de suministro eléctrico.
	Porcentaje	Al utilizar una batería y un soporte compatible con esta función, el indicador mostrará el nivel de carga restante de la batería. Cuando este valor disminuye a 20 %, el indicador se enciende de color rojo.
	Barras	Si la batería y el soporte utilizados no permiten mostrar el nivel de carga restante como un porcentaje, esta información se indica mediante barras que representan un 25 % del valor total. Cuando este valor disminuye a 20 %, el indicador se enciende de color rojo.
	Voltaje	Al seleccionar esta opción, el indicador mostrará el voltaje restante de la batería. Cuando dicho valor disminuya a 12.5 voltios, el indicador se encenderá de color rojo. La cámara se apagará automáticamente cuando el voltaje restante sea de 11.9 voltios.
	Fibra óptica	Este indicador aparece cuando hay un dispositivo Blackmagic Camera Fiber Converter instalado en la cámara y esta se alimenta mediante el cable de fibra óptica. Por el contrario, si se conecta un cable XLR con el convertidor instalado, la pantalla mostrará el indicador CA .

Al utilizar la batería, es posible alternar entre el modo de visualización de la carga restante pulsando el indicador correspondiente.

Barra inferior

Histograma

El histograma de la señal puede apreciarse en la parte inferior de la pantalla, y muestra la distribución tonal de la imagen según los canales rojo, verde y azul.



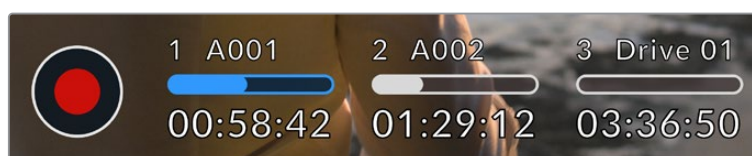
El histograma proporciona una indicación del rango de tonalidad entre las zonas más claras y oscuras de la imagen. Además, es una herramienta muy útil para verificar el balance de la exposición y evitar que se pierdan detalles en las partes más luminosas.

El extremo izquierdo corresponde a las partes más oscuras de la imagen, mientras que el derecho representa las zonas más claras. Al modificar la apertura del diafragma, es posible ver cómo los valores se desplazan hacia la izquierda o la derecha, según corresponda. Esto brinda la posibilidad de comprobar que no se están perdiendo detalles en las dichas partes de la imagen. Cuando esto ocurre en el canal rojo, verde o azul, se enciende el indicador correspondiente a la derecha del histograma. Si los extremos de la gráfica se cortan abruptamente en lugar de disminuir en forma gradual, es probable que haya una pérdida de información.

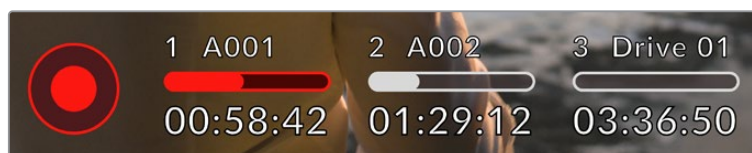
NOTA: Si no se ve el histograma en la parte inferior izquierda de la pantalla, es posible que la opción **Códec y resolución** esté activada en los ajustes de monitorización. Consulte el apartado correspondiente en este manual para obtener más información al respecto.

Botón de grabación

El botón gris situado junto al histograma en la parte inferior de la pantalla permite grabar imágenes. Púselo una vez para comenzar la grabación. Para detenerla, púselo nuevamente. Al grabar, el botón, los indicadores de los soportes de almacenamiento y el código de tiempo en la parte superior de la pantalla se encienden de color rojo.



Botón de grabación junto a los indicadores de las tarjetas en la parte inferior de la pantalla.

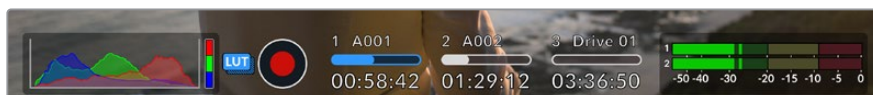


El botón se enciende de color rojo al grabar.

Aplicar una LUT a un archivo

Al filmar en formato Blackmagic RAW y seleccionar la opción de la pestaña **GRABACIÓN** que permite aplicar una tabla de conversión al clip grabado, aparece un ícono azul junto al botón de grabación, incluso cuando la cámara se encuentra en modo de espera.

Consulte el apartado *Ajustes de grabación* para obtener más información al respecto.

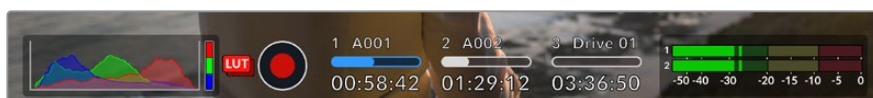


Al grabar en formato Blackmagic RAW, se muestra el indicador LUT en azul.

Aplicar LUT al grabar

Al filmar en formato ProRes, H.264 o H.265 y seleccionar la opción de la pestaña **GRABACIÓN** que permite aplicar una tabla de conversión al clip grabado, aparece un ícono rojo junto al botón de grabación, incluso cuando la cámara se encuentra en modo de espera.

Consulte el apartado *Ajustes de grabación* para obtener más información al respecto.



Al grabar en formato ProRes, H.264 o H.265, se muestra el indicador LUT en rojo.

Fotogramas omitidos

Si se detectan fotogramas omitidos al filmar, aparecerá un signo de exclamación en forma intermitente sobre el botón de grabación. El indicador del tiempo restante correspondiente a la unidad afectada también se encenderá de color rojo. Por ejemplo, si hay dos tarjetas insertadas en la cámara y se omiten fotogramas al grabar en la tarjeta 1, el signo de exclamación aparecerá sobre el botón de grabación, y el indicador de la misma se encenderá de color rojo. Esto permite saber si una determinada unidad de almacenamiento es demasiado lenta para el formato y la resolución que se han seleccionado. El indicador también aparece si se detectan fotogramas omitidos en el material grabado. Este permanecerá en la pantalla hasta que se grabe otro clip o se apague la cámara. Consulte los apartados correspondientes para encontrar más información al respecto.



Indicador de fotogramas omitidos en la tarjeta CFast 1

SUGERENCIA: Si la luz de la pantalla plegable se encuentra activada, esta se encenderá de color rojo y se apagará de forma intermitente para indicar que se han detectado fotogramas omitidos. Consulte el apartado *Ajustes generales* para obtener más información al respecto.

NOTA: En caso de que no note el indicador en la pantalla plegable, es posible configurar la cámara para que detenga la grabación al detectar fotogramas omitidos, a fin de prevenir el almacenamiento de imágenes que no podrán utilizarse. Consulte el apartado *Ajustes de grabación* para obtener más información al respecto.

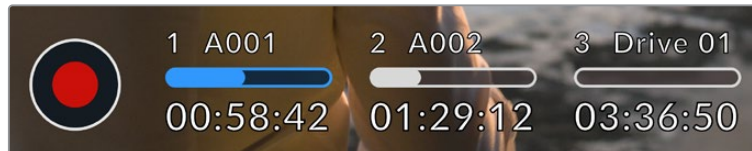
Indicadores de capacidad

Botón de grabación junto a los indicadores de las tarjetas en la parte inferior de la pantalla, junto al botón de grabación.

Tiempo de grabación restante

Al insertar una tarjeta SD o CFast en la cámara o conectar una unidad USB-C o SSD, la pantalla muestra el tiempo de grabación restante en cada una de ellas. Este se expresa en horas, minutos y segundos, según el códec y la frecuencia de imagen escogidos, y se calcula nuevamente al cambiar cualquiera de dichos ajustes.




El indicador se enciende en rojo cuando el tiempo de grabación restante es de aproximadamente 5 minutos. Al grabar en una sola tarjeta o unidad, o si las demás no tienen más capacidad, el indicador parpadea lentamente cuando quedan 3 minutos y rápidamente si el tiempo de grabación restante es menor de 30 segundos.



Los indicadores de las tarjetas muestran el nombre de las unidades y el tiempo de grabación restante en minutos.

Barra

Esta barra arriba del tiempo de grabación se destaca en azul o rojo e indica el espacio utilizado en la unidad.

	Azul: Indica que la unidad está activa. La unidad activa se emplea para grabar y reproducir secuencias.
	Blanco: Indica que hay una unidad insertada, pero no está activa. Si la barra está llena, significa que no hay espacio disponible.
	Rojo: Indica que la unidad está grabando.

Para grabar en una unidad diferente, mantenga presionado el nombre de la misma.

Al pulsar el indicador de la unidad, es posible acceder a las opciones de almacenamiento y al menú para formatearla.



Pulse el indicador correspondiente al soporte de grabación en la parte inferior de la pantalla a fin de acceder a las opciones para dicha unidad.

Este menú muestra el espacio disponible en cada unidad, su nombre, la duración del último clip grabado, la cantidad de clips almacenados y el sistema utilizado para darle formato.

SUGERENCIA: Pulse el nombre de la tarjeta o unidad en el menú de almacenamiento para activarla.

La cámara utilizará primero dicha unidad.

También es posible formatear los soportes de grabación. Consulte el apartado *Preparación de los soportes de grabación en el modelo Blackmagic URSA Broadcast G2* para obtener más información al respecto.

Nivel del audio

Los indicadores del nivel del audio muestran su intensidad para los canales 1 y 2 al utilizar el micrófono de la cámara o conectar fuentes externas. Estos funcionan en la modalidad vúmetro (VU) o picómetro (PPM). Consulte el apartado *Preferencias* para obtener más información al respecto.

Mantenga el volumen por debajo de los 0 dBFS para optimizar la calidad del sonido. Este valor representa el nivel máximo al cual la cámara puede registrar el audio, y si se excede, podría ocurrir una distorsión.



Las barras de color del vúmetro representan la intensidad del audio. De ser posible, el volumen máximo no debe exceder la zona verde superior. Si los picos de la señal alcanzan la zona amarilla o roja, podría ocurrir una distorsión.

Al pulsar el indicador de volumen, es posible acceder a los controles para los canales 1 y 2, el altavoz o los auriculares.



Pulse los vúmetros en la pantalla a fin de acceder a las opciones para el volumen, el altavoz y los auriculares.

Ampliar imagen

Es posible ampliar cualquier parte de la imagen visualizada pulsando dos veces la pantalla. Deslice el dedo sobre la misma para desplazar la imagen. Esto es de suma utilidad al comprobar el enfoque. Para volver al tamaño original, pulse la pantalla nuevamente dos veces.

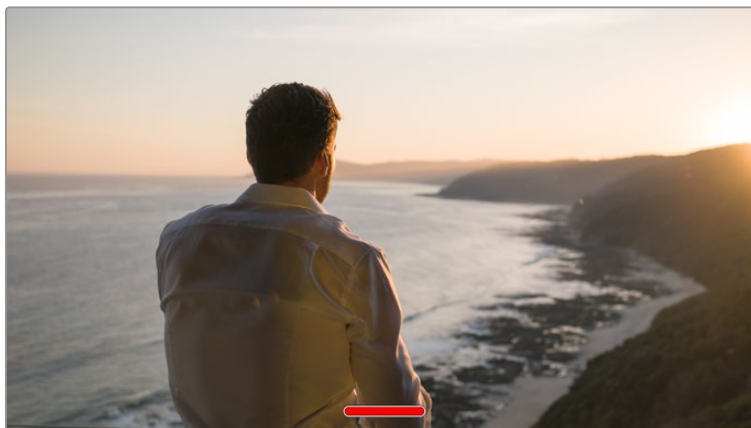
Al activar esta función, también cabe la posibilidad de pellizcar la pantalla para ampliar la imagen, así como realizar múltiples gestos a fin de ajustar el grado de ampliación. El menú **CONFIG.** permite asignar esta función a uno de los botones configurables. Además, puede verse tanto en la pantalla de la cámara como en los dispositivos conectados a las salidas SDI. Consulte el apartado *Ampliación de la imagen* para obtener más información al respecto.



Al ampliar la imagen, el indicador situado en la parte superior izquierda de la pantalla muestra el área visualizada. Para ver una parte distinta, gire la rueda **MENU** o deslice el dedo sobre la pantalla.

Modo de pantalla completa

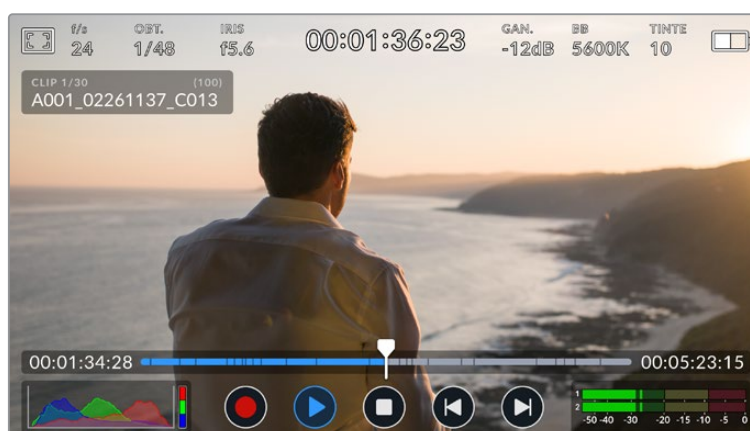
Al enfocar o encuadrar un plano, puede resultar útil ocultar provisionalmente el texto y los indicadores que aparecen en la pantalla. Para ello, basta con deslizar el dedo hacia arriba o abajo. Nótese que los indicadores de grabación y enfoque, las guías de encuadre y las rayas diagonales de la función Cebra permanecerán visibles.



Deslice el dedo hacia arriba o abajo sobre la pantalla para ocultar las opciones.

Reproducción

Presione el botón de reproducción para acceder al menú correspondiente. La reproducción de las imágenes grabadas con anterioridad puede controlarse mediante los botones de la cámara o la pantalla táctil.









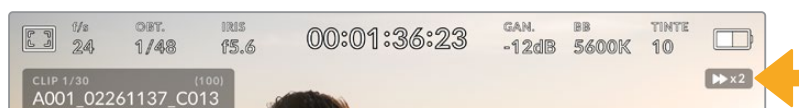
La pantalla LCD muestra una línea de tiempo con segmentos que representan los clips grabados. Cada segmento corresponde a un clip. El nombre y el número se muestran en la esquina superior izquierda de la pantalla, y la cantidad total de clips en la tarjeta se indica entre corchetes.

El contador a la izquierda indica la ubicación del cabezal de reproducción, mientras que el de la derecha muestra la duración total de todos los clips.

Los controles de reproducción debajo de la línea de tiempo permiten desplazarse por los clips.



	Pulse el botón de grabación durante la reproducción a fin de que la cámara regrese al modo de espera.
	Pulse el botón de reproducción para ver los clips. La cámara entrará en modo de reproducción.
	Presione el botón de detención para detener la reproducción. Oprímalo nuevamente para que la cámara regrese al modo de espera.
	Pulse el botón de retroceso una vez para mover el cabezal hasta el primer fotograma del clip actual, o del anterior si el cabezal ya se encuentra en dicha posición.
	Pulse el botón de avance una vez para mover el cabezal hasta el último fotograma del clip actual, o el primero del siguiente si el cabezal ya se encuentra en dicha posición.
	Mantenga presionado los botones de avance y retroceso para avanzar o retroceder las imágenes 2, 4, 8 o 16 veces más rápido. Para disminuir la velocidad, pulse el botón contrario.






Este indicador muestra la velocidad y la dirección en la que se reproduce el material grabado.

Es posible elegir el modo de reproducción en el menú de configuración. Las opciones disponibles son **Todos los clips** y **Un clip**. Al seleccionar esta última, se reproduce el último clip grabado.

SUGERENCIA: Deslice el dedo hacia arriba o abajo sobre la pantalla táctil para ocultar el texto durante la reproducción. Acceda a la claqueta virtual en el modo de reproducción para indicar que el clip es bueno mediante la opción **TOMA BUENA** en los metadatos. Consulte el apartado *Ingreso de metadatos* para obtener más información al respecto.

Reproducción continua

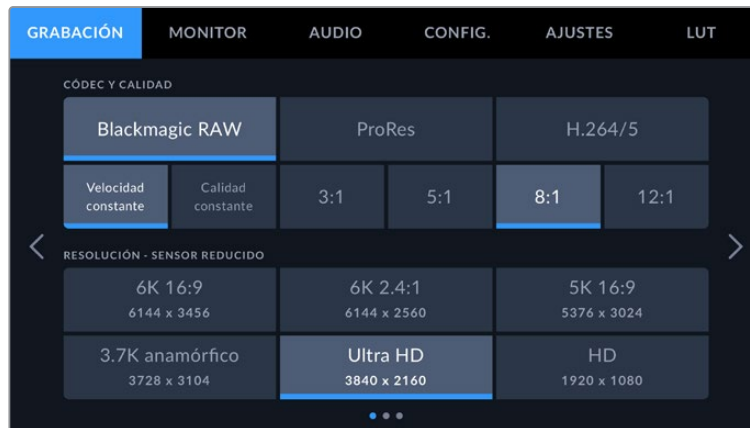
Al pulsar el botón de reproducción más de una vez, se activa el modo de reproducción continua. Esto puede resultar útil para ver el mismo clip indefinidamente o todos los clips en la línea de tiempo.

Repetir		Cuando el clip se está reproduciendo, pulse el botón de reproducción nuevamente para activar el modo de reproducción continua.
Repetir todos		Pulse el botón de reproducción nuevamente para reproducir todos los clips de manera continuo.
Reproducir		Vuelva a pulsar este botón para regresar al modo normal.

Ajustes

Panel de opciones

Al presionar el botón **MENU** en el modelo URSA Broadcast G2, es posible acceder al panel de opciones en la pantalla de la cámara. Este incluye diferentes ajustes organizados en distintas pestañas según la función que cumplen. A su vez, algunas pestañas incluyen varias secciones. Para desplazarse de una a otra, pulse las flechas situadas a los costados de la pantalla o deslice el dedo sobre la misma hacia la izquierda o la derecha.



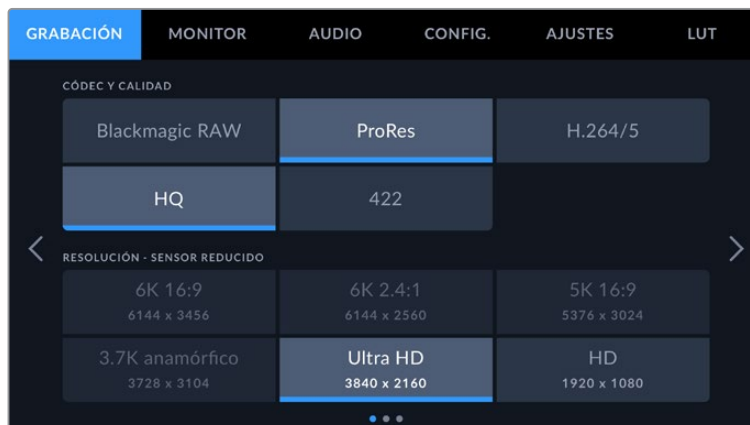
Pulse una de las pestaña para ver las opciones correspondientes.

Ajustes de grabación

La pestaña **GRABACIÓN** permite seleccionar el formato, el códec y la resolución del material grabado, así como otros parámetros relativos a las imágenes almacenadas. Esta incluye tres grupos de ajustes a los que es posible acceder pulsando las flechas situadas a los costados de la pantalla táctil o deslizando el dedo hacia la izquierda o la derecha.

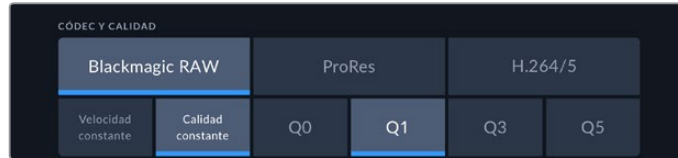
Ajustes de grabación 1

El primer grupo de ajustes de la pestaña **GRABACIÓN** incluye las siguientes opciones:



Códec y calidad

Este menú está dividido en dos filas. La superior permite seleccionar tres tipos de códecs: Blackmagic RAW, ProRes y H.264/5. Por su parte, la inferior brinda distintas alternativas de calidad para cada uno de ellos. Por ejemplo, las opciones disponibles para el códec ProRes incluyen **HQ** y **422**. Con relación al formato **Blackmagic RAW**, es posible escoger entre cuatro opciones con una velocidad de transferencia invariable o una calidad constante.



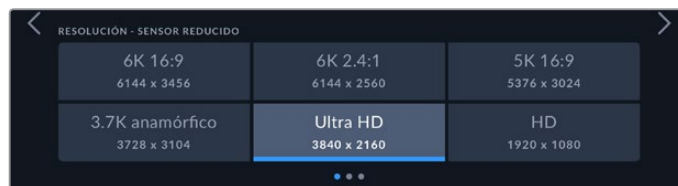
Opciones de velocidad de transferencia invariable o calidad constante en Blackmagic RAW.

SUGERENCIA: El tiempo de grabación disponible en una unidad de almacenamiento aumenta al elegir formatos con un mayor nivel de compresión. Consulte el apartado *Grabación* para obtener más información al respecto.

Resolución

Esta opción está vinculada al formato escogido y permite elegir la resolución para el mismo.

Por ejemplo, para grabar contenidos UHD en formato ProRes HQ, seleccione **ProRes** y **HQ** en el menú **CÓDEC Y CALIDAD**. A continuación, elija **UHD** en el menú **RESOLUCIÓN**.



Opciones de resolución para el formato Blackmagic RAW

NOTA: El modelo Blackmagic URSA Broadcast G2 es compatible con el formato Blackmagic RAW en todas las resoluciones, ProRes en definición UHD y HD, H.265 en UHD y H.264 en HD.

Ajustes de grabación 2

El segundo grupo de ajustes de la pestaña **GRABACIÓN** incluye las siguientes opciones:



Rango dinámico

Seleccione el rango dinámico pulsando la opción deseada. El modelo Blackmagic URSA Broadcast G2 ofrece dos modos:

Video	Este ajuste es la mejor opción para grabar con una apariencia saturada de alto contraste, a fin de entregar el material directamente o con grado mínimo de procesamiento. Utiliza el espacio cromático Rec.709, con una atenuación agradable en las zonas más luminosas. Además, ofrece un punto de partida preciso, con una curva de respuesta tonal placentera, y brinda la posibilidad de etalonar las imágenes de ser necesario.
Ext Video	Este modo se basa en el espacio Blackmagic Wide Gamut, aplicando contraste y saturación. La diferencia más evidente con el modo Video es que el eje magenta/verde presenta una saturación inferior, lo cual es típico de las cintas cinematográficas.
Film	Este modo brinda la posibilidad de filmar empleando una curva logarítmica que permite mantener la amplitud del rango dinámico y aprovecha al máximo la información incluida en la señal para sacar partido de las ventajas que ofrecen los programas de etalonaje, tales como DaVinci Resolve.

NOTA: Al emplear los modos **Video** o **Extended Video**, es necesario asegurarse de que la opción **Display LUT** no esté activada para ninguna de las salidas.

De lo contrario, el indicador **LUT** aparecerá en la pantalla y, en consecuencia, la imagen tendrá un mayor contraste y saturación de lo deseado. Para obtener más información al respecto, consulte el apartado *Ajustes de monitorización*.

Área del sensor

Este ajuste está disponible al grabar en ProRes, H.264 o H.265 y permite utilizar todo el sensor en resolución 6K o un área reducida del mismo. Al elegir una resolución mayor, por ejemplo, 5.3K o 6K, aumenta el campo de visión, mientras que al emplear solo una parte del sensor, por ejemplo, en resolución 2.7K, es posible filmar a una frecuencia de imagen más alta. Es importante mencionar que, al reducir el área aprovechable del sensor, solo se usa solo el centro del mismo, por lo cual el campo de visión de cualquier objetivo parecerá más angosto debido al factor de recorte que se produce.

Al utilizar objetivos con montura B4, asegúrese de elegir una resolución de 4K, ya que esta es la superficie del sensor que el lente cubre. El área de las opciones 5.3K y 6K es similar a la del formato Super 35, por lo cual resulta compatible con la mayoría de objetivos EF, F y PL.

Consulte el apartado *Frecuencias de imagen máximas para el sensor* a fin de obtener más información al respecto.

Frecuencia de imagen del proyecto

Se trata de la frecuencia de imagen del formato seleccionado en la cámara para el proyecto y permite elegir entre diferentes velocidades comúnmente utilizadas en la industria del cine y la televisión, por ejemplo, 29.97 f/s (UHD) para el formato ProRes HQ. Normalmente, este valor se ajusta de manera que coincida con la velocidad de reproducción empleada durante el proceso de postproducción, o según los requisitos para la entrega del material grabado.

Las ocho opciones disponibles para este ajuste son 23.98, 24, 25, 29.97, 30, 50, 59.94 y 60 f/s.

NOTA: La frecuencia de imagen del proyecto tiene un gran impacto en el aspecto del material grabado. En entornos profesionales, generalmente es de 50, 59.94 o 60 f/s. Estos valores relativamente elevados son ideales para captar movimientos con fluidez y eliminar o minimizar los saltos en la imagen al emplear la técnica de barrido.

Por su parte, frecuencias de imagen más bajas, tales como 24 o 25 f/s, son habituales en producciones cinematográficas, ya que permiten lograr un aspecto distintivo, aunque requieren movimientos de cámara más lentos, a fin de evitar problemas de inestabilidad.

Frecuencia independiente

Por defecto, la frecuencia de imagen del sensor y del proyecto coinciden para que el material grabado se reproduzca a una velocidad normal. Sin embargo, al activar la opción **FREC. INDEPENDIENTE**, se pueden determinar valores diferentes para estos parámetros de manera independiente. Dicha opción solo está disponible al grabar en Blackmagic RAW o ProRes.

Frecuencia de imagen para la grabación

Una vez activada la opción **FREC. INDEPENDIENTE**, pulse las flechas situadas a ambos lados de la opción **FRECUENCIA DE GRABACIÓN** para modificar este parámetro.

Este ajuste determina la cantidad de fotogramas por segundo que el sensor graba, lo cual incide en la velocidad de reproducción de las imágenes según la frecuencia seleccionada para el proyecto.

Consulte el apartado *Controles de la pantalla táctil* para obtener más información al respecto.

NOTA: Consulte la tabla en el apartado *Grabación* a fin de obtener más información sobre las frecuencias de imagen disponibles para cada formato.

Unidad preferida para grabar

Esta opción permite determinar cuál soporte de almacenamiento se utiliza para la grabación cuando hay más de una unidad en la cámara. Las opciones disponibles son **Tarjeta 1**, **Tarjeta 2**, **USB** y **Más llena**. El hecho de emplear una u otra tarjeta es una elección meramente personal. Sin embargo, recomendamos utilizar siempre la misma unidad para saber cuál será necesario cambiar una vez que no haya más espacio para grabar. En tal sentido, la opción **Tarjeta más llena** brinda la posibilidad de agrupar archivos cronológicamente al filmar con una sola cámara. La opción **Más llena** se basa en el porcentaje de espacio ocupado en la unidad y no en su tamaño o capacidad.

La opción seleccionada se aplica al insertar una unidad en la cámara o conectar una memoria USB. Para cambiar la configuración, acceda al menú de almacenamiento y elija una tarjeta diferente. Conviene subrayar que, al quitar una unidad e insertar otra, se restablecerá la opción seleccionada en el menú **UNIDAD PREFERIDA PARA GRABAR**.

Grabación RAW en dos tarjetas

Esta opción brinda la posibilidad de filmar con gran resolución y frecuencia de imagen a un menor nivel de compresión. Inserte un par de tarjetas SD o CFast y seleccione la opción **2 tarjetas**. Cabe destacar que, como esta opción graba el material secuencialmente en ambas unidades, la velocidad de transferencia de la tarjeta más lenta será un factor limitante, por lo que recomendamos emplear soportes con especificaciones técnicas similares.

Asimismo, es posible dividir el almacenamiento entre una tarjeta CFast y una unidad externa USB-C. Al seleccionar la opción **2 tarjetas**, el límite de velocidad será dos veces mayor que la velocidad de transferencia más baja ofrecida por los soportes de almacenamiento.

Combinación de archivos para editar

Basta con copiar los archivos .BRAW y .BRAW2 desde las tarjetas al equipo informático e importarlos desde el panel multimedia de DaVinci Resolve, a fin de que el programa los procese como un solo clip. Por el contrario, si los archivos están separados, es posible reproducirlos de manera individual a la mitad de la velocidad. Para ello, reemplace la extensión del .BRAW2 por .BRAW.

SUGERENCIA: La herramienta **Organización de archivos** de DaVinci Resolve permite combinar archivos .BRAW y .BRAW2 para obtener un solo clip.

Esto permite garantizar su vinculación y puede resultar útil al gestionar el material grabado o enviarlo a otra persona responsable de la edición.

Consulte el manual de DaVinci Resolve para obtener más información al respecto.

Ajustes de grabación 3

El tercer grupo de ajustes de la pestaña **GRABACIÓN** incluye las siguientes opciones:



Intervalos

Esta opción permite grabar automáticamente un cuadro en función de los siguientes intervalos:

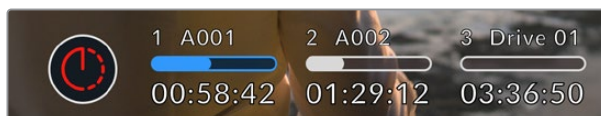
Fotogramas	2-10
Segundos	1-10, 20, 30, 40, 50
Minutos	1-10

Por ejemplo, la cámara puede ajustarse para grabar un cuadro cada 10 fotogramas, 5 segundos, 30 segundos, 5 minutos, etc.

Esta función brinda diferentes opciones creativas. Por ejemplo, si se establecen intervalos de 2 fotogramas, se logra un efecto de cámara rápida al reproducir el clip.

Cabe destacar que, al grabar imágenes a intervalos regulares, se mantiene el formato seleccionado para la grabación, por ejemplo, ProRes HQ (UHD). Por su parte, la frecuencia de imagen coincidirá con la del proyecto, lo cual permite incorporar con facilidad el material grabado de este modo en el proceso de posproducción.

Al utilizar la función **INTERVALOS**, el contador del código de tiempo cambia cada vez que se graba un cuadro.



El modo por intervalos de tiempo se indica mediante un ícono en el botón de grabación.

Nivel de nitidez

Este menú permite modificar la nitidez de las imágenes captadas por la cámara. Cuando se encuentra activada, es posible escoger entre tres niveles disponibles.

Al activar esta función, el nivel de nitidez elegido se aplicará tanto a las imágenes grabadas en formato ProRes como a aquellas transmitidas mediante la salida HDMI de la cámara.

Esta opción es útil al transmitir en directo desde un estudio, cuando las imágenes se emiten al aire sin modificaciones. Recomendamos desactivarla si el material grabado va a ser editado durante la posproducción. Por tal motivo, esta función no se aplica a los archivos en formato Blackmagic RAW.

SUGERENCIA: Al procesar archivos Blackmagic RAW, es posible lograr la misma definición empleando la herramienta de nitidez en el panel de desenfoque del módulo Color de DaVinci Resolve.

Ajuste el radio de dicha herramienta a 0.48 y el redimensionamiento a 0.6, 0.3 o 0.15, a fin de conseguir una nitidez alta, media o baja, respectivamente.

Para obtener información más detallada, consulte el apartado correspondiente al panel *Efectos de movimiento* en el manual de DaVinci Resolve.

Al omitir fotogramas

Esta opción permite configurar el comportamiento de la cámara al detectarse fotogramas omitidos. Al seleccionar **Avisar**, se mostrará un indicador en la pantalla táctil cuando esto ocurra y la grabación continuará. Al elegir **Detener**, esta se detendrá para evitar almacenar imágenes que no podrán ser utilizadas posteriormente.

Consulte los apartados referentes a la elección de soportes de grabación para obtener más información al respecto.

Aplicar una LUT a un archivo

Al aplicar una LUT a cualquiera de las imágenes transmitidas desde el modelo URSA Broadcast G2, dicha tabla se integra al archivo Blackmagic RAW grabado, almacenándose en el encabezado del mismo. Por lo tanto, resulta muy sencillo aplicarla al clip en la etapa de posproducción y, al mismo tiempo, se evita tener que depender de un archivo adicional. Cuando se activa la opción **INTEGRAR LUT EN ARCHIVO** en el menú **GRABACIÓN** de la cámara, el clip se abre en el reproductor Blackmagic RAW o en el programa DaVinci Resolve con la tabla ya aplicada a la imagen. Aunque es muy fácil activarla o desactivarla, siempre estará integrada al archivo Blackmagic RAW respectivo.

DaVinci Resolve también ofrece la opción **Aplicar LUT** en el panel **Ajustes RAW** del módulo Color, a fin de activar o desactivar una tabla de conversión tridimensional en el archivo Blackmagic RAW. Este botón funciona igual que en la cámara. De este modo, durante el rodaje, es posible indicar al colorista qué tabla de conversión emplear en la cámara, pero luego se pueden cancelar los cambios aplicados desactivando la opción **Aplicar LUT** en DaVinci Resolve.

Aplicar LUT al grabar

Esta opción está disponible al seleccionar los códecs ProRes, H.264 o H.265. Por defecto, la cámara no aplica tablas de conversión al grabar, aunque es posible hacerlo pulsando el interruptor

APLICAR LUT AL GRABAR.

Esto puede resultar útil en situaciones en las que no hay tiempo de etalonar el material grabado durante la posproducción, o si es preciso entregarlo directamente a un cliente o al editor. Consulte los apartados *Tablas de conversión tridimensionales* y *Controles de la pantalla táctil* para obtener más información al respecto.

Corrección del objetivo

Los objetivos profesionales de distancia focal variable suelen producir una aberración cromática en el borde de la imagen o cerca de las esquinas. Esto resulta más evidente en zonas de alto contraste al emplear modelos B4 de menor precio, particularmente aquellos en los cuales la variación de la distancia focal es mayor. La opción **CORRECCIÓN DEL OBJETIVO** permite corregir este problema en la cámara. Por defecto, se activa cuando la unidad detecta la información necesaria del objetivo B4 o PL.

Convención para la nomenclatura de archivos

El formato de las secuencias grabadas depende de la opción seleccionada: **Blackmagic RAW**, **H.264/5** o **ProRes**.

La siguiente tabla muestra un ejemplo del sistema utilizado para nombrar los archivos:

A001_08151512_C001.mov	Nombre del archivo QuickTime
A001_08151512_C001.mov	Índice de la cámara
A001_08151512_C001.mov	Número de rollo
A001_0 8 151512_C001.mov	Mes
A001_081 5 1512_C001.mov	Día
A001_08151 5 12_C001.mov	Hora
A001_0815151 2 _C001.mov	Minutos
A001_08151512_ C001 .mov	Número de clip

Las imágenes captadas mediante el botón **STILL** se denominan de la misma forma, aunque se añade **S001** en lugar de **C001** al final del nombre para hacer referencia al número de imagen. Consulte el apartado *Controles de la pantalla táctil* para obtener más información al respecto.

Ajustes de monitorización

La pestaña **MONITOR** permite modificar el texto de los datos, la información en pantalla y otras opciones para supervisar imágenes mediante el visor de la cámara o cualquier monitor conectado a las salidas SDI de la misma. Dichas opciones se agrupan en tres categorías: **LCD**, **SDI frontal** y **SDI principal**. Cada una de estas incluye cinco grupos de ajustes a los que es posible acceder pulsando las flechas situadas a los costados de la pantalla táctil o deslizando el dedo hacia la izquierda o la derecha.

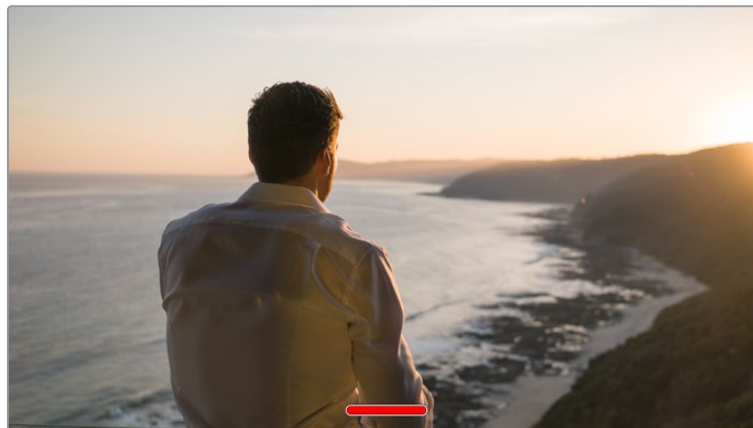
Ajustes de monitorización 1

El primer grupo de ajustes de cada menú incluye las mismas opciones para cada entrada. Por ejemplo, es posible activar la función Cebra para la pantalla táctil y desactivarla en la señal transmitida a través de las salidas SDI.



Señal limpia

La opción **SEÑAL LIMPIA** permite ocultar toda la información que se muestra en la pantalla, excepto el indicador de grabación.



En el modo **SEÑAL LIMPIA**, la pantalla de la cámara muestra solamente el indicador de grabación.

NOTA: Si la función **SEÑAL LIMPIA** está activada, las tablas de conversión (LUT) se aplicarán igualmente a las imágenes. Para desactivarlas, apague el interruptor **MOSTRAR LUT 3D** en la pestaña **MONITOR**.

Mostrar LUT 3D

Esta opción permite aplicar tablas de conversión tridimensionales a cualquier señal para simular la apariencia del material etalonado y es de gran utilidad al grabar con rango dinámico de película, dado que este genera imágenes de bajo contraste.

Si hay una tabla de conversión tridimensional activa en la cámara, utilice esta opción para aplicarla en forma independiente a la señal visualizada en la pantalla táctil o en los monitores conectados a las salidas SDI.

NOTA: Consulte el apartado *Tablas de conversión tridimensionales* para obtener más información al respecto.

Cebra

Pulse este interruptor al seleccionar las opciones **LCD**, **SDI frontal** o **SDI Principal** para activar esta función. Consulte el apartado *Características de la pantalla táctil* para obtener más información al respecto.

Asistente de enfoque

Pulse este interruptor al seleccionar las opciones **LCD**, **SDI frontal** o **SDI Principal** para activar esta función. Consulte el apartado *Características de la pantalla táctil* para obtener más información al respecto.

Guías de encuadre

Pulse este interruptor al seleccionar las opciones **LCD**, **SDI frontal** o **SDI Principal** para activar esta función. Consulte el apartado *Características de la pantalla táctil* para obtener más información al respecto.

Cuadrícula

Pulse este interruptor al seleccionar las opciones **LCD**, **SDI frontal** o **SDI Principal** para activar esta función. Consulte el apartado *Características de la pantalla táctil* para obtener más información al respecto.

Área de seguridad

Pulse este interruptor al seleccionar las opciones **LCD**, **SDI frontal** o **SDI Principal** para activar esta función.

Consulte el apartado *Características de la pantalla táctil* para obtener más información al respecto.

Falso color

Pulse este interruptor al seleccionar las opciones **LCD**, **SDI frontal** o **SDI Principal** para activar esta función.

Consulte el apartado *Características de la pantalla táctil* para obtener más información al respecto.

Ajustes de monitorización 2

El segundo grupo de ajustes de la pestaña **MONITOR** contiene opciones que varían según la salida seleccionada.



LCD, SDI frontal y SDI principal

Texto en pantalla

En ocasiones, puede resultar útil ocultar los indicadores y demás datos en la imagen visualizada en la pantalla o transmitida a través de las salidas SDI, a fin de visualizar solo la información necesaria para realizar la composición del plano. Pulse el interruptor **TEXTO EN PANTALLA** al seleccionar las opciones **LCD**, **SDI frontal** o **SDI principal** para ver u ocultar el texto y los indicadores. Cabe destacar que otras funciones, tales como las guías de encuadre, la cuadrícula y el indicador de enfoque, permanecerán en pantalla si están activadas.

También es posible lograr el mismo efecto deslizando el dedo hacia arriba o abajo sobre la pantalla.

Descompresión anamórfica

Al rodar con objetivos anamórficos, la imagen visualizada se comprime horizontalmente. Al activar esta opción, se corrige dicha distorsión y se registra el factor de descompresión en los metadatos del clip, a fin de tener en cuenta esta información durante la etapa de posproducción.

Este valor varía según la resolución seleccionada en la cámara, pero la relación de aspecto de la imagen resultante siempre es de 2.4:1.

Por lo general, el factor de compresión de los objetivos anamórficos diseñados para producciones cinematográficas es de x2. Al emplear estos modelos en la cámara, la resolución 3K anamórfica permite realizar la descompresión correspondiente activando la opción **DESCOMPRESIÓN ANAMÓRFICA**.

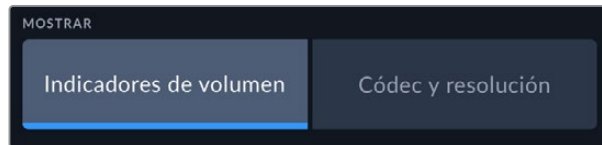
En términos generales, el factor de compresión de los objetivos diseñados para sensores digitales con una relación de 16:9 es de x1.33, lo cual permite obtener imágenes en formato 2.4:1 empleando la totalidad del sensor. Por lo tanto, al seleccionar resoluciones tales como 4K 16:9 o HD 16:9, el factor de descompresión será de 1.33x.

SUGERENCIA: Si la imagen aparece estirada en forma horizontal al filmar con un objetivo esférico estándar, asegúrese de que la opción **DESCOMPRESIÓN ANAMÓRFICA x1.33** esté activada.

LCD

Pantalla

Esta opción permite ver el códec y la resolución en la parte inferior izquierda y derecha de la pantalla, en vez del histograma y los vúmetros. Esto puede resultar útil al utilizar la función de falso color para ajustar la exposición, o si es necesario visualizar información adicional en el espacio normalmente destinado al histograma y a los vúmetros cuando el audio se graba aparte. Simplemente pulse **Indicadores** o **Códec y resolución** en la pantalla para seleccionar la opción deseada.



SDI frontal y SDI principal

Mostrar datos para el director o el responsable de fotografía

La pantalla de la cámara permite ver ciertos datos, tales como la sensibilidad ISO, el balance de blancos y la apertura del diafragma, que resultan útiles para el camarógrafo o el responsable de fotografía que compone los planos. Sin embargo, también es posible mostrar información útil para el director o el continuista que supervisa varias tomas o cámaras en las imágenes transmitidas mediante las salidas SDI.



Al seleccionar la opción **Director/a**, se mostrará la siguiente información:

- **F/S**
Este indicador muestra la frecuencia seleccionada en fotogramas por segundo. Cuando la opción **FREC. INDEPENDIENTE** está desactivada, este valor hace referencia a la frecuencia de imagen seleccionada para el proyecto. Si dicha opción se encuentra activada, se indicarán ambos parámetros en forma alternada.
- **CÁM.**
Este indicador identifica la cámara especificada en la claqueta virtual. Consulte el apartado *Claqueta virtual* para obtener más información al respecto.
- **OPERADOR/A**
Este indicador identifica al o la responsable de cámara que se especifica en la claqueta virtual. Consulte el apartado *Claqueta virtual* para obtener más información al respecto.
- **DURACIÓN**
Este indicador muestra la duración de la grabación o de la última secuencia grabada en horas, minutos y segundos.
- **ROLLO, ESCENA, TOMA**
Estos indicadores brindan información sobre el rollo, la escena y la toma actual. Consulte el apartado *Claqueta virtual* para obtener información adicional al respecto.
- **RANGO DINÁMICO**
La tabla de conversión aplicada a la imagen se indica en la esquina inferior izquierda de la pantalla. De no aplicarse tabla alguna, se indica el rango dinámico utilizado (Video o Film).
- **CT**
El código de tiempo se indica en la esquina inferior derecha de la pantalla y se expresa en horas, minutos, segundos y fotogramas.

Ajustes de monitorización 3

El tercer grupo de ajustes de cada menú incluye las mismas opciones para cada salida. Estas se aplican a todas las imágenes, ya sea en la pantalla de la cámara o en los monitores conectados a las salidas SDI. Por ejemplo, al activar el indicador de enfoque para la pantalla LCD y seleccionar la opción **Líneas de color**, esta se aplicará también a las señales transmitidas a través de dichas salidas.



Nivel Cebra

Las flechas situadas a ambos lados de esta opción permiten seleccionar el nivel de exposición al cual esta herramienta se torna visible en la imagen. Existen ocho ajustes predeterminados, desde el gris intermedio hasta una exposición del 100 %.

Consulte el apartado *Características de la pantalla táctil* para obtener más información al respecto.

Asistente de enfoque

La cámara ofrece dos modos para el asistente de enfoque: **Indicador** y **Líneas de color**.

- **Indicador**

Al seleccionar esta opción se resaltan con mayor nitidez las zonas de la imagen correctamente enfocadas. Nótese que este efecto no es visible en el material grabado. De este modo, dichas áreas se destacan sobre el resto de la imagen. Dado que no hay otros elementos superpuestos, esta herramienta constituye una forma sumamente efectiva de comprobar el enfoque, especialmente cuando el objeto enfocado está separado de los demás que componen la toma.

- **Líneas de color**

Al seleccionar esta opción, se ve una línea de color alrededor de las partes de la imagen correctamente enfocadas. Este modo puede interferir más en la imagen, aunque puede resultar de gran utilidad para lograr un enfoque preciso, particularmente en planos con varios elementos visibles.

Color del borde

Esta opción permite determinar el color de las líneas utilizadas al activar la opción **Líneas de color**. Esto brinda la posibilidad de distinguirlas con mayor facilidad de otros elementos en la imagen. Los colores disponibles son blanco, rojo, verde, azul y negro.

Nivel del indicador

Para configurar la intensidad del indicador de enfoque, mueva el control hacia la izquierda o la derecha.

SUGERENCIA: La intensidad óptima para el indicador de enfoque varía según la toma. Por ejemplo, al enfocar a los actores, un mayor nivel puede ayudar a mejorar los detalles en los rostros. Por el contrario, si este es demasiado alto al filmar vegetación o una pared de ladrillos, es posible que resulte difícil percibir otros detalles en la imagen.

Ajustes de monitorización 4

El cuarto grupo de ajustes de cada menú incluye las mismas opciones para cada salida. Estas se aplican a todas las imágenes, ya sea en la pantalla de la cámara o en los monitores conectados a las salidas SDI.



Guías de encuadre

Pulse cualquiera de las flechas a ambos lados de la opción **GUÍAS DE ENCUADRE** a fin de ver los ajustes disponibles para las imágenes transmitidas a monitores y otros dispositivos conectados a la cámara, tal como el ocular electrónico Blackmagic URSA Viewfinder. Consulte el apartado *Características de la pantalla táctil* para obtener más información al respecto.

Área de seguridad

Las flechas situadas a ambos lados de esta opción permiten ajustar el tamaño del área de seguridad, expresado como un porcentaje con relación a la imagen. El valor exigido por la mayoría de las teledifusoras es de 90 %.

Opacidad de las guías

Pulse cualquiera de las flechas situadas a ambos lados de la opción **OPACIDAD DE GUÍAS** para determinar la opacidad de las partes de la imagen situadas fuera del área delimitada por las guías. Los valores disponibles son 25 %, 50 %, 75 % y 100 %.

Color de las guías

Pulse las flechas junto a esta opción para seleccionar el color de las guías.

Cuadrícula

Esta opción permite seleccionar el tipo de referencia visualizado en la pantalla de la cámara y en la imagen transmitida a través de las salidas SDI.

Consulte el apartado *Características de la pantalla táctil* para obtener más información al respecto.

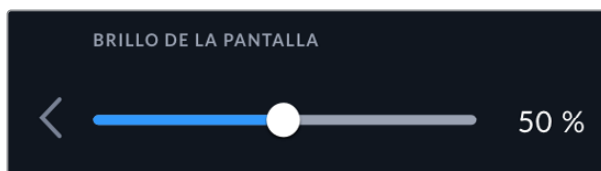
Ajustes de monitorización 5

El quinto grupo de ajustes de la pestaña **MONITOR** contiene opciones que varían según la salida seleccionada.

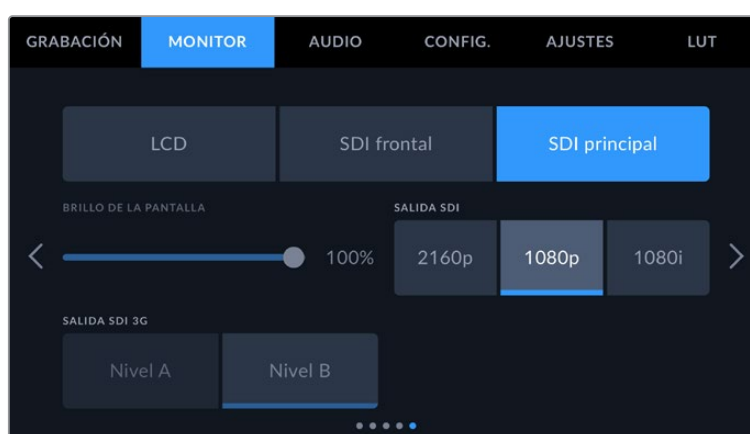
LCD

Brillo de la pantalla

Mueva este control hacia la izquierda o la derecha para ajustar el brillo de la pantalla táctil.



SDI frontal y SDI principal



Salida SDI

Es posible seleccionar un modo de exploración progresivo o entrelazado para las imágenes que se transmiten a través de las salidas SDI. Las opciones disponibles para este ajuste dependen de la resolución y la frecuencia de imagen seleccionadas para la cámara. La opción **1080p** siempre está disponible, independientemente de la resolución y la frecuencia de imagen seleccionadas para la grabación. Por el contrario, la opción **1080i** solo está disponible cuando la frecuencia empleada es de 50, 59.94 o 60. La opción **2160p** está disponible al filmar en UHD.

Salida SDI 3G

Es posible modificar el estándar de la señal SDI 3G transmitida, a fin de no perder compatibilidad con los equipos que solo admiten señales de nivel A o B. Esta opción solo aparece al grabar a 50, 59.94 o 60 f/s con una resolución de 1080p. Pulse **A** o **B** para seleccionar el nivel deseado.

Ajustes de audio

La pestaña **AUDIO** permite modificar diversos ajustes relativos a las fuentes de audio y su monitorización.

Los ajustes de audio para este modelo se distribuyen en dos grupos y, a su vez, están divididos según los canales 1 y 2. Cabe señalar que se añadirán dos canales más en una próxima actualización del sistema operativo interno de la cámara.

Es posible asignar cada canal a una fuente diferente, así como ajustar diversos parámetros.

Estos ajustes funcionan junto con los interruptores situados en el panel de control interno de la cámara. Una vez que se escoge una fuente para un canal determinado, es posible utilizar dichos interruptores para especificar el tipo de señal y activar el modo de alimentación fantasma.

Ajustes de audio 1

El primer grupo de ajustes incluye las siguientes funciones:



Fuentes

Las opciones **FUENTE CANAL 1** y **FUENTE CANAL 2** permiten seleccionar fuentes de audio para cada canal. Existen diferentes alternativas.

- **Cámara – Canal izquierdo/derecho**
Estas opciones permiten grabar mediante el micrófono integrado de la cámara.
- **Cámara – Mono**
Esta opción permite grabar el audio de los canales izquierdo y derecho captado por el micrófono integrado de la cámara en un solo canal.
- **XLR 1 o 2**
Estas opciones permiten grabar el audio mediante las entradas XLR de la cámara. Según la señal de audio seleccionada, las opciones disponibles son **Micrófono**, **Línea** y **AES**. Al activar el modo de alimentación fantasma y seleccionar la opción **Micrófono**, verá un interruptor denominado **+48V**. Es importante asegurarse de que este se encuentra desactivado al desconectar el micrófono.
- **XLR 1/2 – Respaldo micrófono**
Estas opciones permiten grabar audio mediante un micrófono conectado a las entradas XLR de la cámara a un volumen más bajo que el habitual. Esto permite evitar la pérdida de audio en caso de un aumento inesperado del volumen. Cabe destacar que estas opciones solo están disponibles al seleccionar **Micrófono** para la entrada XLR 1 o 2.
- **Ninguna**
Esta opción permite desactivar el canal de audio.

Volumen

Los controles **CANAL 1 – NIVEL** y **CANAL 2 – NIVEL** permiten ajustar el volumen de grabación de las fuentes correspondientes a los canales 1 y 2. Cada uno incluye un vúmetro que facilita el ajuste. Asimismo, los vúmetros reflejan los cambios realizados mediante los mandos situados en el panel de control ergonómico.

Mantenga el volumen por debajo de los 0 dBFS para optimizar la calidad del sonido. Este valor representa el nivel máximo al cual la cámara puede registrar el audio, y si se excede, podría ocurrir una distorsión.



Atenuación XLR -20 dB

Esta opción permite reducir en mayor medida los niveles de ganancia de las entradas de audio al filmar en un ambiente ruidoso, incluso después de disminuir la intensidad del volumen.

Atenuación micrófono -15 dB

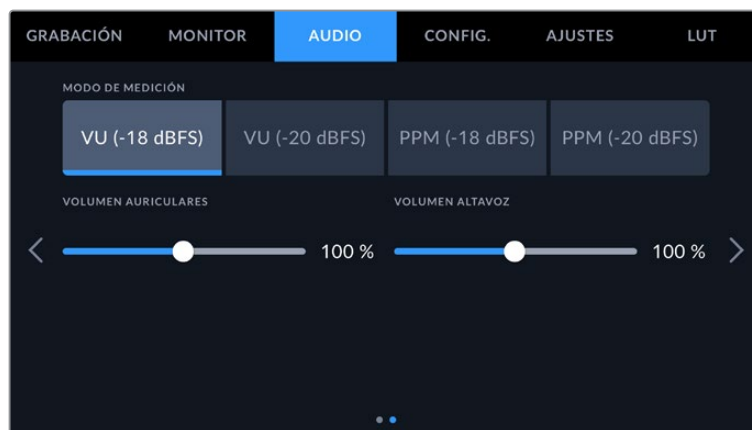
Esta opción permite reducir en mayor medida los niveles de ganancia del micrófono al filmar en un ambiente ruidoso, incluso después de disminuir la intensidad del volumen.

Filtro de corte bajo para el micrófono interno

Esta opción permite activar o desactivar el filtro que ayuda a reducir posible ruido ocasionado por el viento o murmullos que puedan ocurrir al grabar en exteriores. Nótese que la opción **ATENUACIÓN MIC. -15 dB** debe estar desactivada para que esta prestación funcione correctamente.

Ajustes de audio 2

El segundo grupo de ajustes incluye las siguientes funciones:



Nivel del audio

Es posible elegir entre dos tipos de indicadores.

Vúmetro (VU)	Indica el nivel medio de la señal de audio. Al emplear este medidor, es necesario ajustar el volumen de las fuentes conectadas al dispositivo, de forma que no supere los 0 dB. De este modo, se maximiza la intensidad de la señal con relación al ruido, garantizando la nitidez del sonido. Si el audio supera dicho valor, es muy posible que ocurra una distorsión.
Picómetro (PPM)	Indica durante más tiempo el nivel máximo de la señal para determinar con exactitud el punto de saturación del audio.

Tanto al utilizar el vúmetro como el picómetro, es posible seleccionar el nivel de referencia (-18 dB o -20 dB) para cerciorarse de que la señal de audio se ajuste a los diversos estándares de difusión internacionales.

Opciones	Estándar
PPM (-20 dBFS)	SMPTE RP.0155
PPM (-18 dBFS)	EBU R.68

Volumen de los auriculares

Este control permite ajustar el volumen de los auriculares conectados a la cámara. Muévelo hacia la izquierda o la derecha para modificar su intensidad. También es posible cambiar este valor mediante la rueda situada en el panel de control frontal.

Volumen del altavoz

Este control permite modificar el volumen del altavoz de la cámara. Muévelo hacia la izquierda o la derecha para modificar su intensidad. También es posible cambiar este valor mediante la rueda situada en el panel de control frontal.

Configuración

La pestaña **CONFIG.** incluye opciones para identificar la cámara y configurar los botones personalizables, además de otros ajustes que no están directamente vinculados a la grabación o supervisión de imágenes. Este menú está compuesto por doce grupos de ajustes a los que es posible acceder pulsando las flechas situadas a los costados de la pantalla táctil o deslizando el dedo hacia la izquierda o la derecha.

Configuración 1

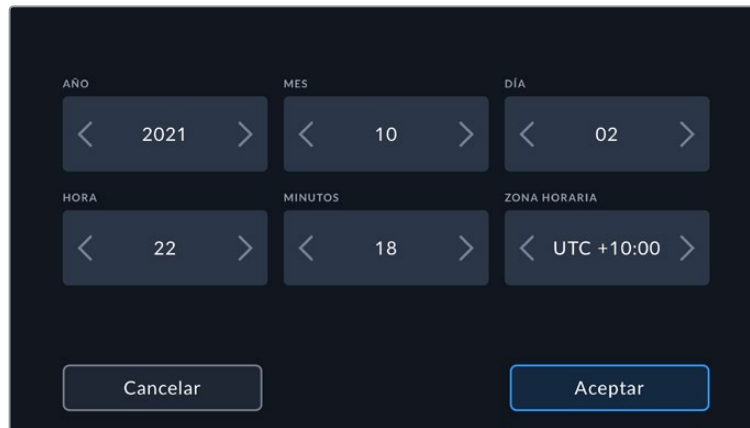
El primer grupo de ajustes incluye las siguientes opciones:



Menú de configuración en el modelo URSA Broadcast

Fecha y hora

Pulse el ícono del lápiz para configurar la fecha y la hora en la cámara. El formato de la fecha corresponde a año, mes y día, y la hora se expresa en el sistema de 24 horas. Esta información también se emplea para determinar el código de tiempo según la hora del día si no se detecta un dispositivo externo de código de tiempo.



Idioma

La interfaz está disponible en 13 idiomas: español, inglés, chino, japonés, coreano, alemán, francés, ruso, italiano, portugués, turco, polaco y ucraniano.

El idioma puede seleccionarse durante la configuración inicial.

Para seleccionar el idioma:

- 1 Pulse el ícono del lápiz y elija una de las opciones disponibles.
- 2 Pulse **Aceptar** para regresar al menú de configuración.



Valor de obturación

Esta opción permite seleccionar entre los modos **Ángulo** y **Velocidad**. Cabe destacar que ambas opciones permiten obtener un efecto de desenfoco dinámico, aunque de manera diferente. Consulte el apartado *Controles de la pantalla táctil* para obtener más información al respecto.

Frecuencia (Obturación sin parpadeo)

Este ajuste permite seleccionar la frecuencia de la red de suministro eléctrico utilizada para calcular los valores de obturación sin parpadeo.

Al grabar con luz artificial, la velocidad de obturación puede afectar la visibilidad del parpadeo. La cámara calculará automáticamente valores que evitan el parpadeo con la frecuencia de imagen seleccionada. Las frecuencias recomendadas se mostrarán en la pantalla. La velocidad se verá afectada por la frecuencia del suministro eléctrico utilizada para controlar dichas fuentes de iluminación. En la mayoría de los países en los que predomina el estándar PAL, la frecuencia es de 50 Hz, mientras que en aquellos que emplean la norma NTSC, este parámetro es de 60 Hz. Seleccione la opción **50 Hz** o **60 Hz** según la frecuencia utilizada en su región.

Las características de ciertas fuentes de luz pueden ocasionar parpadeo, incluso al utilizar valores que permiten evitar este artefacto. Recomendamos primero realizar una grabación de prueba cuando no se utilizan luces continuas.

Fotogramas omitidos

Esta opción permite omitir fotogramas en el código de tiempo al utilizar frecuencias de imagen NTSC de 29.97 y 59.94 en el proyecto. Este tipo de código de tiempo ignora una cierta cantidad de fotogramas, teniendo en cuenta intervalos determinados. Este procedimiento respeta la precisión del código de tiempo del proyecto, a pesar de que cada segundo no contenga un número entero de fotogramas en las frecuencias de imagen NTSC.

Filtro de densidad neutra

Esta opción permite seleccionar la forma en la que se muestra la información correspondiente al filtro de densidad neutra empleado. Cada opción corresponde a una convención diferente. Los cineastas suelen emplear un número, mientras que los usuarios familiarizados con cámaras DSLR o de televisión prefieren ver esta información en pasos f, o como una fracción de la cantidad de luz disponible.

Las opciones disponibles son **Número**, **Paso** o **Fracción**.



Menú de ajustes en el modelo URSA Broadcast G2 con opción para personalizar la manera en la que se muestra la información sobre los filtros de densidad neutra.

Configuración 2

El segundo grupo de ajustes en la pestaña **CONFIG.** incluye las siguientes funciones:



Número de cámara (ATEM)

Al emplear el modelo URSA Broadcast con un mezclador ATEM, es preciso identificar la cámara con un número para que pueda recibir la señal que permite encender y apagar la luz piloto. Esto brinda la posibilidad de garantizar que el dispositivo envíe la señal a la cámara indicada. En este sentido, la opción **IDENTIFICACIÓN EN ATEM** permite identificar la cámara mediante un número entre 1 y 99. El valor predeterminado es 1.

Barras de color

Es posible que resulte más conveniente ver barras de color que un anticipo al conectar una cámara URSA Broadcast G2 a un mezclador o monitor externo. Cuando estas aparecen en el monitor o en la pantalla del mezclador, significa que la conexión entre dichos dispositivos y la cámara se ha establecido correctamente. Asimismo, se puede calibrar la pantalla según el color de las barras. Esta función se activa mediante la opción **BARRAS DE COLOR**.

Señal de referencia

Esta opción permite seleccionar la fuente de referencia. El modelo URSA Broadcast G2 puede sincronizarse según una referencia interna o externa, o la señal principal transmitida desde un mezclador ATEM. Al utilizar la función de control de cámaras del mezclador, asegúrese de seleccionar la opción **Programa**, a no ser que dicho dispositivo y todas las cámaras conectadas al mismo estén sincronizados con una señal de referencia externa.

NOTA: Al seleccionar la señal de referencia en el modelo URSA Broadcast G2, es posible que se produzca un salto en las imágenes transmitidas al alternar entre fuentes. Esto se debe a que la cámara se sincroniza con la fuente externa seleccionada. Por tal motivo, es importante no llevar a cabo este procedimiento durante una producción.

Modo de sincronización

Estas opciones permiten ajustar manualmente el modo de sincronización según líneas o píxeles. Las flechas situadas a los laterales de cada número brindan la posibilidad de seleccionar distintos valores.

Configuración 3

El tercer grupo de ajustes en la pestaña **CONFIG.** incluye las siguientes funciones:



Fuente de audio

Si la cámara se encuentra conectada a un mezclador, la opción **Mezclador** permite priorizar la señal de retorno del audio como fuente de entrada para combinarla con la del sistema de comunicación al realizar una monitorización mediante auriculares. Esto resulta conveniente cuando es necesario escuchar el audio del programa, aunque el sonido captado por la cámara no se transmita al mezclador. Por su parte, la opción **AFV**, seleccionada por defecto, prioriza el audio registrado por los micrófonos internos de la cámara o recibido a través de las entradas XLR.

Mezcla

Esta opción permite cambiar el balance entre el sonido de la cámara y de la comunicación. La señal de audio se transmitirá por los auriculares según el modo activo indicado en la pantalla. Por

ejemplo, al filmar, se escuchará el audio de la cámara. Al reproducir las imágenes transmitidas al aire, se escuchará el audio correspondiente al programa. El valor predeterminado es 100 %.

Micrófono de los auriculares

Mueva el control hacia la izquierda o la derecha junto a esta opción para aumentar o disminuir el volumen del micrófono de los auriculares. El valor predeterminado es 50 %.

Efecto local

Mueva este control para ajustar el volumen de su propia voz al escucharla por los auriculares.

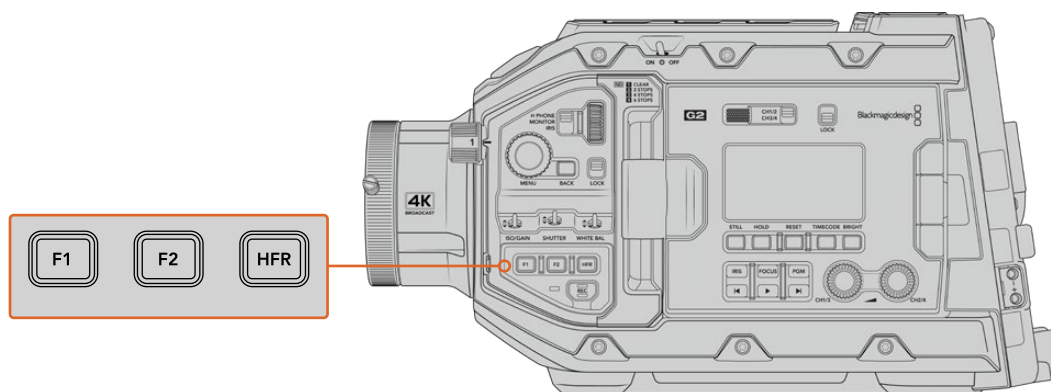
Configuración 4

El cuarto grupo de ajustes en la pestaña **CONFIG.** incluye las siguientes funciones:



Botón

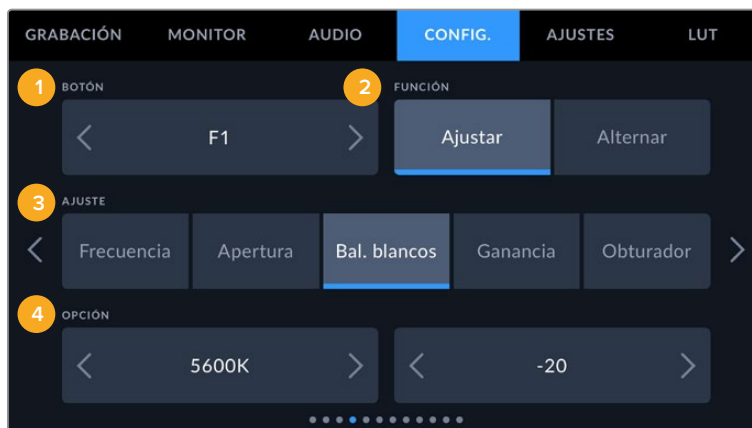
Los botones **F1** y **F2** situados en la parte exterior de la pantalla táctil pueden programarse para facilitar el uso de las funciones empleadas con mayor frecuencia. Asimismo, se puede acceder a ellos rápidamente cuando la pantalla plegable está cerrada, por ejemplo, al emplear el ocular URSA Viewfinder. Nótese que la función asignada por defecto al botón **HFR** es la que permite seleccionar una frecuencia de grabación independiente.



Los botones **F1** y **F2** se sitúan en el panel de control frontal del modelo URSA Broadcast G2.

SUGERENCIA: Al emplear objetivos B4 con conectores, también es posible asignar funciones a los botones **VTR** y **RET**.

Para configurar estos botones, es necesario determinar las siguientes opciones:



1 Botón 2 Función 3 Ajuste 4 Opción

Función

Una vez que se selecciona el botón deseado, es posible determinar su función. Las opciones disponibles son las siguientes:

- **Ajustar**

Al seleccionar esta opción, cuando se presiona el botón indicado, se muestra una combinación de un ajuste y una opción.

Para configurar dicha combinación, elija una de las opciones en el menú **AJUSTE** y luego seleccione el parámetro correspondiente pulsando las flechas situadas a ambos lados del menú **FUNCIÓN**.

Por ejemplo, para ajustar el balance de blancos automáticamente al presionar el botón **F1**, seleccione la opción **Ajustar**, luego **Bal. blancos** y a continuación busque la opción **5600K** utilizando las flechas situadas a ambos lados del menú **OPCIÓN**.

- **Alternar**

Al seleccionar esta opción, se activa o desactiva una determinada función. En este caso, el menú **AJUSTE** no está disponible. Por consiguiente, utilice las flechas situadas a ambos lados del menú **OPCIÓN** para seleccionar una de las siguientes alternativas: **Señal limpia**, **Mostrar LUT**, **Guías de encuadre**, **Asistente de enfoque**, **Falso color**, **Cebra**, **Cuadrícula**, **Área de seguridad**, **Frec. independiente**, **Barras de color**, **Comunicación**, **Ampliar imagen** y **Ninguna**.

Cuando la opción **Ampliar imagen** está activada, es posible mover área seleccionada mediante la rueda de menús y ajustar el nivel de aumento. Al presionar la rueda, se alterna entre ambas funciones. Consulte el apartado correspondiente para obtener más información al respecto.

Asimismo, se brinda la posibilidad de elegir la señal a la que se aplican dichos ajustes. Basta con pulsar una de las opciones **LCD**, **SDI frontal** o **SDI Principal**. Si uno de los ajustes que se aplica a todas las señales transmitidas no está disponible, por ejemplo **Barras de color**, , dichas opciones estarán desactivadas.

A su vez, es posible asignar funciones a los botones **VTR** y **RET** al emplear objetivos B4. Por ejemplo, al grabar mediante un dispositivo HyperDeck, dichos botones pueden utilizarse para comunicarse con otros integrantes del equipo.



Configuración del botón **VTR** para comunicarse con otros operadores.

Configuración 5

El sexto grupo de ajustes permite configurar el dispositivo Blackmagic Focus Demand cuando se encuentra conectado a la cámara.

Consulte el apartado relativo a este dispositivo para obtener más información al respecto.



Dirección del mando

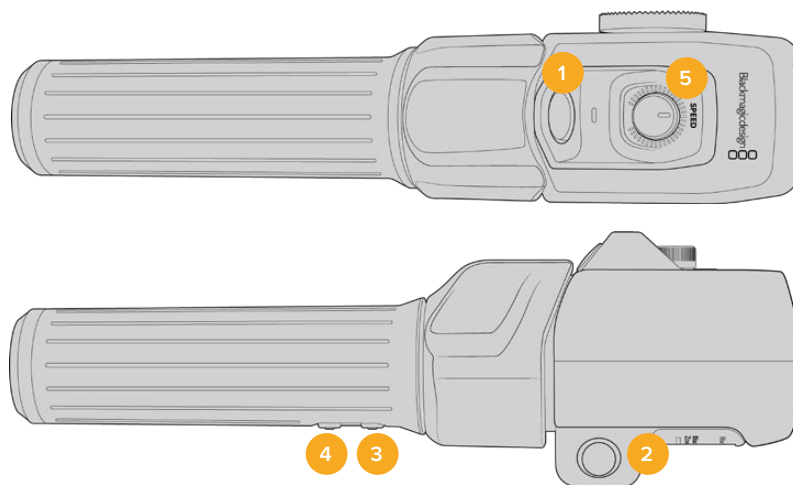
- **Normal**

Esta es la opción predeterminada. Mueva el interruptor a la izquierda para alejar la imagen y a la derecha para acercarla.

- **Inversa**

Al elegir esta opción, mueva el interruptor a la izquierda para acercar la imagen y a la derecha para alejarla.

El dispositivo Blackmagic Zoom Demand incluye cuatro botones y un dial a los que es posible asignar distintas funciones.



1 Botón F1 2 Botón F2 3 Botón F3 4 Botón F4 5 Dial

Elija el botón al cual desea asignar una función y luego seleccione una de las opciones disponibles en el menú **Parámetro**.

Funciones disponibles para el dial y los botones:

Dial	Velocidad acercar/alejar, volumen auriculares, apertura, enfoque.
Botones 1-4	Grabación, comunicación, señal de retorno, ampliar imagen, guías de encuadre, texto en pantalla, barras de color, enfoque automático, apertura automática, balance de blancos automático, reproducción.

Configuración 6

El sexto grupo de ajustes permite configurar el dispositivo Blackmagic Focus Demand.

Consulte el apartado relativo a este dispositivo para obtener más información al respecto.



Dirección del mando

Es posible cambiar la dirección de la rueda de enfoque.

- **Normal**

Gire el mando hacia la derecha a fin de enfocar objetos cercanos al objetivo o, por el contrario, hacia la izquierda para enfocar objetos más lejanos.

- **Inversa**

Gire el mando hacia la izquierda a fin de enfocar objetos cercanos al objetivo o, por el contrario, hacia la derecha para enfocar objetos más lejanos.

Configuración 7

El séptimo grupo de ajustes en la pestaña **CONFIG.** incluye las siguientes funciones:



Luz indicadora

El modelo URSA Broadcast G2 cuenta con un indicador LED en el panel frontal que proporciona información sobre la señal al aire al activar este interruptor,

según se describe a continuación:

Blanco	La cámara está encendida y en modo de espera.
Rojo	La cámara está grabando. Si el indicador se enciende y se apaga lentamente, significa que la capacidad del soporte de almacenamiento se está agotando. Si titila a mayor velocidad, se advierte la omisión de fotogramas.
Verde	La cámara se encuentra en modo de reproducción. El indicador parpadea lentamente de color verde cuando se reproduce un clip, y tres veces en verde y blanco cuando la cámara reconoce el soporte de almacenamiento insertado.
Naranja	Si la carga de la batería es baja, la luz parpadea de color naranja y del otro color de estado determinado. Por ejemplo, al grabar, el led cambia entre naranja y rojo. Si la cámara se encuentra en modo de espera, el indicador alterna entre naranja y blanco. El umbral de carga baja de la batería es de 20 % para las unidades que brindan información precisa sobre dicho nivel, o en su defecto 12.5 V.

Brillo

Pulse una de las opciones disponibles para ajustar la intensidad de la luz indicadora.

SUGERENCIA: Los indicadores de los dispositivos URSA Mini Recorder, Blackmagic Zoom Demand y Blackmagic Focus Demand coincidirán con el de la cámara.

Identificación

Este indicador muestra 8 caracteres que identifican la cámara de manera individual. Por otra parte, en archivos Blackmagic RAW y ProRes, los metadatos incluyen una versión más larga, compuesta por 32 caracteres. Esto puede resultar útil para destacar el material grabado con una determinada cámara si los nombres de los archivos cambian, ya que el identificador sigue siendo el mismo.

Software

Esta opción muestra la versión del software instalado en la cámara. Consulte el apartado *Programa utilitario* para obtener más información al respecto.

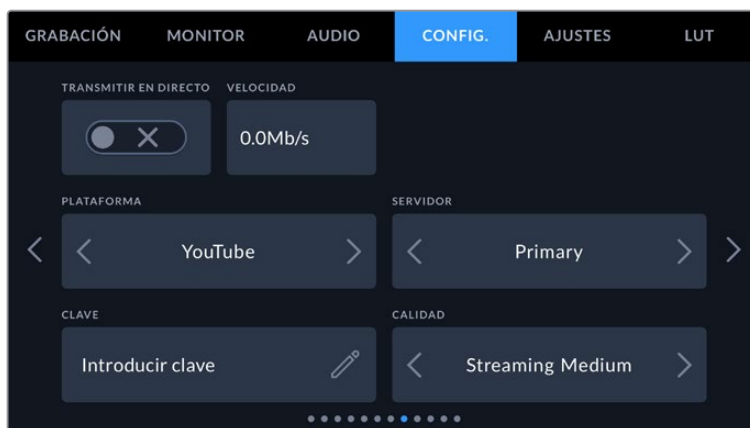
Reproducción

Esta opción permite reproducir una o todas las secuencias grabadas. Al seleccionar **Todos los clips** o **Un clip**, se reproducen todas las secuencias en orden o una por vez, respectivamente. Lo mismo sucede al activar la función de reproducción continua, es decir, se reproducen todos los clips almacenados en el soporte de grabación de manera continua o solo uno en particular, según la opción elegida.

Configuración 8

El octavo grupo de la pestaña **CONFIG.** incluye los ajustes para transmitir por Internet.

Consulte el apartado correspondiente en este manual para obtener más información al respecto.



Transmitir en directo

Este interruptor permite iniciar o detener la transmisión.

Velocidad

Muestra la velocidad de transferencia de datos durante la transmisión.

Plataforma

Seleccione la plataforma de transmisión deseada. Las opciones disponibles incluyen YouTube, Facebook y Twitch.

Servidor

Utilice las flechas para seleccionar un servidor según la plataforma de transmisión elegida.

Clave

Pulse el ícono de lápiz para introducir una clave de transmisión para la plataforma.

Calidad

Utilice las flechas para seleccionar la calidad de transmisión.

Configuración 9

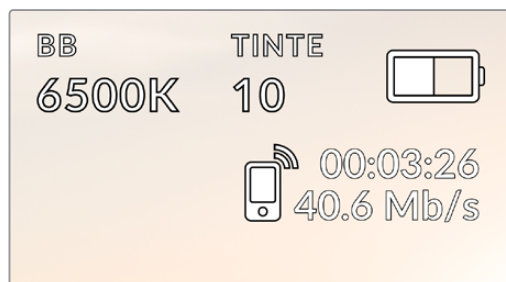
El noveno grupo de la pestaña **CONFIG.** incluye los ajustes relativos a las opciones de transmisión de la cámara.



Información

Es posible ver u ocultar la información relativa al estado de la transmisión en la pantalla de la cámara y en los monitores SDI conectados a la unidad.

Los datos incluyen el tipo de conexión empleada, por ejemplo, una red Ethernet o un teléfono móvil, un cronómetro que muestra la duración de la emisión, y la velocidad de transmisión de los datos en megabits por segundo.



Mostrar LUT 3D

Es posible activar esta función si se desea aplicar una tabla de conversión tridimensional a la imagen transmitida.

SUGERENCIA: Al activar dicha opción, esta solo se aplicará a la señal transmitida directamente.

Al transmitir grabar simultáneamente en formato Blackmagic RAW o ProRes, es posible aplicar tablas de conversión tridimensionales a los archivos mediante las opciones pertinentes del menú de grabación, o bien revisar los ajustes para incorporarlas en las señales visualizadas en la pantalla de la unidad o los monitores SDI conectados a esta. Consulte el apartado “Ajustes de grabación” para obtener más información al respecto.

Latencia baja

Al activar esta opción, se garantiza una mínima dilación entre lo que sucede en directo y las imágenes transmitidas al público. Al desactivarla, se incrementará el uso de la memoria intermedia, brindando de esta manera una transmisión más estable, que resulta útil cuando la conexión a Internet es lenta o susceptible a interrupciones.

Importar ajustes de transmisión

Pulse el botón **Importar ajustes** para importar un archivo XML con ajustes, de manera que la cámara pueda encontrar un dispositivo ATEM Streaming Bridge conectado a Internet.

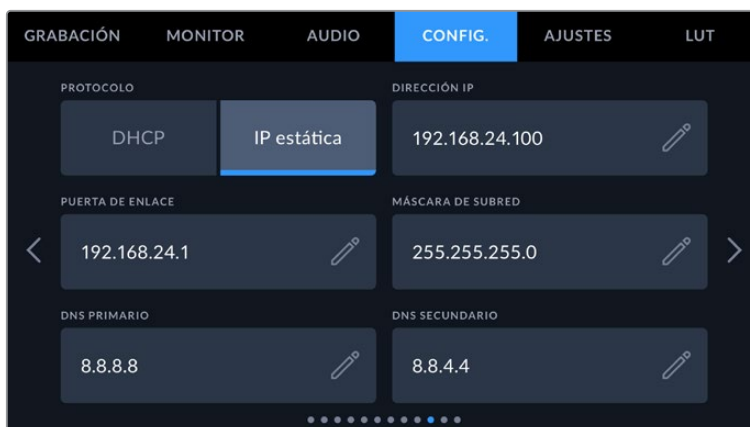
Consulte el apartado correspondiente en este manual para obtener más información al respecto.

Eliminar ajustes de transmisión

Presione el botón **Eliminar ajustes** para borrar los ajustes de transmisión importados en la cámara. El sistema solicitará una confirmación antes de proceder.

Configuración 10

El décimo grupo de ajustes de la pestaña **CONFIG.** incluye los ajustes de red de la cámara, los cuales permiten configurar diversas opciones, tales como el uso de una dirección IP estática o del protocolo DHCP.



Es posible conectarse a una red mediante una dirección IP fija o el protocolo DHCP.

Configuración 11

El undécimo grupo de ajustes en la pestaña **CONFIG.** incluye las siguientes funciones:



El nombre Bluetooth de la cámara está compuesto por su letra y una identificación de 8 caracteres.

Bluetooth

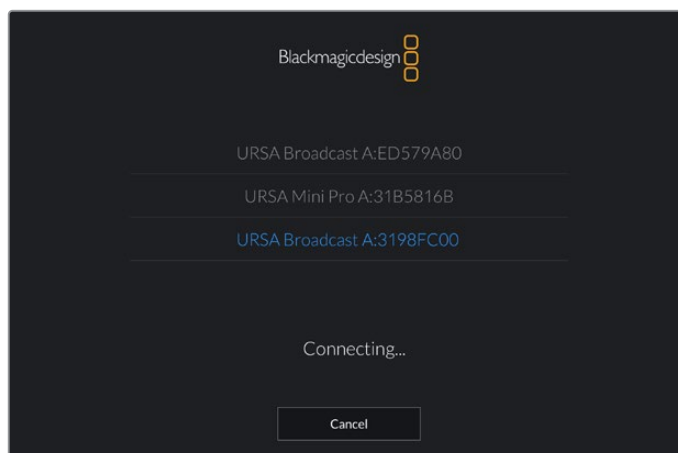
Esta opción permite controlar la cámara a través de un dispositivo portátil. Mediante la aplicación Blackmagic Camera Control, es posible encender o apagar la cámara, modificar ajustes, cambiar los metadatos o iniciar la grabación en forma remota. Pulse el interruptor **BLUETOOTH** en la pestaña **CONFIG.** para activar la conexión. Cuando la conexión Bluetooth está activada, la cámara puede detectarse a una distancia aproximada de 9 metros.

Dado que el modelo URSA Broadcast G2 emplea los mismos comandos tanto para la conexión Bluetooth como para el protocolo de control SDI para cámaras, el usuario cuenta con la posibilidad de desarrollar sus propias aplicaciones para modificar prácticamente cualquier parámetro, desde el objetivo y los ajustes del audio hasta las herramientas integradas de DaVinci Resolve.

Consulte el apartado *Protocolo de control SDI para cámaras de Blackmagic* a fin de obtener más información al respecto.

Para vincular la cámara con un iPad por primera vez:

- 1 Pulse el interruptor **BLUETOOTH** en la pestaña **CONFIG.** para activar la conexión.
- 2 Abra la aplicación Blackmagic Camera Control y seleccione la cámara URSA Broadcast G2 que desea vincular. Las unidades disponibles aparecen ordenadas según su identificador, por ejemplo, A:3198FC00.



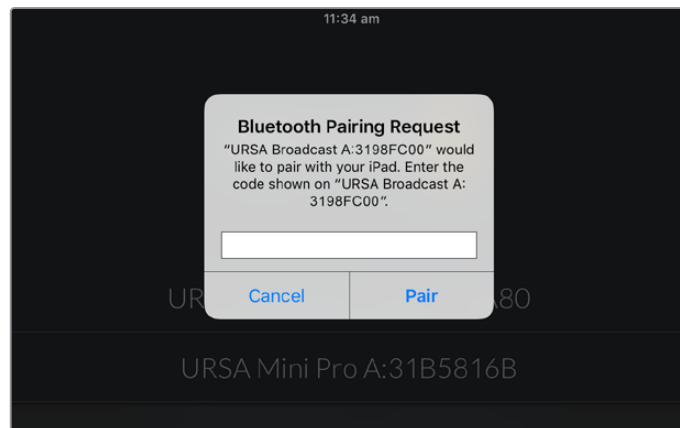
Seleccione la cámara que desea vincular.

Después de instalar y ejecutar la aplicación Blackmagic Camera Control por primera vez, aparecerá el siguiente mensaje: **Allow location access**. Al seleccionar la opción **While using the app**, la información generada por el GPS del iPad se incluirá en los metadatos de los archivos grabados, lo cual permite saber dónde se filmaron. También es posible acceder a dicha información desde el programa DaVinci Resolve.

Seleccione la opción **Never** si no desea utilizar estos datos.

Para modificar los ajustes en el iPad, seleccione la opción **Settings**, luego **Privacy**, a continuación **Location services**, y por último **Camera control**.

- Al intentar establecer la conexión por primera vez, la aplicación le solicitará un código de seis dígitos para vincular el dispositivo a la cámara, que aparece en la pantalla de esta última. Introduzca el código en el iPad.



- Verá un mensaje en la pantalla confirmando que la cámara está vinculada al dispositivo.



- 5 En caso de error, aparecerá el siguiente mensaje:



NOTA: Por motivos de seguridad, recomendamos desactivar la conexión Bluetooth cuando no se utiliza para controlar la cámara.

Desconectar dispositivo vinculado

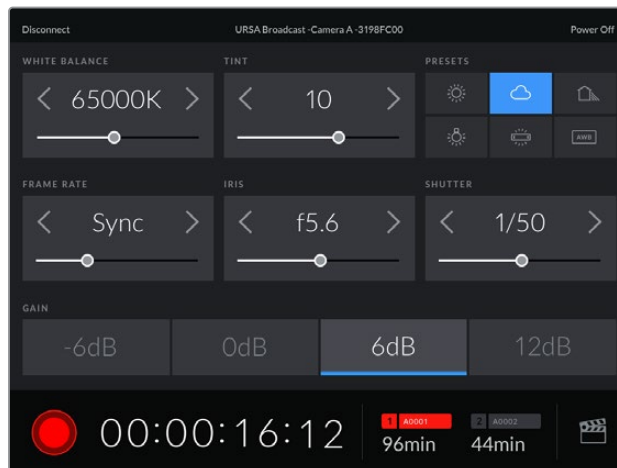
Esta opción permite desvincular la cámara del iPad al cual está conectada.

Borrar dispositivos vinculados

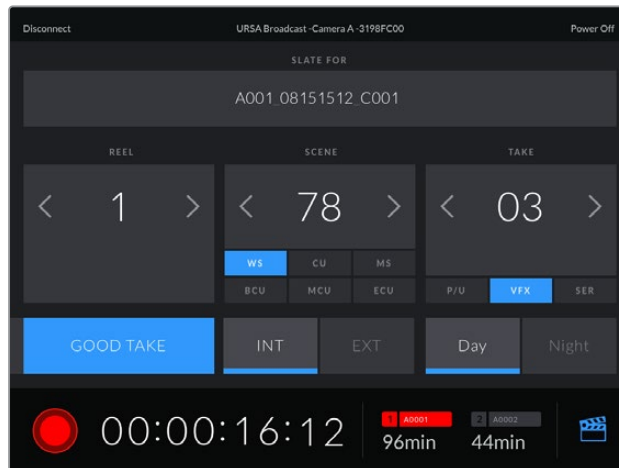
Esta opción permite borrar la lista de dispositivos a los cuales la cámara se ha vinculado.

Control de la cámara mediante la aplicación Blackmagic Camera Control

Una vez vinculada la cámara a un iPad, es posible encenderla o apagarla, modificar ajustes, cambiar los metadatos o iniciar la grabación en forma remota mediante la aplicación.



Una vez vinculada la cámara, es posible modificar ajustes y comenzar la grabación.



Pulse el ícono de la claqueta virtual, situado en la esquina inferior derecha, para acceder a ella y modificar sus datos.

La cámara URSA Broadcast G2 emplea tecnología Bluetooth de baja energía para intercambiar información de forma inalámbrica. Este protocolo es el mismo que se utiliza en otros dispositivos portátiles, de modo que consume una cantidad mínima de batería.

Es posible apagar la cámara pulsando la opción **Power Off**, situada en la esquina superior derecha de la interfaz.

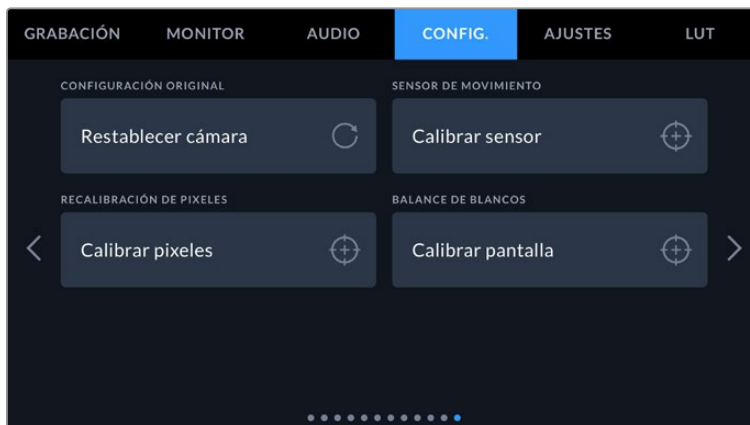


Aparecerá un mensaje de confirmación antes de proceder a apagar la cámara.

Si la opción Bluetooth se encuentra activada, aunque la cámara esté apagada, su nombre seguirá apareciendo en la lista de los dispositivos disponibles. Por consiguiente, es posible encender la cámara en forma remota seleccionándolo y pulsando el botón **Connect**. La unidad no aparecerá en la lista si la opción Bluetooth está desactivada.

Configuración 12

El duodécimo grupo de ajustes en la pestaña **CONFIG.** incluye las siguientes funciones:



Configuración original

La opción **Restablecer cámara** permite restablecer la configuración original de la cámara. Dado que al realizar esto se eliminan todas las tablas de conversión y configuraciones predeterminadas almacenadas en la unidad, aparecerá un mensaje de confirmación, y deberá pulsar **Restablecer** para continuar.

Conviene subrayar que al llevar a cabo este procedimiento se eliminarán las tablas de conversión almacenadas en la unidad y los grupos de ajustes personalizados. En tal sentido, recomendamos exportarlos a una tarjeta de memoria, a fin de respaldarlos antes de restablecer la configuración original. Una vez finalizado el procedimiento, es posible importarlos a la cámara nuevamente.



Al seleccionar la opción **Restablecer cámara**, deberá confirmar si desea llevar a cabo dicho procedimiento.

Sensor de movimiento

Para calibrar el horizonte virtual, coloque la cámara sobre una superficie nivelada y seleccione la opción **CALIBRAR SENSOR**. Es imprescindible que la cámara se mantenga estable durante todo el proceso, a fin de garantizar la precisión de los metadatos registrados por el sensor en archivos RAW durante la filmación. Esto debería tardar cinco segundos, aproximadamente.

En caso necesario, es posible establecer el horizonte más lejos del centro. Por ejemplo, si se desea ajustar el eje y en un ángulo constante, se debe calibrar el sensor de movimiento situando la cámara en el ángulo requerido y luego emplear el indicador del horizonte para mantenerlo.

Los datos del sensor de movimiento pueden emplearse en DaVinci Resolve para estabilizar los clips. Consulte el apartado correspondiente para obtener más información al respecto.

Recalibración de píxeles

El sensor CMOS está formado por millones de píxeles que responden a la luz. En consecuencia, se vuelven más visibles y se los conoce como «píxeles calientes». Independientemente del fabricante, todos los sensores desarrollan este tipo de defecto.

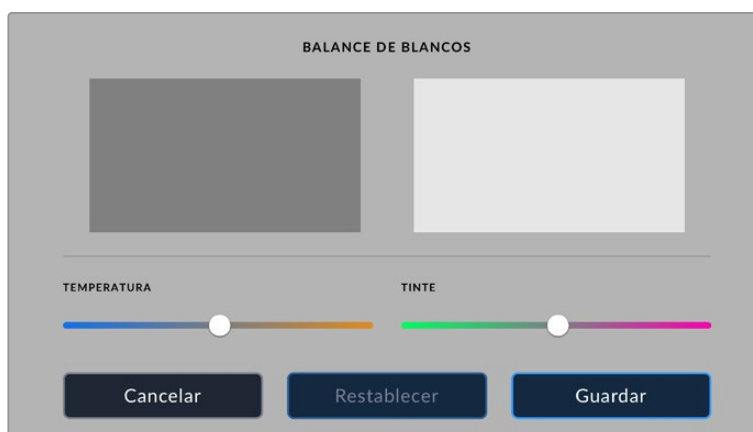
A efectos de solucionar este inconveniente, la cámara puede llevar a cabo un proceso de calibración.

Para comenzar dicho proceso, coloque la tapa al objetivo y seleccione la opción **Calibrar píxeles**. Luego, pulse el botón **Calibrar** para confirmar. Esto debería tardar un minuto aproximadamente.



Balance de blancos

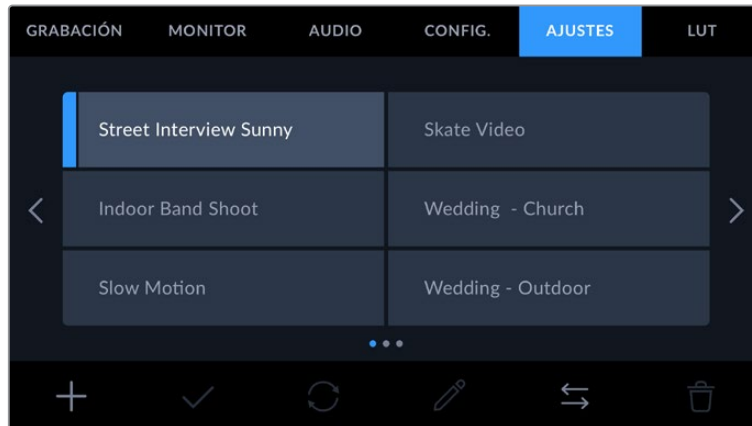
Para calibrar el balance de blancos de la pantalla, ajuste los controles del tinte y la temperatura hasta que las dos áreas de referencia luzcan neutras. Una vez modificada la configuración, es posible restablecer la calibración de fábrica mediante la opción **Restablecer**. Por su parte, el botón **Restaurar** permite comparar la apariencia antes y después de la calibración. Cuando haya logrado un balance de blancos adecuado, guarde los ajustes.



Ajustes

La pestaña **AJUSTES** brinda la posibilidad de guardar y volver a utilizar un grupo de ajustes en el modelo URSA Broadcast. Esto puede resultar muy útil cuando se emplea la cámara en varios proyectos, por ejemplo, diferentes tipos de rodajes, tales como documentales o videoclips, que requieren distintos parámetros. Esta función permite guardar la configuración predeterminada para un proyecto o rodaje específico y acceder a esta rápidamente según sea necesario.

Asimismo, es posible importar y exportar configuraciones predeterminadas, lo que resulta conveniente en rodajes con varias cámaras. Basta con crear la configuración requerida para el proyecto y exportarla a las unidades URSA Broadcast G2 que se utilizarán en el set de grabación.



Pestaña **AJUSTES** en el modelo URSA Broadcast G2

NOTA: La cámara permite almacenar hasta 60 configuraciones en su memoria interna.

Botones

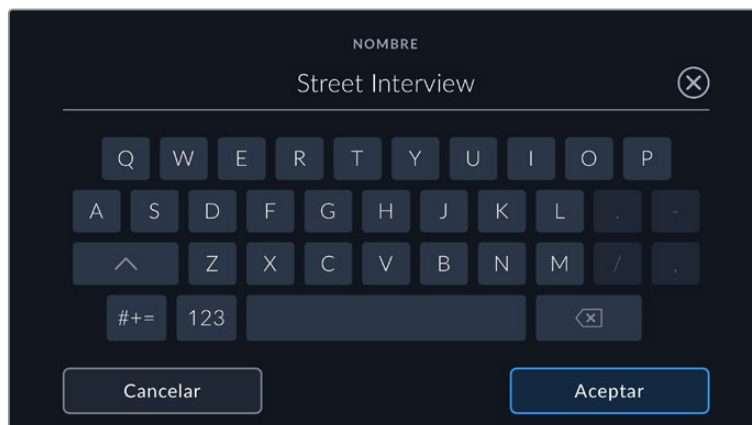
Los íconos en la parte inferior de la pantalla corresponden a las siguientes funciones:



Guardar y cargar configuraciones

Pulse el ícono **Agregar** para crear una configuración predeterminada. Aparecerá un teclado en pantalla mediante el cual se puede escribir el nombre deseado. A continuación, pulse el tercer ícono para guardar todos los ajustes seleccionados en dicha configuración.

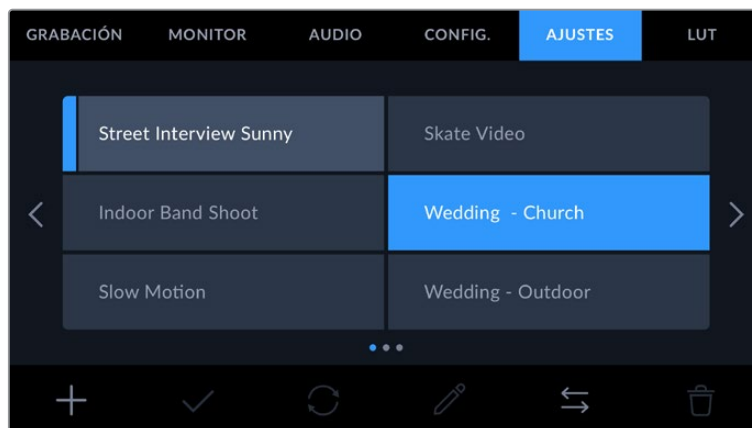
Si la cámara ya dispone de una configuración con el mismo nombre, aparecerá un mensaje preguntándole si desea sustituir la configuración existente o mantener ambas.



Escriba un nombre mediante el teclado que aparece al pulsar el primer ícono en la pestaña **AJUSTES**

Una vez que se almacena la configuración predeterminada, pulse su nombre para seleccionarla. Para cargarla, pulse el ícono **Cargar** en la parte inferior de la pantalla.

Es posible actualizar una configuración pulsando el ícono **Actualizar** en la parte inferior de la pantalla. Aparecerá un mensaje preguntándole si desea actualizar los ajustes de la cámara. Para continuar, pulse el botón **Aceptar**.



Seleccione una configuración y pulse el ícono **Eliminar** para borrarla. Al seleccionar un grupo de ajustes, el rectángulo con su nombre se destaca de color azul. Al cargarlo, aparece una línea de dicho color a la izquierda del mismo.

Importar configuraciones

Para importar una configuración, pulse el ícono **Organizar** en la parte inferior de la pantalla. En el modelo URSA Broadcast, seleccione el soporte de almacenamiento que contiene dichos ajustes. Nótese que también es posible importarlos desde una unidad SSD al emplear un dispositivo URSA Mini Recorder.

En la opción **Importar desde**, seleccione la tarjeta o unidad que contiene los ajustes que desea importar y confirme presionando el botón **Importar**. Aparecerá una ventana para importar los ajustes. Es posible usar los botones en la parte superior de la pantalla para ver los ajustes predeterminados disponibles en otras tarjetas o unidades conectadas a la cámara.

La cámara buscará el directorio raíz y la carpeta **Presets** en la unidad de almacenamiento seleccionada. Nótese que no se visualizarán las configuraciones guardadas en otra carpeta.

Pulse el nombre de una configuración predeterminada y luego el botón **Importar**. Si ya existe una LUT con el mismo nombre en la cámara, es posible reemplazarla o mantener ambas. En la parte superior derecha de la pantalla se muestra la cantidad de espacios libres.

NOTA: Si la cámara no cuenta con espacios libres para almacenar configuraciones predeterminadas, el botón **Importar** no estará disponible. Es necesario eliminar una de ellas para liberar espacio.

Exportar configuraciones

Seleccione una configuración y pulse el ícono **Organizar** para exportarla a una tarjeta SD o CFast.

A continuación, elija la opción **Exportar ajuste seleccionado**. Seleccione el soporte de almacenamiento donde desea guardar los ajustes predeterminados. Nótese que también es posible exportarlos a una unidad USB-C o SSD al emplear un dispositivo URSA Mini Recorder. Basta con seleccionar el soporte de almacenamiento deseado. Confirme la opción seleccionada pulsando el botón **Exportar**.

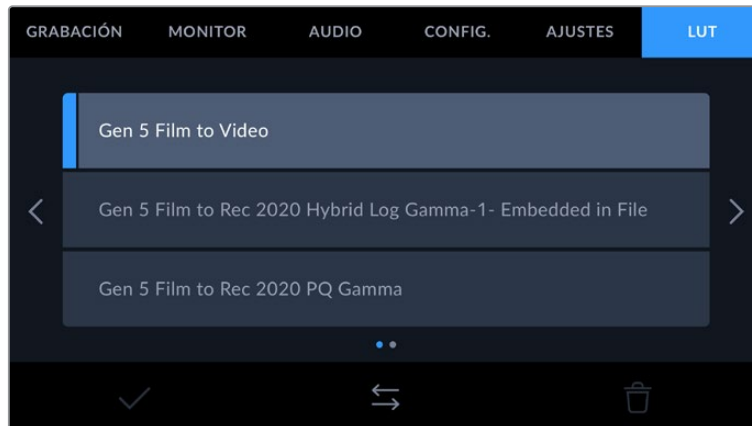
Si la unidad seleccionada ya incluye un grupo de ajustes predeterminados con el mismo nombre, podrá sustituirlo o mantener ambas configuraciones.

Eliminar configuraciones

El modelo URSA Broadcast G2 permite almacenar hasta 60 grupos de ajustes predeterminados. Seleccione una configuración y pulse el ícono **Eliminar** para borrarla. Aparecerá un mensaje de confirmación. Para continuar, pulse **Eliminar**.

Tablas de conversión (LUT)

La pestaña **LUT** brinda la posibilidad de importar, exportar y aplicar tablas de conversión tridimensionales a la señal transmitida por la cámara.



Pestaña **LUT** en el modelo URSA Broadcast G2

Tablas de conversión tridimensionales

El modelo URSA Broadcast G2 permite aplicar este tipo de tablas a las imágenes que transmite la cámara. Las tablas de conversión indican qué valores cromáticos y de luminancia se aplican a una fuente determinada. Por ejemplo, es posible grabar con la cámara utilizando parámetros habituales y transmitir un anticipo a los monitores o mezcladores conectados a la unidad para saber cómo se verá la imagen al aplicarle los ajustes cromáticos utilizados en una determinada región. Esto resulta útil al filmar en formato RAW o con rango dinámico **Film**, ya que en estos casos el material grabado presenta un contraste bajo. Al aplicar una LUT, se obtiene una idea de cómo lucirán las secuencias una vez etalonadas.

Es muy sencillo generar este tipo de tablas con DaVinci Resolve u otro programa de etalonaje. Además, también están disponibles en Internet. La cámara permite almacenar un máximo de 30 LUT tridimensionales de 17 o 33 puntos (1.5 MB máx. cada una). Posteriormente, es posible aplicarlas a las imágenes visualizadas.

El modelo URSA Broadcast G2 admite LUT tridimensionales de 33 puntos en formato .cube, creadas en DaVinci Resolve, y de 17 puntos convertidas a dicho formato con otros programas. La cámara procesa este tipo de tablas mediante una interpolación tetraédrica de gran calidad.

Consulte el apartado *Ajustes de monitorización* para obtener más información al respecto.

NOTA: Por defecto, la cámara no aplica tablas de conversión al grabar, aunque es posible hacerlo.

Esto puede resultar útil en situaciones en las que no hay tiempo de etalonar el material grabado durante la posproducción, o si es preciso entregarlo directamente a un cliente o al editor.

Al utilizar una tabla de conversión durante el rodaje, su información se guarda en forma de metadatos junto con el material grabado. DaVinci Resolve muestra esta información en el campo **LUT utilizada** del panel **Metadatos**, lo cual permite al colorista verificar el nombre de la tabla empleada.

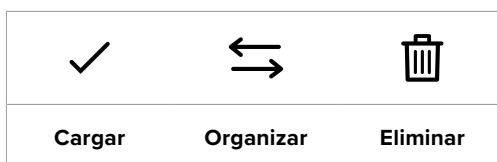
Tablas de conversión integradas

El modelo URSA Broadcast G2 incluye distintas LUT que permiten aplicar diferentes estilos al grabar en modo Film o en formato Blackmagic RAW.

- **Gen 5 Film to Extended Video**
Ofrece un rango dinámico más amplio que la tabla *Film to Video* y aplica un contraste medio con una leve atenuación en las zonas luminosas.
- **Gen 5 Film to Rec 2020 Hybrid Log Gamma**
Ofrece una curva de respuesta tonal que es compatible con monitores de alto rango dinámico o convencionales.
- **Gen 5 Film to Rec 2020 PQ Gamma**
Ofrece una curva de respuesta tonal basada en lo que percibe el ojo humano. Se recomienda esta opción para la codificación eficiente de imágenes de gran rango dinámico.
- **Gen 5 Film to Video**
Esta tabla es similar al espacio cromático Rec. 709 para HD y además presenta un alto nivel de contraste y saturación. Esta opción es muy útil al trabajar con otras cámaras de televisión limitadas a dicho espacio cromático.

Botones

Los íconos en la parte inferior de la pantalla corresponden a las siguientes funciones:



Importar tablas de conversión

Para importar una tabla de conversión tridimensional, pulse el segundo ícono situado en la parte inferior de la pestaña **LUT** y luego el botón **Importar LUT** para confirmar. Seleccione el soporte de almacenamiento que contiene las tablas. Nótese que también es posible importarlas desde una unidad USB-C o SSD al emplear un dispositivo URSA Mini Recorder.

Seleccione la tarjeta o unidad que contiene las tablas que desea importar y confirme presionando el botón **Importar**. Es posible usar los botones en la parte superior de la pantalla para ver las tablas disponibles en otras tarjetas o unidades conectadas a la cámara.

La cámara buscará el directorio raíz y la carpeta **3DLUTS** en la unidad de almacenamiento seleccionada. Nótese que aquellas guardadas en otras ubicaciones no serán visibles.

Pulse el nombre de una tabla y luego el botón **Importar**. La tabla de conversión importada se guardará en la cámara.

NOTA: Si los 30 espacios destinados a tablas de conversión tridimensionales están en uso, es necesario eliminar alguna para poder importar una nueva.

Si ya existe una LUT con el mismo nombre en la cámara, es posible reemplazarla o mantener ambas. En la parte superior derecha de la pantalla se muestra la cantidad de espacios libres para agregar tablas.

NOTA: Si no puede importar una LUT, es posible que no sea del tamaño adecuado. Utilice un editor de tablas (por ejemplo, Lattice) para verificar dicho valor, o abra el archivo mediante un editor de texto en el equipo informático. El tamaño se indica junto a la etiqueta **LUT_3D_SIZE**. Si este número no es 17 o 33, puede emplear Lattice para cambiar el tamaño de la tabla a 17 puntos.

Aplicar tablas de conversión

Una vez que la tabla se ha guardado en la cámara, selecciónela en la pestaña **LUT** y pulse el ícono **Cargar**. De esta forma, se aplicará a la imagen visualizada. No obstante, es necesario activar la opción **MOSTRAR LUT** en la pestaña **MONITOR** para cada salida. Consulte el apartado correspondiente en este manual para obtener más información al respecto.

Exportar tablas de conversión

Seleccione una tabla de conversión y pulse el ícono correspondiente para guardarla en una tarjeta SD o CFast. A continuación, elija la opción **Exportar LUT seleccionada**. Seleccione el soporte de almacenamiento donde desea guardar la tabla. Nótese que también es posible exportarlas a una unidad USB-C o SSD al emplear un dispositivo URSA Mini Recorder.

Elija la tarjeta o la unidad a la que desea exportar la tabla en la opción **Exportar a**. Confirme la opción seleccionada pulsando el botón **Exportar**. Al detectarse una tabla con el mismo nombre, es posible sustituirla o mantener ambas.

Eliminar tablas de conversión

El modelo URSA Broadcast G2 tiene capacidad para 30 tablas de conversión tridimensionales de 17 o 33 puntos. Para eliminar tablas que ya no están en uso o liberar espacio, seleccione una determinada y pulse el ícono **Eliminar** en la parte inferior de la pantalla. Aparecerá un mensaje de confirmación. Para continuar, pulse **Eliminar**.

Tablas de conversión tridimensionales integradas

Al emplear una LUT 3D cuando se graba en formato Blackmagic RAW en el modelo URSA Broadcast G2, dicha tabla se añade al archivo .braw generado, almacenándose en el encabezado del mismo. Por lo tanto, resulta muy sencillo aplicarla al clip en la etapa de posproducción y, al mismo tiempo, se evita tener que depender de un archivo adicional.

En consecuencia, al entregar archivos Blackmagic RAW a un editor o colorista, dichos profesionales podrán acceder fácilmente a la tabla utilizada durante el rodaje, lo que reduce significativamente el riesgo de usar una incorrecta. Esta se puede aplicar ya sea durante la etapa de edición o etalonaje, o directamente desactivarla en cualquier momento.

Cuando se activa la opción **INTEGRAR LUT EN ARCHIVO** en el menú **GRABACIÓN** de la cámara, el clip se abre en el reproductor Blackmagic RAW o en el programa DaVinci Resolve con la tabla ya aplicada a la imagen. Aunque es muy fácil activarla o desactivarla, siempre estará integrada al archivo Blackmagic RAW respectivo.

DaVinci Resolve también ofrece la opción **Aplicar LUT** en el panel **Ajustes RAW** del módulo Color, a fin de activar o desactivar una tabla de conversión tridimensional en el archivo Blackmagic RAW. Este botón funciona igual que en la cámara. De este modo, durante el rodaje, es posible indicar al colorista qué tabla de conversión emplear en la cámara, pero luego se pueden cancelar los cambios aplicados desactivando la opción **Aplicar LUT** en DaVinci Resolve.

Metadatos

Los metadatos se guardan junto con el clip e incluyen información tal como el número de toma, la configuración de la cámara y su identificación. Resultan muy útiles para gestionar y procesar el material grabado durante la posproducción. Por ejemplo, los números de toma, plano y escena son fundamentales para organizar clips, mientras que la información sobre el objetivo se puede utilizar para eliminar cierta distorsión de manera automática o para mejorar la integración entre los efectos especiales y la imagen.

El modelo URSA Broadcast G2 registra automáticamente algunos metadatos, tales como los ajustes de la cámara, el código de tiempo, la fecha y la hora. Asimismo, es posible utilizar la claqueta virtual para añadir más información.

Claqueta virtual

Al deslizar el dedo hacia la izquierda o derecha sobre la pantalla táctil, se accede a la claqueta virtual.

Esta se divide en dos pestañas: **CLIPS** y **PROYECTO**. La primera incluye información relativa a cada clip, mientras que la segunda permite introducir datos compartidos por varios archivos, tales como el nombre del proyecto, el director, el camarógrafo y la identificación de la cámara. El campo **Datos del objetivo** muestra información del objetivo instalado en la cámara, si este envía dichos datos automáticamente a la unidad. Pulse el ícono del lápiz para modificar esta información.

SUGERENCIA: Los metadatos introducidos en la claqueta virtual se visualizan en las imágenes transmitidas por la cámara al seleccionar **Director/a** en la opción **Mostrar texto en pantalla para** de la pestaña **MONITOR**. Consulte el apartado correspondiente en este manual para obtener más información al respecto.

Metadatos del clip

La realización de los cambios en los metadatos del clip depende de si la cámara se encuentra en modo de espera, cuando está lista para grabar, o en modo de reproducción, al revisar el material grabado. En el modo de espera, los metadatos se vincularán al siguiente clip grabado, a excepción de la opción **TOMA BUENA ÚLTIMO CLIP**, que corresponde al anterior.

En el modo de reproducción, siempre se refieren al clip visualizado.



La claqueta virtual del modelo URSA Broadcast G2 incluye las pestañas **CLIPS** y **PROYECTO**.

Claqueta virtual

Este campo indica a qué clip corresponden los metadatos que se muestran en la pantalla. En el modo de espera, se refiere al clip que se grabará a continuación.

Tipo de objetivo

Muestra la información del objetivo colocado en la cámara. Consulte el apartado *Datos del objetivo* para obtener más información al respecto.

Rollo

Este campo indica el número de rollo actual.

El modelo URSA Broadcast G2 aumenta en forma automática el número de rollo, por lo que no es necesario introducirlo de forma manual. Al comenzar un proyecto nuevo, pulse la opción

Restablecer datos para restablecer dicho valor.

Escena

Esta opción muestra el número de escena, y además puede indicar también el número de toma y su tipo.

Este valor siempre se refiere a la escena visualizada. A efectos de modificarlo, pulse el número para introducir un valor distinto o utilice las flechas situadas a ambos lados del mismo.

El rango para este parámetro es de 1 a 999.

Al añadir una letra al número de escena, es posible indicar la toma actual. Por ejemplo, 23A representa la escena 23, toma 1. En este caso, la cámara sugerirá el número y la letra siguientes al intentar modificar este valor. Por ejemplo, si el número de escena es 7B, se brindan las opciones 8 y 7C.

Este indicador ofrece además información sobre el tipo de plano en la esquina superior derecha.

Las opciones disponibles se encuentran a la derecha del teclado numérico:

PG	Plano general
PM	Plano medio
PMC	Plano medio corto
PP	Primer plano
GPP	Gran primer plano
PD	Plano detallado



Al introducir datos de la escena, la cámara sugiere números a la izquierda del teclado y tipos de plano a la derecha.

Toma

Esta opción muestra el número de toma para la escena actual. A efectos de modificarlo, pulse el número para introducir un valor distinto o utilice las flechas situadas a ambos lados del mismo.

SUGERENCIA: Cuando el número de escena se incrementa, el número de toma regresa automáticamente a 1.

También es posible añadir descripciones a la toma. Las opciones disponibles se encuentran a la derecha del teclado numérico y son las siguientes:

PU	Retomar: Se refiere a una nueva grabación de una toma previa para añadir material después de haber concluido la fotografía principal.
VFX	Efectos visuales: Se refiere a una toma que se utiliza en efectos visuales.
SER	Serie Se refiere a una situación en la que se graban varias tomas mientras la cámara sigue rodando.



Pulse **A** a fin de que el número de toma cambie automáticamente para cada clip en el modo de espera. En la claqueta virtual, aparecerá una **A** junto a dicho número.

Al introducir datos de la toma, la cámara sugiere números a la izquierda del teclado y tipos de toma a la derecha.

Toma buena último clip

Pulse esta opción para identificar tomas buenas, a fin de acceder a ellas con mayor facilidad durante la posproducción. Esta etiqueta se aplica al último clip grabado si la cámara se encuentra en modo de espera, o al clip visualizado en modo de reproducción.

Interior/Exterior

Pulse una de estas opciones para indicar si el clip se ha grabado en un estudio o en exteriores.

Día/Noche

Pulse una de estas opciones para indicar si el clip se ha grabado durante el día o la noche.

Metadatos del proyecto

Los metadatos del proyecto funcionan de la misma manera, tanto en modo de espera como en modo de reproducción. Siempre se refieren al proyecto completo y no tienen en cuenta la cantidad de clip incluidos en este.



Pestaña **PROYECTO** en el modelo URSA Broadcast G2

Nombre del proyecto

Esta opción muestra el nombre del proyecto en curso. Pulse el ícono del lápiz para modificarlo.

Cámara

Esta opción muestra una sola letra correspondiente a la cámara. Pulse el ícono del lápiz para modificarla.

Director/a

Esta opción muestra el nombre del director o la directora del proyecto. Pulse el ícono del lápiz para modificarlo.

NOTA: La identificación de la cámara se utiliza en los metadatos y la nomenclatura de los archivos. Esta difiere de la identificación empleada en los mezcladores ATEM cuando la unidad se controla desde el dispositivo. Consulte el apartado correspondiente para obtener más información al respecto.

Operador/a

Esta opción muestra el nombre del camarógrafo. Pulse el ícono del lápiz para modificarla.

Restablecer datos del proyecto

Pulse el botón **Restablecer** para borrar todos los datos introducidos.

Datos del objetivo

La pestaña **OBJETIVO** muestra información del objetivo instalado en la cámara. Muchos objetivos electrónicos proporcionan los datos automáticamente, por ejemplo, el modelo, la apertura y la longitud focal.

Pulse el ícono del lápiz si el objetivo no es compatible con esta función y desea agregar información adicional. Aparecerá un panel con las opciones ilustradas a continuación:



Pestaña **OBJETIVO** que muestra información obtenida automáticamente de un objetivo compatible con el protocolo /i Technology de Cooke.

• Tipo de objetivo

Este campo indica el modelo del objetivo. Si no aparece automáticamente, pulse el ícono del lápiz para modificarlo.



Utilice el teclado virtual para escribir los datos del objetivo.

• Iris

Esta opción muestra la apertura inicial del diafragma, expresada en pasos o números f según el tipo de objetivo. Si no aparece automáticamente, pulse el ícono del lápiz para modificar el valor.

• Distancia focal

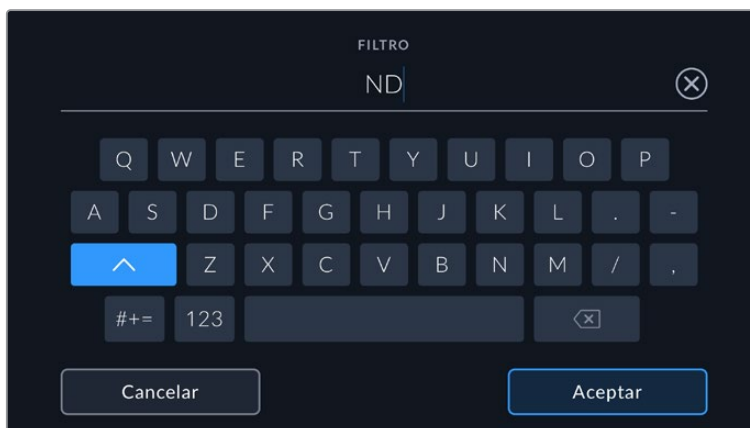
Esta opción muestra la distancia focal inicial del objetivo, expresada en milímetros. Si no aparece automáticamente, pulse el ícono del lápiz para modificar el valor.

- **Distancia**

Esta opción indica la distancia de enfoque del objetivo para la secuencia grabada, expresada en milímetros. Si no aparece automáticamente, pulse el ícono del lápiz para modificar el valor.

- **Filtro**

Esta opción muestra los filtros utilizados. Pulse el ícono del lápiz para modificar la información. Nótese que es posible agregar varios datos, separados por comas.



Es necesario introducir la información relativa al filtro, ya que no se proporciona automáticamente.

Restablecer datos del objetivo

Es posible eliminar la información del objetivo en cualquier momento pulsando esta opción. Aparecerá un mensaje de confirmación. A continuación, la comunicación con el objetivo se restablecerá, y los datos actualizados se verán nuevamente en los campos correspondientes.

Estabilización giroscópica

El modelo Blackmagic URSA Broadcast G2 graba automáticamente los datos del movimiento vertical, horizontal y de rotación captados por el sensor de movimiento interno. Estos datos, también conocidos como giroscópicos, luego se utilizan en DaVinci Resolve para estabilizar las tomas captadas cámara en mano.

Es importante calibrar el sensor de movimiento de la cámara antes de comenzar a grabar, con el fin de garantizar la precisión de los datos registrados. Para más información, consulte el apartado *Ajustes* en la sección *Sensor de movimiento*.

NOTA: Para habilitar la estabilización mediante datos giroscópicos, es necesario asegurarse de que la función de estabilización de imagen del objetivo se encuentre desactivada. Los objetivos EF y B4 que disponen de estabilización óptica integrada cuentan con un interruptor físico para activar o desactivar dicha opción.

Registro de datos giroscópicos con objetivos manuales

A fin de optimizar la estabilización mediante datos giroscópicos, es preciso indicar la distancia focal exacta del objetivo, la cual se incluirá en los metadatos grabados automáticamente al emplear lentes tipo EF o B4. En los objetivos manuales que no admiten comunicación electrónica con la cámara o en modelos B4, esta información se debe introducir en la claqueta virtual de la cámara

- 1 Al deslizar el dedo a la izquierda o la derecha sobre la pantalla táctil, se accede a la claqueta virtual.

- 2 Pulse la opción **OBJETIVO**.
- 3 Pulse **DISTANCIA FOCAL** e indique la distancia focal del objetivo utilizado. Por ejemplo, al emplear un objetivo B4 analógico con una distancia focal de 8 mm, escriba ese número.



En el caso de objetivos que no admiten comunicación electrónica con la cámara, escriba «Datos del objetivo».

NOTA: Esta información se debe actualizar siempre que se modifique la distancia focal en objetivos analógicos. En lentes con sistema electrónico integrado, los metadatos se sobrescribirán automáticamente.

Aplicación de la función de estabilización giroscópica en DaVinci Resolve

Después de importar los clips y organizarlos en la línea de tiempo:

- 1 En el módulo Edición, vaya al inspector y desplace el cursor hacia abajo hasta llegar a **Estabilización**.
- 2 Establezca **Giroscopio** como modo de estabilización.
- 3 Haga clic en **Estabilizar**.

Aparecerá una barra de progreso de la estabilización que indicará cuando el proceso haya finalizado.



En el inspector, seleccione **Giroscopio** a fin de estabilizar el material grabado empleando los datos giroscópicos.

SUGERENCIA: Es posible filmar empleando ángulos de obturación agudos para perfeccionar los resultados y minimizar el desenfoque ocasionado por el movimiento. Por ejemplo, 45 grados.

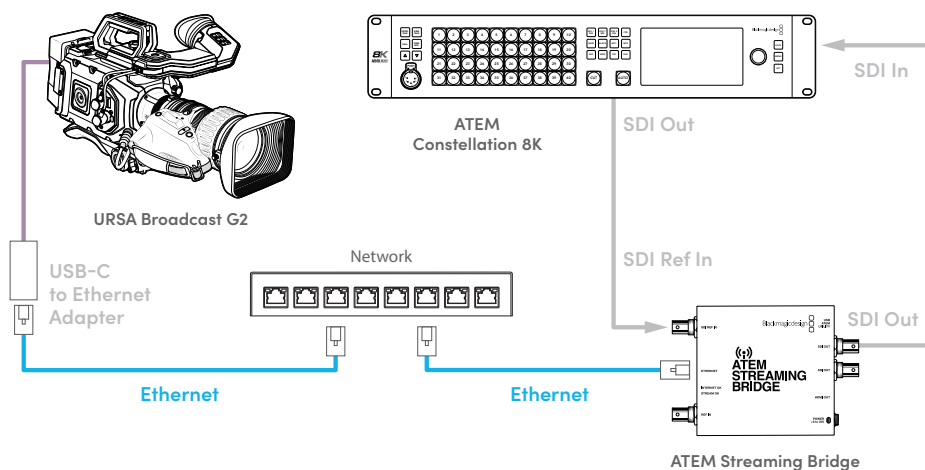
Estado de la transmisión

El modelo URSA Broadcast G2 cuenta con su propio motor de transmisión integrado que permite emitir la señal directamente de la cámara a plataformas en línea, tales como YouTube, Facebook Live y Twitch.

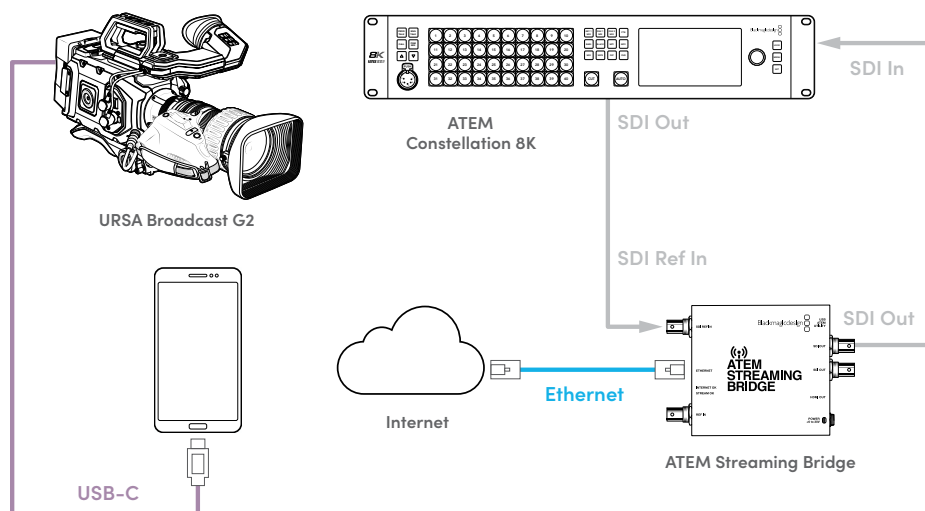
Asimismo, es posible conectarla a un mezclador ATEM mediante la misma red Ethernet o una conexión a Internet desde cualquier lugar del mundo, a través de un dispositivo ATEM Streaming Bridge. Al transmitir una señal a un mezclador ATEM, esta incluye comandos para controlar la cámara y luz piloto, así como el audio de la comunicación.

A continuación, se presentan dos ejemplos de cómo conectar la cámara a un mezclador ATEM, a través de un dispositivo ATEM Streaming Bridge. En el primer caso, se establece una conexión local mediante una red, mientras que, en la segunda ilustración, las imágenes se transmiten por Internet a través de un teléfono móvil.

Conexión mediante una red



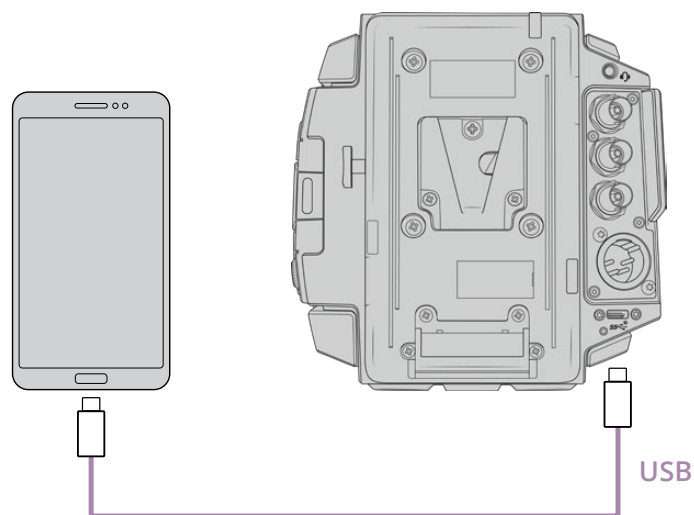
Conexión mediante Internet



NOTA: Al transmitir mediante un adaptador Ethernet, se recomienda emplear el modelo USB-C to Gigabit Ethernet Adapter de Belkin. Si bien otras unidades podrían funcionar, el chip de este modelo es el más confiable para transmitir contenidos audiovisuales mediante el protocolo RTMP.

Configuración con teléfonos móviles

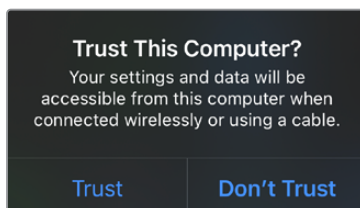
Conecte un teléfono móvil al puerto de expansión USB-C de la cámara. Esta opción brinda la oportunidad de configurar el dispositivo rápidamente y comenzar a transmitir desde cualquier lugar con conexión 4G o 5G, mediante un teléfono que permita compartir la red.



Ajustes

El primer paso para transmitir contenidos a partir de un teléfono es asegurarse de que la opción para compartir la conexión a Internet del teléfono esté activada.

- 1 En dispositivos con sistema iOS, asegúrese de que la opción **Permitir que otros se conecten** esté activada en el menú correspondiente de los ajustes para el punto de acceso personal.
- 2 Aparecerá un mensaje para confirmar que conoce el equipo informático conectado. Al hacerlo, aparecerá un ícono verde de anclaje de red en la pantalla que indica el correcto funcionamiento de la conexión.



El ícono de anclaje de red solo se mostrará cuando la conexión esté habilitada.

En este caso, el reloj del teléfono se verá con un fondo verde.

En dispositivos con sistema Android, deslice el dedo hacia abajo en la pantalla a fin de ver el menú rápido. Mantenga pulsado el ícono **Compartir conexión** y active el anclaje mediante la conexión USB.

SUGERENCIA: Se recomienda desactivar dichos ajustes una vez terminada la transmisión, a fin de ahorrar batería en los dispositivos.

Identificación de la cámara

El ajuste **Identificación** determina la entrada SDI del mezclador a la cual la cámara está conectada. Si dicho número coincide con el número que identifica a la unidad, la luz piloto se activará cada vez que esta se encuentre al aire.

Consulte el apartado “Ajustes” para obtener más información al respecto.

Crear el archivo XML

Para crear un archivo XML con los ajustes, conecte un cable de red del puerto Ethernet del dispositivo ATEM Streaming Bridge a un enrutador o un conmutador de red.

Conecte el dispositivo al equipo informático mediante un cable USB-C y ejecute el programa ATEM Setup.

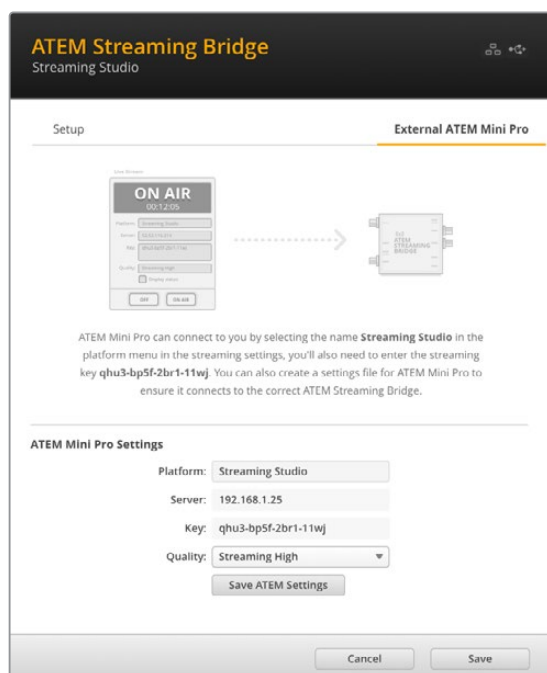
En la pestaña **Setup**, compruebe que la configuración de la red sea correcta y seleccione **Internet** en la opción **Stream Service**. Aparecerá el siguiente mensaje en el recuadro correspondiente al estado de Internet: **Visible worldwide**. Esto significa que todo se encuentra funcionando correctamente.

Nota sobre el redireccionamiento de puertos:

Si en el recuadro mencionado anteriormente aparece un mensaje de error UPnP o relativo al redireccionamiento del puerto, consulte al administrador de red o al proveedor de servicios de Internet cómo cambiar dicho parámetro a **TCP port 1935**.

Exportar el archivo XML

Después de confirmar los ajustes en la pestaña **Setup** y conectar correctamente el dispositivo ATEM Streaming Bridge a Internet o la red, es posible exportar el archivo XML.



- 1 Haga clic en la pestaña **ATEM Mini Pro**, en la esquina superior derecha de la ventana.
- 2 Haga clic en la casilla **Plataforma** e introduzca el nuevo nombre. Dicho nombre aparecerá en el menú de plataformas de la unidad Blackmagic URSA Broadcast G2 conectada de forma remota.
- 3 Seleccione la calidad deseada para la transmisión. Este ajuste se refiere a la unidad URSA Broadcast G2 conectada en forma remota.
- 4 Haga clic en el botón **Save ATEM Settings**, elija una ubicación en el equipo informático para guardar el archivo XML y haga clic en **Save**.
- 5 Ahora es posible enviar el archivo XML guardado al operador por correo electrónico.

Cargar el archivo XML

Para importar un archivo XML con ajustes XML, cópielo a una tarjeta SD o CFast, o una unidad USB-C.



- 1 En el noveno grupo de ajustes de la pestaña **CONFIG.**, pulse el botón **Importar ajustes**.
- 2 En la parte superior de la pantalla, pulse la tarjeta o la unidad donde se encuentra el archivo. Pulse el nombre del archivo y a continuación **Importar**. Una vez que el archivo se ha importado correctamente, el dispositivo ATEM Streaming Bridge se seleccionará automáticamente en el menú de plataformas de la cámara.

A continuación, solo es necesario pulsar el interruptor **Transmisión** para iniciar la emisión.

Para comprobar que todo funcione correctamente, el operador del mezclador en el estudio deberá seleccionar la cámara. La luz piloto se encenderá, y aparecerá un borde rojo en la pantalla de la cámara. Al seleccionar la cámara como anticipo, la luz piloto se encenderá de color verde.



Intente ajustar la apertura del diafragma y el pedestal en la pestaña **Cámara** del programa ATEM Software Control para verificar que pueda controlar la unidad

URSA Mini Shoulder Kit

Instalación del soporte para el hombro

El soporte opcional para el hombro permite utilizar el modelo URSA Broadcast G2 en la recopilación electrónica de noticias. Casi todos sus componentes se incluyen con la cámara, por ejemplo, la almohadilla para el hombro, la base, la manija superior y el adaptador para el visor. El brazo extensor y el cable LANC de mayor longitud son accesorios opcionales.

La montura situada en la base del soporte brinda la posibilidad de sujetar la cámara a un trípode compatible o apoyarla sobre el hombro para trasladarse al lugar donde se desarrolla la acción.

Es posible sujetar este accesorio a cualquier adaptador para trípodes diseñado según el modelo Sony VCT 14. Por su parte, las monturas pueden adquirirse en Internet o en cualquier tienda especializada en productos audiovisuales.

Cabe mencionar que las bases para trípodes tipo VCT U14 no son compatibles con este soporte, dado que corresponden a un sistema diferente.

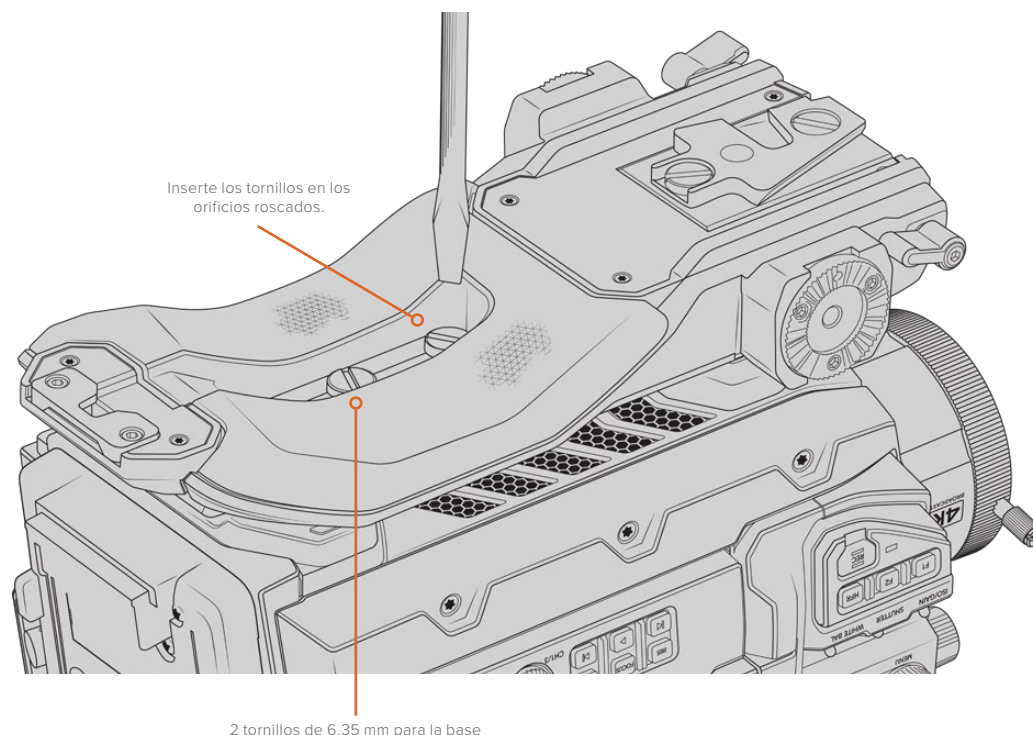
Para instalar el soporte en la cámara, se necesitan las siguientes herramientas:

- 1 destornillador con cabeza plana para los dos tornillos de 6.35 mm correspondientes a la base.
- 1 destornillador con cabeza hexagonal de 5 mm para los dos tornillos de 6.35 mm correspondientes a la manija superior.



A fin de instalar el soporte para el hombro en el modelo URSA Broadcast G2, se necesitará un destornillador con cabeza plana y otro con cabeza hexagonal de 5 mm.

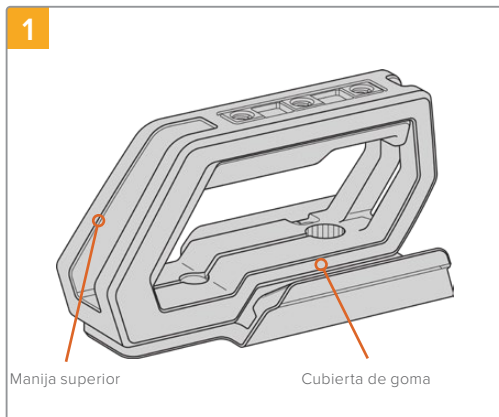
Para instalar la almohadilla y la base:



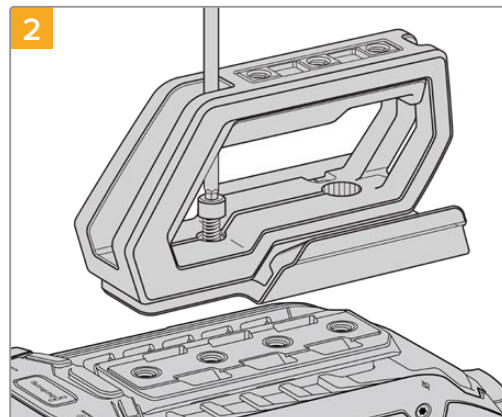
- 1 Coloque la cámara sobre una superficie plana y firme para poder acceder fácilmente a su base.
- 2 Sujete la base del soporte para el hombro con los dos tornillos de 6.35 mm suministrados.
- 3 Apriete los tornillos hasta que la base quede firme. Evite ejercer demasiada fuerza, ya que esto podría ocasionar daños en las roscas.

Para colocar la manija superior con el adaptador para el visor URSA Viewfinder:

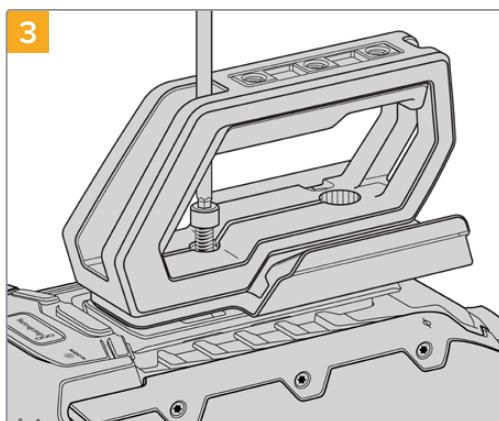
La base para el adaptador ya viene instalada en la manija superior. Consulte el apartado siguiente para obtener más información al respecto.



Coloque la cámara sobre una superficie plana y firme para poder acceder al panel superior.



Inserte los dos tornillos de 6.35 mm incluidos en cualquiera de los orificios roscados situados en la parte superior de la cámara, y sujete la manija ajustándolos con el destornillador de 5 mm. En la mayoría de los casos, se recomienda emplear los dos orificios más próximos al panel trasero. Sin embargo, es posible escoger otra combinación para garantizar un mejor equilibrio al colocar objetivos de gran tamaño.



Apriete los tornillos hasta que la manija quede firme. Evite ejercer demasiada fuerza, ya que esto podría ocasionar daños en las roscas.

El brazo extensor y el cable LANC son accesorios opcionales.

Instalación del brazo extensor

Los objetivos B4 generalmente incluyen una empuñadura, por lo que no es necesario instalar una manija lateral para grabar con la cámara al hombro.

Sin embargo, si se cuenta con una montura diferente, le resultará útil colocarla en el brazo extensor, a fin de que el rodaje resulte más cómodo.

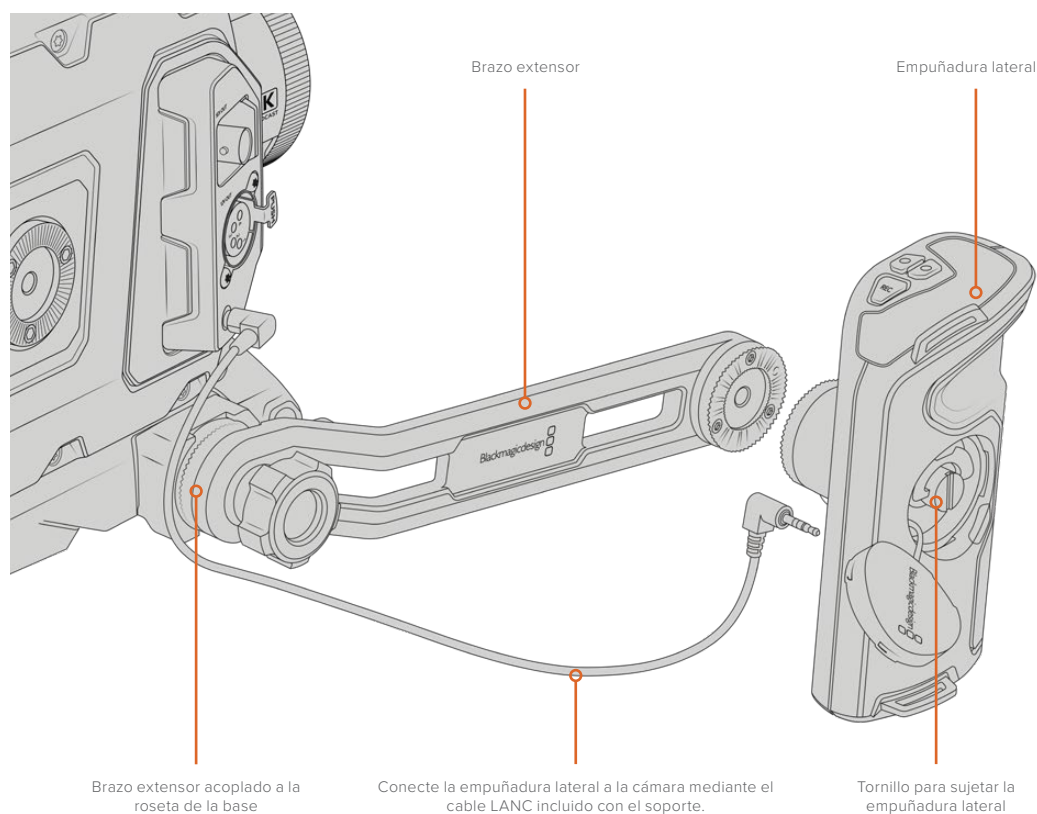
La montura para el hombro compatible con modelos URSA incluye un brazo extensor y un cable LANC de gran longitud que brindan la posibilidad de mover la empuñadura lateral a una posición más ergonómica.

Para instalar el brazo extensor:

- 1 Coloque la cámara sobre una superficie plana y firme, asegurándose de que haya espacio suficiente su alrededor para mover el brazo extensor hacia abajo. Para este propósito, podría ser útil apoyarla sobre un trípode.
- 2 Encaje el extremo dentado del brazo extensor en la roseta situada en la base del soporte para el hombro. A continuación, mueva el brazo hacia abajo para ajustarlo y sujételo mediante el tornillo moleteado suministrado.
- 3 Coloque la empuñadura lateral en la roseta frontal del brazo extensor. Para sujetarla, apriete el tornillo situado debajo de la cubierta de goma con un destornillador de cabeza plana o gire la anilla en D con los dedos pulgar e índice.
- 4 Conecte el puerto LANC de la empuñadura lateral a su contraparte en la cámara mediante el cable correspondiente incluido con el soporte.

Si desea ajustar el brazo extensor y la empuñadura lateral según su preferencia, afloje los tornillos de las rosetas, cambie la posición de los accesorios y vuelva a apretarlos.

Una vez instalado el soporte para el hombro, podrá trasladarse con rapidez y facilidad de un lugar, a otro a fin de grabar contenidos sobre la marcha.



Blackmagic URSA Viewfinder

Este ocular ha sido diseñado para el modelo URSA Broadcast G2. La pantalla OLED de alta definición incluye un sistema óptico de extraordinaria precisión que permite ver imágenes brillantes con un realismo excepcional, a fin de poder enfocar rápidamente y apreciar hasta los más mínimos detalles.

Es ideal cuando es necesario rodar cámara en mano o en entornos que exigen una exactitud absoluta para evitar reflejos, por ejemplo, al filmar bajo una luz muy brillante.

El ocular se conecta a la cámara y se alimenta a través de esta. Asimismo, utiliza los datos SDI provenientes de la misma para ofrecer distintas opciones de visualización. De este modo, aunque la cámara transmita una señal SDI limpia al dispositivo, el usuario cuenta con la posibilidad de alternar entre distintos modos de visualización para comprobar rápidamente diferentes datos.

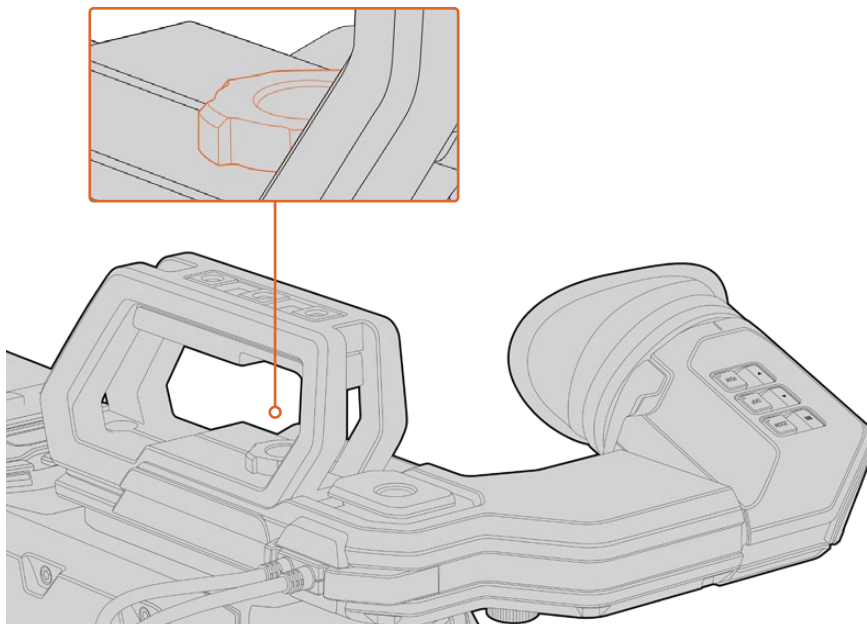
Por ejemplo, al seleccionar la opción **2.40:1** para las guías de encuadre en el menú de la cámara, estas se muestran en la pantalla del ocular.

Montaje y conexión

Antes de montar el ocular en la cámara, es preciso instalar la manija superior incluida con el soporte para el hombro. Consulte el apartado *URSA Mini Shoulder Kit* para obtener más información al respecto.

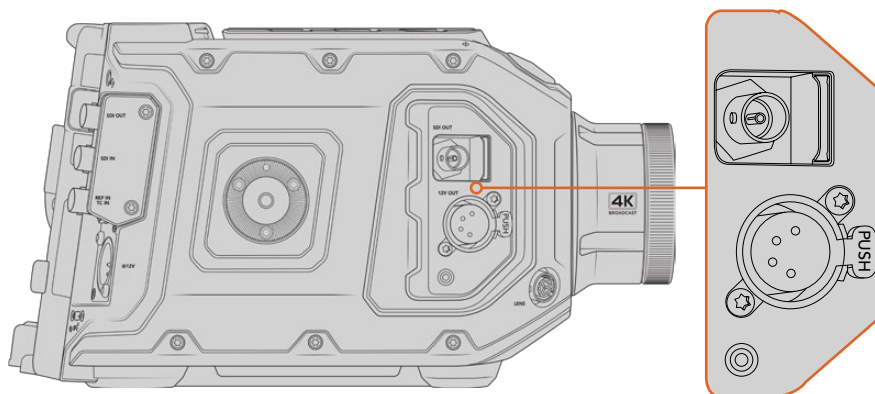
Inserte la montura del ocular en el adaptador y sujétela mediante el tornillo suministrado.

Cabe destacar que no es necesario emplear herramientas adicionales, ya que la presión ejercida por los dedos será suficiente para ajustar el tornillo sin apretarlo demasiado.



A fin de sujetar el ocular a la cámara, deslícelo a lo largo de las ranuras utilizadas para colocar la manija y enrosque el tornillo en uno de los orificios de 9.5 mm.

Utilice los cables suministrados para conectar el ocular a la salida SDI 3G de la cámara y a la conexión de 12 V situada en la parte frontal. El dispositivo se encenderá automáticamente al prender la cámara.



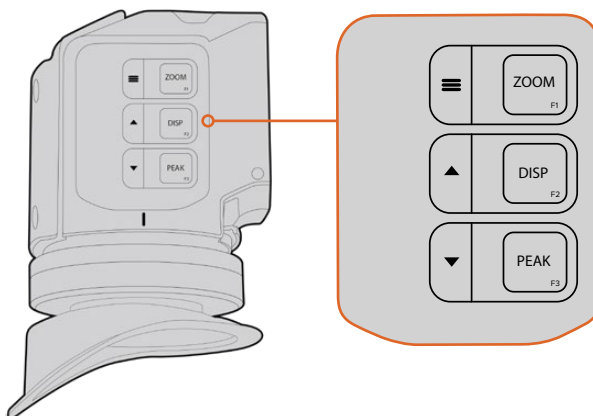
Conecte el ocular a la salida SDI HD y al conector de +12 V en la parte frontal de la cámara mediante los cables suministrados.

Ajuste del ocular

El borde de caucho desmontable puede ajustarse para adaptarlo al ojo izquierdo o derecho. A su vez, es posible regular el brazo del visor aflojando la perilla situada debajo de este y deslizando a la izquierda o la derecha según resulte más cómodo.

Botones

La parte superior del visor incluye los botones **ZOOM**, **DISPLAY** y **PEAK**. Estos se utilizan para acercar la imagen y activar o desactivar el indicador de enfoque o la información que se proporciona en la pantalla.



Los botones **ZOOM** (F1), **DISPLAY** (F2) y **PEAK** (F3) se encuentran en la parte superior del visor.

Asimismo, estos se emplean para acceder a otras funciones adicionales, menús y diferentes ajustes. Los íconos situados junto a cada botón indican el propósito para el cual se utilizan.

Por otra parte, es posible personalizarlos para que funcionen como accesos directos a aquellas prestaciones usadas con mayor frecuencia. Por ejemplo, la función **False Color** se puede asignar al botón **ZOOM**. Consulte el apartado *Accesos directos* para obtener más información al respecto.

ZOOM (F1) – Menú

Este botón permite lograr una mayor nitidez en el enfoque. Presiónelo para acercar la imagen y oprímalo nuevamente para volver a la vista normal. Asimismo, este botón permite ver opciones adicionales en el menú de ajustes al mantenerlo oprimido. Después de modificar una opción, presiónelo nuevamente para confirmar.

DISPLAY (F2) – Arriba

Presione este botón para ver información adicional en la pantalla. Asimismo, permite ver opciones adicionales en el menú de ajustes. Por otra parte, al mantenerlo oprimido, se accede rápidamente al menú de ajustes. Consulte el apartado *Accesos directos* para obtener más información al respecto.

PEAK (F3) – Abajo

El indicador de enfoque genera un borde verde alrededor de las partes más nítidas de la imagen para facilitar el enfoque. Presione el botón **PEAK** para activarlo. Oprímalo nuevamente para desactivarlo. Asimismo, este botón permite ver opciones adicionales en el menú de ajustes. Por otra parte, al mantenerlo oprimido, se accede rápidamente al menú de ajustes.

Menú de ajustes

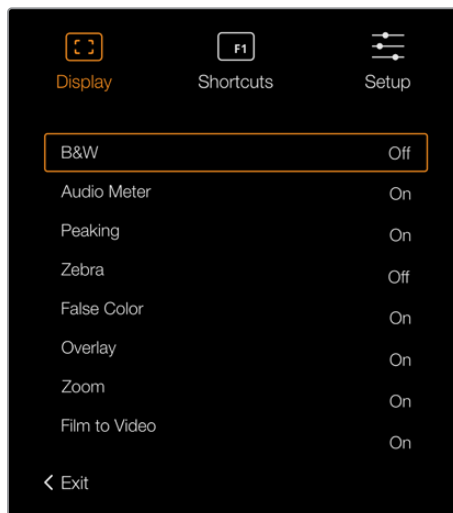
Este menú incluye tres grupos de ajustes diferentes para la pantalla, los accesos directos y la configuración del dispositivo. Mantenga presionado el botón **≡ MENU** para acceder al mismo. Presione las flechas hacia arriba ▲ o abajo ▼ para seleccionar distintos parámetros y oprima el botón **≡ MENU** nuevamente para confirmarlos.

Pantalla

El menú **Display** incluye las siguientes opciones:

Blanco y negro

La opción **B&W** permite alternar entre la imagen a color o en blanco y negro.



Menú **Display** en la interfaz del ocular.

Vúmetros

La opción **Meters** permite seleccionar el tipo de indicadores que se muestran en la pantalla. Los ajustes disponibles son **Histogram**, **Audio**, **Both** (ambos) o **None** (ninguno).

Indicador de enfoque:

La opción **Peaking** permite activar o desactivar el indicador de enfoque.

Zebra

La opción **Zebra** permite activar o desactivar esta función. El nivel deseado puede determinarse mediante el menú de ajustes de la cámara. Consulte el apartado *Ajustes* para obtener más información al respecto.

Falso color

La opción **False Color** permite activar o desactivar esta función. Esta herramienta superpone diferentes colores en la imagen para representar los valores de exposición correspondientes a diversos elementos. Por ejemplo, el rosa representa un nivel de exposición ideal para tonos de piel más claros, mientras que el verde es adecuado para matices más oscuros. Al observar dichos colores cuando se filma el rostro de una persona, es posible mantener un rango de luminosidad y brillo constante en este elemento específico. De manera similar, resulta sencillo identificar las áreas sobrepuestas de la imagen cuando el color cambia de amarillo a rojo.

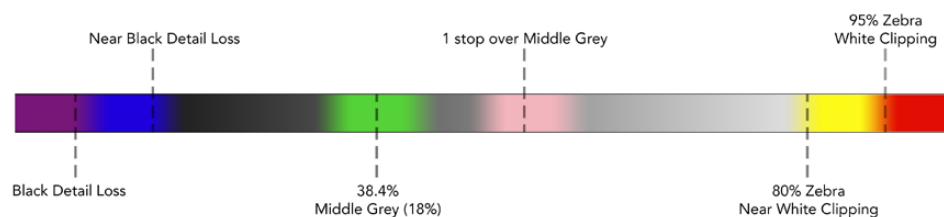


Diagrama de colores falsos

Información en pantalla

La opción **Overlay** permite visualizar u ocultar la información adicional en la pantalla. Es posible seleccionar los datos mostrados desde el menú de configuración del visor. A su vez, la cámara brinda la posibilidad de seleccionar otros parámetros, tales como el porcentaje del área de seguridad.

Ampliar

La opción **Zoom** permite activar o esta función para ampliar la imagen.

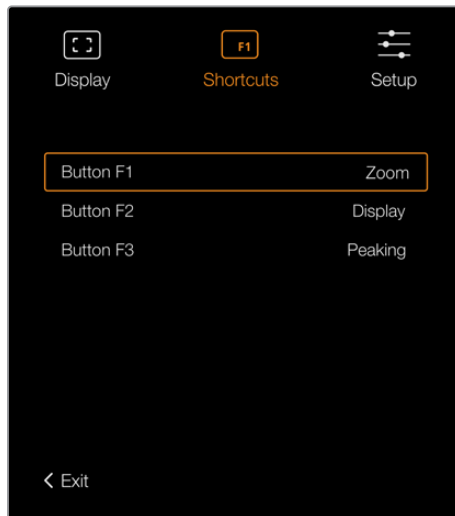
Film/Video

La opción **Film to Video** permite alternar entre dichos modos de visualización. Consulte el apartado *Ajustes de grabación* para obtener más información al respecto. Esta opción solo está disponible cuando la cámara transmite imágenes al ocular en modo **Film**. En el modo **Video**, esta función se desactiva a fin de evitar que se superpongan tablas LUT.

Accesos directos

La función **Shortcuts** resulta útil cuando es necesario asignar un botón particular a una herramienta de uso frecuente. Para personalizar los botones de acceso directo:

- 1 En el menú **Shortcuts**, utilice las flechas ▲ hacia arriba o abajo o para escoger ▼ uno de los tres botones disponibles. Presione el botón **MENU ≡** para confirmar.
- 2 Utilice nuevamente las flechas ▲ para escoger ▼ una de las funciones que se indican a continuación y asignarla al botón de acceso directo. Presione el botón **MENU ≡** para confirmar.
 - Blanco y negro
 - Falso color
 - Modo de visualización
 - Indicador
 - Pantalla
 - Vúmetros
 - Cebra
 - Ampliar imagen
 - Carta de enfoque
- 3 Seleccione la opción **Exit** y presione el botón **MENU ≡** para salir.



Botones de acceso directo en el ocular

Configuración

El menú **Setup** incluye las siguientes opciones:

Ajuste del brillo

La opción **Brightness Adjustment** permite ajustar el brillo de la pantalla entre -10 y +10.

Luz piloto

La opción **Tally Brightness** permite ajustar el brillo de la luz piloto.

Carta de enfoque

El ocular incluye una carta de enfoque digital integrada que hace posible adaptarlo a los ojos del usuario. Basta con girar el control de ajuste dióptrico hasta lograr un enfoque preciso. A continuación, presione cualquier botón para salir de esta opción.

Guías de encuadre

La opción **Frame Guides** permite ver las guías de encuadre en la pantalla. Al activar esta función en la opción **SDI frontal** del modelo URSA Broadcast G2, es posible visualizar las guías en la pantalla del ocular.

Consulte el apartado *Ajustes de monitorización* para obtener más información al respecto.

Área de seguridad

La opción **Safe Area Guide** permite ver el área de seguridad en la pantalla. Al activar esta función en la opción **SDI frontal** del modelo URSA Broadcast G2, es posible visualizar estas guías en la pantalla del ocular.

Consulte el apartado *Ajustes de monitorización* para obtener más información al respecto.

Cuadrícula

La opción **Grid** permite visualizar una cuadrícula, una cruz filar o un punto central en la pantalla. Al activar esta función en la opción **SDI frontal** del modelo URSA Broadcast G2, es posible visualizar estas guías en la pantalla del ocular.

Consulte el apartado *Ajustes de monitorización* para obtener más información al respecto.

NOTA: Al activar la función **Grid** en el menú de configuración del ocular, es posible ver el indicador de cámara al aire si esta se encuentra conectada a un mezclador ATEM. Nótese que la opción **Overlays** también debe activarse en el menú en pantalla.

Texto en pantalla

La opción **Status Text** permite ver diversos datos en la pantalla, tales como el balance de blancos, la frecuencia de imagen y el valor ISO. Al activar esta función en la opción **SDI frontal** del modelo URSA Broadcast G2, es posible visualizar estas guías en la pantalla del ocular.

Consulte el apartado *Ajustes de monitorización* para obtener más información al respecto.

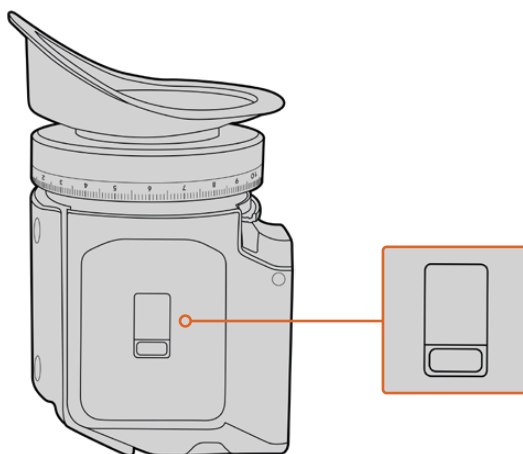
SUGERENCIA: Al instalar un ocular Blackmagic Viewfinder en una cámara URSA Broadcast G2, puede ocurrir una superposición de texto en la pantalla si esta función se encuentra activada en ambos dispositivos. En tal caso, recomendamos activarla en la cámara y desactivarla en el ocular.

Sensor infrarrojo

El sensor infrarrojo detecta cuando el usuario acerca el ojo al visor, y enciende automáticamente la pantalla OLED. Por el contrario, al alejarse por más de 20 segundos en modo de espera, la pantalla se apaga para prolongar su vida útil y ahorrar energía. Al grabar, el tiempo de espera del sensor se extiende a 5 minutos, y transcurrido dicho intervalo, la pantalla OLED se atenúa lentamente. Todo movimiento registrado por el ocular reiniciará el temporizador. Aunque el sensor detecta la proximidad del usuario, también es posible encender la pantalla manualmente presionando cualquier botón.



Al cubrir o bloquear el sensor infrarrojo deliberadamente, la pantalla del dispositivo permanecerá encendida durante períodos prolongados. Esto podría provocar una retención de imagen y en consecuencia reducir su vida útil cuando las guías de encuadre están activadas o al visualizar contenidos de alto contraste.



El sensor infrarrojo se encuentra en la parte inferior del ocular.

Actualización del dispositivo

El programa utilitario para cámaras de Blackmagic permite actualizar el sistema operativo interno del ocular. El dispositivo debe estar encendido al realizar la actualización, de modo que se recomienda mantenerlo conectado a la cámara durante todo el proceso. A su vez, la cámara debe ser capaz de suministrar corriente eléctrica en forma constante, por lo que es necesario enchufarla a una fuente de alimentación externa.

Conecte su equipo informático al puerto USB situado en la parte frontal del ocular. Al ejecutar el programa utilitario, el equipo solicitará que actualice el software interno del dispositivo si hay una nueva versión disponible. Siga las instrucciones que aparecen en la pantalla para llevar a cabo la actualización.

NOTA: Recomendamos actualizar el ocular para garantizar su compatibilidad con el modelo URSA Broadcast G2. La versión más reciente del software se encuentra disponible en nuestra página de soporte técnico. Consulte el apartado *Programa utilitario* para obtener más información al respecto.

SUGERENCIA: Recomendamos actualizar todos los componentes del modelo Blackmagic URSA simultáneamente para obtener un rendimiento óptimo.

Blackmagic URSA Studio Viewfinder



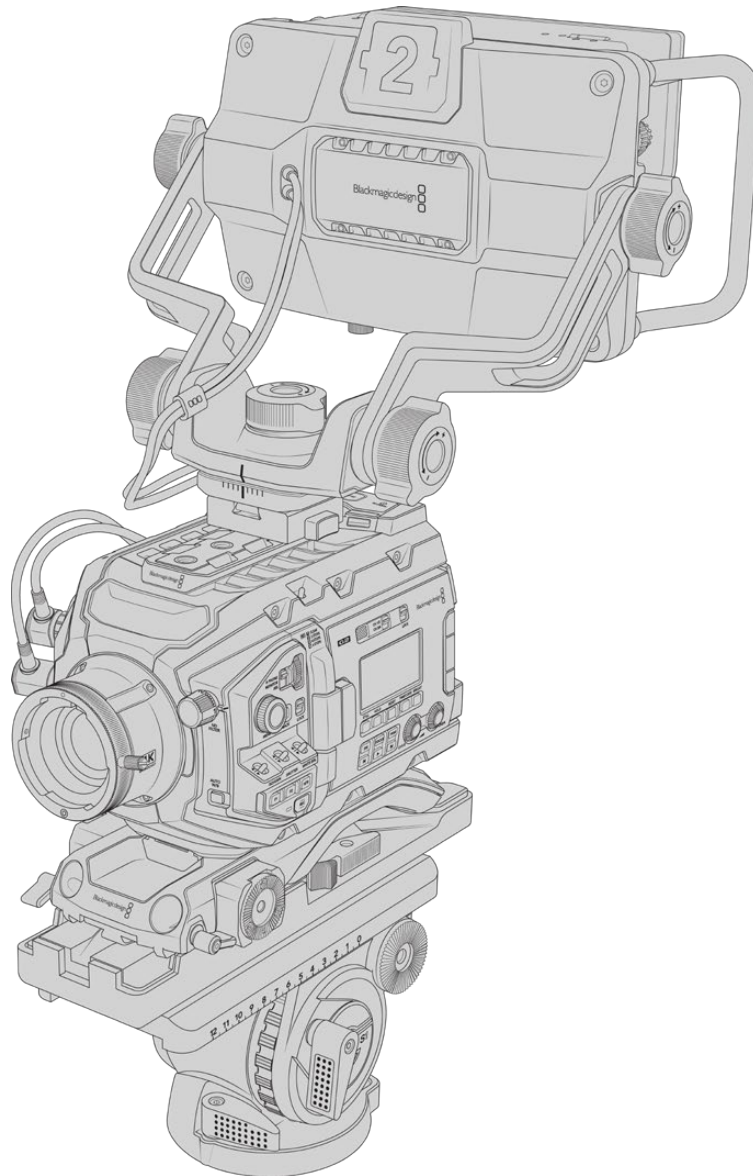
Este visor electrónico diseñado por Blackmagic permite convertir el modelo URSA Broadcast G2 en una cámara profesional para llevar a cabo producciones en directo. Cuenta con una pantalla brillante de 7 pulgadas, luz piloto, varias perillas, manijas de gran tamaño, un parasol y una montura articulada de tensión regulable. Estas prestaciones permiten permanecer detrás de la cámara durante períodos prolongados con suma comodidad para seguir el desarrollo de los acontecimientos, en particular al filmar conciertos en vivo, deportes y otros eventos extensos. Asimismo, este dispositivo es ideal para realizar producciones en directo, tanto en estudios como en exteriores.

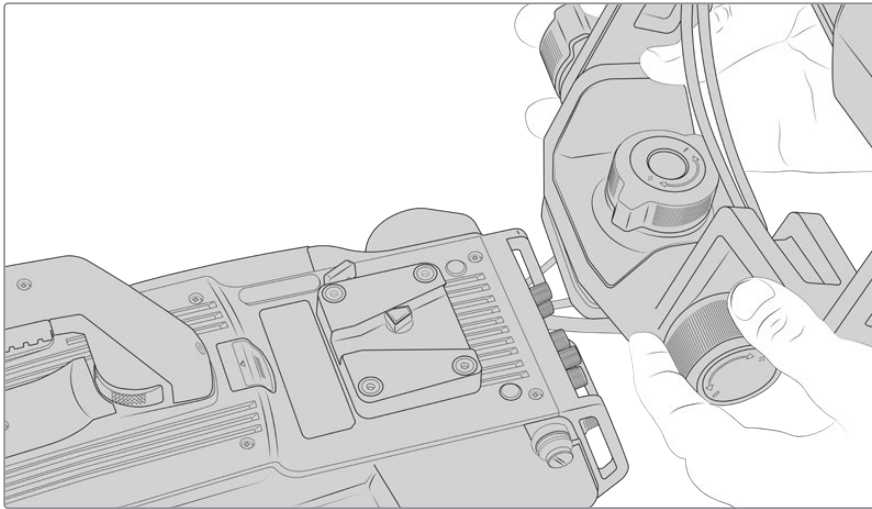
Montaje y conexión

Al utilizar el visor electrónico con el modelo URSA Broadcast G2, es posible montarlo a la cámara de diversas maneras.

Es posible instalar el visor directamente en la parte superior cámara, mediante la base para baterías VLock incluida, o en la manija superior suministrada con el soporte para el hombro.

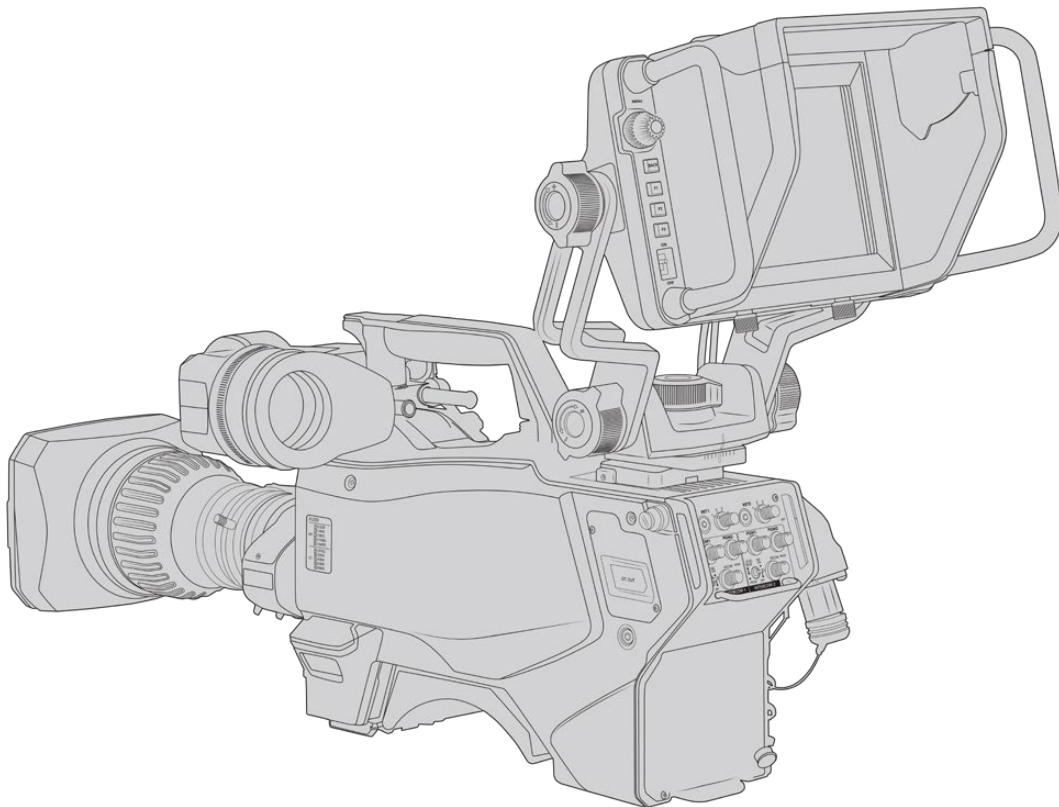
Sujete la base para baterías VLock a la parte superior de la cámara mediante los tornillos de 6.35 mm suministrados. Esto permite elevar el centro de gravedad de la unidad. Recomendamos llevar a cabo este procedimiento con la cámara apoyada sobre un trípode para lograr una mayor estabilidad.





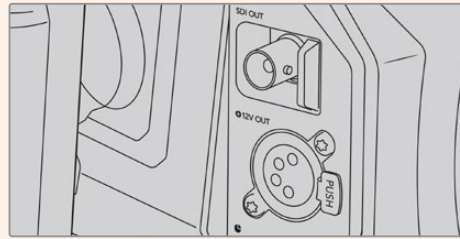
Montura en V colocada en una cámara desarrollada por otros fabricantes.

El visor puede colocarse en cualquier cámara que cuente con orificios roscados de 0.25 pulgadas mediante la montura suministrada u otras similares fabricadas por terceros. Asimismo, es posible montar el dispositivo en otras unidades que cuenten con un mecanismo de sujeción en V integrado.



Utilice los cables suministrados para conectarlos a la salida SDI 3G de la cámara y a la conexión de 12 V situada en la parte frontal.

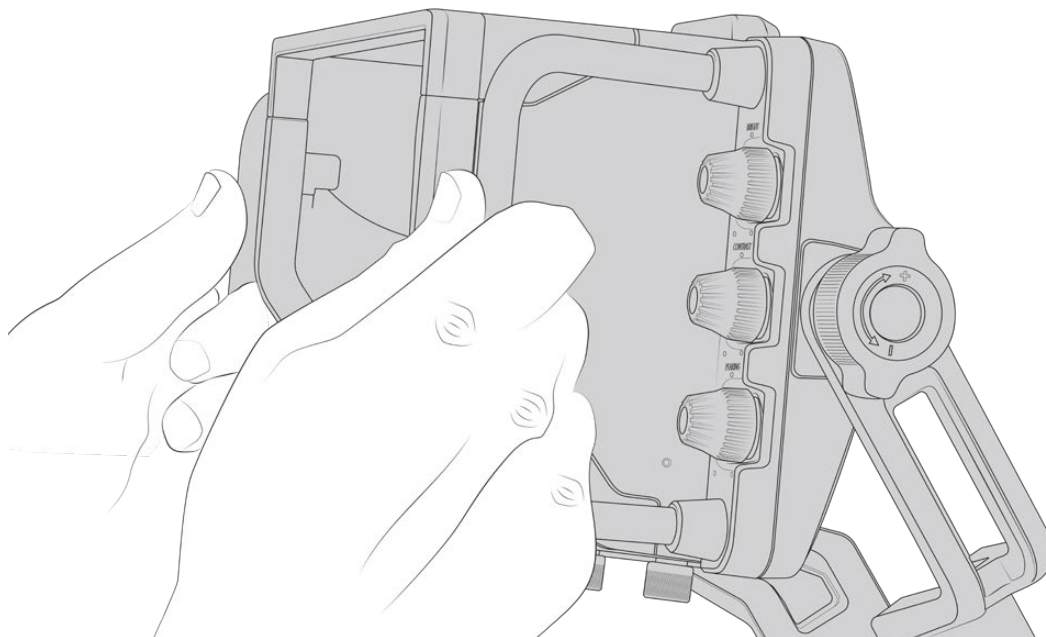
El botón de encendido de los dispositivos permite activarlos cuando la cámara está encendida. Nótese que la montura cuenta con sujetadores en el lateral que permiten mantener los cables en su lugar.



Salida SDI y conexión de 12 voltios en el modelo URSA Broadcast G2

SUGERENCIA: El visor funciona mediante conexiones SDI y XLR de 4 pines convencionales, de manera que es posible emplearlo con cualquier otra cámara, o incluso como un monitor portátil regulable. Asimismo, es compatible con el protocolo abierto de control y señalización ATEM, lo cual permite integrar los datos en la señal SDI para utilizar las luces piloto y la información en pantalla que ofrece el dispositivo.

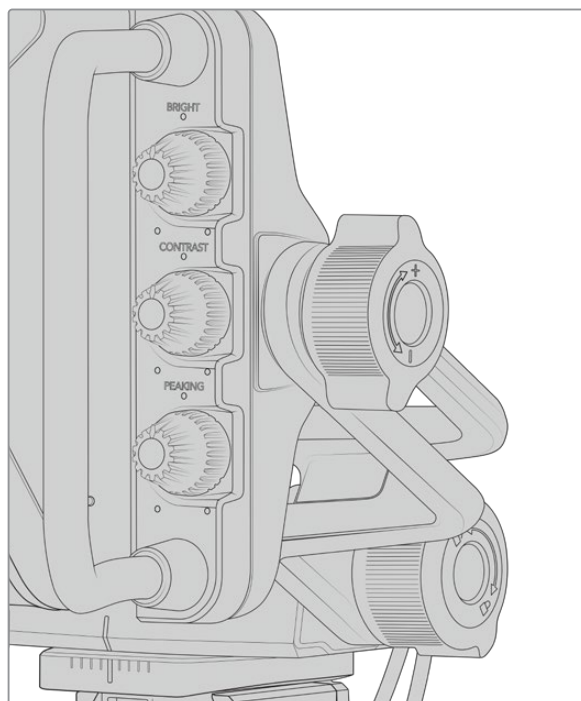
Ajuste del visor



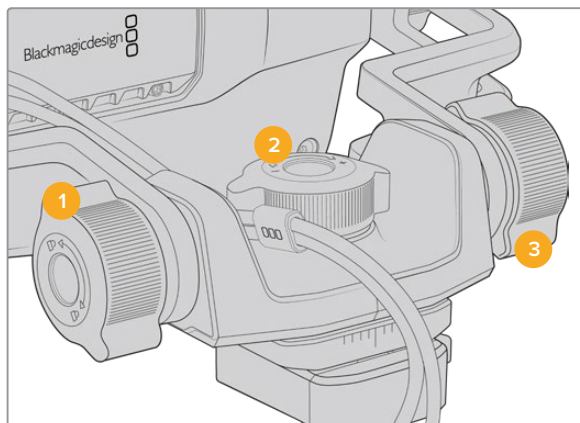
El visor ha sido especialmente diseñado para llevar a cabo todo tipo de producciones en directo e incluye manijas de grandes dimensiones con articulaciones de tensión variable que permiten moverlo con facilidad y ajustar el ángulo y la posición del mismo según sea necesario. Por su parte, el parasol protege la pantalla de posibles daños, y la cámara puede guardarse en un estuche de transporte sin necesidad de desarmarla. Asimismo, las manijas brindan la posibilidad de agarrar la cámara para llevarla de un lugar a otro.

La montura suministrada incluye tornillos de tensión regulable que permiten girar la cámara en dirección horizontal y vertical. El visor cuenta además con uno en el lateral izquierdo que brinda la posibilidad de ajustar el grado de movilidad del brazo, y otro en el costado derecho para evitar que el dispositivo se mueva una vez que se ha encontrado el ángulo más apropiado.

El rango de tensión de estos tornillos es sumamente amplio, lo cual permite seleccionar un grado de resistencia específico. Esto facilita el movimiento del visor en sentido horizontal o vertical hasta la posición deseada.



Tornillos de tensión regulable en ambos costados del visor



1 Bloqueo de inclinación

Este mecanismo permite fijar el ángulo de inclinación vertical del visor.

2 Control de tensión del giro

Controla la tensión al girar la cámara hacia la izquierda o la derecha.

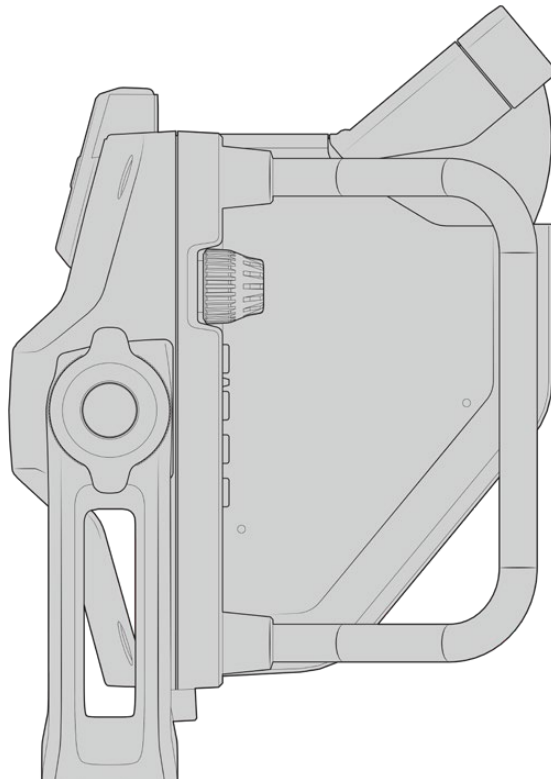
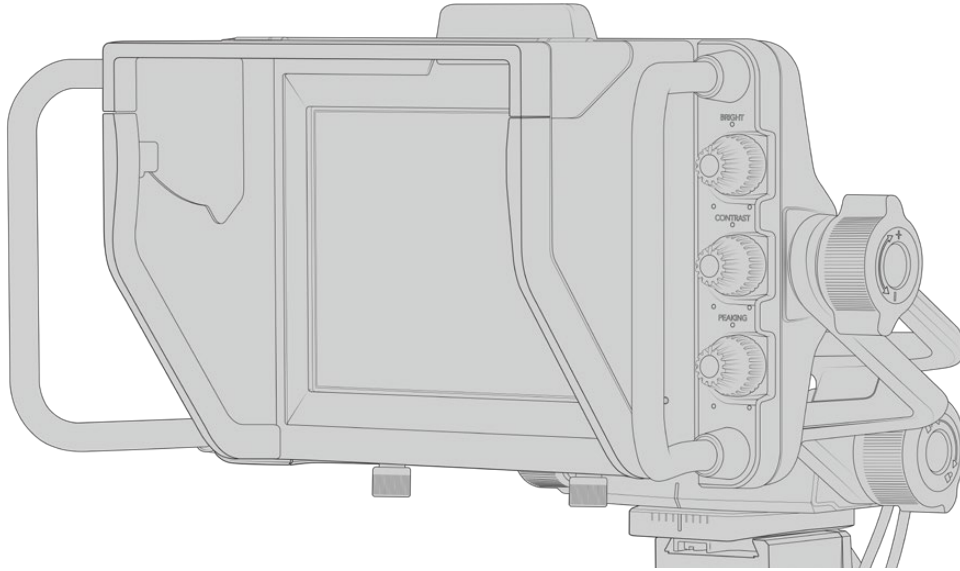
3 Control de tensión de la inclinación

Controla la tensión al inclinar la cámara hacia arriba o abajo.

SUGERENCIA: El dial central controla la tensión al realizar un movimiento horizontal sobre un eje fijo. Al aflojarlo, es posible sostener el visor y mover la cámara en forma independiente. Esto facilita la grabación de carreras, donde es necesario realizar un barrido con la cámara para seguir el desarrollo de los acontecimientos y al mismo tiempo mantener la vista sobre la pantalla del visor. La montura cuenta con una guía visual que permite volver a colocar el dispositivo en la posición central sin dificultad.

Parasol

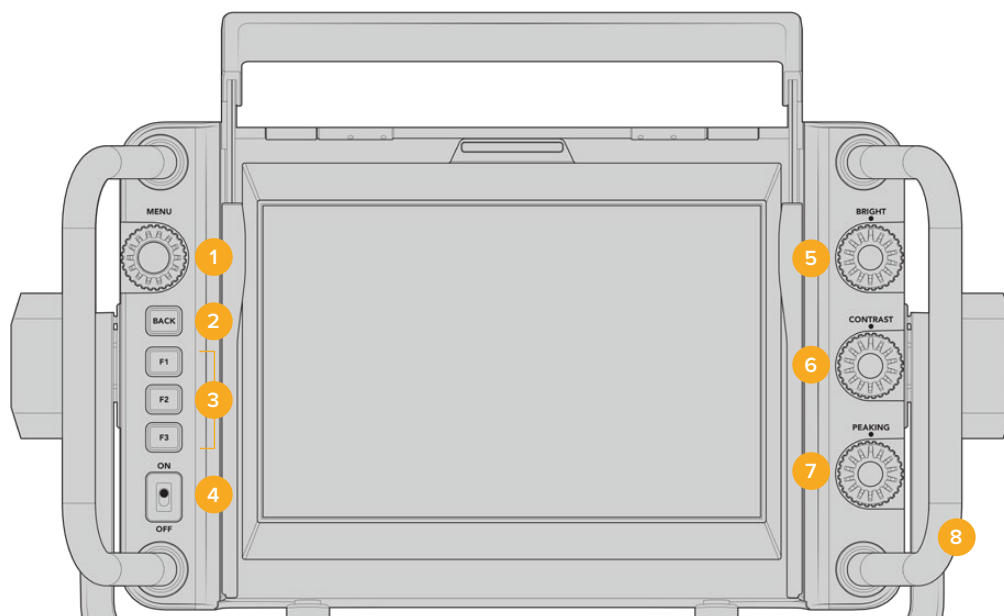
El parasol permite ver la pantalla cuando la luz es muy brillante. Para colocarlo, deslícelo sobre la parte superior del visor hasta que calce en su lugar y sujételo con los dos tornillos cautivos insertándolos en la base del mismo. La parte superior de la visera es regulable, lo cual ofrece la posibilidad de subirla o bajarla para obtener ángulos de visión adicionales. Asimismo, el parasol brinda protección a la pantalla del visor y puede quitarse con facilidad, por ejemplo, para acceder a la conexión USB C, a fin de actualizar el sistema operativo interno del dispositivo.



Parasol y visera regulable

Botones

Los controles en el lateral derecho permiten ajustar el brillo, el contraste y el indicador de enfoque con facilidad. Estos presentan un diseño ergonómico que brinda la posibilidad de moverlos con el dedo pulgar, cuando el parasol está instalado, o con dos dedos si es necesario realizar cambios de manera más sutil.



1 MENU:

Este selector permite acceder al menú y a los distintos ajustes del dispositivo.

2 BACK:

Este botón permite salir del menú.

3 F1, F2, F3:

Botones programables a los cuales es posible asignar las funciones utilizadas con mayor frecuencia.

4 Interruptor de encendido/apagado:

Este interruptor permite encender o apagar el dispositivo.

5 BRIGHT:

Este control permite ajustar el brillo de la imagen. El valor correspondiente (-100 a +100) se indica en la pantalla.

6 CONTRAST:

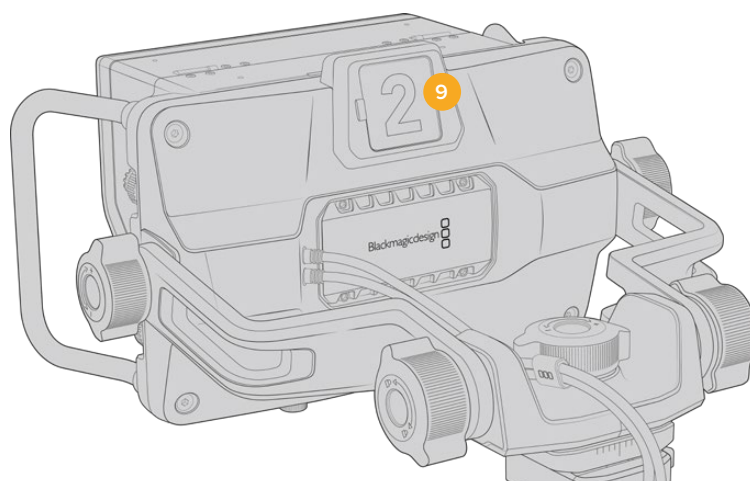
Este control permite ajustar el contraste de la imagen. El valor correspondiente (-100 a +100) se indica en la pantalla.

7 PEAKING:

Este control permite ajustar la intensidad del indicador de enfoque en la imagen. El valor correspondiente (-100 a +100) se indica en la pantalla. El menú de ajustes ofrece diferentes estilos para esta función. La opción tradicional resultará familiar para muchos usuarios, al igual que las líneas de color. Sin embargo, en el modelo URSA Broadcast G2 cabe la posibilidad de seleccionar líneas de color rojo, verde, azul, blanco o negro, lo cual facilita su visualización en imágenes con una dominante cromática en particular.

8 Manijas:

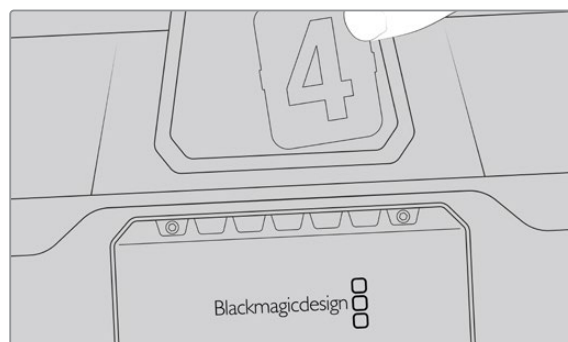
Las manijas permiten mantener el visor fijo al reubicar la cámara durante el rodaje. Asimismo, protegen la pantalla al preparar el dispositivo para su uso o guardarlo.



9 Luz piloto:

Esta luz situada en la parte posterior del visor se enciende de color rojo si la cámara se encuentra al aire, verde si no lo está, o naranja si se está realizando una grabación aislada.

Cuando se presiona uno de los botones en el mezclador para cambiar de cámara, la información se transmite a la unidad mediante una señal SDI, de modo que la luz se encenderá o apagará según corresponda. Asimismo, el visor incluye números transparentes que se colocan en la parte exterior de la luz piloto, a fin de identificar las cámaras con mayor claridad.



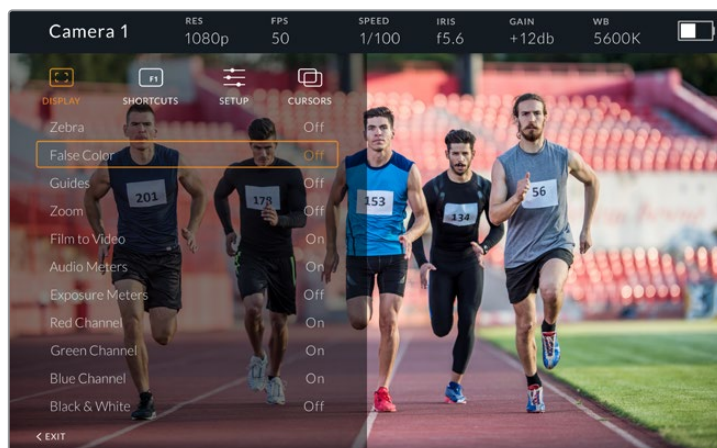
Junto con el programa de instalación, hemos incluido un archivo PDF editable que el usuario puede modificar según resulte necesario para imprimir sus propios números. Este se encuentra en la carpeta **Documents** ubicada dentro de la opción **Blackmagic Design** (Windows) o **Blackmagic Cameras** en **Aplicaciones** (Mac).

La luz piloto se enciende o apaga según el funcionamiento del mezclador. En caso de que la cámara no se encuentre conectada a dicho dispositivo, la luz será de color rojo cuando la unidad está grabando. Consulte el apartado *Descripción general sobre el control de cámaras* para obtener más información al respecto.

SUGERENCIA: Al utilizar el dispositivo con un mezclador ATEM, es importante activar la opción **Señal limpia** en la cámara URSA Broadcast G2 para evitar que la información superpuesta a la imagen en la pantalla del visor aparezca en la señal SDI transmitida por el mezclador. Dicha función se encuentra en la opción **SDI principal** de la pestaña **MONITOR** en la cámara.

Menú de ajustes

Al presionar o girar el botón **MENU**, es posible acceder a los distintos ajustes y desplazarse entre las opciones disponibles en cada caso. Asimismo, permite alternar entre los menús **DISPLAY**, **SHORTCUTS**, **SETUP** y **CURSORS** cuando uno de ellos se encuentra seleccionado. Gire el botón para resaltar uno de los parámetros. Presiónelo para seleccionarlo y gírelo nuevamente para modificarlo. Oprímalo nuevamente para confirmar. Presione el botón **BACK** para salir o seleccione la opción **EXIT** en la parte inferior izquierda de la pantalla.



Pantalla

Cebra

La opción **Zebra** permite activar o desactivar esta función. La intensidad de la misma dependerá de su configuración en la pestaña **MONITOR** del modelo URSA Broadcast G2. Cuando el visor no está conectado a la cámara, este valor equivale al 95 % del nivel de luminancia en una señal Rec 709. Consulte el apartado *Ajustes* para obtener más información al respecto.

Falso color

La opción **False Color** permite activar o desactivar esta función. Esta herramienta superpone diferentes colores en la imagen para representar los valores de exposición correspondientes a diversos elementos. Por ejemplo, el color rosa indica un nivel óptimo de exposición para los tonos de piel. Al observar dicho color cuando se filma el rostro de una persona, es posible mantener un rango de luminancia y brillo constante en este elemento específico. De manera similar, resulta sencillo identificar las áreas sobrepuestas de la imagen cuando el color cambia de amarillo a rojo. Puede resultar de utilidad asignar esta función a uno de los botones programables para acceder a la misma con mayor rapidez.

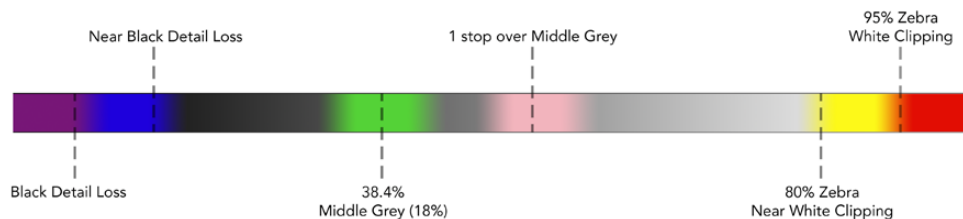


Diagrama de colores falsos

Guías de encuadre

La opción **Guides** permite mostrar u ocultar las guías de encuadre. El formato de estas coincide con el seleccionado en la pestaña **MONITOR** del modelo URSA Broadcast G2, al igual que la relación de aspecto, la opacidad y el porcentaje del área de seguridad.

A su vez, el menú **SETUP** del visor brinda la posibilidad de escoger el tipo de guías visualizado en la pantalla del dispositivo incluso cuando esta opción está desactivada.

Ampliar imagen

Permite activar o desactivar esta función. Este botón permite lograr una mayor nitidez en el enfoque. Al acercarse, es posible visualizar partes específicas de la pantalla girando el botón **MENU**. En la pantalla se indica la parte de la imagen cuyo tamaño se ha aumentado.

Modo de visualización

Al enviar una señal SDI con rango dinámico de película desde la cámara, la opción **Film to Video** permite aplicar a la imagen una tabla de conversión más colorida y de mayor contraste. Este ajuste solo está disponible cuando se detecta dicho rango dinámico, a fin de evitar el uso de tablas inadecuadas.

Nivel del audio

La opción **Audio Meters** permite obtener información sobre la intensidad del volumen en la señal SDI entrante, tanto en el visor como en la cámara. Al seleccionar la opción **Program**, se indica el volumen correspondiente a la señal emitida.

Indicadores de exposición

La opción **Exposure Meters** permite ver u ocultar el histograma de la señal.

Canal rojo

La opción **Red Channel** permite activar o desactivar el canal rojo en la imagen.

Canal verde

La opción **Green Channel** permite activar o desactivar el canal verde en la imagen.

Canal azul

La opción **Blue Channel** permite activar o desactivar el canal azul en la imagen.

Blanco y negro

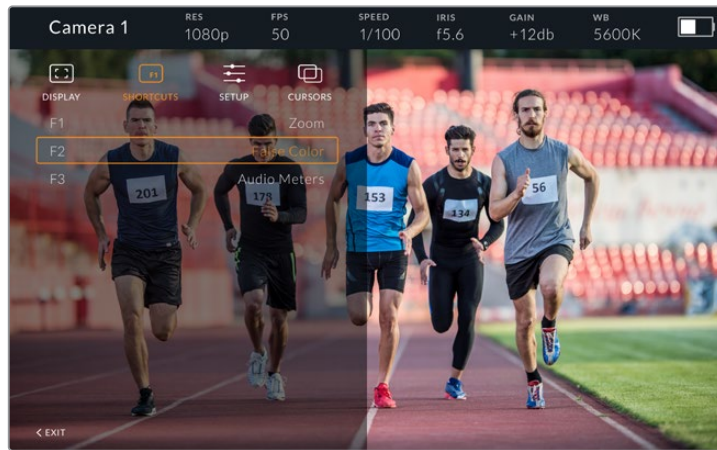
La opción **B&W** permite alternar entre la imagen a color o en blanco y negro.

Accesos directos

El menú **SHORTCUTS** permite asignar funciones específicas a los botones F1, F2 y F3. Estos brindan la posibilidad de activar o desactivar rápidamente cualquiera de las funciones del menú **DISPLAY**, o mostrar y ocultar las guías de encuadre. Esto resulta sumamente útil para acceder con facilidad a las herramientas del dispositivo empleadas con mayor frecuencia.

Para personalizar los botones de acceso directo: Gire la rueda **MENU** para seleccionar uno de los tres botones. Presiónelo una vez para confirmar y luego gírelo nuevamente para ver las funciones disponibles. Podrá seleccionar entre las siguientes: **Zoom, Cursor 1, Cursor 2, Cursor 3, Cebra, False Color, Guides, Film to Video, Audio Meters, Exposure Meters, Red Channel, Green Channel, Blue Channel, B&W**. Después de escoger la opción deseada, presione **MENU** una vez más para asignarla al botón seleccionado. De este modo, será posible activar o desactivar dicha función presionando el botón asignado.

Una vez asignadas las funciones a los botones, gire el control **MENU** para desplazarse hasta la opción **EXIT** y presiónelo para salir, u oprima el botón **BACK** en el dispositivo.



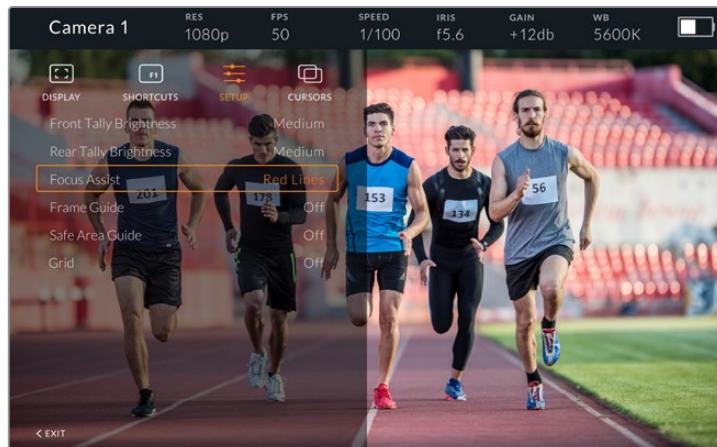
Menú **SHORTCUTS**

Configuración

El menú **SETUP** permite configurar diversos ajustes del visor.

Brillo de la luz piloto delantera

La opción **Front Tally Brightness** permite determinar el brillo de la luz piloto frontal. Las opciones disponibles son **Off**, **Low**, **Medium** y **High**. Al seleccionar una de estas, la luz se encenderá para proporcionar una indicación visual de la intensidad.



Menú **SETUP**

Brillo de la luz piloto trasera

La opción **Rear Tally Brightness** permite determinar el brillo de la luz piloto trasera. Las opciones disponibles son **Off**, **Low**, **Medium** y **High**. Al seleccionar una de estas, la luz se encenderá para proporcionar una indicación visual de la intensidad.

SUGERENCIA: En condiciones de gran intensidad lumínica, se recomienda aumentar el brillo para facilitar la visualización de la luz piloto a todos los integrantes del equipo de filmación. Por el contrario, en ambientes oscuros es aconsejable seleccionar un nivel de brillo inferior.

Asistente de enfoque

La opción **Focus Assist** permite activar o desactivar el indicador de enfoque. Los colores disponibles son rojo, verde, azul, blanco y negro, además del estilo tradicional para esta función.

Guías de encuadre

La opción **Frame Guides** permite ver las guías de encuadre en la pantalla del visor. Cuando el dispositivo se encuentra conectado al modelo URSA Broadcast G2, la relación de aspecto coincidirá con la seleccionada en la cámara. En caso contrario, el valor predeterminado para este parámetro es 14:9.

Área de seguridad

La opción **Safe Area Guide** permite ver el área de seguridad en la pantalla del visor. Cuando el dispositivo se encuentra conectado al modelo URSA Broadcast G2, el porcentaje coincidirá con el valor seleccionado en la cámara. En caso contrario, el valor predeterminado para este parámetro es 90 %.

Cuadrícula

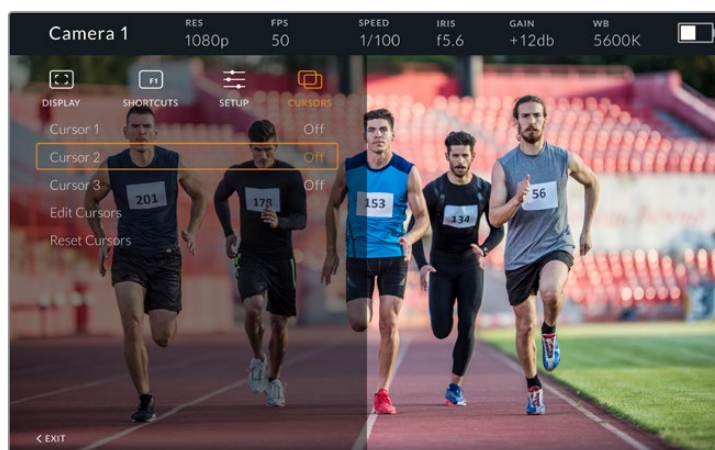
La opción **Grid** permite ver la cuadrícula en la pantalla del visor. Cuando el dispositivo se encuentra conectado al modelo URSA Broadcast, su formato coincidirá con el seleccionado en la cámara. En caso contrario, se muestra una cruz filar.

Brillo de la pantalla

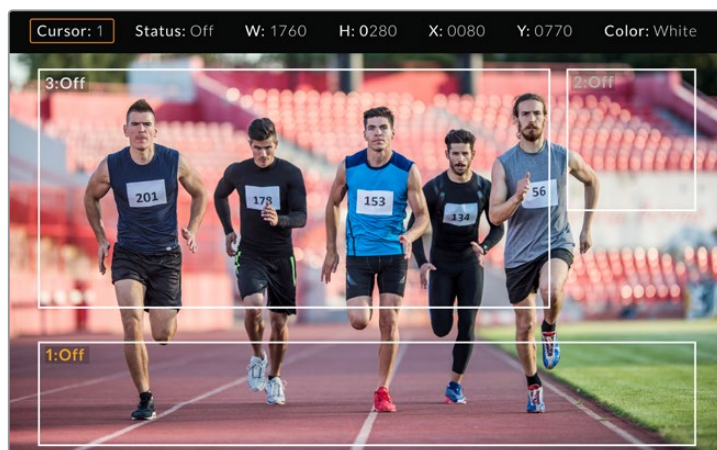
En el modelo URSA Studio Viewfinder actualizado, este ajuste aparece en la parte inferior del menú de configuración y permite ajustar el brillo de la pantalla.

Recuadros

La opción **Cursors** permite delimitar un área de la imagen sobre la cual se superponen elementos gráficos, tales como un logotipo, un texto móvil o un tercio inferior. Para ajustarla, seleccione la opción **Edit Cursors** en el menú **CURSORS**. A continuación, aparecerán tres recuadros en la pantalla cuyas dimensiones se pueden modificar individualmente.



Menú CURSORS



Recuadros en la pantalla

Una vez determinado el tamaño de cada uno, es posible activarlos o desactivarlos desde el menú **CURSORS** o asignarlos a uno de los botones programables para acceder a los mismos con mayor rapidez. Esto es importante al realizar producciones en directo, dado que permite al camarógrafo tener en cuenta diversos elementos al componer y encuadrar los planos. Asimismo, es posible crear hasta tres recuadros blancos o negros, con un ancho y una altura variable, y situarlos en diferentes lugares para facilitar la organización de los elementos que se añadirán posteriormente durante la transmisión. Además, se brinda la posibilidad de restablecer las dimensiones de los recuadros a sus valores predeterminados.

Ajuste del visor

Cuando se utiliza el dispositivo junto con el modelo URSA Broadcast G2, la conexión para auriculares de la cámara permite comunicarse directamente con el director.

Para una comunicación más avanzada, es posible emplear los dispositivos Blackmagic Camera Fiber Converter y Blackmagic Studio Converter, que permiten el uso de auriculares profesionales con conectores XLR de 5 pines. Consulte el apartado *Conversores para fibra óptica* a fin de obtener más información al respecto.

SUGERENCIA: La cámara es compatible con auriculares diseñados para teléfonos iPhone, de modo que es posible emplear estos modelos a fin de comunicarse con el director. Para ello, basta con presionar el botón en el mando integrado.

Actualización del dispositivo

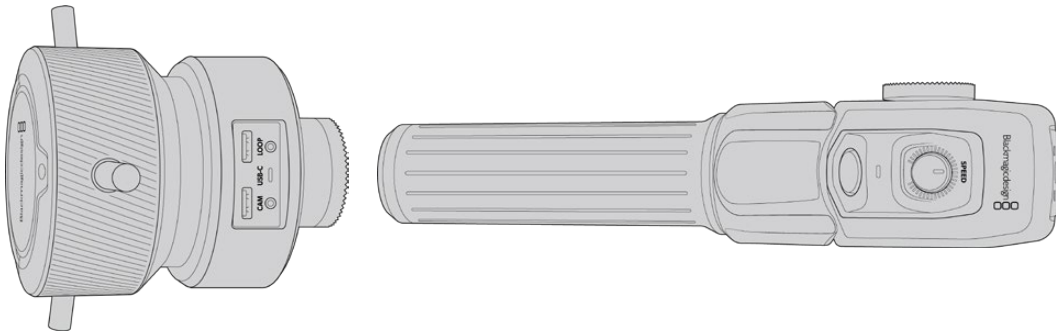
El programa utilitario para cámaras de Blackmagic permite actualizar el sistema operativo interno del ocular. El dispositivo debe estar encendido al realizar la actualización, de modo que se recomienda mantenerlo conectado a la cámara durante todo el proceso. A su vez, es necesario conectar la cámara a la red de suministro eléctrico para que le proporcione corriente en forma constante.

Retire el parasol para acceder al puerto USB C situado en la parte inferior del dispositivo y conéctelo a un equipo informático. Al ejecutar el programa utilitario, el equipo solicitará que actualice el software interno del dispositivo si hay una nueva versión disponible. Siga las instrucciones que aparecen en la pantalla para llevar a cabo la actualización. Consulte el apartado *Programa utilitario* para obtener más información al respecto.

Recomendamos actualizar todos los componentes del modelo URSA simultáneamente para obtener un rendimiento óptimo.

NOTA: Recomendamos actualizar el visor para garantizar su compatibilidad con el modelo URSA Broadcast G2. La versión más reciente del software se encuentra disponible en nuestra página de soporte técnico. Consulte el apartado *Programa utilitario* para obtener más información al respecto.

Blackmagic Zoom y Focus Demand



Estos dispositivos permiten controlar la distancia focal y el enfoque cuando se utilizan con objetivos compatibles B4, EF y PL que cuentan con un servomecanismo.

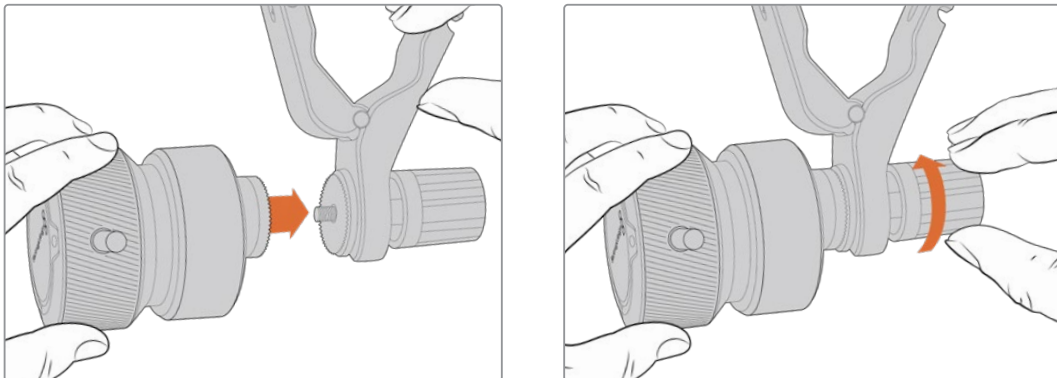
Dichos accesorios se instalan en la manija del trípode o en un pedestal. Esto permite controlar el enfoque y la distancia focal a la vez que la cámara se gira o inclina. Además, dichos dispositivos cuentan con botones y mandos adicionales que ofrecen la posibilidad de ajustar con precisión la velocidad y la sensibilidad del control de la distancia focal, o activar la comunicación y monitorizar la señal de retorno del programa.

Conexión e instalación en la cámara

Instalación en trípodes

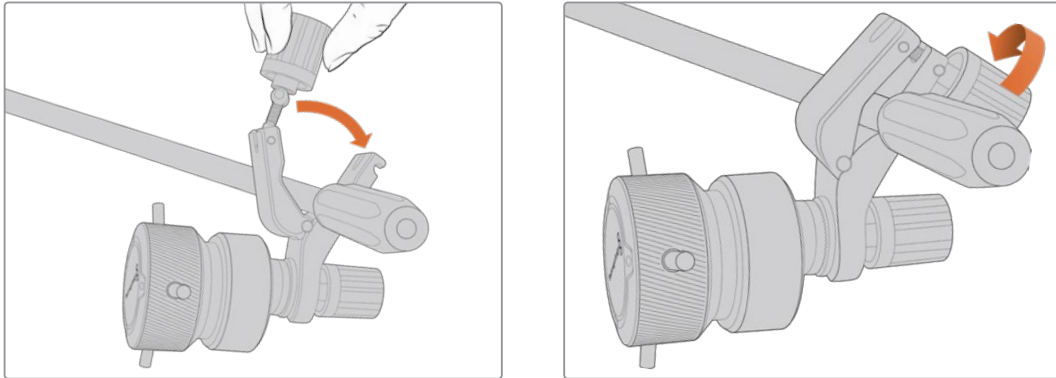
Cada unidad se instala en la manija del trípode con los soportes que colocan mediante las rosetas.

Para instalar los accesorios en los soportes, basta fijarlos con las rosetas de montaje y asegurarlas mediante el mecanismo giratorio.



- 1 Coloque el dispositivo Blackmagic Zoom Demand en la montura del soporte para las rosetas.
- 2 Ajuste el mecanismo giratorio a fin de que el accesorio quede instalado de manera firme.

Una vez instalado, es posible fijar los soportes a los brazos del trípode. Un extremo de cada soporte tiene un seguro en forma de T que debe encajarse en la ranura y ajustarse.



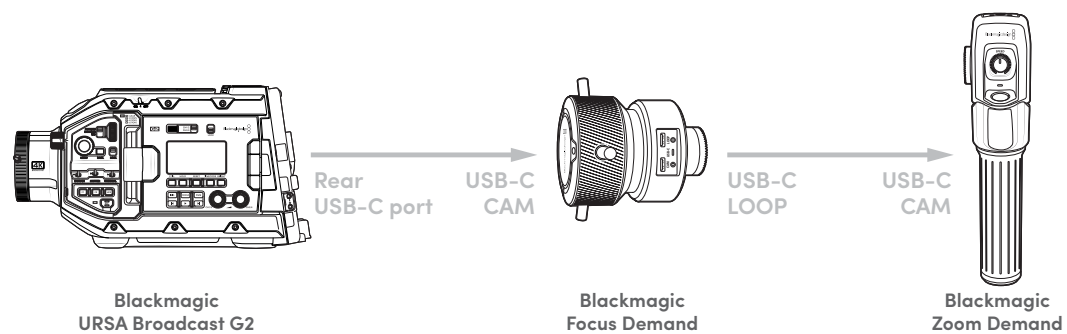
- 1 Para aflojarlo, gire el seguro hacia la izquierda, a fin de liberarlo.
- 2 A continuación, coloque el soporte angular en el brazo del trípode y ajústelo cerrando el seguro hasta que calce en la ranura. Es posible rotar el soporte a fin de colocarlo en la posición deseada.
- 3 Ajuste el mecanismo giratorio para asegurar el soporte al brazo del trípode.

Conexión a la cámara

Los accesorios Blackmagic Focus Demand y Blackmagic Zoom Demand cuentan con dos puertos USB-C que permiten usarlos de manera individual o conjunta.

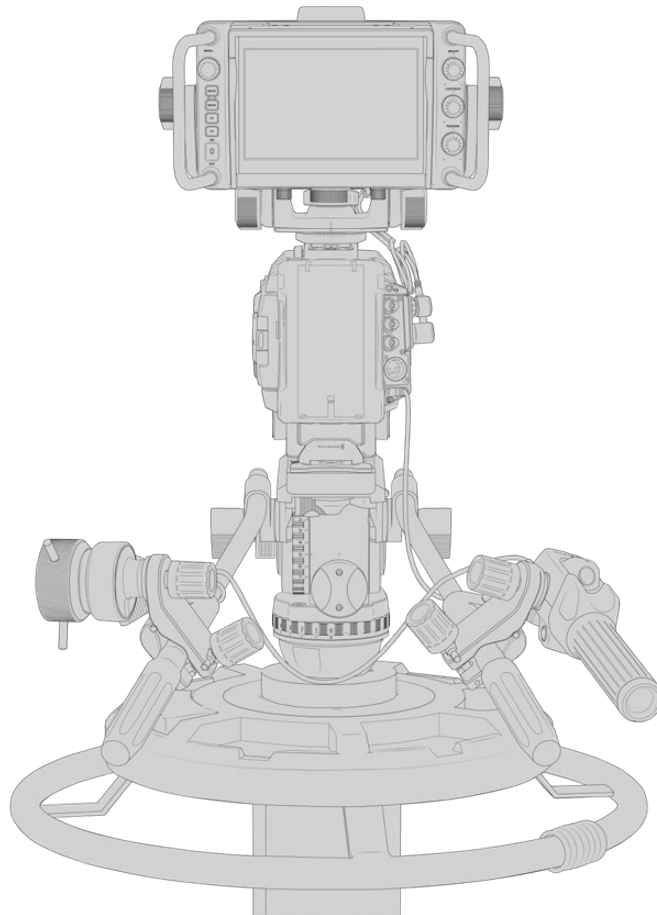
Cada unidad incluye un cable USB-C de un metro que brinda la posibilidad conectarla a cualquier puerto de expansión de la cámara.

En caso de utilizar ambos accesorios, recomendamos conectarlos en serie.



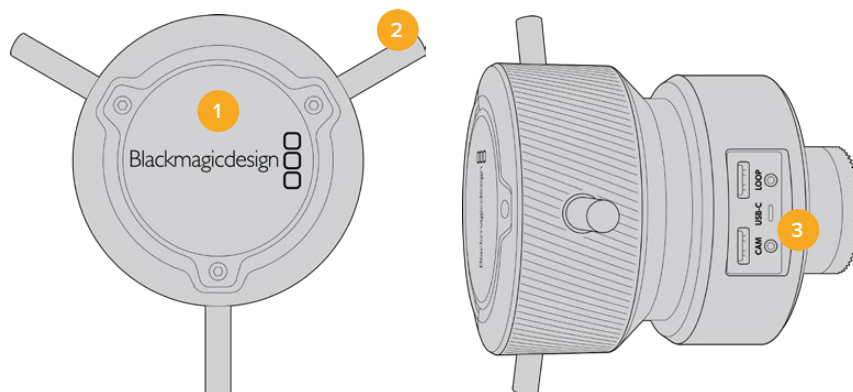
Al conectar ambas unidades en serie, pueden controlarse mediante el puerto USB-C trasero de la cámara. Por ejemplo, conecte un extremo de un cable USB-C a cualquier puerto correspondiente de la cámara y el otro extremo a la entrada **CAM** del dispositivo Blackmagic Focus Demand. Con un segundo cable, conecte la salida de dicho accesorio a la entrada respectiva en la unidad Blackmagic Zoom Demand.

El cable USB-C cuenta con mecanismos de seguridad en ambos extremos, a fin de prevenir que se desconecte de manera accidental. No es necesario utilizarlos, pero es útil en estudios donde los accesorios siempre están conectados a las cámaras.



Los accesorios Blackmagic Focus Demand y Blackmagic Zoom Demand permiten controlar el enfoque y la distancia focal sin quitar la vista de la pantalla.

Uso del accesorio Blackmagic Focus Demand



1 Mando giratorio

Gire el mando hacia la derecha a fin de enfocar objetos cercanos al objetivo o, por el contrario, hacia la izquierda para enfocar objetos más lejanos. Es posible cambiar la dirección en que se gira el mando en el menú de la cámara mediante las opciones **Normal** o **Inversa**.

SUGERENCIA: Al emplear una unidad Blackmagic Zoom Demand simultáneamente, presione el botón F2 con el propósito de aumentar la imagen a la vez que se enfoca.

2 Palancas

Estas tres palancas permiten expandir el diámetro de la superficie de control, a fin de ajustar el enfoque con mayor precisión mediante la punta de los dedos.

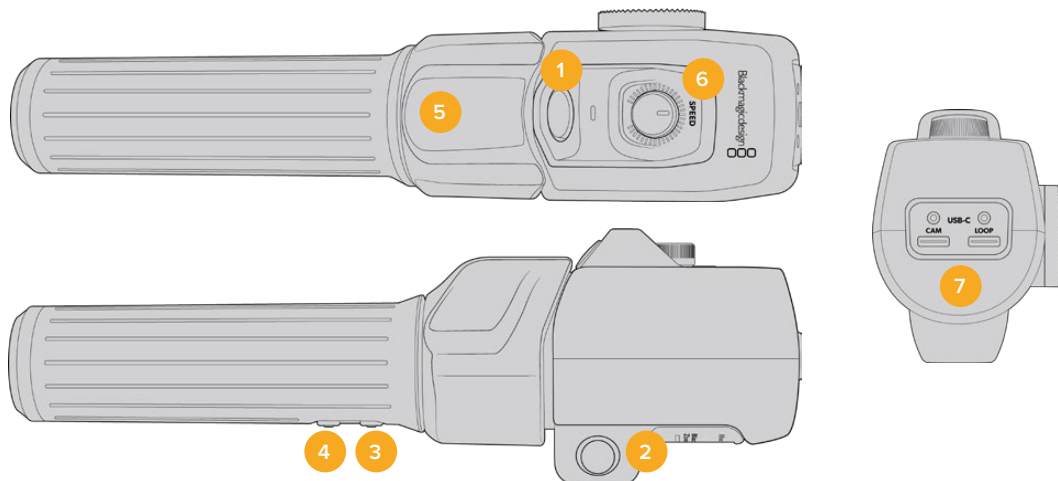
3 Puerto USB

Estos puertos permiten conectar el accesorio a la cámara y otros dispositivos en serie. Además, es posible utilizar el puerto **IN** para actualizar el sistema operativo del dispositivo a través del programa utilitario.

Uso del accesorio Blackmagic Zoom Demand

Los controles en este accesorio se pueden asignar a otros botones en el menú de configuración de la cámara. Consulte el apartado correspondiente para obtener más información al respecto.

Las siguientes funciones están configuradas por defecto:



1 F1

De manera predeterminada, este botón se encuentra asignado a la grabación.

2 F2

Este botón situado del otro lado del accesorio funciona del mismo modo que el anterior, lo cual facilita el control del dispositivo con la mano derecha o izquierda, y está configurado de forma predeterminada para ajustar rápidamente la distancia focal al grabar.

NOTA: Esta función solo es visible en la pantalla LCD de la cámara. No está disponible en otros equipos externos conectados, como mezcladores o grabadores.

3 F3

Este botón está asignado de manera predeterminada a la señal de retorno. Por lo general, proviene de un mezclador, pero puede ser cualquier señal SDI recibida por la cámara.

4 F4

Este botón está asignado de manera predeterminada a la comunicación. Cuando la cámara está conectada a un mezclador, manténgalo presionado a fin de comunicarse con el operador del mezclador.

5 Interruptor

La manija del accesorio Blackmagic Zoom Demand incluye un interruptor cerca de la posición del dedo pulgar que permite controlar la distancia focal desplazándolo hacia la izquierda para alejar la imagen y hacia la derecha para acercarla. No obstante, el sentido puede invertirse a través del menú de configuración de la cámara.

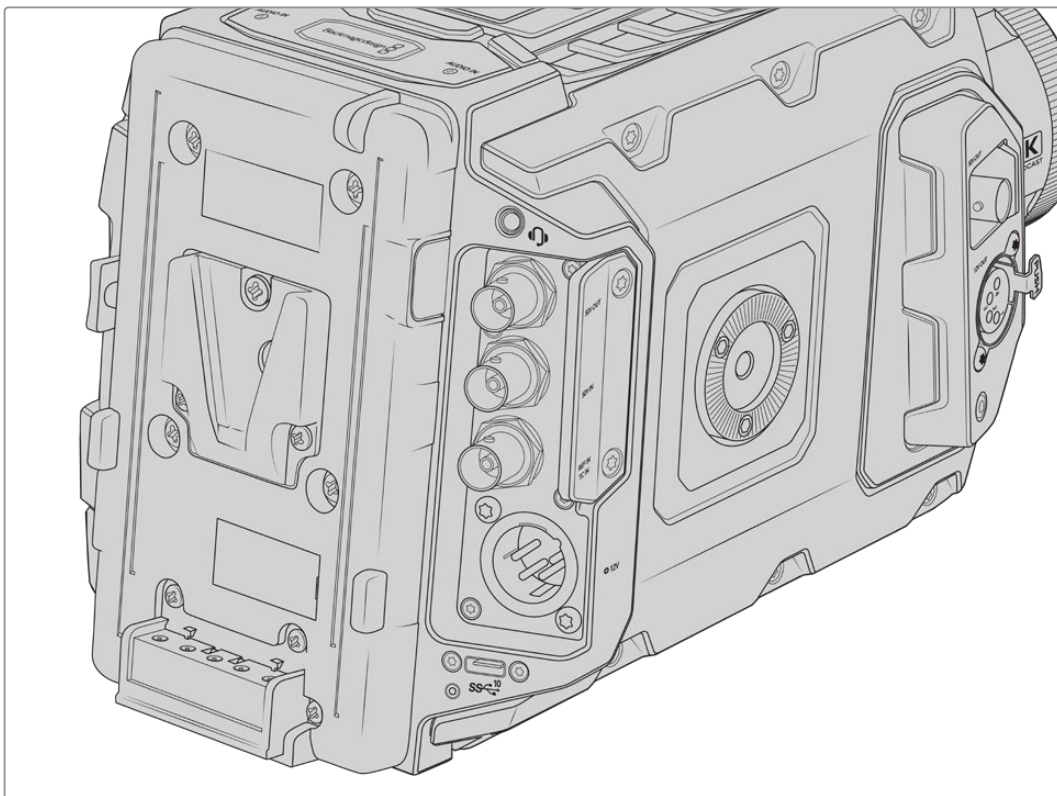
6 Dial

Este control en la parte superior permite ajustar la velocidad a la que se modifica la distancia focal. Por otro lado, se puede asignar a distintos ajustes, por ejemplo, el volumen de los auriculares o la apertura del diafragma.

7 Puertos USB-C

Estos puertos permiten conectar el accesorio a la cámara y otras unidades en serie. Además, es posible utilizar el puerto **IN** para actualizar el sistema operativo del dispositivo a través del programa utilitario.

Instalación de baterías



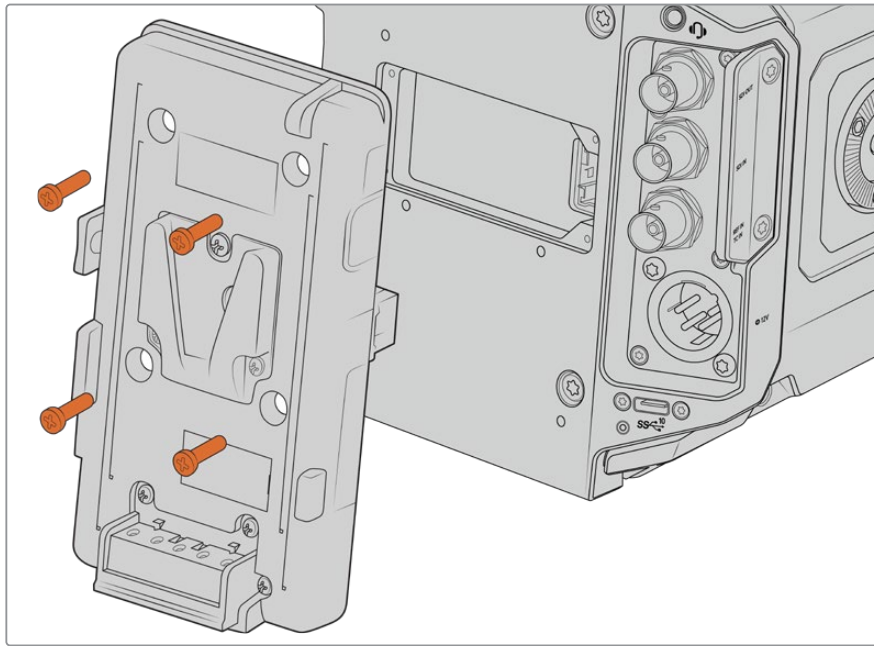
Instalación de baterías V-Lock o Gold Mount

El modelo Blackmagic URSA Broadcast G2 incluye un soporte para baterías tipo V-Lock que además puede reemplazarse por la versión Blackmagic URSA Gold Battery Plate o por modelos de otros fabricantes.

SUGERENCIA: Los soportes Blackmagic URSA V-Lock Battery Plate y URSA Gold Battery Plate permiten ver la carga restante de la batería expresada como un porcentaje. Estos cuentan con un conector de +12 V denominado «D-Tap» o «P-Tap» que brinda la posibilidad de suministrar corriente a otros accesorios, tales como monitores externos. Dado que dicha salida se regula desde la cámara, el suministro se interrumpe de manera segura al apagar la unidad. Esta conexión es capaz de proporcionar 12 voltios a un máximo de 1.5 amperes. Algunos soportes para el modelo URSA e incluso algunas baterías incluyen una salida D-Tap no regulada que continúa suministrando corriente mientras la cámara se reinicia, pero el voltaje varía según el nivel de carga, y además los accesorios conectados consumen energía constantemente.

Los soportes para baterías V-Lock pueden adquirirse en cualquier distribuidor de productos Blackmagic Design. En forma alternativa, los modelos para ambos tipos de batería pueden conseguirse a través de proveedores de equipos digitales profesionales para la industria audiovisual. También es posible utilizar el cable adaptador y el conector suministrados para modificar su propio soporte, en caso de no contar con uno diseñado específicamente para el modelo URSA Broadcast G2. Consulte el apartado *Otros soportes para baterías* a fin de obtener más información al respecto.

Si desea reemplazar el soporte para baterías en el modelo Blackmagic URSA Broadcast G2:



- 1 Afloje los cuatro tornillos M3 en las esquinas del soporte.
- 2 Desconecte de la cámara el conector Molex del soporte.
- 3 Conecte el conector Molex del nuevo soporte a la cámara.
- 4 Apriete los cuatro tornillos M3 para sujetar el soporte a la cámara. Verifique que el cable del conector esté dentro de la ranura para evitar que quede apretado entre el soporte y el panel.
- 5 Al finalizar la instalación, podrá colocar una batería para alimentar la cámara.

Otros soportes para baterías

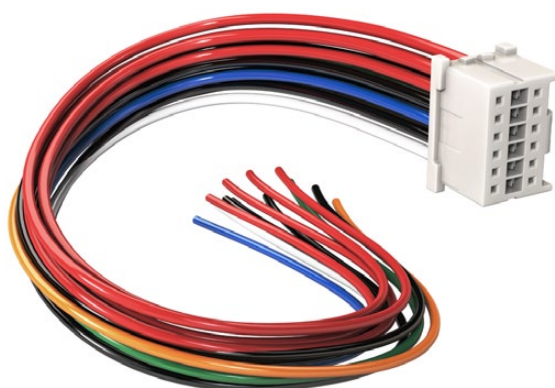
Conector y cable adaptador

Utilice el cable adaptador y el conector suministrado para modificar un soporte a fin de conectarlo a la cámara. De manera alternativa, puede adquirirlos en el distribuidor de productos Blackmagic más cercano.

Para conectar el cable adaptador y el conector al soporte de la batería:

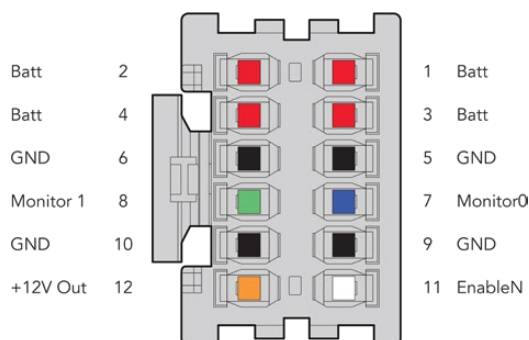
- 1 Pele aproximadamente media pulgada (1.27 cm) del aislante en los extremos de cada cable rojo y negro.
- 2 Suelde los cuatro cables rojos (Batt) al cable positivo correspondiente del soporte.
- 3 Suelde los cuatro cables negros (GND) al cable negativo correspondiente del soporte.

Asegúrese de que las uniones cuenten con un buen aislamiento.



Utilice el cable adaptador y el conector suministrado para modificar un soporte a fin de conectarlo a la cámara. De manera alternativa, puede adquirirlos en el distribuidor de productos Blackmagic más cercano.

De este modo, se suministra corriente eléctrica a la cámara. Adicionalmente, es posible conectar otros cables para habilitar una salida de 12 V y comprobar el estado de la batería. Consulte las instrucciones disponibles para el soporte, además del diagrama y las tablas que se muestran en esta página, a fin de verificar la forma correcta de realizar la conexión. Si desea obtener más información, visite la página de soporte técnico en nuestro sitio web.



Vista trasera del conector. Consulte la tabla de configuración de cables para obtener información sobre cada conexión.

Tabla de configuración de cables

Pines	Señal	Color	Dirección	Descripción
1, 2, 3, 4	Batt	Rojo	Hacia la cámara	12 - 20 V
5, 6, 9, 10	Tierra	Negro	–	–
7	Monitor0	Azul	Hacia la cámara	Nivel de batería analógica o línea de datos abierta (20 V máx.)
8	Monitor1	Verde	Hacia la cámara	Línea abierta para reloj (3.4 V máx.)
12	Salida de +12 V	Naranja	Desde la cámara	Salida regulada de 12 V (1.5 A máx., 18 W)
11	EnableN	Blanco	Hacia la cámara	Conexión a tierra para habilitar la salida de +12 V. Dejar libre si no es necesario utilizarla.

Cada una de las conexiones **Batt** y **GND** admite una intensidad de corriente eléctrica de 3 A. Asegúrese de conectar todos los pines. Para comprobar el estado de la batería al utilizar soportes tipo Anton Bauer, IDX o Blueshape, siga las instrucciones descritas a continuación:

Anton Bauer	Conecte el cable azul y blanco al contacto azul (pin 7) en el conector.
IDX	Conecte el cable verde al contacto verde (pin 8) y el cable gris al contacto azul (pin 7) en el conector.
Blueshape	Conecte el cable SMBC azul al contacto verde (pin 8) en el conector. Conecte el cable SMBD marrón al contacto azul (pin 7) en el conector.

Corte los cables no utilizados lo más cerca posible de la parte trasera del conector.

Conversores para fibra óptica

Los dispositivos Blackmagic Camera Fiber Converter y Blackmagic Studio Fiber Converter son accesorios que permiten conectar las cámaras URSA Broadcast G2 o URSA Mini a un mezclador ATEM mediante un cable SMPTE de fibra óptica.

Este permite transmitir tanto las señales audiovisuales como aquellas empleadas para controlar las cámaras y comunicarse con otros integrantes de la producción. De este modo, se reduce la cantidad de cables necesarios, simplificando la preparación y el desarrollo de la producción. A su vez, los conectores del modelo Blackmagic Studio Fiber Converter facilitan la instalación de los conversores en unidades móviles.



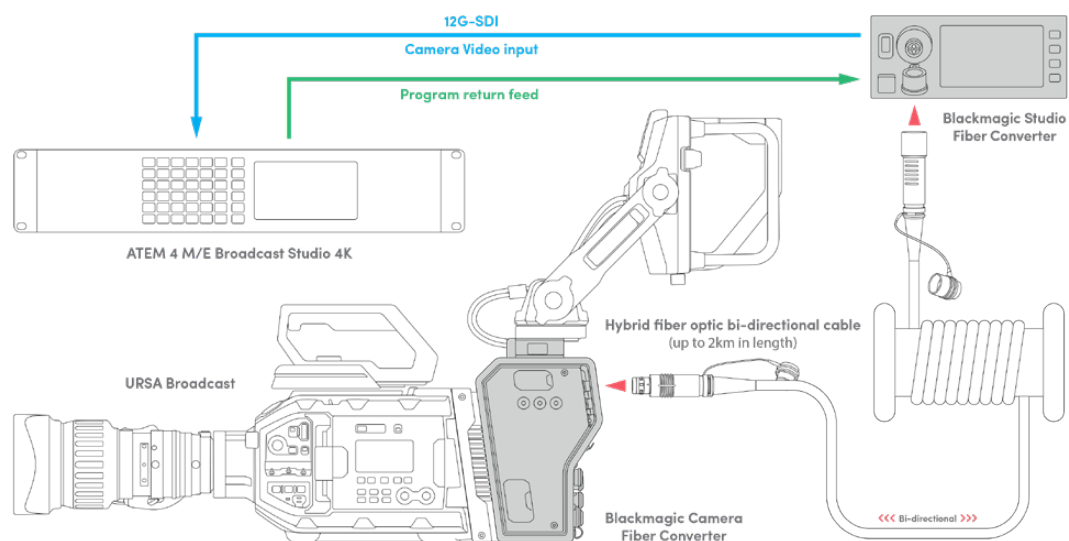
Blackmagic Camera Fiber Converter

Se instala en la parte posterior de la cámara URSA Broadcast G2 y se conecta al modelo Blackmagic Studio Fiber Converter mediante un conector híbrido SMPTE 304.



Blackmagic Studio Fiber Converter

Convierte la señal por fibra óptica proveniente de la cámara mediante la conexión BNC para obtener otra señal SDI que se transmite al mezclador ATEM. Permite además enviar señales de retorno a la cámara.



Los conversores se conectan mediante un cable de fibra óptica que permite transmitir señales audiovisuales, alimentar la cámara, controlarla y comunicarse con otros integrantes de la producción.

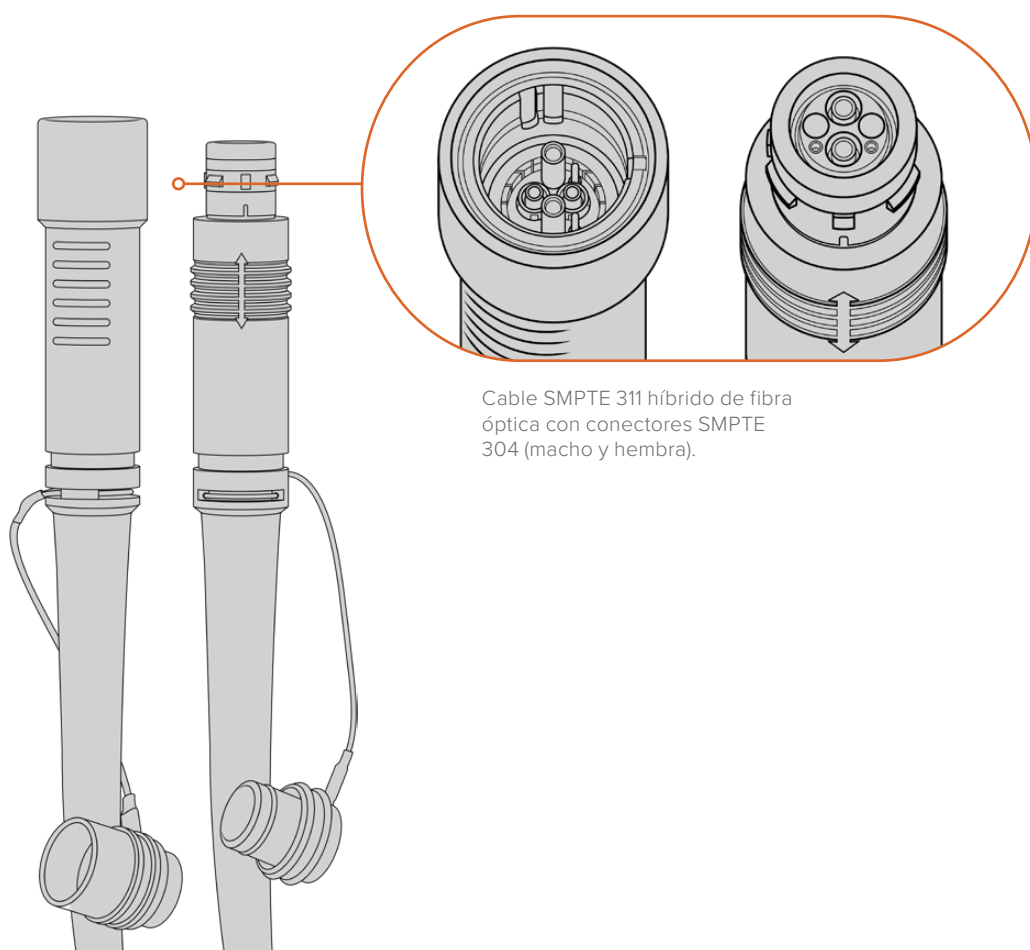
Primeros pasos

Comenzar a utilizar los conversores es sumamente sencillo. En poco tiempo podrás disfrutar de todos los beneficios que ofrece la fibra óptica.

Acerca de la fibra óptica SMPTE

Los cables SMPTE de fibra óptica ofrecen una manera sencilla de transmitir múltiples señales y alimentar cámaras situadas a grandes distancias. Esto es muy útil, ya que permite reducir la cantidad de cables conectados de cada cámara al mezclador.

Con un solo cable híbrido SMPTE 311, es posible transmitir señales audiovisuales, alimentar la cámara, controlarla y comunicarse con otros integrantes de la producción. Además, la fibra óptica permite abarcar distancias de hasta 2 kilómetros.



Cable SMPTE 311 híbrido de fibra óptica con conectores SMPTE 304 (macho y hembra).

NOTA: Los extremos macho y hembra del cable SMPTE 311 se identifican por sus pines en el conector SMPTE 304. El género no está determinado por su apariencia exterior.

SUGERENCIA: Conecte las cubiertas de goma en cada extremo del cable a sus contrapartes en los conversores, a fin de prevenir que entre polvo en la conexión.

Una de las principales ventajas de emplear fibra óptica radica en conexiones de las cámaras al control central o a las unidades móviles de exteriores durante las producciones en directo. La mayoría de los estadios modernos ya cuentan con un cableado de fibra óptica, por lo cual solo es necesario conectar los equipos.

Esto se lleva a cabo mediante un cable híbrido SMPTE 311 con conectores SMPTE 304.

Protección de los conectores SMPTE

Los conectores del cable siempre deben estar protegidos mediante las cubiertas de goma. Estas evitan que se acumulen partículas de polvo en los extremos pulidos de los tubos de fibra de vidrio, lo cual podría provocar una interrupción de la señal. Recomendamos colocarlas inmediatamente si el conector no se encuentra conectado.

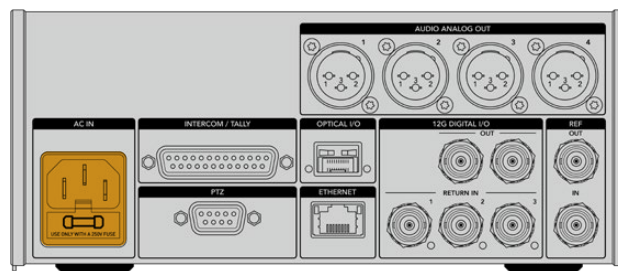
También es aconsejable verificar que las cubiertas de goma en cada extremo del cable estén conectadas a sus contrapartes en los conversores al utilizarlos, a fin de prevenir que entre polvo en la conexión.

Conexión del cable de alimentación

Dado que el conversor situado en el estudio alimenta a la unidad instalada en la cámara mediante el cable de fibra óptica, el primer paso es conectarlo a una red de suministro eléctrico.

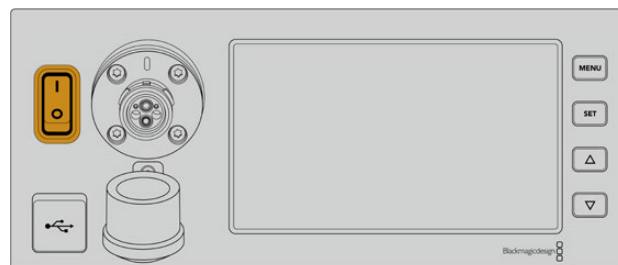
Alimentación del Studio Fiber Converter

Conecte un cable IEC común a la entrada de alimentación en la parte trasera del dispositivo.



Utilice un cable IEC convencional para suministrar energía eléctrica al dispositivo.

Encienda la unidad mediante el interruptor situado en el panel frontal.



Conexión del cable SMPTE

El siguiente paso es conectar ambos conversores mediante el cable SMPTE de fibra óptica. Este permite alimentar la cámara y transmitir las señales audiovisuales.

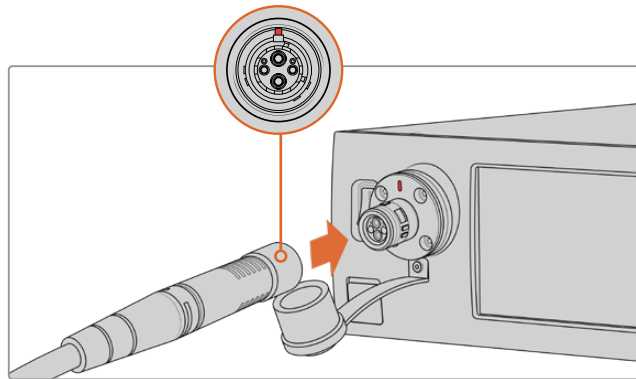
NOTA: Los controles de seguridad se inician al conectar el cable híbrido de fibra óptica al conversor, y la fuente de alimentación de la unidad se verifica constantemente durante su uso.

Conexión del cable al conversor en el estudio

El extremo macho del cable encaja perfectamente en la conexión hembra del panel frontal del modelo Studio Fiber Converter, evitando de esta forma que se desconecte accidentalmente durante una transmisión.

Para conectar el cable:

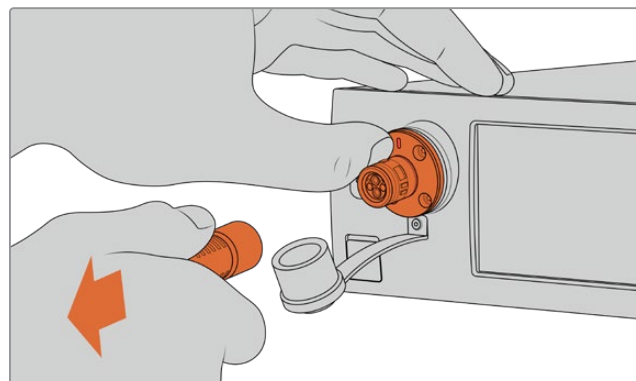
Compruebe que los indicadores rojos en cada uno de los conectores estén alineados. Inserte el cable en la conexión y verifique que calce correctamente.



Conecte el extremo del cable a la conexión en la parte delantera del modelo Studio Fiber Converter.

Para desconectar el cable:

Presione la base metálica del conector contra el panel frontal de la unidad y tire del cable.



Presione la base metálica del conector contra el panel frontal de la unidad y tire del cable para desconectarlo.

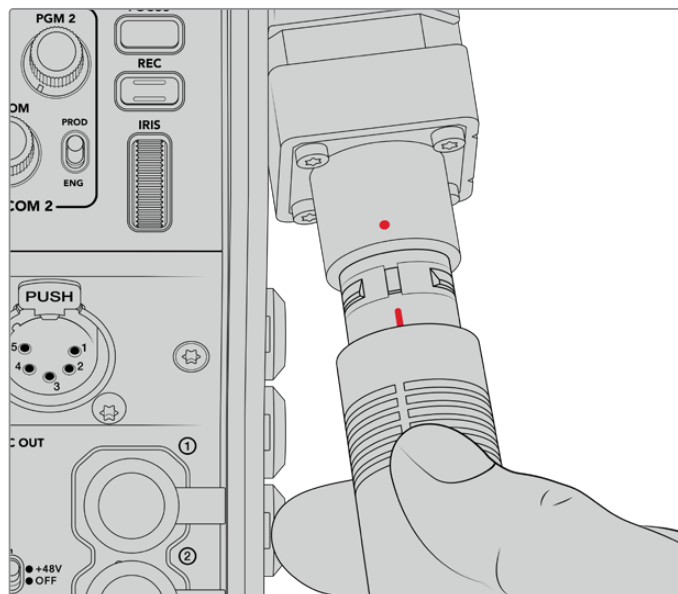
Compruebe que la cubierta de goma que protege el extremo del cable y la del conector en el conversor queden juntas. Esto permitirá evitar que entre polvo en la conexión.

Conexión del cable al conversor en la cámara

El extremo hembra del cable encaja perfectamente en la conexión macho en el lateral del modelo Camera Fiber Converter, evitando de esta forma que se desconecte accidentalmente durante una transmisión.

Para conectar el cable:

- 1 Compruebe que los indicadores rojos en cada uno de los conectores estén alineados. Inserte el cable en la conexión y verifique que calce correctamente.
- 2 Compruebe que la cubierta de goma que protege el extremo del cable y la del conector en el conversor queden juntas. Esto permitirá evitar que entre polvo en la conexión.

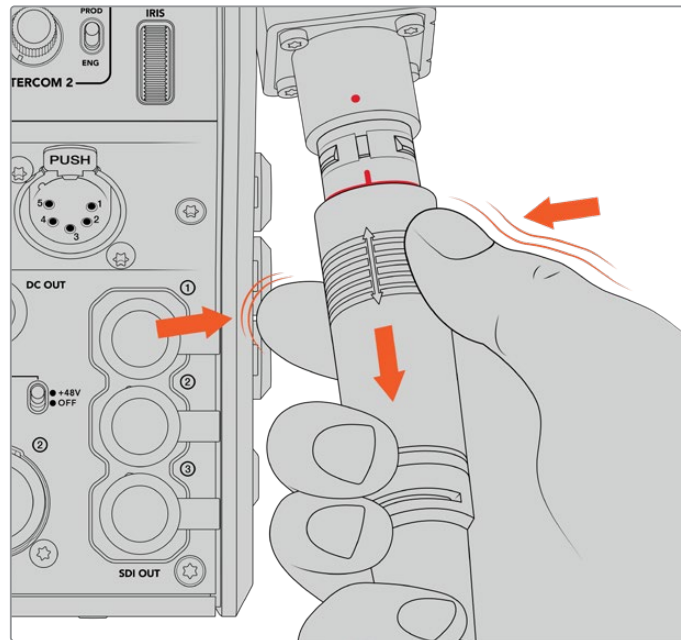


Compruebe la alineación de los indicadores rojos en el cable de fibra óptica y en el conector del conversor.

NOTA: Los conectores SMPTE 304 del cable SMPTE 311 son resistentes y calzan con firmeza en la cámara. Para desconectar el cable, coloque la unidad sobre un trípode o asegúrese de sujetarla con fuerza antes de tirar del mismo.

Para desconectar el cable:

- 1 Apriete la parte superior de la cubierta de goma que rodea el extremo del cable y tire de la misma cuidadosamente hasta ver el indicador rojo debajo de esta, a fin de desbloquear el mecanismo de sujeción.
- 2 Coloque una mano sobre la cámara para sostenerla y tire del cable conectado al conversor. Este debería salir fácilmente, sin necesidad de ejercer demasiada fuerza.



Apriete la cubierta de goma que rodea el extremo del cable para ver el indicador rojo. Después tire del cable para desconectarlo.

NOTA: Cuide el cable SMPTE híbrido de fibra óptica, ya que es el componente principal del sistema. Evite que se tuerza o que quede apretado bajo objetos pesados. Asimismo, trate de no golpear los conectores al enchufarlo y desenchufarlo, y cubra los extremos siempre que no se encuentren conectados.

Confirmación de la conexión

A continuación, ambas unidades se comunicarán entre sí para comprobar el suministro eléctrico y la conexión de fibra óptica.

Este procedimiento implica los siguientes pasos:

- 1 El convertidor en el estudio establece una conexión de bajo consumo con su contraparte en la cámara. El indicador de alimentación en esta unidad se enciende de rojo.
- 2 Una vez confirmada la seguridad de la conexión, aumenta el voltaje del suministro eléctrico, y el indicador de alimentación se encenderá de verde.
- 3 La conexión de fibra óptica se confirma, y el indicador respectivo se enciende de color verde.

Este proceso es muy rápido, y los indicadores se encienden de color verde casi inmediatamente. Sin embargo, al utilizar cables de mayor longitud, puede tardar un poco más.

Si el indicador de alimentación permanece encendido de rojo, o alterna entre rojo y verde, compruebe que ambos extremos del cable se hayan conectado correctamente. En caso de que el problema persista, verifique el estado del cable.

Consideraciones de seguridad relativas al voltaje

El cable SMPTE híbrido es capaz de transmitir un gran voltaje, de modo que es posible alimentar la cámara y otros accesorios situados a una distancia máxima de 2 km.

A fin de garantizar la seguridad del funcionamiento, el dispositivo Blackmagic Studio Fiber Converter cuenta con mecanismos de control integrados que realizan un seguimiento preciso y una gestión automática del voltaje transmitido.

Un microcontrolador especializado, junto con la comunicación interna entre ambos convertidores, garantiza que el cable híbrido de fibra óptica permanezca desactivado hasta que se conecta al dispositivo Camera Fiber Converter. A continuación, transmite una potencia baja y realiza controles de seguridad antes de aumentar el voltaje. Esto solo sucede una vez que se ha comprobado la presencia de una señal óptica estable y un bucle de corriente de 5 mA con un desfase menor de 30 mA entre ambos núcleos.

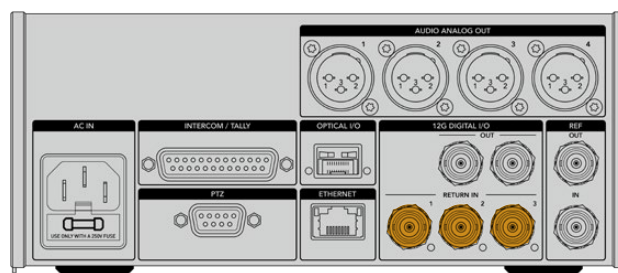
Conexión a mezcladores ATEM

Conexión del modelo Blackmagic Studio Fiber Converter al mezclador:

- 1 Conecte un cable BNC de la salida SDI 12G en la parte trasera del convertidor a una de las entradas correspondientes en el mezclador. Compruebe que el formato y la frecuencia de imagen de la cámara y el mezclador coincidan.
- 2 Conecte un cable BNC de la salida para señales de retorno en el mezclador a la entrada RETURN IN 1 en la parte trasera del convertidor.

SUGERENCIA: Al emplear varias cámaras en una producción en directo, podría ser necesario transmitir la señal de retorno del mezclador mediante un convertidor Teranex Mini SDI Distribution 12G o una matriz de conmutación Smart Videohub, dado que el mezclador cuenta con un número específico de salidas principales, y en algunos casos, es necesario disponer de otras adicionales.

- 3 Utilice las entradas 2 y 3 para recibir otras señales adicionales.



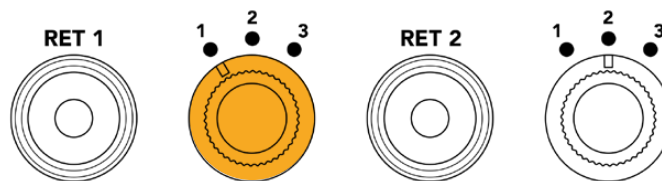
Conecte un cable del mezclador u otras fuentes de retorno a cualquiera de las entradas RETURN IN en la parte trasera del convertidor.

Cómo confirmar la transmisión de las señales

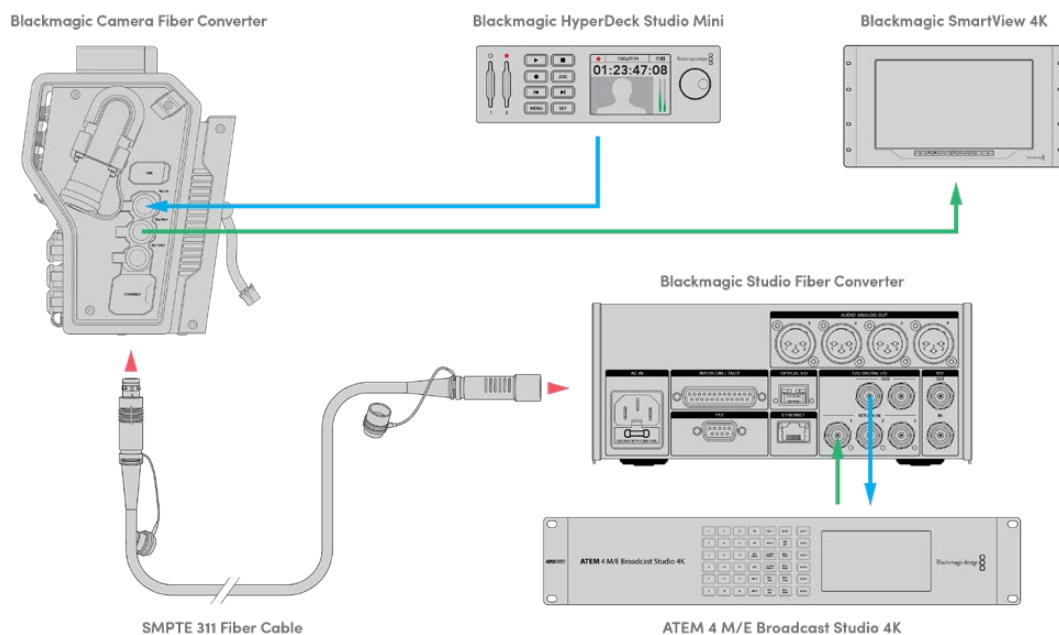
Siga los pasos descritos a continuación para comprobar que las señales se transmitan correctamente.

- 1 Verifique que la salida principal del mezclador esté conectada a la entrada RETURN IN 1 del convertidor.
- 2 Para comprobar otras fuentes, conéctelas a las entradas 2 y 3.
- 3 Conecte un monitor (por ejemplo, el modelo Blackmagic SmartView 4K) a la salida SDI 12G en el lateral del convertidor.

Gire el selector junto al botón **RET** correspondiente para alternar entre las tres señales de retorno. Estos botones pueden configurarse para ver dos imágenes diferentes si es necesario.



Gire el selector y presione el botón **RET** junto al mismo para ver la señal seleccionada en el monitor.



Para confirmar la transmisión correcta de las señales, conecte las fuentes a las entradas de retorno en el convertidor a fin de ver las imágenes en un monitor.

Conexiones en el panel frontal

El motivo por el cual la conexión de fibra óptica está situada en el panel frontal es para que funcione de manera similar a un panel de conexiones en la parte trasera de un bastidor. Generalmente, el modelo Studio Fiber Converter se instala mirando hacia atrás, de manera que los cables SMPTE puedan conectarse directamente a la unidad. Esto permite prescindir del uso de paneles y cables adicionales. A su vez, la pantalla junto al conector brinda la posibilidad de verificar la conexión con la cámara.

Conexión del conversor a la cámara

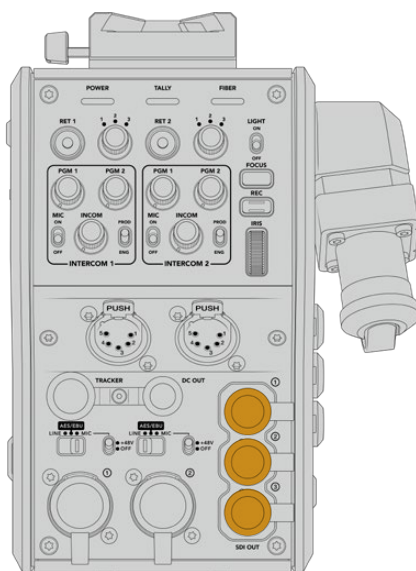
Para vincular ambos dispositivos, basta con conectar dos de los tres cables SDI suministrados del lateral del modelo Camera Fiber Converter a la parte trasera de la cámara.

Cómo conectar el conversor a la cámara

- 1 Conecte la salida SDI trasera de los modelos Blackmagic URSA Broadcast G2 o URSA Mini a la entrada correspondiente del conversor mediante uno de los cables BNC suministrados.
- 2 Conecte la salida SDI del conversor a la entrada correspondiente de la cámara mediante otro cable BNC.

Salidas para señales de retorno

Las tres salidas denominadas **SDI OUT** en la parte delantera del conversor corresponden a las entradas para señales de retorno. Estas permiten transmitirlos a otros equipos SDI cercanos a la cámara, por ejemplo, un monitor o teleprónter.



Las salidas para señales de retorno permiten transmitirlos a otros equipos SDI cercanos a la cámara, por ejemplo, un monitor o teleprónter.

NOTA: Las salidas derivadas SDI 3G proporcionan el ancho de banda requerido para tres señales independientes. De este modo, la resolución de las señales de retorno (máx. 2160p60) se reducirá a 1080p a la frecuencia de imagen correspondiente.

Instalación del modelo Blackmagic Camera Fiber Converter

Este conversor se instala en la parte trasera de los modelos URSA Broadcast G2 o URSA Mini y se conecta a esta mediante la entrada y la salida SDI. Si se ha colocado un soporte para baterías en la cámara, será necesario quitarlo antes de instalar el conversor.

NOTA: Antes de instalar el dispositivo Blackmagic Camera Fiber Converter, compruebe la versión del sistema operativo interno de la cámara (4.6 o posterior) en el cuarto grupo de ajustes de la pestaña **CONFIG.** en la interfaz de la unidad. Consulte el apartado *Programa utilitario* para obtener más información al respecto.

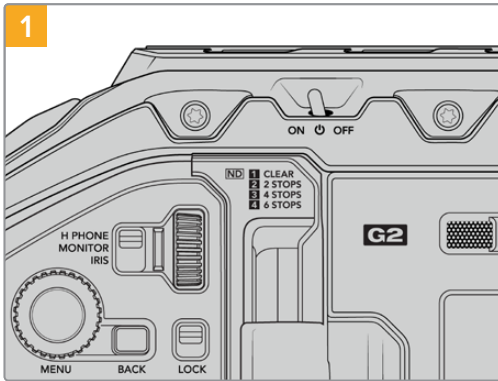
Para instalar el convertidor, deberá contar con las siguientes herramientas:

- 1 destornillador Phillips
- 1 destornillador con cabeza hexagonal de 2.5 mm

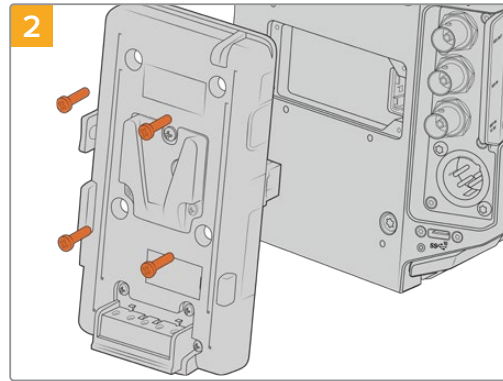


Para instalar el convertidor en la cámara, se necesita un destornillador Phillips grande y otro con cabeza hexagonal de 2.5 mm.

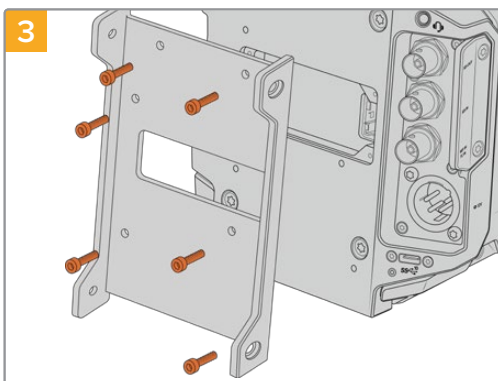
Para instalar y conectar el convertidor:



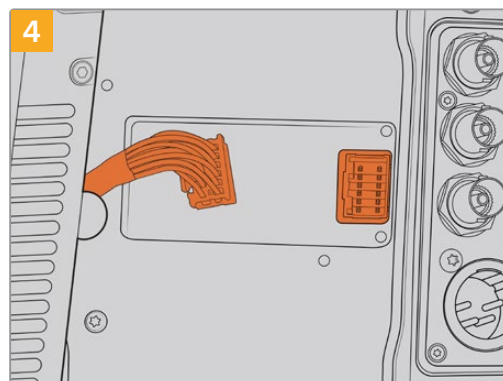
Compruebe que la cámara esté apagada. Para apagarla, mueva el interruptor de encendido a la posición **OFF**.



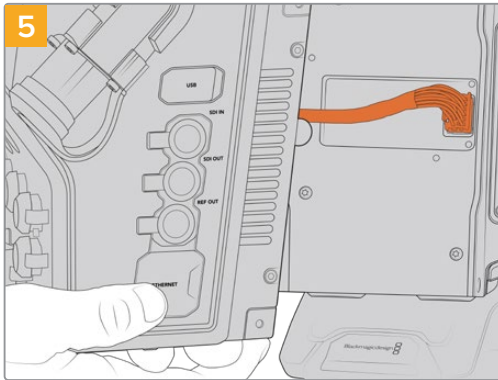
Quite el soporte para baterías o el conector Molex mediante un destornillador Phillips.



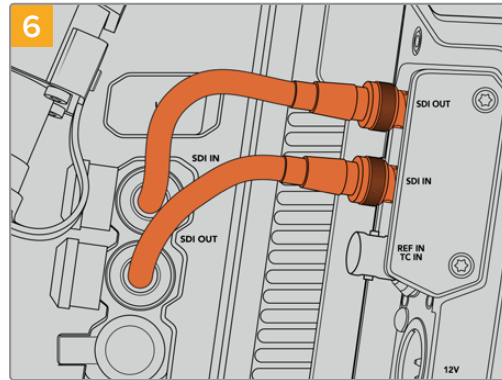
Coloque el soporte para el convertidor utilizando los 6 tornillos hexagonales de 2.5 mm.



Inserte el conector Molex del grabador en la conexión trasera de la cámara.



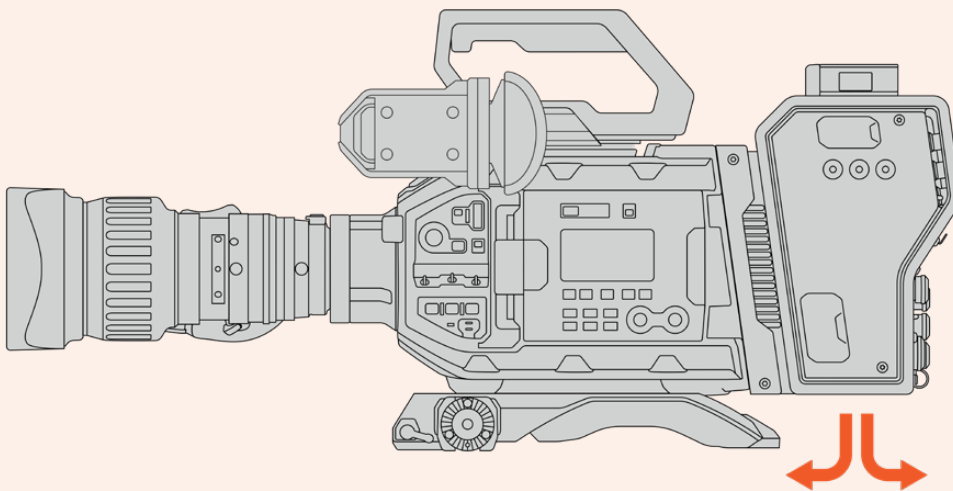
5
Coloque el convertidor deslizándolo sobre el soporte. A continuación, sujételo mediante 2 tornillos hexagonales de 2.5 mm en cada uno de los laterales.



6
Utilice los cables BNC suministrados para conectar la salida SDI de la cámara a la entrada respectiva del convertidor, y la salida SDI de este a la entrada correspondiente de la cámara.

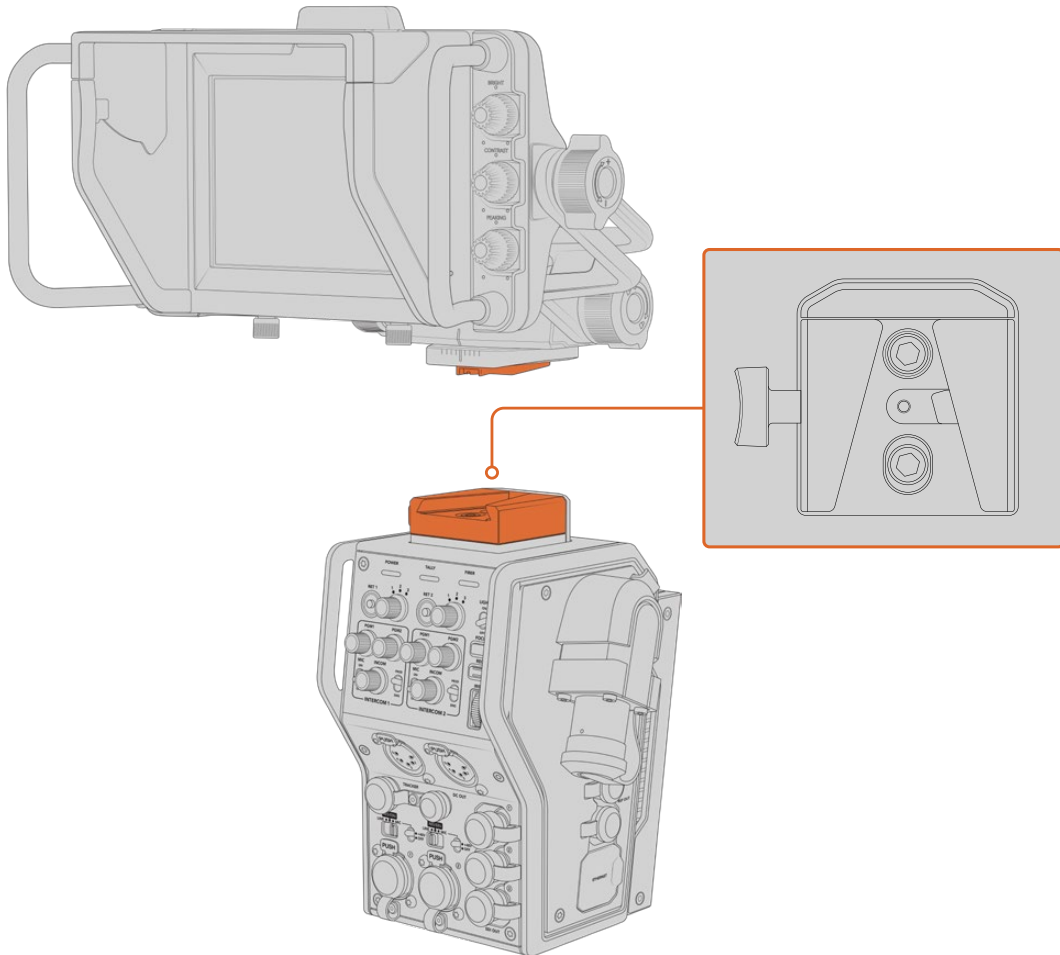
NOTA: Al emplear la cámara con el convertidor, es importante dejar espacio libre debajo de este para no obstruir la ventilación,

especialmente cuando la unidad se coloca sobre un trípode o tiene la montura para el hombro instalada. Por otro lado, si la cámara se encuentra sobre una superficie plana, recomendamos acoplarle la almohadilla del soporte para el hombro, una base de otros fabricantes u otro tipo de adaptador, a fin de mantener el ventilador del dispositivo por encima de dicha superficie.



Instalación del visor URSA Studio Viewfinder

La montura en V situada en la parte superior del conversor permite instalar un dispositivo Blackmagic URSA Studio Viewfinder. Este accesorio queda a la altura del ojo cuando la cámara se coloca sobre un trípode o pedestal.



La montura en V situada en la parte superior del conversor permite instalar un dispositivo Blackmagic URSA Studio Viewfinder.

Conexión de auriculares con micrófono

Los dos conectores XLR de 5 pines en la parte frontal del conversor permiten utilizar auriculares profesionales con micrófono. Estas conexiones brindan la posibilidad de que dos miembros del equipo se comuniquen simultáneamente con otros integrantes de la producción.

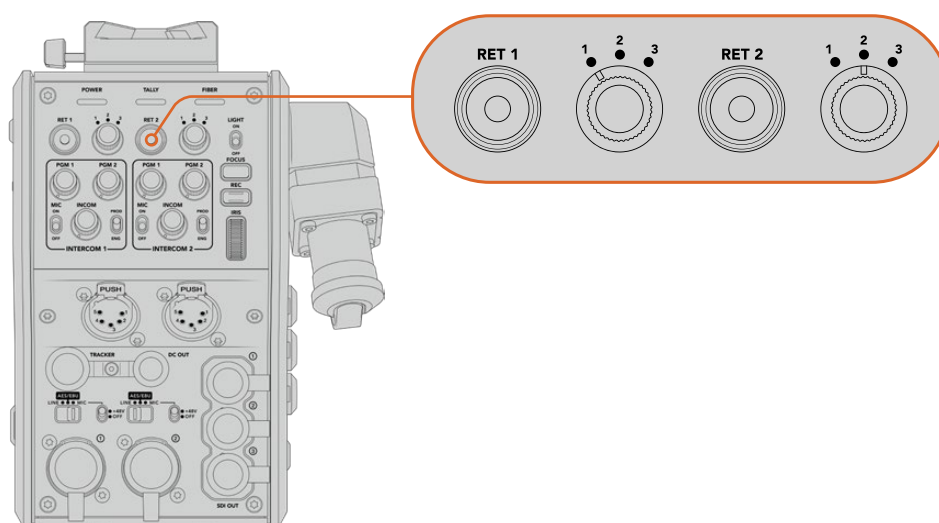
Esto es todo lo que se necesita saber para comenzar a utilizar los dispositivos. Una vez conectados los conversores y demás equipos mediante fibra óptica, es posible llevar a cabo la producción en directo con mayor eficiencia y flexibilidad. Continúe leyendo el manual para obtener más información sobre el uso de los dispositivos.

Funcionamiento del modelo Camera Fiber Converter

Selección de señales de retorno

Los dos botones **RET** en el panel frontal funcionan de igual modo que el botón **PGM** de la cámara, es decir, permiten ver las imágenes captadas por esta o la señal de retorno en la pantalla del visor Blackmagic URSA Studio Viewfinder o en cualquier otro monitor conectado.

Al presionar uno de estos botones, cada selector situado junto a los mismos brinda la posibilidad de seleccionar la señal de retorno que se desea ver. Las posiciones 1, 2 y 3 corresponden a los conectores SDI en la parte trasera del modelo Studio Fiber Converter.



Los botones **RET** y los selectores situados junto a los mismos permiten ver distintas señales de retorno.

Mantenga presionado uno de estos botones para ver la señal seleccionada. La imagen continuará mostrándose en la pantalla mientras el botón esté oprimido. Presiónelo dos veces para visualizar la señal de retorno sin necesidad de mantenerlo oprimido. Presiónelo nuevamente para ver las imágenes captadas por la cámara.

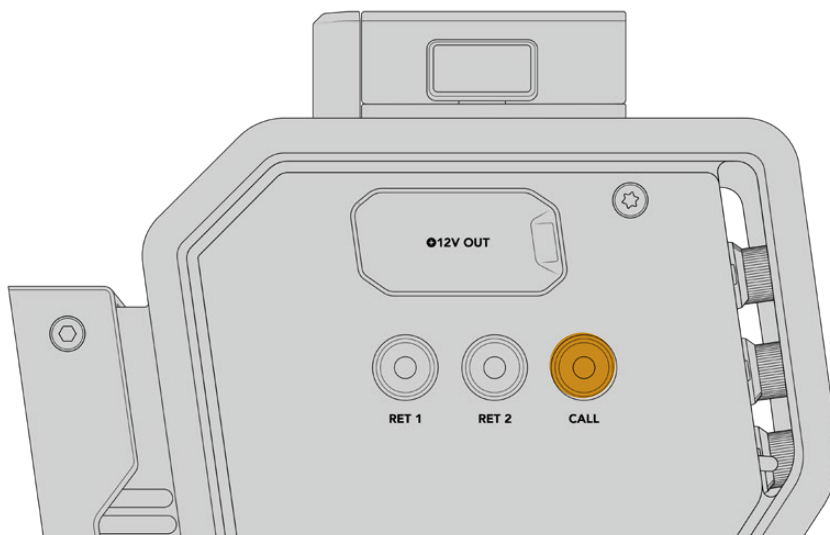
Dichos botones permiten seleccionar con facilidad la señal de retorno a la cual queremos tener acceso rápidamente. Estas pueden incluir la señal proveniente del mezclador, otra del teleprónter y una tercera de otra cámara.

Por ejemplo, es posible asignar el botón **RET 1** a la señal principal y emplear el botón **RET 2** para comprobar lo que se transmite al teleprónter, o para verificar de vez en cuando el encuadre de otra cámara.

Asimismo, en el costado de la unidad hay otros dos botones que proporcionan acceso a las señales de retorno al manejar la cámara mediante los controles laterales. Estos cumplen la misma función que aquellos en la parte delantera del convertidor.

Uso del botón de llamada

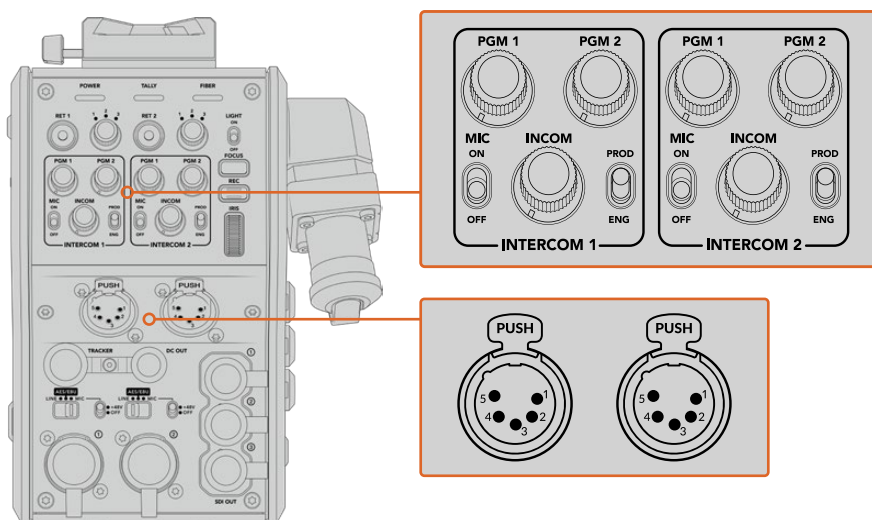
Junto a dichos botones, hay otro para la comunicación. Al presionarlo, el indicador de señal al aire en la unidad Blackmagic Studio Fiber Converter se enciende de forma intermitente, al igual que el botón **PTT** en el panel frontal del dispositivo ATEM Talkback Converter 4K. Estos indicadores visuales avisan a las personas en la sala de control que el camarógrafo necesita asistencia.



Sistema de comunicación

Los dos conectores XLR de 5 pines permiten conectar dos auriculares con micrófono, de forma que el usuario y otro miembro del equipo puedan comunicarse simultáneamente con otros integrantes de la producción.

Los controles para cada uno de ellos están agrupados independientemente y brindan la posibilidad de escuchar distintas fuentes de audio.



Los controles para cada auricular se encuentran arriba de la conexión correspondiente.

Un auricular conectado permite escuchar el audio de las señales seleccionadas mediante los botones **RET 1** y **RET 2**. El volumen de estas se ajusta con los mandos **PGM 1** y **PGM 2** respectivamente, mientras que el mando **INCOM** brinda la posibilidad de cambiar el volumen general. Por su parte, el interruptor **MIC** permite activar o desactivar el micrófono del auricular.

Cada sistema de comunicación tiene un canal para los ingenieros y otro para la producción. Dividir la comunicación de esta manera es particularmente útil cuando el equipo es muy numeroso. El canal para la producción permite comunicarse con las personas responsables de la dirección, la producción y el control central o la unidad móvil, mientras que el canal para los ingenieros brinda la posibilidad de hablar con el personal encargado de las cámaras, la iluminación y otras tareas técnicas. El menú respectivo en la unidad Blackmagic Studio Fiber Converter facilita la selección de la fuente para cada canal mediante las opciones **SDI + DB25** o **Intercom Tally DB-25**. Consulte el apartado *Funcionamiento del modelo Blackmagic Studio Fiber Converter* para obtener más información al respecto.

El modelo Blackmagic Camera Fiber Converter cuenta además con una conexión adicional de 10 pines que es ideal para comunicarse con el operador de grúas cuando las conexiones para auriculares están ocupadas.

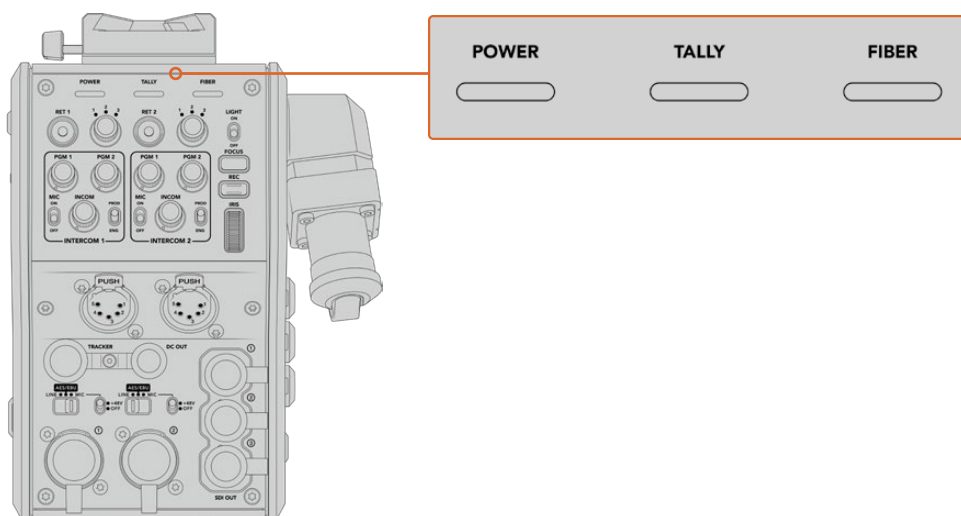
SUGERENCIA: Es esencial garantizar una comunicación efectiva entre los camarógrafos y el equipo técnico y de producción durante producciones en estudio y transmisiones complejas. El dispositivo Blackmagic Camera Fiber Converter incluye un botón denominado **CALL** que facilita la comunicación mediante el uso de auriculares. Al presionarlo, el botón **PTT** en el equipo ATEM Talkback Converter 4K parpadea de color rojo, al igual que la luz indicadora en la pantalla LCD del dispositivo Blackmagic Studio Fiber Converter. Lo mismo sucede si alguien en la sala de control o la unidad móvil necesita comunicarse con un camarógrafo. Basta con presionar el botón **CALL** de la cámara correspondiente en el panel ATEM Camera Control. En consecuencia, la luz indicadora del dispositivo Blackmagic Camera Fiber Converter parpadeará, al igual que en las unidades URSA Viewfinder o URSA Studio Viewfinder.

Señalización

El indicador **TALLY** en el panel frontal se enciende de color rojo cuando la cámara está al aire o de verde si la imagen corresponde a un anticipo.

Indicadores de estado

Los indicadores **POWER** y **FIBER** en la parte superior del conversor se encienden de distintos colores según el estado de la unidad. Si el cable de fibra óptica no está conectado, permanecerán apagados.



Los indicadores se encienden de distintos colores para brindar información sobre el estado de la unidad.

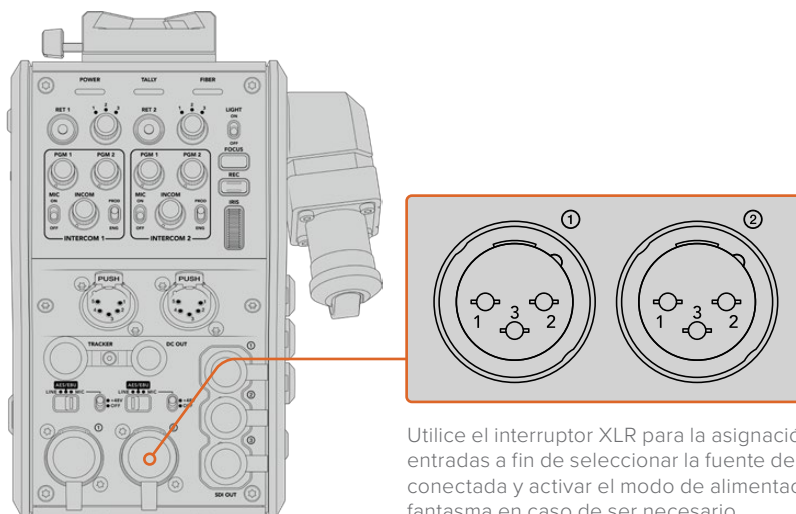
A continuación, se brinda una descripción de lo que representa cada color:

Alimentación	Rojo constante	Cuando los extremos del cable híbrido de fibra óptica están conectados a ambos conversores, indica que la unidad se encuentra en un estado de bajo consumo. En este caso, a pesar de que es posible emplear el sistema de comunicación, el suministro eléctrico aún no es suficiente para el completo funcionamiento de la cámara. Si el indicador permanece encendido, compruebe que el cable se haya conectado correctamente. Si la conexión aún es inestable, verifique el estado del mismo.
	Verde constante	Una vez establecida la conexión y comprobada la seguridad, el indicador se enciende de color verde, y aumenta el voltaje transmitido a la unidad.
	Rojo y verde alternados	Si el indicador alterna entre rojo y verde, compruebe que ambos extremos del cable se hayan conectado correctamente. Si la conexión aún es inestable, verifique el estado del mismo.
Luz piloto	Rojo constante	Indica que la imagen captada por la cámara está al aire.
	Verde constante	Indica que la imagen captada por la cámara corresponde a un anticipo.
Fibra óptica	Rojo constante	Cuando el cable está conectado al dispositivo, indica que se está estableciendo la comunicación entre ambos conversores y que la unidad se encuentra en un estado de bajo consumo. Cabe destacar que durante este proceso, es posible utilizar el sistema de comunicación para solucionar problemas si la conexión por fibra óptica se ha interrumpido.
	Verde constante	Indica que la conexión se ha establecido correctamente.

Al finalizar los controles de seguridad, los indicadores **POWER** y **FIBER** se encienden de color verde, y aumenta el voltaje de la corriente eléctrica entre ambos conversores.

Entradas de audio

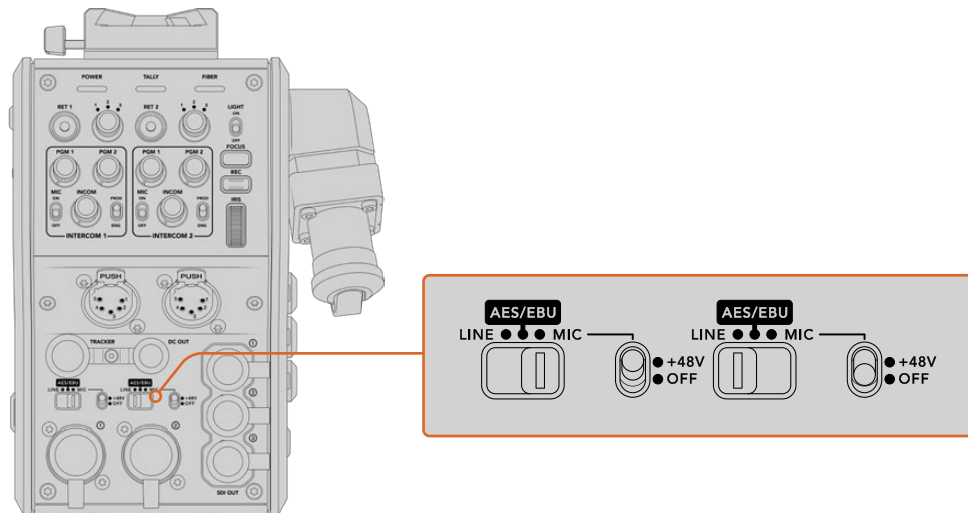
El dispositivo Blackmagic Camera Fiber Converter cuenta con dos entradas XLR que permiten conectar equipos profesionales de audio analógico, tales como mesas de mezcla, sistemas de megafonía o micrófonos.



Utilice el interruptor XLR para la asignación de entradas a fin de seleccionar la fuente de audio conectada y activar el modo de alimentación fantasma en caso de ser necesario.

El audio de la cámara se integra en los canales 1 y 2 de la señal principal, mientras que las dos entradas en la parte trasera del dispositivo corresponden a los canales 3 y 4. Estos cuatro canales se aíslan y se transmiten a través de las salidas analógicas del convertidor en el estudio.

El menú **Audio** del convertidor permite ajustar el nivel de las fuentes conectadas a las entradas XLR de la unidad. Consulte el apartado *Funcionamiento del modelo Blackmagic Studio Fiber Converter* para obtener más información al respecto. Luego, es posible emplear el interruptor de asignación de entradas a fin de configurar su funcionamiento. Las opciones disponibles son **MIC**, **LINE** y **AES**.



Es posible conectar micrófonos que cuentan con un sistema de alimentación propio activando el modo de alimentación fantasma. Al mover el interruptor correspondiente a la posición **48V**, se activa dicho modo de alimentación para cualquier micrófono conectado. En la posición **OFF**, este se desactiva.

Video por IP

El cable SMPTE de fibra óptica permite conectar los dispositivos Camera Fiber Converter y Studio Fiber Converter mediante una red Ethernet IP de 10 Gb. Esto facilita la transmisión de señales mediante el protocolo de Internet empleando un sistema de codificación y decodificación de 10 bits sin pérdida de información y de gran calidad. Por otro lado, dada la latencia baja de dicha conexión, es posible controlar los objetivos de las cámaras, encender y apagar las luces piloto o comunicarse con otros integrantes del equipo de manera confiable.

Especificaciones energéticas

El dispositivo Blackmagic Studio Fiber Converter brinda la posibilidad de alimentar unidades Blackmagic Studio Fiber Converter, cámaras y accesorios. Para ello, inserte el conector Molex en el panel trasero de la cámara.

Si la cámara se encuentra a más de 2 kilómetros de la unidad móvil y ni esta ni el convertidor reciben suficiente corriente eléctrica a través del cable, es posible alimentarlos de manera local insertando el conector XLR de la fuente de alimentación a la entrada de +12 V del modelo URSA Broadcast G2. El suministro eléctrico se transmite al dispositivo Camera Fiber Converter a través del conector Molex.

La salida de +12 V, también conocida como D-Tap o P-Tap, permite alimentar accesorios tales como monitores externos u objetivos de estudio/campo, con un voltaje de entre +11.9 y 14 voltios CC a 2 amperios. La salida de 4 pines para corriente continua brinda una opción adicional a fin de alimentar otros accesorios, por ejemplo, monitores externos.

A continuación, se muestra un diagrama de dicho conector.

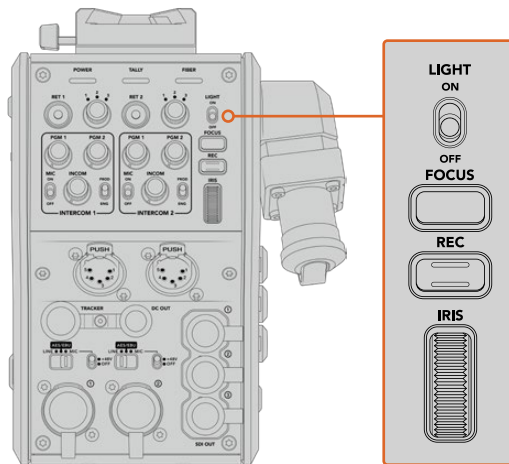
Diagrama de asignación del conector para corriente continua

Vista externa	Pines	Señal	E/S	Especificaciones
	1	Tierra (no regulada)	–	Toma a tierra para salida no regulada
	2	NC	–	No conectado
	3	NC	–	No conectado
	4	Salida no regulada	Salida	12 V nominales a un máximo de 500 mA

Controles adicionales

Cuando el modelo URSA Broadcast G2 se emplea como cámara de estudio, el conversor ofrece controles adicionales que permiten ajustar el diafragma y el enfoque en objetivos compatibles. Esto resulta útil cuando no hay un camarógrafo que los controle a distancia.

Las cámaras permiten grabar internamente presionando el botón **REC**.



Luz integrada

El interruptor **LIGHT** permite activar la luz del panel de control para facilitar su visualización en ambientes oscuros.

Enfoque

Presione el botón **FOCUS** para activar el enfoque automático en objetivos compatibles.

Grabación

Presione el botón **REC** una vez para comenzar la grabación y nuevamente para detenerla.

Diafragma

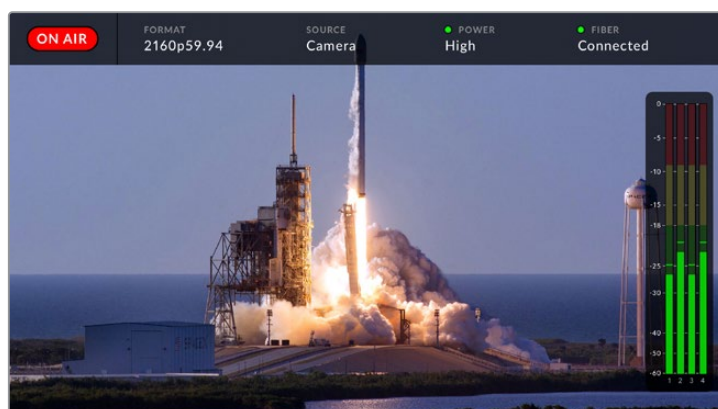
El mando **IRIS** brinda la posibilidad de abrir o cerrar el diafragma al emplear objetivos que permiten controlar esta función desde la cámara. Mueva la rueda hacia arriba o abajo para ajustar este parámetro.

Funcionamiento del modelo Blackmagic Studio Fiber Converter

Selección de fuentes

Al encender el dispositivo, la pantalla muestra la imagen captada por la cámara conectada. A su vez, el conversor transmite la señal principal del mezclador y todas las de retorno a la unidad Blackmagic Camera Fiber Converter en la cámara, a través del cable SMPTE de fibra óptica.

La pantalla LCD permite supervisar las imágenes captadas por la cámara y las fuentes conectadas a las entradas para señales de retorno. Además, brinda información sobre el nivel del audio y el estado del dispositivo.



La información en pantalla permite confirmar el nombre y el formato de la fuente monitorizada al cambiar la señal.

Al aire

El indicador **ON AIR** se enciende de color rojo cuando la cámara conectada está al aire.

Formato

El indicador **FORMAT** muestra la resolución y la frecuencia de imagen de la fuente visualizada.

Fuente

El indicador **SOURCE** muestra el nombre de la fuente visualizada.

Alimentación

El indicador **POWER** muestra el estado de la alimentación. Cuando aparece un punto rojo junto al mismo y la palabra **Low** debajo, el conversor se encuentra en modo de bajo consumo. Por el contrario, un punto verde y la palabra **High** indican que ha aumentado el voltaje de la corriente eléctrica. Consulte el apartado *Funcionamiento del dispositivo Studio Fiber Converter* para obtener más información al respecto.

Fibra óptica

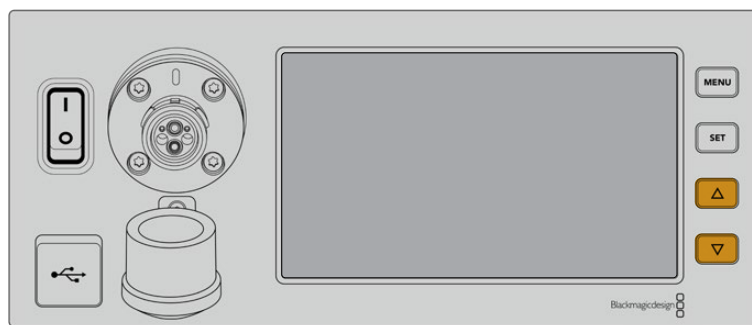
El indicador **Fiber** muestra el estado de la conexión por fibra óptica. Durante el proceso de conexión inicial, aparece un punto rojo junto al mismo y la palabra **Connecting** debajo. Una vez establecida la conexión, se muestra un punto verde y la palabra **Connected**. Consulte el apartado *Funcionamiento del dispositivo Studio Fiber Converter* para obtener más información al respecto.

Nivel del audio

Los vúmetros indican el nivel del audio integrado en los canales 1 y 2 de la señal proveniente de la cámara. Los canales 3 y 4 corresponden a las fuentes de audio conectadas a las dos entradas XLR en la parte posterior del dispositivo Blackmagic Camera Fiber Converter. Este parámetro se mide en dBFS (decibelios a escala completa) y, al alcanzar su nivel máximo, se enciende un indicador que permanece iluminado brevemente.

Uso del menú en pantalla

Al presionar la flecha hacia arriba o abajo, se muestran sucesivamente las cuatro fuentes disponibles: **Camera**, **Return 1**, **Return 2** y **Return 3**. Pulse el botón **MENU** para acceder al menú de ajustes. Las flechas se utilizan para acceder a las distintas opciones, mientras que el botón **SET** permite confirmar los ajustes seleccionados. El menú se divide en las siguientes categorías: audio, comunicación y configuración.

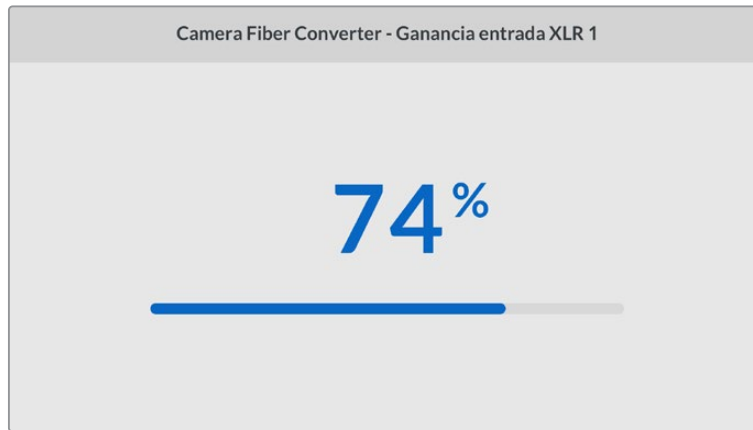


Presione la flecha hacia arriba o abajo para ver las fuentes disponibles y acceder a las distintas opciones en el menú.

Audio

El menú de audio permite ajustar el nivel de las fuentes conectadas a las entradas XLR del convertidor.

Audio	
Camera Fiber Converter - Ganancia entrada XLR 1	50 %
Camera Fiber Converter - Ganancia entrada XLR 2	50 %
Salida canales 1 y 2	Integrado 1 y 2
Salida canales 3 y 4	XLR 1 y 2



Utilice las flechas a fin de modificar el volumen de las fuentes conectadas a las entradas XLR, y el botón **SET** para confirmar.

Es posible configurar qué canales de audio del dispositivo Camera Fiber Converter se integran en las señales transmitidas mediante las salidas SDI y XLR. El audio integrado de las cámaras URSA Mini y URSA Broadcast G2 se asigna a los canales 1 y 2 de forma predeterminada. Del mismo modo, las fuentes XLR a nivel de línea o micrófono conectadas al convertidor se asignan a los canales 3 y 4. Sin embargo, estos ajustes pueden modificarse. Si se ha seleccionado la opción **AES** para cualquiera de las entradas XLR del dispositivo, el audio incluirá los canales 5 y 6 integrados en la señal SDI transmitida.



Asignación de fuentes XLR de la cámara a los canales 1 y 2 transmitidos.

Comunicación

Este menú permite escoger las fuentes del audio y la comunicación para los canales correspondientes a los ingenieros y la producción. Para ello, seleccione la opción **SDI + DB25** o **Intercom Tally DB-25** en la unidad Blackmagic Studio Fiber Converter.

Asimismo, es posible ajustar individualmente la ganancia del micrófono y los auriculares, teniendo en cuenta la impedancia del modelo utilizado. La opción **Alimentación fantasma** permite activar este modo para los auriculares respectivos. Ajuste el efecto local a fin de que los camarógrafos escuchen su propia voz de forma clara y a un volumen confortable.

Comunicación	
Fuente - Audio del programa	Canales SDI 1 y 2
Fuente - Canal producción	SDI + DB25
Fuente - Canal ingenieros	INTERCOM / TALLY DB25
Intercom. 1	
Ganancia - Auriculares	50%
Ganancia - Micrófono de auriculares	50%
Alim. fantasma - Micrófono de auriculares	On
Efecto local	50%
Intercom. 2	
Ganancia - Auriculares	50%
Ganancia - Micrófono de auriculares	50%
Alim. fantasma - Micrófono de auriculares	On
Efecto local	50%

Los ajustes para el micrófono y los auriculares están desactivados cuando no hay un dispositivo conectado a las entradas XLR.

Configuración

Este menú permite configurar la fuente PTZ, elegir el idioma de la interfaz y determinar el nivel de la señal SDI de retorno.

Preferencias	
Fuente PTZ	Mezclador (SDI)
IDIOMA	Español
Retorno SDI 12G	3G nivel A

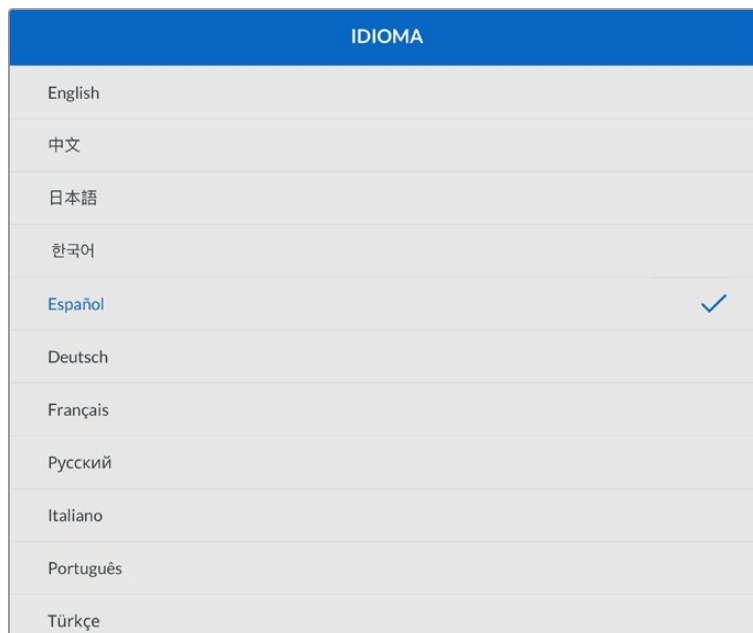
El menú **Fuente PTZ** permite seleccionar la conexión para transmitir los comandos que facilitan el movimiento de la cámara. Las opciones disponibles son **SDI** o **9 pines**, que corresponden a las entradas SDI para las señales de retorno y al conector de 9 pines en la parte trasera del dispositivo Blackmagic Studio Fiber Converter, respectivamente.

Esto brinda la posibilidad de controlar el movimiento horizontal y vertical de la cámara, así como la distancia focal, mediante comandos enviados desde un mezclador ATEM, integrados en la señal SDI, a través del cable de fibra óptica. Una vez recibidos por el convertidor, se separan de la señal y se transmiten al cabezal PTZ motorizado por medio del conector DE-9.

Asimismo, este conector permite añadir controladores PTZ al convertidor para manejar cabezales remotos.



El menú de configuración permite seleccionar las opciones **SDI** o **9 pines** para transmitir los comandos PTZ.



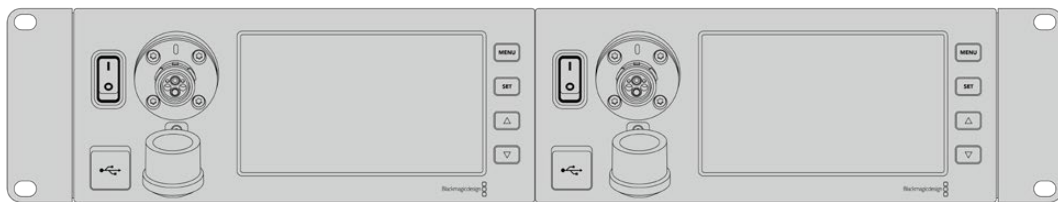
El menú **Idioma** ofrece 11 opciones disponibles para la interfaz: español, inglés, chino, japonés, coreano, alemán, francés, ruso, italiano, turco y portugués. Este menú aparecerá durante la configuración inicial y después de actualizar el dispositivo.

La opción **Retorno SDI 12G** permite disminuir la resolución de dicha señal para obtener señales 3G nivel A o B. La definición de todas las señales de retorno transmitidas por el dispositivo Studio Fiber Converter se reduce antes de ser recibidas por la unidad Camera Fiber Converter.

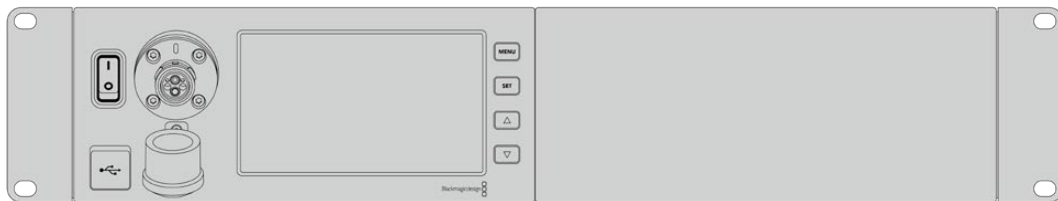
Instalación en bastidores

El accesorio Blackmagic Studio Fiber Rack Kit permite instalar varios conversores en bastidores o cajas de transporte. Además, brinda la posibilidad de colocar dos unidades de forma contigua. Por otro lado, se proporciona una placa ciega para cubrir el hueco vacío al instalar un solo dispositivo.

El conversor tiene una altura de 2 U y ocupa la mitad del ancho de un bastidor, de modo que es posible instalar dos unidades en forma contigua.

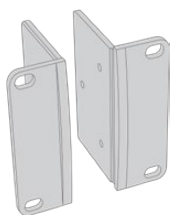


Unidades Blackmagic Studio Fiber Converter instaladas en forma contigua.



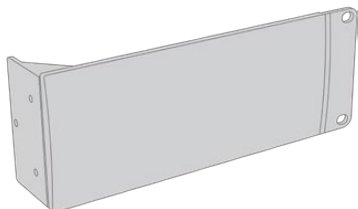
La placa ciega permite cubrir el espacio vacío.

El kit para bastidores incluye los siguientes elementos:



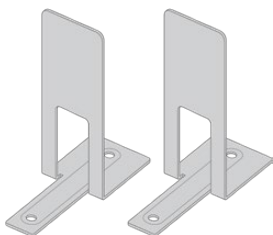
2 escuadras de montaje

Sujete las escuadras al borde exterior del conversor para instalarlo en el bastidor.



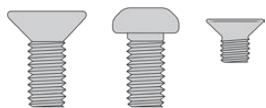
1 placa ciega (medio bastidor)

La placa ciega cuenta con una escuadra en un lateral que permite montarla en el bastidor y cubrir el hueco vacío al instalar solo un dispositivo. En la imagen se muestra la escuadra a la derecha. Basta con girarla 180° para instalarla en el otro lado.



2 soportes angulares

Los soportes angulares en forma de T se acoplan uno en la parte delantera y otro en la trasera, debajo de los dispositivos, justo donde se unen, para brindarles estabilidad.



Tornillos

8 x M4 de 10 mm

Para las escuadras de montaje

4 x M4 de 8 mm

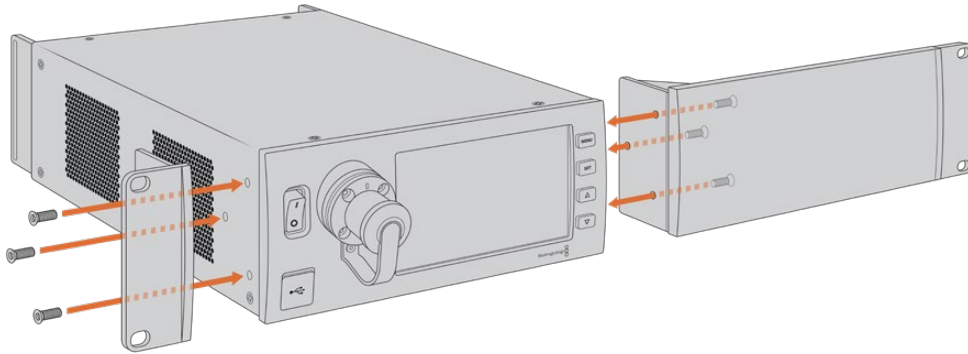
Para la placa ciega

5 x M3 de 5 mm

Para los soportes angulares

Cómo instalar el dispositivo Blackmagic Studio Fiber Converter en un bastidor:

- 1 Coloque la placa ciega al costado del dispositivo, según el lado del bastidor en el cual desea instalarlo. La parte delantera de la placa debe estar paralela al panel frontal del conversor.
- 2 Sujete la placa al costado del dispositivo. Utilice tres de los tornillos suministrados para ello.



- 3 Sujete una de las escuadras de montaje al otro lado del conversor. Utilice tres de los tornillos suministrados para ello.

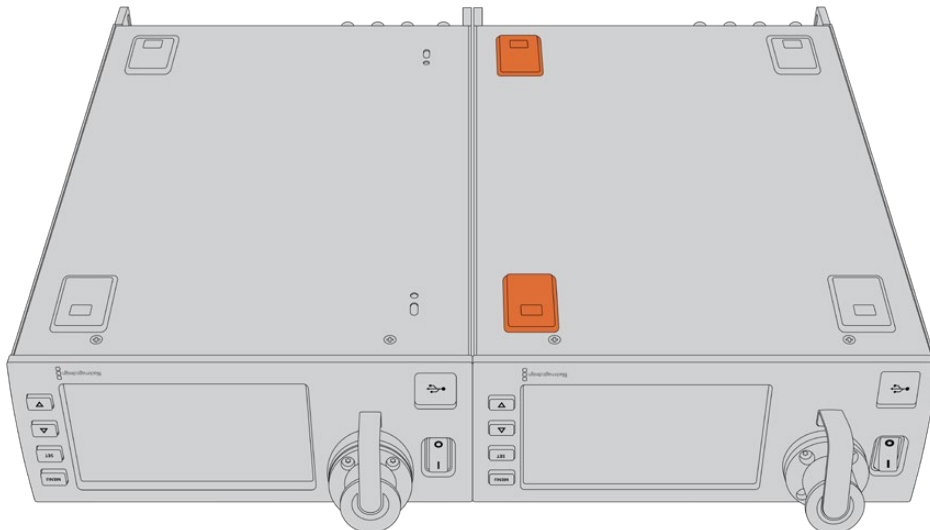
Una vez realizados estos pasos, es posible instalar el conversor en un bastidor tradicional de 2 U mediante tornillos comunes y los orificios situados en los laterales.

Cómo instalar dos unidades Blackmagic Studio Fiber Converter de forma contigua:

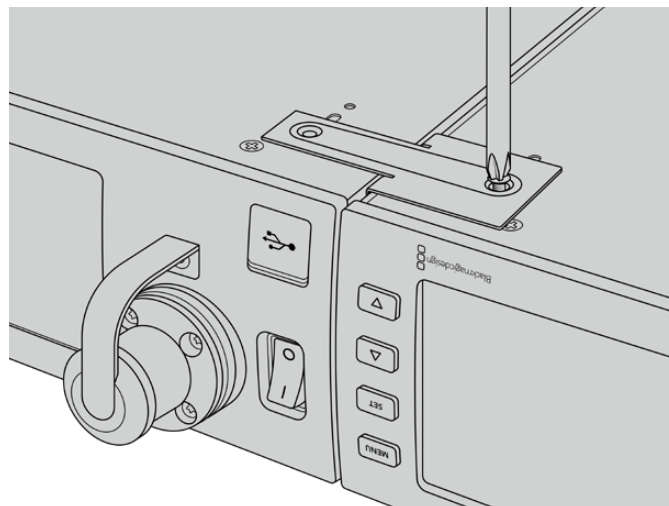
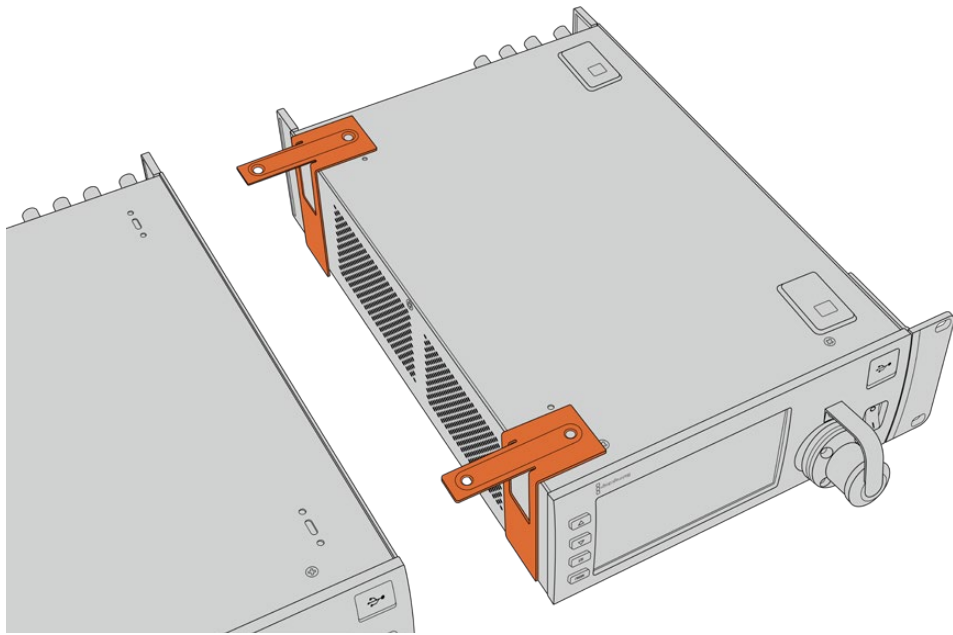
Para instalar dos unidades de manera contigua, es posible emplear los soportes angulares a fin de mantenerlas juntas y, de este modo, facilitar el proceso.

Para sujetar las unidades:

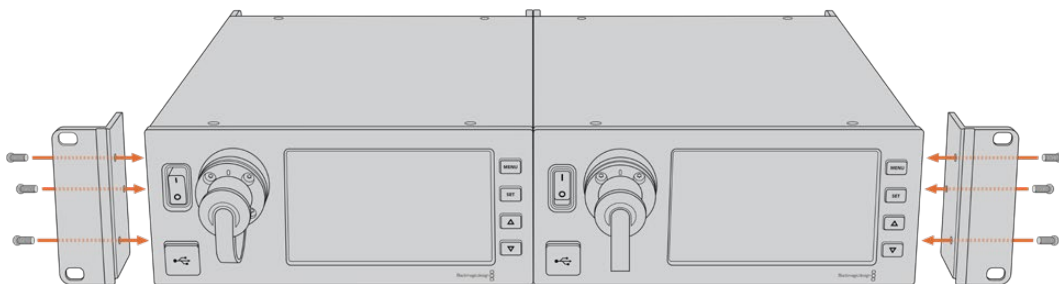
- 1 Gire ambos dispositivos de modo que queden invertidos y colóquelos uno al lado del otro. Retire los pies de goma situados en las esquinas.



- 2 Sujete los soportes angulares a la base de ambos dispositivos, uno en la parte delantera y otro en la trasera, en donde se juntan. Para ello, utilice los tornillos suministrados.



- 3 Gire los dispositivos nuevamente y sujete las escuadras de montaje en los costados de los dispositivos, cerca de la parte delantera. Utilice los tornillos correspondientes que se suministran. A continuación, es posible instalar los convertidores en un bastidor. Para ello, sujete las escuadras con tornillos comunes.



Conexiones del modelo Camera Fiber Converter

Las conexiones del dispositivo se encuentran en la parte trasera y en el lateral. Recomendamos cubrir las si no están en uso para protegerlas de la lluvia y otras condiciones meteorológicas. Esto es especialmente importante en el caso de la conexión SMPTE de fibra óptica, ya que las partículas de polvo pueden acumularse en el borde pulido de las fibras de vidrio e interrumpir la señal. Es preciso retirar las cubiertas tanto del cable como de la unidad inmediatamente antes de realizar la conexión, y aconsejamos volver a colocarlas una vez finalizado el trabajo.

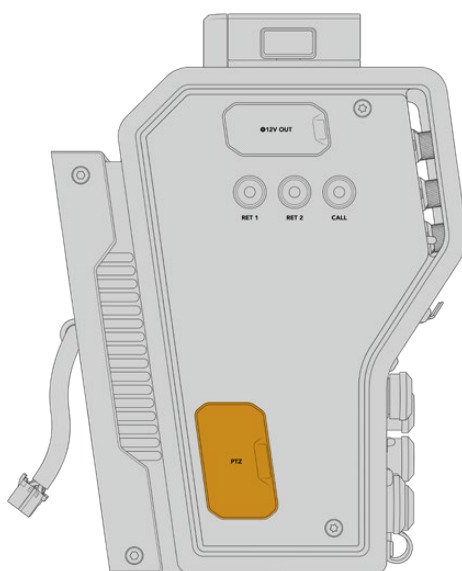
Alimentación del dispositivo

El conversor en el estudio suministra corriente a su par en la cámara y también a esta mediante un cable SMPTE híbrido de fibra óptica. Además, permite alimentar todos los accesorios conectados a la cámara, tales como el visor Blackmagic URSA Studio Viewfinder.

Por otro lado, también es posible proporcionar energía al dispositivo Blackmagic Camera Fiber Converter a través de la cámara, siempre que esta se encuentre conectada a una fuente de alimentación mediante el conector XLR de 12 V. En general, esto no es necesario, pero es una posibilidad si la cámara se encuentra a más de 2 kilómetros de distancia de la unidad en el estudio, ya que la alimentación mediante el cable SMPTE podría no ser confiable.

Interfaz PTZ

El puerto serial DE-9 permite conectar cabezales PTZ motorizados. Por ejemplo, si la cámara se encuentra en una grúa y dispone de uno de estos cabezales, es posible controlar de forma remota el movimiento vertical y horizontal, así como la distancia focal. La forma en que se transmiten los comandos se selecciona en el menú del dispositivo Blackmagic Studio Fiber Converter y puede ser el conector DE-9 en la unidad Studio Fiber Converter o una señal SDI proveniente de un mezclador ATEM. Consulte el apartado *Funcionamiento del modelo Blackmagic Studio Fiber Converter* para obtener más información al respecto.

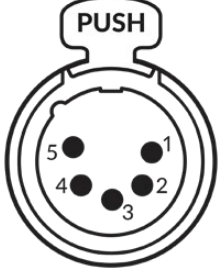


Interfaz PTZ

Conexión para el sistema de comunicación

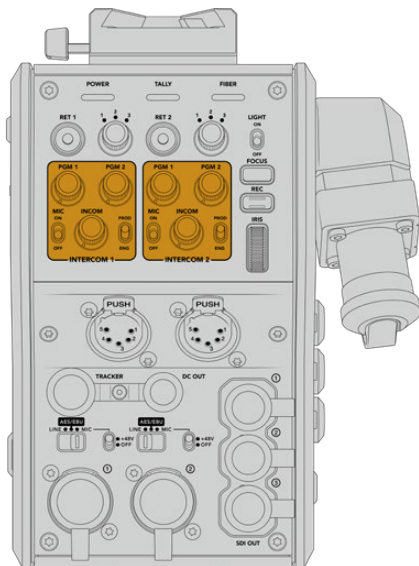
Los dos conectores XLR hembra de 5 pines permiten utilizar auriculares con micrófono para comunicarse con otros integrantes de la producción. Por ejemplo, un camarógrafo puede conectar sus auriculares en una de estas entradas, y otro miembro del equipo en la segunda de ellas. A continuación, se proporciona un diagrama de asignación de pines para el conector XLR.

Diagrama de pines en conexiones XLR

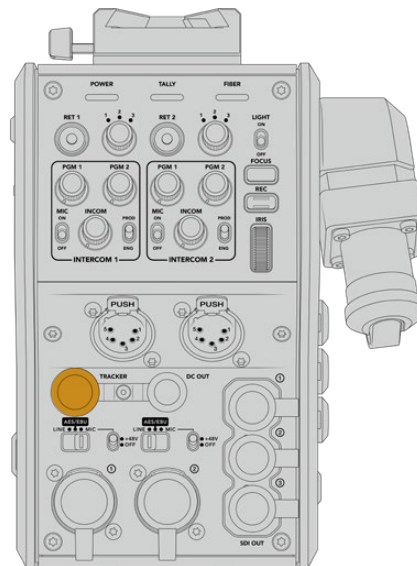
Vista externa	Pines	Señal	E/S	Descripción
 <p>Conector XLR de 5 pines para auriculares</p>	1	Intercom MIC (Y)	Tierra	Estas conexiones admiten micrófonos electret y dinámicos. El pin 1 corresponde a la señal de modo común, mientras que el 2 se emplea para la señal entrante en ambos tipos de dispositivos. En el caso de los primeros, este mismo pin también transmite una corriente continua polarizadora.
	2	Intercom MIC (X)	Entrada	
	3	Tierra	Tierra	Tierra
	4	Intercom izq.	Salida	
	5	Intercom der.	Salida	

Los controles destinados al sistema de comunicación se encuentran arriba de la conexión para cada auricular.

Consulte el apartado *Funcionamiento del modelo Camera Fiber Converter* para obtener más información al respecto.



Controles para ajustar el volumen de la comunicación



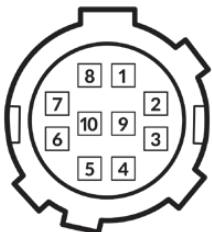
Conector para la interfaz de seguimiento

Interfaz de seguimiento

El conector Hirose de 10 pines ofrece una salida multiplexada para el sistema de comunicación, las luces piloto y otros datos, por ejemplo, la información del teleprónter. Esta es utilizada normalmente por los técnicos de la producción que trabajan con distintos equipos, tales como grúas para cámaras.

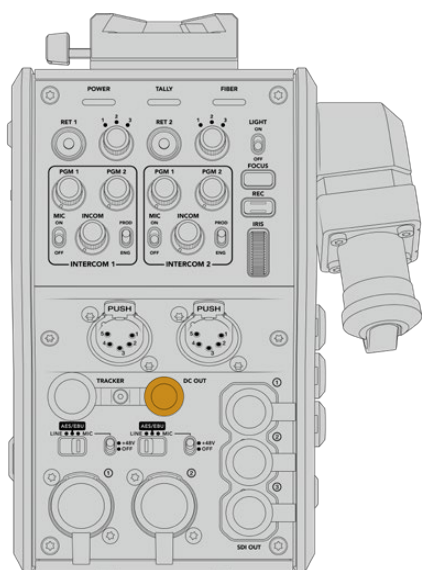
A continuación, se proporciona un diagrama de asignación de pines que le permitirá armar su propio cable.

Diagrama de pines para la salida de seguimiento

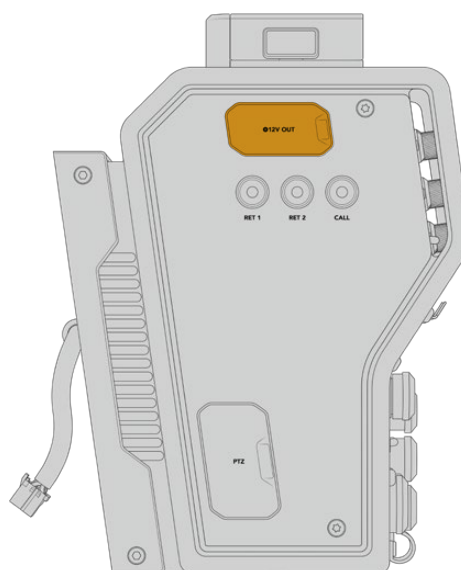
Vista externa	Pines	Señal	E/S	Especificaciones
 <p>Conector Hirose de 10 pines para seguimiento</p>	1	Seguimiento (izquierda)	Salida	Salida de seguimiento, -20 dBu no balanceado
	2	Tierra (Comunicación)	–	Tierra para el seguimiento de la comunicación
	3	Tierra (Recepción/PGM/luz piloto)	–	Tierra (Recepción/PGM/luz piloto)
	4	Seguimiento (derecha)	Salida	Salida de seguimiento, -20 dBu no balanceado
	5	No regulada	Salida	12 V CC (nominal), 500 mA máx.
	6	Tierra (no regulada)	–	Tierra (no regulada)
	7	Seguimiento de comunicación (X)	Entrada	Seguimiento de comunicación 0 dBu/ -20 dBu, alta impedancia balanceada
	8	Seguimiento de comunicación (Y)	Entrada	
	9	G Tally	Salida	Activada: 12 V Desactiva: alta impedancia (abierta)
	10	R Tally	Salida	Activada: 12 V Desactiva: alta impedancia (abierta)

Conexión para corriente continua

Es posible conectar accesorios tales como monitores externos mediante la salida para corriente continua.



Este conector permite alimentar accesorios que incluyen monitores y grabadores externos.



Salida D-Tap

Salida D-Tap

La salida de +12 V en el lateral izquierdo, también conocida como D-Tap o P-Tap, permite suministrar corriente a accesorios tales como monitores u objetivos de estudio/campo. En tal sentido, brinda la posibilidad de emplear modelos que requieren entre +11.9 y 14 voltios de corriente continua nominal a 2 amperios.

Salida de referencia y funcionamiento

Esta salida se puede emplear para transmitir una señal de referencia a la cámara mediante un cable BNC.

Para transmitir una señal de referencia a la cámara:

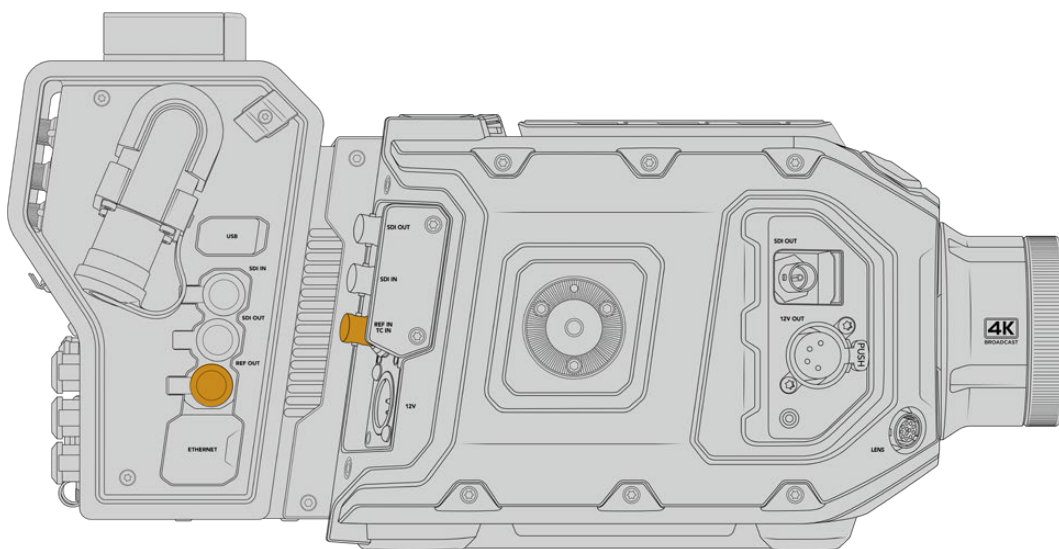
- 1 Conecte la salida REF OUT del dispositivo Blackmagic Camera Fiber Converter a la entrada REF IN en la cámara mediante uno de los cables SDI proporcionados con el conversor.
- 2 Configure los ajustes para dicha salida en la cámara.

Las señales de referencia permiten sincronizar todos los equipos conectados, a fin de que compartan el mismo código de tiempo. De este modo, es posible alternar entre distintas fuentes con facilidad.

Dado que los mezcladores ATEM disponen de resincronizadores integrados, al emplear equipos de Blackmagic Design, no es preciso recurrir al uso de señales de referencia. Como la cámara se sincroniza con la señal SDI de retorno transmitida desde el mezclador, solo es necesario asegurarse de seleccionar este dispositivo en el menú de ajustes de la cámara. El proceso de resincronización provocará un retraso de un fotograma.

Para disminuir la latencia del proceso de resincronización en un mezclador ATEM, primero es necesario utilizar una señal de referencia para la cámara y luego ajustar el retraso, de modo que la lectura de líneas preceda a la sincronización del mezclador ATEM.

Para ajustar la sincronización de señales de referencia en los modelos URSA Mini o URSA Broadcast G2, abra el menú **SETUP** y modifique la cantidad de líneas en la opción **REFERENCE TIMING**.

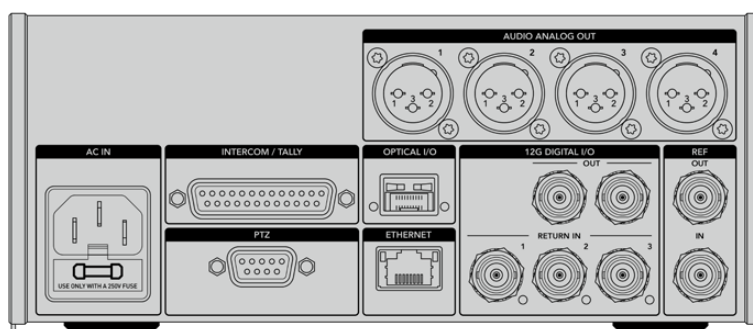


Al emplear una señal de referencia externa, conecte la salida correspondiente del conversor a la entrada respectiva del modelo URSA Mini o URSA Broadcast G2.

Conexiones del modelo Studio Fiber Converter

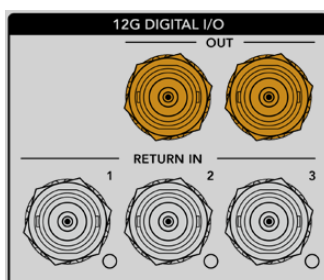
El panel trasero del dispositivo incluye conexiones para señales de retorno SDI y conectores de referencia BNC, así como un sistema de comunicación, una conexión DB-25 para luces piloto, un puerto Ethernet, salidas para audio y un puerto en serie de 9 pines que permite controlar cabezales PTZ.

Todas las entradas SDI admiten formatos SDI 12G a una resolución máxima 2160p60.



Salida SDI 12G

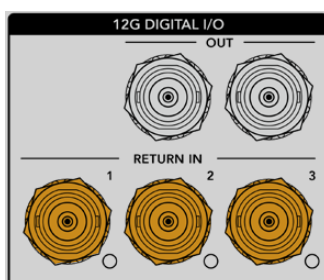
Las dos salidas SDI 12G permiten transmitir la señal de la cámara proveniente del convertidor en el estudio a cualquier entrada SDI del mezclador. La segunda conexión puede emplearse para enviar dicha señal a otros equipos, por ejemplo, una matriz Videohub, un monitor SmartView o un grabador HyperDeck.



Las salidas SDI 12G admiten resoluciones de 720p50 a 2160p60.

Entradas SDI para señales de retorno

Los conectores BNC para señales de retorno permiten conectar hasta tres fuentes SDI 12G. Por ejemplo, la señal principal del mezclador se conecta a la entrada **RETURN IN 1**, y su frecuencia de imagen debe coincidir con la de la cámara. Otras fuentes pueden incluir una segunda cámara, un grabador HyperDeck o incluso un teleprónter, y se conectan a las 2 y 3. Al utilizar un mezclador ATEM, a través de la entrada 1 también se transmite el audio de la comunicación, así como señales de referencia o para el control de cámaras y luces piloto.

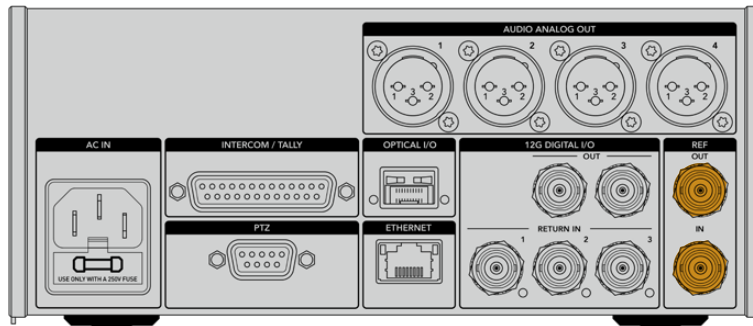


Las salidas SDI para señales de retorno permiten recibir hasta tres señales desde el mezclador. Estas se transmiten a la cámara o a otros equipos, a fin de que el operador pueda ver las imágenes.

NOTA: Al conectar equipos UHD a las entradas de retorno, esta definición será convertida a una resolución de 1080p a la misma frecuencia de imagen, de modo que la señal transmitida por la cámara será HD. Esto brinda un mayor ancho de banda, a fin de poder transmitir múltiples señales de retorno.

Entrada y salida para señales de referencia

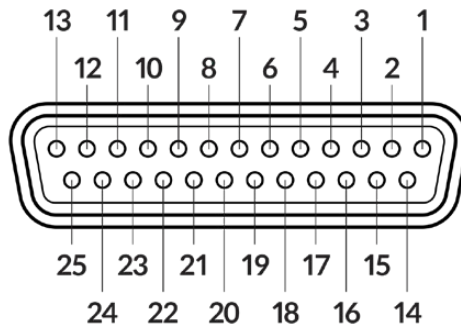
Para sincronizar equipos con una señal de referencia externa sin emplear un mezclador ATEM, es necesario conectar la fuente a la entrada BNC. La señal se transmite a la cámara mediante el cable SMPTE de fibra óptica. Asimismo, la salida BNC del conversor permite enviar dicha señal a otros equipos.



La entrada **REF IN** permite transmitir códigos de tiempo de referencia de otros equipos a la cámara.

Interfaz de comunicación

El conector DB-25 permite emplear sistemas desarrollados por otros fabricantes. A continuación, se muestra un diagrama de asignación de pines para armar cables personalizados. Una vez conectados los pines correspondientes, es necesario configurar el menú en el dispositivo Blackmagic Studio Fiber Converter.



Vista externa del conector DB-25

Diagrama de pines para la comunicación

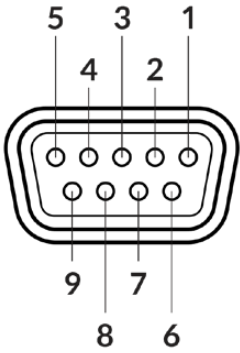
Pines	Señal	Especificaciones
1	ENG(R) IN+	Entrada del canal para ingenieros 0 dBu (balanceada)
2	ENG(R) IN-	
3	ENG GND	Toma a tierra del canal para ingenieros
4	ENG(T) OUT +	Salida del canal para ingenieros 0 dBu (balanceada)
5	ENG(T) OUT -	
6	PGM IN+	-20 dBu
7	PGM IN-	-20 dBu
8	PGM GND	-20 dBu
9	Tierra	Toma a tierra para señales auxiliares
10	N/C	-
11	Red Tally IN	Encendida = 5-24 Vdc. Apagada = 0 Vdc.
12	Red Tally GND	-
13	Tierra	Toma a tierra para el armazón
14	PROD(R) IN+	Entrada del canal para la producción 0 dBu (balanceada)
15	PROD(R) IN-	
16	PROD GND	-
17	PROD(T) OUT+	Salida del canal para la producción 0 dBu (balanceada)
18	PROD(T) OUT-	
19	N/C	-
20	N/C	-
21	N/C	-
22	N/C	-
23	N/C	-
24	Green Tally IN	Encendida = 5-24 Vdc. Apagada = 0 Vdc.
25	Green Tally GND	-

Interfaz PTZ

Ambos conversores disponen de un conector DE de 9 pines que permite controlar cabezales PTZ a distancia. Los comandos están integrados en la señal SDI que se transmite entre las unidades mediante el cable SMPTE de fibra óptica.

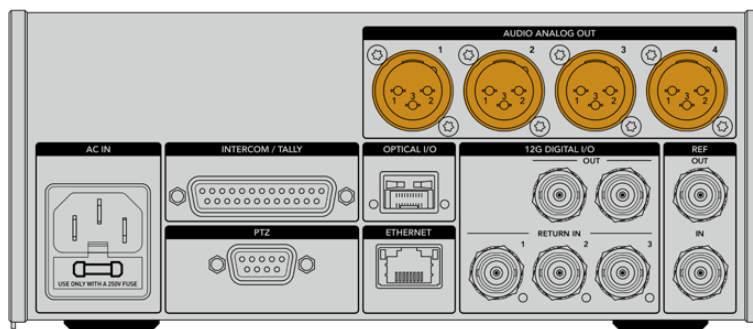
La forma en que se transmiten los comandos se selecciona en el menú de ajustes del dispositivo Blackmagic Studio Fiber Converter. En tal sentido, es posible elegir el conector PTZ en la parte trasera del conversor o la señal SDI de retorno proveniente del mezclador ATEM. Consulte el apartado *Funcionamiento del modelo Blackmagic Studio Fiber Converter* para obtener más información al respecto.

Diagrama de asignación de pines para la interfaz PTZ

Vista externa	Pines	Señal
 <p>Conector PTZ de 9 pines</p>	1	Tierra
	2	RS 422 Tx-
	3	RS 422 Rx+
	4	Tierra
	5	N/C
	6	Tierra
	7	RS 422 Tx+
	8	RS 422 Rx-
	9	Tierra

Salidas de audio

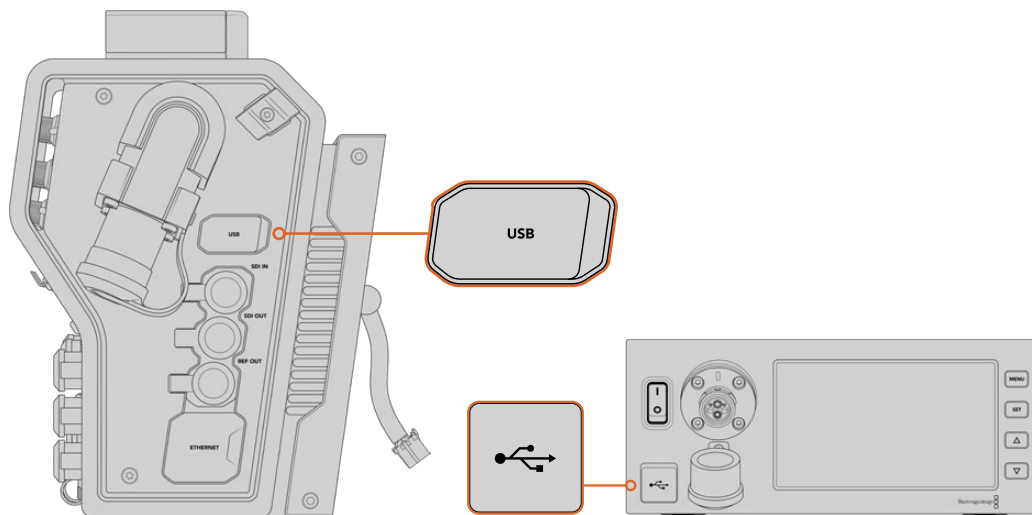
Las cuatro salidas XLR del convertidor en el estudio permiten transmitir el audio de las entradas 1 y 2 de la cámara, y de las dos entradas del dispositivo Camera Fiber Converter.



Las salidas 1 y 2 del convertidor corresponden a los canales 1 y 2 recibidos a través de las entradas XLR del modelo URSA Broadcast G2 o URSA Mini de forma predeterminada. Las salidas 3 y 4 del convertidor corresponden a las entradas XLR 1 y 2 del dispositivo Blackmagic Camera Fiber Converter de forma predeterminada. Estos ajustes pueden modificarse desde el menú correspondiente. Consulte el apartado *Uso del menú en pantalla* para obtener más información al respecto.

Actualización de los conversores

Las actualizaciones lanzadas por Blackmagic Design habilitan funciones e incluyen mejoras para los dispositivos Blackmagic Fiber Converter. Recomendamos comprobar nuestro sitio web regularmente a fin de asegurarse de que los conversores cuentan con las últimas versiones del sistema operativo interno. El programa utilitario para cámaras de Blackmagic permite actualizar ambas unidades.



El puerto USB-C en ambos conversores permite actualizar el sistema operativo interno.

Actualización del modelo Camera Fiber Converter

El dispositivo debe estar encendido al realizar la actualización, de modo que se recomienda mantenerlo conectado a la cámara durante todo el proceso.

El cable SMPTE de fibra óptica debe estar desconectado, y es preciso alimentar la cámara mediante una fuente que garantice el suministro constante de la corriente.

El puerto USB-C en el lateral derecho del conversor permite actualizar el sistema operativo interno. Conecte su PC y ejecute el programa Blackmagic Camera Setup. Si la versión del sistema operativo interno del conversor no es la más reciente, será preciso actualizarla. Siga las instrucciones que aparecen en la pantalla para llevar a cabo la actualización.

Actualización del modelo Studio Fiber Converter

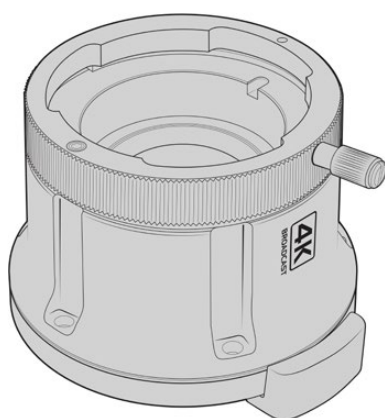
El dispositivo debe estar encendido al realizar la actualización, de modo que se recomienda mantener el cable de alimentación IEC conectado a la parte trasera del conversor durante todo el proceso.

El puerto USB-C en el lateral derecho del conversor permite actualizar el sistema operativo interno de la unidad. Conecte su PC y ejecute el programa Blackmagic Camera Setup. Si la versión del sistema operativo interno del conversor no es la más reciente, será preciso actualizarla. Siga las instrucciones que aparecen en la pantalla para llevar a cabo la actualización.

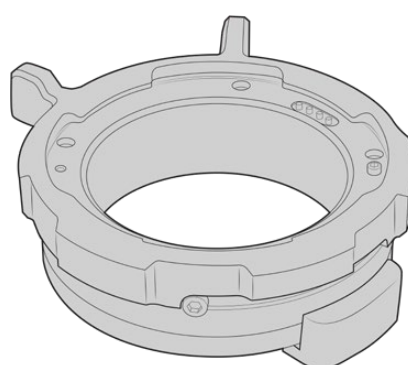
Montura intercambiable

El modelo Blackmagic URSA Broadcast G2 incluye una montura B4 instalada y otra EF adicional. Además, es compatible con las monturas Blackmagic URSA Mini Pro PL y URSA Mini Pro F. Estas se encuentran disponibles en los distribuidores de productos Blackmagic Design.

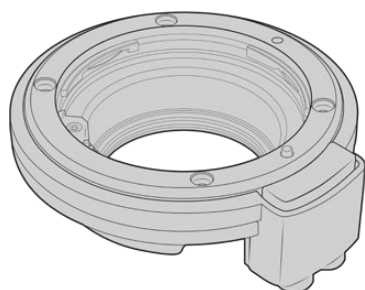
NOTA: La montura B4 disponible para el modelo Blackmagic URSA Mini Pro no es igual a la de la cámara URSA Broadcast G2, ya que ha sido diseñada para un sensor diferente. Recomendamos emplear únicamente la montura B4 que se incluye con este modelo.



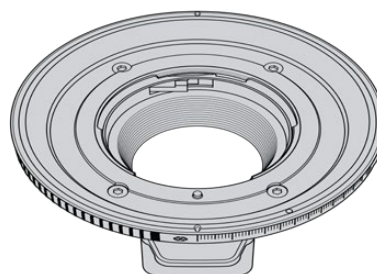
Montura B4 profesional



Montura PL



Montura EF



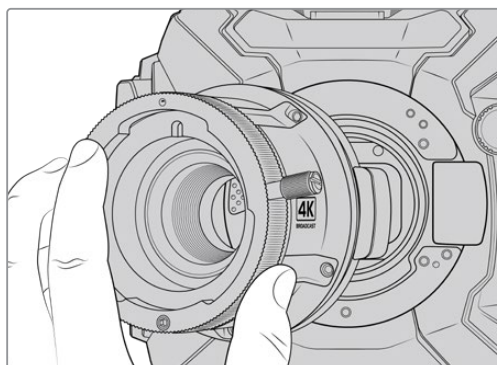
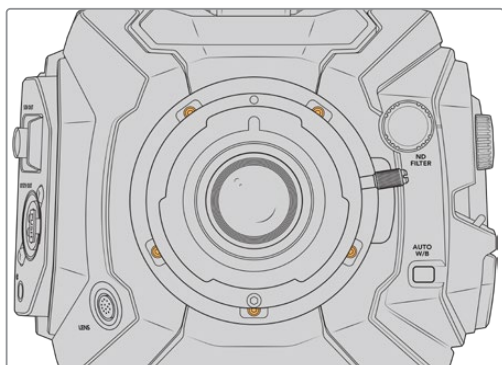
Montura F

Dado que es posible utilizar diferentes monturas, el usuario cuenta con la posibilidad de seleccionar el objetivo que mejor se adapte a su dinámica de trabajo. Por ejemplo, la montura EF permite utilizar objetivos fotográficos de gran calidad, mientras que la B4 es ideal para emplear modelos con distancia focal variable en bodas o procesos de recopilación electrónica de noticias. Por otro lado, la montura PL facilita el uso de objetivos cinematográficos de alta gama diseñados para brindar una precisión absoluta y un control inigualable. Por su parte, la versión F brinda compatibilidad con una gran variedad de objetivos fabricados por Nikon desde 1959 hasta la actualidad.

Es muy sencillo colocar una montura. Basta con quitar la pieza original y reemplazarla por la nueva

Cómo quitar la montura B4

Para quitar la montura B4, afloje los cinco tornillos M3 utilizando un destornillador con cabeza hexagonal de 2 mm.



Es muy fácil retirar la montura B4 original. Basta con quitar los cinco tornillos M3 y separar con cuidado la pieza del armazón de la cámara.

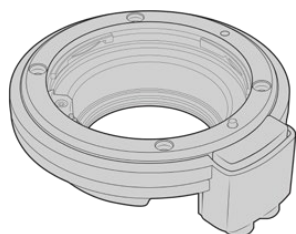
NOTA: Al quitar la montura B4 original, asegúrese de no retirar el anillo que se encuentra debajo de la misma.

Continúe leyendo este apartado para obtener más información al respecto.

Montura EF para el modelo URSA Mini Pro

Esta montura permite utilizar objetivos fotográficos F en cámaras URSA Broadcast G2.

El kit de la montura F incluye las siguientes piezas:



1 montura EF

Esta montura permite utilizar objetivos fotográficos EF.



1 juego de anillos adaptadores

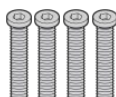
Se incluyen anillos con los siguientes espesores:

0.50 mm	0.18 mm	0.10 mm
0.30 mm	0.15 mm	0.05 mm
0.20 mm	0.12 mm	0.025 mm



1 herramienta de ajuste

El deflector de esta montura no es extraíble. Sin embargo, se incluye esta herramienta en caso de que se necesario instalar una montura PL.

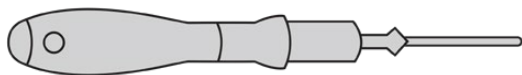


4 tornillos M3 (18 mm) hexagonales

Estos tornillos se usan exclusivamente con la montura EF, por lo que recomendamos guardarlos junto a dicha pieza.

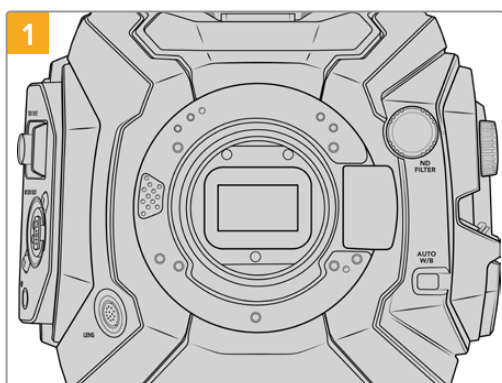
Herramientas requeridas

Para instalar una montura EF, necesitará un destornillador con cabeza hexagonal de 2 mm. Aunque no es obligatorio, recomendamos utilizar un torquímetro, a fin de lograr una torsión máxima de 0.45 Nm para evitar que los tornillos se desajusten.

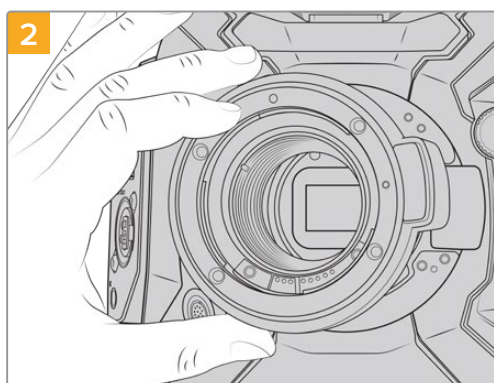


Destornillador con cabeza hexagonal de 2 mm

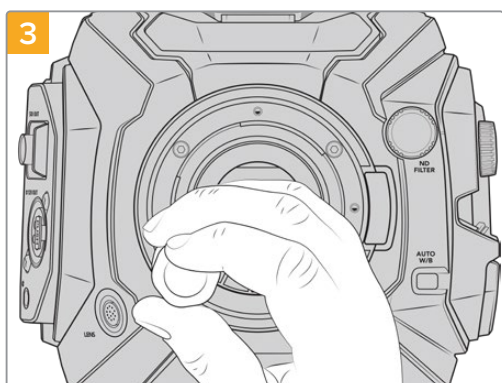
Instalación de la montura EF



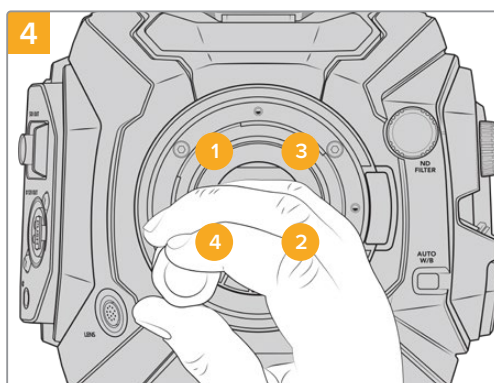
Coloque la cámara en sentido vertical sobre una superficie limpia y plana para garantizar que la montura pueda instalarse correctamente. Al sustituir la versión PL con un modelo EF, compruebe que el deflector haya sido retirado con anterioridad.



Coloque con cuidado la montura EF en la cámara, asegurándose de que el punto rojo esté situado hacia arriba.



Inserte los cuatro tornillos y gírelos sin ejercer demasiada fuerza hasta que la montura esté en contacto con el soporte.

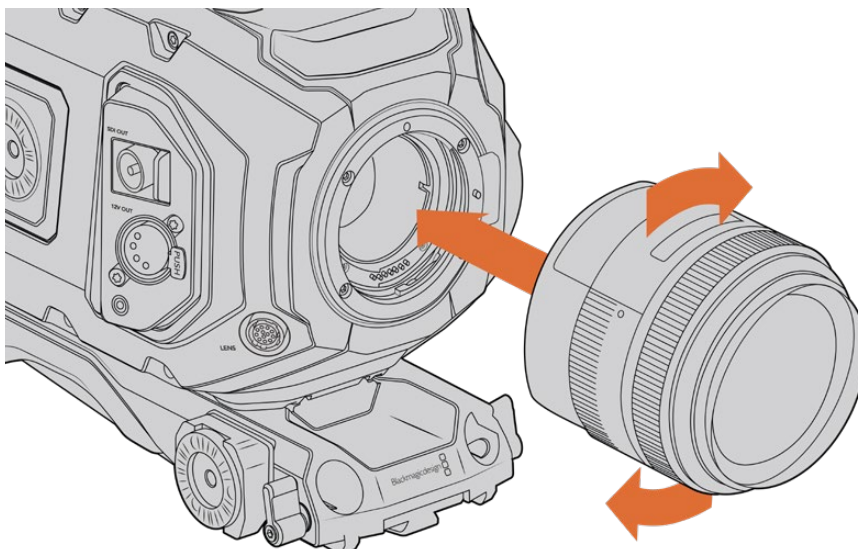


Comience a apretar el primer tornillo con la ayuda del destornillador, aplicando un giro completo. Repita este procedimiento para los tres tornillos restantes. Continúe de este modo hasta que todos alcancen un torque máximo de 0.45 Nm.

NOTA: Para quitar la montura EF, siga las instrucciones de instalación en orden inverso.

Para colocar un objetivo con montura B4:

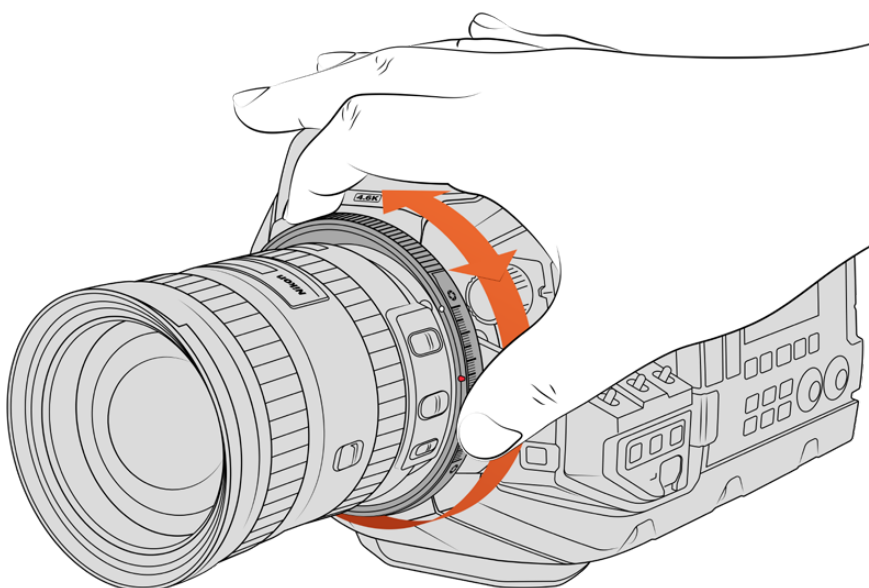
- 1 El punto en el objetivo debe estar alineado con el de la montura de la cámara. Muchos objetivos tienen un punto azul, rojo o blanco, o algún otro indicador visual.
- 2 Inserte el objetivo en la montura y gírelo hacia la derecha hasta que calce en su lugar.
- 3 Para quitar el objetivo, mantenga presionado el botón de bloqueo, gire el objetivo hacia la izquierda hasta aflojarlo y retírelo con cuidado.



Instalación y desmontaje de un objetivo con montura EF

Montura F para el modelo URSA Mini Pro

Esta montura permite utilizar lentes F en cámaras URSA Broadcast G2. Estos objetivos de Nikon surgieron en 1959 y aún se fabrican en la actualidad. De este modo, es posible acceder a una enorme variedad de modelos, tanto clásicos como modernos.



El mecanismo de ajuste de la apertura en la montura F permite realizar cambios en este parámetro con facilidad.

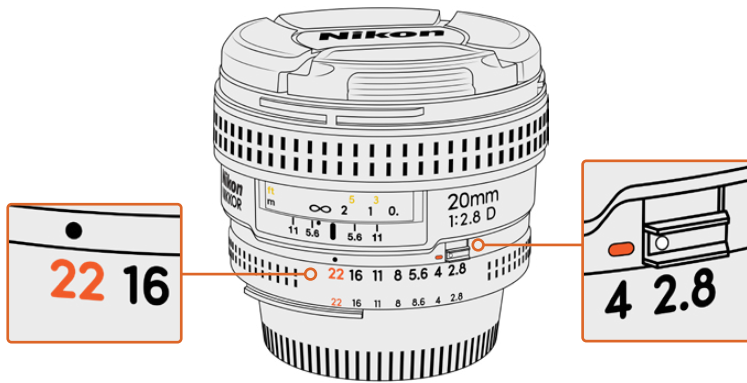
Cabe señalar que esta montura es mecánica, y por lo tanto no permite controlar electrónicamente el enfoque ni la apertura del diafragma. Sin embargo, cuenta con un sistema de ajuste mecánico que brinda la posibilidad de mover la palanca presente en la gran mayoría de objetivos Nikon para cambiar la apertura fácilmente.

Simplemente mueva el mecanismo de ajuste del diafragma en la montura F para lograr la apertura deseada. El punto rojo y las marcas en el mecanismo permiten determinar una configuración particular de la exposición y la profundidad de campo, a fin de poder volver a utilizarla con rapidez.

NOTA: Para quitar la montura F, siga las instrucciones de instalación en orden inverso.

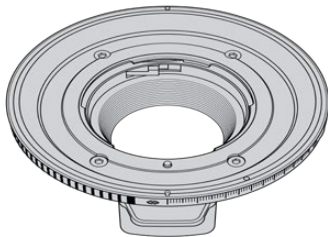
Objetivos Nikon AF-D

Al utilizar este tipo de objetivos, es necesario reducir la apertura a un valor mínimo, por ejemplo, f/22, a efectos de poder aprovechar al máximo la capacidad del anillo de ajuste incluido en la montura F.



En los objetivos AF-D resulta más fácil reducir la apertura al mínimo antes de colocarlos en la cámara.

El kit de la montura F incluye las siguientes piezas:



1 montura F

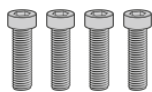
Esta montura permite utilizar objetivos fotográficos F comunes.



1 juego de anillos adaptadores

Se incluyen anillos con los siguientes espesores:

0.50 mm	0.18 mm	0.10 mm
0.30 mm	0.15 mm	0.05 mm
0.20 mm	0.12 mm	0.025 mm

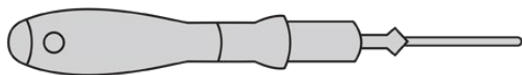


4 tornillos M3 (18 mm) hexagonales

Estos tornillos se usan tanto en monturas F como EF, por lo cual recomendamos guardarlos junto con el modelo correspondiente. Se incluye un juego de tornillos adicional, en caso de que los originales se extravíen.

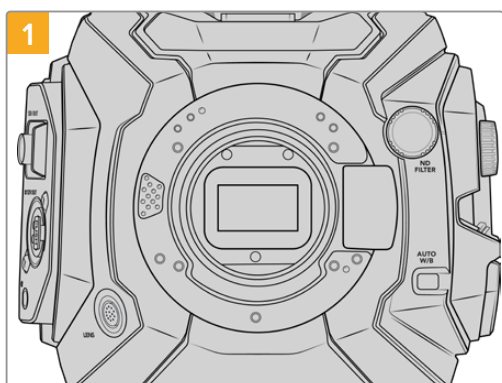
Herramientas requeridas

Para instalar una montura F, necesitará un destornillador con cabeza hexagonal de 2 mm. Aunque no es obligatorio, recomendamos utilizar un torquímetro, a fin de lograr una torsión máxima de 0.45 Nm para evitar que los tornillos se desajusten.

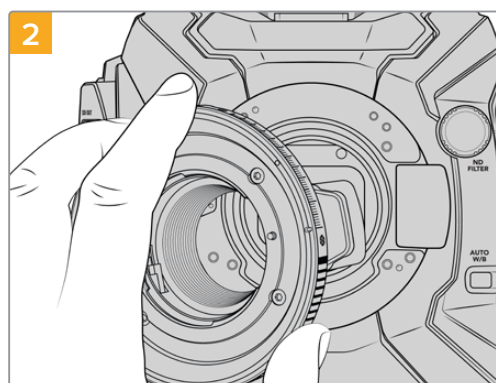


Destornillador con cabeza hexagonal de 2 mm

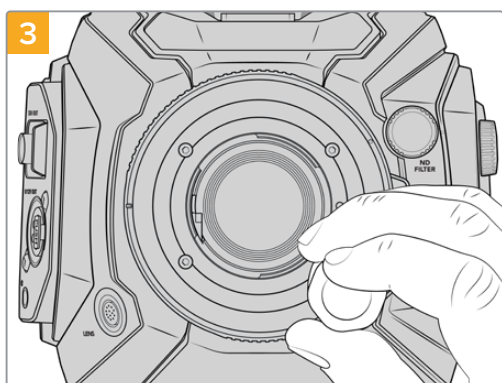
Instalación de la montura F



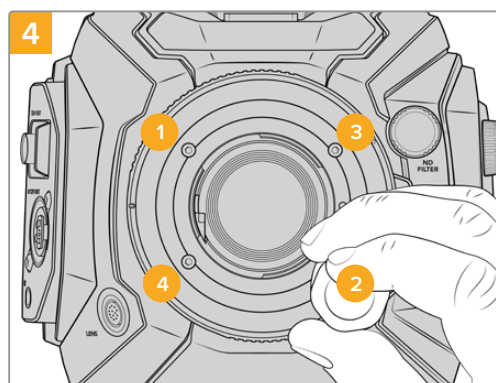
Coloque la cámara en sentido vertical sobre una superficie limpia y plana para garantizar que la montura pueda instalarse correctamente. Al sustituir la versión PL con un modelo F, compruebe que el deflector haya sido retirado con anterioridad.



Coloque con cuidado la montura F en la cámara, asegurándose de que el punto rojo esté situado hacia arriba.



Inserte los cuatro tornillos y gírelos sin ejercer demasiada fuerza hasta que la montura esté en contacto con el soporte.

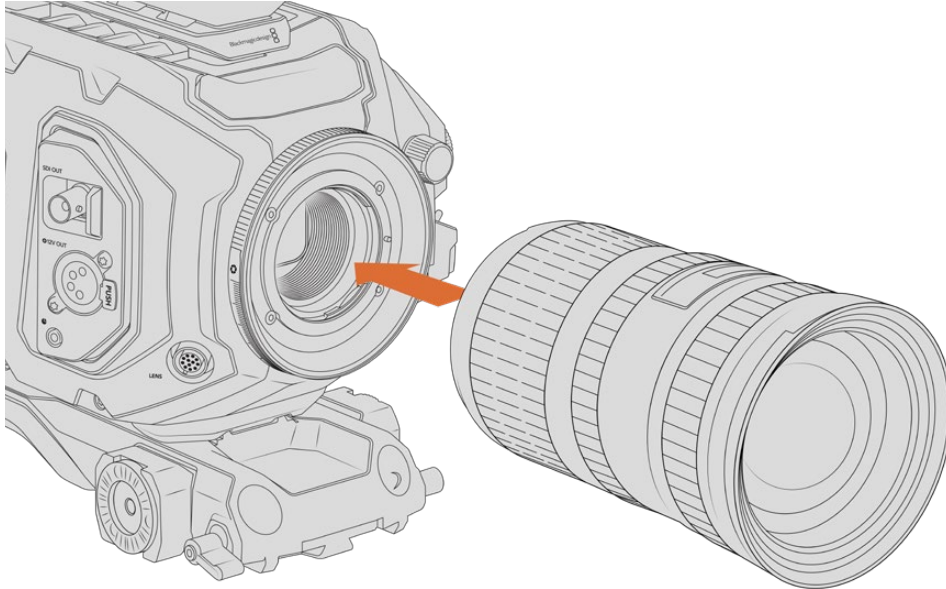


Comience a apretar el primer tornillo con la ayuda del destornillador, aplicando un giro completo. Repita este procedimiento para los tres tornillos restantes. Continúe de este modo hasta que todos alcancen un torque máximo de 0.45 Nm.

NOTA: Debido al funcionamiento de la montura F, algunos objetivos no son compatibles.

Estos incluyen los modelos Nikkor AF-S E, que no ofrecen un control mecánico del diafragma, y aquellos pertenecientes a la serie Nikon PC-E, tales como las versiones f/3.5D PC-E de 24 mm y PC-E de 85 mm, que permiten lograr un efecto diorama o miniatura.

Para colocar objetivos con montura F:



Instalación de objetivos F en el modelo Blackmagic URSA Broadcast G2

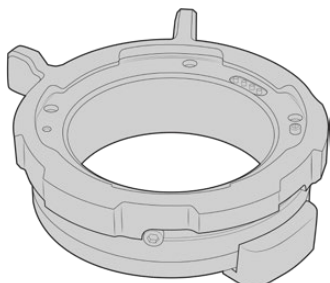
- 1 El punto en el objetivo debe estar alineado con el de la montura de la cámara. Muchos objetivos tienen un punto azul, rojo o blanco, o algún otro indicador visual.
- 2 Inserte el objetivo en la montura y gírelo hacia la izquierda hasta que calce en su lugar.
- 3 Para quitar el objetivo, mantenga presionado el botón de bloqueo, gire el objetivo hacia la derecha hasta aflojarlo, y retírelo con cuidado.

NOTA: La montura Blackmagic URSA Mini Pro F incluye un sistema de ajuste mecánico para el diafragma. A fin de emplear monturas F más antiguas con anillos de enfoque integrados, la apertura del objetivo debe estar en el valor mínimo, por ejemplo, f/22.

Montura PL para el modelo URSA Mini Pro

La montura PL en el modelo URSA Broadcast G2 permite utilizar objetivos cinematográficos de gran calidad en largometrajes y producciones televisivas.

El kit de la montura PL incluye las siguientes piezas:



1 montura PL

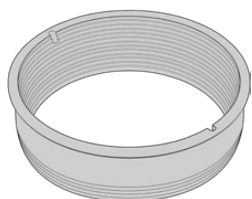
La montura incluye una tapa protectora.



1 juego de anillos adaptadores

Se incluyen anillos con los siguientes espesores:

0.50 mm	0.18 mm	0.10 mm
0.30 mm	0.15 mm	0.05 mm
0.20 mm	0.12 mm	0.025 mm



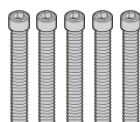
1 deflector PL

Ayuda a controlar y dirigir la luz captada por el sensor.



1 herramienta de ajuste

Permite ajustar el deflector en la cámara.

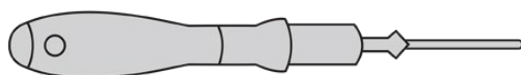


5 tornillos M2.5 (22 mm) hexagonales

Estos tornillos se usan exclusivamente con la montura PL, por lo que recomendamos guardarlos junto a dicha pieza.

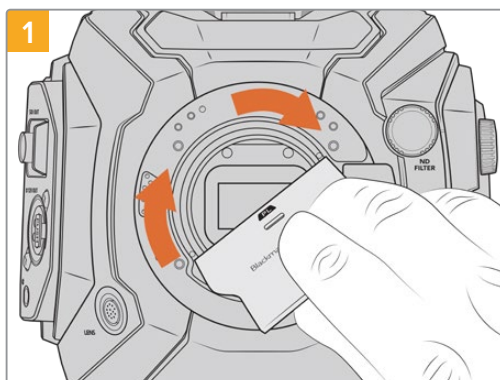
Herramientas requeridas

Para instalar una montura PL, necesitará un destornillador con cabeza hexagonal de 2 mm. Aunque no es obligatorio, recomendamos utilizar un torquímetro, a fin de lograr una torsión máxima de 0.45 Nm para evitar que los tornillos se desajusten.

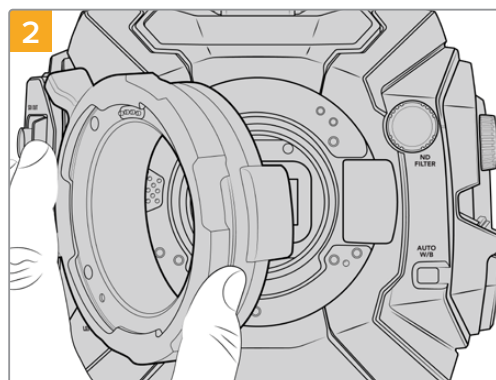


Destornillador con cabeza hexagonal de 2 mm

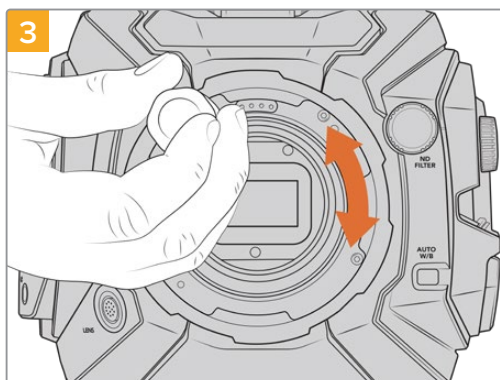
Instalación de la montura PL



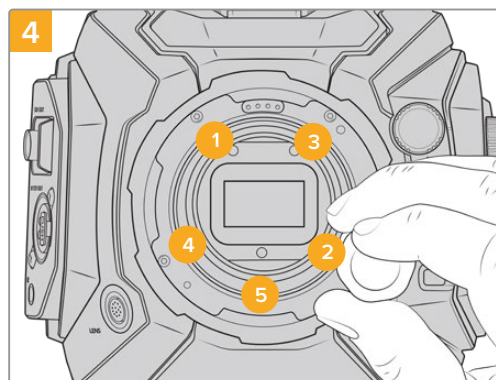
Coloque con cuidado el deflector en el centro de la montura y ajústelo con la mano. Utilice la parte más gruesa de la herramienta de ajuste para apretarlo ligeramente. Aplique una presión suficiente como para lograr que la pieza quede firme en su lugar.



Asegúrese de que los pines para la interfaz /i Technology en la montura estén en la posición superior.



Inserte los cinco tornillos y gírelos sin ejercer demasiada fuerza hasta que la montura esté en contacto con el soporte. Para acceder a los tornillos, deberá girar el aro de seguridad, ya que algunos orificios pueden quedar ocultos detrás de este.



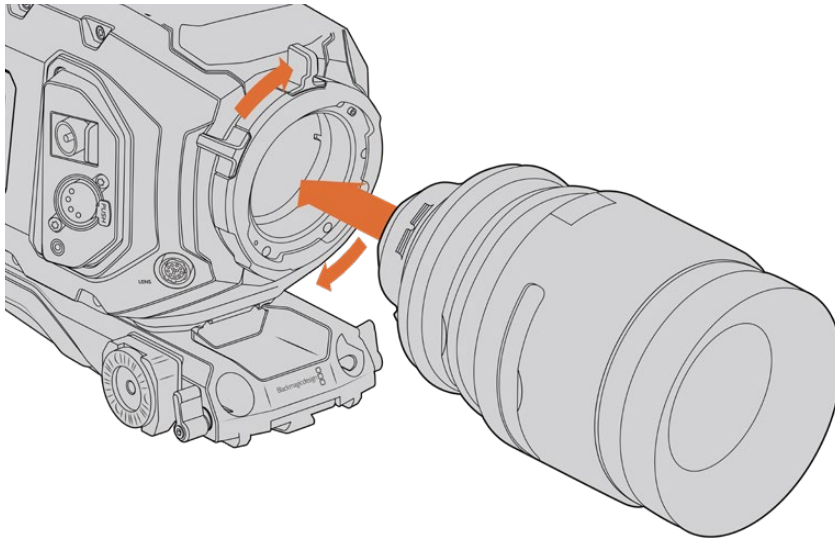
Con la ayuda del destornillador, apriete el primer tornillo, aplicando un giro completo. Repita este procedimiento para los cuatro tornillos restantes. Continúe de este modo hasta que todos alcancen un torque máximo de 0.45 Nm.

NOTA: Para quitar la montura PL, siga las instrucciones de instalación en orden inverso. No olvide retirar el deflector y guardarlo junto con la montura.

Para colocar objetivos con montura PL:

- 1 Abra el aro de seguridad de la cámara girándolo hacia la izquierda hasta que se detenga.
- 2 Haga coincidir una de las cuatro pestañas del objetivo con el perno de sujeción situado en la montura de la cámara. Compruebe que el objetivo esté alineado correctamente para poder ver sus marcas con facilidad.
- 3 Ajuste el aro de seguridad girándolo hacia la derecha. Al instalar un objetivo PL con servomecanismo en el modelo URSA Broadcast G2, también es posible utilizar el conector de 12 pines.

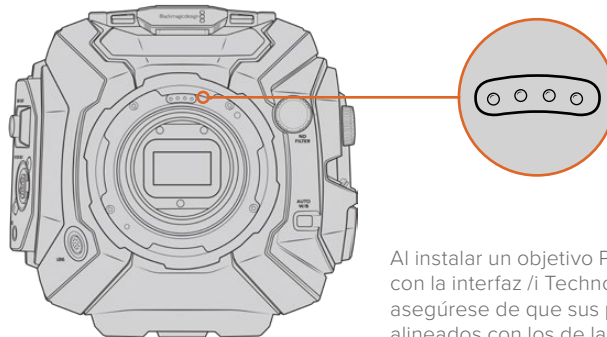
- 4 Para quitar el objetivo, gire el aro de seguridad hacia la izquierda hasta que se detenga y luego retírelo con cuidado al alejarlo del armazón de la cámara. No es necesario girar el objetivo.



Instalación y desmontaje de un objetivo con montura PL

Objetivos compatibles con la interfaz /i. Technology

La montura opcional Blackmagic URSA Mini Pro PL disponible para el modelo URSA Broadcast G2 incluye cuatro pines en la parte superior que se emplean para comunicarse con objetivos compatibles con la interfaz /i. Technology. Estos incluyen modelos de Canon, Cooke, Fujinon, Leica y Zeiss. De este modo, es posible grabar la información del objetivo en los metadatos del clip, por ejemplo, el modelo, la distancia focal y la apertura inicial, entre otros datos.



Al instalar un objetivo PL compatible con la interfaz /i. Technology, asegúrese de que sus pines estén alineados con los de la montura.

La información registrada como metadatos mediante la interfaz /i. Technology desarrollada por Cooke puede resultar útil en la etapa de posproducción y en la creación de efectos especiales. Se recomienda saber qué tipo de objetivo se utilizó en la producción, así como los ajustes precisos en caso de que sea necesario emplearlos de nuevo con posterioridad.

Asimismo, esta información importante puede utilizarse en programas como DaVinci Resolve y Fusion para aprovechar un sinfín de funciones avanzadas. Por ejemplo, es posible emplear los metadatos registrados a fin de simular el objetivo en un entorno tridimensional o para corregir la distorsión óptica.

Objetivos PL con servomecanismo

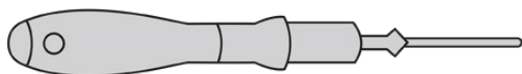
El modelo URSA Broadcast G2 es compatible con objetivos PL de 35 mm que incluyen un servomecanismo en su empuñadura. Al conectarlos a la cámara, esta les suministra energía eléctrica y transmite las señales de control de la misma forma que con los objetivos B4. Consulte el apartado *Uso de objetivos con servomecanismo* para obtener más información al respecto.

Montura para objetivos B4

El modelo URSA Broadcast G2 incluye una montura para objetivos B4. Si esta ha sido retirada para colocar la versión EF suministrada con la cámara o una montura opcional Blackmagic URSA PL o F, siga los pasos descritos a continuación para volver a instalarla.

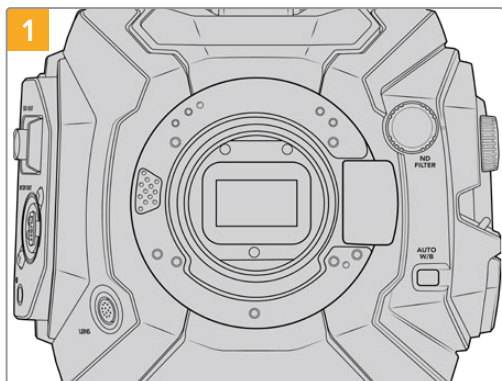
Herramientas requeridas

Para instalar la montura B4, necesitará un destornillador con cabeza hexagonal de 2 mm. Aunque no es obligatorio, recomendamos utilizar un torquímetro, a fin de lograr una torsión máxima de 0.45 Nm para evitar que los tornillos se desajusten.

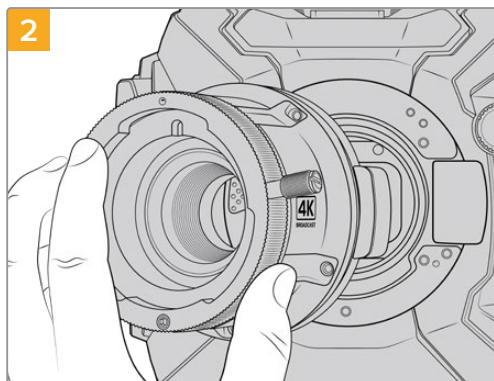


Destornillador con cabeza hexagonal de 2 mm

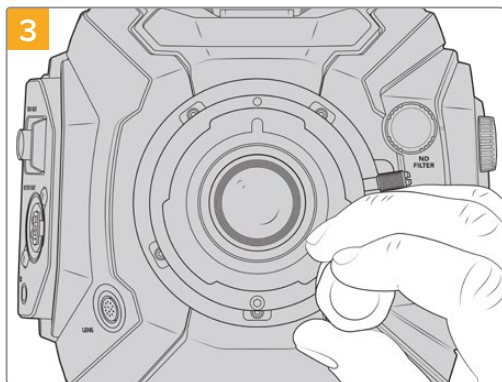
Instalación de la montura B4



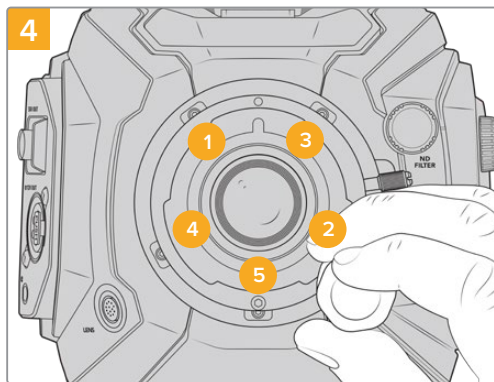
1 Coloque la cámara en sentido vertical sobre una superficie limpia y plana para garantizar que la montura pueda instalarse correctamente.



2 Mantenga el anillo adaptador de 0.50 mm en su lugar y coloque con cuidado la montura B4 en la cámara, asegurándose de que el punto rojo esté situado hacia arriba.



3 Inserte los cinco tornillos y gírelos sin ejercer demasiada fuerza hasta que la montura esté en contacto con el soporte.



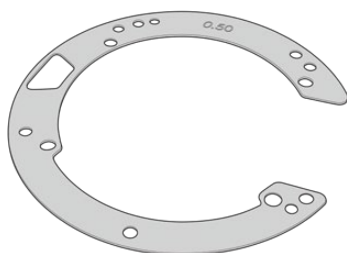
4 Con la ayuda del destornillador, apriete el primer tornillo, aplicando un giro completo. Repita este procedimiento para los cuatro tornillos restantes. Continúe de este modo hasta que todos alcancen un torque máximo de 0.45 Nm.

NOTA: Para quitar la montura B4, siga las instrucciones de instalación en orden inverso.

Uso de anillos adaptadores

¿Qué es un anillo adaptador?

Los anillos adaptadores son discos delgados de grosor variable que permiten ajustar en forma precisa la distancia entre el objetivo y el sensor de la cámara. Esta separación se denomina comúnmente «distancia de registro» y puede fluctuar ligeramente debido a variables tales como el tiempo de uso del objetivo y las condiciones climáticas en el set de grabación.



Anillo adaptador del modelo URSA Broadcast G2

Los anillos se colocan entre la montura y el armazón de la cámara, de forma que la distancia entre el elemento enfocado y el sensor coincida con las marcas en el objetivo. Estos se utilizan frecuentemente en objetivos PL. Dichas lentes cinematográficas se ajustan de manera manual y cuentan con marcas muy precisas para la distancia focal. Los anillos también se emplean para las monturas intercambiables del modelo URSA Broadcast G2.

El juego de anillos incluye piezas adicionales de diverso grosor y puede adquirirse en cualquier distribuidor de productos Blackmagic Design. Por su parte, los juegos de monturas compatibles con el modelo URSA Broadcast G2 también incluyen anillos adaptadores. Elija aquellos que mejor se adapten a sus requisitos particulares.

Anillos adaptadores para el modelo URSA Mini Pro

El modelo URSA Broadcast G2 incluye tres anillos adaptadores: uno de plástico, con un espesor de 0.10 mm, y dos de metal de 0.10 mm y 0.50 mm. Estos permiten ajustar adecuadamente la distancia focal en objetivos F, EF y B4 compatibles con la cámara. En ocasiones será necesario utilizar anillos adicionales con lentes PL que requieran una distancia focal distinta, a fin de respetar las marcas del objetivo. El juego de anillos adaptadores URSA Mini Pro incluye herramientas y anillos adicionales de distinto espesor, a fin de permitir la instalación de objetivos PL que requieren una distancia ligeramente distinta para mantener la precisión de los indicadores de enfoque.

El kit de anillos adaptadores incluye las siguientes piezas:



1 herramienta de ajuste

Permite apretar o aflojar el deflector al instalar o quitar una montura PL en el modelo URSA Broadcast G2.



1 juego de anillos adaptadores

Se incluyen anillos con los siguientes espesores:

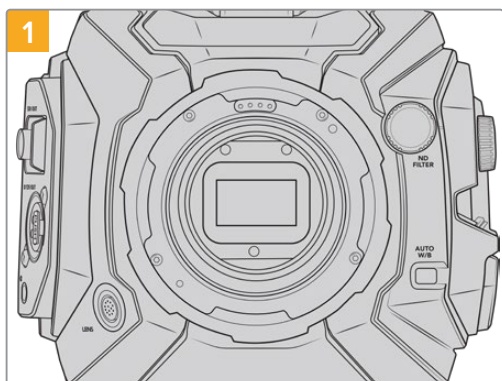
0.50 mm	0.18 mm	0.10 mm
0.30 mm	0.15 mm	0.05 mm
0.20 mm	0.12 mm	0.025 mm

Uso de anillos adaptadores

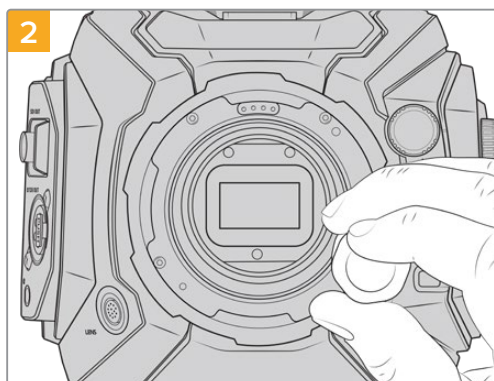
Para instalar cualquier montura, necesitará un torquímetro que permita ejercer con precisión una fuerza de torsión máxima de 0.45 Nm y un destornillador con cabeza hexagonal de 2.0 mm.



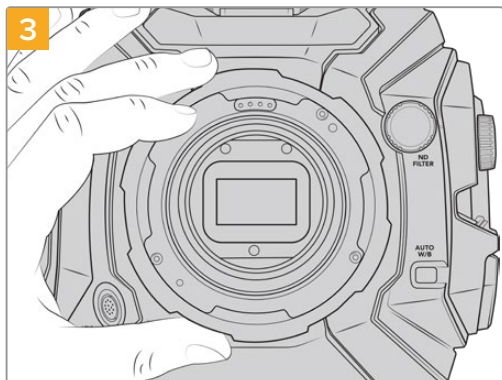
Torquímetro



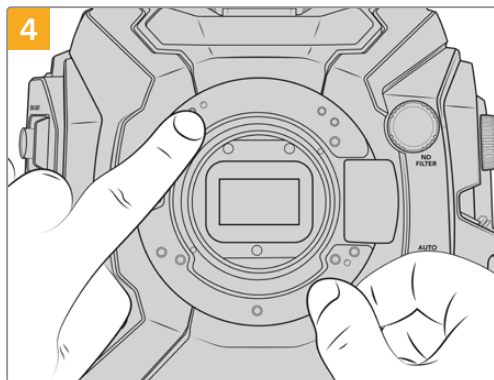
1 Coloque la cámara sobre una superficie firme y limpia y, a continuación, retire el objetivo o la tapa protectora. El filtro de vidrio que protege el sensor estará al descubierto durante todo el procedimiento, de modo que es importante que no haya partículas de suciedad en el entorno. Asimismo, tenga cuidado de no tocarlo.



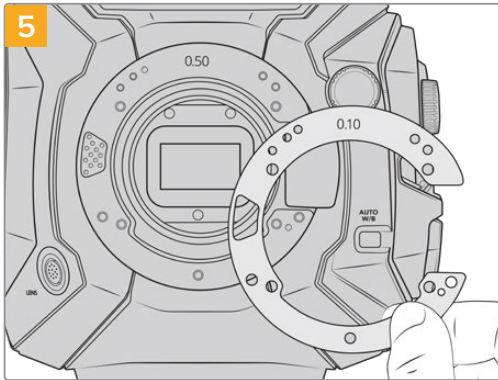
2 Retire los tornillos que sujetan la montura utilizando el destornillador con cabeza hexagonal de 2.0 mm. Consulte el apartado *Monturas intercambiables* para obtener más información al respecto.



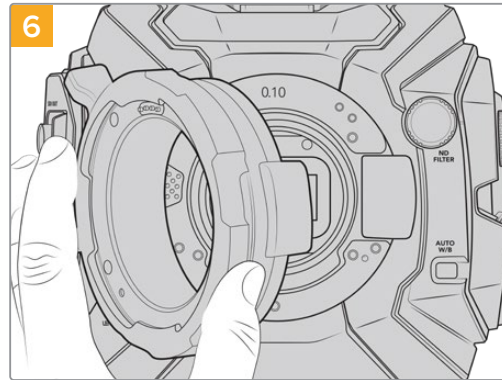
3 Separe cuidadosamente la montura del armazón de la cámara. Deje los tornillos en un lugar seguro, cerca de la montura.



4 Observe que el anillo de 0.50 mm instalado coincide con el pasador de alineación, situado en la posición horaria de las once en punto.



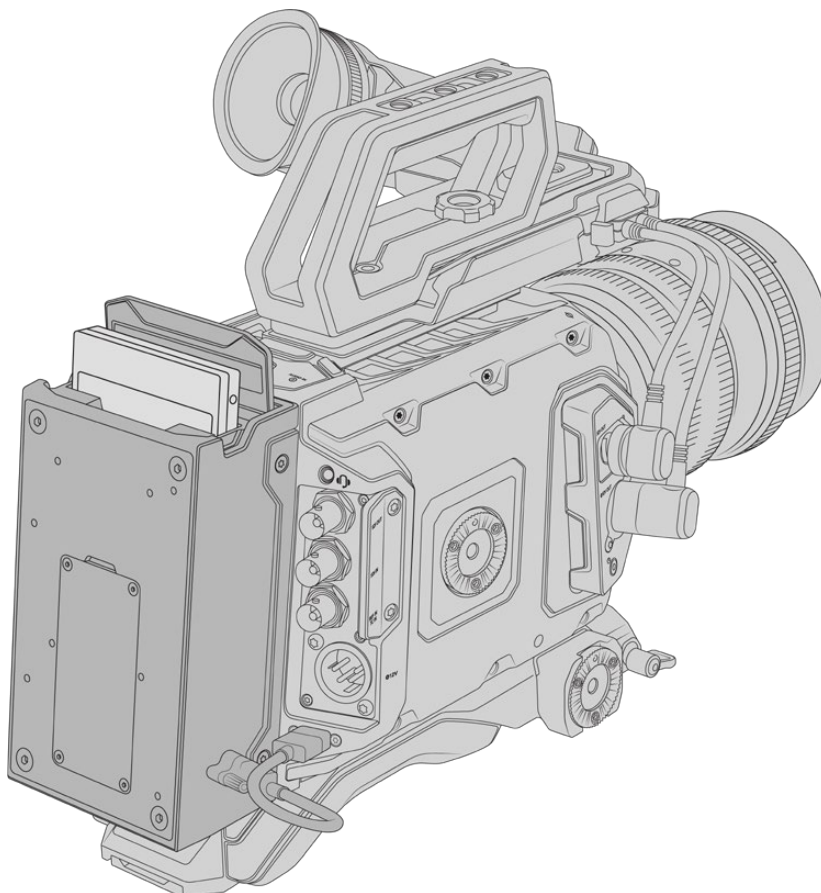
5 Añada o retire anillos para modificar ligeramente la profundidad de la montura. Es recomendable comenzar con un anillo de poco espesor, por ejemplo, de 0.10 mm.



6 Coloque la montura en el cuerpo de la cámara, apriete los tornillos y vuelva a instalar el objetivo. Compruebe que las marcas de enfoque están alineadas con la distancia focal. En caso contrario, repita los pasos de nuevo ajustando los anillos poco a poco hasta que el objetivo se encuentre en la posición adecuada.

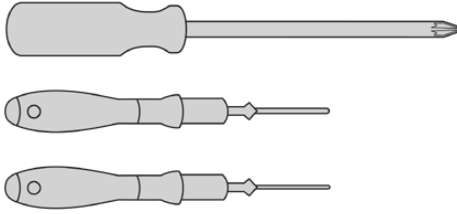
URSA Mini Recorder

Este grabador opcional se coloca en la parte trasera del modelo URSA Broadcast G2 y permite emplear unidades de estado sólido económicas con gran capacidad para almacenar material audiovisual, incluso en formato Blackmagic RAW 6K.



Para instalar este accesorio en la cámara, se necesitan las siguientes herramientas:

- 1 destornillador Phillips
- 1 destornillador Torx T10
- 1 destornillador con cabeza hexagonal de 2 mm

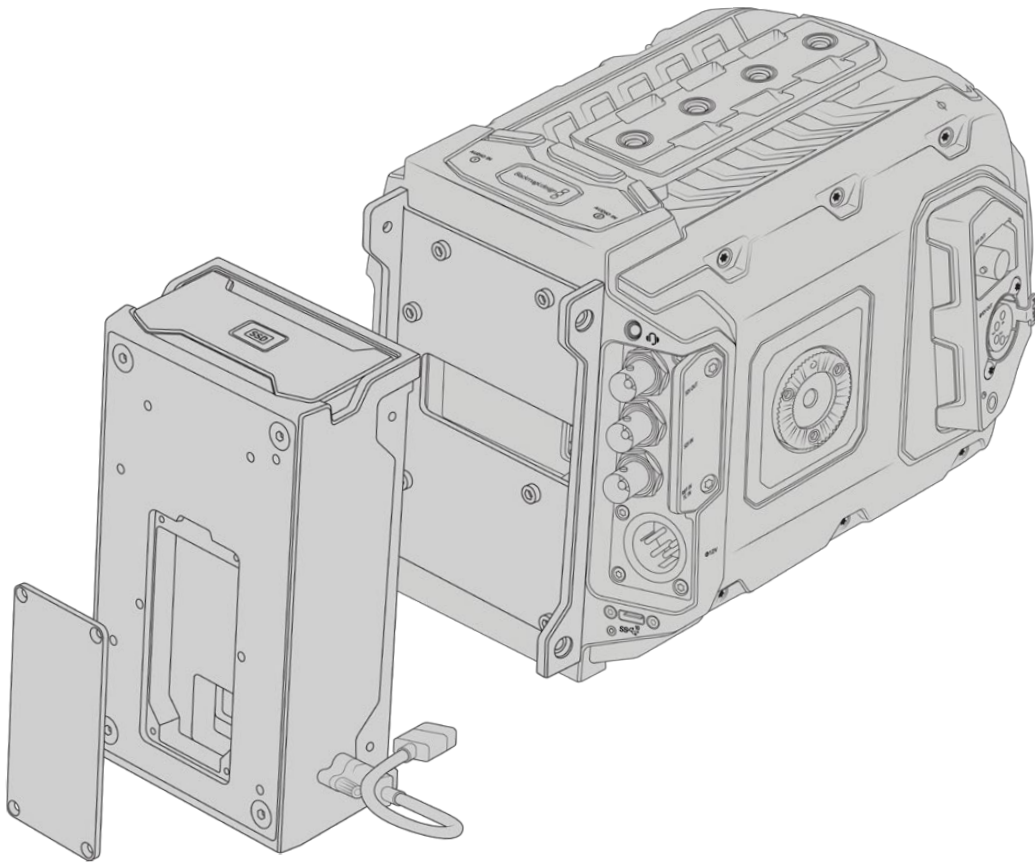


Para instalar el convertidor en la cámara, se necesita un destornillador Phillips grande, otro Torx T10 y un tercero con cabeza hexagonal de 2.5 mm.

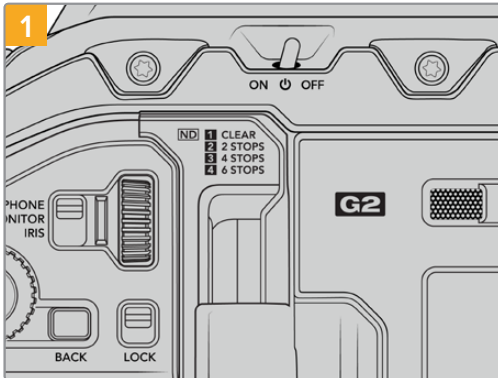
Instalación y conexión del grabador

El grabador se instala en la parte trasera de la cámara, y la transferencia de datos entre ambos dispositivos se realiza a través del puerto USB-C.

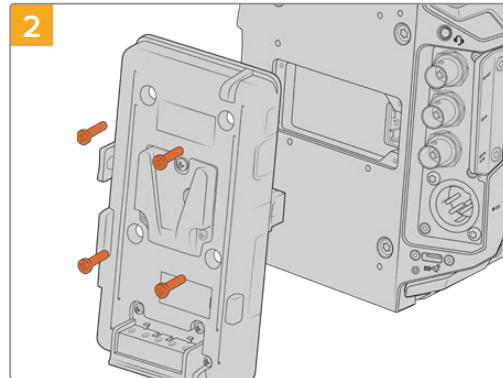
SUGERENCIA: El grabador incluye un cable que permite alimentar la cámara instalando una batería en la parte posterior del mismo.



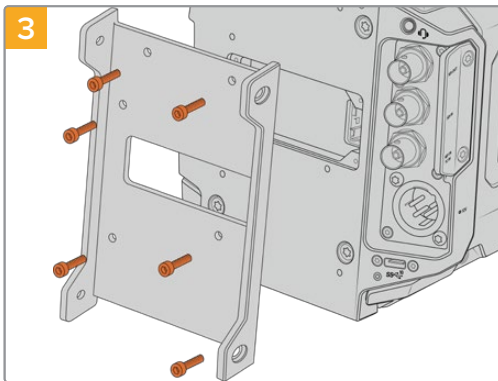
Para instalar el grabador:



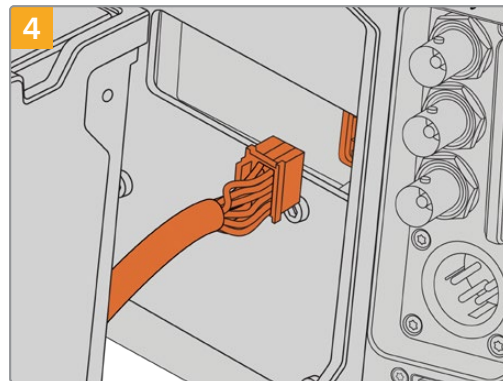
Apague la cámara moviendo el interruptor de encendido a la posición **OFF**.



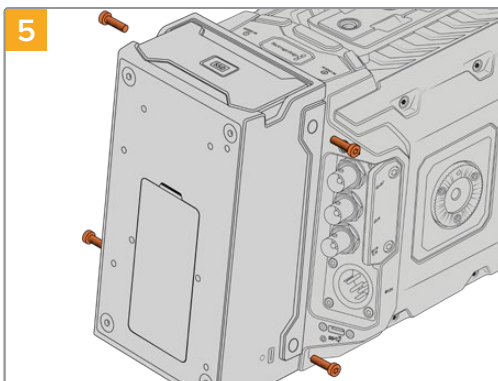
Retire el soporte para baterías, en el caso de que haya uno conectado a la cámara. Consulte el apartado correspondiente para obtener más información al respecto.



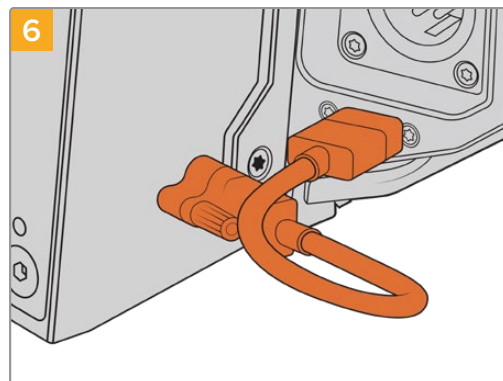
Coloque el soporte para el grabador utilizando los seis tornillos Torx T10.



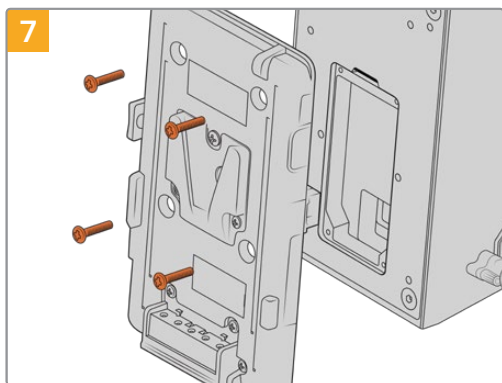
Enchufe el conector Molex del grabador a la parte trasera de la cámara.



Apriete los dos tornillos Torx T10 en ambos laterales para sujetar el grabador al soporte.



Conecte el cable USB-C del grabador al puerto correspondiente en la parte trasera de la cámara. Apriete los mecanismos de bloqueo con los dedos o mediante una llave Allen de 2 mm.



Si también desea instalar un soporte para baterías, quite los cuatro tornillos M3 que sujetan la tapa del conector Molex con una llave Allen de 2 mm. Luego, coloque el soporte como se describe en el apartado correspondiente de este manual.

Uso del grabador

La unidad SSD insertada en el grabador ocupa el tercer espacio para soportes de almacenamiento en el sistema operativo de la cámara. En este caso, el indicador **SSD** aparece en la pantalla.



Al insertar una unidad SSD en el grabador, aparece el indicador **GRABADOR SSD**.

La grabación, la reproducción y el almacenamiento se llevan a cabo de la misma manera que en una tarjeta SD o CFast. Consulte el apartado correspondiente en este manual para obtener más información al respecto.

Indicadores

El grabador cuenta con una luz indicadora para la unidad SSD en el lateral izquierdo. Su brillo puede ajustarse desde el menú de configuración de la cámara.

SSD

Este indicador brinda información sobre la unidad SSD, según se describe a continuación:

Blanco	Indica que el grabador está encendido y conectado a la cámara.
Rojo	Indica que se está grabando en la unidad SSD. La luz parpadea lentamente si el espacio disponible es escaso, o con mayor rapidez en caso de detectar fotogramas omitidos. Si esto ocurre, compruebe el modelo del soporte de almacenamiento para confirmar que sea uno de los recomendados. Verifique además la compatibilidad de la velocidad de grabación con el formato seleccionado.
Naranja	Indica la existencia de un problema al verificar la unidad SSD. Esto puede ocurrir si no es un modelo compatible, o cuando no se ha formateado correctamente. Consulte el apartado <i>Almacenamiento</i> para obtener más información sobre las versiones recomendadas y el modo de formatearlas.

SUGERENCIA: Si ocurre algún problema al verificar la unidad SSD, intente inicializarla con un programa utilitario de discos.

Actualización del grabador

El grabador puede actualizarse a través del programa utilitario de las cámaras. Dado que el dispositivo debe permanecer encendido durante este procedimiento, recomendamos mantenerlo conectado a la cámara. A su vez, es necesario conectar la cámara a una batería o a la red de suministro eléctrico para que le proporcione corriente en forma constante.

Conecte su equipo informático al grabador mediante un cable USB y ejecute el programa Blackmagic Camera Setup. Si la versión del sistema operativo interno del grabador no es la más reciente, será preciso actualizarla. Para ello, siga las instrucciones que aparecen en la pantalla. Consulte el apartado *Programa utilitario* para obtener más información al respecto.

SUGERENCIA: Recomendamos actualizar todos los componentes y accesorios del modelo Blackmagic URSA simultáneamente para obtener un rendimiento óptimo.

Descripción general sobre el control de cámaras

El modelo URSA Broadcast G2 puede manejarse desde un mezclador ATEM mediante el módulo de control del programa ATEM Software Control. Esto permite utilizar versiones con sensores que ofrecen una mayor calidad de imagen y un rango dinámico excepcional, y controlar las unidades al igual que cualquier cámara de estudio.

Para acceder a dicha prestación, basta con hacer clic en la pestaña **Cámara**. Asimismo, esta prestación permite modificar con facilidad diferentes parámetros, tales como la apertura del diafragma, la ganancia y la distancia focal, al emplear objetivos compatibles, así como ajustar el color de las cámaras y crear imágenes extraordinarias con las herramientas para correcciones primarias de DaVinci Resolve.

El módulo de control envía paquetes de instrucciones a la cámara mediante cualquiera de las salidas SDI del mezclador, excepto aquellas correspondientes a señales subconvertidas. Al conectar una salida SDI del dispositivo a la entrada de la cámara, esta detecta las instrucciones integradas en la señal, permitiendo de este modo controlar los diferentes parámetros.



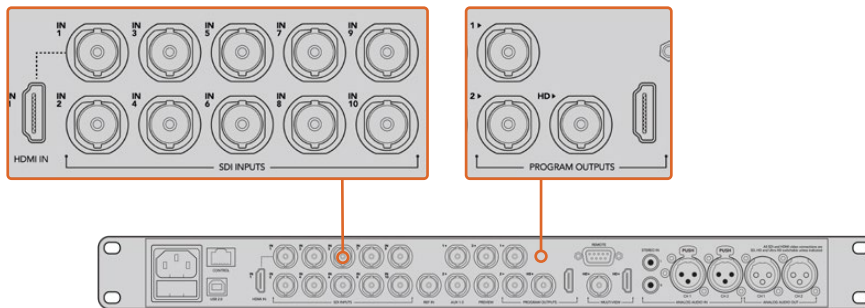
Módulo de control de cámaras

NOTA: Recomendamos actualizar el sistema operativo interno del mezclador y la cámara para garantizar la compatibilidad de ambos dispositivos. La versión más reciente del software se encuentra disponible en nuestra página de soporte técnico.

Conexión del modelo URSA Broadcast G2

- 1 Conecte la salida SDI 12G de la cámara a cualquier entrada SDI del mezclador.
- 2 Conecte cualquier salida SDI del mezclador (excepto aquellas utilizadas para el modo de visualización múltiple o señales subconvertidas) a la entrada SDI de la cámara. Nótese que no es posible transmitir la señal de control de la cámara a través de las salidas mencionadas en la excepción anterior.

- 3 Modifique la opción **NÚMERO DE CÁMARA (ATEM)** en el menú de configuración de la cámara, de modo que coincida con la entrada del mezclador. Por ejemplo, si una cámara URSA Broadcast G2 1 está conectada a la entrada Cam 1 del mezclador, introduzca el mismo número en dicho campo. De este modo, es posible asegurarse de que se ha establecido la comunicación con la cámara correcta.
- 4 En el menú **CONFIG.**, seleccione la opción **SEÑAL DE REFERENCIA**. A menos que se transmita una señal de sincronismo a todas las cámaras y al mezclador, recomendamos seleccionar **Programa**.
- 5 En la pestaña **MONITOR**, asegúrese de haber activado la función **SEÑAL LIMPIA** en la opción **SDI principal**, a fin de evitar que aparezca el indicador de enfoque u otro tipo de información superpuesta en las imágenes transmitidas al mezclador.



Conecte la cámara a cualquier entrada SDI del mezclador

Uso de la función de control de cámaras

Ejecute el programa ATEM Software Control y haga clic en la pestaña **Cámara** situada en la parte inferior de la ventana. Verá una serie de controladores con herramientas para ajustar y mejorar la imagen de cada cámara. Los controladores son fáciles de usar. Simplemente haga clic en los botones o mantenga presionado el mouse y muévalo para ajustar la imagen.

Selección de cámaras

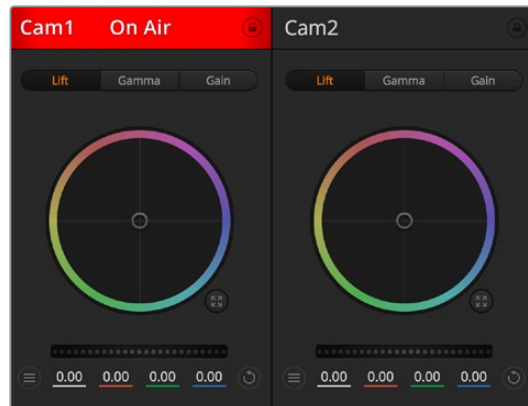
La fila de botones situada en la parte superior de la ventana permite seleccionar la cámara que se desea controlar. Estos botones se emplean asimismo en la ventana de ajustes cromáticos con el mismo fin. Al utilizar una salida auxiliar para supervisar imágenes, la señal de la cámara seleccionada también se transmitirá a través de esta, según las preferencias configuradas en el mezclador.



Para seleccionar la salida auxiliar del módulo de control, haga clic en el ícono de configuración.

Estado de la cámara

En la parte superior de cada controlador se identifica cada unidad y se indica si la misma está al aire. Además, hay un botón que permite bloquear todos los controles de la cámara. Cuando la cámara está al aire, la barra superior de la ventana se enciende en rojo e indica **Al aire**.



En la parte superior de cada controlador se indica si la cámara está al aire. Utilice los controles generales debajo de cada círculo cromático para ajustar las sombras, los tonos intermedios y las luces en cada canal YRGB.

Círculo cromático

El círculo cromático es una herramienta útil de DaVinci Resolve que permite ajustar el color en las luces, tonos intermedios y sombras de cada canal YRGB. Para seleccionar el parámetro que desea modificar, haga clic en una de las tres pestañas situadas en la parte superior del controlador.

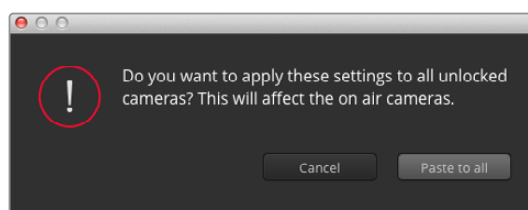
Control general

El control general situado debajo del círculo cromático permite ajustar el contraste en todos los canales YRGB al mismo tiempo o la luminancia de las luces, tonos intermedios y sombras en forma independiente.

Botones de reajuste

Este botón, situado cerca de la parte superior derecha de cada controlador, permite seleccionar los ajustes que se desean restablecer, copiar o aplicar. A su vez, cada círculo cromático también cuenta con un botón de reajuste. Haga clic sobre este para copiar, aplicar o restablecer los parámetros a sus valores predeterminados. Cabe destacar que los ajustes de los controladores bloqueados no se modifican al copiar y aplicar otros parámetros.

El botón situado en la esquina superior derecha de la ventana de etalonaje permite restablecer los valores predeterminados para los círculos cromáticos y los ajustes de contraste, saturación, matiz y luminancia. Es posible aplicar parámetros de etalonaje a todas las cámaras en general o a cada una en forma individual para lograr una apariencia uniforme en las imágenes. Los valores correspondientes a la apertura del diafragma, el enfoque, el control primario y el pedestal no se alteran al copiar y aplicar otros ajustes. Al aplicar parámetros a todas las cámaras simultáneamente, el programa solicitará una confirmación previa por parte del usuario. De esta forma, es posible evitar cambios en las cámaras no bloqueadas cuya señal esté al aire.



Al aplicar parámetros a todas las cámaras simultáneamente, el programa solicitará una confirmación previa por parte del usuario. De esta forma, es posible evitar cambios en las cámaras no bloqueadas cuya señal esté al aire.

Control del diafragma/pedestal

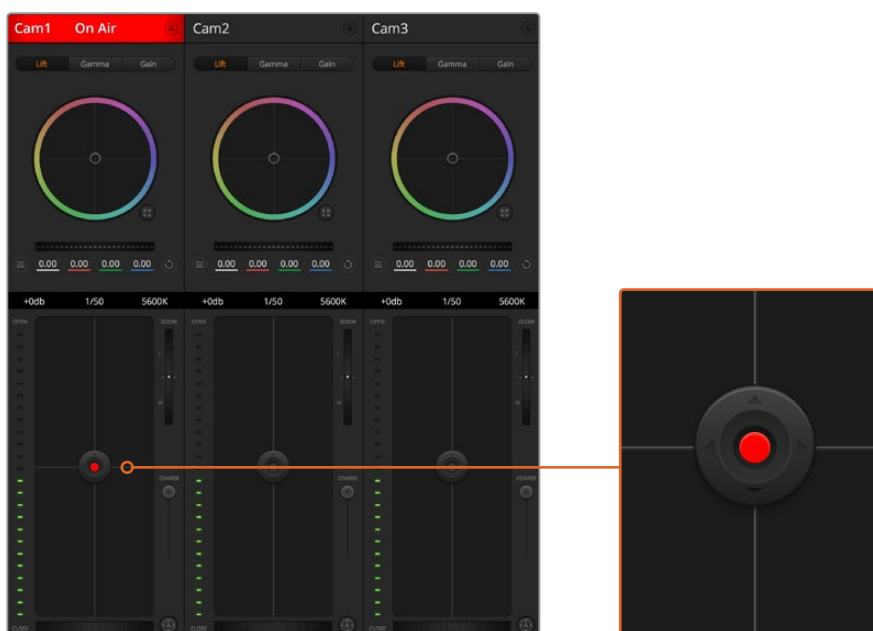
Este control se encuentra en el retículo central de cada controlador y se enciende en rojo cuando la cámara está al aire.

Para abrir o cerrar el diafragma, arrastre el círculo hacia arriba o abajo. Al mantener presionada la tecla de mayúsculas simultáneamente, solo cambia la apertura del diafragma.

NOTA: Al conectar un mezclador ATEM, asegúrese de desactivar la opción **EXPOSICIÓN AUTOMÁTICA**. Si es necesario ajustar la apertura del diafragma, la distancia focal o el enfoque, verifique que cuenta con un objetivo que la cámara pueda controlar electrónicamente.

Al emplear lentes B4 o PL en el modelo URSA Broadcast G2, verifique que el interruptor del diafragma en la empuñadura se encuentre en la posición **A** o **Auto**.

Para oscurecer o incrementar el pedestal, arrastre el círculo hacia la izquierda o la derecha. Al mantener presionada la tecla **Command** en Mac o **Control** en Windows mientras se mueve el círculo, solo se modifica el pedestal.



El control del diafragma/pedestal se enciende de color rojo cuando la cámara está al aire

Control de la distancia focal

Este control brinda la posibilidad de acercar o alejar la imagen al utilizar objetivos compatibles con servomecanismos integrados. Funciona de la misma manera que el interruptor físico de la cámara, el cual permite aumentar o disminuir la distancia focal presionando el extremo correspondiente. Haga clic sobre el control y arrástrelo hacia arriba para acercar la imagen, o hacia abajo para alejarla.

Estos ajustes no producirán cambio alguno si el objetivo no es compatible con esta función o si la cámara no permite realizar este procedimiento mediante el protocolo de control SDI. Por ejemplo, los objetivos EF no cuentan con un servomecanismo para variar la distancia focal electrónicamente, por lo cual no es posible utilizar esta herramienta del programa a tales efectos.

NOTA: En objetivos B4 analógicos, no es posible modificar la distancia focal mediante el programa ATEM Software Control. Consulte el apartado *Uso de objetivos con servomecanismo* para obtener más información al respecto.

Control primario

Este control se encuentra a la izquierda del control del diafragma/pedestal y permite limitar la apertura máxima del diafragma. Es de suma utilidad para evitar que salgan al aire imágenes sobrepuestas.

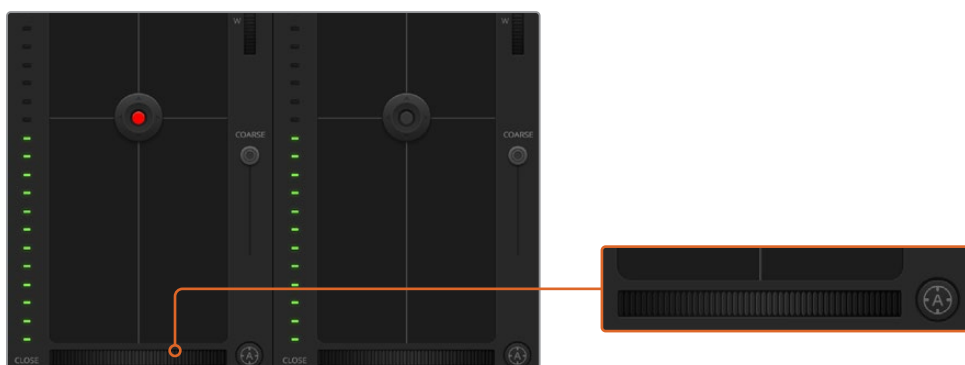
Para limitar la apertura del diafragma, ábralo completamente usando el control circular y luego utilice el control primario a fin de ajustar la exposición. De esta forma, al modificar la apertura del diafragma, dicho umbral impedirá que se exceda el límite máximo de exposición.

Indicador del diafragma

El indicador del diafragma se encuentra a la izquierda del control circular y brinda una rápida referencia visual de la apertura. Esta indicación depende del ajuste establecido mediante el control primario.

Botón de enfoque automático

El botón de enfoque automático se encuentra en la esquina inferior izquierda del controlador. Presiónelo para ajustar el enfoque en forma automática si cuenta con un objetivo activo compatible con dicha función. Cabe destacar que, aunque la mayoría de los modelos brindan la posibilidad de ajustar el enfoque electrónicamente, algunos incluyen además un modo de ajuste manual. Por consiguiente, es importante comprobar que se haya seleccionado el modo automático. En algunos casos, el modo se selecciona deslizando el anillo de enfoque en el objetivo hacia adelante o atrás. En objetivos B4 con servomecanismos, el interruptor situado en la parte inferior de la empuñadura debe colocarse en la posición **Servo**.



Para enfocar mediante un objetivo compatible, haga clic sobre el botón de enfoque automático o deslice el control de enfoque hacia la izquierda o la derecha.

Enfoque manual

Para ajustar el enfoque en forma manual mediante el programa ATEM Camera Control, utilice el dial situado en la parte inferior de cada controlador. Deslice la rueda hacia la izquierda o derecha para ajustar el enfoque manualmente al mirar la señal de la cámara a fin de obtener imágenes claras y nítidas.

Esta función solo está disponible al emplear objetivos B4 o PL con servomecanismos integrados. Nótese que no es compatible con lentes EF.

Ganancia de la cámara

Al rodar en diferentes condiciones de iluminación, podría resultar necesario aumentar o disminuir este valor para evitar la subexposición de las imágenes. A tales efectos, haga clic sobre la flecha izquierda para disminuir la ganancia o sobre la flecha derecha para aumentarla.

En el mezclador, este parámetro se indica en dB. La siguiente tabla ilustra la correspondencia entre ambas variables:

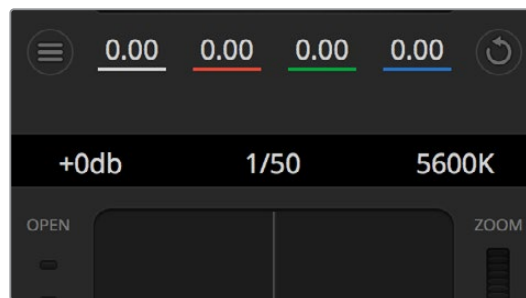
Ganancia
-6
0
+6
+12
+18

La ganancia se indica en dB.

Control de la velocidad de obturación

Este control permite cambiar la velocidad de obturación en el modelo URSA Broadcast G2.

El indicador de la velocidad de obturación se encuentra situado entre el círculo cromático y el control del diafragma/pedestal. Para aumentar o disminuir este parámetro, coloque el puntero del ratón sobre el indicador y luego haga clic sobre la flecha izquierda o derecha.



Las flechas para ajustar la ganancia, la velocidad de obturación y el balance de blancos aparecen al colocar el puntero del ratón sobre los indicadores correspondientes

NOTA: Debido a que la velocidad de obturación seleccionada en el programa ATEM Software Control tiene prioridad sobre la elegida en la cámara, dichas opciones se encuentran deshabilitadas cuando la unidad está conectada al mezclador.

La siguiente tabla muestra los valores disponibles para la velocidad de obturación y el ángulo correspondiente del obturador. Cabe destacar que algunas velocidades de obturación se sitúan fuera del rango angular para el modelo URSA Broadcast G2 (11.25° mínimo/360° máximo). En este caso, se utiliza el valor más cercano disponible.

Nótese que la velocidad de obturación también se indica en el monitor plegable de la cámara si la unidad está conectada a un mezclador ATEM, así como en la pantalla del dispositivo URSA Viewfinder, en caso de haberlo instalado.

Velocidad de obturación	Ángulo de obturación a 23.98 f/s	Ángulo de obturación a 24 f/s	Ángulo de obturación a 25 f/s	Ángulo de obturación a 29.97 f/s	Ángulo de obturación a 50 f/s	Ángulo de obturación a 59.94 f/s
1/50	172.7	172.8	180	215.8	360	360*
1/60	143.9	144	150	179.8	300	359.6
1/75	115.1	115.2	120	143.9	240	287.7
1/90	95.9	96	100	120	200	239.8
1/100	86.3	86.4	90	107.9	180	215.8
1/120	71.9	72	75	89.9	150	179.8
1/150	57.5	57.6	60	71.9	120	143.9
1/180	48	48	50	59.9	100	119.9
1/250	34.5	34.6	36	43.2	72	86.3
1/360	24	24	25	29.97	50	59.94
1/500	17.3	17.3	18	21.6	36	43.2
1/725	11.9	11.9	12.4	14.9	24.8	29.8
1/1450	11.25*	11.25*	11.25*	11.25*	12.4	14.9
1/2000	11.25*	11.25*	11.25*	11.25*	11.25*	11.25*

* Si la velocidad de obturación se sitúa fuera del rango angular permitido por el obturador del modelo URSA Broadcast G2, se utilizará el valor disponible más cercano.

SUGERENCIA: Una buena forma de lograr más brillo en las imágenes, sin modificar la ganancia, es disminuyendo la velocidad de obturación, ya que de este modo se incrementa el tiempo de exposición del sensor. Asimismo, esto permite eliminar el parpadeo al filmar con luces fluorescentes. Al aumentar la velocidad de obturación, se reduce el desenfoque dinámico. Esto resulta de gran utilidad en escenas de acción, a fin de obtener imágenes nítidas.

Balance de blancos

Este parámetro se encuentra junto al control de la velocidad de obturación y puede modificarse mediante las flechas situadas a ambos lados del indicador de la temperatura del color. Permite compensar los colores cálidos o fríos emitidos por diferentes fuentes de luz. De este modo, es posible conservar la pureza de los blancos en la imagen.

Herramientas de DaVinci Resolve para correcciones primarias

La ventana del módulo de control de la cámara puede convertirse en una interfaz similar a la que contiene las herramientas para correcciones primarias en un programa de edición.

Estas funciones de etalonaje están integradas en el modelo URSA Broadcast G2. Las herramientas son idénticas a las utilizadas en DaVinci Resolve, de modo que, si el usuario está familiarizado con ellas, podrá valerse de su experiencia en materia de etalonaje durante las producciones en directo. El panel de corrección cromática se puede expandir desde el controlador para acceder a la interfaz completa.

Esta incluye ajustes adicionales, tales como círculos cromáticos y otros controles, que brindan la posibilidad de evaluar simultáneamente las luces, los tonos intermedios y las sombras en la imagen. Para cambiar de cámara, utilice los botones en la parte superior de la ventana.

SUGERENCIA: Los ajustes cromáticos se aplican a la señal que se transmite mediante la salida SDI de la cámara y al material grabado en ProRes. pero no a los archivos RAW que se editan durante la etapa de posproducción, ya que dicho formato ha sido específicamente diseñado para este proceso. Sin embargo, al grabar contenidos en formato RAW, es posible modificar el color del material transmitido a través de la salida SDI.



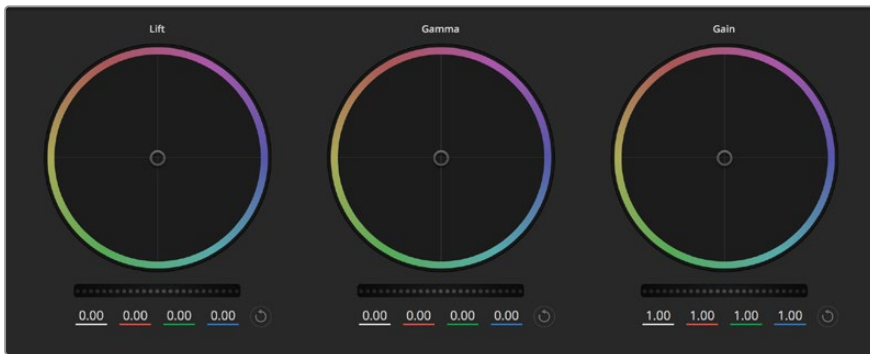
Haga clic sobre el botón situado debajo del círculo cromático, a la derecha, para acceder a las herramientas cromáticas de DaVinci Resolve

Círculos cromáticos

Los controles **Lift**, **Gamma** y **Gain** permiten realizar ajustes interdependientes, pero a su vez específicos para ciertas tonalidades. En términos fotográficos, dichos controles corresponden a las partes más oscuras de la imagen, los matices intermedios y las zonas más luminosas, respectivamente.

Para realizar ajustes drásticos o sutiles, utilice los círculos cromáticos de las siguientes maneras:

- **Haga clic dentro del círculo y arrastre el puntero:**
Nótese que no es preciso modificar el indicador de balance cromático. Los valores debajo del círculo cambian, reflejando de este modo los ajustes realizados en cada canal.
- **Mantenga presionada la tecla de mayúsculas y haga clic dentro del círculo:**
Esto permite situar el indicador en la posición indicada por el puntero del ratón para realizar ajustes importantes con rapidez.
- **Haga clic dos veces dentro del círculo:**
Se restablecen los valores originales sin reajustar el control general.
- **Haga clic en el botón de reajuste, situado en la esquina superior derecha:**
Se restablecen todos los ajustes.



Círculos cromáticos para las luces, tonos intermedios y sombras en el panel de etalonaje

Controles generales

Los controles generales situados debajo de cada círculo cromático permiten ajustar las sombras, tonos intermedios y luces en cada canal YRGB.

Para realizar ajustes mediante el control general:

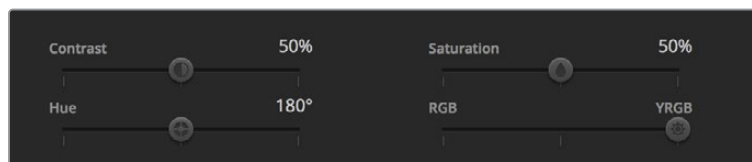
- **Mueva la rueda hacia la izquierda o la derecha:** Esto permite oscurecer o aclarar respectivamente el parámetro de la imagen seleccionado. Al ajustar un valor, el cambio se verá reflejado en los campos correspondientes a cada canal, situados debajo del círculo cromático. Para ajustar solo la luminancia, mantenga presionada la tecla **Alt** o **Command** y mueva el control hacia la izquierda o la derecha. Dado que el color y la luminancia se procesan individualmente, es posible lograr efectos interesantes modificando solo el canal Y. Este ajuste funciona mejor si el control **Mezclador de luminancia** se mueve hacia la derecha. De lo contrario, el programa procesará los canales de color de forma normal. Por lo general, la mayoría de los coloristas utilizan el método YRGB, ya que permite obtener un mayor control del balance de color sin afectar la luminancia general para lograr la apariencia deseada más rápido.



Mueva la rueda hacia la izquierda o la derecha para realizar ajustes

Contraste

Este control permite ajustar el intervalo entre los valores más claros y oscuros de una imagen. El efecto es similar al que se obtiene realizando ajustes opuestos mediante los controles generales situados debajo de las opciones **Luces** y **Sombras**. El valor predeterminado es 50 %.



Arrastre los controles hacia la izquierda o la derecha para ajustar el contraste, la saturación, el matiz y la mezcla de luminancia.

Saturación

Este control permite aumentar o disminuir la cantidad de color en la imagen. El valor predeterminado es 50 %.

Matiz

Este control permite modificar los matices de la imagen recorriendo el perímetro del círculo cromático. El valor predeterminado de 180 grados muestra la distribución original del matiz. Al incrementar o disminuir dicho valor, los matices rotarán en sentido horario o antihorario.

Mezcla de luminancia

Las funciones de etalonaje en el modelo URSA Broadcast G2 están basadas en las herramientas para correcciones primarias de DaVinci Resolve. Este programa fue desarrollado a principio de los años 80 y es el más utilizado en la producción de largometrajes en Hollywood.

El corrector cromático de la cámara incluye funciones sumamente útiles y creativas. Una de ellas es el método de procesamiento YRGB.

Al etalonar, es posible seleccionar cualquiera de los dos métodos de procesamiento disponibles. Aquellos coloristas con más experiencia recurren al modo YRGB, dado que ofrece un control más preciso sobre el color y permite ajustar los canales en forma independiente, logrando de esta manera una amplia variedad de opciones creativas.

Cuando el mezclador de luminancia se mueve totalmente a la derecha, el programa emplea el modo YRGB. Por el contrario, si se mueve totalmente a la izquierda, se utilizará el modo RGB. También es posible seleccionar cualquier punto intermedio para obtener una mezcla de ambos.

¿Cuál es el mejor ajuste? Esto depende del usuario, ya que el proceso de etalonaje es totalmente creativo y no hay estilos correctos o incorrectos. El ajuste más apropiado depende de las preferencias del usuario y de lo que luzca bien según su criterio.

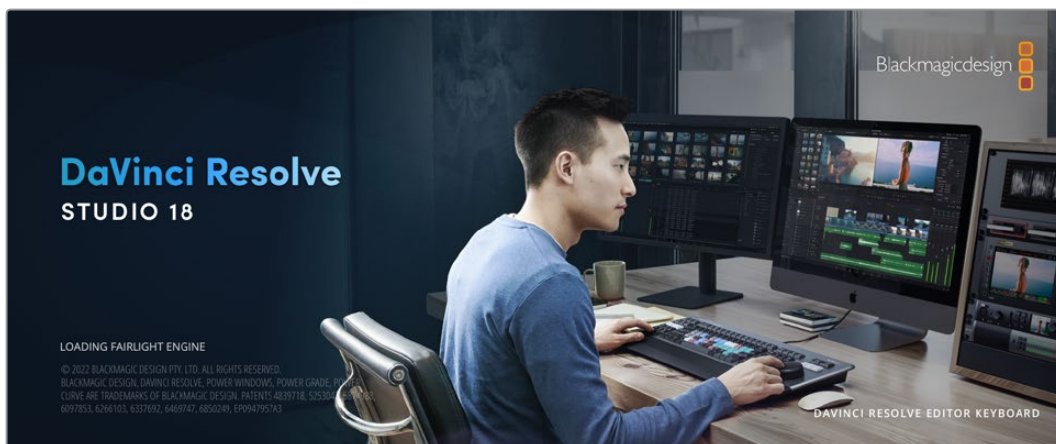
Sincronización de ajustes

El mezclador transmite la señal de control a la cámara cuando ambos dispositivos están conectados. Si se modifica un ajuste por error en la cámara, la unidad de control del mezclador restablecerá automáticamente los valores para mantener la sincronización.

SUGERENCIA: La cámara mantendrá los ajustes cromáticos realizados, incluso al desconectar la entrada SDI 12G. Esto permite cambiar el ángulo de una toma sin necesidad de configurar los parámetros nuevamente. Para restablecer los valores predeterminados, desconecte dicha entrada, apague la cámara y enciéndala nuevamente.

DaVinci Resolve

La captura de imágenes con el modelo URSA Broadcast G2 es solo una parte del proceso para crear contenidos televisivos o cinematográficos. El respaldo y la organización del material grabado, la edición, el etalonaje y la codificación de los archivos finales son etapas que también cobran vital importancia. Este modelo incluye una versión de DaVinci Resolve Studio para Mac OS y Windows, brindando de este modo una solución integral durante el rodaje y la posproducción.



NOTA: Recomendamos contar con la última versión de DaVinci Resolve para lograr un tratamiento cromático preciso del material grabado con cámaras URSA Broadcast G2. La versión 18 (o posterior) del programa permite lograr esto y además es compatible con las prestaciones más novedosas en formato Blackmagic RAW, tales como estabilización mediante los datos giroscópicos captados por el sensor de movimiento de la cámara.

Después de insertar una tarjeta SD o CFast o una unidad SSD en el equipo informático, es posible emplear la herramienta de clonación que ofrece DaVinci Resolve en el módulo Medios con el propósito de crear respaldos del material grabado. Esto resulta de suma utilidad, ya que los archivos digitales son susceptibles de sufrir daños o presentar fallas. Sin embargo, al contar con copias de seguridad, se previene la pérdida de las imágenes. Una vez finalizado este procedimiento, es posible agregar los clips al panel multimedia del programa para editarlos, etalonarlos y aplicar los retoques finales sin salir de la aplicación.

DaVinci Resolve se utiliza en la mayoría de los grandes éxitos cinematográficos y ofrece mucho más que un simple sistema de edición no lineal, dado que cuenta con tecnología de vanguardia que permite obtener imágenes con una calidad extraordinaria. El usuario puede sacar provecho de esta funcionalidad para editar y etalonar toda clase de proyectos.

A continuación, se proporciona información sobre cómo utilizar DaVinci Resolve para procesar los archivos grabados con las cámaras. El programa es revolucionario y contiene muchas más funciones de las que se aprecian en la interfaz a primera vista. Para obtener más información sobre su uso, consulte el manual de instrucciones, disponible en nuestro sitio web, donde también encontrará tutoriales y guías de capacitación.

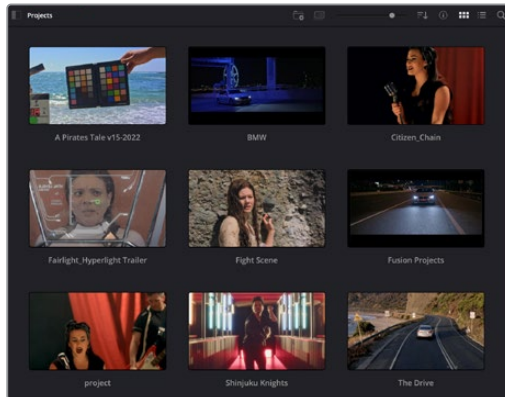
Organizador de proyectos

Antes de importar los clips y comenzar a editar, es necesario configurar el proyecto mediante el organizador de proyectos.

Este aparece inmediatamente al abrir DaVinci Resolve. Sin embargo, se puede acceder a él en cualquier momento haciendo clic en el ícono correspondiente, situado en la esquina inferior derecha de la interfaz, para abrir proyectos o crear otros nuevos.

Para crear un nuevo proyecto, haga clic en la opción **Crear proyecto**, en la parte inferior de la interfaz, y escriba el nombre del mismo. Haga clic en **Crear**.

Con el módulo Montaje, es posible comenzar a editar el proyecto inmediatamente.



El Organizador de proyectos permite ver todos los proyectos del usuario.

Consulte el manual de DaVinci Resolve, disponible en nuestro sitio web, para obtener más información al respecto.

Edición con el módulo Montaje

El módulo Montaje ofrece una dinámica de trabajo ágil que ofrece la oportunidad de editar, cortar y montar clips de manera rápida y eficiente.

Dos líneas de tiempo activas permiten trabajar simultáneamente tanto en toda la edición como en un área en particular. Esto brinda la posibilidad de colocar clips en cualquier lugar en la línea de tiempo y, a continuación, realizar cambios específicos en el mismo espacio de trabajo. Gracias a esta dinámica de trabajo, podrá editar en un equipo informático portátil sin que sea necesario acercar, alejar o mover la línea de tiempo a medida que avanza, lo que supondrá un ahorro de tiempo significativo.

Módulo Montaje

Al abrir el módulo **Montaje**, se visualizan el panel multimedia, el visor y la línea de tiempo, lo que brinda un control absoluto sobre los cambios que se realizan.



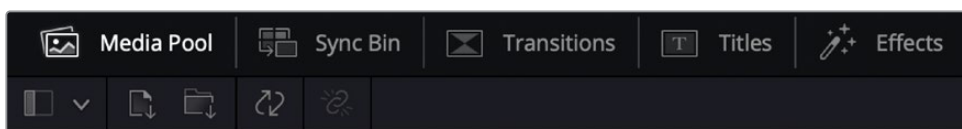
Distribución predeterminada del módulo Montaje, con los archivos del panel multimedia en el modo de vista en miniatura

Consulte el apartado correspondiente en el manual de DaVinci Resolve para obtener más información al respecto.

Organización de archivos multimedia

En la esquina superior izquierda de la interfaz hay cinco pestañas.

Haga clic en ellas para acceder a las herramientas que necesitará a fin de editar. Por ejemplo, la primera pestaña es el **Panel multimedia**. El resto son opciones para sincronizar las bandejas y organizar transiciones, títulos y efectos, respectivamente.



- **Panel multimedia:** Aquí se encuentran todos los clips, las carpetas y los archivos importados mediante el módulo Medios. Asimismo, es posible importar los archivos directamente desde el módulo Montaje, a fin de evitar tener que alternar entre ambos.
- **Sincronizar bandeja:** Esta opción sincroniza automáticamente todos los clips de acuerdo con el código de tiempo, la fecha y la hora, lo que permite seleccionar ángulos de todas las cámaras en un proyecto multicámara.
- **Transiciones:** Esta pestaña permite acceder a todas las transiciones audiovisuales que es posible utilizar en el proceso de edición. Estas incluyen opciones comunes, tales como fundidos encadenados y cortinillas.
- **Títulos:** Esta opción permite seleccionar el tipo de título, por ejemplo, un texto estándar con desplazamiento o situado en el tercio inferior de la imagen. Asimismo, se ofrecen distintas plantillas de efectos Fusion, a fin de emplear títulos animados y dinámicos, que a su vez pueden personalizarse desde el módulo Fusion en DaVinci Resolve.
- **Efectos:** Esta opción brinda acceso a distintos filtros y efectos, con el propósito de añadir dinamismo a la edición, por ejemplo, mediante efectos personalizables de desenfoque o brillo. Es posible escoger entre una gran variedad de efectos extraordinarios, y es muy sencillo encontrarlos gracias a la herramienta de búsqueda.

SUGERENCIA: Utilice la herramienta de búsqueda, situada cerca de los íconos de organización de archivos, a fin de encontrar lo que necesita. Por ejemplo, con la pestaña de transiciones seleccionada, escriba «disolvencia» en la barra para ver únicamente este tipo de transiciones y facilitar su búsqueda.




Modos de vista

En la esquina superior izquierda del visor hay botones para los distintos modos de vista.



Botones para modos de vista

Estos botones permiten seleccionar el modo de vista. Las opciones disponibles son: **Clip original**, **Modo de cinta** y **Línea de tiempo**. Estas ofrecen un control absoluto al elegir clips para editarlos, por lo que recomendamos tomarse un momento para aprender sobre ellas.



	Clip original	Este modo permite ver un solo clip del panel multimedia y marcar puntos de entrada y salida a lo largo de toda la línea de tiempo. Esto ofrece un mayor control. Para seleccionar un clip, basta con hacer doble clic sobre él en el panel multimedia o arrastrarlo al visor.
	Modo de cinta	Esta opción permite ver todos los clips del panel multimedia, por lo que resulta muy útil cuando es preciso buscar rápidamente un evento en particular entre todos los archivos. Al desplazar el cabezal de reproducción sobre los clips, las miniaturas correspondientes se seleccionan automáticamente en el panel multimedia. Es decir, al encontrar el clip que se desea editar, es posible cambiar al modo Clip original para que se muestre en el visor automáticamente. El modo de cinta ofrece las ventajas del proceso de edición no lineal, permitiendo al usuario realizar cambios, encontrar tomas de manera rápida y probar nuevas ideas sin perder el hilo de la historia.
	Línea de tiempo	Esta opción permite ver la línea de tiempo en la que se está editando, lo cual brinda la posibilidad de reproducir el proyecto y optimizar los cambios.

Importar clips al panel multimedia

A continuación, es posible comenzar a importar archivos al proyecto desde el panel multimedia en el módulo Montaje mediante las herramientas situadas en la parte superior de la interfaz.



Seleccione una de las opciones para agregar archivos al proyecto.

	Importar archivos multimedia	Esta opción permite importar archivos individuales desde la ubicación en la que se encuentran almacenados.
	Importar carpetas	Esta opción permite importar carpetas desde la unidad en la que se encuentran almacenadas. Al hacerlo, DaVinci Resolve mantendrá la estructura de los archivos y tratará cada carpeta como una bandeja individual, brindando así la posibilidad de alternar entre ellas para encontrar las imágenes y los archivos deseados.

Para importar archivos:

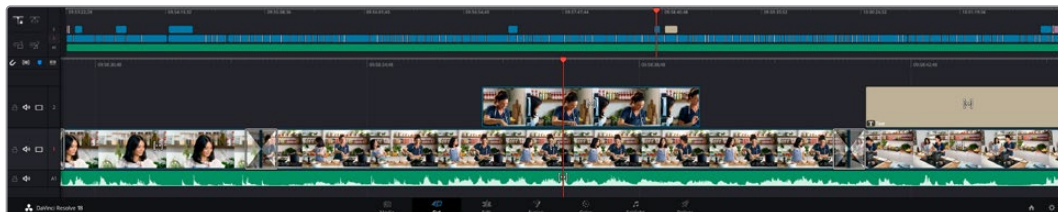
- 1 Haga clic sobre el ícono para importar archivos o carpetas.
- 2 Acceda a la unidad de almacenamiento en la que se encuentra el material que desea importar.
- 3 Seleccione el archivo o la carpeta y haga clic en **Abrir**.

Una vez añadido el material, es un buen momento para guardar los cambios efectuados en el proyecto. En este sentido, DaVinci Resolve ofrece una opción de guardado automático que se activa después de haber guardado los cambios de forma manual por primera vez. Esto disminuye el riesgo de perder el trabajo realizado.

Consulte el apartado correspondiente en el manual de DaVinci Resolve para obtener más información al respecto.

Agregar clips a la línea de tiempo

Ahora que ya está familiarizado con las opciones de organización de archivos multimedia y los modos de visualización, puede abrir el panel multimedia para comenzar a agregar rápidamente clips a la línea de tiempo.



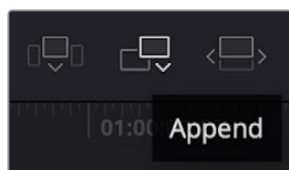
Líneas de tiempo del módulo Montaje

La línea de tiempo es el área de trabajo en la que se pueden agregar clips a distintas pistas, cambiarlos de lugar y recortarlos. Las pistas brindan la posibilidad de colocar los clips en diferentes capas, lo que ofrece una mayor flexibilidad para probar distintos cambios y crear transiciones y efectos. Por ejemplo, es posible editar un clip en una capa sin que los cambios realizados en este afecten a los situados en las capas inferiores.

Existen distintos modos de agregar clips a la línea de tiempo, por ejemplo, mediante las funciones **Inserción inteligente**, **Agregar clips** o **Superponer**.

Agregar clips

Al seleccionar tomas y realizar el montaje, es probable que estas se agreguen a la línea de tiempo sucesivamente. La herramienta **Agregar clips** es ideal para esto, ya que facilita el proceso de edición.



Haga clic en el ícono correspondiente para agregar otros clips al final del último.

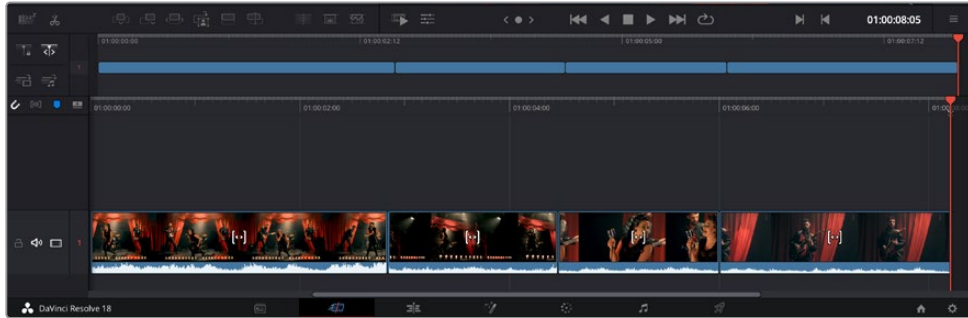
Para agregar clips al final:

- 1 Haga doble clic en cualquier clip del panel multimedia para abrirlo en el visor.
- 2 Con la herramienta de recorte, arrastre los puntos de entrada y salida para seleccionar la duración precisa de la toma. Asimismo, es posible presionar las teclas **I** (entrada) y **O** (salida) para marcar dichos puntos.



- 3 A continuación, haga clic en el ícono **Agregar clips**, situado debajo del panel multimedia. El primer clip se situará al principio de la línea de tiempo.

Repita los pasos 1 a 3 para continuar agregando clips automáticamente sin dejar espacios vacíos en la línea de tiempo.



La función **Agregar clips** permite asegurarse de que no hay espacios vacíos en la línea de tiempo.

SUGERENCIA: Cabe la posibilidad de agilizar aún más este proceso asignando una combinación de teclas a la función **Agregar clips**. Por ejemplo, asignarle la letra **P** es ideal para marcar puntos de entrada y salida, y agregar clips mediante el teclado. Consulte el manual de DaVinci Resolve para obtener más información al respecto.

Recortar clips en la línea de tiempo

Una vez agregados los clips a la línea de tiempo, es posible cambiarlos de lugar o recortarlos.

Para recortar un clip, sitúe el mouse al principio o final del mismo. Luego, haga clic y arrástrelo hacia la derecha o la izquierda, por ejemplo, para aumentar o disminuir su duración. Notará que, una vez realizado el recorte, los clips en la línea de tiempo se desplazarán según los ajustes llevados a cabo. De esta forma, el módulo Montaje permite ahorrar tiempo.

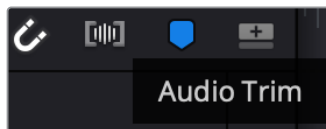
Incluso es posible seleccionar el clip y moverlo a una nueva pista en la línea de tiempo, sin necesidad de ampliarla o reducirla. Esto ayuda a agilizar el proceso de edición porque no es necesario desplazarse por toda la línea de tiempo.

Vista para recorte de audio

Esta opción permite modificar el audio con precisión, ya que brinda la posibilidad de expandir la forma de onda en la línea de tiempo. Es muy útil al editar escenas con diálogo o videoclips y además facilita la búsqueda de puntos de edición entre palabras o golpes.

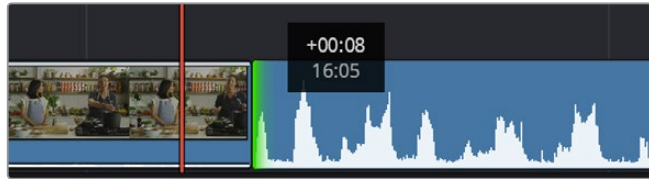
Para usar este modo de vista:

- 1 Haga clic en el ícono de recorte de audio, situado a la izquierda de la línea de tiempo, entre la herramienta para atraer el cabezal y los marcadores.



Botón para el modo de recorte de audio

- 2 Ahora, al recortar el audio, la forma de onda estará expandida en la línea de tiempo. Una vez finalizada la edición, los clips retomarán su tamaño habitual.



Vista de recorte de audio con la forma de onda expandida en la línea de tiempo

Después de editar los clips en el módulo Montaje, es posible agregar un título. A continuación, se explica cómo hacerlo.

Agregar títulos

Hay distintas posibilidades para agregar un título a la línea de tiempo, todas ellas muy sencillas.

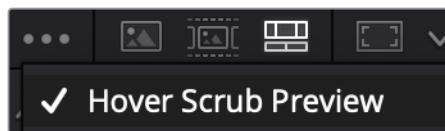
Para ver los distintos tipos de títulos que se pueden emplear, haga clic en la pestaña **Títulos**, situada en la esquina superior izquierda de la interfaz. En la ventana de selección se mostrarán todos los generadores de títulos que se pueden emplear, desde tercios inferiores hasta opciones con movimiento u otras más tradicionales. Incluso es posible agregar títulos en Fusion con efectos animados personalizables.

Vista previa de títulos

Antes de agregar un título a la línea de tiempo, es posible verlo mediante la ventana **Títulos**. Esto brinda la oportunidad de ver todas las opciones disponibles antes de escoger una.

Para ver un título:

- 1 En el menú situado en la esquina superior derecha del panel de títulos, seleccione **Previsualizar clip con puntero**.



Active dicha opción en el menú correspondiente.

- 2 En la ventana de selección de títulos, coloque el puntero sobre una de las miniaturas para que se muestre en el visor. En el caso de títulos animados o de Fusion, mueva el puntero de izquierda a derecha sobre la miniatura para ver la animación.



Mueva el puntero sobre la miniatura de un título para que se muestre en el visor.

Una vez escogido el título deseado, es posible agregarlo a la línea de tiempo.

Para agregar un título común:

- 1 Haga clic en el título y arrástrelo a la línea de tiempo. No importa a cuál de ellas, aunque se recomienda hacerlo a la línea de tiempo detallada para lograr una mayor precisión. Se creará automáticamente una nueva pista para el título, y el cabezal se desplazará al principio de la misma.
- 2 Suelte el botón del mouse para que el título aparezca en la nueva pista. Ahora es posible cambiarlo de lugar o modificar su duración como si fuera un clip.
- 3 Para editar el título, haga clic en el nuevo clip y, a continuación, en el ícono de herramientas del visor.
Aparecerá una lista de herramientas que se pueden utilizar a fin de modificar el clip, por ejemplo, para transformarlo, recortarlo o ampliar la imagen.
- 4 A continuación, haga clic en el inspector.

En el inspector, escriba el título deseado y modifique sus ajustes, por ejemplo, el interletrado, el interlineado, el tipo de fuente o el color.

Se ofrecen una gran variedad de opciones que permiten personalizar cualquier título. Recomendamos probarlas todas, a fin de ver cómo los distintos ajustes cambian su apariencia.

SUGERENCIA: En los módulos Montaje y Edición también es posible mover el puntero por encima de efectos, transiciones, generadores y filtros para verlos.

Archivos Blackmagic RAW

Los clips en formato Blackmagic RAW brindan una gran flexibilidad en la etapa de posproducción. Esto brinda la posibilidad ajustar el balance de blancos y la sensibilidad ISO con posterioridad a la grabación, como si se estuvieran cambiando los valores originales de la cámara. Asimismo, este códec conserva más información sobre las diferentes tonalidades en las luces y sombras, lo cual resulta útil cuando es necesario recuperar detalles, por ejemplo, en un cielo sobreexpuesto o en áreas oscuras de la imagen.

Es recomendable grabar en formato Blackmagic RAW si se desea lograr la mejor calidad posible, o en tomas que presentan cambios abruptos entre las luces y las sombras, cuando es necesario ajustar el color de dichas regiones en la mayor medida posible.

Gracias a la velocidad y el tamaño de los archivos Blackmagic RAW, no es necesario crear otros proxy, y la reproducción se realizará como con un clip de video estándar. Este apartado incluye información acerca de la dinámica de trabajo en DaVinci Resolve con Blackmagic RAW.

SUGERENCIA: Es recomendable modificar los ajustes Blackmagic RAW de los clips en el módulo Color antes de comenzar a etalonarlos.

Ajustes del clip para el formato Blackmagic RAW

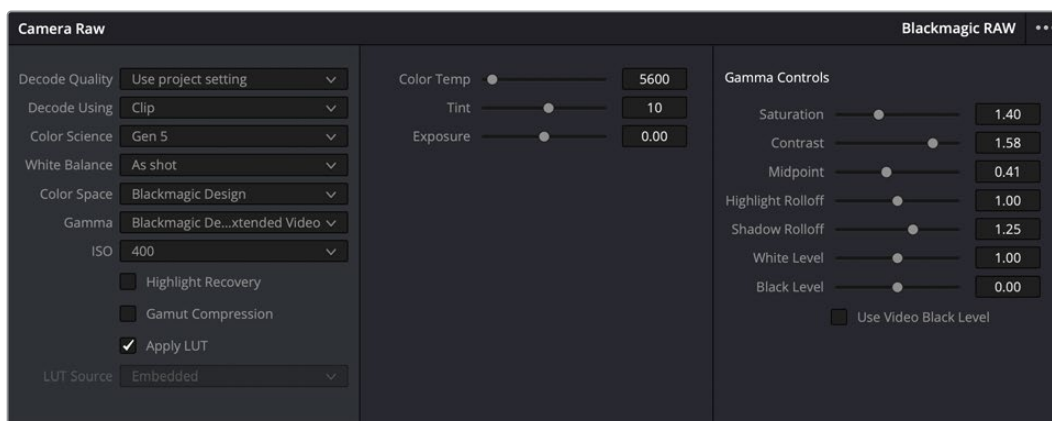
Cuando se importan archivos Blackmagic RAW por primera vez, DaVinci Resolve decodifica la información de la cámara incluida en estos utilizando los ajustes para el valor ISO, el balance de blancos y el tinte empleados durante la grabación. Una vez satisfecho con la apariencia, es posible comenzar inmediatamente con la edición.

Una de las grandes ventajas del formato Blackmagic RAW es que no depende de dichos ajustes. Gracias a la variedad de opciones disponibles en esta etapa, con el trascurso del tiempo se puede desarrollar una dinámica de trabajo propia. Al experimentar con los ajustes de los clips, se tiene una idea de lo extraordinario y flexible que resulta este códec.

Colorimetría

El menú permite seleccionar entre la colorimetría de cuarta o quinta generación. El modelo URSA Broadcast G2 utiliza esta última. En este sentido, las imágenes de otras cámaras con colorimetría de cuarta generación pueden reinterpretarse mediante la colorimetría de quinta generación, a fin de que coincidan con las obtenidas con la cámara.

De manera alternativa, es posible realizar el proceso inverso. Esta opción permite que todos los archivos provenientes de cámaras con colorimetría de cuarta o quinta generación coincidan.



En el panel **Ajustes RAW**, seleccione la opción **Clip** en el menú **Modo** para modificar los ajustes de clips Blackmagic RAW.

Modificar los ajustes Blackmagic RAW

Una vez que se ha seleccionado la opción de clip en el modo de decodificación para el formato Blackmagic RAW, es posible modificar todos los ajustes que estaban desactivados previamente. Esto permite lograr una apariencia más similar a un etalonaje inicial. Asimismo, es un método particularmente excepcional al combinarlo con el uso de las representaciones gráficas, las cuales ayudan a neutralizar y balancear los clips, a fin de aplicarles una estética determinada.

A continuación, se brinda información sobre el clip y los controles para la curva de respuesta tonal:

ISO

Es posible aumentar o disminuir el valor **ISO**, para mejorar el material grabado partiendo desde una imagen más clara u oscura.

Recuperación de luces

Marque esta casilla para recuperar los detalles de las luces en los canales con pérdida de información empleando otros completos.

Compresión del espectro cromático

Seleccione esta casilla a fin de mantener automáticamente los niveles adecuados para el espectro cromático.

Temperatura del color

Esta opción permite añadir más calidez o frialdad a la imagen para neutralizar su balance cromático.

Tinte

Al ajustar esta opción, se añaden tonos verdes o magentas a la imagen, a fin de lograr un mejor balance cromático.

Exposición

Permite ajustar el brillo general de la imagen.

Saturación

El valor predeterminado para este parámetro es 1 y se puede ajustar entre -1 y 4.

Contraste

El valor predeterminado para este parámetro es 1.0. Mueva el control hacia la izquierda para disminuirlo (mínimo 0) o a la derecha para aumentarlo (máximo 2).

Tonos intermedios

En el modo **Film**, el valor predeterminado para los tonos grises intermedios es de 0.38 o 38.4 %. Mueva el control hacia la izquierda para disminuirlo o hacia la derecha para aumentarlo a 100. Una vez ajustado el contraste, es posible modificar la atenuación de las luces y las sombras.

Reducción de luces

Mueva el control hacia la izquierda a fin de disminuir el valor a 0, o hacia la derecha para incrementarlo a 2. El valor predeterminado es 1.

Reducción de sombras

Mueva el control hacia la izquierda a fin de disminuir el valor a 0, o hacia la derecha para incrementarlo a 2.

Nivel de blancos

Ajuste el punto blanco de la curva de respuesta tonal moviendo el control desde el valor más alto (2) hasta el más bajo (0). El valor predeterminado es 1.

Nivel de negros

Eleve el punto negro de la curva de respuesta tonal personalizada moviendo el control hacia la derecha desde el valor más bajo (-1) hasta el máximo (1). El valor predeterminado es 0.

Usar nivel de negro en modo Video

Marque la casilla para ajustar este parámetro.

Exportar fotograma

Al seleccionar esta opción, es posible exportar un fotograma de un clip en formato Blackmagic RAW.

Actualizar Sidecar

Haga clic en este botón a fin de actualizar el archivo .sidecar para el clip seleccionado.

Cualquier modificación realizada en los clips Blackmagic RAW se reflejará en los ajustes **Gamma**, cuyo nombre cambiará a **Blackmagic Design Custom**.

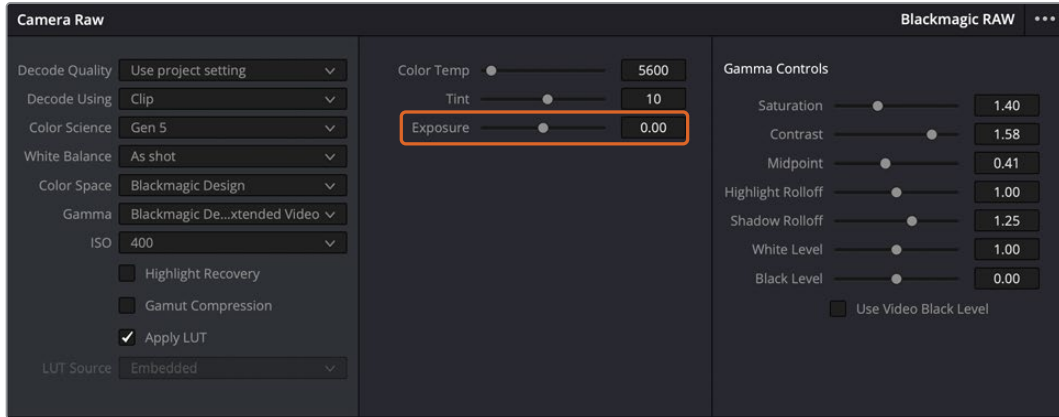
Cambio de la exposición mediante el ajuste de ganancia en el modelo Blackmagic URSA Broadcast G2

Cabe destacar que los ajustes de ganancia en este modelo son un tanto diferentes a los ajustes para la sensibilidad ISO en las demás cámaras cinematográficas digitales de Blackmagic.

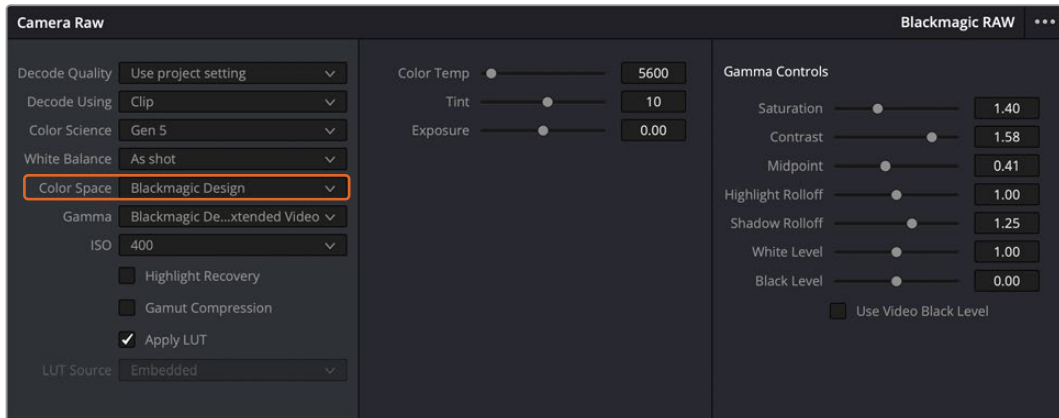
En esta versión, dichos ajustes afectan al sensor de la cámara, en vez de aplicarse posteriormente a través del programa de edición. Este método es similar al funcionamiento tradicional de las cámaras de estudio y permite reducir ligeramente el ruido a ciertos niveles de sensibilidad. Asimismo, limita la variación de este parámetro en secuencias grabadas. El valor ISO del clip RAW que se muestra en DaVinci Resolve corresponde a los ajustes de ganancia seleccionados al grabar dicho clip.

Es posible aumentar hasta tres pasos el valor original utilizado al filmar. Aún así, gracias al amplio rango dinámico de los archivos RAW, se puede obtener un efecto similar aumentando o reduciendo la exposición de las imágenes hasta cinco pasos. Cada paso corresponde a un intervalo de sensibilidad. Por ejemplo, aumentar un paso la exposición equivale a cambiar la ganancia de - 6 a 0 dB, o el valor

ISO de 200 a 400. Sin embargo, esta función permite realizar ajustes mucho más precisos, ya que brinda la posibilidad de aumentar o disminuir la exposición en intervalos de 0.01 pasos.



Cualquier modificación realizada en los clips Blackmagic RAW se reflejará en los ajustes **Gamma**, cuyo nombre cambiará a **Blackmagic Design Custom**.



Si desea regresar a una de las opciones disponibles por defecto, basta con seleccionarla en el menú desplegable.

SUGERENCIA: Los controles **Gamma** se encuentran desactivados para el material grabado en modo **Video**, aunque no se pierden datos del formato Blackmagic RAW. Basta con seleccionar la opción **Blackmagic Design Film** o **Blackmagic Design Extended Video** en el menú desplegable a fin de realizar ajustes.

Guardar cambios en Blackmagic RAW

- 1 Ajuste los controles de los tonos intermedios en el clip Blackmagic RAW.
- 2 Haga clic en el botón **Actualizar** **.sidecar**.

Se creará un archivo **.sidecar** en la misma carpeta del archivo **.braw**. Cuando otro usuario importe el material en formato Blackmagic RAW, DaVinci Resolve reconocerá automáticamente los archivos **.sidecar**. Si se realizan ajustes adicionales, haga clic en este botón nuevamente.

SUGERENCIA: Para eliminar el archivo **.sidecar**, basta con borrarlo de la carpeta en la unidad de almacenamiento.

Ajustes del proyecto para el formato Blackmagic RAW

Cuando es preciso cambiar valores que afectan a todos los clips, tal como el balance de blancos o la sensibilidad ISO, es posible configurar el programa para que estos utilicen los ajustes RAW del proyecto y luego realizar las modificaciones necesarias a dichos parámetros.

Para configurar los ajustes Blackmagic RAW del proyecto:

- 1 Abra el menú **Archivo** y seleccione **Configuración del proyecto**.
- 2 En el panel **Ajustes RAW**, hay un menú desplegable junto a la opción **Perfil RAW**. Haga clic en la flecha y seleccione **Blackmagic RAW** en la lista.
- 3 Seleccione la opción **Proyecto** en el menú **Modo**.
- 4 Seleccione una opción para la colorimetría en el menú.
- 5 Seleccione la opción **Personalizado** para el ajuste **Balance de blancos**.
- 6 Seleccione la opción **Blackmagic Design Custom** en el menú **Gamma**. Seleccione **Blackmagic Design** para el espacio cromático.
- 7 Seleccione la resolución correspondiente en el menú **Decodificación**. Una menor resolución facilitará la reproducción en sistemas con recursos limitados. Asimismo, es posible aumentar este valor nuevamente antes de la entrega para obtener una mejor calidad.

A continuación, se pueden configurar los ajustes de la cámara para los clips, por ejemplo, la saturación, el contraste y los tonos intermedios. Esto afectará a todos los clips del proyecto para los cuales se haya activado la opción **Proyecto** en el menú **Modo**.

Etalonaje en el módulo Color

Una vez que los clips se encuentran en la línea de tiempo y se han agregado los títulos, es posible etalonarlos mediante el módulo Color, cuyas herramientas avanzadas permiten definir el estilo general del proyecto. Para este ejemplo, un buen punto de partida es neutralizar los clips a fin de luzcan consistentes. Por otro lado, es posible regresar a los módulos Montaje o Edición en cualquier momento, en caso de que sea necesario hacer cambios.

El módulo Color brinda la posibilidad de ajustar el estilo del material grabado y, de alguna manera, el etalonaje es un arte en sí, puesto que la corrección cromática añade emoción a las imágenes. Es una etapa realmente creativa de la dinámica de trabajo y muy satisfactoria cuando se tienen las habilidades para poder dar vida a los proyectos. Este es normalmente el primer paso y se denomina «correcciones primarias» o «ajustes primarios». Una vez hecho esto, es el turno de las correcciones secundarias, mediante las que se pueden realizar ajustes extremadamente precisos de objetos específicos en las imágenes. Esta parte es muy divertida, y la razón por la que en general se realiza en un segundo paso es porque de este modo el proceso es más eficiente, obteniendo así mejores resultados.

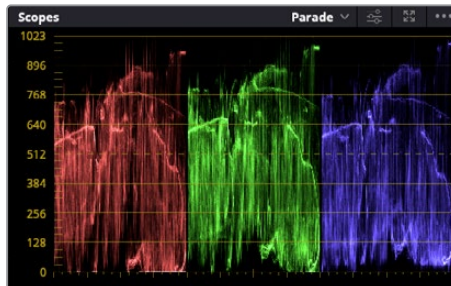
Para comenzar, haga clic en el módulo Color a fin de acceder a las opciones de etalonaje.

Podrá ver los ajustes RAW de la cámara, los círculos cromáticos, el panel de curvas y las herramientas para correcciones generales, así como los paneles de nodos y vista previa. No se sienta abrumado por la enorme cantidad de funciones que aparecen en la interfaz. Estas han sido diseñadas para ayudarle a lograr que las imágenes tengan una apariencia extraordinaria. Esta sección introductoria brinda información básica, pero para obtener pasos más detallados, consulte los apartados correspondientes. El manual de DaVinci Resolve incluye una descripción de las distintas herramientas y muestra cómo utilizarlas de manera sencilla. Aprenderá las mismas técnicas que los profesionales emplean en los mejores estudios de posproducción.

En general, el primer paso en una corrección primaria es optimizar los niveles de las sombras, los tonos intermedios y las zonas luminosas en los clips. Esto se logra ajustando los parámetros **Lift**, **Gamma** y **Gain**. De este modo, se obtienen imágenes excepcionalmente nítidas y balanceadas que sirven como punto de partida para comenzar a crear la apariencia de la película. Asimismo, resulta muy útil guiarse por las representaciones gráficas.

Representaciones gráficas

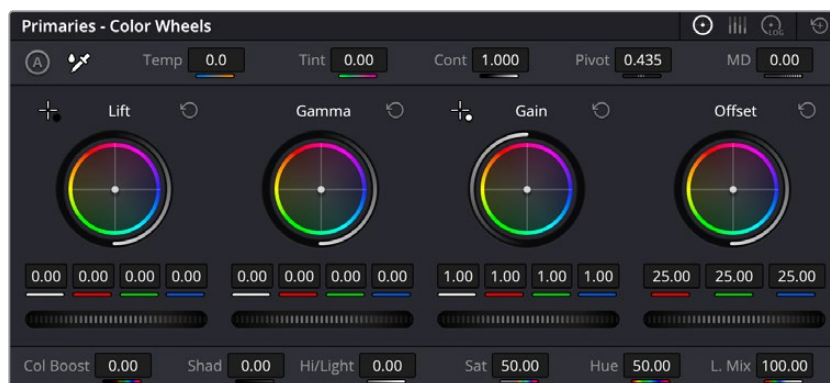
La mayoría de los coloristas toman decisiones creativas sobre el color con base en la apariencia y la carga emotiva que desean transmitir, y luego emplean un monitor para lograr el resultado deseado. Observar objetos de uso cotidiano y analizar la interacción entre diferentes tipos de luz puede servir de inspiración para sacarle mayor provecho a las imágenes.



La gráfica de componentes cromáticos permite ajustar con precisión las luces, los tonos intermedios y las sombras.

De manera alternativa, es posible recurrir a las representaciones gráficas que ofrece DaVinci Resolve para etalonar el material grabado. Para acceder a las mismas, haga clic en el penúltimo botón de la barra de herramientas del panel. Es posible seleccionar entre diversos tipos de representaciones, tales como forma de onda, gráfica de componentes cromáticos, vectorscopio o histograma. Estos indicadores permiten monitorizar el balance tonal y comprobar los niveles de contraste para evitar oscurecer demasiado las sombras o perder detalles en las zonas más claras de la imagen. Asimismo, brindan la posibilidad de detectar cualquier dominante cromática.

En forma predeterminada, el panel de círculos cromáticos muestra los controles **Lift**, **Gamma** y **Gain** como barras. Estos generalmente se emplean en las correcciones primarias y se asemejan a los controles que ofrecen otras aplicaciones para realizar ajustes cromáticos y de contraste.



Los círculos cromáticos permiten controlar con precisión el balance de colores y los tonos en los distintos clips. Para ajustar cada área tonal en forma similar, deslice el dial situado debajo de los círculos cromáticos hacia la izquierda o la derecha.



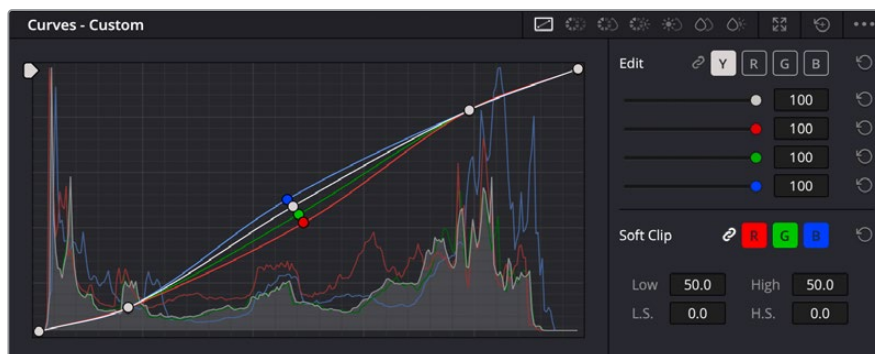
Las barras de ajustes primarios facilitan las modificaciones cromáticas al usar un mouse.

A fin de lograr un control más preciso de cada color al utilizar el mouse, es posible reemplazar los círculos cromáticos por barras que permiten realizar ajustes en cada canal independientemente para las luces, los tonos intermedios y las sombras. Para ello, basta con seleccionar la opción **Barras de ajustes primarios** en el menú desplegable que aparece cerca de la esquina superior derecha del panel.

- **Ajuste de sombras:** Una vez seleccionado un clip en la línea de tiempo, haga clic en el dial situado debajo del primer círculo cromático. Muévelo hacia la derecha o la izquierda y preste atención a los cambios en la imagen. Podrá observar cómo aumenta y disminuye el brillo en las zonas oscuras.
Ajuste este parámetro según el tono que mejor se adapte a los requerimientos del proyecto. Si disminuye demasiado este valor, perderá detalles en las sombras. En cualquier caso, puede utilizar la gráfica de componentes cromáticos para evitar este inconveniente. La posición ideal para las sombras en la representación de la señal es justo por encima de la línea inferior de dicha gráfica.
- **Ajuste de luces:** Haga clic en el dial situado debajo del segundo círculo cromático y muévelo hacia la izquierda o la derecha. Esto permite ajustar las zonas más claras de la imagen que se muestran en la parte superior de la gráfica de componentes cromáticos. Para lograr un mayor brillo, las luces deben situarse justo por debajo de la línea superior de la gráfica. Si superan este límite, se perderán detalles.
- **Ajuste de tonos intermedios:** Haga clic en el dial situado debajo del tercer círculo cromático y muévelo hacia la izquierda o la derecha. A medida que aumenta la intensidad, notará que el brillo de la imagen se incrementa. Asimismo, podrá ver que la parte central de la onda cambia al realizar los ajustes. Esta franja representa los tonos intermedios del clip y su posición óptima generalmente se encuentra entre el 50 y 70 % en la representación gráfica correspondiente a la onda de la señal. No obstante, este valor puede ser subjetivo según la apariencia deseada y las condiciones de iluminación al grabar el clip.

El panel de curvas también permite realizar correcciones primarias. Basta con hacer clic en los puntos de control de las líneas diagonales en las gráficas y moverlos hacia arriba o abajo para modificar el contraste general de los canales cromáticos en diferentes áreas tonales de la imagen. Es importante ajustar los puntos situados en el tercio superior, medio e inferior de la curva.

Consulte el manual de DaVinci Resolve para obtener más información al respecto.



El panel **Curvas** permite realizar correcciones primarias o realzar áreas específicas de la imagen mediante Power Windows.

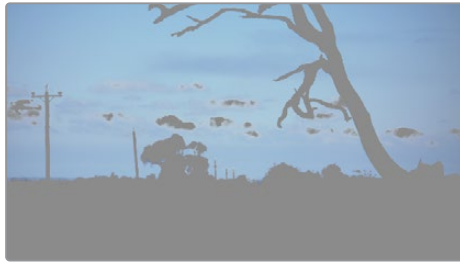
Correcciones secundarias

Para modificar una parte específica de una imagen, es preciso aplicar correcciones secundarias. Los ajustes realizados hasta el momento mediante los círculos cromáticos y sus respectivos controles afectan a la totalidad de la imagen y se denominan correcciones primarias.

Sin embargo, las correcciones secundarias son ideales para llevar a cabo cambios en zonas específicas, por ejemplo, a fin de realzar el color del césped o del cielo en una escena. Estas brindan la posibilidad de seleccionar una parte de la imagen y modificarla sin afectar al resto. A su vez, la estructura nodal facilita el agrupamiento de varias correcciones con el objetivo de continuar ajustando zonas específicas hasta lograr el resultado deseado. Incluso es posible emplear tanto Power Windows como la función de seguimiento para aplicar cambios a objetos en movimiento.

Ajuste de colores específicos

Con frecuencia, es preciso realzar un elemento en particular dentro de la imagen, por ejemplo, el césped al borde de una carretera o el color azul del cielo, o podría ser necesario modificar la tonalidad de un objeto específico para captar la atención del espectador. La herramienta **Colores específicos** permite cumplir con este cometido de manera sencilla.



La herramienta **Colores específicos** facilita el realce de ciertas zonas de la imagen y permite intensificar el contraste o dirigir la atención del espectador hacia determinados elementos.

Para ajustar un color específico:

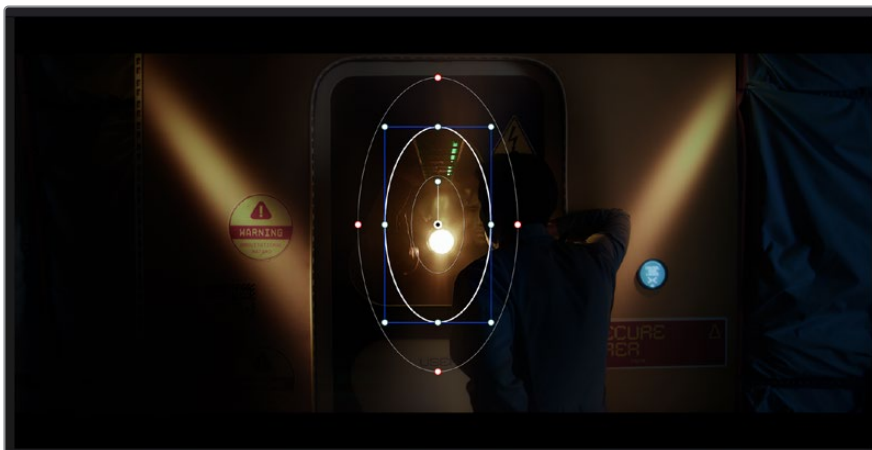
- 1 Añada un nodo en serie.
- 2 Abra el panel **Colores específicos** y compruebe que el selector esté activado.
- 3 Haga clic sobre el color que desea modificar.
- 4 Por lo general, deberá realizar algunos ajustes para atenuar los bordes del área seleccionada y limitarla únicamente al color deseado. Haga clic en la opción **Destacar** situada arriba del visor para ver la sección demarcada.
- 5 Mueva el control **Ancho** de los matices para ampliar o reducir el área seleccionada.

Ajuste los controles **Mínimo**, **Máximo** y **Atenuar** para ver las distintas maneras en las que es posible mejorar el área seleccionada. A continuación, es posible modificar el color elegido mediante los círculos cromáticos o el panel de curvas.

Es posible que en algunos casos los cambios se extiendan a ciertas zonas del plano que no se desean afectar. Para solucionar este inconveniente, se crea una Power Window a fin de aislar dichas partes. Basta con indicar sus dimensiones de manera que solo incluya el área cromática requerida. Si la región seleccionada se mueve en la imagen, es posible utilizar la función de seguimiento del programa para que los cambios se mantengan sin importar su posición.

Power Windows

Esta es una herramienta de etalonaje sumamente útil que permite aislar zonas específicas de la imagen. Dichas regiones pueden ser móviles o estáticas, ya que también es posible seguir el movimiento de la cámara y los objetos.



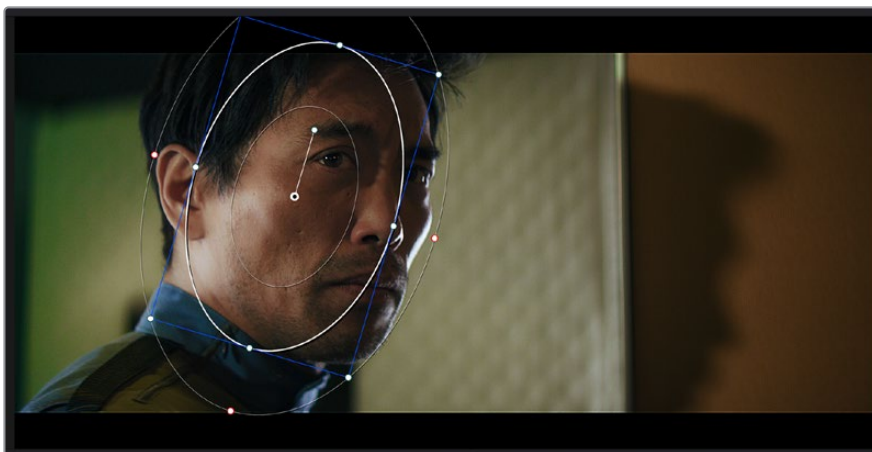
Utilice Power Windows para aislar las áreas de la imagen que no deben verse afectadas por los ajustes secundarios realizados mediante la función **Colores específicos (HSL)**

Por ejemplo, es posible trazar un contorno alrededor de una persona para realizar cambios en el color y el contraste solamente en dicha parte de la imagen, sin afectar las zonas adyacentes. Este tipo de ajustes pueden servir para dirigir la atención del espectador hacia regiones específicas.

Para agregar una Power Window:

- 1 Añada un nodo en serie.
- 2 Abra el panel **Power Windows** y seleccione una de las formas disponibles. Esta se verá en el nodo.
- 3 Para ajustar el tamaño, haga clic sobre los puntos azules y arrástrelos según sea necesario. Los puntos rojos permiten atenuar los bordes. Para ajustar la posición de la ventana, haga clic en el punto central y muévala hacia la parte de la imagen que desea aislar. También es posible girarla mediante el punto unido al centro.

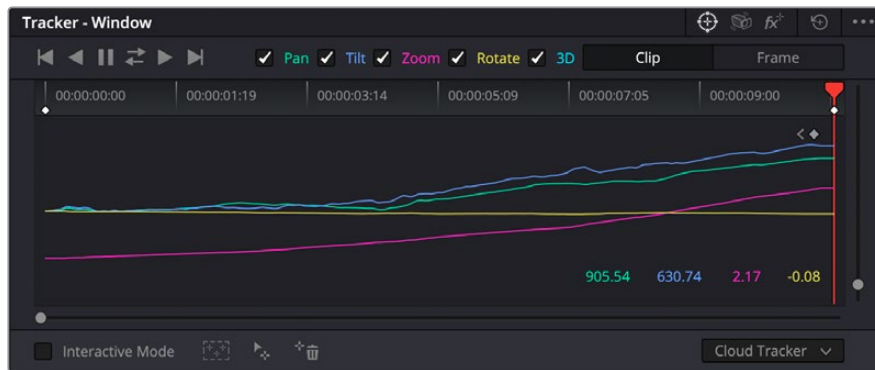
Ahora puede ajustar el color únicamente en el área seleccionada.



La herramienta Power Windows permite llevar a cabo correcciones secundarias en partes específicas de una imagen.

Seguimiento de Power Windows

Es posible que la cámara, el objeto o el área seleccionada dentro de una imagen esté en movimiento. Por consiguiente, es preciso utilizar la función de seguimiento que ofrece DaVinci Resolve para garantizar que la viñeta permanezca vinculada al elemento delimitado. Esta herramienta analiza la inclinación y el desplazamiento horizontal o vertical de la cámara o del objeto en la imagen para sincronizar la viñeta con el movimiento. Si no se activa esta función, cabe la posibilidad de que las correcciones realizadas se separen del elemento al que se aplicaron, distrayendo al espectador.



Es posible seguir ciertos objetos o partes de la imagen para las correcciones realizadas permanezcan vinculadas a estos.

Para realizar el seguimiento de una Power Window:

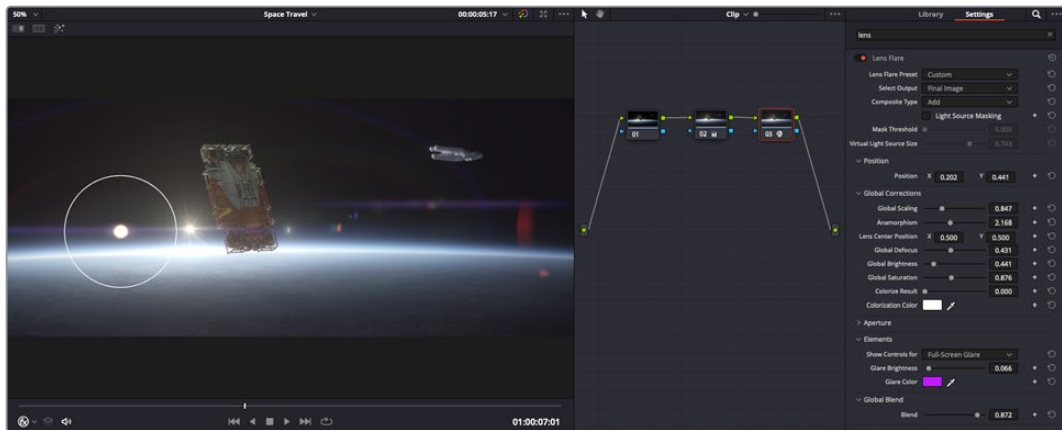
- 1 Añada un nodo en serie y luego, una Power Window.
- 2 Al comienzo del clip, ajuste la posición y el tamaño de la viñeta para destacar únicamente el objeto deseado o una zona particular de la imagen.
- 3 Abra el panel **Seguimiento**. Marque las casillas **Eje X**, **Eje Y**, **Zoom**, **Rotación** o **3D** según el patrón de movimiento.
- 4 Haga clic en la flecha de avance situada a la izquierda de las casillas de verificación. A continuación, aparecerán una serie de puntos en la imagen, y el programa reproducirá los fotogramas restantes para analizar el movimiento. Una vez configurada esta función, la viñeta seguirá la trayectoria del movimiento.

En la mayoría de los casos, el seguimiento automático ofrece buenos resultados. Sin embargo, en escenas complejas, es posible que algún objeto se atraviese en el área seleccionada e interrumpa o afecte su funcionamiento. Este inconveniente puede resolverse mediante el editor de fotogramas clave. Consulte el manual de DaVinci Resolve para obtener más información al respecto.

Complementos

Al realizar correcciones secundarias, también es posible agregar complementos OpenFX o ResolveFX para crear apariencias interesantes en el módulo Color o efectos y transiciones innovadoras en los módulos Montaje y Edición. Los complementos ResolveFX están integrados en el programa, mientras que los complementos OpenFX pueden adquirirse o descargarse a través de distribuidores externos.

Una vez instalado un conjunto de complementos, es posible acceder a ellos desde el módulo Color, abriendo el panel **OpenFX** a la derecha del editor de nodos. Basta con crear un nodo en serie y luego arrastrar el complemento hacia el mismo. Modifique los parámetros en el panel adyacente si el complemento brinda esta posibilidad.



Los complementos OFX son una herramienta rápida y sencilla para crear apariencias interesantes e innovadoras.

En el módulo Edición, es posible agregar transiciones, filtros y generadores de complementos a los clips abriendo el panel **OpenFX** en la biblioteca de efectos y arrastrando el elemento seleccionado al clip en la línea de tiempo, según los requisitos del complemento.

Mezcla de audio

Mezcla de audio en el módulo Edición

Una vez editado y etalonado el proyecto, es posible comenzar a mezclar el sonido. En este sentido, DaVinci Resolve cuenta con un excelente conjunto de funciones para editar, mezclar y masterizar el audio de un proyecto directamente desde el módulo Edición. Conviene subrayar que el módulo Fairlight ofrece un entorno completo de posproducción de audio para proyectos que requieren herramientas más avanzadas. Consulte el siguiente apartado si ya está familiarizado con el módulo Edición y desea saber más sobre dichas prestaciones.

Agregar pistas de audio

Desde el módulo Edición, es posible agregar fácilmente pistas de audio para crear una mezcla compleja con música y efectos sonoros. Esto puede resultar útil cuando es necesario separar los elementos del audio en pistas individuales para crear una mezcla de sonido, por ejemplo, voz, efectos sonoros y música.

Para añadir una pista de audio en el módulo Edición

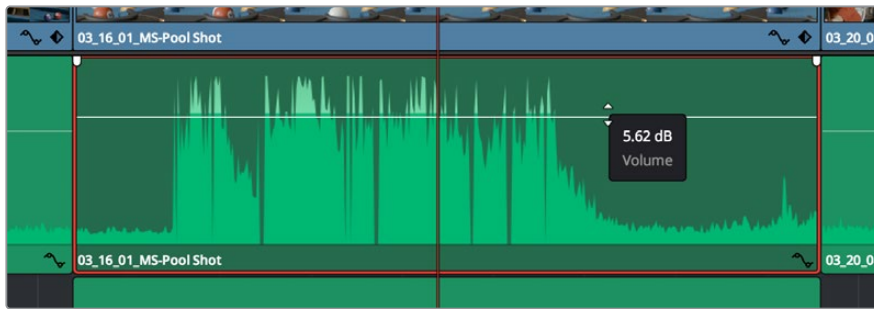
Haga clic con el botón derecho junto al nombre de cualquier pista de audio en la línea de tiempo, seleccione **Agregar pista** y elija una de las opciones disponibles. De esta forma, se añadirá una pista al final de la lista. Asimismo, es posible agregar pistas en un punto específico. Para ello, elija la opción **Agregar pista** y seleccione el lugar deseado.

La nueva pista de audio aparecerá en la línea de tiempo.

SUGERENCIA: Para cambiar el tipo de pista una vez creada, haga clic con el botón derecho junto a su nombre, seleccione **Cambiar tipo de pista** y elija una de las opciones disponibles, por ejemplo, estéreo, mono o 5.1.

Ajuste del volumen en la línea de tiempo

Cada clip de audio en la línea de tiempo incluye un control de volumen superpuesto que permite ajustar su intensidad arrastrando el puntero hacia arriba o abajo. Este corresponde al parámetro **Volumen** del inspector.



Arrastre el control para ajustar el volumen del clip.

Conviene subrayar que el módulo Fairlight ofrece un entorno completo de posproducción de audio para proyectos que requieren herramientas más avanzadas.

El módulo Fairlight

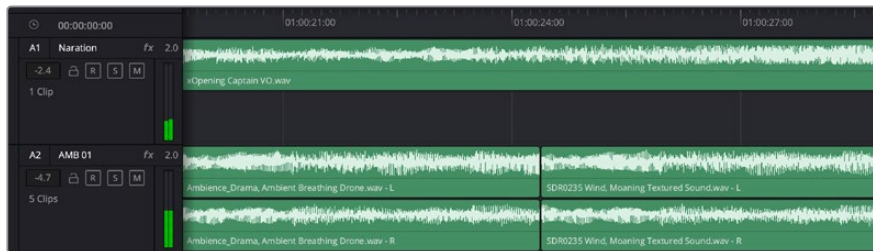
Este módulo de DaVinci Resolve brinda la posibilidad de ajustar el audio. En una sola pantalla, ofrece una vista optimizada de las pistas de audio y controles de monitorización personalizados que permiten evaluar y ajustar la intensidad del audio con el objetivo de crear una mezcla armoniosa. No se sienta abrumado por la enorme cantidad de funciones que aparecen en la interfaz. Estas han sido diseñadas para ayudarle a lograr que la calidad del audio sea extraordinaria.



Esta guía solo proporciona un resumen básico de las funciones. Consulte el manual de DaVinci Resolve para obtener más información al respecto, ya que es más específico y proporciona detalles sobre cada una de ellas. Además, describe cómo hacer uso de estas herramientas en simples pasos.

Línea de tiempo del audio

- **Encabezado de la pista:** En la parte izquierda de cada pista hay un encabezado que muestra su número, nombre y color, así como los canales de audio y los valores para el atenuador y los vúmetros. Además, presenta distintos controles para bloquear y desbloquear pistas, aislarlas o silenciarlas. Estos facilitan la organización de las pistas y su visualización individual.
- **Pistas:** En el módulo Fairlight, cada pista está dividida en bandas para canales individuales que permiten modificarlos y mezclarlos. Por el contrario, en el módulo Edición se muestra un solo clip en la línea de tiempo. Esto brinda la posibilidad de editar archivos de audio con múltiples canales de manera más fácil, sin tener que gestionar una gran cantidad de pistas.



En el encabezado de la pista A1, se puede apreciar que es monoaural, mientras que las dos bandas de la pista A2 indican que es estereofónica.

¿Qué es un bus?

Básicamente, un bus es un canal compuesto por fuentes de audio agrupadas que pueden controlarse de forma colectiva. Fairlight crea automáticamente un bus con todas las pistas de audio en la línea de tiempo, por lo cual es posible modificar el volumen general de la mezcla una vez ajustado el de cada pista individual.

En el caso de proyectos más complejos, los buses secundarios permiten combinar varias pistas de una misma categoría, por ejemplo, diálogo, música o efectos, con el objetivo de obtener una sola señal. A modo ilustrativo, si tenemos cinco pistas de diálogo, es posible asignarlas a un mismo bus para ajustar el volumen general de la voz mediante un solo conjunto de controles.

La estructura Flexbus proporciona una total flexibilidad con respecto a los tipos de buses y el direccionamiento de las señales, inclusive de un bus a otro, de una pista a un bus o de un bus a una pista. Consulte el apartado correspondiente en el manual de DaVinci Resolve para obtener más información al respecto.

Herramientas de mezcla

Cada una de las pistas en la línea de tiempo corresponden a un canal individual en la interfaz del programa. Por defecto, en la parte derecha aparece un solo canal, denominado M1, que representa el bus maestro. Asimismo, se muestran canales adicionales con diversos mandos para cada uno de los buses creados. Los controles gráficos permiten asignar pistas a los canales de salida y ajustar el ecualizador, la dinámica o el volumen, así como grabar procesos automáticos, distribuir el sonido envolvente o aislar y silenciar pistas.

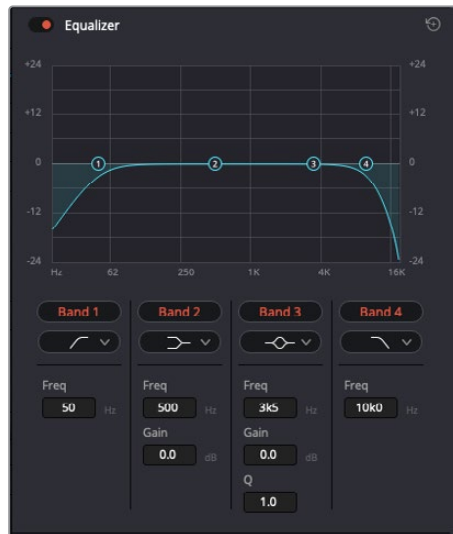


Interfaz para la mezcla de audio con los canales correspondientes a las pistas en la línea de tiempo

Uso del ecualizador para mejorar el audio

Una vez modificada la intensidad del volumen en los clips del proyecto, es posible que aún sea necesario realizar ajustes más sutiles. Por ejemplo, el diálogo, la música y los efectos podrían tener la misma frecuencia dentro del espectro sonoro, provocando que el audio resulte ruidoso y poco claro. En estos casos, el ecualizador será de gran ayuda, dado que permite determinar qué partes del espectro ocupa cada pista. Por otra parte, brinda la posibilidad de eliminar elementos no deseados aislando o reduciendo el volumen en ciertas frecuencias que contienen murmullos, zumbidos o ruidos de fondo, o simplemente mejorar la calidad general del audio para que resulte más agradable al oído.

DaVinci Resolve ofrece filtros de ecualización que pueden aplicarse a cada clip individualmente o a todas las pistas. Para cada clip, hay un ecualizador de cuatro bandas en el inspector, mientras que para las pistas se brinda un ecualizador paramétrico de seis bandas. Los controles gráficos y numéricos para aumentar o disminuir diferentes rangos de frecuencias y los distintos tipos de filtros permiten definir la forma de la curva de ecualización.



El ecualizador de cuatro bandas puede aplicarse a cualquier clip en la línea de tiempo.

Por su parte, las bandas externas permiten realizar ajustes para el realce de graves o agudos y utilizar filtros de paso alto o bajo. Un filtro de paso afecta a todas las frecuencias superiores o inferiores a una frecuencia determinada, eliminándolas por completo de la señal. Por ejemplo, un filtro de paso alto elimina las frecuencias bajas y mantiene las altas. Cualquier sonido por debajo de la frecuencia de corte se atenuará de forma gradual.

Un filtro de realce es menos drástico y permite modificar el rango superior o inferior de la señal en general sin eliminar por completo dichas frecuencias. Este aumenta o disminuye la frecuencia de corte, así como aquellas superiores o inferiores, de manera uniforme, según el tipo de filtro empleado.

Los controles intermedios brindan la posibilidad de realizar una amplia variedad de ajustes en la ecualización y ofrecen diversos tipos de filtros.

- **Filtros resonantes:** Estos filtros realzan o eliminan las frecuencias alrededor de un punto central de una curva de ecualización en forma de campana.
- **Filtros de rechazo:** Estos filtros afectan a un rango de frecuencias muy específico, por lo que resultan muy útiles, por ejemplo, para eliminar el zumbido provocado por la red de suministro eléctrico a 50 o 60 Hz.
- **Filtros de realce de graves:** Estos filtros realzan o atenúan todas las frecuencias inferiores a la frecuencia de corte.
- **Filtros de realce de agudos:** Estos filtros realzan o atenúan todas las frecuencias superiores a la frecuencia de corte.

Para añadir un ecualizador a un clip:

- 1 Seleccione el clip en la línea de tiempo.
- 2 Haga clic en el inspector y luego en el botón **Ecualizador**.

Para añadir un ecualizador a una pista:

- 1 Haga doble clic sobre el área de ecualización de una de las pistas para abrir el ecualizador respectivo.
- 2 Seleccione el filtro en el menú desplegable para la banda que desea ajustar.



El panel indica que el ecualizador se ha aplicado a la pista 1.



Ecualizador paramétrico de 6 bandas que puede aplicarse a cada pista

Una vez añadidos los ecualizadores, es posible ajustar cada banda. Nótese que los controles varían según el filtro escogido.

Para ajustar el ecualizador de un filtro de banda:

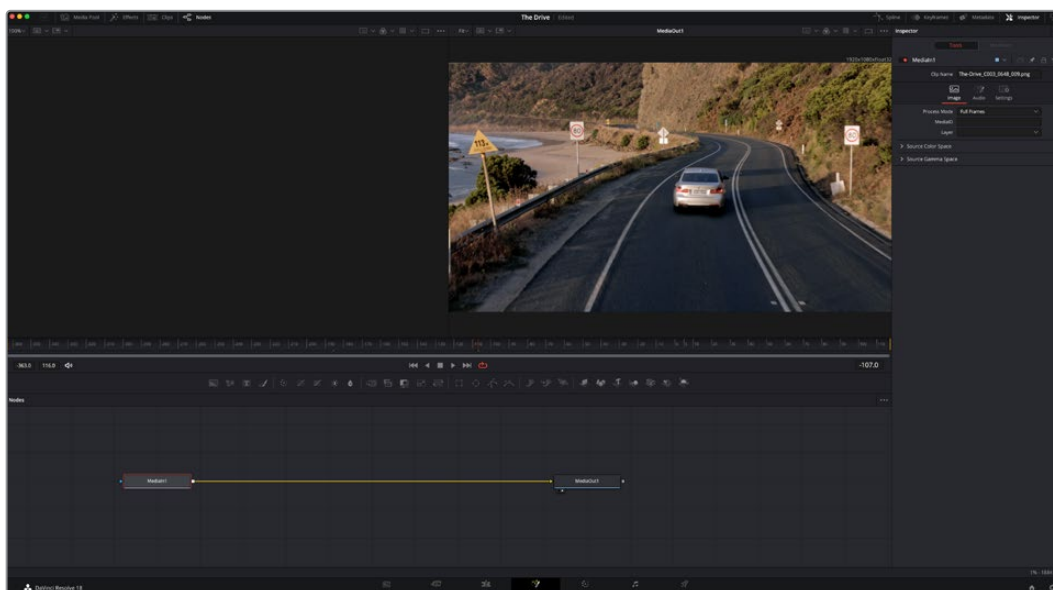
- 1 Seleccione el filtro en el menú desplegable para la banda que desea ajustar.
- 2 Ajuste la frecuencia para determinar el punto correspondiente en la curva de ecualización.
- 3 Ajuste la ganancia para realzar o atenuar las frecuencias que predominan en dicha banda.
- 4 Ajuste el factor Q para modificar el intervalo de las frecuencias afectadas.

El botón para restablecer ajustes permite restaurar los valores predeterminados.

El módulo Fairlight cuenta con una gran variedad de controles que brindan la posibilidad de mejorar la calidad de cada pista. Asimismo, permite añadir otras adicionales, organizar buses, agregar efectos y optimizar el audio en general.

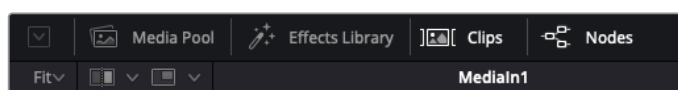
Efectos visuales y composiciones en el módulo Fusion

Una vez finalizada la edición, es posible acceder al módulo Fusion de DaVinci Resolve para añadir efectos visuales y animaciones gráficas. A diferencia de otros programas de composición digital que utilizan capas, Fusion ofrece una dinámica de trabajo basada en nodos, lo cual brinda una mayor flexibilidad para crear efectos complejos y modificar los datos de la imagen. A su vez, dicha estructura nodal muestra claramente las herramientas empleadas durante el proceso y funciona de manera similar a la del módulo Color.

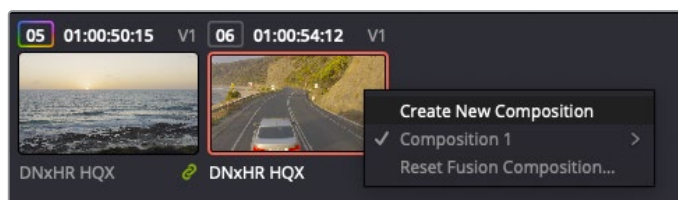


El módulo Fusión

Este módulo incluye dos visores en la parte superior con controles de reproducción que permiten ver contenidos. A la derecha, se encuentra el inspector, con diversas herramientas, y en la parte inferior, el editor de nodos, donde se crean las composiciones. Aunque los visores y los controles de reproducción permanecen siempre visibles, los íconos de la barra de herramientas en la parte superior de la interfaz brindan la posibilidad de ocultar el inspector y el editor de nodos o acceder a la biblioteca de efectos y el editor de fotografías clave.



- **Panel multimedia:** Funciona de la misma manera que en el módulo Edición. Basta con arrastrar los archivos directamente de las carpetas a la composición.
- **Biblioteca de efectos:** Aquí es donde se encuentran las distintas plantillas y herramientas organizadas por categorías, incluidos filtros, generadores de partículas y funciones de seguimiento. Haga clic en cualquiera de ellas o arrástrela a la estructura nodal para añadirla a la composición. Cabe mencionar que el panel multimedia y la biblioteca de efectos ocupan el mismo espacio de la interfaz, de manera que es posible alternar entre ambos para maximizar el tamaño de los visores.
- **Clips:** Al hacer clic en esta pestaña, se muestra una serie de miniaturas que corresponden a los clips en la línea de tiempo. Estas se encuentran debajo del editor de nodos y permiten acceder inmediatamente a cualquier secuencia.



Para crear una nueva versión de la composición, haga clic con el botón derecho en una miniatura y seleccione la opción **Crear composición**.

- **Visores:** Los visores permanecen siempre visibles y muestran los distintos modos de la composición, por ejemplo, una perspectiva general en 3D, la señal de la cámara o la renderización final. Asimismo, brindan la posibilidad de ver la forma en que los cambios realizados afectan a un elemento específico.

Es posible elegir el nodo que se desea ver haciendo clic sobre este y presionando **1** para el visor izquierdo o **2** para el derecho. Aparecerá un botón con un punto blanco debajo del nodo que indica el visor asignado. También es posible asignar un monitor externo.

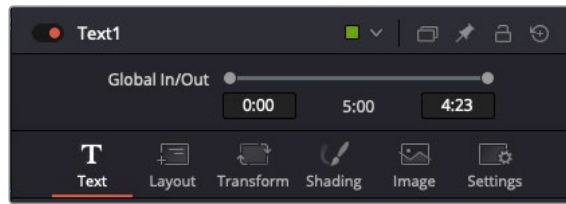
SUGERENCIA: También es posible asignar un nodo a un visor arrastrándolo al mismo.

Los controles de reproducción situados debajo de los visores permiten ir al principio o el final de una secuencia, reproducirla o detener la reproducción. La escala de tiempo muestra el intervalo de un clip, con marcas amarillas que representan los puntos de entrada y salida.



Las marcas amarillas en la escala de tiempo representan los puntos de entrada y salida en un clip. Al emplear un clip Fusion o compuesto, la escala solo muestra su duración como en la línea de tiempo, sin tener en cuenta los márgenes de edición.

- **Nodos:** El editor de nodos es el elemento principal del módulo Fusion, ya que permite conectarlos entre sí para crear la estructura nodal. Su tamaño depende de los editores abiertos, por ejemplo, el de curvas paramétricas o el de fotogramas clave. A su vez, la barra de herramientas en la parte superior ofrece un rápido acceso a las funciones más utilizadas.
- **Curvas paramétricas:** El editor de curvas paramétricas se abre a la derecha del editor de nodos y permite realizar ajustes con mayor precisión, por ejemplo, atenuar una animación entre dos fotogramas clave mediante una curva de Bézier.
- **Fotogramas clave:** Este editor permite añadir, eliminar o modificar fotogramas clave en cada herramienta y se encuentra a la derecha del editor de nodos.
- **Metadatos:** El panel de metadatos muestra información del clip seleccionado, incluidos el códec, la frecuencia de imagen y el código de tiempo.
- **Inspector:** Este panel se encuentra en la esquina superior derecha de la interfaz e incluye todos los ajustes disponibles para los nodos seleccionados. Cada pestaña ofrece un rápido acceso a parámetros adicionales ordenados por categorías.

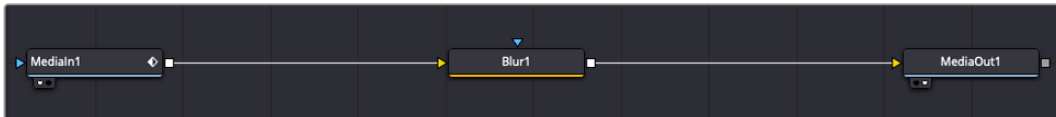


El nodo de texto brinda ajustes adicionales en el inspector.

Primeros pasos en Fusion

Para comenzar, simplemente sitúe el cabezal de reproducción sobre cualquier clip en la línea de tiempo y haga clic en el módulo Fusion.

Dicho clip aparecerá representado por un nodo denominado *MediaIn*. Cada una de las composiciones comenzará con este nodo y finalizará con otro llamado *MediaOut*. El primero representa el clip ubicado en la posición del cabezal sobre la pista superior de la línea de tiempo, sin considerar los que haya debajo. Además, incluye los ajustes realizados al mismo en el módulo Edición.



El contenido del nodo *MediaOut* se transfiere a la línea de tiempo del módulo Edición.

SUGERENCIA: En el módulo Fusion no se muestran los complementos OpenFX o ResolveFX aplicados a los clips en los módulos Montaje y Edición. Esto se debe a que los efectos visuales se crean antes del etalonaje y el procesamiento posterior del material. Para que los complementos OpenFX se apliquen de manera previa a los efectos, haga clic con el botón derecho en el módulo Edición y seleccione **Crear clip Fusion** antes de acceder al módulo Fusion.

¿Cómo funcionan los nodos?

Puede resultar útil pensar en los nodos como íconos que representan una herramienta o efecto determinado. Estos se conectan entre sí para crear la composición general, al igual que los ingredientes de una receta. Asimismo, es importante entender el funcionamiento de la entrada y la salida de cada nodo, a fin de facilitar la dinámica de la composición al generar efectos visuales detallados.

Algunos nodos cuentan con múltiples entradas y salidas que pueden conectarse a otros. Por ejemplo, el nodo de combinación incluye una entrada para la imagen en primer plano, otra para el fondo y una tercera para máscaras.

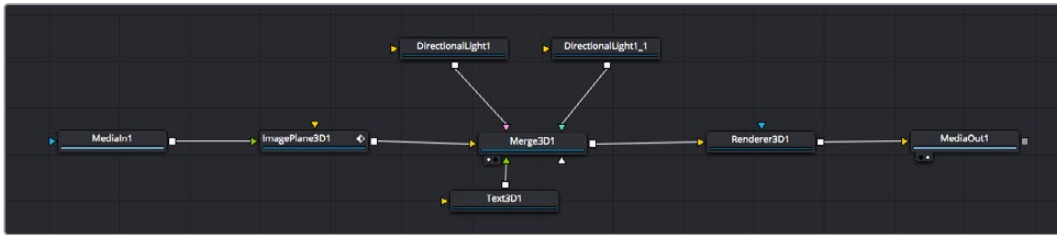


Un nodo con múltiples salidas brinda la posibilidad de conectarlo a varios nodos, de manera que no hay necesidad de duplicar clips como en los programas de composición digital basados en capas. Las flechas en las líneas que conectan los nodos son un indicador visual muy útil con respecto a la dirección del flujo de datos.

Agregar nodos al editor

Agregar efectos es tan simple como colocarlos entre los nodos *MediaIn* y *MediaOut*.

Existen distintas maneras de hacerlo. Por ejemplo, es posible mantener presionada la tecla **Shift**, arrastrar el nodo y soltarlo entre otros dos, o hacer clic donde se desea agregar un efecto y seleccionar una herramienta en particular. El nuevo nodo se conectará automáticamente a la herramienta elegida. Asimismo, se pueden añadir nodos en cualquier lugar del editor y conectarlos arrastrando la salida de uno hacia la entrada de otro.



La herramienta empleada con mayor frecuencia es el nodo de combinación 2D o 3D. Este combina diversas herramientas del editor en una sola salida.

El nodo de combinación permite organizar las entradas ajustando su tamaño, posición o la manera en la que se combinan. Asimismo, es posible acceder a estos parámetros desde el inspector al seleccionar dicho nodo.

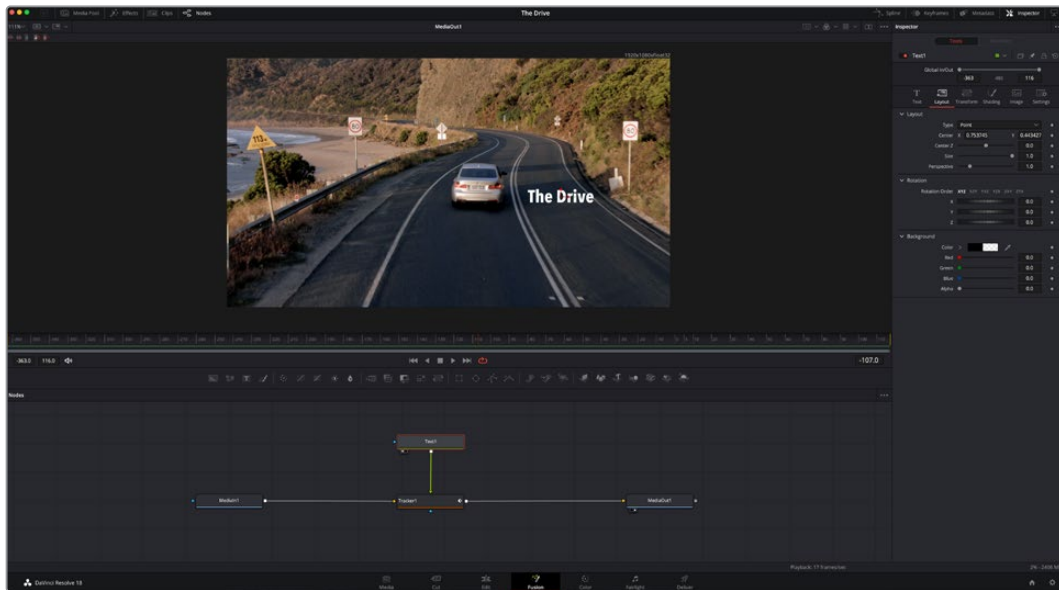
La barra de herramientas en la parte superior del editor contiene íconos que representan las funciones empleadas con mayor frecuencia. Para agregarlas a un nodo, basta con hacer clic en uno de ellos o arrastrarlo al panel. Si desea ver todas las herramientas disponibles, acceda a la **Biblioteca de efectos** en la esquina superior izquierda de la interfaz y haga clic en la opción **Tools**. Estas se encuentran agrupadas por categorías e incluyen plantillas de efectos para añadir destellos, sombras y fondos.

SUGERENCIA: Una vez que se familiarice con el nombre de las herramientas, mantenga presionada la tecla **Shift** y luego oprima la barra espaciadora para abrir el menú de selección. Al escribir el nombre de la herramienta, el programa sugerirá la opción más relevante. Esta es una manera muy rápida de elegir la herramienta deseada.

Ajustar nodos con el inspector

Es posible ajustar nodos mediante el panel **Inspector**. Para ello, haga clic en el nodo que desea modificar y se mostrarán las opciones y controles correspondientes.

Fusion brinda la posibilidad de ver un nodo mientras se modifica otro. Por ejemplo, es posible cambiar el tamaño y la posición del centro de un nodo *Texto+* mientras se ve el contenido del nodo *Fusionar* en el visor, lo cual permite apreciar el texto con relación al fondo.

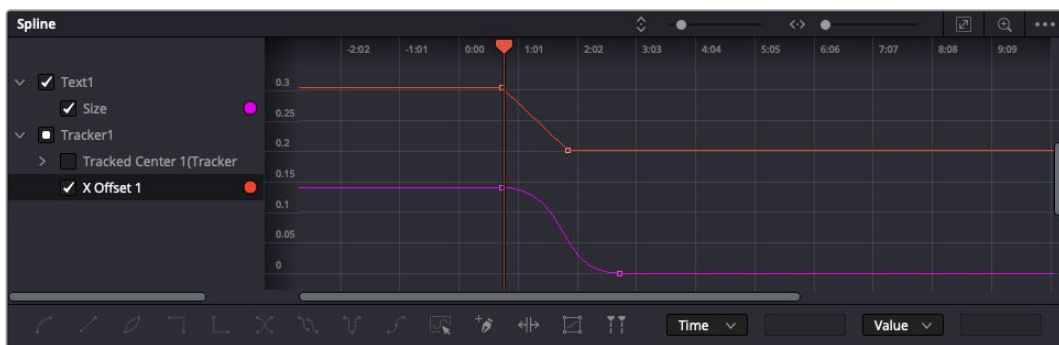


Los nodos seleccionados se indican con un borde rojo. En esta imagen, el panel **Inspector** muestra las opciones para el nodo de texto.

Existen varios parámetros y ajustes para cada nodo según la función que cumple, y estos incluyen desde el tamaño y la posición del centro hasta la cantidad de partículas de un nodo emisor. Asimismo, es posible animar un efecto marcando fotogramas clave y modificando los ajustes en función del tiempo.

Uso de fotogramas clave

Para añadir un fotograma clave desde el inspector, haga clic con el botón derecho en uno de los ajustes y seleccione la opción **Animar** en el menú contextual. El ícono con forma de rombo a la derecha se destaca en rojo, indicando de este modo que cualquier cambio que se realice se aplicará únicamente al fotograma seleccionado. Cuando se crean dos o más fotogramas clave ajustando los parámetros en otro distinto, se realiza una interpolación entre ambos. Las flechas situadas a ambos lados del ícono permiten mover el cabezal a la posición exacta en la línea de tiempo.



Animación atenuada mediante una curva de Bézier. Es posible hacer clic en los puntos de control para acortarla o alargarla, o en los íconos cuadrados a fin de cambiar su ubicación.

Por su parte, el panel de curvas paramétricas brinda un mayor control sobre la animación. En tal sentido, permite seleccionar fotogramas clave y atenuar la animación entre ellos mediante una curva de Bézier. Para ello, presione **Shift+S** o haga clic con el botón derecho en uno de los fotogramas y seleccione la opción **Atenuar**.

Usar la función de seguimiento y agregar texto

Con el propósito de tener una mejor idea acerca de cómo emplear Fusion, hemos incluido los siguientes ejemplos que muestran el uso de la herramienta de seguimiento a efectos de rastrear un elemento, añadir texto y vincularlo a dicho objeto.

La herramienta de seguimiento rastrea el movimiento de los píxeles en función del tiempo, representando su posición con respecto a los ejes X e Y, y generando información que puede asignarse a otros elementos. Esto resulta de gran utilidad cuando es necesario que la posición del texto coincida con un objeto en movimiento, como un coche desplazándose por una carretera o pájaros volando.

- 1 En la biblioteca de efectos, seleccione la opción **Rastreador** dentro de la categoría **Rastreo** y arrástrela a la línea que conecta los nodos *MediaIn* y *MediaOut*. A continuación, haga clic en el nodo de seguimiento para ver sus parámetros en el inspector.
- 2 Presione **1** en el teclado para ver el contenido del nodo en el visor izquierdo. Se mostrará el clip con la herramienta de seguimiento en la posición predeterminada. Coloque el puntero sobre esta para ver los marcadores. Haga clic en el punto de control situado en la esquina superior izquierda y arrastre la herramienta hasta el área deseada en la imagen. Se logran mejores resultados en zonas de alto contraste, como la insignia en el capó de un automóvil. La imagen se ampliará a fin de lograr una mayor precisión.
- 3 En el inspector, haga clic en el penúltimo botón para comenzar el seguimiento. Aparecerá una notificación cuando el procedimiento haya finalizado. Haga clic en **OK**.

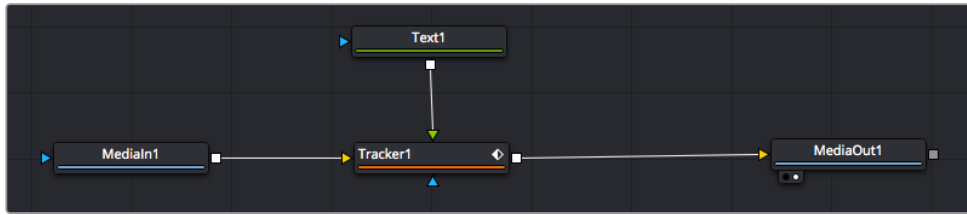


Las opciones en el inspector incluyen la posibilidad de realizar un seguimiento desde el último fotograma (o el fotograma seleccionado) hacia atrás, a partir del primer fotograma (o el fotograma seleccionado) hacia adelante, o detener el proceso.

SUGERENCIA: Las opciones para realizar un seguimiento desde el fotograma seleccionado hacia adelante o atrás son ideales en situaciones en las que el rango de renderización no comprende el área de interés en la imagen, por ejemplo, cuando un automóvil o un pájaro se desplaza fuera de plano. Esto brinda la posibilidad de rastrear solamente el material relevante.

A continuación, es posible utilizar los datos del seguimiento y aplicar la trayectoria a un nodo de texto.

- 4 Haga clic en el ícono correspondiente al nodo **Texto1** en la barra de herramientas y arrástrelo al editor, cerca del nodo **Rastreador1**. Conecte la salida del primero a la entrada verde del segundo.



- 5 Para ver el resultado de esta combinación en el visor izquierdo, haga clic en el nodo de seguimiento o presione **1**. En el panel **Inspector** correspondiente al nodo **Rastreador1**, haga clic en la pestaña **Operación**. En el menú junto a la opción **Operación**, seleccione **Igualar movimiento**.
- 6 Haga clic en el nodo de texto para ver sus parámetros en el inspector. Escriba el texto en el recuadro y cambie el tipo de fuente, su color y su tamaño según la composición. Los datos generados por la herramienta de seguimiento se aplicarán a la posición del texto. Para modificar la posición del texto, haga clic en la pestaña **Rastreadores** del inspector y ajuste los controles de desfase.



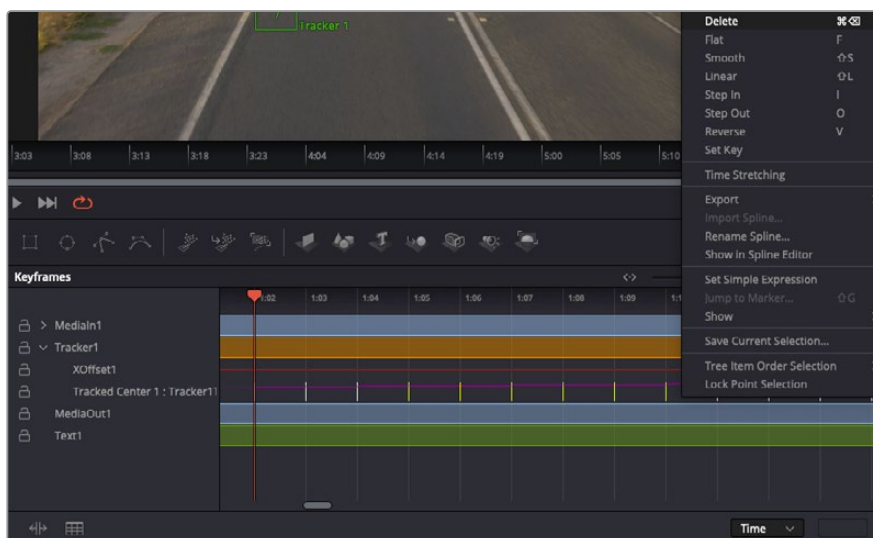
Los controles en la parte inferior del inspector permiten ajustar la posición del texto.

A continuación, observe la composición para notar cómo el texto se vincula al objeto al que se aplicó la función de seguimiento.



El rectángulo verde representa la posición actual del rastreador con respecto a la trayectoria, mientras que la línea roja punteada es la posición empleada para animar el texto.

En algunas tomas, es necesario eliminar los puntos de seguimiento una vez finalizado este procedimiento, por ejemplo, cuando el objeto desaparece del plano. Sin embargo, el editor de fotogramas clave permite hacerlo de manera sencilla.



- 7 Haga clic en la pestaña de fotogramas clave sobre el inspector para abrir el editor. Los nodos que incluyen fotogramas clave se indican con una pequeña flecha junto a su nombre, y en la lista solo aparecerán sus parámetros. Haga clic en la lupa y dibuje un recuadro alrededor del área que desea modificar. Esto permitirá ampliar dicha zona para facilitar la visualización de los fotogramas clave.
- 8 Mueva el cabezal de reproducción hasta el último fotograma que desea utilizar. A continuación, seleccione los fotogramas clave que quiera eliminar trazando un recuadro a su alrededor. Estos se destacarán de color amarillo. Haga clic con el botón derecho y seleccione la opción **Eliminar** en el menú emergente.

SUGERENCIA: Si los efectos consumen una gran cantidad de recursos del equipo informático, haga clic con el botón derecho sobre los controles de reproducción para acceder a opciones adicionales, como la posibilidad de reproducir las imágenes a una menor resolución, lo cual facilitará el uso del sistema mientras se crea la composición. Consulte el manual de DaVinci Resolve para obtener más información al respecto.

Ya ha completado su primera composición, animando el texto para que coincida con la trayectoria de un objeto en el material grabado.

La herramienta de seguimiento planar permite rastrear una zona de la imagen que contiene una superficie plana que se desea destacar o sustituir. En el caso de los planos bidimensionales, esto puede resultar útil para cambiar carteles y señales en una imagen en movimiento, o incluso añadir una imagen a un monitor o un televisor en el plano.

Consulte el manual de DaVinci Resolve para obtener más información al respecto.

SUGERENCIA: Al crear efectos visuales en el módulo Fusion, las herramientas de combinación serán distintas según se trate de efectos bidimensionales o tridimensionales. No obstante, a menudo se combinan ambos tipos en la misma composición. En este caso, merece la pena recordar que cualquier efecto visual generado en un espacio 3D deberá renderizarse como una imagen 2D antes de poder emplearlo en la composición bidimensional.

Esperamos que disfrute explorando los distintos efectos visuales que ofrece Fusion, junto con las extraordinarias prestaciones de los módulos Edición, Color y Fairlight. Gracias a la amplia variedad de herramientas que brinda DaVinci Resolve, su creatividad no tendrá límites.

Masterización

Ahora que el proyecto ya está editado y etalonado, y se han añadido los efectos visuales y la mezcla de audio, es el momento de compartirlo con otras personas. A tal fin, es posible usar la opción para exportarlo rápidamente o el menú de selección a fin de entregar el contenido de la línea de tiempo en un único archivo multimedia, escogiendo su formato de entre varias posibilidades, o usando las funciones adicionales del módulo Entrega.



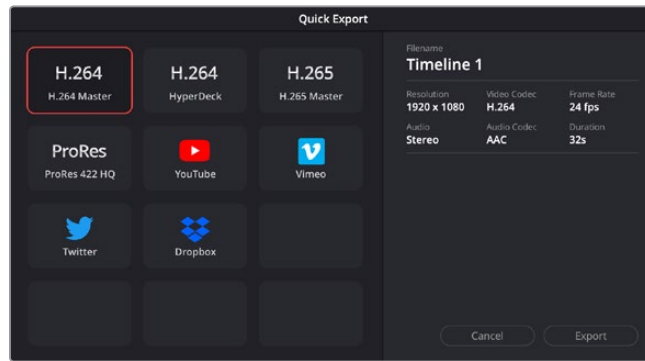
El material editado se puede exportar mediante el módulo Entrega, donde es posible seleccionar diferentes códecs y formatos.

Exportación rápida

En el menú **Archivo**, seleccione la opción **Exportación rápida** a fin de emplear una de las opciones predeterminadas para exportar el proyecto desde cualquier módulo de DaVinci Resolve. Asimismo, es posible utilizar esta función para publicar el material directamente en una de las plataformas compatibles, como YouTube, Vimeo, Twitter o Frame.io.

Para utilizar la función de exportación rápida:

- 1 De manera alternativa, en los módulos Montaje, Edición, Fusion o Color, marque puntos de entrada y salida en la línea de tiempo para seleccionar el intervalo que se desea exportar. En caso contrario, se exportará la línea de tiempo completa.
Seleccione la opción **Archivo** y a continuación **Exportación rápida**.
- 2 Seleccione una de las opciones predeterminadas situadas en la fila superior de la ventana de diálogo y haga clic en **Exportar**.
- 3 Seleccione la ubicación en el directorio, escriba el nombre del archivo en la ventana de diálogo y haga clic en **Guardar**. Aparecerá una barra que indica cuánto demorará el proceso de exportación.



Opciones de exportación rápida

Módulo Entrega

Este módulo brinda la oportunidad de seleccionar los clips que desean exportar, así como el formato, el códec y la resolución. DaVinci Resolve permite utilizar diversos formatos, por ejemplo, QuickTime, AVI, MXF y DPX, empleando códecs tales como RGB/YUV sin compresión de 8 o 10 bits, ProRes, DNxHD y H.264, entre otros.

Para exportar un clip:

- 1 Haga clic en el módulo **Entrega**.
- 2 Acceda al panel **Ajustes de renderización**, situado en la parte superior izquierda. A continuación, podrá escoger una de las configuraciones predeterminadas, tales como YouTube o Vimeo, o elegir sus propios ajustes mediante la opción **Personalizado**. Por ejemplo, seleccione **YouTube**, luego haga clic sobre la flecha que aparece al costado y finalmente elija la opción **1080p** para el formato.
La frecuencia de imagen coincidirá con la del proyecto.
- 3 Debajo de las opciones predeterminadas, verá el nombre del archivo final y su ubicación. Haga clic en **Buscar** y seleccione una carpeta para guardar el archivo exportado. A continuación, seleccione la opción **Un clip** en los ajustes de renderización.
- 4 Sobre la línea de tiempo, verá un menú desplegable con la opción **Toda la línea de tiempo** seleccionada. Esto significa que se renderizará todo su contenido. Sin embargo, también es posible seleccionar solo una parte de la secuencia. Para ello, basta con elegir la opción **Intervalo** y luego marcar los puntos de entrada y salida mediante las teclas **I** y **O**.
- 5 En la parte inferior del panel, haga clic en el botón **Agregar a la cola de procesamiento**.
El material se agregará a la cola de procesamiento en la parte derecha del módulo. A continuación, haga clic en el botón **Renderizar** y supervise el progreso de la renderización en la lista de trabajos pendientes.

Una vez finalizado el procedimiento, abra el archivo generado para ver el producto final.

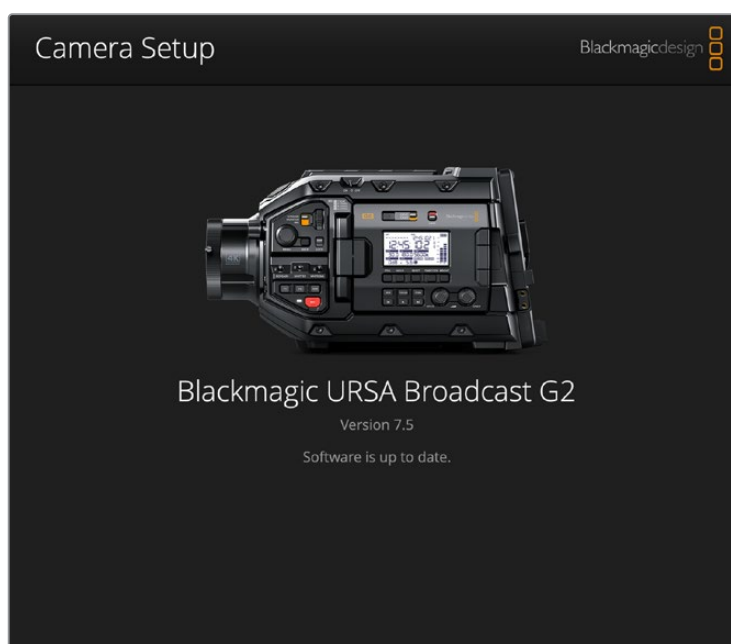
Ahora que ya cuenta con un conocimiento básico sobre cómo editar, etalonar, mezclar el audio y agregar efectos visuales, le recomendamos que pruebe distintas opciones en DaVinci Resolve. Consulte el manual del programa para obtener más información acerca de cada una de sus funciones.

Programa utilitario de la cámara

Instalación del programa en equipos Mac

Después de descargar el programa Blackmagic Camera Setup y descomprimir el archivo, haga clic en la imagen de disco para ver los contenidos.

Ejecute el instalador y siga las instrucciones que aparecen en la pantalla. Una vez finalizada la instalación, seleccione la opción **Aplicaciones** y haga clic en la carpeta **Blackmagic Cameras**, que contiene este manual, el programa utilitario y otros archivos con información adicional. Asimismo, se incluye una aplicación para desinstalar versiones anteriores del programa cuando sea necesario actualizarlo.



Instalación del programa en equipos Windows

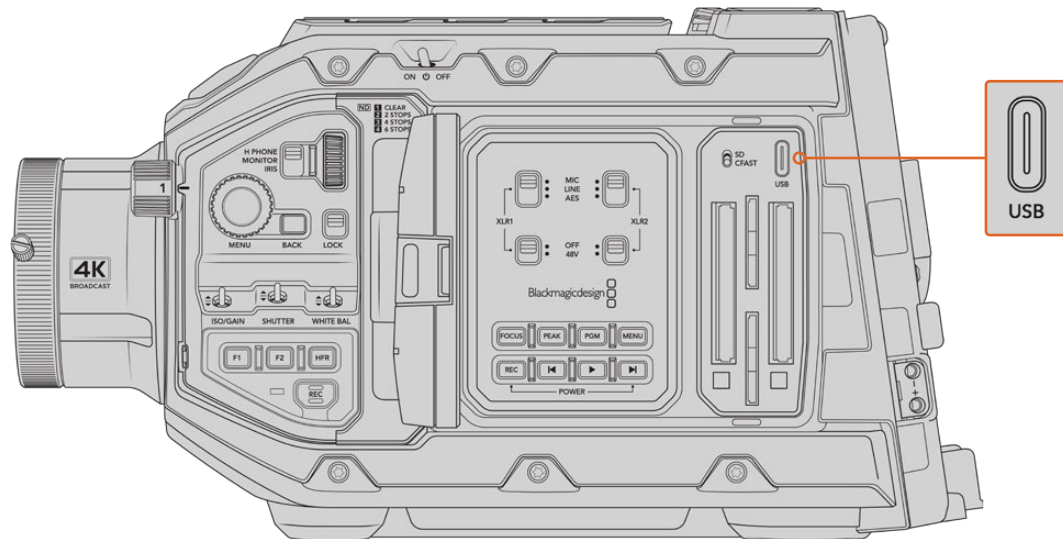
Después de descargar el programa utilitario de la cámara y descomprimir el archivo correspondiente, verá una carpeta denominada **Blackmagic Camera Setup** que contiene este manual y el instalador. Haga doble clic en el instalador de la aplicación y siga las instrucciones que aparecen en la pantalla para completar el procedimiento.

En Windows 10, haga clic en el botón de inicio y seleccione la opción **Todas las aplicaciones**. Busque la carpeta **Blackmagic Design** en la lista. Desde allí podrá ejecutar el programa.

Actualización de la cámara

Después de instalar la última versión del programa utilitario en el equipo informático, conéctelo a la cámara mediante un cable USB. El puerto USB se encuentra situado en el lateral izquierdo, encima de las ranuras para tarjetas de memoria.

Ejecute el programa utilitario y siga las instrucciones que aparecen en la pantalla para actualizar la cámara. Conviene subrayar que, al llevar a cabo este procedimiento, se eliminarán las tablas de conversión almacenadas en la unidad y los grupos de ajustes personalizados. En tal sentido, recomendamos exportarlos a una tarjeta de memoria, a fin de respaldarlos antes de llevar a cabo la actualización. Una vez finalizado el procedimiento, es posible importarlos nuevamente.



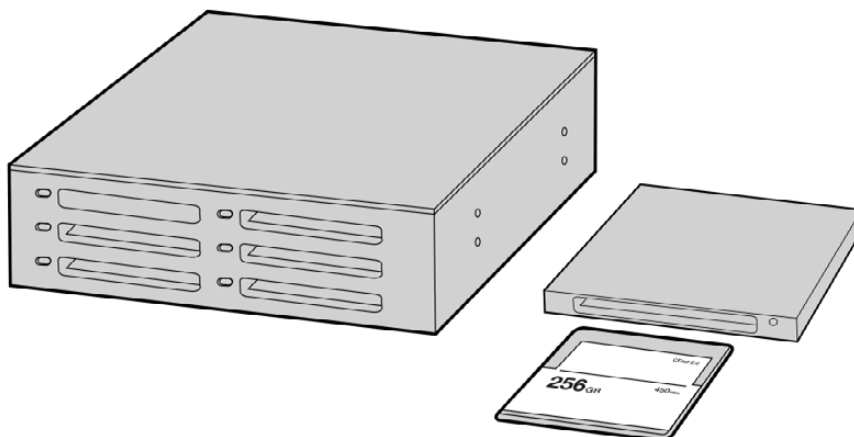
La cámara se actualiza mediante el puerto USB-C situado arriba de las ranuras para tarjetas de memoria.

Otros programas de edición

Si desea editar los clips con su programa preferido, puede copiarlos a una unidad interna o externa, o RAID, y luego importarlos desde la aplicación. De manera alternativa, utilice un adaptador para la unidad de almacenamiento a fin de acceder a los archivos directamente.

NOTA: DaVinci Resolve 16.1.2 y sus versiones posteriores son compatibles con el formato Blackmagic RAW, el cual también ha sido adoptado por una amplia variedad de programas de edición y posproducción. En tal sentido, es posible descargar complementos para Media Composer y Premiere Pro desde la página de soporte técnico de nuestro sitio web.

Acceso a archivos en tarjetas SD y CFast 2.0



Para editar el material audiovisual directamente desde la tarjeta CFast, retírela de la cámara y conéctela a un equipo informático mediante un dispositivo de lectura y/o escritura para este tipo de unidades

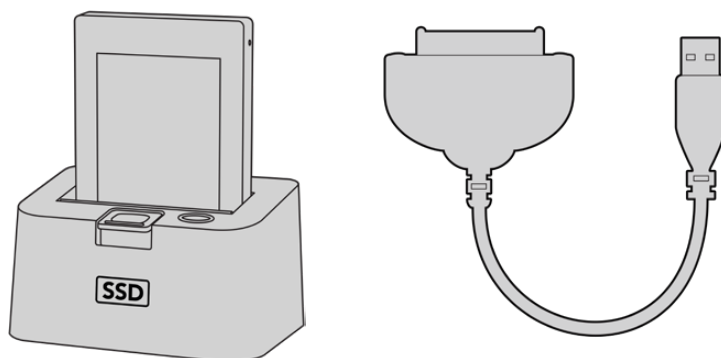
Para importar clips desde una tarjeta SD o CFast 2.0:

- 1 Retire la tarjeta SD o CFast de la cámara.
Conéctela a un equipo informático Mac o Windows empleando un dispositivo de lectura para este tipo de unidades.
- 2 Busque la ubicación correspondiente a la tarjeta en el sistema operativo, donde encontrará una lista con todos los archivos Blackmagic RAW o QuickTime.
- 3 Arrastre los archivos desde la tarjeta al escritorio o a otro dispositivo de almacenamiento, o acceda directamente a ellos desde el programa de edición.
- 4 Antes de retirar la tarjeta CFast o SD del equipo informático, es importante expulsarla desde el sistema operativo. De lo contrario, el material grabado podría sufrir daños.

Acceso a archivos almacenados en unidades SSD

Para importar clips desde una unidad SSD:

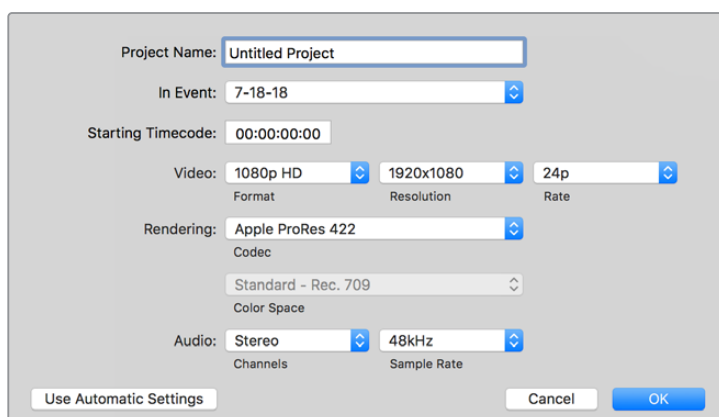
- 1 Retire la unidad del grabador.
- 2 Para conectar la unidad a un equipo Mac OS X o Windows, utilice un dispositivo con conectividad eSATA o Thunderbolt, tal como el modelo MultiDock. De manera alternativa, es posible emplear un adaptador eSATA para puertos USB y conectar la unidad directamente al equipo. Las conexiones USB 3.0 son preferibles a las 2.0, ya que estas últimas no son lo suficientemente rápidas como para permitir la edición de imágenes en tiempo real.
- 3 Haga doble clic en el ícono de la unidad SSD para acceder a las carpetas que contienen los archivos Blackmagic RAW o QuickTime. Es posible que haya una mezcla de archivos según el formato seleccionado para la grabación, pero en todos se emplea la misma nomenclatura.
- 4 Arrastre los archivos desde la unidad al escritorio o a otro dispositivo de almacenamiento, o acceda directamente a ellos mediante cualquier programa de edición no lineal.
- 5 Antes de desconectar la unidad SSD del equipo informático, es importante expulsarla desde el sistema operativo.



Para editar el material directamente desde la unidad SSD, retírela de la cámara y conéctela al equipo informático mediante un puerto eSATA Thunderbolt o un cable USB 3.0.

Final Cut Pro X

Para editar en Final Cut Pro X, es necesario crear un proyecto nuevo y seleccionar la frecuencia de imagen y el formato requeridos. En este ejemplo, utilizaremos el formato ProRes 422 HQ a 1080p24.



Ajustes del proyecto en Final Cut Pro X

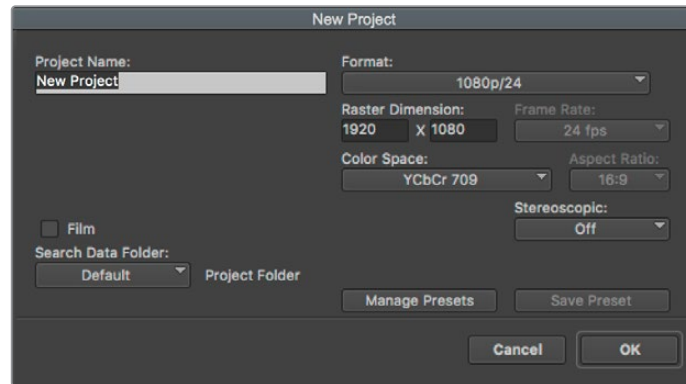
- 1 Ejecute Final Cut Pro X y, a continuación, en la barra de menús, haga clic en **File** y seleccione **New Project**. Se abrirá una ventana que muestra los ajustes del proyecto.
- 2 Introduzca un nombre para el proyecto y marque la casilla **Custom**.
- 3 Seleccione las opciones **1080p HD**, **1920x1080** y **24p**.
- 4 En la opción **Audio and Render Properties**, seleccione **Stereo**, **48 kHz**, y **Apple ProRes 422 HQ**.
- 5 Haga clic en **OK**.

Para importar los clips, haga clic en la opción **File** situada en la barra superior. A continuación, seleccione **Import** y luego **Media**. Elija los archivos en la tarjeta de memoria.

Arrástrelos a la línea de tiempo para editarlos.

Media Composer 2018

Para editar en Media Composer 2018, es necesario crear un proyecto nuevo y seleccionar la frecuencia de imagen y el formato apropiados. En este ejemplo, utilizaremos el formato ProRes 422 (HQ) a 1080p25.



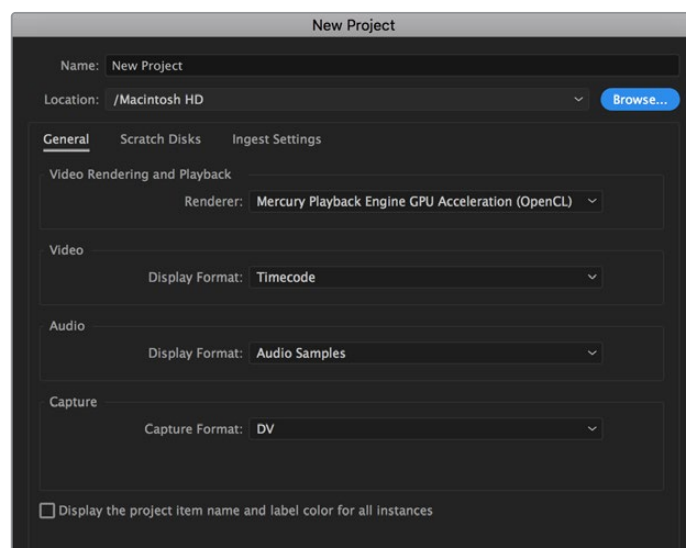
Nombre y opciones del proyecto en Media Composer 2018

- 1 Ejecute el programa para acceder a la ventana de selección de proyectos.
- 2 Haga clic en el botón **New project** e introduzca un nombre en la ventana correspondiente.
- 3 En el menú de selección del formato, elija la opción **HD 1080** y luego **1080p/24**. A continuación, haga clic en **OK** para crear el proyecto.
- 4 Haga doble clic sobre el nombre del proyecto en la ventana **Select project** para abrirlo.
- 5 Seleccione la opción **File**, luego **Input** y a continuación **Source browser** para buscar los archivos que desea importar.
- 6 Seleccione la carpeta de destino en el menú desplegable y haga clic en **Import**.

Una vez que los clips aparecen en la carpeta, es posible arrastrarlos a la línea de tiempo y comenzar a editarlos.

Premiere Pro CC

Para editar clips en formato ProRes 422 HQ con Premiere Pro CC, es necesario crear un proyecto nuevo y seleccionar la frecuencia de imagen y el formato apropiados. En este ejemplo, utilizaremos el formato ProRes 422 HQ a 1080p25.



Nombre y opciones del proyecto en Premiere Pro CC

- 1 Ejecute Premiere Pro CC. En la ventana de bienvenida, seleccione la opción **New Project**. Se abrirá una ventana que muestra los ajustes del proyecto.
- 2 Introduzca un nombre para el proyecto. Haga clic en **Browse** y seleccione la carpeta donde desea guardarlo. A continuación, haga clic en **OK** en la ventana de bienvenida.
- 3 En la barra de menús, seleccione la opción **File** y luego **Import**. Elija los clips que desea editar. Estos aparecerán en la ventana del proyecto.
- 4 Arrastre el primer clip hacia el ícono **New Item** en la parte inferior derecha de la ventana. Se creará una nueva secuencia con los mismos ajustes del clip.

Arrastre los clips a la línea de tiempo para editarlos.

Developer Information

Blackmagic Bluetooth Camera Control

Blackmagic cameras with Bluetooth LE implement a variety of features and commands that allow users to control their cameras wirelessly. Developers have full access to these features for their custom applications.

The following services and characteristics describe the full range of communication options that are available to the developer.

Service: Device Information Service

UUID: 180A

Characteristics

Camera Manufacturer

UUID: 2A29

Read the name of the manufacturer (always “Blackmagic Design”).

Camera Model

UUID: 2A24

Read the name of the camera model (“URSA Broadcast G2”).

Service: Blackmagic Camera Service

UUID: 291D567A-6D75-11E6-8B77-86F30CA893D3

Characteristics

Outgoing Camera Control (encrypted)

UUID: 5DD3465F-1AEE-4299-8493-D2ECA2F8E1BB

Send Camera Control messages

These messages are identical to those described in the Blackmagic SDI Camera Control Protocol section below. Please read that section for a list of supported messages and required formatting information.

For an example of how packets are structured, please see the ‘example protocol packets’ section in this document.

Incoming Camera Control (encrypted)

UUID: B864E140-76A0-416A-BF30-5876504537D9

Request notifications for this characteristic to receive Camera Control messages from the camera.

These messages are identical to those described in the Blackmagic SDI Camera Control Protocol section below. Please read that section for a list of supported messages and required formatting information.

Timecode (encrypted)

UUID: 6D8F2110-86F1-41BF-9AFB-451D87E976C8

Request notifications for this characteristic to receive timecode updates.

Timecode (HH:MM:SS:mm) is represented by a 32-bit BCD number:
(eg. 09:12:53:10 = 0x09125310)

Camera Status (encrypted)

UUID: 7FE8691D-95DC-4FC5-8ABD-CA74339B51B9

Request notifications for this characteristic to receive camera status updates.

The camera status is represented by flags contained in an 8-bit integer:

None	= 0x00
Camera Power On	= 0x01
Connected	= 0x02
Paired	= 0x04
Versions Verified	= 0x08
Initial Payload Received	= 0x10
Camera Ready	= 0x20

Send a value of 0x00 to power a connected camera off.

Send a value of 0x01 to power a connected camera on.

Device Name

UUID: FFAC0C52-C9FB-41A0-B063-CC76282EB89C

Send a device name to the camera (max. 32 characters).

The camera will display this name in the Bluetooth Setup Menu.

Protocol Version

UUID: 8F1FD018-B508-456F-8F82-3D392BEE2706

Read this value to determine the camera's supported CCU protocol version.

NOTE Encrypted characteristics can only be used once a device has successfully bonded or paired with the Blackmagic Camera. Once a connection has been established, any attempt to write to an encrypted characteristic will initiate bonding. For example, writing a 'Camera Power On' (0x01) message to the Camera Status characteristic.

Once bonding is initiated, the camera will display a 6-digit pin in the Bluetooth Setup Menu. Enter this pin on your device to establish an encrypted connection. The device will now be able to read, write and receive notifications from encrypted characteristics.

Blackmagic SDI and Bluetooth Camera Control Protocol

Version 1.6.2

If you are a software developer you can use the Blackmagic SDI and Bluetooth Camera Control Protocol to construct devices that integrate with our products. Here at Blackmagic Design, our approach is to open up our protocols and we eagerly look forward to seeing what you come up with!

Overview

This document describes an extensible protocol for sending a unidirectional stream of small control messages embedded in the non-active picture region of a digital video stream. The video stream containing the protocol stream may be broadcast to a number of devices. Device addressing is used to allow the sender to specify which device each message is directed to.

Assumptions

Alignment and padding constraints are explicitly described in the protocol document. Bit fields are packed from LSB first. Message groups, individual messages and command headers are defined as, and can be assumed to be, 32 bit aligned.

Blanking Encoding

A message group is encoded into a SMPTE 291M packet with DID/SDID x51/x53 in the active region of VANC line 16.

Message Grouping

Up to 32 messages may be concatenated and transmitted in one blanking packet up to a maximum of 255 bytes payload. Under most circumstances, this should allow all messages to be sent with a maximum of one frame latency.

If the transmitting device queues more bytes of message packets than can be sent in a single frame, it should use heuristics to determine which packets to prioritize and send immediately. Lower priority messages can be delayed to later frames, or dropped entirely as appropriate.

Abstract Message Packet Format

Every message packet consists of a three byte header followed by an optional variable length data block. The maximum packet size is 64 bytes.

Destination device (uint8)	Device addresses are represented as an 8 bit unsigned integer. Individual devices are numbered 0 through 254 with the value 255 reserved to indicate a broadcast message to all devices.
Command length (uint8)	The command length is an 8 bit unsigned integer which specifies the length of the included command data. The length does NOT include the length of the header or any trailing padding bytes.
Command id (uint8)	The command id is an 8 bit unsigned integer which indicates the message type being sent. Receiving devices should ignore any commands that they do not understand. Commands 0 through 127 are reserved for commands that apply to multiple types of devices. Commands 128 through 255 are device specific.
Reserved (uint8)	This byte is reserved for alignment and expansion purposes. It should be set to zero.
Command data (uint8[])	The command data may contain between 0 and 60 bytes of data. The format of the data section is defined by the command itself.

Padding (uint8[])	Messages must be padded up to a 32 bit boundary with 0x0 bytes. Any padding bytes are NOT included in the command length.
--------------------------	---

Receiving devices should use the destination device address and or the command identifier to determine which messages to process. The receiver should use the command length to skip irrelevant or unknown commands and should be careful to skip the implicit padding as well.

Defined Commands

Command 0 : change configuration

Category (uint8)	The category number specifies one of up to 256 configuration categories available on the device.
Parameter (uint8)	The parameter number specifies one of 256 potential configuration parameters available on the device. Parameters 0 through 127 are device specific parameters. Parameters 128 though 255 are reserved for parameters that apply to multiple types of devices.
Data type (uint8)	The data type specifies the type of the remaining data. The packet length is used to determine the number of elements in the message. Each message must contain an integral number of data elements.

Currently defined values are:

0: void/boolean	A void value is represented as a boolean array of length zero. The data field is a 8 bit value with 0 meaning false and all other values meaning true.
1: signed byte	Data elements are signed bytes
2: signed 16 bit integer	Data elements are signed 16 bit values
3: signed 32 bit integer	Data elements are signed 32 bit values
4: signed 64 bit integer	Data elements are signed 64 bit values
5: UTF-8 string	Data elements represent a UTF-8 string with no terminating character.

Data types 6 through 127 are reserved.

128: signed 5.11 fixed point	Data elements are signed 16 bit integers representing a real number with 5 bits for the integer component and 11 bits for the fractional component. The fixed point representation is equal to the real value multiplied by 2^{11} . The representable range is from -16.0 to 15.9995 (15 + 2047/2048).
-------------------------------------	---

Data types 129 through 255 are available for device specific purposes.

Operation type (uint8)	The operation type specifies what action to perform on the specified parameter. Currently defined values are:
0: assign value	The supplied values are assigned to the specified parameter. Each element will be clamped according to its valid range. A void parameter may only be 'assigned' an empty list of boolean type. This operation will trigger the action associated with that parameter. A boolean value may be assigned the value zero for false, and any other value for true.
1: offset/toggle value	Each value specifies signed offsets of the same type to be added to the current parameter values. The resulting parameter value will be clamped according to their valid range. It is not valid to apply an offset to a void value. Applying any offset other than zero to a boolean value will invert that value.

Operation types 2 through 127 are reserved.

Operation types 128 through 255 are available for device specific purposes.

Data (void)	The data field is 0 or more bytes as determined by the data type and number of elements.
--------------------	--

The category, parameter, data type and operation type partition a 24 bit operation space.

Group	ID	Parameter	Type	Index	Minimum	Maximum	Interpretation
Lens	0.0	Focus	fixed16	–	0.0	1.0	0.0 = near, 1.0 = far
	0.1	Instantaneous autofocus	void	–	–	–	trigger instantaneous autofocus
	0.2	Aperture (f-stop)	fixed16	–	-1.0	16.0	Aperture Value (where fnumber = $\sqrt{2^{AV}}$)
	0.3	Aperture (normalised)	fixed16	–	0.0	1.0	0.0 = smallest, 1.0 = largest
	0.4	Aperture (ordinal)	int16	–	0	n	Steps through available aperture values from minimum (0) to maximum (n)
	0.5	Instantaneous auto aperture	void	–	–	–	trigger instantaneous auto aperture
	0.6	Optical image stabilisation	boolean	–	–	–	true = enabled, false = disabled
	0.7	Set absolute zoom (mm)	int16	–	0	max	Move to specified focal length in mm, from minimum (0) to maximum (max)
	0.8	Set absolute zoom (normalised)	fixed16	–	0.0	1.0	Move to specified focal length: 0.0 = wide, 1.0 = tele
	0.9	Set continuous zoom (speed)	fixed16	–	-1.0	+1.0	Start/stop zooming at specified rate: -1.0 = zoom wider fast, 0.0 = stop, +1 = zoom tele fast

Group	ID	Parameter	Type	Index	Minimum	Maximum	Interpretation
Video	1.0	Video mode	int8	[0] = frame rate	-	-	fps as integer (eg 24, 25, 30, 50, 60)
				[1] = M-rate	-	-	0 = regular, 1 = M-rate
				[2] = dimensions	-	-	0 = NTSC, 1 = PAL, 2 = 720, 3 = 1080, 4 = 2kDCI, 5 = 2k16:9, 6 = UHD, 7 = 3k Anamorphic, 8 = 4k DCI, 9 = 4k 16:9, 10 = 4.6k 2.4:1, 11 = 4.6k
				[3] = interlaced	-	-	0 = progressive, 1 = interlaced
				[4] = Color space	-	-	0 = YUV
	1.1	Gain (up to Camera 4.9)	int8		1	128	1x, 2x, 4x, 8x, 16x, 32x, 64x, 128x gain
	1.2	Manual White Balance	int16	[0] = color temp	2500	10000	Color temperature in K
			int16	[1] = tint	-50	50	tint
	1.3	Set auto WB	void	-	-	-	Calculate and set auto white balance
	1.4	Restore auto WB	void	-	-	-	Use latest auto white balance setting
	1.5	Exposure (us)	int32		1	42000	time in us
	1.6	Exposure (ordinal)	int16	-	0	n	Steps through available exposure values from minimum (0) to maximum (n)
	1.7	Dynamic Range Mode	int8 enum	-	0	2	0 = film, 1 = video, 2 = extended video
	1.8	Video sharpening level	int8 enum	-	0	3	0 = off, 1 = low, 2 = medium, 3 = high
	1.9	Recording format	int16	[0] = file frame rate	-	-	fps as integer (eg 24, 25, 30, 50, 60, 120)
				[1] = sensor frame rate	-	-	fps as integer, valid when sensor-off-speed set (eg 24, 25, 30, 33, 48, 50, 60, 120), no change will be performed if this value is set to 0
				[2] = frame width	-	-	in pixels
				[3] = frame height	-	-	in pixels
				[4] = flags	-	-	[0] = file-M-rate
					-	-	[1] = sensor-M-rate, valid when sensor-off-speed-set
-					-	[2] = sensor-off-speed	
-	-	[3] = interlaced					
-	-	[4] = windowed mode					
1.10	Set auto exposure mode	int8	-	0	4	0 = Manual Trigger, 1 = Iris, 2 = Shutter, 3 = Iris + Shutter, 4 = Shutter + Iris	
1.11	Shutter angle	int32	-	100	36000	Shutter angle in degrees, multiplied by 100	
1.12	Shutter speed	int32	-	Current sensor frame rate	5000	Shutter speed value as a fraction of 1, so 50 for 1/50th of a second	
1.13	Gain	int8	-	-128	127	Gain in decibel (dB)	
1.14	ISO	int32	-	0	2147483647	ISO value	
1.15	Display LUT	int8	[0] = selected LUT	-	-	0 = None, 1 = Custom, 2 = film to video, 3 = film to extended video	
			[1] = enabled or not	-	-	0 = Not enabled, 1 = Enabled	
1.16	ND Filter Stop	fixed16	[0] = stop	0.0	15.0	filter power, as f-stop	
			[1] = display mode	-	-	0 = stop 1 = density 2 = transmittance	

Group	ID	Parameter	Type	Index	Minimum	Maximum	Interpretation
Audio	2.0	Mic level	fixed16	–	0.0	1.0	0.0 = minimum, 1.0 = maximum
	2.1	Headphone level	fixed16	–	0.1	1.0	0.0 = minimum, 1.0 = maximum
	2.2	Headphone program mix	fixed16	–	0.1	1.0	0.0 = minimum, 1.0 = maximum
	2.3	Speaker level	fixed16	–	0.1	1.0	0.0 = minimum, 1.0 = maximum
	2.4	Input type	int8	–	0	3	0 = internal mic, 1 = line level input, 2 = low mic level input, 3 = high mic level input
	2.5	Input levels	fixed16	[0] ch0	0.0	1.0	0.0 = minimum, 1.0 = maximum
				[1] ch1	0.0	1.0	0.0 = minimum, 1.0 = maximum
2.6	Phantom power	boolean	–	–	–	true = powered, false = not powered	
Output	3.0	Overlay enables	uint16 bit field	[0] = bit field	–	–	bit flags: [0] = display status, [1] = display frame guides [2] = clean feed Some cameras don't allow separate control of frame guides and status overlays.
			uint16 bit field	[1] = target displays bit field	–	–	bit flags: [0] = LCD [1] = HDMI [2] = EVF [3] = Main SDI [4] = Front SDI
	3.1	Frame guides style (Camera 3.x)	int8	–	0	8	0 = HDTV, 1 = 4:3, 2 = 2.4:1, 3 = 2.39:1, 4 = 2.35:1, 5 = 1.85:1, 6 = thirds
	3.2	Frame guides opacity (Camera 3.x)	fixed16	–	0.1	1.0	0.0 = transparent, 1.0 = opaque
	3.3	Overlays (replaces .1 and .2 above from Cameras 4.0)	int8	[0] = frame guides style	–	–	0 = off, 1 = 2.4:1, 2 = 2.39:1, 3 = 2.35:1, 4 = 1.85:1, 5 = 16:9, 6 = 14:9, 7 = 4:3, 8 = 2:1, 9 = 4:5, 10 = 1:1
				[1] = frame guide opacity	0	100	0 = transparent, 100 = opaque
				[2] = safe area percentage	0	100	percentage of full frame used by safe area guide (0 means off)
[3] = grid style				–	–	bit flags: [0] = display thirds, [1] = display cross hairs, [2] = display center dot, [3] = display horizon	

Group	ID	Parameter	Type	Index	Minimum	Maximum	Interpretation
Display	4.0	Brightness	fixed16	–	0.0	1.0	0.0 = minimum, 1.0 = maximum
	4.1	Exposure and focus tools	uint16 bit field	[0] = bit field	–	–	bit flags: [0] = Zebra [1] = Focus Assist [2] = False Color
				uint16 bit field	[1] = target displays bit field	–	–
	4.2	Zebra level	fixed16	–	0.0	1.0	0.0 = minimum, 1.0 = maximum
	4.3	Peaking level	fixed16	–	0.0	1.0	0.0 = minimum, 1.0 = maximum
	4.4	Color bar enable	int8	–	0	30	0 = disable bars, 1-30 = enable bars with timeout (seconds)
	4.5	Focus Assist	int8	[0] = focus assist method	–	–	0 = Peak, 1 = Colored lines
				[1] = focus line color	–	–	0 = Red, 1 = Green, 2 = Blue, 3 = White, 4 = Black
4.6	Program return feed enable	int8	–	0	30	0 = disable, 1-30 = enable with timeout (seconds)	
4.7	Timecode Source	signed byte	[0] = source	–	–	0 = Clip, 1 = Timecode	
Tally	5.0	Tally brightness	fixed16	–	0.0	1.0	Sets the tally front and tally rear brightness to the same level. 0.0 = minimum, 1.0 = maximum
	5.1	Front tally brightness	fixed16	–	0.0	1.0	Sets the tally front brightness. 0.0 = minimum, 1.0 = maximum
	5.2	Rear tally brightness	fixed16	–	0.0	1.0	Sets the tally rear brightness. 0.0 = minimum, 1.0 = maximum Tally rear brightness cannot be turned off
Reference	6.0	Source	int8 enum	–	0	2	0 = internal, 1 = program, 2 = external
	6.1	Offset	int32	–	–	–	+/- offset in pixels
Configuration	7.0	Real Time Clock	int32	[0] time	–	–	BCD - HHMMSSFF (UCT)
				[1] date	–	–	BCD - YYYYMMDD
	7.1	System language	string	[0-1]	–	–	ISO-639-1 two character language code
	7.2	Timezone	int32	–	–	–	Minutes offset from UTC
	7.3	Location	int64	[0] latitude	–	–	BCD - s0DDdddddddddd where s is the sign: 0 = north (+), 1 = south (-); DD degrees, ddddddddddd decimal degrees
[1] longitude				–	–	BCD - sDDDdddddddddd where s is the sign: 0 = west (-), 1 = east (+); DDD degrees, dddddddddd decimal degrees	

Group	ID	Parameter	Type	Index	Minimum	Maximum	Interpretation
Color Correction	8.0	Lift Adjust	fixed16	[0] red	-2.0	2.0	default 0.0
				[1] green	-2.0	2.0	default 0.0
				[2] blue	-2.0	2.0	default 0.0
				[3] luma	-2.0	2.0	default 0.0
	8.1	Gamma Adjust	fixed16	[0] red	-4.0	4.0	default 0.0
				[1] green	-4.0	4.0	default 0.0
				[2] blue	-4.0	4.0	default 0.0
				[3] luma	-4.0	4.0	default 0.0
	8.2	Gain Adjust	fixed16	[0] red	0.0	16.0	default 1.0
				[1] green	0.0	16.0	default 1.0
				[2] blue	0.0	16.0	default 1.0
				[3] luma	0.0	16.0	default 1.0
	8.3	Offset Adjust	fixed16	[0] red	-8.0	8.0	default 0.0
				[1] green	-8.0	8.0	default 0.0
				[2] blue	-8.0	8.0	default 0.0
				[3] luma	-8.0	8.0	default 0.0
	8.4	Contrast Adjust	fixed16	[0] pivot	0.0	1.0	default 0.5
				[1] adj	0.0	2.0	default 1.0
	8.5	Luma mix	fixed16	–	0.0	1.0	default 1.0
	8.6	Color Adjust	fixed16	[0] hue	-1.0	1.0	default 0.0
[1] sat				0.0	2.0	default 1.0	
8.7	Correction Reset Default	void	–	–	–	reset to defaults	

Group	ID	Parameter	Type	Index	Minimum	Maximum	Interpretation
Media	10.0	Codec	int8 enum	[0] = basic codec	-	-	0 = CinemaDNG, 1 = DNxHD, 2 = ProRes, 3 = Blackmagic RAW
					-	-	CinemaDNG: 0 = uncompressed, 1 = lossy 3:1, 2 = lossy 4:1
				[1] = code variant	-	-	ProRes: 0 = HQ, 1 = 422, 2 = LT, 3 = Proxy, 4 = 444, 5 = 444XQ
					-	-	Blackmagic RAW: 0 = Q0, 1 = Q5, 2 = 3:1, 3 = 5:1, 4 = 8:1, 5 = 12:1
	10.1	Transport mode	int8	[0] = mode	-	-	0 = Preview, 1 = Play, 2 = Record
				[1] = speed	-	-	-ve = multiple speeds backwards, 0 = pause, +ve = multiple speeds forwards
				[2] = flags	-	-	1<<0 = loop, 1<<1 = play all, 1<<5 = disk1 active, 1<<6 = disk2 active, 1<<7 = time-lapse recording
				[3] = slot 1 storage medium	-	-	0 = CFast card, 1 = SD, 2 = SSD Recorder
				[4] = slot 2 storage medium	-	-	0 = CFast card, 1 = SD, 2 = SSD Recorder
	10.2	Playback Control	int8 enum	[0] = clip	-	-	0 = Previous, 1 = Next
10.5	Stream	bool	[0] = enabled	-	-	true = enabled, false = disabled	
10.6	Stream Information	void bool	[0] = enabled	-	-	true = enabled, false = disabled	
10.7	Stream Display 3D LUT	void bool	[0] = enabled	-	-	true = enabled, false = disabled	
PTZ Control	11.0	Pan/Tilt Velocity	fixed 16	[0] = pan velocity	-1.0	1.0	-1.0 = full speed left, 1.0 = full speed right
				[1] = tilt velocity	-1.0	1.0	-1.0 = full speed down, 1.0 = full speed up
	11.1	Memory Preset	int8 enum	[0] = preset command	-	-	0 = reset, 1 = store location, 2 = recall location
			int8	[1] = preset slot	0	5	-

Example Protocol Packets

Operation	Packet Length	Byte															
		0	1	2	3	4	5	6	7	8	9	10	11	12	13	14	15
		header				command				data							
		destination	length	command	reserved	category	parameter	type	operation								
trigger instantaneous auto focus on camera 4	8	4	4	0	0	0	1	0	0								
turn on OIS on all cameras	12	255	5	0	0	0	6	0	0	1	0	0	0				
set exposure to 10 ms on camera 4 (10 ms = 10000 us = 0x00002710)	12	4	8	0	0	1	5	3	0	0x10	0x27	0x00	0x00				
add 15% to zebra level (15 % = 0.15 f = 0x0133 fp)	12	4	6	0	0	4	2	128	1	0x33	0x01	0	0				
select 1080p 23.98 mode on all cameras	16	255	9	0	0	1	0	1	0	24	1	3	0	0	0	0	0
subtract 0.3 from gamma adjust for green & blue (-0.3 ~ = 0xfd9a fp)	16	4	12	0	0	8	1	128	1	0	0	0x9a	0xfd	0x9a	0xfd	0	0
all operations combined	76	4	4	0	0	0	1	0	0	255	5	0	0	0	6	0	0
		1	0	0	0	4	8	0	0	1	5	3	0	0x10	0x27	0x00	0x00
		4	6	0	0	4	2	128	1	0x33	0x01	0	0	255	9	0	0
		1	0	1	0	24	1	3	0	0	0	0	0	4	12	0	0
		8	1	128	1	0	0	0x9a	0xfd	0x9a	0xfd	0	0				

Blackmagic Tally Control Protocol

Version 1.0 (30/04/14)

This section is for third party developers or anybody who may wish to add support for the Blackmagic Tally Control Protocol to their products or system. It describes the protocol for sending tally information embedded in the non-active picture region of a digital video stream.

Data Flow

A master device such as a broadcast switcher embeds tally information into its program feed which is broadcast to a number of slave devices such as cameras or camera controllers. The output from the slave devices is typically fed back to the master device, but may also be sent to a video monitor.

The primary flow of tally information is from the master device to the slaves. Each slave device may use its device id to extract and display the relevant tally information.

Slave devices pass through the tally packet on their output and update the monitor tally status, so that monitor devices connected to that individual output may display tally status without knowledge of the device id they are monitoring.

Assumptions

Any data alignment/padding is explicit in the protocol. Bit fields are packed from LSB first.

Blanking Encoding

One tally control packet may be sent per video frame. Packets are encoded as a SMPTE 291M packet with DID/SDID x51/x52 in the active region of VANC line 15. A tally control packet may contain up to 256 bytes of tally information.

Packet Format

Each tally status consists of 4 bits of information:

```
uint4
bit 0:    program tally status (0=off, 1=on)
bit 1:    preview tally status (0=off, 1=on)
bit 2-3:  reserved (0x0)
```

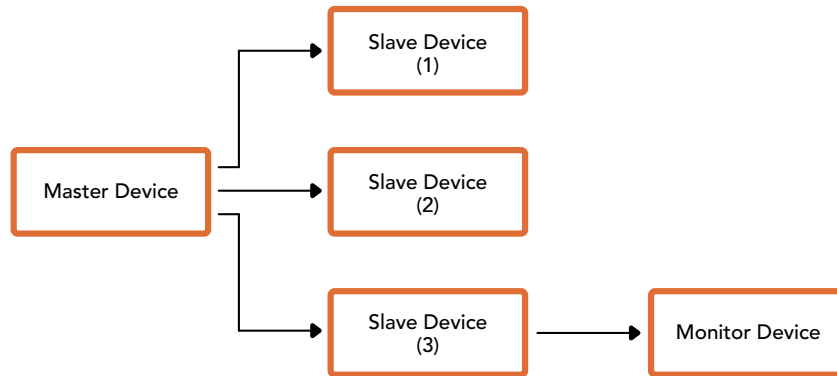
The first byte of the tally packet contains the monitor device tally status and a version number.

Subsequent bytes of the tally packet contain tally status for pairs of slave devices. The master device sends tally status for the number of devices configured/supported, up to a maximum of 510.

```
struct tally
```

```
uint8
bit 0:    monitor device program tally status (0=off, 1=on)
bit 1:    monitor device preview tally status (0=off, 1=on)
bit 2-3:  reserved (0b00)
bit 4-7:  protocol version (0b0000)
uint8[0]
bit 0:    slave device 1 program tally status (0=off, 1=on)
bit 1:    slave device 1 device preview tally status (0=off, 1=on)
bit 2-3:  reserved (0b00)
bit 4:    slave device 2 program tally status (0=off, 1=on)
bit 5:    slave device 2 preview tally status (0=off, 1=on)
bit 6-7:  reserved (0b00)
```

uint8[1]
bit 0: slave device 3 program tally status (0=off, 1=on)
bit 1: slave device 3 device preview tally status (0=off, 1=on)
bit 2-3: reserved (0b00)
bit 4: slave device 4 program tally status (0=off, 1=on)
bit 5: slave device 4 preview tally status (0=off, 1=on)
bit 6-7: reserved (0b00)
...



Byte	7 MSB	6	5	4	3	2	1	0 LSB
0	Version (0b0)	Version (0b0)	Version (0b0)	Version (0b0)	Reserved (0b0)	Reserved (0b0)	Monitor Preview	Monitor Program
1	Reserved (0b0)	Reserved (0b0)	Slave 1 Preview	Slave 1 Program	Reserved (0b0)	Reserved (0b0)	Slave 0 Preview	Slave 0 Program
2	Reserved (0b0)	Reserved (0b0)	Slave 3 Preview	Slave 3 Program	Reserved (0b0)	Reserved (0b0)	Slave 2 Preview	Slave 2 Program
3	...							

Ayuda

Visite nuestra página de soporte técnico a fin de obtener ayuda rápidamente y acceder al material de apoyo más reciente para los productos descritos en este manual.

Página de soporte técnico

Las versiones más recientes de este manual, los distintos programas mencionados y el material de apoyo se encuentran disponibles en nuestra página de soporte técnico.

Cómo ponerse en contacto con Blackmagic Design

Si no encuentra la ayuda que necesita, solicite asistencia mediante el botón **Enviar correo electrónico**, situado en la parte inferior de nuestra página de soporte técnico. De forma alternativa, haga clic en el botón **Soporte técnico local** para acceder al número telefónico del centro de atención más cercano.

Cómo comprobar la versión del software instalado

Para comprobar la versión del programa utilitario instalado en el equipo informático, seleccione la opción **About Blackmagic Camera Setup**.

- En macOS, ejecute el programa desde la carpeta de aplicaciones. Seleccione el menú **About Blackmagic Camera Setup** en la barra superior de la ventana para ver el número de la versión.
- En Windows, ejecute el programa Blackmagic Camera Setup haciendo clic en el ícono situado en el menú **Inicio**. Acceda al menú **Ayuda** y seleccione la opción **About Blackmagic Camera Setup** para ver el número de versión.

Cómo obtener las actualizaciones más recientes

Después de verificar la versión del programa instalado, visite el centro de soporte técnico de Blackmagic Design para comprobar si hay actualizaciones disponibles. Aunque generalmente es recomendable instalar las versiones más recientes, evite realizar modificaciones al sistema operativo interno del dispositivo si se encuentra en medio de un proyecto importante.

Normativas



Tratamiento de residuos de equipos eléctricos y electrónicos en la Unión Europea:

Este símbolo indica que el dispositivo no debe desecharse junto con otros residuos domésticos. A tales efectos, es preciso llevarlo a un centro de recolección para su posterior reciclaje. Esto ayuda a preservar los recursos naturales y garantiza que dicho procedimiento se realice protegiendo la salud y el medioambiente. Para obtener más información al respecto, comuníquese con el distribuidor o el centro de reciclaje más cercano.



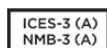
Según las pruebas realizadas, este equipo cumple con los límites indicados para dispositivos digitales Clase A, en conformidad con la sección 15 de las normas establecidas por la Comisión Federal de Comunicaciones. Esto permite proporcionar una protección razonable contra interferencias nocivas al operar el dispositivo en un entorno comercial. Este equipo usa, genera y puede irradiar energía de radiofrecuencia, y si no se instala o utiliza de acuerdo con el manual de instrucciones, podría ocasionar interferencias nocivas para las comunicaciones radiales. El funcionamiento de este equipo en una zona residencial podría ocasionar interferencias nocivas, en cuyo caso el usuario deberá solucionar dicho inconveniente por cuenta propia.

El funcionamiento de este equipo está sujeto a las siguientes condiciones:

- 1 El dispositivo no debe causar interferencias nocivas.
- 2 El dispositivo debe admitir cualquier interferencia recibida, incluidas aquellas que pudieran provocar un funcionamiento incorrecto del mismo.



R-R-BMD-20210915001
R-R-BMD-20200421002
R-R-BMD-20200916001
R-R-BMD-20200916002
R-REM-BMD-201803004
R-REM-BMD-201803003
MSIP-REM-BMD-201612001



Declaración ISED (Canadá)

Este dispositivo cumple con las normas del gobierno de Canadá relativas a equipos digitales clase A. Cualquier modificación o uso indebido del mismo podría acarrear un incumplimiento de dichas normas. Este equipo cumple con las normas descritas anteriormente al emplearse en entornos comerciales.

Bluetooth®

El modelo URSA Broadcast G2 es una cámara con tecnología inalámbrica Bluetooth.

Incluye módulo transmisor. Identificación FCC: QOQBGM113

Este dispositivo cumple con los límites de exposición a la radiación establecidos para un entorno no controlado.

Incluye módulo transmisor. Identificación IC: 5123A-BGM113

Este dispositivo cumple con los límites de exposición a las ondas electromagnéticas establecidos por el gobierno de Canadá. Como tal, no requiere una licencia y está exento de las evaluaciones habituales llevadas a cabo para determinar la absorción específica de tales ondas, según lo dispuesto en la versión 5 de las especificaciones RSS-102.

Certificado en Japón. Número de certificación: 209-J00204. Este dispositivo cuenta con equipamiento radioeléctrico certificado de conformidad con los reglamentos técnicos de la Ley de Radiocomunicación.

Este módulo ha sido certificado en Corea del Sur. Número de certificación: MSIP-CRM-BGT-BGM113
Blackmagic Design declara por este medio que el uso de la banda ISM 2.4 GHz para la transmisión de señales mediante el modelo URSA Broadcast G2 cumple con las normas de la Directiva 2014/53/EU.

Envíe un correo electrónico a compliance@blackmagicdesign.com para solicitar el texto completo de la declaración de conformidad.

Seguridad

Es necesario conectar tanto la fuente de alimentación proporcionada para el modelo URSA Broadcast G2 como el cable IEC para el dispositivo Blackmagic Studio Fiber Converter a una toma de corriente que disponga de una conexión a tierra.

La cámara Blackmagic URSA Broadcast G2 y el modelo Camera Fiber Converter pueden usarse en climas tropicales, a una temperatura ambiente máxima de 40 °C.

Compruebe que haya suficiente ventilación en torno a los dispositivos. Al instalar el modelo Studio Fiber Converter en un bastidor, verifique que el equipo contiguo no impida la ventilación.

La reparación o el mantenimiento de las partes internas de los equipos no debe ser llevado a cabo por el usuario. Comuníquese con nuestro centro de atención más cercano para obtener información al respecto.

Declaración del Estado de California

Las partes plásticas de este producto pueden contener trazas de compuestos químicos, tales como polibromobifenilos (PBB), que el Estado de California reconoce como causantes de cáncer, anomalías congénitas o daños reproductivos.

Consulte el sitio www.P65Warnings.ca.gov para obtener más información al respecto.

Blackmagic URSA Broadcast G2

Aconsejamos resguardar la cámara a la sombra en exteriores para prevenir la exposición del equipo o la batería de litio a la luz solar durante períodos prolongados. Mantenga las baterías de litio alejadas de cualquier fuente de calor.

El conector CC de 12 V permite alimentar dispositivos Blackmagic URSA Viewfinder y Blackmagic URSA Studio Viewfinder. Al conectar otros accesorios, compruebe que el consumo energético sea inferior a 18 W.



Blackmagic Studio Fiber Converter

A fin de reducir el riesgo de descarga eléctrica, evite exponer el equipo a goteras o salpicaduras. Evite utilizar el equipo a una altura mayor de 2000 metros.

Blackmagic Camera Fiber Converter

Utilice el conversor solo cuando esté conectado a su par en el estudio. El dispositivo ha sido diseñado para admitir voltajes peligrosos en condiciones de uso normal.

Garantía

Garantía limitada

Blackmagic Design garantiza que el producto adquirido no presentará defectos en los materiales o en su fabricación por un período de 12 meses a partir de la fecha de compra. Si el producto resulta defectuoso durante el período de validez de la garantía, Blackmagic Design podrá optar por reemplazarlo o repararlo sin cargo alguno por concepto de piezas y/o mano de obra.

Para acceder al servicio proporcionado de acuerdo con los términos de esta garantía, el Cliente deberá dar aviso del defecto a Blackmagic Design antes del vencimiento del período de garantía y encargarse de los arreglos necesarios para la prestación del mismo. El Cliente será responsable del empaque y el envío del producto defectuoso al centro de servicio técnico designado por Blackmagic Design y deberá abonar las tarifas postales por adelantado. El Cliente será responsable de todos los gastos de envío, seguros, aranceles, impuestos y cualquier otro importe que surja con relación a la devolución de productos por cualquier motivo.

Esta garantía carecerá de validez ante defectos o daños causados por un uso indebido del producto, o por falta de cuidado y mantenimiento. Según los términos estipulados, Blackmagic Design no tendrá obligación alguna de (a) reparar daños provocados por intentos de personal ajeno a Blackmagic Design de instalar, reparar o realizar un mantenimiento del producto; (b) reparar daños resultantes del uso de equipos incompatibles o conexiones a los mismos; (c) reparar cualquier daño o mal funcionamiento provocado por el uso de piezas o repuestos no suministrados por Blackmagic Design; o (d) brindar servicio técnico a un producto que haya sido modificado o integrado con otros productos, cuando dicha modificación o integración tenga como resultado un aumento de la dificultad o el tiempo necesario para reparar el producto.

La pantalla del dispositivo URSA Viewfinder podría sufrir daños en caso de exposición a la luz solar directa, dado que el sistema óptico actúa como una lupa. La pantalla OLED podría quemarse o presentar problemas de retención de imagen al mostrar un fotograma determinado o contenidos de alto contraste, tales como las guías de encuadre, durante períodos prolongados. Para prevenir este inconveniente, evite cubrir el sensor infrarrojo deliberadamente y desconecte el visor si no va utilizarlo durante un largo tiempo. La garantía del producto no cubre daños por problemas de retención de imagen.

ESTA GARANTÍA OFRECIDA POR BLACKMAGIC DESIGN REEMPLAZA CUALQUIER OTRA GARANTÍA, EXPRESA O IMPLÍCITA. POR MEDIO DE LA PRESENTE, BLACKMAGIC DESIGN Y SUS DISTRIBUIDORES RECHAZAN CUALQUIER GARANTÍA IMPLÍCITA DE COMERCIALIZACIÓN O IDONEIDAD PARA UN PROPÓSITO PARTICULAR. LA RESPONSABILIDAD DE BLACKMAGIC DESIGN EN CUANTO A LA REPARACIÓN O SUSTITUCIÓN DE PRODUCTOS DEFECTUOSOS DURANTE EL PERÍODO DE LA GARANTÍA CONSTITUYE UNA COMPENSACIÓN COMPLETA Y EXCLUSIVA PROPORCIONADA AL CLIENTE. BLACKMAGIC DESIGN NO ASUME RESPONSABILIDAD ALGUNA POR CUALQUIER DAÑO INDIRECTO, ESPECIAL, FORTUITO O EMERGENTE, AL MARGEN DE QUE BLACKMAGIC DESIGN O SUS DISTRIBUIDORES HAYAN SIDO ADVERTIDOS CON ANTERIORIDAD SOBRE LA POSIBILIDAD DE TALES DAÑOS. BLACKMAGIC DESIGN NO SE HACE RESPONSABLE POR EL USO ILEGAL DE EQUIPOS POR PARTE DEL CLIENTE. BLACKMAGIC DESIGN NO SE HACE RESPONSABLE POR DAÑOS CAUSADOS POR EL USO DE ESTE PRODUCTO. EL USUARIO UTILIZA EL PRODUCTO BAJO SU PROPIA RESPONSABILIDAD.

© Copyright 2022 Blackmagic Design. Todos los derechos reservados. «Blackmagic Design», «URSA», «DeckLink», «HDLink», «Workgroup Videohub», «Multibridge Pro», «Multibridge Extreme», «Intensity» y «Leading the creative video revolution» son marcas registradas en EE. UU. y otros países. Todos los demás nombres de compañías y productos pueden ser marcas comerciales de las respectivas empresas a las que estén asociados.

Blackmagic URSA Broadcast G2





欢迎辞

感谢您购买Blackmagic URSA Broadcast G2!

Blackmagic URSA Broadcast G2是一款同时为传统和线上播出机构所设计的强大摄影机。这款摄影机的多样化设计理念使得它既可以作为一台4K制作摄影机,也可以作为一台4K演播室摄影机,同时还可以是一台6K数字电影摄影机!

Blackmagic URSA Broadcast G2拥有轻质坚固的镁合金机身和扎实稳健的平衡特性,各种控制按钮尽在掌控,带给您全天候舒适使用体验。因此,您的视线无需从寻像器离开,就可以更改ND滤镜、快门速度、白平衡和ISO等更多设置。

URSA Broadcast G2兼容B4广播镜头、能记录Blackmagic RAW和 Apple ProRes等常见文件类型,此外搭载了高效10bit广播级H.264和H.265格式。其双原生增益特性提供了出色低照度性能表现,可以大幅降低更高ISO图像中的颗粒和噪点现象,并同时保持完整的传感器动态范围。

希望URSA Broadcast G2能助您一臂之力,让您制作出各类优秀的电视节目、纪录片和现场演播室内容!我们期待能有幸一睹您的创意佳作。同时,也欢迎您就URSA摄影机有待添加的各项新功能向我们提出宝贵意见!

A handwritten signature in black ink that reads "Grant Petty".

Grant Petty

Blackmagic Design首席执行官

目录

开始使用	1406	设置	1483
安装镜头	1406	主菜单	1483
开启摄影机	1407	记录设置	1483
使用伺服变焦镜头	1409	文件命名格式	1489
设置B4镜头后焦	1415	监看设置	1490
存储介质	1419	音频设置	1496
CFast卡	1419	设置	1499
SD卡	1420	预设	1516
记录到USB-C硬盘记录	1422	LUT	1519
SSD固态硬盘	1423	录入元数据	1522
存储介质在记录前的准备事项	1425	陀螺仪稳定	1527
在Blackmagic URSA		推流视频	1529
Broadcast G2上格式化存储介质	1425	智能手机设置	1530
在Mac计算机上格式化存储介质	1427	设置	1530
在Windows计算机上格式化存储介质	1428	设置ATEM摄影机ID	1531
记录	1429	创建XML文件	1531
记录片段	1429	导出XML文件	1531
选择编解码格式、分辨率以及传感器范围	1430	加载XML文件	1532
Blackmagic RAW	1431	URSA Mini Shoulder Kit	1533
以Blackmagic RAW记录	1431	Blackmagic URSA Viewfinder	1536
选择帧率	1434	安装和连接Blackmagic URSA	
在外部设备上触发记录	1437	Broadcast G2	1536
记录时长表	1437	调整目镜	1537
播放	1439	按钮功能	1537
URSA Broadcast G2接口和功能	1440	菜单设置	1538
摄影机正面	1440	Blackmagic URSA Studio	
左侧	1441	Viewfinder	1542
左侧控制	1441	安装和连接Blackmagic URSA	
右侧	1443	Broadcast G2	1543
后面板	1444	调整Blackmagic URSA Studio	
顶板	1446	Viewfinder	1545
底部	1446	按钮功能	1548
URSA Broadcast G2控制	1447	菜单设置	1550
前方控制面板	1447	Blackmagic Zoom Demand和	
符合人体工程学的控制面板	1450	Blackmagic Focus Demand	1555
内部控制面板	1455	连接到您的摄影机	1555
摄影机视频输出	1457	使用Blackmagic Focus Demand	1557
HD监看输出	1457	使用Blackmagic Zoom Demand	1558
12G-SDI输出	1457	安装电池	1559
触摸屏控制	1459	安装V-Mount或Gold Mount电池	1559
顶部工具栏	1459	使用您自己的电池扣板	1561
底部工具栏	1476	Blackmagic Fiber Converter系列	1563
循环回放	1482	Blackmagic Fiber Converter系列	
		使用入门	1564
		关于SMPTE光纤	1564

连接SMPTE光纤	1566	Blackmagic URSA	
为何要将接口置于前面板?	1570	Broadcast G2 B4卡口	1608
连接摄影机SDI	1571	为镜头卡口添加垫片	1609
连接返送SDI输出	1571	Blackmagic URSA Mini Pro Shim Kit	1609
安装Blackmagic Camera Fiber Converter	1571	为卡口添加垫片	1610
安装URSA Studio Viewfinder	1574	URSA Mini Recorder	1611
连接对讲耳机	1574	安装和连接URSA Mini Recorder	1612
运行Camera Fiber Converter	1575	使用URSA Mini Recorder	1614
选择返送信号	1575	更新URSA Mini Recorder的内部软件	1615
使用CALL按钮	1576	了解Studio Camera控制	1616
使用对讲功能	1576	使用摄影机控制	1617
使用Tally功能	1577	DaVinci Resolve一级调色工具	1622
状态提示	1577	使用DaVinci Resolve	1626
音频输入	1578	项目管理器	1626
IP视频	1579	使用快编页面剪辑	1627
电源规格	1579	将片段添加到时间线	1630
其他摄影机控制	1580	在时间线上修剪片段	1631
运行Studio Fiber Converter	1581	音频修剪视图	1631
使用菜单	1582	添加标题	1632
机架安装演播室转换器	1585	使用Blackmagic RAW文件	1633
摄影机转换器接口	1589	使用调色页面为片段调色	1637
摄影机电源接口	1589	添加Power Window	1640
PTZ端口	1589	使用插件	1642
对讲接口	1590	混合音频	1643
跟踪器接口	1591	在Fusion页面添加视觉特效和合成效果	1648
DC电源接口	1591	制作母版剪辑	1657
D-Tap输出	1592	快速导出	1657
同步输出和运行	1592	交付页面	1658
演播室转换器接口	1593	Blackmagic Camera Setup实用程序	1659
12G-SDI输出	1593	使用第三方软件	1660
SDI返送输入	1593	处理CFast 2.0卡和SD卡上的文件	1661
同步输入和输出	1594	处理SSD上的文件	1661
对讲接口	1594	使用Final Cut Pro X	1662
PTZ端口	1595	使用Avid Media Composer 2018	1663
音频输出	1596	使用Adobe Premiere Pro CC	1663
内部软件更新	1597	Developer Information	1665
更新Blackmagic Camera Fiber Converter	1597	Blackmagic Bluetooth Camera Control	1665
更新Blackmagic Studio Fiber Converter	1597	Blackmagic SDI and Bluetooth Camera Control Protocol	1667
可更换镜头卡口	1598	Example Protocol Packets	1675
卸下B4卡口	1599	Blackmagic Tally Control Protocol	1676
Blackmagic URSA Mini Pro EF Mount	1599	帮助	1678
Blackmagic URSA Mini Pro F Mount	1601	监管告知	1679
Blackmagic URSA Mini Pro PL Mount	1605	安全信息	1680
		保修	1681

开始使用

为Blackmagic URSA Broadcast G2安装镜头并开启摄影机即可开始使用。

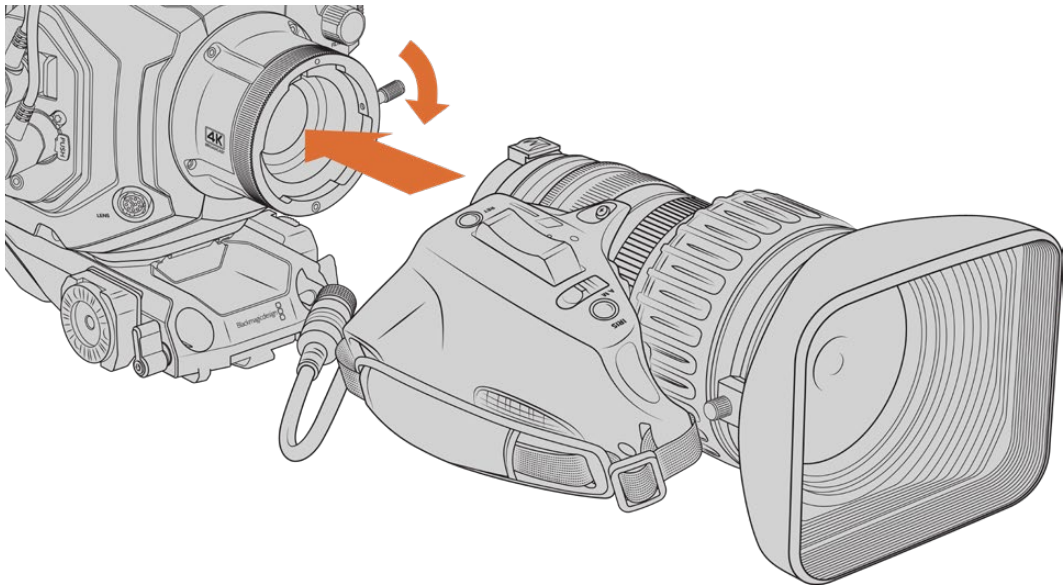
安装镜头

URSA Broadcast G2搭载B4镜头卡口适用于HD和Ultra HD广播镜头。且随机附赠EF卡口，因此您还可以使用平面摄影镜头，其他紧凑型变焦或EF Cine镜头。更多关于切换镜头卡口类型的信息，请参照本手册“可更换镜头卡口”章节的内容。

URSA Broadcast G2的B4卡口配备专为摄影机传感器设计的光学技术，能够产出和带2/3英寸传感器的传统广播级摄影机同样的视野和景深。也就是说，如果您已经具备一定的播出背景，可以轻松地把现有B4镜头安装在URSA Broadcast G2上开始拍摄影像。

如要卸下防尘盖，请逆时针旋转外侧的锁定环，从卡口上取下防尘盖。

安装B4卡口镜头：



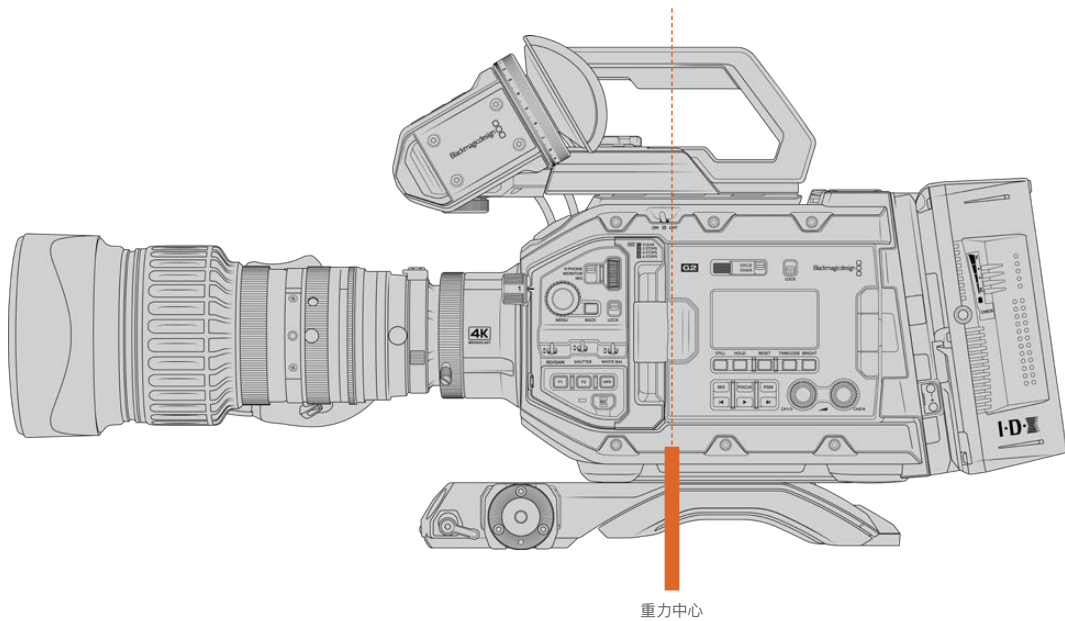
顺时针旋转锁定环可将镜头固定到摄影机上

- 1 逆时针旋转B4镜头锁定环，露出卡口内侧顶部的定位槽。将B4镜头对准URSA Broadcast G2的B4卡口，使镜头上的定位销和定位槽的位置相互对齐。
- 2 将镜头对准B4卡口，使二者面对面，请确保定位销妥善锁定于定位槽内。
- 3 顺时针旋转锁定环，将镜头和卡口拧紧并锁定到位。
- 4 想要为镜头供电并提供镜头控制，只要将镜头线缆插入URSA Broadcast G2机身前方标有“Lens”（镜头）的接口即可。大多数B4镜头都带有12针镜头接口和连接线。这可为URSA Broadcast G2 和镜头之间提供电源并传输控制信号。

更多关于B4镜头的类型介绍以及如何将它与您的摄影机搭配使用的信息, 请参考本手册“使用伺服变焦镜头”部分的说明。

备注 没有安装镜头时, URSA Broadcast G2上B4卡口中的光学元件会暴露在灰尘中。请尽可能装上镜头卡口防尘盖。

许多B4镜头由于变焦范围极广, 所以很长。当在URSA Broadcast G2上使用B4镜头时, 摄影机的重心会向前移动。摄影机附赠URSA Mini肩垫, 可根据需要进行调整。



如使用较长的变焦镜头, 将URSA Broadcast G2安装在URSA Mini肩垫上时, 最好把摄影机安装在肩垫底座靠后的位置。这样做可以将摄影机的重心后移, 在肩膀上更容易获得平衡, 并且当放置在桌子或平面上时会更加稳定。关于安装肩垫的详细内容请参考本手册中“URSA Mini Shoulder Kit”部分的介绍。

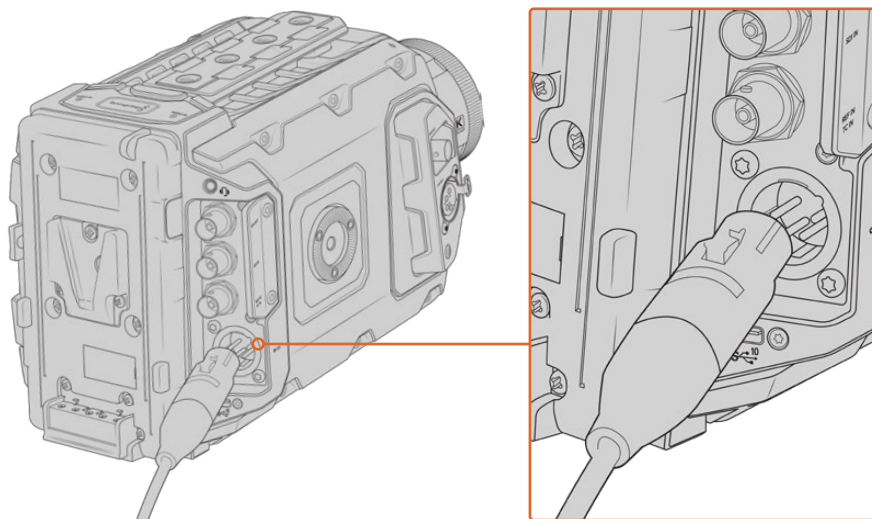
开启摄影机

完成镜头安装后, 接下来要做的是连接电源。开启摄影机最快捷的方式是使用内附的AC到12V DC适配器连接外部电源。

连接外部电源步骤如下:

- 1 将AC转12V DC适配器插入到您的主电源插座中。
- 2 将AC转12V DC适配器的4针XLR连接头连接至摄影机的12-18V电源接口。

如果您同时连接了外部电源和电池电源, 摄影机只使用外部电源。如果您在连接了已充电电池的情况下断开外部电源, 摄影机将直接切换到电池电源, 不会中断运行。



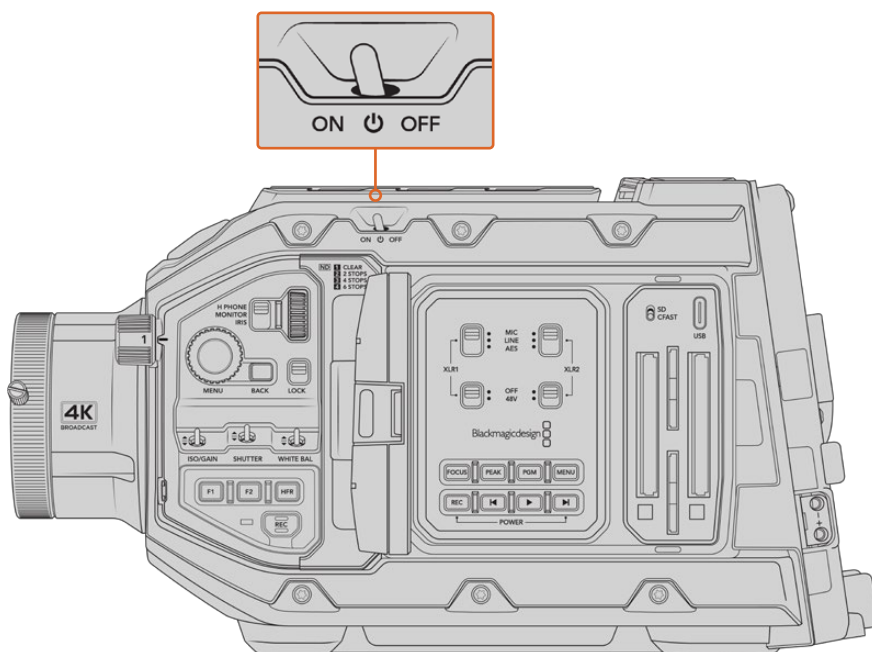
使用内附的AC转12V DC适配器为您的Blackmagic URSA Broadcast G2提供电源

Blackmagic URSA Broadcast G2配有Blackmagic URSA VLock Battery Plate电池扣板。您可以为摄影机安装工业标准V口电池。请参考“安装电池”部分内容获得更多关于安装各类电池扣板来使用不同电池的信息。

开启URSA Broadcast G2:

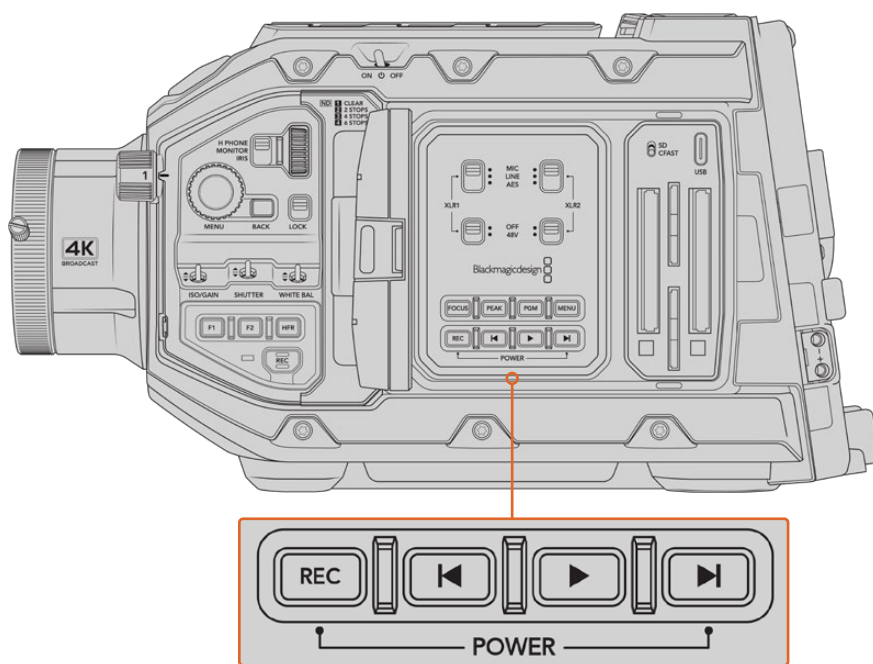
- 1 将位于翻折式LCD屏幕上方的开关拨至“ON”的位置开启您的摄影机。
- 2 将开关拨至“OFF”的位置可关闭摄影机。

现在，您只要安装存储介质就可以开始记录了！



将开关拨至“ON”的位置开启您的摄影机

URSA Broadcast G2还配备冗余电源开关，可通过按住控制面板内的“REC”（记录）按钮和步进按钮来开启和关闭摄影机。虽然这一开机方式并不常用，但它能为您提供备用方案，可以在顶部边缘的电源开关被挡住的时候使用，比如将摄影机安装到自定义装备上等情况。



必要时, 您还可以按住LCD屏幕后侧控制面板上的记录和步进按钮来开启和关闭摄影机。

提示 当URSA Broadcast G2已关机, 但电源开关仍处于“ON”状态时, 摄影机可能是通过Bluetooth®蓝牙控制或者同时按下控制面板上的记录和步进按钮关机的。要开启摄影机, 只需将电源开关拨到“OFF”再拨到“ON”, 或按下控制面板上的相关按钮即可。

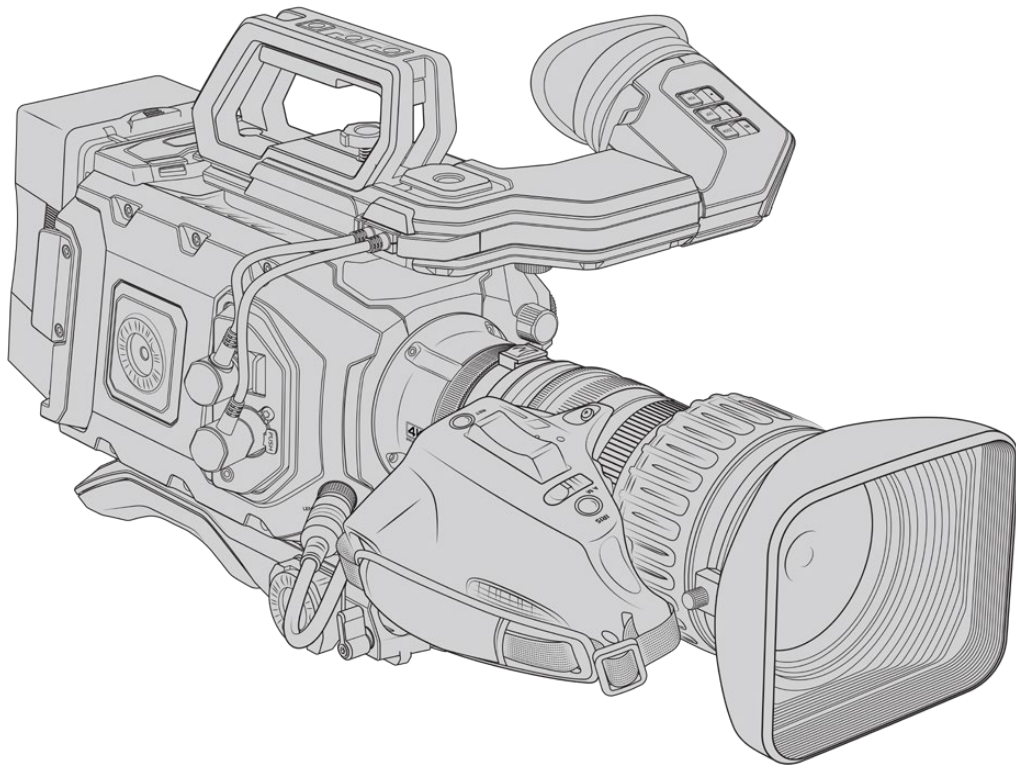
使用伺服变焦镜头

URSA Broadcast G2摄影机本身支持带伺服驱动的B4广播级镜头。更多关于将B4镜头安装到摄影机的详情, 请参考手册开始关于“安装镜头”部分的内容。

提示 URSA Broadcast G2可使用选购URSA Mini Pro PL卡口, 还兼容伺服驱动PL电影镜头。

B4广播级镜头具有照相机镜头和电影镜头通常不具备的功能。除了能够通过大变焦范围获得对焦以外, 这些镜头还配备手柄控制以及伺服驱动的光圈和变焦功能。一些镜头还配有伺服驱动对焦功能。连接镜头接口后, 光圈和变焦可以通过手柄、摄影机或使用选配Blackmagic Zoom Demand实现控制。甚至可以通过ATEM切换台实现镜头的远程控制。

具有伺服变焦功能的镜头可从摄影机接收自动对焦命令, 通过选配Blackmagic Focus Demand持续跟踪对焦情况, 或从ATEM切换台上接收对焦命令。



带光圈和变焦控制的B4镜头包括:

- 型号名称前缀为HA、ZA、XA、UA和LA, 后缀为RM的富士龙B4镜头。
比如: 富士龙 **XA20sxBRM**。
- 型号名称前缀带HJ、KJ和CJ, 后缀带RSE或RSD的佳能B4镜头。
比如: 佳能**KJ20x8.2B IRSD**。

带全面对焦、光圈和变焦伺服控制的B4镜头包括:

- 型号名称前缀为HA、ZA和UA, 后缀为RD或ZD的富士龙B4镜头。
比如: 富士龙 **HA22x7.8 BERD**。
- 型号名称前缀带XA和UA的富士龙箱式镜头。
- 型号名称前缀带HJ、KJ..ex和CJ, 后缀带ASE或ASD的佳能B4镜头。
比如: 佳能**HJ24ex7.5B IASE**。
- 型号名称前缀带XJ和UJ的佳能箱式镜头。

提示 以上提到的箱式镜头型号支持变焦和对焦伺服。请向供应商确认镜头是否安装伺服马达。

Blackmagic URSA Broadcast G2开机即可记录Blackmagic RAW Ultra HD。要确认记录设置, 只要按“MENU”按钮, 即可在LCD上打开菜单设置。菜单的第一项是“记录”选项卡, 您可以在此查看编解码和分辨率设置。更多关于如何使用菜单设置的信息, 请参见本手册的后面章节介绍。



“记录”选项卡中默认的Blackmagic RAW设置

而且超高清也是ProRes和H.265编解码的默认分辨率。如果您想要以高清拍摄, 在ProRes或H.264中也是可选的。



菜单设置中的“记录”选项卡

提示 当使用B4镜头时如果您发现图像中有暗角, 请查看您的分辨率, 如果是Blackmagic RAW设置时, 请将分辨率设为“超高清”。如果您记录的是ProRes或H.264/5, 那么将摄影机的“传感器区域”调整为4K将符合B4卡口覆盖的光学区域。详情请参阅本手册后面关于“记录设置”部分的内容。

B4镜头控制

光圈

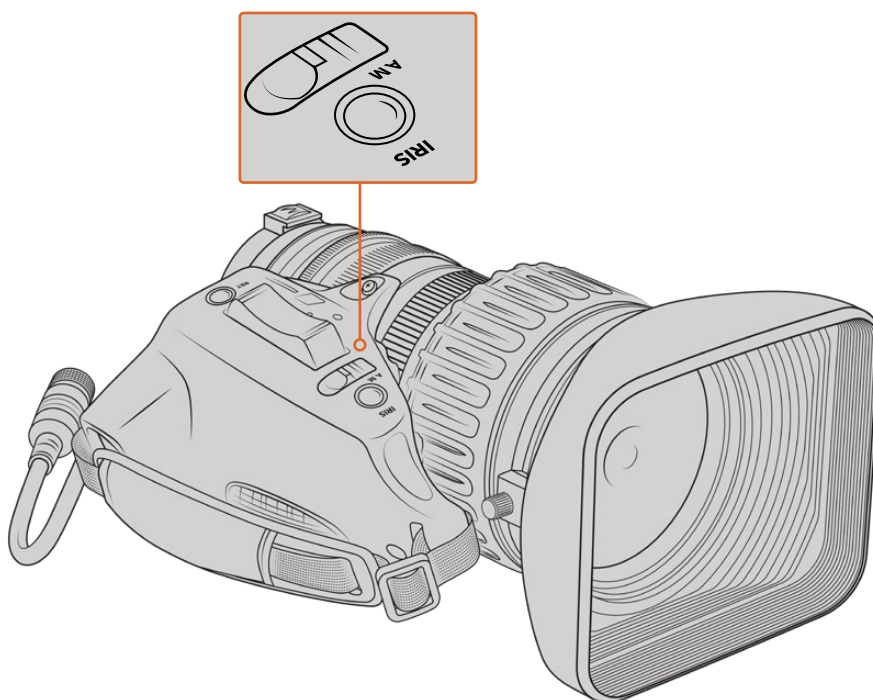
大多数B4手柄的顶部都设有一个“Auto/Manual”或“A/M”（自动/手动）开关和一个“Push Auto”（按下自动）或“Iris”（光圈）开关。这些开关可控制镜头的光圈环。

自动

将该开关调至“AUTO”或“A”后，可以通过URSA Broadcast G2、Blackmagic Zoom Demand或ATEM切换台来调整镜头光圈。您可以利用URSA Broadcast G2上的光圈旋钮、内部控制面板按钮、触摸屏控制或基于光圈的自动曝光模式，在摄影机上调整镜头光圈。详情参见本手册“URSA Broadcast G2控制”以及“触摸屏控制”部分的介绍。“AUTO”模式下，B4镜头上的光圈环无法手动转动。

手动

将该开关调至“MANUAL”或“M”后，可以通过旋转镜头上的光圈环来调整镜头光圈。该模式下，镜头将不再接收来自URSA Broadcast G2或ATEM切换台的光圈命令。



按下自动/光圈

“MANUAL”模式下按下该按钮可以短暂激活“AUTO”光圈控制。这项功能可以和摄影机或ATEM切换台上的光圈控制结合使用，获得极佳的效果。

比如，当摄影机在光圈自动曝光模式下，并且镜头光圈设置为“Manual”，您可以利用镜头上的光圈环自由调整镜头光圈，但点按“Push Auto/Iris”按钮将短暂激活自动曝光，根据当前照明条件调整光圈。

或者，您可以使用URSA Broadcast G2的LCD触摸屏控制设置一个光圈值。“Manual”模式下，您可以利用镜头上的光圈环自由调整镜头光圈，但点按“Push Auto/Iris”按钮将使镜头回到触摸屏上显示的预设值。

变焦

大多数B4手柄的下方都设有“Zoom”（变焦）按钮，可以设置为“Servo”（伺服）或“Manual”（手动）。该开关控制变焦。

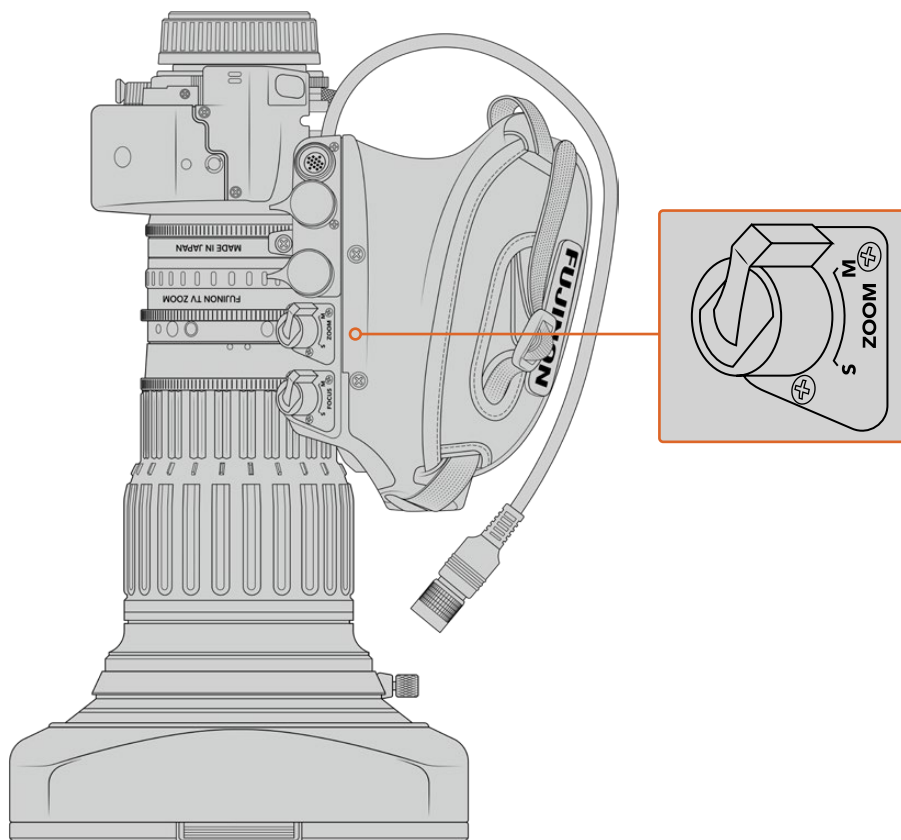
伺服

将该按钮调至“Servo”或“S”可以启用伺服变焦控制。该模式下，把手上的变焦按钮可以用来放大或缩小镜头焦距，以及其他与变焦相关的控制，比如边角速度和快速变焦。当镜头通过镜头接口与摄影机连接时，可以接收来自URSA Broadcast G2、Blackmagic Zoom Demand和ATEM切换台的变焦命令。该模式下，您通常无法调整镜头的手动变焦环。

提示 手柄变焦按钮通常与变焦速度相关。轻轻向下推按钮会慢慢变焦，用力向下推变焦速度会加快。

手动

将该开关调至“Manual”或“M”可以禁用伺服控制，并可以使用镜头上的变焦环调整变焦。该模式下，镜头将不接收来自手柄、URSA Broadcast G2或ATEM切换台的变焦命令。



对焦

一些B4镜头也配有对焦伺服控制。如果您的镜头带有该功能，手柄下方会设有“Focus”（对焦）开关，具有“Servo”和“Manual”两挡设置。

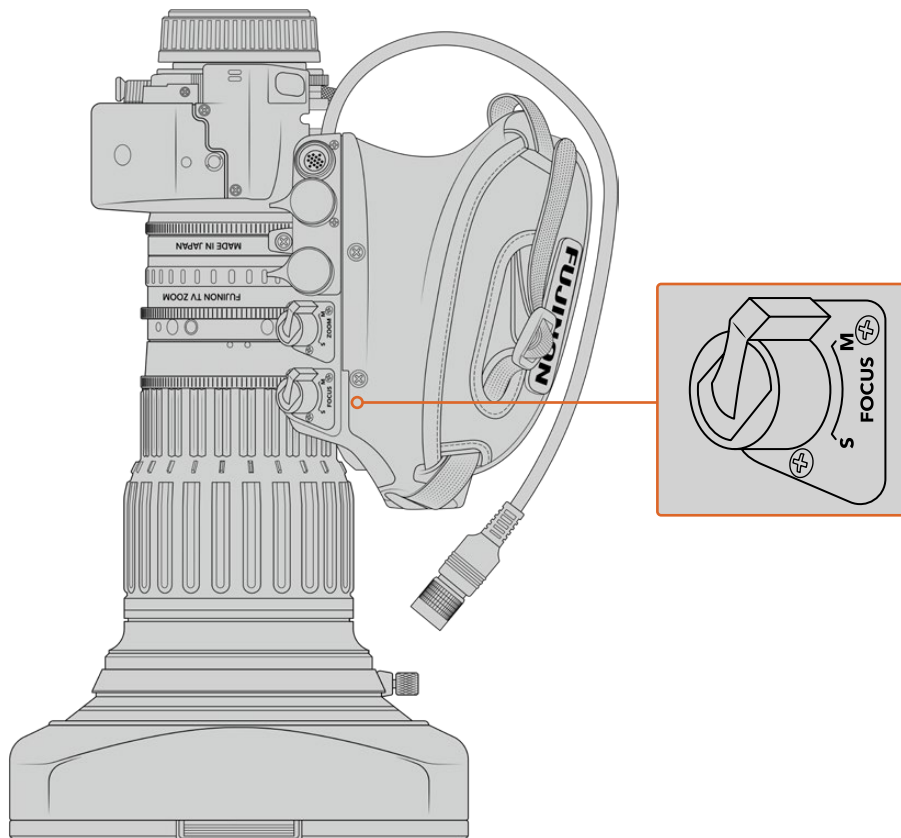
伺服

将该开关设置为“Servo”或“S”将启用伺服对焦控制。该模式下，镜头可以通过镜头接口接收来自URSA Broadcast G2、Blackmagic Focus Demand或ATEM切换台的对焦命令。

手动

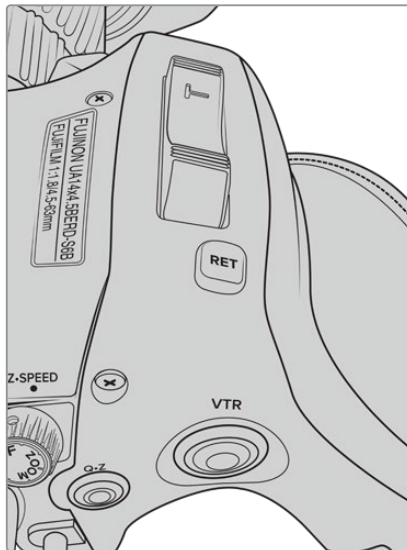
将该开关设置为“Manual”可以使用镜头上的对焦环控制对焦。B4镜头自动对焦较慢，所以使用手动控制较为普遍。

备注 虽然摄影机只能带动变焦伺服，并且支持电子光圈控制，但也支持带伺服的模拟B4镜头。这类镜头很多都是标清，可能不配有标准的12针广播级接口。如果您要使用此类模拟B4镜头，请务必事先确保镜头型号和摄影机匹配，因为一些镜头的功能有限。建议您不妨对镜头的成像圈范围进行测试，因为一些镜头会在画面边缘出现画质下降和暗角的现象。



RET和VTR

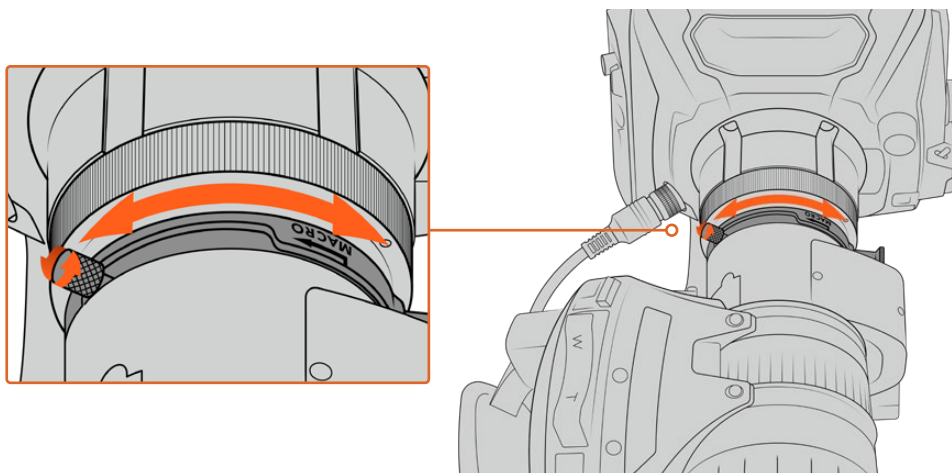
B4镜头上的“VTR”按钮可开启记录功能，“RET”按钮则表示“节目返送”。更多关于如何配置“VTR”和“RET”多功能按钮的内容，请参考本手册后面“设置”章节中关于“设置多功能按钮”部分的内容。



B4镜头上的“RET”和“VTR”按钮

设置B4镜头后焦

B4镜头的一大优势是“等焦面”，它们可以在变焦范围内保持对焦。也就是说，您可以拉近镜头将画面放大，在被摄物体上对焦，然后当您拉远镜头将画面缩小时，该物体会保持对焦状态。



后焦环一般位于镜头后方靠近卡口的位置。

后焦非常关键，它能确保HD或4K B4镜头在变焦范围内保持对焦。第一次在摄影机安装B4镜头后，应该检查后焦是否正确。当替换镜头时也应检查后焦，并且建议您在重要项目开始阶段定期检查后焦。

如要检查B4镜头的后焦：

- 1 在离摄影机大约七十英尺的地方，或者离摄影机尽量远的地方，放置一张对焦测试卡或一个带有高对比度细节的白色扁平物体。
- 2 将镜头光圈完全打开，需要时，可以使用内置ND滤镜补偿曝光。应采用浅景深，这样才能使对焦问题更加明显。
- 3 镜头推进到测试卡上，然后对焦。
- 4 现在把镜头推远。当达到最大宽度时对焦仍然清晰，则后焦准确，您不需要做任何调整。
但当镜头推远时测试卡变模糊，则后焦不准确。将镜头推到最远，然后调整位于镜头后方靠近卡口的后焦环。后焦环通常配有用来上紧或放松的旋钮。放松旋钮，旋转后焦环，直到测试卡对焦成功。
- 5 现在把镜头慢慢地推远拉近，检查测试卡是否在变焦期间保持清晰。
- 6 重复第四和第五步，将镜头推进拉远，并调整后焦环。当镜头在变焦全程保持清晰时，则后焦设置正确。

在富士LA16x8 BRM镜头上设置后焦

在富士LA16x8 BRM镜头上设置后焦的步骤稍有不同。该镜头设置后焦不是通过外部后焦环，而是通过手柄下面的按钮来电子控制。

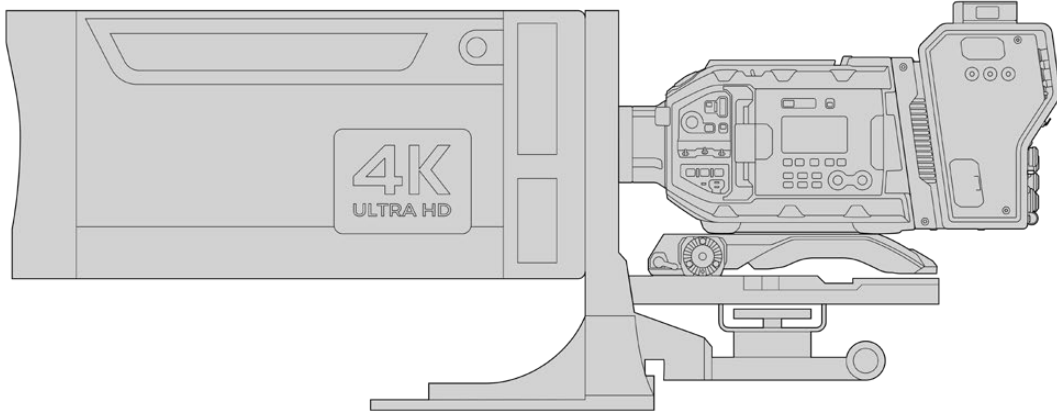
在富士LA16x8 BRM镜头上设置后焦：

- 1 在离摄影机大约七十英尺的地方，或者离摄影机尽量远的地方，放置一张对焦测试卡或一个带有高对比度细节的白色扁平物体。
- 2 将镜头手柄下方的“Zoom”（变焦）按钮设为“Servo”。
- 3 找到“Zoom”（变焦）按钮旁边的“F.f”按钮。长按该“F.f”按钮5秒。变焦摇杆顶部的LED提示灯会闪烁红色。
- 4 该镜头将自动放大。通过对焦环设置对焦。请注意，如果您安装了Blackmagic Focus Demand，需要从摄影机上将其卸下以手动调整对焦环，或者使用对焦控制器调整对焦，从而完成本步骤和第五步中的操作。
- 5 再次按下“F.f”按钮，镜头将会自动变焦缩小。通过对焦环设置对焦。
- 6 按下“F.f”按钮确认设置。顶部LED提示灯会闪烁红色。富士LA16x8 BRM镜头上的电子后焦设置完毕。
- 7 现在把镜头慢慢地推远拉近，检查测试卡是否在变焦期间保持清晰。
- 8 当镜头在变焦全程保持清晰对焦时，则后焦设置正确。如果需要进一步调整，请重复第三步至第六步。

提示 温度的变化和老化会对后焦产生微妙的影响，建议定期检查B4镜头的后焦是否准确。

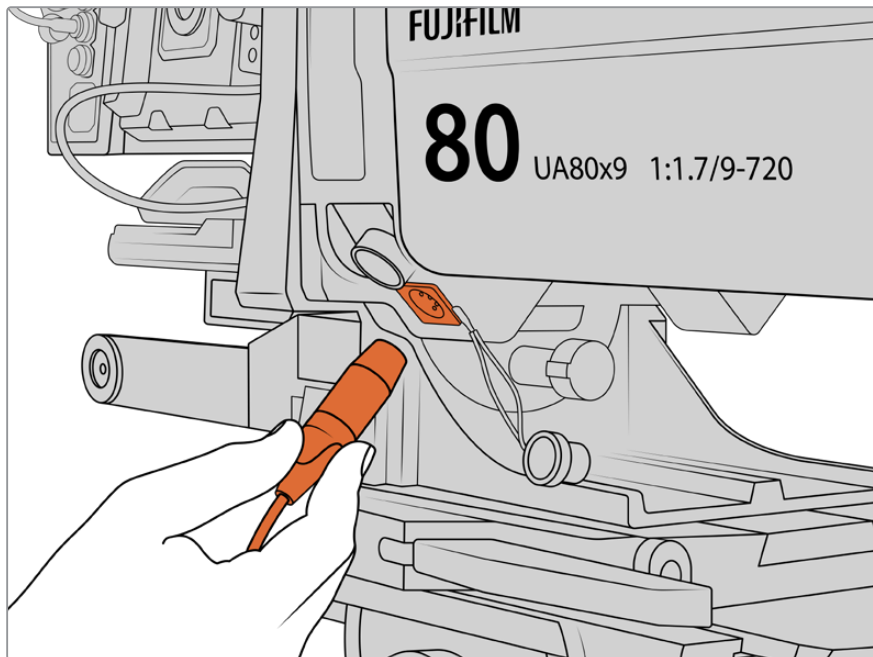
使用箱式镜头

URSA Broadcast G2的B4卡口也可以使用富士龙UA27x6.5和UA125x8, 以及佳能UHD Digisuper系列等大型演播室箱式镜头。这类箱式镜头能在演播室风格27x镜头上实现水平和垂直图像稳定功能, 以及80x甚至125x放大的超广变焦范围, 非常适合播出体育比赛和室外活动。



箱式镜头体积较大, 因此您需要将摄影机正确安装在高强度三脚架或台座上, 并注意空间的平衡。这里情况可使用URSA Mini Shoulder Kit、VCT-14托板和箱式镜头转接环。

箱式镜头十分耗电, 需要单独供电。如使用Blackmagic Camera Fiber Converter, 就能通过URSA的12伏电源供应为镜头添加额外电源, 您可以从设备一侧的12伏D-Tap输出口再连接一路电源。将镜头通过镜头接口连接到URSA Broadcast G2。



通过连接一路4针XLR线缆为箱式镜头添加额外电源

连接额外电源后, 您可以开启URSA Broadcast G2, 通过摄影机实现镜头控制。

PL伺服变焦镜头

您也可以在URSA Broadcast G2上使用电影用的PL变焦镜头。当使用伺服驱动PL或EF镜头时, URSA Broadcast G2的全部6K传感器区域都会被使用, 从而充分利用了这些镜头。更多关于URSA Broadcast G2传感器设置的信息, 请参考本手册“记录设置”部分的内容。

带有全面对焦、光圈和变焦伺服控制的Super 35mm PL镜头包括:

品牌	系列	型号	范围	最大光圈
富士龙	Cabrio	ZK2.5x14-SAF	14-35mm	T2.9
富士龙	Cabrio	ZK4.7x19-SAFB	19-90mm	T2.9
富士龙	Cabrio	ZK12x25 with ESM-15A-SA	25-300mm	T3.5-3.85
富士龙	Cabrio	ZK3.5x85-SAF	85-300mm	T2.9-T4
富士龙	Cabrio	XK6x20	20-120mm	T3.5
佳能	Cine-servo	CN7x17KAS S	17-120mm	T2.9-3.9
佳能	Cine-servo	CN10x25 IAS S/P1	25-250mm	T2.95-3.95
佳能	Cine-servo	CN20x50	50-1000mm	T5-8.9

在摄影棚中, 用户也可以通过平移把手来控制上述所有伺服变焦镜头的对焦和变焦。

混合紧凑型伺服变焦镜头

近期一种被称为“COMPACT-SERVO”紧凑型电影伺服变焦镜头的新产品类别被推向市场。这些镜头拥有一些与B4和PL伺服变焦镜头相同的功能, 但使用EF卡口。这些镜头的变焦摇杆可以通过URSA Broadcast G2的镜头卡口供电, 并且镜头名称、光圈、对焦和变焦位置等信息均可以通过URSA Broadcast G2的镜头元数据系统读取和记录。

这些镜头带有对焦、光圈和变焦的电子控制。当与切换台连接时, 用户还可以通过ATEM Software Control远程控制镜头。在直播或演播室环境下, 您也可以使用Blackmagic Zoom Demand和Focus Demand控制这些镜头, 前提是将镜头上的光圈开关设置为“A”, 将对焦开关设置为“AF”, 将变焦伺服开关设置为“Servo”。

这类镜头包括:

- 佳能CN-E 18-80mm T4.4 Compact-servo
- 佳能CN-E 70-200mm T4.4 Compact-servo

存储介质

Blackmagic URSA Broadcast G2使用标准SD卡、更快的UHS-II SD卡或CFast 2.0卡记录视频。

摄影机使用后方的USB-C 3.1 Gen 2x1端口可用来连接高速闪存盘或大容量固态硬盘 (SSD)。您还可以选购Blackmagic URSA Mini Recorder, 将影像记录到SSD上。更多关于为摄影机连接URSA Mini Recorder的信息, 请参考“URSA Mini Recorder”部分的内容。

关于存储介质速度的重要信息

记录存储介质厂商所提供的读写速度往往取自其读取静帧图像等小尺寸文件的峰值速度, 因此可能并不能准确反映出连续高速视频流的写入速度。

如果要使用您选择的帧率获得可靠的记录品质, 请使用Blackmagic Design推荐的存储卡。

CFast卡

CFast 2.0卡足以支持极高的数据速率, 可记录高帧率HD和4K视频。具体每个格式可记录的最高帧率请到“记录”章节中的时长表中查询。

需要注意的是, 虽然CFast 2.0卡的速度普遍较快, 但是有些卡的写入速度可能会低于其读取速度, 因此不同型号的最高数据速率也会有所不同。如果要使用您选择的帧率获得可靠的记录品质, 请使用Blackmagic Design推荐的存储卡。

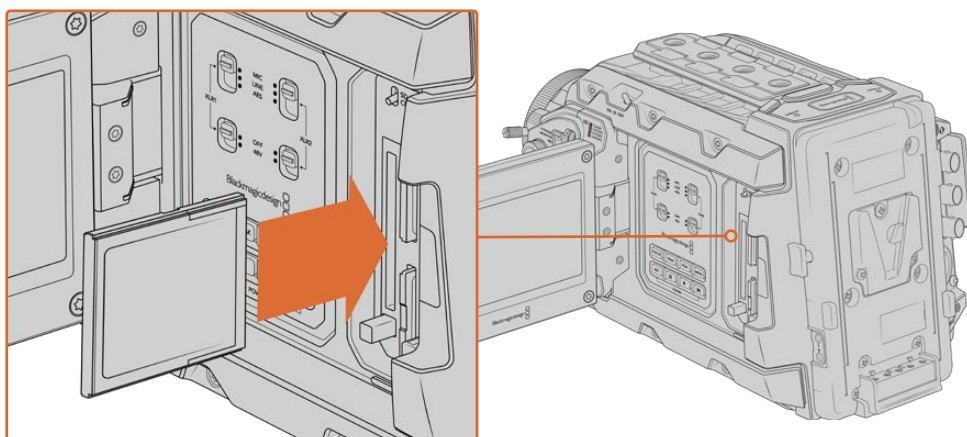
插入CFast卡

要让摄影机在CFast卡上记录, 您需要完成相应的设置。操作时, 将卡槽上方的存储介质开关拨向“CFAST”位置即可。

插入CFast卡步骤如下:

- 1 打开翻折式监视器并找到CFast卡槽。
- 2 将CFast卡的标签朝向触摸屏, 将CFast卡插入卡槽直至锁定。无需过多外力即可插入存储卡。按下CFast卡槽下方的弹出按钮可弹出CFast卡。

LCD触摸屏底部的存储信息将显示检测到的CFast卡名称和剩余记录时间。



Blackmagic URSA Broadcast G2具备两个CFAST卡槽，可实现不间断记录。

提示 如果插入了CFAST卡但摄影机无法读取，请检查位于存储介质卡槽上方的存储介质选择开关确保您所选的是CFAST。

选择CFAST 2.0卡

如果您的摄制工作涉及到数据速率较高的视频，请谨慎挑选您使用的CFAST卡。这是因为CFAST 2.0卡具备不同的读写速度。关于 Blackmagic URSA Broadcast G2摄影机支持使用的CFAST卡的最新信息，请访问Blackmagic Design支持中心www.blackmagicdesign.com/cn/support。

SD卡

除了CFAST 2.0卡之外，Blackmagic URSA Broadcast G2还可以在UHS-I和UHS-II型高速SD卡上记录。使用高端SDXC UHS-II卡时，您可以记录Ultra HD ProRes HQ影像，甚至以Blackmagic RAW记录6K影像！

使用SD卡时，您可以在拍摄HD压缩视频格式时获得经济型存储方案。SDXC和SDHC都是消费级照相机或视频摄像机非常常用的媒体存储格式。

如果您使用数码单反拍摄视频，或使用Blackmagic Micro Cinema Camera、Pocket Cinema Camera或Blackmagic Video Assist进行拍摄，可能您手头已经有兼容的SD卡可以直接使用了。

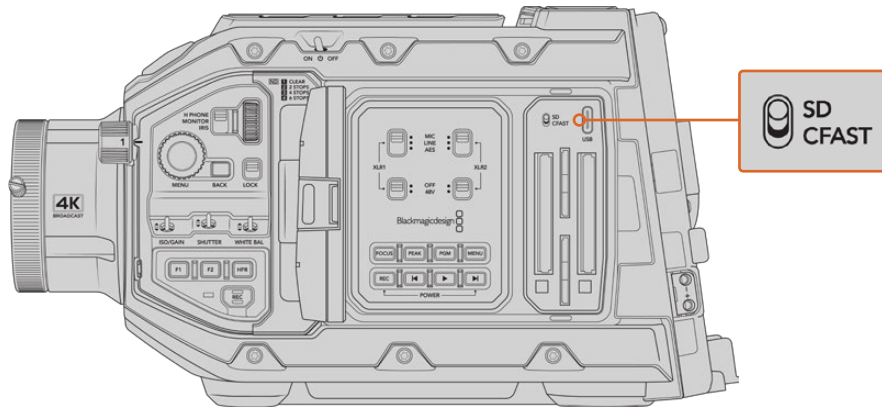
如果项目不要求使用最高分辨率Blackmagic RAW文件进行拍摄，或项目需要进行长时间记录，您可以使用SD卡来降低成本。容量较小、速度较慢的SD卡还可以用来存储和加载LUT和预设。

安装SD卡

插入SD卡步骤如下：

- 1 打开翻折式监视器并找到SD卡槽。SD卡槽位于CFAST卡槽之间，比CFAST卡槽要小。
- 2 将卡槽上方的存储介质开关拨到“SD”。
- 3 将SD卡的标签背向触摸屏，插入SD卡直至您感觉已锁定到位。要取下SD卡时，请往里按下SD卡即可将其弹出。

4 LCD触摸屏底部的存储介质提示会显示所检测到的存储卡名称及剩余记录时间。



使用URSA Broadcast G2在SD卡上记录时，请确保将存储介质开关拨到“SD”。

选择高速SD卡

如果您记录Ultra HD影像，我们建议您使用最高速的UHS-II型SD卡。请务必使用高速UHS-II型SD卡从事Ultra HD和HD影像记录，或者使用UHS-I型SD卡从事HD影像记录。因为这些卡有着快速的数据处理速度和较大的存储容量。通常来讲，卡的速度越快越好。

使用您的存储卡前，请先将其格式化为HFS+或exFAT格式。您可以使用摄影机的存储管理器或计算机来格式化存储介质。详情请参考“存储介质在记录前的准备事项”部分的介绍。

您也可以使用Mac或Windows计算机来格式化您的储存卡。如果您在Mac上使用存储介质，请使用HFS+，即Mac的磁盘格式。如果您使用Windows系统，请选择exFAT格式，即Windows的磁盘格式，该格式在Mac计算机上也可读取。

关于Blackmagic URSA Broadcast G2摄影机支持使用的SD卡的最新信息，请访问Blackmagic Design支持中心www.blackmagicdesign.com/cn/support。

备注 使用URSA Broadcast G2拍摄高帧率或Ultra HD影像时，我们建议使用CFast 2.0或SD UHS-II卡来记录媒体文件，此类存储介质和SD UHS-I相比速度更快，容量更大。

锁定和解锁SD卡

SD卡可进行写保护设置，即“锁定”，以防数据被覆盖。

插入SD卡之前，请先确保该卡没有设写保护。找到位于存储卡左侧的塑料开关，将该塑料开关移动到最靠近触点的位置即可禁用写保护功能。记录完毕后，您可以将此开关移动回底部位置，从而开启存储卡的写保护功能。



上下拨动锁定开关可锁定或解锁SD卡

如果您插入的SD卡处于写保护的锁定状态, URSA Broadcast G2的LCD触摸屏和存储菜单上会显示锁定图标加以提示。如果存储卡处于锁定状态, 您将无法记录视频、采集静帧或导出LUT和预设, 除非解除锁定。



插入了开启写保护锁定的SD存储卡时, URSA Broadcast G2会给出提示。

记录到USB-C硬盘记录

Blackmagic URSA Broadcast G2搭载两个USB-C端口。位于侧面靠近CFast卡槽的USB-C 3.1 Gen 1端口用于软件更新。位于后面板靠近SDI接口的USB-C 3.1 Gen 2端口用于记录到高速SSD硬盘和USB-C硬盘。这类存储盘速度快, 容量大, 可进行长时间视频记录, 因此是电影类长片拍摄工作的理想之选。

将USB-C硬盘连接到摄影机上时, 它会占用摄影机操作系统中的第三个存储卡槽位置。在存储菜单中点击存储盘名称可将其设为活动状态。也就是说USB-C硬盘的记录、播放和存储管理与CFast、SD卡和SSD完全一样。

完成记录后, 您可以直接将存储盘连接到计算机上, 无需复制媒体即可开始剪辑和后期制作。

连接USB-C硬盘步骤如下:

- 1 将USB-C类线缆的一端连接到您的USB-C存储盘上。
- 2 将USB-C线缆连接到位于URSA Broadcast G2后面板SDI端口下方的USB-C端口。
- 3 USB-C硬盘将会占用摄影机LCD触摸屏上的第三个存储卡槽位置。

- 4 想要将记录切换到USB-C硬盘, 只需在摄影机LCD显示屏下方的工具栏上长按该驱动的名称即可。如果该存储介质提示条为蓝色, 则代表摄影机将会在USB-C硬盘上记录内容。记录时, 存储介质提示条将会变成红色。

选择高速USB-C硬盘

USB-C硬盘采用高速经济的存储设计方案, 适用于多种设备, 各类消费级电子产品商店均有销售。请务必注意, 电影制作只是USB-C硬盘市场的一小部分, 因此只有选择正确的存储盘才能确保足够的速度来记录Blackmagic RAW和Ultra HD影像。

许多USB-C硬盘只为家用级电脑设计, 并不足以记录Ultra HD。

获取最新的USB-C硬盘推荐列表, 请访问网址: www.blackmagicdesign.com/cn/support

通过Blackmagic Disk Speed Test测速软件来准确衡量您的USB-C硬盘是否足以应对高数据速率视频的采集和播放。该测速软件通过数据来模拟视频的储存情况, 因此获得的数据与往硬盘采集视频的结果相类似。在Blackmagic测试中, 我们发现型号较新、容量较大的USB-C硬盘和容量更大的USB-C硬盘通常具备更快的读写速度。

Blackmagic Disk Speed Test可从Mac的App Store下载。Blackmagic Desktop Video提供Windows和Mac版本, 您可前往Blackmagic Design网站支持中心的“采集和播放”部分进行下载, 网址: www.blackmagicdesign.com/cn/support

SSD固态硬盘

有了选配的Blackmagic URSA Mini Recorder, URSA Broadcast G2就能将视频直接记录在固态硬盘, 也就是“SSD”上。这些高速大容量硬盘在许多消费级电子商店均有出售。

URSA Mini Recorder搭载一个USB-C端口, 可使用标准2.5英寸的SATA SSD和7mm规格的U.2 SSD实现高速运行, 通过M.2转U.2转接卡还可使用M.2固态硬盘。为获得正常读写速度, 需使用经过认证的USB 3.1第二代线缆。附带的USB-C线缆两端均具备锁定接口, 可在使用时保持安全连接。

备注 关于安装Blackmagic URSA Mini Recorder的信息, 请参阅本手册中“Blackmagic URSA Mini Recorder”部分的内容。

安装SSD硬盘

插入SSD:

- 1 手持SSD, 将接触点对准摄影机正面。
- 2 打开Blackmagic URSA Mini Recorder的弹簧盖, 轻轻地将SSD插入插槽。

提示 Blackmagic URSA Mini Recorder利用压板固定不同尺寸的SSD, 所以无需使用垫环安装硬盘。

- 3 将SSD完全插入插槽后, 轻推直到感觉插入到位, 然后放下URSA Mini Recorder外壳。
- 4 SSD将会占用摄影机的第三个存储卡槽位置。
- 5 想要将记录切换到SSD, 只需在摄影机LCD显示屏下方的工具栏上长按该驱动的名称即可。如果该存储介质提示条为蓝色, 则代表摄影机将会在SSD上记录内容。记录时, 存储介质提示条将会变成红色。

取出SSD:

打开URSA Mini Recorder的外壳, 用拇指和食指轻轻抓住硬盘。插槽上有小型凹槽, 方便您抓住硬盘。将硬盘拔出, 然后关闭外壳。

为URSA Mini Recorder选择高速SSD硬盘

SSD能够为广泛的设备提供快速、经济的存储方案, 但需要注意的是, 电影制作只是SSD市场的一部分而已, 只有选择正确的硬盘才能确保足够的带宽来记录Blackmagic RAW或Ultra HD影像。许多用于家用电脑的SSD速度不够快, 无法记录Ultra HD视频。

我们强烈建议只使用下表中推荐的SSD, 这些SSD经过了Blackmagic URSA Broadcast G2的测试, 能够以特定的分辨率持续录制。获取最新的SSD推荐列表, 请访问网址:

www.blackmagicdesign.com/cn/support

关于SSD速度的注意事项

一些SSD保存视频数据的速度无法达到生产商声称的速度。因为这些存储盘采用隐藏数据压缩技术来实现更高的录入速度。只有当存储空白数据或简单文件时, 这种数据压缩才能以生产商声称的速度来保存数据。视频数据中包含不规则性更高的视频噪点和像素等, 所以压缩无法起效, 从而揭露了磁盘的真实速度。

有些SSD的写入速度甚至比生产商声称的速度低50%之多。尽管磁盘规格中声称该SSD的速度足够处理视频, 但现实中当用来存储实时拍摄的视频数据时, 磁盘速度往往不够快。

通过Blackmagic Disk Speed Test测速软件来准确衡量您的SSD是否足以应对高数据速率视频的采集和播放。该测速软件通过数据来模拟视频的储存情况, 因此获得的数据与往硬盘采集视频的结果相类似。在Blackmagic严格的测试中, 我们发现型号较新、尺寸较大的SSD和容量更大的SSD硬盘通常具备更快的读写速度。

存储介质在记录前的准备事项

您可以使用Blackmagic URSA Broadcast G2的存储管理器或者通过Mac或Windows计算机来格式化记录存储介质。为获得最佳性能,我们建议您使用URSA Broadcast G2来格式化您的存储介质。

HFS+也被称为OS X扩展格式,因为它支持“日志功能”,所以被广为推荐。一旦发生存储介质损坏的情况,具有日志功能的存储介质更易恢复数据。HFS+是Mac OS系统原生支持的格式。ExFAT是Mac和Windows系统都支持的格式,因此无需另外购买软件。但是exFAT并不支持日志功能。

备注 格式化存储介质之前,请务必将存储介质开关设置到正确的SD卡或CFast卡选项。每次格式化之前应仔细检查设置。

在Blackmagic URSA Broadcast G2上格式化存储介质

- 1 点按LCD触摸屏底部的任意存储介质提示,进入存储管理器。
- 2 点按触摸屏底部的其中一个格式化按钮可以分别格式化卡槽1或卡槽2中的存储介质。如果已将USB-C硬盘或SSD连接到URSA Broadcast G2后侧的USB-C端口上,那么点按“存储盘列表”按钮。然后选择您想要格式化的硬盘,再选择“格式化存储盘”。



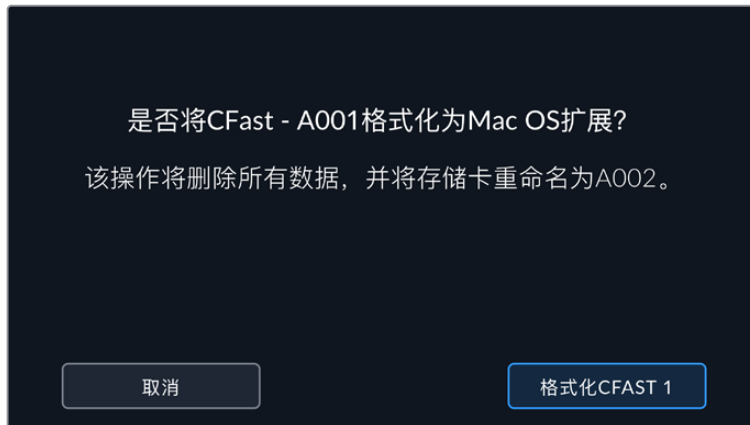
使用URSA Broadcast G2存储管理器来格式化您摄影机上的存储介质。

- 3 如想要更改卷号,点按铅笔图标打开键盘,键入新的卷号,并点按“更新”。
- 4 选择“Mac OS扩展”或“exFAT”格式,并点按“格式化”按钮。



点按铅笔图标可手动编辑卷号

- 5 屏幕将弹出提示信息要求您确认选择。再次点按相应的格式化按钮将开始格式化，点按“取消”可取消格式化。



确认格式化之前，请先检查是否选择了正确的存储介质。

- 6 根据弹出的提示信息操作，按住格式化按钮3秒。完成格式化后，摄影机将会给出提示。



格式化完毕，存储卡就可以使用了。

- 7 点按“确定”可返回存储管理器。
- 8 点按“退出”可离开存储管理器界面。

当使用存储管理器格式化记录存储介质时, URSA Broadcast G2将 用场记板中摄影机ID和卷号来命名该存储卡。每次格式化时, 摄影机会自动递增卷号。如果您需要手动输入特定的卷号, 可以点击铅笔图标并输入存储卡被格式化后的编号。

开始新项目时, 您可以点击场记板“项目”选项卡中的“重置数据”将卷号重置为1。

需要指出的是, 如果摄影机的存储介质开关被拨到“SD”或“CFast”位置后, 当您点按“格式化存储卡”按钮时, 只有被选中的存储卡类型会被格式化。了解更多关于如何在CFast和SD存储卡之间切换的内容, 请参考本手册之前在“SD卡”章节中的介绍。



URSA Broadcast G2上的存储管理器将告知您当前使用的存储介质是CFast卡、SD卡、USB还是SSD。

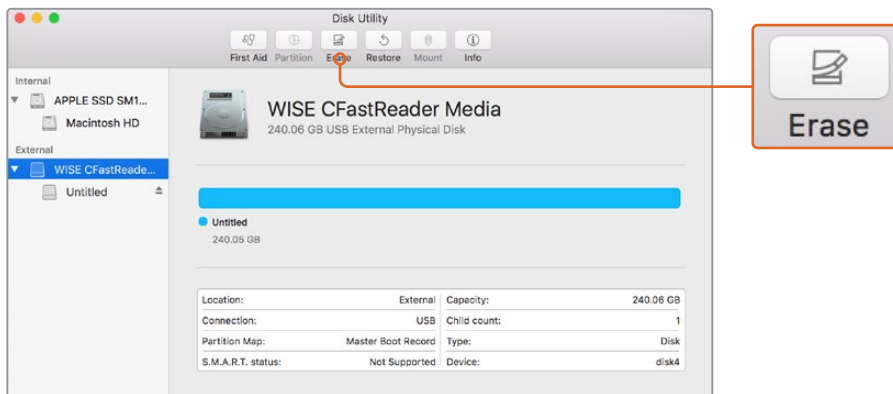
提示 如果您将URSA Broadcast G2设置为在SD卡上记录, 然后插入一张开启了写保护的卡, 就无法格式化该卡。存储管理器会在卡的名称边上显示锁定图标。只要解锁该卡就可以进行格式化和记录。更多关于锁定SD卡的信息, 请查阅本手册中名为“SD卡”章节的介绍。

在Mac计算机上格式化存储介质

Mac计算机自带的“磁盘工具”可以将您的CFast卡、SD卡或SSD格式化为HFS+或exFAT格式。

由于格式化后存储介质上的所有文件都被清除, 因此请务必在格式化存储介质前备份存储介质上的所有重要文件。

- 1 使用读卡器、硬盘坞或转换头将存储介质连接到您的计算机, 系统询问是否将您的存储介质用于“时间机器”备份时, 选择“不使用”。
- 2 进入“应用程序/实用工具”界面, 运行“磁盘工具”程序。
- 3 点击表示摄影机存储介质的硬盘图标, 再点击“抹掉”按钮。
- 4 将格式设置为“Mac OS扩展 (日志式)”或“exFAT”。
- 5 输入新增分区的名字, 并点击“抹掉”。摄影机的存储介质或会迅速格式化, 以备使用。

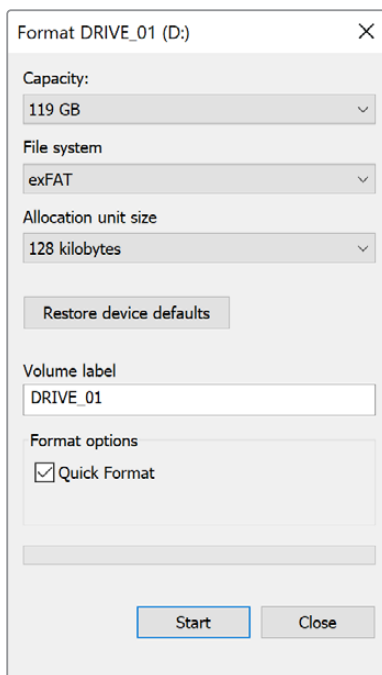


在Mac OS计算机上可使用磁盘工具将CFast卡格式化为Mac OS扩展（日志式）或exFAT格式

在Windows计算机上格式化存储介质

使用Windows PC的格式化对话框可将存储媒介格式化为exFAT。由于格式化后存储介质上的所有文件都被清除，因此请务必在格式化存储介质前备份存储介质上的所有重要文件。

- 1 使用外置读写设备、SSD硬盘坞或转换头将摄影机的存储介质连接到您的计算机。
- 2 打开“开始菜单”或“开始画面”，选择“我的电脑”。右键点击摄影机的存储介质。
- 3 从上下文菜单中选择“格式化”。
- 4 将文件系统设置为“exFAT”，并将分配单元大小设置成128kb。
- 5 输入卷标，选择“快速格式化”，点击“开始”。
- 6 您的存储介质会迅速格式化，以备使用。



在Windows计算机上可使用格式化对话框功能，将CFast卡、SD卡或SSD格式化为exFAT格式。

备注 如果记录的影像出现丢帧现象, 请检查您的存储介质是否在适用于您所用编解码格式和帧大小尺寸的推荐存储媒介列表上。如果要求低数据速率, 可尝试降低您的帧率和分辨率, 或尝试ProRes等压缩编解码格式。请访问Blackmagic Design网站获取最新信息, 网址:
www.blackmagicdesign.com/cn

记录

记录片段

B4广播级镜头通常在镜头把手上设有记录按钮, 也就是在肩扛式拍摄时拇指所在的地方。按下把手上的记录按钮即可开始记录。再次按下可停止记录。

摄影机本身也配有记录按钮。记录按钮位于内部控制面板和前方控制面板, 以便采用肩扛式拍摄方案时使用。

从外部信号触发记录

通过“Blackmagic Camera Control”应用程序, 您可以从您的iPad通过蓝牙触发远程记录并调整各项摄影机设置。更多关于设置和使用“Blackmagic Camera Control”应用程序的信息, 请参阅本手册后面关于“蓝牙”部分的内容。如果您使用iPhone或Android智能手机, 也可以使用第三方应用程序通过蓝牙触发URSA Broadcast G2记录。

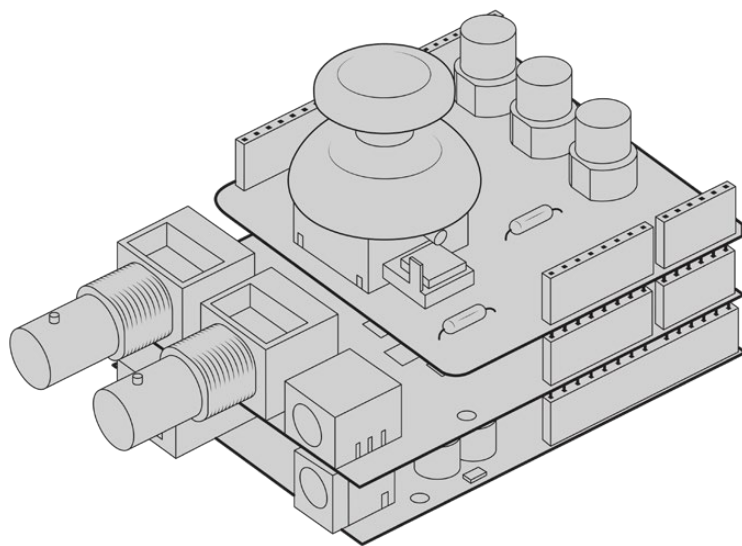
如果您使用URSA Broadcast G2搭配选配Blackmagic Zoom Demand, 可通过多功能按钮触发记录。Blackmagic Zoom Demand的多功能按钮就在手指控制之下, 就像B4镜头的VTR按钮一样。更多关于Blackmagic Zoom Demand的信息, 请参与本手册后面关于“使用Blackmagic Zoom Demand”部分的内容。

当通过Blackmagic Micro Converter BiDirectional SDI/HDMI 3G为Blackmagic URSA Broadcast G2连接ATEM Mini Pro或Extreme型号切换台时, 您可以从ATEM切换台触发记录。

例如, ATEM Software Control中的“记录流媒体”面板有一个标为“在所有摄影机中记录”的复选框。该复选框在启用时, 点击或按下记录后, 所有连接的摄像机将开始记录。也就是说您只需点击或按下一个按钮, 所有摄影机就会同时开始记录。更多信息请参阅ATEM Mini操作手册。

要开始和停止记录还有一种途径, 就是将外部LANC控制器添加到URSA Broadcast G2的LANC输入上, 从外部触发记录。例如, 您可以在三脚架上安装一个LANC控制器来触发记录功能, 并且同时还能令您的双手保持在对焦环和三脚架把手上。

此外, 您还可以使用Blackmagic 3G-SDI Shield for Arduino和Blackmagic SDI Camera Control Protocol, 触发一台或多台URSA Broadcast G2摄影机的记录功能。更多信息, 请参阅本手册关于“开发人员信息”部分的内容, 或访问网址www.blackmagicdesign.com/cn/developer并下载Blackmagic 3G-SDI Shield for Arduino操作手册。



您可以创建自己的硬件控制器，并将其插入Blackmagic 3G-SDI Shield for Arduino上获得更为互动且精细的控制。

备注 如果您在记录过程中使用了“存储介质选择”开关，摄影机将完成当前记录，然后切换到另一类存储介质上开始记录。这能保证您的记录工作不会因为您在拍摄一个镜头的时候调整该开关而被损坏。

选择编解码格式、分辨率以及传感器范围

您的Blackmagic URSA Broadcast G2能以Blackmagic RAW格式记录，并且可使用固定质量或固定比特率选项设置。您还可以使用Apple ProRes、H.264或H.265压缩视频编解码记录Ultra HD和HD分辨率。传感器帧率选项根据您所选的编解码格式和分辨率而定。

Blackmagic RAW设有固定质量或固定比特率两种压缩选项供您使用。从事电子新闻采编类拍摄时，建议使用Blackmagic RAW 8:1、12:1、Q3或Q5高压压缩选项，确保长时间记录的同时还能获得视觉观感较好的画质。拍摄包含大量细节内容时，您可以选择Blackmagic RAW 3:1或Q0从而获得最高程度的图像品质。

请注意，使用Blackmagic RAW记录的片段在DaVinci Resolve、Blackmagic RAW Player等支持Blackmagic RAW SDK的软件程序上都受到兼容。Blackmagic RAW已受到众多后期制作软件平台的兼容。这一格式或许尚未受到所有剪辑软件的原生支持，但大部分软件只要使用我们在Camera Update和Blackmagic RAW安装程序里提供的插件之后都可以工作。更多相关信息，请查阅“使用第三方软件”部分的介绍。

Blackmagic RAW

Blackmagic URSA Broadcast G2还支持新型Blackmagic RAW文件格式。该格式有着高画质、宽动态范围的特点，并提供多种压缩比选择。Blackmagic RAW保留了RAW记录的所有使用优点，但文件速度非常快，因为大部分处理是在摄影机里通过硬件加速完成的。

Blackmagic RAW还包含强大的元数据支持，所以读取这一文件的软件就能明白摄影机的设置。如果您因为需要快速完成剪辑并且没有时间调色而使用视频Gamma拍摄，有了这一元数据功能，您可以选择视频Gamma模式，以视频Gamma拍摄，当您在软件里打开文件时，文件将会显示应用了视频Gamma的效果。但文件实际上还是电影Gamma模式，只不过是文件里的元数据让软件应用了视频Gamma模式。

也就是说，如果您在某个阶段希望为画面调色，所有电影动态范围都会保存在文件里。图像的亮部和暗部都不会被生硬地切掉，因此细节得以保留，从而通过调色赋予画面电影品质。如果您没时间调色也没有关系，因为图像会被应用视频Gamma，看起来就像正常的视频摄影机图像。画面并非一锤定音，到了后期制作您依然可以改变主意。

Blackmagic RAW文件速度快，编码格式针对计算机的CPU和GPU做了优化。也就是说，播放又快又流畅，无需硬件解码板，这对于笔记本电脑来说非常重要。能读取Blackmagic RAW的软件也能获得通过Apple Metal、Nvidia CUDA和OpenCL处理的优势。

也就是说，Blackmagic RAW能像视频文件一样在大部分电脑上以正常速度播放，不需要先缓存或者降低分辨率。

另外值得一提的一点是，镜头信息会逐帧记录在元数据里。例如，使用兼容的镜头时，片段长度内所有变焦或对焦调整都会被逐帧保存在Blackmagic RAW文件的元数据里。

以Blackmagic RAW记录

Blackmagic RAW有两种不同的工作方式。您可以选择使用固定比特率编解码格式，或者固定质量编解码格式。

固定比特率编解码格式与大多数编解码格式的工作方式类似。它会试图将数据速率保持在恒定的程度，不会让数据速率升得太高。就是说，即使您拍摄复杂的图像，需要更多的数据来存储画面，固定比特率编解码格式也只会对图像进行进一步压缩，从而确保画面不会超出分配的空间。

这对视频编解码格式而言没有问题，但用RAW拍摄时，画质必须具有可预见性。如果您拍摄的图像需要更多数据，但编解码格式只是加大压缩程度来达到特定的数据速率，这时的结果就是，您可能会损失画质，但只有拍完回来才会发现。

为了解决这个问题，Blackmagic RAW还有另一个名为“固定质量”的编解码格式供您选择。该编解码格式技术上称为“可变比特率编解码格式”，当图像需要额外数据时，它会允许文件尺寸变大。如果您需要编码图像，同时保持画质，文件大小将没有上限。

设置为固定质量的Blackmagic RAW会让文件尺寸无限变大，直到满足编码图像的需要。但文件同时也会根据拍摄情况变大或变小。夸张地说，即便您拍摄时忘了摘镜头盖，也浪费不了太多存储介质空间！

值得注意的是, Blackmagic RAW的画质设置选项名称并非晦涩难懂, 而是能直观反映出各自的技术特点。比如, 当你选择固定比特率编解码格式, 会看到画质设置为3:1、5:1、8:1和12:1选项。这些是无压缩RAW文件尺寸与使用Blackmagic RAW拍摄的文件尺寸之间的比例。3:1的画质更好, 因为文件更大, 而18:1的文件尺寸最小, 但画质也最低。许多Blackmagic RAW的用户认为12:1或18:1已经完全够用, 没有发现任何画质局限。但您最好尝试不同设置, 找到最适合自己的数值。

使用固定质量Blackmagic RAW编解码格式时, 可提供Q0、Q1、Q3和Q5设置选项。这些是传输给编解码格式的压缩参数, 它们能以更技术性的方式设置所应用的压缩程度。这个设置不一样, 因为固定比特率和固定质量编解码格式的运作方式不同。固定质量设置下, 无法预测文件尺寸比率, 因为该比率会根据具体拍摄情况发生很大的变化。所以在这种情况下设置是不一样的, 并且文件会以它所需的大小记录到存储介质中。

固定比特率设置

3:1、5:1、8:1和12:1代表压缩比。比如, 12:1压缩生成的文件大约比无压缩RAW小12倍。

固定质量设置

Q0、Q1、Q3和Q5表示不同程度的量化。Q5的量化级别更高, 数据速率也更高。如上所述, 固定质量设置下文件尺寸会根据拍摄情况显著增大或缩小。也就是说, 在拍摄时可能会出现文件尺寸提高到超出存储卡负荷的情况。这样一来就可能发生丢帧。但您可以立即看到拍摄中是否出现这样的问题, 然后查看设置和画质。

Blackmagic RAW播放器

Blackmagic Camera软件安装程序中包含的Blackmagic RAW Player播放器是一款用于查看片段的应用程序。只需双击打开Blackmagic RAW文件, 就能以全分辨率和位深快速播放及浏览文件。

解码帧时, SDK库里的CPU加速支持所有主要架构, 也可通过Apple Metal、Nvidia CUDA和OpenCL支持GPU加速。另外, 它还兼容Blackmagic eGPU, 可实现更高的性能。Blackmagic RAW Player支持Mac、Windows和Linux三大平台。

Sidecar文件

Blackmagic RAW Sidecar文件不会重写文件的内嵌元数据, 只是将新的元数据优先于原始数据之上。元数据中包含RAW设置, 以及光圈、对焦、焦距、白平衡、色调、色彩空间、项目名称、镜次编号等信息。元数据在片段全程被逐帧编码, 这对镜头数据来说很重要, 因为镜头可能在拍摄过程中发生调整。由于是可读格式, 您可以用DaVinci Resolve, 甚至文本编辑器添加或编辑Sidecar文件中的元数据。

Sidecar文件可以在播放时自动添加新的RAW设置, 只需把Sidecar文件与相对应的RAW文件移动到同一个文件夹即可。如果您将Sidecar文件移出文件夹, 并重新打开Blackmagic RAW文件, RAW设置就不会被应用, 您所看到的文件是原始拍摄时的状态。任何使用Blackmagic RAW SDK的软件都能访问这些设置。做出的修改将保存在Sidecar文件里, 可以通过Blackmagic RAW Player播放器或其他任何能够阅读Blackmagic RAW文件的软件看到。

当拍摄视频Gamma模式时, 文件仍然处于电影Gamma, 元数据会告诉Blackmagic RAW的处理机能以视频Gamma显示。如果您不想为画面调色, 希望快速交付视频内容, 视频Gamma是个很好的选择。但如果您希望提升暗部或者降低亮部时, 所有细节依然都在。视频不会被裁切, 所有细节都在, 您可以随时获取。

Blackmagic RAW与DaVinci Resolve

设置可以根据每个Blackmagic RAW文件进行调整, 然后用DaVinci Resolve的RAW选项卡保存为新的Sidecar文件, 用于创建特效或优化查看。您可以将自己的媒体文件复制给另一位DaVinci Resolve用户, 他们在导入文件时就能自动获取您修改过的Gamma设置。除了摄影机文件中包含的其他元数据以外, DaVinci Resolve还能读取您选择的动态范围, 您的片段将自动以“Film”、“Extended Video”或“Video”动态范围在DaVinci Resolve中显示。

然后您可以通过调整饱和度、对比度和中点, 以及高光和阴影过渡, 对这些设置进行自定义。所有调整都可以保存为Sidecar文件, 后期处理文件的其他人员也能看到这些修改。您随时都可以回到摄影机的原始元数据。

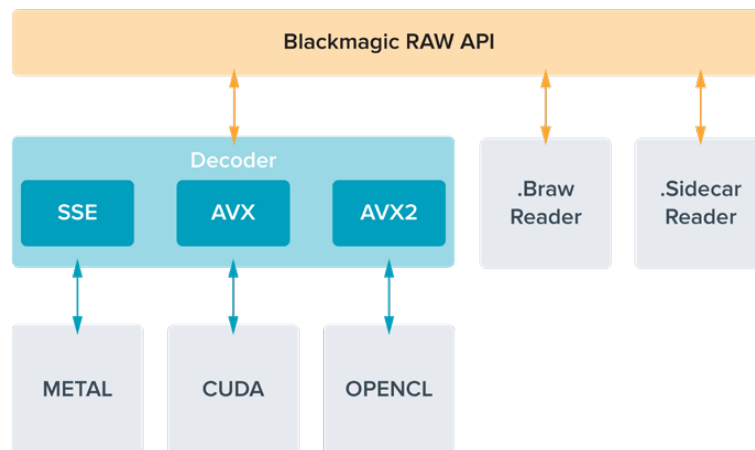
您还可以通过DaVinci Resolve的RAW选项卡导出单一的Blackmagic RAW帧, 其中包含所有调整、元数据、全分辨率和色彩信息, 方便与他人分享单帧或参考文件。

获取更多关于如何在DaVinci Resolve中使用Blackmagic RAW的信息, 请参阅本手册“使用DaVinci Resolve”部分内容。

Blackmagic RAW软件开发工具包

Blackmagic RAW软件开发工具包是由Blackmagic Design开发的API。您可以用Blackmagic RAW SDK编写自己的应用程序来使用Blackmagic RAW格式。任何开发人员都能用SDK库添加读取、编辑和保存Blackmagic RAW文件的支持。Blackmagic RAW SDK包含第四代和第五代色彩科学, 您可以在所有支持它的应用上实现电影般的自然画面。Blackmagic RAW SDK支持Mac、Windows和Linux, 可在Blackmagic官网的开发人员页面免费下载, 网址: www.blackmagicdesign.com/cn/developer

以下图表显示了Blackmagic RAW API的各个组成部分:



选择帧率

摄影机可以使用不同的帧率拍摄视频，您可以根据需要进行选择。摄影机的传感器帧率对画面观感产生巨大影响。一般来说，选择传感器帧率时，会有一些常见的方面需要考虑。数年来，影视行业一直都有相应的标准。不同的标准会有不同的帧率要求，但其目的只有一个，就是在每一秒内显示有效的帧数来呈现悦目而真实的动态画面。

比如，影院使用的是每秒24帧的标准，虽然近年来业内已经开始尝试使用更高的帧率，但每秒24帧依然是全球广泛接受的标准。电视行业的帧率则通常要符合每个国家的播出技术标准。比如，在制作电视内容时，北美地区一般都会使用每秒29.97的帧率进行记录，而欧洲地区则会使用每秒25的帧率进行记录。

但是，随着技术的不断发展，如今的制作有了更多的选择，并且播出标准也在一直变化。现在，体育类节目通常会以更高的帧率记录和播出。比如在北美地区，有些体育节目会以高达每秒59.94帧的速度记录和播出，欧洲地区则会采用每秒50帧的速度。这样能使这类快节奏画面更加流畅和真实。此外，流媒体和网络播出一般会使用和电视节目类似的帧率，但用户可以选择不同的观看格式，而且唯一的限制就是用户的屏幕可以显示的内容，所以灵活性更大一些。

一般来说，为一个项目选择帧率时，可以根据交付的格式进行选择。这样您的片段就能以和肉眼所见的实际画面相同的速度进行播放。要实现这一效果，您需要在摄影机上关闭“变速记录”选项。

如果您想要创造出有趣的效果，比如慢动作，就可以使用高一些的传感器帧率设置。传感器帧率比项目帧率越高，播放速度就越慢。

更多关于使用不同传感器帧率来达到创意效果的信息，请参考“触摸屏控制”部分的介绍。

以高帧率拍摄

以高帧率拍摄影像时，摄影机每秒采集到的帧画面会多于每秒24、25和30帧的传统同步速度帧率。这意味着图像传感器采集每一帧时的通光时间更短，从而造成摄影机采集到的画面会相对较暗。

例如，如果您从每秒25帧的帧率切换到每秒50帧，那么通过传感器进入的光量就会减半。为了保证曝光度，您需要进行一定的补偿，包括将镜头光圈开大一挡，将快门角度从180°增加到360°，或者为场景适当添加照明等。

以每秒60帧的速度进行拍摄时，进入传感器的光量会比以每秒24帧的速度进行拍摄时减少2.5倍，因此您需要调整多项设置进行补偿，比如镜头光圈、快门角度以及照明灯，从而达到相同的曝光级别。

以更高的帧率进行拍摄时，另外要注意的就是电子光源会在记录画面上造成闪烁现象。像钨丝灯、荧光灯和LED灯等的人工光源可能会造成画面闪烁现象。在LCD屏幕上预览场景，或者在拍摄时通过SDI信号预览场景时，您可能察觉不到这些闪烁的问题，因此请务必对计划要用到的光源进行拍摄测试，并且播放片段来检查是否存在闪烁的问题。

此外, 您的快门设置也有可能影响到在灯光下拍摄时闪烁的可见情况, 好在URSA Broadcast G2可以根据当前帧率设置自动计算并显示防闪烁快门选项。请注意, 即使使用防闪烁快门数值, 每类光源所具备的特点也依然有可能导致闪烁现象。更多信息请参考“触摸屏控制”部分的介绍。

如果您将快门设置到最低快门速度或最宽快门角度后, 记录画面上依然存在闪烁现象, 那就可能需要考虑换用其他类型的光源为场景照明, 或者选购使用更快的镜头。

最高传感器帧率和数据速率

下表包含了可用的编解码、分辨率、最高传感器帧率以及数据速率。请注意, 为Blackmagic RAW、ProRes 444和ProRes 422给出的参考也可作为每种特定编解码格式内所支持其他格式的参考。

由于以慢动作记录高分辨率影像对数据速率的要求, 您需要选择高速CFast卡、USB-C硬盘或SSD硬盘。详情请参考“存储介质”部分的内容。

提示 您可以在“存储卡丢帧时”设置菜单上开启“停止记录”选项并记录一个测试片段, 对存储卡进行测试。这样可以测试出特定分辨率、特定帧率情况下可以拍摄的时间。如果存储卡很快就停止记录, 请调到下一个可用的压缩设置或分辨率设置, 以便降低数据速率, 易于存储卡保持记录。

URSA Broadcast G2的最高帧率

	分辨率	编解码	最高帧率	最大数据速率
Ultra HD	3840x2160	Blackmagic RAW 3:1	60	254 MB/s
	3840x2160	Blackmagic RAW 5:1	60	152 MB/s
	3840x2160	Blackmagic RAW 8:1	60	96 MB/s
	3840x2160	Blackmagic RAW 12:1	60	64 MB/s
	3840x2160	Blackmagic RAW Q0	60	48.7 – 96.8 MB/s
	3840x2160	Blackmagic RAW Q1	60	32.6 – 77.6 MB/s
	3840x2160	Blackmagic RAW Q3	60	21.9 – 55.6 MB/s
	3840x2160	Blackmagic RAW Q5	60	13.4 – 32.6 MB/s
	3840x2160	ProRes HQ	60	220 MB/s
	3840x2160	ProRes 422	60	148 MB/s
	3840x2160	H.265 SDI	60	24.6 MB/s
	3840x2160	H.265 高	60	21.6 MB/s
	3840x2160	H.265 中	60	15.6 MB/s
	3840x2160	H.265 低	60	6.4 MB/s

	分辨率	编解码	最高帧率	最大数据速率
HD	1920x1080	Blackmagic RAW 3:1	150	161.4 MB/s
	1920x1080	Blackmagic RAW 5:1	150	97.2 MB/s
	1920x1080	Blackmagic RAW 8:1	150	61.1 MB/s
	1920x1080	Blackmagic RAW 12:1	150	41 MB/s
	1920x1080	Blackmagic RAW Q0	150	121.2 – 241.6 MB/s
	1920x1080	Blackmagic RAW Q1	150	81.8 – 193.4 MB/s
	1920x1080	Blackmagic RAW Q3	150	54.4 – 138.4 MB/s
	1920x1080	Blackmagic RAW Q5	150	33 – 81.1 MB/s
	1920x1080	ProRes HQ	120	110 MB/s
	1920x1080	ProRes 422	120	74 MB/s
	1920x1080	H.264 SDI	60	14 MB/s
	1920x1080	H.264 高	60	11.2 MB/s
	1920x1080	H.264 中	60	6.4 MB/s
	1920x1080	H.265 低	60	3.6 MB/s

请注意, Blackmagic RAW Q0、Q1、Q3和Q5使用可变比特率压缩以达到固定质量。Q0、Q1、Q3和Q5数据速率取决于画面中主体的复杂程度, 并且在整个片段中变化可能会相当大。

选择想要的编解码和分辨率步骤如下:

- 1 按控制面板上的“MENU” (菜单) 按钮。
- 2 导航到“记录”选项卡的第一页。
- 3 点按您想要的编解码、质量及分辨率选项。
- 4 按“MENU” (菜单) 退出。

记录格式和项目帧率

选择了编解码和分辨率设置之后, 您接下来要设定“项目”以及“传感器”帧率。有关帧率的更多介绍请参阅本手册的“记录设置”章节。

可用项目帧率为:

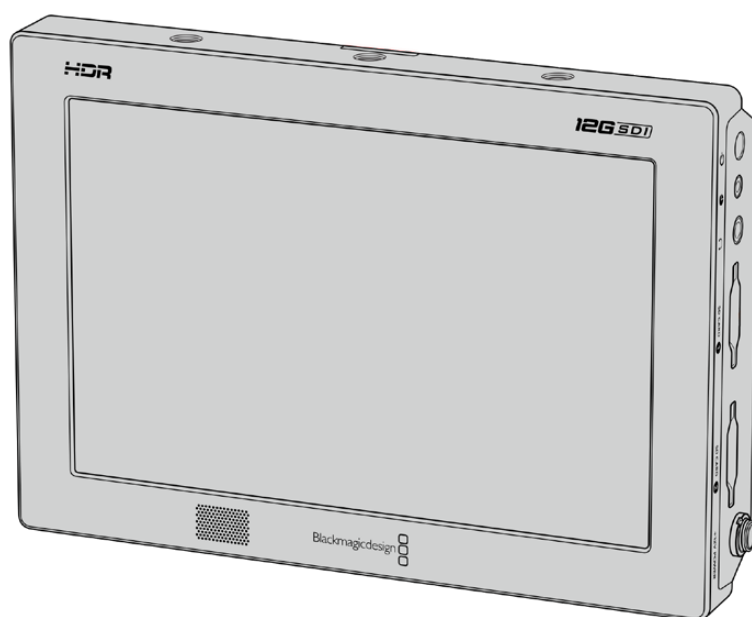
23.98、24、25、29.97、30、50、59.94以及60fps。

使用Blackmagic RAW和上至ProRes 422 HQ的ProRes编解码时, 所有分辨率的最高项目帧率都是60fps。

在外部设备上触发记录

您的URSA Broadcast G2摄影机可通过SDI输出口自动发送一路信号, 以便在连接如Blackmagic Video Assist等支持SDI触发记录功能的设备时触发记录。这样一来, 当您按下摄影机上的记录按钮时, 您所连接的外部SDI设备也将开始记录, 并可当您再次按下该记录按钮时停止记录。

同时, 您还需要对设备进行设置, 启用其SDI触发记录功能, 以便确保该设备对来自URSA Broadcast G2的触发信号给出响应。如果您的SDI设备支持SDI触发记录, 则通常可使用该SDI设备的设置菜单来启用这一功能。



您可以使用摄影机上的触发记录功能来触发Blackmagic Video Assist 12G HDR等SDI视频设备上的记录。

记录时长表

下面这些表格以分和秒的格式列出并对比了不同格式、项目帧率和媒体文件大小下可以记录的大致时长。存储介质的最长记录时间会根据其容量、记录格式以及帧率设定而各有不同。例如3840 x 2160的Apple ProRes 422 HQ格式, 其存储速率大约为880Mbps。采用每秒24帧的记录速度时, 您可以在一张容量为256GB的CFast 2.0或SD卡上记录大约47分钟的视频。在同样的设置下, 您可以在一张容量为128GB的CFast 2.0或SD卡上记录大约23分钟的视频, 大约是容量为256GB的存储卡一半的记录时长。

需要注意的是, 不同厂商生产的CFast 2.0和SD卡的记录时长也略有不同。存储介质被格式化为ExFat或Mac OS扩展格式时, 记录时长也会有所不同。

含有少量信息的简单场景要比信息密集的合成场景需要的数据更少。以下表格中的数值都是以高度复杂的镜头来评估的, 因此您所获得的记录时间可能会稍长些, 具体取决于您所拍摄影像的类型。

HD							
CFast卡	帧率	ProRes 422 HQ	ProRes 422	H.264 SDI	H.264 高	H.264 中	H.264 低
		时长	时长	时长	时长	时长	时长
256GB	23.98	189分钟	283分钟	635分钟	782分钟	1395分钟	2456分钟
	24	189分钟	283分钟	635分钟	782分钟	1395分钟	2456分钟
	25	182分钟	271分钟	602分钟	748分钟	1339分钟	2321分钟
	30	152分钟	227分钟	496分钟	612分钟	1118分钟	2079分钟
	50	91分钟	137分钟	371分钟	462分钟	841分钟	1852分钟
	60	76分钟	114分钟	331分钟	411分钟	716分钟	1520分钟

ULTRA HD					
CFast卡	帧率	Blackmagic RAW 3:1	Blackmagic RAW 5:1	Blackmagic RAW 8:1	Blackmagic RAW 12:1
		时长	时长	时长	时长
256GB	23.98	41分钟	68分钟	110分钟	164分钟
	24	41分钟	68分钟	109分钟	164分钟
	25	39分钟	66分钟	105分钟	157分钟
	30	33分钟	55分钟	88分钟	131分钟
	50	19分钟	33分钟	52分钟	79分钟
	60	16分钟	27分钟	44分钟	66分钟

ULTRA HD							
CFast卡	帧率	ProRes 422 HQ	ProRes 422	H.265 SDI	H.265 高	H.265 中	H.265 低
		时长	时长	时长	时长	时长	时长
256GB	23.98	47分钟	71分钟	353分钟	404分钟	571分钟	1499分钟
	24	47分钟	71分钟	353分钟	404分钟	571分钟	1499分钟
	25	45分钟	68分钟	339分钟	389分钟	550分钟	1442分钟
	30	38分钟	57分钟	286分钟	325分钟	461分钟	1223分钟
	50	22分钟	34分钟	242分钟	280分钟	389分钟	960分钟
	60	18分钟	28分钟	241分钟	277分钟	325分钟	809分钟

记录运动传感器数据

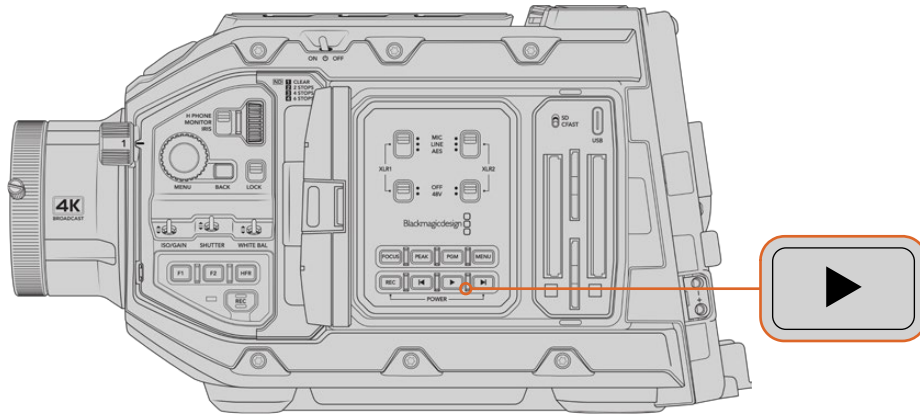
Blackmagic URSA Broadcast G2摄影机可以自动记录来自其内置运动传感器的陀螺仪数据。随后, DaVinci Resolve可以利用这些数据来稳定片段。详情请阅读本手册“陀螺仪稳定”部分的内容。

播放

播放片段

视频记录完毕后，您可使用摄影机上的播放控制按钮播放片段。

按播放按钮一次可立即播放，您可通过URSA Broadcast G2的LCD触摸屏监看记录的视频，也可以通过URSA Broadcast G2的SDI输出接口连接显示器来查看片段。



URSA Broadcast G2

提示 Blackmagic URSA Broadcast G2在内部和人体工学控制面板上都配有播放和播放控制按钮。

备注 Blackmagic URSA Broadcast G2也可以播放具有相同的编解码、帧率和分辨率的片段。例如，如果您希望播放以29.97fps帧率记录的ProRes 422 HQ HD片段，请务必确保您的摄影机也设定为同样的帧率的分辨率，并使用ProRes编解码。

摄影机的播放控制和CD播放器类似，按步进按钮会跳转到下一个片段的开头。按后退按钮一次会跳转到当前素材片段的开头，按两次则跳转到上一段素材片段的开头。长按前进或后退按钮可以两倍的速度快进或快退。位于快进或快退模式时，按两次快进或快退按钮可获得4倍速度，按三次可获得8倍速度，按四次可获得16倍速度。如使用兼容镜头，您也可以在记录时使用快进和快退按钮控制光圈的开合。

记录片段时，如果您使用的传感器帧率和项目帧率不同，您的片段播放速度也会不同。例如，您可将摄影机的项目帧率设置为与后期制作时间线相同的每秒24帧。如果您记录片段时将传感器帧率设置为每秒60帧，那么您的片段将会以慢动作模式在摄影机和后期制作时间线上播放。

提示 更多关于帧率的信息，请阅读本手册在“记录”章节的介绍。

URSA Broadcast G2接口和功能

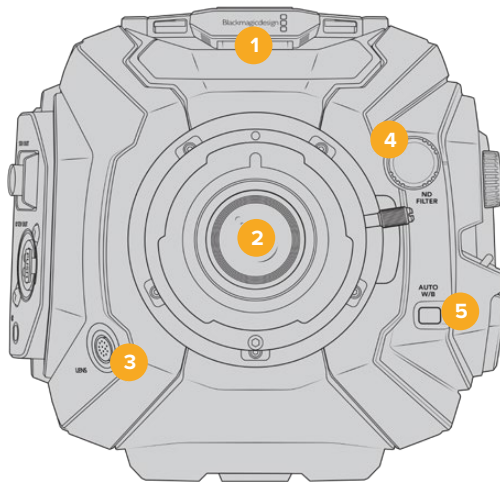
行业标准BNC接口位于URSA Broadcast G2右侧和后侧,可实现SDI连接。右侧还设有LANC输入可连接选配Blackmagic URSA Handgrip。

XLR输入位于顶板上,安装点后方,可提供专业平衡模拟音频和AES数字音频。摄影机后面板设有一个4针XLR接口,可连接外部电源输入。右侧则设有一路输出,可为Blackmagic URSA Viewfinder等配件提供电源。

存储卡槽上方还设有USB端口,可连接到计算机更新摄影机的内部软件。

备注 您的摄影机带有额外的人体工学控制,不打开翻折式触摸屏就可以简单快速地使用摄影机的主要设置和功能。

摄影机正面



带有B4卡口的URSA Broadcast G2

1 立体声麦克风

内置优质立体声麦克风。更多关于麦克风音频设置的信息,请参阅“设置”部分的内容。

2 镜头卡口

URSA Broadcast G2自带B4卡口,可更换成内附的EF卡口,且兼容URSA Mini Pro PL和F卡口。更多信息请参考“可更换镜头卡口”章节。

3 广播级镜头接口

该接口配备12针端子,可提供电源并控制兼容的广播级伺服变焦镜头。更多关于这些B4和PL镜头功能方面的信息,请参考本手册“使用伺服变焦镜头”部分的说明。

4 ND滤镜

该转盘可在三种内置的中性密度滤镜和无滤镜之间切换。详情请参考“URSA Broadcast G2 控制”部分的介绍。

5 自动白平衡

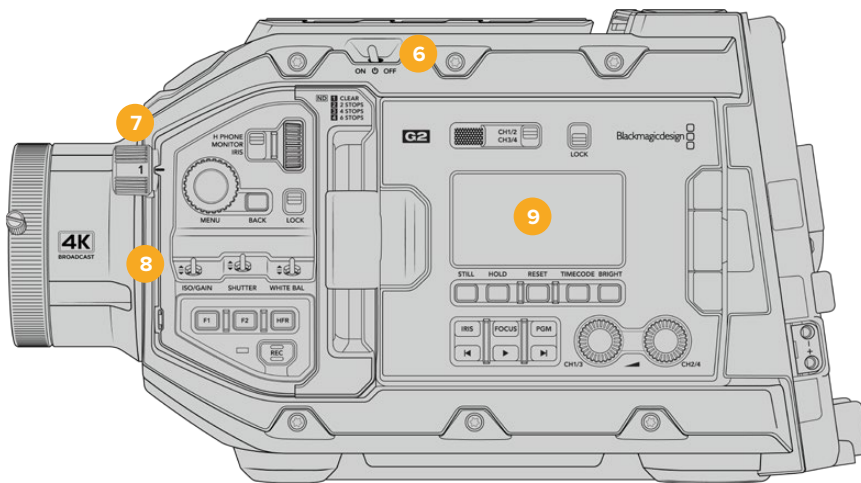
自动白平衡按钮标有“AUTO W/B”字样,可在您需要根据当前屏幕中心的拍摄对象来设置白平衡的时候使用。例如,为镜头前方的灰卡设置自动白平衡。详情请参考“URSA Broadcast G2 控制”部分的介绍。

左侧

URSA Broadcast G2的左侧面板可用于插入CFast 2.0卡、SDXC或SDHC卡,进入控制面板并更改各项设置。USB-C端口则位于CFast卡槽上方,方便您连接到计算机来升级URSA Broadcast G2的内部软件。

左侧控制

机身左侧设有更多的控制项,可快速进入摄影机的所有常用功能。这些控制被分设在正面控制面板,翻折式触屏显示器外侧的人体工学控制面板,以及翻折式监视器内侧的控制面板上。



触摸屏关闭时的URSA Broadcast G2

6 电源开关

电源开关可开启摄影机。翻折式监视器内侧还设有一个备用电源开关,可通过同时按住记录和步进按钮来开启摄影机。

7 ND滤镜

URSA Broadcast G2设有三个内部中性密度滤镜,可调节到达传感器上的光线强度。滤镜共有四个设置,从透明到六挡减光不等。转动转盘可在不同设置之间调节,并以锁定声音表示每档滤镜的设置。详情请参阅本手册“URSA Broadcast G2控制”部分的内容。

8 前方控制面板

前方控制面板可提供URSA Broadcast G2常用功能的快捷方式。这些控制位于手指易触及之处,使用三脚架或采用肩扛式拍摄时也可轻松控制。您可使用它们来调整如ISO、快门速度、光圈、白平衡、帧率等设置。详情请参考“URSA Broadcast G2控制”部分的介绍。

9 符合人体工程学的控制面板

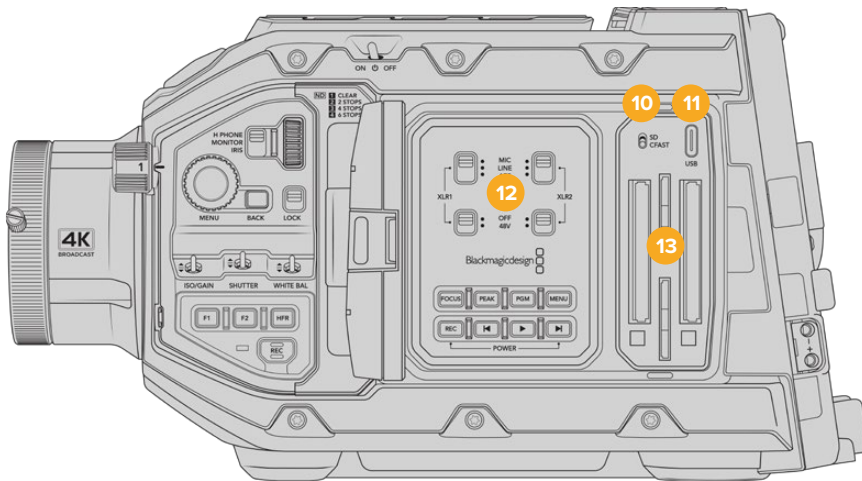
URSA Broadcast G2翻折式触屏显示器外侧设有一个LCD状态监看和各类控制,可实现快速高效的监看控制。您可以在这里一眼查看到摄影机所有状态信息,并控制各类强大的监看功能。详情请参考“URSA Broadcast G2控制”部分的介绍。

10 存储介质选择开关

使用这一开关可选择CFast和SD卡存储介质。

11 USB端口

USB-C端口,可用于更新内部软件。详情请参考本手册“Blackmagic Camera Setup实用程序”部分的介绍。



触摸屏打开时的URSA Broadcast G2

12 内部控制面板

当URSA Broadcast G2的翻折式监视器打开时,您可以使用其内部控制面板。这些控制可用于设置音频输入和幻象电源,以及光圈、对焦、菜单和播放控制等。详情请参考“URSA Broadcast G2控制”部分的介绍。

13 存储卡槽

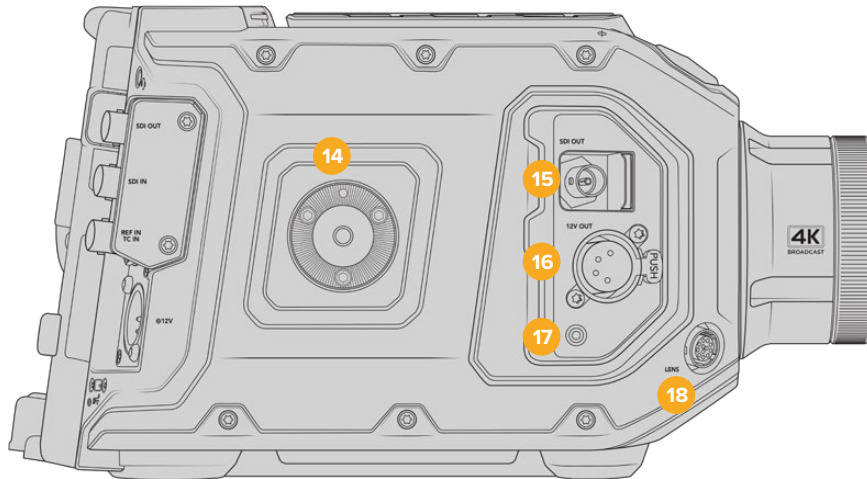
插入CFast 2.0卡、SDXC或SDHC卡进行记录和播放。请注意,您需要在我们的网站上查看认可存储卡清单。详情请参考“存储介质”部分的介绍。

右侧

URSA Broadcast G2的右侧面板设有全部的视频、音频以及电源接口，并设有侧把手齿形盘安装点。

14 侧面齿形盘安装点

标准齿形盘安装点，可用于安装侧把手。详情请参考“入门”和“Blackmagic URSA Mini Shoulder Kit”部分的内容。



URSA Broadcast G2右侧配有内置齿形盘安装点，可以安装选配的URSA Mini侧把手。

15 HD监看输出

3G-SDI接口，可用于下变换1080HD输出，并可连接Blackmagic URSA Viewfinder或外部监视器。详情请参考“摄影机视频输出”和“Blackmagic URSA Viewfinder”部分的内容。

16 +12V电源输出接口

4针XLR接口，可为Blackmagic URSA Viewfinder、Blackmagic URSA Studio Viewfinder或外部监视器和配件提供电源。详情请参考“Blackmagic URSA Viewfinder”和“Blackmagic URSA Studio Viewfinder”部分的内容。该输出口结合了广播级镜头接口，一共可提供12伏和高达2安培的电源。

17 LANC输入

2.5mm TRS LANC接口，用于连接Blackmagic URSA Handgrip手柄控制。

18 广播级镜头控制接口

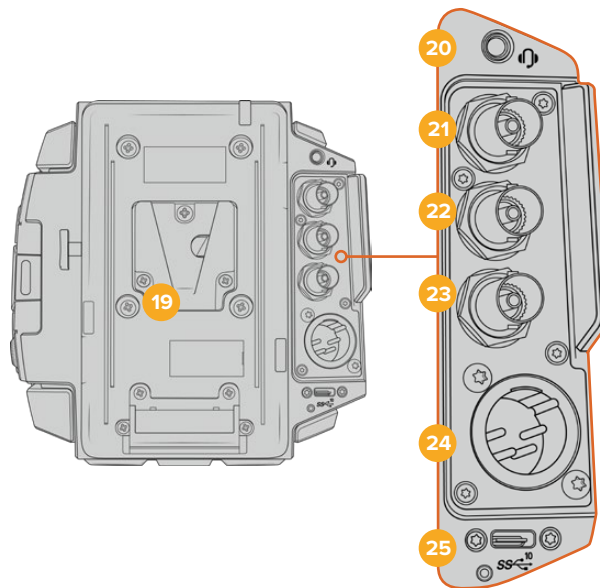
12针端子，可提供电源并控制兼容的PL和B4卡口镜头。该输出口结合了12V电源输出，一共可提供12伏和高达2安培的电源。

后面板

19 电池安装板

Blackmagic URSA Broadcast G2带有Blackmagic URSA VLock Battery Plate电池扣板, 可为您的摄影机安装Vlock电池。URSA VLock Battery Plate搭载D-Tap端口可为各种附件供电。D-tap端口可输出稳压12伏、高达1.5安培电源。

URSA VLock Battery Plate可更换成选配的Blackmagic URSA Gold Battery Plate或第三方电池扣板。您可卸下电池扣板从而露出嵌入式Molex接口, 并且将Blackmagic Camera Fiber Converter或Blackmagic URSA Mini Recorder等选配附件安装至摄影机后面板。如果您所连接的附件设有D-tap电源输出, 那么Molex接口可提供12伏、高达1.5安培的直通输出。详情请参阅“安装电池”、“Blackmagic Fiber Converter系列使用入门”和“URSA Mini Recorder”部分的内容。



20 耳机/耳麦

3.5mm输出插孔, 用于耳机监听和对讲。您可以插入配有内置麦克风的iPhone和安卓兼容耳机, 简单快速地实现对讲功能。对讲音频内嵌在SDI输出的15和16通道上。

提示 当使用URSA Broadcast G2的3.5mm插孔进行对讲时, 使用兼容iPhone或安卓的耳机是非常经济的选择。这些耳机一般会带有内联按钮, 可以用它对麦克风进行静音或取消静音。如果您使用不带内联按钮的广播级耳机, 可以配置URSA Broadcast G2的功能键来实现同样的功能。详情请参考本手册“设置”部分的内容。

21 12G-SDI输出

Blackmagic URSA Broadcast G2的12G-SDI输出接口可将HD和Ultra HD视频输出到矩阵、监视器、SDI视频采集设备、广播级切换台等SDI设备。您还可以将这一12G-SDI输出接口连接到Blackmagic Video Assist等外部记录单元, 作为备份录像使用。

22 12G-SDI输入

这一12G-SDI输入接口可用于连接切换台或外接记录设备。这样您就能将URSA Broadcast G2作为一台直播摄影机使用，连接到切换台的节目输出上，并且还能在拍摄时进行监看，或者通过外部记录设备查看播放。长按“PGM”按钮可看到您的节目信号。

详情请参阅本手册中“符合人体工程学设计的控制面板”部分的内容。

您还可以使用ATEM切换台的“摄影机控制”功能来远程调整URSA Broadcast G2的多项功能。详情请参考“了解Studio Camera控制”章节的内容。您还可以使用Blackmagic 3G-SDI Shield for Arduino通过SDI来自定义摄影机控制。

如要通过SDI输入接收Tally和对讲信号，请确保您已在摄影机的设置菜单中设置了ATEM Camera ID。如果您希望通过SDI输入接收外部同步信号，您需要在设置选项中将“节目”选定为同步信号。外部同步信号被锁定后，摄影机LCD屏幕上时间码显示的旁边会出现“REF”字样。详情请参考本手册“设置”部分的内容。

URSA Broadcast G2上的SDI输入也可用于将外部时间码传送给摄影机。如果输入的SDI信号拥有匹配帧率和有效时间码，那么输入时间码将会被自动锁定。外部时间码被锁定后，URSA Broadcast G2的LCD屏幕上会显示“EXT”徽标。如果您拔出线缆，时间码将保持锁定状态，徽标会变成“INT”，提示您现在正在运行URSA Broadcast G2的内部时间码时钟。

23 同步和时间码输入

这一输入接口可自动识别时间码和同步输入信号，并可在二者之间切换。连接到标有“REF IN”字样的BNC输入接口后，就可让Blackmagic URSA Broadcast G2同步到如三电平常用的同步信号。需要指出的是，要通过这路输入使用同步信号，您必须到URSA Broadcast G2的设置菜单中将同步源设置为“外部”。

或者，您可以使用该接口和外部时间码源进行匹配，从而在从事双系统拍摄时同步多路摄影机信号，或进行声画同步。这样可在后期制作时确保音频、画面或多台摄影机上的视频同步。当这个接口连接了帧率相匹配的外部时间码时，摄影机将自动锁定输入时间码。外部时间码被锁定后，URSA Broadcast G2的LCD屏幕上会显示“EXT”徽标。如果您拔出线缆，时间码将保持锁定状态，徽标会变成“INT”，提示您现在正在运行URSA Broadcast G2的内部时间码时钟。

您还可以通过设置，让摄影机使用来自ATEM切换台SDI节目输入的同步信号。当您使用ATEM切换台工作时，这一功能会有所帮助。因为所有摄影机都能通过单路SDI信号接收节目返送信号和摄影机控制信号，并且进行同步。详情请参考本手册中关于“初始设置”部分的介绍。

24 12V+电源输入

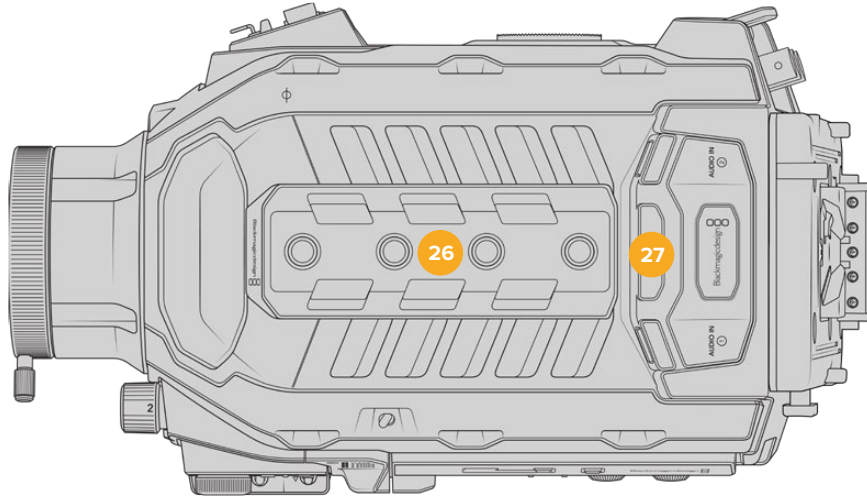
该接口为4针12-18伏DC XLR接口，可连接电源适配器（内附）或便携式电池等外接电源。

25 USB端口

USB-C 3.2 Gen 2x1 端口可用于记录到USB-C外接硬盘，或使用Blackmagic URSA Mini Recorder记录到SSD。还可以用于将Blackmagic Zoom Demand和Blackmagic Focus Demand连接到摄影机来对兼容镜头实现对焦和变焦控制。

USB-C端口下方的螺纹接口适用于URSA Mini Recorder内附的USB线缆，从而确保使用期间接口安全连接。详情请参阅本手册“URSA Mini Recorder”部分的内容。

顶板



顶板设有平衡XLR接口，可连接外部模拟音频。

26 1/4英寸安装点

摄影机的顶板含有4个超强安装点，可固定顶部把手等配件。

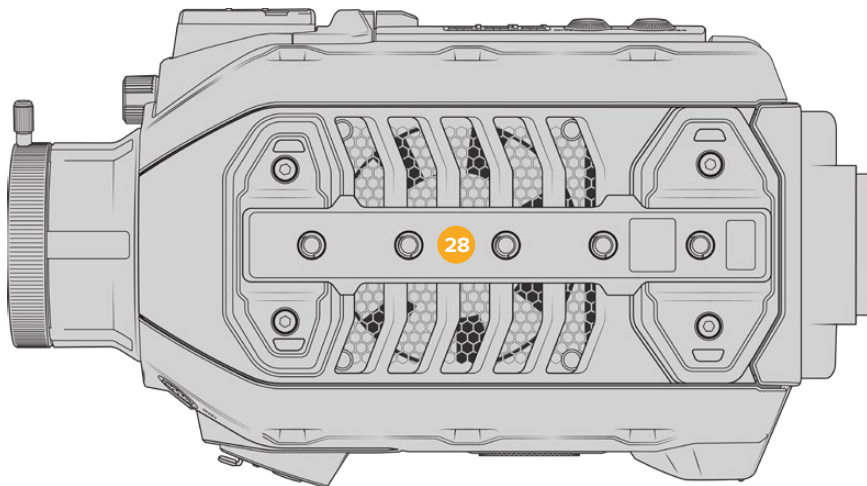
27 XLR音频输入

该接口为平衡XLR输入接口，可连接调音台、PA系统或是外接麦克风等专业设备的外部模拟音频。XLR接口可提供48V幻象电源，因此可使用非自供电麦克风。更多关于幻象电源的信息，请阅读“URSA Broadcast G2控制”以及“内部控制面板”部分的介绍。

底部

28 1/4英寸安装点

摄影机底部的5个安装点可用来固定三脚架连接头、URSA Mini Shoulder Kit以及其它配件。

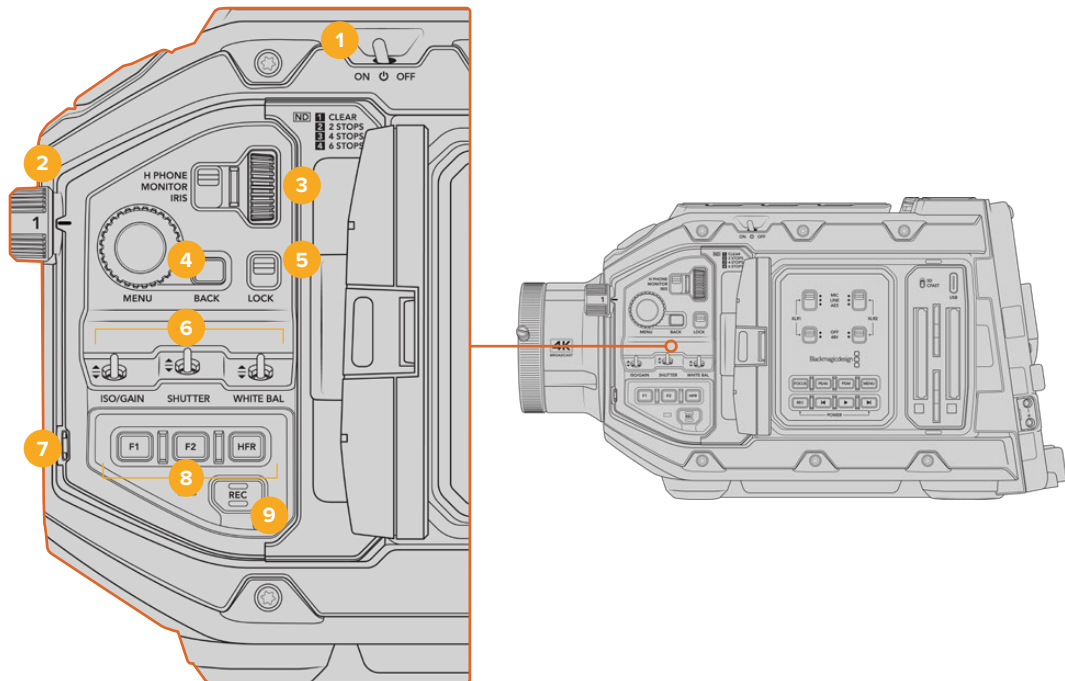


URSA Broadcast G2控制

Blackmagic URSA Broadcast G2的机身以及翻折式触屏显示器的外侧和内侧均设有控制面板，能为您带来快速、便捷的常用功能操控和强大的监看工具。这些控制面板设计合理，各项控制触手可及。不论是三脚架、手持式还是搭配URSA Mini Shoulder Kit肩扛式拍摄方式，都可以轻松使用。

前方控制面板

摄影机的前方控制面板上汇集了您在设置镜头和进行记录时可能需要用到的所有控制。采用这一设计的目的是为了在翻折式监视器关闭时也能控制，方便您在安装了肩托套件时进行操作。



URSA Broadcast G2前方控制面板

1 电源开关

将开关拨至“ON”的位置即可开启URSA Broadcast G2。关机时，将开关拨至“OFF”的位置即可。

提示 您也可以通过不同的控制面板开关开启或关闭URSA Broadcast G2。当摄影机电源关闭时，按下“REC”和步进按钮将开启摄影机，当电源开启时，该操作将关闭摄影机。当摄影机的电源开关在“ON”状态，但摄影机处于关闭状态，可能因为已经通过控制面板关闭。打开电源开关即可回到正常操作。

2 ND滤镜

URSA Broadcast G2设有三个内部中性密度滤镜。可用设置为1/4、1/16和1/64挡，以及透明滤镜。这些滤镜能通过预设分数值来减少到达URSA Broadcast G2传感器上的光线。降低曝光度后，您就可以在大晴天的户外明亮环境中持续以大光圈拍摄。

上下旋转转盘即可调整ND滤镜设置。“透明”设置表示不使用ND滤镜。1/4到1/64的设置表示ND滤镜逐渐增加密度，从而起到减少透光性的作用。

由于不同的人会使用不同的术语来命名每个ND滤镜，您可以在LCD菜单中自定义自己的ND滤镜设置。您可以根据喜好设定ND滤镜编号，减光挡数，或者以分数的形式显示滤镜减光的量。

中性密度滤镜设置

滚轮位置	ND编号	挡数	分数
1	透明	0	1
2	0.6	2	1/4
3	1.2	4	1/16
4	1.8	6	1/64

3 设置滚轮

调整滚轮一侧的三挡位置开关可设置滚轮的功能。可用选项为“H PHONE”（耳机）、“MONITOR”（监视器）和“IRIS”（光圈）。

耳机

当开关置于“H PHONE”时，设置滚轮将用来调整耳机的音频电平。向上转动滚轮可提高音量，向下转动滚轮则可降低音量。

监视器

当开关置于“MONITOR”时，设置滚轮将用来调整摄影机内置监视屏扬声器的音频电平。扬声器位于LCD监视器的外侧，可以在没有耳机的情况下监听音频。向上转动滚轮可提高音量，向下转动滚轮则可降低音量。为防止出现不必要的回声，当摄影机使用内部麦克风录音时，该功能会处于禁用状态。

光圈

当开关置于“IRIS”时，设置滚轮将用来调整安装在URSA Broadcast G2上兼容镜头的光圈。向下转动滚轮可打开光圈，向上转动滚轮则可关闭光圈。这些操作方向模仿的是相机镜头和电影镜头的光圈调整方向。

提示 要使用设置转轮改变光圈设置，您的URSA Broadcast G2必须要搭配支持通过摄影机更改光圈的镜头。如果您通过广播级12针接口连接B4或PL镜头，请确保手柄上的镜头光圈设置为“A”或“Auto”（自动）。

4 菜单滚轮和后退按钮

当摄影机前方SDI输出启用“状态信息”功能时，您可以使用MENU菜单滚轮来查找LCD触摸屏上常用的HUD功能。

只要像按按钮一样按下“MENU”菜单滚轮就可以在Blackmagic SmartView、Video Assist或URSA Viewfinder等外部监视器上查看到URSA Broadcast G2的HUD显示。当菜单滚轮处于激活状态时，转动滚轮可选择LCD监看选项、帧率、ISO、白平衡和色调等功能。按下滚轮可确认选择并进行其他更改，使用滚轮一侧的“BACK”按钮可取消选择。您也可以使用“BACK”按钮回到上一级菜单，或完全退出菜单（如果您已位于菜单顶层）。如果您长达一分钟未使用菜单，菜单将自动关闭。

更多关于设置状态信息和可用控制的介绍，请查阅本手册“触摸屏控制”以及“监看设置”章节的内容。

5 锁定

这一标有“LOCK”的开关可锁定前控制面板上的所有控制，以防止拍摄时因意外触碰导致的误操作。将这一开关移到下方的位置可加以锁定，将其移至上方的位置则可解锁。

提示 在繁忙或不受控制的环境下拍摄时，您可以在离开 URSA Broadcast G2前锁住摄影机的前控制面板。这样可以确保他人不会无意中改变您的设置。

6 ISO、快门以及白平衡开关

标有“ISO/GAIN”、“SHUTTER”以及“WHITE BAL”的三个开关分别可用来调整ISO/增益、快门和白平衡设置。如果您需要快速进行调整，同时保证视线不离开拍摄画面时，这组控制就会非常实用。轻轻上下拨动开关来进行设置调整。这组开关采用弹簧设计，因此上下调整后会自动复位。

ISO/增益

上下调整“ISO/GAIN”开关可以设置摄影机ISO。将该开关向上拨可将设置提高1/3挡，将该开关向下拨则可将设置降低1/3挡。可选设置范围为-12到36dB。

快门

使用“SHUTTER”开关可调整摄影机的快门速度。向上拨动可将快门速度上调到高一级预设，向下拨动则可下调到低一级预设。保持向上或向下拨的动作可在各数值之间快速移动。快门速度共有12种预设，从1/24到1/2000不等。

提示 URSA Broadcast G2也会根据您所在地区的电源频率建议相应的防闪烁快门速度。这些选项必须通过LCD触摸屏菜单选择。详情请参考本手册“触摸屏控制”部分的介绍。

白平衡

“WHITE BAL”开关可用来调整摄影机的白平衡。向上拨动可将色温增加50K，向下拨动则可降低50K。保持向上或向下拨的动作可在各数值之间快速移动。

7 自动白平衡

按“AUTO W/B”该按钮后，一个表示自动白平衡的白框会在LCD屏幕中心显示五秒。该白框也会出现在所有在菜单设置中启用了“状态信息”功能的SDI输出画面上。白框代表的是画面中的特定部分，白平衡也是从这部分中计算得出。因为您的灰卡应该放置在这一白框内。长按“AUTO W/B”按钮三秒将执行自动白平衡操作，方框也将从白色变为绿色，以确认该操作成功完成。

更多关于在URSA Broadcast G2前方和主SDI输出上启用状态信息的信息, 请参考本手册“监看设置”部分的内容。

8 F1和F2

F1和F2按钮属于功能按钮, 您可使用URSA Broadcast G2的“设置”菜单进行编程, 将这些按钮作为常用功能使用。默认设置下, F1被设定为LCD的“对焦缩放”和前方SDI输出开关, F2被设定为LCD的“伪色彩”开关。

详情请参考本手册中关于“触摸屏控制”的介绍。

HFR

使用“HFR”(高帧率)按钮可切换到变速帧率。要使用这一按钮, 只要在URSA Broadcast G2的“帧率”菜单中设置好您想要的变速帧率即可。按下这一按钮可在您选中的变速帧率和项目帧率之间切换。需要指出的是, 这一设置只能在记录停止时调整。HFR按钮也可作为多功能按钮使用, 您可以将它映射到一些常用的功能, 也可以将它禁用。

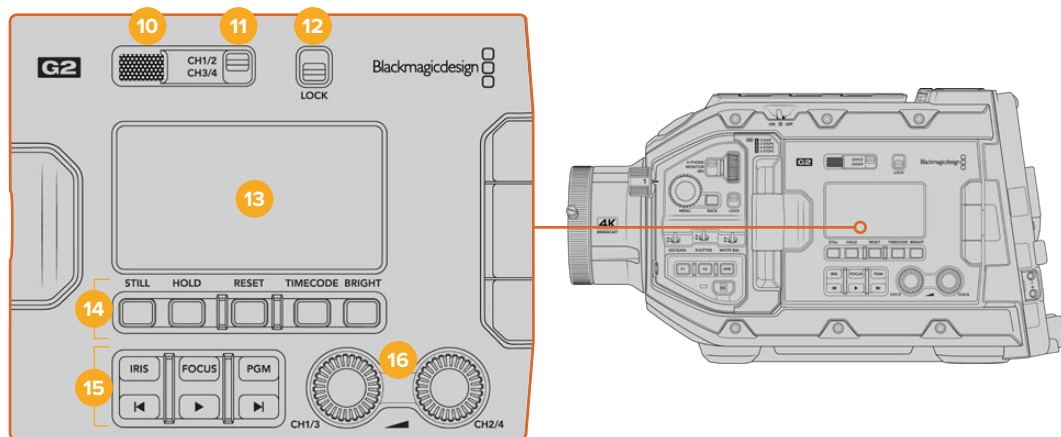
更多关于项目和变速帧率的信息, 请参考本手册“触摸屏控制”部分的内容。

9 记录

记录按钮位于Blackmagic URSA Broadcast G2的左侧, 标为“REC”。按下该记录按钮可开始和停止记录。详情请参考“记录”部分的内容。

符合人体工程学的控制面板

URSA Broadcast G2的触摸监视屏外侧设有一个LCD状态监视器和各类控制。这块面板中包含了所有摄影机状态信息, 还可以进行监看并调整音频电平。使用兼容镜头时, 您可以设置自动对焦功能, 并使用播放控制按钮播放片段。



URSA Broadcast G2人体工学控制面板

10 监视屏扬声器

外侧控制面板上内置小型扬声器, 便于在播放时监听音频。采用肩扛式拍摄时, 扬声器的位置正好位于您耳朵附近。

要调整扬声器音量, 只要按照“URSA Broadcast G2控制”章节中的介绍, 旋转设置滚轮即可。

11 监听声道选择

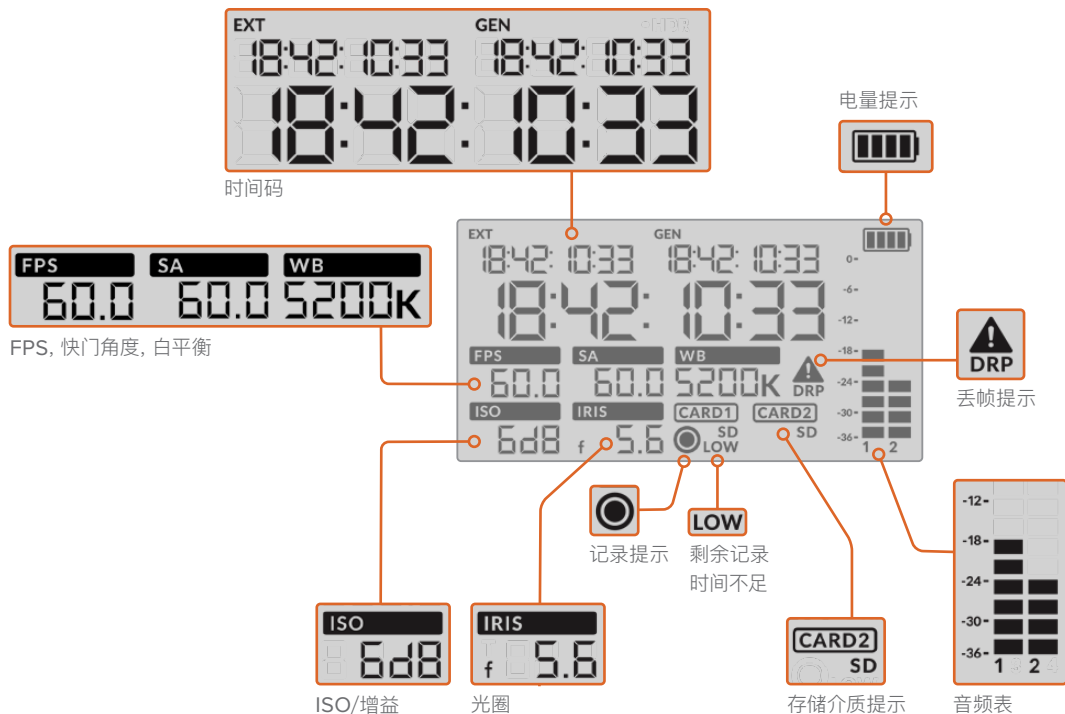
URSA Broadcast G2支持二声道音频。

12 锁定

“LOCK”开关可用来锁定URSA Broadcast G2人体工程学控制面板上的所有设置。将锁定开关置于“ON”后, 唯一依然可操控的设置是监听声道选择按钮。

13 LCD状态显示

这一显示屏可直观反馈URSA Broadcast G2的常用设置, 您无需打开摄影机的内部触摸屏。这块屏幕的设计即使在明亮日光条件下也能清晰监看。显示的信息如下:



时间码

时间码URSA Broadcast G2可显示三个时间码。如果您连接了外部时间码, 该信息会显示在LCD屏幕左上方的“EXT”字样下方。摄影机内部生成的时间码则会显示在外部时间码一侧的“GEN”字样下方。外部时间码和生成的时间码都以小时、分钟、秒和帧数显示。

字体较大的主时间码提示可将片段时长或时间码作为您的当前时间码显示。您可以按LCD屏幕下方的“TIMECODE”按钮在两种时间码显示模式之间切换。

电量提示

如果URSA Broadcast G2使用电池, 电量提示将以25%为单位显示剩余电量。每个电池电量提示灯都有四格, 每一格代表25%的电池电量。当电量掉至20%以下时, 记录按钮附近的LED状态提示灯将开始闪烁。提示灯会在录制时缓慢闪烁红色和橙色, 在待机模式下闪烁白色和橙色。

如果摄影机连接了主电源, 电池提示灯会显示满格。

FPS, 快门角度, 白平衡

标有“FPS”、“SA”和“WB”字样的标识分别表示摄影机的当前帧率、快门角度和白平衡。“FPS”标识可显示当前传感器帧率。

更多关于传感器和项目帧率的信息, 请查阅本手册“触摸屏控制”章节的介绍。

ISO/增益

可显示摄影机当前设置的增益。

光圈

“IRIS”可显示当前镜头光圈。该显示栏将根据您使用的镜头类型相应显示“f”或“T”挡。

存储卡信息

当卡槽中安装有存储卡时, “CARD 1”和“CARD 2”标识将出现在URSA Broadcast G2的LCD状态显示屏上。

如使用SD卡记录, 屏幕上会出现“SD”字样; 如使用CFast卡记录, 则屏幕上的“SD”字样会消失。

记录提示

记录时, 当前正在记录的存储卡下方会出现一个圆形提示图标。

剩余时间不足

当您仅剩约5分钟记录时间时, 相应存储卡下方将出现“LOW”字样加以提示。

音频表

当使用内部麦克风或连接外部音频时, 峰值音频表可显示音频电平。该表以dBFS为单位, 并有削波警告功能, 可在出现音频过载时以红标提示, 并停留片刻, 从而有效防止因削波过于短暂而被忽略的情况。

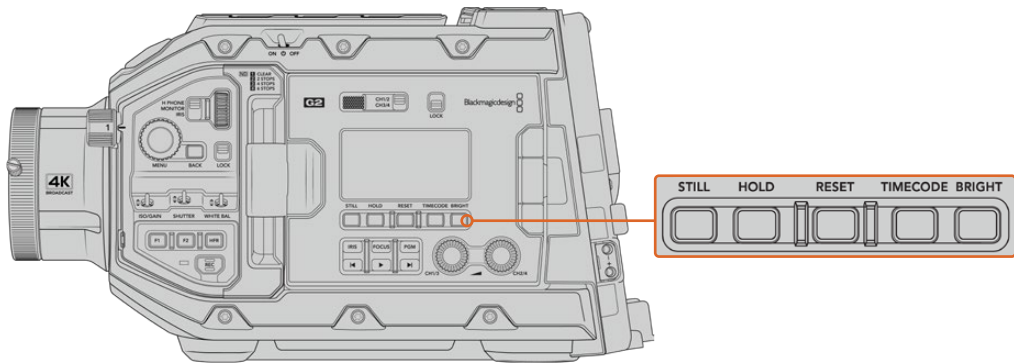
为获得理想音质, 请确保将音频电平控制在0dBFS警戒线以下。这是您的摄影机可记录的最高电平, 也就是说任何超过此电平的音频会被裁切掉, 并导致声音失真。

丢帧提示

当摄影机检测到丢帧时, 该图标会闪烁加以提示。当您停止记录时, 该提示将保持在屏幕上, 告诉您之前的片段曾检测到丢帧。该警告信息将在您下次开始记录或重启摄影机时消失。更多关于如何避免丢帧的信息, 请查阅本手册“存储介质”部分的介绍。

备注 您可以通过设置让URSA Broadcast G2检测到丢帧后停止记录。详情请参考“记录设置”部分的内容。该功能允许用户自行选择, 因为当您使用速度较慢的存储介质进行记录时, 也许可以躲过因高帧率或高分辨率所导致的短暂卡顿现象。

14 LCD状态显示控制项



URSA Broadcast G2 LCD状态控制项

静帧

按“STILL”按钮可抓取一个静帧，格式为无压缩DNG图像。图像文件会被保存在当前正用于记录的存储介质根目录下名为“stills”的文件夹内。保存时会使用视频片段的文件命名格式，但文件名末尾将含有“S001”字样，以文件名最后四位数字来表示静帧编号。URSA Broadcast G2触摸屏右上角会显示一个摄影机图标，并且LCD状态显示中的记录图标会闪烁三次，以确认您成功保存静帧。

维持

当时间码处于当日时间自由运行模式时，按下“HOLD”按钮可以暂时保留主状态LCD的时间码。该时间码将在后台继续运行，并且当您放开“HOLD”按钮时回到实际位置。保持显示时间码时，您可以将它记录下来用于标记某个特定事件。这项功能在电子新闻收集或制作纪录片的过程中记录重要时间码节点非常有用。

重置

设置预设时间码时，可以利用“RESET”按钮将时间码重置为00:00:00:00。

时间码

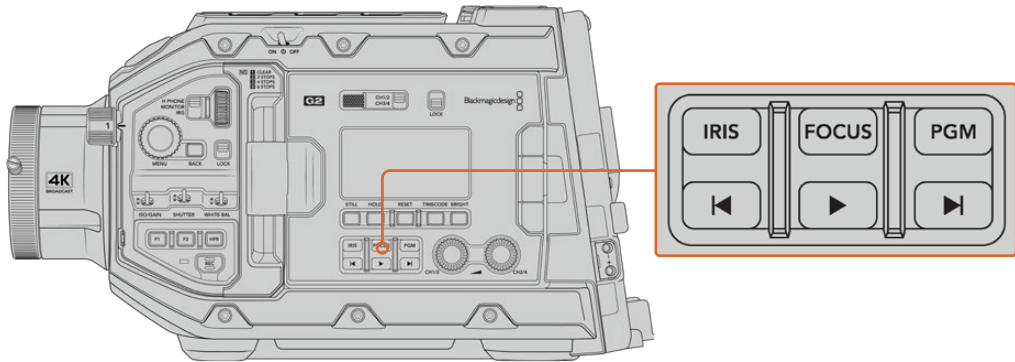
按下“TIMECODE”按钮可将主时间码显示格式在片段时长和时间码之间切换。默认时间码是自由运行的当天时间，因为最为常用。当您按住“TIMECODE”按钮五秒钟，摄影机将切换到记录运行时间码，时间码生成器和大时间码显示的前两个数字将会闪烁。这表示您正在编辑预设时间码，并且可以为预设时间码设置特定的时间码数字。

这时按下“RESET”将把时间码清零，然后您可以转动并按下菜单滚轮，设置想要获得的值，以小时、分钟、秒和帧的顺序表示。设置好时间码后，再次按住“TIMECODE”按钮三秒钟把它设置为您的预设时间码点。您会发现时间码生成器现在显示这个值，只有当摄影机处于录制状态时这个值才会增加，形成不断上升的时间码值。要将时间码调回自由运行时间，同时按下“TIMECODE”和“HOLD”按钮三秒钟。

亮度

按下“BRIGHT”按钮可在URSA Broadcast G2的LCD状态显示所设的四个亮度级别之间循环。可用设置有“Off”（关闭）、“Low”（低）、“Medium”（中）和“High”（高）。

15 控制和播放按钮



URSA Broadcast G2控制和播放按钮

光圈

使用兼容镜头时，“IRIS”按钮可开启自动光圈设置控制。使用Video动态范围模式时，按“IRIS”按钮后，摄影机会根据画面中的亮部或暗部情况设置平均曝光值。使用“Film”动态范围模式时，按“IRIS”按钮后，摄影机会根据画面中最亮的部分设置曝光值。这一按钮可控制连接到广播级镜头控制器的兼容EF和PL镜头。

如需手动设置光圈，请按前进和后退播放控制按钮。

对焦

当使用支持电子对焦调整的B4或EF镜头时，您可通过“FOCUS”按钮激活自动对焦。白色对焦方框将出现在URSA Broadcast G2连接的寻像器或监视器上。框内的所有内容都会被准确对焦。当镜头完成对焦后，方框就会消失。

备注 如要使用“FOCUS”按钮，您的B4镜头必须拥有伺服对焦控制，并且启用伺服。详情请参考“入门”部分的内容。一些EF镜头拥有手动和自动对焦模式。当使用选配的EF镜头卡口时，为了让URSA Broadcast G2能够用您的镜头自动对焦，您需要确保镜头设为自动对焦模式。

节目

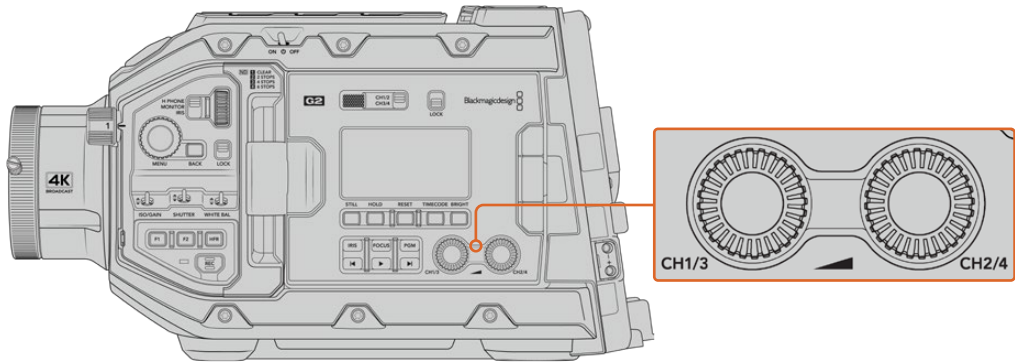
节目按钮标有“PGM”字样，可将LCD和前方SDI输出在摄影机拍摄画面和任何通过摄影机后面板的12G-SDI输入连接的信号画面之间切换。这样您就能将摄影机作为一台直播摄影机使用，连接到切换台的节目输出上，并且还能在拍摄时进行监看。长按“PGM”按钮可看到您的节目信号。按住“PGM”按钮时，节目信号内容会一直显示。

如果您想让监视器画面锁定在节目输入信号显示，请连按“PGM”按钮两次锁定到节目信号即可。再次按下“PGM”按钮可退出节目信号内容，回到摄影机画面。

播放控制按钮

播放按钮可用于开始或停止播放功能，并可跳到上一个或下一个片段。使用EF镜头时，前进和后退按钮还可在使用兼容镜头时用于控制光圈的开合。更多有关播放按钮的使用信息，请参考“播放”部分的内容。

16 音频电平调整旋钮

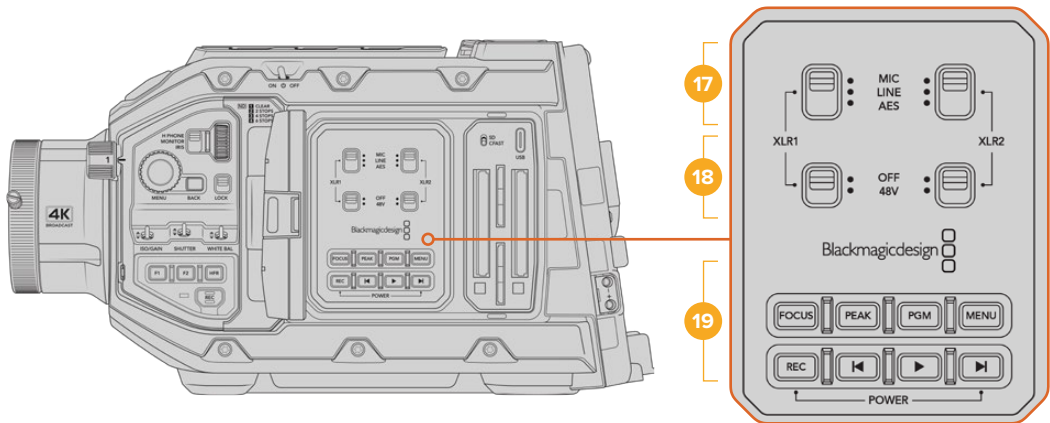


URSA Broadcast G2的音频调整旋钮

您可使用摄影机内置的调整旋钮来设置音频通道1和2上的记录电平。顺时针或逆时针旋转每个旋钮可升高或降低每个音频通道的录音电平。您可以在调节每个旋钮的同时查看屏幕上相应的音频表，以便获得理想音频设置。

内部控制面板

打开URSA Broadcast G2的翻折式监视屏可以使用内部控制面板。这些控制可用来设置音频输入和幻象电源、光圈、对焦、菜单以及播放控制等。



URSA Broadcast G2内部控制面板

17 XLR1/XLR2

使用这些开关可设置URSA Broadcast G2的XLR输入（当它被选为输入源的时候）。可用选项为“MIC”音频、“LINE”音频以及“AES”数字音频。

18 幻象电源

摄影机的XLR输入可提供48V幻象电源，以便您使用自供电麦克风。将这一开关移动到“48V”的位置可为连接到相应XLR接口的任何麦克风启用幻象电源，移动到“OFF”可禁用幻象电源。

请务必先连接XLR线缆，再开启幻象电源。另外，当没有连接幻象电源供电的麦克风时，请务必关闭幻象电源。当连接设备的AES XLR输出不带幻象电源保护功能，但摄影机的XLR音频输入仍然输送幻象电源时，您的设备可能遭到损坏。断开麦克风时，请务必确保+48V开关处于关闭状态。

19 控制和播放按钮

对焦

当使用支持电子对焦调整的B4或EF镜头时, 您可通过“FOCUS”按钮激活自动对焦。翻折式监视器上会出现一个白色的对焦方框。框内的所有内容都会被准确对焦。当镜头完成对焦后, 方框就会消失。

如要使用“FOCUS”按钮, 您的B4镜头必须拥有伺服对焦控制, 并且启用伺服。详情请参考“入门”部分的内容。一些EF镜头也拥有手动和自动对焦模式。为了让URSA Broadcast G2能够用您的镜头自动对焦, 您需要确保镜头设为自动对焦模式。

峰值对焦

按下“PEAK”按钮可开启峰值对焦。您的摄影机拥有两种峰值对焦模式。一种是传统峰值对焦, 它会人为地锐化画面中的对焦区域; 还有一种是使用彩色线条, 将画面中清晰对焦的区域以黑色、白色、红色、绿色或蓝色线条叠加标出。详情请参考本手册“监看设置”部分的内容。

提示 如果您将记录的视频输出至Blackmagic Video Assist或HyperDeck Studio HD Mini, 应确保相关输出的峰值对焦处于关闭状态。可以在前方SDI或主SDI上应用“净信号”来实现。

更多关于输出“净信号”的内容, 请参考本手册“监看设置”部分的介绍。

节目

节目按钮标有“PGM”字样, 可将LCD和前方SDI输出在摄影机拍摄画面和任何通过摄影机后面板的12G-SDI输入连接的信号画面之间切换。这样您就能将摄影机作为一台直播摄影机使用, 连接到切换台的节目输出上, 并且还能在拍摄时进行监看。长按“PGM”按钮可看到您的节目信号。连按两次该按钮将锁定节目信号。再次按该按钮可关闭节目信号。

您的摄影机和切换台必须设置成相同的分辨率和帧率, 才可以显示切换台的节目输出。

菜单

按下“MENU”按钮可打开主菜单界面。更多关于主菜单功能以及如何调整设置方面的信息, 请参考“设置”部分的内容。

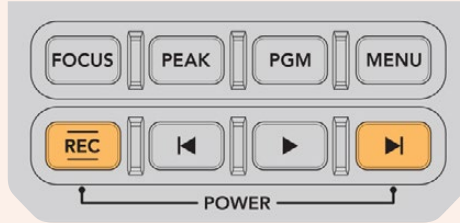
记录

按其中任何一个标有“REC”的按钮均可开始和停止记录。详情请参考“记录”部分的内容。

播放控制按钮

播放按钮可用于开始或停止播放功能, 并可跳到上一个或下一个片段。使用EF卡口时, 前进和后退按钮还可在使用兼容镜头时用于控制光圈的开合。更多有关播放按钮的使用信息, 请参考“播放”部分的内容。

备注 您可以通过多个内部控制面板上的按钮开启或关闭URSA Broadcast G2。当摄影机电源关闭时，按下“REC”和步进按钮将开启摄影机，当电源开启时，该操作将关闭摄影机。当摄影机的电源开关在“ON”状态，但摄影机处于关闭状态，可能因为已经通过控制面板关闭。打开电源开关即可回到正常操作。



摄影机视频输出

HD监看输出

Blackmagic URSA Broadcast G2的下变换3G-SDI输出接口可始终输出1080 HD视频，因此您可以轻松连接到矩阵、监视器、SDI采集设备、广播级切换台和其他SDI设备。此输出在触摸屏设置菜单里标记为“前方SDI”。

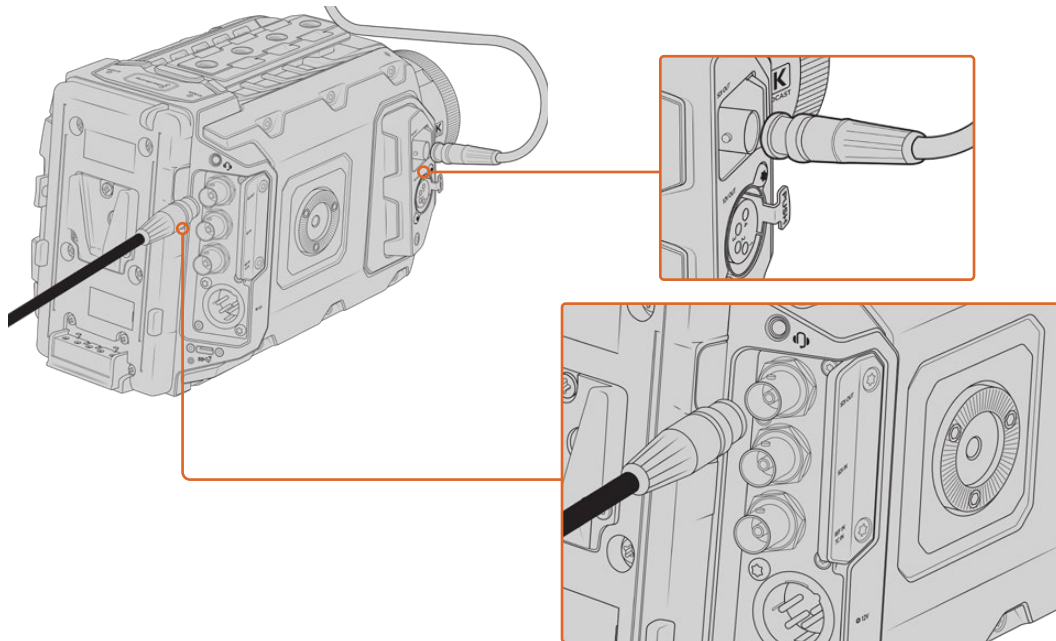
12G-SDI输出

机身后面板上的12G-SDI输出接口可通过单根SDI线缆支持HD和Ultra HD视频，包括2160p50、59.94和60等高帧率逐行格式。隔行HD格式还支持包括1080i50、59.94及60的格式。您可以用12G-SDI输出连接任何SDI监看器及Ultra HD切换台，如ATEM Production Studio 4K。在触摸屏“监看”选项卡“主SDI”菜单的“SDI输出”设置中选择1080p或2160p，可让此输出在HD和Ultra HD之间切换。详情请参阅本手册后面关于“监看设置”部分的内容。

连接视频切换台

SDI输出能方便您将摄影机用于现场电视制作。后面板的SDI输出接口可直接连接到制作切换台进行现场制作工作，也可以连接到ATEM Camera Converter转换成光纤信号，以便传送至几百米外的转播车上。

连接到切换台时，您可以通过Blackmagic URSA Broadcast G2轻松查看切换台上的节目输出。要获得这一功能，首先要将切换台连接到摄影机后面板的12G-SDI输入接口上。然后按下摄影机翻折式监视器上标有“PGM”的节目按钮。再次按下“PGM”按钮即可切换回摄影机画面。



您可将12G-SDI输出连接至任何1080 HD或Ultra HD现场制作切换台或监视器。HD监看输出可连接到如Blackmagic URSA Viewfinder等外部寻像器上, 也可在连接制作设备时连接外部监视器, 例如摇臂等。

连接到监视器

拍摄鸟瞰镜头、将摄影机安装到摇臂上或车上时, 无法通过翻折式监视器进行监看, 此时摄影机的SDI输出监看功能会很有帮助。

在触摸屏“监看”选项卡的“前方SDI”菜单中调整设置, 就可通过您的HD-SDI监看输出接口显示叠加信息。这一设置可启用帧导栏功能, 并显示记录详情和摄影机设置等信息。如果您只需要监看拍摄的镜头, 您可以关闭叠加功能, 获得无叠加信息的SDI输出。

将摄影机SDI输出连接到SDI监视器或Blackmagic SmartScope Duo 4K可获得现场波形监看。

备注 当您以“Film”动态范围拍摄并且在SDI输出上使用“Gen 5 Film to Rec 2020 Hybrid Log Gamma”或“Gen 5 Film to Rec 2020 PQ Gamma”LUT时, 后面板SDI输出和3G-SDI监看输出会自动为HDR视频标记辅助元数据, 这意味着您可以通过其中一个SDI输出在HDR屏幕上显示惊艳的HDR画面。

SDI输出格式

后面板SDI输出	2160p23.98、24、25、29.97、30、50、59.94、60。 1080p23.98、24、25、29.97、30、50、59.94、60。 1080i50、59.94、60。
3G-SDI监看输出	1080p23.98、24、25、29.97、30、50、59.94、60。 1080i50、59.94、60。

提示 要一次使用两种编解码进行实时记录或同时备份, 您可以将来自URSA Broadcast G2的信号经由后面板SDI输出发送到Blackmagic Video Assist或HyperDeck。

触摸屏控制

触摸屏

拍摄高低角度时, 可以旋转Blackmagic URSA Broadcast G2翻折式LCD触摸屏。当您使用URSA Viewfinder从事肩扛式拍摄并合上LCD屏幕时, 可通过LCD屏幕背面的按钮控制URSA Broadcast G2。

触摸屏功能

LCD触摸屏采用触摸式互动界面, 能为用户实带来快捷直观的操作体验。您可以在URSA Broadcast G2的LCD触摸屏上进行点按和滑动操作, 从而快速实现拍摄时可能用到的摄影机功能。

触摸屏显示包括顶部和底部工具栏。顶部工具栏包含快门速度、光圈、增益等常用控制设置。底部工具栏包含存储提示、音频表、播放控制以及直方图。

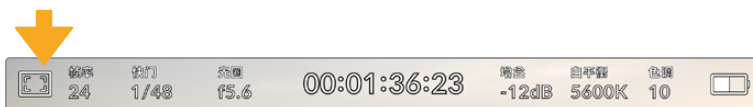


URSA Broadcast G2的LCD触摸屏采用全面直观的HUD设计, 您可以轻松获得最常用的摄影机设置

顶部工具栏

LCD监看选项

点击URSA Broadcast G2摄影机LCD触摸屏左上角的监视器图标可进入LCD监看设置。这些设置可用于切换并调整URSA Broadcast G2监视屏的各项显示功能, 包括斑马纹、对焦辅助、帧导栏以及网格选项。当您进入LCD监看选项时, 这些功能的控制项会显示在LCD触摸屏底部的选项卡菜单中。

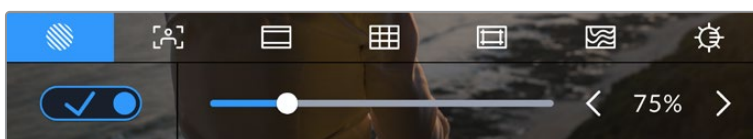


点击URSA Broadcast G2的LCD触摸屏左上所示图标可进入LCD监看选项。

斑马纹

斑马纹设置可开启或关闭LCD触摸屏上的斑马纹显示，还可以为所有URSA Broadcast G2输出设置斑马纹级别。

斑马纹会将画面中超过设定曝光的部分以斜线标出。例如，将斑马纹设定为100%可显示完全过曝的区域。这一功能对于既定照明条件下实现最佳曝光值非常有帮助。



进入LCD监看选项后，点击斑马纹图标可设置URSA Broadcast G2的斑马纹选项。

要开启或关闭LCD触摸屏的斑马纹功能，只要在斑马纹界面中点按屏幕左下方的开关图标即可。

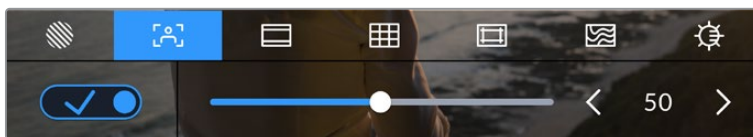
向左或向右拖动滑块或点按斑马纹程度提示旁边的箭头按钮，可为斑马纹显示设置曝光级别。共有八个斑马纹预设，包括中灰、中灰 + 1挡，还有从75%到100%每5%增量的曝光级别。

更多关于在摄影机前方和主SDI输出上启用斑马纹的信息，请参考本手册“监看设置”部分的内容。

提示 如果您在户外阴天等易变的照明条件下拍摄，将斑马纹设置在100以下能提示您可能出现过曝的区域。

对焦辅助

该设置可开启或关闭LCD触摸屏上的对焦辅助显示，还可以为URSA Broadcast G2上的所有输出设置对焦辅助级别。



进入LCD屏幕的监看选项后，点击对焦辅助图标可设置URSA Broadcast G2的对焦辅助选项。

要开启或关闭LCD触摸屏的对焦辅助功能，只要在对焦辅助界面中点按屏幕左下方的开关图标即可。

要为URSA Broadcast G2上的所有输出设置对焦辅助级别，可向左或向右拖动触摸屏底部的滑块，或者点按对焦辅助级别一侧的箭头按钮。

对焦辅助的最佳级别因拍摄画面而异。例如，对焦人物时，设置较高的对焦辅助可有助于解决人物面部边缘细节的问题。而如果是对焦植物或建筑物，较高的对焦辅助设置反而会显示许多干扰信息。

更多关于在摄影机前方和主SDI输出上启用对焦辅助的信息，请参考本手册“监看设置”部分的内容

提示 URSA Broadcast G2设有两种对焦辅助模式。您可以在“监看”设置菜单中的“峰值对焦”和“彩色线条”两种对焦辅助选项间进行切换。更多信息请参考“监看设置”和“对焦辅助”部分的介绍。

帧导栏

帧导栏设置可开启或关闭LCD触摸屏上的帧导栏显示。您还可以为URSA Broadcast G2上的所有输出选择帧导栏选项中的一种。

帧导栏包括用于电影、电视和网络标准的不同宽高比。



进入LCD监看选项后，点击帧导栏图标可设置URSA Broadcast G2的帧导栏选项。

要开启或关闭URSA Broadcast G2 LCD触摸屏的帧导栏显示，只要点按屏幕左下角的开关图标即可。

要选择您想使用的帧导栏选项，请左右拖动滑块，或点按当前所选宽高比两侧的箭头进行调整即可。

帧导栏选项如下：

2.35:1、2.39:1和2.4:1

可显示宽屏宽高比，适用于变形或遮幅宽银幕电影。由于电影标准随时间改变，这三种宽高比或采用略微不同的宽屏设置。2.39:1是目前最为广泛使用的电影宽屏标准之一。

2:1

该选项可显示较16:9略宽的画面比例，但宽度低于2.35:1。

1.85:1

可显示另一种常用的遮幅宽银幕电影宽高比。宽度介于HDTV 1.78:1和2.39:1规格之间。

16:9

显示为1.78:1宽高比，兼容16:9高清电视机和计算机屏幕。

该宽高比最常用于HD播出和网络视频。此外，Ultra HD播出也使用这一宽高比。

14:9

可显示某些电视台所用的14:9宽高比，是16:9和4:3电视标准的折中方案。理想状态下，当16:9和4:3素材经中心裁切以符合14:9宽高比时仍然保持清晰画面。如果您的项目可能会在使用14:9宽高比的电视台播出时，可使用此帧导栏作为构图辅助。



URSA Broadcast G2的LCD触摸屏启用14:9帧导栏设置后的显示。

4:3

采用4:3宽高比，适用于SD电视屏幕，或在使用2倍变形附加镜时帮助构图取景。

1:1

该选项可显示较4:3略窄的1:1画面比例。这一正方形画面比例正在社交媒体领域日渐普及。

4:5

该选项可显示4:5的宽高比。这一纵向画面宽高比是人像和智能手机观看的理想选择。

自定义帧导栏比例

要自行创建帧导栏比例获得独特观感，可点按箭头图标按钮之间的比例显示。在出现的“自定义帧导栏”屏幕上，点按删除按钮将当前比例删除，然后使用数字键盘指定一个新的比例。点按“更新”应用自定义帧导栏比例，然后回到拍摄画面。



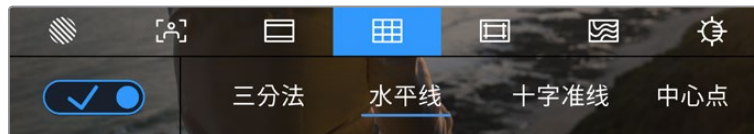
使用“自定义帧导栏”屏幕上的数字键盘输入一个新的帧导栏比例

提示 您可以更改帧导栏叠加信息的不透明度。详情请参考本手册“监看设置”部分的内容。

备注 更多关于在摄影机前方和主SDI输出上启用帧导栏的信息，请参考本手册“监看设置”部分的内容。

网格

网格设置可在LCD触摸屏上开启三分法网格、十字准线或中心点显示，还可以设置URSA Broadcast G2所有输出上显示哪些叠加信息。

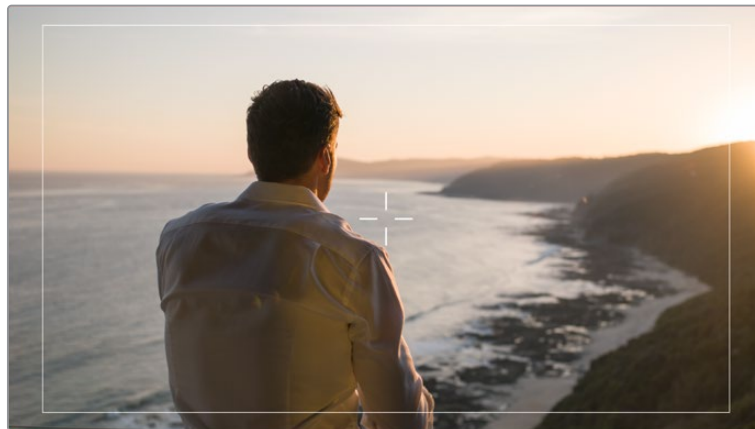


进入LCD监看选项后，点击网格图标可设置URSA Broadcast G2的网格选项。

网格和十字准线叠加信息可以帮助您构图。当开启网格选项后，URSA Broadcast G2可显示三分法、十字准线或中心点。

要开启或关闭URSA Broadcast G2上的触摸屏帧导栏显示，只要在帧导栏界面中点按屏幕左下方的开关图标即可。

将设置完毕的URSA Broadcast G2作为当前节目视频源连接到ATEM切换台，并将网格设置为开启状态时，红色的节目Tally框将自动在LCD上亮起。



连接ATEM切换台发送Tally信号时，若启用了网格，摄影机画面预览周围会出现红色边框

想要选择在URSA Broadcast G2的所有输出上显示哪类叠加信息，只要点按“三分法”、“十字准线”或“中心点”选项即可。



三分法网格可自动缩放放到任意屏幕帧导轨。

三分法

“三分法”设置取画面三分之一处分别加以两条竖线和两条横线组成网格叠加显示。三分法是一种帮助镜头构图的极其强大的工具。例如，人眼通常会注意力落于两条直线的交叉点位置，因此网格非常有助于构图时将关键元素定位在这些重要区域。演员的视线通常都是取景在屏幕上三分之一部分，因此您可以使用上面的那条水平线来帮助您构图。三分法有利于不同镜头间保持构图的一致性。

水平线

“水平线”设置可在摄影机发生左右或者上下倾斜的时候给出提示。从而帮助您在手持拍摄时将摄影机保持在水平状态，较好地平衡摄影机在云台上的倾斜情况。

当摄影机上下或左右倾斜时，灰色的横线和竖线提示会从中心偏离。这些线条偏离中心十字标线的距离等比对应摄影机发生上下或左右倾斜的程度。摄影机的运动传感器校准完成后，当摄影机上下或左右倾斜变成水平后，移动线条提示变为蓝色。

请注意，如果摄影机朝正下方拍摄俯瞰镜头，或朝正上方进行拍摄，水平线指示也会有相应反馈。假如您旋转摄影机来拍摄竖屏画面，水平线指示会将横纵轴也旋转90度。

下面的表格显示了摄影机发生不同方向的倾斜时，水平线所给出的相应指示。

水平线指示	描述
	垂直且水平
	向下倾斜且水平
	垂直且向左倾斜
	向上倾斜且向右倾斜

正常使用时，可将水平线指示校准为垂直且水平。如果您想要使用水平线指示来保持一致的斜角镜头 (Dutch Angle)，或者保持一致的倾斜角度来拍摄俯瞰或仰角镜头，也可将水平线指示校准为某个斜面角度。更多关于如何校准水平线指示的信息，请查阅“运动传感器校准”部分。

十字准线

“十字准线”设置可在画面中心标以十字准线。十字准线和三分法一样，都是非常有用的构图工具，可以让您轻松将画框的正中心对准某个拍摄对象。在拍摄用于快速剪切的场景时也可能用到这一功能。将观众的视线始终保持在画面中心，能够有助于他们在观看快速剪辑的画面时跟上节奏。

中心点

“中心点”设置是在帧画面的中心放置一个圆点。这一设置和“十字准线”设置的作用完全一样，只不过这一叠加显示更小，因此所造成的干扰也更小。

您可以在网格菜单同时点选两个选项，分别启用“三分法”和“十字准线”，或“三分法”和“中心点”的组合。“十字准线”和“中心点”不能同时选中。

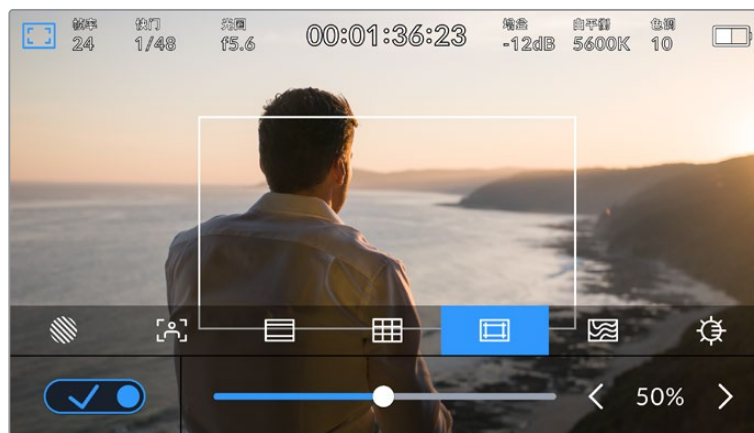
提示 更多关于在URSA Broadcast G2前方和主SDI输出上启用网格设置的信息，请参考本手册“监看设置”部分的内容。

安全框

“安全框”设置选项用于打开或关闭LCD触摸屏上的安全框，以及设置URSA Broadcast G2上所有输出的安全框尺寸。

安全框是广电制作行业的常用工具，可用来确保观众观看到镜头中最重要的内容。将镜头中最重要的内容保持在中间区域的安全框内，一方面能避免一些电视机出现的画面裁切问题，另一方面还可以留下一定空间，以便播出机构在屏幕边缘添加台标、新角标和其他叠加信息。许多播出机构都要求内容发布方将影像素材的安全区域限制在画面的90%之内。

安全框还可以帮您为镜头构图，方便您在后期制作中裁切图像的边缘来稳定镜头。它们也可以用来显示特定的裁切。比如以Ultra HD 3840x2160记录时将其设置为50%，您可以看到1920x1080的画面裁切效果。安全框还会根据帧导栏来调整尺寸，它们会通过调整以显示目标帧的已选百分比。



图为设置到85%的安全框

要开启或关闭LCD触摸屏的安全框，只要在安全框界面中点按屏幕左下方的开关图标即可。要设置URSA Broadcast G2上所有输出的安全框程度，可以点按触摸屏下方当前数值左右任何一边的箭头。或者，您也可以左右拖动滑块进行调整。

伪色

“伪色”设置可以打开或关闭LCD触摸屏上的伪色曝光辅助。

伪色功能可在您的图像上叠加不同色彩，以代表图像中不同元素的曝光值。例如，粉色代表了适合较浅肤色的最佳曝光，而绿色则是较深肤色调的对应色彩。在记录人物画面时可通过查看粉色或绿色伪色来保持肤色曝光的一致性。

以此类推，当您图像中的元素从黄色变到红色，就意味着现在处于过曝状态。



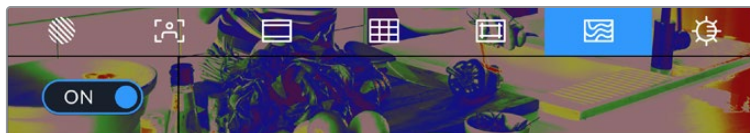
摄影机显示屏左侧的IRE伪色表给出了不同伪色所代表的含义。

伪色	含义
95%WC	白色削波
80%WC	接近白色削波
MG+1	比中性灰高一级
18%MG	中性灰
NBDL	接近黑色细节缺失
BDL	黑色细节缺失



在一个曝光合理的画面中，肤色调会用绿色和粉色伪色来表示。

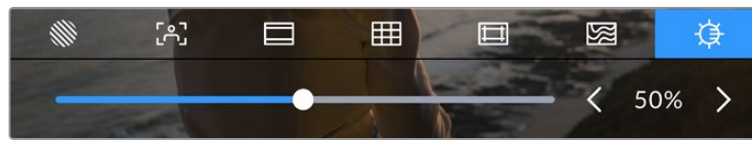
要开启或关闭LCD触摸屏的伪色功能，只要在伪色界面中点按屏幕左下方的开关图标即可。



“伪色”曝光辅助

屏幕亮度

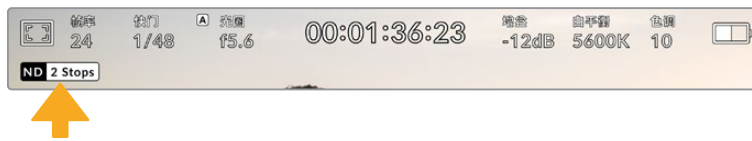
点按屏幕亮度图标，并左右拖动滑块可调节URSA Broadcast G2的触摸屏亮度。



屏幕亮度设置为50%。

ND滤镜提示

URSA Broadcast G2的LCD触摸屏左上角设有一个ND滤镜提示，并且可通过设置在任何SDI输出上显示状态信息。这一提示会使用您在“设置”菜单中选择的格式。

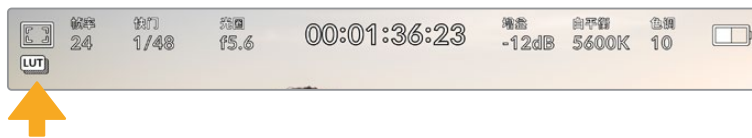


图为URSA Broadcast G2上的ND滤镜设置提示

备注 您可以根据自己的习惯，调整ND滤镜提示所使用的术语。选项包括ND号码，挡数，以及分数。您可以在URSA Broadcast G2“设置”菜单中选择偏好的格式。

LUT提示

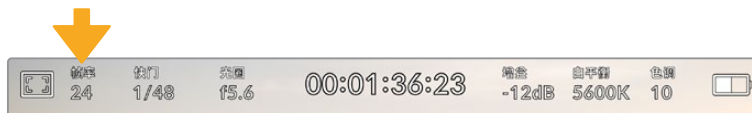
启用“状态信息”并在输出上套用了LUT时，在LCD屏幕、前方SDI或主SDI输出画面上会显示白色的图标。如果记录到Blackmagic RAW，并且在“记录”设置中启用了“在文件中套用LUT”，那么该LUT图标将为蓝色。



图中的“LUT”图标表示当前画面套用了LUT

每秒帧数

“FPS”提示可显示您当前所选的帧率。



URSA Broadcast G2的每秒帧数提示。点按可设置帧率

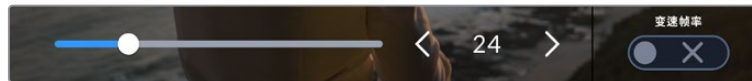
在LCD触摸屏底部的菜单里，点按“FPS”提示可让您更改摄影机传感器及项目帧率。

项目帧率

“项目帧率”是URSA Broadcast G2的记录格式帧率,它具备影视行业所使用的各类帧率。通常,这一帧率是设定为与您后期制作工作流程中的播放速度所匹配的帧率。

Blackmagic URSA Broadcast G2共有8种项目帧率设置分别为每秒23.98、24、25、29.97、30、50、59.94以及60帧。

想要在“FPS”菜单中调整URSA Broadcast G2的项目帧率,请点按触摸屏左下角当前帧率旁边的左右箭头。或者,您也可以左右拖动滑块进行调整。

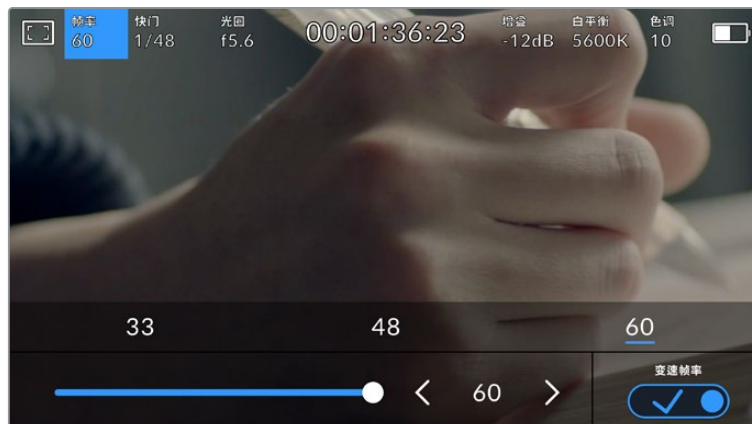


点按项目帧率两侧的箭头或移动滑块进行调整。

提示 URSA Broadcast G2的项目帧率还可以设置前方和主SDI输出画面的帧率。

传感器帧率

传感器帧率可设定传感器每秒所记录的实际帧数。这一帧率将会影响视频播放的快慢,视您所设置的项目帧率而定。



启用“变速帧率”选项后,点按某个预设或传感器帧率两侧的箭头图标,或者移动滑块就可进行调整。

默认情况下,URSA Broadcast G2会采用相同的项目帧率和传感器帧率进行拍摄,以获得正常的播放速度。但是,您可以点按URSA Broadcast G2摄影机“FPS”菜单右下方的“变速帧率”开关图标来单独设置传感器帧率。需要注意的是,“变速帧率”只有在记录Blackmagic RAW或ProRes编解码时才可用。

如要更改您的传感器帧率,请点按触摸屏左下方传感器提示旁边的左右箭头。您也可以左右拖动滑块来增加或减少帧率。放开滑块后,传感器帧率将完成设置。您可以点按滑块上方的常用变速帧率。这些是根据您当前项目帧率给出的。

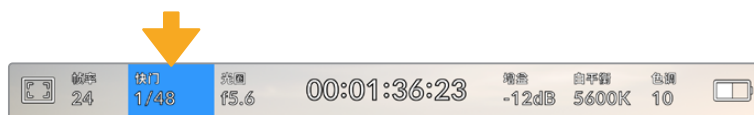
您可以设置各种不同的传感器帧率,使片段播放时呈现出各种丰富有趣的速度效果。当传感器帧率被设置为高于项目帧率时,播放片段可营造出慢动作效果。例如,以60fps的传感器帧率进行拍摄,以24fps的项目帧率进行播放,能创建出低于实际速度一半的慢动作效果。换言之,传感器帧率越是低于项目帧率,播放片段时就越快。这一原理类似于电影摄影机的快速拍摄(Overcranking)和慢速拍摄(Undercranking)。快速拍摄可增高传感器帧率,因此播放时可拖慢镜头画面进程,起到突出强调的作用。慢速拍摄可降低传感器帧率,因此播放时可加快画面动作,从而使画面更具动感。这一设置可为您提供无限的创作空间!

关于每个记录格式和编解码可用最大帧率的信息,请参阅本手册“记录”章节的表格。

备注 选中“变速帧率”选项后,URSA Broadcast G2的视音频将不再同步,即使设置了相同的项目帧率和传感器帧率也是如此。鉴于这个原因,如果您想要确保音频同步,则不要选中“变速帧率”选项。

快门

“快门”提示可显示您的快门速度。点按此提示可手动更改URSA Broadcast G2的快门速度或配置基于快门的自动曝光模式。



URSA Broadcast G2的快门提示。点按可进入快门设置。

快门速度定义了视频中运动模糊的级别,可对不同的光线条件进行补偿。自然运动模糊的快门速度设置和可选设置取决于您所使用的帧率。比如,当以30p拍摄时,1/60秒的快门速度相当于180度快门角度,这对于电影项目是非常普遍的设置。然而,如果您以25p拍摄,要实现同样的效果,需要把快门设置为1/50。

对于自然运动模糊,您可以通过将帧率乘以二来计算快门速度。所以当帧率为30p时,将快门速度设为1/60秒就可以获得自然运动模糊效果。

如果您想要传感器获得更多光线,可以根据帧率将快门设置到最慢。例如:25p用1/25,30p用1/30。当快门速度最慢时,运动模糊看起来会有些夸张。

如果您想要减少运动模糊,让运动看起来更锐利细致,可以把快门速度提高,比如30p用1/120每秒,或者25p用1/100秒。如果您熟悉快门角度的话,这相当于90度快门角度。

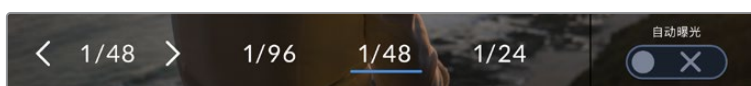
您可以尝试不同的快门速度,从而确定能够为图像提供不同运动模糊级别的设置。

在灯光照明条件下拍摄时,快门速度的设置会影响画面的闪烁程度。URSA Broadcast G2将根据当前的帧率自动计算出防闪烁快门速度。速度值可能会受到您所在地区的主电源频率的影响。您可以在URSA Broadcast G2的设置菜单中将本地电源频率设为50Hz或60Hz。详情请参考“设置”部分的内容。

点按URSA Broadcast G2触摸屏底部的“快门”提示可调出快门速度菜单。如果您将自动曝光设为关闭，此时屏幕将显示您当前所选的快门速度，并将显示出根据您在URSA Broadcast G2“设置”菜单中所选的主电源频率所得出的所有可用的防闪烁快门速度。详情请参考本手册“设置”部分的内容。

备注 即使使用防闪烁快门速度，不同光源所具备的特点也依然有可能导致闪烁现象。如果您使用的不是持续光源，我们建议拍摄前请始终进行测试。

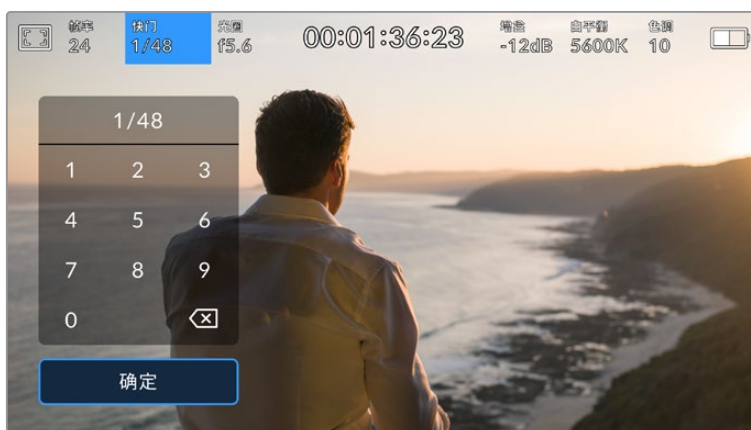
如要选择某一种防闪烁快门速度，只需点按一个显示的快门值。使用当前快门值提示两侧的箭头可逐个查看一些最常用的值。



URSA Broadcast G2将根据您在“设置”菜单中所选的主电源频率给出一组防闪烁快门速度建议。

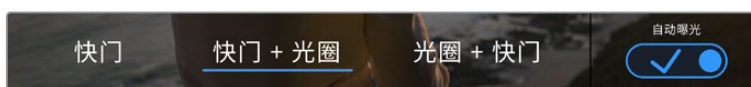
如果您希望选择一个特定的快门值，可以连按两次屏幕左下方的当前快门提示，屏幕上会出现一个小型键盘供您输入任何想要的快门值。

当您输入的快门值低于当前的帧率，比如快门值为1/25，而拍摄帧率为29.97fps，系统将采用最接近的可实现快门值。这个例子中最接近的快门速度为1/30。



您可以利用手动快门的小型键盘输入任何想要的快门值

URSA Broadcast G2设有三类基于快门的自动曝光模式。要选择三者之一，请点按快门菜单最右侧的“自动曝光”按钮。



点按“自动曝光”可进入基于快门的自动曝光模式选项。

快门

“快门”设置可自动调整快门速度来确保恒定曝光，并同时保持光圈恒定。如果您需要保持景深不变，请选择这一设置。值得一提的是，细微的快门自动调整可能会影响到运动模糊。此外，也请您留意室内拍摄时不同的照明条件可能会造成闪烁现象。URSA Broadcast G2的自动光圈功能在选择“快门”自动曝光模式时不可使用。

快门+光圈

“快门+光圈”设置可先调整快门，再调整光圈，以保持正确的曝光水平。如果已达到最大或最小快门速度，曝光仍不能维持，那么URSA Broadcast G2将开始调整光圈来保持曝光恒定。

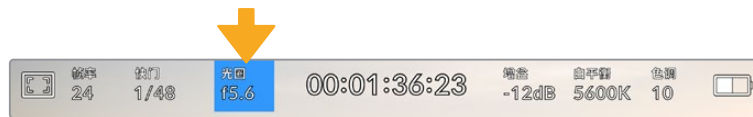
光圈+快门

“光圈+快门”设置可先调整光圈，再调整快门速度，以保持正确的曝光水平。如果已达到最大或最小光圈，曝光仍不能维持，那么URSA Broadcast G2将调整快门速度来保持曝光恒定。

提示 当影响快门的自动曝光模式启用时，URSA Broadcast G2触摸屏顶部快门速度提示的旁边会出现一个字母“A”小型图标。

光圈

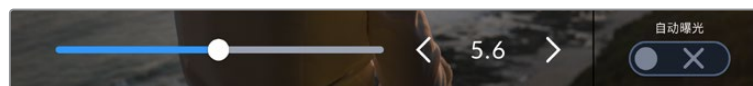
“光圈”提示可显示您当前的镜头光圈。点按此提示可更改兼容镜头的光圈并配置基于光圈的自动曝光模式。



URSA Broadcast G2的光圈提示。点按可进入光圈设置。

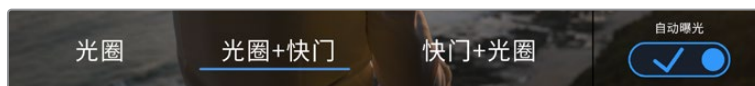
备注 要在LCD触摸屏调整光圈，您的URSA Broadcast G2必须要搭配支持通过摄影机更改光圈的镜头。如果您通过广播级12针接口连接B4或PL镜头，请确保手柄上的镜头光圈设置为“A”或“Auto”（自动）。

点按URSA Broadcast G2触摸屏底部的“光圈”提示可调出相应菜单。当前镜头光圈将显示在此菜单的最左侧。想要更改光圈，可点按当前光圈两侧的箭头或左右拖动滑块。



在“光圈”菜单中，点按光圈提示左右两侧的箭头或使用滑块来调整光圈设置。

点按光圈菜单最右侧的“自动曝光”的开关图标可打开光圈自动曝光菜单。



在“光圈”菜单中，点按“自动曝光”可进入基于光圈的自动曝光模式选项。

该操作可调出以下自动曝光选项。

光圈

“光圈”设置可自动调整光圈来确保恒定曝光，并同时保持快门速度恒定。它可保持运动模糊恒定，但可能会影响您的景深。

光圈+快门

“光圈+快门”设置可先调整光圈，再调整快门速度，以保持正确的曝光水平。如果已达到最大或最小光圈，曝光仍不能维持，那么URSA Broadcast G2将调整快门速度来保持曝光恒定。

快门+光圈

“快门+光圈”设置可先调整快门，再调整光圈，以保持正确的曝光水平。如果已达到最大或最小快门速度，曝光仍不能维持，那么URSA Broadcast G2将开始调整光圈来保持曝光恒定。

当影响光圈的自动曝光模式开启时，URSA Broadcast G2触摸屏顶部光圈提示的旁边会出现一个“A”字样小标。

提示 PL或B4镜头专为视频或电影制作设计，因此自动曝光功能搭配使用此类兼容镜头时可获得细腻流畅的效果。而EF镜头在更改光圈时可能会出现较为明显的逐级曝光变化。基于这一原因，当采用EF镜头拍摄时，我们建议仅使用“快门”自动曝光设置。

时长显示

您可以在URSA Broadcast G2的LCD触摸屏顶部看到摄影机的时长显示。



图为URSA Broadcast G2的时长显示，该数值会在记录时变成红色

时长显示为您提供了一个时间码计数器，可用于检查素材片段长度并在记录和播放时监看时间码。计数器会以时：分：秒：帧的顺序显示，当记录或播放片段时将按照这一计时方式进行。时间码会在记录时变成红色。

每个片段的显示时长会从00:00:00:00开始。当前片段或最后记录片段的时长将显示在触摸屏上。当日时间的时码会嵌入片段，以便后期制作时使用。

想要查看时间码，只要点按时长显示即可。再次点按时长显示可回到片段时长。

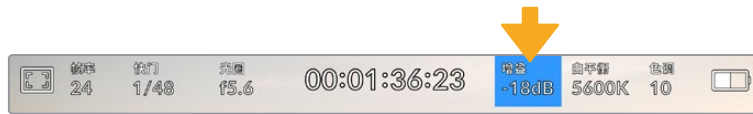
时长显示周围还可能出现以下其他状态提示：

- TC** 当显示时间码时，此标识会出现在时长显示的右侧。
- EXT** 当连接有效的外部时间码时，此标识会出现在时长显示的右侧。
- INT** 当摄影机在完成“拥塞同步”并断开连接后脱离其内部时间码时，此标识会出现在时长显示的右侧。
- PRE** 当您查看“预设记录运行”时间码时，此标识会出现在时长显示的右侧。
- REF** 根据同步输入设置，当连接有效同步视频源且信号锁定时，会出现此标识。
- W** 当Blackmagic URSA Broadcast G2使用裁切传感器模式时，此标识会出现在时长显示的左侧。

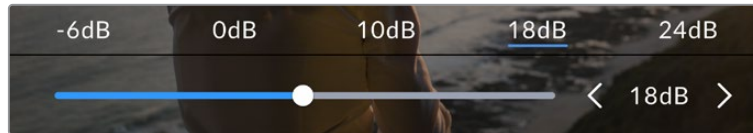
增益

“增益”提示显示了URSA Broadcast G2当前的增益设置，即感光度。点按此提示可调整增益值来用于不同的照明条件。

对于URSA Broadcast G2最佳的设置是0dB。



URSA Broadcast G2的增益提示。点按提示可进入增益设置。

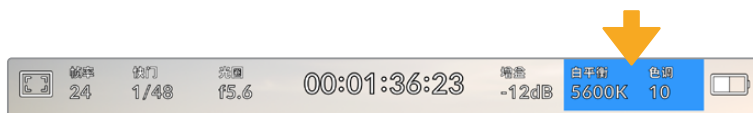


位于增益菜单下时，URSA Broadcast G2的增益设置会出现在LCD触摸屏的下方。使用预设下方的滑块和箭头能以1/3为单位调整增益。

这一增益设置可能会偏高或偏低，因此请根据拍摄现场的不同情况妥善设置。例如，在低光照条件下拍摄时可使用+18dB设置，但可能导致一些可见噪点。而在明亮环境下拍摄时，则可使用-6dB设置，以便获得更浓郁的画面色彩。

白平衡

“白平衡”和“色调”提示可分别显示摄影机当前的白平衡和色调设置。点按这两个提示可让您根据不同的照明条件来调整摄影机的白平衡和染色设置。



点按“白平衡”和“色调”可分别进入相应设置。

每种光源都会发出一种色调。例如，烛光会发出暖色调，阴天会发出冷色调。白平衡设置用于图像的色彩平衡，通过综合调整图像中的橙色和蓝色以确保白色物体在拍摄到的画面中依然为白色。例如，在钨丝灯下拍摄时会发出暖色的橙光，因此可选择3200K为图像添加一些蓝色调。如此平衡颜色后，白色可以被准确记录下来。

URSA Broadcast G2包含多种白平衡预设，适用于各类色温条件。具体设置有：

	明亮日光	(5600K)
	白炽灯	(3200K)
	荧光灯	(4000K)
	混合照明	(4500K)
	多云	(6500K)

只要点按或长按白平衡菜单左下方色温提示的左右箭头图标，就可以自定义更改任意预设。每点按箭头图标一次可将色温上调或下调50K，长按箭头图标则能以更大幅度实现快速调整。您也可以滑动白平衡菜单的色温滑块进行调整。

想要进一步调整图像，可以调整色调参数。此设置可综合调整图像的绿色和品红色。例如，添加品红可补偿荧光灯的绿色色偏。很多URSA Broadcast G2的白平衡预设都包括一些色偏调整。



点按URSA Broadcast G2上的白平衡和色调提示可让您获得五种预设，以及左侧的白平衡提示和滑块，和右侧的色调提示。请根据不同的照明条件来调整自定义白平衡设置。

位于白平衡菜单下时，摄影机当前的色调设置会显示在屏幕右下方。点按或长按色调提示的左右箭头可调整色调。可调整范围在-50到+50之间，调整幅度为一个单位。长按箭头图标可加快调整速度。

备注 自定义白平衡或色调设置会把您的预设更改为“CWB”，也就是“自定义白平衡”。自定义白平衡是恒定的；您的CWB设置在重启、切换到预设及切换回CWB时都将保持配置不变。这样您就可以轻松将自定义白平衡和上一次所使用的预设相比较。

自动白平衡

URSA Broadcast G2可自动设置白平衡。点按“AWB”图标可调出白平衡设置界面。

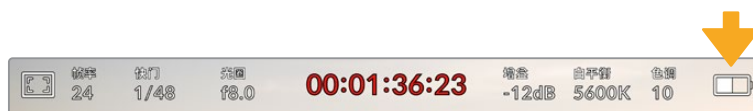
自动设置白平衡时，画面中心将出现一个方框。请将此方框对准画面中某个中性色调的部分，如白卡或灰卡，并按“更新白平衡”。URSA Broadcast G2将自动调整其白平衡和色调值，并尽可能让白平衡方框内白色或灰色部分的平均值保持在中性。更新后，此数值可设为您摄影机的自定义白平衡设置。



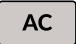
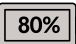



在白平衡菜单中点按“AWB”图标，可调出自动白平衡设置界面。将界面中的方框对准白色或中性灰色表面来自动设置一个中性白平衡。

电源

URSA Broadcast G2的电源状态显示在LCD屏幕的右上角。您可能会看到以下五种提示：



URSA Broadcast G2的电源提示位于LCD触摸屏的右上角。使用电池电源时，点按此图标可在电压和百分比电量显示格式之间切换。

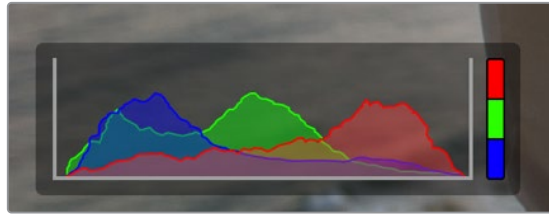
	AC	当URSA Broadcast G2连接主电源时会显示此标识。
	百分比	使用支持百分比电量显示的电池和扣板组合时，选择百分比电量显示能以百分比的形式显示电池电量。当剩余电量为20%时，此提示会变成红色。
	电量条	如果您将电池显示设为百分比设置，但您所使用的电池扣板和电池组合不支持以百分比的形式显示时，URSA Broadcast G2将显示此电池图标，并以25%为单位递减。当剩余电量为20%时，电量条将变成红色。
	电压	当您把电池显示设为“电压”时，此提示将显示电池的剩余电压值。当剩余电量低于12.5V时，此提示将变成红色。当剩余电量降至11.9V时，URSA Broadcast G2将自动关闭。
	光纤	当摄影机连接了Blackmagic Camera Fiber Converter转换器，并且通过SMPTE光纤线缆供电时，就会显示此图标。如果您将XLR电源线连接到URSA Broadcast G2，并同时连接这款转换器，此时将显示AC图标。

使用电池时, 点击电源提示可在电压、百分比或电量条这三种电源提示之间进行切换。

底部工具栏

直方图

直方图位于URSA Broadcast G2触摸屏的左下方。RGB直方图能以单独的红、绿、蓝通道显示画面中的色调分布情况。



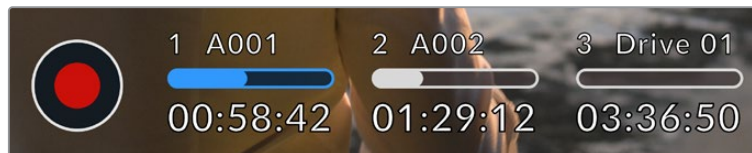
直方图可给出一个关于片段暗部和亮部色调范围的参考。它还非常适合用于查看曝光平衡度, 以防止图像的亮部区域被裁切。

直方图最左侧显示的是阴影或暗部细节, 最右侧显示的是高光或亮部细节。当您关闭或打开镜头光圈时, 会注意到直方图里的信息会相应地向左或向右移动。您可以使用它来查看图像暗部和亮部裁切情况。当红色、绿色或蓝色通道发生裁切时, 直方图右侧对应的提示灯就会亮起。如果直方图的两侧边缘不是呈平缓下降态势, 而是忽然被截断, 那就说明可能有亮部或暗部细节丢失。

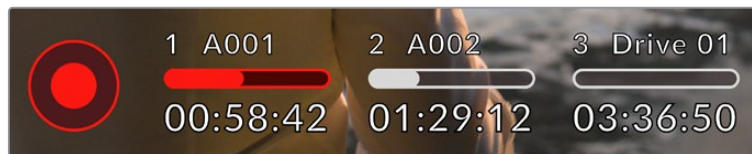
备注 如果触摸屏左下方没有显示直方图, 这可能是因为你将LCD监看设置为显示“编解码和分辨率”。请阅读本手册“监看设置”部分的内容获取更多信息。

记录按钮

URSA Broadcast G2触摸屏底部直方图的旁边有一个带有红点的圆形按钮。这就是记录按钮。点按一次开始记录, 再点按一次可停止记录。记录时, 该圆点按钮、存储介质提示条图标以及URSA Broadcast G2触摸屏顶部的时间码将变成红色。



URSA Broadcast G2的记录按钮位于LCD触摸屏底部的存储介质提示旁边。

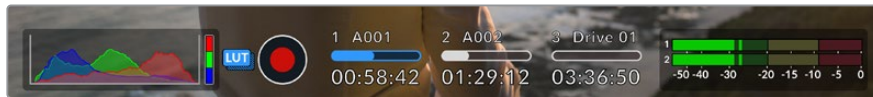


记录时, 记录按钮将变成红色

在文件中套用LUT

如果您记录的是Blackmagic RAW, 并且在“记录”设置选项卡中选择了“在文件中套用LUT”选项, 那么记录按钮旁边会显示蓝色的LUT图标。该LUT图标在待机和记录模式均有显示。

更多关于以Blackmagic RAW记录LUT的信息请参考本手册中“记录设置”部分的内容。

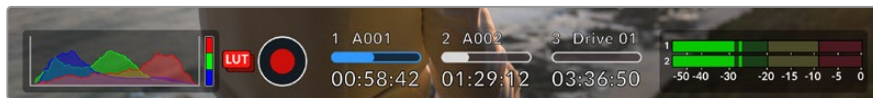


当记录Blackmagic RAW时显示蓝色的LUT图标

将LUT记录到片段

如果您记录的是ProRes、H.264或H.265, 并且选择了“将LUT记录到片段”的选项, 那么记录按钮旁边会显示红色的LUT图标。该LUT图标在待机和记录模式均有显示。

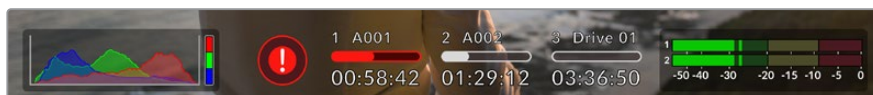
更多关于将LUT和ProRes、H.265或H.264视频编解码一同记录的信息, 请参考本手册“记录设置”部分的内容。



当记录ProRes、H.265或H.264时显示红色的LUT图标

丢帧提示

如果记录按钮上重叠显示一个闪烁的“!”标记, 这表示URSA Broadcast G2在记录时出现丢帧。与之相关联的存储卡所对应的剩余时间提示也将变成红色。例如, 如果您以双卡模式记录, 且存储卡1出现丢帧, 那么记录按钮上显示有“!”提示, 且存储卡1的剩余时间提示将变成红色。这样一来, 您就能明确是哪张存储卡无法达到当前所选的编解码和分辨率。如果您在之前记录的片段上出现丢帧, 屏幕也会显示丢帧提示, 直到记录另一个片段或是重启摄影机为止。更多关于如何避免丢帧的信息, 请参考“选择CFast 2.0卡”、“选择快速SD卡”和“选择快速SSD”部分的介绍。



丢帧提示显示CFast卡1出现丢帧

提示 如果您开启了URSA Broadcast G2的LED状态显示, 当检测到丢帧时该LED会快速闪烁红色。详情请参考本手册“设置”部分的内容。

备注 您可以将URSA Broadcast G2设置为当检测到丢帧时停止记录,以防您因为没有注意到丢帧提示而继续花时间拍摄不可用的素材。详情请参考本手册“记录设置”部分的内容。

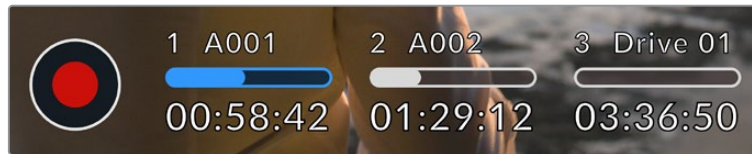
存储状态提示

URSA Broadcast G2的触摸屏底部记录按钮的旁边设有存储介质提示。

剩余记录时间

摄影机内插入CFast、SD卡或连接有USB-C硬盘或SSD时,存储提示会显示每个存储卡或硬盘剩余的记录时间。根据您已选的帧率和编解码设置,记录时长会以“时:分:秒”的格式显示,如果您更改了任意设置,它会重新自动计算。




当存储盘上只剩5分钟左右的记录时间时,该提示的文本会变成红色。如果您记录到单个存储卡或硬盘或为摄影机连接了额外存储设备,当剩余3分钟记录时间时,该提示会缓慢闪烁,当少于30秒记录时间时会快速闪烁。



URSA Broadcast G2的存储提示将显示CFast卡、SD卡、SSD或USB硬盘的名称,以及剩余记录时间

存储介质提示条

剩余记录时间上方的存储介质提示条图标根据其当前状态会显示红白蓝三种状态之一,会显示存储卡或硬盘上所使用的空间。

	蓝色硬盘图标代表正在使用的存储盘。该硬盘将被用于记录。
	白色硬盘图标表示存储介质已连接,但尚未被使用。 实心的白色图标表示存储介质已满。
	红色的图标表示记录中。

要将记录切换到在其他存储卡或存储盘,只要按住相应存储卡、USB-C硬盘或SSD的名称或存储介质提示条进行更换即可。

点按存储介质提示可调出存储和格式化菜单。



在URSA Broadcast G2的LCD触摸屏上点按存储卡提示可调出存储管理器界面。

该菜单可显示URSA Broadcast G2中每个CFast卡、SD卡或所连接的USB-C硬盘或SSD上的剩余空间, 以及存储卡或硬盘名称、剩余记录时间、片段总数, 以及每张存储卡或硬盘的文件格式。点按存储菜单上的存储卡或硬盘图标名称可将其设定为当前所使用的存储卡或硬盘。您的URSA Broadcast G2将首先使用该卡进行记录。

您可以通过这个菜单格式化存储介质。更多关于使用URSA Broadcast G2格式化存储介质的信息, 请参考本手册“在Blackmagic URSA Broadcast G2上格式化存储介质”章节的内容。

音频表

当使用内部麦克风或连接外部音频时, 峰值音频表可显示通道1和通道2的音频电平。您可选择显示PPM或VU音频表。要更改音频表类型, 请参考本手册后面对于“设置”部分的介绍。

为获得理想音质, 请确保将音频电平控制在0dBFS警戒线以下。这是您的摄影机可记录的最高电平, 也就是说任何超过此电平的音频会被裁切掉, 并导致声音失真。



音频表上的彩色显示条代表了峰值音频电平。理想状态下, 峰值音频电平应处在绿色区域。如果音频峰值冲到了黄色或红色区域, 音频就极有可能出现削波。

您可以点按音频表来调出音频输入通道1和2的音量控制, 以及耳机或扬声器音量菜单。



在URSA Broadcast G2的LCD触摸屏上点按音频表可轻松进入音量和耳机或扬声器设置。

对焦缩放

在LCD触摸屏上连续两次点按需要放大的位置，可放大URSA Broadcast G2预览图像的相应部分。在触摸屏上用手指点拖，可移动放大的图像。这非常有助于检查对焦。要回到标准大小视图，只需在触摸屏上再次点按两下即可。

启用“对焦缩放”功能时，您可以在触摸屏上通过捏拉缩放多点触控手势来调整缩放级别。通过URSA Broadcast G2的“设置”菜单可将功能按钮配置成“对焦缩放”开关，类似于在触摸屏上点按两下的控制方式。它可通过配置显示在LCD或者通过前方SDI或主SDI显示在输出上。更多关于如何将功能按钮配置为“对焦缩放”功能的信息，请参阅“F1或F2按钮功能映射为预设或开关”部分的介绍。



图像放大后，LCD触摸屏左上方的提示将显示您正在查看的图像部分。通过菜单滚轮或在屏幕上用手指点拖，可移动图像。

全屏显示模式

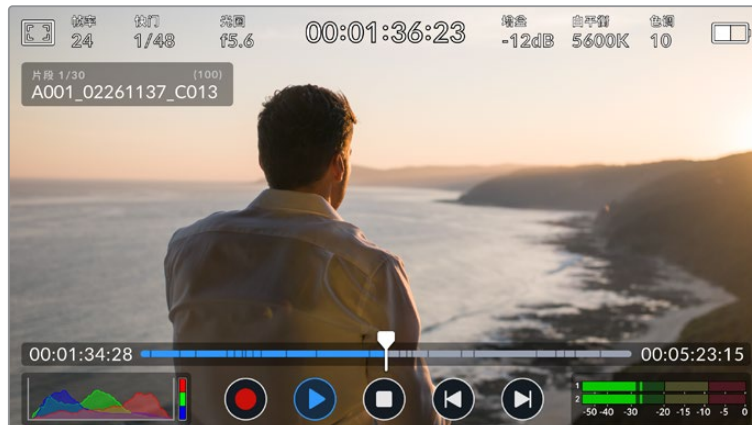
如果您在取景或对焦时想要暂时隐藏触摸屏的状态信息文字和各项技术监看选项，这一功能会非常有用。只要在URSA Broadcast G2的LCD触摸屏上用指尖上下滑动即可隐藏这些显示。而记录提示、帧导栏、网格、对焦辅助以及斑马纹信息将始终显示。



在URSA Broadcast G2的LCD触摸屏上，用指尖上下滑动可隐藏所有的状态提示。

播放菜单

按播放控制按钮可进入播放菜单。您可以通过摄影机控制按钮或LCD触摸屏来控制之前记录的片段。



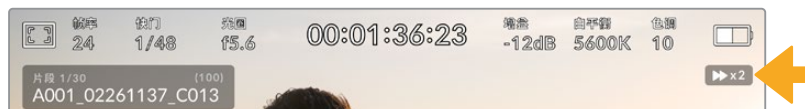
LCD触摸屏可显示一条时间线，上面包含所有记录片段。时间线上的每个部分都代表一个单独的片段。当前片段名称和号码会显示在屏幕左上角，存储卡或存储盘上所包含的片段总数会显示在括号中。

时间线前面的计数器显示了当前播放头的位置，时间线后面的计数器显示了所有片段的时长。

时间线下方的播放控制可让您在各个片段间移动。



	在播放模式点按记录按钮可回到摄影机待命模式, 准备开始记录。
	点按播放按钮, 观看您的片段。现在, 进入播放模式。
	按停止按钮将停止播放。再次按停止按钮可回到摄影机待命模式。
	点按向后跳转按钮一次可将播放头移动至当前片段的第一帧。如果播放头已经位于片段起始处, 则将跳至上一个片段的第一帧位置。
	点按向前跳转按钮一次可将播放头移动至当前片段的最后一帧。如果播放头已经位于片段结尾处, 则将跳至下一个片段的第一帧位置。
	长按向后和向前跳转按钮可将其变成“倒回”和“快进”按钮。您可以将它们更改为以 2倍、4倍、8倍或16倍速度操作。 要降低该速度, 只要点按相反方向即可。
	






快进或快退速度提示可显示快进或快退片的速度和方向

您可以在“设置”菜单中将播放模式从“所有片段”更改为“单个片段”。在“单个片段”模式下, 当按下播放按钮时将显示最后一个记录片段。

提示 播放素材片段时, 在URSA Broadcast G2的触摸屏上下滑动可隐藏状态信息文字。在播放模式下进入场记板可让您在元数据中将当前片段标记为“好镜次”。更多相关信息, 请参考本手册的“录入元数据”部分的内容。

循环回放

点按播放按钮超过一次可开启循环功能。如果您想要重复循环播放同个片段、或循环时间线上所有片段, 循环功能将很有帮助。

循环		片段播放时, 再次按下播放按钮可将您的摄影机设置为连续循环播放当前片段。
循环播放所有		再次点按“播放”可依次循环播放所有记录片段。
播放		再次点按可回到实时播放。

设置

主菜单

按下URSA Broadcast G2的“MENU”（菜单）控制按钮可调出摄影机的主菜单。这是一个基于选项卡的菜单，当中包含了URSA Broadcast G2的HUD显示上没有的设置。设置按照功能分为“记录”、“监看”、“音频”、“设置”、“预设”以及“LUT”选项卡。“记录”、“监看”和“设置”等选项卡含有多页选项。您可以点按设置屏幕两侧箭头或像使用智能手机或平板电脑一样左右滑动，在多页面间逐一浏览。



点按“记录”、“监看”、“音频”、“设置”、“预设”以及“LUT”选项卡，在URSA Broadcast G2主菜单的各个选项卡间移动。

记录设置

“记录”选项卡可设置视频格式、编解码和分辨率，以及会影响URSA Broadcast G2所保存片段的其他设置，例如存储卡优先程度以及细节锐化等。此菜单共有三页，点按摄影机触摸屏边缘的左右箭头或左右滑动便可逐页浏览。

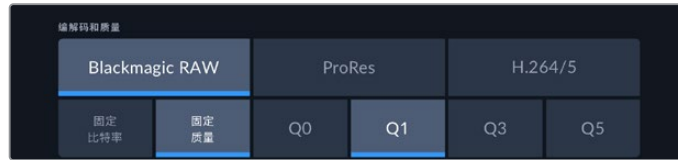
记录设置 1

“记录”设置选项卡的第一页包含以下设置：



编解码和质量

“编解码和质量”菜单分为两行。第一行提供Blackmagic RAW、Apple ProRes和H.264/5三大编解码系列供您选择；第二行则进一步列出三大系列各自的质量选项。例如，ProRes编解码类型可用的质量选项有ProRes HQ和ProRes 422。Blackmagic RAW的选项分为四个“固定比特率”和四个“固定质量”设置。



Blackmagic RAW选项的“固定比特率”和“固定质量”设置

提示 选择更高压缩程度的编解码器会提高URSA Broadcast G2存储介质上记录的视频数量。详情请参考“记录”章节中有关“记录时长表”部分的内容。

分辨率

该设置可与“编解码”设置搭配使用。使用它为您想要记录的格式选择相应的分辨率。

例如，要使用ProRes HQ来记录Ultra HD片段，请在“编解码和质量”菜单中选择“ProRes”和“HQ”。然后在“分辨率”菜单中选择“超高清”。



Blackmagic RAW的“分辨率”选项

备注 Blackmagic URSA Broadcast G2支持所有分辨率的Blackmagic RAW、Ultra HD和HD的Apple ProRes、Ultra HD的H.265以及HD格式的H.264。

记录设置 2

“记录”设置选项卡的第二页含有下列设置：



动态范围

点按“动态范围”图标可调整动态范围设置。Blackmagic URSA Broadcast G2拥有三挡动态范围设置：

Video	“Video”设置可记录高对比度和饱和度影像，非常适合用于直接交付，且对后期处理要求极低。“Video”使用Rec.709一级调色，具有令人满意的高光过渡。如果您想要一个准确的起点，并且仍然拥有满意的Gamma曲线，那么这个选择比较适合。
Ext Video	“Extended Video”设置基于Blackmagic广色域，应用了对比度和饱和度。该模式与Video模式最大的不同是品红/绿轴的饱和度更低，这对于正片较为常见。
Film	在“Film”模式下时，摄影机会使用对数曲线进行拍摄以确保最佳动态范围，并最大程度丰富视频信号的信息，以便您充分利用DaVinci Resolve等调色软件。

如果您使用“Video”或“Extended Video”动态范围，请确保未在任何监看输出设备、LCD以及前方SDI或主SDI屏幕上启用显示LUT功能。

如果启用了显示LUT，HUD就会显示LUT提示，并且您所看到的画面饱和度以及对比度就会比原本更高。要检查显示LUT设置，请阅读本手册后续对于“监看”设置部分的介绍。

传感器区域

当以ProRes、H.265和H.264视频编解码拍摄时，可使用这一设置。您可以选择“全部”模式，从6K传感器区域进行缩放，或使用较小的“裁切”模式传感器区域。选择5.3K或6K大型传感器区域可为您提供更宽的视野，而选择2.7K等较小的传感器区域可为您提供更高的帧率选项。值得一提的是，由于裁切模式只使用摄影机传感器的中心区域，镜头的视野就会因为裁切而变得相对较窄。

当在URSA Broadcast G2的B4卡口上使用广播级镜头时，您应该确保传感器区域设为4K，因为这是这些镜头所覆盖的画面范围。5.3K和6K传感器区域大约是Super 35的尺寸，因此与大多数EF、F卡口和PL镜头兼容。

更多关于“全部”和“裁切”格式的详细信息，请查阅“最大传感器帧率”部分的介绍。

项目帧率

项目帧率是URSA Broadcast G2的记录格式帧率，它具备电影和电视行业所使用的各类帧率。例如以每秒29.97帧Ultra HD拍摄ProRes HQ格式。这一帧率通常会设定为与您后期制作工作流程和交付所使用的播放速度和音频同步所匹配的帧率。

Blackmagic URSA Broadcast G2共有8种项目帧率设置分别为每秒23.98、24、25、29.97、30、50、59.94以及60帧。

备注 摄影机的项目帧率会对画面风格有重大影响。在播出环境中，帧率一般会设置在每秒50、59.94或60帧。这些相对较高的帧率十分适合拍摄流畅的运动，并且能去除或降低摄影机平移时出现的卡顿现象。

较低的帧率一般用于电影制作，如每秒24或25帧。这些帧率有一种电影效果，但需要摄影机更缓慢地移动，从而避免卡顿。

变速记录

默认情况下，URSA Broadcast G2会采用相同的项目帧率和传感器帧率进行拍摄，以获得正常的播放速度。但是，您可以点按“变速记录”开关图标来单独设置传感器帧率。该选项只有在记录Blackmagic RAW或ProRes编解码时才可用。

变速帧率

启用“变速帧率”后，点按“变速帧率”提示一侧的箭头就可以设置URSA Broadcast G2的传感器帧率。

“传感器帧率”可设定传感器每秒所记录的实际帧数。这一帧率将会影响视频播放的快慢，视您所设置的项目帧率而定。

请参考本手册“触摸屏功能”部分中关于“每秒帧数”的介绍了解变速帧率的信息。

备注 关于每个记录格式和编解码可用最大帧率的信息，请参阅本手册“记录”章节的“最高帧率”表。

偏好的记录介质

当多个卡槽都安装有存储介质时，可使用这一设置选择URSA Broadcast G2首先在哪一张存储卡、SSD或硬盘上开始记录。可用选项有“存储卡1”、“存储卡2”、“USB”以及“最满的卡”。您可以根据个人喜好选择卡1或者卡2，但不论选择哪张存储卡，只要每次选择都一致，存储卡已满时您就知道要先更换哪张。从事单机位拍摄项目时，“最满的卡”选项可有助于按时间顺序对文件进行分组。“最满的卡”设置是基于存储卡的存储百分比决定的，而不是存储卡的内存或已用数据。

插入CFast卡、SD卡或SSD，或连接USB硬盘时，您所选的设置就会被应用。您可以随时进入存储管理器，将另一张存储卡设置为正在使用状态，从而覆盖这一设置。需要着重强调的是，弹出再重新插入存储卡操作将会令摄影机还原到当前“偏好的记录介质”设置。

RAW记录位置

以Blackmagic RAW格式进行双卡记录能以较低的压缩程度、较高的帧率记录极高分辨率的片段。插入两张CFast卡或SD卡，然后到“记录”菜单中开启“双卡”记录选项。由于这一操作需要同时在两张条带化的存储卡上交替记录，因此数据速率较低的那张卡会限制整体记录性能，建议您使用两张参数相仿的存储卡进行记录。

您还可以在存储卡槽1或2中安装CFast卡，在存储卡槽3中安装USB-C硬盘来实现交替记录。使用“双卡”记录选项时，速度上限为条带化阵列中速度

较慢那张卡的数据速率的两倍。

合并文件用于剪辑

将这两张存储卡上的.BRAW和.BRAW2文件复制到您计算机上的同一个文件夹内，然后导入到DaVinci Resolve的媒体池中，软件就会把它们视作单个合并片段进行处理。如果将.BRAW和.BRAW2文件分开放置，片段也能以一半的帧率独立播放。要单独播放.BRAW2文件，可将文件后缀从.BRAW2改成.BRAW。

提示 您可以在DaVinci Resolve中使用媒体文件管理工具将.BRAW和.BRAW2合并成一个单独片段。

合并.BRAW文件可确保文件不被分开。这样有利于媒体文件管理，或发送文件给其他剪辑师。

详情请参阅DaVinci Resolve手册中关于“使用媒体文件管理”部分的内容。

记录设置 3

“记录”设置选项卡的第三页含有下列设置：



延时摄影

“延时摄影”设置可开启间隔拍摄功能，并自动以如下间隔记录一个静帧图像：

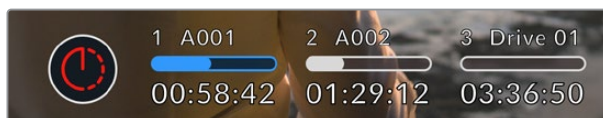
帧	2 – 10
秒	1 – 10、20、30、40、50
分	1 – 10

比如，您可将摄影机设置成每隔10帧、5秒、30秒或5分钟记录一个静帧。

延时摄影功能可为您提供多种创意选择。例如，设定每2帧记录一个静帧，那么视频在播放时可呈现高速播放效果。

每个静帧的格式取决于您所选的记录格式，因此如果您将摄影机记录格式设置为以ProRes HQ录制Ultra HD，则间隔拍摄也会采用这一格式设置。这一帧率会以项目帧率为准。因此您的延时摄影素材片段便可轻松纳入到后期制作工作流程中。

使用延时摄影模式记录素材时, 每记录一帧视频, 时间码计数器就会相应更新。



URSA Broadcast G2处于延时摄影模式下时, 记录按钮会变成特定图标加以提示。

细节锐化

“细节锐化”设置可用来锐化URSA Broadcast G2的图像。启用锐化功能时, 选择“低”、“中”及“高”选项可降低或升高锐化的程度。

启用锐化功能时, 锐化效果会被应用到摄影机所记录的ProRes视频, 以及URSA Broadcast G2的SDI输出上。

这一设置是为棚内直播制作所设计的, 这类摄制通常不具备后期制作时间, 而是需要直接输出现场拍摄画面。如果您在后期制作中需要大幅调整图像并进行调色, 我们建议将细节锐化保持在关闭状态。这样一来, 锐化功能就不会被应用到需要进行大幅后期处理的Blackmagic RAW文件上。

提示 后期处理Blackmagic RAW文件时, 您可以使用DaVinci Resolve调色页面的模糊/锐化工具, 对这些设置进行相对锐化。

将工具设定为半径0.48, 缩放比例调整为0.6、0.3或0.15, 获得“高”、“中”或“低”程度的相对锐化。

关于后期制作锐化的详细信息, 请参考DaVinci Resolve完整版手册中“动态特效和模糊设置面板”部分的介绍。

存储卡丢帧时

“存储卡丢帧时”设置可用来配置当URSA Broadcast G2检测到丢帧时的表现。设置成“给予提示”后, 一旦检测到丢帧, LCD触摸屏会显示丢帧提示, 摄影机会继续记录。设置为“停止记录”后, 一旦检测到丢帧, 摄影机会停止记录。这一设置可有效避免您在未察觉丢帧提示的情况下继续花时间记录不可用的素材。

更多关于如何避免丢帧的信息, 请参考“选择CFast 2.0卡”、“选择快速SD卡”、“选择快速SSD”和“选择快速USB-C硬盘”部分的介绍。

在文件中套用LUT

如果您在来自URSA Broadcast G2的任何输出画面上应用LUT, 那么所选LUT就会被嵌入到您正在记录的Blackmagic RAW文件中。

这意味着这个LUT将被保存在相应文件的头文件中, 可在后期制作环节轻松应用到片段上, 无需处理单独文件。开启URSA Broadcast G2“记录”菜单中的“在文件中套用LUT”设置后, 在Blackmagic RAW Player播放器和DaVinci Resolve中打开这个片段时, 画面上就已套用所选的LUT。LUT可轻松开启或关闭, 但会始终跟随Blackmagic RAW文件, 因为它是写入到片段上的。

DaVinci Resolve的RAW设置面板中还设有一个“Apply LUT”（套用LUT）开关，可用来启用和禁用Blackmagic RAW文件中的3D LUT。DaVinci Resolve中的“Apply LUT”（套用LUT）设置和摄影机中的设置是一样的。也就是说，您在拍摄时可以通过在摄影机中进行设置来告诉调色师使用这一LUT，而调色师则可以在DaVinci Resolve中使用“Apply LUT”设置将它关闭。

将LUT记录到片段

以ProRes、H.265或H.264视频编码拍摄时，可以使用“将LUT记录到片段”选项。Blackmagic URSA Broadcast G2不会默认对记录的素材套用或“烧录”LUT，但是您可以点按“将LUT记录到片段”开关图标，选择将LUT“烧录”到素材中。

如果您在后期制作阶段没有时间对素材进行调色，或者需要直接将素材交付给客户或剪辑师，这一选项就会十分有用。更多信息请参考“3D LUT”和“触摸屏控制”部分的介绍。

镜头校正

使用广播级变焦镜头时，画面边缘或四角通常会出现色边现象。使用价格经济、尤其是变焦范围较广的B4镜头拍摄高对比度画面时，这一现象会更加明显。“镜头校正”功能可在URSA Broadcast G2摄影机内部校正广播级B4镜头和PL镜头的这一问题。默认情况下，当摄影机检测到来自广播级镜头的必要信息时，该功能为开启状态。

文件命名格式

根据您选择的记录格式，素材片段能以Blackmagic RAW、Apple ProRes和MP4格式进行记录。

文件命名格式示例详见下表：

A001_08151512_C001.mov	QuickTime电影文件名称
A 001_08151512_C001.mov	摄影机索引
A 001 _08151512_C001.mov	卷号
A001_ 08 151512_C001.mov	月
A001_08 15 1512_C001.mov	日
A001_0815 15 12_C001.mov	时
A001_081515 12 _C001.mov	分
A001_08151512_ C001 .mov	片段编号

使用静帧按钮采集的DNG格式静帧图像文件将依照视频片段的文件命名格式，但文件名片段编号中的最后四位数字将包含“S001”来表示“静帧编号”。详情请参阅本手册“LCD状态显示控制项”部分的内容。

监看设置

“监看”选项卡可用于调整URSA Broadcast G2在LCD触摸屏、前方SDI输出、主SDI输出上显示的状态信息、叠加信息以及其他监看选项。根据不同输出, 可用选项有“LCD”、“前方SDI”和“主SDI”。每个菜单都有五页选项, 您可以点按摄影机触摸屏边缘的箭头, 或者左右滑动屏幕来逐页查看。

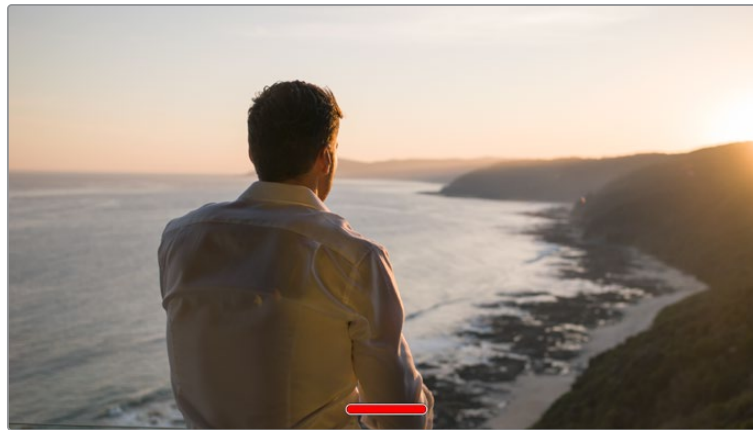
监看设置 1

“LCD”、“前方SDI”和“主SDI”监看选项卡的第一页包含完全相同的输出设置。例如, 您可以开启LCD触摸屏的“斑马纹”显示, 但关闭“前方SDI”和“主SDI”输出上的这一显示内容。



纯画面

点按“纯画面”的设置开关可全面禁用某路输出在“LCD”、“前方SDI”和“主SDI”菜单中的所有状态信息和叠加信息, 只留下Tally记录提示灯。



在纯画面模式下时, URSA Broadcast G2的LCD触摸屏上会显示一个Tally记录提示灯。

备注 LUT将依然应用到启用了“纯画面”的输出上。要禁用LUT, 请到“监看”菜单中关闭相应输出上的“显示LUT”开关。

显示3D LUT

URSA Broadcast G2可将多种3D LUT套用在输出上,模拟出素材在调色之后的大致效果。这在使用“Film”动态范围模式拍摄时尤其有用,因为这类文件格式的拍摄图像对比度低,看起来较为平淡。

如果URSA Broadcast G2启用了一种3D LUT,请使用这一设置将该LUT单独套用到LCD触摸屏、前方SDI或主SDI输出上。

备注 更多关于加载和使用3D LUT的信息,请参考本手册“LUT”部分的内容。

斑马纹

点按“LCD”、“前方SDI”和“主SDI”菜单下的“斑马纹”开关可在相应的输出上启用斑马纹提示功能。更多关于斑马纹提示功能以及斑马纹提示级别设置的内容,请参考本手册“触摸屏功能”部分的介绍。

对焦辅助

点按“LCD”、“前方SDI”和“主SDI”菜单下的“对焦辅助”开关可在相应的输出上启用对焦辅助功能。更多关于对焦辅助功能以及斑马纹提示级别设置的内容,请参考本手册“触摸屏功能”部分的介绍。

帧导栏

点按“LCD”、“前方SDI”和“主SDI”菜单下的“帧导栏”开关可在相应的输出上启用帧导栏功能。更多关于帧导栏功能以及如何选择不同帧导栏的内容,请参考本手册“触摸屏功能”部分的介绍。

网格

点按“LCD”、“前方SDI”和“主SDI”菜单下的“网格”开关可在相应的输出上启用三分法网格功能。更多关于三分法网格功能的内容,请参考本手册“触摸屏功能”部分的介绍。

安全框

点按“LCD”、“前方SDI”和“主SDI”菜单下的“安全框”开关可在相应的输出上启用安全框叠加显示功能。

更多关于安全框和设置安全框程度的信息,请参考本手册中“触摸屏功能”部分内容。

伪色

点按“LCD”、“前方SDI”和“主SDI”菜单下的“伪色”开关可在相应的输出上启用伪色曝光辅助功能。

更多关于伪色的内容,请参考本手册“触摸屏功能”部分的介绍。

监看设置 2

URSA Broadcast G2中LCD监看选项卡的第二页包含了一些设置, 具体设置会根据所选择的输出而定。



LCD、前方SDI和主SDI

状态信息

“状态信息”选项非常有用, 它可以隐藏前方SDI和主SDI输出上的LCD状态信息以及各项技术参数, 只留下与构图和镜头直接相关的信息。在LCD上点按“前方SDI”和“主SDI”监看菜单下的“状态信息”开关图标, 可开启或关闭相应输出上的状态信息和技术监看内容。帧导栏、网格、对焦辅助和斑马纹等叠加信息将始终可见 (如有启用)。

在URSA Broadcast G2的LCD触摸屏上用手指上下滑动也可以实现相同的操作。

变形镜头压缩画面还原

使用变形镜头拍摄时, URSA Broadcast G2的预览输出以及记录的文件画面会呈现水平“挤压”效果。启用“变形镜头压缩画面还原”设置可校正URSA Broadcast G2的预览画面, 并记录下片段元数据所使用的压缩还原值, 以便后期更正。

可用的压缩还原值会根据您为URSA Broadcast G2所设定的分辨率而有所不同, 但是最终的画面将使用影院的宽屏2.4:1宽高比。

专为电影设计的变形镜头一般都具备2倍挤压系数。URSA Broadcast G2的“3.7K变形”分辨率专为此类镜头所设计, 设置为该分辨率, 并将“变形镜头压缩画面还原”选项设置为2倍时, 就能进行2倍压缩还原。

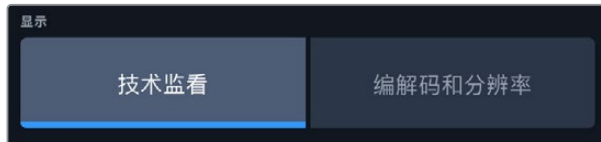
针对16:9数字图像传感器所设计的变形镜头通常使用1.33倍的挤压系数, 可从完整的16:9传感器呈现出2.4:1的影院宽屏图像。因此, 当URSA Broadcast G2设置为“4K 16:9”和“高清16:9”等16:9分辨率时, “变形镜头压缩画面还原”就应该设置为“1.33x”。

提示 如果您使用标准球面镜头拍摄时图像被水平拉伸, 请确保您未启用“变形镜头压缩画面还原”选项。

仅LCD

显示

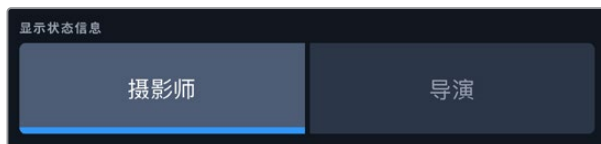
URSA Broadcast G2不显示直方图和音频表, 它可以在LCD触摸屏的左下角和右下角显示编解码码和分辨率等信息。如果您偏好使用伪色来调节曝光度, 或者在单独记录音频时想在直方图和音频表的位置显示其他信息, 这一功能将十分有用。只要点按“LCD”菜单中的“技术监看”或“编解码码和分辨率”选择喜欢的显示项即可。



前方SDI和主SDI

摄影师或导演使用的状态信息显示功能

LCD触摸屏可显示ISO、白平衡以及光圈等信息, 这些信息有助于摄影师或电影摄影师为每个拍摄镜头进行调试。摄影机的SDI输出也可以显示这些有助于 导演或场记的信息, 以便他们对多个镜头或多台摄影机进行跟进。



将URSA Broadcast G2“前方SDI”和“主SDI”监看设置中的状态信息设为“导演”后, 相应输出上的状态信息将显示以下内容:

- **帧率**
可显示当前所选的每秒帧数。如果禁用了“变速帧率”功能, 则只显示项目帧率。如果使用了“变速帧率”功能, 则会先显示传感器帧率, 然后显示项目帧率。
- **摄影机**
可显示URSA Broadcast G2场记板中所设置的摄影机索引信息。详细内容请参考本手册中“场记板”部分的介绍。
- **摄影师**
可提供URSA Broadcast G2场记板中所设置的摄影师信息。详细内容请参考本手册中“场记板”部分的介绍。
- **时长显示**
可在记录时显示当前片段时长, 或上一个记录片段的时长。显示格式: 时:分:秒。
- **卷号、场景和镜次**
分别对应当前显示的卷号、场景以及镜次。更多关于卷号、场景和 镜次及其命名标识规范的信息, 请参考手册中“场记板”部分的介绍。
- **动态范围**
URSA Broadcast G2显示屏的左下角可显示当前套用的LUT (如果套用到该路输出上的话)。如果未套用LUT, 则会显示“Film”或“Video”动态范围模式。

- **时间码**

URSA Broadcast G2显示屏的右下角可显示时间码，显示格式：时:分:秒:帧。

监看设置 3

在“监看”选项卡“LCD”、“前方SDI”和“主SDI”的第三页上，每个输出包含相同的设置。这些设置在三路监看输出上是统一的。比如，在Blackmagic URSA G2的LCD、前方SDI和主SDI输出上启用对焦辅助功能后，将“对焦辅助类型”从“峰值对焦”更改为“彩色线条”，三路输出就都会受到影响。



斑马纹级别

可用于设置显示曝光的斑马纹级别，请点按该设置两侧的箭头图标调整。共有八种斑马纹级别预设，跨度从中灰到100%曝光。

详情请参考本手册“触摸屏功能”部分中关于“斑马纹”的介绍。

对焦辅助类型

URSA Broadcast G2摄影机设有两个“对焦辅助”模式，分别为“峰值对焦”和“彩色线条”。

- **峰值对焦**

选中“峰值对焦”对焦辅助模式后，画面中的对焦部分会在您的LCD触摸屏或SDI输出上以高度锐化的方式显示出来，但记录的图像本身不受影响。这一功能可以使镜头中的对焦部分在屏幕中突出显示。如果您不使用其他叠加信息，这一功能将会十分直观地显示出对焦部分；而当您尝试对焦的对象与画面中其他元素有显著区分时将更为明显。

- **彩色线条**

选中“彩色线条”对焦辅助模式后，画面中的对焦部分的边缘会以某种色彩的线条标出。由于画面中的对焦范围会用线条直接标出来，因此这一模式要比“峰值对焦”模式略微直观一些。当您拍摄那些元素繁多的画面时，该模式可提供精准对焦。

对焦色彩

设置可在您使用“彩色线条”对焦辅助模式的时候更改画面上叠加的对焦线条色彩。更改对焦辅助线条的色彩可将其与您的拍摄画面区分开，便于您查看对焦。可用选项有“白”、“红”、“绿”、“蓝”以及“黑”。

对焦辅助级别

可为您的LCD触摸屏、前方SDI以及主SDI设置对焦辅助的级别，从左到右移动滑块就可以调整。

提示 对焦辅助的理想级别因镜头而异。例如，对焦人物时，设置较高的对焦辅助可有助于解决人物面部边缘细节的问题。而如果是对焦植物或建筑物，较高的对焦辅助设置反而会显示许多干扰信息。

监看设置 4

在“监看”选项卡“LCD”、“前方SDI”和“主SDI”的第四页上，每个输出包含相同的设置。这些设置在摄影机的三路监看输出上是统一的。



帧导栏

点按“帧导栏”菜单设置中的左右箭头可逐个查看URSA Broadcast G2所有输出上的帧导栏设置，包括Blackmagic URSA Viewfinder等电子寻像器。这些选项在本手册“触摸屏功能”部分当中有详细介绍，同时也可在LCD触摸屏的HUD监看菜单中找到。

安全框

要调整URSA Broadcast G2的LCD触摸屏、前方SDI和主SDI输出上的叠加显示的安全框大小，请点按该设置中的左右箭头来调整显示百分比。这一百分比代表了安全框在整幅图像中的所占比例。大多数播出机构都要求90%的安全框比例。

帧导栏不透明度

点按“帧导栏不透明度”菜单设置的左右箭头可设置被LCD触摸屏、前方SDI输出以及主SDI输出的帧导栏挡住区域的不透明度。可用选项有25%、50%、75% 和100%。

帧导栏色彩

点按“帧导栏色彩”菜单设置的左右箭头可选择帧导栏的色彩。

网格

点按“网格”设置中的“三分法”、“水平线”、“十字准线”或“中心点”选项来选择URSA Broadcast G2的LCD触摸屏、前方SDI和主SDI输出上显示的网格和十字准线组合。

详情请参考本手册“触摸屏功能”部分中关于“网格”的介绍。

监看设置 5

URSA Broadcast G2中LCD监看选项卡的第五页包含了一些设置, 具体设置会根据所选择的输出而定。

仅LCD

LCD亮度

左右拖动“LCD亮度”滑块可调节URSA Broadcast G2的LCD触摸屏亮度。



前方SDI和主SDI



SDI输出

两路输出都可选择逐行和隔行HD输出或逐行Ultra HD输出。可用选项取决于摄影机的分辨率和帧率设置。不论您以什么分辨率和帧率进行记录, 逐行HD (即“1080p”) 选项始终可用; 而隔行HD (即“1080i”) 则只有在您将项目帧率设置为50、59.94或60的时候才可用。Ultra HD SDI输出 (即“2160p”) 在拍摄Ultra HD分辨率的影像时可用。

3G-SDI输出

您可以更改3G-SDI输出标准, 从而和那些只能接收A级或B级3G-SDI视频信号的设备之间保持兼容。该选项只会在您使用50、59.94或60fps并输出1080p格式的时候出现。点按A级或B级图标可选择相应格式。

音频设置

“音频”选项卡可用来调整URSA Broadcast G2的音频输入和监看设置。

设置共有两页, 分为通道1和通道2。在接下来的软件更新中, 将再添加两个声道。

每个音频通道都可以被映射到不同的源, 并调整定值衰减和低切滤波器等多项设置。

您可以结合使用URSA Broadcast G2的各类设置以及摄影机内部控制面板的开关来加以控制。将音频源设为某个通道后, 您可以使用内部控制面板的开关来设置信号类型, 以及是否启用该路通道上的幻象电源。

音频设置 1

URSA Broadcast G2的“音频”选项卡第一页含有下列设置:



通道信号源

使用“通道1信号源”和“通道2信号源”按钮可为每个声道选择音频源。可用选项有:

- **摄影机左声道或右声道**
这两个设置可记录摄影机的内部麦克风音频。
- **摄影机单声道**
使用这一设置可将来自URSA Broadcast G2内置麦克风左右声道的音频记录到单个声道上。
- **XLR 1或XLR 2**
使用这一设置可记录来自摄影机XLR输入的音频。取决于您使用URSA Broadcast G2的内部控制面板开关设置的音频信号, XLR输入可能会显示为“Mic”、“Line”或“AES”。如果您启用了幻象电源, 并且将XLR输入设置为“Mic”, 页面上就会显示“+48V”提示。请务必确保您在断开幻象电源麦克风时, 将+48V的开关置于关闭状态。
- **XLR 1或2 – Mic备用**
使用这一设置能以低于标准“Mic”录音的电平来记录通过XLR 1或XLR 2输入接口连接到URSA Broadcast G2 XLR的麦克风音频。这样可以在音量突然升高时避免音频削波。该功能只在XLR 1或XLR 2输入开关设置为“Mic”时可用。
- **无**
该设置可禁用声道。

通道1/2电平

使用这两个滑块可调整您所选的声道1或声道2上的录音电平。每个滑块均配有音频表, 能帮助您设置正确的音频电平。当您使用符合人体工程学的控制面板上的音频旋钮来调整音频时, 音频电平也会相应更新反馈。

为获得最佳音质, 请确保将音频电平控制在0 dBFS警戒线以下。这是您的摄影机可记录的最高电平, 也就是说任何超过此电平的音频会被裁切掉, 并导致声音失真。



定值衰减XLR -20dB

摄影机的定值衰减-20dB选项可为您提供更优良的控制, 在嘈杂环境中拍摄时, 即使您已经将输入电平调低, 它也能进一步降低URSA Broadcast G2的XLR音频输入增益电平。

定值衰减摄影机麦克风 -15dB

-15dB定值衰减选项可为您提供更优良的控制, 在嘈杂环境中拍摄时, 即使您已经将输入电平调低, 它也能进一步降低URSA Broadcast G2内部麦克风输入增益电平。

摄影机麦克风低切滤波器

点按该开关图标可启用摄影机内部麦克风的低切滤波器, 从而帮助降低户外拍摄环境下潜在的风声杂音或低频声音。请注意, 使用该功能时必须关闭“定值衰减摄影机麦克风 -15dB”选项。

音频设置 2

URSA Broadcast G2中“音频”选项卡的第二页含有下列设置:



音频表

该设置可提供两种不同的音频表显示类型。

VU表	VU表又称“音量单位表”, 用于反馈音频信号中峰谷的平均值。如果您使用的是VU表进行监看, 请调整Blackmagic URSA Broadcast G2上的输入电平, 使得音频达到峰值时, 音频表的指示灯对准0dB刻度处。此操作可达到最高信噪比, 确保最佳音频质量。如果音频峰值超过0dB刻度, 则很有可能导致声音失真。
PPM表	PPM表又称“峰值节目表”, 该表具有“峰值保持”功能, 可暂时保留信号峰值, 并可缓慢下降还原, 以便您明确音频于何处达到峰值。

VU表和PPM表都可以使用-18dBFS或-20dBFS两种参考电平, 因此您可以按照不同的国际播出标准监测音频。

音频表设置	标准
PPM (-20 dBFS)	SMPTE RP.0155
PPM (-18 dBFS)	EBU R.68

耳麦电平

这一滑块可用于调整连接到URSA Broadcast G2摄影机3.5mm耳机接口上的耳机输出电平。左右移动音频滑块可调节电平。当您使用前方控制面板上的设置滚轮来调整耳机音量时, 音频电平也会相应更新反馈。

扬声器电平

这一滑块可调整URSA Broadcast G2内置扬声器的输出电平。左右移动音频滑块可调节电平。当您使用前方控制面板上的设置滚轮来调整扬声器音量时, 音频电平也会相应更新反馈。

设置

URSA Broadcast G2的“设置”选项卡中含有设置、软件版本、功能按钮设置等摄影机设置, 这些设置与记录或监看没有直接联系。该菜单含有12个页面, 您可以点按LCD触摸屏边缘的箭头逐一查看, 也可直接左右滑动屏幕查看。

设置菜单第一页

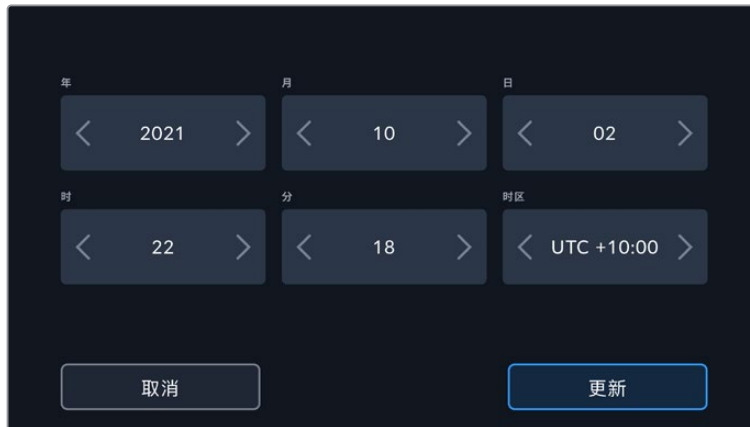
URSA Broadcast G2中“设置”选项卡的第一页含有下列设置:



URSA Broadcast G2的设置菜单

日期和时间

点按铅笔图标可为URSA Broadcast G2设置日期和时间。日期格式为年、月、日; 时间格式为24小时制。未连接外部时间码源时, URSA Broadcast G2的日期和时间也可使用显示当日时间的时间码。



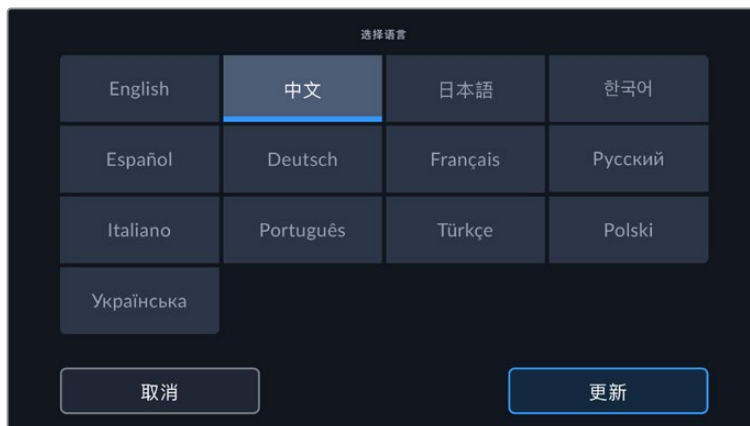
语言

URSA Broadcast G2支持13种语言界面, 包括英语、中文、日语、韩语、西班牙语、德语、法语、俄语、意大利语、葡萄牙语、土耳其语、波兰语以及乌克兰语。

语言页面会在首次开机时出现。

选择语言步骤如下:

- 1 点按铅笔图标, 然后从列表中选择您的语言。
- 2 按“更新”返回设置菜单。



快门类型

可通过显示快门信息来选择“快门角度”或“快门速度”。需要注意的是, 两种快门选项都会影响运动模糊, 只是方式略有不同。关于快门选项的完整介绍, 请参考本手册中“触摸屏控制”部分内容。

防闪烁快门基准频率

该设置可用来更改URSA Broadcast G2用于计算防闪烁快门设置的主电源频率。

在照明环境下拍摄时, 快门速度可影响闪烁程度。URSA Broadcast G2可自动计算当前帧率的防闪烁快门角度, 并在“快门速度”菜单中显示建议的结果。这些速度会根据为照明供电的当地主电源频率而有所不同。大多数采用PAL制式的国家均使用50赫兹, 而采用NTSC制式的国家则通常使用60赫兹的用电频率。只需点按“50Hz”或“60Hz”为您所在地区设置合适的频率即可。

即使使用防闪烁快门数值, 不同光源所具备的特点也依然有可能导致闪烁现象。如果您使用的不是持续光源, 我们建议在拍摄前进行测试。

丢帧时间码

“时间码丢帧”选项可在您使用29.97和59.94的NTSC项目帧率时使用丢帧时间码。丢帧时间码可按照您设置的间隔丢弃少量帧画面。这样能保持您的项目时间码准确性, 即使每秒并不包含NTSC帧率的完整帧数。

ND滤镜显示方式

该设置可用来调整URSA Broadcast G2上的ND滤镜显示方式。每项设置都对应一种不同的摄影机规范。电影摄影师通常会使用ND滤镜编号, 但熟悉数码单反或广播级摄影机的用户可能会偏好选择f挡或分数作为显示格式。

分别有“编号”、“挡数”、“分数”几个选项。



URSA Broadcast G2机型的设置菜单会提供选项来自定义ND滤镜信息的显示方式。

设置菜单第二页

URSA Broadcast G2中“设置”选项卡的第二页含有下列设置:



ATEM摄影机ID

如果您将URSA Broadcast G2和ATEM切换台搭配使用, 并希望摄影机能接收来自切换台的Tally信号, 请为摄影机设置号码, 以便切换台将Tally信号发送到正确的摄影机上。点按左右箭头按钮可将摄影机号码设置为1到99在内的任意数值。默认设置为1。

彩条

当URSA Broadcast G2连接到切换台或外部监视器上时，输出“彩条”就会比输出预览画面更有帮助。URSA Broadcast G2的彩条画面在切换台或监视器上的显示出来之后，就代表连接成功，此时您就可以参考彩条执行基本的监视器校准操作了。只要点按“彩条”的开关图标就可以开启URSA Broadcast G2上包括LCD触摸屏在内的所有输出上的彩条显示。

同步信号源

该设置可用来选择同步信号源。URSA Broadcast G2可锁定内部或外部同步信号源，或者锁定来自ATEM切换台的节目输入同步信号。如果您将URSA Broadcast G2和ATEM切换台摄影机控制功能结合使用，应该始终将同步信号源设置到“Program”，除非切换台本身以及所有连接的摄影机均被设置到一路外部同步信号。

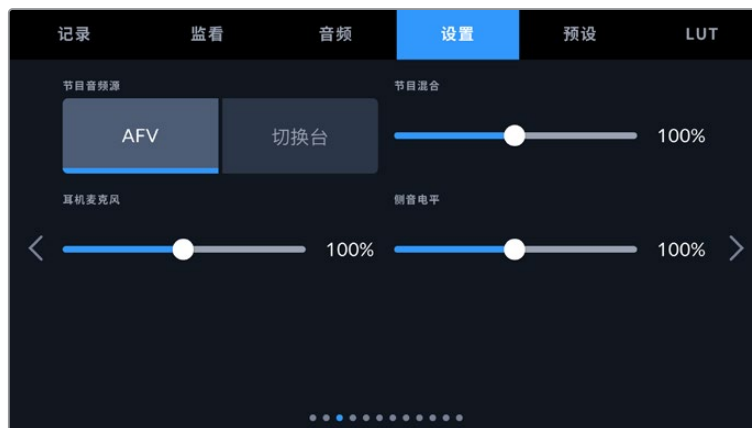
备注 当您在为URSA Broadcast G2设置同步源时，可能会在同步源之间切换时遇到摄影机输出短暂中断的情况。这是因为摄影机在调整同步时间来匹配外部源。因为这个原因，该设置只应在准备时更改，不应在制作时更改。

同步时间校准

这些设置可以扫描线或像素为单位手动调整同步时间。只需点按“扫描线”和“像素”设置两侧的箭头图标即可进行调整。

设置菜单第三页

URSA Broadcast G2中“设置”选项卡的第三页含有下列设置：



节目音频源

当与ATEM切换台连接时，将“节目音频源”设置为“切换台”会把节目返送音频优先设置为输入源，在使用耳机或耳麦进行监听时与对讲信号混合。如果您没有将摄影机的音频信号发送到切换台，但仍然希望通过SDI IN端口监听节目信号时，这项功能就非常实用。将“节目音频”设置为“AFV”后，可优先摄影机内部麦克风或“AUDIO IN”XLR端口的音频，这是默认设置。

节目混合

该设置可调整摄影机音频和对讲音频两者之间的音量平衡。耳麦会根据LCD显示内容输出对应的音频。例如，如果您现在监看的是摄影机的拍摄画面，那么您听到的就是摄影机音频。如果您监看的是节目画面，那么您听到的将是节目音频。默认设置为100%。

耳机麦克风

左右移动该音量滑块可增减麦克风的输入音频电平。默认设置为50%。

侧音电平

调整该滑块可设置耳机中您通过麦克风说话时的音量。

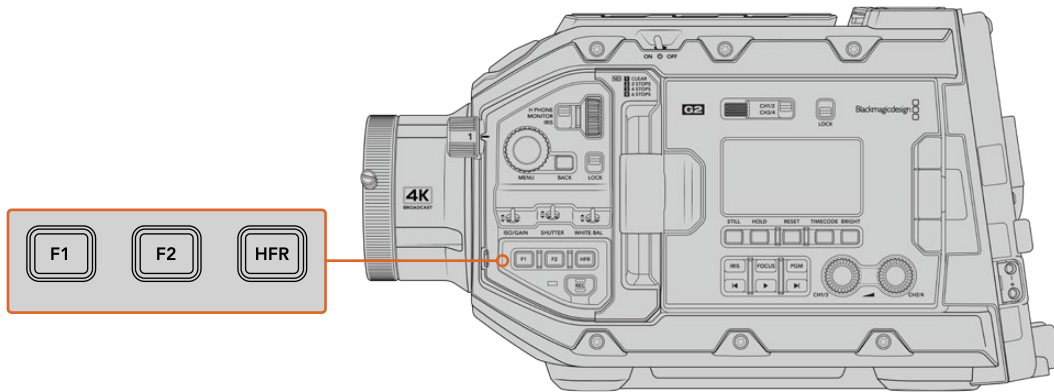
设置菜单第四页

URSA Broadcast G2中“设置”选项卡的第四页含有下列设置：



设置功能按钮

URSA Broadcast G2的LCD触摸屏外侧设有“F1”和“F2”两个功能按钮。这些按钮可被映射为您经常使用的功能，这样能在关闭LCD触摸屏进行拍摄时（比如使用URSA Viewfinder）便于使用摄影机。“HFR”按钮的默认设置为“变速记录”，但您可以为其指派其他功能。



URSA Broadcast G2的“F1”、“F2”和“HFR”按钮位于前方控制面板

提示 如果您为URSA Broadcast G2安装了带有镜头接口的B4镜头，那么除了F1、F2和HFR按钮之外，您还可以将“VTR”和“RET”按钮配置为功能按钮，并为它们指派预设或切换功能。

要设置这些按钮, 请使用箭头图标选中其中一个功能按钮, 然后再为其选择相应的功能、设置和参数即可。



1 按钮 2 功能 3 设置 4 参数

功能按钮功能映射为预设或开关

选择了您想要进行映射的按钮之后, 就需要为这一按钮选择一个功能。选项如下:

▪ 预设

当设为“预设”功能时, 按下功能按钮将调用一个设置和参数组合。

要设置一个预设, 请从“设置”菜单里选中您想要使用的设置然后点按“参数”菜单两侧的箭头图标调整该设置。

举例说明, 如果要将F1按钮设置为调用某项预设白平衡, 可使用“设置功能按钮”的箭头图标选中“F1”, 然后选中“预设”, 然后点按“白平衡”设置, 再点按“F1参数”菜单, 直到“白平衡”数值显示为“5600K”, “色调”数值显示为“-20”。

▪ 开关

当设为“开启/关闭”功能时, 按下功能按钮将开启或关闭某个特定设置。处于这一模式下时, “设置”菜单将显示为灰色不可用状态。点按参数菜单中的左右箭头可逐一查看所有可用选项。这些选项分别为: “纯画面”、“显示LUT”、“帧导栏”、“对焦辅助”、“伪色”、“斑马纹”、“网格”、“安全框”、“变速记录”、“记录”、“节目返送”、“彩条”、“一键通话”、“对焦缩放”和“无”。

启用“对焦缩放”功能时, 您可以使用前方控制面板上的菜单控制轮来移动缩放区域, 并调整放大级别。按下菜单控制轮可以在缩放和放大调整之间切换。了解更多在LCD屏幕上启用“对焦缩放”功能后如何使用该功能的信息, 请阅读“对焦缩放”部分的介绍。

使用“开关”功能还能让您选择将这一设置应用到哪路输出。只要点按“LCD”、“前方SDI”、“主SDI”选项进行选择即可。如果某一输出选项不可用, 比如始终应用到所有输出上的“彩条”选项, 那么“LCD”、“前方SDI”、“主SDI”设置就都会被禁用。

比如, 您可以对URSA Broadcast G2进行配置来使用B4镜头上的“RET”和“VTR”按钮。如果正在使用HyperDeck进行ISO记录, 常见的办法就是将“VTR”设置为“一键通话”按钮。



将B4镜头上“VTR”按钮配置为“一键通话”按钮

设置菜单第五页

URSA Broadcast G2中“设置”选项卡的第五页含有配置选配产品Blackmagic Zoom Demand变焦控制器的相关设置。这些设置只有在您将Blackmagic Zoom Demand安装到URSA Broadcast G2上的时候才可使用。

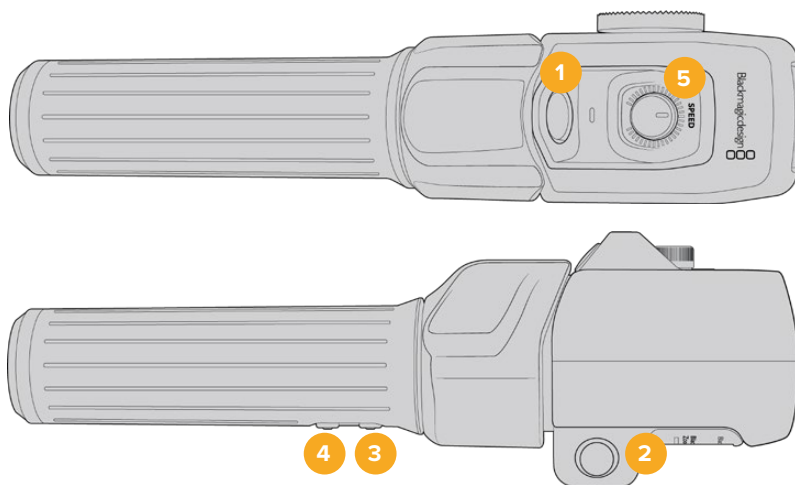
更多关于如何为URSA Broadcast G2安装并使用Blackmagic Zoom Demand的信息，请参考本手册后续部分“Blackmagic变焦和对焦控制器”中的介绍。



变焦摇杆操作方向

- **正常**
默认的变焦摇杆操作方向。向右推动变焦摇杆可放大画面，向左推动变焦摇杆可缩小画面。
- **反向**
当变焦摇杆操作方向被设置为“反向”时，向左推动变焦摇杆可放大画面，向右推动变焦摇杆可缩小画面。

Blackmagic Zoom Demand设有四个变焦功能按钮和一个变速拨盘, 它们都可以被映射为不同功能。



1 变焦F1 2 变焦F2 3 变焦F3 4 变焦F4 5 速度拨盘

如果要为速度拨盘或其中一个变焦按钮指派功能, 需要从“设置功能按钮”菜单中选择“拨盘”或一个按钮号码。然后, 点按“按键参数”菜单两侧的箭头图标选定一个功能。

拨盘和功能按键参数选项:

速度拨盘	变焦速度、耳麦电平、光圈调整、对焦调整。
变焦缩放按钮 1 - 4	记录、一键通话、节目返送、对焦缩放、帧导栏、状态信息、自动对焦、自动光圈、自动白平衡、播放。

设置菜单第六页

URSA Broadcast G2中“设置”选项卡的第六页含有配置选配产品Blackmagic Focus Demand对焦控制器的相关设置。这些设置只有在您将Blackmagic Focus Demand安装到URSA Broadcast G2上的时候才可使用。

更多关于如何为URSA Broadcast G2安装并使用Blackmagic Focus Demand的信息, 请参考本手册后续部分“Blackmagic变焦和对焦控制器”中的介绍。



对焦控制器操作方向

您可以选择“正常”或“反向”来更改对焦控制器上的对焦环的方向。

- **正常**

顺时针转动对焦环可对距离镜头较近的物体进行对焦，逆时针转动对焦环可对距离镜头较远的物体进行对焦。

- **反向**

逆时针转动对焦环可对距离镜头较近的物体进行对焦，顺时针转动对焦环可对距离镜头较远的物体进行对焦。

设置菜单第七页

URSA Broadcast G2中“设置”选项卡的第七页含有下列设置：



LED状态显示

URSA Broadcast G2的前面板设有一个小型LED灯，可用于提供Tally和状态信息提示。您可以点按“LED状态显示”下方的开关图标来启用或禁用这一设置。

该LED灯可提供以下状态提示：

白色	摄影机已连接电源，进入待命模式。
红色	摄影机正在记录。缓慢闪烁表示您的摄影机存储空间低，快速闪烁表示出现丢帧。
绿色	摄影机处于播放模式。片段处于播放时，LED状态灯会缓慢闪烁绿色。插入的存储介质被识别出来后，LED状态灯会闪烁绿色和白色三次。
橙色	如果摄影机的电池电量低，LED提示灯将闪烁橙色，并同时穿插表示摄影机当前状态的色彩加以提示。举例说明，如果此时摄影机正处在记录模式，LED提示灯将缓慢交替闪烁橙色和红色；如果摄影机处于待机模式，LED提示灯将交替闪烁白色和橙色。如果您的电池支持百分比精确显示电量信息，电池电量低的阈值为20%；如果不支持，则阈值为12.5伏。

LED状态显示亮度

要设置URSA Broadcast G2的LED状态显示亮度，只需点按“低”、“中”、“高”即可。

提示 Blackmagic URSA Broadcast G2上的LED状态显示设置还可以用来控制URSA Mini Recorder、Blackmagic Zoom Demand和Blackmagic Focus Demand上的LED状态显示。

硬件ID

URSA Broadcast G2的“硬件ID”可显示8字符标识符。每台摄影机都具备其独有的识别符。Blackmagic RAW和ProRes视频的元数据中还会显示一个更长的32字符ID版本。如果文件名被更改但是摄影机硬件ID依然保持原样时，这一功能将有助于识别来自不同摄影机的素材。

软件

可显示URSA Broadcast G2当前安装的软件版本。更多关于软件更新的信息，请阅读“Blackmagic Camera Setup实用程序”部分的内容。

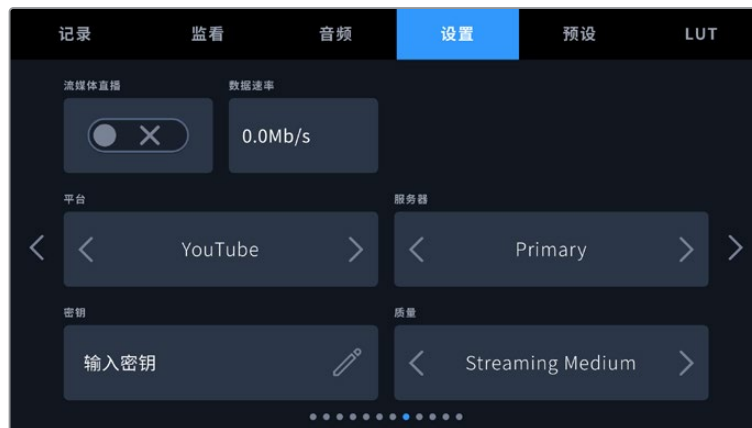
播放

该设置可用来选择播放“单个片段”或者“所有片段”。选择“所有片段”将按顺序播放所有匹配的媒体文件，选择“单个片段”将一次只播放一个片段。该设置也应用于循环功能。选择循环“所有片段”将播放存储介质上的所有片段，播放结束后返回第一个片段继续播放。选择“单个片段”则一次只循环播放一个片段。

设置菜单第八页

URSA Broadcast G2中“设置”选项卡的第八页含有可以让您设定摄影机流媒体选项的设置。

更多关于URSA Broadcast G2流媒体设置的信息，请参阅本手册后面关于“流媒体视频”部分的章节内容。



推流

使用这个开关可启用或关闭流媒体直播。

数据速率

显示了推流时的流媒体数据速率。

平台

选择您想要的推流平台。选项包括YouTube、Twitter和Twitch。

服务器

通过箭头按钮来选择一个服务器, 这些选项视不同推流平台而不同。

密钥

点按铅笔图标键入您推流平台的密钥。

质量

通过箭头按钮选择一个推流质量。

设置菜单第九页

URSA Broadcast G2中“设置”选项卡的第九页含有与摄影机流媒体选项相关的设置。



推流信息

将“推流信息”开关切换至开启状态, 可在摄影机状态显示上显示信息。该信息还可以显示在LCD、前方SDI和主SDI输出上。

显示信息包括以太网或是智能手机的流媒体连接信息, 显示有推流长度的时长计数器, 以及以Mb/S为单位的数据速率。



显示3D LUT

想要对流媒体应用3D LUT时, 可将此设置切换至开启状态。

提示 将“显示3D LUT”设置切换至开启状态, 将只对直接流媒体输出应用LUT。

如果您推流的同时记录了Blackmagic RAW或ProRes视频编解码, 那么您可以通过记录菜单中的LUT选项将LUT添加到您的文件, 或通过监看设置可以在LCD或SDI输出上添加LUT。详情请参阅关于“记录设置”部分的内容。

低延迟

将“低延迟”设置切换至开启状态, 可确保直播和观众观看之间是最小延迟。将此选项设置为“关闭”可提供更多缓冲。在遇到网络可能会中断或连接不畅的情况时, 该设置可提供更稳定的流媒体传输。

导入推流设置

点按“导入推流设置”按钮可导入所创建的XML设置文件, 从而您的摄影机可以在互联网上找到ATEM Streaming Bridge。

更多关于导入XML设置文件的信息, 请参阅本手册后面关于“流媒体视频”部分的章节内容。

删除已导入的推流设置

按此按钮可删除您摄影机已导入的推流设置。屏幕将弹出提示信息要求您确认选择。

设置菜单第十页

“设置”选项卡的第十页含有摄影机的网络设置。

这些设置可用来配置多个选项, 例如是通过DHCP还是使用静态IP地址连接网络。



您可以通过DHCP或静态IP地址连接网络

设置菜单第十一页

URSA Broadcast G2中“设置”选项卡的第十一页含有下列设置：



摄影机蓝牙名称会以场记板中所选的摄影机字母外加URSA Broadcast G2的8位硬件ID表示。

Bluetooth®

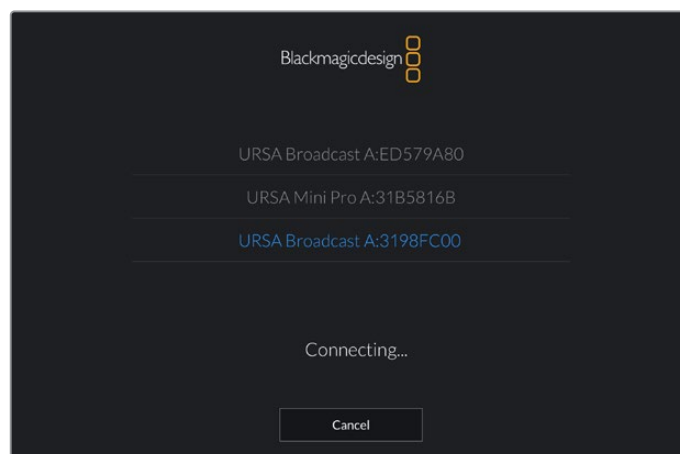
蓝牙控制可通过便携式设备无线控制摄影机。您可以利用“Blackmagic Camera Control App”通过iPad远程开启或关闭摄影机，改变设置，调整元数据，以及触发记录。点按“设置”菜单中的“蓝牙”开关图标，可以启用或禁用蓝牙功能。蓝牙功能启用后，摄影机可被30英尺（约9米）范围内的蓝牙设备检测到。

由于URSA Broadcast G2在蓝牙控制方面使用与Blackmagic SDI Camera Control Protocol摄影机控制协议相同的命令，因此您可以编写自己的应用程序来远程控制几乎所有的摄影机设置，从监看到音频设置，从摄影机的内置DaVinci Resolve调色工具到镜头控制。

更多信息请参考本手册“Blackmagic SDI Camera Control Protocol”部分内容。

首次将摄影机与iPad配对：

- 1 点按URSA Broadcast G2“设置”菜单中的“蓝牙”开关图标，启用蓝牙功能。
- 2 打开“Blackmagic Camera Control App”，选择您希望配对的URSA Broadcast G2摄影机。系统会按照摄影机字母加上摄影机独有的硬件ID列出可供连接的摄影机。比如“A:3198FC00”。



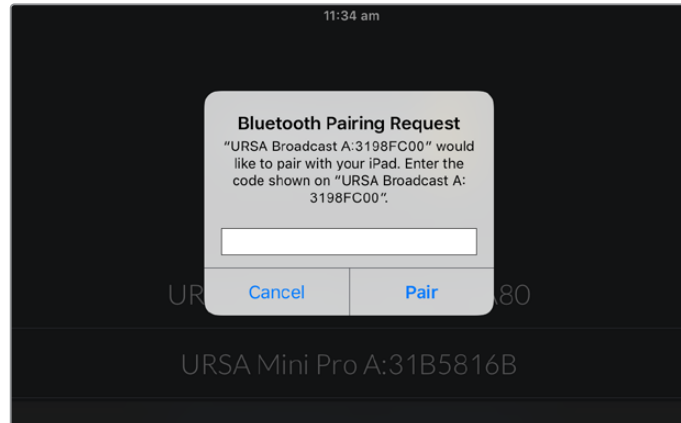
选择您希望配对的URSA Broadcast G2摄影机。

当您安装并第一次运行Blackmagic Camera Control App时, 系统会问您是否“允许地点访问”。如果您选择“仅在使用App时允许”, 您拍摄文件中的元数据将包含来自iPad的GPS数据, 让您对影像进行地理标记。这些信息可以在Blackmagic DaVinci Resolve 14或更高版本中查看。

如果您不希望使用这些信息, 请选择“从不”。

如要修改设置, 在iPad上前往“设置” > “隐私” > “定位服务” > “相机”。

- 3 初次连接时, Blackmagic Camera Control App会请求一个六位代码来配对摄影机。代码会显示在摄影机的LCD屏幕上。将代码输入iPad。



- 4 屏幕上会显示确认信息, 表示URSA Broadcast G2和iPad配对成功。



- 5 如果配对过程中出现问题, 您将看到以下错误信息提示:



备注 出于安全考量, 不使用蓝牙控制URSA Broadcast G2时, 建议您关闭蓝牙。

断开当前设备

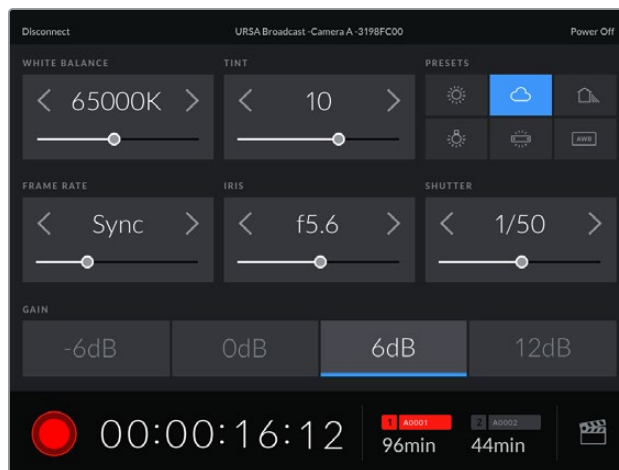
该设置可用来断开URSA Broadcast G2与当前配对iPad的连接。

清除配对设备

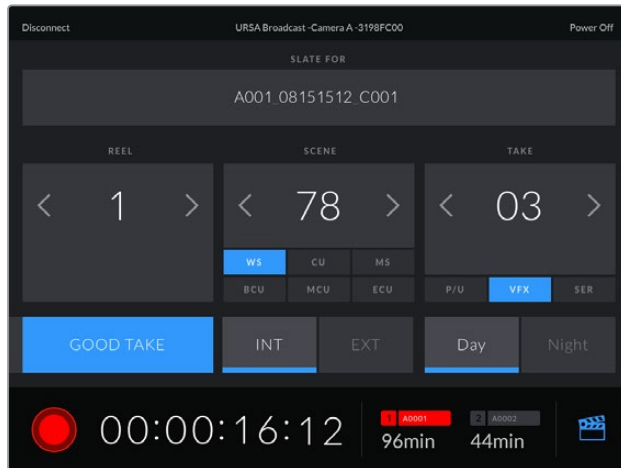
该设置可用来清空URSA Broadcast G2配对设备的列表。

使用Blackmagic Camera Control App控制您的摄影机

将URSA Broadcast G2与iPad成功配对后, 就可以通过iPad远程开启或关闭摄影机, 改变设置, 调整元数据, 以及触发记录了。



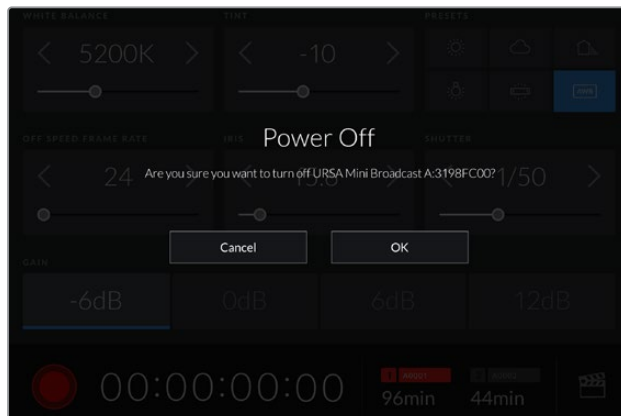
配对完成后, Blackmagic Camera Control App会显示该画面, 您可以调整设置, 开始记录。



点按右下角的场记板图标来使用或更新场记板。

URSA Broadcast G2使用蓝牙低功耗 (Bluetooth LE) 技术与设备建立通信, 实现无线控制。因为使用和便携设备一样的协议, 所以电池耗电量极低。

点按右上角的“Power Off” (关机) 按钮可关闭URSA Broadcast G2。



摄影机关闭前会显示提示信息让您确认选择关机。

启用蓝牙时, 即使URSA Broadcast G2处于关机状态, 摄影机的名称仍然会显示在Blackmagic Camera Control App的可用设备列表中。由于已经与摄影机配对, 您现在可以选择摄影机名称然后点按“Connect” (连接) 来远程开启摄影机。当蓝牙处于禁用状态时, 摄影机名称不会显示在列表中。

设置菜单第十二页

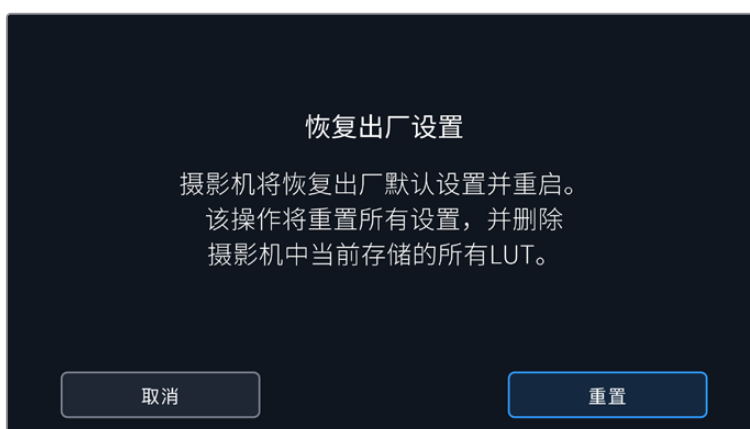
URSA Broadcast G2中“设置”选项卡的第十二页含有下列设置：



恢复出厂设置

要恢复摄影机出厂时的默认设置，请点按“重置摄影机”按钮。由于该操作将清除摄影机中存储的所有LUT和预设，因此屏幕会弹出提示加以确认。点按确认对话框中的“重置”按钮将摄影机恢复到出厂设置。

请务必注意，恢复出厂设置会清除所有预设和自定义LUT，并重置所有设置。因此，不妨先将这些数据导出到存储卡上进行备份，然后再执行恢复出厂设置操作。恢复出厂设置之后，只要再从存储卡中导入预设和LUT就可以快速恢复。



选择“恢复出厂设置”时，您将看到上图所示的操作确认信息

运动传感器校准

要校准URSA Broadcast G2的水平线指示，请将摄影机放置在水平表面上，然后点按“校准运动传感器”按钮。执行校准的过程中，摄影机必须保持平稳状态。这是为了确保在拍摄时，Blackmagic RAW文件中记录的运动传感器元数据准确无误。这一过程大约需要5秒。

需要的话，可以将水平线设置为偏离中心。比如，如果您想把竖移设置成统一的角度，可按照需要的角度将运动传感器与摄影机校准，然后用水平线指示保持同样的角度。

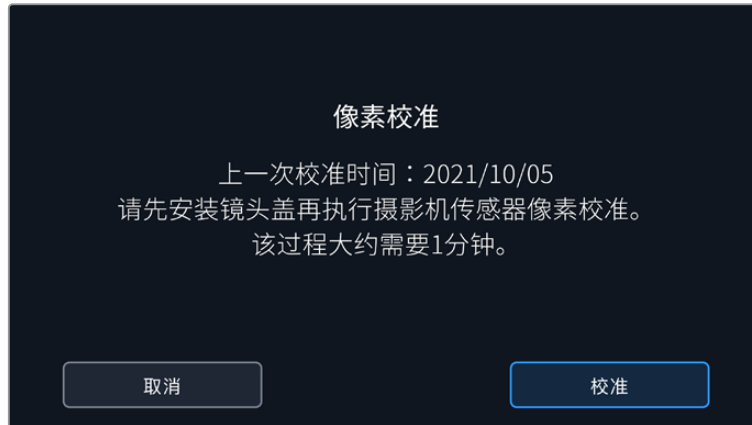
在DaVinci Resolve中这些运动传感器数据可以用来稳定片段。详情请阅读本手册“陀螺仪稳定”部分的内容。

像素校准

URSA Broadcast G2所使用的CMOS传感器是由数百万个感光像素组成。从而导致这些像素变得特别明显,也就是通常被人所知的“热像素”。所有摄影机传感器,不论是何生产商,使用一段时间后都会出现像素亮度的变化。

为了解决这一问题,URSA Broadcast G2内置了校准功能。当您发现有些像素的亮度高于其他像素时,就能运行这一功能加以校正。

要开始这一处理,只需盖上镜头盖,点按“校准图像传感器”按钮运行像素校准功能,然后再点按“校准”确认操作即可。这一过程大约需要1分钟。



LCD白平衡校准

要执行LCD白平衡校准,请调整“LCD色温”和“LCD色调”控制,让两个参考样本呈现中性观感。更改设置后,可以使用“重置”按钮让各项控制返回出厂校准设置。点按“恢复”按钮可以回到您刚才的新设置,有助于比较校准前后的效果。当LCD屏幕上显示准确的白平衡时,请保存您的设置。



预设

“预设”选项卡可用于保存和调用一套完整的URSA Broadcast G2设置。当摄影机被用于多个不同项目时,这一设置将非常有用。例如,您可能会将URSA Broadcast G2用于纪录片或者MV等各种不同拍摄风格,这些项目都会使用不一样的设置。URSA Broadcast G2的“预设”功能就可以让您保存某一项目或某类镜头的拍摄设置,方便下次需要时快速调用。

您还可以导入和导出预设，这对于设置多机位镜头部署是非常有用的。只需将一台URSA Broadcast G2进行项目设置，然后将该预设导出到片场的所有其他URSA Broadcast G2上即可。



URSA Broadcast G2上的“预设”选项卡

备注 URSA Broadcast G2的内存可最多容纳六十个预设。

预设按钮

URSA Broadcast G2的“预设”菜单中包含多个按钮图标，它们分别对应的功能如下图所示：



保存和加载预设

要创建一个新的预设，请点按代表“添加”的图标。然后，LCD触摸屏上会出现一个屏幕键盘，此时请为您的预设命名。输入预设名称之后，请点按代表“更新”的图标将URSA Broadcast G2当前所有设置保存到您刚命名的预设当中。

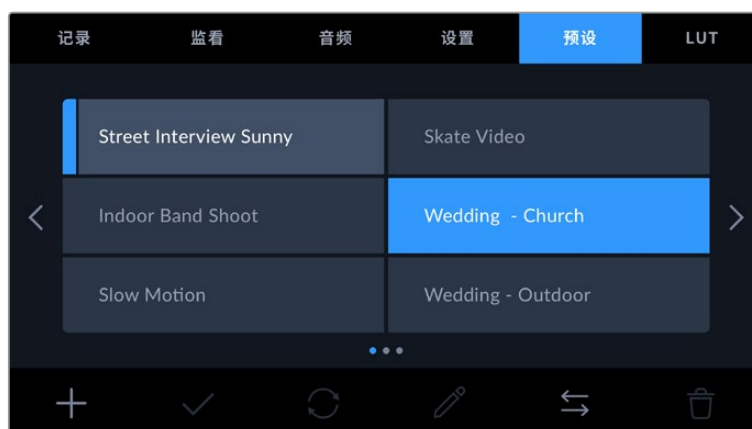
如果URSA Broadcast G2中已经含有相同名称的预设，屏幕会弹出提示询问您需要覆盖替换还是同时保留这两个预设。



点按预设选项卡中代表“添加”的图标，再使用屏幕键盘来输入预设名称。

保存预设后, 在预设菜单中点按该预设的名称将其选中。要加载这一预设, 点按代表“加载”的图标。

点按代表“更新”的图标可更新预设。然后, 屏幕会弹出提示, 询问您是否要将URSA Broadcast G2的当前设置更新为这一预设。点按代表“更新”的图标确认更新。



选择一个预设, 并点按表示“加载”的图标来加载这一预设。选中的预设将以纯蓝背景显示, 当前加载的预设则会在其对应的图标左侧标以蓝色横线。

导入预设

要导入预设, 请点按预设菜单底部表示“管理”的图标。根据预设保存的位置, 用存储介质选择开关选择SD或CFast。如果您使用URSA Mini Recorder, 也可以从USB-C硬盘或SSD导入预设。

从“导入自”选项中点按含有您想要导入预设的存储卡或存储盘, 然后点按“导入”按钮加以确认。之后会出现导入界面。您可以使用屏幕左上方的按钮来显示摄影机所连接的其他存储卡或存储盘上的可用预设。

URSA Broadcast G2将在选中的存储介质上搜索根目录和“预设”文件夹。请注意, 保存在存储介质上其他位置的预设将不可见。

点按一个预设将其选中, 再点按“导入”确认导入。如果您想要导入的预设和摄影机中保存的某个预设名称相同, 设备会提示您覆盖当前预设或同时保留二者。屏幕右上角会出现摄影机剩余预设空位的数量。

备注 如果URSA Broadcast G2的预设空位均被占用, 导入菜单将不再可用。您需要删除部分已有预设来腾出空间。

导出预设

要导出CFast卡或SD卡上的某个预设, 请点按以选中相应的预设, 然后点按管理图标。屏幕会弹出两个选项, 分别为“导入预设”和“导出所选预设”。

从“管理预设”选项中选择“导出所选预设”。使用存储介质选择开关按照您希望导出预设的位置, 选择SD卡或CFast卡。如果您使用URSA Mini Recorder, 也可以将预设导出到USB-C硬盘或SSD。从“导出到”选项中点按您想要将预设导出到哪张存储卡或存储盘。点按“导出”确认选择。

如果您选择的存储介质上某个已保存的预设和您正在导出的预设具有相同名称, 屏幕会弹出提示信息询问您需要覆盖替换还是同时保留这两个预设。

删除预设

URSA Broadcast G2可以保存六十个预设。要删除某个预设，请将其选中并按“删除”图标。屏幕将弹出提示确认您的选择。点按表示“删除”的图标确认删除。

LUT

“LUT”菜单可用于将多个3D LUT导入、导出并应用到摄影机的各个输出上。



URSA Broadcast G2上的LUT选项卡

3D LUT简介

URSA Broadcast G2可对LCD触摸屏、前方SDI和主SDI输出上的图像套用各类3D LUT。套用LUT可令摄影机为某类色彩和亮度输入显示相应的色彩和亮度输出。例如，您可以用摄影机以普通色彩进行内部录制，然后将预览发送到监视器和切换台，显示当地的广播级合法颜色。当使用Blackmagic RAW格式或“Film”动态范围模式拍摄素材时，这一功能就非常有用，因为以上两者的拍摄片段都被刻意处理成低饱和度的平淡画面。套用LUT可以让您大致掌握素材调色后的画面。

您可以使用DaVinci Resolve或其他调色软件轻松创建3D LUT，也可以从网上找到各类LUT。URSA Broadcast G2可储存多达三十个17点或33点精度的3D LUT，每个都高达1.5兆字节。

URSA Broadcast G2支持使用DaVinci Resolve以.cube格式创建的33点精度3D LUT，以及使用LUT转换程序转换成Resolve的.cube格式17点精度3D LUT。您的摄影机可使用高品质四面体插值算法处理3D LUT。

更多关于显示LUT的信息，请参阅本手册“监看设置”部分的内容。

备注 Blackmagic URSA Broadcast G2不会默认对记录的素材套用或“烧录”LUT，但是您可以选择将LUT“烧录”到素材中。

如果您在后期制作阶段没有时间对素材进行调色，或者需要直接将素材交付给客户或剪辑师，这一选项就会十分有用。

当您把LUT作为现场预览工具使用时，所套用的LUT上的信息会作为元数据被保存到记录的片段中。DaVinci Resolve可以在元数据选项卡的“使用的LUT”一栏中显示这一信息，方便调色师核对现场所使用的LUT名称。

内置LUT

URSA Broadcast G2提供一系列内置LUT, 您在用“Film”动态范围模式或Blackmagic RAW格式拍摄时可以预览不同的效果。

- **Gen 5 Film to Extended Video**
可显示比“Film to Video”LUT更宽的动态范围, 能应用温和的对比度调整和平滑的高光过渡。
- **Gen 5 Film to Rec 2020 Hybrid Log Gamma**
可显示适合HDR屏幕的Gamma曲线, 并且兼容标准动态范围的屏幕。
- **Gen 5 Film to Rec 2020 PQ Gamma**
显示基于人眼感知形成的Gamma曲线, 用于高效编码HDR图像。
- **Gen 5 Film to Video**
与高清视频的REC 709色彩标准类似, 拥有高对比度和饱和度。如果您将Blackmagic URSA Broadcast G2和其他使用REC 709色彩空间的广播级摄影机共同使用时, 这一设置就会十分有用。

LUT按钮

URSA Broadcast G2的“LUT”界面底部设有多个按钮图标, 它们分别对应的功能如下图所示:



导入LUT

要导入3D LUT, 请点按“LUT”菜单底部表示“管理”的图标。根据LUT所存放的位置, 使用存储介质选择开关相应选择SD卡或CFast卡。如果您使用URSA Mini Recorder, 也可以从USB-C硬盘或SSD导入LUT。

从“导入自”菜单中点按含有您想要导入LUT的存储卡或存储盘, 然后点按“导入”按钮。您可以在屏幕上使用导入界面左上方的按钮来显示摄影机所连接的其他存储卡或存储盘上的可用LUT。

URSA Broadcast G2将在选定的存储介质上搜索根目录和“3DLUTS”文件夹。保存在其他位置的LUT将不可见。

点按一个LUT将其选中, 再点按“导入”确认导入。该LUT将被保存到URSA Broadcast G2中。

备注 如果URSA Broadcast G2的30个3D LUT存储栏均被占用, 您需要删除部分现有LUT来腾出空间, 然后才能继续导入LUT。

如果您想要导入的LUT和摄影机中保存的某个LUT名称相同, 屏幕将弹出提示信息, 询问您需要覆盖替换还是同时保留这两个LUT。屏幕右上角会出现摄影机剩余LUT位置栏的数量。摄影机中的LUT位置栏有多少, 您就能导入多少LUT。

备注 如果您无法将某个LUT导入到URSA Broadcast G2, 可能是因为大小问题。您可以使用Lattice等LUT编辑器来检查其大小, 或者使用您计算机上的任何一种文本编辑器将它打开。在“LUT_3D_SIZE”的标签边上会有一个表示LUT大小的数字。如果该数值不是17或33, 您可以使用Lattice将3D LUT的大小调整到17点。

套用LUT

将一个LUT保存到摄影机中之后, 在LUT菜单中点按其中一个LUT将其选中, 然后点按加载图标。该LUT就会被套用到摄影机的所有输出上。但是, 您依然需要开启每路输出监视器菜单的“显示LUT”才可实现套用。请阅读本手册“监看设置”部分的内容获取更多信息。

导出LUT

要将一个LUT导出到CFast卡或SD卡上, 请选中您想要导出的LUT, 并点按表示“管理”的图标。从“管理LUT”选项中选择“导出所选LUT”。点按相应的存储介质选择开关, 选择将LUT导出到SD或CFast上。如果您使用URSA Mini Recorder, 也可以将LUT导出到USB-C硬盘或SSD。

从“导出到”选项中选择您想要将LUT保存到哪张存储卡或存储盘。点按“导出”确认选择。如果您正在导出的LUT和该存储卡或存储盘上的某个LUT发生重复, 设备将会提示您选择覆盖或者保留两者。

删除LUT

URSA Broadcast G2可容纳三十个17点精度或33点精度的3D LUT。要删除您不再使用的LUT以腾出更多空间, 请选中您想要删除的LUT并点按表示“删除”的图标。屏幕将弹出提示确认您的选择。点按表示“删除”的图标确认删除。

内嵌3D LUT

如果您使用URSA Broadcast G2拍摄时使用了3D LUT, 那么这个所选LUT会被嵌入到您正在记录的Blackmagic RAW文件中。这个3D LUT会被保存在记录.braw文件的头文件中, 可在后期制作环节轻松应用到素材上, 无需处理单独文件。

因此, 当剪辑师或调色师拿到的是Blackmagic RAW文件, 他们就可以轻松获取影片拍摄时所使用的LUT, 显著降低了在片段上使用错误3D LUT的可能性。他们在剪辑或调色时可以选择是否将这个3D LUT套用到素材上, 并且可以随时禁用这个3D LUT。

将URSA Broadcast G2记录菜单中的“在文件中套用LUT”开关设置为开启后, 在Blackmagic RAW Player播放器和DaVinci Resolve中打开这个记录片段时, 画面上就已应用所选的3D LUT。3D LUT可轻松开启或关闭, 但会始终跟随Blackmagic RAW文件, 因为它是写入到片段上的。

DaVinci Resolve的RAW设置面板中还设有一个“Apply LUT” (套用LUT) 开关, 可用来启用和禁用Blackmagic RAW文件中的3D LUT。DaVinci Resolve中的“Apply LUT”设置和摄影机中的设置相同。也就是说, 您在拍摄时可以通过在摄影机中进行设置来告诉调色师使用这一LUT, 而调色师则可以在DaVinci Resolve中使用“Apply LUT”设置将它关闭。

录入元数据

元数据是片段内所保存的一系列信息，这些信息包括镜头号码、摄影机设置以及其他识别信息。后期制作时，这些信息对于素材的整理很处理起到很大的帮助。例如，镜次、镜头和场景编号是十分必要的整理工具，而镜头信息则能用于自动移除变形现象或获得更匹配的视觉特效图层。

Blackmagic URSA Broadcast G2可自动将一些元数据保存到每个片段中，如摄影机设置、时间码以及日期和时间等。您还可以使用摄影机的场记板功能添加更多信息。

场记板

左右滑动URSA Broadcast G2的触摸屏可调出场记板界面。

场记板界面分成“片段”、“项目”和“镜头数据”等选项卡。“片段”选项卡包含的信息视片段而定，而“项目”选项卡可用于输入各个片段的共同信息，如项目名称、导演、摄影机ID以及摄影师ID等。“镜头数据”选项卡可显示摄影机所安装的镜头的相关信息。如果镜头可将信息自动发送回摄影机，这里就会显示相应的信息。您也可以手动输入镜头数据。

提示 当URSA Broadcast G2“监看”选项卡中的“显示状态信息”设置为“导演”时，输入到场记板的元数据可以通过URSA Broadcast G2的前方SDI输出或主SDI输出查看。请阅读本手册“监看设置”部分的内容获取更多信息。

“片段”元数据

在URSA Broadcast G2处于准备就绪可开始记录的待命模式下更改的片段元数据，以及当您检查拍摄素材时所处的播放模式下更改的片段元数据，这两种改动的处理方式会有所不同。处于待命模式下时，片段元数据会被保存在下一个记录的片段中，除非您点按“将上个片段标为好镜次”按钮，片段元数据就会被保存在最近记录的片段中。

处于播放模式下时，片段元数据始终会被记录到当前查看的片段中。



URSA Broadcast G2的场记板设有“片段”、“项目”和“镜头数据”选项卡。

场记板所属片段

“场记板所属片段”设置可显示当前出现在“片段”选项卡中元数据的所在片段。在待命模式下时，这一设置显示的是下一个将被记录的片段。

镜头类型

可显示摄影机所安装的镜头的相关信息。更多关于“镜头类型”数据的信息，请参考接下来“镜头数据”部分的介绍。

卷号

可显示当前卷号。

URSA Broadcast G2可自动递增卷号，通常无需您手动输入。当您开始新的项目，并且希望重新从卷号“1”开始，可以入场记板的项目选项卡，然后点按“重置项目数据”。

场景

可显示当前场景号，以及当前镜头号和类型。

这一按钮上显示的号码始终代表当前场景。您可以使用场景号两侧的左右箭头来调整号码，或点按场景号入场场景号编辑器进行编辑。

场景号可设在1到999之间。

在场景号编辑器中为场景号添加一个字母后，您还可以为当前拍摄镜头标注。比如，“23A”表示场景23，镜头1。如果您在场景号中添加了镜头字母，摄影机就会在您入场场景号编辑器时建议下一个场景号和镜头字母。例如，如果您的当前场景号为7B，那么摄影机就会建议使用“8”和“7C”。

场景号提示功能还能在右上角显示当前拍摄镜头类型的信息。您可以在键盘右侧的场景号编辑器中选中这些信息。

拍摄镜头的类型如下：

WS	远景
MS	中景
MCU	中特写
CU	特写
BCU	大特写
ECU	极特写



输入“场景”元数据时，URSA Broadcast G2的屏幕键盘左侧会提示您采用递增顺序，右侧会提示您拍摄镜头类型。

镜次

按钮可显示当前镜头的镜次号。您可以点按镜次号两侧的左右箭头增减号码，或点按镜次号按钮进入镜次号编辑器进行编辑。

提示 镜头号和场景字母用完之后，镜次号将回到“1”。

您可以在镜次号编辑器中添加镜次描述。它们会出现在镜次号屏幕键盘的右侧，分别代表以下情况：

PU	即“补拍”。指之前某个镜次的重拍画面，可在正式拍摄结束后添加额外的影像材料。
VFX	即“视觉特效”。指一个用于视觉特效的镜次或镜头。
SER	即“镜次组”。指摄影机不中断记录所拍摄的多个镜次。



在待命模式下时，点按“A”可为每个片段自动上升一位镜次号。启用该功能时，数字场记板上的镜次号码一侧会出现一个“A”小标。

输入“镜次”元数据时，URSA Broadcast G2的屏幕键盘右侧会提示您额外拍摄的镜头类型。

好镜次

点按“好镜次”可为好镜次添加旗标，这样能方便后期制作时调出这些镜次。如果URSA Broadcast G2处于待命模式，该标签会被添加到上一个记录的片段上；如果URSA Broadcast处于播放模式，则该标签会被添加到当前正在查看的片段上。

棚内/外景

在待命模式下时，点按“棚内”或“外景”可为下一个片段添加相应标签；在播放模式下时，点按“棚内”或“外景”可为当前片段添加相应标签。

白天/夜晚

在待命模式下时，点按“白天”或“夜晚”可在下一个片段添加相应标签；在播放模式下时，点按“白天”或“夜晚”可在当前片段添加相应标签。

项目元数据

不论您在待命模式还是播放模式，项目元数据的表现都一样。这一元数据可始终将您的项目作为整体，并且独立于片段编号。



URSA Broadcast G2上的“项目”选项卡

项目名称

可显示当前项目的名称。点按铅笔图标可更改项目名称。

摄影机

可以单个字母显示摄影机索引。点按铅笔图标可更改摄影机索引。

导演

可显示当前项目的导演名字。点按画笔图标可更改导演名字。

备注 摄影机索引会被用于元数据和文件命名，它和URSA Broadcast G2的ATEM摄影机ID不同，后者是在使用ATEM切换台控制摄影机的时候使用的。更多关于ATEM摄影机ID的信息，请参考本手册“了解Studio Camera控制”部分的内容。

摄影师

可显示摄影师信息。点按铅笔图标可更改摄影师名字。

重置项目数据

点按“重置数据”按钮并确认操作后，就可以清除项目数据。这一操作将清除所有输入的项目数据。

镜头数据

“镜头数据”页面可显示URSA Broadcast G2摄影机所安装的镜头的相关信息。许多电子镜头可自动提供镜头型号、光圈以及焦距等信息。

如果您使用的镜头并不提供此类信息，或者您想要输入更多数据，可以点按该设置中的画笔图标来手动输入。该操作会调出“镜头数据”菜单，其中包含以下信息：



图中的“镜头数据”菜单显示了根据佳能50mm型号的镜头自动填充的信息

镜头类型

可显示镜头型号。如果您的镜头类型未自动显示在此栏，请点按这一设置手动输入相关数据。



如果镜头不具备自动提供信息的功能，请使用屏幕键盘来输入镜头数据。

- **光圈**
可显示片段开头的镜头光圈设置。该信息可自动提供，并可显示为f-挡或T-挡，具体视镜头型号而定。如果您的镜头光圈信息未自动显示在此栏，请点按这一设置手动输入相关数据。
- **焦距**
可显示记录片段开头的镜头焦距设置。如果镜头自动提供这一信息，焦距会以毫米为单位显示。如果您的镜头焦距信息未自动显示在此栏，请点按这一设置手动输入相关数据。
- **距离**
可显示记录片段的镜头对焦距离设置。有些镜头能以毫米为单位自动提供这一数据。如果您的镜头对焦距离信息未自动显示在此栏，请点按这一设置手动输入相关数据。
- **滤镜**
可显示当前镜头使用的滤镜。点按这一设置来手动输入数据。您可以输入多条信息，并以逗号隔开。



滤镜信息需手动输入

重置镜头数据

您可以随时点按“重置数据”按钮清除镜头数据。屏幕将弹出提示确认您的选择。该操作将重新初始化设备和镜头之间的通信，并刷新自动输入的数据，手动输入的信息也会被清除。

陀螺仪稳定

Blackmagic URSA Broadcast G2摄影机可以自动记录其内置运动传感器捕捉到的平移、竖移、滚动数据。这些数据也被称为陀螺仪数据，随后可以被DaVinci Resolve用于稳定手持拍摄片段。

在记录前校准摄影机的运动传感器是非常重要的步骤，从而可以确保所记录的陀螺仪数据值正确的。更多详情请参阅“运动传感器校准”章节关于“设置”部分的内容。

备注 要启用陀螺仪稳定功能，您需要确保镜头的光学影像稳定功能是关闭状态。内置光学稳定功能的EF和B4镜头设有一个物理开关可将其打开或关闭。

以手动镜头记录陀螺仪数据

为使陀螺仪稳定工作达到最佳状态，需要准确的镜头焦距信息。使用大多数EF和B4镜头时，所自动记录的元数据里包含此信息。对于不支持与摄影机电子通信的手动镜头或模拟B4镜头而言，您需要将此信息输入到摄影机场记板中。

- 1 在主菜单视图上左右滑动摄影机的触摸屏可调出场记板界面。
- 2 点按“镜头数据”选项卡。
- 3 点按“焦距”，键入您所使用的镜头焦距。例如，如果使用的是模拟B4镜头焦距为8mm，那么则键入“8mm”。



当所使用的镜头无法与摄影机电子通信时，请输入“镜头数据”

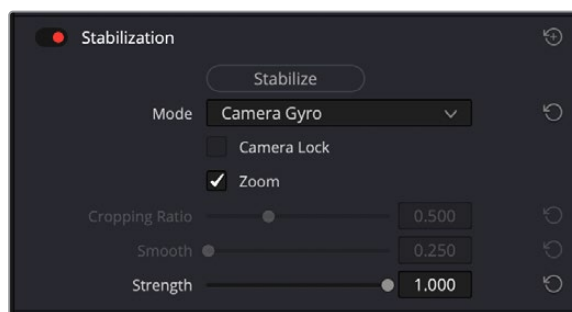
备注 每次在手动或模拟镜头上更改焦距后，您都需要更新该数据。内置电子元件的镜头将自动覆盖此元数据。

在DaVinci Resolve中应用陀螺仪稳定功能

在时间线上导入片段并设置完后：

- 1 到剪辑页面的检查器窗口，滚动到“Stabilization”（稳定）。
- 2 将“Mode”（稳定模式）设为“Camera Gyro”（陀螺仪）。
- 3 点击“Stabilize”（稳定）。

此时会出现一个进度条，让您可以知道稳定操作何时完毕。



在检查器窗口中选择“Camera Gyro”（摄影机陀螺仪）从而使用陀螺仪数据来稳定素材

提示 您可以通过缩小快门角度来提高拍摄效果，减少运动模糊。例如，45度。

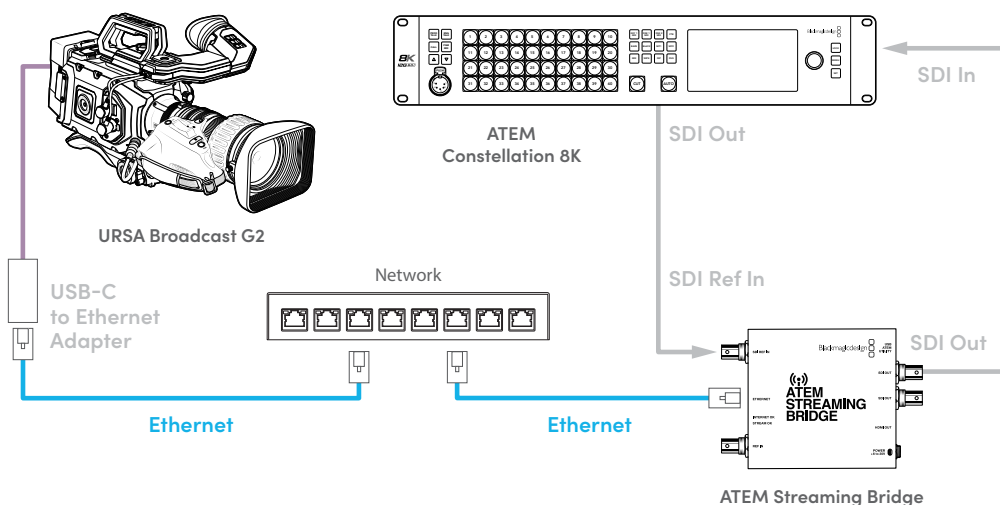
推流视频

URSA Broadcast G2搭载内置推流引擎, 可让摄影机直接推流到YouTube、Facebook Live以及Twitch等平台。

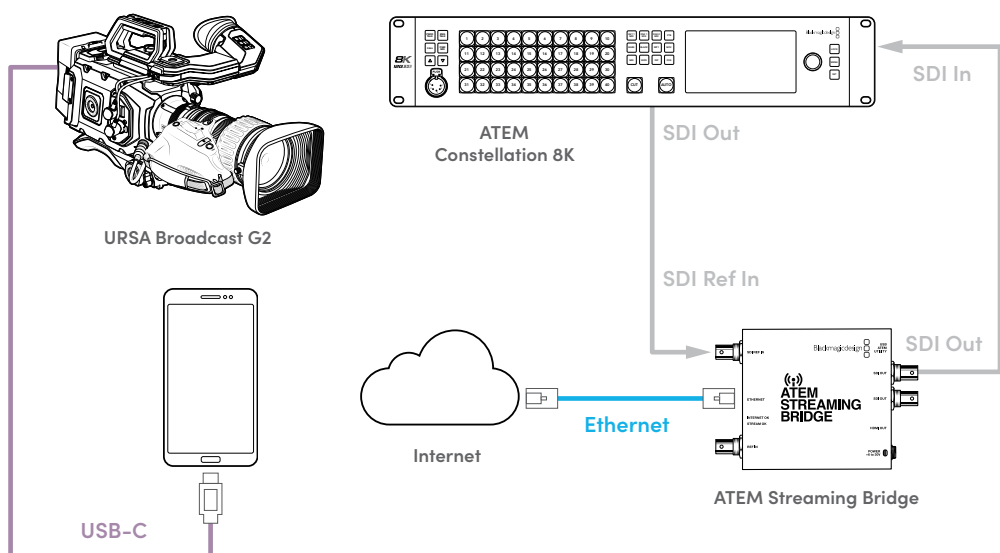
您还可以将URSA Broadcast G2连接至同一以太网中的ATEM切换台, 或通过互联网连接以及选配件ATEM Streaming Bridge连接至任何地方的切换台。推流到ATEM切换台时, 该设置还包含Tally、对讲和摄影机控制功能。

以下两个示例介绍了URSA Broadcast G2通过ATEM Streaming Bridge连接至ATEM切换台。第一个例子介绍了通过局域网连接, 第二个例子解释了通过智能手机互联网传送视频。

通过网络连接



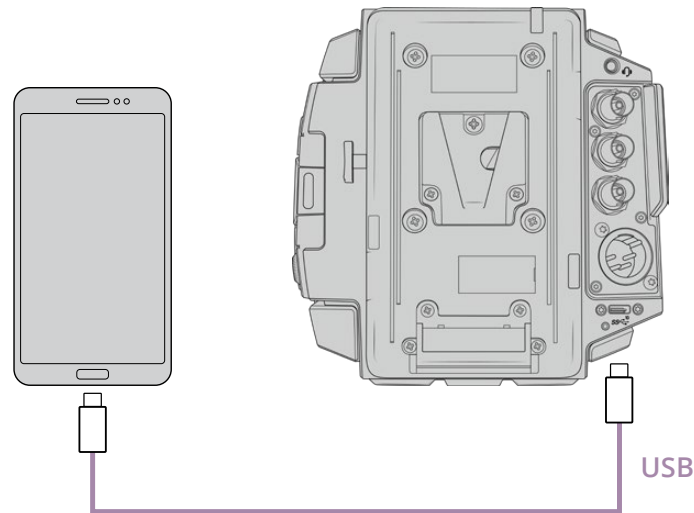
通过互联网连接



备注 如果通过以太网适配器进行推流, 我们建议使用Belkin的USB-C转千兆以太网适配器。虽然其他USB-C转以太网适配器或也可以使用, 但是Belkin适配器的芯片组是用于RTMP流媒体视频工作流程的可靠方案。

智能手机设置

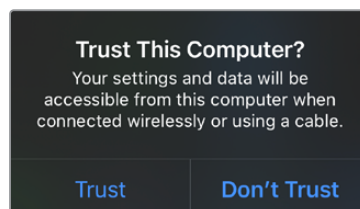
将智能手机通过USB-C线缆连接至摄影机的USB-C扩展端口。这意味着，只要您的智能手机有4G或5G蜂窝网络连接，那么这一连接就可以让您快速设置并向世界各地发送流媒体。



设置

第一步是为智能手机设置互联网推流，确保手机热点的开启状态。

- 1 在您的iOS设备上打开“设置” > “个人热点”，并确保“允许他人加入”选项是启用的。
- 2 您可以看到弹出信息询问是否信任所连接的计算机。选择“信任”，然后屏幕上会看到绿色的网络共享图标。您可以通过这个图标来确定是否连接成功。



连接成功会出现网络共享图标

启用网络共享时，智能手机上的时间显示会出现绿色背景。

安卓设备，滑动屏幕显示快捷菜单。长按热点图标，然后打开USB网络共享。

提示 推流结束后，建议您在手机上关闭网络共享，以保存手机电池电量。

设置ATEM摄影机ID

ATEM摄影机ID是摄影机菜单设置中的一项设置，能够决定URSA Broadcast G2通过哪个SDI输入连接ATEM切换台。当摄影机ID与切换台的输入编号对应时，摄影机会检测该输入的Tally数据，Tally提示灯和摄影机控制也会正常运行。

更多关于设置摄影机的ATEM摄影机ID的信息，请参考本手册前面关于“设置”部分的内容。

创建XML文件

想要创建一个XML设置文件将ATEM Streaming Bridge连接到网络，只需使用一根网线将以太网端口和网络路由器或网络交换机连接即可。

通过USB-C线缆并启动ATEM Setup将ATEM Streaming Bridge连接至您的计算机。

在设置选项卡中，请确认网络设置信息正确，并从“推流服务”选项中选择“互联网”。在互联网连接状态栏里可以看到“Visible Worldwide”（全世界可见）的信息。这意味着一切运行正常。

关于端口转发的说明

如果在“网络状态”栏中看到端口转发或UPnP错误，那么您需要询问互联网供应方或网络管理员将网络连接的端口转发设置为“TCP port 1935”。

导出XML文件

当您在ATEM Setup选项卡中确认了您的设置，并且成功地将ATEM Streaming Bridge连接到了您的网络或互联网后，就可以导出该XML设置文件。



- 1 点击窗口右上方的“外部ATEM Mini Pro”选项卡。
- 2 点击“平台”编辑框并键入新名称。这一名称将被列在远程Blackmagic URSA Broadcast G2的平台菜单中。
- 3 选择您想要的推流质量。这一设置将设定远程URSA Broadcast G2的质量。
- 4 点击“保存ATEM设置”按钮，在计算机上选定一个保存XML文件的地址，并点击“保存”。
- 5 您可以将保存后的XML文件发送电子邮件给远程操作人员。

加载XML文件

想要将XML设置文件导入到URSA Broadcast G2, 只要将文件保存至SD卡、CFast卡或USB-C硬盘即可。



- 1 在摄影机设置菜单的第九页中, 点按标有“导入设置”的按钮。
- 2 在屏幕顶部, 点按保存有XML设置文件的存储卡或硬盘。点按该文件名称, 再点按“导入”。设置文件成功导入后, 您的摄影机平台菜单将自动选定ATEM Streaming Bridge。

下面, 您只要点按摄影机的流媒体直播按钮即可开启流媒体。

您可以通过让摄影棚里的切换台操作人员切换到您的摄影机来测试设置是否正常运作。您可以看到摄影机上的Tally灯亮起, 并且摄影机LCD显示有红色Tally边框。当摄影机切换到预览输出时, Tally提示灯会亮起绿色。



在ATEM Software Control的摄影机页面中调整光圈和黑电平以测试摄影机控制是否正常

URSA Mini Shoulder Kit

安装肩托套件

URSA Mini Shoulder Kit可以让Blackmagic URSA Broadcast G2实现肩扛式拍摄方案，获得ENG拍摄风格。URSA Mini Shoulder Kit中的大部分配件都会随Blackmagic URSA Broadcast G2摄影机附带，其中包括肩垫、底座、顶部把手和寻像器转接板。URSA Mini延长杆和较长的LANC线缆是选购配件。

底座设有快拆板接口，可将摄影机固定到ENG风格的三脚架台座上；也可采用肩扛式拍摄，在现场随时跟拍。

URSA Mini Shoulder Kit可搭配使用任何依照Sony VCT 14型号设计的三脚架快装板。这类固定扣板可从影像器材店或网上购得。

需要注意的是，依照VCT U14型号快装板设计的固定扣板属于不同系统，因此并不兼容。

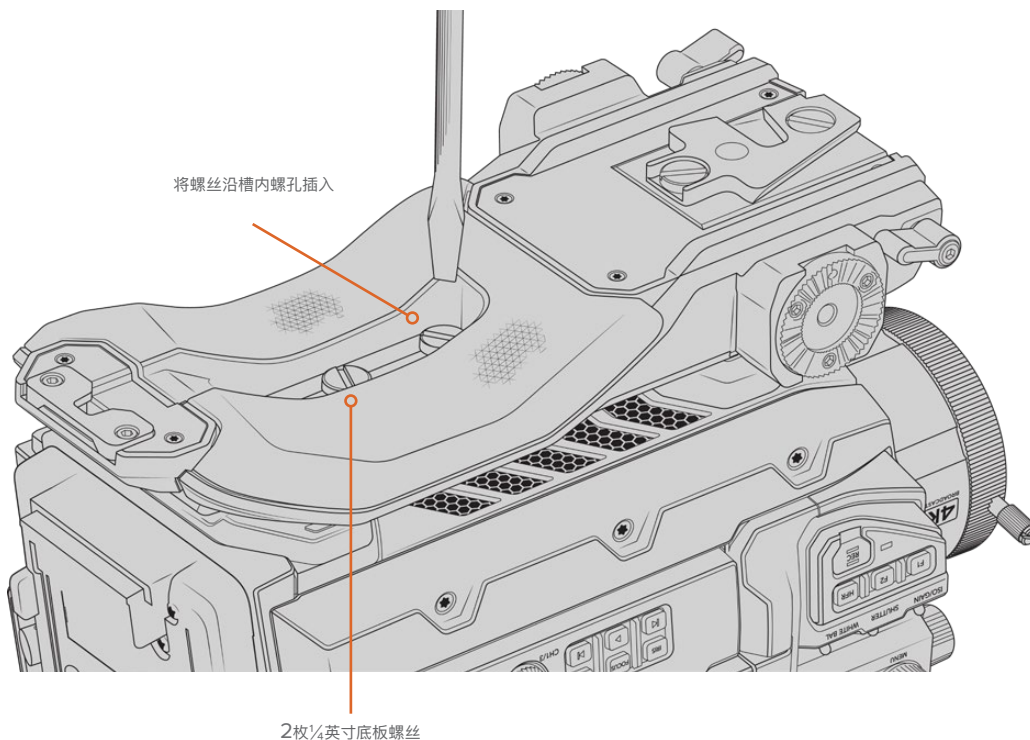
安装肩托套件时，您需要下列工具：

- 1把一字螺丝刀，用于固定2枚 $\frac{1}{4}$ 英寸肩托底座螺丝。
- 1把 $\frac{3}{16}$ 英寸规格六角扳手，用于固定2枚 $\frac{1}{4}$ 英寸顶部把手螺丝。



为URSA Broadcast G2安装肩托套件时，您需要使用一把大号一字螺丝刀，以及一把 $\frac{3}{16}$ 英寸规格六角扳手，用于固定顶部把手。

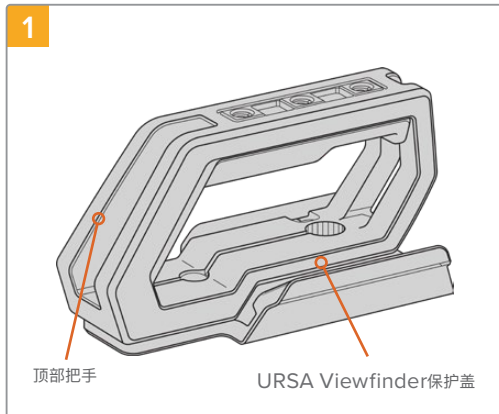
安装肩垫和底座步骤如下：



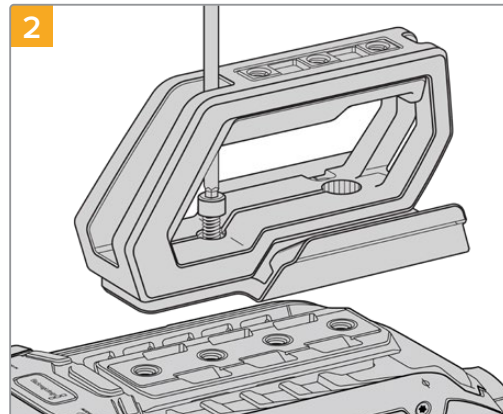
- 1 将URSA Broadcast G2摄影机底部朝上, 轻轻倒置于平整、稳定的桌面上, 便于操作。
- 2 使用2枚1/4英寸平头螺丝和螺丝刀将肩托底座固定到URSA Broadcast G2上。
- 3 旋紧螺丝直至底座紧密固定, 且螺丝不再松动。请勿将螺丝旋得过紧, 以防损坏螺孔纹路。

安装带有URSA Viewfinder寻像器转接板的顶部把手步骤如下:

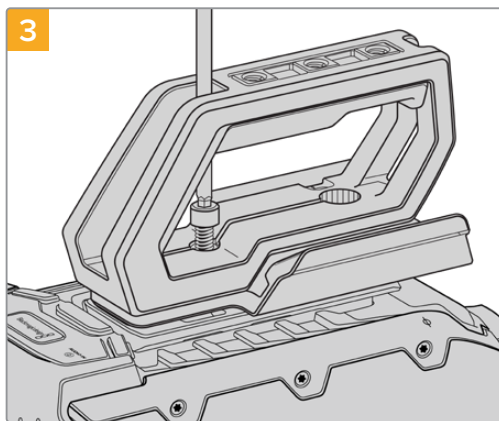
顶部把手上安装了URSA Viewfinder寻像器转接板。了解关于如何安装选配的Blackmagic URSA Viewfinder寻像器的信息, 请阅读本手册下一章节。



将URSA Broadcast G2摄影机放置于平整、稳定的桌面上, 便于操作。



使用3/16英寸规格的六角扳手和附带的两枚1/4英寸螺丝将把手固定到URSA Broadcast G2顶部的任何两个1/4英寸固定孔上。建议大部分情况下选择靠后的两个固定孔, 但是您可以在URSA Broadcast G2使用较大的镜头时根据合适的平衡点挑选任何一组固定孔。



旋紧螺丝, 直至把手紧密固定到位, 且螺丝不易松动。请勿将螺丝旋得过紧, 以防损坏螺孔纹路。

URSA Mini Shoulder Kit延长杆和LANC线缆是选购配件。

安装延长杆

B4镜头通常会配有把手，所以用URSA Broadcast G2肩扛拍摄时不需要侧把手。

但如果您安装了其他镜头卡口，建议在延长杆上安装选配的URSA Mini侧把手，从而获得更加舒适的肩扛拍摄体验。

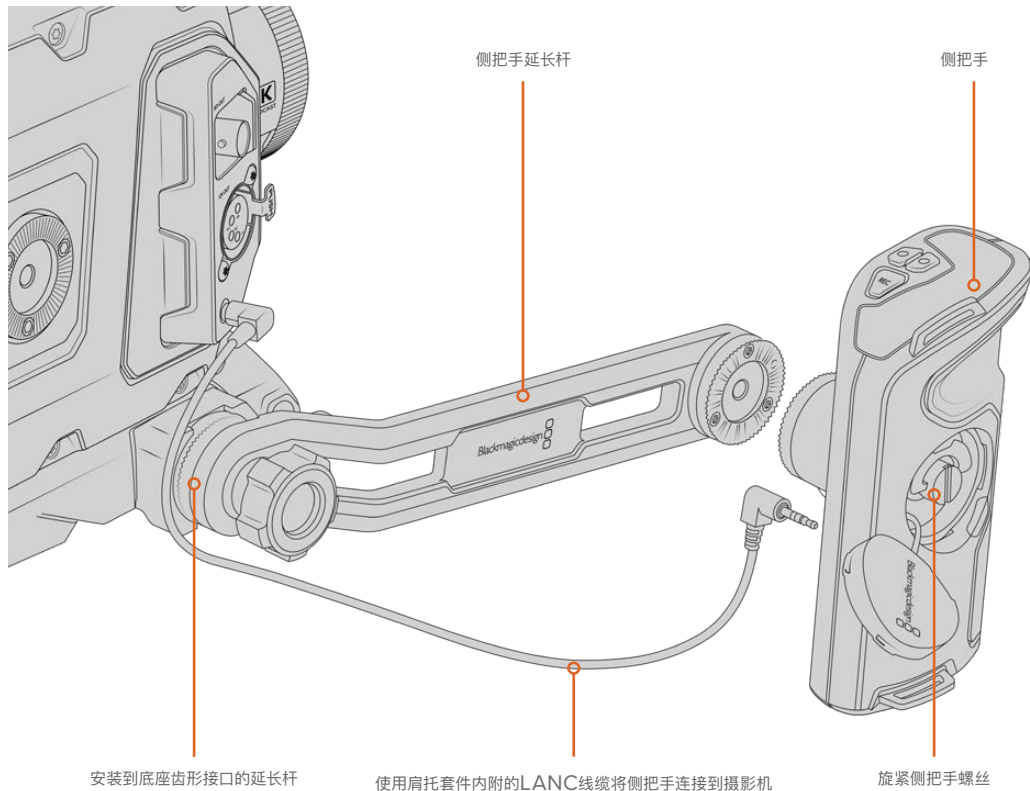
URSA Mini Shoulder Kit配有延长把手和更长的LANC线缆，可以将选配的侧把手移动到更加符合人体工学的位置。

安装侧把手延长杆步骤如下：

- 1 轻轻将URSA Broadcast G2摄影机放置于平整、稳定的桌面上，并为摄影机一侧留出部分空间，以便调低延长杆。将URSA Broadcast G2安装到三脚架上会有助于安装延长杆。
- 2 将延长杆凹折的一头固定到底座齿形接口上，适当调低把手，再使用内附的齿形大头螺丝旋紧。
- 3 将侧把手安装到延长杆前方的齿形接口。使用大号一字螺丝刀旋紧侧把手螺丝加以固定，或者以大拇指和食指旋转D形环。
- 4 使用URSA Mini Shoulder Kit肩托套件内附的LANC长线缆将侧把手的LANC输出接口连接到摄影机的LANC输入接口上。

您可以松开齿形螺丝，并根据需要轻松调整延长杆和侧把手后，再旋紧螺丝即可。

安装URSA Mini Shoulder Kit之后，拍摄效率更高、更灵活，并且还能快速将摄影机安装到三脚架上，获得清晰平稳的镜头画面！



Blackmagic URSA Viewfinder

Blackmagic URSA Viewfinder是一款专为Blackmagic URSA Broadcast G2所设计的强大电子寻像器。它有着1080HD彩色OLED显示器和精准的光学元件,可提供明亮逼真的监看画面,让您快速对焦并查看到细致入微的画面细节。

它十分适用于肩扛式拍摄时手动操作,或是任何需要绝对精准、无反光和炫光的拍摄环境时使用,例如在极其明亮的拍摄条件时。

这款寻像器可连接摄影机并通过摄影机获得电源,并使用来自摄影机的SDI嵌入数据生成各类显示选项。也就是说,您的摄影机能将一路干净的SDI信号输出到这款寻像器上,同时还能切换不同的寻像器显示选项,以便快速获得摄影机状态和准确信息。

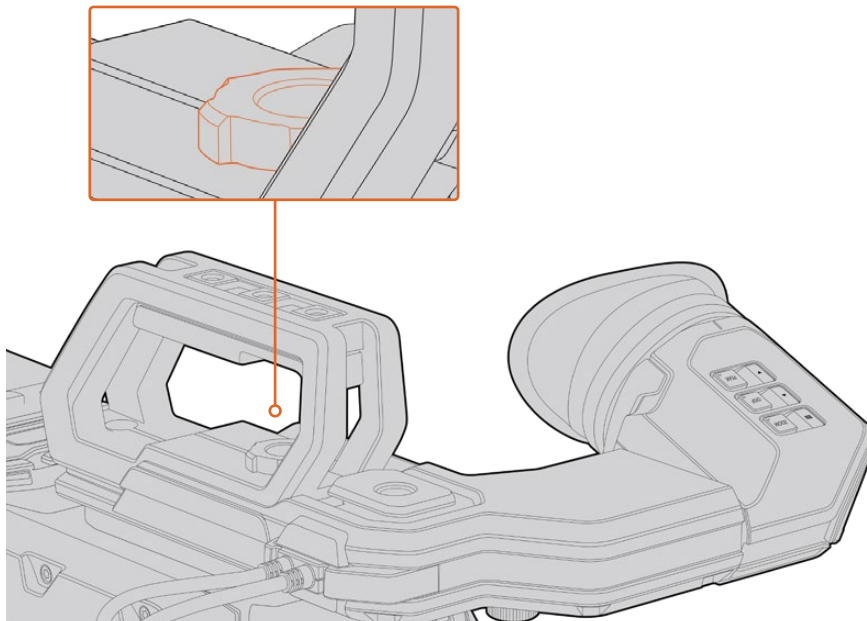
举例说明,如果您在URSA Broadcast G2摄影机的菜单上选择了“2.40:1”帧导栏选项,那么摄影机将会将所选的帧导栏信息自动发送给这款寻像器,因此当您在寻像器上使用帧导栏显示时,寻像器也会相应显示相同的“2.40:1”帧导栏。

安装和连接Blackmagic URSA Broadcast G2

将Blackmagic URSA Viewfinder安装到URSA Broadcast G2上之前,首先需要安装URSA Mini Shoulder Kit顶部把手(随摄影机内附)。详情请参阅“URSA Mini Shoulder Kit”部分的内容。

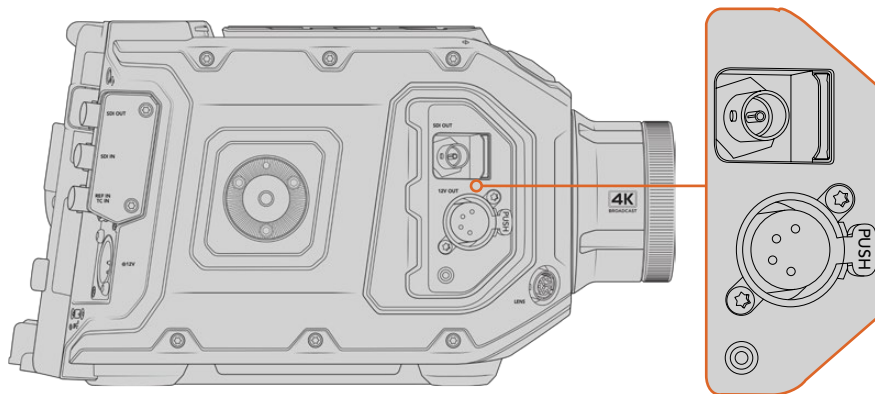
将URSA Viewfinder卡口滑入URSA Viewfinder转接板,并使用URSA Mini Shoulder Kit工具包中提供的1/4英寸拇指螺丝牢牢固定URSA Viewfinder、顶部把手和转接板。

无需使用任何工具固定大头螺丝,用手指按压即可,能够避免螺丝过紧。



为URSA Broadcast G2安装Blackmagic URSA Viewfinder时,将寻像器沿摄影机把手槽滑入,并在1/4英寸安装点用螺丝拧紧。

要连接URSA Viewfinder和URSA Broadcast G2,只需将寻像器的线缆连接到摄影机正面的12V电源以及3G-SDI输出口即可。摄影机开启时,URSA Viewfinder也会自动开启。



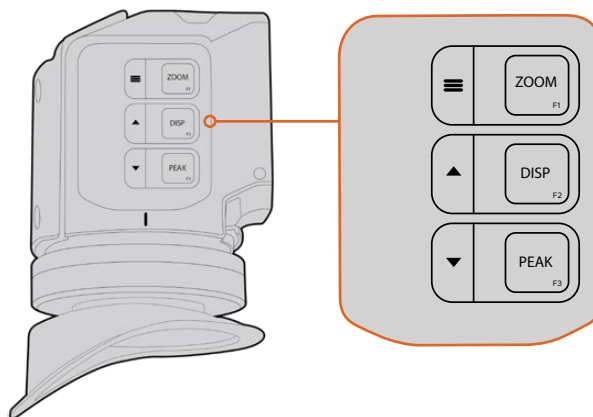
将寻像器的SDI和电源线与URSA Broadcast G2的HD-SDI监看输出和+12V输出连接。

调整目镜

可拆卸的橡胶眼罩可以通过调节来适应左右眼使用。松开寻像器支架底部的旋钮，并左右滑移可调节左右眼使用。

按钮功能

寻像器顶部设有ZOOM (缩放)、DISP (显示) 以及PEAK (峰值对焦) 按钮。这几个按钮可用于画面缩放以及开启或关闭叠加显示和峰值对焦功能。



ZOOM (F1)、DISPLAY (F2) 和PEAK (F3) 按钮位于URSA Viewfinder的上方

这些按钮还可用于其他功能，比如打开菜单并导航设置。按钮一侧所印的图标可显示哪些按钮被用于控制寻像器菜单和导航功能。

这些按钮还具有可自定义功能的特性，您可以为它们指派不同的快捷按钮，以便快速启用各类常用功能选项。例如，您可以将伪色功能指派到ZOOM按钮。详情请参阅“快捷设置”部分的内容。

ZOOM (F1) – “菜单”

“ZOOM”按钮能将画面放大，从而帮助您更精准地对焦。按“ZOOM”按钮放大画面，再次按下可回到100%视图。使用设置菜单时，“ZOOM”按钮还可作为菜单按钮使用。长按这一按钮可打开菜单设置。在设置菜单下，按此按钮一次可确认设置更改。

DISPLAY (F2) – “向上”

按“DISPLAY”按钮可查看叠加视图。使用设置菜单时，此按钮还可作为“向上”按钮使用。长按这一按钮也可快速打开“Shortcuts”（快捷设置）菜单设置。关于快捷键设置的更多介绍请参阅“快捷设置”部分的内容。

PEAK (F3) – “向下”

峰值对焦功能可在画面中最清晰的物体加上绿色边缘，以便您明确对焦对象。按下“PEAK”按钮可开启峰值对焦功能。再次按下可关闭该功能。使用设置菜单时，“PEAK”按钮还可作为“向下”按钮使用。长按这一按钮也可快速打开设置菜单。

菜单设置

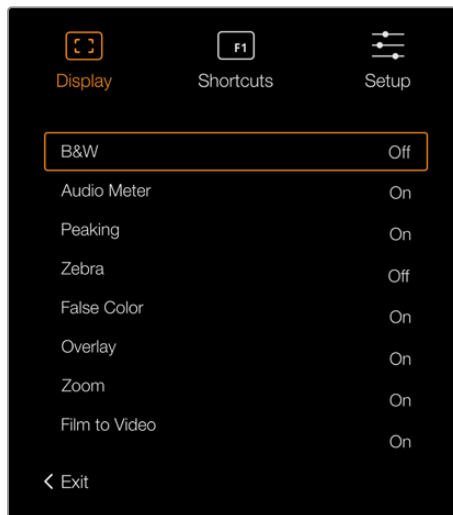
设置菜单含有Display（显示）、Shortcuts（快捷设置）以及Setup（设置）三个主要菜单项。长按菜单≡按钮可打开设置菜单。按向上▲和向下▼按钮可浏览设置，再次按下菜单≡按钮可确认选择。

显示

“Display”（显示）菜单可提供以下功能：

黑白

即“B&W”，可在彩色和黑白显示之间切换。



URSA Viewfinder上的“Display”（显示）菜单

音频表

即“Meters”，可在叠加显示模式下切换不同的技监类型。选项有“Histogram”（直方图）、“Audio”（音频表）、“Both”（全部）或“None”（无）。

峰值对焦

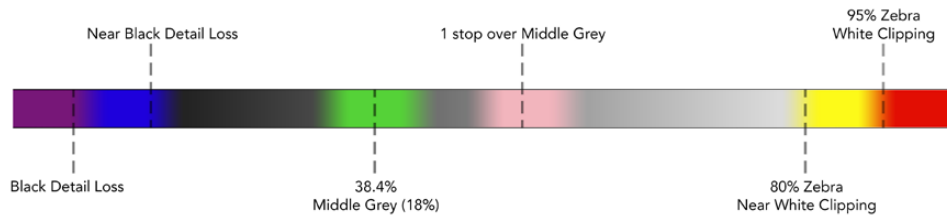
即“Peaking”，可开启或关闭峰值对焦。

斑马纹

即“Zebra”，可开启或关闭斑马纹。请使用摄影机设置来设定想要的斑马纹水平。详情请参阅本手册“设置”部分的内容。

伪色

即“False Color”，可开启或关闭伪色功能。伪色功能可在您的图像上叠加不同色彩，以代表图像中不同元素的曝光值。例如，粉色代表了适合较浅肤色的最佳曝光，而绿色则是较深肤色调的对应色彩。在记录人物画面时可通过查看粉色或绿色伪色来保持肤色曝光的一致性。以此类推，当您图像中的元素从黄色变到红色，就意味着现在处于过曝状态。



伪色表

叠加

即“Overlay”，设置可开启或关闭叠加信息。您可以在寻像器“Setup”菜单中选择显示的叠加种类。这些叠加的风格，比如安全区百分比等，可在摄影机上设置。

缩放

即“Zoom”，可打开或关闭缩放功能。

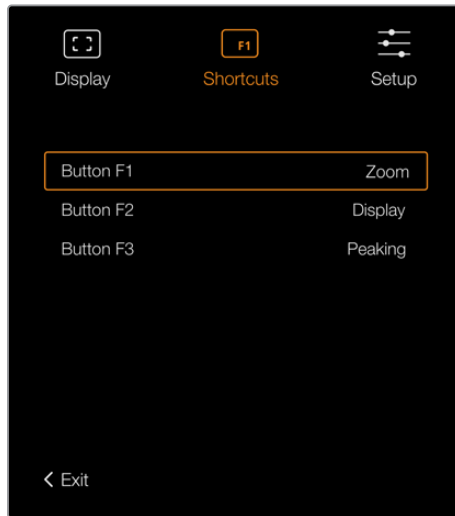
Film to Video

在Film（电影）显示模式和Video（视频）显示模式之间切换。关于Video和Film模式的详情请参考本手册中“记录设置”部分内容。只有当摄影机向寻像器输出“Film”画面时，该设置才可用。当接收“Video”画面时，该设置将被禁用以避免在LUT上应用LUT。

快捷设置

当您需要快速操作某个经常使用的设置时，“Shortcuts”按钮设置十分有用。自定义快捷按钮步骤如下：

- 1 在“Shortcuts”（快捷设置）菜单中，通过按向上▲或向下▼按钮上下移动以选中3个按钮之一来指定您的快捷按钮。按菜单≡按钮确认您的选择。
- 2 按下向上▲或向下▼按钮进行选择，为该快捷按钮指定功能。按菜单≡按钮确认您的选择。
 - 黑白
 - 峰值对焦
 - 斑马纹
 - 伪色
 - 显示
 - 缩放
 - Film to Video
 - 音频表
 - 对焦测试板
- 3 滚动到“Exit”（退出）并按下菜单≡按钮以关闭菜单显示。



URSA Viewfinder上的“Shortcuts” (快捷设置)

设置

“Setup” (设置) 菜单可提供以下功能:

亮度调整

即“Brightness”，可在-10到+10的范围内调节显示屏亮度。

Tally亮度

即“Tally Brightness”，可调节Tally的LED提示灯亮度。

对焦测试板

即“Focus Chart”，您的Blackmagic URSA Viewfinder内置一个对焦测试板，以便您为双眼调整对焦目镜。只要旋转目镜上的对焦屈光旋钮直至对焦测试板完美对焦即可。按下寻像器的任意按钮可关闭对焦测试板显示。

帧导栏

即使“Frame Guides”，可开启或关闭帧导栏。在URSA Broadcast G2的“前方SDI”监视器设置上开启帧导栏时，您可以使用这一设置来切换Blackmagic URSA Viewfinder的各种帧导栏显示类别。

详情请参考本手册“监看设置”部分的内容。

安全框

即“Safe Area Guide”，可开启或关闭安全框。在URSA Broadcast G2的“前方SDI”监视器设置上开启安全框时，您可以使用这一设置来切换Blackmagic URSA Viewfinder的各种安全框显示类别。

详情请参考本手册“监看设置”部分的内容。

网格

即“Grid”，可切换三分法网格、十字准线或中心点。在URSA Broadcast G2的“前方SDI”监视器设置上开启网格时，您可以使用这一设置来切换Blackmagic URSA Viewfinder的各种网格显示类别。

详情请参考本手册“监看设置”部分的内容。

备注 启用URSA Viewfinder设置菜单中的“Grid”（网格）功能后，寻像器将显示来自ATEM切换台的Tally信号。显示菜单中也必须开启叠加功能。

状态信息

即“Status Text”，可切换状态信息的显示方式，例如白平衡、帧率以及ISO等。在URSA Broadcast G2的“前方SDI”监看设置上开启状态信息时，您可以使用这一设置来切换Blackmagic URSA Viewfinder的各种状态信息显示类别。

详情请参考本手册“监看设置”部分的内容。

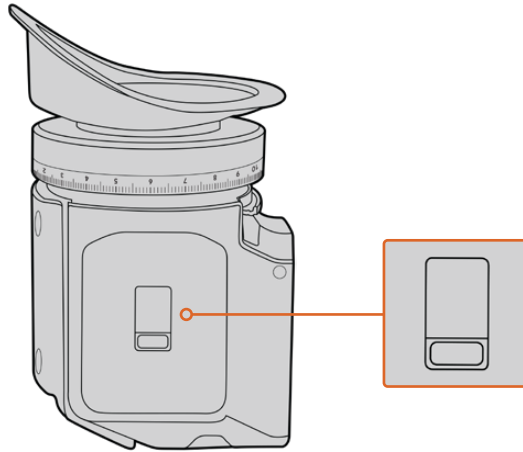
提示 当Blackmagic Viewfinder和URSA Broadcast G2搭配使用时，如果寻像器和摄影机都设置为显示状态信息，则状态信息可能发生冲突。在这种情况下，我们建议打开摄影机的状态信息，关闭寻像器的状态信息。

IR感应器

寻像器上的IR感应器设置可自动探测到您靠近目镜并打开OLED显示。处于待命模式下时，如果您离开寻像器20秒以上，显示器会自动关闭以节省电源并延长OLED显示器的使用寿命。记录时，感应器会将这一时间延长到5分钟，届时OLED显示器会略微变暗。目镜前感应到的任何移动都会重置这一定时器。寻像器除了通过当您观看寻像器目镜时探测到该举动而开启之外，按下寻像器上的任意按钮同样也可打开显示器。



故意挡住或遮盖IR感应器可导致寻像器显示屏出现长时间持续开启状态。此举可能导致显示屏寿命缩短，在寻像器显示帧导栏或高对比度图像时还可能发生残影现象。



IR感应器位于URSA Viewfinder的底部

URSA Viewfinder内部软件升级

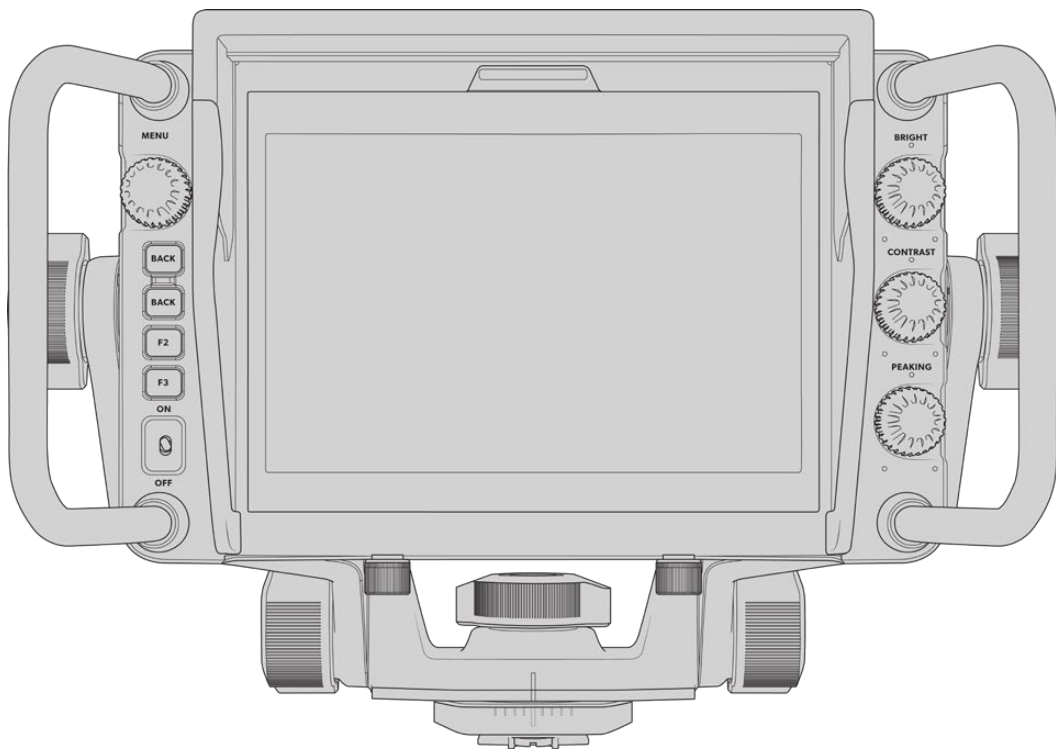
您可通过Blackmagic Camera Setup实用程序更新寻像器软件。升级时，寻像器需要具备充足的电量，因此我们建议您在升级过程中始终保持寻像器连接在您的URSA Broadcast G2上。这也意味着，URSA Broadcast G2需要供应持续的电量，因此请您务必连接外部电源。

将您的计算机和寻像器前方目镜附近的USB接口相连。当打开Blackmagic Camera Utility软件时, 寻像器将连接到您的计算机上, 如果计算机探测到您的寻像器使用的是旧版本, 将提示您进行软件更新。按照屏幕提示更新您的寻像器内部软件。

备注 当URSA Broadcast G2搭配Blackmagic URSA Viewfinder使用时, 我们建议您将寻像器的内部软件升级到最新版本, 以确保兼容性。请登陆Blackmagic Design支持中心 www.blackmagicdesign.com/cn/support 获得最新版软件。详情请参阅本手册“Blackmagic Camera Setup Utility实用软件”部分的内容。

提示 建议您同时更新所有Blackmagic URSA设备, 以便获得理想性能表现。

Blackmagic URSA Studio Viewfinder



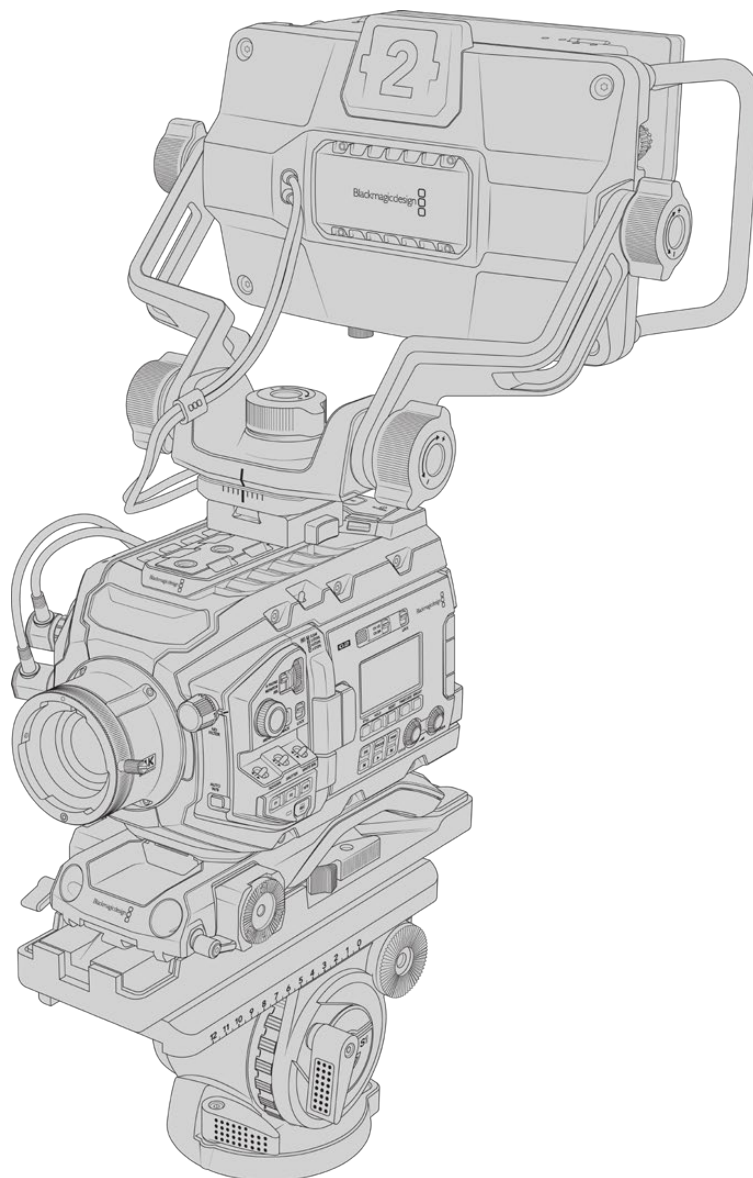
Blackmagic URSA Studio Viewfinder是一款功能强大的寻像器, 能够将您的Blackmagic URSA Broadcast G2变成一台专业的现场制作摄影机。这款演播室寻像器配备一块明亮的7英寸显示屏, 并搭载大而醒目的Tally提示灯、控制旋钮、大尺寸把手、遮光罩, 以及可调节支架安装方案等众多功能。这些功能使摄影机操作起来更加便利, 特别是在现场演唱会、体育赛事或其它长时间活动时, 即使长期跟踪拍摄也能舒适自如。不论棚内还是户外摄制环境, URSA Studio Viewfinder都是您进行专业级现场制作的理想之选。

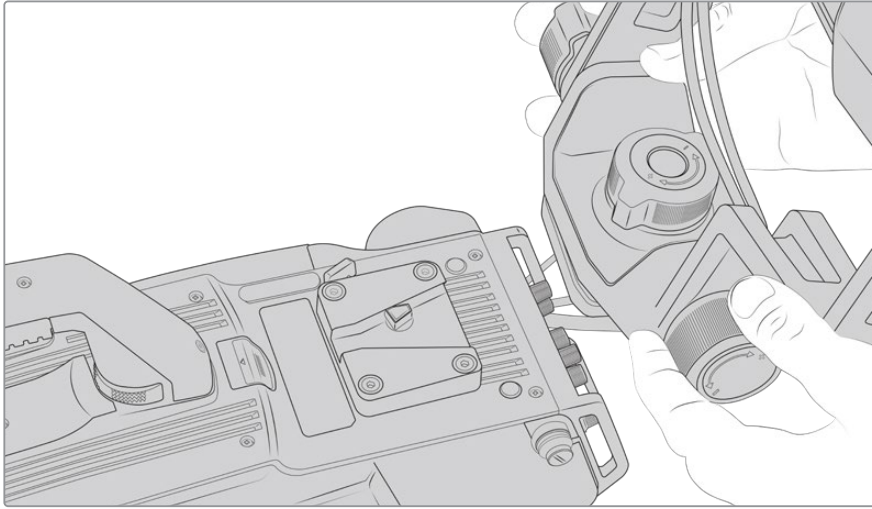
安装和连接Blackmagic URSA Broadcast G2

在将Blackmagic URSA Studio Viewfinder和Blackmagic URSA Broadcast G2一起使用时, 您可以选择以多种方式将寻像器安装在摄影机上。

使用内附的V型扣板可将Blackmagic URSA Studio Viewfinder直接固定到URSA Broadcast G2的顶部, 或者固定到摄影机内附的URSA Mini Shoulder Kit的顶部把手。

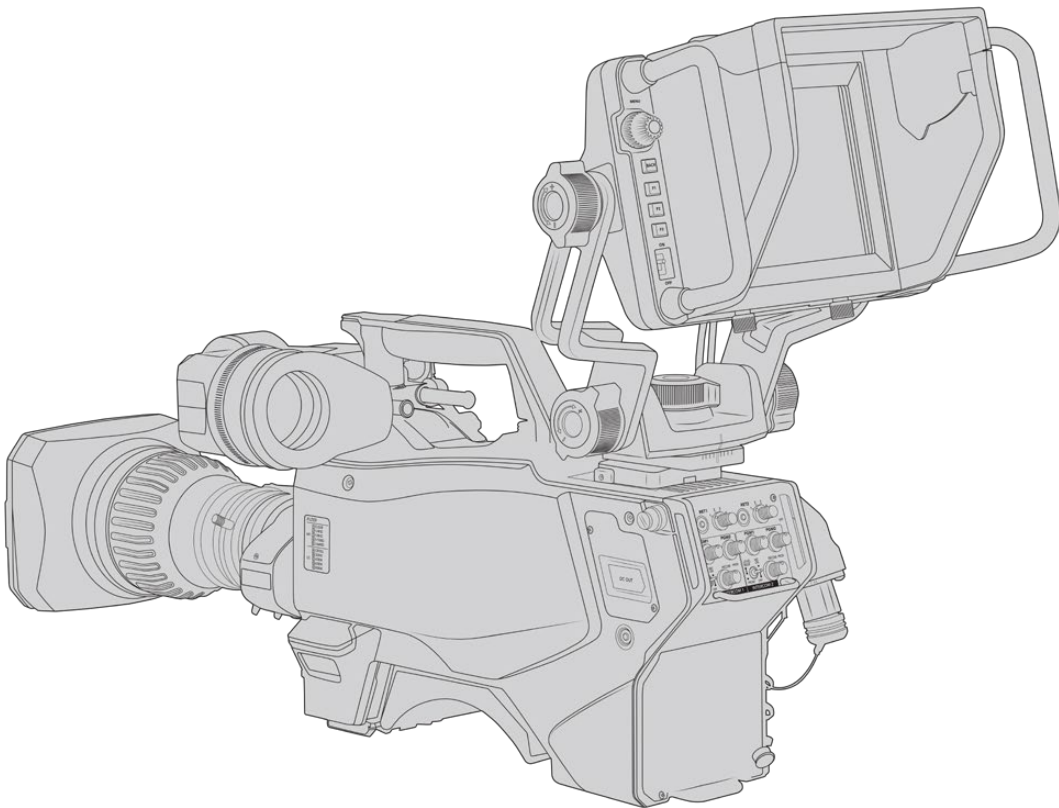
使用内附的1/4英寸螺丝将V型扣板安装固定到摄影机顶部。因为这样会大幅上移摄影机的重心, 我们建议先将摄影机固定在三脚架上, 确保稳定后再进行操作。





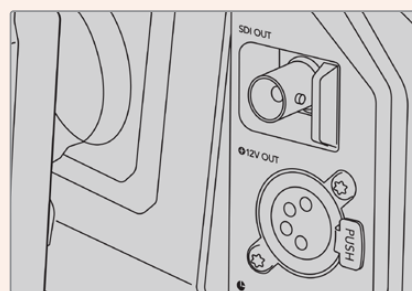
安装在第三方摄影机上的V型扣板

您可以利用V型扣板将URSA Studio Viewfinder安装在任何配有1/4英寸安装点的摄影机上, 或者使用第三方多孔转接板进行安装。同时, 您也可以把Blackmagic URSA Studio Viewfinder安装在已经配有V型扣板的第三方摄影机系统, 许多这些第三方系统本身就装有快拆板。



要连接Blackmagic URSA Studio Viewfinder和URSA Broadcast G2, 只需将寻像器的线缆连接到摄影机正面的12V电源以及3G-SDI输出口即可。

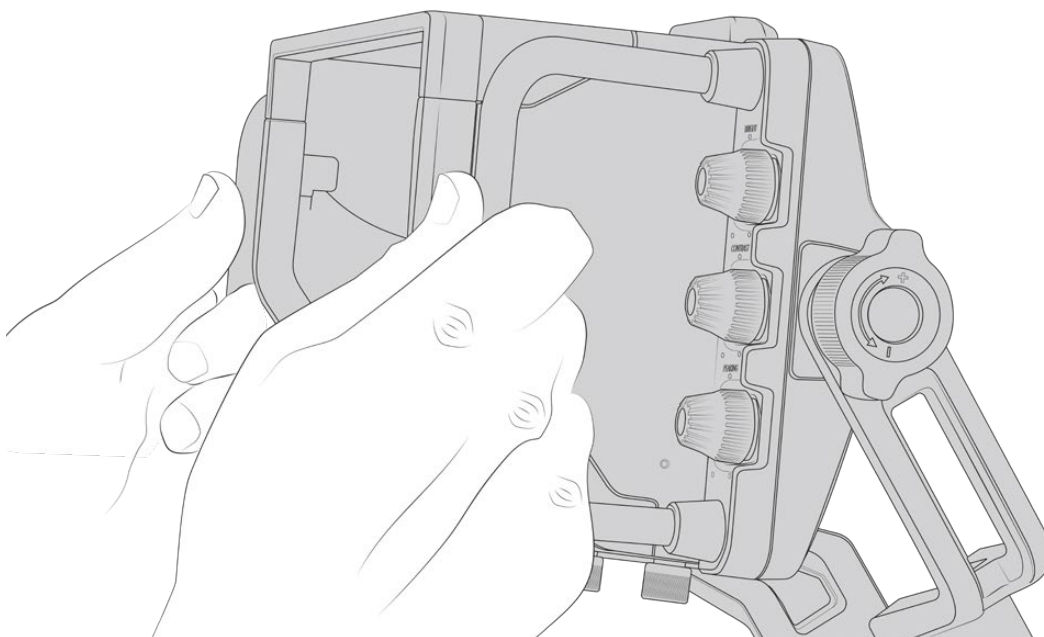
您可以打开寻像器上的电源开关, 在摄影机开启的状态下立刻启动寻像器。请注意URSA Mini把手支架的侧面配有电缆夹, 可以帮您固定电缆, 使拍摄现场更加整洁。



URSA Broadcast G2上的SDI与12V电源接口

提示 URSA Studio Viewfinder使用开放标准SDI和广播级4针XLR电源接口, 可连接任何摄影机, 甚至可在从事外景拍摄时作为可调节的现场流动监视器使用。该设备还使用开放标准ATEM Tally和设备控制协议, 因此任何摄影机系统均可将这一信息添加到其SDI信号流当中, 获得URSA Studio Viewfinder上的Tally功能和叠加信息。

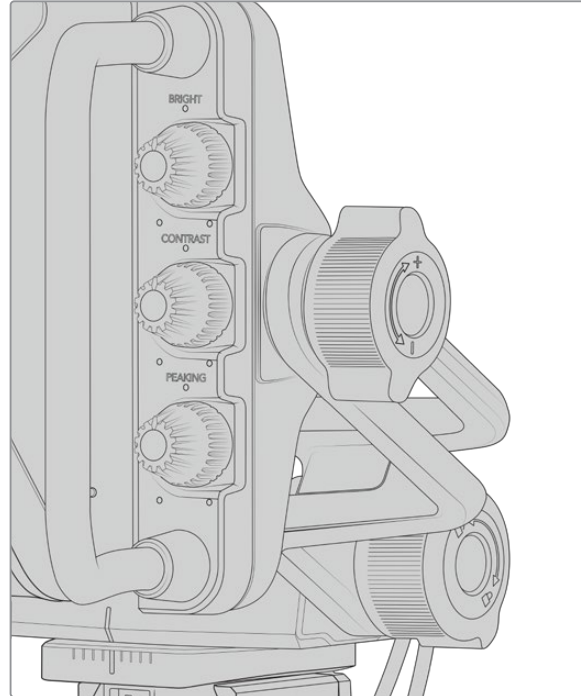
调整Blackmagic URSA Studio Viewfinder



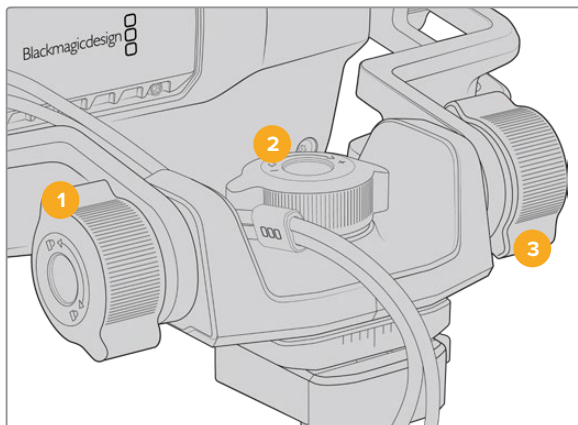
Blackmagic URSA Studio Viewfinder配有大尺寸把手和可调节支架, 让您能够调整寻像器的位置和角度。大尺寸把手使您能够迅速轻松地掌控寻像器, 调整角度和方向。把手附带遮光罩, 可以保护屏幕不受损伤, 这意味着您可以把安装完毕的Blackmagic URSA Studio Viewfinder放进手提箱里, 不用提前拆分。大尺寸把手使您能够轻松地拿起寻像器, 在不同的拍摄现场间移动。

附带的支架配有竖移和平移张力调节旋钮，寻像器两侧也附有额外的张力调节旋钮，获得更好的摩擦控制。左侧旋钮可调整支架的摩擦阻力，右侧旋钮可帮助您在找到需要的角度后把寻像器锁定到位。

这些张力旋钮拥有非常广泛的张力调整范围，使您能够准确地选择所需的阻力。这样可以帮助您轻松地平移和竖移寻像器，直到找到最精确的位置。



张力旋钮位于寻像器的两侧。

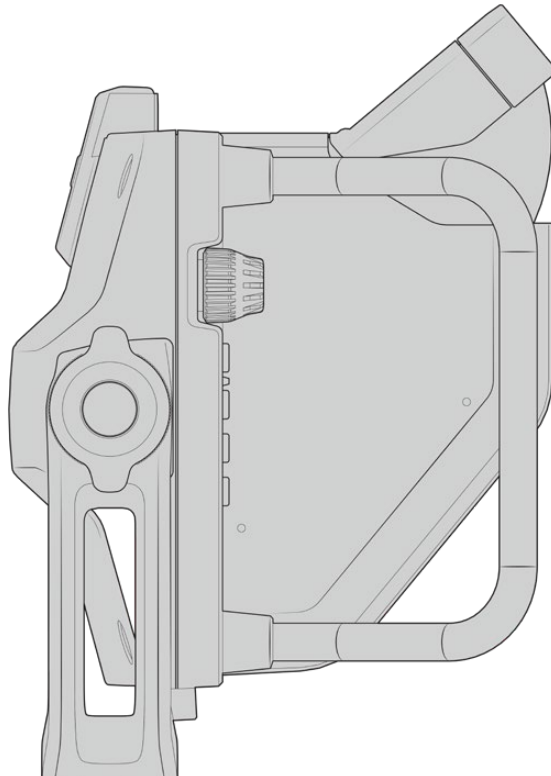
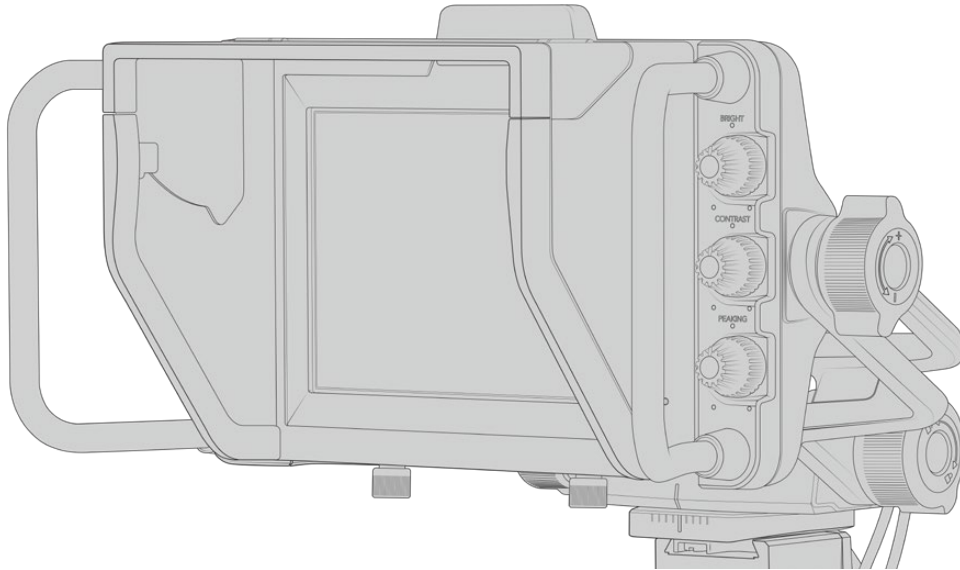


- 1 上下移动锁定旋钮**
可锁定寻像器上下移动的角度。
- 2 左右移动力度旋钮**
可控制左右移动的力度。
- 3 上下移动力度旋钮**
可控制上下移动的力度。

提示 位于附带支架中间的张力调节旋钮可用来控制平移力度，将其松开后能方便您在不移动寻像器的情况单独移动摄影机。这样一来，在拍摄如赛车运动等需要左右平移摄影机的动作画面时，您就可以保持寻像器始终正面朝向您。支架上的刻度指引信息能帮助您轻松将寻像器回到正中间的位置。

遮光罩

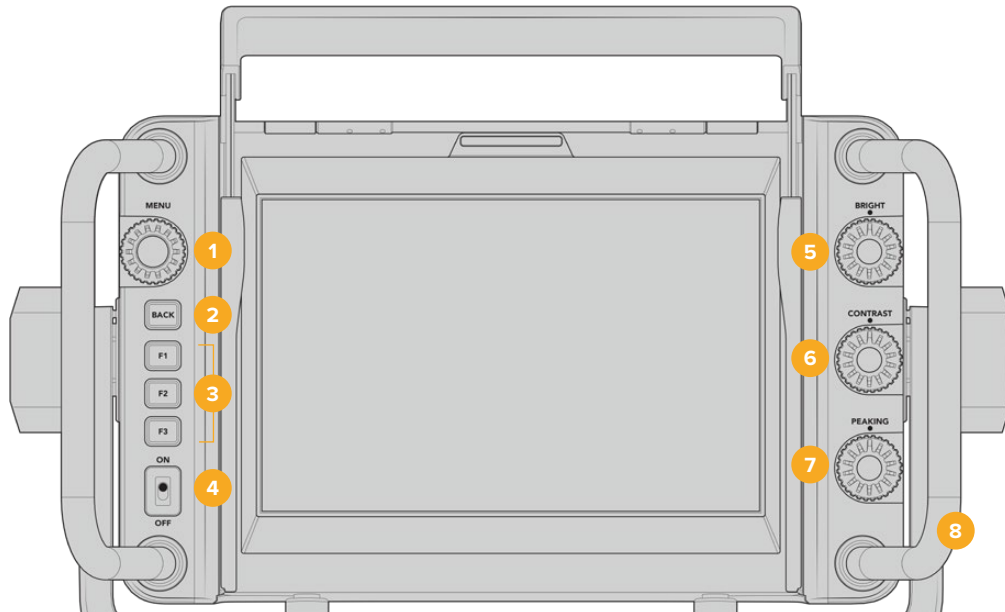
遮光罩可帮助您在明亮或日光条件下看清屏幕。安装时, 将遮光罩滑入Blackmagic URSA Studio Viewfinder的上方, 推入到位, 然后用遮光罩底部的两个外加螺丝固定。遮光罩上的顶板可以上下调节, 从而拓宽可视角度。遮光罩可为7英寸屏幕提供额外的保护, 但也可根据您的需要快速卸下, 以便使用USB-C接口进行软件升级。



遮光罩与可调节顶板

按钮功能

右侧的旋钮可用来更改屏幕亮度、对比度和峰值对焦的参数。旋钮按照人体工程学设计，使用遮光罩时，您可以在侧面用拇指调节旋钮，或者使用两根手指进行更精细准确的调节。



1 菜单旋钮

标有“MENU”字样的按键旋钮，可进入菜单和寻像器设置。

2 返回按钮

标有“BACK”字样的按键，可退出菜单系统。

3 F1, F2, F3

可指派功能的按钮。您可以将最常用的功能指派到这些按钮，以便快速调用。

4 ON/OFF开关

可开启和关闭Blackmagic URSA Studio Viewfinder。

5 亮度

标有“BRIGHT”字样的按键，可调整屏幕画面的亮度。屏幕上的叠加画面会显示-100到+100之间的亮度级别。

6 对比度

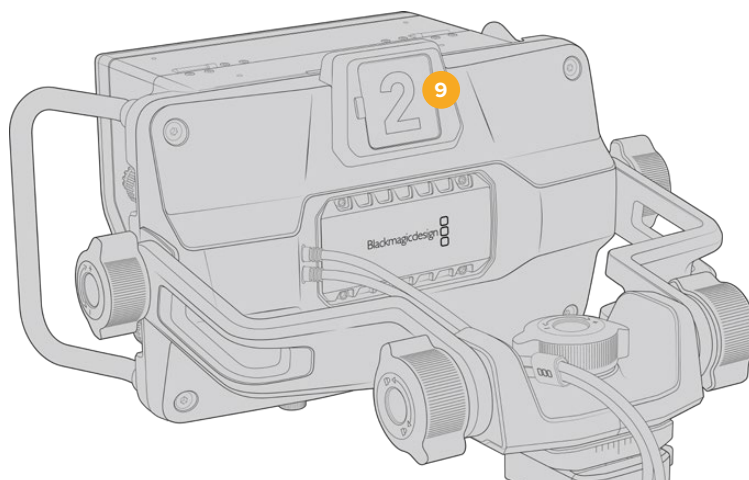
标有“CONTRAST”字样的按键，可调整屏幕画面的对比度。屏幕上的叠加画面会显示-100到+100之间的对比度级别。

7 峰值对焦

标有“PEAKING”字样的按键，可调整屏幕画面的峰值对焦级别。屏幕上的叠加画面会显示-100到+100之间的峰值对焦级别。您可以根据环境需要，在设置菜单中选择不同的峰值对焦风格。您可以选择大家熟悉的传统广播系统的峰值对焦风格，也可以选择彩色线对焦。和URSA Broadcast G2一样，您可以根据不同拍摄环境灵活选择“红”、“绿”、“蓝”、“黑”或“白”线，以便在画面中大量出现某种色彩时能看得更清楚。

8 把手

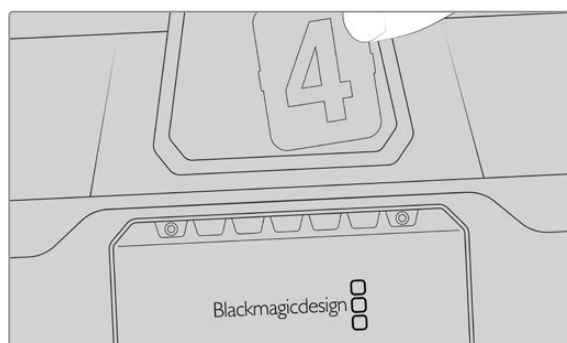
一体化的大尺寸把手使您能够在拍摄中稳稳掌握Studio Viewfinder，在拍摄时轻松移动摄影机。同时在安装和拆卸时为屏幕提供保护。



9 Tally提示灯

位于Blackmagic URSA Studio Viewfinder后方的大型Tally提示灯可让拍摄对象和摄影师明确哪台摄影机画面被切入直播状态, 哪台摄影机画面即将被切入直播状态, 以及是否是ISO单独录制。Tally提示灯显示红色表示正在播出, 绿色表示预览, 与URSA Broadcast G2共同使用时, 显示橙色表示ISO单独录制。

当导演在ATEM切换台上切换不同摄影机画面时, Tally信息将通过SDI发送回摄影机上, 因此当预览某台摄影机画面用于切换, 或者当摄影机处于播出状态或录制状态时, Tally提示灯也会相应亮起。此外, URSA Studio Viewfinder还设有卡扣式透明摄影机号码牌, 可插入并固定在Tally提示灯上, 让身处20英尺外的您一眼就能轻松看清摄影机号码。



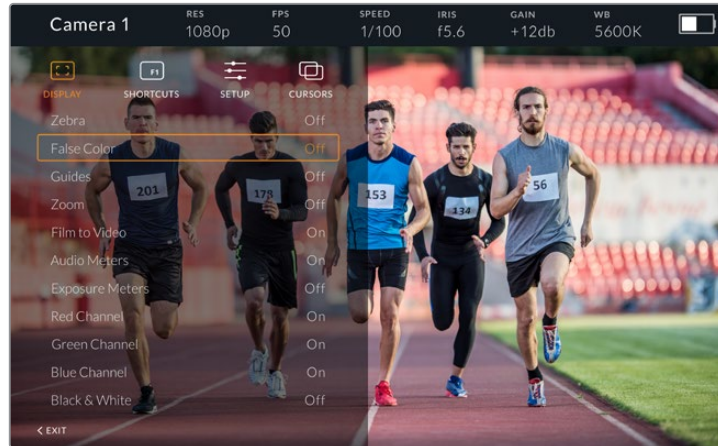
我们在软件安装程序中提供了可编辑的PDF软件, 您可以编辑和打印自己的提示灯号码牌, 从而与已有的号码牌匹配, 您也可以自制个性化Tally灯号码卡。安装Blackmagic摄影机软件后, Mac用户可通过“应用程序” > “Blackmagic Cameras” > “Documents”文件夹路径找到该软件, PC用户则可通过“Blackmagic Design” > “Documents”文件夹路径找到该软件。

Tally提示灯将反馈ATEM切换台的导播控制, 当摄影机没有与切换台连接时, Tally提示灯将亮起红色, 作为单纯的记录提示灯。详情请参阅本手册“了解Studio Camera控制”部分的内容。

提示 将Blackmagic URSA Studio Viewfinder和ATEM切换台搭配使用时, 请务必在URSA Broadcast G2上选择“纯画面”显示, 以确保通过SDI输出到ATEM切换台的画面不会含有叠加信息或对焦框。进入URSA的“监看”菜单, 到“主SDI”中选择“纯画面”。

菜单设置

寻像器的按键式菜单旋钮标有“MENU”字样，只要按下该旋钮就可以进入菜单，旋转该旋钮则可上下浏览菜单选项。当某一菜单的标题呈高光显示时，按下菜单旋钮可在DISPLAY (显示)、SHORTCUTS (快捷设置)、SETUP (设置) 以及CURSORS (叠加框) 子菜单之间切换。转动旋钮可在各个菜单的设置选项间上下翻动。当某一设置呈高光显示时，旋转该菜单旋钮可调整相应的设置。按菜单旋钮一次可确认选择。按“BACK”按钮即可退出菜单，此外，导航到“EXIT”选项并选中也可退出。



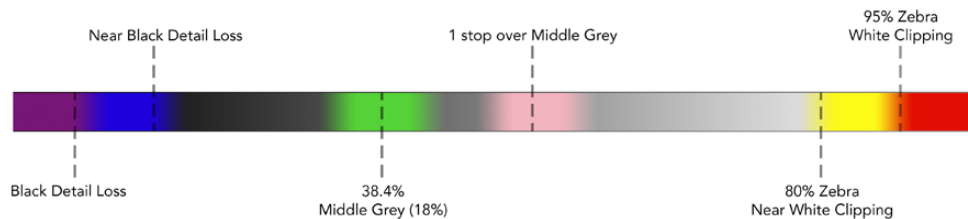
显示

斑马纹

可开启或关闭斑马纹显示功能。斑马纹显示级别取决于您在URSA Broadcast G2摄影机“监看”菜单第三页中的具体设置。当Studio Viewfinder未连接URSA Broadcast G2时，斑马纹可显示Rec 709信号中95%的亮度级别。详情请参阅本手册“设置”部分的内容。

伪色

即“False Color”，可开启或关闭伪色功能。伪色功能可在您的图像上叠加不同色彩，以代表图像中不同元素的曝光值。例如，粉色代表了适合肤色的最佳曝光。在记录人物画面时可通过查看粉色伪色来保持肤色曝光的一致性。以此类推，当您图像中的元素从黄色变到红色，就意味着现在处于过曝状态。伪色常被用来作为检查曝光度的参考工具，因此您可将伪色指派到其中一个功能按钮，以便快速进入这一常用功能。



伪色表

帧导栏

该设置可提供显示或隐藏帧导栏的选项。显示的帧导栏类型取决于您在URSA Broadcast G2摄影机“监看”菜单第四页中的具体设置。

所显示的宽高比、帧导栏不透明度、安全框百分比以及网格类型也取决于您在摄影机中的设置。启用显示菜单中的帧导栏选项时，您还能通过Studio Viewfinder中的“SETUP”（设置）菜单来配置需要在寻像器中显示的帧导栏类型。然后，您只要通过一个命令就可以开启或关闭帧导栏了。

缩放

即“Zoom”，可打开或关闭缩放功能。您可以使用该功能将画面放大，这样能有助于更精准地对焦。放大时，您可以通过左右转动菜单旋钮来查看屏幕中的任何部分。叠加框将显示您当前放大查看的是画面中的哪一部分。

Film to Video

从URSA Broadcast G2发送电影动态范围的SDI信号时，“Film to Video”设置可让您为图像套用一个色彩更绚丽、对比度更高的LUT。该设置仅在检测到“Film”（电影）动态范围时可用，其他情况下均以灰色显示，以防您将错误的LUT套用到图像上。

音频表

即“Audio Meters”，可显示通过SDI输入到Blackmagic URSA Studio Viewfinder上的音频电平，从而显示URSA Broadcast G2的音频输入电平。如果您选择了节目输入，音频表将显示相应的音频电平。

曝光表

即“Exposure Meters”，可开启或关闭直方图显示。

红色通道

即“Red Channel”，可开启或关闭图像中的红色通道。

绿色通道

即“Green Channel”，可开启或关闭图像中的绿色通道。

蓝色通道

即“Blue Channel”，可开启或关闭图像中的蓝色通道。

黑白

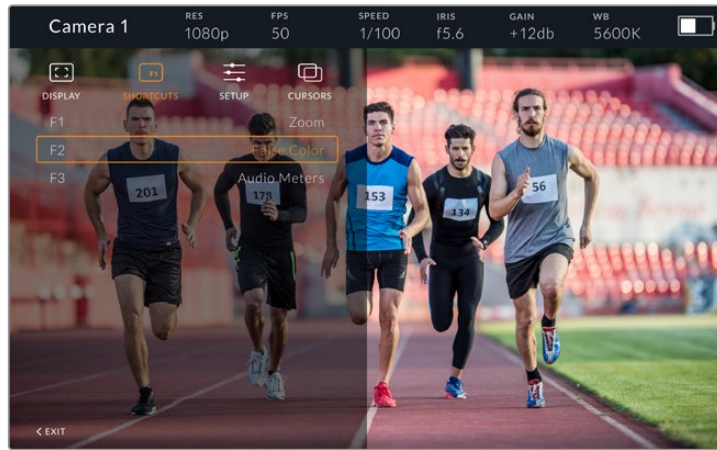
即“Black & White”，可在彩色和黑白显示之间切换。

快捷设置

可为F1、F2和F3快捷按钮映射不同的功能，以便您可以使用快捷设置按钮来开启或关闭显示菜单中的某些设置或叠加框。当您需快速操作某个常用功能时，快捷按钮设置就会十分有用。

自定义快捷按钮步骤如下：进入“SHORTCUTS”菜单，旋转标有“MENU”字样的按键式菜单旋钮在选项间上下移动，以选中3个按钮之一来指定您的快捷按钮。按下菜单旋钮确认您的选择，然后再旋转菜单旋钮来查找可指派的功能。您可以在以下几个功能中选择其一：“Zoom”（缩放）、“Cursor 1”（叠加框1）、“Cursor 2”（叠加框2）、“Cursor 3”（叠加框3）、“Zebra”（斑马纹）、“False Color”（伪色）、“Guides”（帧导栏）、“Film to Video”（电影到视频）、“Audio Meters”（音频表）、“Exposure Meters”（曝光表）、“Red Channel”（红色通道）、“Green Channel”（绿色通道）、“Blue Channel”（蓝色通道）、“Black and White”（黑白）。选择完毕后，按下菜单按钮以确认选择，并将该功能指派到您所选的快捷设置按钮上。这样一来，按下该快捷按钮即可开启或关闭相应功能了。

根据需要完成快捷设置后，您可以滚动到“Exit”再按菜单旋钮来关闭菜单显示视图，或按下“BACK”按钮退出菜单。



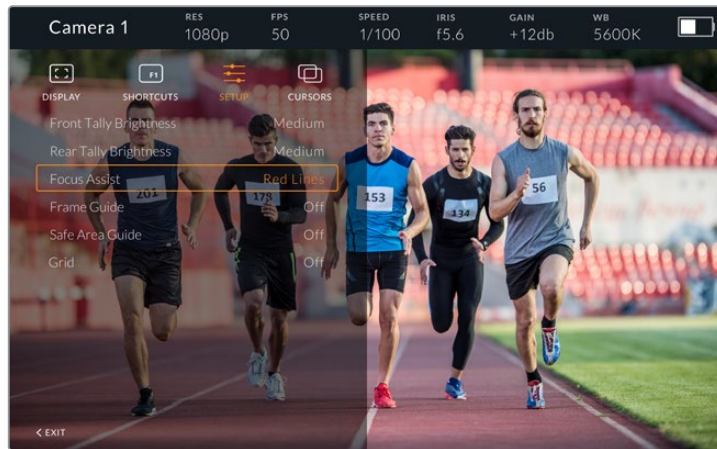
“SHORTCUTS”快捷设置的子菜单

设置

“SETUP”菜单中提供了多项寻像器偏好设置供您选择。

前方Tally灯亮度

即“Front Tally Brightness”，可调整Tally的LED灯亮度，可用选项有“Off”（关）、“Low”（低）、“Medium”（中）和“High”（高）。Tally灯会在您进行调整时亮起，以便您明确每个选项所代表的亮度。



“SETUP”设置子菜单

后方Tally灯亮度

即“Rear Tally Brightness”，可调整Tally的LED灯亮度，可用选项有“Low”（低）、“Medium”（中）和“High”（高）。Tally灯会在您进行调整时亮起，以便您明确每个选项所代表的亮度。

提示 建议您在明亮环境下使用高亮LED亮度设置，以便播报人员和工作人员均能更清晰地看见机位状态。在较暗的环境下拍摄时，使用低亮LED亮度设置应可足以察觉。

对焦辅助

即“Focus Assist”，设置可切换代表寻像器对焦峰值的显示颜色。可用选项有“Red”（红）、“Green”（绿）、“Blue”（蓝）、“Black”（黑）和“White”（白），以及传统的峰值对焦提示色。

帧导栏

即“Frame Guide”，可选择不同的帧导栏作为Studio Viewfinder的辅助显示。连接到URSA Broadcast G2时，帧导栏将根据摄影机的“帧导栏”宽高比来对应显示。连接到其他设备时，帧导栏将默认设置为14:9的宽高比。

安全框

即“Safe Area Guide”，可选择不同的“安全区”提示框作为Studio Viewfinder的辅助显示。连接到URSA Broadcast G2时，安全框将根据摄影机的“安全框”百分比来对应显示。连接到其他设备时，安全框将默认设置为90%。

网格

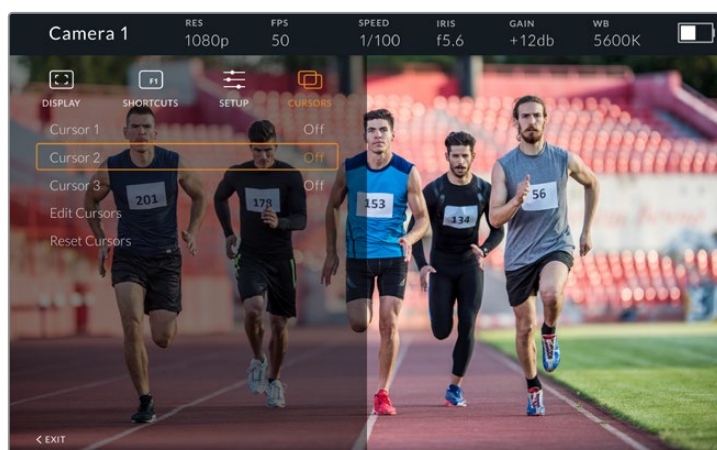
即“Grids”，可选择不同的网格作为Studio Viewfinder的辅助显示。连接到URSA Broadcast G2时，网格将根据摄影机的“网格”设置来对应显示。未连接时，该选项则可用于开启或关闭十字准线显示。

LCD亮度

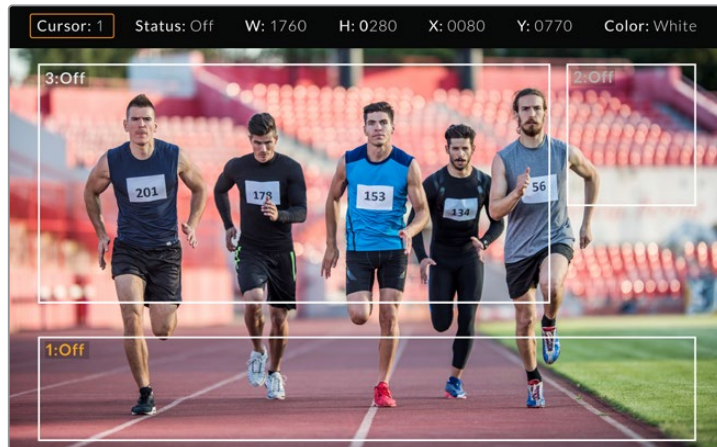
如果您使用更新型号的URSA Studio Viewfinder，那么设置菜单的底部就会出现“LCD Brightness”亮度设置。该选项可用于调整Studio Viewfinder的LCD背光亮亮度。

叠加框

即“Cursors”，可标出屏幕不同区域叠加显示的图文信息，如下横栏、图形、徽标以及滚动信息等。要调整叠加框，请选择“CURSORS”菜单，选择“Edit Cursors”（编辑叠加框），然后就会进入一个页面，当中显示了三种叠加框选项，您可以根据需要选择任何一种，然后输入宽度、高度、X和Y坐标来单独放置每类叠加框。



“CURSORS”叠加框子菜单



显示了不同叠加框的屏幕

设置完成之后，您可以通过“CURSORS”菜单来开启或关闭叠加框，也可将这一功能指派到其中一个功能菜单，获得快捷设置途径。该功能对于现场制作来说非常重要，因为它可以让摄影师明确构图要求，准确取景进行拍摄。您可以创建多达三个黑白自定义叠加框来变更高度、宽度和位置，以便对应现场或之后播出时添加的图文位置。您还可以选择重置叠加框，让它们回到默认状态。

在Blackmagic URSA Studio Viewfinder上使用耳麦

将Blackmagic URSA Studio Viewfinder和URSA Broadcast G2搭配使用时，摄影机上的耳机接口将成为对讲耳麦接口，从而实现摄影师和导演的直接通话。

要获得更多高端对讲功能，您还可以使用Blackmagic Camera Fiber Converter和Blackmagic Studio Converter，从而使用配有5针XLR接口的标准广播耳麦。详情请参阅本手册中“Blackmagic Fiber Converter系列”部分的内容。

提示 由于URSA Broadcast G2的耳机插孔兼容iPhone耳机，因此您可使用iPhone耳机实现与导演的交流。按下内置遥控上的按钮可实现和导演之间的对讲功能。

URSA Studio Viewfinder内部软件升级

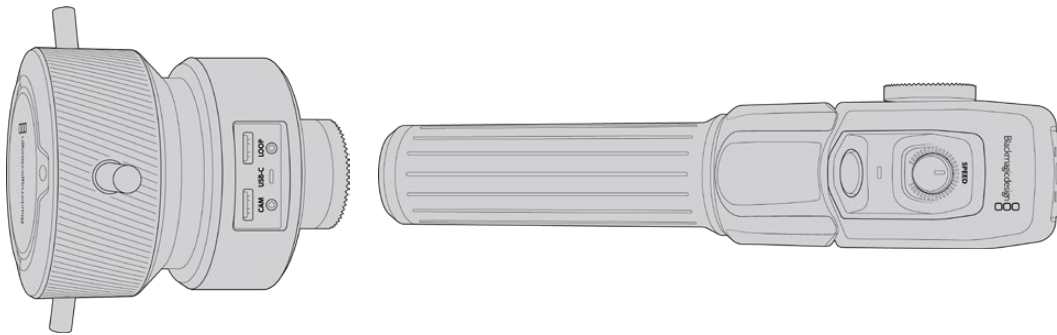
您可通过Blackmagic Camera Setup实用程序更新寻像器软件。寻像器在升级时需要具备充足的电量，因此我们建议您在升级过程中始终保持寻像器连接在您的URSA Broadcast G2上。这也意味着，摄影机需要供应持续的电量，因此请您务必连接外部电源。

移除遮光罩可露出位于Blackmagic URSA Studio Viewfinder底部的小型USB-C接口，以便您通过USB-C端口连接计算机。当打开Blackmagic Camera Utility软件时，寻像器将连接到您的计算机上，如果计算机探测到您的寻像器使用的是旧版本，将提示您进行软件更新。按照屏幕提示更新您的寻像器内部软件。详情请参阅本手册“Blackmagic Camera Setup实用程序”部分的内容。

建议您同时更新所有Blackmagic URSA设备，以便获得理想性能。

备注 当URSA Broadcast G2搭配Blackmagic URSA Studio Viewfinder使用时, 我们建议您将寻像器的内部软件升级到最新版本, 以确保兼容性。请登陆Blackmagic Design支持中心 www.blackmagicdesign.com/cn/support 获得最新版软件。详情请参阅本手册“Blackmagic Camera Setup实用程序”部分的内容。

Blackmagic Zoom Demand 和Blackmagic Focus Demand



Blackmagic Zoom Demand和Blackmagic Focus Demand是选配附件, 可以在使用兼容伺服驱动的B4、EF、PL镜头时用来控制对焦和变焦。

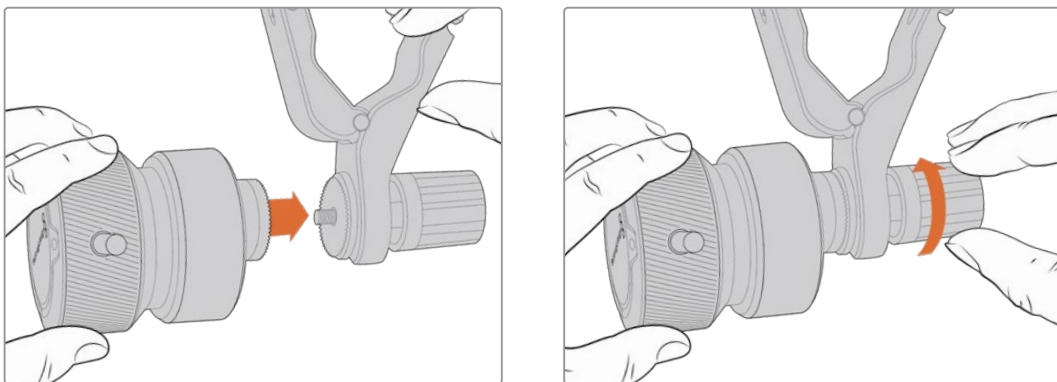
这两款配件可以连接到三脚架或摄影机台座的手柄上, 方便您一边控制对焦和变焦, 一边还能同时控制摄影机的平移或竖移。控制器上丰富的按钮和控制可让您细调变焦控制的速度和灵敏度, 进行对讲, 监看节目返送信号以及更多操作。

连接到您的摄影机

连接到三脚架手柄

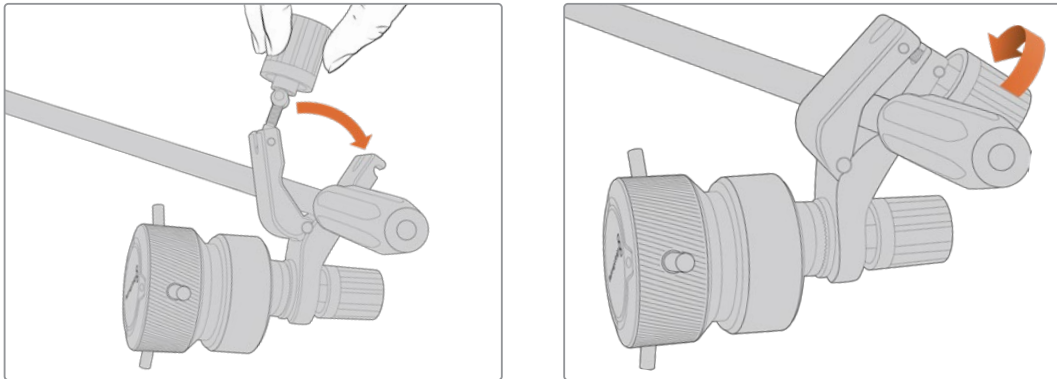
这两款控制器可通过其安装支架连接到三脚架的手柄上。通过齿形盘安装点安装到支架上:

要将Blackmagic Focus Demand安装到支架上, 只要通过齿形盘安装点将其连接在一起, 然后拧紧固定旋钮将其固定即可。



- 1 将Blackmagic Zoom Demand或Blackmagic Focus Demand对准齿形盘安装点。
- 2 拧紧固定旋钮, 将其固定在支架上。

这样就安装到了支架上,下面就可以将支持安装在三脚架把手上。每个支架一端设有一个T型锁定装置,可打开一个合页,然后可以锁紧。



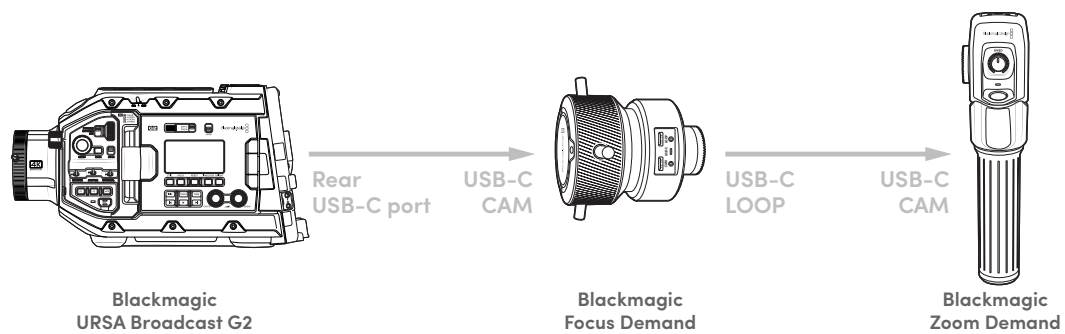
- 1 逆时针转动锁定装置旋钮可将锁定装置松开。该操作可打开T型锁定装置。
- 2 锁定装置打开后,将支架放在三脚架臂上,合住并拧紧将其关闭。转动支架将其移动到三脚架支臂的合适位置。
- 3 拧紧锁定装置旋钮将支架固定在三脚架支臂上。

连接到您的摄影机

Blackmagic Zoom Demand和Blackmagic Focus Demand设有两个USB-C端口。您可以单独使用一个,或者两个一起使用。

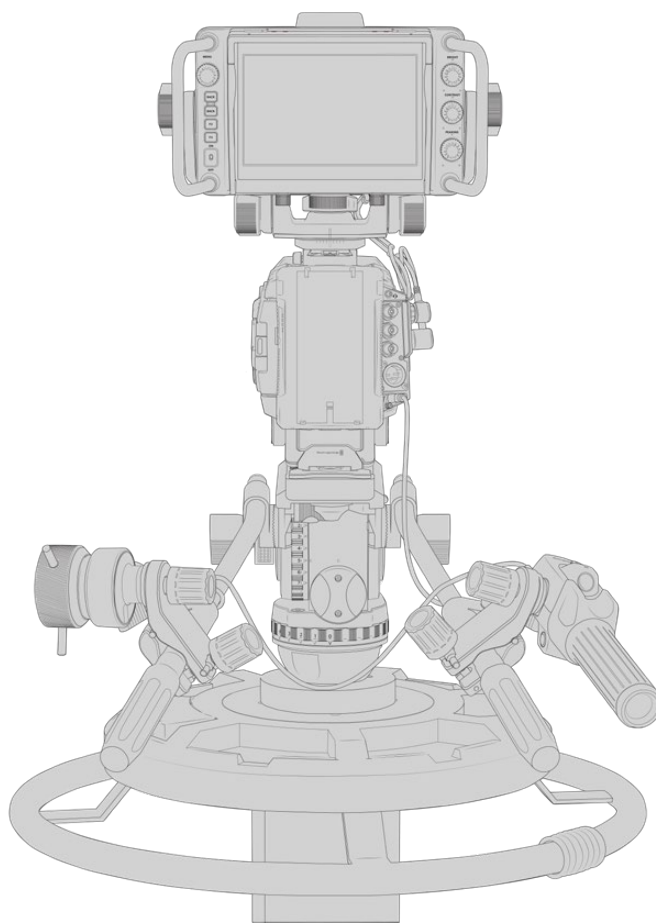
每个控制器都提供一米长的USB-C线缆,可直接将URSA Broadcast G2摄影机后侧的USB-C扩展端口连接至控制器的“CAM”端口。

如果要同时使用两款控制器,可采用菊链式连接,将第一款控制器通过USB-C连接至第二款控制器。



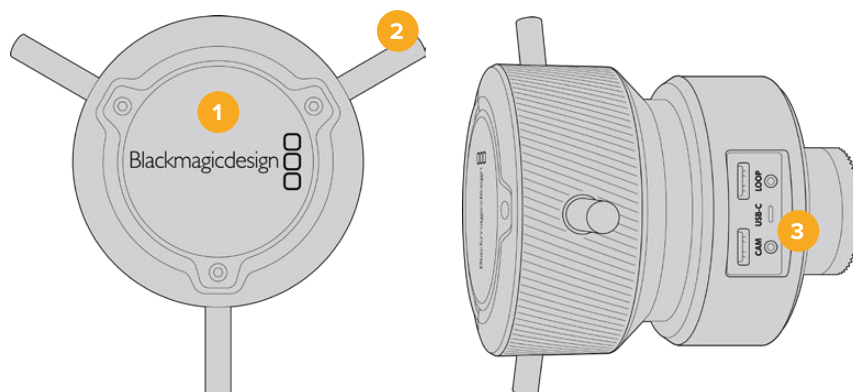
采用菊链式连接后,两款控制器都可以通过URSA Broadcast G2后侧的USB-C端口实现控制。例如,将USB-C线缆的一端连接摄影机后侧的USB-C端口,另一端连接对焦控制器的“CAM”端口。再使用第二根线缆,连接对焦控制器的“LOOP”端口和变焦控制器的“CAM”端口。

USB-C 线缆每端设有锁定螺丝可将其与设备的接口锁定, 以防意外断开。您不是必须要使用锁定螺丝, 但这对演播室设置非常有用, 因为设备是连接到 URSA Broadcast G2 摄影机上的。



安装 Blackmagic Focus Demand 和 Blackmagic Zoom Demand 后, 您的双手不用离开手柄就可以控制对焦和变焦

使用 Blackmagic Focus Demand



1 控制旋钮

顺时针转动对焦环可对距离镜头较近的物体进行对焦, 逆时针转动对焦环可对距离镜头较远的物体进行对焦。在菜单里分别设置为“正常”或“反向”可以更改对焦控制方向。

提示 如果同时使用Blackmagic Zoom Demand, 还可以在使用对焦控制器进行对焦的时候按下快速变焦按钮来放大画面。

2 控制杆

这三个控制杆延伸了控制面的直径, 您可以用指尖进行更精细的对焦调整。

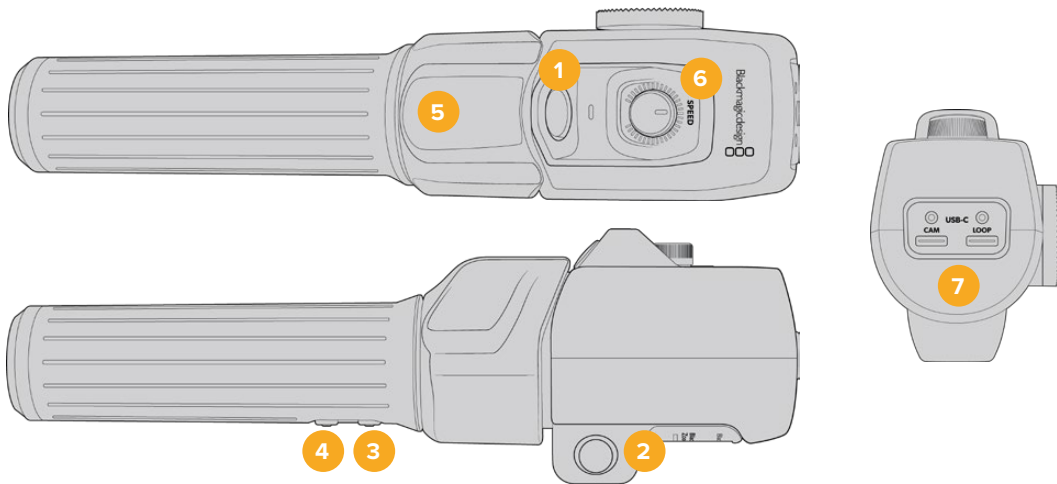
3 USB端口

用于将Blackmagic Focus Demand连接到摄影机, 并可菊链式连接到Blackmagic Zoom Demand。“CAM”端口还可以用来通过Blackmagic Camera Setup实用程序升级内部软件。

使用Blackmagic Zoom Demand

Blackmagic Zoom Demand上的控制可通过摄影机设置映射。要更改按钮功能, 请参阅“设置”章节中关于“设置”部分的介绍。

以下指令是默认设置:



1 变焦F1

这是变焦功能按钮1。默认情况下, 它被映射为“记录”按钮。

2 变焦F2

这是变焦功能按钮2。在控制器另一侧是一个一样的按钮, 可进行同样的操作, 从而可供左右手进行控制。默认设置下, 该按钮被设为一个快速变焦功能, 可以立即操作实时画面。

备注 快速变焦功能仅在Blackmagic URSA Broadcast G2的LCD屏上可见, 在所连接的切换台或录机的输出视频上不可见。

3 变焦F3

这是变焦功能按钮3。默认情况下, 该按钮被设置为节目返送功能。通常这是切换台的节目返送信号, 但可以是连接到摄影机SDI输入的任何SDI信号。

4 变焦F4

这是变焦功能按钮4。默认情况下, 该按钮被设置为一键通话功能。当通过SDI连接到ATEM切换台时, 长按该按钮可与导播通话。

5 拇指摇杆

Blackmagic Zoom Demand的把手提供了拇指摇杆控制。向左推动摇杆拖动可缩小，向右推动则可放大。您可以使用摄影机的菜单设置，将变焦控制设置为相反的方向。

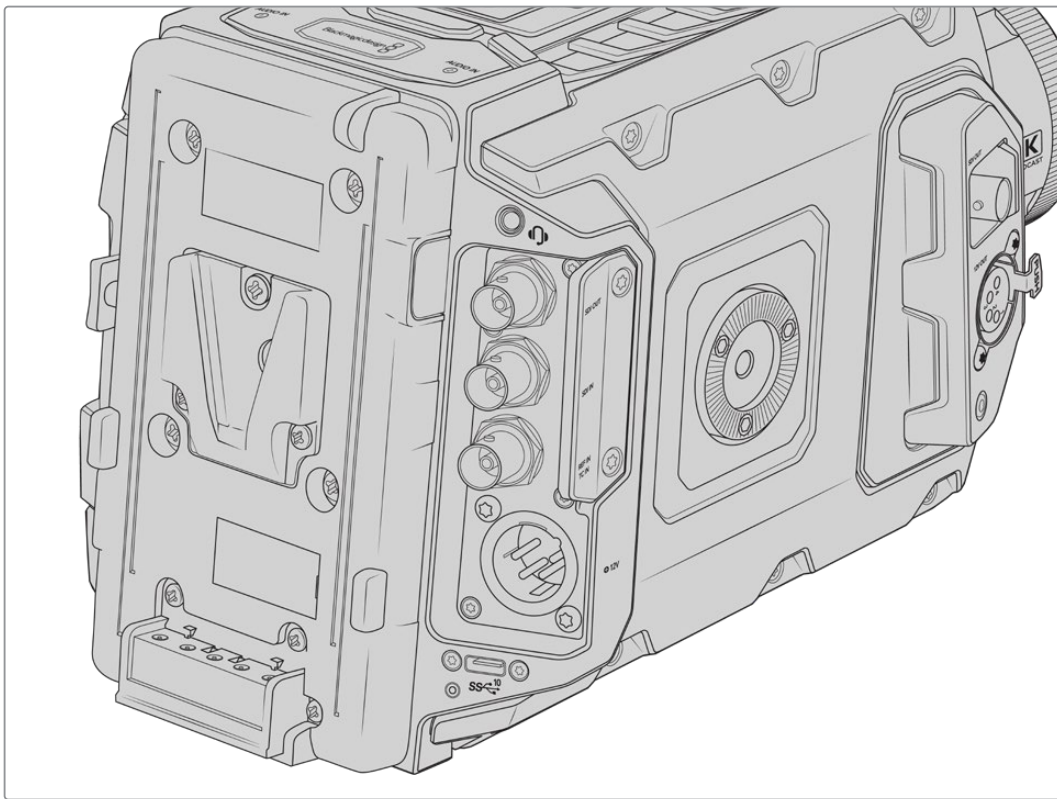
6 速度拨盘

通过调整设备顶部的速度拨盘可对变焦的速度进行微调。您还可以将该拨盘映射到控制耳机电平、光圈调整，甚至是对焦调整！

7 USB-C端口

用于将Blackmagic Zoom Demand连接到摄影机，并可菊链式连接到Blackmagic Focus Demand。“CAM”端口还可以用来通过Blackmagic Camera Setup实用程序升级内部软件。

安装电池



安装V-Mount或Gold Mount电池

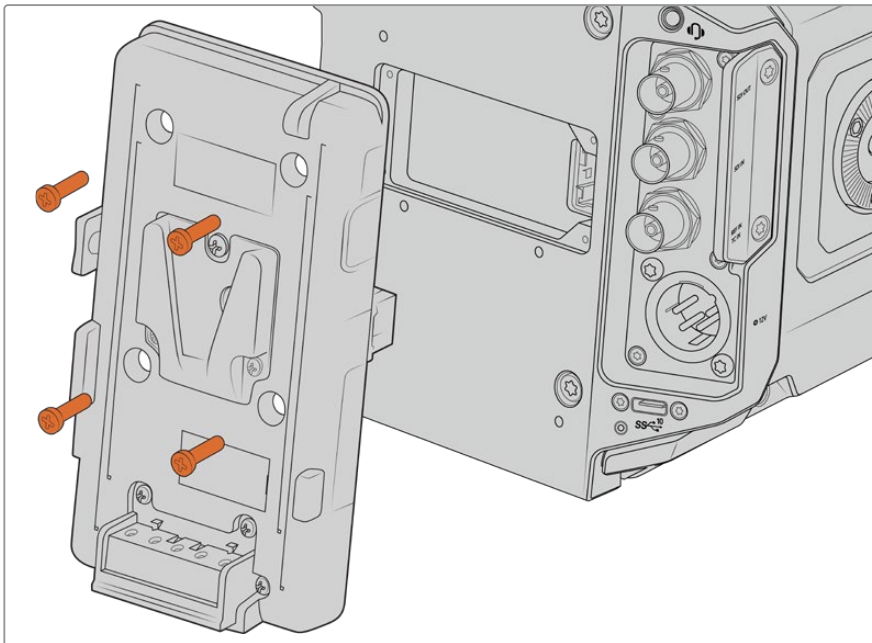
Blackmagic URSA Broadcast G2摄影机开箱时安装有一块URSA VLock Battery Plate电池扣板，可用来安装行业标准的V型电池。

安装选配的Blackmagic URSA Gold Battery Plate电池扣板或者第三方电池扣板后，还可以使用其他电池类型。

提示 Blackmagic URSA VLock Battery Plate和URSA Gold Battery Plate与所兼容电池一起使用时支持以百分比显示电池电量信息。Blackmagic电池扣板设有“+12V OUT”接口，也称为“D-tap”或“P-tap”，可为外部监视器等附件供电。需要注意的是，这个输出接口经摄影机稳压控制，当摄影机关机时不会供电。该稳压输出提供12伏电源，上至1.5安。有些第三方URSA电池扣板，甚至有些电池提供的是非稳压D-tap输出。当摄影机重启期间它们会持续供电，但具体电压取决于电池的充电程度，并且连接的配件也将继续消耗电池电量。

您可以从Blackmagic Design经销商购买Blackmagic URSA VLock Battery Plate和URSA Gold Battery Plate电池扣板，或从专业数字电影和视频设备供应商购买第三方电池扣板。如果您想要改装自己手头的电池扣板以用于Blackmagic URSA Broadcast G2摄影机，可以使用产品内附的适配器电缆和连接器。请阅读“使用您自己的电池扣板”章节获得更多有关如何自定义任何电池扣板用于URSA Broadcast G2的内容。

替换Blackmagic URSA Broadcast G2的电池扣板步骤如下：



- 1 卸下位于URSA VLock Battery Plate电池扣板两侧的共4枚M3螺丝。
- 2 断开电池扣板的Molex接口与摄影机Molex电源接口的连接。
- 3 将新的电池扣板的Molex接口与摄影机的Molex电源接口连接。
- 4 使用4枚M3螺丝将电池扣板旋紧并固定到Blackmagic URSA Broadcast G2的连接板上。请确保连接器的线缆妥善收纳于线槽内，切勿在固定过程中将线缆卡入并挤压在连接板之间。
- 5 摄影机和新的电池扣板完成连接之后，您就能安装电池为摄影机供电了。

使用您自己的电池扣板

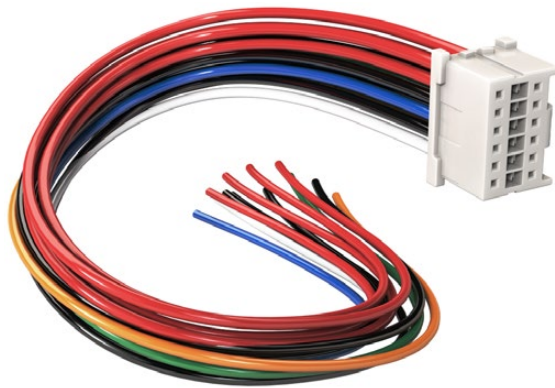
适配器电缆和连接器

如您需要改装第三方电池扣板以便用于URSA Broadcast G2摄影机, 请使用内附的适配器电缆和连接器, 如需该配件可与Blackmagic Design当地支持中心联系。

用适配器电缆和连接器连接电池扣板步骤如下:

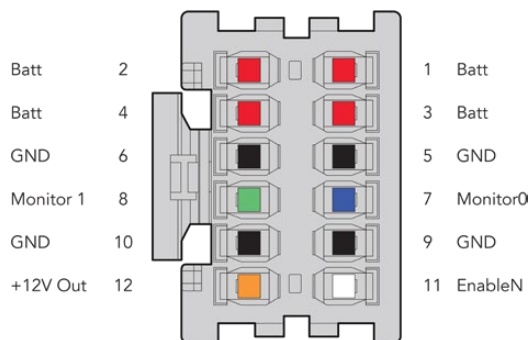
- 1 找到红色和黑色电缆, 从头剥去约半英寸 (约合1.27厘米) 的电缆保护层。
- 2 将4跟红色“Batt”电缆焊接到电池扣板上相应的正极电缆上。
- 3 将4根黑色“GND”电缆焊接到电池扣板上相应的负极电缆上。

请确保接点完全绝缘。



如果您需要改装任何电池扣板以便用于URSA Broadcast G2摄影机, 请使用产品提供的适配器电缆和连接器, 您也可向当地Blackmagic Design办事处获取。

这样, 摄影机就能从电池获得电源。您也可以连接更多电缆获得12V输出和电池状态等功能。请参考以下表格获得电池扣板详细信息, 以便妥善布线。如需更多帮助, 请访问Blackmagic Design支持中心网址: www.blackmagicdesign.com/cn/support。



适配器连接头外壳背面图示。请参考电缆配置表获取每个引脚的描述信息。

电缆配置表

引脚	信号	颜色	方向	描述
1, 2, 3, 4	Batt	红	接入到 URSA	12V到20V
5, 6, 9, 10	GND	黑	—	—
7	Monitor0	蓝	接入到 URSA	模拟电池容量电平或数据线开漏 (最大 20V)
8	Monitor1	绿	接入到 URSA	时钟线开漏 (最大3.4V)
12	+12 V out	橙	从URSA 接出	12V稳压输出最大1.5A (18W)
11	EnableN	白	接入到 URSA	连接到GND接地端以达到+12V输出。如不 要求+12V, 则不用连接。

每个Batt电池端和GND接地端引脚均支持3安培。请确保所有Batt电池端和GND接地端引脚均妥善连接。如需使用Anton Bauer、IDX或Blueshape扣板监看电池状态, 请参考以下连接表格:

Anton Bauer	将剥去外皮的蓝色/白色线缆与连接器外壳上的7号引脚的蓝色线缆相连。
IDX	将绿色线缆与连接器外壳上的8号引脚的绿色线缆相连。将灰色线缆与连接器外壳上的7号引脚的蓝色线缆相连。
Blueshape	将标有“SMBC”的蓝色线缆与连接器外壳上的8号引脚的绿色线缆相连。将标有“SMBD”的褐色线缆与连接器外壳上的7号引脚的蓝色线缆相连。

将不用的电缆割去, 尽可能缩短其暴露在连接器反面的长度。

Blackmagic Fiber Converter系列

Blackmagic Camera Fiber Converter和Blackmagic Studio Fiber Converter选配组件可通过SMPTE光纤连接您的URSA Broadcast G2或URSA Mini摄影机及ATEM切换台。

SMPTE光纤可让您在ATEM切换台和摄影机之间连接通过一根标准工业SMPTE复合光电缆，实现所有视频、供电、对讲、Tally和摄影机控制信号的传输。采用SMPTE光纤连接可明显减少使用线缆的数量，从而可提高制作部署效率、简化运行环节。Blackmagic Studio Fiber Converter所设的标准接口可让您更轻松地在现有转播车基础上添加光纤转换器。

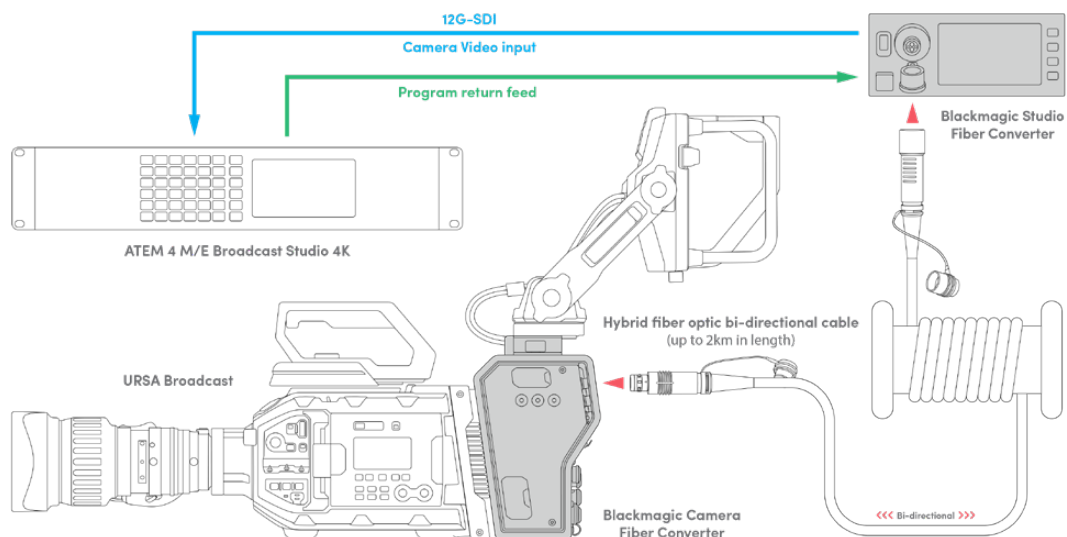


Blackmagic Camera Fiber Converter

该转换器可安装在URSA Mini或URSA Broadcast G2摄影机的后侧，通过标准SMPTE 304复合端口连接至Blackmagic Studio Fiber Converter。

Blackmagic Studio Fiber Converter

该转换器可将摄影机端设备的光纤SDI信号通过BNC转换成SDI信号，连接在ATEM切换台一端。并且还将来自ATEM切换台的节目返送等所有返送信号源发送至摄影机端。



Blackmagic Camera Fiber Converter和Studio Fiber Converter转换器可通过单根SMPTE光纤电缆连接提供高效SDI视频、电源、对讲、Tally以及控制信号传输。

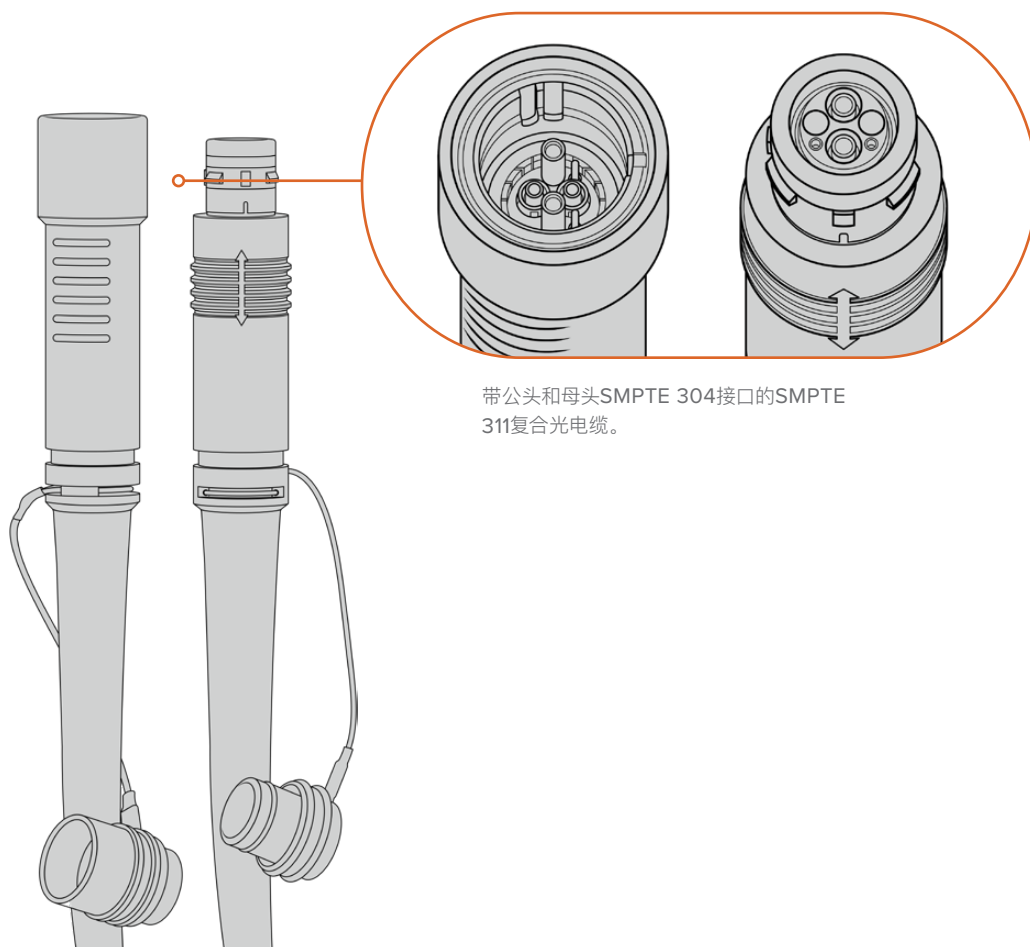
Blackmagic Fiber Converter系列使用入门

使用前的准备工作既快速又高效。很短时间就能一切就绪，然后就可以开始制作视频内容，使用SMPTE光纤传输所带来的优势。

关于SMPTE光纤

SMPTE光纤提供了长距离传输多路信号及供电的简便方式。这一特性对于广电行业非常实用，因此您无需在切换台和多台摄影机之间连接多条线缆。

SMPTE 311复合光电缆可让您通过符合工业标准的单根复合缆将每台摄影机与ATEM切换台相连，从而实现所有视频、电源、对讲、Tally及控制信号统统经由一根线缆传输。采用这种光纤，您还可以将信号及电源传输延长至2公里远。



带公头和母头SMPTE 304接口的SMPTE 311复合光电缆。

备注 SMPTE 311复合光电缆的公头和母头端是根据SMPTE 304端口内部的公母引脚而定的，而非端口外部特征而定。

提示 将SMPTE光缆两头的橡胶盖与转换器上的橡胶盖连接, 可以防止灰尘进入橡胶盖。

使用SMPTE光纤连接的一大优势是可连接到传统现场播出环境下的总控室或转播车中。大多数现代体育场在摄影机机位与总控室或转播车之间都已铺设了光纤, 因此您只要直接连接至这些现成的系统即可。

用于连接已有的光纤系统, 或用于连接两台Blackmagic光纤转换器的光缆是符合SMPTE 311标准、配有SMPTE 304端口的复合光电缆。

保护SMPTE端口

随时随地用橡胶盖保护好SMPTE光缆端口是非常重要的。即使分分钟所累积的灰尘粒子也会影响到打磨后的光纤端口的信号流传输。因此最好是当端口暴露后就立刻盖上橡胶盖。例如, 连接之前或是断开连接之后立刻盖好。

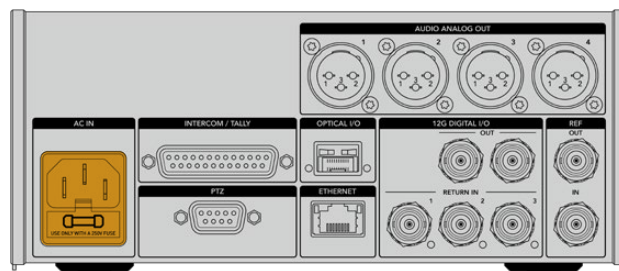
我们还建议您使用SMPTE光缆时, 把光纤端的橡胶盖与转换器的橡胶盖相连, 以免灰尘进入橡胶盖内。

连接电源

电源是从演播室端的转换器经由光缆进入摄影机端转换器, 因此首先要为演播室转换器连接电源。

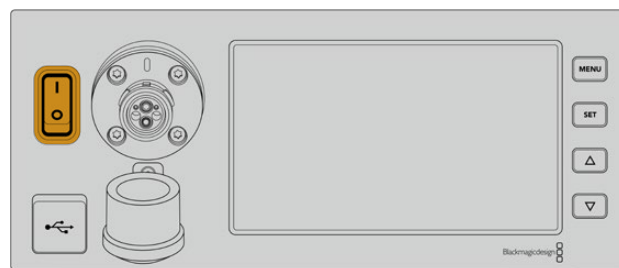
为Studio Fiber Converter连接电源

将标准IEC电源线连接到演播室转换器后侧的电源接口。



您可通过标准IEC电源线将Studio Fiber Converter连接至电源。

要开启该设备, 请将控制面板正面的电源开关置于开的位置。



连接SMPTE光纤

下一步准备工作是用SMPTE光纤将演播室转换器和摄影机转换器相连。这样电源将从演播室转换器传输到摄影机转换器，并且光纤可以传输所有的视频信号。

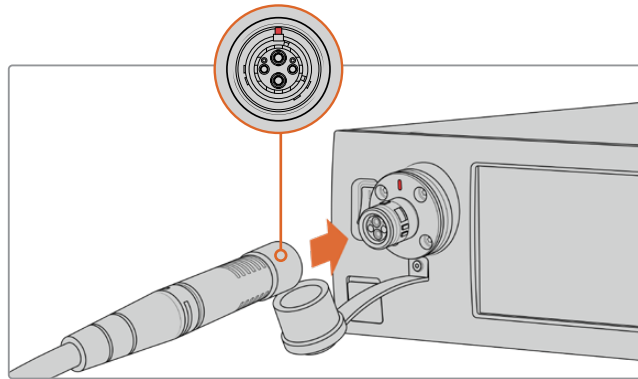
备注 每次通电后的复合光缆与转换器连接时，都会开始全面的安全检查，使用期间转换器将持续对电源安全进行监测。

为演播室转换器连接光缆

SMPTE光缆的公头接口端将牢固地锁定在Blackmagic Studio Fiber Converter前面板上的母头光纤接口上。衔接处设有安全锁定机制可确保播出时线缆不会意外断开。

连接线缆：

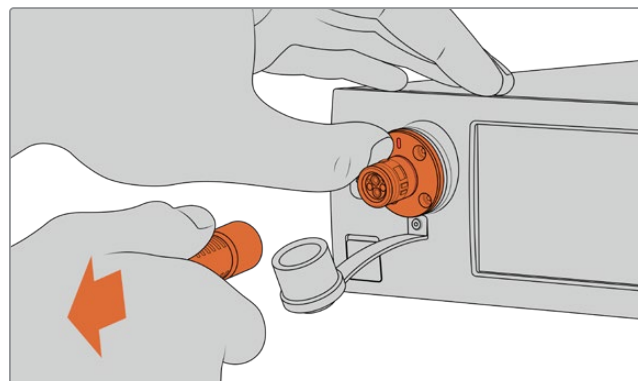
把线缆端口上的红色指示对准转换器设备光纤接口上的红点，然后将线缆插入直至锁定到位。



将SMPTE复合光纤的公头插入Blackmagic Studio Fiber Converter的母头端口。

断开线缆连接：

将演播室转换器上光纤接口的金属底座朝前面板方向按下并拔出线缆。



将演播室转换器上光纤接口的金属底座朝前面板方向按下并从设备上拔出线缆。

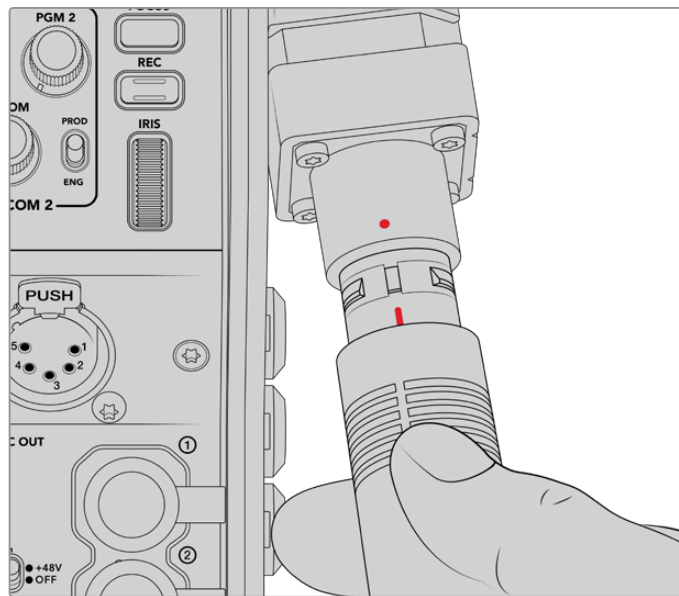
连接完, 强烈建议您将SMPTE光缆末端的橡胶盖与Blackmagic Studio Fiber Converter的橡胶盖相连, 以免灰尘进入橡胶盖内, 并确保橡胶盖的清洁。

为摄影机转换器连接光缆

SMPTE光缆的母头端口可锁定Blackmagic Camera Fiber Converter的公头端口, 从而播出时线缆不会意外断开连接。

连接线缆:

- 1 把线缆端口每侧的红色指示对准摄影机转换器设备上光纤接口的红点, 将线缆插入直至锁定到位。
- 2 完成连接后, 请务必将SMPTE光纤线缆一头的橡胶盖连接Blackmagic Camera Fiber Converter的橡胶盖, 从而避免灰尘进入橡胶盖内, 确保橡胶盖的清洁。

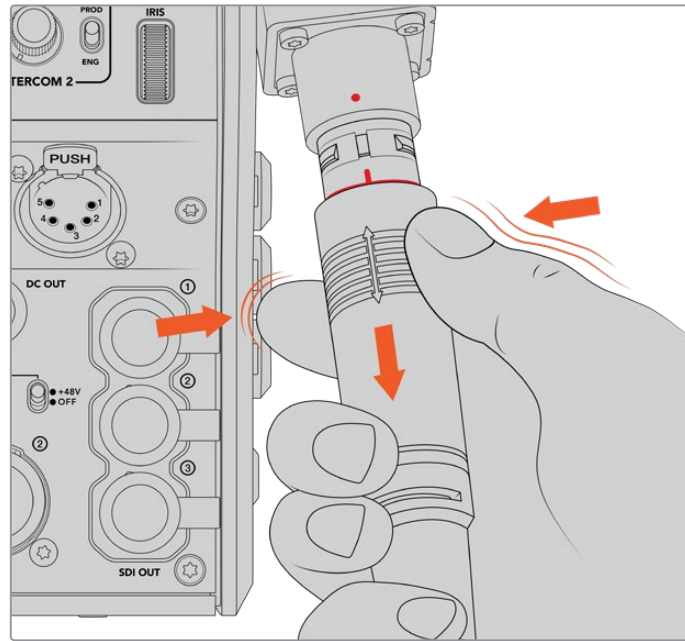


对准红色提示将SMPTE复合光缆插入Blackmagic Camera Fiber Converter上的大端口上。

备注 SMPTE 311光缆上的SMPTE 304接口非常坚固, 能够牢牢锁定摄影机。如果您需要拔出光缆, 请务必将摄影机固定在三脚架连接头上, 或者用空出的手固定住摄影机, 然后拔出光缆。

断开线缆连接:

- 1 挤压线缆母头一侧的顶部, 按住线缆周围的橡胶膜, 将其轻轻从线缆顶部拔出直至看到里面的红圈。这样可以内部锁紧机制咬合部件分离。
- 2 一手轻轻按住摄影机, 并将线缆从Blackmagic Camera Fiber Converter端口拔出。无需过多外力即可将线缆轻松断开。



挤压线缆顶部周围的橡胶保护直至漏出红圈，然后拔出线缆以断开连接

备注 SMPTE光电复合缆是广电生态系统的核心部件，请务必细心维护。比如，尽量避免光缆打结、被沉物压住、或弯曲90度等情况的发生。尽量避免线缆接头坠落，在连接和拔出时请小心谨慎。拔出光缆后，请立刻用盖子盖住接头。

确认电源和光纤

两台设备间将进行调试从而确保电源安全供应和光纤连接完好。

这一过程涉及以下内容：

- 1 演播室转换器与摄影机转换器建立低电压连接。此时摄影机转换器电源提示灯会亮起红色。
- 2 当电源确认安全连接后，将启用高压电源，摄影机转换器的电源指示灯将亮起绿色。
- 3 光纤连接被确认后，光纤状态提示灯将亮起绿色。

这一过程通常很快，提示灯几乎是立刻从红变绿。如果使用线缆距离过长，调试过程可能会稍长一些，之后提示灯才会亮起绿色。

如果电源灯很长一段时间都保持红色而不变绿，或在红色和绿色之间闪烁，请检查光纤的两端确保连接完好。如果仍无好转，请检查您的光纤状况。

电源安全注意事项

SMPTE复合光电缆能够长距离输送高压电，让您为两公里之内的摄影机和配件供电。

为保证操作安全，Blackmagic Studio Fiber Converter配备内置安全机制，确保电压得到准确监控和自动管理。

Blackmagic Fiber Converter之间设有专用微型控制器及内部调试沟通功能，能够确保复合光电缆在连接Camera Fiber Converter之前处于断电状态。随后它会进入低压模式，在完成安全检查后再进入高压模式。两款转换器会确保在出现光纤信号后、且检测到信号芯电流环路5mA、以及电源芯漏电流小于30mA后，才会启用高电压。

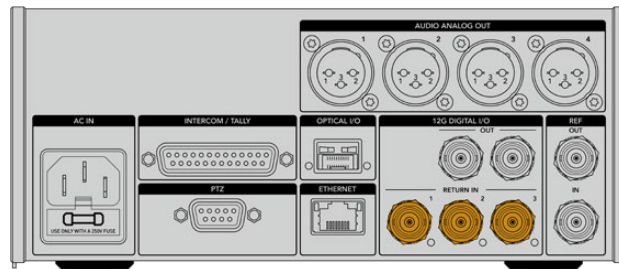
连接到ATEM切换台

将Blackmagic Studio Fiber Converter与切换台连接步骤如下：

- 1 通过BNC线缆将Blackmagic Studio Fiber Converter后侧的12G-SDI输出接口与切换台上的其中一个SDI输入接口相连。请确保将您的摄影机设置为与切换台所相同的格式和帧率。
- 2 通过BNC线缆将切换台上的节目返送信号输出与演播室转换器后侧的“RETURN IN 1”输入相连。

提示 在现场制作中采用多机位拍摄时，您可能需要通过Teranex Mini SDI Distribution 12G或Smart Videohub，用切换台运行节目返送信号。这是因为切换台的节目输出有限，您可能需要更多。

- 3 如果需要更多返送信号发送回摄影机的话，如纯净节目返送信号、提词器信号、来自另一台摄影机的ISO信号、图文或是其他信号等，请将其连接至“RETURN IN 2”或“RETURN IN 3”。



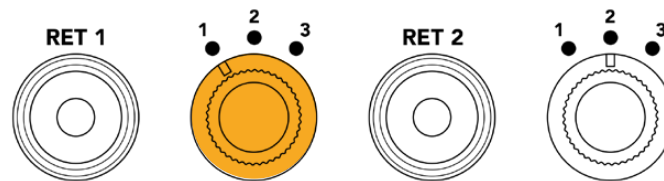
把切换台上的节目返送信号及其他返送源插入演播室转换器后侧标有“RETURN IN”的输入上。

确认视频

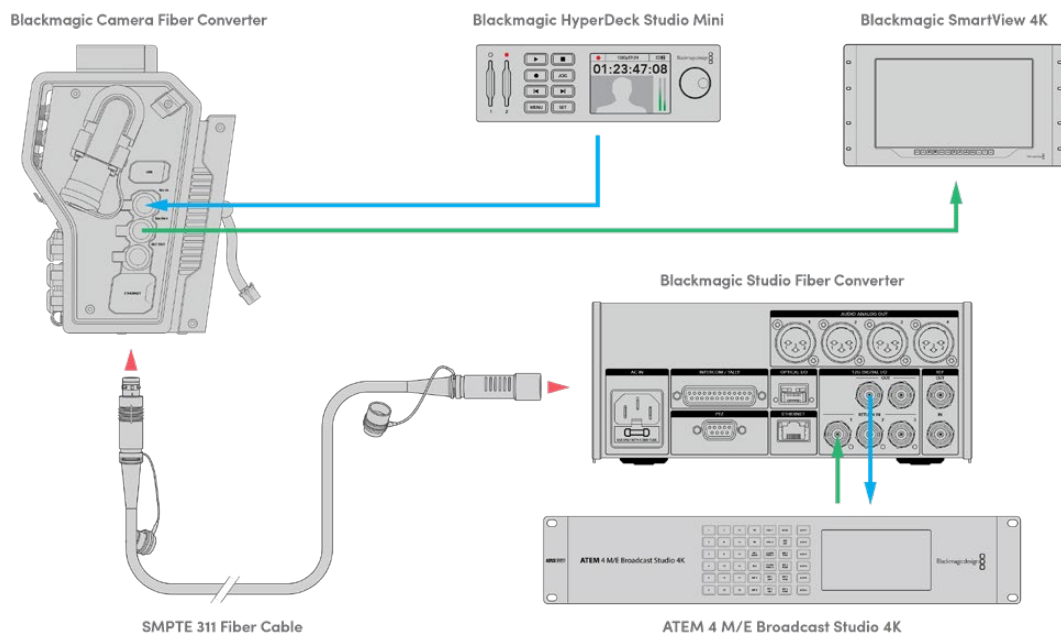
接下来要检查视频是否正常运行及出现所有返送信号。

- 1 确保ATEM切换台的节目输出连接至演播室转换器的SDI“RETURN IN 1”输入上。
- 2 如果要检查所有返送信号, 请将视频源插入SDI“RETURN IN 2”和“RETURN IN 3”上。
- 3 现在可将Blackmagic SmartView 4K等SDI监看设备连接至摄影机转换器一侧的“SDI OUT”接口上。

将监看设备连接至SDI输出后, 转动返送按钮旁边的相应选择旋钮在三路返送信号之间进行切换。如有需要, 可将两个返送按钮设置为监看不同的两路返送信号。



在摄影机转换器上的返送信号之间进行切换并按下对应的返送按钮在监看设备上查看所选的信号



要确认视频, 将视频源连接至演播室转换器上的返送信号输入上, 随后可在连接至摄影机转换器端的监看设备上查看

为何要将接口置于前面板?

光纤接口位于演播室转换器的正面, 这样当它位于在机架后侧时就成了光纤接线口。通常安装时, 演播室转换器将面向机架的后侧, 从而SMPTE线缆就可以直接连接到设备上。也就是说, 不再需要额外的后面板接线板, 也省去了额外连接至光纤设备的一小段线缆。SMPTE光纤接口旁边的大型LCD屏幕可让您迅速确认是否无误地连接至摄影机端。

连接摄影机SDI

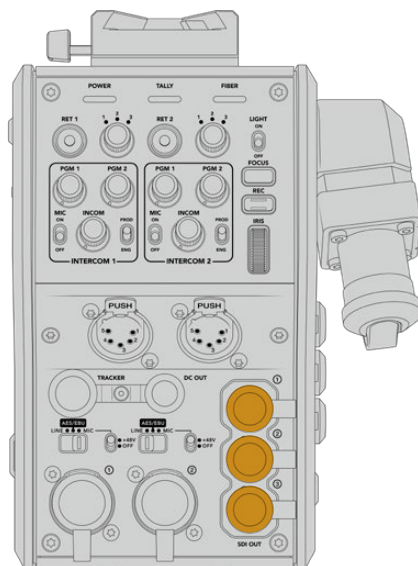
为Blackmagic Camera Fiber Converter和URSA Broadcast G2或URSA Mini连接视频信号的步骤很简单，只要将转换器一侧所提供的三根SDI线缆中的两根连接至摄影机后侧即可。

将Camera Fiber Converter连接至摄影机的步骤如下

- 1 用内附的一根BNC线缆将Blackmagic URSA Broadcast G2或URSA Mini摄影机后侧的12G-SDI输出连接至Blackmagic Camera Fiber Converter的SDI输入。
- 2 用内附的另一根BNC线缆将Blackmagic Camera Fiber Converter的SDI输出连接至Blackmagic URSA Broadcast G2或URSA Mini摄影机后面板的12G-SDI输入。

连接返送SDI输出

摄影机转换器正面标有“SDI OUT”的三个SDI输出接口可环通输出来自切换台的返送信号。因此可将返送信号连接至摄影机附近的其他SDI设备，如提词器或播报员监看设备等。



三个返送信号环通输出可连接至摄影机附近的其他SDI设备，如提词器或播报员监看设备等。

备注 返送信号SDI环通输出支持3G-SDI，能够为三路独立的信号提供足够的带宽。因此，来自切换台最高2160p60的Ultra HD返送信号会按照相等的帧率下变换到1080p。

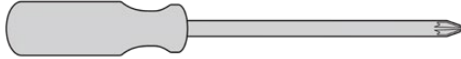
安装Blackmagic Camera Fiber Converter

Blackmagic Camera Fiber Converter直接安装在URSA Broadcast G2或URSA Mini的摄影机身后侧，并与摄影机后侧的SDI输入和SDI输出BNC接口连接。如果摄影机后侧安装有电池扣板，您在安装Blackmagic Camera Fiber Converter前需要将其移除。

备注 安装Blackmagic Camera Fiber Converter之前, 您应该检查URSA Mini内部软件是否为4.4或以上版本, URSA Broadcast G2是否为4.6或以上版本。您可以在摄影机“设置”菜单的第四页查看软件版本。更多关于升级摄影机固件的信息, 请参考本手册中“Blackmagic Camera Setup实用程序”部分内容。

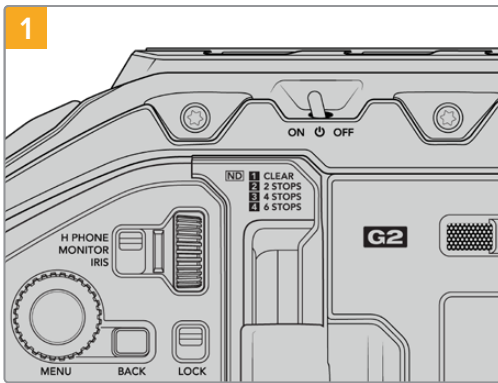
安装Blackmagic Camera Fiber Converter需要以下工具:

- 1 x 十字螺丝刀
- 1 x 2.5mm六角扳手

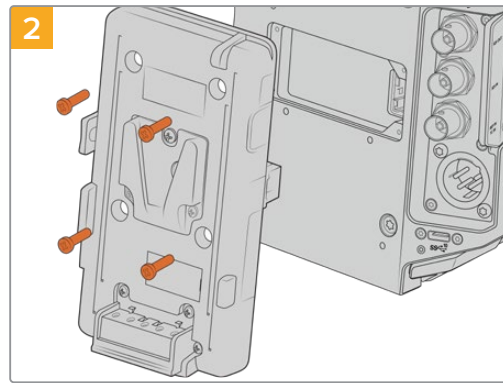


将Blackmagic Camera Fiber Converter安装在URSA Broadcast G2或URSA Mini上, 您需要一把大号十字螺丝刀和一把2.5mm六角扳手。

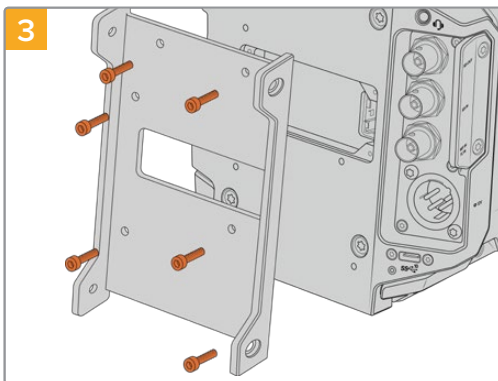
安装并连接Blackmagic Camera Fiber Converter步骤如下:



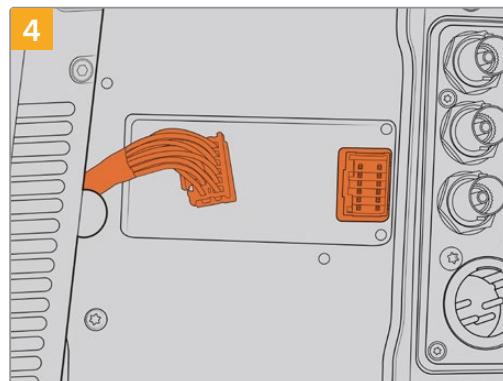
请确保摄影机是关机状态。使用URSA Broadcast G2或URSA Mini Pro时, 请将电源开关置于“Off”, 关闭设备。



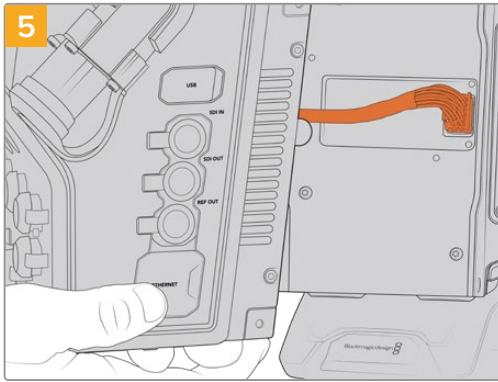
如安装有电池扣板或Molex电池扣板, 请使用十字螺丝刀将其卸除。



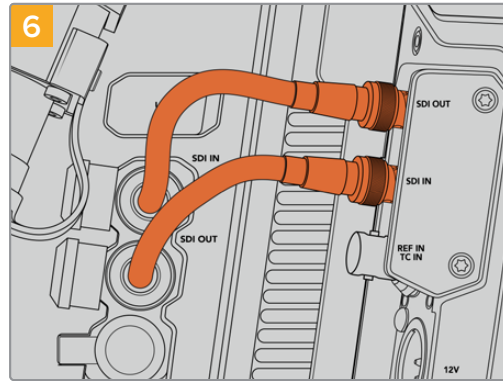
用6枚2.5mm六角螺丝将Blackmagic Camera Fiber Converter安装支架固定。



将Blackmagic Camera Fiber Converter后侧的Molex接口插入摄影机后侧的Molex电源插座。



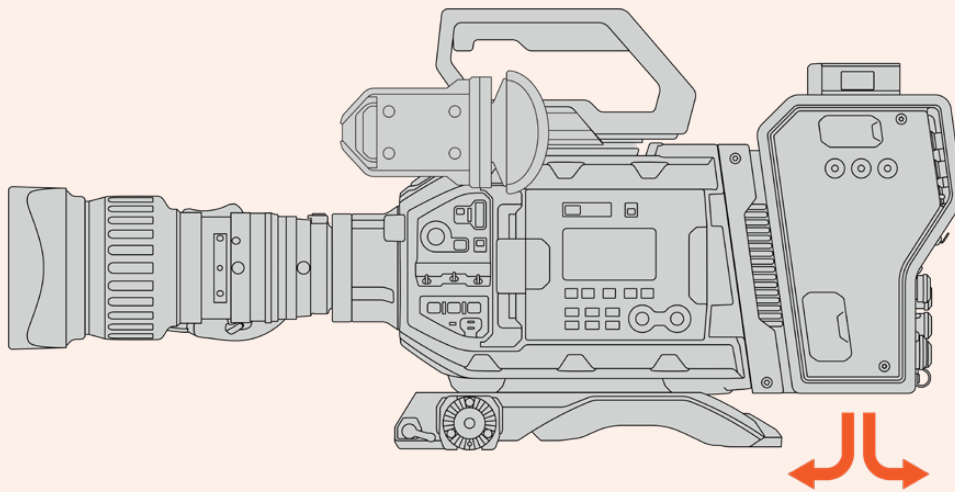
将Blackmagic Camera Fiber Converter滑入支架内，在支架两侧各用2枚2.5mm六角螺丝将其固定。



使用所提供的BNC线缆将摄影机后侧的SDI输出连接至Blackmagic Camera Fiber Converter上的SDI输入，并将转换器上的SDI输出与摄影机后侧的SDI输入相连。

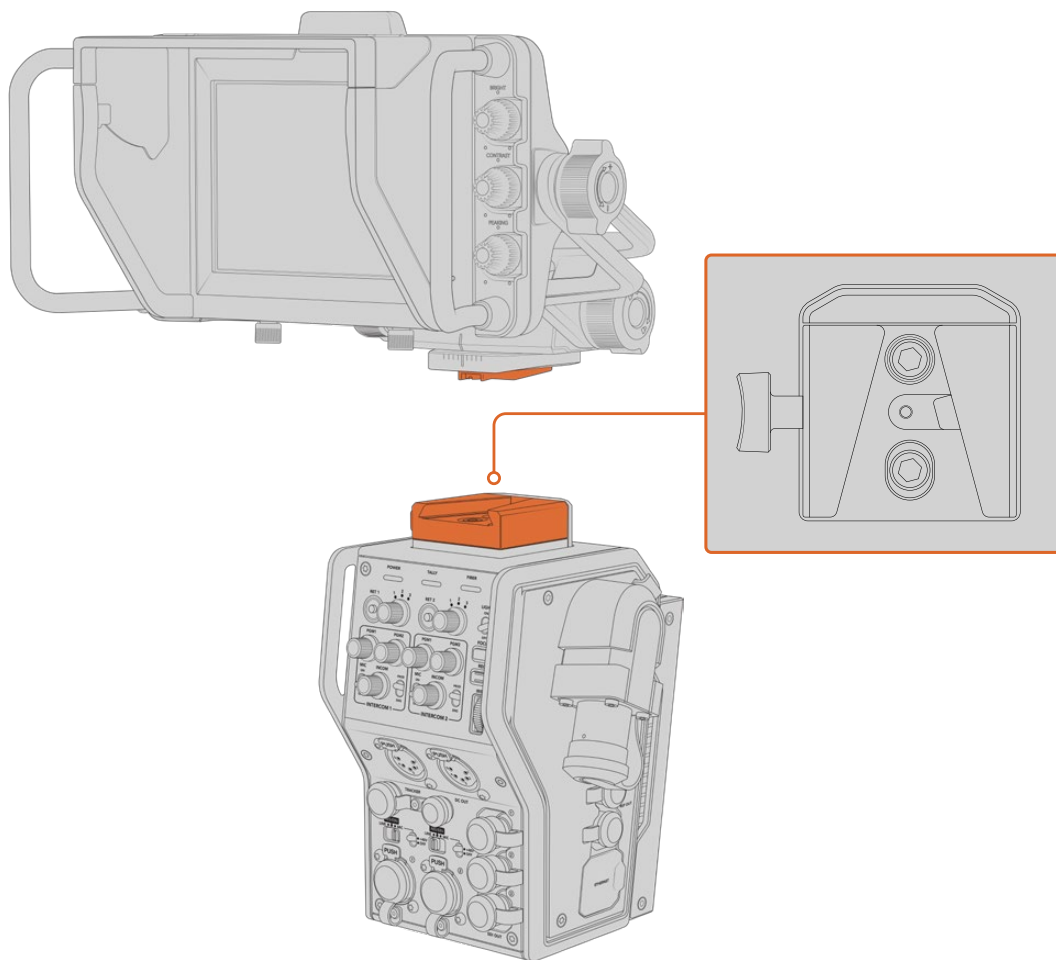
备注 搭建制作设施并使用装有光纤转换器的URSA Broadcast G2或URSA Mini时，请务必在转换器底部留出足够的散热空间。

由于摄影机一般会安装在三脚架上或者肩扛使用，已经留有散热空间。但如果您把设备放在平面上操作，建议您安装URSA Mini肩托垫、第三方底板或者桥型板，以便维持光纤转换器底部冷却风扇的空气流动。



安装URSA Studio Viewfinder

转换器顶部的V型扣板可用来连接Blackmagic Studio Viewfinder。当摄影机安装在座台或三脚架上时，这使得Studio Viewfinder直接位于视线水平。



摄影机转换器上的V型扣板可安装Blackmagic URSA Studio Viewfinder

连接对讲耳麦

将广播级耳麦连接至摄影机转换器正面的两个5针XLR接口之一。设置两组耳麦接口可实现两组人员同时和摄制团队进行沟通。

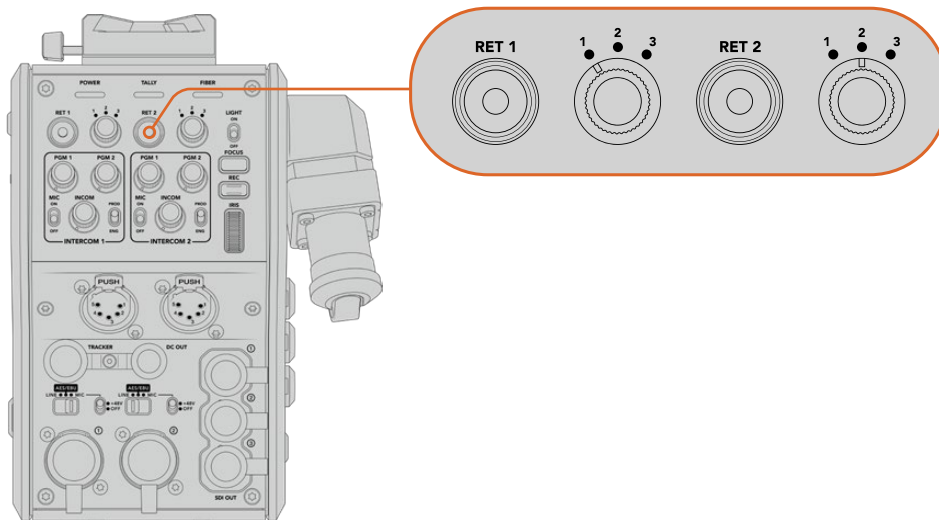
一切准备就绪！通过SMPTE光纤，转换器连接了电源且建立了视频，下面您就可以开始通过这些转换器更灵活、更高效地构建现场制作。请继续阅读本手册获得关于如何使用Blackmagic光纤转换器各项功能的更多信息。

运行Camera Fiber Converter

选择返送信号

设备正面设有两个RET按钮，其作用相当于摄影机上的PGM按钮，可将LCD屏幕、Blackmagic URSA Studio Viewfinder以及HD监看输出上的信号在摄影机画面和节目返送信号之间切换。

标有“RET 1”和“RET 2”的两个返送按钮可在两个选定返送信号间切换。当按下“RET 1”或“RET 2”按钮时，该按钮右侧的三项旋转开关可用来指派您想要进行查看的返送信号。旋转开关上的位置与Studio Fiber Converter后侧SDI接口上的RETURN IN 1、2和3相关联。



但按下返送按钮时，返送按钮和三项旋转开关可让您选择查看哪一路返送信号

长按某一个返送按钮可查看所选的节目信号。按住返送按钮时，节目信号内容会一直显示。连续按两次返送按钮可将显示锁定在返送信号画面。再次按下返送按钮可退出返送信号内容，回到摄影机画面。

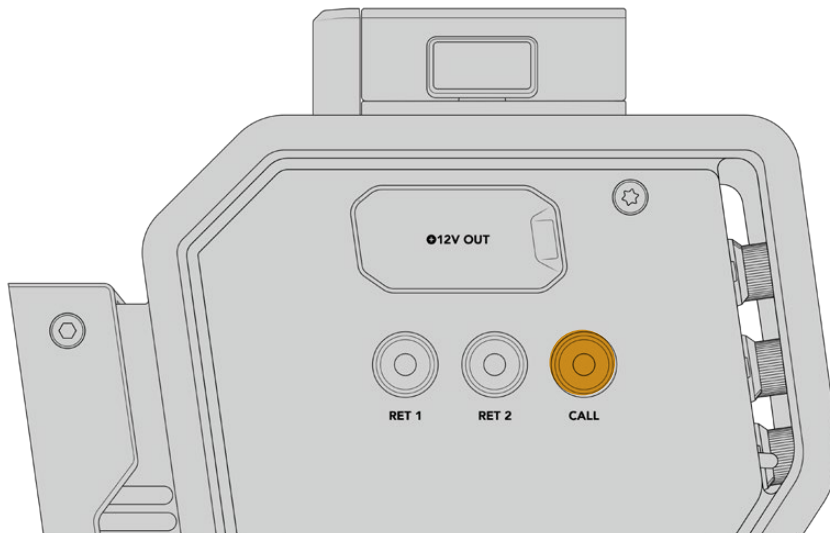
如此一来，您可以快速轻松地将Blackmagic Studio Fiber Converter发送的三路返送信号中的两路信号设定在两个返送按钮上从而可以快速按下进行查看。例如，三路返送信号可能是切换台上经过图文处理的节目输出信号、提词器信号，以及直接由另一台摄影机拍摄的信号。

使用这些开关可以将“RET 1”固定为节目信号，然后可通过第二个“RET 2”按钮来查看发送到提词器的内容，偶尔如需匹配取景或角度时，还可以将它更改为查看另一台摄影机画面来检查取景效果。

转换器左侧还设有标有“RET 1”和“RET 2”的返送按钮，当您在侧面操作摄影机时，这两个按钮提供了查看返送信号的备用选择。这两个按钮与转换器正面所设的返送按钮具有一样的功能。

使用CALL按钮

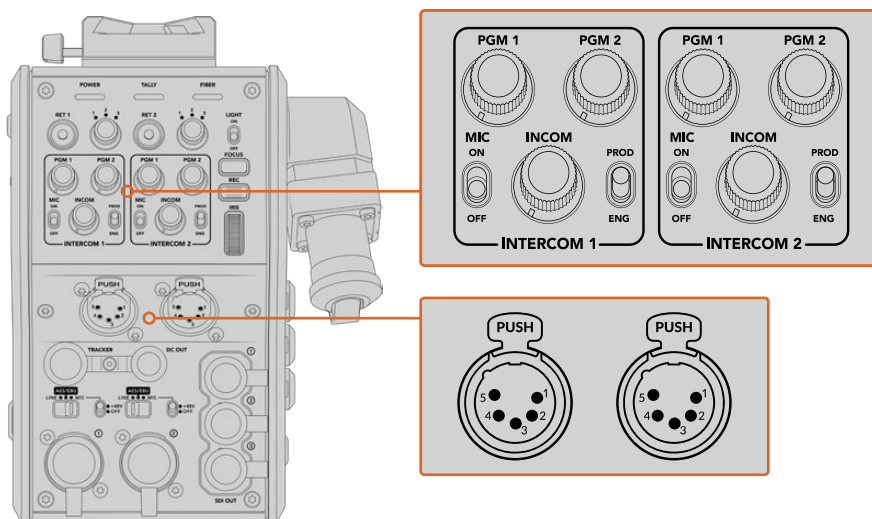
返送按钮旁边是标有“CALL”的提示按钮，按下该按钮后，Blackmagic Studio Fiber Converter的LCD屏幕上将显示闪烁的红色Tally提示灯。同时，“CALL”按钮会让ATEM Talkback Converter 4K面板上带编号的“Press to Talk”按钮闪烁红色。这些提示标志会提醒控制室里的人员您需要帮助。



使用对讲功能

两个母头5针XLR接口可连接两副耳麦，从而您和其他一名摄制组成员可以同时与剩余的成员进行沟通。

每副耳麦的对讲控制被分成两组独立的对讲设置，都可以高效地进行三种混音操作，它们的正下方就是每个XLR耳麦接口。



每副耳麦的对讲控制位于每个耳麦接口的正上方

您可以通过所连接的耳麦监听到“RET 1”和“RET 2”所选择信号的音频。标有“PGM 1”和“PGM 2”的旋钮可调整这些信号的音频电平，而标有“INCOM”的旋钮则可调整整体音量。标有“MIC”的开关可让操作师将其耳机麦克风打开“ON”或关闭“OFF”。

每个对讲控制还有两个可选通道，一个制作通道和一个工程通道。当进行大型团队工作广播设置时，您可以将团队交流分成两个通道。制作通道可用于导演、制作人和其他总控室或转播车成员交流所用，而工程通道可用于和照明师、技术人员和其他摄影师交流。您可以使用Blackmagic Studio Fiber Converter菜单上的“Talkback”（对讲）页面，将Studio Fiber Converter每个通道的源信号选择为“SDI + DB25”或“对讲 Tally DB25”。更多信息请参考“运行Studio Fiber Converter”部分的介绍。

Blackmagic Camera Fiber Converter还有一个标准10针跟踪器对讲接口，当两个耳麦接口都被占用时，您可以再连接一路对讲与摇臂操作师进行沟通。

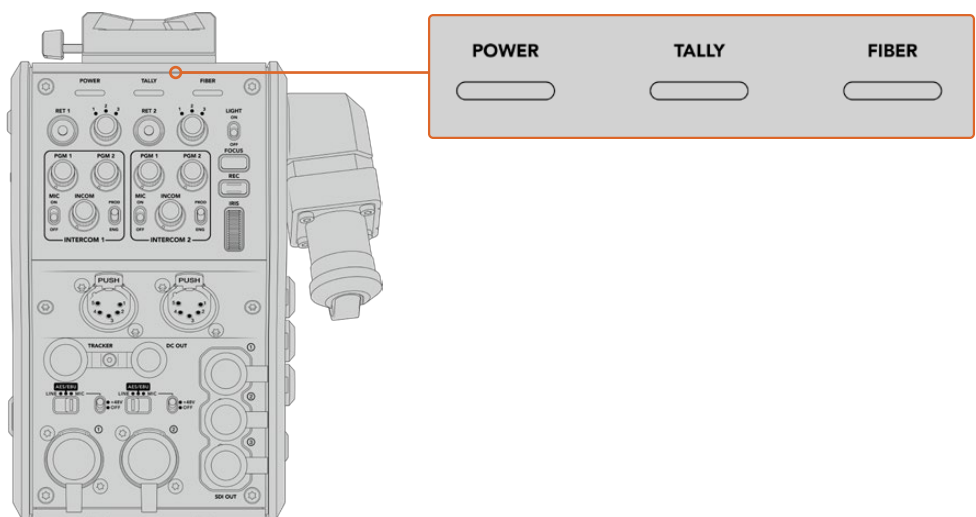
提示 摄像师、制作人员与工程人员之间有效的沟通对于紧张的播出及演播室制作而言至关重要。Blackmagic Camera Fiber Converter配有“CALL”按钮，摄像师可以用它提醒制作人员和工程人员，然后通过对讲耳麦沟通。按下这个按钮会让ATEM Talkback Converter 4K上带编号的“Press to Talk”按钮闪烁，Blackmagic Studio Fiber Converter LCD上的Tally提示灯也会闪烁。同样，如果控制室或转播车内的人员需要紧急与摄像师对讲，可以在ATEM Camera Control Panel上按下那台摄影机的“Call”按钮。这样做会让Camera Fiber Converter上的Tally灯闪烁，也会让摄影机的URSA Viewfinder或URSA Studio Viewfinder上的Tally灯闪烁。

使用Tally功能

面板正前方设有Tally提示灯，可提供传统的Tally指示，红色代表节目、绿色代表预览，因此当所操作的摄影机处于直播状态时就可以看到提示。

状态提示

转换器顶部的“POWER”（电源）、“TALLY”及“FIBER”（光纤）状态LED将根据设备的状态亮起不同颜色。光纤未连接时，所有提示灯都不会亮起。



LED状态灯将亮起不同颜色提示设备状态

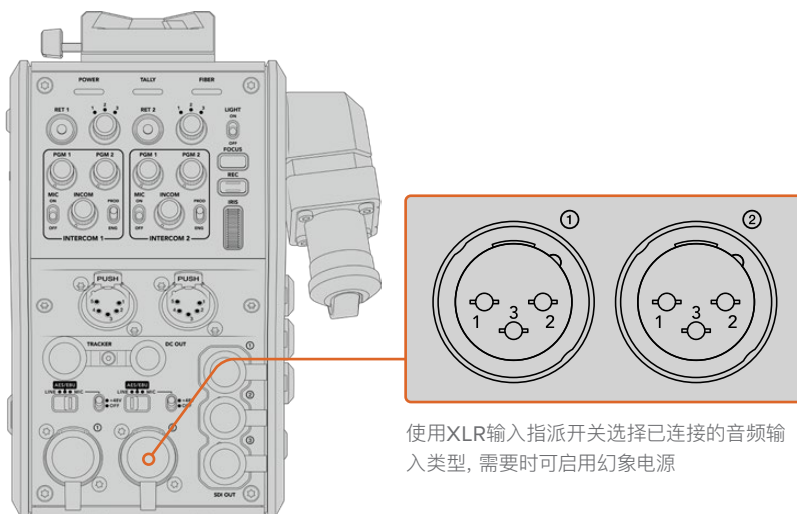
下表详细列出了每种LED颜色、LED闪烁方式及其代表的状态:

电源	持续亮起红色	当SMPTE复合光缆的一端连接至通电的Blackmagic Studio Fiber Converter, 而另一端连接至Blackmagic Camera Fiber Converter时, 转换器上的“POWER”电源LED灯将亮起红色提示该设备接收到低电压电源。这一低电压状态下, 您可以进行对讲, 但运行设备所需的全面电源供应尚未被启用。 如果电源LED灯很长一段时间都保持红色还未变绿, 请检查SMPTE复合光缆两端是否连接完好。如仍不稳定, 请检查您的光缆。
	持续亮起绿色	当光缆成功建立连接且Blackmagic Studio Fiber Converter确认了缆线连接安全之后, 电源LED灯将变成绿色且摄影机转换器进入高电压模式。
	红绿之间闪烁	如果电源LED灯在红绿之间闪烁, 请检查SMPTE复合光缆两端是否连接完好。 如仍不稳定, 请检查您的光缆。
Tally	持续亮起红色	Tally LED灯亮起红色代表所操作的摄影机当前正处于直播状态。
	持续亮起绿色	Tally LED灯亮起绿色代表所操作的摄影机当前正处于预监状态。
光纤	持续亮起红色	当SMPTE复合光缆连接至摄影机光纤转换器后, 光纤LED灯将亮起红色代表开始调试过程, 且该转换器为低电压状态。在这一电压下, 对讲功能为开启状态, 可在光纤连接不工作的情况下对摄影机系统进行设置和调试时使用。
	持续亮起绿色	一旦SMPTE复合光缆成功建立连接后, 光纤LED灯将变成绿色。

“POWER”和“FIBER”提示灯都变成绿色时, 代表安全检查已完结, 两台转换器均进入高功率模式。

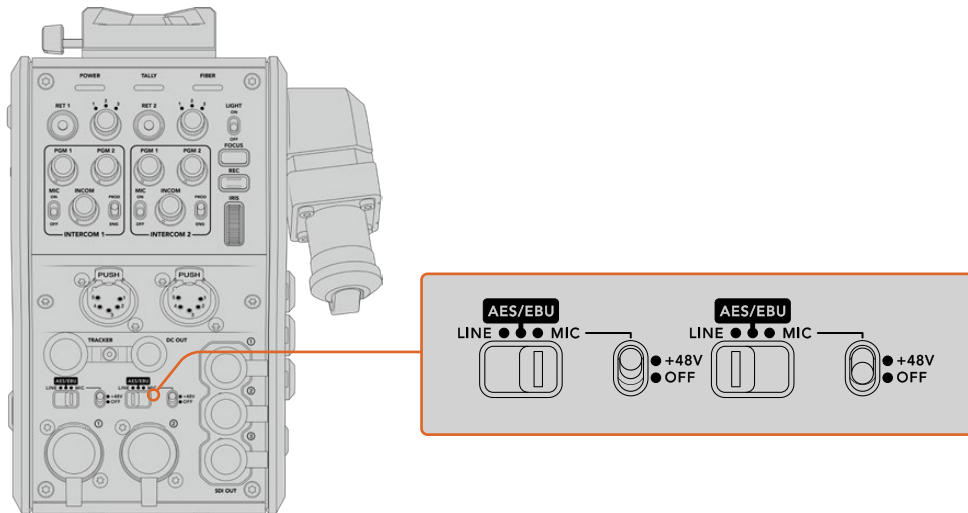
音频输入

Blackmagic Camera Fiber Converter设有两个XLR输入接口分别标有“1”和“2”, 可连接调音台、PA系统或是外接麦克风等专业设备的外部模拟音频。



摄影机音频加嵌在摄影机信号通道1和2中, 摄影机光纤转换器后侧的两路音频输入加嵌在通道3和4。所有4路音频通道都会在另一端的Studio Fiber Converter被解嵌为模拟音频输出。

Blackmagic Studio Fiber Converter菜单上的“音频”页面可让您为连接到Blackmagic Camera Fiber Converter XLR输入上音频源调整电平。更多信息请参考“运行Studio Fiber Converter”部分的介绍。连接好后, 您可以通过XLR输入指派开关来设置选中输入源时的XLR输入方式。可用选项为MIC (麦克风音频)、LINE (线路音频) 以及AES/EBU (AES数字音频)。



想要使用非自供电麦克风, 可开启48V幻象电源。将幻象电源开关移至“+48V”的位置可为连接到下方的XLR接口的任何麦克风启用幻象电源, 移至“OFF”可禁用幻象电源。

IP视频

连接Camera Fiber Converter和Studio Fiber Converter的SMPTE光电缆为两台设备提供有10 Gbit IP链接。因此所有视频和返送信号都是基于高端、视觉无损广播级10bit视频编解码处理的IP视频。对讲、Tally、摄影机控制和镜头控制等所有其他连接也都会转换成低延迟IP处理, 因此您将获得无比可靠的性能表现。

电源规格


Blackmagic Studio Fiber Converter能为Blackmagic Camera Fiber Converter、摄影机及其配件供电。Molex接口连接至摄影机后面板上的Molex插座, 通过Camera Fiber Converter为摄影机供电。

如需将摄影机部署在转播车2.1公里以外的位置, 那么摄影机和转换器通过长距离线缆可能接收不到足够的电力, 因此可将+12V输入连接至URSA Broadcast G2或URSA Mini的4针XLR接口来获得电源。电源将通过Molex接口发送至Camera Fiber Converter。

标有“+12V OUT”的接口, 有时也叫作“D-tap”或“P-tap”接口, 可让您为外部监看设备或大型箱式镜头等附件供电, 可提供12V DC最高500毫安的电源。“DC OUT”接口为外部监看设备等附件提供了额外选项。

以下是DC电源输出接口引脚图。

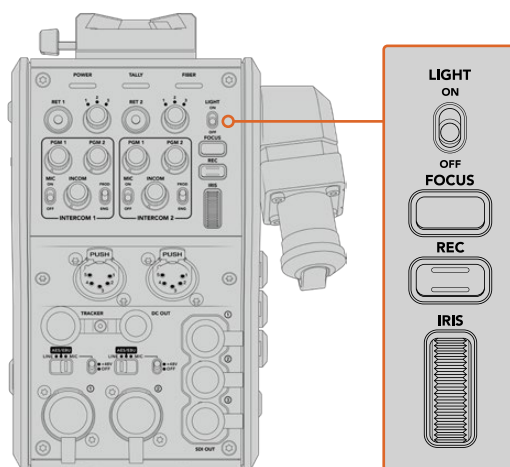
DC电源输出接口引脚图

外部图示	引脚	信号	输入/输出	技术参数
	1	Unregulated GND	—	非稳压输出接地端
	2	NC	—	未连接
	3	NC	—	未连接
	4	Unregulated Out	Out	标称12V DC最高500毫安电源

其他摄影机控制

当URSA Broadcast G2或URSA Mini作为演播室摄像机使用时，我们在光纤转换器上添加了包括光圈和对焦等摄影机控制，因此从摄影机后侧就能控制所兼容的镜头。如果没有摄影机师进行镜头远程控制的话，这个功能就很实用。

作为演播室摄像机，URSA Broadcast G2和URSA Mini仍具有内部记录的功能，因此记录按钮可以让您触发摄影机上的内部记录功能。



LIGHT

“LIGHT”可开启操作面板的背光功能，让所有控制清晰可见，便于在昏暗环境下操作。

FOCUS

如果使用支持自动对焦的镜头，当按下标有“FOCUS”的按钮可触发自动对焦。

REC

当按下标有“REC”的记录按钮时可触发记录，再次按下该记录按钮时可停止记录。

IRIS

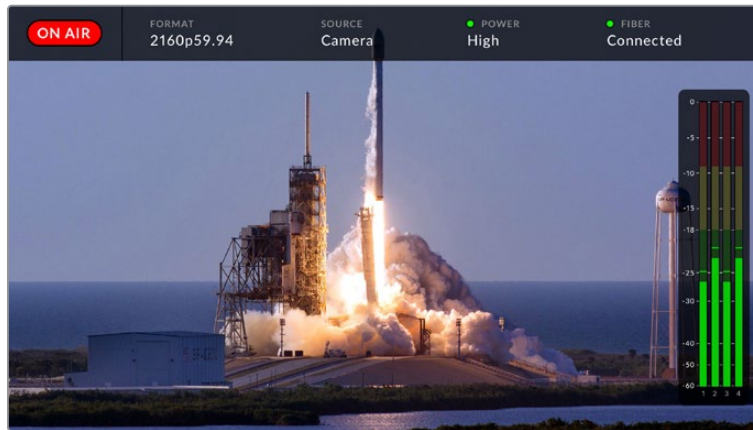
如果使用支持从摄影机进行控制的兼容主动式镜头，可通过标有“IRIS”的控制轮打开或关闭光圈。上下转动控制轮可打开或关闭镜头光圈。

运行Studio Fiber Converter

选择LCD源

Blackmagic Studio Fiber Converter开启后, 其大型LCD屏幕会显示摄影机信号。作为核心基础设备, Studio Fiber Converter从切换台接收节目信号及所有返送源, 再通过SMPTE光缆传输至Blackmagic Camera Fiber Converter。

内置LCD屏可让您监看摄影机信号和每路连接至返送信号输入上的画面。它提供的HUD可显示状态信息和音频表。



在不同信号间切换时, 您可通过叠加显示确认正在监看信号的名称和格式。

ON AIR

已连接摄影机正作为节目信号使用时, 会显示红色“ON AIR”图标, 没有播出时会保持空白。

格式

可显示当前源信号的分辨率和帧率。

信号源

可显示当前源信号名称。

电源

可显示当前电源状态。连接时显示“低”字样且亮起红色状态灯则说明电源电量低, 当设备变成高电源模式后将显示“高”字样且亮起绿色状态灯。详情请参考“运行Camera Fiber Converter”中“状态提示”部分内容。

FIBER

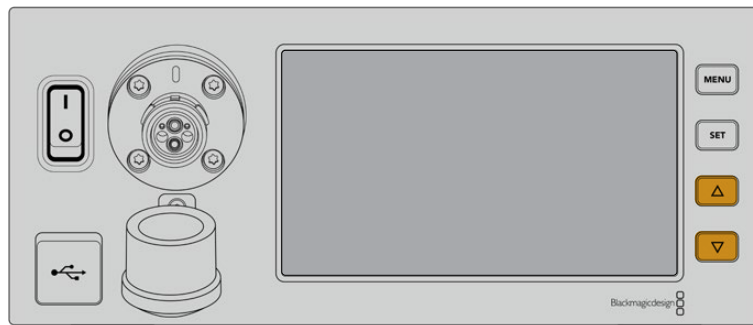
可显示当前光纤状态。首次连接过程时会显示“正在连接”字样且亮起红色状态灯, 当成功建立了SMPTE复合光纤线缆连接后会显示“已连接”字样且亮起绿色状态灯。详情请参考“运行Camera Fiber Converter”中“状态提示”部分内容。

音频表

当摄影机音频嵌入摄影机信号的通道1和2时，峰值音频表可显示音频电平。通道3和4对应连接在Blackmagic Camera Fiber Converter后方两路XLR输入的音频源。该表以dBFS为单位，并有削波警告功能，可在出现音频过载时以红标提示，并停留片刻，从而有效防止因削波过于短暂而被忽略的情况。

使用菜单

按上下箭头按钮可在四个可选源信号（“摄影机”、“返送1”、“返送2”、“返送3”）间进行选择。按“MENU”按钮进入菜单系统调整设置。然后可以用箭头按钮浏览各个菜单屏幕和屏幕中的选项，按下“SET”按钮确认选择。菜单中的设置分为“音频”、“对讲”以及“设置”三个页面。

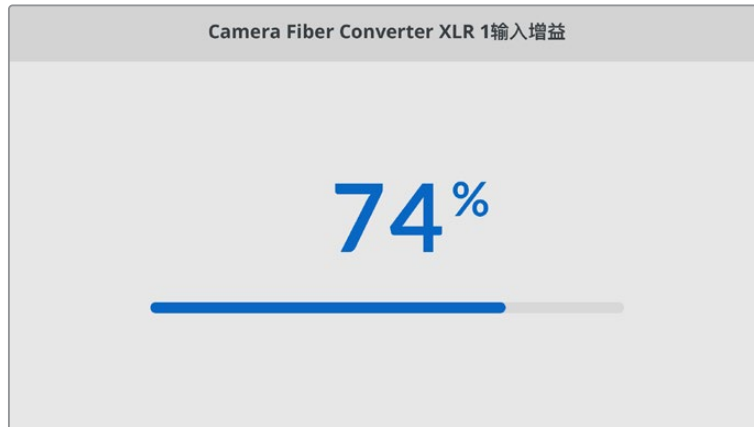


按上下箭头按钮可滚动切换四路源，以及浏览菜单。

音频

“音频”页面可用于调整连接Blackmagic Camera Fiber Converter XLR输入的音频源的输入电平。

音频	
Camera Fiber Converter XLR 1输入增益	50%
Camera Fiber Converter XLR 2输入增益	50%
Output Channel 1 and 2	嵌入1和2
Output Channel 3 and 4	XLR 1和2



使用箭头按钮调整每路XLR输入的输入电平, 按下“SET”按钮设置电平。

您可以选择将来自Camera Fiber Converter的哪几路音频通道配置为映射到内嵌的SDI和XLR输出上。默认情况下, 来自URSA Mini或URSA Broadcast G2的内嵌音频通道会被映射到通道1和2上, 连接Camera Fiber Converter的Line或Mic电平XLR输入会被映射到通道3和4上。您可以调整输出通道设置来更改默认映射。如果Camera Fiber Converter上的任何一个XLR输入被设置为AES, 通道映射选项将扩展至通道5和6, 也就是通过内嵌SDI输出的信号。



将来自摄影机的内嵌XLR通道映射到输出通道1和2。

对讲

使用“对讲”菜单为制作通道和工程通道选择节目音频源及对讲音频源。将Studio Fiber Converter的对讲源设置为“SDI + DB25”或者“对讲 Tally DB25”。

您还可以为每个对讲装置调整“耳机增益”和“耳机麦克风增益”, 从而调整耳机的阻抗值。“幻象电源”设置可用来开启发送到相应耳机的幻象电源。调整“侧音电平”设置能让摄影师在耳机中听到他们自己的声音, 音质清晰且音量舒适。

对讲	
节目音频源	SDI通道1和通道2
制作通道源	SDI + DB25
工程通道源	对讲Tally DB25
对讲1	
耳机增益	50%
耳机麦克风增益	50%
耳机麦克风幻象电源	On
侧音电平	50%
对讲2	
耳机增益	50%
耳机麦克风增益	50%
耳机麦克风幻象电源	On
侧音电平	50%

当XLR输入没有连接任何设备时，对讲部分会显示灰色，连接过程中会显示“正在连接”。

设置

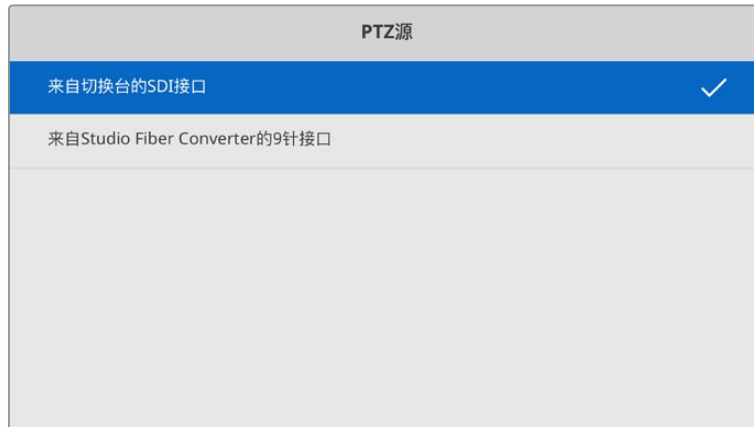
“设置”菜单能用来配置PTZ源，选择菜单语言，并选择SDI级别返送信号类型。

设置	
PTZ源	来自切换台的SDI接口
Language	中文
12G SDI Return	3G A级

通过PTZ源设置选择PTZ命令的源。您可以选择“SDI”或“9针”，与Blackmagic Studio Fiber Converter后侧的“Return in”SDI输入和DE-9 PTZ接口进行通信。

这样一来，您就可以在ATEM切换台上控制PTZ摄影机的平移、竖移和缩放，并通过SDI将这些PTZ命令发送到Blackmagic Studio Fiber Converter。这些命令会通过SMPTE光缆发送给Blackmagic Camera Fiber Converter，解嵌后通过DE-9串行接口输出，连接PTZ电动云台。

您还可以通过DE-9接口把PTZ控制器与Blackmagic Studio Fiber Converter连接，从摄影机端远程控制云台。



设置菜单页面可选择“SDI”或“9针”作为PTZ命令源。



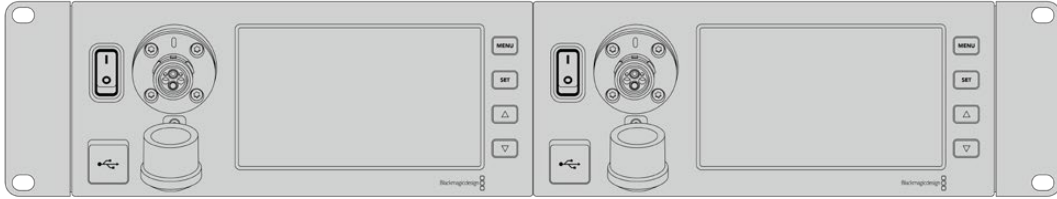
“语言”设置可选择菜单语言。Studio Fiber Converter支持11种语言界面：英语、中文、日语、韩语、西班牙语、德语、法语、俄语、意大利语、葡萄牙语以及土耳其语。语言页面会在首次开机以及更新内部软件时出现。

“12G SDI返送”选项可设置是否将12G节目返送信号下变换为3G A级或3G B级。所有发送到Studio Fiber Converter返送输入的12G信号都会在发送到Camera Fiber Converter时进行下变换。

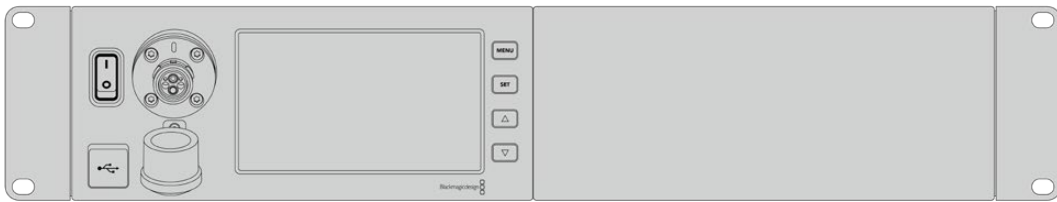
机架安装演播室转换器

如果您运行有多台Blackmagic Studio Fiber Converter, 可使用Blackmagic Studio Fiber Rack Kit 机架组件将这些转换器安装到广播级机架或航空箱里。您可以使用机架组件将两台演播室转换器并排安装在机架的同一行, 或上下安装在机架的同一侧。Studio Fiber Rack Kit组件提供一个空白挡板, 只安装一台转换器时, 可用来填充机架的空白位置。

演播室转换器高度为两个机架单位, 宽度为半个标准机架单位, 因此两台Studio Fiber Converter并排安装正好占用2RU的机架空间。

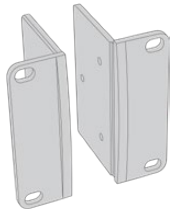


Blackmagic Studio Fiber Converter转换器并排安装



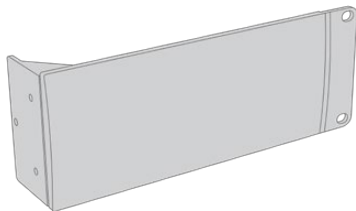
可使用所提供的挡板来添补空白位置

Blackmagic Studio Fiber Rack Kit包括以下内容:



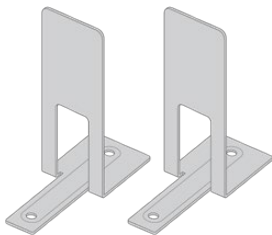
2个机架侧把手

机架安装Blackmagic Studio Fiber Converter时, 将侧把手安装在设备的外侧边缘。



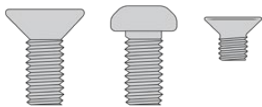
1个半机架宽度挡板

该挡板一侧设有安装孔, 当您只安装一台转换器时, 可用它添补机架的空白位置。图示为安装孔位于挡板右侧。只需将挡板旋转180°即可将其安装于另一侧。



2个支撑托架

T型支撑托架可安装于两台Studio Fiber Converter的底部前后相接的位置从而提供支撑。



螺丝

8 x M4 10mm

4 x M4 8mm

5 x M4 5mm

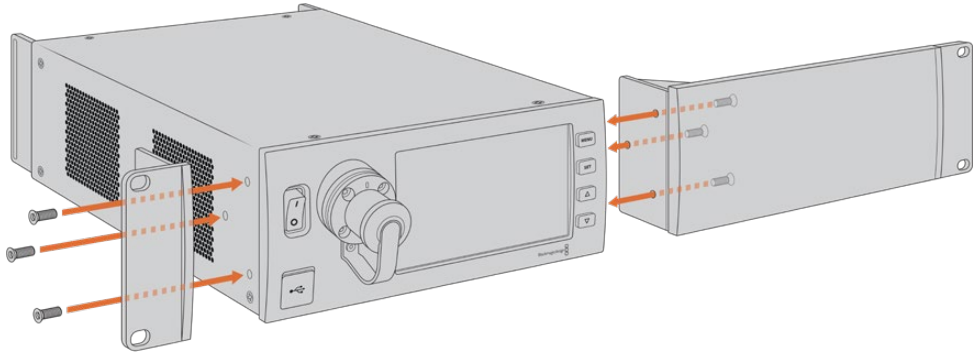
机架侧把手螺丝

挡板螺丝

连接托架螺丝

机架安装Blackmagic Studio Fiber Converter的准备工作如下:

- 1 将挡板放于Studio Fiber Converter的一侧, 左右位置根据您需要将转换器安装在机架哪一侧而定。挡板的正面应与设备前面板相平行。
- 2 使用所提供的三枚挡板螺丝将挡板安装至Studio Fiber Converter的前面板一侧。



- 3 使用所提供的三枚机架侧把手螺丝将侧把手安装至Studio Fiber Converter的另一侧。

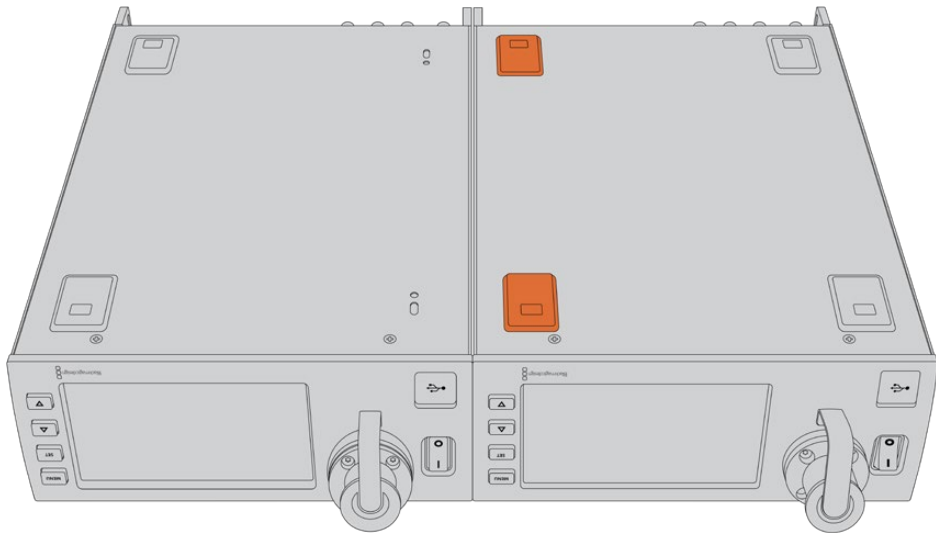
安装完侧把手和挡板后, 就可以用标准机架螺丝及两侧的安装孔将转换器安装到标准的两个单位机架位置中。

将两台Blackmagic Studio Fiber Converter并排安装到机架的准备工作如下:

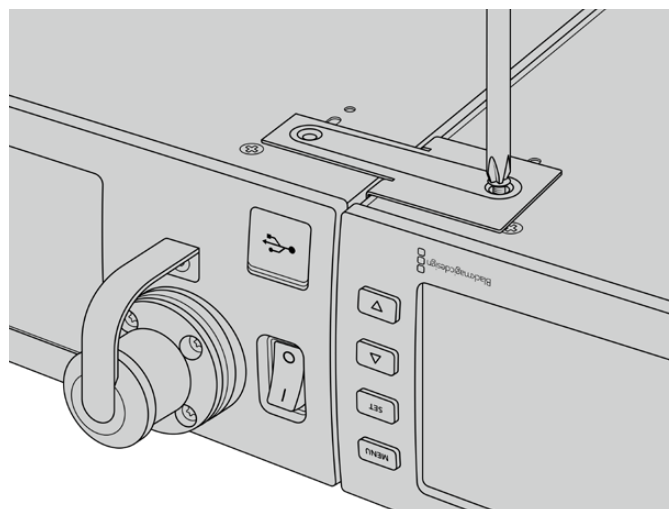
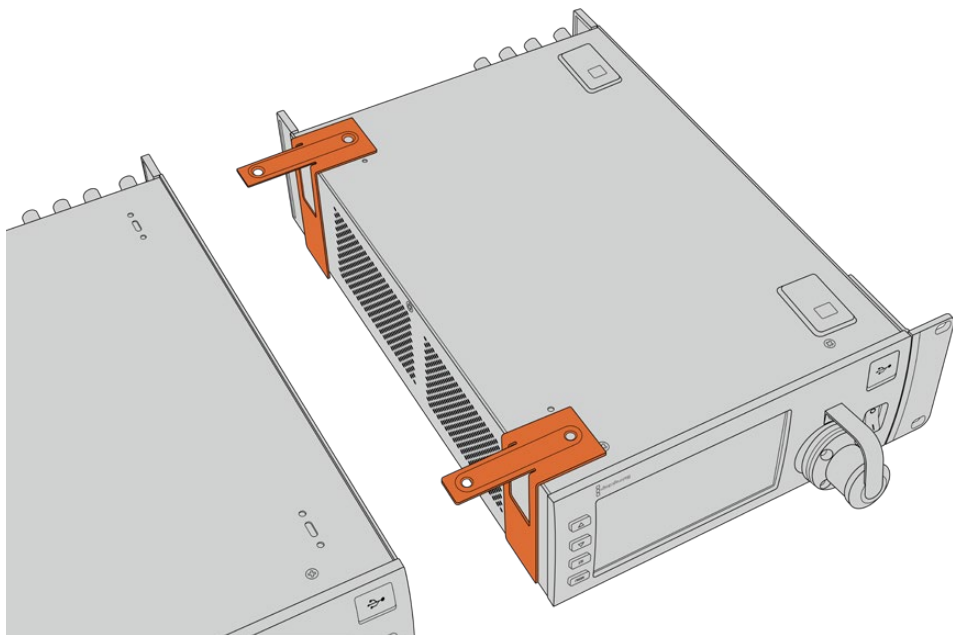
如果要并排安装两台转换器, 可以使用支撑托架将它们固定在一起便于安装。

固定两台设备步骤如下:

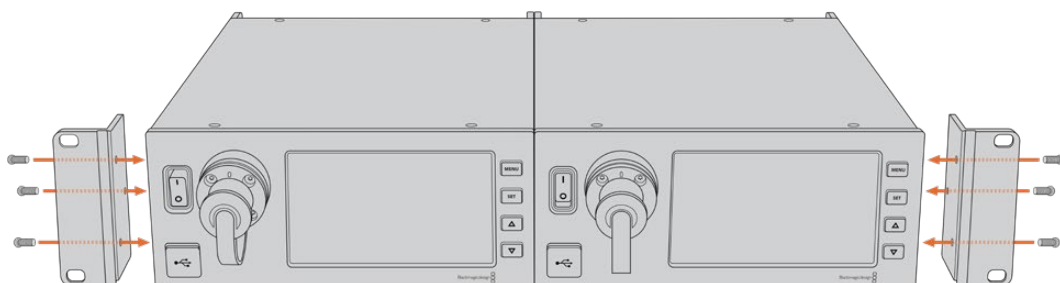
- 1 将两台转换器底朝上并排放置到一起。卸下每台转换器边缘相接位置的橡胶螺丝。



- 2 将所提供的两个T型支撑托架置于两台转换器底部前后相接的位置, 将所提供的支撑托架螺丝拧入螺丝孔。



- 3 将转换器翻转回来，在两台转换器前面板的外部边缘用所提供的机架侧把手螺丝安装机架侧把手。然后使用机架上的安装孔和标准机架螺丝，将转换器安装并固定到机架上。



摄影机转换器接口

在Blackmagic Camera Fiber Converter的后面板和侧面都设有一些接口。不使用这些接口时，建议您将橡胶盖盖好，从而可确保雨天或其他天气状况下，其内部保持密闭。这对于SMPTE光纤接口来说更为重要，操作不慎的话灰尘颗粒会迅速积累在光纤接口的抛光边缘，从而会影响信号传输。因此，最好在连接光纤和转换器前再移除上面的防尘盖，断开连接后就立即盖好。

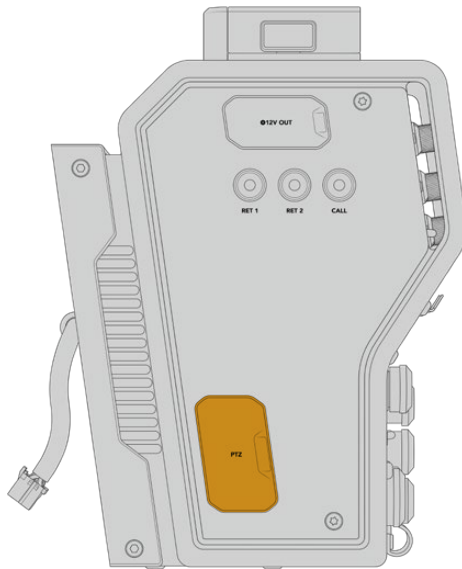
摄影机电源接口

电源主要是通过SMPTE复合光电缆从演播室转换器供应给摄影机转换器和摄影机。它还可为Blackmagic URSA Studio Viewfinder等摄影机所连接的所有附件进行供电。

但如果摄影机的12V XLR接口连接有电源的话，也可以通过摄影机为Blackmagic Camera Fiber Converter供电。通常不需要为摄影机连接电源，但如果摄影机部署在距离演播室两公里之外的位置，其供电不能依赖SMPTE光缆，此时该方法也不失为一个备用选项。

PTZ端口

DE-9针串行接口，可连接PTZ电动云台。例如，Blackmagic URSA Broadcast G2或URSA Mini安装在摄影机摇臂上通过PTZ云台进行远程控制。您可以在Blackmagic Studio Fiber Converter的菜单中选择发送至摄影机的PTZ命令源。命令源可设为Studio Fiber Converter上的DE-9接口，或者是ATEM切换台的SDI输入信号。详情请参考“运行Studio Fiber Converter”部分内容。



PTZ端口

对讲接口

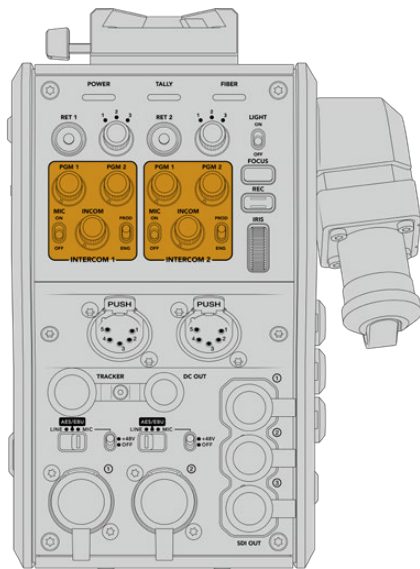
两个母头5针XLR接口可连接两副耳麦，从而允许两个人同时通过对讲系统进行交流。例如，摄影师耳麦连接至第一个XLR接口，摇臂师或音响师等其他成员可连接第二个XLR耳麦接口。下图为耳麦XLR接口的引脚图。

耳麦XLR引脚图

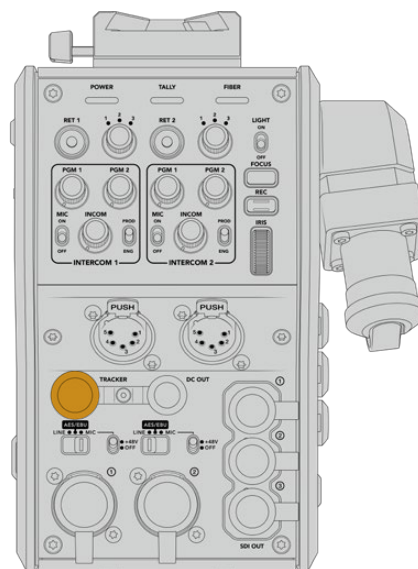
外部图示	引脚	信号	输入/输出	描述
 <p>5针XLR耳麦端口</p>	1	Intercom MIC (Y)	GND	对讲麦克风输入支持驻极体电容式麦克风和动圈式麦克风，可以是平衡或非平衡的。1号引脚是麦克风常用信号，2号引脚是适用于两种类型的麦克风信号输入。对于驻极体麦克风，直流偏置电压供应也会通过同个麦克风信号输入引脚进行输出。
	2	Intercom MIC (X)	输入	
	3	GND	接地端	接地端
	4	Intercom left	输出	
	5	Intercom right	输出	

相应的对讲控制位于每个耳麦接口的上方。

更多关于如何使用对讲控制的内容，请参阅“运行Camera Fiber Converter”部分。



对讲控制可用来混合对讲音频电平



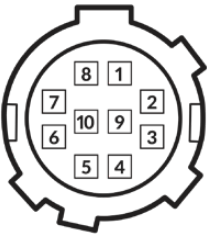
跟踪器接口

跟踪器接口

10针“TRACKER”接口为对讲、Tally信号以及提词器信息等数据提供了多路复和输出。这一输出通常用于摄影机摇臂操作师等操作制作设备的辅助成员。

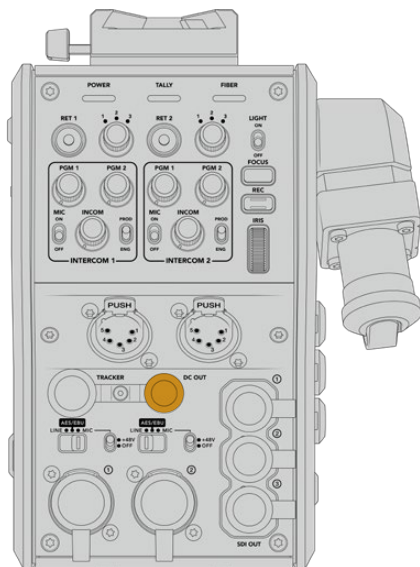
下图为该接口的引脚图，可让您构建属于自己的线缆。

跟踪器输出引脚图

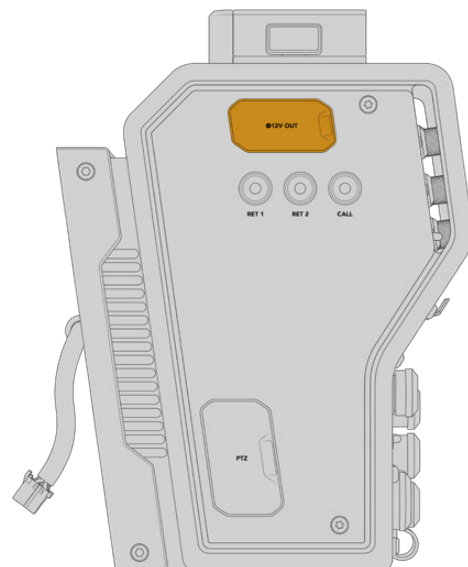
外部图示	引脚	信号	输入/输出	技术参数
 <p>10针“TRACKER”接口</p>	1	Tracker left	输出	跟踪器输出, -20dBu非平衡
	2	GND (Talk)	—	跟踪器对讲接地端
	3	GND (Receive/ PGM/tally)	—	接收/节目/Tally接地端
	4	Tracker right	输出	跟踪器输出, -20dBu非平衡
	5	Unregulated	输出	12V DC (标称), 500mA (最大)
	6	GND (Unregulated)	—	非稳压接地端
	7	Tracker talk (X)	输入	跟踪器对讲0 dBu /-20 dBu, 高阻抗平衡
	8	Tracker talk (Y)	输入	
	9	G Tally	输出	开启: 12V 关闭: 高阻抗 (开)
	10	R Tally	输出	开启: 12V 关闭: 高阻抗 (开)

DC电源接口

您可以通过DC电源输出接口为外部监看设备等其他附件供电。



DC输出接口可为更多额外附件提供电源，
如监视器或外部记录等设备



“DC OUT”输出

D-Tap输出

左面板上的+12V输出经常也被称为“D-tap”或“P-tap”接口,可让您为监视器或大型箱式镜头等附件供电。该输出支持箱式镜头,需要2毫安标称+12V直流电。

同步输出和运行

同步输出可通过BNC线缆将同步信号连接至摄影机。

将同步信号连接至摄影机:

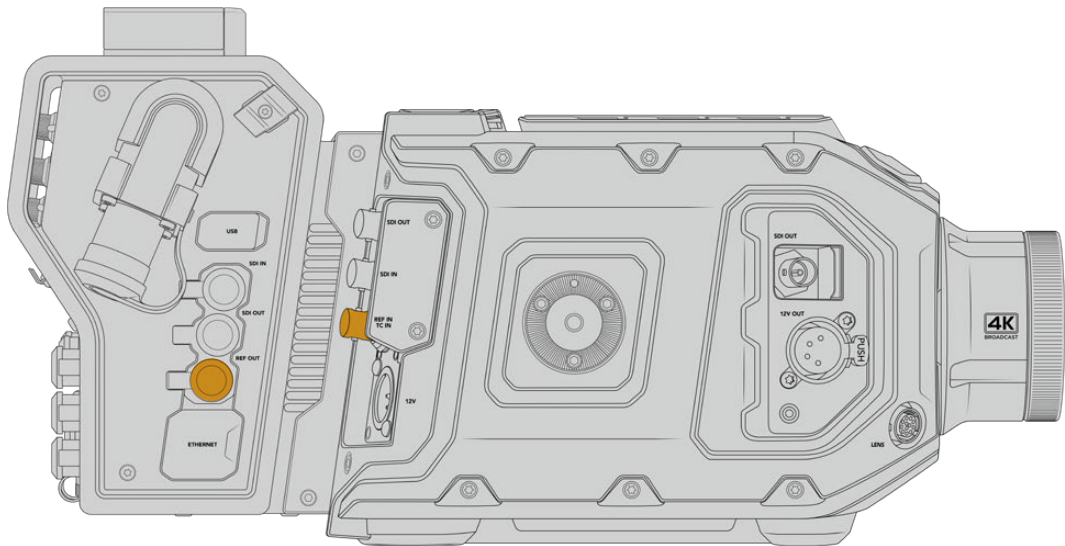
- 1 用摄影机光纤转换器所提供的一小段SDI线缆将Blackmagic Camera Fiber Converter上标有“REF OUT”的同步输出接口连接至摄影机上标有“REF IN”的同步输入接口。
- 2 将摄影机的同步设置设为同步输入。

同步参考信号可将视频设备同步锁相到常见的同步信号,因此所有的设备都具有完全一样的时间。也就是说,所有视频源都经过同步,可以平滑地进行切换。

ATEM切换台内置同步器,因此如果使用Blackmagic摄影机和ATEM切换台,就不用担心连接信号的同步问题。摄影机会与来自ATEM切换的SDI节目信号锁定,因此您只需要确保在URSA Broadcast G2或URSA Mini设置菜单第二页中的同步设置选中“节目输入”就好。再同步处理会引起画面延迟。

如果想要减少ATEM再同步处理的延迟,可首先对URSA Broadcast G2或URSA Mini应用同步信号,然后再调整时序,因此线路输入就可以位于ATEM切换切换时间之前。

要调整URSA Broadcast G2或URSA Mini的参考同步信号,可进入“Setup”菜单并在“Reference”选项中修改线路数目。

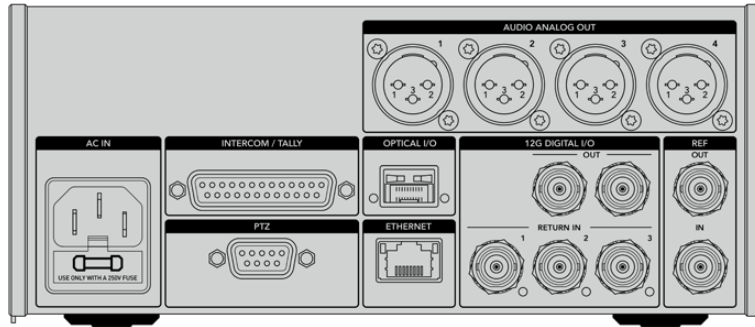


如果您使用外部同步信号,请将摄影机光纤转换器的同步输出连接至URSA Broadcast G2或URSA Mini的同步输入。

演播室转换器接口

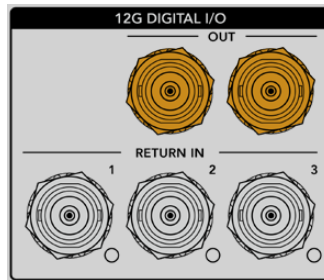
Blackmagic Studio Fiber Converter的后面板配有SDI返送信号和同步BNC接口, 对讲和Tally DB-15接口, PTZ 9针串行端口, 音频输出和以太网等接口。

所有SDI输入支持高达Ultra HD 2160p60的12G-SDI视频格式。



12G-SDI输出

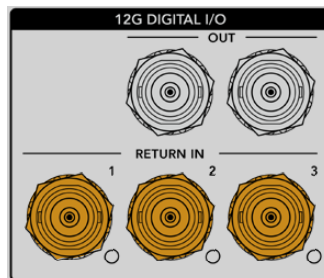
两个12G-SDI输出用于将来自演播室转换器的摄影机信号与切换台的摄影机SDI输入相连接。另一个接口可以用于将同样的信号输出给其他视频设备, 比如Blackmagic Videohub矩阵、SmartView监视器或者HyperDeck硬盘录机。



12G-SDI输出兼容从720p50到2160p60的信号

SDI返送输入

12G-SDI返送信号BNC接口可以连接高达三路返送SDI信号。比如, 来自切换台的节目信号应该连接到返送信号1, 并跟摄影机有匹配帧率。其他信号源, 如第二路摄影机输出、HyperDeck播放、甚至提词器可以连接到返送信号2和3。如果您使用ATEM切换台, 连接返送1的节目返送信号还将包括Tally、对讲、同步和摄影机控制信号。

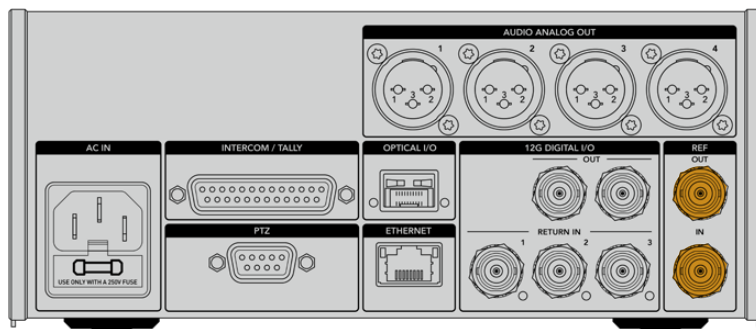


返送SDI输入最多可以连接三路来自切换台的返送信号。这些信号会被送入摄影机，以便摄影师查看，或者通过SDI送入其他设备。

备注 如果您把Ultra HD连接到返送输入，Ultra HD视频将按照同样的帧率被下变换到1080p，摄影机转换器的输出将是HD。Ultra HD返送信号下变换到HD可以增加带宽，让您发送多个返送信号源。

同步输入和输出

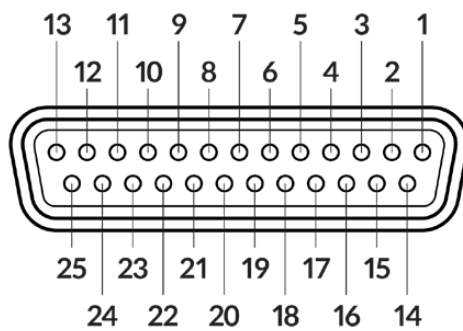
如果您没有使用ATEM切换台，但需要把设备与普通外部同步信号锁定起来，可以把外部生成的信号连接到同步BNC输入。同步信号会通过SMPTE光缆发送到摄影机转换器。来自演播室转换器的同步BNC输出可以将同步源环通连接到其他设备。



“REF IN”同步输入接口可将其他广播设备的传统同步时间信号发送到您的摄影机。

对讲接口

DB-25对讲和Tally接口可以连接第三方对讲和Tally系统。如果您需要搭建自定义光缆，可以参考下面的图表。当为工程、制作、Tally或节目音频输入自行连接引脚后，您需要在Blackmagic Studio Fiber Converter的菜单上进行相应的设置。



25针对讲/Tally接口的外部图示

对讲引脚图

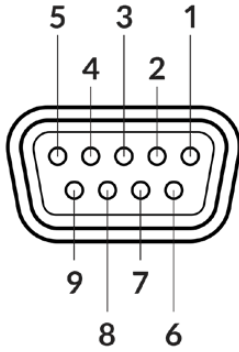
引脚	信号	技术参数
1	ENG(R) IN+	工程通道输入
2	ENG(R) IN-	0dBu平衡
3	ENG GND	工程接地端
4	ENG(T) OUT +	工程通道输出
5	ENG(T) OUT -	0dBu平衡
6	PGM IN+	-20dBu
7	PGM IN-	-20dBu
8	PGM GND	-20dBu
9	GND	辅助接地端
10	N/C	—
11	Red Tally IN	开启= 5-24Vdc, 关闭= 0Vdc
12	Red Tally GND	—
13	GND	机身接地端
14	PROD(R) IN+	制作通道输入
15	PROD(R) IN-	0dBu平衡
16	PROD GND	—
17	PROD(T) OUT+	制作通道输出
18	PROD(T) OUT-	0dBu平衡
19	N/C	—
20	N/C	—
21	N/C	—
22	N/C	—
23	N/C	—
24	Green Tally IN	开启= 5-24Vdc, 关闭= 0Vdc
25	Green Tally GND	—

PTZ端口

演播室转换器和摄影机转换器均设有一个DE-9端口, 因此您可以在演播室转换器端连接PTZ控制器, 在摄影机转换器端连接遥控云台。PTZ指令加嵌在SDI信号中通过SMPTE光缆在两个转换器之间传输。

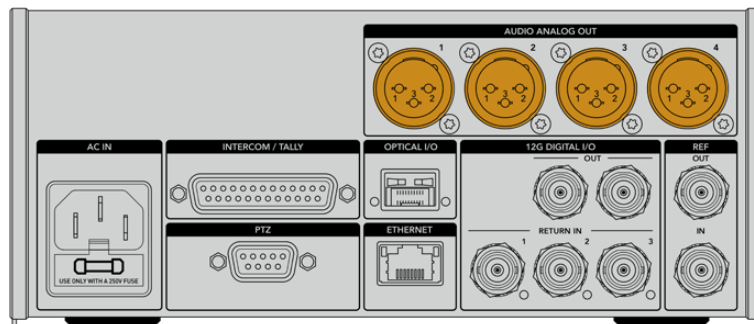
Blackmagic Studio Fiber Converter上的设置菜单可让您选择发送到Blackmagic Camera Fiber Converter的PTZ命令的源信号。您可以选择Studio Fiber Converter后方的PTZ接口信号, 或者来自ATEM切换台的节目SDI信号。详情请参考“运行Studio Fiber Converter”部分的内容。

PTZ端口引脚图

外部图示	引脚	信号
 <p>9针“PTZ”端口</p>	1	GND
	2	RS422 Tx-
	3	RS422 Rx+
	4	GND
	5	N/C
	6	GND
	7	RS422 Tx+
	8	RS422 Rx-
	9	GND

音频输出

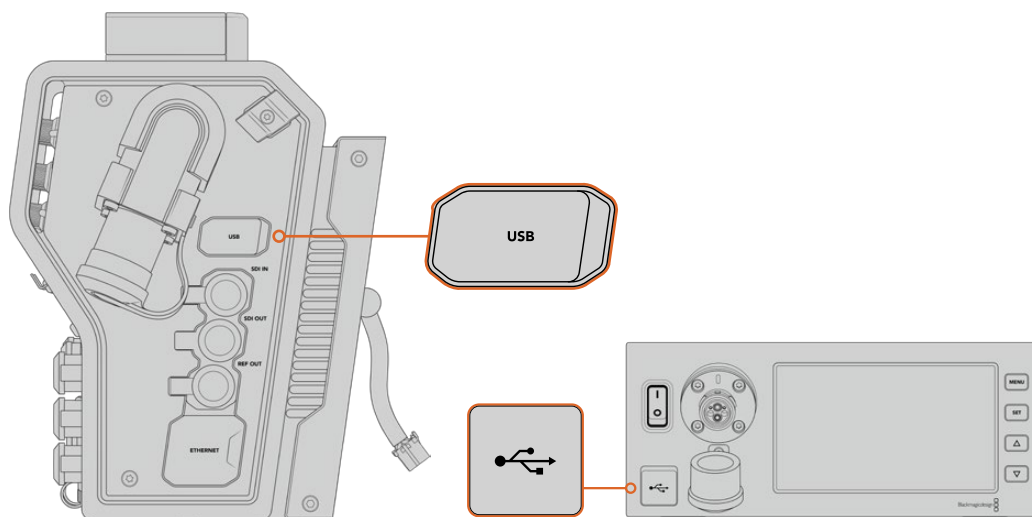
演播室转换器上的四个XLR音频输出接口可输出来自URSA Broadcast G2或URSA Mini摄影机输入1和2的音频, 以及来自Camera Fiber Converter上两个XLR音频输入的音频。



演播室转换器上的输出1和2默认分别对应URSA Broadcast G2或URSA Mini上的内嵌XLR输入通道。演播室转换器上的输出3和4默认分别对应Blackmagic Camera Fiber Converter上的XLR输入1和2。您可以使用菜单来更改这些映射设置。详情请查阅“使用菜单”部分的介绍。

内部软件更新

Blackmagic Design会不定期发布软件更新, 强化Blackmagic Fiber Converter的已有功能, 并添加新功能。建议您关注Blackmagic Design官网, 确保您的光纤转换器使用最新版本的内部软件。您可以通过Blackmagic Camera Setup实用程序更新光纤转换器。



Blackmagic Fiber Converter的USB-C端口可以用于更新内部软件。

更新Blackmagic Camera Fiber Converter

更新过程中, Camera Fiber Converter需要始终通电, 我们建议在更新时保持转换器与URSA Broadcast G2或URSA Mini的连接。

请务必将SMPTE光缆从Camera Fiber Converter断开, 然后通过所提供的URSA Camera电源为摄影机供电。

位于Blackmagic Camera Fiber Converter机身左侧的USB-C接口可以用于更新内部软件。将计算机连接到该USB接口, 然后运行Blackmagic Camera Setup实用程序。当计算机检测到Camera Fiber Converter使用旧版软件时, 会提示您进行更新。根据屏幕提示更新您的转换器内部软件。

更新Blackmagic Studio Fiber Converter

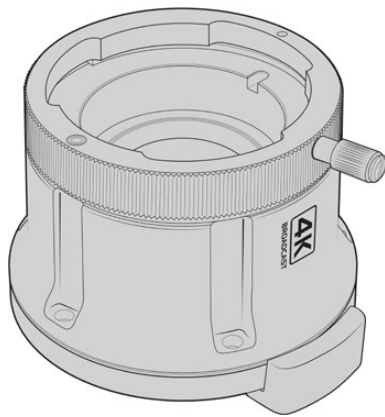
更新过程中, Studio Fiber Converter需要始终通电, 我们建议在更新过程中保持IEC电源线连接到转换器后面板的电源接口。

位于Blackmagic Studio Fiber Converter前方的USB-C接口可以用于更新内部软件。将计算机连接到该USB接口, 然后运行Blackmagic Camera Setup实用程序。当计算机检测到Studio Fiber Converter使用过期版本时, 会提示更新。根据屏幕提示更新您的转换器内部软件。

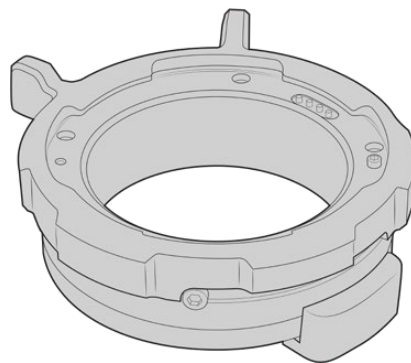
可更换镜头卡口

Blackmagic URSA Broadcast G2自带B4卡口, 以及一个额外的EF卡口。通过可更换的镜头卡口, 您还可以为摄影机安装Blackmagic URSA Mini Pro PL或URSA Mini Pro F卡口。镜头卡口可从Blackmagic Design经销商处购买。

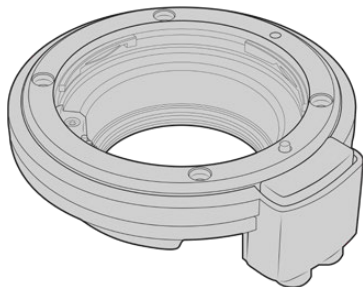
备注 Blackmagic URSA Mini Pro配有B4卡口, 但与URSA Broadcast G2摄影机使用的B4卡口不同, 适用的传感器也不同。只使用URSA Broadcast G2摄影机原配的B4卡口。



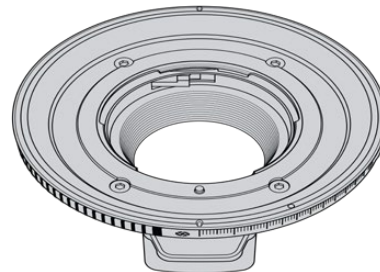
广播级B4卡口



PL卡口



EF卡口



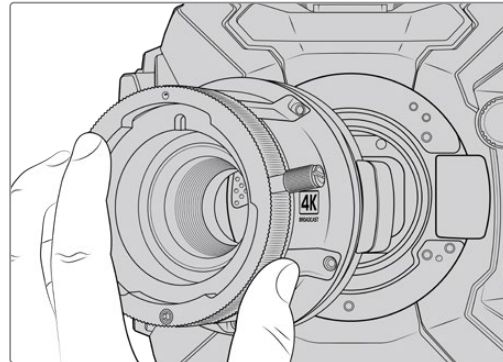
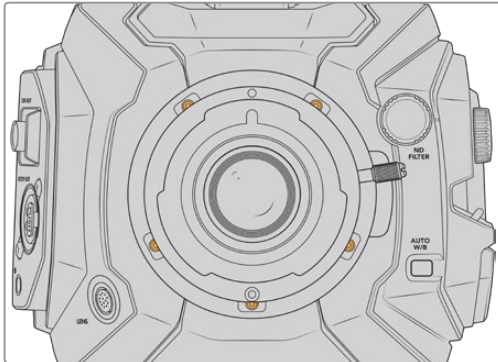
F卡口

有了四个独立卡口选择, 您就可以根据工作类型使用不同的镜头了。比如, EF卡口可以安装高质量相机镜头, B4卡口适合等焦面变焦镜头, 可在电子新闻收集或婚礼拍摄时使用, 而PL卡口适合安装高端坚固的电影镜头, 可实现绝对精准和可重复控制。有了F卡口, 您可以使用大量从1959到现在生产的尼康镜头。

替换卡口时, 只需卸下原始B4卡口, 然后换上新的卡口即可。

卸下B4卡口

卸下B4卡口时，只需使用2mm规格的六角扳手卸下五个M3六角螺丝即可。



卸下五个M3六角螺丝后，从摄影机拿起B4卡口。

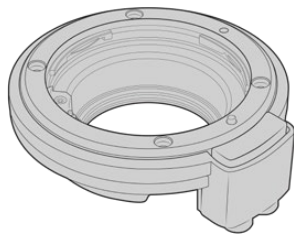
备注 卸下原始B4卡口时，应确保卡口下方的垫片仍然附在摄影机上。

关于PL、B4和EF镜头卡口套件的详情，以及如何在URSA Broadcast G2上安装这些卡口，请继续阅读本章节。

Blackmagic URSA Mini Pro EF Mount

EF卡口可以在URSA Broadcast G2上安装常见的EF相机镜头。

EF卡口套件包括：



1 x EF卡口

您可以在EF卡口上安装常见的EF相机镜头。



1 x 垫片套件

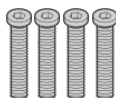
垫片套件包括以下厚度规格：

0.50mm	0.18mm	0.10mm
0.30mm	0.15mm	0.05mm
0.20mm	0.12mm	0.025mm



1 x 挡光板工具

EF卡口中的挡光板无法卸下，但我们依然在EF套件中包含了挡光板工具备用，如果您拥有PL卡口，就可以使用该工具。

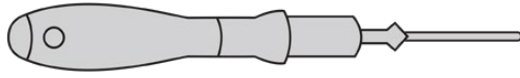


4 x 2mm六角 M3 x 18mm卡口螺丝

四个M3 x 18mm六角螺丝为EF卡口专用，您可以将螺丝和相应的卡口一同保管。

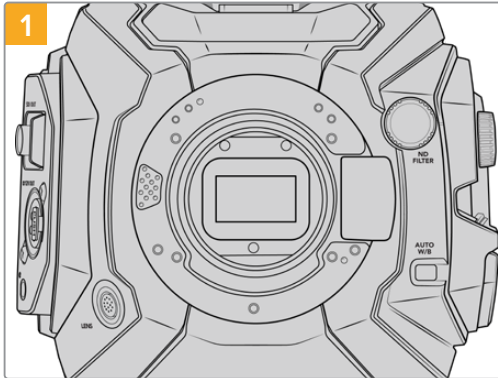
所需工具

您需要一把2mm规格的六角扳手来安装EF卡口。虽然不是必须的,但我们推荐使用最大扭矩为0.45Nm的六角扳手,以避免将螺丝拧得过紧。

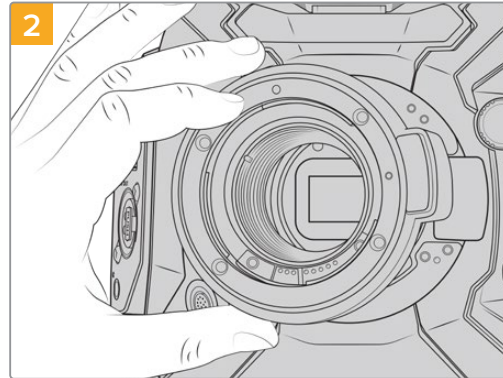


2mm六角扳手

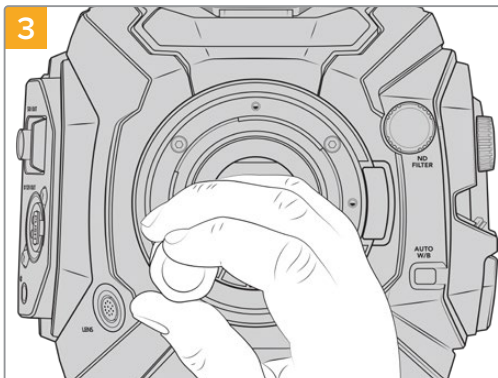
安装EF镜头卡口



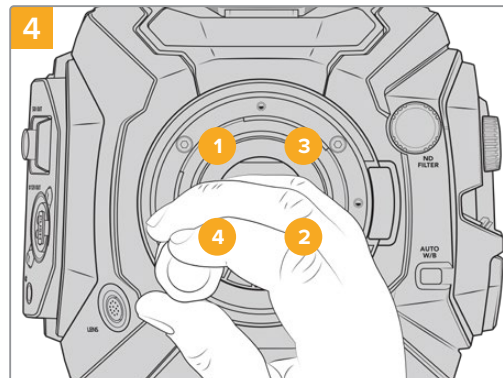
将Blackmagic URSA Broadcast G2垂直放在一个平整、清洁的表面,确保卡口可以垂直插入。如果用EF卡口替换PL卡口,确保在插入EF卡口前取下PL垫片。



小心将Blackmagic URSA Mini Pro EF Mount装在摄影机机身上,确保红点指向12点位置。



稍微旋紧四枚螺丝,直至镜头卡口初步固定到位。

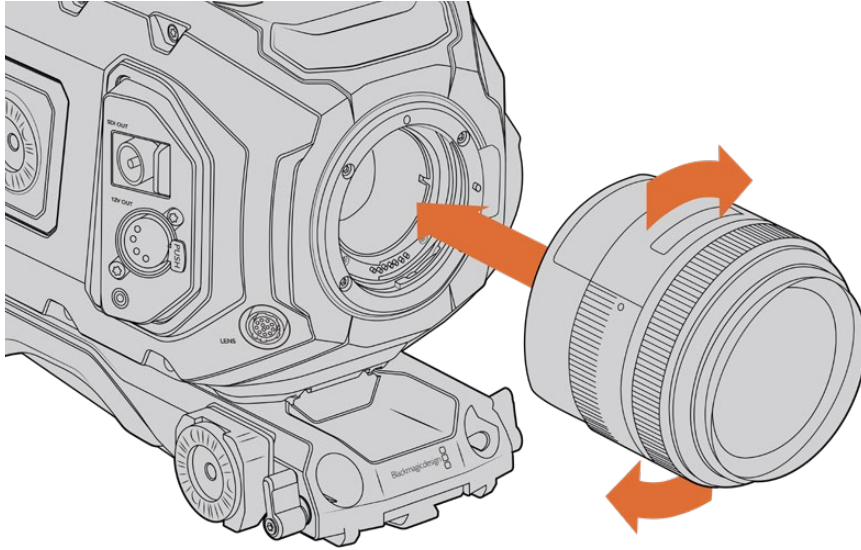


使用扳手及2.0mm规格六角扳手将螺丝1转紧一周,再将螺丝2转紧一周,然后再对螺丝3、4和5重复同样的操作。接下来再以相同顺序重复上述操作,直至所有螺丝都达到0.45Nm的最大扭矩。

备注 卸下EF卡口时,只需从后往前按照第四步到第一步执行即可。

安装EF卡口镜头：

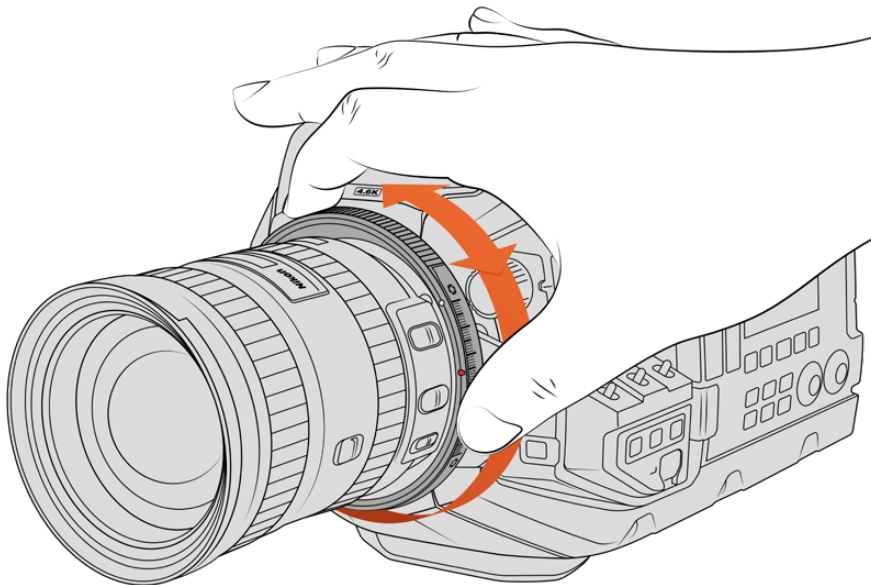
- 1 将镜头的标志点与机身的镜头卡口标志点对齐。很多镜头都带标志点，可以是蓝色、红色或白色。
- 2 将镜头插入卡口后顺时针转动，直至听到固定销到位的声音。
- 3 取下镜头时，先按住锁定按钮，再逆时针旋转镜头直至其标志点朝向摄影机顶部12点钟方向，然后小心将镜头取下。



安装和取下EF卡口镜头。

Blackmagic URSA Mini Pro F Mount

URSA Broadcast G2安装Blackmagic URSA Mini Pro F Mount后，您可以使用F卡口镜头。尼康F卡口系统的历史可以追溯到1959年，F卡口镜头至今仍在生产。有了Blackmagic URSA Mini Pro F Mount，您就可以使用数量繁多的复古和现代镜头。



使用URSA Mini Pro F卡口的光圈调节圈，可以顺畅修改F卡口镜头的光圈。

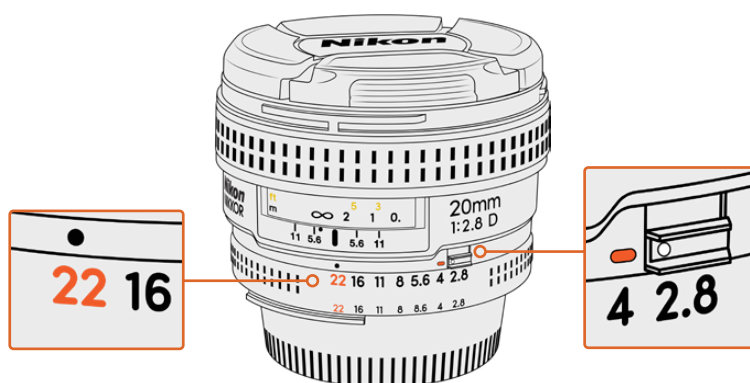
需要注意的是，F卡口为机械卡口，也就是说，它并不具备电子对焦或光圈控制功能。但F卡口配有机械光圈调节器，可以用来带动大多数尼康镜头中的光圈控制点，实现流畅的电影风格光圈调节。

安装F卡口后，还需移动Blackmagic URSA Mini Pro F Mount上的光圈调节装置即可获得您偏好的曝光。您可以通过F卡口上的红点和光圈调节器上的刻度记录光圈设置，在以后轻松回到喜欢的曝光或景深设置。

备注 卸下F卡口时，只需从后往前按照第四步到第一步执行即可。

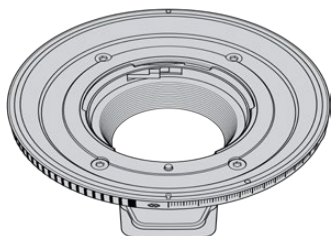
尼康AF-D镜头

在使用尼康AF-D系列镜头时，需要将镜头光圈锁定到最小值，如f/22，才能充分使用Blackmagic URSA Mini Pro F Mount的光圈调整环。



在安装到摄影机上之前，请通过简单步骤将AF-D镜头的光圈设置锁定到最低值。

F卡口套件包括：



1 x F卡口

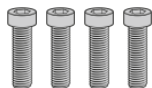
您可以在F卡口上安装常见的F相机镜头。



1 x 垫片套件

垫片套件包括以下厚度规格：

0.50mm	0.18mm	0.10mm
0.30mm	0.15mm	0.05mm
0.20mm	0.12mm	0.025mm



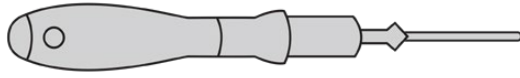
4 x 2mm六角 M3 x 18mm卡口螺丝

EF和F卡口使用四枚M3 x 18mm六角螺丝，您最好将螺丝和相应的卡口一同保管。

F卡口套件还包含一整套备用螺丝，可在原配螺丝丢失时使用。

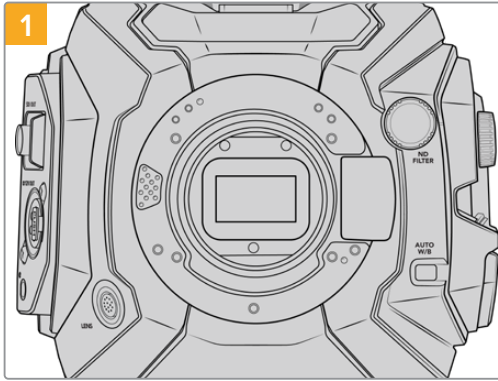
所需工具

您需要一把2mm规格的六角扳手来安装F卡口。虽然不是必须的，但我们推荐使用最大扭矩为0.45Nm的六角扳手，以避免将螺丝拧得过紧。

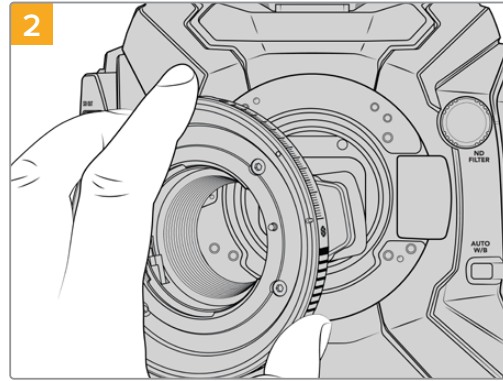


2mm六角扳手

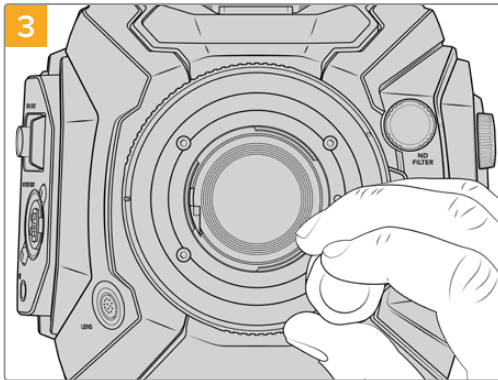
安装F镜头卡口



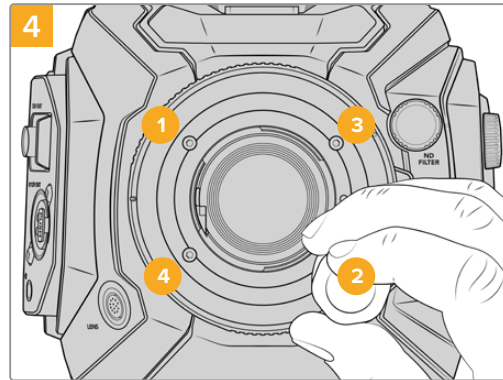
将Blackmagic URSA Broadcast G2垂直放在一个平整、清洁的表面，确保卡口可以垂直安装。如果用F卡口替换PL卡口，确保在插入F卡口前取下PL垫片。



小心将Blackmagic URSA Mini Pro F Mount装在摄影机机身上，确保白点指向2点钟位置。



稍微旋紧四枚螺丝，直至镜头卡口初步固定到位。

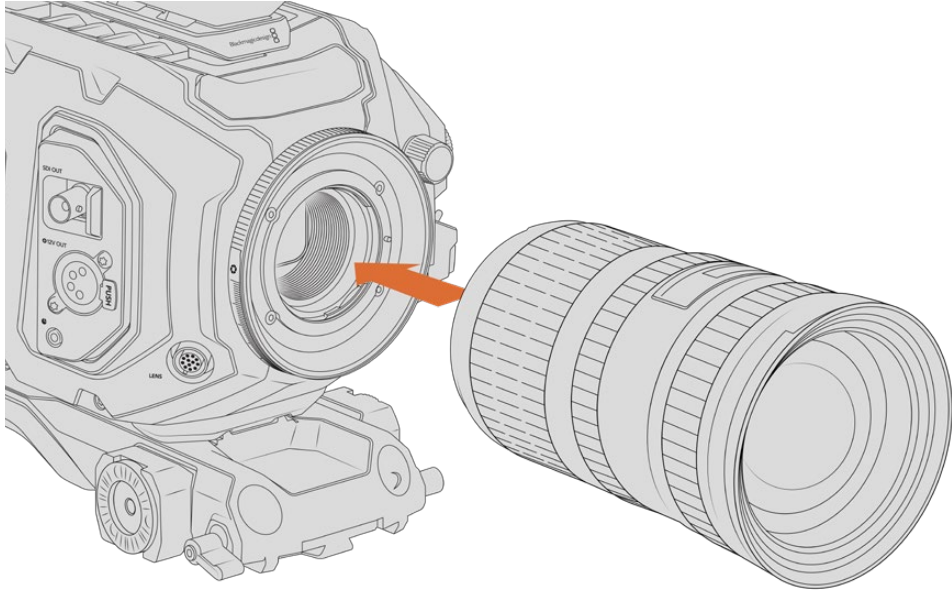


使用扳手及2.0mm规格六角扳手将螺丝1转紧一周，再将螺丝2转紧一周，然后再对螺丝3、4和5重复同样的操作。接下来再以相同顺序重复上述操作，直至所有螺丝都达到0.45Nm的最大扭矩。

备注 由于URSA Mini Pro F卡口的运行方式, 有少数F卡口镜头无法兼容。

这包括尼康AF-S E系列镜头, 该镜头没有机械光圈控制, 以及24mm f/3.5D PC-E和85mm PC-E等尼康PC-E移轴镜头。

安装F卡口镜头:



为装有选配F卡口的Blackmagic URSA Broadcast G2安装和拆卸F卡口镜头

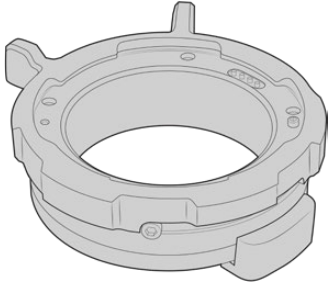
- 1** 将镜头的标志点与机身的镜头卡口标志点对齐。很多镜头都带标志点, 可以是蓝色、红色或白色。
- 2** 将镜头插入卡口后逆时针转动, 直至听到固定销到位的声音。
- 3** 取下镜头时, 先按住锁定按钮, 再顺时针旋转镜头直至其标志点朝向摄影机顶部2点钟方向, 然后小心将镜头取下。

备注 Blackmagic URSA Mini Pro F Mount配备了机械光圈调节装置, 如果要在该卡口上安装带有内置对焦环的旧款F卡口镜头, 您需要将镜头光圈设置并锁定为最小数值, 比如f/22。

Blackmagic URSA Mini Pro PL Mount

在URSA Broadcast G2上安装PL卡口后，您可以使用高端精准电影镜头和Super 16mm PL镜头进行影视制作。

PL卡口套件包括：



1x PL卡口

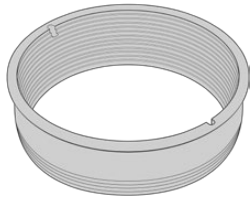
PL卡口自带保护防尘盖。



1x 垫片套件

垫片套件包括以下厚度规格：

0.50mm	0.18mm	0.10mm
0.30mm	0.15mm	0.05mm
0.20mm	0.12mm	0.025mm



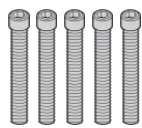
1x PL挡光板

PL卡口挡光板用来控制和引导进入传感器的光线。



1x 挡光板工具

使用PL挡光板工具来拧紧摄影机的挡光板。



5 x 2mm 六角M2.5 x 22mm卡口螺丝

五枚M2.5 x 22mm六角螺丝为PL卡口专用，您可以将螺丝和相应的卡口一同保管。

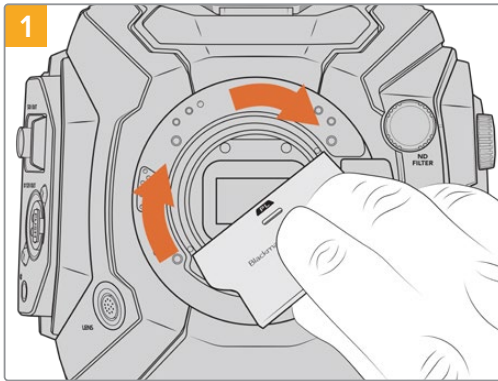
所需工具

您需要一把2mm规格的六角扳手来安装PL卡口。虽然不是必须的，但我们推荐使用最大扭矩为0.45Nm的六角扳手，以避免将螺丝拧得过紧。

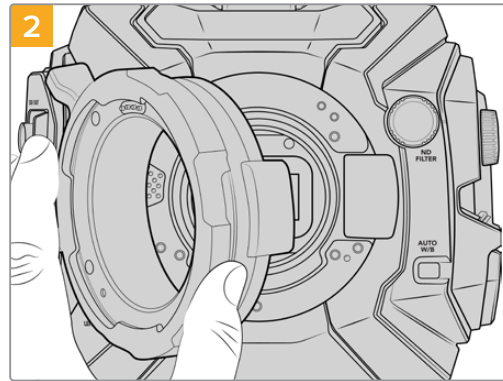


2mm六角扳手

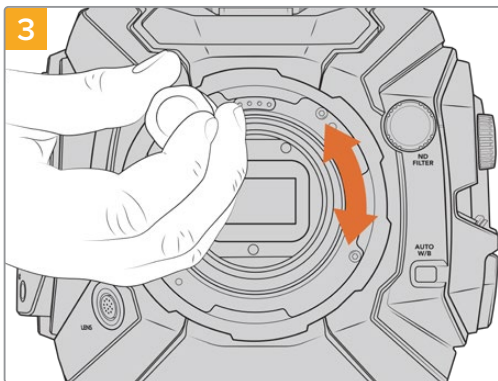
安装PL卡口



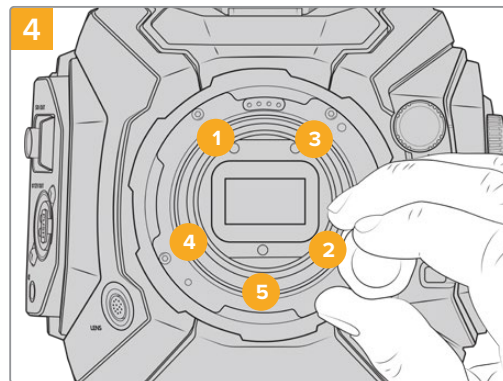
1 轻轻将PL挡光板插入镜头卡口的中心，然后拧紧。用挡光板工具宽的一端轻轻拧紧挡光板。只需使用足够的力量即可安装到位。



2 确保PL卡口上的Cooke/i Technology针位于12点钟的位置。



3 稍微旋紧五枚螺丝，直至镜头卡口初步固定到位。要旋紧全部五枚螺丝，您需要转动PL锁定环，因为一些孔在锁定环打开或关闭时会看不清楚。



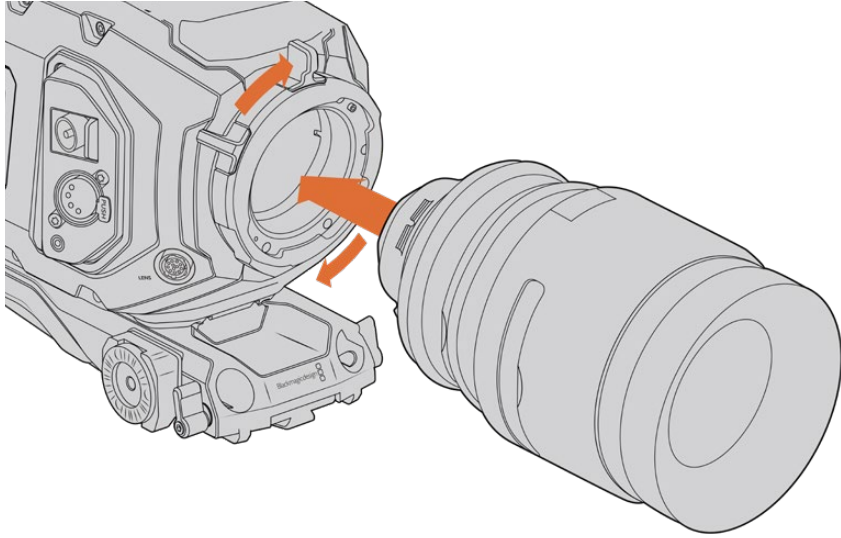
4 使用2mm六角扳手将螺丝1转紧一周，再将螺丝2转紧一周，然后再对螺丝3、4、5重复同样的操作。接下来再以相同顺序重复上述操作，直至所有螺丝都达到0.45Nm的最大扭矩。

备注 卸下PL卡口时，只需从后往前按照第四步到第一步执行即可。不要忘记卸下PL挡光板，和PL卡口一同妥善保管。

安装PL卡口镜头：

- 1 将摄影机的PL锁定环逆时针转动到底以便打开。
- 2 把卡口上的固定销对齐法兰环上四个缺口中的一个。对齐镜头时，请选择能清晰看到镜头标记的角度进行操作。
- 3 顺时针拧紧PL锁定环。如果为URSA Broadcast G2安装带有伺服装置的PL镜头，您还需要为伺服控制连接12针广播连接线。

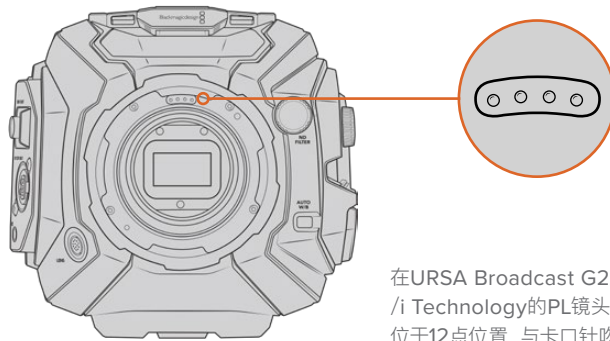
- 4 要取下镜头, 请先将锁定环逆时针转到底, 然后再从摄影机身小心取下镜头。操作过程中无需旋转镜头。



安装和取下PL卡口镜头。

Cooke镜头/i Technology支持

URSA Broadcast G2可选配的Blackmagic URSA Mini Pro PL Mount 在12点钟位置配有四针连接口, 这是为了和搭载Cooke/i Technology技术的镜头建立通讯。支持该界面的镜头包括Canon、Cooke、Fujinon、Leica和Zeiss。该技术能让您将镜头型号、焦距、光圈设置等关于镜头的信息记录到拍摄片段的元数据当中。



在URSA Broadcast G2上安装带Cooke /i Technology的PL镜头时, 请确保镜头针位于12点位置, 与卡口针吻合。

通过Cooke公司的“i Technology”技术作为元数据记录的信息将对后期制作和视觉特效工作起到很大的帮助。拍摄时, 了解您所使用的镜头及其精确设置, 会对日后需要采用相同部署方案的活动有所帮助。

这些详细信息也可以被用于DaVinci Resolve和Blackmagic Fusion等制作软件, 发挥更强大的作用。例如, 记录下来的元数据可用于模拟特定镜头的3D空间, 或修正镜头变形。

PL卡口伺服镜头

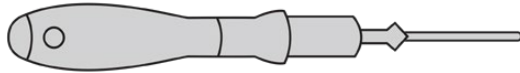
URSA Broadcast G2可控制带伺服手柄的PL 35mm镜头。将镜头连接摄影机的镜头接口后, URSA Broadcast G2将以和B4镜头同样的方式为镜头提供电源和控制信号。详情请参阅本手册“使用伺服变焦镜头”部分的内容。

Blackmagic URSA Broadcast G2 B4卡口

URSA Broadcast G2摄影机自带B4卡口。如果您为了安装附带的Blackmagic URSA EF卡口、选配的URSA PL或F卡口而卸下了B4卡口, 可以按照以下方法重新安装B4卡口。

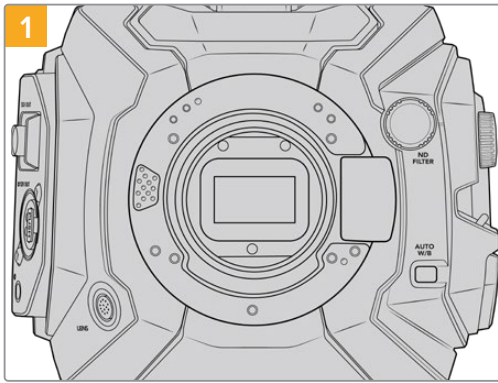
所需工具

您需要一把2mm规格的六角扳手来安装B4卡口。虽然不是必须的, 但我们推荐使用最大扭矩为0.45Nm的六角扳手, 以避免将螺丝拧得过紧。

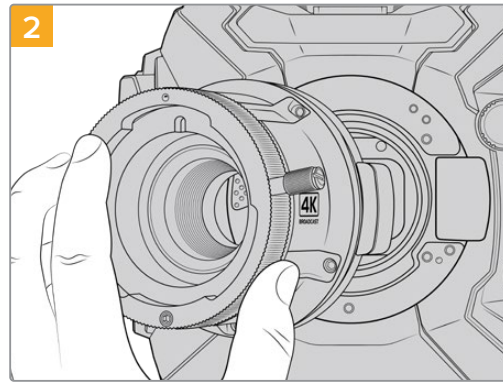


2mm六角扳手

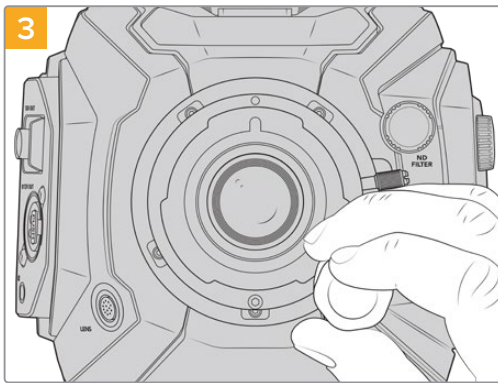
安装B4镜头卡口



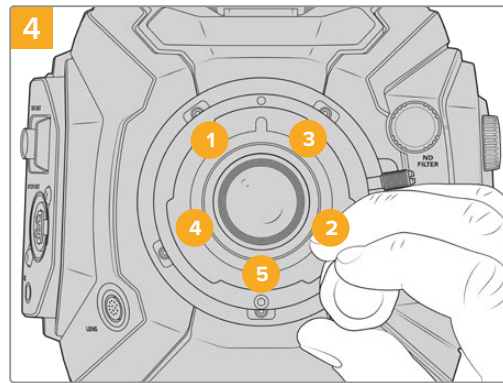
将Blackmagic URSA Broadcast G2垂直放在一个平整、清洁的表面, 确保卡口可以垂直插入。



在原处保留0.50mm垫片, 然后轻轻将Blackmagic URSA Broadcast G2 B4镜头卡口安装在摄影机机身上, 确保红点对准12点钟方向。



稍微旋紧五枚螺丝, 直至镜头卡口初步固定到位。



使用2mm六角扳手将螺丝1转紧一周, 再将螺丝2转紧一周, 然后再对螺丝3、4、5重复同样的操作。接下来再以相同顺序重复上述操作, 直至所有螺丝都达到0.45Nm的最大扭矩。

备注 卸下B4卡口时, 只需从后往前按照第四步到第一步执行即可。

为镜头卡口添加垫片

什么是垫片?

垫片组是一组厚度不一的垫圈, 可用来微调镜头和URSA Broadcast G2传感器之间的距离。这一“距离”就是常说的“法兰距”。它可因镜头老化及环境条件因素等变量而产生微小的变化。



URSA Broadcast G2垫片

垫片用来安装在镜头卡口和摄影机机身之间, 从而使被摄物体到传感器的距离与镜头上的焦点标记相符。这些是PL镜头最常使用的垫片。这些电影镜头为手动对焦, 在镜身上拥有非常精确的焦距刻度。垫片也用于URSA Broadcast G2的可替换镜头卡口。

Blackmagic URSA Mini Pro Shim Kit垫片组拥有不同厚度, 您可从Blackmagic Design当地经销商处购买。所有卡口套件均包含一组垫片, 兼容URSA Broadcast G2。使用的垫片厚度取决于您的后焦要求。

Blackmagic URSA Mini Pro Shim Kit

URSA Broadcast G2摄影机自带两个垫片, 一个0.10mm塑料垫片和一个0.50mm金属垫片。这些垫片为URSA Broadcast G2摄影机的B4、EF和F卡口镜头设置合适的焦距。在非常罕见的情况下, 一些PL镜头要求特定的安装间隙, 您需要使用额外的垫片来获得准确的对焦标记。Blackmagic URSA Mini Pro Shim Kit垫片组包含以下额外工具。套装中包含其它厚度的垫片, 当安装间隙略有不同的PL镜头时, 可以使用这组垫片对PL镜头进行微调以获得准确的对焦标记。

垫片套件包括:



1 x 挡光板工具

在URSA Broadcast G2上移除或安装PL卡口时, 可以使用挡光板工具松开或上紧PL挡光板。



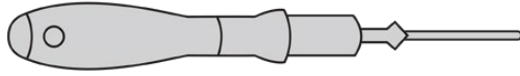
1 x 垫片套件

垫片套件包括以下厚度规格:

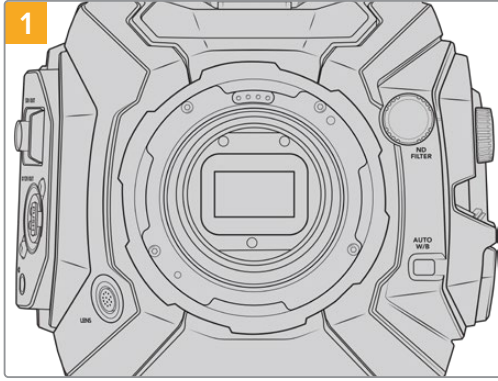
0.50mm	0.18mm	0.10mm
0.30mm	0.15mm	0.05mm
0.20mm	0.12mm	0.025mm

为卡口添加垫片

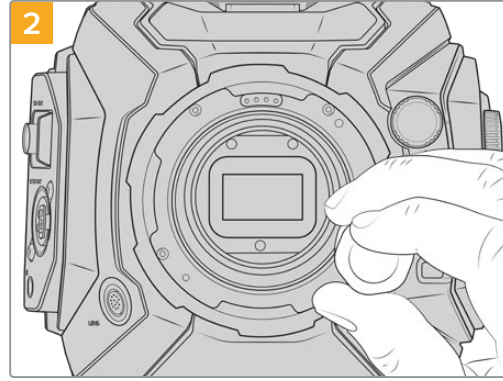
要为摄影机卡口安装垫片，您需要使用最大扭矩为0.45Nm的2.0mm规格六角扳手。



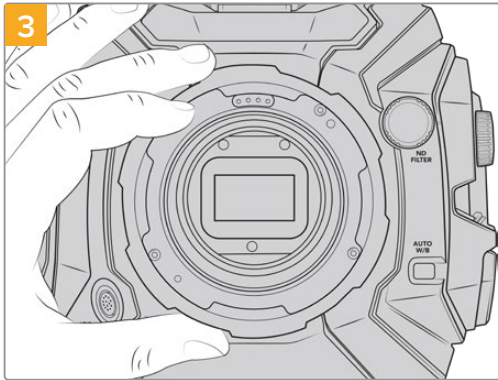
扭力扳手



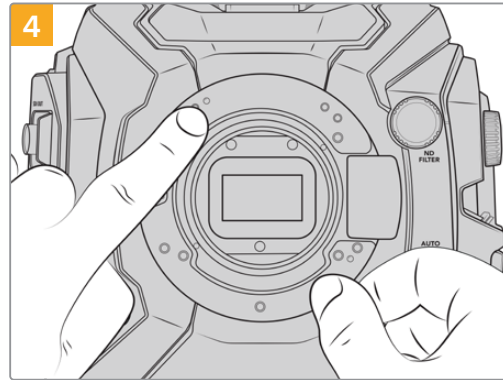
将URSA Broadcast G2垂直放置于坚硬平整的桌面上，取下镜头或镜头防尘盖。由于安装垫片的过程中传感器上方的滤光片会暴露在外，因此切记操作时要尽量保证滤光片清洁无尘。在为卡口添加垫片时，请尽量避免触碰滤光片。



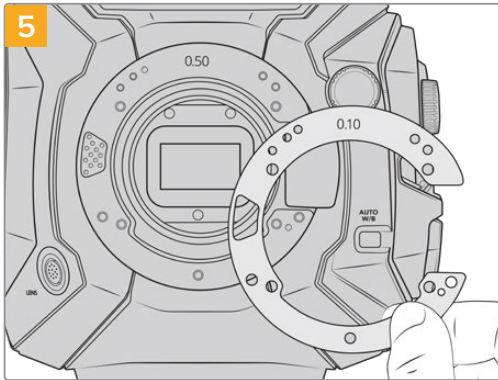
使用2.0mm规格的六角扳手卸下固定卡口的螺丝。更多关于拆卸镜头卡口的信息请参考“可更换镜头卡口”部分的内容。



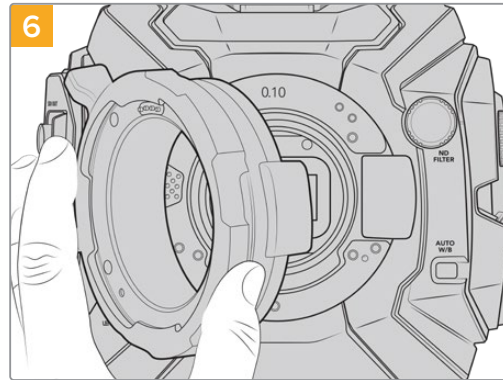
小心拿起镜头卡口，使其与机身分离。请将卸下的螺丝妥善放置在镜头卡口附近。



请注意，摄影机自带的垫片定位销是对准11点钟方向。



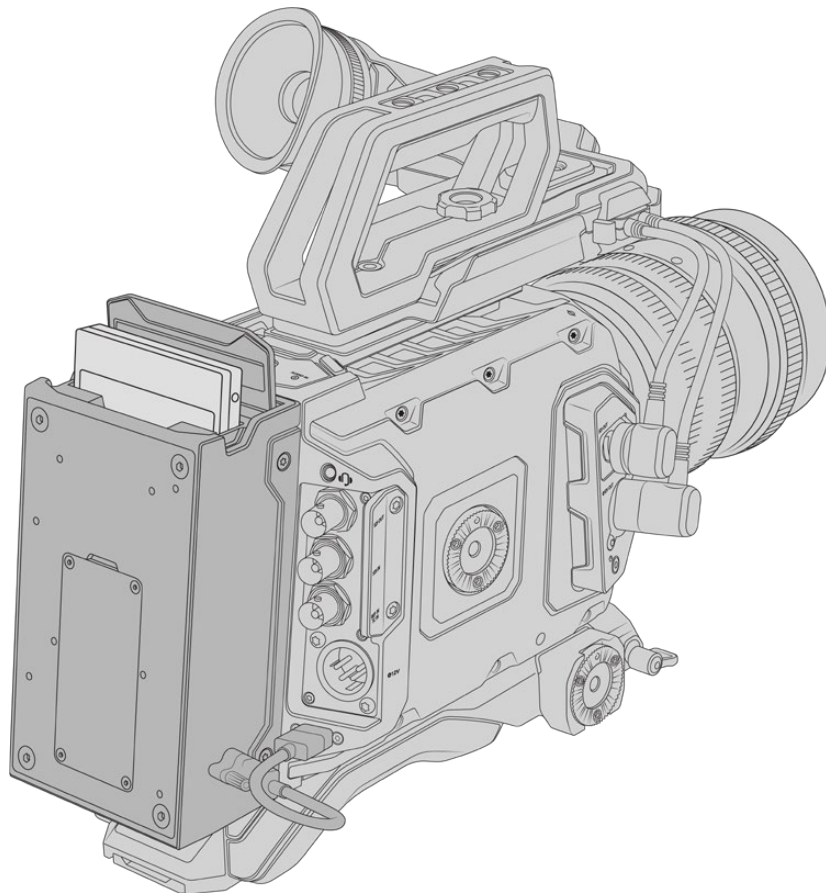
通过添加或卸下垫片，微调卡口的深度。建议从小厚度垫片开始，比如0.10mm。



将镜头卡口放置在机身上，拧紧螺丝，安装镜头，检查镜头焦点标记与焦距是否一致。如果不一致，继续1到6步，小幅调整垫片，直到镜头达到焦点标志。

URSA Mini Recorder

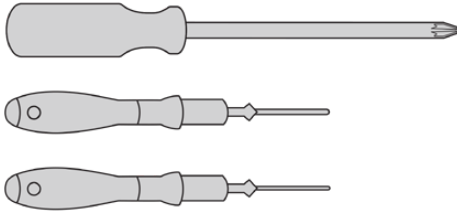
Blackmagic URSA Mini Recorder是一套选配模块，可安装在URSA Broadcast G2的后方。安装了该记录单元以后，您可以将影像记录在高容量、低成本的固态硬盘（SSD）上，包括6K Blackmagic RAW文件。



安装URSA Mini Recorder时，您需要以下工具：

- 1 x 十字螺丝刀
- 1 x T10 Torx螺丝刀

- 1 x 2mm 六角扳手

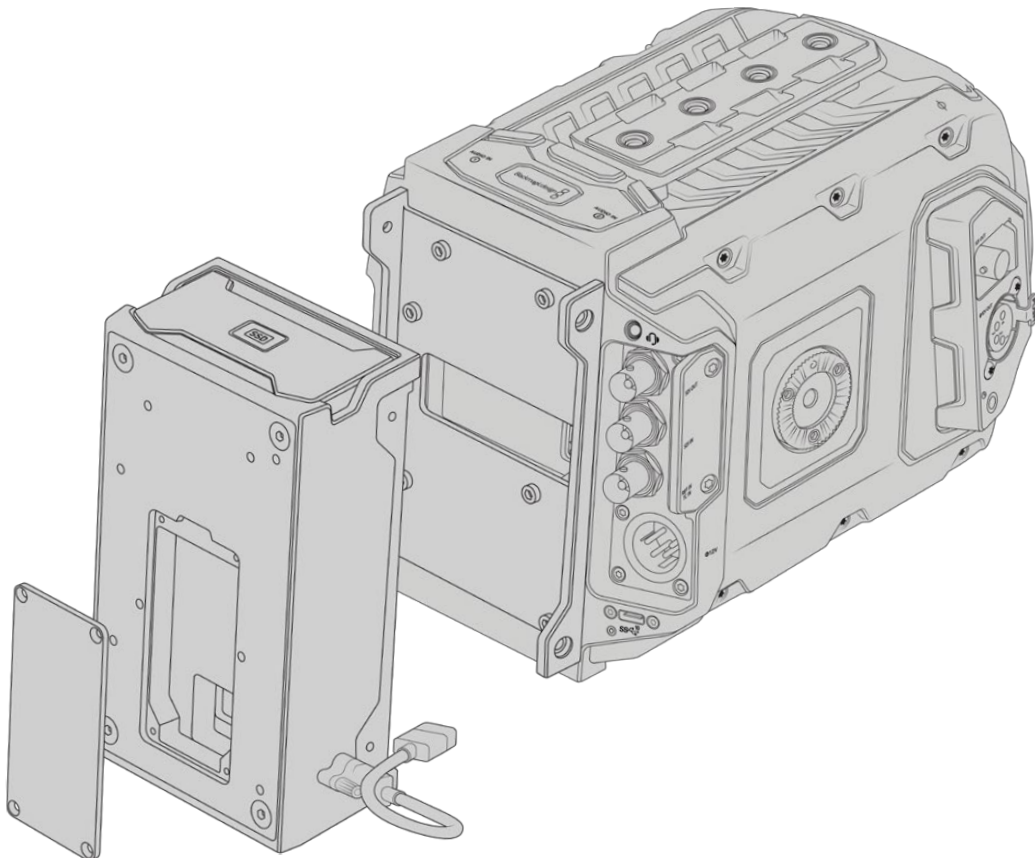


将URSA Mini Recorder安装在URSA Broadcast G2上, 您需要一把大号十字螺丝刀, 一把T10 Torx扳手和一把2mm六角扳手。

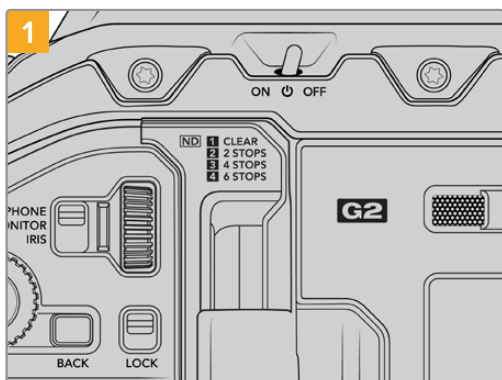
安装和连接URSA Mini Recorder

URSA Mini Recorder可直接安装在URSA Broadcast G2机身后方, 利用摄影机后方的USB-C数据端口实现和摄影机之间的数据传输。

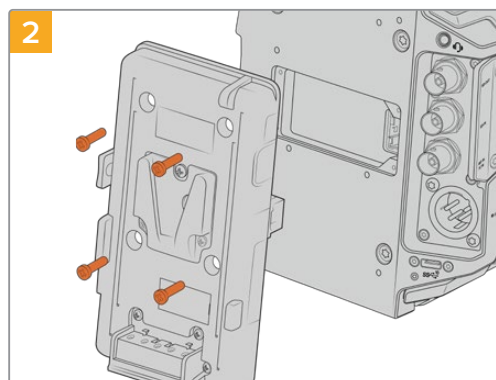
提示 URSA Mini Recorder配有连接线缆为摄影机的电池供电, 方便您在摄影机后方的记录单元后面再安装V-Mount或Gold Mount电池。



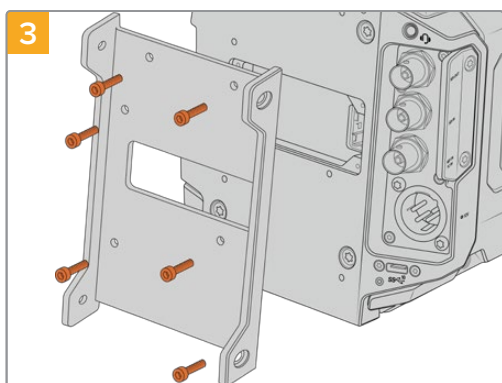
安装和连接URSA Mini Recorder步骤如下:



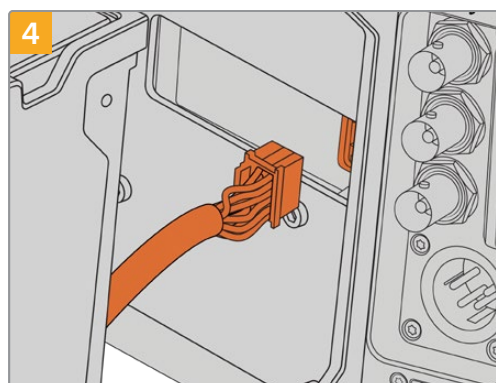
将开关拨至“Off”，关闭URSA Broadcast G2。



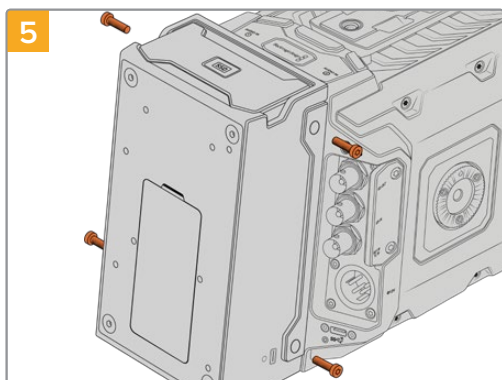
卸下当前装在摄影机上的电池扣板。更多关于安装和拆卸电池扣板的信息，请参考本手册中“安装电池”部分的内容。



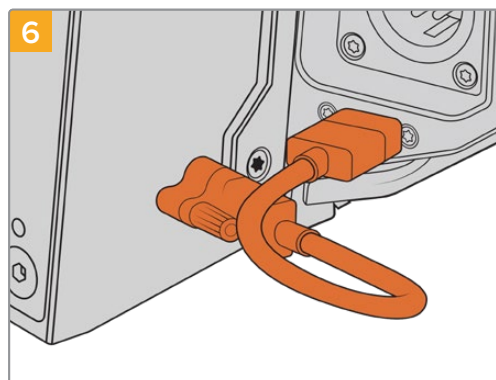
用六颗T10 Torx螺丝安装URSA Mini Recorder的安装支架。



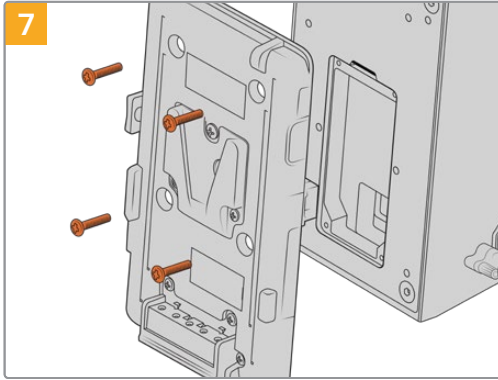
将URSA Mini Recorder上的Molex接头连接到摄影机后面板上的Molex插槽。



用两枚T10 Torx螺丝将URSA Mini Recorder安装在固定板上，在固定板左右两侧各用一枚。



将Mini Recorder的USB-C线缆连接到URSA Broadcast G2后侧的USB-C数据端口。徒手旋紧并锁定接口，或使用2mm规格的六角扳手完成这操作。



如果您希望在URSA Mini Recorder上使用电池扣板，可以用2mm六角扳手卸下固定Molex插槽外面板的四颗M3螺丝。露出Molex插槽后，通过本手册“安装电池”部分的步骤安装电池扣板。

使用URSA Mini Recorder

连接URSA Mini Recorder并加载SSD后，该录机会在URSA Broadcast G2操作系统中显示为存储插槽3。使用URSA Mini Recorder时，您会在摄影机存储管理器中看到插槽3上显示“SSD”指示灯。



当URSA Mini Recorder中插有SSD时，摄影机存储管理器会在存储插槽3上显示“SSD RECORDER”（SSD录像机）字样加以提示。

也就是说SSD的记录、播放和存储管理与CFast和SD卡完全一样。更多关于存储管理和选择SSD的具体方法，请参考本手册中“存储介质”部分的内容。

LED状态显示

URSA Mini Recorder设有一个状态提示灯，具体位置在“SSD”左侧。您可以到摄影机的“设置”菜单中将该提示灯的亮度设为“低”、“中”、“高”或者将其关闭。

SSD

“SSD”提示灯可显示当前插入SSD的状态。该LED灯可提供以下状态提示：

白色	连接电源并和URSA Broadcast G2建立通信后, URSA Mini Recorder会显示白色提示灯。
红色	在SSD上记录时, URSA Mini Recorder会亮起红灯。当SSD空间不足时, 红灯会缓慢闪烁。 红灯快速闪烁表示SSD出现丢帧。如果这种情况发生, 请检查您是否使用了我们推荐列表上列出的SSD, 以及是否按照与存储介质兼容的数据速率进行记录。
橙色	在安装SSD的过程中如果出现任何问题, 状态提示灯会亮起橙色。这可能是由于格式化错误或SSD不兼容所导致的。详情请查看本手册关于“存储介质”部分的介绍, 获取兼容SSD清单以及格式化操作步骤。

提示 如果“SSD”LED灯显示安装硬盘出现错误, 您可能需要在Mac或PC上通过磁盘工具或磁盘管理对其进行初始化。

更新URSA Mini Recorder的内部软件

您可通过Blackmagic Camera Setup实用程序更新URSA Mini Recorder。升级Mini Recorder时, 其电源必须处于开启状态, 所以我们建议您在更新过程中将Mini Recorder和URSA Broadcast G2保持连接。这也意味着, 摄影机需要供应持续的电量, 因此请您务必连接外部电源或电池。

使用USB-C线缆将计算机连接到该Mini Recorder接口, 然后运行Blackmagic Camera Setup实用程序。当计算机检测到URSA Mini Recorder使用过期版本时, 会提示更新。按照屏幕提示更新您的URSA Mini Recorder内部软件。详情请参阅本手册“Blackmagic Camera Setup实用程序”部分的内容。

提示 建议您同时间更新所有Blackmagic URSA组件以获得最优性能表现。

了解Studio Camera控制

您可将Blackmagic URSA Broadcast G2作为演播室摄像机使用，并且在ATEM切换台上通过ATEM Software Control中的Camera Control（摄影机控制）功能进行控制。这样就可以为您的演播厅添加拥有大尺寸传感器画质以及非凡动态范围的高品质摄影机，并且可以像控制任何演播室摄像机一样控制它。

点击软件控制面板中的摄影机图标即可打开摄影机控制功能。使用兼容镜头时，您可以通过这一功能轻松设置摄影机的光圈、增益、对焦和变焦控制，并能使用DaVinci Resolve一级调色工具平衡摄影机色彩，缔造独特炫彩画面。

ATEM切换台控制的工作原理是通过ATEM切换台的所有非下变换SDI输出接口向目标设备发送摄影机控制数据包。也就是说，您将ATEM切换台的一路SDI输出连接到URSA Broadcast G2的12G SDI输入上后，摄影机会检测到SDI连接中包含的控制数据包，以便您控制摄影机的各项功能。



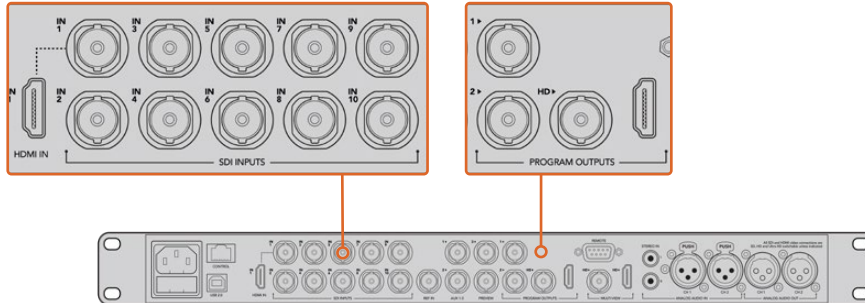
ATEM摄影机控制

备注 当Blackmagic URSA Broadcast G2和ATEM切换台一起使用时，我们建议您将设备的内部软件都升级到最新版本，以确保兼容性。请登陆Blackmagic Design支持中心 www.blackmagicdesign.com/cn/support 获得最新版软件。

连接您的URSA Broadcast G2

- 1 将Blackmagic URSA Broadcast G2的12G-SDI输出连接到ATEM切换台的任意SDI输入上。
- 2 将ATEM切换台的任何一路SDI输出（下变换和Multi View输出口除外）连接到URSA Broadcast G2的12G-SDI输入接口。摄影机控制信号不通过Multi View和下变换SDI输出口发送。
- 3 在您的URSA Broadcast G2上找到“设置”菜单里的“ATEM摄影机ID”选项，将摄影机的ATEM ID设置为与切换台输入相匹配的选项。例如，如果1号URSA Broadcast G2连接到ATEM切换台的Cam 1接口，那么您的摄影机号码应该设置为1。这样可以确保Tally信号被准确发送到相应的摄影机上。

- 4 在“设置”菜单中选择您的“同步信号源”。除非您向所有摄影机和切换台发送同步锁相信号，否则我们推荐在连接ATEM时将同步信号源设置为“节目”。
- 5 找到“监看”菜单，确保您为其中的“纯画面”选择了“主SDI”选项，以保证输出到ATEM切换台的SDI输出画面中不显示叠加信息或对焦框。



将您的URSA Broadcast G2连接到ATEM切换台的任何一个SDI输入接口上

使用摄影机控制

启动ATEM Software Control，点击位于软件窗口底部的摄影机按钮后，系统会显示一排有标签的摄影机控制窗口，窗口内包含各类工具，可用来调节和美化每台摄影机的画面。这些控制窗口使用起来十分简单。只需以鼠标点击某个按钮，或点击并拖动来调节即可。

摄影机控制选择

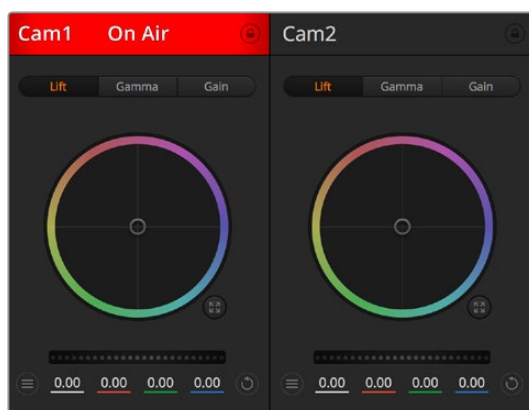
摄影机控制窗口的上方有一排按钮，可用来选择您想要控制的摄影机所对应的机位编号。如果您的窗口无法显示所有的摄影机控制窗口，或者您在使用调色窗口界面，那么您可以使用这些按钮来快速选择您想要控制的机位。如果您将一路辅助输出用于监看摄影机控制，那么您通过这些按钮在不同机位间切换摄影机进行控制的同时，也可将该摄影机的视频输出到切换台系统偏好设置中所选择的辅助输出上。



点击齿轮图标为摄影机控制选择Aux辅助输出

通道状态

通道状态位于每个摄影机控制窗口的顶部，可显示摄影机标签、正在播出提示灯以及锁定按钮。按锁定按钮可锁定某台摄影机的所有控制。正在播出时，通道状态会亮起红色，并显示正在播出提示。



每个摄影机控制窗口都会显示通道状态, 以便您明确当前哪台摄影机正处于播出状态。使用色轮来调整每个YRGB通道的暗部、中灰和亮部设置

色轮

色轮是DaVinci Resolve调色工具的一项强大功能, 它常用于调整每个YRGB通道色彩的暗部、中灰和亮部设置。点击色轮上方对应的三个按钮即可对相应选项进行调整。

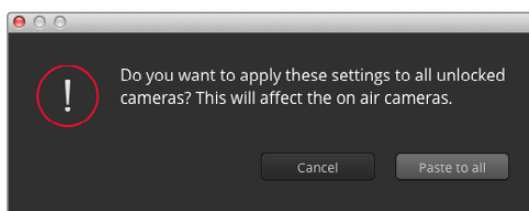
主滚轮

使用色轮下方的主滚轮可同时调整所有YRGB通道, 也可只调整每个暗部、中灰或亮部设置的亮度值。

重置按钮

重置按钮位于每个摄影机控制窗口内右上方的位置, 可方便您选择重置、复制或粘贴调色设置。此外, 每个色轮也都有各自的重置按钮。按下重置按钮可将某项设置恢复到默认值或是复制/粘贴某项设置。粘贴功能不适用于锁定的控制窗口。

主重置按钮位于调色面板的右上角, 可重置暗部、中灰和亮部色轮, 以及对比度、色相、饱和度和亮度混合设置。您可将调色设置逐一粘贴到摄影机控制窗口上, 也可一次性粘贴到全部摄影机上以保证整体统一效果。光圈、对焦、光圈上限设置和黑电平设置不受粘贴功能影响。当应用“粘贴到全部”操作时, 软件会弹出警告消息请求确认, 这样能防止意外将新的设置应用到正在直播且未启用锁定保护的摄影机上。



当应用“粘贴到全部”操作时, 软件会弹出警告消息请求确认, 这样能防止意外将新的设置应用到正在直播且未启用锁定保护的摄影机上

光圈/黑电平控制

光圈/黑电平控制位于每个摄影机控制窗口内的十字标交点上。当某台摄影机处于直播状态时, 对应的控制按钮会亮起红色。

要控制光圈大小, 请上下拖动该控制按钮。如只需调整光圈, 请按住Shift键后拖动该按钮。

备注 连接到ATEM时, 请确保您关闭了“自动曝光”。如需控制光圈、变焦和对焦设置, 请确保您使用支持通过摄影机实现控制的电子镜头。

如果您通过URSA Broadcast G2上的广播级12针接口连接B4或PL镜头, 请确保手柄上的镜头光圈设置为“A”或“自动”。

要降低或升高黑电平, 请左右拖动该控制按钮。如只需调整黑电平, 请在Mac计算机上按住command键, 或在Windows计算机上按住Control键后, 再拖动该按钮。



当某台摄影机处于直播状态时, 对应的光圈/黑电平控制按钮会亮起红色

变焦控制

使用带有电子变焦功能的兼容镜头时, 您可以通过缩放控制来实现镜头的变焦缩放控制。使用摄影机控制窗口的缩放功能和使用镜头上的变焦按钮一样, 一端是长焦, 一端是广角。点击位于“光圈上限”滑块上方的“缩放”控制, 向上拖动可拉近镜头, 向下拖动则可拉远镜头。

如果您的镜头不支持主动式镜头控制或您的摄影机不支持通过SDI摄影机控制协议的变焦控制, 那么这些设置将不会起作用。例如, EF镜头并不配备电子变焦伺服, 因此不能通过ATEM Camera Control来控制变焦。

备注 模拟B4镜头不支持ATEM缩放控制。更多关于模拟B4镜头的信息, 请参考“使用伺服变焦镜头”部分

光圈上限设置

该设置位于光圈/黑电平控制按钮左侧, 可限制光圈范围。这一功能可防止直播画面出现过曝现象。

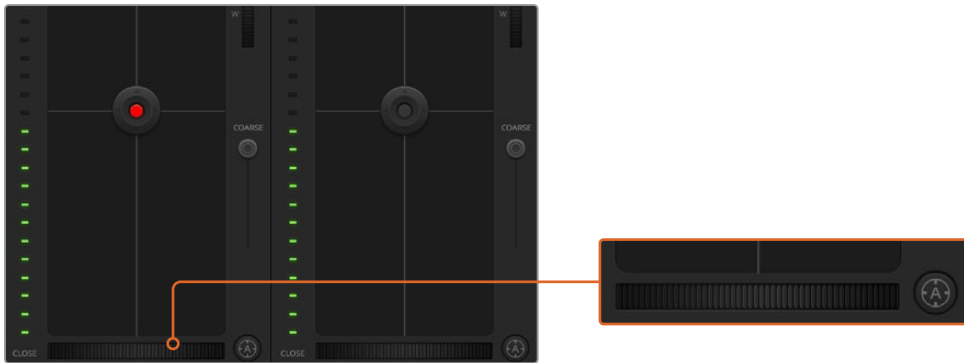
要设置光圈上限, 请使用光圈控制按钮将光圈打开到最大, 然后上下拖动光圈上限滑块设置合适的最大曝光值。光圈上限设置完成后, 当您再次调整光圈时, 光圈值就不会超过预先设定的最大曝光值了。

光圈提示灯

光圈提示灯位于光圈/黑电平控制按钮的左侧, 可直观显示镜头的光圈大小。光圈提示灯可反映光圈上限设置。

自动对焦按钮

自动对焦按钮位于摄影机控制窗口内左下角的位置。按下此按钮后, 可在支持电子对焦的主动式镜头上使用自动对焦功能。请注意, 虽然大部分镜头支持电子对焦, 但是有些镜头可设置为手动或自动对焦模式, 因此请确保您的镜头设置为自动对焦模式以使用这一功能。有些情况下, 您可以通过前后滑动镜头上的聚焦环来完成设置。使用带有伺服变焦控制的B4镜头时, 请将手柄底部的开关设为“Servo”设置。



使用兼容镜头时, 点击自动对焦按钮 或左右拖动手动对焦环来进行调整

手动对焦调整

如果想要通过ATEM Camera Control对您的镜头进行手动对焦操作时, 您可以使用位于每个摄影机控制器底部的对焦调整工具。左右拖动对焦滚轮可手动调整对焦, 并同时查看摄影机的视频画面, 确保拍摄到清晰图像。

只有在使用带有伺服对焦控制的B4和PL镜头时, 您才可以切换台来手动控制对焦。由于EF镜头没有伺服对焦, 当使用EF镜头时此选项不可用。

摄影机增益

在不同的光照条件下运行时, 您可能需要升高或降低摄影机的增益设置来避免图像欠曝。点击左箭头可降低增益, 点击右箭头可升高增益。

ATEM切换台将以dB为单位显示增益程度。它与摄影机的增益设置对应如下:

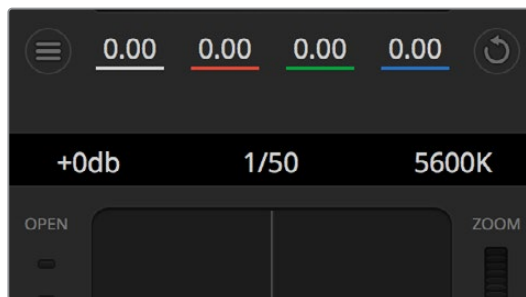
增益
-6
0
+6
+12
+18

增益设置使用分贝表显示

快门速度控制

快门速度控制用来更改URSA Broadcast G2的快门速度。

快门速度控制位于色轮和光圈/黑电平控制之间。要提高或降低快门速度, 请将鼠标指针停留在快门速度栏, 并点击左右箭头图标。



将鼠标指针停留在增益、快门速度栏以及白平衡指示器上时, 会出现箭头图标, 点击箭头图标可调整相应设置

备注 由于ATEM快门速度控制优先于URSA Broadcast G2上所选择的快门速度, 因此当连接到ATEM切换台时, 摄影机的快门速度控制会被禁用。

下面的表格中列出了快门速度控制中可用的快门速度及其相对应的快门角度。需要注意的是, 一些快门速度在URSA Broadcast G2的11.25度最小快门角度和360度最大快门角度范围之外。如果遇到这样的情况, 请使用最接近的可用快门角度。

当您URSA Broadcast G2连接到ATEM切换台时, 摄影机的触摸屏状态显示仍然能看到快门速度设置。如果安装了URSA Viewfinder, 上面也可以显示。

快门速度	快门角度为 23.98fps	快门角度为 24fps	快门角度为 25fps	快门角度为 29.97fps	快门角度为 50fps	快门角度为 59.94fps
1/50	172.7	172.8	180	215.8	360	360*
1/60	143.9	144	150	179.8	300	359.6
1/75	115.1	115.2	120	143.9	240	287.7
1/90	95.9	96	100	120	200	239.8
1/100	86.3	86.4	90	107.9	180	215.8
1/120	71.9	72	75	89.9	150	179.8
1/150	57.5	57.6	60	71.9	120	143.9
1/180	48	48	50	59.9	100	119.9
1/250	34.5	34.6	36	43.2	72	86.3
1/360	24	24	25	29.97	50	59.94
1/500	17.3	17.3	18	21.6	36	43.2
1/725	11.9	11.9	12.4	14.9	24.8	29.8
1/1450	11.25*	11.25*	11.25*	11.25*	12.4	14.9
1/2000	11.25*	11.25*	11.25*	11.25*	11.25*	11.25*

* 若快门速度在URSA Broadcast G2快门角度范围之外, 将使用最近的最小或最大可选快门角度。

提示 如果不想通过摄影机增益功能来提升画面亮度, 那么降低快门速度是个较好的办法, 因为它可增加图像传感器的曝光时间。当在荧光灯照明下拍摄时, 此方法还可以减少或消除闪烁现象。当您想要纯净锐利的图像时, 通过提高快门速度来减少运动模糊是动作类拍摄的理想方案。

白平衡

白平衡设置位于快门速度控制旁边, 可通过点击色温指示器两侧的向左或向右箭头来进行调整。不同光源会发出暖色或冷色调, 您可通过调整白平衡来加以补偿。这样可确保白色的部分在拍摄到的画面中依然为白色。

DaVinci Resolve一级调色工具

如果您具备一定的调色功底, 那么您可以将摄影机控制界面从切换台CCU风格更改为和后期调色系统相似的一级调色界面。

您的Blackmagic URSA Broadcast G2自带DaVinci Resolve Primary Color Corrector一级调色工具。URSA Broadcast G2摄影机内的调色界面和DaVinci Resolve完全相同，因此如果您使用过DaVinci Resolve，那么您就能将丰富的调色经验运用到现场制作了。您可从任何摄影机控制窗口中展开这一调色面板，展开后可获得一个完整的一级调色界面，可为摄影机提供更多调色控制和设置项。

该界面包含色轮组和饱和度等不同设置，您可以同时查看暗部、中间调和亮部的设置。请使用窗口顶部的摄影机按钮来选择不同摄影机。

提示 DaVinci Resolve调色工具可应用到URSA Broadcast G2摄影机的SDI输出画面及其记录的ProRes视频上。RAW格式视频是为进行密集的后期处理所用，因此调色功能不会应用到RAW视频上。但是，当记录RAW视频时，调色操作依然会被应用到URSA Broadcast G2的SDI输出上。



点击DaVinci Resolve Primary Color Corrector图标展开调色窗口来调整设置

色轮

暗部/中灰/亮部控制可对特定色调进行调整，但三者之间会相互影响。在摄影摄像专业领域中，Lift、Gamma和Gain分别代表暗部、中间调和亮部。

使用色轮可进行不同幅度的调整，具体操作方法如下：

- **在色轮内任意位置点击并拖动：**注意，您并不一定要点中色彩平衡图标并拖动方可执行此操作。色彩平衡图标移动时，下方对应的三个RGB参数会相应变化，反映所做的调整对各个色彩通道产生的变化。
- **在色轮内按Shift键并点击鼠标：**可直接将色彩平衡图标移动到鼠标指针所指的精确位置，可快速实现大幅度调整。
- **在色轮内双击鼠标：**重置调色设置，该项控制的主滚轮保持不变。
- **点击色轮右上方的重置控制：**可重置色彩平衡控制及其对应的主滚轮。



调色面板中的暗部、中灰和亮部三个色轮

主滚轮

色轮下方的主滚轮用于单独调整每个YRGB通道的暗部、中灰和亮部控制项。

使用主滚轮进行调整方法如下：

- **将主滚轮向左或向右拖动：**向左拖动可使所选的画面参数变深，向右拖动可使该参数变浅。进行调整时，下方的各项YRGB参数会根据所做的调整发生相应变化。如只需对Y通道进行调整，请按住ALT键或Command键并左右拖动鼠标即可。由于这一调色系统采用的是YRGB处理方式，您可以充分利用创意，并且可以只调整Y通道，从而创作出独特的效果。当“亮度混合”滑块位于右侧时，可获得YRGB处理方式；当滑块位于左侧时，可获得常规的RGB处理方式。通常，大部分DaVinci Resolve调色师都使用YRGB调色方式，因为它能提供更多色彩平衡控制，而且不会影响整体增益，因此能更快完成并制作出理想效果。



左右拖动主滚轮进行调整

对比度设置

对比度设置可用来控制图像中最暗部和最亮部之间的差值。它与反向调整暗部和亮部主滚轮的效果类似。该滑块的默认设置为50%。



左右拖动滑块来调整对比度、饱和度、色相以及亮度混合设置

饱和度设置

饱和度设置可用来增加或减少图像中的色彩含量。该滑块的默认设置为50%。

色相设置

色相设置可用来将整幅图像的色彩按照色轮最边缘的色相依次调整。默认设置为180度，显示的是原始色相分布。增加或减少这一参数可沿色轮最边缘分布的色相前进或后退。

亮度混合设置

Blackmagic URSA Broadcast G2摄影机自带基于DaVinci Resolve一级调色系统的调色工具。DaVinci早在20世纪80年代起就开始制造调色工具，更多好莱坞电影都选择使用DaVinci Resolve进行调色。

也就是说，URSA Broadcast G2所内置的调色工具有着独特且极具创意的强大功能。而YRGB处理便是其中一项强大的功能。

调色时，您可以选择使用RGB或YRGB处理方式。高端调色师选择YRGB处理方式，是因为这种处理方式能更精准地控制色彩，并且可以单独调整各个通道的参数，获得更具创意的选项。

当亮度混合控制滑块位于右侧时，输出100%的YRGB调色方式。当亮度混合控制滑块位于左侧时，输出100%的RGB调色方式。您可将亮度混合百分比设置在0到100之间的任何位置，以不同的混合输出RGB和YRGB调色。

如何才能设置到理想效果呢？这取决于您，因为调色需要的是创意，因此没有标准的参数要求。只要您满意，您的设置就是最佳方案！

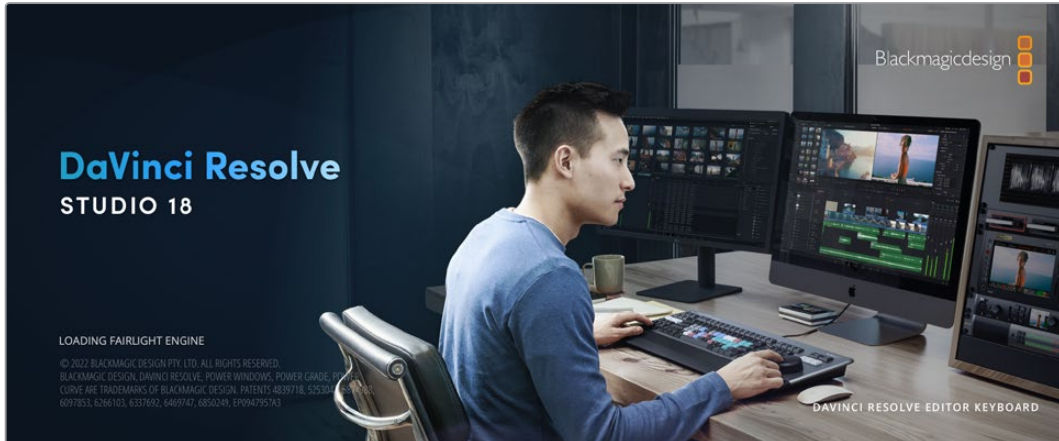
同步设置

连接后，摄影机控制信号会通过ATEM切换台发送到您的Blackmagic URSA Broadcast G2上。如果不小心在URSA Broadcast G2上对某项设置进行了调整，摄影机控制会自动重置该设置，使二者保持同步。

提示 即使您断开12G-SDI输入，URSA Broadcast G2仍将留用DaVinci Resolve调色工具处理后的图像。这样一来，您不用重新到图像设置里进行调整就能更改摄影机角度。想要将URSA Broadcast G2设置回默认色彩设置，只要断开12G-SDI输入后再重启URSA Broadcast G2即可。

使用DaVinci Resolve

使用Blackmagic URSA Broadcast G2拍摄仅是制作电影和电视节目过程中一个部分而已，就如整个过程中的媒体备份和管理、剪辑、调色和最后的编码输出母版文件一样都很重要。Blackmagic URSA Broadcast G2自带的DaVinci Resolve版本支持Mac和Windows系统，可为您提供拍摄和后期制作的全方位解决方案！



备注 我们推荐使用最新版本的DaVinci Resolve，对URSA Broadcast G2摄影机拍摄的片段进行准确的色彩处理。18或更高版本将为URSA Broadcast G2提供准确的色彩，以及使用摄影机所记录的运动传感器数据来进行图像陀螺仪稳定等最新Blackmagic RAW功能。

将您的CFast、SD卡或SSD连接到计算机后，就可以使用DaVinci Resolve“媒体”页面中的“克隆”工具，在拍摄过程的同时进行素材备份。由于任何类型的存储介质都有可能损坏或出现故障，因此建议您进行文件备份以防万一。使用DaVinci Resolve备份媒体文件后，就可以将片段添加到DaVinci的媒体池中，随后在DaVinci Resolve里进行一站式剪辑、调色、精编制作。

DaVinci Resolve拥有高端数字电影制作所需的先进技术，是大多数影院大片所使用的调色工具，因此比简单的非编软件工具要强大得多。使用DaVinci Resolve进行剪辑和调色可让您充分利用这一技术。

以下内容介绍了如何使用DaVinci Resolve开展您摄影机文件的制作工作。当然，DaVinci Resolve是非常高端的软件，它包含了大量的功能，这远比您在用户界面上一眼看上去的要多得多。想要进一步了解如何使用DaVinci Resolve，请访问Blackmagic官网查阅DaVinci Resolve操作手册，或者通过官网观看相关的培训课程和教学视频。

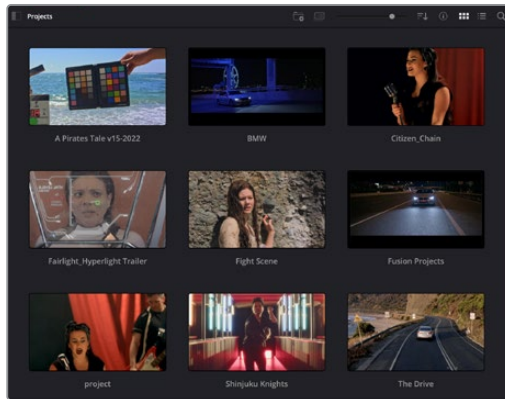
项目管理器

导入片段开始剪辑之前，您需要先使用项目管理器来建立一个项目。

初次运行DaVinci Resolve时，首先出现的界面就是项目管理器窗口，您也可以点击用户界面右下方的主菜单图标按钮，随时打开这一窗口。这样能便于打开之前创建的项目或创建新项目。

要创建新项目，点击窗口底部的“新建项目”按钮，然后为项目命名。点击“创建”。

您可以使用“快编”页面快速开始项目剪辑工作。



项目管理器中可显示属于当前用户的所有项目

更多关于项目管理器的信息，请到Blackmagic Design官网的支持页面下载DaVinci Resolve操作手册进一步查阅。

使用快编页面剪辑

快编页面能提供高效、活动的剪辑流程，能让您快速组合、修剪和编辑片段。

该页面设有两条时间线，能分别同时提供完整时间线视图和操作部分的细节放大视图。这样一来，您就可以先将片段快速拖放到完整时间线的任何位置，然后在细节放大时间线上进行剪辑，无需切换和调整界面。这样的工作流程能实现笔记本电脑快捷编辑，省去了繁琐的时间线缩放和滚动查找操作，从而节省大量时间。

快编页面布局

打开快编页面后，将会看到媒体池、检视器窗口和时间线。这三个主要窗口能帮助您完成剪辑全过程中的各项控制。



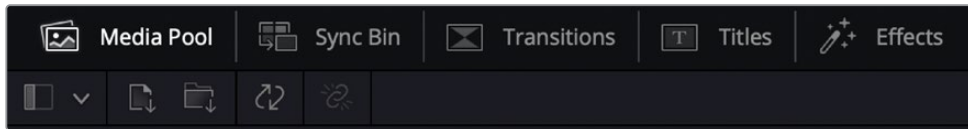
图为快编页面的默认布局，其中媒体池为缩略图显示模式

更多关于快编页面的信息, 请查阅DaVinci Resolve操作手册在“快编页面”章节的介绍。

媒体选项卡

用户界面的左上角设有五个选项卡。

点击这些选项卡可分别打开不同的媒体工具集, 它们可用于创建不同的编辑操作。例如, 第一个是“Media Pool”(媒体池)选项卡, 根据图示可判断该选项卡已被选中。其他选项卡分别为“同步媒体夹”、“转场”、“标题”和“特效”。



- **媒体池:** 媒体池包含了您使用媒体页面导入的所有片段、文件夹以及文件。您也可以直接从快编页面导入文件, 这样就不必回到媒体页面导入新的片段了。
- **同步媒体夹:** 这个强大的功能可通过时间码、日期和时间来自动同步所有片段, 让您选择不同机位角度来制作多机位项目。
- **转场:** 点击同步媒体夹右侧的转场按钮, 可调出所有视频和音频转场, 素材中使用。它们包括交叉叠化和动态划像等普通转场。
- **标题:** 标题选项卡位于转场右侧。您可以点击它来选择想要使用的标题, 如标准滚动文本或下横栏标题。此外, 还有一系列Fusion模板供您使用, 获得更具动感的动画标题, 具体可在DaVinci Resolve的Fusion页面中自定义。
- **效果:** 第五个是效果选项卡。该选项卡可提供所有滤镜和特效, 能让丰富素材画面, 比如模糊、发光和镜头特效等。该选项卡里有许多强大的特效供您选择, 使用搜索工具就能快速找到。

提示 使用媒体选项卡图标一侧的搜索工具可精确查找您需要的效果。例如, 如果您选中了转场选项卡, 在搜索栏输入“叠化”后, 所有叠化转场类型就会被筛选出来显示在检视器中, 帮助您快速找到想要的叠化转场。




检视器选项卡

检视器窗口的左上角是检视器模式按钮。



检视器模式按钮

这些按钮可控制当前使用的检视器, 包括“源片段”、“源磁带”以及“时间线”。这些检视器模式能在您选择片段进行编辑时提供大量控制, 因此不妨花些时间了解它们的工作原理。



	源片段	源片段检视器可显示来自媒体池的单个片段，您可以沿整条检视器时间线设置入点和出点，从而获得更好的控制。双击媒体池中的某个片段将其选中，或者将它拖到检视器中，就可以进行查看。
	源磁带	源磁带视图可查看媒体池中的所有源片段。这项强大的功能是您的得力助手，它能帮在所有片段当中快速搜索，找出某个具体片段。当您在片段上方搓擦播放头进行查看时，媒体池中相应片段的缩略图也会高亮显示。 这意味着，当您找到想要编辑的片段后，只要点击源片段选项卡，对应的源片段就会自动出现在检视器中。 源磁带检视器模式能让您充分利用非线性编辑的优势，让您自由进行剪辑工作，快速找到镜头，尝试新的想法，呈现出精彩画面。
	时间线	在时间线检视器模式下，您可以查看并剪辑时间线，播放项目并精修剪辑。

将片段导入媒体池

现在，您可以开始将媒体文件导入项目中了。您可以使用顶部的导入工具，在快编页面的媒体池窗口中完成这一操作。



选中其中一个导入选项，将媒体文件添加到项目中

	导入媒体	该选项可导入您在存储位置选中的单个媒体文件。
	导入媒体文件夹	要从媒体存储中导入一个文件夹，请选择这一选项。导入文件夹时，DaVinci Resolve会保留文件结构，将每个文件夹视作一个单独的媒体夹，方便您在不同媒体夹之间导航，找到需要的视频和其他媒体文件。

导入媒体步骤如下：

- 1 点击导入媒体或导入媒体文件夹图标。
- 2 导航到想要导入的媒体文件所在的媒体存储位置。
- 3 选中文件或文件夹，点击“打开”。

将媒体添加到项目中之后，请保存更改。DaVinci Resolve没有快速简便的自动保存功能，叫做“实时保存”。您保存项目一次之后，“实时保存”功能将在您每次更改后自动保存，有效防止数据丢失。

更多关于“实时保存”和其他自动保存功能的信息，请查阅DaVinci Resolve操作手册。

将片段添加到时间线

熟悉了媒体选项卡和检视器模式按钮后, 现在就可以打开媒体池并快速开始在时间线上添加片段了。



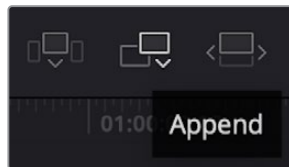
图为快编页面的时间线, 上方为完整时间线, 下方为局部放大时间线

时间线是进行剪辑的地方, 它就像是一块工作板, 您可以在轨道上放置片段, 来回移动片段位置, 并且进行修剪。轨道可以对片段进行上下分层, 方便您尝试不同的剪辑版本并建立转场和添加特效。比如, 您可以将一个片段放置在一个轨道上, 尝试某个剪辑版本的效果, 而下方的轨道均不会受到影响。

将片段添加到时间线有多种不同的方法, 比如智能插入、附加以及叠加等。

附加片段

选择镜头和组合剪辑时, 您可能想要将这些镜头相继添加到时间线上。进行这类操作时, 就可以使用附加工具来快速完成剪辑。



点击附加工具图标按钮, 快速将片段添加到上一个片段的结束处

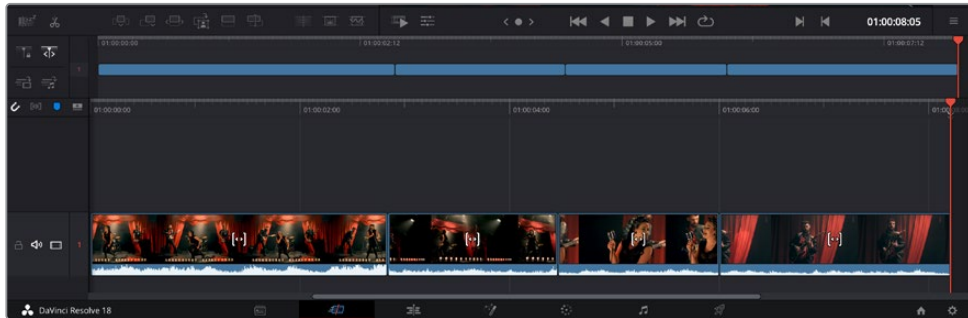
附加片段步骤如下:

- 1 双击媒体池中的一个片段, 将其在检视器中打开。
- 2 使用搓擦修剪工具, 拖动入点和出点来选中镜头的精确时长。您也可以按“l”和“O”键盘快捷键来设置入点和出点。



- 3 现在, 点击媒体池下方的附加图标按钮。
第一个片段就被放置在了时间线的开头。

重复步骤1到步骤3的操作，继续添加更多片段，它们会自动附加到相应位置，确保时间线上不会出现空隙。



附加片段的操作方式能确保时间线的片段之间不会出现空隙

提示 您可以为“附加”图标指派一个键盘快捷键，从而进一步加快操作进程。例如，您可以将“P”键指派为该功能，然后使用“I”和“O”键设置入点和出点，再按“P”键附加该片段。更多关于指派快捷键的信息，请查阅DaVinci Resolve操作手册。

在时间线上修剪片段

将片段添加大时间线上后，您就能完全控制片段，进行移动和修剪编辑了。

要修剪某个片段，可将鼠标指针悬停在相应片段的开始或结束处，然后点击并左右拖动。例如，向左或向右拖动片段尾部，可分别减少或增加其时长。您可能注意到，执行刚才的剪辑操作后，所有片段在时间线上的位置都会发生变化，以适应新的调整。这就是快编页面帮助您节省时间的一种方式。

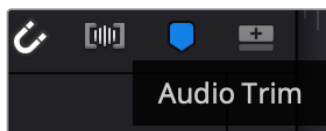
您还可以选取一个片段，然后将它放置到大型时间线的新的视频轨道上，无需缩放操作就可完成。这样能极大程度地缩减在庞大时间线上来回导航所花费的时间，从而有效加快剪辑进程。

音频修剪视图

音频修剪视图能放大时间线上的音频波形显示，从而帮助您确保音频剪辑的准确性。该功能对对白场景或音乐片段剪辑很有帮助，它能帮助您快速找到词和词之间、节奏和节奏之间的编辑点。

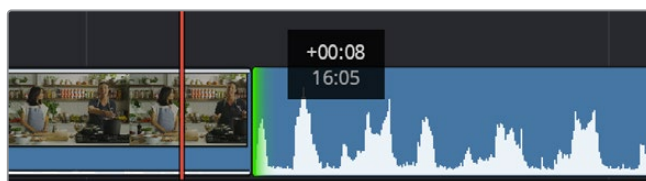
使用音频修剪视图步骤如下：

- 1 点击位于时间线左侧、吸附和标记工具之间的音频修剪图标。



音频修剪视图按钮

- 2 当您修剪某个编辑点时，时间线会显示放大的波形图。完成修剪后，时间线上的片段会回到正常大小。



音频修剪视图会放大时间线上的音频波形。

在快编页面上完成片段剪辑之后,可能还需要添加一个标题。下节内容将具体介绍如何操作。

添加标题

将标题添加到时间线上十分简单,并且种类多样。

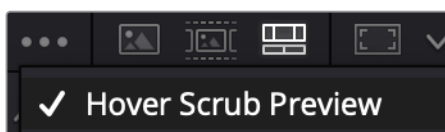
要查看可供使用的标题类型,可点击用户界面左上角的“标题”媒体选项卡。在出现的选项窗口中,您会看到所有可供使用的标题生成器以缩略图的形式显示,包括下横栏标题、滚动标题、标准文本标题等。您还可以添加各种Fusion标题,也就是可自定义的动画标题。

预览标题

为时间线添加标题前,请先到“标题”选择窗口中进行预览。这样能让您快速浏览所有可用选项,然后做出选择。

创建字幕步骤如下:

- 1 点击位于标题面板右上角的选项菜单,选择“搓擦浏览预览”。



从选项菜单中启用搓擦浏览预览。

- 2 到“标题”选择窗口中,用鼠标指针在缩略图上方来回搓擦,就能在检视器中预览这一标题。如果您预览的是动画或Fusion标题,请在该标题上方从左至右移动指针来查看动画效果。



在标题上方来回搓擦鼠标指针可在检视器中预览效果。

选择好标题后,您就可以把它添加到时间线上了。

添加标准标题步骤如下:

- 1 点住“标题”，将其拖放到时间线上。您可以任选一条时间线，但是为了提高准确度，建议您使用放大显示的时间线。标题会自动创建一个新的视频标题轨道，并且会吸附到播放头的位置。
- 2 松开鼠标后，标题就会出现在新的轨道上。您可以想处理视频片段一样，移动标题的位置或更改其时长。
- 3 如要编辑标题，可点击新的标题片段，然后点击片段检视器下方的“工具”图标按钮。
界面中会显示一排工具，可用来修改标题片段。这些工具包括变换、裁切、动态缩放等。
- 4 点击“检查器”选项卡。

检查器窗口打开后，您可以输入一个标题，然后编辑文本设置，比如字距、行距、字体、颜色等等。

您可以使用多种选项，将标题自定义为理想中的效果。建议您不妨自行尝试和摸索所有设置，看看各种设置带来的不同标题效果。

提示 您也可以使用搓擦浏览功能来预览“快编”和“剪辑”页面上的特效、转场、生成器和滤镜。

使用Blackmagic RAW文件

Blackmagic RAW片段可为您的后期制作提供最大的灵活性。这样能方便您在更改原始摄影机设置时调节片段各项参数，如白平衡和ISO设置。使用Blackmagic RAW格式还可保留暗部和亮部的色调信息，这将在细节恢复操作时非常有用，比如恢复过曝的天空和过暗的图像部分。

如果您追求的是更高的画质，或者拍摄亮部和暗部有显著差别的影像并于随后进行细节恢复处理并加以调色，那么使用Blackmagic RAW格式将是不错的选择。

由于Blackmagic RAW速度快，文件小，您不需要创建代理文件就可以像标准视频片段一样播放。操作手册这部分内容描述了关于Blackmagic RAW功能，以及如何在DaVinci Resolve工作流程中使用Blackmagic RAW文件的信息。

提示 开始调色前，先为调色页面的片段调整Blackmagic RAW设置是较好的做法。

Blackmagic RAW的片段设置

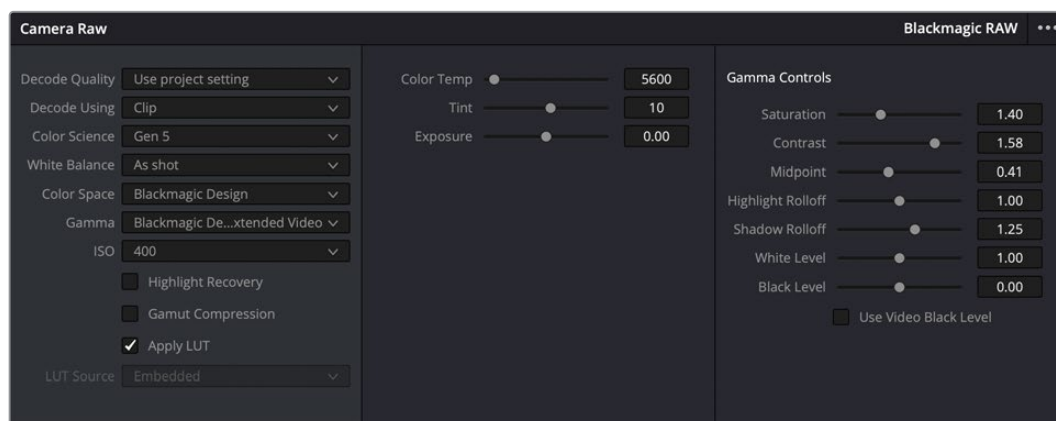
当您首次导入Blackmagic RAW文件时，DaVinci Resolve会根据拍摄时所使用的ISO、白平衡以及色调设置对文件中包含的摄影机数据进行解码。如果您对这些设置下的画面风格满意，就可直接开始编辑。

使用Blackmagic RAW格式拍摄的一大好处在于，您完全不会受限于这些设置！使用Blackmagic RAW文件可获得灵活的后期处理选项，这样您就可以逐渐发展出自己的一套工作流程。尝试在“Camera Raw”选项卡中对每个片段进行“片段”设置，您会发现Blackmagic RAW格式有多么强大和灵活。

色彩科学

您可通过该菜单来选择使用第四代色彩科学还是第五代色彩科学来解读素材。URSA Broadcast G2使用Blackmagic Design第五代色彩科学。使用其他摄影机以第四代色彩科学生成的文件可通过第五代色彩科学再次解读, 以匹配URSA Broadcast G2的拍摄镜头。

如果您主要使用的摄影机大都采用第四代色彩科学创建Blackmagic RAW文件, 可将URSA Broadcast G2所拍摄的第五代色彩科学片段镜头退回到第四代色彩科学, 从而实现不同素材的混合。这样能便于匹配来自不同Blackmagic色彩科学摄影机所拍摄的镜头。



在“Camera Raw”选项卡中, 从“解码方式”菜单中选择“片段”, 可调整单个片段的Blackmagic RAW设置

更改Blackmagic RAW设置

一旦启用了DaVinci Resolve的Blackmagic RAW片段设置, 片段设置和Gamma控制就都可以进行调整了。通过调整这些设置可以优化您的片段, 让其更接近全面一级校色的效果。当使用DaVinci Resolve示波器时更为强大, 有助于中性化和平衡片段, 为片段应用某种风格做好准备。

以下内容介绍了关于片段和Gamma控制的信息。

ISO

升高或降低此设置可调整ISO数值。如果您需要将片段调整到更亮或更暗的起始点进行调整时, 此设置很有用。

高光恢复

勾选该复选框可使用来自未裁切通道的信息来重建裁切通道中的高光信息。

色域压缩

勾选该选项后, 系统会自动保持安全的色域值。

色温

可将图像的色温调整到暖色或冷色。该操作有助于每个图像的色彩平衡。

色调

调整此设置可为图像添加绿色或品红色, 从而起到平衡色彩的作用。

曝光

通过此设置可调整画面的整体亮度。

饱和度

饱和度控制默认为1, 范围从最小饱和度0到最大饱和度4。

对比度

默认为1.0, 将滑块向左拖动获得最小饱和度0, 向右拖动可将饱和度最高增加到2。

中点

Blackmagic Design Film模式下, 中间灰值默认为0.38, 也就是38.4%。向左拖动滑块可降低中点, 向右拖动最高可增加到100。当对比度的调整与默认设置不一致时, 您可以修改高光和阴影过渡。

高光过渡

调整高光时, 向左拖动滑块可将该值降低到0, 向右拖动滑块可将该值增加到2。默认值是1。

阴影过渡

向左拖动滑块可将阴影降低到0, 向右拖动可增加至2。

白电平

若要调整Gamma曲线的白场, 可将滑块在最高值2和最低值0之间拖动。默认值是1。

黑电平

若要提高自定义Gamma曲线的黑场, 可将右边的滑块从最低值-1拖动至最高值1。默认值是0。

使用视频黑电平

点击复选框将黑电平设置为视频模式。

导出帧

点击“导出帧”按钮, 可让您从Blackmagic RAW片段中导出某一帧画面。

更新Sidecar

点击此按钮可为当前片段更新Blackmagic RAW Sidecar文件。

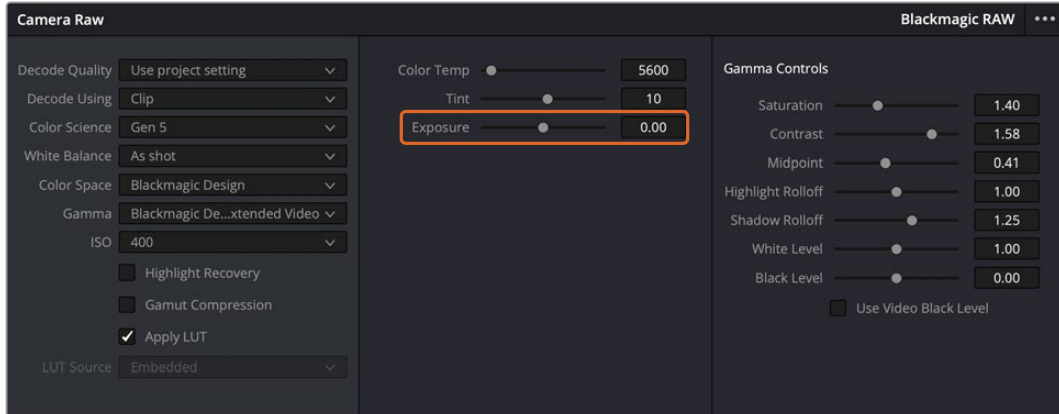
您对Blackmagic RAW片段所做的任何修改都会被识别为Blackmagic Design Custom的Gamma设置更改。

使用Blackmagic URSA Broadcast的增益设置调整曝光

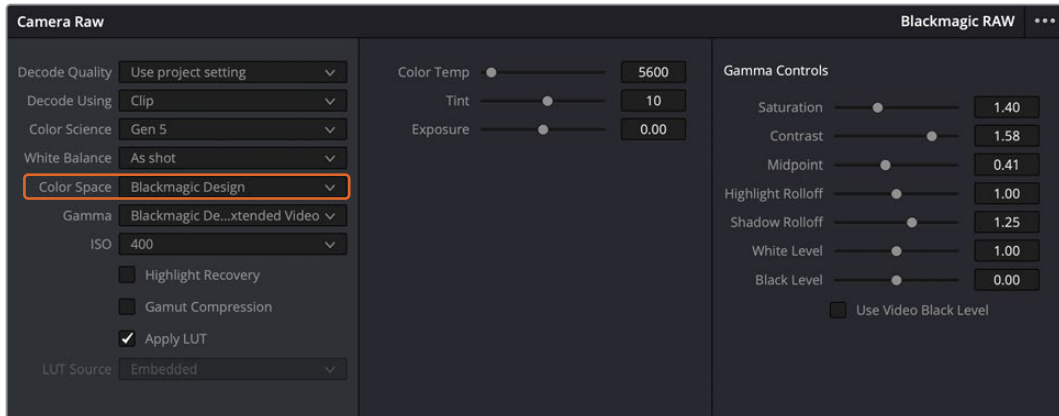
如果您熟悉其他Blackmagic摄影机的DaVinci Resolve工作流程, 您需要知道URSA Broadcast G2“增益”设置的处理方式与Blackmagic Cinema Camera上的“ISO”不同。

URSA Broadcast G2的“增益”设置应用在摄影机传感器上, 而不是稍后在软件中应用。这与传统广电级摄影机的工作方式类似, 能够略微降低某些敏感度设置的噪点。这一设置还可以限制您在拍摄之后对URSA Broadcast G2片段的增益调整幅度。您会发现DaVinci Resolve的Camera RAW设置中的“ISO”对话框会显示与该片段的摄影机“增益”设置相等的ISO。

拍摄完片段后，您还可以在等同于URSA Broadcast G2增益设置值的基础上，再将ISO提高最多三挡。由于Blackmagic RAW影像的动态范围很宽，您可以进一步调整片段曝光，获得与调整摄影机增益同样的功效。只需调整“曝光”值，添加或减少最多五挡曝光。每“挡”都相当于一个敏感度级别，比如：加一挡曝光相当于增益从-6增加到0 db，或ISO从200增加到400，但这里你能获得更细致的0.01挡调整。



您对Blackmagic RAW片段所做的任何修改都会被识别为Blackmagic Design Custom的Gamma设置更改。



如果您希望把片段恢复到任何可用的默认Gamma选项，可以在Gamma下拉菜单中选择相应选项。

提示 用“Video”动态范围拍摄的影像无法使用Gamma控制，但Blackmagic RAW数据并没有丢失。只需从Gamma下拉菜单中选择“Blackmagic Design Film”或“Blackmagic Design Extended Video”，然后进行调整。

保存您对Blackmagic RAW的修改

- 1 调整Blackmagic RAW片段的Gamma控制。
- 2 点击“更新Sidecar”按钮。

系统将在同一个文件夹里创建一个“Sidecar”文件作为.braw文件。当另一位用户导入Blackmagic RAW文件时，DaVinci Resolve会自动读取这些Sidecar文件。如果您进行了其他调整，请再次点击“更新Sidecar”。

提示 如要移除Sidecar文件，只需将其从存储介质的位置上删除即可。

Blackmagic RAW的项目设置

如果您需要改变适用于所有片段的设置, 比如: 统一修改白平衡或ISO, 可以使用项目的“Camera RAW”设置进行统一修改。

为Blackmagic RAW进行项目设置:

- 1 点击“文件”, 选择“项目设置”, 进入项目设置菜单。
- 2 在“Camera RAW”选项卡中, 您会看到“RAW配置文件”旁边有一个菜单。点击箭头可从列表中选择“Blackmagic RAW”。
- 3 在“解码方式”菜单中选择“项目”。
- 4 从菜单中选择一种色彩科学选项。
- 5 将白平衡设置为“自定义”。
- 6 从Gamma菜单中选择“Blackmagic Design Custom”。将色彩空间设为“Blackmagic Design”。
- 7 在“解码质量”菜单中选择分辨率。对于性能有限的系统, 较低的分辨率播放效果会更好。之后也可以调整为全分辨率, 然后输出最高质量的文件。

现在, 您可以调整片段的摄影机设置, 比如饱和度和对比度和中点等。这将影响项目中设置为使用“项目”解码的所有片段。

使用调色页面为片段调色

将片段添加到时间线, 并且添加了标题之后, 就可以开始使用调色页面进行调色了。调色页面非常强大, 影片的整体风格将在这里成型。在这个例子中, 我们将首先平衡片段色彩, 使它们保持一致性。在此期间, 您可以随时回到快编或剪辑页面对素材进行调整。

调色页面可用来调整素材的画风。从很多方面来看, 调色本身就是一门艺术。您在进行调色的时候, 会将自己的情感注入到作品当中。这是工作流程当中极具创意的一个环节, 当您看到自己精心雕琢的作品呈现在荧幕之上时, 也会收获满满的成就感! 通常来说, 这是调色的第一步, 也就是我们常说的“一级校色”。完成一级校色之后, 就要进入二级调色阶段。在这个阶段, 您可以对画面中的具体对象进行细致精准的色彩调整。这是个充满趣味的过程, 一般会放在一级校色之后进行, 因为这样能使制作流程更加高效, 效果也会更好!

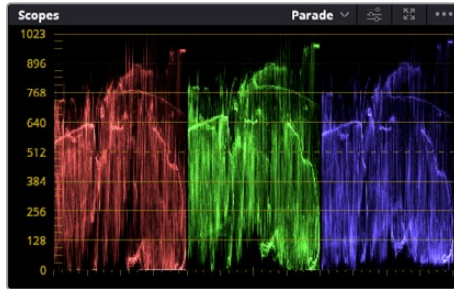
首先, 点击“调色”选项卡, 打开“调色”页面。

该页面中有Camera Raw设置、色轮、曲线面板和常用的调色工具以及预览和节点窗口。当您看到面前这些大量工具时不用慌张, 它们都是能够帮助您获得最精彩画面的实用功能。这一入门章节会展示基本操作, 要活的更详细的介绍, 请查阅操作手册中的相关内容。操作手册将为您详细介绍每项功能, 以及如何按照简单易行的步骤进行使用。从中您可以了解到专业人士在高端调色工作室所使用的技能。

一般来说, 第一步就是进行一级校色, 对片段的暗部、中间调和亮部电平进行优化。您可以通过调整“暗部”、“中灰”和“亮部”设置来实现。这可以让您的素材画面有一个干净平衡的起点, 从而更好地开展影片调色工作。优化电平时, 使用示波器作为参考会很有帮助。

使用示波器

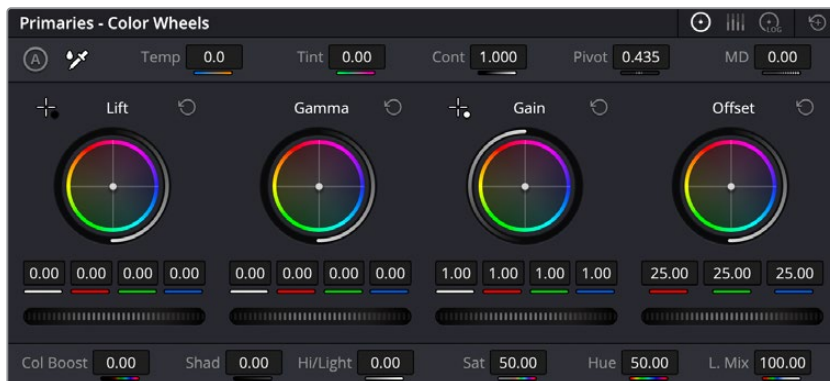
大多数调色师都会通过创意调色来着重突出影片所要表现的情感，并使用监视器来辅助他们得到想要的画面风格。您可以观察日常物品以及不同的光线和它们之间产生的互动，并通过您的想象力和实践来获得灵感。



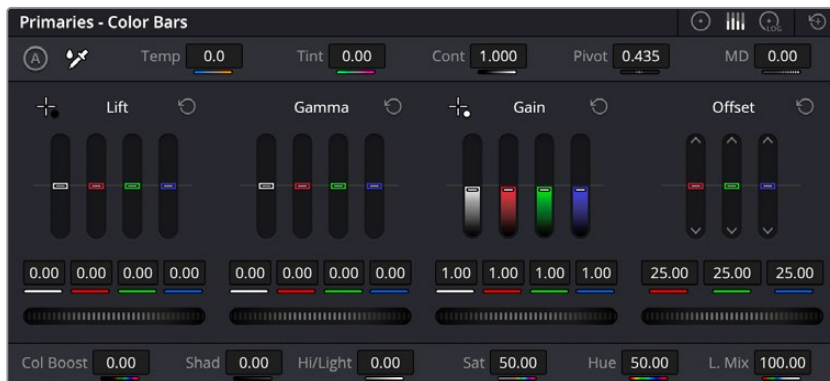
分量示波器可帮助您优化画面的亮部、中间调和暗部。

调色的另一个途径是使用内置的示波器对镜头画面进行色彩平衡处理。您可以点击“示波器”按钮打开单个视频示波器显示，该按钮位于设置面板工具栏右起第二个。您可以选择显示波形图、分量图、矢量图、直方图或CIE色域坐标图。您可以使用这些示波器来监看色调平衡，检查视频电平并防止暗部色彩挤压及亮部裁切限幅，还能监看片段中出现的任何偏色现象。

“色轮”设置面板中设有“暗部”、“中灰”和“亮部”控制项，通常可作为第一轮调整使用。如果您具备调色背景，就应该已经在其他软件中接触过这些色彩和对比度调整控制。



“暗部”、“中灰”、“亮部”、“偏移”色轮用于控制片段的色彩及色调平衡。拖动并来回滚动色轮下方的滚轮可对所有色彩的每种色调区域进行统一的调整。



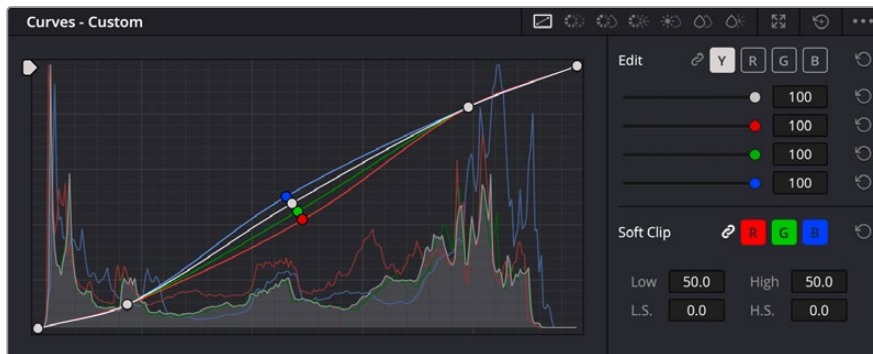
和使用鼠标相比，用一级校色条进行色彩调整更方便。

如果想要使用鼠标来更加准确地控制每类色彩, 您可以将色轮更改为“一级校色条”模式, 具体调整每个色彩和亮度通道, 分别控制暗部、中灰以及亮部控制项。只需选择色轮右上方附近的下拉菜单中的“一级校色条”即可切换模式。

- **调整“暗部”**: 首先请在色彩时间线上选中一个片段, 点击位于第一个色轮下方的“暗部”滚轮。来回滚动该滚轮来查看该参数变化对画面的影响。您可以看到画面中暗部的亮度会相应提高或降低。请根据需要进行设置, 使暗部区域获得最佳表现。如果“暗部”参数提升过度, 图像暗部的细节就会丢失, 您可以参考分量示波器加以避免。波形图上的暗部位置以恰好位于分量示波器的底线之上为理想。
- **调整“亮部”**: 点击“亮部”滚轮并来回滚动。该参数可调整亮部信息, 即片段中最亮的部分。亮部信息位于分量示波器的波形顶部。如果画面有充足明亮的风光, 那么该画面在示波器中以恰好位于波形顶线之下为最佳。如果亮部信息超越了示波器波形的顶线, 那么这部分信息将被切掉, 而您画面中最亮部分的内容将缺失。
- **调整“中灰”**: 点击“中灰”滚轮下方的色轮并来回滑动。在提升中灰值的同时, 您可以观察到画面的亮度随之增加, 而且波形的中段部分也会随之移动。该值体现的是片段中的中间调。通常中间调的波形位置以位于示波器的50%至70%处为最佳。但是, 根据您需要的创意风格以及灯光条件, 这一参数或有所不同。

此外, 您还能使用曲线设置面板来实现一级调色。只需通过点击操作在曲线图中的对角线上创建控制点, 并上下拖拽来调整画面不同区域的主RGB对比度色调即可。曲线调整的理想位置位于底部三分之一、中部及顶部三分之一处。

DaVinci Resolve中还有很多方式来完成一级调色。



曲线面板工具也可用来进行一级调色, 或使用Power Window来强化片段中的局部区域。

二级调色

如果要对画面中的特定部分进行调整, 那么您就需要使用二级调色。目前为止, 您使用暗部、中灰和亮部等参数所做的调整都会同时影响画面整体效果, 因此这一过程被称为“一级校色”。

但是, 如果需要调整画面中的特定部分, 例如要美化画面中草地的部分, 或要加深天空的蓝色, 那么就要用到二级调色功能。进行二级调色时, 您可以选中局部画面内容, 并只对选中部分来单独调整。您可以使用节点将多个二级调色操作堆栈在一起, 这样就可以一直处理画面各部分内容, 直至所有部分完成相应的处理! 此外, 您还能使用窗口和跟踪功能, 让画面中的选定部分跟随主画面一起移动。

限定某一色彩

很多时候您要突出强调片段中的某一色彩, 比如路边的草坪和天空的蓝色, 或者您可能需要调整画面中某个对象的色彩来吸引观众的注意力。通过HSL限定器工具可以让您轻松实现这一操作。



当您需要突出强调画面中的某些部分、增加对比度或要将观众的注意力集中到某些区域时, 使用HSL限定器选择画面色彩十分实用。

如何限定某一色彩:

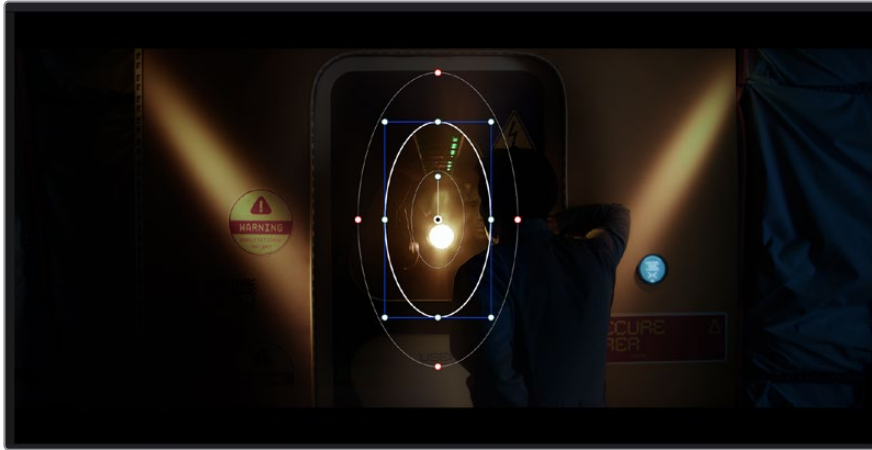
- 1 添加一个新的串行节点。
- 2 打开“限定器”设置面板, 确保选中“选择范围”拾色器工具。
- 3 点击片段中您想要调整的色彩。
- 4 一般情况下, 您需要进行一些调整来柔化所选对象的边缘, 且该操作仅对所选颜色有效。点击检视器上方的“突出显示”按钮查看所选内容。
- 5 调整“色相”窗口中的“宽度”控制来控制所选内容的宽窄。

尝试调整高区柔化、低区柔化以及柔化程度控制工具来观察这些参数如何细化您的所选内容。然后您就可以使用色轮和自定义曲线对所选色彩进行调整了。

有时, 所选色彩会溢出到镜头中其他不需要调整的部分。您可以使用Power Window将不需要调整的部分通过遮罩功能隔离出来。只需创建新的Power Window窗口, 并调整其形状, 让它只包括所选色彩的区域。如果所选色彩在镜头中处于移动状, 您可以使用跟踪功能来跟踪Power Window。

添加Power Window

Power Window是极其高效的二级调色工具, 它可以隔离片段中的特定区域。这些区域不一定是静止对象, 您可以跟踪它们使之随着摄影机的平移、竖移和转动, 以及所选部分自身的移动一同移动。



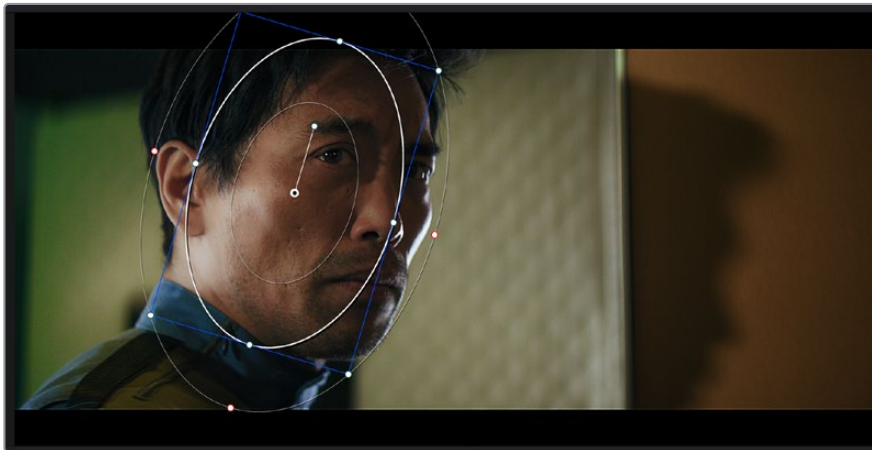
使用Power Window将不希望受到HSL限定器二级调色操作影响的区域隔离出来。

例如，您可以跟踪一个位于人物上的窗口来仅对窗口中的对象进行色彩和对比度调整，却不会影响该人物周围的画面内容。此类调色操作可以将观众的注意力转移并集中到您想要强调的画面部分。

如何在片段上添加Power Window:

- 1 添加一个新的串行节点。
- 2 打开“窗口”面板，点击形状图标来选择一种窗口形状。选中的窗口形状将显示在节点上。
- 3 点击并拖动该形状周围蓝色的点来重新调整它的大小。红色的点可调节其边缘柔化程度。点击并移动中心的点可将该形状移动到想要隔离的位置。使用与中心点连接的点来旋转窗口。

现在您就可以对画面的特定部分进行调色了。



Power Window可以让您对画面中的特定部分进行二级调色

跟踪窗口

由于拍摄画面中的摄影机、物体或区域可能会移动，因此为了确保窗口位于所选物体或区域，就需要使用DaVinci Resolve强大的跟踪功能。跟踪器可分析摄影机或画面中物体的平移、竖移以及缩放和旋转，以便您添加的窗口可始终跟随所选对象。如果不进行窗口跟踪，您的调色操作可能会离开所选目标并给您造成不必要的麻烦。



您可以使用跟踪器功能来跟踪片段中的对象或区域，以便Power Window跟随对象移动。

如何对移动的物体进行窗口跟踪：

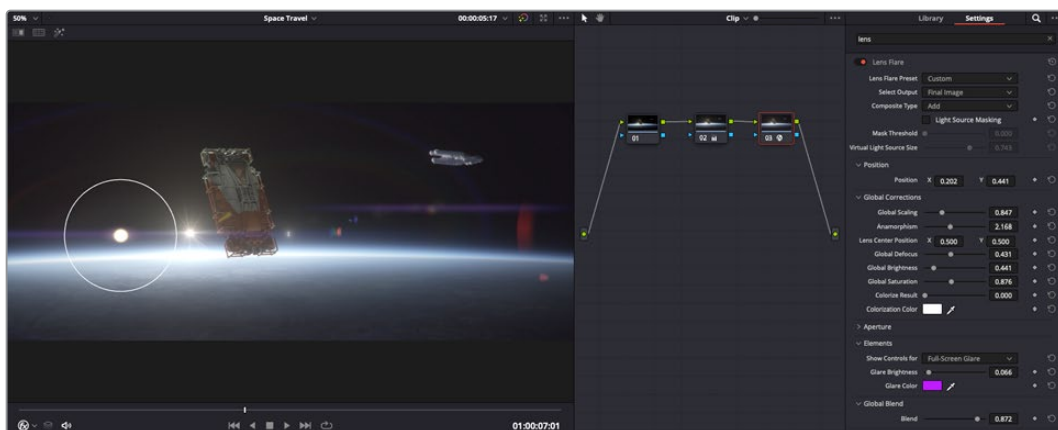
- 1 创建新的串行节点并添加一个Power Window。
- 2 回到片段开头部分放置窗口并调整大小，以便仅突出显示需要的区域。
- 3 打开“跟踪器”面板。根据需要勾选或取消勾选相应的“分析”复选框，为片段选择平移、竖移、缩放以及旋转等相应的3D设置。
- 4 点击复选框左侧的向前箭头。然后DaVinci Resolve将会在您的片段上应用一组跟踪点，并逐帧分析对象的移动。完成跟踪后，Power Window将跟随片段中的移动路径。

大部分情况下使用自动跟踪便可以成功完成上述操作，但是有时候场景会比较复杂，并且有些物体可能会从您选中的区域前景越过，这会干扰并影响跟踪功能。此时您可以使用关键帧编辑器来手动解决这一问题。请参考DaVinci Resolve操作手册获得更多信息。

使用插件

进行二级调色时，您可能还需要添加Resolve FX或Open FX插件，从而在“调色”页面快速创建有趣的风格和效果，或者在“快编”和“剪辑”页面为片段添加富有创意的转场和特效。Resolve FX会随DaVinci Resolve一同安装，OFX插件可通过第三方供应商购买或下载。

安装OFX插件后，只要开启“节点编辑器”右侧的Open FX检查器就能在调色页面中打开这些插件或Resolve FX插件。创建了新的串行节点后，只需点击“Open FX”按钮打开特效库面板，然后将一个插件拖放到这个新节点上即可。如果该插件具有可编辑设置，您可以在相邻的“设置”面板中使用这些设置。



OFX插件是您发挥想象力、进行充满趣味和个性创作的一种快速便捷的途径。

您可以在“剪辑”页面中打开“特效库”里的“Open FX”面板，将所选插件拖拽到时间线的视频片段或轨道上方（视插件具体要求而定），就可以在片段上添加插件滤镜、生成器和转场。

混合音频

在剪辑页面混合音频

项目剪辑和调色完毕后，就可以开始混合音频了。DaVinci Resolve拥有一套实用的工具，可直接在剪辑页面完成项目的剪辑、混合及音频母版等制作。对需要更高级音频工具的项目而言，Fairlight页面可提供一整套音频后期制作环境。如果您已经比较熟悉剪辑页面，想要直接跳至Fairlight页面，可跳过此章节，直接阅读下个章节。

添加音频轨道

如果您正在剪辑页面并想要为基本声音剪辑文件混合大量音效和音乐，只需根据需要添加更多音频轨道即可。当您想要构建声效并将音频元素分离到单独的轨道上用于如对白、音效以及音乐等的混音时，这一功能非常实用。

在剪辑页面添加音频轨道

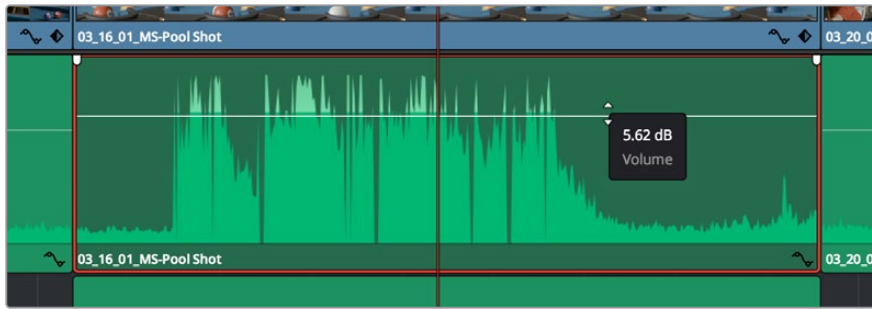
在时间线上任意一个音频轨道的名称旁边右击并选择“添加轨道”，然后根据需要选择“单声道”、“立体声”和“5.1声道”选项，就可以轨道列表底部添加一个轨道。或者，您也可以选择“添加自定义轨道”，然后选择将一个或多个新轨道放置在哪个位置。

新的音频轨道将出现在时间线上。

提示 如果您在创建轨道之后想要进行更改，可以在轨道名称一侧右键点击，并选择“将轨道类型更改为”，然后选择如立体声、单声道或5.1声道等音频轨道类型。

在时间线上调整音频电平

时间线上的每个片段音频都包括一个音量叠加显示，只要用指针上下拖动即可设置片段的电平。这个叠加显示与检查器中的音量参数是一致的。



拖动音量叠加显示来调整片段电平

对需要更高级音频工具的项目而言，Fairlight页面可提供一整套音频后期制作环境。

Fairlight页面

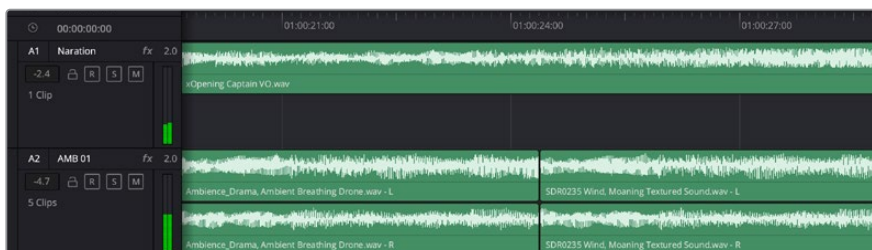
DaVinci Resolve中的“Fairlight”页面是用于调整项目音频的。在单检视器模式下，该页面为您的项目提供了优化音频轨道界面，显示有扩大的混音器和自定义监听控制，可让您轻松地评估和调整电平从而构建自然和谐的混合音效。当您看到面前这些大量工具时不用慌张，它们能够帮助您为项目获得最佳音质。



本手册只是对Fairlight页面功能进行了基本概述，如果想要了解各个功能详情，请查阅DaVinci Resolve操作手册。DaVinci Resolve操作手册详细介绍了每个工具的用途，并通过简洁明了的步骤描述了如何使用这些工具。

音频时间线

- **轨道标头**: 每个轨道的左侧是轨道标头区域, 显示了轨道编号、轨道名称、轨道颜色、音频通道、推子值以及音频表等信息。轨道标头还包括锁定和解锁轨道, 以及单声道和静音控制等不同控制选项。这些控制选项可帮助您管理和组织轨道, 让您挨个预览单个轨道。
- **轨道**: 在Fairlight页面上, 每条轨道会进行细分, 显示出片段音频的各个声道, 便于剪辑和混音。剪辑页面则会将这些单独的音频通道隐藏起来, 只在时间线上显示一个单独的片段, 避免了管理大量轨道的视觉混乱, 从而为多通道源片段的剪辑工作带来便利。



A1轨道的轨道标头显示了一条轨道的单音轨代表了单声道音频, 而A2轨道标头则显示了两条轨道的立体音轨代表了自适应立体声音频。

什么是总线?

总线相当于将一组音频源组成一个单独的信号目标通道, 它可以通过单个通道条进行控制。Fairlight会为您自动创建总线, 时间线上的所有音频轨道都会被默认发送到这个总线上。也就是说, 当您调整好每个单独轨道的电平后, 就可以调整音频混合的整体电平了。

如果您的剪辑情况略为复杂, 您可以创建更多总线, 并将多个同类音频轨道合并到一起, 例如对白、背景音乐或特效等, 这样一来, 所有同一类别下的音频都可以作为单一音频信号来进行混合。举例说明, 如果您有五个对白轨道, 就可以把这五个对白轨道的输出都指派到一个单独的总线上, 这样所有的对白电平就可以通过一套控制进行混合了。

Fairlight的FlexBus结构能为您提供全面的总线类别和信号指派灵活性, 具体包括总线到总线、轨道到总线以及总线到轨道等指派选项。更多关于Fairlight音频总线设置的信息, 请阅读DaVinci Resolve操作手册。

调音台

时间线上的每条音轨在调音台上都对应一个单独的通道条。默认设置下, 标有“Bus1”字样的默认总线右侧会有一个单独的通道条。您每创建一条其他总线, 其右侧就会相应出现带有控制选项的通道条。这里提供了一组图表控制工具, 让您可以将轨道通道指派到输出通道、调整均衡器和动态、设定电平和记录自动化、调整立体声声相和环绕音频、以及静音和单声道轨道等处理。

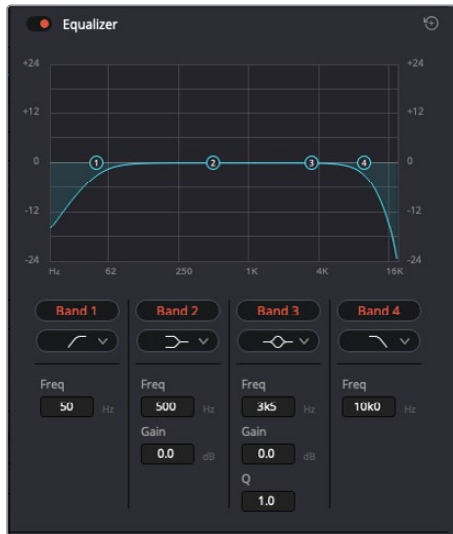


图为调音台，当中的每个通道条分别对应时间线上的相应轨道

使用均衡器加强音频

调整完项目中音频片段的音频电平后，您可能会发现音频还需要进一步微调。有些情况下，您可能会发现对白、音乐和音效在音频频谱的相同频段上互相干扰，导致音频太过嘈杂且不清晰。这时使用均衡器会有帮助，因为它能帮助您判断出每个音轨在音频频谱上所处的具体频段位置。您还可以通过均衡器从音频中移除不想要的元素，它可以隔离或降低包括隆隆声、嗡嗡声、风声、嘶嘶声等某些特定频率的电平，或者能让总体音效变得更优质、更悦耳。

DaVinci Resolve提供了均衡器滤波器可应用于每个单独片段的片段电平上，或应用在整个轨道的轨道电平上。时间线上的每个音频片段在检查器面板中具有四个频段的均衡器，每个轨道在调音台面板中具有六个频段的参量均衡器。这些图表和数字控制可增强或衰减频率的不同范围，不同的滤波器可让您定义均衡器曲线的形状。



四频段均衡器可应用到时间线上的每个片段

外部频段让您可以通过上限、下限、高通和低通滤波器进行频段滤波器调整。通过式滤波器会影响所有高于或低于某个特定频率的频率，将这些频率从信号中彻底移除。例如，高通滤波器可以让高频率通过滤波器，并同时切除低频。位于截止频率以外的任何频率则会以向下倾斜曲线的方式逐步剪切。

搁架式滤波器相对显得平和一些，如果您只想对信号的高频或低频部分进行塑形，而并非完全滤除这些频段，就可以使用这一滤波器。搁架式滤波器可以均匀地增强或减弱目标频率以及高于或低于目标频率的部分，这取决于您使用的是高架还是低架滤波器。

频段控制的中部设置可让您进行很广泛的一系列均衡器调整，可在下限、钟型、陷波和上限滤波器选项间进行切换。

- **钟型滤波器**：钟型滤波器可以增强或减弱钟型曲线给定中心点周围的频率，正如这一名称所暗示的该曲线的形状像钟罩。
- **陷波滤波器**：陷波滤波器允许您瞄准特定的窄频率范围。比如在50或60Hz时去除电源哼声。
- **低架滤波器**：低架滤波器会增强或降低下限目标频率，以及之下的所有频率。
- **高架滤波器**：高架滤波器会增强或降低上限目标频率，以及之上的所有频率。

为单个片段添加均衡器：

- 1 在时间线上选中您想要为其添加EQ滤波器的片段。
- 2 点击检查器再点击“均衡器”启用按钮。

为轨道添加均衡器：

- 1 在混音器中双击一个轨道的均衡器区块，从而将该轨道的均衡器打开。
- 2 从下拉菜单中选择您希望调整的频段滤波器类型。



调音台面板中的均衡器区块显示了轨道1已应用均衡器曲线



图为六频段参量均衡器, 它可应用到每个轨道

为片段或轨道添加均衡器后, 就可以为每个频段调整其均衡器了。需要注意的是, 选择不同的频段滤波器可能会有不同的控制。

为频段滤波器调整均衡器:

- 1 从下拉菜单中选择您希望调整的频段滤波器类型。
- 2 调整“频率”值可为均衡器调整选择中心频率。
- 3 调整“增益”值可增强或减弱该频段的频段。
- 4 使用“品质因数”可调整作用频率的带宽。

使用重置按钮可将均衡器窗口内的所有控制重设回默认设置。

Fairlight还设有许多控制可让您改善每条音轨的音质。您可以添加更多轨道并通过总线来进行组织管理, 还可以添加延迟或混响, 逐步完善您的混音。

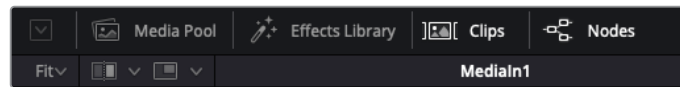
在Fusion页面添加视觉特效和合成效果

完成剪辑后, 您可以打开Fusion页面, 在DaVinci Resolve中添加2D或3D视觉特效和动态图形。与基于图层的合成软件不同, Fusion采用节点式操作, 能让您更加自由地创建复杂效果, 同时还可将图像数据指派到任何方向。节点窗口清楚显示了流程中使用的所有工具。如果您使用过调色页面的节点工作流程, 就不会对节点窗口感到陌生。

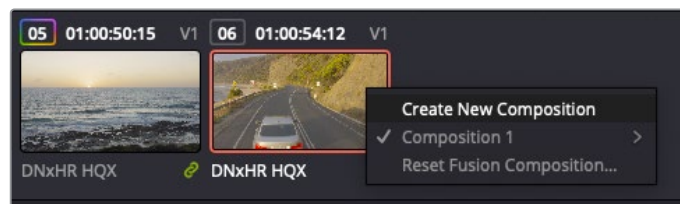


Fusion页面

Fusion页面上方配有两个带播放控制的检视器窗口，用于查看媒体，右边的检查器窗口用于访问工具设置，下方的节点窗口用于创建合成。虽然检视器和播放控制始终可见，您可以点击显示器顶部界面工具栏中的图标来显示或隐藏节点窗口和检查器窗口，以及特效库，样条线和关键帧编辑器等其他窗口。



- **媒体池：**媒体池的功能与剪辑页面中显示的相同。只需将媒体文件从媒体夹直接拖进合成即可。
- **特效库：**在特效库中，Fusion工具和模板都按照粒子、跟踪、滤镜和发生器等进行分类。您可以点击工具或者将它拖到节点区域，然后添加到合成里。媒体池和特效库占用同样的屏幕区域，您可以在两者之间切换，让检视器的面积尽量大些。
- **片段：**点击片段选项卡会显示或隐藏代表时间线上相应片段的缩略图。缩略图位于节点编辑器下方，便于您即时前往其他片段。



右键点击缩略图，然后选择“创建新的合成”，可创建合成的新版本。

- **检视器:** 检视器始终可见, 以便您查看不同的合成视图, 比如合并3D节点后的总体3D投影, 摄影机输出, 或者最终的渲染输出。这些检视器还可以用来查看各项修改对特定元素所产生的影响。您还可以选择查看的节点, 只要点击一个节点, 按数字键“1”即可在左侧检视器中查看, 按数字键“2”即可在右侧检视器中查看。您可以通过节点下方的白色按钮图标判断出该节点被指派到哪个检视器。如果您使用外部视频监控, 则会出现第三个按钮, 可用来将媒体指派到外部视频监控器上。

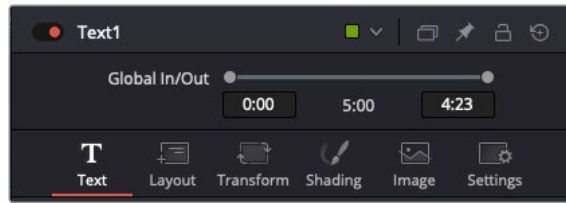
提示 您也可以通过将节点直接拖入检视器的方式, 将节点指派给相应检视器。

您可以通过检视器下方的播放控制跳过片段的头或尾, 正放、倒放或停止播放。时间标尺可显示片段的总体范围, 黄色标记代表入点和出点。



时间标尺上的黄色标记代表片段在时间线上的入点和出点。如果您使用Fusion片段或复合片段, 时间标尺只会显示时间线上的片段时长, 不显示余量。

- **节点:** 节点窗口是Fusion页面的核心, 您可以在这里将一个节点工具的输出端与另一个节点工具的输入端连接到一起, 创建自己的节点树。这个区域会根据打开的编辑器而改变大小, 比如样条线或关键帧编辑器。节点区域顶部的工具栏配有最常用的工具, 便于您快速调用。
- **样条线:** 样条线编辑器打开时会出现在节点窗口的右侧。您可以使用该编辑器对每个节点进行精准调整, 比如用贝塞尔曲线对两个关键帧之间的动画进行平滑处理。
- **关键帧:** 使用关键帧编辑器可以添加、删除或者修改每个工具的关键帧。关键帧编辑器也位于节点检视器的右侧。
- **元数据:** 元数据窗口显示当前片段可用的元数据, 包括编解码格式、帧率和时间码。
- **检查器:** 位于右上角的检查器可显示一个或多个选中节点的所有设置和修改器。其他选项卡选项也会出现, 让您快速访问按种类排序节点的其他设置。

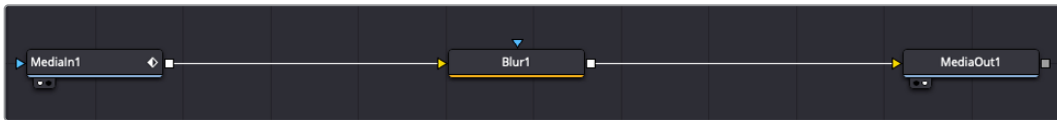


文本检查器中有其他选项卡, 包括文本、布局、转换、着色、画面和设置等。

Fusion使用入门

开始使用Fusion时, 将播放头放在时间线上的任何片段上, 然后点击“Fusion”按钮, 即可打开Fusion页面。

在Fusion页面上, 片段在标为“MediaIn”的媒体输入节点中立即可用。所有合成都以“MediaIn”和“MediaOut”两个节点为起点。MediaIn节点表示时间线播放头所在位置最上方的片段, 下方所有片段均被忽略。您在剪辑页面中对片段应用的所有调整全部包含在内, 比如转换工具和裁切修改。



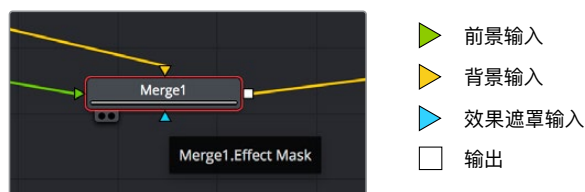
名为“MediaOut”的媒体输出节点将输出画面发送回DaVinci Resolve剪辑页面上的时间线。

提示 在快编或剪辑页面的片段上所应用的ResolveFX或OFX插件不会应用于Fusion页面。这是因为Fusion特效发生在调色和OFX/ResolveFX处理之前。如果您希望在Fusion特效之前应用OFX, 就需要先右键点击剪辑页面中的相应片段, 选择“新建Fusion片段”, 然后再点击Fusion页面。

了解节点

为了有助于理解, 您可以把每个节点想象成代表单一工具或特效的视觉图标。节点之间相互连接, 创建出总体合成, 就像蛋糕的各种原料。了解每个节点的输入输出非常重要, 因为这能帮助您在创建精细的视觉特效时, 把握合成的流程顺序。

有些工具设有多个输入和输出端与其他节点连接。比如“Merge” (合并), 该节点可以连接前景输入、背景输入和遮罩输入用于蒙版或抠像。

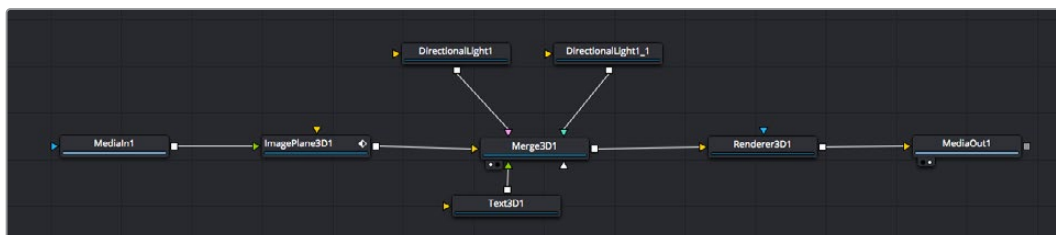


节点上有多个输出意味着单一节点能够连接合成中的许多不同节点，所以与基于图层的软件不同，您不需要复制片段。相连节点之间线上的箭头显示了图像数据流动的方向。

在节点编辑器中添加节点

如要添加特效，只需将节点放在“MediaIn”与“MediaOut”节点之间的线上即可。

这一操作可通过多种方式完成。您可以按住SHIFT按钮，把节点放在两个节点之间；或者点击希望添加特效的节点，然后选择想要添加的工具。新节点会自动连接到选定的工具上。您也可以把节点添加到节点窗口中的任何地方，然后将一个节点的输出端拖到另一个节点的输入端，手动完成节点之间的连接。



最常用的工具是2D和3D Merge（合并）节点。该节点就像一个中枢，它能将节点编辑器上的各个工具合并起来，变成一个单一输出。

合并节点拥有控制选项，可以选择输入的管理方式，包括大小、位置和混合等设置。选定合并节点后，可以在检查器面板里访问这些设置。

节点板上方的工具栏包含最常用工具的图标，您可以点击这些图标添加节点，或者将工具拖入节点面板。如果您想看到所有可用的工具，可点击左上角的“特效库”，然后扩展“工具”选项。这里的所有工具都按类别排序，并且提供了一组预先创建的“模板”，比如镜头光斑、着色器和背景等。

提示 如果您熟悉工具名称，可以按住键盘上的“SHIFT”，同时按下空格键，“选择工具”菜单就会出现。您在输入工具名称时，菜单会建议相关的工具。这是选择工具的一个非常快速的方法。

使用检查器面板调整节点

您可以使用检查器面板调整节点设置。点击希望修改的节点，面板会更新显示相应的设置和控制。

使用Fusion时，您可以在一个检视器中查看正在修改的节点，同时在另一个检查器中查看该节点在合成画面中的整体效果。例如，您可以修改“Text+”文本节点的大小和中心位置，并同时在检视器中查看该节点和合并节点，这样就可以查看文本与背景的匹配情况。



如图所示，被选中的节点会显示红色边框。图中的检查器面板显示的是文本节点的布局选项卡控制。

根据节点任务，您可以调整不同的参数和设置，从调整大小和中心位置，到修改发射器节点的粒子数量。设置关键帧并修改一段时间内的设置就会产生动画效果。

制作关键帧

在检查器窗口中右键单击一项设置，然后在上下文菜单中选择“动画”即可设置关键帧。该项设置右侧的关键帧图标会变红。这代表关键帧已启用，您做的任何修改只会应用于当前帧。当修改另一个帧的设置参数，创建两个或多个关键帧时，帧之间会添加过渡插值。您可以利用关键帧图标两侧的箭头，准确地将播放头移动到时间线上特定的位置。



图中的“大小调整”关键帧动画已经被平滑处理为一条贝塞尔曲线。您可以点击贝塞尔手柄，缩短或拉长曲线，或者点击关键帧方块图标移动关键帧位置。

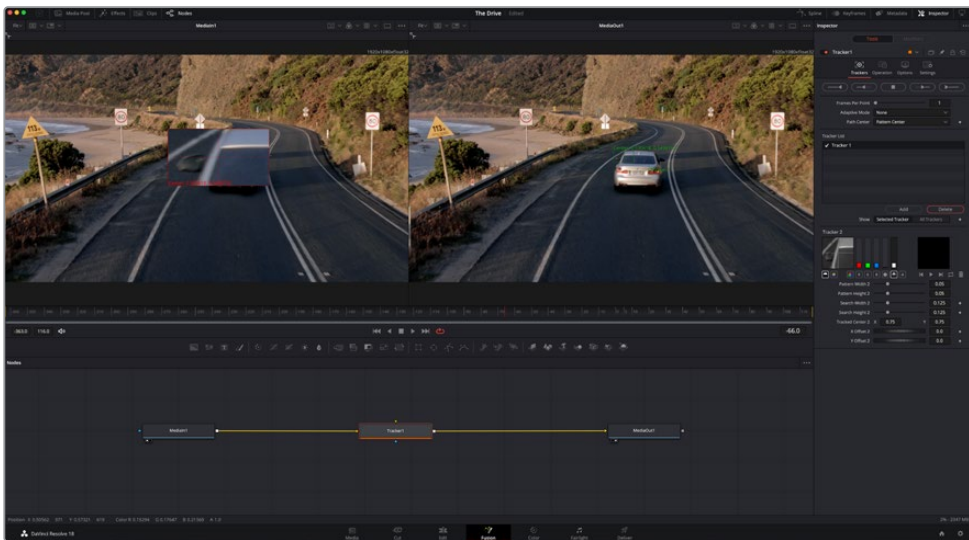
样条线面板能为您提供更多控制关键帧动画的选项。您可以选择关键帧，比如第一个和最后一个关键帧，按下“SHIFT”+“s”，或者右键单击关键帧然后选择“平滑度”，即可将这些帧之间的动画平滑处理为一条贝塞尔曲线。

使用动态跟踪器和添加文本工具

为了更好地演示Fusion的使用方法，我们将举例说明如何使用跟踪器工具跟踪片段中的元素，以及如何使用跟踪数据添加文本，并将文本附在元素上。

“跟踪器”工具会在一定时间里跟踪x和y轴上的像素，并且生成数据，您可以用这些数据附加其他元素。当您想要把文本的位置与移动中的物体匹配时，比如在道路上行驶的汽车，或者飞过画面的鸟等，这项功能非常实用。

- 1 在“特效库”中选择“跟踪器”工具，然后把它拖到“MediaIn”和“MediaOut”节点之间的线上。然后，点击这个跟踪器节点，在检查器中显示它的属性。
- 2 按键盘数字键“1”，可在左侧检视器中查看跟踪器节点。相应检视器中会显示带有跟踪器的片段，并且跟踪器位于默认位置。将鼠标指针悬停在跟踪器上方可显示出跟踪器控制柄。点击左上角的跟踪器控制柄，将跟踪器拖到片段中相应的AOI区域。高对比度的区域效果很好，例如汽车引擎盖上的标志。跟踪器会放大图像区域以获得更高的精确度。
- 3 到检查器窗口中，点击“正向跟踪”按钮开始跟踪。跟踪完成后会显示通知窗口。点击“好”确定。

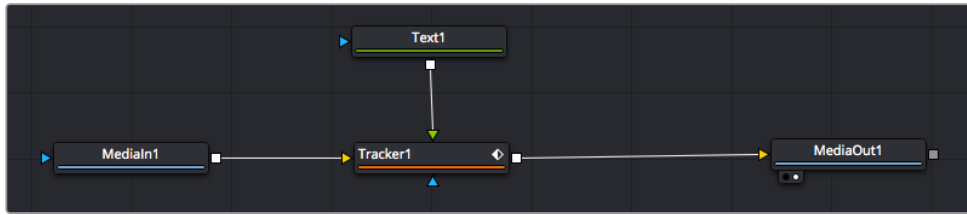


检查器面板中设有跟踪选项，其中包括从尾帧或当前帧反向跟踪，停止跟踪，从当前帧或首帧正向跟踪。

提示 当您的AOI区域从渲染范围消失时，比如汽车或鸟离开画面，从当前帧反向跟踪或正向跟踪就非常实用。这项功能可以只跟踪相关的影像。

现在，您就可以利用跟踪数据，将动态路径应用到文本工具上。

- 4 点击常用节点工具栏中的“Text+”文本节点图标，将其拖入跟踪器节点旁边的节点面板。将“Text+”节点的输出方块与跟踪器上的绿色前景输入端连接起来。



- 5 点击跟踪器节点, 按数字键“1”, 即可在左侧的检视器中看到合并结果。在跟踪器节点的检查器面板中点击“Operations” (操作) 选项卡。点击“Operations”旁边的菜单, 然后选择“Match Move” (动作匹配)。
- 6 点击“Text”文本节点可在检查器中显示属性。在文本框中输入文本, 按照合成要求修改字体、颜色和大小。

来自跟踪器的跟踪位置数据将被应用于您的文本。如果您希望调整文本的位置偏移, 点击检查器面板中的“Trackers” (跟踪器) 选项卡, 然后用x和y偏移旋钮修改位置。



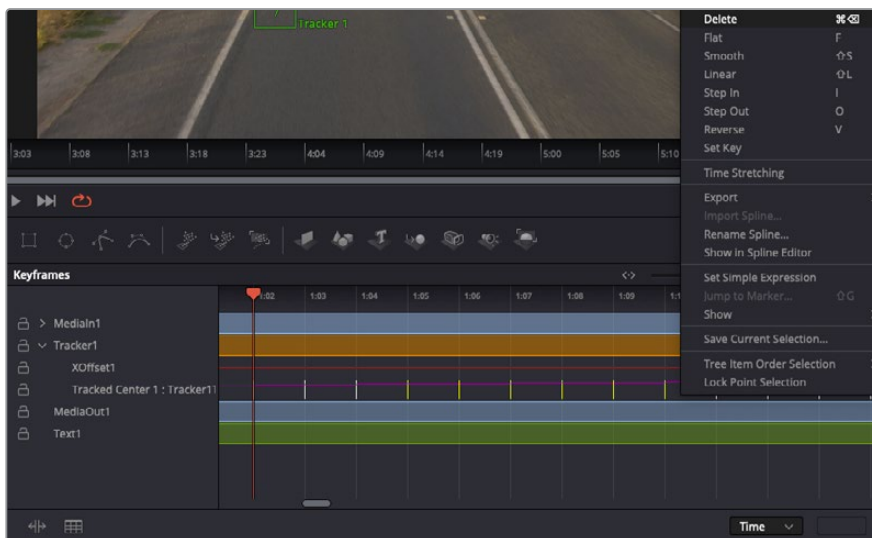
跟踪器检查器面板底部的旋钮 可用于调整文本的偏移位置。

现在, 您播放合成画面时, 就能查看到附加在被跟踪物体上的文本了!



绿色方框代表当前跟踪器在绿色路径上的位置, 红色虚线代表对文本进行动画处理所使用的位置偏移。

对于一些镜头, 您可能需要在跟踪后删除跟踪点, 比如当所跟踪的物体从屏幕上消失的时候。关键帧编辑器让这个流程变得非常简单。



- 7 点击检查器上方的关键帧选项卡，打开关键帧编辑器。应用了关键帧的节点在节点标签旁会有一个小箭头，只有添加了关键帧的参数才会在下列表显示。点击放大图标，将方框拖到您希望编辑的区域。方框会放大选定的区域，方便您查看关键帧。
- 8 将播放头移动到最后一个关键帧的位置。如要删除关键帧，只需用鼠标在关键帧上拖画一个方框选定该关键帧即可。选定的关键帧会以黄色突出显示。点击右键，在菜单中选择删除。

提示 如果您的特效对系统要求非常高，可右键点击播放控制区域调出代理播放等检视器选项，帮助您在创建合成时获得尽可能高的系统性能。获取完整的播放选项详细信息，请参阅DaVinci Resolve手册。

现在您就完成了第一套在影像中匹配动态的合成动画文本！

如果您希望跟踪含有平面的画面，对其进行强化或替换，可以使用平面跟踪器。跟踪2D平面可用于修改移动画面中的标签和指示牌，甚至为镜头中的监视器或电视机添加画面。

获取更多关于平面跟踪器和DaVinci Resolve Fusion页面中许多强大工具的信息，请参阅DaVinci Resolve手册。

提示 当您在Fusion页面创建视觉特效时，请务必注意所创建的是2D特效还是3D特效，因为这将决定所需合并工具的种类。您可能经常需要在一个合成中融入2D和3D特效。在这种情况下，请记住任何使用3D空间创建的视觉特效必须被渲染成2D图像，才能合并进2D合成。

我们相信您将从使用Fusion、探索Fusion的各种视觉特效和强大的DaVinci Resolve剪辑、调色及Fairlight页面过程中获得许多快乐。DaVinci Resolve强大而丰富的工具集定能助您实现无限创意！

制作母版剪辑

完成剪辑、调色、视觉特效和混音制作之后，下一步就是分享您的作品。您可以使用快速导出按钮或者菜单选项来输出时间线的制作内容，具体可以作为一个独立文件输出，或者作为一组不同格式输出，您也可以使用交付页面的其他功能。



“交付”页面可用于导出您的剪辑。您可以从中选择多种不同的视频格式和编解码器。

快速导出

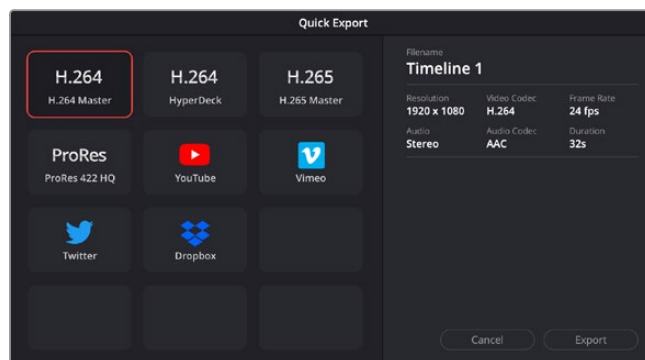
依次选择“文件”>“快速导出”，使用其中一种导出预设，以便将您的作品从DaVinci Resolve中导出。您还可以使用快速导出功能，将您的作品导出并上传到支持的视频分享平台，比如YouTube、Vimeo、Twitter以及Frame.io。

快速导出步骤如下：

- 1 使用快编、剪辑、Fusion或调色页面，在时间线上设置入点和出点（可选），从而在当前作品上选择需要导出的范围部分。如果没有选定时间线入点和出点，则会导出整条时间线。

依次选择“文件”>“快速导出”。

- 2 从快速导出对话框顶部的预设图标中选择一个，然后点击“导出”。
- 3 在导出对话框中选择一个位置，输入文件名，然后点击“保存”。此时会出现一个进度条对话框，显示导出所需时间。



快速导出对话框

交付页面

在这一页面中，您可以选择想要导出的片段范围，以及片段格式、编码和分辨率。片段可以多种不同格式导出，比如使用8bit或10bit无压缩RGB/YUV、ProRes、DNxHD、H.264等编解码格式导出QuickTime、AVI、MXF和DPX等文件。

如何导出剪辑的单个片段：

- 1 点击“交付”选项卡打开交付页面。
- 2 找到该页面左上角的“渲染设置”窗口。您可以选择多种导出预设，例如YouTube、Vimeo以及各类音频预设，或者也可以将该设置保留在其默认的“自定义”预设方案，再输入相应的参数来手动设定您自己的导出设置。在这个例子中，选择YouTube，然后点击该预设一侧的箭头图标，并选择1080p视频格式。

帧率将根据您的项目帧率设置而定。
- 3 您可以在每个预设下方查看到时间线文件名以及导出视频的目标位置。点击“浏览”按钮，选择导出文件的保存位置，然后从渲染选项中选择“单个片段”。
- 4 然后，您马上就会看到时间线上方出现选项框，并且“整条时间线”选项被选中。表示软件将导出整条时间线。您也可以根据需要选择一段时间线范围。要进行这一操作，只需要选择入范围和出范围，并使用“i”和“o”热键在时间线上选择入点和出点即可。
- 5 点击“渲染设置”底部的“添加到渲染队列”按钮。

您的渲染设置将被添加到页面右侧的渲染队列中。现在，您只需要点击“开始渲染”并监看渲染队列中的渲染进度即可。

当渲染工作完成后，您可以打开目标文件夹，双击新的渲染片段来查看完成后的剪辑片段。

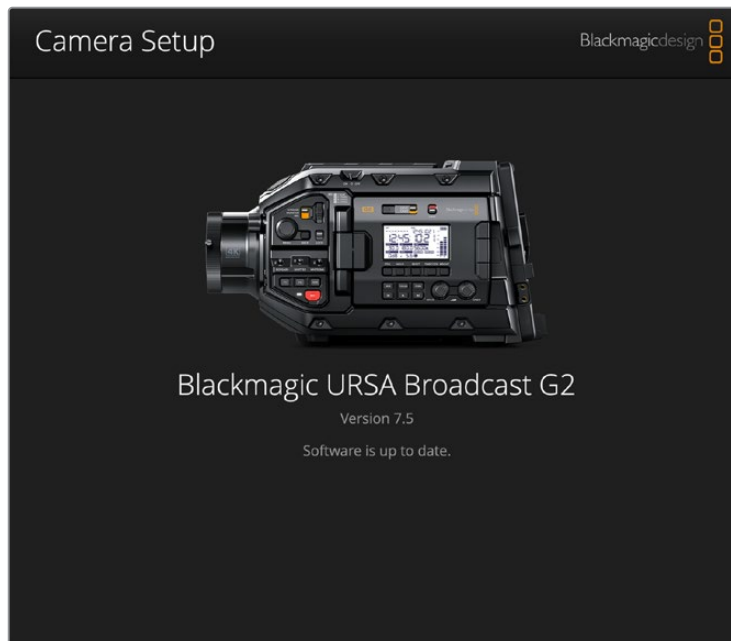
对剪辑、调色、混音和视觉特效有了基本了解之后，就可以开始体验DaVinci Resolve了。更多关于如何充分利用每项功能完成令人满意的项目，请查阅DaVinci Resolve操作手册。

Blackmagic Camera Setup实用程序

更新摄影机软件 – Mac

下载了Blackmagic Camera Setup实用程序并解压缩后, 请打开下载磁盘图标查看Blackmagic Camera Setup安装程序。

运行安装程序, 根据屏幕提示完成安装。完成安装程序后, 进入实用程序文件夹, 打开“Blackmagic Cameras”文件夹, 里面含有本手册、Blackmagic Camera Setup实用程序以及一个含有自述文件和相关信息文件夹。同时还包含一个卸载程序可用于升级到Blackmagic Camera Setup较新版本。



更新摄影机软件 – Windows

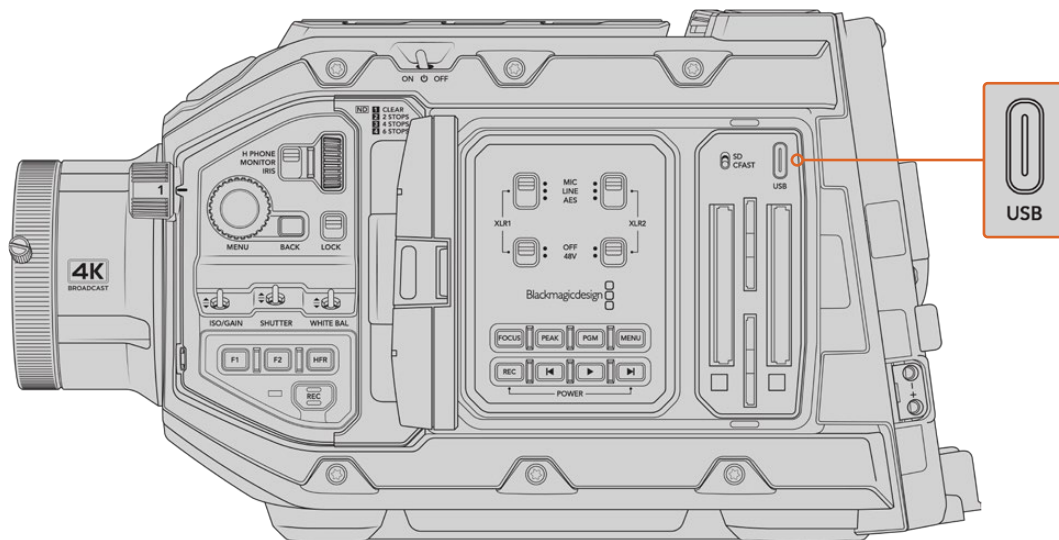
下载了Blackmagic Camera Setup实用程序并解压缩后, 您会看到一个名为“Blackmagic Camera Setup”的文件夹, 该文件夹中含有PDF版操作手册以及Blackmagic Camera Setup安装程序。双击该安装程序, 并根据屏幕提示完成安装。

在Windows 10系统下点击开始按钮并选择“所有程序”。向下滚动到Blackmagic Design文件夹。从这里运行Blackmagic Camera Setup软件。

如何更新摄影机软件

在您的电脑上安装了最新版Blackmagic Camera Setup实用软件后, 请使用USB连接线将计算机和Blackmagic URSA Broadcast G2连接。USB端口位于记忆卡插槽上方的左侧面板。

运行Blackmagic Camera Setup Utility实用软件, 并根据屏幕提示更新摄影机软件。需要注意的是, 更新摄影机软件会删除所有预设和自定义LUT, 并重置所有设置。更新软件之前, 不妨将这些数据导出到存储卡上进行备份。软件更新后, 只要再从存储卡中导入预设和LUT就可以快速恢复。



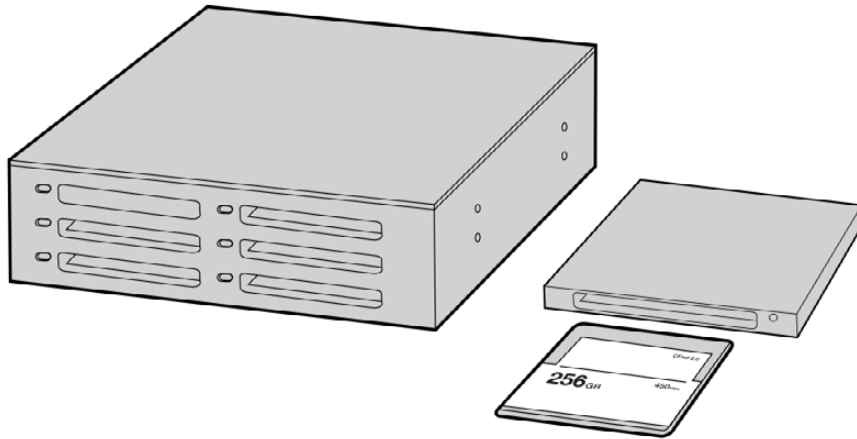
USB-C端口位于Blackmagic URSA Broadcast G2的存储介质选择开关一侧、存储卡槽上方, 可用于更新摄影机软件。

使用第三方软件

将素材复制到内置或外接硬盘或者RAID上, 再将素材导入编辑软件中便可使用自己喜爱的软件来剪辑素材。也可为CFAST、SD卡或SSD使用硬盘座或转接器, 直接导入来自存储介质的片段。

备注 安装有DaVinci Resolve 16.1.2及更高版本的URSA Broadcast G2均支持Blackmagic RAW, 并且其他一系列广泛的第三方后期制作编辑软件也接受这一格式。Blackmagic RAW软件包含了在Avid Media Composer和Adobe Premiere Pro中剪辑Blackmagic RAW所使用的插件, 下载网址: www.blackmagicdesign.com/cn/support

处理CFast 2.0卡和SD卡上的文件



从摄影机上取下CFast卡，通过CFast 2.0读写设备或CFast驱动器将其安装在您的计算机上，就可直接在您的CFast卡上编辑

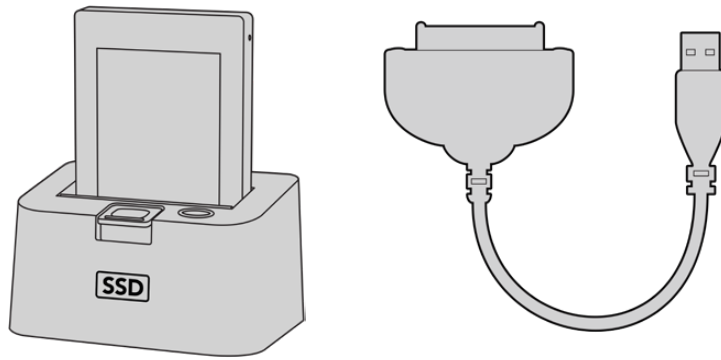
从CFast 2.0卡或SD卡上导入您的素材片段步骤如下：

- 1 从您的Blackmagic URSA Broadcast G2摄影机上取出CFast卡或SD卡。
通过读卡器在Mac或Windows电脑上使用卡。
- 2 找到存储卡在您操作系统中的具体位置并将其打开，就可以看到一系列Blackmagic RAW或QuickTime影片文件了。
- 3 现在您只需选中需要从卡上导入的文件，再拖动到桌面或者其他硬盘中即可，或者用剪辑软件直接从卡中读取文件。
- 4 从计算机上拔出CFast卡或SD卡之前，请务必先在Mac OS或Windows计算机上安全弹出CFast卡或SD卡。如果在未执行弹出操作的情况下直接移除存储卡，有些情况下会损坏素材文件。

处理SSD上的文件

如何从SSD上导入素材片段：

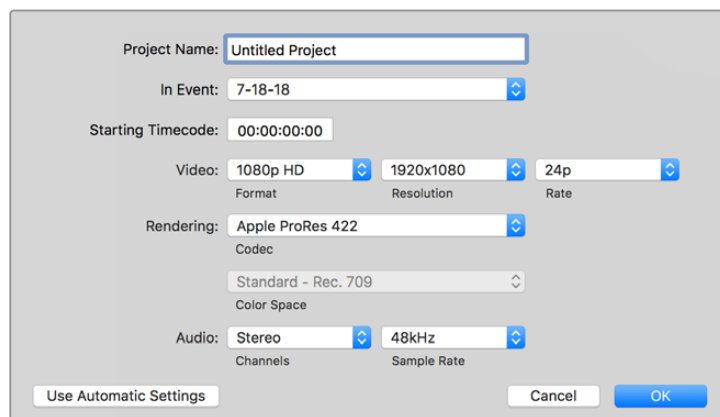
- 1 从URSA Mini Recorder上移除SSD。
- 2 用eSATA或Blackmagic MultiDock等Thunderbolt硬盘座将SSD挂载到Mac或Windows计算机上。您也可以使用eSATA转USB转接线直接将SSD连接到计算机的USB端口上。推荐使用USB 3.0，因为USB 2.0对于实时剪辑视频来说速度可能不够快。
- 3 双击打开SSD硬盘后，您会看到一个包含QuickTime影片文件或Blackmagic RAW文件的列表。根据您的选择的记录格式，您可能会看到不同格式的文件，但是它们都使用相同的文件命名格式。
- 4 现在您只需选中需要从SSD导入的文件，拖动到桌面或者其他硬盘中，或使用NLE软件直接从SSD中读取文件即可。
- 5 从计算机断开SSD连接前，请务必先将其从您的计算机安全弹出。



取出摄影机里的SSD, 通过eSATA Thunderbolt硬盘座或USB 3.0连接线
缆加载到计算机上即可直接开始剪辑。

使用Final Cut Pro X

若使用Final Cut Pro X剪辑片段, 只需创建一个具有合适视频格式及帧率的新项目。这个例子中使用的是ProRes 422 HQ 1080p24。



Final Cut Pro X项目设置

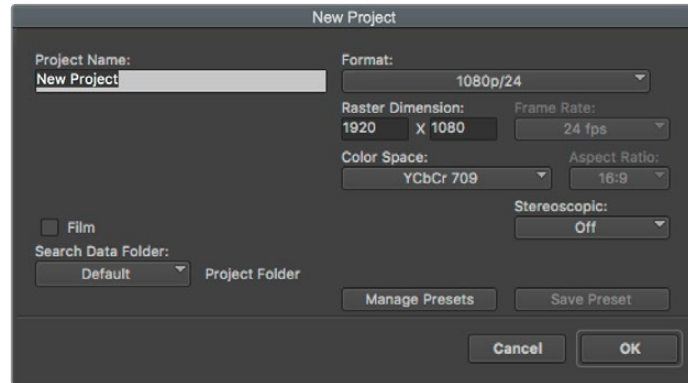
- 1 运行Final Cut Pro X, 到“Menu” (菜单) 中选择“File” (文件) / “New Project” (新项目) 后, 会出现一个项目设置窗口。
- 2 给项目命名, 并选择“Custom” (自定义) 复选框。
- 3 将“Video Properties” (视频属性) 设置为1080p HD, 1920x1080和24p。
- 4 将“Audio” (音频) 和“Render Properties” (渲染属性) 设置为“Stereo” (立体声), “48kHz”, 和“Apple ProRes 422 HQ”。
- 5 点击“好”确定。

若要将素材导入项目中, 需到菜单栏中选择“File” (文件) / “Import” (导入) / “Media” (媒体), 然后从CFast卡中选择要导入的素材。

现在可以将素材拖动到时间线上进行剪辑了。

使用Avid Media Composer 2018

若使用Avid Media Composer 2018剪辑素材, 您需要创建一个合适视频格式及帧率的新项目。本例子中的素材均使用1080p24设置。



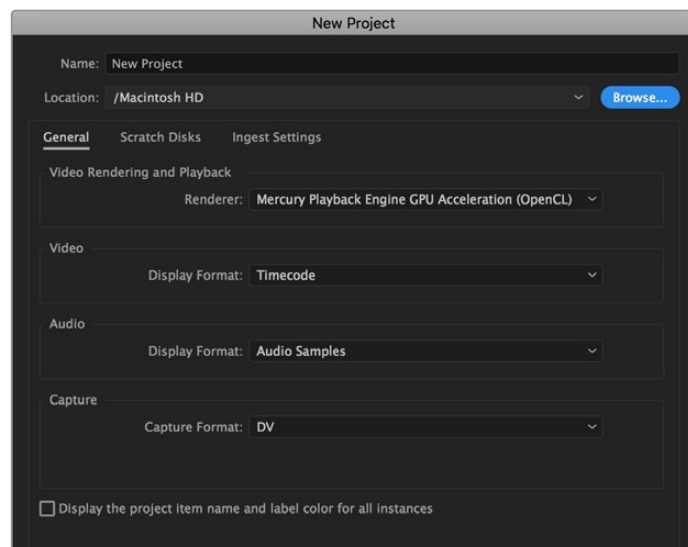
在Avid Media Composer 2018上设置项目名称和项目选项

- 1 运行Avid Media Composer 2018, 当“SelectProject” (选择项目) 的窗口弹出时,
- 2 点击“New Project” (新项目) 按钮, 在“New Project”窗口为项目命名。
- 3 在“Format” (格式) 下拉菜单中选择HD 1080 > 1080p/24, 点击“OK”创建项目。
- 4 在“Select Project” (选择项目) 窗口中双击打开项目。
- 5 选择File (文件) > Input (输入) > Source Browser (源浏览器), 找到您想要导入的文件。
- 6 从下拉菜单中选择您的“Target Bin” (目标媒体夹), 点击“Import” (导入)。

当媒体库中显示出素材片段后, 您便可以将素材拖动到时间线上进行剪辑了。

使用Adobe Premiere Pro CC

若使用Adobe Premiere Pro CC剪辑Apple ProRes 422 HQ素材, 只需创建一个具有合适视频格式及帧率的新项目。本例子中的素材均使用ProRes 422 HQ 1080p25设置。



在Adobe Premiere Pro CC上设置项目名称和项目选项

- 1 运行Adobe Premiere Pro CC。在Welcome欢迎窗口中, 选择“New Project” (新项目) 后, 然后会出现一个项目设置窗口。
- 2 为项目命名。点击“Browse” (浏览) 选择安装项目的文件夹, 然后点击“New Project”窗口中的“OK”确定。
- 3 到Adobe Premiere Pro CC的菜单栏, 选择“File” (文件) / “Import” (导入), 然后选择想要剪辑的素材。然后您的素材便会在项目窗口中显示出来。
- 4 将您需要剪辑的第一段素材拖动到位于项目窗口右下角的“New Item” (新建项) 图标上后, 就会建立一段和您的视频设置相符的新序列。

现在可以将素材拖动到序列时间线上进行剪辑了。

Developer Information

Blackmagic Bluetooth Camera Control

Blackmagic cameras with Bluetooth LE implement a variety of features and commands that allow users to control their cameras wirelessly. Developers have full access to these features for their custom applications.

The following services and characteristics describe the full range of communication options that are available to the developer.

Service: Device Information Service

UUID: 180A

Characteristics

Camera Manufacturer

UUID: 2A29

Read the name of the manufacturer (always “Blackmagic Design”).

Camera Model

UUID: 2A24

Read the name of the camera model (“URSA Broadcast G2”).

Service: Blackmagic Camera Service

UUID: 291D567A-6D75-11E6-8B77-86F30CA893D3

Characteristics

Outgoing Camera Control (encrypted)

UUID: 5DD3465F-1AEE-4299-8493-D2ECA2F8E1BB

Send Camera Control messages

These messages are identical to those described in the Blackmagic SDI Camera Control Protocol section below. Please read that section for a list of supported messages and required formatting information.

For an example of how packets are structured, please see the ‘example protocol packets’ section in this document.

Incoming Camera Control (encrypted)

UUID: B864E140-76A0-416A-BF30-5876504537D9

Request notifications for this characteristic to receive Camera Control messages from the camera.

These messages are identical to those described in the Blackmagic SDI Camera Control Protocol section below. Please read that section for a list of supported messages and required formatting information.

Timecode (encrypted)

UUID: 6D8F2110-86F1-41BF-9AFB-451D87E976C8

Request notifications for this characteristic to receive timecode updates.

Timecode (HH:MM:SS:mm) is represented by a 32-bit BCD number:
(eg. 09:12:53:10 = 0x09125310)

Camera Status (encrypted)

UUID: 7FE8691D-95DC-4FC5-8ABD-CA74339B51B9

Request notifications for this characteristic to receive camera status updates.

The camera status is represented by flags contained in an 8-bit integer:

None	= 0x00
Camera Power On	= 0x01
Connected	= 0x02
Paired	= 0x04
Versions Verified	= 0x08
Initial Payload Received	= 0x10
Camera Ready	= 0x20

Send a value of 0x00 to power a connected camera off.

Send a value of 0x01 to power a connected camera on.

Device Name

UUID: FFAC0C52-C9FB-41A0-B063-CC76282EB89C

Send a device name to the camera (max. 32 characters).

The camera will display this name in the Bluetooth Setup Menu.

Protocol Version

UUID: 8F1FD018-B508-456F-8F82-3D392BEE2706

Read this value to determine the camera's supported CCU protocol version.

NOTE Encrypted characteristics can only be used once a device has successfully bonded or paired with the Blackmagic Camera. Once a connection has been established, any attempt to write to an encrypted characteristic will initiate bonding. For example, writing a 'Camera Power On' (0x01) message to the Camera Status characteristic.

Once bonding is initiated, the camera will display a 6-digit pin in the Bluetooth Setup Menu. Enter this pin on your device to establish an encrypted connection. The device will now be able to read, write and receive notifications from encrypted characteristics.

Blackmagic SDI and Bluetooth Camera Control Protocol

Version 1.6.2

If you are a software developer you can use the Blackmagic SDI and Bluetooth Camera Control Protocol to construct devices that integrate with our products. Here at Blackmagic Design, our approach is to open up our protocols and we eagerly look forward to seeing what you come up with!

Overview

This document describes an extensible protocol for sending a unidirectional stream of small control messages embedded in the non-active picture region of a digital video stream. The video stream containing the protocol stream may be broadcast to a number of devices. Device addressing is used to allow the sender to specify which device each message is directed to.

Assumptions

Alignment and padding constraints are explicitly described in the protocol document. Bit fields are packed from LSB first. Message groups, individual messages and command headers are defined as, and can be assumed to be, 32 bit aligned.

Blanking Encoding

A message group is encoded into a SMPTE 291M packet with DID/SDID x51/x53 in the active region of VANC line 16.

Message Grouping

Up to 32 messages may be concatenated and transmitted in one blanking packet up to a maximum of 255 bytes payload. Under most circumstances, this should allow all messages to be sent with a maximum of one frame latency.

If the transmitting device queues more bytes of message packets than can be sent in a single frame, it should use heuristics to determine which packets to prioritize and send immediately. Lower priority messages can be delayed to later frames, or dropped entirely as appropriate.

Abstract Message Packet Format

Every message packet consists of a three byte header followed by an optional variable length data block. The maximum packet size is 64 bytes.

Destination device (uint8)	Device addresses are represented as an 8 bit unsigned integer. Individual devices are numbered 0 through 254 with the value 255 reserved to indicate a broadcast message to all devices.
Command length (uint8)	The command length is an 8 bit unsigned integer which specifies the length of the included command data. The length does NOT include the length of the header or any trailing padding bytes.
Command id (uint8)	The command id is an 8 bit unsigned integer which indicates the message type being sent. Receiving devices should ignore any commands that they do not understand. Commands 0 through 127 are reserved for commands that apply to multiple types of devices. Commands 128 through 255 are device specific.
Reserved (uint8)	This byte is reserved for alignment and expansion purposes. It should be set to zero.
Command data (uint8[])	The command data may contain between 0 and 60 bytes of data. The format of the data section is defined by the command itself.

Padding (uint8[])	Messages must be padded up to a 32 bit boundary with 0x0 bytes. Any padding bytes are NOT included in the command length.
--------------------------	---

Receiving devices should use the destination device address and or the command identifier to determine which messages to process. The receiver should use the command length to skip irrelevant or unknown commands and should be careful to skip the implicit padding as well.

Defined Commands

Command 0 : change configuration

Category (uint8)	The category number specifies one of up to 256 configuration categories available on the device.
Parameter (uint8)	The parameter number specifies one of 256 potential configuration parameters available on the device. Parameters 0 through 127 are device specific parameters. Parameters 128 though 255 are reserved for parameters that apply to multiple types of devices.
Data type (uint8)	The data type specifies the type of the remaining data. The packet length is used to determine the number of elements in the message. Each message must contain an integral number of data elements.

Currently defined values are:

0: void/boolean	A void value is represented as a boolean array of length zero. The data field is a 8 bit value with 0 meaning false and all other values meaning true.
1: signed byte	Data elements are signed bytes
2: signed 16 bit integer	Data elements are signed 16 bit values
3: signed 32 bit integer	Data elements are signed 32 bit values
4: signed 64 bit integer	Data elements are signed 64 bit values
5: UTF-8 string	Data elements represent a UTF-8 string with no terminating character.

Data types 6 through 127 are reserved.

128: signed 5.11 fixed point	Data elements are signed 16 bit integers representing a real number with 5 bits for the integer component and 11 bits for the fractional component. The fixed point representation is equal to the real value multiplied by 2^{11} . The representable range is from -16.0 to 15.9995 (15 + 2047/2048).
-------------------------------------	---

Data types 129 through 255 are available for device specific purposes.

Operation type (uint8)	The operation type specifies what action to perform on the specified parameter. Currently defined values are:
0: assign value	The supplied values are assigned to the specified parameter. Each element will be clamped according to its valid range. A void parameter may only be 'assigned' an empty list of boolean type. This operation will trigger the action associated with that parameter. A boolean value may be assigned the value zero for false, and any other value for true.
1: offset/toggle value	Each value specifies signed offsets of the same type to be added to the current parameter values. The resulting parameter value will be clamped according to their valid range. It is not valid to apply an offset to a void value. Applying any offset other than zero to a boolean value will invert that value.

Operation types 2 through 127 are reserved.

Operation types 128 through 255 are available for device specific purposes.

Data (void)	The data field is 0 or more bytes as determined by the data type and number of elements.
--------------------	--

The category, parameter, data type and operation type partition a 24 bit operation space.

Group	ID	Parameter	Type	Index	Minimum	Maximum	Interpretation
Lens	0.0	Focus	fixed16	–	0.0	1.0	0.0 = near, 1.0 = far
	0.1	Instantaneous autofocus	void	–	–	–	trigger instantaneous autofocus
	0.2	Aperture (f-stop)	fixed16	–	-1.0	16.0	Aperture Value (where fnumber = $\sqrt{2^{AV}}$)
	0.3	Aperture (normalised)	fixed16	–	0.0	1.0	0.0 = smallest, 1.0 = largest
	0.4	Aperture (ordinal)	int16	–	0	n	Steps through available aperture values from minimum (0) to maximum (n)
	0.5	Instantaneous auto aperture	void	–	–	–	trigger instantaneous auto aperture
	0.6	Optical image stabilisation	boolean	–	–	–	true = enabled, false = disabled
	0.7	Set absolute zoom (mm)	int16	–	0	max	Move to specified focal length in mm, from minimum (0) to maximum (max)
	0.8	Set absolute zoom (normalised)	fixed16	–	0.0	1.0	Move to specified focal length: 0.0 = wide, 1.0 = tele
	0.9	Set continuous zoom (speed)	fixed16	–	-1.0	+1.0	Start/stop zooming at specified rate: -1.0 = zoom wider fast, 0.0 = stop, +1 = zoom tele fast

Group	ID	Parameter	Type	Index	Minimum	Maximum	Interpretation
Video	1.0	Video mode	int8	[0] = frame rate	-	-	fps as integer (eg 24, 25, 30, 50, 60)
				[1] = M-rate	-	-	0 = regular, 1 = M-rate
				[2] = dimensions	-	-	0 = NTSC, 1 = PAL, 2 = 720, 3 = 1080, 4 = 2kDCI, 5 = 2k16:9, 6 = UHD, 7 = 3k Anamorphic, 8 = 4k DCI, 9 = 4k 16:9, 10 = 4.6k 2.4:1, 11 = 4.6k
				[3] = interlaced	-	-	0 = progressive, 1 = interlaced
				[4] = Color space	-	-	0 = YUV
	1.1	Gain (up to Camera 4.9)	int8		1	128	1x, 2x, 4x, 8x, 16x, 32x, 64x, 128x gain
	1.2	Manual White Balance	int16	[0] = color temp	2500	10000	Color temperature in K
			int16	[1] = tint	-50	50	tint
	1.3	Set auto WB	void	-	-	-	Calculate and set auto white balance
	1.4	Restore auto WB	void	-	-	-	Use latest auto white balance setting
	1.5	Exposure (us)	int32		1	42000	time in us
	1.6	Exposure (ordinal)	int16	-	0	n	Steps through available exposure values from minimum (0) to maximum (n)
	1.7	Dynamic Range Mode	int8 enum	-	0	2	0 = film, 1 = video, 2 = extended video
	1.8	Video sharpening level	int8 enum	-	0	3	0 = off, 1 = low, 2 = medium, 3 = high
	1.9	Recording format	int16	[0] = file frame rate	-	-	fps as integer (eg 24, 25, 30, 50, 60, 120)
				[1] = sensor frame rate	-	-	fps as integer, valid when sensor-off-speed set (eg 24, 25, 30, 33, 48, 50, 60, 120), no change will be performed if this value is set to 0
				[2] = frame width	-	-	in pixels
				[3] = frame height	-	-	in pixels
				[4] = flags	-	-	[0] = file-M-rate
					-	-	[1] = sensor-M-rate, valid when sensor-off-speed-set
-					-	[2] = sensor-off-speed	
-	-	[3] = interlaced					
-	-	[4] = windowed mode					
1.10	Set auto exposure mode	int8	-	0	4	0 = Manual Trigger, 1 = Iris, 2 = Shutter, 3 = Iris + Shutter, 4 = Shutter + Iris	
1.11	Shutter angle	int32	-	100	36000	Shutter angle in degrees, multiplied by 100	
1.12	Shutter speed	int32	-	Current sensor frame rate	5000	Shutter speed value as a fraction of 1, so 50 for 1/50th of a second	
1.13	Gain	int8	-	-128	127	Gain in decibel (dB)	
1.14	ISO	int32	-	0	2147483647	ISO value	
1.15	Display LUT	int8	[0] = selected LUT	-	-	0 = None, 1 = Custom, 2 = film to video, 3 = film to extended video	
			[1] = enabled or not	-	-	0 = Not enabled, 1 = Enabled	
1.16	ND Filter Stop	fixed16	[0] = stop	0.0	15.0	filter power, as f-stop	
			[1] = display mode	-	-	0 = stop 1 = density 2 = transmittance	

Group	ID	Parameter	Type	Index	Minimum	Maximum	Interpretation
Audio	2.0	Mic level	fixed16	–	0.0	1.0	0.0 = minimum, 1.0 = maximum
	2.1	Headphone level	fixed16	–	0.1	1.0	0.0 = minimum, 1.0 = maximum
	2.2	Headphone program mix	fixed16	–	0.1	1.0	0.0 = minimum, 1.0 = maximum
	2.3	Speaker level	fixed16	–	0.1	1.0	0.0 = minimum, 1.0 = maximum
	2.4	Input type	int8	–	0	3	0 = internal mic, 1 = line level input, 2 = low mic level input, 3 = high mic level input
	2.5	Input levels	fixed16	[0] ch0	0.0	1.0	0.0 = minimum, 1.0 = maximum
				[1] ch1	0.0	1.0	0.0 = minimum, 1.0 = maximum
2.6	Phantom power	boolean	–	–	–	true = powered, false = not powered	
Output	3.0	Overlay enables	uint16 bit field	[0] = bit field	–	–	bit flags: [0] = display status, [1] = display frame guides [2] = clean feed Some cameras don't allow separate control of frame guides and status overlays.
			uint16 bit field	[1] = target displays bit field	–	–	bit flags: [0] = LCD [1] = HDMI [2] = EVF [3] = Main SDI [4] = Front SDI
	3.1	Frame guides style (Camera 3.x)	int8	–	0	8	0 = HDTV, 1 = 4:3, 2 = 2.4:1, 3 = 2.39:1, 4 = 2.35:1, 5 = 1.85:1, 6 = thirds
	3.2	Frame guides opacity (Camera 3.x)	fixed16	–	0.1	1.0	0.0 = transparent, 1.0 = opaque
	3.3	Overlays (replaces .1 and .2 above from Cameras 4.0)	int8	[0] = frame guides style	–	–	0 = off, 1 = 2.4:1, 2 = 2.39:1, 3 = 2.35:1, 4 = 1.85:1, 5 = 16:9, 6 = 14:9, 7 = 4:3, 8 = 2:1, 9 = 4:5, 10 = 1:1
				[1] = frame guide opacity	0	100	0 = transparent, 100 = opaque
				[2] = safe area percentage	0	100	percentage of full frame used by safe area guide (0 means off)
[3] = grid style				–	–	bit flags: [0] = display thirds, [1] = display cross hairs, [2] = display center dot, [3] = display horizon	

Group	ID	Parameter	Type	Index	Minimum	Maximum	Interpretation
Display	4.0	Brightness	fixed16	–	0.0	1.0	0.0 = minimum, 1.0 = maximum
	4.1	Exposure and focus tools	uint16 bit field	[0] = bit field	–	–	bit flags: [0] = Zebra [1] = Focus Assist [2] = False Color
				uint16 bit field	[1] = target displays bit field	–	–
	4.2	Zebra level	fixed16	–	0.0	1.0	0.0 = minimum, 1.0 = maximum
	4.3	Peaking level	fixed16	–	0.0	1.0	0.0 = minimum, 1.0 = maximum
	4.4	Color bar enable	int8	–	0	30	0 = disable bars, 1-30 = enable bars with timeout (seconds)
	4.5	Focus Assist	int8	[0] = focus assist method	–	–	0 = Peak, 1 = Colored lines
				[1] = focus line color	–	–	0 = Red, 1 = Green, 2 = Blue, 3 = White, 4 = Black
4.6	Program return feed enable	int8	–	0	30	0 = disable, 1-30 = enable with timeout (seconds)	
4.7	Timecode Source	signed byte	[0] = source	–	–	0 = Clip, 1 = Timecode	
Tally	5.0	Tally brightness	fixed16	–	0.0	1.0	Sets the tally front and tally rear brightness to the same level. 0.0 = minimum, 1.0 = maximum
	5.1	Front tally brightness	fixed16	–	0.0	1.0	Sets the tally front brightness. 0.0 = minimum, 1.0 = maximum
	5.2	Rear tally brightness	fixed16	–	0.0	1.0	Sets the tally rear brightness. 0.0 = minimum, 1.0 = maximum Tally rear brightness cannot be turned off
Reference	6.0	Source	int8 enum	–	0	2	0 = internal, 1 = program, 2 = external
	6.1	Offset	int32	–	–	–	+/- offset in pixels
Confi- guration	7.0	Real Time Clock	int32	[0] time	–	–	BCD - HHMMSSFF (UCT)
				[1] date	–	–	BCD - YYYYMMDD
	7.1	System language	string	[0-1]	–	–	ISO-639-1 two character language code
	7.2	Timezone	int32	–	–	–	Minutes offset from UTC
	7.3	Location	int64	[0] latitude	–	–	BCD - s0DDdddddddddd where s is the sign: 0 = north (+), 1 = south (-); DD degrees, ddddddddddd decimal degrees
[1] longitude				–	–	BCD - sDDDdddddddddd where s is the sign: 0 = west (-), 1 = east (+); DDD degrees, dddddddddd decimal degrees	

Group	ID	Parameter	Type	Index	Minimum	Maximum	Interpretation
Color Correction	8.0	Lift Adjust	fixed16	[0] red	-2.0	2.0	default 0.0
				[1] green	-2.0	2.0	default 0.0
				[2] blue	-2.0	2.0	default 0.0
				[3] luma	-2.0	2.0	default 0.0
	8.1	Gamma Adjust	fixed16	[0] red	-4.0	4.0	default 0.0
				[1] green	-4.0	4.0	default 0.0
				[2] blue	-4.0	4.0	default 0.0
				[3] luma	-4.0	4.0	default 0.0
	8.2	Gain Adjust	fixed16	[0] red	0.0	16.0	default 1.0
				[1] green	0.0	16.0	default 1.0
				[2] blue	0.0	16.0	default 1.0
				[3] luma	0.0	16.0	default 1.0
	8.3	Offset Adjust	fixed16	[0] red	-8.0	8.0	default 0.0
				[1] green	-8.0	8.0	default 0.0
				[2] blue	-8.0	8.0	default 0.0
				[3] luma	-8.0	8.0	default 0.0
	8.4	Contrast Adjust	fixed16	[0] pivot	0.0	1.0	default 0.5
				[1] adj	0.0	2.0	default 1.0
	8.5	Luma mix	fixed16	–	0.0	1.0	default 1.0
8.6	Color Adjust	fixed16	[0] hue	-1.0	1.0	default 0.0	
			[1] sat	0.0	2.0	default 1.0	
8.7	Correction Reset Default	void	–	–	–	reset to defaults	

Group	ID	Parameter	Type	Index	Minimum	Maximum	Interpretation
Media	10.0	Codec	int8 enum	[0] = basic codec	-	-	0 = CinemaDNG, 1 = DNxHD, 2 = ProRes, 3 = Blackmagic RAW
					-	-	CinemaDNG: 0 = uncompressed, 1 = lossy 3:1, 2 = lossy 4:1
				[1] = code variant	-	-	ProRes: 0 = HQ, 1 = 422, 2 = LT, 3 = Proxy, 4 = 444, 5 = 444XQ
					-	-	Blackmagic RAW: 0 = Q0, 1 = Q5, 2 = 3:1, 3 = 5:1, 4 = 8:1, 5 = 12:1
	10.1	Transport mode	int8	[0] = mode	-	-	0 = Preview, 1 = Play, 2 = Record
				[1] = speed	-	-	-ve = multiple speeds backwards, 0 = pause, +ve = multiple speeds forwards
				[2] = flags	-	-	1<<0 = loop, 1<<1 = play all, 1<<5 = disk1 active, 1<<6 = disk2 active, 1<<7 = time-lapse recording
				[3] = slot 1 storage medium	-	-	0 = CFast card, 1 = SD, 2 = SSD Recorder
				[4] = slot 2 storage medium	-	-	0 = CFast card, 1 = SD, 2 = SSD Recorder
	10.2	Playback Control	int8 enum	[0] = clip	-	-	0 = Previous, 1 = Next
10.5	Stream	bool	[0] = enabled	-	-	true = enabled, false = disabled	
10.6	Stream Information	void bool	[0] = enabled	-	-	true = enabled, false = disabled	
10.7	Stream Display 3D LUT	void bool	[0] = enabled	-	-	true = enabled, false = disabled	
PTZ Control	11.0	Pan/Tilt Velocity	fixed 16	[0] = pan velocity	-1.0	1.0	-1.0 = full speed left, 1.0 = full speed right
				[1] = tilt velocity	-1.0	1.0	-1.0 = full speed down, 1.0 = full speed up
	11.1	Memory Preset	int8 enum	[0] = preset command	-	-	0 = reset, 1 = store location, 2 = recall location
			int8	[1] = preset slot	0	5	-

Example Protocol Packets

Operation	Packet Length	Byte															
		0	1	2	3	4	5	6	7	8	9	10	11	12	13	14	15
		header				command				data							
		destination	length	command	reserved	category	parameter	type	operation								
trigger instantaneous auto focus on camera 4	8	4	4	0	0	0	1	0	0								
turn on OIS on all cameras	12	255	5	0	0	0	6	0	0	1	0	0	0				
set exposure to 10 ms on camera 4 (10 ms = 10000 us = 0x00002710)	12	4	8	0	0	1	5	3	0	0x10	0x27	0x00	0x00				
add 15% to zebra level (15 % = 0.15 f = 0x0133 fp)	12	4	6	0	0	4	2	128	1	0x33	0x01	0	0				
select 1080p 23.98 mode on all cameras	16	255	9	0	0	1	0	1	0	24	1	3	0	0	0	0	0
subtract 0.3 from gamma adjust for green & blue (-0.3 ~ = 0xfd9a fp)	16	4	12	0	0	8	1	128	1	0	0	0x9a	0xfd	0x9a	0xfd	0	0
all operations combined	76	4	4	0	0	0	1	0	0	255	5	0	0	0	6	0	0
		1	0	0	0	4	8	0	0	1	5	3	0	0x10	0x27	0x00	0x00
		4	6	0	0	4	2	128	1	0x33	0x01	0	0	255	9	0	0
		1	0	1	0	24	1	3	0	0	0	0	0	4	12	0	0
		8	1	128	1	0	0	0x9a	0xfd	0x9a	0xfd	0	0				

Blackmagic Tally Control Protocol

Version 1.0 (30/04/14)

This section is for third party developers or anybody who may wish to add support for the Blackmagic Tally Control Protocol to their products or system. It describes the protocol for sending tally information embedded in the non-active picture region of a digital video stream.

Data Flow

A master device such as a broadcast switcher embeds tally information into its program feed which is broadcast to a number of slave devices such as cameras or camera controllers. The output from the slave devices is typically fed back to the master device, but may also be sent to a video monitor.

The primary flow of tally information is from the master device to the slaves. Each slave device may use its device id to extract and display the relevant tally information.

Slave devices pass through the tally packet on their output and update the monitor tally status, so that monitor devices connected to that individual output may display tally status without knowledge of the device id they are monitoring.

Assumptions

Any data alignment/padding is explicit in the protocol. Bit fields are packed from LSB first.

Blanking Encoding

One tally control packet may be sent per video frame. Packets are encoded as a SMPTE 291M packet with DID/SDID x51/x52 in the active region of VANC line 15. A tally control packet may contain up to 256 bytes of tally information.

Packet Format

Each tally status consists of 4 bits of information:

```
uint4
bit 0:   program tally status (0=off, 1=on)
bit 1:   preview tally status (0=off, 1=on)
bit 2-3: reserved (0x0)
```

The first byte of the tally packet contains the monitor device tally status and a version number.

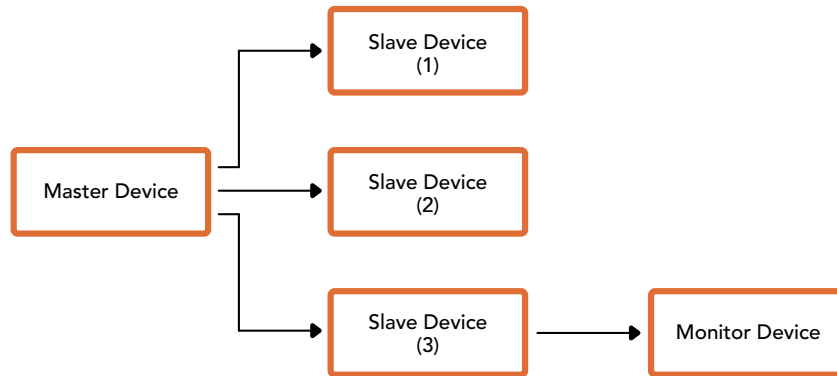
Subsequent bytes of the tally packet contain tally status for pairs of slave devices. The master device sends tally status for the number of devices configured/supported, up to a maximum of 510.

struct tally

```
uint8
bit 0:   monitor device program tally status (0=off, 1=on)
bit 1:   monitor device preview tally status (0=off, 1=on)
bit 2-3: reserved (0b00)
bit 4-7: protocol version (0b0000)

uint8[0]
bit 0:   slave device 1 program tally status (0=off, 1=on)
bit 1:   slave device 1 device preview tally status (0=off, 1=on)
bit 2-3: reserved (0b00)
bit 4:   slave device 2 program tally status (0=off, 1=on)
bit 5:   slave device 2 preview tally status (0=off, 1=on)
bit 6-7: reserved (0b00)
```

uint8[1]
bit 0: slave device 3 program tally status (0=off, 1=on)
bit 1: slave device 3 device preview tally status (0=off, 1=on)
bit 2-3: reserved (0b00)
bit 4: slave device 4 program tally status (0=off, 1=on)
bit 5: slave device 4 preview tally status (0=off, 1=on)
bit 6-7: reserved (0b00)
...



Byte	7 MSB	6	5	4	3	2	1	0 LSB
0	Version (0b0)	Version (0b0)	Version (0b0)	Version (0b0)	Reserved (0b0)	Reserved (0b0)	Monitor Preview	Monitor Program
1	Reserved (0b0)	Reserved (0b0)	Slave 1 Preview	Slave 1 Program	Reserved (0b0)	Reserved (0b0)	Slave 0 Preview	Slave 0 Program
2	Reserved (0b0)	Reserved (0b0)	Slave 3 Preview	Slave 3 Program	Reserved (0b0)	Reserved (0b0)	Slave 2 Preview	Slave 2 Program
3	...							

帮助

获得帮助最快捷的途径是登陆Blackmagic Design在线支持页面并浏览有关摄影机的最新支持信息和材料。

Blackmagic Design在线支持页面

请登陆Blackmagic Design支持中心www.blackmagicdesign.com/cn/support获得最新版操作手册、软件以及技术答疑文章。

联系Blackmagic Design支持中心

如果我们提供的支持信息无法解答您的疑问, 请到支持页面下点击“给我们发送电子邮件”按钮即可发送技术支持请求。或者, 您也可以点击支持页面下的“查找您所在地区的支持团队”按钮, 致电您所在地区的Blackmagic Design支持中心获得帮助。

查看当前安装的软件版本

要检查您的计算机当前安装的Blackmagic Camera Setup软件版本, 请打开“About Blackmagic Camera Setup Utility”窗口查看。

- 在Mac系统下, 请到“应用程序”文件夹下打开Blackmagic Camera Utility。点击文件夹中的“About Blackmagic Camera Setup Utility”后即可查看版本号。
- 在Windows系统下, 请到开始菜单打开Blackmagic Camera Setup。点击“Help” (帮助) 菜单并选择“About Blackmagic Camera Setup Utility”即可查看版本号。

如何获得软件更新

检查完您计算机上安装的Blackmagic Camera Utility软件版本号之后, 请访问网址www.blackmagicdesign.com/cn/support访问Blackmagic Design支持中心查看最新版本。请及时将软件升级到最新版本, 但切勿在重要项目制作过程中升级软件。

监管告知



在欧盟范围内处置电子垃圾和电子设备的注意事项。

根据产品所附的提示标志, 本设备不得与其它废弃材料共同处置。处置废弃设备时, 必须交给指定收集点进行回收。对废弃设备进行单独收集并回收能够节省自然资源, 且回收方式不会损害环境和人体健康。获取更多关于废弃设备回收点的信息, 请联系您所在城市的回收站, 或当时购买设备的经销商。



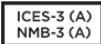
本设备经过测试, 符合FCC规则的第15部分对A类数字设备的限制。这些限制旨在为运行于商业环境中的设备提供合理保护, 使其免受有害干扰的影响。本设备可生成、使用且辐射射频能量, 如果未按照安装手册来安装和使用本设备, 则可能导致对无线电通信的有害干扰。在住宅区运行本产品可能会产生有害干扰, 在这种情况下将由用户自行承担消除干扰的费用。

必须满足以下条件后方可操作:

- 1 设备不会造成有害干扰。
- 2 设备必须能够承受任何干扰, 包括可能导致意外操作的干扰。



R-R-BMD-20210915001
R-R-BMD-20200421002
R-R-BMD-20200916001
R-R-BMD-20200916002
R-REM-BMD-201803004
R-REM-BMD-201803003
MSIP-REM-BMD-201612001



加拿大ISED认证声明

本设备符合加拿大A类数码产品的相关标准。

任何对本产品的改装或预期用途之外的使用均可能导致相关标准认证无效。

本设备经检测符合商业环境使用要求。

蓝牙 (Bluetooth®)

URSA Broadcast G2产品采用无线蓝牙技术。

包含发射模块FCC ID: QOQBGM113

本设备符合为非受控制环境设定的FCC辐射暴露限制。

包含发射模块IC: 5123A-BGM113

本设备符合加拿大工业部免检RSS标准, 并免于RSS-102第5条中规定的日常SAR评估限制。

日本认证, 认证编号: 209-J00204。本设备中的指定无线电设备已通过《无线电法》技术法规符合性认证。

本设备已获得韩国认证, KC认证编号: MSIP-CRM-BGT-BGM113

Blackmagic Design在此声明, 使用2.4 GHz ISM宽频传输系统的URSA Broadcast G2产品符合欧盟指令2014/53/EU。

获取完整版欧盟符合性声明, 请联系compliance@blackmagicdesign.com

安全信息

请务必将Blackmagic URSA Broadcast G2所提供的AC到12V DC电源线及Blackmagic Studio Fiber Converter的IEC电源线连接至配有保护地线的电源插座。

Blackmagic URSA Broadcast G2及Camera Fiber Converter适合在环境温度低于40°C的热带地区使用, Blackmagic Studio Fiber Converter适合在环境温度低于50°C的热带地区使用。

确保Blackmagic Studio Fiber Converter和Camera Fiber Converter四周留有足够的空间, 散热不受阻碍。将Studio Fiber Converter安装在机架上时, 确保散热不受周围设备的影响。

Blackmagic URSA Broadcast G2、Camera Fiber Converter和Studio Fiber Converter内部没有操作人员可维护的零件。维修服务请联系当地Blackmagic Design服务中心。

加利福尼亚安全声明

该产品可能会使您暴露于微量的化学制品之下, 比如塑料部分中含有的多溴化联苯, 该物质已被加利福尼亚州列为可导致癌症、出生缺陷或其他生殖伤害。

详情请访问网址www.P65Warnings.ca.gov。

Blackmagic URSA Broadcast G2

在日照环境下, 应考虑遮盖摄影机来避免摄影机或锂电池长期暴露在日光下。请勿将锂电池保存在热源附近。

12V DC输出接口适合为Blackmagic URSA Viewfinder或Blackmagic URSA Studio Viewfinder供电。当该接口连接其它附件时, 确保耗电量低于18W。



Blackmagic Studio Fiber Converter

为了降低触电风险, 请勿将设备放在会滴水或溅水的地方。请在海拔高度2000米以下的地区使用。

Blackmagic Camera Fiber Converter

只有连接Blackmagic Studio Fiber Converter后, 该设备才能使用。在正常使用情况下, 转换器将接收来自Blackmagic Studio Fiber Converter的危险电压。

保修

有限保修

Blackmagic Design保证本产品自购买之日起12个月内不会有材料和工艺上的缺陷。若本产品在其保修期内出现质量问题, Blackmagic Design可选择为产品提供免费修理或更换零部件, 或者更换缺陷产品。

为确保消费者有权享受本保修条款中的服务, 如遇产品质量问题请务必在保修期内联系Blackmagic Design并妥善安排保修事宜。消费者应将缺陷产品包装并运送到Blackmagic Design的指定服务中心进行维修, 运费由消费者承担并预先支付。若消费者因任何原因退货, 所有运费、保险费、关税等各项税务以及其他费用均由消费者承担。

本保修条款不适用于任何因使用、维护不当或保养不周造成的缺陷、故障或损坏。根据本保修服务, Blackmagic Design的保修范围不包括以下内容: 1. 对由非Blackmagic Design专门人员进行的安装、维修或保养所造成的损坏进行维修, 2. 对因使用不当或连接到不兼容设备所造成的损坏进行维修, 3. 对因使用了非Blackmagic Design生产的零部件所导致的损坏或故障进行维修, 及 4. 对经过改装或和其他产品进行组装的产品进行保养维修 (因为产品经改装或组装后会增加保养维修所需时间或保养难度)。

由于URSA Viewfinder的光学元件和放大镜原理类似, 所以将寻像器直接暴露在阳光下可能会损坏其显示器。当OLED屏幕显示帧导栏等静态或高对比度图像时间过长时, OLED基板可能发生残影或烧屏现象。为避免此现象, 长时间不使用寻像器时, 切勿遮盖用于探测面部的IR感应器, 并确保断开寻像器连接。本产品保修不包括图像残影问题。

本保修条款由BLACKMAGIC DESIGN提供, 它可取代所有其他明示或隐含的保修。BLACKMAGIC DESIGN及其供应商对任何有关适销性及就特定用途的适用性等隐含保证不作任何担保。BLACKMAGIC DESIGN负责为消费者提供缺陷产品的维修或更换服务是完整和排他性补救措施。任何间接、特殊、偶然或必然损坏等损坏, 不论BLACKMAGIC DESIGN或其供应商是否事先获悉, Blackmagic Design均不予负责。若消费者对本设备进行非法使用, BLACKMAGIC DESIGN概不负责。对因使用本产品造成的损失, BLACKMAGIC DESIGN概不负责。本产品的操作风险由用户自行承担。

© Copyright 2022 Blackmagic Design. 保留一切权利。“Blackmagic Design”、“URSA”、“DeckLink”、“HDLINK”、“Workgroup Videohub”、“Multibrige Pro”、“Multibrige Extreme”、“Intensity”以及“Leading the creative video revolution”均为美国及其他国家的注册商标。所有其他公司名称及产品名称可能是其他所有者的注册商标。

Blackmagic URSA Broadcast G2





환영합니다

Blackmagic URSA Broadcast G2를 구매해 주셔서 감사합니다.

Blackmagic URSA Broadcast G2는 기존 방송국 및 온라인 방송 제작진 모두가 사용할 수 있도록 설계된 매우 강력한 성능의 카메라입니다. 카메라의 활용도가 뛰어나 4K 프로덕션 카메라, 4K 스튜디오 카메라, 또는 6K 디지털 필름 카메라로 사용할 수 있습니다.

가볍고 내구성이 뛰어난 마그네슘 합금으로 제작된 Blackmagic URSA Broadcast G2는 완벽한 균형감을 제공하여 하루 종일 편안하게 사용할 수 있으며, 주요 기능을 손끝으로 제어할 수 있습니다. 다시 말해, 뷰파인더에서 눈을 떼지 않고 ND 필터, 셔터 속도, 화이트 밸런스, ISO 등을 변경할 수 있습니다.

URSA Broadcast G2는 B4 방송용 렌즈와 호환 가능하며 Blackmagic RAW 및 Apple ProRes 처럼 널리 사용되는 파일 포맷으로 영상을 녹화할 뿐 아니라 효율성이 뛰어난 방송 품질의 10비트 H.264 및 H.265 포맷도 지원합니다. 듀얼 네이티브 게인은 놀라운 저조도 성능을 제공하며 높은 ISO 설정 시 그레인 및 노이즈를 줄이는데 최적화된 동시에 센서의 풀 다이내믹 레인지를 유지합니다.

URSA Broadcast G2를 사용하여 TV 프로그램과 다큐멘터리, 라이브 스튜디오 콘텐츠를 세계 최고 수준으로 제작해낼 수 있기를 희망합니다. 앞으로 어떤 창의적인 작품을 만나게 될지 상당히 기대하고 있으며, URSA에 새롭게 추가하길 원하는 기능에 대한 고객 여러분의 의견 또한 기다리고 있습니다.

Blackmagic Design의 CEO

그랜트 패티

목차

시작하기	1686	대시보드	1763
렌즈 장착하기	1686	녹화 설정	1763
전원 연결하기	1687	파일명 표준화	1769
서보 줌 렌즈 사용하기	1689	모니터링 설정	1770
B4 렌즈의 백 포커스 설정하기	1695	오디오 설정	1776
저장 미디어	1699	설정	1779
CFast 카드	1699	프리셋	1796
SD 카드	1700	LUT	1799
USB-C 플래시 디스크에 녹화하기	1702	메타데이터 입력	1802
SSD	1703	자이로 안정화	1807
녹화용 미디어 준비하기	1705	비디오 스트리밍하기	1809
Blackmagic URSA Broadcast G2 에서 미디어 준비하기	1705	스마트폰 셋업	1810
Mac에서 미디어 준비하기	1707	설정	1810
Windows에서 미디어 준비하기	1708	ATEM 카메라 ID 설정하기	1811
녹화	1709	XML 파일 생성하기	1811
클립 녹화하기	1709	XML 파일 보내기	1811
코덱, 해상도, 센서 영역 선택하기	1710	XML 파일 로딩하기	1812
Blackmagic RAW	1711	URSA Mini Shoulder Kit	1813
Blackmagic RAW 녹화	1711	Blackmagic URSA Viewfinder	1816
프레임 레이트 선택하기	1714	Blackmagic URSA Broadcast G2에 설치 및 연결하기	1816
외부 장비의 녹화 트리거하기	1717	아이피스 조절하기	1817
녹화 가능 시간	1717	버튼 기능	1817
재생	1719	메뉴 설정하기	1818
URSA Broadcast G2의 커넥터 및 기능	1720	Blackmagic URSA Studio Viewfinder	1822
카메라 전면부	1720	Blackmagic URSA Broadcast G2에 설치 및 연결하기	1823
좌측	1721	Blackmagic URSA Studio Viewfinder 조절하기	1825
좌측 컨트롤	1721	버튼 기능	1828
우측면	1723	메뉴 설정하기	1830
뒷면 패널	1724	Blackmagic Zoom Demand 및 Blackmagic Focus Demand	1835
상단 패널	1726	카메라에 연결 및 장착하기	1835
하단부	1726	Blackmagic Focus Demand 사용하기	1837
URSA Broadcast G2 컨트롤	1727	Blackmagic Zoom Demand 사용하기	1838
앞쪽 제어 패널	1727	배터리 장착하기	1839
인체 공학 제어 패널	1730	V-마운트 및 골드 마운트 배터리 장착하기	1839
내부 제어 패널	1735	기존 배터리 플레이트 사용하기	1841
카메라의 비디오 출력	1737	Blackmagic 광섬유 컨버터	1843
HD 모니터링 출력	1737	Blackmagic 광섬유 컨버터 사용하기	1844
12G-SDI 출력	1737	SMPTE 광케이블이란	1844
터치스크린 컨트롤	1739	SMPTE 광섬유 연결하기	1846
상단 톨바	1739	연결 단자가 왜 전면에 배치되어 있을까요?	1850
하단 톨바	1756		
루프 재생	1762		
설정	1763		

카메라 SDI 연결하기	1851	렌즈 마운트 심 장착하기	1889
리턴 SDI 출력 연결하기	1851	Blackmagic URSA Mini Pro 심 키트	1889
Blackmagic Camera Fiber Converter 장착하기	1851	렌즈 마운트 심 장착하기	1890
URSA Studio Viewfinder 장착하기	1854	URSA Mini Recorder	1891
토크백 헤드셋 연결하기	1854	URSA Mini Recorder 설치 및 연결하기	1892
Camera Fiber Converter 사용하기	1855	URSA Mini Recorder 사용하기	1894
리턴 피드 선택하기	1855	URSA Mini Recorder 내부 소프트웨어 업데이트하기	1895
콜 버튼 사용하기	1856	스튜디오 카메라 컨트롤 이해하기	1896
토크백 사용하기	1856	카메라 컨트롤 사용하기	1897
탈리 사용	1857	DaVinci Resolve 프라이머리 컬러 커렉터	1902
상태 표시 장치	1857	DaVinci Resolve 사용하기	1906
오디오 입력	1858	프로젝트 매니저	1906
IP 비디오	1859	컷 페이지를 사용하여 편집하기	1907
전원 사양	1859	타임라인에 클립 추가하기	1910
추가 카메라 컨트롤	1860	타임라인에서 클립 트리밍하기	1911
Studio Fiber Converter 사용하기	1861	오디오 트림뷰	1911
메뉴 사용하기	1862	타이틀 추가하기	1912
스튜디오 컨버터를 랙에 장착하기	1865	Blackmagic RAW 파일로 작업하기	1913
카메라 컨버터 연결 단자	1869	컬러 페이지에서 클립 색보정 하기	1917
카메라 전원 연결	1869	파워 윈도우 추가하기	1920
PTZ 인터페이스	1869	플러그인 사용하기	1922
토크백 연결하기	1870	오디오 믹싱하기	1923
Tracker Interface	1871	Fusion 페이지에서 VFX 시각효과 추가 및 합성하기	1928
DC 연결	1871	편집 영상 마스터링하기	1937
D-탭 출력	1872	신속한 내보내기(Quick Export)	1937
레퍼런스 출력 및 운영	1872	딜리버리 페이지	1938
스튜디오 컨버터 연결하기	1873	Blackmagic Camera Setup 유틸리티	1939
12G-SDI 출력	1873	서드 파티 소프트웨어로 작업하기	1940
리턴 SDI 입력	1873	CFast 2.0 및 SD 카드로 파일 작업하기	1941
레퍼런스 입/출력	1874	SSD 파일을 사용하여 작업하기	1941
토크백 인터페이스	1874	Final Cut Pro X 사용하기	1942
PTZ 인터페이스	1875	Avid Media Composer 2018 사용하기	1943
오디오 출력	1876	Adobe Premiere Pro CC 사용하기	1943
내부 소프트웨어 업데이트	1877	Developer Information	1945
Blackmagic Camera Fiber Converter 업데이트하기	1877	Blackmagic Bluetooth Camera Control	1945
Blackmagic Studio Fiber Converter 업데이트하기	1877	Blackmagic SDI and Bluetooth Camera Control Protocol	1947
교체형 렌즈 마운트	1878	Example Protocol Packets	1955
B4 마운트 제거하기	1879	Blackmagic Tally Control Protocol	1956
Blackmagic URSA Mini Pro EF 마운트	1879	지원	1958
Blackmagic URSA Mini Pro F 마운트	1881	규제 사항	1959
Blackmagic URSA Mini Pro PL 마운트	1885	안전 정보	1960
Blackmagic URSA Broadcast G2 B4 마운트	1888	보증	1961

시작하기

렌즈를 장착하고 카메라 전원을 켜기만 하면 Blackmagic URSA Broadcast G2의 사용 준비가 완료됩니다.

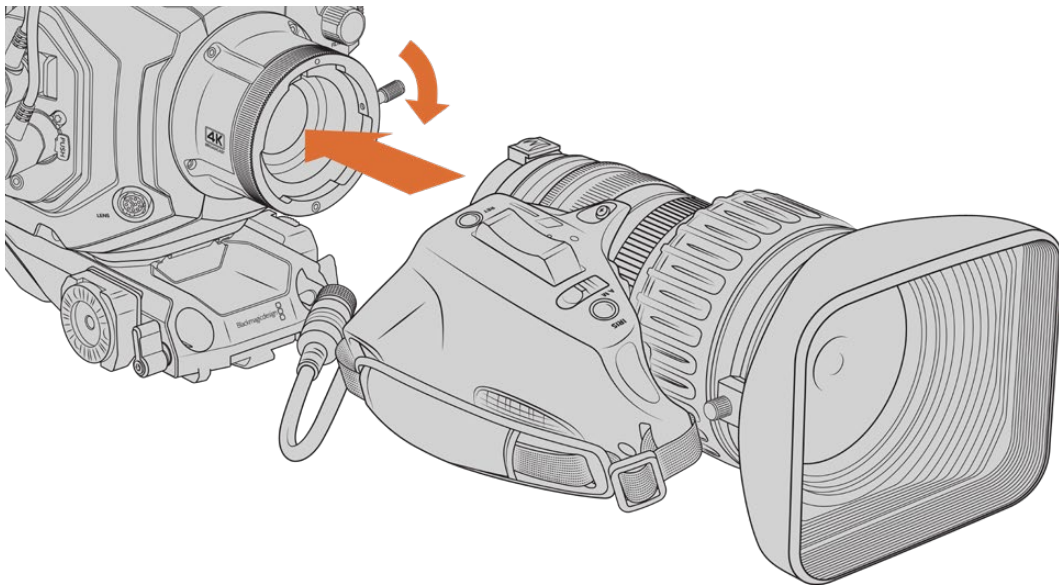
렌즈 장착하기

URSA Broadcast G2에는 HD 및 UHD 방송 렌즈용 B4 렌즈 마운트가 포함되어 있습니다. EF 마운트도 추가로 포함되어 있어 사진 렌즈와 기타 콤팩트 줌 렌즈 또는 EF 시네 렌즈도 사용할 수 있습니다. 렌즈 마운트 교체 방법에 관한 자세한 정보는 본 사용 설명서 뒤편의 [교체형 렌즈 마운트] 부분을 참고하세요.

URSA Broadcast G2의 B4 마운트에는 카메라 센서와 함께 작동하도록 특별 제작된 광학 기술이 적용되어 2/3인치 센서가 탑재된 기존의 방송 카메라와 동일한 시야 및 피사계 심도를 제공합니다. 다시 말해, 방송 계통에 익숙한 사용자라면 기존 B4 렌즈를 URSA Broadcast G2에 손쉽게 연결하여 자신감 있게 촬영할 수 있습니다.

카메라 먼지 보호 덮개를 제거하려면 외측 잠금 링을 시계 반대 방향으로 돌린 뒤, 렌즈 마운트 커버를 당겨 분리하세요.

B4 마운트 렌즈 장착하기



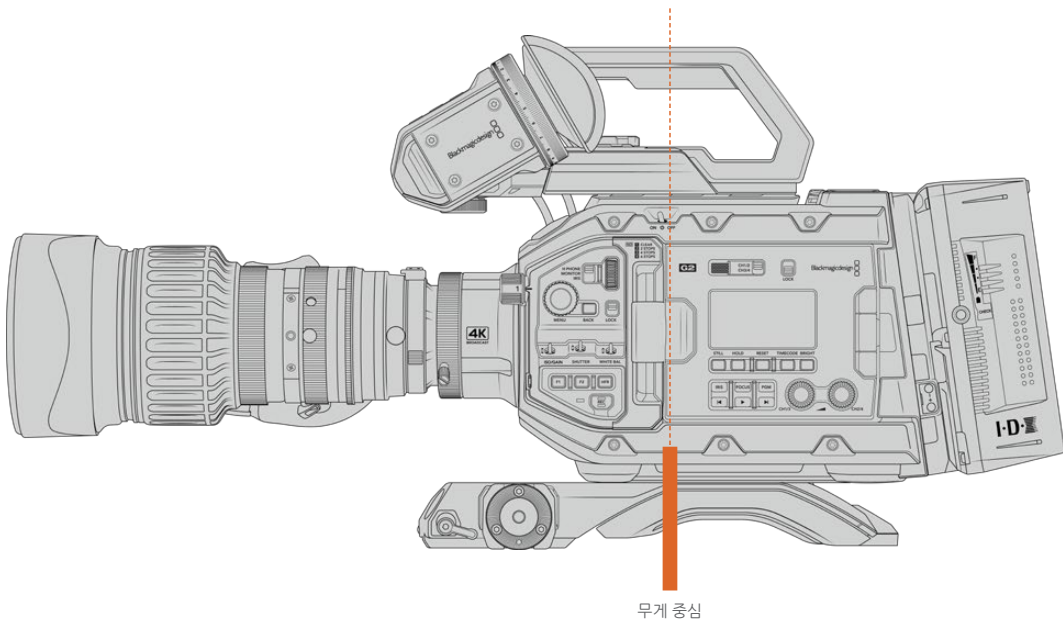
잠금링을 시계 방향으로 돌려 렌즈를 카메라에 고정시키세요.

- 1 B4 렌즈 잠금링을 시계 반대 방향으로 돌리면 마운트 상부 안쪽에 있는 정렬 슬롯이 나타납니다. 렌즈의 정렬핀과 정렬 슬롯을 맞춰 B4 렌즈와 URSA Broadcast G2의 B4 마운트 위치를 일치시키세요.
- 2 마운트 플레이트끼리 서로 잘 맞물리도록 렌즈를 B4 마운트에 가져가 정렬핀이 정렬 슬롯 안에 잘 고정되었는지 확인하세요.
- 3 잠금링을 시계 방향으로 돌려 렌즈를 마운트에 장착하세요.
- 4 URSA Broadcast G2 터릿 전면에 LENS라고 적힌 커넥터가 있습니다. 여기에 렌즈 케이블을 연결하면 렌즈에 전원을 공급하고 제어할 수 있습니다. 대부분의 B4 렌즈에는 12핀 렌즈 커넥터와 내장 케이블이 있습니다. 이를 통해 URSA Broadcast G2에서 렌즈로 전원과 제어 신호를 제공합니다.

지원되는 B4 렌즈의 종류 및 사용 방법에 대한 정보는 본 설명서의 [서보 줌 렌즈 사용하기] 부분을 참고하세요.

참고 카메라에 렌즈가 장착되어 있지 않은 경우, URSA Broadcast G2의 B4 마운트 광학 부품이 먼지와 다른 이물질에 노출됩니다. 렌즈 커버는 항상 닫아 두는 것이 좋습니다.

대부분의 B4 렌즈는 줌 레인지가 상당히 넓어 길이가 꽤 긴 편입니다. URSA Broadcast G2에 B4 렌즈를 연결하여 사용할 경우, 카메라의 무게 중심이 앞으로 쏠리게 됩니다. URSA Mini 숄더 패드가 카메라에 포함되어 있어 필요에 맞게 무게 중심을 조절하여 사용할 수 있습니다.



URSA Broadcast G2를 URSA Mini 숄더 패드에 장착해 긴 줌 렌즈와 함께 사용할 경우, 카메라를 숄더 마운트 베이스 뒤쪽에 장착하는 것이 좋습니다. 이 경우, 카메라 리그의 무게 중심이 패드 중앙 뒤편으로 이동되어 어깨에 올려 사용하기 쉽고 책상이나 평평한 면에 안정적으로 올려 둘 수 있습니다. 숄더 패드 장착에 관한 자세한 정보는 본 사용 설명서 뒤편의 [URSA Mini Shoulder Kit] 부분을 참고하세요.

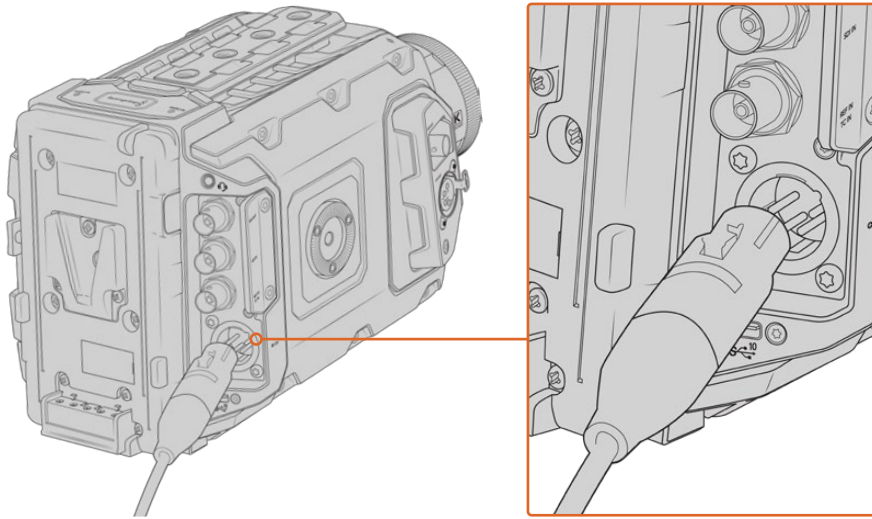
전원 연결하기

이제 카메라에 렌즈가 장착되었으므로 전원을 연결하면 됩니다. 카메라에 전원을 연결하는 가장 빠른 방법은 제품에 포함된 AC-12V DC 어댑터를 사용하여 외부 전원에 연결하는 것입니다.

외부 전원에 연결하기

- 1 메인 콘센트에 AC -12V DC 어댑터를 연결하세요.
- 2 AC-12V DC 어댑터의 4핀 XLR 커넥터를 카메라의 12-18V DC 전원 커넥터에 연결하세요.

카메라에 배터리를 장착한 채 외부 전원에 연결할 시에는 외부 전력만 사용됩니다. 완충된 배터리를 장착한 채 외부 전원을 분리하면 차질없이 카메라 배터리 전원으로 전환됩니다.



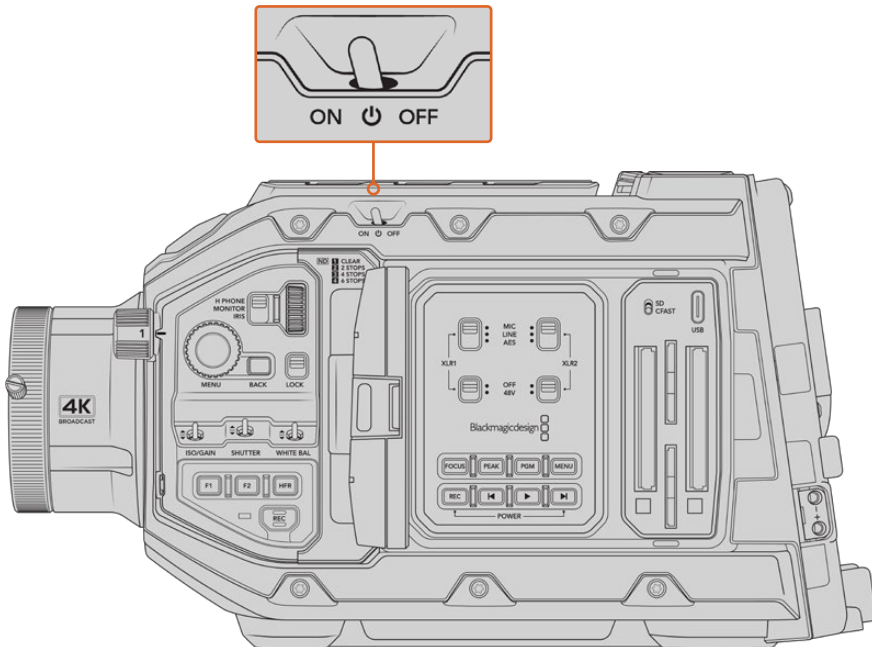
제품에 포함된 AC-12V DC 어댑터를 사용하여 Blackmagic URSA Broadcast G2에 전원을 연결하세요.

Blackmagic URSA Broadcast G2에는 URSA VLock Battery Plate가 기본으로 장착되어 있습니다. 이를 통해 업계 표준 V 마운트 배터리를 카메라에 장착할 수 있습니다. 다른 종류의 배터리를 지원하는 배터리 플레이트 장착에 관한 더 자세한 정보는 [배터리 장착하기] 부분을 참고하세요.

Blackmagic URSA Broadcast G2 전원 켜기

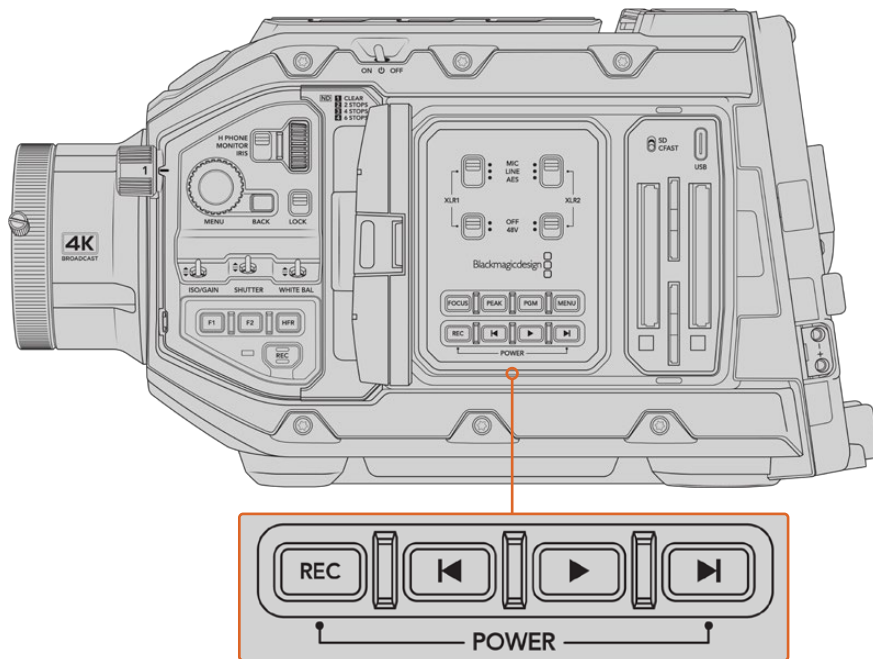
- 1 접이식 LCD 위쪽에 있는 전원 스위치를 ON으로 설정하세요.
- 2 카메라 전원을 끄려면 스위치를 OFF로 설정하세요.

이제 미디어를 삽입하여 녹화를 시작할 수 있습니다!



스위치를 ON으로 설정하면 카메라에 전원이 공급됩니다.

URSA Broadcast G2는 리던던시 전원 공급 또한 지원하기 때문에 안쪽 제어 패널의 REC 버튼과 건너뛰기 버튼을 동시에 길게 눌러 전원을 꺼고 끌 수 있습니다. 보통 이런 방법으로 카메라 전원을 켜지는 않겠지만 커스텀 리그를 장착해 전원 스위치가 가려진 경우에 사용할 수 있도록 설계되었습니다.



필요에 따라 LCD 안쪽 제어 패널의 REC 버튼과 건너뛰기 버튼을 동시에 길게 눌러 전원을 켜고 끌 수 있습니다.

정보 URSA Broadcast G2의 전원 스위치가 ON으로 설정된 경우에도 카메라가 켜지지 않는다면 이는 블루투스 컨트롤을 통해, 또는 제어 패널에 있는 REC 버튼과 건너뛰기 버튼을 길게 눌러 전원이 꺼진 상태일 수 있습니다. 간단히 전원 스위치를 OFF에서 ON으로 옮기거나 제어 패널의 관련 버튼을 길게 눌러 카메라 전원을 켤 수 있습니다.

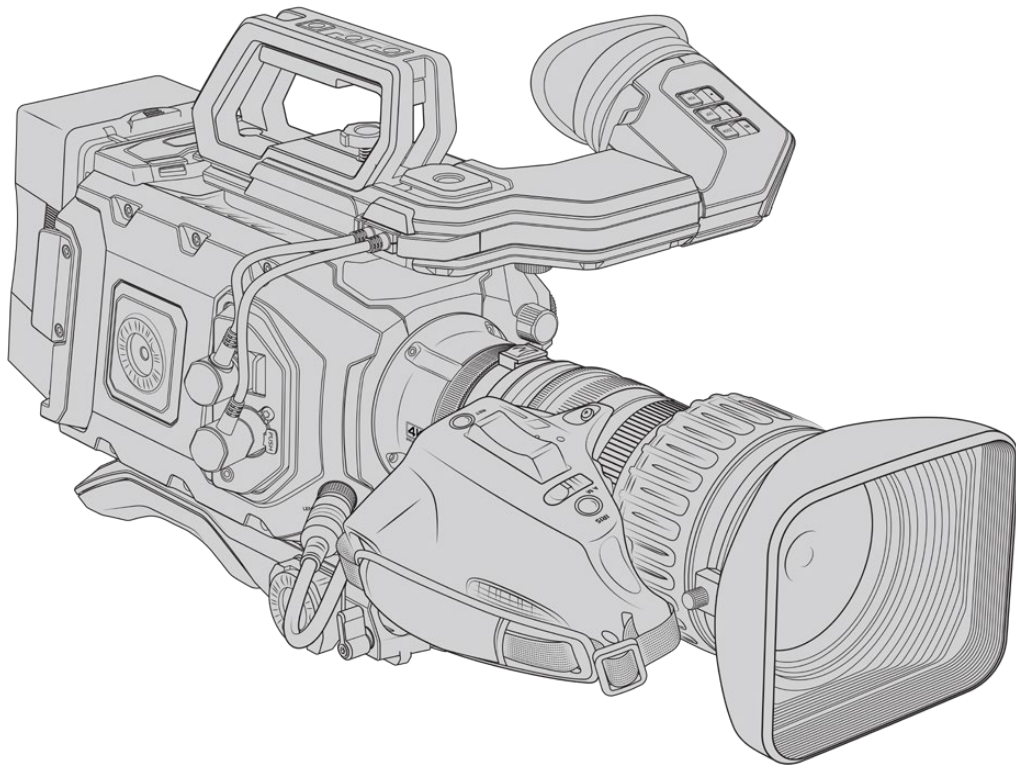
서보 줌 렌즈 사용하기

URSA Broadcast G2 카메라는 서보로 작동하는 B4 방송용 렌즈를 기본 지원합니다. 카메라에 B4 렌즈를 장착하는 방법에 대한 정보는 본 사용 설명서 앞부분의 [렌즈 장착하기] 부분을 참고하세요.

정보 URSA Broadcast G2에 URSA Mini Pro PL 마운트 옵션을 장착할 경우, 서보로 작동하는 PL 시네 렌즈 또한 사용할 수 있습니다.

B4 방송용 렌즈는 스틸 및 시네마 렌즈에서 지원하지 않는 다양한 기능을 제공합니다. 이러한 렌즈는 폭넓은 줌 레인지를 통해 초점을 유지하는 기능은 물론 손잡이에 있는 컨트롤과 서보를 통해 조리개 및 줌 기능을 지원하는 등 다른 렌즈들과 차별화된 기능을 제공합니다. 일부 렌즈는 서보로 작동하는 포커스 기능을 지원하기도 합니다. 렌즈 커넥터를 장착하면 핸드 그립, 카메라 또는 Blackmagic Zoom Demand 옵션을 사용해 조리개와 줌을 조절할 수 있습니다. ATEM 스위처에서 렌즈를 원격으로 제어할 수도 있습니다.

포커스 서보가 탑재된 렌즈의 경우, 카메라로부터 자동 초점 명령어를 전송받을 수 있으며, Blackmagic Focus Demand 옵션을 사용해 초점을 지속적으로 유지하거나 ATEM 스위처의 초점 명령어를 전송받을 수도 있습니다.



조리개 및 줌 제어 기능을 지원하는 B4 렌즈

- 모델명이 HA, ZA, XA, UA, LA로 시작해 RM으로 끝나는 Fujinon B4 렌즈 모델.
예) Fujinon **XA20sxBRM**
- 모델명이 HJ, KJ, CJ로 시작해 RSE 또는 RSD로 끝나는 Canon B4 렌즈 모델.
예) Canon **KJ20x8.2B IRSD**.

포커스, 조리개, 줌을 위한 완벽한 서보 제어 기능을 지원하는 B4 렌즈

- 모델명이 HA, ZA, UA로 시작해 RD 또는 ZD으로 끝나는 Fujinon B4 렌즈.
예) Fujinon **HA22x7.8 BERD**.
- 모델명이 XA 및 UA로 시작하는 Fujinon 박스 렌즈.
- 모델명이 HJ, KJ, CJ로 시작해 ASE 또는 ASD로 끝나는 Canon B4 렌즈 모델.
예) Canon **HJ24ex7.5B IASE**.
- 모델명이 XJ 및 UJ로 시작하는 Canon 박스 렌즈.

정보 위에 언급된 박스 렌즈 모델은 줌 서보 및 포커스 서보를 모두 지원합니다. 사용 중인 렌즈 공급 업체에 문의해 서보 모터가 설치되어 있는지 확인하세요.

Blackmagic URSA Broadcast G2는 Blackmagic RAW UHD 녹화가 가능한 상태로 출고됩니다. 녹화 설정을 확인하고자 할 경우, 간단히 메뉴 버튼을 누르면 LCD 화면의 메뉴 설정이 열립니다. 첫 번째 메뉴는 '녹화' 탭으로, 여기서 코덱 및 화질 설정을 확인할 수 있습니다. 메뉴 사용법에 관한 자세한 정보는 본 사용 설명서 뒷부분에서 확인하실 수 있습니다.



‘녹화’ 탭의 Blackmagic RAW 기본 설정 화면

UHD는 ProRes와 H.265 코덱 모두를 위한 기본 해상도이기도 합니다. HD 화질로 촬영하고자 할 경우, ProRes 또는 H.264 설정도 사용 가능합니다.



메뉴 설정에 나타난 ‘녹화’ 탭 화면

정보 B4 사용 시 이미지에서 비네팅 현상이 발견될 경우, Blackmagic RAW로 설정된 상황에서 해상도가 UHD로 설정되어 있는지 확인하세요. ProRes 또는 H.264/5로 녹화할 경우, 카메라의 ‘센서 영역’을 4K로 설정하면 B4 마운트에서 처리 가능한 광학 영역에 맞게 조절됩니다. 더욱 자세한 정보는 본 사용 설명서 뒷부분의 [녹화 설정]을 참고하세요.

B4 렌즈 컨트롤

조리개

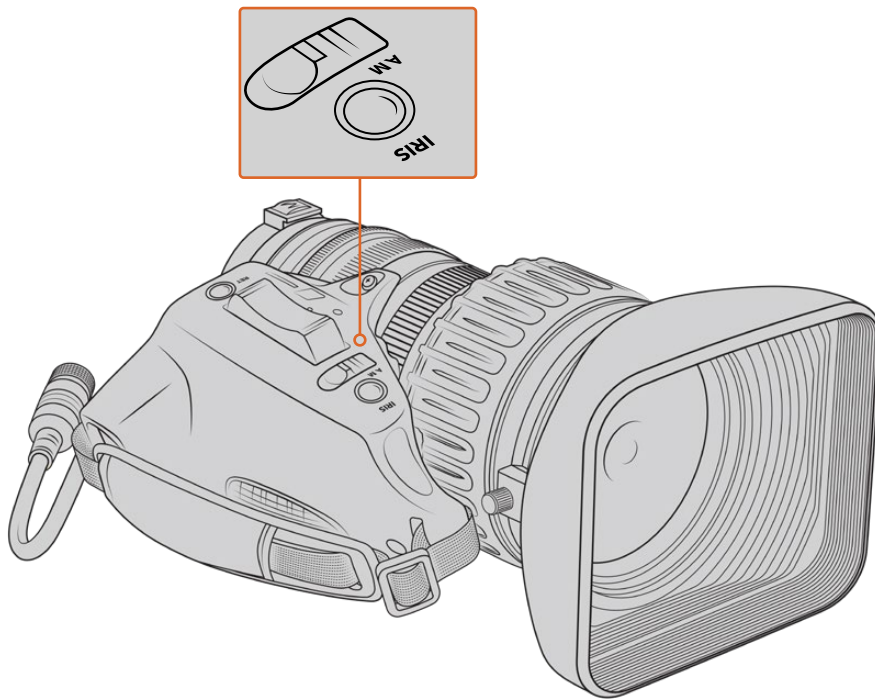
대부분의 B4 렌즈 핸드 그립에는 Auto/Manual 또는 A/M 스위치와 Push Auto 또는 IRIS 스위치가 달려 있습니다. 이를 통해 렌즈의 조리개 조절링을 조정할 수 있습니다.

Auto

이 스위치를 Auto 또는 A로 설정하면 URSA Broadcast G2, Blackmagic Zoom Demand 또는 ATEM 스위처에서 렌즈 조리개값을 조정할 수 있습니다. 조리개 휠과 내부 제어 패널 버튼, 터치스크린 컨트롤, 조리개 기반의 자동 노출 모드를 사용해 URSA Broadcast G2에서 렌즈 조리개값을 조정할 수 있습니다. 더 자세한 정보는 본 설명서의 [URSA Broadcast G2 컨트롤] 및 [터치스크린 컨트롤] 부분을 참고하세요. 자동 모드로 설정한 경우에는 B4 렌즈의 조리개 조절링을 수동으로 조작할 수 없습니다.

수동 모드(Manual/M)

이 스위치를 Manual 또는 M으로 설정한 뒤, 렌즈통에 있는 조리개 조절링을 돌려 렌즈 조리개값을 조정할 수 있습니다. 이 모드에서는 URSA Broadcast G2 또는 ATEM 스위처의 조리개값 명령어가 렌즈에 전달되지 않습니다.



일시 자동 모드(Push Auto/Iris)

수동 모드에서 이 버튼을 누르면 일시적으로 자동 조리개 제어 기능이 활성화됩니다. 카메라나 ATEM 스위처의 조리개 컨트롤 기능과 함께 사용하여 더 큰 효과를 얻을 수 있습니다.

예를 들어, 카메라를 조리개 기반의 자동 노출 모드로 설정하고 렌즈 조리개를 수동 모드로 설정할 경우, 렌즈통의 조리개 조절링을 사용해 렌즈 조리개를 원하는 대로 조정할 수 있습니다. 하지만 Push Auto/Iris 버튼을 누르면 자동 노출 기능이 일시적으로 활성화되어 현재 조명 조건에 맞는 조리개값으로 조정됩니다.

아니면 URSA Broadcast G2의 LCD 터치스크린 컨트롤을 사용해 조리개값을 설정할 수도 있습니다. 수동 모드에서는 렌즈통에 있는 조리개 조절링을 사용하여 렌즈 조리개를 자유롭게 조절할 수 있지만, Push Auto / Iris 버튼을 누르면 터치스크린에 설정된 프리셋 설정값으로 되돌아갑니다.

줌(ZOOM)

B4 렌즈 손잡이 아래에 있는 ZOOM 스위치를 사용해 서보 또는 수동 모드로 설정할 수 있습니다. 이 스위치를 사용해 줌 작동 방식을 제어할 수 있습니다.

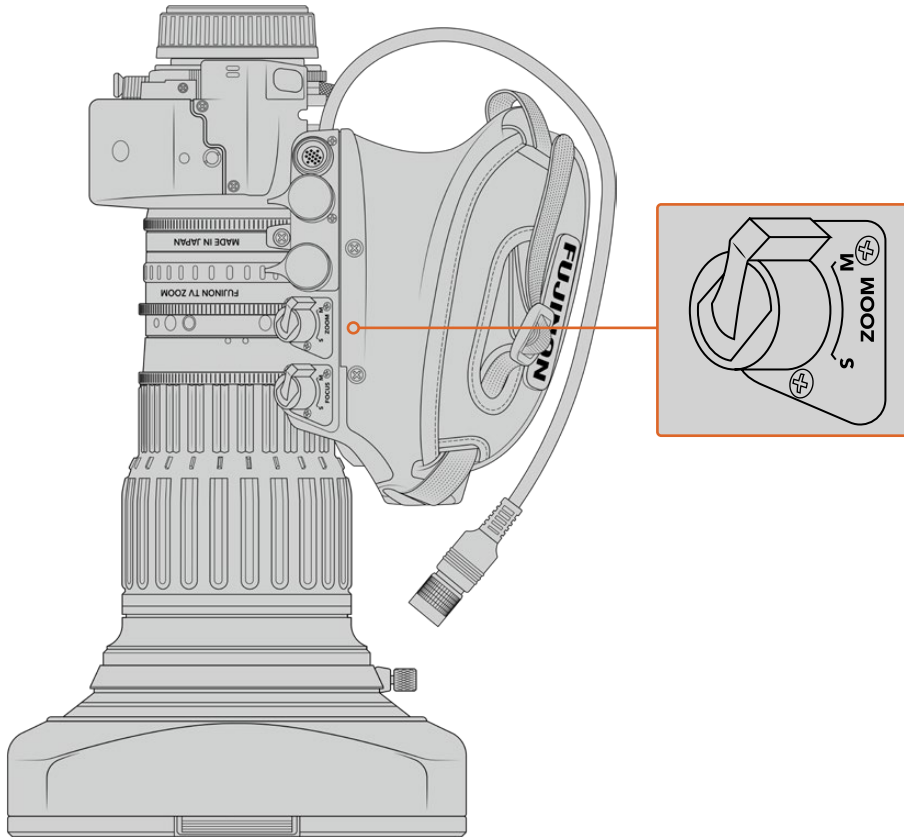
서보(Servo/S)

이 스위치를 S(Servo)로 설정해 서보 줌 컨트롤 기능을 활성화할 수 있습니다. 서보 모드에서는 손잡이에 있는 로커 스위치로 렌즈의 줌 인/아웃뿐만 아니라 줌 스피드 및 킥줌 같은 줌 기능과 관련된 제어 장치에 사용할 수 있습니다. 사용 중인 렌즈가 렌즈 커넥터를 통해 카메라에 연결되어 있는 한 URSA Broadcast G2, Blackmagic Zoom Demand, ATEM 스위처에서 전송되는 줌 명령어를 인식할 수 있습니다. 일반적으로 서보 모드에서는 렌즈의 수동 줌 링을 조절할 수 없습니다.

정보 핸드그립 줌 로커는 보통 줌 속도와 관련이 있습니다. 줌 기능을 천천히 적용하려면 로커를 아래로 부드럽게 내리고, 반대로 빠르게 사용하려면 더 강하게 누르세요.

수동(M)

이 스위치를 M(Manual)으로 설정하면 서보 제어 기능이 비활성화되어 렌즈 줌 링을 사용하여 줌을 조절할 수 있습니다. 수동 모드에서는 렌즈가 URSA Broadcast G2 또는 ATEM 스위처의 조리개값 명령어를 인식할 수 없습니다.



포커스

일부 B4 렌즈에는 서보 포커스 컨트롤이 탑재되어 있습니다. 사용 중인 렌즈에 포커스 컨트롤이 탑재된 경우, 손잡이 아래 쪽에 서보 및 수동 설정과 함께 FOCUS 스위치가 있는 것을 확인할 수 있습니다.

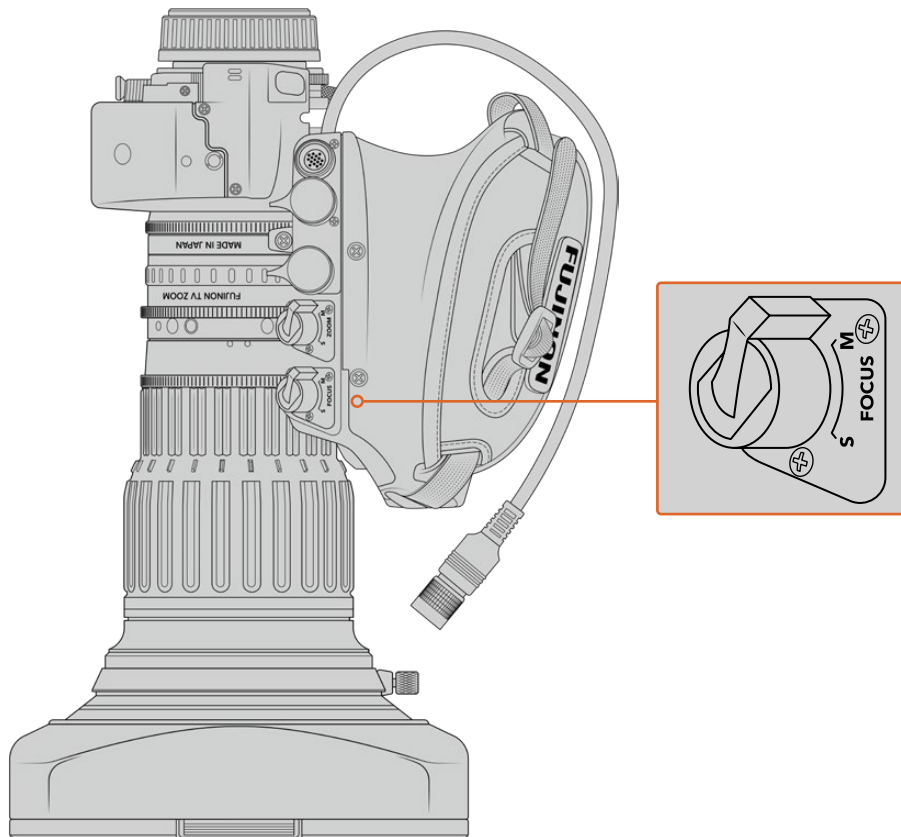
서보(Servo/S)

이 스위치를 S(Servo)로 설정하면 서보 포커스 컨트롤을 활성화할 수 있습니다. 서보 모드에서는 URSA Broadcast G2, Blackmagic Focus Demand 또는 ATEM 스위처에서 전달되는 포커스 명령어가 렌즈 커넥터를 통해 렌즈로 전달됩니다.

수동(Manula/M)

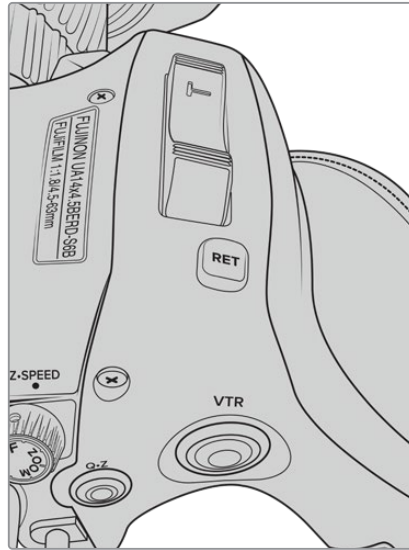
이 스위치를 수동으로 설정하면 렌즈에 있는 초점 링으로 렌즈 포커스를 조절할 수 있습니다. B4 렌즈에서는 자동 초점 기능이 느린 경향이 있어 수동 컨트롤을 주로 사용합니다.

참고 URSA Broadcast 카메라는 서보 기능이 탑재된 아날로그 B4 렌즈 또한 지원하지만, 줌 서보에 전원을 공급하고 전자식 조리개 컨트롤을 지원하는 역할만 제공합니다. 대부분의 아날로그 B4 렌즈는 SD 규격이며 표준 12핀 방송 커넥터가 탑재되어 있지 않을 수 있습니다. 따라서 아날로그 B4 렌즈 사용을 결정할 때는, 사용 기능에 제약이 발생할 경우를 대비해 카메라와의 호환 여부를 먼저 확인하는 것이 중요합니다. 이뿐만 아니라 일부 렌즈에서 프레임 가장자리의 해상도와 광량이 급격히 줄어드는 현상이 발생할 수 있기 때문에 이미지 서클의 유효 범위 또한 테스트해보기를 권장해 드립니다.



RET 및 VTR 버튼

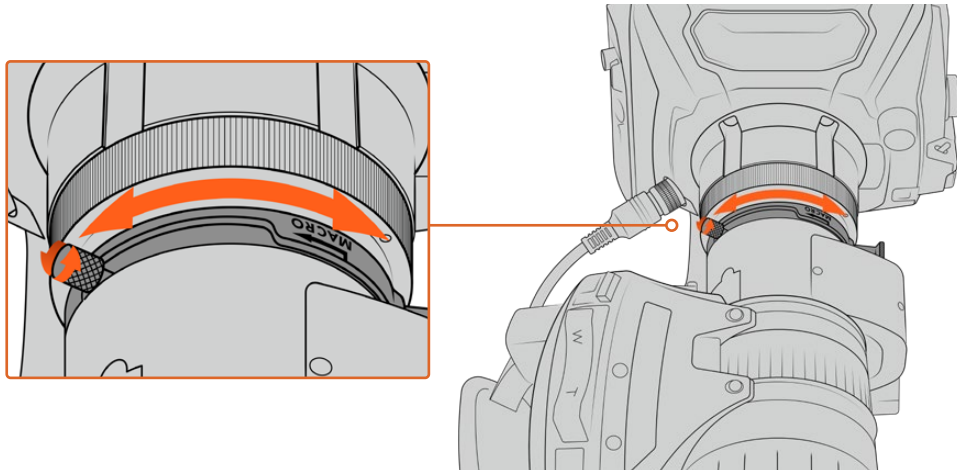
B4 렌즈에는 VTR 녹화 토글 버튼과 프로그램 리턴 피드를 위한 RET 버튼이 탑재되어 있습니다. RET 및 VTR 버튼을 기능 버튼으로 설정하는 방법에 대한 자세한 설명은 본 사용 설명서 뒷부분의 [설정] 부분을 참고하세요.



B4 렌즈의 RET(리턴) 및 VTR 버튼

B4 렌즈의 백 포커스 설정하기

B4 렌즈의 가장 큰 장점 중 하나는 파포컬 기능을 지원하도록 제작되어 줌 범위 안에서 초점이 유지되는 기능입니다. 다시 말해, 피사체를 줌 인하거나 줌 아웃해도 초점이 계속 유지됩니다.



백포커스 링은 일반적으로 렌즈 뒷면의 마운트 근처에 있습니다.

백포커스는 HD 렌즈 또는 4K B4 렌즈가 줌 범위 안에서 초점을 유지하도록 해주는 중요한 기능입니다. 카메라에 B4 렌즈를 처음 장착했을 때 백포커스가 정확한지 확인해야 합니다. 렌즈 교체 시에도 백포커스 확인이 상당히 중요하며 주요 프로젝트를 시작하기 전에 주기적으로 백포커스를 확인하는 것이 좋습니다.

B4 렌즈에서 백포커스를 확인하는 방법은 아래와 같습니다.

- 1 포커스 테스트 차트 또는 콘트라스트 디테일이 높은 평평한 흰색 물체를 카메라에서 대략 20미터 정도 최대한 멀리 두세요.
- 2 렌즈 조리개를 최대한 개방한 다음, 필요에 따라 내장 ND 필터를 사용해 노출을 보정하세요. 초점을 과장되게 나타나게 하려면 피사계 심도를 낮추면 됩니다.
- 3 포커스 차트에 zoom인한 다음, 초점을 설정하세요.
- 4 이제 zoom아웃하세요. 최대치에 도달하고 초점이 선명하게 유지되면 백포커스가 정확하다는 뜻으로 다시 조절할 필요가 없습니다.
하지만 zoom아웃했을 때 포커스 차트에 초점이 맞지 않으면, 이는 백포커스가 정확하지 않다는 것을 의미합니다. 최대치로 zoom아웃한 다음, 마운트 근처 렌즈 뒷면에 있는 백포커스 링을 조절하세요. 일반적으로 백포커스 링에는 조였다 풀었다 할 수 있는 회전 노브가 있습니다. 이 회전 노브를 느슨하게 한 다음, 차트에 초점이 맞춰질 때까지 포커스 링을 돌리세요.
- 5 이제 천천히 zoom을 인/아웃하면서 계속 차트에 초점이 유지되는지 확인하세요.
- 6 4, 5 단계를 반복하여 zoom을 인/아웃하면서 백포커스 링을 조절하세요. zoom이 움직이는 동안 렌즈의 초점이 그대로 유지되면 백포커스가 제대로 설정된 것입니다.

Fuji LA16x8 BRM 렌즈의 백포커스 설정하기

Fuji LA16x8 BRM 렌즈의 백포커스 설정 과정은 다른 렌즈와 약간 다릅니다. 외장 백포커스 링 대신 렌즈의 핸드 그립 하단에 있는 버튼을 사용해 전자식 백포커스를 설정합니다.

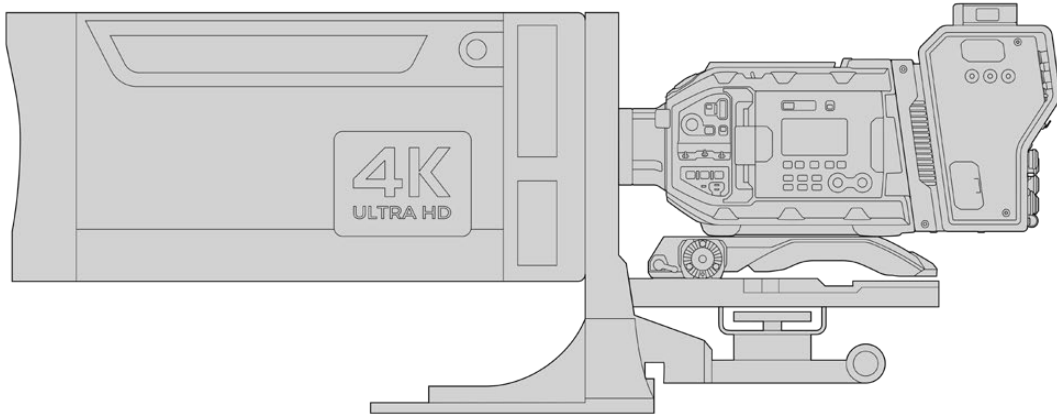
Fuji LA16x8 BRM 렌즈의 백포커스 설정하기

- 1 포커스 테스트 차트 또는 콘트라스트 디테일이 높은 평평한 흰색 물체를 카메라에서 대략 20미터 정도 최대한 멀리 두세요.
- 2 렌즈 핸드 그립 아래에 있는 zoom 스위치를 SERVO로 설정하세요.
- 3 zoom 스위치 옆에 보면 F.f. 버튼이 있습니다. F.f. 버튼을 5초간 길게 누르세요. zoom 로커 상단에 있는 LED 표시등에 빨간 불이 깜빡입니다.
- 4 그러면 렌즈가 자동으로 zoom 인됩니다. 포커스 링을 사용해 초점을 설정하세요. Blackmagic Focus Demand를 장착한 경우, 물리적인 방식으로 작동하는 포커스 링을 조절하려면 포커스 디맨드를 카메라로부터 반드시 분리해야 합니다. 그렇지 않을 경우, 이번 단계 및 5단계 내용에 따라 포커스 디맨드로 초점을 조절하세요.
- 5 F.f. 버튼을 다시 누르면 렌즈가 자동으로 zoom 아웃됩니다. 포커스 링을 사용해 초점을 설정하세요.
- 6 F.f. 버튼을 눌러 설정을 저장하세요. 상단 LED에 빨간 불이 깜빡입니다. Fuji LA16x8 BRM 렌즈의 전자식 백포커스 설정이 완료되었습니다.
- 7 이제 천천히 zoom을 인/아웃하면서 계속 차트에 초점이 유지되는지 확인하세요.
- 8 zoom이 움직이는 동안 렌즈의 초점이 그대로 유지되면 백포커스가 제대로 설정된 것입니다. 추가 조절이 필요할 경우, 3~6단계 과정을 반복하세요.

정보 B4 렌즈의 백포커스는 오래 장착해 두거나 날씨가 변함에 따라 미세한 영향을 받을 수 있기 때문에, 백포커스가 정확한지 주기적으로 확인하는 것이 좋습니다.

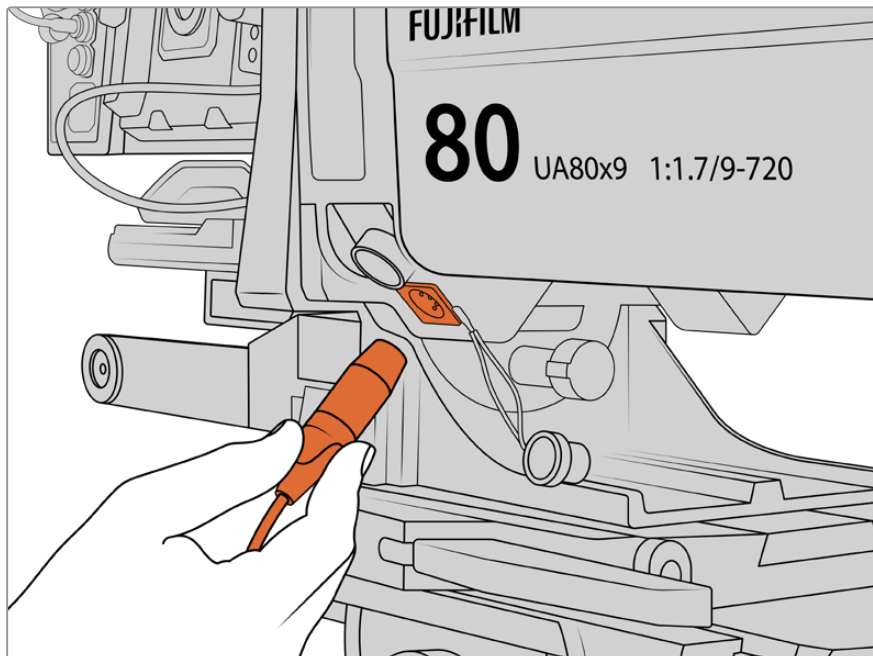
박스 렌즈 사용하기

URSA Broadcast G2의 B4 마운트에 Fujinon의 UA27x6.5 및 UA125x8 시리즈나 Canon의 UHD Digisuper 시리즈 렌즈 같은 대형 스튜디오 박스 렌즈를 장착해 사용할 수도 있습니다. 이런 유형의 박스 렌즈는 스튜디오 스타일의 27x 렌즈는 물론 80x 및 107x와 같은 놀라운 배율의 줌 범위에서 수평/수직 이미지 안정화 기능을 지원하여 스포츠 및 야외 이벤트 방송에 사용하기 최적입니다.



박스 렌즈의 크기가 커질수록 카메라를 튼튼한 삼각대 또는 페디스탈 위에 제대로 설치하고 넉넉한 공간을 확보해야 합니다. 이는 URSA Mini Shoulder Kit와 VCT-14 플레이트, 그리고 박스 렌즈 어댑터를 사용하면 가능합니다.

박스 렌즈는 전력을 많이 소모하기 때문에 전원을 따로 공급해야 합니다. URSA 12볼트 전원 공급 장치를 추가해 렌즈에 추가 전원을 공급할 수 있으며, Blackmagic Camera Fiber Converter를 사용할 경우엔 제품 측면의 12볼트 D-탭 출력을 사용하여 추가 전원을 지원할 수 있습니다. 렌즈 지지대 브래킷에 연결된 렌즈 커넥터를 URSA Broadcast G2에 연결하세요.



박스 렌즈에 4핀 XLR 케이블을 연결해 추가 전원을 공급할 수 있습니다.

추가 전원이 연결되고 나면 카메라에 전원이 공급되고 URSA Broadcast G2에서 렌즈를 제어할 수 있습니다.

PL 서보 줌 렌즈 사용하기

URSA Broadcast G2에 영화용 PL 줌 렌즈 또한 사용할 수 있습니다. 서보로 작동하는 PL 또는 EF 렌즈를 사용할 경우, URSA Broadcast G2의 풀 6K 센서 영역을 사용해 렌즈 성능을 최대치로 끌어낼 수 있습니다. URSA Broadcast G2의 센서 영역 설정에 대한 더욱 자세한 정보는 본 사용 설명서 뒷부분의 [녹화 설정]을 참고하세요.

포커스, 조리개, 줌을 위한 완벽한 서보 제어 기능을 지원하는 슈퍼 35mm PL 렌즈

제조사	시리즈	모델	범위	최대 조리개 값
Fujinon	Cabrio	ZK2,5x14-SAF	14-35mm	T2,9
Fujinon	Cabrio	ZK4,7x19-SAFB	19-90mm	T2,9
Fujinon	Cabrio	ZK12x25 with ESM-15A-SA	25-300mm	T3,5-3,85
Fujinon	Cabrio	ZK3,5x85-SAF	85-300mm	T2,9-T4
Fujinon	Cabrio	XK6x20	20-120mm	T3,5
Canon	Cine-servo	CN7x17KAS S	17-120mm	T2,9-3,9
Canon	Cine-servo	CN10x25 IAS S/P1	25-250mm	T2,95-3,95
Canon	Cine-servo	CN20x50	50-1000mm	T5-8,9

스튜디오 환경에서 패닝 핸들을 사용하여 위에 나열된 모든 서보 줌 렌즈의 포커스와 줌 컨트롤 기능을 사용할 수 있습니다.

하이브리드 소형 서보 줌 렌즈

최근 '콤팩트-서보' 줌 렌즈라는 새로운 렌즈 카테고리가 생겨났습니다. 이는 EF 마운트를 사용하면서도 B4 및 PL 서보 줌 렌즈 기능을 제공하는 렌즈를 지칭합니다. 이런 종류의 렌즈를 위한 줌 로커는 URSA Broadcast G2의 렌즈 마운트를 통해 전원을 공급받을 수 있으며, URSA Broadcast G2의 렌즈 메타데이터 시스템을 통해 렌즈명과 조리개, 포커스, 줌 위치 등의 정보를 읽고 쓸 수 있습니다.

이 렌즈들은 전자식 초점, 조리개, 줌 제어 기능 또한 지원하며, 스위치에 연결할 경우, ATEM Software Control을 사용해 이 기능들을 원격 제어할 수도 있습니다. 생방송 또는 스튜디오 환경에서 렌즈를 운영할 경우, 렌즈 베럴에 있는 조리개 스위치를 A로 설정하고 포커스 스위치를 AF로, 줌 서보 스위치를 SERVO로 설정하면 Blackmagic Zoom Demand 및 Focus Demand를 함께 사용할 수 있습니다.

사용 가능한 소형 서보 줌 렌즈

- Canon CN-E 18-80mm T4.4 Compact-servo
- Canon CN-E 70-200mm T4.4 Compact-servo

저장 미디어

Blackmagic URSA Broadcast G2는 표준형 SD 카드 및 빠른 속도를 지원하는 UHS-II SD 카드나 CFast 2.0 카드에 영상을 녹화할 수 있습니다.

USB-C 3.2 세대(Gen 2x1) 포트를 사용하여 고속 플래시 디스크 또는 대용량 SSD를 연결할 수 있습니다. 또한 Blackmagic URSA Mini Recorder 옵션을 사용하여 SSD에 영상을 녹화할 수도 있습니다. URSA Mini Recorder를 카메라에 연결하는 방법에 대한 자세한 정보는 본 사용 설명서 뒤편의 [URSA Mini Recorder] 부분을 참고하세요.

미디어 속도 관련 유의 사항

녹화 미디어 제조 업체에서 발표한 읽기/쓰기 속도는 보통 스틸 이미지와 같이 파일 크기가 작은 경우에 측정된 최고 속도를 기반으로 하기 때문에, 연속적인 고속 비디오 스트리밍 작업에서의 쓰기 속도와 다를 수 있습니다.

선택한 프레임 레이트에 맞는 안정적인 녹화를 위해 Blackmagic Design에서 권장하는 카드만 사용하시기 바랍니다.

CFast 카드

CFast 2.0 카드는 매우 높은 데이터 전송률을 지원해 HD와 4K 비디오를 높은 프레임 레이트로 녹화할 수 있습니다. 각각의 녹화 포맷에 따른 최대 프레임 속도에 관한 더 자세한 정보는 [녹화] 부분에 있는 녹화 가능 시간 테이블을 참고하세요.

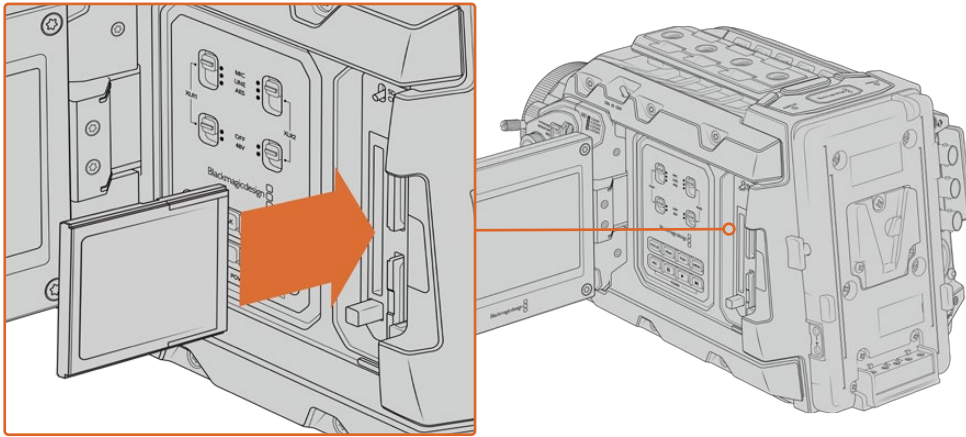
대부분의 CFast 2.0 카드는 속도가 빠르지만, 일부 카드의 경우 쓰기 속도가 읽기 속도에 비해 느리기도 하며, 최대 데이터 전송 속도는 모델에 따라 달라질 수 있다는 점을 기억하세요. 선택한 프레임 레이트에 맞는 안정적인 녹화를 위해 Blackmagic Design에서 권장하는 카드만 사용하시기 바랍니다.

CFast 카드 삽입하기

CFast 카드에 녹화하려면 카메라를 그에 맞게 설정해야 합니다. 설정을 위해 미디어 슬롯 위에 있는 저장 미디어 스위치를 CFAST로 설정하세요.

CFast 카드 삽입하기

- 1 접이식 모니터를 열면 CFast 슬롯이 나타납니다.
- 2 CFast 카드의 라벨 부분이 터치스크린 방향으로 향하게 한 뒤, 카드가 CFast 카드 슬롯에 제대로 장착될 때까지 집어넣습니다. 이 카드는 손쉽게 장착되어 무리하게 밀어 넣을 필요가 없습니다. CFast 슬롯 밑에 있는 CFast 카드 배출 버튼을 눌러 카드를 꺼낼 수 있습니다.
LCD 터치 스크린 하단에 나타나는 정보를 통해 사용 중인 CFast 카드의 이름과 잔여 녹화 시간을 확인할 수 있습니다.



URSA Broadcast G2에는 두 개의 CFast 슬롯이 탑재되어 있어 연속 녹화가 가능합니다.

정보 삽입한 CFast 카드를 카메라에서 접속할 수 없는 경우, 미디어 슬롯 위에 있는 저장 미디어 선택 스위치가 CFast로 되어 있는지 확인하세요.

CFast 2.0 카드 선택하기

데이터율이 높은 영상을 작업할 경우 사용하려는 CFast 카드의 종류를 신중히 결정해야 합니다. 이는 CFast 2.0 카드마다 다른 읽기/쓰기 속도를 지원하기 때문입니다. Blackmagic URSA Broadcast G2에서 지원되는 CFast 카드 관련 최신 정보는 Blackmagic Design 고객 지원 센터 (www.blackmagicdesign.com/kr/support)에서 확인하실 수 있습니다.

SD 카드

Blackmagic URSA Broadcast G2에서는 CFast 2.0 카드 이외에도 고속 UHS-I 및 UHS-II 타입의 SD 카드를 사용할 수 있습니다. 첨단 SDXC UHS-II 카드를 사용할 경우, ProRes HQ 영상을 UHD 화질로 녹화하거나 Blackmagic RAW 포맷의 6K 화질로 녹화할 수 있습니다!

HD 압축 비디오 포맷으로 촬영할 경우에는 더 쉽게 구할 수 있는 SD 카드를 저장 미디어로 사용할 수 있습니다. SDXC와 SDHC는 일반 소비자용 스틸 및 비디오 카메라에서 자주 사용하는 미디어 저장 포맷입니다.

DSLR로 비디오를 촬영해본 경험이 있거나 Blackmagic Micro Cinema Camera, Pocket Cinema Camera, Blackmagic Video Assist를 사용하고 있는 경우엔 기존에 보유한 SD 카드를 그대로 사용할 수 있습니다.

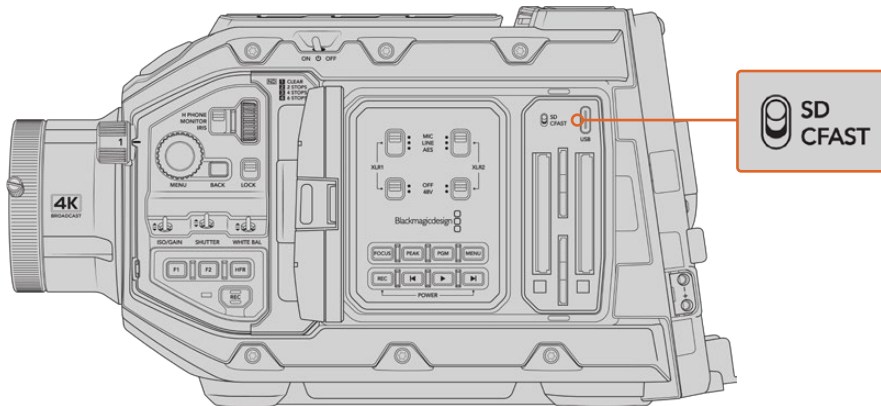
최고 해상도의 Blackmagic RAW 파일이 필요 없는 프로젝트를 진행하는 경우나 장시간 녹화가 필요한 경우에 SD 카드를 사용하면 아주 경제적으로 촬영할 수 있습니다. SD 카드의 용량이 작거나 속도가 느린 경우, LUT과 프리셋을 저장 및 로딩하는 데 사용할 수 있습니다.

SD 카드 삽입하기

SD 카드 삽입하기

- 1 접이식 모니터를 열면 SD 카드 슬롯이 나타납니다. 이 작은 슬롯은 CFast 슬롯 사이에 있습니다.
- 2 슬롯 위에 있는 저장 미디어 스위치를 SD로 변경하세요.
- 3 SD 카드의 라벨 부분이 터치스크린 반대 방향으로 향하게 한 뒤, 카드가 제대로 장착될 때까지 집어넣습니다. SD 카드를 꺼내려면 다시 한번 누르세요.

- 4 LCD 터치 스크린 하단의 저장 정보 표시 장치를 통해 사용 중인 카드 이름과 잔여 녹화 시간을 확인할 수 있습니다.



URSA Broadcast G2에서 SD에 녹화하는 경우, 저장 미디어 선택 스위치가 SD로 되어 있는지 확인하세요.

빠른 SD 카드 선택하기

UHD로 녹화하는 경우에는 초고속 UHS-II 타입의 SD 카드를 사용할 것을 권장합니다. UHD 및 HD 녹화 시에는 고속 UHS-II SD 카드를, HD 녹화 시에는 UHS-1 카드를 사용하는 것이 중요합니다. 위에 명시된 카드는 빠른 데이터 속도와 대용량 저장 공간을 지원합니다. 일반적으로 카드 속도는 빠를수록 좋습니다.

카드는 사용 전에 반드시 HFS+나 exFAT로 포맷해야 합니다. 카메라의 저장 관리 화면, 혹은 컴퓨터에서 저장 미디어를 포맷할 수 있습니다. 자세한 정보는 [녹화용 미디어 준비하기] 부분을 참고하세요.

원할 경우, Mac 또는 Windows 컴퓨터에서 카드를 포맷할 수 있습니다. 미디어를 Mac에서 사용할 경우, Mac 디스크 포맷인 HFS+를 사용할 수 있습니다. Windows 운영체제를 사용할 경우에는 Windows 디스크 포맷인 exFAT 포맷만을 사용해야 합니다. Mac 컴퓨터에서는 exFAT 포맷도 사용 가능합니다.

Blackmagic URSA Broadcast G2에서 지원되는 SD 카드 관련 최신 정보는 Blackmagic Design 고객 지원 센터(www.blackmagicdesign.com/kr/support)에서 확인하실 수 있습니다.

참고 URSA Broadcast G2에서 높은 프레임 레이트 혹은 UHD 영상을 녹화할 경우, 일반적으로 SD UHS-I 미디어보다 속도가 빠르고 용량이 큰 CFast 2.0 또는 SD UHS-II 카드를 사용할 것을 권장합니다.

SD 카드 잠금 및 잠금 해제

SD 카드는 쓰기 방지 또는 잠금 기능을 지원하므로 기존 데이터를 덮어쓰는 일을 방지할 수 있습니다.

SD 카드를 삽입할 시 쓰기 방지가 해제되어 있는지 반드시 확인하세요. 쓰기 방지 기능은 카드 왼쪽 측면에 있는 플라스틱 스위치를 커넥터와 가장 가까운 쪽으로 옮겨 해제할 수 있습니다. 녹화가 끝나면 스위치를 다시 아래쪽으로 옮겨 쓰기 방지 기능을 사용할 수 있습니다.



잠금 탭을 위/아래로 움직여 SD 카드를 잠금 또는 잠금 해제하세요.

URSA Broadcast G2 사용 시 잠금 기능이 설정된 SD 카드를 삽입하면, LCD 터치스크린과 저장 미디어 메뉴에 각각 '잠금 모드'라는 메시지와 자물쇠 아이콘이 표시됩니다. 카드에 잠금 기능을 설정할 경우 잠금 기능을 해제하기 전까지는 영상 녹화, 스틸 캡처, LUT과 프리셋 보내기를 수행할 수 없습니다.



URSA Broadcast G2에 잠금 기능이 설정된 SD 카드를 삽입하면 해당 정보가 표시됩니다.

USB-C 플래시 디스크에 녹화하기

Blackmagic URSA Broadcast G2에는 2개의 USB-C 포트가 탑재되어 있습니다. 측면의 CFast 카드 슬롯 주변에 있는 USB-C 3.1세대 포트는 소프트웨어 업데이트용입니다. 뒷면의 SDI 커넥터 주변에 있는 USB-C 3.1 2세대(Gen 2x1) 포트는 고속 SSD 및 USB-C 플래시 디스크 녹화에 사용합니다. 빠른 고용량 드라이브를 사용하면 장시간의 행사 촬영에 꼭 필요한 장시간 녹화를 진행할 수 있습니다.

카메라에 연결된 USB-C 플래시 디스크는 카메라 운영 시스템의 세 번째 미디어 슬롯 자리를 차지합니다. 저장 메뉴에서 드라이브 명을 누르면 해당 드라이브가 활성화된 드라이브로 설정됩니다. 다시 말해, USB-C 플래시 디스크의 녹화/재생/저장 관리 정보는 CFast/SD 카드/SSD와 동일한 방식으로 표시됩니다.

녹화가 끝나면 사용한 드라이브를 바로 컴퓨터에 연결하여 미디어 복사 과정 없이 편집 작업 및 후반 제작 작업을 바로 수행할 수 있습니다.

USB-C 플래시 디스크에 연결하기

- 1 USB(C타입) 케이블 한쪽을 USB-C 플래시 디스크에 연결하세요.
- 2 URSA Broadcast G2 뒷면 패널의 SDI 포트 아래쪽에 있는 USB-C 포트에 USB-C 케이블을 연결하세요.
- 3 카메라의 LCD 터치스크린 세 번째 미디어 슬롯에 USB-C 플래시 디스크가 나타납니다.

- 4 USB-C 플래시 디스크 녹화로 전환하려면, 카메라의 LCD 디스플레이에 나타나는 톨바 하단에서 해당 드라이브 명을 길게 누르세요. 파란색으로 변하는 미디어 바를 통해 카메라 녹화에 사용될 USB-C 플래시 디스크를 확인할 수 있습니다. 녹화 중에는 미디어 바가 빨간색으로 변합니다.

빠른 USB-C 플래시 디스크 선택하기

USB-C 플래시 디스크는 빠르고 경제적인 저장 방식을 다양한 종류의 장비에서 사용할 수 있도록 제작되었으며, 일반 가전 제품 매장에서 쉽게 구할 수 있습니다. USB-C 플래시 디스크의 용도는 매우 다양하며 영화 제작 용도는 그 중 하나에 불과합니다. 따라서 Blackmagic RAW 및 UHD 영상 녹화 속도를 지원하는 가장 적절한 드라이브를 선택하는 것이 매우 중요합니다.

대부분의 USB-C 플래시 디스크는 가정용 컴퓨터를 위해 개발되었기 때문에, UHD 영상을 녹화할 정도로 속도가 빠르지 않습니다.

최신 권장 USB-C 플래시 디스크 목록은 www.blackmagicdesign.com/kr/support에서 확인할 수 있습니다.

Blackmagic Disk Speed Test를 통해 USB-C 플래시 디스크의 속도를 정확하게 측정하여 비디오 캡처/재생을 높은 속도로 수행할 수 있는지를 확인하세요. Blackmagic Disk Speed Test에서는 데이터를 사용해 영상을 모의로 저장하기 때문에 실제로 비디오를 디스크에 저장할 때와 비슷한 결과를 확인할 수 있습니다. 테스트 결과 일반적으로 용량이 크고 새로운 USB-C 플래시 디스크일수록 더욱 빠른 속도를 지원하는 것으로 나타났습니다.

Blackmagic Disk Speed Test는 Mac 앱스토어에서 이용하실 수 있습니다. Blackmagic Desktop Video에는 Windows/Mac 버전 또한 포함되어 있으며, 이는 Blackmagic Design 고객센터 센터 (www.blackmagicdesign.com/kr/support)의 '캡처 및 재생' 제품군 페이지에서 다운로드할 수 있습니다.

SSD

URSA Broadcast G2에 URSA Mini Recorder 옵션을 장착할 경우, 비디오를 SSD에 직접 녹화할 수 있습니다. 이런 빠른 속도의 대용량 드라이브는 다양한 가전제품 매장에서 쉽게 구입하실 수 있습니다.

URSA Mini Recorder는 USB-C 포트를 탑재해 표준형 고속 2.5" SATA SSD뿐 아니라 7mm U.2 SSD도 사용할 수 있습니다. M.2 대 U.2 어댑터를 사용하면 M.2 SSD까지 사용할 수 있습니다. 적정 속도를 얻으려면 USB 3.1 2세대 규격 케이블을 사용하세요. 제품과 함께 제공된 USB-C 케이블의 양쪽 끝에는 잠금 커넥터가 달려 있어 사용 중 연결이 분리될 염려가 없습니다.

참고 Blackmagic URSA Mini Recorder 설치 방법에 관한 정보는 본 설명서의 [Blackmagic URSA Mini Recorder] 부분을 참고하세요.

SSD 삽입하기

SSD 삽입하기

- 1 SSD의 연결핀이 카메라 전면을 향하도록 잡으세요.
- 2 스프링이 장착된 Blackmagic URSA Mini Recorder 커버를 열고 SSD를 슬롯에 천천히 집어넣으세요.

정보 URSA Mini Recorder에는 압력판에 탑재되어 있어 별도의 스페이서 없이도 각기 다른 크기의 SSD를 사용할 수 있습니다.

- 3 SSD가 슬롯에 완전히 장착될 때까지 집어넣은 다음 URSA Mini Recorder의 커버를 닫으세요.
- 4 SSD가 카메라의 세 번째 미디어 슬롯에 나타납니다.
- 5 SSD 녹화로 전환하려면, 카메라의 LCD 디스플레이에 나타나는 톨바 하단에서 해당 드라이브 명을 길게 누르세요. 파란색으로 변하는 미디어 바를 통해 카메라 녹화에 사용될 SSD를 확인할 수 있습니다. 녹화 중에는 미디어 바가 빨간색으로 변합니다.

SSD 제거하기

URSA Mini Recorder 커버를 열고 엄지 및 검지 손가락으로 드라이브를 부드럽게 잡으세요. 베이 상단에 작은 홈이 패여 있어 드라이브를 쉽게 잡을 수 있습니다. 간단히 드라이브를 꺼낸 뒤, 커버를 닫으세요.

URSA Mini Recorder용 고속 SSD 선택하기

SSD는 다양한 장비에 사용할 수 있는 빠르고 경제적인 가격의 스토리지 제공을 목적으로 개발되었지만, 영화 제작에 적합한 SSD 제품은 한정적이라는 사실을 기억하세요. 따라서 Blackmagic RAW 또는 UHD 영상을 녹화할 수 있는 충분한 대역폭을 확보하는 데 있어 가장 중요한 작업은 올바른 드라이브를 고르는 것입니다. 대부분의 SSD는 가정용 컴퓨터를 위해 개발되었기 때문에, UHD 비디오를 녹화할 정도로 속도가 빠르지 않습니다.

특정 해상도로 연속 촬영해야 할 경우, 권장 SSD 목록을 참고하여 Blackmagic URSA Broadcast G2 사용에 적합한 것으로 검증된 SSD만을 사용할 것을 적극 권장합니다. 최신 권장 SSD 목록은 www.blackmagicdesign.com/kr/support 에서 확인할 수 있습니다.

SSD 속도 관련 유의 사항

일부 SSD 제품은 제조사에서 주장하는 속도로 영상 데이터를 저장할 수 없습니다. 이는 쓰기 속도를 더욱 높게 보이게 하기 위해 디스크가 숨겨진 데이터 압축을 사용하기 때문입니다. 이런 데이터 압축 기능은 빈 데이터나 간단한 파일의 데이터를 저장할 경우에만 제조사에서 주장하는 속도로 정보를 저장할 수 있습니다. 영상 데이터는 영상 노이즈와 무작위 픽셀 데이터가 포함되어 있어 압축 효과가 없으므로 디스크의 실제 속도가 그대로 드러납니다.

일부 SSD 카드는 제조사에서 주장하는 속도보다 최대 50%까지 낮은 쓰기 속도를 지원하기도 합니다. 그러므로 SSD 사양에는 영상을 다룰 수 있는 충분한 속도를 지원한다고 나와 있더라도, 실제로는 실시간 영상 캡처에 충분한 속도를 지원하지 못할 수도 있습니다.

Blackmagic Disk Speed Test를 통해 SSD의 속도를 정확하게 측정하여 비디오 캡처/재생을 높은 속도로 수행할 수 있는지를 확인하세요. Blackmagic Disk Speed Test에서는 데이터를 사용해 영상을 모의로 저장하기 때문에 실제로 비디오를 디스크에 저장할 때와 비슷한 결과를 확인할 수 있습니다. Blackmagic에서 엄격한 테스트를 진행한 결과, 일반적으로 용량이 크고 새로운 SSD 모델일수록 속도가 빠른 것으로 나타났습니다.

녹화용 미디어 준비하기

Blackmagic URSA Broadcast G2의 저장 관리 화면이나 Mac/Windows 컴퓨터를 통해 녹화 미디어를 포맷할 수 있습니다. 최고의 저장 미디어 성능을 위해 URSA Broadcast G2에서 직접 포맷할 것을 권장합니다.

OS X 확장 포맷으로도 알려진 HFS+는 저널링이 가능하므로 사용을 권장합니다. 사용하는 미디어에 문제가 생길 경우, 저널링이 적용된 미디어 카드의 데이터는 복원될 가능성이 훨씬 높습니다. Mac OS에서는 HFS+를 기본 지원합니다. ExFAT는 Mac과 Windows에서 기본 지원되므로 추가 소프트웨어가 따로 필요하지 않습니다. 하지만 exFAT는 저널링을 지원하지 않습니다.

참고 미디어를 포맷하기 전에 미디어 저장 스위치가 SD 카드 또는 CFast 카드로 올바르게 설정되어 있는지 확인하세요. 포맷 전에는 항상 설정 사항을 꼼꼼히 확인해야 합니다.

Blackmagic URSA Broadcast G2에서 미디어 준비하기

- 1 LCD 터치스크린 하단의 저장 표시 장치 중 하나를 눌러 저장 관리 화면에 접속하세요.
- 2 터치스크린 하단의 버튼을 눌러 슬롯 1과 슬롯 2에 있는 카드를 각각 포맷하세요. URSA Broadcast G2 뒷면의 USB-C 포트에 USB-C 플래시 디스크나 SSD를 연결한 경우, '드라이브 목록' 버튼을 누르세요. 그런 다음 포맷하려는 드라이브를 선택한 뒤 '드라이브 포맷하기' 버튼을 누르세요.



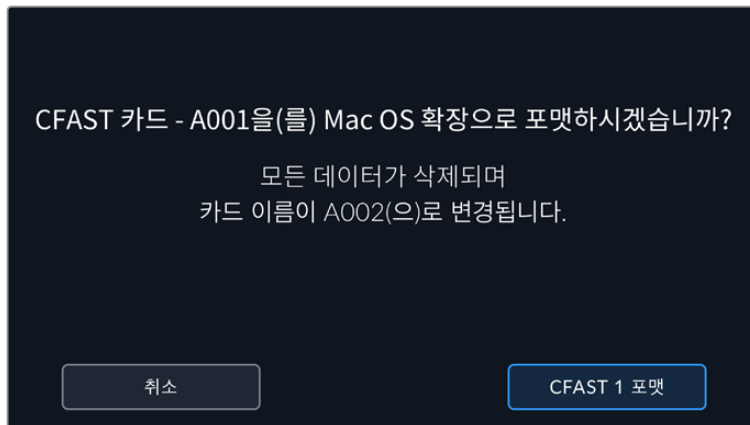
URSA Broadcast G2의 저장 관리 화면에서 카메라의 저장 미디어를 포맷하세요.

- 3 릴 넘버를 변경하고자 할 경우, 연필 아이콘을 누르면 키보드가 나타납니다. 새로운 릴 넘버를 입력하고 '업데이트' 버튼을 누르세요.
- 4 'Mac OS 확장' 또는 'exFAT' 포맷을 선택한 뒤, 포맷 버튼을 누르세요.



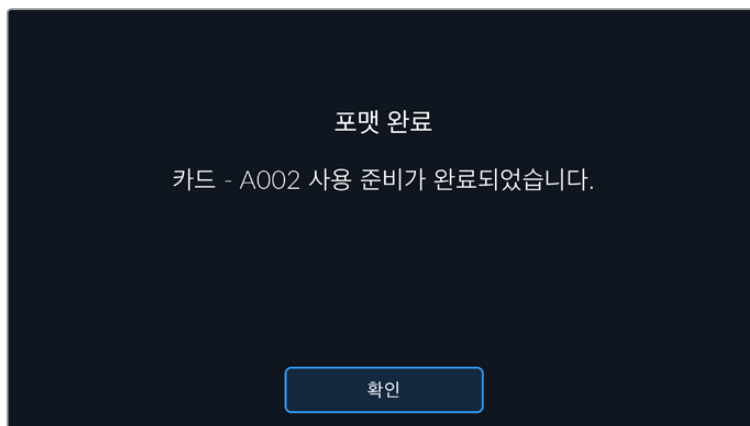
연필 아이콘을 눌러 릴 넘버를 수동으로 편집할 수 있습니다.

- 5 선택을 확인하는 문구가 나타납니다. 계속 진행하려면 포맷 버튼을 다시 누르고, 포맷을 취소하려면 '취소'를 누르세요.



포맷을 시작하기 전에 올바른 카드를 선택했는지 확인하세요.

- 6 포맷 버튼을 3초간 누르라는 메시지가 나타납니다. 포맷이 완료되면 알림 메시지가 나타납니다.



포맷이 완료되면 카드 사용 준비가 완료됩니다.

- 7 저장 관리 화면으로 돌아가려면 '확인' 버튼을 누르세요.
- 8 저장 관리 화면 밖으로 나가려면 '종료' 버튼을 누르세요.

URSA Broadcast G2의 저장 관리 화면에서 녹화 미디어를 포맷할 경우, 슬레이트에 저장된 카메라 ID와 릴 넘버가 카드명으로 설정됩니다. 릴 넘버는 포맷할 때마다 자동으로 증가합니다. 특정 릴 넘버를 수동으로 입력하려면 연필 아이콘을 누른 뒤, 포맷하려는 카드에 사용하고자 하는 숫자를 입력하세요.

새로운 프로젝트를 시작할 경우, '프로젝트' 탭에서 '데이터 초기화'를 누르면 릴 넘버가 '1'로 초기화됩니다.

카메라에 있는 미디어 저장 스위치가 SD 또는 CFast로 설정된 경우에 '카드 포맷하기' 버튼을 누르면 오직 선택된 유형의 카드만 포맷된다는 사실을 기억하세요. CFast와 SD 저장 미디어 전환에 대한 자세한 정보는 설명서 앞부분에 있는 [SD 카드] 부분을 참고하세요.



URSA Broadcast G2의 저장 관리 화면에는 현재 사용 중인 CFast, SD, USB, SSD 미디어가 나타납니다.

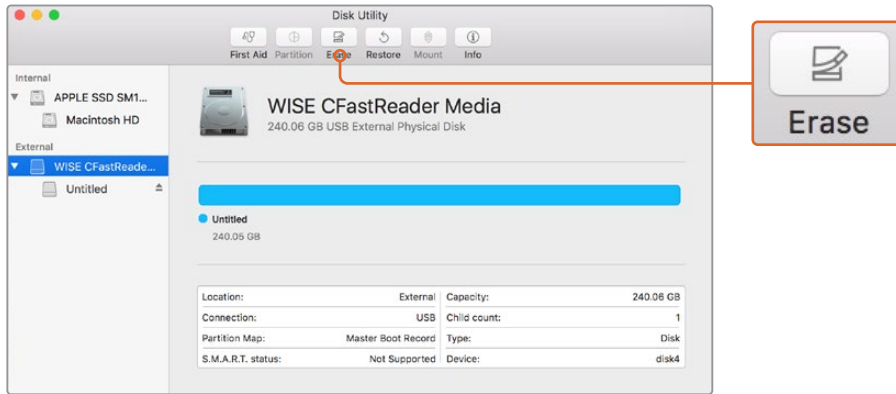
정보 URSA Broadcast G2의 영상이 SD 카드에 녹화되도록 설정해둔 상태에서 잠금 기능이 설정된 카드를 삽입하면, 카드 포맷이 진행되지 않습니다. 이 경우 저장 관리 화면에서 카드 이름 옆에 자물쇠 아이콘이 나타납니다. 카드 잠금 장치를 간단히 해제하여 포맷과 녹화를 진행할 수 있습니다. SD 카드 잠금 기능에 대한 자세한 정보는 본 설명서의 [SD 카드] 부분을 참고하세요.

Mac에서 미디어 준비하기

Mac에 있는 Disk Utility 응용 프로그램을 사용하여 CFast 카드, SD 카드, SSD를 HFS+ 또는 exFAT로 포맷할 수 있습니다.

포맷하면서 데이터가 사라질 수도 있기 때문에 미디어에 저장된 중요한 데이터는 반드시 백업해둬야 합니다.

- 1 카드 리더기나 도크 및 어댑터를 사용하여 저장 미디어를 컴퓨터에 연결하고, 미디어를 사용하여 타임머신 백업을 하도록 요청하는 메시지는 모두 거절하세요.
- 2 '응용 프로그램' > '유틸리티'로 이동해 '디스크 유틸리티'를 실행하세요.
- 3 사용 중인 카메라 저장 미디어의 디스크 아이콘을 클릭한 뒤, '지우기' 탭을 클릭하세요.
- 4 포맷을 'Mac OS Extended (Journaled)' 또는 'exFAT'으로 설정하세요.
- 5 새로운 볼륨의 이름을 입력하고 '지우기'를 클릭하세요. 카메라 저장 미디어가 신속하게 포맷되어 사용 준비가 완료됩니다.

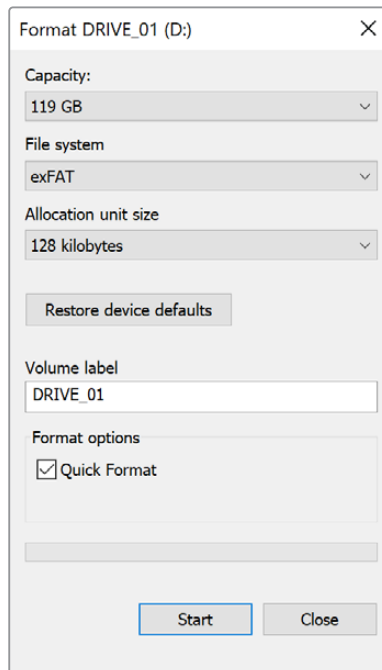


Mac OS의 '디스크 유틸리티'를 사용하여 'Mac OS 확장(저널링 지원)' 또는 'exFAT' 포맷으로 되어있는 CFast 카드 내용을 삭제합니다.

Windows에서 미디어 준비하기

Windows PC의 포맷 대화 상자에서 드라이브를 exFAT로 포맷할 수 있습니다. 포맷하면서 데이터가 사라질 수도 있기 때문에 미디어에 저장된 중요한 데이터는 반드시 백업해둬야 합니다.

- 1 외부 판독기나 SSD 도크 및 어댑터를 사용하여 카메라 저장 미디어를 컴퓨터에 연결하세요.
- 2 시작 메뉴 또는 시작 화면을 열고 컴퓨터를 선택하세요. 카메라 저장 미디어에서 마우스 오른쪽 버튼을 클릭하세요.
- 3 메뉴에서 '포맷'을 선택하세요.
- 4 파일 시스템을 'exFAT'으로 설정한 뒤, 할당 단위의 크기를 128 킬로바이트로 설정하세요.
- 5 볼륨 이름을 입력하고 '빠른 포맷'을 선택한 뒤, '시작'을 클릭하세요.
- 6 저장 미디어가 신속하게 포맷되어 사용 준비가 완료됩니다.



Windows의 '포맷' 대화 상자에서 CFast, SD 카드 또는 SSD를 exFAT으로 포맷하세요.

참고 녹화 중 드롭 프레임 현상이 발생할 경우, 현재 사용 중인 카드 또는 드라이브의 코덱 및 프레임 레이트 크기가 저희 권장 미디어 목록에 있는지를 확인하세요. 데이터 전송 속도가 낮을 경우에는 프레임 속도 및 해상도를 낮추거나 ProRes 같은 압축 코덱을 사용해 보세요. Blackmagic Design 웹사이트 www.blackmagicdesign.com/kr 에서 최신 정보를 확인하세요.

녹화

클립 녹화하기

일반적으로 B4 방송용 렌즈는 어깨에 올려 촬영 시, 엄지 손가락으로 사용할 수 있도록 렌즈 손잡이에 녹화 버튼을 탑재했습니다. 이 손잡이에 있는 녹화 버튼을 누르면 녹화가 시작됩니다. 녹화를 중단하려면 이 버튼을 다시 한 번 누르세요.

카메라에도 자체 녹화 버튼이 내장되어 있습니다. 녹화 버튼이 컨트롤 패널 안쪽과 컨트롤 패널 전면에 있어, 어깨에 올려 놓고 촬영할 시 편리하게 사용할 수 있습니다.

외부 소스를 통해 트리거 녹화 실행하기

Blackmagic Camera Control 애플리케이션을 사용하면 블루투스를 통해 iPad에서 원격으로 트리거 녹화를 실행하고 다양한 카메라 설정을 변경할 수 있습니다. Blackmagic Camera Control 애플리케이션의 설정 및 사용법에 대한 자세한 정보는 본 설명서 뒤편의 [블루투스] 부분을 참고하세요. 아이폰 또는 안드로이드 스마트폰 사용자의 경우, 서드파티 앱을 사용하면 블루투스를 통해 URSA Broadcast G2의 녹화를 트리거할 수 있습니다.

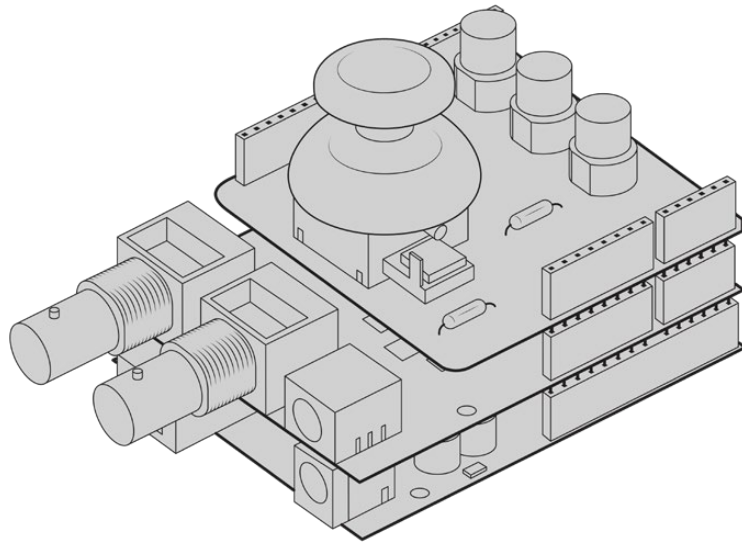
Blackmagic Zoom Demand 옵션을 URSA Broadcast G2와 함께 사용할 경우, 기능 버튼을 사용해 트리거 녹화를 실행할 수 있습니다. Blackmagic Zoom Demand의 기능 버튼은 B4 렌즈의 VTR 버튼처럼 엄지 손가락이 닿는 부분에 배치되어 있습니다. Blackmagic Zoom Demand 대한 자세한 정보는 본 설명서 뒤편의 [Blackmagic Zoom Demand 사용하기] 부분을 참고하세요.

Blackmagic Micro Converter BiDirectional SDI/HDMI 3G를 통해 Blackmagic URSA Broadcast G2를 ATEM Mini Pro 또는 Extreme 모델 스위처에 연결한 경우, ATEM 스위처에서 트리거 녹화를 실행할 수 있습니다.

예를 들어, ATEM Software Control의 '스트리밍 녹화' 팔레트에 보면 '모든 카메라에서 녹화'라는 확인란이 나타납니다. 해당 확인란을 활성화하고 녹화 버튼을 클릭하거나 누르면 모든 카메라에서도 녹화가 시작됩니다. 다시 말해, 버튼을 한 번 클릭하거나 눌러 모든 카메라에서 동시에 녹화를 시작할 수 있습니다. 더 자세한 정보는 ATEM Mini 설명서를 참고하세요.

녹화를 시작/정지할 수 있는 또 다른 방법은 LANC 컨트롤러를 URSA Broadcast G2의 LANC 입력에 연결한 뒤, 외부에서 녹화를 실행하는 것입니다. 예를 들어, LANC 컨트롤러를 삼각대에 장착하여 포커싱과 삼각대에서 손을 떼지 않고도 트리거 녹화 기능을 사용할 수 있습니다.

Blackmagic 3G-SDI Shield for Arduino와 Blackmagic SDI 카메라 컨트롤 프로토콜을 사용할 경우, 한 대 이상의 URSA Broadcast G2에서 트리거 녹화 기능을 사용할 수도 있습니다. 더 자세한 정보는 본 설명서의 [개발자 정보] 부분을 참고하거나 www.blackmagicdesign.com/kr/developer에서 Blackmagic 3G-SDI Shield for Arduino 설명서를 다운로드하세요.



자신만의 하드웨어 컨트롤러를 구축하여 Blackmagic 3G-SDI Shield for Arduino에 장착하면 더욱 상호 연동적이고 정확한 제어를 수행할 수 있습니다.

참고 카메라 녹화 도중에 저장 미디어 선택 스위치를 변경하더라도 이미 녹화 중이던 미디어에 계속 녹화를 진행하며, 녹화가 완료되면 선택된 유형의 미디어로 전환됩니다. 그러므로 촬영 도중에 스위치를 바꿔도 녹화 영상에 영향을 끼치지 않습니다.

코덱, 해상도, 센서 영역 선택하기

Blackmagic URSA Broadcast G2 촬영 영상은 균일 화질 설정 또는 고정 비트레이트 설정을 사용하는 Blackmagic RAW로 저장됩니다. Apple ProRes, H.264 또는 H.265 압축 비디오 코덱을 사용해 UHD 및 HD 해상도로 영상을 녹화할 수도 있습니다. 센서 프레임 속도 옵션은 선택한 코덱과 해상도에 따라 다릅니다.

Blackmagic RAW를 통해 균일 화질 또는 고정 비트레이트 압축 방식을 사용할 수 있습니다. ENG 유형의 촬영 시에는 압축률이 높아 더 오랜 시간 녹화할 수 있으면서도 영상의 화질 손실은 최소화하는 Blackmagic RAW 8:1, 12:1, Q3 또는 Q5 압축 포맷을 사용하는 것이 좋습니다. 방대한 규모의 디테일이 포함된 샷의 경우, Blackmagic RAW 3:1 또는 Q0 포맷을 사용하여 최고 수준의 이미지 화질을 얻을 수 있습니다.

Blackmagic RAW 포맷으로 녹화한 영상 클립은 DaVinci Resolve, Blackmagic RAW 플레이어, Blackmagic RAW SDK를 지원하는 기타 응용 프로그램과 호환된다는 사실을 기억하세요. Blackmagic RAW 포맷은 이미 수많은 후반 제작 플랫폼에서 지원됩니다. 모든 편집 소프트웨어에서 기본 지원되지는 않을 수 있지만 대부분의 경우, 카메라 업데이트 및 Blackmagic RAW 설치 프로그램에 포함된 플러그인과 호환됩니다. 더 자세한 정보는 [서드 파티 소프트웨어로 작업하기] 부분을 참고하세요.

Blackmagic RAW

Blackmagic URSA Broadcast G2는 새로운 Blackmagic RAW 파일 포맷을 지원합니다. 이 포맷은 사용자에게 뛰어난 영상 화질, 폭넓은 다이내믹 레인지 그리고 다양한 압축률을 제공합니다. Blackmagic RAW는 RAW 녹화의 장점은 그대로 유지한 채, 영상 파일의 디베이어 처리 대부분이 카메라의 하드웨어에서 가속화 처리되므로 속도가 아주 빠릅니다.

또한 Blackmagic RAW는 강력한 메타데이터 지원 기능을 탑재해 파일을 처리하는 소프트웨어에서 사용자의 카메라 설정을 인식할 수 있습니다. 편집한 영상을 신속하게 전달해야 하고 색보정 작업에 할애할 시간이 없어 비디오 감마 촬영을 선호하는 경우, 이 메타데이터 기능은 아주 유용합니다. 비디오 감마로 설정 및 촬영한 다음 이를 소프트웨어에서 열어보면 영상에 이미 비디오 감마가 적용된 것을 확인할 수 있기 때문입니다. 그러나 사실 이 파일은 필름 감마이며 소프트웨어는 파일의 메타데이터 설정에 따라 비디오 감마를 적용한 것뿐입니다.

다시 말해, 영상 파일에 저장되어 있는 필름 다이내믹 레인지를 활용하여 원하는 색보정 작업을 할 수 있습니다. 원본 파일의 화이트와 블랙 정보가 클리핑되지 않기 때문에, 파일에 저장된 모든 디테일을 사용하여 색보정 작업하면 시네마틱한 영상록을 연출할 수 있습니다. 또한 시간이 없어 색보정 작업을 하지 못한 경우에도 아무 문제 없이 비디오 감마를 적용하여 일반 카메라 촬영 영상처럼 보이게 만들 수 있습니다. 완벽한 촬영을 고집할 필요가 없어 차후에 후반 제작 단계에서 원하는 대로 변경이 가능합니다.

Blackmagic RAW 파일은 사용자의 컴퓨터 CPU와 GPU에 최적화되어 매우 빠른 속도를 제공하는 코덱입니다. 다시 말해, 영상을 빠르고 부드럽게 재생할 수 있으며 노트북의 핵심 기기인 하드웨어 디코더 보드를 사용할 필요가 없습니다. 또한 Blackmagic RAW를 사용하는 소프트웨어는 Apple Metal, Nvidia CUDA 및 OpenCL의 프로세싱이 가능하다는 이점이 있습니다.

다시 말해, Blackmagic RAW를 사용하면 영상 파일을 먼저 캐싱하거나 해상도를 낮추지 않고도 대부분의 컴퓨터에서 일반 속도로 재생할 수 있습니다.

또한 렌즈 정보를 각 프레임별로 메타데이터에 녹화할 수 있다는 점도 참고할 필요가 있습니다. 예를 들어, 호환용 렌즈를 사용할 경우, 클립 재생 시간 동안 변경된 줌 또는 포커스 설정을 프레임별로 Blackmagic RAW 파일의 메타데이터에 저장할 수 있습니다.

Blackmagic RAW 녹화

Blackmagic RAW는 두 가지의 방법으로 작동합니다. 사용자는 고정 비트레이트 코덱 또는 균일 화질 코덱 둘 중에서 하나를 선택할 수 있습니다.

고정 비트레이트 코덱은 대부분의 코덱과 비슷한 방식으로 작동합니다. 이 코덱은 데이터 레이트를 너무 높지 않게 일정한 수치로 유지합니다. 다시 말해, 추가 데이터를 요구하는 복잡한 영상을 촬영하여 저장할 때도 고정 비트레이트 코덱을 사용하면 할당된 용량에 맞추어 파일을 더 압축하여 저장할 수 있습니다.

이는 비디오 코덱을 사용할 때에는 괜찮지만 RAW 촬영 시에는 화질을 어느 정도 예측할 수 있는 방식이 필요합니다. 영상 촬영에 더 많은 데이터가 필요한 상황에서 코덱이 특정 데이터 레이트에 맞추어져 있어 파일을 더 압축해버리는 일이 생길 수도 있기 때문입니다. 이런 경우, 화질에 손실이 있을 가능성이 있지만 이미저도 촬영을 끝내고 돌아와 확인할 때까지는 확실히 알 수 없습니다.

이 문제를 해결하기 위해 Blackmagic RAW는 균일 화질이라는 대안 코덱 옵션 또한 제공하고 있습니다. 전문적인 용어로 가변 비트레이트 코덱이라 불리는 이 코덱은 영상이 추가 데이터가 필요할 경우, 파일 크기를 증가시키는 기능을 제공합니다. 영상의 화질을 유지한 채로 인코딩하는 데 있어 파일 크기의 상한치가 없습니다.

따라서 균일 화질 설정을 적용한 Blackmagic RAW를 통해 필요한 만큼 파일 크기를 늘려 영상을 인코딩할 수 있습니다. 이는 촬영하는 영상의 종류에 따라 파일의 크기가 더 클 수도, 혹은 작을 수도 있다는 것을 뜻합니다. 렌즈 커버를 씌워놓은 채로 촬영을 하여도 미디어 저장 공간을 낭비하지 않게 됩니다.

또한 Blackmagic RAW의 설명명을 혼란스러운 이름 대신 기술적인 면에서 사용자에게 더 와닿는 이름으로 정한 부분도 참고할 필요가 있습니다. 예를 들어, 고정 비트레이트 코덱을 선택하면 설정에서 3:1, 5:1, 8:1 그리고 12:1의 화질 선택 옵션을 볼 수 있습니다. 이는 압축 전 RAW 파일 크기 대 압축 후 파일 크기의 비율을 나타냅니다. 예를 들어, 파일 크기가 큰 3:1 포맷을 사용하면 더 나은 화질을 얻을 수 있고, 반대로 파일 크기가 가장 작은 12:1 포맷을 사용하면 가장 낮은 화질을 얻게 됩니다. 현재까지 Blackmagic RAW를 이용한 많은 사용자들은 12:1 포맷으로도 충분한 화질을 얻을 수 있으며 단점을 찾아볼 수 없다고 밝혔습니다. 그러나 사용자 본인이 직접 사용하며 여러 설정을 직접 시험해보는 것을 권장합니다.

균일 화질 상태에서 Blackmagic RAW를 사용 시 설정에서 Q0, Q1, Q3, Q5를 확인할 수 있습니다. 이는 코덱으로 전송되는 압축률의 파라미터 설정을 뜻하며, 어느 정도의 압축률이 적용되었는지 좀 더 기술적으로 확인할 수 있습니다. 고정 비트레이트와 균일 화질에서의 코덱 작동 방식이 다르다 보니 서로 다른 설정이 적용됩니다. 균일 화질 설정의 경우, 촬영 영상의 종류에 따라 파일의 압축률이 제각각이기 때문에 압축률을 예측하는 것이 어렵습니다. 따라서 이 경우에는 다른 설정을 적용하여 미디어 저장에 필요한 용량에 맞추어 파일 크기를 조정하게 됩니다.

고정 비트레이트 설정

압축률은 3:1, 5:1, 8:1 그리고 12:1의 수치로 표기하였습니다. 예를 들어, 12:1 압축률을 적용하여 제작한 영상 파일의 크기는 무압축 RAW 포맷의 12분의 1에 달합니다.

균일 화질 설정

Q0, Q1, Q3, Q5는 양자화 단계를 뜻합니다. Q5로 설정 시 더 높은 단계의 양자화가 진행되며 데이터 레이트가 대폭 향상됩니다. 앞에서 말했듯이 균일 화질 설정의 경우, 촬영 대상에 따라 파일 크기를 대폭 증가되거나 축소될 수 있습니다. 이는 촬영한 파일의 크기가 미디어 카드의 한도 이상으로 증가될 수 있음을 뜻합니다. 이 경우, 간혹 드롭 프레임 현상으로 이어질 수도 있습니다. 그러나 장점은, 촬영 도중 이 현상이 발생하면 곧바로 알 수 있으며, 설정에 따른 화질의 결과를 비교할 수 있다는 점입니다.

Blackmagic RAW 플레이어

Blackmagic 카메라 소프트웨어 설치 프로그램에 포함되어 있는 Blackmagic RAW 플레이어는 클립 검토에 사용되는 효율적인 프로그램입니다. Blackmagic RAW 파일을 더블 클릭하여 열면 풀 해상도와 비트 심도 설정에서 파일을 신속하게 재생하고 스크롤 해볼 수 있습니다.

프레임을 디코딩할 경우, SDK 라이브러리의 CPU 가속화를 통해 모든 주요 아키텍처를 지원하며, Apple Metal, Nvidia CUDA 그리고 OpenCL를 통한 GPU 가속화 또한 지원합니다. 추가적인 성능 향상을 위해서는 Blackmagic eGPU와 함께 사용할 수도 있습니다. Blackmagic Raw 플레이어는 Mac 및 Windows, Linux에서 지원됩니다.

사이드카 파일

Blackmagic RAW 사이드카 파일을 사용하면 원본 파일에 임베드된 메타데이터를 덮어쓰지 않고도 파일의 메타데이터를 재설정할 수 있습니다. 이 메타데이터에는 RAW 설정뿐 아니라 조리개, 포커스, 초점거리, 화이트 밸런스, 틸트, 컬러 스페이스, 프로젝트명, 테이크 번호 등의 정보가 포함되어 있습니다. 클립을 재생하는 동안 프레임 별로 메타데이터가 인코딩되는데, 이는 촬영 도중 렌즈 설정을 변경할 때 렌즈 데이터에 있어 중요한 부분입니다. DaVinci Resolve를 통해 사이드카 파일의 메타데이터를 추가하거나 편집할 수 있습니다. 이 파일은 보고 읽을 수 있는 포맷을 사용하여 심지어 문서 편집기로도 똑같은 작업을 수행할 수 있습니다.

그리고 사이드카 파일을 해당 RAW 파일과 동일한 폴더에 집어넣는 방법을 통해 새로운 RAW 설정을 재생에 추가할 수 있습니다. 폴더 바깥으로 사이드카 파일을 옮긴 다음 Blackmagic RAW 파일을 열면 RAW 설정을 적용하지 않은 원본 촬영 영상을 그대로 볼 수 있습니다. Blackmagic RAW SDK를 사용하는 모든 소프트웨어에서 이 설정을 사용할 수 있습니다. 변경 사항은 사이드카 파일에 저장되어 Blackmagic RAW 플레이어에서 보거나 Blackmagic RAW 파일을 읽을 수 있는 다른 소프트웨어에서 확인할 수 있습니다.

비디오 감마 촬영 시 파일은 필름 감마 형식을 유지하며, Blackmagic RAW 처리 단계에서 메타데이터를 통해 비디오 감마 포맷으로 디스플레이되도록 할 수 있습니다. 비디오 감마는 그레이딩 작업을 거치지 않고 최대한 신속하게 영상을 딜리버리하고 싶을 때 최적의 방식입니다. 하지만 모든 디테일이 파일 안에 저장되어 있으므로 영상의 블랙을 올리거나 화이트를 내릴 수 있습니다. 원본 영상이 클리핑되지 않아 모든 디테일이 유지되기 때문에 원할 때 언제든지 사용할 수 있습니다.

DaVinci Resolve에서의 Blackmagic RAW

각 Blackmagic RAW 파일의 설정은 조정이 가능하며, 이를 DaVinci Resolve의 'Camera RAW' 탭에서 새로운 사이드카 파일로 저장해 최적화된 환경에서 시청하거나 특수 효과를 추가할 수 있습니다. 이는 미디어를 복사하여 다른 DaVinci Resolve 아티스트에게 전달하면 불러온 즉시 변경된 감마 설정을 자동 적용할 수 있다는 것을 뜻하기도 합니다. DaVinci Resolve를 통해 카메라 파일 내 다른 메타데이터뿐 아니라 선택한 다이내믹 레인지를 읽을 수 있어, DaVinci Resolve에서 클립을 'Film', 'Extended Video' 또는 'Video' 다이내믹 레인지 모드로 디스플레이할 수 있습니다.

다음 단계에서 채도, 대비, 미드톤, 하이라이트 그리고 색도우 롤 오프 등의 설정을 사용자에게 맞게 조정할 수 있습니다. 변경된 설정 정보는 모두 사이드카 파일에 저장되며, 후반 제작에 참여한 누구나 해당 변경 사항을 확인할 수 있습니다. 항상 원본 카메라 메타데이터로 돌아올 수 있습니다.

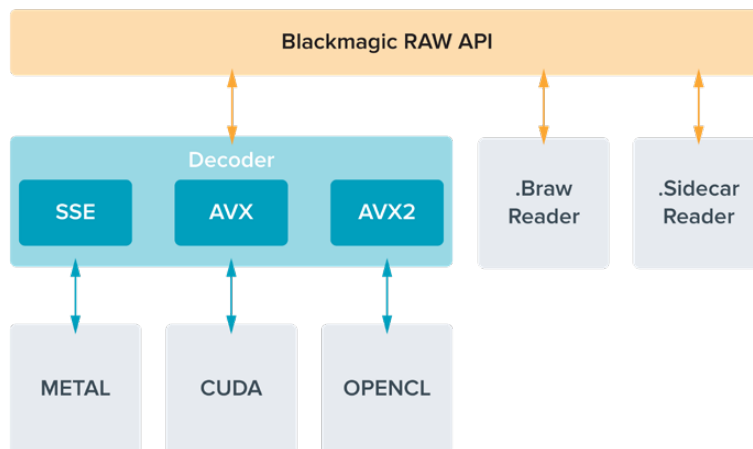
모든 설정 변경, 메타데이터, 풀해상도 및 컬러 정보가 담긴 단일 Blackmagic RAW 프레임을 DaVinci Resolve의 'RAW' 탭을 통해 보내기할 수 있어 단일 프레임이나 레퍼런스 파일을 다른 사용자와 손쉽게 공유할 수 있습니다.

DaVinci Resolve에서의 Blackmagic RAW 사용법에 대한 자세한 정보는 본 설명서의 [DaVinci Resolve 사용하기] 부분을 참고하세요.

Blackmagic RAW 소프트웨어 개발 도구

Blackmagic RAW 소프트웨어 개발 도구는 Blackmagic Design에서 자체 개발한 API입니다. 자신의 프로그램에서 Blackmagic RAW 포맷을 사용할 수 있도록 Blackmagic RAW SDK 라이브러리에서 설정을 변경할 수 있습니다. 이 SDK 라이브러리는 모든 개발자들이 Blackmagic RAW 파일을 읽고, 편집하고 저장할 수 있는 기능을 지원합니다. Blackmagic RAW SDK는 모든 4세대 및 5세대 컬러 사이언스를 탑재해, 이를 지원하는 모든 소프트웨어에서 진정한 시네마틱한 영상을 구현할 수 있습니다. Blackmagic RAW SDK는 Mac, Windows 및 Linux에서 사용 가능하며 Blackmagic 웹사이트의 개발자 페이지 www.blackmagicdesign.com/kr/developer 에서 무료로 다운로드 할 수 있습니다.

다음 도면을 통해 Blackmagic RAW API의 구성 요소를 확인할 수 있습니다.



프레임 레이트 선택하기

카메라에서 지원하는 여러 종류의 프레임 레이트 중 어떤 것을 선택해야 최상의 결과를 얻을 수 있는지 궁금해할 수 있습니다. 카메라의 센서 프레임 레이트는 영상록에도 아주 큰 영향을 끼칩니다. 일반적으로 센서 프레임 레이트를 선택하기 전에 고려해야 하는 몇 가지 기본 사항이 있습니다. 영화 및 TV의 경우, 오랫동안 사용되어 온 표준 규격이 있습니다. 이 프레임 레이트 규격은 사용 국가마다 다르지만, 모두 효과적인 초당 프레임 수를 사용하여 실감 나는 움직임을 표현하려는 공통된 이유를 가지고 만들어졌습니다.

예를 들어, 영화에서는 초당 24 프레임을 표준으로 사용합니다. 최근 이보다 빠른 프레임 레이트를 사용한 실험이 있긴 했지만, 아직 전 세계적으로 가장 널리 사용되는 표준은 초당 24 프레임입니다. TV 프레임 레이트는 일반적으로 각 국가의 방송 기술 표준과 일치합니다. TV 방송 영상을 제작하는 경우 북미 방송국에서는 일반적으로 초당 29.97 프레임 레이트를 사용하고, 유럽에서는 초당 25 프레임을 사용합니다.

하지만 기술 발전으로 방송국에서는 더욱 다양한 선택을 할 수 있게 되었고 방송 표준 또한 꾸준히 변화하고 있습니다. 요즘은 스포츠 경기를 높은 프레임 레이트로 녹화 및 방송하는 일이 보편적입니다. 예를 들어, 북미에서는 일부 스포츠 경기 장면을 초당 최대 59.94의 프레임으로 녹화 및 방송하며, 유럽에서는 초당 50 프레임을 사용합니다. 이러한 프레임 레이트는 빠른 액션 장면을 더욱 부드럽고 생동감 있게 연출합니다. 스트리밍 방송국과 온라인 방송국은 일반적으로 TV와 비슷한 프레임 레이트를 사용하지만, 사용자의 시청 포맷 선택 가능 및 한정된 사용자 화면 성능을 고려하여 여러 프레임 레이트 사용을 시험해볼 수 있습니다.

일반적으로 프로젝트의 프레임 레이트는 딜리버리 포맷에 맞추어 선택합니다. 그래야 재생 시 실제 이벤트가 진행된 속도로 클립이 재생됩니다. 이를 위해 카메라의 '오프 스피드' 옵션을 끄세요.

슬로우 모션같은 효과를 생성하려면 센서 프레임 레이트를 더욱 높게 설정하면 됩니다. 센서의 프레임 레이트가 프로젝트의 프레임 레이트보다 높을수록 재생 속도가 느려집니다.

오프스피드 센서 프레임 레이트를 사용한 효과 생성에 관한 자세한 정보는 [터치스크린 컨트롤] 부분을 확인하세요.

높은 프레임 레이트로 촬영하기

높은 프레임 레이트로 촬영할 경우, 카메라에서 일반적인 동기화 속도인 초당 24, 25, 30 프레임보다 훨씬 많은 프레임을 캡처합니다. 다시 말해, 이미지 센서가 각 프레임에 빛을 모을 시간이 부족하게 되어 카메라 이미지가 어둡게 나타납니다.

따라서 초당 25 프레임에서 50 프레임으로 바꾸면 센서에 도달하는 빛의 양이 절반으로 줄어들게 됩니다. 노출 수준을 그대로 유지하려면 렌즈에서 추가 스태프를 열어 셔터 개각도를 180°에서 360°로 만들거나, 촬영 중인 장면에 추가 조명을 사용해야 합니다.

초당 60 프레임으로 촬영할 경우, 초당 24 프레임일 때 보다 빛이 2.5배나 줄어들기 때문에 렌즈 조리개와 셔터 개각도, 조명 등을 조정해야 동일한 노출 레벨을 얻을 수 있습니다.

높은 프레임 레이트로 촬영 시 주의해야 할 또 다른 부분은 전자식 조명을 광원으로 사용할 경우 녹화된 이미지에서 플리커 현상이 발생할 수 있다는 점입니다. 텅스텐 조명, 형광등, LED 등의 인공 광원은 플리커 현상을 유발할 수 있습니다. LCD 및 SDI 피드로 장면을 미리보기 하거나 녹화 중인 상황에서는 플리커 현상을 알아차리지 못할 수도 있으므로, 사용하고자 하는 조명으로 테스트 촬영을 한 다음 해당 클립을 재생해 플리커 현상이 나타나는지 미리 확인하는 것이 중요합니다.

조명 아래에서 촬영할 경우, 셔터 설정으로 인해 플리커 현상이 발생할 수도 있기 때문에 URSA Broadcast G2에서는 현재 사용 중인 프레임 레이트에서 플리커 현상이 발생하지 않는 셔터 옵션이 자동으로 계산되어 나타납니다. 플리커 현상이 없는 셔터 설정값을 사용하더라도 개별 광원의 특성으로 인해 플리커 현상이 발생할 수 있다는 점을 참고하세요. 더 자세한 정보는 [터치스크린 컨트롤] 부분을 참고하세요.

가장 느린 셔터 속도로 셔터를 열거나 가장 넓은 셔터 개각도를 사용해도 여전히 녹화 영상에서 플리커 현상이 발생할 경우에는 다른 조명을 사용하거나 속도가 빠른 렌즈를 사용할 필요가 있습니다.

최대 센서 프레임 레이트 및 데이터 레이트

아래의 표에서 사용 가능한 코덱과 해상도, 최대 센서 프레임 레이트를 확인하세요. Blackmagic RAW, ProRes 444, ProRes 422에 관한 참조 결과는 특정 코덱 계열에 속한 다른 지원 코덱에도 동일하게 적용된다는 점을 유의하세요.

슬로우 모션을 고해상도로 녹화하는데 필요한 데이터 전송률로 인해 속도가 빠른 CFast 카드, USB-C 플래시 디스크, SSD 등을 사용해야 합니다. 더 자세한 정보는 [저장 미디어] 부분을 참고하세요.

정보 카드의 지속 가능한 속도를 테스트하려면, '카드에 드롭 프레임 현상 발생 시' 옵션을 '녹화 중단하기'로 설정해 테스트 클립을 녹화해보세요. 이를 통해 특정 프레임 레이트로 각기 다른 해상도의 영상을 얼마나 길게 촬영할 수 있는지 확인 가능합니다. 카드 녹화가 너무 빨리 중단될 경우, 사용 가능한 다음 압축 설정 또는 해상도로 변경하면 데이터율이 낮아져 카드를 지속적으로 사용할 수 있습니다.

URSA Broadcast G2의 최대 프레임 속도

	해상도	코덱	최대 프레임 레이트	최대 데이터 레이트
UHD	3840x2160	Blackmagic RAW 3:1	60	254 MB/s
	3840x2160	Blackmagic RAW 5:1	60	152 MB/s
	3840x2160	Blackmagic RAW 8:1	60	96 MB/s
	3840x2160	Blackmagic RAW 12:1	60	64 MB/s
	3840x2160	Blackmagic RAW Q0	60	48.7 - 96.8 MB/s
	3840x2160	Blackmagic RAW Q1	60	32.6 - 77.6 MB/s
	3840x2160	Blackmagic RAW Q3	60	21.9 - 55.6 MB/s
	3840x2160	Blackmagic RAW Q5	60	13.4 - 32.6 MB/s
	3840x2160	ProRes HQ	60	220 MB/s
	3840x2160	ProRes 422	60	148 MB/s
	3840x2160	H.265 SDI	60	24.6 MB/s
	3840x2160	H.265 높음	60	21.6 MB/s
	3840x2160	H.265 중간	60	15.6 MB/s
	3840x2160	H.265 낮음	60	6.4 MB/s

	해상도	코덱	최대 프레임 레이트	최대 데이터 레이트
HD	1920x1080	Blackmagic RAW 3:1	150	161.4 MB/s
	1920x1080	Blackmagic RAW 5:1	150	97.2 MB/s
	1920x1080	Blackmagic RAW 8:1	150	61.1 MB/s
	1920x1080	Blackmagic RAW 12:1	150	41 MB/s
	1920x1080	Blackmagic RAW Q0	150	121.2 - 241.6 MB/s
	1920x1080	Blackmagic RAW Q1	150	81.8 - 193.4 MB/s
	1920x1080	Blackmagic RAW Q3	150	54.4 - 138.4 MB/s
	1920x1080	Blackmagic RAW Q5	150	33 - 81.1 MB/s
	1920x1080	ProRes HQ	120	110 MB/s
	1920x1080	ProRes 422	120	74 MB/s
	1920x1080	H.264 SDI	60	14 MB/s
	1920x1080	H.264 높음	60	11.2 MB/s
	1920x1080	H.264 중간	60	6.4 MB/s
	1920x1080	H.264 낮음	60	3.6 MB/s

Blackmagic RAW Q0, Q1, Q3, Q5는 균일한 화질을 얻기 위해 가변 비트 레이트 압축 방식을 사용한다는 사실을 기억하세요. Q0, Q1, Q3, Q5의 데이터 레이트는 촬영 대상의 복잡한 정도에 영향을 받으며, 한 클립 안에서도 상당히 달라질 수 있습니다.

원하는 코덱 및 해상도 선택하기

- 1 컨트롤 패널에 있는 MENU 버튼을 누르세요.
- 2 '녹화' 탭의 첫 페이지로 이동하세요.
- 3 원하는 코덱과 화질, 해상도 조합을 선택하세요.
- 4 MENU 버튼을 눌러 화면 밖으로 나가세요.

촬영 포맷과 프로젝트 프레임 속도

코덱과 해상도를 설정한 뒤, '프로젝트 프레임 레이트'와 '센서 프레임 레이트'를 선택해야 합니다. 프레임 레이트와 관련된 더 자세한 정보는 [녹화] 부분을 참고하세요.

사용 가능한 프로젝트 프레임 레이트는 다음과 같습니다.

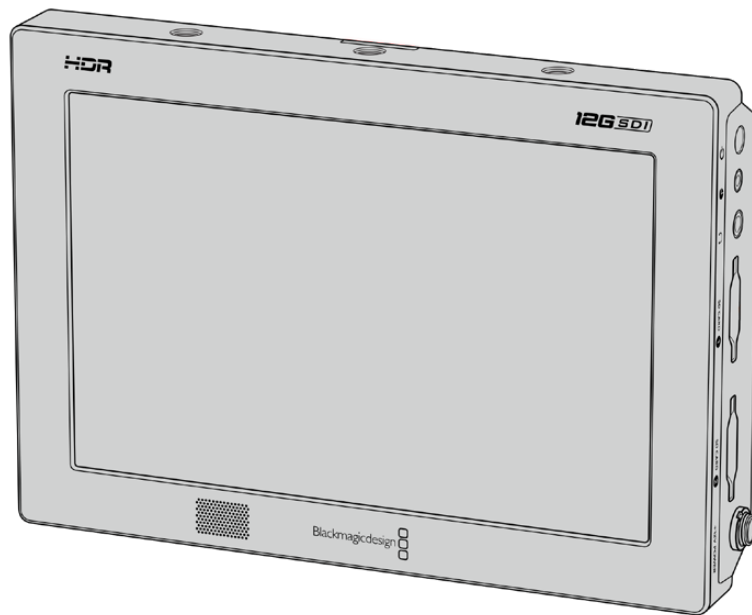
23.98, 24, 25, 29.97, 30, 50, 59.94, 60fps로 설정할 수 있습니다.

Blackmagic RAW 및 최대 ProRes 422 HQ의 ProRes 코덱 사용 시 모든 해상도에서 지원 가능한 최대 프로젝트 프레임 레이트는 초당 60 프레임입니다.

외부 장비의 녹화 트리거하기

URSA Broadcast G2에 Blackmagic Video Assist 같은 SDI 트리거 녹화 기능을 지원하는 장비에 연결하면, 트리거 녹화를 위한 신호가 SDI 출력을 통해 자동 전송됩니다. 다시 말해, 카메라에 있는 녹화 버튼을 누르면 연결되어 있는 외부 SDI 장비에서도 녹화가 시작되며, 녹화 버튼을 다시 누르면 녹화가 정지됩니다.

URSA Broadcast G2의 트리거 신호에 응답할 수 있도록 연결된 장비에서 SDI 트리거 녹화를 활성화합니다. SDI 장비가 SDI 트리거 녹화 기능을 지원할 경우, 보통 SDI 장비의 SDI 설정 메뉴에서 이 기능을 활성화할 수 있습니다.



카메라의 트리거 녹화 기능을 사용해 Blackmagic Video Assist 12G HDR과 같은 SDI 비디오 장비에서 녹화가 실행되도록 카메라에서 트리거할 수 있습니다.

녹화 가능 시간

다음은 포맷과 프로젝트 프레임 레이트, 미디어 크기에 따른 녹화 가능 시간을 분/초 단위로 보여주는 표입니다. 사용 중인 저장 미디어의 최대 녹화 가능 시간은 녹화 포맷과 프레임 레이트에 따라 달라집니다. 예를 들어, 3840 x 2160의 Apple ProRes 422 HQ 저장 속도는 초당 약 880Mb입니다. 256GB의 CFast 2.0 또는 SD 카드를 사용하여 초당 24 프레임으로 촬영할 시, 약 47분간 녹화할 수 있습니다. 같은 설정으로 128GB의 CFast 2.0 또는 SD 카드를 사용하면 약 23분간 녹화할 수 있으며, 이는 256GB 카드를 사용한 녹화 가능 시간의 약 절반에 해당합니다.

CFast 2.0 및 SD 카드의 녹화 가능 시간은 제조사에 따라 약간씩 다를 수 있음을 참고하시기 바랍니다. 또한 저장 미디어 포맷 시 선택한 ExFat 또는 Mac OS Extended 포맷에 따라 달라질 수도 있습니다.

디테일이 많지 않은 간단한 장면은 합성 효과를 많이 사용한 장면에 비해 적은 데이터 공간을 차지합니다. 아래 표에 제시된 측정값은 아주 복잡한 샷을 촬영하는 경우를 가정한 것으로, 촬영 특성에 따라 녹화 가능 시간이 더 길 수도 있습니다.

HD							
CFast 카드	프레임 레이트	ProRes 422 HQ	ProRes 422	H.264 SDI	H.264 높음	H.264 중간	H.264 낮음
		녹화 가능 시간	녹화 가능 시간	녹화 가능 시간	녹화 가능 시간	녹화 가능 시간	녹화 가능 시간
256GB	23.98	189분	283분	635분	782분	1395분	2456분
	24	189분	283분	635분	782분	1395분	2456분
	25	182분	271분	602분	748분	1339분	2321분
	30	152분	227분	496분	612분	1118분	2079분
	50	91분	137분	371분	462분	841분	1852분
	60	76분	114분	331분	411분	716분	1520분

UHD					
CFast 카드	프레임 레이트	Blackmagic RAW 3:1	Blackmagic RAW 5:1	Blackmagic RAW 8:1	Blackmagic RAW 12:1
		녹화 가능 시간	녹화 가능 시간	녹화 가능 시간	녹화 가능 시간
256GB	23.98	41분	68분	110분	164분
	24	41분	68분	109분	164분
	25	39분	66분	105분	157분
	30	33분	55분	88분	131분
	50	19분	33분	52분	79분
	60	16분	27분	44분	66분

UHD							
CFast 카드	프레임 레이트	ProRes 422 HQ	ProRes 422	H.265 SDI	H.265 높음	H.265 중간	H.265 낮음
		녹화 가능 시간	녹화 가능 시간	녹화 가능 시간	녹화 가능 시간	녹화 가능 시간	녹화 가능 시간
256GB	23.98	47분	71분	353분	404분	571분	1499분
	24	47분	71분	353분	404분	571분	1499분
	25	45분	68분	339분	389분	550분	1442분
	30	38분	57분	286분	325분	461분	1223분
	50	22분	34분	242분	280분	389분	960분
	60	18분	28분	241분	277분	325분	809분

모션 센서 데이터 녹화하기

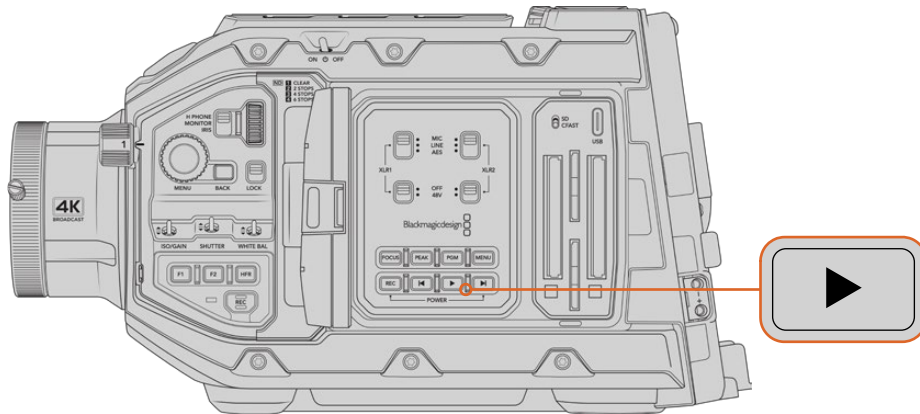
Blackmagic URSA Broadcast G2 카메라에서 내부 모션 센서의 자이로 데이터를 자동으로 녹화합니다. DaVinci Resolve에서는 해당 데이터를 사용해 클립을 안정화시킵니다. 더 자세한 정보는 본 설명서의 [자이로 안정화] 부분을 참고하세요.

재생

클립 재생하기

영상을 촬영한 뒤, 트랜스포트 컨트롤 버튼을 사용하여 해당 클립을 재생할 수 있습니다.

재생 버튼을 누르면 영상이 즉시 재생되어 URSA Broadcast G2의 LCD 터치스크린으로 녹화한 영상을 확인할 수 있습니다. 또한 URSA Broadcast G2의 SDI 출력에 연결된 모든 디스플레이를 통해 클립을 확인할 수 있습니다.



URSA Broadcast G2

정보 Blackmagic URSA Broadcast G2의 내부 제어 패널과 인체 공학 제어 패널에는 재생 및 트랜스포트 제어 버튼이 탑재되어 있습니다.

참고 Blackmagic URSA Broadcast G2에서는 현재 카메라에서 설정된 것과 동일한 코덱 제품군, 프레임 레이트, 해상도로 촬영된 클립만 재생됩니다. 예를 들어, 29.97 fps의 ProRes 422 HQ를 사용해 HD 클립을 재생하고자 할 경우, 카메라가 이와 동일한 프레임 속도와 해상도, ProRes 코덱으로 설정되어 있는지 확인하세요.

카메라 제어 장치는 CD 플레이어와 같은 방식으로 작동해 건너뛰기 버튼을 누르면 다음 클립의 시작 부분으로 넘어갑니다. 뒤로 가기 버튼을 누르면 현재 재생 중인 클립의 시작 부분으로 넘어가며, 이 버튼을 두 번 누르면 이전 클립의 시작 부분으로 되돌아갑니다. 건너뛰기 버튼 또는 뒤로 가기 버튼을 누르고 있으면 2배속으로 재생됩니다. 건너뛰기 또는 뒤로 가기가 실행 중인 상태에서 건너뛰기 버튼 또는 뒤로 가기 버튼을 두 번 누르면 4배속, 세 번 누르면 8배속, 네 번 누르면 16배속으로 전환됩니다. 건너뛰기 버튼과 뒤로 가기 버튼을 사용하여 녹화 도중 호환 렌즈의 조리개를 열고 닫을 수도 있습니다.

프로젝트 프레임 레이트와 다른 값의 센서 프레임 레이트로 촬영한 클립의 경우, 클립의 재생 속도 또한 달라집니다. 예를 들어, 카메라의 프로젝트 프레임 레이트를 후반 제작 타임라인에서 사용하는 초당 24 프레임으로 설정했다고 가정해보세요. 만약 센서 프레임 레이트를 초당 60 프레임으로 설정하여 클립을 녹화할 경우, 촬영한 클립은 카메라와 후반 제작 타임라인에서 모두 느린 동작으로 재생될 것입니다.

정보 프레임 속도와 관련된 더 자세한 정보는 [녹화] 부분을 참고하세요.

URSA Broadcast G2의 커넥터 및 기능

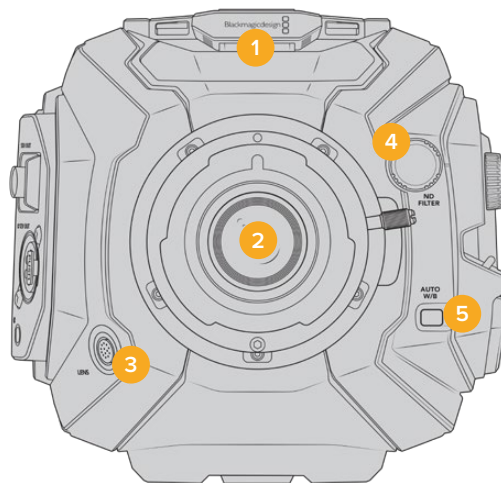
URSA Broadcast G2 우측과 뒷면 패널에는 SDI 연결을 위한 표준 BNC 커넥터가 탑재되어 있습니다. 우측 패널에는 Blackmagic URSA Handgrip 옵션을 연결할 수 있는 LANC 입력도 탑재되어 있습니다.

상단 패널의 마운팅 포인트 뒤쪽에 전문 균형 아날로그 오디오와 AES 디지털 오디오를 위한 XLR 입력이 탑재되어 있습니다. 뒷면 패널에는 외부 전원 입력을 위한 4핀 XLR 커넥터가, 우측면에는 Blackmagic URSA Viewfinder 등의 액세서리에 전원을 공급하기 위한 출력이 탑재되어 있습니다.

저장 미디어 슬롯 상단에 탑재된 USB 포트로 컴퓨터와 연결해 카메라 내부 소프트웨어를 업데이트할 수 있습니다.

참고 카메라에 인체 공학 제어 장치가 추가로 탑재되어 있어 접이식 터치스크린을 열지 않고도 카메라의 핵심 기능을 쉽고 빠르게 사용할 수 있습니다.

카메라 전면부



B4 마운트를 탑재한 URSA Broadcast G2

- 1 스테레오 마이크**
고품질의 스테레오 마이크가 내장되어 있습니다. 마이크 오디오 설정에 관한 자세한 정보는 [설정] 부분을 참고하세요.
- 2 렌즈 마운트**
URSA Broadcast G2에는 B4 마운트가 기본 장착되어 있습니다. 제품과 함께 제공되는 EF 마운트로 교체 가능하며, URSA Mini Pro PL 및 F 마운트와도 호환됩니다. 더 자세한 정보는 [교체형 렌즈 마운트] 부분을 참고하세요.
- 3 방송 렌즈 커넥터**
12핀 커넥터를 통해 전원과 제어 신호를 호환 가능한 방송용 서보 줌 렌즈에 제공할 수 있습니다. B4 및 PL 렌즈와 함께 사용 가능한 기능에 대한 자세한 정보는 본 설명서의 [서보 줌 렌즈 사용하기] 부분을 참고하세요.

4 ND 필터

이 휠을 사용해 클리어(Clear) 설정과 세 개의 내장 ND 필터 중 원하는 것을 선택할 수 있습니다. 더 자세한 정보는 [URSA Broadcast G2 컨트롤] 부분을 참고하세요.

5 자동 화이트 밸런스

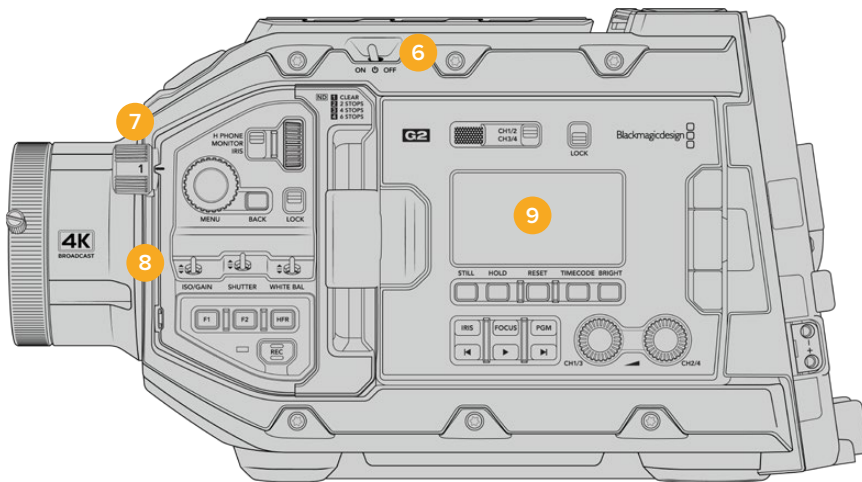
AUTO W/B라고 표기된 자동 화이트 밸런스 버튼은 현재 스크린 중앙에 있는 것을 기반으로 화이트 밸런스를 설정하고자 할 때 사용합니다. 예를 들어, 렌즈 앞에 회색 카드를 놓고 자동 화이트 밸런스를 설정합니다. 더 자세한 정보는 [URSA Broadcast G2 컨트롤] 부분을 참고하세요.

좌측

URSA Broadcast G2의 좌측 패널에 CFast 2.0 카드, SDXC 또는 SDHC 카드를 삽입하고 컨트롤 패널을 통해 설정을 변경할 수 있습니다. CFast 슬롯 바로 위에 USB-C 포트가 탑재되어 있어 URSA Broadcast G2의 내부 소프트웨어를 업데이트 시 컴퓨터에 쉽게 연결할 수 있습니다.

좌측 컨트롤

카메라의 좌측면에는 제어 장치가 추가로 탑재되어 있어, 모든 카메라 핵심 기능을 쉽게 사용할 수 있습니다. 이러한 제어 장치는 전면부 제어 패널과 접이식 터치스크린 모니터 바깥쪽에 있는 인체 공학 패널, 그리고 접이식 모니터 안쪽의 제어 패널에 탑재되어 있습니다.



터치스크린이 닫힌 URSA Broadcast G2 모습

6 전원 스위치

카메라를 켜기 위한 전원 스위치입니다. 접이식 모니터 안쪽에 보조 전원 시스템을 탑재해 REC 버튼과 건너뛰기 버튼을 동시에 누르면 카메라 전원이 켜집니다.

7 ND 필터

URSA Broadcast G2는 세 가지의 내부 중성 농도 필터를 탑재해 센서에 들어오는 광량을 조절할 수 있습니다. Clear에서 6 스탑에 이르는 네 가지 설정 가운데 원하는 것을 선택할 수 있습니다. 간단히 휠을 돌려 사용 가능한 설정을 선택하세요. 휠을 돌리면 딸깍 소리가 나며 각 필터로 설정됩니다. 더 자세한 정보는 본 설명서의 [URSA Broadcast G2 컨트롤] 부분을 참고하세요.

8 전면부 제어 패널

전면 제어 패널에서 URSA Broadcast G2의 모든 주요 기능을 신속하게 사용할 수 있습니다. 카메라를 삼각대에 설치해 촬영하거나 핸드헬드로 촬영할 경우, 이러한 제어 장치를 통해 ISO, 셔터 속도, 조리개, 화이트 밸런스, 프레임 속도 등의 설정을 쉽게 조정할 수 있습니다. 더 자세한 정보는 [URSA Broadcast G2 컨트롤] 부분을 참고하세요.

9 인체 공학 제어 패널

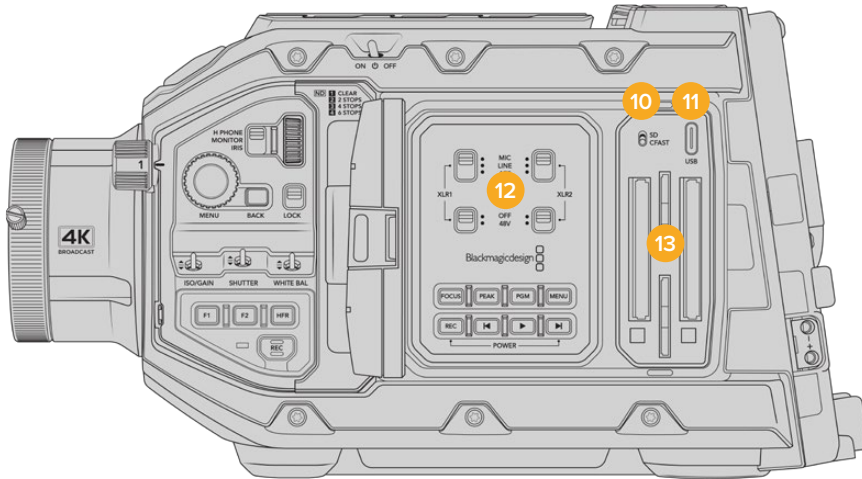
URSA Broadcast G2의 접이식 터치스크린 모니터 바깥 쪽에는 LCD 상태 모니터와 신속하고 강력하게 모니터링을 제어할 수 있는 다양한 제어 장치가 탑재되어 있습니다. 여기서 다양한 모니터링 기능을 제어할 수 있을 뿐만 아니라 카메라 상태 정보를 한 눈에 살펴볼 수 있습니다. 더 자세한 정보는 [URSA Broadcast G2 컨트롤] 부분을 참고하세요.

10 저장 미디어 선택 스위치

CFast 및 SD 저장 미디어 선택 시 사용하는 스위치입니다.

11 USB 포트

내부 소프트웨어를 업데이트하기 위한 USB-C 포트입니다. 더 자세한 정보는 [Blackmagic Camera Setup 유틸리티] 부분을 참고하세요.



터치스크린이 열린 URSA Broadcast G2 모습

12 내부 제어 패널

URSA Broadcast G2의 접이식 모니터를 열면 내부 제어 패널을 사용할 수 있습니다. 이 제어 장치를 사용해 팬텀 파워 설정과 오디오 입력을 설정하세요. 조리개와 초점, 메뉴, 재생 제어 등을 설정할 수도 있습니다. 더 자세한 정보는 [URSA Broadcast G2 컨트롤] 부분을 참고하세요.

13 메모리 카드 슬롯

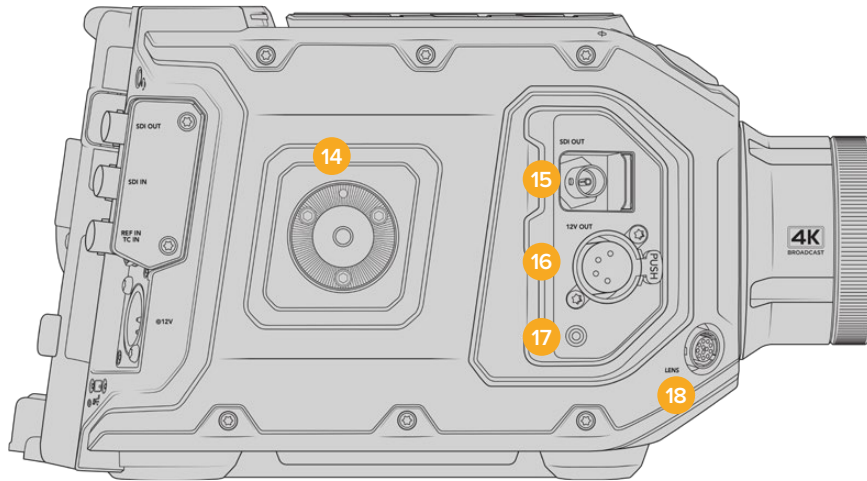
CFast 2.0 카드와 SDXC 또는 SDHC 카드를 슬롯에 삽입해 영상을 녹화 및 재생할 수 있습니다. 저희 웹사이트에서 인증된 카드 목록을 반드시 확인하세요. 더 자세한 정보는 [저장 미디어] 부분을 참고하세요.

우측면

URSA Broadcast G2 우측 패널에서는 모든 비디오와 오디오, 전원을 위한 커넥터뿐만 아니라 사이드 핸들을 위한 로제트 마운트까지 사용할 수 있습니다.

14 측면 로제트 마운트

사이드 핸들을 위한 표준 로제트 마운트. 더 자세한 정보는 [시작하기]와 [Blackmagic URSA Mini Shoulder Kit] 부분을 참고하세요.



URSA Broadcast G2 우측면에 내장된 로제트 마운트를 사용해 URSA Broadcast 사이드 핸들 옵션 장착할 수 있습니다.

15 HD 모니터링 출력

다운컨버팅 1080 HD 출력을 위한 3G-SDI 커넥터입니다. Blackmagic URSA Viewfinder 또는 외부 모니터와 함께 사용하세요. 더 자세한 정보는 [카메라 비디오 출력]과 [Blackmagic URSA Viewfinder] 부분을 참고하세요.

16 12V 전원 출력

Blackmagic URSA Viewfinder와 Blackmagic URSA Studio Viewfinder 또는 외부 모니터 및 액세서리에 전원을 공급하는 4핀 XLR 커넥터입니다. 더 자세한 정보는 [Blackmagic URSA Viewfinder]와 [Blackmagic URSA Studio Viewfinder] 부분을 참고하세요. 방송 렌즈 커넥터에 연결된 해당 출력은 최대 2암페어의 12V 전원을 공급합니다.

17 LANC 입력

Blackmagic URSA Handgrip 옵션 전용 2.5mm TRS LANC 커넥터.

18 방송 렌즈 제어 커넥터

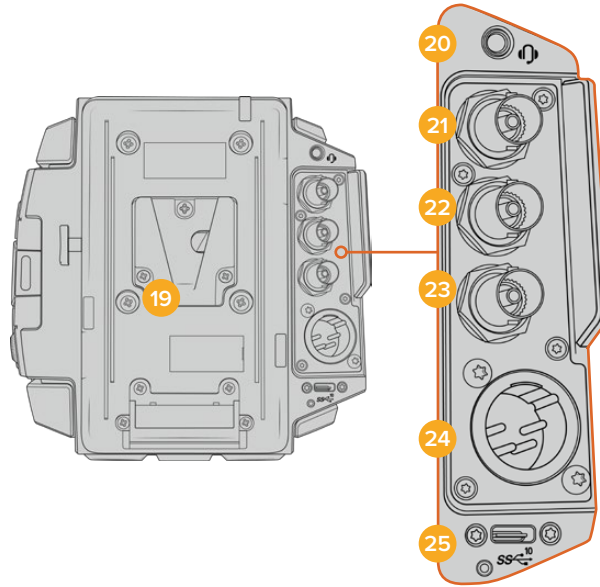
12핀 커넥터를 통해 호환 가능한 PL 및 B4 마운트 렌즈에 전원과 제어 기능을 제공합니다. +12V 전원 출력에 연결된 해당 출력은 최대 2암페어의 12V 전원을 공급합니다.

뒷면 패널

19 배터리 마운트 플레이트

Blackmagic URSA Broadcast G2에는 URSA VLock Battery Plate가 기본 장착되어 있어 VLock 배터리를 카메라에 장착할 수 있습니다. URSA VLock Battery Plate에는 D-탭 포트가 탑재되어 있어 액세서리에 전원을 공급할 수 있습니다. D-탭 포트는 최대 1.5암페어의 12V 정전압 전력을 출력할 수 있습니다.

URSA VLock Battery Plate는 Blackmagic URSA Gold Battery Plate 옵션이나 서드파티 배터리 플레이트로 교체 가능합니다. 배터리 플레이트를 제거하면 안쪽에 숨겨진 Molex 커넥터가 나타나는데, 이를 통해 Blackmagic Camera Fiber Converter나 Blackmagic URSA Mini Recorder 같은 옵션을 카메라 뒷면에 장착할 수 있습니다. 연결한 액세서리에 D-탭 전원 출력이 탑재되어 있는 경우, Molex 커넥터를 통해 최대 1.5암페어의 12V 전력을 공급할 수 있습니다. 더 자세한 정보는 [배터리 장착하기], [Blackmagic Fiber Converter 사용하기], [URSA Mini Recorder] 부분을 참고하세요.



20 헤드폰/헤드셋

3.5mm 잭 출력 단자는 헤드폰 모니터링과 토크백에 사용됩니다. 쉽고 빠른 토크백용 마이크가 내장된 아이폰 및 안드로이드 호환 헤드셋을 연결할 수 있습니다. 토크백 오디오는 SDI 출력의 채널 15와 채널 16에 임베디드됩니다.

정보 URSA Broadcast G2의 토크백용 3.5mm 잭을 사용할 경우, 아이폰 또는 안드로이드 호환 헤드셋을 사용하는 것이 가장 경제적입니다. 이런 헤드셋에는 보통 인라인 마이크 버튼이 탑재되어 있어 이를 통해 마이크를 켜고 끌 수 있습니다. 이러한 인라인 스위치가 없는 방송용 헤드셋을 사용하고자 할 경우, URSA Broadcast G2의 기능 버튼으로 동일한 기능을 사용할 수 있습니다. 더 자세한 정보는 본 설명서의 [설정] 부분을 참고하세요.

21 12G-SDI 출력

Blackmagic URSA Broadcast G2의 12G-SDI 출력은 라우터와 모니터, SDI 캡처 장비, 방송용 스위처 등의 SDI 장비에 연결하여 HD 및 UHD 비디오를 전송하는 데 사용합니다. 백업 녹화를 위한 Blackmagic Video Assist 등의 외장 레코더에 12G-SDI 출력을 연결할 수도 있습니다.

22 12G-SDI 입력

12G-SDI 입력은 스위처나 외장 레코더를 연결하는 데 사용됩니다. 다시 말해, URSA Broadcast G2를 라이브 방송에서 사용할 경우, 스위처의 프로그램 출력을 연결해 촬영 중인 영상을 모니터링하거나 외장 레코더에서 영상을 재생하여 확인할 수 있습니다. PGM 버튼을 길게 눌러 프로그램 피드를 확인할 수 있습니다.

더 자세한 정보는 본 설명서의 [인체 공학 제어 패널] 부분을 참고하세요.

ATEM Switcher의 카메라 컨트롤 기능을 사용하여 URSA Broadcast G2의 다양한 기능을 원격으로 조정할 수도 있습니다. 더 자세한 정보는 본 설명서의 [스튜디오 카메라 컨트롤 이해하기] 부분을 참고하세요. Blackmagic 3G-SDI Shield for Arduino를 사용하면 SDI를 통한 커스텀 카메라 컨트롤을 구축할 수 있습니다.

SDI 입력을 통해 탈리와 토크백 신호를 수신하려면 카메라의 '설정' 메뉴에서 ATEM 카메라 ID를 설정해야 합니다. SDI 입력을 통해 외부 레퍼런스 신호를 수신하려면 '설정' 메뉴에서 '레퍼런스 소스' 유형을 '프로그램'으로 선택하세요. 외부 레퍼런스 신호가 잠기면 카메라 LCD 스크린에 있는 타임코드 디스플레이 옆에 'REF' 표시가 나타납니다. 더 자세한 정보는 본 설명서의 [설정] 부분을 참고하세요.

URSA Broadcast G2의 SDI 입력은 카메라에 외부 타임코드 피드 신호를 전송받는 용도로 사용할 수 있습니다. SDI 수신 신호의 프레임 레이트가 설정된 값과 일치하고 타임코드가 유효할 경우, SDI 입력은 자동으로 들어오는 타임코드에 잠깁니다. 외부 타임코드에 잠기게 되면 URSA Broadcast G2의 LCD에 'EXT' 표시가 나타납니다. 케이블을 뽑을 경우, 타임코드가 멈추고 디스플레이 표시가 'INT'로 바뀌어 이제 URSA Broadcast G2의 내부 타임코드 시간을 사용하고 있음을 알립니다.

23 레퍼런스/타임코드 입력

입력 신호를 자동으로 인식해 타임코드 입력 신호나 레퍼런스 입력 신호로 전환합니다. 레퍼런스 입력을 REF IN이라고 표시된 BNC 입력에 연결하여 Blackmagic URSA Broadcast G2를 Tri-level과 같은 일반 레퍼런스 신호에 동기화할 수 있습니다. 해당 입력을 통해 레퍼런스 신호를 사용하려면 URSA Broadcast G2의 '설정' 메뉴에서 '레퍼런스 소스'를 반드시 '외부'로 설정하는 것을 잊지 마세요.

아니면 이 단자를 사용해 외부 타임코드 소스를 여러 대의 카메라에 동기화할 수도 있습니다. 또한 오디오와 영상을 따로 촬영하는 경우에도 외부 타임코드 소스를 동기화할 수 있습니다. 이를 통해 후반 제작 단계에서 오디오 및 영상 또는 여러 카메라에서 전송되는 영상을 손쉽게 동기화시킬 수 있습니다. 프레임 레이트가 매칭되는 외부 타임코드를 이 단자에 연결하면 카메라가 수신 타임코드에 자동으로 동기화됩니다. 외부 타임코드 신호에 잠기면 URSA Broadcast G2의 LCD에 'EXT' 표시가 나타납니다. 케이블을 뽑을 경우, 타임코드가 멈추고 디스플레이 표시가 'INT'로 바뀌어 이제 URSA Broadcast G2의 내부 타임코드 시간을 사용하고 있음을 알립니다.

프로그램 SDI 입력을 통해 카메라에서 ATEM 스위처의 레퍼런스 신호를 사용하도록 설정할 수도 있습니다. 모든 카메라에서 하나의 SDI 신호를 사용해 프로그램 리턴 피드와 카메라 제어 신호를 전송받고 타임코드 신호를 동기화할 수 있어, ATEM 스위처로 작업할 때 굉장히 유용합니다. 더 자세한 정보는 본 설명서의 [설정] 부분을 참고하세요.

24 +12V 전원 입력

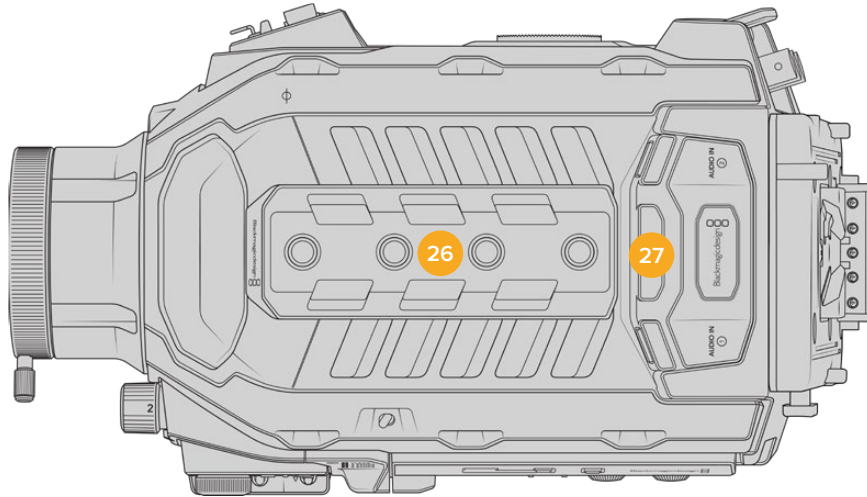
4핀 12V-18V DC XLR 커넥터를 사용하여 전원 어댑터와 콘센트, 휴대용 배터리, 발전기와 같은 외부 전원에 연결할 수 있습니다.

25 USB-C 포트

USB-C 3.2 세대(Gen 2x1) 포트를 탑재해 Blackmagic URSA Mini Recorder 사용 시 외장 플래시 디스크 또는 SSD에 녹화할 수 있습니다. Blackmagic Zoom 및 Focus Demand를 카메라에 연결해 호환 렌즈의 초점 및 줌을 제어할 수도 있습니다.

USB-C 포트 하단에 있는 스퀘드 커넥터에 URSA Mini Recorder 구입 시 함께 제공되는 잠금 USB 케이블을 연결하여 사용 시 연결이 분리되지 않도록 할 수 있습니다. 더 자세한 정보는 본 설명서의 [URSA Mini Recorder] 부분을 참고하세요.

상단 패널



상단 패널의 균형 XLR 커넥터에 외부 아날로그 오디오를 연결할 수 있습니다

26 1/4 인치 마운팅 포인트

카메라 상단 패널에는 상단 핸들과 액세서리를 장착할 수 있는 4개의 견고한 마운팅 포인트가 있습니다.

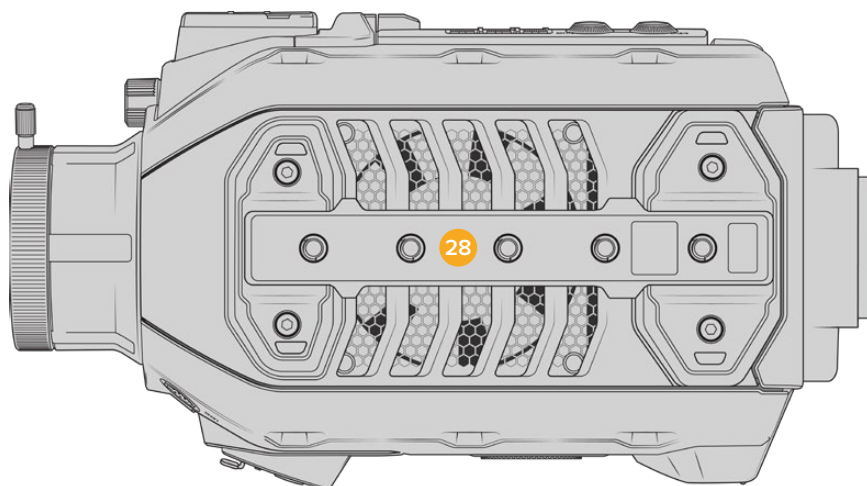
27 XLR 오디오 입력

균형 XLR 입력을 사용하면 오디오 믹서, PA 시스템, 외부 마이크와 같은 전문가용 장비를 외부 아날로그 오디오 단자에 연결할 수 있습니다. XLR 커넥터는 48V의 팬텀 파워를 공급하므로, 자체 전원 공급형이 아닌 마이크도 사용할 수 있습니다. 팬텀 파워에 대한 자세한 정보는 [URSA Broadcast G2 컨트롤]의 '내부 제어 패널' 부분을 참고하세요.

하단부

28 1/4 인치 마운팅 포인트

하단부에 있는 5개의 마운팅 포인트는 삼각대 헤드와 URSA Broadcast Shoulder Kit, 기타 액세서리 등을 장착하는 데 사용됩니다.

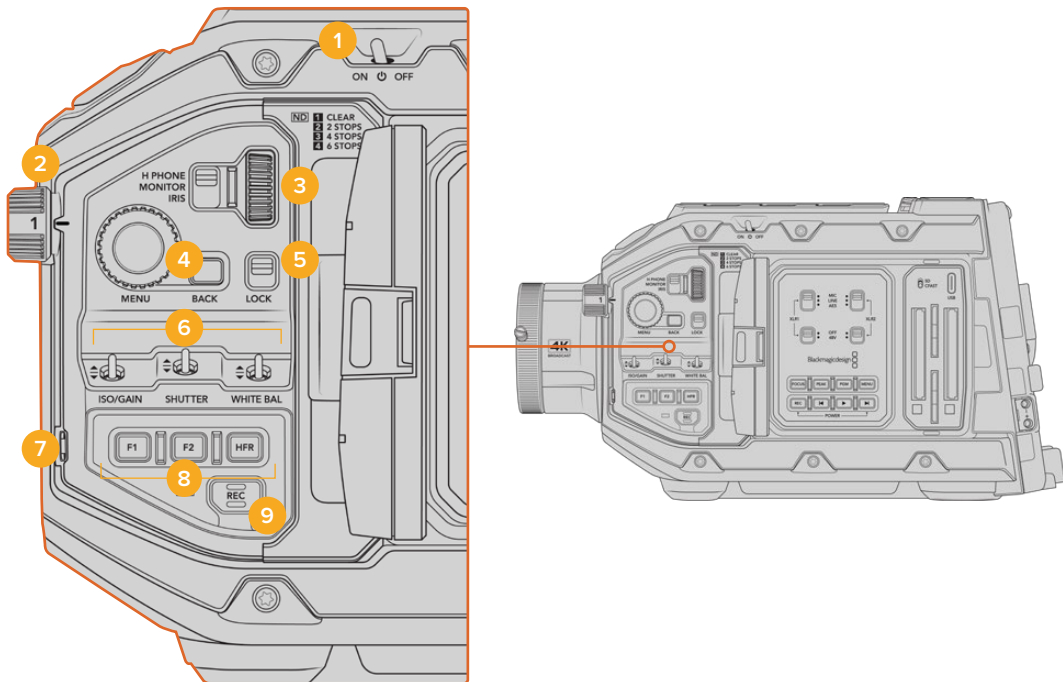


URSA Broadcast G2 컨트롤

Blackmagic URSA Broadcast G2는 새시와 접이식 터치스크린 안팎에 제어 패널을 탑재해 카메라의 모든 핵심 기능과 강력한 모니터링 도구를 쉽고 빠르게 사용할 수 있습니다. 이러한 패널은 삼각대나 URSA Mini Shoulder Kit를 사용해 촬영하거나 핸드헬드로 촬영하는 경우에 편리하게 사용할 수 있도록 손에 가까이 닿는 곳에 배치했습니다.

앞쪽 제어 패널

카메라 측면의 앞쪽 제어 패널에는 샷을 설정하고 녹화할 때 조정해야 하는 모든 제어 장치가 배치되어 있습니다. 카메라에 솔더 키트를 장착해 접이식 모니터를 닫고 촬영하는 경우에도 쉽게 사용할 수 있도록 설계되었습니다.



URSA Broadcast G2 전면부 제어 패널

1 전원 스위치

URSA Broadcast G2의 전원을 켜려면 스위치를 ON으로 설정하세요. 전원을 끄려면 스위치를 OFF로 설정하세요.

정보 URSA Broadcast G2에서는 일부 제어 패널 스위치 조합을 통해 전원을 켜고 끌 수도 있습니다. REC 버튼과 건너뛰기 버튼을 동시에 길게 눌러 카메라 전원을 켜고 끌 수 있습니다. 카메라 전원 스위치가 ON으로 설정된 경우에도 전원이 켜지지 않을 경우, 제어 패널에서 전원을 해당 버튼을 길게 눌러 전원이 꺼진 상태일 수 있습니다. 전원 스위치를 사용해 일반적인 작동 방식으로 되돌릴 수 있습니다.

2 ND 필터

URSA Broadcast G2에는 세 개의 중성 농도 필터가 탑재되어 있습니다. Clear, 1/4, 1/16, 1/64로 설정할 수 있습니다. 이 필터를 사용하여 URSA Broadcast G2 센서에 노출되는 광량을 미리

설정해둔 비율에 맞게 줄일 수 있습니다. 이를 통해 노출 정도가 줄어들어 햇살이 밝은 야외 촬영 조건에서도 조리개를 열고 촬영할 수 있습니다.

휠을 위/아래로 돌려 중성 농도 설정을 조절할 수 있습니다. 'Clear' 설정은 ND 필터를 사용하지 않는 것을 의미합니다. 1/4에서 1/64까지는 ND 필터의 농도가 점차 증가하기 때문에 광량을 원하는 정도로 줄일 수 있습니다.

사용하고자 하는 ND 필터 단위가 사용자마다 다를 수 있기 때문에 LCD 메뉴에서 ND 설정 측정 단위를 사용자 지정할 수 있도록 설계했습니다. ND 필터 번호와 광량을 감소시키는 스탑 수, 필터에서 감소되는 광량의 정도를 나타내는 비율을 자신이 원하는 방식으로 설정할 수 있습니다.

중성 농도 필터 설정

휠 포지션	ND 필터 번호	스탑	비율
1	Clear(사용 안 함)	0	1
2	0.6	2	1/4
3	1.2	4	1/16
4	1.8	6	1/64

3 설정 휠

휠 옆에 있는 3단계 스위치를 사용해 휠의 기능을 설정할 수 있습니다. 헤드폰(H PHONE), 모니터(MONITOR), 조리개(IRIS) 중에서 선택 가능합니다.

헤드폰(H PHONE)

H PHONE으로 설정할 경우, 설정 휠을 사용해 헤드폰 오디오 볼륨을 조절할 수 있습니다. 휠을 위로 돌리면 볼륨이 증가하고, 아래로 돌리면 줄어듭니다.

모니터(MONITOR)

MONITOR로 설정할 경우, 설정 휠을 사용해 카메라에 내장된 모니터 스피커의 오디오 볼륨을 조절할 수 있습니다. 스피커가 LCD 모니터 바깥 쪽에 탑재되어 있어 헤드폰 없이도 오디오를 모니터링할 수 있습니다. 휠을 위로 돌리면 볼륨이 증가하고, 아래로 돌리면 줄어듭니다. 카메라 내부 마이크로 녹음하는 경우에는 해당 기능이 해제되어 원치 않는 피드백을 미연에 방지할 수 있습니다.

조리개(IRIS)

IRIS로 설정할 경우, 설정 휠을 사용해 URSA Broadcast G2에 장착된 호환 렌즈의 조리개를 조절할 수 있습니다. 휠을 아래로 돌리면 조리개가 열리고, 위로 돌리면 닫힙니다. 이런 방식은 스틸 및 시네마 렌즈의 조리개 조절 방식을 그대로 본따 적용되었습니다.

정보 설정 휠을 통한 조리개 설정 변경은 카메라에서 조리개를 변경할 수 있는 렌즈가 URSA Broadcast G2에 장착되어 있는 경우에만 가능합니다. 방송용 12핀 커넥터를 통해 B4 또는 PL 렌즈를 사용하는 경우, 핸드그립에 있는 렌즈 조리개 스위치가 A 또는 Auto로 설정되어 있는지를 반드시 확인하세요.

4 MENU 휠과 BACK 버튼

상태 표시 텍스트가 카메라 전면 SDI로 출력되도록 설정된 경우, 일반적으로는 LCD 터치스크린에서나 조정 가능한 대부분의 헤드업 디스플레이 기능을 MENU 휠을 통해 조정할 수 있습니다.

버튼을 누르듯 간단히 MENU 휠을 눌러 Blackmagic SmartView나 Video Assist 또는 URSA Viewfinder와 같은 외부 모니터에 나타나는 URSA Broadcast G2의 헤드업 디스플레이에 접속할 수 있습니다. MENU 휠이 활성화된 상태에서 휠을 돌려 LCD 모니터 옵션과 프레임 속도, ISO, 화이트 밸런스, 틸트 등의 기능을 선택할 수 있습니다. 휠을 눌러 선택을 확인하고 추가 변경을 수행하거나 MENU 휠 옆에 있는 BACK 버튼을 눌러 선택을 취소하세요. BACK 버튼을 눌러 상위 메뉴로 이동할 수 있습니다. 최상위 메뉴에 있는 경우 메뉴 밖으로 완전히 나갈 수 있습니다. 1분 이상 메뉴를 사용하지 않을 경우, 메뉴가 자동으로 닫힙니다.

상태 표시 텍스트와 사용 가능한 제어 기능에 대한 자세한 정보는 본 설명서의 [터치스크린 컨트롤]과 [모니터링 설정] 부분을 참고하세요.

5 잠금(LOCK) 기능

이 스위치로 앞쪽 제어 패널의 모든 제어 장치를 잠그면, 촬영 중 의도치 않게 조정되는 일을 방지할 수 있습니다. 해당 스위치를 아래로 내리면 잠기고, 위로 올리면 잠금이 해제됩니다.

정보 복잡하고 통제가 불가능한 촬영 환경에서 카메라를 두고 자리를 비우는 경우, URSA Broadcast G2의 앞쪽 제어 패널을 잠글 수 있습니다. 이를 통해 다른 사람들이 의도치 않게 설정을 변경하는 일을 방지할 수 있습니다.

6 ISO, 셔터(SHUTTER), 화이트 밸런스(WHITE BAL) 스위치

이 작은 스위치를 사용해 ISO/게인, 화이트 밸런스, 셔터 설정을 조절할 수 있습니다. 햇에서 눈을 떼지 않고 신속하게 설정을 변경해야 하는 경우에 유용합니다. 스위치를 위/아래로 부드럽게 밀어 설정을 변경할 수 있습니다. 스위치에는 스프링이 장착되어 있어 항상 중립 위치로 돌아옵니다.

ISO/게인(GAIN)

이 스위치를 위/아래로 밀어 카메라의 게인 설정을 조절할 수 있습니다. 스위치를 위로 밀면 설정값이 1/3 스탱씩 증가하며, 아래로 밀면 1/3 스탱씩 감소합니다. 설정 범위는 -12 ~ 36dB 사이입니다.

셔터(SHUTTER)

카메라의 셔터 속도를 조정하는 데 사용합니다. 이 스위치를 위로 밀면 셔터 속도가 한 단계 위 프리셋 설정으로 증가하고, 아래로 밀면 한 단계 아래 프리셋 설정으로 감소합니다. 스위치를 위/아래로 계속 누르면 사용 가능한 설정값으로 빠르게 이동합니다. 1/24와 1/2000 사이 12 종류의 셔터 속도 프리셋을 사용하실 수 있습니다.

정보 URSA Broadcast G2에서 거주 지역의 전력 주파수를 기반으로 플리커 현상이 없는 셔터 속도를 제시하도록 설정할 수 있습니다. 이 기능은 LCD 터치스크린 메뉴에서만 선택 가능합니다. 더 자세한 정보는 본 설명서의 [터치스크린 컨트롤] 부분을 참고하세요.

화이트 밸런스(WHITE BAL)

카메라의 화이트 밸런스를 조절하는 데 사용합니다. 스위치를 위로 밀면 색온도가 50K 썩 증가하고, 아래로 밀면 50K 썩 감소합니다. 스위치를 위/아래로 계속 누르면 사용 가능한 설정값으로 빠르게 이동합니다.

7 자동 화이트 밸런스(AUTO W/B)

이 버튼을 누르면 자동 화이트 밸런스 기능을 위한 흰색의 사각형 테두리가 LCD 화면 중앙에 5초간 나타납니다. 이 상자는 메뉴 설정에서 상태 표시 텍스트가 출력되도록 설정된 모든 SDI

출력에도 나타납니다. 이 흰색 상자는 화이트 밸런스가 측정된 영상 속 특정 영역을 나타내므로, 회색 카드를 반드시 이 흰색 상자 안에 가져다 놓아야 합니다. Auto W/B 버튼을 3초간 길게 누르면 자동 화이트 밸런스 기능이 실행되며 흰색 사각형이 녹색으로 변하며 해당 기능이 성공적으로 수행되었음을 알려줍니다.

상태 표시 텍스트를 URSA Broadcast G2 전면면에 있는 출력 또는 주요 SDI 출력에 적용하는 방법에 대한 자세한 정보는 본 설명서의 [모니터링 설정] 부분을 참고하세요.

8 F1 및 F2

F1과 F2는 URSA Broadcast G2의 '설정' 메뉴에서 자주 사용하는 다양한 기능을 프로그래밍할 수 있는 기능 키입니다. F1 버튼은 LCD와 전면 SDI 출력에서 '포커스 줌'을 켜고 끌 수 있도록 기본 설정되어 있는 반면, F2 버튼은 LCD에서 '플스 컬러'를 켜고 끌 수 있도록 설정되어 있습니다.

더 자세한 정보는 본 설명서의 [터치스크린 컨트롤] 부분을 참고하세요.

HFR

HFR(High Frame Rate) 버튼을 사용해 오프스피드 프레임 레이트를 켜고 끌 수 있습니다. 원하는 오프스피드 프레임 레이트를 URSA Broadcast G2의 '프레임 레이트' 메뉴에서 간단히 설정해 사용할 수 있습니다. 이 버튼을 눌러 현재 선택된 오프스피드 프레임 레이트와 프로젝트 프레임 레이트 간을 전환할 수 있습니다. 해당 설정은 녹화가 정지된 상황에서만 조절할 수 있다는 것을 기억하세요. HFR 버튼 역시 자주 사용하는 다양한 기능을 프로그래밍할 수 있는 기능 버튼으로, 사용하지 않을 경우엔 비활성화시킬 수 있습니다.

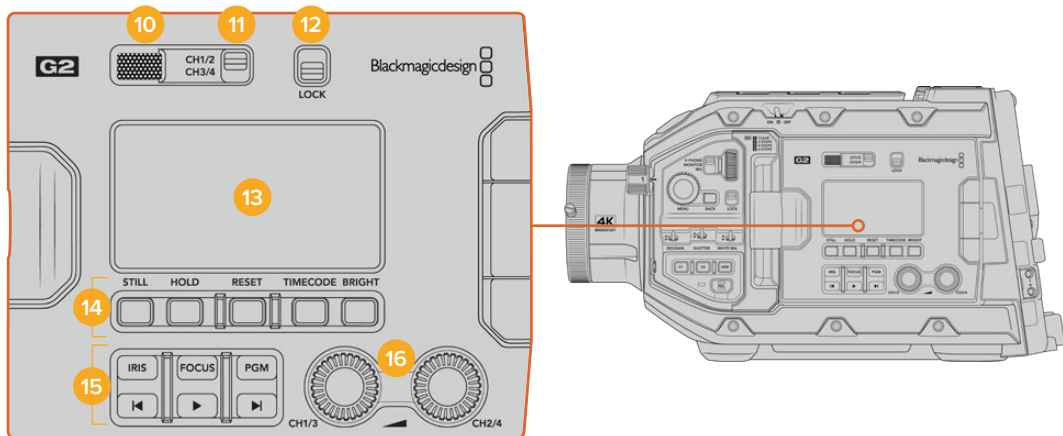
프로젝트 프레임 레이트와 오프스피드 프레임 레이트에 대한 자세한 정보는 본 설명서의 [터치스크린 컨트롤] 부분을 참고하세요.

9 녹화(REC)

REC라고 표시된 녹화 버튼은 Blackmagic URSA Broadcast G2의 좌측면에 탑재되어 있습니다. 녹화 버튼을 눌러 녹화를 시작/정지하세요. 더 자세한 정보는 [녹화] 부분을 참고하세요.

인체 공학 제어 패널

URSA Broadcast G2의 터치스크린 모니터 바깥 쪽에는 LCD 상태 모니터와 다양한 모니터링 제어 장치가 탑재되어 있습니다. 이 패널을 통해 오디오 레벨을 모니터링 및 조정할 수 있을 뿐만 아니라 카메라 상태 정보를 한 눈에 살펴볼 수 있습니다. 호환 렌즈를 사용해 자동 초점 기능을 설정할 수 있으며 트랜스포트 컨트롤을 사용해 클립을 재생할 수 있습니다.



인체공학적 디자인의 URSA Broadcast G2 제어 패널

10 모니터 스피커

제어 패널 바깥쪽에 내장된 소형 스피커를 통해 비디오를 재생하면서 오디오를 모니터링할 수 있습니다. 카메라에 솔더 마운트 세트를 장착해 촬영하는 경우, 사람의 귀가 닿는 위치에 스피커가 배치되도록 설계했습니다.

[URSA Broadcast G2 컨트롤] 부분에 소개된 방법으로 설정 휠을 간단히 돌려 스피커 볼륨을 조절할 수 있습니다.

11 모니터 채널 선택 버튼

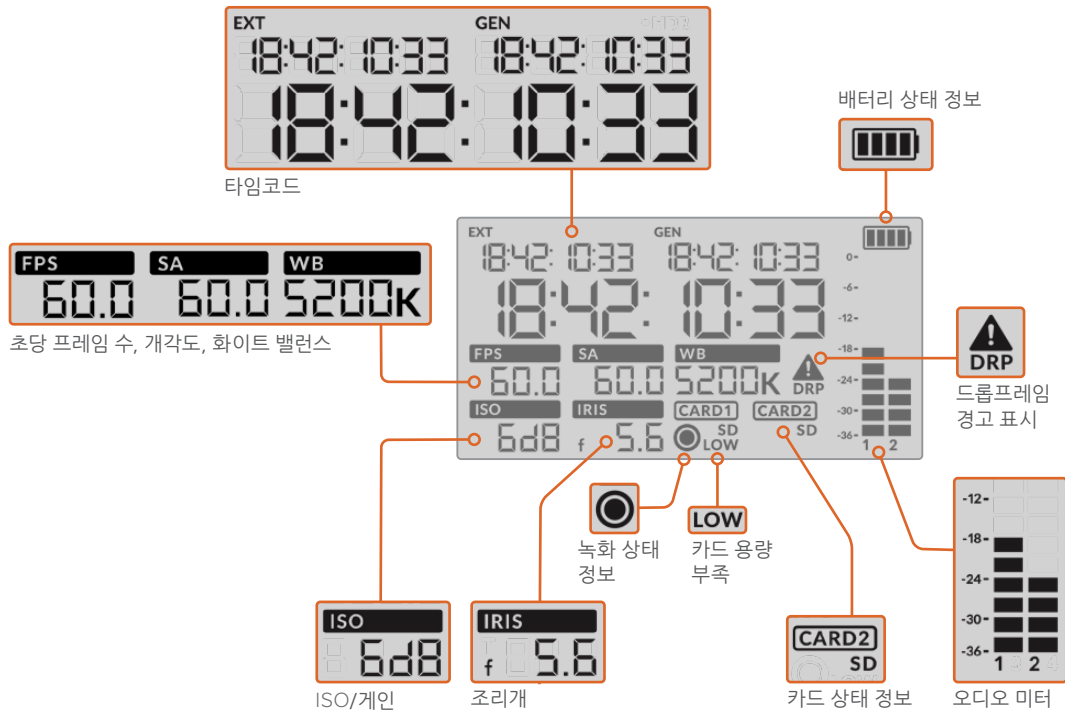
URSA Broadcast G2는 두 개의 오디오 채널을 지원합니다.

12 잠금(LOCK) 기능

이 스위치를 사용해 URSA Broadcast G2의 인체공학 제어 패널에 있는 모든 설정을 잠글 수 있습니다. 잠금 스위치를 켜두었을 때도 사용 가능한 제어 장치는 모니터 채널 선택 스위치뿐입니다.

13 상태 표시 LCD

이 디스플레이를 통해 내부 터치스크린을 열지 않고도 URSA Broadcast G2의 핵심 설정 사항을 한 눈에 확인할 수 있습니다. LCD 스크린은 밝은 낮에도 볼 수 있도록 설계되었습니다. 이 디스플레이에서는 다음과 같은 정보를 확인할 수 있습니다.



타임코드

URSA Broadcast G2에는 세 가지 타임코드가 표시됩니다. 외부 타임코드를 연결한 경우, 해당 정보가 상태 표시 LCD 좌측 상단의 EXT 표시 장치 아래에 표시됩니다. 카메라 내부에서 생성된 타임코드는 외부 타임코드 정보 바로 옆에 있는 'GEN' 표시 글자 아래에 표시됩니다. 외부 타임코드와 내부에서 생성된 타임코드 모두 시간:분:초:프레임 순으로 표시됩니다.

더 큰 텍스트로 표시되는 메인 타임코드는 클립 지속 시간이나 타임코드로 설정 가능합니다. 상태 표시 LCD 밑에 있는 TIMECODE 버튼을 눌러 두 가지 디스플레이 모드 중 원하는 것을 선택할 수 있습니다.

배터리 상태 정보

URSA Broadcast G2에 배터리를 장착해 촬영하는 경우, 배터리 잔량이 25% 단위로 표시됩니다. 배터리 상태 정보에 나타나는 네 개의 막대는 각각 배터리 잔량의 25%를 의미합니다. 배터리 잔량이 20% 이하로 떨어질 경우, REC 버튼 옆의 상태 표시 LED가

깜빡입니다. 녹화 중에는 빨간색과 주황색으로, 대기 모드에서는 흰색과 주황색으로 번갈아 천천히 깜빡입니다.

주요 전원 커넥터를 카메라에 연결하면 배터리가 가득 찬 것으로 표시됩니다.

프레임 속도(FPS), 셔터 개각도(SHUTTER), 화이트 밸런스(WB)

FPS/SA/WB는 각각 카메라의 현재 프레임 속도와 셔터 개각도, 화이트 밸런스를 나타냅니다. FPS 표시 장치는 현재 사용 중인 센서 프레임 속도를 나타냅니다.

센서 프레임 레이트와 프로젝트 프레임 레이트에 대한 자세한 정보는 본 설명서의 [터치스크린 컨트롤] 부분을 참고하세요.

ISO/Gain

현재 카메라에 설정된 게인 값을 나타냅니다.

조리개(Iris)

현재 적용된 렌즈 조리개 설정을 나타냅니다. 렌즈 종류에 따라 f값 또는 T값으로 표시됩니다.

카드 정보

슬롯에 미디어를 삽입하면 URSA Broadcast G2의 상태 표시 LCD에 CARD 1 및 CARD 2 표시가 나타납니다.

SD 카드에 녹화하는 경우에는 SD 상태 정보가 나타나며 CFast에 녹화하는 경우에는 해당 표시가 사라집니다.

녹화 상태 정보

현재 녹화가 진행 중인 카드 아래에 원형의 녹화 표시 아이콘 나타냅니다.

카드 용량 부족(LOW)

녹화 중인 카드의 잔여 녹화 시간이 5분 미만인 경우, 해당 카드 아래에 'LOW'라는 글자가 나타납니다.

오디오 미터

내부 마이크를 사용하거나 외부 오디오를 연결하여 사용할 경우, 오디오 레벨이 피크 오디오 미터에 나타납니다. 디스플레이는 dBFS 단위로 표시되며 일정 시간 시각적으로 유지되는 피크 홀드 방식의 표시를 지원하므로, 최대치에 도달하는 것을 분명하게 확인할 수 있습니다.

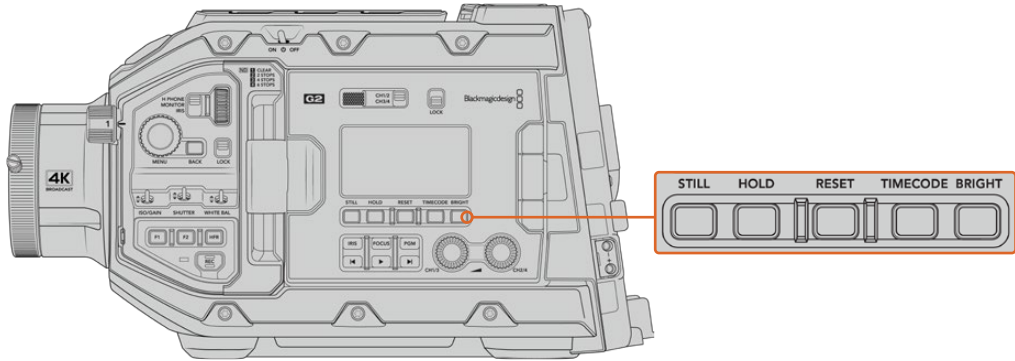
최적의 음질을 얻으려면 오디오 레벨이 절대 0dBFS를 넘지 않도록 해야 합니다. 이 레벨은 카메라로 녹화할 수 있는 최대치로, 이 수준을 넘어갈 경우에는 오디오가 클리핑되어 왜곡됩니다.

드롭 프레임(DRP) 경고 표시

카메라에서 드롭 프레임 현상을 감지할 경우, 해당 아이콘이 깜빡입니다. 녹화를 멈추면 표시 장치가 스크린에 그대로 남아있어 이전 녹화 클립에서 드롭 프레임 현상이 발생했음을 알 수 있습니다. 다음 녹화를 시작하거나 카메라 전원을 다시 시작하면 해당 표시가 사라집니다. 드롭 프레임 현상을 방지하는 방법에 대한 자세한 정보는 본 설명서의 [저장 미디어] 부분을 참고하세요.

참고 URSA Broadcast G2에서 드롭 프레임 현상이 감지되면 녹화를 중단하도록 설정할 수 있습니다. 더 자세한 정보는 본 설명서의 [녹화 설정] 부분을 참고하세요. 이는 사용자가 선택할 수 있는 기능으로, 속도가 느린 미디어에 높은 프레임 속도 또는 해상도로 녹화할 때 일시적으로 발생하는 녹화 오류 현상을 제거합니다.

14 상태 표시 LCD 컨트롤



URSA Broadcast G2의 상태 표시 LCD 컨트롤

스틸(Still)

이 버튼을 눌러 스틸 이미지를 하나의 무손실 DNG 프레임으로 캡처하세요. 캡처된 이미지 파일은 현재 녹화 중인 미디어의 루트 디렉터리 내 'Stills' 폴더에 저장됩니다. 스틸 이미지 파일은 비디오 클립의 파일명 표준 방식을 따르지만, 파일명 마지막 4자리 숫자는 클립 번호 대신에 스틸 번호를 나타내는 'S001'로 나타납니다. 스틸 이미지가 성공적으로 저장되었는지 확인할 수 있도록 URSA Broadcast G2 터치스크린 우측 모퉁이에는 카메라 아이콘이 나타나고, 상태 표시 LCD의 녹화 표시 아이콘이 세 번 깜빡입니다.

홀드(HOLD)

타임코드가 프리런 모드로 설정되어 있는 경우에 이 버튼을 누르면 LCD의 메인 타임코드 상태 표시를 일시적으로 정지시킬 수 있습니다. 이 버튼을 눌러도 시스템 뒷단에서는 타임코드가 계속 진행되기 때문에, HOLD 버튼에서 손을 떼면 일시 정지되었던 타임코드가 현재 위치의 타임코드로 되돌아옵니다. 이 버튼을 누르고 있는 동안 영상 내 특정 부분의 타임코드를 기록할 수 있습니다. 이는 전자식 뉴스를 취재하거나 다큐멘터리를 촬영하는 상황에서 중요한 부분의 타임코드를 기록하는 데 유용한 기능입니다.

초기화(RESET)

프리트셋 타임코드 설정 시 RESET 버튼을 눌러 타임코드를 00:00:00:00으로 초기화하세요.

타임코드(TIMECODE)

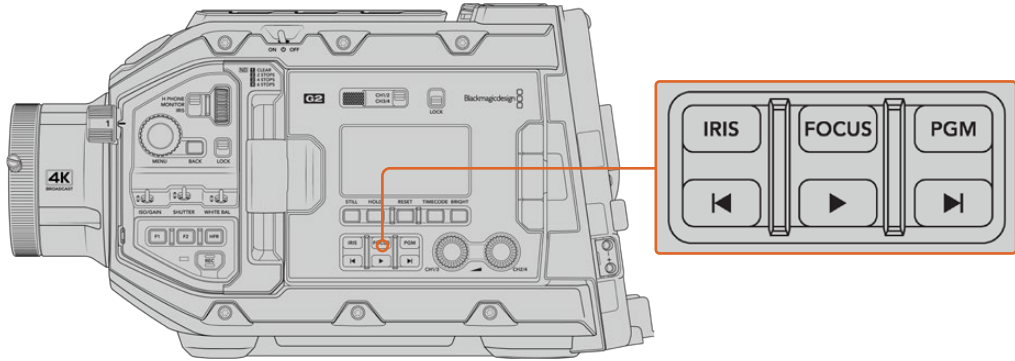
이 버튼을 눌러 메인 타임코드 디스플레이의 포맷을 클립 지속 시간이나 타임코드로 설정할 수 있습니다. 가장 자주 사용하는 프리런 타임코드 모드로 기본 설정되어 있습니다. TIMECODE 버튼을 5초 동안 길게 누르면 카메라의 타임코드가 레코드 런 모드로 전환되며, 타임코드 생성기와 커다란 타임코드 디스플레이의 앞자리 두 개가 깜빡거립니다. 이제 특정 타임코드 숫자를 설정해 프리셋 타임코드를 원하는 대로 수정할 수 있습니다.

이 단계에서 RESET 버튼을 누르면 타임코드가 00:00:00:00으로 초기화됩니다. 이후 MENU 휠을 사용해 시간:분:초:프레임 순으로 원하는 값을 설정할 수 있습니다. 원하는 타임코드로 설정한 경우, 다시 한번 TIMECODE 버튼을 3초간 길게 눌러 해당 타임코드를 프리셋 타임코드 포인트로 설정하세요. 이제 타임코드 생성기에 해당 값이 나타나는 것을 확인할 수 있습니다. 타임코드 값은 카메라 녹화가 시작된 경우에만 증가합니다. 타임코드를 프리런 모드로 되돌리려면 TIMECODE 버튼과 HOLD 버튼을 동시에 3초 동안 길게 누르세요.

밝기(BRIGHT)

BRIGHT 버튼을 눌러 URSA Broadcast의 LCD 상태 표시 디스플레이 밝기를 네 가지 단계로 설정할 수 있습니다. 끄기(Off), 낮음(Low), 중간(Medium), 높음(High)으로 설정할 수 있습니다.

15 제어 및 재생 버튼



URSA Broadcast G2 컨트롤 및 재생 버튼

조리개(IRIS)

IRIS 버튼은 호환 렌즈의 자동 조리개 설정을 활성화합니다. 다이내믹 레인지를 Video로 설정한 경우, IRIS 버튼을 한 번 누르면 쏫의 하이라이트나 새도우를 기반으로 한 평균 노출이 적용됩니다. 필름 다이내믹 레인지로 설정한 경우, IRIS 버튼을 누르면 쏫의 가장 밝은 하이라이트에 맞춘 노출이 적용됩니다. 이 버튼은 호환 방송 렌즈 컨트롤러를 통해 연결된 호환 EF 렌즈 및 PL 렌즈에 사용 가능합니다.

건너뛰기/뒤로 가기 제어 버튼을 사용해 조리개를 수동으로 설정할 수 있습니다.

포커스(FOCUS)

전자식 초점 조절을 지원하는 B4 또는 EF 렌즈를 사용할 경우, FOCUS 버튼을 누르면 자동 초점 기능이 활성화됩니다. 초점을 위한 힌색 사각형이 URSA Broadcast G2에 연결된 모든 뷰파인더나 모니터에 나타납니다. 사각형 안에 있는 모든 피사체의 초점이 정확하게 맞춰집니다. 렌즈의 초점이 정확히 맞춰지면 사각형이 사라집니다.

참고 FOCUS 버튼을 사용하려면 반드시 서보 포커스 컨트롤을 탑재한 B4 렌즈가 있어야 하며, 서보 기능을 활성화해 두어야 합니다. 더 자세한 정보는 [시작하기] 부분을 참고하세요. 일부 EF 렌즈의 경우, 수동 및 자동 초점 모드를 동시에 지원합니다. EF 렌즈 옵션 마운트 사용 시 URSA Broadcast G2에서 렌즈의 자동 초점 기능을 사용하려면, 먼저 렌즈가 자동 초점 모드로 설정되어 있는지 확인하세요.

프로그램(PGM)

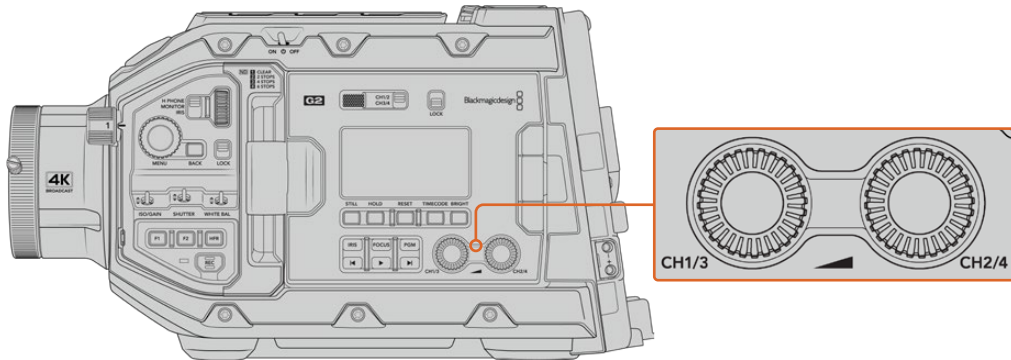
PGM이라고 표시된 프로그램 버튼을 통해 LCD 화면에서 카메라 뷰와 뒷면 패널의 12G-SDI 입력에 연결된 신호 간을 전환할 수 있습니다. 다시 말해, 라이브 방송에서 URSA Broadcast를 사용할 경우, 스위치의 프로그램 출력 연결을 통해 촬영하는 동안 영상을 모니터링할 수 있습니다. PGM 버튼을 길게 눌러 프로그램 피드를 확인할 수 있습니다. 프로그램 피드는 PGM 버튼을 누르고 있는 동안 계속 디스플레이됩니다.

PGM 버튼을 두 번 누르면 잠금 기능이 설정되어 LCD 및 전면 SDI 출력에 프로그램 입력 피드가 계속 나타납니다. PGM 버튼을 다시 한번 누르면 프로그램 피드가 사라지고 본래 카메라 뷰로 돌아갑니다.

재생 제어 버튼

재생 제어 버튼을 사용해 재생 시작/정지, 건너뛰기/뒤로 가기 등의 기능을 사용할 수 있습니다. EF 렌즈를 사용할 경우 건너뛰기/뒤로 가기 버튼을 사용해 조리개를 열거나 닫을 수 있습니다. 재생 제어 버튼 사용에 대한 자세한 정보는 [재생] 부분을 참고하세요.

16 오디오 레벨 조절 노브

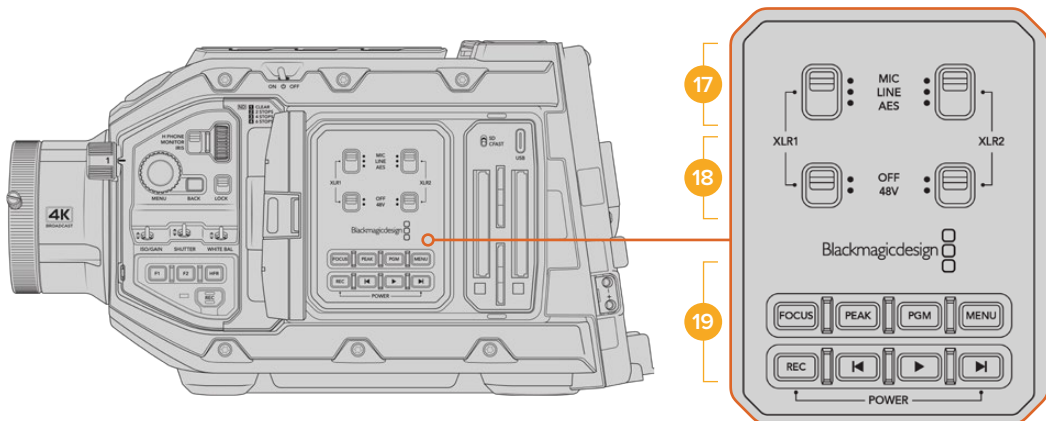


URSA Broadcast G2 오디오 조절 노브

내장된 조절 노브를 사용해 오디오 채널 1과 채널 2의 녹음 레벨을 설정하세요. 각각의 노브를 시계 방향 또는 반시계 방향으로 돌려 각 채널의 오디오 녹음 레벨을 증가 또는 감소시킬 수 있습니다. 각 노브를 조절할 때, 설정하려는 최적의 레벨을 확인할 수 있도록 화면의 오디오 미터를 모니터링하세요.

내부 제어 패널

URSA Broadcast G2의 접이식 모니터를 열면 내부 제어 패널을 사용할 수 있습니다. 이 제어 장치를 사용해 팬텀 파워 설정과 조리개, 초점, 메뉴, 재생 제어, 오디오 입력을 설정하세요.



URSA Broadcast G2 내부 제어 패널

17 XLR1 / XLR2

이 스위치를 사용하면 입력 소스로 선택된 URSA Broadcast G2의 XLR 입력이 작동하는 방식을 설정할 수 있습니다. 마이크 오디오, 라인 레벨 오디오, AES 디지털 오디오 중 원하는 옵션으로 선택할 수 있습니다.

18 팬텀 파워

URSA Broadcast G2의 XLR 입력은 48V 팬텀 파워를 지원해, 자체 전원 공급 방식이 아닌 마이크도 사용할 수 있습니다. 이 스위치를 48V로 옮기면 XLR 입력에 연결된 모든 마이크에 팬텀 파워가 공급되며, OFF로 옮기면 팬텀 파워 공급이 중단됩니다.

일반적으로 팬텀 파워를 켜기 전에 XLR 케이블을 먼저 연결합니다. 팬텀 파워 마이크를 연결하지 않은 경우에는 항상 팬텀 파워를 꺼두는 것이 좋습니다. AES XLR 출력에서 팬텀 파워 보호 기능을 지원하지 않는 일부 마이크의 경우, 카메라의 XLR 오디오 입력에서 여전히 팬텀 파워를 전송함에 따라 카메라 장비가 손상될 수 있습니다. 마이크를 분리하기 전에 항상 +48V 스위치가 OFF로 설정되어 있는지 확인하세요.

19 제어 및 재생 버튼

포커스(FOCUS)

전자식 초점 조절을 지원하는 B4 또는 EF 렌즈를 사용할 경우, FOCUS 버튼을 누르면 자동 초점 기능이 활성화됩니다. 초점을 위한 흰색 사각형이 접이식 모니터에 나타납니다. 사각형 안에 있는 모든 피사체의 초점이 정확하게 맞춰집니다. 렌즈의 초점이 정확히 맞춰지면 사각형이 사라집니다.

FOCUS 버튼을 사용하려면 반드시 서보 포커스 컨트롤을 탑재한 B4 렌즈가 있어야 하며, 서보 기능을 활성화해 두어야 합니다. 더 자세한 정보는 [시작하기] 부분을 참고하세요. 일부 EF 렌즈의 경우, 수동 및 자동 초점 모드를 동시에 지원하기도 합니다. URSA Broadcast G2에서 렌즈의 자동 초점 기능을 사용하려면, 먼저 렌즈가 자동 초점 모드로 설정되어 있는지 확인하세요.

피크(PEAK)

PEAK 버튼을 누르면 포커스 피킹 기능이 실행됩니다. 카메라는 영상에서 초점이 맞은 부분 주변에 인위적인 샤프닝 디테일이 나타나도록 하는 일반적인 포커스 피킹과, 영상의 선명한 부분에 검은색/흰색/빨간색/녹색/파란색 라인이 오버레이로 나타나는 '컬러 라인' 모드, 총 두 가지의 포커스 피킹 모드를 제공합니다. 더 자세한 정보는 본 설명서의 [모니터링 설정] 부분을 참고하세요.

정보 Blackmagic Video Assist나 HyperDeck Studio HD Mini를 사용해 비디오 출력을 녹화하는 경우, 피킹 모드가 꺼졌는지 확인해야 하는 상황이 발생할 수 있습니다. 이 경우, '전면 SDI' 또는 '메인 SDI'에서 '클린 피드'를 선택하세요.

클린 피드에 대한 자세한 정보는 본 설명서의 [모니터링 설정] 부분을 참고하세요.

프로그램(PGM)

PGM라고 표시된 프로그램 버튼을 통해 LCD 화면에서 카메라 뷰와 카메라의 12G-SDI 입력에 연결된 신호 간을 전환할 수 있습니다. 다시 말해, 라이브 방송에서 URSA Broadcast를 사용할 경우, 스위치의 프로그램 출력 연결을 통해 촬영하는 동안 영상을 모니터링할 수 있습니다. PGM 버튼을 길게 눌러 프로그램 피드를 확인할 수 있습니다. PGM 버튼을 두 번 누르면 모니터에 프로그램 입력 피드가 계속 나타납니다. 한 번 더 누르면 프로그램 피드가 사라집니다.

스위치의 프로그램 출력이 화면에 나타나게 하려면, 카메라와 스위치의 해상도 및 프레임 속도를 동일하게 설정해야 합니다.

메뉴(MENU)

MENU 버튼을 누르면 대시보드가 나타납니다. 대시보드 기능과 설정 변경에 대한 자세한 정보는 [설정하기] 부분을 참고하세요.

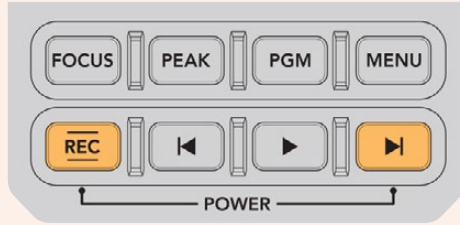
녹화(REC)

녹화를 시작/정지하려면 녹화 버튼 중 아무 버튼이나 누르세요. 더 자세한 정보는 [녹화] 부분을 참고하세요.

재생 제어 버튼

재생 제어 버튼을 사용해 재생 시작/정지, 건너뛰기/뒤로 가기 등의 기능을 사용할 수 있습니다. EF 마운트를 사용할 경우, 건너뛰기/뒤로 가기 버튼을 사용해 조리개를 열거나 닫을 수 있습니다. 재생 제어 버튼 사용에 대한 자세한 정보는 [재생] 부분을 참고하세요.

참고 URSA Broadcast G2에서는 내부 제어 패널 버튼 조합을 통해 전원을 켜고 끌 수도 있습니다. REC 버튼과 건너뛰기 버튼을 동시에 길게 눌러 카메라 전원을 켜고 끌 수 있습니다. 카메라 전원 스위치가 ON으로 설정된 경우에도 전원이 켜지지 않을 경우, 제어 패널에서 전원을 해당 버튼을 길게 눌러 전원이 꺼진 상태일 수 있습니다. 전원 스위치를 사용해 일반적인 작동 방식으로 되돌릴 수 있습니다.



카메라의 비디오 출력

HD 모니터링 출력

Blackmagic Broadcast G2의 다운 컨버팅된 3G-SDI 출력 커넥터는 항상 1080 HD 영상을 출력하므로 라우터와 모니터, SDI 캡처 장비, 방송 스위처, 기타 SDI 장비 등에 손쉽게 연결할 수 있습니다. 터치스크린 설정 메뉴에는 이 출력이 '전면 SDI'라고 표시됩니다.

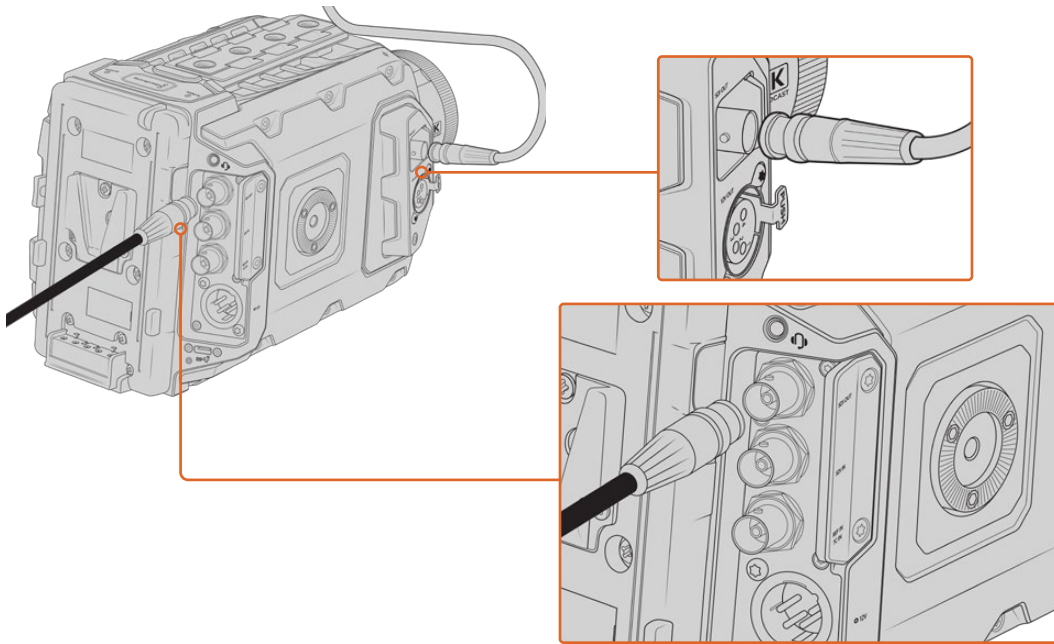
12G-SDI 출력

뒷면 패널의 12G-SDI 출력 커넥터는 2160p50, 59.94, 60와 같은 높은 프레임 레이트의 프로그레시브 포맷을 포함한 HD 및 UHD 비디오를 하나의 SDI 케이블로 지원합니다. 1080i50, 59.94, 60 등의 인터레이스 HD 포맷 또한 지원합니다. 12G-SDI 출력을 통해 ATEM Production Studio 4K와 같은 UHD 스위처뿐만 아니라 모든 종류의 SDI 모니터를 연결할 수 있습니다. 터치스크린의 '모니터링' 탭에 있는 '메인 SDI' 설정 항목 중 'SDI 출력'을 1080p나 2160p로 선택할 경우, 12G-SDI 출력에서 HD와 UHD 사이를 전환할 수 있습니다. 더 자세한 정보는 본 설명서 뒤편의 [모니터링 설정] 부분을 참고하세요.

비디오 스위처에 연결하기

SDI 출력을 통해 카메라를 생방송 TV 프로덕션용 카메라로 사용할 수 있습니다. 뒷면 패널의 SDI 출력을 프로덕션 스위처에 바로 연결하여 생방송 프로덕션 작업에 사용하거나, ATEM Camera Converter에 연결해 광섬유로 변환된 신호를 수백 미터 떨어진 중계 차량으로 전송할 수 있습니다.

스위처에 연결하여 사용할 경우, Blackmagic URSA Broadcast G2에서 스위처의 프로그램 출력을 손쉽게 확인할 수 있습니다. 먼저 스위처를 카메라 뒷면의 12G-SDI 입력에 연결하세요. 이제 카메라의 접이식 모니터에 PGM이라고 표시된 프로그램 버튼을 누르세요. 카메라의 영상으로 되돌아가려면, 간단히 PGM 버튼을 다시 누르세요.



12G-SDI 출력을 모든 1080 HD 또는 UHD 라이브 프로덕션 스위처나 모니터에 연결할 수 있습니다. 지미 집 또는 크레인 등의 촬영 장비에 장착하여 사용하는 경우에는, HD 모니터링 출력을 Blackmagic URSA Viewfinder와 같은 외장형 뷰파인더나 외부 모니터에 연결해 사용할 수 있습니다.

모니터에 연결하기

SDI 모니터링은 지미집, 크레인, 차량에 카메라가 설치되어 있는 경우처럼 접이식 모니터 사용이 불가능한 상황에 굉장히 유용한 기능입니다.

터치스크린의 '모니터링' 탭에 있는 '전면 SDI' 설정을 조정하여 HD-SDI 모니터링 출력 커넥터를 통해 모니터링 정보가 나타나도록 할 수 있습니다. 이 설정을 통해 녹화 정보 및 카메라 설정과 같은 정보와 프레임 가이드가 제공됩니다. 본인이 촬영하는 장면만 모니터링하고 싶은 경우엔 언제든지 오버레이 기능을 끄고 SDI에 클린 피드를 출력할 수 있습니다.

카메라의 SDI 출력을 SDI 모니터에 연결하거나 Blackmagic SmartScope Duo 4K에 연결하면 파형을 라이브로 모니터링할 수 있습니다.

참고 '필름' 다이내믹 레인지 모드로 촬영하며 SDI 출력에서 '5세대 Rec 2020 하이브리드 로그 감마 모드로 촬영(Gen 5 Film to Rec 2020 Hybrid Log Gamma)' 또는 '5세대 Rec 2020 PQ 감마 모드로 촬영(Gen 5 Film to Rec 2020 PQ Gamma)' LUT를 사용할 경우, 뒷면 패널의 SDI 출력 및 3G-SDI 모니터링 출력에서 보조 메타데이터를 HDR 영상에 자동으로 표시합니다. 따라서, HDR을 지원하는 디스플레이를 연결하면, 두 개의 SDI 출력 중 하나를 통해 전달되는 놀라운 화질의 HDR 이미지를 디스플레이할 수 있습니다.

SDI 출력 포맷

후면 SDI 출력	2160p23.98, 24, 25, 29.97, 30, 50, 59.94, 60. 1080p23.98, 24, 25, 29.97, 30, 50, 59.94, 60. 1080i50, 59.94, 60.
3G-SDI 모니터링 출력	1080p23.98, 24, 25, 29.97, 30, 50, 59.94, 60. 1080i50, 59.94, 60.

정보 두 개의 서로 다른 코덱을 사용해 실시간으로 동시에 녹화하거나 동시에 파일을 백업해야 할 경우, URSA Broadcast G2의 뒷면 패널 SDI 출력을 Blackmagic Video Assist 또는 HyperDeck으로 전송할 수 있습니다.

터치스크린 컨트롤

터치스크린

Blackmagic URSA Broadcast G2에 탑재된 접이식 LCD 터치스크린은 회전이 가능해 높거나 낮은 각도에서 촬영할 수 있습니다. URSA Viewfinder를 장착하고 카메라 LCD를 닫은 뒤, 어깨에 올려 사용하면 LCD 패널 바깥쪽에 있는 버튼을 사용해 URSA Broadcast G2를 제어할 수 있습니다.

터치 스크린 기능

LCD 터치스크린은 빠르고 직관적인 사용자 운영을 위해 특별히 제작된 터치 및 동작 기반 인터페이스를 탑재했습니다. URSA Broadcast G2의 LCD 터치스크린 화면을 선택하거나 쓸어넘기기 하여 촬영 중 카메라 기능에 신속하게 접속할 수 있습니다.

터치스크린 디스플레이에는 위쪽 및 아래쪽에 툴바가 나타납니다. 상단 툴바에는 셔터 속도, 조리개, 게인 컨트롤과 같이 자주 사용하는 설정이 나타납니다. 아래쪽 툴바에는 저장 상태 정보, 오디오 미터, 트랜스포트 컨트롤, 히스토그램이 나타납니다.

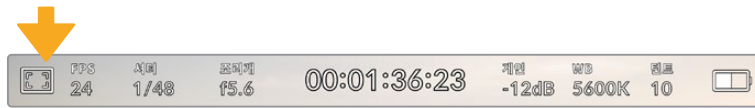


URSA Broadcast G2의 LCD 터치스크린에 탑재된 통합 헤드업 디스플레이(HUD)를 통해 카메라에서 가장 많이 사용하는 설정에 쉽게 접속할 수 있습니다.

상단 툴바

LCD 모니터 옵션

URSA Broadcast G2의 LCD 터치스크린 좌측 상단에 있는 모니터 아이콘을 눌러 LCD 모니터링 설정에 접속할 수 있습니다. 지브라와 포커스 어시스트, 프레임 가이드, 그리드 등의 URSA Broadcast G2 모니터링 기능을 원하는 형태로 조정할 수 있습니다. LCD 모니터링 옵션에 접속하면 LCD 터치스크린 하단에 해당 기능을 위한 메뉴 탭이 나타납니다.

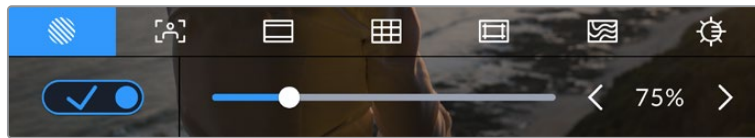


URSA Broadcast G2의 LCD 터치스크린 좌측 상단에 있는 모니터 아이콘을 눌러 LCD 모니터링 옵션에 접속할 수 있습니다.

지브라

지브라 설정을 통해 모든 URSA Broadcast G2의 출력의 지브라 레벨을 설정할 수 있을 뿐만 아니라, LCD 터치스크린에 나타나는 지브라를 켜고 끌 수 있습니다.

지브라 기능을 사용할 경우, 영상에서 설정된 노출 수준을 초과하는 부분에 대각선 줄무늬가 나타납니다. 예를 들어, 지브라를 100%로 설정하면 노출 과다 부분이 나타납니다. 고정된 조명을 사용하는 환경에서 최적의 노출값을 얻는 데 유용한 기능입니다.



LCD 모니터 옵션에 접속한 뒤, 지브라 아이콘을 눌러 URSA Broadcast G2의 지브라 설정을 조절할 수 있습니다.

지브라 탭에서 화면 왼쪽 아래있는 스위치 아이콘을 선택하여 LCD 터치스크린의 지브라 기능을 켜고 끌 수 있습니다.

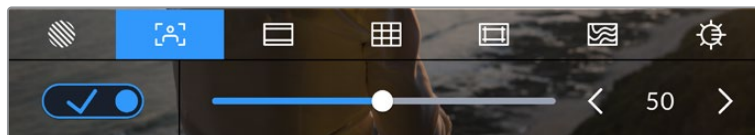
슬라이더를 좌/우로 드래그하거나 지브라 레벨 표시 정보 양옆에 있는 화살표 버튼을 눌러 지브라의 노출 정도를 설정하세요. 지브라 프리셋은 중간 회색, 중간 회색 +1 스탱 등의 8가지 설정을 제공하며, 이후 75~100% 노출 값까지 5퍼센트 단위로 조절할 수 있습니다.

지브라 기능을 카메라의 전면 SDI 출력 및 메인 SDI 출력에 적용하는 방법에 대한 정보는 본 설명서의 [모니터링 설정] 부분을 참고하세요.

정보 약간 흐린 날 야외에서 촬영하는 등 다양한 조명 환경에서 촬영하는 경우, 지브라 레벨을 100 이하로 설정하면 발생할 수 있는 노출 과다 현상에 대해 알려줍니다.

포커스 어시스트

포커스 어시스트 설정을 통해 모든 URSA Broadcast G2 출력의 포커스 어시스트 레벨을 설정할 수 있을 뿐만 아니라 LCD 터치스크린에 나타나는 포커스 어시스트를 켜고 끌 수 있습니다.



LCD 모니터 옵션에 접속한 뒤, 포커스 어시스트 아이콘을 눌러 URSA Broadcast G2의 포커스 어시스트 설정을 조절할 수 있습니다.

포커스 어시스트 탭에서는 스크린 좌측 하단의 톨 스위치로 LCD 터치스크린의 포커스 어시스트 기능을 켜고 끌 수 있습니다.

URSA Broadcast G2에서 포커스 어시스트 레벨을 설정하려면, 터치스크린 하단의 슬라이더를 좌/우로 드래그하거나 포커스 어시스트 레벨 양옆에 있는 화살표 버튼을 누르세요.

최적의 포커스 어시스트 레벨은 촬영하는 샷마다 다릅니다. 예를 들어, 배우에 초점을 맞추는 경우 높은 레벨의 포커스 어시스트를 사용하면 얼굴 가장 자리의 디테일에 도움이 됩니다. 반면, 나뭇잎이나 벽돌의 경우 포커스 어시스트 레벨을 높게 설정하면 다소 산만한 포커스 정보가 나타날 수 있습니다.

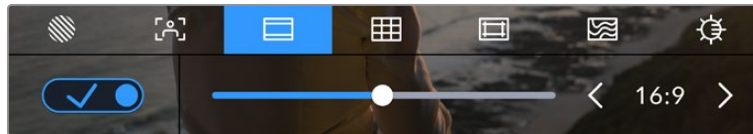
포커스 어시스트 기능을 카메라의 전면 SDI 출력 및 메인 SDI 출력에 적용하는 방법에 대한 정보는 본 설명서의 [모니터링 설정] 부분을 참고하세요.

정보 URSA Broadcast G2는 두 가지 모드의 포커스 어시스트를 지원합니다. 모니터 설정 메뉴에서 피킹과 컬러 라인 중에서 선택할 수 있습니다. 더 자세한 정보는 본 설명서의 [모니터링설정] 부분에 있는 포커스 어시스트 관련 내용을 참고하세요.

프레임 가이드

프레임 가이드 설정을 통해 LCD 터치스크린에 나타나는 프레임 가이드를 켜고 끌 수 있습니다. URSA Broadcast G2의 모든 출력을 위한 프레임 가이드 옵션 중 원하는 것을 선택할 수 있습니다.

프레임 가이드는 다양한 시네마와 TV, 온라인 표준에 맞는 종횡비를 제공합니다.



LCD 모니터링 옵션에서 프레임 가이드 아이콘을 눌러 URSA Broadcast G2의 프레임 가이드 설정에 접속할 수 있습니다.

URSA Broadcast G2의 LCD 터치스크린에 나타나는 프레임 가이드를 바꾸려면, 화면 왼쪽 하단에 있는 스위치 아이콘을 선택하세요.

슬라이더를 좌/우로 드래그하거나 현재 선택된 종횡비 양옆의 화살표 버튼을 눌러 사용하고자 하는 프레임 가이드를 선택하세요.

선택 가능한 가이드는 다음과 같습니다.

- 2,35:1, 2,39:1, 2,40:1**
넓은 와이드스크린 종횡비로, 애너모픽 스크린 또는 평평한 와이드스크린 영화 상영에 사용합니다. 세 가지의 와이드스크린 설정은 시간이 흐르면서 바뀐 영화 표준에 따라 조금씩 다릅니다. 2.39:1은 영화관 와이드 스크린에 가장 많이 사용되는 표준입니다.
- 2:1**
이 종횡비는 16:9보다 조금 더 넓지만, 2.35:1보다는 넓지 않습니다.
- 1,85:1**
많이 사용되는 평평한 와이드스크린 시네마 종횡비 중 하나입니다. 이 종횡비는 HDTV 1.78:1보다 조금 더 넓지만 2.39:1보다는 넓지 않습니다.
- 16:9**
16:9를 사용하는 HD TV 및 컴퓨터 화면과 호환하는 1.78:1 종횡비입니다.
이 종횡비는 HD 방송 및 온라인 비디오에서 가장 널리 사용되는 종횡비입니다. UHD 방송에서도 이와 동일한 종횡비를 사용합니다.

14:9

일부 TV 방송국에서 16:9와 4:3 TV 세트의 중간 형태로 사용하는 14:9 종횡비입니다. 16:9와 4:3 영상은 14:9로 센터 크로핑했을 때 가장 또렷합니다. 작업 중인 프로젝트가 14:9 크로핑을 사용하는 방송국에서 방송될 예정인 경우, 이 종횡비를 사용해 구도를 잡을 수 있습니다.



14:9 프레임 가이드가 적용된 URSA Broadcast G2의 LCD 터치스크린

4:3

SD TV 화면과 호환하는 4:3 종횡비를 디스플레이하거나, 두 개의 아나모픽 어댑터 사용 시 프레임링을 돕기 위해 사용합니다.

1:1

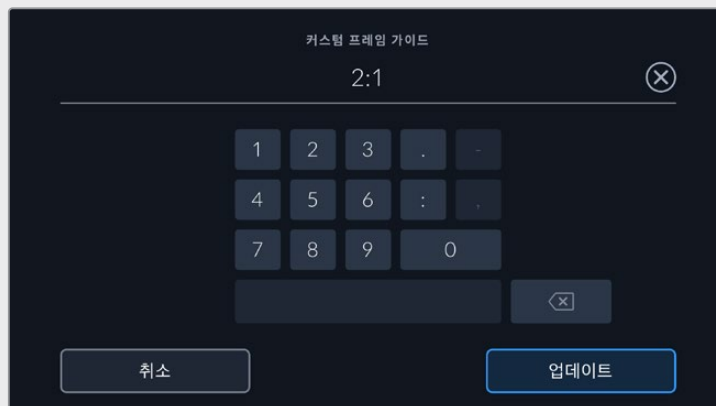
4:3 보다 약간 좁은 1:1 종횡비를 나타냅니다. 이 정사각형의 종횡비는 소셜 미디어용으로 촬영 시에 자주 사용됩니다.

4:5

4:5 종횡비를 나타냅니다. 이 세로 종횡비는 카메라를 세로로 세워 촬영하거나 혹은 영상을 스마트폰으로 시청할 때 사용하면 좋습니다.

커스텀 프레임 가이드

나만의 프레임 가이드를 설정하고 싶을 때는 두 화살표 사이에 나타나는 종횡비 숫자를 누르세요. '커스텀 프레임 가이드' 화면에서 백스페이스키를 눌러 현재 표시된 비율을 삭제한 후 키패드에서 원하는 숫자를 입력하세요. '업데이트'를 눌러 적용한 후, 촬영을 재개합니다.



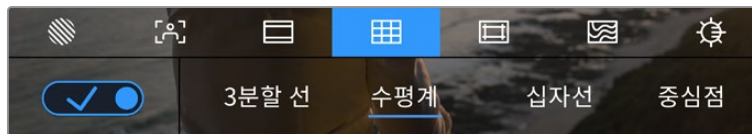
'커스텀 프레임 가이드'에서 숫자 키패드를 사용하여 새로운 종횡비를 입력하세요.

정보 프레임 가이드 오버레이의 투명도를 변경할 수 있습니다. 더 자세한 정보는 본 설명서의 [모니터링 설정] 부분을 참고하세요.

참고 프레임 가이드를 카메라의 전면 SDI 출력 및 주요 SDI 출력에 적용하는 방법은 본 설명서의 [모니터링 설정] 부분을 참고하세요.

그리드

그리드 설정에서는 URSA Broadcast G2의 모든 출력에 나타나는 오버레이뿐만 아니라, LCD 터치스크린에 나타나는 3분할 그리드와 십자선, 중심점을 켜고 끌 수 있습니다.

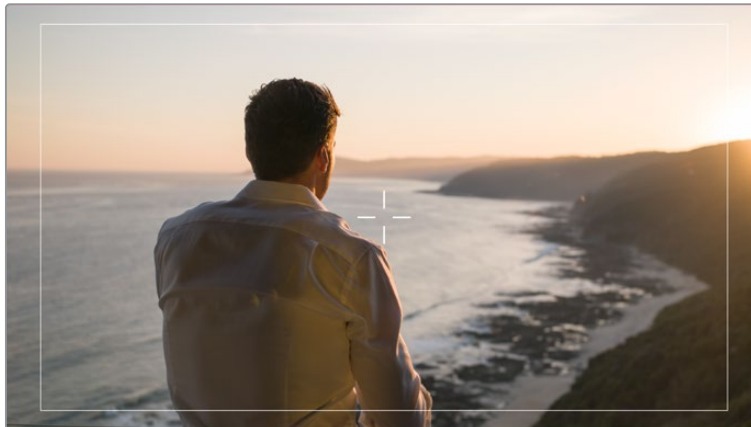


LCD 모니터링 옵션에서 그리드 아이콘을 누르면 URSA Broadcast G2의 그리드 설정에 접속할 수 있습니다.

그리드와 십자선은 영상의 구도를 잡는 데 도움이 되는 오버레이입니다. 그리드 기능을 활성화하면 URSA Broadcast G2에 3분할 그리드와 십자선 또는 중심점이 나타납니다.

‘프레임 가이드’ 탭에서 스크린 좌측 하단의 토글 스위치로 URSA Broadcast G2의 터치스크린 속 그리드를 켜고 끌 수 있습니다.

URSA Broadcast G2를 설치한 다음 ATEM에 연결해서 프로그램 소스로 사용 중인 경우, 그리드를 활성화하면 LCD에 빨간색 프로그램 달리 테두리가 자동으로 나타납니다.



그리드를 활성화한 상태에서 달리 신호를 전송하는 ATEM 스위처에 연결하면, 카메라의 미리보기 영상에 빨간색 테두리가 나타납니다.

‘3분할 선’, ‘십자선’, ‘중심점’ 옵션을 눌러 모든 URSA Broadcast G2 출력에 원하는 오버레이를 적용할 수 있습니다.



3분할 그리드는 모든 온스크린 프레임 가이드에 맞게 자동으로 조정됩니다.

3분할 선

3분할 선 설정은 이미지를 삼등분한 두 개의 가로/세로줄이 나타나는 기능입니다. 이 3분할 선은 촬영 구도를 잡는 데 도움을 주는 아주 강력한 도구입니다. 예를 들어, 인간의 눈은 일반적으로 선이 교차하는 지점에서 일어나는 움직임에 집중되기 때문에, 이러한 핵심 지점에 프레임을 사용하면 촬영에 매우 유용합니다. 보통 연기자의 시선이 화면을 가로로 3등분 한 구역 중 맨 윗부분에 머물기 때문에, 맨 위의 가로줄을 사용하여 화면을 프레임합니다. 3분할 선은 촬영 장면 간 프레임밍을 일관되게 유지할 수 있는 유용한 기능입니다.

수평계

수평계의 표시선은 카메라가 좌우로 회전되거나 위아래로 기울어질 때 나타납니다. 주로 핸드헬드로 촬영 시, 수평선을 맞추는 데 도움을 주며 짐벌 촬영 시 카메라 기울기를 맞추는 데 유용합니다.

카메라를 좌우로 회전하거나 위아래로 기울이는 정도에 맞춰 2개의 회색 가로/세로 표시선이 중앙 십자선 주변을 움직입니다. 검은색 중앙 십자선에서 열린 회색선이 움직이는 거리는 카메라가 회전되거나 기울어지는 정도와 비례합니다. 카메라의 모션 센서를 조정한 후, 카메라의 롤과 틸트가 수평이 되면 움직임 표시선이 파란색으로 변합니다.

카메라가 오버헤드 샷 촬영을 위해 아래로 똑바로 기울어졌거나 혹은 위로 똑바로 기울어졌을 때도 수평계가 이를 감지한다는 것을 알아두세요. 카메라를 세로로 세워서 촬영 시, 두 축이 90도 방향으로 회전됩니다.

다음 표는 카메라의 기울기 및 회전을 나타내는 수평계 표시선의 예를 나타냅니다.

표시선	설명
	가로/세로 정렬
	가로 정렬/아래로 기울어짐
	세로 정렬/왼쪽으로 기울어짐
	위로 기울어짐/오른쪽으로 기울어짐

일반적인 사용 시 표시선을 '가로/세로 정렬' 상태로 맞춘 후 촬영하세요. 만약, 더치앵글로 촬영 시, 수평계 표시선을 사용하여 일관된 각도로 기울여 로우/하이 샷을 촬영을 하고자 할 때는 표시선을 조정하여 기울일 수 있습니다. 수평계 표시선 조정에 관한 방법은 [모션 센서 보정] 부분을 참고하세요.

십자선

십자선 설정은 프레임 중심에 십자선이 나타나는 기능입니다. 십자선은 3분할 선과 마찬가지로 구도를 잡는데 아주 유용한 도구로, 샷 안의 피사체를 정중앙에 쉽게 프레임링할 수 있습니다. 이 설정은 여러 컷을 아주 빠르게 전환하여 하나의 장면을 완성하는 촬영에 사용하곤 합니다. 시청자의 눈이 프레임 중앙을 계속 응시하게 되므로, 흐름이 빠른 장면도 쉽게 따라갈 수 있습니다.

중심점

중심점 설정은 프레임 중심에 점이 나타나는 기능입니다. 이 기능은 십자선 설정과 동일한 방식으로 작동하지만, 오버레이 크기가 작아 화면을 덜 가린다는 장점이 있습니다.

그리드 메뉴의 '3분할 선', '십자선', '중심점' 중 두 가지 그리드를 선택해 원하는 조합으로 설정 가능합니다. 단, '십자선'과 '중심점'은 함께 선택할 수 없습니다.

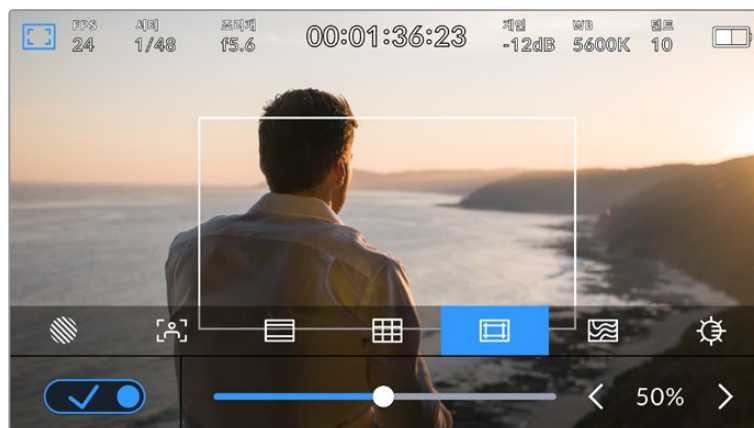
정보 그리드를 URSA Broadcast G2의 전면 SDI 출력 및 메인 SDI 출력에 적용하는 방법에 대한 정보는 본 설명서의 [모니터링 설정] 부분을 참고하세요.

안전 영역 가이드

이 설정은 LCD 터치스크린의 안전 영역을 켜고 끌 수 있을 뿐 아니라, 모든 URSA Broadcast G2의 출력에 나타나는 안전 영역의 크기를 설정할 수도 있습니다.

안전 영역은 샷의 가장 중요한 부분을 시청자들이 볼 수 있는지 확인하기 위해 방송 프로덕션에서 사용합니다. 샷의 가장 중요한 부분을 '안전 영역' 중심에 배치할 경우, 일부 TV에서 영상이 크로핑되는 현상을 방지할 수 있을 뿐만 아니라 방송국에서 화면 가장자리에 버그와 뉴스 자막, 기타 오버레이를 추가할 수 있는 공간을 남겨둘 수도 있습니다. 많은 방송국에서는 90% 안전 영역에 속하는 영상을 요구합니다.

안전 영역은 샷을 프레임링하는 목적으로 사용되기도 합니다. 이를 통해 후반 제작 과정에서 어떤 부분을 사용하게 될지 미리 확인할 수 있으며, 상황에 따라 영상 가장자리가 크로핑될 수도 있습니다. 안전 영역은 특정 크로핑 영역을 표시하는데 사용되기도 합니다. 예를 들어, UHD 3840x2160으로 녹화하는 동안 안전 영역을 50%로 설정할 경우, 1920x1080으로 크로핑된 프레임을 미리 확인할 수 있습니다. 안전 영역은 프레임 가이드에 맞는 크기로 조정됩니다. 따라서 현재 사용 중인 프레임 가이드 내부에 설정된 비율로 나타납니다.



50%로 설정된 안전 영역 표시 장치

안전 영역 가이드 탭에서는 스크린 좌측 하단의 토글 스위치로 LCD 터치스크린의 안전 영역 가이드 기능을 켜고 끌 수 있습니다. 모든 URSA Broadcast G2의 출력에 나타나는 안전 영역의 비율을 설정하려면, 터치스크린 하단의 퍼센트 수치 양옆에 있는 좌/우 화살표를 누르세요. 슬라이더를 좌/우로 드래그해 조정할 수도 있습니다.

폴스 컬러

‘폴스 컬러’ 설정을 통해 LCD 터치스크린에 나타나는 폴스 컬러 노출 보조 기능을 켜고 끌 수 있습니다.

폴스 컬러 기능은 이미지 위에 노출값을 나타내는 여러 가지 색상을 표시해 이미지 속 서로 다른 요소의 노출값을 확인할 수 있는 기능입니다. 예를 들어, 분홍색은 밝은 피부톤에 최적의 노출을, 녹색은 어두운 피부톤에 최적의 노출을 나타냅니다. 인물을 촬영할 때 폴스 컬러의 분홍색 또는 녹색 부분을 모니터링하여 피부톤을 위한 최적의 노출값을 지속적으로 유지할 수 있습니다.

마찬가지로, 이미지 속 피사체가 노란색에서 빨간색으로 변하면 노출값이 높다는 것을 의미합니다.



카메라 화면 왼쪽에 나타나는 IRE 폴스 컬러를 통해 다양한 폴스 컬러의 의미를 해석할 수 있습니다.

폴스 컬러	의미
95%WC	화이트가 클리핑됨
80%WC	화이트 클리핑에 가까움
MG+1	중간 회색 기본값에서 한 스탑 초과
18%MG	중간 회색
NBDL	블랙 정보 손실에 가까움
BDL	블랙 정보가 손실됨



적정 노출로 촬영된 이미지 속 피부톤은 초록색과 핑크색 폴스 컬러로 나타납니다.

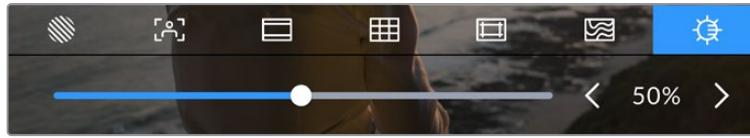
폴스 컬러 탭에서 스크린 좌측 하단의 토글 스위치를 사용하여 LCD 터치스크린의 폴스 컬러 기능을 켜고 끌 수 있습니다.



폴스 컬러 노출 보조 탭의 모습

스크린 밝기

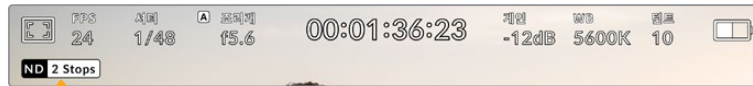
'스크린 밝기' 아이콘을 누르고 슬라이더를 좌우로 드래그해 URSA Broadcast G2의 터치스크린 밝기를 조절할 수 있습니다.



스크린 밝기는 50%로 기본 설정되어 있습니다.

ND 필터 상태 정보

URSA Broadcast G2의 ND 필터를 조절할 경우, LCD 터치스크린 좌측 상단에 ND 필터 상태 정보가 나타나며, 상태 표시 텍스트를 표시하도록 설정된 모든 SDI 출력에도 해당 정보가 나타납니다. 화면에 표시되는 상태 정보는 '설정' 메뉴에서 선택한 포맷을 따릅니다.

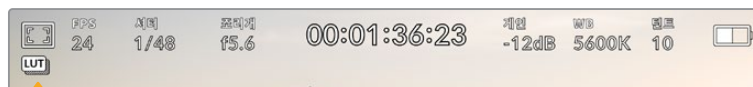


URSA Broadcast G2에 나타나는 ND 필터 상태 정보

참고 ND 필터 상태 정보에서 사용하는 용어를 사용자 편의에 맞게 변경할 수 있습니다. 변경 가능한 옵션으로는 ND 필터 번호, 스탱, 비율이 있습니다. URSA Broadcast G2의 '설정' 메뉴에서 선호하는 포맷을 설정할 수 있습니다.

LUT 상태 정보

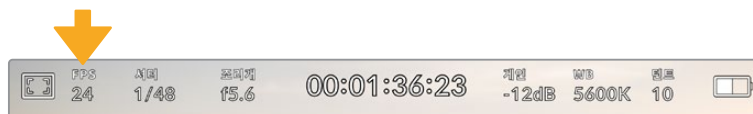
'상태 표시 텍스트'(STATUS TEXT)를 활성화하면 하얀색 아이콘이 LCD와 전면 SDI 및 메인 SDI 연결 화면에 나타나며, 해당 출력에 LUT가 적용됩니다. Blackmagic RAW 포맷으로 촬영할 경우, '녹화' 설정 메뉴에서 '파일에 LUT 적용하기'를 활성화하면 LUT 아이콘이 파란색으로 바뀝니다.



LUT 아이콘을 통해 이미지에 LUT가 적용되었음을 확인할 수 있습니다.

초당 프레임 수(FPS)

FPS 상태 정보는 현재 선택된 초당 프레임 수를 나타냅니다.



URSA Broadcast G2의 초당 프레임 상태 정보. 이 탭을 누르면 프레임 속도 설정에 접속할 수 있습니다.

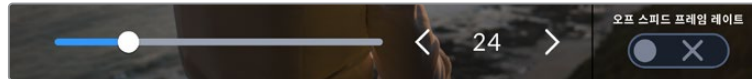
FPS 상태 정보를 누른 뒤, LCD 터치스크린 하단의 메뉴를 통해 카메라의 센서 프레임 레이트와 프로젝트 프레임 레이트를 변경할 수 있습니다.

프로젝트 프레임 레이트

프로젝트 프레임 레이트는 URSA Broadcast G2의 녹화 포맷 프레임 속도를 의미하며, 영화 및 TV 업계에서 널리 사용되는 다양한 프레임 속도를 제공합니다. 대개 프로젝트 프레임 레이트는 후반 제작 워크플로에서 사용하는 재생 속도로 설정합니다.

Blackmagic URSA Broadcast G2는 초당 23.98, 24, 25, 29.97, 30, 50, 59.94, 60 프레임 등 총 8가지의 프레임 레이트 설정을 제공합니다.

URSA Broadcast G2의 프로젝트 프레임 레이트를 조정하려면, 'FPS' 메뉴에서 터치스크린 아래의 현재 프레임 레이트 옆에 있는 좌/우 화살표를 누르세요. 슬라이더를 좌/우로 드래그해 조정할 수도 있습니다.

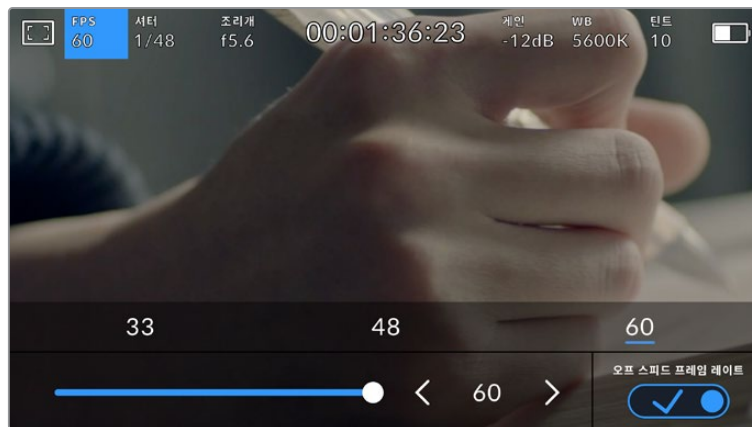


프로젝트 프레임 레이트 양옆의 좌/우 화살표를 누르거나 슬라이더를 움직여 조정할 수 있습니다.

정보 URSA Broadcast G2의 프로젝트 프레임 속도를 통해 전면 SDI 및 메인 SDI 출력의 프레임 레이트도 설정할 수 있습니다.

센서 프레임 레이트(Sensor Frame Rate)

센서 프레임 레이트를 통해 초당 실제로 녹화되는 프레임 수가 설정됩니다. 이 센서 프레임 레이트는 설정된 프로젝트 프레임 레이트에 따라 영상이 얼마나 빠르게 또는 느리게 재생되는지를 결정합니다.



'오프스피드 프레임 레이트'를 활성화한 경우 센서 프레임 레이트 양옆의 좌/우 화살표를 누르거나 슬라이더를 움직이거나 프리셋 중 하나를 눌러 조정할 수 있습니다.

URSA Broadcast G2의 프로젝트 프레임 레이트 및 센서 프레임 레이트는 일반적인 재생 속도에 맞게 기본 설정되어 있습니다. 하지만 URSA Broadcast G2의 FPS 메뉴 우측 하단에 있는 '오프스피드 프레임 레이트' 스위치 아이콘을 눌러 센서 프레임 속도를 개별적으로 설정할 수도 있습니다. '오프스피드 프레임 레이트' 옵션은 Blackmagic RAW 또는 ProRes 코덱 녹화 시에만 사용 가능하다는 점을 기억하세요.

센서 프레임 레이트를 변경하려면 터치스크린 좌측 하단에 있는 센서 프레임 레이트 양옆의 화살표를 누르세요. 슬라이더를 좌/우로 드래그해 프레임 레이트를 높이거나 줄일 수도 있습니다. 슬라이더를 놓으면 센서 프레임 레이트가 바로 선택됩니다. 슬라이더 위에 있는 오프스피드 프레임 레이트 값들 중 원하는 값을 눌러 설정할 수도 있습니다. 이 값들은 현재 프로젝트 프레임 레이트에 따라 달라집니다.

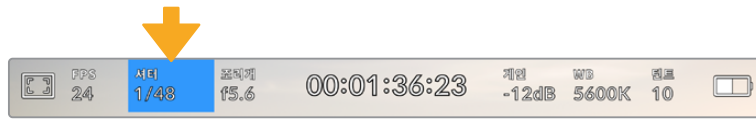
센서 프레임 레이트를 조절하면 영상 클립에 흥미롭고 역동적인 속도 효과를 더할 수 있습니다. 센서 프레임 레이트를 프로젝트 프레임 레이트보다 높게 설정하면 재생 시 슬로우 모션 효과가 나타납니다. 예를 들어, 60 FPS 센서 프레임 레이트로 촬영하고 24 FPS 프로젝트 프레임 레이트로 재생하면 실제 속도의 절반 이하인 슬로우 모션으로 영상이 재생됩니다. 반대로 센서 프레임 레이트가 낮을수록 클립의 재생 속도는 빨라집니다. 필름 카메라를 오버 크랭크 및 언더 크랭크로 촬영할 때 나타나는 효과와 유사합니다. 오버 크랭크로 촬영하면 센서 프레임 레이트가 높아져 화면이 느리게 재생되기 때문에 감정을 더욱 효과적으로 전달할 수 있습니다. 언더 크랭크로 촬영하면 센서 프레임 속도가 낮아져 움직임이 빠른 장면 속 액션을 부각시킬 수 있습니다. 사용자는 무궁무진한 창의력을 발휘할 수 있습니다!

각 녹화 포맷과 코덱에 맞는 최대 프레임 레이트에 관한 자세한 정보는 [녹화] 부분을 참고하세요.

참고 '오프스피드 프레임 레이트'를 선택하면 URSA Broadcast G2의 오디오와 비디오의 동기화가 중단됩니다. 동일한 프로젝트 프레임 레이트 및 센서 프레임 레이트를 선택하더라도 결과는 변하지 않습니다. 따라서 오디오 동기화가 반드시 필요한 경우에는 오프스피드 프레임 레이트를 선택하지 말아야 합니다.

셔터

셔터 상태 정보는 셔터 속도를 나타냅니다. 이 상태 정보를 눌러 URSA Broadcast G2의 셔터 속도를 변경하거나 셔터 '자동 노출' 모드로 설정할 수 있습니다.



URSA Broadcast G2의 셔터 상태 정보. 이 상태 정보를 누르면 셔터 설정이 나타납니다.

셔터 속도는 영상에 적용되는 모션 블러의 정도를 결정하며, 다양한 조명 조건을 보정하기 위해 사용됩니다. 자연스러운 블러 효과를 위한 셔터 속도 설정과 사용 가능한 설정은 현재 사용 중인 프레임 레이트에 따라 달라집니다. 예를 들어, 30p로 촬영할 경우에 셔터 속도를 60분의 1초로 설정하면, 영화 프로젝트에서 널리 사용하는 180도의 셔터 개각도와 동일한 효과를 얻을 수 있습니다. 하지만 25p로 촬영할 경우, 셔터를 50분의 1초로 설정해야 동일한 영상록을 얻을 수 있습니다.

프레임 레이트를 두 배로 늘려 셔터 속도를 산출하면 자연스러운 모션 블러 효과를 얻을 수 있습니다. 따라서 자연스러운 모션 블러 효과를 원한다면 30p에 셔터 속도를 60분의 1초로 설정하세요.

센서에 광량이 더 필요할 경우, 프레임 레이트 맞춰 셔터 속도를 가장 느리게 설정할 수 있습니다. 예를 들어, 25p엔 25분의 1초, 30p엔 30분의 1초로 설정하세요. 셔터 속도를 가장 느리게 설정하면 모션 블러가 다소 과장되게 표현됩니다.

모션 블러 효과를 줄여 움직임이 좀 더 깨끗하고 선명하게 보이도록 하려면 30p에서는 120분의 1초로, 25p에서는 100분의 1초로 설정하는 등 셔터 속도를 높게 조정하세요. 셔터 개각도에 대해 잘 알고 있다면, 이 설정이 셔터 개각도 90도에 해당한다는 사실을 쉽게 알아차릴 수 있습니다.

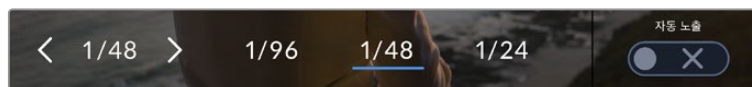
셔터 속도를 다양하게 조절하면서 영상 속 모션 블러가 어떻게 달라지는지 확인해보는 것이 중요합니다.

참고 조명 아래서 촬영하는 경우, 셔터 속도로 인한 플리커 현상이 발생할 수 있습니다. URSA Broadcast G2는 현재 설정된 프레임 속도에서 플리커 현상이 없는 셔터 개각도를 자동으로 산출합니다. 이러한 셔터 속도는 거주 지역의 주전력 주파수의 영향을 받게 됩니다. URSA Broadcast G2의 '설정' 메뉴에서 전력 주파수를 거주 지역에 맞게 50Hz 또는 60Hz로 설정할 수 있습니다. 더 자세한 정보는 본 설명서의 [설정] 부분을 참고하세요.

셔터 표시 장치를 누르면 URSA Broadcast G2의 터치스크린 하단에 셔터 속도 메뉴가 나타납니다. ‘자동 노출’을 비활성화할 경우, URSA Broadcast G2의 ‘설정’ 메뉴에서 선택한 주전력 주파수를 기반으로 플리커 현상 없는 셔터 속도뿐만 아니라 현재 선택된 셔터 속도까지 나타납니다. 더 자세한 정보는 본 설명서의 [설정] 부분을 참고하세요.

참고 개별 광원의 특성으로 인해 플리커 현상이 없는 셔터 개각도를 사용하더라도 플리커 현상이 발생할 수 있습니다. 연속 광원을 사용하지 않는 경우, 촬영 전에 먼저 테스트를 거치는 것이 좋습니다.

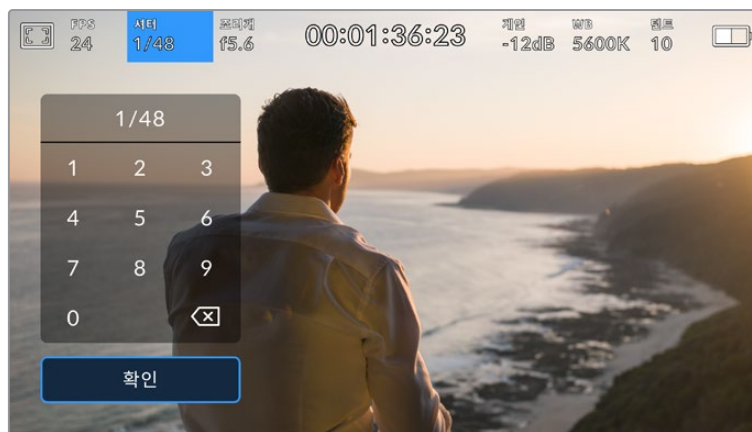
플리커 현상이 없는 셔터 속도 중 하나를 선택하려면 디스플레이된 셔터값 중 하나를 눌러주기만 하면 됩니다. 현재의 셔터값 상태 정보 양옆에 있는 화살표를 눌러 가장 많이 사용되는 셔터값을 확인할 수 있습니다.



URSA Broadcast G2는 ‘설정’ 메뉴에서 선택한 주전력 주파수를 기반으로 플리커 현상이 없는 셔터 개각도를 제시합니다.

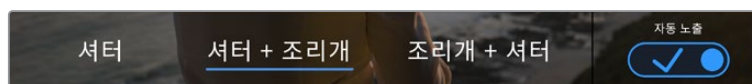
특정 셔터값을 선택하려면 스크린 왼쪽 하단의 셔터값 표시를 두 번 누르세요. 그러면 원하는 셔터값을 입력할 수 있는 키패드가 나타납니다.

예를 들어, 초당 29.97 프레임 촬영 시 25분의 1초로 설정하는 것처럼 현재 프레임 레이트에 적합하지 않은 셔터값을 입력할 경우에는 가능한 수치에 가장 근접한 셔터값이 적용됩니다. 이 예시에서 가장 근접한 셔터 속도는 30분의 1초입니다.



수동 셔터 키패드를 사용하여 원하는 셔터값을 자유롭게 입력할 수 있습니다.

URSA Broadcast G2는 셔터 기반의 세 가지 자동 노출 모드를 지원합니다. 이 중 하나를 선택하려면 셔터 메뉴 맨 오른쪽에 있는 ‘자동 노출’ 버튼을 누르세요.



‘자동 노출’을 누르면 셔터 기반의 자동 노출 모드로 접속할 수 있습니다.

셔터

이 설정은 조리개를 일정하게 유지하면서 셔터 속도를 자동으로 조정하여 노출 수준을 일정하게 유지합니다. 고정 피사계 심도를 유지하고자 할 경우에 이 설정을 선택하세요. 셔터의 미미한 자동 조절 움직임이 모션 블러에 영향을 끼칠 수도 있다는 점을 유념하시기 바랍니다. 또한 실내 촬영 시 다양한 조명 기구로 인해 플리커 현상이 발생할 수 있으니 주의하시기 바랍니다. '자동 노출' 모드를 '셔터'로 선택할 경우, URSA Broadcast G2의 자동 조리개 기능은 사용할 수 없습니다.

셔터 + 조리개

셔터를 조절한 다음, 조리개를 조절하는 방식으로 정확한 노출값을 유지합니다. 셔터 속도를 최대한 올리거나 낮춰도 원하는 수준의 노출을 유지할 수 없을 경우, URSA Broadcast G2에서 조리개를 조절하여 노출을 일정하게 유지합니다.

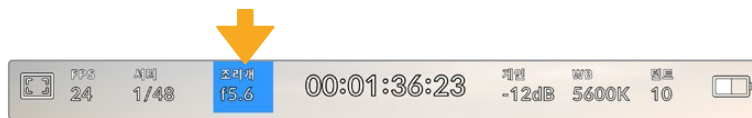
조리개 + 셔터

조리개를 조절한 다음, 셔터 속도를 조절하는 방식으로 정확한 노출값을 유지합니다. 조리개를 최대한 올리거나 낮춰도 원하는 수준의 노출을 유지할 수 없을 경우, URSA Broadcast G2에서 셔터 속도를 조절하여 노출을 일정하게 유지합니다.

정보 셔터에 영향을 미치는 자동 노출 모드를 활성화할 경우, URSA Broadcast G2 터치스크린 상단의 셔터 개각도 상태 정보 옆에 'A'라는 작은 글자가 나타납니다.

조리개

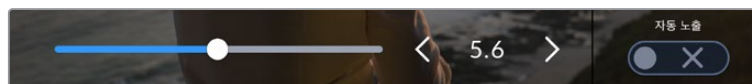
조리개 표시는 현재 사용 중인 렌즈 조리개 값을 나타냅니다. 이 표시를 눌러 호환 렌즈의 조리개 값을 변경하고 조리개 기반의 자동 노출 모드를 설정할 수 있습니다.



URSA Broadcast G2의 조리개 상태 정보. 이 부분을 누르면 조리개 설정이 나타납니다.

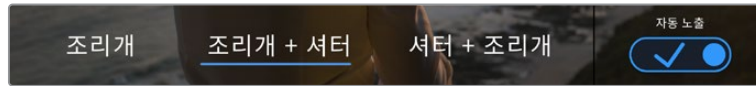
참고 LCD 터치스크린에서 조리개를 조절하려면, 카메라로 조리개를 변경할 수 있는 렌즈를 장착해야만 합니다. 방송용 12핀 커넥터를 통해 B4 또는 PL 렌즈를 사용하는 경우, 핸드그립에 있는 렌즈 조리개 스위치가 A 또는 Auto로 설정되어 있는지를 반드시 확인하세요.

조리개 표시 장치를 한 번 누르면 URSA Broadcast G2 터치스크린 하단에 조리개 메뉴가 나타납니다. 이 메뉴 맨 왼쪽에서 현재 렌즈의 조리개 값을 확인할 수 있습니다. 현재 조리개 값 좌/우에 있는 화살표를 누르거나, 슬라이더를 좌/우로 움직여 조리개 값을 변경할 수 있습니다.



'조리개' 메뉴에서 조리개 표시 양옆의 화살표를 누르거나 슬라이더를 사용해 조리개 설정을 조정하세요.

조리개 메뉴 맨 오른쪽에 있는 '자동 노출' 스위치 아이콘을 누르면 조리개 자동 노출 메뉴가 열립니다.



'조리개' 메뉴에서 '자동 노출'을 누르면 조리개 기반의 자동 노출 모드에 접속할 수 있습니다.

이를 통해 다음과 같은 자동 노출 옵션을 사용할 수 있습니다.

조리개

조리개 이 설정은 셔터 속도를 그대로 유지하면서 조리개를 자동으로 조절하여 노출 수준을 일정하게 유지합니다. 모션 블러를 일정하게 유지할 수 있지만 피사계 심도에 영향을 끼칠 수도 있습니다.

조리개 + 셔터

조리개를 조절한 다음, 셔터 속도를 조절하는 방식으로 정확한 노출값을 유지합니다. 조리개를 최대한 올리거나 낮춰도 원하는 수준의 노출을 유지할 수 없을 경우, URSA Broadcast G2에서 셔터 속도를 조절하여 노출을 일정하게 유지합니다.

셔터 + 조리개

셔터를 조절한 다음, 조리개를 조절하는 방식으로 정확한 노출값을 유지합니다. 셔터 속도를 최대한 올리거나 낮춰도 원하는 수준의 노출을 유지할 수 없을 경우, URSA Broadcast G2에서 조리개를 조절하여 노출을 일정하게 유지합니다.

조리개에 영향을 미치는 자동 노출 모드를 활성화할 경우, URSA Broadcast G2 터치스크린 상단의 조리개 상태 정보 옆에 'A'라는 작은 글자가 나타납니다.

정보 자동 초점 기능은 비디오 및 영화 제작을 위해 제작된 B4 또는 PL 호환 렌즈에서 부드럽게 작동합니다. EF 렌즈를 사용할 경우, 조리개를 변경할 때마다 노출 단계가 눈에 띄게 달라질 수도 있습니다. 이런 이유로 EF 렌즈로 촬영할 시에는 '자동 노출'을 '셔터'로 설정할 것을 권장합니다.

녹화 시간 표시

URSA Broadcast G2의 LCD 터치스크린 상단에서 카메라 녹화 시간을 확인할 수 있습니다.



URSA Broadcast G2에 나타나는 녹화 시간 정보. 녹화 중에는 빨간색으로 변합니다.

녹화 시간 정보에서 제공되는 타임코드 측정기를 통해 클립의 길이를 확인하고 녹화 및 재생 시 타임코드를 모니터링할 수 있습니다. 타임코드 측정기는 시:분:초:프레임 순으로 나타나며, 클립의 녹화 및 재생과 함께 시간이 진행됩니다. 타임코드는 녹화 시 빨간색으로 변합니다.

모든 클립의 녹화 시간은 00:00:00:00부터 시작됩니다. 현재 녹화 중인 또는 최근에 녹화된 클립의 녹화 시간이 터치스크린에 표시됩니다. 후반 작업의 편의를 위해 현재 시각이 클립에 임베드됩니다.

타임코드는 녹화 시간 정보를 눌러 간단히 확인 가능합니다. 녹화 시간 정보를 다시 누르면 클립 녹화 시간으로 되돌아갑니다.

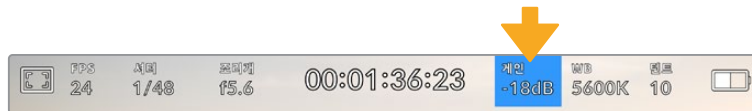
다음과 같은 추가적인 상태 정보 표시가 녹화 시간 표시 주변에 나타납니다.

- TC** 타임코드가 나타나는 경우, 녹화 시간 오른쪽에 이 표시가 나타납니다.
- EXT** 유효한 외부 타임코드가 연결된 경우, 녹화 시간 정보 우측에 나타납니다.
- INT** 카메라에 타임코드를 복사해 사용하다가 중단하고 내부 타임코드를 사용하는 경우, 녹화 시간 오른쪽에 이 표시가 나타납니다.
- PRE** '프리셋 레코드 런' 타임코드를 확인할 경우, 녹화 시간 우측에 나타납니다.
- REF** 레퍼런스 입력 설정을 기반으로 유효한 레퍼런스 소스가 연결되어 잠긴 경우에 나타납니다.
- W** URSA Broadcast G2에서 '윈도우 센서 모드'를 사용하는 경우 녹화 시간 표시 좌측에 나타납니다.

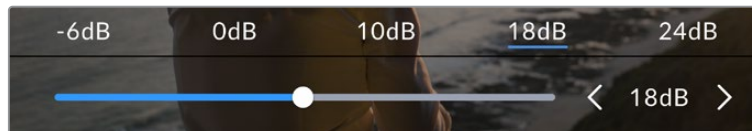
게인

'게인' 상태 정보는 현재 URSA Broadcast G2의 게인 설정 또는 감광도를 나타냅니다. 이 부분을 눌러 다양한 조명 조건에 맞게 게인을 조절할 수 있습니다.

URSA Broadcast G2를 위한 최적의 설정은 0dB입니다.



URSA Broadcast G2의 게인 상태 정보. 이 상태 정보를 누르면 게인 설정이 나타납니다.

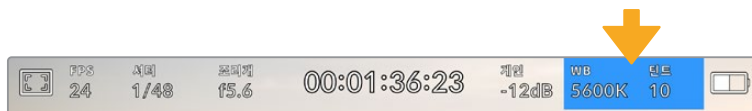


'게인' 메뉴에서는 LCD 터치스크린 하단에 URSA Broadcast G2의 게인 설정이 나타납니다. 프리셋 아래에 있는 슬라이더와 화살표를 사용해 1/3 스탱씩 조절 가능합니다.

촬영 환경에 따라 게인 설정을 좀 더 높거나 낮게 선택할 수 있습니다. 예를 들어, 낮은 조명 조건에서는 +18dB이 적절할 수 있지만, 화면에 노이즈가 발생할 수도 있습니다. 조명이 밝은 환경에서는 -6dB로 촬영하면 훨씬 풍부한 색상을 얻을 수 있습니다.

화이트 밸런스





'WB'와 '틴트'는 카메라의 현재 화이트 밸런스 및 색조를 나타냅니다. 이 부분을 누르면 카메라의 화이트 밸런스 및 색조를 다양한 조명 조건에 맞게 조절할 수 있습니다.



'WB'와 '틴트' 부분을 눌러 해당 설정 페이지에 접속할 수 있습니다.

모든 광원에서는 색이 방출됩니다. 예를 들어, 촛불에서는 따뜻한 색상이, 흐린 하늘에서는 차가운 색상이 방출됩니다. 화이트 밸런스 설정을 사용하여 영상의 색상 균형을 맞출 수 있으므로, 영상 속 주황색과 파란색의 조합을 조절해 흰색을 그대로 유지할 수 있습니다. 예를 들면, 텡스텐 조명 아래에서 촬영하면 따뜻한 주황색 광원이 방출되므로, 3200K를 선택하여 차가운 색상을 영상에 추가합니다. 이러한 방식으로 색상의 균형을 맞춰 정확한 흰색을 저장할 수 있습니다.

URSA Broadcast G2는 다음과 같은 화이트 밸런스 프리셋을 제공하여 다양한 색온도 환경에 맞게 선택할 수 있습니다. 사용 예시는 다음과 같습니다.

	밝은 자연광	(5600K)
	백열등	(3200K)
	형광등	(4000K)
	혼합광	(4500K)
	흐린 날	(6500K)

화이트 밸런스 메뉴 하단의 색온도 상태 정보 좌/우에 있는 화살표 아이콘을 눌러 모든 프리셋을 사용자 지정할 수 있습니다. 화살표를 한 번 누를 때마다 색온도가 50K씩 증가/감소하며, 길게 누르면 증가/감소 폭이 증가해 신속하게 변경할 수 있습니다. 화이트 밸런스 메뉴 중간에 있는 색온도 슬라이더를 움직여 조정할 수도 있습니다.

조정이 더 필요한 경우에는 색조를 조절할 수 있습니다. 이를 통해 영상 속 녹색과 심홍색의 조합이 조정됩니다. 예를 들어, 심홍색을 약간 추가하면 수많은 형광등에서 나오는 초록색을 보완할 수 있습니다. 대부분의 URSA Broadcast G2 화이트 밸런스 프리셋에는 약간의 색조가 포함되어 있습니다.



URSA Broadcast G2의 'WB' 및 '색조' 상태 정보를 누르면 좌측에 화이트 밸런스 상태 정보와 슬라이더가, 우측에 색조 표시 장치가 나타날 뿐만 아니라 5개의 프리셋도 함께 나타납니다. 이를 조절해 사용 중인 조명 조건에 맞는 자신만의 화이트 밸런스를 설정하세요.

화이트 밸런스 메뉴에서는 카메라의 현재 색조 설정이 스크린 우측 하단에 나타납니다. 색조를 조절하려면 색조 표시 좌/우에 있는 화살표를 간단히 한 번씩 또는 길게 누르세요. 한 번 누를 때마다 50 단위씩 증가 또는 감소합니다. 화살표를 길게 눌러 빠르게 조절할 수 있습니다.

참고 화이트 밸런스나 색조를 사용자가 지정할 경우, 프리셋이 커스텀 화이트 밸런스(CWB)로 변경됩니다. 커스텀 화이트 밸런스는 계속 지속되어 전원을 껐다 켜도 CWB 설정이 그대로 유지되며, 프리셋으로 전환했다가도 다시 CWB로 되돌릴 수 있습니다. 이를 통해 최근에 사용한 프리셋과 커스텀 화이트 밸런스를 쉽게 비교할 수 있습니다.

자동 화이트 밸런스

URSA Broadcast G2에서는 화이트 밸런스를 자동으로 설정할 수 있습니다. AWB를 누르면 화이트 밸런스 화면이 나타납니다.

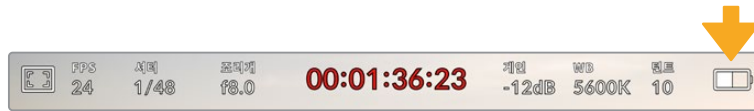
화이트 밸런스를 자동으로 설정하는 경우, 영상 중앙에 사각형이 오버레이되어 나타납니다. 이 사각형을 흰색 또는 회색 카드와 같은 중립면으로 채운 뒤, '화이트 밸런스 업데이트'를 누르세요. URSA Broadcast G2에서는 화이트 밸런스와 색조값이 자동으로 조절되어, 화이트 밸런스 사각형 안에 있는 전반적인 흰색 또는 회색이 최대한 중립적으로 유지됩니다. 업데이트가 끝나면 이 설정이 카메라의 커스텀 화이트 밸런스로 설정됩니다.



화이트 밸런스 메뉴에 있는 'AWB' 아이콘을 누르면 자동 화이트 밸런스 화면이 나타납니다. 흰색 또는 중립적인 회색면을 함께 사용해 자동으로 중립적인 화이트 밸런스를 설정하세요.

전원

URSA Broadcast G2의 전원 상태는 LCD 화면 우측 상단에 표시됩니다. 표시 장치는 다음과 같은 5가지 형태로 표시됩니다.



URSA Broadcast G2의 전원 상태 표시는 LCD 터치스크린 우측 상단에 나타납니다. 배터리를 사용하는 경우, 이 상태 표시를 눌러 배터리 잔량을 전압 또는 퍼센트로 표시할 수 있습니다.

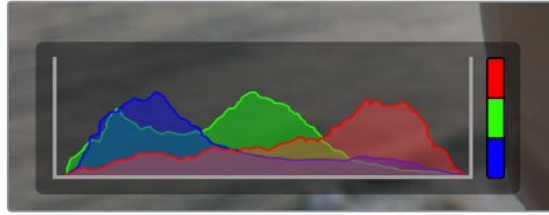
	AC	URSA Broadcast G2를 메인 전원에 연결한 경우에 나타납니다.
	퍼센트	정확한 퍼센트 정보를 제공하는 배터리와 플레이트를 사용하는 경우에 배터리 표시 방식을 퍼센트 방식으로 설정하면, 배터리 잔량이 퍼센트로 표시됩니다. 배터리가 20% 남은 경우, 상태 표시가 빨간색으로 변합니다.
	배터리 바	배터리 표시 방식을 퍼센트 방식으로 설정했지만 배터리와 플레이트가 정확한 퍼센트 정보를 제공하지 않는 경우, URSA Broadcast G2에 배터리 아이콘이 나타나 배터리가 25%씩 감소할 때마다 바가 하나씩 줄어들습니다. 배터리가 20% 남은 경우, 배터리 바가 빨간색으로 변합니다.
	전압	배터리 표시 방식을 전압 방식으로 설정하면 배터리 잔량이 전압으로 표시됩니다. 배터리 전압이 12.5V 밑으로 떨어질 경우, 표시 장치가 빨간색으로 변합니다. 배터리 전압이 11.9V에 다르면 URSA Broadcast G2의 전원이 자동으로 꺼집니다.
	광섬유	카메라에 Blackmagic Camera Fiber Converter를 장착했을 경우에 나타나며, SMPTE 광케이블을 통해 카메라에 전원을 공급합니다. URSA Broadcast G2에 컨버터를 장착한 상태에서 4핀 XLR 전원 케이블을 연결할 경우엔 AC 아이콘이 나타납니다.

배터리 전원을 사용할 경우, 전원 상태 표시를 눌러 배터리 잔량 표시를 전압/퍼센트 또는 배터리 바로 전환할 수 있습니다.

하단 톨바

히스토그램

URSA Broadcast G2 터치스크린 좌측 하단에서 히스토그램을 확인할 수 있습니다. RGB 히스토그램은 빨강, 초록, 파란색 채널로 나뉘어 나타나는 이미지의 색조 분포도를 보여줍니다.



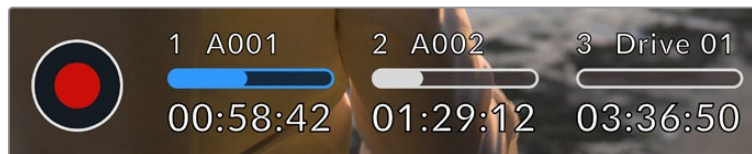
히스토그램을 통해 클립의 새도우와 하이라이트 간의 색조 범위를 확인할 수 있습니다. 또한 노출의 균형을 확인하고 하이라이트가 클리핑 되는 현상을 방지할 수 있는 유용한 도구입니다.

히스토그램의 맨 왼쪽은 새도우 또는 블랙을, 맨 오른쪽은 하이라이트 또는 화이트를 나타냅니다. 렌즈 조리개를 열고 닫으면 이에 따라 히스토그램의 정보 또한 좌/우로 움직이는 것을 볼 수 있습니다. 히스토그램으로 이미지의 새도우와 하이라이트가 클리핑 되는지 확인할 수 있습니다. 빨강/초록/파란색 채널에 클리핑 현상이 발생하면 히스토그램 오른쪽에 위치한 해당 표시장치에 불이 들어옵니다. 히스토그램의 좌/우 양쪽 가장자리가 서서히 떨어지지 않고 갑자기 중단되는 경우에는 하이라이트 또는 새도우 디테일이 손실될 수도 있습니다.

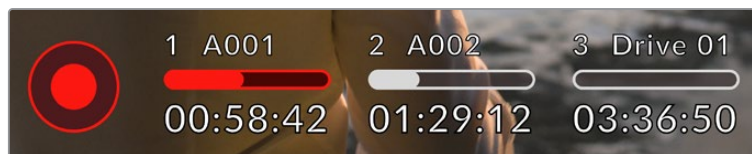
터치스크린 하단에 히스토그램이 나타나지 않을 경우 LCD 모니터 설정에서 '코덱 및 해상도'로 설정되었을 수 있습니다. 더 자세한 정보는 본 설명서의 [모니터링 설정] 부분을 참고하세요.

녹화 버튼

URSA Broadcast G2 터치스크린 하단에 있는 히스토그램 옆에는 가운데가 빨간색으로 표시된 버튼이 있습니다. 이 버튼이 바로 녹화 버튼입니다. 이 버튼을 누르면 녹화가 시작되고, 다시 누르면 정지됩니다. 녹화 중에는 이 버튼과 미디어 바 아이콘, 그리고 URSA Broadcast G2 터치스크린 상단의 타임코드가 빨간색으로 변합니다.



LCD 터치스크린 하단의 저장 미디어 상태 정보 옆에 있는 URSA Broadcast G2 녹화 버튼.

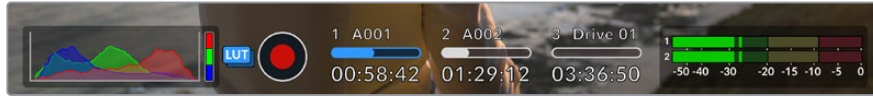


녹화 중에는 녹화 버튼이 빨간색으로 변합니다.

파일에 LUT 적용하기

Blackmagic RAW 포맷 녹화 시 '녹화' 설정에서 녹화 클립에 LUT를 적용하기로 선택한 경우, 파란색 LUT 아이콘이 녹화 버튼 옆에 나타납니다. LUT 표시는 대기 모드 및 녹화 모드 사용 시 모두 나타납니다.

Blackmagic RAW 포맷으로 LUT를 녹화하는 방법에 대한 자세한 정보는 본 설명서의 뒤편의 [녹화 설정] 부분을 참고하세요.



Blackmagic RAW 포맷으로 녹화할 경우, 파란색 LUT 아이콘이 나타납니다.

클립에 LUT 녹화하기

ProRes, H.264 또는 H.265 코덱 녹화 시 녹화 클립에 LUT를 녹화하기로 선택하기로 선택할 경우, 녹화 버튼 옆에 빨간색 LUT 아이콘이 나타납니다. LUT 표시는 대기 모드 및 녹화 모드 사용 시 모두 나타납니다.

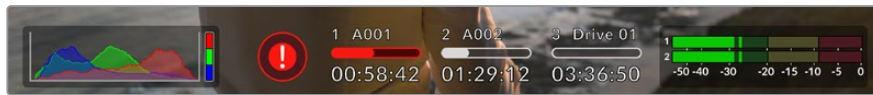
ProRes, H.265 또는 H.264 비디오 코덱으로 LUT를 녹화하는 방법에 대한 자세한 정보는 본 설명서의 뒤편의 [녹화 설정] 부분을 참고하세요.



ProRes, H.265 또는 H.264 코덱 녹화 시 빨간색 LUT 아이콘이 나타납니다.

드롭 프레임 경고 표시

녹화 버튼 위로 [!] 표시가 깜빡이는 것을 통해 녹화 중 URSA Broadcast G2에 드롭 프레임 현상이 발생했음을 알 수 있습니다. 문제가 발생한 카드의 잔여 녹화 시간 상태 정보 또한 빨간색으로 변합니다. 예를 들어, 듀얼 카드 모드로 녹화 중인 경우에 카드 1에서 드롭 프레임 현상이 발생하면 녹화 버튼 위로 깜빡이는 [!] 표시가 나타나며, 카드 1의 잔여 녹화 시간 상태 정보도 빨간색으로 변합니다. 이는 특정 카드가 현재 선택한 코덱 및 해상도에 비해 너무 느리다는 것을 의미합니다. 또한 이전에 녹화한 클립에서 드롭 프레임 현상이 발생한 경우에도 드롭 프레임 경고 표시가 나타납니다. 드롭 프레임 표시 장치는 새로운 클립을 녹화하거나 카메라 전원을 켜다 켜 때까지 지속됩니다. 드롭 프레임 현상을 방지하는 방법에 대한 자세한 정보는 본 설명서의 [CFast 2.0 카드 선택하기] 및 [빠른 SD 카드 선택하기], [빠른 SSD 선택하기] 부분을 참고하세요.



CFast 카드 1에 발생한 드롭 프레임 현상을 알리는 드롭 프레임 경고 표시

정보 URSA Broadcast G2 바깥 패널의 LED가 활성화된 상태에서 드롭 프레임 현상이 감지되면, 해당 LED가 빨간색으로 깜빡거립니다. 더 자세한 정보는 본 설명서의 [설정] 부분을 참고하세요.

참고 URSA Broadcast G2에서는 드롭 프레임 현상이 감지되면 녹화를 중단하도록 설정할 수 있으므로, 드롭 프레임 경고 표시를 확인하지 못한 경우에 사용 불가능한 영상을 촬영하느라 시간을 낭비하는 일을 사전에 방지할 수 있습니다. 더 자세한 정보는 본 설명서의 [녹화 설정] 부분을 참고하세요.

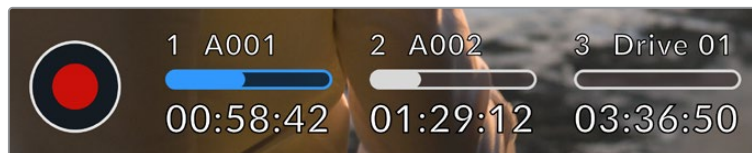
저장 미디어 표시

LCD 터치스크린 하단의 저장 미디어 상태 정보 옆에 있는 URSA Broadcast G2의 녹화 버튼.

잔여 녹화 시간

CFast 카드 또는 SD 카드를 삽입하거나 USB-C 플래시 디스크 또는 SSD를 카메라에 연결하면 저장 미디어 표시를 통해 각 카드 또는 드라이브의 잔여 녹화 시간을 확인할 수 있습니다. 잔여 녹화 시간은 선택한 프레임 레이트 및 코덱에 따라 시:분:초로 나타나며, 해당 설정 변경 시 자동으로 잔여 녹화 시간을 다시 계산하여 표시합니다.




카드 또는 드라이브의 녹화 가능 시간이 약 5분 정도 남은 경우에는 잔여 녹화 시간 표시가 빨간색으로 변합니다. 한 개의 카드 또는 드라이브를 삽입하거나 카메라에 추가 저장 매체를 연결해 사용할 경우, 잔여 녹화 시간이 3분 미만으로 떨어지면 표시 장치가 천천히 깜빡이며 30초 미만으로 떨어지면 빠르게 깜빡입니다.



URSA Broadcast G2의 저장 미디어 상태 정보를 통해 CFast 카드, SD 카드, SSD 또는 USB 플래시 디스크의 이름과 분 단위의 잔여 녹화 시간이 표시됩니다.

미디어 바

잔여 녹화 시간 위에 표시되는 미디어 바는 현재 미디어의 상태에 따라 파란색, 흰색, 또는 빨간색으로 나타나며, 카드 또는 드라이브 사용 공간이 표시됩니다.

	파란색 드라이브 아이콘은 현재 활성화된 드라이브입니다. 이 드라이브는 녹화에 사용됩니다.
	흰색 드라이브 아이콘은 현재 미디어가 있지만, 사용 중이지 않은 상태를 나타냅니다. 전체가 흰색으로 표시되는 경우, 해당 미디어가 꽉 찼다는 뜻입니다.
	녹화 중에는 해당 표시에 빨간 불이 들어옵니다.

다른 카드나 드라이브에 녹화하려면 해당 카드, USB-C 플래시 디스크, 또는 SSD의 이름이나 미디어 바를 길게 누르세요.

저장 미디어 상태 정보를 누르면 저장 및 포맷 메뉴가 나타납니다.



URSA Broadcast G2의 LCD 터치스크린에 있는 저장 미디어 상태 정보를 눌러 저장 관리 화면에 접속할 수 있습니다.

이 메뉴는 URSA Broadcast G2에 연결된 각 CFAST 카드, SD 카드, USB-C 플래시 디스크, SSD의 저장 공간뿐만 아니라 카드/드라이브 이름 및 잔여 녹화 시간, 저장된 총 클립 수, 카드/드라이브 파일 포맷 정보를 제공합니다. 저장 메뉴에서 카드 또는 드라이브 이름을 누르면 해당 카드 또는 드라이브가 활성화됩니다. URSA Broadcast G2에서는 이 카드를 먼저 사용합니다.

이 메뉴에서 사용하고자 하는 미디어를 포맷할 수 있습니다. URSA Broadcast G2에서 미디어를 포맷하는 방법에 대한 자세한 정보는 본 설명서의 [Blackmagic URSA Broadcast G2에서 미디어 준비하기] 부분을 참고하세요.

오디오 미터

내부 마이크를 사용하거나 외부 오디오를 카메라에 연결하면 피크 오디오 미터에 채널 1과 채널 2의 오디오 레벨이 나타납니다. 미터는 PPM과 VU 방식으로 표시 가능합니다. 미터 종류를 변경하는 방법에 관해서는 본 사용 설명서 뒷편의 [설정] 부분을 참고하세요.

최적의 음질을 얻으려면 오디오 레벨이 절대 0dBFS를 넘지 않도록 해야 합니다. 이 레벨은 카메라로 녹화할 수 있는 최대치로, 이 수준을 넘어갈 경우에는 오디오가 클리핑되어 왜곡됩니다.



오디오 미터의 컬러바는 피크 오디오 레벨을 나타냅니다. 피크 오디오 레벨이 녹색 부근 상단에 머무르는 것이 가장 이상적입니다. 피크 레벨이 노란색이나 빨간색 부근에 머무르는 경우 오디오가 클리핑될 가능성이 높습니다.

오디오 미터를 누르면 헤드셋 또는 스피커 볼륨뿐만 아니라 입력 채널 1과 채널 2의 볼륨을 조절할 수 있는 창이 나타납니다.



URSA Broadcast G2의 LCD 터치스크린에 있는 오디오 미터를 눌러 볼륨과 헤드셋 또는 스피커 설정에 쉽게 접속할 수 있습니다.

포커스 줌

LCD 터치스크린에서 확대하고 싶은 부분을 두 번 눌러 URSA Broadcast G2의 미리보기 영상 중 원하는 부분을 확대할 수 있습니다. 화면에서 손가락으로 드래그하여 확대된 부분을 움직일 수 있습니다. 이는 초점을 확인할 때 굉장히 유용한 기능입니다. 표준 확대 화면으로 돌아가려면 터치스크린을 다시 두 번 두드리세요.

포커스 줌 활성화 시, 손가락 확대/축소(Pinch to Zoom) 기능을 사용해 터치스크린에서 줌 정도를 조절할 수 있습니다. URSA Broadcast G2의 '설정' 메뉴에서 기능 버튼을 포커스 줌 토글용으로 설정할 경우, 터치스크린을 두 번 두드리는 것과 같은 기능으로 사용할 수 있습니다. 이 기능을 LCD에 나타나도록 설정하거나 전면 또는 메인 SDI 출력에 나타나도록 설정할 수 있습니다. 기능 버튼을 포커스 줌 버튼으로 설정하는 방법에 대한 자세한 정보는 [프리셋 또는 토글 기능 버튼 설정하기] 부분을 참고하세요.



줌 인 상태에서는 LCD 터치스크린 좌측 상단에 나타나는 표시 정보를 통해 현재 확대한 부분이 이미지 속 어떤 부분에 해당하는지 확인할 수 있습니다. 메뉴 휠을 사용하거나 스크린을 손가락으로 드래그하여 영상 여기저기를 확인할 수 있습니다.

전체 화면 모드

숏을 프레이밍하거나 초점을 잡을 때 터치스크린의 상태 정보 및 미터를 일시적으로 숨길 수 있는 유용한 기능입니다. URSA Broadcast G2의 LCD 터치스크린을 위/아래로 쓸어 넘겨 간단히 숨길 수 있습니다. 녹화 상태 정보와 프레임 가이드, 그리드, 포커스 어시스트, 지브라는 여전히 표시됩니다.



URSA Broadcast G2의 LCD 터치스크린을 위/아래로 쓸어 넘겨 모든 상태 정보를 숨길 수 있습니다.

재생 메뉴

카메라 재생 버튼을 누르면 해당 메뉴에 접속할 수 있습니다. 카메라 제어 버튼이나 LCD 터치스크린을 사용해 이전에 녹화한 클립을 제어할 수 있습니다.










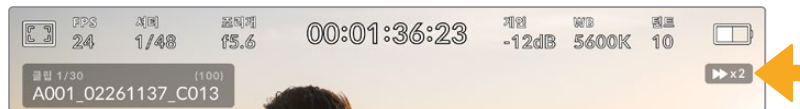
LCD 터치스크린의 타임라인에는 모든 녹화 클립의 세그먼트 정보가 표시됩니다. 타임라인의 각 세그먼트는 개별 클립을 나타냅니다. 디스플레이 좌측 상단에 현재 사용 중인 클립명과 번호가 나타나며, 카드 또는 드라이브의 총 클립수는 괄호 안에 나타납니다.

타임라인의 왼쪽에 표시되는 카운터는 플레이헤드의 현재 위치를, 오른쪽에 표시되는 카운터는 전체 클립의 총 재생 시간을 의미합니다.

타임라인 하단의 재생 컨트롤을 통해 클립을 탐색할 수 있습니다.



	재생 모드에서 녹화 버튼을 누르면 카메라가 녹화 준비 상태인 대기 모드로 돌아옵니다.
	클립을 보려면 재생 버튼을 누르세요. 이제 재생 모드로 진입합니다.
	재생을 멈추려면 정지 버튼을 누르세요. 정지 버튼을 다시 누르면 카메라가 대기 모드로 전환됩니다.
	뒤로 가기 버튼을 한 번 누르면 플레이헤드가 현재 클립의 시작 프레임으로 이동합니다. 플레이헤드가 이미 클립의 시작점에 있다면 이전 클립의 시작 프레임으로 이동합니다.
	건너뛰기 버튼을 한 번 누르면 플레이헤드가 현재 클립의 마지막 프레임으로 이동합니다. 플레이헤드가 이미 클립의 마지막 지점에 있다면 다음 클립의 시작 프레임으로 이동합니다.
	뒤로 가기 및 건너뛰기 버튼을 길게 눌러 되감기 및 빨리 감기 셔틀 버튼처럼 사용할 수 있습니다. 셔틀 속도는 2/4/8/16배속으로 변경 가능합니다.
	






셔틀 속도 상태 표시 장치를 통해 빨리 감기 또는 되감기 되고 있는 영상의 속도와 재생 방향이 표시됩니다

재생 모드는 '설정' 메뉴에서 '전체 클립' 또는 '단일 클립'으로 설정할 수 있습니다. '단일 클립' 모드에서 재생 버튼을 누르면 마지막에 녹화된 클립이 재생됩니다.

정보 영상 재생 시 URSA Broadcast G2의 터치스크린을 위/아래로 쓸어 넘겨 상태 정보 텍스트를 숨길 수 있습니다. 재생 모드에서 슬레이트를 입력하면 현재 클립이 메타데이터에 '굿 테이크'로 표시됩니다. 더 자세한 정보는 본 설명서의 [메타데이터 입력] 부분을 참고하세요.

루프 재생

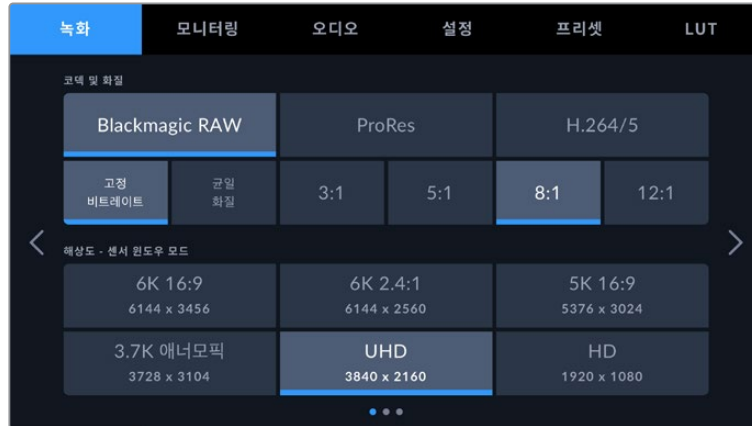
재생 버튼을 한 번 이상 누르면 루프 기능이 활성화됩니다. 루프 재생 기능은 특정 클립의 재생을 반복할 때나 타임라인의 전체 클립을 반복 재생할 때 유용합니다.

루프		클립이 재생 중일 때, '재생' 버튼을 한 번 더 누르면 현재 재생 영상을 반복해서 재생하도록 설정됩니다.
전체 루프		재생 버튼을 한 번 더 누르면 녹화된 모든 클립을 반복 재생합니다.
재생		재생 버튼을 다시 한번 누르면 원래 재생 버튼으로 돌아옵니다.

설정

대시보드

URSA Broadcast G2의 MENU 버튼을 누르면 카메라 대시보드가 나타납니다. URSA Broadcast G2의 헤드업 디스플레이(HUD)에서는 사용할 수 없는 설정이 포함된 메뉴 탭입니다. 이 설정 메뉴는 기능에 따라 '녹화', '모니터링', '오디오', '설정', '프리셋', 'LUT' 탭으로 분류되어 있습니다. '녹화', '모니터링', '설정' 등의 일부 탭은 여러 페이지로 구성되어 있습니다. 설정 화면 좌/우에 있는 화살표를 누르거나 스마트폰 또는 태블릿에서처럼 화면을 좌/우로 쓸어 넘겨 다른 페이지로 이동할 수 있습니다.



'녹화', '모니터링', '오디오', '설정', '프리셋', 'LUT' 탭을 눌러 URSA Broadcast G2의 대시보드 탭 간을 이동할 수 있습니다.

녹화 설정

'녹화' 탭을 통해 비디오 포맷과 코덱, 해상도뿐만 아니라 선호하는 카드 및 디테일 선명도 등 URSA Broadcast G2에 저장되어 영상에 적용되는 기타 사항을 설정할 수 있습니다. 이 메뉴는 3 페이지로 구성되어 있으며 카메라 터치스크린 양쪽 끝에 있는 화살표를 누르거나 좌/우로 쓸어 넘겨 이동할 수 있습니다.

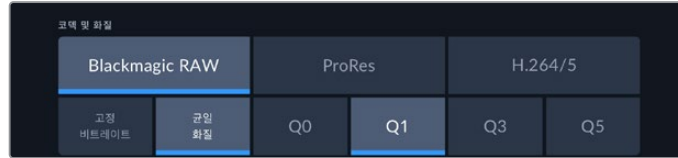
녹화 설정 1

'녹화' 설정 탭의 첫 번째 페이지는 다음과 같은 설정으로 구성되어 있습니다.



코덱 및 화질

‘코덱 및 화질’ 메뉴는 두 줄로 나누어져 있습니다. 맨 윗줄에서는 Blackmagic RAW와 Apple ProRes, H.264/5 코덱 중 하나를 선택할 수 있으며, 아랫줄에서는 선택한 코덱 계열에 맞는 해상도 옵션이 제공됩니다. 예를 들어, ProRes 코덱 계열에서 사용 가능한 해상도 옵션은 ProRes HQ 및 ProRes 422입니다. Blackmagic RAW 옵션은 네 개의 고정 비트레이트와 네 개의 균일 화질 설정으로 나누어져 있습니다.



Blackmagic RAW의 고정 비트레이트 및 균일 화질 설정 옵션

정보 선택한 코덱의 압축률이 높을 경우, URSA Broadcast G2의 저장 미디어에 녹화할 수 있는 영상의 용량 또한 늘어납니다. 더 자세한 정보는 [녹화] 부분에서 ‘녹화 가능 시간’ 표를 참고하세요.

해상도

해상도 설정은 코덱 설정에 따라 결정됩니다. 원하는 녹화 포맷을 위한 해상도를 선택하는 데 사용하세요.

예를 들어, ProRes HQ를 사용해 UHD 클립을 녹화하고자 하는 경우, ‘코덱 및 화질’ 메뉴에서 ‘ProRes’와 ‘HQ’를 선택한 뒤, ‘해상도’ 메뉴에서 ‘UHD’를 선택하세요.

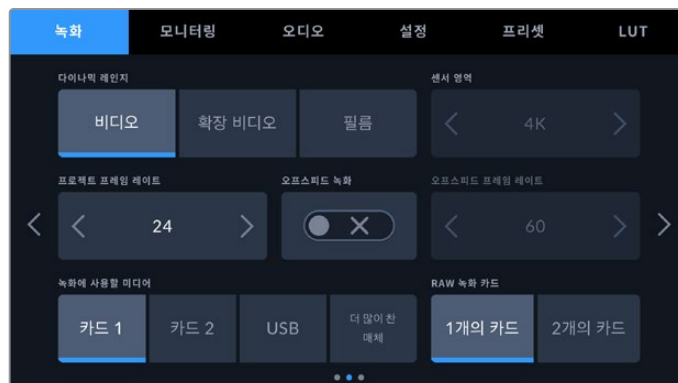


Blackmagic RAW의 ‘해상도’ 옵션

참고 Blackmagic URSA Broadcast G2는 모든 해상도의 Blackmagic RAW 포맷, HD/UHD Apple ProRes, UHD H.265, HD H.264를 지원합니다.

녹화 설정 2

‘녹화’ 설정 탭의 두 번째 페이지는 다음과 같은 설정으로 구성되어 있습니다.



다이나믹 레인지

다이나믹 레인지 아이콘을 눌러 다이나믹 레인지 설정을 조절하세요. Blackmagic URSA Broadcast G2는 다음과 같은 세 가지의 다이나믹 레인지 설정을 제공합니다.

비디오	'비디오' 설정은 콘트라스트 및 채도가 높은 영상록 촬영에 최적인 설정으로, 직접 딜리버리 또는 최소한의 후반 제작 작업이 필요한 상황에 사용됩니다. '비디오' 설정은 Rec.709 프라이머리를 사용하며, 하이라이트 롤오프가 부드러워 만족스러운 결과를 제공합니다. 이는 필요 시 색보정 작업도 할 수 있는 적절한 감마 곡선을 보이더라도 정확한 시작점을 원하는 경우에 사용하기 좋은 옵션입니다.
확장 비디오	'확장 비디오' 설정은 대비 및 채도가 적용된 Blackmagic Wide Gamut을 기반으로 합니다. 비디오 모드와의 가장 큰 차이점은 마젠타/그린 축의 채도가 낮아 오히려 프린트 필름에 더 가까웁니다.
필름	'필름' 모드에서 비디오를 촬영하면 다이나믹 레인지를 최대한 사용하는 로그 커브를 사용하며, 비디오 신호에 최대한 많은 정보를 제공하므로, DaVinci Resolve와 같은 컬러 그레이딩 소프트웨어를 최대한 활용할 수 있습니다.

'비디오' 또는 '확장 비디오'를 사용 중인 경우, LUT 디스플레이가 모니터 출력, LCD, 전면 SDI, 메인 SDI에 활성화되어 있지 않은지 확인하세요.

LUT 디스플레이가 활성화되면 LUT 표시가 헤드업 디스플레이에 나타나며 채도와 콘트라스트가 의도한 것보다 더 강하게 표현됩니다. LUT 디스플레이 설정에 대한 자세한 정보는 본 설명서의 [모니터 설정] 부분을 참고하세요.

센서 영역

이 설정은 ProRes, H.265 및 H.264 비디오 코덱으로 촬영할 경우에 사용 가능합니다. 여기서 풀 6K 센서 영역 또는 이보다 작은 윈도우 센서 영역 옵션을 선택할 수 있습니다. 5.3K 또는 6K와 같은 커다란 센서 영역을 선택하면 폭넓은 시야각을 얻을 수 있고, 2.7K처럼 작은 센서 영역을 선택하면 높은 프레임 레이트 옵션을 선택할 수 있습니다. 작은 윈도우 센서 영역을 선택하면 카메라 센서의 가운데 부분만을 사용하기 때문에 어떤 렌즈를 사용더라도 크로핑 현상으로 인해 시야각이 좁아질 수 있다는 점을 기억하세요.

URSA Broadcast G2의 B4 마운트에 방송용 렌즈를 장착해 사용할 경우, 센서 영역을 해당 렌즈가 커버할 수 있는 프레임 영역인 4K로 설정해야 합니다. 5.3K 및 6K 센서 영역은 슈퍼 35 크기와 비슷하며 대부분의 EF/F 마운트 및 PL 렌즈와 호환됩니다.

풀 센서 및 윈도우 모드에 대한 자세한 정보는 [최대 센서 프레임 레이트] 부분을 참고하세요.

프로젝트 프레임 레이트

프로젝트 프레임 레이트는 URSA Broadcast G2의 녹화 포맷 프레임 속도를 의미하며, 영화 및 TV 업계에서 널리 사용되는 다양한 프레임 속도를 제공합니다. 예를 들어, UHD ProRes HQ 포맷 사용 시 초당 29.97 프레임으로 설정됩니다. 대개 프레임 레이트는 후반 제작 워크플로에서 사용하는 재생 속도 및 오디오 싱크와 딜리버리 요구 조건에 맞게 설정됩니다.

Blackmagic URSA Broadcast G2는 초당 23.98, 24, 25, 29.97, 30, 50, 59.94, 60 프레임 등 총 8 가지의 프레임 레이트 설정을 제공합니다.

참고 카메라의 프로젝트 프레임 레이트는 영상룩에 아주 큰 영향을 끼칩니다. 방송 제작 환경에서는 프레임 속도를 초당 50, 59.94, 60으로 설정하세요. 이렇듯 상대적으로 높은 프레임 레이트는 부드러운 움직임을 캡처하고 패닝 기능 사용 시 스테터 현상을 제거 또는 최소화하는데 탁월합니다.

24 혹은 25 fps처럼 낮은 프레임 레이트는 보통 영화 제작 시에 사용합니다. 이 경우 차별화된 필름 영상룩을 연출할 수 있지만, 스테터 현상을 방지하려면 카메라를 훨씬 느리게 움직여야 합니다.

오프스피드 녹화

URSA Broadcast G2의 프로젝트 프레임 레이트 및 센서 프레임 레이트는 일반적인 재생 속도에 맞게 기본 설정되어 있습니다. 하지만 '오프스피드 녹화' 스위치 아이콘을 눌러 센서 프레임 속도를 개별적으로 설정할 수 있습니다. 이 옵션은 Blackmagic RAW 또는 ProRes 코덱 녹화 시에만 사용 가능합니다.

오프스피드 프레임 레이트

'오프스피드 프레임 레이트'를 활성화한 상태에서 '오프스피드 프레임 레이트' 설정값 양옆에 있는 화살표를 눌러 URSA Broadcast G2의 센서 프레임 레이트를 간단히 설정할 수 있습니다.

센서 프레임 레이트를 통해 초당 실제로 녹화되는 프레임 수가 설정됩니다. 이 센서 프레임 레이트는 설정된 프로젝트 프레임 레이트에 따라 영상이 얼마나 빠르게 또는 느리게 재생되는지를 결정합니다.

오프스피드 프레임 속도에 대한 자세한 정보는 본 설명서의 [터치스크린 기능] 부분에서 '초당 프레임 수 (FPS)' 관련 설명을 참고하세요.

참고 각각의 녹화 포맷과 코덱에 맞는 최대 프레임 레이트에 관한 자세한 정보는 [녹화] 부분의 '최대 센서 프레임 레이트표'를 참고하세요.

녹화에 사용할 미디어

한 개 이상의 슬롯을 사용할 경우, URSA Broadcast G2에서 녹화에 처음으로 사용할 저장 카드, SSD, 플래시 디스크를 선택할 수 있는 설정입니다. '카드 1'/'카드 2'/'USB'/'더 많이 찬 매체' 설정 옵션을 선택할 수 있습니다. 사용자는 Card 1과 Card 2에서 원하는 카드를 선택할 수 있지만 두 개의 카드를 지속적으로 사용하는 경우, 용량이 다 차면 교체 대상 카드를 알려줍니다. Fullst Card 옵션은 한 대의 카메라로 프로젝트를 촬영하는 경우 파일을 시간 순서로 분류하는 데 도움이 됩니다. '더 많이 찬 매체' 설정은 사용한 데이터 용량이나 데이터 크기가 아닌 저장 카드가 채워진 공간을 퍼센트로 나타냅니다.

선택한 설정 사항은 CFast 카드/SD 카드/SSD를 삽입하거나 USB 플래시 디스크를 연결했을 때 적용됩니다. 저장 관리자에서 다른 카드를 활성화시키면 언제든지 설정 사항을 덮어쓰기 할 수 있습니다. 하지만 카드를 꺼냈다가 다시 삽입하면 현재의 '녹화에 사용할 미디어' 설정으로 되돌아간다는 사실을 명심하세요.

RAW 녹화 카드

두 개의 카드에 Blackmagic RAW 포맷으로 녹화할 경우, 프레임 레이트가 높은 초고해상도의 클립을 낮은 압축률로 녹화할 수 있습니다. 두 개의 CFast 또는 SD 카드를 넣고 '2개의 카드' 옵션을 선택하세요. 이는 두 개의 카드를 순차적으로 스트라이핑하는 방식으로 둘 중 속도가 느린 카드의 데이터 레이트로 제한되기 때문에, 사양이 같거나 비슷한 두 개의 카드를 사용할 것을 권장합니다.

슬롯 1/2에 있는 CFast 카드와 슬롯 3에 있는 USB-C 플래시 디스크를 스트라이핑할 수도 있습니다. '2개의 카드' 설정 옵션을 사용할 경우, 스트라이핑된 어레이 중 가장 느린 카드의 데이터 레이트 두 배로 속도가 제한됩니다.

편집용 파일 합치기

.BRAW 및 .BRAW2 파일을 두 개의 메모리카드에서 복사하여 컴퓨터 상의 동일한 폴더에 저장하면, DaVinci Resolve의 미디어 풀에서 이를 불러올 때 한 개의 합쳐진 파일로 불러옵니다. 만약 .BRAW 및 .BRAW2 파일이 따로 분리되어 있다면 각 클립을 프레임 레이트의 1/2 속도로 개별 재생할 수 있습니다. .BRAW2 파일을 개별적으로 재생하려면 파일 확장자를 .BRAW2에서 .BRAW로 변경하세요.

정보 DaVinci Resolve의 미디어 관리 기능을 사용해 .BRAW 및 .BRAW2 파일을 하나의 개별 파일로 통합할 수 있습니다.

.BRAW 파일을 통합하면 파일이 분리될 염려가 없습니다. 미디어를 관리하거나 편집자에게 전송할 경우에 유용한 기능입니다.

더 자세한 정보는 DaVinci Resolve 설명서의 [Using Media management] 부분을 참고하세요.

녹화 설정 3

‘녹화’ 설정 탭의 세 번째 페이지는 다음과 같은 설정으로 구성되어 있습니다.



타임랩스

이 설정을 통해 타임랩스 기능이 활성화하면 다음과 같은 간격으로 스틸 프레임을 자동 녹화할 수 있습니다.

프레임	2 - 10
초	1 - 10, 20, 30, 40, 50
분	1 - 10

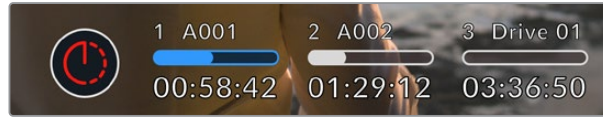
예를 들어, 매 10 프레임마다, 혹은 5초/30초/5분 등의 간격으로 스틸 프레임을 촬영하도록 설정할 수 있습니다.

타임랩스 기능으로 창의적인 선택의 폭이 넓어집니다. 예를 들어, 타임랩스를 2 프레임마다 촬영하도록 설정하고 녹화한 영상을 재생할 경우, 초고속 촬영 효과를 얻을 수 있습니다.

각 스틸 프레임의 포맷은 촬영 포맷을 기반으로 하기 때문에 ProRes HQ를 사용해 UHD로 촬영하도록 카메라를 설정한 경우, 타임랩스 설정 또한 같은 포맷으로 유지됩니다. 이 클립의 프레임 속도는 프로젝트

프레임 속도 설정을 기반으로 합니다. 이를 통해 타임랩스 기능을 사용한 영상을 후반 제작의 워크플로에 쉽게 통합시킬 수 있습니다.

타임랩스 모드로 녹화하는 경우, 영상 프레임 녹화와 함께 타임코드 카운터가 올라갑니다.



URSA Broadcast G2에서는 녹화 버튼 위에 나타나는 아이콘을 통해 타임랩스 모드 적용 여부를 확인할 수 있습니다.

디테일 선명도

이 설정을 통해 URSA Broadcast G2 영상을 선명하게 만들 수 있습니다. 이를 활성화한 후, '낮음(Low)', '중간(Medium)', '높음(High)' 중에서 원하는 설정을 선택하여 이미지의 선명도를 높이거나 줄일 수 있습니다.

선명도를 활성화 시키면 URSA Broadcast G2의 SDI 출력뿐만 아니라 카메라에 촬영된 ProRes 영상에도 샤프닝 효과가 적용됩니다.

이 설정은 후반 작업 시간이 없는 라이브 스튜디오 프로덕션에서 영상을 라이브로 바로 방송하고자 할 때 사용하는 설정입니다. 후반 제작 과정에서 광범위한 영상 조정 및 색보정 작업을 진행할 경우에는 이 설정을 비활성화해 둘 것을 권장합니다. 이런 이유 때문에 후반 제작 단계에서 많은 작업이 이루어지는 Blackmagic RAW 파일에는 샤프닝 효과가 적용되지 않습니다.

정보 후반 제작 과정에서 Blackmagic RAW 파일 처리 시 DaVinci Resolve의 Color 페이지에 있는 블러/샤프닝 도구를 사용할 경우, 이 설정을 통해 놀라운 수준의 샤프닝 효과를 얻을 수 있습니다.

도구의 설정 범위를 0.48로 정하고 '높음', '중간', '낮음'에 해당하는 샤프닝 효과를 위해 설정값을 0.6/0.3/0.15로 조정하세요.

후반 제작 과정에서 사용하는 샤프닝 효과에 관한 자세한 정보는 DaVinci Resolve 사용 설명서에 있는 [Motion Effects and blur palette] 부분을 참고하세요.

카드에 드롭 프레임 현상 발생 시

이 설정은 드롭 프레임 현상이 감지됐을 때의 URSA Broadcast G2의 작동 방식을 설정할 수 있습니다. '경고'로 설정한 경우, LCD 터치스크린에 드롭 프레임 표시가 나타나며, 녹화 영상은 드롭 프레임 현상과 함께 계속해서 녹화된다. '녹화 중단하기'로 설정하면, 드롭 프레임 현상 발생 시 녹화가 중단됩니다. 이 기능을 사용하면 드롭 프레임 발생 표시를 확인하지 못해 사용할 수 없는 영상을 계속 촬영하는 상황을 미리 방지할 수 있습니다.

드롭 프레임 현상을 방지하는 방법에 대한 자세한 정보는 본 설명서의 [CFast 2.0 카드 선택하기] 및 [빠른 SD 카드 선택하기], [빠른 SSD 선택하기] 부분을 참고하세요.

파일에 LUT 적용하기

URSA Broadcast G2의 출력 하나에 LUT를 적용하면, 선택한 LUT가 현재 녹화 중인 Blackmagic RAW 파일에 임베드됩니다.

즉, LUT가 파일 헤더에 저장되며 후반 제작 과정에서 해당 LUT를 클립에 손쉽게 적용할 수 있어 별도의 파일을 사용할 필요가 없습니다. URSA Broadcast G2의 '녹화' 메뉴에서 '파일에 LUT 적용하기'

스위치를 활성화할 경우, 해당 클립은 항상 선택한 LUT가 적용된 상태로 Blackmagic RAW 플레이어 및 DaVinci Resolve에서 재생됩니다. 이 LUT는 쉽게 켜고 끌 수 있는데 이는 해당 정보가 클립 자체에 입력되어 Blackmagic RAW 파일에 항상 남아있기 때문입니다.

DaVinci Resolve의 RAW 설정 팔레트에는 Blackmagic RAW 파일에서 3D LUT를 활성화 또는 비활성화할 수 있는 'Apply LUT' 스위치가 있습니다. DaVinci Resolve의 'Apply LUT' 설정은 카메라에 있는 설정과 동일합니다. 다시 말해, 촬영할 때 컬러리스트들이 카메라에 설정해둔 LUT를 사용하도록 안내할 수 있지만, 언제든지 DaVinci Resolve에서 'Apply LUT'를 'OFF'로 설정해 해당 LUT를 쉽게 끌 수 있습니다.

클립에 LUT 녹화하기

'클립에 LUT 녹화하기' 옵션은 ProRes, H.265, H.264 비디오 코덱으로 촬영 시 사용할 수 있습니다. Blackmagic URSA Broadcast G2에는 LUT가 함께 녹화되는 기능이 기본으로 설정되어있지 않으므로 LUT를 함께 녹화하려면 [클립에 LUT 녹화하기] 스위치 아이콘을 선택합니다.

후반 제작 단계에서 영상을 그레이딩할 시간이 없거나, 촬영 영상을 바로 고객 또는 편집자에게 전달해야하는 경우에 사용하기 유용한 기능입니다. 더 자세한 정보는 [3D LUT]와 [터치스크린 컨트롤] 부분을 참고하세요.

렌즈 보정

방송용 렌즈의 경우, 프레임 가장자리나 이미지의 모서리 부분에 색 윤곽이 종종 나타납니다. 이런 현상은 특히 가격이 저렴하고 확대 범위가 상당히 넓은 B4 렌즈로 촬영한 고대비 이미지 영역에서 두드러지게 나타납니다. URSA Broadcast G2에 B4 렌즈 및 PL 렌즈를 장착해 사용할 경우, 렌즈 보정 기능을 사용해 카메라 자체에서 이런 문제를 해결할 수 있습니다. 이 기능은 방송용 렌즈에서 해당 문제를 감지하면 카메라가 이를 활성화하도록 기본 설정되어 있습니다.

파일명 표준화

클립은 선택한 녹화 포맷에 따라 Blackmagic RAW와 Apple ProRes, MP4 포맷으로 저장됩니다.

다음 표는 생성된 파일명의 예를 보여줍니다.

A001_08151512_C001.mov	QuickTime Movie 파일명
A001_08151512_C001.mov	카메라 색인
A001_08151512_C001.mov	릴 넘버
A001_0 8 151512_C001.mov	월
A001_081 5 1512_C001.mov	일
A001_08151 5 12_C001.mov	시
A001_0815151 2 _C001.mov	분
A001_08151512_ C001 .mov	클립 번호

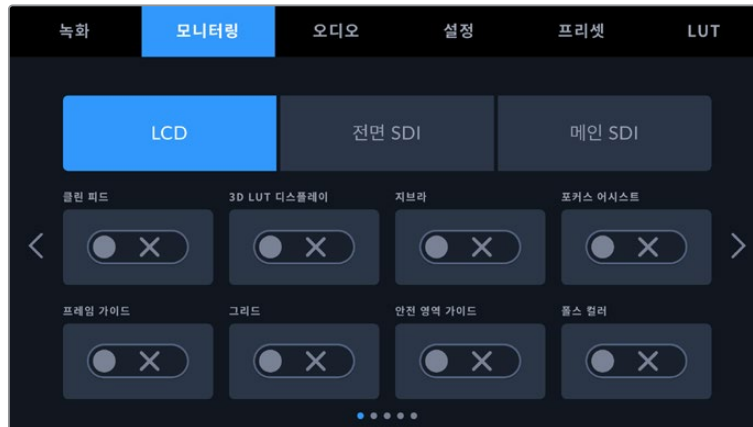
STILL 버튼을 사용해 DNG 포맷으로 캡처한 스틸 이미지 파일은 비디오 클립의 파일명 표준 방식을 따르지만, 파일명 마지막 4자리 숫자는 클립 번호 대신 스틸 번호를 나타내는 'S001'로 나타냅니다. 더 자세한 정보는 본 설명서의 [상태 표시 LCD 컨트롤] 부분을 참고하세요.

모니터링 설정

‘모니터링’ 탭을 통해 URSA Broadcast G2의 LCD 터치스크린과 전면 SDI, 메인 SDI 출력을 위한 상태 표시 텍스트와 오버레이, 기타 모니터링 옵션을 조절할 수 있습니다. 이러한 옵션은 LCD, 전면 SDI, 메인 SDI 출력 사용에 따라 달라집니다. 각 메뉴는 5 페이지로 구성되어 있으며 카메라 터치스크린 양쪽 끝에 있는 화살표를 누르거나 좌/우로 쓸어 넘겨 페이지를 넘길 수 있습니다.

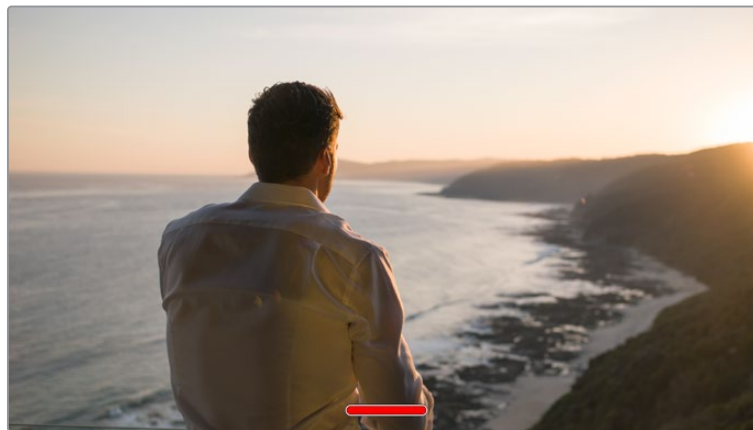
모니터링 설정 1

LCD와 전면 SDI, 메인 SDI 메뉴의 ‘모니터링’ 탭 첫 번째 페이지는 각 출력을 위한 동일한 설정 항목을 제공합니다. 예를 들어 LCD 터치스크린에서는 ‘지브라’를 사용하고, 전면 또는 메인 SDI 출력에는 이를 사용하지 않도록 설정할 수 있습니다.



클린 피드

‘LCD’ 또는, ‘전면 SDI’, ‘메인 SDI’ 메뉴에 있는 ‘클린 피드’ 스위치를 누르면 달리 표시장치를 제외한 모든 출력의 상태 정보와 오버레이를 비활성화시킬 수 있습니다.



‘클린 피드’ 모드에서는 녹화 타리의 상태 정보가 URSA Broadcast G2의 LCD 터치스크린에도 나타납니다.

참고 LUT는 클린 피드를 활성화한 출력에도 적용됩니다. LUT를 비활성화시키려면, 해당 출력의 ‘모니터링’ 메뉴에서 ‘LUT 디스플레이’ 스위치를 비활성화하세요.

3D LUT 디스플레이

URSA Broadcast G2에서는 모든 출력에 3D LUT를 적용할 수 있어, 색보정 작업 후의 영상록을 대략적으로 확인할 수 있습니다. 이 기능은 명암 대비가 거의 없고 채도가 낮은 영상을 의도적으로 생성하기 때문에, 다이내믹 레인지를 '필름'으로 설정해 촬영하는 경우에 유용한 기능입니다.

URSA Broadcast G2에서 3D LUT를 활성화한 경우, 이 설정을 사용해 LCD 터치스크린과 전면 SDI 또는 메인 SDI 출력에 해당 LUT를 개별적으로 적용할 수 있습니다.

참고 3D LUT의 사용과 로딩에 관한 자세한 정보는 본 설명서의 [LUT] 부분을 참고하세요.

지브라

'LCD'와 '전면 SDI', '메인 SDI' 메뉴에 있는 '지브라' 스위치를 눌러 해당 출력에 지브라 가이드를 활성화할 수 있습니다. 지브라 가이드 및 지브라 레벨 설정에 관한 자세한 정보는 본 설명서의 [터치스크린 기능] 부분을 참고하세요.

포커스 어시스트(Focus Assist)

'LCD'와 '전면 SDI', '메인 SDI' 메뉴에 있는 '포커스 어시스트' 스위치를 눌러 해당 출력에 포커스 어시스트를 활성화할 수 있습니다. 포커스 어시스트 및 포커스 어시스트 레벨 설정 방법에 대한 자세한 정보는 본 설명서의 [터치스크린 기능] 부분을 참고하세요.

프레임 가이드(Frame Guide)

LCD, 전면 SDI, 메인 SDI 메뉴의 '프레임 가이드' 스위치를 눌러 해당 출력에 프레임 가이드 기능을 활성화하세요. 프레임 가이드 및 다양한 가이드 선택 방법에 관한 자세한 정보는 본 설명서의 [터치스크린 기능] 부분을 참고하세요.

그리드(Grid)

'LCD'와 '전면 SDI', '메인 SDI' 메뉴에 있는 '그리드' 스위치를 눌러 해당 출력에 3분할 그리드를 활성화할 수 있습니다. 3분할 그리드에 관한 자세한 정보는 본 설명서의 [터치스크린 기능] 부분을 참고하세요.

안전 영역 가이드(Safe Area Guide)

'LCD'와 '전면 SDI', '메인 SDI' 메뉴에 있는 '안전 영역 가이드' 스위치를 눌러 해당 출력에 안전 영역 오버레이를 활성화할 수 있습니다.

안전 영역 가이드 및 안전 영역 레벨 설정 방법에 대한 자세한 정보는 본 설명서의 [터치스크린 기능] 부분을 참고하세요.

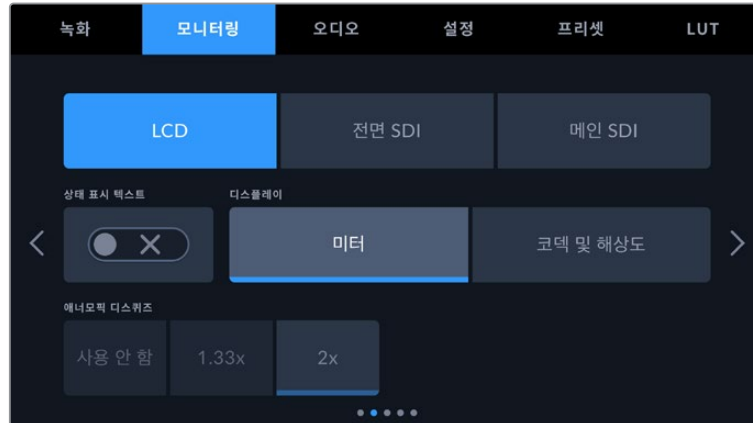
폴스 컬러

'LCD'와 '전면 SDI', '메인 SDI' 메뉴에 있는 '폴스 컬러' 스위치를 눌러 해당 출력에 가색상 노출 보조 기능을 활성화할 수 있습니다.

폴스 컬러에 대한 자세한 정보는 본 설명서의 [터치스크린 기능] 부분을 참고하세요.

모니터링 설정 2

URSA Broadcast G2의 LCD 모니터링 탭 두 번째 페이지는 선택한 출력에 따라 다양한 설정 옵션을 제공합니다.



LCD, 전면 SDI, 메인 SDI

상태 표시 텍스트

샷의 구도를 잡거나 샷을 연출하는 데 필요한 정보를 제외한 상태 정보 텍스트를 LCD 및 전면 SDI, 메인 SDI 출력에서 감추는 데 유용한 기능입니다. 'LCD', '전면 SDI' 또는 '메인 SDI' 모니터링 메뉴에서 '상태 표시 텍스트' 스위치 아이콘을 눌러 해당 출력의 상태 정보 텍스트 및 미터를 켜고 끌 수 있습니다. 프레임 가이드와 그리드, 포커스 어시스트, 지브라 등을 활성화한 경우에는 해당 오버레이가 그대로 표시됩니다.

URSA Broadcast G2의 LCD 터치스크린을 위/아래로 쓸어 넘기면 터치스크린에서 동일한 기능을 사용할 수도 있습니다.

애너모픽 디스퀴즈

애너모픽 렌즈로 촬영하는 경우 URSA Broadcast G2의 미리보기 출력과 녹화된 파일에서 영상이 수평으로 축소되어 나타납니다. '애너모픽 디스퀴즈' 기능을 활성화하면 URSA Broadcast G2의 미리보기 이미지를 올바르게 수정할 뿐만 아니라, 후반 작업에서 쉽게 보정할 수 있도록 수정된 크기의 이미지를 메타데이터에 기록합니다.

수정되는 이미지의 크기는 URSA Broadcast G2에 설정된 해상도 값에 따라 달라지지만, 결과물은 항상 시네마틱 와이드 스크린 2.4:1 중횡비로 나타납니다.

영화를 위해 제작된 애너모픽 렌즈는 보통 2x 스퀴즈 요소를 지원합니다. URSA Broadcast G2의 '3.7K 애너모픽' 해상도는 이러한 렌즈와 함께 사용할 수 있도록 설계되었으며 '애너모픽 디스퀴즈'를 2x로 설정한 뒤, 이 해상도로 설정하면 2x 디스퀴즈 기능을 수행합니다.

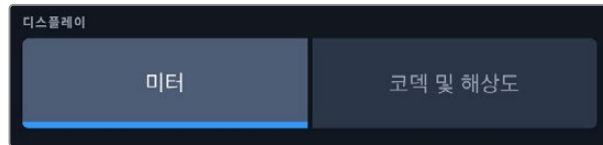
16:9 디지털 이미지 센서를 위해 설계된 애너모픽 렌즈는 보통 1.33x 스퀴즈 요소를 사용하여 16:9 센서로부터 2.4:1 시네마틱 와이드 스크린 영상을 만들어 냅니다. 그러므로 URSA Broadcast G2를 '4K 16:9' 및 'HD 16:9' 같은 16:9 해상도로 설정하면 '애너모픽 디스퀴즈'를 '1.33x'로 설정해야 합니다.

정보 표준 구면 렌즈를 사용해 촬영하는 경우에 화면이 수평 방향으로 늘어져 보인다면, 애너모픽 디스퀴즈 기능이 비활성화되어 있는지 다시 한번 확인하세요.

LCD에만 표시

디스플레이(Display)

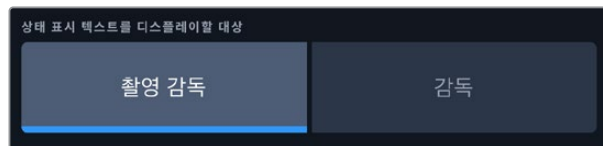
URSA Broadcast G2는 히스토그램과 오디오 미터 대신에 LCD 터치스크린 하단 양쪽 끝에 코덱과 해상도 정보를 표시합니다. 폴스 컬러를 사용하여 노출을 조절하거나, 오디오를 개별적으로 녹음하여 히스토그램과 오디오 미터가 표시되던 곳에 추가 정보를 표시하려는 경우에 유용한 기능입니다. LCD 메뉴에서 '미터'나 '코덱 및 해상도'를 누르면 원하는 보기 방식을 선택할 수 있습니다.



전면 SDI, 메인 SDI

촬영 기사 및 감독을 위한 상태 정보 텍스트 디스플레이

LCD 터치스크린에는 카메라 운영자나 촬영 기사가 카메라에 개별 샷을 설정할 시 유용하게 사용할 수 있는 ISO와 화이트 밸런스, 조리개 등의 정보가 표시됩니다. 카메라의 SDI 출력을 통해 여러 개의 촬영 샷이나 카메라를 계속 파악해야 하는 감독 및 각본 기록 감독에게 유용한 정보를 나타내도록 할 수도 있습니다.



URSA Broadcast G2의 '전면 SDI' 및 '메인 SDI' 모니터링 설정에서 '상태 표시 텍스트' 표시 대상을 '감독'으로 설정하면, 해당 출력에 표시되는 상태 정보 텍스트가 다음과 같이 변경됩니다.

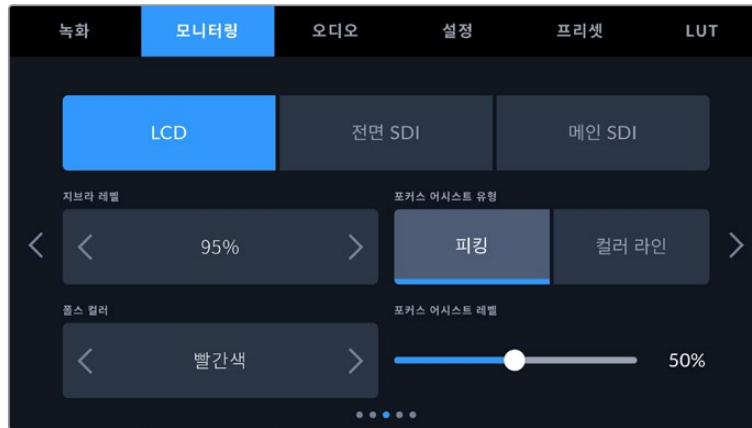
- **FPS(초당 프레임 레이트)**
해당 카메라에서 현재 선택된 초당 프레임을 표시합니다. 오프스피드 프레임 레이트를 사용하지 않는 경우에는 프로젝트 프레임 레이트만 나타냅니다. 오프스피드 프레임 레이트를 사용하는 경우에는 센서 프레임 레이트가 표시되며, 이후 프로젝트 프레임 레이트가 표시됩니다.
- **카메라**
카메라 URSA Broadcast G2의 슬레이트에서 설정해둔 카메라 색인이 표시됩니다. 더 자세한 정보는 본 설명서의 [슬레이트] 부분을 참고하세요.
- **운영자**
URSA Broadcast G2의 슬레이트에서 설정해둔 카메라 운영자를 인식합니다. 더 자세한 정보는 본 설명서의 [슬레이트] 부분을 참고하세요.
- **녹화 시간 표시**
현재 녹화 중인 클립이나 마지막으로 녹화된 클립의 녹화 시간을 시:분:초 순으로 표시합니다.
- **릴/신/테이크**
현재의 릴과 신, 테이크를 표시합니다. 릴/신/테이크 및 라벨 표기 방법에 관한 자세한 정보는 본 설명서의 [슬레이트] 부분을 참고하세요.
- **다이나믹 레인지**
URSA Broadcast G2에 현재 적용된 LUT를 해당 출력에 설정한 경우, 모니터 하단 양쪽 끝에 관련 정보가 표시됩니다. LUT를 적용하지 않은 경우, '필름' 다이나믹 레인지 또는 '비디오' 다이나믹 레인지가 표시됩니다.

- 타임코드

모니터 우측 하단에 URSA Broadcast G2의 타임코드가 시:분:초:프레임 순으로 표시됩니다.

모니터링 설정 3

LCD와 전면 SDI, 메인 SDI 메뉴의 '모니터링' 탭 세 번째 페이지는 각 출력을 위한 설정 항목을 동일하게 제공합니다. 이러한 설정은 세 개의 모니터링 출력 전체에 모두 적용됩니다. 예를 들어, URSA G2의 LCD, 전면 SDI, 메인 SDI 출력에 '포커스 어시스트' 기능이 활성화되어 있는 경우, '포커스 어시스트 유형'을 '피킹'에서 '컬러 라인'으로 변경하면 세 개의 출력에 변경 사항이 모두 적용됩니다.



지브라 레벨

이 설정 양쪽 끝에 있는 화살표를 눌러 지브라가 나타날 노출 수준을 설정하세요. 중간 회색에서 100 퍼센트 노출까지 모두 8개의 지브라 레벨 프리셋에서 선택할 수 있습니다.

더 자세한 정보는 본 설명서의 [터치스크린 기능]에 있는 지브라 가이드를 확인하세요.

포커스 어시스트 유형

URSA Broadcast G2 카메라는 '피킹'과 '컬러 라인' 두 가지의 포커스 어시스트 모드를 제공합니다.

- 피킹

'피킹' 방식의 포커스 어시스트 모드를 선택하면 샷에서 초점이 맞춰진 부분이 LCD 터치스크린 또는 SDI 출력에서는 굉장히 선명하게 나타나지만, 실제 녹화 영상에는 이런 효과가 반영되지 않습니다. 이는 초점이 맞춰진 부분이 은은한 배경 부분과 대조되어 더욱 도드라져 보이는 효과를 줍니다. 다른 오버레이를 추가로 사용하지 않는 상황에서 초점이 맞춰진 부분을 직관적으로 구분할 수 있는 방식으로, 특히 초점을 맞추려는 대상이 샷 안의 다른 요소들과 실제로 잘 구분되어 있는 경우에 사용하기 효과적입니다.

- 컬러 라인

'컬러 라인' 방식의 포커스 어시스트 모드를 선택할 경우, 영상에서 초점이 잘 맞은 부분에 컬러 라인이 오버랩되어 나타납니다. 이 모드는 영상 위에 라인이 그려진다는 점에서 피킹 방식의 포커스 어시스트보다는 눈에 조금 거슬릴 수 있지만, 시각적 요소가 많은 샷에서는 정확한 초점을 잡는 데 큰 도움이 됩니다.

포커스 컬러

포커스 어시스트로 컬러 라인을 사용하는 경우, 이 설정을 통해 포커스 라인 오버레이의 색상을 변경할 수 있습니다. 포커스 라인 색상을 변경해 포커스 어시스트가 영상과 쉽게 구별되도록 설정할 수 있습니다. '흰색'/'빨간색'/'초록색'/'파란색'/'검은색' 중 원하는 색상을 선택할 수 있습니다.

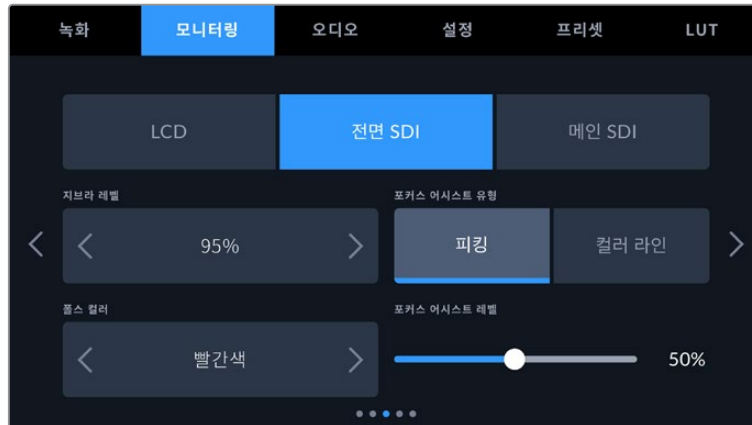
포커스 어시스트 레벨

슬라이더를 좌/우로 움직여 LCD 터치스크린, 전면 SDI 또는 메인 SDI에 포커스 어시스트 레벨을 설정할 수 있습니다.

정보 최적의 포커스 어시스트 레벨은 샷마다 다릅니다. 예를 들면 배우에 초점을 맞추려는 경우 높은 레벨의 포커스 어시스트를 사용하면 얼굴 가장 자리의 디테일에 도움이 됩니다. 반면, 나뭇잎이나 벽돌의 경우 포커스 어시스트 레벨을 높게 설정하면 다소 산만한 포커스 정보가 나타날 수 있습니다.

모니터링 설정 4

LCD와 전면 SDI, 메인 SDI 메뉴의 '모니터링' 탭 네 번째 페이지에는 각 출력을 위한 동일한 설정 항목을 제공합니다. 이러한 설정은 세 개의 카메라 모니터링 출력 전체에 모두 적용됩니다.



프레임 가이드

'프레임 가이드' 메뉴 설정의 좌/우 화살표를 눌러, Blackmagic URSA Viewfinder 같은 전자식 뷰파인더 (EVF)에 출력할 URSA Broadcast G2의 프레임 가이드를 총 7개 옵션 중 선택할 수 있습니다. 해당 옵션에 대한 자세한 설명은 본 사용 설명서의 [터치스크린 기능] 부분을 참고하세요. LCD 터치스크린 헤드업 디스플레이의 LCD 모니터링 메뉴에서 이용할 수 있습니다.

안전 영역 가이드

URSA Mini의 LCD 터치스크린, 전면 SDI, 메인 SDI 출력에 적용할 안전 영역 오버레이의 크기를 조절하려면, 이 설정에서 퍼센트 수치 좌/우에 있는 화살표를 누르세요. 이 퍼센트 수치는 영상 프레임 대비 안전 영역의 크기를 나타냅니다. 대부분의 방송국에서는 90% 안전 영역을 요구합니다.

가이드 불투명도

가이드 불투명도 메뉴 설정의 좌/우 화살표를 눌러 LCD 터치스크린과 전면 SDI와 메인 SDI 출력에 나타나는 프레임 가이드 속 이미지의 투명도를 설정할 수 있습니다. '25%', '50%', '75%', '100%' 옵션에서 선택할 수 있습니다.

가이드 색상

'가이드 색상' 메뉴 설정에 있는 좌/우 화살표를 눌러 원하는 가이드 색상을 선택하세요.

그리드

URSA Broadcast G2의 LCD 터치스크린, 전면 SDI, 메인 SDI 출력에 적용하려는 그리드 및 십자선 조합을 설정하려면 '3분할 선', '수평계'계, '십자선', '중심점' 옵션 중 원하는 설정을 선택하세요.

더 자세한 정보는 본 설명서 [터치스크린 컨트롤] 부분의 그리드 관련 설명을 참고하세요.

모니터링 설정 5

URSA Broadcast G2의 LCD 모니터링 탭 다섯 번째 페이지에서는 선택한 출력에 따라 다양한 설정 옵션을 제공합니다.

LCD에만 표시

LCD 밝기

‘LCD 밝기’ 슬라이더를 좌/우로 드래그하면 URSA Broadcast G2의 LCD 터치스크린 밝기를 조절할 수 있습니다.



전면 SDI, 메인 SDI



SDI 출력

두 개의 출력에서 프로그래시브 및 인터레이스 HD 출력 또는 프로그래시브 UHD를 선택할 수 있습니다. 이 설정에서 선택 가능한 옵션은 카메라의 해상도와 프레임 레이트 설정에 따라 달라집니다. 프로그래시브 HD 또는 1080p는 녹화 해상도 및 프레임 속도에 관계 없이 항상 선택 가능한 반면, 인터레이스 HD 또는 1080i는 프로젝트 프레임 속도를 50, 59.94 또는 60으로 설정한 경우에만 선택 가능합니다. UHD SDI 출력 또는 2160p는 UHD 해상도로 촬영할 경우 선택 가능합니다.

3G-SDI 출력

3G-SDI 출력 표준 변경으로 레벨 A 또는 레벨 B 3G-SDI 비디오만 수신 가능한 장비와의 호환성을 유지할 수 있습니다. 이 옵션은 초당 50, 59.94, 60 프레임을 사용해 1080p로 출력하는 경우에만 나타납니다. ‘레벨 A’ 또는 ‘레벨 B’ 아이콘을 눌러 각 표준을 선택하세요.

오디오 설정

‘오디오’ 탭에서는 URSA Broadcast G2의 오디오 입력과 모니터링 설정값을 조절할 수 있습니다.

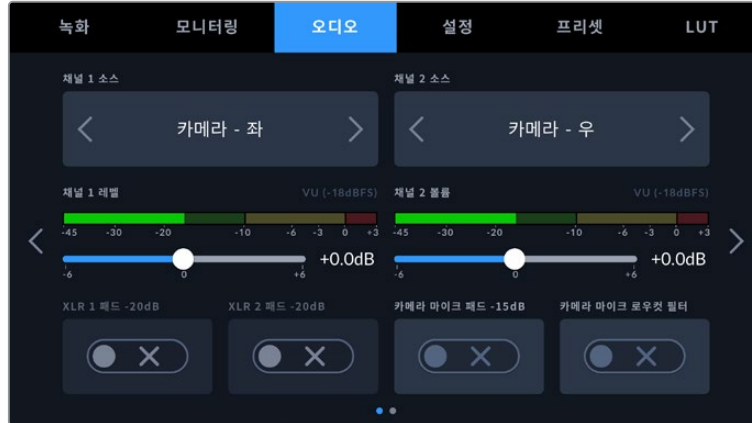
URSA Broadcast G2를 위한 오디오 설정 관련 내용은 두 페이지에 걸쳐 채널 1과 채널 2로 나누어 소개되어 있습니다. 향후 소프트웨어 업데이트를 통해 두 개의 추가 채널 또한 추가될 예정입니다.

패딩 및 로우컷 필터처럼 다양한 설정을 조정뿐만 아니라 각 오디오 채널을 다른 소스에 매핑할 수도 있습니다.

이러한 설정은 URSA Broadcast G2의 내부 제어 패널 스위치를 사용해 조정할 수도 있습니다. 따라서 특정 채널을 위한 오디오 소스를 설정했다면, 내부 제어 패널의 스위치를 사용해 신호의 종류와 해당 채널에서 팬텀 파워를 사용할 것인지의 여부를 설정할 수 있습니다.

오디오 설정 1

URSA Broadcast G2의 '오디오' 설정 탭 첫 번째 페이지에서는 다음과 같은 설정 기능을 사용할 수 있습니다.



채널 소스

'채널 1 소스'와 '채널 2 소스' 버튼을 사용해 각 오디오 채널을 위한 오디오 소스를 선택하세요. 선택 가능한 설정은 다음과 같습니다.

- **카메라 좌, 우**
 카메라의 내부 마이크를 사용해 녹화하려면 이 설정을 사용하세요.
- **카메라 모노**
 URSA Broadcast G2 내장 마이크의 좌/우 채널을 하나의 오디오 채널로 녹음할 경우에 사용합니다.
- **XLR 1/2**
 카메라의 XLR 입력을 녹화하는 경우에 사용합니다. XLR 입력은 URSA Broadcast G2의 내부 제어 패널 스위치에 설정된 오디오 신호에 따라 Mic/Line/AES로 표시될 수 있습니다. 팬텀 파워가 활성화된 상태에서 XLR 입력을 Mic로 설정하면 +48V 표시가 나타납니다. 팬텀 파워 마이크를 분리할 때 +48V 스위치가 OFF로 설정되어 있는지 반드시 확인하세요.
- **XLR 1/2 - 마이크 백업**
 URSA Broadcast G2의 XLR 1 또는 XLR 2 입력에 연결된 마이크 오디오를 표준 마이크 녹음 레벨 이하로 녹음하려는 경우에 사용합니다. 이는 이벤트 현장에서 소리가 갑자기 증가해 오디오가 클리핑되는 현상을 방지할 수 있습니다. 이 기능은 XLR 1 또는 XLR 2 입력 스위치가 Mic로 설정된 경우에만 선택 가능합니다.
- **사용 안 함**
 오디오 채널을 비활성화하는 경우에 사용합니다.

채널 1 및 채널 2 레벨

이 슬라이더를 사용해 선택한 채널 1 또는 채널 2 소스의 녹음 레벨을 조절할 수 있습니다. 각 슬라이더에 오디오 미터가 포함되어 있어 정확한 오디오 레벨을 설정할 수 있습니다. 인체 공학 제어 패널의 오디오 노브를 사용해 오디오를 조절하면 해당 조정 사항이 이 레벨에도 반영됩니다.

최적의 음질을 얻으려면 오디오 레벨이 절대 0dBFS이 되지 않도록 해야 합니다. 이 레벨은 카메라로 녹화할 수 있는 최대치로 이 수준을 넘어갈 경우에는 오디오가 클리핑되어 왜곡됩니다.



XLR 패드 -20dB

-20dB 패드 옵션을 선택하면 시끄러운 환경에서 마이크를 사용할 시, URSA Broadcast G2의 내부 마이크 입력 게인 레벨을 더욱 낮게 조절할 수 있는 제어 기능이 추가됩니다.

카메라 마이크 패드 -15 dB

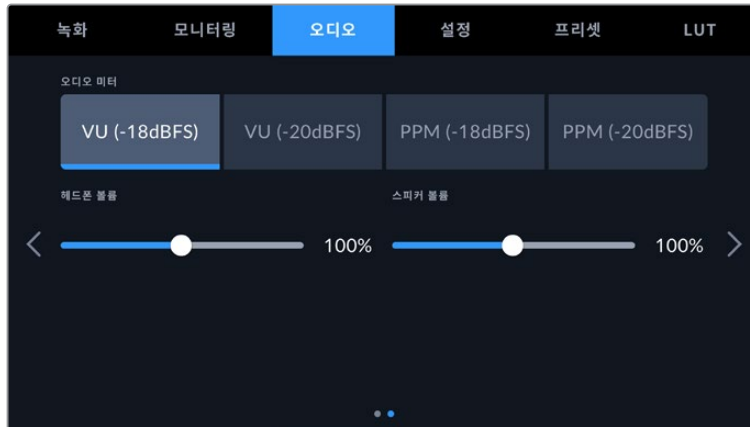
-15dB 패드 옵션을 선택하면 시끄러운 환경에서 마이크를 사용할 시, URSA Broadcast G2의 내부 마이크 입력 게인 레벨을 더욱 낮게 조절할 수 있는 제어 기능을 추가할 수 있습니다.

카메라 마이크 로우컷 필터

이 스위치를 누르면 카메라의 내부 마이크를 위한 로우컷 필터 기능이 활성화됩니다. 이 필터를 활성화하면 야외 촬영 환경에서 발생할 수 있는 바람 소리나 저음역대에서 웅웅거리는 소리가 줄어듭니다. 이 기능을 사용하려면 '카메라 마이크 패드 -15dB' 항목을 반드시 비활성화해야 합니다.

오디오 설정 2

URSA Broadcast G2의 '오디오' 설정 탭 두 번째 페이지에서는 다음과 같은 설정 기능을 사용할 수 있습니다.



오디오 미터

오디오 미터를 표시하는 방식에는 두 가지 종류가 있습니다.

VU	VU(Volume Units) 미터는 오디오 신호 파형의 최고 및 최저 평균치를 표시합니다. VU 미터링을 사용할 경우, Blackmagic URSA Broadcast G2의 입력 레벨을 조정하여 오디오 미터의 최대값이 0dB 부근에 머무르도록 하세요. 이는 신호대잡음비를 최대화시켜 오디오 품질이 최적의 상태로 유지됩니다. 오디오 피크 레벨이 0dB을 넘어설 경우에는 오디오가 왜곡될 가능성이 높습니다.
PPM	PPM(Peak Program Meters) 미터에는 일시적으로 피크 신호를 유지한 후 천천히 내려가는 피크 홀드 기능이 있어 오디오가 피킹되는 지점을 쉽게 확인할 수 있습니다.

VU와 PPM 미터 둘 다 레퍼런스 레벨을 -18dBFS 또는 -20dBFS로 설정 가능하기 때문에 다양한 국제 방송 표준에 맞추어 오디오를 모니터링할 수 있습니다.

오디오 미터 설정	표준
PPM (-20 dBFS)	SMPTE RP.0155
PPM (-18 dBFS)	EBU R.68

헤드폰 레벨

해당 슬라이더를 사용해 URSA Broadcast G2의 3.5mm 헤드폰 잭에 연결된 헤드폰 출력 레벨을 설정할 수 있습니다. 오디오 슬라이더를 좌/우로 움직여 음량을 조절할 수 있습니다. 전면부 제어 패널의 설정 휠을 사용해 헤드폰 볼륨을 조절하면 해당 조정 사항이 이 레벨에도 반영됩니다.

스피커 레벨

해당 슬라이더를 사용해 URSA Broadcast G2의 내장 스피커 출력 레벨을 설정할 수 있습니다. 오디오 슬라이더를 좌/우로 움직여 음량을 조절할 수 있습니다. 전면부 제어 패널의 설정 휠을 사용해 스피커 볼륨을 조절하면 해당 조정 사항이 이 레벨에도 반영됩니다.

설정

'설정' 탭에서는 URSA Broadcast G2의 카메라 식별 설정과 소프트웨어 버전, 기능 버튼 설정, 그리고 녹화 및 모니터링과 직접적인 관련이 없는 기타 설정 항목을 제공합니다. 이 메뉴는 12페이지로 구성되어 있으며 LCD 터치스크린 양쪽 끝에 있는 화살표를 누르거나, 좌/우로 쓸어 페이지를 넘길 수 있습니다.

설정 페이지 1

URSA Broadcast G2의 '설정' 탭 첫 번째 페이지는 다음과 같은 설정 항목을 제공합니다.



URSA Broadcast G2의 '설정' 메뉴

날짜 및 시간

연필 아이콘을 눌러 URSA Broadcast G2의 날짜 및 시간을 설정하세요. 날짜는 연도/월/일 순으로 그리고 시간은 24시간 형식으로 표시됩니다. URSA Broadcast G2의 날짜 및 시간 설정은 외부 타임코드 소스가 연결되지 않은 경우에 현재 시간 타임코드를 표시하는 데에도 사용됩니다.



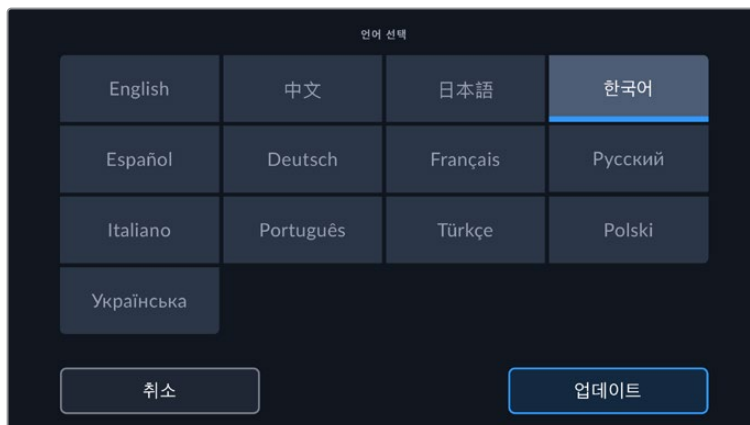
언어

URSA Broadcast G2는 한국어, 영어, 중국어, 일본어, 스페인어, 독일어, 불어, 러시아어, 이탈리아어, 포르투갈어, 터키어, 우크라이나어, 폴란드어를 포함해 총 13개 언어를 지원합니다.

언어 설정 페이지는 장비가 최초 가동될 때 화면에 나타납니다.

다음과 같은 순서로 언어를 선택하세요.

- 1 연필 아이콘을 누르고 목록에서 원하는 언어를 선택하세요.
- 2 '업데이트' 버튼을 누르면 선택 내용이 저장되고 설정 메뉴로 되돌아갑니다.



셔터 측정

셔터 정보를 셔터 개각도 또는 셔터 속도로 표시할 지 선택할 수 있습니다. 두 가지 측정 단위 모두 모션 블러에 영향을 끼치지만, 작동 방식이 약간 다르다는 사실을 기억하세요. 셔터 측정에 관한 자세한 설명은 본 설명서의 [터치스크린 컨트롤] 부분을 참고하세요.

플리커 현상 없는 셔터 개각도

이 설정은 URSA Broadcast G2에서 플리커 현상이 없는 셔터 설정값을 산출하기 위해 사용하는 주전력 주파수를 변경합니다.

조명 아래서 촬영하는 경우, 셔터 속도로 인해 플리커 현상이 발생할 수 있습니다. URSA Broadcast G2는 현재 설정된 프레임 속도에서 플리커 현상이 없는 셔터 속도를 자동으로 산출한 뒤, 이를 셔터 속도 메뉴를 통해 제시합니다. 이 셔터 속도는 조명을 작동하는 데 사용되는 현지 주전원 공급 장치의 주파수에 따라 달라집니다. 대부분의 PAL 방식을 사용하는 국가에서는 50Hz를 사용하고, NTSC 방식을 사용하는 국가에서는 보통 60Hz의 전력 주파수를 사용합니다. 간단히 50Hz 또는 60Hz를 눌러 거주 지역에 맞는 전력 주파수를 설정하세요.

광원이 가지는 다양한 특성으로 인해 플리커 현상이 없는 셔터 설정값을 사용하더라도 플리커 현상이 발생할 수 있습니다. 연속 광원을 사용하지 않는 경우에는 촬영 전에 카메라 테스트를 진행해 볼 것을 권장합니다.

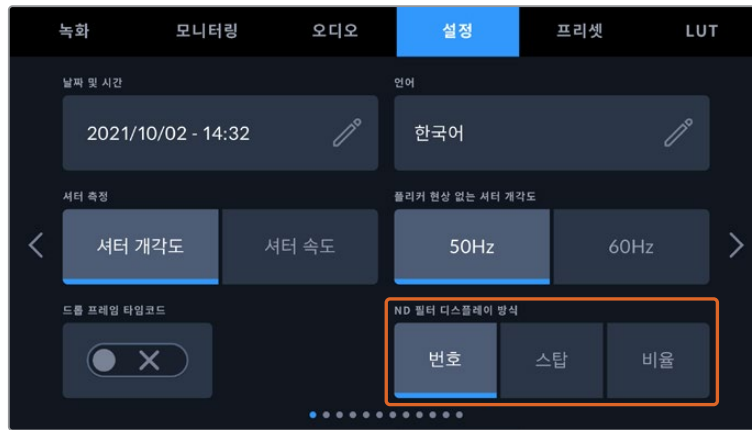
드롭 프레임 타임코드

29.97 및 59.94 NTSC 프로젝트 프레임 레이트 사용 시 드롭 프레임 타임코드를 사용하려면 ‘드롭 프레임 타임코드’ 옵션을 선택하세요. 드롭 프레임 타임코드는 일부 프레임 숫자를 설정해둔 간격에 따라 타임코드에서 사용하지 않고 버리는 기능입니다. NTSC 프레임 레이트에서 매초마다 정수의 프레임 숫자로 기록되지 않더라도 프로젝트 프레임 타임코드는 정확하게 유지합니다.

ND 필터 디스플레이 방식

이 설정을 사용하면 URSA Broadcast G2에 나타나는 ND 필터 표시 방식을 조정할 수 있습니다. 각 설정은 각기 다른 카메라 표준에 해당합니다. 대부분의 촬영 기사들이 ND 숫자로 표시되는 방식을 사용하는 반면, DSLR 또는 방송 카메라 사용에 익숙한 사용자들은 F값 포맷이나 사용 가능한 빛의 비율로 표시되는 방식을 선호합니다.

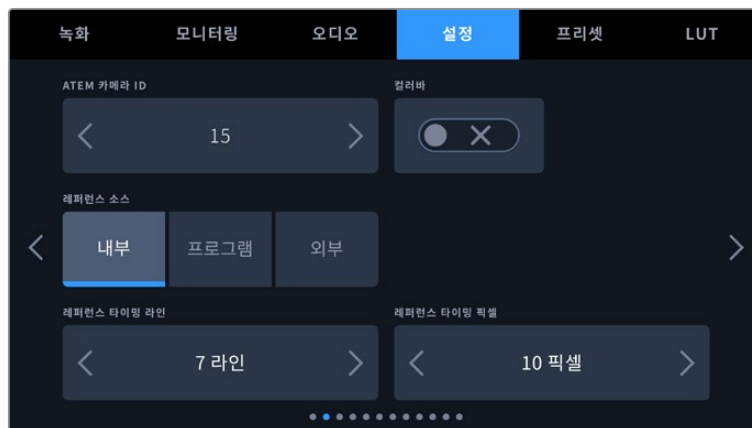
여기에 해당하는 옵션은 각각 ‘번호’, ‘스탑’, ‘비율’입니다.



URSA Broadcast G2의 ‘설정’ 메뉴는 ND 필터 정보 디스플레이 방식을 사용자 지정할 수 있는 옵션을 지원합니다.

설정 페이지 2

URSA Broadcast G2의 ‘설정’ 탭 두 번째 페이지는 다음과 같은 설정 항목을 제공합니다.



ATEM 카메라 ID

URSA Broadcast를 ATEM Switcher와 함께 사용하는 경우에 스위처에서 카메라로 탈리 신호를 전송하려면, 카메라에서 해당 카메라 번호를 설정해야 합니다. 이 기능을 통해 스위처에서 올바른 카메라로 탈리 신호를 전송하게 됩니다. 카메라 번호는 좌/우 화살표를 눌러 1~99로 설정 가능합니다. 기본 설정은 ‘1’로 되어있습니다.

컬러바

URSA Broadcast G2를 스위처나 외부 모니터에 연결할 경우, 미리보기 영상보다는 컬러바를 출력하는 것이 유용합니다. 스위처나 모니터에 나타나는 URSA Broadcast G2의 컬러바를 통해 연결이 제대로 되었는지 확인할 수 있으며 컬러바 색상을 기반으로 기본적인 모니터 보정을 수행할 수 있습니다. 간단히 '컬러바' 스위치 아이콘을 눌러 LCD 터치스크린을 포함한 URSA Broadcast G2의 모든 출력에 컬러바를 적용할 수 있습니다.

레퍼런스 소스

이 설정은 레퍼런스 소스를 선택하는 데 사용됩니다. URSA Broadcast G2를 내부 및 외부 레퍼런스 소스나 ATEM 스위처의 프로그램 입력 레퍼런스 신호로 동기화할 수 있습니다. URSA Broadcast G2를 ATEM Switcher의 카메라 제어 기능과 함께 사용할 경우, 스위처 및 연결된 모든 카메라가 외부 레퍼런스로 설정된 경우를 제외하고는 항상 '레퍼런스 소스'를 '프로그램'으로 설정해 두어야 합니다.

참고 URSA Broadcast G2를 위한 레퍼런스 소스를 설정 시, 레퍼런스 소스 간을 전환하면 카메라 출력이 약간 손실될 수도 있습니다. 이런 현상은 카메라에서 외부 소스와의 레퍼런스 타이밍을 조정하는 과정 중에 발생합니다. 그러므로 프로덕션 중에는 이 설정을 변경하지 않고 셋업할 때만 변경하는 것이 중요합니다.

레퍼런스 타이밍

'레퍼런스 타이밍' 설정을 통해 레퍼런스 타이밍을 라인 및 픽셀 기반으로 수동 조절할 수 있습니다. '라인' 및 '픽셀' 양옆의 화살표 아이콘을 눌러 간단히 설정을 조정할 수 있습니다.

설정 페이지 3

URSA Broadcast G2의 '설정' 탭 세 번째 페이지는 다음과 같은 설정 항목을 제공합니다.



프로그램 오디오 소스

ATEM 스위처에 연결 시, '프로그램 오디오 소스'를 '스위처'로 설정하면 프로그램 리턴 오디오가 입력 소스로 우선 선택되어 헤드폰이나 헤드셋으로 모니터링 시 토크백에 통합됩니다. 이 기능은 스위처에 카메라 오디오 피드를 전송하진 않지만, SDI IN 포트를 통해 스위처에서 전송되는 프로그램 피드를 듣고자 할 경우에 사용하기 유용합니다. '프로그램 오디오 소스'의 기본 설정은 'AFV'이며, 이 경우 카메라의 내부 마이크 또는 'AUDIO IN' XLR 포트의 오디오가 우선 선택됩니다.

프로그램 믹스

이 설정을 통해 카메라 오디오와 토크백 오디오의 밸런스를 조절할 수 있습니다. 헤드폰에서는 LCD 화면에 나타나는 영상의 오디오가 출력됩니다. 예를 들어, 카메라 뷰로 설정하면 카메라의 오디오를 들을 수 있습니다. 프로그램 뷰로 설정하면 해당 프로그램의 오디오를 들을 수 있습니다. 기본 설정은 '100%'입니다.

헤드셋 마이크

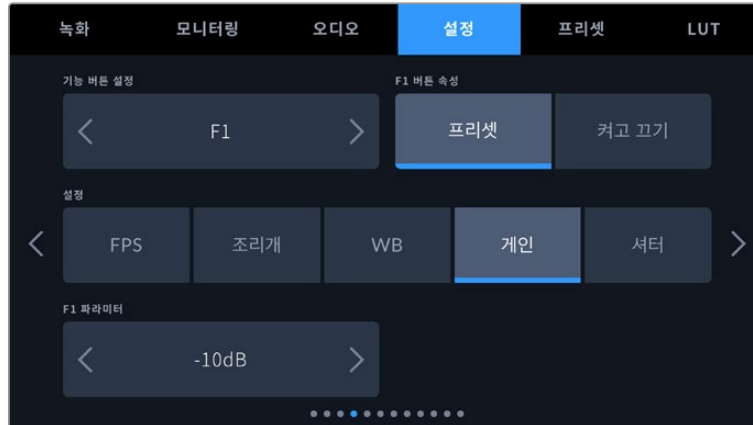
볼륨 슬라이더를 좌/우로 이동하여 오디오 마이크 입력 레벨을 조절할 수 있습니다. 기본 설정은 '50%'입니다.

사이드톤 레벨

해당 슬라이더를 조정해 헤드셋의 음성 마이크 볼륨을 설정할 수 있습니다.

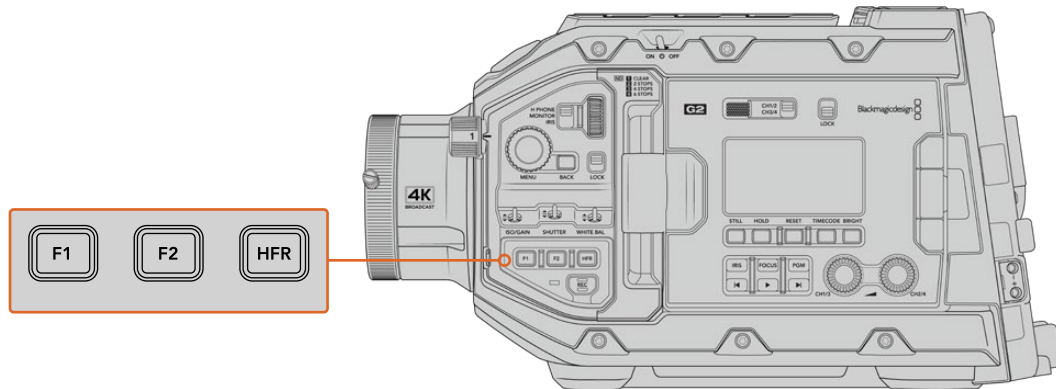
설정 페이지 4

URSA Broadcast G2의 '설정' 탭 네 번째 페이지는 다음과 같은 설정 항목을 제공합니다.



기능 버튼 설정하기

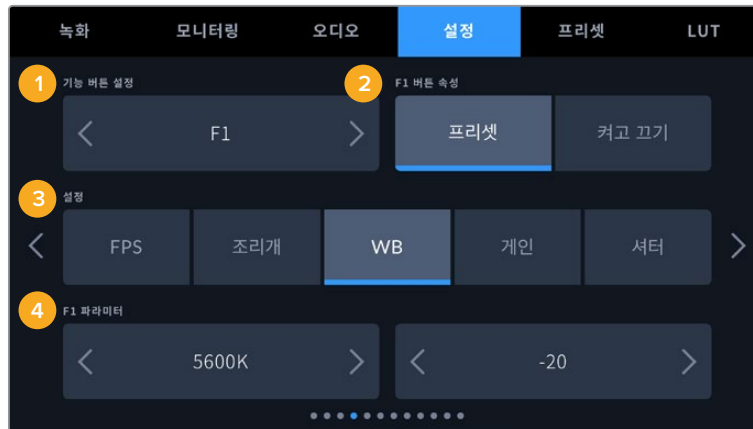
URSA Broadcast G2의 LCD 터치스크린 바깥쪽에는 F1과 F2라고 표시된 두 개의 기능 버튼이 있습니다. 이 버튼에 자주 사용하는 기능을 매핑할 수 있으며, URSA Viewfinder를 사용하는 동안 LCD 터치스크린을 닫고 카메라를 사용하는 경우에도 해당 버튼을 신속하게 사용할 수 있습니다. HFR 버튼은 '오프스피드 녹화'로 기본 설정되어 있으며, 다른 기능으로 설정을 변경할 수 있습니다.



URSA Broadcast G2의 F1과 F2, HFR 버튼은 전면부 제어 패널에 있습니다.

정보 URSA Broadcast G2에 B4 렌즈와 렌즈 커넥터가 연결되어 있는 경우, F1/F2/HFR 버튼뿐 아니라 VTR 및 RET 버튼을 기능 버튼처럼 설정해 프리셋을 지정하거나 각종 기능을 켜고 끌 수 있습니다.

이 버튼을 설정하려면, 화살표를 사용해 기능 버튼을 선택한 뒤, 속성과 설정 그리고 해당 설정을 위한 파라미터를 선택하세요.



1 버튼 2 속성 3 설정 4 파라미터

기능 버튼을 프리셋 또는 켜고 끄기 기능에 매핑하기

매핑하려는 기능 버튼을 선택한 뒤, 원하는 속성을 선택할 수 있습니다. 가능한 옵션은 다음과 같습니다.

· 프리셋

프리셋이 속성으로 저장된 경우 기능 버튼을 눌러 설정과 파라미터 조합을 불러올 수 있습니다.

프리셋을 설정하려면 '설정' 메뉴에서 원하는 설정을 선택한 뒤, '파라미터' 메뉴 양쪽에 있는 화살표 아이콘으로 해당 설정을 조정하세요.

예를 들어, F1 버튼에 프리셋 화이트 밸런스를 설정하려면, '기능 버튼 설정' 화살표로 'F1'을 선택하고 '프리셋'으로 속성을 선택한 다음, 'WB' 설정을 누른 뒤, '파라미터' 메뉴 양쪽에 있는 화살표 아이콘을 눌러 화이트 밸런스를 '5600K'로, 틸트를 '-20'으로 설정하세요.

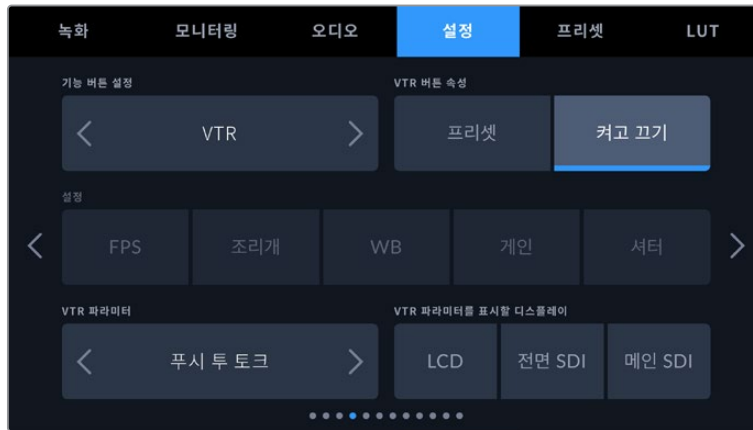
· 켜고 끄기

이 속성으로 저장된 경우, 기능 버튼을 눌러 특정 설정을 켜고 끌 수 있습니다. 이 모드에서는 '설정' 메뉴가 비활성화됩니다. 대신 '파라미터' 메뉴의 좌/우 화살표를 눌러 사용 가능한 옵션을 스크롤 할 수 있습니다. '클린 피드', 'LUT 디스플레이', '프레임 가이드', '포커스 어시스트', '풀스 컬러', '지브라', '그리드', '안전 영역 가이드', '오프스피드 녹화', '녹화', '프로그램 리턴', '컬러바', '푸시 투 토크', '포커스 줌', '사용 안함' 옵션이 있습니다.

'포커스 줌'을 활성화하면 전면부 제어 패널의 메뉴 휠을 사용하여 줌 영역을 이동하고 확대 정도를 조절할 수 있습니다. 메뉴 휠을 누르면 줌 기능과 확대 조절 기능 사이를 토글할 수 있습니다. LCD에서 '포커스 줌'을 활성화하여 사용하는 방법에 대한 자세한 정보는 [포커스 줌] 부분을 참고하세요.

'켜켜고 끄기' 기능의 속성을 통해 이 설정을 적용할 출력을 선택할 수 있습니다. 'LCD', '전면 SDI', '메인 SDI'에서 원하는 조합을 선택하세요. '컬러바'처럼 모든 출력에 적용되어 옵션을 적용할 출력을 따로 선택할 수 없는 경우, 'LCD', '전면 SDI', '메인 SDI' 설정이 비활성화됩니다.

예를 들어, URSA Broadcast G2의 설정을 변경해 B4 렌즈에 탑재된 RET 및 VTR 버튼을 기능 버튼처럼 사용할 수 있습니다. HyperDeck과 함께 개별 녹화를 진행할 때 많이 사용하는 옵션은 VTR 버튼에 '푸시 투 토크' 기능을 지정하는 것입니다.



B4 렌즈의 VTR 버튼에 '푸시 투 토크' 기능 지정하기.

설정 페이지 5

URSA Broadcast G2 설정탭의 다섯번째 페이지에는 Blackmagic Zoom Demand 옵션 설정 항목을 제공합니다. 이러한 설정은 Blackmagic Zoom Demand를 URSA Broadcast G2에 장착한 경우에만 활성화됩니다.

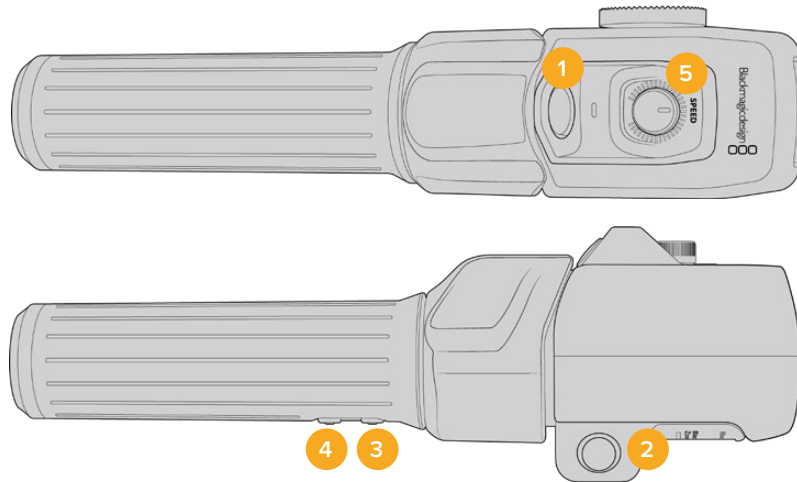
URSA Broadcast G2에 Blackmagic Zoom Demand를 장착하는 자세한 설명은 본 설명서의 [Blackmagic Zoom Demand 및 Blackmagic Focus Demand] 부분을 참고하세요.



줌 로커 방향

- **일반**
기본 설정된 줌 로커 방향입니다. 줌 로커 오른쪽을 누르면 줌인, 왼쪽을 누르면 줌 아웃이 됩니다.
- **역방향**
줌 로커 방향이 '역방향'으로 설정된 상태에서 줌 로커를 왼쪽으로 누르면 줌인, 오른쪽으로 누르면 줌 아웃됩니다.

Blackmagic Zoom Demand는 네 가지의 줌 기능 버튼과 다른 기능으로 매핑할 수 있는 속도 조절 다이얼을 제공합니다.



1 줌 F1 2 줌 F2 3 줌 F3 4 줌 F4 5 속도 조절 다이얼

속도 조절 다이얼 또는 줌 버튼에 다른 기능을 설정하려면 '기능 버튼 설정' 메뉴에서 다이얼 또는 버튼의 번호를 선택하세요. 그런 다음, '버튼 파라미터' 메뉴 양옆에 있는 화살표 아이콘을 사용하여 원하는 기능을 선택하세요.

다이얼 및 기능 버튼 파라미터 옵션

속도 조절 다이얼	줌 속도, 헤드폰 볼륨, 조리개 조절, 초점 조절.
줌 버튼 1 - 4	녹화, 푸시 투 토크, 프로그램 리턴, 포커스 줌, 프레임 가이드, 상태 표시 텍스트, 자동 초점, 컬러바, 자동 조리개, 자동 화이트 밸런스, 재생.

설정 페이지 6

URSA Broadcast G2의 '설정' 탭 여섯 번째 페이지는 Blackmagic Focus Demand 옵션 설정 항목을 제공합니다. 이러한 설정은 Blackmagic Focus Demand를 URSA Broadcast G2에 장착한 경우에만 활성화됩니다.

URSA Broadcast G2에 Blackmagic Focus Demand를 장착하는 자세한 설명은 본 설명서의 [Blackmagic Zoom Demand 및 Blackmagic Focus Demand] 부분을 참고하세요.



포커스 디맨드 방향

포커스 디맨드의 포커스 휠 방향은 '일반' 또는 '역방향'을 선택하여 변경할 수 있습니다.

- **일반**

포커스 휠을 시계 방향으로 회전하면 렌즈 가까이 피사체에 초점을 맞추며, 시계 반대 방향으로 회전하면 피사체 멀리 초점을 맞춥니다.

- **역방향**

포커스 휠을 시계 반대 방향으로 회전하면 렌즈 가까이 피사체에 초점을 맞추며, 시계 방향으로 회전하면 피사체 멀리 초점을 맞춥니다.

설정 페이지 7

URSA Broadcast G2의 '설정' 탭 일곱 번째 페이지는 다음과 같은 설정 항목을 제공합니다.



상태 표시 LED

URSA Broadcast G2는 전면 패널에 탈리 및 상태 정보를 제공하는 작은 LED를 탑재했습니다. '상태 표시 LED' 스위치 아이콘을 눌러 LED를 활성화 또는 비활성화할 수 있습니다.

LED를 통해 다음과 같은 상태 정보가 표시됩니다.

흰색	카메라 전원 입력 및 대기 모드.
빨간색	카메라가 녹화 중임을 의미합니다. LED가 천천히 깜빡이면 카드의 용량이 얼마 남지 않았음을 나타내는 반면, 빠르게 깜빡여 드롭 프레임 현상이 발생했음을 나타냅니다.
초록색	카메라가 재생 모드임을 의미합니다. 클립 재생 시에는 녹색 불이 천천히 깜빡입니다. 삽입한 미디어가 인식되면 상태 표시 LED가 녹색과 흰색으로 번갈아 세 번 깜빡입니다.
주황색	카메라 배터리가 부족한 경우, LED가 주황색과 현재 상태를 나타내는 색상이 번갈아 깜빡입니다. 예를 들어, 현재 녹화 중일 경우 LED가 주황색/빨간색으로 번갈아 천천히 깜빡입니다. 대기 모드에서는 LED가 녹색과 흰색으로 번갈아 깜빡입니다. 배터리 부족 알림 장치의 임계값은 충전량을 정확한 퍼센트 정보로 제공하는 배터리를 사용하는 경우엔 20 퍼센트, 정확한 퍼센트 정보를 제공하지 않는 배터리를 사용하는 경우엔 12.5 볼트입니다.

상태 표시 LED 밝기

URSA Broadcast G2의 상태 표시 LED 밝기는 간단히 '낮음'/'중간'/'높음'을 눌러 설정할 수 있습니다.

정보 Blackmagic URSA Broadcast G2의 상태 표시 LED 설정에서는 URSA Mini Recorder, Blackmagic Zoom Demand, Blackmagic Focus Demand의 상태 표시 LED 조절 또한 가능합니다.

하드웨어 ID

하드웨어 ID 표시 장치를 통해 8문자의 URSA Broadcast G2 식별코드가 나타납니다. 카메라마다 고유의 식별코드를 사용합니다. Blackmagic RAW 및 ProRes 비디오를 위해 이보다 더 긴 32자리 버전의 ID 또한 메타데이터에 포함되어 있습니다. 파일명이 바뀌어도 카메라 하드웨어 ID는 그대로 남아 있어 영상을 촬영한 카메라를 확인하는 데 유용합니다.

소프트웨어

URSA Broadcast G2에 현재 설치된 소프트웨어 버전을 표시합니다. 소프트웨어 업데이트에 대한 자세한 정보는 [Blackmagic Camera Setup 유틸리티] 부분을 참고하세요.

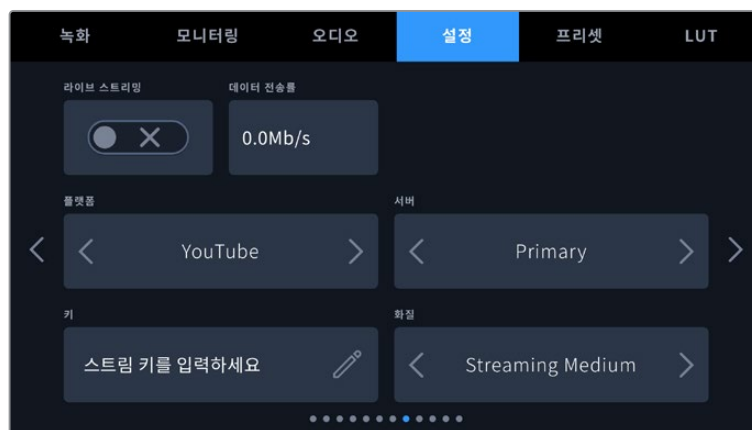
재생

재생 설정에서는 단일 클립을 재생할지 또는 전체 클립을 재생할 지 선택할 수 있습니다. '전체 클립'을 선택하면 해당 모든 미디어를 연속으로 재생합니다. '단일 클립'은 한 번에 한 개의 클립만 재생합니다. 이 설정은 반복 재생 기능에도 적용됩니다. '전체 클립'을 설정한 상태에서 반복 재생을 선택하면 미디어에 저장된 모든 클립이 재생된 수 다시 반복 재생됩니다. '단일 클립'을 선택하면 한 번에 한 개의 클립만 반복 재생됩니다.

설정 페이지 8

URSA Broadcast G2 '설정' 탭의 8번째 페이지에는 카메라 스트리밍 설정을 위한 옵션이 있습니다.

URSA Broadcast G2의 스트리밍 설정에 대한 더욱 자세한 정보는 본 사용 설명서 뒷부분의 [비디오 스트리밍하기] 부분을 참고하세요.



스트리밍

스트리밍 스위치를 사용하여 해당 기능을 ON/OFF 하세요.

데이터 전송률

스트리밍하는 동안 해당 데이터 속도를 보여줍니다.

플랫폼

원하는 스트리밍 플랫폼을 선택하세요. 유튜브, 트위터, 트위치 등의 옵션을 선택할 수 있습니다.

서버

화살표 버튼을 사용하여 서버를 선택하세요. 해당 옵션은 사용하는 스트리밍 플랫폼에 따라 달라집니다.

키

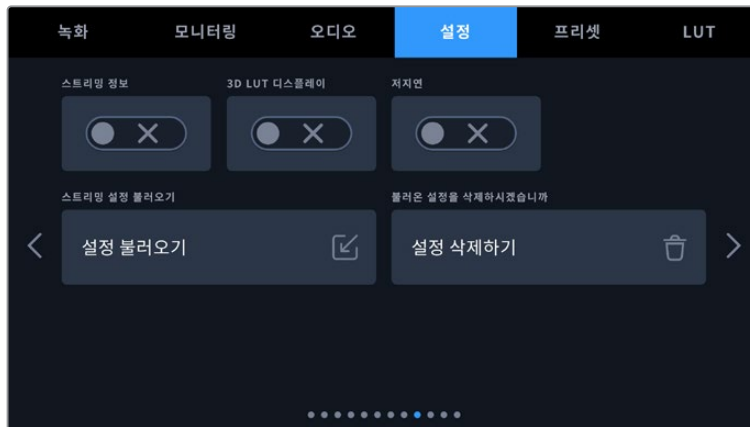
펜 모양 아이콘을 누르면 스트리밍 플랫폼을 위한 스트리밍 키에 접속할 수 있습니다.

화질

화살표 버튼을 사용하여 스트리밍 화질을 선택하세요.

설정 페이지 9

URSA Broadcast G2 '설정' 탭의 9번째 페이지에는 카메라 스트리밍 설정을 위한 옵션이 있습니다.



스트리밍 정보

'스트리밍 정보' 스위치를 'ON'으로 토글하면 화면에 카메라의 상태 정보가 나타납니다. 이 정보는 LCD, 전면 SDI, 주요 SDI 출력에서 확인할 수 있습니다.

이러한 정보에는 이더넷 또는 스마트폰같은 스트리밍에 사용 중인 연결 단자 및 스트리밍 시간을 보여주는 지속 시간 카운터, 그리고 초당 메가비트(Mb/s) 단위의 데이터 전송률이 포함됩니다.



3D LUT 디스플레이

스트리밍에 3D LUT를 적용하려면 이 설정을 'ON'으로 토글하세요.

정보 3D LUT 디스플레이 설정을 'ON'으로 전환하면 LUT가 스트리밍 출력으로 바로 적용됩니다.

스트리밍을 하는 동안 Blackmagic RAW 또는 ProRes 비디오 코덱으로 동시에 녹화할 경우, '녹화' 메뉴의 LUT 옵션을 사용해 파일에 LUT를 추가하거나, '모니터링' 설정에서 LCD 또는 SDI 출력에 LUT가 나타나도록 할 수 있습니다. 자세한 정보는 [녹화 설정] 부분을 참고하세요.

저지연

'저지연'을 'ON'으로 설정하면 라이브 촬영과 시청자가 보는 영상 사이의 지연 시간이 최소한으로 줄어듭니다. 이 버튼을 'OFF'로 설정하면 버퍼링이 생기기 때문에 인터넷 연결이 자주 끊기거나 접속이 불량한 경우에 더욱 안정적인 스트리밍이 가능합니다.

스트리밍 설정 불러오기

'스트리밍 설정 불러오기' 버튼으로 XML 셋업 파일을 불러오기 하면 카메라가 인터넷 상에서 ATEM Streaming Bridge를 찾을 수 있습니다.

XML 셋업 파일 불러오기에 관한 더욱 자세한 정보는 본 설명서 [비디오 스트리밍하기] 부분을 확인하세요.

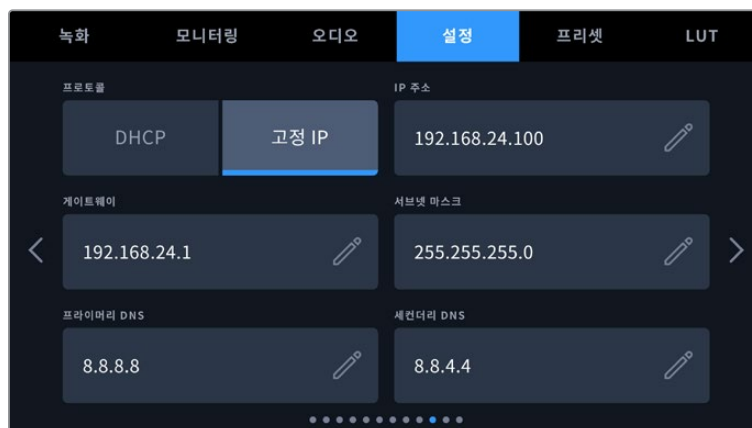
스트리밍 설정 삭제하기

이 버튼을 눌러 카메라에 불러오기한 스트리밍 설정을 삭제하세요. 선택을 확인하는 문구가 나타납니다.

설정 페이지 10

'설정' 탭의 10번째 페이지에는 카메라의 네트워크 설정이 있습니다.

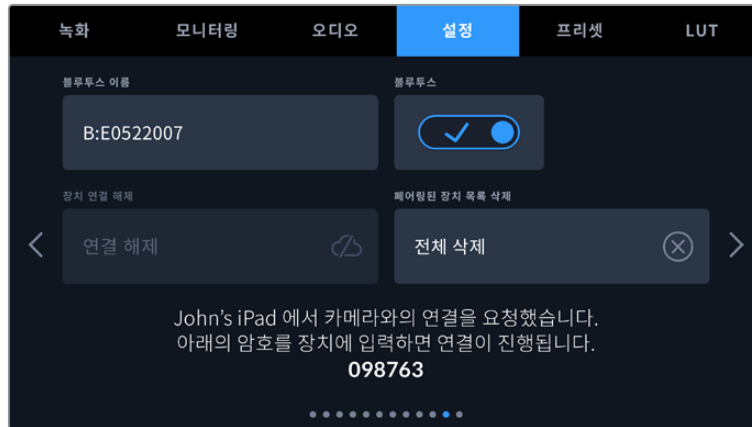
이 설정에서는 DHCP 또는 고정 IP 주소를 사용하여 네트워크에 연결하는 사용 옵션을 선택할 수 있습니다.



DHCP 또는 고정 IP 주소를 사용하여 네트워크에 연결할 수 있습니다.

설정 페이지 11

URSA Broadcast G2 '설정' 탭의 11번째 페이지는 다음과 같은 설정 항목을 제공합니다.



카메라의 블루투스 이름은 슬레이트에 입력된 카메라 알파벳과 현재 사용 중인 URSA Broadcast G2의 하드웨어 ID 8글자로 구성되어 있습니다.

Bluetooth®

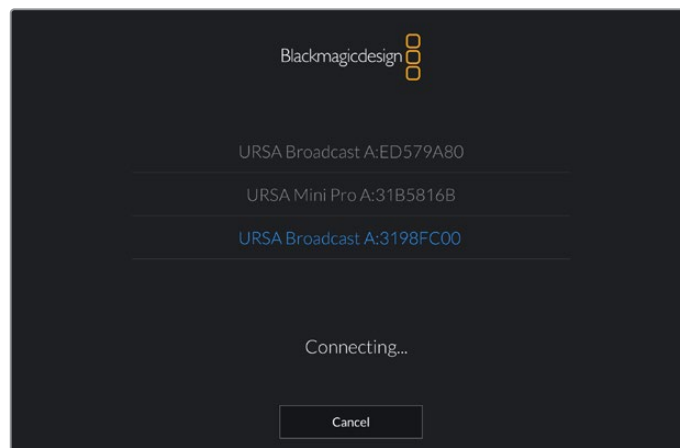
카메라의 블루투스 컨트롤을 사용해 휴대용 기기에서 카메라를 무선으로 제어할 수 있습니다. Blackmagic Camera Control App을 사용하면 iPad에서 원격으로 카메라 전원을 켜고 끌 수 있으며, 설정을 변경하고 메타데이터를 수정하거나 트리거 녹화를 진행할 수도 있습니다. '설정' 메뉴에서 '블루투스' 스위치 아이콘을 눌러 블루투스 기능을 켜고 끌 수 있습니다. 블루투스 기능이 활성화되면 최대 9미터 떨어진 거리에서 블루투스 기기가 카메라를 감지할 수 있습니다.

URSA Broadcast G2는 'Blackmagic SDI 카메라 컨트롤 프로토콜'에서와 동일한 종류의 블루투스 제어 명령어를 사용하기 때문에, 모니터링에서 오디오 설정, 카메라 내부의 DaVinci Resolve 컬러 커렉터 또는 렌즈 컨트롤에 이르는 모든 기능을 사용자가 직접 프로그래밍해 원격으로 제어할 수 있습니다.

더 자세한 정보는 본 설명서의 [Blackmagic SDI 카메라 컨트롤 프로토콜] 부분을 참고하세요.

카메라와 iPad 간의 최초 페어링 방법

- 1 URSA Broadcast G2의 '설정' 메뉴에서 '블루투스' 스위치 아이콘을 눌러 블루투스 기능을 켜세요.
- 2 Blackmagic Camera Control App을 실행한 뒤, 페어링 하려는 URSA Broadcast G2를 선택하세요. 카메라 식별 알파벳과 고유의 하드웨어 ID로 구성된 코드를 통해 사용 가능한 카메라를 확인할 수 있습니다. 여기서는 A:3198FC00이 예시로 사용되었습니다.



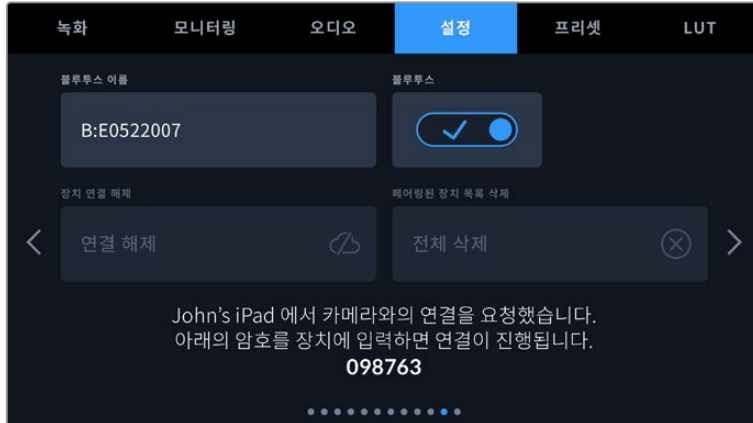
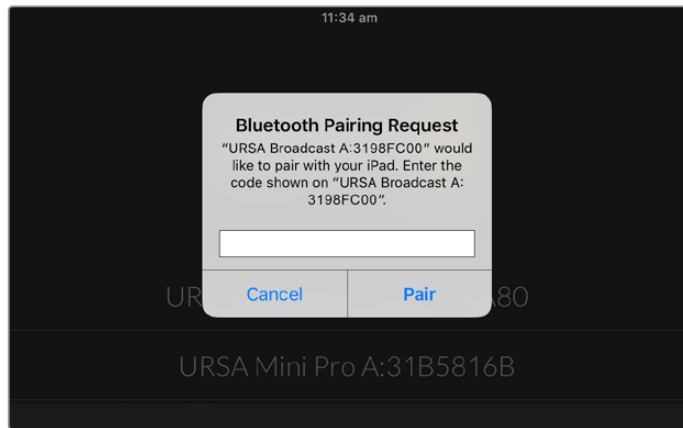
URSA Broadcast G2와 페어링하고자 하는 기기를 선택하세요.

Blackmagic Camera Control App을 설치한 후, 처음으로 실행하면 사용자 위치 접근 허용을 묻는 메시지가 나타납니다. '사용하는 동안'을 선택할 경우, iPad의 GPS 정보가 촬영 중인 파일의 메타데이터에 기록되어 푸티지에 위치 정보가 나타나도록 할 수 있습니다. 이 정보는 Blackmagic Da Vinci Resolve 14 혹은 이후 버전에서 확인할 수 있습니다.

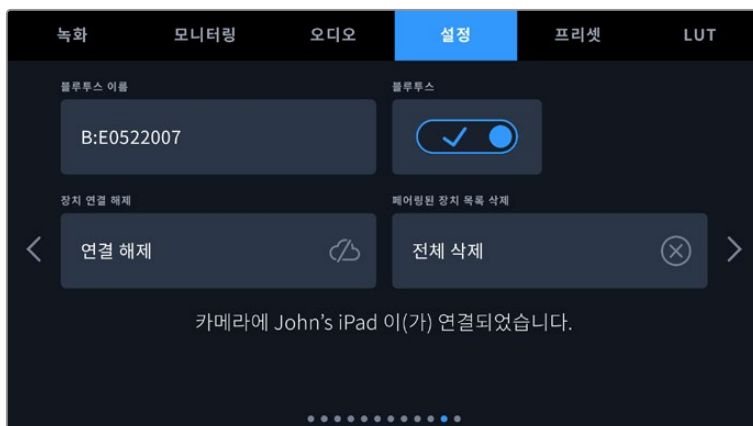
이 정보를 사용하지 않으려면 '안 함'을 선택하세요.

설정을 변경하려면 iPad의 설정에 들어가 개인 정보 보호 > 위치 서비스 > 카메라로 이동하세요.

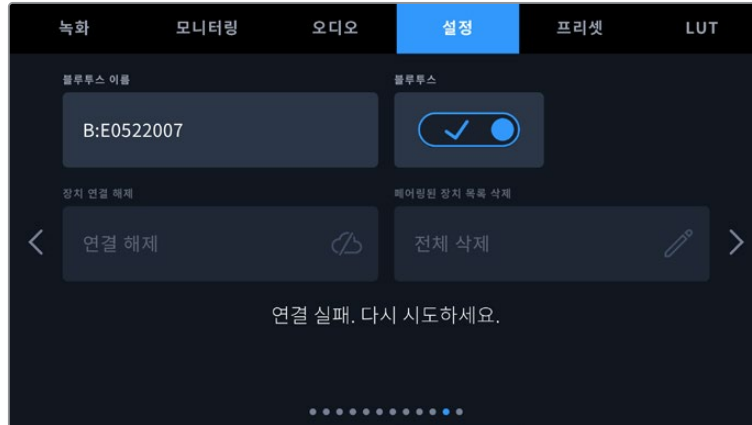
- 3 최초 연결 시 Blackmagic Camera Control App에 카메라 페어링을 위한 6자리 코드 입력을 요청하는 메시지가 나타납니다. 해당 코드는 카메라 LCD 스크린에 나타납니다. 이 코드를 iPad에 입력하세요.



- 4 URSA Broadcast G2와 iPad의 페어링이 완료되었다는 정보가 스크린에 나타납니다.



5 카메라와 iPad를 페어링 하는 데 문제가 발생할 경우, 아래와 같은 오류 메시지가 나타납니다.



참고 블루투스 기능으로 URSA Broadcast G2를 제어하지 않을 경우, 보안상 블루투스 기능을 꺼두는 것이 좋습니다.

장치 연결 해제

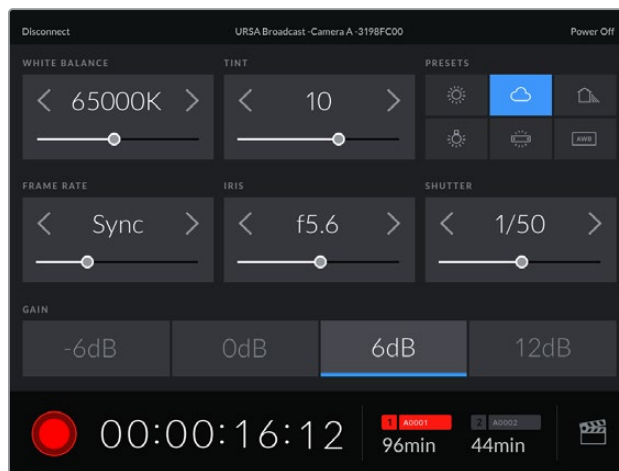
iPad와 페어링된 URSA Broadcast G2의 연결을 해제합니다.

페어링된 기기 목록 삭제

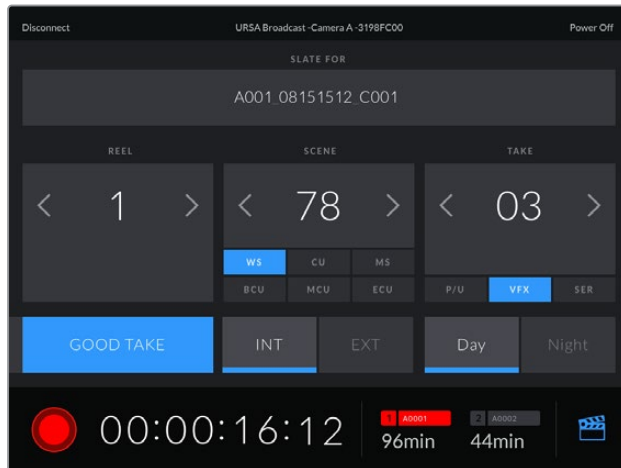
URSA Broadcast G2와 페어링된 기기 목록을 삭제합니다.

Blackmagic Camera Control App으로 카메라 제어하기

iPad와 URSA Broadcast G2가 성공적으로 페어링된 경우, iPad 애플리케이션을 사용해 카메라 전원 On/Off, 설정 변경, 메타데이터 수정, 트리거 녹화 등의 작업을 원격으로 수행할 수 있습니다.



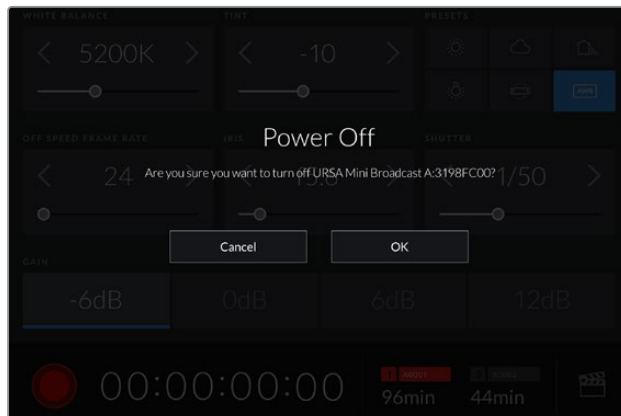
페어링이 완료되면 Blackmagic Camera Control App에 위와 같은 화면이 나타나 설정을 변경하고 녹화를 시작할 수 있습니다.



우측 하단에 있는 슬레이트 아이콘을 눌러 슬레이트를 업데이트할 수 있습니다.

URSA Broadcast G2는 Bluetooth LE를 사용해 무선 제어용 기기와 의사소통합니다. 이는 휴대용 기기에서 사용하는 것과 동일한 프로토콜로 배터리 소모량을 최소화합니다.

우측 상단에 있는 'Power Off'를 눌러 URSA Broadcast G2의 전원을 끌 수 있습니다.

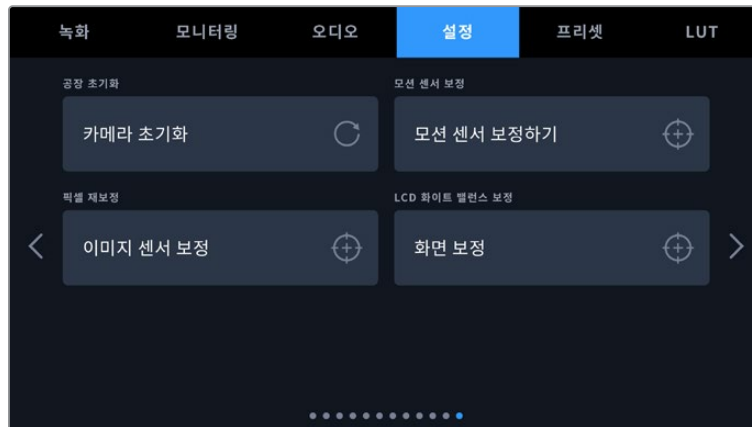


카메라 전원을 끄기 전에 선택을 확인하는 메시지가 나타납니다.

블루투스가 활성화된 상태에서는 URSA Broadcast G2의 전원이 꺼지더라도 Blackmagic Camera Control 애플리케이션의 사용 가능한 장치 목록에 해당 카메라 이름이 그대로 나타납니다. 카메라와의 페어링이 이미 완료되었기 때문에 원하는 카메라를 선택한 뒤, 'Connect' 버튼을 눌러 카메라 전원을 켤 수 있습니다. 블루투스 기능을 비활성화하면 해당 카메라 이름이 목록에서 사라집니다.

설정 페이지 12

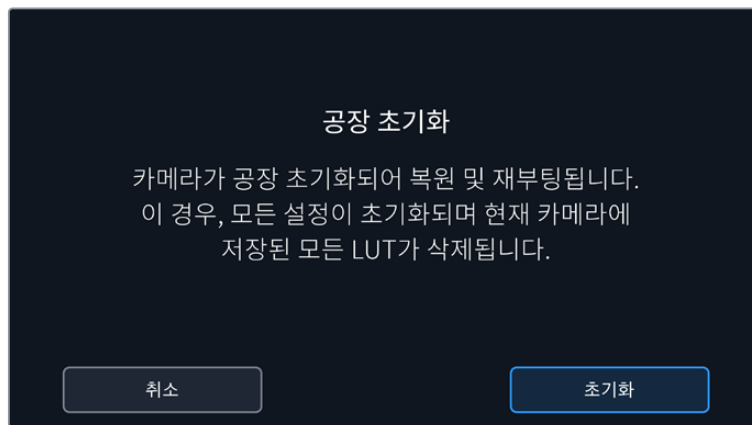
URSA Broadcast G2 '설정' 탭의 12번째 페이지는 다음과 같은 설정 항목을 제공합니다.



공장 초기화

카메라를 공장 초기화하려면 '카메라 설정 초기화' 버튼을 누르세요. 현재 카메라에 저장된 모든 LUT과 프리셋이 지워지기 때문에 선택을 확인하는 메시지가 나타납니다. 카메라 설정을 초기화하려면 확인 페이지에서 '초기화' 버튼을 누르세요.

카메라를 공장 초기화하면 저장된 모든 프리셋과 커스텀 LUT가 삭제되며 모든 설정이 초기화된다는 사실을 기억하세요. 공장 초기화를 실행하기 전, 메모리 카드에 백업용으로 모든 저장 설정 사항을 옮겨 놓는 것을 권장합니다. 초기화가 완료된 후, 메모리 카드에 옮겨둔 프리셋과 LUT를 다시 불러와 빠르게 복구할 수 있습니다.



'공장 초기화'를 선택할 경우, 선택을 확인하는 메시지가 나타납니다.

모션 센서 보정

URSA Broadcast G2에서 가로선을 맞추기 위해서는 카메라를 평평한 곳에 놓고 '모션 센서 보정하기' 버튼을 눌러주세요. 실행 도중 카메라가 움직이지 않도록 주의하세요. 이는 촬영 중 Blackmagic RAW 파일의 모션 센서 메타데이터가 정확하게 녹화되도록 합니다. 처리 시간은 약 5초 정도가 소요됩니다.

필요에 따라 표시선을 중심에서 멀어지도록 설정할 수 있습니다. 예를 들어, 일관된 카메라 각도를 설정하려면 모션 센서를 보정하여 원하는 카메라 각도로 맞춘 다음, 표시선을 사용하여 같은 각도를 유지하세요.

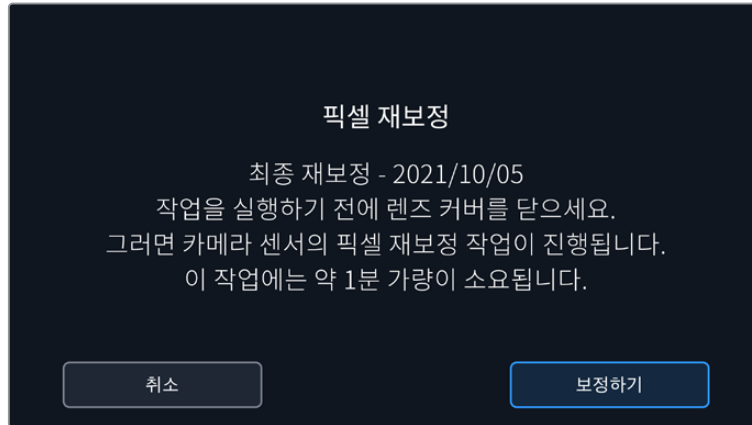
DaVinci Resolve에서 모션 센서 데이터를 사용해 클립을 안정화시킬 수 있습니다. 더 자세한 정보는 [자이로 안정화] 부분을 참고하세요.

픽셀 재보정

URSA Broadcast G2에서 사용되는 CMOS 센서는 빛에 반응하는 수백만 개의 픽셀로 이루어져 있습니다. 이러한 밝기 변화가 더욱 뚜렷해지면 핫픽셀 현상이 나타나게 됩니다. 제조업체와 관계없이 모든 카메라 센서는 시간이 지나면 픽셀의 밝기가 달라집니다.

URSA Broadcast G2는 이런 문제를 해결하기 위한 픽셀 재보정 기능을 탑재해 다른 픽셀보다 밝은 픽셀이 발견될 경우, 해당 기능을 사용 가능합니다.

렌즈 뚜껑을 닫고 '이미지 센서 보정'을 누른 다음, '보정하기'를 눌러 픽셀 재보정 기능을 실행하면 프로세스가 시작됩니다. 약 1분 정도의 처리 시간이 소요됩니다.



LCD 화이트 밸런스 보정

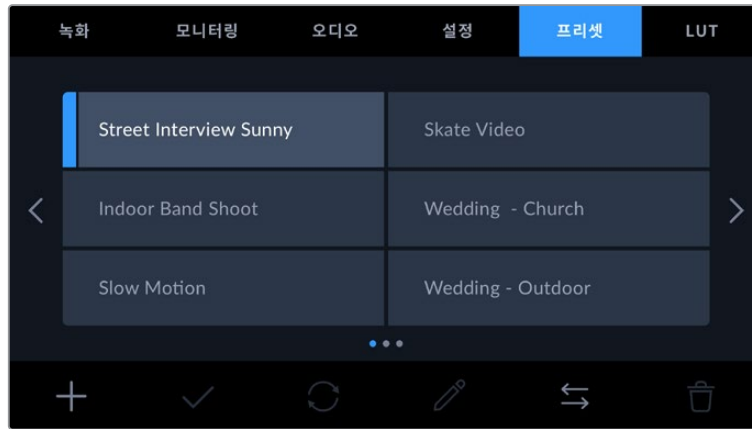
LCD 화이트 밸런스 보정을 실행하려면, 'LCD 색온도'와 'LCD 틴트' 컨트롤을 조정하여 두 개의 레퍼런스 패치가 자연스럽게 보이도록 하세요. 설정 변경 후, '초기화' 버튼을 눌러 공장 초기화 컨트롤로 돌아갈 수 있습니다. '복원' 버튼을 누르면 사용자의 새로운 설정으로 돌아가 보정 전후를 비교할 수 있습니다. LCD에 정확한 화이트 밸런스가 나타날 때 현재 설정을 저장하세요.



프리셋

'프리셋' 탭을 통해 URSA Broadcast G2에서 설정한 모든 정보를 저장하고 불러올 수 있습니다. 한 대의 카메라를 여러 프로젝트에 사용할 경우에 굉장히 유용한 기능입니다. 예를 들어, URSA Broadcast G2를 다큐멘터리에서 뮤직 비디오에 이르는 굉장히 다양한 촬영에 사용하며 프로젝트 형태마다 각각 다른 설정을 적용해야 하는 경우가 있을 수 있습니다. URSA Broadcast G2의 프리셋 기능을 통해 특정 프로젝트 설정 및 촬영 유형을 저장한 뒤 필요할 때 쉽고 빠르게 사용할 수 있습니다.

프리셋을 불러오기/보내기할 수 있어 멀티 카메라 촬영 설정에 매우 유용합니다. URSA Broadcast G2 한 대를 프로젝트에 맞게 설정한 뒤, 촬영 현장에 있는 다른 URSA Broadcast G2에 프리셋을 보내기하면 됩니다.



URSA Broadcast G2의 '프리셋' 탭

참고 URSA Broadcast G2의 내장 메모리에는 최대 60개의 프리셋을 저장할 수 있습니다.

프리셋 버튼

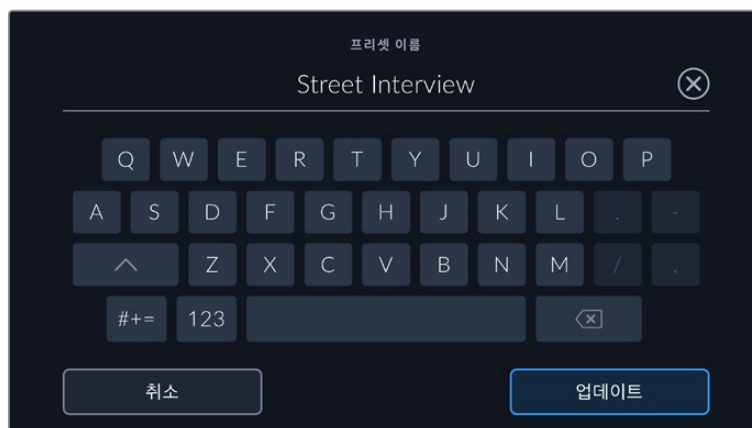
URSA Broadcast G2의 '프리셋' 메뉴 하단에 있는 버튼 아이콘은 다음과 같은 기능을 의미합니다.

				
추가	로딩	업데이트	관리	삭제

프리셋 저장 및 로딩

새로운 프리셋을 생성하려면 '추가(+)' 아이콘을 누르세요. 그러면 LCD 터치스크린에 프리셋 이름을 입력할 수 있는 터치 키보드가 나타납니다. 이름을 입력한 뒤, '업데이트' 버튼을 눌러 URSA Broadcast G2의 모든 현재 설정 사항을 해당 프리셋에 저장할 수 있습니다.

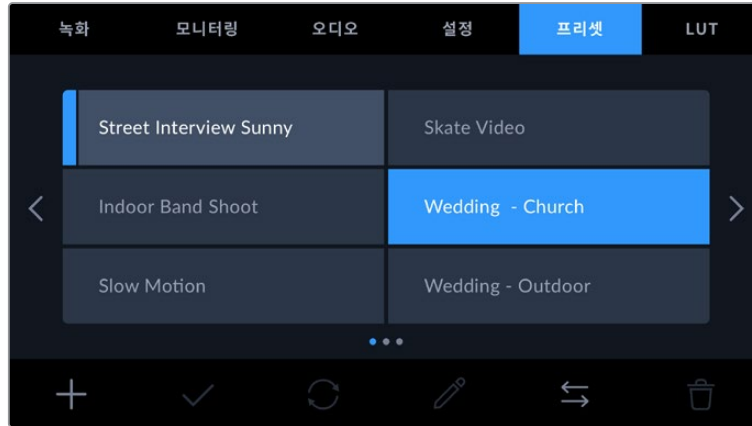
URSA Broadcast G2에 이미 같은 이름의 프리셋이 로딩된 경우, 기존 프리셋에 덮어쓰기 또는 모두 유지할 것인지를 묻는 메시지가 나타납니다.



'프리셋' 탭에 있는 추가 아이콘(+)을 누르면 나타나는 터치 키보드를 사용해 프리셋 이름을 입력하세요.

프리셋을 저장한 뒤, 프리셋 메뉴에서 원하는 프리셋명을 누르세요. 로딩 아이콘을 눌러 로딩하세요.

업데이트 아이콘을 누르면 프리셋이 업데이트됩니다. 이 때 URSA Broadcast G2의 현재 설정이 저장된 프리셋을 업데이트할 것인지를 묻는 메시지가 나타납니다. '업데이트' 버튼을 누르면 완료됩니다.



프리셋을 선택한 뒤, 로딩 아이콘을 눌러 로딩하세요. 선택된 프리셋이 파란색으로 나타나는 반면 현재 로딩된 프리셋은 아이콘 왼쪽에 파란 줄이 나타납니다.

프리셋 불러오기

프리셋을 불러오기하려면 프리셋 메뉴 하단에 있는 관리 아이콘을 누르세요. URSA Broadcast G2의 경우, SD 또는 CFast 미디어 선택 스위치를 사용해 프리셋이 저장된 미디어를 선택하세요. URSA Mini Recorder를 사용할 경우, USB-C 플래시 디스크 또는 SSD에 저장된 프리셋을 불러올 수 있습니다.

'불러오기 대상' 옵션에서 불러오기하려는 프리셋을 가진 카드 또는 드라이브를 선택하고 불러오기 버튼을 눌러 선택을 확인하세요. 이제 LUT 불러오기 화면이 나타납니다. 화면 왼쪽 상단에 위치한 버튼을 사용하여 카메라에 연결된 다른 카드 및 드라이브에 저장된 프리셋을 화면에 나타내게 할 수 있습니다.

URSA Broadcast G2에서는 선택한 저장 미디어의 루트 디렉터리와 프리셋 폴더를 검색합니다. 저장 미디어 이외의 다른 곳에 저장된 프리셋은 나타나지 않는다는 사실을 명심하세요.

원하는 프리셋을 누르고 '불러오기' 버튼을 눌러 선택을 확인하세요. 카메라에 이미 같은 이름의 프리셋이 저장되어 있는 경우 기존 프리셋을 덮어쓰기할 것인지 또는 모두 유지할 것인지를 묻는 메시지가 나타납니다. 이 화면 우측 상단에는 현재 카메라에 남아있는 프리셋 슬롯 개수가 나타납니다.

참고 URSA Broadcast G2의 프리셋 슬롯이 가득 찬 경우, 불러오기 메뉴를 사용할 수 없습니다. 저장 공간을 확보하려면 기존 프리셋을 삭제해야 합니다.

프리셋 보내기

프리셋을 CFast 또는 SD 카드로 보내기 하려면, 원하는 프리셋을 눌러 선택한 뒤, 관리 아이콘을 누르세요.

프리셋 관리 옵션에서 '선택한 프리셋 보내기'를 선택하세요. SD 카드 또는 CFast 미디어 선택 스위치를 사용해 프리셋을 보내기 할 미디어를 선택할 수 있습니다. URSA Mini Recorder를 사용할 경우, 프리셋을 USB-C 플래시 디스크 또는 SSD로 보내기 할 수 있습니다. '보내기 대상' 옵션에서 프리셋을 보내려는 카드 또는 드라이브를 선택하세요. '보내기'를 눌러 선택을 확인하세요.

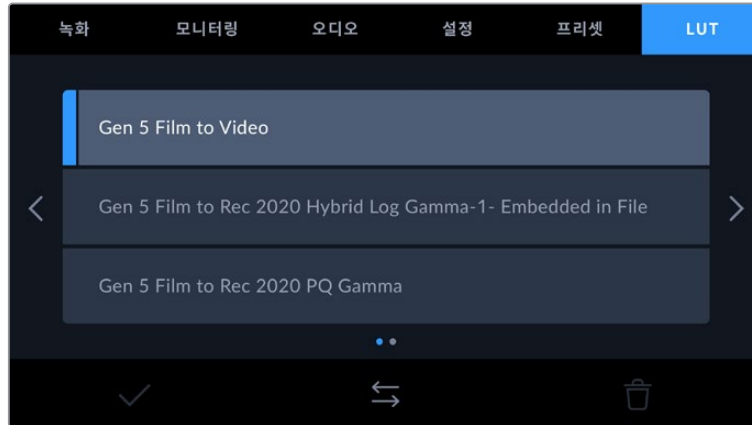
보내기 하려는 프리셋과 이름이 같은 프리셋이 저장 미디어에 이미 존재하는 경우, 카드에 있는 프리셋에 덮어쓰기 또는 모두 유지할 것인지를 묻는 메시지가 나타납니다.

프리셋 삭제하기

URSA Broadcast G2에는 60개의 프리셋을 저장할 수 있습니다. 프리셋을 삭제하려면 삭제 아이콘을 선택하세요. 선택을 확인하는 메시지가 나타납니다. '삭제'를 눌러 선택을 확인하세요.

LUT

'LUT' 메뉴에서는 3D LUT을 카메라 출력에 불러오기/보내기/적용할 수 있습니다.



URSA Broadcast G2의 LUT 탭

3D LUT 소개

URSA Broadcast G2에서는 LCD 터치스크린과 전면 SDI, 메인 SDI에 3D LUT를 적용할 수 있습니다. LUT는 카메라 특정 색상 및 휘도 입력에 적합한 색상 및 휘도 출력을 나타내도록 명령합니다. 예를 들어, 카메라 내부에서는 일반 색상 설정으로 촬영하더라도 프리뷰 출력을 모니터나 스위처로 전송할 경우에는 해당 지역의 방송 색상 규정에 맞춰야 합니다. Blackmagic RAW 영상을 촬영하거나 필름 다이나믹 레인지를 사용하는 경우에는 모두 의도적으로 채도를 낮춰 명암 대비가 낮기 때문에 이 기능을 유용하게 사용할 수도 있습니다. LUT를 적용하면 색보정 작업 후 영상록에 대한 아이디어를 얻을 수 있습니다.

DaVinci Resolve 또는 기타 색보정 소프트웨어를 사용해 3D LUT를 쉽게 생성할 수 있으며 다양한 소스를 통해 온라인으로 LUT를 얻을 수 있습니다. URSA Broadcast G2에 개별 용량이 최대 1.5 메가바이트인 17 포인트 또는 33 포인트 3D LUT를 최대 30개까지 저장할 수 있습니다. LUT를 불러오고 나면 해당 LUT를 LCD 터치스크린과 전면 SDI, 메인 SDI 출력에 모든 조합으로 디스플레이할 수 있습니다.

URSA Broadcast G2는 DaVinci Resolve에서 생성된 .cube 포맷의 33 포인트 3D LUT와 LUT 변환 프로그램을 통해 Resolve .cube 포맷으로 변환된 17 포인트 3D LUT를 지원합니다. 카메라에서는 고품질 4면체 보간법을 사용해 3D LUT를 처리합니다.

LUT 디스플레이 방법에 대한 자세한 정보는 본 설명서의 [모니터링 설정] 부분을 참고하세요.

참고 Blackmagic URSA Broadcast G2는 녹화 영상에 LUT 적용 또는 LUT 굽기가 기본 설정으로 되어있지 않지만, 'Bake In'을 선택하여 영상에 LUT를 함께 녹화할 수 있습니다.

후반 제작 단계에서 영상을 그레이딩할 시간이 없거나, 촬영 영상을 바로 고객 또는 편집자에게 전달해야하는 경우에 사용하기 유용한 기능입니다.

현장에서 LUT를 프리뷰 도구로 사용할 경우 적용한 LUT에 관한 정보는 녹화 영상에 메타데이터로 저장됩니다. DaVinci Resolve의 메타데이터 탭에 있는 'LUT Used'란에 이 정보가 나타나 컬러리스트는 이를 통해 촬영장에서 사용된 LUT 이름을 확인할 수 있습니다.


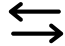

내장 LUT

URSA Broadcast G2에는 수많은 LUT가 내장되어 있어 필름 다이내믹 레인지 또는 Blackmagic RAW로 촬영하는 동안 각기 다른 영상룩을 미리보기 할 수 있습니다.

- **5세대 확장 비디오 모드로 촬영(Gen 5 Film to Extended Video)**
‘비디오 모드로 촬영’ LUT보다 훨씬 넓은 다이내믹 레인지를 제공하며, 하이라이트 롤오프가 부드러우며, 대비 변경이 자연스럽게 적용됩니다.
- **5세대 Rec 2020 하이브리드 로그 감마 모드로 촬영(Gen 5 Film to Rec 2020 Hybrid Log Gamma)**
HDR 화면에 적합하며 표준 다이내믹 레인지 화면과 호환되는 감마 곡선을 표시합니다.
- **5세대 Rec 2020 PQ 감마 모드로 촬영(Gen 5 Film to Rec 2020 PQ Gamma)**
사람의 눈으로 감지할 수 있는 감마 커브를 제공해 HDR 영상을 효율적으로 인코딩할 수 있습니다.
- **5세대 비디오 모드로 촬영(Gen 5 Film to Video)**
HD 비디오를 위한 REC 709 색 표준과 비슷하며, 콘트라스트 및 채도가 매우 높습니다. Blackmagic Studio Camera G2를 REC 709 색공간을 지원하는 다른 방송용 카메라와 함께 사용할 경우에 유용한 설정입니다.

LUT 버튼

URSA Broadcast G2의 'LUT' 탭 아래에 있는 버튼 아이콘은 다음과 같은 기능을 의미합니다.

		
로딩	관리	삭제

LUT 불러오기

3D LUT을 불러오기하려면 LUT 메뉴 하단에 있는 ‘관리’ 아이콘을 누르세요. URSA Broadcast G2의 경우, SD 또는 CFast 미디어 선택 스위치를 사용해 LUT가 저장된 미디어를 선택하세요. URSA Mini Recorder를 사용할 경우, USB-C 플래시 디스크 또는 SSD에 저장된 LUT를 불러오기할 수 있습니다.

‘불러오기 대상’ 옵션에서 불러오기하려는 LUT를 가진 카드 또는 드라이브를 선택하고 불러오기 버튼을 눌러 선택을 확인하세요. 화면 왼쪽 상단에 위치한 버튼을 사용하여 카메라 속 다른 카드 및 드라이브에 저장된 LUT를 화면에 나타나게할 수 있습니다.

URSA Broadcast G2에서는 선택한 저장 미디어에 저장된 루트 디렉터리와 ‘3DLUTS’ 폴더를 검색합니다. 다른 곳에 저장된 LUT는 나타나지 않습니다.

원하는 LUT를 누르고 ‘불러오기’ 버튼을 눌러 선택을 확인하세요. 해당 LUT가 URSA Broadcast G2에 저장됩니다.

참고 URSA Broadcast G2의 30개 3D LUT 슬롯이 가득 찬 경우, 기존의 LUT를 삭제해 저장 공간을 확보하기 전까지 불러오기 메뉴를 사용할 수 없습니다.

카메라에 이미 같은 이름의 LUT가 저장된 경우, 기존 LUT에 덮어쓰기 또는 모두 유지할 것인지를 묻는 메시지가 나타납니다. 이 화면 우측 상단에는 현재 카메라에 남아있는 LUT 슬롯 개수가 나타납니다. 카메라에 비어있는 슬롯 개수만큼 LUT를 불러올 수 있습니다.

참고 URSA Broadcast G2에 LUT를 불러오기 하는데 문제가 발생할 경우, LUT의 용량 문제일 수 있습니다. Lattice 같은 LUT 편집기를 사용해 용량을 확인하거나 컴퓨터에서 문서 편집기를 사용해 열어 보세요. LUT_3D_SIZE 태그 옆에 있는 숫자가 LUT의 용량을 나타냅니다. 이 숫자가 17 또는 33에 해당하지 않을 경우 Lattice를 사용해 3D LUT를 17 포인트로 조정할 수 있습니다.

LUT 적용하기

카메라에 LUT를 저장한 다음, LUT 메뉴에서 해당 LUT를 누르고 로딩 아이콘을 선택하세요. 그러면 모든 카메라 출력에 해당 LUT를 적용할 수 있습니다. 하지만 '모니터링' 메뉴에서 'LUT 디스플레이'를 눌러 해당 LUT를 적용할 출력을 각각 설정해야 합니다. 더 자세한 정보는 본 설명서의 [모니터링 설정] 부분을 참고하세요.

LUT 보내기

LUT를 CFast 또는 SD 카드에 보내기 하려면 원하는 LUT를 선택한 뒤, 관리 아이콘을 클릭하세요. LUT 관리 옵션에서 '선택한 LUT 보내기'를 선택하세요. LUT를 보내려는 위치에 따라 SD 카드 또는 CFast 미디어 선택 스위치를 사용해 LUT를 보내기 할 미디어를 선택할 수 있습니다. URSA Mini Recorder를 사용할 경우, LUT를 USB-C 플래시 디스크 또는 SSD로 보내기 할 수 있습니다.

'보내기 대상' 옵션에서 LUT를 저장하려는 카드 또는 드라이브를 선택하세요. '보내기'를 눌러 선택을 확인하세요. 보내기 하려는 카드 또는 드라이브에 중복 LUT가 발견될 경우, 카드에 있는 LUT에 덮어쓰기 할 것인지 아니면 모두 유지할 것인지를 묻는 메시지가 나타납니다.

LUT 삭제하기

URSA Broadcast G2에는 17 포인트 또는 33 포인트 3D LUT를 30개 저장할 수 있습니다. 더 이상 사용하지 않는 LUT를 사용하거나 저장 공간을 확보하려면 삭제할 LUT를 선택한 뒤, 삭제 아이콘을 누르세요. 선택을 확인하는 메시지가 나타납니다. '삭제' 버튼을 눌러 선택을 확인하세요.

임베디드 3D LUT

URSA Broadcast G2에서 Blackmagic RAW 포맷으로 촬영하는 동안 3D LUT를 적용할 경우, 선택한 LUT가 현재 녹화 중인 Blackmagic RAW 파일에 임베드됩니다. 3D LUT는 .braw 파일 헤더에 저장되며, 후반 제작 과정에서 해당 LUT를 푸티지에 손쉽게 적용할 수 있어 별도의 파일을 사용할 필요가 없습니다.

편집자나 컬러리스트에게 Blackmagic RAW 파일을 전달하면 촬영 중에 사용된 LUT에 손쉽게 접속할 수 있어 클립에 잘못된 3D LUT가 적용될 가능성이 현저하게 낮아집니다. 영상 편집 또는 색보정 작업 중에 해당 3D LUT의 적용 여부를 선택할 수 있으며, 적용된 3D LUT는 언제든지 비활성화시킬 수 있습니다.

URSA Broadcast G2의 '녹화' 메뉴에서 '파일에 LUT 적용하기' 스위치를 활성화하면 Blackmagic RAW 플레이어 및 DaVinci Resolve에서 녹화 클립이 항상 선택한 3D LUT가 적용된 상태로 재생됩니다. 3D LUT는 쉽게 켜고 끌 수 있는데 이는 해당 정보가 클립 자체에 입력되어 Blackmagic RAW 파일에 항상 남아있기 때문입니다.

DaVinci Resolve의 LUT RAW 설정 팔레트에는 Blackmagic RAW 파일에서 3D LUT를 활성화 또는 비활성화할 수 있는 'Apply LUT' 스위치가 있습니다. DaVinci Resolve의 'Apply LUT' 설정은 카메라에 있는 설정과 동일합니다. 다시 말해, 촬영할 때 컬러리스트들이 카메라에 설정해둔 LUT를 사용하도록 안내할 수 있지만, 언제든지 DaVinci Resolve에서 'Apply LUT'를 'OFF'로 설정해 해당 LUT를 쉽게 끌 수 있습니다.

메타데이터 입력

메타데이터는 클립 속에 저장된 샷 넘버와 카메라 설정, 기타 식별 정보 등을 의미합니다. 이는 후반 작업에서 영상을 분류 및 처리할 때 사용하기 유용한 정보입니다. 예를 들어, 테이크/샷/신 넘버가 영상을 구성하는 필수적인 도구라면 렌즈 정보는 자동으로 왜곡 현상을 제거하거나 VFX 요소가 플레이트에 더욱 잘 어울리도록 만드는 데 사용됩니다.

URSA Broadcast G2에서는 카메라 설정과 타임코드, 날짜 및 시간 등의 일부 메타데이터가 자동 저장됩니다. 카메라 슬레이트에 다양한 부가 정보를 추가할 수 있습니다.

슬레이트

URSA Broadcast G2의 터치스크린을 좌/우로 쓸어 넘기면 슬레이트가 나타납니다.

슬레이트 메뉴는 '클립'과 '프로젝트' 두 가지 탭으로 구성되어 있습니다. '클립' 탭에서는 클립마다 각기 다른 정보를 설정할 수 있는 반면, '프로젝트' 탭에서는 프로젝트 이름과 감독, 카메라, 운영자 ID 등의 정보를 모든 클립에 일괄 적용할 수 있습니다. '렌즈 데이터' 탭에는 현재 카메라에 장착된 렌즈 정보가 표시됩니다. 렌즈가 카메라에 정보를 자동으로 전송할 경우, 이 곳에 해당 정보가 나타납니다. 렌즈 데이터 역시 수동으로 입력 가능합니다.

정보 '모니터링' 탭에서 '상태 표시 텍스트를 디스플레이할 대상' 항목이 '감독'을 설정되어 있는 경우, 슬레이트에 입력한 메타데이터를 URSA Broadcast G2의 전면 혹은 메인 SDI 출력에서 확인할 수 있습니다. 더 자세한 정보는 본 설명서의 [모니터링 설정] 부분을 참고하세요.

클립 메타데이터

클립 메타데이터에 변경된 사항은 URSA Broadcast G2가 녹화 준비를 마친 대기 모드와 이미 녹화한 영상을 확인하는 재생 모드에서 조금씩 다르게 작동합니다. 대기 모드에서는 클립 메타데이터가 다음 녹화 클립에 저장됩니다. 단, 가장 최근에 녹화된 클립을 지칭하는 '마지막 클립에 굿 테이크 표시하기'일 경우는 제외됩니다.

재생 모드에서는 항상 현재 화면에 보이는 클립에 클립 메타데이터가 녹화됩니다.



URSA Broadcast G2의 슬레이트 메뉴는 '클립'과 '프로젝트'의 두 가지 탭으로 나뉘어 있습니다.

슬라이드를 적용할 클립

이 설정은 클립에 현재 표시된 메타데이터를 적용시킬 클립을 보여줍니다. 대기 모드에서는 다음에 녹화될 클립을 지칭합니다.

렌즈 유형

이곳에는 카메라에 장착도니 렌즈에 관한 정보가 나타납니다. '렌즈 유형' 데이터에 관한 자세한 정보는 아래 '렌즈 데이터' 부분을 참고하세요.

릴

릴 표시 장치에 현재 릴이 표시됩니다.

URSA Broadcast G2에서는 릴 번호가 자동 증가해 일반적인 경우에는 수동으로 입력할 필요가 없습니다. 새로운 프로젝트로 이동해 릴 번호 1부터 시작해야 하는 경우 '프로젝트' 탭으로 이동해 '프로젝트 데이터 초기화'를 누르세요.

신

'신' 상태 정보를 통해 현재 신 번호가 표시되며 현재 샷 번호와 샷 유형도 표시할 수 있습니다.

이 표시의 숫자는 항상 현재 장면을 나타냅니다. 신 번호 양옆의 좌/우 화살표를 사용해 숫자를 조절할 수 있으며 신 번호를 눌러 편집기로 이동할 수도 있습니다.

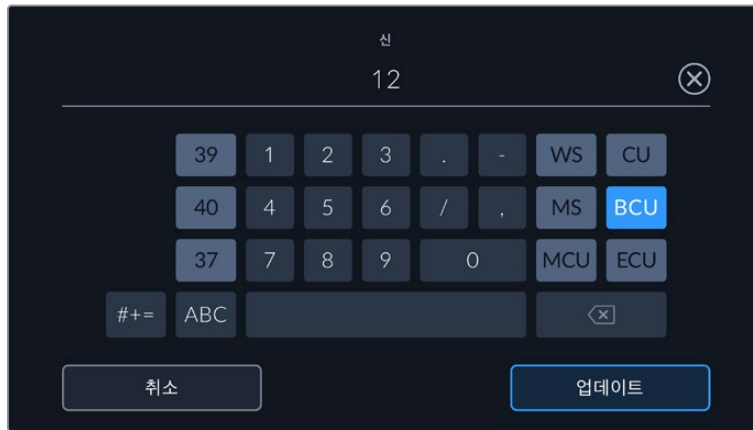
신 번호는 1부터 999까지 설정할 수 있습니다.

신 번호 편집기에서 신 번호 뒤에 알파벳을 추가해 현재 샷을 표시할 수도 있습니다. 예를 들어 23A는 신 번호 23과 샷 1을 의미합니다. 신 번호에 샷 알파벳이 추가된 경우 카메라에서 신 번호 편집기에 들어갈 때마다 다음 신 번호와 샷 알파벳이 나타납니다. 현재 신 번호가 7B일 경우 카메라는 8과 7C를 제안합니다.

신 번호 표시 우측 상단에는 현재 샷 유형과 관련된 정보 또한 표시됩니다. 이 설정은 키보드 우측에 있는 신 번호 편집기에서 선택 가능합니다.

사용 가능한 샷 유형은 다음과 같습니다.

WS	와이드 샷
MS	미디엄 샷
MCU	미디엄 클로즈업
CU	클로즈업
BCU	빅 클로즈업
ECU	익스트림 클로즈업



'신' 메타데이터 입력 시, URSA Broadcast G2의 터치 키보드 왼쪽에는 자동 증가 번호가 나타나고 오른쪽에서는 숫 유형이 나타납니다.

테이크

테이크 표시에는 현재 숫의 테이크 번호를 표시합니다. 테이크 번호 양옆의 좌/우 화살표를 사용해 숫자를 높이거나 낮출 수 있으며 표시 장치를 눌러 편집기로 이동할 수도 있습니다.

정보 숫 번호 또는 장면 번호를 앞당기면 테이크 번호가 '1'로 되돌아갑니다.

테이크 번호 편집기에서 테이크 관련 설명을 추가할 수 있습니다. 테이크 번호 키보드 우측에 표시되는 표시는 다음과 같은 상황을 나타냅니다.

- PU** 보충 촬영(Pick up). 주요 촬영이 끝난 뒤, 기존 테이크를 메꾸기 위한 보충 촬영 기능입니다.
- VFX** 시각 효과(VFX). 시각 효과를 위한 테이크 및 숫을 말합니다.
- SER** 시리즈(Series). 카메라 촬영 도중 테이크가 여러개 촬영된 상황을 나타냅니다.



'A'를 누르면 대기 모드에서 각 클립의 테이크 번호가 자동으로 증가합니다. 해당 기능이 활성화되면 슬레이트의 테이크 번호 옆에 A가 작게 표시됩니다.

'테이크' 메타데이터 입력 시, URSA Broadcast G2의 터치 키보드 오른쪽에 숫 유형 입력창이 추가로 나타납니다.

굿 테이크

‘굿 테이크’를 누르면 깃발 표시가 추가되어 후반 작업 시 편리하게 불러올 수 있습니다. 이 태그는 URSA Broadcast G2가 대기 모드로 설정된 경우에 한 해 최근 녹화한 클립이나 재생 모드로 최근 확인한 클립 모두에 적용 가능합니다.

내부/외부

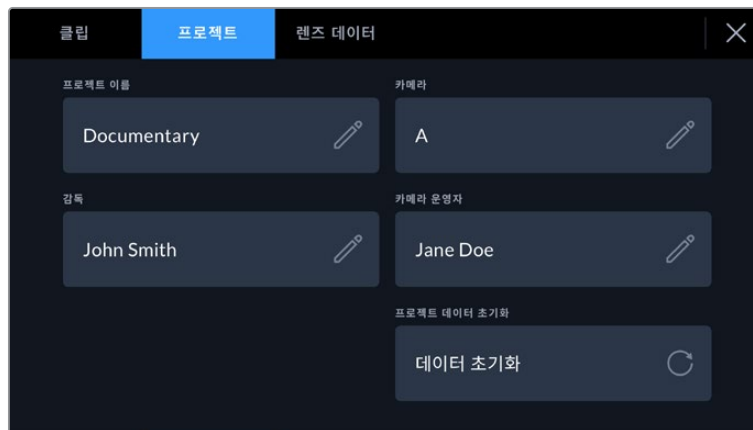
‘내부’ 혹은 ‘외부’ 아이콘을 누르면 대기 모드에서는 앞으로 녹화될 클립에, 재생 모드에서는 현재 클립에 내부 또는 외부 태그를 추가할 수 있습니다.

낮/밤

‘낮’ 혹은 ‘밤’ 아이콘을 누르면 대기 모드에서는 다음 녹화될 클립에, 재생 모드에서는 현재 클립에 낮/밤 태그를 추가할 수 있습니다.

프로젝트 메타데이터

프로젝트 메타데이터는 대기 모드 또는 재생 모드에 관계 없이 동일한 방식으로 작동합니다. 이 메타데이터는 프로젝트 전체에 해당되며 클립 번호와는 관련이 없습니다.



URSA Broadcast G2의 '프로젝트' 슬라이드 탭.

프로젝트 이름

현재 프로젝트의 이름을 표시합니다. 연필 아이콘을 눌러 프로젝트 이름을 변경하세요.

카메라

글자로 된 카메라 색인을 표시합니다. 연필 아이콘을 눌러 카메라 색인을 변경하세요.

감독

현재 프로젝트의 감독 이름을 표시합니다. 연필 아이콘을 눌러 감독 이름을 변경하세요.

참고 카메라 색인은 메타데이터와 파일명을 생성하는데 사용되는데, 이는 ATEM 스위처로 URSA Broadcast G2를 제어할 때 사용하는 URSA Broadcast G2의 ATEM 카메라 ID와는 다릅니다. ATEM 카메라 ID에 대한 자세한 정보는 본 설명서의 [스튜디오 카메라 컨트롤 이해하기] 부분을 참고하세요.

카메라 운영자

카메라 운영자를 표시합니다. 연필 아이콘을 눌러 카메라 운영자 이름을 변경하세요.

프로젝트 데이터 초기화

‘데이터 초기화’ 버튼을 누르고 선택을 확인하면 프로젝트 데이터가 모두 삭제됩니다. 프로젝트에 입력된 모든 데이터가 삭제됩니다.

렌즈 데이터

‘렌즈 데이터’ 페이지에는 URSA Broadcast G2에 장착된 렌즈에 관한 정보가 나타납니다. 대부분의 전자식 렌즈는 렌즈 모델과 조리개, 초점 거리 등의 정보를 자동으로 제공합니다.

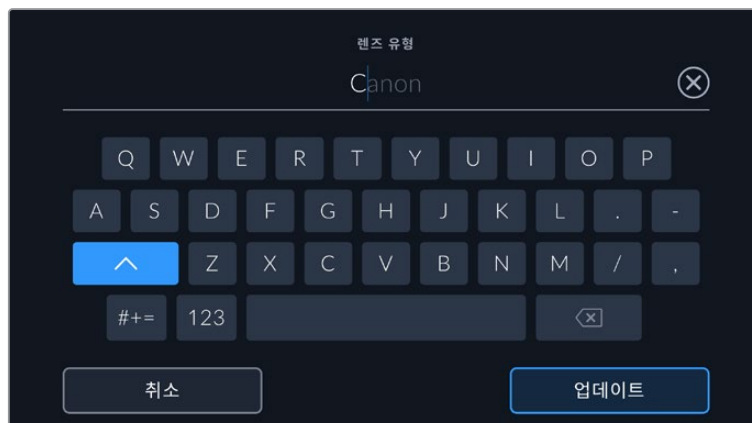
이런 정보를 제공하지 않는 렌즈를 사용하고 있거나 추가 정보를 입력하고자 하는 경우, 연필 모양 아이콘을 눌러 정보를 수동으로 입력할 수 있습니다. 그러면 다음과 같은 정보가 담긴 ‘렌즈 데이터’ 메뉴가 나타납니다.



Fujinon 렌즈에서 자동으로 입력된 정보를 보여주는 '렌즈 데이터' 페이지

· 렌즈 유형

렌즈 모델이 표시됩니다. 렌즈 종류가 자동으로 나타나지 않을 경우, 이 설정을 눌러 해당 정보를 수동으로 입력할 수 있습니다.



렌즈 데이터가 자동으로 제공되지 않을 시 터치 키보드를 사용해 입력할 수 있습니다.

· 조리개

클립 시작 부분의 조리개 설정이 표시됩니다. 이러한 정보가 자동으로 제공될 경우, 렌즈 사용 여부에 따라 해당 정보가 F값 또는 T값으로 표시됩니다. 렌즈의 조리개 정보가 자동으로 나타나지 않을 경우에는 이 설정을 눌러 해당 정보를 수동으로 입력할 수 있습니다.

- **렌즈 초점 거리**

녹화된 클립 시작 부분의 렌즈 초점 거리 설정이 표시됩니다. 정보를 자동 제공하는 경우 초점 거리는 밀리미터로 표시됩니다. 렌즈의 초점 거리 정보가 자동으로 나타나지 않을 경우에는 이 설정을 눌러 해당 정보를 수동으로 입력할 수 있습니다.

- **거리**

녹화 클립의 피사체 거리 정보 설정이 표시됩니다. 일부 렌즈에서는 이 데이터가 밀리미터로 자동 제공됩니다. 렌즈의 피사체 거리 정보가 자동으로 나타나지 않을 경우에는 이 설정을 눌러 해당 정보를 수동으로 입력할 수 있습니다.

- **필터**

현재 렌즈에 사용된 필터가 표시됩니다. 이 설정을 눌러 데이터를 수동으로 입력할 수 있습니다. 콤마를 사용해 여러 개를 입력할 수 있습니다.



필터 정보는 수동으로 입력해야 합니다.

렌즈 데이터 초기화

‘데이터 초기화’ 버튼을 누르면 언제든지 렌즈 데이터를 삭제할 수 있습니다. 선택을 확인하는 메시지가 나타납니다. 이 설정은 렌즈와의 통신을 다시 초기화하고 전자상으로 입력된 데이터를 리프레시하며, 수동으로 입력된 모든 정보 또한 삭제됩니다.

자이로 안정화

URSA Broadcast G2 카메라에서 내부 모션 센서의 팬/틸트/롤 데이터를 자동으로 녹화합니다. 이 데이터는 자이로 데이터라고도 하는데, DaVinci Resolve에서 해당 정보를 사용해 핸드헬드 샷을 안정화시킵니다.

녹화를 시작하기 전에 카메라의 모션 센서를 보정해야 정확한 자이로 데이터를 얻을 수 있습니다. 더 자세한 정보는 ‘모션 센서 보정’ 하단의 ‘설정’ 부분을 참고하세요.

참고 자이로 안정화 기능을 활성화하려면 먼저 렌즈의 광학 이미지 안정화 기능이 꺼져 있는지 확인하세요. 광학 안정화 기능이 내장된 EF 및 B4 렌즈의 경우엔 해당 기능을 직접 켜고 끌 수 있는 스위치가 탑재되어 있습니다.

수동 렌즈를 사용해 자이로 데이터 녹화하기

자이로 데이터가 최상의 조건에서 작동하려면 정확한 렌즈 초점 거리 정보가 필요합니다. 해당 정보는 메타데이터에 포함되어 있으며 EF 및 B4 렌즈 사용 시 자동으로 녹화됩니다. 카메라와의 전자식 통신을 지원하지 않는 수동 렌즈나 아날로그 B4 렌즈의 경우, 해당 정보를 카메라 슬레이트에 직접 입력해야 합니다.

- 1 카메라 터치스크린을 좌/우로 쓸어 넘기면 슬라이드 화면이 나타납니다.
- 2 '렌즈 데이터' 탭을 누르세요.
- 3 '렌즈 초점 거리' 영역에 현재 사용 중인 렌즈의 초점 거리를 입력하세요. 예를 들어, 초점 거리가 8mm인 아날로그 B4 렌즈를 사용 중인 경우엔 '8mm'라고 입력하면 됩니다.



카메라와의 전자식 통신을 지원하지 않는 렌즈 사용 시에는 렌즈 데이터를 직접 입력하세요.

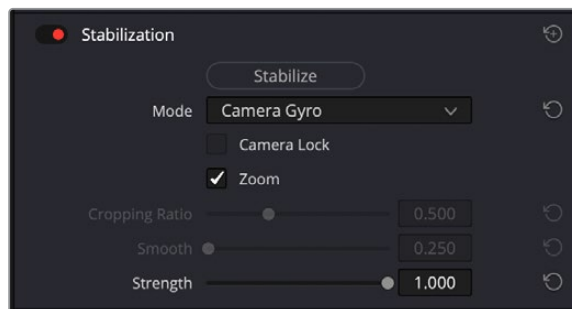
참고 수동 렌즈나 아날로그 렌즈의 초점 거리 변경 시, 해당 정보를 매번 업데이트해야 합니다. 전자식 렌즈를 사용하는 경우엔 메타데이터에 자동으로 덮어쓰기 됩니다.

DaVinci Resolve에서 자이로 안정화 기능 적용하기

클립을 불러와 타임라인에서 설정한 이후

- 1 '편집' 페이지의 인스펙터 창으로 이동해 'Stabilization'을 검색하세요.
- 2 안정화 모드를 'Gyro'로 설정하세요.
- 3 'Stabilize'를 클릭하세요.

상태 표시바를 통해 안정화 완료 여부를 알 수 있습니다.



인스펙터 창에서 'Camera Gyro'를 선택하면 자이로 데이터를 사용해 푸티지를 안정화시킬 수 있습니다.

정보 셔터 개각도를 45도와 같이 좁게 설정해 촬영하면 모션 블러가 최소화되어 만족스러운 결과물을 얻을 수 있습니다.

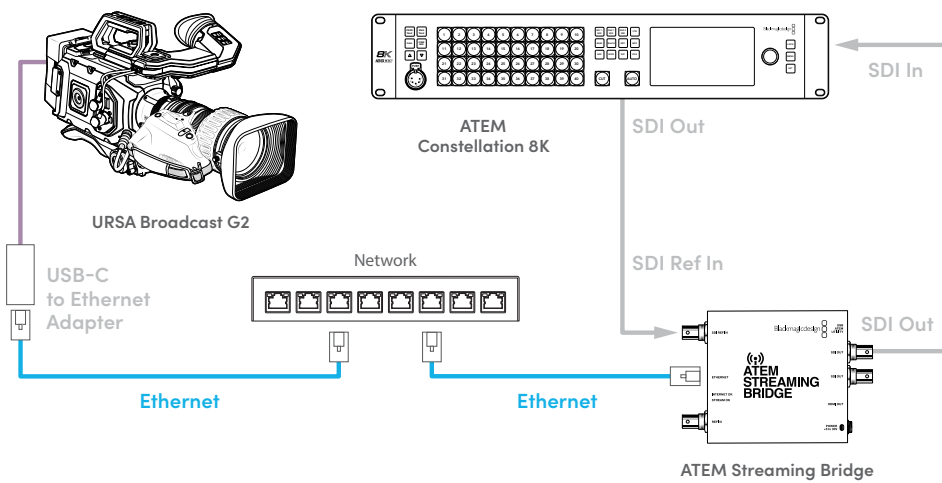
비디오 스트리밍하기

URSA Broadcast G2에는 카메라에서 유튜브, 페이스북 라이브, 트위치같은 플랫폼에 바로 스트리밍할 수 있는 스트리밍 엔진이 카메라 안에 내장되어 있습니다.

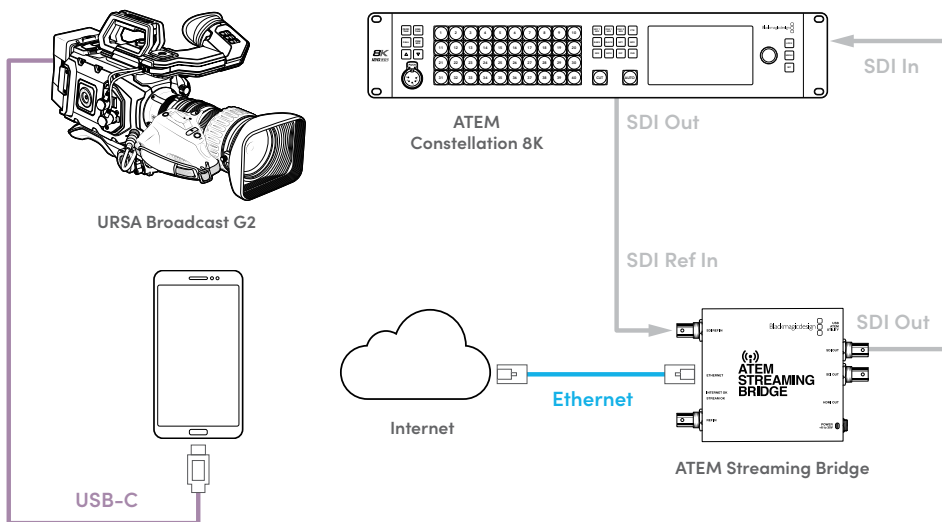
URSA Broadcast G2를 동일한 이더넷 네트워크 상의 ATEM 스위처에 연결하거나, ATEM Streaming Bridge를 사용하여 인터넷을 통해 전 세계 어디든 연결할 수 있습니다. ATEM 스위처로 스트리밍하는 경우에는 탈리, 토크백, 카메라 컨트롤 제어 기능 또한 설정 메뉴에 포함됩니다.

아래 예시는 ATEM Streaming Bridge를 사용하여 URSA Broadcast G2와 ATEM 스위처가 연결된 모습을 보여줍니다. 첫 번째 예시는 네트워크를 통해 연결된 모습이며, 두 번째 예시는 스마트폰을 사용하여 인터넷을 통해 영상이 전송되는 모습입니다.

네트워크를 통한 연결



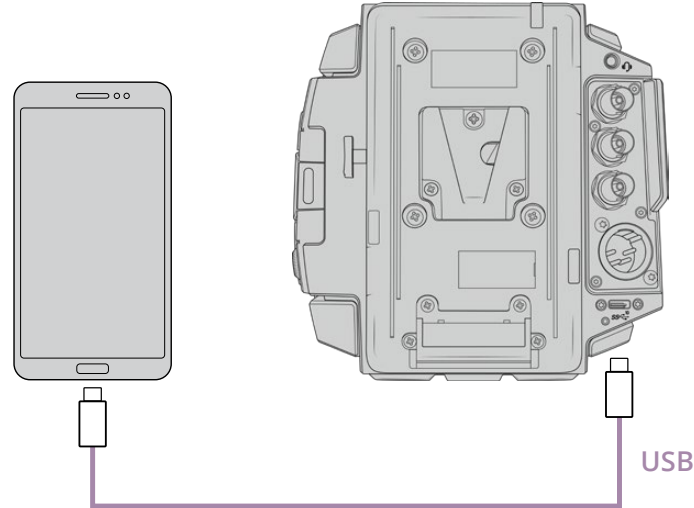
인터넷을 통한 연결



참고 이더넷 어댑터를 통해 스트리밍할 경우, Belkin USB-C 대 기가비트 이더넷 어댑터 사용을 권장합니다. 다른 종류의 USB-C 이더넷 어댑터도 사용할 수는 있지만, Belkin 어댑터에서 사용하는 칩셋이 RTMP 스트리밍 영상 워크플로에 가장 안정적입니다.

스마트폰 셋업

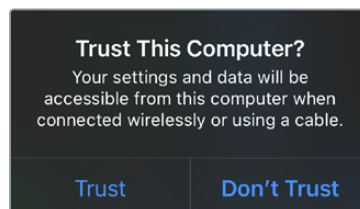
USB-C 케이블을 사용하여 카메라의 USB-C 확장 포트에 스마트폰을 연결하세요. 4G 또는 5G 스마트폰 셀룰러 연결이 가능한 곳이면 전 세계 어디서든 신속하게 연결을 설정하고 스트리밍할 수 있습니다.



설정

인터넷 스트리밍을 위한 스마트폰 설정 첫 단계로 핫스팟이 활성화되어 있는지 확인하세요.

- 1 사용하는 iOS 장치에서 '설정' > '개인용 핫스팟'으로 이동하여 '다른 사람의 연결 허용' 옵션을 켜세요.
- 2 연결된 컴퓨터를 신뢰하는지 묻는 메시지가 나타납니다. '신뢰'를 선택하면 초록색 테더링 아이콘이 화면에 나타나며 연결이 제대로 이루어졌음을 표시합니다.



활성화되면 테더링
아이콘이 나타납니다.

테더링 기능이 활성화되어 있는 동안 초록색 배경 아이콘에 스마트폰 시계가 항상 나타납니다.

안드로이드 장치를 사용하는 경우 화면을 쓸어넘겨 킥 메뉴에 접속하세요. 핫스팟 아이콘을 길게 누른 다음, USB 테더링 기능을 켜세요.

정보 스트리밍이 끝나고 휴대폰의 테더링 연결을 끄면 배터리 수명을 절약할 수 있습니다.

ATEM 카메라 ID 설정하기

카메라 설정 메뉴 중 하나인 'ATEM 카메라 ID'는 ATEM 스위치의 어느 SDI 입력에 URSA Broadcast G2를 연결하는지 결정합니다. 카메라 ID가 스위치의 입력 번호와 일치할 경우, 카메라에서 해당 입력을 위한 탈리 데이터를 인식하여 탈리와 카메라 컨트롤 기능을 올바르게 작동시킵니다.

카메라의 ATEM 카메라 ID 설정에 관한 자세한 정보는 본 설명서 앞부분의 [설정] 부분을 참고하세요.

XML 파일 생성하기

XML 설정 파일을 생성하려면 ATEM Streaming Bridge의 이더넷 포트를 인터넷 라우터 또는 네트워크 스위치에 꽂아 인터넷에 연결하세요.

USB-C 케이블로 ATEM Streaming Bridge를 사용 중인 컴퓨터에 연결하고 ATEM Setup을 실행하세요.

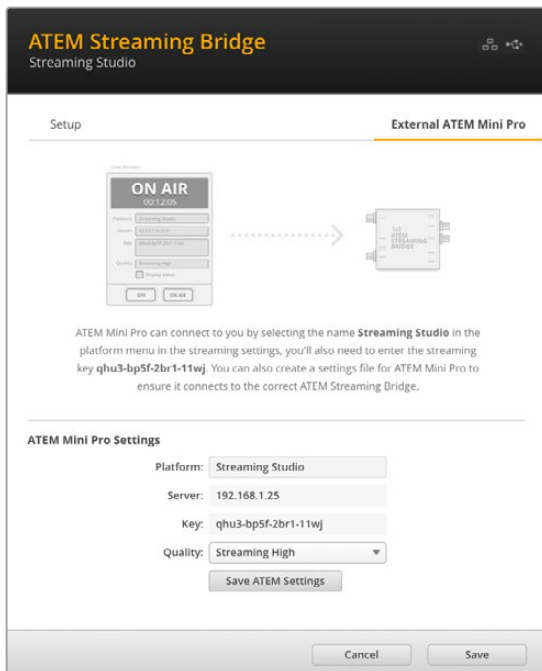
'설정' 탭에서 네트워크가 올바르게 설정되어 있는지 확인하고, '스트림 서비스' 옵션을 '인터넷'으로 선택하세요. 인터넷 상태 창에 'Visible Worldwide'가 나타나는 것을 확인할 수 있습니다. 이는 모든 것이 올바르게 작동되고 있음을 의미합니다.

포트 포워딩에 관한 노트

'인터넷 상태' 창에 포트 포워딩 또는 UPnP 에러가 나타날 경우, 사용하는 인터넷 업체나 네트워크 관리자에게 문의하여 사용하는 인터넷 연결의 포트 포워딩을 'TCP port 1935'로 설정하세요.

XML 파일 보내기

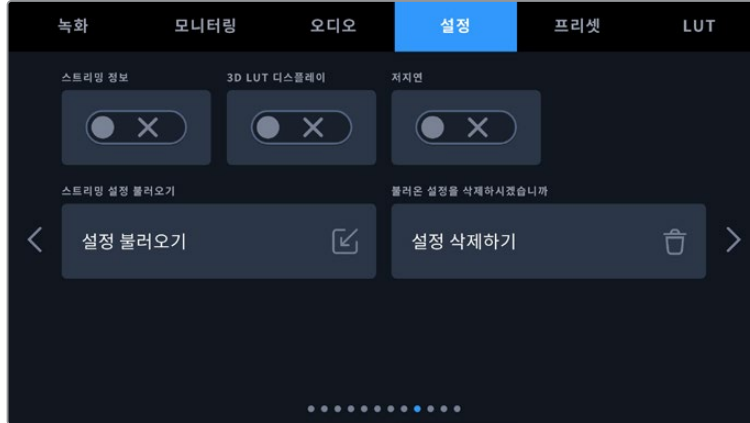
ATEM Setup 탭에서 ATEM Streaming Bridge가 현재 사용 중인 네트워크 또는 인터넷에 올바르게 연결되어 있는지 설정을 확인한 다음, XML 설정 파일을 익스포트 하세요.



- 1 창의 우측 상단에 있는 '외부 ATEM Mini Pro' 탭을 클릭하세요.
- 2 '플랫폼' 상자를 클릭하고 새로운 이름을 입력하세요. 원거리에서 있는 위치한 Blackmagic URSA Broadcast G2의 플랫폼 메뉴에 해당 이름 목록이 나타납니다.
- 3 원하는 스트리밍 화질을 선택하세요. 원거리에서 위치한 URSA Broadcast G2의 화질을 설정하세요.
- 4 'ATEM 설정 저장하기' 버튼을 클릭하고, XML 파일을 저장하려는 위치를 지정한 다음, '저장' 버튼을 클릭하세요.
- 5 저장된 XML 파일을 원격으로 운영자에게 이메일로 전송할 수 있습니다.

XML 파일 로딩하기

URSA Broadcast G2에 XML 설정 파일을 불러오려면 파일을 SD 카드 또는 CFast 카드, USB-C 플래시 디스크에 복사하세요.



- 1 카메라 '설정' 메뉴의 9번째 페이지에서 '설정 불러오기' 버튼을 누르세요.
- 2 화면 상단에서 XML 설정 파일이 저장된 카드 또는 드라이브를 누르세요. 파일명을 선택한 뒤, '불러오기'를 누르세요. 셋업 파일을 성공적으로 불러오면 카메라 플랫폼 메뉴에서 ATEM Streaming Bridge가 자동으로 선택됩니다.

이제 카메라에서 라이브 스트리밍 버튼을 누르면 스트리밍이 시작됩니다.

스튜디오에 있는 스위치 운영자가 카메라로 전환하여 셋업이 제대로 설정되었는지 테스트해볼 수 있습니다. 카메라 LCD 테두리에 들어오는 빨간색 탈리와 함께 카메라에 탈리 라이트가 들어오는 것을 확인할 수 있습니다. 카메라를 프리뷰 출력으로 전환하면 탈리에 초록불이 들어옵니다.



ATEM Software Control의 카메라 페이지에서 조리개와 페디스털을 조절하여 카메라 컨트롤 기능을 테스트해보세요

URSA Mini Shoulder Kit

숄더 세트 장착하기

URSA Mini Shoulder Kit를 장착하면 URSA Broadcast G2를 ENG 카메라처럼 사용해 촬영할 수 있습니다. 숄더패드, 베이스 플레이트, 상단 핸들, 뷰파인더 어댑터 플레이트를 포함한 URSA Mini Shoulder kit 아이템 대부분은 구입하신 URSA Broadcast G2와 함께 배송됩니다. URSA Mini의 익스텐션 암과 긴 LANC 케이블은 추가 액세서리로 구입하실 수 있습니다.

베이스 플레이트에 있는 퀵 릴리즈 마운트를 사용해 카메라를 ENG 스타일의 삼각대에 고정시키거나 어깨에 올려 액션을 따라 이동할 수 있습니다.

URSA Mini Shoulder Kit는 모든 종류의 Sony VCT 14 삼각대 플레이트와 호환 가능합니다. 이 플레이트는 카메라 상점이나 온라인에서 쉽게 구할 수 있습니다.

또한, VCT U14 플레이트로 제작된 삼각대 마운트는 다른 시스템이 적용되어 호환되지 않음을 알려드립니다.

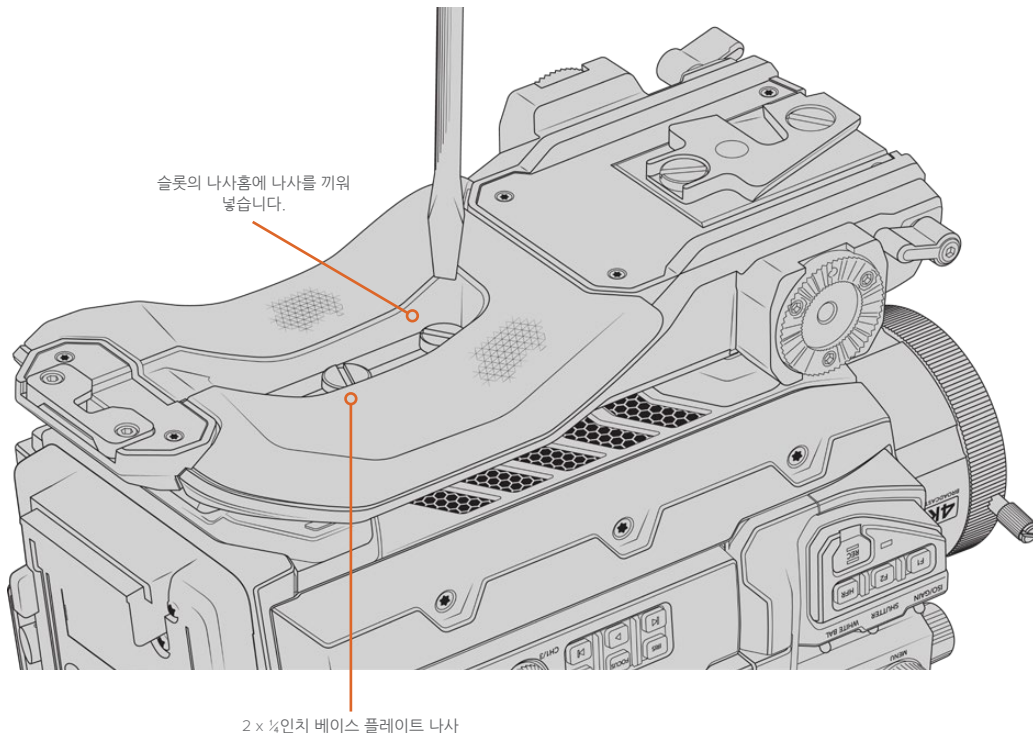
숄더 세트를 장착할 경우, 다음과 같은 도구가 필요합니다.

- 1x 일자 드라이버(2개의 ¼인치 숄더 마운트 베이스 플레이트 나사용).
- 1x 3/16인치 육각 드라이버(2개의 ¼인치 상단 핸들 나사용).



숄더 마운트 세트를 URSA Broadcast G2에 장착하려면, 대형 십자 드라이버와 3/16인치의 육각 드라이버(상단 핸들용)이 필요합니다.

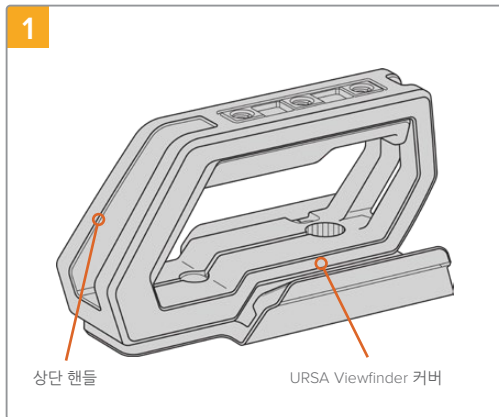
숄더 패드와 베이스 플레이트 장착하기



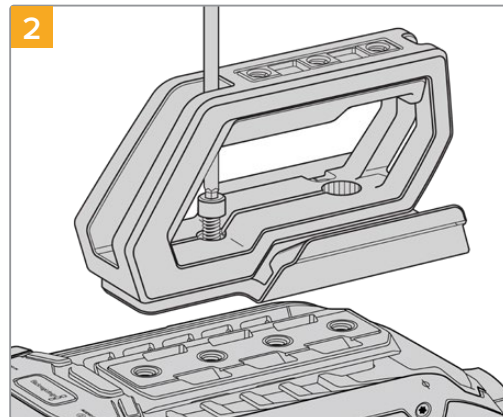
- 1 URSA Broadcast G2를 평평하고 안정적인 장소에 살며시 뒤집어 놓으면 카메라 아래쪽 작업을 편리하게 진행할 수 있습니다.
- 2 2개의 1/4인치 십자 나사와 드라이버 사용해 솔더 마운트 플레이트를 URSA Broadcast G2에 고정하세요.
- 3 베이스 플레이트가 단단하게 고정될 때까지 나사를 조입니다. 나사를 너무 많이 조이면 나삿니가 파손될 수 있으니 주의하세요.

URSA Viewfinder 어댑터를 사용한 상단 핸들 장착 방법

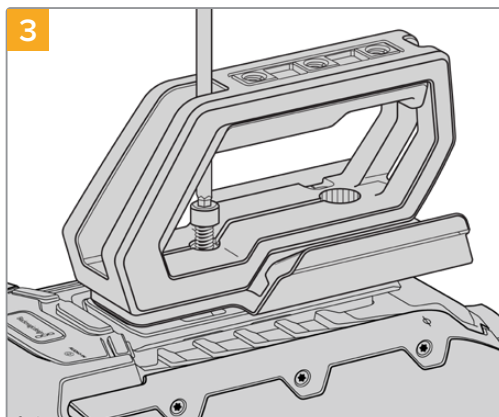
URSA Viewfinder 어댑터 플레이트와 함께 장착할 수 있는 상단 핸들이 제공됩니다. Blackmagic URSA Viewfinder 설치 방법에 관한 자세한 정보는 설명서 다음 부분을 참고하세요.



URSA Broadcast G2를 평평하고 안정적인 장소에 놓으면 카메라 상단 작업을 편리하게 진행할 수 있습니다.



URSA Broadcast G2의 상단에 있는 1/4인치 나사홈 중 2곳에 함께 제공된 1/4인치 나사를 넣고 3/16인치 육각 드라이버로 조입니다. 대부분의 경우에 URSA Broadcast G2 뒤쪽에 있는 두 개의 나사홈을 사용할 것을 권장해 드리지만, 대형 렌즈를 사용하는 경우에는 카메라를 더욱 균형 있게 조절할 수 있도록 렌즈에 맞는 나사홈을 사용할 것을 권장합니다.



핸들이 단단하게 고정될 때까지 나사를 조여 쉽게 풀리지 않도록 합니다. 나사를 너무 많이 조이면 나삿니가 파손될 수 있으니 주의하세요.

URSA Mini Shoulder Kit의 익스텐션 암과 LANC 케이블은 추가 액세서리로 구입하실 수 있습니다.

익스텐션 암 장착하기

B4 렌즈에는 보통 렌즈 본체에 손잡이가 탑재되어 있어 URSA Broadcast G2를 어깨에 올려 촬영하는 경우엔 사이드 핸들이 따로 필요 없습니다.

다른 종류의 렌즈 마운트가 장착된 경우, URSA Mini 사이드 핸들을 익스텐션 암에 장착하면 카메라를 어깨에 올려두고 편안하게 촬영할 수 있습니다.

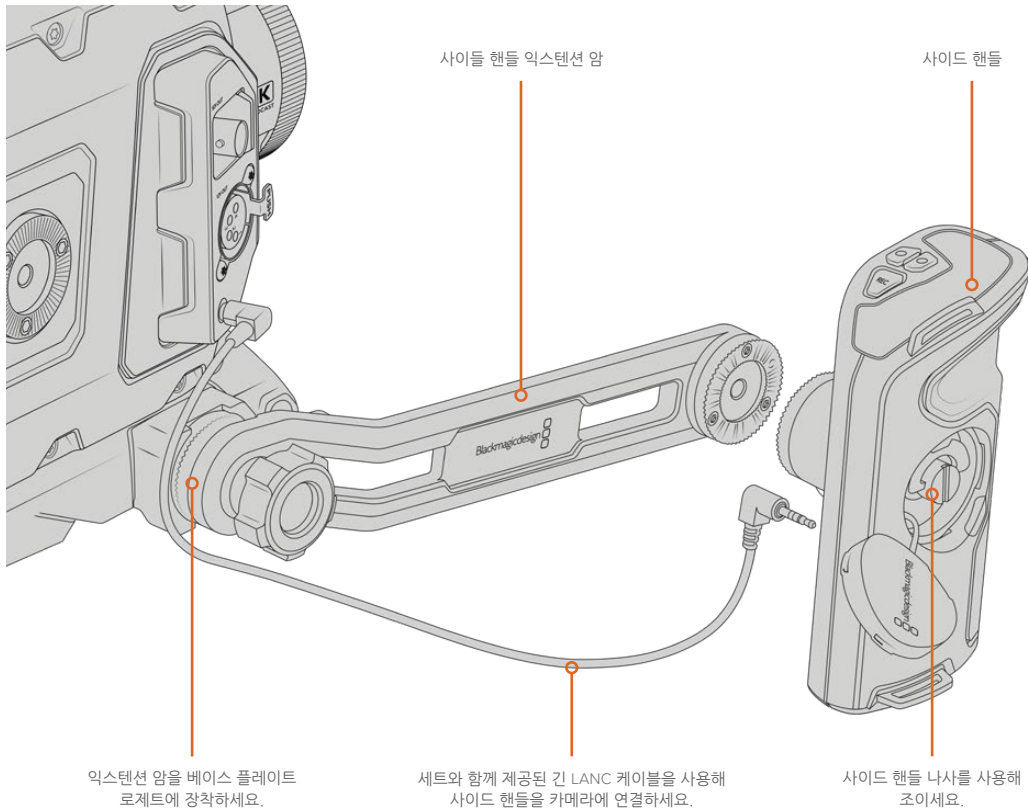
URSA Mini Shoulder Kit에는 익스텐션 핸들과 길이가 긴 LANC 케이블이 포함되어 있어 사이드 핸들을 인체공학적으로 좀 더 편안한 위치에 설치할 수 있습니다.

사이드 핸들 익스텐션 암 설치하기

- 1 URSA Broadcast G2를 평평하고 안정적인 장소에 두고 익스텐션 암의 한쪽 끝을 움직여 충분한 공간을 확보하세요. URSA Broadcast G2를 삼각대에 설치하면 좀 더 쉽게 작업할 수 있습니다.
- 2 익스텐션 암의 한쪽 톱니 모양 끝을 베이스 플레이트 로제트에 장착하고 적절한 위치로 내린 뒤, 함께 제공된 로제트 나비 나사로 조입니다.
- 3 익스텐션 암 앞쪽의 로제트에 사이드 핸들을 설치하세요. 대형 일자 드라이버를 사용해 사이드 핸들 나사를 조이거나 D링을 엄지 및 검지 손가락으로 돌려 장착하세요.
- 4 URSA Mini Shoulder Kit와 함께 제공되는 긴 LANC 케이블을 사용해 사이드 핸들 LANC 출력을 카메라 LANC 입력에 연결하세요.

로제트 나사를 풀고 몸에 맞게 조정해 나사를 다시 조이면 누구나 쉽게 익스텐션 암과 사이드 핸들을 원하는 대로 조정할 수 있습니다.

이제 URSA Broadcast G2 Shoulder Mount Kit가 카메라에 장착되어 더욱 신속하게 이동하면서 촬영할 수 있을 뿐만 아니라, 삼각대에 바로 설치해 안정된 고정shots을 얻을 수 있습니다.



Blackmagic URSA Viewfinder

Blackmagic URSA Viewfinder는 Blackmagic URSA Broadcast G2를 위해 제작된 강력한 전자식 뷰파인더입니다. 1080HD 컬러 OLED 디스플레이와 정밀 유리 광학 기술을 탑재해 밝고 선명하며, 실감나는 영상을 제공하므로 초점을 쉽게 잡고 영상에서 훌륭한 디테일을 확인할 수 있습니다.

이 뷰파인더는 어깨에 메고 촬영하는 핸드헬드 작업의 경우나, 매우 밝은 환경에서 촬영해 반사나 눈부심 등 한 치의 오차도 허용되지 않는 상황에 사용하기 적합한 제품입니다.

카메라에 연결해 전원을 공급받는 형태로, 카메라의 임베디드 SDI 정보를 사용해 다양한 디스플레이 옵션을 생성합니다. 다시 말해, 카메라에서 출력된 클린 SDI 피드가 뷰파인더로 전송되지만, 뷰파인더 자체에서 다양한 디스플레이 옵션을 켜고 끌 수 있어 카메라 상태 및 정보를 정확하고 신속하게 확인할 수 있습니다.

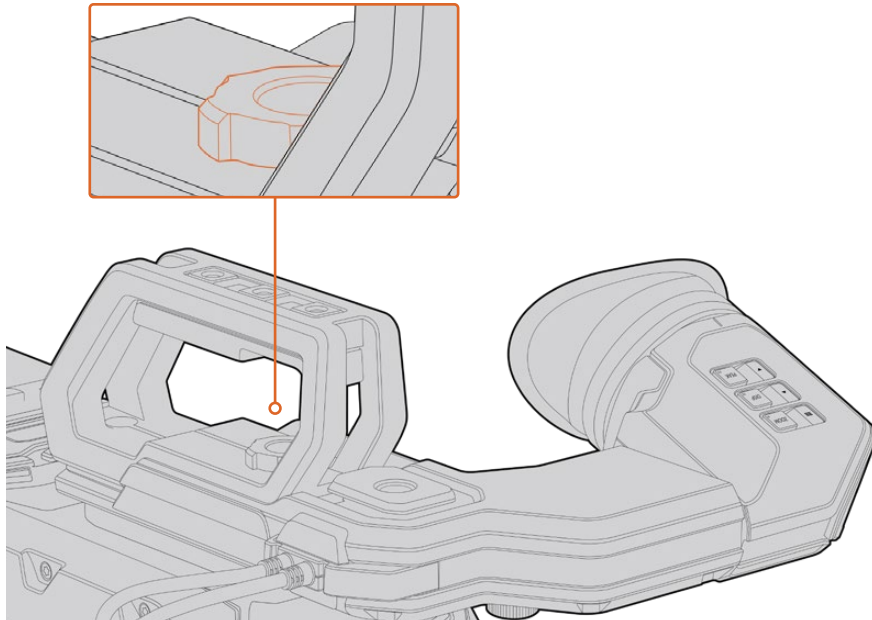
예를 들어 URSA Broadcast G2의 메뉴에서 2.40:1 프레임 가이드 옵션을 선택할 경우, 카메라에서 어떤 프레임 가이드를 선택했는지 뷰파인더에서 확인할 수 있기 때문에 뷰파인더에서 프레임 가이드 디스플레이 기능을 사용하면 동일한 2.40:1 프레임 가이드가 표시됩니다.

Blackmagic URSA Broadcast G2에 설치 및 연결하기

URSA Broadcast G2에 Blackmagic URSA Viewfinder를 장착하기 전에 먼저 URSA Mini Shoulder Kit 상단 핸들을 장착해야 합니다. 더 자세한 정보는 [URSA Mini Shoulder Kit] 부분을 참고하세요.

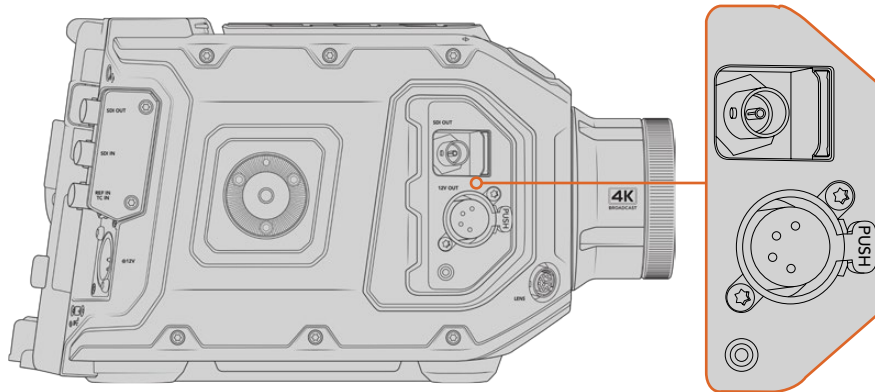
URSA Viewfinder 마운트를 URSA Viewfinder 어댑터 플레이트에 밀어 넣고 URSA Mini Shoulder Kit에 포함된 1/4인치 나사를 사용해 URSA Viewfinder를 상단 핸들 및 어댑터 플레이트에 고정하세요.

나사는 다른 도구 없이 손으로만 돌려도 충분히 고정되며 나사를 너무 많이 조이는 일도 방지할 수 있습니다.



Blackmagic URSA Viewfinder를 URSA Broadcast G2에 장착하려면 뷰파인더 마운트를 카메라 핸들에 밀어 넣은 뒤, 1/4인치 마운팅 포인트에 나사를 조이세요.

URSA Viewfinder를 URSA Broadcast G2에 연결하려면 뷰파인더에 달린 케이블을 URSA 전면에는 12V 전원과 3G-SDI 출력에 간단히 연결하세요. 카메라 전원을 켜면 URSA Viewfinder도 자동으로 켜집니다.



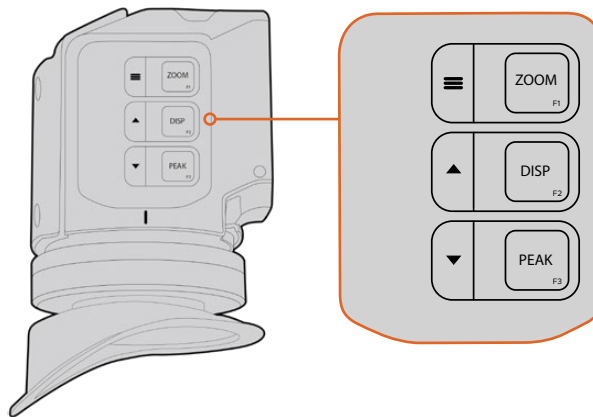
뷰파인더의 SDI 케이블과 전원 케이블을 URSA Broadcast G2의 HD-SDI 모니터링 출력과 +12V 출력에 각각 연결합니다.

아이피스 조절하기

탈착 가능한 고무 아이피스는 좌/우 눈에 맞게 조절 가능합니다. 뷰파인더 암 아래쪽에 있는 노브를 풀어 암 길이를 조절하고, 왼쪽이나 오른쪽으로 당겨 눈에 편안하게 맞도록 조절합니다.

버튼 기능

뷰파인더 상단에 줌(ZOOM), 디스플레이(DISP), 피킹(PEAK) 버튼이 있습니다. 이 버튼을 사용해 화면을 확장하거나 오버레이 및 포커스 피킹 기능을 켜고 끌 수 있습니다.



URSA Viewfinder 상단에는 ZOOM(F1)과 DISP(F2), PEAK(F3) 버튼이 있습니다.

이 버튼을 통해 메뉴를 열거나 설정을 변경하는 등 추가적인 기능을 수행할 수 있습니다. 버튼 옆에 아이콘이 표시되어 있어 어떤 버튼이 뷰파인더 메뉴를 제어하고 이동하는 데 쓰이는지 알 수 있습니다.

이 버튼에 사용자가 특정 기능을 지정할 수 있어 자주 사용하는 기능을 단축키처럼 지정해 둘 수 있습니다. 예를 들면, 폴스 컬러 기능을 줌 버튼에 지정할 수 있습니다. 더 자세한 정보는 [단축키] 부분을 참조하세요.

ZOOM (F1) - '메뉴'

줌 기능을 사용하면 화면을 확대시켜 더욱 선명한 초점을 맞출 수 있습니다. ZOOM 버튼을 누르면 화면이 확장되며, 다시 한 번 누를 경우, 100% 화면 크기로 돌아갑니다. 설정 메뉴를 사용할 경우, ZOOM 버튼을 '메뉴' 버튼으로 사용할 수 있습니다. 이 버튼을 길게 누르면 설정 메뉴가 나타납니다. 설정 메뉴에서 이 버튼을 한 번 누르면 설정 변경 사항이 저장됩니다.

DISPLAY (F2) - '위'

DISP 버튼을 누르면 오버레이 보기가 실행됩니다. 설정 메뉴를 사용할 경우, DISP 버튼을 '위' 버튼으로 사용할 수 있습니다. 이 버튼을 길게 누르면 단축키 메뉴 설정이 나타납니다. 단축키 설정 방법에 관한 자세한 정보는 [단축키] 부분을 참고하세요.

PEAK (F3) - '아래'

포커스 피킹 기능을 사용하면 이미지의 가장 선명한 부분에 녹색 테두리가 나타나 초점을 쉽게 확인할 수 있습니다. PEAK 버튼을 누르면 피킹 기능이 활성화됩니다. 이 버튼을 다시 한 번 누르면 피킹 기능이 종료됩니다. 설정 메뉴를 사용할 경우, 이 버튼을 '아래' 버튼으로 사용할 수 있습니다. 이 버튼을 길게 누르면 설정 메뉴가 나타납니다.

메뉴 설정하기

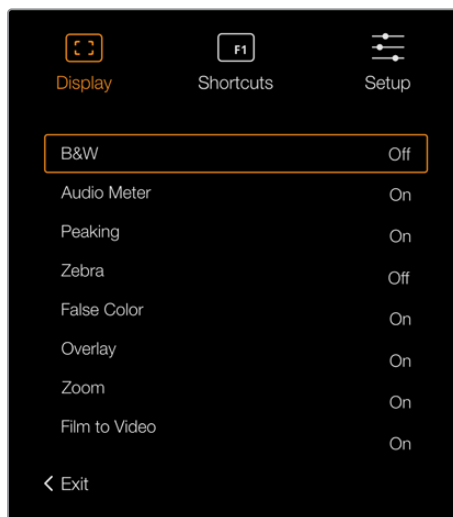
설정 메뉴는 디스플레이, 단축키, 설정의 세 가지 기본 메뉴로 구성되어 있습니다. Menu ≡ 버튼을 길게 누르면 설정 메뉴에 접속할 수 있습니다. '위' ▲ 버튼과 '아래' ▼ 버튼을 눌러 설정 메뉴를 이동하고, 'Menu' ≡ 버튼을 다시 눌러 선택을 저장합니다.

디스플레이(Display)

디스플레이 메뉴는 다음과 같은 기능을 제공합니다.

흑백(B&W)

컬러와 흑백 사이를 전환합니다.



URSA Viewfinder의 Display 메뉴

미터(Meters)

오버레이 보기에 사용할 미터의 종류를 선택합니다. 'Histogram(히스토그램)'/Audio(오디오)'/Both(모두)'/None(사용 안 함)' 중에서 선택할 수 있습니다.

피킹(Peaking)

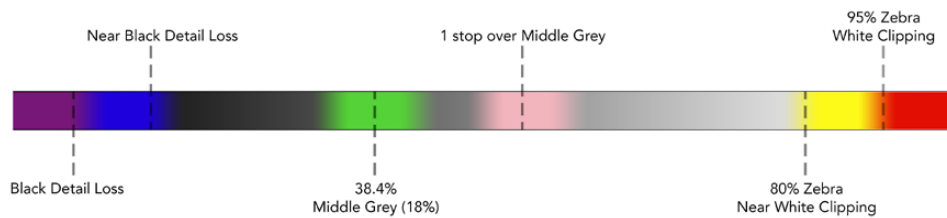
피킹 기능을 On/Off 합니다.

지브라(Zebra)

지브라 레벨을 On/Off 합니다. 카메라 설정을 사용하여 원하는 지브라 레벨을 설정하세요. 자세한 정보는 본 설명서 앞쪽의 [설정] 부분을 참고하세요.

폴스 컬러(False Color)

폴스 컬러 기능을 켜고 끌 수 있습니다. 폴스 컬러 기능은 이미지 위에 노출값을 나타내는 여러 가지 색상을 표시해 이미지 속 서로 다른 요소의 노출값을 확인할 수 있는 기능입니다. 예를 들어, 분홍색은 밝은 피부톤에 최적인 노출을, 녹색은 어두운 피부톤에 최적인 노출을 나타냅니다. 인물을 촬영할 때 폴스 컬러의 분홍색 또는 녹색 부분을 모니터링하여 피부톤을 위한 최적의 노출값을 지속적으로 유지할 수 있습니다. 마찬가지로, 이미지 속 피사체가 노란색에서 빨간색으로 변한다면 이는 노출값이 높다는 것을 의미합니다.



폴스 컬러 차트

오버레이(Overlay)

오버레이를 On/Off 합니다. 뷰파인더의 설정 메뉴에서 오버레이의 디스플레이 유형을 선택할 수 있습니다. 안전 영역 퍼센트 등의 오버레이 유형은 카메라에서 설정할 수 있습니다.

줌(Zoom)

줌 기능을 On/Off 합니다.

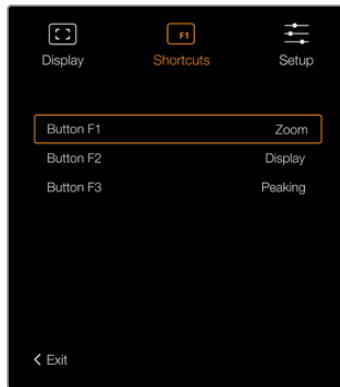
필름/비디오 모드(Film to Video)

필름 디스플레이 모드와 비디오 디스플레이 모드를 전환합니다. 필름 모드 및 비디오 모드와 관련한 자세한 정보는 본 설명서의 [녹화 설정] 부분을 참고하세요. 이 설정은 카메라에서 '필름' 영상을 뷰파인더로 출력 중인 경우에만 사용할 수 있습니다. '비디오' 영상을 수신 중인 경우, 기존 LUT에 다른 LUT가 중복 적용되는 것을 막기 위해 해당 설정이 비활성화됩니다.

단축키(Shortcuts)

단축키 기능은 자주 사용하는 특정 설정에 신속하게 접속할 수 있는 유용한 기능입니다. 단축키 버튼을 지정하는 방법은 다음과 같습니다.

- 1 'Shortcuts' 메뉴에서 '위' ▲ 또는 '아래' ▼ 버튼을 눌러 위/아래로 이동한 뒤, 세 개의 버튼 중에서 단축키로 지정하려는 버튼 하나를 선택하세요. MENU ≡ 버튼을 눌러 선택을 완료하세요.
- 2 '위' ▲ / '아래' ▼ 버튼을 눌러 아래 기능 중 단축키에 지정할 기능을 선택하세요. MENU ≡ 버튼을 눌러 선택을 완료하세요.
 - 흑백(B&W)
 - 피킹(Peaking)
 - 지브라
 - 폴스 컬러
 - 디스플레이(Display)
 - 줌(Zoom)
 - 필름/비디오 모드(Film to Video)
 - 미터(Meters)
 - 포커스 차트(Focus Chart)
- 3 'EXIT'으로 스크롤 한 다음, MENU ≡ 버튼을 누르면 메뉴 디스플레이 화면이 닫힙니다.



URSA Viewfinder의 단축키 설정

설정(Setup)

설정 메뉴는 다음과 같은 설정 기능을 제공합니다.

밝기 조정(Brightness Adjustment)

화면 밝기를 -10에서 +10까지 조절할 수 있습니다.

탈리 밝기(Tally Brightness)

탈리 LED 밝기를 조절합니다.

포커스 차트(Focus Chart)

Blackmagic URSA Viewfinder에는 포커스 차트가 내장되어 있어 사용자의 눈에 맞게 아이피스 초점을 맞출 수 있습니다. 차트에 완벽한 초점이 생길 때까지 아이피스의 포커스 링을 조절합니다. 뷰파인더의 아무 버튼이나 누르면 포커스 차트 화면이 사라집니다.

프레임 가이드(Frame Guides)

프레임 가이드를 켜고 끌 수 있습니다. URSA Broadcast G2의 '전면 SDI' 모니터링 설정에서 프레임 가이드를 활성화한 경우, 이 설정을 통해 Blackmagic URSA Viewfinder에서 프레임 가이드를 켜고 끌 수 있습니다.

더 자세한 정보는 본 설명서의 [모니터링 설정] 부분을 참고하세요.

안전 영역 가이드(Safe Area Guide)

안전 영역 가이드를 켜고 끌 수 있습니다. URSA Broadcast G2의 '전면 SDI' 모니터링 설정에서 '안전 영역 가이드'를 활성화한 경우, 이 설정을 통해 Blackmagic URSA Viewfinder에서 안전 영역 가이드를 켜고 끌 수 있습니다.

더 자세한 정보는 본 설명서의 [모니터링 설정] 부분을 참고하세요.

그리드(Grid)

3분할 선, 십자선, 가운데점을 켜고 끌 수 있습니다. URSA Broadcast G2의 '전면 SDI' 모니터링 설정에서 '그리드를 활성화한 후, 이 설정을 통해 Blackmagic URSA Viewfinder에서 그리드를 켜고 끌 수 있습니다.

더 자세한 정보는 본 설명서의 [모니터링 설정] 부분을 참고하세요.

참고 URSA Viewfinder 설정 메뉴에서 'Grid'를 활성화하면 ATEM 스위처에서 전송된 탈리 신호가 뷰파인더에 나타납니다. 이 때, 'Display' 메뉴에서 오버레이를 반드시 'On'으로 설정해야 합니다.

상태 표시 텍스트 (Status Text)

화이트 밸런스 및 프레임 가이드, ISO와 같은 상태 정보 텍스트를 켜고 끌 수 있습니다. URSA Broadcast G2의 '전면 SDI' 모니터링 설정에서 상태 정보 텍스트를 활성화한 경우, 이 설정을 통해 Blackmagic URSA Viewfinder에서 상태 정보 텍스트를 켜고 끌 수 있습니다.

더 자세한 정보는 본 설명서의 [모니터링 설정] 부분을 참고하세요.

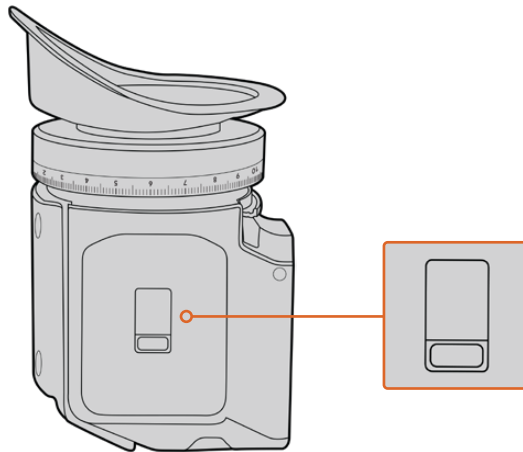
정보 URSA Broadcast G2에 Blackmagic Viewfinder를 장착하여 사용할 때 카메라와 뷰파인더 모두에 상태 표시 텍스트가 나타나도록 설정하면 서로 충돌이 일어날 수 있습니다. 충돌이 일어날 경우, 카메라의 상태 표시 텍스트는 켜고 뷰파인더의 상태 표시 텍스트는 끌 것을 권장합니다.

IR 센서

뷰파인더의 IR 센서는 아이피스 근처에 사람이 있는지를 자동으로 감지하여 OLED 디스플레이를 작동시킵니다. 뷰파인더가 대기 모드인 상태에서 사용자가 20초 이상 뷰파인더에서 떨어져 있으면, OLED 디스플레이가 자동으로 꺼져 전력을 아낄 수 있으므로 OLED 디스플레이의 수명 또한 연장됩니다. 녹화 중에는 타임아웃 센서가 5분으로 연장되며, 그 후에는 OLED 디스플레이가 서서히 어두워집니다. 아이피스 앞에서 어떤 움직임이 포착될 경우, 타이머가 초기화되어 다시 시작됩니다. 뷰파인더에 장착된 버튼을 아무거나 누르거나 뷰파인더 아이피스에 눈을 대면 뷰파인더가 이를 감지하여 디스플레이가 다시 나타납니다.



IR 센서를 일부러 차단하거나 가리면 뷰파인더 화면에 전원이 한참 동안 계속 들어옵니다. 이는 뷰파인더 디스플레이의 수명을 단축시킬 수 있으며 뷰파인더에 고대비 영상 또는 프레임 가이드를 디스플레이할 경우에 이미지 정체 현상을 일으킬 수 있습니다.



IR 센서는 URSA Viewfinder 뒷면에 있습니다.

URSA Viewfinder의 내부 소프트웨어 업데이트하기

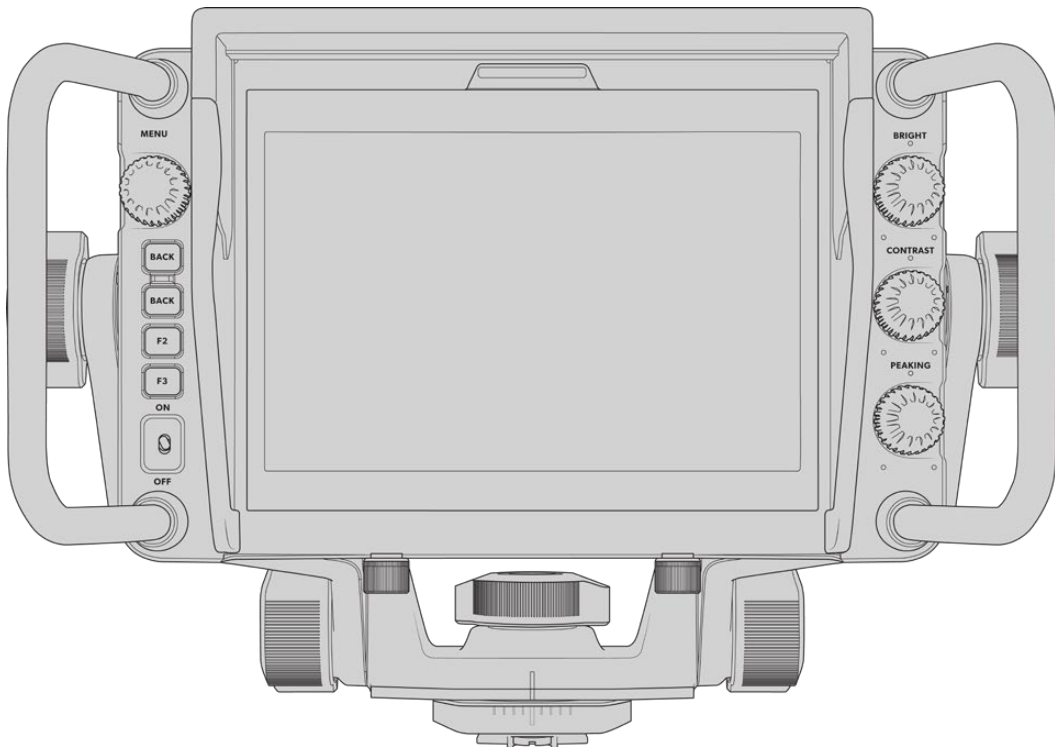
Blackmagic Camera Setup 유틸리티 소프트웨어를 사용하여 뷰파인더를 업데이트하세요. 업데이트 시 뷰파인더의 전원이 연결되어 있어야 하므로 업데이트가 진행되는 동안 뷰파인더를 URSA Broadcast G2에 연결해두는 것이 좋습니다. URSA Broadcast G2에서 지속적으로 전력 공급이 이루어져야 하므로 URSA Broadcast G2가 외부 전원에 연결되어 있는지 반드시 확인하세요.

뷰파인더 전면의 아이피스 주변에 있는 미니 USB 연결 단자에 컴퓨터를 연결하세요. Blackmagic Camera Setup 유틸리티가 실행된 상태이고 뷰파인더가 컴퓨터에 연결되어 있다면, 뷰파인더의 소프트웨어 버전이 오래된 경우에는 컴퓨터가 이를 감지하므로 업데이트를 묻는 창이 나타납니다. 화면에 나타나는 지시에 따라 뷰파인더의 내부 소프트웨어를 업데이트합니다.

참고 Blackmagic URSA Viewfinder를 URSA Broadcast G2에 장착해 사용할 경우, 호환성을 위해 뷰파인더의 내부 소프트웨어를 최신 버전으로 업데이트할 것을 권장합니다. Blackmagic 고객 지원 센터(www.blackmagicdesign.com/kr/support)에서 최신 사용 설명서와 소프트웨어, 지원 정보를 확인할 수 있습니다. 더 자세한 정보는 [Blackmagic Camera Setup 유틸리티] 부분을 참고하세요.

정보 카메라 성능을 최적화하기 위해 모든 Blackmagic URSA 장비를 동시에 업데이트할 것을 권장합니다.

Blackmagic URSA Studio Viewfinder



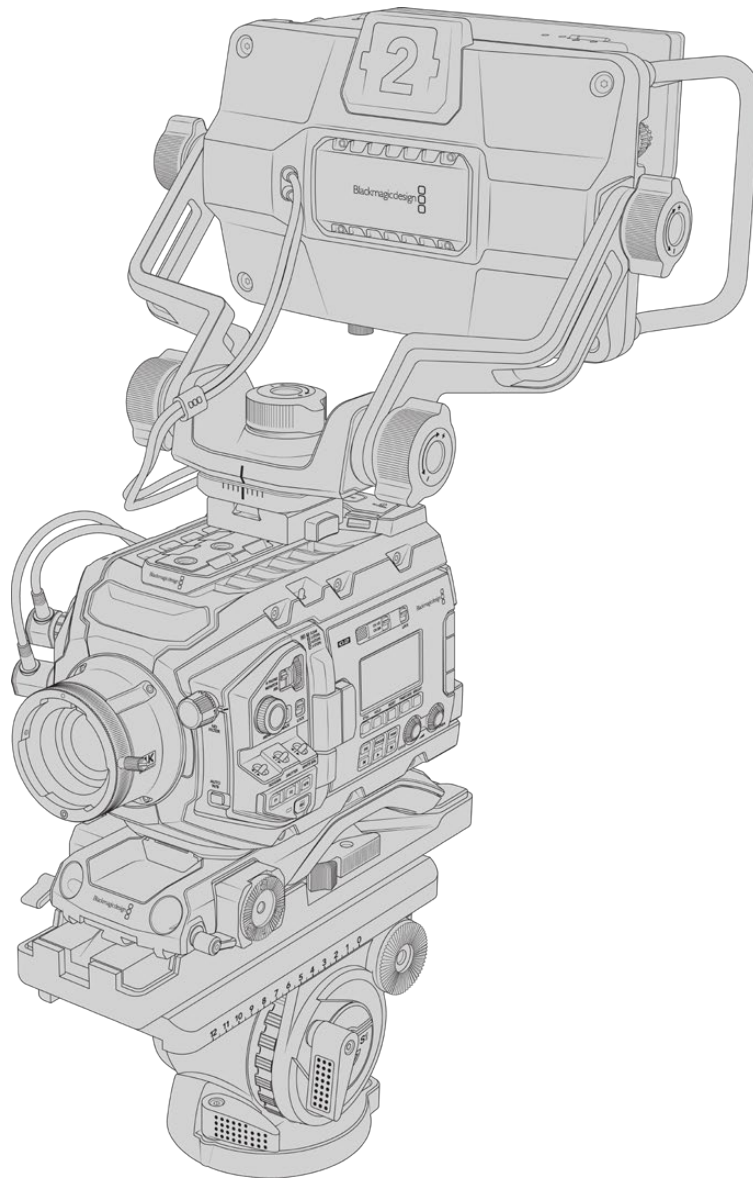
Blackmagic URSA Studio Viewfinder는 Blackmagic URSA Broadcast G2를 전문 라이브 프로덕션 카메라로 사용할 수 있는 강력한 뷰파인더입니다. URSA Studio Viewfinder는 고휘도 7인치 스크린과 쉽게 확인할 수 있는 대형 탈리 라이트, 컨트롤 노브, 커다란 손잡이, 선 후드, 다양한 강도 조절이 가능한 연접식 마운트를 탑재했습니다. 이런 기능을 통해 라이브 콘서트나 스포츠 및 기타 장시간 이벤트 촬영 시 카메라 뒤에서 오래도록 편안하게 촬영할 수 있습니다. URSA Studio Viewfinder는 스튜디오 또는 현장에서 진행되는 전문 라이브 프로덕션에 최적의 제품입니다.

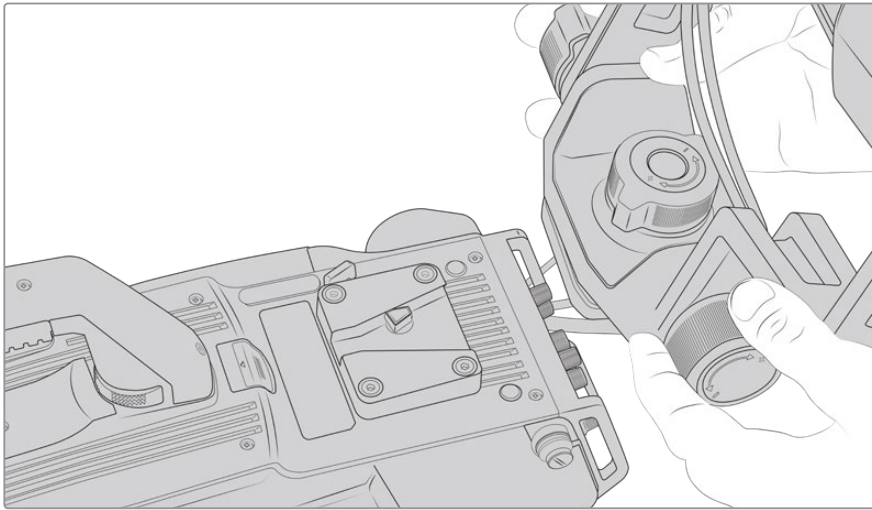
Blackmagic URSA Broadcast G2에 설치 및 연결하기

Blackmagic URSA Broadcast G2와 함께 사용할 경우, Blackmagic URSA Studio Viewfinder를 다양한 방식으로 카메라에 장착할 수 있습니다.

VLock 마운팅 플레이트를 사용하면 URSA Studio Viewfinder를 URSA Broadcast G2 상단 또는 URSA Mini Shoulder Kit의 핸들 상단에 바로 장착할 수 있습니다.

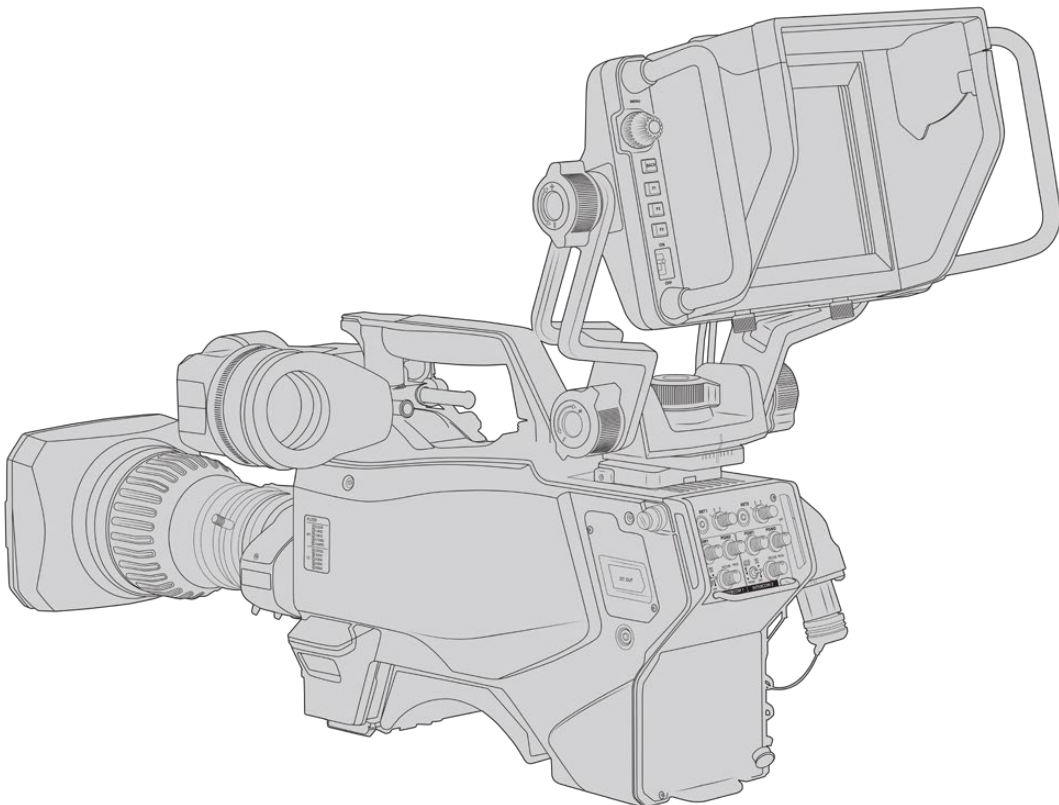
함께 제공되는 1/4인치 나사를 사용하여 VLock 마운팅 플레이트를 카메라 상단에 장착하세요 이 경우, 카메라의 무게 중심이 높은 곳으로 이동하기 때문에 카메라를 삼각대에 장착한 상황에서 해당 작업을 진행할 것을 권장합니다.





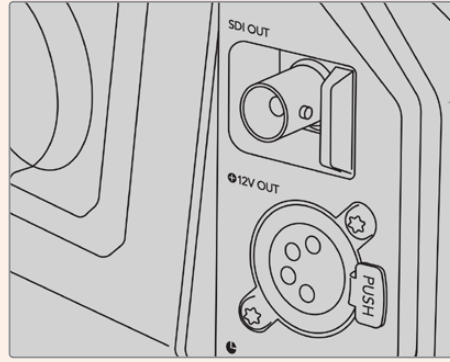
서드 파티 카메라에 장착된 V-Lock 마운트 플레이트

1/4인치 마운팅 포인트 또는 서드 파티 치즈 플레이트를 사용하여, URSA Studio Viewfinder를 장착하는데 필요한 V-Lock 마운트 플레이트를 모든 카메라에 설치할 수 있습니다. 또한 서드 파티 카메라 시스템에 이미 장착된 V-Lock 마운트 플레이트의 경우에는 대체로 이런 퀵릴리즈 기능이 포함되어 있기 때문에 Blackmagic URSA Studio Viewfinder를 장착할 수 있습니다.



Blackmagic URSA Studio Viewfinder를 URSA Broadcast G2에 연결하려면 뷰파인더에 달린 케이블을 URSA 전면에 있는 12V 전원과 3G-SDI 출력에 연결하세요.

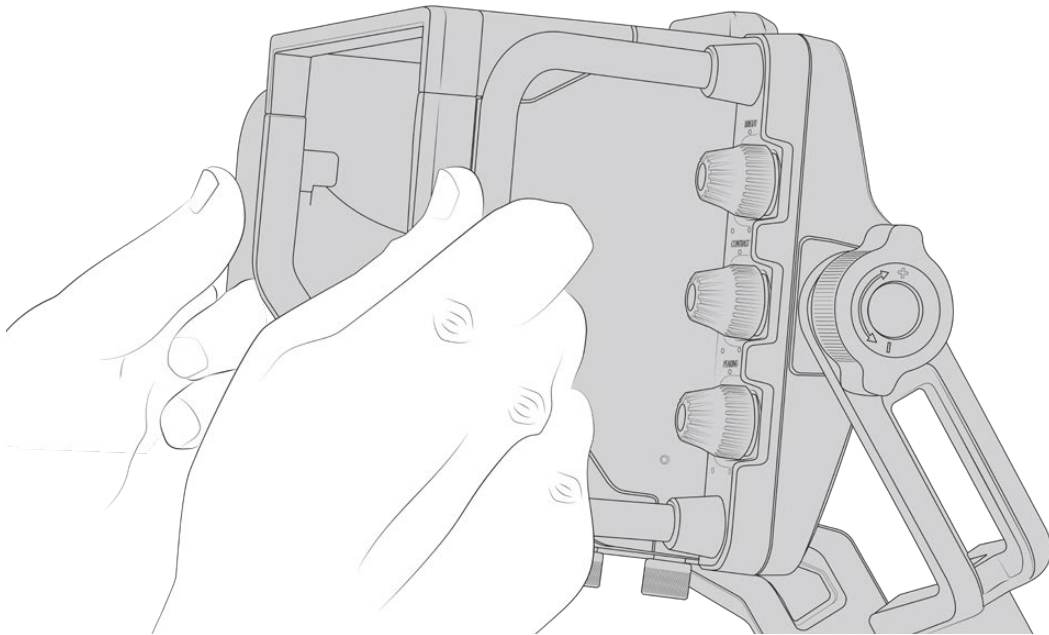
그러면 카메라에 전원이 연결되었을 때 뷰파인더 전원 스위치를 켜면 뷰파인더에 전원이 바로 공급됩니다. URSA Mini 핸들 마운트 측면에 케이블 클램프가 있어 케이블을 깔끔하게 정리하고 제자리에 고정시킬 수 있다는 점을 기억하세요.



URSA Broadcast G2의 SDI 및 12V 전원 연결 단자

정보 URSA Studio Viewfinder는 공개 표준형 SDI와 방송용 4핀 XLR 전원 연결을 사용하므로 모든 카메라 및 휴대용 현장 모니터에까지도 사용이 가능합니다. 또한 개방형 표준의 ATEM 탈리 및 장비 제어 프로토콜을 사용하므로 모든 카메라 시스템에서 이 프로토콜 정보를 SDI 스트림에 추가하면 URSA Studio Viewfinder에서 탈리 및 오버레이 기능을 사용할 수 있습니다.

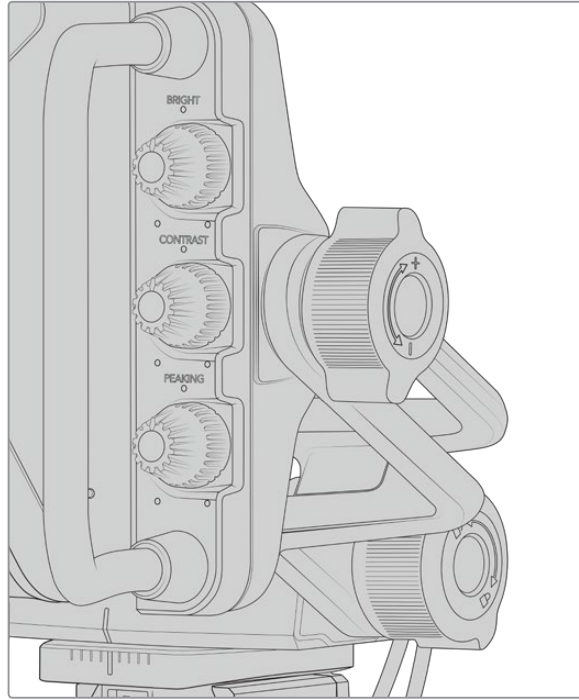
Blackmagic URSA Studio Viewfinder 조절하기



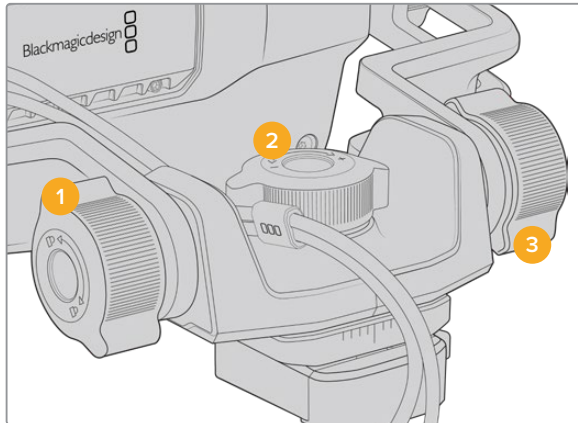
Blackmagic URSA Studio Viewfinder는 커다란 손잡이와 다양한 각도 조절이 가능한 연접식 마운팅을 탑재해 카메라를 옮기지 않고도 뷰파인더의 위치와 각도를 조정할 수 있습니다. 커다란 손잡이를 통해 뷰파인더를 쉽고 빠르게 제어할 수 있으며 각도 및 방향을 조정할 수 있습니다. 스크린 손상을 방지할 수 있도록 손잡이와 선 후드가 함께 통합되어 있어 완전히 조립된 Blackmagic URSA Studio Viewfinder를 분리하지 않고 그대로 운반 케이스에 보관할 수 있습니다. 또한 커다란 손잡이를 사용해 장소 이동 시 쉽게 운반할 수 있습니다.

제품과 함께 제공되는 마운트에는 팬/틸팅 지원 다이얼이 탑재되어 있으며, 장력 조절 나사가 뷰파인더 양쪽에 추가로 탑재되어 마찰 항력을 조절할 수 있습니다. 왼쪽 다이얼을 사용해 암의 마찰 항력을 조절할 수 있으며 원하는 각도를 찾은 경우, 오른쪽 다이얼을 사용해 뷰파인더를 고정시킬 수 있습니다.

이 장력 조절 나사는 폭넓은 조절 범위를 제공해 특정 저항값으로 설정할 수 있습니다. 이를 통해 뷰파인더를 원하는 위치로 정확하게 조절할 수 있습니다.



뷰파인더 양쪽에 탑재된 장력 조절 다이얼

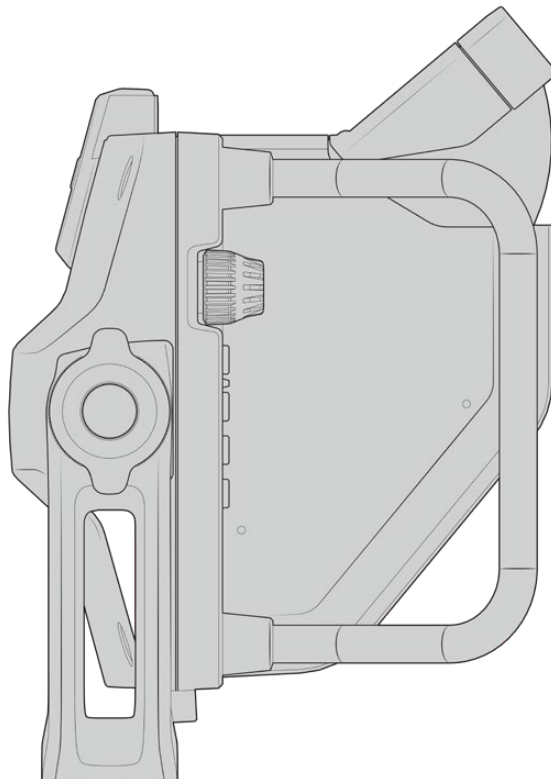
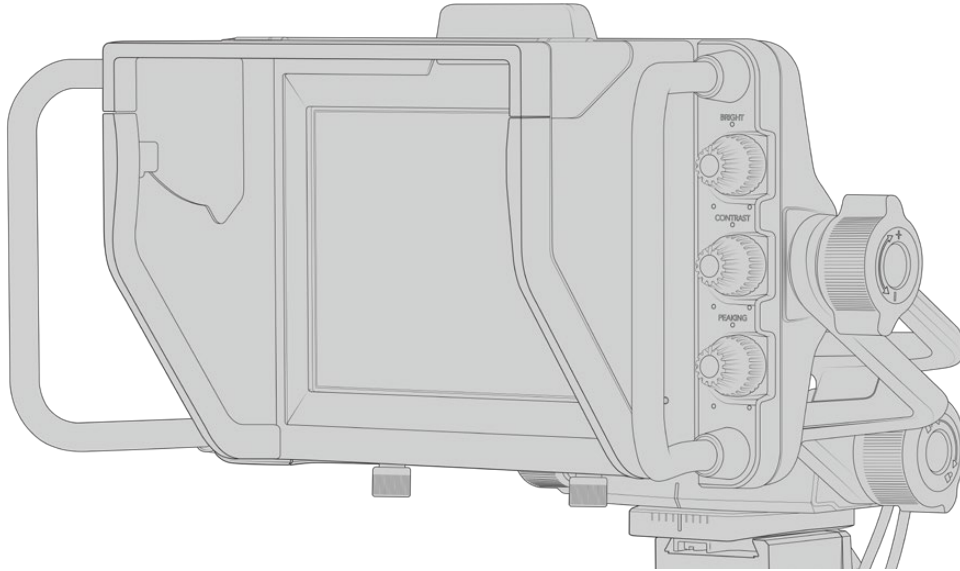


- 1 틸트 잠금 다이얼**
뷰파인더 장치의 기울기 정도를 고정하는 데 사용합니다.
- 2 패닝 장력 다이얼**
패닝의 장력을 조절합니다.
- 3 틸트 장력 다이얼**
틸트의 장력을 조절합니다.

정보 제품과 함께 제공되는 마운트 컨트롤 중간에 있는 장력 조절 나사는 패닝 장력을 조절합니다. 이 나사를 풀러 뷰파인더는 고정된 채 카메라를 독립적으로 움직일 수 있습니다. 즉, 움직임을 따라가는 모터스포츠 같은 촬영에서 뷰파인더는 사용자 눈에 고정된 상태에서 카메라를 좌/우로 패닝하며 움직일 수 있습니다. 마운트에는 있는 시각 가이드를 통해 뷰파인더를 쉽게 중앙으로 다시 위치시킬 수 있습니다.

선 후드

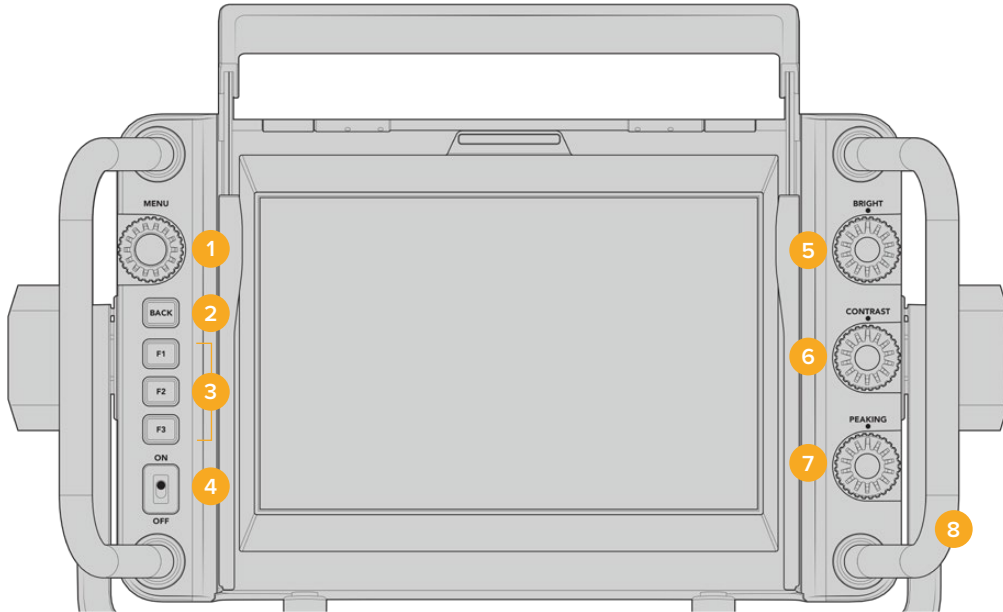
선 후드를 탑재해 해가 화창한 상황에서도 스크린을 볼 수 있습니다. 선 후드를 장착하려면 Blackmagic URSA Studio Viewfinder 위에 끼우고 제대로 장착될 때까지 밀어 넣은 뒤, 두 개의 캡티브 나사를 선 후드 하단에 고정하세요. 바이저의 윗부분이 조절되므로 이를 위/아래로 움직여 시야각을 추가로 확보할 수 있습니다. 선 후드는 7인치 스크린을 위한 보호 기능을 추가로 제공하며 필요에 따라 또는 소프트웨어 업데이트를 위해 USB-C 커넥터에 연결해야 하는 경우, 쉽고 빠르게 제거할 수 있습니다.



선 후드와 조절 가능한 바이저

버튼 기능

우측 하단에 있는 다이얼을 사용해 밝기와 콘트라스트, 피킹을 쉽고 빠르게 변경할 수 있습니다. 측면에 탑재된 다이얼은 인체 공학적으로 설계되어, 선 후드 사용 시 엄지 손가락으로도 조절할 수 있으며, 손가락 두 개를 사용하면 좀 더 세밀한 조정이 가능합니다.



1 MENU 다이얼

푸시 버튼 타입의 MENU 다이얼을 사용해 메뉴에 접속하고 뷰파인더 설정으로 이동할 수 있습니다.

2 BACK 버튼

메뉴 시스템을 빠져나갈 때 사용합니다.

3 F1, F2, F3 지정 가능한 기능 버튼입니다.

자주 사용하는 기능을 이 버튼에 지정해 쉽게 사용할 수 있습니다.

4 ON/OFF 스위치

Blackmagic URSA Studio Viewfinder 전원을 켜고 끕니다.

5 BRIGHT

스크린 속 영상 밝기를 조절합니다. -100 ~ +100 사이의 밝기 정도를 나타내는 오버레이가 스크린에 나타납니다.

6 CONTRAST

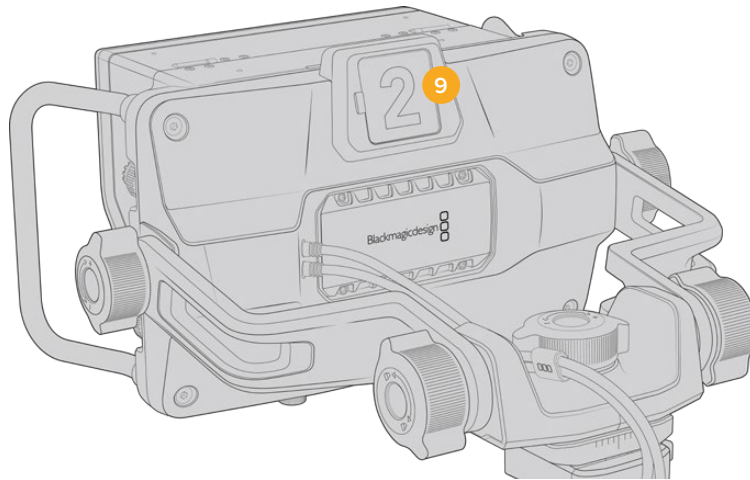
스크린 속 영상 콘트라스트를 조절합니다. -100 ~ +100 사이의 콘트라스트 레벨을 나타내는 오버레이가 스크린에 나타납니다.

7 PEAKING

스크린 속 영상 피킹 레벨을 조절합니다. -100 ~ +100 사이의 피킹 레벨을 나타내는 오버레이가 스크린에 나타납니다. 설정 메뉴에서는 촬영 환경에 맞는 다양한 종류의 피킹을 선택할 수 있습니다. 초점이 잘 맞은 부분에 컬러 라인이 나타나는 옵션뿐만 아니라, 다른 방송 시스템에서 흔히 사용되는 전형적인 방식의 포커스 피킹 옵션 또한 제공합니다. URSA Broadcast G2는 빨간색, 파란색, 검은색, 흰색 라인을 지원해, 특정 색상이 많이 나타나는 촬영 환경에서 컬러 라인이 눈에 더욱 잘 보이도록 해줍니다.

8 손잡이

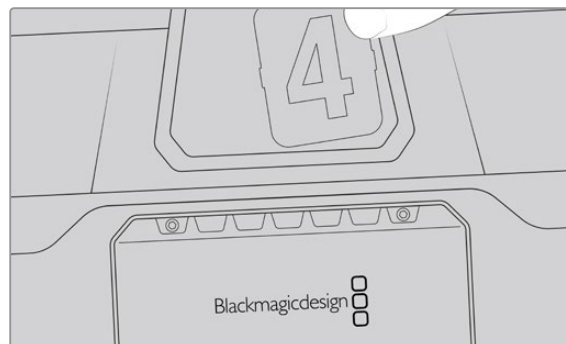
촬영 도중 카메라 위치를 변경할 때는 Studio Viewfinder에 내장된 커다란 손잡이를 통해 뷰파인더를 고정시킬 수 있습니다. 또한 카메라 셋업 작업이나 짐을 풀 경우에는 스크린을 보호하는 역할도 제공합니다.



9 tally light

Blackmagic URSA Studio Viewfinder 뒷면에 있는 커다란 tally light를 통해 출연자와 카메라 운영자가 현재 방송 중인 카메라 및 곧 방송될 카메라가 무엇인지 확인할 수 있으며, 개별 녹화가 진행 중인지의 여부도 확인할 수 있습니다. 방송 중에는 빨간 불이, 미리보기 시에는 녹색 불이 tally light에 들어오며, URSA Broadcast G2와 함께 사용할 경우에는 개별 녹화 시 주황 불이 들어옵니다.

감독이 ATEM 스위처로 카메라의 컷 트랜지션을 수행하면 tally 정보가 SDI를 통해 카메라로 다시 전송되어, 방송될 장면이 미리보기 중이거나 방송/녹화 중인 경우에 tally 불빛이 켜집니다. URSA Studio Viewfinder에는 tally light에 탈부착할 수 있는 투명한 카메라 번호판 또한 포함되어 있어 최대 6미터 거리에서도 출연자가 카메라 번호를 쉽고 분명하게 확인할 수 있습니다.



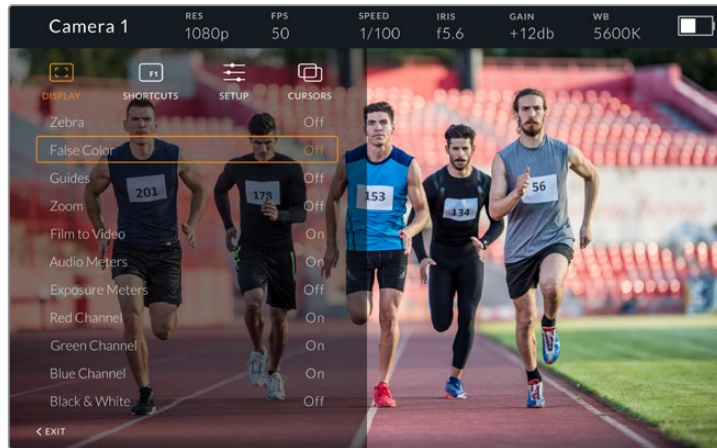
소프트웨어 설치 프로그램에는 사용자가 편집 가능한 PDF 파일이 포함되어 있어, 이를 이용해 자신만의 tally 숫자를 편집 및 출력할 수 있으며 자신이 원하는 스타일로 직접 제작할 수도 있습니다. Blackmagic 카메라 소프트웨어를 설치하고 나면 Mac의 경우, '응용프로그램' > 'Blackmagic Cameras' > '도큐먼트' 폴더에서, PC의 경우, 'Blackmagic Design' > '문서' 폴더에서 해당 파일을 찾을 수 있습니다.

tally light 불빛은 ATEM에서 스위칭 작업이 일어남에 따라 변합니다. 카메라가 스위처에 연결되어 있지 않은 경우, tally light에는 녹화를 알리는 빨간 불빛만 들어옵니다. 더 자세한 정보는 본 설명서의 [스튜디오 카메라 컨트롤 이해하기] 부분을 참고하세요.

정보 Blackmagic URSA Studio Viewfinder를 ATEM 스위처와 함께 사용할 경우, URSA Broadcast G2에서 반드시 '클린 피드'를 선택해야 ATEM 스위처로 출력되는 SDI에 오버레이 및 포커스 박스가 나타나지 않습니다. URSA에서 '모니터링' 메뉴로 이동한 뒤, '메인 SDI'에서 '클린 피드'를 선택합니다.

메뉴 설정하기

푸시 방식의 버튼인 MENU 다이얼을 눌러 메뉴에 접속할 수 있으며, 다이얼을 돌리면 메뉴 옵션을 위/아래로 탐색할 수 있습니다. 각 메뉴의 글자가 하이라이트 된 상태에서 MENU 다이얼을 누르면 디스플레이, 단축키, 설정, 커서 메뉴 간 전환이 가능합니다. 다이얼을 돌려 각 메뉴의 설정을 스크롤 할 수 있습니다. 설정 항목이 하이라이트 된 상태에서 MENU 다이얼을 누른 후 이를 돌려 해당 설정을 조정할 수 있습니다. MENU 다이얼을 한 번 더 누르면 선택 사항이 저장됩니다. BACK 버튼을 누르거나 메뉴 화면의 'EXIT'를 선택하면 메뉴 밖으로 빠져나갈 수 있습니다.



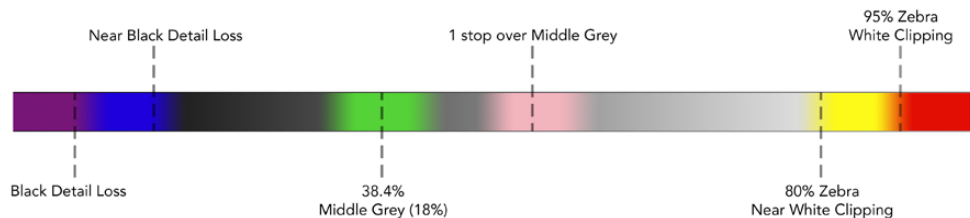
디스플레이(Display)

지브라

지브라 레벨을 On/Off 합니다. 지브라 레벨은 URSA Broadcast G2의 '모니터링' 메뉴 세 번째 페이지 설정에 따라 달라집니다. Studio Viewfinder가 URSA Broadcast G2에 연결되어 있지 않은 경우, Rec 709 신호의 휘도 레벨 95%가 지브라 레벨로 나타납니다. 자세한 정보는 본 설명서 앞쪽의 [설정] 부분을 참고하세요.

폴스 컬러

폴스 컬러 기능을 켜고 끌 수 있습니다. 폴스 컬러 기능은 이미지 위에 노출값을 나타내는 여러 가지 색상을 표시해 이미지 속 서로 다른 요소의 노출값을 확인할 수 있는 기능입니다. 예를 들어, 분홍색은 피부톤을 위한 최적의 노출값을 나타냅니다. 인물을 촬영할 때 폴스 컬러의 분홍색 부분을 모니터링하여 피부톤을 위한 최적의 노출값을 일정하게 유지할 수 있습니다. 마찬가지로, 이미지 속 피사체가 노란색에서 빨간색으로 변하면 과노출되었음을 의미합니다. 노출 설정 시 흔히 사용되는 폴스 컬러 기능을 기능 버튼에 지정하면, 쉽고 빠르게 해당 기능을 사용할 수 있습니다.



폴스 컬러 차트

가이드(Guides)

이 설정을 통해 가이드를 표시하거나 감출 수 있습니다. 가이드는 URSA Broadcast G2의 '모니터링' 메뉴 네 번째 페이지의 가이드 유형 설정과 일치합니다.

종횡비, 프레임 가이드의 불투명도 레벨, 안전 영역 퍼센트, 그리드 표시 유형은 카메라에 설정한 값과 일치합니다. 원하는 가이드 유형이 Studio Viewfinder 화면에 표시되게 하려면, Studio Viewfinder의 'SETUP' 메뉴에서 원하는 가이드 유형을 선택합니다. 이제 가이드 항목을 클릭한 번으로 On/Off 하여 가이드를 표시하거나 감출 수 있습니다.

줌(Zoom)

Zoom 줌 기능을 On/Off 합니다. 줌 기능을 사용하면 화면을 확대시켜 더욱 선명한 초점을 맞출 수 있습니다. 화면이 확대되면 MENU 다이얼을 좌/우로 움직여 스크린의 특정 부분으로 이동합니다. 오버레이를 통해 영상의 어떤 부분을 확대했는지 알 수 있습니다.

필름 투 비디오(Film to Video)

URSA Broadcast G2에서 '필름' 다이내믹 레인지의 SDI 신호를 전송할 경우, 'Film to Video' LUT 설정을 사용하면 더욱 풍부한 색감과 높은 콘트라스트를 제공하는 LUT를 이미지에 적용할 수 있습니다. 이 설정은 '필름' 다이내믹 레인지가 감지될 시에만 사용할 수 있으며, 그렇지 않을 경우에는 잘못된 LUT가 영상에 적용되는 것을 방지하기 위해 해당 항목이 회색으로 변하여 선택할 수 없습니다.

오디오 미터

오디오 미터는 SDI를 통해 Blackmagic URSA Studio Viewfinder로 입력되는 오디오 레벨을 보여주므로 URSA Broadcast G2의 오디오 입력 레벨을 표시하게 됩니다. 프로그램 입력이 선택된 경우에는 오디오 미터에 프로그램 입력의 오디오 레벨이 나타납니다.

노출 미터(Exposure Meters)

히스토그램 디스플레이를 On/Off로 전환합니다.

레드 채널(Red Channel)

카메라 영상의 Red 채널을 On/Off로 전환합니다.

그린 채널(Green Channel)

카메라 영상의 Green 채널을 On/Off로 전환합니다.

블루 채널(Blue Channel)

카메라 영상의 Blue 채널을 On/Off로 전환합니다.

흑백 처리(Black and White)

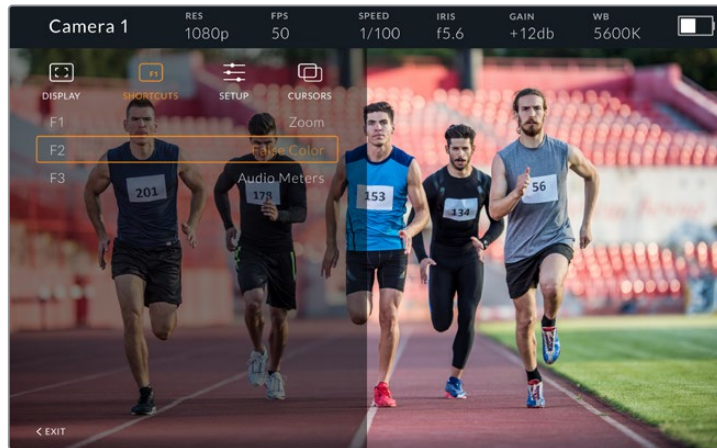
컬러와 흑백 사이를 전환합니다.

단축키(Shortcuts)

단축키 기능은 특정 기능을 F1, F2, F3 버튼에 매핑하는 기능입니다. 단축키를 사용하면 디스플레이 메뉴 또는 커서에 나타나는 설정 기능을 신속하게 ON/OFF할 수 있습니다. 단축키 기능은 자주 사용하는 특정 기능에 신속하게 접속할 수 있는 유용한 기능입니다.

다음은 단축키 버튼을 지정하는 방법입니다. 'SHORTCUTS' 메뉴에서 MENU 다이얼 버튼을 돌려 위/아래로 이동한 뒤, 세 개의 버튼 중에서 하나의 버튼을 눌러 선택합니다. MENU 다이얼 버튼을 눌러 선택을 확인한 뒤, MENU 다이얼을 돌려 지정 가능한 기능을 찾습니다. 다음과 같은 기능을 선택할 수 있는 옵션이 주어집니다. '줌', '커서1', '커서2', '커서3', '지브라', '폴스 컬러', '가이드', '비디오 모드로 촬영', 오디오 미터, 노출 미터, 레드 채널, 그린 채널, 블루 채널, 흑백 중에서 선택할 수 있습니다. 원하는 기능을 선택한 뒤, MENU 버튼을 눌러 선택을 저장하면 해당 기능이 단축키에 지정됩니다. 이제 단축키를 눌러 해당 기능을 On/Off 할 수 있습니다.

단축키 설정이 끝나면 'Exit'이 보일 때까지 화면을 스크롤하고 Menu 다이얼 버튼을 눌러 메뉴 디스플레이 보기를 닫거나 Back 버튼을 눌러 화면에서 나갑니다.



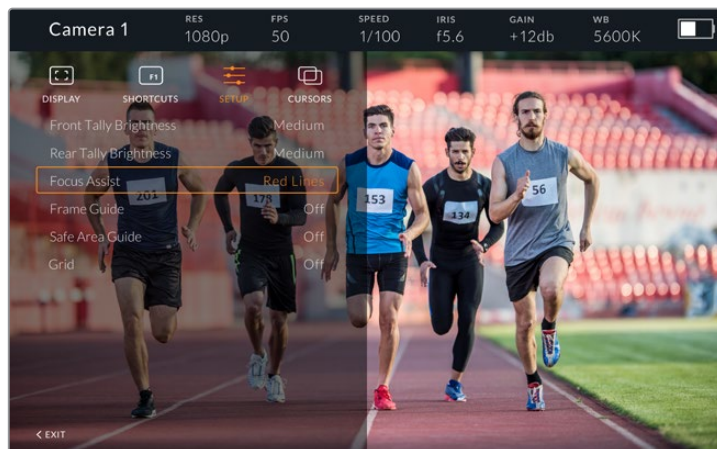
단축키 하위 메뉴

설정(Setup)

이 메뉴에서는 뷰파인더의 환경 설정을 수행할 수 있습니다.

전면 탈리 밝기(Tally Brightness)

LED 탈리 밝기를 끄기(Off), 낮음(Low), 중간(Medium), 높음(Hight)으로 조절할 수 있습니다. 조절과 동시에 탈리 불빛이 달라져 각 단계 빛의 세기를 직접 확인하실 수 있습니다.



설정 하위 메뉴

후면 탈리 밝기(Rear Tally Brightness)

LED의 탈리 밝기를 끄기(Off), 낮음(Low), 중간(Medium), 높음(Hight)으로 조절할 수 있습니다. 조절과 동시에 탈리 불빛이 달라져 각 단계 빛의 세기를 직접 확인하실 수 있습니다.

정보 어떤 상황에서도 연기자 및 운영자가 선명하게 확인할 수 있도록 LED의 밝기를 '높음(High)'으로 설정할 것을 권장합니다. 어두운 환경에서 촬영할 때에는 탈리 불빛이 잘 보이므로 LED 밝기를 '낮음(Low)'으로 설정하는 것이 좋습니다.

포커스 어시스트(Focus Assist)

뷰파인더에 나타나는 피킹을 켜고 끌 수 있습니다. 일반적인 피킹 색상 이외에도 'Red', 'Green', 'Blue', 'Black', 'White' 중에서 선택할 수 있습니다.

프레임 가이드(Frame Guide)

Studio Viewfinder 가이드의 일부로 프레임 가이드를 사용하도록 선택할 수 있습니다. URSA Broadcast G2에 연결하여 사용할 시에는 카메라 프레임 가이드의 종횡비를 나타냅니다. 기타 시스템에 연결할 때에는 14:9 종횡비가 기본 설정으로 사용됩니다.

안전 영역 가이드(Safe Area Guide)

Studio Viewfinder의 가이드 기능 일부로서 안전 영역을 표시하도록 설정할 수 있습니다. URSA Broadcast G2에 연결하여 사용할 때는 카메라의 '안전 영역 가이드'에 설정된 퍼센트와 동일합니다. 기타 시스템에 연결할 때에는 90%가 기본 설정으로 사용됩니다.

그리드(Grid)

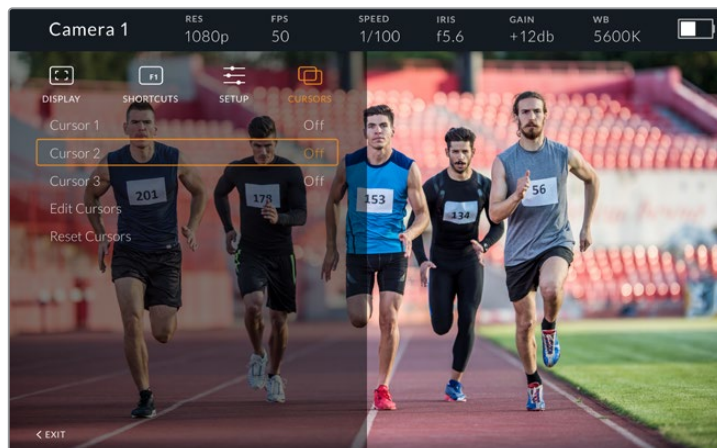
Studio Viewfinder 가이드의 일부로 그리드를 사용하도록 선택할 수 있습니다. URSA Broadcast G2에 연결하여 사용할 시에는 카메라의 '그리드' 설정과 동일합니다. 연결된 카메라가 없을 경우에는 십자선 기능을 On/Off 하는 용도로 사용됩니다.

LED 밝기

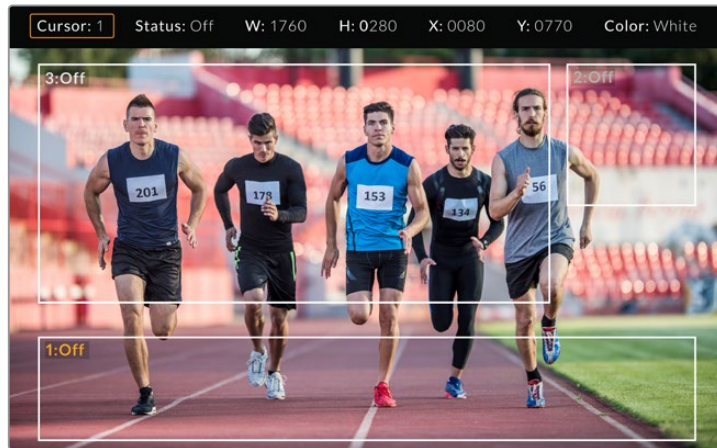
URSA Studio Viewfinder 모델을 업데이트하면 설정 메뉴 하단에 LCD 밝기 설정이 나타납니다. 이 설정은 Studio Viewfinder의 LCD 배면광 밝기를 조절할 수 있습니다.

커서(CURSORS)

커서는 스크린에서 하단 3분의 1 그래픽 및 로고, 뉴스 자막 같은 그래픽이 나타나는 곳을 표시하는 기능입니다. 설정을 조절하려면 'CURSORS'로 이동하여 'Edit Cursors'를 선택합니다. 그러면 세 가지의 커서가 나타나 각각의 옵션을 개별적으로 선택하여 커서의 폭과 높이, X/Y 좌표를 조절한 뒤, 하나씩 개별적으로 위치를 지정할 수 있습니다.



커서 하위 메뉴



화면에 나타난 커서

커서 설정을 완료하면 'CURSORS' 메뉴에서 이를 On/Off 하거나, 기능 버튼에 지정하여 신속하게 사용할 수 있습니다. 생방송 제작 환경에서는 카메라 운영자가 커서 사용을 고려하여 더욱 정확하게 촬영솟을 구성하고 프레임링할 수 있어 더욱 중요한 기능입니다. 높이, 폭, 위치가 다양한 흑/백 커스텀 커서를 최대 세 개까지 생성할 수 있으며 생방송이나 방송 또는 후반 제작에서 추가되는 모든 그래픽의 크기와 위치를 손쉽게 맞출 수 있습니다. 커서를 기본 설정 상태로 되돌릴 수 있는 옵션 또한 사용할 수 있습니다.

Blackmagic URSA Studio Viewfinder에 헤드셋 사용하기

URSA Broadcast G2에서 Blackmagic URSA Studio Viewfinder 사용 시, 카메라의 헤드폰 연결 단자를 토크백 헤드셋 연결에 사용할 수 있어, 감독과 직접적인 의사소통이 가능합니다.

첨단 토크백 기능을 위해 Blackmagic Camera Fiber Converter와 Blackmagic Studio Converter를 추가할 경우, 5핀 XLR 커넥터가 탑재된 표준 방송용 헤드셋을 사용할 수 있습니다. 더 자세한 정보는 본 설명서의 [Blackmagic 광섬유 컨버터] 부분을 참고하세요.

정보 URSA Broadcast G2의 헤드폰 소켓은 iPhone의 헤드폰 소켓과 호환하기 때문에 iPhone 헤드셋을 사용하여 감독과 의사소통할 수 있습니다. 헤드셋에 내장된 리모트에서 해당 버튼을 누르면 감독과 이야기할 수 있습니다.

URSA Studio Viewfinder의 내부 소프트웨어 업데이트하기

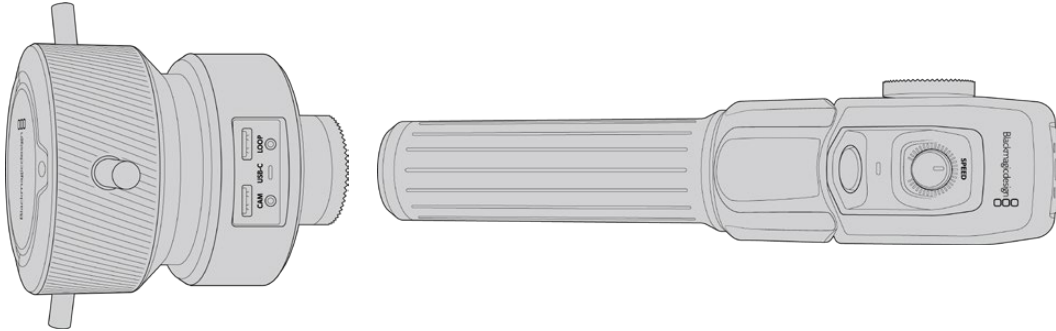
Blackmagic Camera Setup 유틸리티 소프트웨어를 사용하여 뷰파인더를 업데이트하세요. 업데이트 시 뷰파인더의 전원이 연결되어 있어야 하므로, 업데이트가 진행되는 동안 뷰파인더를 URSA Broadcast G2에 연결해두는 것이 좋습니다. 이를 위해서는 카메라에 전력 공급이 지속적으로 이루어져야 하므로 카메라에 외부 전원이 연결되어 있는지 반드시 확인하세요.

Blackmagic URSA Studio Viewfinder 하단에 있는 USB-C 포트를 사용할 수 있도록 선 후드를 제거한 뒤, 이 곳에 사용 중인 컴퓨터를 연결합니다. 뷰파인더를 컴퓨터에 연결하고 Blackmagic Camera Setup 유틸리티를 실행한 상태에서 뷰파인더가 오래된 버전을 사용 중인 것으로 확인될 경우, 업데이트를 묻는 창이 나타납니다. 화면에 나타나는 지시에 따라 뷰파인더의 내부 소프트웨어를 업데이트합니다. 더 자세한 정보는 [Blackmagic Camera Setup 유틸리티] 부분을 참고하세요.

카메라 성능을 최적화하기 위해 Blackmagic URSA의 모든 장비를 동시에 업데이트할 것을 권장합니다.

참고 Blackmagic URSA Viewfinder를 URSA Broadcast G2에 장착해 사용할 경우, 호환성을 위해 뷰파인더의 내부 소프트웨어를 최신 버전으로 업데이트할 것을 권장합니다. Blackmagic 고객 지원 센터(www.blackmagicdesign.com/kr/support)에서 최신 소프트웨어를 확인할 수 있습니다. 더 자세한 정보는 [Blackmagic Camera Setup 유틸리티] 부분을 참고하세요.

Blackmagic Zoom Demand 및 Blackmagic Focus Demand



Blackmagic Zoom Demand 및 Blackmagic Focus Demand는 서보로 작동하는 B4/EF/PL 렌즈 사용 시, 초점과 줌 기능을 조절하는 액세서리 제품입니다.

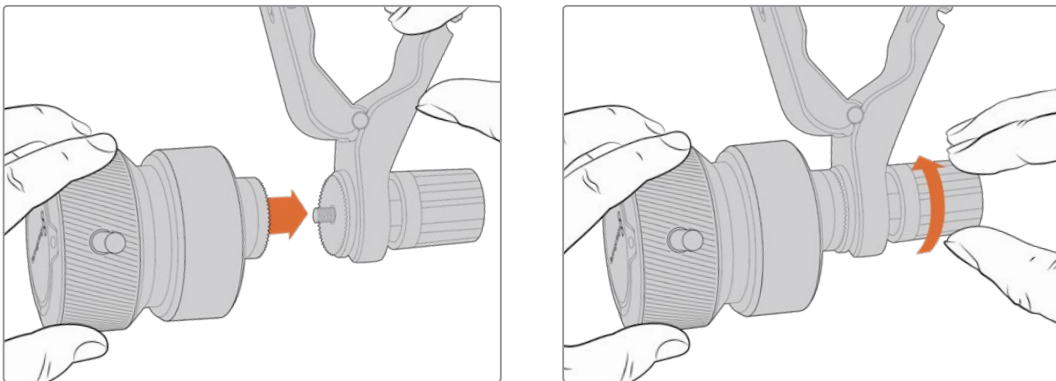
사용하는 삼각대의 손잡이 또는 카메라 페디스탈에 각각 장착합니다. 이를 통해 두 손을 사용하여 카메라의 패닝과 틸팅을 조절하는 동시에 초점 및 줌 조절이 가능합니다. 추가 버튼 및 제어 장치는 줌 컨트롤의 속도 및 감도를 더욱 정교하게 제어하고, 토크백, 프로그램 리턴 모니터링에 사용하도록 합니다.

카메라에 연결 및 장착하기

삼각대 손잡이에 장착하기

제품 마운팅 브라켓을 사용하여 삼각대 핸들에 각각 장착하세요. 로제트 마운트를 사용하여 브라켓에 액세서리를 장착하세요.

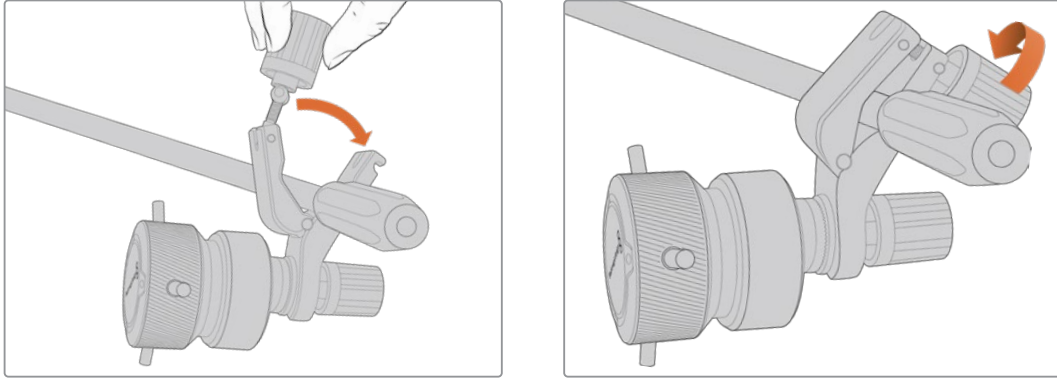
Blackmagic Zoom Demand 액세서리를 브라켓에 장착하려면 로제트 마운트를 통해 돌을 연결한 다음 노브를 조여 단단히 고정하세요.



- 1 Blackmagic Zoom Demand 또는 Blackmagic Focus Demand를 브라켓의 로제트 마운트에 맞춰 놓으세요.

2 브라켓에 액세서리가 단단하게 고정되도록 해당 노브를 조이세요.

이제 이 브라켓을 삼각대 암에 장착하세요. 각각의 브라켓 끝에 슬롯 방향으로 접어 고정하는 T 형태의 래치가 있습니다.



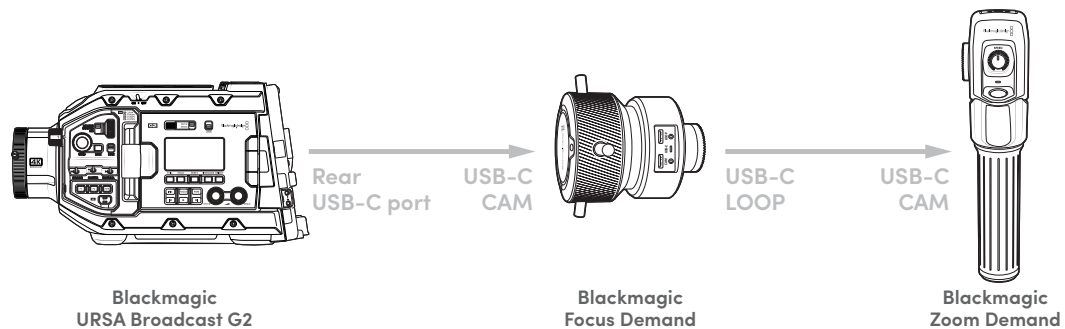
- 1 이 래치의 노브를 시계 반대 방향으로 풀어 느슨하게 하세요. 이제 T 형태의 래치가 풀립니다.
- 2 래치가 열린 상태에서 브라켓을 삼각대 암에 놓고 래치를 고정 슬롯에 끼워 넣어 브라켓을 고정시키세요. 삼각대 암에 장착된 브라켓을 원하는 방향으로 돌리세요.
- 3 래치 노브를 조여 삼각대 암에 브라켓을 단단히 고정시키세요.

카메라에 연결하기

Blackmagic Zoom Demand 또는 Blackmagic Focus Demand에는 두 개의 USB-C 포트가 있습니다. 각각의 유닛에 연결하여 따로 또는 함께 운영할 수 있습니다.

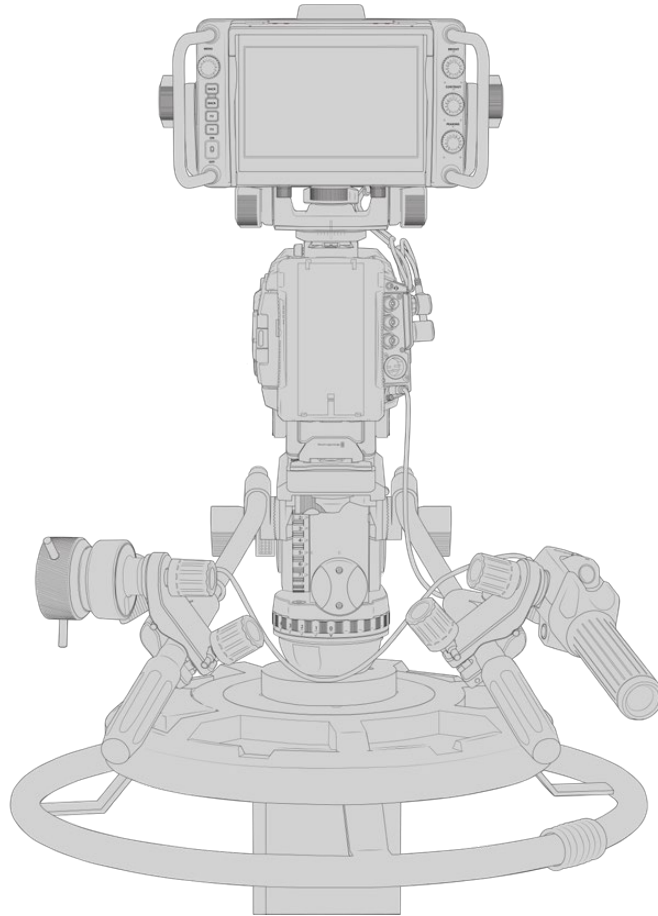
각각의 유닛은 URSA Broadcast G2 뒷면의 USB-C 포트에서 Blackmagic Focus Demand의 'CAM' 포트에 바로 연결할 수 있는 1미터 길이의 USB-C 케이블이 함께 제공됩니다.

두 개의 유닛을 모두 사용할 경우, 첫 번째 유닛을 두 번째 USB-C에 데이지 체이닝 방식으로 연결합니다.



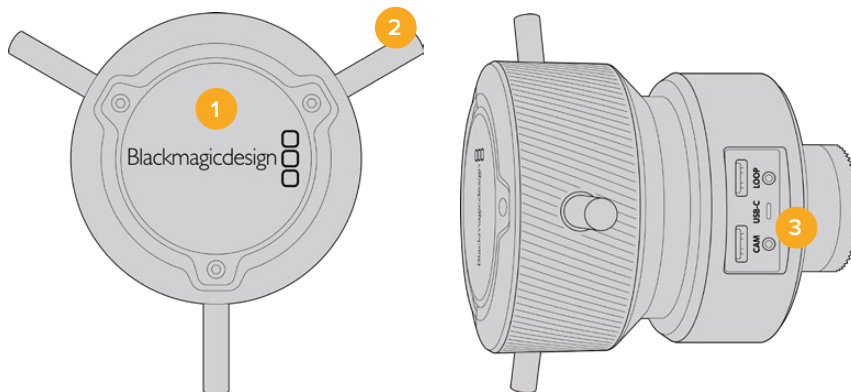
데이지 체이닝 방식으로 연결하면 URSA Broadcast G2 뒷면의 USB-C 포트를 사용해 두 개의 유닛을 제어할 수 있습니다. 예를 들어, USB-C 케이블을 카메라 뒷면의 USB-C 포트에 연결하고 케이블 다른 쪽을 Blackmagic Focus Demand의 'CAM' 포트에 연결하세요. 두 번째 케이블을 사용하여 Blackmagic Focus Demand의 'LOOP' 포트를 Blackmagic Zoom Demand의 'CAM' 포트에 연결하세요.

USB-C 케이블 양 끝에 있는 잠금 나사는 유닛에 단자를 단단히 고정시켜 실수로 연결이 끊기는 일을 방지합니다. 잠금 나사를 반드시 사용할 필요는 없지만, URSA Broadcast G2에 항상 연결해야 하는 스튜디오 셋업에서는 유용하게 사용할 수 있습니다.



Blackmagic Zoom Demand 또는 Blackmagic Focus Demand를 사용하면 손잡이에서 손을 떼지 않고 초점과 줌 조절이 가능합니다.

Blackmagic Focus Demand 사용하기



- 1 컨트롤 노브**
 포커스 휠을 시계 방향으로 회전하면 렌즈 가까이 피사체에 초점을 맞추며, 시계 반대 방향으로 회전하면 피사체 멀리 초점을 맞춥니다. 메뉴에서 '앞으로' 또는 '뒤로' 설정하여 초점 방향을 변경할 수 있습니다.

정보 Blackmagic Zoom Demand를 사용할 경우 '퀵 줌' 버튼을 누르면 Blackmagic Focus Demand를 사용해 초점을 맞추면서 이미지를 확대할 수 있습니다.

2 컨트롤 프롬

여기 세 개의 프롬은 손가락 끝으로 초점을 정교하게 조절할 수 있도록 조종면의 지름을 확장합니다.

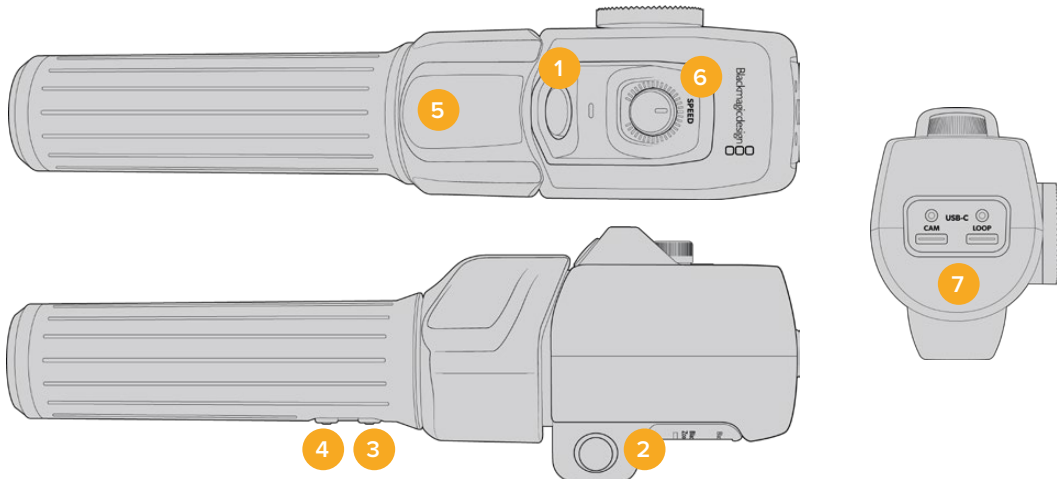
3 USB 포트

Blackmagic Focus Demand를 카메라에 연결하고 Blackmagic Zoom Demand를 데이지 체이닝 방식으로 연결합니다. 'CAM' 포트는 Blackmagic Camera Setup 유틸리티를 통해 내부 소프트웨어를 업데이트하는데 사용할 수도 있습니다.

Blackmagic Zoom Demand 사용하기

Blackmagic Zoom Demand 컨트롤은 카메라 설정에서 매핑할 수 있습니다. 버튼 기능 변경에 대한 정보는 '설정' 부분을 확인하세요.

다음은 기본 설정된 명령어를 나타냅니다.



1 줌 F1

줌 기능 버튼 1입니다. 이 버튼은 '녹화' 버튼으로 기본 설정되어 있습니다.

2 줌 F2

줌 기능 버튼 2입니다. 이 버튼은 다른 면에 동일한 기능의 버튼이 하나 더 탑재되어 있어 왼손 오른손 제어를 위한 버튼입니다. 라이브 이미지로 즉각 전환되는 퀵 줌 기능으로 기본 설정되어 있습니다.

참고 퀵 줌 기능은 Blackmagic URSA Broadcast G2의 LCD에만 나타나며, 스위처 또는 레코더에 연결된 출력 영상에는 나타나지 않습니다.

3 줌 F3

줌 기능 버튼 3입니다. 이 버튼은 프로그램 리턴 기능으로 기본 설정되어 있습니다. 이는 일반적으로 스위처의 프로그램 리턴 피드를 말하지만, 카메라의 SDI 입력에 연결된 모든 SDI 신호가 될 수 있습니다.

4 줌 F4

줌 기능 버튼 4입니다. 이 버튼은 푸시 투 토크 기능으로 기본 설정되어 있습니다. SDI를 통해 ATEM 스위처에 연결한 경우, 이 버튼을 누른 상태에서 스위처 운영자와 의사소통할 수 있습니다.

5 썸 로커

Blackmagic Zoom Demand 핸들에는 썸 로커 컨트롤이 있습니다. 썸 로커의 왼쪽을 누르면 줌 아웃, 오른쪽을 누르면 줌인이 됩니다. 카메라의 메뉴 설정을 사용하면 줌 방향을 반대로 바꿀 수 있습니다.

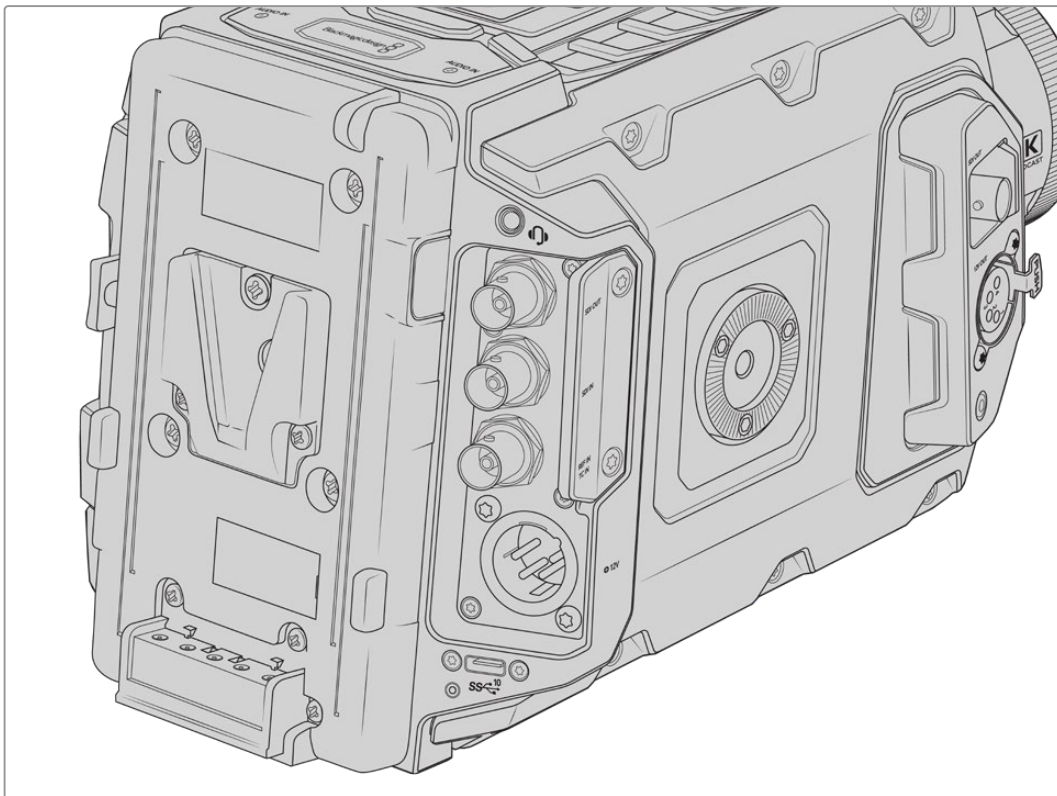
6 속도 조절 다이얼

유닛 상단에 있는 속도 조절 다이얼을 조절하면 줌 속도를 정교하게 조절할 수 있습니다. 이 다이얼 버튼은 헤드폰 볼륨, 조리개 조절, 포커스 조절을 하도록 매핑할 수도 있습니다.

7 USB-C 포트

Blackmagic Zoom Demand를 카메라에 연결하고 Blackmagic Focus Demand를 데이지 체이닝 방식으로 연결할 수 있습니다. 'CAM' 포트는 Blackmagic Camera Setup 유틸리티를 통해 내부 소프트웨어를 업데이트하는데 사용할 수도 있습니다.

배터리 장착하기



V-마운트 및 골드 마운트 배터리 장착하기

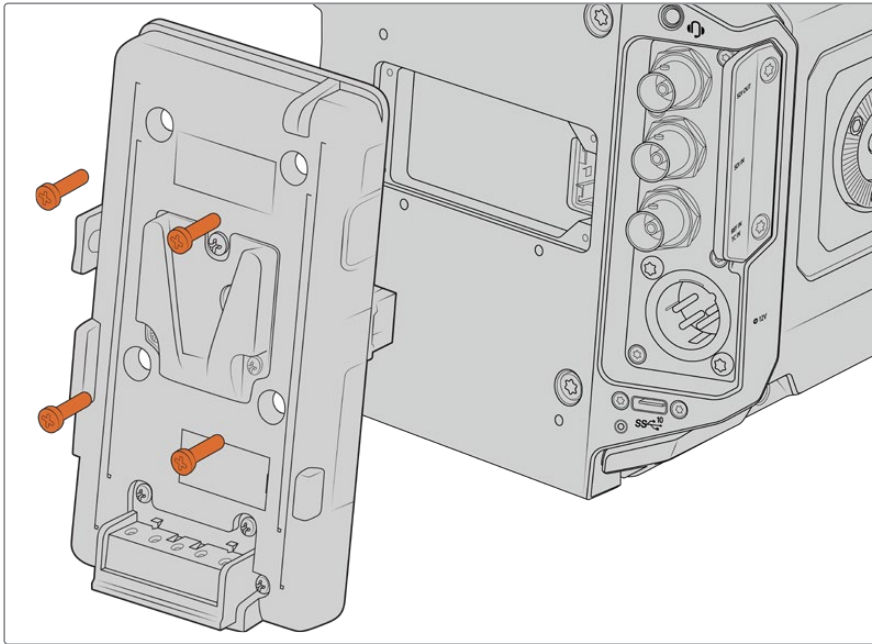
Blackmagic URSA Broadcast G2는 업계 표준형 VLock 배터리를 장착할 수 있는 URSA VLock Battery Plate가 장착되어 제공됩니다.

Blackmagic URSA Gold Battery Plate 또는 서드 파티 배터리 플레이트를 장착하면 다른 유형의 배터리를 사용할 수도 있습니다.

정보 Blackmagic URSA VLock Battery Plate 및 URSA Gold Battery Plate는 호환 배터리의 정보를 퍼센트 단위로 제공합니다. 이 제품들은 D탭 또는 P탭이라고 불리는 +12V 출력 커넥터가 탑재되어 있어 외부 모니터 같은 액세서리에 전원을 공급할 수 있습니다. 출력되는 전원은 카메라에서 안정화, 즉 정전압 처리되며, 카메라의 전원이 꺼질 때 해당 출력도 안전하게 꺼진다는 점을 알아두세요. 정전압 출력은 12V(최대 1.5암페어)입니다. 일부 서드파티 URSA 배터리 플레이트 제품, 혹은 배터리 제품은 안정화되지 않은, 즉 비정전압의 D탭 출력을 제공합니다. 이런 제품들은 카메라가 리부팅되거나 꺼질 때에도 전원 공급을 계속하지만, 배터리 잔량에 따라 출력 전압이 달라지며 연결된 액세서리로 인해 배터리가 계속해서 소모되는 단점이 있습니다.

Blackmagic URSA VLock Battery Plate는 Blackmagic Design 리셀러로부터 구입할 수 있으며, 서드 파티 V-마운트 및 골드 마운트 배터리 플레이트는 전문 디지털 시네마 및 비디오 장비 공급 업체로부터 구입할 수 있습니다. Blackmagic URSA Broadcast G2에 맞는 배터리 플레이트를 구입하지 않고 직접 배터리 플레이트를 개조하여 사용할 경우에는 제품에 포함된 어댑터 케이블과 커넥터를 사용하면 됩니다. [기존 배터리 플레이트 사용하기] 부분을 참고하여 URSA Broadcast G2에 맞는 배터리 플레이트 개조 방법을 확인하세요.

Blackmagic URSA Broadcast G2의 배터리 플레이트 교체하기



- 1 URSA VLock Battery Plate 모서리에 있는 4개의 M3 나사를 풀으세요.
- 2 카메라 전원 커넥터에 연결된 배터리 플레이트의 MoXie 커넥터 연결을 해제하세요.
- 3 배터리 플레이트의 MoXie 커넥터를 카메라 MoXie 전원 커넥터에 연결하세요.
- 4 4개의 M3 나사를 사용하여 배터리 플레이트를 Blackmagic URSA Broadcast G2의 플레이트 마운팅 포인트에 장착합니다. 나사를 조일 때 커넥터의 케이블이 플레이트 사이에 끼지 않도록 케이블 슬롯에 잘 집어넣습니다.
- 5 카메라에 배터리 플레이트가 장착되었으므로, 배터리를 장착하고 카메라 전원을 켜면 됩니다.

기존 배터리 플레이트 사용하기

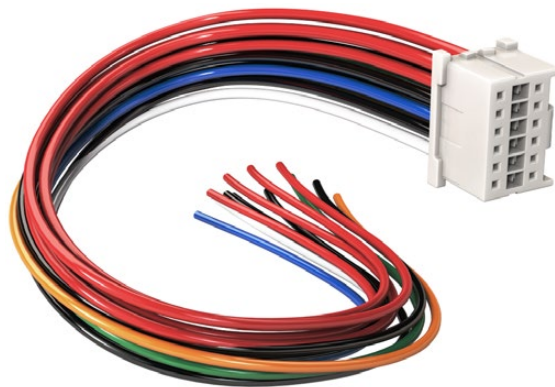
어댑터 케이블과 커넥터

서드 파티 배터리 플레이트를 변형하여 URSA Broadcast G2에 연결하려면 제품과 함께 제공되는 어댑터 케이블과 커넥터를 사용하세요. Blackmagic Design 지원 사무실에서 직접 구매하실 수도 있습니다.

다음과 같은 방식으로 배터리 플레이트에 어댑터 케이블과 커넥터 선을 연결하세요.

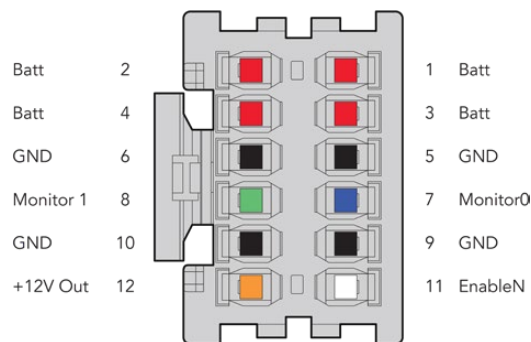
- 1 빨간색 전선과 검은색 전선의 피복을 각각 약 1cm 정도 벗기세요.
- 2 빨간색 Batt 전선 4개를 배터리 플레이트에 있는 해당 양극 전선에 납땜하세요.
- 3 검은색 GND 전선 4개를 배터리 플레이트에 있는 해당 음극 전선에 납땜하세요.

접합 부분이 제대로 절연되어 있는지 확인하세요.



URSA Broadcast G2에 연결할 배터리 플레이트를 변형하려면 제품과 함께 제공되는 어댑터 케이블과 커넥터를 사용하세요. Blackmagic Design 지원 사무실에서 직접 구매하실 수도 있습니다

이제 카메라에 배터리 전원이 공급됩니다. 12V 출력 및 배터리 상태 확인 같은 기능을 사용하기 위해 전선을 추가로 연결할 수도 있습니다. 보유한 배터리 플레이트의 정보와 다이어그램, 그리고 아래 표를 참고하여 전선을 연결하세요. 지원이 필요한 경우, Blackmagic Design 지원 센터 (www.blackmagicdesign.com/kr/support)를 방문하세요.



어댑터의 커넥터 하우징 후면 배선 구성표에서 각 핀의 설명을 확인하세요.

배선 구성표

핀	신호	색상	방향	설명
1, 2, 3, 4	Batt	빨간색	URSA 방향	12V - 20V
5, 6, 9, 10	GND	검은색	-	-
7	Monitor0	파란색	URSA 방향	아날로그 배터리 잔량 표시 또는 오픈 드레인 데이터 라인(최대 20V)
8	Monitor1	초록색	URSA 방향	오픈 드레인 클럭 라인(최대 3.4 V)
12	+12 V 출력	주황색	URSA 반대 방향	12V 정전압 출력 최대 1.5 A(18W)
11	EnableN	흰색	URSA 방향	GND에 연결하여 +12V 출력을 활성화하세요. +12V 출력이 필요하지 않을 시에는 연결하지 않고 그대로 둡니다.

Batt 및 GND 핀은 각각 3암페어를 지원합니다. Batt 및 GND 핀이 모두 제대로 연결되어있는지 확인하세요. Anton Bauer 및 IDX, Blueshape 플레이트를 사용하여 배터리 상태를 모니터링하려는 경우, 다음과 같이 연결하세요.

Anton Bauer	줄무늬가 있는 파란색/흰색 전선을 하우징의 핀 7에 있는 초록색 전선에 연결하세요.
IDX	초록색 전선을 하우징의 핀 8에 있는 초록색 전선에, 회색 전선을 하우징의 핀 7에 있는 파란색 전선에 연결하세요.
Blueshape	SMBC라고 적힌 파란색 전선을 하우징의 핀 8에 있는 초록색 전선에 연결하세요. SMBD라고 적힌 갈색 전선을 하우징의 핀 7에 있는 파란색 전선에 연결하세요.

사용하지 않는 전선은 어댑터 커넥터 뒤에 가장 가깝게 잘라내 안전하게 보관합니다.

Blackmagic 광섬유 컨버터

Blackmagic Camera Fiber Converter와 Blackmagic Studio Fiber Converter는 URSA Broadcast G2 또는 URSA Mini 카메라와 ATEM 스위처 사이의 SMPTE 광섬유 연결을 지원하는 카메라 액세서리 옵션입니다.

업계 표준의 SMPTE 하이브리드 광케이블 하나로 카메라와 ATEM 스위처를 연결할 수 있으며, 이를 통해 모든 비디오 전원과 토크백, 탈리, 컨트롤 신호를 전송할 수 있습니다. SMPTE 광섬유 연결을 통해 훨씬 적은 수의 케이블로 더욱 효율적이고 간단하게 프로덕션을 셋업할 수 있습니다. Blackmagic Studio Fiber Converter에 탑재된 표준 커넥터를 통해 이미 보유 중인 중계 차량 시설에 광섬유 컨버터를 손쉽게 추가할 수 있습니다.

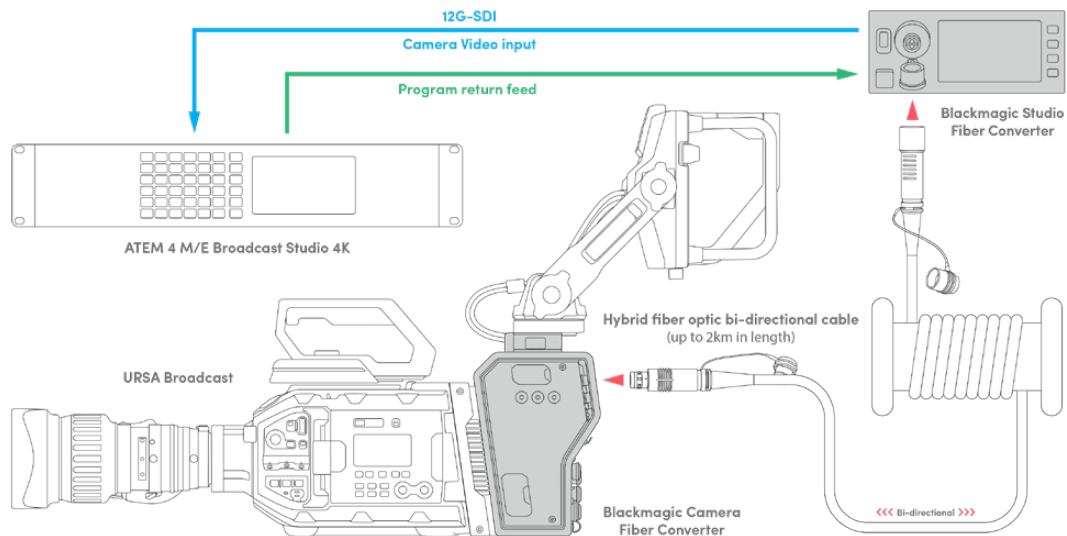


Blackmagic Camera Fiber Converter

Blackmagic Camera Fiber Converter를 URSA Mini 또는 URSA Broadcast G2 뒷면에 장착하면 표준 SMPTE 하이브리드 304 커넥터를 통해 Blackmagic Studio Fiber Converter를 연결할 수 있습니다.

Blackmagic Studio Fiber Converter

이 컨버터는 BNC 케이블을 통해 카메라의 광 SDI 신호를 SDI로 변환한 다음, 이를 ATEM 스위처로 전송합니다. 이 컨버터는 또한 ATEM 스위처의 프로그램 리턴 피드를 포함한 모든 피드 소스를 카메라로 다시 전송합니다.



Blackmagic 카메라와 스튜디오 광섬유 컨버터는 단일 SMPTE 광섬유 케이블을 통해 SDI 비디오 및 전원, 토크백, 탈리, 컨트롤 신호를 모두 효율적으로 전송합니다.

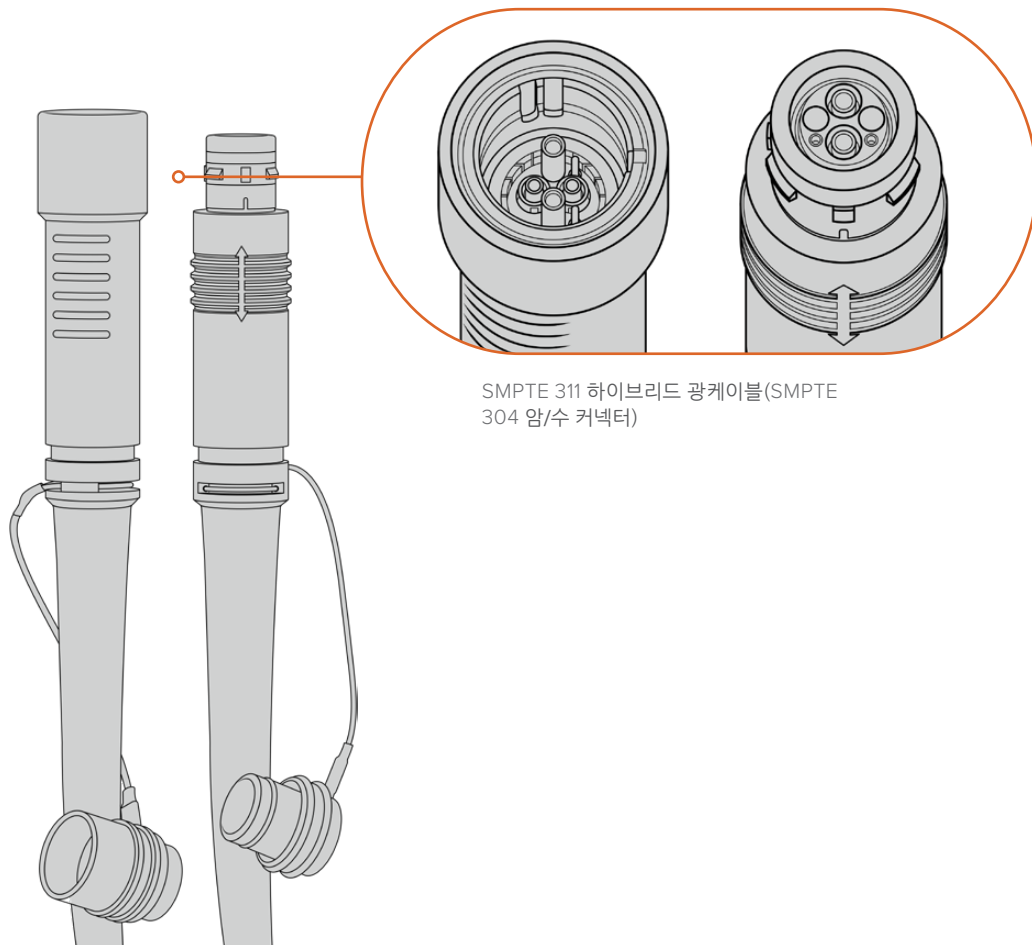
Blackmagic 광섬유 컨버터 사용하기

컨버터 사용은 쉽고 간단합니다. 비디오 콘텐츠를 빠르게 제공하고 SMPTE 광섬유 사용의 편리함을 얻을 수 있습니다.

SMPTE 광케이블이란

SMPTE 광케이블은 전원 및 여러 개의 신호를 간소화된 방식으로 장거리 간 전송할 수 있는 케이블입니다. 스위처에 연결된 카메라에 케이블을 여러 개 연결하지 않아도 되어 방송 환경에서 매우 유용합니다.

SMPTE 311 하이브리드 광케이블을 사용하면 하나의 표준 광케이블로 카메라와 ATEM 스위처를 연결할 수 있으며, 모든 비디오 전원과 토크백, 탈리, 컨트롤 신호를 단일 케이블로 전송할 수 있습니다. 광케이블은 또한 최대 2km 떨어진 거리까지 신호와 전원을 공급할 수 있습니다.



참고 SMPTE 311 하이브리드 광섬유 케이블 끝부분의 암/수는 SMPTE 304 커넥터 안쪽의 암/수 핀 모양을 통해 구별할 수 있습니다. 외관상으로는 암/수 커넥터를 구별할 수 없습니다.

정보 또한 SMPTE 광케이블 양쪽 커넥터에 달린 고무캡과 컨버터 고무캡을 서로 달아두면 먼지나 잔해물이 들어가는 것을 방지할 수 있습니다.

SMPTE 광섬유 연결 사용의 가장 큰 장점은 일반 생방송 환경에서 조종실 또는 중계 차량에 연결할 수 있다는 점입니다. 대부분의 현대 스포츠 경기장에는 카메라와 조종실, 중계 차량에 광케이블이 이미 설치되어 있기 때문에 바로 시스템에 연결이 가능합니다.

기존 광섬유 시스템에 연결하거나 두 대의 Blackmagic 광섬유 컨버터를 서로 연결하는데 사용되는 광케이블은 SMPTE 304 커넥터를 지원하는 SMPTE 311 하이브리드 광케이블입니다.

SMPTE 커넥터 보호

고무캡을 사용해 SMPTE 광섬유 케이블 커넥터를 항상 보호하는 것이 좋습니다. 유리 섬유 튜브 끝에 아주 작은 먼지 입자만 쌓여도 신호 흐름을 방해할 수 있기 때문입니다. 평소에 커넥터가 밖으로 노출되자마자 바로 마개를 달아주면 제일 좋습니다. 연결하기 직전과 해제 직후에 바로 마개를 열고 닫는 것입니다.

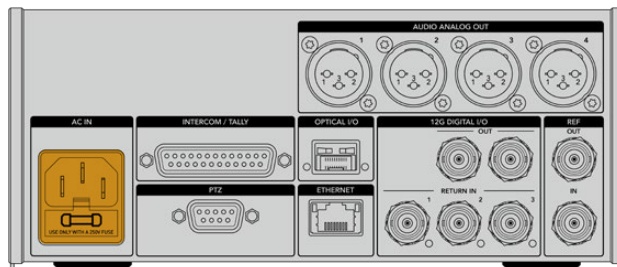
SMPTE 광케이블 양쪽 커넥터에 달린 고무캡과 컨버터 고무캡을 서로 달아두면 먼지나 잔해물이 들어가는 것을 방지할 수 있습니다.

전원 연결하기

스튜디오 컨버터에서 광케이블을 통해 카메라 컨버터로 전원이 공급되기 때문에 스튜디오 컨버터의 전원을 먼저 연결합니다.

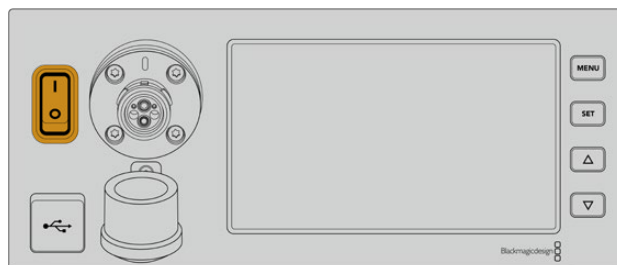
Studio Fiber Converter 전원 연결하기

표준 IEC 전원 케이블을 스튜디오 컨버터 뒷면 패널에 연결하세요.



표준형 IEC 전원 케이블을 통해 Studio Fiber Converter에 전원이 공급됩니다.

전면 패널의 전원 스위치를 ON으로 설정해 컨버터 전원을 켜세요.



SMPTE 광섬유 연결하기

SMPTE 광케이블로 스튜디오 컨버터와 카메라 컨버터 사이를 연결합니다. 이를 통해 스튜디오 컨버터에서 카메라 컨버터로 전원이 공급되고 광케이블을 통해 모든 비디오 피드가 전송됩니다.

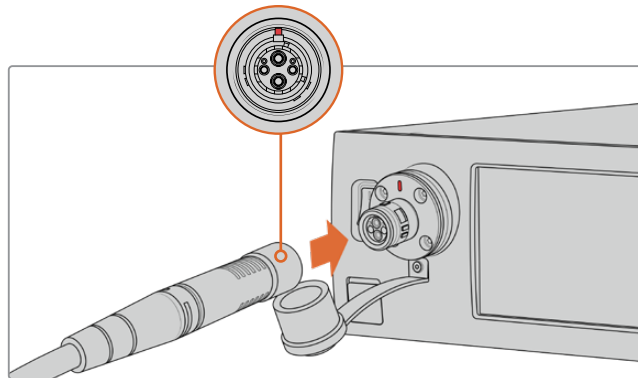
참고 전원 공급 기능이 있는 하이브리드 광케이블을 컨버터에 연결할 때마다 광범위한 안전 점검이 시작되며, 제품 사용 중에도 컨버터 전원이 안전한지 지속적으로 모니터링됩니다.

스튜디오 컨버터에 광케이블 연결하기

SMPTE 광케이블 연결 단자(수)를 Blackmagic Studio Fiber Converter 전면 패널에 있는 연결 단자(암)에 단단히 고정시킬 수 있습니다. 연결 단자에 있는 고정 장치는 케이블이 방송 도중 안전하게 연결될 수 있도록 합니다.

케이블 연결하기

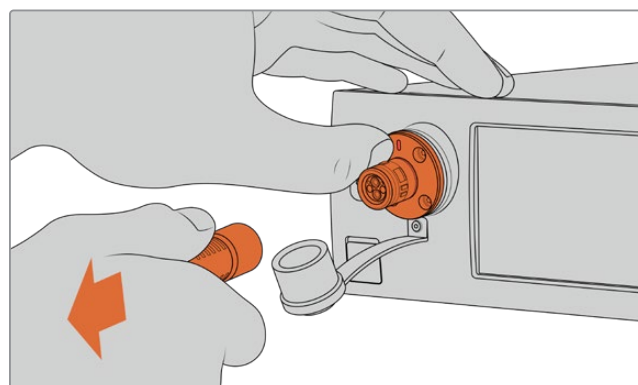
케이블 커넥터에 있는 빨간점을 제품 광섬유 커넥터의 빨간점에 맞추고 커넥터를 연결하면 딸깍 소리와 함께 고정됩니다.



SMPTE 광케이블 연결 단자(수)를 Blackmagic Studio Fiber Converter 전면 패널에 있는 연결 단자(암)에 연결합니다.

케이블 연결 해제하기

스튜디오 컨버터의 광섬유 커넥터 금속 부분을 전면 패널 방향으로 밀고 케이블 커넥터 연결을 해제합니다.



스튜디오 컨버터의 광섬유 커넥터 금속 부분을 전면 패널 방향으로 밀어 케이블 커넥터를 분리하면 컨버터에서 케이블 연결이 해제됩니다.

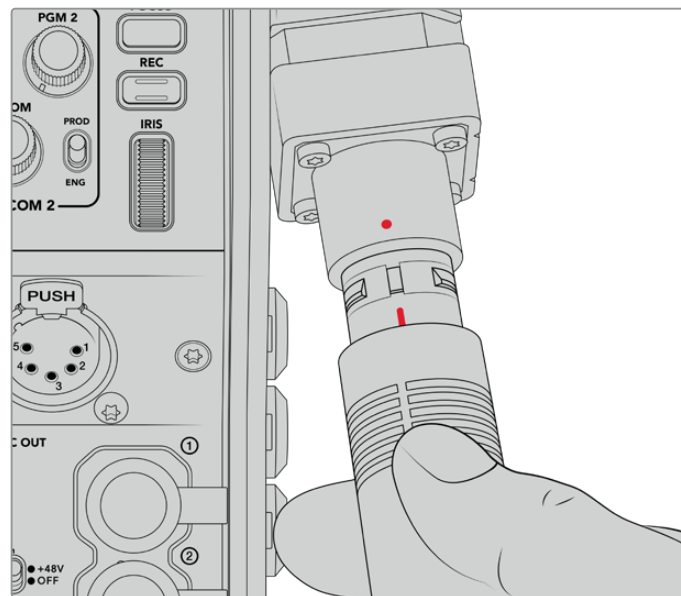
케이블이 장착되면 SMPTE 광케이블 고무캡을 Blackmagic Studio Fiber Converter에 연결해 두는 것이 좋습니다. 고무캡에 먼지나 잔해물이 들어가는 것을 방지하여 깨끗하게 유지할 수 있습니다.

카메라 컨버터에 광케이블 연결하기

SMPTE 광케이블 연결 단자(암)를 Blackmagic Camera Fiber Converter에 있는 연결 단자(수)에 단단히 고정시켜 케이블이 방송 도중 빠지지 않도록 합니다.

케이블 연결하기

- 1 각 케이블 커넥터에 있는 빨간점에 맞춰 카메라 커넥터에 케이블을 꽂으면 딸깍 소리와 함께 고정됩니다.
- 2 케이블이 장착되면 SMPTE 광케이블 고무캡을 Blackmagic Studio Camera Converter에 연결해 두는 것이 좋습니다. 고무캡에 먼지나 잔해물이 들어가는 것을 방지하여 깨끗하게 유지할 수 있습니다.

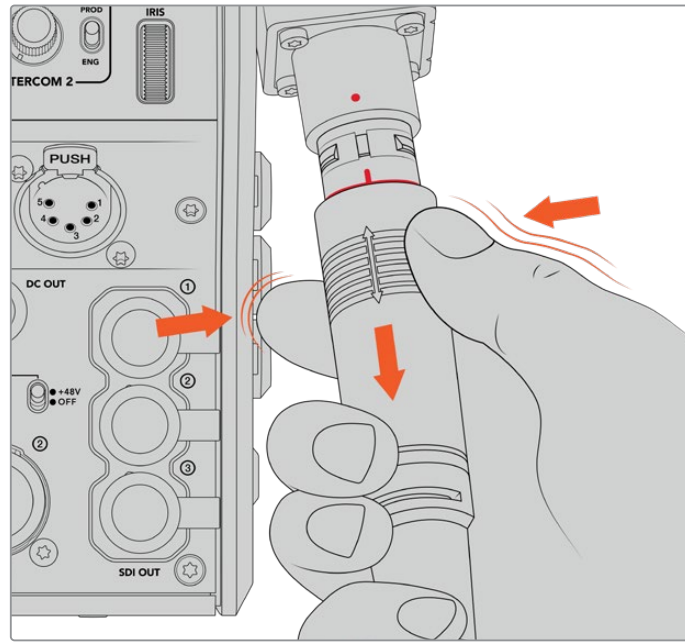


SMPTE 하이브리드 광케이블과 Blackmagic Camera Fiber Converter 커넥터에 있는 빨간점을 서로 맞춰 연결합니다.

참고 SMPTE 311 케이블에 탑재된 SMPTE 304 커넥터는 내구성이 상당히 우수하며 카메라와의 체결성 또한 뛰어납니다. 케이블을 분리할 경우, 카메라가 삼각대 헤드에 단단히 고정되어 있는지 확인한 다음 한 손으로 카메라를 잡고 다른 한 손으로 케이블을 분리하세요.

케이블 연결 해제하기

- 1 케이블 연결 단자(암) 윗부분을 잡고 고무 피복 부분을 눌러 빨간 링이 보일 때까지 천천히 케이블을 분리하세요. 케이블을 눌러야 잠금 장치가 풀립니다.
- 2 카메라를 한 손으로 부드럽게 감싸 쥐고 Blackmagic Camera Fiber Converter의 커넥터에서 케이블을 당기세요. 이 케이블은 세게 당기지 않아도 쉽게 연결이 해제됩니다.



케이블 끝의 고무 부분을 눌러 빨간 링이 보이면 케이블을 당겨 분리합니다.

참고 SMPTE 하이브리드 광케이블은 방송 시스템의 핵심이기 때문에 철저한 관리가 필요합니다. 예를 들어, 케이블이 꼬이거나 90도로 구부러지는 일이 생기지 않도록 주의하시고 무거운 물건을 올려두지 마세요. 케이블을 떨어뜨리지 않도록 주의하시고 조심해서 연결 및 분리하세요. 커넥터를 사용하지 않는 경우엔 고무캡을 항상 닫아두는 것이 좋습니다.

전원 및 광케이블 연결 확인

이제 두 개의 컨버터 간에는 핸드셰이크 과정이 확립되어 전원이 안전하게 공급되고 광케이블 또한 안전하게 연결되었습니다.

전원 및 광케이블 연결 확인하기

- 1 스튜디오 컨버터가 카메라 컨버터에 저전력 상태를 설정합니다. 저전력 상태일 경우, 카메라 컨버터의 전원 표시등에 빨간 불이 들어옵니다.
- 2 전원이 제대로 연결되면 고전력 상태가 되어 카메라 컨버터 전원 표시등에 초록 불이 들어옵니다.
- 3 광연결이 정상적으로 체결되면 광섬유 상태 표시등에는 초록 불이 나타납니다.

이 과정은 매우 빨리 진행되므로, 상태 표시등에는 거의 즉시 초록 불이 들어옵니다. 장거리 케이블을 사용하는 경우, 핸드셰이크 과정의 지연으로 초록 불이 조금 늦게 나타날 수도 있습니다.

빨간색 전원 불이 초록색으로 변하지 않고 오래 남아있거나, 빨강/초록을 번갈아 깜빡이면 광케이블 연결이 제대로 되어있는지 확인하세요. 신호 방해가 지속될 경우, 광케이블 연결 상태를 확인하세요.

전원 안전 유의사항

장거리 고전압 전류 공급이 가능한 SMPTE 하이브리드 광케이블을 사용해 최대 2km 떨어진 곳에 설치된 카메라 및 액세서리에 전원을 공급할 수 있습니다.

Blackmagic Studio Fiber Converter에는 안전 장치가 내장되어 있어 컨버터에 공급되는 전압을 정확하게 모니터링 및 자동 관리합니다.

전용 마이크로 컨트롤러와 Blackmagic 광섬유 컨버터 간의 내부 통신 기능을 통해 하이브리드 광케이블이 Camera Fiber Converter에 연결되기 전까지 비활성화되도록 할 수 있습니다. 그런 다음 저전력 상태를 유지하며 안전 점검을 마친 후에야 고전압 모드로 전환됩니다. 컨버터에서 광섬유 신호 연결과 5mA의 전기 신호 연결을 확인하고, 전원 연결 간의 차이가 30mA 미만인 것을 확인하기 전까지는 고전압 전류가 연결되지 않습니다.

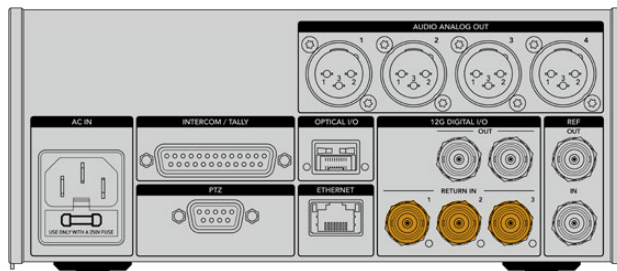
ATEM 스위처에 연결하기

스위처에 Blackmagic Studio Fiber Converter 연결하기

- 1 BNC 케이블을 사용하여 Blackmagic Studio Fiber Converter의 12G-SDI 출력을 스위처 SDI 입력에 연결합니다. 카메라와 스위처의 포맷 및 프레임 레이트를 동일하게 설정하세요.
- 2 스위처의 프로그램 리턴 피드 출력에 연결된 BNC 케이블을 스튜디오 컨버터 뒷면 패널의 RETURN IN 1 입력에 연결합니다.

정보 라이브 프로덕션에서 여러 대의 카메라를 사용할 경우, Teranex Mini SDI Distribution 12G 또는 Smart Videohub을 통해 스위처의 프로그램 리턴 피드를 운영해야 할 수도 있습니다. 이는 스위처의 프로그램 출력은 정해져 있는데 때론 더 많은 출력을 사용해야 할 수도 있기 때문입니다.

- 3 클린 프로그램 리턴 피드 또는 텔레프롬프터 피드, 다른 카메라에서 전송되는 ISO 피드, 그래픽, 기타 신호 등 카메라에 전송해야 하는 다른 리턴 피드가 있는 경우에는 이를 RETURN IN 2 또는 3에 연결하세요.



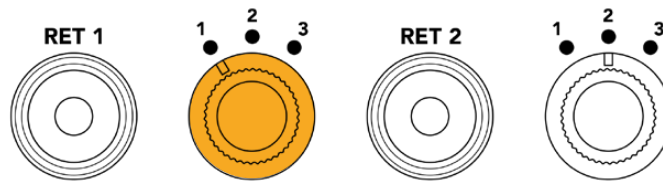
스위처의 프로그램 리턴 피드 및 다른 리턴 소스는 스튜디오 컨버터 뒷면 패널의 'Return' 입력에 연결하세요.

비디오 확인하기

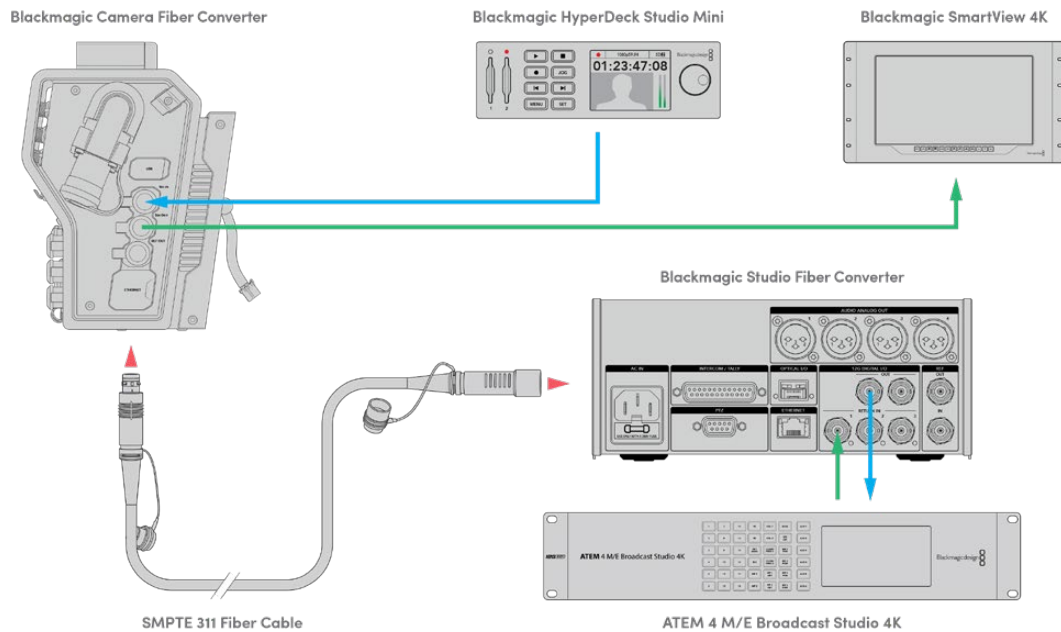
이제 비디오가 제대로 작동하고 모든 리턴 피드가 나타나는 것을 확인할 수 있습니다.

- 1 ATEM 스위치의 프로그램 출력이 스튜디오 컨버터 SDI RETURN IN 1에 연결되어 있는지 확인하세요.
- 2 모든 리턴 피드를 확인하려면 SDI RETURN IN 2와 RETURN IN 3에 영상 소스를 연결하세요.
- 3 이제 Blackmagic SmartView 4K 같은 SDI 모니터를 카메라 컨버터 옆면에 있는 SDI 출력에 연결합니다.

SDI 출력에 모니터를 연결하고 리턴 버튼 옆에 있는 해당 노브를 돌리면 세 개의 리턴 피드 사이를 전환할 수 있습니다. 두 개의 리턴 버튼을 두 개의 각기 다른 리턴 피드를 모니터링하도록 설정할 수 있습니다.



카메라 컨버터의 리턴 피드 간 전환 후에 해당 리턴 버튼을 누르면 선택된 피드를 모니터에서 볼 수 있습니다.



비디오를 확인하려면 영상 소스를 스튜디오 컨버터의 리턴 피드 입력에 연결한 다음, 카메라 컨버터에 연결된 모니터를 통해 해당 영상을 확인합니다.

연결 단자가 왜 전면면에 배치되어 있을까요?

스튜디오 컨버터 전면에는 광케이블 연결 단자가 있어 장비랙 뒷면을 통해 바로 연결할 수 있습니다. 일반적으로 스튜디오 컨버터는 SMPTE 케이블을 바로 연결할 수 있도록 장비랙 뒤를 향하도록 설치합니다. 따라서 장비랙에 추가 패널을 설치할 필요가 없고 광섬유 컨버터에 연결할 짧은 길이의 케이블을 구매하는 비용이 절약됩니다. SMPTE 광섬유 커넥터 옆에 있는 커다란 LCD를 통해 카메라에 연결이 제대로 이루어졌는지 신속하게 확인할 수 있습니다.

카메라 SDI 연결하기

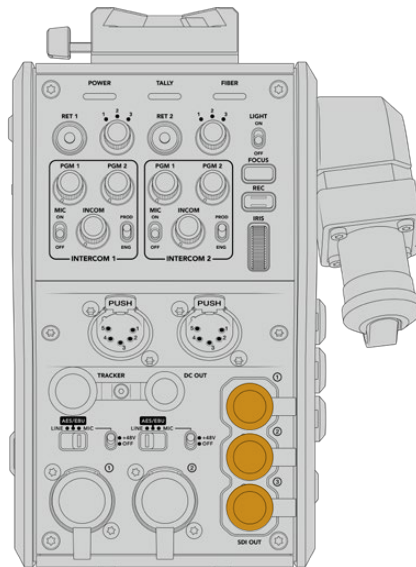
Blackmagic Camera Fiber Converter와 URSA Mini 또는 URSA Broadcast G2 간의 영상 신호를 연결하려면, 포함된 SDI 케이블 세 개 중 두 개를 컨버터 옆면과 카메라 뒷면을 연결합니다.

Camera Fiber Converter 카메라 연결 방법

- 1 제품에 포함된 BNC 케이블을 사용하여 Blackmagic URSA Broadcast G2 또는 URSA Mini 뒷면의 12G-SDI 출력 단자와 Blackmagic Camera Fiber Converter SDI 입력 단자를 연결하세요.
- 2 제품에 포함된 BNC 케이블을 사용하여 Blackmagic Camera Fiber Converter의 SDI 출력 단자와 Blackmagic URSA Broadcast G2 또는 URSA Mini 뒷면 패널의 12G-SDI 입력 단자를 연결하세요.

리턴 SDI 출력 연결하기

카메라 컨버터 전면의 SDI OUT이라고 표기된 세 개의 SDI 출력은 스위처에서 전송되는 리턴 피드의 루프 출력입니다. 이 출력을 통해 리턴 피드를 텔레프롬프터나 연기자용 모니터같은 카메라 근처의 다른 SDI 장비에 연결할 수 있습니다.



세 개의 리턴 피드 루프 출력을 텔레프롬프터나 모니터 같은 카메라 근처의 다른 SDI 장비에 연결할 수 있습니다.

참고 리턴 피드 SDI 루프 출력은 3D-SDI를 지원하여 세 개의 개별 피드를 위한 충분한 대역폭을 제공합니다. 다시 말해, 최대 2160p60의 스위처 UHD 리턴 피드를 동일한 프레임 레이트의 1080p로 다운 컨버팅합니다.

Blackmagic Camera Fiber Converter 장착하기

Blackmagic Camera Fiber Converter를 URSA Mini 및 URSA Broadcast G2 카메라 본체 바로 뒷면에 장착한 후, 카메라 뒷면에 있는 SDI 입력/출력 단자의 BNC 커넥터를 통해 서로 연결합니다. 카메라 뒷면에 배터리 플레이트를 장착한 경우, Blackmagic Camera Fiber Converter를 연결하기 전에 이를 먼저 제거합니다.

참고 Blackmagic Camera Fiber Converter를 설치하기 전에 URSA Mini와 URSA Broadcast G2의 내부 소프트웨어 버전이 각각 4.4/4.6 이후 버전인지 확인하세요. 현재 사용 중인 소프트웨어 버전은 카메라 '설정' 메뉴의 4번째 페이지에서 확인할 수 있습니다. 카메라 펌웨어 업데이트에 관한 자세한 정보는 본 설명서의 [Blackmagic Camera Setup 유틸리티] 부분을 참고하세요.

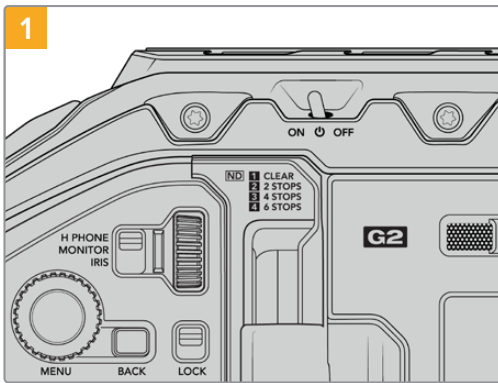
Blackmagic Camera Fiber Converter를 장착하려면 다음과 같은 도구가 필요합니다.

- 1x 십자 드라이버
- 1x 2.5mm 육각 드라이버

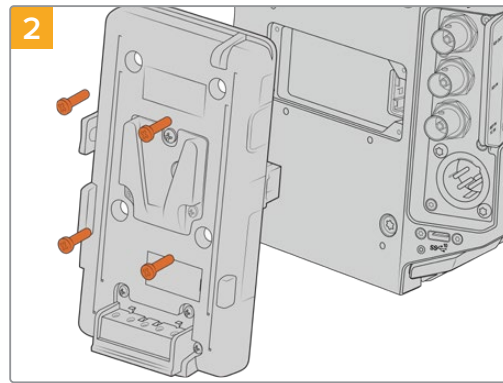


URSA Mini 또는 URSA Broadcast G2에 Blackmagic Camera Fiber Converter를 장착하려면 대형 십자 드라이버와 2.5mm 육각 드라이버가 필요합니다.

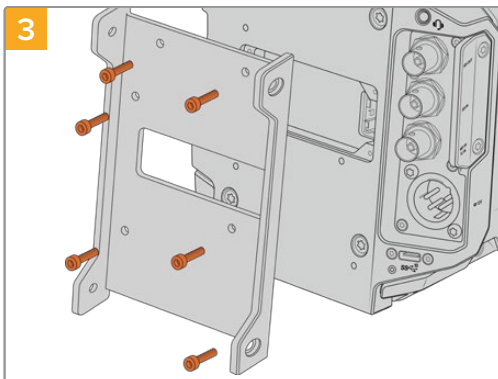
Blackmagic Camera Fiber Converter 장착 및 연결하기



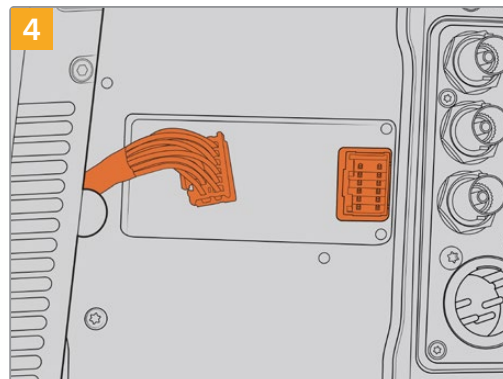
카메라 전원을 켜는지 확인합니다. URSA Mini Pro 또는 URSA Broadcast G2를 사용 시 전원 스위치를 OFF로 설정해 전원을 끄세요.



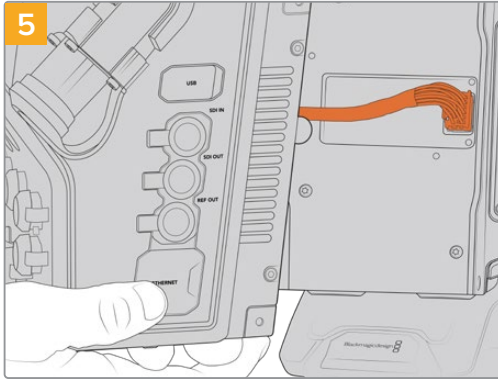
십자 드라이버를 사용하여 배터리 플레이트 또는 Molex 전원 커버를 분리하세요.



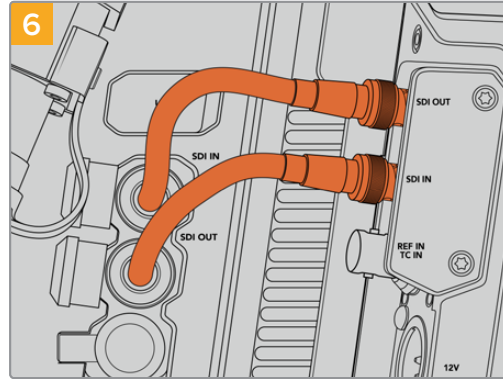
6개의 2.5mm 육각 나사로 Blackmagic Camera Fiber Converter 마운팅 브래킷을 장착하세요.



Blackmagic Camera Fiber Converter의 Molex 커넥터를 카메라 뒷면 패널에 있는 Molex 전원 소켓에 연결하세요.



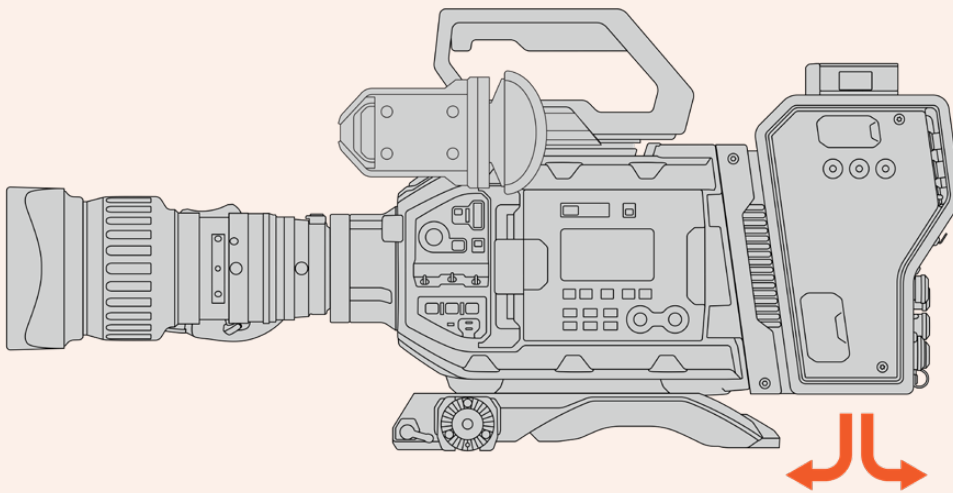
5 Blackmagic Camera Fiber Converter를 마운팅 브래킷에 밀어 넣고 2개의 2.5mm 육각 나사로 양면을 장착합니다.



6 제품에 포함된 BNC 케이블로 카메라 뒷면 SDI 출력을 Blackmagic Camera Fiber Converter의 SDI 입력에 연결하고, 광섬유 컨버터의 SDI 출력을 카메라 뒷면 SDI 입력에 연결합니다.

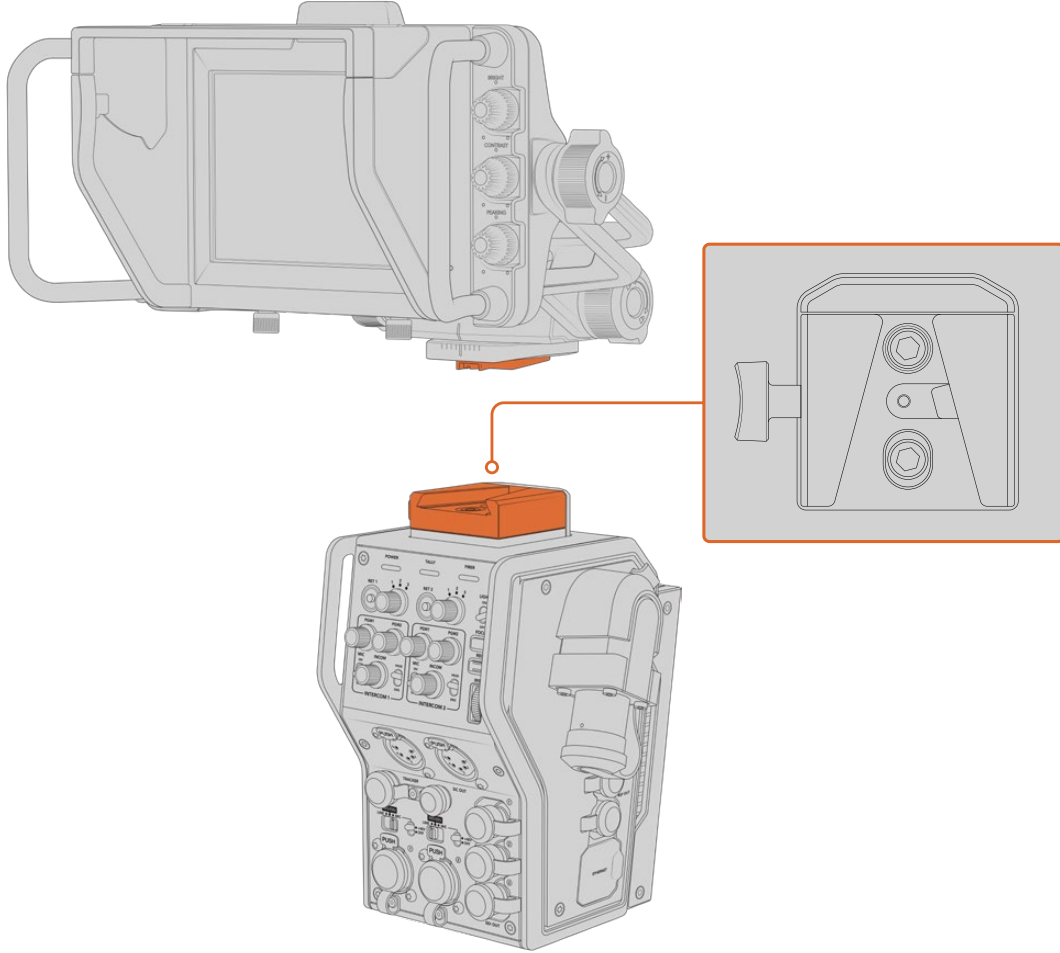
참고 프로덕션 셋업 시, URSA Broadcast G2 또는 URSA Mini에 광섬유 컨버터를 장착해 사용할 경우에는 원활한 통풍을 위해 광섬유 컨버터 아래쪽 공간을 비워두는 것이 중요합니다.

카메라를 주로 삼각대에 설치해 사용하거나 어깨에 올려 촬영하기 때문에 해당 공간을 쉽게 확보할 수 있습니다. 하지만 카메라를 평평한 곳에 두고 사용할 경우엔 광섬유 컨버터 하단부의 냉각팬 공기 흐름이 그대로 유지될 수 있도록 URSA Mini 솔더 패드 또는 서드파티 베이스 플레이트 및 브릿지 플레이트를 장착해 사용하는 것이 좋습니다.



URSA Studio Viewfinder 장착하기

V-Lock 플레이트를 컨버터 위에 장착하면 Blackmagic Studio Viewfinder를 연결할 수 있습니다. 이렇게 하면 페디스털 또는 삼각대에 스튜디오 뷰파인더를 장착할 시 눈높이에 위치시킬 수 있습니다.



카메라 컨버터 위에 V-Lock 마운트를 장착하면 Blackmagic URSA Studio Viewfinder를 그 위에 장착할 수 있습니다.

토크백 헤드셋 연결하기

카메라 컨버터 전면에 있는 5핀 XLR 커넥터에 방송용 헤드셋을 연결합니다. 두 개의 헤드셋 커넥터를 지원하여 두 명이 동시에 토크백 기능을 사용할 수 있습니다.

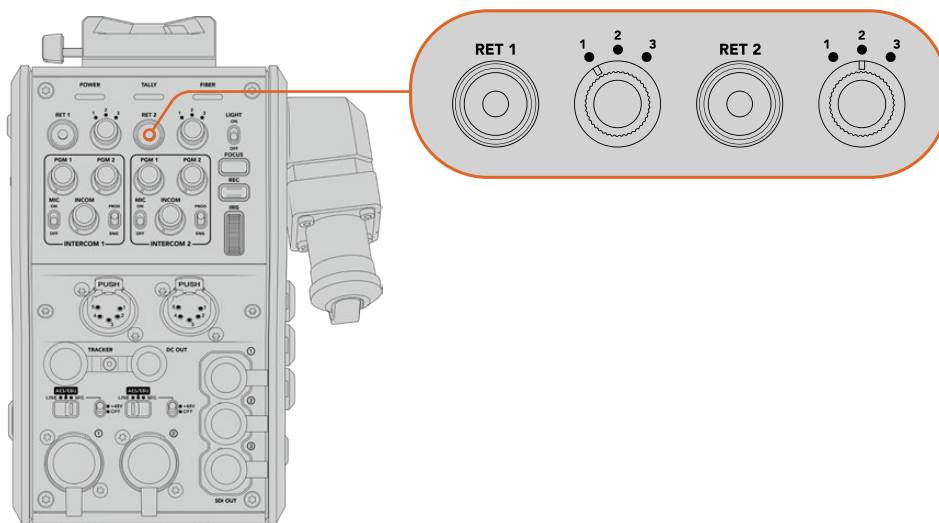
이것으로 모든 사용 준비가 완료되었습니다. 광컨버터는 SMPTE 광섬유를 통해 전원과 비디오 연결을 지원하므로 더욱 유연하고 효율적인 라이브 프로덕션을 제작할 수 있습니다. Blackmagic 광섬유 컨버터의 기능에 관한 자세한 설명은 아래에 이어집니다.

Camera Fiber Converter 사용하기

리턴 피드 선택하기

카메라에 있는 PGM 버튼처럼 사용할 수 있는 두 개의 리턴 버튼을 통해 LCD와 Blackmagic URSA Studio Viewfinder에 전송되는 피드를 전환하고, HD 모니터링 출력의 카메라 뷰와 프로그램 리턴 뷰를 전환할 수 있습니다.

RET 1과 RET 2라고 표기된 두 개의 리턴 버튼은 두 개의 선택된 리턴 피드로 전환할 수 있습니다. RET 1과 RET 2 버튼 옆에 있는 세 단계로 전환 가능한 회전 스위치를 사용하여 확인하려는 리턴 피드를 지정할 수 있으며, 해당 리턴 버튼을 누르면 선택한 피드가 나타납니다. 회전 스위치 설정 방향은 Studio Fiber Converter 뒤에 있는 RETURN IN 1/2/3 커넥터에 영향을 줍니다.



리턴 버튼과 세 단계로 전환 가능한 회전 스위치로 확인하려는 리턴 피드를 선택할 수 있습니다.

리턴 버튼을 길게 누르면 선택한 프로그램 피드가 나타납니다. 프로그램 피드는 리턴 버튼을 누르고 있는 동안 계속 나타납니다. 리턴 버튼을 두 번 누르면 화면에 나타나는 리턴 피드가 잠깁니다. 리턴 버튼을 다시 한번 누르면 리드 피드가 사라지고 카메라 뷰로 돌아갑니다.

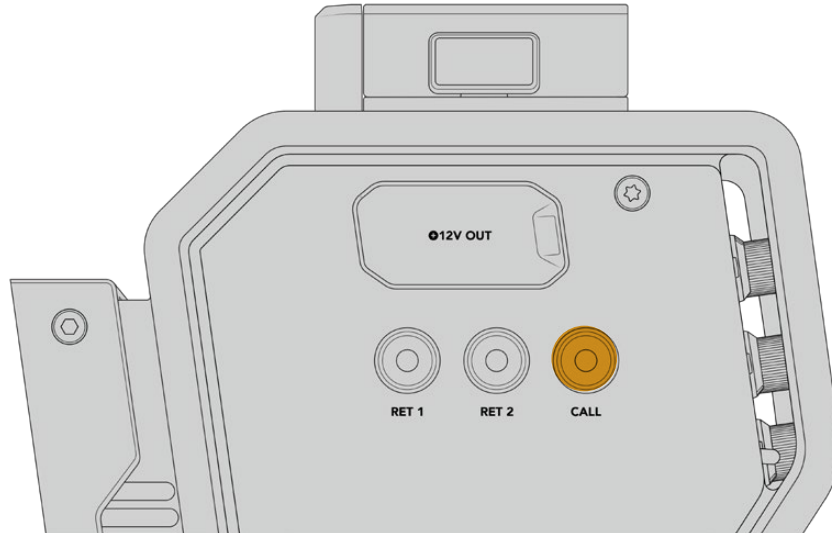
즉, Blackmagic Studio Fiber Converter에서 전송되는 세 개의 리턴 피드 중 어떤 피드를 두 개의 리턴 버튼에 지정하여 신속하게 사용할 것인지 정할 수 있습니다. 예를 들어, 그래픽이 가미된 스위치의 프로그램 출력 피드, 텔레프롬터 피드, 다른 카메라에서 바로 전송되는 피드의 세 가지 리턴 피드 중 선택할 수 있습니다.

이 회전 스위치를 사용하여 RET 1 버튼에 프로그램 피드를 영구히 지정한 다음 RET 2 버튼을 사용하여 텔레프롬터에 전송되는 피드를 확인하거나, 가끔 다른 카메라로 전환하여 프레임링 또는 앵글이 일치하는지 확인합니다.

컨버터 왼쪽에 있는 RET 1과 RET 2 리턴 버튼은 카메라를 옆면에서 운영할 시 리턴 피드를 확인할 수 있는 추가 옵션을 제공합니다. 이는 전면 패널에 있는 리턴 버튼과 같은 기능을 제공합니다.

콜 버튼 사용하기

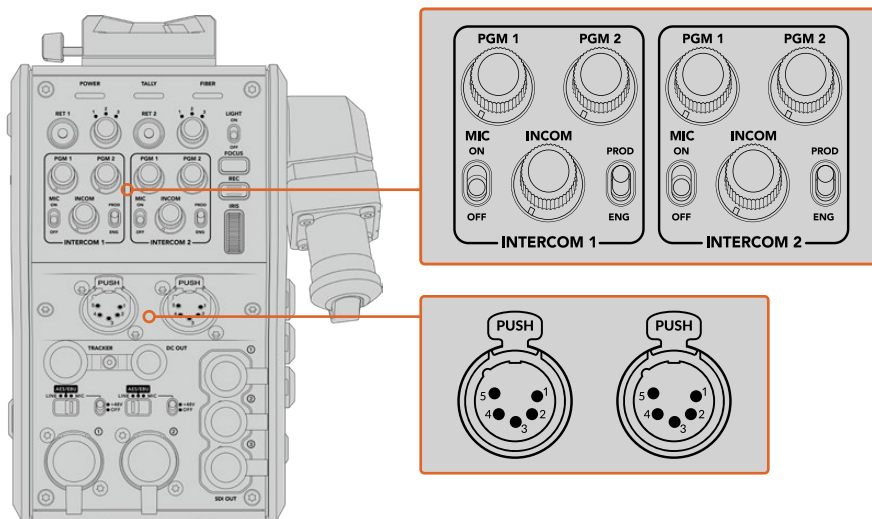
리턴 버튼을 옆에 있는 CALL 버튼을 누르면 Blackmagic Studio Fiber Converter의 LCD 스크린에서 빨간색 ON AIR 탈리 표시 장치가 깜빡입니다. CALL 버튼을 누르면 ATEM Talkback Converter 4K에 숫자로 표기된 PRESS TO TALK 버튼에 빨간불이 깜빡입니다. 이런 시각적인 표시 기능으로 조종실에 있는 사람들에게 지원을 요청할 수 있습니다.



토크백 사용하기

두 개의 5핀 XLR 커넥터(암)로 두 개의 헤드셋을 연결할 수 있어 추가 제작된 멤버가 의사소통에 참여할 수 있습니다.

각 헤드셋을 위한 인터컴 컨트롤은 독립적인 인터컴을 위한 두 세트의 컨트롤로 구성되어 각 헤드셋 XLR 커넥터를 위한 3방향 오디오 믹서를 지원합니다.



헤드셋을 위한 인터컴 컨트롤은 해당 헤드셋 연결 바로 위에 있습니다.

연결된 헤드셋을 통해 RET 1과 RET 2를 위해 선택한 피드의 오디오를 들을 수 있습니다. PGM 1과 PGM 2 다이얼은 이러한 피드의 오디오 레벨을 조절하고 INCOM 다이얼은 전체 오디오 볼륨을 조절합니다. MIC 버튼으로 헤드셋 마이크를 ON/OFF할 수 있습니다.

각각의 인터콤은 프로덕션 채널과 엔지니어링 채널 둘 중 선택할 수 있습니다. 그러므로 많은 수의 제작진이 필요한 방송 셋업에서 커뮤니케이션 채널을 두 개로 분리하여 사용할 수 있습니다. 프로덕션 채널은 조정실 또는 중계 차량에 있는 감독과 프로듀서, 기타 제작진이 서로 대화를 나누는 데 사용되는 반면, 엔지니어링 채널은 조명 감독 및 기술자 그리고 카메라 운영자와 함께 대화를 나누는 데 사용됩니다. Blackmagic Studio Fiber Converter 메뉴에 있는 '토크백' 페이지에서 각 채널 소스를 'SDI + DB25' 또는 '인터컴 탈리 DB25'로 선택할 수 있습니다. 더 자세한 정보는 [Studio Fiber Converter 사용하기] 부분을 참고하세요.

Blackmagic Camera Fiber Converter는 두 개의 헤드셋 연결을 모두 사용 중인 상황에서 크레인 운영자와 소통할 수 있는 토크백을 추가로 연결해야 하는 경우 탑재된 트래커 토크백용 표준 10핀 연결을 사용할 수 있습니다.

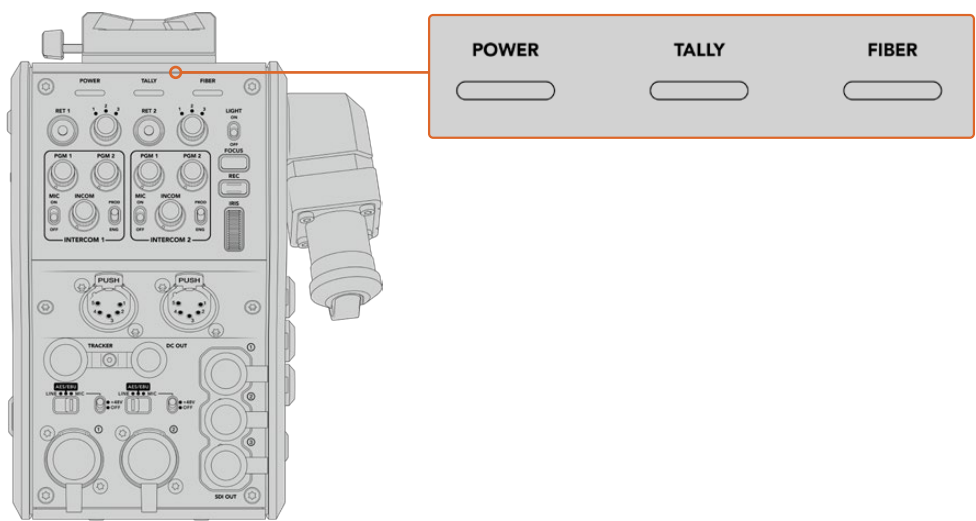
정보 카메라 운영자와 프로덕션/엔지니어 제작진의 효과적인 양방향 커뮤니케이션 기능은 바쁘게 돌아가는 방송 및 스튜디오 프로덕션 작업에 필수적인 기능입니다. Blackmagic Camera Fiber Converter에는 CALL 버튼이 탑재되어 있어 카메라 운영자들이 인터컴 헤드셋을 통해 프로덕션/엔지니어 제작진들에게 메시지를 전달할 수 있습니다. 이 버튼을 누르면 ATEM Talkback Converter 4K에 숫자로 표기된 PRESS TO TALK 버튼이 깜빡거리며, Blackmagic Studio Fiber Converter의 LCD 스크린에서 탈리 표시 장치가 깜빡입니다. 마찬가지로 조정실 또는 방송 차량에 있는 제작진이 카메라 운영자와 긴급히 대화해야 할 상황이 발생할 경우, ATEM Camera Control 패널에 있는 해당 카메라의 CALL 버튼을 누르면 됩니다. 그러면 Camera Fiber Converter에 있는 탈리 라이트가 깜빡거리며, 카메라의 URSA Viewfinder 또는 URSA Studio Viewfinder에 있는 탈리 라이트도 함께 깜빡거립니다.

탈리 사용

패널 전면의 탈리 표시등은 일반적인 탈리 표시 장치로, 프로그램 상태에는 빨간색으로, 프리뷰 상태에는 초록색으로 표시되어 카메라가 온에어 상태인지를 알 수 있습니다.

상태 표시 장치

컨버터 상단에 있는 전원, 탈리, 광섬유 상태 표시 LED에는 컨버터 상태에 따라 다른 색상의 불빛이 들어옵니다. 광케이블이 연결되어 있지 않은 경우 불빛이 나타나지 않습니다.



LED 상태 표시등에는 컨버터 상태를 나타내는 다양한 색상의 불빛이 들어옵니다.

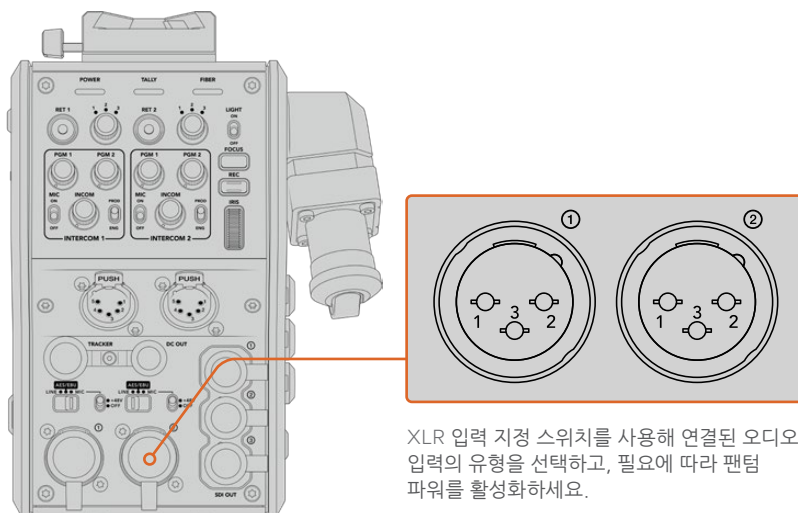
다음은 LED 색상과 동작, 그리고 그에 따른 상태에 대한 설명입니다.

전원	빨간색 유지	SMPTE 하이브리드 광케이블이 Blackmagic Studio Fiber Converter에 연결되어 있는 상태에서 케이블 다른 한 쪽을 Blackmagic Camera Fiber Converter에 연결하면, 컨버터의 전원 LED에는 현재 전원이 공급 중이며 저전력 상태임을 나타내는 빨간 불이 들어옵니다. 저전력 상태에서 인터컴 기능은 활성화되지만, 컨버터 가동에 요구되는 풀전력은 활성화되지 않습니다. 전원 LED의 빨간 불이 초록색으로 변하지 않고 계속 남아 있을 경우, SMPTE 하이브리드 광케이블이 제대로 연결되어 있는지 확인하세요. 연결이 계속 불안정할 시, 광케이블 상태를 확인하세요.
	녹색 유지	광케이블 연결이 제대로 수립되고 Blackmagic Studio Fiber Converter의 케이블 연결 상태가 확인되면 전원 LED에 초록 불이 나타나며 카메라 컨버터가 고전력 모드로 전환됩니다.
	빨간색/초록색 깜박임	전원 LED가 빨강/초록으로 깜빡일 경우, SMPTE 하이브리드 광케이블 연결 단자가 제대로 연결되었는지 확인하세요. 연결이 계속 불안정할 시, 광케이블 상태를 확인하세요.
탈리	빨간색 유지	탈리 LED에 빨간불이 깜빡거리면 카메라가 현재 온에어 상태임을 나타냅니다.
	녹색 유지	탈리 LED에 초록불이 깜빡거리면 카메라가 현재 미리보기 모드임을 나타냅니다.
광섬유	빨간색 유지	SMPTE 하이브리드 광케이블이 카메라 광섬유 컨버터에 연결되고 광섬유 LED에 빨간 불이 들어오면, 핸드셰이크 과정이 시작되었으며 컨버터가 저전력 상태임을 나타냅니다. 이 상태에서는 인터컴 기능이 활성화되므로, 설정 작업에 사용하거나 혹은 광섬유 연결이 끊어질 경우, 카메라 연결 문제를 해결하기 위해 이 기능을 사용할 수 있습니다.
	녹색 유지	SMPTE 하이브리드 광케이블이 성공적으로 연결되면 광섬유 LED에 초록 불이 들어옵니다.

전원과 광섬유 불빛이 모두 초록색으로 나타나면 안전 점검이 완료되었으며 컨버터가 고전력 모드로 전환되었음을 나타냅니다.

오디오 입력

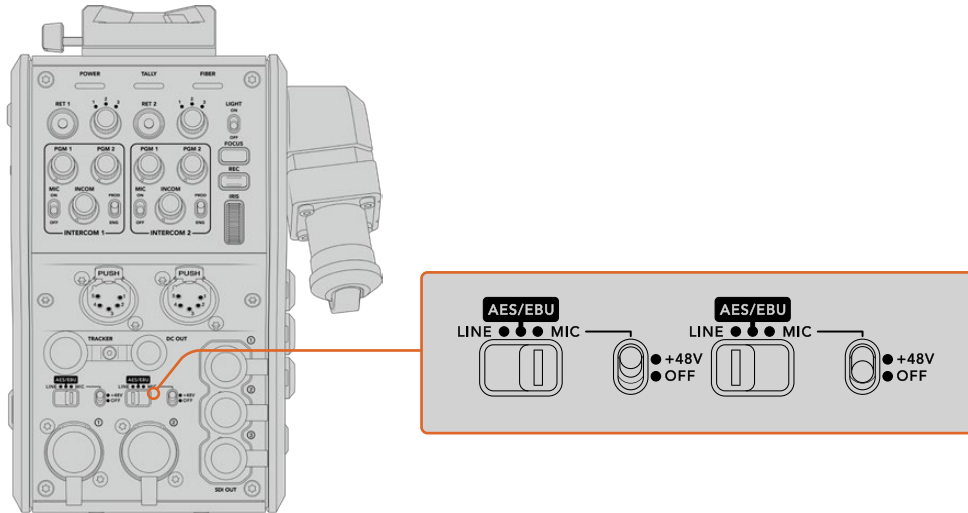
Blackmagic Camera Fiber Converter에 '1'과 '2'라고 적힌 두 개의 XLR 입력에는 오디오 믹서와 PA 시스템, 외부 마이크와 같은 전문 장비의 외부 아날로그 오디오를 연결할 수 있습니다.



XLR 입력 지정 스위치를 사용해 연결된 오디오 입력의 유형을 선택하고, 필요에 따라 팬텀 파워를 활성화하세요.

카메라 오디오는 카메라 피드의 채널 1과 채널 2에 임베디드되며, 카메라 광섬유 컨버터 뒷면의 오디오 입력 2는 채널 3/4에 임베드됩니다. 4개의 오디오 채널 모두 스튜디오 광섬유 컨버터의 다른쪽 연결 단자에 오디오 출력으로 임베드됩니다.

Blackmagic Studio Fiber Converter 메뉴의 '오디오' 페이지에서는 Blackmagic Camera Fiber Converter의 XLR 입력에 연결된 오디오 소스 레벨을 조절할 수 있습니다. 더 자세한 정보는 [Studio Fiber Converter 사용하기] 부분을 참고하세요. 연결이 완료되면 XLR 입력 지정 스위치를 사용하여 입력 소스 선택 시 원하는 XLR 입력 사용 방식을 설정할 수 있습니다. 마이크 오디오, 라인 레벨 오디오, AES 디지털 오디오 중 원하는 옵션으로 선택할 수 있습니다.



자체 전원 방식을 지원하지 않는 마이크를 연결하여 사용하려면 48V 팬텀 파워 기능을 활성화 시킬 수 있습니다. 팬텀 파워 스위치를 +48V로 옮기면 XLR 입력에 연결된 모든 마이크에 팬텀 파워가 공급되며, OFF로 옮기면 팬텀 파워 기능이 비활성화 됩니다.

IP 비디오

SMPT-E 광케이블은 카메라 광섬유 컨버터와 스튜디오 광섬유 컨버터 사이를 10-Gbit IP 링크로 연결합니다. 이를 통해 모든 비디오 및 리턴 피드가 방송급 화질의 첨단 무손실 10비트 비디오 인코딩/디코딩 기술을 사용한 IP 비디오로 운용됩니다. 토크백, 탈리, 카메라 컨트롤, 렌즈 컨트롤 등의 모든 연결 또한 저지연 IP 신호로 변환되므로 아주 안정적인 성능을 경험하실 수 있습니다.

전원 사양

Blackmagic Studio Fiber Converter는 Blackmagic Camera Fiber Converter와 카메라, 그리고 해당 액세서리를 위한 전원을 공급합니다. Molex 커넥터를 카메라 뒷면 패널의 Molex 소켓에 연결하면 Camera Fiber Converter에서 카메라로 전원이 공급됩니다.

또한 카메라가 중계 차량에서 2.1km 이상 떨어진 곳에 있어 먼거리에서 케이블을 통해 카메라와 컨버터에 충분한 전원이 공급되지 않는 경우, 카메라 4핀 XLR 전원을 URSA Mini 또는 URSA Broadcast G2의 +12V 입력에 연결하면 카메라와 컨버터에 충분한 전원을 공급할 수 있습니다. 전원은 Molex 커넥터를 통해 Camera Fiber Converter로 전송됩니다.

흔히 D탭 또는 P탭이라고도 불리는 +12V 출력 커넥터를 사용하면 최대 12V DC(500 mA) 공칭 전압의 외부 모니터 또는 박스형 카메라 렌즈 같은 액세서리 옵션에도 전원을 공급할 수 있습니다. DC OUT으로 표기된 DC 출력 커넥터는 외부 모니터 같은 액세서리 옵션에 전원을 공급합니다.

DC 출력 커넥터의 핀 배치 테이블은 아래에 나와 있습니다.

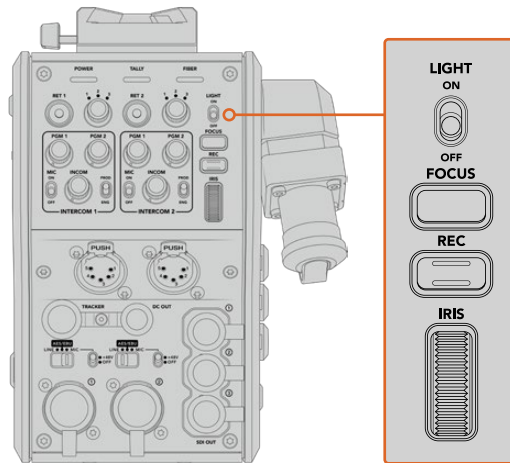
DC 출력 커넥터 핀 배치도

외부 모습	핀	신호	입/출력	사양
	1	비정전압 GND	-	비정전압 출력용 GND
	2	NC	-	연결 없음
	3	NC	-	연결 없음
	4	비정전압 출력	출력	12DC 공칭전압 (최대 500mA)

추가 카메라 컨트롤

URSA Broadcast G2 또는 URSA Mini를 스튜디오 카메라로 사용할 시 광섬유 컨버터에 조리개, 초점 제어 등 카메라 컨트롤이 추가하여 카메라 운영 시 호환 렌즈를 제어할 수 있습니다. 이는 렌즈를 원격으로 제어하는 카메라 운영자가 없는 경우에 유용합니다.

URSA Broadcast G2 및 URSA Mini를 스튜디오 카메라로 사용할 시에도 내부 녹화 기능이 있으므로 녹화 버튼을 사용하여 카메라의 내부 녹화를 트리거할 수 있습니다.



라이트

백라이트를 켜서 사용하는 패널을 밝히면 어두운 환경에서 사용 시 모든 컨트롤을 쉽게 볼 수 있습니다.

초점

자동 초점을 지원하는 렌즈를 사용하는 경우 FOCUS라고 표시된 버튼을 누르면 자동 초점이 실행됩니다.

녹화

REC라고 표시된 버튼을 누르면 녹화가 시작되고 다시 누르면 녹화가 중지됩니다.

조리개

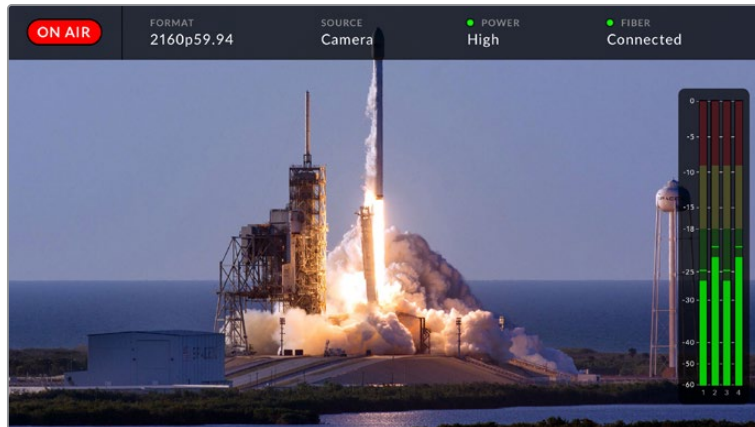
카메라에서 제어할 수 있는 호환 가능한 액티브 렌즈를 사용하는 경우 조리개 휠을 사용하여 조리개를 열거나 닫을 수 있습니다. 휠을 위나 아래로 돌리면 렌즈 조리개가 열리거나 닫힙니다.

Studio Fiber Converter 사용하기

LCD 소스 선택하기

Blackmagic Studio Fiber에 전원이 연결되면 커다란 LCD 화면에 카메라 피드가 나타납니다. Studio Fiber Converter는 중심 장비로서 스위처에서 모든 리턴 영상 소스와 함께 프로그램 피드를 가져와 SMPTE 광케이블을 통해 Blackmagic Camera Fiber Converter로 전송합니다.

내장된 LCD를 통해 카메라 피드 및 리턴 피드 입력에 연결된 각 소스 영상을 모니터링할 수 있습니다. 헤드업 방식의 디스플레이를 통해 상태 정보 및 오디오 미터가 표시됩니다.



피드 간을 전환하며 모니터링할 경우 오버레이를 통해 현재 소스의 이름 및 포맷을 확인할 수 있습니다.

온에어

연결된 카메라가 프로그램 피드에 사용될 경우 빨간색 ON AIR 아이콘이 나타나며 온에어 상태가 아닐 경우에는 아무것도 표시되지 않습니다.

포맷

사용 중인 영상 소스의 해상도와 프레임 레이트가 표시됩니다.

소스

사용 중인 영상 소스의 이름이 표시됩니다.

전원

현재 전력 상태가 표시됩니다. 저전력 상태에서는 빨간색 상태 표시등과 함께 '낮음'이라는 글자가 표시되며, 고전력 모드로 전환될 경우 녹색 상태 표시등과 함께 '높음'이라는 글자가 나타납니다. 더 자세한 정보는 [Studio Fiber Converter 사용하기]의 상태 표시 부분을 참고하세요.

광섬유

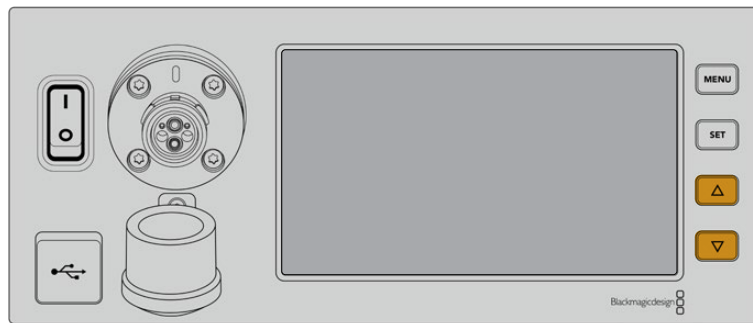
현재의 광섬유 연결 상태가 표시됩니다. 연결 초반에는 빨간색 표시등과 함께 '연결 중'이라는 글자가 나타나며, SMPTE 하이브리드 광섬유 케이블이 성공적으로 연결될 경우 녹색 상태등과 함께 '연결됨'이라는 글자가 나타납니다. 더 자세한 정보는 [Studio Fiber Converter 사용하기]의 상태 표시 부분을 참고하세요.

오디오 미터

카메라 피드의 채널 1 및 채널 2에 임베드된 카메라 오디오를 사용할 경우, 피크 오디오 미터에 오디오 레벨이 나타납니다. 채널 3 및 채널 4는 Blackmagic Camera Fiber Converter 뒷면에 있는 두 개의 XLR 입력에 연결된 오디오 소스와 일치합니다. 디스플레이는 dBFS 단위로 표시되며 일정 시간 시각적으로 유지되는 피크 홀드 방식의 표시를 지원하므로 최대치에 도달하는 것을 분명하게 확인할 수 있습니다.

메뉴 사용하기

위/아래 화살표 버튼을 눌러 네 개의 '카메라', '리턴 1', '리턴2', '리턴3' 소스 중 원하는 것을 선택할 수 있습니다. MENU 버튼을 누르면 메뉴 시스템으로 이동해 설정을 조정할 수 있습니다. 그런 다음 화살표 버튼을 사용해 다양한 메뉴 화면 및 각 화면 속 옵션을 검색할 수 있고, SET 버튼을 눌러 선택을 완료할 수 있습니다. 메뉴 속 설정은 '오디오', '토크백', '설정' 페이지로 구성되어 있습니다.

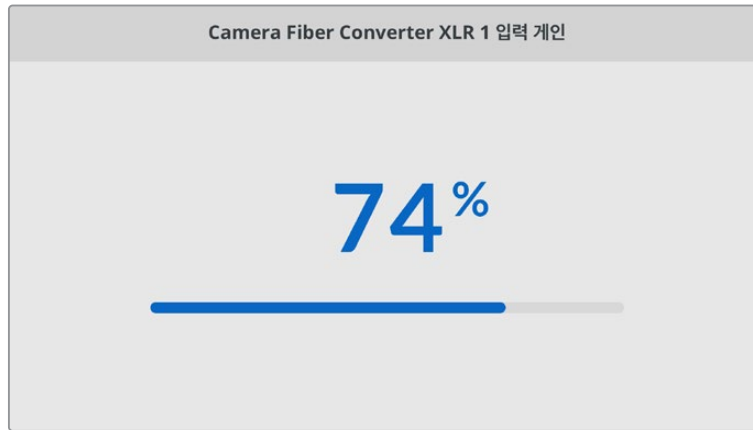


위/아래 화살표 버튼을 눌러 네 개의 소스를 검색하거나 메뉴를 검색할 수 있습니다.

오디오

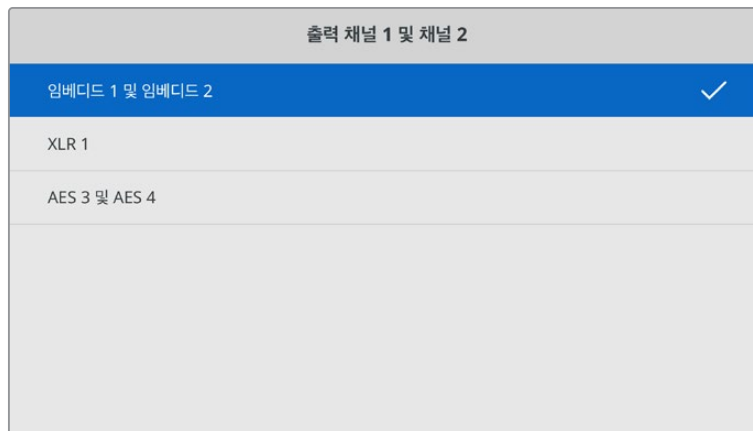
'오디오' 페이지에서는 Blackmagic Camera Fiber Converter의 XLR 입력에 연결된 오디오 소스 레벨을 조절할 수 있습니다.

오디오	
Camera Fiber Converter XLR 1 입력 게인	50%
Camera Fiber Converter XLR 2 입력 게인	50%
출력 채널 1 및 채널 2	임베디드 1 및 임베디드 2
출력 채널 3 및 채널 4	XLR 1 및 XLR 2



위/아래 화살표 버튼을 사용해 각 XLR 입력의 입력 레벨을 조절하고 SET 버튼을 눌러 레벨을 설정하세요.

Camera Fiber Converter의 오디오 채널 중 임베디드 SDI 및 XLR 출력으로 매핑될 채널을 설정할 수 있습니다. URSA Mini 또는 URSA Broadcast G2의 임베디드 오디오 채널은 채널 1과 채널 2로 기본 설정되어 있습니다. Camera Fiber Converter에 연결된 라인 또는 마이크 레벨 XLR 입력은 채널 3과 채널 4로 매핑되도록 기본 설정되어 있습니다. 이러한 기본 설정을 바꾸려면 출력 채널 설정을 조절해 매핑을 변경할 수 있습니다. Camera Fiber Converter의 XLR 입력 중 하나가 AES로 설정되어 있을 경우, 채널 매핑 옵션이 채널 5와 채널 6까지 확장되어 임베디드 SDI 출력에 전송됩니다.



카메라의 임베디드 XLR 채널을 출력 채널 1 및 채널 2로 매핑하기

토크백

'토크백' 메뉴를 사용해 프로그램 오디오뿐 아니라 프로덕션 및 엔지니어링 채널을 위한 토크백 소스를 선택할 수 있습니다. Blackmagic Studio Fiber Converter에서 토크백 소스를 'SDI + DB25' 또는 '인터컴 탈리 DB25'로 설정하세요.

또한 개별 인터컴 헤드셋의 '헤드폰 게인' 및 '헤드셋 마이크 게인' 레벨을 조절하여 헤드셋의 임피던스 레벨을 보충할 수 있습니다. '팬텀 파워' 설정을 통해 각 헤드셋으로 전송되는 팬텀 파워를 켤 수 있습니다. '사이드톤 레벨' 설정을 조절하면 카메라 운영자들이 헤드셋을 통해 자신들의 목소리를 분명하고 듣기 좋은 레벨로 들을 수 있습니다.

토크백	
프로그램 오디오 소스	SDI Channels 1 and 2
프로덕션 채널 소스	SDI +DB25
엔지니어링 채널 소스	Intercom Tally DB25
인터컴 1	
헤드폰 게인	50%
헤드셋 마이크 게인	50%
헤드셋 마이크 팬텀 파워	On
사이드톤 레벨	50%
인터컴 2	
헤드폰 게인	50%
헤드셋 마이크 게인	50%
헤드셋 마이크 팬텀 파워	On
사이드톤 레벨	50%

XLR 입력에 아무것도 연결하지 않으면 '인터컴'이라는 글자가 회색으로 나타나며, 연결 시에는 '연결 중'이라고 표시됩니다.

설정

'설정' 메뉴를 통해 PTZ 소스를 설정하고 메뉴 언어 및 SDI 레벨 리턴 유형을 선택할 수 있습니다.

설정	
PTZ 소스	스위처의 SDI
언어	한국어
12G SDI Return	3G 레벨 A

PTZ 소스 설정을 사용하여 PTZ 명령어를 위한 영상 소스를 선택하세요. Blackmagic Studio Fiber Converter 뒷면에 있는 'RETURN IN' SDI 입력과 DE-9 커넥터에 해당하는 SDI 또는 9핀 중에서 원하는 것을 선택하세요.

다시 말해, PTZ 카메라의 팬, 틸트, 줌 기능을 ATEM 스위처에서 제어할 수 있으며, SDI를 통해 이러한 PTZ 명령어를 Blackmagic Studio Fiber Converter로 전송할 수 있습니다. 이러한 명령어는 SMPTE 광섬유 케이블을 통해 Blackmagic Camera Fiber Converter로 전송되는데, 여기서 디임베딩된 명령어는 PTZ 전동식 헤드를 연결하기 위한 DE-9 시리얼 커넥터를 통해 출력됩니다.

또한 DE-9 커넥터를 통해 PTZ 컨트롤러를 Blackmagic Studio Fiber Converter에 연결하면 카메라에서 원격 헤드를 제어할 수 있습니다.

PTZ 소스	
스위처의 SDI	✓
Studio Fiber Converter의 9핀	

설정 메뉴 페이지에서는 SDI 또는 9-pin을 PTZ 명령어 소스로 선택할 수 있는 옵션이 제공됩니다.

언어	
English	
中文	
日本語	
한국어	✓
Español	
Deutsch	
Français	
Русский	
Italiano	
Português	
Türkçe	

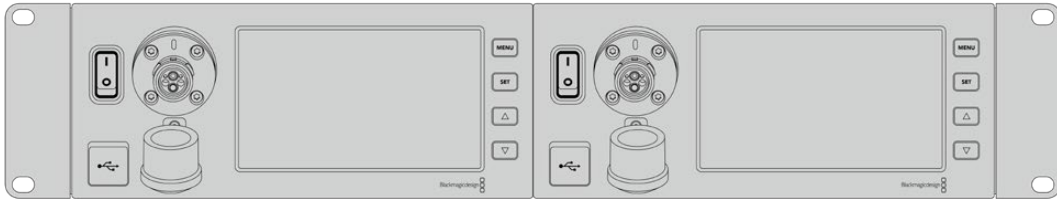
‘언어’ 설정을 통해 메뉴 언어를 선택할 수 있습니다. Studio Fiber Converter는 한국어, 영어, 중국어, 일본어, 스페인어, 독일어, 불어, 러시아어, 이탈리아어, 포르투갈어, 터키어로 사용할 수 있습니다. 언어 설정 페이지는 장비가 최초로 가동될 때, 그리고 내부 소프트웨어를 업데이트한 후에도 화면에 나타납니다.

‘12G SDI 리턴’ 옵션에서 12G 프로그램 리턴 신호를 ‘3G 레벨 A’ 또는 ‘3G 레벨 B’로 다운 컨버팅하도록 설정할 수 있습니다. Studio Fiber Converter의 리턴 입력으로 전송된 모든 12G 신호는 다운 컨버팅되어 Camera Fiber Converter로 전송됩니다.

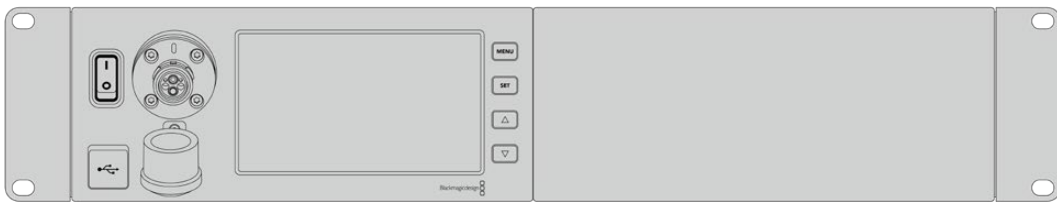
스튜디오 컨버터를 랙에 장착하기

여러 Blackmagic Studio Fiber Converter를 사용하는 경우 Blackmagic Studio Fiber Rack Kit를 사용하여 방송 랙이나 로드 케이스에 컨버터를 설치할 수 있습니다. 랙 키트를 사용하여 두 개의 스튜디오 제품을 랙에 나란히 장착하거나 양쪽에 장착할 수 있습니다. 제품 한 대만 장착하려는 경우, 랙의 빈 면을 덮는 블랭킹 패널이 Studio Fiber Rack Kit와 함께 제공됩니다.

Studio Fiber Converter는 2RU 크기이며 표준 랙 선반의 절반 너비이므로 2대의 Studio Fiber Converter를 2RU 랙 공간에 꼭 맞게 설치할 수 있습니다.

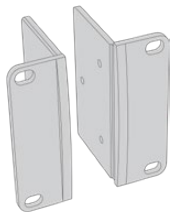


Blackmagic Studio Fiber Converter 나란히 장착하기



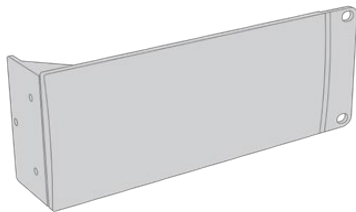
필요한 경우 제공된 블랭킹 플레이트를 사용하여 빈 랙 공간을 덮을 수 있습니다.

Blackmagic Studio Fiber Rack Kit에는 다음 품목이 포함되어 있습니다.



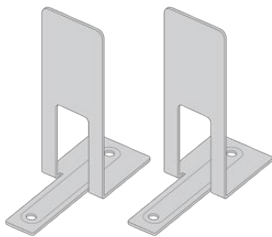
2 x 랙 이어

랙에 장착하려면 Blackmagic Studio Fiber Converter의 바깥쪽 가장자리에 '랙 이어'를 부착하세요.



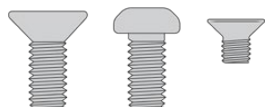
1 x 1/2RU 폭의 블랭킹 패널

블랭킹 패널에는 한쪽에 랙 이어가 장착되어 있어 한 대의 장비만 사용할 시에 빈 곳을 채울 수 있습니다. 왼쪽 그림은 패널의 오른쪽의 모습입니다. 패널을 180° 돌리면 반대쪽으로 설치할 수 있습니다.



2 x 지지대 브래킷

T 모양의 지지대 브래킷으로, 두 대의 Studio Fiber가 만나는 지점의 앞면과 뒷면의 아랫부분에 장착합니다.



나사

8 x M4 10mm

랙 이어용 나사

4 x M4 8mm

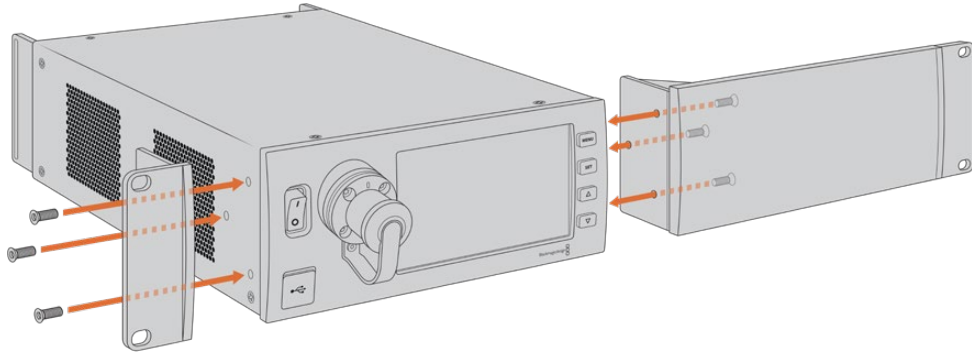
블랭킹 패널 나사

5 x M3 5mm

지지 브래킷 나사

Blackmagic Studio Fiber Converter 랙 설치 준비하기

- 1 장치를 랙 선반의 왼쪽 또는 오른쪽에 돌지 여부에 따라 Studio Fiber Converter 한 측면에 블랭킹 패널을 배치하세요. 컨버터와 블랭킹 패널의 앞면을 맞추세요.
- 2 Studio Fiber Converter 옆에 3개의 블랭킹 패널 나사를 사용하여 전면 쪽으로 블랭킹 패널을 부착하세요.



- 3 제공된 랙 이어 나사 3개를 사용하여 Studio Fiber Converter의 다른 쪽 면에 랙 이어를 부착하세요.

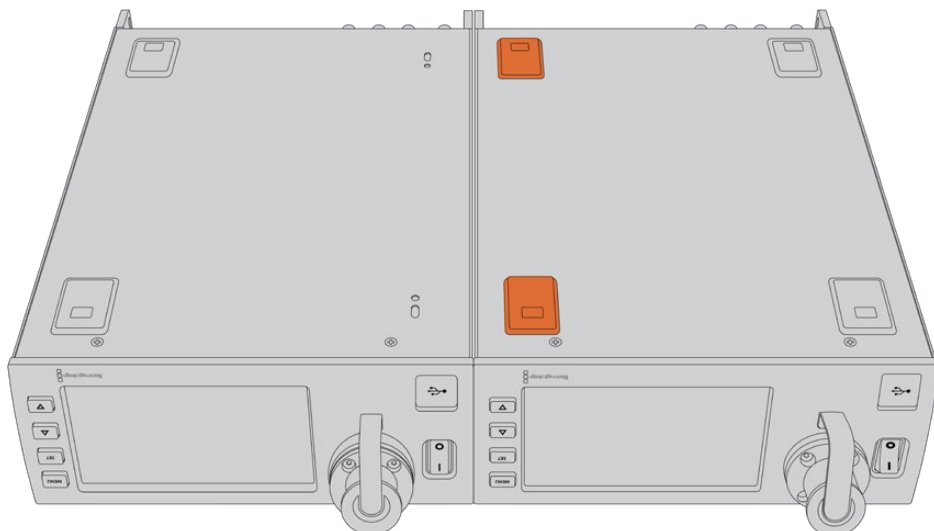
랙 이어 및 블랭킹 패널이 부착된 상태에서 이제 양쪽의 장착 구멍과 표준 랙 나사를 사용하여 표준 2개의 랙 장치 공간에 컨버터를 설치할 수 있습니다.

Blackmagic Studio Fiber Converter 2대를 랙에 나란히 설치하기

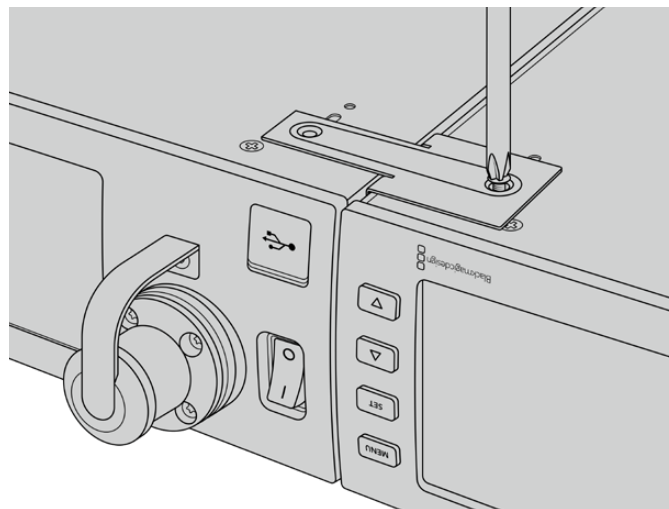
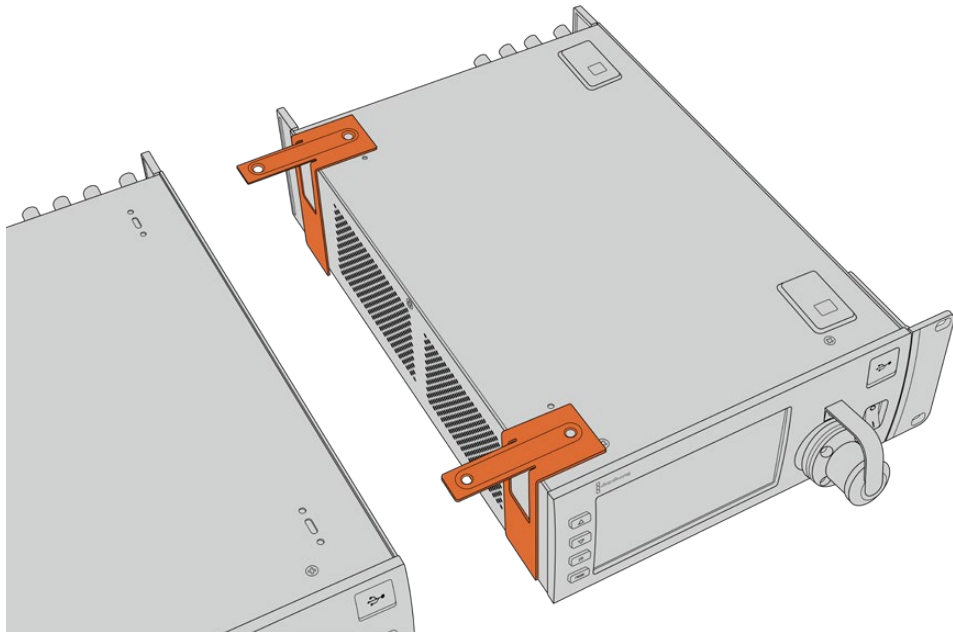
2대의 컨버터를 나란히 장착하는 경우 2대를 서로 묶어주는 지지 브래킷을 사용하여 더 쉽게 장착할 수 있습니다.

2대를 함께 고정하는 방법

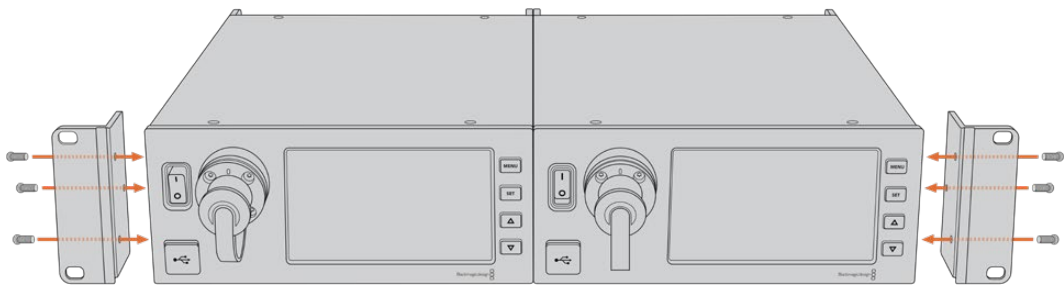
- 1 2대의 컨버터를 뒤집어서 나란히 놓으세요. 2대가 서로 접촉하는 가장자리에 있는 두 개의 고무 다리를 각 컨버터에서 제거하세요.



- 2 2대의 Studio Fiber의 바닥면의 앞쪽과 뒷쪽에 각각 제공되는 T자 서포트 브라켓을 제공되는 나사 구멍과 서포트 브라킷 나사를 사용하여 부착하세요.



- 3 서로 고정된 2대를 뒤집은 후, 제공된 랙 이어 나사를 사용하여 두 컨버터 전면 근처의 외부 가장자리에 랙 이어를 부착하세요. 이제 양쪽에 있는 장착 구멍과 표준 랙 나사를 사용하여 컨버터를 랙에 설치할 준비가 되었습니다.



카메라 컨버터 연결 단자

Blackmagic Camera Fiber Converter의 후면 및 측면 패널에 여러 연결 단자가 탑재되어 있습니다. 연결 단자를 사용하지 않을 시 고무 뚜껑을 닫아 외부의 기후 변화 영향을 미리 방지합니다. 이는 특히 SMPTE 광섬유 연결 시 중요한데, 이는 먼지 입자가 유리 광섬유의 반질반질한 면에 급격히 쌓이기 때문에 신호 흐름 장애의 원인이 될 수 있습니다. 따라서 항상 연결 직전에 케이블과 제품 커넥터의 뚜껑을 제거하고, 연결 분리 후 바로 뚜껑을 닫아야 합니다.

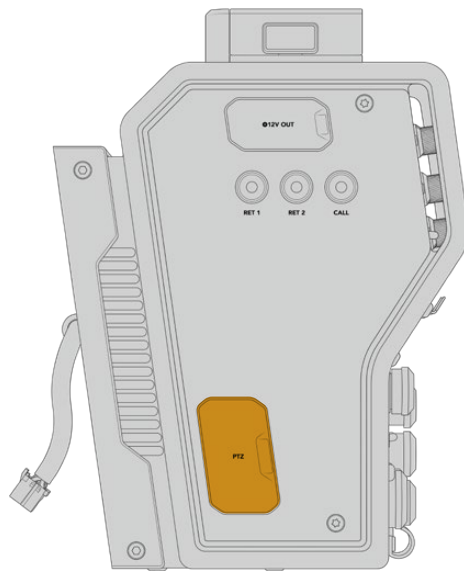
카메라 전원 연결

전원은 주로 스튜디오 컨버터에서 SMPTE 하이브리드 광섬유 케이블을 통해 카메라 장치와 카메라에 공급됩니다. Blackmagic URSA Studio Viewfinder와 같이 카메라에 부착할 수 있는 모든 액세서리에도 전원이 공급됩니다.

하지만 카메라의 12V XLR 커넥터에 전원이 연결된 경우, 카메라에서 Blackmagic Camera Fiber Converter로 전원을 공급할 수도 있습니다. 일반적으로 이러한 전원공급은 필요하지 않지만 스튜디오 장치에서 2km 이상 떨어진 곳에 카메라가 있어 SMPTE 광섬유로 전원 공급이 안정하지 않을 경우 사용할 수 있는 방법입니다.

PTZ 인터페이스

DE-9 직렬 커넥터를 사용하면 PTZ 전동 헤드에 연결할 수 있습니다. 예를 들어 Blackmagic URSA Broadcast G2 또는 URSA Mini가 원격으로 제어되는 팬, 틸트, 줌 헤드를 사용할 수 있는 카메라 크레인에 부착된 경우입니다. Blackmagic Studio Fiber Converter 메뉴에서 PTZ 명령어 소스가 카메라로 전송되도록 할 수 있습니다. 명령어 소스를 Studio Fiber Converter의 DE-9 커넥터 또는 ATEM 스위처에서 전송되는 SDI 피드로 설정할 수 있습니다. 더 자세한 정보는 [Studio Fiber Converter 사용하기] 부분을 참고하세요.



PTZ 인터페이스

토크백 연결하기

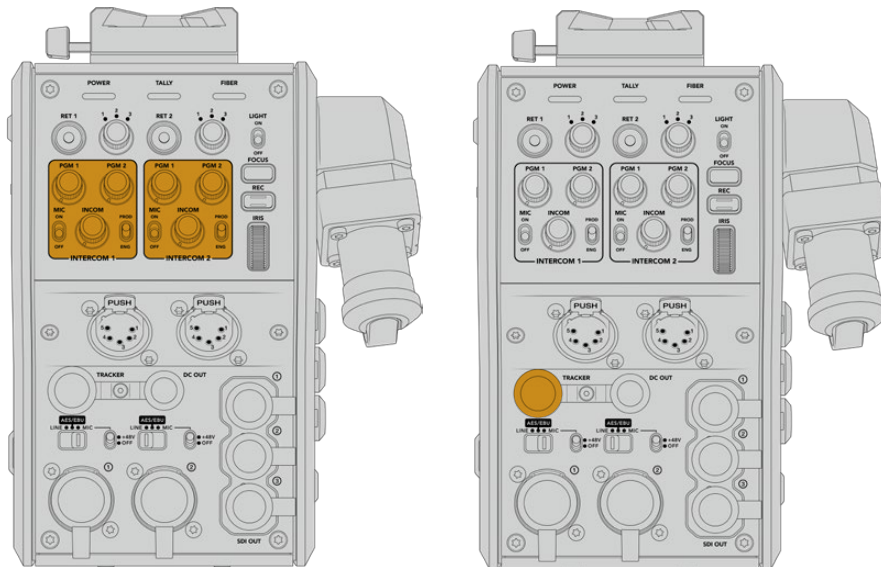
2개의 5핀 XLR 암 커넥터를 사용하면 2개의 헤드셋을 연결할 수 있어 두 사람이 토크백을 통해 동시에 통신할 수 있습니다. 예를 들어, 카메라 운영자의 헤드셋을 첫 번째 XLR 커넥터에 꽂고, 크레인 운영자 또는 음향 엔지니어와 같은 동료 운영자가 두 번째 XLR 헤드셋 커넥터에 헤드셋을 꽂아 사용할 수 있습니다. 헤드셋 XLR 커넥터의 핀 배치도는 아래에서 확인할 수 있습니다..

헤드셋 XLR 핀 배치도

외부 모습	핀	신호	입/출력	설명
 <p>5핀 XLR '헤드셋' 단자</p>	1	Intercom MIC (Y)	GND	인터콤 마이크 입력은 전자 콘덴서 마이크 및 다이내믹 마이크류를 지원하며, 균형/불균형 오디오를 모두 수용합니다. 1번 핀은 마이크 신호 접지용이며, 2번 핀은 두 종류의 마이크를 위한 마이크 신호 입력용입니다. 전자 마이크를 사용할 때는, DC 바이어스 전원 또한 같은 마이크 신호 입력 핀을 통해 출력됩니다.
	2	Intercom MIC (X)	입력	
	3	GND	GND	GND
	4	Intercom 왼쪽	출력	
	5	Intercom 오른쪽	출력	

해당 인터콤 컨트롤은 각 헤드셋 연결 단자 위에 있습니다.

인터콤 컨트롤 사용 방법에 대한 자세한 내용은 [Camera Fiber Converter 사용하기] 부분을 참고하세요.



인터콤 컨트롤은 Tracker Interface 커넥터 토크백 오디오 레벨을 믹싱하는 데 사용합니다.

Tracker Interface

10핀 '트래커' 커넥터는 토크백 및 탈리 신호뿐만 아니라 텔레프롬프터 정보와 같은 데이터를 위한 다중 출력을 제공합니다. 이 출력은 일반적으로 카메라 크레인과 같은 제작 장비를 운영하는 제작진 보조가 사용합니다.

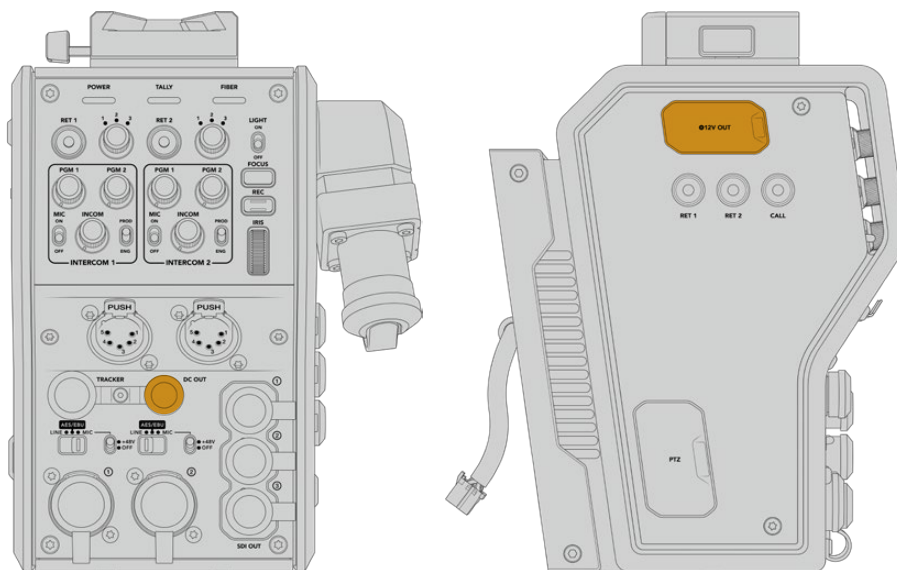
사용자만의 케이블을 구축하는 경우, 이 섹션의 핀 배치도를 참고하세요.

Tracker 출력 핀 배치도

외부 모습	핀	신호	입/출력	사양
 <p>10핀 '트래커' 커넥터</p>	1	Tracker 왼쪽	출력	Tracker 출력, -20 dBu 불균형
	2	GND (토크)	-	Tracker 토크용 GND
	3	GND (리시브/PGM/탈리)	-	리시브/PGM/탈리용 GND
	4	Tracker 오른쪽	출력	Tracker 출력, -20 dBu 불균형
	5	비정전압	출력	12V DC (표준), 500mA (최대)
	6	GND (비정전압)	-	비정전압용 GND
	7	Tracker 토크 (X)	입력	Tracker 토크 0 dBu / -20 dBu, 고 임피던스 균형
	8	Tracker 토크 (Y)	입력	
	9	G 탈리	출력	켜짐: 12V 꺼짐: 고 임피던스 (오픈)
	10	R 탈리	출력	켜짐: 12V 꺼짐: 고 임피던스 (오픈)

DC 연결

DC 출력 커넥터를 통해 외부 모니터와 같은 추가 액세서리에 전원을 공급할 수 있습니다.



DC 출력 커넥터를 사용하면 모니터 또는 외부 녹음 장비와 같은 추가 액세서리에 전원을 공급할 수 있습니다.

D-탭 출력

D-탭 출력

왼쪽 패널의 +12V 출력은 종종 'D-탭' 또는 'P-탭'이라고 하며 모니터 또는 대형 박스 렌즈와 같은 액세서리에 전원을 공급할 수 있습니다. 출력은 2A에서 +12V DC 공칭 전압이 필요한 박스 렌즈를 지원합니다.

레퍼런스 출력 및 운영

레퍼런스 출력은 BNC 케이블을 통해 레퍼런스 신호를 카메라에 연결하는 데 사용할 수 있습니다.

레퍼런스 신호를 카메라에 연결하기

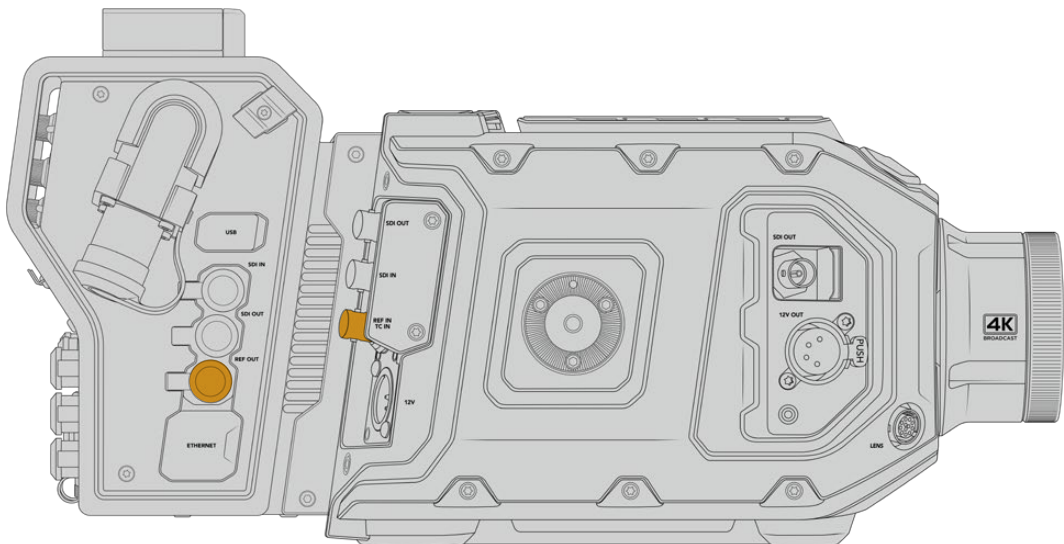
- 1 REF OUT이라고 표시된 Blackmagic Camera Fiber Converter의 레퍼런스 출력을 카메라 Fiber Converter와 함께 제공된 소형 SDI 케이블 중 하나를 사용하여 카메라에 REF IN이라고 표시된 레퍼런스 입력 단자에 연결하세요.
- 2 카메라의 레퍼런스 설정을 '레퍼런스 입력'으로 설정합니다.

동기화 레퍼런스 신호를 사용하면 비디오 장비를 하나의 레퍼런스에 zen록할 수 있어, 모든 장비가 정확히 동일한 타이밍을 공유할 수 있습니다. 즉, 모든 비디오 소스가 동기화되고 원활하게 스위칭될 수 있습니다.

ATEM 스위처에는 재동기화가 내장되어 있어 Blackmagic 카메라를 ATEM Switcher와 함께 사용하는 경우 동기화 레퍼런스 연결에 대해 걱정할 필요가 없습니다. 카메라는 ATEM 스위처에서 들어오는 SDI 프로그램 피드에 잠기므로, URSA Broadcast G2 또는 URSA Mini의 '설정' 메뉴의 두번째 페이지에 있는 레퍼런스 설정에서 '프로그램' 입력이 선택되어 있는지 확인하기만 하면 됩니다. 재동기화 프로세스는 프레임 딜레이를 추가합니다.

ATEM 내에서 재동기화 프로세스의 지연 시간을 줄이려면 먼저 URSA Broadcast G2 또는 URSA Mini에 레퍼런스 신호를 적용한 다음 라인 입력이 ATEM의 스위치 타이밍보다 앞서도록 백 타이밍을 조정하세요.

URSA Broadcast G2 또는 URSA Mini에서 레퍼런스 동기화를 조절하려면 '설정' 메뉴에서 '레퍼런스' 밑의 라인 번호를 변경하세요.

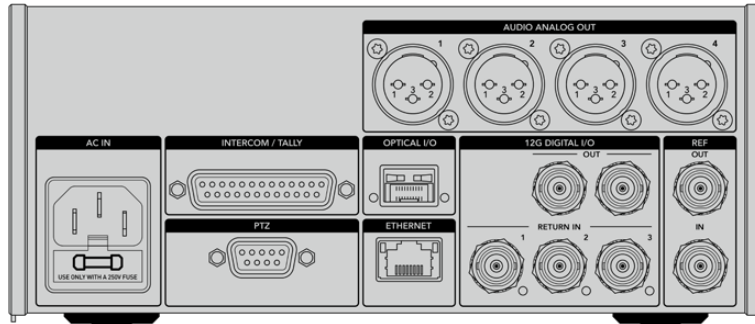


외부 레퍼런스 신호를 사용하는 경우 카메라 Fiber Converter의 레퍼런스 출력을 URSA Broadcast G2 또는 URSA Mini의 레퍼런스 입력에 연결하세요.

스튜디오 컨버터 연결하기

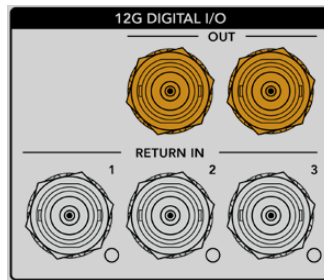
Blackmagic Studio Fiber Converter의 후면 패널은 SDI 리턴 피드 및 레퍼런스 BNC 커넥터, 인터콤 및 탈리 DB-25 커넥터, PTZ 9핀 직렬 포트, 오디오 출력, 이더넷 연결 단자를 탑재했습니다.

모든 SDI 입력은 최대 UHD 2160p60의 12G-SDI를 지원합니다.



12G-SDI 출력

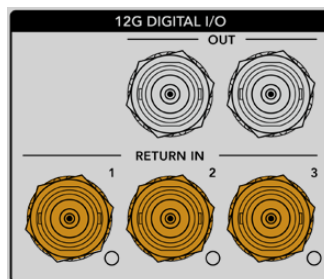
2개의 12G-SDI 출력은 스튜디오 장치의 카메라 신호를 스위처의 카메라 SDI 입력에 연결합니다. 두 번째 단자는 Blackmagic Videohub 라우터, SmartView 모니터 또는 HyperDeck 디스크 레코더와 같은 다른 비디오 장비에 동일한 신호를 출력하는 데 사용할 수 있습니다.



12G-SDI 출력은 720p50에서 최대 2160p60까지의 신호를 지원합니다.

리턴 SDI 입력

12G-SDI 리턴 피드 BNC 단자를 사용하여 최대 3개의 리턴 SDI 피드를 연결할 수 있습니다. 예를 들어, 스위처의 프로그램 피드는 RETURN 1에 연결하고, 카메라의 프레임 레이트와 일치시켜야 합니다. 두 번째 카메라의 출력, HyperDeck 재생 영상, 또는 텔레프롬프터 같은 다른 소스 영상을 RETURN IN 2 및 RETURN 3에 연결할 수 있습니다. ATEM 스위처를 사용할 경우, RETURN 1에 연결된 프로그램 리턴 피드엔 탈리와 토크백, 레퍼런스 및 카메라 신호 또한 포함되어 있습니다.

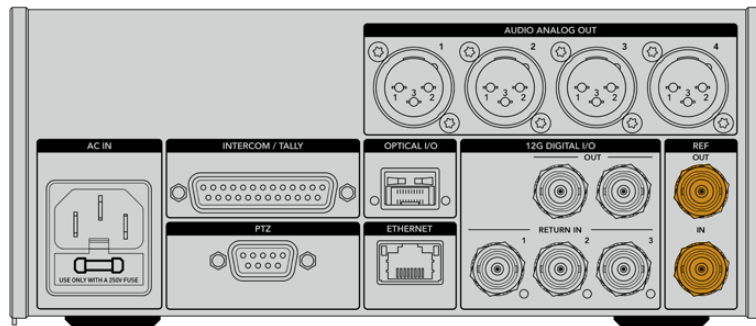


리턴 SDI 입력을 사용하면 스위치의 최대 3개의 리턴 피드를 연결할 수 있습니다. 이러한 피드들은 카메라 운영자 볼 수 있도록 카메라에 공급되거나 SDI를 통해 다른 장비로 전송됩니다.

정보 UHD를 리턴 입력 단자에 연결하면 UHD 비디오가 동일한 프레임 속도의 1080p로 다운 컨버팅되므로 카메라 장치의 출력은 HD가 됩니다. UHD 리턴 신호를 HD로 다운 컨버팅하면 더 큰 대역폭을 허용하므로 여러 리턴 소스를 보낼 수 있습니다.

레퍼런스 입/출력

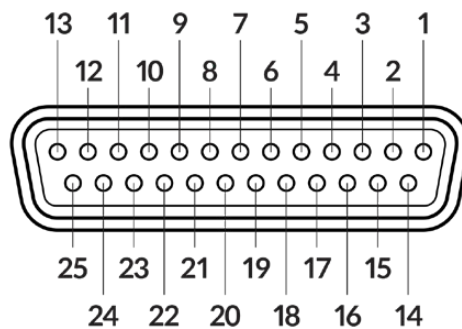
ATEM 스위처를 사용하지 않으며 장비를 동기화용 외부 레퍼런스 신호에 잠귀야 하는 경우, 외부에서 생성된 신호를 레퍼런스 BNC 입력 단자에 연결하세요. 그러면 SMPTE 광섬유 케이블을 통해 카메라 장치로 레퍼런스 신호가 전송됩니다. 스튜디오 장치의 레퍼런스 BNC 출력은 레퍼런스 소스를 다른 장비로 루프하는 데 사용할 수 있습니다.



REF IN 연결 단자를 사용하여 다른 방송 장비의 기존 레퍼런스 타이밍을 카메라로 전송하세요.

토크백 인터페이스

DB-25 인터콤 및 탈리 단자를 사용하면 서드파티 인터콤 및 탈리 시스템에 연결할 수 있습니다. 엔지니어, 프로덕션, 탈리용 핀에 연결하고 나면 아래 핀 배치도를 참고하여 자신만의 케이블을 제작할 수 있습니다. 엔지니어, 프로덕션, 탈리, 프로그램 오디오 입력을 위한 핀 연결을 마치고 나면 Blackmagic Studio Fiber Converter의 메뉴도 그에 맞게 설정해야 합니다.



25핀 '인터콤/탈리' 단자의 외부 모습

토크백 핀 배치도

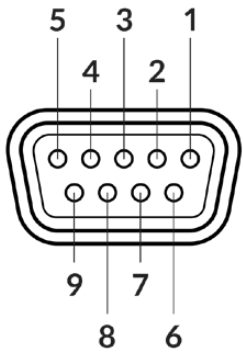
핀	신호	사양
1	ENG(R) IN+	엔지니어링 채널 입력 0dBu 균형
2	ENG(R) IN-	
3	ENG GND	ENG용 GND
4	ENG(T) OUT +	엔지니어링 채널 출력 0dBu 균형
5	ENG(T) OUT -	
6	PGM IN+	-20dBu
7	PGM IN-	-20dBu
8	PGM GND	20dBu
9	GND	Aux용 GND
10	N/C	-
11	Red Tally IN	켜짐 = 5-24Vdc, 꺼짐 = 0Vdc
12	Red Tally GND	-
13	GND	새시 GND
14	PROD(R) IN+	프로덕션 채널 입력 0dBu 균형
15	PROD(R) IN-	
16	PROD GND	-
17	PROD(T) OUT+	프로덕션 채널 출력 0dBu 균형
18	PROD(T) OUT-	
19	N/C	-
20	N/C	-
21	N/C	-
22	N/C	-
23	N/C	-
24	Green Tally IN	켜짐 = 5-24Vdc, 꺼짐 = 0Vdc
25	Green Tally GND	-

PTZ 인터페이스

스튜디오 장치와 카메라 장치에는 모두 DE-9 단자가 있어 스튜디오 쪽에 PTZ 컨트롤러를 연결하고 카메라 쪽에 원격 헤드를 연결할 수 있습니다. PTZ 명령어는 SMPTE 광섬유 케이블을 통해 장치 간에 연결된 SDI 신호에 포함됩니다.

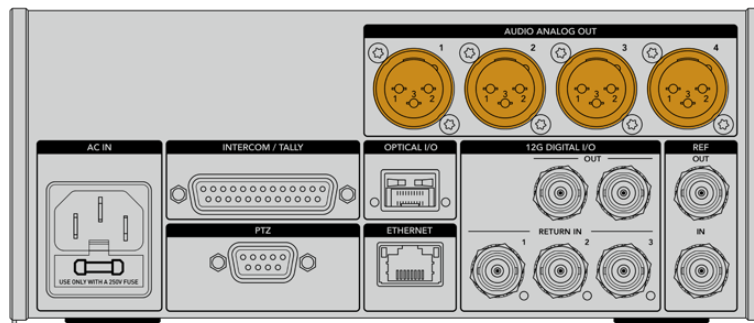
Blackmagic Studio Fiber Converter의 설정 메뉴를 통해 Blackmagic Camera Fiber Converter로 전송될 PTZ 명령어의 소스를 선택할 수 있습니다. Studio Fiber Converter 뒷면의 PTZ 커넥터나 ATEM 스위처에서 전송되는 SDI 프로그램 피드 중에서 원하는 것을 선택할 수 있습니다. 더 자세한 정보는 [Studio Fiber Converter 사용하기] 부분을 참고하세요.

PTZ 인터페이스 핀 배치도

외부 모습	핀	신호
 <p>9핀 'PTZ' 커넥터</p>	1	GND
	2	RS422 Tx-
	3	RS422 Rx+
	4	GND
	5	N/C
	6	GND
	7	RS422 Tx+
	8	RS422 Rx-
	9	GND

오디오 출력

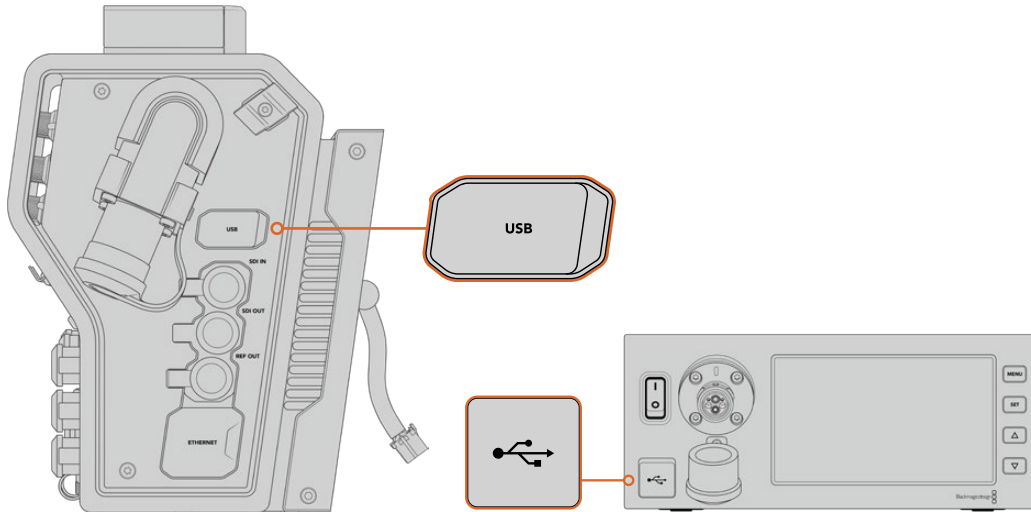
스튜디오 컨버터에 있는 있는 네 개의 XLR 오디오 출력을 통해 URSA Broadcast G2 또는 URSA Mini 카메라의 입력 1과 입력 2에 연결된 오디오, 그리고 Camera Fiber Converter에 있는 두 개의 XLR 오디오 입력을 출력할 수 있습니다.



스튜디오 컨버터의 출력 1과 출력 2는 URSA Broadcast G2 또는 URSA Mini의 임베디드 XLR 입력 채널 1과 채널 2와 연동되도록 기본 설정되어 있습니다. 스튜디오 컨버터의 출력 3과 출력 4는 Blackmagic Camera Fiber Converter의 XLR 입력 1과 입력 2에 연동되도록 기본 설정되어 있습니다. 메뉴에서 이러한 매핑 설정을 변경할 수 있습니다. 더 자세한 정보는 [메뉴 사용하기] 부분을 참고하세요.

내부 소프트웨어 업데이트

Blackmagic Design은 Blackmagic Fiber Converter의 기능을 향상하고 활성화할 수 있는 업데이트를 수시로 발표합니다. Blackmagic Design 웹사이트를 정기적으로 확인하여 광섬유 컨버터의 내부 소프트웨어가 최신인지 확인하는 것이 좋습니다. Blackmagic Camera Setup Utility 소프트웨어를 사용하여 URSA Mini Recorder를 업데이트하세요.



Blackmagic Fiber Converter의 USB-C 포트를 통해 내부 소프트웨어를 업데이트할 수 있습니다.

Blackmagic Camera Fiber Converter 업데이트하기

업데이트 시 Camera Fiber Converter에 전원을 공급해야 하므로 업데이트 과정에서 컨버터를 URSA Broadcast G2 또는 URSA Mini에 연결된 상태로 유지하는 것이 좋습니다.

일정한 전원 공급을 위해 Camera Fiber Converter에서 SMPTE Fiber 케이블을 뽑은 후 제공되는 URSA 카메라 전원 공급 장치를 통해 카메라에 전원을 공급하는 것이 중요합니다.

Blackmagic Camera Fiber Converter의 우측 면에는 내부 소프트웨어 업데이트를 위한 USB-C 단자가 있습니다. 이 USB 단자에 컴퓨터를 연결하고 Blackmagic Camera Setup Utility를 실행하세요. Camera Fiber Converter에서 구형 버전을 사용 중인 것으로 확인될 경우, 업데이트를 여부를 묻는 창이 나타납니다. 화면에 나타나는 지시에 따라 카메라의 내부 소프트웨어를 업데이트합니다.

Blackmagic Studio Fiber Converter 업데이트하기

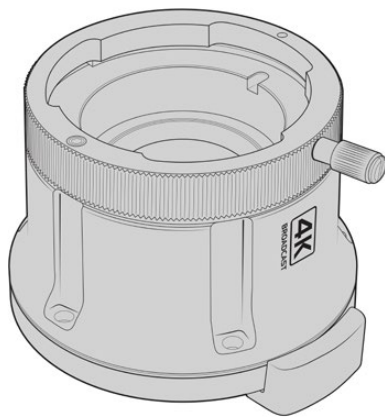
업데이트 시 Studio Fiber Converter에 전원을 공급해야 하므로 업데이트 중에 스튜디오 장치 후면 패널의 전원 단자에 IEC 전원 케이블을 연결한 상태로 유지하는 것이 좋습니다.

Blackmagic Studio Fiber Converter의 전면에는 내부 소프트웨어 업데이트를 위한 USB-C 단자가 있습니다. 이 USB 단자에 컴퓨터를 연결하고 Blackmagic Camera Setup Utility를 실행하세요. URSA Mini Recorder에서 구형 버전을 사용 중인 것으로 확인될 경우, 업데이트를 여부를 묻는 창이 나타납니다. 화면에 나타나는 지시에 따라 카메라의 내부 소프트웨어를 업데이트합니다.

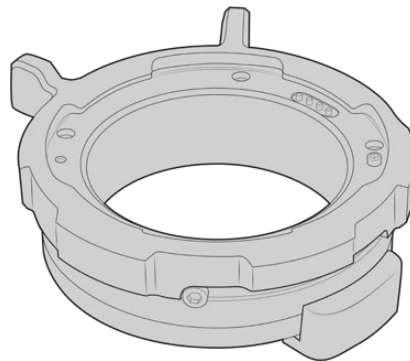
교체형 렌즈 마운트

Blackmagic URSA Broadcast G2는 고유 B4 마운트가 부착된 상태로 제공되며 추가로 EF 마운트가 함께 배송됩니다. 렌즈 마운트가 교체 가능하기 때문에 Blackmagic URSA Mini Pro PL 또는 URSA Mini Pro F 마운트 키트를 카메라에 부착할 수도 있습니다. 렌즈 마운트 키트는 Blackmagic Design 리셀러에게서 구입할 수 있습니다.

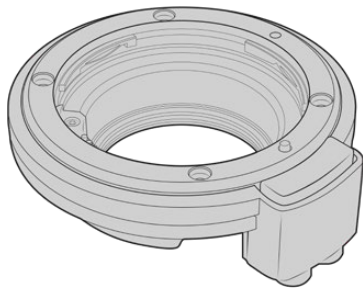
참고 B4 마운트는 Blackmagic URSA Mini Pro에 사용할 수 있지만 URSA Broadcast G2 카메라의 B4 마운트와 동일하지 않으며 다른 센서용으로 설계되었습니다. 반드시 URSA Broadcast G2 카메라와 함께 제공되는 B4 마운트만 사용하세요.



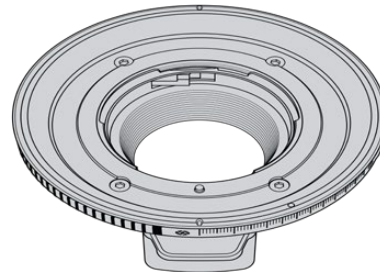
방송용 B4 마운트



PL 마운트



EF 마운트



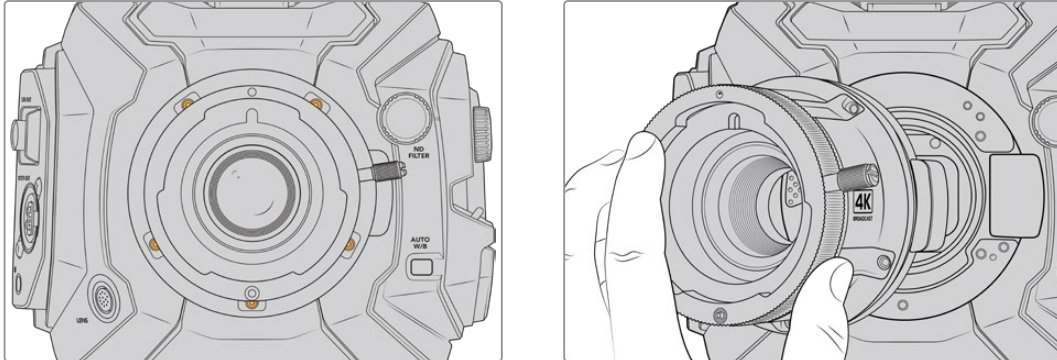
F 마운트

총 4개의 렌즈 마운트로 교체할 수 있어 작업 유형에 따라 다양한 렌즈를 자유롭게 사용할 수 있습니다. 예를 들어, EF 마운트를 사용하면 고품질 스틸 렌즈를 사용할 수 있고, B4 마운트를 사용하면 전자식 뉴스 취재 및 결혼식 촬영을 위해 파포컬(par focal) 줌 렌즈를 사용 시 적합합니다. PL 마운트를 사용하면 완벽한 정밀도와 반복적인 제어를 위해 설계된 고급 시네마 렌즈를 사용할 수 있습니다. F 마운트를 사용하면 1959년부터 현재까지 제조된 다양한 Nikon 렌즈를 사용할 수 있습니다.

각 마운트를 부착하는 방법은 매우 간단하여 원래 B4 마운트의 나사를 풀어 새 마운트로 교체하면 됩니다.

B4 마운트 제거하기

B4 마운트를 제거하려면 2mm 육각 드라이버를 사용하여 5개의 M3 육각 나사를 풀으세요.



5개의 M3 육각 나사를 풀고 카메라 본체에서 B4 마운트를 들어올려 제거하세요.

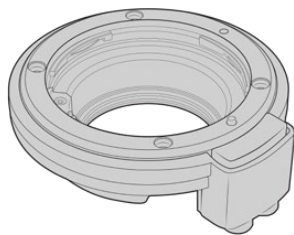
참고 원래 장착되어 있던 B4 렌즈 마운트를 제거할 때, 마운트 밑에 있는 심은 항상 카메라에 장착되어 있어야 한다는 점을 명심하세요.

이 부분을 끝까지 읽고 PL, B4, EF 렌즈 마운트 세트와 각 마운트를 URSA Broadcast G2에 설치하는 방법에 대한 자세한 정보를 확인하시기 바랍니다.

Blackmagic URSA Mini Pro EF 마운트

EF 마운트를 사용하면 EF 스틸 렌즈를 URSA Broadcast G2에 부착할 수 있습니다.

EF 마운트 키트에는 다음이 포함됩니다.



1x EF 마운트

EF 마운트를 사용하면 일반적인 EF 스틸 렌즈를 부착할 수 있습니다.



1x 심 세트

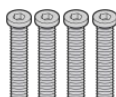
심 세트에는 다음 두께를 포함합니다.

0,50mm	0,18mm	0,10mm
0,30mm	0,15mm	0,05mm
0,20mm	0,12mm	0,025mm



1x 배플 도구

EF 마운트의 배플은 분리할 수 없지만 PL 마운트가 있는 경우 사용할 수 있도록 EF 키트에 배플 도구가 포함되어 있습니다.

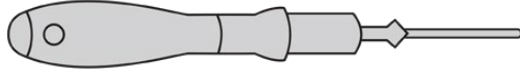


4 x 2mm M3 x 18mm 육각 마운트 나사

4개의 M3 x 18mm 육각 나사는 EF 마운트 전용이므로 마운트 종류별로 함께 쓰는 나사를 보관하면 좋습니다.

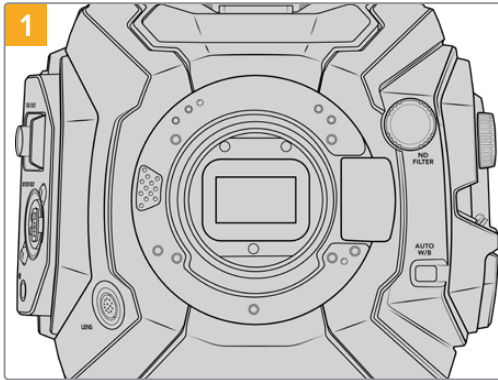
필요한 도구

EF 마운트를 부착 시 2mm 육각 드라이버가 필요합니다. 반드시 필요한 것은 아니지만 나사를 과도하게 조일 가능성을 줄이기 위해 최대 토크를 0.45Nm로 정확하게 설정할 수 있는 토크 렌치를 사용하는 것이 좋습니다.

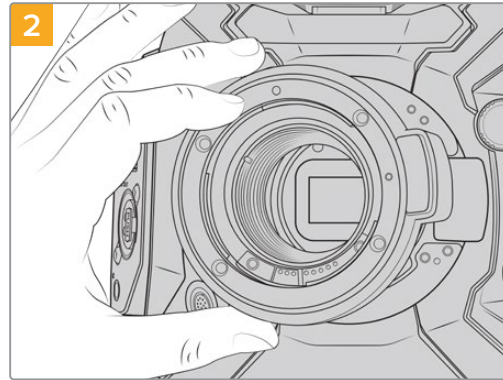


2mm 육각 드라이버

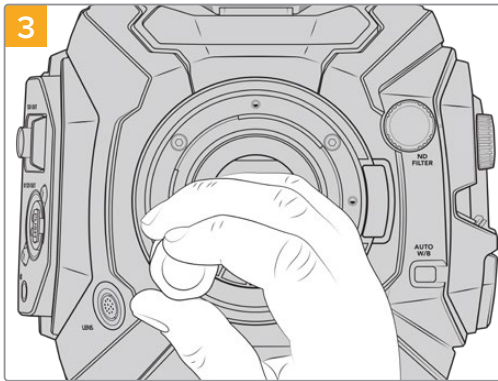
EF 마운트 장착하기



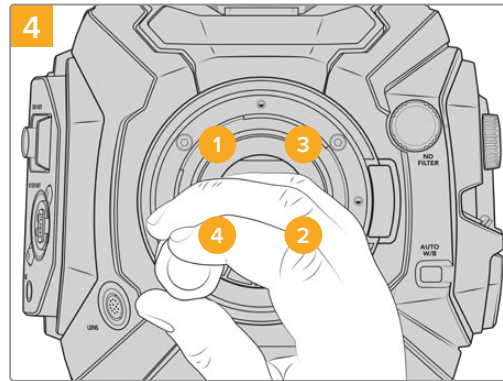
마운트를 수직 방향으로 장착할 수 있도록 단단하고 깨끗한 작업대 위에 Blackmagic URSA Broadcast G2를 세로 방향으로 올려놓습니다. PL 마운트에서 EF 마운트로 교체할 경우, EF 마운트를 장착하기 전에 PL 배플을 제거했는지 확인하세요.



Blackmagic URSA Mini Pro EF 마운트를 빨간색 점이 12시 방향에 오도록 조심스럽게 카메라 본체에 올려놓으세요.



4개의 마운팅 나사가 렌즈 마운트의 베이스에 살짝 닿을 정도로만 나사를 느슨하게 조이세요.

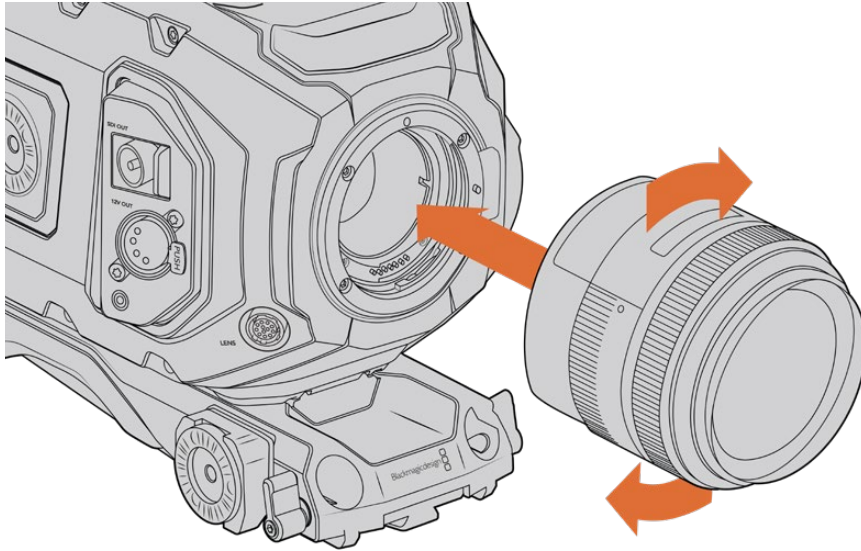


2mm 육각 드라이버 또는 2mm 육각 키가 있는 토크 렌치를 사용하여 마운팅 나사 1에 한 번 완전히 힘을 가해 돌린 다음 나사2를 완전히 한바퀴 돌리고 나사3과 나사4를 반복해 돌리세요. 모든 나사가 최대 토크 0.45Nm에 도달할 때까지 위의 순서로 각 나사에 한 바퀴를 더 돌리세요.

참고 EF 마운트를 제거할 때 4단계에서 1단계의 역순으로 위의 방법대로 실행하세요.

EF 마운트 렌즈 장착하기

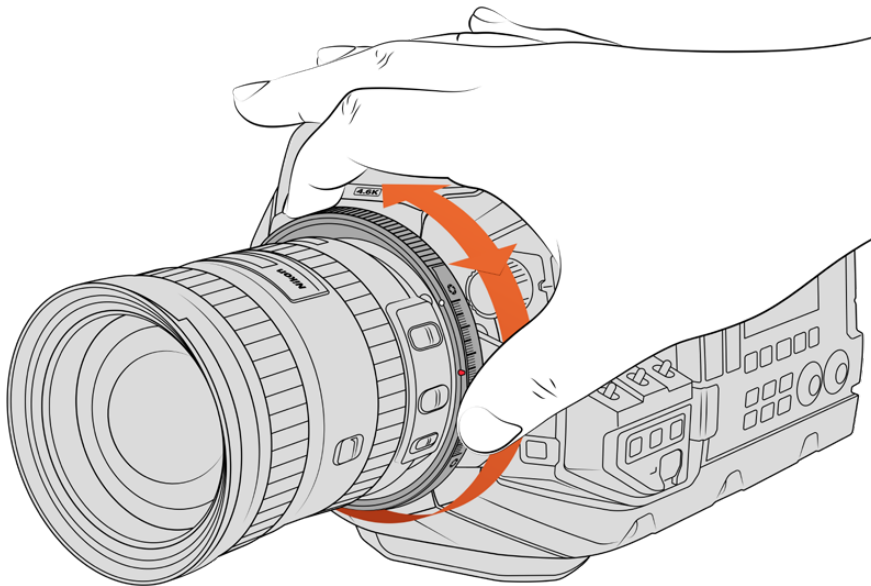
- 1 렌즈의 표시점과 렌즈 마운트의 표시점을 일치시키세요. 대부분의 렌즈에는 파랑, 빨강, 흰색과 같은 눈에 띄는 표시점이 있습니다.
- 2 렌즈를 마운트에 삽입하고 제자리에 고정될 때까지 시계 방향으로 돌리세요.
- 3 렌즈를 분리하려면 잠금 버튼을 누른 채 렌즈를 시계 반대 방향으로 돌려 렌즈의 표시점이 12시 방향으로 향하게 한 뒤, 조심스럽게 렌즈를 분리하세요.



EF 마운트 렌즈 부착 및 제거하기

Blackmagic URSA Mini Pro F 마운트

URSA Broadcast G2에 Blackmagic URSA Mini Pro F 마운트를 장착하면 F 마운트 렌즈를 사용할 수 있습니다. Nikon의 F 마운트 시스템은 1959년에 시작하여 F 마운트 렌즈가 오늘날에도 사용되고 있습니다. 즉, Blackmagic URSA Mini Pro F 마운트를 사용하면 방대한 종류의 빈티지 렌즈 및 현대 렌즈를 사용할 수 있습니다.



URSA Mini Pro F 마운트의 조리개 조정 링을 사용하여 F 마운트 렌즈의 조리개를 부드럽게 변경할 수 있습니다.

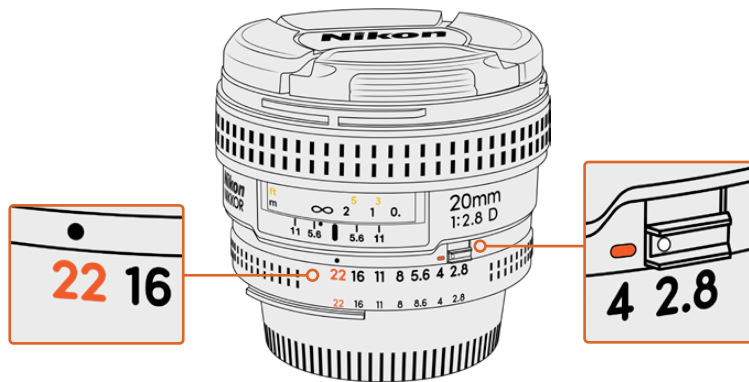
한가지 주의할 점은 F 마운트는 기계식 마운트입니다. 즉, 전자식 초점 제어 또는 조리개 조절 기능을 사용할 수 없습니다. 대신, F 마운트는 기계식 조리개 조절 장치가 있습니다. 이 조절 장치는 대부분의 Nikon 렌즈의 조리개 핀을 움직여 시네마 스타일의 조리개 조절이 가능합니다.

F 마운트가 부착된 상태에서 간단히 Blackmagic URSA Mini Pro F 마운트의 조리개 조절 링을 움직여 원하는 노출로 조정하세요. F 마운트의 빨간색 점과 조리개 조절 링의 눈금을 사용하여 특정 노출 또는 피사계 심도 설정으로 다시 쉽게 조정할 수 있습니다.

참고 F 마운트를 제거 시 간단히 위의 1단계에서 4단계를 역순으로 실행하세요.

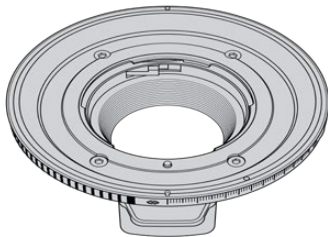
Nikon AF-D 렌즈

Nikon AF-D 시리즈 렌즈를 사용할 때 렌즈 조리개를 f/22와 같은 가장 작은 설정값으로 고정해야 합니다. 이를 통해 Blackmagic URSA Mini Pro F 마운트의 조리개 조절 링 전체 범위를 사용할 수 있습니다.



AF-D 렌즈를 카메라에 장착하기 전에 가장 작은 조리개 값으로 설정하고 고정하는 일은 정말 쉽습니다.

F 마운트 키트는 다음을 포함합니다.



1x F 마운트

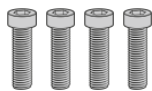
F 마운트를 사용하면 일반적인 F 스틸 렌즈를 부착할 수 있습니다.



1x 심 세트

심 세트에는 다음 두께를 포함합니다.

0,50mm	0,18mm	0,10mm
0,30mm	0,15mm	0,05mm
0,20mm	0,12mm	0,025mm



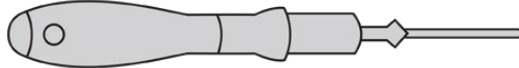
4 x 2mm M3 x 18mm 육각 마운트 나사

4개의 M3 x 18mm 육각 나사는 EF 및 F 마운트에 사용되므로 나사를 각 마운트와 함께 보관하는 것이 가장 좋습니다.

F 마운트 키트에는 기본 제공되는 나사를 분실하는 경우를 대비하여 전체 예비 나사 세트도 함께 제공됩니다.

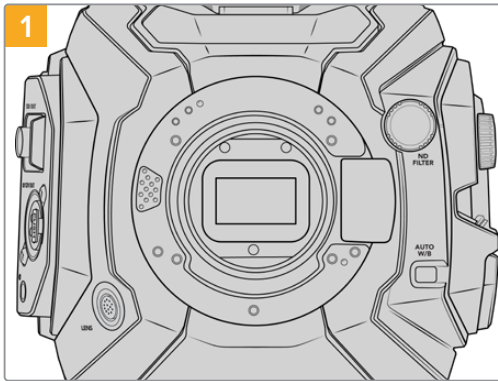
필요한 도구

F 마운트를 부착할 시 2mm 육각 드라이버가 필요합니다. 이 드라이버가 반드시 필요한 것은 아니지만 나사를 과도하게 조일 가능성을 줄이기 위해 최대 토크를 0.45Nm로 정확하게 설정할 수 있는 토크 렌치를 사용하는 것이 좋습니다.

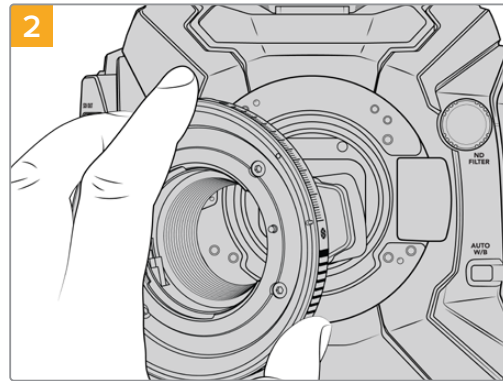


2mm 육각 드라이버

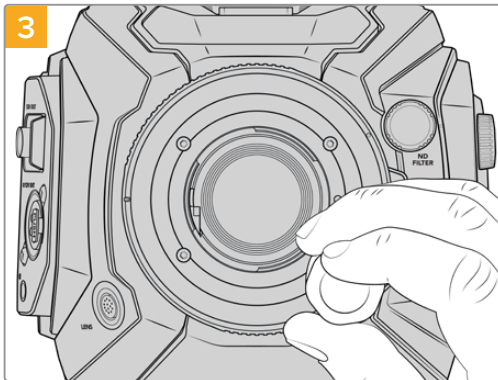
F 마운트 장착하기



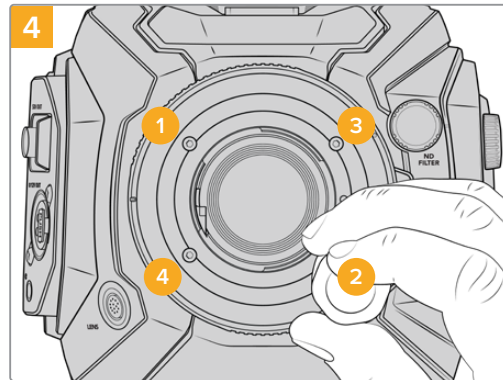
마운트를 수직 방향으로 장착할 수 있도록 단단하고 깨끗한 작업대 위에 Blackmagic URSA Broadcast G2를 세로 방향으로 올려놓습니다. PL 마운트에서 F 마운트로 교체할 경우, F 마운트를 장착하기 전에 PL 배플을 제거했는지 확인하세요.



Blackmagic URSA Mini Pro F 렌즈 마운트를 흰 점이 2시 방향에 오도록 카메라 본체에 올려놓으세요.



4개의 마운팅 나사가 렌즈 마운트의 베이스에 살짝 닿을 정도로만 나사를 느슨하게 조이세요.

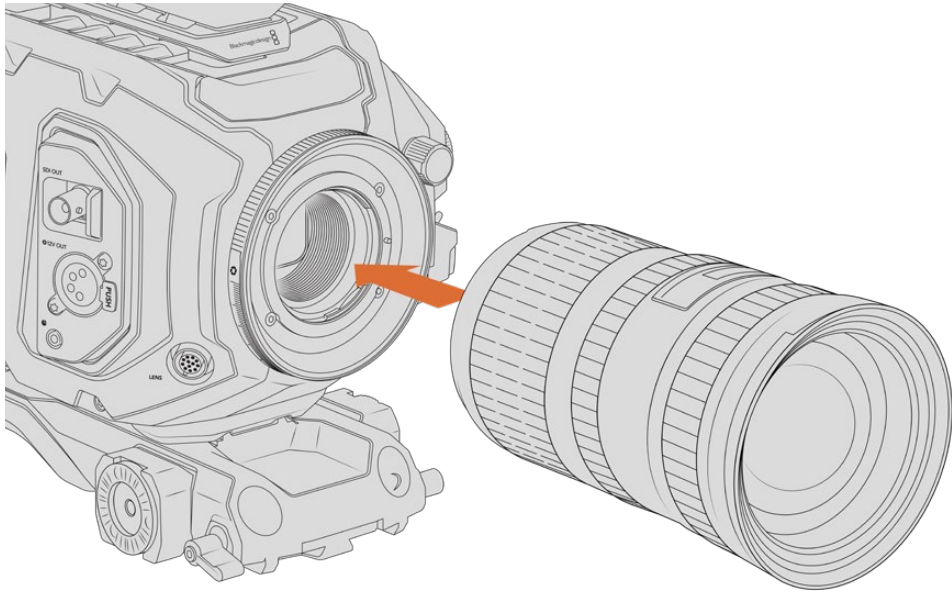


2mm 육각 드라이버 또는 2mm 육각 키가 있는 토크 렌치를 사용하여 마운팅 나사1에 한 번 완전히 힘을 가해 돌린 다음 나사2를 완전히 한바퀴 돌리고 나사3과 나사4를 반복해 돌리세요. 모든 나사가 최대 토크 0.45Nm에 도달할 때까지 위의 순서로 각 나사에 한 바퀴를 더 돌리세요.

참고 URSA Mini Pro F 마운트의 작동 방식 때문에 소수의 일부 F 마운트 렌즈가 호환되지 않을 수 있습니다.

예를 들어 기계적 조리개 제어 기능을 제공하지 않는 Nikon AF-S E 시리즈 렌즈와 24mm f/3.5D PC-E 및 85mm PC-E 등의 Nikon PC-E 틸트 시프트 렌즈는 호환하지 않습니다.

F 마운트 렌즈 장착하기



F 마운트 옵션이 장착된 Blackmagic URSA Broadcast G2에서 F 마운트 렌즈 장착 및 제거하기

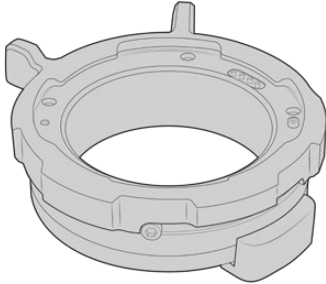
- 1 렌즈의 표시점과 렌즈 마운트의 표시점을 일치시키세요. 대부분의 렌즈에는 파랑, 빨강, 흰색과 같은 눈에 띄는 표시점이 있습니다.
- 2 렌즈를 마운트에 삽입하고 제자리에 고정될 때까지 시계 반대 방향으로 돌리세요.
- 3 렌즈를 분리하려면 잠금 버튼을 누른 채 렌즈를 시계 방향으로 돌려 렌즈의 표시점이 12시 방향으로 향하게 한 뒤, 조심스럽게 렌즈를 분리하세요.

참고 Blackmagic URSA Broadcast Pro F 마운트에는 기계식 조리개 조절 링이 탑재되어 있습니다. 이 마운트에 포커스 링이 내장된 구형 F 마운트 렌즈를 연결하여 사용하려면 렌즈 조리개를 f/22와 같이 가장 낮은 설정값으로 고정하세요.

Blackmagic URSA Mini Pro PL 마운트

URSA Broadcast G2에 PL 마운트를 장착하면 장면 영화 및 TV 프로덕션을 위한 첨단 정밀 시네마 렌즈와 슈퍼 16mm PL 렌즈를 사용할 수 있습니다.

PL 마운트 키트에는 다음이 포함됩니다.



1x PL 마운트

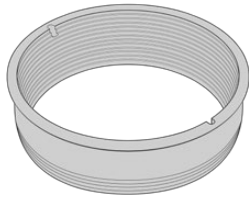
PL 마운트는 먼지 보호 덮개가 함께 제공됩니다.



1x 심 세트

심 세트에는 다음 두께를 포함합니다.

0,50mm	0,18mm	0,10mm
0,30mm	0,15mm	0,05mm
0,20mm	0,12mm	0,025mm



1x PL 배플

PL 마운트 배플은 센서로 들어오는 빛을 제어하고 방향을 잡는 데 도움이 됩니다.



1x 배플 도구

PL 배플 도구를 사용하여 카메라의 배플을 조이세요.

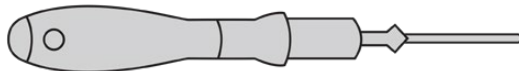


5 x 2mm M2,5 x 22mm 마운트 육각 나사

5개의 M2.5 x 22mm 육각 나사는 PL 마운트 전용이므로 마운트 종류별로 함께 쓰는 나사를 보관하면 좋습니다.

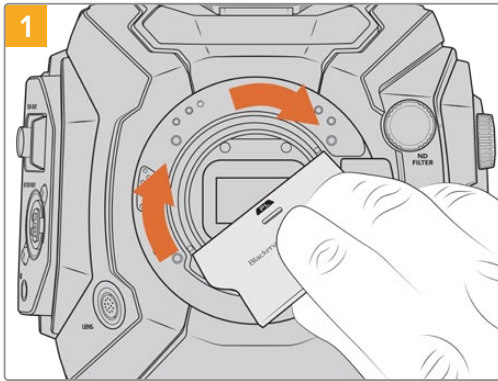
필요한 도구

PL 마운트를 부착 시 2mm 육각 드라이버가 필요합니다. 반드시 필요한 것은 아니지만 나사를 과도하게 조일 가능성을 줄이기 위해 최대 토크를 0.45Nm로 정확하게 설정할 수 있는 토크 렌치를 사용하는 것이 좋습니다.

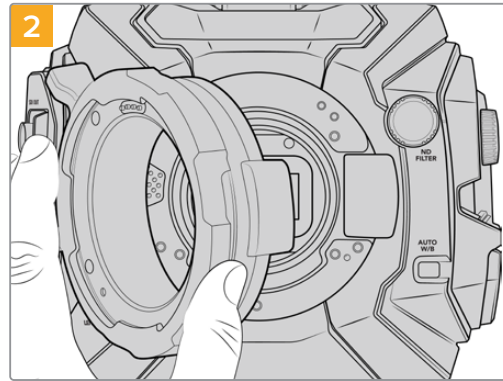


2mm 육각 드라이버

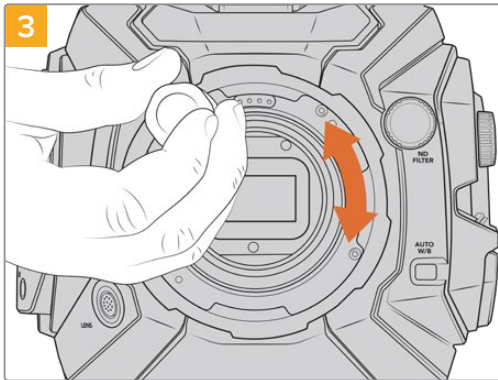
PL 마운트 장착하기



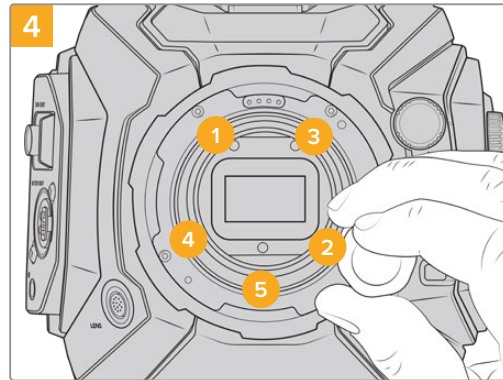
PL 배플을 렌즈 마운트 중앙에 부드럽게 삽입하고 손으로 단단히 조여주세요. 배플 도구의 넓은 끝을 사용하여 배플을 약간 조이세요. 충분한 압력을 가해 자리에 맞게 조이세요.



Cooke /i Technology를 위한 PL 마운트의 핀이 12시 방향에 오도록 확인합니다.



5개의 마운팅 나사가 렌즈 마운트의 베이스에 살짝 닿을 정도로만 나사를 느슨하게 조이세요. 잠금 링이 열리거나 닫히면 나사 구멍이 잘 보이지 않기 때문에 5개의 나사가 보이도록 PL 잠금 링을 회전합니다.

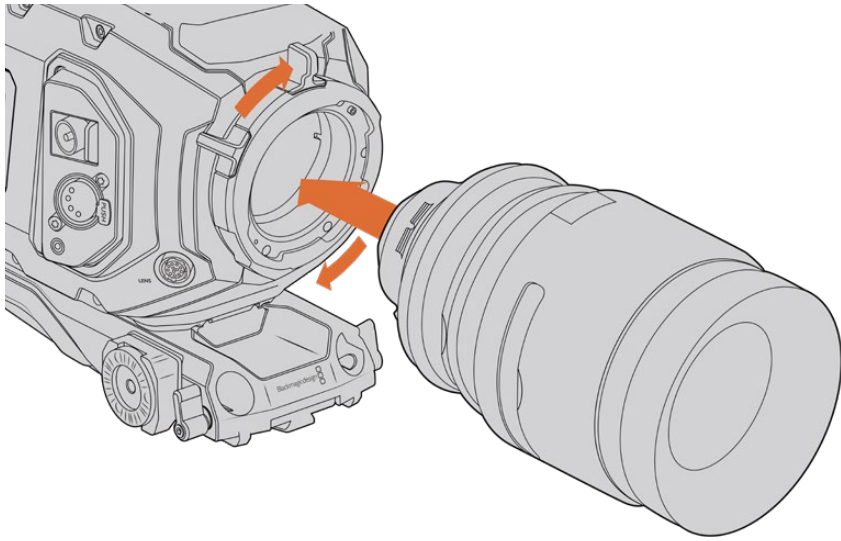


2mm 육각 드라이버 또는 2mm 육각 키가 있는 토크 렌치를 사용하여 마운팅 나사1을 한 바퀴 힘껏 돌린 다음 나사2도 한 바퀴 힘껏 돌리세요. 마운팅 나사3, 4, 5를 위와 같이 반복하세요. 모든 나사가 최대 토크 0.45Nm에 도달할 때까지 위의 순서로 각 나사에 한 바퀴를 더 조이세요.

참고 PL 마운트를 제거할 때 4단계에서 1단계의 역순으로 위의 방법대로 실행하세요. PL 배플을 제거한 후 PL 마운트와 함께 안전하게 보관하세요.

PL 마운트 렌즈 장착하기

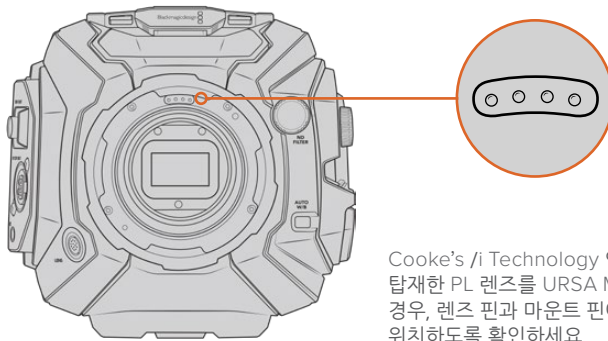
- 1 카메라의 PL 잠금 링을 시계 반대 방향으로 돌려 잠금 링이 멈출 때까지 여세요.
- 2 렌즈에 있는 4개의 플랜지 표시 중 하나를 카메라 마운트에 있는 핀과 일치시키세요. 렌즈 눈금을 쉽게 볼 수 있도록 렌즈를 정렬하세요.
- 3 PL 잠금 링을 시계 방향으로 돌려 단단히 고정시키세요. 서보 유닛 지원 PL 렌즈를 URSA Broadcast G2에 장착하여 사용할 경우, 서보 제어 기능을 위한 12핀 방송 커넥터를 사용할 수 있습니다.
- 4 렌즈를 제거하려면 잠금 링을 시계 반대 방향으로 멈출 때까지 돌린 다음 카메라 본체에서 렌즈를 직접 당겨 조심스럽게 빼내세요. 렌즈를 돌리지 않아도 됩니다.



PL 렌즈 장착 및 제거하기

Cooke's /i Technology 지원

옵션으로 제공되는 URSA Broadcast G2용 Blackmagic URSA Mini Pro PL 마운트에는 Cooke /i Technology 인터페이스가 탑재된 렌즈와의 통신에 사용되는 4개의 핀이 12시 방향에 있습니다. 이 인터페이스를 지원하는 렌즈는 Canon, Cooke, Fujinon, Leica 및 Zeiss 렌즈가 있습니다. 이를 통해 렌즈 모델과 초점 거리, 조리개 설정, 기타 렌즈 세부 정보 등의 렌즈 정보를 클립 속 메타데이터에 녹화할 수 있습니다.



Cooke's /i Technology 인터페이스를 탑재한 PL 렌즈를 URSA Mini Pro에 장착할 경우, 렌즈 핀과 마운트 핀이 12시 방향에 위치하도록 확인하세요.

Cooke's /i Technology 인터페이스를 통해 메타데이터로 녹화된 정보는 후반 제작 및 VFX에 굉장히 유용합니다. 프로덕션에 사용된 렌즈의 종류와 정확한 설정에 대한 정보는 동일한 셋업을 다른 날에 똑같이 설치해야 하는 행사에서 굉장히 유용합니다.

이 세부 정보는 DaVinci Resolve 및 Blackmagic Fusion과 같은 강력한 애플리케이션에서 다양한 고급 기능 사용 시 활용할 수 있습니다. 예를 들어 기록된 메타데이터는 3D 공간에서 특정 렌즈를 시뮬레이션하거나 렌즈 왜곡을 수정하는 데 사용할 수 있습니다.

PL 마운트 서보 렌즈

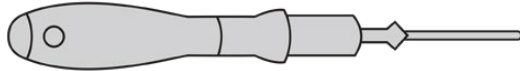
URSA Broadcast G2는 전동 핸드그립이 탑재된 PL 35mm 렌즈의 제어를 지원합니다. 렌즈가 카메라의 렌즈 커넥터에 연결되면 URSA Broadcast G2는 B4 렌즈와 동일한 방식으로 렌즈에 전원 및 제어 신호를 제공합니다. 더 자세한 정보는 본 설명서의 [서보 줌 렌즈 사용하기] 부분을 참고하세요.

Blackmagic URSA Broadcast G2 B4 마운트

Broadcast B4 마운트는 URSA Broadcast G2 카메라와 함께 제공되는 기본 마운트입니다. 포함된 Blackmagic URSA EF 마운트 또는 옵션인 URSA PL 또는 F 마운트를 사용하기 위해 B4 마운트를 제거했다면 다음 순서에 따라 B4 마운트를 다시 장착하세요.

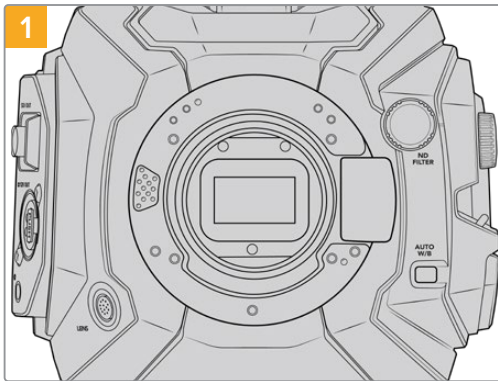
필요한 도구

B4 마운트를 장착 시 2mm 육각 드라이버가 필요합니다. 반드시 필요한 것은 아니지만 나사를 과도하게 조일 가능성을 줄이기 위해 최대 토크를 0.45Nm로 정확하게 설정할 수 있는 토크 렌치를 사용하는 것이 좋습니다.

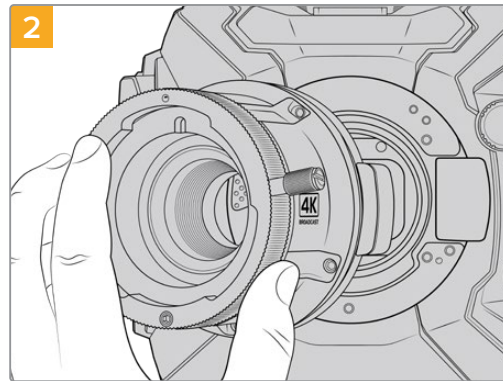


2mm 육각 드라이버

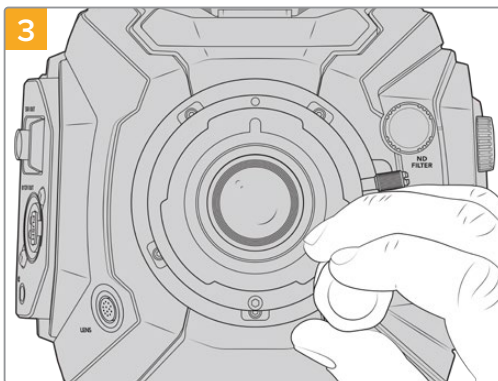
B4 렌즈 마운트 장착하기



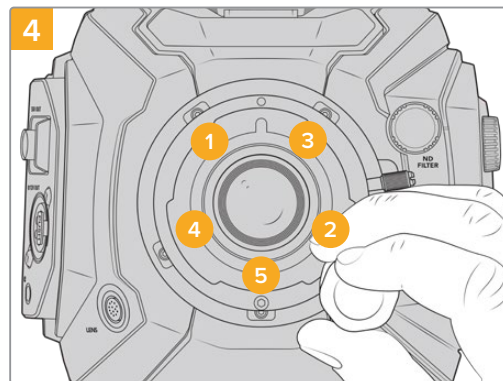
1
마운트를 수직 방향으로 장착할 수 있도록 단단하고 깨끗한 작업대 위에 Blackmagic URSA Broadcast G2를 세로 방향으로 올려놓습니다.



2
원래의 0.50mm 심을 제자리에 유지한 상태에서 Blackmagic URSA Broadcast G2 B4 마운트를 카메라 본체에 부드럽게 장착하여 빨간색 점이 12시 위치에 오도록 하세요.



3
5개의 마운팅 나사가 렌즈 마운트의 베이스에 살짝 닿을 정도로만 나사를 느슨하게 조이세요.



4
2mm 육각 드라이버 또는 2mm 육각 키가 있는 토크 렌치를 사용하여 마운팅 나사1을 한 바퀴 조인 다음 나사 2도 한 바퀴 조이세요. 마운팅 나사3과 4, 5도 위와 같이 돌리세요. 모든 나사가 최대 토크 0.45Nm에 도달할 때까지 위의 순서로 각 나사에 한 바퀴를 더 조이세요.

참고 B4 마운트를 제거할 때 4단계에서 1단계의 역순으로 위의 방법대로 실행하세요.

렌즈 마운트 심 장착하기

심(Shim)은 무엇인가요?

심은 다양한 두께의 얇은 디스크로, 렌즈와 URSA Broadcast G2의 센서 사이의 거리를 미세 조정하도록 도와줍니다. 이 거리는 일반적으로 플랜지 초점 거리로 알려져 있으며 렌즈 사용 기간 및 촬영 환경 조건과 같은 변수로 인해 약간 변경될 수 있습니다.



URSA Broadcast G2 심

심은 렌즈 마운트와 카메라 본체 사이에 탑재되어 있으며 피사체에서 센서까지의 거리가 렌즈의 초점 표시와 일치합니다. 이는 일반적으로 PL 렌즈에 가장 많이 사용됩니다. 이 시네 렌즈는 수동으로 초점을 맞추며 배럴에 매우 정확한 초점 거리 표시가 있습니다. 심은 URSA Broadcast G2의 교체형 렌즈 마운트에도 사용됩니다.

Blackmagic URSA Mini Pro Shim Kit에는 다양한 두께의 추가 심 세트가 포함되어 있으며, Blackmagic Design 리셀러로부터 구입하실 수 있습니다. 심 세트도 모든 마운트 키트에 포함되어 있으며 URSA Broadcast G2와 호환됩니다. 백 포커스 요구 사항에 따라 심 두께를 확인하시기 바랍니다.

Blackmagic URSA Mini Pro 심 키트

URSA Broadcast G2 카메라는 0.10mm 플라스틱 심과 0.50mm 금속 심의 두 종류 심이 함께 제공됩니다. 이 심들은 URSA Broadcast G2 카메라의 B4, EF, F 마운트 렌즈를 사용 시 적절한 초점 거리를 설정합니다. 아주 드문 경우로, 정확한 초점 표시를 위한 정밀함이 요구되는 PL 렌즈를 사용 시 다른 심이 추가로 필요할 수 있습니다. Blackmagic URSA Mini Pro 심 키트는 다음의 추가 도구를 포함합니다. 정확한 초점 표시를 위한 정밀함이 요구되는 PL 렌즈 사용을 위해 카메라의 심을 교체하는 경우 사용할 수 있는 여러 두께의 심들이 키트에 추가되어 있습니다.

심 키트는 다음을 포함합니다.



1x 배플 도구

URSA Broadcast G2에 PL 마운트를 장착하거나 제거할 때 PL 배플을 조이거나 푸는 데 사용합니다.



1x 심 세트

심 세트에는 다음 두께를 포함합니다.

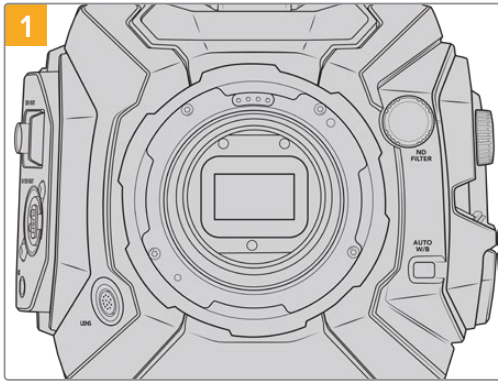
0.50mm	0.18mm	0.10mm
0.30mm	0.15mm	0.05mm
0.20mm	0.12mm	0.025mm

렌즈 마운트 심 장착하기

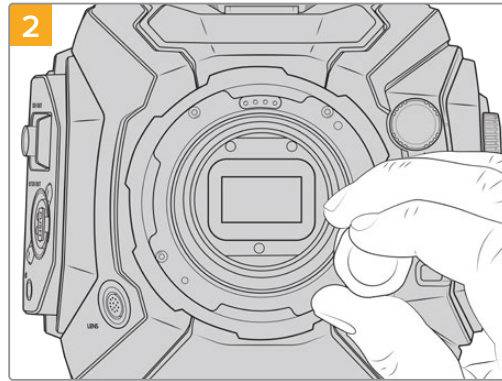
카메라 마운트에 심을 장착하려면 2.0mm 육각 키와 드라이버로 최대 토크를 0.45Nm로 정확하게 설정할 수 있는 토크 렌치가 필요합니다.



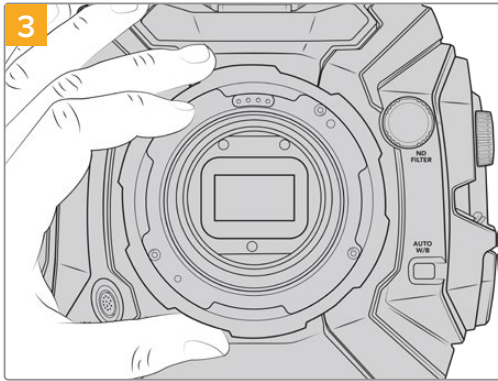
토크 렌치



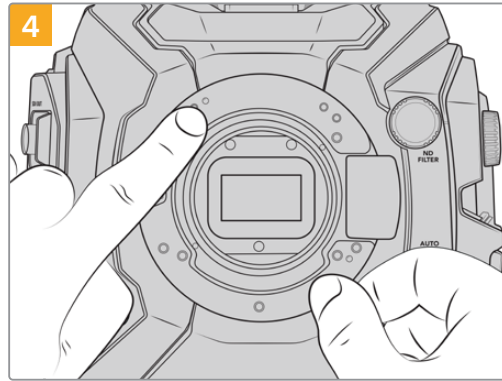
견고하고 깨끗한 작업대 위에 URSA Broadcast G2를 수직으로 놓고 렌즈나 먼지 보호 덮개를 제거하세요. 센서를 덮고 있는 필터가 심 교체 작업 동안 노출되기 때문에 필터를 최대한 깨끗한 상태로 유지하는 것이 중요합니다. 심을 장착하는 동안 필터에 접촉하지 않도록 주의하세요.



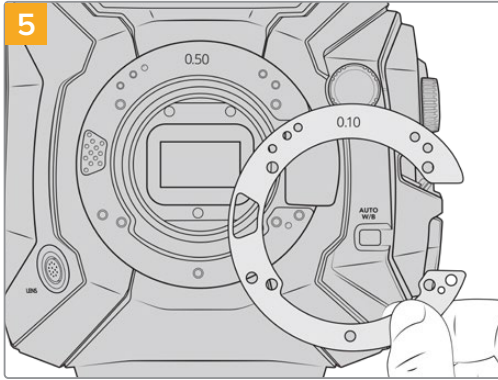
2.0mm 육각 드라이버를 사용하여 마운트를 고정하고 있는 나사를 제거하세요. 특정 마운트를 제거하는 방법에 대한 자세한 정보는 본 설명서의 [교체 가능한 렌즈 마운트] 부분을 참고하세요.



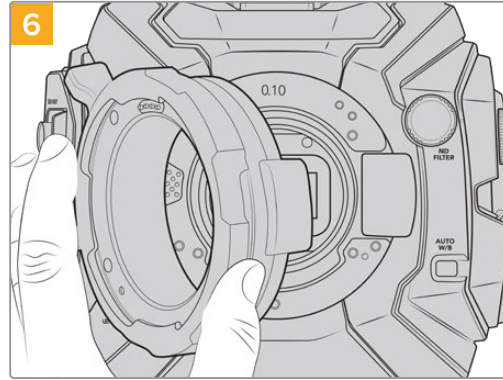
카메라 본체로부터 렌즈 마운트를 조심스럽게 들어올리세요. 나사를 렌즈 마운트와 함께 놓아 두세요.



정보 기준 심의 정렬 핀을 11시 방향으로 두세요.



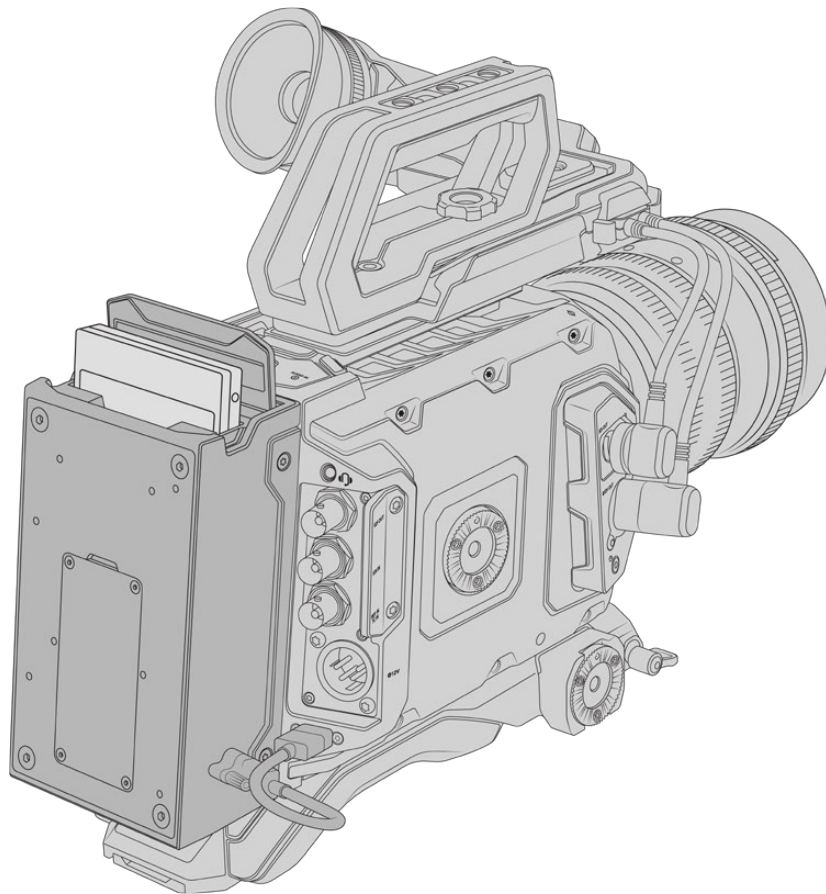
5 심을 장착하거나 제거하여 마운트의 깊이를 살짝 변경하세요. 처음 시도 시, 0.10mm 두께 같이 얇은 심을 사용하는 것도 좋은 방법입니다.



6 렌즈 마운트를 카메라 본체에 두고 나사를 조인 후, 렌즈를 장착하고 렌즈 초점 표시가 초점 거리와 일치하는지 확인하세요. 일치하지 않는 경우 1~6단계를 계속하여 눈금과 거리가 일치할 때까지 조금씩 심을 조정하세요.

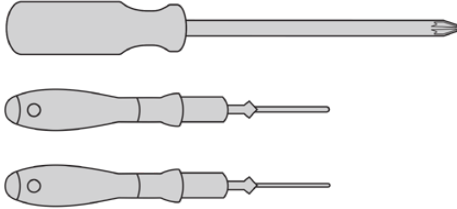
URSA Mini Recorder

Blackmagic URSA Mini Recorder는 URSA Broadcast G2 뒷면에 장착하는 옵션 모듈입니다. 이 레코더를 사용할 경우, 6K Blackmagic RAW 파일 등의 푸티지를 대용량의 저렴한 하드 디스크 드라이브(SSD)에 녹화할 수 있습니다.



URSA Mini Recorder를 장착하기 위해서는 다음과 같은 도구가 필요합니다.

- 1 x 십자 드라이버
- 1 x T10 Torx 드라이버
- 1 x 2mm 육각 키 드라이버

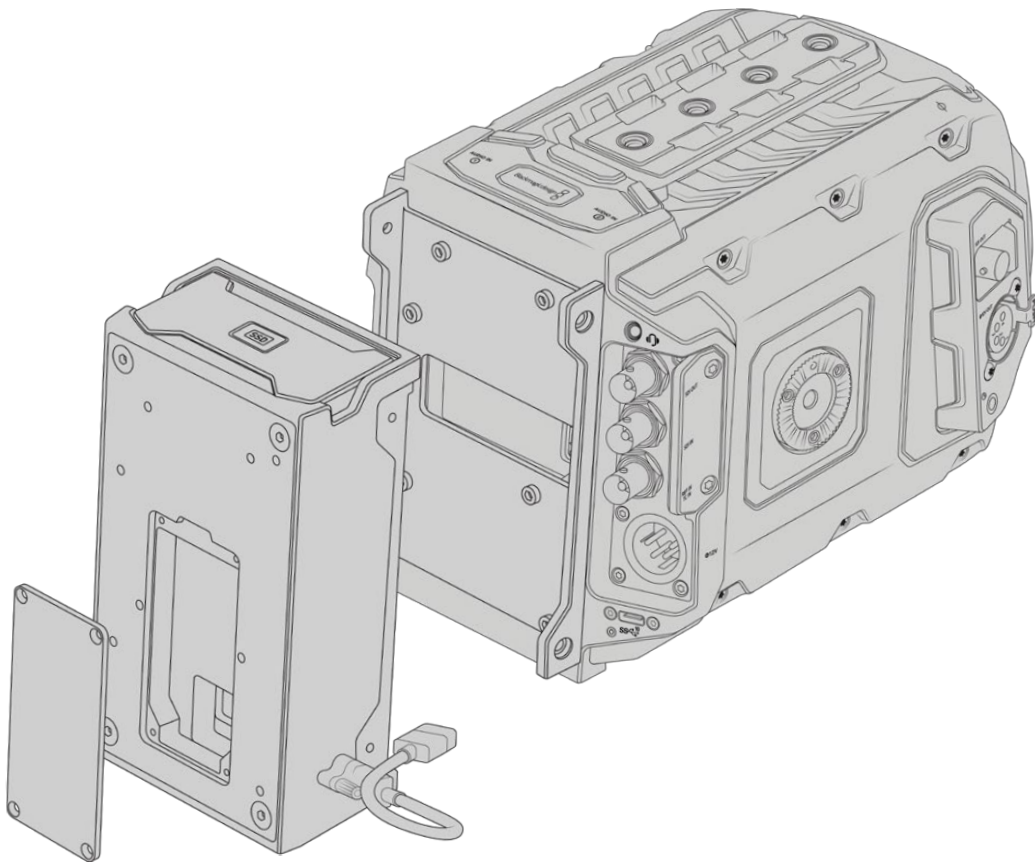


URSA Mini Recorder를 URSA Mini에 장착하려면 대형 십자 드라이버, T10 Torx 드라이버 및 2mm 육각 키 드라이버가 필요합니다.

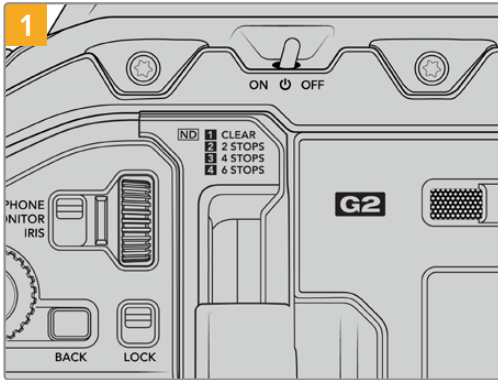
URSA Mini Recorder 설치 및 연결하기

URSA Mini Recorder는 URSA Broadcast G2 본체 뒷면에 바로 장착합니다. 이때 카메라 뒷면의 USB-C 데이터 포트에 연결하여 URSA Mini Recorder의 데이터를 주고 받습니다.

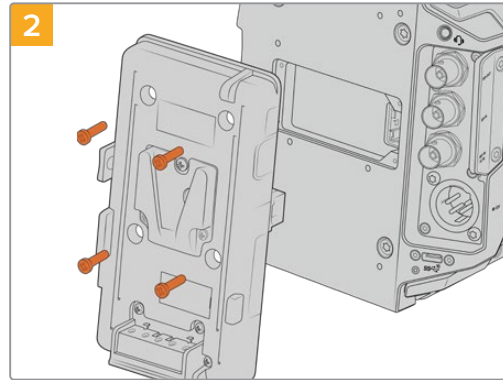
정보 URSA Mini Recorder에는 카메라 배터리 전원 공급을 위한 패스스루 케이블이 탑재되어 있어, V-마운트 또는 골드 마운트 배터리를 카메라 뒤쪽에서 레코더 뒷면에 장착할 수 있습니다.



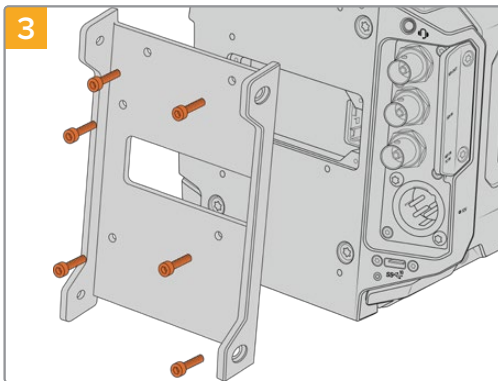
URSA Mini Recorder 설치 및 연결 방법



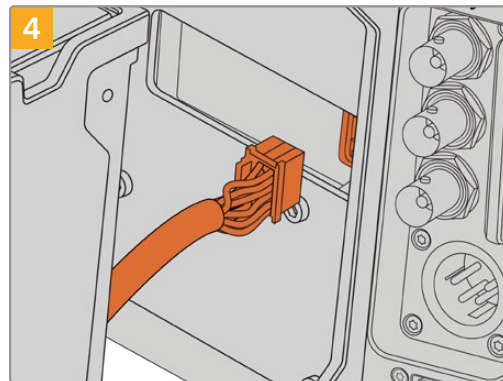
URSA Broadcast G2의 전원 스위치를 OFF로 설정하여 끄세요.



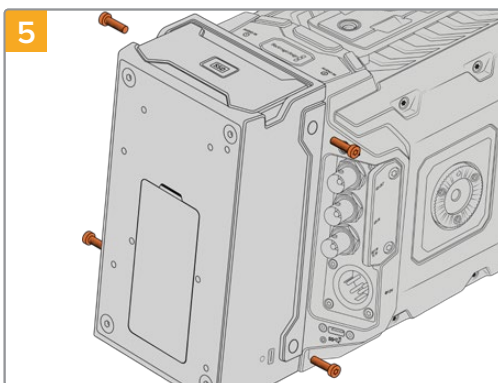
카메라에 장착된 모든 배터리 플레이트를 제거하세요. 배터리 플레이트 장착 및 제거에 관한 자세한 정보는 본 설명서의 [배터리 장착하기] 부분을 참고하세요.



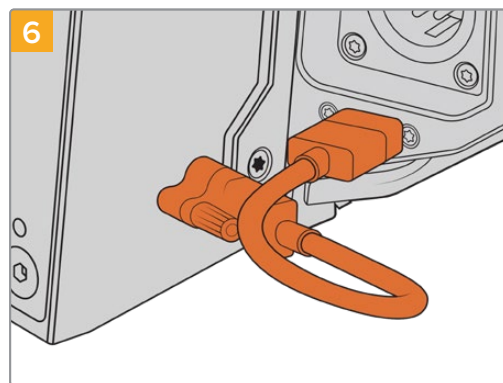
6개의 T10 Torx 나사를 사용해 URSA Mini Recorder의 마운팅 브래킷을 장착하세요.



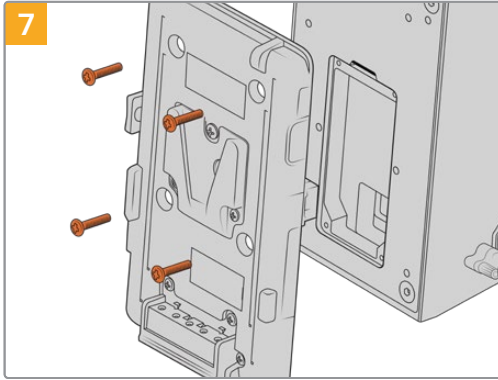
URSA Mini Recorder의 Molex 단자를 카메라 뒷면의 Molex 소켓에 연결하세요.



URSA Mini Recorder를 마운팅 브래킷에 대고 좌/우에 각각 2개의 T10 Torx 나사를 조여 장착하세요.



Mini Recorder의 USB-C 케이블을 URSA Broadcast G2 뒷면에 있는 USB-C 데이터 포트에 연결하세요. 손가락이나 2mm 육각 드라이버를 사용해 잠금 커넥터를 조이세요.



URSA Mini Recorder와 배터리 플레이트를 함께 사용하고자 할 경우, 2mm 육각 드라이버를 사용해 Molex 소켓 커버에 고정된 4개의 M3 나사를 제거하세요. Molex 소켓 커버를 제거한 뒤, 본 설명서의 [배터리 장착하기] 부분에 소개된 방법에 따라 배터리 플레이트를 장착하세요.

URSA Mini Recorder 사용하기

URSA Mini Recorder가 연결되고 안에 SSD가 장착되면 이 SSD는 URSA Broadcast G2의 운영 시스템에서 '슬롯 3'으로 표시됩니다. URSA Mini Recorder 사용 시 카메라 저장 관리 화면의 '슬롯 3'에 SSD 표시 정보가 나타나는 것을 확인할 수 있습니다.



URSA Mini Recorder에 SSD를 삽입할 경우, 카메라 저장 관리 화면 속 '슬롯 3'에 'SSD 레코더(SSD RECORDER)'라는 정보가 나타납니다.

다시 말해, USB-C 플래시 디스크의 녹화/재생/저장 관리 정보는 CFast/SD 카드/SSD와 동일한 방식으로 표시됩니다. 저장 관리에 관한 일반 정보 및 SSD 선택에 대한 정보는 본 매뉴얼의 [저장 미디어] 부분을 참고하세요.

상태 표시 LED

URSA Mini Recorder의 경우, 왼쪽 측면에 SSD를 위한 상태 표시등이 하나 탑재되어 있습니다. 상태 표시등 밝기는 카메라의 '설정(SETUP)' 메뉴에서 낮음(Low), 중간(Medium), 높음(Hight), 끄기(Off)로 설정할 수 있습니다.

SSD

SSD 표시 장치는 현재 삽입된 SSD의 상태를 나타냅니다. LED를 통해 다음과 같은 상태 정보가 표시됩니다.

흰색	URSA Mini Recorder에 전원이 들어오고 URSA Broadcast G2와 통신 중일 때 흰색 불이 들어옵니다.
빨간색	SSD에 녹화가 진행 중인 경우, URSA Mini Recorder 표시등에 빨간 불이 들어옵니다. SSD 저장 공간이 거의 다 찰 경우, 빨간 불이 천천히 깜빡입니다. SSD에 드롭 프레임 현상이 발생할 경우, 빨간 불이 빠르게 깜빡입니다. 이런 현상이 발생할 경우에는 권장 SSD 목록에 있는 디스크를 사용 중인지, 그리고 미디어와 호환되는 데이터율로 녹화 중인지 확인하세요.
주황색	SSD 삽입 시 문제가 발생할 경우, 주황색 불이 들어옵니다. 이는 SSD의 포맷이 완전하지 않거나 호환되지 않을 경우에 발생할 수 있습니다. 호환되는 SSD 목록 및 포맷 가이드를 확인하려면 본 매뉴얼의 [저장 미디어] 부분을 확인하세요.

정보 SSD의 LED 상태표시가 장착 문제를 나타낼 경우, Mac 또는 PC에서 '디스크 유틸리티' 또는 '디스크 관리'에서 초기화해야 할 수 있습니다.

URSA Mini Recorder 내부 소프트웨어 업데이트하기

Blackmagic Camera Setup 유틸리티 소프트웨어를 사용하여 URSA Mini Recorder를 업데이트하세요. 업데이트 시 Mini Recorder의 전원이 연결되어 있어야 하므로 업데이트가 진행되는 동안 Mini Recorder를 URSA Broadcast G2에 연결해두는 것이 좋습니다. 이를 위해서는 카메라에 전력 공급이 지속적으로 이루어져야 하므로 카메라에 외부 전원 또는 배터리 팩이 연결되어 있는지 반드시 확인하세요.

USB-C 케이블을 사용해 컴퓨터와 Mini Recorder를 연결한 다음, Blackmagic Camera Setup Utility를 실행하세요. 사용자의 컴퓨터가 URSA Mini Recorder에서 구형 버전을 사용 중인 것을 감지할 시, 업데이트를 여부를 묻는 창이 나타납니다. 화면에 나타나는 URSA Mini Recorder 내부 소프트웨어 업데이트 지시에 따르세요. 더 자세한 정보는 [Blackmagic Camera Setup 유틸리티] 부분을 참고하세요.

정보 최적화된 성능을 위해 사용자의 모든 Blackmagic URSA 제품을 동시에 업데이트하는 것을 권장합니다.

스튜디오 카메라 컨트롤 이해하기

Blackmagic URSA Broadcast G2는 스튜디오 카메라로 사용할 수 있으며, ATEM Software Control의 Camera Control 기능을 사용하면 ATEM 스위처에서 카메라를 제어할 수 있습니다. 이를 통해 대형 센서 화질과 놀라운 다이내믹 레인지를 갖춘 카메라를 사용자의 방송 스튜디오에 추가하고 스튜디오 카메라처럼 제어할 수 있습니다.

카메라 버튼을 클릭하면 카메라 컨트롤이 나타납니다. 호환용 렌즈의 조리개, 게인, 초점 등을 손쉽게 조절할 수 있으며, DaVinci Resolve의 프라이머리 색보정 도구를 사용하여 카메라의 색균형을 맞추고 독특한 장면을 연출해 낼 수 있습니다.

카메라를 제어할 때 ATEM 스위처는 다운컨버팅되지 않은 모든 SDI 출력을 통해 카메라 컨트롤 패킷을 내보냅니다. 즉, ATEM 스위처의 SDI 출력을 URSA Broadcast G2의 12G SDI 입력에 연결하면, 카메라가 SDI 링크에서 컨트롤 패킷을 감지하여 카메라 기능을 제어합니다.



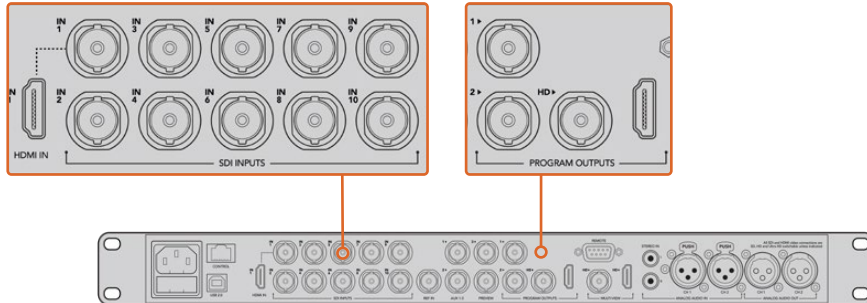
ATEM Camera Control

참고 Blackmagic URSA Broadcast G2를 ATEM 스위처와 함께 사용 시, 호환성을 위해 두 제품의 내부 소프트웨어를 최신으로 업데이트하길 권장합니다. Blackmagic 고객 지원 센터 (www.blackmagicdesign.com/kr/support)에서 최신 소프트웨어를 확인할 수 있습니다.

URSA Broadcast G2 연결하기

- 1 Blackmagic URSA Broadcast G2의 12G-SDI 출력을 ATEM 스위처의 SDI 입력 중 하나에 연결하세요.
- 2 다운컨버팅되는 출력과 멀티뷰 출력을 제외한 ATEM 스위처의 SDI 출력 중 하나에 URSA Broadcast G2의 12G-SDI 입력을 연결하세요. 카메라 제어 신호는 멀티뷰 출력과 다운 컨버팅된 SDI 출력을 통해 전송할 수 없습니다.
- 3 URSA Broadcast G2의 '설정' 메뉴에서 'ATEM 카메라 ID'를 선택한 다음, 이를 스위처의 입력과 동일하게 설정하세요. 예를 들어 'URSA Broadcast G2 1'이 ATEM 스위처의 'Cam 1'에 연결되어 있을 경우, 카메라 번호는 반드시 '1'로 설정해야 합니다. 그래야 탈리 신호가 정확한 카메라로 전송됩니다.

- 4 '설정' 메뉴에서 '레퍼런스 소스'를 선택하세요. Zenlok 신호가 모든 카메라 및 스위처에 전송되는 경우를 제외하고, ATEM 스위처를 사용 시 '레퍼런스 소스'를 '프로그램'으로 설정하기를 권장합니다.
- 5 '모니터링' 메뉴에서 '메인 SDI'에 대해 '클린 피드'를 선택하세요. 이를 통해 ATEM 스위처로 전송되는 카메라의 SDI 출력에 오버레이 또는 포커스 박스가 제외됩니다.



URSA Broadcast G2를 ATEM 스위처의 SDI 입력 중 하나에 연결하세요.

카메라 컨트롤 사용하기

ATEM Software Control을 실행한 뒤, 소프트웨어 창 하단의 카메라 아이콘을 클릭하세요. 그러면 카메라 번호가 적힌 카메라 컨트롤러가 출지어 나타나는데, 여기에 포함된 도구를 통해 카메라의 이미지를 개별 조정 및 개선할 수 있습니다. 카메라 컨트롤러의 사용법은 간단합니다. 마우스로 해당 버튼을 클릭하거나, 클릭 후 드래그하여 특정 기능을 조절할 수 있습니다.

카메라 컨트롤 선택

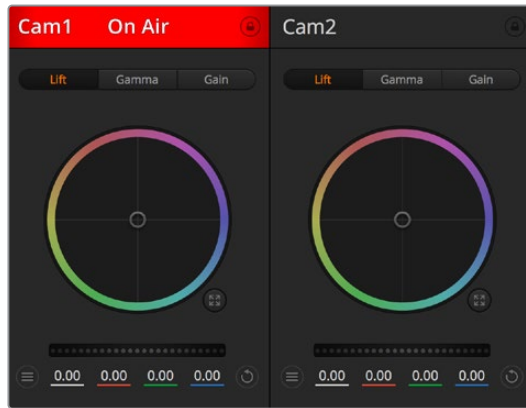
카메라 컨트롤 페이지의 상단에 있는 버튼들을 클릭하여 제어하고자 하는 카메라 번호를 선택할 수 있습니다. 소프트웨어 창에 나타나는 카메라 수보다 더 많은 수의 카메라를 운영 중이거나 혹은 색보정 창을 사용할 경우, 이 버튼들을 사용하여 제어하려는 카메라를 선택할 수 있습니다. 보조 출력으로 카메라 컨트롤을 모니터링하고 있는 경우, 이 버튼을 눌러 제어할 카메라를 변경하면 그 카메라의 비디오 출력을 스위처의 환경 설정에서 선택한 보조 출력으로 전송합니다.



설정 아이콘을 클릭하여 카메라 제어를 위한 보조 출력을 선택합니다.

채널 상태

각 카메라 컨트롤 상단에 있는 채널 상태 정보는 카메라 라벨, On Air 표시, 잠금 버튼을 나타냅니다. 잠금 버튼을 누르면 해당 카메라의 모든 제어 기능이 잠깁니다. 방송 중에는 채널 상태 표시에 빨간 불이 들어오면서 On Air 경고가 나타납니다.



각 카메라 제어 장치에는 카메라가 온에어 상태인지를 보여주는 채널 상태표시가 있습니다. 컬러휠을 사용하여 YRGB 각 채널의 리프트, 감마, 게인 설정을 조절합니다

컬러휠

컬러휠은 DaVinci Resolve 컬러 커렉터의 강력한 기능으로, 각 YRGB 채널의 리프트, 감마, 게인 설정을 통해 색상을 조절합니다. 컬러휠 위에 있는 세 개의 버튼에서 원하는 설정을 선택하여 조절할 수 있습니다.

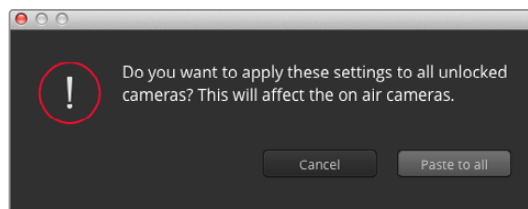
마스터 휠

컬러휠 아래에 있는 마스터휠을 사용하여 모든 YRGB 채널의 색대비를 한 번에 조절하거나, 또는 각 리프트/감마/게인 설정의 휘도만 조절할 수도 있습니다.

리셋 버튼

각 카메라 제어장치 우측 상단에 있는 리셋 버튼을 통해 색보정 설정을 초기화하거나 복사 또는 붙이기 할 수 있습니다. 모든 컬러휠에 각각의 리셋 버튼이 있습니다. 리셋 버튼을 눌러 기본 설정 상태로 되돌리거나 설정을 복사/붙이기할 수 있습니다. 잠겨있는 제어장치에는 붙이기 기능이 적용되지 않습니다.

마스터 리셋 버튼은 컬러 커렉터 패널의 우측 상단에 있으며, 컬러휠의 리프트/감마/게인뿐만 아니라 색대비, 채도, 색조, 휘도 혼합 설정을 초기화합니다. 색보정 설정을 각 카메라 제어장치에 개별적으로 붙여넣거나, 모든 카메라에 적용하여 영상에 통일감을 줄 수도 있습니다. 조리개, 초점, 조절 범위, 페디스털 설정은 붙이기 기능을 사용해도 적용되지 않습니다. 모든 카메라에 붙이기 기능을 사용하는 경우, 재차 확인하는 경고 메시지가 나타납니다. 이러한 경고 메시지는 현재 방송 중인 잠겨있지 않는 카메라에 새로운 설정을 복사해 붙이기 하는 실수를 방지합니다.



모든 카메라에 붙이기 기능을 사용하는 경우, 재차 확인하는 경고 메시지가 나타납니다. 이러한 경고 메시지는 현재 방송 중인 잠겨있지 않는 카메라에 새로운 설정을 복사해 붙이기 하는 실수를 방지합니다

조리개/페디스털 컨트롤

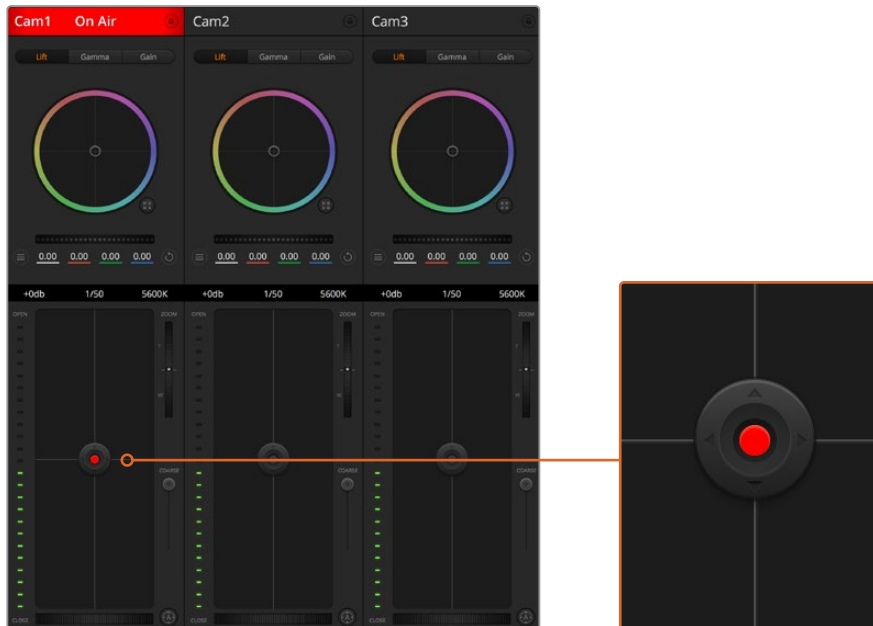
조리개/페디스털 컨트롤은 각 카메라 컨트롤의 십자선 중앙에 있습니다. 이 컨트롤에 빨간 불이 들어오면 해당 카메라가 방송 중임을 나타냅니다.

컨트롤을 위/아래로 드래그하면 조리개를 열거나 닫을 수 있습니다. [Shift] 키를 누른 채 드래그하면 조리개만 조절됩니다.

참고 ATEM에 연결 시 '자동 노출'을 'OFF'로 설정하세요. 만약 조리개, 줌, 포커스 컨트롤이 필요한 경우 카메라에서 전자적 제어가 가능한 렌즈를 사용하세요.

방송용 12핀 커넥터를 통해 B4 또는 PL 렌즈를 사용하는 경우, 핸드그립에 있는 렌즈 조리개 스위치가 'A' 또는 'Auto'로 설정되어 있는지를 반드시 확인하세요.

컨트롤을 좌/우로 이동하면 페디스털을 어둡게 하거나 밝기를 올릴 수 있습니다. Mac에서는 [command] 키를, Windows에서는 [Ctrl] 키를 누른 채 드래그하면 페디스털만 조절됩니다.



조리개/페디스털 컨트롤에 빨간 불이 들어오면 해당 카메라가 방송 중임을 나타냅니다

줌 컨트롤

전자식 줌 렌즈 기능이 탑재된 호환 렌즈를 사용할 경우, 줌 컨트롤을 사용해 줌 인/줌 아웃 기능을 사용할 수 있습니다. 컨트롤러의 한쪽 끝에는 망원 기능(T)이, 다른 끝에는 광각 기능(W)이 마련되어 있어 실제 렌즈에 있는 줌 로커와 동일한 방식으로 작동합니다. 조절 범위 슬라이더 위에 있는 줌 컨트롤러를 클릭하여 위로 드래그하면 줌인 기능을, 아래로 드래그하면 줌아웃 기능을 사용할 수 있습니다.

사용하는 렌즈가 액티브 렌즈 제어 기능을 지원하지 않거나, 카메라가 SDI 카메라 제어 프로토콜을 통한 줌 제어를 지원하지 않으면 위의 설정은 효과가 없습니다. 예를 들어, EF 렌즈는 렌즈를 전자적으로 줌을 할 수 있는 서보가 내장되어 있지 않아 ATEM 카메라 컨트롤로 줌을 제어할 수 없습니다.

참고 아날로그 B4 렌즈는 ATEM 줌 제어를 지원하지 않습니다. 아날로그 B4 렌즈에 대한 자세한 정보는 본 설명서의 [서보 줌 렌즈 사용하기] 부분을 참고하세요.

조절 범위 설정

조절 범위 설정은 조리개/페디스털 조절기 왼편에 있으며 조리개의 범위를 제한하는 데 사용됩니다. 이 기능은 과다 노출된 영상이 방송되는 것을 방지합니다.

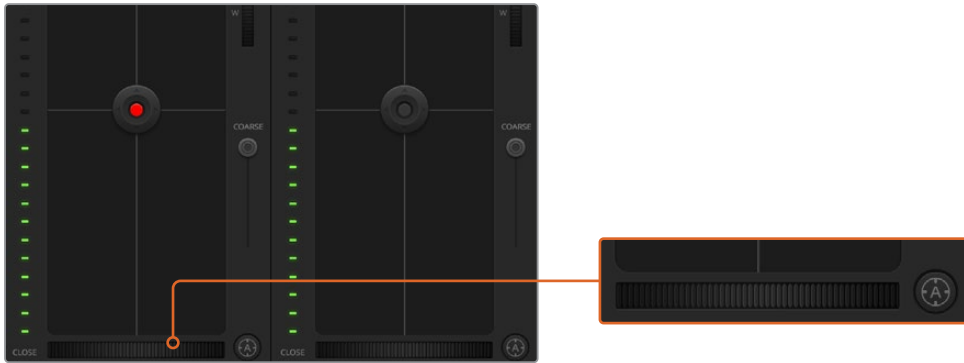
COARSE의 최대 값을 설정하기 위해서는 조리개 컨트롤을 사용하여 조리개를 최대한 개방한 뒤, COARSE 설정을 위/아래로 이동하여 노출 최적값을 설정합니다. 이제 조리개 조절시 조리개 값이 설정된 노출 최적값 이상으로 높아지는 것이 방지됩니다.

조리개 표시 정보

조리개/페디스털 컨트롤 왼편에 있는 조리개 표시 정보는 렌즈 구경이 얼마나 열려 있고 닫혀 있는지를 시각적으로 보여줍니다. 이 표시 정보는 조절 범위 설정에 영향을 받습니다.

자동 초점 버튼

자동 초점 버튼은 카메라 제어장치 왼쪽 아래에 있습니다. 전자식 초점 조절 기능을 지원하는 액티브 렌즈를 사용할 시 이 버튼을 누르면 자동으로 초점이 설정됩니다. 대부분의 렌즈가 전자식 초점 조절 기능을 지원하지만 일부 렌즈는 수동 또는 자동 초점 모드로 설정할 수 있다는 점을 기억하세요. 따라서 렌즈를 자동 초점 모드로 설정되어 있는 것을 확인하세요. 사용하는 렌즈에 따라 렌즈의 포커스 링을 돌려서 초점을 설정할 수도 있습니다. 서보 줌 제어 기능이 있는 B4 렌즈의 경우, 핸드그립 하단의 스위치를 SERVO로 설정해야 합니다.



자동 초점 버튼을 클릭하거나 수동으로 초점 조절을 좌/우로 드래그하여 호환용 렌즈의 초점을 맞춥니다.

수동 초점 조절

ATEM Camera Control을 사용하여 렌즈 초점을 수동으로 조절하고 싶은 경우, 각 카메라 컨트롤러의 하단에 있는 초점 조절 기능을 사용할 수 있습니다. 멋지고 선명한 영상을 위해 카메라에서 전송되는 비디오 피드를 보면서 바퀴 모양의 제어 장치를 좌/우로 드래그하여 수동으로 초점을 조절할 수 있습니다.

수동 초점 조절은 서보 초점 조절 기능이 있는 B4 또는 PL 렌즈를 사용 시, 오직 스위처에서만 가능합니다. EF 렌즈는 서보 초점 기능이 없어 수동 초점 조절 기능을 사용할 수 없습니다.

카메라 게인

다양한 조명 조건에서 카메라를 사용 시, 이미지의 노출 부족을 피하고자 게인을 조절해야 할 경우가 있습니다. 이때 왼쪽 화살표를 클릭하여 게인을 줄이거나, 오른쪽 화살표를 클릭하여 게인을 늘릴 수 있습니다.

ATEM 스위처는 게인을 dB로 표시합니다. 이는 다음과 같은 카메라의 게인 설정에 해당합니다.

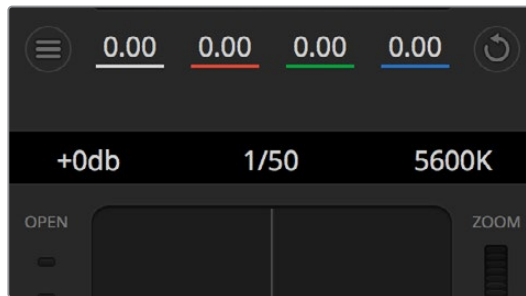
게인
-6
0
+6
+12
+18

게인 설정의 단위는 dB로 표시됩니다.

셔터 속도 제어장치

셔터 스피드 컨트롤은 URSA Broadcast G2의 셔터 스피드를 변경할 때 사용합니다.

셔터 속도 컨트롤은 컬러휠과 조리개/페디스털 컨트롤 중간에 있습니다. 마우스 포인터를 셔터 속도 표시 숫자 위에 가져가면 셔터 속도를 감소/증가시킬 수 있는 좌/우 화살표가 나타납니다.



마우스 포인터를 게인, 셔터 속도, 화이트 밸런스 표시 장치에 놓으면 화살표가 나타나며 이를 클릭하여 해당 설정을 조절할 수 있습니다.

참고 ATEM 셔터 스피드 컨트롤이 URSA Broadcast G2에서 선택한 셔터 스피드보다 우선시 되기 때문에, ATEM에 연결되면 카메라의 셔터 스피드 컨트롤은 비활성화됩니다.

밑의 표는 셔터 스피드 컨트롤의 사용가능한 셔터 스피드이며 이와 동등한 셔터 개각도를 나타냅니다. 참고로 일부 셔터 스피드는 URSA Broadcast G2의 최소 셔터 개각도인 11.25에서 최대 360도 범위 외에 해당할 수 있습니다. 이 경우, 가장 근접한 셔터 개각도가 사용됩니다.

URSA Broadcast G2가 ATEM 스위처에 연결되면 셔터 스피드 설정 또한 카메라의 터치 스크린 상태 표시에 나타납니다. URSA Viewfinder가 연결된 경우, URSA Viewfinder에도 나타납니다.

셔터 속도	23.98fps 에서의 셔터 개각도	24fps 에서의 셔터 개각도	25fps 에서의 셔터 개각도	29.97fps 에서의 셔터 개각도	50fps 에서의 셔터 개각도	59.94fps 에서의 셔터 개각도
1/50	172.7	172.8	180	215.8	360	360*
1/60	143.9	144	150	179.8	300	359.6
1/75	115.1	115.2	120	143.9	240	287.7
1/90	95.9	96	100	120	200	239.8
1/100	86.3	86.4	90	107.9	180	215.8
1/120	71.9	72	75	89.9	150	179.8
1/150	57.5	57.6	60	71.9	120	143.9
1/180	48	48	50	59.9	100	119.9
1/250	34.5	34.6	36	43.2	72	86.3
1/360	24	24	25	29.97	50	59.94
1/500	17.3	17.3	18	21.6	36	43.2
1/725	11.9	11.9	12.4	14.9	24.8	29.8
1/1450	11.25*	11.25*	11.25*	11.25*	12.4	14.9
1/2000	11.25*	11.25*	11.25*	11.25*	11.25*	11.25*

* URSA Broadcast G2의 셔터 개각도 범위 외의 셔터 스피드는 사용 가능한 가장 근사치의 최대 또는 최소 셔터 개각도를 사용합니다.

정보 셔터 속도를 높이면 카메라 게인을 사용하지 않고도 이미지 센서의 노출 시간을 늘려 영상의 밝기를 높일 수 있는 좋은 방법 중 하나입니다. 이는 형광등 아래서 촬영 시 플리커 현상을 감소하거나 제거할 수 있습니다. 셔터 속도를 높이면 모션 블러 효과가 감소되기 때문에 액션 촬영에서 선명하고 깨끗한 영상을 원할 시 사용할 수 있습니다.

화이트 밸런스

셔터 속도 컨트롤 옆에 있는 화이트 밸런스 설정은 각 색온도 표시 옆의 좌/우 화살표를 클릭하여 조정합니다. 빛은 저마다 따뜻한 색상 또는 차가운 색상을 방출하기 때문에 화이트 밸런스 조정을 통해 이러한 차이를 조절할 수 있습니다. 이 설정을 통해 영상 속 흰 색조에 왜곡 현상이 나타나지 않도록 합니다.

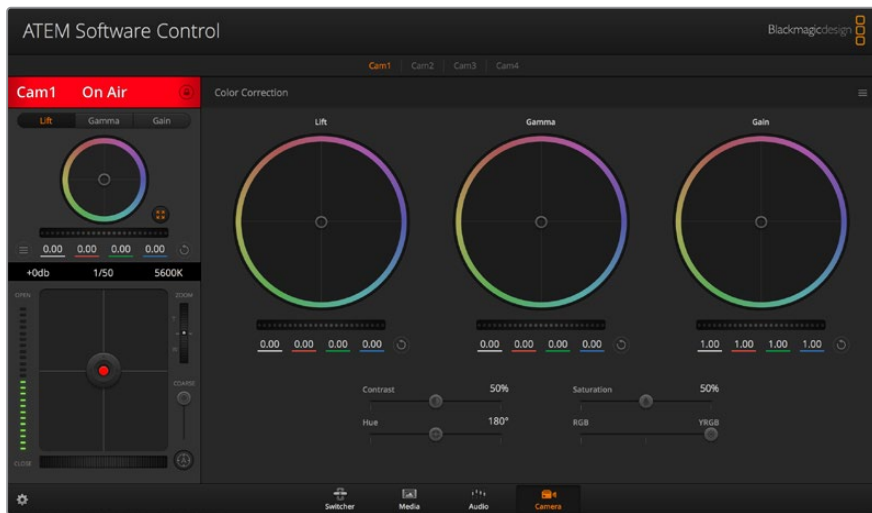
DaVinci Resolve 프리미어 컬러 커렉터

사용자가 색보정 작업 경험이 있는 경우에는 스위처 방식의 CCU 인터페이스 대신 후반 제작 컬러 그레이딩 시스템에서 사용하는 프리미어 컬러 커렉터와 유사한 사용자 인터페이스로 카메라 컨트롤을 변경할 수 있습니다.

Blackmagic URSA Broadcast G2에는 DaVinci Resolve 프라이머리 컬러 커렉터가 내장되어 있습니다. DaVinci Resolve를 사용해본 경험이 있는 경우 URSA Broadcast G2에서도 같은 방식으로 색상을 보정할 수 있어 라이브 프로덕션에서 색보정 실력을 발휘할 수 있습니다. 카메라 컨트롤에서 'Color Corrector' 패널을 확장하면 추가 컨트롤 및 프라이머리 색보정 전체 인터페이스를 사용할 수 있습니다.

컬러휠과 채도 등의 설정을 모두 사용할 수 있고 새도우, 미드 톤, 하이라이트 설정 또한 한꺼번에 볼 수 있습니다. 제어장치 창 상단에 있는 카메라 선택 컨트롤을 사용하면 간단히 다른 카메라로 전환할 수 있습니다.

정보 DaVinci Resolve 색보정은 URSA Broadcast G2의 SDI 출력과 카메라의 ProRes 녹화 영상에 적용됩니다. RAW 포맷은 후반 제작을 위한 영상이므로 색보정은 RAW 영상에 적용되지 않습니다. 하지만, RAW 영상 녹화 시에도 URSA Broadcast G2의 SDI 출력에 색보정을 적용할 수는 있습니다.



DaVinci Resolve의 프라이머리 색보정 버튼을 클릭하면 색보정 창이 확장되어 설정을 변경할 수 있습니다

컬러휠

리프트/감마/게인 컨트롤을 사용하면 겹치는 특정 부분도 톤 보정이 가능합니다. 사진 용어에서 리프트, 감마, 게인은 각각 새도우, 미드톤, 하이라이트를 뜻합니다.

다음 방법처럼 컬러 휠을 사용하여 정교하거나 적극적인 보정을 수행할 수 있습니다.

- **컬러 링 안쪽 부분 아무데나 클릭하여 드래그할 수 있습니다.**
반드시 컬러 링 안의 작은 동그라미, 즉 색균형 표시점 자체를 드래그할 필요는 없습니다. 색균형 표시점이 움직임에 따라 그 아래에 있는 RGB 파라미터도 함께 변경되어 각 채널에 적용됩니다.
- **[shift] 키를 누른 채 컬러 링 안에서 드래그하세요.**
이는 컬러 밸런스 표시장치를 마우스 포인터의 절대값 지점으로 점프시켜 보다 빠르고 과감한 조절을 수행할 수 있습니다.
- **컬러링 안에서 더블 클릭하세요.**
이는 마스터휠에 적용된 설정은 유지한 채 컬러 조정만 초기화합니다.
- **컬러링 우측 상단에 있는 리셋 컨트롤 버튼을 클릭하세요.**
이는 컬러 밸런스 컨트롤과 이에 상응하는 마스터휠 모두를 초기화합니다.



컬러 커렉터 패널의 리프트/감마/게인 컬러휠

마스터휠

컬러휠 아래에 있는 마스터휠을 사용하여 YRGB의 리프트, 감마, 게인 제어를 조절할 수 있습니다.

다음과 같이 마스터휠을 사용하여 설정을 조절하세요.

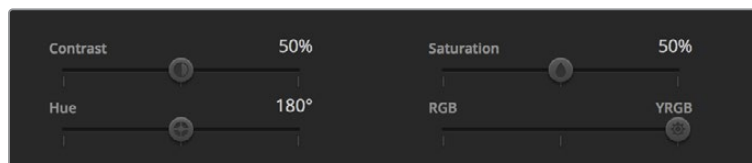
- 마스터휠을 좌/우로 드래그하기** 좌측으로 드래그하면 선택한 이미지의 파라미터가 이미지를 어둡게 만드는 값으로 변하며 우측으로 드래그하면 밝게 만드는 값으로 변합니다. 마스터 휠을 조정하면 그 아래 있는 YRGB 파라미터에도 함께 변합니다. [alt] 혹은 [command] 키를 누른 상태에서 좌/우로 드래그하면 Y 파라미터만 조절할 수 있습니다. 이 색보정 도구는 YRGB 처리 방식을 사용하기 때문에 Y 채널만 조절하여 창의적으로 작업할 수 있으므로 독특한 효과를 만들어낼 수 있습니다. '휘도 혼합' 설정을 맨 우측으로 조정하여 YRGB 처리 방식을 사용하도록 설정하면 Y 채널 조절을 최대로 사용할 수 있으며, 맨 좌측으로 설정하면 일반적인 RGB 처리 방식을 사용할 수 있습니다. 일반적으로 대부분의 DaVinci Resolve 컬러리스트들은 YRGB 색보정 도구를 사용하는데, 이는 전체 게인 값에 영향을 주지 않고 색균형을 더욱 자유자재로 제어할 수 있어 짧은 시간 안에 원하는 장면을 연출해낼 수 있기 때문입니다.



휠 컨트롤을 좌/우로 드래그하여 마스터휠을 조절하세요.

대비 설정

대비 설정에서는 이미지의 가장 어두운 값과 가장 밝은 값 사이를 조절할 수 있습니다. 리프트와 게인 마스터휠을 반대로 조정하는 것과 비슷한 효과가 나타납니다. 기본 설정은 50%입니다.



슬라이더를 좌/우로 드래그하여 색대비, 채도, 색조, 휘도 혼합의 설정을 조절합니다

채도 설정

채도 설정에서는 이미지 색상의 양을 증가 및 감소시킬 수 있습니다. 기본 설정은 50%입니다.

색조(Hue) 설정

색조 설정에서는 컬러휠 전체 둘레의 색조를 회전시킬 수 있습니다. 기본 설정인 180도는 색조의 기본 분포도를 나타냅니다. 이 값을 증가/감소시키면, 컬러휠을 통해 볼 수 있듯이 모든 색조의 분포가 앞/뒤로 회전합니다.

휘도 혼합 설정

Blackmagic 카메라에 내장된 색보정 기능은 DaVinci Resolve의 프라이머리 색보정을 기반으로 합니다. DaVinci Resolve는 1980년대 초반부터 개발된 색보정 프로그램으로 대부분의 할리우드 영화에 사용되어왔으며 다른 어떤 제품보다도 가장 많이 사용되는 제품입니다.

이는 URSA Broadcast G2에 탑재된 컬러 커렉터가 독특하고 창의적인 강력한 기능을 가지고 있음을 의미합니다. YRGB 처리 기능이 이러한 기능 중 하나입니다.

색보정 작업시, RGB 처리 혹은 YRGB 처리 사용을 선택할 수 있습니다. 첨단 컬러리스트들은 YRGB 처리 방식을 사용합니다. 그 이유는, 색상을 더 정확하게 제어할 수 있을 뿐 아니라 독립된 각 채널을 더욱 명확하게 분리하여 조절할 수 있고 창의적인 옵션들도 다양하게 사용할 수 있기 때문입니다.

휘도 혼합 컨트롤을 맨 우측으로 설정하면 YRGB 컬러 커렉터의 100% 출력을 사용할 수 있습니다. 휘도 혼합 컨트롤을 맨 좌측으로 설정하면 RGB 커렉터의 출력을 100% 사용할 수 있습니다. 휘도 혼합을 좌/우로 이동하여 RGB와 YRGB 커렉터의 출력을 혼합할 수 있습니다.

어떤 설정이 올바른 설정일까요? 이는 사용자에 따라 다릅니다. 색보정은 순수한 창작 과정으로 정답이 없으며, 가장 좋은 설정은 사용자가 가장 좋아하며 좋다고 생각하는 설정입니다.

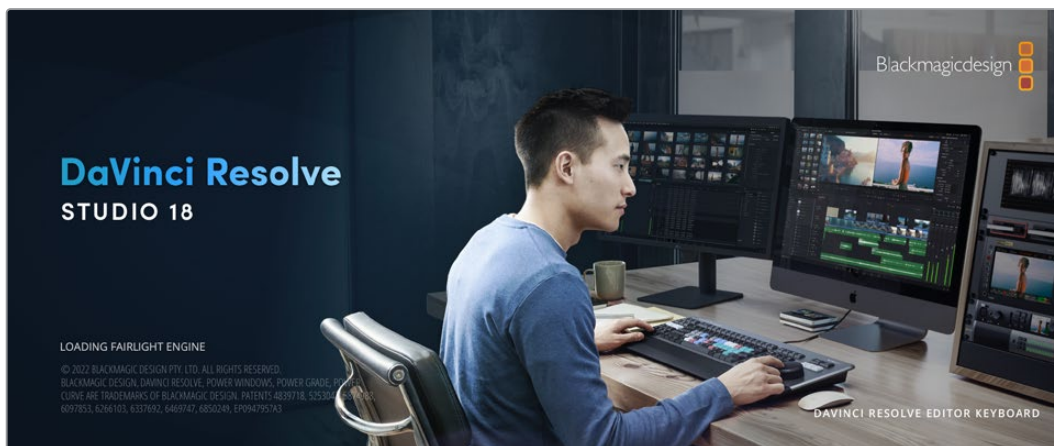
동기화 설정

Blackmagic URSA Broadcast G2를 ATEM 스위처에 연결하면 스위처에서 카메라 컨트롤 신호가 전송됩니다. URSA Broadcast G2에서 실수로 설정을 변경할 경우, 카메라 컨트롤은 동기화를 유지하기 위해 설정을 자동으로 초기화합니다.

정보 12G-SDI 입력을 분리하더라도 URSA Broadcast G2는 DaVinci Resolve 색보정을 사용한 모든 이미지 보정 설정을 그대로 사용합니다. 이를 통해 이미지 설정을 다시 조정할 필요 없이 카메라 각도를 변경할 수 있습니다. URSA Broadcast G2를 기본 색상 설정으로 되돌리려면, 12G-SDI 입력을 분리한후, 간단히 URSA Broadcast G2의 전원을 껐다가 다시 켜세요.

DaVinci Resolve 사용하기

URSA Broadcast G2를 사용한 촬영은 영화 및 TV 콘텐츠 제작의 일부 단계로, 미디어 백업 및 관리, 편집 및 색보정, 마스터 파일 인코딩 작업 또한 촬영 못지않게 상당히 중요합니다. Blackmagic URSA Broadcast G2는 Mac/Windows 지원 DaVinci Resolve와 함께 제공되므로 촬영과 후반 제작을 위한 일체형 솔루션을 갖출 수 있습니다.



참고 URSA Broadcast G2로 촬영한 클립에 보다 정확한 색보정을 적용하려면 항상 최신 버전의 DaVinci Resolve를 사용할 것을 권장합니다. 버전 18 혹은 이후 버전의 경우, URSA Broadcast G2에 보다 정확한 색상을 제공하며, 카메라에 녹화된 모션 센서 데이터를 사용한 자이로 이미지 안정화 기능 등의 최신 Blackmagic RAW 기능을 제공합니다.

CFast/SD 카드/SSD를 컴퓨터에 연결한 뒤, DaVinci Resolve의 미디어 페이지에서 클론 도구를 사용하면, 촬영과 동시에 미디어를 백업할 수 있습니다. 모든 종류의 미디어는 손상 및 결함 발생 위험이 있으므로, 미디어를 백업해 촬영한 곳이 손실되는 위험을 방지하는 것이 좋습니다. DaVinci Resolve 안에서 미디어를 백업해 놓으면, 미디어풀에 클립을 추가하여 편집 및 색보정, 최종 작업까지 DaVinci Resolve 프로그램 안에서 모두 마칠 수 있습니다.

대부분의 주요 블록버스터 영화 제작에서 사용하는 DaVinci Resolve는 첨단 디지털 영화를 위한 최고 성능 기술을 탑재한 소프트웨어로 일반 비선형 편집 소프트웨어 도구와는 비교할 수 없을 만큼 그 성능이 강력합니다. DaVinci Resolve를 사용하여 이러한 최첨단 기술의 편집 및 색보정을 활용해 보세요.

이 부분에는 DaVinci Resolve에서 카메라 파일을 사용하는 방법이 자세하게 설명되어 있습니다. DaVinci Resolve는 프로그램 실행 시 처음 나타나는 사용자 인터페이스에서 확인하는 기능보다 훨씬 다양한 기능을 제공합니다. DaVinci Resolve에 대한 보다 자세한 정보는 Blackmagic Design 홈페이지의 DaVinci Resolve 설명서를 통해 확인하시기 바랍니다. 또한 홈페이지에서 다양한 트레이닝 코스 및 튜토리얼 영상을 확인할 수 있습니다.

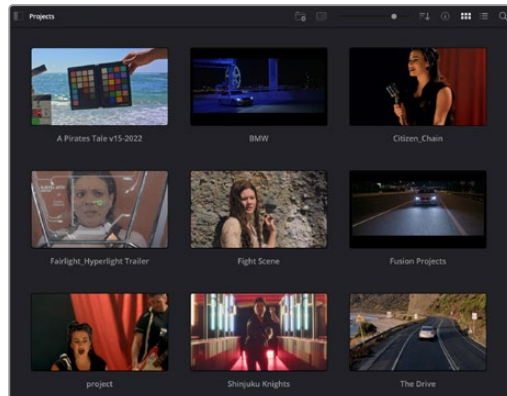
프로젝트 매니저

클립을 불러와 편집을 시작하기 전 프로젝트 매니저를 사용하여 새로운 프로젝트를 만들어야 합니다.

DaVinci Resolve를 실행하면 첫 화면에서 프로젝트 매니저를 확인할 수 있습니다. 후에 언제라도 사용자 인터페이스의 오른쪽 하단의 홈 아이콘을 클릭하여 프로젝트 매니저를 다시 열 수 있습니다. 이 아이콘은 이전 프로젝트를 열고 싶을 때나 새로운 프로젝트를 더 만들고 싶을 때 유용합니다.

새로운 프로젝트를 만들려면, 창 하단의 'New Project'를 클릭하고 프로젝트 이름을 정하세요. 'Create'를 클릭하세요.

컷 페이지를 사용하면 곧바로 편집을 시작할 수 있습니다. 프로젝트 매니저는 현재 사용자의 모든 프로젝트를 보여줍니다.



프로젝트 매니저는 현재 사용자의 모든 프로젝트를 보여줍니다.

프로젝트 매니저에 대한 자세한 정보는 Blackmagic Design 지원 온라인 페이지에 있는 DaVinci Resolve 설명서를 다운로드하여 확인할 수 있습니다.

컷 페이지를 사용하여 편집하기

컷 페이지는 보다 빠르고 역동적인 편집 워크플로를 제공하여 클립을 빠르게 모으고 다듬어 효과적으로 편집할 수 있습니다.

두 개의 활성화 된 타임라인은 전체적 편집 및 세부 편집을 동시에 가능하게 합니다. 즉, 널찍한 타임라인 공간에서 원하는 클립을 원하는 곳으로 옮기고, 세부 타임라인에서는 보다 정교한 편집을 수행할 수 있습니다. 이 워크플로를 사용하면 스크롤, 확대 및 축소 작업 없이 노트북 컴퓨터에서도 편집이 가능하여 작업 시간을 획기적으로 단축할 수 있습니다.

컷 페이지 레이아웃

컷 페이지를 열면 미디어 풀 및, 뷰어 윈도우, 타임라인이 나타납니다. 이 세 창이 편집 작업 시 완벽한 제어 기능을 제공하는 주요 창입니다.



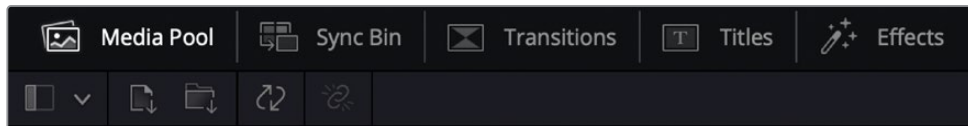
아이콘 모양의 미디어 풀이 있는 컷 페이지의 기본 모습

컷 페이지에 대한 보다 자세한 정보는 DaVinci Resolve 설명서의 [컷 페이지 사용하기] 부분을 참고하시기 바랍니다.

미디어 탭

사용자 인터페이스의 왼쪽 상단에 다섯 개의 탭이 있습니다.

이 탭을 클릭하여 편집에 사용할 미디어 도구모음을 열어보세요. 첫 번째 탭은 미디어 풀(Media Pool) 탭으로, 이미 해당 탭이 선택되어 있는 것을 확인할 수 있습니다. 그 외 나머지는 동기화 빈(Sync Bin) 및 트랜지션(Transitions), 타이틀(Titles), 효과(Effects)입니다.



- **Media Pool(미디어 풀):** 미디어 풀에는 미디어 페이지를 사용하여 불러오기 한 모든 클립 및 폴더, 파일이 담겨 있습니다. 컷 페이지에서 바로 이러한 파일들을 곧바로 불러오기 할 수 있으므로, 작업 시 클립을 더 불러오고 싶을 경우에 미디어 페이지로 되돌아갈 필요가 없습니다.
- **Sync Bin(동기화 빈):** 이 강력한 기능은 모든 클립을 타임코드 및 날짜, 시각에 따라 자동으로 정렬하여, 멀티캠 영상 프로젝트를 편집 시 다양한 각도에서 촬영된 클립을 손쉽게 확인 및 선택할 수 있습니다.
- **Transitions(트랜지션):** 이 탭을 클릭하면 편집에 사용할 수 있는 모든 비디오 및 오디오 트랜지션을 확인할 수 있습니다. 대표적으로 크로스 디졸브 및 모션 와이프 등이 있습니다.
- **Titles(타이틀):** 트랜지션 탭 옆에 타이틀 탭이 있습니다. 여기서 사용하고자 하는 타이틀을 선택할 수 있습니다. 예를 들어, 스크롤 및 일반 텍스트, 하단 3분의 1 그래픽 등을 사용할 수 있습니다. 또한, Fusion 템플릿 목록을 사용하여 보다 역동적인 애니메이션 타이틀을 사용할 수 있으며, Fusion 페이지에서 직접 변경하여 만들 수도 있습니다.
- **Effects(효과):** 다섯 번째 탭은 '효과' 탭입니다. 이 탭은 편집에 생동감을 불어넣을 수 있는 다양한 종류의 필터 및 효과를 제공합니다. 대표적으로 사용자에게 맞게 조정 가능한 블러 및 글로우, 렌즈 효과가 있습니다. 이 외에도 수많은 강력한 효과들이 있는데, 검색창(Search)을 사용하면 보다 빠르게 원하는 효과를 찾을 수 있습니다.

정보 미디어 탭 근처에 있는 검색창을 사용하여 원하는 효과를 바로 찾아보세요. 예를 들어, 트랜지션 탭을 선택한 후 검색창에 'dissolve'를 입력하면 디졸브 관련 트랜지션만 나타나기 때문에, 그중에서 원하는 디졸브 트랜지션을 보다 빠르게 찾을 수 있습니다.




뷰어 탭

뷰어 창의 왼쪽 상단에는 뷰어 모드 버튼들이 있습니다.



뷰어 모드 버튼

이 버튼들은 소스 클립 뷰어 및 소스 테이프 뷰어, 타임라인 뷰어로, 현재 사용되고 있는 뷰어 모드를 확인할 수 있습니다. 이 뷰어 모드들은 편집 과정에서 클립을 선택할 때 큰 도움을 주기 때문에, 각 버튼들이 어떤 기능을 하는지 살펴볼 필요가 있습니다.



	소스 클립	소스 클립 뷰어는 미디어 풀에서 선택한 단일 클립을 보여주며 뷰어 타임라인을 따라 전체 길이를 훑고 인/아웃 포인트를 지정할 수 있습니다. 이 모드를 사용하면 매우 자유롭게 제어할 수 있습니다. 미디어 풀에서 확인하려는 소스 클립을 더블클릭하거나, 뷰어로 드래그 하세요.
	소스 테이프	미디어 풀에 담긴 전체 클립을 확인하는데 유용한 기능입니다. 이 강력한 기능은 전체 클립들을 빠르게 훑으면서 특정 부분을 찾고자 할 때 유용합니다. 클립에 놓여 있는 플레이헤드를 스크러빙하면, 미디어 풀에서 해당 클립의 썸네일이 선택되는 것을 확인할 수 있습니다. 즉, 편집하고자 하는 클립을 찾은 후, 소스 클립 탭을 클릭하면 해당 소스 클립이 자동으로 뷰어에 나타납니다. 소스 테이프 뷰어를 통해 비선형 편집 작업의 장점을 최대한으로 이용할 수 있기 때문에, 자유롭게 편집하고 슷을 빠르게 찾을 수 있으며, 새로운 아이디어를 시도하면서 창의력을 마음껏 발휘할 수 있습니다.
	타임라인	타임라인 뷰어로 편집 타임라인을 볼 수 있으며 프로젝트를 재생하고 섬세하게 편집할 수 있습니다.

미디어 풀로 클립 가져오기

이제, 원하는 미디어를 프로젝트로 가져와 보겠습니다. 이 작업은 컷 페이지의 미디어 풀 창 상단에 있는 가져오기 도구를 사용합니다.



두 가지 옵션 중 하나를 선택하여 원하는 미디어를 프로젝트로 가져오세요.

	미디어 가져오기	저장 위치에서 개별적인 미디어 파일을 선택하여 가져올 때 사용합니다.
	미디어 폴더 가져오기	미디어 저장 위치에서 원하는 폴더를 가져올 때 사용합니다. DaVinci Resolve로 폴더를 가져올 경우, 파일의 구조가 그대로 유지되며, 각 폴더는 개별적인 빈으로 인식되기 때문에 빈을 이동하며 원하는 비디오 및 기타 미디어 파일을 찾을 수 있습니다.

미디어 가져오기

- 1 'Import Media' 혹은 'Import Media Folder'를 클릭하세요.
- 2 미디어 스토리지에서 가져오고자 하는 미디어를 찾으세요.
- 3 찾은 파일 혹은 폴더를 선택한 후 'Open'을 클릭합니다.

미디어를 프로젝트로 추가했다면 이제 편집을 시작하면 됩니다. DaVinci Resolve는 '라이브 저장'이라 불리는 빠른 자동저장 기능을 지원합니다. 프로젝트를 저장하고 나면, 이 '라이브 저장' 기능을 통해 추후에 발생하는 수정사항 등이 자동으로 저장되어 작업 손실을 예방할 수 있습니다.

'라이브 저장' 기능 및 다른 자동 저장 기능에 대한 자세한 정보는 DaVinci Resolve 설명서를 참고해 주세요.

타임라인에 클립 추가하기

이제 미디어 탭 및 뷰어 모드 버튼에 익숙해졌다면, 미디어 풀에서 클립을 타임라인으로 빠르게 추가할 수 있습니다.



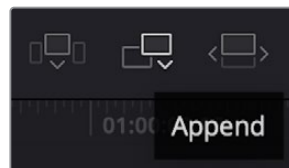
컷 페이지의 타임라인은 상부 타임라인 및 하단의 확대된 타임라인으로 구성됩니다.

편집을 위한 페이지인 타임라인은 여러 트랙으로 구성되어 여기에 클립을 붙이고, 옮기며 편집본을 다듬을 수 있습니다. 여러 개의 트랙을 사용하여 클립을 층층이 쌓아 다양한 편집본을 만들어 볼 수 있으며 트랜지션 및 효과도 트랙에 쌓을 수 있습니다. 예를 들어, 하나의 트랙 위에 있는 클립을 편집할 때, 그 외에 있는 다른 트랙들의 클립에는 영향을 전혀 주지 않습니다.

클립을 타임라인에 추가하는 방법에는 스마트 삽입(Smart Insert), 합치기(Append), 최상위 트랙에 두기(Place on Top) 등의 다양한 방법이 있습니다.

클립 합치기

여러 테이크를 선택하고 한 곳에 모을 시, 이 쏬들을 타임라인에 하나씩 이어 붙이고 싶을때가 있습니다. 클립 합치기는 이러한 때 완벽한 기능으로, 편집 속도가 매우 빨라집니다.



'클립 합치기' 아이콘(Append)을 클릭하여 마지막 클립 뒤에 여러 클립을 빠르게 이어 붙일 수 있습니다.

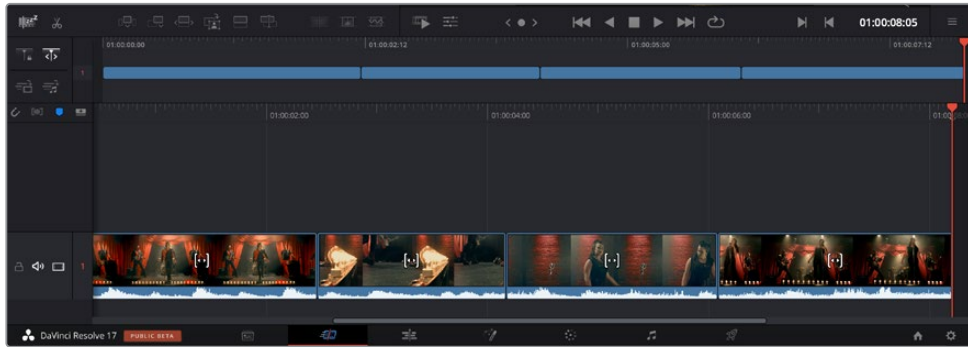
클립 합치기

- 1 미디어 풀에 있는 클립을 더블 클릭하면 뷰어에 해당 클립이 나타납니다.
- 2 스크래치 트리밍 도구를 사용하여 인/아웃 포인트를 드래그하면 쏬를 원하는 길이로 정확하게 조정할 수 있습니다. 인/아웃 포인트는 키보드 단축기를 사용하여 설정할 수도 있습니다. 인 포인트는 [I], 아웃 포인트는 [O] 키를 사용합니다.



- 3 인/아웃 포인트 설정 후, 미디어 풀 아래에 있는 '클립 합치기' 아이콘을 클릭합니다. 첫 번째 클립이 타임라인의 앞부분에 놓여지게 됩니다.

앞의 세 순서를 반복하면 여러 개의 클립이 자동으로 합쳐지며, 타임라인에서 이 클립들 사이의 빈 간격이 없이 합쳐지게 됩니다.



클립 합치기는 타임라인의 클립들 사이에 빈 간격을 만들지 않고 클립을 합칩니다.

정보 '클립 합치기' 아이콘을 단축키로 설정하면 위의 과정을 보다 빠르게 진행할 수 있습니다. 예를 들어, 영문 [P]를 '클립 합치기' 단축키로 지정해 놓으면, 단축키 [I] 및 [O]를 사용해 인/아웃 포인트를 설정한 다음, [P] 단축키를 눌러 클립을 합칠 수 있습니다. 단축키 지정 방법에 관한 자세한 정보는 DaVinci Resolve 설명서를 참고하시기 바랍니다.

타임라인에서 클립 트리밍하기

타임라인에 클립이 추가됐다면, 이제 자유자재로 클립들을 옮기고 트리밍하여 편집할 수 있습니다.

트리밍을 실행하려면, 마우스를 하나의 클립의 처음 혹은 끝부분에 올려놓고 클릭한 후, 좌/우로 드래그하세요. 예를 들어, 클립의 끝부분을 좌로 움직이면 클립 길이가 감소하며, 반대로 우로 움직이면 클립 길이가 늘어납니다. 이렇게 편집이 끝난 모든 클립은 타임라인에서 상부로 옮겨져 새로운 수정을 적용할 준비를 하게 됩니다. 이것이 바로 컷 페이지에서 작업 시간을 단축 시켜주는 요소 중 하나입니다.

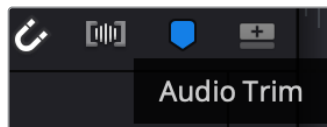
넓은 타임라인 공간에서 클립을 들어올려 새로운 비디오 트랙에 내려놓을 수 있으며, 여기에 확대/축소 과정은 필요 없습니다. 이렇게 긴 타임라인을 훑어보는 시간을 최소화하여 편집 작업 속도가 빨라집니다.

오디오 트림뷰

오디오 트림뷰를 사용하면 타임라인에서 오디오 파형을 확장시켜 정확한 오디오 편집을 할 수 있습니다. 이는 다이얼로그 장면이나 음악 클립 편집 시 유용하며, 개별 단어나 대사 사이의 편집 포인트를 쉽게 찾을 수 있습니다.

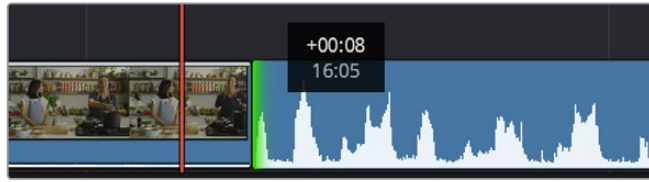
오디오 트림뷰 사용하기

- 1 타임라인 좌측의 스내핑 도구와 마커 도구 사이에 있는 오디오 트림 아이콘을 클릭하세요.



오디오 트림뷰 버튼

- 2 이제 트리밍 시 타임라인에 확장된 파형이 나타납니다. 트리밍을 마치면 타임라인의 클립이 일반 크기로 바뀝니다.



오디오 트림뷰를 사용하면 타임라인에서 오디오 파형이 확대됩니다.

컷 페이지에서 편집이 끝났다면 이제 타이틀을 적용할 순서입니다. 다음 단계에서 타이틀 추가 방법을 살펴보겠습니다.

타이틀 추가하기

타임라인에 타이틀을 추가하는 방법은 매우 간단하며, 다양한 옵션을 사용할 수 있습니다.

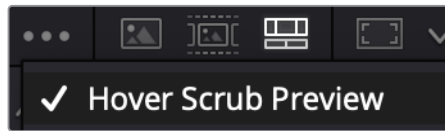
사용할 수 있는 다양한 타이틀을 확인하기 위해, 사용자 인터페이스의 왼쪽 상단에 있는 '타이틀'(Titles) 미디어 탭을 클릭하세요. 선택 창에서 하단 3분의 1 그래픽, 스크롤, 일반 텍스트 타이틀 등의 다양한 타이틀 생성기가 썸네일로 나타납니다. 또한, 사용자가 직접 제작할 수 있는 애니메이션 타이틀인 Fusion 타이틀도 추가할 수 있습니다.

타이틀 미리보기

타임라인에 타이틀을 추가하기 전에 'Titles' 선택 창에서 미리보기할 수 있습니다. 그러면 선택을 하기 전에 사용 가능한 모든 옵션을 빠르게 훑어볼 수 있습니다.

타이틀 미리보기

- 1 타이틀 패널 우측 상단에 있는 옵션 메뉴를 클릭한 다음 'Hover Scrub Preview(마우스로 프리뷰 사용하기)'를 활성화하세요.



옵션 메뉴에서 'Hover Scrub Preview(마우스로 프리뷰 사용하기)'를 활성화하세요.

- 2 'Titles' 선택 창에서 마우스 포인터를 썸네일 위로 가져가면 뷰어에서 타이틀을 미리보기할 수 있습니다. 애니메이션 타이틀 또는 Fusion 타이틀을 미리보기할 경우, 타이틀 썸네일 위로 마우스 포인터를 왼쪽에서 오른쪽으로 움직이면 애니메이션을 확인할 수 있습니다.



타이틀 썸네일 위로 마우스를 가져가 뷰어에서 미리보기하세요.

선택한 타이틀을 타임라인에 추가할 수 있습니다.

표준 타이틀 추가하기

- 1 'Text' 타이틀을 클릭한 뒤, 이를 타임라인으로 드래그합니다. 어느 타임라인이든 상관 없지만, 보다 높은 정확성을 위해 세부 타임라인을 사용할 것을 권장합니다. 타이틀을 만들기 위한 새로운 비디오 트랙이 자동으로 생성되며 플레이헤드 부분으로 빠르게 이동합니다.
- 2 마우스에서 손가락을 떼면, 타이틀이 새로운 트랙에 나타납니다. 이제, 이 타이틀을 옮기거나 타이틀이 나타나는 시간을 조정할 수 있습니다.
- 3 타이틀을 편집하려면 새롭게 만들어진 타이틀 클립을 클릭하세요. '도구' 아이콘이 클립 뷰어 밑에 나타납니다.
그러면 타이틀 클립을 수정하는데 사용할 수 있는 도구들이 나타납니다. 대표적으로 변형 (Transform), 자르기(Crop), 다이내믹 줌(Dynamic Zoom) 등의 기능을 사용할 수 있습니다.
- 4 이제 'Inspector(인스펙터)' 탭을 클릭하세요.

인스펙터 창이 열리면 타이틀 문구를 입력하고 트래킹, 줄 간격, 폰트, 컬러 등의 텍스트 설정을 편집할 수 있습니다.

다양한 옵션을 사용하여 원하는 타이틀을 마음껏 만들어 보세요. 제공되는 다양한 옵션을 적용하여 타이틀이 어떻게 변경되는지 직접 확인해 보시기를 권장합니다.

정보 'Hover Scrub Preview(마우스로 프리뷰 사용하기)' 기능을 사용해 컷 페이지 및 편집 페이지에서 효과, 트랜지션, 생성기, 필터를 미리보기할 수 있습니다.

Blackmagic RAW 파일로 작업하기

Blackmagic RAW 클립을 사용하면 후반 제작 과정에서 작업의 유연성을 극대화시킬 수 있습니다. 이를 통해 마치 원본 카메라 설정을 바꾸는 것처럼 화이트 밸런스나 ISO 설정 등의 클립 설정을 조정할 수 있습니다. Blackmagic RAW로 작업하면 새도우나 하이라이트 내에서 더욱 풍부한 색조 정보를 유지할 수 있어 디테일이 사라진 하늘이나 영상 속 어두운 부분의 디테일을 복구할 때 유용합니다.

최고의 화질을 원하거나 하이라이트와 새도우 간의 극심한 차이로 인해 해당 부분을 색보정 작업에서 최대한 조정해야 하는 경우에는 Blackmagic RAW로 촬영하는 것이 좋습니다.

Blackmagic RAW는 빠른 속도와 작은 파일 크기를 제공하여 프록시 파일을 생성할 필요가 없으며 표준 비디오 클립과 같은 재생 방식을 사용할 수 있습니다. Blackmagic RAW의 기능과 DaVinci Resolve 워크플로의 Blackmagic RAW 파일 사용법에 대한 자세한 정보는 아랫부분을 참고하세요.

정보 색보정을 시작하기 전에 클립의 Blackmagic RAW 설정을 컬러 페이지에서 조정하는 것이 좋습니다.

Blackmagic RAW를 위한 클립 설정

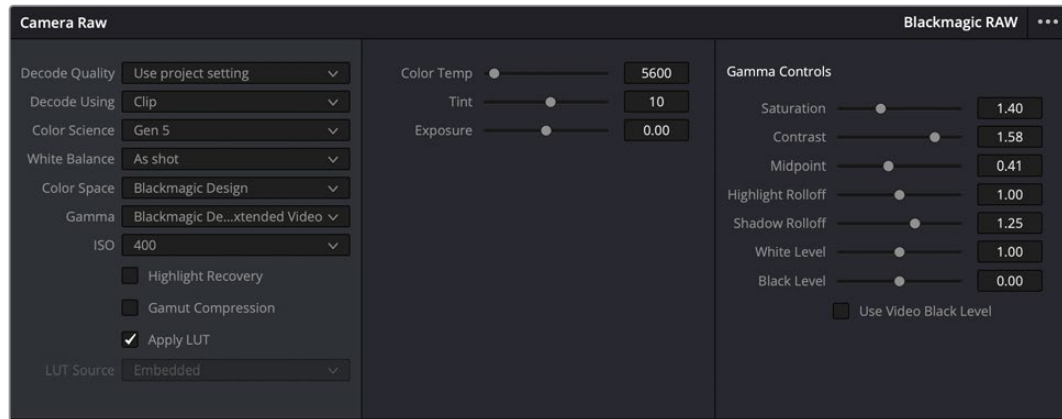
Blackmagic RAW 파일을 불러오면 DaVinci Resolve에서 촬영 당시 사용된 ISO와 화이트 밸런스, 색조 설정을 사용해 파일에 담긴 카메라 데이터를 디코딩합니다. 설정에 만족할 경우, 곧바로 편집을 시작할 수 있습니다.

Blackmagic RAW 파일의 장점은 이러한 설정으로부터 자유롭다는 점입니다. Blackmagic RAW 파일로 작업 시 사용 가능한 후반 작업 옵션의 폭이 더욱 넓어져 시간이 갈수록 자기 자신만의 워크플로를 더욱 쉽게 개발할 수 있습니다. Camera RAW 탭에서 각 클립을 위한 'Clip' 설정을 보면 Blackmagic RAW 파일 작업이 얼마나 강력하고 유연한지 확인할 수 있습니다.

컬러 사이언스

푸티지를 해석할 컬러사이언스를 4세대 컬러 사이언스 또는 5세대 컬러 사이언스 중에 선택할 수 있습니다. URSA Broadcast G2는 Blackmagic Design 5세대 컬러 사이언스를 사용합니다. 4세대 컬러 사이언스를 적용한 다른 카메라의 파일일지라도 URSA Broadcast G2의 샷과 매칭될 수 있도록 5세대 컬러 사이언스를 적용하여 재해석할 수 있습니다.

만약 촬영한 대부분의 영상이 4세대 컬러 사이언스를 적용한 Blackmagic RAW 파일일 경우, URSA Broadcast G2에서 5세대 컬러 사이언스를 적용한 클립 샷을 4세대 컬러 사이언스로 돌린 다음 이를 함께 사용할 수 있습니다. 이 기능은 각기 다른 세대의 Blackmagic 컬러 사이언스를 사용한 카메라로 촬영한 샷을 매칭할 때 편리한 기능입니다.



'Camera RAW' 탭에서 'Decoding Using'을 'Clip'으로 설정하면 사용하는 클립의 Blackmagic RAW 설정을 조절할 수 있습니다.

Blackmagic RAW 설정 변경하기

DaVinci Resolve에서 Blackmagic RAW를 위한 클립 설정 기능을 활성화시키면 클립 설정과 감마 컨트롤을 조절할 수 있습니다. 사용자의 클립을 최적화시키기 위한 이러한 설정을 통해 전체 프라이머리 그레이딩 작업을 더욱 수월하게 할 수 있습니다. 영상록 적용을 위한 클립 균형을 맞추도록 도와주는 DaVinci Resolve의 스코프 기능을 사용할 경우 더욱 강력한 성능을 경험할 수 있습니다.

아래는 클립 컨트롤과 감마 컨트롤에 관한 설명입니다.

ISO

이 설정을 증가 또는 감소하여 ISO 설정값은 변경할 수 있습니다. 클립을 최적화시키기 위해 설정 포인트를 밝게 또는 어둡게 설정할 시 사용하기 유용한 설정 기능입니다.

Highlight Recovery(하이라이트 복구)

클리핑되지 않은 채널의 정보를 사용하여 클리핑된 채널의 하이라이트 정보를 복구하려면 박스를 체크하세요.

Gamut Compression(색영역 압축)

해당 박스를 활성화하면 안전 색영역 레벨이 자동으로 유지됩니다.

Color Temp(색온도)

따뜻한 이미지 또는 차가운 이미지로 색온도를 조절합니다. 이 설정은 각 이미지의 색 밸런스를 맞추는데 사용할 수도 있습니다.

Tint(틴트)

이 설정은 이미지에 초록색 또는 자홍색을 추가하여 색 균형을 맞춥니다.

Exposure(노출)

이 설정은 이미지의 전체 밝기를 조절합니다.

Saturation(채도)

채도 컨트롤의 기본값은 1로 맞춰져 있으며 최소 -1부터 최대 +4까지 조절할 수 있습니다.

Contrast(대비)

기본값은 1.0으로 설정되어 있으며 왼쪽으로 슬라이더를 드래그하여 최소 대비값 0까지 설정할 수 있으며 오른쪽으로 드래그하면 최대 2까지 설정 가능합니다.

Midpoint(미드톤)

Blackmagic Design Film에서 중간 회색의 기본값은 0.38% 또는 38.4%로 맞춰져 있습니다. 왼쪽으로 슬라이더를 드래그하여 미드포인트를 낮추거나 오른쪽으로 드래그하여 최대 '100'까지 증가시킬 수 있습니다. 대비를 기본값에서 하향 또는 상향 조절했을 경우 하이라이트와 새도우 롤오프 설정을 변경할 수 있습니다.

Highlight Rolloff(하이라이트 롤오프)

왼쪽으로 슬라이더를 드래그하여 하이라이트 값을 최대 0까지 낮추거나 오른쪽으로 드래그하여 최대 2까지 증가시킬 수 있습니다. 기본 설정값은 1입니다.

Shadow Rolloff(새도우 롤오프)

왼쪽으로 슬라이더를 드래그하여 새도우를 낮추거나 오른쪽으로 드래그하여 최대 2까지 증가시킬 수 있습니다.

White Level(화이트 레벨)

하이라이트 설정값 2에서 가장 낮은 값인 0 사이를 슬라이더로 드래그하여 감마 커브의 화이트 포인트를 조절합니다. 기본 설정값은 1입니다.

Black Level(블랙 레벨)

최소 설정값인 -1과 최대 설정값인 1 사이를 슬라이더로 드래그하여 커스텀 감마 커브의 블랙 포인트를 증가시킵니다. 기본 설정값은 0입니다.

Use Video Black Level(비디오 블랙 레벨 사용하기)

비디오 블랙 레벨을 설정하려면 박스를 확인하세요.

Export Frame(프레임 익스포트)

'Export Frame' 버튼을 클릭하면 Blackmagic RAW 클립에서 한 개의 프레임이 익스포트됩니다.

Update Sidecar(사이드카 파일 업데이트)

'Update Sidecar' 버튼을 클릭하면 현재 클립을 위한 Blackmagic RAW 사이드카 파일이 업데이트됩니다.

Blackmagic RAW 클립에 적용한 모든 변경 사항은 감마 설정에서 식별 단계를 거쳐 Blackmagic Design Custom에 업데이트됩니다.

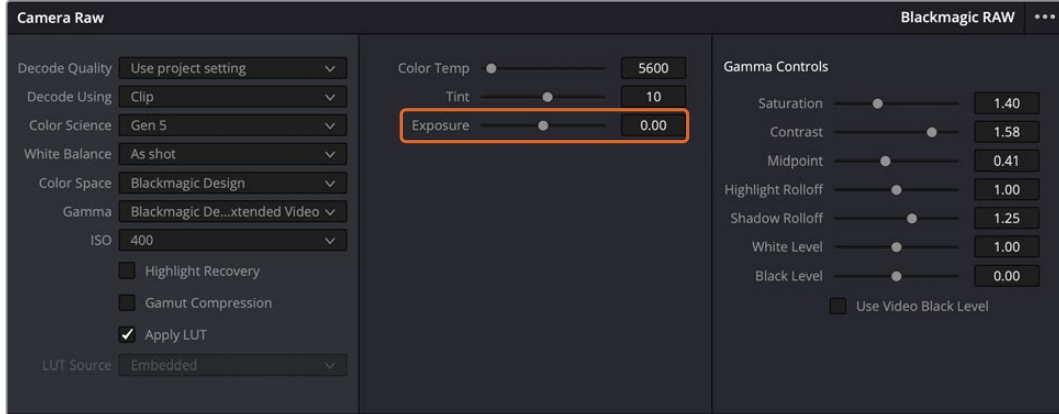
Blackmagic URSA Broadcast의 게인 설정을 사용하여 노출 조정하기

다른 Blackmagic 카메라를 사용한 DaVinci Resolve 워크플로에 익숙하다면, URSA Broadcast G2의 게인 설정은 Blackmagic 시네마 카메라의 ISO 설정과 약간 다르게 느껴질 수 있습니다.

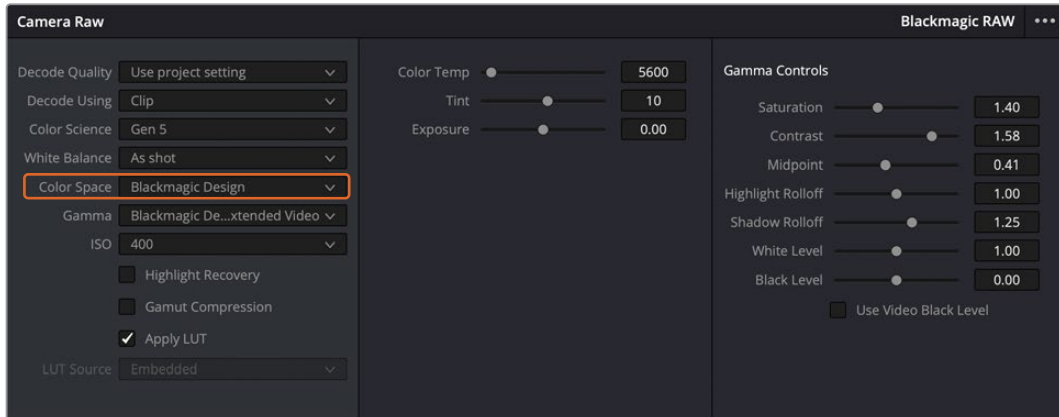
URSA Broadcast G2의 게인 설정은 촬영 후 소프트웨어에서가 아니라 카메라의 센서에 적용됩니다. 이는 기존 방송용 카메라 작업과 비슷한 방식이며 일부 감도 설정에서 노이즈를 살짝 줄일 수 있습니다. 이는 또한 촬영 후 URSA Broadcast G2의 게인의 조정 범위를 제한할 수 있습니다. DaVinci Resolve의 'Camera RAW' 설정에서 ISO 박스가 해당 클립의 카메라 게인 설정과 동등한 ISO 값을 나타내는 것을 확인할 수 있습니다.

클립을 촬영할 때의 URSA Broadcast G2 게인 설정에 해당하는 ISO 값에서 최대 3단계까지 ISO를 높일 수 있습니다. Blackmagic RAW 푸티지의 넓은 다이내믹 레인지 덕분에 클립 노출을 조정하여 카메라

게인을 변경하는 것과 기능적으로 동일한 추가 변경을 수행할 수 있습니다. 간단히 'exposure(노출)' 값을 조정하면 최대 5스탑의 노출을 더하거나 뺄 수 있습니다. 각 '스탑'은 하나의 감도 단계와 동일합니다. 예를 들어 1개의 추가 노출 스톱은 게인의 -6에서 0dB로, 또는 200에서 400 ISO로 올리는 것과 동일합니다. 하지만 여기에서 훨씬 더 미세하게 0.01 스톱 만큼 조절할 수 있습니다.



Blackmagic RAW 클립에 적용한 모든 변경 사항은 감마 설정에서 식별 단계를 거쳐 Blackmagic Design Custom에 업데이트됩니다.



클립을 기본 감마 옵션 중 하나로 변경하려면 감마 드롭다운 메뉴에서 원하는 설정을 선택하세요.

정보 Video 다이내믹 레인지를 사용하여 촬영한 영상에서는 감마 설정을 제어할 수 없지만, Blackmagic RAW 데이터는 손실되지 않습니다. 드롭다운 감마 메뉴에서 'Blackmagic Design Film' 또는 'Blackmagic Design Extended Video'를 선택하여 설정을 변경할 수 있습니다.

Blackmagic RAW 변경 사항 저장하기

- 1 Blackmagic RAW 클립의 감마 컨트롤을 조정하세요.
- 2 'Update Sidecar' 버튼을 클릭하세요.

이제 .braw 파일이 있는 동일한 폴더 안에 사이드카 파일이 생성되었습니다. 다른 사용자가 Blackmagic RAW 파일을 임포트할 경우, DaVinci Resolve를 통해 사이드카 파일을 자동으로 읽을 수 있습니다. 추가 변경 사항을 적용하려면 'Update Sidecar' 버튼을 한 번 더 눌러주세요.

정보 사이드카 파일을 제거하려면 미디어 드라이브에 저장된 폴더에서 파일을 삭제해주기만 하면 됩니다.

Blackmagic RAW를 위한 프로젝트 설정

화이트 밸런스 및 ISO 설정의 전역 변경같이 모든 클립에 설정 변경을 적용하려면 클립이 프로젝트 Camera RAW 설정을 사용하도록 하고 전역 변경을 수행해야 합니다.

Blackmagic RAW 프로젝트 설정하기

- 1 'File'을 클릭한 뒤 'Project Settings'를 클릭해 프로젝트 설정 메뉴로 이동하세요.
- 2 'Camera RAW' 탭을 보면 RAW 프로필 옆에 메뉴가 있는 것을 확인할 수 있습니다. 화살표를 클릭하여 목록에서 Blackmagic RAW를 선택하세요.
- 3 'Decode Using' 메뉴에서 'Project'를 선택하세요.
- 4 메뉴에서 'Color Science' 옵션을 선택하세요.
- 5 화이트 밸런스를 'Custom'으로 설정하세요.
- 6 감마 메뉴에서 'Blackmagic Design Custom'을 선택하세요. 색공간을 'Blackmagic Design'으로 설정하세요.
- 7 'Decode Quality' 메뉴에서 해상도를 선택하세요. 제한된 시스템에서는 낮은 해상도를 선택하는 것이 영상 재생에 도움이 됩니다. 딜리버리 단계 전에 영상을 자유롭게 풀 해상도로 변경하여 최상의 화질로 출력하는 것도 가능합니다.

이제 채도와 콘트라스트, 미드톤 등 클립을 위한 카메라 설정을 변경할 수 있습니다. 이는 'Project' 탭을 사용하여 디코딩하기로 설정한 프로젝트 내 모든 클립에 영향을 끼칩니다.

컬러 페이지에서 클립 색보정 하기

여기까지 타임라인에 클립을 추가하고 타이틀도 추가했으니, 이제 컬러 페이지에서 색보정을 적용할 순서입니다. 컬러 페이지는 매우 강력한 기능으로 전체적인 영상룩을 정의합니다. 하지만 이를 위해, 우선 모든 클립의 균형을 맞추어 클립의 일관성이 유지되도록 설정하는 것을 권장합니다. 편집 영상을 다시 손보고 싶을 때는 언제든지 컷 페이지나 편집 페이지로 돌아갈 수 있습니다.

컬러 페이지에서는 영상의 룩을 조정할 수 있습니다. 색보정은 여러 측면에서 보았을 때, 하나의 예술의 형태로 색보정 작업을 통해 감성을 영상에 담을 수 있습니다. 이는 매우 창의적인 워크플로이기 때문에, 사용자가 색보정과 관련한 다양한 기술을 배우고 적용하여 생동감 넘치는 영상을 본다면 매우 큰 만족감을 느낄 수 있습니다. 본 페이지에서의 색보정 작업이 일반적인 첫 단계로써, 프라이머리 색보정, 혹은 프라이머리 수정이라 부릅니다. 프라이머리 색보정이 완료되면, 세컨더리 색보정 작업을 진행하며 주로 특정 피사체의 아주 세밀한 색보정을 적용합니다. 세밀한 색보정은 매우 즐거운 작업이지만, 주로 프라이머리 색보정이 완료된 후에 진행하게 되는데, 이는 좀 더 효율적인 과정 및 보다 완성된 결과물을 만들기 위해서입니다.

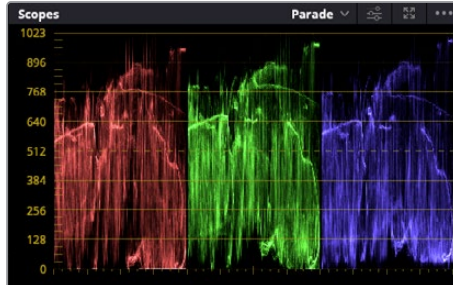
먼저, 'Color' 탭을 클릭하여 컬러 페이지를 여세요.

카메라 RAW 설정 및 컬러 휠, 커브 팔레트, 일반 색보정 도구, 미리보기 창, 노드 창이 나타납니다. 눈 앞에 펼쳐진 방대한 컨트롤 기능들을 보고 당황할 필요가 없습니다. 이 기능들은 단지 멋진 영상을 만들기 위한 도구일 뿐입니다. 본 페이지에는 기초적인 내용이 담겨 있으며, 더욱 자세한 정보는 DaVinci Resolve 설명서의 관련 부분을 참고하시기 바랍니다. DaVinci Resolve 설명서에는 모든 도구의 용도와 사용 방법이 단계별로 이해하기 쉽게 소개되어 있습니다. 설명서를 통해 첨단 색보정 작업실에서 전문가들이 사용하는 기술을 배울 수 있습니다.

일반적으로 프라이머리 색보정의 첫 단계는 클립의 새도우, 미드톤, 하이라이트의 레벨을 최적화하는 것입니다. 다른 말로는 리프트, 감마, 게인 설정을 조절한다고 하기도 합니다. 영화에 원하는 영상룩을 완성하기 위한 매끄럽고 균형 잡힌 그레이딩 작업의 시작 단계로 최적의 밝기를 유지한 최고의 영상으로 만들 수 있습니다. 레벨을 최적화하기 위해서 스코프를 사용해보도록 하겠습니다.

스코프 사용하기

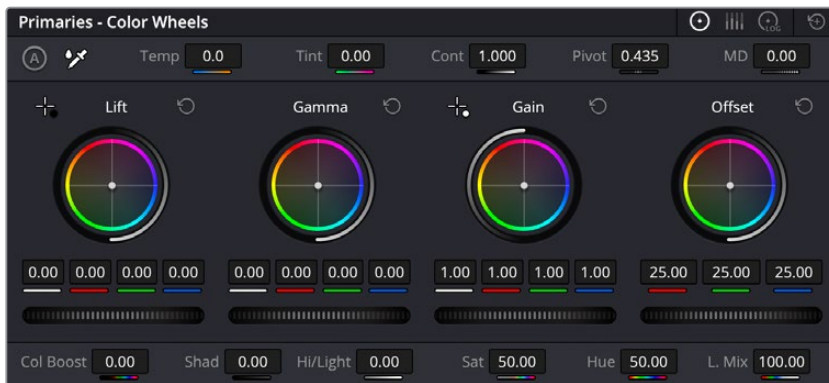
컬러리스트는 대부분 그들이 프로그램에 표현하고자 하는 감정과 영상록에 초점을 맞춰 컬러를 창의적으로 선택한 뒤, 모니터를 통해 이를 연출합니다. 일상생활의 물건이 얼마나 다양한 종류의 빛에 반응하는지를 보고 아이디어를 얻어 본인의 영상에 이를 적용할 수 있습니다.



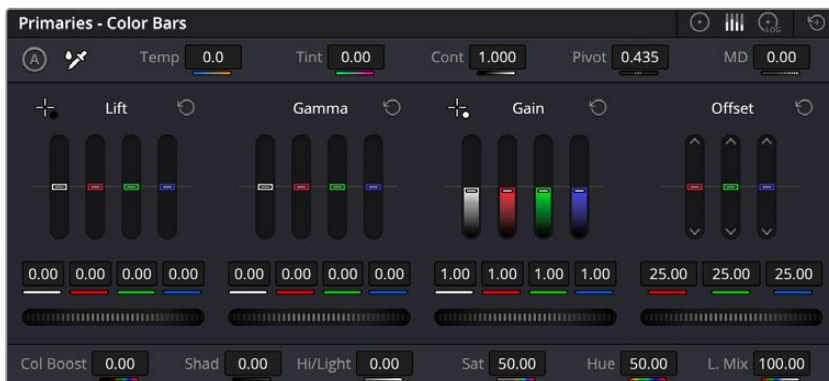
퍼레이드 스코프는 하이라이트, 미드톤, 새도우를 최적화할 수 있도록 도와줍니다.

색보정을 할 수 있는 또 다른 방법은 내장 스코프를 사용하여 샷의 균형을 맞추는 것입니다. 팔레트 툴바 오른쪽 두 번째에 있는 'Scope' 버튼을 클릭하면 단일 비디오 스코프를 볼 수 있습니다. 파형, 퍼레이드, 벡터스코프, 히스토그램, CIE 색도 스코프 중 하나를 선택하여 화면에 표시할 수 있습니다. 이 스코프를 통해 영상의 톤 균형을 모니터링하고, 블랙 레벨 크러싱과 하이라이트 클리핑 현상을 방지하기 위해 각 레벨을 확인하며, 클립에 특정 컬러 발현 현상이 나타나는지를 모니터링할 수 있습니다.

컬러휠 팔레트에 포함된 리프트, 감마, 게인 제어 장치는 일반적으로 색보정 첫 단계에서 사용합니다. 이 제어 장치는 다른 소프트웨어의 컬러 및 콘트라스트 조절 기능과 비슷하여 색보정 작업을 해 본 경험이 있는 사용자일 경우엔 익숙할 수도 있습니다.



리프트, 감마, 게인, 오프셋을 위한 각각의 컬러휠을 사용하여 클립의 전체 색상 및 색상 균형을 제어할 수 있습니다. 각각의 컬러휠에서 균일하게 색상을 조절하려면 컬러휠 아래 위치한 다이얼을 앞/뒤로 움직여 조절합니다.



마우스를 사용하면 프라이머리 바를 통해 색상을 더욱 쉽게 조절할 수 있습니다.

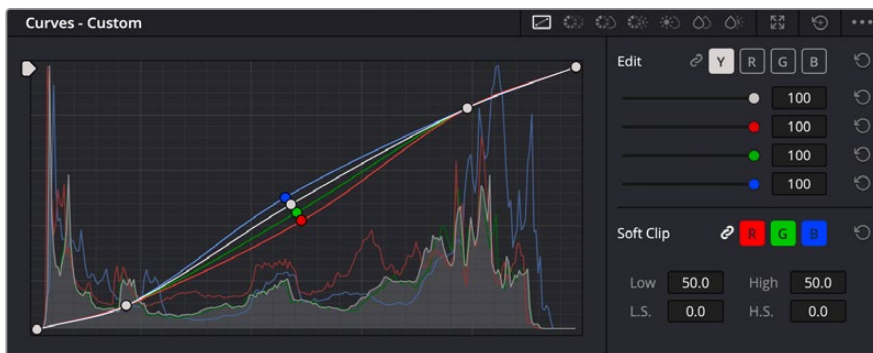
마우스를 사용해 개별 컬러를 좀 더 정확하게 제어하려면 컬러휠을 'Primaries Bars'로 변경해 리프트/감마/게인 제어 장치를 위한 각각의 컬러 및 휘도 채널을 개별적으로 조절할 수 있습니다. 'Primaries Bars'는 컬러휠 우측 상단의 드롭 다운 메뉴에서 간단히 선택할 수 있습니다.

- 리프트 조절하기:** 컬러 페이지의 타임라인 클립을 선택한 상태에서 첫 번째 'Lift' 컬러휠 아래에 있는 다이얼을 클릭하세요. 이 다이얼을 앞/뒤로 움직이면서 이미지가 어떻게 변하는지 확인하세요. 영상 속 어두운 부분의 밝기가 증가 또는 감소하는 것을 볼 수 있습니다.

어두운 영역을 원하는 최적의 상태로 설정하세요. 리프트를 과도하게 낮추면 블랙의 디테일이 사라지므로 퍼레이드 스코프를 확인해가며 이러한 현상을 방지하세요. 파형에서 블랙을 위한 최적의 위치는 퍼레이드 스코프 맨 아래 라인의 바로 윗부분입니다.
- 게인 조절하기:** 'Gain' 다이얼을 클릭하고 앞/뒤로 움직여 조절하세요. 게인은 클립에서 밝은 영역의 하이라이트를 조절하세요. 퍼레이드 스코프의 파형에서 맨 윗부분이 하이라이트가 나타나는 부분입니다. 밝은 샷의 경우, 파형 스코프 맨 윗선 바로 아래가 최적의 위치입니다. 하이라이트가 파형 스코프의 맨 윗선을 넘어서면 하이라이트가 클리핑되어 이미지 속 밝은 부분의 디테일을 잃게 됩니다.
- 감마 조절하기:** 'Gamma' 컬러휠 밑의 다이얼을 클릭하고 앞/뒤로 움직여 조절하세요. 감마를 높이면 이미지의 밝기가 높아지는 것을 확인할 수 있습니다. 감마를 조절하면 파형 그래프의 중간 부분이 같이 움직이는 것을 볼 수 있습니다. 이 부분은 클립의 미드톤 부분을 나타냅니다. 일반적으로 미드톤을 위한 최적의 파형 스코프 위치는 스코프 중앙 자리인 50%에서 70% 사이입니다. 하지만 최적의 스코프 위치는 연출하고자 하는 영상룩과 클립 속 조명 조건에 따라 달라집니다.

커브 팔레트를 사용하여 프라이머리 색보정을 진행할 수도 있습니다. 커브 그래프 안에 그려진 대각선을 클릭하면 컨트롤 포인트가 생깁니다. 이 포인트를 위/아래로 드래그하여 이미지 속 각 부분의 마스터 RGB 콘트라스트를 조절하세요. 커브 라인을 3분의 1로 나눴을 때, 맨 아래와 중간, 맨 윗부분이 각각 새도우, 미드톤, 하이라이트를 조절하기에 가장 좋은 지점입니다.

DaVinci Resolve에서 사용할 수 있는 프라이머리 색보정 방법에는 여러 가지가 있습니다.



커브 팔레트는 프라이머리 색보정에 쓰이는 색보정 도구로, 파워 윈도우를 사용할 때 클립에서 특정 영역의 색상을 향상시키는 데 사용합니다.

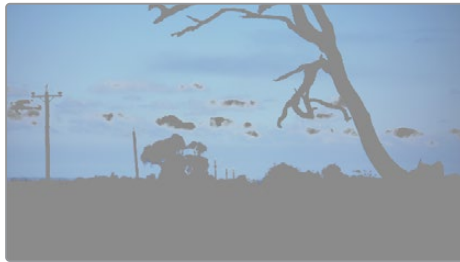
세컨더리 색보정

이미지의 특정 부분만을 조절하려면 세컨더리 색보정을 사용해야 합니다. 지금까지는 리프트, 감마, 게인을 조절하여 전체 영상을 동시에 조절하는 프라이머리 색보정을 진행했습니다.

그러나 영상 속 수풀의 색상을 살리거나 하늘의 푸른 색을 더욱 짙게 만드는 것과 같이 이미지의 특정 부분만 조절하는 작업은 세컨더리 색보정 단계에서만 가능합니다. 세컨더리 색보정에서는 이미지 속 특정 부분만을 선택하여 해당 부분만 조절할 수 있습니다. 노드를 사용하면 여러 부분에 세컨더리 색보정을 적용할 수 있어 만족스러울 때까지 영상 속 특정 부분을 작업할 수 있습니다. 파워 윈도우와 트래킹 기능을 사용하면 선택한 부분의 영상이 움직여도 작업을 이어갈 수 있습니다.

색상 조절하기

도로변에 있는 잔디, 하늘의 푸른색, 관객의 주의를 끌기 위한 특정 물체 등의 색상을 조절하는 것처럼 클립 속 특정 색상을 두드러지게 해야 할 때가 종종 있습니다. 이 작업은 HSL 켈리파이어 도구를 사용해 손쉽게 진행할 수 있습니다.



이미지의 특정 영역을 두드러지게 하거나, 콘트라스트를 추가할 경우, 또는 관객의 주의를 특정 영역에 집중시키고 싶을 때는 HSL 켈리파이어를 사용하여 이미지 속 색상을 효과적으로 선택할 수 있습니다.

특정 색상 조정하기

- 1 새로운 시리얼 노드를 추가하세요.
- 2 Qualifier 팔레트를 열고 Selection Range 피커 도구가 선택되었는지 확인하세요.
- 3 클립에서 보정하려는 특정 색상을 클릭하세요.
- 4 대부분의 경우, 선택 영역의 테두리를 부드럽게 조절하고 선택 영역의 색상만 보정해야 합니다. 뷰어 상단의 'Highlight' 버튼을 선택하면 선택 영역을 볼 수 있습니다.
- 5 'Hue' 창에서 'Width' 컨트롤을 조절하면 선택 영역을 늘리거나 좁힐 수 있습니다.

'High', 'Low', 'Soft' 컨트롤을 조절하면서 선택 영역이 어떻게 개선되는지 시험해보세요. 이제 컬러휠 또는 커스텀 커브를 사용하여 선택한 색상을 보정할 수 있습니다.

간혹 원하지 않는 부분까지도 보정 효과가 번지는 경우가 있습니다. 파워 윈도우를 사용하면 원치 않는 부분을 손쉽게 숨길 수 있습니다. 새로운 윈도우를 생성하고 원하는 색상 부분에 맞게 도형의 형태를 조정하세요. 선택한 색상이 샷안에서 움직이는 경우, 트래킹 기능을 사용하면 파워 윈도우가 같이 따라 움직입니다.

파워 윈도우 추가하기

파워 윈도우는 매우 효과적인 세컨더리 색보정 도구로 클립에서 특정 영역만 분리시키기 위해 사용합니다. 반드시 고정된 부분이 아닌 패닝, 틸팅, 회전 기법을 사용한 장면에서도 선택 영역을 따라 윈도우가 움직이며 선택 영역 자체만 움직여도 추적이 가능합니다.



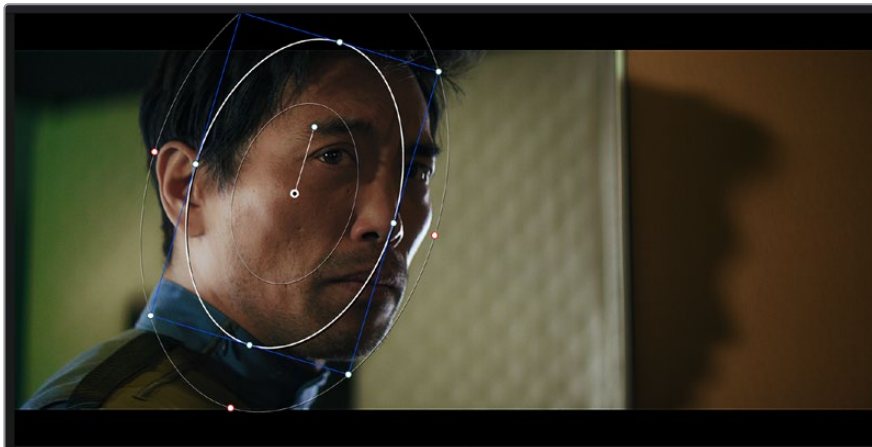
파워 윈도우를 사용하여 HSL 컬러파이어 세컨더리 조절 기능을 사용하고 싶지 않은 영역을 숨길 수 있습니다

예를 들어, 인물의 주변을 제외한 채 인물에만 색상 및 콘트라스트 수정 사항이 적용되도록 할 경우, 인물 위에 윈도우를 적용하여 지속적으로 추적하도록 설정할 수 있습니다. 이러한 방식의 색보정 효과를 사용하면 원하는 특정 부분에 관객의 시선을 집중시킬 수가 있습니다.

클립에 파워 윈도우 추가하기

- 1 새로운 시리얼 노드를 추가하세요.
- 2 'Window' 팔레트를 열고 원하는 모양의 윈도우 아이콘을 클릭하세요. 선택한 윈도우 도형이 노드에 나타납니다.
- 3 도형 주위에 있는 파란색 포인트를 드래그하여 크기를 조절하세요. 빨간색 포인트는 테두리의 소프트니스를 조절하세요. 중앙에 있는 포인트를 드래그하여 원하는 곳으로 도형을 가져가세요. 중앙 포인트에 연결된 포인트를 사용하면 윈도우를 회전시킬 수 있습니다.

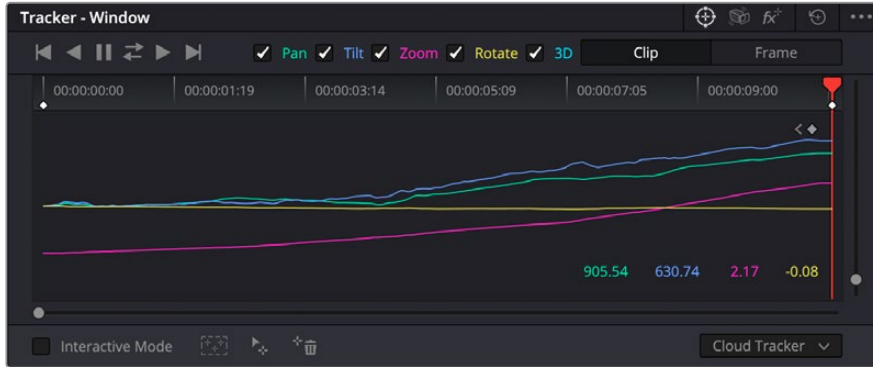
이제 이미지의 선택된 부분에만 색보정을 실행할 수 있습니다.



세컨더리 색보정 단계에서 사용하는 파워 윈도우는 이미지의 특정 부분에만 효과를 적용합니다

윈도우 트래킹

카메라 또는 샷의 피사체 및 특정 부분이 움직일 수 있으므로 DaVinci Resolve의 강력한 트래킹 기능을 사용하여 항상 윈도우가 선택한 피사체 및 영역에 머무르도록 할 수 있습니다. 트래킹 기능은 카메라의 패닝, 틸팅, 줌, 회전 또는 클립의 물체를 자동으로 분석하여 화면 속 움직임에 따라 윈도우를 움직입니다. 트래킹 기능을 사용하지 않을 시에는 색보정이 적용하고자 하는 부분을 벗어나 다른 곳의 주의를 환기시키므로 의도하지 않은 결과를 초래할 수도 있습니다.



클립의 피사체 또는 특정 영역에 트래킹 기능을 사용하면 파워 윈도우가 움직임을 따라 움직입니다.

움직이는 피사체에 윈도우 트래킹 사용하기

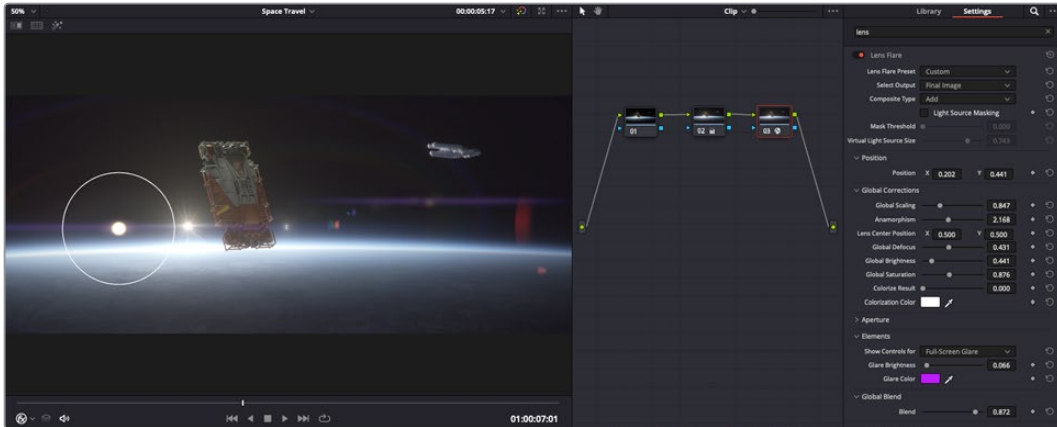
- 1 새로운 시리얼 노드를 생성하고 파워 윈도우를 추가하세요.
- 2 클립의 시작 부분에서 윈도우의 크기와 위치를 조절하여 원하는 영역 또는 피사체를 강조하세요.
- 3 'Tracker' 팔레트를 여세요. 'Pan', 'Tilt', 'Zoom', 'Rotate', 'Perspective 3D' 설정 중에서 클립 속 움직임 분석에 필요한 체크 박스를 선택 혹은 선택 해제하세요.
- 4 확인란 왼쪽의 앞으로 가기 화살표를 클릭하세요. DaVinci Resolve는 이제 수많은 트래킹 포인트를 클립에 적용시킨 다음, 프레임 전반에 걸쳐 움직임을 분석합니다. 트래킹이 완료되면 클립 속 움직임 경로를 따라 파워 윈도우가 움직입니다.

자동 트래킹 기능은 대부분의 상황에서 성공적으로 사용할 수 있지만, 복잡한 장면이나 선택 영역 앞으로 물체가 지나가는 장면에서는 트래킹 기능이 방해받을 수도 있습니다. 이러한 문제는 키프레임 편집 기능을 수동으로 사용하여 해결할 수 있습니다. 더 자세한 정보는 DaVinci Resolve 설명서를 참고하세요.

플러그인 사용하기

세컨더리 색보정 과정에서 ResolveFX 또는 Open FX 플러그인을 추가하여 영상에 빠르고 흥미로운 모습 및 효과를 생성할 수 있으며 컷 페이지 또는 편집 페이지에서 창의적인 트랜지션 및 효과를 클립에 추가할 수도 있습니다. Resolve FX는 DaVinci Resolve와 함께 설치되며 OFX 플러그인은 서드파티 공급 업체에서 구입해 다운로드할 수 있습니다.

OFX 플러그인 설치를 마친 뒤, 컬러 페이지에서 노드 편집기 우측에 있는 'Open FX' 인스펙터를 열어 OFX 또는 Resolve FX 플러그인에 접속할 수 있습니다. 새로운 시리얼 노드를 생성하고 나면 'Open FX' 버튼을 클릭하여 FX 라이브러리를 열고 새로운 노드로 플러그인을 드래그해 옮길 수 있습니다. 플러그인 설정을 편집할 수 있는 경우, 'Settings' 패널에서 이를 조정할 수 있습니다.



OFX 플러그인을 사용해 창의적이고 흥미로운 영상을 쉽고 빠르게 만들어낼 수 있습니다.

편집 페이지에서 'Effects Library(이펙트 라이브러리)'에 있는 'Open FX' 패널을 연 다음 선택한 플러그인의 요구 사항에 맞춰 타임라인에 있는 클립 위 비디오 클립 또는 비디오 트랙에 드래그하여 옮기면 클립에 플러그인 필터와 생성기, 트랜지션이 추가됩니다.

오디오 믹싱하기

편집 페이지에서 오디오 믹싱하기

프로젝트의 편집과 색보정 작업을 완료하면 오디오 편집을 시작할 수 있습니다. DaVinci Resolve는 편집 페이지에서 바로 오디오 편집과 믹싱, 마스터링할 수 있는 유용한 기능들을 제공합니다. 더욱 복잡한 오디오 작업 도구를 필요로 하는 프로젝트를 위한 Fairlight 페이지는 종합적인 오디오 후반 제작 환경을 제공합니다. 이미 편집 페이지에 익숙해 Fairlight로 바로 넘어가고자 하는 경우에는 이번 섹션을 건너뛰고 다음 섹션으로 이동하세요.

오디오 트랙 추가하기

편집 페이지에서 작업 시, 다양한 음향 효과 및 음악을 사용하여 기본적인 믹싱 작업을 하려면 필요에 따라 오디오 트랙을 추가할 수 있습니다. 이 기능은 음향을 제작하거나 대사 및 음향 효과, 음악 같은 오디오 요소를 여러 트랙으로 따로 분리할 때 사용합니다.

오디오 트랙을 편집 페이지에 추가하기

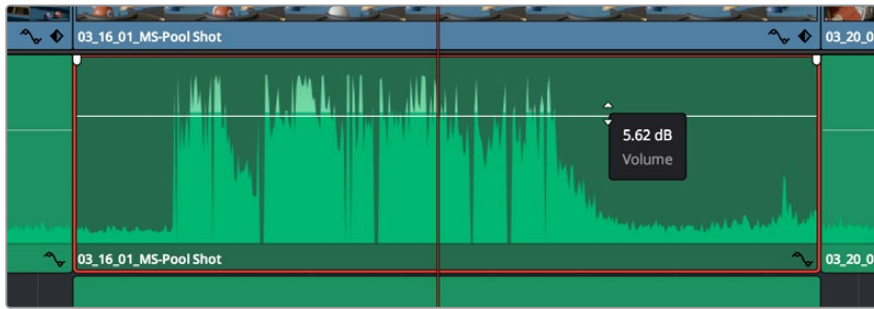
타임라인의 오디오 트랙 중 하나를 선택하여 이름을 우클릭하세요. 그 다음 'Add Track'에서 'Mono', 'Stereo' 그리고 '5.1' 등의 옵션 중에서 원하는 기능을 선택할 수 있습니다. 트랙 목록 아래에 해당 오디오 트랙이 추가됩니다. 다른 방법으로는 'Add Track'을 선택하고 새로운 트랙 또는 다중 트랙의 위치를 선택하세요.

타임라인에 새로운 오디오 트랙이 나타납니다.

정보 트랙을 생성한 후에 트랙 유형을 변경하고자 할 경우, 트랙명 옆쪽을 마우스로 우클릭해 'Change Track Type To'를 선택한 다음 'Mono', 'Stereo', '5.1' 등의 옵션 중에서 원하는 오디오 트랙 유형을 선택하세요.

타임라인에서 오디오 레벨 조절하기

타임라인에 있는 각각의 오디오 클립에는 볼륨 조절을 위한 오버레이가 있어 마우스 포인터로 상/하 드래그하여 간단히 클립의 오디오 볼륨을 설정할 수 있습니다. 이 오버레이는 인스펙터에 있는 볼륨 파라미터와 연동됩니다.



볼륨 오버레이를 드래그하여 클립의 오디오 볼륨을 조절하세요.

더욱 복잡한 오디오 작업 도구를 필요로 하는 프로젝트를 위한 Fairlight 페이지는 종합적인 오디오 후반 제작 환경을 제공합니다.

Fairlight 페이지

DaVinci Resolve의 Fairlight 페이지에서는 프로젝트의 오디오를 제어할 수 있습니다. 단일 모니터를 사용하여 작업하는 환경에 최적화된 모니터링을 통해 프로젝트의 오디오 트랙을 확인하고, 확장된 오디오 믹서 및 커스텀 모니터링 컨트롤을 사용하여 각 레벨을 쉽게 조절함으로써, 보다 부드럽고 조화로운 사운드를 만들 수 있습니다. 화면에 보이는 복잡한 기능을 보고 겁먹을 필요 없습니다. 모든 기능은 여러분의 프로젝트를 최고의 품질로 제작할 수 있도록 완벽히 준비되어 있습니다.



본 설명서에는 Fairlight 페이지 기능이 간략하게 설명되어 있지만, 각 기능에 관한 더욱 자세한 설명은 DaVinci Resolve 설명서에서 확인하실 수 있습니다. DaVinci Resolve 설명서에는 각 도구의 용도와 사용 방법이 단계별로 자세히 설명되어 있습니다.

오디오 타임라인

- **트랙 헤더:** 모든 트랙 좌측에 있는 헤더 부분에는 트랙 번호와 이름, 색상, 오디오 채널, 페이더 값, 오디오 미터가 나타납니다. 트랙 헤더에서는 트랙에 잠금 기능을 설정 및 해제할 수 있을 뿐만 아니라 솔로 컨트롤과 음소거 컨트롤을 사용할 수도 있습니다. 이러한 컨트롤을 사용하여 오디오 트랙을 정리하고 트랙을 개별로 미리보기할 수 있습니다.
- **트랙:** Fairlight 페이지에 있는 모든 오디오 트랙은 레인별로 구분되어 있으며, 이 레인에는 오디오를 편집하고 믹싱할 수 있도록 클립의 오디오 채널이 개별적으로 나타납니다. 편집 페이지에는 이러한 개별 오디오 채널은 나타나지 않고 타임라인에 오직 클립 하나만 나타나므로 많은 수의 오디오 트랙을 관리할 필요 없이 여러 채널 소스의 편집을 더욱 간단하게 수행할 수 있습니다.



트랙 A1의 트랙 헤더에는 모노 오디오를 위한 단일 레인으로 구성된 모노 트랙이 나타나며, 트랙 A2 트랙 헤더에는 두 개 레인으로 구성된 스테레오 트랙이 나타납니다.

버스란?

버스는 여러 개의 오디오 소스로 구성된 하나의 목적지 채널을 말하며, 이는 한 개의 채널 스트립을 통해 제어할 수 있도록 단일 신호로 그룹 지어져 있습니다. Fairlight는 자동으로 버스를 생성하며, 타임라인의 모든 오디오 트랙은 버스로 전송되도록 기본 설정되어 있습니다. 즉, 개별 오디오 트랙의 오디오 레벨을 조절하면 오디오 믹스의 전체 레벨을 조절할 수 있습니다.

복잡한 편집을 수행할 경우, 더욱 많은 버스를 생성하여 대사나 음악, 효과 같은 카테고리로 분류되는 여러 오디오 트랙을 하나로 합치는 방식으로 같은 카테고리에 해당하는 모든 것을 하나의 오디오 신호로 믹싱할 수 있습니다. 예를 들어, 5개의 대화 트랙이 있는 경우에 이 5개 트랙의 출력을 1개의 독립 버스에 라우팅하여, 하나의 컨트롤 셋트만으로도 모든 대화 트랙을 믹싱할 수 있습니다.

Fairlight의 Flexbus 구조는 버스-투-버스, 트랙-투-트랙, 버스-투-트랙 라우팅 옵션을 포함한 신호 라우팅과 버스 유형을 완벽하게 제어할 수 있는 유연성을 제공합니다. Fairlight의 오디오 버스 설정에 관한 더욱 자세한 설명은 DaVinci Resolve 설명서를 참고하세요.

믹서

타임라인에 있는 각각의 오디오 트랙은 믹서의 해당 채널 스트립과 연동되며, 우측에는 'Bus 1'이라고 적힌 하나의 채널 스트립이 기본 설정으로 나타납니다. 버스를 추가로 생성할 때마다 컨트롤 모음이 포함된 추가 채널 스트립이 우측에 나타납니다. 그래픽 컨트롤 모음을 사용하여 출력 채널에 트랙 채널을 설정하고, 이퀄라이저와 다이내믹스를 조절하고, 오디오 레벨과 자동 녹음 설정, 스테레오 오디오와 서라운드 오디오 패닝, 음소거, 솔로 트랙 수행이 가능합니다.

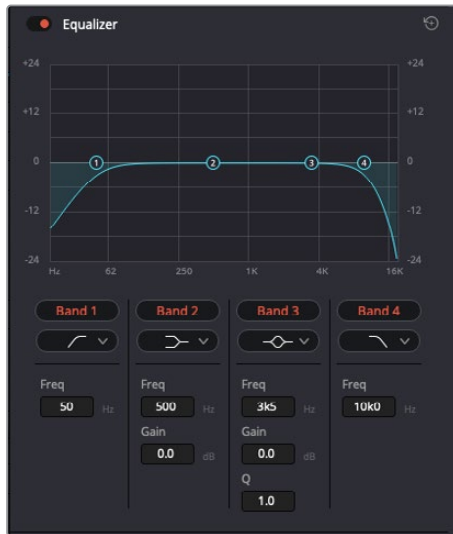


타임라인의 오디오 트랙과 연동되는 오디오 믹서의 채널 스트립.

이퀄라이저를 사용해 오디오 높이기

프로젝트의 오디오 클립 레벨을 조절하고 나서도 추가 조절이 필요할 때가 있습니다. 경우에 따라서는 다이얼로그 및 음악, 음향 효과가 오디오 스펙트럼에서 동일한 주파수를 두고 충돌하여 복잡해진 신호 때문에 깨끗한 음질을 만들어내지 못합니다. 이퀄라이저는 이러한 경우에 유용한 기능으로 오디오 스펙트럼에서 원하는 부분을 지정할 수 있습니다. 또한 이퀄라이저를 사용하여 특정 주파수의 레벨을 줄이거나 분리시키는 방식으로, 우르릉거리는 소리, 웅웅거리는 소리, 바람 소리, 쇠췌 거리는 소리 등, 오디오에서 원치 않는 현상을 제거할 수 있으며, 전체적인 음질을 향상시킬 수 있어 더욱 듣기 좋은 음향을 만들어낼 수 있습니다.

DaVinci Resolve는 개별 클립의 오디오 클립 수준 또는, 전체 오디오 트랙을 위한 오디오 트랙 수준에 적용할 수 있는 EQ 필터를 제공합니다. 타임라인의 각 오디오 클립은 인스펙터의 4밴드 이퀄라이저를 사용할 수 있으며, 각 트랙은 믹서 패널의 6밴드 파라메트릭 이퀄라이저를 사용할 수 있습니다. 그래픽 컨트롤과 숫자 컨트롤을 사용하여 다양한 음역대의 주파수를 강화하거나 약화시킬 수 있으며, 다양한 종류의 필터를 사용해 EQ 커브의 모양을 결정할 수 있습니다.



4밴드 이퀄라이저는 타임라인에 있는 모든 클립에 적용할 수 있습니다

바깥쪽의 밴드는 하이셸프, 로우셸프, 하이패스, 로우패스 필터를 사용하여 밴드 필터를 조절할 수 있습니다. 패스 필터는 특정 주파수 범위를 벗어나거나 미치지 못하는 모든 주파수에 적용되며 신호에서 주파수를 완전히 제거하는 역할을 합니다. 예를 들어, 하이패스 필터는 특정 범위보다 낮은 주파수는 제거하는 동시에 범위를 넘어서는 주파수는 그대로 패스스루합니다. 제외하고자 하는 주파수는 하강 곡선을 따라 점차 사라지게 됩니다.

셸프 필터는 하이패스 필터보다 강도가 조금 약한 필터로, 특정 부분을 완전히 제거하는 것이 아니라 신호의 가장 높은 부분과 낮은 부분을 변경하고자 할 때 사용합니다. 셸프 필터는 타깃 주파수를 강화하거나 잘라내며, 하이/로우 셸프 사용에 따라, 타깃 주파수 위/아래를 편평하게 만듭니다.

가운데쪽의 밴드 컨트롤 모음을 사용해 매우 다양한 이퀄라이제이션을 조절할 수 있고, 로우셸프와 벨, 노치, 하이셸프 필터링 옵션으로 전환할 수 있습니다.

- **벨:** 벨 필터는 벨 커브에 주어진 중심점 주변의 주파수를 증가 또는 제거하며 이름에서 알 수 있듯이 벨 모양의 커브가 나타납니다.
- **노치:** 노치 필터는 특히 아주 낮은 음역대를 조절하기 위한 필터입니다. 예를 들어 50 또는 60Hz에서 발생하는 험 노이즈를 제거합니다.
- **로우 셸프:** 로우 셸프 필터는 대상 주파수의 가장 낮은 지점과 그 밑에 해당하는 모든 주파수를 증가 또는 제거합니다.
- **하이 셸프:** 하이 셸프 필터는 대상 주파수의 가장 높은 지점과 그 위에 해당하는 모든 주파수를 증가 또는 제거합니다.

개별 클립에 EQ 추가하기

- 1 타임라인에서 EQ 필터를 추가하려는 클립을 선택하세요.
- 2 'Inspector'를 클릭한 다음, 'Equalizer' 활성화 버튼을 클릭하세요.

오디오 트랙에 EQ 추가하기

- 1 믹서에 있는 한 오디오 트랙의 EQ 부분을 더블 클릭하면 해당 오디오 트랙을 위한 믹서가 열립니다.
- 2 드롭다운 메뉴에서 조절하려는 밴드 필터 유형을 선택하세요.



믹서 패널의 EQ 섹션에는 트랙 1에 적용된 EQ 커브가 나타납니다.



모든 오디오 트랙에 적용 가능한 6밴드 파라메트릭 이퀄라이저

오디오 클립 또는 트랙에 EQ를 추가하면 각 밴드를 위한 EQ를 조절할 수 있습니다. 선택하는 밴드 필터 유형에 따라 컨트롤이 달라질 수 있습니다.

밴드 필터를 위한 EQ 조절하기

- 1 드롭다운 메뉴에서 조절하려는 밴드 필터 유형을 선택하세요.
- 2 'Frequency' 값을 조절하여 EQ 조절의 중심 주파수를 선택하세요.
- 3 'Gain' 값을 조절하여 해당 밴드로 통제되는 주파수를 강화 또는 약화시킵니다.
- 4 'Q Factor' 값을 사용하여 해당 주파수의 대역폭을 조절합니다.

리셋 버튼을 사용하면 EQ 창에 있는 모든 컨트롤을 기본 설정값으로 초기화할 수 있습니다.

Fairlight에는 각 오디오 트랙의 음질을 높일 수 있는 많은 컨트롤 기능을 제공합니다. 더 많은 트랙을 추가하고 버스로 이러한 트랙을 관리할 수 있을 뿐만 아니라 딜레이 또는 리버브 같은 효과를 추가하는 등 완벽한 오디오 믹싱 작업을 수행할 수 있습니다.

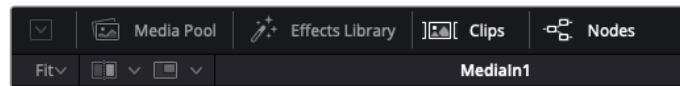
Fusion 페이지에서 VFX 시각효과 추가 및 합성하기

편집 과정을 마친 상태라면 이제 Fusion 페이지를 열고 DaVinci Resolve에 2D 또는 3D 시각 효과와 모션 그래픽을 그대로 추가할 수 있습니다. 레이어 기반 합성 소프트웨어와는 달리 노드 기반 소프트웨어인 Fusion에서는 이미지 데이터를 원하는 방식으로 연결해 복잡한 합성 효과를 생성할 수 있습니다. 노드 윈도우에서 작업 도중 사용된 도구를 모두 확인할 수 있습니다. 컬러 페이지에서 노드 기반 워크플로를 이미 사용해 본 적이 있다면 익숙할 것입니다.

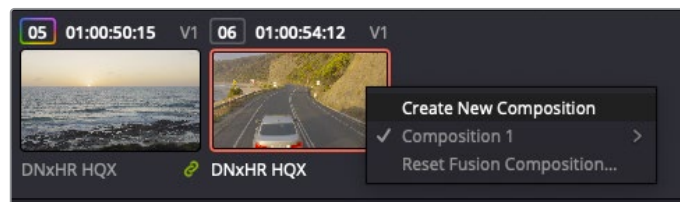


Fusion 페이지

Fusion 페이지는 상단에 위치한 트랜스포트 제어 기능을 가진 2개의 뷰어 윈도우를 통해 미디어를 확인할 수 있습니다. 오른쪽에 있는 'Inspector' 창을 통해 도구 설정을 사용하거나 하단의 노드 창을 통해 합성을 추가할 수 있습니다. 뷰어와 트랜스포트 컨트롤은 항상 보이는 곳에 있지만 디스플레이 상단 맨 끝에 있는 인터페이스 툴바에 있는 아이콘을 클릭하면 노드와 'Inspector' 창을 띄우거나 숨길 수 있으며, 또한 스플라인과 키 프레임을 위한 'Effects Library'와 'Editors'와 같은 추가 창을 띄우거나 숨기는 것도 가능합니다.



- Media Pool(미디어 풀):** 미디어 풀은 편집 페이지에 나온 방식과 동일하게 작동합니다. 클립 빈에서 추가 미디어를 드래그한 다음 합성에 직접 가져다 놓기만 하면 됩니다.
- Effects Library(이펙트 라이브러리):** 이펙트 라이브러리는 Fusion 도구와 템플릿을 파티클, 트래킹, 필터 및 제너레이터 등의 항목으로 구분되어 있습니다. 도구를 클릭하거나 노드 창으로 드래그하여 합성에 추가해 주기만 하면 됩니다. 미디어 풀과 이펙트 라이브러리는 화면에서 똑같은 공간을 차지하므로 둘을 바꿔가며 사용하면 뷰어를 최대 크기로 놓고 작업할 수 있습니다.
- Clips(클립):** 'Clips' 탭을 누르면 타임라인에서 작업 중인 클립을 나타내는 썸네일을 띄우거나 숨길 수 있습니다. 썸네일이 노드 창 하단에 나타나기 때문에 즉시 다른 클립을 살펴보는 것이 가능합니다.



새로운 합성 버전을 생성하려면 썸네일을 우클릭하여 'Create New Composition'을 선택하세요.

- **뷰어:** 뷰어는 항상 보이는 곳에 있으며 합성 효과를 다양한 각도에서 확인할 수 있습니다. 예를 들어, 3D 시점에서 3D 노드 합치기, 카메라 출력 또는 최종 렌더링 출력 등을 전체적으로 확인할 수 있습니다. 또한 이 뷰어를 통해 변경사항이 어떻게 적용되었는지 확인할 수 있습니다.

뷰어를 통해 보고 싶은 노드를 선택한 다음 숫자 '1'을 입력하면 왼쪽 뷰어에, 숫자 '2'를 입력하면 오른쪽 뷰어에 해당 노드가 나타납니다. 노드 하단에 하얀 버튼 아이콘이 나타나 어떤 뷰어가 지정되었는지 알 수 있습니다. 외부 비디오 모니터링을 사용할 경우 세 번째 버튼을 통해 미디어를 사용 중인 외부 비디오 모니터로 라우팅할 수 있습니다.

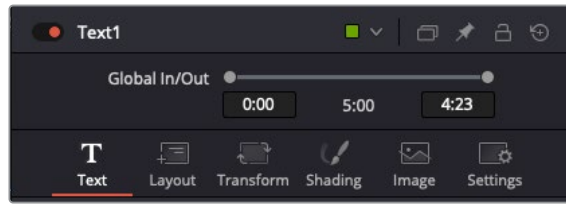
정보 노드를 뷰어로 직접 드래그하면 뷰어에 해당 노드를 지정할 수도 있습니다.

뷰어 하단의 트랜스포트 제어를 통해 클립의 시작 또는 끝부분으로 이동하거나, 앞으로 감기, 뒤로 감기 또는 재생 멈추기 기능을 사용할 수 있습니다. 클립 전체의 인/아웃 포인트가 타임라인 눈금 위에 노란색으로 표시되어 나타납니다.



타임라인 눈금의 노란색 표시는 타임라인 상 클립의 인/아웃 포인트를 나타냅니다. Fusion 클립 또는 컴파운드 클립을 사용할 경우, 타임라인 눈금은 핸들을 제외하고 타임라인에 나온 클립의 재생 시간만을 표시하게 됩니다.

- **Nodes(노드):** Fusion 페이지의 중심에 자리한 노드 창을 통해 하나의 노드 출력을 다른 노드 출력에 연결하는 식으로 노드 트리를 생성할 수 있습니다. 노드 창의 크기는 스플라인 창이나 키프레임 창 등, 현재 사용 중인 편집 창에 따라 달라집니다. 노드 창 상단의 툴바에는 가장 자주 사용되는 도구를 선별해 놓아 신속하게 사용할 수 있도록 하였습니다.
- **Spline(스플라인):** 스플라인 창은 노드 창의 오른쪽에 나타납니다. 이 편집 창에서는 각 노드에 베지어 커브를 사용하여 두 개의 키프레임 간에 있는 애니메이션을 부드럽게 하는 등 정교한 조절이 가능합니다.
- **Keyframes(키프레임):** 키프레임 편집 창을 사용하여 각 도구를 위한 키프레임을 추가, 제거 및 변경할 수 있습니다. 키프레임 창은 노드 창의 오른쪽에 나타납니다.
- **Metadata(메타데이터):** 메타데이터 창에서는 작업 중인 클립의 코덱 및 프레임 레이트, 타임코드 같은 메타데이터를 확인할 수 있습니다.
- **Inspector(인스펙터):** 오른쪽 상단 모서리의 인스펙터는 선택된 하나 이상의 노드를 위한 모든 설정과 모디파이어를 보여줍니다. 또한 항목별로 분류된 여러 노드 설정을 위한 추가 탭도 나타나므로 이를 통해 빠르게 설정할 수 있습니다.

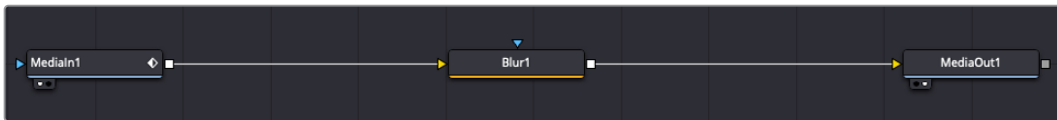


텍스트 인스펙터는 텍스트, 레이아웃, 변형, 셰이딩, 이미지 및 설정 등의 추가 탭을 보여줍니다.

Fusion 시작하기

Fusion을 시작하려면 타임라인 상 아무 클립 위에 재생 헤드를 이동한 다음 'Fusion' 탭을 클릭하여 Fusion 페이지를 열기만 하면 됩니다.

Fusion 페이지를 열었다면 'MediaIn'이라고 표시된 미디어 입력 노드가 클립에 적용되어 클립을 사용할 준비가 된 것을 확인할 수 있습니다. 모든 합성 샷은 'MediaIn'과 'MediaOut' 노드로 시작됩니다. 이전 'MediaIn' 노드는 재생 헤드가 있는 타임라인의 가장 위에 있는 클립을 나타내며, 이 클립 밑에 있는 다른 클립들은 반영하지 않습니다. 지금까지 편집 페이지에서 클립에 적용한 변형 도구와 크로핑과 같은 모든 변경 사항이 그대로 적용되어 있는 것을 확인할 수 있습니다.



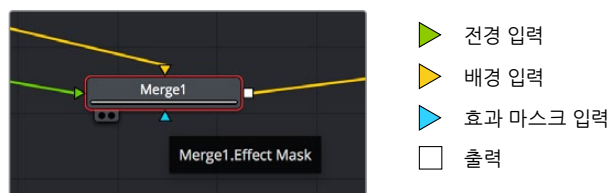
미디어 출력 노드는 DaVinci Resolve의 편집(Edit) 페이지에 있는 타임라인으로 다시 출력을 보내는 노드로, 'MediaOut'으로 표시되어 있습니다.

정보 컷 페이지 또는 편집 페이지에서 클립에 적용된 ResolveFX 또는 OFX 플러그인의 경우, Fusion 페이지에서는 적용되지 않습니다. 이는 Fusion 효과가 색보정과 OFX/ResolveFX 프로세싱보다 한 단계 먼저 일어나기 때문입니다. Fusion 효과 이전 단계에서 OFX를 적용하려면 편집 페이지에서 클립을 우클릭한 후 'New Fusion Clip'을 선택한 다음 'Fusion' 페이지를 클릭하세요.

노드 이해하기

각 노드를 단일 도구 또는 효과를 나타내는 시각적인 아이콘으로 생각하면 사용법 이해에 도움이 됩니다. 마치 여러 재료를 조합하여 케이크를 만드는 것처럼 노드를 다른 노드와 연결하면 전체적인 합성 작업을 마칠 수 있습니다. 각 노드의 입력과 출력을 이해해야 디테일한 시각 효과를 제작하는 동시에 합성의 플로우를 확인할 수 있어 중요한 부분이라 할 수 있습니다.

일부 도구는 다른 노드와 연결할 수 있는 다수의 입력과 출력을 가지고 있습니다. 예를 들어, 노드 합치기 도구를 사용하면 전경 입력과 배경 입력 그리고 마스크 입력을 매트 또는 키와 합칠 수 있습니다.

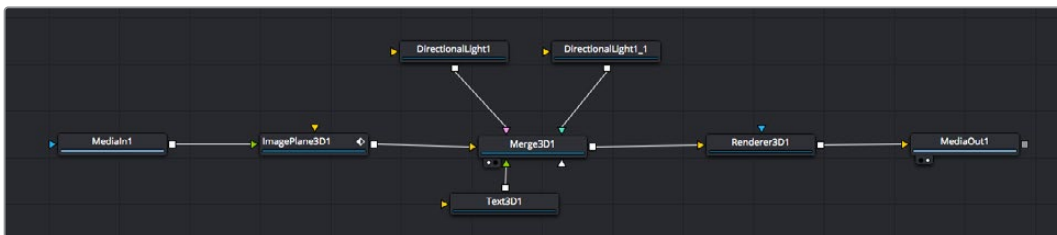


노드에 여러 개의 출력이 있다는 것은 합성 작업에서 노드 하나를 여러 개의 다른 노드에 연결할 수 있음을 뜻합니다. 따라서 레이어 기반 소프트웨어를 사용할 때처럼 클립을 복사할 필요가 없습니다. 연결된 노드 사이의 화살표는 이미지 데이터가 이동하는 방향을 파악하는데 도움을 주는 유용한 시각적 표시 장치입니다.

노드 편집기에 노드 추가하기

효과를 추가하려면 간단히 'MediaIn'과 'MediaOut' 노드를 연결하는 선에 노드를 가져다 놓으면 됩니다.

이는 몇 가지 방법을 통해 수행할 수 있습니다. [shift] 버튼을 누른 채로 두 노드 사이에 노드를 떨어뜨리거나 효과를 적용하려는 노드를 클릭한 후 추가하려는 도구를 선택하면 됩니다. 그러면 새로운 노드가 선택한 도구에 자동적으로 연결됩니다. 또한 노드 윈도우의 아무 곳이나 노드를 추가하거나 노드의 출력을 다른 노드의 입력 부분에 드래그해 놓는 방식을 사용해 수동적으로 노드를 연결할 수도 있습니다.



이 중, 가장 자주 사용되는 도구는 2D 또는 3D 노드 합치기 도구입니다. 이 노드는 노드 편집자 안의 모든 도구를 단일 출력으로 합쳐주는 중앙 허브와도 같습니다.

노드 합치기는 크기, 위치, 블렌드 등 입력을 제어할 수 있는 기능을 갖추고 있습니다. 노드 합치기를 선택할 경우 모든 설정을 인스펙터 패널에서 사용할 수 있습니다.

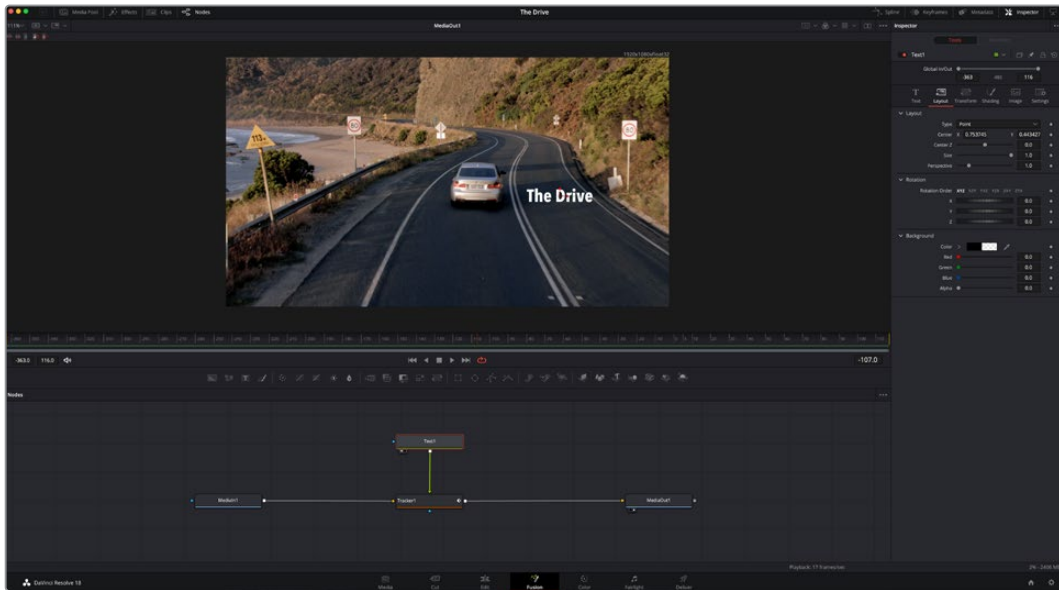
가장 자주 사용하는 도구는 노드 패널 상단의 툴바에 아이콘으로 표시되어 클릭하여 노드를 추가하거나 도구를 노드 패널로 드래그할 수 있습니다. 사용 가능한 모든 도구를 보려면 화면 상단 왼쪽의 'Effects Library'를 클릭하고 'Tools' 옵션을 눌러 창을 여세요. 여기에서 항목별로 분류된 모든 도구뿐 아니라 렌즈 플레이어, 셰이더, 배경 등 사전 제작한 템플레이트를 사용할 수 있습니다.

정보 도구 이름에 익숙해졌다면 키보드에서 [shift] 버튼을 누른 채 스페이스바 키를 누르면 'Select Tools' 메뉴가 나타납니다. 도구 이름을 입력하면 메뉴에 현재 작업에 알맞은 도구가 나타납니다. 이는 원하는 도구를 신속하게 선택할 수 있는 방법입니다.

인스펙터 패널을 사용하여 노드 조정하기

인스펙터 패널을 사용하여 노드 설정을 변경하세요. 변경하려는 노드를 클릭하기만 하면 패널이 업데이트되어 변경된 설정과 제어가 나타납니다.

Fusion을 사용할 경우 합성 단계에서 다른 노드를 보면서 노드를 변경할 수 있기 때문에 편집 도중 노드를 직접 보면서 작업할 필요가 없습니다. 예를 들어, 뷰어에 노드 합치기 이미지가 나타나는 상태에서 배경과 텍스트를 확인하면서 'Text+' 노드의 크기와 중심 위치를 변경할 수 있습니다.



선택한 노드의 테두리는 빨간 색으로 표시됩니다. 여기서 인스펙터 창을 통해 텍스트 노드의 레이아웃 탭 컨트롤을 볼 수 있습니다.

작업에 따라 각 노드의 크기, 중심 위치부터 에미터 노드의 파티클 개수까지 다양한 파라미터와 설정을 변경할 수 있습니다. 지속적으로 키프레임 설정을 조절하고 변경하면 애니메이션 효과를 적용하게 됩니다.

키프레임 작업하기

인스펙터 창에서 키프레임을 설정하려면 설정을 우클릭하면 나타나는 메뉴에서 'Animate'를 선택하세요. 설정 오른쪽의 키프레임 아이콘이 빨간색으로 변합니다. 이는 키프레임이 활성화되어 앞으로 모든 변경 사항은 현재 프레임에만 적용됨을 뜻합니다. 다른 프레임에서 파라미터 설정을 변경하는 도중 두 개 이상의 키프레임이 생성될 경우, 키프레임 사이에 트랜지션이 생성되어 이를 보간합니다. 키프레임 아이콘 양쪽에 있는 화살표를 통해 타임라인의 정확한 위치로 플레이헤드를 이동시킬 수 있습니다.



여기에서 'Size' 키프레임 애니메이션이 베지어 커브 모양으로 부드럽게 표현된 것을 확인할 수 있습니다. '베지어 핸들'을 클릭하여 커브를 단축하거나 늘리고, 사각형 모양의 '키프레임' 아이콘을 클릭하여 키프레임 위치를 이동할 수도 있습니다.

'Spline' 창을 통해 키프레임 애니메이션을 추가적으로 제어할 수 있습니다. 처음과 마지막 부분의 키프레임을 선택한 다음 [Shift + S] 키를 입력하면 두 키프레임 사이의 애니메이션이 부드러운 베지어 커브를 그리도록 만들 수 있습니다. 아니면 키프레임을 우클릭한 다음 'Smooth'를 선택해도 동일한 기능이 적용됩니다.

모션 트래커 사용과 텍스트 추가 방법

Fusion 사용법에 대한 이해를 돕기 위하여 다음 예시를 통해 클립에서 트래커 기능 사용하는 방법과 트래킹 데이터를 사용하여 텍스트를 추가하고 요소에 연결하는 방법을 설명하겠습니다.

Tracker 도구는 X/Y 축의 픽셀을 지속적으로 추적한 후 데이터를 생성하여, 이를 해당 픽셀에 다른 요소를 추가하는데 사용할 수 있습니다. 이는 길을 따라 움직이는 차량이나 프레임을 가로질러 날아가는 새와 같이 움직이는 사물에 텍스트를 매칭시키기 매우 유용한 기능입니다.

- 1 'Effects Library'에서 'Tracker' 도구를 선택하여 'MediaIn'과 'MediaOut' 노드 사이의 선 위로 드래그하세요. 이제 '트래커 노드'를 클릭하여 인스펙터 속성을 확인하세요.
- 2 키보드에서 숫자 [1]을 입력하면 왼쪽 뷰어에서 트래커 노드를 확인할 수 있습니다. 트래커 노드가 클립과 함께 뷰어에서 기본 설정된 위치에 나타납니다. 트래커 위에 마우스 포인터를 가져다 대면 트래커 핸들이 나타납니다. 왼쪽 상단 코너의 '트래커 핸들'을 클릭한 후, 트래커를 원하는 클립 영역으로 드래그하세요. 이 기능은 자동차 보닛의 상표처럼 고대비를 이루는 부분을 작업하는데 적합합니다. 트래커로 이미지 영역을 확대해 아주 정밀하게 작업할 수 있습니다.
- 3 인스펙터 창을 띄운 채로 'Track Forward' 버튼을 클릭하면 트래킹이 시작됩니다. 트래킹이 완료되면 알림창이 나타납니다. 'OK'를 클릭하세요.

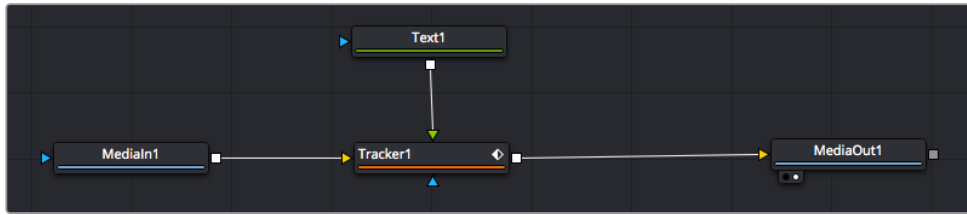


인스펙터 창의 트래킹 기능 중에는 이전 또는 현재 프레임에서부터 뒤로 가기, 트래킹 중지, 현재 프레임 또는 첫 번째 프레임에서부터 앞으로 가기 등이 있습니다.

정보 현재 프레임의 뒤로 가기/앞으로 가기 트래킹 기능은 차량이나 새가 프레임 밖으로 사라지는 경우처럼 렌더링 도중 작업하던 부분이 사라지는 상황에서 매우 유용합니다. 이를 통해 필요한 영상만을 트래킹할 수 있습니다.

이제 트래킹 데이터를 가져와 텍스트 도구에 움직임 경로를 적용할 수 있습니다.

- 4 자주 사용되는 노드 툴바에서 'Text+' 노드 아이콘을 클릭한 다음, 노드 창 안의 트래커 노드 근처로 드래그하세요. 'Text' 노드의 출력 점을 'Tracker' 노드의 초록색 입력 점과 연결하세요.



- 5 'Tracker' 노드를 클릭한 후 '1'을 입력하면 왼쪽 뷰어에서 합쳐진 결과를 확인할 수 있습니다. 트래커 인스펙터 창에서 'Operations' 탭을 클릭하세요. 'Operation' 옆에 있는 메뉴를 클릭한 다음 'Match Move'를 선택하세요.
- 6 이제 'Text' 노드를 클릭하여 인스펙터 속성을 확인하세요. 텍스트 상자 안에 텍스트를 입력한 후 폰트, 색상 및 크기를 합성 작업에 맞게 변경하세요.

이를 통해 트래커의 트래킹 위치 데이터가 텍스트에 적용됩니다. 텍스트 오프셋을 변경하려면 인스펙터 패널의 'Tracker' 탭을 클릭한 후 X/Y 오프셋 스크롤 휠을 사용하여 위치를 변경할 수 있습니다.



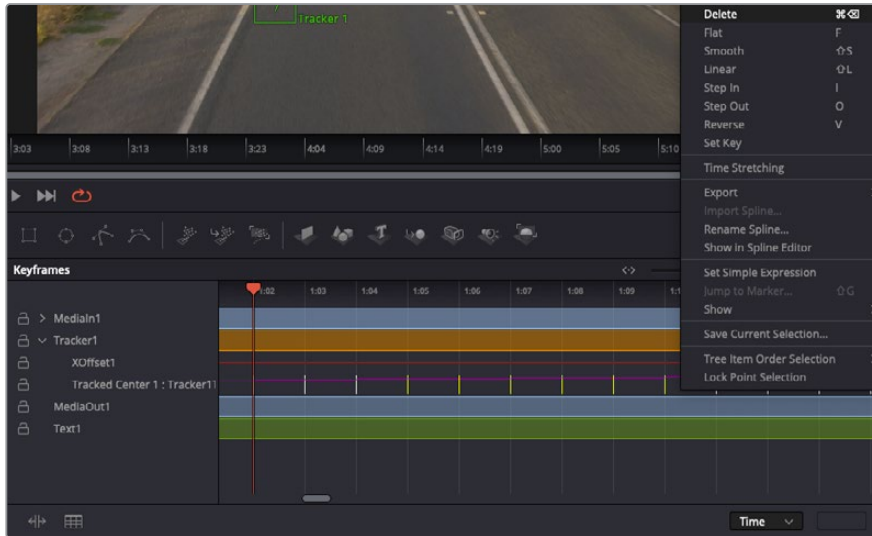
트래커 'Inspector' 창의 하단에 있는 스크롤 휠을 통해 텍스트의 오프셋 위치를 조정할 수 있습니다.

이제 합성 장면을 재생하여 트래킹한 영상 속에 텍스트가 추가된 것을 확인할 수 있습니다.



초록색 상자는 초록색 선 상 트래커의 현재 위치를 나타내며, 빨간색 점선은 텍스트 애니메이션에 사용된 오프셋 위치를 나타냅니다.

추적하던 사물이 더 이상 등장하지 않을 경우엔 트래킹 포인트를 제거하고 싶을 수도 있습니다. 이때 키프레임 창을 사용하면 트래킹 포인트를 손쉽게 처리할 수 있습니다.



- 7 'Inspector' 창 상단의 'Keyframes' 탭을 클릭하여 키프레임 창을 여세요. 키프레임이 적용된 모든 노드의 라벨 옆에 작은 화살표가 생기며, 키프레임이 추가된 파라미터만이 아래 목록에 나타납니다. 돋보기 아이콘을 클릭하여 편집하려는 영역을 박스 모양으로 드래그하세요. 그러면 해당 영역이 줌인되어 키프레임을 좀 더 손쉽게 볼 수 있습니다.
- 8 원하는 이전 키프레임 위치로 재생 헤드를 이동하세요. 이제 제거하려는 키프레임을 선택하려면 마우스를 드래그하여 키프레임 주변에 박스 모양의 테두리를 만드세요. 키프레임이 노란색으로 빛나는 것을 확인할 수 있습니다. 마우스를 우클릭한 다음 메뉴에서 'Delete'를 선택하세요.

정보 시스템 중심적인 효과 작업에서는 트랜스포트 컨트롤을 우클릭하면 프록시 재생 등의 뷰어 옵션이 나타나 합성 작업 시 시스템 기능을 최대한 활용할 수 있습니다. 모든 재생 기능에 대한 자세한 정보는 DaVinci Resolve 설명서를 참고하세요.

이렇게 영상 속 움직임에 맞추어 텍스트 애니메이션을 추가하는 첫 번째 합성 작업이 끝났습니다.

영상 속에서 맛있게 보이는 부분을 좀 더 살리거나 교체하려면 플래너 트래킹 기능을 사용할 수 있습니다. 2D 면을 트래킹하면 움직이는 영상 속의 라벨과 사인을 변경하거나 심지어는 숲에 나오는 모니터나 TV에 이미지를 추가하는데 도움이 됩니다.

DaVinci Resolve Fusion 페이지의 플래너 트래커와 다양한 뛰어난 도구 모음에 대한 더 자세한 정보는 DaVinci Resolve 설명서를 참고하세요.

정보 Fusion 페이지에서 시각 효과를 제작할 경우, 2D 효과 또는 3D 효과 작업에 따라 사용할 합치기 도구가 달라진다는 점을 기억하세요. 하나의 합성 작업에서 2D와 3D 효과를 함께 사용해야 하는 일이 자주 있을 수 있습니다. 이러한 상황에서는 3D 공간을 사용하는 모든 시각 효과를 2D 합성본으로 합치기 전에 2D 이미지로 렌더링해야 한다는 사실을 기억하세요.

이제, Fusion의 시각 효과와 DaVinci Resolve의 강력한 편집, 컬러, Fairlight 페이지 기능을 즐겁게 사용하시기를 바랍니다. DaVinci Resolve에서는 손가락 끝으로 이 놀랍도록 강력한 기능들을 모두 제어할 수 있으며 무한한 방식으로 사용할 수 있습니다.

편집 영상 마스터링하기

지금까지 편집 및 색보정, 시각효과 적용, 오디오 믹스까지 마쳤으니 이제 다른 사람들과 작업 결과물을 공유할 수 있습니다. 타임라인의 콘텐츠를 단일 파일로 다양한 포맷으로 출력하려면 'Quick Export' 버튼 혹은 메뉴 버튼을 누르거나, 딜리버리 페이지의 추가 기능들을 사용합니다.



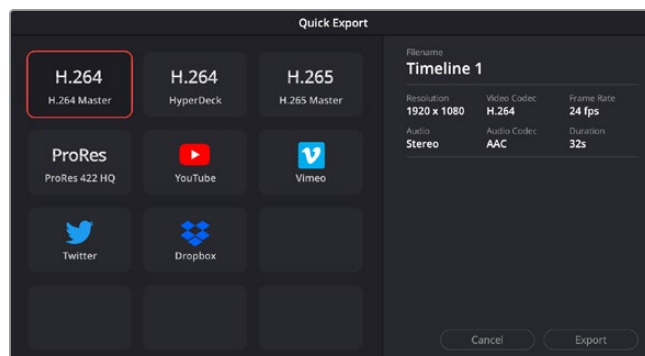
Deliver 페이지는 편집 영상을 보내기를 하는 곳입니다. 다양한 비디오 포맷과 코덱을 선택할 수 있습니다

신속한 내보내기(Quick Export)

'File'에서 'Quick Export'를 눌러 다양한 익스포트 프리셋 기능들을 사용해 보세요. DaVinci Resolve의 어느 페이지에서나 제작한 결과물을 내보낼 수 있습니다. 또한, 이 기능을 통해 YouTube, Vimeo, Twitter, Frame.io. 등의 지원 비디오 공유서비스로 프로그램을 즉각 업로드 할 수 있습니다.

신속한 내보내기(Quick Export) 기능 사용하기

- 1 편집/Fusion/컬러 페이지에서 내보내고 싶은 부분을 타임라인에서 인/아웃 포인트로 설정하세요. 타임라인에 인/아웃 포인트가 설정되지 않은 경우, 전체 타임라인에 내보내기 기능이 적용됩니다.
'File' > 'Quick Export'를 선택하세요.
- 2 Quick Export 창에 있는 상단 아이콘 줄에서 프리셋을 선택하세요.
- 3 대화창에서 디렉토리 위치를 선택한 후 파일명을 입력한 다음 'Save'를 클릭하세요. 진행 창이 나타나며 내보내기에 걸리는 시간을 보여줍니다.



'Quick Export' 창의 모습

딜리버리 페이지

이 페이지에서 보내기 하려는 클립의 범위, 포맷, 코덱, 해상도 등을 선택할 수 있습니다. 8비트 및 10비트 비압축 RGB/YUV, ProRes, DNxHD, H.264 등의 코덱을 사용해 QuickTime, AVI, MXF, DPX 같은 다양한 포맷으로 보내기 할 수 있습니다.

편집 영상을 하나의 클립으로 내보내기

- 1 'Deliver' 탭을 클릭해 딜리버리 페이지를 여세요.
- 2 좌측 상단의 'Render Settings' 창으로 이동하세요. YouTube, Vimeo, 오디오 프리셋 등 다양한 익스포트 프리셋을 선택하거나, 기본 설정인 Custom 프리셋으로 두고 파라미터를 직접 입력하여 내보내기를 수동으로 설정할 수도 있습니다. 예를 들어, 'YouTube'를 선택한 뒤 프리셋 옆의 화살표를 클릭해 '1080p' 비디오 포맷을 선택하세요.
프레임 레이트는 보통 프로젝트 프레임 레이트 설정과 동일하게 설정됩니다.
- 3 프리셋 아래쪽에서 타임라인 파일명과 내보내기한 비디오의 저장 위치를 확인할 수 있습니다. 'Browse' 버튼을 클릭하고 내보내기 한 파일을 저장할 위치를 선택한 다음, 'Render' 옵션에서 'Single Clip'을 선택하세요.
- 4 타임라인 바로 위에 'Entire Timeline'으로 선택된 옵션 상자가 있습니다. 이 옵션은 전체 타임라인을 출력하며, 원할 경우 타임라인의 특정 부분만 선택해 출력할 수 있습니다. 간단히 'In/Out Range'를 선택한 뒤, [i] 및 [o] 단축키를 사용하여 타임라인의 입/출력 포인트를 선택할 수 있습니다.
- 5 'Render Settings' 아래에 있는 'Add to Render Queue' 버튼을 클릭하세요.
설정된 렌더링이 화면 우측의 'Render Queue'에 추가됩니다. 이제 'Start Render'를 클릭해 'Render Queue'에서 진행되는 렌더링 진행 과정을 모니터링하면 됩니다.
렌더링이 완료되면 해당 폴더에서 렌더링된 클립을 더블 클릭해 완성된 편집 영상을 확인할 수 있습니다.

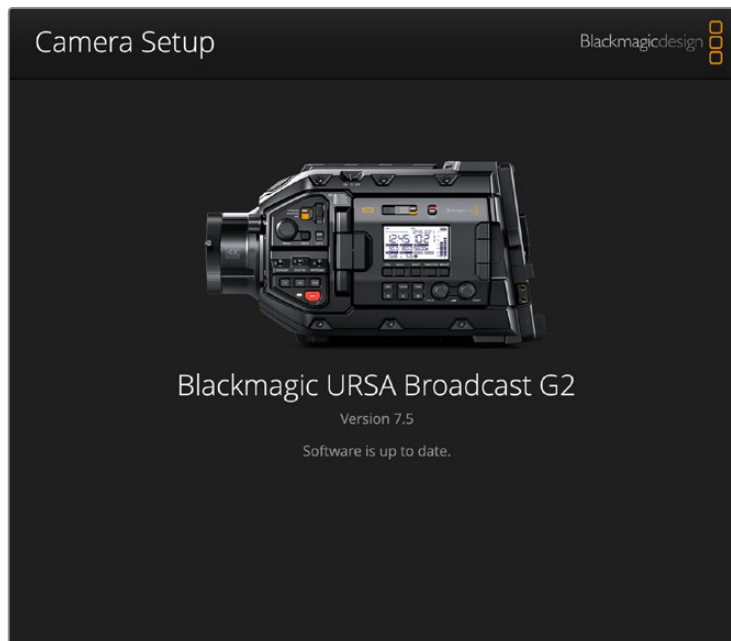
지금까지 편집 및, 색보정, 오디오 믹스, 시각효과를 어떻게 사용하는지에 대한 기본 지식을 습득하였습니다. 이제 DaVinci Resolve로 다양한 기능을 시도해 보세요! DaVinci Resolve 설명서를 참고하시면 각 기능에 대한 설명을 보다 자세히 파악할 수 있습니다.

Blackmagic Camera Setup 유틸리티

카메라 소프트웨어 업데이트 — Mac

Blackmagic Camera Setup 유틸리티 소프트웨어를 다운로드한 뒤, 다운로드한 파일의 압축을 해제합니다. 완성된 디스크 이미지를 열어 Blackmagic Camera Setup 설치 프로그램 확인합니다.

설치 프로그램을 실행하여 화면에 나타나는 지시에 따릅니다. 설치가 완료되면 응용 프로그램 폴더의 Blackmagic Camera 폴더를 열면 설명서, Blackmagic Camera Setup 유틸리티, 리드미 파일 및 정보가 담긴 문서 폴더를 확인할 수 있습니다. Blackmagic Camera Setup을 최신 버전으로 업데이트할 때 필요한 제거 프로그램도 확인할 수 있습니다.



카메라 소프트웨어 업데이트 - Windows

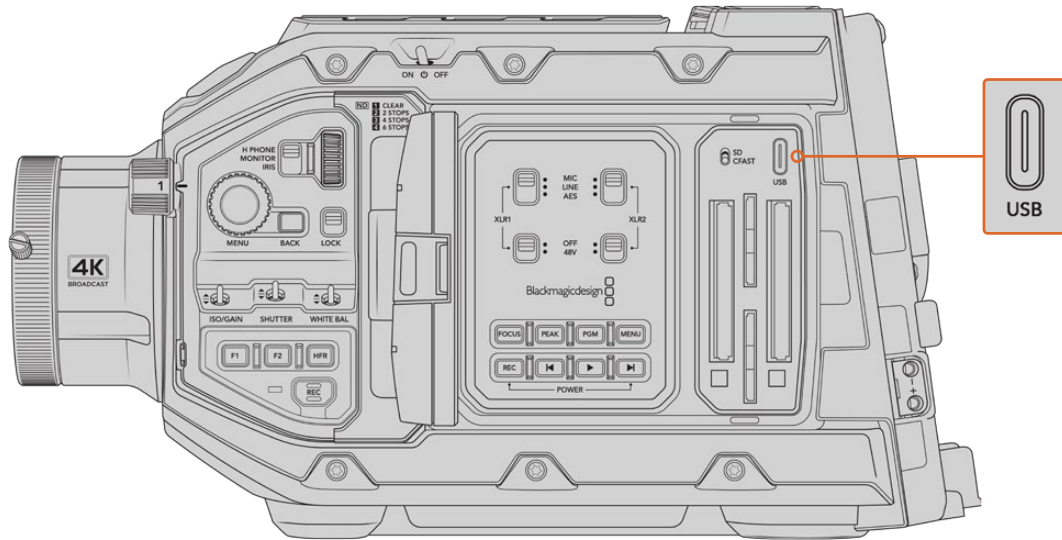
Blackmagic Camera Setup 유틸리티 소프트웨어를 다운로드한 뒤, 다운로드한 파일의 압축을 풀면 Blackmagic Camera Setup 설치 프로그램과 PDF 설명서가 담긴 Blackmagic Camera Setup 폴더가 나타납니다. 설치 프로그램을 더블 클릭한 뒤, 화면에 나타나는 지시 사항에 따라 소프트웨어를 설치합니다.

In Windows 10에서는 시작 버튼을 누른 뒤, '모든 앱' 버튼을 선택하세요. 그런 다음 Blackmagic Design 폴더를 검색하세요. 해당 폴더에서 Blackmagic Camera Setup을 실행할 수 있습니다.

카메라 소프트웨어 업데이트 방법

사용하는 컴퓨터에 최신 Blackmagic Camera Setup Utility를 설치한 뒤, USB 케이블을 사용하여 Blackmagic URSA Broadcast G2를 컴퓨터에 연결하세요. USB 포트는 메모리 카드 슬롯 위의 왼쪽 패널에 있습니다.

Blackmagic Camera Setup Utility를 실행한 뒤, 화면에 나타나는 지시에 따르면 카메라 소프트웨어가 업데이트됩니다. 카메라 소프트웨어를 업데이트하면 저장된 모든 프리셋과 커스텀 LUT가 삭제되며 모든 설정이 초기화된다는 사실을 기억하세요. 카메라 소프트웨어를 업데이트하기 전, 메모리카드에 백업용으로 모든 프리셋 및 커스텀 LUT를 옮겨 놓는 것을 권장합니다. 소프트웨어 업데이트가 완료된 후, 메모리카드에 옮겨둔 프리셋 및 LUT를 다시 불러와 빠르게 복구할 수 있습니다.



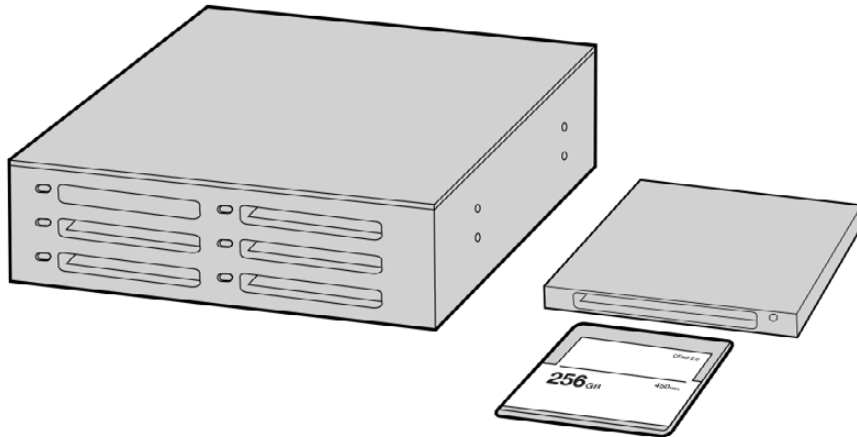
카메라 소프트웨어를 업데이트하는 데 사용하는 USB-C 포트는 Blackmagic URSA Broadcast G2의 미디어 선택 스위치 옆 메모리 카드 슬롯 위에 탑재되어 있습니다.

서드 파티 소프트웨어로 작업하기

DaVinci Resolve같이 사용자가 선호하는 편집 소프트웨어를 사용하여 클립을 편집하려면 클립을 카메라에서 내장 또는 외장 드라이브, 또는 RAID에 복사한 뒤, 소프트웨어에서 클립을 가져오세요. 이 외에도 CFast/SD 카드를 위한 도크나 어댑터, 또는 USB-C 플래시 디스크를 위한 USB-C 포트를 통해 저장 미디어에서 클립을 바로 가져오기 할 수도 있습니다.

참고 Blackmagic RAW는 URSA Broadcast G2와 DaVinci Resolve 16.1.2 혹은 이후 버전에서 지원되며 다양한 종류의 서드파티 후반 제작 편집 프로그램에서도 이 파일을 사용할 수 있습니다. Avid Media Composer 및 Adobe Premiere Pro에서 Blackmagic RAW를 편집하기 위한 플러그인은 www.blackmagicdesign.com/kr/support에서 다운로드할 수 있는 Blackmagic RAW 소프트웨어와 함께 사용할 수 있습니다.

CFast 2.0 및 SD 카드로 파일 작업하기



카메라에서 CFast 카드를 꺼내어 CFast 2.0 카드 리더기/라이터 또는 CFast 드라이브를 통해 컴퓨터에 연결하면 바로 편집을 시작할 수 있습니다.

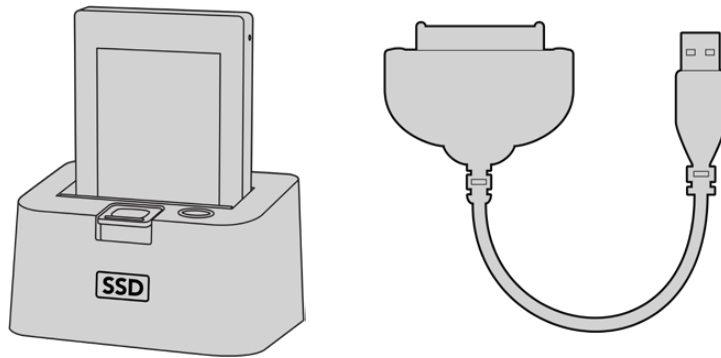
CFast 2.0 또는 SD 카드에서 클립 가져오기

- 1 CFast 카드 또는 SD 카드를 Blackmagic URSA Broadcast G2에서 제거하세요. 카드 리더기를 사용하여 카드를 Mac 또는 Windows 컴퓨터에 카드를 연결하세요.
- 2 사용하는 운영 시스템에서 해당 카드를 열면 Blackmagic RAW 또는 QuickTime 동영상 파일 목록을 확인할 수 있습니다.
- 3 카드에서 원하는 파일을 컴퓨터 또는 다른 하드 드라이브로 드래그하여 옮기거나, 편집 소프트웨어를 사용해 카드에 저장된 파일을 바로 사용할 수 있습니다.
- 4 컴퓨터에서 CFast 또는 SD 카드를 분리하기 전에 항상 CFast 또는 SD 카드의 접속을 해제하는 것이 중요합니다. 접속을 해제하지 않고 꺼낼 경우 영상이 손상될 가능성이 있습니다.

SSD 파일을 사용하여 작업하기

SSD에서 클립 불러오기

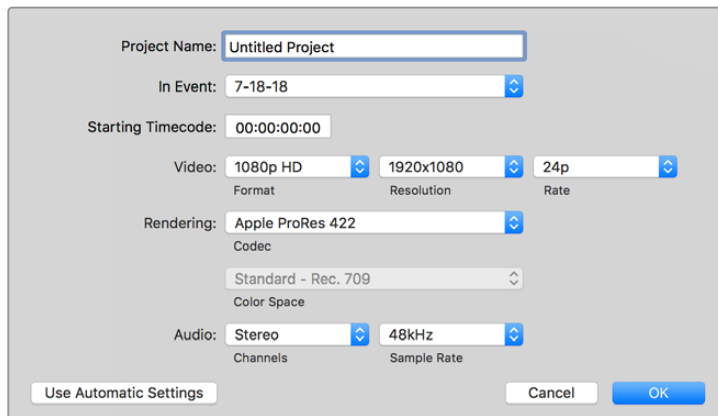
- 1 URSA Mini Recorder에서 SSD를 분리하세요.
- 2 eSATA, 또는 Blackmagic MultiDock과 같은 Thunderbolt 도크를 사용하여 SSD를 Mac 및 Windows 컴퓨터에 장착합니다. USB 어댑터 케이블로 eSATA와 컴퓨터 USB 단자를 연결하여 SSD를 직접 컴퓨터에 연결할 수도 있습니다. USB 2.0은 실시간 비디오 편집을 할 수 있을 만큼 빠르지 않기 때문에 USB 3.0 사용이 권장됩니다.
- 3 SSD 카드를 더블 클릭하면 QuickTime 또는 Blackmagic RAW 동영상 파일 목록이 나타납니다. 선택한 촬영 포맷에 따라 파일 포맷이 여러 가지로 나타날 수 있지만, 파일의 이름은 동일한 규칙에 의해 생성됩니다.
- 4 SSD에서 원하는 파일을 컴퓨터 또는 다른 하드 드라이브로 간단히 드래그하여 옮기거나, NLE 소프트웨어를 사용하여 SSD에 저장된 파일을 바로 사용할 수 있습니다.
- 5 컴퓨터에서 SSD를 꺼내기 전에 컴퓨터에서 SSD의 접속을 안전하게 해제하는 것이 중요합니다.



카메라에서 SSD를 제거하고 eSATA Thunderbolt 도크 또는 USB 3.0 도킹 케이블을 사용하여 컴퓨터에 SSD를 장착하여 SSD에서 직접 편집하세요.

Final Cut Pro X 사용하기

Final Cut Pro X를 사용하여 클립을 편집하려면 새로운 프로젝트를 생성하여 알맞은 비디오 포맷과 프레임 레이트를 설정해야 합니다. 다음 예시에서는 ProRes 422 HQ 1080p24 설정을 사용하고 있습니다.



Final Cut Pro X 프로젝트 설정

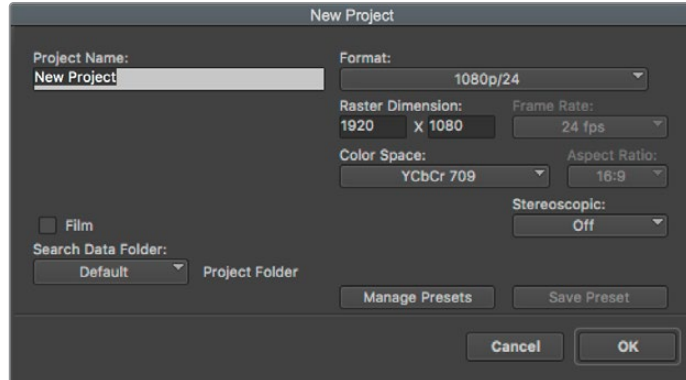
- 1 Final Cut Pro X를 실행하고 메뉴바에서 'Final' > 'New Project'를 선택하세요. 프로젝트 설정 창이 열립니다.
- 2 프로젝트의 이름을 입력하고 'Custom' 확인란을 선택하세요.
- 3 'Video Properties' 설정을 '1080p HD', '1920x1080', '24p'로 설정하세요.
- 4 'Audio'와 'Rendering' 설정을 각각 'Stereo'/'48kHz'/'Apple ProRes 422 HQ'로 설정하세요.
- 5 'OK'를 클릭하세요.

메뉴바에서 'File' > 'Import' > 'Media'를 선택하면 프로젝트에 클립을 가져오기 하세요. CFast 카드에서 클립을 선택하세요.

이제 편집하려는 클립을 타임라인에 드래그하세요.

Avid Media Composer 2018 사용하기

Avid Media Composer 2018에서 클립을 편집하려면 새로운 프로젝트를 생성하여 알맞은 비디오 포맷과 프레임 레이트를 설정하세요. 다음 예시의 클립은 1080p24로 설정되어 있습니다.



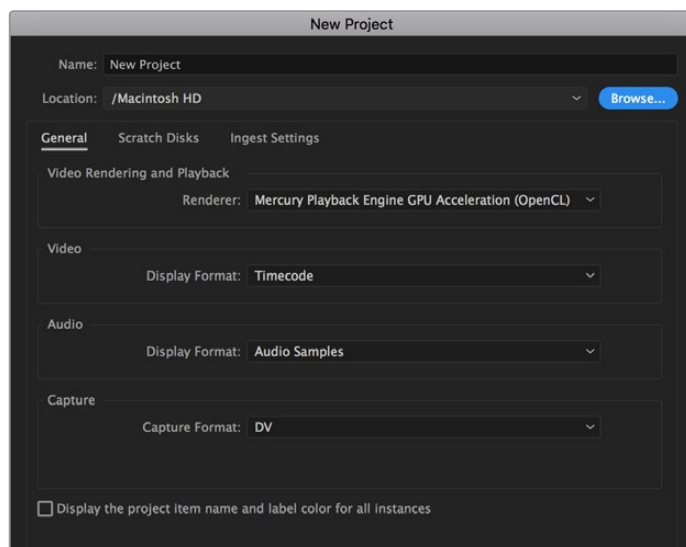
Avid Media Composer 2018의 프로젝트 이름과 옵션을 설정하세요.

- 1 Avid Media Composer 2018을 실행하면 'Select Project' 창이 나타납니다.
- 2 'New Project' 버튼을 클릭한 다음 'New Project' 창에서 프로젝트 이름을 만들어주세요.
- 3 'Format' 드롭다운 메뉴에서 'HD 1080' > '1080p/24'를 선택한 후 'OK'를 눌러 프로젝트를 생성하세요.
- 4 'Select Project'에서 해당 프로젝트를 더블 클릭하여 여세요.
- 5 'File' > 'Input' > 'Source' 브라우저 차례로 선택한 다음 가져오려는 파일로 이동하세요.
- 6 드롭다운 메뉴에서 'Target Bin'을 선택한 다음 'Import'를 클릭하세요.

미디어 빈에 클립이 나타나면 클립을 타임라인에 드래그한 뒤, 편집을 시작할 수 있습니다.

Adobe Premiere Pro CC 사용하기

Adobe Premiere Pro CC에서 Apple ProRes 422 HQ 클립을 편집하려면 새로운 프로젝트를 생성해 알맞은 비디오 포맷과 프레임 레이트를 설정해야 합니다. 여기서는 클립을 ProRes 422 HQ 1080p25로 설정한 것을 예로 듭니다.



Adobe Premiere Pro CC의 프로젝트 이름과 옵션을 설정하세요

- 1 Adobe Premiere Pro CC를 실행하세요. 웰컴 창에서 'New Project'를 선택하세요. 프로젝트 설정 창이 열립니다.
- 2 프로젝트의 이름을 입력하세요. 'Browse'를 클릭한 뒤, 프로젝트를 저장할 폴더를 설정하세요. 원하는 폴더를 설정한 뒤 'New Project' 창에서 'OK'를 클릭하세요.
- 3 Adobe Premiere Pro CC 'Menu' 바에서 'File'/'Import'를 선택한 뒤, 편집하려는 클립을 선택하세요. 프로젝트 창에 선택한 클립이 나타납니다.
- 4 첫 번째로 편집하려는 클립을 프로젝트 창 우측 아래에 있는 'New Item' 아이콘으로 드래그하세요. 클립 설정에 맞는 새로운 시퀀스가 생성됩니다.

이제 편집하려는 클립을 시퀀스 타임라인에 드래그하세요.

Developer Information

Blackmagic Bluetooth Camera Control

Blackmagic cameras with Bluetooth LE implement a variety of features and commands that allow users to control their cameras wirelessly. Developers have full access to these features for their custom applications.

The following services and characteristics describe the full range of communication options that are available to the developer.

Service: Device Information Service

UUID: 180A

Characteristics

Camera Manufacturer

UUID: 2A29

Read the name of the manufacturer (always “Blackmagic Design”).

Camera Model

UUID: 2A24

Read the name of the camera model (“URSA Broadcast G2”).

Service: Blackmagic Camera Service

UUID: 291D567A-6D75-11E6-8B77-86F30CA893D3

Characteristics

Outgoing Camera Control (encrypted)

UUID: 5DD3465F-1AEE-4299-8493-D2ECA2F8E1BB

Send Camera Control messages

These messages are identical to those described in the Blackmagic SDI Camera Control Protocol section below. Please read that section for a list of supported messages and required formatting information.

For an example of how packets are structured, please see the ‘example protocol packets’ section in this document.

Incoming Camera Control (encrypted)

UUID: B864E140-76A0-416A-BF30-5876504537D9

Request notifications for this characteristic to receive Camera Control messages from the camera.

These messages are identical to those described in the Blackmagic SDI Camera Control Protocol section below. Please read that section for a list of supported messages and required formatting information.

Timecode (encrypted)

UUID: 6D8F2110-86F1-41BF-9AFB-451D87E976C8

Request notifications for this characteristic to receive timecode updates.

Timecode (HH:MM:SS:mm) is represented by a 32-bit BCD number:
(eg. 09:12:53:10 = 0x09125310)

Camera Status (encrypted)

UUID: 7FE8691D-95DC-4FC5-8ABD-CA74339B51B9

Request notifications for this characteristic to receive camera status updates.

The camera status is represented by flags contained in an 8-bit integer:

None	= 0x00
Camera Power On	= 0x01
Connected	= 0x02
Paired	= 0x04
Versions Verified	= 0x08
Initial Payload Received	= 0x10
Camera Ready	= 0x20

Send a value of 0x00 to power a connected camera off.

Send a value of 0x01 to power a connected camera on.

Device Name

UUID: FFAC0C52-C9FB-41A0-B063-CC76282EB89C

Send a device name to the camera (max. 32 characters).

The camera will display this name in the Bluetooth Setup Menu.

Protocol Version

UUID: 8F1FD018-B508-456F-8F82-3D392BEE2706

Read this value to determine the camera's supported CCU protocol version.

NOTE Encrypted characteristics can only be used once a device has successfully bonded or paired with the Blackmagic Camera. Once a connection has been established, any attempt to write to an encrypted characteristic will initiate bonding. For example, writing a 'Camera Power On' (0x01) message to the Camera Status characteristic.

Once bonding is initiated, the camera will display a 6-digit pin in the Bluetooth Setup Menu. Enter this pin on your device to establish an encrypted connection. The device will now be able to read, write and receive notifications from encrypted characteristics.

Blackmagic SDI and Bluetooth Camera Control Protocol

Version 1.6.2

If you are a software developer you can use the Blackmagic SDI and Bluetooth Camera Control Protocol to construct devices that integrate with our products. Here at Blackmagic Design, our approach is to open up our protocols and we eagerly look forward to seeing what you come up with!

Overview

This document describes an extensible protocol for sending a unidirectional stream of small control messages embedded in the non-active picture region of a digital video stream. The video stream containing the protocol stream may be broadcast to a number of devices. Device addressing is used to allow the sender to specify which device each message is directed to.

Assumptions

Alignment and padding constraints are explicitly described in the protocol document. Bit fields are packed from LSB first. Message groups, individual messages and command headers are defined as, and can be assumed to be, 32 bit aligned.

Blanking Encoding

A message group is encoded into a SMPTE 291M packet with DID/SDID x51/x53 in the active region of VANC line 16.

Message Grouping

Up to 32 messages may be concatenated and transmitted in one blanking packet up to a maximum of 255 bytes payload. Under most circumstances, this should allow all messages to be sent with a maximum of one frame latency.

If the transmitting device queues more bytes of message packets than can be sent in a single frame, it should use heuristics to determine which packets to prioritize and send immediately. Lower priority messages can be delayed to later frames, or dropped entirely as appropriate.

Abstract Message Packet Format

Every message packet consists of a three byte header followed by an optional variable length data block. The maximum packet size is 64 bytes.

Destination device (uint8)	Device addresses are represented as an 8 bit unsigned integer. Individual devices are numbered 0 through 254 with the value 255 reserved to indicate a broadcast message to all devices.
Command length (uint8)	The command length is an 8 bit unsigned integer which specifies the length of the included command data. The length does NOT include the length of the header or any trailing padding bytes.
Command id (uint8)	The command id is an 8 bit unsigned integer which indicates the message type being sent. Receiving devices should ignore any commands that they do not understand. Commands 0 through 127 are reserved for commands that apply to multiple types of devices. Commands 128 through 255 are device specific.
Reserved (uint8)	This byte is reserved for alignment and expansion purposes. It should be set to zero.
Command data (uint8[])	The command data may contain between 0 and 60 bytes of data. The format of the data section is defined by the command itself.

Padding (uint8[])	Messages must be padded up to a 32 bit boundary with 0x0 bytes. Any padding bytes are NOT included in the command length.
--------------------------	---

Receiving devices should use the destination device address and or the command identifier to determine which messages to process. The receiver should use the command length to skip irrelevant or unknown commands and should be careful to skip the implicit padding as well.

Defined Commands

Command 0 : change configuration

Category (uint8)	The category number specifies one of up to 256 configuration categories available on the device.
Parameter (uint8)	The parameter number specifies one of 256 potential configuration parameters available on the device. Parameters 0 through 127 are device specific parameters. Parameters 128 though 255 are reserved for parameters that apply to multiple types of devices.
Data type (uint8)	The data type specifies the type of the remaining data. The packet length is used to determine the number of elements in the message. Each message must contain an integral number of data elements.

Currently defined values are:

0: void/boolean	A void value is represented as a boolean array of length zero. The data field is a 8 bit value with 0 meaning false and all other values meaning true.
1: signed byte	Data elements are signed bytes
2: signed 16 bit integer	Data elements are signed 16 bit values
3: signed 32 bit integer	Data elements are signed 32 bit values
4: signed 64 bit integer	Data elements are signed 64 bit values
5: UTF-8 string	Data elements represent a UTF-8 string with no terminating character.

Data types 6 through 127 are reserved.

128: signed 5.11 fixed point	Data elements are signed 16 bit integers representing a real number with 5 bits for the integer component and 11 bits for the fractional component. The fixed point representation is equal to the real value multiplied by 2^{11} . The representable range is from -16.0 to 15.9995 (15 + 2047/2048).
-------------------------------------	---

Data types 129 through 255 are available for device specific purposes.

Operation type (uint8)	The operation type specifies what action to perform on the specified parameter. Currently defined values are:
0: assign value	The supplied values are assigned to the specified parameter. Each element will be clamped according to its valid range. A void parameter may only be 'assigned' an empty list of boolean type. This operation will trigger the action associated with that parameter. A boolean value may be assigned the value zero for false, and any other value for true.
1: offset/toggle value	Each value specifies signed offsets of the same type to be added to the current parameter values. The resulting parameter value will be clamped according to their valid range. It is not valid to apply an offset to a void value. Applying any offset other than zero to a boolean value will invert that value.

Operation types 2 through 127 are reserved.

Operation types 128 through 255 are available for device specific purposes.

Data (void)	The data field is 0 or more bytes as determined by the data type and number of elements.
--------------------	--

The category, parameter, data type and operation type partition a 24 bit operation space.

Group	ID	Parameter	Type	Index	Minimum	Maximum	Interpretation
Lens	0.0	Focus	fixed16	–	0.0	1.0	0.0 = near, 1.0 = far
	0.1	Instantaneous autofocus	void	–	–	–	trigger instantaneous autofocus
	0.2	Aperture (f-stop)	fixed16	–	-1.0	16.0	Aperture Value (where fnumber = $\sqrt{2^{AV}}$)
	0.3	Aperture (normalised)	fixed16	–	0.0	1.0	0.0 = smallest, 1.0 = largest
	0.4	Aperture (ordinal)	int16	–	0	n	Steps through available aperture values from minimum (0) to maximum (n)
	0.5	Instantaneous auto aperture	void	–	–	–	trigger instantaneous auto aperture
	0.6	Optical image stabilisation	boolean	–	–	–	true = enabled, false = disabled
	0.7	Set absolute zoom (mm)	int16	–	0	max	Move to specified focal length in mm, from minimum (0) to maximum (max)
	0.8	Set absolute zoom (normalised)	fixed16	–	0.0	1.0	Move to specified focal length: 0.0 = wide, 1.0 = tele
	0.9	Set continuous zoom (speed)	fixed16	–	-1.0	+1.0	Start/stop zooming at specified rate: -1.0 = zoom wider fast, 0.0 = stop, +1 = zoom tele fast

Group	ID	Parameter	Type	Index	Minimum	Maximum	Interpretation
Video	1.0	Video mode	int8	[0] = frame rate	–	–	fps as integer (eg 24, 25, 30, 50, 60)
				[1] = M-rate	–	–	0 = regular, 1 = M-rate
				[2] = dimensions	–	–	0 = NTSC, 1 = PAL, 2 = 720, 3 = 1080, 4 = 2kDCI, 5 = 2k16:9, 6 = UHD, 7 = 3k Anamorphic, 8 = 4k DCI, 9 = 4k 16:9, 10 = 4.6k 2.4:1, 11 = 4.6k
				[3] = interlaced	–	–	0 = progressive, 1 = interlaced
				[4] = Color space	–	–	0 = YUV
	1.1	Gain (up to Camera 4.9)	int8		1	128	1x, 2x, 4x, 8x, 16x, 32x, 64x, 128x gain
	1.2	Manual White Balance	int16	[0] = color temp	2500	10000	Color temperature in K
			int16	[1] = tint	-50	50	tint
	1.3	Set auto WB	void	–	–	–	Calculate and set auto white balance
	1.4	Restore auto WB	void	–	–	–	Use latest auto white balance setting
	1.5	Exposure (us)	int32		1	42000	time in us
	1.6	Exposure (ordinal)	int16	–	0	n	Steps through available exposure values from minimum (0) to maximum (n)
	1.7	Dynamic Range Mode	int8 enum	–	0	2	0 = film, 1 = video, 2 = extended video
	1.8	Video sharpening level	int8 enum	–	0	3	0 = off, 1 = low, 2 = medium, 3 = high
	1.9	Recording format	int16	[0] = file frame rate	–	–	fps as integer (eg 24, 25, 30, 50, 60, 120)
				[1] = sensor frame rate	–	–	fps as integer, valid when sensor-off-speed set (eg 24, 25, 30, 33, 48, 50, 60, 120), no change will be performed if this value is set to 0
				[2] = frame width	–	–	in pixels
				[3] = frame height	–	–	in pixels
				[4] = flags	–	–	[0] = file-M-rate
					–	–	[1] = sensor-M-rate, valid when sensor-off-speed-set
–					–	[2] = sensor-off-speed	
–	–	[3] = interlaced					
–	–	[4] = windowed mode					
1.10	Set auto exposure mode	int8	–	0	4	0 = Manual Trigger, 1 = Iris, 2 = Shutter, 3 = Iris + Shutter, 4 = Shutter + Iris	
1.11	Shutter angle	int32	–	100	36000	Shutter angle in degrees, multiplied by 100	
1.12	Shutter speed	int32	–	Current sensor frame rate	5000	Shutter speed value as a fraction of 1, so 50 for 1/50th of a second	
1.13	Gain	int8	–	-128	127	Gain in decibel (dB)	
1.14	ISO	int32	–	0	2147483647	ISO value	
1.15	Display LUT	int8	[0] = selected LUT	–	–	0 = None, 1 = Custom, 2 = film to video, 3 = film to extended video	
			[1] = enabled or not	–	–	0 = Not enabled, 1 = Enabled	
1.16	ND Filter Stop	fixed16	[0] = stop	0.0	15.0	filter power, as f-stop	
			[1] = display mode	–	–	0 = stop 1 = density 2 = transmittance	

Group	ID	Parameter	Type	Index	Minimum	Maximum	Interpretation
Audio	2.0	Mic level	fixed16	–	0.0	1.0	0.0 = minimum, 1.0 = maximum
	2.1	Headphone level	fixed16	–	0.1	1.0	0.0 = minimum, 1.0 = maximum
	2.2	Headphone program mix	fixed16	–	0.1	1.0	0.0 = minimum, 1.0 = maximum
	2.3	Speaker level	fixed16	–	0.1	1.0	0.0 = minimum, 1.0 = maximum
	2.4	Input type	int8	–	0	3	0 = internal mic, 1 = line level input, 2 = low mic level input, 3 = high mic level input
	2.5	Input levels	fixed16	[0] ch0	0.0	1.0	0.0 = minimum, 1.0 = maximum
				[1] ch1	0.0	1.0	0.0 = minimum, 1.0 = maximum
2.6	Phantom power	boolean	–	–	–	true = powered, false = not powered	
Output	3.0	Overlay enables	uint16 bit field	[0] = bit field	–	–	bit flags: [0] = display status, [1] = display frame guides [2] = clean feed Some cameras don't allow separate control of frame guides and status overlays.
			uint16 bit field	[1] = target displays bit field	–	–	bit flags: [0] = LCD [1] = HDMI [2] = EVF [3] = Main SDI [4] = Front SDI
	3.1	Frame guides style (Camera 3.x)	int8	–	0	8	0 = HDTV, 1 = 4:3, 2 = 2.4:1, 3 = 2.39:1, 4 = 2.35:1, 5 = 1.85:1, 6 = thirds
	3.2	Frame guides opacity (Camera 3.x)	fixed16	–	0.1	1.0	0.0 = transparent, 1.0 = opaque
	3.3	Overlays (replaces .1 and .2 above from Cameras 4.0)	int8	[0] = frame guides style	–	–	0 = off, 1 = 2.4:1, 2 = 2.39:1, 3 = 2.35:1, 4 = 1.85:1, 5 = 16:9, 6 = 14:9, 7 = 4:3, 8 = 2:1, 9 = 4:5, 10 = 1:1
				[1] = frame guide opacity	0	100	0 = transparent, 100 = opaque
				[2] = safe area percentage	0	100	percentage of full frame used by safe area guide (0 means off)
[3] = grid style				–	–	bit flags: [0] = display thirds, [1] = display cross hairs, [2] = display center dot, [3] = display horizon	

Group	ID	Parameter	Type	Index	Minimum	Maximum	Interpretation
Display	4.0	Brightness	fixed16	–	0.0	1.0	0.0 = minimum, 1.0 = maximum
	4.1	Exposure and focus tools	uint16 bit field	[0] = bit field	–	–	bit flags: [0] = Zebra [1] = Focus Assist [2] = False Color
				uint16 bit field	[1] = target displays bit field	–	–
	4.2	Zebra level	fixed16	–	0.0	1.0	0.0 = minimum, 1.0 = maximum
	4.3	Peaking level	fixed16	–	0.0	1.0	0.0 = minimum, 1.0 = maximum
	4.4	Color bar enable	int8	–	0	30	0 = disable bars, 1-30 = enable bars with timeout (seconds)
	4.5	Focus Assist	int8	[0] = focus assist method	–	–	0 = Peak, 1 = Colored lines
				[1] = focus line color	–	–	0 = Red, 1 = Green, 2 = Blue, 3 = White, 4 = Black
4.6	Program return feed enable	int8	–	0	30	0 = disable, 1-30 = enable with timeout (seconds)	
4.7	Timecode Source	signed byte	[0] = source	–	–	0 = Clip, 1 = Timecode	
Tally	5.0	Tally brightness	fixed16	–	0.0	1.0	Sets the tally front and tally rear brightness to the same level. 0.0 = minimum, 1.0 = maximum
	5.1	Front tally brightness	fixed16	–	0.0	1.0	Sets the tally front brightness. 0.0 = minimum, 1.0 = maximum
	5.2	Rear tally brightness	fixed16	–	0.0	1.0	Sets the tally rear brightness. 0.0 = minimum, 1.0 = maximum Tally rear brightness cannot be turned off
Reference	6.0	Source	int8 enum	–	0	2	0 = internal, 1 = program, 2 = external
	6.1	Offset	int32	–	–	–	+/- offset in pixels
Configuration	7.0	Real Time Clock	int32	[0] time	–	–	BCD - HHMMSSFF (UCT)
				[1] date	–	–	BCD - YYYYMMDD
	7.1	System language	string	[0-1]	–	–	ISO-639-1 two character language code
	7.2	Timezone	int32	–	–	–	Minutes offset from UTC
	7.3	Location	int64	[0] latitude	–	–	BCD - s0DDdddddddddd where s is the sign: 0 = north (+), 1 = south (-); DD degrees, ddddddddddd decimal degrees
[1] longitude				–	–	BCD - sDDDdddddddddd where s is the sign: 0 = west (-), 1 = east (+); DDD degrees, dddddddddd decimal degrees	

Group	ID	Parameter	Type	Index	Minimum	Maximum	Interpretation
Color Correction	8.0	Lift Adjust	fixed16	[0] red	-2.0	2.0	default 0.0
				[1] green	-2.0	2.0	default 0.0
				[2] blue	-2.0	2.0	default 0.0
				[3] luma	-2.0	2.0	default 0.0
	8.1	Gamma Adjust	fixed16	[0] red	-4.0	4.0	default 0.0
				[1] green	-4.0	4.0	default 0.0
				[2] blue	-4.0	4.0	default 0.0
				[3] luma	-4.0	4.0	default 0.0
	8.2	Gain Adjust	fixed16	[0] red	0.0	16.0	default 1.0
				[1] green	0.0	16.0	default 1.0
				[2] blue	0.0	16.0	default 1.0
				[3] luma	0.0	16.0	default 1.0
	8.3	Offset Adjust	fixed16	[0] red	-8.0	8.0	default 0.0
				[1] green	-8.0	8.0	default 0.0
				[2] blue	-8.0	8.0	default 0.0
				[3] luma	-8.0	8.0	default 0.0
	8.4	Contrast Adjust	fixed16	[0] pivot	0.0	1.0	default 0.5
				[1] adj	0.0	2.0	default 1.0
	8.5	Luma mix	fixed16	–	0.0	1.0	default 1.0
8.6	Color Adjust	fixed16	[0] hue	-1.0	1.0	default 0.0	
			[1] sat	0.0	2.0	default 1.0	
8.7	Correction Reset Default	void	–	–	–	reset to defaults	

Group	ID	Parameter	Type	Index	Minimum	Maximum	Interpretation
Media	10.0	Codec	int8 enum	[0] = basic codec	-	-	0 = CinemaDNG, 1 = DNxHD, 2 = ProRes, 3 = Blackmagic RAW
					-	-	CinemaDNG: 0 = uncompressed, 1 = lossy 3:1, 2 = lossy 4:1
				[1] = code variant	-	-	ProRes: 0 = HQ, 1 = 422, 2 = LT, 3 = Proxy, 4 = 444, 5 = 444XQ
					-	-	Blackmagic RAW: 0 = Q0, 1 = Q5, 2 = 3:1, 3 = 5:1, 4 = 8:1, 5 = 12:1
	10.1	Transport mode	int8	[0] = mode	-	-	0 = Preview, 1 = Play, 2 = Record
				[1] = speed	-	-	-ve = multiple speeds backwards, 0 = pause, +ve = multiple speeds forwards
				[2] = flags	-	-	1<<0 = loop, 1<<1 = play all, 1<<5 = disk1 active, 1<<6 = disk2 active, 1<<7 = time-lapse recording
				[3] = slot 1 storage medium	-	-	0 = CFast card, 1 = SD, 2 = SSD Recorder
				[4] = slot 2 storage medium	-	-	0 = CFast card, 1 = SD, 2 = SSD Recorder
	10.2	Playback Control	int8 enum	[0] = clip	-	-	0 = Previous, 1 = Next
10.5	Stream	bool	[0] = enabled	-	-	true = enabled, false = disabled	
10.6	Stream Information	void bool	[0] = enabled	-	-	true = enabled, false = disabled	
10.7	Stream Display 3D LUT	void bool	[0] = enabled	-	-	true = enabled, false = disabled	
PTZ Control	11.0	Pan/Tilt Velocity	fixed 16	[0] = pan velocity	-1.0	1.0	-1.0 = full speed left, 1.0 = full speed right
				[1] = tilt velocity	-1.0	1.0	-1.0 = full speed down, 1.0 = full speed up
	11.1	Memory Preset	int8 enum	[0] = preset command	-	-	0 = reset, 1 = store location, 2 = recall location
			int8	[1] = preset slot	0	5	-

Example Protocol Packets

Operation	Packet Length	Byte															
		0	1	2	3	4	5	6	7	8	9	10	11	12	13	14	15
		header				command				data							
		destination	length	command	reserved	category	parameter	type	operation								
trigger instantaneous auto focus on camera 4	8	4	4	0	0	0	1	0	0								
turn on OIS on all cameras	12	255	5	0	0	0	6	0	0	1	0	0	0				
set exposure to 10 ms on camera 4 (10 ms = 10000 us = 0x00002710)	12	4	8	0	0	1	5	3	0	0x10	0x27	0x00	0x00				
add 15% to zebra level (15 % = 0.15 f = 0x0133 fp)	12	4	6	0	0	4	2	128	1	0x33	0x01	0	0				
select 1080p 23.98 mode on all cameras	16	255	9	0	0	1	0	1	0	24	1	3	0	0	0	0	0
subtract 0.3 from gamma adjust for green & blue (-0.3 ~ = 0xfd9a fp)	16	4	12	0	0	8	1	128	1	0	0	0x9a	0xfd	0x9a	0xfd	0	0
all operations combined	76	4	4	0	0	0	1	0	0	255	5	0	0	0	6	0	0
		1	0	0	0	4	8	0	0	1	5	3	0	0x10	0x27	0x00	0x00
		4	6	0	0	4	2	128	1	0x33	0x01	0	0	255	9	0	0
		1	0	1	0	24	1	3	0	0	0	0	0	4	12	0	0
		8	1	128	1	0	0	0x9a	0xfd	0x9a	0xfd	0	0				

Blackmagic Tally Control Protocol

Version 1.0 (30/04/14)

This section is for third party developers or anybody who may wish to add support for the Blackmagic Tally Control Protocol to their products or system. It describes the protocol for sending tally information embedded in the non-active picture region of a digital video stream.

Data Flow

A master device such as a broadcast switcher embeds tally information into its program feed which is broadcast to a number of slave devices such as cameras or camera controllers. The output from the slave devices is typically fed back to the master device, but may also be sent to a video monitor.

The primary flow of tally information is from the master device to the slaves. Each slave device may use its device id to extract and display the relevant tally information.

Slave devices pass through the tally packet on their output and update the monitor tally status, so that monitor devices connected to that individual output may display tally status without knowledge of the device id they are monitoring.

Assumptions

Any data alignment/padding is explicit in the protocol. Bit fields are packed from LSB first.

Blanking Encoding

One tally control packet may be sent per video frame. Packets are encoded as a SMPTE 291M packet with DID/SDID x51/x52 in the active region of VANC line 15. A tally control packet may contain up to 256 bytes of tally information.

Packet Format

Each tally status consists of 4 bits of information:

```
uint4
bit 0:    program tally status (0=off, 1=on)
bit 1:    preview tally status (0=off, 1=on)
bit 2-3:  reserved (0x0)
```

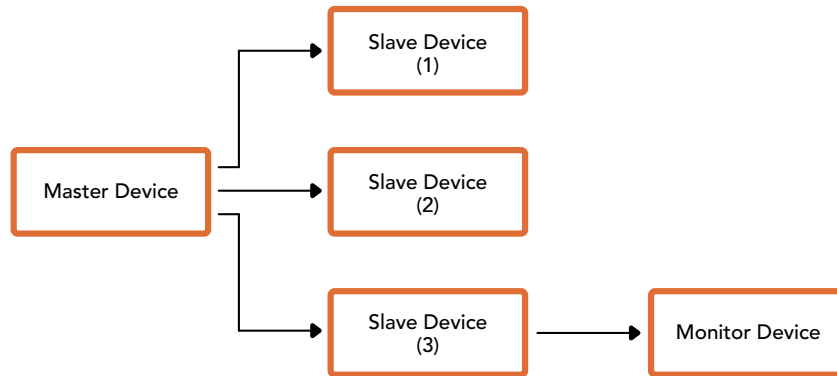
The first byte of the tally packet contains the monitor device tally status and a version number.

Subsequent bytes of the tally packet contain tally status for pairs of slave devices. The master device sends tally status for the number of devices configured/supported, up to a maximum of 510.

```
struct tally
```

```
uint8
bit 0:    monitor device program tally status (0=off, 1=on)
bit 1:    monitor device preview tally status (0=off, 1=on)
bit 2-3:  reserved (0b00)
bit 4-7:  protocol version (0b0000)
uint8[0]
bit 0:    slave device 1 program tally status (0=off, 1=on)
bit 1:    slave device 1 device preview tally status (0=off, 1=on)
bit 2-3:  reserved (0b00)
bit 4:    slave device 2 program tally status (0=off, 1=on)
bit 5:    slave device 2 preview tally status (0=off, 1=on)
bit 6-7:  reserved (0b00)
```

uint8[1]
bit 0: slave device 3 program tally status (0=off, 1=on)
bit 1: slave device 3 device preview tally status (0=off, 1=on)
bit 2-3: reserved (0b00)
bit 4: slave device 4 program tally status (0=off, 1=on)
bit 5: slave device 4 preview tally status (0=off, 1=on)
bit 6-7: reserved (0b00)
...



Byte	7 MSB	6	5	4	3	2	1	0 LSB
0	Version (0b0)	Version (0b0)	Version (0b0)	Version (0b0)	Reserved (0b0)	Reserved (0b0)	Monitor Preview	Monitor Program
1	Reserved (0b0)	Reserved (0b0)	Slave 1 Preview	Slave 1 Program	Reserved (0b0)	Reserved (0b0)	Slave 0 Preview	Slave 0 Program
2	Reserved (0b0)	Reserved (0b0)	Slave 3 Preview	Slave 3 Program	Reserved (0b0)	Reserved (0b0)	Slave 2 Preview	Slave 2 Program
3	...							

지원

가장 빠르게 지원 받을 수 있는 방법은 Blackmagic Design 온라인 고객지원 페이지에 접속하여 카메라 관련 최신 지원 정보를 확인하는 것입니다.

Blackmagic Design 온라인 고객 지원 페이지

최신 사용 설명서와 소프트웨어, 지원 노트는 Blackmagic 고객 지원 센터 (www.blackmagicdesign.com/kr/support)에서 확인하실 수 있습니다.

Blackmagic Design 고객 지원에 문의하기

고객 지원 페이지에서 원하는 정보를 얻지 못한 경우에는 [이메일 보내기] 버튼을 클릭하여 지원 요청 이메일을 보내주세요. 다른 방법으로는, 고객지원 페이지의 [지역별 고객 지원팀 찾기] 버튼을 클릭하여 가장 가까운 Blackmagic Design 고객지원 사무실에 문의하세요.

현재 설치된 소프트웨어 버전 확인하기

컴퓨터에 설치된 Blackmagic Camera Setup Utility 소프트웨어 버전을 확인하려면 [About Blackmagic Camera Utility] 창을 여세요.

- Mac에서는 애플리케이션 폴더에 있는 Blackmagic Camera Utility를 실행하세요. 애플리케이션 메뉴에서 About Blackmagic Camera Utility를 선택하면 버전 번호가 나타납니다.
- Windows에서는 '시작' 메뉴 또는 시작 스크린에서 Blackmagic Camera Utility를 실행하세요. 도움말 메뉴를 클릭한 뒤 About Blackmagic Camera Setup을 선택하고 버전을 확인하세요.

최신 버전의 소프트웨어로 업데이트하기

컴퓨터에 설치된 Blackmagic Camera Utility 소프트웨어 버전을 확인한 뒤, Blackmagic 고객 지원 센터 (www.blackmagicdesign.com/kr/support)를 방문하여 최신 업데이트를 확인하세요. 최신 버전으로 업데이트하는 것을 권장하지만, 중요한 프로젝트를 실행하는 도중에는 소프트웨어 업데이트를 하지 않는 것이 좋습니다.

규제 사항



유럽 연합 국가 내의 전기전자제품 폐기물 처리 기준.

제품에 부착된 기호는 해당 제품을 다른 폐기물과는 별도로 처리되어야 함을 나타냅니다. 제품을 폐기하려면 반드시 재활용 지정 수거 장소에 폐기해야 합니다. 폐기물 제품을 분리수거 및 재활용으로 처리하는 것은 자연 자원을 보전하고 인간의 건강과 환경을 보호할 수 있도록 폐기물을 재활용할 수 있는 방법입니다. 재활용을 위한 제품 폐기물 장소에 관한 자세한 정보는 해당 지역 시청의 재활용 센터 혹은 해당 제품을 구입한 상점으로 문의하세요.



본 제품은 테스트 결과 FCC 규정 제15항에 따라 A급 디지털 기기 제한 사항을 준수하는 것으로 확인되었습니다. 해당 제한 사항은 본 제품을 상업적 환경에서 사용할 시 발생할 수 있는 유해 혼선으로부터 적절한 보호를 제공하기 위함입니다. 이 제품은 무선 주파수를 생성 및 사용, 방출할 수 있습니다. 따라서 설명서의 안내에 따라 제품을 설치 및 사용하지 않을 시, 무선 통신을 방해하는 전파 혼선을 일으킬 수 있습니다. 해당 제품을 주거 지역에서 사용할 경우 유해 전파 혼선이 발생할 가능성이 있으며, 이 경우 사용자는 자체 비용으로 전파 혼선 문제를 해결해야 합니다.

제품 작동은 다음 두 가지 조건을 전제로 합니다.

- 1 본 기기는 유해 혼신을 일으키지 않습니다.
- 2 본 기기는 원치 않는 작동을 일으킬 수 있는 혼신을 포함하여 모든 혼신을 수용합니다.



R-R-BMD-20210915001
R-R-BMD-20200421002
R-R-BMD-20200916001
R-R-BMD-20200916002
R-REM-BMD-201803004
R-REM-BMD-201803003
MSIP-REM-BMD-201612001



ISED 캐나다 성명

본 기기는 캐나다 표준 A급 디지털 장치 규정을 준수합니다.

정해진 사용 목적 이외의 다른 목적의 사용 또는 제품 변경은 표준 규정 위반으로 간주할 수 있습니다.

이 기기는 업무용 환경에서 사용할 목적으로 적합성 평가를 거쳤습니다.

Bluetooth®

URSA Broadcast G2는 블루투스 무선 기술이 적용된 제품입니다.

송신 모듈 FCC ID는 QOQBGM113입니다.

본 제품은 통제가 불가능한 환경을 위해 설정된 FCC 방사선 피폭 허용 기준을 준수합니다.

송신 모듈 FCC IC는 5123A-BGM113입니다.

본 제품은 인증서가 필요 없는 캐나다 산업성의 RSS 표준 및 RSS-102 Issue 5에 명시된 통상 전자파 흡수율(SAR) 평가 제한 사항을 준수합니다.

일본 규정에 맞게 인증되었으며 인증 번호는 209-J00204입니다. 본 제품에는 일본 내 무선법 기술기준 적합성 인증을 획득한 특정 무선 장치가 탑재되어 있습니다.

해당 모듈은 한국 규정에 맞게 인증되었으며 KC 인증 번호는 MSIP-CRM-BGT-BGM113입니다.

Blackmagic Design은 2.4 GHz ISM 대역의 광대역 전송 시스템을 사용하는 URSA Broadcast G2가 유럽 무선 기기 지침인 Directive 2014/53/EU를 준수한다는 사실을 증명합니다.

EU 제조자인증 전문은 compliance@blackmagicdesign.com에서 확인할 수 있습니다.

안전 정보

제공된 Blackmagic URSA Broadcast G2용 AC-12V DC 전원 공급 장치 및 Blackmagic Studio Fiber Converter용 IEC 전원 케이블은 보호 접지 연결이 있는 콘센트에 연결해야 합니다.

Blackmagic URSA Broadcast G2 및 Camera Fiber Converter는 주변 온도가 최대 40°C인 열대 지역에서 사용하기에 적합합니다. Blackmagic Studio Fiber Converter는 주변 온도가 최대 50°C인 열대 지역에서 사용하기에 적합합니다.

Blackmagic Studio Fiber Converter 및 Camera Fiber Converter 주변에 적절한 환기를 제공하여 환기가 제한되지 않도록 주의하세요. Studio Fiber Converter를 장비랙에 설치할 시, 주변 장비가 제품 통풍에 방해가 되지 않도록 주의하세요.

Blackmagic URSA Broadcast G2, Camera Fiber Converter 또는 Studio Fiber Converter 내부에는 작업자가 수리할 수 있는 부품이 없습니다. 제품 수리는 해당 지역 Blackmagic Design 서비스 센터에 문의하세요.

캘리포니아주 성명

본 제품을 사용하는 사용자는 제품의 플라스틱 내 폴리브롬화 비페닐에 노출될 수 있으며 캘리포니아주에서는 해당 물질이 암, 선천적 결손증, 기타 생식기능의 손상을 유발하는 것으로 알려져 있습니다.

더욱 자세한 정보는 www.P65Warnings.ca.gov을 확인하세요.

Blackmagic URSA Broadcast G2

일광 조건에서는 카메라나 리튬 배터리가 햇빛에 장시간 노출되지 않도록 그늘에 보관하세요. 리튬 배터리에 열기가 닿지 않도록 주의하세요.

12V DC 출력 커넥터는 Blackmagic URSA Viewfinder 또는 Blackmagic URSA Studio Viewfinder에 전원을 공급하는 데 적합합니다. 이 커넥터에 액세서리를 연결할 시 소비 전력이 18W 미만인지 확인하세요.



Blackmagic Studio Fiber Converter

감전 사고 위험을 줄이기 위해서 본 제품을 물이 튀거나 젖는 곳에 두지 마십시오. 최대 작동 고도는 해수면 기준 2000m입니다.

Blackmagic Camera Fiber Converter

Blackmagic Studio Fiber Converter에 연결된 경우에만 Camera Fiber Converter를 사용하세요. 정상적인 사용 상태에서 본 컨버터는 Blackmagic Studio Fiber Converter에서 위험한 전압을 수신하도록 설계되었습니다.

보증

한정 보증

Blackmagic Design은 본 제품의 부품 및 제조에 어떠한 결함도 없음을 제품 구매일로부터 12개월 동안 보증합니다. 보증 기간 내에 결함이 발견될 경우, Blackmagic Design은 당사의 결정에 따라 무상 수리 또는 새로운 제품으로 교환해드립니다.

구매 고객은 반드시 보증 기간이 만료되기 전에 결함 사실을 Blackmagic Design에 통지해야 적절한 보증 서비스를 제공받을 수 있습니다. 구매 고객은 지정된 Blackmagic Design 서비스 센터로 결함 제품을 포장 및 운송할 책임이 있으며, 운송 비용은 선불로 지급되어야 합니다. 구매 고객은 또한 이유를 불문하고 제품 반송에 대한 운송료, 보험, 관세, 세금, 기타 비용을 부담해야 합니다.

이 보증은 부적절한 사용, 관리 및 취급으로 인한 파손, 고장, 결함에는 적용되지 않습니다. Blackmagic Design은 다음과 같은 경우에 보증 서비스를 제공할 의무가 없습니다. a) Blackmagic Design 판매 대리인이 아닌 개인에 의해 발생한 제품 손상. b) 부적절한 사용 및 호환하지 않는 장비와의 연결로 인한 제품 손상. c) Blackmagic Design사의 부품 및 공급품이 아닌 것을 사용하여 발생한 손상 및 고장. d) 제품을 개조하거나 다른 제품과 통합하여 제품 작동 시간 증가 및 기능 저하가 발생한 경우.

URSA Viewfinder를 직사광선에 노출시키면 뷰파인더 광학 장치가 돋보기 역할을 하기 때문에 뷰파인더 디스플레이가 손상될 수 있습니다. 프레임 가이드와 같은 고정 이미지 또는 고대비 이미지가 패널에 장기간 표시되면 OLED 패널에서 잔상 또는 번인이 발생할 수 있습니다. 이를 방지하기 위해 얼굴 감지용 IR 센서가 다른 물체에 가려지지 않도록 하며, 장기간 사용하지 않을 때는 뷰파인더를 분리하세요. 이미지 유지 성능은 이 제품 보증에 포함되지 않습니다.

BLACKMAGIC DESIGN에서 제공하는 제품 보증은 다른 모든 명시적 또는 묵시적 보증을 대신합니다. BLACKMAGIC DESIGN과 관련 판매 회사는 상품성 및 특정 목적의 적합성과 관련된 모든 묵시적 보증을 부인합니다. BLACKMAGIC DESIGN의 결함 제품 수리 및 교환 관련 책임은 구매 고객에게 제공되는 유일한 배상 수단입니다. BLACKMAGIC DESIGN은 자사 또는 판매 회사에서 관련 위험의 소지에 대한 사전 통보의 여부와 관계없이 모든 간접적, 특별, 우발적, 결과적 손해에 대한 책임을 지지 않습니다. BLACKMAGIC DESIGN은 장비의 불법적 사용과 관련하여 어떤 법적 책임도 지지 않습니다. BLACKMAGIC DESIGN은 본 제품의 사용으로 인해 발생하는 손해에 대해서는 어떤 법적 책임도 지지 않습니다. 제품 사용으로 인해 발생할 수 있는 위험에 대한 책임은 본인에게 있습니다.

© Copyright 2022 Blackmagic Design. 모든 권리 보유. 'Blackmagic Design', 'URSA', 'DeckLink', 'HDLINK', 'Workgroup Videohub', 'Multibridge Pro', 'Multibridge Extreme', 'Intensity', 'Leading the creative video revolution'은 모두 미국 및 기타 국가에 등록된 상표입니다. 모든 다른 회사명 및 제품 이름은 관련 회사의 등록 상표일 수 있습니다.

Август 2022 г.

Руководство по установке и эксплуатации

Blackmagicdesign

Blackmagic URSA Broadcast G2



Blackmagic URSA Broadcast G2



Уважаемый пользователь!

Благодарим вас за покупку камеры Blackmagic URSA Broadcast G2.

Blackmagic URSA Broadcast G2 объединяет в себе функционал нескольких камер, позволяя традиционным вещательным компаниям и интернет-стримерам готовить 4K-контент, вести трансляцию с 4K-качеством и съемку цифрового кино в 6K.

Корпус камеры URSA Broadcast G2 изготовлен из прочного и легкого магниевового сплава, что позволяет оператору комфортно вести съемку на протяжении всего дня. Продуманная эргономика и удобные внешние органы управления дают возможность менять настройки светофильтров ND, выдержки затвора, баланса белого и ISO, не отрываясь от видоискателя.

Модель URSA Broadcast G2 совместима с вещательными B4-объективами и позволяет записывать контент в таких общепринятых форматах, как Blackmagic RAW и Apple ProRes, а также 10-битное видео в кодеках H.264 и H.265. Два базовых значения чувствительности обеспечивают превосходные результаты в условиях недостаточной освещенности и дают возможность получать кадры с низким уровнем цифрового шума и зернистости при высоких настройках ISO, сохраняя весь динамический диапазон сенсора.

Надеемся, что URSA Broadcast G2 поможет вам создать исключительно качественные телевизионные программы, документальные фильмы и эфирные передачи. Мы будем очень рады любым отзывам и приложим все усилия, чтобы сделать эту камеру еще лучше за счет добавления новых полезных функций.

Грант Петти

Генеральный директор Blackmagic Design

Содержание

Подготовка к работе	1966	Панель инструментов	2043
Установка объектива	1966	Настройки записи	2043
Подключение питания	1967	Присвоение имен файлам	2049
Использование объективов с сервоприводом	1969	Настройки мониторинга	2050
Установка заднего фокуса на объективах с B4-креплением	1975	Настройки звука	2056
Работа с накопителями	1979	Основные настройки	2059
Карты CFast	1979	Предустановки	2076
Карты SD	1980	3D LUT-таблицы	2079
Запись на флеш-диски USB-C	1982	Ввод метаданных	2082
SSD-диски	1983	Стабилизация с помощью данных гироскопа	2087
Подготовка накопителя к записи	1985	Стриминг видео	2089
Подготовка носителя на Blackmagic URSA Broadcast G2	1985	Настройка смартфона	2090
Подготовка накопителя на Mac	1987	Настройки	2090
Подготовка накопителя на Windows	1988	Установка номера камеры в АТЕМ	2091
Запись	1989	Создание XML-файла	2091
Запись клипов	1989	Экспорт XML-файла	2091
Выбор кодека, разрешения и рабочей области сенсора	1990	Загрузка XML-файла	2092
Blackmagic RAW	1991	URSA Mini Shoulder Kit	2093
Запись в Blackmagic RAW	1991	Blackmagic URSA Viewfinder	2096
Выбор кадровой частоты	1994	Установка и подключение к Blackmagic URSA Broadcast G2	2096
Включение записи на внешних устройствах	1997	Регулировка окуляра	2097
Таблица продолжительности записи	1997	Функции кнопок	2097
Воспроизведение	1999	Меню настроек	2098
Разъемы и функции камеры URSA Broadcast G2	2000	Blackmagic URSA Studio Viewfinder	2102
Передняя панель камеры	2000	Установка и подключение к Blackmagic URSA Broadcast G2	2103
Левая сторона	2001	Работа с Blackmagic URSA Studio Viewfinder	2105
Органы управления с левой стороны	2001	Функции кнопок	2108
Правая сторона	2003	Меню настроек	2110
Задняя панель	2004	Blackmagic Zoom Demand и Blackmagic Focus Demand	2115
Верхняя панель	2006	Подключение и крепление к камере	2115
Нижняя панель	2006	Работа с устройством Blackmagic Focus Demand	2117
Органы управления на URSA Broadcast G2	2007	Работа с устройством Blackmagic Zoom Demand	2118
Боковая панель управления	2007	Установка аккумуляторной батареи	2119
Эргономичная панель управления	2010	Оснащение батареями V-Mount или Gold Mount	2119
Внутренняя панель управления	2015	Использование аккумуляторной пластины	2121
Видеовыходы камеры	2017	Конвертеры линейки Blackmagic Fiber	2123
Выход для мониторинга HD-материала	2017	Начало работы с конвертерами Blackmagic Fiber	2124
Выход 12G-SDI	2017	Волоконно-оптический кабель по стандарту SMPTE	2124
Органы управления с сенсорного экрана	2019	Подключение оптоволоконного кабеля по стандарту SMPTE	2126
Верхняя панель инструментов	2019		
Нижняя панель инструментов	2036		
Циклическое воспроизведение	2042		
Настройки	2043		

Почему порт расположен на передней панели	2130	Регулирующие прокладки для байонета	2169
Подключение камеры через SDI-интерфейс	2131	Blackmagic URSA Mini Pro Shim Kit	2169
Подключение к SDI-выходам для использования обратных потоков	2131	Установка регулировочных прокладок	2170
Установка модели Blackmagic Camera Fiber Converter	2131	URSA Mini Recorder	2171
Установка видеискателя URSA Studio Viewfinder	2134	Установка и подключение URSA Mini Recorder	2172
Подключение наушников двусторонней связи	2134	Работа с URSA Mini Recorder	2174
Работа с Camera Fiber Converter	2135	Обновление ПО на URSA Mini Recorder	2175
Выбор обратного потока	2135	Управление камерой с помощью ATEM Camera Control	2176
Кнопка CALL	2136	Использование функции управления камерами	2177
Использование интерком-связи	2136	Первичная цветокоррекция с помощью инструментов DaVinci Resolve	2182
Индикация состояния	2137	Работа с DaVinci Resolve	2186
Индикаторы состояния	2137	Менеджер проектов	2186
Аудиовходы	2138	Монтаж на странице «Сборка»	2187
Передача видео по IP-протоколу	2139	Добавление клипов на временную шкалу	2190
Подача питания	2139	Подгонка клипов на временной шкале	2191
Дополнительные органы управления	2140	Индикатор подгонки звука	2191
Работа со студийным конвертером	2141	Добавление титров	2192
Работа с меню	2142	Работа с файлами Blackmagic RAW	2193
Установка студийного конвертера в стойку	2145	Цветокоррекция клипов на стр. «Цвет»	2197
Разъемы на конвертере камеры	2149	Добавление Power-зоны	2200
Разъем питания камеры	2149	Использование плагинов	2202
Интерфейс управления панорамированием	2149	Микширование звука	2203
Порт двусторонней связи	2150	Добавление визуальных эффектов и композитинг на стр. Fusion	2208
Разъем TRACKER	2151	Создание мастер-копий	2217
Разъем питания постоянного тока	2151	Быстрый экспорт	2217
Выход D-Tap	2152	Страница «Экспорт»	2218
Использование синхровыхода	2152	Blackmagic Camera Setup Utility	2219
Интерфейсы студийного конвертера	2153	Работа с программным обеспечением других производителей	2220
Выход 12G-SDI	2153	Работа с файлами, записанными на карты памяти CFast 2.0 или SD	2221
Входы 12G-SDI для обратного потока	2153	Работа с файлами, записанными на SSD-диск	2221
Ввод и вывод синхросигнала	2154	Работа с Final Cut Pro X	2222
Интерфейс двусторонней связи	2154	Работа с Avid Media Composer 2018	2223
Интерфейс управления панорамированием	2155	Работа с Adobe Premiere Pro CC	2223
Аудиовыходы	2156	Developer Information	2225
Обновление программного обеспечения	2157	Blackmagic Bluetooth Camera Control	2225
Обновление ПО на Blackmagic Camera Fiber Converter	2157	Blackmagic SDI and Bluetooth Camera Control Protocol	2227
Обновление ПО на Blackmagic Studio Fiber Converter	2157	Example Protocol Packets	2235
Сменный байонет	2158	Blackmagic Tally Control Protocol	2236
Снятие байонета B4	2159	Помощь	2238
Blackmagic URSA Mini Pro EF Mount	2159	Соблюдение нормативных требований	2239
Blackmagic URSA Mini Pro F Mount	2161	Правила безопасности	2240
Blackmagic URSA Mini Pro PL Mount	2165	Гарантия	2241
Blackmagic URSA Broadcast G2 B4 Mount	2168		

Подготовка к работе

Чтобы начать работу с Blackmagic URSA Broadcast G2, достаточно установить объектив, а затем включить питание.

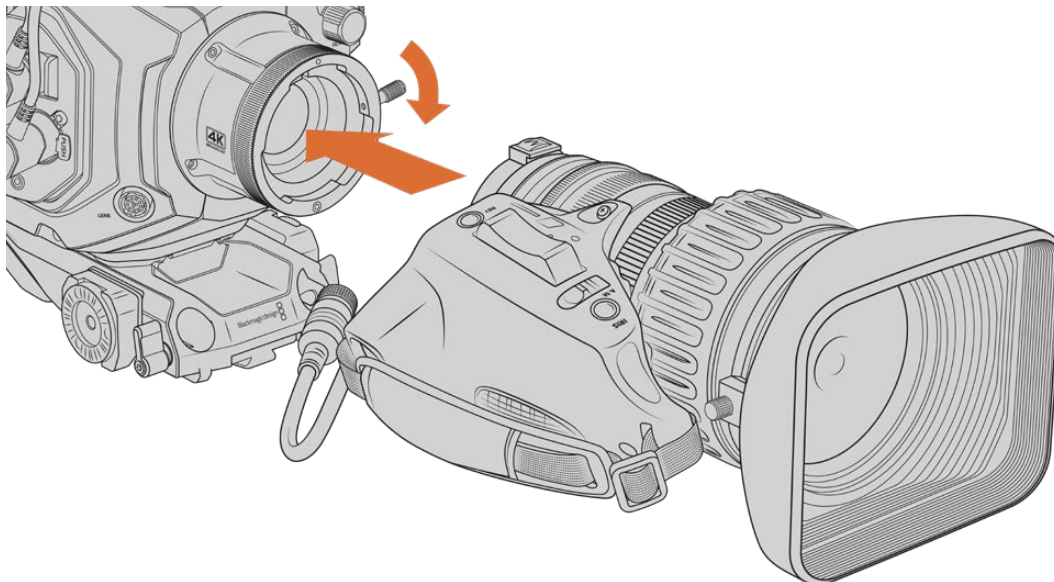
Установка объектива

URSA Broadcast G2 поставляется с байонетом B4 под вещательную HD- и Ultra HD-оптику. В комплект также входит EF-крепление, которое можно использовать для фото-, зум- и кинообъективов. Подробнее о замене байонета см. раздел «Сменный байонет» ниже.

Байонет B4 камеры URSA Broadcast G2 имеет специальную конструкцию, которая позволяет получать такие же поле обзора и глубину резкости, как на традиционных вещательных камерах с сенсором 2/3 дюйма. При наличии объектива с B4-креплением его можно сразу установить на URSA Broadcast G2 и приступить к съемке.

Чтобы снять пылезащитную крышку с камеры, поверните фиксирующее кольцо против часовой стрелки и потяните крышку на себя.

Порядок установки объектива с байонетом B4



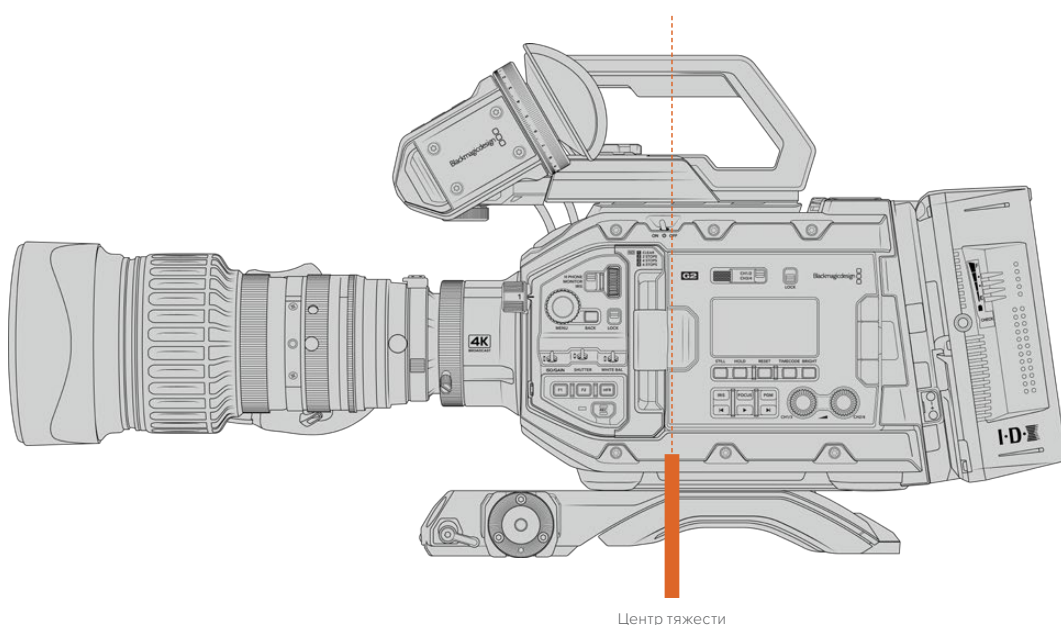
Поверните фиксирующее кольцо по часовой стрелке, чтобы закрепить объектив на камере

- 1 Поверните фиксирующее кольцо на корпусе против часовой стрелки, чтобы открыть доступ к центрирующему пазу в верхней части байонета. Совместите центрирующий штифт B4-объектива с пазом крепления B4 на URSA Broadcast G2.
- 2 Поместите объектив на байонет B4 так, чтобы их монтажные поверхности соприкасались и штифт вошел в паз.
- 3 Поверните фиксирующее кольцо по часовой стрелке, чтобы закрепить объектив на байонете в нужном положении.
- 4 Для подачи питания и управления объективом подключите его кабель к разъему с маркировкой LENS на передней панели URSA Broadcast G2. Большинство объективов с B4-креплением имеют 12-контактный разъем и оснащаются интегрированным кабелем. С их помощью на оптику поступают питание и сигналы управления с URSA Broadcast G2.

Подробнее см. раздел «Использование объективов с сервоприводом».

ПРИМЕЧАНИЕ. Когда камера хранится без объектива, байонет B4 на URSA Broadcast G2 подвергается воздействию пыли и загрязнению, поэтому рекомендуется всегда использовать пылезащитную крышку.

Из-за широкого диапазона зума некоторые объективы с B4-креплением могут иметь довольно большие размеры, поэтому при оснащении ими центр тяжести камеры смещается вперед. В таком случае положение плечевой накладки URSA Mini, которая входит в комплект поставки, потребуется сместить соответствующим образом.



При использовании длиннофокусного объектива модель URSA Broadcast G2 следует устанавливать ближе к тыльной стороне опорной пластины. В этом случае центр тяжести камеры смещается к центру накладки и позволяет равномерно распределить нагрузку на плечо в положении стоя и сидя. Подробнее см. раздел "URSA Mini Shoulder Kit".

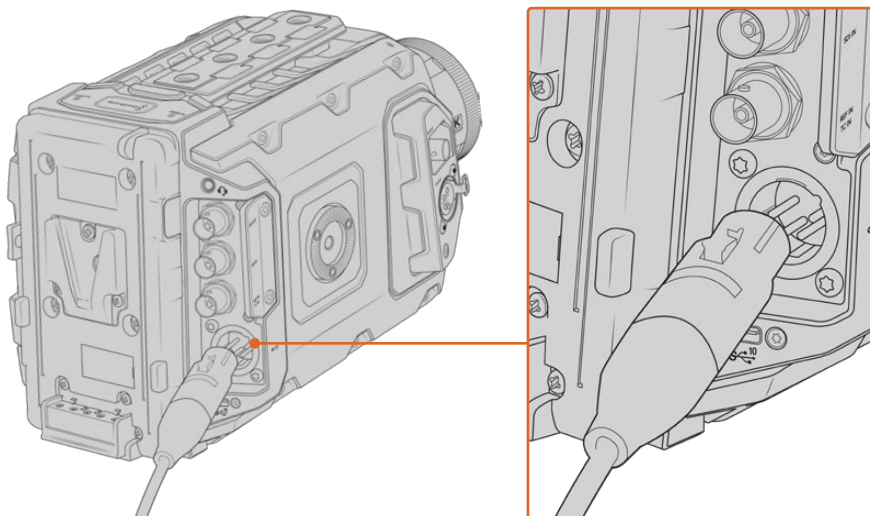
Подключение питания

После установки объектива можно подключить питание камеры. Самый простой способ — использовать прилагаемый адаптер 12 В.

Подключение внешнего источника питания

- 1 Вставьте вилку адаптера 12 В в сетевую розетку.
- 2 Соедините 4-контактный XLR-разъем адаптера с разъемом 12-18 В на камере.

При одновременном подключении внешнего источника питания и аккумуляторной батареи будет использоваться только внешний источник. Если его отключить, при наличии установленной и полностью заряженной батареи камера сразу перейдет на питание от аккумулятора.



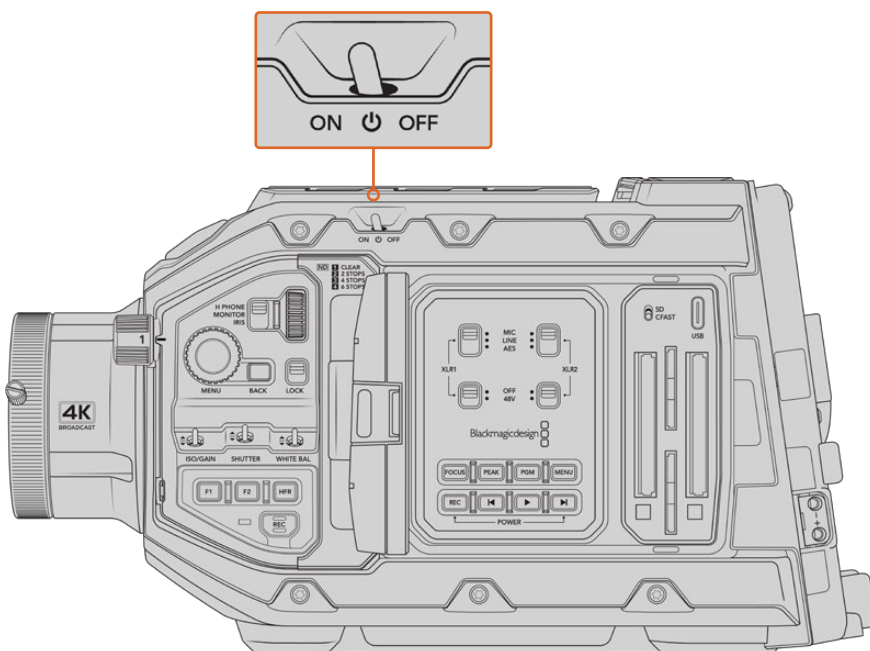
Для питания камеры Blackmagic URSA Broadcast G2 от источника переменного тока используйте прилагаемый адаптер 12 В

Blackmagic URSA Broadcast G2 поставляется с установленной пластиной URSA VLock Battery Plate. Это позволяет использовать стандартные батареи с креплением V-Mount. Подробнее о работе с различными пластинами см. раздел «Установка аккумуляторной батареи».

Порядок включения камеры URSA Broadcast G2

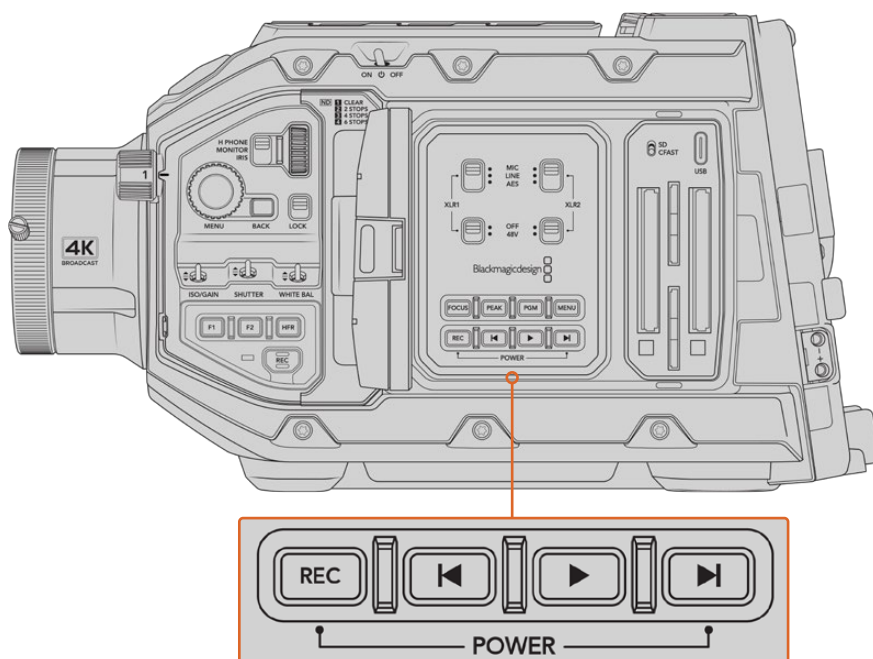
- 1 Установите тумблер питания, расположенный над откидным ЖК-дисплеем, в положение ON (Вкл.).
- 2 Для отключения камеры верните тумблер в положение OFF (Выкл.).

Теперь можно установить накопитель и начать запись.



Чтобы включить камеру, установите тумблер в положение ON (Вкл.)

Камеру URSA Broadcast G2 можно включать и отключать с помощью кнопок REC и перемотки вперед на внутренней панели управления. Этот дополнительный способ удобен в тех случаях, когда затруднен доступ к верхней панели (например, при работе с обвесом).



Питание можно включить и отключить с помощью кнопок ускоренной перемотки и REC, расположенных на задней панели ЖК-дисплея

COBET. Если URSA Broadcast G2 отключается, когда тумблер питания находится в положении ON, вероятными причинами могут быть управление через Bluetooth® или одновременное нажатие кнопок REC и перемотки вперед. В этом случае для включения камеры переведите тумблер на OFF, а затем верните на ON, либо нажмите и удерживайте соответствующую кнопку на панели управления.

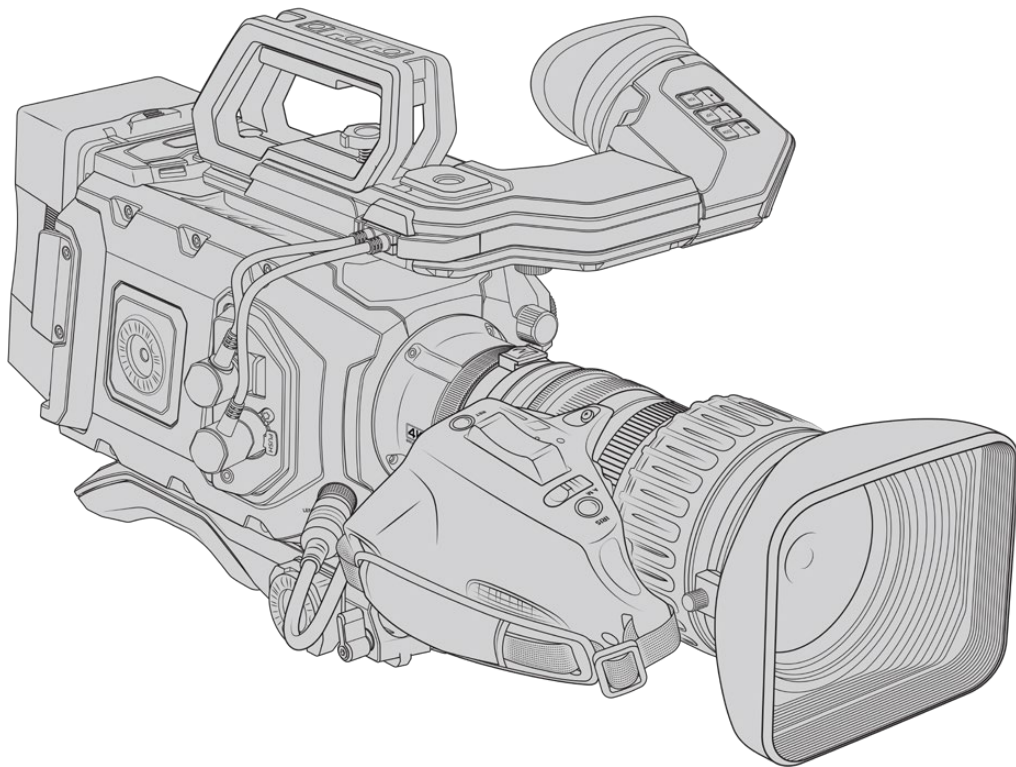
Использование объективов с сервоприводом

Камера URSA Broadcast G2 поддерживает работу с вещательными B4-объективами, которые оснащены сервоприводом. Подробнее об установке оптики с креплением B4 см. раздел «Установка объектива» выше.

COBET. Если на URSA Broadcast G2 установлен дополнительный байонет URSA Mini Pro PL, камера позволяет использовать кинообъективы PL с сервоприводом.

Такая оптика обладает функционалом, обычно недоступным в фото- и кинообъективах. В дополнение к возможности удерживать фокусировку в широком диапазоне зума, эти объективы оснащаются рукояткой с сервоприводом для электронного управления настройками диафрагмы и зума, а в некоторых случаях и фокусом. Благодаря наличию специального разъема параметры диафрагмы и зума можно менять с рукоятки, самой камеры, устройства Blackmagic Zoom Demand и даже видеомикшера ATEM.

Объективы с сервоприводом распознают команды автоматической фокусировки, поступающие с камеры, устройства Blackmagic Focus Demand или видеомикшера ATEM.



В4-объективы с управлением диафрагмой и зумом

- Модели Fujinon с префиксами HA, ZA, XA, UA, LA и окончанием RM. Например, Fujinon **XA20sxBRM**.
- Модели Canon с префиксами HJ, KJ, CJ и окончанием RSE или RSD. Например, Canon **KJ20x8.2B IRSD**.

В4-объективы с полным электронным управлением фокусом, диафрагмой и зумом

- Модели Fujinon с префиксами HA, ZA, UA и окончанием RD или ZD. Например, Fujinon **HA22x7.8 BERD**.
- Студийные объективы Fujinon с префиксами XA и UA в названии.
- Модели Canon с префиксами HJ, KJ..ex, CJ и окончанием ASE или ASD. Например, Canon **HJ24ex7.5B IASE**.
- Студийные объективы Canon с префиксами XJ и UJ в названии.

СОВЕТ. Упомянутые модели оптики поддерживают электронное управление зумом и фокусировкой с помощью сервопривода. Обратитесь к поставщику объектива, чтобы убедиться в его наличии.

На модели Blackmagic URSA Broadcast G2 для сохранения по умолчанию выбраны опции Blackmagic RAW и Ultra HD. Параметры записи можно быстро проверить в экранном меню, которое легко открыть с помощью кнопки MENU. Кодек и разрешение указаны на вкладке «ЗАПИСЬ». Подробная информация о меню настроек приведена ниже.



Настройки Blackmagic RAW, выбранные по умолчанию на вкладке «ЗАПИСЬ»

Разрешение Ultra HD также используется по умолчанию при выборе кодеков ProRes и H.265. В формате ProRes или H.264 можно вести запись и в HD.



Вкладка «ЗАПИСЬ» в меню настроек

COBET. Если при использовании объектива с креплением В4 появляется виньетирование, убедитесь, что для опции Blackmagic RAW выбрано разрешение Ultra HD. Если запись ведется в кодеке ProRes или H.264/5, для настройки «РАБОЧАЯ ОБЛАСТЬ СЕНСОРА» следует выбрать параметр 4К, так как он лучше подходит для В4-оптики. Подробнее см. раздел «Настройки записи» ниже.

Управление объективами с креплением B4

Диафрагма

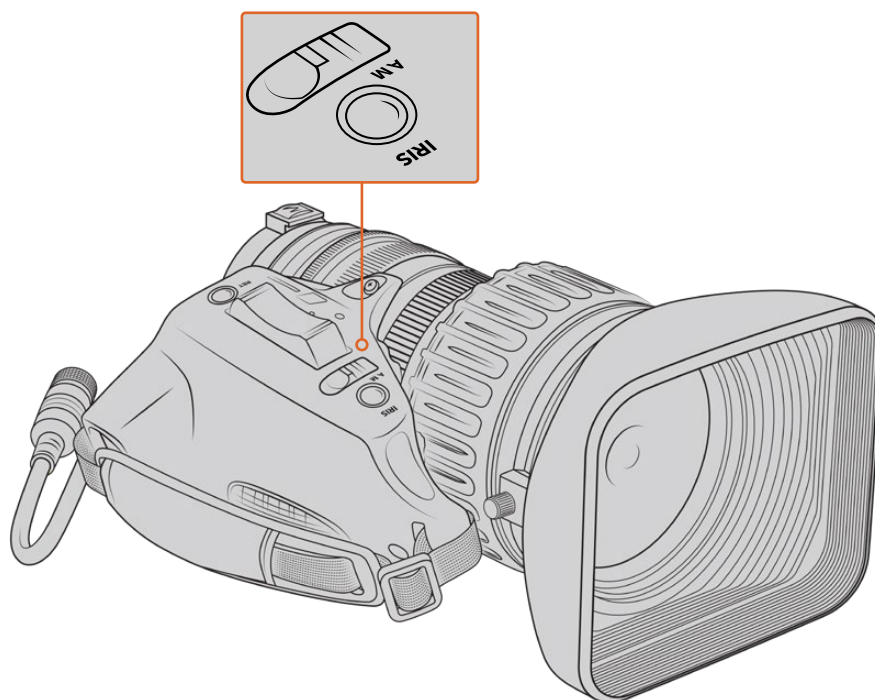
У многих объективов с креплением B4 сверху на рукоятке есть переключатели AUTO/MANUAL (или A/M) и PUSH AUTO (или IRIS), предназначенные для управления диафрагмой.

AUTO (Авто)

Установите переключатель в положение AUTO (или A) для настройки диафрагмы на URSA Broadcast G2, устройстве Blackmagic Zoom Demand или видеомикшере ATEM. Настройка диафрагмы с камеры возможна с помощью круглой ручки IRIS, внутренней панели управления, сенсорного экрана или в автоматическом режиме вместе с экспозицией. Подробнее см. разделы «Органы управления с сенсорного экрана» и «Органы управления на URSA Broadcast G2». При работе в автоматическом режиме ручная настройка регулировочного кольца на B4-объективе недоступна.

MANUAL (Ручная установка)

Установите переключатель в положение MANUAL (или M) для ручной настройки диафрагмы с помощью регулировочного кольца на оправе объектива. В этом режиме нельзя менять диафрагму с камеры URSA Broadcast G2 или видеомикшера ATEM.



PUSH AUTO / IRIS

Эта кнопка моментально включает автоматическую настройку диафрагмы при работе в ручном режиме. Ее можно использовать совместно с органами управления диафрагмой на камере или видеомикшере ATEM.

Например, если для экспозиции на камере выбрана автоматическая настройка, а для диафрагмы — ручная, то изменить диафрагму можно с помощью регулировочного кольца на оправе объектива. При нажатии кнопки PUSH AUTO (или IRIS) мгновенно включается режим автоматической экспозиции с учетом условий освещения.

Значение IRIS можно также установить на сенсорном ЖК-экране камеры URSA Broadcast G2. При работе в режиме MANUAL допускается настройка диафрагмы с помощью регулировочного кольца, а при нажатии кнопки PUSH AUTO (или IRIS) выполняется возврат к начальному значению, которое задано на сенсорном экране.

ZOOM

У многих объективов с креплением B4 снизу на рукоятке есть переключатель ZOOM, который позволяет использовать режим SERVO или MANUAL.

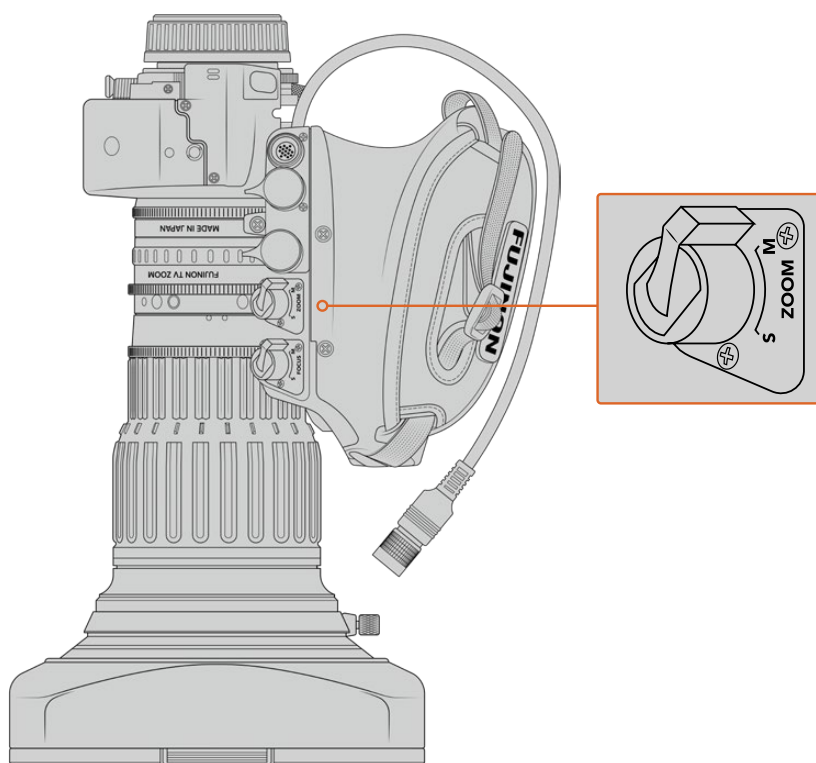
SERVO

Установите переключатель в положение SERVO (или S) для управления зумом с помощью сервопривода. В этом режиме тумблер на рукоятке объектива позволяет масштабировать изображение, а также использовать такие функции, как Zoom Speed и Quickzoom. Когда объектив подключен к URSA Broadcast G2 через разъем, зум можно контролировать с камеры, устройства Blackmagic Zoom Demand и видеомикшера АТЕМ. В этом случае ручная настройка зума недоступна.

СОВЕТ. С помощью переключателя зума на рукоятке обычно можно регулировать скорость зуммирования. Чем быстрее изменяется положение переключателя, тем резче выполняется масштабирование.

MANUAL (Ручная установка)

Установите переключатель в положение MANUAL (или M), чтобы отключить сервопривод и настраивать зум с помощью регулировочного кольца. В этом случае удаленное управление этим параметром с камеры URSA Broadcast G2 или видеомикшера АТЕМ недоступно.



Фокус

Некоторые объективы с B4-креплением также поддерживают фокусировку с помощью сервопривода. В этом случае на нижней стороне рукоятки объектива есть переключатель FOCUS с двумя режимами работы: SERVO или MANUAL.

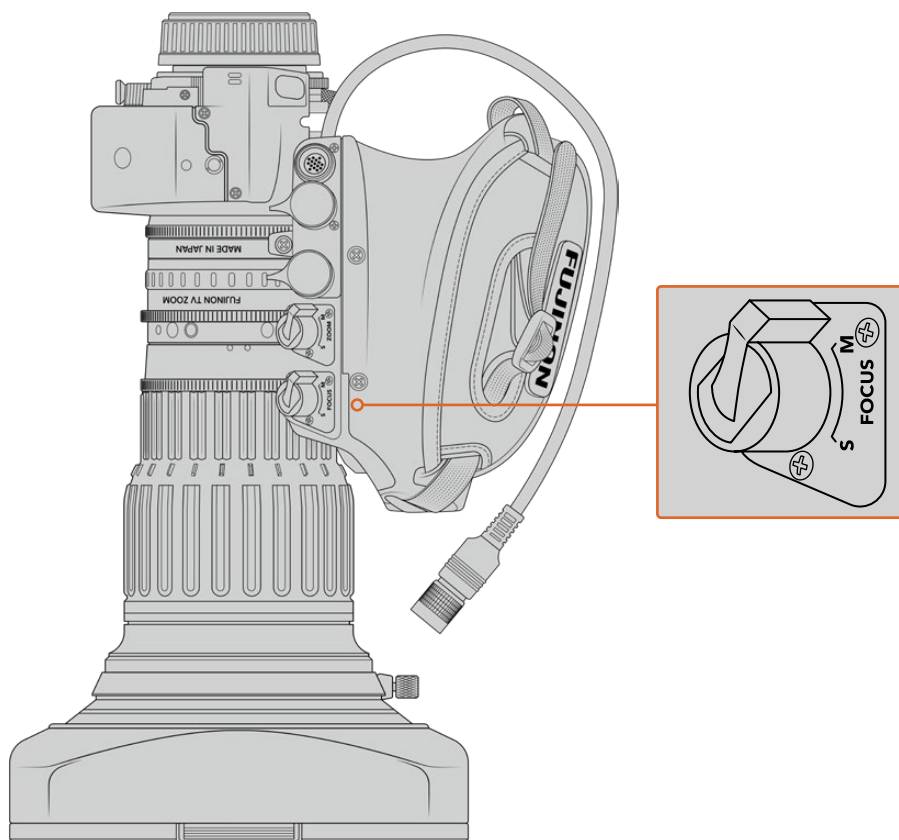
SERVO

Установите переключатель в положение SERVO (или S) для включения управления фокусировкой с помощью сервопривода. Когда объектив подключен к URSA Broadcast G2 через разъем, фокус можно контролировать с камеры, устройства Blackmagic Focus Demand и видеомикшера ATEM.

MANUAL (Ручная установка)

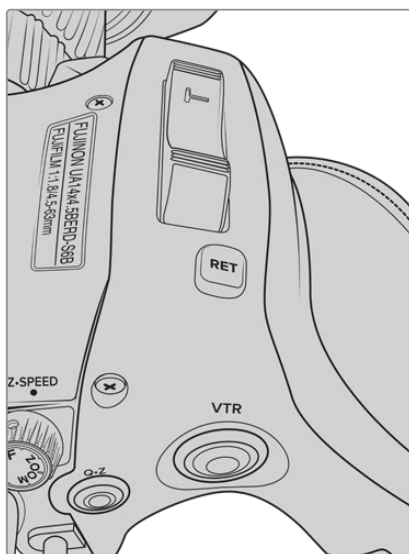
Установите переключатель в положение MANUAL, чтобы выполнять фокусировку с помощью регулировочного кольца. Как правило, автоматическая фокусировка на объективах с V4-креплением занимает некоторое время, поэтому обычно используют ручную настройку.

ПРИМЕЧАНИЕ. Можно также использовать аналоговые V4-объективы с сервоприводом, однако в этом случае электронное управление доступно только для зума и диафрагмы. Большинство подобной оптики предназначено для работы с SD-видео и не имеет 12-контактного разъема. Перед установкой таких объективов необходимо убедиться в их совместимости. Вначале рекомендуется провести пробную съемку, так как есть вероятность изменения разрешения и виньетирования в углах кадра.



Кнопки RET и VTR

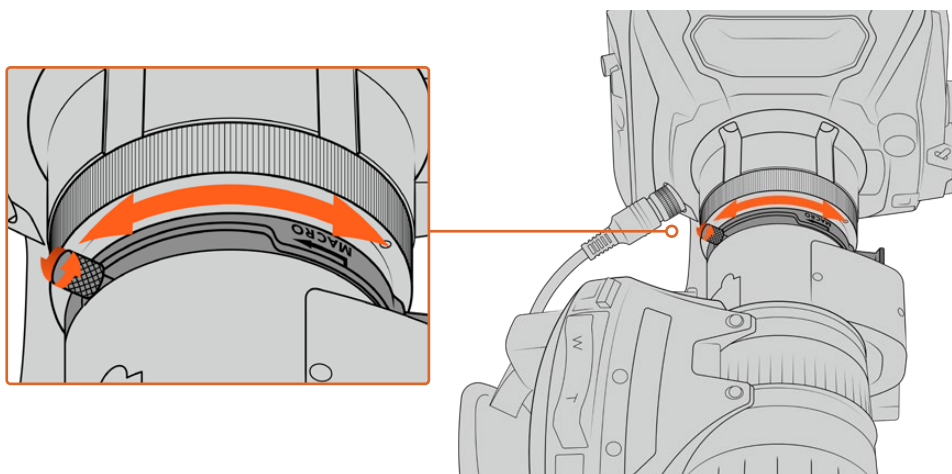
Расположенная на V4-объективе кнопка VTR включает и выключает запись, а RET активирует обратный программный поток. Подробнее о настройке кнопок VTR и RET в качестве функциональных см. раздел «Основные настройки» > «Функциональные кнопки» ниже.



Кнопки RET и VTR на B4-объективе

Установка заднего фокуса на объективах с B4-креплением

Одно из важных преимуществ объективов с B4-креплением — их парфокальность, т. е. способность сохранять фокус при зуммировании. Увеличение масштаба позволяет точно установить фокус, который не меняется при возврате изображения в кадре к обычному виду.



Кольцо заднего фокуса обычно находится в задней части объектива рядом с креплением

Задний фокус обеспечивает корректную фокусировку при изменении зума на B4-объективах при съемке в HD и 4K. Когда объектив устанавливается в первый раз, необходимо проверить настройку заднего фокуса. Это действие также рекомендуется выполнять при смене объектива и перед началом важных проектов.

Проверка заднего фокуса на объективе с B4-креплением

- 1 Поместите таблицу для проверки фокусировки или плоский белый предмет с высокой контрастностью примерно в 20 м от камеры.
- 2 Полностью откройте диафрагму объектива и при необходимости компенсируйте экспозицию с помощью встроенных ND-светофильтров. Чтобы получить низкую глубину резкости, можно утрировать погрешности фокусировки.

- 3 Увеличьте масштаб для приближения таблицы и установите фокус.
- 4 Уменьшите масштаб с помощью зума. Если при максимальной ширине фокусировка сохраняется, задний фокус установлен корректно.

Если при уменьшении масштаба таблица уходит из фокуса, требуется дополнительная настройка. Уменьшите масштаб до конца и настройте регулировочное кольцо заднего фокуса, расположенное в задней части объектива рядом с креплением. Обычно такое кольцо имеет поворотную ручку для коррекции затяжки. Ослабьте ее и поверните кольцо таким образом, чтобы таблица оказалась в фокусе.

- 5 Постепенно увеличивайте и уменьшайте масштаб. Таблица должна оставаться в фокусе в границах всего диапазона зума.
- 6 Повторите шаги 4 и 5, увеличивая и уменьшая масштаб с дополнительной регулировкой кольца заднего фокуса. Если объектив удерживает фокусировку независимо от изменения зума, задний фокус настроен корректно.

Установка заднего фокуса на объективах Fuji LA16x8 BRM

Процесс установки заднего фокуса на объективах Fuji LA16x8 BRM немного отличается от обычного. Вместо фокусного кольца используется кнопка снизу рукоятки. С ее помощью настройку выполняют электронно.

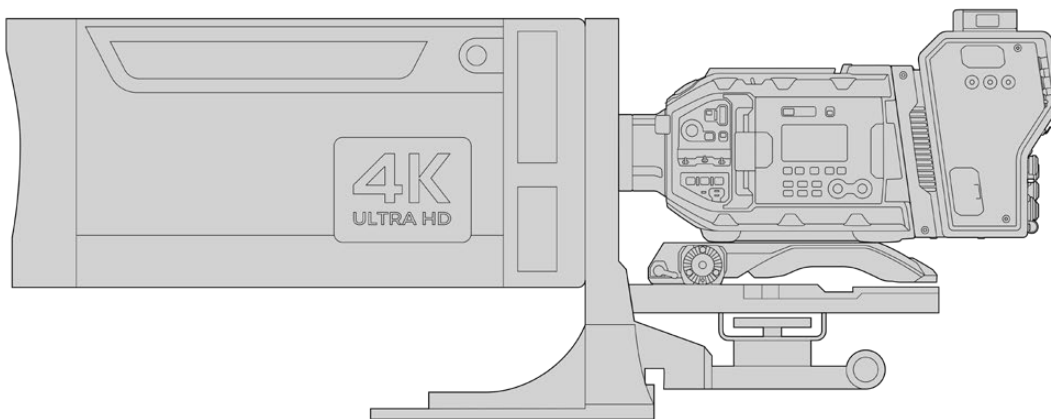
Порядок установки заднего фокуса на объективах Fuji LA16x8 BRM

- 1 Поместите таблицу для проверки фокусировки или плоский белый предмет с высокой контрастностью примерно в 20 м от камеры.
- 2 Установите переключатель зума, расположенный снизу рукоятки объектива, в положение SERVO.
- 3 Рядом с переключателем зума находится кнопка F.f. Нажмите и удерживайте эту кнопку в течение пяти секунд. Светодиодный индикатор, расположенный над переключателем, начнет мигать красным цветом.
- 4 Изображение в объективе автоматически увеличится. Настройте резкость с помощью фокусного кольца. Если подключено устройство Blackmagic Focus Demand, его следует отсоединить от камеры, прежде чем использовать фокусное кольцо, или же можно применять Blackmagic Focus Demand для выполнения операций, указанных в данном параграфе и в пункте 5.
- 5 Нажмите кнопку F.f снова, и изображение в объективе автоматически уменьшится. Настройте резкость с помощью фокусного кольца.
- 6 Для подтверждения настроек нажмите кнопку F.f. Расположенный сверху индикатор начнет мигать красным цветом. Настройка электронного заднего фокуса на объективе Fuji LA16x8 BRM завершена.
- 7 Постепенно увеличивайте и уменьшайте масштаб. Таблица должна оставаться в фокусе в границах всего диапазона зума.
- 8 Если объектив удерживает фокусировку независимо от изменения зума, задний фокус настроен корректно. Если требуется внести изменения, повторите операции, указанные в пунктах 3-6.

СОВЕТ. Температурные перепады и естественный износ могут приводить к погрешностям заднего фокуса, поэтому на объективах с В4-креплением рекомендуется регулярно проверять этот параметр.

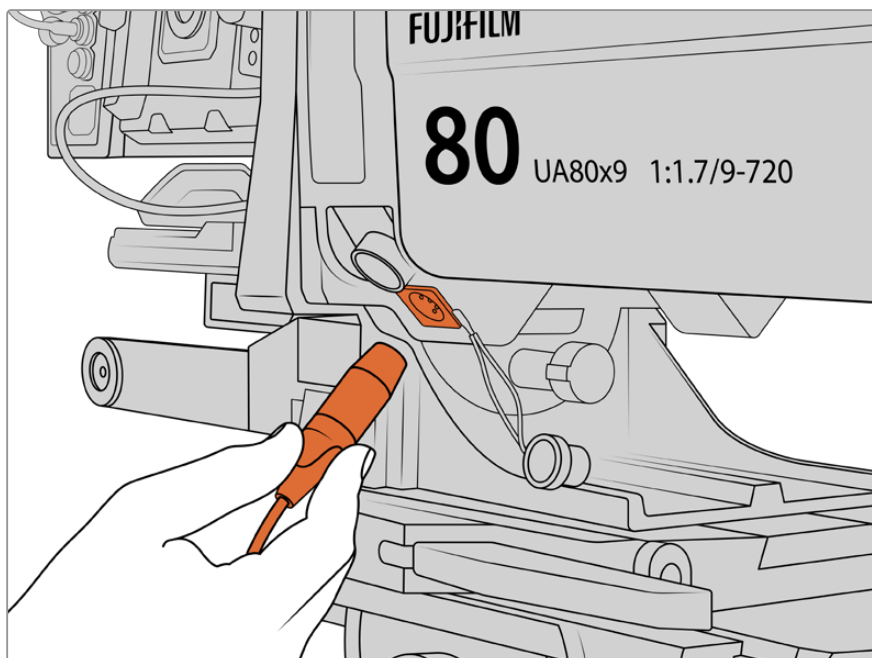
Работа со студийными объективами

Байонет B4 камеры URSA Broadcast G2 позволяет использовать крупную студийную оптику Fujinon UA27x6.5 и UA125x8, а также Canon UHD Digisuper. Она обеспечивает горизонтальную и вертикальную стабилизацию изображения при работе с 27-кратными объективами, а также с 80- и даже 125-кратным увеличением, которое применяют при съемке спортивных состязаний и массовых мероприятий на открытом воздухе.



Для работы с крупными объективами необходимо использовать специальный штатив или держатель, а также иметь достаточно свободного места для перемещений с камерой. В качестве аксессуаров рекомендуются плечевой упор URSA Mini Shoulder Kit, крепление VCT-14 и адаптер для студийной оптики.

Из-за большого потребления энергии студийные объективы должны иметь собственный источник питания. Для этого можно использовать выход питания +12 В на камере URSA или расположенный сбоку разъем D-tap на Camera Fiber Converter. При подключении к URSA Broadcast G2 объектив соединяют с камерой через специальный разъем.



Для использования дополнительного источника питания подключают кабель через 4-контактный XLR-разъем

После подключения дополнительного питания объективом можно управлять непосредственно с камеры URSA Broadcast G2.

Использование PL-объективов с сервоприводом

С моделью URSA Broadcast G2 можно использовать PL-объективы, оснащенные сервоприводом. Чтобы максимально использовать возможности PL- или EF-оптики, рекомендуем задействовать полную рабочую область 6K-сенсора камеры. Подробнее о настройке рабочей области сенсора на URSA Broadcast G2 см. раздел «Настройки записи» ниже.

PL-объективы с полным электронным управлением фокусом, диафрагмой и зумом (формат Super 35)

Производитель	Серия	Модель	Диапазон	Макс. диафрагма
Fujinon	Cabrio	ZK2.5x14-SAF	14-35 мм	T2.9
Fujinon	Cabrio	ZK4.7x19-SAFB	19-90 мм	T2.9
Fujinon	Cabrio	ZK12x25 with ESM-15A-SA	25-300 мм	T3.5-3.85
Fujinon	Cabrio	ZK3.5x85-SAF	85-300 мм	T2.9-T4
Fujinon	Cabrio	XK6x20	20-120 мм	T3.5
Canon	Cine-servo	CN7x17KAS S	17-120 мм	T2.9-3.9
Canon	Cine-servo	CN10x25 IAS S/P1	25-250 мм	T2.95-3.95
Canon	Cine-servo	CN20x50	50-1000 мм	T5-8.9

При использовании всех перечисленных объективов управлять фокусом и зумом можно с ручек панорамирования.

Гибридные объективы с сервоприводом

В последнее время появились новые модели объективов, которые отличаются компактными размерами и оснащены сервоприводом. Они имеют некоторые функции B4- и PL-оптики, но используют крепление EF. При их установке питание на рычажок зума поступает с URSA Broadcast G2 через контакты байонета, при этом камера может считывать и записывать служебную информацию, значения диафрагмы, фокуса и параметры масштабирования.

Она поддерживает электронное управление фокусом, диафрагмой и зумом при работе с гибридными объективами. Когда камера подключена к видеомикшеру, эта функция также доступна в удаленном режиме из приложения ATEM Software Control. При ведении прямых трансляций или съемки в студии данную оптику можно использовать вместе с устройствами Blackmagic Zoom Demand и Focus Demand. Для этого расположенный на объективе переключатель диафрагмы следует установить на A, фокуса — на AF, а зума — на SERVO.

Гибридные объективы

- Canon CN-E 18-80 mm T4.4 Compact-servo
- Canon CN-E 70-200 mm T4.4 Compact-servo

Работа с накопителями

Для записи видео на Blackmagic URSA Broadcast G2 можно использовать обычные карты памяти SD, высокоскоростные носители UHS-II/SD и CFast 2.0.

Дополнительно на тыльной стороне есть порт USB-C 3.2 Gen 2x1, который позволяет подключать флеш-диски и твердотельные накопители с большой емкостью. Для сохранения контента на SSD-диски также предусмотрено устройство Blackmagic URSA Mini Recorder, приобретаемое отдельно. Подробнее о его подключении к камере см. раздел “URSA Mini Recorder” ниже.

Скорость накопителей

Скорость записи и считывания данных, указываемая производителями накопителей, часто приводится для небольших статичных изображений и поэтому может отличаться при сохранении непрерывного потока видео.

При выборе носителя используйте только карты, рекомендуемые компанией Blackmagic Design.

Карты CFast

Накопители CFast 2.0 поддерживают скоростную передачу данных, поэтому они идеально подходят для записи в HD и 4K с высокой частотой кадров. Более подробно о максимальной частоте для каждого формата см. таблицу продолжительности записи в разделе «Запись».

Следует отметить, что максимальная скорость передачи данных при записи и воспроизведении на картах CFast 2.0 может варьироваться в зависимости от модели. При выборе носителя используйте только карты, рекомендуемые компанией Blackmagic Design.

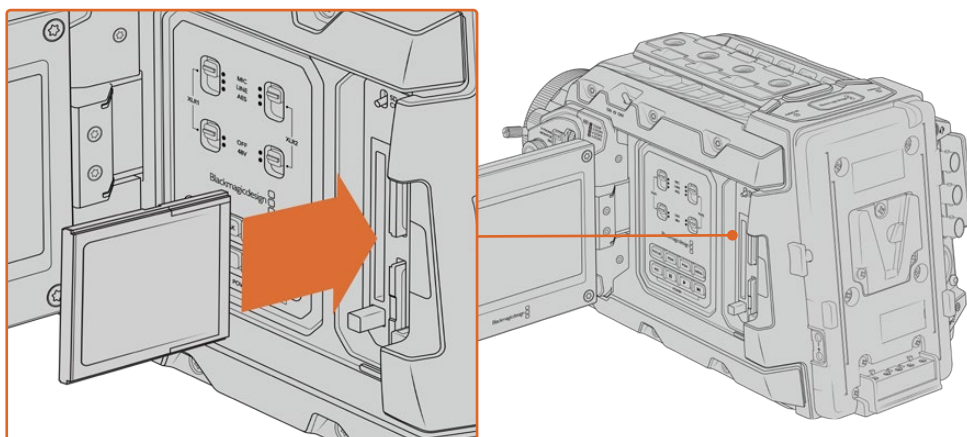
Установка карты CFast

Для работы с картами CFast установите находящийся над слотом переключатель в положение CFAST.

Установка карты CFast

- 1 Откройте откидной монитор, чтобы получить доступ к слотам CFast.
- 2 Возьмите карту CFast таким образом, чтобы ее наклейка была обращена в сторону сенсорного экрана, и вставьте в слот до конца. Она должна свободно войти внутрь без приложения излишней силы. Для извлечения накопителя нажмите кнопку под слотом.

В нижней части ЖК-дисплея появится имя обнаруженной карты CFast и оставшееся время записи.



Blackmagic URSA Broadcast G2 имеет два слота для карт CFast

СОВЕТ. Если камера не распознает карту CFast, убедитесь, что расположенный над слотами переключатель установлен на CFast.

Выбор карты CFast 2.0

При работе с видео, которое требует передачи большого объема данных, важно правильно подобрать карту CFast. Носители отличаются по скорости записи и считывания данных. Рекомендуется обращаться к разделу поддержки на сайте Blackmagic Design (www.blackmagicdesign.com/ru/support) и проверять последнюю информацию о картах CFast, совместимых с камерой Blackmagic URSA Broadcast G2.

Карты SD

Дополнительно к картам CFast 2.0 камера Blackmagic URSA Broadcast G2 поддерживает работу с высокоскоростными SD-картами UHS-I и UHS-II. Применение самых современных носителей SDXC класса UHS-II позволяет вести запись Ultra HD-материала в ProRes HQ и даже 6K-контента в кодеке Blackmagic RAW.

HD-видео можно сохранять на более доступные карты SD. SDXC и SDHC — наиболее распространенные типы накопителей для бытовых фото- и видеокамер.

Если вы вели съемку на DSLR, Blackmagic Micro Cinema Camera или Pocket Cinema Camera, либо использовали решение Blackmagic Video Assist, то наверняка работали с картами SD.

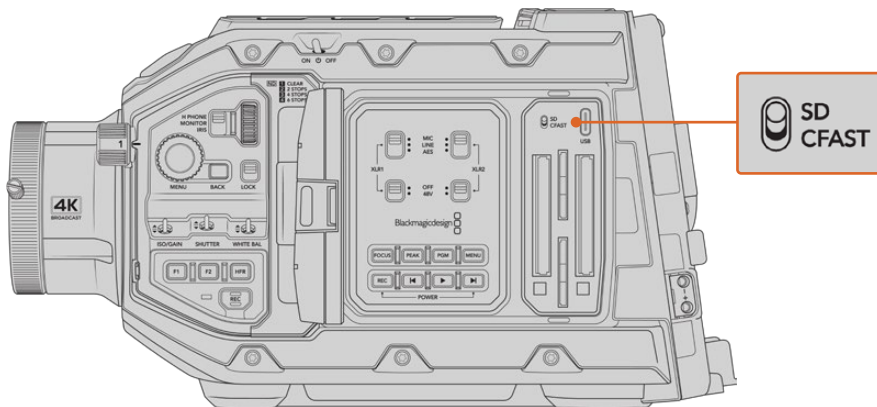
Применять такие носители особенно удобно в проектах, не требующих создания файлов Blackmagic RAW с самым высоким разрешением, или при продолжительной записи. Обладающие меньшей емкостью и более низкой скоростью карты SD подходят для хранения LUT-таблиц и конфигураций параметров.

Установка карты SD

Порядок установки карты SD

- 1 Откройте откидной монитор, чтобы получить доступ к слотам карт SD. Они меньшего размера и расположены между слотами для CFast.
- 2 Установите переключатель над слотами в положение SD.

- 3 Возьмите карту SD таким образом, чтобы ее наклейка была обращена в противоположную от сенсорного экрана сторону, и вставьте в слот до конца. Чтобы извлечь носитель, слегка надавите на него и достаньте из слота.
- 4 Индикатор носителя внизу сенсорного ЖК-экрана будет показывать имена обнаруженных карт и оставшееся время записи.



При использовании карт SD для записи на URSA Broadcast G2 переключатель должен быть в положении SD

Выбор скоростной карты SD

Материал в Ultra HD рекомендуется сохранять на наиболее скоростные SD-карты класса UHS-II. Для записи в Ultra HD и HD необходимо использовать носители класса UHS-II, для сохранения в HD подойдут карты UHS-I. Эти накопители обеспечивают высокую скорость передачи и хранение большого объема данных.

Перед использованием карты ее необходимо отформатировать под файловую систему HFS+ или exFAT. Это можно сделать на камере или на компьютере. Подробнее см. раздел «Подготовка накопителя к записи».

Карты памяти можно также отформатировать на компьютере с операционной системой Mac или Windows. В первом случае используется файловая система HFS+, во втором — exFAT, при этом последний формат также поддерживается на Mac.

Рекомендуется обращаться к разделу поддержки на сайте Blackmagic Design (www.blackmagicdesign.com/ru/support) и проверять последнюю информацию о картах SD, совместимых с камерой Blackmagic URSA Broadcast G2.

ПРИМЕЧАНИЕ. Если на камеру URSA Broadcast G2 снимают материал в формате Ultra HD или записывают видео с высокой кадровой частотой, рекомендуем использовать накопители CFast 2.0 или SD UHS-II, так как они обычно быстрее и вместительнее, чем SD-карты класса UHS-I.

Защита карт SD

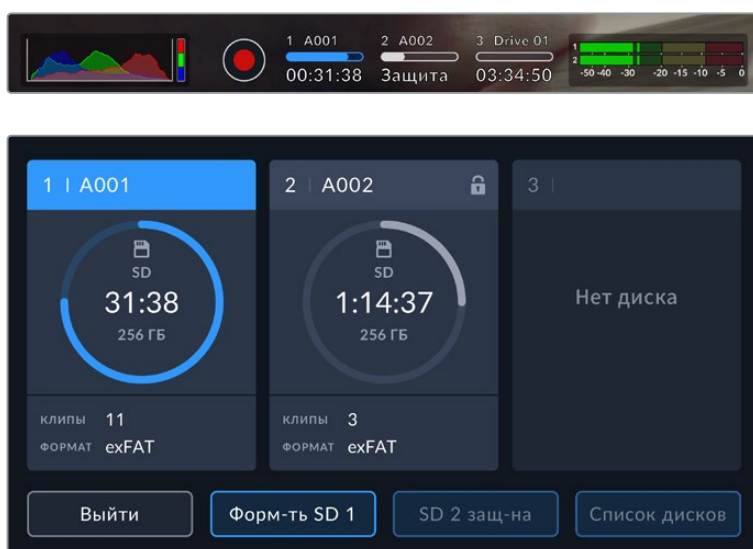
Карты SD можно защитить от записи с помощью переключателя.

При работе с картой убедитесь в том, что защита от записи не активирована. Передвиньте переключатель блокировки на левой стороне накопителя в положение рядом с контактами. По окончании работы можно снова включить защиту, вернув переключатель в первоначальное положение.



Чтобы установить или снять защиту от записи, передвиньте переключатель блокировки вниз или вверх

Если на камеру URSA Broadcast G2 установлена карта SD с защитой от записи, на ЖК-дисплее и в меню выбора накопителя появится соответствующий значок. Чтобы выполнить сохранение, экспорт LUT-таблиц и конфигурации параметров, необходимо снять блокировку.



При использовании карты SD с защитой от записи на камере URSA Broadcast G2 появится соответствующее сообщение

Запись на флеш-диски USB-C

На камере Blackmagic URSA Broadcast G2 предусмотрены два порта USB-C. Один (USB-C 3.1 Gen 1) находится на боковой панели рядом со слотами для карт CFast и предназначен для обновления программного обеспечения. Другой (USB-C 3.2 Gen 2x1) расположен на задней панели возле SDI-разъемов. Его используют для сохранения материала на высокоскоростные SSD-накопители и флеш-диски USB-C. Эти носители имеют большую емкость и обеспечивают запись в течение долгого времени, что очень важно во время работы на длительных массовых мероприятиях.

Когда флеш-диск USB-C подключен к камере, он использует третий слот в ее операционной системе. Коснитесь имени диска в меню настроек сохранения, чтобы выбрать его для текущего проекта. Порядок записи, воспроизведения и сохранения данных на флеш-диски USB-C такой же, как при работе с SSD-носителями, картами CFast и SD.

По окончании записи накопителя можно подключить напрямую к компьютеру для выполнения монтажа и постобработки без копирования материала.

Порядок подключения флеш-диска USB-C

- 1 Соедините один конец USB-кабеля типа C с флеш-диском.
- 2 Другой конец кабеля подключите к интерфейсу USB-C, находящемуся под SDI-портами на тыльной панели модели URSA Broadcast G2.
- 3 На сенсорном экране камеры для флеш-диска USB-C используется третий слот.

- 4 Чтобы начать запись, нажмите и удерживайте имя диска в нижней части экрана. Полоса состояния загорится синим цветом для обозначения накопителя, на который будет выполняться сохранение. Во время записи полоса становится красной.

Выбор скоростного флеш-диска USB-C

Флеш-диски USB-C можно приобрести во многих магазинах бытовой электроники. Они предназначены для работы с широким рядом устройств. Так как кинопроизводство — только одна из сфер применения подобных накопителей, важно правильно подобрать их при записи материала в Blackmagic RAW и Ultra HD.

Многие диски USB-C служат для бытового использования, поэтому их скорость недостаточна для Ultra HD-видео.

В разделе поддержки на сайте Blackmagic Design www.blackmagicdesign.com/ru/support есть последняя информация по таким накопителям.

Чтобы узнать, подходит или нет флеш-диск USB-C для записи и воспроизведения видео с большим объемом данных, воспользуйтесь утилитой Blackmagic Disk Speed Test. Она проверяет носитель на производительность, поэтому результаты теста будут отражать скорость, близкую к фактической. Как правило, современные и емкие накопители отличаются достаточным быстродействием.

Утилита Blackmagic Disk Speed Test доступна в Mac App Store. Версии для работы на платформах Windows и Mac также включены в приложение Blackmagic Desktop Video, которое можно загрузить в разделе «Запись и воспроизведение» центра поддержки Blackmagic Design на странице www.blackmagicdesign.com/ru/support.

SSD-диски

При подключении к URSA Broadcast G2 дополнительного устройства URSA Mini Recorder можно вести запись напрямую на SSD-диски. Эти скоростные твердотельные накопители имеют большую емкость, поставляются уже готовыми к работе и доступны в любом магазине электроники.

URSA Mini Recorder имеет порт USB-C для быстрой передачи данных на обычные SSD-диски шириной 2,5 дюйма, а также на твердотельные накопители толщиной 7 мм с разъемом U.2. Применять можно и платы с интерфейсом M.2, но для них потребуется адаптер. Для достижения оптимальных скоростных показателей рекомендуется использовать сертифицированный кабель USB 3.1 Gen 2. Для обеспечения надежности подключения на поставляемом кабеле USB-C предусмотрены специальные фиксаторы.

ПРИМЕЧАНИЕ. Подробнее о подключении устройства URSA Mini Recorder см. раздел "URSA Mini Recorder".

Установка SSD-диска

Порядок установки диска

- 1 Возьмите SSD-диск так, чтобы его контакты были обращены к передней панели камеры.
- 2 Откройте подпружиненную крышку на Blackmagic URSA Mini Recorder и осторожно вставьте диск в слот.

СОВЕТ. Blackmagic URSA Mini Recorder имеет прижимную пластину для использования различных по размеру SSD-дисков, поэтому дополнительные вставки не нужны.

- 3 Задвиньте диск в слот до конца, затем опустите крышку рекордера.
- 4 На камере для SSD-диска используется третий слот.
- 5 Чтобы начать запись, нажмите и удерживайте имя диска в нижней части экрана. Полоса состояния загорится синим цветом для обозначения накопителя, на который будет выполняться сохранение. Во время записи полоса становится красной.

Порядок извлечения SSD-диска

Откройте крышку на URSA Mini Recorder и осторожно возьмите диск большим и указательным пальцами. Для удобства сверху слота есть небольшая выемка, которая позволяет удерживать накопитель. Осторожно извлеките диск и закройте крышку.

Выбор скоростного SSD-диска для URSA Mini Recorder

Доступные SSD-диски предназначены для скоростного сохранения видео при работе с широким рядом устройств. Так как кинопроизводство — только одно из применений твердотельных накопителей, важно правильно выбрать носитель при записи материала в Blackmagic RAW или Ultra HD. Многие SSD-диски служат для бытового использования, поэтому их скорость недостаточна для Ultra HD-видео.

Ниже перечислены рекомендуемые модели SSD-дисков, которые были протестированы на совместимость с Blackmagic URSA Broadcast G2 при продолжительной записи с заданным разрешением. В разделе поддержки на сайте Blackmagic Design www.blackmagicdesign.com/ru/support есть последняя информация по таким накопителям.

Скорость SSD-дисков

Из-за использования скрытого сжатия некоторые модели SSD-дисков не в состоянии сохранять данные со скоростью, указанной производителем. В этом случае заявленные характеристики достигаются только для файлов с простой структурой, а при работе с видео реальное значение такого параметра будет меньше.

На некоторых твердотельных накопителях скорость записи меньше заявленной производителем, при этом отклонение может достигать 50%. Даже если в технических характеристиках указано, что диск подходит для работы с видео, на практике он может не поддерживать запись в реальном времени.

Чтобы узнать, подходит или нет SSD-диск для записи и воспроизведения видео с высоким битрейтом, воспользуйтесь утилитой Blackmagic Disk Speed Test. Она проверяет носитель на производительность, поэтому результаты теста будут отражать скорость, близкую к фактической. Как правило, современные твердотельные накопители имеют более высокое быстродействие и емкость.

Подготовка накопителя к записи

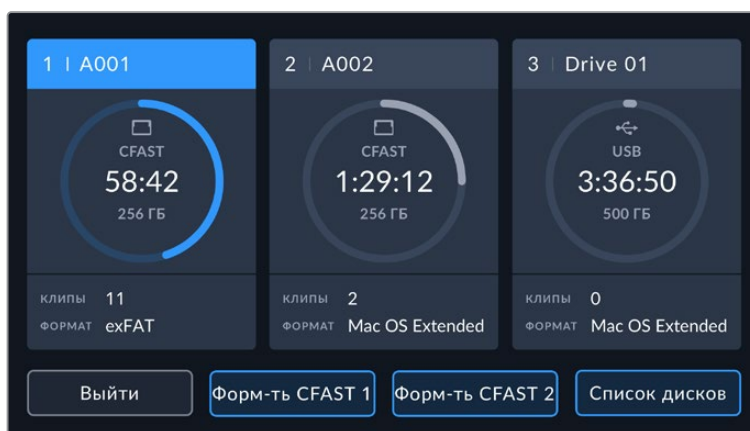
Накопители можно отформатировать на камере или на компьютере под управлением Mac либо Windows. Для получения оптимального результата рекомендуется выполнять форматирование носителя непосредственно на URSA Broadcast G2.

Формат HFS+ также известен как OS X Extended и является предпочтительным, так как он поддерживает протоколирование. В этом случае при повреждении носителя содержащиеся на нем данные будет проще восстановить. Формат HFS+ поддерживается операционной системой Mac OS. Формат ExFAT можно использовать на платформах Mac и Windows без дополнительного программного обеспечения. Следует помнить, что exFAT не поддерживает протоколирование.

ПРИМЕЧАНИЕ. Перед форматированием накопителя необходимо проверить заданный переключателем тип — SD или CFast.

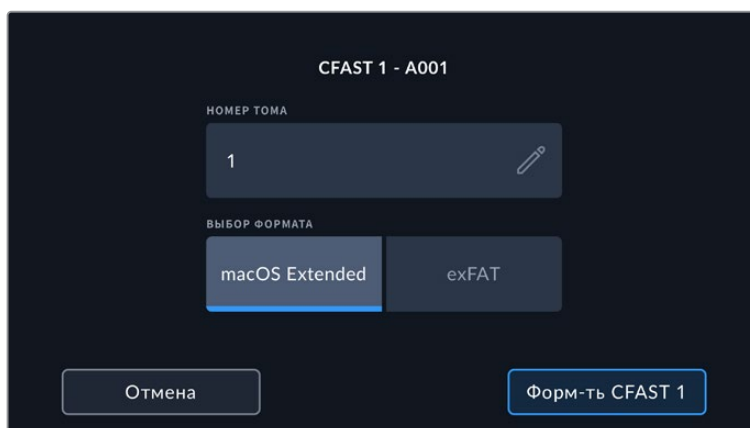
Подготовка носителя на Blackmagic URSA Broadcast G2

- 1 Коснитесь любого значка носителя внизу сенсорного экрана, чтобы открыть панель параметров сохранения.
- 2 Для форматирования накопителя в первом или втором слоте нажмите соответствующую кнопку. Если диск SSD или USB-C подключен к камере через задний порт USB-C, нажмите кнопку «Список дисков». Затем выберите нужный накопитель и нажмите «Форматировать диск».



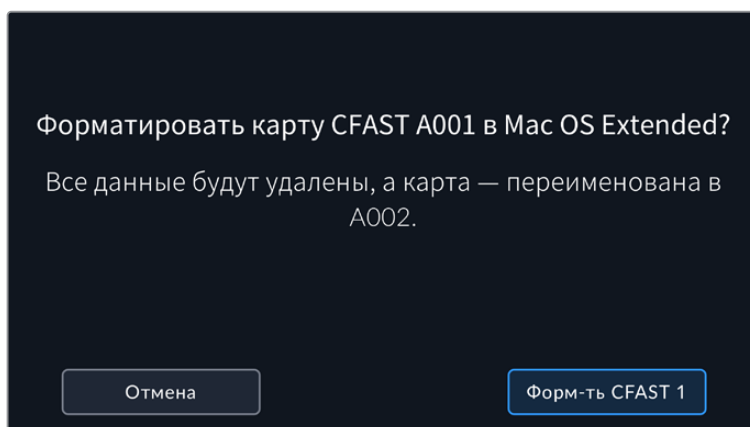
На URSA Broadcast G2 для форматирования накопителей используется специальная панель

- 3 Если требуется изменить номер тома, коснитесь значка карандаша. На экране появится числовая клавиатура. Введите нужное число и нажмите кнопку «Обновить».
- 4 Выберите нужный формат (Mac OS Extended или exFAT) и нажмите кнопку форматирования.



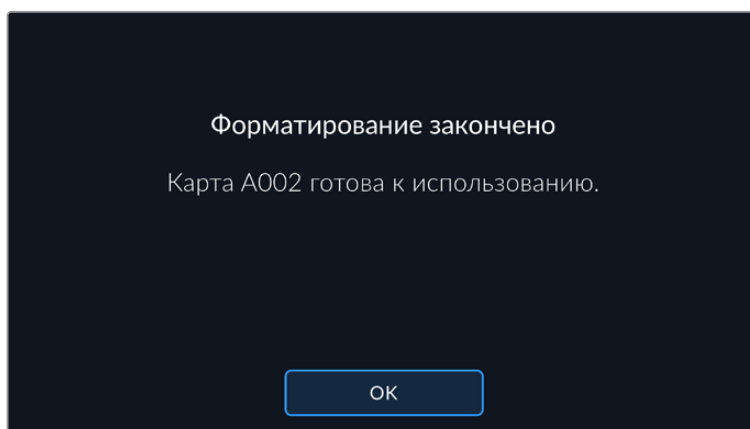
Чтобы вручную изменить номер тома, нажмите значок карандаша

- 5 После этого необходимо подтвердить сделанный выбор. Нажмите кнопку форматирования еще раз, чтобы продолжить, или «Отмена», чтобы прервать процесс.



Перед форматированием убедитесь в том, что выбрана нужная карта

- 6 Появится подсказка с просьбой удерживать кнопку форматирования нажатой в течение трех секунд. После того как действие завершится, появится соответствующее сообщение.



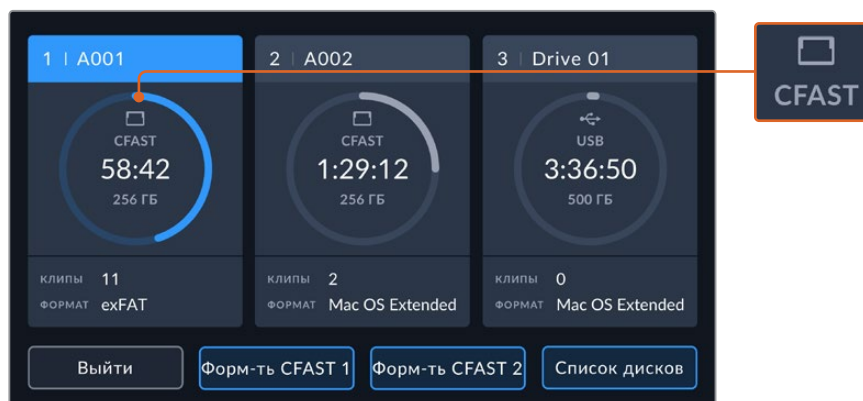
После завершения форматирования карта готова к использованию

- 7 Нажмите «ОК», чтобы вернуться к панели параметров сохранения.
- 8 Для выхода коснитесь кнопки «Выйти».

Во время форматирования карт на URSA Broadcast G2 им присваиваются имена в соответствии с настройками, выбранными для камеры на табличке данных, и номером тома. При каждом последующем форматировании выполняется автоматическая нумерация томов. Чтобы изменить ее вручную, нажмите значок карандаша и введите нужное значение.

Если в новом проекте необходимо начать нумерацию томов с 1, нажмите кнопку «Сбросить данные» на вкладке «ПРОЕКТ» таблички.

Обратите внимание, что это действие можно выполнить только для того носителя, который выбран с помощью соответствующего переключателя (SD или CFAST). Подробнее о переключении между накопителями CFAST и SD см. раздел «Карты SD» выше.



Панель параметров сохранения на камере URSA Broadcast G2 показывает, какой накопитель используется в настоящий момент — CFAST, SD, USB или SSD

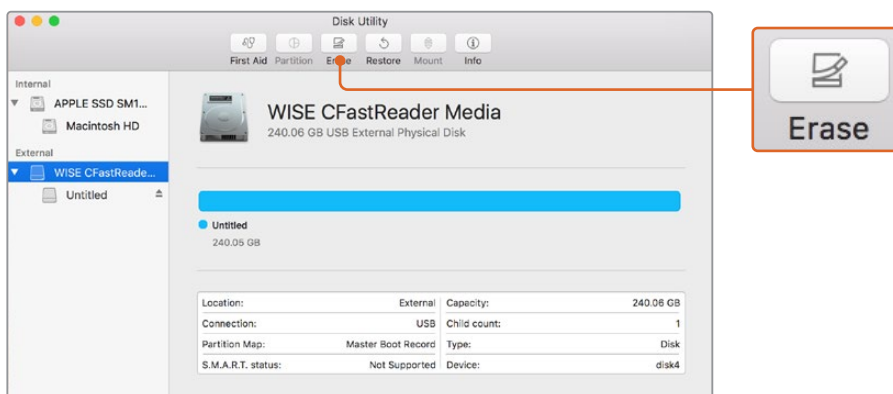
СОВЕТ. Если камера URSA Broadcast G2 использует карту SD с защитой от записи, ее нельзя отформатировать. В этом случае на ЖК-дисплее напротив имени карты будет отображаться значок замка. Для дальнейшей работы нужно снять блокировку. Подробнее о защите карт SD от записи см. раздел «Карты SD».

Подготовка накопителя на Mac

Для форматирования носителя (CFAST, SD или SSD) под систему HFS+ или exFAT воспользуйтесь приложением «Дисковая утилита», которое входит в пакет Mac.

Выполните резервное копирование всех важных данных, потому что при форматировании накопителя они будут удалены.

- 1 Подключите носитель к компьютеру с помощью картридера, адаптера или док-станции и пропустите сообщение, предлагающее использовать накопитель для создания резервной копии Time Machine.
- 2 Выберите «Программы» > «Утилиты» и запустите приложение «Дисковая утилита».
- 3 Щелкните кнопкой мыши по значку носителя и выберите вкладку «Стереть».
- 4 Выберите формат Mac OS Extended (журналируемый) или exFAT.
- 5 Укажите название нового тома и выберите «Стереть». По окончании форматирования носитель будет готов к использованию.

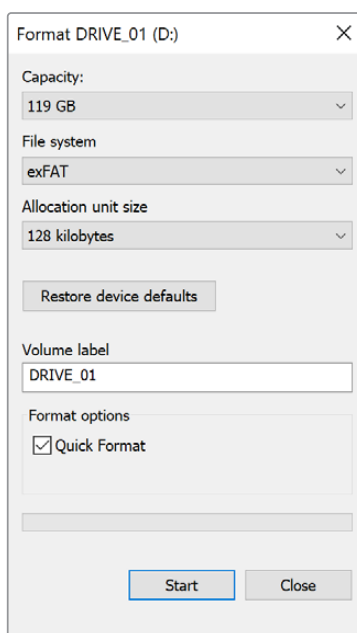


На платформе Mac OS для форматирования карты CFast под систему Mac OS Extended (журналируемый) или exFAT используется «Дисковая утилита»

Подготовка накопителя на Windows

На компьютере под управлением Windows форматирование диска под систему exFAT выполняется с помощью диалогового окна «Форматировать». Выполните резервное копирование всех важных данных, потому что при форматировании накопителя они будут удалены.

- 1 Подключите накопитель к компьютеру с помощью картридера, док-станции или адаптера.
- 2 В меню «Пуск» или на начальном экране выберите «Компьютер». Щелкните правой кнопкой мыши по значку накопителя.
- 3 В контекстном меню выберите «Форматировать».
- 4 Выберите файловую систему exFAT и для размера кластера установите значение 128 КБ.
- 5 Укажите метку тома, выберите «Быстрое форматирование» и «Начать».
- 6 По окончании форматирования накопитель будет готов к использованию.



На платформе Windows для форматирования носителя CFast, SD или SSD под систему exFAT используется диалоговое окно «Форматировать»

ПРИМЕЧАНИЕ. При наличии пропущенных кадров убедитесь в том, что карта находится в списке рекомендуемых носителей и поддерживает выбранный кодек и разрешение. Чтобы уменьшить объем данных, попробуйте работать с более низкой кадровой частотой и разрешением или используйте кодек ProRes. Актуальную информацию можно найти на веб-сайте Blackmagic Design по адресу www.blackmagicdesign.com/ru.

Запись

Запись клипов

Вещательные объективы с В4-креплением обычно имеют кнопку записи, которую удобно использовать при съемке с плеча. Чтобы начать запись, нажмите эту кнопку. Чтобы остановить запись, нажмите кнопку еще раз.

Камера имеет встроенные кнопки записи, расположенные на внутренней и боковой панелях управления для удобного доступа во время съемки с плеча.

Включение записи с помощью внешних устройств

Приложение Blackmagic Camera Control позволяет запускать запись и менять настройки камеры с планшета iPad. Подробнее о его применении см. раздел Bluetooth ниже. На смартфонах iPhone и Android можно установить приложения третьих сторон, которые тоже позволяют включать запись на URSA Broadcast G2 через Bluetooth.

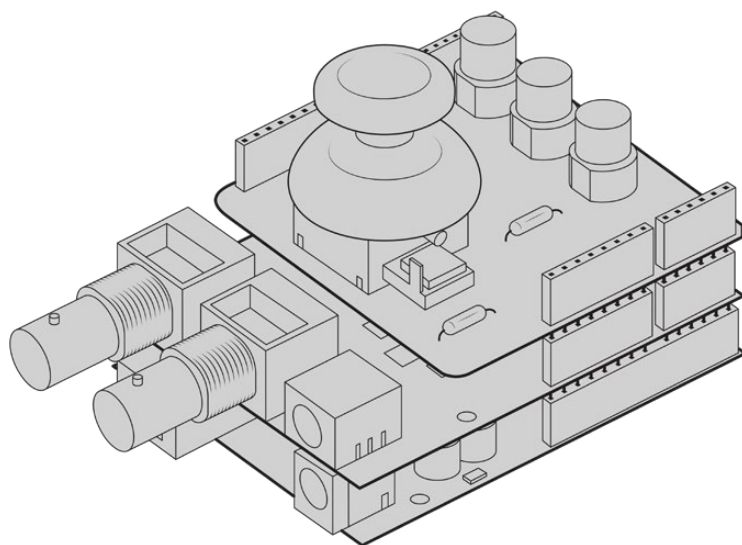
Если вместе с камерой URSA Broadcast G2 используется устройство Blackmagic Zoom Demand, сохранение можно начать с помощью расположенной на нем функциональной кнопки. Она находится в зоне действия большого пальца подобно кнопке VTR на В4-объективе. Подробнее см. раздел «Работа с устройством Blackmagic Zoom Demand» ниже.

Если камера Blackmagic URSA Broadcast G2 подключена к модели ATEM Mini Pro или Extreme через Blackmagic Micro Converter BiDirectional SDI/HDMI 3G, сохранение материала можно включить с помощью видеомикшера ATEM.

В приложении ATEM Software Control имеется секция «Запись потока», в которой есть опция «Запись на все камеры». Если в ней установить флажок и после этого нажать кнопку записи, она начнется на всех подключенных камерах. Это позволяет одним нажатием кнопки включать запись на всех камерах одновременно. Подробнее см. руководство по ATEM Mini.

Для дистанционного запуска и остановки записи по протоколу LANC также служит порт LANC на URSA Broadcast G2. При необходимости LANC-контроллер можно установить на ручку штатива и использовать его для управления съемкой во время работы с объективом.

Запускать запись на одной или нескольких единицах URSA Broadcast G2 можно также по протоколу Blackmagic для контроля камер через SDI с применением модуля Blackmagic 3G-SDI Shield for Arduino. Подробнее см. раздел «Информация для разработчиков» или руководство по Blackmagic 3G-SDI Shield for Arduino, которое доступно для загрузки по адресу www.blackmagicdesign.com/ru/developer.



Для более интерактивного и точного управления к модулю Blackmagic 3G-SDI Shield for Arduino можно подсоединить контроллер собственного изготовления

ПРИМЕЧАНИЕ. Если во время сохранения был изменен тип накопителя, камера сначала закончит сохранение текущего проекта, а затем переключится на другой тип. Это позволяет защитить запись от случайного вмешательства.

Выбор кодека, разрешения и рабочей области сенсора

Запись на URSA Broadcast G2 в кодеке Blackmagic RAW можно вести с постоянным битрейтом или постоянным качеством. Дополнительно доступны форматы Apple ProRes, H.264 и H.265 со сжатием, позволяющие сохранять материал в Ultra HD и HD. Возможные настройки кадровой частоты сенсора зависят от выбранного кодека и разрешения.

При использовании Blackmagic RAW доступны две опции: постоянный битрейт и постоянное качество. Значения 8:1, 12:1, Q3 и Q5 рекомендуются для репортажной съемки, так как они позволяют вести запись материала с высокой степенью компрессии и с минимальной потерей качества изображения в течение длительного времени. Для получения кадров наивысшего качества и сохранения мелких деталей изображения в полном объеме предусмотрены опции Blackmagic RAW 3:1 или Q0.

Клипы, сохраненные в Blackmagic RAW, совместимы с DaVinci Resolve, медиаплеером Blackmagic RAW и другими программами, разработчики которых предусмотрели поддержку данного формата с использованием пакета Blackmagic RAW SDK. Кодеки Blackmagic RAW уже интегрированы во многие постпроизводственные процессы, и хотя он входит не во все приложения монтажа, доступ к нему обеспечивается с помощью плагинов, устанавливаемых при обновлении ПО камеры. Подробнее см. раздел «Работа с программным обеспечением других производителей».

Blackmagic RAW

Камера URSA Broadcast G2 поддерживает новый кодек Blackmagic RAW. Он обеспечивает исключительно высокое качество изображения, сохранение широкого динамического диапазона и использование разной степени компрессии. Blackmagic RAW имеет все преимущества записи в формате RAW, при этом файлы обрабатываются гораздо быстрее, потому что большинство операций выполняется с аппаратным ускорением на самой камере.

Blackmagic RAW дополнительно позволяет обрабатывать большой объем метаданных, поэтому приложение, в котором открыт данный файл, способно считывать настройки камеры. Если съемка ведется в режиме «Видео» для исключения этапа цветокоррекции, то материал будет иметь соответствующий вид. За счет этого можно сократить сроки выполнения проекта и быстро получить кадры, готовые к показу. Тем не менее такие характеристики изображения определяются всего лишь применением программных параметров, а в файле все равно сохраняется информация о гамме режима «Фильм».

На практике это означает, что файл содержит полную информацию о динамическом диапазоне режима киносъемки. Благодаря ей сохраняется полная детализация в областях света и тени, поэтому при необходимости можно выполнить грейдинг изображения, чтобы придать ему кинематографический вид. Если времени на цветокоррекцию нет, материал будет выглядеть как обычная видеосъемка. Таким образом, жесткая привязка к какому-либо одному формату отсутствует, и у вас всегда есть метаданные для дополнительной обработки кадров.

Файлы Blackmagic RAW имеют превосходные скоростные характеристики, а сам кодек оптимизирован под обработку с использованием центрального и графического процессоров. Благодаря этому достигается плавное воспроизведение материала и устраняется потребность в аппаратных средствах декодирования, что особенно важно при работе на ноутбуке. Приложения, способные считывать файлы .braw, получают дополнительное преимущество за счет таких технологий, как Apple Metal, Nvidia CUDA и OpenCL.

Это позволяет воспроизводить материал в Blackmagic RAW с обычной скоростью на большинстве компьютеров без предварительного кэширования или уменьшения разрешающей способности.

Еще одна особенность Blackmagic RAW — сохранение параметров объектива для каждого кадра, если оптика поддерживает обмен метаданными. В этом случае фиксируется вся информация о таких настройках, как изменение зума или фокуса на протяжении всего видеоклипа.

Запись в Blackmagic RAW

Кодек Blackmagic RAW позволяет использовать два разных варианта сохранения: с постоянным битрейтом или постоянным качеством.

При постоянном битрейте запись ведется таким же способом, как при работе с большинством других кодеков. Скорость потока остается на постоянном уровне, что позволяет контролировать объем занимаемой памяти. В тех случаях, когда снимается комплексная сцена с большим количеством деталей, компрессия изображения будет увеличиваться, чтобы уместить записываемый материал на накопителе.

Для видеокодеков сжатие является обычным явлением, однако формат RAW используется для того, чтобы получить изображение максимально высокого качества. При компрессии большого объема данных возможна утрата отдельных деталей, причем это будет заметно уже по окончании съемки.

Кодек Blackmagic RAW позволяет решить подобную проблему за счет сохранения видео с постоянным качеством. Для этого используется переменный битрейт, поэтому при увеличении объема данных растет и размер файла. Так как отсутствует верхняя граница для занимаемого на накопителе пространства, изображение будет иметь полную детализацию.

При сохранении с постоянным качеством создается файл того размера, который необходим для получения полноценного изображения. Объем такого файла напрямую зависит от характера съемки: чем сложнее композиция, тем он больше, и наоборот.

Настройки сохранения при работе с кодеком Blackmagic RAW могут служить как обозначения технических характеристик компрессии. Например, для постоянного битрейта доступны такие опции, как 3:1, 5:1, 8:1 и 12:1. Первая цифра соответствует степени сжатия видео при съемке в Blackmagic RAW. Так, разновидность 3:1 дает более высокое качество, но и файлы в этом случае будут больше, в то время как компрессия с соотношением 12:1 уменьшает размер файла до минимума за счет потери детализации. Тем не менее многие пользователи отмечают, что даже Blackmagic RAW 12:1 позволяет получать материал без каких-либо ограничений в качестве. Лучший способ найти оптимальный вариант — самостоятельный подбор опции.

При записи в кодеке Blackmagic RAW с постоянным качеством доступны настройки Q0, Q1, Q3 и Q5. Каждая из них соответствует определенной степени компрессии. В этом случае нельзя заранее просчитать размер конечного файла, потому что коэффициент сжатия будет варьироваться в зависимости от характера выполняемой съемки. Чем сложнее композиция в кадре, тем больше места требуется на накопителе для сохранения полного объема информации.

Настройки «Постоянный битрейт»

Разновидности 3:1, 5:1, 8:1 и 12:1 обозначают степень компрессии. Например, при использовании опции 12:1 конечный файл по своему размеру приблизительно в 12 раз меньше по сравнению с данными в формате RAW без компрессии.

Настройки «Постоянное качество»

Q0, Q1, Q3 и Q5 обозначают уровень квантования. При использовании опции Q5 он более высокий, но за счет этого уменьшается объем необходимой памяти. Как отмечено выше, при сохранении с постоянным качеством размер файла зависит от сложности композиции в изображении. В этом случае видео может не уместиться на накопитель выбранной емкости, а также появляется вероятность пропуска кадров. Тем не менее подобные проблемы заметны непосредственно во время съемки, поэтому их легко исправить путем изменения настроек.

Медиаплеер Blackmagic RAW

В состав ПО для камер Blackmagic входит медиаплеер для воспроизведения материалов, записанных в кодеке Blackmagic RAW. Чтобы открыть файл .braw, дважды щелкните кнопкой мыши по нему. После этого можно просмотреть клип с полным разрешением и битовой глубиной, а также перейти к нужному фрагменту.

При декодировании кадров можно предусмотреть ускорение графического процессора с помощью средств из SDK-пакета. Это позволяет использовать такие технологии, как Apple Metal, Nvidia CUDA и OpenCL. Для дополнительной оптимизации рабочего процесса предусмотрена совместимость с решением Blackmagic eGPU. Медиаплеер Blackmagic RAW поддерживается на платформах Mac, Windows и Linux.

Файлы .sidecar

Файлы с расширением .sidecar можно использовать вместо метаданных, сохраненных вместе с оригинальной информацией с сенсора камеры. Они содержат настройки RAW, а также параметры диафрагмы, фокуса, фокусного расстояния, баланса белого, оттенка и цветового пространства, название проекта, номер дубля и другие сведения. Метаданные кодируются для каждого кадра и позволяют отслеживать изменение настроек объектива. Их легко добавить или отредактировать в DaVinci Resolve или простом текстовом редакторе, потому что формат доступен для чтения.

Файл .sidecar можно использовать для автоматического применения новых настроек RAW к воспроизводимому материалу. Для этого его достаточно перетащить в ту папку, где находится клип в формате RAW. Если файл .sidecar удалить из папки и снова открыть клип, записанный в Blackmagic RAW, изображение будет иметь свой исходный вид. Считывание настроек доступно в любых приложениях, разработчики которых предусмотрели поддержку кодека Blackmagic RAW с помощью нашего SDK-пакета. Формат .sidecar позволяет сохранять внесенные изменения, поэтому они заметны при просмотре в медиаплеере Blackmagic RAW или другой программе, способной распознавать файлы .braw.

При съемке в режиме «Видео» оригинальная информация об изображении сохраняется в режиме «Фильм», и только способ ее обработки определяет, какой будет гамма визуального ряда. Преимущество первого варианта в том, что не надо выполнять грейдинг, поэтому материал легко подготовить к показу. Если же нужно осветлить области тени или сделать менее яркими светлые участки, для этого есть полный набор необходимых данных.

Работа с кодеком Blackmagic RAW в приложении DaVinci Resolve

Для каждого клипа в формате .braw настройки можно скорректировать и сохранить в виде отдельного файла .sidecar. Для этого в приложении DaVinci Resolve есть вкладка RAW. Такая функция позволяет копировать материал для другого человека, работающего в DaVinci Resolve, который после импорта получит доступ к измененным параметрам гаммы. Помимо метаданных, встроенных в полученную с сенсора информацию, предусмотрено считывание выбранного динамического диапазона, поэтому клипы автоматически отображаются в режиме «Фильм», «Улучш. видео» или «Видео».

Параметры изображения можно скорректировать с помощью настроек насыщенности, контрастности и срединной точки, а также перехода светлых и темных тонов. Все изменения легко сохранить в файле .sidecar, и тогда они будут видны другим членам группы постобработки. Кроме того, в любой момент времени доступны оригинальные метаданные камеры.

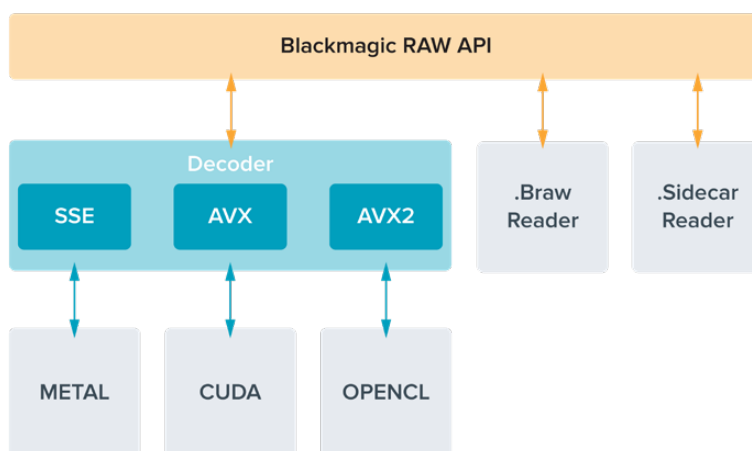
Вкладка RAW в приложении DaVinci Resolve также позволяет экспортировать один кадр файла .braw со всеми изменениями, метаданными, полным разрешением и информацией о цвете. Его можно использовать в качестве отправной точки во время групповой работы над проектом.

Подробнее о работе с файлами .braw в приложении DaVinci Resolve см. соответствующую главу ниже.

SDK-пакет для Blackmagic RAW

SDK-пакет для Blackmagic RAW представляет собой интерфейс API, разработанный компанией Blackmagic Design. С его помощью можно предусмотреть поддержку кодека Blackmagic RAW в уже существующих приложениях или создать новые. Это позволяет читать, редактировать и сохранять файлы .braw. Кроме того, данный набор инструментальных средств содержит алгоритмы 4-го и 5-го поколения, которые обеспечивают точную и последовательную цветопередачу на кинематографическом уровне. SDK-пакет для Mac, Windows и Linux доступен для бесплатной загрузки в разделе «Разработчикам» на веб-сайте Blackmagic по адресу www.blackmagicdesign.com/ru/developer.

Компоненты интерфейса API для поддержки кодека Blackmagic RAW



Выбор кадровой частоты

Диапазон кадровой частоты позволяет использовать наиболее подходящее значение. На визуальный ряд материала может влиять используемая во время съемки кадровая частота. При ее выборе нужно учитывать несколько факторов. За многие годы в индустрии установились определенные стандарты для съемки кино и ТВ-программ. Они отличаются в зависимости от страны, но в каждом случае служат одной и той же цели — получение качественного видео, в том числе при съемке движущихся объектов.

Например, в кинематографе используют частоту 24 кадра/с, и хотя некоторые операторы экспериментируют с более высокими значениями, этот формат остается предпочтительным для международной аудитории. Телевизионная кадровая частота зависит от вещательных стандартов конкретного региона. Например, для стран Северной Америки она составляет 29,97 fps, а в Европе — 25 fps.

По мере развития технологий выбор форматов становится шире, а стандарты вещательной отрасли меняются. В настоящее время запись и трансляция спортивных мероприятий ведется с более высокой кадровой частотой. В Северной Америке для этих целей используют значение 59,94 fps, в Европе — 50 fps. Оно позволяет качественно показать динамичные сцены, чтобы изображение выглядело более естественным. В потоковом интернет-вещании и онлайн-трансляциях обычно используют значения кадровой частоты, близкие к ТВ-индустрии. В этих случаях зрители имеют больше свободы при выборе формата, так как ограничения зависят только от технических возможностей потребителя.

При выборе кадровой частоты проекта следует руководствоваться требованиями для конечного материала. Чтобы видеоклипы воспроизводились с той же скоростью, с какой они были записаны, отключите опцию специальной частоты на камере.

Для создания интересного эффекта (например, замедленное движение) кадровая частота сенсора должна быть выше. Чем больше это значение по сравнению с частотой проекта, тем медленнее скорость воспроизведения.

Подробнее об использовании этой настройки и создании хронометражных эффектов см. раздел «Органы управления с сенсорного экрана».

Съемка с высокой кадровой частотой

При съемке с высокой кадровой частотой увеличивается количество кадров в секунду по сравнению с обычными показателями (24, 25 и 30 fps). Из-за этого на матрицу попадает меньше света в каждую отдельную единицу времени, поэтому изображение становится темнее.

Например, при переходе от 25 к 50 fps количество света, попадающего на матрицу, сокращается вдвое. Чтобы поддерживать необходимую экспозицию для компенсации такого изменения, можно добавить шаг для настройки объектива (то есть увеличить угол затвора с 180° до 360°) или сильнее осветить съемочную площадку.

При съемке с частотой 60 fps на сенсор попадает в два с половиной раза меньше света, чем при значении 24 fps. Поэтому для сохранения экспозиции нужно отрегулировать сразу несколько параметров, таких как диафрагма, угол затвора и выдержка.

При работе с высокой кадровой частотой необходимо также учитывать, что искусственные источники света (вольфрамовые, флуоресцентные и светодиодные лампы) часто приводят к мерцанию изображения. Во время записи или предварительного просмотра на ЖК-дисплее или подключенном SDI-дисплее эти проблемы можно не заметить, поэтому важно выполнять проверку сцен с источниками света, которые планируется применять.

Так как при съемке с искусственным освещением на мерцание также может влиять настройка параметров затвора, камера URSA Broadcast G2 допускает автоматический расчет и вывод опций по текущей кадровой частоте во избежание помех при записи. Стоит отметить, что

отдельные источники света могут вызывать мерцание при любых значениях затвора. Подробнее см. раздел «Органы управления с сенсорного экрана».

Если мерцание сохраняется при самой медленной скорости срабатывания затвора или самом широком его угле, попробуйте использовать разные источники света или скоростные объективы.

Максимальная кадровая частота сенсора и скорость передачи данных

В таблице ниже приводятся доступные кодеки и разрешение вместе с соответствующими им максимальной кадровой частотой сенсора и скоростью передачи данных. Для Blackmagic RAW, ProRes 444 и ProRes 422 указаны все возможные варианты по каждому отдельному формату.

Поскольку для записи замедленного движения в высоком разрешении необходима определенная скорость передачи данных, следует выбрать карту CFast, флеш-диск USB-C или накопитель SSD. Подробнее см. раздел «Работа с накопителями».

СОВЕТ. Для проверки поддерживаемой скорости носителя при записи тестового клипа выберите опцию «Остановить запись» настройки «ПРИ ПРОПУСКЕ КАДРОВ». Это позволит определить продолжительность сохранения во время съемки с определенной кадровой частотой и любым заданным разрешением. Если запись прерывается, перейдите к следующему значению компрессии или разрешения для уменьшения объема передаваемых данных.

Максимальная кадровая частота на URSA Broadcast G2

	Разрешение	Кодек	Макс. частота кадров	Макс. скорость передачи
Ultra HD	3840x2160	Blackmagic RAW 3:1	60	254 МБ/с
	3840x2160	Blackmagic RAW 5:1	60	152 МБ/с
	3840x2160	Blackmagic RAW 8:1	60	96 МБ/с
	3840x2160	Blackmagic RAW 12:1	60	64 МБ/с
	3840x2160	Blackmagic RAW Q0	60	48,7 – 96,8 МБ/с
	3840x2160	Blackmagic RAW Q1	60	32,6 – 77,6 МБ/с
	3840x2160	Blackmagic RAW Q3	60	21,9 – 55,6 МБ/с
	3840x2160	Blackmagic RAW Q5	60	13,4 – 32,6 МБ/с
	3840x2160	ProRes HQ	60	220 МБ/с
	3840x2160	ProRes 422	60	148 МБ/с
	3840x2160	H.265 SDI	60	24,6 МБ/с
	3840x2160	H.265 выс.	60	21,6 МБ/с
	3840x2160	H.265 средн.	60	15,6 МБ/с
	3840x2160	H.265 низк.	60	6,4 МБ/с

	Разрешение	Кодек	Макс. частота кадров	Макс. скорость передачи
HD	1920x1080	Blackmagic RAW 3:1	150	161,4 МБ/с
	1920x1080	Blackmagic RAW 5:1	150	97,2 МБ/с
	1920x1080	Blackmagic RAW 8:1	150	61,1 МБ/с
	1920x1080	Blackmagic RAW 12:1	150	41 МБ/с
	1920x1080	Blackmagic RAW Q0	150	121,2 – 241,6 МБ/с
	1920x1080	Blackmagic RAW Q1	150	81,8 – 193,4 МБ/с
	1920x1080	Blackmagic RAW Q3	150	54,4 – 138,4 МБ/с
	1920x1080	Blackmagic RAW Q5	150	33 – 81,1 МБ/с
	1920x1080	ProRes HQ	120	110 МБ/с
	1920x1080	ProRes 422	120	74 МБ/с
	1920x1080	H.264 SDI	60	14 МБ/с
	1920x1080	H.264 выс.	60	11,2 МБ/с
	1920x1080	H.264 средн.	60	6,4 МБ/с
	1920x1080	H.264 низк.	60	3,6 МБ/с

При настройках Blackmagic RAW Q0, Q1, Q3 и Q5 для достижения постоянного качества изображения используется компрессия с переменным битрейтом. В этих случаях скорость передачи данных, зависящая от сложности происходящих в кадре событий, будет значительно варьироваться.

Выбор кодека и разрешения

- 1 Нажмите кнопку MENU на панели управления.
- 2 Перейдите на первую страницу вкладки «ЗАПИСЬ».
- 3 Выберите нужную комбинацию кодека, качества и разрешения.
- 4 Для выхода нажмите MENU.

Форматы записи и кадровая частота проекта

После выбора кодека и разрешения установите кадровую частоту проекта и сенсора. Подробнее об использовании кадровой частоты см. раздел «Запись».

Варианты кадровой частоты проекта:

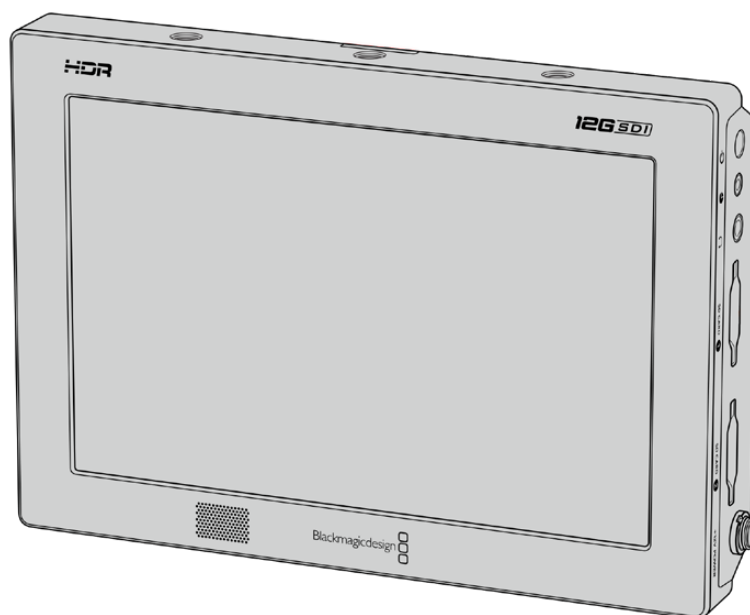
23,98/24/25/29,97/30/50/59,94/60 fps.

При записи в кодеках Blackmagic RAW или ProRes (вплоть до ProRes 422 HQ) максимальная кадровая частота проекта составляет 60 fps в любом разрешении.

Включение записи на внешних устройствах

На SDI-выходы камеры URSA Broadcast G2 автоматически поступает сигнал, позволяющий запускать запись при подключении к оборудованию, которое поддерживает подобную функцию (например, Blackmagic Video Assist). В этом случае при нажатии соответствующей кнопки на камере внешнее SDI-устройство будет начинать, а при повторном нажатии — останавливать запись.

Чтобы оборудование принимало команду с URSA Broadcast G2, на нем необходимо активировать функцию записи через SDI-сигнал. Если работа в таком режиме возможна, в настройках должна быть доступна соответствующая опция.



Через SDI-интерфейс можно запускать запись на другом оборудовании, например Blackmagic Video Assist 12G HDR

Таблица продолжительности записи

В таблице ниже приведена приблизительная продолжительность записи в минутах в зависимости от формата, частоты съемки проекта и емкости носителя данных. На максимальную продолжительность влияют эти же факторы. Например, для Apple ProRes 422 HQ с разрешением 3840 x 2160 объем занимаемой памяти составляет примерно 880 Мбит/с. При частоте 24 кадра/с на карту CFast 2.0 или SD емкостью 256 ГБ можно записать видео длительностью около 47 минут. На карту CFast 2.0 или SD емкостью 128 ГБ при аналогичных настройках уместится примерно 23 минуты видео, то есть в два раза меньше.

Продолжительность записи на карты CFast 2.0 и SD может варьироваться в зависимости от производителя. Она также зависит от того, под какую систему выполнено форматирование — exFat или Mac OS Extended.

Как правило, видео с небольшим количеством деталей занимает на диске меньше места по сравнению с клипами, которые отличаются насыщенной композицией. В таблице указаны значения для второго типа, поэтому при съемке простых кадров продолжительность записи может немного увеличиваться.

HD							
Карта CFast	Частота кадров	ProRes 422 HQ	ProRes 422	H.264 SDI	H.264 выс.	H.264 средн.	H.264 низк.
		Время	Время	Время	Время	Время	Время
256 ГБ	23,98	189 мин.	283 мин.	635 мин.	782 мин.	1395 мин.	2456 мин.
	24	189 мин.	283 мин.	635 мин.	782 мин.	1395 мин.	2456 мин.
	25	182 мин.	271 мин.	602 мин.	748 мин.	1339 мин.	2321 мин.
	30	152 мин.	227 мин.	496 мин.	612 мин.	1118 мин.	2079 мин.
	50	91 мин.	137 мин.	371 мин.	462 мин.	841 мин.	1852 мин.
	60	76 мин.	114 мин.	331 мин.	411 мин.	716 мин.	1520 мин.

Ultra HD					
Карта CFast	Частота кадров	Blackmagic RAW 3:1	Blackmagic RAW 5:1	Blackmagic RAW 8:1	Blackmagic RAW 12:1
		Время	Время	Время	Время
256 ГБ	23,98	41 мин.	68 мин.	110 мин.	164 мин.
	24	41 мин.	68 мин.	109 мин.	164 мин.
	25	39 мин.	66 мин.	105 мин.	157 мин.
	30	33 мин.	55 мин.	88 мин.	131 мин.
	50	19 мин.	33 мин.	52 мин.	79 мин.
	60	16 мин.	27 мин.	44 мин.	66 мин.

Ultra HD							
Карта CFast	Частота кадров	ProRes 422 HQ	ProRes 422	H.265 SDI	H.265 выс.	H.265 средн.	H.265 низк.
		Время	Время	Время	Время	Время	Время
256 ГБ	23,98	47 мин.	71 мин.	353 мин.	404 мин.	571 мин.	1499 мин.
	24	47 мин.	71 мин.	353 мин.	404 мин.	571 мин.	1499 мин.
	25	45 мин.	68 мин.	339 мин.	389 мин.	550 мин.	1442 мин.
	30	38 мин.	57 мин.	286 мин.	325 мин.	461 мин.	1223 мин.
	50	22 мин.	34 мин.	242 мин.	280 мин.	389 мин.	960 мин.
	60	18 мин.	28 мин.	241 мин.	277 мин.	325 мин.	809 мин.

Запись данных сенсора движения

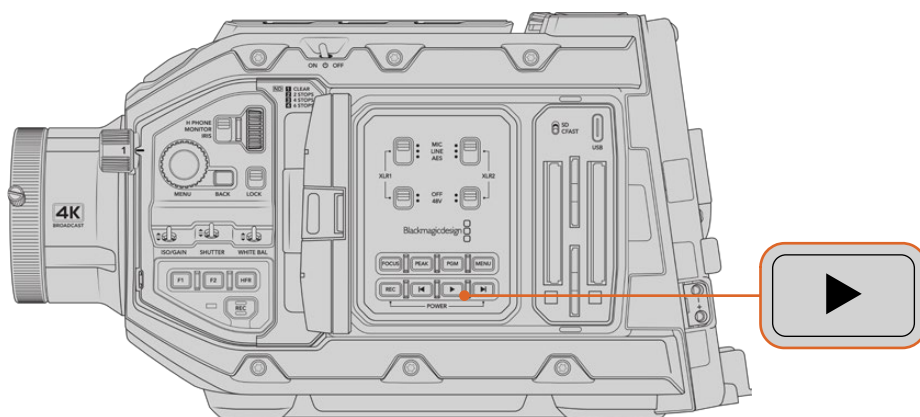
Камера Blackmagic URSA Broadcast G2 автоматически записывает информацию с гироскопа с помощью внутреннего сенсора движения. В дальнейшем приложение DaVinci Resolve может использовать эти метаданные для стабилизации изображения. Подробнее см. раздел «Стабилизация с помощью данных гироскопа».

Воспроизведение

Воспроизведение клипов

После того как клипы записаны, их можно вывести на монитор с помощью кнопок управления воспроизведением.

Чтобы начать воспроизведение на сенсорном ЖК-экране URSA Broadcast G2, нажмите соответствующую кнопку один раз. Также для просмотра видео можно использовать любой монитор, подключенный к SDI-выходам камеры.



URSA Broadcast G2

СОВЕТ. Blackmagic URSA Broadcast G2 имеет кнопки управления воспроизведением как на внутренней, так и на эргономичной панели.

ПРИМЕЧАНИЕ. Blackmagic URSA Broadcast G2 позволяет просматривать клипы с одинаковыми настройками кодека, кадровой частоты и разрешения. Например, для воспроизведения HD-видео, записанного в ProRes 422 HQ с частотой 29,97 fps, настройки кодека, разрешения и кадровой частоты должны быть такими же.

Органы управления воспроизведением на камере работают так же, как на CD-плеере. Если нажать кнопку перемотки вперед, будет выполнен переход к началу следующего клипа. Для перехода к началу текущего клипа нажмите кнопку обратной перемотки один раз, для перехода к началу предыдущего клипа — два раза. Чтобы выполнить обычное или обратное воспроизведение с удвоенной скоростью, нажмите и удерживайте кнопку перемотки вперед или назад. Если в режиме перемотки нажать одну из этих кнопок два, три или четыре раза, скорость воспроизведения увеличится в 4, 8 и 16 раз соответственно. Во время записи кнопки перемотки вперед/назад можно также использовать для изменения настройки диафрагмы, если на камеру установлен объектив с поддержкой электронного управления.

Когда частота записи клипа отличается от кадровой частоты проекта, скорость воспроизведения тоже будет другой. Допустим, для съемки проекта выбрана частота 24 кадра/с, которая используется на стадии постпроизводства. Если записать отдельный клип с частотой 60 кадров/с, то при воспроизведении на камере и на временной шкале в приложении постобработки будет получен эффект замедленного движения.

СОВЕТ. Подробнее об использовании кадровой частоты см. раздел «Запись».

Разъемы и функции камеры URSA Broadcast G2

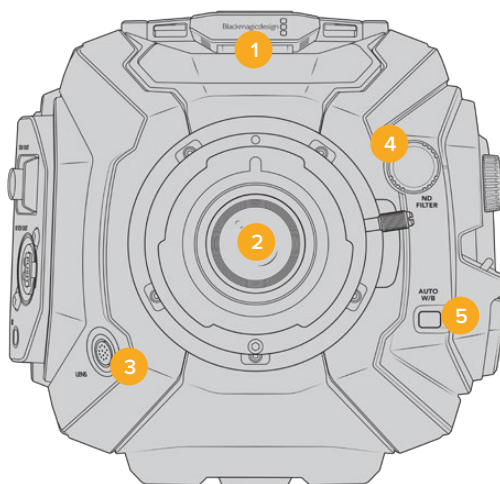
С правой стороны и на задней панели корпуса URSA Broadcast G2 расположены стандартные BNC-разъемы для передачи SDI-сигнала. На правой панели также есть вход LANC. Он предназначен для рукоятки Blackmagic URSA Handgrip, приобретаемой отдельно.

Входы XLR на верхней панели за монтажными отверстиями служат для подключения к источникам балансного аналогового и цифрового AES-звука. На задней панели предусмотрен 4-контактный XLR-разъем для внешнего источника питания, а расположенный с правой стороны силовой выход позволяет использовать такие дополнительные устройства, как видеоискатель.

Над слотами носителей есть порт USB, через который можно обновлять ПО камеры при подключении к компьютеру.

ПРИМЕЧАНИЕ. Камера имеет дополнительную эргономичную панель управления для удобства доступа к наиболее важным настройкам и функциям без использования откидного сенсорного экрана.

Передняя панель камеры



URSA Broadcast G2 с байонетом B4

1 **Стереомикрофон**

Встроенный стереомикрофон высокого качества. Подробнее о настройках звука см. раздел «Настройки».

2 **Байонет**

URSA Broadcast G2 имеет штатное крепление B4, которое можно заменить на вариант EF (входит в комплект), а также байонеты PL и F, совместимые с камерой URSA Mini Pro. Подробнее см. раздел «Сменный байонет».

3 **Разъем для вещательного объектива**

Этот 12-контактный разъем обеспечивает подачу питания и команд управления на совместимые вещательные зум-объективы с сервоприводом. Подробнее о работе с B4- и PL-оптикой см. раздел «Использование объективов с сервоприводом».

4 Светофильтры ND

Возможность выбора одного из трех встроенных нейтральных светофильтров или работа без них. Подробнее см. раздел «Органы управления на URSA Broadcast».

5 Кнопка AUTO W/B

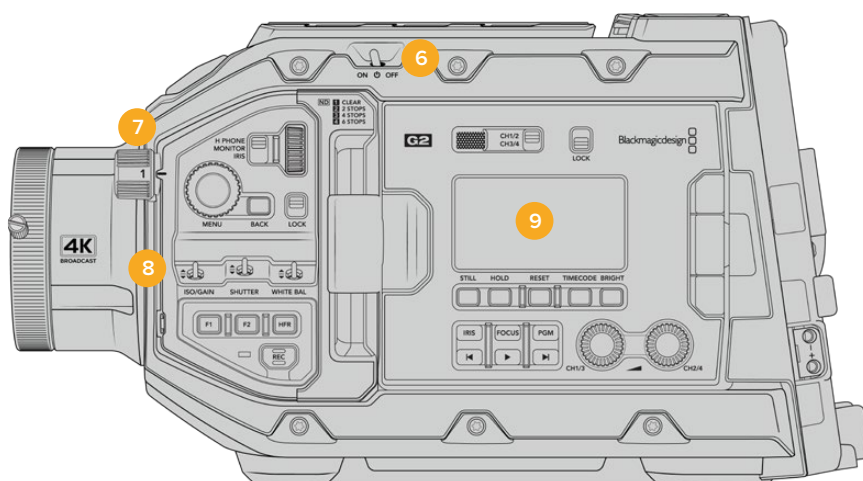
Служит для настройки баланса белого по тому цвету, который в данный момент находится перед объективом. Для этого можно использовать лист серого картона. Подробнее см. раздел «Органы управления на URSA Broadcast G2».

Левая сторона

С левой стороны расположены слоты для карт CFast 2.0, SDXC и SDHC, а также панель управления для работы с настройками. Над слотами находится порт USB-C, через который URSA Broadcast G2 подключают к компьютеру для обновления внутреннего ПО камеры.

Органы управления с левой стороны

С левой стороны расположены дополнительные органы управления для доступа ко всем необходимым функциям камеры. Они находятся на боковой панели, а также на внешней и внутренней сторонах откидного сенсорного дисплея.



URSA Broadcast G2 с закрытым экраном

6 Выключатель питания

Тумблер для включения камеры. Также камеру можно включить, если одновременно нажать две кнопки на передней панели откидного дисплея — записи и ускоренной перемотки вперед.

7 Светофильтры ND

Для регулировки света, попадающего на сенсор камеры, URSA Broadcast G2 имеет три нейтральных светофильтра. Доступны четыре режима настройки — от чистого изображения до шести ступеней снижения количества света. При прокрутке колесика во время смены фильтра раздается характерный щелчок. Подробнее см. раздел «Органы управления на URSA Broadcast G2».

8 Боковая панель управления

Служит для быстрого доступа ко всем важным функциям камеры URSA Broadcast G2. При съемке со штатива или плечевого упора панель обеспечивает удобное управление такими настройками, как ISO, выдержка, диафрагма, баланс белого и кадровая частота. Подробнее см. раздел «Органы управления на URSA Broadcast G2».

9 Эргономичная панель управления

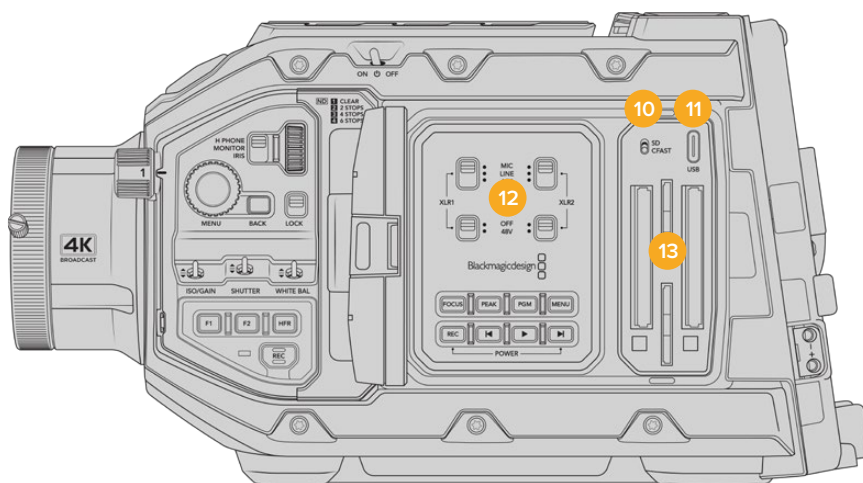
Расположена на внешней стороне откидного сенсорного экрана и состоит из ЖК-дисплея и органов управления. Здесь отображаются все основные служебные параметры и есть доступ к функциям мониторинга. Подробнее см. раздел «Органы управления на URSA Broadcast G2».

10 Переключатель накопителя

Служит для переключения между картами CFast и SD.

11 Порт USB

Служит для обновления встроенного программного обеспечения. Подробнее см. раздел «Утилита Blackmagic Camera Setup».



URSA Broadcast G2 с открытым экраном

12 Внутренняя панель управления

Доступна на камере URSA Broadcast G2 при открытом сенсорном экране. Она позволяет выбирать аудиовходы, а также настройки фантомного питания и диафрагмы, устанавливать фокус, работать с меню и воспроизведением. Подробнее см. раздел «Органы управления на URSA Broadcast G2».

13 Слоты для карт памяти

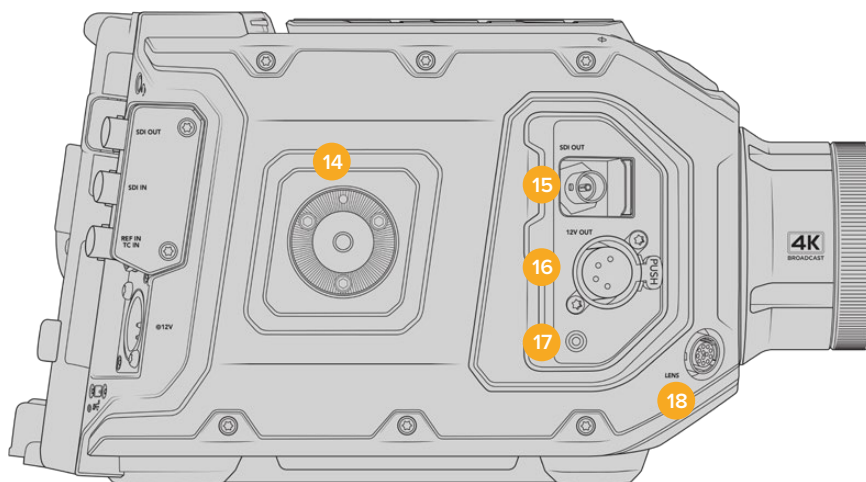
Позволяют использовать носители CFast 2.0, SDXC или SDHC для записи и воспроизведения. Перед работой проверьте список сертифицированных накопителей на нашем веб-сайте. Подробнее см. раздел «Работа с накопителями».

Правая сторона

С правой стороны расположены разъемы для подключения источников питания, видео и аудио, а также фиксатор боковой рукоятки.

14 Боковой фиксатор

Стандартный фиксатор для установки боковой рукоятки. См. разделы «Подготовка к работе» и "Blackmagic URSA Mini Shoulder Kit".



URSA Broadcast G2 имеет фиксатор для установки дополнительной боковой рукоятки от URSA Mini

15 Выход для мониторинга HD-материала

Разъем 3G-SDI для понижающей конверсии в 1080 HD. Предназначен для использования с Blackmagic URSA Viewfinder и внешними мониторами. Подробнее см. разделы «Видеовыходы камеры» и "Blackmagic URSA Viewfinder".

16 Выход питания +12 В

4-контактный XLR-разъем для питания Blackmagic URSA Viewfinder, Blackmagic URSA Studio Viewfinder или внешних мониторов и аксессуаров. Подробнее см. разделы "Blackmagic URSA Viewfinder" и "Blackmagic URSA Studio Viewfinder". Этот выход и разъем для управления вещательным объективом обеспечивают питание напряжением 12 В и суммарной силой тока до 2 А.

17 Вход LANC

Разъем TRS 2,5 мм для соединения с рукояткой Blackmagic URSA Handgrip по протоколу LANC.

18 Разъем для управления вещательным объективом

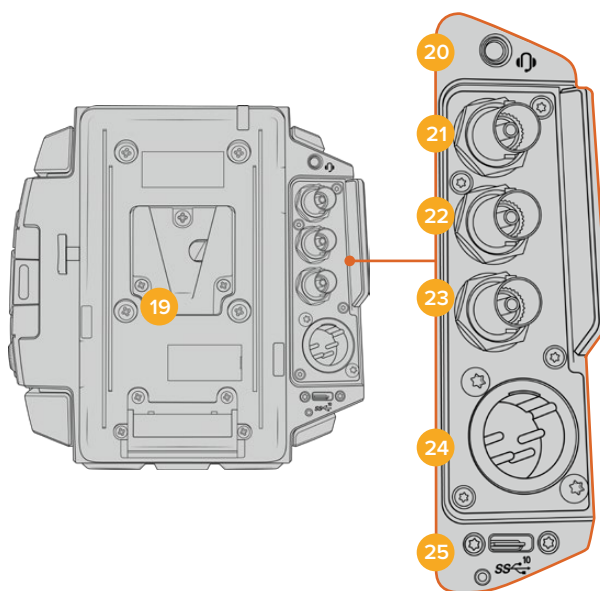
Обеспечивает подачу питания и команд управления на PL- и B4-объективы с 12-контактным разъемом. Этот разъем и выход питания +12 В обеспечивают питание напряжением 12 В и суммарной силой тока до 2 А.

Задняя панель

19 Пластина для аккумулятора

Blackmagic URSA Broadcast G2 поставляется с пластиной URSA VLock Battery Plate, предназначенной для установки аккумуляторных батарей с креплением VLock. На ней предусмотрен порт D-tap для подачи питания на аксессуары. Он обеспечивает стабилизируемое выходное напряжение 12 В силой тока до 1,5 А.

Пластину URSA VLock Battery Plate легко заменить на модель Blackmagic URSA Gold Battery Plate (поставляется отдельно) или аккумуляторную пластину сторонних производителей. Ее также можно снять, чтобы получить доступ к разъему Molex и установить на заднюю панель такие аксессуары, как Blackmagic Camera Fiber Converter и Blackmagic URSA Mini Recorder. Если на подключаемом устройстве есть силовой выход D-tap, на него с разъема Molex будет поступать питание напряжением 12 В и силой тока до 1,5 А. Подробнее см. главы «Установка аккумуляторной батареи», «Конвертеры линейки Blackmagic Fiber» и «URSA Mini Recorder».



20 Гнездо для гарнитуры

Разъем диаметром 3,5 мм предназначен для мониторинга звука и двусторонней связи. Позволяет подключать iPhone- и Android-совместимую гарнитуру со встроенным микрофоном. Сообщения связи передаются в исходящем SDI-сигнале на каналах 15 и 16.

СОВЕТ. Для двусторонней связи на камере URSA Broadcast G2 есть разъем 3,5 мм, позволяющий подключать гарнитуру iPhone и Android. Обычно это оборудование имеет кнопку для использования микрофона. При работе с вещательной гарнитурой без встроенного переключателя допускается соответствующая настройка функциональных кнопок URSA Broadcast G2. Подробнее см. раздел «Основные настройки».

21 Выход 12G-SDI

Выход 12G-SDI предназначен для вывода HD и Ultra HD на оборудование с SDI-интерфейсом, такое как коммутаторы, мониторы, устройства захвата видео и эфирные видеомикшеры. Также через него можно подключить внешний рекордер для дублирования записи, например Blackmagic Video Assist.

22 Вход 12G-SDI

Вход 12G-SDI для соединения камеры с видеомикшером или дополнительным рекордером. Это позволяет выводить на ЖК-дисплей программный сигнал при подключении URSA Broadcast G2 к соответствующему выходу микшера, а также просматривать материал с внешнего устройства записи. Чтобы увидеть программное изображение, нажмите и удерживайте кнопку PGM.

Подробнее см. раздел «Эргономичная панель управления».

Для удаленной настройки камеры можно также использовать приложение ATEM Software Control. Подробнее см. раздел «Управление камерой с помощью ATEM Camera Control». Еще один способ для дистанционного контроля камеры через SDI-интерфейс — модуль Blackmagic 3G-SDI Shield for Arduino.

Чтобы получать сигналы двусторонней связи и Tally-индикации через вход SDI, в меню «НАСТРОЙКА» камеры должен быть задан идентификатор камеры. Чтобы использовать синхронизацию через SDI-интерфейс по внешнему источнику, выберите опцию «Программа». В этом случае на ЖК-дисплее камеры рядом с тайм-кодом отображается обозначение "REF". Подробнее см. раздел «Основные настройки».

Вход SDI также позволяет передавать на камеру внешний тайм-код. Если кадровая частота такого SDI-сигнала совпадает с заданными настройками и тайм-код является действительным, он будет использоваться автоматически. В этом случае на ЖК-экране камеры появляется обозначение "EXT". Если отсоединить кабель, обозначение изменится на "INT", что указывает на использование внутреннего тайм-кода камеры.

23 Синхровход и ввод тайм-кода

Интерфейс автоматически распознает тайм-код или синхросигнал на входе. Вход REF IN (BNC-разъем) предназначен для ввода опорного сигнала, например tri-level. Чтобы получать опорный сигнал через этот вход, в меню камеры URSA Broadcast G2 необходимо задать источник как «Внешний».

Также его можно использовать для синхронизации многокамерной съемки по тайм-коду из внешнего источника либо сведения аудио- и видеосигнала при работе с двумя устройствами. Это помогает синхронизировать звук и изображение, а также материал с нескольких камер на этапе постпроизводства. Если кадровая частота сигнала из источника внешнего тайм-кода совпадает с заданными настройками, данный тайм-код будет выбран автоматически. В этом случае на ЖК-экране камеры появляется обозначение "EXT". Если отсоединить кабель, обозначение изменится на "INT", что указывает на использование внутреннего тайм-кода камеры.

Опорный сигнал с видеомикшера ATEM может также поступать через программный SDI-вход. В этом случае все камеры будут получать программное изображение и команды управления с помощью одного SDI-сигнала. Подробнее см. раздел «Основные настройки».

24 Вход питания 12 В

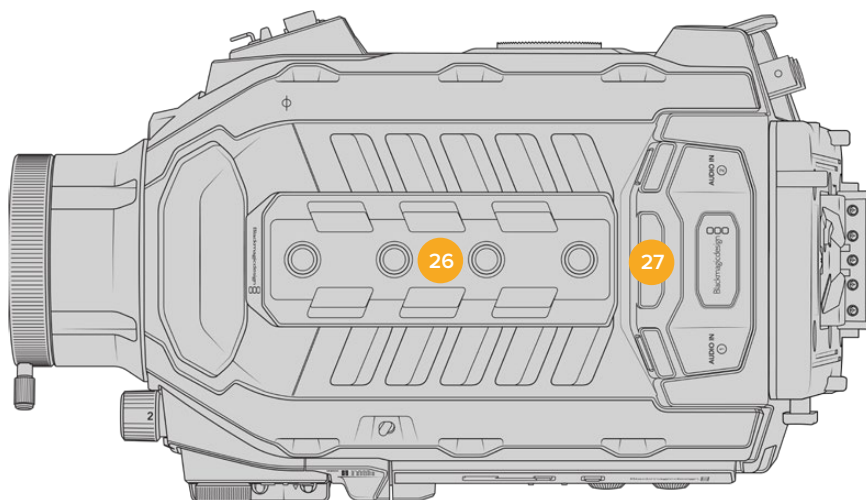
4-контактный XLR-разъем 12-18 В для подключения к внешним источникам питания, таким как адаптеры или переносные аккумуляторные батареи.

25 Порт USB

Порт USB-C 3.2 Gen 2x1 служит для записи материала на внешний флеш-диск или SSD-накопитель с применением модели Blackmagic URSA Mini Recorder. Его также можно использовать для подключения к камере устройств Blackmagic Zoom Demand и Blackmagic Focus Demand, которые позволяют настраивать фокус и зум на совместимых объективах.

Под портом USB-C имеется специальное резьбовое отверстие. Оно предназначено для фиксации USB-кабеля от аксессуара URSA Mini Recorder с целью обеспечения надежного соединения. Подробнее см. раздел "URSA Mini Recorder".

Верхняя панель



На верхней панели расположены балансные XLR-разъемы для подключения внешнего источника аналогового звука

26 Отверстия диаметром 1/4 дюйма

На верхней панели есть четыре монтажных отверстия для установки ручки и дополнительных устройств.

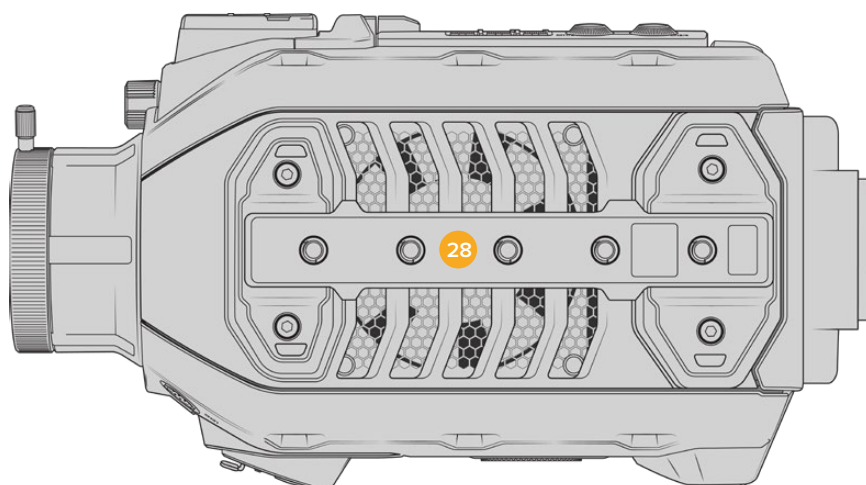
27 Аудиовход XLR

Балансные входы XLR позволяют подключать внешние источники аналогового аудиосигнала, в том числе звуковые микшеры, системы громкой связи или микрофоны. Разъемы XLR 48 В предусматривают возможность фантомного питания микрофонов. Подробнее о фантомном питании см. раздел «Органы управления на URSA Broadcast G2» > «Внутренняя панель управления».

Нижняя панель

28 Отверстия диаметром 1/4 дюйма

На нижней панели есть пять монтажных отверстий для установки на штатив, крепления плечевого упора URSA Mini Shoulder Kit и других дополнительных устройств.

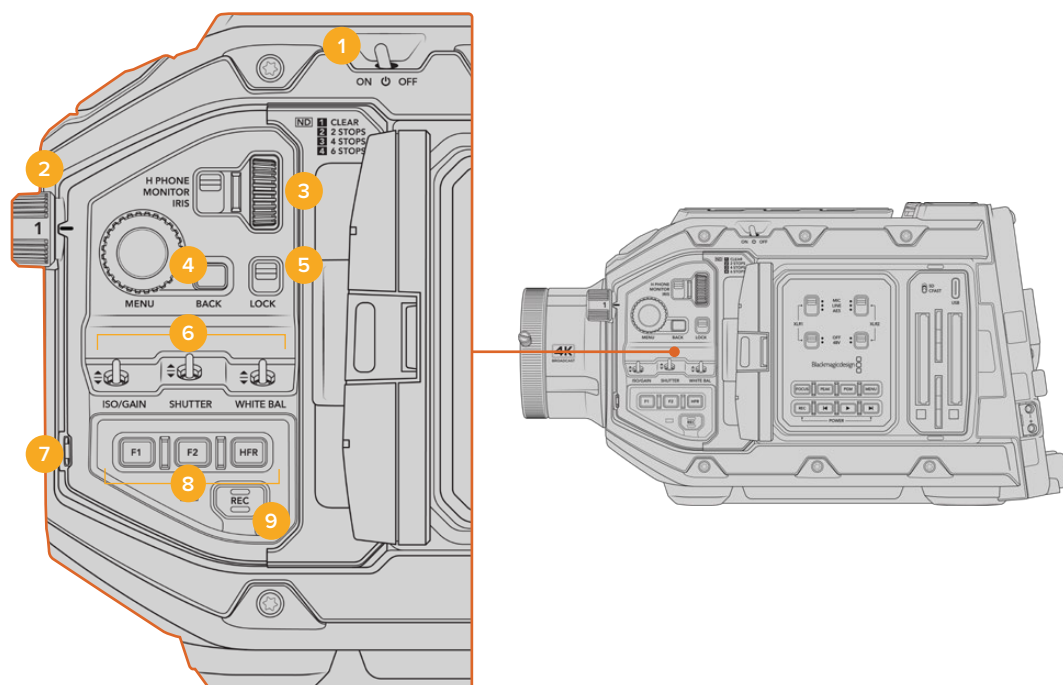


Органы управления на URSA Broadcast G2

Blackmagic URSA Broadcast G2 имеет органы управления на корпусе, внешней и внутренней сторонах откидного сенсорного экрана для быстрого и удобного доступа ко всем важным функциям, а также мониторинга сигнала. Они расположены таким образом, чтобы быть всегда под рукой в любых условиях съемки: со штатива, с рук или плечевого упора URSA Mini Shoulder Kit.

Боковая панель управления

На боковой панели управления сгруппированы все органы контроля, необходимые для подготовки к съемке и во время записи. Они обеспечивают удобный доступ при закрытом откидном экране, например при работе с плеча.



Органы управления на боковой панели URSA Broadcast G2

1 Выключатель питания

Для подачи питания на URSA Broadcast G2 установите тумблер в положение ON (Вкл.). Для отключения камеры верните тумблер в положение OFF (Выкл.).

СОВЕТ. На URSA Broadcast G2 управлять питанием можно с помощью комбинаций кнопок на панели. Чтобы включить или отключить камеру, нажмите REC и кнопку ускоренной перемотки вперед. Если тумблер питания находится в положении ON, но камера обесточена, отключите и снова включите его, чтобы вернуться к обычному режиму работы.

2 Светофильтры ND

URSA Broadcast G2 имеет три нейтральных светофильтра. Доступные настройки: CLEAR, 1/4, 1/16 и 1/64. Эти фильтры позволяют уменьшить количество света,

попадающего на сенсор URSA Broadcast G2, и регулируются показателем объема пропускаемого света в дробях. Снижая этот показатель, можно продолжать съемку при ярком свете с широкой диафрагмой, например вне студии в солнечный день.

Для настройки нейтрального светофильтра поверните колесико вперед или назад. Положение Clear означает отсутствие фильтрации. Настройки с 1/4 по 1/64 повышают плотность фильтрации, что уменьшает проходимость света.

Так как для светофильтров используются разные термины, допускается их индивидуальная настройка в меню на ЖК-дисплее. Это позволяет идентифицировать светофильтры ND по числу, ступени экспозиции и объему пропускаемого света в дробях.

Настройки нейтральных светофильтров ND

Положение колесика	Число	Ступень	Дробь
1	Clear	0	1
2	0.6	2	1/4
3	1.2	4	1/16
4	1.8	6	1/64

3 Колесико настроек

Рядом с колесиком находится переключатель, для которого предусмотрены три положения: H PHONE, MONITOR и IRIS.

H PHONE

При выборе этой опции настраивается уровень звука в наушниках, и поворот колесика вверх или вниз увеличивает или уменьшает громкость.

MONITOR

При выборе этой опции настраивается уровень звука на встроенном динамике, который находится на внешней стороне ЖК-дисплея и может использоваться для мониторинга аудиосигнала без наушников. Поворот колесика вверх или вниз увеличивает или уменьшает громкость. Функция блокируется при записи с использованием встроенного микрофона, чтобы исключить нежелательные звуковые помехи.

IRIS

При выборе этой опции настраивается диафрагма при использовании совместимых объективов. Поворот колесика вниз открывает диафрагму, вверх — закрывает. Такое направление аналогично настройке данной функции на фото- и кинообъективах.

СОВЕТ. Для изменения диафрагмы с помощью колесика на URSA Broadcast G2 необходимо установить оптику с поддержкой данной функции. При использовании объективов с креплением B4 или PL, подключенных к камере через 12-контактный разъем, проверьте настройку диафрагмы на рукоятке. Она должна быть в положении A (или Auto).

4 Колесико MENU и кнопка BACK

Когда на камере включена опция вывода служебных данных через передний SDI-выход, колесико MENU позволяет перейти к функциям, которые обычно доступны с сенсорного ЖК-дисплея. Нажмите колесико для входа в меню и вывода информации на внешний экран, например Blackmagic SmartView, Video Assist или URSA Viewfinder.

Поверните колесико, чтобы выбрать функции — опции мониторинга на ЖК-дисплее, кадровую частоту, ISO, баланс белого и тон. Для подтверждения выбора или дополнительных настроек вновь нажмите колесико. Кнопка BACK рядом с колесиком служит для отмены выбора. Эту же кнопку можно использовать для навигации по меню или выхода из него. Если с меню не работают, оно автоматически закрывается через одну минуту.

Подробнее о настройках состояния и доступных органах управления см. разделы «Органы управления с сенсорного экрана» и «Настройки мониторинга».

5 LOCK

Переключатель блокирует органы управления на передней панели и помогает избежать случайного изменения настроек. В нижнем положении блокировка активирована, в верхнем — отменена.

СОВЕТ. Если при съемке на массовом мероприятии вам нужно отойти, можно заблокировать переднюю панель камеры URSA Broadcast G2 от постороннего вмешательства.

6 Переключатели ISO/GAIN, SHUTTER и WHITE BAL

Эти небольшие переключатели предназначены для настройки ISO/усиления, затвора и баланса белого. Они позволяют быстро менять используемые параметры без остановки съемочного процесса. Для этого осторожно передвиньте переключатель вверх или вниз, после чего он сам вернется в нейтральное положение.

ISO/GAIN

Сдвиг этого переключателя вверх повышает значение усиления на 1/3 шага, вниз — понижает на такую же величину. Доступный диапазон: от -12 до 36 дБ.

SHUTTER

Этот переключатель используется для изменения выдержки. Сдвиг вверх позволяет выбрать следующую доступную настройку, вниз — предыдущую. Для ускоренного перехода между значениями необходимо удерживать переключатель в верхнем или нижнем положении. Доступно 12 вариантов: от 1/24 до 1/2000.

СОВЕТ. URSA Broadcast G2 также рассчитывает значения выдержки на основе частоты сетей энергоснабжения в вашей стране. Эту настройку можно выбрать в меню ЖК-экрана. Подробнее см. раздел «Органы управления с сенсорного экрана».

WHITE BAL

Этот переключатель позволяет регулировать баланс белого. Сдвиг вверх повышает температуру цвета на 50K, а вниз — понижает на такую же величину. Для ускоренного перехода между значениями необходимо удерживать переключатель в положении вверх или вниз.

7 Кнопка AUTO W/B

При нажатии этой кнопки в центре ЖК-дисплея на пять секунд появляется окно автоматической настройки баланса белого. Также оно выводится при передаче сигнала через SDI-выход вместе с информацией о состоянии, если эта опция активирована в настройках меню. Окно обозначает особую зону изображения, в которой рассчитывается баланс белого. Картон серого цвета должен размещаться

внутри его границ. Для автоматической настройки баланса белого нажмите и удерживайте кнопку AUTO W/B в течение трех секунд. При успешном завершении настройки цвет рамки изменится с белого на зеленый.

О том, как включить отображение служебной информации на переднем и основном SDI-выходах, см. раздел «Настройки мониторинга».

8 F1 и F2

С помощью меню «НАСТРОЙКА» на URSA Broadcast G2 можно запрограммировать кнопки F1 и F2 для доступа к часто используемым функциям. По умолчанию F1 используется для включения и выключения вывода «зума для фокуса» на ЖК-дисплей и передний SDI-выход, а F2 — для вывода «условного цвета» на ЖК-дисплей.

Подробнее см. раздел «Органы управления с сенсорного экрана».

HFR

Эта кнопка служит для включения специальной кадровой частоты. Чтобы использовать эту функцию, выберите значение в меню «СПЕЦИАЛЬНАЯ ЧАСТОТА». После этого при нажатии кнопки можно переключаться между специальной и стандартной кадровой частотой проекта. Данная настройка доступна для изменения только при остановке записи. Кнопку HFR можно также использовать в качестве функциональной кнопки или отключить.

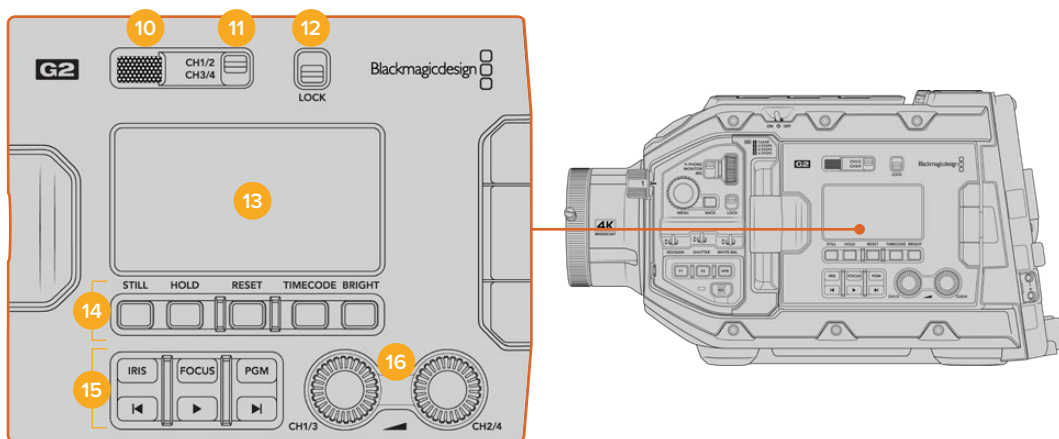
Подробнее о специальной и стандартной кадровой частоте проекта см. раздел «Органы управления с сенсорного экрана».

9 REC

Кнопка REC расположена с левой стороны корпуса Blackmagic URSA Broadcast G2. Нажмите ее для запуска или остановки записи. Подробнее см. раздел «Запись».

Эргономичная панель управления

Расположена на внешней стороне откидного сенсорного экрана и состоит из ЖК-дисплея и инструментов мониторинга. На этой панели отображаются все служебные параметры и уровни звука. При установке объектива с поддержкой электронного управления можно использовать автоматическую фокусировку, а органы управления воспроизведением позволяют просматривать видео.



Эргономичная панель управления камеры URSA Broadcast G2

10 Динамик

Небольшой встроенный динамик позволяет выводить звук в режиме воспроизведения. Он расположен на уровне человеческого уха при условии ведения съемки с плеча.

Для регулировки громкости поверните колесико настройки, как описано в разделе «Органы управления на URSA Broadcast G2».

11 Выбор канала мониторинга

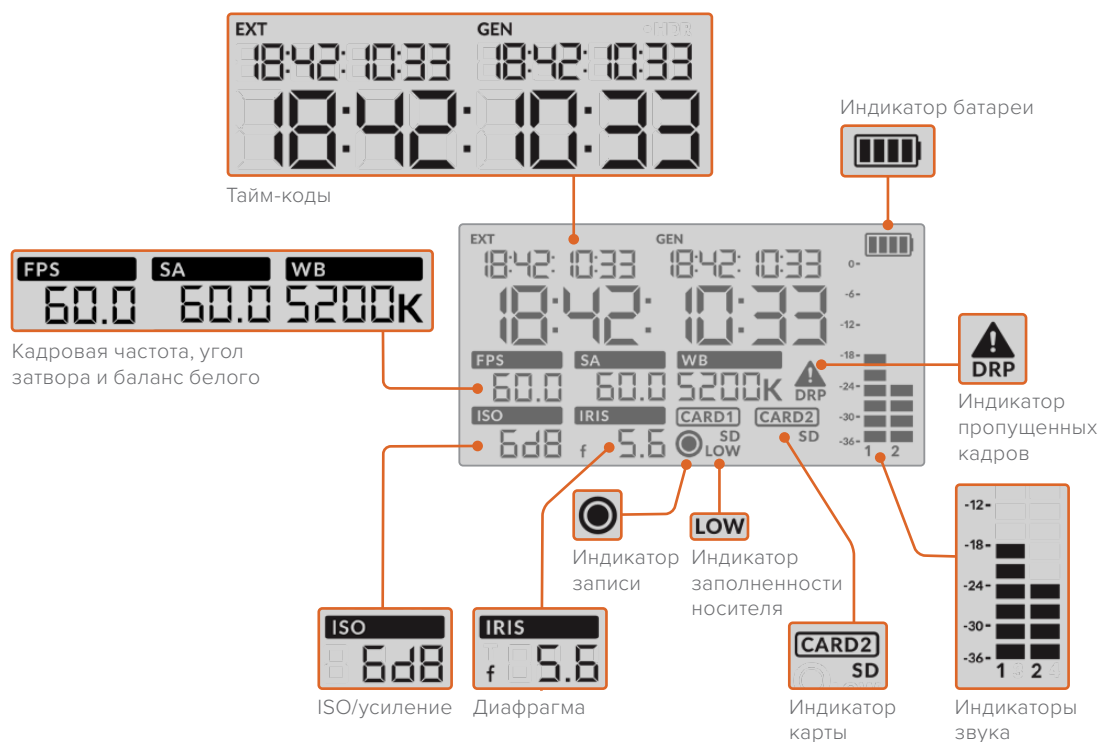
URSA Broadcast G2 позволяет использовать два аудиоканала.

12 LOCK

Этот переключатель служит для блокировки всех настроек эргономичной панели управления на URSA Broadcast G2. Единственная настройка, которая остается при этом активной, — выбор канала для мониторинга.

13 ЖК-дисплей состояния

На экран состояния выводятся основные настройки, поэтому для просмотра служебной информации не нужно открывать внутренний сенсорный дисплей. Конструкция экрана позволяет четко видеть изображение даже в яркую солнечную погоду. Доступны несколько параметров.



Тайм-коды

URSA Broadcast G2 отображает три разных тайм-кода. Если подключен источник внешнего тайм-кода, он будет выводиться под индикатором EXT в левом верхнем углу. Внутренний тайм-код камеры показан под индикатором GEN. Оба тайм-кода выводятся в формате часы:минуты:секунды:кадры.

Крупные символы показывают продолжительность клипа или тайм-код. Для перехода между режимами отображения нажмите кнопку TIMECODE под ЖК-дисплеем состояния.

Индикатор батареи

Если URSA Broadcast G2 работает от батареи, этот индикатор показывает оставшееся время с шагом 25%. Каждая из четырех секций аккумулятора — это 25% заряда. При

уровне ниже 20% начинает мигать светодиодный индикатор состояния, расположенный возле кнопки записи. Во время сохранения он будет попеременно загораться красным и оранжевым, в режиме ожидания — белым и оранжевым цветом.

При питании камеры от электрической сети индикатор батареи отображает полную зарядку.

FPS, SA и WB

Эти индикаторы отображают текущую кадровую частоту (FPS), угол затвора (SA) и баланс белого (WB). Поле FPS показывает текущую кадровую частоту сенсора.

Подробнее о кадровой частоте сенсора и проекта см. раздел «Органы управления с сенсорного экрана».

ISO/GAIN

Текущее значение светочувствительности.

IRIS

Текущее значение диафрагмы отображается в зависимости от типа оптики как f или T.

Информация о накопителях

Индикаторы CARD1 и CARD2 отображают информацию о накопителях, находящихся в данный момент в соответствующих слотах.

При использовании карт SD появляется значок SD, который исчезает при работе с накопителем CFast.

Индикатор записи

Во время записи круглый значок появляется под именем накопителя, на который сохраняется материал.

Низкий уровень оставшегося времени записи

Индикатор LOW указывает на то, что на используемом накопителе осталось места примерно на пять минут записи.

Индикаторы звука

Они показывают громкость звука для каналов 1 и 2 при использовании встроенного микрофона или подключении внешнего аудиооборудования. На дисплее уровень отображается в dBFS, при этом максимальные значения фиксируются на короткое время для облегчения их зрительного восприятия.

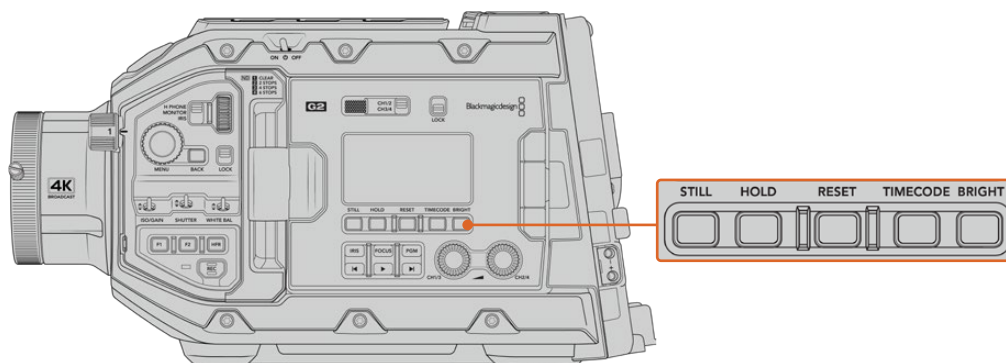
Чтобы получить качественную звуковую дорожку, значения сигнала должны быть ниже 0 dBFS. В случае превышения этого уровня возникает перегрузка, и аудиосигнал искажается.

Индикатор пропущенных кадров

При обнаружении пропущенных кадров индикатор начинает мигать, а после остановки записи остается на экране, указывая на пропущенные кадры в предыдущем клипе. Предупреждение исчезнет при возобновлении записи или при повторном включении камеры. Подробнее о том, как избежать пропуска кадров, см. раздел «Работа с накопителями».

ПРИМЕЧАНИЕ. На URSA Broadcast G2 можно выбрать опцию остановки записи при обнаружении пропущенных кадров. Подробнее см. раздел «Настройки записи». Эта функция настраивается самим пользователем, чтобы устранить погрешности при записи с высокой кадровой частотой или разрешением на более медленные накопители.

14 Органы управления под дисплеем состояния



Органы управления под дисплеем состояния на камере URSA Broadcast G2

STILL

При нажатии этой кнопки происходит захват статического изображения как отдельного DNG-кадра. Файлы сохраняются в папку Stills в той же директории, где находятся медиафайлы текущей записи. Их имена совпадают с названиями видеофайлов, но в конце содержат индекс S001, цифры которого соответствуют номеру статического изображения. Когда изображение сохранено, оно появляется в верхнем правом углу сенсорного экрана URSA Broadcast G2, а датчик записи на ЖК-дисплее мигает три раза.

HOLD

Эта кнопка временно останавливает внешний тайм-код текущего времени при его выводе на ЖК-дисплей. Отсчет тайм-кода продолжается в фоновом режиме и возвращается к фактическому состоянию после того, как отпущена кнопка. Такую задержку можно использовать в тех случаях, когда нужно установить значение тайм-кода для определенного фрагмента, например во время репортажной или документальной съемки.

RESET

Эта кнопка позволяет сбросить тайм-код до 00:00:00:00 при установке собственного значения.

TIMECODE

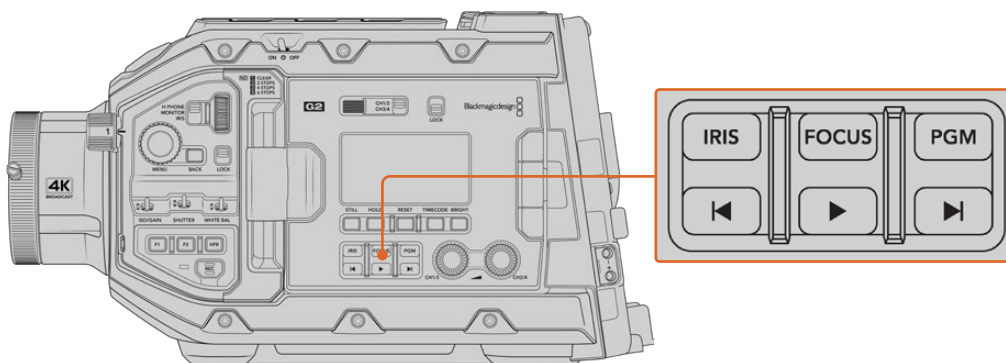
При нажатии этой кнопки можно переключаться между двумя форматами отображения. По умолчанию используется тайм-код, который привязан к текущему времени суток. Если кнопку нажать и удерживать в таком положении в течение пяти секунд, камера перейдет в режим внутреннего тайм-кода (продолжительность). Индикатор тайм-кода и два первых сегмента на дисплее начнут мигать. На этом этапе можно задать собственное значение.

При нажатии кнопки RESET тайм-код обнуляется. После этого с помощью колесика MENU можно установить значение для часов, минут, секунд и кадров. Когда тайм-код задан, нажмите и удерживайте кнопку TIMECODE в течение трех секунд, чтобы задать точку отсчета. Выбранное значение будет отображаться на дисплее и начнет меняться, когда оператор приступит к съемке. Чтобы вернуться к внешнему тайм-коду, одновременно удерживайте кнопки TIMECODE и HOLD в нажатом положении в течение трех секунд.

BRIGHT

Кнопка для перехода между четырьмя настройками яркости ЖК-дисплея состояния: Off (Выкл.), Low (Низк.), Medium (Средн.) и High (Высок.).

15 Кнопки управления и воспроизведения



Кнопки управления и воспроизведения на URSA Broadcast G2

IRIS

Включает автоматическую диафрагму при использовании объективов с поддержкой данной функции. В режиме видеосъемки при одном нажатии этой кнопки будет установлена средняя экспозиция на основе параметров света или тени в кадре. В режиме киносъемки при нажатии IRIS устанавливается экспозиция по самому светлому участку в кадре. Функция доступна при работе с EF- и PL-оптикой, подключенной к вещательным объективам с поддержкой электронного управления.

Чтобы настроить диафрагму в ручном режиме, нажмите кнопку перемотки вперед или назад.

FOCUS

Включает автофокус при использовании объектива с креплением B4 или EF и поддержкой электронного управления. На подключенном к URSA Broadcast G2 видеискателе или мониторе появится рамка белого цвета. Все детали изображения внутри этой рамки будут в фокусе. После наведения фокуса рамка исчезнет.

ПРИМЕЧАНИЕ. Чтобы использовать кнопку FOCUS, объектив с B4-креплением должен иметь включенное сервоуправление фокусировкой. Подробнее см. раздел «Подготовка к работе». Некоторые объективы имеют режим как ручной, так и автоматической фокусировки. Для того, чтобы камера URSA Broadcast G2 поддерживала автоматическую фокусировку оптики при работе с дополнительным байонетом EF, необходимо настроить объектив на этот режим работы.

PGM

Кнопка PGM служит для переключения между изображением камеры, которое выводится на ЖК-дисплей и через передний SDI-выход, и любым сигналом, поступающим на вход 12G-SDI. Это позволяет просматривать программный контент при подключении камеры к соответствующему выходу видеомикшера. Чтобы увидеть программное изображение, нажмите и удерживайте кнопку PGM. Оно будет выводиться до тех пор, пока нажата эта кнопка.

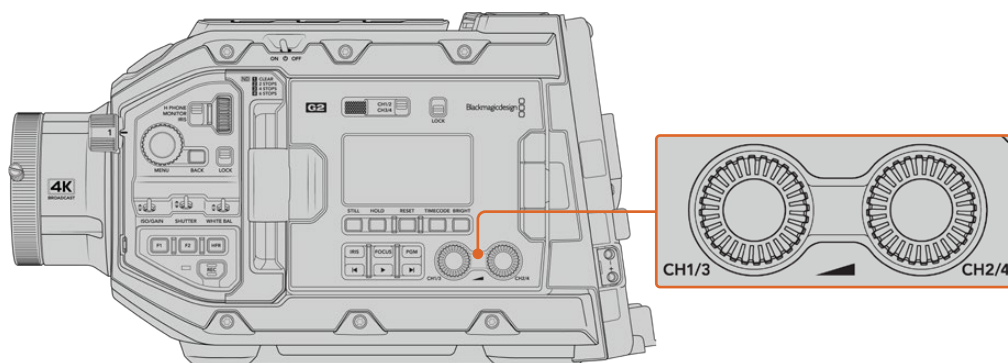
При необходимости вывод программного изображения на ЖК-монитор и через передний SDI-выход можно зафиксировать. Для этого нажмите PGM два раза. Чтобы перейти от программного изображения к сигналу камеры, нажмите кнопку еще раз.

Кнопки управления воспроизведением

Эти кнопки позволяют запускать и останавливать воспроизведение, а также переходить к следующему или предыдущему клипу. Кнопки перемотки вперед/назад можно также

использовать для изменения настройки диафрагмы при работе с EF-объективами, поддерживающими электронное управление. Подробнее см. раздел «Воспроизведение».

16 Настройка уровня звука

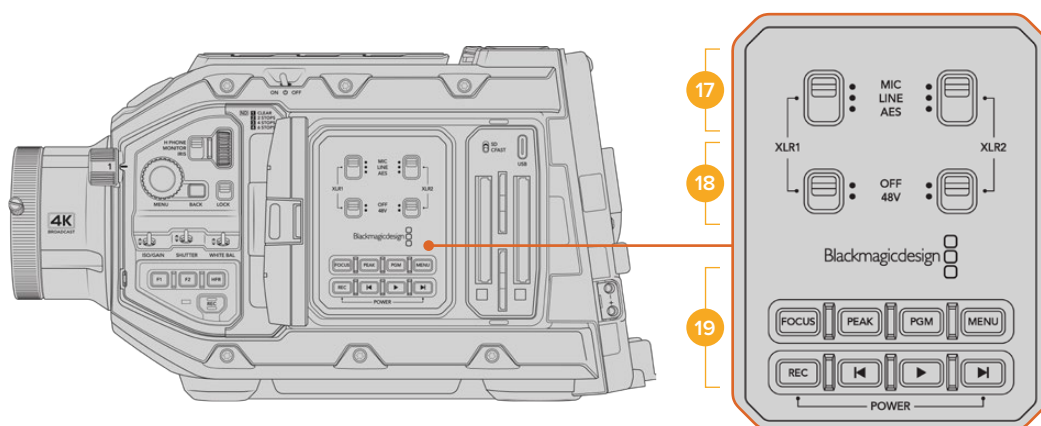


Ручки настройки звука на URSA Broadcast G2

Уровень записи на каналах 1 и 2 можно настроить с помощью ручек регулировки. Для увеличения или уменьшения уровня звука поверните соответствующую ручку по часовой стрелке или против часовой стрелки. Чтобы установить оптимальное значение, используйте экранные индикаторы.

Внутренняя панель управления

URSA Broadcast G2 имеет откидной сенсорный экран, при открытии которого появляется доступ к внутренней панели управления. Она позволяет выбирать аудиовходы, контролировать настройки фантомного питания и диафрагмы, устанавливать фокус, работать с меню и выполнять воспроизведение.



Внутренняя панель управления на URSA Broadcast G2

17 XLR1 / XLR2

Эти переключатели служат для выбора режима работы при использовании XLR-входов как источника. Доступны три опции: микрофон, линейный сигнал и цифровое AES-аудио.

18 Фантомное питание

XLR-входы камеры позволяют подавать фантомное питание 48 В на микрофоны без автономного энергоснабжения. Для использования этого режима установите переключатель в положение 48V, для отключения — в положение OFF.

Перед подачей фантомного питания рекомендуется сначала подсоединить кабель XLR. Если микрофон больше не получает питание, необходимо установить соответствующий

переключатель в выключенное положение. Устройства, не имеющие встроенной защиты на выходах AES XLR, могут быть повреждены при подключении к XLR-входам камеры, если на них еще подается питание. При отсоединении микрофона переключатель +48V должен быть установлен в положение OFF.

19 Кнопки управления и воспроизведения

FOCUS

Кнопка включает автофокус при использовании объектива с креплением B4 или EF и поддержкой электронного управления. На откидном мониторе появится белая фокусная рамка. Все детали изображения внутри этой рамки будут в фокусе. После наведения фокуса рамка исчезнет.

Чтобы использовать кнопку FOCUS, объектив с B4-креплением должен иметь включенное сервоуправление фокусировкой. Подробнее см. раздел «Подготовка к работе». Некоторые объективы имеют режим как ручной, так и автоматической фокусировки. Для того, чтобы камера поддерживала автоматическую фокусировку оптики, необходимо настроить объектив на этот режим работы.

PEAK

Эта кнопка используется для выделения контуров изображения. При обычном выделении контуров искусственно усиливается резкость оказавшихся в фокусе зон изображения. Во втором режиме к зонам резкости добавляются цветные линии в виде черных, белых, красных, зеленых или синих полос. Подробнее см. раздел «Настройки мониторинга».

СОВЕТ. При записи видеосигнала на устройствах Blackmagic Video Assist или HyperDeck Studio HD Mini убедитесь в том, что для исходящего канала выделение контуров выключено. Это можно сделать с помощью функции «ЧИСТЫЙ СИГНАЛ» для переднего или основного SDI-выхода.

Подробнее см. раздел «Настройки мониторинга».

PGM

Кнопка PGM служит для переключения между изображением камеры, которое выводится на ЖК-дисплей и через передний SDI-выход, и любым сигналом, поступающим на вход 12G-SDI. Это позволяет просматривать программный контент при подключении камеры к соответствующему выходу видеомикшера. Чтобы увидеть программное изображение, нажмите и удерживайте кнопку PGM. Для постоянного вывода программного изображения нажмите кнопку дважды. Нажмите ее вновь, чтобы отключить программное изображение.

Для просмотра сигнала, поступающего с видеомикшера, камера и микшер должны использовать одинаковую кадровую частоту.

MENU

Нажмите эту кнопку, чтобы открыть экранную панель инструментов. Подробнее о работе с панелью инструментов и изменении настроек см. раздел «Настройки».

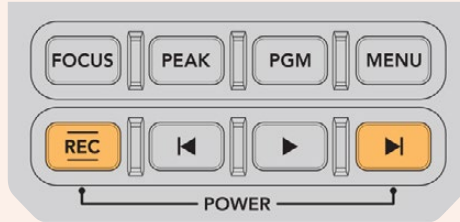
REC

Эта кнопка служит для запуска и остановки записи. Подробнее см. раздел «Запись».

Кнопки управления воспроизведением

Эти кнопки позволяют запускать и останавливать воспроизведение, а также переходить к следующему или предыдущему клипу. Кнопки перемотки вперед/назад можно также использовать для изменения настройки диафрагмы при работе с EF-объективами, поддерживающими электронное управление. Подробнее см. раздел «Воспроизведение».

ПРИМЕЧАНИЕ. Для подачи питания на URSA Broadcast G2 можно использовать разные комбинации кнопок на внутренней панели управления. Чтобы включить или отключить камеру, нажмите REC и кнопку ускоренной перемотки. Если тумблер питания находится в положении ON, но камера обесточена, отключите и снова включите его, чтобы вернуться к обычному режиму работы.



Видеовыходы камеры

Выход для мониторинга HD-материала

Blackmagic URSA Broadcast G2 имеет разъем 3G-SDI для понижающей конверсии, который позволяет выводить видео в 1080 HD на коммутаторы, мониторы, SDI-устройства захвата, вещательные микшеры и другое оборудование с SDI-интерфейсом. В меню на сенсорном экране этот выход обозначен как «Передний SDI».

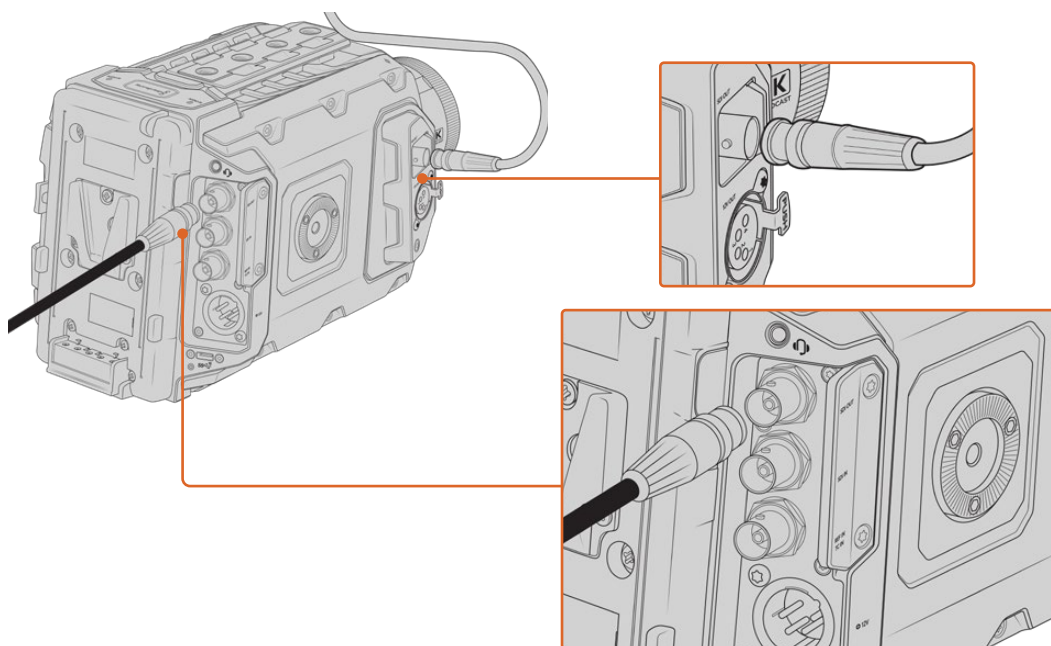
Выход 12G-SDI

Расположенный на задней панели разъем 12G-SDI позволяет по одному SDI-кабелю передавать HD и Ultra HD, включая форматы прогрессивного видео с высокой частотой кадров, такие как 2160p/50/59,94/60. Также поддерживаются чересстрочные HD-форматы, в том числе 1080i/50/59,94/60. Интерфейс 12G-SDI обеспечивает подключение к SDI-монитору и Ultra HD-микшерам, таким как ATEM Production Studio 4K. Для переключения между HD и Ultra HD на сенсорном экране выберите 1080p или 2160p в поле «SDI-ВЫХОД» настройки «Основной SDI» вкладки «МОНИТОРИНГ». Подробнее см. раздел «Настройки мониторинга» ниже.

Подключение к видеомикшерам

Выходы SDI позволяют использовать камеру для производства телевизионного материала в прямом эфире. Выход SDI, расположенный на задней панели камеры, можно подключить непосредственно к эфирному видеомикшеру или к ATEM Camera Converter для преобразования и передачи сигнала по оптическому кабелю на сотни метров при трансляции из передвижных телевизионных станций.

При подключении к видеомикшеру его программный сигнал можно просматривать на Blackmagic URSA Broadcast G2. Для этого соедините микшер со входом 12G-SDI на задней панели камеры. Затем нажмите кнопку PGM на откидном дисплее. Чтобы перейти к изображению с камеры, нажмите кнопку PGM еще раз.



Разъем 12G-SDI обеспечивает подключение к мониторам или эфирным видеомикшерам с поддержкой 1080 HD или Ultra HD. Через HD-выход можно подключить внешний видеоискатель, например Blackmagic URSA Viewfinder, или другой монитор. Эта функция помогает просматривать материал, если камера установлена на операторском кране.

Подключение к мониторам

Вывод сигнала на устройства с SDI-интерфейсом удобен в тех случаях, когда нельзя использовать откидной монитор (например, если камера установлена на операторском кране или на автомобиле).

Поступающий на выход HD-SDI сигнал регулируется параметрами настройки «Передний SDI» на вкладке «МОНИТОРИНГ». С их помощью можно активировать рамки кадрирования, а также информацию о записи и настройках камеры. Если необходим только контроль изображения, можно отключить вывод этих параметров, чтобы получить чистый сигнал SDI.

Подключите SDI-выход камеры к монитору или к Blackmagic SmartScope Duo 4K для контроля формы сигнала в режиме реального времени.

ПРИМЕЧАНИЕ. Через выход SDI на задней панели и выход 3G-SDI, предназначенный для мониторинга, HDR-видео автоматически выводится с дополнительными метаданными при использовании динамического диапазона «Фильм» и LUT-таблицы "Gen 5 Film to Rec 2020 Hybrid Log Gamma" или "Gen 5 Film to Rec 2020 PQ Gamma". Это означает, что с обоих SDI-выходов можно передавать на HDR-экраны изображение исключительного качества.

Форматы вывода через SDI

Выход SDI на задней панели	2160p/23,98/24/25/29,97/30/50/59,94/60. 1080p/23,98/24/25/29,97/30/50/59,94/60. 1080i/50/59,94/60.
Выход 3G-SDI для мониторинга	1080p/23,98/24/25/29,97/30/50/59,94/60. 1080i/50/59,94/60.

СОВЕТ. Для выполнения записи сразу в двух кодеках или одновременного создания резервной копии выход SDI на задней панели можно подключить к устройству Blackmagic Video Assist или рекордеру HyperDeck.

Органы управления с сенсорного экрана

Сенсорный экран

Blackmagic URSA Broadcast G2 имеет откидной сенсорный экран, который можно поворачивать с учетом условий съемки. На внешней поверхности ЖК-дисплея есть кнопки, позволяющие управлять камерой, когда она используется с видеискателем URSA Viewfinder при закрытом экране.

Функции сенсорного экрана

Сенсорный экран представляет собой интуитивно понятный интерфейс, позволяющий быстро выбирать нужные настройки. С помощью касания или прокрутки оператор получает удобный доступ к основным функциям камеры, которые используются во время съемки.

На сенсорном экране есть верхняя и нижняя панели инструментов. Верхняя панель обеспечивает доступ к таким часто используемым настройкам, как выдержка, диафрагма и усиление, а нижняя содержит индикаторы накопителей и звука, органы управления воспроизведением и гистограмму.

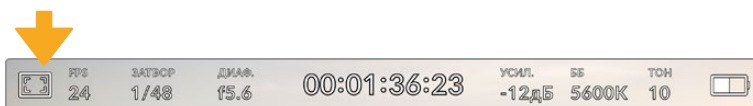


Сенсорный экран на URSA Broadcast G2 позволяет выводить полную информацию об используемых параметрах и обеспечивает удобный доступ к большинству настроек камеры

Верхняя панель инструментов

Опции мониторинга на ЖК-дисплее

Чтобы получить доступ к настройкам мониторинга, коснитесь значка дисплея в верхнем левом углу сенсорного экрана. После этого можно выбрать параметры таких функций, как зебра, индикация фокуса, рамки кадрирования и сетка. В этом случае инструменты управления отображаются как меню внизу сенсорного экрана.

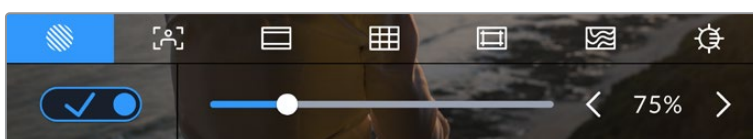


Чтобы получить доступ к настройкам мониторинга, коснитесь соответствующего значка в верхнем левом углу сенсорного экрана

Зебра

Настройка позволяет выбирать способ отображения этой функции на сенсорном экране, а также устанавливать ее уровень на всех выходах камеры URSA Broadcast G2.

Эта функция отображает диагональные линии в тех областях, где экспозиция превышает установленный уровень. Например, при настройке 100% будут видны области с избыточной экспозицией. Это помогает выбрать оптимальную экспозицию в постоянных условиях освещения.



Чтобы установить параметры зебры, коснитесь соответствующего значка после выбора настроек мониторинга на ЖК-дисплее

Для отображения зебры на ЖК-дисплее коснитесь значка переключения в нижнем левом углу экрана на соответствующей вкладке.

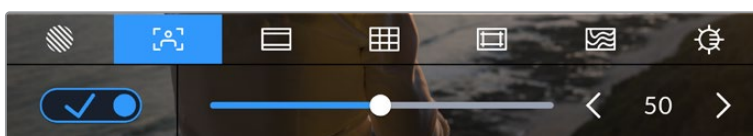
Чтобы установить уровень экспозиции, при котором начинает отображаться зебра, перетащите слайдер влево или вправо либо коснитесь соответствующей стрелки рядом с цифровым значением. Предусмотрены восемь параметров зебры, включая средний серый (СС), средний серый плюс один шаг (СС+1) и шесть ступеней с 75% до 100% по пять процентов каждая.

О том, как включить эту функцию для сигнала на переднем и основном SDI-выходах, см. раздел «Настройки мониторинга».

СОВЕТ. При съемке в меняющихся условиях освещения (например, вне помещения при переменной облачности) настройка уровня зебры ниже 100 поможет избежать избыточной экспозиции.

Индикация фокуса

Эта настройка позволяет включать данную функцию на сенсорном экране, а также устанавливать необходимый уровень индикации фокуса для всех выходов на URSA Broadcast G2.



Чтобы установить нужные параметры индикации фокуса, коснитесь соответствующего значка после выбора настроек мониторинга на ЖК-дисплее

Для включения индикации фокуса коснитесь значка переключения в нижнем левом углу экрана на соответствующей вкладке.

Чтобы установить уровень индикации фокуса для всех выходов камеры, перетащите слайдер влево или вправо либо коснитесь соответствующей стрелки рядом с цифровым значением.

Оптимальный уровень индикации фокуса варьируется в зависимости от характера кадра. Например, при съемке людей он может быть высоким для сохранения детализации при изображении лиц. В других случаях (например, для статичных предметов) такой высокий уровень не требуется.

О том, как включить функцию индикации фокуса для переднего и основного SDI-выходов, см. раздел «Настройки мониторинга».

СОВЕТ. URSA Broadcast G2 имеет два режима индикации фокуса. В меню «МОНИТОРИНГ» можно выбрать режим «Выделение» или «Цветные линии». Подробнее см. разделы «Настройки мониторинга» и «Индикация фокуса».

Рамки кадрирования

Эта настройка позволяет включать отображение рамок кадрирования на сенсорном экране. Для всех выходов камеры URSA Broadcast G2 можно также выбирать виды рамки.

В зависимости от назначения материала (кино, ТВ или онлайн-просмотр) доступны разные пропорции кадра.



Чтобы установить параметры рамки, коснитесь соответствующего значка после выбора настроек мониторинга на ЖК-дисплее

Чтобы изменить отображаемые рамки кадрирования на URSA Broadcast G2, коснитесь соответствующего значка в нижнем левом углу экрана.

Для выбора рамок кадрирования можно перетащить слайдер влево или вправо либо нажать одну из стрелок рядом с текущим значением пропорций кадра.

Доступные рамки кадрирования

2,35:1; 2,39:1 и 2,40:1

Отображение с пропорциями кадра, которые используются в широкоэкранный и анаморфированном форматах. Эти три настройки имеют небольшие отличия друг от друга в результате изменения стандартов кино за последние десятилетия. В настоящее время соотношение сторон 2,39:1 является одним из наиболее популярных форматов.

2:1

Данный формат по своим пропорциям находится между 16:9 и 2,35:1.

1,85:1

Еще одно соотношение сторон кадра, часто используемое в широкоформатном кинематографе. По своим пропорциям данный формат находится между HDTV 1,78:1 и 2,39:1.

16:9

Эта опция позволяет отображать пропорции кадра 1,78:1, которые соответствуют соотношению 16:9 для ТВ-экранов высокой четкости и компьютерных мониторов.

Такие параметры получили наибольшее распространение при трансляции HD-сигнала и размещении видео в Интернете, а также стали популярны и в вещании Ultra HD-сигнала.

14:9

Промежуточный вариант между 16:9 и 4:3. В большинстве случаев видео с пропорциями кадра 16:9 и 4:3 уместается в границы изображения с соотношением сторон 14:9 при обрезке по краям. Эту опцию можно использовать, если материал предназначен для трансляции в формате 14:9.



Изображение на сенсорном экране URSA Broadcast G2 в формате 14:9

4:3

Отображение с пропорциями 4:3, которые подходят для телевизоров стандартной четкости и для кадрирования с помощью двух анаморфных адаптеров.

1:1

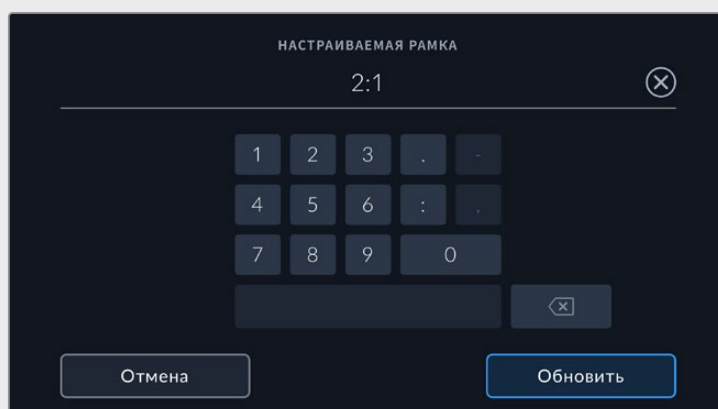
Этот формат, который немного уже, чем 4:3, становится все более популярным в социальных сетях.

4:5

Вертикальные изображения с пропорциями 4:5 идеально подходят для создания портретов и просмотра на смартфонах.

Настраиваемая рамка

Чтобы создать собственные пропорции рамки, коснитесь значения между стрелками. На экране под названием «НАСТРАИВАЕМАЯ РАМКА» удалите текущее значение с помощью кнопки возврата, а затем введите новое, используя числовую клавиатуру. Для применения данной настройки рамки и возврата к съемке нажмите «Обновить».



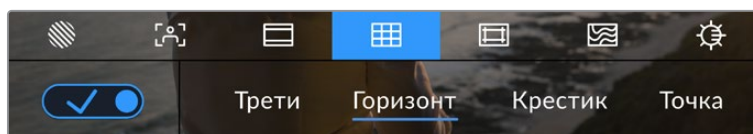
Для ввода новых пропорций рамки используется цифровая клавиатура на экране «НАСТРАИВАЕМАЯ РАМКА»

СОВЕТ. Прозрачность рамок кадрирования можно изменить. Подробнее см. раздел «Настройки мониторинга».

ПРИМЕЧАНИЕ. О том, как включить рамки кадрирования для переднего и основного SDI-выходов, см. раздел «Настройки мониторинга».

Сетка

Эта настройка позволяет отображать один из трех видов сетки («Трети», «Крестик» и «Точка») на ЖК-экране, а также выбирать ее для вывода на все выходы камеры URSA Broadcast G2.

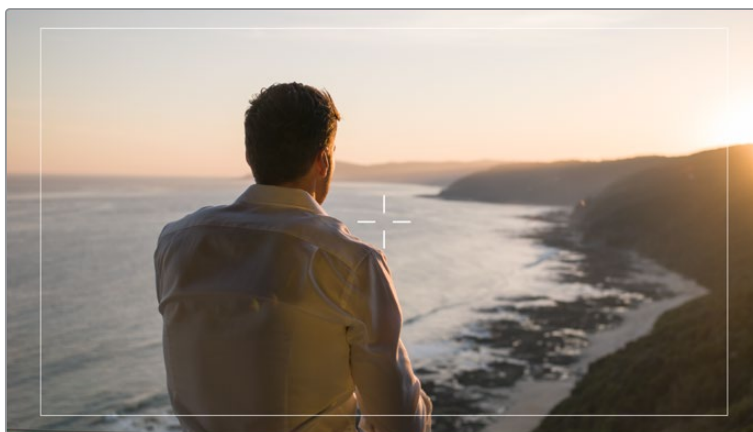


Чтобы установить параметры сетки, коснитесь соответствующего значка после выбора настроек мониторинга на ЖК-дисплее

Этот инструмент облегчает построение композиции. На URSA Broadcast G2 доступны три опции: «Трети», «Крестик» и «Точка».

Чтобы изменить вид сетки на URSA Broadcast G2, коснитесь нужного значка в нижнем левом углу экрана на соответствующей вкладке.

После настройки камеры URSA Broadcast G2 и ее подключения к видеомикшеру в качестве текущего источника программного сигнала на ЖК-дисплее будет автоматически загораться красный Tally-индикатор, если включено отображение сетки.



Если включено отображение сетки, то при получении Tally-сигнала с видеомикшера АТЕМ вокруг изображения с камеры будет появляться красная рамка

Чтобы задать сетку для вывода на все выходы камеры URSA Broadcast G2, выберите соответствующую опцию: «Трети», «Крестик» или «Точка».



Сетка по правилу третей автоматически масштабируется в соответствии с пропорциями кадра

Трети

Этот инструмент представляет собой сетку с двумя вертикальными и двумя горизонтальными полосами. С ее помощью кадр будет разделен на трети по вертикали и горизонтали. Считается, что лучше располагать важные части изображения вдоль этих линий или на их пересечении, потому что так улучшается зрительное восприятие. Например, уровень взгляда актера обычно выравнивают по горизонтальной линии, ограничивающей снизу верхнюю треть кадра. Данная функция также обеспечивает последовательность кадрирования между дублями.

Горизонт

Данный индикатор показывает, когда камера наклонена влево, вправо, вверх или вниз. Он помогает поддерживать камеру в горизонтальном положении как при съемке с рук, так и со стабилизатора.

При отклонении камеры серые вертикальные и горизонтальные линии смещаются соответствующим образом. Расстояние отхода линий от центрального перекрестия пропорционально степени горизонтального или вертикального наклона. После калибровки сенсора движения индикаторы будут становиться синими, когда камера выставлена ровно по вертикали и по горизонтали.

Если камеру наклонить прямо вниз для съемки сверху или направить вверх, индикатор горизонта примет это во внимание. При установке камеры в книжную ориентацию оси индикации повернутся на 90 градусов.

В таблице ниже приведены примеры индикации вертикального и горизонтального наклонов камеры.

Индикатор горизонта	Описание
	Ровно по вертикали и по горизонтали
	Наклон вниз, без смещения влево или вправо
	Без смещения вверх или вниз, наклон влево
	Наклон вверх и вправо

Для обычной съемки калибровка индикатора горизонта выполняется в вертикальном и горизонтальном положениях. Если для записи нужно использовать «голландский угол» или же получить вид снизу или сверху, индикатор горизонта можно откалибровать под наклоном. Подробнее см. раздел «Калибровка сенсора движения».

Крестик

При выборе этой опции в центре кадра отображается крестик. Как и сетка по правилу третей, он облегчает создание композиции, помогая оператору разместить нужный объект строго по центру. Иногда такой способ используется во время съемки сцены, которая требует очень быстрого монтажа. В этом случае редактирование видео можно выполнить гораздо быстрее.

Точка

При выборе этого инструмента в центре кадра отображается точка. Она выполняет ту же роль, что и перекрестие, но при этом имеет меньшие размеры.

Можно использовать комбинацию двух опций: трети и перекрестие или трети и точка. Режимы «Крестик» и «Точка» вместе не используются.

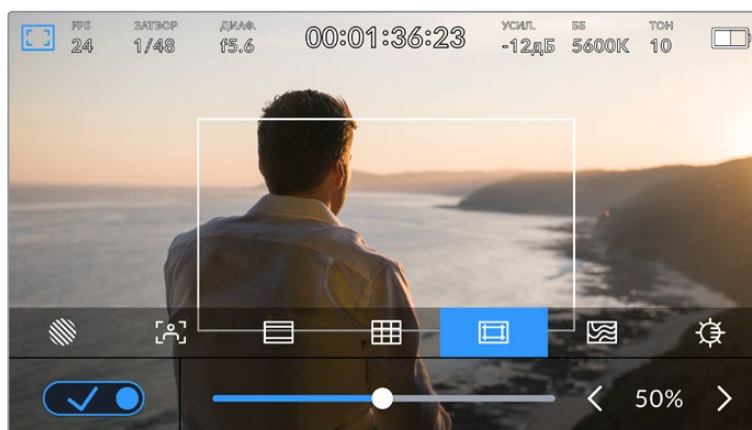
СОВЕТ. О том, как включить отображение сетки для сигнала на переднем и основном SDI-выходах камеры URSA Broadcast G2, см. раздел «Настройки мониторинга».

Границы изображения

Этот переключатель позволяет обозначать границы изображения на ЖК-дисплее, а также устанавливать их параметры для всех выходов камеры URSA Broadcast G2.

Подобная функция используется в телевизионном производстве для обозначения наиболее важной области, которую видят все зрители. С ее помощью можно избежать обрезки кадра при трансляции на некоторые телевизоры, а также оставить место по краям для добавления логотипов, титров и другой дополнительной информации. Большинство вещательных станций требуют, чтобы эта область составляла 90%.

Границы можно также использовать при кадрировании, если на этапе постпроизводства выполняется стабилизация изображения с обрезкой по краям. Кроме того, они помогают задать область нужного размера. Например, при настройке 50% во время съемки в Ultra HD с разрешением 3840x2160 это позволяет увидеть, каким получится видео 1920x1080. Границы изображения масштабируются в соответствии с выбранными рамками кадрирования.



Индикатор границ изображения с настройкой 50%

Для отображения границ на ЖК-дисплее коснитесь значка переключения в нижнем левом углу экрана на соответствующей вкладке. Чтобы задать значение для всех выходов камеры URSA Broadcast G2, используйте правую и левую стрелки по краям текущего значения в нижней части дисплея. Еще один способ — перетащить слайдер влево или вправо.

Условный цвет

Переключатель условного цвета позволяет использовать инструмент, помогающий выбрать экспозицию.

Эта функция добавляет к изображению различные цвета, которые показывают уровень экспозиции для его отдельных элементов. Например, розовый является показателем оптимальной экспозиции для достоверной передачи тонов светлой кожи, зеленый — более темной. Во время съемки людей подобная функция помогает обеспечить однородность изображения.

Если его элементы меняют цвет с желтого на красный, это означает избыточную экспозицию.



С левой стороны дисплея камеры расположен специальный индикатор, предназначенный для интерпретации показателей условного цвета.

Условный цвет	Интерпретация
95%WC	Клиппинг на ярких участках
80%WC	Близко к клиппингу на ярких участках
MG+1	На одну ступень выше средней зоны серого
18%MG	Средняя зона серого
NBDL	Близко к утрате деталей на темных участках
BDL	Утрата деталей на темных участках



При правильной экспозиции тональность кожного покрова показана зеленым и розовым цветами

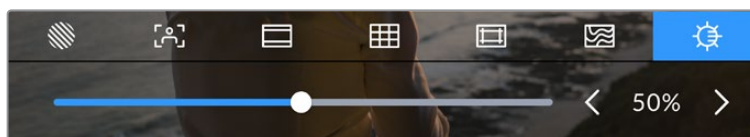
Для использования условного цвета коснитесь значка переключения в нижнем левом углу экрана на соответствующей вкладке.



Вкладка для работы с инструментом условного цвета

Яркость экрана

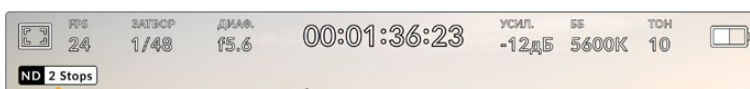
Чтобы изменить яркость экрана, коснитесь соответствующего значка и перетащите слайдер влево или вправо.



Яркость экрана с настройкой 50%

Индикатор светофильтра ND

В верхнем левом углу сенсорного экрана находится индикатор светофильтра ND, который выводится через все SDI-выходы. Формат индикатора выбирают в меню «НАСТРОЙКА».

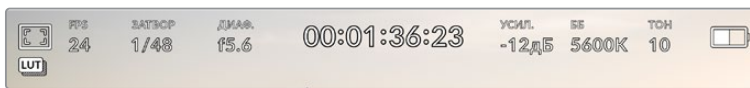


Индикатор светофильтра ND на URSA Broadcast G2

ПРИМЕЧАНИЕ. Для удобства обозначения, используемые при работе со светофильтрами ND, можно изменить. Доступные опции: число, степени и дробь. Чтобы выбрать нужный формат, перейдите в меню «НАСТРОЙКА».

Индикатор LUT

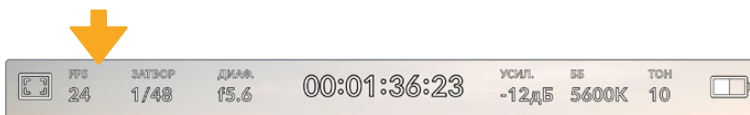
При включении настройки «СЛУЖЕБ. ИНФОРМАЦИЯ» видео, выводимое на ЖК-дисплей, через передний или основной SDI-выход, обрабатывается с помощью LUT-таблицы и содержит соответствующий белый значок. Если запись ведется в кодеке Blackmagic RAW и на вкладке «ЗАПИСЬ» включена опция «ВСТРОИТЬ LUT В ФАЙЛ», значок будет иметь синий цвет.



Значок LUT указывает на применение таблицы LUT к данному изображению

FPS

Этот индикатор показывает текущую частоту в кадрах в секунду.



Индикатор кадровой частоты на URSA Broadcast G2. Для изменения настройки коснитесь текущего значения.

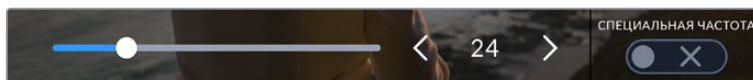
Если коснуться значка FPS, внизу сенсорного экрана откроется меню, с помощью которого можно изменить кадровую частоту сенсора и проекта.

Кадровая частота проекта

Настройка позволяет выбрать частоту кадров, с которой URSA Broadcast G2 ведет запись, в том числе традиционные для кино и ТВ параметры. Обычно выбирают такую настройку, которая соответствует скорости воспроизведения в приложении постобработки.

Камера Blackmagic URSA Broadcast G2 имеет восемь настроек кадровой частоты проекта: 23,98; 24; 25; 29,97; 30; 50; 59,94 и 60 кадров/с.

Чтобы изменить кадровую частоту проекта из меню FPS, коснитесь левой или правой стрелки рядом с текущим значением в нижней части сенсорного экрана. Еще один способ — перетащить слайдер влево или вправо.

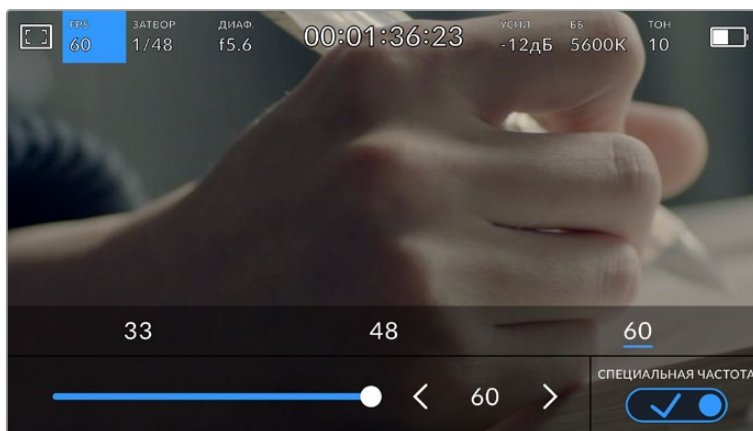


Для изменения кадровой частоты проекта коснитесь стрелки сбоку от текущего значения или перетащите слайдер

СОВЕТ. На URSA Broadcast G2 кадровая частота проекта также задает кадровую частоту на переднем и основном SDI-выходах.

Кадровая частота сенсора

Эта настройка позволяет выбирать фактическое количество кадров, записываемых в секунду. Кадровая частота сенсора влияет на скорость воспроизведения, которая определяется кадровой частотой проекта.



Для изменения параметра выберите одну из предлагаемых величин, коснитесь стрелки сбоку от текущего значения или перетащите слайдер (опция «СПЕЦИАЛЬНАЯ ЧАСТОТА» должна быть включена)

По умолчанию URSA Broadcast G2 использует кадровую частоту сенсора и проекта, которая соответствует воспроизведению с обычной скоростью. При необходимости можно установить независимую кадровую частоту сенсора. Для этого коснитесь значка «СПЕЦИАЛЬНАЯ ЧАСТОТА» в правом нижнем углу меню FPS. Опция «СПЕЦИАЛЬНАЯ ЧАСТОТА» доступна только при записи в кодеках Blackmagic RAW и ProRes.

Чтобы изменить кадровую частоту сенсора, используйте стрелки рядом с текущим значением либо перетащите слайдер влево или вправо. После изменения параметра отпустите слайдер. Сверху слайдера доступны для выбора стандартные величины специальной частоты, определяемые текущей кадровой частотой проекта.

Изменяя настройки кадровой частоты сенсора, можно создавать различные эффекты движения. Если значение выше аналогичной частоты проекта, во время воспроизведения

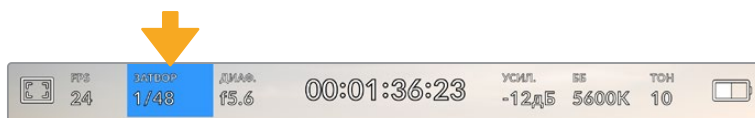
материал будет выглядеть как замедленная съемка. Например, съемка с кадровой частотой сенсора 60 fps и воспроизведением с 24 fps приводит к замедлению менее чем на половину от реальной скорости. Чем ниже кадровая частота сенсора, тем выше скорость клипов при просмотре. Принцип действия такой же, как ускорение или замедление работы пленочной кинокамеры. В первом случае происходит ускорение кадровой частоты сенсора, что позволяет растянуть отдельные моменты видео для усиления эмоционального эффекта. Во втором случае замедление частоты сенсора ведет к увеличению скорости воспроизведения в сценах быстрого развития событий. Благодаря этой функции потенциал творческих решений станет практически безграничным.

Значения максимальной кадровой частоты для каждого кодека и разрешения приведены в таблице раздела «Запись».

ПРИМЕЧАНИЕ. При выборе опции «СПЕЦИАЛЬНАЯ ЧАСТОТА» камера URSA Broadcast G2 перестает выполнять синхронизацию звука и изображения. Она отсутствует и в том случае, когда для проекта и сенсора выбрана одинаковая кадровая частота. По этой причине опцию «СПЕЦИАЛЬНАЯ ЧАСТОТА» не следует использовать, если требуется синхронизировать видео и аудио.

Затвор

Индикатор «ЗАТВОР» показывает скорость затвора (выдержку). С его помощью можно вручную изменить это значение или установить приоритет затвора в режимах автоматической экспозиции.



Индикатор «ЗАТВОР» на URSA Broadcast G2. Для доступа к настройкам коснитесь текущего значения.

Скорость затвора определяет уровень размытости движущихся объектов и используется для поправки на условия освещения. Настройка выдержки для естественной размытости движущихся объектов зависит от используемой кадровой частоты. Например, при съемке в формате 30р выдержка 1/60 секунды соответствует углу затвора 180 градусов, что является наиболее распространенным стандартом в кинематографе. Если съемка ведется в 25р, для такого же эффекта необходимо установить выдержку 1/50 сек.

Чтобы узнать выдержку для естественной размытости движущихся объектов, умножьте величину кадровой частоты в два раза. Так, частоте 30р соответствует выдержка 1/60 секунды.

При необходимости увеличения количества света, попадающего на сенсор, установите выдержку на самое медленное значение, соответствующее кадровой частоте. Например, 1/25 для 25р или 1/30 для 30р. Размытость при этом слегка увеличится.

Чтобы уменьшить размытость и сделать детали более резкими, увеличьте скорость затвора (1/120 секунды для 30р или 1/100 секунды для 25р). Это соответствует углу затвора 90 градусов.

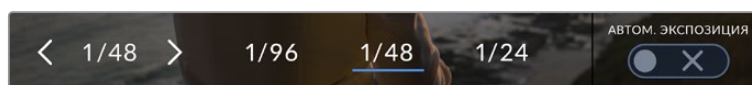
Чтобы увидеть различные уровни размытости изображения, попробуйте несколько вариантов выдержки.

При съемке под приборами освещения выдержка затвора может влиять на появление мерцания. URSA Broadcast G2 автоматически определяет настройку, которая помогает избежать этого при текущей кадровой частоте. Значение зависит от частоты сети питания в вашем регионе. В меню «НАСТРОЙКА» предусмотрены две опции частоты: 50 Гц и 60 Гц. Подробнее см. раздел «Основные настройки».

Если коснуться индикатора «ЗАТВОР», внизу экрана откроется меню для настройки этого параметра. Если автоматическая экспозиция выключена, будет показана текущая скорость затвора и варианты, которые позволяют избежать мерцания (на основе частоты питающей сети, установленной в меню «НАСТРОЙКА»). Подробнее см. раздел «Основные настройки».

ПРИМЕЧАНИЕ. Отдельные источники освещения могут вызывать мерцание при любых значениях выдержки. Рекомендуется предварительно выполнить съемку в тестовом режиме.

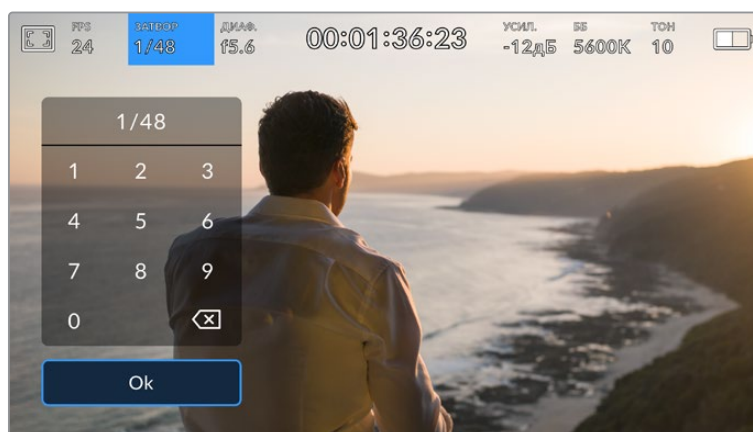
Чтобы выбрать скорость без мерцания, коснитесь необходимого значения. Для перехода между параметрами выдержки используйте стрелки на любой из сторон текущей настройки.



URSA Broadcast G2 рассчитывает значения выдержки без мерцания на основе параметров питания в меню «НАСТРОЙКА»

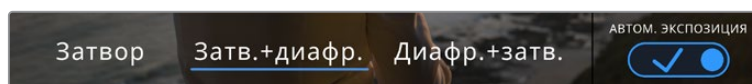
Для выбора определенной выдержки дважды коснитесь текущего значения в нижнем левом углу экрана и введите необходимое число с помощью появившейся клавиатуры.

При вводе скорости затвора ниже текущей величины, например 1/25 при съемке со скоростью 29,97 кадра/с, будет использоваться ближайшее возможное значение (в данном случае 1/30).



Клавиатура позволяет вручную ввести скорость затвора

URSA Broadcast G2 имеет три режима автоматической экспозиции с разным использованием угла затвора. Чтобы выбрать один из них, коснитесь кнопки «АВТОМ. ЭКСПОЗИЦИЯ» в правой части меню «ЗАТВОР».



Чтобы получить доступ к режимам автоматической экспозиции с использованием затвора, коснитесь значка «АВТОМ. ЭКСПОЗИЦИЯ»

Затвор

Значение выдержки затвора устанавливается автоматически для поддержания постоянной экспозиции при заданной диафрагме. Это помогает сохранять фиксированную глубину резкости. Нужно помнить, что автоматическая настройка затвора может повлиять на уровень размытости и добавить мерцание от приборов освещения при съемке в помещении. При работе в этом режиме на URSA Broadcast G2 недоступна функция автоматической настройки диафрагмы.

Затвор + диафрагма

Сохраняет необходимый уровень экспозиции путем изменения настройки затвора, затем — значения диафрагмы. Если по достижении максимальной или минимальной выдержки затвора экспозиция не является стабильной, URSA Broadcast G2 начнет корректировать диафрагму для сохранения постоянного уровня экспозиции.

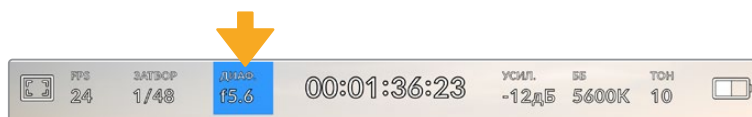
Диафрагма + затвор

Сохраняет необходимый уровень экспозиции путем изменения диафрагмы, затем — выдержки затвора. Если по достижении максимального или минимального значения диафрагмы экспозиция не является стабильной, URSA Broadcast G2 начнет корректировать выдержку.

СОВЕТ. Когда активирована автоматическая экспозиция с использованием затвора, вверху сенсорного экрана рядом с соответствующим индикатором отображается буква "A".

Диафрагма

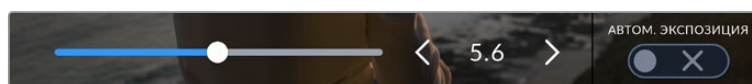
Индикатор «ДИАФ.» показывает текущее значение диафрагмы. С его помощью можно изменить диафрагму совместимых объективов и выбрать режимы автоматической экспозиции, в которых используется данная настройка.



Индикатор диафрагмы на URSA Broadcast G2. Для доступа к настройкам коснитесь текущего значения.

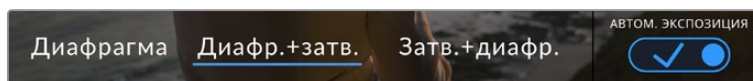
ПРИМЕЧАНИЕ. Для управления диафрагмой с сенсорного экрана URSA Broadcast G2 необходимо установить объектив с поддержкой данной функции. При использовании объективов с креплением B4 или PL, подключенных к камере через 12-контактный разъем, проверьте настройку диафрагмы на рукоятке. Она должна быть в положении "A" (или "Auto").

Если коснуться индикатора «ДИАФ.», внизу экрана откроется меню для настройки этого параметра. В левом углу отображается текущее значение диафрагмы. Чтобы изменить его, используйте стрелки либо перетащите слайдер влево или вправо.



Настройки диафрагмы можно изменить в меню «ДИАФ.» с помощью стрелок или слайдера

Значок «АВТОМ. ЭКСПОЗИЦИЯ» в правой части меню позволяет выбрать режим автоматической экспозиции с разным использованием диафрагмы.



Чтобы получить доступ к режимам автоматической экспозиции с использованием диафрагмы, коснитесь значка «АВТОМ. ЭКСПОЗИЦИЯ»

Доступные опции приведены ниже.

Диафрагма

Значение диафрагмы устанавливается автоматически для поддержания постоянной экспозиции при заданной выдержке затвора. Уровень размытости изображения не меняется, однако это может повлиять на глубину резкости.

Диафрагма + затвор

Сохраняет необходимый уровень экспозиции путем изменения диафрагмы, затем — выдержки затвора. Если по достижении максимального или минимального значения диафрагмы экспозиция не является стабильной, URSA Broadcast G2 начнет корректировать выдержку.

Затвор + диафрагма

Сохраняет необходимый уровень экспозиции путем изменения настройки затвора, затем — значения диафрагмы. Если по достижении максимальной или минимальной выдержки затвора экспозиция не является стабильной, URSA Broadcast G2 начнет корректировать диафрагму для сохранения постоянного уровня экспозиции.

Когда активирована автоматическая экспозиция с использованием настройки диафрагмы, сверху сенсорного экрана рядом с соответствующим индикатором отображается буква "A".

СОВЕТ. Автоматическая настройка экспозиции дает оптимальный результат на совместимых В4- и PL-объективах, предназначенных для видео- и кинопроизводства. На EF-объективах изменение диафрагмы может приводить к заметной ступенчатой настройке экспозиции. По этой причине с оптикой EF рекомендуется использовать автоматическую экспозицию только в режиме «ЗАТВОР».

Продолжительность записи

Вверху сенсорного экрана URSA Broadcast G2 имеет индикатор, показывающий продолжительность записи.



Во время записи индикатор продолжительности становится красным

Продолжительность записи отображается как тайм-код, который можно использовать для мониторинга при записи и воспроизведении. Тайм-код показывает длительность каждого клипа (часы:минуты:секунды:кадры) и изменяется в динамическом режиме во время записи или воспроизведения. При записи цвет индикатора становится красным.

Для каждого клипа отображаемая продолжительность записи начинается со значения 00:00:00:00. На дисплей выводится длительность текущего, то есть самого последнего видео. Для облегчения постпроизводства тайм-код также содержит дату.

Чтобы отобразить тайм-код, коснитесь индикатора продолжительности. Для возврата к обычному виду коснитесь индикатора еще раз.

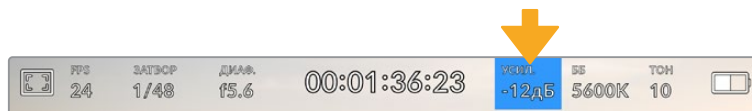
Дополнительные обозначения, выводимые вместе с индикатором продолжительности

TC	Отображается справа от индикатора продолжительности при выводе тайм-кода.
EXT	Отображается справа от индикатора продолжительности при вводе действительного тайм-кода с внешнего устройства.
INT	Отображается справа от индикатора продолжительности, когда камера использует внутренний тайм-код после синхронизации по внешнему устройству и его отключения.
PRE	Отображается справа от индикатора продолжительности при выводе предустановленного тайм-кода записи.
REF	Отображается при подключении источника опорного сигнала, который используется для синхронизации на основе выбранных настроек.
W	Отображается слева от индикатора продолжительности, когда Blackmagic URSA Broadcast G2 ведет съемку в ограниченном режиме использования сенсора.

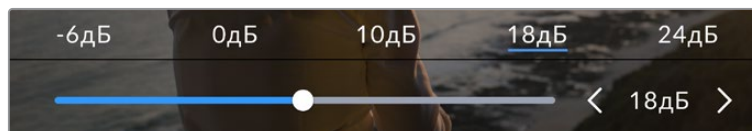
Усиление

Данный индикатор показывает текущее значение световой чувствительности. Коснитесь индикатора, чтобы изменить эту настройку.

Оптимальное значение для камеры URSA Broadcast G2 составляет 0 дБ.



Индикатор усиления на URSA Broadcast G2. Коснитесь его для изменения настройки.

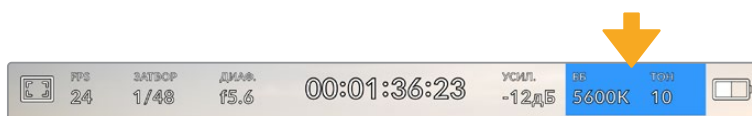


После открытия меню усиления внизу экрана отображаются настройки этого параметра. Их можно изменять с интервалом 1/3 шага с помощью слайдера или стрелок, которые находятся под стандартными значениями.

В зависимости от конкретных условий съемки выбирают более высокое или низкое значение усиления. Например, для слабого освещения подойдет настройка +18 дБ, хотя при ее использовании вероятно появление заметного шума. При ярком освещении для передачи насыщенных цветов лучше всего подойдет значение -6 дБ.

Баланс белого

Индикаторы «ББ» и «ТОН» отображают текущие настройки баланса белого и оттенка. Чтобы изменить настройки в соответствии с условиями освещения, коснитесь нужного из них.



Для изменения настроек баланса белого и тона коснитесь соответствующего индикатора

Каждый источник света излучает какой-либо цвет. Например, пламя свечи будет источником теплого цвета, а облачное небо — холодного. Настройки «ББ» используют для цветовой балансировки изображений, чтобы получить белый цвет за счет смешивания в разном соотношении оранжевого и синего. Так, вольфрамовые лампы излучают теплый оранжевый свет, поэтому при выборе температуры 3200K будет добавлено некоторое количество синего. Это обеспечивает баланс цветов и корректную запись белого.

URSA Broadcast G2 имеет несколько настроек баланса белого для разных условий освещения.

	Яркий солнечный свет	(5600K)
	Лампы накаливания	(3200K)
	Флуоресцентные лампы	(4000K)
	Смешанный свет	(4500K)
	Облачный день	(6500K)

Любую из этих настроек можно скорректировать с помощью стрелок рядом со значением температуры в нижнем левом углу меню «ББ». При каждом нажатии температура увеличивается или уменьшается на 50K, а при удерживании стрелки она будет меняться с ускоренным шагом. Еще один способ — передвинуть слайдер в середине меню «ББ».

Для дополнительной балансировки цвета можно использовать настройку «ТОН». Она позволяет корректировать соотношение зеленого и пурпурного. Например, добавление небольшого количества пурпурного цвета помогает компенсировать избыток зеленого, который дают флуоресцентные лампы. Многие настройки баланса белого обеспечивают незначительное изменение оттенка.



URSA Broadcast G2 позволяет выбрать одну из пяти настроек баланса белого, а также имеет индикатор этого значения вместе со слайдером (слева) и показывает уровень тона (справа). Эти инструменты можно использовать для коррекции баланса белого в соответствии с условиями освещения.

При открытии меню «ББ» текущее значение тона отображается в нижнем правом углу экрана. Изменить этот уровень можно с помощью стрелок слева и справа от индикатора. Доступный диапазон: от -50 до +50 с шагом одна единица. Если стрелку удерживать, значение будет меняться быстрее.

ПРИМЕЧАНИЕ. При пользовательской настройке баланса белого или оттенка на экране отображаются буквы "CWB". Она сохраняется в памяти при отключении питания и при переходе к предустановленным параметрам. Это позволяет сравнивать результат, полученный в двух разных случаях.

AWB

На URSA Broadcast G2 можно автоматически установить баланс белого. Если коснуться значка AWB, откроется соответствующий экран.

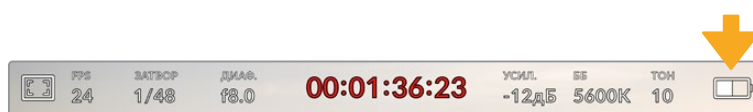
При автоматической установке баланса белого по центру изображения появится квадратная рамка. Наведите эту рамку на нейтральную поверхность (картон белого или серого цвета) и нажмите Update. Камера скорректирует значения баланса и тона таким образом, чтобы средний уровень белого или серого в границах рамки был как можно более нейтральным. После обновления эта настройка будет работать как пользовательская.



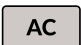
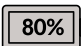

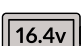

Значок AWB в меню «ББ» позволяет открыть экран для автоматической установки баланса белого. С помощью поверхности белого или серого цвета можно задать пользовательское значение с нейтральным уровнем.

Питание

Индикатор питания отображается в верхнем правом углу экрана. Он может иметь пять состояний.



На URSA Broadcast G2 индикатор питания находится в верхнем правом углу экрана. При работе от батареи он позволяет попеременно отображать заряд в вольтах и процентах.

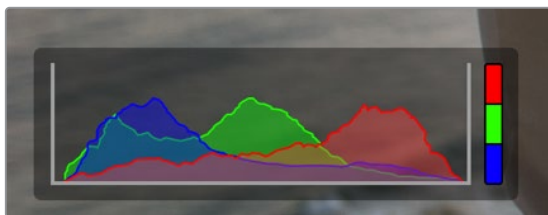
	Переменный ток	Отображается при подключении URSA Broadcast G2 к питанию от сети.
	Проценты	При использовании батареи и пластины с отображением заряда в процентах этот индикатор показывает уровень заряда в соответствующих единицах. Когда этот уровень опускается до 20%, индикатор загорается красным цветом.
	Секции батареи	Когда уровень заряда должен отображаться в процентах, но аккумулятор и пластина не поддерживают данную функцию, на дисплее будет показана батарея, каждая секция которой соответствует шагу 25%. Когда уровень заряда опускается до 20%, батарея загорается красным цветом.
	Заряд (В)	При отображении заряда батареи в вольтах этот индикатор показывает соответствующее значение. Когда уровень опускается до 12,5 В, индикатор загорается красным цветом. URSA Broadcast G2 автоматически отключается, когда заряд батареи составляет 11,9 В.
	Оптоволокно	Индикатор отображается при использовании устройства Blackmagic Camera Fiber Converter и подаче питания на камеру по оптоволоконному кабелю стандарта SMPTE. Если при подключении конвертера на URSA Broadcast G2 используется силовой XLR-кабель, на экране появится индикатор AC.

При работе от батареи для переключения между разными режимами отображения заряда коснитесь индикатора питания.

Нижняя панель инструментов

Гистограмма

На URSA Broadcast G2 в нижнем левом углу сенсорного экрана отображается гистограмма. Она показывает распределение тонов в изображении в виде отдельного красного, зеленого и синего каналов.



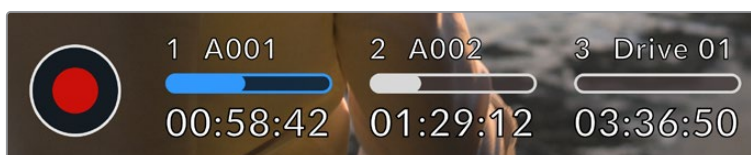
Гистограмма показывает распределение оттенков изображения от темных тонов к светлым. Она является полезным инструментом для проверки экспозиции и предотвращения засветки.

С левой стороны отображаются темные тона, с правой — светлые. При раскрытии или закрытии диафрагмы гистограмма будет отображать изменение настройки. С ее помощью можно проверить наличие клиппинга на темных и светлых участках. Его присутствие в красном, зеленом или синем канале обозначается соответствующим индикатором с правой стороны гистограммы. Если вместо плавного понижения кривая резко обрывается слева или справа, это говорит об утрате детализации в одной из областей.

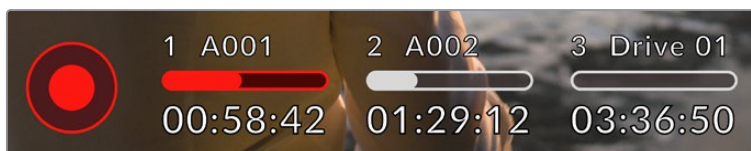
Гистограмма не будет отображаться, если для мониторинга на ЖК-дисплее выбрана настройка «Кодек и разрешение». Подробнее см. раздел «Настройки мониторинга».

Кнопка записи

Внизу экрана, рядом с гистограммой, есть кнопка с красным кругом в центре. Она предназначена для работы с функцией записи. Чтобы начать запись, нажмите кнопку один раз, чтобы остановить — еще один раз. Во время записи кнопка, полоса состояния и тайм-код в верхней части сенсорного экрана горят красным цветом.



Кнопка записи рядом с индикаторами накопителей внизу сенсорного экрана на URSA Broadcast G2

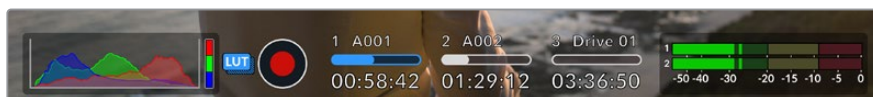


Во время записи кнопка загорается красным цветом

Встроить LUT в файл

Если сохранение выполняется в кодеке Blackmagic RAW и на вкладке «ЗАПИСЬ» выбрана опция «ВСТРОИТЬ LUT В ФАЙЛ», рядом с кнопкой записи появляется синий значок LUT. Этот индикатор отображается как в режиме ожидания, так и записи.

Подробнее о сохранении LUT-таблиц при записи в кодеке Blackmagic RAW см. раздел «Настройки записи» ниже.



При записи в Blackmagic RAW отображается синий значок LUT

Сохранить LUT с клипом

Если сохранение выполняется в кодеках ProRes, H.264 или H.265 и на вкладке «ЗАПИСЬ» выбрана опция «СОХРАН. LUT С КЛИПОМ», рядом с кнопкой записи появляется красный значок LUT. Этот индикатор отображается как в режиме ожидания, так и записи.

Подробнее о сохранении LUT-таблиц при записи в кодеках ProRes, H.264 или H.265 см. раздел «Настройки записи» ниже.



При записи в ProRes, H.264 или H.265 отображается красный значок LUT

Индикация пропущенных кадров

Если во время сохранения камера URSA Broadcast G2 начинает пропускать кадры, внутри кнопки записи будет отображаться восклицательный знак. В этом случае индикатор оставшегося времени записи для соответствующей карты (или карт) горит красным цветом. Например, если ведется сохранение на два накопителя и карта 1 пропускает кадры, вместе с кнопкой записи загорается восклицательный знак, а индикатор оставшегося времени для данной карты становится красным. Это позволяет узнать, какой накопитель является недостаточно скоростным для выбранного кодека и разрешения. Индикация также выводится при наличии пропущенных кадров в последнем записанном клипе. Она отображается до сохранения следующего клипа или до тех пор, пока не отключено питание камеры. Подробнее о съемке без пропуска кадров см. разделы «Выбор карты CFast 2.0», «Выбор скоростной карты SD» и «Выбор скоростного SSD-диска».



Индикация пропущенных кадров на карте CFast 1

СОВЕТ. Если на корпусе URSA Broadcast G2 включен светодиодный индикатор, при пропуске кадров он будет мигать красным цветом. Подробнее см. раздел «Основные настройки».

ПРИМЕЧАНИЕ. URSA Broadcast G2 позволяет выбрать настройку, при которой в случае обнаружения пропущенных кадров запись будет остановлена. Подробнее см. раздел «Настройки записи».

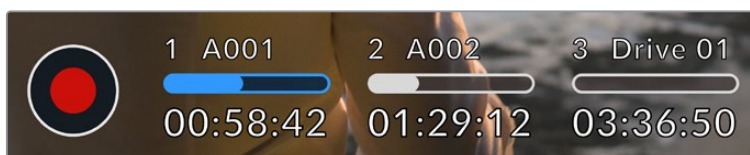
Индикаторы накопителей

На URSA Broadcast G2 внизу сенсорного экрана рядом с кнопкой записи отображаются индикаторы накопителей.

Оставшееся время записи

После установки в слот карты CFast или SD либо подключения к камере флеш-накопителя USB-C или SSD-диска индикаторы накопителей показывают оставшееся время записи для каждого из них. Время отображается в формате часы:минуты:секунды с учетом выбранных значений кадровой частоты и кодека. При изменении любой из этих настроек данные будут автоматически перерасчитаны.

Когда до конца записи на карту памяти или диск останется 5 минут, индикатор загорится красным цветом. Если используется только один накопитель или дополнительные носители уже заполнены и остается три минуты записи, индикатор будет мигать с длинным интервалом, а когда менее 30 секунд, — с коротким интервалом.



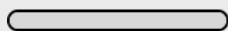
На URSA Broadcast G2 индикаторы CFast- и SD-карт, SSD- и USB-дисков отображают имя накопителя и оставшееся время записи

Полоса состояния накопителя

В зависимости от состояния накопителя полоса, расположенная над значением времени, может иметь синий, белый или красный цвет, а степень заливки визуальнo показывает уровень заполнения.



Синяя полоса обозначает активный накопитель, то есть используемый для записи.



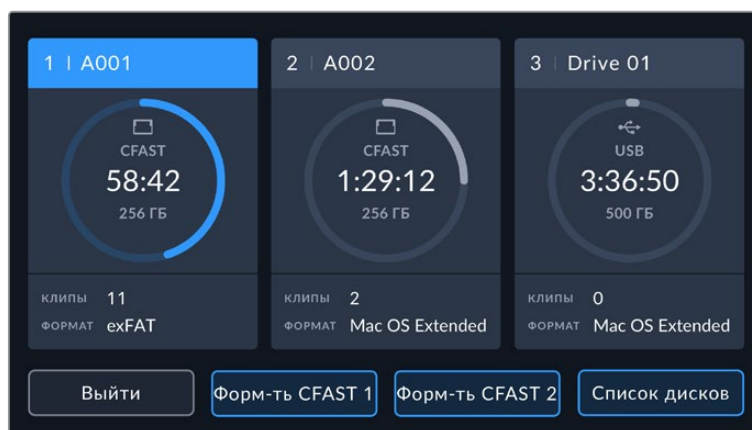
Белый цвет указывает на наличие носителя, но он является неактивным. Полностью заполненная полоса обозначает отсутствие свободного места на накопителе.



Во время сохранения полоса горит красным цветом.

Чтобы перейти на другой накопитель, нажмите и удерживайте его имя или полосу состояния.

Если коснуться индикатора накопителя, откроется меню форматирования и настроек сохранения.



Чтобы открыть панель параметров сохранения, коснитесь индикатора накопителя на сенсорном экране

Это меню показывает свободный объем на карте CFast, SD, флеш-накопителе USB-C и SSD-диске, имена носителей, оставшееся время записи, общее количество клипов и файловый формат. Коснитесь имени накопителя в меню настроек сохранения, чтобы выбрать его для текущего проекта. Он будет использован для записи первым.

С помощью этого меню можно выполнить форматирование накопителя. Подробнее см. раздел «Подготовка носителя на Blackmagic URSA Broadcast G2».

Индикация звука

Этот индикатор показывает уровни звука для каналов 1 и 2 при использовании встроенного микрофона или подключении внешнего аудиооборудования. Громкость можно отображать с помощью шкалы PPM или VU. Порядок изменения шкалы описан в разделе «Настройка» ниже.

Чтобы получить качественную звуковую дорожку, значения сигнала должны быть ниже 0 dBFS. В случае превышения этого уровня возникает перегрузка, и аудиосигнал искажается.



Трехцветный индикатор показывает пиковые значения звука. Оптимальным будет уровень, при котором значения находятся в границах зеленого сегмента. Если пиковая величина попадает в желтый или красный сегмент, звук будет иметь погрешности.

Коснитесь индикатора звука, чтобы увеличить громкость для каналов 1 и 2, наушников и динамика.



Для изменения настроек громкости коснитесь индикаторов звука на сенсорном экране URSA Broadcast G2

Зум для фокуса

Любую область изображения, просматриваемого на сенсорном экране камеры URSA Broadcast G2, можно увеличить двойным касанием. Укрупненный участок можно перемещать сдвигом пальца. Эта функция особенно полезна для проверки фокуса. Чтобы вернуться к первоначальному масштабу, снова коснитесь экрана дважды.

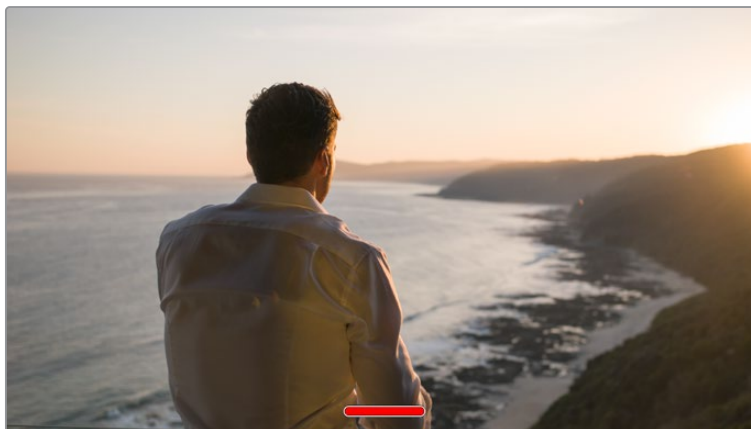
Когда активирована опция «Зум для фокуса», степень увеличения легко изменить раздвиганием пальцев. Меню «НАСТРОЙКА» позволяет использовать функциональную кнопку для включения зума для фокуса в дополнение к двойному касанию экрана. Данная опция может отображаться на ЖК-дисплее либо на устройствах, подключенных к переднему или основному SDI-выходу. Подробнее см. раздел «Опции предустановки и переключателя для функциональных кнопок».



При зуммировании индикатор в верхнем левом углу экрана показывает, какую часть общего изображения вы просматриваете. Выбранный участок можно перемещать с помощью колесика MENU или сдвигом пальца.

Полноэкранный режим

Для удобства кадрирования и фокусировки иногда требуется временно скрыть служебную информацию и индикаторы на сенсорном экране. Чтобы видеть только изображение, проведите пальцем по экрану вверх или вниз. Индикатор записи, рамки кадрирования, сетка, зебра и индикация фокуса будут по-прежнему видны.



Чтобы скрыть всю служебную информацию на URSA Broadcast G2, проведите пальцем по сенсорному экрану

Меню воспроизведения

Чтобы открыть меню воспроизведения, нажмите соответствующую кнопку. Для просмотра записанных клипов можно использовать как кнопки управления, так и сенсорный экран.










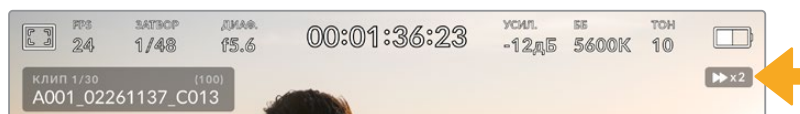
При воспроизведении отображается временная шкала, разбитая на сегменты, каждый из которых представляет собой отдельный записанный клип. Имя и номер текущего клипа показаны в верхней левой части дисплея, а общее количество клипов на накопителе указано в скобках.

Счетчик времени слева от временной шкалы обозначает текущее положение курсора, а счетчик справа показывает общую продолжительность всех клипов.

Под временной шкалой размещены кнопки управления воспроизведением.



	Если во время воспроизведения нажать кнопку записи, камера перейдет в режим ожидания.
	Нажмите эту кнопку для просмотра видео. Включится режим воспроизведения.
	Нажмите эту кнопку для остановки воспроизведения. Повторное нажатие вернет камеру в режим ожидания.
	При однократном нажатии кнопки перемотки назад курсор воспроизведения будет помещен на первый кадр текущего клипа. Если курсор уже находится в начале клипа, выполняется возврат к первому кадру предыдущего клипа.
	При однократном нажатии кнопки перемотки вперед курсор воспроизведения будет помещен на последний кадр текущего клипа. Если курсор уже находится в конце клипа, выполняется переход к первому кадру следующего клипа.
	Если любую из этих кнопок нажать и удерживать, включается режим ускоренной перемотки. При дополнительных нажатиях скорость увеличивается в два, четыре, восемь или 16 раз.
	






Индикатор ускоренной перемотки показывает скорость и направление воспроизведения

На вкладке «НАСТРОЙКА» можно задать режим воспроизведения «Все клипы» или «Один клип». Если выбрана опция «Один клип», на дисплее будет воспроизводиться последний записанный клип.

СОВЕТ. Чтобы во время просмотра видео скрыть служебную информацию, проведите пальцем вверх или вниз по сенсорному экрану камеры. Если во время воспроизведения перейти на табличку данных, текущему клипу можно присвоить помету «Хороший дубль». Подробнее см. раздел «Ввод метаданных».

Циклическое воспроизведение

При многократном нажатии кнопки воспроизведения включается циклический режим. Его используют, когда необходимо закольцевать один или все клипы на временной шкале.

Цикл		Если во время просмотра клипа нажать кнопку воспроизведения еще раз, текущий клип будет выводиться в циклическом режиме.
Цикл для всех		Для циклического просмотра всех записанных клипов коснитесь значка воспроизведения еще раз.
Воспроизведение		Нажмите еще раз для возврата к обычному режиму воспроизведения.

Настройки

Панель инструментов

При нажатии кнопки MENU на камере URSA Broadcast G2 откроется экранная панель инструментов. Она обеспечивает доступ к настройкам, которые нельзя установить на дисплее с выводом параметров. Они сгруппированы по функциональному признаку и объединены на нескольких вкладках: «ЗАПИСЬ», «МОНИТОРИНГ», «АУДИО», «НАСТРОЙКА», «П/УСТАНОВКИ» и «LUT-ТАБЛИЦЫ». Некоторые вкладки («ЗАПИСЬ», «МОНИТОРИНГ» и «НАСТРОЙКА») имеют более одной страницы. Для перехода между страницами можно использовать стрелки с правой и левой сторон, а также прокрутку, как на смартфонах и планшетах.



Экранная панель инструментов камеры содержит вкладки «ЗАПИСЬ», «МОНИТОРИНГ», «АУДИО», «НАСТРОЙКА», «П/УСТАНОВКИ» и «LUT-ТАБЛИЦЫ»

Настройки записи

Вкладка «ЗАПИСЬ» позволяет выбрать формат видео, кодек и разрешение, а также задать другие настройки записи на URSA Broadcast G2, такие как предпочтительная карта для сохранения и уровень резкости. Меню имеет три страницы, для перехода между которыми можно использовать стрелки по краям экрана или прокрутку.

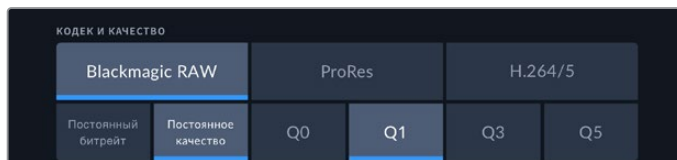
Вкладка «ЗАПИСЬ» (стр. 1)

Первая страница вкладки «ЗАПИСЬ» содержит перечисленные ниже настройки.



Кодек и качество

Это меню разбито на две секции. В верхней секции можно выбрать один из трех видов кодека (Blackmagic RAW, Apple ProRes или H.264/5), в нижней — необходимый уровень качества. Например, для ProRes предусмотрены опции HQ и 422. Для Blackmagic RAW имеется по четыре параметра для записи с постоянным битрейтом и постоянным качеством.



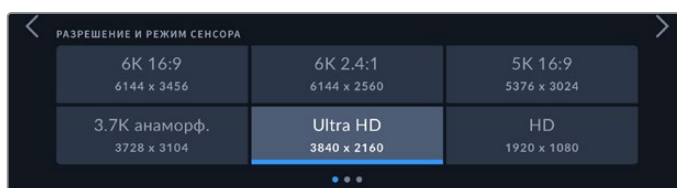
Опции записи с постоянным битрейтом и постоянным качеством для Blackmagic RAW

СОВЕТ. Использование кодеков с более высокой компрессией позволяет увеличить продолжительность записи. Подробнее см. таблицу в разделе «Запись».

Разрешение

Эта настройка используется вместе с настройкой кодека. Она позволяет выбирать разрешение для нужного формата записи.

Например, если нужно записать Ultra HD-видео в ProRes HQ, в секции «КОДЕК И КАЧЕСТВО» выберите настройки ProRes и HQ. После этого в секции разрешения выберите настройку Ultra HD.

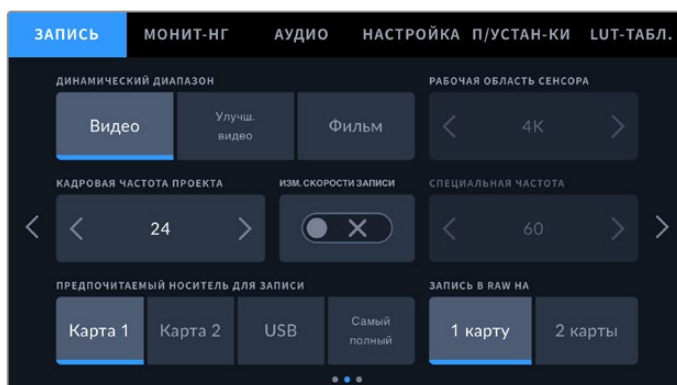


Опции разрешения для Blackmagic RAW

ПРИМЕЧАНИЕ. При записи в Blackmagic RAW камера Blackmagic URSA Broadcast G2 поддерживает все варианты разрешения, в Apple ProRes — Ultra HD и HD, в H.265 — Ultra HD, а в H.264 — HD.

Вкладка «ЗАПИСЬ» (стр. 2)

Вторая страница вкладки «ЗАПИСЬ» содержит перечисленные ниже настройки.



Динамический диапазон

Настройку параметра «ДИНАМИЧЕСКИЙ ДИАПАЗОН» выполняют касанием соответствующего значка. Камера Blackmagic URSA Broadcast G2 имеет три возможные опции.

Видео	Данная настройка идеально подходит для записи высококонтрастного насыщенного материала, который требует минимальной постобработки. При выборе этой опции используется цветовое пространство Rec.709, обеспечивающее плавную градацию светлых тонов. Получаемое изображение имеет точную палитру и оптимальное гамма-распределение, что позволяет выполнять дополнительный грейдинг.
Улучшенное видео	Данная настройка использует пространство Blackmagic Wide Gamut с улучшенной контрастностью и насыщенностью. Наиболее заметными отличиями от режима «Видео» являются сниженная насыщенность пурпурно-зеленой оси, что в основном присуще негативам.
Фильм	В этом режиме используется логарифмическая кривая с наиболее широким динамическим диапазоном. При такой настройке изображение сохраняет полный объем данных, что позволяет добиться наилучшего результата при цветокоррекции в системах класса DaVinci Resolve.

При использовании режима «Видео» или «Улучш. видео» убедитесь в том, что при выводе на ЖК-дисплей, передний и основной SDI-выходы не выбрана настройка «LUT ДЛЯ ПРОСМОТРА».

Если она включена, на экране появляется индикатор LUT, а изображение будет выглядеть более контрастным и насыщенным. Подробнее см. раздел «Настройки мониторинга» ниже.

Рабочая область сенсора

Данная настройка доступна при съемке в кодеках ProRes, H.265 и H.264. Она позволяет выбирать как полную (6K), так и ограниченную область сенсора. Параметры 5.3K и 6K позволяют расширить поле зрения, в то время как 2.7K дает возможность работать с более высокой кадровой частотой. Следует отметить, что поскольку в ограниченном режиме используется только центральная часть сенсора, из-за кроп-фактора поле зрения станет меньше.

Если на камере URSA Broadcast G2 установлена оптика с байонетом B4, убедитесь в том, что для настройки рабочей области сенсора выбрана опция 4K. Она лучше всего подходит для размера кадров, получаемых с помощью таких объективов. Параметры 5.3K и 6K приблизительно соответствуют формату Super 35 и поэтому совместимы с большинством EF, F и PL-объективов.

Подробнее о полноразмерных и ограниченных форматах см. раздел «Максимальная кадровая частота сенсора».

Кадровая частота проекта

Частота кадров, с которой URSA Broadcast G2 ведет запись. Данная настройка позволяет использовать традиционные для кино и ТВ кадровые частоты, например 29,97 fps для видео в Ultra HD ProRes HQ. Обычно выбирают значение, которое соответствует скорости воспроизведения и звукового сопровождения в приложении постобработки.

Камера Blackmagic URSA Broadcast G2 имеет восемь настроек кадровой частоты проекта: 23,98; 24; 25; 29,97; 30; 50; 59,94 и 60 кадров/с.

ПРИМЕЧАНИЕ. На визуальный ряд материала может влиять кадровая частота проекта. В телевизионном вещании обычно используют частоты 50; 59,94 или 60 fps. Эти довольно высокие кадровые частоты превосходно подходят для показа динамичных объектов и устраняют или снижают эффект размытия при перемещении камеры.

Более низкие значения, такие как 24 или 25 fps, обычно применяются в кинопроизводстве. Они позволяют получить кинематографический вид, но требуют замедленного движения камеры.

Изменение скорости записи

По умолчанию URSA Broadcast G2 использует кадровую частоту сенсора и проекта, которая соответствует воспроизведению с обычной скоростью. При выборе опции «ИЗМЕНЕНИЕ СКОРОСТИ ЗАПИСИ» можно задать независимую величину. Данная опция доступна только при записи в кодеках Blackmagic RAW и ProRes.

Специальная частота

Когда «СПЕЦИАЛЬНАЯ ЧАСТОТА» включена, для изменения кадровой частоты сенсора коснитесь соответствующей стрелки рядом с текущим значением.

Эта настройка позволяет выбирать фактическое количество кадров, записываемых в секунду. Кадровая частота сенсора влияет на скорость воспроизведения, которая определяется кадровой частотой проекта.

Подробнее о работе со специальной кадровой частотой см. главу «Кадровая частота» в разделе «Функции сенсорного экрана».

ПРИМЕЧАНИЕ. Подробнее см. раздел «Запись» и таблицу со значениями максимальной кадровой частоты сенсора.

Предпочитаемый носитель для записи

Эта настройка позволяет выбрать накопитель, который будет использоваться первым при наличии нескольких носителей. Возможные опции: «Карта 1», «Карта 2», USB и «Самый полный». При выборе одной из первых двух опций следует помнить, что их последовательное использование позволяет упорядочить работу оператора. В этом случае он всегда будет знать, какую карту менять первой. Опция «Самый полный» обеспечивает систематизацию файлов в хронологическом порядке при съемке проекта с помощью одной камеры. Она использует оценку заполнения в процентном отношении, а не по объему сохраненных данных.

Заданная настройка применяется после установки SSD-диска, карты CFast или SD, а также при подключении флеш-диска USB. Чтобы отменить ее, откройте панель параметров сохранения и выберите в качестве активной другую карту. Следует помнить, что после извлечения и повторной установки карт будет вновь использоваться текущая настройка «ПРЕДПОЧИТАЕМЫЙ НОСИТЕЛЬ ДЛЯ ЗАПИСИ».

Настройка «Запись в RAW на»

Данная настройка позволяет записывать клипы с исключительным разрешением, высокой частотой кадров и низкой степенью компрессии. Установите пару карт CFast или SD и выберите опцию «2 карты». Поскольку материал записывается на обе карты последовательно, общая скорость передачи данных будет определяться пропускной способностью более медленного носителя. Поэтому рекомендуется использовать накопители с одинаковыми или похожими характеристиками.

Сохранение можно также выполнять одновременно на карту CFast в слоте 1 или 2 и диск USB-C в слоте 3. При выборе опции «2 карты» общая скорость передачи данных в два раза выше показателя более медленного носителя.

Объединение файлов для редактирования

Скопируйте файлы .BRAW и .BRAW2 с обеих карт памяти на диск компьютера в одну папку. При импорте в медиатеку приложения DaVinci Resolve они будут объединены и появятся в виде единого клипа. Если файлы .BRAW и .BRAW2 находятся в разных местах, клипы можно воспроизводить по отдельности с половинной кадровой частотой. Чтобы просмотреть только файл .BRAW2, измените его расширение на .BRAW.

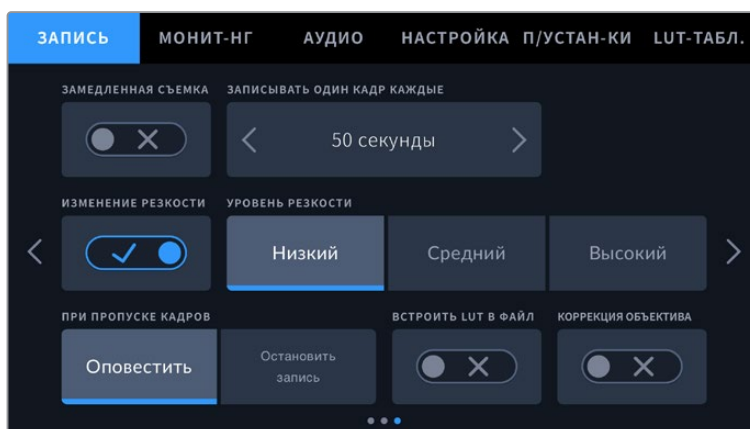
СОВЕТ. Для объединения файлов .BRAW и .BRAW2 в единый клип можно использовать функцию «Управление мультимедиа» в приложении DaVinci Resolve.

Это обеспечивает сохранность медиаконтента, упрощает его систематизацию и облегчает передачу файлов другому редактору.

Подробнее см. раздел "Using Media management" руководства по DaVinci Resolve.

Вкладка «ЗАПИСЬ» (стр. 3)

Третья страница вкладки «ЗАПИСЬ» содержит перечисленные ниже настройки.



Замедленная съемка

Эта настройка позволяет автоматически записывать стоп-кадр с заданным интервалом.

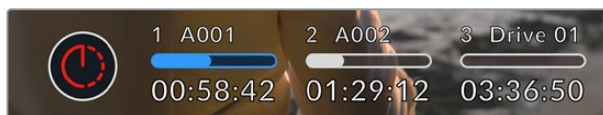
Кадры	2-10
Секунды	1-10, 20, 30, 40, 50
Минуты	1-10

Камеру можно настроить таким образом, чтобы она записывала стоп-кадр через каждые 10 кадров, 5 секунд, 30 секунд, 5 минут и т. д.

Функция записи стоп-кадра с установленным интервалом открывает большие возможности для творчества. Например, если записывать статичное изображение с интервалом два кадра, при воспроизведении видео будет иметь эффект ускоренной съемки.

Формат каждого стоп-кадра будет совпадать с форматом записи, то есть если используется Ultra HD ProRes HQ, функция замедленной съемки сохраняет эту настройку. Частота кадров совпадает с аналогичным параметром, установленным для всего проекта. Благодаря этому статичные изображения можно легко включать в процесс постпроизводства.

При замедленной съемке счетчик временного кода будет обновляться по мере записи кадра.



В режиме замедленной съемки кнопка записи содержит соответствующий значок

Изменение резкости

Функция позволяет повысить резкость изображения на URSA Broadcast G2. Чтобы увеличить или уменьшить уровень резкости, выберите одну из следующих опций: «Низкий», «Средний» или «Высокий».

Настройки этой функции применяются к видео, записываемому на камеру в ProRes, а также к SDI-сигналу на выходе камеры.

Это особенно удобно в прямом эфире, когда нет времени на дополнительную обработку изображения. Если видео будет подвергаться интенсивному редактированию или цветокоррекции, рекомендуется отключить изменение резкости. В этом случае резкость изображения файлов Blackmagic RAW не меняется, что облегчает процесс постпроизводства.

СОВЕТ. При постобработке файлов Blackmagic RAW можно получить сопоставимый уровень резкости, если использовать инструмент «Размытие» или «Повышение резкости» на стр. «Цвет» приложения DaVinci Resolve.

Для высокой, средней или низкой резкости установите радиус на 0,48, а для масштаба выберите значение 0,6; 0,3 или 0,15 соответственно.

Подробнее см. раздел "Motion Effects and Blur Palette" в руководстве по DaVinci Resolve.

Действие при пропуске кадров

Данная настройка позволяет задать действие при обнаружении пропущенных кадров. Если выбрана опция «Оповестить», на ЖК-экране будет отображаться соответствующий индикатор, а камера продолжит запись с пропущенными кадрами. Если выбрана опция «Остановить запись», при обнаружении пропущенных кадров сохранение будет остановлено. Это позволяет избежать записи материала, непригодного для дальнейшего использования.

Подробнее о съемке без пропуска кадров см. разделы «Выбор карты CFast 2.0», «Выбор скоростной карты SD», «Выбор скоростного SSD-диска» и «Выбор скоростного флеш-диска USB-C».

Встроить LUT в файл

При применении LUT к изображению на любом выходе камеры URSA Broadcast G2 таблица будет встроена в записываемый файл Blackmagic RAW.

Она сохраняется в заголовке файла и может применяться к клипу во время постобработки без создания отдельного файла. Если в меню «ЗАПИСЬ» включить опцию «ВСТРОИТЬ LUT В ФАЙЛ», полученное видео будет открываться в приложениях Blackmagic RAW Player и DaVinci Resolve с уже встроенной в него LUT-таблицей. Ее можно быстро активировать и отменять, но она всегда будет храниться в файле .braw вместе с самим изображением.

Для включения или отключения 3D LUT-таблицы в файле Blackmagic RAW нужно выбрать соответствующую настройку режима «Применить LUT-таблицу» на панели RAW в приложении DaVinci Resolve. Она используется так же, как на камере. Благодаря этому колорист может по своему усмотрению использовать или отменить ее применение на этапе постобработки.

Сохранить LUT с клипом

Данная опция доступна при съемке в форматах ProRes, H.265 или H.264. При работе с Blackmagic URSA Broadcast G2 LUT-таблицы не применяются при записи изображения по умолчанию. Для сохранения этой информации нажмите «СОХРАНИТЬ LUT С КЛИПОМ».

Эта опция может пригодиться, когда нет времени на грейдинг при постобработке, либо при передаче отснятого материала напрямую заказчику или редактору. Подробнее см. разделы «3D LUT-таблицы» и «Функции сенсорного экрана».

Коррекция искажений объектива

Вещательные зум-объективы часто страдают от цветных ореолов по краям кадра или в углах изображения. Они более заметны вокруг контрастных участков при использовании недорогой B4-оптики с большим диапазоном зуммирования. Функция «КОРРЕКЦИЯ ОБЪЕКТИВА» позволяет исправлять данные погрешности таких объективов. Она автоматически включается, когда камера получает от них определенную информацию.

Присвоение имен файлам

В зависимости от выбранной настройки для записи клипов используется кодек Blackmagic RAW, Apple ProRes или MP4.

Таблица ниже содержит образец, по которому файлам присваиваются имена.

A001_08151512_C001.mov	Имя файла в формате QuickTime Movie
A001_08151512_C001.mov	Идентификатор камеры
A 001 _08151512_C001.mov	Номер тома
A001_ 08 151512_C001.mov	Месяц
A001_08 15 1512_C001.mov	День
A001_0815 15 12_C001.mov	Часы
A001_081515 12 _C001.mov	Минуты
A001_08151512_ C001 .mov	Номер клипа

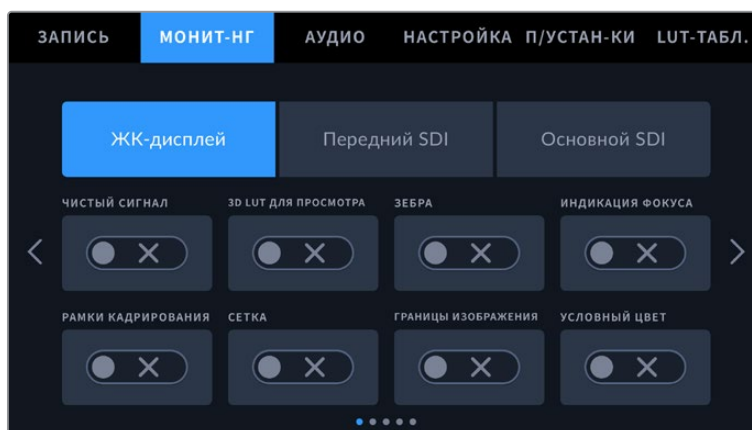
Моментальные снимки в формате DNG, созданные с помощью кнопки STILL, совпадают с названиями видеофайлов, но в конце содержат индекс S001, цифры которого соответствуют номеру статического изображения. Подробнее см. раздел «Органы управления на ЖК-дисплее состояния».

Настройки мониторинга

На вкладке «МОНИТОРИНГ» можно задать настройки служебных параметров, выводимых на сенсорный экран, передний и основной SDI-выходы. Все параметры разделены на подгруппы «ЖК-дисплей», «Передний SDI» и «Основной SDI». Каждое меню имеет пять страниц, для перехода между которыми можно использовать стрелки по краям экрана или прокрутку.

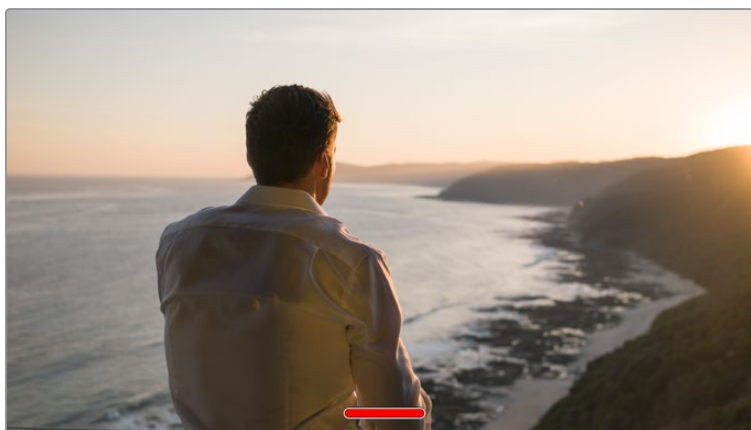
Вкладка «МОНИТОРИНГ» (стр. 1)

Первая страница вкладки «МОНИТОРИНГ» имеет идентичные настройки для полей «ЖК-дисплей», «Передний SDI» и «Основной SDI». Например, функцию «ЗЕБРА» можно активировать в поле «ЖК-дисплей», но отключить для переднего и основного SDI-выходов.



Чистый сигнал

Чтобы отключить вывод всех служебных параметров (за исключением Tally-индикатора записи) на ЖК-экран, передний или основной SDI-выход, коснитесь соответствующего поля.



При выводе чистого сигнала на ЖК-дисплее отображается Tally-индикатор записи

ПРИМЕЧАНИЕ. При использовании опции «ЧИСТЫЙ СИГНАЛ» к изображению на выходе применяются LUT-таблицы. Для их отключения установите переключатель «3D LUT ДЛЯ ПРОСМОТРА» на вкладке «МОНИТОРИНГ» в выключенное положение.

3D LUT для просмотра

URSA Broadcast G2 позволяет применять 3D LUT-таблицы к изображению на любом выходе камеры. Эта функция особенно полезна при записи в режиме «Фильм» с кинематографическим динамическим диапазоном, так как создается изображение с низким контрастом.

Когда включено применение таких таблиц, их можно активировать независимо для ЖК-дисплея, переднего и основного SDI-выходов.

ПРИМЕЧАНИЕ. Подробнее о загрузке и использовании 3D LUT-таблиц см. раздел «3D LUT-таблицы».

Зебра

Чтобы включить отображение зебры, коснитесь соответствующего переключателя в меню «ЖК-дисплей», «Передний SDI» или «Основной SDI». Подробнее о работе с этим инструментом и установке нужного уровня см. раздел «Функции сенсорного экрана».

Индикация фокуса

Чтобы вывести на экран индикацию фокуса, коснитесь соответствующего переключателя в меню «ЖК-дисплей», «Передний SDI» или «Основной SDI». Подробнее о работе с этим инструментом и установке нужного уровня см. раздел «Функции сенсорного экрана».

Рамки кадрирования

Чтобы включить рамки кадрирования, коснитесь соответствующего переключателя в меню «ЖК-дисплей», «Передний SDI» или «Основной SDI». Подробнее о работе с этим инструментом и выборе рамок см. раздел «Функции сенсорного экрана».

Сетка

Чтобы включить отображение сетки, коснитесь соответствующего переключателя в меню «ЖК-дисплей», «Передний SDI» или «Основной SDI». Подробнее о правиле третей см. раздел «Функции сенсорного экрана».

Границы изображения

Чтобы выводить границы изображения, коснитесь соответствующего переключателя в меню «ЖК-дисплей», «Передний SDI» или «Основной SDI».

Подробнее об использовании этой функции и ее настройках см. раздел «Функции сенсорного экрана».

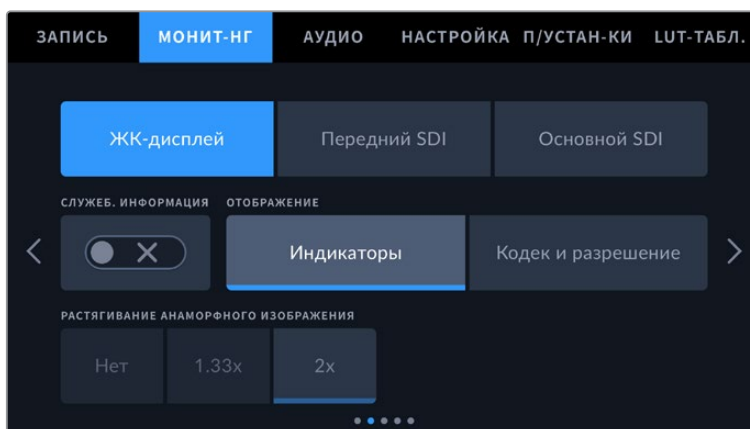
Условный цвет

Чтобы использовать условный цвет, коснитесь соответствующего переключателя в меню «ЖК-дисплей», «Передний SDI» или «Основной SDI».

Подробнее о работе с условным цветом см. раздел «Функции сенсорного экрана».

Вкладка «МОНИТОРИНГ» (стр. 2)

Вторая страница меню на вкладке «МОНИТОРИНГ» содержит настройки, которые зависят от выбранного выхода.



Поля «ЖК-дисплей», «Передний SDI» и «Основной SDI»

Служебная информация

На ЖК-дисплее, переднем и основном SDI-выходах можно скрыть дополнительную выводимую служебную информацию и оставить только те индикаторы, которые необходимы для кадрирования и съемки. Чтобы выбрать необходимый режим, коснитесь переключателя в поле «СЛУЖЕБ. ИНФОРМАЦИЯ» соответствующего меню («ЖК-дисплей», «Передний SDI» или «Основной SDI»). Если рамки кадрирования, сетка, индикация фокуса и зебра активированы, они будут по-прежнему отображаться.

Для работы с сенсорным экраном камеры URSA Broadcast G2 по нему достаточно провести пальцем в вертикальном направлении.

Растягивание анаморфного изображения

При использовании анаморфотных объективов URSA Broadcast G2 создает изображение, которое выглядит сжатым по горизонтали. Данная опция позволяет растянуть изображение, выводимое на выходы камеры для предварительного просмотра, а также записать необходимую информацию с метаданными клипа для облегчения постобработки.

Степень возможного растяжения зависит от настройки разрешения, при этом полученное изображение будет всегда иметь пропорции 2,4:1.

Анаморфотные объективы, предназначенные для съемки фильмов, обычно используют коэффициент сжатия 2. Когда выбрано разрешение «3.7K анаморф.», опция «РАСТЯГИВАНИЕ АНАМОРФНОГО ИЗОБРАЖЕНИЯ» помогает выполнять двукратное растягивание изображения.

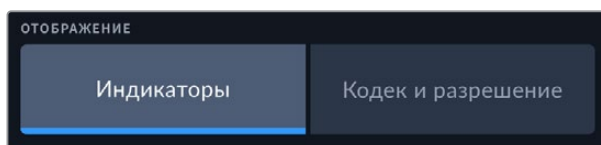
Для получения такого соотношения сторон анаморфотные объективы, предназначенные для использования с сенсорами размера 16:9, обычно сжимают изображение в 1,33 раза. Когда выбраны настройки 4K 16:9 и HD 16:9, следует применять опцию 1,33x.

СОВЕТ. Если при использовании стандартного сферического объектива изображение вытянуто по горизонтали, убедитесь в том, что не используется режим растягивания анаморфного изображения.

Поле «ЖК-дисплей»

Отображение

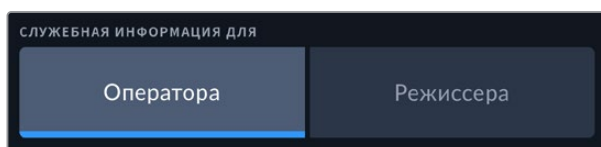
Вместо гистограммы и индикаторов звука внизу сенсорного экрана камеры URSA Broadcast G2 можно отображать информацию о кодеке и разрешении. Это полезно в том случае, когда необходимо выводить условный цвет для настройки экспозиции или записывать отдельную аудиодорожку. Чтобы выбрать нужный режим, коснитесь элемента «Индикаторы» или «Кодек и разрешение» в меню «ЖК-дисплей».



Поля «Передний SDI» и «Основной SDI»

Служебная информация для оператора или режиссера

На экран камеры можно выводить настройки ISO, баланса белого и диафрагмы, которые будут полезны для оператора во время подготовки к съемке. SDI-выход также позволяет показывать информацию для режиссера или супервайзера по сценарию, который систематизирует записанный материал.



Если в меню «Передний SDI» или «Основной SDI» выбрать опцию «Режиссера», на соответствующий выход вместе с изображением будет поступать информация об используемых параметрах.

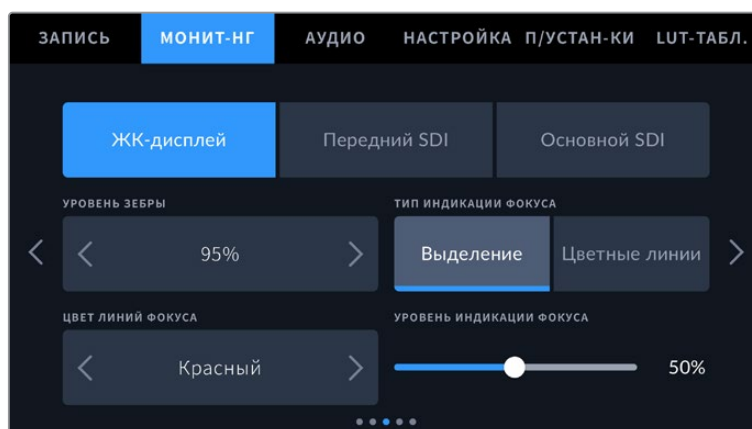
- **FPS**
Отображает текущую кадровую частоту в секунду. Если специальная частота выключена, отображается только кадровая частота проекта, если включена, выводится кадровая частота сенсора и проекта.
- **КАМ.**
Идентификатор камеры URSA Broadcast G2 в соответствии с заданной настройкой. Подробнее см. раздел «Табличка данных».
- **ОПЕРАТОР**
Оператор камеры в соответствии с заданной настройкой. Подробнее см. раздел «Табличка данных».
- **ПРОДОЛЖИТЕЛЬНОСТЬ ЗАПИСИ**
Продолжительность текущего клипа в режиме записи или последнего записанного клипа (часы:минуты:секунды).
- **ТОМ, СЦЕНА, ДУБЛЬ**
Текущее значение тома, сцены и дубля. Подробнее о присвоении значений см. раздел «Табличка данных».
- **ДИНАМИЧЕСКИЙ ДИАПАЗОН**
В случае использования на выходе LUT-таблицы в левом нижнем углу отображается ее название. Если LUT-таблица не применяется, выводится текст «Фильм» или «Видео».

- **ТАЙМ-КОД**

В правом нижнем углу отображается тайм-код (часы:минуты:секунды:кадры).

Вкладка «МОНИТОРИНГ» (стр. 3)

Третья страница вкладки «МОНИТОРИНГ» имеет идентичные настройки для полей «ЖК-дисплей», «Передний SDI» и «Основной SDI». Их можно применить к любому из трех выходов для мониторинга. Например, если индикация фокуса активирована для ЖК-дисплея и обоих SDI, при переключении с режима «Выделение» на «Цветные линии» эта настройка будет использоваться на всех трех выходах.



Уровень зебры

С помощью стрелок сбоку от значения можно выбрать уровень экспозиции, при котором будет отображаться зебра. Доступно 8 вариантов предустановок: от средней зоны серого до 100%.

Подробнее о работе с функцией зебры см. раздел «Функции сенсорного экрана».

Тип индикации фокуса

URSA Broadcast G2 имеет два режима помощи при фокусировке: «Выделение» и «Цветные линии».

- **Выделение**

При использовании режима «Выделение» участки изображения в фокусе становятся более резкими на ЖК-дисплее и SDI-выходах, однако это не влияет на запись. На дисплее камеры становится заметной разница между объектами в фокусе и задним планом. За счет этого оператору становится легче выстраивать композицию, если на экран не выводится дополнительная служебная информация.

- **Цветные линии**

При использовании режима «Цветные линии» участки изображения в фокусе выделяются цветными линиями. Он может быть полезным при съемке сложных композиций с большим количеством деталей, когда нужно настроить фокус для особенно важных объектов.

Цвет линий фокуса

Эта настройка позволяет выбрать цвет линий, используемых для индикации фокуса в режиме «Цветные линии». Ее изменение может потребоваться в зависимости от преобладающего цвета композиции, чтобы улучшить визуализацию предметов в фокусе. Доступные опции: «Белый», «Синий», «Зеленый», «Черный» и «Красный».

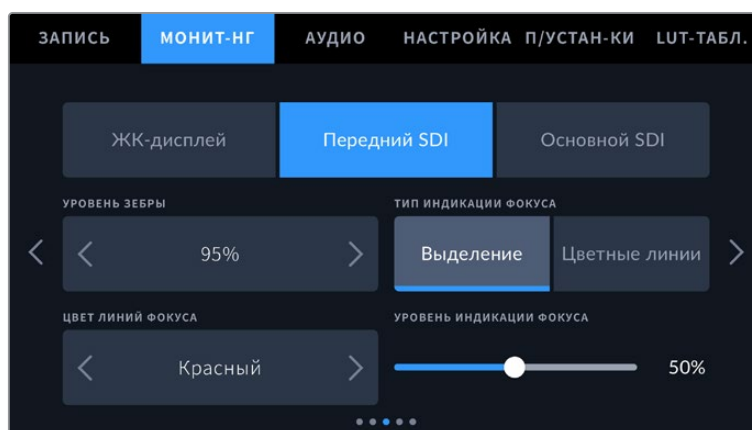
Уровень индикации фокуса

Чтобы установить уровень помощи при фокусировке для ЖК-дисплея, переднего и основного SDI-выходов, передвиньте слайдер влево или вправо.

СОВЕТ. Оптимальный уровень индикации фокуса варьируется в зависимости от характера кадра. Например, при съемке людей он может быть высоким для сохранения детализации при изображении лиц. В других случаях (например, для статичных предметов) такой высокий уровень не требуется.

Вкладка «МОНИТОРИНГ» (стр. 4)

Четвертая страница вкладки «МОНИТОРИНГ» имеет идентичные настройки для полей «ЖК-дисплей», «Передний SDI» и «Основной SDI». Их можно применить к любому из трех выходов для мониторинга.



Рамки кадрирования

Коснитесь правой или левой стрелки в этом поле, чтобы выбрать одну из настроек для всех выходов камеры URSA Broadcast G2 (в том числе с выводом на видеоискатель Blackmagic URSA Viewfinder). Возможные опции описаны в разделе «Функции сенсорного экрана». Для доступа к ним можно также использовать меню «МОНИТОРИНГ» на ЖК-дисплее.

Границы изображения

Чтобы изменить границы для ЖК-дисплея, переднего и основного SDI-выходов, используйте стрелки слева и справа от текущего значения. Настройка соответствует размеру области в процентах от кадра изображения. Большинство вещательных станций требуют, чтобы она составляла 90%.

Непрозрачность рамок

Коснитесь правой или левой стрелки в поле «НЕПРОЗРАЧНОСТЬ РАМОК», чтобы выбрать прозрачность участков, закрываемых рамками кадрирования на ЖК-дисплее, переднем и основном SDI-выходах. Возможные опции: 25%, 50%, 75% и 100%.

Цвет рамок

Коснитесь правой или левой стрелки в поле «ЦВЕТ РАМОК», чтобы выбрать один из вариантов.

Сетка

Чтобы выбрать комбинацию инструментов для отображения на ЖК-экране, переднем и основном SDI-выходах, коснитесь необходимого значка: «Трети», «Горизонт», «Крестик» или «Точка».

Подробнее о работе с этим инструментом см. раздел «Органы управления с сенсорного экрана».

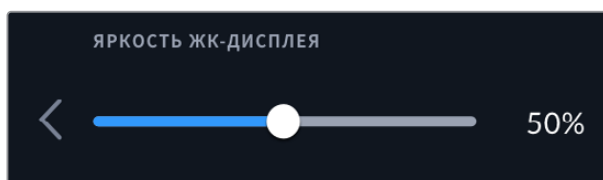
Вкладка «МОНИТОРИНГ» (стр. 5)

Пятая страница меню на вкладке «МОНИТОРИНГ» содержит настройки, которые зависят от выбранного выхода.

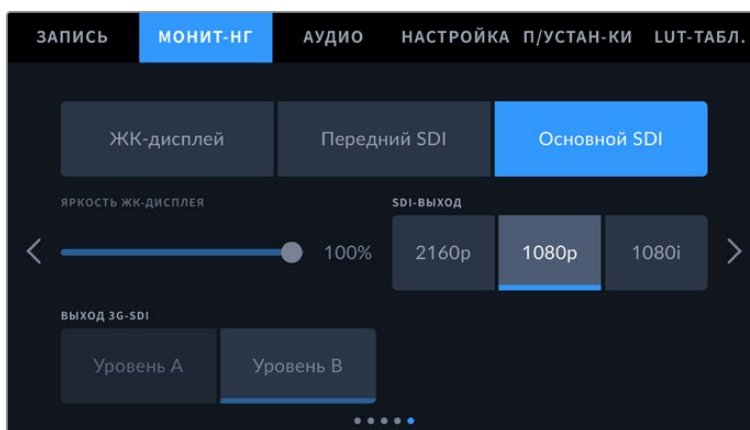
Поле «ЖК-дисплей»

Яркость ЖК-дисплея

Чтобы изменить яркость ЖК-дисплея на URSA Broadcast G2, перетащите соответствующий слайдер в меню «ЖК-дисплей».



Поля «Передний SDI» и «Основной SDI»



SDI-выход

Оба выхода допускают вывод HD-материала с прогрессивной или чересстрочной разверткой, а также прогрессивного Ultra HD-видео. Возможные опции этой настройки определяются выбранным разрешением и кадровой частотой. Вывод прогрессивного HD-видео (опция 1080p) возможен независимо от разрешения и кадровой частоты записи. HD-видео с чересстрочной разверткой (опция 1080i) доступно в том случае, если для проекта выбрана кадровая частота 50/59,94/60. Выводить Ultra HD-видео (опция 2160p) можно при съемке в Ultra HD.

Выход 3G-SDI

Эта опция позволяет настраивать вывод сигнала 3G-SDI для совместимости с оборудованием, которое поддерживает ввод 3G-SDI только как уровень А или уровень В. Она доступна лишь при кадровых частотах 50; 59,94 и 60 fps в формате 1080p. Коснитесь значка «Уровень А» или «Уровень В» для выбора соответствующего стандарта.

Настройки звука

При работе с URSA Broadcast G2 вкладка «АУДИО» позволяет менять настройки источника звука и мониторинга аудиосигнала.

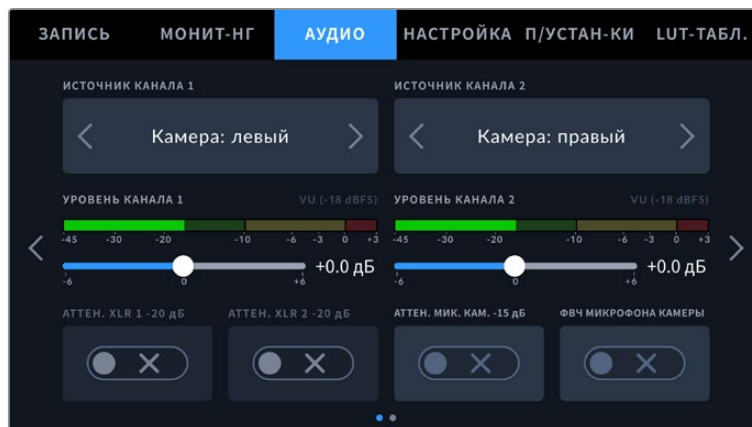
Меню состоит из двух страниц, разделенных внутри между каналами 1 и 2. К ним добавятся еще два канала в одном из ближайших обновлений ПО.

Можно назначить свой источник звука для каждого из каналов, а также использовать настройки аттенюатора и фильтра высоких частот.

Они применяются вместе с переключателями на внутренней панели управления камеры URSA Broadcast G2. После привязки источника звука к определенному каналу можно использовать переключатели панели управления для выбора типа сигнала и фантомного питания (при его наличии).

Вкладка «АУДИО» (стр. 1)

Первая страница этого меню содержит перечисленные ниже настройки.



Источник канала

Для выбора источника звука по каждому каналу используйте кнопки «ИСТОЧНИК КАНАЛА 1» и «ИСТОЧНИК КАНАЛА 2». Доступные опции:

- **Камера: левый или Камера: правый**
Запись звука со встроенных микрофонов камеры.
- **Камера: моно**
Настройка записи звука с левого и правого канала встроенного микрофона на один аудиоканал.
- **XLR 1 или XLR 2**
Позволяет настроить запись звука с XLR-входов камеры. В зависимости от того, какой сигнал выбран на внутренней панели камеры URSA Broadcast G2, вход XLR может быть показан как микрофон, линейный или AES. При наличии фантомного питания и установке этой настройки для XLR-входа будет дополнительно отображаться индикатор «+48 В». При отключении микрофона с фантомным питанием тумблер «+48 В» должен находиться в выключенном положении.
- **XLR 1: микрофон или XLR 2: микрофон**
Используется при записи с микрофона, подключенного ко входам XLR 1 или XLR 2, с более низким уровнем. Эта опция позволяет избежать искажений звука при неожиданном повышении громкости. Функция доступна только в том случае, когда для входов XLR 1 или XLR 2 используется настройка для микрофона.
- **Нет**
Отключение аудиоканала.

Уровень канала 1 и 2

Настройка уровней записи для каналов 1 и 2 с использованием слайдеров. Для большей точности слайдеры снабжены индикаторами звука. Уровни обновляются также при корректировке аудиосигнала с помощью ручки на эргономичной панели управления.

Чтобы получить качественную звуковую дорожку, значения сигнала должны быть ниже 0 dBFS. В случае превышения этого уровня возникает перегрузка, и аудиосигнал искажается.



Аттен. XLR -20 дБ

Эта опция позволяет вести съемку в шумных условиях, если после уменьшения уровня входящего сигнала необходимо дополнительно понизить уровень звука для XLR-входов.

Аттен. мик. кам. -15 дБ

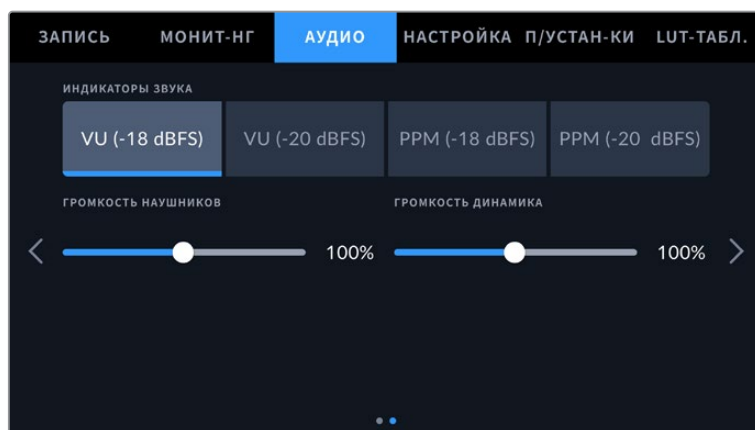
Эта опция позволяет использовать URSA Broadcast G2 для съемки в шумных условиях, если после уменьшения уровня входящего сигнала необходимо дополнительно понизить уровень звука для микрофона.

ФВЧ микрофона камеры

Нажмите на этот значок, чтобы активировать фильтр верхних частот для встроенных микрофонов камеры. Он позволяет уменьшить шумовые помехи при съемке вне павильона. Для работы функции переключатель «АТТЕН. МИК. КАМ. -15 дБ» должен находиться в выключенном положении.

Вкладка «АУДИО» (стр. 2)

На второй странице доступны перечисленные ниже настройки.



Индикаторы звука

Для измерения уровня звука можно использовать две разные шкалы.

VU	VU означает «единицы громкости». Эта шкала усредняет крайние значения аудиосигнала. При использовании данной опции откорректируйте входные уровни на Blackmagic URSA Broadcast G2 таким образом, чтобы пиковые значения не превышали 0 дБ. Это максимально увеличивает соотношение «сигнал – шум» и обеспечивает самое высокое качество аудиодорожки. Если пиковые значения превышают уровень 0 дБ, возникает риск искажения звука.
PPM	PPM означает «индикация пиков». В этом случае наглядно фиксируются максимальные значения, чтобы их было легко отследить.

Шкалы VU и PPM позволяют выбирать опорное значение -18 dBFS или -20 dBFS, чтобы вести мониторинг на основе разных международных стандартов.

Настройки индикаторов звука	Стандарт
PPM (-20 dBFS)	SMPTE RP.0155
PPM (-18 dBFS)	EBU R.68

Громкость наушников

Настройку уровня звука в подключенных через 3,5 мм разъем наушниках выполняют с помощью слайдера. Для этого передвиньте слайдер влево или вправо. Уровни обновляются также при изменении громкости с помощью ручки на боковой панели управления.

Громкость динамика

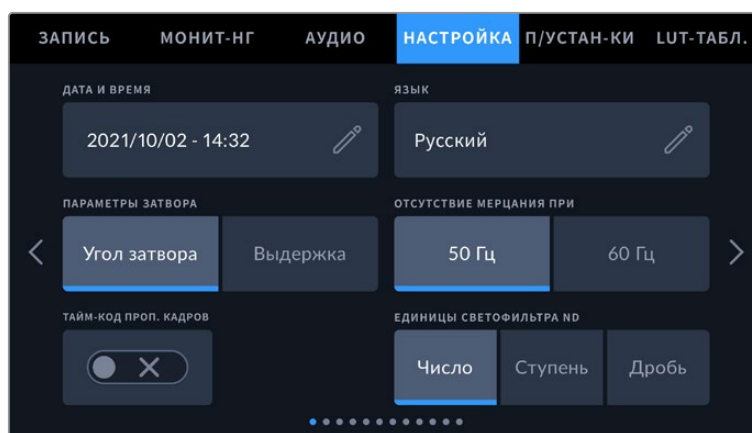
На камере URSA Broadcast G2 настройку уровня звука встроенного динамика выполняют с помощью слайдера. Для этого передвиньте слайдер влево или вправо. Уровни обновляются также при изменении громкости с помощью ручки на боковой панели управления.

Основные настройки

Вкладка «НАСТРОЙКА» содержит код камеры URSA Broadcast G2, номер используемой версии ПО, настройки функциональных кнопок и другие параметры, напрямую не связанные с записью или мониторингом. Меню вкладки занимает 12 страниц. Для навигации по ним используйте стрелки, расположенные по краям сенсорного ЖК-экрана, или проведите по экрану в горизонтальном направлении.

Вкладка «НАСТРОЙКА» (стр. 1)

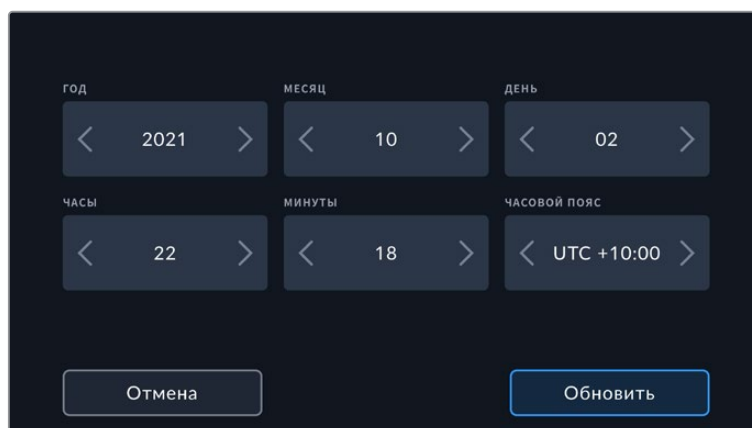
На первой странице доступны перечисленные ниже настройки.



Меню «НАСТРОЙКА» на URSA Broadcast G2

Дата и время

Для изменения этой настройки нажмите значок карандаша. Выберите ее, чтобы указать год, месяц, день и время в 24-часовом формате. Она также используется для тайм-кода при отсутствии внешнего источника тайм-кода.



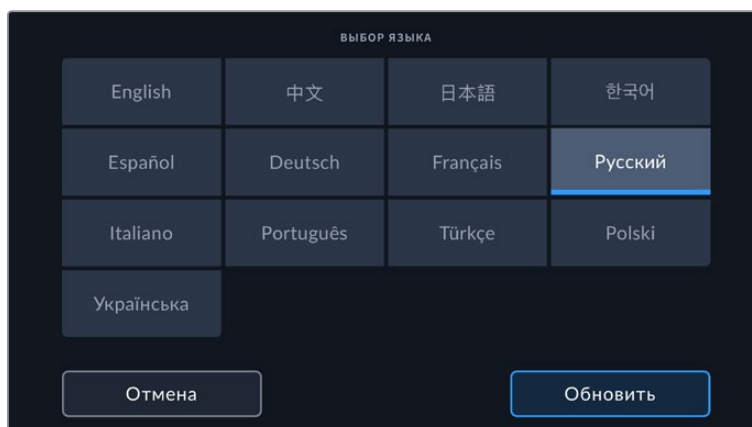
Язык

URSA Broadcast G2 имеет пользовательский интерфейс на 13 основных языках, включая английский, китайский, японский, корейский, испанский, немецкий, французский, русский, итальянский, португальский, турецкий, польский и украинский.

Экран выбора языка отображается при первоначальной настройке.

Выбор языка

- 1 Нажмите настройку «ЯЗЫК» и выберите нужную опцию.
- 2 Нажмите кнопку «Обновить» для возврата к меню настройки.



Параметры затвора

Эта настройка позволяет выбрать способ отображения информации о затворе: угол затвора или выдержку. Оба показателя влияют на степень размытости изображения, но делают это по-разному. Подробнее см. раздел «Органы управления с сенсорного экрана».

Отсутствие мерцания

Эта настройка позволяет выбрать частоту электропитания, чтобы не допустить мерцания.

Мерцание может возникать при определенной скорости раскрытия затвора во время съемки с искусственным освещением. Для текущих настроек кадровой частоты URSA Broadcast G2 автоматически рассчитывает скорость затвора, чтобы избежать мерцания, и отображает ее значение на экране в меню выдержки. Эти параметры зависят от частоты в местной сети энергоснабжения, питание от которой поступает на лампы освещения. В большинстве стран с телевизионным стандартом PAL используется частота 50 Гц, в странах с NTSC — 60 Гц. Выберите значение 50 Гц или 60 Гц в зависимости от вашего региона.

Отдельные источники света могут вызывать мерцание при любых значениях затвора. Рекомендуется предварительно выполнить съемку в тестовом режиме.

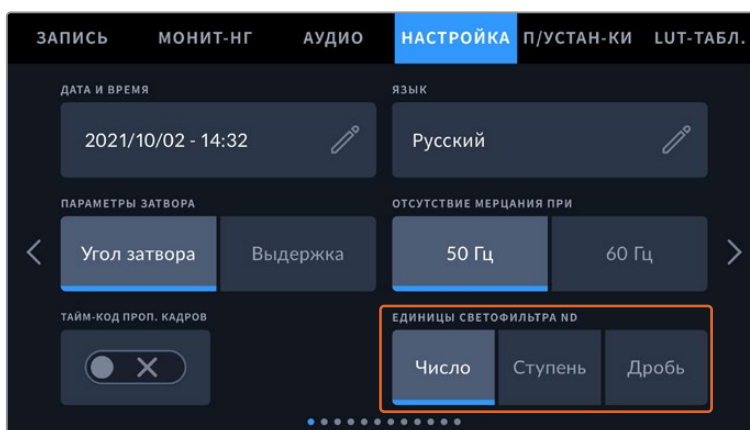
Тайм-код проп. кадров

Эта настройка вводит поправку тайм-кода при использовании стандарта NTSC с кадровой частотой проекта 29,97 и 59,94. Она позволяет исключать отдельные кадры из тайм-кода с определенным интервалом. Благодаря этому удается поддерживать корректный тайм-код при работе с NTSC, когда каждый второй кадр не является целым числом.

Единицы светофильтра ND

Данная настройка позволяет задавать формат индикации светофильтра ND на экране URSA Broadcast G2. Каждый параметр соответствует различным условным обозначениям. Кинооператоры обычно используют номера светофильтров, а те, кто имеет опыт работы с DSLR и вещательной техникой, предпочитают выводить информацию в виде степени экспозиции или объема света в дробях.

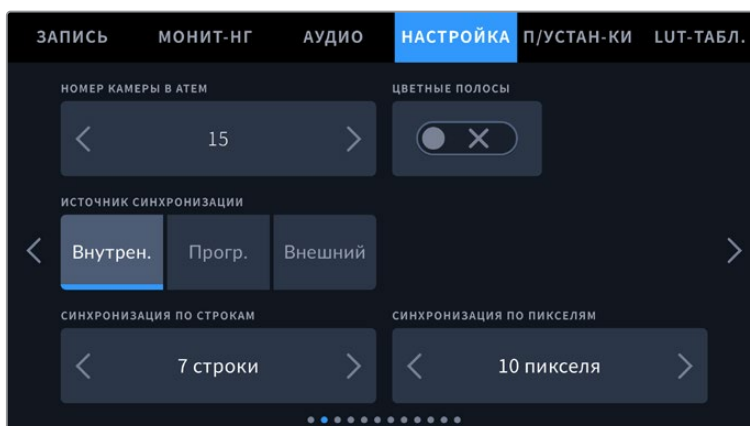
Доступные опции: число, степень и дробь.



Вкладка «НАСТРОЙКА» на URSA Broadcast G2 позволяет настроить отображение информации о светофильтрах ND

Вкладка «НАСТРОЙКА» (стр. 2)

На второй странице доступны перечисленные ниже настройки.



Номер камеры в АТЕМ

Чтобы URSA Broadcast G2 получала Tally-сигнал с видеомикшера АТЕМ, камере необходимо присвоить идентификационный номер. В этом случае сигнал микшера будет поступать на нужную камеру. Выберите значение от 1 до 99 с помощью левой или правой кнопки. По умолчанию используется значение 1.

Цветные полосы

При подключении URSA Broadcast G2 к видеомикшеру или внешнему монитору настройка позволяет выводить цветные полосы вместо изображения. После их появления на экране можно выполнять основную калибровку монитора. Чтобы выводить цветные полосы на всех выходах камеры URSA Broadcast G2, в том числе на ЖК-дисплей, активируйте опцию «ЦВЕТНЫЕ ПОЛОСЫ».

Источник синхронизации

Позволяет выбрать внутренний или внешний источник синхронизации либо привязать URSA Broadcast G2 к опорному сигналу, поступающему на вход камеры с видеомикшера АТЕМ. Если камерой управляют из приложения АТЕМ Software Control, необходимо всегда использовать настройку «Программа», за исключением случаев, когда видеомикшер и всю подключенную к нему технику синхронизируют по внешнему устройству.

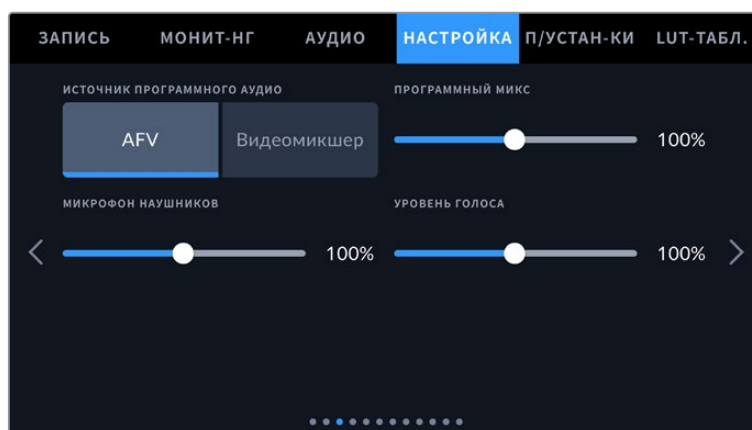
ПРИМЕЧАНИЕ. При выборе источника синхронизации и переключении между ними может происходить кратковременная потеря сигнала на выходе камеры URSA Broadcast G2. Это происходит из-за перенастройки на новый опорный сигнал, поэтому изменения рекомендуется выполнять не во время работы, а в паузах между проектами.

Способ синхронизации

Эта настройка позволяет вручную устанавливать способ синхронизации — по строкам или по пикселям. Для выбора нужного значения используйте стрелки сбоку от настроек строк и пикселей.

Вкладка «НАСТРОЙКА» (стр. 3)

На третьей странице доступны перечисленные ниже настройки.



Источник программного аудио

При подключении к АТЕМ опция «Видеомикшер» настройки «ИСТОЧНИК ПРОГРАММНОГО АУДИО» позволяет выводить в наушники двусторонней связи программную аудиодорожку. Такая функция будет полезной в тех случаях, когда ваша камера не является источником звука, но вы хотите слышать программный аудиосигнал, поступающий с видеомикшера через порт SDI IN. Выбранная по умолчанию опция AFV выводит звук со встроенных микрофонов камеры или XLR-портов AUDIO IN.

Программный микс

Настройка баланса между звуком камеры и уровнем двусторонней связи. В наушниках воспроизводится звук того сигнала, который отображается на ЖК-дисплее. Например, при

просмотре изображения с камеры выводится соответствующее звуковое сопровождение. Если на дисплей поступает программный сигнал, будет воспроизводиться программный звук. По умолчанию установлено значение 100%.

Микрофон наушников

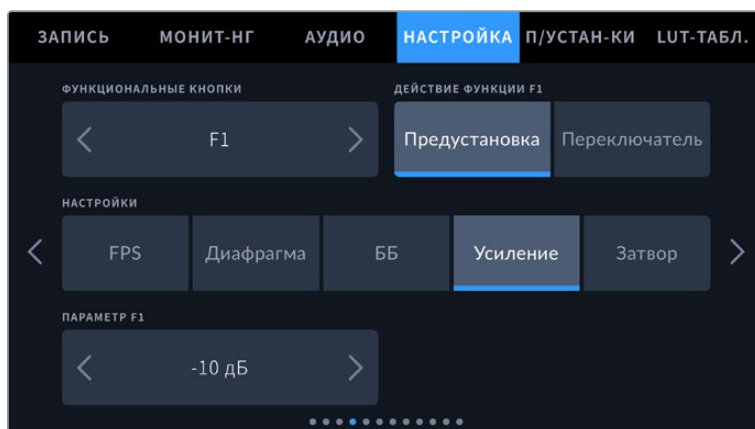
Для увеличения или снижения уровня микрофонного аудиосигнала передвиньте слайдер влево или вправо. По умолчанию установлено значение 50%.

Уровень голоса

Регулировка громкости собственного голоса в наушниках.

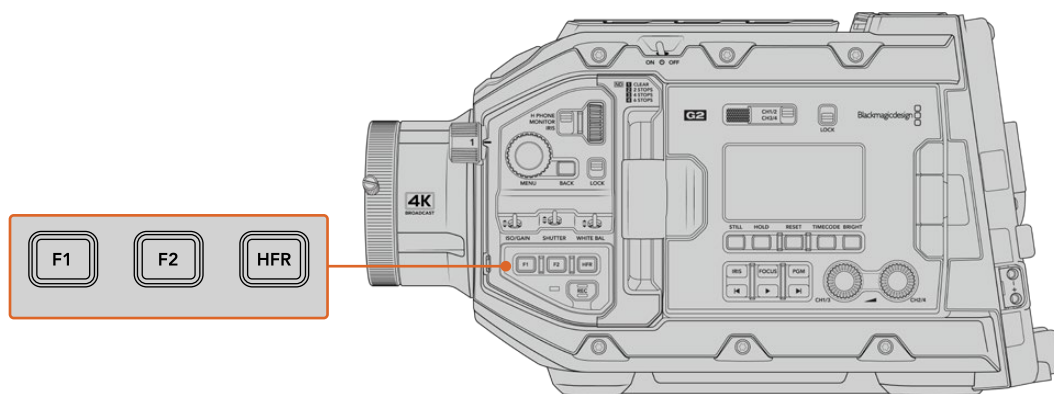
Вкладка «НАСТРОЙКА» (стр. 4)

На четвертой странице доступны перечисленные ниже настройки.



Функциональные кнопки

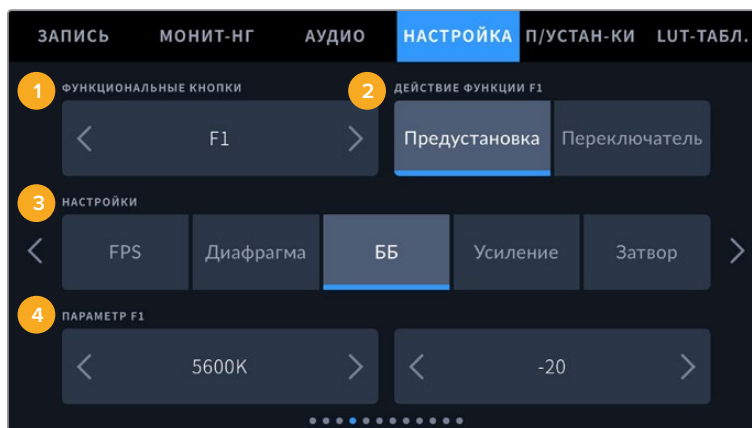
На внешней стороне ЖК-дисплея камеры расположены кнопки F1 и F2. Они предназначены для быстрого доступа к часто используемым функциям при закрытом ЖК-дисплее, например при работе с URSA Viewfinder. По умолчанию кнопка HFR изменяет скорость записи, но ее можно запрограммировать и для выполнения других функций.



Кнопки F1, F2 и HFR расположены на передней панели управления URSA Broadcast G2

СОВЕТ. Если URSA Broadcast G2 имеет В4-объектив, подключенный к камере через специальный разъем, можно также сделать функциональными кнопки VTR и RET (в дополнение к F1, F2 и HFR) и задать им режим предустановки или переключения.

Выберите нужную кнопку с помощью стрелок, а затем назначьте нужное действие, настройку и параметр.



1 Кнопка 2 Действие 3 Настройка 4 Параметр

Опции предустановки и переключателя для функциональных кнопок

После выбора функциональной кнопки укажите назначаемое действие. Ниже приведены доступные опции.

• **Предустановка**

Эта опция позволяет задавать одновременно настройку и параметр.

Для создания предустановки выберите настройку и укажите параметр с помощью стрелок по сторонам.

Например, чтобы задать кнопке F1 определенное значение баланса белого, выберите «Предустановка», затем «ББ» и с помощью стрелок в поле «ПАРАМЕТР F1» перейдите к значению «5600K» для баланса белого и «-20» для тона.

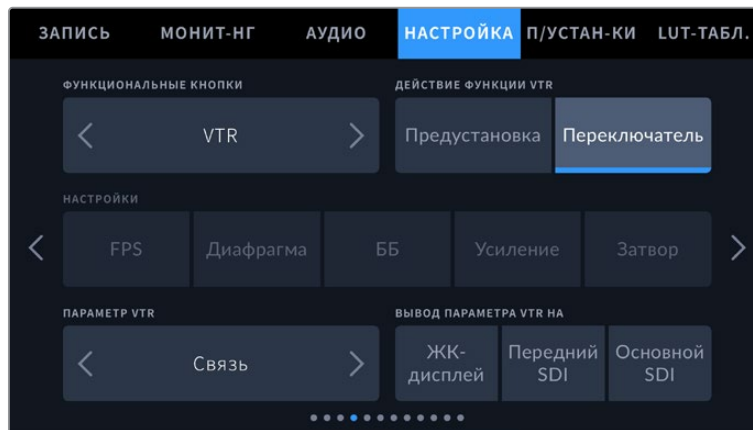
• **Переключатель**

Эта опция позволяет включить или выключить определенную настройку. В данном режиме меню «НАСТРОЙКИ» отключено. Для перехода между возможными опциями коснитесь правой или левой стрелки в меню «ПАРАМЕТР». Доступны следующие опции: «Чистый сигнал», «LUT для просмотра», «Рамки кадрирования», «Индикация фокуса», «Условный цвет», «Зебра», «Сетка», «Границы изображения», «Изм. скорости записи», «Цветные полосы», «Связь», «Оптич. стабилизация», «Запись», «Обратный поток», «Зум для фокуса» и «Нет».

При активировании опции «Зум для фокуса» с помощью нажатия на колесико MENU на передней панели управления можно перемещать увеличенный участок изображения и изменять степень зуммирования. Подробнее об использовании данной функции на ЖК-дисплее см. раздел «Зум для фокуса».

Опция «Переключатель» также позволяет выбрать выход, для которого будет применяться настройка. Для этого нажмите «ЖК-дисплей», «Передний SDI» или «Основной SDI» в любой комбинации. Если для выхода невозможно применить выбранную настройку (например, «Цветные полосы» относится ко всем выходам), «ЖК-дисплей», «Передний SDI» и «Основной SDI» не используются.

Например, кнопкам VTR и Ret на B4-объективе можно задать определенные функции. Если отдельные видеопотоки записываются на HyperDeck, кнопке VTR обычно задают функцию связи.

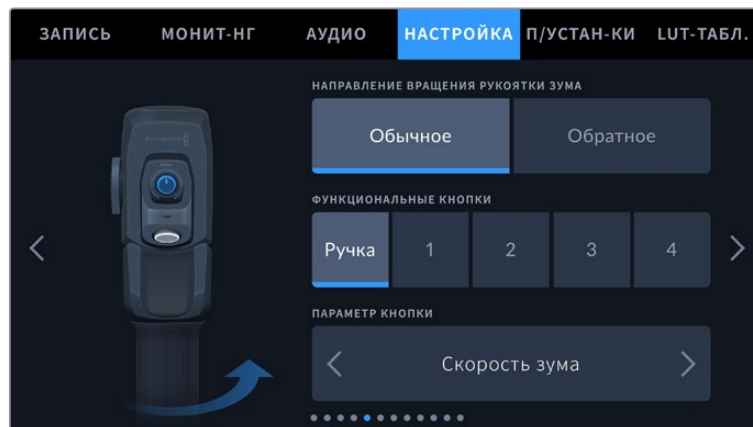


Настройка кнопки VTR на B4-объективе для выполнения функции связи

Вкладка «НАСТРОЙКА» (стр. 5)

На пятой странице находятся настройки для управления устройством Blackmagic Zoom Demand. Они доступны только в том случае, если этот аксессуар подключен к камере URSA Broadcast G2.

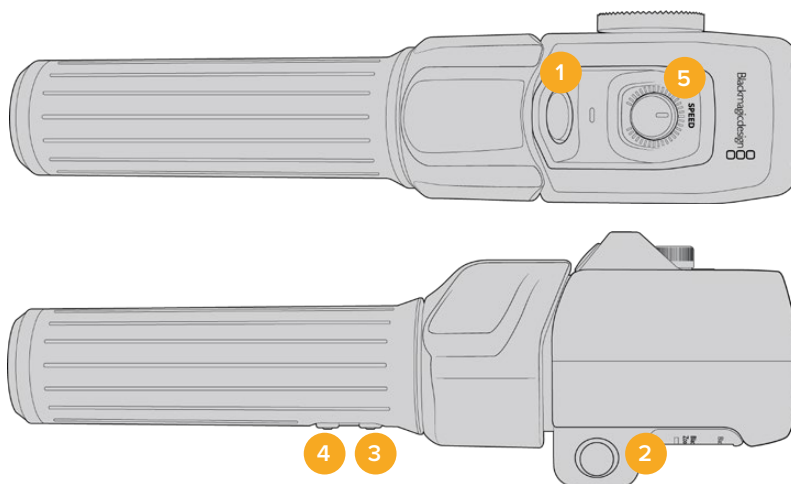
Подробнее о подключении и использовании аксессуара Blackmagic Zoom Demand, см. раздел «Blackmagic Zoom Demand и Blackmagic Focus Demand» ниже.



Направление вращения рукоятки зума

- **Обычное**
Используется по умолчанию. Масштаб можно уменьшить движением влево или увеличить движением вправо.
- **Обратное**
Масштаб можно уменьшить движением вправо или увеличить движением влево.

Blackmagic Zoom Demand имеет четыре кнопки зуммирования и регулятор скорости, которые можно использовать для назначения разных функций.



1 Зум F1 2 Зум F2 3 Зум F3 4 Зум F4 5 Регулятор скорости

Для назначения различных функций выберите поле «Ручка» или соответствующий номер кнопки зуммирования в меню «ФУНКЦИОНАЛЬНЫЕ КНОПКИ». Затем перейдите к необходимому варианту в поле «ПАРАМЕТР КНОПКИ» с помощью стрелок по сторонам.

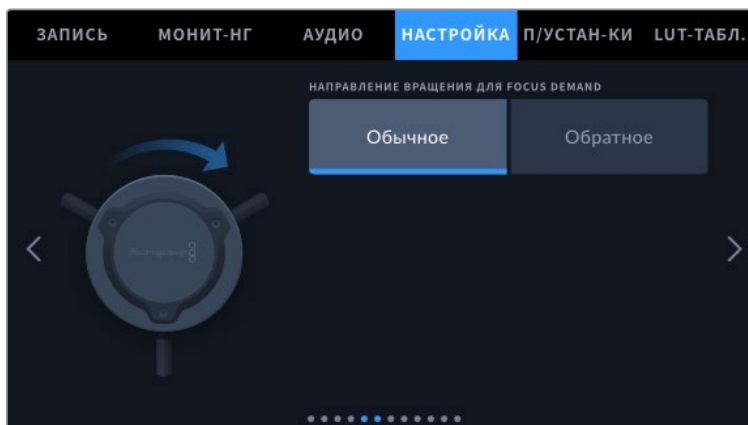
Доступные опции для регулятора скорости и кнопок зуммирования

Регулятор скорости	«Скорость зума», «Уровень наушников», «Диафрагма», «Фокус».
Кнопки зуммирования 1-4	«Запись», «Связь», «Обратный поток», «Зум для фокуса», «Рамки кадрирования», «Служебная информация», «Автофокус», «Автом. диафрагма», «Автом. баланс белого», «Воспроизведение».

Вкладка «НАСТРОЙКА» (стр. 6)

На шестой странице находятся настройки для управления дополнительным устройством Blackmagic Focus Demand. Они доступны только в том случае, если этот аксессуар подключен к камере URSA Broadcast G2.

Подробнее о подключении и использовании аксессуара Blackmagic Focus Demand, см. раздел «Blackmagic Zoom Demand и Blackmagic Focus Demand» ниже.



Направление вращения для Blackmagic Focus Demand

Для выбора направления ручки фокусировки доступны две опции: «Обычное» и «Обратное».

- **Обычное**

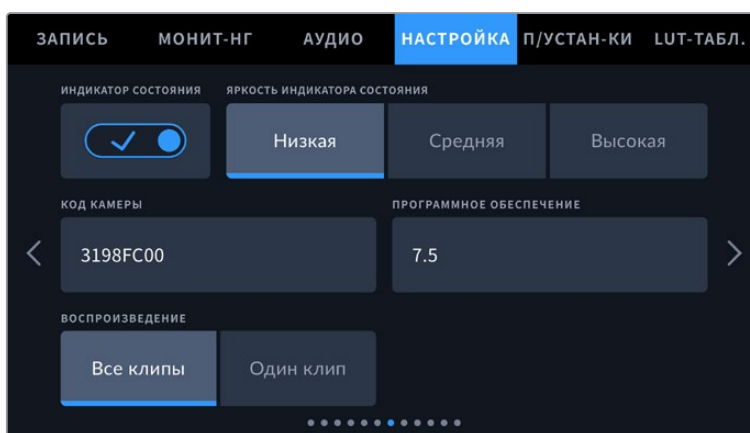
Поверните ручку по часовой стрелке, чтобы сфокусироваться на объектах, находящихся ближе к объективу, или против часовой стрелки для обработки предметов, расположенных далеко от объектива.

- **Обратное**

Поверните ручку против часовой стрелки, чтобы сфокусироваться на объектах, находящихся ближе к объективу, или по часовой стрелке для обработки предметов, расположенных далеко от объектива.

Вкладка «НАСТРОЙКА» (стр. 7)

На седьмой странице доступны перечисленные ниже настройки.



Индикатор состояния

На внешней стороне ЖК-дисплея URSA Broadcast G2 находится небольшой светодиодный индикатор двусторонней связи и состояния камеры. Включить или отключить отображение этих параметров можно с помощью значка «ИНДИКАТОР СОСТОЯНИЯ».

Цвет индикатора соответствует одному из состояний камеры.

Белый	Камера получает питание и находится в режиме ожидания.
Красный	Идет запись. Если индикатор мигает с длинными интервалами, на карте заканчивается свободное место. Если мигает с короткими интервалами — есть пропущенные кадры.
Зеленый	Камера используется для воспроизведения. Во время просмотра видео индикатор мигает с длинными интервалами, а при распознавании вставленного накопителя он три раза загорается зеленым и белым.
Оранжевый	При низком заряде батареи индикатор меняет цвет с оранжевого на другой, соответствующий состоянию камеры. Например, во время записи он будет мигать попеременно оранжевым и красным. Если камера находится в режиме ожидания, индикатор по очереди загорается белым и оранжевым. Порог низкого заряда — 20% при процентной индикации или 12,5 В в иных случаях.

Яркость индикатора состояния

Доступные варианты яркости светодиодного индикатора: «Низкая», «Средняя» или «Высокая».

СОВЕТ. С помощью этого меню на Blackmagic URSA Broadcast G2 также можно контролировать индикатор состояния на URSA Mini Recorder, Blackmagic Zoom Demand и Blackmagic Focus Demand.

Код камеры

Отображает восьмизначный уникальный идентификатор камеры URSA Broadcast G2. Метаданные видеофайла в Blackmagic RAW и ProRes содержат также более длинный 32-значный номер, по которому можно установить камеру, на которой была сделана запись. В отличие от имен файлов, ID оборудования никогда не меняется.

Программное обеспечение

Отображает текущую версию программного обеспечения камеры URSA Broadcast G2. Подробнее об обновлении ПО см. раздел «Утилита Blackmagic Camera Setup».

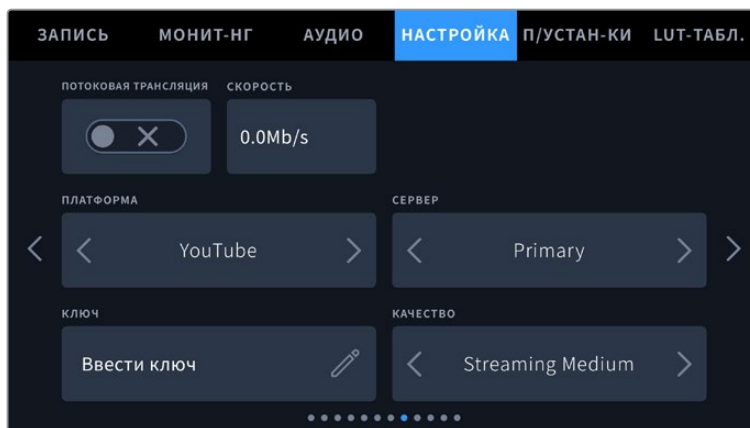
Воспроизведение

Эта настройка имеет две опции: «Все клипы» и «Один клип». При выборе «Все клипы» выводятся все клипы по порядку, а «Один клип» позволяет просматривать по одному клипу. В циклическом режиме опция «Все клипы» позволяет последовательно воспроизвести все клипы, сохраненные на носителе, а затем снова начать с первого из них. Если использовать «Один клип» в циклическом режиме, будет выводиться один и тот же клип.

Вкладка «НАСТРОЙКА» (стр. 8)

На восьмой странице содержатся параметры управления стримингом.

Подробнее о настройке потоковой трансляции на URSA Broadcast G2 см. раздел «Стриминг видео» ниже.



Поток

Используйте соответствующий переключатель, чтобы включить или отключить потоковую трансляцию.

Скорость

Отображает скорость передачи данных во время стриминга.

Платформа

Позволяет выбрать нужную платформу для стриминга. В список входят Facebook, YouTube и Twitch.

Сервер

Используйте кнопки со стрелками, чтобы выбрать сервер. Доступные параметры будут меняться в зависимости от стриминговой платформы.

Ключ

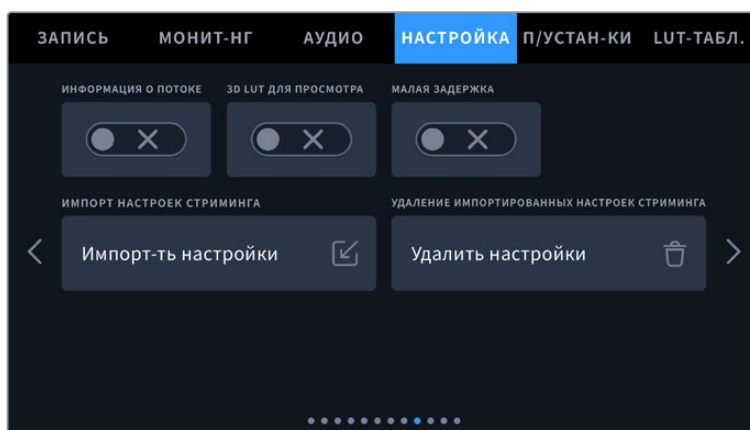
Нажмите на значок карандаша, чтобы ввести ключ трансляции для стриминговой платформы.

Качество

Используйте кнопки со стрелками, чтобы задать качество трансляции.

Вкладка «НАСТРОЙКА» (стр. 9)

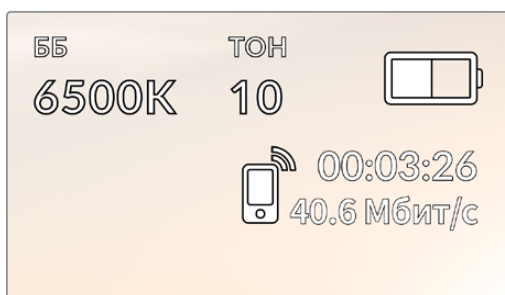
На девятой странице содержатся параметры управления стримингом.



Информация о потоке

Используйте соответствующий переключатель, чтобы показать данные о потоковой трансляции. Их можно вывести на ЖК-дисплей и мониторы, подключенные через передний или основной SDI-выходы.

Информация содержит данные об источнике подключения (Ethernet-соединение или мобильная точка доступа), продолжительности трансляции и скорости передачи данных в Мбит/с.



3D LUT для просмотра

Используйте соответствующий переключатель, чтобы применить 3D LUT-таблицу во время стриминга.

СОВЕТ. При активации настройки «3D LUT ДЛЯ ПРОСМОТРА» LUT-таблица будет применяться только во время прямой трансляции.

При одновременной записи материала в кодеке Blackmagic RAW или ProRes во время стриминга можно задать параметры LUT-таблицы в меню записи, чтобы добавить ее к сохраненным файлам, или настройках мониторинга, чтобы применить ее к изображению на ЖК-дисплее или SDI-выходах. Подробнее см. раздел «Настройки записи».

Малая задержка

Активация этой настройки гарантирует минимальную задержку между действием в прямом эфире и изображением на экране. Ее отключение обеспечит более высокую буферизацию и стабильность потока, что особенно важно в случае плохого интернет-соединения.

Импорт настроек стриминга

Нажмите на соответствующую кнопку, чтобы импортировать XML-файл, созданный для обнаружения камерой конвертера АТЕМ Streaming Bridge в Интернете.

Подробнее об импорте XML-файла см. раздел «Стриминг видео» ниже.

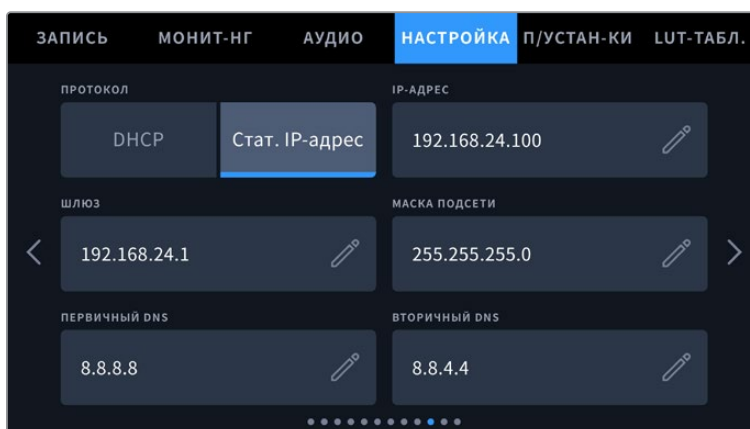
Удаление импортированных настроек стриминга

Нажмите на соответствующую кнопку, чтобы удалить импортированные настройки стриминга. После этого необходимо подтвердить сделанный выбор.

Вкладка «НАСТРОЙКА» (стр. 10)

Десятая страница вкладки «НАСТРОЙКА» содержит сетевые параметры.

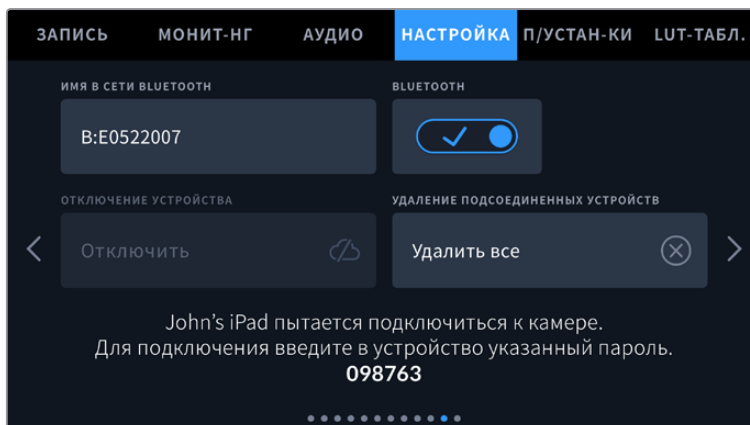
В этой секции для подключения к сети можно выбрать протокол DHCP или статичный IP-адрес.



К сети можно подключиться, используя протокол DHCP или статичный IP-адрес

Вкладка «НАСТРОЙКА» (стр. 11)

На одиннадцатой странице доступны перечисленные ниже настройки.



Имя камеры как устройства Bluetooth состоит из буквы, выбранной в табличке данных, и восьми знаков кода камеры

Bluetooth®

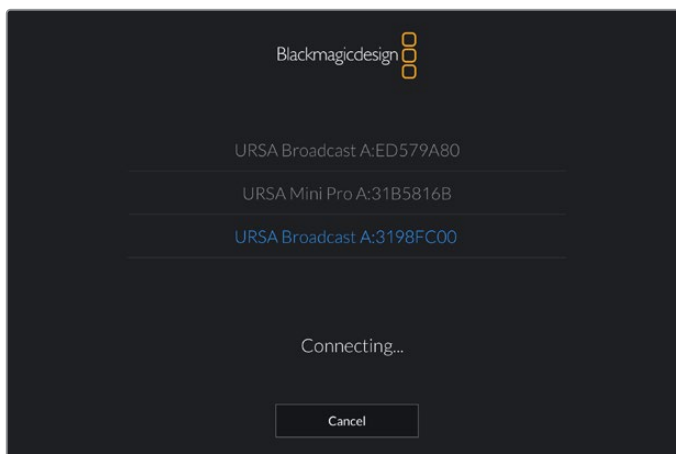
Через Bluetooth камерой можно управлять с портативных устройств. Приложение Blackmagic Camera Control позволяет включать и отключать камеру, менять настройки, редактировать метаданные и запускать запись с iPad. Чтобы активировать беспроводную связь по протоколу Bluetooth, коснитесь соответствующего значка на вкладке «НАСТРОЙКА». После этого камера будет доступна для обнаружения на расстоянии до девяти метров.

При работе с Bluetooth используется такой же набор команд, как при дистанционном управлении камерами Blackmagic по SDI-интерфейсу, поэтому для URSA Broadcast G2 можно создать собственные приложения, чтобы удаленно контролировать практически все настройки, в том числе параметры мониторинга и звука, объектива и встроенного инструмента цветокоррекции DaVinci Resolve.

Подробнее см. раздел «Протокол Blackmagic для контроля камер через SDI».

Установка первого соединения между iPad и камерой

- 1 Чтобы активировать беспроводную связь по протоколу Bluetooth, коснитесь соответствующего значка на вкладке «НАСТРОЙКА».
- 2 Откройте приложение Blackmagic Camera Control и выберите камеру URSA Broadcast G2, с которой нужно установить соединение. Доступные устройства будут отображаться в виде имен, состоящих из буквы и уникального кода (например, A:3198FC00).



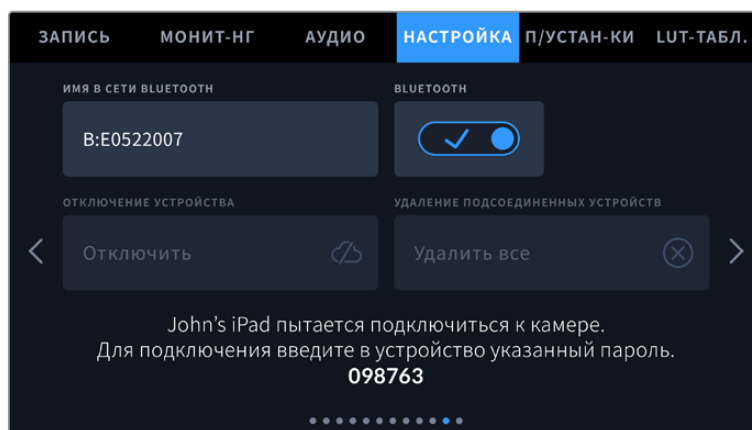
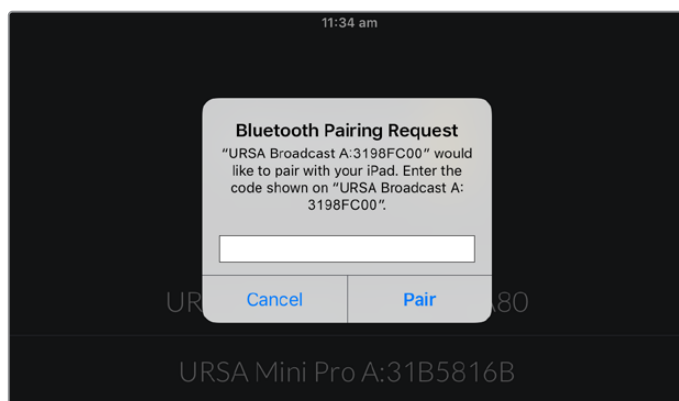
Выберите камеру URSA Broadcast G2, с которой нужно установить соединение

При первом запуске приложения Blackmagic Camera Control необходимо дать разрешение на локальный доступ. Если выбрать опцию While using the app, GPS-координаты с планшета iPad будут сохраняться вместе с метаданными видео. Эти геотеги можно отображать при обработке материала в DaVinci Resolve 14 и более поздних версиях.

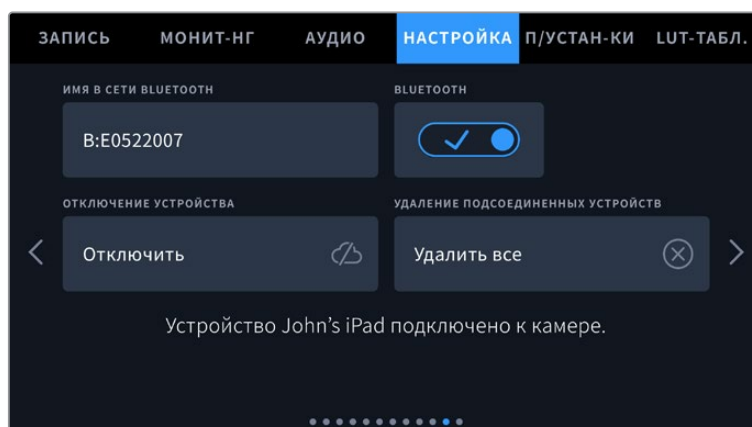
Если такая информация не требуется, выберите опцию Never.

Для изменения настроек используйте Settings > Privacy > Location > Services > Camera Control на iPad.

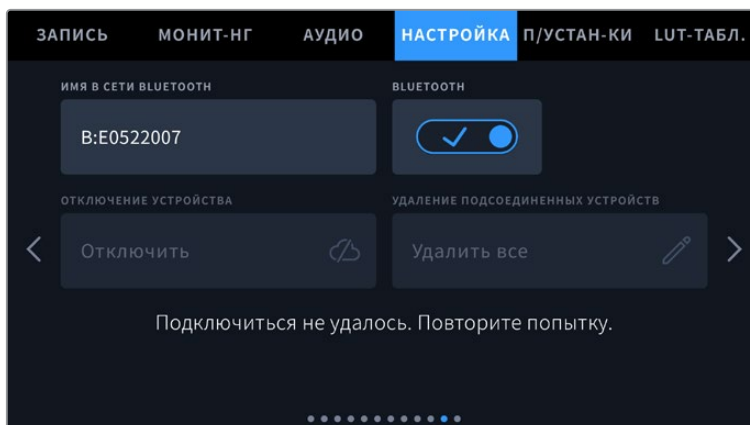
- 3 При первом соединении с камерой в приложении Blackmagic Camera Control будет запрошен шестизначный код. Он появится на ЖК-экране камеры. Введите это число на iPad.



- 4 На экране появится подтверждение установленного соединения между URSA Broadcast G2 и iPad.



- 5 Если соединение не выполнено, появится сообщение об ошибке.



ПРИМЕЧАНИЕ. Если Bluetooth не используется для управления камерой URSA Broadcast G2, в целях безопасности эту функцию лучше отключить.

Отключение устройства

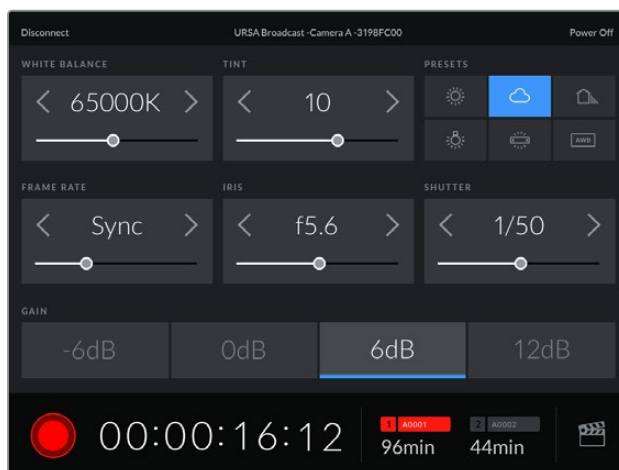
С помощью этой настройки камеру URSA Broadcast G2 можно отключить от iPad.

Удаление подсоединенных устройств

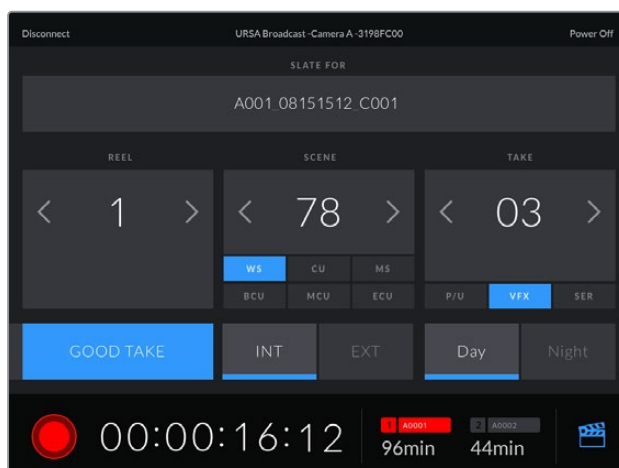
Эта команда позволяет очистить список устройств, которые используются для соединения с URSA Broadcast G2.

Управление камерой из приложения Blackmagic Camera Control

После успешной установки соединения между URSA Broadcast G2 и iPad можно в удаленном режиме включать и отключать камеру, менять настройки, редактировать метаданные и запускать запись.



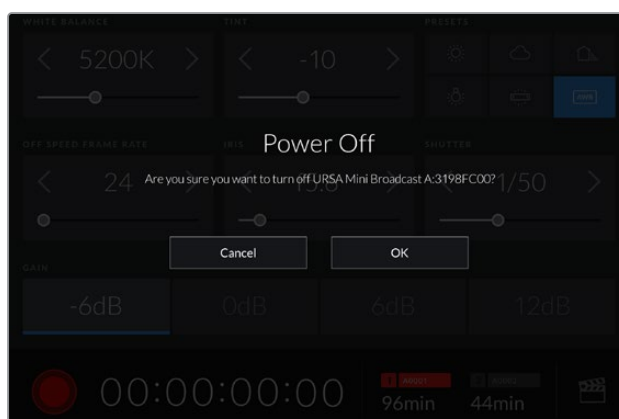
После установки соединения приложение Blackmagic Camera Control позволяет менять настройки и запускать запись



Чтобы получить доступ к служебной информации, коснитесь значка таблички в правом нижнем углу

Для беспроводного управления камерой URSA Broadcast G2 с других устройств используется протокол Bluetooth LE, который отличается минимальным потреблением энергии.

Чтобы отключить питание, нажмите «Выключить» в правом верхнем углу.

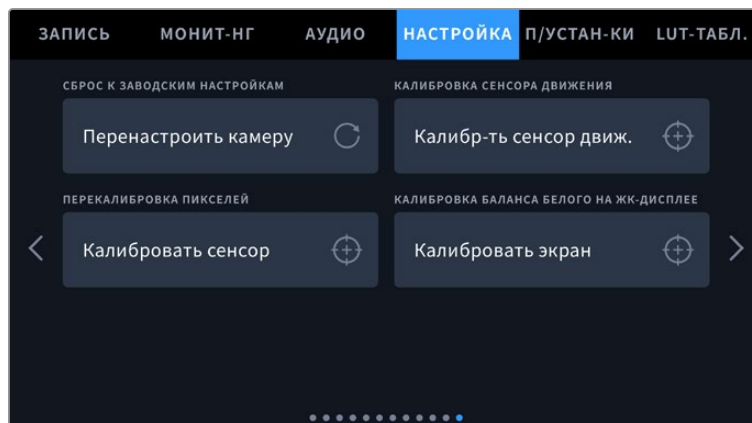


Перед отключением камеры необходимо подтвердить выбранное действие

Если активировано управление по протоколу Bluetooth, после отключения URSA Broadcast G2 будет по-прежнему отображаться как доступное устройство в приложении Blackmagic Camera Control. Чтобы включить камеру, нужно выбрать ее по названию и нажать на Connect. Когда функция Bluetooth не используется, камеры не будет в списке.

Вкладка «НАСТРОЙКА» (стр. 12)

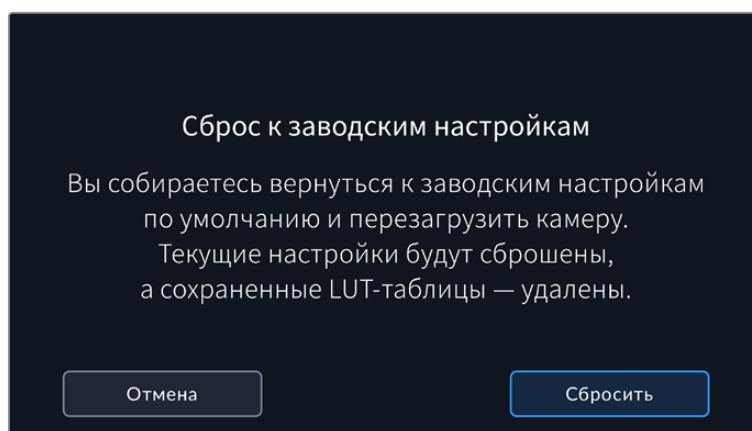
На двенадцатой странице доступны перечисленные ниже настройки.



Сброс к заводским настройкам

Чтобы выполнить сброс к заводским настройкам по умолчанию, нажмите кнопку «Перенастроить камеру». Появится запрос на подтверждение, потому что эта операция удалит все сохраненные на камере LUT-таблицы и предустановки. Для подтверждения нажмите «Сбросить».

Помните, что при возврате к заводским настройкам все предустановки и личные LUT-таблицы удаляются, а пользовательские параметры сбрасываются. Прежде чем выполнять данную операцию, предустановки и LUT-таблицы рекомендуется экспортировать на карту памяти. После завершения сброса их можно будет легко импортировать.



При выборе сброса к заводским настройкам появится предупреждение с просьбой подтвердить действие

Калибровка сенсора движения

Чтобы выполнить калибровку индикатора горизонта, поместите камеру на ровную поверхность и нажмите кнопку «Калибр-ть сенсор движ.». Во время калибровки камера должна быть неподвижна. Это необходимо для обеспечения точности сохраненных метаданных сенсора движения в файлах Blackmagic RAW во время съемки. Весь процесс занимает приблизительно пять секунд.

При необходимости горизонт может быть смещен по отношению к центру. Например, если необходимо установить постоянный угол наклона, выполните калибровку сенсора движения и камеры под нужным углом, а затем используйте индикатор горизонта, чтобы поддерживать то же значение.

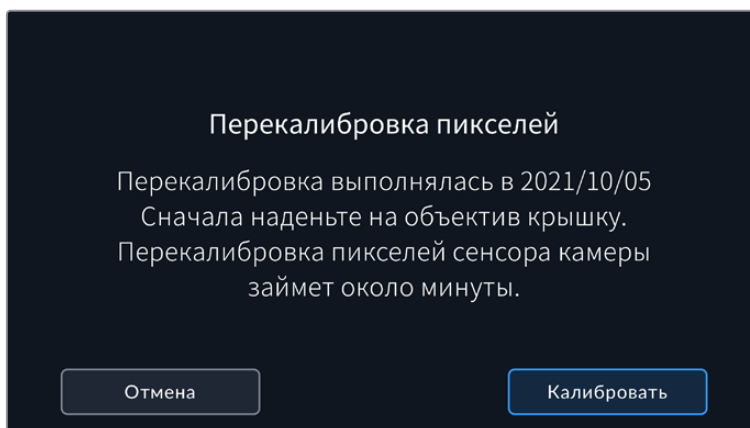
В дальнейшем приложение DaVinci Resolve может использовать метаданные сенсора движения для стабилизации изображения. Подробнее см. раздел «Стабилизация с помощью данных гироскопа».

Перекалибровка пикселей

URSA Broadcast G2 имеет светочувствительный сенсор КМОП, который состоит из миллионов пикселей. В результате изображение содержит так называемые горячие пиксели. Такие изменения происходят на всех камерах вне зависимости от бренда.

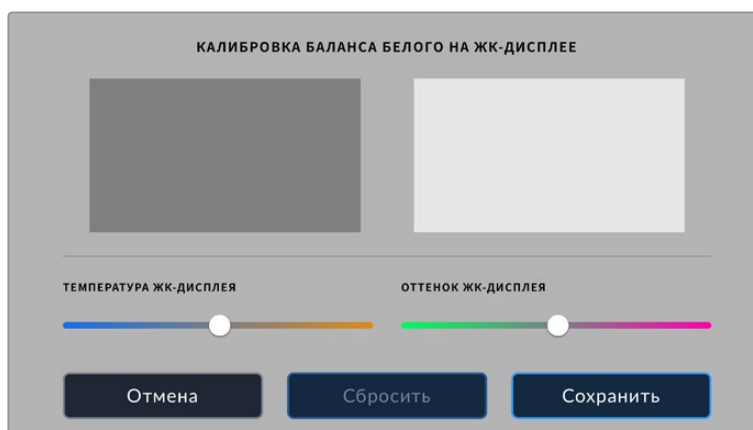
Для решения этой проблемы камеру оснастили функцией перекалибровки, которую можно активировать при обнаружении выделяющихся пикселей.

Чтобы выполнить калибровку, установите крышку на объектив и нажмите кнопку «Калибровать сенсор», а затем «Калибровать» для подтверждения выбора. Переназначение пикселей занимает приблизительно одну минуту.



Калибровка баланса белого на ЖК-дисплее

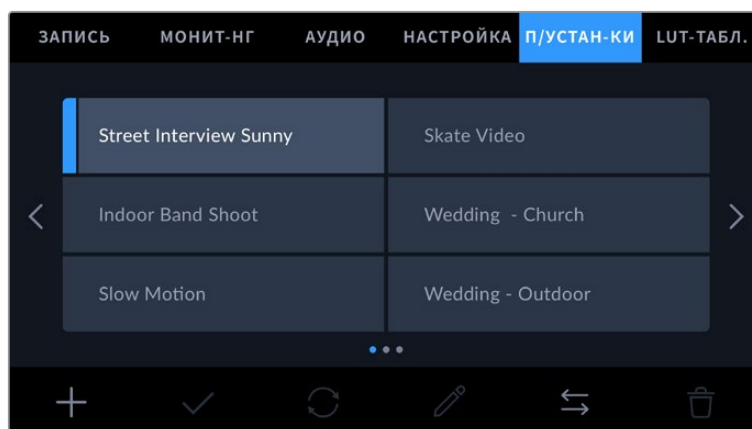
Для выполнения калибровки баланса белого на ЖК-дисплее измените настройки «ТЕМПЕРАТУРА ЖК-ДИСПЛЕЯ» и «ОТТЕНОК ЖК-ДИСПЛЕЯ» таким образом, чтобы два контрольных участка выглядели нейтральными. Для возвращения к заводским параметрам калибровки нажмите кнопку «Сбросить». Чтобы восстановить новые настройки и сравнить изображение до и после калибровки, нажмите кнопку «Восстановить». По достижении правильного баланса белого настройки следует сохранить.



Предустановки

Вкладка «ПУСТАНОВКИ» позволяет сохранять и запускать полную конфигурацию настроек URSA Broadcast G2. Это удобно, когда одна камера используется для нескольких проектов. Например, при записи разного материала, от документальных фильмов до музыкальных клипов, где применяются отличные друг от друга настройки. Функция «ПУСТАНОВКИ» дает возможность сохранять настройку для определенного проекта или характера съемки, а затем при желании быстро применять ее.

Сохраненные таким образом настройки можно импортировать и экспортировать, что удобно при многокамерной съемке. После настройки одной камеры URSA Broadcast аналогичные параметры можно применить ко всем остальным единицам URSA Broadcast на съемочной площадке.



Вкладка «П/УСТАНОВКИ» камеры URSA Broadcast G2

ПРИМЕЧАНИЕ. URSA Broadcast позволяет сохранить во внутренней памяти до 60 настраиваемых пользователем предустановок.

Кнопки вкладки «П/УСТАНОВКИ»

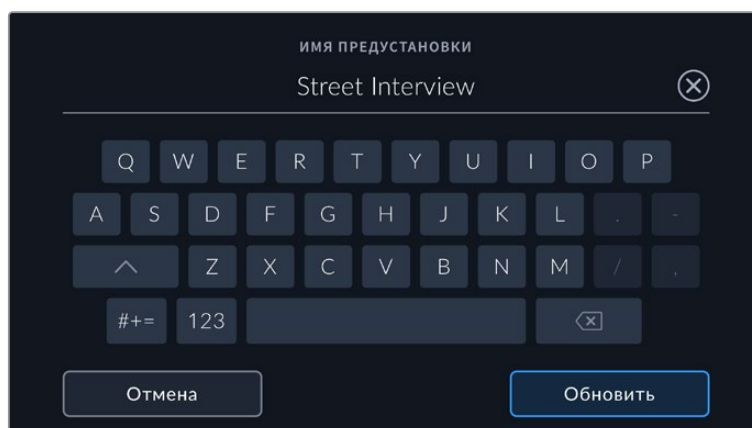
В нижней части меню «П/УСТАНОВКИ» есть несколько значков.



Сохранение и загрузка предустановок

Чтобы создать новую предустановку, выберите значок «Добавить». На ЖК-дисплее отобразится сенсорная клавиатура для ввода имени предустановки. По окончании ввода выберите значок «Обновить», чтобы сохранить все текущие настройки в эту предустановку.

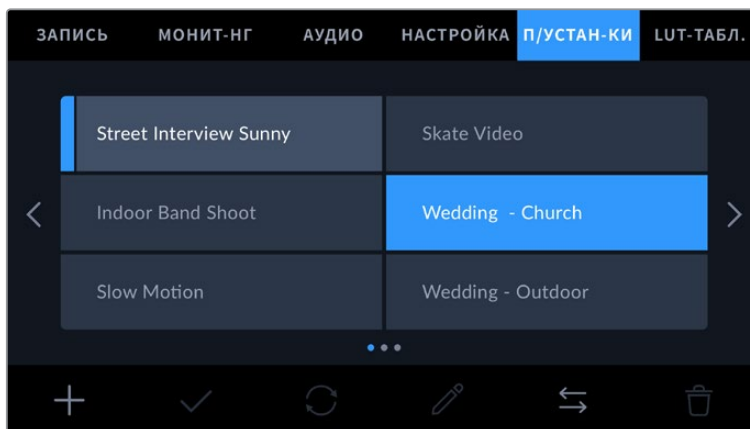
Если на камере URSA Broadcast G2 уже есть конфигурация под таким же именем, будет предложено перезаписать существующую предустановку или сохранить обе.



Для ввода имени предустановки выберите значок «Добавить» и используйте сенсорную клавиатуру

Чтобы выбрать ранее сохраненную предустановку, коснитесь ее. Затем нажмите значок «Загрузить».

Чтобы обновить предустановку, нажмите значок «Обновить». Появится диалоговое окно с запросом на обновление предустановки в соответствии с текущими настройками камеры. Чтобы подтвердить, нажмите «Обновить».



Выберите необходимую предустановку и нажмите значок «Загрузить». Выбранная предустановка станет синего цвета, а текущая будет подчеркнута синей линией, расположенной под ее именем.

Импорт предустановок

Для импорта предустановки нажмите значок «Управление» в нижней части меню. Укажите с помощью переключателя, где сохранены предустановки — на карте SD или CFast. Они также могут находиться на накопителе USB-C, а при работе с URSA Mini Recorder — на SSD-диске.

С помощью опций «Импортировать с» выберите носитель с необходимой предустановкой и нажмите кнопку импорта. Появится окно импорта. Используя кнопки в верхней левой части экрана, можно отобразить доступные предустановки на других картах или дисках, подключенных к камере.

После этого на выбранном носителе будет произведен поиск в корневом каталоге и папке Presets. Обратите внимание, что предустановки, сохраненные в другом месте на носителе, не будут отображаться.

Выберите предустановку и нажмите «Импортировать» для подтверждения. Если предустановка с таким именем уже существует, можно перезаписать существующую или сохранить обе. В верхнем правом углу экрана появится число доступных слотов.

ПРИМЕЧАНИЕ. Если не осталось доступных слотов для предустановок, меню импорта не выводится на экран. Необходимо удалить любую из предустановок, чтобы освободить место.

Экспорт предустановок

Чтобы на карту CFast или SD экспортировать предустановку, выберите ее и нажмите значок «Управление». Появятся две опции: «Импорт предустановки» и «Экспорт предустановки».

Укажите место, куда нужно экспортировать предустановку — на SD или CFast. При работе с URSA Mini Recorder их также можно сохранить на SSD-диске. Нажмите кнопку «Экспорт предустановки» и выберите одну из двух карт. Конфигурация будет сохранена в папке Presets на выбранном накопителе.

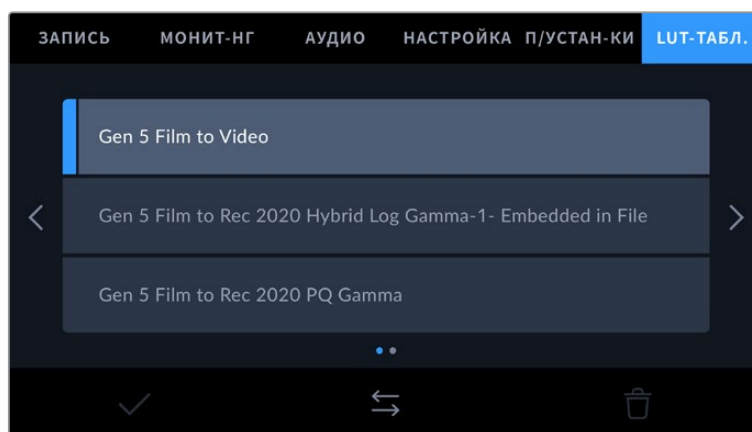
Если на выбранном носителе уже есть предустановка, сохраненная под таким именем, будет предложено перезаписать ее или сохранить оба варианта.

Удаление предустановок

В камере URSA Broadcast G2 предусмотрено место для 12 предустановок. Чтобы удалить любую из предустановок, выберите ее и нажмите значок «Удалить». Появится запрос с просьбой подтвердить действие. Нажмите значок «Удалить».

3D LUT-таблицы

Меню «LUT-ТАБЛИЦЫ» позволяет импортировать, экспортировать и применять 3D LUT-таблицы к изображению на выходах.



Вкладка «LUT-ТАБЛИЦЫ» на URSA Broadcast G2

Работа с 3D LUT-таблицами

Таблицы 3D LUT можно применять к изображению, выводимому на ЖК-дисплей, передний и основной SDI-интерфейсы. Они задают соответствие цвета и уровень яркости на выходе аналогичным параметрам на входе. Например, при внутренней записи изображения с обычным цветом можно вывести сигнал с характеристиками, которые используются в телетрансляции. Также это удобно при съемке в Blackmagic RAW или в режиме «Фильм», поскольку в обоих случаях изображение изначально не такое контрастное. Применив LUT-таблицу, можно увидеть, как будет выглядеть материал после грейдинга.

Используя DaVinci Resolve или другое приложение цветокоррекции, легко создать 3D LUT-таблицы. Они также доступны для загрузки из Интернета. Камера URSA Broadcast G2 позволяет сохранять до тридцати 3D LUT-таблиц на основе 17 или 33 координатных точек, каждая объемом до 1,5 МБ.

URSA Broadcast G2 поддерживает 3D LUT-таблицы (на основе 33 точек) в виде файлов с расширением .cube, созданных в среде DaVinci Resolve, а также таблицы (на основе 17 точек), конвертированные в .cube с помощью программных приложений. Камера обрабатывает 3D LUT-таблицы с помощью высококачественной тетраэдрической интерполяции.

Подробнее об использовании 3D LUT-таблиц для просмотра см. раздел «Настройки мониторинга».

ПРИМЕЧАНИЕ. При работе с Blackmagic URSA Broadcast G2 LUT-таблицы не применяются во время записи по умолчанию, однако их можно сохранить вместе с изображением.

Эта опция может пригодиться, когда нет времени на грейдинг при постобработке, либо при передаче отснятого материала напрямую заказчику или редактору.

При использовании LUT-таблицы для предварительного просмотра видео информация о ней сохраняется в виде метаданных вместе с записанным материалом. Затем ее можно выводить на экран в поле «Используй. LUT-таблица» на вкладке «Метаданные» системы DaVinci Resolve. Это удобно для колористов при проверке имени использованной во время съемки таблицы.

Встроенные LUT-таблицы

URSA Broadcast G2 имеет несколько встроенных LUT-таблиц, которые позволяют выводить изображение с разными цветовыми схемами при съемке в режиме «Фильм» или сохранении материала в формате Blackmagic RAW.

- **Gen 5 Film to Extended Video**
Более широкий динамический диапазон по сравнению с LUT-таблицей Film to Video. Имеет мягкую контрастность с плавной градацией в крайних точках светлых тонов.
- **Gen 5 Film to Rec 2020 Hybrid Log Gamma**
Кривая гамма-распределения для HDR-экранов и дисплеев со стандартным динамическим диапазоном.
- **Gen 5 Film to Rec 2020 PQ Gamma**
Кривая гамма-распределения на основе зрительного восприятия для эффективного кодирования HDR-файлов.
- **Gen 5 Film to Video**
Цветовое пространство с характеристиками REC 709 для HD-видео с высоким уровнем контрастности и насыщенности. Такая функция будет полезной в тех случаях, когда Blackmagic URSA Broadcast G2 используется вместе с другой съемочной техникой при работе с REC 709.

Кнопки меню «LUT-ТАБЛИЦЫ»

В нижней части меню «LUT-ТАБЛИЦЫ» есть несколько значков.



Импорт LUT-таблиц

Для импорта 3D LUT-таблицы нажмите значок «Управление» в нижней части меню. Укажите с помощью переключателя, где сохранены таблицы — на карте SD или CFast. Их также можно импортировать с накопителя USB-C, а при работе с URSA Mini Recorder — с SSD-диска.

Выберите носитель с необходимой LUT-таблицей и нажмите кнопку импорта. Используя кнопки в верхней левой части экрана, можно отобразить доступные таблицы на других картах или дисках, подключенных к камере.

После этого на выбранном носителе будет произведен поиск в корневом каталоге и папке 3DLUTS. Любые LUT-таблицы, сохраненные в другом месте карты, отображаться не будут.

Выберите LUT-таблицу и нажмите «Импортировать» для подтверждения. Таблица будет сохранена на камере URSA Broadcast G2.

ПРИМЕЧАНИЕ. Если заняты все 30 слотов для 3D LUT-таблиц, для импорта необходимо удалить любую из имеющихся таблиц, чтобы освободить место.

Если на камере уже есть LUT-таблица с таким же именем, будет предложено перезаписать существующую таблицу или сохранить обе. В верхнем правом углу экрана появится число доступных слотов. Импортировать можно такое же количество таблиц.

ПРИМЕЧАНИЕ. При возникновении проблем с импортом LUT-таблицы на камеру URSA Broadcast G2 проверьте размер таблицы. Для этого можно использовать такой LUT-редактор, как Lattice, или открыть таблицу в любом текстовом редакторе. Размер будет указан в виде числа рядом с тегом "LUT_3D_SIZE". Если он не равен 17 или 33, можно применить Lattice, чтобы она включала 17 координатных точек.

Применение LUT-таблиц

После сохранения LUT-таблицы на камере выберите ее в меню «LUT-ТАБЛИЦЫ» и нажмите значок «Загрузить». Это позволит применить LUT к изображению на всех выходах камеры. Дополнительно необходимо включить «3D LUT для просмотра» в меню «МОНИТОРИНГ» для каждого выхода. Подробнее см. раздел «Настройки мониторинга».

Экспорт LUT-таблиц

Чтобы на карту CFast или SD экспортировать LUT-таблицу, выберите ее и нажмите значок «Управление». Перейдите к опции «Экспорт LUT-таблицы». Укажите с помощью переключателя, куда нужно сохранить таблицу — на карту SD или CFast. Ее также можно перенести на накопитель USB-C, а при работе с URSA Mini Recorder — на SSD-диск.

С помощью доступных опций задайте карту или носитель для экспорта и нажмите соответствующую кнопку, чтобы подтвердить операцию. Если на карте или диске уже есть LUT-таблица с таким именем, будет предложено перезаписать ее или сохранить оба варианта.

Удаление LUT-таблиц

Камера URSA Broadcast G2 позволяет сохранять до 30 LUT-таблиц на основе 17 или 33 координатных точек. Чтобы удалить LUT-таблицу, выберите ее и нажмите соответствующий значок. Появится запрос с просьбой подтвердить действие. Нажмите значок «Удалить».

Встроенные 3D LUT-таблицы

Когда 3D LUT-таблица используется для съемки на URSA Broadcast G2 в кодеке Blackmagic RAW, она сохраняется вместе с видео в файле с расширением .braw. Благодаря этому ее можно легко применять к изображению на этапе постобработки без обращения к дополнительным ресурсам.

Когда колорист или специалист по монтажу получает файлы Blackmagic RAW, он имеет быстрый доступ к 3D LUT-таблице, которая использовалась во время съемки. Ее можно применить к изображению на этапе редактирования и грейдинга или отключить в любое время.

Если в меню «ЗАПИСЬ» включить опцию «ВСТРОИТЬ LUT В ФАЙЛ», полученное видео будет открываться в приложениях Blackmagic RAW Player и DaVinci Resolve с уже встроенной в него 3D LUT-таблицей. Ее можно быстро активировать и отменять, но она всегда будет храниться в файле .braw вместе с самим видео.

Для включения или отключения 3D LUT-таблицы в файле Blackmagic RAW нужно выбрать соответствующую настройку режима «Применить LUT-таблицу» на панели RAW в приложении DaVinci Resolve. Она используется так же, как на камере. Благодаря этому колорист может по своему усмотрению использовать или отменить ее применение на этапе постобработки.

Ввод метаданных

Метаданные — это различная информация, сохраненная внутри клипа: номера дублей, настройки камеры и другие сведения. Она может быть полезна при сортировке и обработке материала на этапе постпроизводства. Например, номера сцен, кадров и дублей обязательны при систематизации видео, в то время как информация об объективах пригодится для автоматического исправления искажений или наложения эффектов.

Blackmagic URSA Broadcast G2 автоматически сохраняет некоторые метаданные по каждому клипу, такие как настройки камеры, тайм-код, время и дата. Для добавления дополнительных данных можно использовать табличку данных.

Табличка данных

Чтобы выполнить ввод данных, проведите пальцем по сенсорному экрану в горизонтальном направлении.

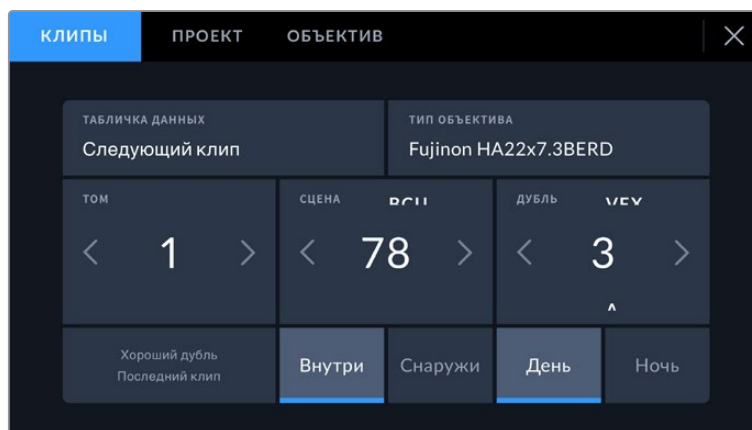
Появятся три вкладки: «КЛИПЫ», «ПРОЕКТ» и «ОБЪЕКТИВ». Вкладка «КЛИПЫ» содержит информацию, которая может различаться в зависимости от клипа, а на вкладке «ПРОЕКТ» хранятся общие данные для всех видеофайлов, такие как название проекта, идентификатор камеры, имя режиссера и оператора. Вкладка «ОБЪЕКТИВ» содержит сведения об установленном на камеру объективе, включая данные, которая сохраняются в автоматическом режиме. Также возможен ввод информации вручную.

СОВЕТ. Введенные метаданные отображаются через передний или основной SDI-выход камеры URSA Broadcast G2, когда для параметра «СЛУЖЕБНАЯ ИНФОРМАЦИЯ ДЛЯ» на вкладке «МОНИТОРИНГ» выбрана опция «Режиссера». Подробнее см. раздел «Настройки мониторинга».

Метаданные на вкладке «КЛИПЫ»

Изменения, внесенные в метаданные клипа, будут применяться в зависимости от режима: ожидание, запись или воспроизведение. В режиме ожидания метаданные сохраняются в следующий записываемый клип, за исключением функции «Хороший дубль», связанной с самым последним записанным видеофайлом.

В режиме воспроизведения метаданные всегда записываются в текущий выводимый на экран клип.



Табличка данных имеет три вкладки: «КЛИПЫ», «ПРОЕКТ» и «ОБЪЕКТИВ»

Табличка данных

Поле с информацией о клипе, метаданные которого выводятся в настоящий момент на вкладке «КЛИПЫ». В режиме ожидания эти настройки относятся к следующему записываемому клипу.

Тип объектива

Поле с информацией об установленном на камеру объективе. Подробнее о типе объектива см. раздел «Объектив» ниже.

Том

Поле с указанием текущего тома.

Камера URSA Broadcast G2 присваивает номера томов автоматически, поэтому обычно их не нужно вводить вручную. Если вы приступаете к новому проекту и хотите начать с тома 1, перейдите на вкладку «ПРОЕКТ» и нажмите кнопку «Сбросить данные».

Сцена

Поле для указания номера текущей сцены, а также вывода типа и номера кадра.

Эти данные всегда относятся к текущей сцене. Можно изменить это число с помощью боковых стрелок, а также открыть поле для ввода значения.

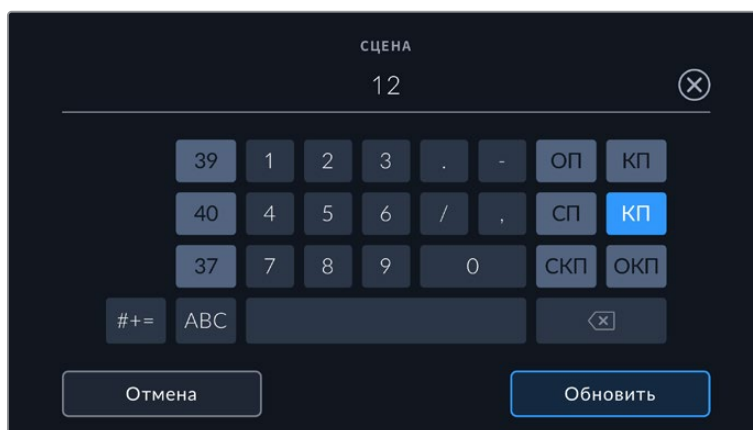
Допустимый диапазон номеров: от 1 до 999.

Добавив к номеру сцены букву, можно указать текущий кадр. Например, 23А будет означать сцену № 23, кадр первый. Если к номеру сцены добавлена буква, при открытии поля для ввода значений будут предлагаться следующие по порядку номера сцен и буквы кадров. Например, если текущее обозначение 7В, то в качестве подсказки выводятся комбинации 8 и 7С.

В верхнем правом углу окна с номером сцены выводится информация о типе текущего кадра. Поля для выбора этого параметра расположены справа от клавиатуры.

Ниже указаны возможные типы кадров.

ОП	общий план
СП	средний план
СКП	средне-крупный план
КП	крупный план
ПП	портретный план
ОКП	очень крупный план



При вводе метаданных в поле «СЦЕНА» камера URSA Broadcast G2 предлагает пошаговые изменения номеров сцен и указывает их слева от сенсорной клавиатуры, а справа выводит типы кадров

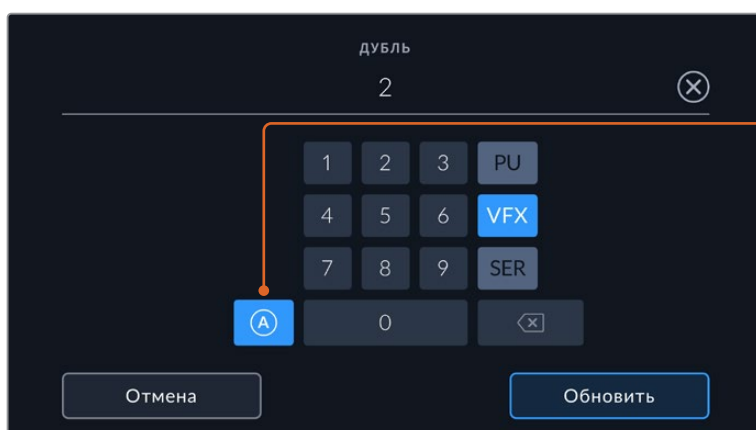
Дубль

Поле для указания номера дубля в текущем кадре. С помощью боковых стрелок это число можно увеличивать или уменьшать. Нажмите его значение, чтобы перейти к вводу номера вручную.

СОВЕТ. Когда обновляется номер кадра или буквенное значение сцены, номер дубля возвращается к значению 1.

Здесь же можно добавить описание дубля. Справа от клавиатуры находятся указанные ниже варианты описания.

ДОБ.	Добавление. Съемка дополнительного материала к предыдущему дублю после завершения основной работы.
VFX	Визуальные эффекты. Дубль или кадр для комбинированных сцен.
SER.	Серия. Несколько дублей было снято, и камера продолжает работать.



Коснитесь значка «А», чтобы дублям автоматически присваивался следующий номер в режиме ожидания. Когда эта функция включена, рядом с числовым значением отображается буква «А».

При вводе метаданных поля «ДУБЛЬ» справа от клавиатуры предлагаются некоторые типы кадров

Хороший дубль

Укажите флажком качественные дубли для удобства поиска на этапе постпроизводства. Эти теги относятся как к последнему записанному клипу, если URSA Broadcast G2 находится в режиме ожидания, так и к видео при его воспроизведении.

Внутри / Снаружи

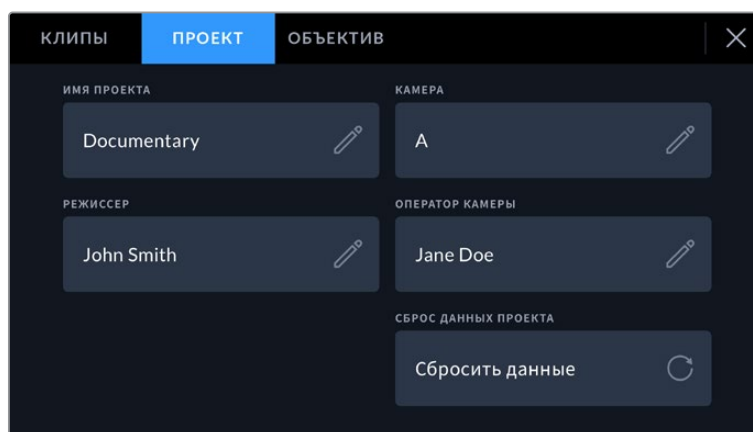
Эти кнопки служат для добавления тега “interior” или “exterior” к следующему клипу в режиме ожидания или к текущему при его воспроизведении.

День и ночь

Служат для добавления тегов "day" и "night" к следующему клипу в режиме ожидания или к текущему при его воспроизведении.

Метаданные на вкладке «ПРОЕКТ»

Метаданные на вкладке «ПРОЕКТ» отображаются одинаково как в режиме ожидания, так и при воспроизведении. Они всегда связаны с проектом в целом и с отдельными клипами в соответствии с их номерами.



Вкладка «ПРОЕКТ» камеры URSA Broadcast G2

Имя проекта

Отображает название текущего проекта. Для изменения нажмите значок карандаша.

Камера

Отображает отдельную букву идентификатора камеры. Для изменения нажмите значок карандаша.

Режиссер

Отображает имя режиссера текущего проекта. Для изменения нажмите значок карандаша.

ПРИМЕЧАНИЕ. Индекс камеры используется в метаданных и при названии файлов. Он отличается от кода камеры в АТЕМ, применяемого для управления камерой URSA Broadcast G2 с микшера АТЕМ. Подробнее об АТЕМ Camera ID см. раздел «Управление камерой с помощью АТЕМ Camera Control».

Оператор камеры

Отображает имя оператора камеры. Для изменения нажмите значок карандаша.

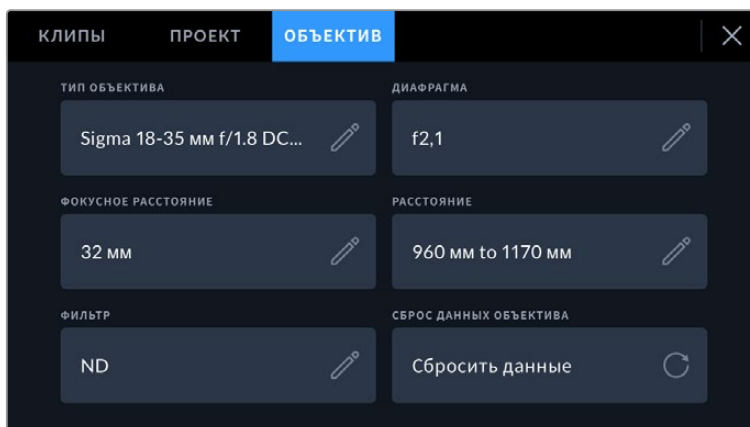
Сброс данных проекта

Для сброса всех данных проекта нажмите соответствующую кнопку, а затем подтвердите действие.

Объектив

Вкладка «ОБЪЕКТИВ» содержит сведения об установленном на камеру объективе. Большинство оптики с электронным управлением поддерживает автоматический вывод таких данных, как модель объектива, значение диафрагмы и фокусное расстояние.

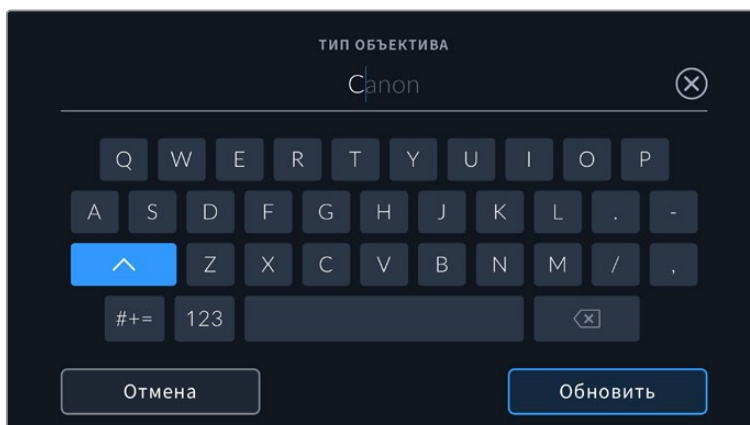
Если используемая оптика не имеет такой функции или необходимо указать дополнительные сведения, нажмите изображение карандаша в поле «ОБЪЕКТИВ» для ввода информации вручную. Откроется соответствующее окно меню данных, включая перечисленные ниже параметры.



Поля с информацией, которая вводится автоматически при использовании объектива Fujinon

- **Тип объектива**

Поле с названием модели объектива. Если тип оптики не выводится автоматически, его можно указать вручную.



Если данные по объективу не выводятся автоматически, используйте клавиатуру для ввода вручную

- **Диафрагма**

Поле, отражающее текущее значение диафрагмы перед началом клипа. В зависимости от типа объектива эта информация выводится автоматически в виде степени экспозиции или объема света в дробях. В противном случае их можно указать вручную.

- **Фокусное расстояние**

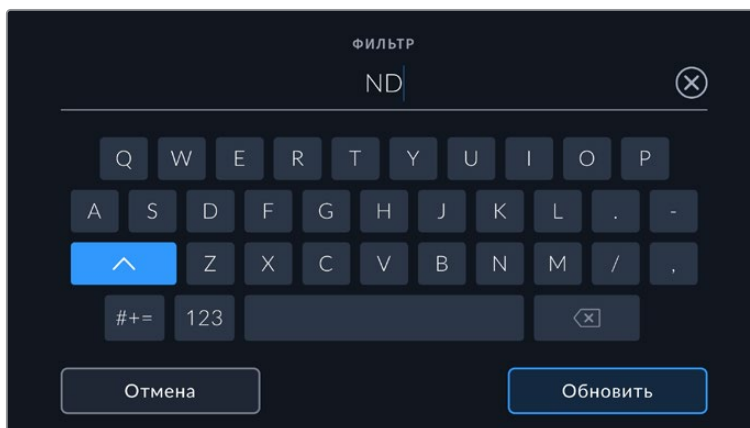
Поле для настройки фокусного расстояния в момент начала записи клипа. Указывается в мм при автоматическом выводе данных. Если эти сведения не выводятся автоматически, их можно указать вручную.

- **Расстояние**

Показывает фокусное расстояние для записанного клипа. Некоторые объективы автоматически передают эту информацию с указанием в мм. Если эти сведения не выводятся автоматически, их можно указать вручную.

- **Фильтр**

Поле для указания применяемых в настоящий момент фильтров. Нажмите в поле для ввода информации вручную. Возможен ввод через запятую нескольких значений.



Информацию о фильтрах вводят вручную

Сброс данных объектива

Нажмите «Сбросить данные» в поле «СБРОС ДАННЫХ ОБЪЕКТИВА», чтобы удалить данные об объективе. Появится запрос с просьбой подтвердить действие. Связь с объективом будет повторно установлена, а данные, заполненные электронным способом, обновлены. Все поля, которые были заполнены вручную, также будут очищены.

Стабилизация с помощью данных гироскопа

Камера Blackmagic URSA Broadcast G2 автоматически записывает информацию о панорамировании, изменении наклона и вращении с помощью внутреннего сенсора движения. Ее также называют метаданными гироскопа, а в приложении DaVinci Resolve их можно использовать для стабилизации изображения.

Перед началом записи необходимо выполнить калибровку сенсора движения, чтобы обеспечить высокую точность получаемой информации. Подробнее об этом см. соответствующую секцию в разделе «Настройки».

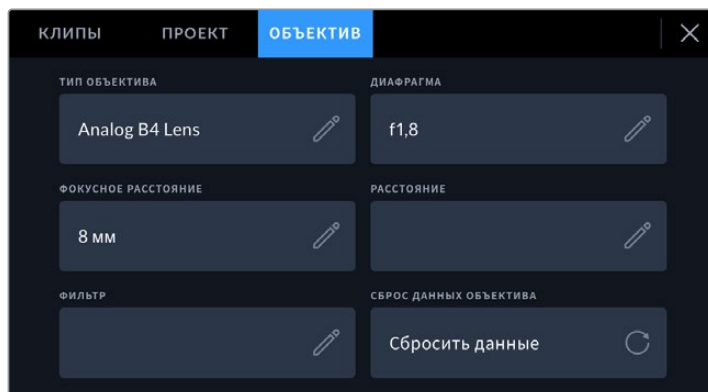
СОВЕТ. Чтобы активировать стабилизацию с помощью данных гироскопа, необходимо убедиться, что оптическая стабилизация изображения отключена. Объективы EF и B4 со встроенной оптической стабилизацией оснащены физическим переключателем для ее использования.

Запись данных с гироскопа при использовании объективов с ручным управлением

Для оптимальной стабилизации с помощью гироскопа требуется точная информация о фокусном расстоянии, которая включена в метаданные, автоматически записываемые при работе с большинством разновидностей EF и B4. Для объективов с ручным управлением и аналоговой B4-оптики такую информацию необходимо ввести самостоятельно в табличку данных.

- 1 Чтобы активировать табличку, проведите пальцем по сенсорному экрану в горизонтальном направлении.

- 2 Выберите вкладку «ОБЪЕКТИВ».
- 3 Укажите значение фокусного расстояния используемого объектива в соответствующем поле. Например, в случае применения аналоговой оптики В4 с фокусным расстоянием 8 мм введите «8 мм».



Используйте вкладку «ОБЪЕКТИВ» в случае применения оптики с ручным управлением

ПРИМЕЧАНИЕ. Данную информацию необходимо обновлять каждый раз при изменении фокусного расстояния на объективе с ручным управлением или аналоговой оптике. При использовании разновидностей со встроенной электроникой метаданные будут автоматически перезаписаны.

Применение стабилизации с помощью данных гироскопа в приложении DaVinci Resolve

После импорта клипов и их добавления на временную шкалу:

- 1 Откройте окно инспектора на странице «Монтаж» и перейдите к настройке стабилизации изображения.
- 2 В меню выберите стабилизацию с помощью данных гироскопа.
- 3 Нажмите «Стабилизировать».

Индикатор состояния покажет, когда стабилизация будет завершена.



В окне инспектора выберите соответствующую опцию для стабилизации изображения с помощью данных гироскопа

СОВЕТ. Результаты можно улучшить, выполняя съемку с малыми углами раскрытия затвора (например, 45 градусов), чтобы свести к минимуму размытие движущихся объектов.

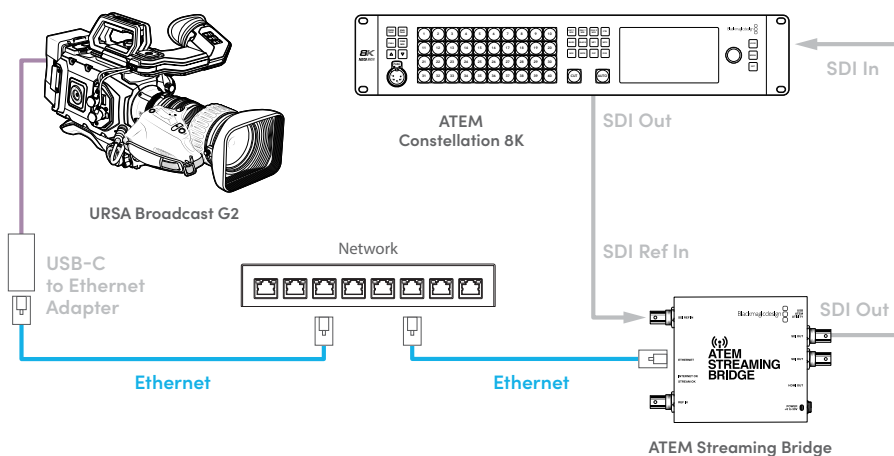
Стриминг видео

Камера URSA Broadcast G2 имеет собственную встроенную платформу для стриминга, которая позволяет вести потоковую трансляцию на таких сервисах, как YouTube, Facebook Live и Twitch.

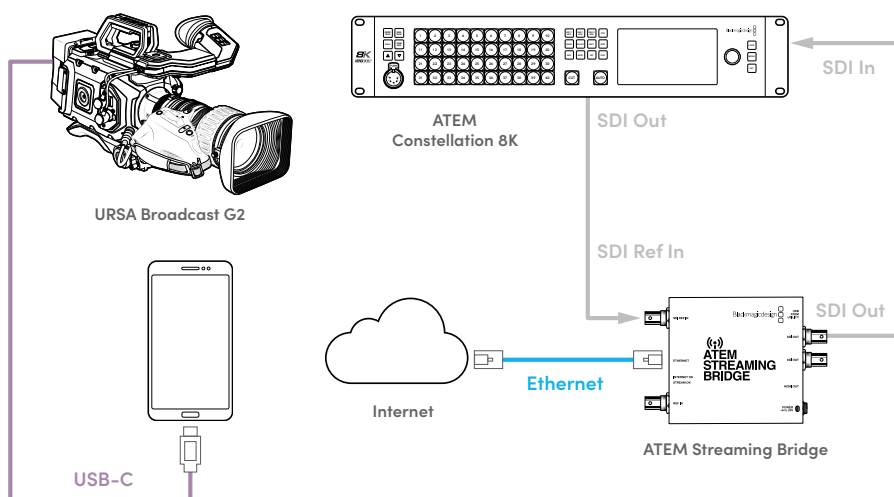
Ее также можно подключить к видеомикшеру ATEM в рамках одной сети Ethernet или через интернет-соединение к устройству в любой точке мира с помощью конвертера ATEM Streaming Bridge. При потоковой передаче сигнала на ATEM доступно управление камерой, а также параметрами Tally-индикации и двусторонней связи.

Ниже приведены два примера, демонстрирующие подключение камеры URSA Broadcast G2 к видеомикшеру ATEM с помощью конвертера ATEM Streaming Bridge. На первом показано подключение по локальной сети, а на втором — передача сигнала через Интернет с помощью смартфона.

Подключение по локальной сети



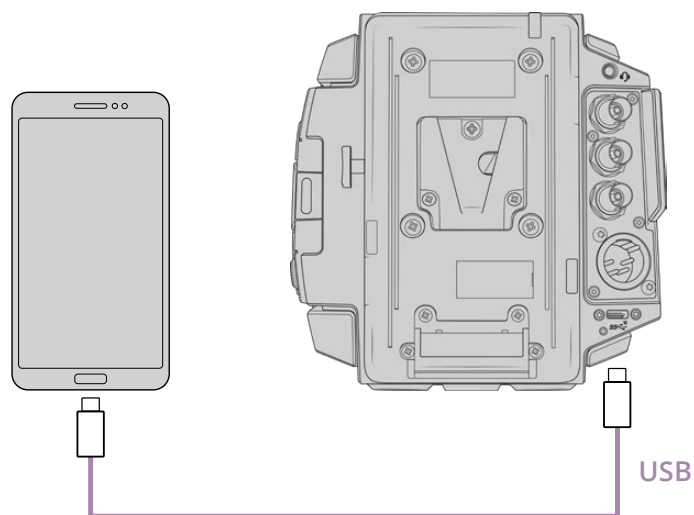
Подключение через Интернет



ПРИМЕЧАНИЕ. При стриминге через порт Ethernet рекомендуется использовать адаптер USB-C/Gigabit Ethernet производителя Belkin. Хотя допускается работа с адаптерами других брендов, микросхемы продукции Belkin обеспечивают самую высокую надежность потоковой трансляции по протоколу RTMP.

Настройка смартфона

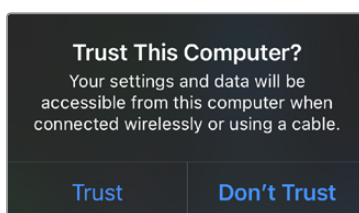
Подключите смартфон к порту расширения USB-C на камере с помощью соответствующего кабеля. Такой тип соединения позволяет эффективно осуществлять вещание на мировую аудиторию из любой точки земного шара, если устройство обладает доступом к мобильной сети 4G или 5G.



Настройки

Вначале необходимо убедиться, что на используемом смартфоне активирован режим модема.

- 1 На устройстве с операционной системой iOS откройте «Настройки» > «Режим модема» и активируйте опцию «Разрешать другим».
- 2 После этого появится сообщение с вопросом, можно ли доверять подключенному компьютеру. Выберите «Доверять», затем на экране появится зеленый значок модема. Таким образом можно убедиться, что соединение работает корректно.



Значок модема появится после подключения устройства к смартфону

Часы смартфона отображаются внутри зеленого значка модема, пока соответствующий режим активирован.

На устройстве с операционной системой Android откройте быстрое меню. Нажмите и удерживайте значок Hotspot. Затем активируйте опцию USB tethering.

СОВЕТ. После завершения стриминга рекомендуем выключить режим модема, чтобы сохранить заряд батареи.

Установка номера камеры в АТЕМ

Код камеры в АТЕМ — это идентификационный номер, который можно задать на вкладке «НАСТРОЙКА». Он определяет SDI-вход на видеомикшере АТЕМ, который будет использоваться для подключения модели URSA Broadcast G2. Если данное значение соответствует номеру входа видеомикшера, камера определит его для корректной передачи сигналов Tally-индикации и команд управления.

Подробнее об установке номера камеры в АТЕМ см. раздел «Основные настройки» выше.

Создание XML-файла

Чтобы создать XML-файл, подключите конвертер АТЕМ Streaming Bridge к Интернету, соединив кабелем Ethernet-порт устройства и сетевой маршрутизатор или коммутатор.

Подключите АТЕМ Streaming Bridge к компьютеру с помощью кабеля USB-C и запустите утилиту АТЕМ Setup.

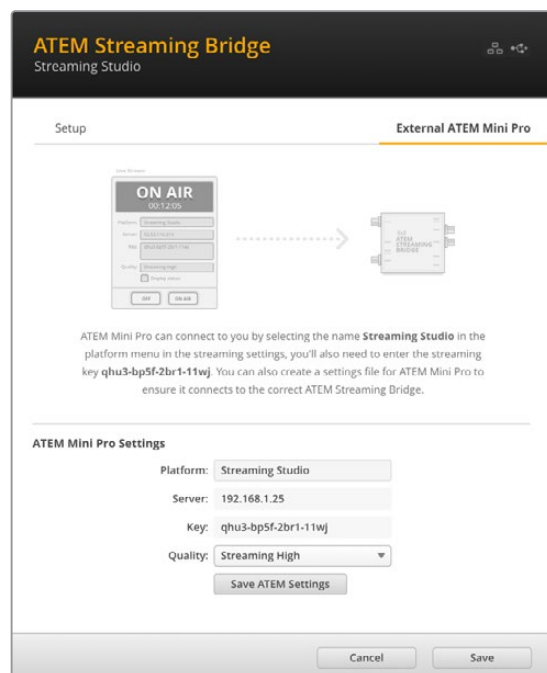
На вкладке Setup подтвердите правильность сетевых настроек и в опциях Stream Service выберите Internet. Если все параметры заданы корректно, в окне состояния будет отображаться сообщение “Visible Worldwide”.

Примечание о переадресации порта

Если в окне состояния интернет-соединения отображается ошибка, связанная с переадресацией порта или UPnP, обратитесь к провайдеру услуг связи или системному администратору, чтобы установить настройку TCP port 1935.

Экспорт XML-файла

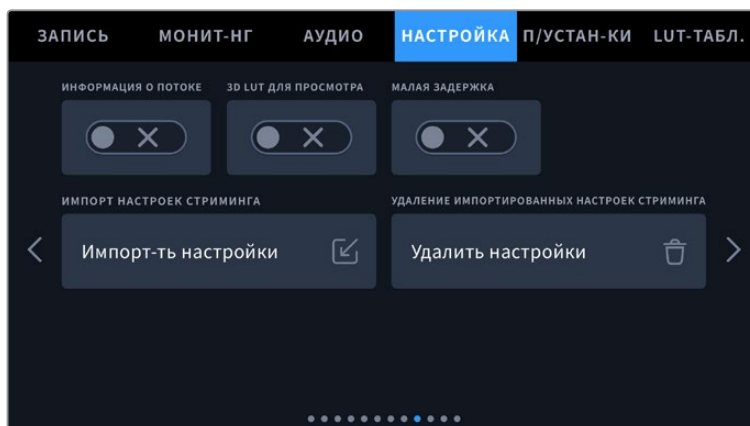
После подтверждения настроек на вкладке утилиты АТЕМ Setup и успешного подключения конвертера АТЕМ Streaming Bridge к локальной сети или Интернету можно выполнить экспорт XML-файла с конфигурацией параметров.



1. Перейдите на вкладку External ATEM Mini Pro вверху справа.
2. Чтобы присвоить платформе пользовательское имя, щелкните в поле Platform и введите нужный текст. Оно будет таким же, как в списке соответствующего меню на удаленной камере Blackmagic URSA Broadcast G2.
3. Выберите нужное качество стриминга. Эта настройка задает соответствующий параметр на удаленной камере URSA Broadcast G2.
4. Нажмите кнопку Save ATEM Settings, выберите расположение на компьютере для сохранения XML-файла и щелкните Save.
5. Теперь сохраненный XML-файл можно переслать удаленному оператору по электронной почте.

Загрузка XML-файла

Чтобы импортировать XML-файл на URSA Broadcast G2, предварительно скопируйте его на флэш-диск USB-C, накопитель SD или карту CFast.



- 1 На девятой странице меню настроек нажмите кнопку с надписью «Импортировать настройки».
- 2 В верхней части экрана укажите накопитель, на котором сохранен XML-файл. Коснитесь имени файла, а затем щелкните «Импортировать». После успешной загрузки данных конвертер ATEM Streaming Bridge будет автоматически выбран в меню платформы.

Теперь для начала трансляции достаточно всего лишь нажать соответствующую кнопку на камере.

При правильно установленных параметрах оператор видеомикшера в студии сможет без труда на нее переключиться. На камере загорится Tally-индикатор, включая красную рамку вокруг ЖК-дисплея. В режиме предварительного просмотра индикатор будет гореть зеленым цветом.



Попробуйте отрегулировать диафрагму и уровень черного на соответствующей вкладке в приложении ATEM Software Control, чтобы проверить управление камерой

URSA Mini Shoulder Kit

Крепление плечевого упора

URSA Mini Shoulder Kit позволяет использовать URSA Broadcast G2 для съемки с плеча. В комплект поставки входят плечевая накладка, опорная пластина, ручка для переноски и крепление для видоискателя. Держатель URSA Mini и удлиненный кабель LANC можно приобрести отдельно в качестве дополнительных аксессуаров.

Крепление на опорной пластине дает возможность быстро перейти от съемки на штативе к иной конфигурации.

URSA Mini Shoulder Kit позволяет работать с любыми креплениями, созданными на основе Sony VCT 14. Эти штативные адаптеры можно приобрести в магазинах видеоэлектроники или через Интернет.

Крепления на основе VCT U14 имеют другую конструкцию и не совместимы с плечевым упором.

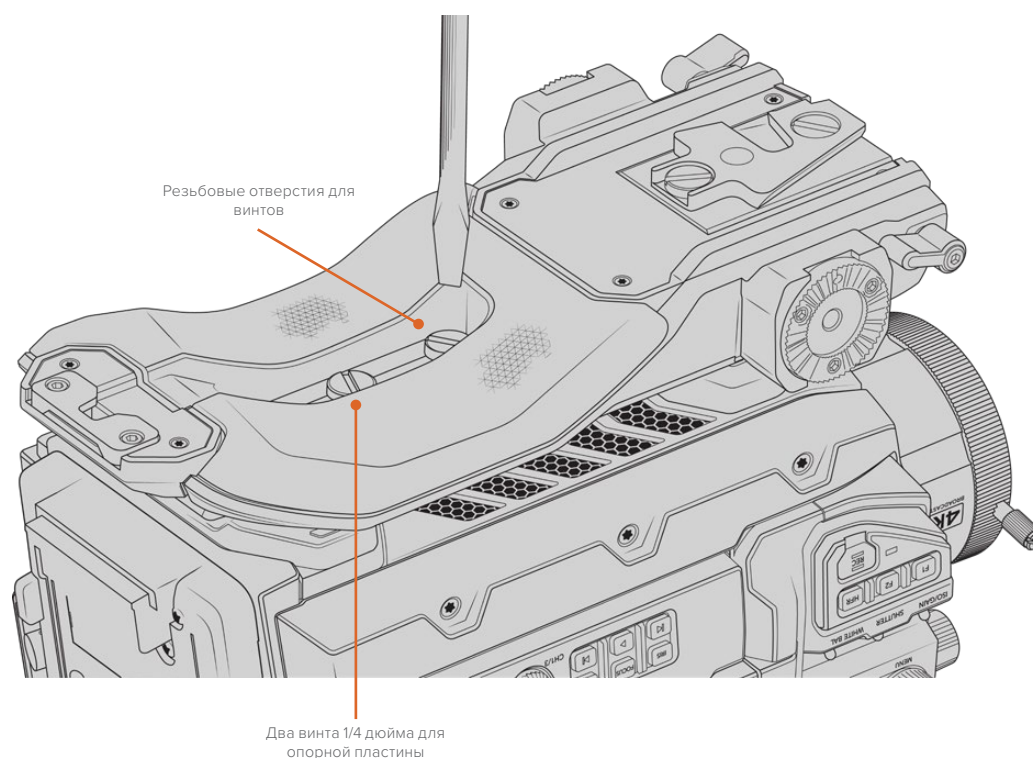
Набор инструментов для установки плечевого упора

- Одна плоская отвертка для двух винтов 1/4 дюйма (опорная пластина).
- Один шестигранный ключ 3/16 дюйма для двух винтов 1/4 дюйма (ручка).



Чтобы установить плечевой упор на камеру URSA Broadcast G2, потребуются большая плоская отвертка и шестигранные ключи 3/16 дюйма для верхней ручки

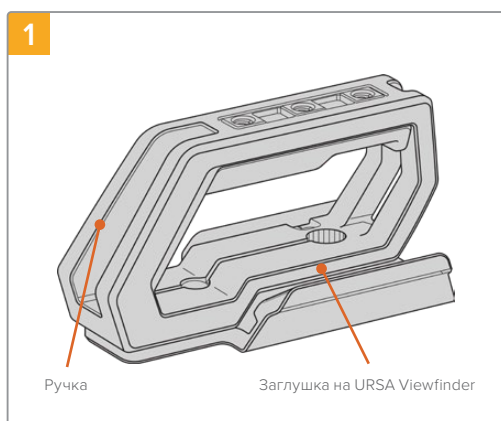
Порядок установки плечевой накладки и опорной пластины



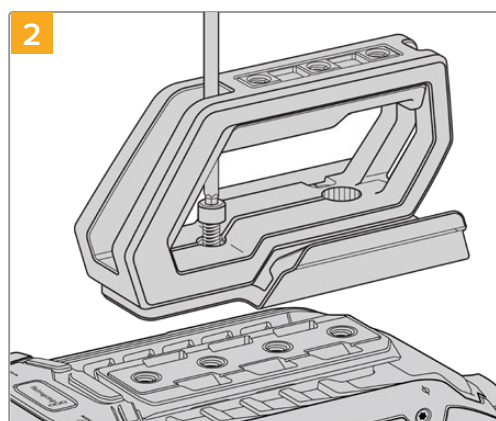
- 1 Аккуратно переверните камеру URSA Broadcast G2 и поместите ее на ровную поверхность.
- 2 Используя отвертку, закрепите опорную пластину на URSA Broadcast G2 с помощью двух винтов 1/4 дюйма.
- 3 Затяните каждый винт, чтобы опорная пластина плотно прилегала к камере. Во избежание повреждения резьбы не затягивайте винты слишком сильно.

Установка ручки при использовании крепления для видеискателя URSA Viewfinder

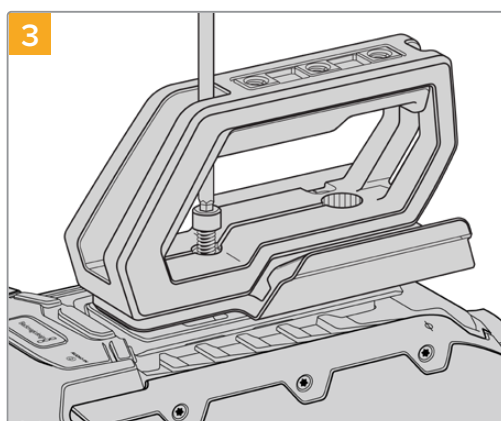
Верхняя ручка поставляется с уже установленным креплением для видеискателя URSA Viewfinder. Подробнее об установке видеискателя Blackmagic URSA Viewfinder см. следующий раздел данного руководства.



Поместите камеру URSA Broadcast G2 на плоскую поверхность.



С помощью двух винтов 1/4 дюйма и шестигранного ключа 3/16 дюйма закрепите ручку на любых монтажных отверстиях верхней панели. В большинстве случаев рекомендуется использовать два последних отверстия, однако в некоторых ситуациях для наилучшей балансировки камеры можно выбрать другую комбинацию.



Затяните винты, чтобы ручка плотно прилегала к корпусу. Во избежание повреждения резьбы не затягивайте винты слишком сильно.

Держатель URSA Mini Shoulder Kit и кабель LANC можно приобрести отдельно в качестве дополнительных аксессуаров.

Установка держателя

Как правило, корпус объектива B4 оснащается рукояткой, поэтому другие приспособления при съемке с плеча на URSA Broadcast G2 не нужны.

При работе с оптикой другого типа может потребоваться дополнительное оснащение, такое как боковая рукоятка для URSA Mini.

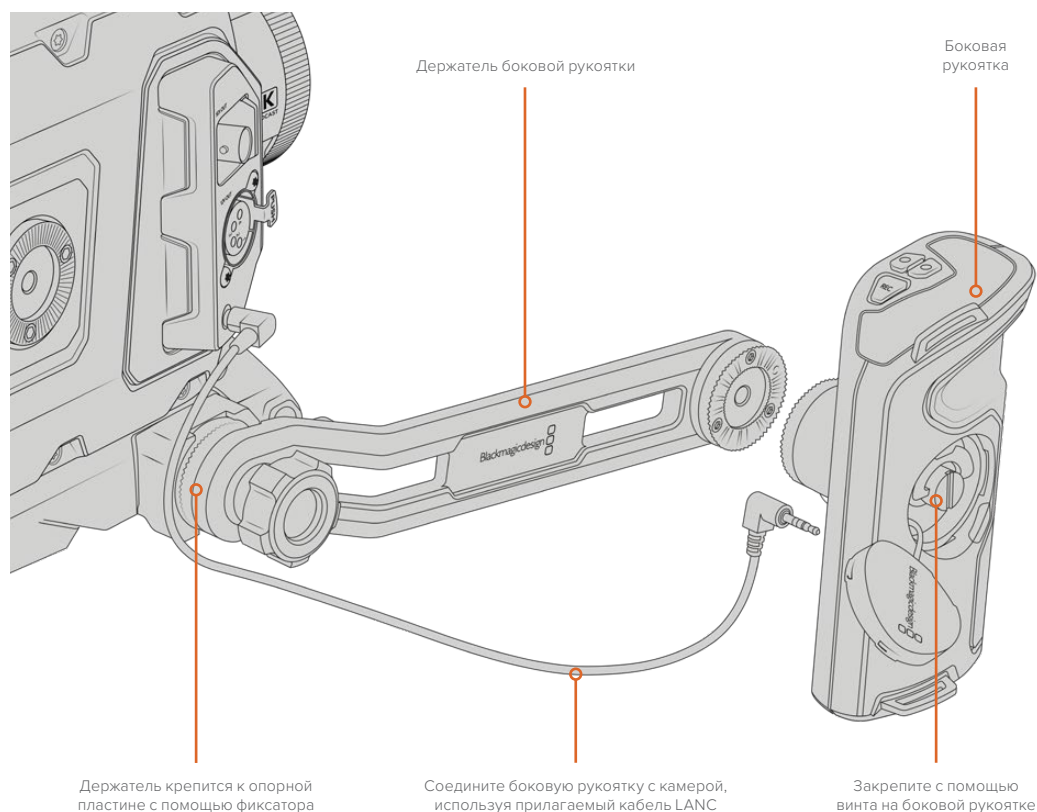
Для этого плечевой упор URSA Mini Shoulder Kit поставляется с держателем и удлиненным кабелем LANC.

Установка держателя боковой рукоятки

- 1 Поместите камеру URSA Broadcast G2 на плоскую устойчивую поверхность и убедитесь, что рядом с ней достаточно места для держателя. Для этого камеру можно установить на штатив.
- 2 Соедините нужный конец держателя с фиксатором, установите держатель в нужное положение и закрепите его прилагаемым винтом.
- 3 Установите боковую рукоятку на передний фиксатор держателя. Закрепите ее винтом с помощью большой плоской отвертки или поворотом D-образного кольца.
- 4 С помощью прилагаемого кабеля LANC соедините выход на боковой рукоятке и вход LANC на камере.

Чтобы изменить положение держателя, ослабьте винты фиксатора, выберите нужную позицию и снова закрепите винты.

Плечевой упор URSA Mini Shoulder Kit позволяет комфортно работать вне студии и при необходимости быстро переходить к съемке со штатива, когда нужно получить стабильное изображение.



Blackmagic URSA Viewfinder

Blackmagic URSA Viewfinder — электронный видоискатель, специально разработанный для использования с камерой Blackmagic URSA Broadcast G2. Цветной OLED-дисплей имеет высокоточную оптику для вывода изображения в 1080HD, обеспечивая удобную и быструю установку фокуса.

Электронный видоискатель идеально подходит для съемки с плеча и в ситуациях, когда необходима самая точная фокусировка и недопустимы блики или отражение в условиях яркого освещения.

Подключенный видоискатель получает питание от камеры и использует ее встроенные в SDI-поток данные для отображения различных параметров. Таким образом, на видоискатель можно выводить как чистый SDI-сигнал, так и изображение с дополнительной служебной информацией.

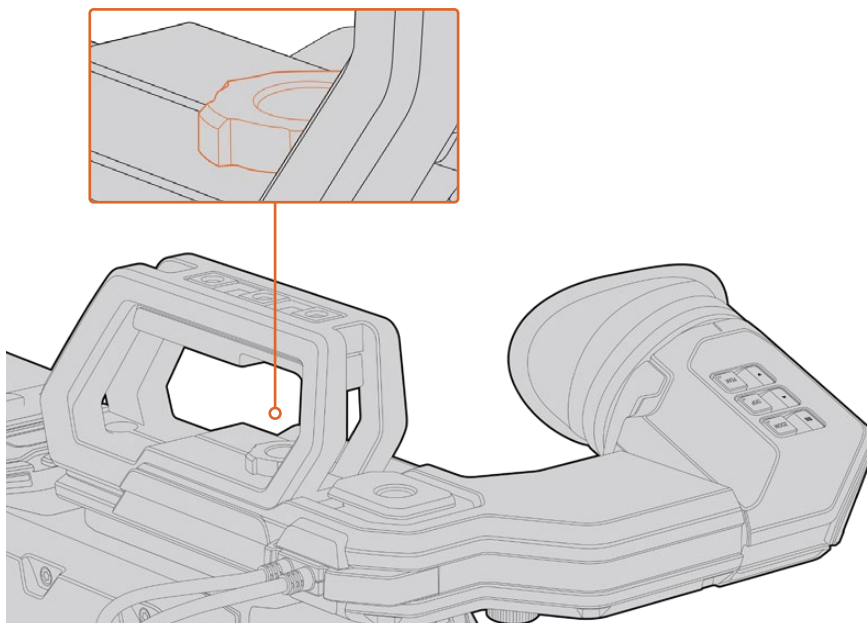
Например, если в меню URSA Broadcast G2 выбраны рамки формата 2,40:1, то при активации аналогичной функции на видоискателе будут использоваться рамки кадрирования именно для этого формата.

Установка и подключение к Blackmagic URSA Broadcast G2

Перед установкой видоискателя Blackmagic URSA Viewfinder на камеру необходимо закрепить верхнюю ручку URSA Mini Shoulder Kit, входящую в комплект поставки. Подробнее см. раздел "URSA Mini Shoulder Kit".

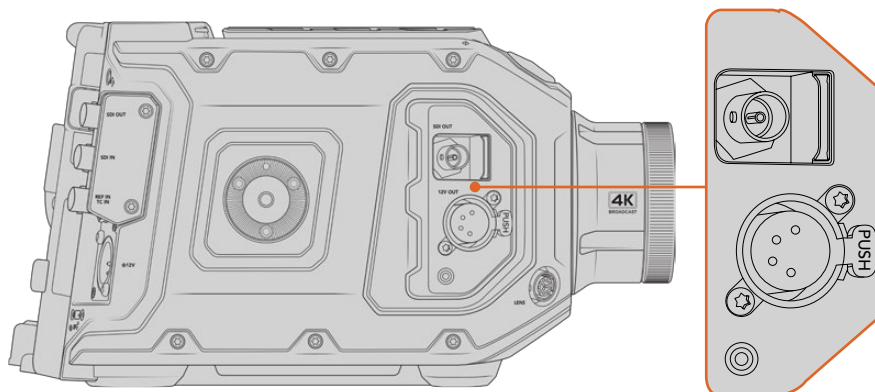
Поместите основание видоискателя на крепление и зафиксируйте его с помощью винта 1/4 дюйма, входящего в комплект URSA Mini Shoulder Kit.

Чтобы не повредить резьбу, затяните винт вручную без использования инструментов.



Для установки Blackmagic URSA Viewfinder на камеру URSA Broadcast G2 поместите основание видоискателя на направляющие и закрепите его с помощью винта на одном из резьбовых отверстий 1/4 дюйма

URSA Viewfinder соединяют с камерой URSA Broadcast G2 через разъемы 3G-SDI OUT и 12V OUT. Для этого используют кабели, которые входят в комплект поставки видоискателя. Если в данный момент камера работает, URSA Viewfinder включится автоматически.



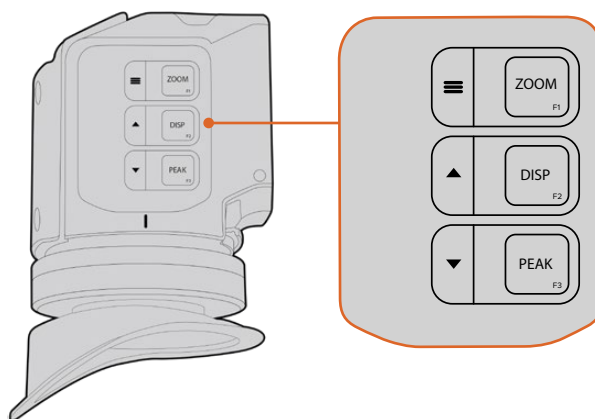
Соедините SDI-кабель и кабель питания видоискателя с выходами SDI OUT и 12V OUT на камере URSA Broadcast G2

Регулировка окуляра

Окуляр со съемной резиновой насадкой можно настроить под левый или правый глаз. Ослабив винт на нижней части ручки, передвиньте окуляр вправо или влево, чтобы выбрать комфортное для работы положение.

Функции кнопок

В верхней части видоискателя расположены кнопки ZOOM, DISP и PEAK. Они предназначены для увеличения изображений, вывода параметров и выделения контуров.



Кнопки ZOOM (F1), DISP (F2) и PEAK (F3) расположены на верхней панели URSA Viewfinder

С помощью этих кнопок можно использовать дополнительные функции, например открыть меню или перейти к нужным настройкам. Рядом с кнопками есть значки, которые обозначают соответствующие им функции управления и навигации.

Предусмотрена индивидуальная настройка кнопок, которая позволяет привязать к ним часто используемые функции. Например, для работы с функцией условного цвета можно назначить кнопку ZOOM. Подробнее о настройке кнопок см. раздел "Shortcuts".

ZOOM (F1) — «меню»

Функция Zoom помогает настраивать резкость при фокусировке. Нажмите кнопку ZOOM, чтобы увеличить изображение. Для возвращения к исходному виду нажмите кнопку еще раз. При использовании меню настроек она также служит для вывода меню. Нажмите и удерживайте кнопку, чтобы открыть меню настроек. При работе с этим меню нажмите кнопку один раз для подтверждения сделанных изменений.





DISPLAY (F2) — «вверх»

Для вывода параметров нажмите кнопку DISP. При использовании меню настроек эта кнопка также служит для перехода вверх. Нажмите и удерживайте ее, чтобы открыть меню назначения кнопок. Подробнее см. раздел "Shortcuts".

PEAK (F3) — «вниз»

Функция выделения контуров создает зеленую кромку вокруг наиболее резких элементов изображения, помогая правильно установить фокус. Для включения функции нажмите кнопку PEAK. Для отключения функции нажмите кнопку еще раз. При использовании меню настроек эта кнопка также служит для перехода вниз. Нажмите и удерживайте эту кнопку, чтобы открыть меню Setup.

Меню настроек

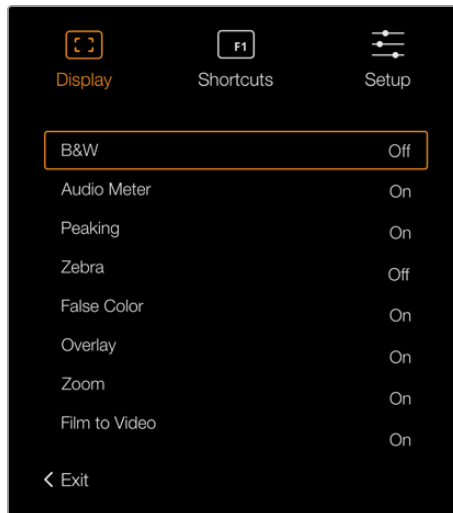
Меню настроек содержит три раздела — Display, Shortcuts и Setup. Чтобы открыть настройки, нажмите и удерживайте кнопку «меню» . Для перехода между настройками используйте кнопки «вверх»  и «вниз» . Для подтверждения выбора снова нажмите кнопку «меню» .

Display

Меню Display дает возможность работать с несколькими функциями.

B&W

Переключение между цветным и черно-белым изображением.



Меню Display видеискателя URSA Viewfinder

Meters

Выбор индикаторов, отображаемых при выводе параметров. Можно использовать опции Histogram, Audio, Both или None.

Peaking

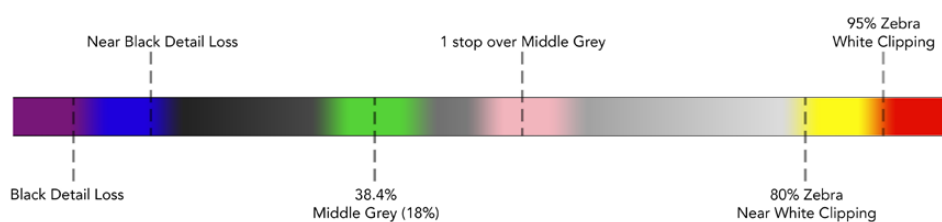
Включение и отключение выделения контуров.

Zebra

Включение и отключение уровней функции Zebra. Чтобы задать необходимые уровни функции Zebra, используйте настройки камеры. Подробнее см. раздел «Настройки».

False Color

Включение и отключение функции False Color. Эта функция добавляет к изображению различные цвета, которые показывают уровень экспозиции для его отдельных элементов. Например, розовый является показателем оптимальной экспозиции для достоверной передачи тонов светлой кожи, а зеленый — более темной. Во время съемки людей подобная функция помогает обеспечить однородность изображения. Если его элементы меняют цвет с желтого на красный, это означает избыточную экспозицию.



Шкала условного цвета

Overlay

Включение и отключение вывода параметров. С помощью этой функции можно выбирать, какие типы параметров выводятся в меню Setup на видеискателе. Параметры, в том числе границы изображения, задаются настройками на камере.

Zoom

Включение и отключение функции зуммирования.

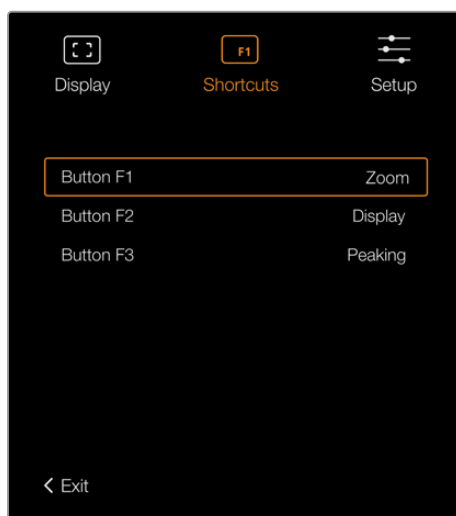
Film to Video

Переключение между режимами Film и Video. Подробнее о кино- и видеосъемке см. раздел «Настройки записи». Эта опция доступна только при выводе киноматериала на видеискатель. Если используется режим видеосъемки, она отключается, чтобы избежать наложения LUT-таблиц.

Shortcuts

Функция Shortcuts служит для быстрого доступа к определенным настройкам часто используемой функции. Для назначения кнопок выполните действия в описанном ниже порядке.

- 1 В меню Shortcuts используйте кнопку «вверх» ▲ или «вниз» ▼, чтобы выбрать одну из трех позиций для назначения быстрого доступа. Для подтверждения выбора нажмите кнопку «меню» ≡.
- 2 Нажмите кнопку «вверх» ▲ или «вниз» ▼, чтобы перейти к одной из перечисленных ниже функций и назначить для нее выбранную кнопку. Для подтверждения выбора нажмите кнопку «меню» ≡.
 - B&W
 - Peaking
 - Zebra
 - False Color
 - Display
 - Zoom
 - Film to Video
 - Meters
 - Focus Chart
- 3 Чтобы закрыть меню, перейдите к Exit и нажмите кнопку «меню» ≡.



Настройки Shortcuts видеоискателя URSA Viewfinder

Setup

Меню Setup содержит несколько функций.

Brightness Adjustment

Настройка яркости дисплея в диапазоне от -10 до +10.

Tally Brightness

Настройка яркости светодиодного индикатора.

Focus Chart

Blackmagic URSA Viewfinder имеет встроенную цифровую таблицу для настройки окуляра. Для точной установки фокуса достаточно повернуть диоптр. Чтобы закрыть таблицу для проверки фокуса, нажмите любую кнопку видеоискателя.

Frame Guides

Включение и отключение рамок кадрирования. Если в меню «Передний SDI» вкладки «МОНИТОРИНГ» активирована настройка «РАМКИ КАДРИРОВАНИЯ», можно включать и отключать рамки на Blackmagic URSA Viewfinder.

Подробнее см. раздел «Настройки мониторинга».

Safe Area Guide

Включение и отключение границ изображения. Если в меню «Передний SDI» вкладки «МОНИТОРИНГ» активирована настройка «ГРАНИЦЫ ИЗОБРАЖЕНИЯ», можно включать и отключать границы на Blackmagic URSA Viewfinder.

Подробнее см. раздел «Настройки мониторинга».

Grid

Включение и отключение сетки по правилу третей, отображения крестика или точки. Если в меню «Передний SDI» вкладки «МОНИТОРИНГ» активирована настройка «СЕТКА», можно включать и отключать сетку на Blackmagic URSA Viewfinder.

Подробнее см. раздел «Настройки мониторинга».

ПРИМЕЧАНИЕ. Включение сетки в настройках URSA Viewfinder обеспечит передачу сигналов индикации с видеомикшера АТЕМ. Также рекомендуется активировать вывод параметров в меню Display.

Status Text

Включение и отключение информации состояния, такой как баланс белого, кадровая частота и ISO. Если в меню «Передний SDI» вкладки «МОНИТОРИНГ» активирована настройка «СЛУЖЕБ. ИНФОРМАЦИЯ», можно включать и отключать вывод служебных данных на Blackmagic URSA Viewfinder.

Подробнее см. раздел «Настройки мониторинга».

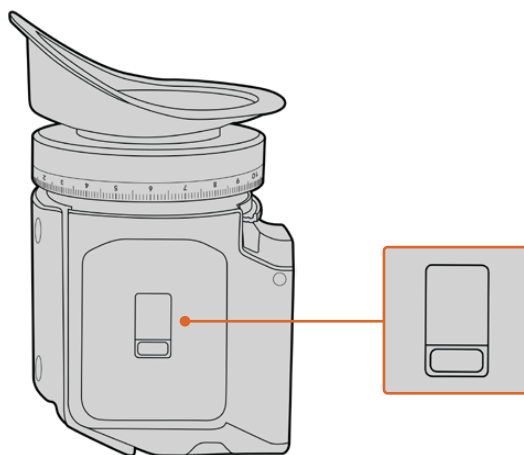
СОБЕТ. Если видоискатель Blackmagic Viewfinder соединен с URSA Broadcast G2 и на обоих устройствах включена соответствующая функция, служебная информация может наслаиваться. В этом случае рекомендуется отключить функцию Status Text на видоискателе.

Инфракрасный датчик

Инфракрасный датчик автоматически включает OLED-дисплей при приближении к окуляру. Если видоискатель не используется в течение двадцати секунд, дисплей отключается, что позволяет продлить срок его службы и сэкономить энергию. Во время записи режим ожидания составляет 5 минут, после чего дисплей медленно гаснет. Любое движение рядом с окуляром отменяет режим отключения. Если необходимо вручную включить дисплей, нажмите любую кнопку видоискателя.



Когда инфракрасный датчик накрыт или доступ к нему заблокирован, дисплей видоискателя может оставаться включенным в течение длительного времени. При выводе на экран высококонтрастных объектов или рамок кадрирования это ведет к сокращению срока службы изделия и появлению остаточного изображения.



Инфракрасный датчик расположен на нижней панели видоискателя URSA Viewfinder

Обновление программного обеспечения на URSA Viewfinder

Для обновления ПО видоискателя используйте утилиту Blackmagic Camera Setup. Во время обновления рекомендуется не отсоединять видоискатель от URSA Broadcast G2. Для обеспечения бесперебойного питания камера должна быть подключена к внешнему источнику энергии.

Подключите компьютер к USB-разъему, расположенному рядом с окуляром в передней части видеискателя. Если утилита Blackmagic Camera Setup обнаружит устаревшую версию программного обеспечения, появится диалоговое окно с предложением установить последнюю версию. Для обновления программного обеспечения видеискателя следуйте инструкциям на экране.

ПРИМЕЧАНИЕ. Для лучшей совместимости при использовании Blackmagic URSA Viewfinder с камерой URSA Broadcast G2 рекомендуется предварительно обновить ПО видеискателя. Последние версии программного обеспечения можно найти в разделе поддержки Blackmagic Design на странице www.blackmagicdesign.com/ru/support. Подробнее см. раздел «Утилита Blackmagic Camera Setup».

СОВЕТ. Для оптимальной производительности рекомендуется одновременно обновлять ПО всей техники Blackmagic URSA.

Blackmagic URSA Studio Viewfinder



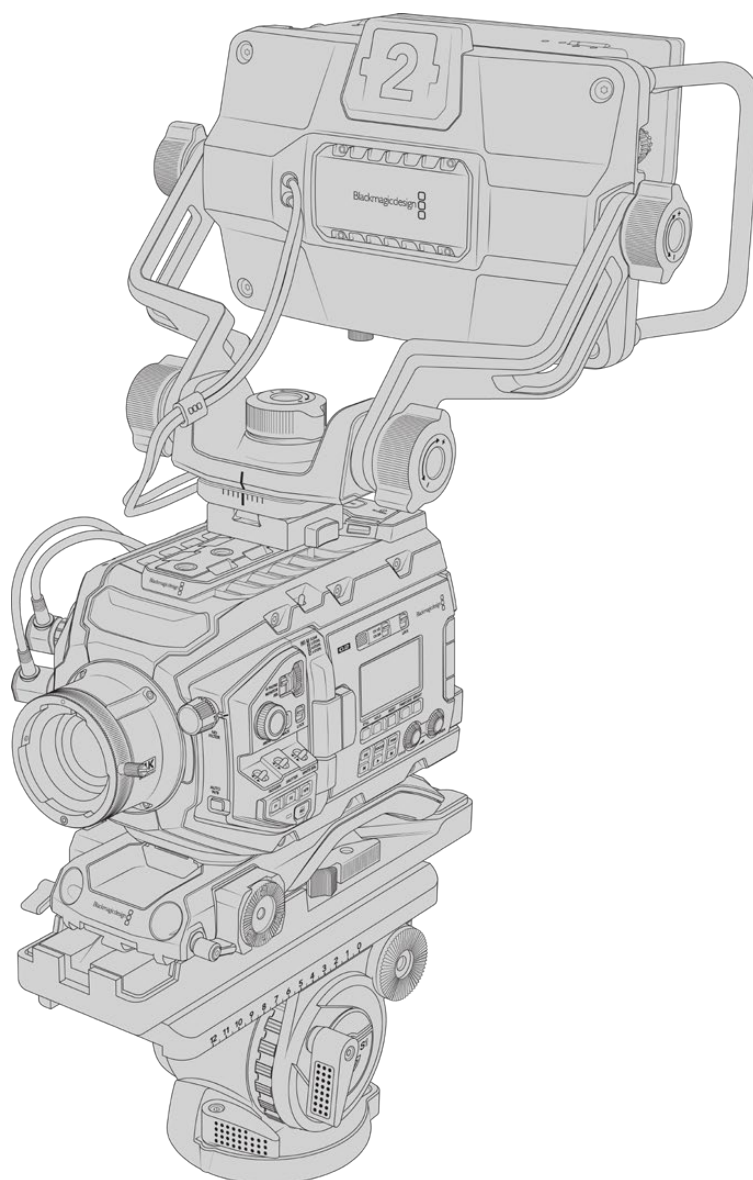
Blackmagic URSA Studio Viewfinder — современный видеискатель, который позволяет превратить Blackmagic URSA Broadcast G2 в профессиональную студийную камеру. Он имеет яркий 7-дюймовый экран, крупный индикатор состояния, удобные органы управления, боковые ручки, солнцезащитную бленду и систему регулируемых креплений. Это обеспечивает комфортную работу оператора при использовании камеры для съемки живых концертов, показа спортивных соревнований и других длительных мероприятий. URSA Studio Viewfinder идеально подходит для применения в студии и за ее пределами.

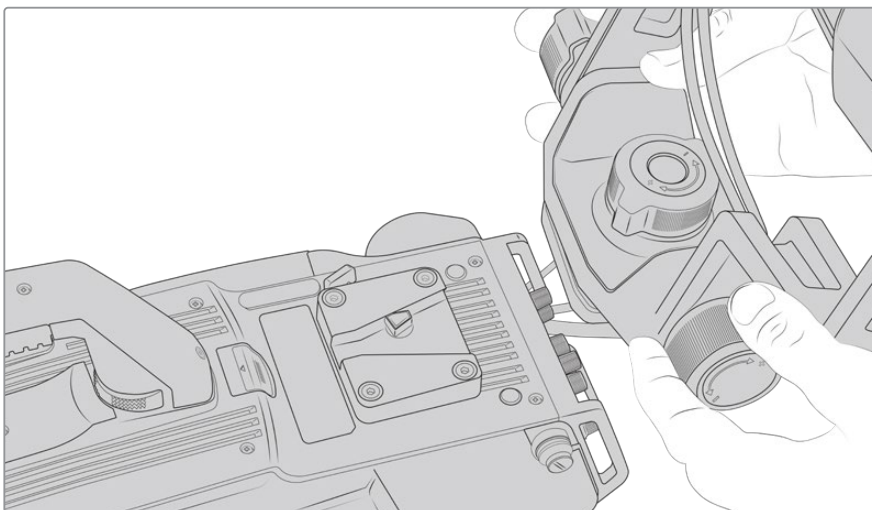
Установка и подключение к Blackmagic URSA Broadcast G2

Видоискатель Blackmagic URSA Studio Viewfinder можно использовать вместе с камерой Blackmagic URSA Broadcast G2 двумя способами.

С помощью панели V-Lock видоискатель Blackmagic URSA Viewfinder можно установить на камеру URSA Broadcast G2 или верхнюю ручку URSA Mini Shoulder Kit, входящую в комплект поставки.

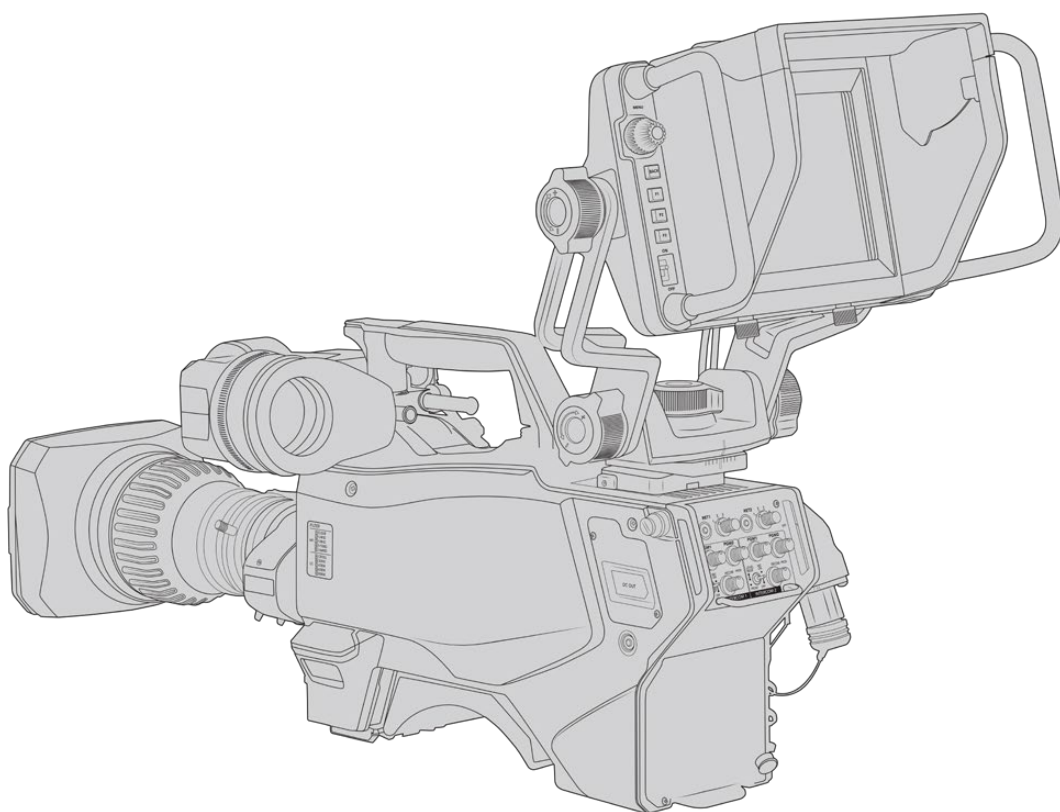
Закрепите панель V-Lock на верхней поверхности камеры с помощью прилагающихся 1/4-дюймовых винтов. В этом случае центр тяжести станет значительно выше. Чтобы обеспечить устойчивость, перед монтажом рекомендуется поместить камеру на штатив.





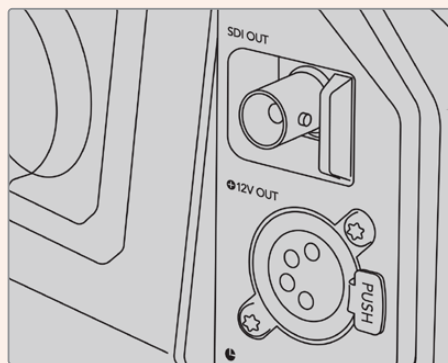
Панель V-Lock на камере другого производителя

Панель V-Lock для URSA Studio Viewfinder можно установить на любую камеру, имеющую отверстия 1/4 дюйма или оснащенную монтажной пластиной других производителей. Видоискатель Blackmagic URSA Studio Viewfinder также совместим с камерными системами, которые имеют панель V-Lock.



Blackmagic URSA Studio Viewfinder соединяют с камерой Blackmagic URSA Broadcast G2 через разъемы 3G-SDI OUT и 12V OUT. Для этого используют кабели, которые входят в комплект поставки видеоискателя.

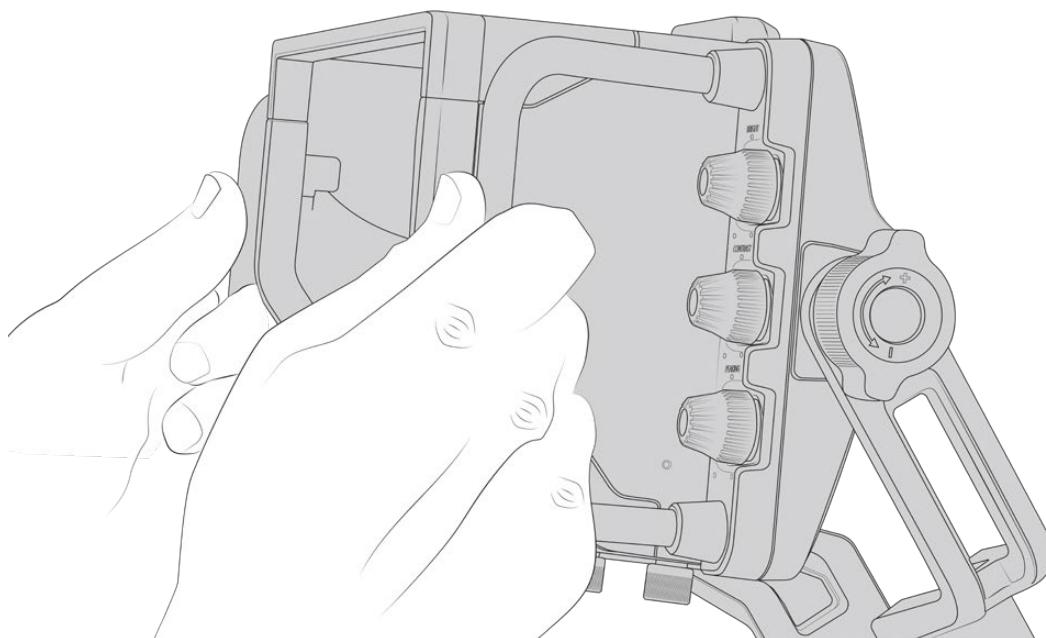
После включения камеры питание сразу начнет поступать на видеоискатель. При необходимости можно применять кабельные зажимы, которыми оснащается держатель камеры URSA Mini.



Разъемы SDI и 12V на URSA Broadcast G2

COBET. Видеоискатель URSA Studio Viewfinder подключают через стандартные SDI-интерфейс и 4-контактный силовой XLR-разъем. Это позволяет использовать его с любой камерой, а также в качестве портативного монитора. Команды управления устройством и индикации состояния передаются по открытому протоколу, поэтому Tally-сигналы и служебную информацию можно выводить при работе с любой камерой в комбинации с видеомикшером ATEM.

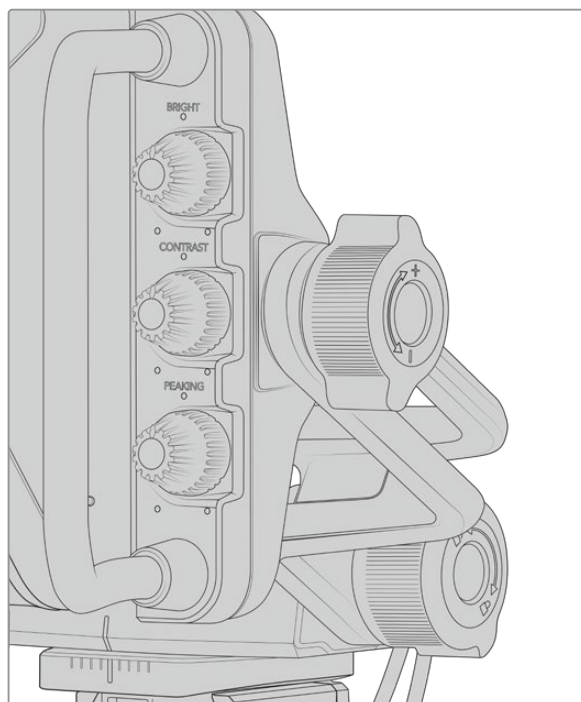
Работа с Blackmagic URSA Studio Viewfinder



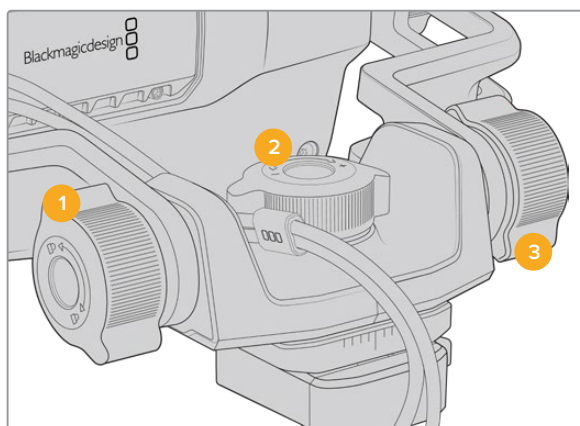
Blackmagic URSA Studio Viewfinder имеет удобные боковые ручки большого размера и регулируемые крепления, с помощью которых можно менять быстро положение устройства и угол его наклона. Видеоискатель оснащается солнцезащитной блендой, предохраняющей экран от повреждений, и уместается в дорожный кейс в собранном виде. Такая удобная эргономика позволяет быстро переносить устройство на новое место съемки.

Система креплений обеспечивает выбор нужного угла наклона и поворота. Дополнительно с каждой стороны устройства есть по одному регулятору. Левый используют для изменения степени натяжения, а правый — для ее фиксации.

Подобная система позволяет задать необходимый уровень затяжки при выборе положения видоискателя. В этом случае оператор может менять угол наклона и поворота устройства в соответствии с условиями съемки.



Регуляторы натяжения по бокам видоискателя

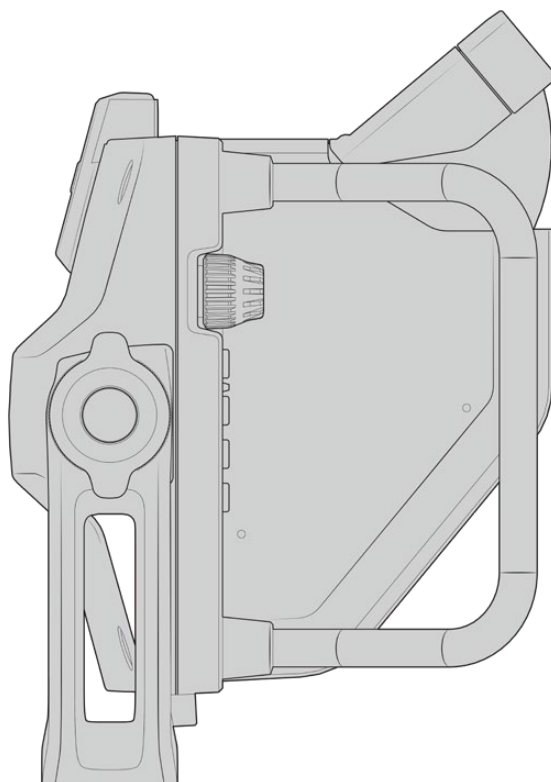
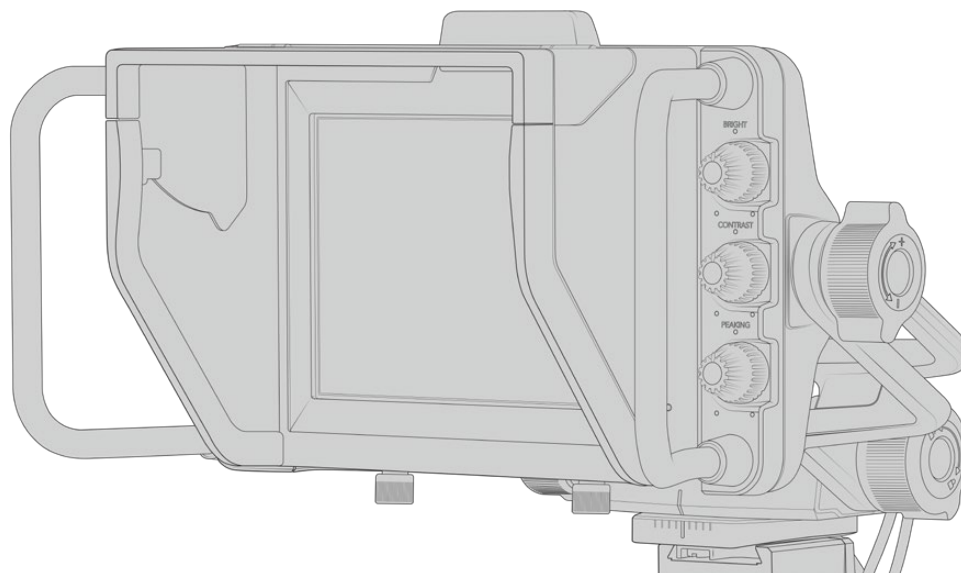


- 1 Регулятор блокировки наклона**
Фиксирует выбранный угол наклона видоискателя.
- 2 Регулятор уровня затяжки**
Позволяет задать необходимый уровень затяжки.
- 3 Регулятор поворота**
Обеспечивает выбор нужного поворота.

СОВЕТ. Центральный регулятор можно использовать для ослабления затяжки, когда нужно повернуть камеру независимо от видоискателя. Это позволяет смещать камеру вправо и влево при съемке сцен с высокой динамикой и одновременно держать видоискатель руками для сохранения удобного угла обзора. На креплении есть визуальные метки, которые дают возможность быстро вернуть устройство в начальное положение.

Солнцезащитная бленда

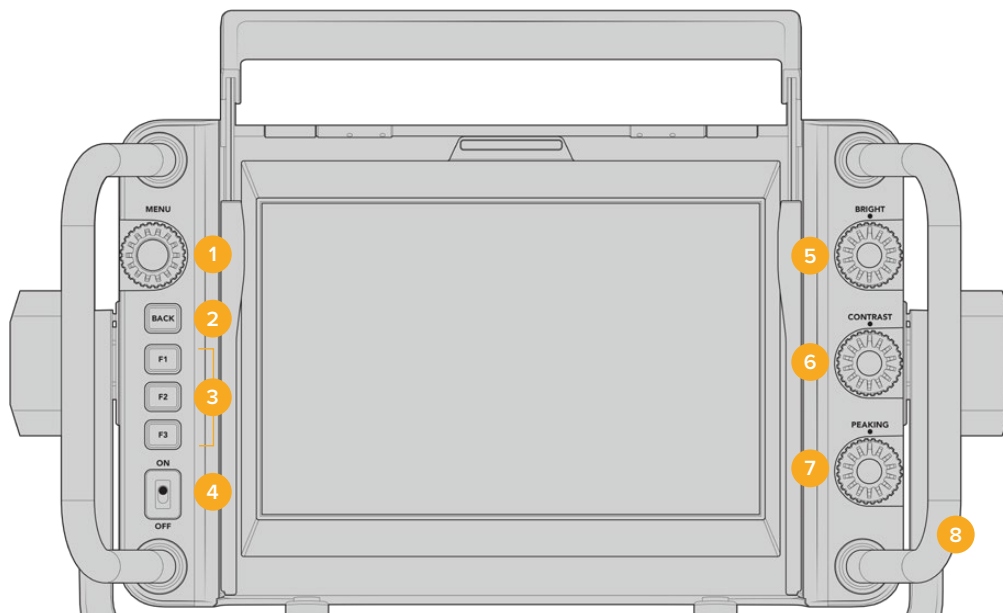
Солнцезащитная бленда позволяет лучше разглядеть изображение при солнечном свете или ярком освещении. Для установки бленды поместите ее на верхнюю панель видеискателя Blackmagic URSA Studio Viewfinder и зафиксируйте с помощью двух винтов в основании. Положение верхней части бленды можно отрегулировать, подняв или опустив ее. Если дополнительная защита 7-дюймового экрана не требуется или нужен доступ к порту USB-C для обновления программного обеспечения, бленду легко снять.



Солнцезащитная бленда с регулируемым козырьком

Функции кнопок

Ручки, расположенные внизу справа, позволяют быстро настраивать яркость, контрастность и выделение контуров изображения. Благодаря удобному расположению регулировку можно выполнять одним или двумя пальцами.



1 Круглая ручка MENU

Этот орган управления используют для доступа к меню и перехода к нужным настройкам.

2 Кнопка BACK

Используется для выхода из меню.

3 F1, F2, F3

Программируемые кнопки. Дают возможность быстро переходить к наиболее часто используемым функциям.

4 Переключатель ON/OFF

Включение и выключение видеосканера URSA Studio Viewfinder.

5 BRIGHT

Используется для регулировки яркости изображения. Экранный индикатор будет показывать шкалу яркости от -100 до +100.

6 CONTRAST

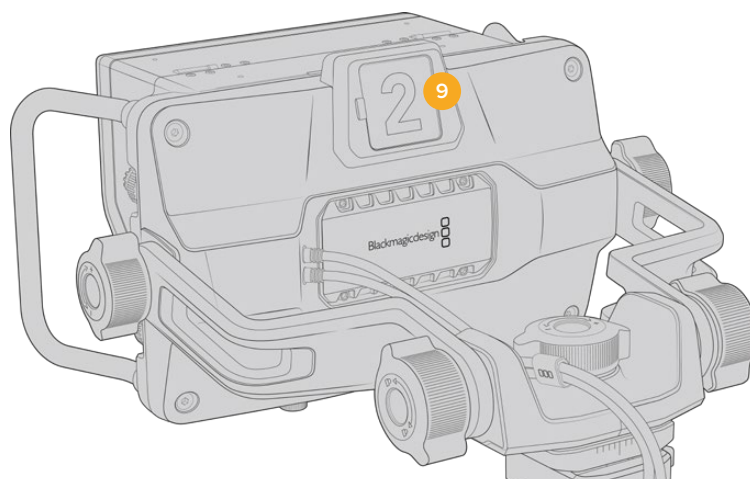
Используется для регулировки контрастности изображения. Экранный индикатор будет показывать шкалу контрастности от -100 до +100.

7 PEAKING

Позволяет менять интенсивность выделения контуров изображения. Экранный индикатор будет показывать шкалу интенсивности от -100 до +100. Меню настройки содержит две опции для работы с этой функцией. Одна из них — традиционный режим выделения наиболее резких элементов, который часто применяется на вещательной технике, вторая — использование цветных линий. Также, как на камере URSA Broadcast G2, можно выбрать красный, зеленый, синий, черный или белый цвет. Это дает оператору больше гибкости при съемке в разных условиях.

8 Ручки

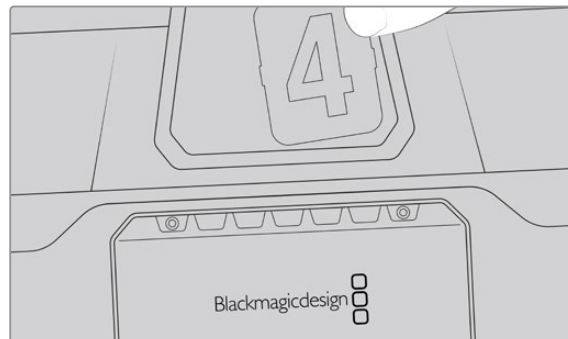
Встроенные ручки позволяют сохранять положение видеосканера Studio Viewfinder при изменении ракурса съемки. Они также обеспечивают защиту экрана при наклоне устройства вверх или вниз.



9 Индикатор состояния

Индикатор на задней панели Blackmagic URSA Studio Viewfinder показывает, когда сигнал камеры является программным, готовится к выводу в эфир или используется для записи. Он загорается красным при передаче изображения в эфир, зеленым — во время предварительного просмотра и оранжевым, когда URSA Broadcast G2 ведет запись.

Когда режиссер эфира выбирает одну из камер, подключенных к видеомикшеру АТЕМ, сигнал состояния поступает на нее через SDI-интерфейс. В комплект поставки входят прозрачные таблички с номерами, которые облегчают идентификацию студийной техники на расстоянии до нескольких метров.



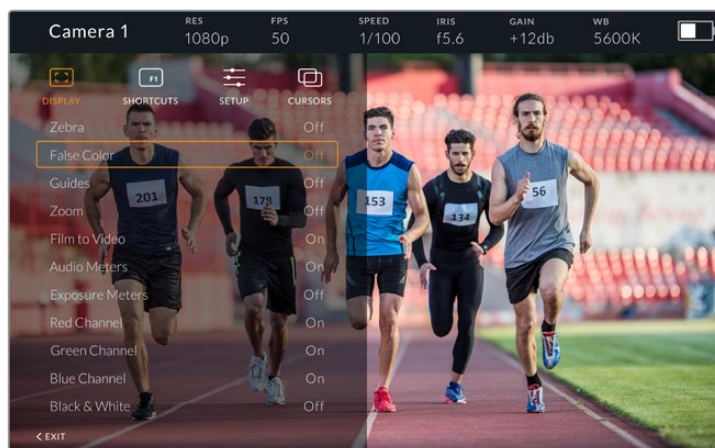
Папка с программным обеспечением содержит файл PDF, с помощью которого можно самостоятельно изготовить дополнительные номера для табличек. Файл находится в папке Application > Blackmagic Cameras > Documents (Mac) или Blackmagic Design > Documents (Windows).

Индикатор состояния загорается в соответствии с действием, выполняемым на АТЕМ. Если камера не подключена к видеомикшеру, он будет гореть красным цветом как обычный индикатор записи. Подробнее см. раздел «Управление камерой с помощью АТЕМ Camera Control».

СОВЕТ. При использовании Blackmagic URSA Studio Viewfinder вместе с видеомикшером АТЕМ убедитесь в том, что на URSA Broadcast G2 выбран вывод чистого сигнала. В противном случае с SDI-выхода на АТЕМ будет поступать изображение со служебными параметрами или фокусной рамкой. Перейдите к меню «МОНИТОРИНГ» на URSA и для настройки основного SDI-выхода выберите опцию «ЧИСТЫЙ СИГНАЛ».

Меню настроек

Для доступа к меню нажмите круглую ручку MENU, для перехода к нужной опции — поверните ее. Когда заголовок подсвечивается, при каждом нажатии можно выбрать одно из меню: Display, Shortcuts, Setup и Cursors. Для перехода между настройками поверните ручку. Когда настройка подсвечивается, ее можно изменить. Для этого нажмите на ручку и поверните ее. Чтобы подтвердить выбор, нажмите на ручку еще раз. Для выхода из меню нажмите кнопку BACK или выберите опцию Exit.



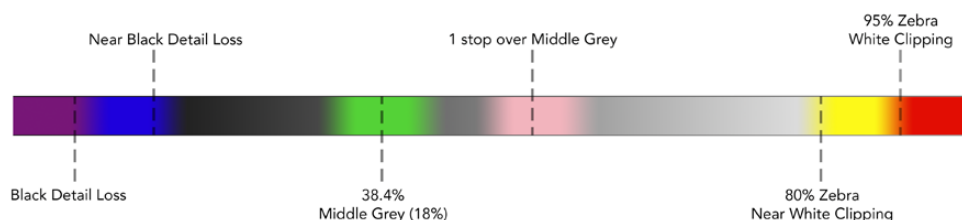
Display

Zebra

Включение и отключение уровня функции Zebra. Этот уровень задается настройкой на URSA Broadcast G2 (третья страница вкладки «МОНИТОРИНГ»). Если видеоскопатель Studio Viewfinder не подключен к URSA Broadcast G2, зebra выводится при значении 95% уровня яркости в сигнале Rec 709. Подробнее см. раздел «Настройки».

False Color

Включение и отключение функции False Color. Эта функция добавляет к изображению различные цвета, которые показывают уровень экспозиции для его отдельных элементов. Например, розовый является показателем оптимальной экспозиции, когда нужно достоверно передать тональность кожного покрова. Во время съемки людей подобная функция помогает обеспечить однородность изображения. Если его элементы меняют цвет с желтого на красный, это означает избыточную экспозицию. Так как False Color является удобным инструментом для настройки экспозиции, для работы с ним можно назначить одну из функциональных кнопок.



Шкала условного цвета

Guides

Эта настройка позволяет отображать или скрывать рамки кадрирования. Их использование определяется настройкой на URSA Broadcast G2 (четвертая страница вкладки «МОНИТОРИНГ»).

Пропорции кадра, границы изображения, уровень прозрачности и вид рамок задаются настройками на камере URSA Broadcast G2. После этого в меню Setup на Studio Viewfinder можно выбрать те инструменты, которые будут использоваться при активации в меню Display. Их включение и отключение выполняются с помощью опций On и Off.

Zoom

Включение и отключение функции Zoom. Функция Zoom помогает настраивать резкость при фокусировке. Когда изображение увеличено, для перехода к его отдельным участкам поверните круглую ручку Menu вправо или влево. Область просмотра будет выделена рамкой.

Film to Video

Когда с URSA Broadcast G2 поступает SDI-сигнал с динамическим диапазоном «Фильм», настройка Film to Video позволяет применять к изображению более яркую и контрастную LUT-таблицу. Если режим «Фильм» не используется, эта настройка недоступна.

Audio Meters

Индикаторы звука показывают уровень аудиосигнала, поступающего на Blackmagic URSA Studio Viewfinder через SDI-интерфейс, то есть уровень аудио на входе камеры URSA Broadcast G2. Если выбран программный звук, индикаторы выводят уровень соответствующего сигнала.

Exposure Meters

Эта настройка позволяет включать и отключать гистограмму.

Red Channel

Позволяет включать и отключать канал красного цвета.

Green Channel

Позволяет включать и отключать канал зеленого цвета.

Blue Channel

Позволяет включать и отключать канал синего цвета.

Black and White

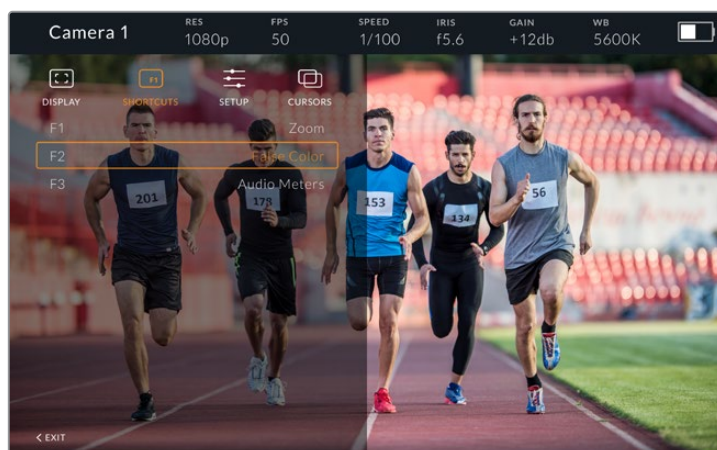
Переключение между цветным и черно-белым изображением.

Shortcuts

Эта настройка позволяет назначить кнопки F1, F2 и F3 для работы с отдельными функциями. С помощью кнопок можно быстро включать и отключать опции меню Display и Cursors. Такая возможность особенно полезна для быстрого доступа к отдельным параметрам часто используемой функции.

Для назначения кнопок выполните действия в описанном ниже порядке. После перехода к меню Shortcuts используйте круглую ручку Menu, чтобы выбрать одну из трех кнопок. Нажмите ручку Menu для подтверждения выбора, затем поверните ее, чтобы перейти к одной из назначаемых функций. Доступны следующие инструменты: Zoom, Cursor 1, Cursor 2, Cursor 3, Zebra, False Color, Guides, Film to Video, Audio Meters, Exposure Meters, Red Channel, Green Channel, Blue Channel, Black & White. Для подтверждения выбора нажмите ручку Menu. После этого включение и отключение выбранной функции будет выполняться одним нажатием кнопки.

Для выхода из меню Shortcuts перейдите к строке Exit и нажмите круглую ручку Menu или используйте кнопку BACK.



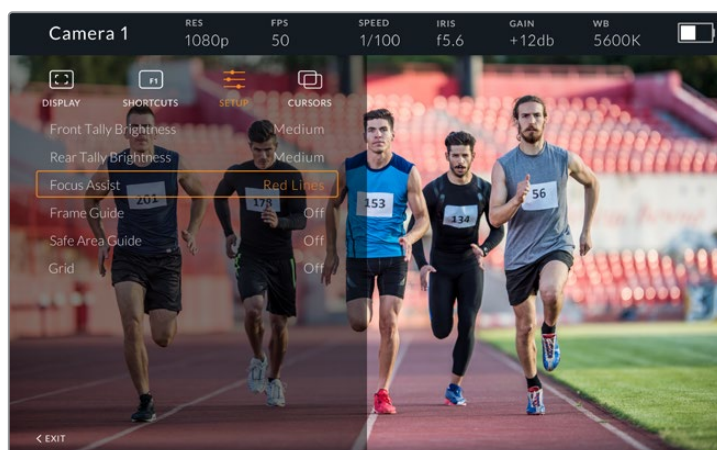
Меню Shortcuts

Setup

Меню Setup используют для выбора предпочтительных настроек.

Front Tally Brightness

Возможные опции: Off (выкл.), Low (низк.), Medium (средн.), High (высок.). Во время настройки индикатор будет загораться в соответствии с текущим выбранным уровнем.



Меню Setup

Rear Tally Brightness

Возможные опции: Low (низк.), Medium (средн.), High (высок.). Во время настройки индикатор будет загораться в соответствии с текущим выбранным уровнем.

СОВЕТ. При работе в ярких условиях освещения рекомендуется использовать высокое значение настройки, в затемненных условиях — низкое.

Focus Assist

Настройка Focus Assist позволяет выбрать режим помощи при фокусировке. Доступные опции: Red (красный), Green (зеленый), Blue (синий), Black (черный), White (белый), а также традиционный способ выделения наиболее резких элементов.

Frame Guide

Этот инструмент позволяет отображать рамки кадрирования. При подключении к URSA Broadcast G2 их размер будет соответствовать пропорциям кадра, выбранным на камере. При подключении к другой технике по умолчанию используется формат 14:9.

Safe Area Guide

Этот инструмент позволяет показывать границы изображения. При подключении к URSA Broadcast G2 они совпадают с соответствующей настройкой на камере. При подключении к другой технике по умолчанию используется площадь 90%.

Grid

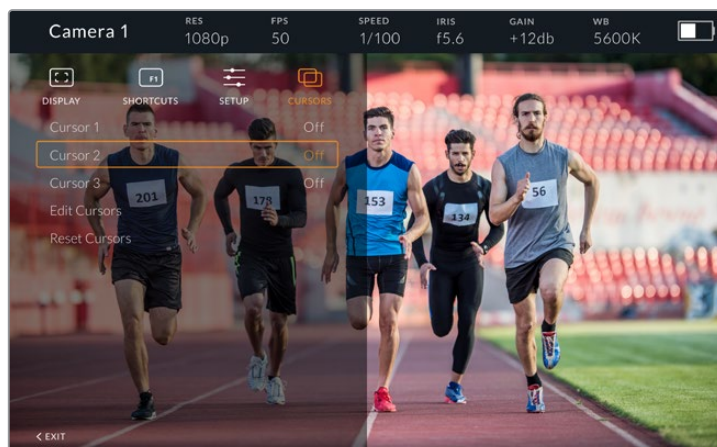
Этот инструмент позволяет отображать разные виды сетки. При подключении к URSA Broadcast G2 используется настройка, выбранная на камере. В остальных случаях выполняется включение и отключение опции Crosshairs.

LCD Brightness

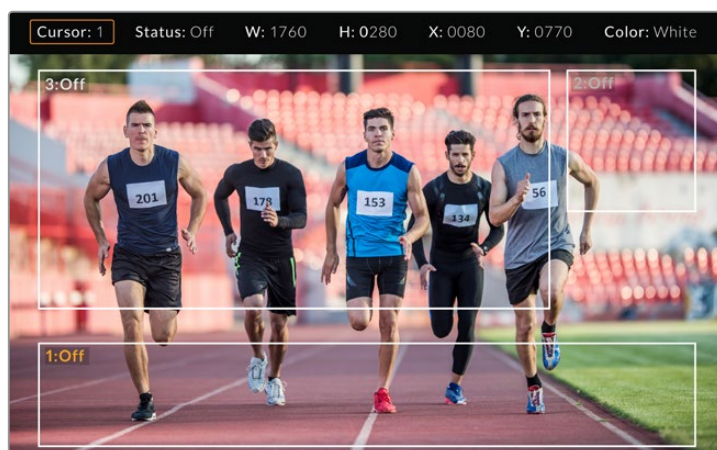
На обновленной модели видеискателя URSA Studio Viewfinder отрегулировать подсветку ЖК-дисплея можно в нижней части меню настройки.

Cursors

Указатели позволяют обозначить область экрана, где будет находиться графика (бегущая строка или логотипы). Чтобы изменить параметры указателей, перейдите к меню Cursors и выберите строку Edit Cursors. В открывшемся окне можно настроить ширину, высоту, координаты X и Y для каждого указателя по отдельности.



Меню Cursors



Расположение указателей на экране

После настройки указатели включают и отключают из меню **Cursors** или с помощью функциональных кнопок. Это особенно удобно при работе в прямом эфире, когда оператору нужно точно выполнить кадрирование. Чтобы отметить место для вещательной графики, можно создать до трех черных или белых указателей с необходимыми параметрами высоты и ширины. Дополнительно предусмотрен сброс для возврата к первоначальному состоянию.

Использование наушников при работе с Blackmagic URSA Studio Viewfinder

Когда Blackmagic URSA Studio Viewfinder используется вместе с URSA Broadcast G2, подключенные к камере наушники обеспечивают двустороннюю связь между оператором и режиссером эфира.

Для более качественной двусторонней связи можно использовать модели Blackmagic Camera Fiber Converter и Blackmagic Studio Converter, а также обычные наушники с 5-контактным XLR-разъемом. Подробнее см. раздел «Конвертеры линейки Blackmagic Fiber».

СОВЕТ. Разъем для наушников на URSA Broadcast G2 позволяет подключать гарнитуру iPhone, которую после нажатия соответствующей кнопки можно использовать для двусторонней связи между режиссером и оператором.

Обновление ПО на URSA Studio Viewfinder

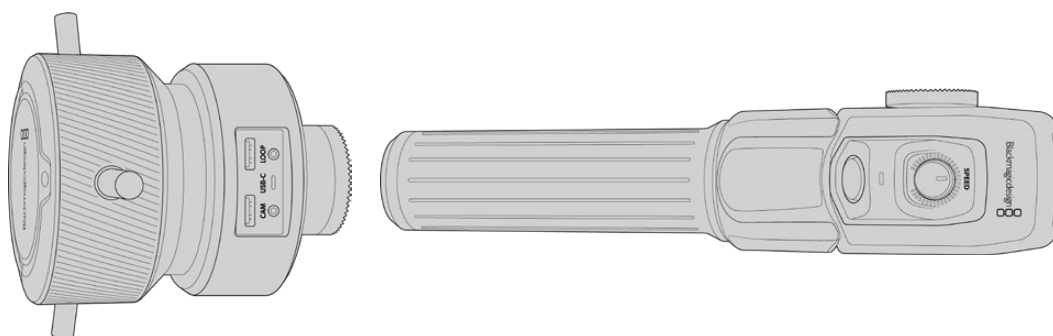
Для обновления ПО видеискателя используйте утилиту Blackmagic Camera Setup. Во время обновления рекомендуется не отсоединять видеискатель от URSA Broadcast G2. Для обеспечения бесперебойного питания она должна быть подключена к внешнему источнику энергии.

Снимите солнцезащитную бленду, чтобы получить доступ к порту USB-C на нижней панели Blackmagic URSA Studio Viewfinder, и подключите видеискатель к компьютеру. Если утилита Blackmagic Camera Setup обнаружит устаревшую версию программного обеспечения, появится диалоговое окно с предложением установить последнюю версию. Для обновления программного обеспечения видеискателя следуйте инструкциям на экране. Подробнее см. раздел «Утилита Blackmagic Camera Setup».

Для оптимальной производительности рекомендуется одновременно обновлять ПО всего оборудования Blackmagic URSA.

ПРИМЕЧАНИЕ. Для лучшей совместимости при использовании Blackmagic URSA Studio Viewfinder с камерой URSA Broadcast G2 рекомендуется предварительно обновить ПО видеискателя. Последние версии программного обеспечения можно найти в разделе поддержки Blackmagic Design на странице www.blackmagicdesign.com/ru/support. Подробнее см. раздел «Утилита Blackmagic Camera Setup».

Blackmagic Zoom Demand и Blackmagic Focus Demand



Эти дополнительные аксессуары позволяют настраивать фокус и зум при использовании объективов B4, EF и PL с поддержкой данной функции.

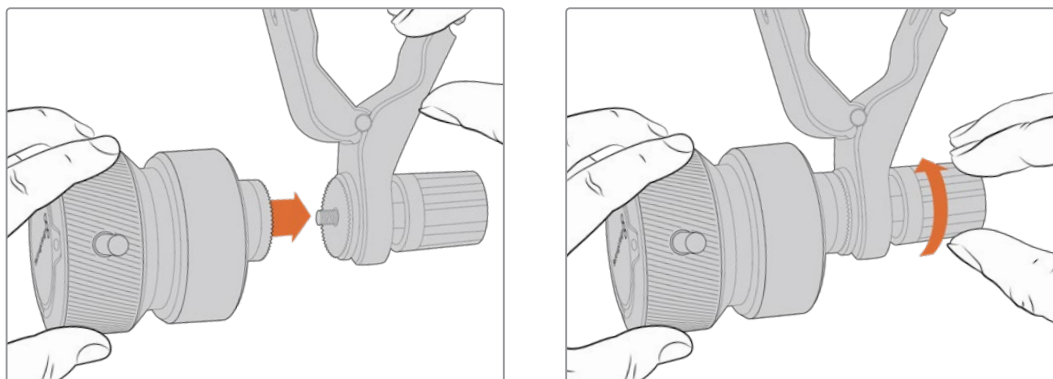
Каждый аксессуар крепится к рукоятке штатива. Это позволяет управлять фокусом и зумом, одновременно выполняя панорамирование и наклоняя камеру двумя руками. С помощью дополнительных кнопок и элементов управления можно настраивать скорость и чувствительность зума, включать двустороннюю связь и отслеживать обратный программный поток.

Подключение и крепление к камере

Крепление к рукояткам штатива

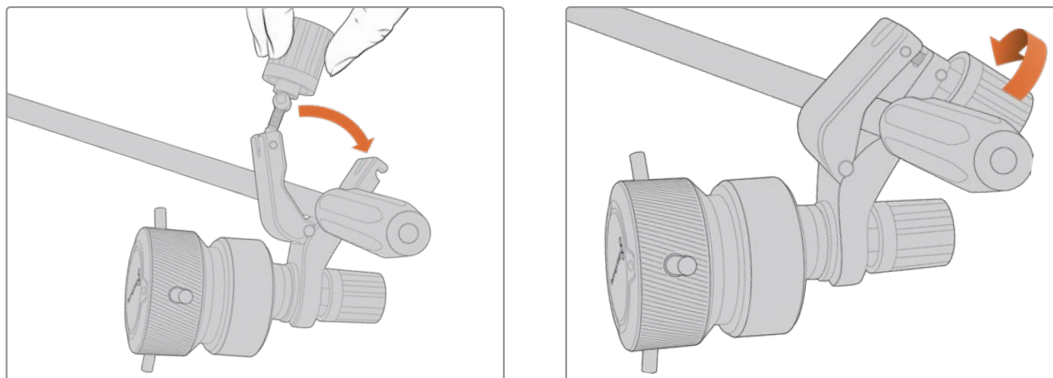
Каждое устройство монтируется на рукоятку штатива с помощью кронштейнов, к которым крепится с помощью фиксаторов.

Чтобы прикрепить устройства к кронштейнам, соедините их вместе с помощью фиксаторов и закрепите, затянув ручку крепления.



- 1 Поместите устройства на соответствующие фиксаторы кронштейнов.
- 2 Закрутите ручку, чтобы надежно прикрепить устройства к кронштейнам.

После этого их можно установить на рукоятки штатива. На одном конце каждого кронштейна имеется T-образный фиксатор, который вставляется в прорезь и затем затягивается.



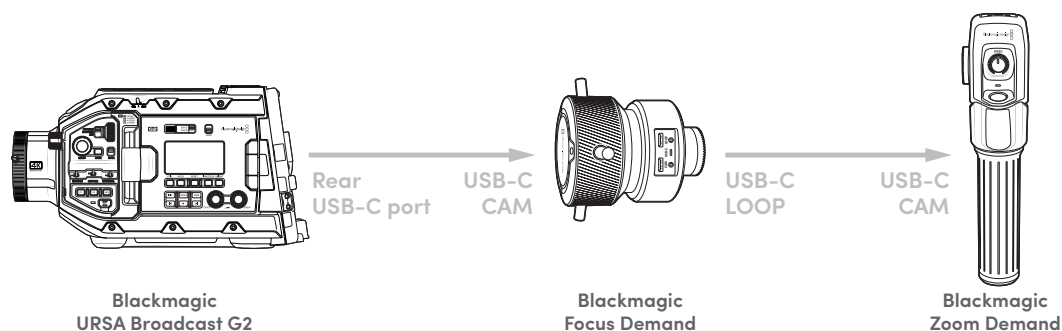
- 1 Ослабьте T-образный фиксатор, открутив его ручку против часовой стрелки.
- 2 С открытым фиксатором установите кронштейн на штативную рукоятку и зажмите держатель, поместив фиксатор в крепежный паз. Поверните кронштейн в желаемое положение на рукоятке штатива.
- 3 Затяните ручку фиксатора, чтобы закрепить кронштейн на штативе.

Подключение к камере

Устройства Blackmagic Focus Demand и Blackmagic Zoom Demand оснащены двумя портами USB-C. Это позволяет использовать их вместе или по отдельности.

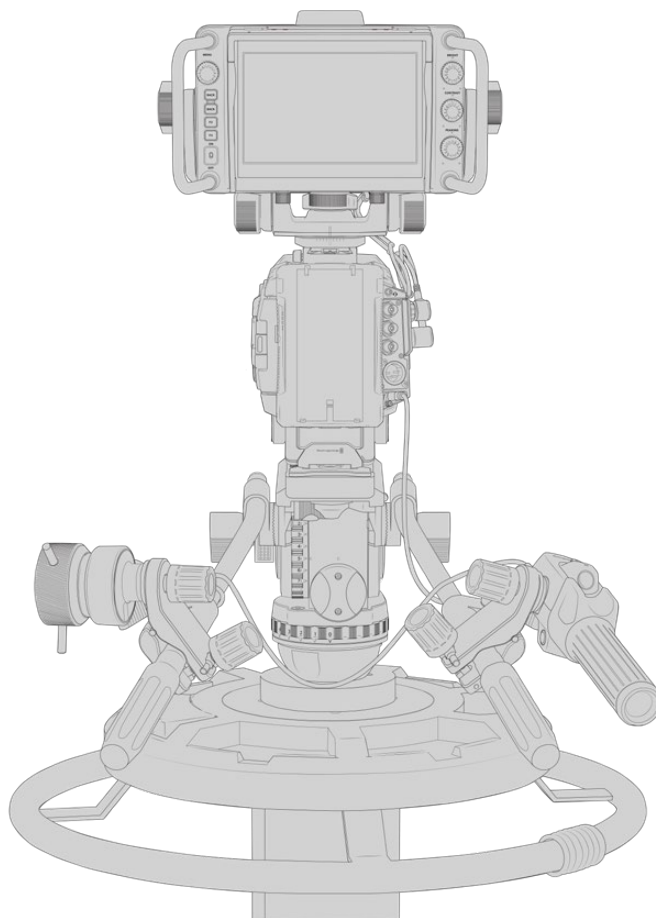
Каждый аксессуар поставляется с кабелем USB-C длиной 1 метр для подключения к камере через соответствующий разъем.

При работе с обоими устройствами одновременно их можно соединить друг с другом в единую цепь через USB-C.



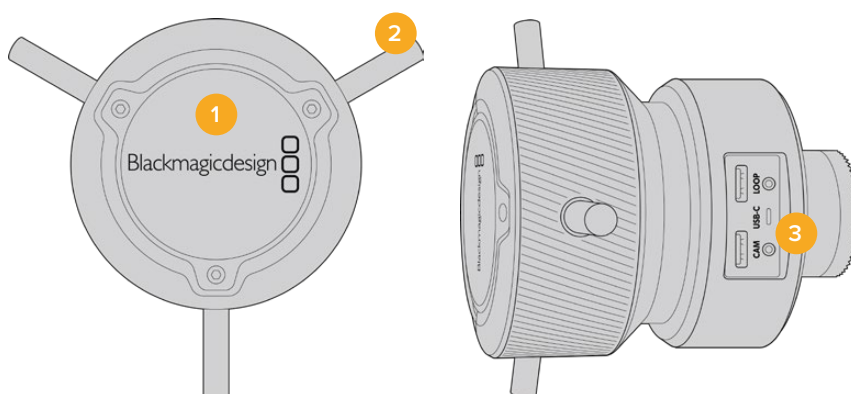
Такая последовательность позволяет использовать для управления аксессуарами на камере только один порт USB-C. Например, один конец кабеля USB-C можно подключить к соответствующему разъему камеры, а другой конец — ко входному порту устройства фокусировки. Вторым кабелем соедините выход на Focus Demand со входом на Zoom Demand.

Кабель USB-C имеет механизм фиксации на каждом конце для предотвращения случайного отсоединения. Им необязательно пользоваться все время, но он полезен при работе в студии, когда аксессуары постоянно подключены к камере.



Аксессуары Blackmagic Focus Demand и Blackmagic Zoom Demand позволяют управлять фокусом и зумом, не снимая рук со штатива

Работа с устройством Blackmagic Focus Demand



1 Ручка управления

Поверните ручку по часовой стрелке, чтобы сфокусироваться на объектах, находящихся ближе к объективу, или против часовой стрелки для обработки предметов, расположенных далеко от объектива. Для изменения направления в меню предусмотрены настройки «Обычное» и «Обратное».

СОВЕТ. Если вместе с этим устройством используется Blackmagic Zoom Demand, нажмите кнопку быстрого зума, чтобы увеличить изображение во время фокусировки.

2 Рычажки управления

Расположенные на ручке рычажки увеличивают ее диаметр, что позволяет более точно выполнять фокусировку.

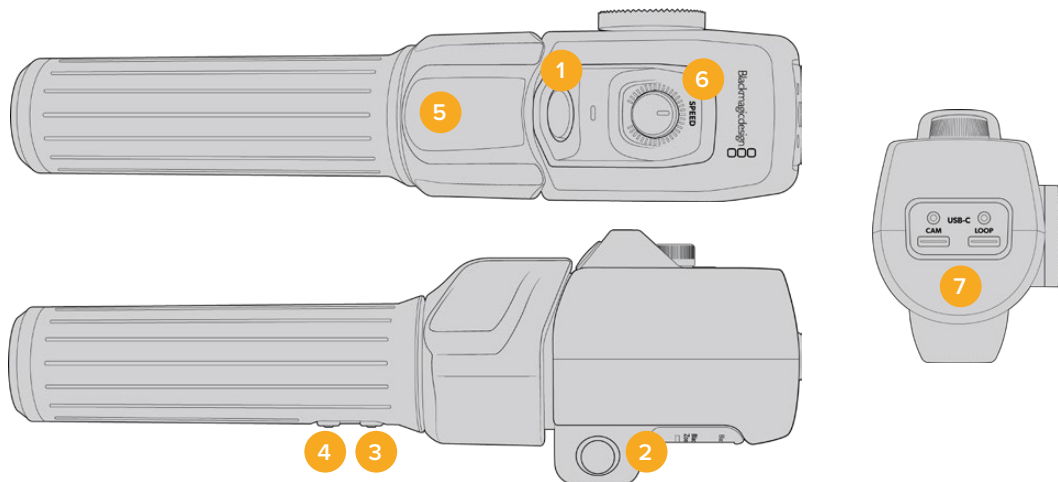
3 Порты USB

Позволяют подключать контроллер фокусировки к камере и устанавливать соединение с устройством зуммирования. Вход CAM также используется для обновления встроенного ПО с помощью утилиты Blackmagic Camera Setup.

Работа с устройством Blackmagic Zoom Demand

Функции для органов управления этого аксессуара можно задать в настройках камеры. Подробнее см. главу «Основные настройки» в разделе «Настройка».

Приведенные ниже команды установлены по умолчанию.



1 Зум F1

Это функциональная кнопка зуммирования 1. По умолчанию она выполняет функцию кнопки записи.

2 Зум F2

Это функциональная кнопка зуммирования 2. На другой стороне контроллера находится идентичная кнопка, которая выполняет ту же функцию, позволяя осуществлять управление левой и правой рукой. По умолчанию при ее нажатии включается опция быстрого зума, который сразу увеличивает изображение.

ПРИМЕЧАНИЕ. Опция быстрого зума применяется только к изображению на ЖК-дисплее Blackmagic URSA Broadcast G2 и не отображается при выводе видео с помощью микшера или рекордера.

3 Зум F3

Это функциональная кнопка зуммирования 3. По умолчанию она включает обратный программный поток. Он может поступать как с видеомикшера, так и с любого оборудования, подключенного к камере через SDI-вход.

4 Зум F4

Это функциональная кнопка зуммирования 4. По умолчанию она позволяет управлять функцией связи. При подключении к видеомикшеру АТЕМ через SDI нажмите и удерживайте кнопку, чтобы связаться с оператором.

5 Переключатель зума

Устройство зуммирования имеет специальный переключатель под большой палец. Масштаб можно уменьшить движением влево или увеличить движением вправо. Направление можно изменить в настройках меню камеры.

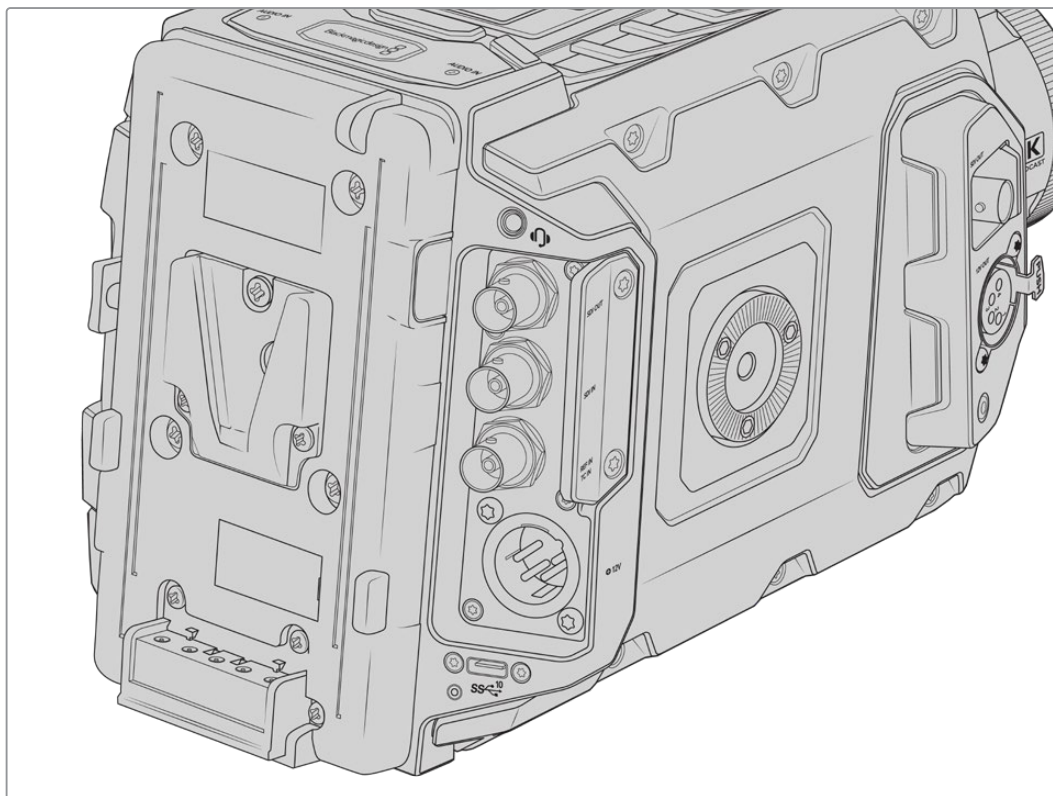
6 Регулятор скорости

Для изменения скорости зума используют расположенное в верхней части устройства колесико. Его также можно назначить для настройки уровня наушников, диафрагмы и фокуса.

7 Порты USB-C

Позволяют подключать устройство зуммирования к камере и устанавливать соединение с контроллером фокусировки. Вход CAM также используется для обновления встроенного ПО с помощью утилиты Blackmagic Camera Setup.

Установка аккумуляторной батареи



Оснащение батареями V-Mount или Gold Mount

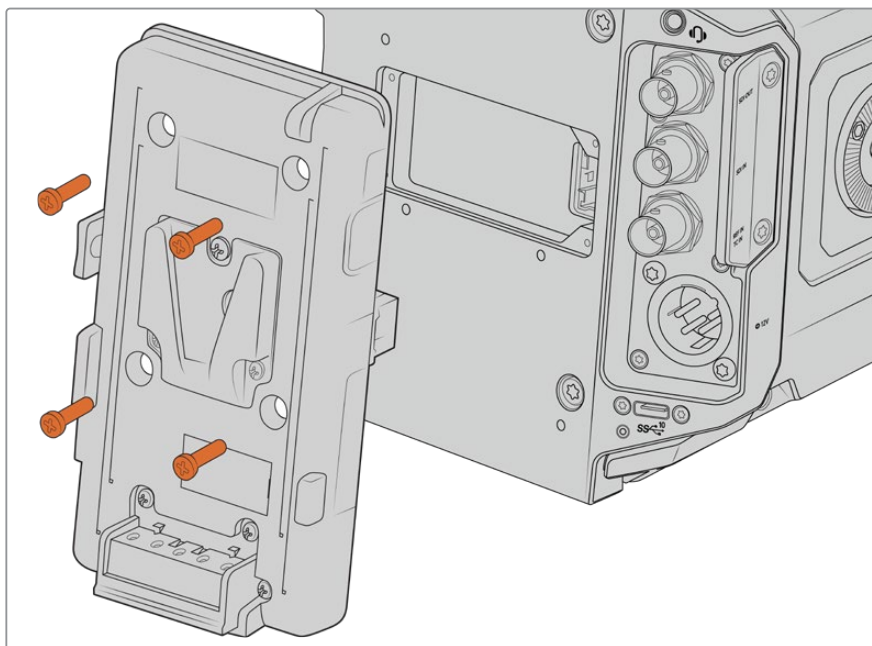
В комплект поставки камеры Blackmagic URSA Broadcast G2 входит пластина URSA VLock Battery Plate для работы с батареями соответствующего типа.

Для аккумуляторов другого типа можно использовать Blackmagic URSA Gold Battery Plate или пластины других производителей.

СОБЕТ. Аккумуляторные пластины Blackmagic URSA VLock и Blackmagic URSA Gold поддерживают процентную индикацию уровня заряда для совместимых с ними батарей. На этих пластинах есть выход +12 В, который называется разъемом D-tap или P-tap. Он служит для питания аксессуаров, например внешнего монитора. Поскольку камера обеспечивает стабилизированное напряжение, при ее выключении отключение аксессуаров будет происходить совершенно безопасно. На выходе стабилизированное напряжение равно 12 В, а сила тока — до 1,5 А. Некоторые аккумуляторные пластины и даже батареи других производителей обеспечивают нерегулируемое питание D-tap. Его подача не прекращается, когда камера перезагружается, но напряжение часто колеблется в зависимости от уровня заряда батареи, а подключенные принадлежности ее непрерывно разряжают.

Аккумуляторные пластины Blackmagic URSA VLock и Blackmagic URSA Gold есть в продаже у дилеров Blackmagic Design, а пластины других брендов доступны у продавцов профессионального кино- и видеооборудования. Если хотите модифицировать уже имеющуюся аккумуляторную пластину для установки на Blackmagic URSA Broadcast G2, это можно сделать с помощью прилагаемого кабеля и разъема. Подробнее см. раздел «Использование аккумуляторной пластины».

Замена аккумуляторной пластины на камере Blackmagic URSA Broadcast G2



- 1 Открутите четыре винта M3 из углов на URSA VLock Battery Plate.
- 2 Отключите аккумуляторную пластину от силового разъема Molex на камере.
- 3 Подключите новую аккумуляторную пластину к силовому разъему Molex на камере.
- 4 Закрепите аккумуляторную пластину на корпусе Blackmagic URSA Broadcast G2 с помощью четырех винтов M3. Убедитесь в том, что кабель утоплен в предназначенный для него канал и не зажат между двумя поверхностями.
- 5 После установки аккумуляторной пластины к ней можно подсоединить батарею и включить камеру.

Использование аккумуляторной пластины

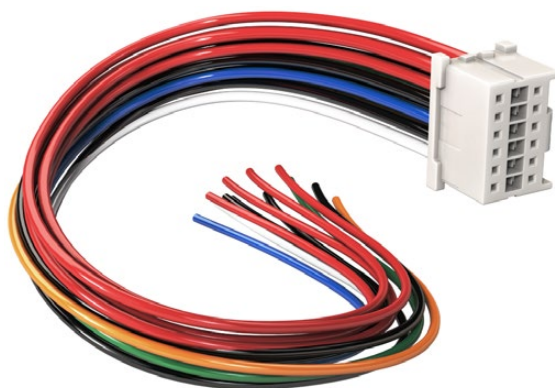
Соединительный кабель и разъем

Чтобы модифицировать имеющуюся аккумуляторную пластину для работы с URSA Broadcast G2, используйте прилагаемый кабель и разъем, которые можно также приобрести через местное представительство Blackmagic Design.

Порядок подключения кабеля и разъема к аккумуляторной пластине

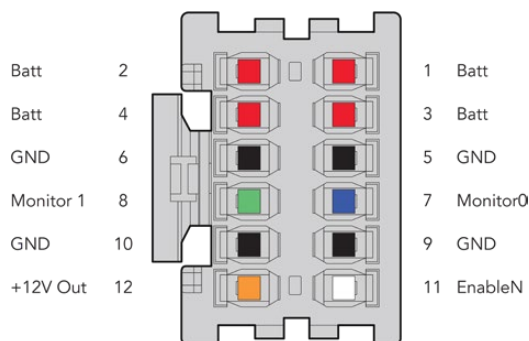
- 1 Снимите изоляцию приблизительно на 1,25 см с каждого конца всех красных и черных проводов.
- 2 Припаяйте все четыре красных провода ("Batt") к соответствующему положительному проводу аккумуляторной пластины.
- 3 Припаяйте все четыре черных провода ("GND") к соответствующему отрицательному проводу аккумуляторной пластины.

Выполните надежную изоляцию в местах соединения.



Чтобы модифицировать имеющуюся аккумуляторную пластину для работы с URSA Broadcast G2, используйте прилагаемый кабель и разъем, которые можно также приобрести через местное представительство Blackmagic Design

Теперь камера может получать питание от батареи. Чтобы подключить дополнительные провода для таких функций, как выход 12 В и состояние батареи, обратитесь к документации аккумуляторной пластины и используйте схему и таблицу на этой странице. Если вам нужна помощь, обратитесь к разделу поддержки на странице www.blackmagicdesign.com/ru/support.



Корпус адаптера (вид сзади). Описание каждого контакта см. в таблице распиайки.

Таблица распайки

Контакты	Сигнал	Цвет	Направление	Описание
1, 2, 3, 4	Batt	Красный	к URSA	12-20 В
5, 6, 9, 10	GND	Черный	–	–
7	Monitor0	Синий	к URSA	Уровень батареи или линия передачи данных со свободным стоком (20 В макс.)
8	Monitor1	Зеленый	к URSA	Линия счетчика времени с открытым стоком (3,4 В макс.)
12	+12 V out	Оранжевый	от URSA	Стабилизированное выходное напряжение 12 В силой тока 1,5 А макс. (18 Вт)
11	EnableN	Белый	к URSA	Подключите к GND для активации +12 V out. Если +12 V out не используется, оставьте в свободном положении.

Каждый контакт Batt и GND рассчитан на 3 А. Все контакты Batt и GND должны быть подсоединены. Чтобы отслеживать состояние батареи на пластинах Anton Bauer, IDX и Blueshape, используйте таблицу ниже.

Anton Bauer	Соедините бело-синий провод с синим проводом корпуса на контакте 7.
IDX	Соедините зеленый провод с зеленым проводом корпуса на контакте 8, а серый провод — с синим на контакте 7.
Blueshape	Соедините синий провод с маркировкой "SMBD" с зеленым проводом корпуса на контакте 8. Соедините коричневый провод с маркировкой "SMBD" с синим проводом корпуса на контакте 7.

Все неиспользуемые провода следует обрезать как можно ближе к тыльной поверхности разъема.

Конвертеры линейки Blackmagic Fiber

Blackmagic Camera Fiber Converter и Blackmagic Studio Fiber Converter — дополнительные устройства, которые позволяют передавать сигнал с URSA Broadcast G2 или URSA Mini на видеомикшер при использовании оптоволоконного кабеля по стандарту SMPTE.

В этом случае питание камеры и управление ею с микшера АТЕМ, двусторонняя связь с оператором, поддержка индикации состояния и передача изображения осуществляются по одному соединению. Гибридный кабель по стандарту SMPTE упрощает всю конфигурацию оборудования и делает ее более эффективной. На конвертерах предусмотрены стандартные разъемы, поэтому их легко интегрировать в существующую инфраструктуру передвижных телестанций.



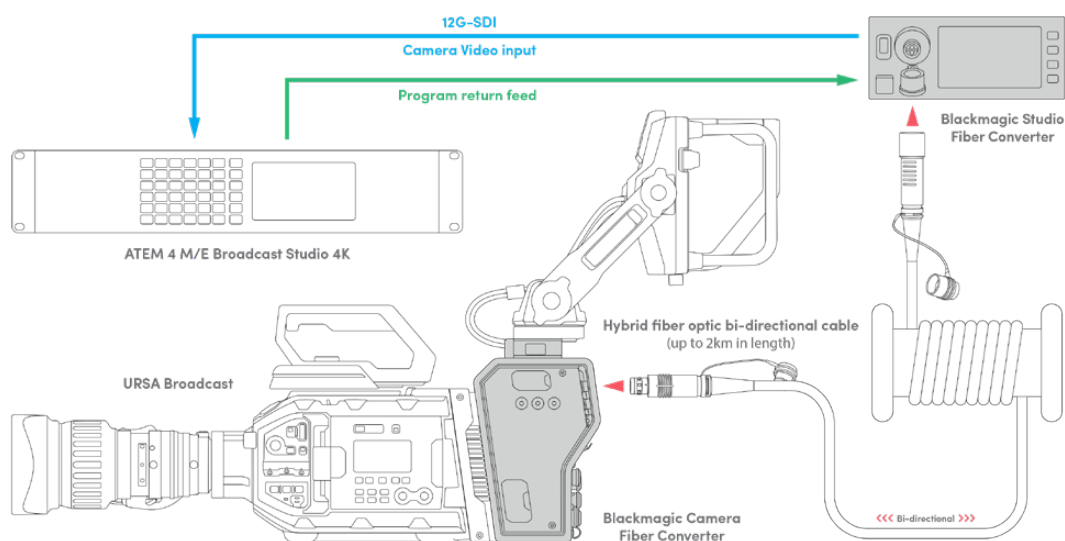
Blackmagic Camera Fiber Converter

Эту модель с разъемом по стандарту SMPTE 304 устанавливают на заднюю панель URSA Mini или URSA Broadcast G2 и соединяют гибридным оптоволоконным кабелем с Blackmagic Studio Fiber Converter.



Blackmagic Studio Fiber Converter

Эта модель с BNC-разъемом выполняет преобразование поступающего с камеры оптического сигнала для вывода на видеомикшер АТЕМ через SDI-интерфейс. Конвертер также обеспечивает передачу обратных потоков вместе с программным изображением обратно на камеру.



Конвертеры линейки Blackmagic Fiber позволяют использовать один оптоволоконный кабель по стандарту SMPTE для питания камеры и управления ею, а также двусторонней связи, индикации состояния и передачи видео

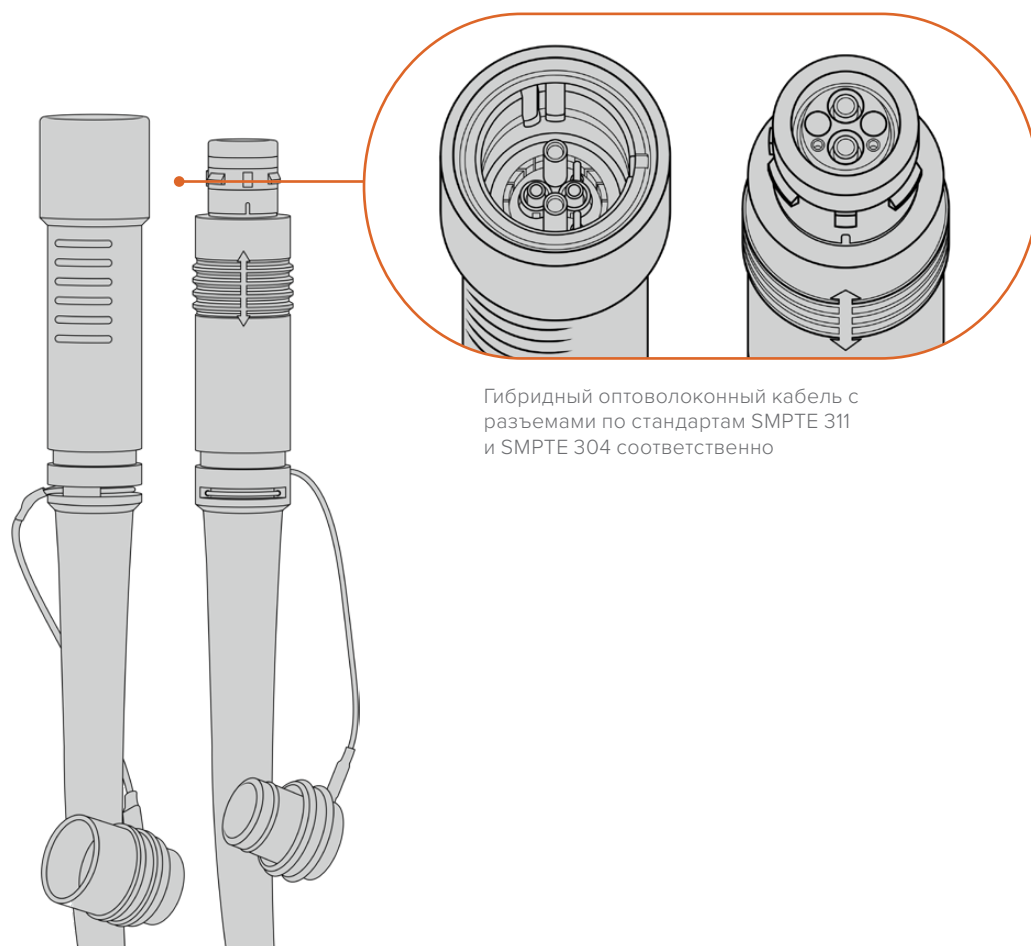
Начало работы с конвертерами Blackmagic Fiber

Конвертеры линейки Fiber легко интегрировать в существующую конфигурацию оборудования. После этого можно использовать оптоволоконный кабель по стандарту SMPTE.

Волоконно-оптический кабель по стандарту SMPTE

Оптоволоконно по стандарту SMPTE обеспечивает питание камеры вместе с передачей разных сигналов на большое расстояние. В этом случае для соединения съемочной техники и видеомикшера вместо нескольких кабелей используется только один.

Оптоволоконный кабель по стандарту SMPTE 311 позволяет подключить камеры к микшеру АТЕМ для передачи видео, управления съемкой, двусторонней связи с оператором и индикации состояния. Кроме того, по этому соединению можно подавать питание на технику, расположенную на расстоянии до двух километров от студии.



Гибридный оптоволоконный кабель с разъемами по стандартам SMPTE 311 и SMPTE 304 соответственно

ПРИМЕЧАНИЕ. Чтобы определить тип разъема на концах оптоволоконного кабеля по стандарту SMPTE 311, необходимо снять защитные крышки. Один из них представляет собой штекер, другой — гнездо.

СОВЕТ. Во время использования оптоволоконного соединения рекомендуется соединить между собой защитные крышки на кабеле и разъеме.

Одно из преимуществ оптоволоконна по стандарту SMPTE — подключение удаленной камеры к аппаратной или передвижной телестанции при вещании в прямом эфире. Большинство стадионов и спортивных арен оснащены соответствующей кабельной разводкой, поэтому конвертеры легко интегрировать в существующую инфраструктуру.

Для подключения к другому оборудованию и соединения конвертеров Blackmagic Fiber между собой используются гибридный волоконно-оптический кабель и разъемы по стандартам SMPTE 311 и SMPTE 304 соответственно.

Защита оптических разъемов

Оптические разъемы необходимо содержать в чистоте, потому что даже попадание небольших частиц пыли может приводить к нарушениям при передаче сигнала. Если разъемы не используются, они должны быть закрыты резиновыми крышками. После отсоединения кабеля эти крышки следует сразу же вернуть на место.

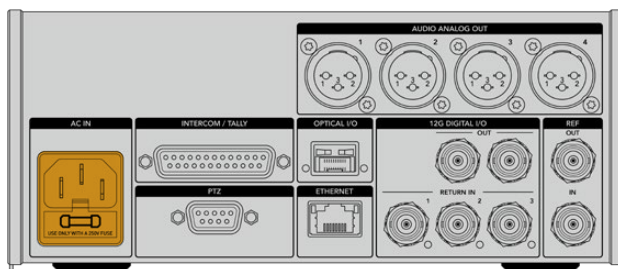
Чтобы предотвратить попадание пыли внутрь защитных крышек на кабеле и разъеме, во время использования оптоволоконного соединения их рекомендуется соединить друг с другом.

Подключение питания

Питание на камеру поступает со студийного конвертера, поэтому сначала нужно подключить к электрической сети именно эту модель.

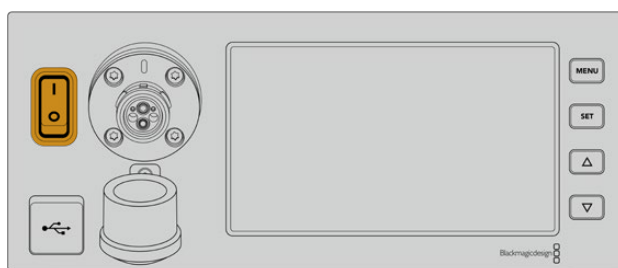
Подключение питания к Studio Fiber Converter

Подключите силовой кабель по стандарту IEC к разъему питания на задней панели студийного конвертера.



Для питания конвертера Studio Fiber Converter подключите силовой кабель по стандарту IEC

Чтобы включить устройство, установите тумблер питания на передней панели в положение I.



Подключение оптоволоконного кабеля по стандарту SMPTE

Следующий шаг — соединение двух моделей с помощью оптоволоконного кабеля по стандарту SMPTE, который будет использоваться для питания съемочной техники и передачи всех потоков видео.

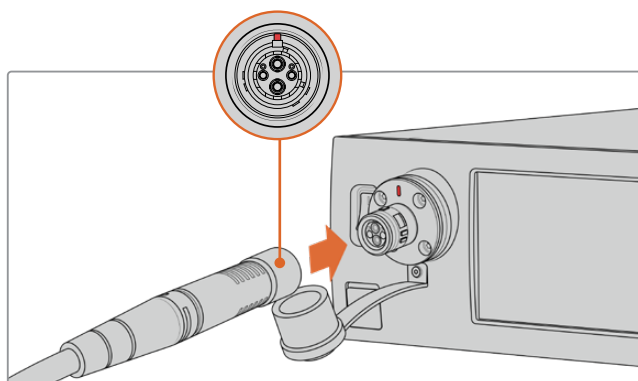
ПРИМЕЧАНИЕ. Проверка безопасности выполняется при каждом подключении гибридного оптоволоконного кабеля к конвертеру, а также на протяжении всего периода работы.

Подключение оптоволоконного кабеля к студийному конвертеру

Штекерный конец оптоволоконного кабеля по стандарту SMPTE нужно вставить в гнездо на передней панели модели Blackmagic Studio Fiber Converter. Это соединение с фиксацией предотвращает случайное извлечение кабеля во время работы.

Порядок подключения кабеля

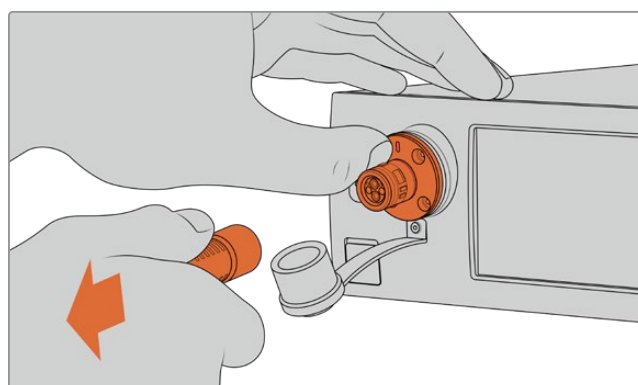
Совместите красный индикатор на кабельном наконечнике с красной точкой на разъеме конвертера и вставьте кабель таким образом, чтобы зафиксировать его.



Вставьте штекер оптоволоконного кабеля в гнездо на передней панели модели Blackmagic Studio Fiber Converter

Порядок отключения кабеля

На студийном конвертере нажмите на металлическое основание разъема по направлению к передней панели и извлеките кабель.



Чтобы извлечь кабель, нажмите на металлическое основание разъема по направлению к передней панели студийного конвертера

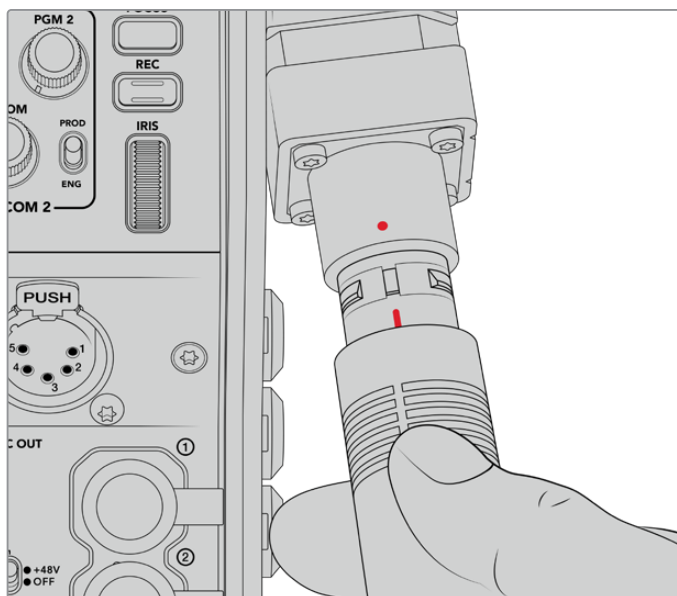
После подключения соедините друг с другом защитные крышки оптоволоконного кабеля и разъема на Blackmagic Studio Fiber Converter. Это поможет предотвратить попадание пыли внутрь и обеспечит чистоту оборудования.

Подключение оптоволоконного кабеля к конвертеру на камере

Гнездо оптоволоконного кабеля по стандарту SMPTE нужно совместить со штекером на Blackmagic Camera Fiber Converter. Такое соединение предотвращает случайное извлечение кабеля во время работы.

Порядок подключения кабеля

- 1 Совместите красные индикаторы на кабеле и разъеме конвертера, а затем вставьте кабель таким образом, чтобы зафиксировать его.
- 2 После подключения соедините друг с другом защитные крышки оптоволоконного кабеля и разъема на Blackmagic Camera Fiber Converter. Это поможет предотвратить попадание пыли внутрь и обеспечит чистоту оборудования.

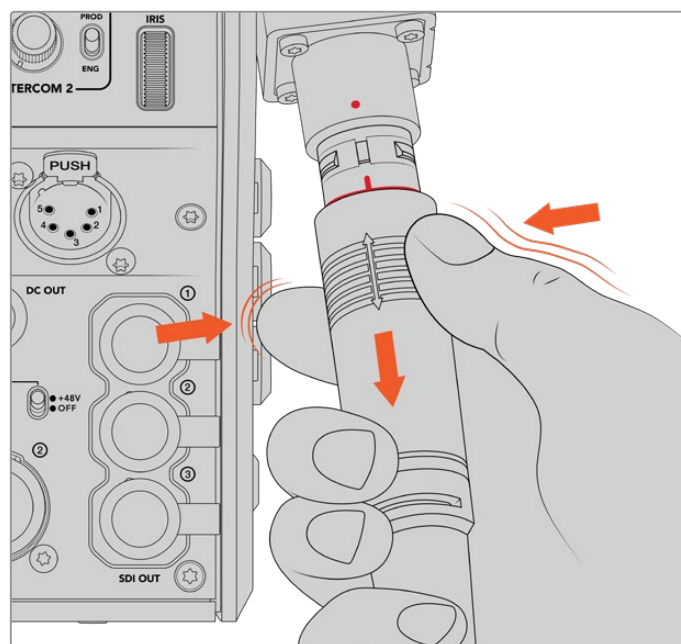


При подключении модели Blackmagic Camera Fiber Converter совместите красные индикаторы на гибридном оптическом кабеле и разъеме

ПРИМЕЧАНИЕ. Разъемы по стандарту SMPTE 304 являются очень прочными и обеспечивают надежную фиксацию кабеля. При его отсоединении камера должна быть закреплена на штативе или ее необходимо придерживать руками.

Порядок отключения кабеля

- 1 Возьмитесь за верхнюю часть кабеля со стороны гнезда, сожмите резиновую оболочку и осторожно потяните ее в противоположную от конца сторону, чтобы показалось красное кольцо. Это позволяет снять блокировку соединения.
- 2 Придерживая камеру одной рукой, извлеките кабель из разъема на Blackmagic Camera Fiber Converter. Он должен свободно выйти без приложения излишней силы.



Потяните вниз резиновую оболочку, чтобы показалось красное кольцо, и извлеките кабель

ПРИМЕЧАНИЕ. Гибридный оптоволоконный кабель по стандарту SMPTE является центральным элементом системы вещания, поэтому при обращении с ним необходимо соблюдать осторожность. Следует избегать перегибов, скручивания под прямым углом, давления от тяжелых предметов, а также падения разъемов при подключении и отсоединении. Всегда используйте защитные крышки после окончания работы.

Проверка питания и оптического канала

После соединения двух конвертеров проверяется готовность к подаче питания и наличие оптического канала связи.

Этапы проверки

- 1 Со студийного конвертера подается низкое напряжение. В это время индикатор питания на конвертере камеры горит красным цветом.
- 2 По окончании проверки на конвертер камеры подается полное напряжение, и его индикатор питания загорается зеленым цветом.
- 3 Установлен оптический канал связи; индикатор «О/ВОЛОКНО» имеет зеленую подсветку.

Обычно проверка выполняется очень быстро, и индикаторы загораются зеленым цветом практически сразу. При использовании протяженного кабеля время проверки может увеличиваться.

Если подсветка остается красной на протяжении долгого времени или индикатор питания попеременно мигает красным и зеленым, проверьте соединение кабеля с обеих сторон и его целостность.

Правила электрической безопасности

Гибридный оптоволоконный кабель по стандарту SMPTE позволяет питать камеру и ее аксессуары на расстоянии до 2 км.

Blackmagic Studio Fiber Converter имеет встроенные защитные механизмы защиты для точной проверки подаваемого напряжения и автоматического управления им.

Благодаря микроконтроллеру и системе внутренней коммуникации между конвертерами линейки Fiber гибридный оптоволоконный кабель остается без напряжения до тех пор, пока он не соединен с Camera Fiber Converter. После подключения кабеля первоначально используется низкий заряд для окончательной проверки безопасности. Высокое напряжение подается только при наличии оптического сигнала, токовой петли 5 мА и дисбаланса между жилами кабеля менее 30 мА.

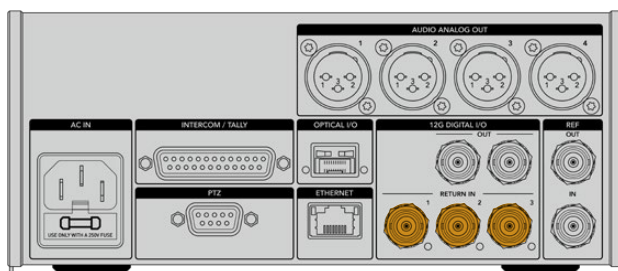
Работа с видеомикшером ATEM

Порядок подключения Blackmagic Studio Fiber Converter к микшеру

- 1 Используя BNC-кабель, соедините выход 12G-SDI на задней панели конвертера с одним из SDI-входов видеомикшера. Убедитесь в том, что на камере и микшере используются одинаковые формат и кадровая частота.
- 2 Используя BNC-кабель, соедините выход обратного программного сигнала на видеомикшере со входом RETURN IN 1 на задней панели студийного конвертера.

СОВЕТ. При эфирной работе с несколькими камерами для передачи обратного программного потока можно использовать конвертер Teranex Mini SDI Distribution 12G или коммутатор Smart Videohub, если нужно получить больше программных выходов, чем есть на видеомикшере.

- 3 Если на камеру необходимо направить дополнительные обратные потоки (например, чистый программный сигнал, текст с телесуфлера, изображение с другой камеры или графику), можно использовать входы RETURN IN 2 и RETURN IN 3.



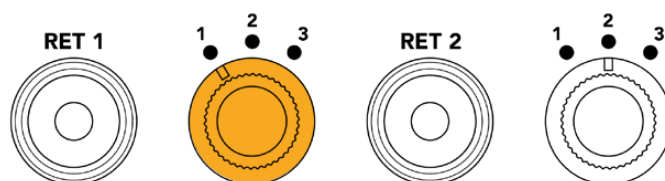
Для приема обратного программного сигнала и других потоков используют входы RETURN IN на задней панели студийного конвертера

Проверка видеосигнала

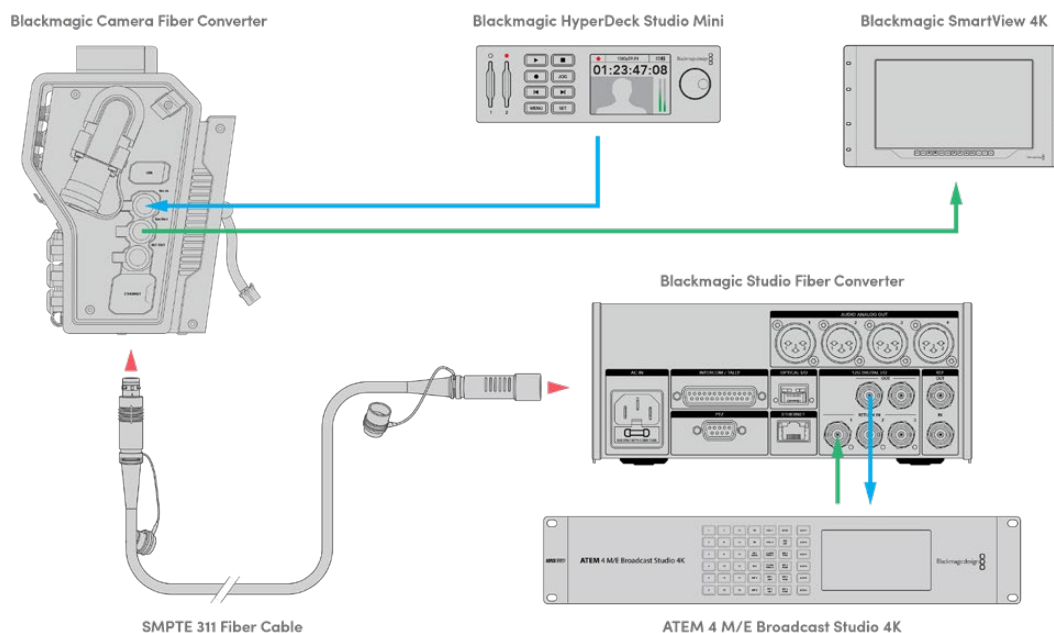
После подключения конвертера можно проверить наличие обратного сигнала.

- 1 Убедитесь в том, что программный выход видеомикшера АТЕМ соединен со входом RETURN IN 1 на студийном конвертере.
- 2 Если нужно проверить все обратные потоки, подключите источники изображения ко входам RETURN IN 2 и RETURN IN 3.
- 3 Подключите SDI-монитор (например, Blackmagic SmartView 4K) к выходу SDI на боковой панели конвертера, который устанавливают на камеру.

После подключения монитора к выходу SDI используйте соответствующую поворотную ручку для выбора нужного обратного потока. При нажатии кнопки на дисплее можно выводить два из трех поступающих сигналов.



Конвертер камеры имеет ручки и кнопки для вывода нужного обратного сигнала на монитор



Чтобы выводить обратные сигналы на монитор, соединенный с конвертером камеры, подключите их источники к студийному конвертеру

Почему порт расположен на передней панели

Оптический разъем находится на передней панели студийного конвертера для удобного доступа, поэтому к нему можно быстро подключать оптоволоконный кабель даже при размещении устройства в стойке. Это позволяет оптимизировать конфигурацию оборудования и снизить затраты на ее создание. Рядом с разъемом есть большой ЖК-дисплей для мгновенной проверки качества соединения с камерой.

Подключение камеры через SDI-интерфейс

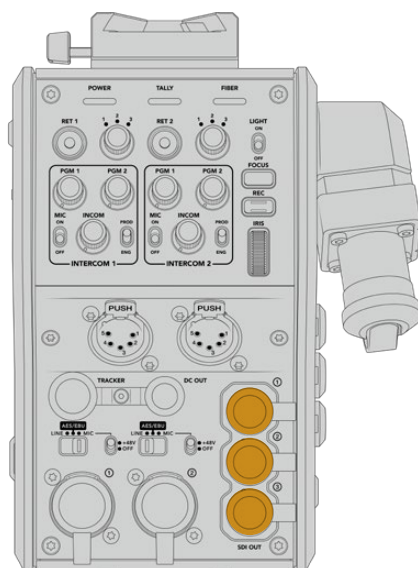
Чтобы соединить Blackmagic Camera Fiber Converter с камерами URSA Broadcast G2 или URSA Mini, используют два из трех прилагаемых SDI-кабелей.

Порядок подключения Camera Fiber Converter к камере

- 1 Используя один из прилагаемых BNC-кабелей, соедините выход 12G-SDI на URSA Broadcast G2 или URSA Mini с SDI-входом на Blackmagic Camera Fiber Converter.
- 2 Используя один из прилагаемых BNC-кабелей, соедините SDI-выход на Blackmagic Camera Fiber Converter со входом 12G-SDI на задней панели камеры URSA Broadcast G2 или URSA Mini.

Подключение к SDI-выходам для использования обратных потоков

Три выхода с маркировкой SDI OUT на передней панели Camera Fiber Converter позволяют использовать обратные потоки, поступающие с видеомикшера. С их помощью можно выводить сигналы на другое подключенное к камере оборудование, например телесуфлер или монитор для ведущего программы.



Три SDI-выхода позволяют выводить обратные потоки на телесуфлер или монитор для ведущего программы

ПРИМЕЧАНИЕ. Чтобы обеспечить скорость, достаточную для трех отдельных потоков, сквозные SDI-выходы поддерживают сигнал 3G-SDI. Для видео в Ultra HD вплоть до 2160p/60 выполняется понижающая конверсия до 1080p с соответствующей кадровой частотой.

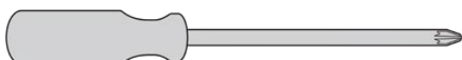
Установка модели Blackmagic Camera Fiber Converter

Blackmagic Camera Fiber Converter крепят на заднюю панель камеры URSA Broadcast G2 или URSA Mini, а для подключения используют ее BNC-разъемы с маркировкой SDI IN и SDI OUT. Если камера оснащена стыковочной пластиной, перед установкой конвертера ее необходимо снять.

ПРИМЕЧАНИЕ. Перед установкой конвертера камеры убедитесь в том, что используется программное обеспечение версии не ранее 4.4 для URSA Mini и не ранее 4.6 для URSA Broadcast G2. Такую проверку можно выполнить на стр. 4 меню «НАСТРОЙКА» камеры. Подробнее см. раздел «Утилита Blackmagic Camera Setup».

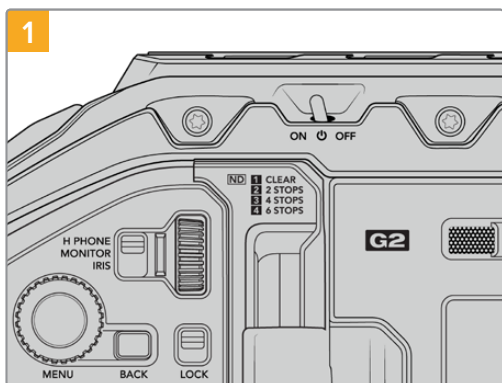
Набор инструментов для установки Blackmagic Camera Fiber Converter

- Отвертка Phillips
- Шестигранный ключ 2,5 мм

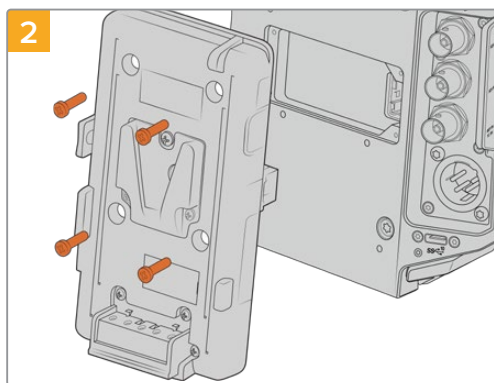


Чтобы установить Blackmagic Camera Fiber Converter на URSA Broadcast G2 или URSA Mini, потребуются отвертка Phillips и шестигранный ключ 2,5 мм

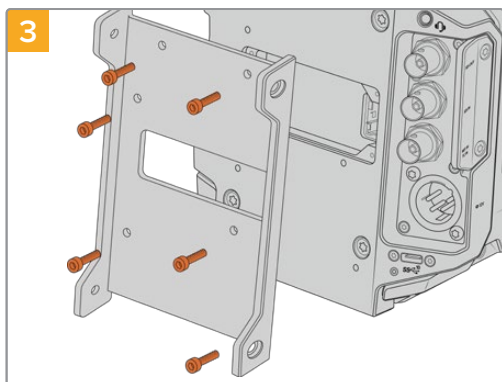
Установка и подключение модели Blackmagic Camera Fiber Converter



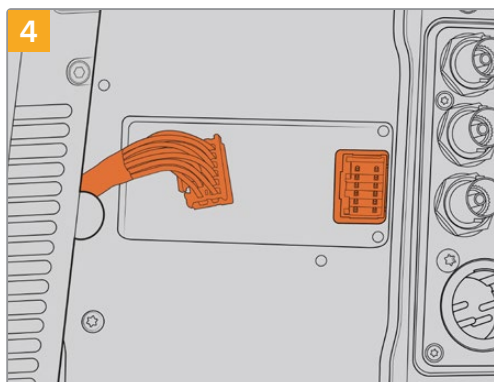
Убедитесь в том, что питание камеры выключено. При установке конвертера на URSA Broadcast G2 или URSA Mini Pro тумблер питания должен находиться в положении OFF.



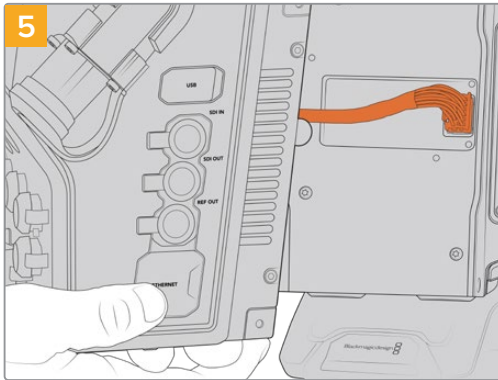
Если установлена стыковочная пластина под аккумуляторную батарею или для блокировки контактов Molex, снимите ее с помощью отвертки Phillips.



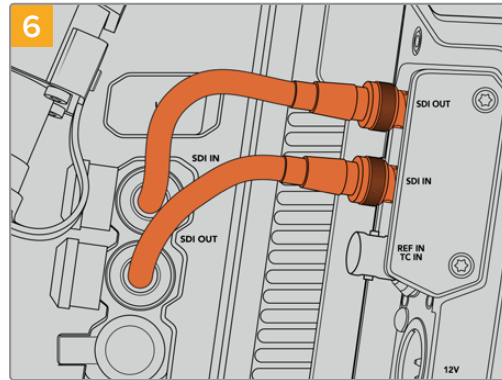
Используя шесть винтов 2,5 мм, установите крепежный кронштейн под Blackmagic Camera Fiber Converter.



Подключите контакты Molex на Blackmagic Camera Fiber Converter к силовому гнезду на задней панели камеры.



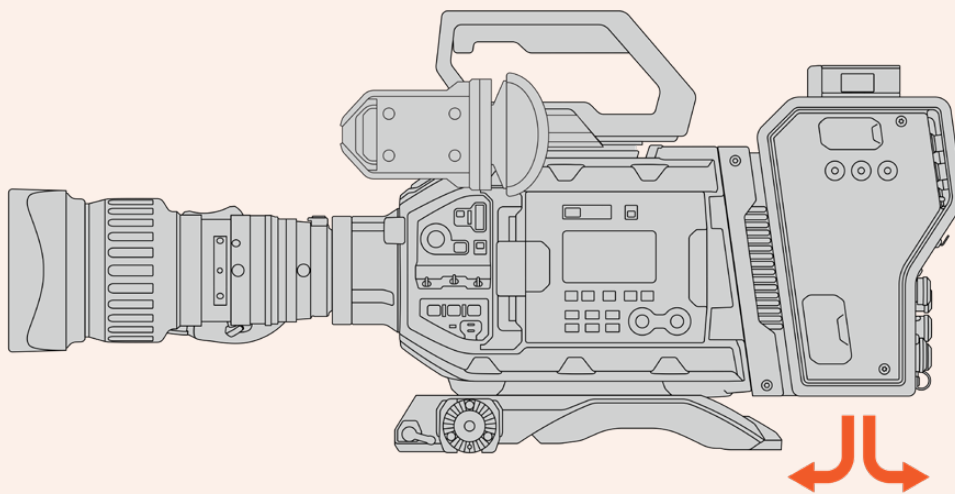
Установите Blackmagic Camera Fiber Converter на крепежный кронштейн и закрепите устройство по обеим сторонам с помощью винтов 2,5 мм.



Используя прилагаемые BNC-кабели, соедините SDI-выход на задней панели камеры с SDI-входом на Blackmagic Camera Fiber Converter и SDI-выход конвертера с SDI-входом камеры.

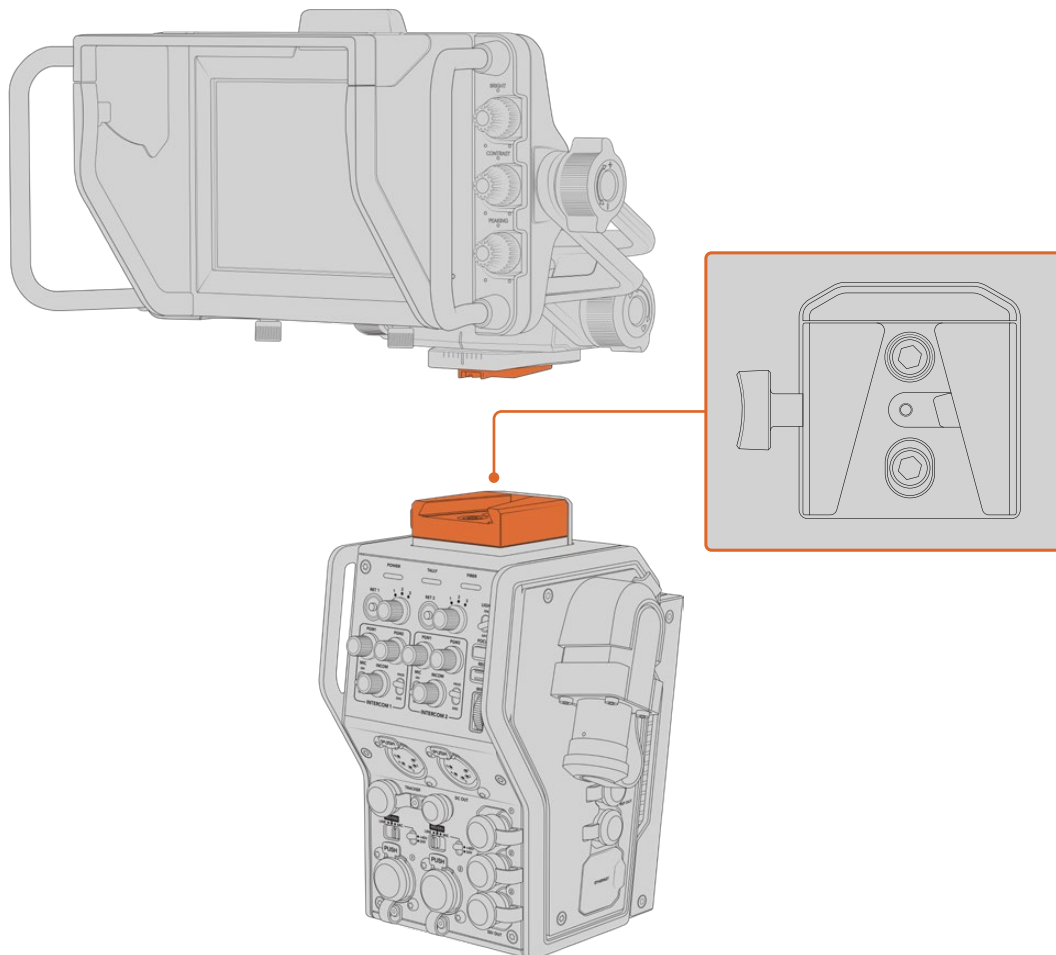
ПРИМЕЧАНИЕ. При использовании конвертеров линейки Fiber во время эфирной работы с URSA Broadcast G2 или URSA Mini следует предусмотреть доступ воздуха снизу корпуса.

Когда съемка ведется со штатива или плеча, приток воздуха будет достаточным. Если камера находится на плоской ровной поверхности, рекомендуется установить пластину URSA Mini Shoulder или аналогичный аксессуар стороннего производителя, чтобы обеспечить вентиляцию под конвертером.



Установка видоискателя URSA Studio Viewfinder

Крепление V-Lock на верхней панели устройства позволяет установить Blackmagic Studio Viewfinder. Когда камера расположена на штативе, видоискатель будет находиться на уровне глаз оператора.



Крепление V-Lock на верхней панели конвертера позволяет установить видоискатель Blackmagic Studio Viewfinder

Подключение наушников двусторонней связи

На передней панели конвертера камеры есть два 5-контактных XLR-разъема, которые позволяют использовать два разных блока одновременной двусторонней связи с оператором.

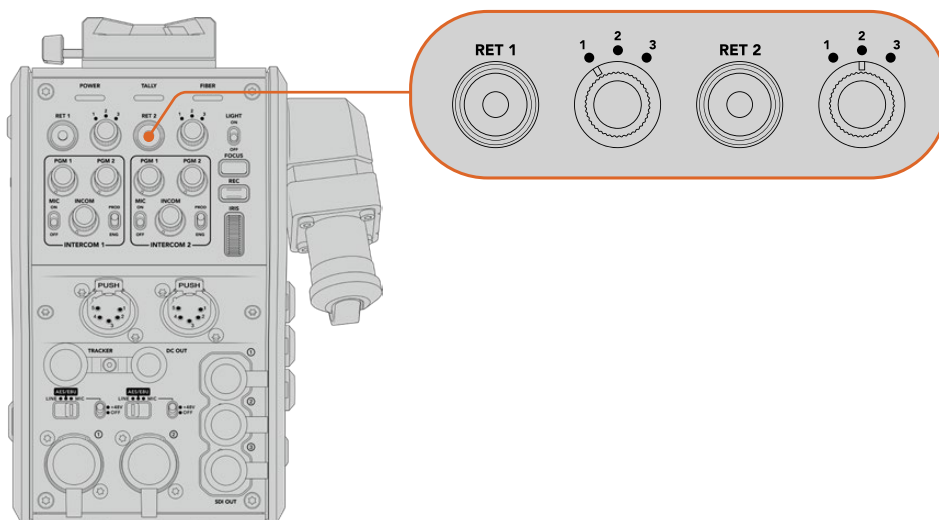
Все готово для начала работы! Конвертеры обеспечивают питание камеры и передачу видео при использовании оптоволоконного кабеля по стандарту SMPTE. Это позволяет оптимизировать техническую инфраструктуру при создании контента в режиме реального времени.

Работа с Camera Fiber Converter

Выбор обратного потока

На передней панели конвертера есть две кнопки RET, которые позволяют переключаться между сигналом камеры и обратным программным изображением при выводе на ЖК-дисплей, видоискатель Blackmagic URSA Studio Viewfinder или через выход для мониторинга.

Кнопки с маркировкой RET 1 и RET 2 служат для переключения между двумя обратными потоками. Поворотные ручки с тремя положениями позволяют выбирать тот обратный сигнал, который выводится при нажатии кнопки слева. Положения 1, 2 и 3 соответствуют трем SDI-разъемам RETURN IN на тыльной стороне корпуса Blackmagic Studio Fiber Converter.



С помощью кнопок RET 1 и RET 2 и поворотных ручек можно выбрать обратный сигнал для просмотра

Чтобы просмотреть выбранный программный сигнал, нажмите и удерживайте нужную кнопку. Изображение будет поступать на дисплей до тех пор, пока эта кнопка находится в нажатом положении. Для постоянного вывода одного из потоков дважды нажмите соответствующую кнопку RET. Чтобы вернуться к сигналу камеры, нажмите кнопку RET еще раз.

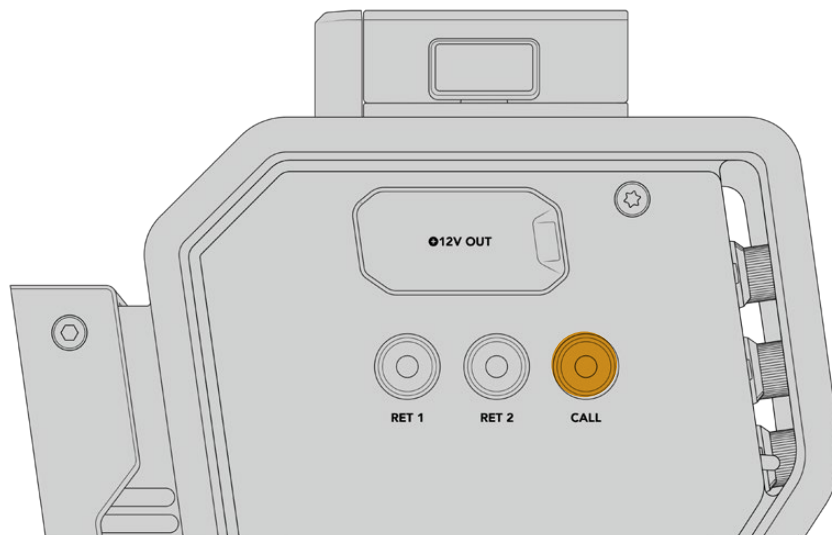
Кнопки и поворотные ручки позволяют быстро выбирать один из трех обратных потоков, поступающих с Blackmagic Studio Fiber Converter. Такими потоками могут быть программное изображение с наложенной графикой на выходе видеомикшера, текст с телесуфлера и сигнал другой камеры.

В этом случае кнопка RET 1 может служить для постоянного вывода программного изображения, а RET 2 — для переключения между текстом и сигналом другой камеры, когда нужно подобрать нужный ракурс или выполнить кадрирование.

Дополнительно с левой стороны корпуса есть кнопки RET 1 и RET 2, которые также позволяют выбирать обратные потоки. Они работают по такому же принципу, как кнопки на передней панели конвертера.

Кнопка CALL

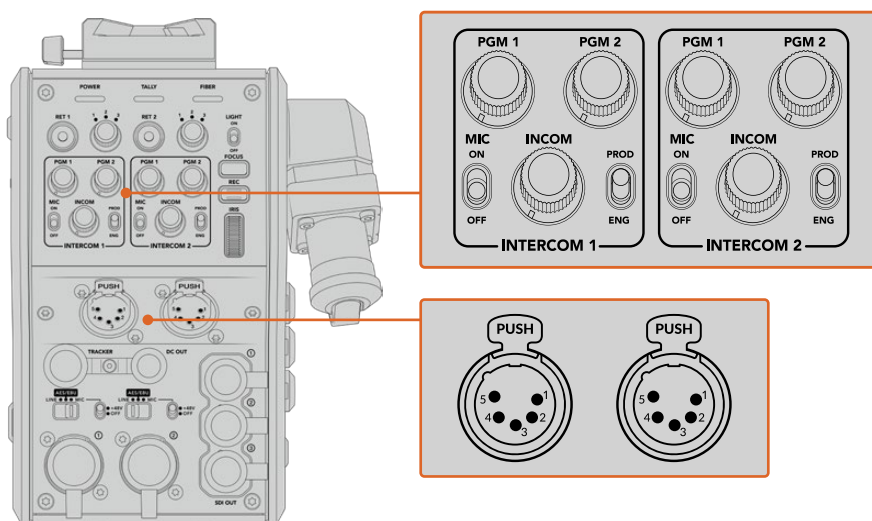
Рядом с кнопками RET находится кнопка CALL, при нажатии которой на ЖК-дисплее модели Blackmagic Studio Fiber Converter появляется мигающий красный индикатор, а на панели управления ATEM Talkback Converter 4K начинает мигать красным цветом пронумерованная кнопка PTT. Благодаря этому находящиеся в аппаратной комнате члены съемочной группы будут знать о том, что вам нужна помощь.



Использование интерком-связи

Два 5-контактных XLR-разъема позволяют подключать две пары наушников для коммуникации со съемочной группой.

Органы управления интерком-связью сгруппированы в два блока и позволяют использовать три звуковых потока, поступающие на расположенные под ними XLR-разъемы.



Органы управления каждым блоком интерком-связи находятся над соответствующим разъемом

В наушники будет поступать звук потока, выбранного с помощью кнопок RET 1 и RET 2. Поворотные ручки PGM 1 и PGM 2 позволяют настраивать уровень соответствующего сигнала, а INCOM служит для регулировки общей громкости. Переключатель MIC дает возможность включать (ON) и отключать (OFF) микрофон.

Каждый блок интерком-связи имеет два канала, соответствующие одному из положений переключателя: PROD или ENG. При работе над большими проектами это позволяет распределить коммуникацию и сделать ее адресной. Производственный канал предназначен для переговоров между режиссером, выпускающим редактором и другими членами съемочной группы, а инженерный — для связи с осветителями и техническим персоналом. Страница «Связь» в меню на Blackmagic Studio Fiber Converter имеет две опции для каждого из каналов: SDI + DB25 и «Интерком Tally DB25». Подробнее см. раздел «Работа с конвертером Studio Fiber».

Модель Blackmagic Camera Fiber Converter дополнительно оснащается стандартным 10-контактным интерфейсом. Его можно использовать для обмена голосовыми сообщениями с оператором кинокамеры, когда нужен еще один канал связи.

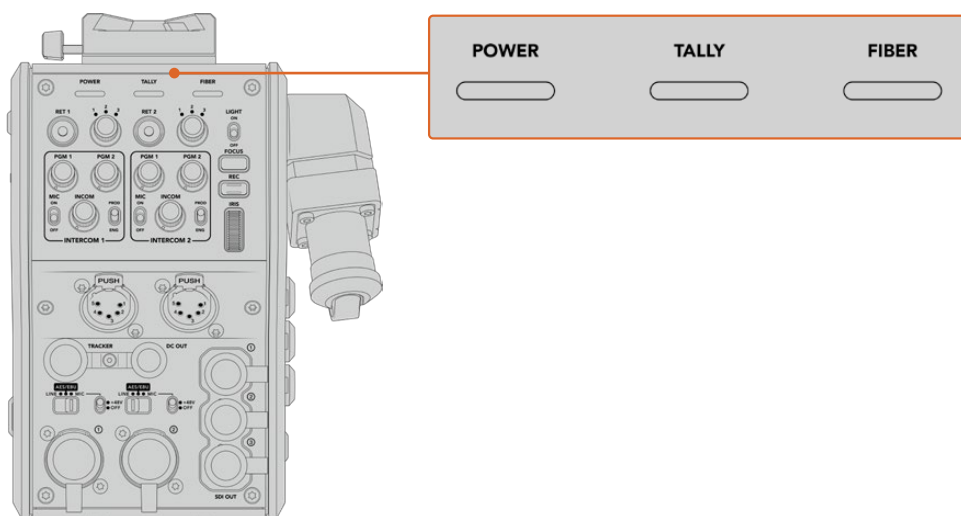
СОВЕТ. Своевременная двусторонняя связь между операторами и членами производственной и инженерной групп играет важную роль при работе в динамичных условиях прямых трансляций и студийных проектов. Находящаяся на Blackmagic Camera Fiber Converter кнопка CALL позволяет передавать с камеры сигнал оповещения и общаться через гарнитуру. При ее нажатии на панели управления ATEM Talkback Converter 4K начинает мигать пронумерованная кнопка PTT, а на ЖК-дисплее модели Blackmagic Studio Fiber Converter — индикатор состояния. Если же специалистам из аппаратной комнаты или передвижной телестанции нужно срочно поговорить с оператором, они тоже могут выбрать кнопку CALL для определенной камеры на пульте ATEM Camera Control Panel. При этом начнет мигать лампочка состояния на Camera Fiber Converter, а также на видоискателе URSA Viewfinder или URSA Studio Viewfinder.

Индикация состояния

Индикатор состояния на передней панели загорается красным, когда сигнал является программным, и зеленым, когда он используется для предварительного просмотра.

Индикаторы состояния

Светодиодные индикаторы сверху корпуса меняют свою подсветку в зависимости от текущего состояния конвертера. Если оптоволоконный кабель не подключен, они не горят.



Подсветка светодиодных индикаторов меняется в зависимости от текущего состояния конвертера

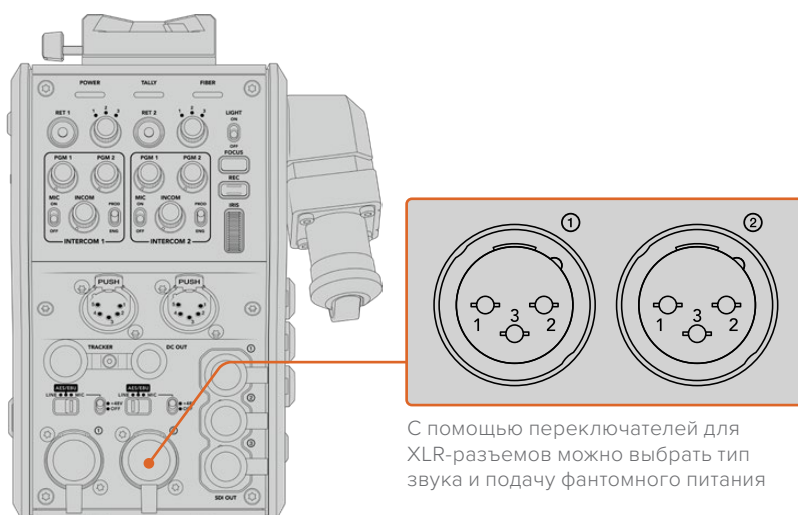
Ниже описаны возможные комбинации состояния и цвета индикатора.

POWER	Непрерывный красный	Когда Blackmagic Studio Fiber Converter подключен к электрической сети и соединен оптоволоконным кабелем по стандарту SMPTE с Blackmagic Camera Fiber Converter, светодиодный индикатор POWER горит красным цветом. Это значит, что Blackmagic Camera Fiber Converter получает питание и находится в режиме малой мощности. В таком состоянии можно использовать двустороннюю связь, однако режим полной мощности, необходимый для работы устройства, еще не активирован. Если индикатор горит красным в течение продолжительного времени, проверьте соединение гибридного оптоволоконного кабеля с обеих сторон и его целостность.
	Непрерывный зеленый	После успешной установки соединения по оптоволоконному кабелю и его проверки на безопасность светодиодный индикатор POWER будет гореть зеленым цветом. Это значит, что конвертер камеры находится в режиме полной мощности.
	Зеленый и красный попеременно	Если светодиодный индикатор попеременно горит красным и зеленым цветом, проверьте соединение гибридного оптоволоконного кабеля с обеих сторон и его целостность.
TALLY	Непрерывный красный	Индикатор TALLY горит красным в тот момент, когда сигнал камеры является программным изображением.
	Непрерывный зеленый	Индикатор TALLY горит зеленым в тот момент, когда сигнал камеры является предварительно просматриваемым изображением.
FIBER	Непрерывный красный	Когда гибридный оптоволоконный кабель по стандарту SMPTE подключен к конвертеру камеры, индикатор FIBER загорается красным цветом. В это время выполняется проверка соединения, а устройство находится в режиме малой мощности. При сбросе на оптической паре можно использовать двустороннюю связь для диагностики и контакта с техгруппой.
	Непрерывный зеленый	После успешной установки соединения при использовании гибридного оптоволоконного кабеля по стандарту SMPTE индикатор имеет зеленую подсветку.

Когда оба индикатора POWER и FIBER горят зеленым цветом, это означает, что проверка на безопасность выполнена и конвертер находится в режиме полной мощности.

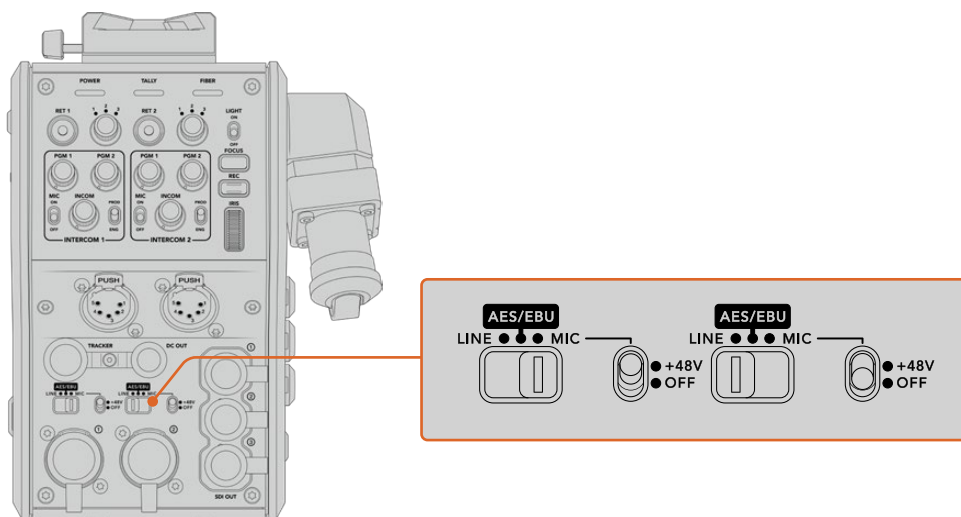
Аудиовходы

Blackmagic Camera Fiber Converter имеет два XLR-входа, которые позволяют подключать внешние источники аналогового аудиосигнала, в том числе микшеры, системы громкой связи или микрофоны.



Звук с камеры будет встроен на каналах 1 и 2, звук с других источников — на каналах 3 и 4. Студийный конвертер, расположенный на другом конце цепочки, дополнительно выполняет извлечение всех четырех каналов с выводом через аналоговые аудиовыходы.

Страница «Аудио» в меню на Blackmagic Studio Fiber Converter позволяет установить уровень сигнала для источников звука, подключенных ко входам XLR на Blackmagic Camera Fiber Converter. Подробнее см. раздел «Работа с конвертером Studio Fiber». Конвертер имеет переключатель, который служит для выбора режима работы при использовании XLR-разъемов как источника звука. Доступны три опции: микрофон, линейный сигнал и цифровое AES-аудио.



Если нужно использовать микрофоны с фантомным питанием (48 В), установите соответствующий тумблер в положение 48V, для отключения этого режима — в положение OFF.

Передача видео по IP-протоколу

Опволоконный кабель по стандарту SMPTE обеспечивает передачу сигнала между Camera Fiber Converter и Studio Fiber Converter с пропускной способностью 10 Гбит/с. Это позволяет кодировать и декодировать программное изображение и обратные потоки для преобразования в 10-битное IP-видео со сжатием без визуальных потерь. Для двусторонней связи, индикации состояния, команд управления камерой и объективом также предусмотрена поддержка IP-протокола с малой задержкой обработки.

Подача питания

Blackmagic Studio Fiber Converter обеспечивает подачу питания на Blackmagic Camera Fiber Converter, съемочную технику и ее аксессуары. Для этого необходимо соединить контакты Molex на конвертере с соответствующим силовым гнездом на задней панели камеры.

Если камера находится на расстоянии более 2,1 км от передвижной телестанции и из-за протяженности кабеля камера и конвертер не получают нужное напряжение, можно дополнительно использовать блок питания, который подключают к URSA Broadcast G2 или URSA Mini через 4-контактный XLR-разъем +12 В. Энергоснабжение конвертера камеры будет выполняться через контакты Molex.

Выход +12 В, который называется разъемом D-tap или P-tap, служит для питания аксессуаров, например внешнего монитора или большого объектива (постоянное напряжение 12 В; сила тока до 500 мА). Разъем DC OUT обеспечивает питание дополнительных устройств (например, внешнего монитора).

Ниже приведена схема распиайки.

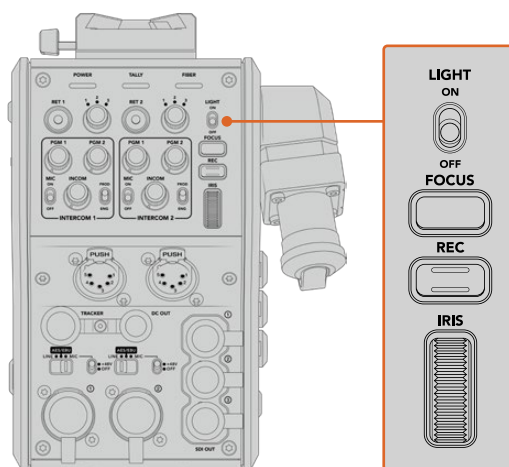
Схема распиайки разъема DC OUT

Внешний вид	Контакты	Сигнал	Ввод/вывод	Технические характеристики
 <p>Разъем DC OUT</p>	1	Заземление без регулировки	–	Заземление для вывода без регулировки
	2	NC	–	Не используется
	3	NC	–	Не используется
	4	Вывод без регулировки	Вывод	Постоянное напряжение 12 В, сила тока до 500 мА

Дополнительные органы управления

При использовании URSA Broadcast G2 или URSA Mini в качестве студийной камеры конвертер линейки Fiber дает возможность менять такие настройки, как диафрагма и фокус. Это позволяет оператору управлять совместимой оптикой в локальном режиме.

В качестве студийных камер URSA Broadcast G2 и URSA Mini сохраняют материал внутренним способом. Для запуска записи служит кнопка REC.



LIGHT

Позволяет включать подсветку панели при работе в темных условиях.

FOCUS

Кнопка для автоматической фокусировки при использовании объективов с поддержкой данной функции.

REC

При нажатии этой кнопки устройство будет начинать, а при повторном нажатии — останавливать запись.

Диафрагма

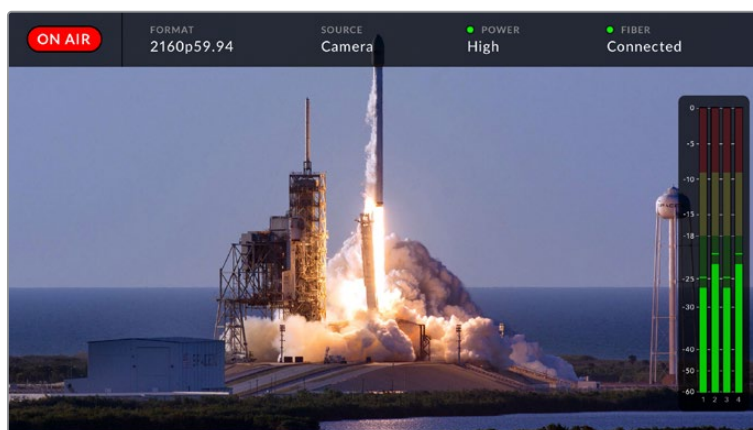
Колесико для управления диафрагмой при использовании совместимых объективов, которые допускают контроль с камеры. При движении вверх отверстие диафрагмы увеличивается, при движении вниз — уменьшается.

Работа со студийным конвертером

Выбор источника сигнала на ЖК-дисплее

При подаче питания на Blackmagic Studio Fiber Converter на ЖК-дисплей устройства выводится изображение с камеры. Конвертер получает программный сигнал с видеомикшера и обратные потоки, чтобы направить их на Blackmagic Camera Fiber Converter по оптоволоконному кабелю (стандарт SMPTE).

Встроенный ЖК-дисплей позволяет выводить сигнал камеры и изображение из каждого источника, подключенного ко входу обратного программного потока. С его помощью также можно просматривать параметры состояния и уровень звука.



Служебные параметры позволяют отображать название и формат необходимого источника при переключении между сигналами

ON AIR

Индикатор ON AIR загорается красным цветом, когда изображение подключенной камеры используется в качестве программного сигнала, и гаснет в остальных случаях.

FORMAT

Разрешение и кадровая частота текущего источника.

ИСТОЧНИК

Название текущего источника.

ПИТАНИЕ

Текущее состояние питания. Текст «Низк.» и красный цвет индикатора обозначают низкое напряжение, «Выс.» и зеленый цвет — режим полной мощности. Подробнее см. пункт «Индикаторы состояния» в разделе «Работа с конвертером Camera Fiber».

О/ВОЛОКНО

Текущее состояние конвертера. Текст «Подключение» и красный цвет индикатора обозначают установку соединения после подключения конвертера, «Подключено» и зеленый цвет — успешную передачу сигнала по гибриднему оптоволоконному

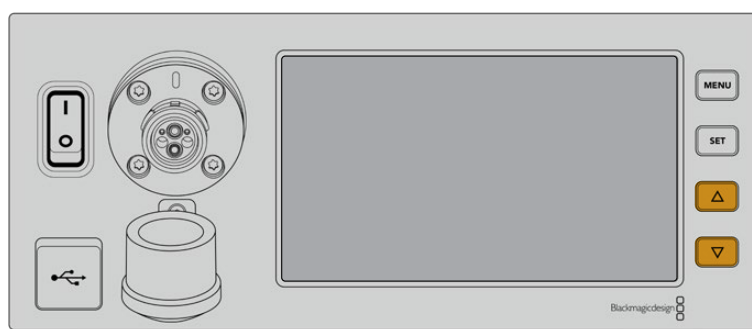
кабелю. Подробнее см. пункт «Индикаторы состояния» в разделе «Работа с конвертером Camera Fiber».

Индикация звука

Эти индикаторы показывают уровни звука при использовании аудиосигнала, встроенного в каналы 1 и 2 видеопотока. Каналы 3 и 4 соответствуют аудиоисточникам, подключенным к двум XLR- входам на модели Blackmagic Camera Fiber Converter. На дисплее уровень отображается в dBFS, при этом максимальные значения фиксируются на короткое время для облегчения их зрительного восприятия.

Работа с меню

При нажатии кнопки со стрелкой вверх или вниз выполняется поочередный переход между четырьмя источниками: «Камера 1», «Обратный 1», «Обратный 2» и «Обратный 3». Нажмите кнопку MENU, чтобы выбрать нужную настройку и изменить ее. Кнопки со стрелками используют для навигации и выбора опций. Чтобы подтвердить установленную настройку, нажмите SET. Меню содержит три страницы: «Аудио», «Связь» и «Настройка».

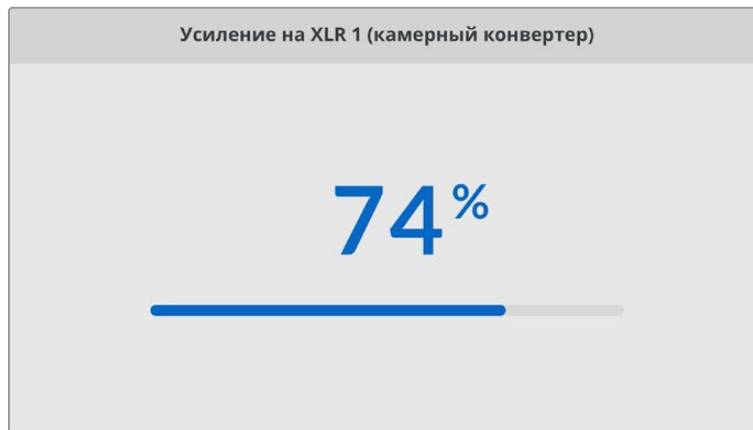


Для перехода между источниками и навигации по меню используют кнопки со стрелкой вверх или вниз

Аудио

Эта страница позволяет установить уровень сигнала для источников звука, подключенных ко входам XLR на Blackmagic Camera Fiber Converter.

Аудио		>
Усиление на XLR 1 (камерный конвертер)	50%	
Усиление на XLR 2 (камерный конвертер)	50%	
Вывод каналов 1 и 2	Встроенные каналы 1 и 2	
Вывод каналов 3 и 4	XLR 1 и 2	



Кнопки со стрелками позволяют изменить уровень сигнала для каждого XLR-входа, а SET служит для подтверждения настройки

Здесь можно выбирать, какие аудиоканалы с устройства Camera Fiber Converter направлять на встроенные SDI- и XLR-выходы. Для встроенных аудиоканалов камер URSA Mini или URSA Broadcast G2 по умолчанию назначаются каналы 1 и 2. Линейный и микрофонный сигналы, поступающие на XLR-входы модели Camera Fiber Converter, по умолчанию идут на каналы 3 и 4. При необходимости в эти стандартные настройки легко внести изменения. Если для одного из XLR-входов на Camera Fiber Converter выбран параметр AES, активируются также каналы 5 и 6, потоки которых передаются на встроенный SDI-выход.

Вывод каналов 1 и 2	
Встроенные каналы 1 и 2	✓
XLR 1	
AES 3 и 4	

Назначение встроенных XLR-каналов камер на выходные каналы 1 и 2

Связь

Эта страница позволяет задать источники программного сигнала и двусторонней связи для производственного и инженерного каналов. На Studio Fiber Converter для выбора доступны две опции: SDI + DB25 и «Интерком Tally DB25».

Дополнительно можно настроить уровень усиления для наушников и для микрофона гарнитуры на каждом из каналов двусторонней связи. Здесь также есть опция для включения подачи на наушники фантомного питания. Параметр «Уровень голоса» позволяет оператору камеры регулировать громкость собственного голоса в наушниках.

Связь	
Источник программного звука	SDI-каналы 1 и 2
Источник производственного канала	SDI + DB25
Источник технического канала	Интерком Tally DB25
Интерком 1	
Усиление для наушников	50%
Усиление для микрофона гарнитуры	50%
Фантомное питание микрофона гарнитуры	Вкл.
Уровень голоса	50%
Интерком 2	
Усиление для наушников	50%
Усиление для микрофона гарнитуры	50%
Фантомное питание микрофона гарнитуры	Вкл.
Уровень голоса	50%

При отсутствии устройств, подключенных к XLR-входам, настройки двусторонней связи будут недоступны, а в момент соединения отображается текст «Подключение»

Настройка

На странице «Настройка» выбирают источник PTZ-команд, язык меню и тип обратного SDI-сигнала.

Настройка	
Источник PTZ-команд	Через SDI с микшера
Язык	Русский
12G-SDI обратно	3G Level A

Настройка «Источник PTZ-команд» позволяет выбрать источник команд панорамирования. Доступны две опции: «Через SDI» и «Через 9-контактный разъем», которые соответствуют SDI-входам RETURN IN и разъему DE-9 на задней панели модели Blackmagic Studio Fiber Converter.

Управлять панорамированием камеры можно с видеомикшера АТЕМ. В этом случае команды передаются на Blackmagic Studio Fiber Converter через SDI-интерфейс. По оптоволоконному кабелю SMPTE они поступают на Blackmagic Camera Fiber Converter, а оттуда через серийный порт DE-9 — на панорамную головку с сервоприводом.

Чтобы управлять панорамной головкой со стороны камеры, через разъем DE-9 к Blackmagic Studio Fiber Converter можно подключить систему дистанционного контроля.

Источник PTZ-команд	
Через SDI с микшера	<input checked="" type="checkbox"/>
Через 9-контакт. разъем со студийного конвертера	<input type="checkbox"/>

На странице настроек в качестве источника PTZ-команд можно выбрать одну из двух опций: «Через SDI» и «Через 9-контактный разъем»

Язык	
English	<input type="checkbox"/>
中文	<input type="checkbox"/>
日本語	<input type="checkbox"/>
한국어	<input type="checkbox"/>
Español	<input type="checkbox"/>
Deutsch	<input type="checkbox"/>
Français	<input type="checkbox"/>
Русский	<input checked="" type="checkbox"/>
Italiano	<input type="checkbox"/>
Português	<input type="checkbox"/>
Türkçe	<input type="checkbox"/>

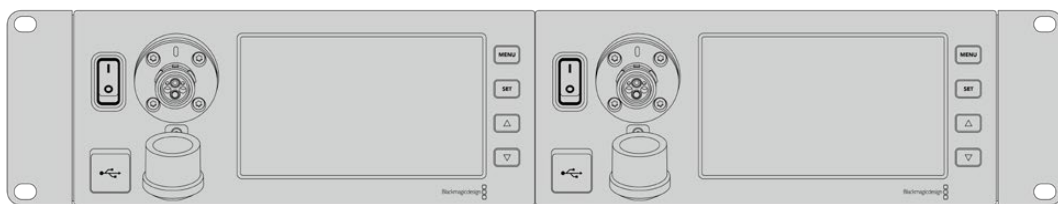
Настройка «Язык» позволяет выбирать язык меню. Studio Fiber Converter имеет пользовательский интерфейс на 11 основных языках, включая английский, китайский, японский, корейский, испанский, немецкий, французский, русский, итальянский, португальский и турецкий. Страница выбора языка отображается при первоначальной настройке и после обновления внутреннего ПО.

Опция «12G-SDI обратно» позволяет установить обратный программный 12G-поток на 3G Level A или 3G Level B. Для всех обратных 12G-сигналов, поступающих на входы модели Studio Fiber Converter, выполняется понижающая конверсия.

Установка студийного конвертера в стойку

Для размещения Blackmagic Studio Fiber Converter в стойке или мобильном кейсе можно использовать специальный набор Blackmagic Studio Fiber Rack Kit. Он позволяет установить два устройства рядом друг с другом или одно из них справа либо слева. Поставляемая в наборе заглушка служит для заполнения пустого места в стойке при работе только с одним конвертером.

Studio Fiber Converter имеет высоту 2 RU и ширину 1/2 RU, что позволяет компактно установить вместе два устройства на одно место 2 RU в стойке.

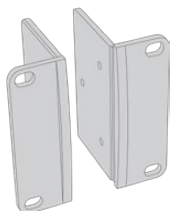


Размещение двух Blackmagic Studio Fiber Converter в стойке



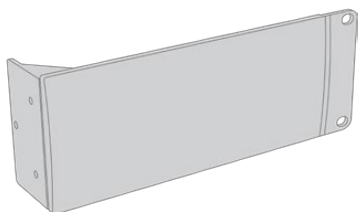
Монтаж с поставляемой в наборе заглушкой

Набор Blackmagic Studio Fiber Rack Kit



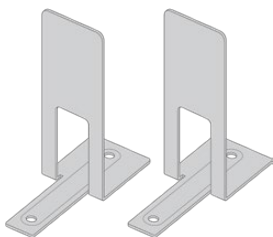
Две скобы

При креплении ко внешним сторонам Blackmagic Studio Fiber Converter они позволяют установить устройства в стойку.



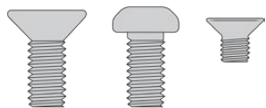
Одна заглушка 1/2 RU

Служит для заполнения пустого места в стойке при установке только одного устройства. На рисунке показана скоба с правой стороны. Для использования с другой стороны разверните скобу на 180°.



Два крепежных кронштейна

T-образные кронштейны служат опорой в месте стыка двух конвертеров при их установке по разные стороны.



Винты

8 x M4 (10 мм)

Винты для скоб

4 x M4 (8 мм)

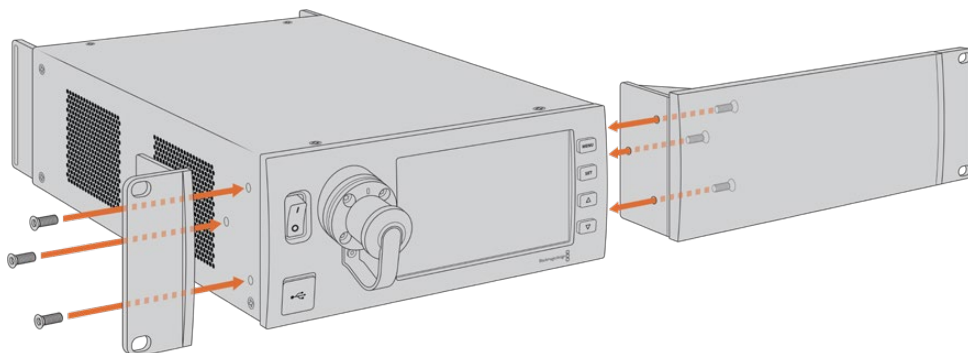
Винты для заглушки

5 x M3 (5 мм)

Винты для кронштейнов

Подготовка к установке одного студийного конвертера в стойку

- 1 Поместите заглушку с противоположной стороны от места, предназначенного для установки студийного конвертера. Лицевая панель заглушки должна располагаться параллельно передней панели устройства.
- 2 Закрепите заглушку на боковой стороне студийного конвертера с помощью трех специальных винтов.



- 3 Закрепите скобу с другой стороны студийного конвертера с помощью трех специальных винтов.

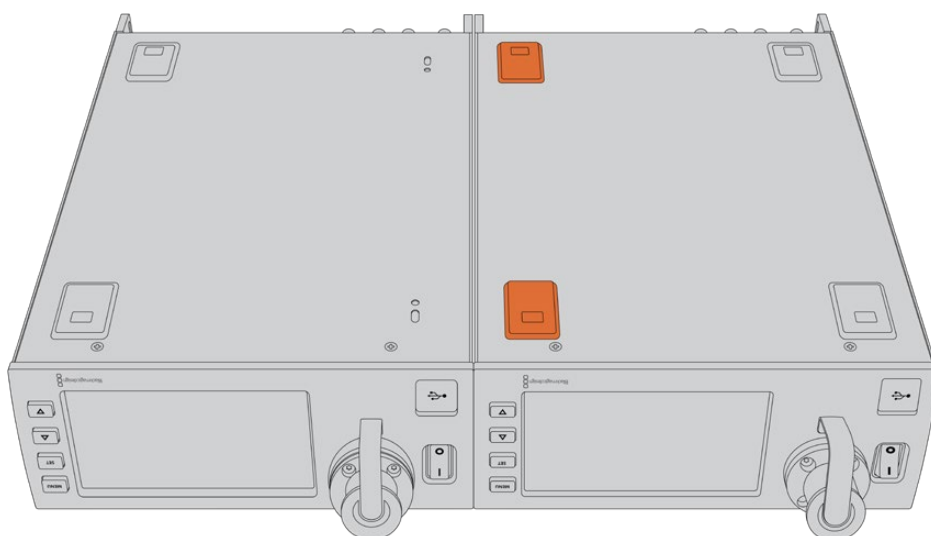
После того как скоба и заглушка закреплены на конвертере, его можно установить в стойку на два места с использованием монтажных отверстий по обеим сторонам и обычных винтов.

Подготовка двух студийных конвертеров к совместной установке в стойку

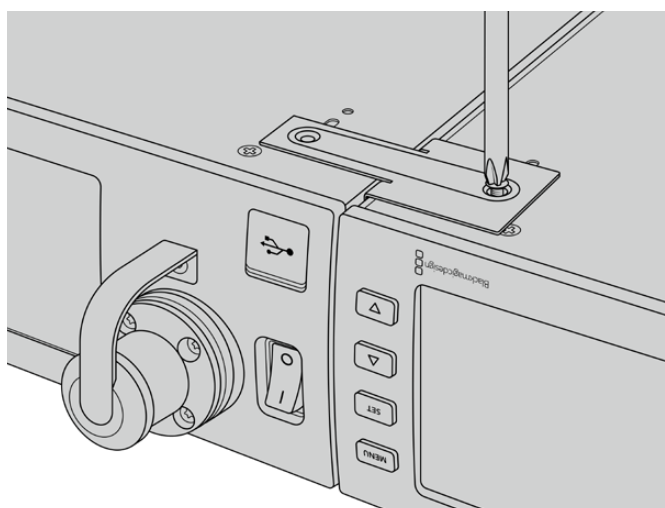
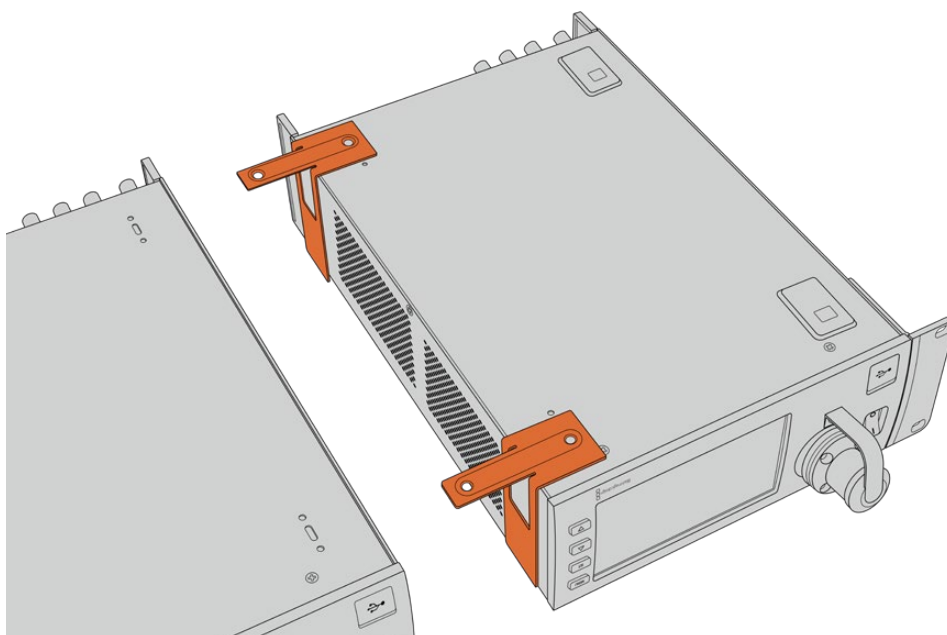
При совместной установке двух конвертеров можно использовать кронштейны, которые позволяют скрепить оба устройства друг с другом.

Порядок совместного монтажа двух устройств

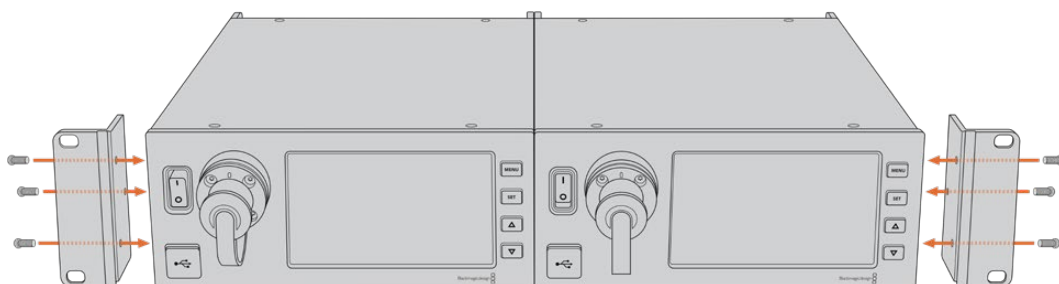
- 1 Переверните два конвертера вверх дном и поместите их рядом. Удалите две резиновые вставки в местах соприкосновения устройств.



- 2 Поместите два Т-образных кронштейна спереди и сзади в месте стыка под корпусом студийных конвертеров, затем закрепите устройства с помощью специальных винтов.



- 3** Переверните конвертеры в обычное положение и закрепите скобы на их внешней стороне у передней панели, используя соответствующие винты. Конвертеры готовы к установке в стойку. Для крепления используют монтажные отверстия по обеим сторонам устройств и обычные винты для стойки.



Разъемы на конвертере камеры

На Blackmagic Camera Fiber Converter разъемы расположены на задней панели и сбоку. Когда они не используются, при работе вне студии их необходимо закрыть резиновыми крышками. Это особенно важно для оптического порта, потому что даже попадание небольших частиц пыли может приводить к нарушениям при передаче сигнала. Снимать защитные крышки с кабеля и интерфейса конвертера следует непосредственно перед соединением, а после разъединения необходимо снова закрыть их.

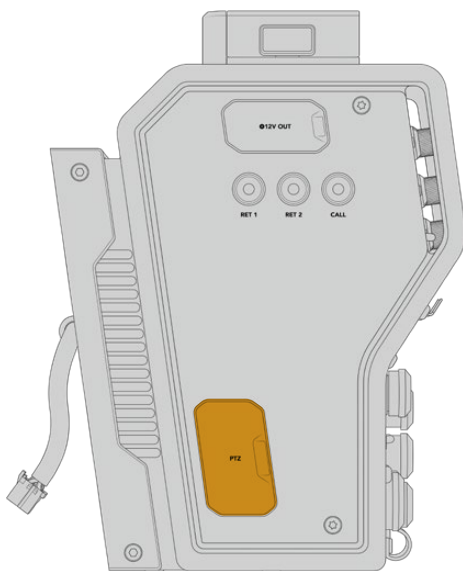
Разъем питания камеры

Питание поступает на камеру и установленный на ней конвертер со Studio Fiber Converter через гибридный оптоволоконный кабель по стандарту SMPTE. Таким же образом подается электроэнергия для таких аксессуаров, как видоискатель Blackmagic URSA Studio Viewfinder.

Blackmagic Camera Fiber Converter может также получать питание от камеры, подключенной к источнику электроснабжения через XLR-разъем 12 В. Это касается случаев, когда камера находится дальше 2 км от студийного конвертера, потому что при увеличении расстояния оптоволоконный кабель не всегда обеспечивает стабильное питание.

Интерфейс управления панорамированием

Разъем DE-9 служит для подключения панорамной головки с сервоприводом. Его можно использовать при удаленной работе с камерой URSA Broadcast G2 или URSA Mini, установленной на операторском кране. Меню на Blackmagic Studio Fiber Converter позволяет задать источник PTZ-команд. Для выбора доступно две опции: разъем DE-9 на Studio Fiber Converter и SDI-сигнал, поступающий с видеомикшера АТЕМ. Подробнее см. раздел «Работа с конвертером Studio Fiber».



Интерфейс управления панорамированием

Порт двусторонней связи

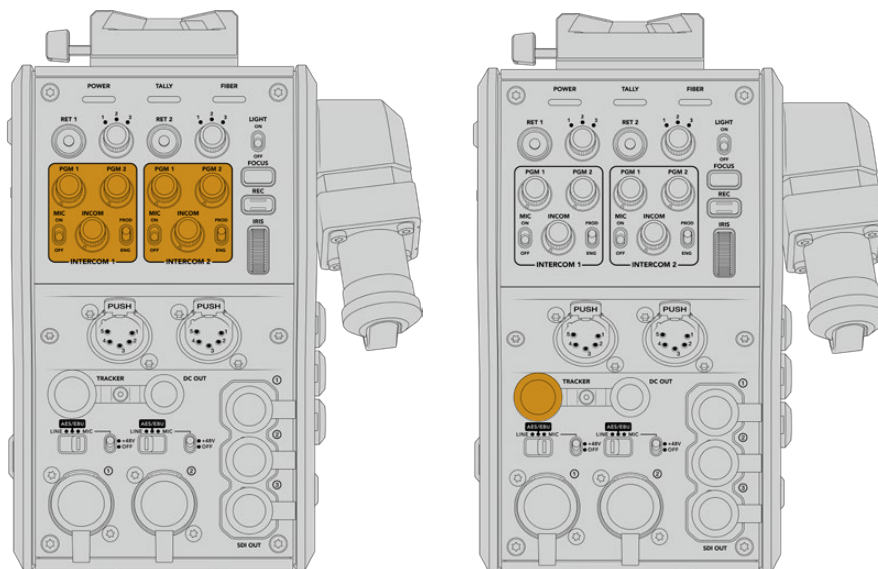
Два 5-контактных XLR-разъема позволяют использовать два разных блока одновременной двусторонней связи. Например, оператор камеры может подключить наушники к одному интерфейсу XLR, а ассистент у крана или звукорежиссер — к другому. Ниже приведена схема распиайки XLR-разъема.

Схема распиайки XLR-разъема для гарнитуры

Внешний вид	Контакты	Сигнал	Ввод/вывод	Описание
 <p>5-контактный XLR-разъем для гарнитуры</p>	1	Интерком-связь, микрофон (Y)	Заземл.	Вход микрофона интерком-связи поддерживает как электретные, так и динамические микрофоны с балансным и небалансным разъемом. Контакт 1 — это заземление, контакт 2 — вход для микрофонов обоих типов. Через него на электретные микрофоны также подается ток смещения.
	2	Интерком-связь, микрофон (X)	Ввод	
	3	Заземление	Заземл.	Заземление
	4	Интерком-связь, левый канал	Вывод	
	5	Интерком-связь, правый канал	Вывод	

Органы управления блоком интерком-связи находятся над соответствующим разъемом.

Подробнее об использовании двусторонней связи см. раздел «Работа с Camera Fiber Converter».



Органы управления блоком интерком-связи позволяют настраивать уровень звукового сигнала

Разъем TRACKER

10-контактный разъем поддерживает двустороннюю связь, индикацию состояния и вывод данных для телесуфлера. Этот выход предназначен для группы техподдержки и может использоваться для коммуникации с ассистентом на операторском кране.

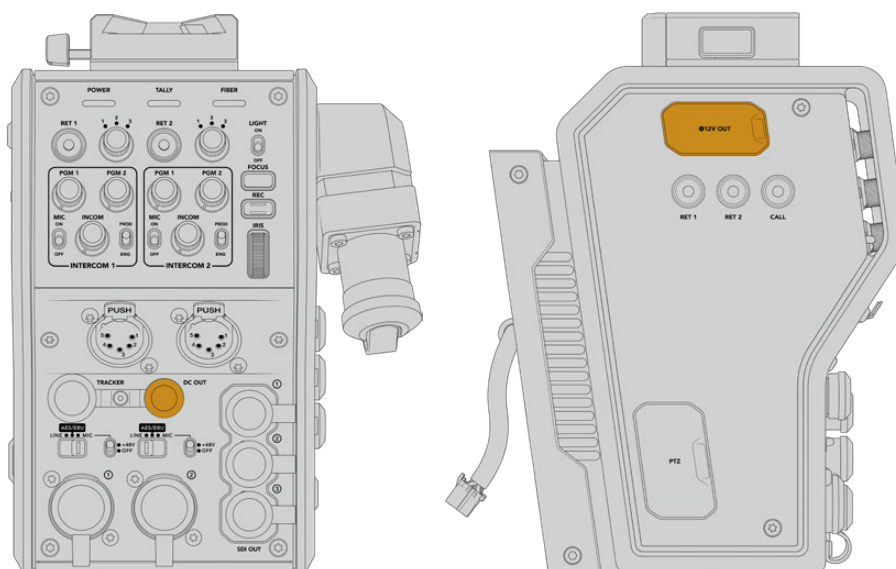
Приведенная ниже схема распайки позволяет создать собственный кабель.

Схема распайки разъема TRACKER

Внешний вид	Контакты	Сигнал	Ввод/вывод	Технические характеристики
 <p>10-контактный разъем TRACKER</p>	1	Tracker, левый канал	Вывод	Tracker — вывод, -20 dBu, небалансный
	2	Заземление (голосовая связь)	–	Заземление (голосовая связь)
	3	Заземление (прием/PGM/состояние)	–	Заземление (прием/PGM/состояние)
	4	Tracker, правый канал	Вывод	Tracker — вывод, -20 dBu, небалансный
	5	Без регулировки	Вывод	12 В пост. тока, макс. 500 мА
	6	Заземление (без регулировки)	–	Заземление (без регулировки)
	7	Голосовая связь (X)	Ввод	Голосовая связь 0 dBu / -20 dBu, высокое сопротивление, балансный
	8	Голосовая связь (Y)	Ввод	
	9	Индикатор состояния, зеленый	Вывод	Вкл.: 12 В Выкл.: высокое сопротивление (не замкнуто)
	10	Индикатор состояния, красный	Вывод	Вкл.: 12 В Выкл.: высокое сопротивление (не замкнуто)

Разъем питания постоянного тока

Разъем питания постоянного тока позволяет снабжать энергией дополнительные аксессуары (например, внешний монитор).



Разъем питания постоянного тока позволяет подавать питание на дополнительные устройства (например, монитор или внешний рекордер)

Выход D-Тар

Выход +12 В с левой стороны часто называется D-Тар или P-Тар. Он служит для подачи питания на такие аксессуары, как монитор или крупные объективы. Выход позволяет подключать оптику, которая требует постоянного тока напряжением 12 В (2 А).

Использование синхровыхода

Синхровыход можно использовать для передачи опорного сигнала на камеру по кабелю BNC.

Передача опорного сигнала на камеру

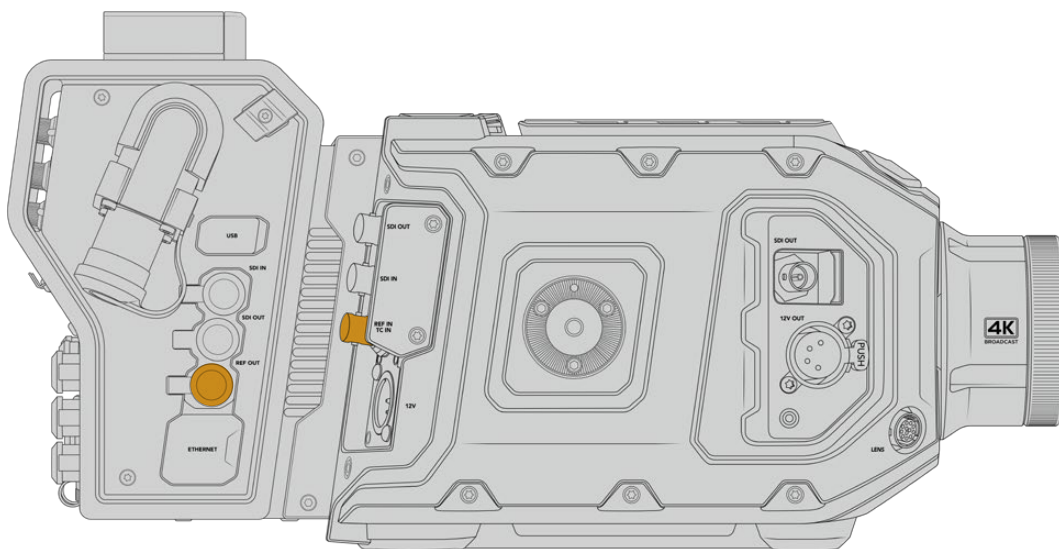
- 1 Соедините выход REF OUT на Blackmagic Camera Fiber Converter со входом REF IN на камере, используя любой входящий в комплект поставки короткий SDI-кабель.
- 2 В настройках синхронизации камеры выберите REF IN.

Опорный сигнал позволяет синхронизировать работу всего видеоборудования и гарантирует корректное переключение.

На видеомикшерах ATEM выполняется повторная синхронизация, которая обеспечивает слаженную работу в конфигурации с камерами производства Blackmagic Design. Чтобы они получали опорный сигнал с программным SDI-поток, на второй странице меню «НАСТРОЙКА» в качестве источника синхронизации на URSA Mini или URSA Broadcast G2 следует выбрать вход «Программа». В этом случае добавляется кадровая задержка.

Чтобы уменьшить связанную с повторной синхронизацией задержку, сначала подключите источник опорного сигнала для URSA Broadcast G2 или URSA Mini, затем скорректируйте настройку отсчета в строках.

Для изменения параметров синхронизации на URSA Broadcast G2 или URSA Mini перейдите на вкладку «НАСТРОЙКА», затем выберите значение для настройки синхронизации.

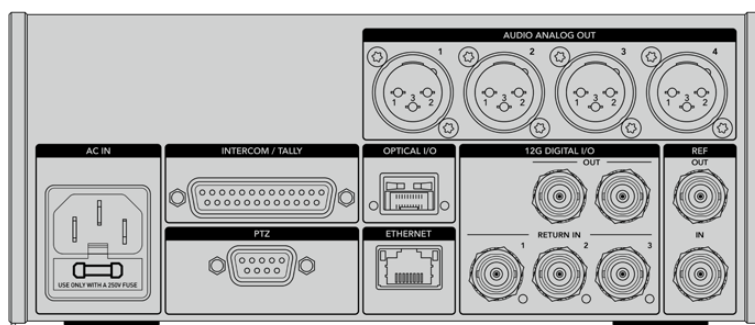


Чтобы использовать внешний синхросигнал, соедините выход REF OUT на Camera Fiber Converter со входом REF IN на камере URSA Broadcast G2 или URSA Mini

Интерфейсы студийного конвертера

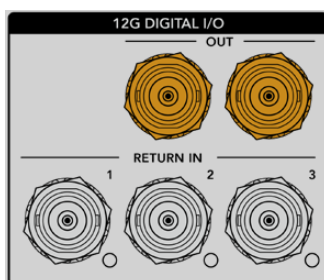
На задней панели студийного конвертера находятся BNC-разъемы для передачи обратного SDI-потока и синхросигнала, интерфейс DB-25 для двусторонней связи и индикации состояния, 9-контактный последовательный порт PTZ, аудиовыходы и порт Ethernet.

Интерфейс 12G-SDI на всех SDI-входах поддерживает работу с любыми разновидностями Ultra HD-видео вплоть до 2160p/60.



Выход 12G-SDI

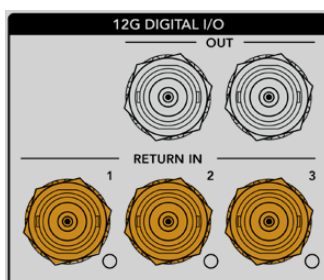
Два выхода 12G-SDI служат для передачи сигнала камеры со студийного конвертера на SDI-входы видеомикшера. Второй разъем можно использовать для дублирования, чтобы направлять изображение на другое оборудование, такое как коммутатор Videohub, монитор SmartView или рекордер HyperDeck.



Выходы 12G-SDI поддерживают работу с любыми сигналами от 720p/50 до 2160p/60

Входы 12G-SDI для обратного потока

BNC-разъемы RETURN IN с интерфейсом 12G-SDI позволяют получать до трех обратных SDI-потоков. Если программное изображение с микшера поступает на вход 1 и по кадровой частоте совпадает с сигналом камеры, другие источники (например, видео со второй камеры, вывод с рекордера HyperDeck или данные телесуфлера) можно передавать на входы 2 и 3. При работе с микшером ATEM обратный программный поток, направляемый на вход 1, также поддерживает индикацию состояния, двустороннюю связь, синхронизацию и команды управления камерой.

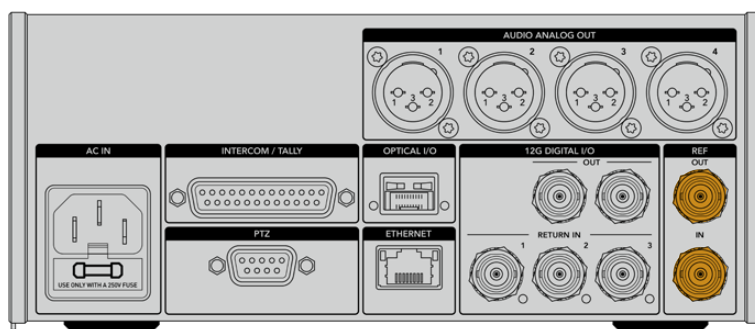


SDI-разъемы RETURN IN позволяют получать до трех обратных потоков с видеомикшера, которые можно передавать на другое оборудование с SDI-интерфейсом или на камеру. Во втором случае оператор будет видеть их на дисплее.

ПРИМЕЧАНИЕ. При передаче Ultra HD-сигнала в виде обратного потока выполняется понижающая конверсия до 1080p с соответствующей кадровой частотой. Таким образом, изображение на выходе конвертера камеры будет в формате HD. Это обеспечивает более высокую пропускную способность при использовании нескольких источников обратных сигналов.

Ввод и вывод синхросигнала

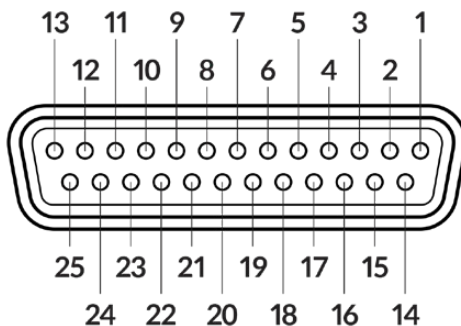
Для внешней синхронизации оборудования без видеомикшера ATEM подключите источник опорного сигнала к BNC-входу REF IN. Это позволит передавать синхросигнал на Camera Fiber Converter через оптоволоконный кабель по стандарту SMPTE. BNC-выход REF OUT на студийном конвертере можно использовать для создания замкнутой цепи между источником синхросигнала и другой техникой.



Разъем REF IN позволяет передавать синхросигнал с вещательной техники на камеру

Интерфейс двусторонней связи

Разъем DB-25 с маркировкой INTERCOM/TALLY позволяет использовать системы интерком-связи и Tally-индикации сторонних производителей. Ниже приводится схема распайки для создания собственного кабеля. После назначения контактов необходимо установить соответствующие настройки в меню на Blackmagic Studio Fiber Converter.



Внешний вид 25-контактного разъема INTERCOM/TALLY

Схема распайки интерфейса двусторонней связи

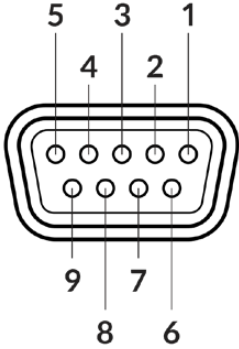
Контакты	Сигнал	Технические характеристики
1	ENG(R) IN+	Инженерный канал, вход 0 dBu, балансный
2	ENG(R) IN-	
3	ENG GND	Заземление для инж. канала
4	ENG(T) OUT +	Инженерный канал, выход 0 dBu, балансный
5	ENG(T) OUT -	
6	PGM IN+	-20 dBu
7	PGM IN-	-20 dBu
8	PGM GND	-20 dBu
9	GND	Заземление для AUX
10	N/C	–
11	Red Tally IN	Вкл. = 5-24 В пост. тока, Выкл. = 0 В пост. тока
12	Red Tally GND	–
13	GND	Заземление консоли
14	PROD(R) IN+	Производственный канал, вход 0 dBu, балансный
15	PROD(R) IN-	
16	PROD GND	–
17	PROD(T) OUT+	Производственный канал, выход 0 dBu, балансный
18	PROD(T) OUT-	
19	N/C	–
20	N/C	–
21	N/C	–
22	N/C	–
23	N/C	–
24	Green Tally IN	Вкл. = 5-24 В пост. тока, Выкл. = 0 В пост. тока
25	Green Tally GND	–

Интерфейс управления панорамированием

Оба конвертера имеют разъем DE-9, который служит для подключения контроллера панорамирования к Studio Fiber Converter, а головки с функцией дистанционного управления — к Camera Fiber Converter. Команды панорамирования передаются вместе с SDI-сигналом через оптоволоконный кабель по стандарту SMPTE.

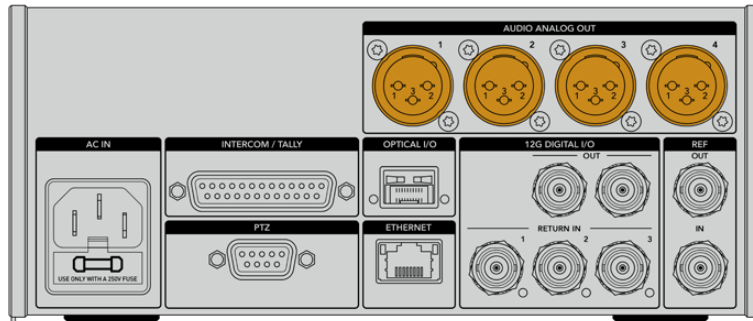
Меню на Blackmagic Studio Fiber Converter позволяет задавать источник команд панорамирования, поступающих на Blackmagic Camera Fiber Converter. Для выбора доступно две опции: разъем PTZ на задней панели конвертера или программный SDI-сигнал с видеомикшера АТЕМ. Подробнее см. раздел «Работа с конвертером Studio Fiber».

Схема распайки интерфейса PTZ

Внешний вид	Контакты	Сигнал
 <p>9-контактный разъем PTZ</p>	1	GND
	2	RS422 Tx-
	3	RS422 Rx+
	4	GND
	5	N/C
	6	GND
	7	RS422 Tx+
	8	RS422 Rx-
	9	GND

Аудиовыходы

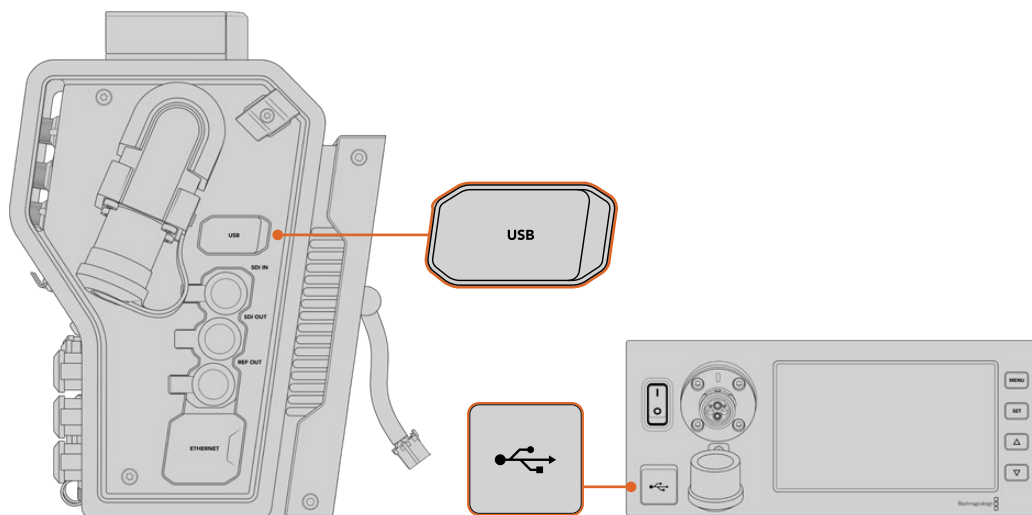
Студийный конвертер имеет четыре аудиовыхода с XLR-разъемом. Два из них служат для вывода звука, поступающего на входы 1 и 2 камеры URSA Broadcast G2 или URSA Mini, два других — для вывода звука, поступающего на XLR-входы модели Camera Fiber Converter.



Выходы 1 и 2 на студийном конвертере по умолчанию соответствуют каналам 1 и 2 встроенного XLR-входа на модели URSA Broadcast G2 или URSA Mini. Выходы 3 и 4 студийного конвертера по умолчанию соответствуют XLR-входам 1 и 2 на Blackmagic Camera Fiber Converter. Эти настройки можно изменить с помощью соответствующего меню. Подробнее см. раздел «Работа с меню».

Обновление программного обеспечения

Для повышения производительности и расширения функционала компания Blackmagic Design периодически выпускает обновления ПО для конвертеров линейки Fiber. Последнюю версию можно загрузить на нашем веб-сайте с помощью утилиты Blackmagic Camera Setup.



Порты USB-C служат для обновления ПО конвертеров линейки Fiber

Обновление ПО на Blackmagic Camera Fiber Converter

Во время обновления ПО конвертер должен быть подключен к питанию, поэтому рекомендуется не отсоединять его от URSA Broadcast G2 или URSA Mini.

Для стабильного энергоснабжения вместо оптоволоконного кабеля по стандарту SMPTE рекомендуется использовать блок питания, поставляемый вместе с камерой.

При обновлении ПО используют порт USB-C, который находится с правой стороны конвертера. Подключите ПК через этот порт и запустите утилиту Blackmagic Camera Setup. Если используемая версия устарела, появится сообщение с предложением обновить ПО конвертера. Для этого следуйте инструкциям на экране.

Обновление ПО на Blackmagic Studio Fiber Converter

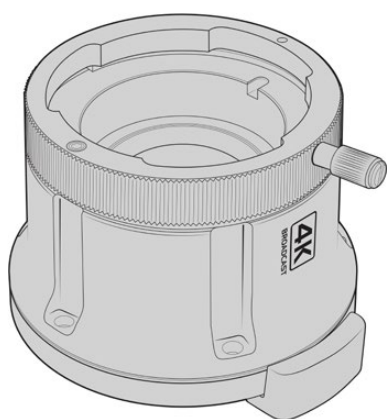
Во время обновления студийный конвертер должен быть подключен к питанию, поэтому рекомендуется не отсоединять силовой кабель по стандарту IEC от задней панели устройства.

Подключите ПК через разъем USB-C на передней стороне студийного конвертера и запустите утилиту Blackmagic Camera Setup. Если используемая версия устарела, появится сообщение с предложением обновить ПО конвертера. Для этого следуйте инструкциям на экране.

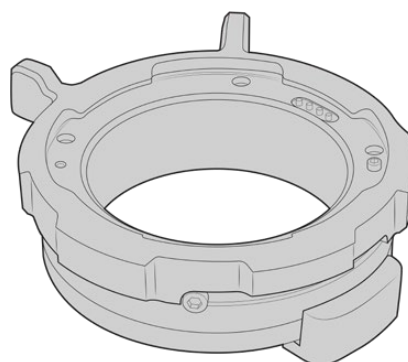
Сменный байонет

Камера Blackmagic URSA Broadcast G2 поставляется с установленным байонетом B4 и дополнительным креплением EF. Сменная конструкция позволяет также использовать комплекты Blackmagic URSA Mini Pro PL Mount и URSA Mini Pro F Mount, которые можно приобрести у дилеров компании Blackmagic Design.

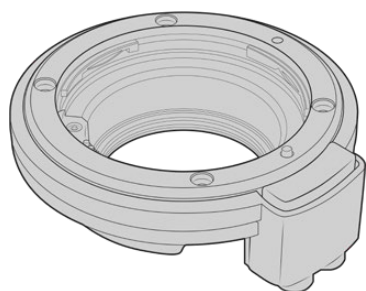
ПРИМЕЧАНИЕ. Байонеты B4 для URSA Mini Pro и URSA Broadcast G2 отличаются друг от друга, потому что они предназначены для работы с разными сенсорами. Используйте только то крепление B4, которое поставляется вместе с камерой URSA Broadcast G2.



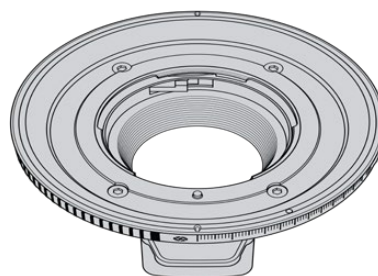
Байонет B4



Байонет PL



Байонет EF



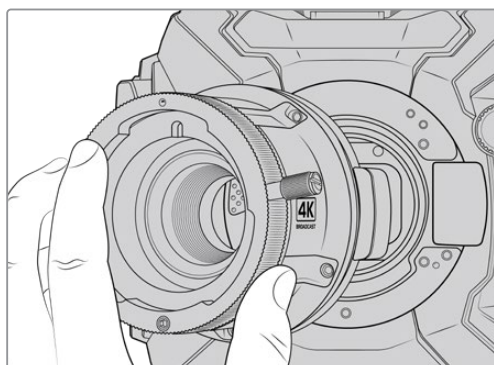
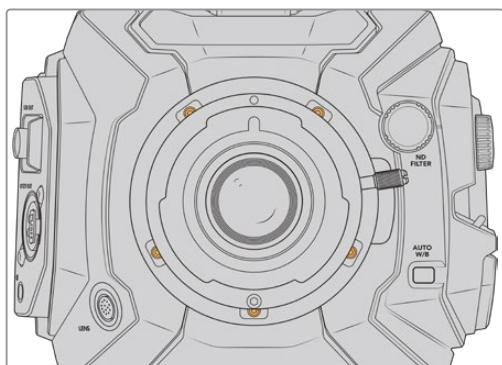
Байонет F

Благодаря совместимости с четырьмя отдельными байонетами можно подобрать оснащение для любых проектов. Например, байонет EF идеально подойдет для фотооптики, а B4-крепление обеспечит работу с парфокальными объективами при съемке новостных репортажей или свадебных церемоний. Байонет PL станет отличным решением при использовании высокоточной профессиональной оптики. Впервые представив крепление F в 1959 году, компания Nikon продолжает выпускать различные объективы на его основе.

Замену штатного B4-байонета новым можно выполнить самостоятельно.

Снятие байонета В4

Чтобы снять байонет В4, достаточно открутить пять винтов М3 с помощью шестигранного ключа 2 мм.



Чтобы демонтировать байонет В4, открутите пять винтов М3 и аккуратно снимите его с корпуса камеры

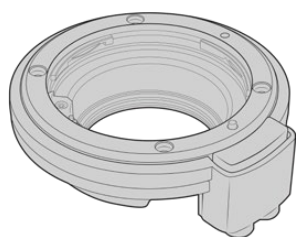
ПРИМЕЧАНИЕ. При демонтаже байонета В4 убедитесь, что прокладка остается на камере.

Ниже содержится описание байонетов PL, В4 и EF, а также их установки на камеру URSA Broadcast G2.

Blackmagic URSA Mini Pro EF Mount

Этот байонет позволяет оснастить камеру фотообъективами с креплением EF.

Комплект Blackmagic URSA Mini Pro EF Mount



Один байонет EF

Этот байонет позволяет оснастить камеру фотообъективами с креплением EF.



Набор регулировочных прокладок

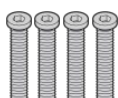
Он включает прокладки толщиной:

0,50 мм	0,18 мм	0,10 мм
0,30 мм	0,15 мм	0,05 мм
0,20 мм	0,12 мм	0,025 мм



Инструмент для манжеты

Манжета в байонете EF не снимается, однако поставляемый в комплекте инструмент для снятия манжеты можно использовать для байонета PL.

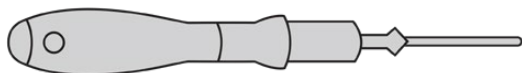


Четыре винта 2 мм x HEX М3 x 18 мм

Эти винты выпускаются специально для байонета EF, поэтому их следует хранить вместе с ним.

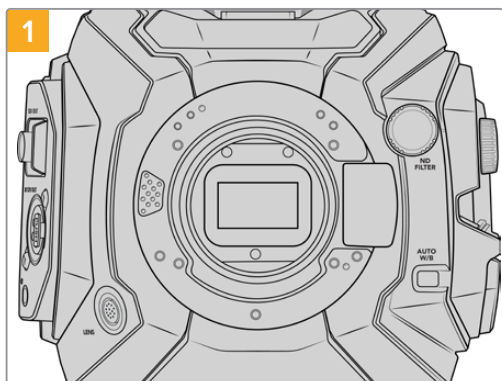
Необходимые инструменты

Для установки байонета EF понадобится шестигранный ключ 2 мм. Рекомендуется также использовать динамометрический ключ с максимальным моментом затяжки 0,45 Н•м, чтобы избежать повреждения резьбового соединения.

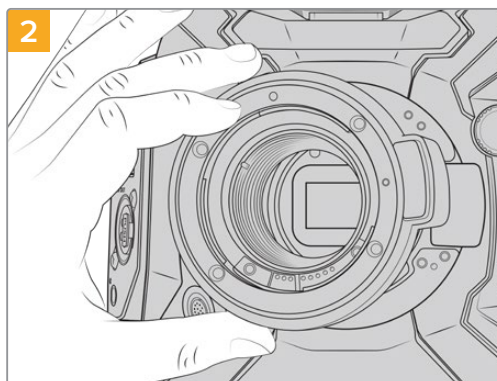


Шестигранный ключ 2 мм

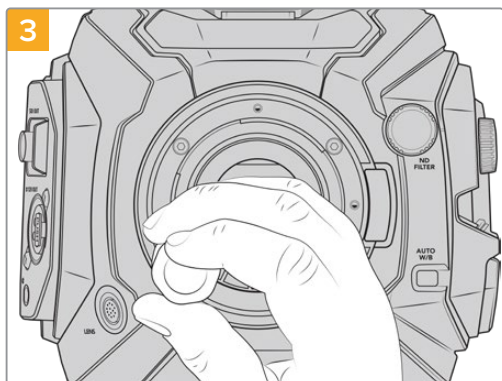
Установка байонета EF



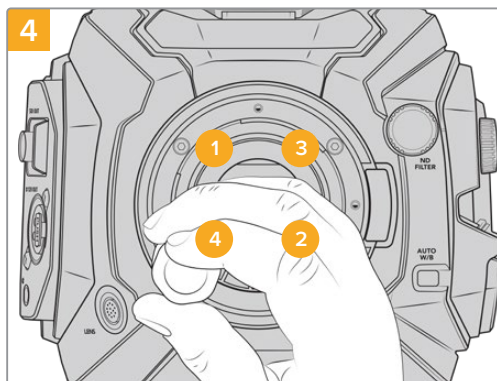
1 Поместите камеру Blackmagic URSA Broadcast G2 вертикально на чистую устойчивую поверхность. При замене байонета с PL на EF снимите манжету.



2 Осторожно установите байонет EF на камеру так, чтобы красная точка находилась в положении «12 часов».



3 Насадите четыре крепежных винта, чтобы обеспечить соприкосновение с кромкой байонета.

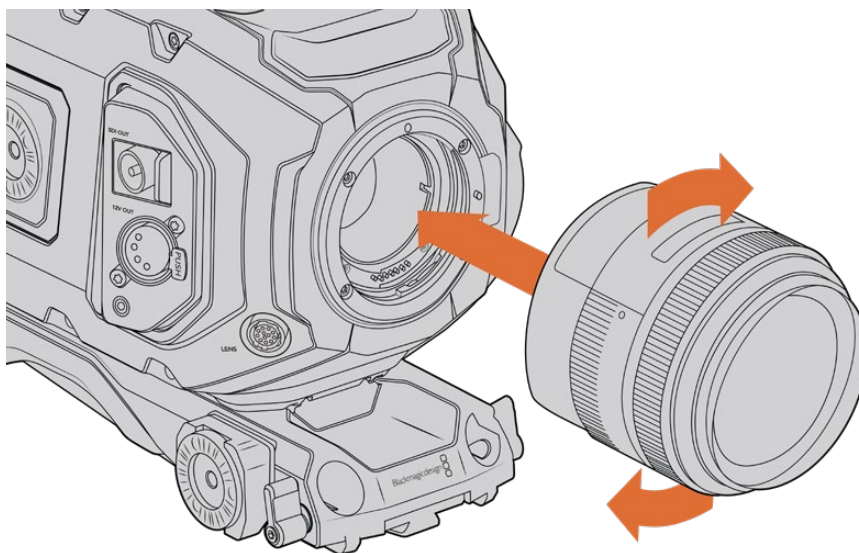


4 Используя динамометрический ключ или шестигранный ключ 2,0 мм, поверните винт 1 на один полный оборот, затем повторите аналогичное действие поочередно для винтов 2, 3, 4 и 5. Продолжайте затягивать винты в указанной последовательности по одному обороту до достижения максимального момента 0,45 Н•м для каждого из них.

ПРИМЕЧАНИЕ. Чтобы снять байонет EF, следуйте инструкциям в обратном порядке с четвертого шага по первый.

Порядок установки объектива с байонетом EF

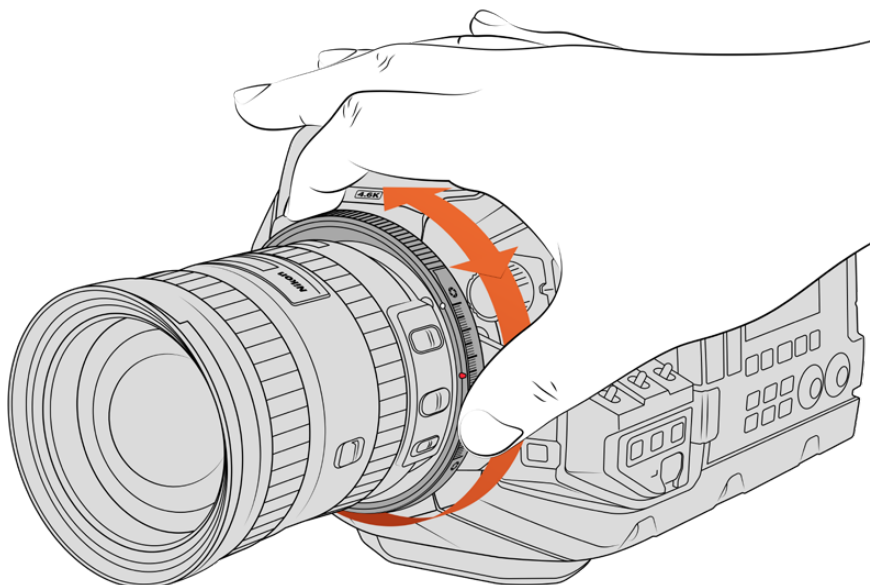
- 1 Совместите метку на объективе с меткой на байонете. Многие объективы имеют указатель в виде синей, красной или белой метки.
- 2 Установите объектив на байонет и поверните по часовой стрелке до конца.
- 3 Чтобы снять объектив, нажмите фиксирующую кнопку, поверните объектив против часовой стрелки до перехода метки или указателя в положение «12 часов», затем осторожно извлеките объектив.



Установка и снятие EF-объектива

Blackmagic URSA Mini Pro F Mount

Если на URSA Broadcast G2 установить байонет Blackmagic URSA Mini Pro F Mount, камеру легко оснастить соответствующей оптикой. Впервые представив этот тип крепления в 1959 году, компания Nikon продолжает выпускать объективы на его основе. Благодаря Blackmagic URSA Mini Pro F Mount у оператора появляются дополнительные возможности работы с винтажной и современной техникой.



Регулирующее кольцо на байонете URSA Mini Pro F Mount позволяет плавно менять значение диафрагмы на объективах с F-креплением

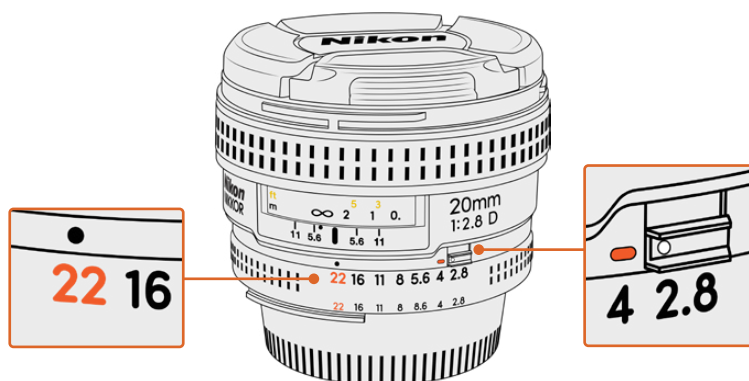
Крепление F представляет собой механический байонет, который не поддерживает электронное управление фокусом. Регулировка диафрагмы выполняется вручную путем вращения кольца, за счет чего большинство объективов Nikon позволяют плавно менять используемое значение.

После установки байонета F поверните регулировочное кольцо для выбора предпочтительной экспозиции. Красная точка на байонете и риски на кольце могут служить своеобразными маркерами, с помощью которых легко вернуться к определенным настройкам экспозиции или глубины резкости.

ПРИМЕЧАНИЕ. Чтобы снять байонет F, следуйте инструкциям в обратном порядке с четвертого шага по первый.

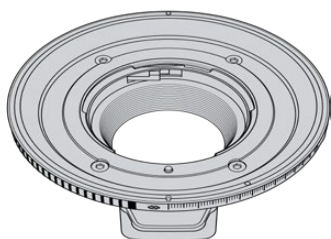
Объективы Nikon AF-D

Чтобы использовать полный диапазон регулировки при работе с оптикой Nikon серии AF-D в комбинации с байонетом URSA Mini Pro F Mount, необходимо выбрать самое малое значение диафрагмы, такое как f/22.



Для оптики серии AF-D рекомендуется установить минимальное значение диафрагмы до оснащения камеры объективом

Комплект Blackmagic URSA Mini Pro F Mount



Один байонет F

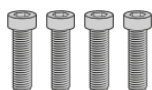
Этот байонет позволяет оснастить камеру фотообъективами с креплением F.



Набор регулировочных прокладок

Он включает прокладки толщиной:

0,50 мм	0,18 мм	0,10 мм
0,30 мм	0,15 мм	0,05 мм
0,20 мм	0,12 мм	0,025 мм



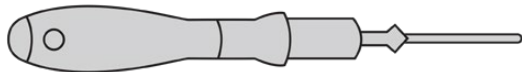
Четыре винта 2 мм x HEX M3 x 18 мм

Эти винты выпускаются специально для байонетов EF и F, поэтому их лучше хранить вместе с ними.

Комплект для установки байонета F также содержит полный набор запасных винтов.

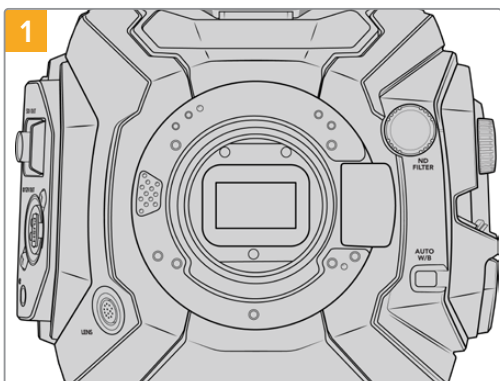
Необходимые инструменты

Для установки байонета F понадобится шестигранный ключ 2 мм. Рекомендуется также использовать динамометрический ключ с максимальным моментом затяжки 0,45 Н•м, чтобы избежать повреждения резьбового соединения.

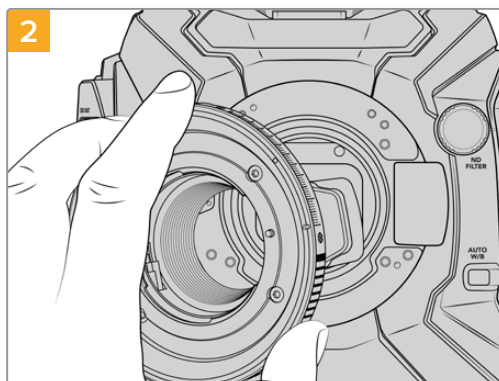


Шестигранный ключ 2 мм

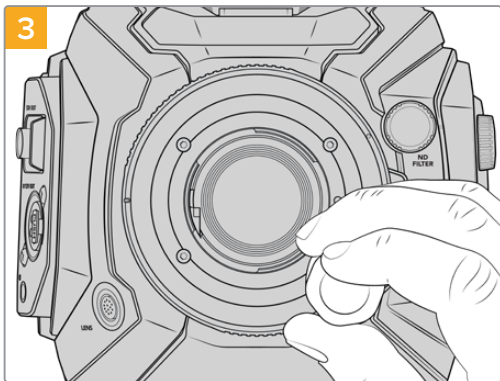
Установка байонета F



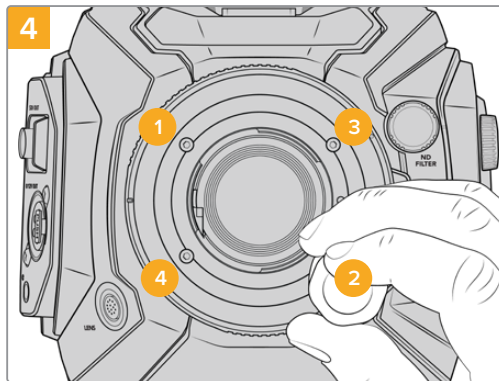
Поместите камеру Blackmagic URSA Broadcast G2 вертикально на чистую устойчивую поверхность. При замене байонета с PL на F снимите манжету.



Осторожно установите крепление F на камеру таким образом, чтобы белая точка была в положении «2 часа».



Насадите четыре крепежных винта, чтобы обеспечить соприкосновение с кромкой байонета.

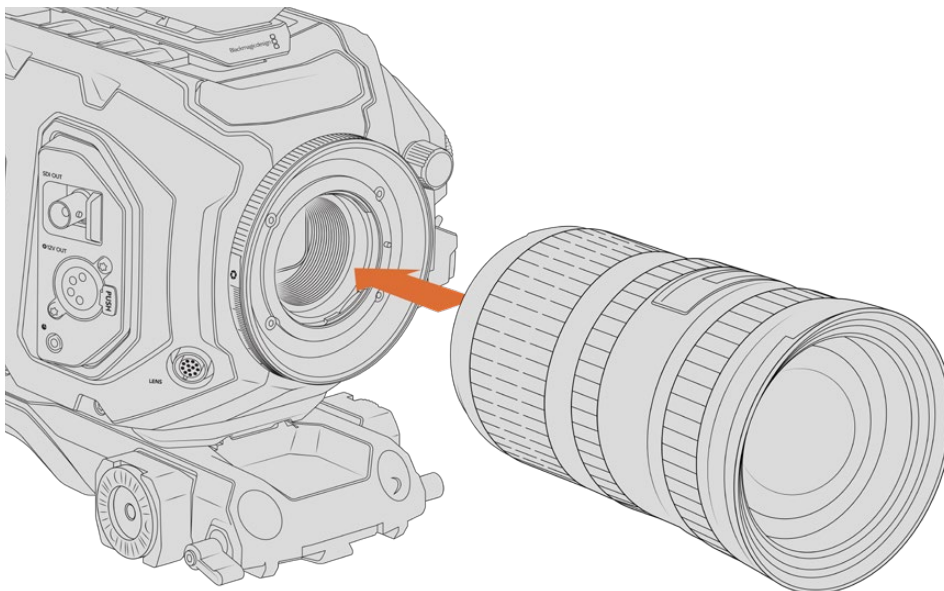


Используя динамометрический ключ или шестигранный ключ 2,0 мм, поверните винт 1 на один полный оборот, затем повторите аналогичное действие поочередно для винтов 2, 3, 4 и 5. Продолжайте затягивать винты в указанной последовательности по одному обороту до достижения максимального момента 0,45 Н•м для каждого из них.

ПРИМЕЧАНИЕ. Из-за особенностей работы байонета URSA Mini Pro F не вся оптика с таким креплением поддерживается.

Это объективы Nikon серии AF-S E, которые не имеют механического управления диафрагмой, и Nikon PC-E (24 мм f/3.5D PC-E и 85 мм PC-E).

Порядок установки объектива с байонетом F



Установка и снятие объектива с F-креплением (Blackmagic URSA Broadcast G2)

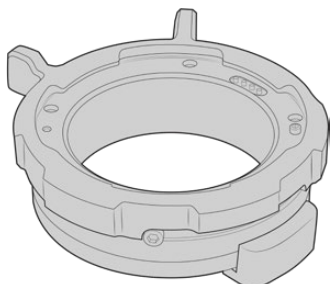
- 1** Совместите метку на объективе с меткой на байонете. Многие объективы имеют указатель в виде синей, красной или белой метки.
- 2** Установите объектив на байонет и поверните против часовой стрелки до конца.
- 3** Чтобы снять объектив, нажмите фиксирующую кнопку, поверните объектив по часовой стрелке до перехода метки или указателя в положение «2 часа», затем осторожно извлеките объектив.

ПРИМЕЧАНИЕ. Blackmagic URSA Mini Pro F имеет механизм ручной регулировки диафрагмы. При работе с байонетом F, имеющим встроенные кольца для настройки диафрагмы, необходимо выбрать минимальное значение апертуры объектива, такое как f/22.

Blackmagic URSA Mini Pro PL Mount

Установив байонет PL на URSA Broadcast G2, можно работать с высокоточными профессиональными объективами, которые широко используются для кино- и телесъемки.

Комплект Blackmagic URSA Mini Pro PL Mount



Один байонет PL

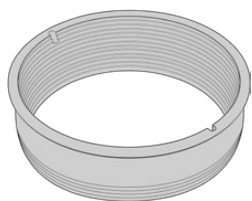
Этот байонет поставляется с пылезащитной крышкой.



Набор регулировочных прокладок

Он включает прокладки толщиной:

0,50 мм	0,18 мм	0,10 мм
0,30 мм	0,15 мм	0,05 мм
0,20 мм	0,12 мм	0,025 мм



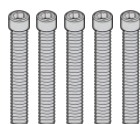
Манжета для байонета PL

Она помогает контролировать и направлять поток света, поступающего на матрицу.



Инструмент для манжеты

Он предназначен для затяжки манжеты.

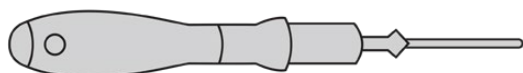


Пять винтов 2 мм x HEX M2.5 x 22 мм

Эти винты выпускаются специально для байонета PL, поэтому их следует хранить вместе с ним.

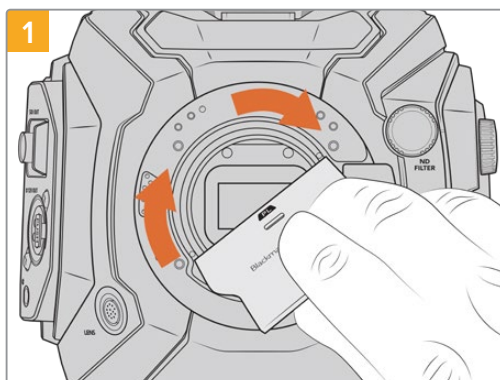
Необходимые инструменты

Для установки байонета PL понадобится шестигранный ключ 2 мм. Рекомендуется также использовать динамометрический ключ с максимальным моментом затяжки 0,45 Н•м, чтобы избежать повреждения резьбового соединения.

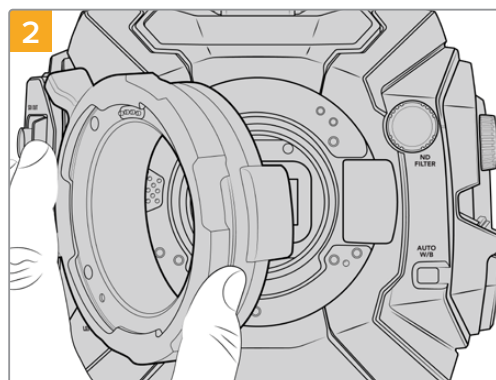


Шестигранный ключ 2 мм

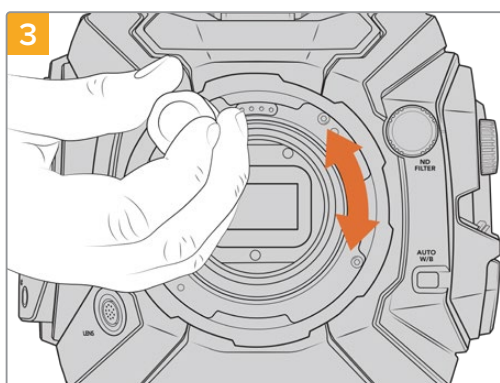
Установка байонета PL



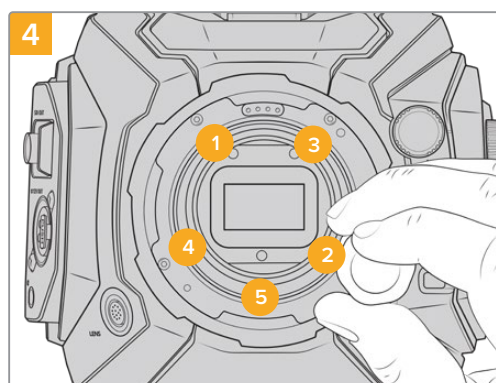
Аккуратно поместите манжету в центр байонета и плотно вверните ее. Затем затяните ее плотнее с помощью инструмента для манжеты, используя широкий конец инструмента.



При использовании оптики Cooke (i Technology) контакты байонета PL должны находиться в положении «12 часов».



Насадите пять крепежных винтов, чтобы обеспечить соприкосновение с кромкой байонета. Для доступа к этим винтам необходимо повернуть фиксирующее кольцо, потому что некоторые отверстия могут быть скрыты.



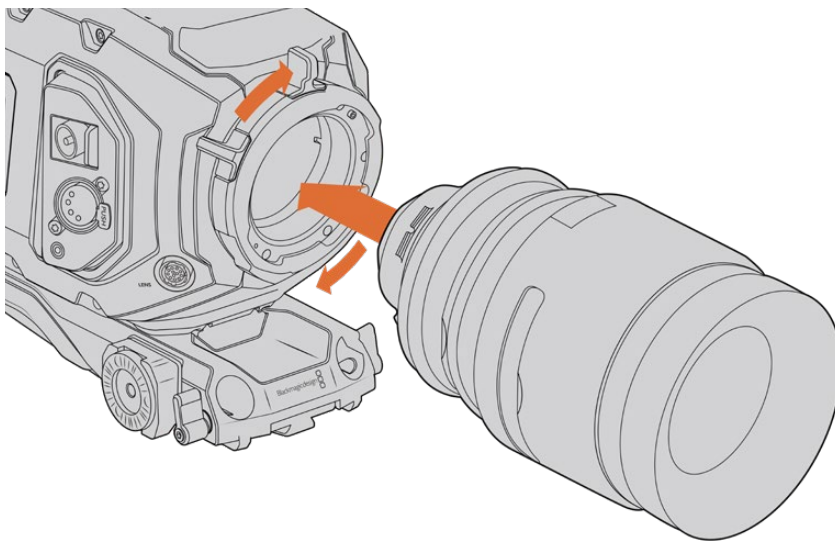
Используя динамометрический ключ или шестигранный ключ 2,0 мм, поверните винт 1 на один полный оборот, затем повторите аналогичное действие поочередно для винтов 2, 3, 4 и 5. Продолжайте затягивать винты в указанной последовательности по одному обороту до достижения максимального момента 0,45 Н•м для каждого из них.

ПРИМЕЧАНИЕ. Чтобы снять байонет PL, следуйте инструкциям в обратном порядке с четвертого шага по первый. Не забудьте снять манжету, которую рекомендуется хранить вместе с байонетом PL.

Порядок установки объектива с байонетом PL

- 1 Поверните фиксирующее кольцо PL-крепления против часовой стрелки до упора.
- 2 Совместите один из четырех выступов с прорезями на объективе и центровочный штифт на байонетном креплении камеры.
- 3 Затяните фиксирующее кольцо PL, повернув его по часовой стрелке до упора. Если объектив с PL-креплением оснащен сервоприводом, при установке на URSA Broadcast G2 его можно подключить через 12-контактный разъем.

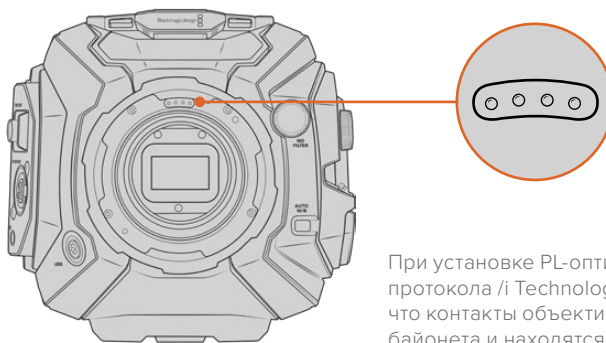
- 4 Чтобы снять объектив, поверните фиксирующее кольцо против часовой стрелки до упора, затем осторожно извлеките объектив, потянув его на себя. При выполнении этого шага не нужно поворачивать объектив.



Установка и снятие PL-объектива

Поддержка протокола Cooke /i Technology

Байонет Blackmagic URSA Mini Pro PL Mount для URSA Broadcast G2 имеет четыре контакта в положении «12 часов», предназначенные для передачи информации по протоколу /i Technology компании Cooke. Он используется на объективах Canon, Cooke, Fujinon, Leica и Zeiss, позволяя вместе с видео записывать целый ряд метаданных, в том числе модель объектива, его настройки, фокусное расстояние и другие параметры.



При установке PL-оптики с поддержкой протокола /i Technology (Cooke) убедитесь в том, что контакты объектива совпадают с контактами байонета и находятся в положении «12 часов».

Информация, записанная в виде метаданных таким способом, может пригодиться при постобработке и добавлении визуальных эффектов. Если известны типы применяемых при съемке объективов и их настройки, это поможет при дублировании параметров.

Кроме того, детальная информация важна при обработке материала в таких приложениях, как DaVinci Resolve и Blackmagic Fusion. Сохраненные метаданные можно использовать для имитации изображения в 3D-пространстве или при исправлении искажений.

PL-объективы с электронным управлением

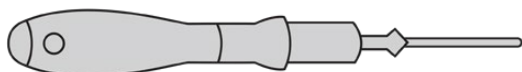
URSA Broadcast G2 поддерживает работу с PL-объективами 35 мм, которые оснащены рукояткой с сервоприводом. Когда оптика подключена к камере через специальный разъем, питание и сигналы управления будут поступать с URSA Broadcast G2 так же, как при использовании V4-объективов. Подробнее см. раздел «Использование объективов с сервоприводом».

Blackmagic URSA Broadcast G2 B4 Mount

Байонет B4 поставляется вместе с камерой URSA Broadcast G2. Если он был заменен на крепление Blackmagic URSA PL, EF или F, то для его обратной установки выполните описанные ниже действия.

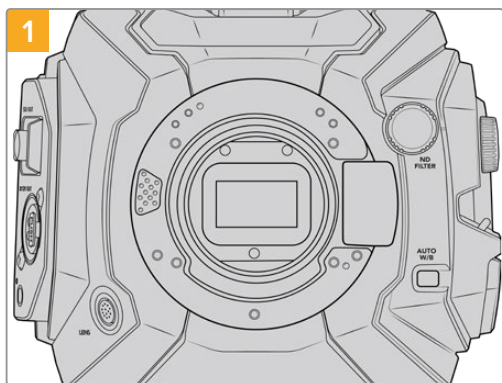
Необходимые инструменты

Для установки байонета B4 понадобится шестигранный ключ 2 мм. Рекомендуется также использовать динамометрический ключ с максимальным моментом затяжки 0,45 Н•м, чтобы избежать повреждения резьбового соединения.

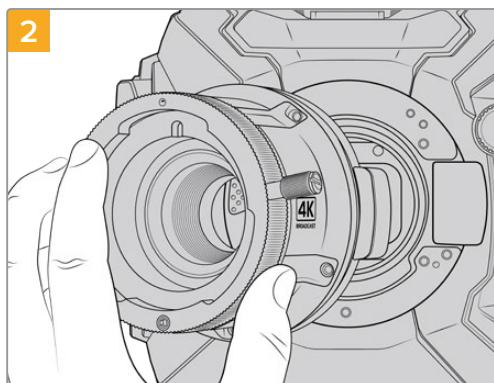


Шестигранный ключ 2 мм

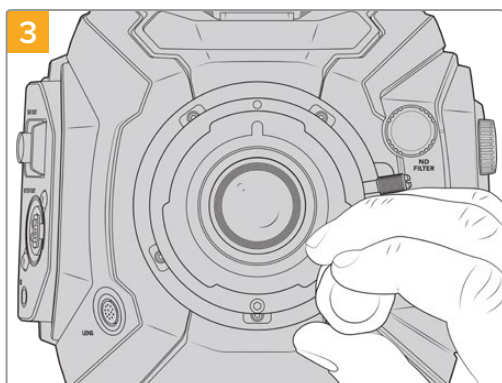
Установка байонета B4 Mount



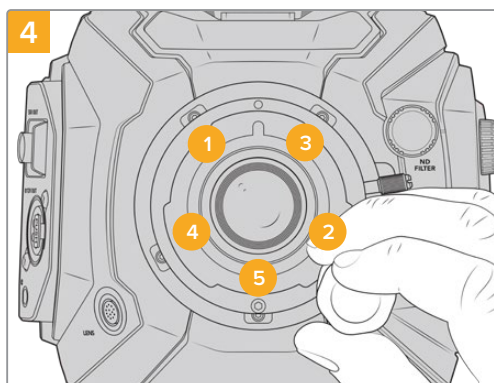
Поместите камеру Blackmagic URSA Broadcast G2 вертикально на чистую устойчивую поверхность.



Установите прокладку 0,50 мм и осторожно поместите крепление B4 на камеру таким образом, чтобы красная точка была в положении «12 часов».



Насадите пять крепежных винтов, чтобы обеспечить соприкосновение с кромкой байонета.



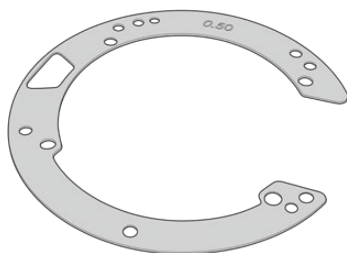
Используя динамометрический ключ или шестигранный ключ 2,0 мм, поверните винт 1 на один полный оборот, затем повторите аналогичное действие поочередно для винтов 2, 3, 4 и 5. Продолжайте затягивать винты в указанной последовательности по одному обороту до достижения максимального момента 0,45 Н•м для каждого из них.

ПРИМЕЧАНИЕ. Чтобы снять байонет B4, следуйте инструкциям в обратном порядке с четвертого шага по первый.

Регулировочные прокладки для байонета

Что такое регулировочная прокладка?

Прокладки представляют собой диски различной толщины, которые позволяют регулировать расстояние между объективом и сенсором камеры URSA Broadcast G2. Это расстояние обычно называют рабочим отрезком. В зависимости от срока службы объектива и условий съемки оно может незначительно меняться.



Прокладки для URSA Broadcast G2

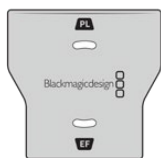
Прокладки устанавливаются между креплением и корпусом камеры, чтобы расстояние от объекта до сенсора соответствовало фокусным меткам на объективе. Наиболее часто они используются для PL-оптики. Подобные кинообъективы с ручной фокусировкой имеют метки, отражающие фокусное расстояние. Для установки сменного байонета на URSA Broadcast G2 используют регулировочные прокладки.

В комплект Blackmagic URSA Mini Pro Shim Kit, который можно приобрести у дилеров компании, входят прокладки разной толщины. Набор регулировочных прокладок также поставляется в комплекте со сменными байонетами и подходит для установки на URSA Broadcast G2. Толщину прокладки выбирают исходя из требований по коррективке.

Blackmagic URSA Mini Pro Shim Kit

Камера URSA Broadcast G2 поставляется с двумя прокладками — пластиковой 0,10 мм и металлической 0,50 мм. Этот набор обеспечивает корректное фокусное расстояние для объективов B4, EF и F. Дополнительные прокладки другой толщины могут понадобиться при установке PL-оптики для правильной работы с фокусными метками. Комплект Blackmagic URSA Mini Pro Shim Kit также включает необходимые инструменты.

Комплект Blackmagic URSA Mini Pro Shim Kit



Инструмент для манжеты

С его помощью можно ослабить или закрепить манжету при снятии или установке PL-объектива на URSA Broadcast G2.



Набор регулировочных прокладок

Он включает прокладки толщиной:

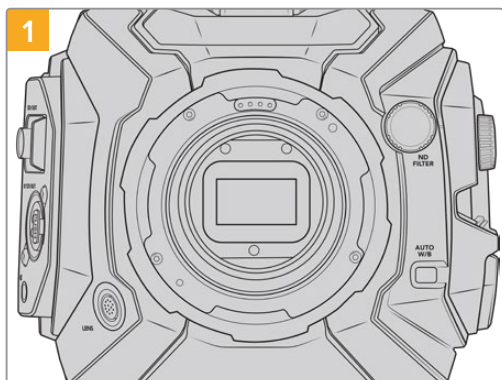
0,50 мм	0,18 мм	0,10 мм
0,30 мм	0,15 мм	0,05 мм
0,20 мм	0,12 мм	0,025 мм

Установка регулировочных прокладок

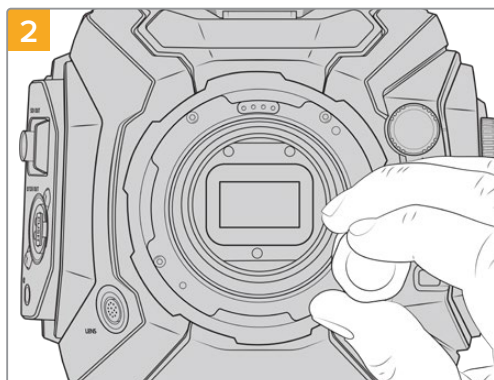
Чтобы установить регулировочную прокладку на камеру, потребуется динамометрический ключ с максимальным моментом затяжки 0,45 Н•м, а также шестигранный ключ 2,0 мм.



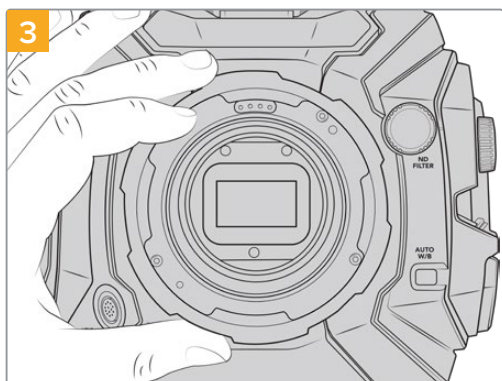
Динамометрический ключ



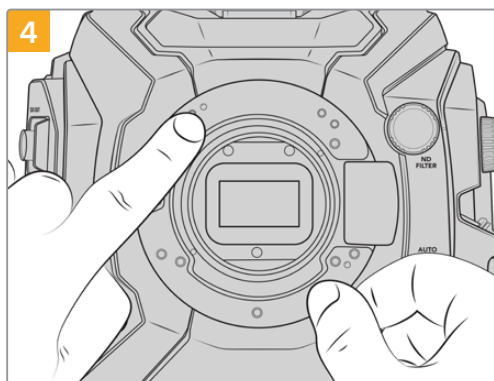
1 Поместите камеру URSA Broadcast G2 вертикально на чистую устойчивую поверхность и снимите объектив или пылезащитную крышку. В таком виде фильтр сенсора не защищен от внешнего воздействия, поэтому важно обеспечить его максимальную чистоту. Во время установки прокладок не касайтесь фильтра руками.



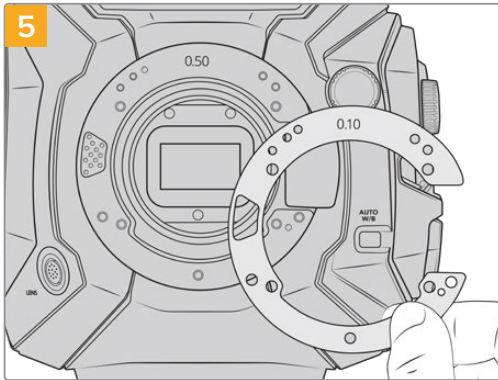
2 С помощью шестигранного ключа 2,0 мм открутите винты байонета. Подробнее о снятии байонета см. раздел «Сменный байонет».



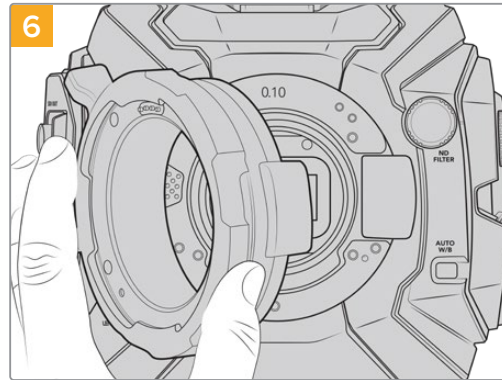
3 Осторожно снимите байонет с корпуса камеры. Положите винты рядом с байонетом.



4 Запомните положение установленной прокладки с центрирующим штифтом («11 часов»).



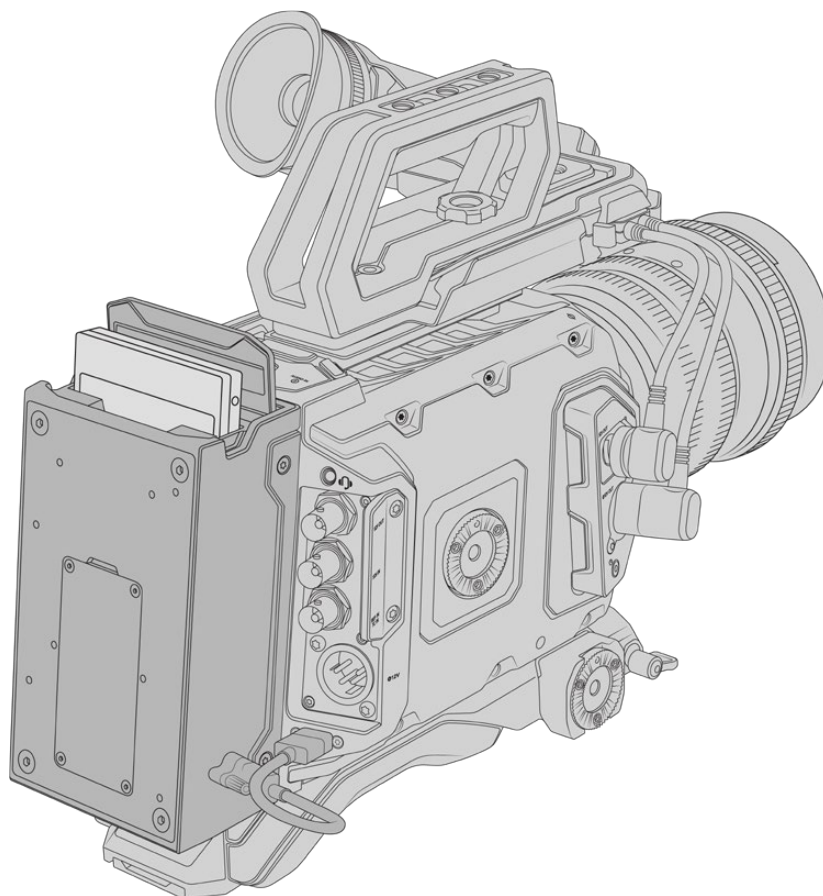
5 Добавьте или снимите прокладки для изменения глубины крепления. Рекомендуется начать с прокладки небольшой толщины, например 0,10 мм.



6 Поместите байонет на корпус камеры, затяните винты и установите назад объектив. Убедитесь в том, что фокусные метки соответствуют фокусному расстоянию. В противном случае повторите действия с 1 по 6 с небольшим шагом изменения прокладки.

URSA Mini Recorder

Дополнительный модуль Blackmagic URSA Mini Recorder крепится к задней панели камеры URSA Broadcast G2. Он позволяет вести запись материала, в том числе в 6K Blackmagic RAW, на недорогие SSD-диски, которые имеют большую емкость.



Набор инструментов для установки URSA Mini Recorder

- Отвертка Phillips
- Отвертка T10 Torx
- Шестигранный ключ 2,0 мм

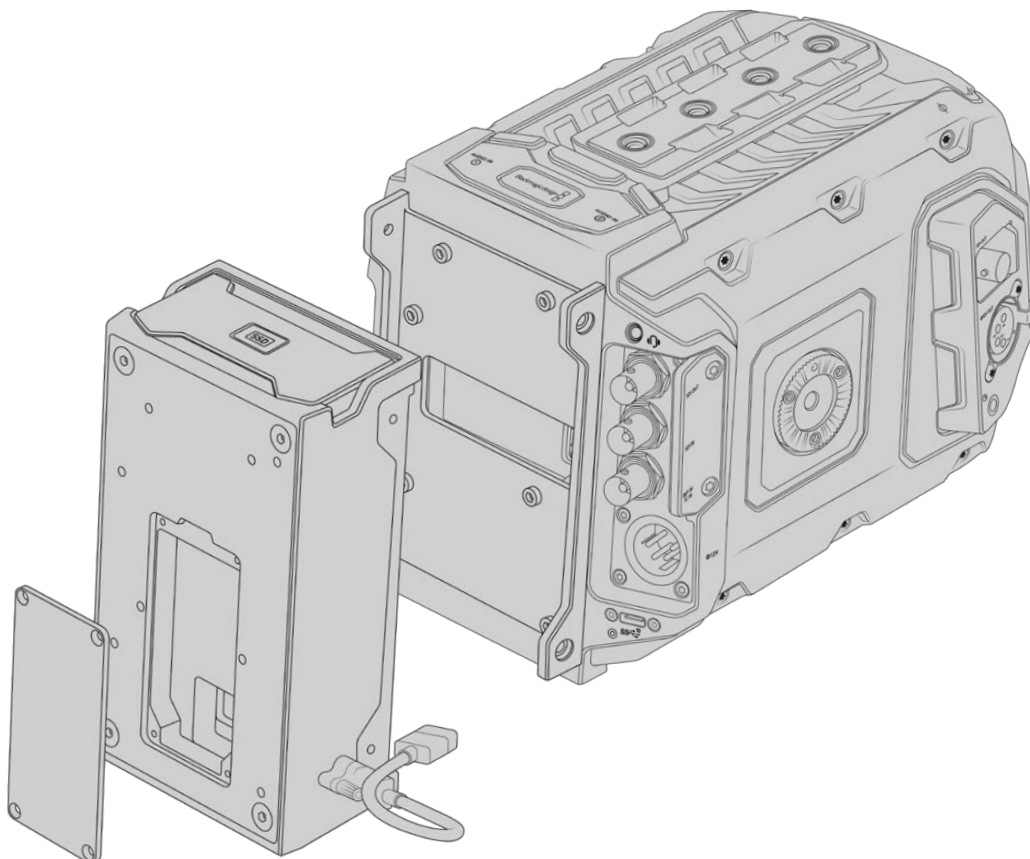


Чтобы установить URSA Mini Recorder на камеру URSA Broadcast G2, потребуются отвертки Phillips и T10 Torx, а также шестигранный ключ 2,0 мм

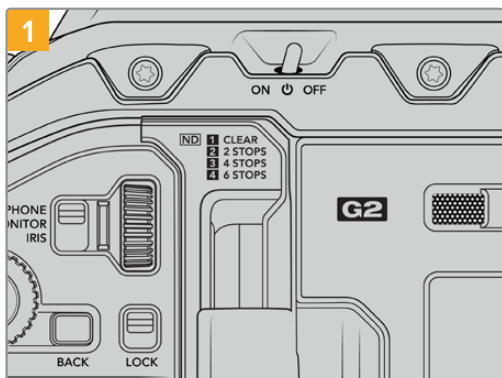
Установка и подключение URSA Mini Recorder

URSA Mini Recorder устанавливают непосредственно на корпус URSA Broadcast G2 и подсоединяют к заднему разъему USB-C, предназначенному для передачи данных.

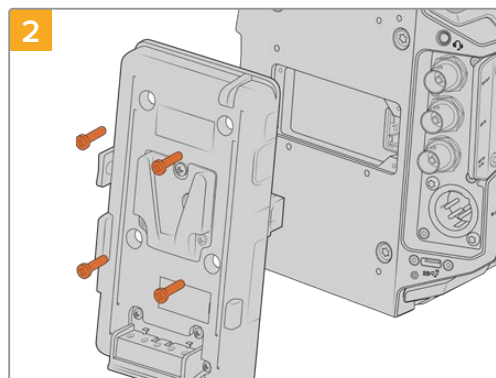
СОВЕТ. URSA Mini Recorder имеет сквозной кабель, который позволяет установить внешние батареи с креплением V-Mount или Gold Mount для энергоснабжения камеры.



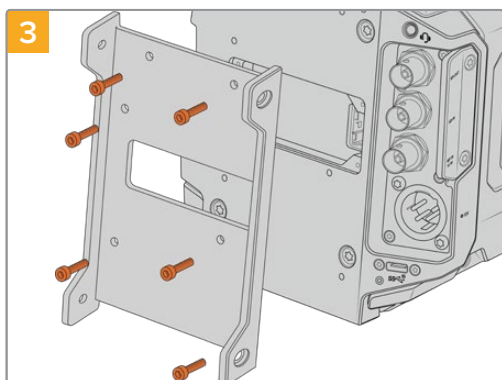
Установка и подключение URSA Mini Recorder



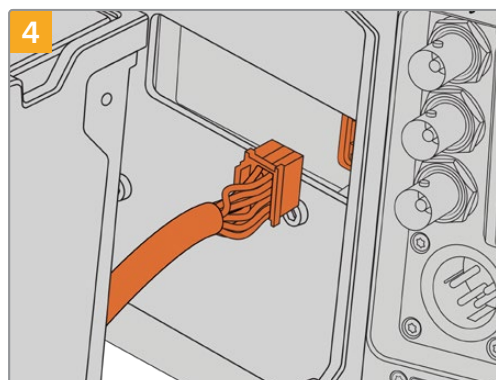
Отключите питание на URSA Broadcast G2, повернув тумблер в положение OFF.



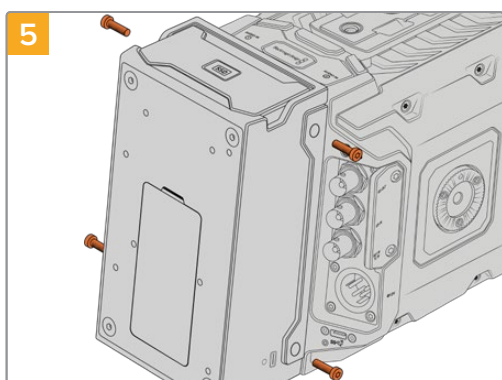
Отсоедините любое имеющееся крепление для батареи. Подробнее см. раздел «Установка аккумуляторной батареи».



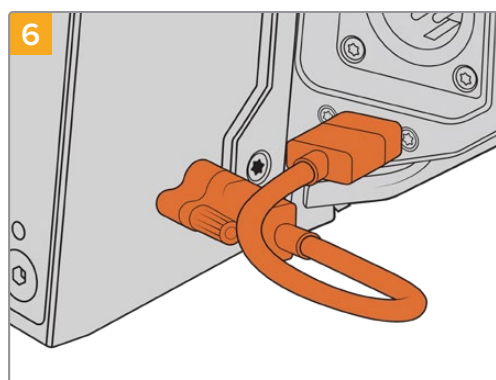
С помощью шести винтов T10 Torx установите крепежный кронштейн для URSA Mini Recorder.



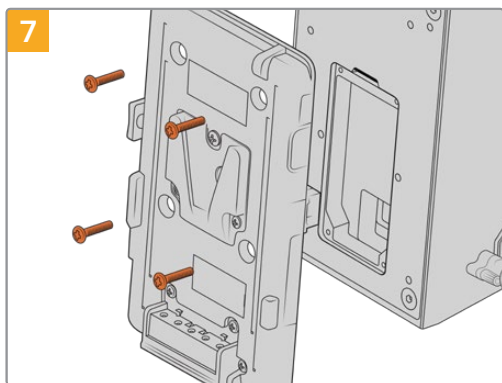
Соедините кабель MoLEX рекордера с соответствующим разъемом MoLEX на задней панели камеры.



Установите URSA Mini Recorder на кронштейн и закрепите с помощью двух винтов T10 Torx с обеих сторон.



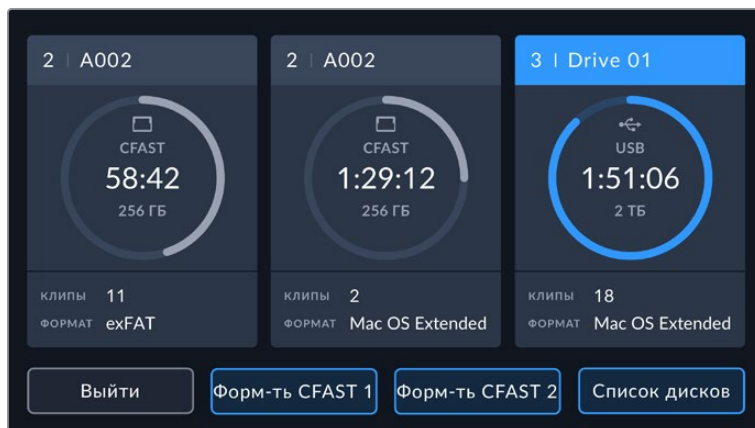
Подключите Mini Recorder кабелем к порту USB-C, расположенному на задней панели камеры URSA Broadcast G2. Затяните фиксаторы пальцами или используйте шестигранный ключ 2,0 мм.



Чтобы установить аккумуляторную пластину на URSA Mini Recorder, открутите четыре винта M3 с крышки разъема MoLEX, используя шестигранный ключ 2,0 мм. После снятия крышки следуйте инструкциям в разделе «Установка аккумуляторной батареи».

Работа с URSA Mini Recorder

После подключения URSA Mini Recorder и установки SSD-диска будет использоваться третий слот камеры URSA Broadcast G2. На панели параметров сохранения для него отображается текст "SSD".



Порядок записи, воспроизведения и сохранения данных на SSD-диски такой же, как при работе с картами CFAST или SD. Подробнее об использовании и выборе SSD-дисков см. раздел «Работа с накопителями».

Индикаторы состояния

На левой стороне устройства URSA Mini Recorder имеется индикатор состояния SSD-диска. В меню «НАСТРОЙКА» камеры допускается установка его яркости: «Низкая», «Средняя», «Высокая» или отключение.

SSD

Индикатор SSD показывает состояние используемого в данный момент носителя. Цвет индикатора соответствует одному из состояний камеры.

Белый	Появляется при включении рекордера и установке связи с камерой URSA Broadcast G2.
Красный	Появляется во время записи материала на SSD-диск. Мигание с длинными интервалами указывает на то, что заканчивается свободное место на носителе. Мигание красным цветом с короткими интервалами указывает на пропуск кадров при записи. В этом случае убедитесь, что SSD-диск входит в перечень рекомендуемых накопителей и используется подходящий битрейт.
Оранжевый	SSD-диск некорректно отформатирован или не поддерживается. Подробнее об использовании SSD-дисков и их форматировании см. раздел «Работа с накопителями».

СОВЕТ. Если индикатор SSD указывает на ошибку при установке накопителя, может потребоваться его инициализация на компьютере с помощью дисковой утилиты или функции управления дисками.

Обновление ПО на URSA Mini Recorder

Для обновления ПО рекордера используйте утилиту Blackmagic Camera Setup. Во время обновления рекомендуется не отсоединять устройство от модели URSA Broadcast G2. Для обеспечения бесперебойного питания она должна быть подключена к внешнему источнику энергии или к аккумулятору.

Подключите ПК к URSA Mini Recorder кабелем USB-C и запустите утилиту Blackmagic Camera Setup. Если используемая версия устарела, появится сообщение с предложением обновить ПО рекордера. Для обновления программного обеспечения следуйте инструкциям на экране. Подробнее см. раздел «Утилита Blackmagic Camera Setup».

СОВЕТ. Для оптимальной производительности рекомендуется одновременно обновлять ПО всей техники Blackmagic URSA.

Управление камерой с помощью ATEM Camera Control

В ATEM Software Control предусмотрена функция для управления камерой Blackmagic URSA Broadcast G2 с видеомикшера ATEM. Это позволяет улучшить качество эфирного изображения за счет использования большого сенсора и широкого динамического диапазона.

Чтобы управлять камерой с видеомикшера, нажмите соответствующую кнопку. При использовании совместимых объективов эта функция позволяет менять настройки диафрагмы, усиления и зума, устанавливать фокус и цветовой баланс, а также выполнять первичный грейдинг с помощью инструмента на основе DaVinci Resolve.

Управление осуществляется посредством передачи пакетов данных через все SDI-выходы видеомикшера, которые не предусматривают понижающую конверсию. Если соединить SDI-выход микшера ATEM со входом 12G-SDI на URSA Broadcast G2, камера будет получать эти пакеты и выполнять необходимые действия в режиме удаленного контроля.



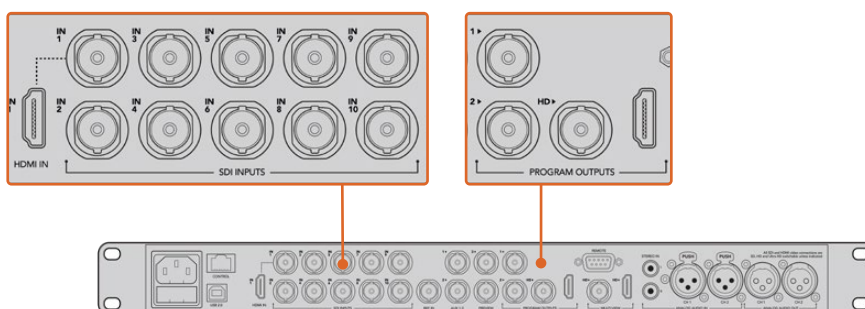
Вкладка «Камера» в приложении ATEM Software Control

ПРИМЕЧАНИЕ. Для лучшей совместимости при использовании камеры Blackmagic URSA Broadcast G2 с видеомикшером ATEM рекомендуется предварительно обновить ПО обоих устройств. Последние версии программного обеспечения можно найти в разделе поддержки Blackmagic Design на странице www.blackmagicdesign.com/ru/support.

Подключение URSA Broadcast G2

- 1 Соедините выход 12G-SDI OUT на URSA Broadcast G2 с любым SDI-входом на видеомикшере ATEM.
- 2 Подключите любой SDI-выход на ATEM (за исключением тех, которые предназначены для понижающей конверсии и многооконного мониторинга) ко входу 12G-SDI на URSA Broadcast G2. SDI-выходы для понижающей конверсии и многооконного мониторинга не используются для передачи сигналов управления камерой.
- 3 В меню «НАСТРОЙКА» на URSA Broadcast G2 выберите «КОД КАМЕРЫ В ATEM» и задайте идентификатор камеры в соответствии со входом видеомикшера. Например, если URSA Broadcast G2 1 подключена ко входу Cam 1 на ATEM, для Camera Number нужно выбрать «1». Правильная настройка обеспечивает передачу сигналов индикации на нужную камеру.

- 4 В меню «НАСТРОЙКА» выберите источник синхронизации. При подключении к АТЕМ рекомендуется всегда использовать настройку «Прогр.», за исключением случаев, когда видеомикшер и всю подключенную к нему технику синхронизируют по внешнему устройству.
- 5 Перейдите в меню «МОНИТОРИНГ» и убедитесь, что для настройки «Основной SDI» выбрана опция «ЧИСТЫЙ СИГНАЛ». В этом случае передаваемый на микшер SDI-сигнал не будет отображать служебные параметры и инструменты, используемые для помощи при фокусировке.



Подключите URSA Broadcast G2 к любому SDI-входу видеомикшера АТЕМ

Использование функции управления камерами

Запустите ATEM Software Control и выберите «Камера» в нижней части программного интерфейса. На экране будут отображаться окна управления камерами, которые содержат мощные инструменты для корректировки параметров изображения. В работе с этими инструментами используют кнопки или указатель мыши.

Выбор камеры для управления

С помощью кнопок в верхней части панели выбирают номер камеры, которой будут управлять. Если все нужные камеры не помещаются на экране или открыто окно цветокоррекции, эти кнопки можно использовать для переключения между устройствами. Когда изображение выводится через дополнительный выход, при их нажатии на монитор поступает сигнал соответствующей камеры.



Используйте значок настроек, чтобы выбрать дополнительный выход для управления камерой

Строка состояния

Строка состояния находится в верхней части каждого окна управления и содержит название камеры, индикатор On Air и кнопку блокировки. Чтобы заблокировать все элементы управления отдельной камерой, нажмите кнопку блокировки. При передаче сигнала в эфир строка состояния становится красной и содержит текст On Air.



В каждом окне управления отображается строка состояния, поэтому режиссер всегда знает, какое изображение передается в эфир. Цветовые круги позволяют по отдельности менять параметры тени, полутона и света для каждого канала, используемого в YRGB-обработке.

Цветовой круг

Цветовой круг представляет собой мощную функцию цветокоррекции DaVinci Resolve. Она используется, чтобы по отдельности менять параметры света, полутона и тени для каждого канала в пространстве YRGB. Нужные параметры выбирают с помощью трех кнопок, расположенных над цветовым кругом.

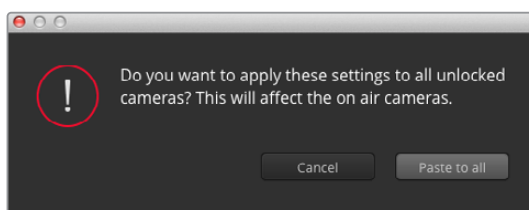
Общий регулятор

Общий регулятор находится под цветовым кругом и предназначен для одновременного изменения контраста во всех каналах YRGB-обработки или только яркости для отдельного параметра: света, полутона или тени.

Кнопки сброса

Кнопка сброса находится вверху справа от каждого инструмента цветокоррекции и позволяет выбрать настройки, которые нужно сбросить, скопировать или вставить. Для каждого цветового круга предусмотрена отдельная кнопка. Нажмите кнопку, чтобы вернуться к первоначальному состоянию или скопировать/вставить настройку. При использовании функции «Вставить» настройки заблокированных окон не затрагиваются.

Кнопка общего сброса, которая находится в верхнем правом углу окна цветокоррекции, позволяет вернуться к исходным параметрам света, полутона и тени на цветовом круге и отменить изменения контраста, оттенка, насыщенности и баланса яркости. Настройки цветокоррекции можно скопировать только для отдельных окон управления или применить сразу ко всем камерам, если нужно получить однородное изображение. При использовании функции «Вставить» настройки диафрагмы, фокуса, уровня черного и диапазона не затрагиваются. При выборе команды «Вставить для всех» выводится сообщение, предлагающее подтвердить действие. Это защищает от случайного копирования настроек в незаблокированные окна управления камерами, сигналы которых передаются в эфир.



При выборе команды «Вставить для всех» выводится сообщение, предлагающее подтвердить действие. Это защищает от случайного копирования настроек в незаблокированные окна управления камерами, сигналы которых передаются в эфир.

Управление диафрагмой/уровнем черного

Для управления диафрагмой/уровнем черного используется кнопка на пересечении двух линий в окне. Когда сигнал камеры выводится в эфир, она становится красной.

Чтобы открыть или закрыть диафрагму, перетащите кнопку вверх или вниз с помощью мыши. Если удерживать нажатой клавишу SHIFT, будут меняться только параметры диафрагмы.

ПРИМЕЧАНИЕ. При подключении к АТЕМ убедитесь, что автоматическая экспозиция выключена. При установке диафрагмы, зума или фокуса убедитесь, что установленные объективы поддерживают управление электронным способом непосредственно на самой камере.

При использовании объективов В4 или PL, подключенных к URSA Broadcast G2 через 12-контактный разъем, проверьте настройку диафрагмы на рукоятке. Она должна быть установлена в положение А (или Auto).

Чтобы установить максимальный или минимальный уровень черного, перетащите кнопку влево или вправо. Если удерживать нажатой клавишу Cmd (на Mac) или Ctrl (на Windows), будут меняться только параметры уровня черного.



Когда сигнал камеры выводится в эфир, кнопка управления диафрагмой/уровнем черного становится красной

Управление зумом

При использовании объектива с функцией электронного управления менять настройку зума можно в удаленном режиме. Этот инструмент работает так же, как переключатель зума на объективе, с помощью которого переходят от обычного плана к крупному. Нажмите значок над слайдером «Диапазон» и передвиньте его вверх, чтобы увеличить изображение, или вниз, чтобы уменьшить.

Если объектив не имеет функции активного управления или если камера не поддерживает зуммирование через SDI-интерфейс, изменить настройку таким способом нельзя. Например, EF-объективы не оснащены встроенным сервоприводом, поэтому они не поддерживают масштабирование изображения с программной панели.

ПРИМЕЧАНИЕ. Аналоговые объективы с В4-креплением не поддерживают масштабирование с помощью АТЕМ. Подробнее см. раздел «Использование объективов с сервоприводом».

Настройка диапазона

Этот слайдер находится слева от инструмента управления диафрагмой/уровнем черного и используется для ограничения диапазона диафрагмы. Он позволяет не выпускать в эфир изображение с избыточной экспозицией.

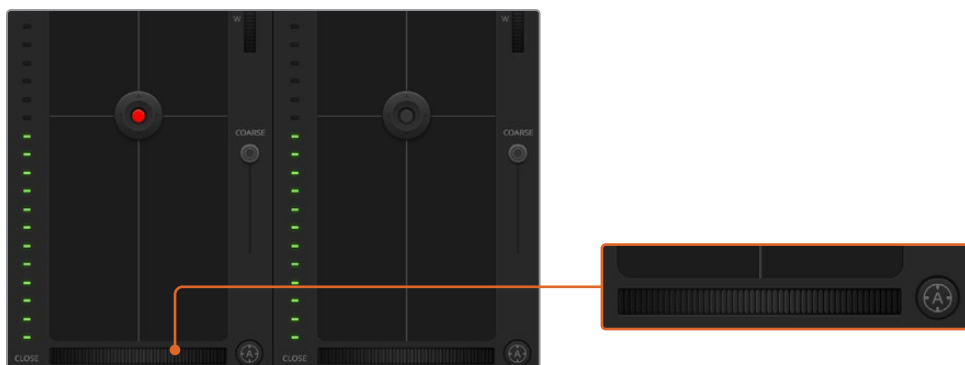
Чтобы задать пороговое значения, полностью откройте диафрагму с помощью соответствующего инструмента управления, затем перетащите слайдер вверх или вниз для установки оптимальной экспозиции. После этого при корректировке диафрагмы порог диапазона будет ограничивать выход за установленные пределы экспозиции.

Индикатор диафрагмы

Индикатор находится слева от инструмента управления диафрагмой/уровнем черного и визуально показывает уровень раскрытия диафрагмы. Его параметры зависят от настройки диапазона.

Кнопка автофокуса

Кнопка автофокуса находится в нижнем правом углу каждого окна управления. Если используется объектив с активным управлением и поддержкой электронной регулировки, при нажатии этой кнопки фокус будет установлен автоматически. Важно помнить, что некоторые объективы также допускают ручную установку фокуса, поэтому для применения данной функции необходимо выбрать автоматический режим. Для этого иногда достаточно сдвинуть вперед или назад фокусное кольцо на объективе. На В4-объективах с сервоприводом установите переключатель в нижней части рукоятки в положение "Servo".



Нажмите кнопку автофокуса или передвиньте слайдер вправо или влево, чтобы установить фокус на объективе с электронным управлением

Ручная установка фокуса

Для ручной установки фокуса с помощью АТЕМ Camera Control можно использовать инструмент регулировки в нижней части окна управления. Для настройки резкости передвиньте слайдер вправо или влево в момент просмотра изображения с камеры.

Ручная установка фокуса с видеомикшера доступна только при использовании В4- и PL-объективов с сервоуправлением. Поскольку EF-объективы не поддерживают такую функцию, ручная установка для них невозможна.

Усиление чувствительности

При работе в меняющихся условиях освещения для достижения оптимального результата необходимо увеличивать или уменьшать усиление сигнала. Для этого нажмите стрелку справа или слева.

Видеомикшер ATEM отображает значение усиления в дБ. Ниже показаны настройки усиления.

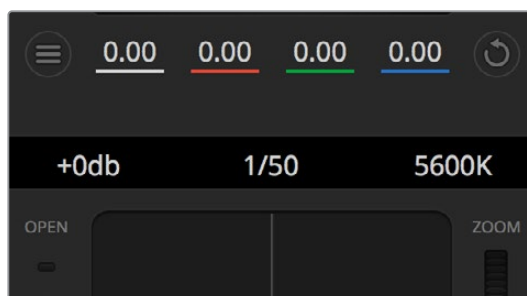
Усиление
-6
0
+6
+12
+18

Настройки усиления отображаются в дБ

Управление выдержкой

Эта настройка определяет скорость раскрытия затвора на URSA Broadcast G2.

Инструмент настройки выдержки находится между цветовым кругом и кнопкой управления диафрагмой/уровнем черного. Чтобы уменьшить или увеличить значение, наведите указатель мыши на индикатор выдержки и щелкните по левой или правой стрелке.



Наведите указатель мыши на индикаторы усиления, выдержки и баланса белого, затем выберите нужные стрелки, чтобы изменить настройки

ПРИМЕЧАНИЕ. Настройка выдержки, выбранная с помощью программной панели ATEM, имеет приоритет над аналогичной настройкой на URSA Broadcast G2. При подключении к видеомикшеру изменить выдержку затвора на самой камере нельзя.

В таблице ниже показаны доступные настройки выдержки и соответствующие им значения угла раскрытия затвора. Обратите внимание, что некоторые настройки выходят за границы диапазона угла затвора, который составляет 11,25-360 градусов. В этих случаях используется ближайшее значение угла раскрытия затвора.

При подключении URSA Broadcast G2 к видеомикшеру ATEM текущая настройка выдержки отображается на экране камеры и выводится также на видоискатель URSA Viewfinder.

Выдержка	Угол затвора при 23,98 к/с	Угол затвора при 24 к/с	Угол затвора при 25 к/с	Угол затвора при 29,97 к/с	Угол затвора при 50 к/с	Угол затвора при 59,94 к/с
1/50	172,7	172,8	180	215,8	360	360*
1/60	143,9	144	150	179,8	300	359,6
1/75	115,1	115,2	120	143,9	240	287,7
1/90	95,9	96	100	120	200	239,8
1/100	86,3	86,4	90	107,9	180	215,8
1/120	71,9	72	75	89,9	150	179,8
1/150	57,5	57,6	60	71,9	120	143,9
1/180	48	48	50	59,9	100	119,9
1/250	34,5	34,6	36	43,2	72	86,3
1/360	24	24	25	29,97	50	59,94
1/500	17,3	17,3	18	21,6	36	43,2
1/725	11,9	11,9	12,4	14,9	24,8	29,8
1/1450	11,25*	11,25*	11,25*	11,25*	12,4	14,9
1/2000	11,25*	11,25*	11,25*	11,25*	11,25*	11,25*

*Если значение выдержки выходит за границы диапазона угла затвора на URSA Broadcast G2, используется ближайшее значение

СОВЕТ. Уменьшение выдержки позволяет увеличить яркость изображения, не прибегая к усилению сигнала камеры, потому что в этом случае возрастает время экспозиции сенсора. Также это снижает или устраняет мерцание света при съемке вблизи флуоресцентных ламп. Увеличение выдержки сокращает размытость и помогает получить чистое и резкое изображение при съемке динамичных сцен.

Баланс белого

Установить баланс белого можно с помощью стрелок, находящихся по обе стороны от индикатора цветовой температуры (рядом с инструментом управления выдержкой). Эта настройка помогает корректировать баланс белого в зависимости от используемых в данный момент источников освещения.

Первичная цветокоррекция с помощью инструментов DaVinci Resolve

Если у вас есть опыт цветокоррекции, то для управления камерой можно переключиться на интерфейс, который используется при первичной установке цвета в системах постобработки.

Blackmagic URSA Broadcast G2 имеет инструмент первичной цветокоррекции DaVinci Resolve. Те, кто знаком с DaVinci Resolve, могут привычным способом выполнять грейдинг в URSA Broadcast G2 при работе в прямом эфире. Панель цветокоррекции раскрывается из любого окна управления камерой и дает возможность выполнять расширенную установку цвета с дополнительными настройками.

Для этого используются цветовые круги и такие параметры, как насыщенность, а настройки для областей тени, полутона и света все время остаются на экране. Чтобы перейти к тому или иному изображению, достаточно выбрать нужную камеру в верхней части окна.

COBET. Цветокоррекция DaVinci Resolve применяется к изображению на SDI-выходе камеры URSA Broadcast G2 и к видео, записанному в ProRes. Она не используется для файлов в формате RAW, так как они предназначены для дальнейшей постобработки. Тем не менее при сохранении в RAW цветокоррекция для сигнала на SDI-выходе доступна.



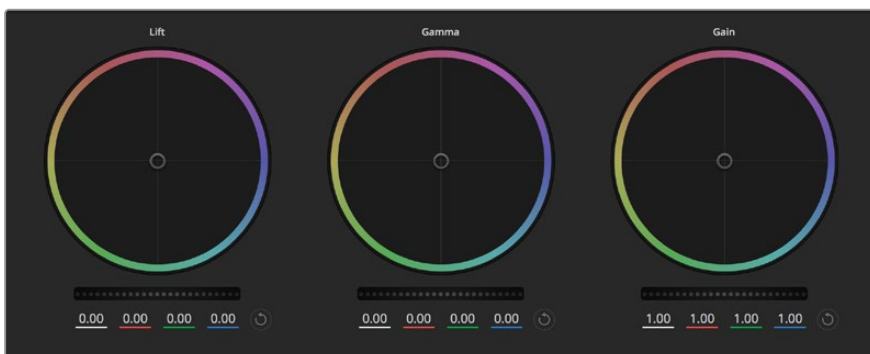
Нажмите кнопку DaVinci Resolve, чтобы развернуть окно цветокоррекции и изменить настройки

Цветовые круги

Инструменты «Тени», «Гамма» и «Свет» позволяют изменить взаимосвязанные между собой параметры цвета в изображении. В терминах фотографии эти инструменты соответствуют областям тени, полутона и света.

Порядок работы с цветовыми кругами для внесения небольших или масштабных изменений

- **Нажмите кнопку мыши и протяните курсор в любом месте цветового круга.**
Обратите внимание, что передвигать сам индикатор цветового баланса не нужно. По мере перемещения индикатора параметры RGB внизу также будут меняться, отражая корректировку каждого канала.
- **Нажмите на клавишу SHIFT и протяните курсор в любом месте цветового круга.**
Это действие поставит индикатор цветового баланса в точку, где находится указатель мыши, что ускорит процесс работы.
- **Щелкните кнопкой мыши дважды внутри цветового круга.**
Это действие позволяет сбросить изменения настроек без использования главного регулятора.
- **Нажмите кнопку сброса, расположенную сверху справа от цветового круга.**
Это позволяет отменить все предыдущие установки цветового баланса и соответствующего общего регулятора.



Цветовые круги для работы с параметрами тени, полутона и света на панели цветокоррекции

Общие регуляторы

Общие регуляторы, расположенные под цветовыми кругами, позволяют изменять параметры тени, полутона и света для каждого канала YRGB-обработки.

Порядок работы с общим регулятором

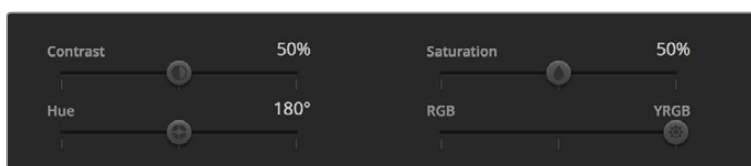
- Передвиньте регулятор вправо или влево.** При перемещении влево происходит затемнение выбранного параметра, а при движении вправо этот параметр становится светлее. При выполнении подобного действия отображаемые внизу параметры YRGB будут меняться соответствующим образом. Для изменения только яркости (Y) передвиньте регулятор влево или вправо при нажатой клавише Alt или Cmd. Так как для цветокоррекции используется обработка YRGB, с помощью этой операции можно получить самые оригинальные изображения. Корректировка яркости дает наилучшие результаты, когда индикатор баланса яркости установлен в правое положение. В этом случае применяется обработка YRGB, в то время как при левом положении используется традиционная обработка RGB. Как правило, большинство колористов предпочитают первый вариант, потому что он дает больше возможностей управления цветом. Общая настройка параметра света при этом не затрагивается, поэтому необходимый результат достигается быстрее.



Для изменения параметров передвиньте общий регулятор вправо или влево

Настройка «Контраст»

Этот инструмент позволяет устанавливать диапазон между самой темной и самой светлой частью изображения. При его использовании достигается такой же эффект, как при работе с общими регуляторами «Тени» и «Свет», когда с их помощью выполняют противоположные корректировки. По умолчанию установлено значение 50%.



Для изменения контраста, насыщенности, оттенка и баланса яркости передвиньте слайдеры вправо или влево

Настройка «Насыщенность»

С помощью этого инструмента увеличивают или уменьшают насыщенность цвета в изображении. По умолчанию установлено значение 50%.

Настройка «Оттенок»

Эта настройка показывает все возможные тона по периметру цветового круга. По умолчанию установлено значение 180 градусов, которое показывает исходное распределение цветовых тонов. Увеличение или уменьшение этого значения позволяет переходить к оттенкам по часовой стрелке или против нее в поле распределения тонов на цветовом круге.

Настройка баланса яркости

Blackmagic URSA Broadcast G2 имеет функцию первичной цветокоррекции на основе DaVinci Resolve. Системы DaVinci используются с начала 80-х гг. XX века, и именно их чаще всего выбирают крупные голливудские студии для постобработки своих фильмов.

Такой функционал превращает URSA Broadcast G2 в мощный инструмент решения творческих задач. Одной из отличительных черт является обработка YRGB.

При установке цвета можно выбрать пространство RGB или YRGB. Колористы предпочитают использовать YRGB, потому что в этом случае грейдинг становится более точным и появляется возможность независимой корректировки каналов.

Если для индикатора выбрано крайнее правое положение, используется 100% обработка в YRGB. Если для настройки баланса яркости выбрано крайнее левое положение, используется 100% обработка RGB. Для этого параметра можно установить любое значение между правым и левым положениями, чтобы получить изображение с комбинацией RGB и YRGB.

Так как грейдинг является абсолютно творческим процессом, выбор той или иной настройки полностью зависит от предпочтений пользователя.

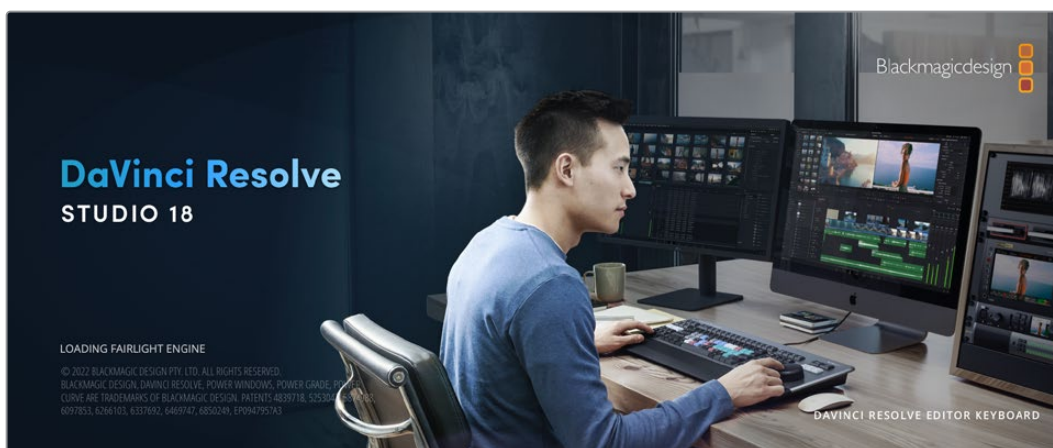
Синхронизация настроек

При подключении камеры Blackmagic URSA Broadcast G2 к видеомикшеру она получает сигналы управления с ATEM. Если кто-то случайно изменит настройки на самой камере, они будут отменены в автоматическом режиме для соблюдения синхронизации.

СОВЕТ. Если вход 12G-SDI на URSA Broadcast G2 отключить от видеомикшера, камера будет по-прежнему использовать настройки цветокоррекции, выполненные с помощью инструмента DaVinci Resolve. Это позволяет изменить ракурс съемки без повторной установки параметров изображения. Для возврата к первоначальным настройкам выключите URSA Broadcast G2 после отсоединения от микшера и затем снова включите.

Работа с DaVinci Resolve

Съемка на Blackmagic URSA Broadcast G2 — это только один из этапов создания кино и телевизионных программ. Не менее важную роль играют сохранение материала и его систематизация, в том числе монтаж, цветокоррекция и кодировка конечных мастер-копий. В комплект поставки Blackmagic URSA Broadcast G2 входит приложение DaVinci Resolve для платформ Mac и Windows, что делает камеру полноценным решением для производства и обработки контента.



ПРИМЕЧАНИЕ. Для получения оптимального результата рекомендуется использовать актуальную версию приложения DaVinci Resolve (начиная с 18-й). Она обеспечит точную цветопередачу для модели URSA Broadcast G2 и поддержку новейших функций кодека Blackmagic RAW, таких как стабилизация изображения с использованием данных гироскопа, полученных с помощью сенсора движения.

При подключении SSD-диска, карты CFast или SD к компьютеру система DaVinci Resolve позволяет получить резервные копии с помощью инструмента клонирования на странице «Мультимедиа». Дублирование рекомендуется для любых накопителей, так как ни один из них не защищен от повреждений, из-за которых легко утратить отснятый материал. Имея резервные копии, клипы можно добавить в окно «Медиатека», чтобы затем выполнить монтаж, цветокоррекцию и создать конечный продукт без использования других приложений.

Благодаря наличию функций редактирования DaVinci Resolve является не только системой нелинейного монтажа, но и современным приложением для обработки цифрового кино. Теперь любой пользователь DaVinci Resolve имеет доступ к инструментам, с помощью которых создают самые известные голливудские фильмы.

Ниже описан порядок использования DaVinci Resolve при монтаже полученного во время съемки материала. Чтобы узнать больше о функционале этого приложения, загрузите руководство по DaVinci Resolve, которое содержится в разделе поддержки на веб-сайте Blackmagic Design, где также можно найти информацию об образовательных курсах и видеофильмы о работе с DaVinci Resolve.

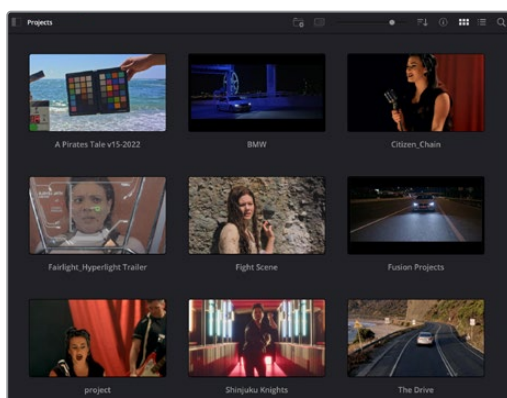
Менеджер проектов

Прежде чем импортировать клипы и начинать монтаж, необходимо создать проект с помощью менеджера проектов.

Менеджер проектов появляется при запуске приложения DaVinci Resolve, но его можно также открыть в любое время, нажав значок домашней страницы в правом нижнем углу интерфейса. С его помощью открывают существующие проекты или создают новые.

Чтобы создать новый проект, нажмите кнопку «Новый проект» в нижней части окна и дайте проекту имя. Щелкните «Создать».

К работе над клипами можно сразу приступать на странице «Сборка».



В окне менеджера проектов отображаются все проекты данного пользователя

Дополнительную информацию о менеджере проектов см. в руководстве по DaVinci Resolve, которое можно загрузить в разделе поддержки на веб-сайте Blackmagic Design.

Монтаж на странице «Сборка»

Ускоренный процесс монтажа на странице «Сборка» позволяет выполнять сведение, подгонку и редактирование клипов очень быстро и эффективно.

Две активные временные шкалы обеспечивают одновременную работу с полным эпизодом и с его более детальным вариантом. Это означает, что клипы можно добавлять в любое место на шкале общего вида, а затем редактировать их на крупной шкале в едином рабочем пространстве. Благодаря такой конфигурации монтаж легко выполнять на ноутбуке, так как отпадает необходимость масштабирования и прокрутки, что сэкономит много времени.

Структура страницы «Сборка»

По умолчанию на странице сборки отображаются медиатека, окно просмотра и временная шкала. Эти три основных окна обеспечивают полный контроль над процессом сведения материала.



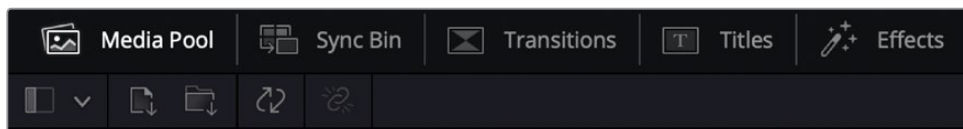
Рабочая область страницы «Сборка» по умолчанию и медиатека с клипами в виде пиктограмм

Подробнее о странице «Сборка» см. главу "The Cut Page" руководства по DaVinci Resolve.

Вкладки медиаконтента

В левом верхнем углу интерфейса есть пять вкладок.

Здесь находятся инструменты для выполнения монтажа. Первая вкладка «Медиатека» уже выбрана. Остальные называются «Синхроящик», «Переходы», «Титры» и «Эффекты».



- **Медиатека.** Здесь находятся все клипы, папки и файлы, импортированные на стр. «Мультимедиа». Чтобы туда не возвращаться, файлы можно также импортировать напрямую на стр. «Сборка».
- **Синхроящик.** Этот мощный инструмент автоматически синхронизирует все клипы по тайм-коду, дате и времени, что позволяет быстро выбирать разные ракурсы материала многокамерной съемки.
- **Переходы.** Эта вкладка содержит видео- и аудиопереходы, в том числе наплывы и вытеснения, которые можно использовать при монтаже.
- **Титры.** Здесь можно выбрать разные виды титров, например прокрутку, стандартный текст или титры в нижней трети экрана. Кроме того, в этой вкладке приведен большой список шаблонов Fusion, позволяющих добавлять более динамичные анимированные титры, настройка которых выполняется на стр. Fusion.
- **Эффекты.** Пятая вкладка содержит различные фильтры и эффекты, например размытие, свечение и эффекты оптики, используемые для придания материалу дополнительного разнообразия. Список довольно большой, и поэтому для облегчения поиска предусмотрено специальное окошко.

СОВЕТ. Рядом со значками вкладок медиаконтента находится инструмент поиска. Если, например, выбрать вкладку переходов и напечатать в поле поиска слово «наплыв», то в окне отобразятся только переходы с наплывом, что значительно ускорит поиск нужного перехода.

Вкладки окна просмотра

В левом верхнем углу окна просмотра расположены кнопки режимов просмотра.



Кнопки режимов просмотра

С помощью этих кнопок можно включать режимы «Исходный клип», «Исходная кассета» или «Временная шкала». Они играют очень важную роль при выборе клипов для монтажа, поэтому стоит вкратце остановиться на каждом из них.



	Исходный клип	В этом режиме в окне просмотра отображается только один клип из медиатеки. На нем можно быстро устанавливать и корректировать точки входа и выхода, используя временную шкалу окна просмотра. Чтобы выбрать исходный клип, его нужно щелкнуть дважды в медиатеке или просто перетящить в окно.
	Исходная кассета	<p>Данный режим позволяет видеть все находящиеся в медиатеке исходные клипы. Этот вид очень удобен, если необходимо быстро пройти по всем клипам и отыскать определенное событие. По мере перемещения курсора воспроизведения по клипам в медиатеке выделяются соответствующие пиктограммы. Когда нужный фрагмент найден, можно переключиться в режим «Исходный клип», и он автоматически появится в окне просмотра.</p> <p>Окно просмотра исходной кассеты позволяет воспользоваться определенными преимуществами нелинейного монтажа, обеспечивая больше свободы действий, возможность быстрого поиска нужных кадров и воплощения новых идей.</p>
	Временная шкала	В этом режиме в окне просмотра воспроизводятся клипы со временной шкалы страницы «Монтаж».

Импорт клипов в медиатеку

Медиафайлы можно легко импортировать в проект из медиатеки страницы «Сборка» с помощью расположенных сверху инструментов.



Инструменты импорта медиаконтента в проект

	Импортировать мультимедиа	С помощью этого инструмента можно импортировать из хранилища отдельные медиафайлы.
	Импортировать папку мультимедиа	Данная опция позволяет импортировать целую папку. При этом относительное местоположение файлов сохраняется, и для каждой папки создается отдельный ящик, что облегчает навигацию и поиск нужного материала.

Порядок импорта медиафайлов

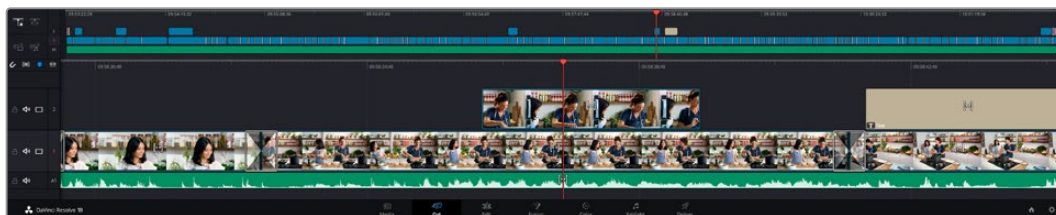
- 1 Щелкните значок «Импортировать мультимедиа» или «Импортировать папку мультимедиа».
- 2 Перейдите в место хранения импортируемого контента.
- 3 Выберите файл или папку и нажмите кнопку «Открыть».

После добавления в проект нового материала рекомендуется сохранить изменения. В приложении DaVinci Resolve предусмотрена функция автоматического сохранения с постоянным временным интервалом. Она активируется после первого сохранения проекта и исключает вероятность утраты внесенных изменений.

Подробнее об автоматическом режиме и других настройках сохранения см. руководство по DaVinci Resolve.

Добавление клипов на временную шкалу

Теперь, после ознакомления с функциями вкладок медиаконтента и кнопок режимов просмотра, можно начинать добавлять клипы из медиатеки на временную шкалу.



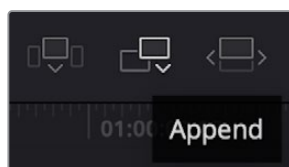
На стр. «Сборка» есть верхняя временная шкала и увеличенная нижняя шкала

Временная шкала представляет собой монтажный стол с дорожками, на которые добавляются клипы, перемещают их и выполняют подгонку. Такая структура позволяет размещать клипы слоями, обеспечивая дополнительную гибкость при использовании переходов и эффектов. К примеру, на верхнюю дорожку можно внести отдельный клип, который не будет влиять на другие клипы, находящиеся снизу.

Есть разные способы добавления клипов на временную шкалу, в том числе смарт-вставка, добавление в конец и размещение сверху.

Добавление клипов в конец

Прежде чем начинать сведение материала, нужные кадры обычно добавляют на временную шкалу в последовательном порядке. Для выполнения этой операции, после чего сразу можно приступить к монтажу, идеально подходит инструмент добавления.



Чтобы добавить новый клип в конец предыдущего, щелкните значок «Добавить»

Порядок добавления клипа

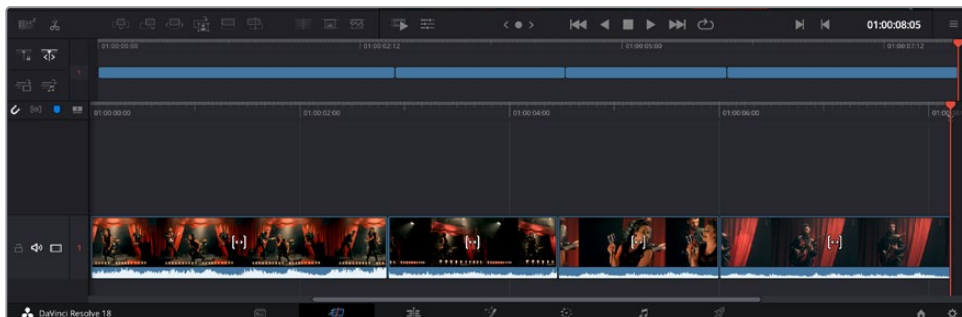
- 1 Дважды щелкните по клипу в медиатеке, чтобы открыть его в окне просмотра.
- 2 С помощью маркеров оперативной подгонки перетащите точки входа и выхода, чтобы откорректировать длительность фрагмента. Для установки точек входа и выхода можно также использовать клавиши "I" и "O".



- 3 Нажмите значок «Добавить», расположенный под панелью медиатеки.

Первый клип будет помещен в начале временной шкалы.

Повторите шаги 1–3 несколько раз. Клипы автоматически становятся друг за другом, не оставляя промежутков.



При использовании инструмента добавления между клипами не остается промежутков

СОВЕТ. Этот процесс можно еще более ускорить, если для активирования функции «Добавить» назначить отдельную клавишу. Например, если назначить клавишу "P", то после установки точек входа и выхода с помощью "I" и "O" для добавления клипа следует нажать "P". Подробнее о назначении сочетания клавиш см. руководство по DaVinci Resolve.

Подгонка клипов на временной шкале

После добавления клипов на временную шкалу их можно сдвигать и обрезать.

Чтобы обрезать клип, наведите указатель мыши на начало или конец клипа, а затем щелкните и перетащите его влево или вправо. Например, перетащите конец клипа влево или вправо, чтобы уменьшить или увеличить его длительность. При выполнении операции все клипы на временной шкале сдвинутся соответствующим образом. Это один из способов экономии времени при работе на стр. «Сборка».

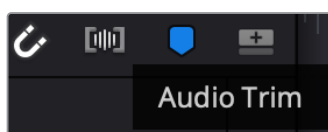
Клип можно также легко вставить на новую видеодорожку большой временной шкалы, не изменяя при этом ее масштаб. Это значительно ускоряет процесс монтажа, поскольку уменьшается время навигации по длинной линейке.

Индикатор подгонки звука

Индикатор подгонки звука помогает точнее выполнять редактирование аудиоматериала, так как позволяет видеть волну сигнала на временной шкале в увеличенном виде. Эта функция особенно удобна при обработке сцен с диалогами или музыкальных клипов, поскольку облегчает поиск точек между словами или битами.

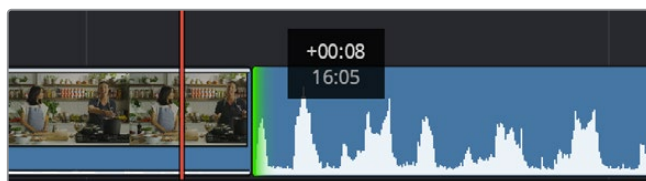
Применение индикатора подгонки звука

- 1 Щелкните значок «Подгонка звука», который находится слева от временной шкалы между значками прикрепления и добавления маркера.



Значок индикатора подгонки звука

- 2 Теперь при выполнении подгонки на временной шкале волна аудиосигнала будет отображаться в увеличенном виде. При остановке операции клипы вернуться в свое обычное состояние.



Индикатор подгонки звука показывает волну аудиосигнала в увеличенном виде

После редактирования можно приступить к добавлению титров. Этот процесс описан в следующем разделе.

Добавление титров

На временную шкалу можно добавлять титры разных типов.

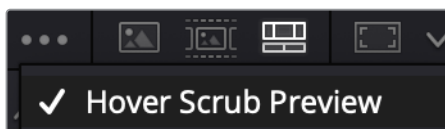
Чтобы их увидеть, нажмите соответствующий значок «Титры» в левом верхнем углу интерфейса. На панели появится список титров в виде пиктограмм, в том числе разные виды нижней трети, прокрутка и стандартное текстовое название. Дополнительно приведены анимированные титры Fusion с изменяемыми параметрами.

Предварительный просмотр титров

Прежде чем добавлять титр на временную шкалу, его можно просмотреть, перемещая по нему курсор на панели титров. Это позволяет быстро проверить все имеющиеся варианты.

Активирование предварительного просмотра титров

- 1 Щелкните меню опций в правом верхнем углу панели титров и выберите «Просмотр с перемоткой при наведении».



Выбор опции «Просмотр с перемоткой при наведении»

- 2 Для вывода титра в окно просмотра наведите курсор на соответствующую пиктограмму на панели титров. Чтобы увидеть анимацию, передвиньте курсор по пиктограмме слева направо.



Для показа титра в окне просмотра наведите курсор на пиктограмму титра

Понравившиеся титры можно легко добавить на временную шкалу.

Порядок добавления стандартных титров

- 1 Щелкните титр и перетащите его на временную шкалу. Не важно, на какую шкалу добавлять, но для более точного размещения мы рекомендуем использовать крупную шкалу. Для титра, который прикрепится к курсору воспроизведения, автоматически появится новая видеодорожка.
- 2 Отпустите кнопку мыши, и на эту дорожку будет добавлен выбранный титр. Его положение или длительность можно менять так же, как и у других клипов.
- 3 Чтобы отредактировать этот титр, щелкните по его клипу, а затем нажмите находящийся под окном просмотра значок «Инструменты».

Появится ряд инструментов, в том числе «Преобразование», «Обрезка» и «Динамическое масштабирование», с помощью которых можно редактировать клип с титром.
- 4 Теперь щелкните вкладку «Инспектор».

Откроется окно инспектора, в котором можно вносить текст названия и изменять его настройки, например отслеживание, междустрочный интервал, начертание и цвет шрифта и т. д.

Для редактирования титров предусмотрено довольно много параметров. Рекомендуем поэкспериментировать с ними, чтобы лучше понять их функции.

СОВЕТ. С помощью функции перемотки при наведении на страницах «Сборка» и «Монтаж» можно также просматривать эффекты, переходы, генераторы и фильтры.

Работа с файлами Blackmagic RAW

Кодек Blackmagic RAW дает максимум гибкости при постобработке. Это позволяет менять баланс белого и светочувствительность таким же образом, как корректируют настройки камеры. В результате сохраняется информация о тональности в областях тени и света, которая бывает полезна при восстановлении утраченной детализации.

Если необходимо получить кадры самого высокого качества или материал имеет широкую градацию от света до тени, рекомендуется вести съемку в Blackmagic RAW. Это позволит максимально эффективно выполнить цветокоррекцию.

Кроме того, файлы с расширением .braw имеют небольшой размер, поэтому их можно просматривать как обычный видеоклип. Подробнее об особенностях кодека Blackmagic RAW и обработке такого материала в DaVinci Resolve см. следующую главу.

СОВЕТ. Прежде чем начинать грейдинг, рекомендуется сначала откорректировать настройки Blackmagic RAW для клипов на стр. «Цвет».

Настройки «Клип» для работы с Blackmagic RAW

При импорте файлов Blackmagic RAW в приложение DaVinci Resolve выполняется декодирование данных камеры с помощью параметров ISO, баланса белого и оттенка, которые были установлены при съемке. Если вас устраивает цветовой ряд этих настроек, можно сразу приступить к монтажу.

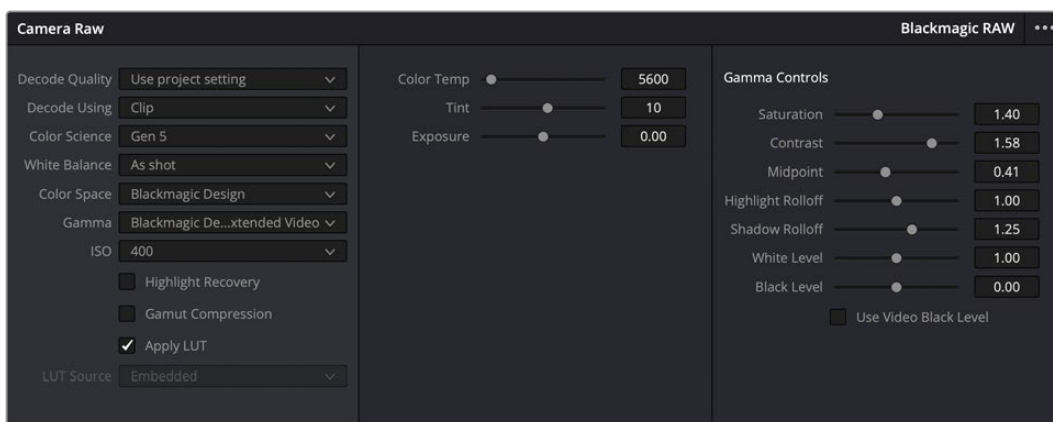
Преимущество съемки в Blackmagic RAW заключается в том, что она никак не связана с этими настройками. Широта доступных вариантов постобработки при использовании формата Blackmagic RAW позволяет выполнять ее по своей системе, а настройки «Клип» на вкладке

«Настройки RAW камеры» дают возможность экспериментировать и подбирать нужную цветовую схему.

Технология цветокодировки

Для выполнения анализа полученного материала в меню можно выбрать цветокодировку 4-го или 5-го поколения. В URSA Broadcast G2 используется цветокодировка Blackmagic Design 5-го поколения. Файлы, записанные на других камерах в цветокодировке 4-го поколения, можно перевести в цветокодировку 5-го поколения для соответствия палитре кадров, сделанных на URSA Broadcast G2.

Если же съемка ведется в основном на камеры, использующие цветокодировку 4-го поколения, при добавлении контента, сохраненного на URSA Broadcast G2 в цветокодировке 5-го поколения, его легко преобразовать в цветокодировку предыдущего поколения. Такая технология позволяет легко привести к единому виду изображения, снятые с разными настройками цветокодировки Blackmagic.



Чтобы изменить настройки Blackmagic RAW для отдельного клипа, выберите «Клип» в меню «Для декодирования использовать» на вкладке «Настройки RAW камеры»

Изменение настроек Blackmagic RAW

После выбора настройки «Клип» для работы с кодеком Blackmagic RAW параметры клипа и гаммы можно менять. Это позволит максимально приблизить изображение к версии с полноценным первичным грейдингом. Особенно полезны в этом случае индикаторы, которые помогают нейтрализовать и сбалансировать клипы для создания цветовой схемы.

Подробнее о параметрах клипа и гаммы см. разделы ниже.

ISO

Изменяя значение ISO, можно сделать начальную точку светлее или темнее для удобства в дальнейшей работе.

Восстановление светлых тонов

Поставьте флажок для восстановления светлых тонов в обрезанных каналах с помощью информации, взятой из неповрежденных каналов.

Сжатие палитры

Эта опция позволяет автоматически поддерживать диапазон палитры.

Цветовая температура

Настройку на теплый или холодный режим изображения можно использовать для нейтрализации баланса цвета.

Оттенок

Добавление зеленого или пурпурного оттенка помогает сбалансировать цвет изображения.

Экспозиция

Используется для более точной настройки яркости всего изображения.

Насыщенность

Для насыщенности по умолчанию используется настройка 1; полный диапазон значений составляет от 0 (минимум) до 4 (максимум).

Контрастность

По умолчанию используется настройка 1,0. Передвиньте слайдер влево, чтобы уменьшить значение до 0, или вправо, чтобы увеличить его до 2.

Средняя точка

При настройке Blackmagic Design Film средняя точка по умолчанию имеет значение 0,38 или 38,4%. Для уменьшения передвиньте слайдер влево, для увеличения до 100 — вправо. При изменении установленного по умолчанию значения контрастности коррективу можно выполнять изменением перехода светлых и темных тонов.

Спад светлых тонов

Чтобы уменьшить значение до 0, передвиньте слайдер влево, чтобы увеличить до 2 — вправо. По умолчанию используется значение 1.

Спад темных тонов

Чтобы уменьшить значение до 0, передвиньте слайдер влево, чтобы увеличить до 2 — вправо.

Уровень белого

С помощью слайдера можно настроить уровень белого на кривой гамма-распределения в диапазоне от 0 до 2. По умолчанию используется значение 1.

Уровень черного

С помощью слайдера можно настроить уровень черного на задаваемой кривой гамма-распределения в диапазоне от -1 до 1. По умолчанию используется значение 0.

Использовать уровень черного

Поставьте флажок для этой опции, если нужно использовать уровень черного, принятый для видеоматериала.

Экспортировать кадр

Кнопка «Экспортировать кадр» позволяет экспортировать отдельный кадр из клипа в формате Blackmagic RAW.

Обновить Sidecar-файл

Кнопка «Обновить Sidecar-файл» служит для обновления файла .sidecar в текущем клипе.

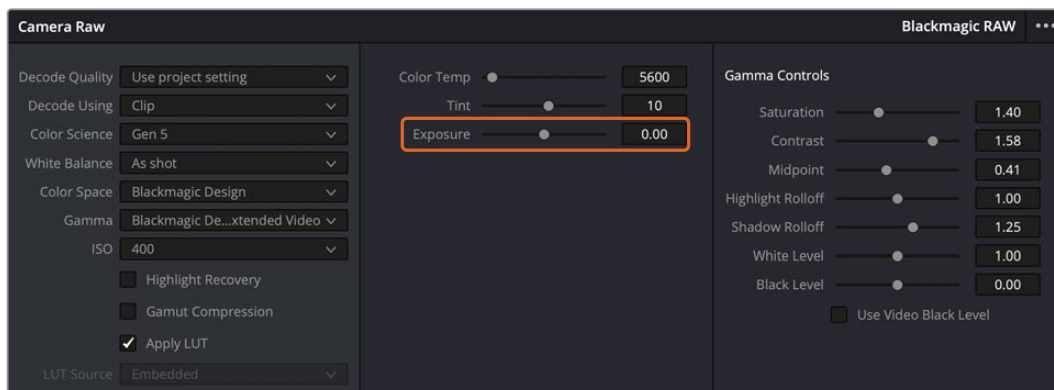
Если параметры в клипах Blackmagic RAW были изменены, для настройки гаммы отображается опция Blackmagic Design Custom.

Регулировка экспозиции с помощью настройки «УСИЛ.» на камере URSA Broadcast G2

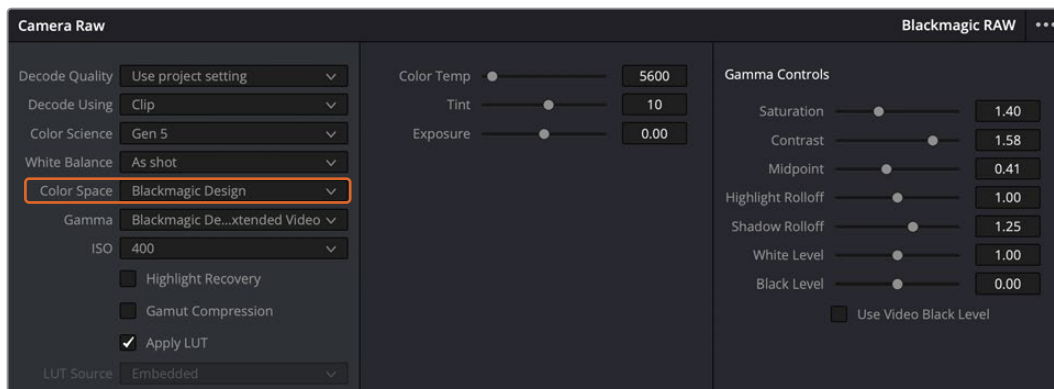
Работа настройки «УСИЛ.» на камере URSA Broadcast G2 немного отличается от настроек ISO на других кинокамерах производства Blackmagic Design.

Установка этого параметра выполняется на сенсоре URSA Broadcast G2, а не с помощью программного обеспечения. Схожий метод используется на традиционной вещательной технике и может немного уменьшать шум при некоторых настройках чувствительности. Ее регулировку можно выполнять и после съемки, но только до определенного параметра. Обратите внимание, что значение ISO в RAW-настройках клипа в DaVinci Resolve отображает установленное на камере усиление.

Эту величину ISO, которая на URSA Broadcast G2 имеет название «УСИЛ.», можно увеличить максимум на три шага после записи клипа. Благодаря широкому динамическому диапазону RAW-материала значение экспозиции можно дальше изменять с увеличением или уменьшением до пяти ступеней, что будет давать схожий эффект. Каждая ступень равна одному шагу светочувствительности. Например, одна дополнительная ступень соответствует усилению от -6 до 0 дБ настройки «УСИЛ.» или переходу от 200 к 400 ISO. При необходимости допускается более точная настройка с шагом до 0,01 ступени.



Если параметры в клипах Blackmagic RAW были изменены, для настройки гаммы отображается опция Blackmagic Design Custom



Чтобы вернуться к версии с одной из настроек гаммы по умолчанию, выберите нужную опцию в соответствующем раскрывающемся меню

COBET. Элементы управления гаммой отключены в том случае, если материал снят в режиме «Видео», однако информация кодака Blackmagic RAW не утрачивается. Чтобы выполнить коррекцию параметров, выберите для настройки «Гамма» опцию Blackmagic Design Film или Blackmagic Design Extended Video.

Сохранение изменений в файле .braw

- 1 Измените параметры гаммы для клипа в кодеке Blackmagic RAW.
- 2 Нажмите кнопку «Обновить Sidecar-файл».

Теперь в папке будет два файла: с расширением .braw и .sidecar. Если другой пользователь импортирует клип в кодеке Blackmagic RAW, файл .sidecar будет автоматически считываться в приложении DaVinci Resolve. При внесении новых изменений нажмите «Обновить Sidecar-файл» еще раз.

COBET. Чтобы не использовать файл .sidecar, удалите его из исходной папки.

Настройки проекта для работы с Blackmagic RAW

Если вы хотите применить новые значения ко всем клипам (например, изменить баланс белого или параметры ISO), это можно сделать на панели «Настройки RAW камеры».

Порядок установки настроек проекта для работы с Blackmagic RAW

- 1 В меню «Файл» выберите «Настройки проекта».
- 2 На вкладке «Настройки RAW камеры» рядом с профилем RAW есть меню. Выберите Blackmagic RAW.
- 3 В меню «Для декодирования использовать» выберите «Проект».
- 4 Укажите нужную опцию в меню «Цветокоррекция».
- 5 Для настройки «Баланс белого» выберите опцию «Личные настройки».
- 6 Для настройки «Гамма» выберите опцию Blackmagic Design Custom. Для настройки «Цветовое пространство» выберите опцию Blackmagic Design.
- 7 В меню «Качество декодирования» выберите разрешение. На компьютерах небольшой мощности низкое значение обеспечит улучшенное воспроизведение. Перед созданием конечной версии можно вернуться к полному разрешению.

После этого можно изменить дополнительные параметры клипов, в том числе насыщенность, контрастность и среднюю точку. Такие действия затронут все клипы проекта, для которых в настройке «Для декодирования использовать» была выбрана опция «Проект».

Цветокоррекция клипов на стр. «Цвет»

После добавления на временную шкалу клипов и титров можно приступить к выполнению цветокоррекции на стр. «Цвет». Она содержит довольно широкий набор инструментов, с помощью которых задают общую палитру всему фильму. В данном же случае в целях достижения единообразия цветовую схему клипов сначала рекомендуется нейтрализовать. Если клипы нужно дополнительно отредактировать, вернитесь на стр. «Сборка» или «Монтаж».

Страница «Цвет» позволяет менять общую палитру всего видеоматериала, а сам процесс цветокоррекции можно вполне считать видом искусства, ведь колорист добавляет изображению эмоциональные краски. Это очень творческая часть рабочего процесса, от которой получаешь огромное удовольствие, когда видишь плоды своего труда. Начальная стадия называется первичной цветокоррекцией или глобальной установкой цвета. После ее завершения приступают ко вторичной цветокоррекции, во время которой вносят мелкие изменения в тональность определенных объектов на изображении. Для повышения эффективности и получения наилучших результатов к данному этапу следует переходить после первичной цветокоррекции.

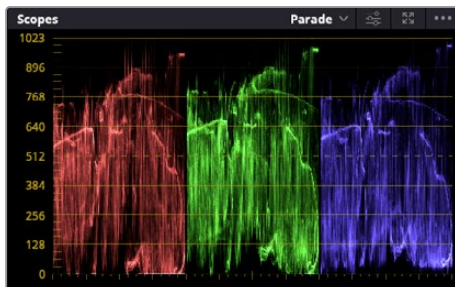
Чтобы открыть страницу работы с цветом, выберите вкладку «Цвет».

Она содержит настройки RAW камеры, цветовые круги, панели кривых и инструменты грейдинга, а также окна просмотра и узлов. Все эти функции позволяют создавать самые сложные и оригинальные цветовые решения. В данном разделе приводится базовое описание процессов. Более подробную информацию об инструментах и операциях смотрите в соответствующих разделах руководства. Изложенные в простой форме инструкции помогут овладеть такими же приемами, которые используют профессионалы на студиях грейдинга.

На этапе первичной цветокоррекции обычно выполняют обработку темных, средних и светлых тонов, то есть изменяют параметры «Тени», «Полутона» и «Свет». Это позволяет получить светлое сбалансированное изображение, которое служит отправной точкой для создания визуального ряда в необходимой цветовой гамме. При оптимизации изображения часто используют индикаторные диаграммы.

Работа с индикаторными диаграммами

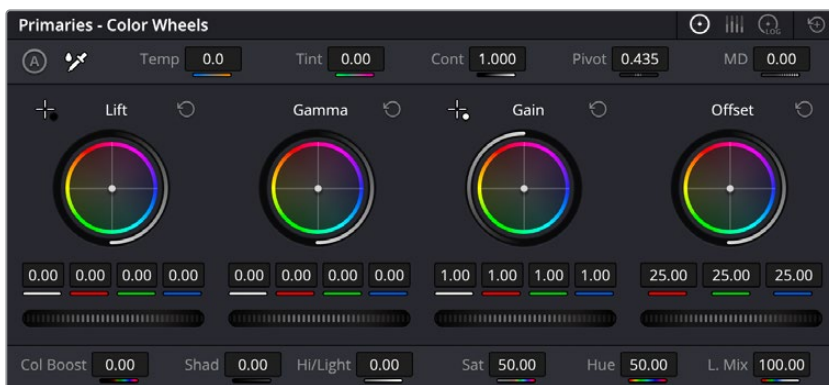
Большинство колористов создают цветовые решения, отталкиваясь от собственного представления о том, какие эмоции должен передавать визуальный ряд. Вдохновение для такой работы можно черпать из повседневной жизни, если наблюдать за предметами при различном освещении.



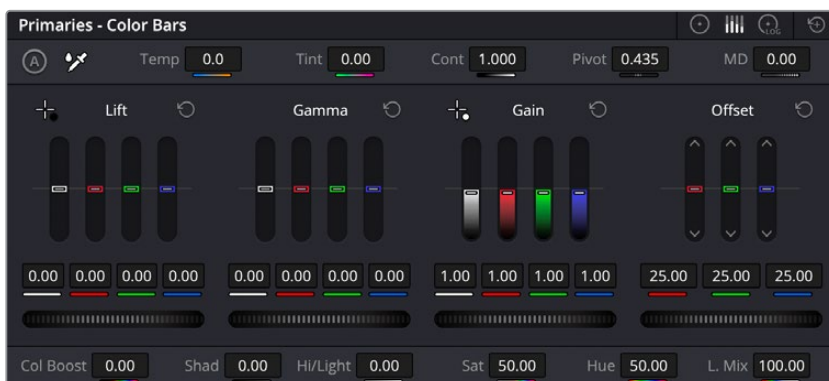
RGB-дисплей помогает получить оптимальный вид областей света, полутона и тени

Другой способ грейдинга — работа со встроенными диаграммами, которые позволяют установить необходимый баланс цвета. Кнопка «Диаграммы» (вторая справа на панели инструментов) позволяет открыть одну из следующих диаграмм: форма волны, RGB-дисплей, вектроскоп, гистограмма или хроматичность по CIE. С их помощью можно контролировать баланс тонов, проверять уровни видео, чтобы не допускать затемнения или засветки изображения, а также выявлять преобладание отдельных оттенков.

Панель «Цветовые круги» содержит инструменты для работы с параметрами «Тени», «Полутона» и «Свет», которые обычно используются для первичного грейдинга. Этим она похожа на средства установки цвета и регулировки контрастности в других приложениях.



Круги «Тени», «Полутона», «Свет» и «Смещение» предназначены для изменения параметров цвета и баланса тонов. Чтобы выполнить глобальную коррекцию всех цветов для каждой области, перетащите колесики под цветовыми кругами вперед или назад.



Выполнять настройку параметров на полосах первичной цветокоррекции легче с помощью мыши

Для более точной настройки параметров каждого цвета в отдельности используйте компьютерную мышь либо измените цветовую панель на «Полосы первичной цветокоррекции» для корректировки яркости. Опцию «Полосы первичной цветокоррекции» можно выбрать из раскрывающегося меню, которое находится вверху справа от цветových кругов.

- **Корректировка параметра «Тени».** Выберите клип на временной шкале и нажмите на колесико шкалы «Тени» под первым цветовым кругом. Перетащите колесико вперед или назад и посмотрите, как изменится изображение. Яркость областей тени будет увеличиваться или уменьшаться.

Установите слайдер в положение, при котором эти области имеют оптимальный вид. При слишком низком значении отдельные детали в областях тени станут неразличимыми. Наилучший результат достигается в том случае, когда уровень сигнала на RGB-дисплее находится непосредственно над нижней линией.

- **Корректировка параметра «Свет».** Нажмите на колесико шкалы «Свет» и перетащите его вперед или назад. Это действие позволяет изменить вид областей света, которые являются наиболее яркими участками изображения. На RGB-дисплее этим областям соответствует сигнал в верхней части экрана. Чтобы получить яркое изображение, уровень сигнала должен находиться непосредственно под верхней линией. Если уровень поднимается над верхней линией, области света будут иметь эффект засветки, и их отдельные детали станут неразличимыми.
- **Корректировка параметра «Полутона».** Нажмите на колесико шкалы «Полутона» под цветовым кругом и перетащите его вперед или назад. По мере увеличения этого параметра яркость изображения будет возрастать. Одновременно с перемещением колесика будет меняться форма волны в средней части диаграммы, которая соответствует области полутонов. Изображение имеет оптимальный вид, когда значение этого параметра находится в границах между 50 и 70%. В зависимости от создаваемой цветовой гаммы и условий освещенности эти рамки могут быть расширены.

Для выполнения первичной цветокоррекции можно также использовать кривые. Чтобы изменить общую контрастность изображения для всех трех каналов (RGB), создайте точки на диагональной линии, щелкнув кнопкой мыши в нужных местах, и перетащите их вверх или вниз. Для оптимального результата лучше выбрать точки в верхней и нижней третях, а также посередине.

Первичную цветокоррекцию можно выполнять многими другими способами.



Панель кривых — еще один инструмент для выполнения первичной цветокоррекции или выделения отдельных областей при использовании Power-зоны

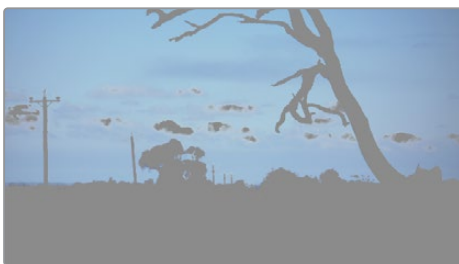
Вторичная цветокоррекция

Вторичная цветокоррекция используется для обработки отдельных участков изображения. Предыдущий этап называется первичной цветокоррекцией, потому что все изменения параметров «Тени», «Полутона» и «Свет» затрагивают целое изображение.

Если изменения необходимо применить только к отдельным участкам изображения (например, сделать более естественным цвет травы в кадре или более насыщенным цвет неба), используют вторичную цветокоррекцию. Для этого выбирают отдельный фрагмент изображения и работают только с ним. Благодаря узловой структуре можно выполнять любое количество действий и получать именно тот эффект, который нужен. С помощью Power-зоны и трекинга изменения легко применить к выбранным объектам даже в том случае, если они двигаются.

Отбор цвета

Иногда колористу нужно увеличить интенсивность отдельного цвета (например, сделать более сочной траву и более ярким небо) или скорректировать его, чтобы привлечь внимание зрителя к какому-нибудь предмету. Это можно сделать с помощью настроек квалификатора.



Настройки квалификатора помогают выделять цвета в изображении, если нужно увеличить контрастность или подчеркнуть отдельные детали

Порядок отбора цвета

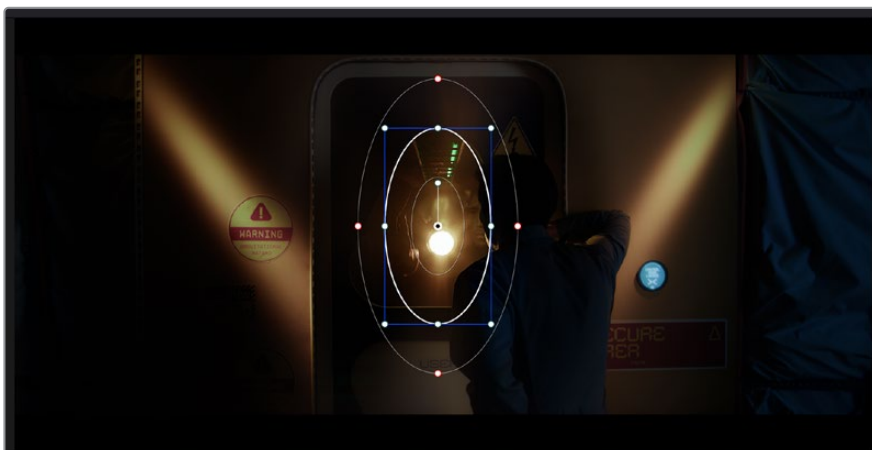
- 1 Добавьте новый последовательный узел.
- 2 Откройте панель «Квалификатор» и убедитесь в том, что используется селектор в разделе «Выбранный диапазон».
- 3 Щелкните кнопкой мыши на том цвете, который нужно обработать.
- 4 Обычно требуется дополнительно изменить отдельные параметры, чтобы сделать более ровными края области с выбранным цветом. Нажмите кнопку «Выделить» над окном просмотра, чтобы увидеть выбранную область.
- 5 В окне «Тон» настройте параметр «Шир.», чтобы расширить или сузить границы выбранной области.

Изменяя параметры «Высок.», «Низк.» и «Мягк.», создайте область с оптимальными границами. Теперь можно выполнить коррекцию выбранного цвета с помощью цветовых кругов или пользовательских кривых.

Иногда выбранный цвет может присутствовать в областях кадра, которые нужно исключить из обработки. Для маскирования таких областей применяют Power-зону. Создайте новое окно и используйте его для выбора только необходимого участка цвета. Если предмет этого цвета будет двигаться, функция трекинга поможет сохранить изменения для Power-зоны.

Добавление Power-зоны

Power-зона — мощный инструмент вторичной цветокоррекции, с помощью которого легко изолировать отдельные участки клипа. Эти участки необязательно должны быть статичными — положение предметов в кадре может меняться в зависимости от угла съемки, и сами предметы тоже могут двигаться.



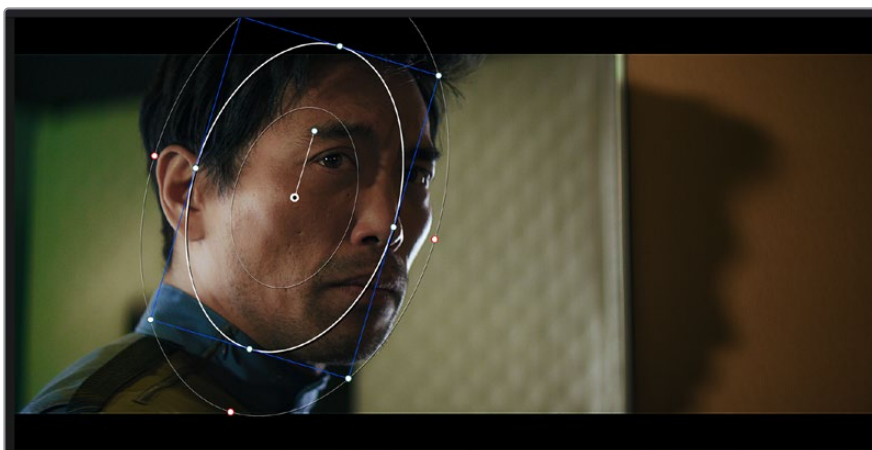
Power-зона используется для исключения участков, которые не должны быть затронуты обработкой с помощью квалификатора

Например, если выделить фигуру человека, новые параметры цвета и контрастности будут применены только к данной области и не затронут остальную часть изображения. Благодаря этой функции колористы акцентируют внимание зрителя на нужных деталях.

Порядок добавления Power-зоны

- 1 Добавьте новый последовательный узел.
- 2 Откройте панель «Окно» и выберите нужную фигуру, щелкнув кнопкой мыши на соответствующем значке. В узле будет добавлена зона выбранной формы.
- 3 Для изменения границ зоны используйте синие точки по контуру фигуры. Красные точки позволяют скорректировать резкость краев. Нажмите на центральную точку фигуры и поместите ее в ту область, которую нужно изолировать. Для поворота фигуры используют точку, соединенную с центром.

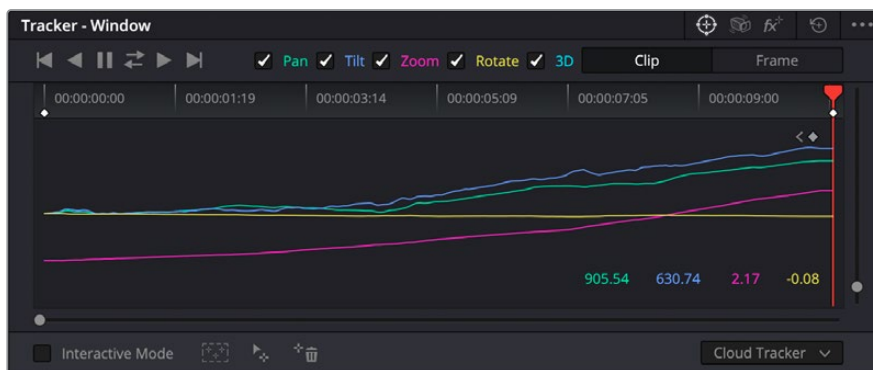
Теперь цветокоррекция будет применяться только к выделенной области изображения.



Power-зона позволяет выполнять вторичную цветокоррекцию отдельных участков изображения

Отслеживание зон

Так как камера и предметы в кадре могут двигаться, для привязки зоны к выбранному участку используют функцию отслеживания. Она анализирует положение камеры и перемещение предметов, позволяя сохранить заданные зоны. Если этого не сделать, цветокоррекция может затронуть те области, которые изначально не были выбраны.



С помощью функции отслеживания можно привязать Power-зону к движущемуся предмету

Отслеживание зоны на движущемся объекте

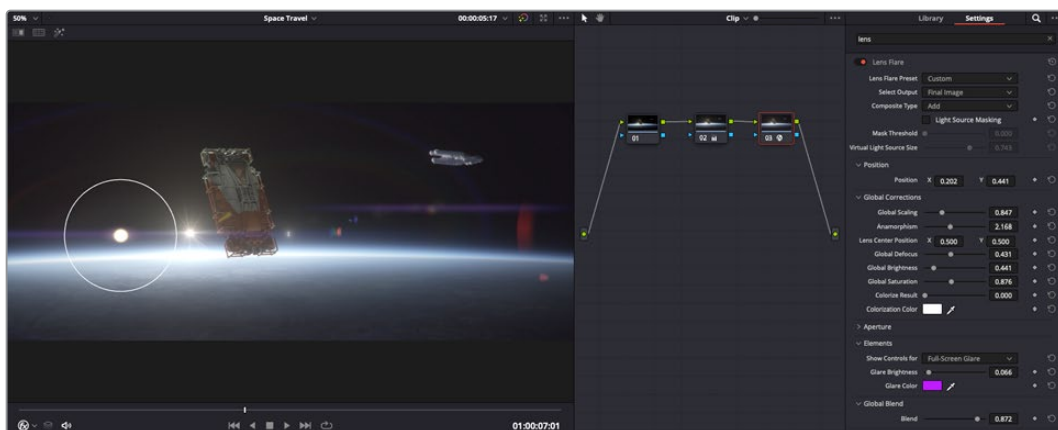
- 1 Создайте новый последовательный узел и добавьте Power-зону.
- 2 Перейдите в начало клипа, затем выберите положение и размер зоны, чтобы она охватывала только нужный участок изображения.
- 3 Откройте панель «Трекер». В зависимости от характера движения выберите анализ параметров «Панорамирование», «Наклон», «Масштабирование», «Поворот» и «3D-перспектива», поставив или сняв флажок в соответствующем поле.
- 4 Нажмите кнопку «Отслеживать вперед» слева от настраиваемых параметров. DaVinci Resolve будет использовать несколько точек отслеживания для анализа движения в последовательности кадров, поэтому Power-зона останется привязанной к выбранной области изображения.

В большинстве случаев автоматическое отслеживание бывает успешным, однако для некоторых сложных сцен может потребоваться ручная обработка с помощью редактора ключевых кадров. Более подробно эта функция описана в руководстве по DaVinci Resolve.

Использование плагинов

При выполнении вторичной цветокоррекции можно использовать плагины Resolve FX или Open FX, которые позволяют создавать оригинальные цветовые решения на странице «Цвет» и добавлять переходы на страницах «Сборка» и «Монтаж». Плагины Resolve FX устанавливаются вместе с приложением, а OFX предлагают сторонние производители программного обеспечения.

После установки набора плагинов OFX для доступа к ним или к Resolve FX перейдите на страницу «Цвет» и откройте панель Open FX, которая находится справа от редактора узлов. Создав новый последовательный узел, нажмите кнопку Open FX и перетащите плагин на этот узел. Если настройки плагина можно изменить, используйте панель «Настройки».



Плагины OFX — удобный и простой способ создания оригинального визуального ряда

На странице «Монтаж» с помощью плагинов можно добавлять эффекты, переходы и фильтры. Для этого откройте панель Open FX в библиотеке эффектов и перетащите выбранный плагин на видеоклип или дорожку над ним на временной шкале.

Микширование звука

Микширование звука на странице «Монтаж»

После редактирования и цветокоррекции видео можно приступить к обработке звука. В DaVinci Resolve есть ряд инструментов для монтажа и создания мастер-копии аудиодорожки непосредственно на странице «Монтаж». Комплексное микширование доступно на специальной странице Fairlight, которая имеет целый набор средств для полноценного сведения звука. Их описание содержится в следующем разделе.

Добавление звуковых дорожек

Для наложения звуковых эффектов и музыки на странице «Монтаж» можно добавить новые дорожки. Такой способ обработки помогает создать целостное звуковое сопровождение, состоящее из диалогов, музыкального фона и дополнительных эффектов.

Порядок добавления звуковой дорожки на странице «Монтаж»

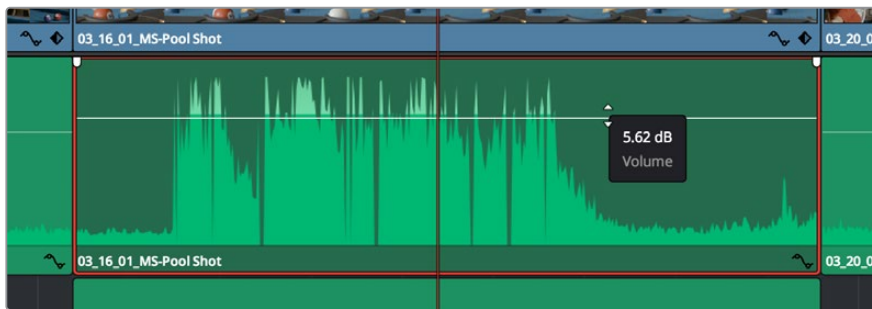
Щелкните правой кнопкой мыши рядом с названием любой звуковой дорожки на временной шкале, выберите «Добавить дорожку», затем одну из опций (Mono, Stereo или 5.1). Новая дорожка будет добавлена внизу списка. Также можно выбрать «Добавить дорожки...» и указать место, куда нужно поместить одну или несколько новых дорожек.

На временной шкале появится новая звуковая дорожка.

СОВЕТ. Если тип дорожки нужно изменить после ее создания, щелкните правой кнопкой мыши рядом с названием, выберите «Изменить тип дорожки на», затем одну из опций (Mono, Stereo или 5.1).

Настройка уровней звука на временной шкале

Каждый клип на временной шкале имеет отдельную настройку уровня звука, изменить который можно простым перетаскиванием указателя с помощью мыши. Эта настройка соответствует значению «Громкость» в окне «Инспектор».



Уровень звука меняется перетаскиванием указателя

Для комплексного микширования используется страница Fairlight, которая содержит полный комплект инструментов для постобработки звука.

Страница Fairlight

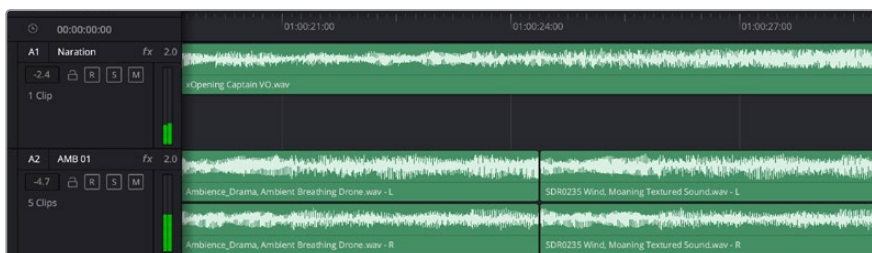
Страница Fairlight приложения DaVinci Resolve служит для обработки звука. Позволяя увидеть все аудиодорожки проекта в режиме одного экрана, она имеет целый набор инструментов для расширенного микширования и пользовательские средства мониторинга. Это упрощает проверку качества звукового сопровождения и настройку уровней сигнала для создания оптимальной мастер-версии.



Данный раздел содержит описание основных функций, представленных на странице Fairlight. Подробнее о каждом инструменте и способах их применения см. руководство по DaVinci Resolve.

Звуковая временная шкала

- **Заголовок дорожки.** С левой стороны в заголовке каждой дорожки указаны ее номер, название и цвет, а также отображаются аудиоканалы, уровень фейдера и индикаторы звука. Там же можно установить и снять блокировку дорожек, выбрать вывод отдельного трека и отключить аудио. Эти органы управления позволяют систематизировать дорожки и просматривать каждую из них по отдельности.
- **Дорожки.** Для редактирования и микширования каждая дорожка на странице Fairlight разделена на полосы, которые соответствуют индивидуальным каналам аудиосигнала. На временной шкале страницы «Монтаж» эти каналы скрыты, а для удобства обработки отображается весь клип с целостным звуковым сопровождением.



A1 — монодорожка с одной полосой, A2 — стереодорожка с двумя полосами

Понятие шины

Шина — это канал для сведения нескольких звуковых дорожек в один сигнал, которым можно управлять как единым элементом. На странице Fairlight шина создается автоматически, и на нее по умолчанию добавляются все аудиотреки, находящиеся на временной шкале. Это позволяет составлять из них отдельный микс и регулировать его общий уровень.

При работе над более сложными проектами часто создают отдельные шины для каждой категории треков (например, диалоги, музыка и звуковые эффекты), чтобы было удобно выполнять их пакетную обработку. Так, все дорожки с диалогами можно свести в специальный микс, а затем выбрать для них одинаковые параметры с помощью одного набора настроек.

Новая система FlexBus обеспечивает исключительную гибкость в организации и маршрутизации аудио, в том числе позволяет направлять шину на шину, дорожку на шину и шину на дорожку. Подробнее о настройках аудиошин на стр. Fairlight см. руководство по DaVinci Resolve.

Микшер

Каждый трек на временной шкале соответствует отдельному каналу на панели «Микшер». Звуковое сопровождение для шины отображается в виде одной полосы и по умолчанию имеет обозначение «Шина 1». Если создать дополнительные шины, в правой части экрана для них появятся свои полосы с набором графических органов управления. Они позволяют назначать каналы для вывода, настраивать параметры эквалайзера и динамики, устанавливать уровень сигнала и автоматизировать задачи, задавать пространственные характеристики объемного и стереозвука, отключать или прослушивать только один трек.

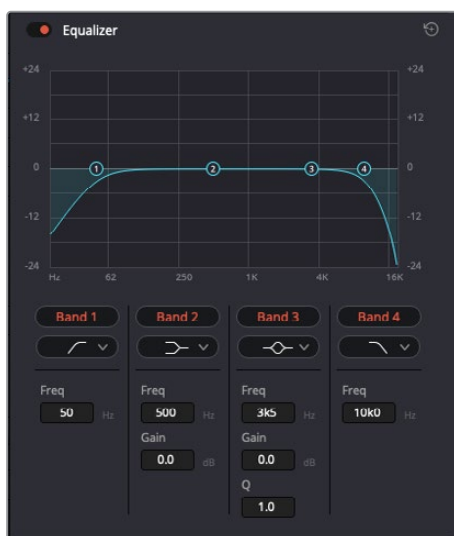


Аудиомикшер с каналами, которые соответствуют дорожкам на временной шкале

Работа с эквалайзером

После того как настроены уровни звука, иногда требуется его дополнительная обработка. Когда диалоги, музыка и эффекты имеют одинаковые частотные характеристики, звуковое сопровождение клипа становится слишком насыщенным и трудным для восприятия. В этом случае можно использовать эквалайзер, чтобы задать участки спектра для каждой дорожки. Также он позволяет удалить нежелательные элементы путем изолирования частот, содержащих различные помехи в виде шума, и уменьшения соответствующего уровня.

DaVinci Resolve имеет фильтры «ЭКВ», которые можно применить как ко всему клипу, так и к отдельной дорожке. Для любого клипа на временной шкале доступна обработка с помощью четырехполосного эквалайзера в окне «Инспектор», а для треков на панели «Микшер» — с помощью шестиполосного параметрического эквалайзера. При создании кривой нужной формы используют графические органы управления и числовые значения, которые позволяют усилить или ослабить отдельные частотные диапазоны, а также фильтры разных видов.



Клипы на временной шкале можно обрабатывать с помощью четырехполосного эквалайзера

Для крайних полос можно выполнять настройку с использованием фильтров высоких и низких частот, высокого и низкого шельфа. Частотные фильтры полностью удаляют из сигнала все частоты выше или ниже определенного значения. Так, высокочастотный фильтр пропускает высокие частоты и задерживает низкие. Те из них, которые не попадают в заданный диапазон, постепенно обрезаются по нисходящей кривой.

Фильтры шельфа предназначены для более мягкой обработки и используются, когда нужно сформировать форму сигнала в верхней или нижней точке без полного удаления частот. Они усиливают или ослабляют целевую частоту и равномерно воздействуют на все частоты выше или ниже заданной границы.

Для средних полос можно выполнять эквализацию с использованием низкого и высокого шельфов, полосно-заграждающего и колоколообразного фильтров.

- **Колоколообразный фильтр.** Усиливает или ослабляет диапазон частот в заданной точке кривой.
- **Полосно-заграждающий фильтр.** Позволяет обрабатывать очень узкий диапазон частот. Например, с его помощью можно удалить помехи на частоте 50 или 60 Гц.
- **Фильтр низкого шельфа.** Усиливает или ослабляет сигнал целевой частоты на нижней границе и более низкие частоты.
- **Фильтр высокого шельфа.** Усиливает или ослабляет сигнал целевой частоты на верхней границе и более высокие частоты.

Обработка клипа с помощью эквалайзера

- 1 Чтобы добавить эквалайзер, выберите клип на временной шкале.
- 2 Щелкните значок «Инспектор» и активируйте «Эквалайзер».

Порядок добавления эквалайзера к дорожке

- 1 Чтобы открыть эквалайзер для определенной дорожки, дважды щелкните кнопкой мыши в секции «ЭКВ» этой дорожки.
- 2 В раскрывающемся меню выберите тип фильтра.



В секции «ЭКВ» на панели «Микшер» отображается кривая в соответствии с выбранным фильтром



Каждую дорожку можно обработать с помощью шестиполосного параметрического эквалайзера

Когда для клипа или дорожки открыт эквалайзер, можно выполнить обработку на каждой полосе. Набор доступных настроек зависит от выбранного типа фильтра.

Настройка параметров фильтра полосы

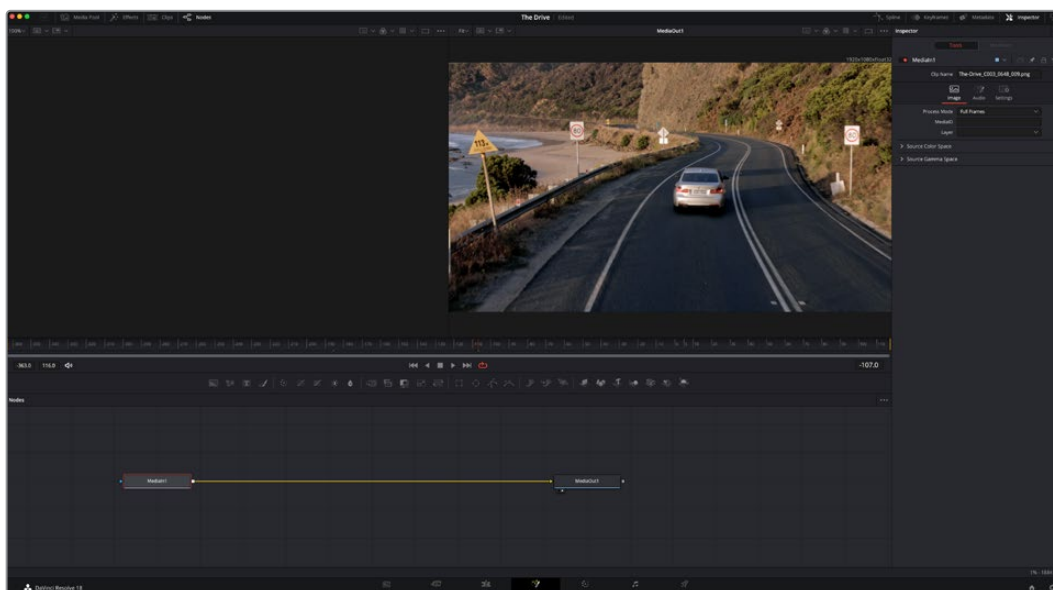
- 1 В раскрывающемся меню выберите тип фильтра.
- 2 Установите значение центральной частоты в поле «Частота».
- 3 Для усиления или ослабления частот в данном диапазоне настройте значение «Усиление».
- 4 Выберите значение «Q-фактор» для указания ширины рабочей полосы.

Для возврата к настройкам по умолчанию нажмите на значок сброса в окне «ЭКВ».

Набор инструментов Fairlight позволяет улучшить качество звука на каждой аудиодорожке. С их помощью можно добавлять треки и систематизировать их по шинам, а также создавать такие эффекты, как задержка или реверберация.

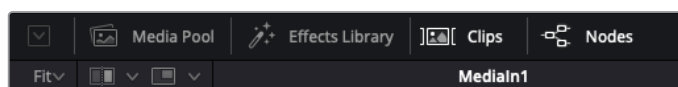
Добавление визуальных эффектов и композитинг на стр. Fusion

После завершения монтажа можно перейти на страницу Fusion, чтобы непосредственно в DaVinci Resolve добавить анимационную графику, а также 2D- и 3D-эффекты. В отличие от программ для композитинга на основе слоев, работа во Fusion ведется с узлами. Такая структура дает достаточно свободы при создании сложных эффектов и позволяет использовать данные об изображении самыми разными способами. В окне Nodes показаны инструменты каждого отдельного этапа. Если вы уже имели дело с узлами на странице «Цвет», этот процесс будет вам знаком.

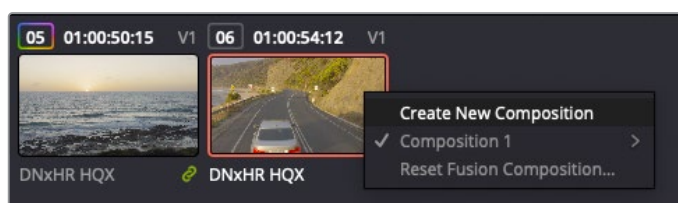


Страница Fusion

В верхней части находятся два окна просмотра с кнопками управления воспроизведением, справа — панель Inspector для настройки параметров, а внизу — окно Nodes, в котором выполняется композитинг. Окна просмотра и кнопки управления отображаются постоянно, а окна Nodes, панели Spline, Keyframes, Inspector и библиотеку Effects Library можно скрыть или показать, нажав соответствующие значки в верхней части дисплея.



- **Медиатека.** Выполняет те же функции, что и на странице «Монтаж». Для использования дополнительных медиафайлов их достаточно перетащить из папок прямо в композицию.
- **Библиотека эффектов.** Здесь находятся инструменты и шаблоны Fusion, сгруппированные по категориям, в том числе для трекинга и добавления частиц, использования фильтров и генераторов. Чтобы добавить инструмент в композицию, его можно либо щелкнуть мышью, либо перетащить в область узлов. Медиатека и библиотека эффектов занимают один и тот же участок экрана для того, чтобы при переключении между ними размер окон просмотра не менялся.
- **Клипы.** Нажатием кнопки «Клипы» можно отобразить или скрыть пиктограммы, соответствующие клипам на временной шкале. Пиктограммы находятся под окном Nodes и обеспечивают мгновенный доступ к другому материалу.



Чтобы создать новую версию композиции, щелкните пиктограмму правой кнопкой мыши и выберите команду «Создать новую композицию»

- **Окна просмотра.** В них можно воспроизводить разные варианты композиции, например общее трехмерное изображение через узел Merge 3D, выход с камеры или конечный результат рендеринга. Они также позволяют проверять, как внесенные изменения влияют на конкретный элемент.

Чтобы просмотреть узел в левом окне, выберите узел и нажмите клавишу 1, в правом окне — 2. Под узлом появится белая точка, которая показывает, в каком окне он выводится. Если есть внешний монитор для передачи изображения, он будет обозначен третьей точкой.

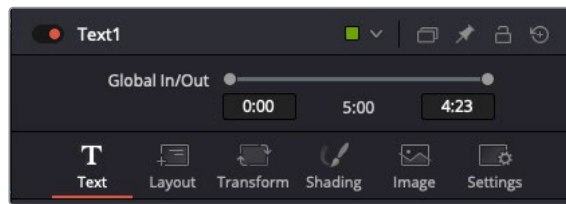
СОВЕТ. Для привязки узла к определенному окну просмотра можно также использовать перетаскивание.

Находящиеся под окнами просмотра кнопки управления позволяют переходить к началу или концу клипа, проигрывать его вперед или назад, а также останавливать воспроизведение. На линейке времени показана продолжительность полного клипа, а желтые метки обозначают точки входа и выхода.



Желтые метки на линейке времени показывают точки входа и выхода клипа на монтажной линейке. При использовании эффектов Fusion или составной композиции линейка времени отражает длительность клипа на монтажной линейке, то есть без маркеров.

- **Nodes (Узлы).** Это окно является главной панелью страницы Fusion, на которой путем добавления инструмента на выходе одного узла создается исходный материал для нового узла. Если открыты панели Spline и Keyframes, размер этой области меняется. Над ней расположены наиболее часто используемые инструменты для быстрого доступа к ним.
- **Spline (Сплайн).** Если открыть эту панель, она будет отображаться справа от окна Nodes. С помощью кривых Безье здесь можно выполнять точную корректировку каждого узла, например сглаживание анимации между двумя ключевыми кадрами.
- **Keyframes (Ключевые кадры).** Добавлять, удалять или изменять ключевые кадры в каждом клипе можно с помощью соответствующего редактора. Он также расположен справа от окна Nodes.
- **Метаданные.** На панели метаданных отображается подробная информация о выбранном клипе, включая сведения о кодеке, частоте кадров и тайм-коде.
- **Inspector (Инспектор).** Находящаяся в правом верхнем углу панель Inspector содержит настройки и модификаторы одного или нескольких выбранных узлов. Появляются также дополнительные вкладки с другими параметрами узлов, сгруппированными по категориям.

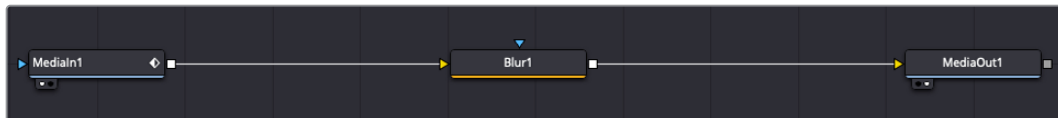


Дополнительные вкладки для изменения текста, конфигурации, трансформирования, теней, изображения и настроек

Подготовка к работе с Fusion

Чтобы открыть страницу Fusion, наведите курсор монтажной линейки на любой клип и щелкните вкладку Fusion.

Этот клип будет соответствовать узлу под названием MediaIn. Каждая композиция состоит из узлов MediaIn и MediaOut. Узел MediaIn представляет собой самый верхний клип, на котором находится курсор монтажной линейки, а дорожки, расположенные ниже, игнорируются. Любые изменения, внесенные в клип на странице «Монтаж» (такие как преобразование и обрезка кадра), также учитываются.



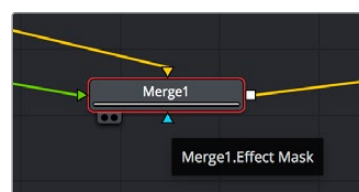
Узел выхода, который соответствует изображению, поступающему обратно на временную шкалу страницы «Монтаж», называется MediaOut

СОБЕТ. Изменения от применения плагинов Resolve FX или OFX на стр. «Монтаж» не отображаются на стр. Fusion. Это объясняется тем, что эффекты Fusion накладываются до выполнения цветокоррекции и обработки с помощью OFX или Resolve FX. Чтобы применить OFX до добавления эффектов Fusion, щелкните правой кнопкой мыши клип на странице «Монтаж» и выберите «Новый клип на стр. Fusion...», затем перейдите на страницу Fusion.

Что такое узлы

Каждый узел — это визуальный значок, обозначающий один инструмент или эффект. Узлы соединяют друг с другом для создания общего композитного изображения. Чтобы лучше ориентироваться в этом процессе, необходимо понять роль входов и выходов в таких элементах.

У некоторых инструментов есть несколько входов и выходов, соединяемых с другими узлами. Узел Merge, например, может использоваться в качестве исходного материала передний план, фон или маску для кеинга.



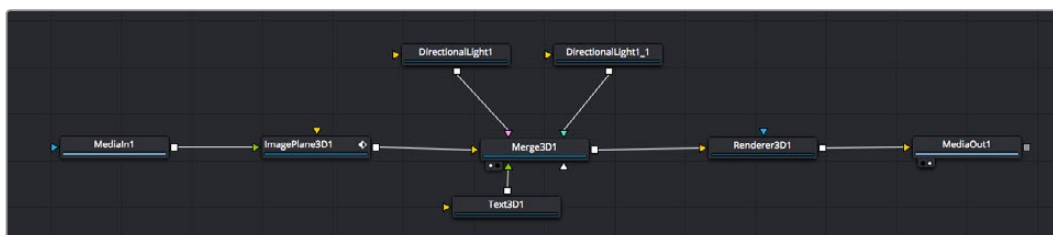
- ▶ Передний план (вход)
- ▶ Фон (вход)
- ▶ Маска эффекта (вход)
- ◻ Выход

Наличие нескольких выходов позволяет соединять один узел с разными узлами композиции, поэтому нет необходимости делать копии клипов, как в программах с использованием слоев. Стрелки на соединяющих узлы линиях служат хорошим визуальным индикатором, который показывает направление потока обработки.

Добавление узлов в окне Nodes

Чтобы добавить эффект, достаточно поместить его на линию между узлами MediaIn и MediaOut.

Есть несколько способов сделать это. Можно вставить новый узел между двумя существующими, удерживая клавишу SHIFT, или же щелкнуть узел, для которого нужно добавить эффект, а затем выбрать инструмент. Новый узел будет автоматически соединен с заданным инструментом. Узел также легко добавить в любое место окна Nodes с последующим соединением выхода одного из них и входа другого.



Наиболее часто используют инструмент Merge 2D или Merge 3D. Он выполняет роль центрального элемента, с помощью которого формируется единое изображение на выходе.

У узла объединения есть органы управления входами, включая настройки размера, положения и слияния. Изменять их можно на панели Inspector при выборе данного узла.

Над окном Nodes находится панель наиболее часто используемых инструментов. Чтобы добавить узел, можно либо выбрать соответствующий инструмент, либо перетащить его в окно. Чтобы увидеть полный набор инструментов, щелкните «Библиотека эффектов» в левом верхнем углу и разверните меню Tools. Все инструменты сгруппированы по категориям. Кроме того, в разделе Templates есть разные шаблоны, например Lens flares, Shaders и Backgrounds.

СОВЕТ. Если названия инструментов вам уже хорошо знакомы, удерживая клавишу SHIFT, можно нажать ПРОБЕЛ, чтобы открыть диалоговое окно Select Tool. По мере ввода названия будут предлагаться соответствующие подсказки. Таким способом легко быстро выбрать нужный инструмент.

Корректировка узлов с помощью панели Inspector

Изменить настройки узла можно на панели Inspector. Для этого выберите нужный узел, и на панели появятся его параметры и элементы управления.

На странице Fusion не обязательно отображать редактируемый узел в окне просмотра. Можно вносить изменения в один узел и одновременно просматривать другой. Например, при корректировке размера и положения узла Text+ будет показан узел объединения, что позволяет видеть текст на соответствующем фоне.



У выбранного узла появляется красный контур. На рисунке показаны элементы корректировки текста на вкладке Layout панели Inspector.

В зависимости от выполняемого задания на каждом узле можно настраивать разные параметры — от изменения размера и положения до корректировки числа частиц в узле эмиттера. Расстановка ключевых кадров и установка настроек времени позволяют анимировать эффект.

Работа с ключевыми кадрами

Чтобы добавить ключевой кадр, на панели Inspector щелкните настройку правой кнопкой мыши и в контекстном меню выберите команду Animate. Значок ключевого кадра справа от настройки станет красным. Это означает, что ключевые кадры активированы и вносимые изменения будут касаться только текущего кадра. Для анимирования того или иного параметра необходимо по меньшей мере два ключевых кадра. Стрелки с обеих сторон значка ключевого кадра позволяют перемещать курсор в точное положение на временной шкале.



Анимирование ключевых кадров для параметра Size сглажено с помощью кривой Безье. Ее легко укоротить или удлинить посредством имеющихся на ней маркеров, а ключевой кадр можно передвинуть, используя квадратный значок.

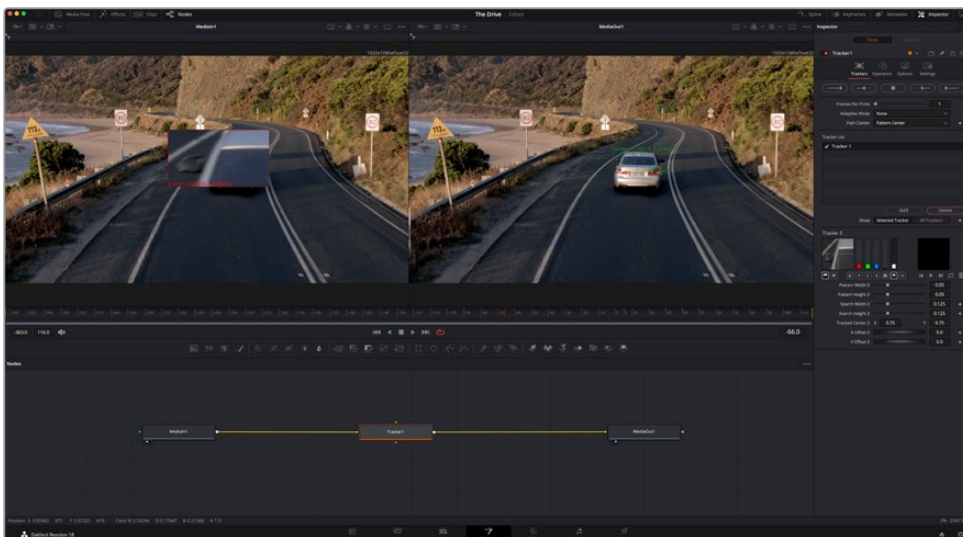
На панели Spline есть дополнительные настройки для анимирования ключевых кадров. Можно, например, сгладить анимацию между первым и последним ключевым кадром с помощью кривой Безье. Для этого нужно нажать SHIFT+S или щелкнуть ключевой кадр правой кнопкой мыши и выбрать Smooth.

Трекер движения и добавление текста

На приведенном ниже примере объясняется трекинг объекта в клипе и добавление текста с использованием сохраненных данных отслеживания.

Инструмент Tracker отслеживает пиксели на осях X и Y и генерирует данные, которые можно использовать для добавления других элементов. Эта функция позволяет совмещать положение текста с движущимся объектом, например с едущим автомобилем или летящей в кадре птицей.

- 1 В библиотеке эффектов выберите Tracking > Tracker и перетащите инструмент на линию между узлами MediaIn и MediaOut. Теперь щелкните мышью на узле трекера, чтобы на панели Inspector появились его настройки.
- 2 Нажмите клавишу 1, чтобы вывести изображение узла Tracker в левое окно просмотра. В нем появится клип вместе с трекером в выбранном по умолчанию положении. Наведите указатель мыши на трекер, чтобы появился маркер. В левом верхнем углу трекера щелкните маркер и перетащите трекер в нужное место на клипе. Лучше всего он работает на участках с высоким контрастом (например, на эмблеме, расположенной на капоте автомобиля). Трекер увеличит область изображения, чтобы обеспечить более точную установку.
- 3 На панели Inspector щелкните кнопку Track Forward. По завершении трекинга появится соответствующее сообщение. Нажмите «ОК».

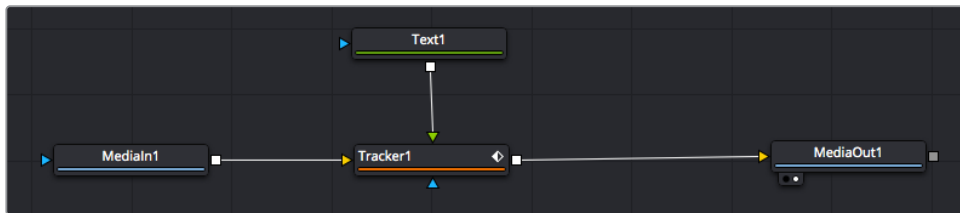


Кнопки управления на панели Inspector выполняют обратный трекинг от последнего или текущего кадра, остановку, а также прямой трекинг от текущего или первого кадра

СОВЕТ. Функция прямого или обратного трекинга от текущего кадра очень удобна в случаях, когда во время рендеринга отслеживаемый объект (например, автомобиль или птица) выходит из кадра. Это позволяет отслеживать только нужный эпизод.

Сохраненные данные трекинга можно использовать для траектории перемещения текста.

- 4 Щелкните значок узла Text+ на панели инструментов и перетащите его в окно Nodes, поместив рядом с узлом Tracker. Соедините выход узла Text с зеленым входом переднего плана в узле Tracker.



5 Выберите узел Tracker и нажмите клавишу 1, чтобы увидеть полученный результат в левом окне просмотра. На панели Inspector узла Tracker откройте вкладку Operation. Щелкните меню Operation и выберите Match Move.

6 Щелкните узел Text, чтобы на панели Inspector появились его настройки. Введите нужный текст в текстовое поле и измените шрифт, цвет и размер по желанию.

Данные положения будут перенесены с трекера на текст. Если нужно изменить параметры смещения текста, снова выберите вкладку Trackers на панели Inspector и внесите поправки с помощью прокрутки X Offset и Y Offset.



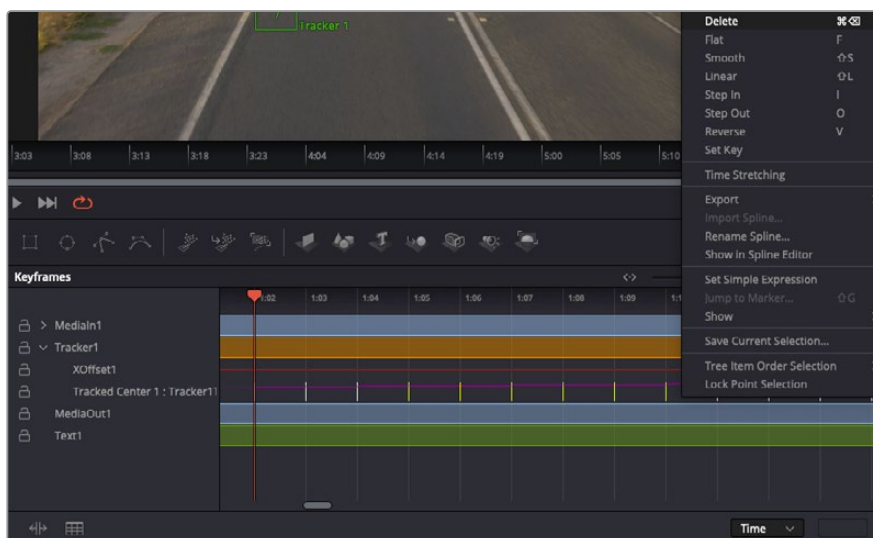
Ручки прокрутки в нижней части трекера позволяют настраивать смещение текста

Теперь можно воспроизвести всю композицию и увидеть текст вместе с объектом, для которого было выполнено отслеживание.



Зеленый квадрат показывает текущее положение трекера на зеленой траектории, а красная пунктирная линия обозначает положение смещения, использованное для анимации текста

В некоторых случаях необходимо удалить точки отслеживания (например, когда объект трекинга исчезает с экрана). Для этого используют редактор ключевых кадров.



- 7 Выберите Keyframes над панелью Inspector, чтобы открыть соответствующий инструмент. Все узлы с использованием ключевых кадров имеют обозначение в виде небольшой стрелки, а в списке ниже отображается только тот параметр, для которого добавлены ключевые кадры. Нажмите на значок увеличительного стекла и создайте рамку вокруг фрагмента для редактирования, чтобы облегчить работу.
- 8 Передвиньте курсор в расположение последнего ключевого кадра. После этого выберите ключевые кадры для удаления путем создания рамки вокруг них с помощью компьютерной мыши. Они будут выделены желтым цветом. Щелкнув правой кнопкой мыши, используйте команду Delete из меню.

СОБЕТ. Если эффекты требуют использования значительных компьютерных ресурсов, щелкните правой кнопкой мыши в области управления воспроизведением. В этом случае доступны просмотр прокси-материала и другие опции, которые позволяют оптимизировать вывод во время композитинга. Подробнее о воспроизведении см. руководство по DaVinci Resolve.

Анимирование текста с привязкой к движению в кадре закончено!

Когда в кадре есть двумерная поверхность, которую нужно сделать более объемной или заменить, можно использовать плоскостной трекинг. Отслеживание 2D-областей позволяет менять текст в указателях или дорожных знаках, а также добавлять изображение на монитор компьютера или экран телевизора.

Подробнее о плоскостном трекинге и других инструментах страницы Fusion см. руководство по DaVinci Resolve.

СОБЕТ. При композитинге на странице Fusion необходимо учитывать измерение создаваемого эффекта (2D или 3D), потому что от этого зависит, какой инструмент Merge будет использоваться. Часто составное изображение имеет комбинацию двух- и трехмерных эффектов. В таких случаях следует помнить, что 3D-объекты требуют преобразования в 2D, если они будут объединены с 2D-элементами.

Страница Fusion имеет целый ряд инструментов для создания визуальных эффектов, а их сочетание со средствами монтажа, грейдинга и обработки звука делает приложение DaVinci Resolve исключительно мощной системой для решения творческих задач.

Создание мастер-копий

Теперь, когда закончены монтаж и грейдинг, добавлены визуальные эффекты и смикширован звук, видео можно выгрузить для всеобщего просмотра. Чтобы сохранить все содержимое временной шкалы в виде отдельного файла определенного формата, нажмите кнопку «Быстрый экспорт», выберите команду меню или перейдите на стр. «Экспорт», где есть дополнительные опции.



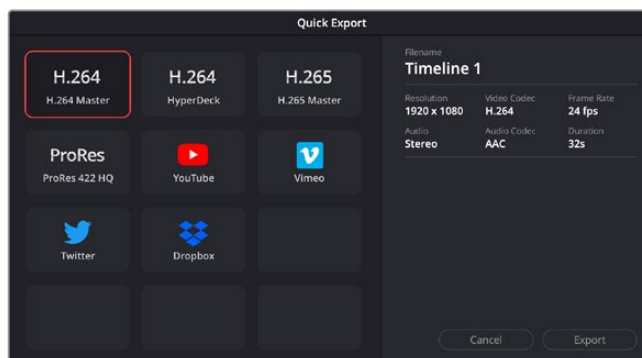
Для экспорта перейдите на страницу «Экспорт». Выберите видеоформат и кодек.

Быстрый экспорт

Чтобы экспортировать готовый материал с любой страницы приложения, выберите меню «Файл» > «Быстрый экспорт» и укажите желаемую предустановку. Кроме того, с помощью этой функции видео можно выгрузить на такие видеохостинговые сайты, как YouTube, Vimeo, Twitter и Frame.io.

Порядок быстрого экспорта

- 1 Чтобы отметить экспортируемый отрезок видео на стр. «Сборка», «Монтаж», Fusion или «Цвет», установите точки входа и выхода. Если их не добавлять, будет экспортирован весь эпизод на временной шкале.
Выберите меню «Файл» > «Быстрый экспорт».
- 2 В верхнем ряду диалогового окна «Быстрый экспорт» укажите формат и нажмите кнопку «Экспорт».
- 3 Выберите папку для экспорта, введите имя файла и щелкните «Сохранить». Появится индикатор выполнения с указанием продолжительности экспорта.



Диалоговое окно «Быстрый экспорт»

Страница «Экспорт»

Она позволяет выбрать клипы для экспорта, их формат, кодек и разрешение. Создать конечную копию можно в форматах QuickTime, AVI, MXF и DPX с помощью 8-битных или 10-битных кодеков, таких как RGB/YUV, ProRes, DNxHD, H.264 и другие.

Порядок экспорта отдельного клипа

- 1 Откройте страницу «Экспорт».
- 2 Перейдите к окну «Настройки рендеринга» в левом верхнем углу страницы. Можно воспользоваться существующими опциями для экспорта с целью размещения на YouTube и Vimeo либо создать собственную конфигурацию. Например, после выбора YouTube можно щелкнуть на стрелке возле опции для экспорта и задать формат 1080p.

Кадровая частота будет привязана к настройкам проекта.
- 3 Под опциями отображается название файла с временной шкалы и поле «Место». Нажмите кнопку «Обзор», выберите нужную папку для сохранения экспортируемых файлов и перейдите в «Рендеринг» > «Един. клипа».
- 4 Непосредственно над временной шкалой есть раскрывающееся меню «Рендеринг» с двумя опциями. Оно служит для выбора всей шкалы либо определения ее диапазона. Выберите «В пределах диапазона», затем с помощью клавиш "I" и "O" задайте точки входа и выхода на временной шкале.
- 5 Внизу окна «Настройки рендеринга» нажмите кнопку «Добавить в очередь рендеринга».

Настройки рендеринга будут добавлены в панель «Очередь рендеринга» с правой стороны страницы. Теперь нажмите кнопку «Начать рендеринг», и выполнение задачи будет отображаться на панели «Очередь рендеринга».

После завершения рендеринга откройте папку, дважды щелкните кнопкой мыши на созданном клипе и просмотрите окончательную версию смонтированного материала.

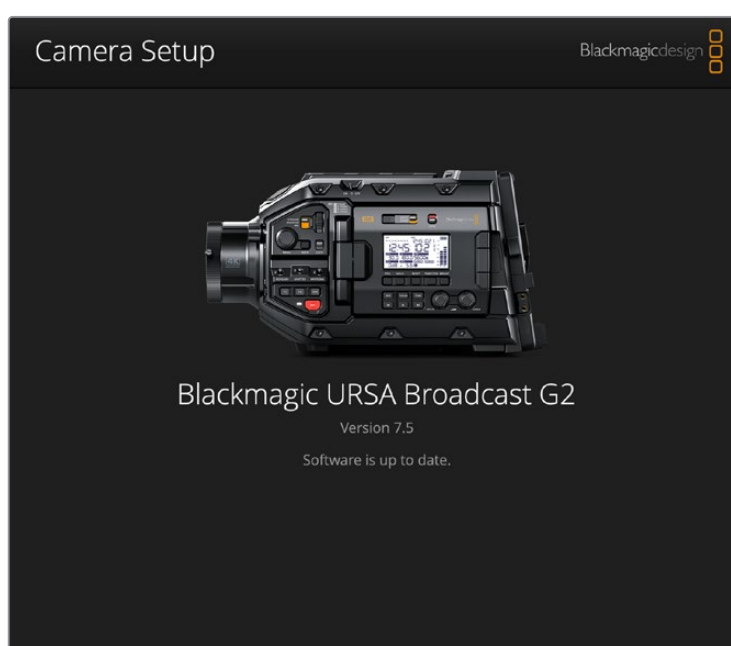
Теперь, имея базовое понимание монтажа и цветокоррекции, микширования звука и добавления визуальных эффектов, вы можете дальше поэкспериментировать с разными функциями приложения. Подробнее о работе с разными инструментами см. руководство по DaVinci Resolve.

Blackmagic Camera Setup Utility

Обновление программного обеспечения камеры на платформе Mac

После загрузки утилиты Blackmagic Camera Setup и распаковки файла выберите соответствующий диск, чтобы открыть мастер установки.

Запустите мастер установки и следуйте инструкциям на экране. После завершения установки перейдите в папку с приложениями и откройте папку Blackmagic Cameras, которая содержит данное руководство, утилиту Blackmagic Camera Setup, файлы Readme и другую информацию. В ней также находится деинсталлятор, используемый при обновлении Blackmagic Camera Setup до последней версии.



Обновление программного обеспечения камеры на платформе Windows

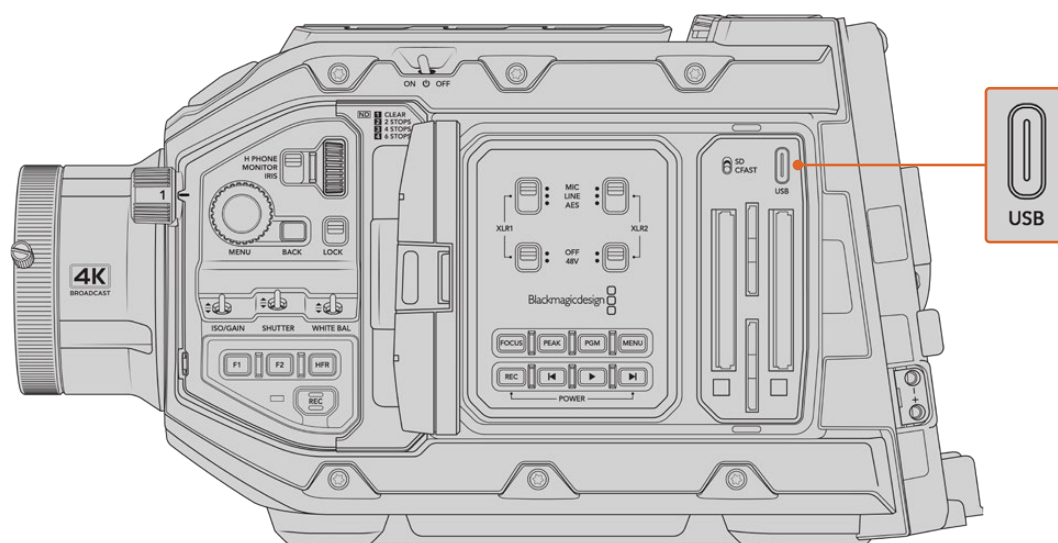
После загрузки утилиты Blackmagic Camera Setup и распаковки файла будет отображаться папка, содержащая данное руководство по эксплуатации в формате PDF и мастер установки. Щелкните кнопкой мыши дважды по значку мастера и следуйте инструкциям на экране.

На платформе Windows 10 выберите «Пуск» > «Все приложения». Перейдите к папке Blackmagic Design. Запустите утилиту Blackmagic Camera Setup.

Порядок обновления программного обеспечения для камеры

После установки на компьютер последней версии утилиты Blackmagic Camera Utility подключитесь к камере Blackmagic URSA Broadcast G2 при помощи кабеля USB. Порт USB находится с левой стороны над слотами для карт памяти.

Для обновления программного обеспечения запустите утилиту Blackmagic Camera Setup и следуйте инструкциям на экране. Помните, что при обновлении ПО все предустановки и личные LUT-таблицы удаляются, а настройки сбрасываются. Поэтому, прежде чем выполнять данную операцию, их рекомендуется экспортировать на карту памяти. После завершения обновления их можно будет легко импортировать.



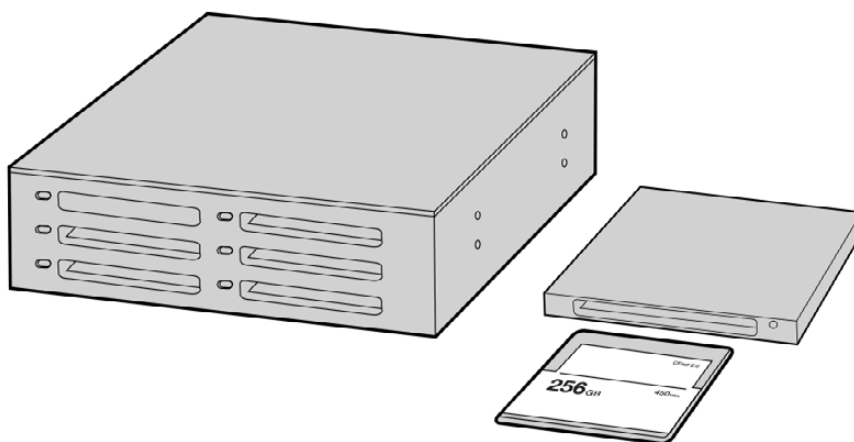
Обновление программного обеспечения выполняется через порт USB-C, который находится над слотами для карт памяти на корпусе камеры Blackmagic URSA Broadcast G2

Работа с программным обеспечением других производителей

Чтобы выполнить монтаж видео в специальном приложении, можно скопировать клипы на внутренний/внешний диск или RAID-массив, а затем импортировать их в программу. Их также можно перенести с накопителя при подключении через док-станцию или адаптер для SSD-дисков, карт CFAST и SD.

ПРИМЕЧАНИЕ. Используемый в URSA Broadcast G2 кодек Blackmagic RAW совместим с приложением DaVinci Resolve (начиная с версии 16.1.2), а также со многими другими программами для постобработки видео. Плагины для работы с Blackmagic RAW в Avid Media Composer и Adobe Premiere Pro входят в пакет Blackmagic RAW, который можно загрузить по адресу www.blackmagicdesign.com/ru/support.

Работа с файлами, записанными на карты памяти CFast 2.0 или SD



Для редактирования файлов непосредственно на карте памяти CFast извлеките ее из камеры и подключите к компьютеру, используя картридер CFast 2.0 или устройство CFast Drive

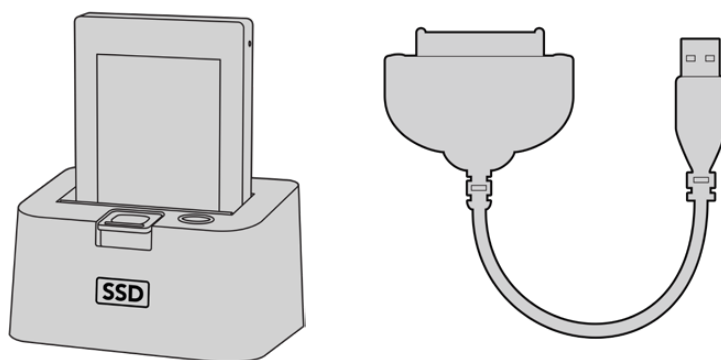
Порядок импорта клипов с карт CFast 2.0 и SD

- 1 Извлеките карту памяти из слота камеры Blackmagic URSA Broadcast G2.
Подключите карту к компьютеру на платформе Mac или Windows с помощью картридера.
- 2 Перейдите к карте с помощью проводника и откройте ее содержание. Там должен отображаться список файлов в кодеках Blackmagic RAW или QuickTime.
- 3 Теперь файлы с носителя легко поместить на рабочий стол или другой жесткий диск простым перетаскиванием. Обработку видео можно также выполнять непосредственно на карте с помощью приложений монтажа.
- 4 Перед отключением карты CFast или SD от компьютера рекомендуется выполнить ее безопасное извлечение в системе macOS или Windows. Если этого не сделать, можно повредить данные на накопителе.

Работа с файлами, записанными на SSD-диск

Порядок импорта клипов с SSD-диска

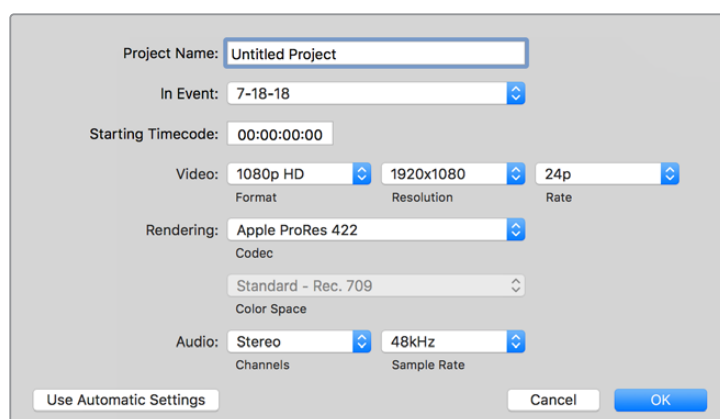
- 1 Извлеките SSD-диск из URSA Mini Recorder.
- 2 Подключите SSD-диск к компьютеру под управлением Mac или Windows с помощью док-станции с интерфейсом eSATA или Thunderbolt (например, Blackmagic MultiDock). SSD-диск можно подключить непосредственно к порту USB на компьютере через переходный кабель eSATA-USB. Рекомендуется использовать интерфейс USB 3.0, потому что скорости USB 2.0 недостаточно для обработки видео в режиме реального времени.
- 3 Дважды щелкните кнопкой мыши по SSD-диску, чтобы открыть список файлов QuickTime или Blackmagic RAW. В зависимости от выбранного способа записи он может включать файлы разных форматов, которые будут упорядочены по именам.
- 4 Теперь файлы с носителя легко поместить на рабочий стол или другой жесткий диск простым перетаскиванием. Обработку видео можно также выполнять непосредственно на диске с помощью приложений для нелинейного монтажа.
- 5 Перед отключением SSD-диска от компьютера рекомендуется выполнить его безопасное извлечение из системы.



Для редактирования файлов непосредственно на SSD-диске извлеките его из камеры и подключите к компьютеру, используя док-станцию с интерфейсом eSATA Thunderbolt или кабель USB 3.0

Работа с Final Cut Pro X

Чтобы выполнить монтаж клипа в Final Cut Pro X, создайте новый проект с необходимыми настройками формата и кадровой частоты. В этом примере используется формат ProRes 422 HQ 1080p/24.



Настройки проекта в Final Cut Pro X

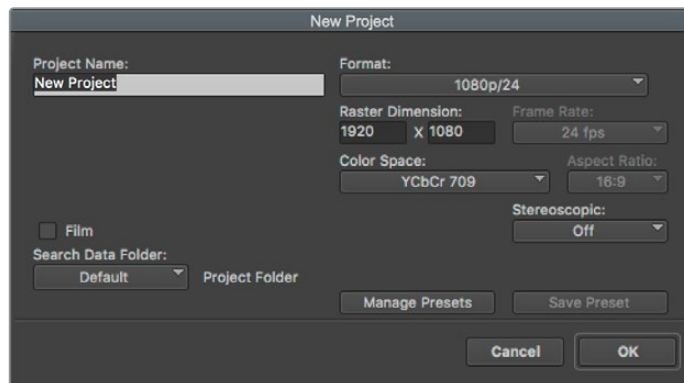
- 1 Запустите Final Cut Pro X, перейдите на панель Menu и выберите File > New Project. Откроется окно с настройками проекта.
- 2 Укажите имя проекта и включите настройку Custom.
- 3 Установите параметры видео: 1080p HD, 1920x1080 и 24p.
- 4 Для Audio and Render Properties выберите Stereo, 48kHz и Apple ProRes 422 HQ.
- 5 Нажмите OK.

Чтобы импортировать клипы в проект, перейдите на панель Menu и выберите File > Import > Media. Укажите клипы на карте памяти CFast.

Теперь клипы можно поместить на монтажную линейку перетаскиванием.

Работа с Avid Media Composer 2018

Чтобы выполнить монтаж клипа в Avid Media Composer 2018, создайте новый проект с необходимыми настройками формата и кадровой частоты. В примере ниже используется частота 1080p/24.



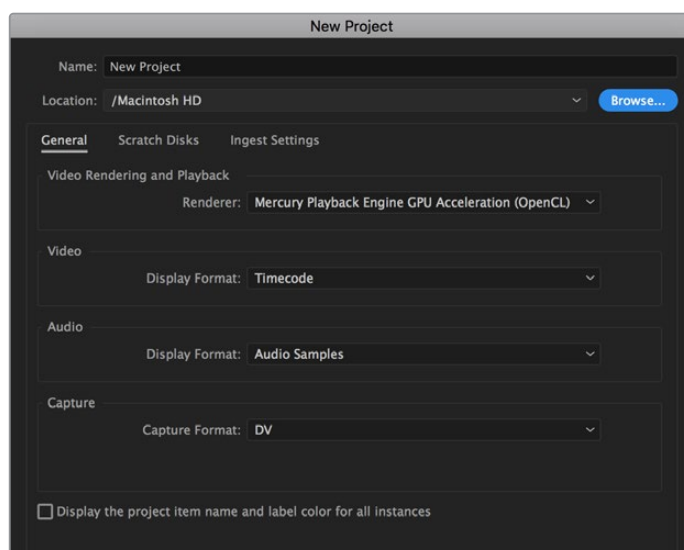
Создание нового проекта и выбор настроек в Avid Media Composer 2018

- 1 Запустите Avid Media Composer 2018. Откроется окно Select Project.
- 2 Нажмите кнопку New Project и в появившемся окне введите название проекта.
- 3 Перейдите в раскрывающееся меню Format и выберите HD 1080 > 1080p/24, а затем нажмите OK, чтобы создать проект.
- 4 Чтобы открыть проект, щелкните кнопкой мыши дважды по его имени в диалоговом окне Select Project.
- 5 Перейдите к файлам, которые необходимо импортировать, через File > Input > Source.
- 6 В раскрывающемся меню выберите Target Bin и нажмите Import.

Когда клипы отображаются в папке, их можно поместить на монтажную линейку перетаскиванием.

Работа с Adobe Premiere Pro CC

Чтобы выполнить монтаж клипа Apple ProRes 422 HQ в Adobe Premiere Pro CC, создайте новый проект с необходимыми настройками формата и кадровой частоты. В примере ниже используется формат ProRes 422 HQ 1080p/25.



Создание нового проекта и выбор настроек в Adobe Premiere Pro CC

- 1 Запустите Adobe Premiere Pro CC. В окне Welcome выберите New Project. Откроется окно с настройками проекта.
- 2 Укажите имя проекта. Нажмите Browse и выберите папку для хранения проекта. После указания папки нажмите OK в окне New Project.
- 3 Перейдите на панель Adobe Premiere Pro CC Menu, выберите File > Import и укажите клипы, которые необходимо отредактировать. После этого клипы будут отображаться в окне Project.
- 4 Поместите первый клип на значок New Item в правом нижнем углу окна Project. Будет создана новая монтажная линейка в соответствии с настройками клипа.

Теперь клипы можно поместить на линейку перетаскиванием.

Developer Information

Blackmagic Bluetooth Camera Control

Blackmagic cameras with Bluetooth LE implement a variety of features and commands that allow users to control their cameras wirelessly. Developers have full access to these features for their custom applications.

The following services and characteristics describe the full range of communication options that are available to the developer.

Service: Device Information Service

UUID: 180A

Characteristics

Camera Manufacturer

UUID: 2A29

Read the name of the manufacturer (always “Blackmagic Design”).

Camera Model

UUID: 2A24

Read the name of the camera model (“URSA Broadcast G2”).

Service: Blackmagic Camera Service

UUID: 291D567A-6D75-11E6-8B77-86F30CA893D3

Characteristics

Outgoing Camera Control (encrypted)

UUID: 5DD3465F-1AEE-4299-8493-D2ECA2F8E1BB

Send Camera Control messages

These messages are identical to those described in the Blackmagic SDI Camera Control Protocol section below. Please read that section for a list of supported messages and required formatting information.

For an example of how packets are structured, please see the ‘example protocol packets’ section in this document.

Incoming Camera Control (encrypted)

UUID: B864E140-76A0-416A-BF30-5876504537D9

Request notifications for this characteristic to receive Camera Control messages from the camera.

These messages are identical to those described in the Blackmagic SDI Camera Control Protocol section below. Please read that section for a list of supported messages and required formatting information.

Timecode (encrypted)

UUID: 6D8F2110-86F1-41BF-9AFB-451D87E976C8

Request notifications for this characteristic to receive timecode updates.

Timecode (HH:MM:SS:mm) is represented by a 32-bit BCD number:
(eg. 09:12:53:10 = 0x09125310)

Camera Status (encrypted)

UUID: 7FE8691D-95DC-4FC5-8ABD-CA74339B51B9

Request notifications for this characteristic to receive camera status updates.

The camera status is represented by flags contained in an 8-bit integer:

None	= 0x00
Camera Power On	= 0x01
Connected	= 0x02
Paired	= 0x04
Versions Verified	= 0x08
Initial Payload Received	= 0x10
Camera Ready	= 0x20

Send a value of 0x00 to power a connected camera off.

Send a value of 0x01 to power a connected camera on.

Device Name

UUID: FFAC0C52-C9FB-41A0-B063-CC76282EB89C

Send a device name to the camera (max. 32 characters).

The camera will display this name in the Bluetooth Setup Menu.

Protocol Version

UUID: 8F1FD018-B508-456F-8F82-3D392BEE2706

Read this value to determine the camera's supported CCU protocol version.

NOTE Encrypted characteristics can only be used once a device has successfully bonded or paired with the Blackmagic Camera. Once a connection has been established, any attempt to write to an encrypted characteristic will initiate bonding. For example, writing a 'Camera Power On' (0x01) message to the Camera Status characteristic.

Once bonding is initiated, the camera will display a 6-digit pin in the Bluetooth Setup Menu. Enter this pin on your device to establish an encrypted connection. The device will now be able to read, write and receive notifications from encrypted characteristics.

Blackmagic SDI and Bluetooth Camera Control Protocol

Version 1.6.2

If you are a software developer you can use the Blackmagic SDI and Bluetooth Camera Control Protocol to construct devices that integrate with our products. Here at Blackmagic Design, our approach is to open up our protocols and we eagerly look forward to seeing what you come up with!

Overview

This document describes an extensible protocol for sending a unidirectional stream of small control messages embedded in the non-active picture region of a digital video stream. The video stream containing the protocol stream may be broadcast to a number of devices. Device addressing is used to allow the sender to specify which device each message is directed to.

Assumptions

Alignment and padding constraints are explicitly described in the protocol document. Bit fields are packed from LSB first. Message groups, individual messages and command headers are defined as, and can be assumed to be, 32 bit aligned.

Blanking Encoding

A message group is encoded into a SMPTE 291M packet with DID/SDID x51/x53 in the active region of VANC line 16.

Message Grouping

Up to 32 messages may be concatenated and transmitted in one blanking packet up to a maximum of 255 bytes payload. Under most circumstances, this should allow all messages to be sent with a maximum of one frame latency.

If the transmitting device queues more bytes of message packets than can be sent in a single frame, it should use heuristics to determine which packets to prioritize and send immediately. Lower priority messages can be delayed to later frames, or dropped entirely as appropriate.

Abstract Message Packet Format

Every message packet consists of a three byte header followed by an optional variable length data block. The maximum packet size is 64 bytes.

Destination device (uint8)	Device addresses are represented as an 8 bit unsigned integer. Individual devices are numbered 0 through 254 with the value 255 reserved to indicate a broadcast message to all devices.
Command length (uint8)	The command length is an 8 bit unsigned integer which specifies the length of the included command data. The length does NOT include the length of the header or any trailing padding bytes.
Command id (uint8)	The command id is an 8 bit unsigned integer which indicates the message type being sent. Receiving devices should ignore any commands that they do not understand. Commands 0 through 127 are reserved for commands that apply to multiple types of devices. Commands 128 through 255 are device specific.
Reserved (uint8)	This byte is reserved for alignment and expansion purposes. It should be set to zero.
Command data (uint8[])	The command data may contain between 0 and 60 bytes of data. The format of the data section is defined by the command itself.

Padding (uint8[])	Messages must be padded up to a 32 bit boundary with 0x0 bytes. Any padding bytes are NOT included in the command length.
--------------------------	---

Receiving devices should use the destination device address and or the command identifier to determine which messages to process. The receiver should use the command length to skip irrelevant or unknown commands and should be careful to skip the implicit padding as well.

Defined Commands

Command 0 : change configuration

Category (uint8)	The category number specifies one of up to 256 configuration categories available on the device.
Parameter (uint8)	The parameter number specifies one of 256 potential configuration parameters available on the device. Parameters 0 through 127 are device specific parameters. Parameters 128 though 255 are reserved for parameters that apply to multiple types of devices.
Data type (uint8)	The data type specifies the type of the remaining data. The packet length is used to determine the number of elements in the message. Each message must contain an integral number of data elements.

Currently defined values are:

0: void/boolean	A void value is represented as a boolean array of length zero. The data field is a 8 bit value with 0 meaning false and all other values meaning true.
1: signed byte	Data elements are signed bytes
2: signed 16 bit integer	Data elements are signed 16 bit values
3: signed 32 bit integer	Data elements are signed 32 bit values
4: signed 64 bit integer	Data elements are signed 64 bit values
5: UTF-8 string	Data elements represent a UTF-8 string with no terminating character.

Data types 6 through 127 are reserved.

128: signed 5.11 fixed point	Data elements are signed 16 bit integers representing a real number with 5 bits for the integer component and 11 bits for the fractional component. The fixed point representation is equal to the real value multiplied by 2^{11} . The representable range is from -16.0 to 15.9995 (15 + 2047/2048).
-------------------------------------	---

Data types 129 through 255 are available for device specific purposes.

Operation type (uint8)	The operation type specifies what action to perform on the specified parameter. Currently defined values are:
0: assign value	The supplied values are assigned to the specified parameter. Each element will be clamped according to its valid range. A void parameter may only be 'assigned' an empty list of boolean type. This operation will trigger the action associated with that parameter. A boolean value may be assigned the value zero for false, and any other value for true.
1: offset/toggle value	Each value specifies signed offsets of the same type to be added to the current parameter values. The resulting parameter value will be clamped according to their valid range. It is not valid to apply an offset to a void value. Applying any offset other than zero to a boolean value will invert that value.

Operation types 2 through 127 are reserved.

Operation types 128 through 255 are available for device specific purposes.

Data (void)	The data field is 0 or more bytes as determined by the data type and number of elements.
--------------------	--

The category, parameter, data type and operation type partition a 24 bit operation space.

Group	ID	Parameter	Type	Index	Minimum	Maximum	Interpretation
Lens	0.0	Focus	fixed16	–	0.0	1.0	0.0 = near, 1.0 = far
	0.1	Instantaneous autofocus	void	–	–	–	trigger instantaneous autofocus
	0.2	Aperture (f-stop)	fixed16	–	-1.0	16.0	Aperture Value (where fnumber = $\sqrt{2^{AV}}$)
	0.3	Aperture (normalised)	fixed16	–	0.0	1.0	0.0 = smallest, 1.0 = largest
	0.4	Aperture (ordinal)	int16	–	0	n	Steps through available aperture values from minimum (0) to maximum (n)
	0.5	Instantaneous auto aperture	void	–	–	–	trigger instantaneous auto aperture
	0.6	Optical image stabilisation	boolean	–	–	–	true = enabled, false = disabled
	0.7	Set absolute zoom (mm)	int16	–	0	max	Move to specified focal length in mm, from minimum (0) to maximum (max)
	0.8	Set absolute zoom (normalised)	fixed16	–	0.0	1.0	Move to specified focal length: 0.0 = wide, 1.0 = tele
	0.9	Set continuous zoom (speed)	fixed16	–	-1.0	+1.0	Start/stop zooming at specified rate: -1.0 = zoom wider fast, 0.0 = stop, +1 = zoom tele fast

Group	ID	Parameter	Type	Index	Minimum	Maximum	Interpretation
Video	1.0	Video mode	int8	[0] = frame rate	-	-	fps as integer (eg 24, 25, 30, 50, 60)
				[1] = M-rate	-	-	0 = regular, 1 = M-rate
				[2] = dimensions	-	-	0 = NTSC, 1 = PAL, 2 = 720, 3 = 1080, 4 = 2kDCI, 5 = 2k16:9, 6 = UHD, 7 = 3k Anamorphic, 8 = 4k DCI, 9 = 4k 16:9, 10 = 4.6k 2.4:1, 11 = 4.6k
				[3] = interlaced	-	-	0 = progressive, 1 = interlaced
				[4] = Color space	-	-	0 = YUV
	1.1	Gain (up to Camera 4.9)	int8		1	128	1x, 2x, 4x, 8x, 16x, 32x, 64x, 128x gain
	1.2	Manual White Balance	int16	[0] = color temp	2500	10000	Color temperature in K
			int16	[1] = tint	-50	50	tint
	1.3	Set auto WB	void	-	-	-	Calculate and set auto white balance
	1.4	Restore auto WB	void	-	-	-	Use latest auto white balance setting
	1.5	Exposure (us)	int32		1	42000	time in us
	1.6	Exposure (ordinal)	int16	-	0	n	Steps through available exposure values from minimum (0) to maximum (n)
	1.7	Dynamic Range Mode	int8 enum	-	0	2	0 = film, 1 = video, 2 = extended video
	1.8	Video sharpening level	int8 enum	-	0	3	0 = off, 1 = low, 2 = medium, 3 = high
	1.9	Recording format	int16	[0] = file frame rate	-	-	fps as integer (eg 24, 25, 30, 50, 60, 120)
				[1] = sensor frame rate	-	-	fps as integer, valid when sensor-off-speed set (eg 24, 25, 30, 33, 48, 50, 60, 120), no change will be performed if this value is set to 0
				[2] = frame width	-	-	in pixels
				[3] = frame height	-	-	in pixels
				[4] = flags	-	-	[0] = file-M-rate
					-	-	[1] = sensor-M-rate, valid when sensor-off-speed-set
-					-	[2] = sensor-off-speed	
-	-	[3] = interlaced					
-	-	[4] = windowed mode					
1.10	Set auto exposure mode	int8	-	0	4	0 = Manual Trigger, 1 = Iris, 2 = Shutter, 3 = Iris + Shutter, 4 = Shutter + Iris	
1.11	Shutter angle	int32	-	100	36000	Shutter angle in degrees, multiplied by 100	
1.12	Shutter speed	int32	-	Current sensor frame rate	5000	Shutter speed value as a fraction of 1, so 50 for 1/50th of a second	
1.13	Gain	int8	-	-128	127	Gain in decibel (dB)	
1.14	ISO	int32	-	0	2147483647	ISO value	
1.15	Display LUT	int8	[0] = selected LUT	-	-	0 = None, 1 = Custom, 2 = film to video, 3 = film to extended video	
			[1] = enabled or not	-	-	0 = Not enabled, 1 = Enabled	
1.16	ND Filter Stop	fixed16	[0] = stop	0.0	15.0	filter power, as f-stop	
			[1] = display mode	-	-	0 = stop 1 = density 2 = transmittance	

Group	ID	Parameter	Type	Index	Minimum	Maximum	Interpretation
Audio	2.0	Mic level	fixed16	–	0.0	1.0	0.0 = minimum, 1.0 = maximum
	2.1	Headphone level	fixed16	–	0.1	1.0	0.0 = minimum, 1.0 = maximum
	2.2	Headphone program mix	fixed16	–	0.1	1.0	0.0 = minimum, 1.0 = maximum
	2.3	Speaker level	fixed16	–	0.1	1.0	0.0 = minimum, 1.0 = maximum
	2.4	Input type	int8	–	0	3	0 = internal mic, 1 = line level input, 2 = low mic level input, 3 = high mic level input
	2.5	Input levels	fixed16	[0] ch0	0.0	1.0	0.0 = minimum, 1.0 = maximum
				[1] ch1	0.0	1.0	0.0 = minimum, 1.0 = maximum
2.6	Phantom power	boolean	–	–	–	true = powered, false = not powered	
Output	3.0	Overlay enables	uint16 bit field	[0] = bit field	–	–	bit flags: [0] = display status, [1] = display frame guides [2] = clean feed Some cameras don't allow separate control of frame guides and status overlays.
			uint16 bit field	[1] = target displays bit field	–	–	bit flags: [0] = LCD [1] = HDMI [2] = EVF [3] = Main SDI [4] = Front SDI
	3.1	Frame guides style (Camera 3.x)	int8	–	0	8	0 = HDTV, 1 = 4:3, 2 = 2.4:1, 3 = 2.39:1, 4 = 2.35:1, 5 = 1.85:1, 6 = thirds
	3.2	Frame guides opacity (Camera 3.x)	fixed16	–	0.1	1.0	0.0 = transparent, 1.0 = opaque
	3.3	Overlays (replaces .1 and .2 above from Cameras 4.0)	int8	[0] = frame guides style	–	–	0 = off, 1 = 2.4:1, 2 = 2.39:1, 3 = 2.35:1, 4 = 1.85:1, 5 = 16:9, 6 = 14:9, 7 = 4:3, 8 = 2:1, 9 = 4:5, 10 = 1:1
				[1] = frame guide opacity	0	100	0 = transparent, 100 = opaque
				[2] = safe area percentage	0	100	percentage of full frame used by safe area guide (0 means off)
[3] = grid style				–	–	bit flags: [0] = display thirds, [1] = display cross hairs, [2] = display center dot, [3] = display horizon	

Group	ID	Parameter	Type	Index	Minimum	Maximum	Interpretation
Display	4.0	Brightness	fixed16	–	0.0	1.0	0.0 = minimum, 1.0 = maximum
	4.1	Exposure and focus tools	uint16 bit field	[0] = bit field	–	–	bit flags: [0] = Zebra [1] = Focus Assist [2] = False Color
				uint16 bit field	[1] = target displays bit field	–	–
	4.2	Zebra level	fixed16	–	0.0	1.0	0.0 = minimum, 1.0 = maximum
	4.3	Peaking level	fixed16	–	0.0	1.0	0.0 = minimum, 1.0 = maximum
	4.4	Color bar enable	int8	–	0	30	0 = disable bars, 1-30 = enable bars with timeout (seconds)
	4.5	Focus Assist	int8	[0] = focus assist method	–	–	0 = Peak, 1 = Colored lines
				[1] = focus line color	–	–	0 = Red, 1 = Green, 2 = Blue, 3 = White, 4 = Black
4.6	Program return feed enable	int8	–	0	30	0 = disable, 1-30 = enable with timeout (seconds)	
4.7	Timecode Source	signed byte	[0] = source	–	–	0 = Clip, 1 = Timecode	
Tally	5.0	Tally brightness	fixed16	–	0.0	1.0	Sets the tally front and tally rear brightness to the same level. 0.0 = minimum, 1.0 = maximum
	5.1	Front tally brightness	fixed16	–	0.0	1.0	Sets the tally front brightness. 0.0 = minimum, 1.0 = maximum
	5.2	Rear tally brightness	fixed16	–	0.0	1.0	Sets the tally rear brightness. 0.0 = minimum, 1.0 = maximum Tally rear brightness cannot be turned off
Reference	6.0	Source	int8 enum	–	0	2	0 = internal, 1 = program, 2 = external
	6.1	Offset	int32	–	–	–	+/- offset in pixels
Configuration	7.0	Real Time Clock	int32	[0] time	–	–	BCD - HHMMSSFF (UCT)
				[1] date	–	–	BCD - YYYYMMDD
	7.1	System language	string	[0-1]	–	–	ISO-639-1 two character language code
	7.2	Timezone	int32	–	–	–	Minutes offset from UTC
	7.3	Location	int64	[0] latitude	–	–	BCD - s0DDdddddddddd where s is the sign: 0 = north (+), 1 = south (-); DD degrees, ddddddddddd decimal degrees
[1] longitude				–	–	BCD - sDDDdddddddddd where s is the sign: 0 = west (-), 1 = east (+); DDD degrees, dddddddddd decimal degrees	

Group	ID	Parameter	Type	Index	Minimum	Maximum	Interpretation
Color Correction	8.0	Lift Adjust	fixed16	[0] red	-2.0	2.0	default 0.0
				[1] green	-2.0	2.0	default 0.0
				[2] blue	-2.0	2.0	default 0.0
				[3] luma	-2.0	2.0	default 0.0
	8.1	Gamma Adjust	fixed16	[0] red	-4.0	4.0	default 0.0
				[1] green	-4.0	4.0	default 0.0
				[2] blue	-4.0	4.0	default 0.0
				[3] luma	-4.0	4.0	default 0.0
	8.2	Gain Adjust	fixed16	[0] red	0.0	16.0	default 1.0
				[1] green	0.0	16.0	default 1.0
				[2] blue	0.0	16.0	default 1.0
				[3] luma	0.0	16.0	default 1.0
	8.3	Offset Adjust	fixed16	[0] red	-8.0	8.0	default 0.0
				[1] green	-8.0	8.0	default 0.0
				[2] blue	-8.0	8.0	default 0.0
				[3] luma	-8.0	8.0	default 0.0
	8.4	Contrast Adjust	fixed16	[0] pivot	0.0	1.0	default 0.5
				[1] adj	0.0	2.0	default 1.0
	8.5	Luma mix	fixed16	–	0.0	1.0	default 1.0
	8.6	Color Adjust	fixed16	[0] hue	-1.0	1.0	default 0.0
[1] sat				0.0	2.0	default 1.0	
8.7	Correction Reset Default	void	–	–	–	reset to defaults	

Group	ID	Parameter	Type	Index	Minimum	Maximum	Interpretation
Media	10.0	Codec	int8 enum	[0] = basic codec	-	-	0 = CinemaDNG, 1 = DNxHD, 2 = ProRes, 3 = Blackmagic RAW
					-	-	CinemaDNG: 0 = uncompressed, 1 = lossy 3:1, 2 = lossy 4:1
				[1] = code variant	-	-	ProRes: 0 = HQ, 1 = 422, 2 = LT, 3 = Proxy, 4 = 444, 5 = 444XQ
					-	-	Blackmagic RAW: 0 = Q0, 1 = Q5, 2 = 3:1, 3 = 5:1, 4 = 8:1, 5 = 12:1
	10.1	Transport mode	int8	[0] = mode	-	-	0 = Preview, 1 = Play, 2 = Record
				[1] = speed	-	-	-ve = multiple speeds backwards, 0 = pause, +ve = multiple speeds forwards
				[2] = flags	-	-	1<<0 = loop, 1<<1 = play all, 1<<5 = disk1 active, 1<<6 = disk2 active, 1<<7 = time-lapse recording
				[3] = slot 1 storage medium	-	-	0 = CFast card, 1 = SD, 2 = SSD Recorder
				[4] = slot 2 storage medium	-	-	0 = CFast card, 1 = SD, 2 = SSD Recorder
	10.2	Playback Control	int8 enum	[0] = clip	-	-	0 = Previous, 1 = Next
10.5	Stream	bool	[0] = enabled	-	-	true = enabled, false = disabled	
10.6	Stream Information	void bool	[0] = enabled	-	-	true = enabled, false = disabled	
10.7	Stream Display 3D LUT	void bool	[0] = enabled	-	-	true = enabled, false = disabled	
PTZ Control	11.0	Pan/Tilt Velocity	fixed 16	[0] = pan velocity	-1.0	1.0	-1.0 = full speed left, 1.0 = full speed right
				[1] = tilt velocity	-1.0	1.0	-1.0 = full speed down, 1.0 = full speed up
	11.1	Memory Preset	int8 enum	[0] = preset command	-	-	0 = reset, 1 = store location, 2 = recall location
			int8	[1] = preset slot	0	5	-

Example Protocol Packets

Operation	Packet Length	Byte															
		0	1	2	3	4	5	6	7	8	9	10	11	12	13	14	15
		header				command				data							
		destination	length	command	reserved	category	parameter	type	operation								
trigger instantaneous auto focus on camera 4	8	4	4	0	0	0	1	0	0								
turn on OIS on all cameras	12	255	5	0	0	0	6	0	0	1	0	0	0				
set exposure to 10 ms on camera 4 (10 ms = 10000 us = 0x00002710)	12	4	8	0	0	1	5	3	0	0x10	0x27	0x00	0x00				
add 15% to zebra level (15 % = 0.15 f = 0x0133 fp)	12	4	6	0	0	4	2	128	1	0x33	0x01	0	0				
select 1080p 23.98 mode on all cameras	16	255	9	0	0	1	0	1	0	24	1	3	0	0	0	0	0
subtract 0.3 from gamma adjust for green & blue (-0.3 ≈ 0xfd9a fp)	16	4	12	0	0	8	1	128	1	0	0	0x9a	0xfd	0x9a	0xfd	0	0
all operations combined	76	4	4	0	0	0	1	0	0	255	5	0	0	0	6	0	0
		1	0	0	0	4	8	0	0	1	5	3	0	0x10	0x27	0x00	0x00
		4	6	0	0	4	2	128	1	0x33	0x01	0	0	255	9	0	0
		1	0	1	0	24	1	3	0	0	0	0	0	4	12	0	0
		8	1	128	1	0	0	0x9a	0xfd	0x9a	0xfd	0	0				

Blackmagic Tally Control Protocol

Version 1.0 (30/04/14)

This section is for third party developers or anybody who may wish to add support for the Blackmagic Tally Control Protocol to their products or system. It describes the protocol for sending tally information embedded in the non-active picture region of a digital video stream.

Data Flow

A master device such as a broadcast switcher embeds tally information into its program feed which is broadcast to a number of slave devices such as cameras or camera controllers. The output from the slave devices is typically fed back to the master device, but may also be sent to a video monitor.

The primary flow of tally information is from the master device to the slaves. Each slave device may use its device id to extract and display the relevant tally information.

Slave devices pass through the tally packet on their output and update the monitor tally status, so that monitor devices connected to that individual output may display tally status without knowledge of the device id they are monitoring.

Assumptions

Any data alignment/padding is explicit in the protocol. Bit fields are packed from LSB first.

Blanking Encoding

One tally control packet may be sent per video frame. Packets are encoded as a SMPTE 291M packet with DID/SDID x51/x52 in the active region of VANC line 15. A tally control packet may contain up to 256 bytes of tally information.

Packet Format

Each tally status consists of 4 bits of information:

```
uint4
bit 0:    program tally status (0=off, 1=on)
bit 1:    preview tally status (0=off, 1=on)
bit 2-3:  reserved (0x0)
```

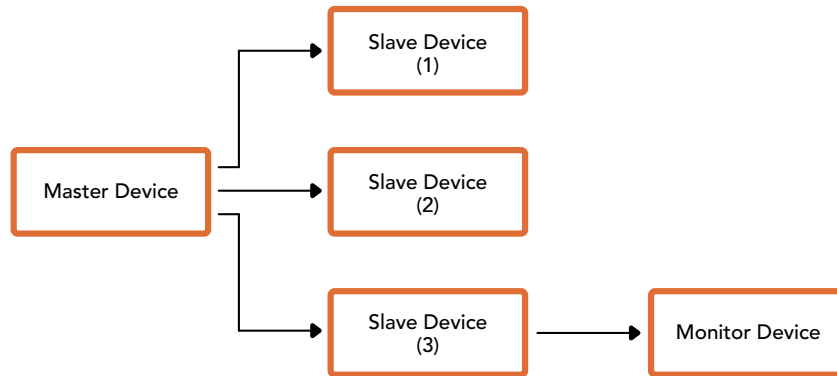
The first byte of the tally packet contains the monitor device tally status and a version number.

Subsequent bytes of the tally packet contain tally status for pairs of slave devices. The master device sends tally status for the number of devices configured/supported, up to a maximum of 510.

```
struct tally
```

```
uint8
bit 0:    monitor device program tally status (0=off, 1=on)
bit 1:    monitor device preview tally status (0=off, 1=on)
bit 2-3:  reserved (0b00)
bit 4-7:  protocol version (0b0000)
uint8[0]
bit 0:    slave device 1 program tally status (0=off, 1=on)
bit 1:    slave device 1 device preview tally status (0=off, 1=on)
bit 2-3:  reserved (0b00)
bit 4:    slave device 2 program tally status (0=off, 1=on)
bit 5:    slave device 2 preview tally status (0=off, 1=on)
bit 6-7:  reserved (0b00)
```

uint8[1]
bit 0: slave device 3 program tally status (0=off, 1=on)
bit 1: slave device 3 device preview tally status (0=off, 1=on)
bit 2-3: reserved (0b00)
bit 4: slave device 4 program tally status (0=off, 1=on)
bit 5: slave device 4 preview tally status (0=off, 1=on)
bit 6-7: reserved (0b00)
...



Byte	7 MSB	6	5	4	3	2	1	0 LSB
0	Version (0b0)	Version (0b0)	Version (0b0)	Version (0b0)	Reserved (0b0)	Reserved (0b0)	Monitor Preview	Monitor Program
1	Reserved (0b0)	Reserved (0b0)	Slave 1 Preview	Slave 1 Program	Reserved (0b0)	Reserved (0b0)	Slave 0 Preview	Slave 0 Program
2	Reserved (0b0)	Reserved (0b0)	Slave 3 Preview	Slave 3 Program	Reserved (0b0)	Reserved (0b0)	Slave 2 Preview	Slave 2 Program
3	...							

Помощь

Самый быстрый способ получить помощь — обратиться к страницам поддержки на сайте Blackmagic Design и проверить наличие последних справочных материалов по камере.

Раздел поддержки на сайте Blackmagic Design

Последние версии руководства по эксплуатации, программного обеспечения и дополнительную информацию можно найти в центре поддержки Blackmagic Design на странице www.blackmagicdesign.com/ru/support.

Обращение в Службу поддержки Blackmagic Design

Если с помощью доступных справочных материалов решить проблему не удалось, воспользуйтесь формой «Отправить нам сообщение» на странице поддержки. Можно также позвонить в ближайшее представительство Blackmagic Design, телефон которого вы найдете на нашем веб-сайте.

Проверка используемой версии программного обеспечения

Чтобы узнать версию Blackmagic Camera Setup, установленную на вашем компьютере, откройте окно About Blackmagic Camera Setup.

- На компьютере с операционной системой Mac откройте Blackmagic Camera Utility в папке «Программы». В меню выберите About Blackmagic Camera Utility, чтобы узнать номер версии.
- На компьютере с операционной системой Windows откройте Blackmagic Camera Utility в меню или на экране «Пуск». В меню «Помощь» выберите About Blackmagic Camera Utility, чтобы узнать номер версии.

Загрузка последних версий программного обеспечения

Узнав установленную версию утилиты Blackmagic Camera Setup, перейдите в раздел поддержки Blackmagic Design на странице www.blackmagicdesign.com/ru/support, чтобы проверить наличие обновлений. Рекомендуется всегда использовать последнюю версию программного обеспечения, однако обновление лучше всего выполнять после завершения текущего проекта.

Соблюдение нормативных требований



Утилизация электрооборудования и электронной аппаратуры в Европейском Союзе

Изделие содержит маркировку, в соответствии с которой его запрещается утилизировать вместе с бытовыми отходами. непригодное для эксплуатации оборудование необходимо передать в пункт вторичной переработки. Раздельный сбор отходов и их повторное использование позволяют беречь природные ресурсы, охранять окружающую среду и защищать здоровье человека. Чтобы получить подробную информацию о порядке утилизации, обратитесь в местные муниципальные органы или к дилеру, у которого вы приобрели это изделие.



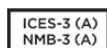
Данное оборудование протестировано по требованиям для цифровых устройств класса А (раздел 15 спецификаций FCC) и признано соответствующим всем предъявляемым критериям. Соблюдение упомянутых нормативов обеспечивает достаточную защиту от вредного излучения при работе оборудования в нежилых помещениях. Так как это изделие генерирует и излучает радиоволны, при неправильной установке оно может становиться источником радиопомех. Если оборудование эксплуатируется в жилых помещениях, высока вероятность возникновения помех, влияние которых в этом случае пользователь должен устранить самостоятельно.

До эксплуатации допускаются устройства, соответствующие двум главным требованиям.

- 1 Оборудование не должно быть источником вредных помех.
- 2 Оборудование должно быть устойчивым к помехам, включая те, которые могут вызвать сбой в работе.



R-R-BMD-20210915001
R-R-BMD-20200421002
R-R-BMD-20200916001
R-R-BMD-20200916002
R-REM-BMD-201803004
R-REM-BMD-201803003
MSIP-REM-BMD-201612001



Соответствие требованиям ISED (Канада)

Данное оборудование соответствует канадским стандартам для цифровых устройств класса А.

Любая модификация или использование изделия не по назначению могут повлечь за собой аннулирование заявления о соответствии этим стандартам.

Данное оборудование протестировано по требованиям, предъявляемым к устройствам при работе в нежилых помещениях.

Bluetooth®

URSA Broadcast G2 использует технологию беспроводной связи Bluetooth.

Оборудование содержит передающий модуль FCC ID:QOQBGM113.

Данное оборудование соответствует требованиям по радиационному излучению, установленным Федеральной комиссией связи США для неконтролируемой окружающей среды.

Оборудование содержит передающий модуль IC:5123A-BGM113.

Данное устройство соответствует требованиям промышленных стандартов Канады для нелицензируемого оборудования и техники, которая не подпадает под действие норм поглощения электромагнитной энергии (RSS-102 Issue 5).

Сертифицировано для использования в Японии, номер сертификата 209-J00204. Данное оборудование содержит элементы, сертифицированные в соответствии с регламентом Technical Regulation Conformity Certification по отраслевому законодательству.

Оборудование сертифицировано для использования в Южной Корее, номер сертификата: MSIP-CRM-BGT-BGM113.

Настоящим компания Blackmagic Design подтверждает, что камера URSA Broadcast G2 использует широкополосную систему передачи данных в диапазоне 2,4 ГГц (ISM) с соблюдением требований Директивы 2014/53/EU.

Полный текст декларации соответствия для ЕС доступен по запросу на адрес compliance@blackmagicdesign.com.

Правила безопасности

Прилагаемый блок питания 12 В постоянного тока для Blackmagic URSA Broadcast G2 и силовой кабель по стандарту IEC для Blackmagic Studio Fiber Converter необходимо подключить к электрической розетке, которая должна иметь заземляющий контакт.

Допускается эксплуатация Blackmagic URSA Broadcast G2 и Camera Fiber Converter в условиях тропического климата с температурой окружающей среды до 40° C. Работать с Blackmagic Studio Fiber Converter можно в условиях тропического климата с температурой окружающей среды до 50° C.

Для работы устройств Blackmagic Studio Fiber Converter и Camera Fiber Converter необходимо обеспечить достаточную вентиляцию. При установке Studio Fiber Converter в стойку убедитесь в том, что есть приток воздуха.

Внутри корпуса Blackmagic URSA Broadcast G2, Camera Fiber Converter или Studio Fiber Converter не содержатся детали, подлежащие обслуживанию. Для выполнения ремонтных работ обратитесь в местный сервисный центр Blackmagic Design.

Уведомление для жителей штата Калифорния

При работе с этим оборудованием существует возможность контакта с содержащимися в пластмассе микропримесями многобромистого бифенила, который в штате Калифорния признан канцерогеном и увеличивает риск врожденных дефектов и пороков репродуктивной системы.

Подробнее см. информацию на сайте www.P65Warnings.ca.gov.

Blackmagic URSA Broadcast G2

Камера и аккумулятор не должны подвергаться продолжительному воздействию прямых солнечных лучей, а литий-ионные батареи следует хранить вдали от источников тепла.

Разъем 12 В можно использовать для подачи питания на видеоискатель Blackmagic URSA Viewfinder или Blackmagic URSA Studio Viewfinder. При подключении других устройств к этому разъему потребляемая мощность не должна превышать 18 Вт.



Blackmagic Studio Fiber Converter

Чтобы минимизировать опасность поражения электрическим током, изделие необходимо защищать от попадания брызг и капель воды. Допускается эксплуатация в местах не выше 2000 метров над уровнем моря.

Blackmagic Camera Fiber Converter

Blackmagic Camera Fiber Converter можно использовать только вместе с Blackmagic Studio Fiber Converter. В обычных условиях конвертер рассчитан на работу с опасным напряжением, которое поступает с Blackmagic Studio Fiber Converter.

Гарантия

Ограниченная гарантия

Компания Blackmagic Design гарантирует отсутствие в данном изделии дефектов материала и производственного брака в течение 12 месяцев с даты продажи. Если во время гарантийного срока будут выявлены дефекты, Blackmagic Design по своему усмотрению выполнит ремонт неисправного изделия без оплаты стоимости запчастей и трудозатрат или заменит такое изделие новым.

Чтобы воспользоваться настоящей гарантией, потребитель обязан уведомить компанию Blackmagic Design о дефекте до окончания гарантийного срока и обеспечить условия для предоставления необходимых услуг. Потребитель несет ответственность за упаковку и доставку неисправного изделия в соответствующий сервисный центр Blackmagic Design с оплатой почтовых расходов. Потребитель обязан оплатить все расходы по доставке и страхованию, пошлины, налоги и иные сборы в связи с возвратом изделия вне зависимости от причины возврата.

Настоящая гарантия не распространяется на дефекты, отказы и повреждения, возникшие из-за ненадлежащего использования, неправильного ухода или обслуживания. Компания Blackmagic Design не обязана по настоящей гарантии: а) устранять повреждения, возникшие в результате действий по установке, ремонту или обслуживанию изделия лицами, которые не являются персоналом Blackmagic Design; б) устранять повреждения, возникшие в результате ненадлежащего использования или подключения к несовместимому оборудованию; в) устранять повреждения или дефекты, вызванные использованием запчастей или материалов других производителей; г) обслуживать изделие, если оно было модифицировано или интегрировано с другим оборудованием, когда такая модификация или интеграция увеличивает время или повышает сложность обслуживания изделия.

Воздействие прямых солнечных лучей может привести к повреждению экрана URSA Viewfinder, так как его оптика обладает свойствами увеличительного стекла. При длительном выводе на экран статичных или высококонтрастных объектов (например, рамок кадрирования) дисплей может выгорать или сохранять остаточное изображение. Чтобы избежать этого, не закрывайте инфракрасный датчик. Если видеискатель не используется в течение длительного времени, его следует отключить. Настоящая гарантия не распространяется на случаи возникновения остаточного изображения.

НАСТОЯЩАЯ ГАРАНТИЯ ПРЕДОСТАВЛЯЕТСЯ КОМПАНИЕЙ BLACKMAGIC DESIGN ВМЕСТО ЛЮБЫХ ДРУГИХ ПРЯМО ВЫРАЖЕННЫХ ИЛИ ПОДРАЗУМЕВАЕМЫХ ГАРАНТИЙ. КОМПАНИЯ BLACKMAGIC DESIGN И ЕЕ ДИЛЕРЫ ОТКАЗЫВАЮТСЯ ОТ ЛЮБЫХ ПОДРАЗУМЕВАЕМЫХ ГАРАНТИЙ КОММЕРЧЕСКОЙ ЦЕННОСТИ ИЛИ ПРИГОДНОСТИ ДЛЯ КАКОЙ-ЛИБО ОПРЕДЕЛЕННОЙ ЦЕЛИ. ОТВЕТСТВЕННОСТЬ BLACKMAGIC DESIGN ПО РЕМОНТУ ИЛИ ЗАМЕНЕ НЕИСПРАВНЫХ ИЗДЕЛИЙ В ТЕЧЕНИЕ ГАРАНТИЙНОГО СРОКА ОБСЛУЖИВАНИЯ ЯВЛЯЕТСЯ ПОЛНЫМ И ИСКЛЮЧИТЕЛЬНЫМ СРЕДСТВОМ ВОЗМЕЩЕНИЯ, ПРЕДОСТАВЛЯЕМЫМ ПОТРЕБИТЕЛЮ. BLACKMAGIC DESIGN НЕ НЕСЕТ ОТВЕТСТВЕННОСТИ ЗА КОСВЕННЫЕ, ФАКТИЧЕСКИЕ, СОПУТСТВУЮЩИЕ ИЛИ ПОСЛЕДУЮЩИЕ УБЫТКИ, ВНЕ ЗАВИСИМОСТИ ОТ ТОГО, БЫЛА ИЛИ НЕТ КОМПАНИЯ BLACKMAGIC DESIGN (ЛИБО ЕЕ ДИЛЕР) ПРЕДВАРИТЕЛЬНО ИЗВЕЩЕНА О ВОЗМОЖНОСТИ ТАКИХ УБЫТКОВ. BLACKMAGIC DESIGN НЕ НЕСЕТ ОТВЕТСТВЕННОСТИ ЗА ПРОТИВОПРАВНОЕ ИСПОЛЬЗОВАНИЕ ОБОРУДОВАНИЯ СО СТОРОНЫ ПОТРЕБИТЕЛЯ. BLACKMAGIC DESIGN НЕ НЕСЕТ ОТВЕТСТВЕННОСТИ ЗА УБЫТКИ, ВОЗНИКАЮЩИЕ В СЛЕДСТВИЕ ИСПОЛЬЗОВАНИЯ ЭТОГО ИЗДЕЛИЯ. РИСКИ, СВЯЗАННЫЕ С ЕГО ЭКСПЛУАТАЦИЕЙ, ВОЗЛАГАЮТСЯ НА ПОТРЕБИТЕЛЯ.

© Copyright 2022 Blackmagic Design. Все права защищены. Blackmagic Design, URSA, DeckLink, HDLink, Workgroup Videohub, Multibrige Pro, Multibrige Extreme, Intensity и "Leading the creative video revolution" зарегистрированы как товарные знаки в США и других странах. Названия других компаний и наименования продуктов могут являться товарными знаками соответствующих правообладателей.

Blackmagic **URSA** **Broadcast G2**





Gentile utente

Grazie per aver acquistato Blackmagic URSA Broadcast G2.

URSA Broadcast G2 è una camera super potente ideata per la trasmissione tradizionale e online. Grazie al design versatile puoi usarla per le trasmissioni dal vivo in 4K, le produzioni in studio in 4K o per il cinema digitale in 6K!

Il corpo in lega di magnesio leggero e super resistente di URSA Broadcast G2 è perfettamente bilanciato per lavorare tutto il giorno in pieno comfort, e con tutti i controlli a portata di mano. Filtri ND, velocità dell'otturatore, bilanciamento del bianco e ISO sono regolabili senza distogliere lo sguardo dal viewfinder.

URSA Broadcast G2 è compatibile con gli obiettivi broadcast B4 e registra in formati come Blackmagic RAW e Apple ProRes, oltre agli ultra efficienti H.264 e H.265 a 10 bit di qualità broadcast. Grazie al doppio gain nativo è ideale in condizioni di scarsa illuminazione, ed è ottimizzata per ridurre la grana e il rumore nelle immagini con un ISO elevato pur mantenendo l'intera gamma dinamica del sensore.

Ci auguriamo che URSA Broadcast G2 possa accompagnarti nella creazione dei migliori programmi TV, documentari e contenuti live in studio. I tuoi suggerimenti e la tua creatività continuano a ispirarci per arricchire la nostra linea URSA con funzioni innovative.

A handwritten signature of Grant Petty in black ink. The signature is written in a cursive, flowing style.

Grant Petty

CEO Blackmagic Design

Indice

Operazioni preliminari	2246	Barra inferiore	2316
Installare un obiettivo	2246	Riproduzione continua	2322
Alimentare la camera	2247	Impostazioni	2323
Utilizzare obiettivi con zoom servoassistito	2249	Dashboard	2323
Impostare il back focus degli obiettivi B4	2255	Impostazioni di registrazione	2323
Archiviazione	2259	Denominazione dei file	2329
Schede CFast	2259	Impostazioni di monitoraggio	2330
Schede SD	2260	Impostazioni audio	2336
Unità flash USB-C	2262	Impostazioni di configurazione	2339
SSD	2263	Impostazioni predefiniti	2356
Preparare i supporti di memoria per la registrazione	2265	Impostazioni LUT	2359
Preparare i supporti di memoria su URSA Broadcast G2	2265	Inserire i metadati	2362
Preparare i supporti di memoria su Mac	2267	Stabilizzazione giroscopica	2367
Preparare i supporti di memoria su Windows	2268	Video in streaming	2369
Registrazione	2269	Collegare uno smartphone	2370
Registrazione le clip	2269	Impostazioni	2370
Scegliere codec, risoluzione, e area del sensore	2270	Assegnare un ID ATEM alla camera	2371
Blackmagic RAW	2271	Creare un file XML	2371
Registrazione in Blackmagic RAW	2271	Esportare un file XML	2371
Scegliere il frame rate corretto	2274	Caricare un file XML	2372
Innescare la registrazione su dispositivi esterni	2277	URSA Mini Shoulder Kit	2373
Durata della registrazione	2277	Blackmagic URSA Viewfinder	2376
Riproduzione	2279	Montare e collegare il mirino viewfinder alla camera	2376
Connessioni e funzionalità	2280	Regolare l'oculare	2377
Lato anteriore	2280	Funzioni dei pulsanti	2377
Lato sinistro	2281	Impostazioni	2378
Controlli sul lato sinistro	2281	Blackmagic URSA Studio Viewfinder	2382
Lato destro	2283	Montare e collegare il monitor viewfinder alla camera	2383
Lato posteriore	2284	Regolare Blackmagic URSA Studio Viewfinder	2385
Lato superiore	2286	Funzioni dei pulsanti	2388
Base	2286	Impostazioni	2390
Controlli di URSA Broadcast G2	2287	Blackmagic Zoom Demand e Blackmagic Focus Demand	2395
Pannello di controllo anteriore	2287	Connessione e installazione sulla camera	2395
Pannello di controllo ergonomico	2290	Utilizzare Blackmagic Focus Demand	2397
Pannello di controllo interno	2295	Utilizzare Blackmagic Zoom Demand	2398
Uscite video	2297	Montare le batterie	2399
Uscita di monitoraggio HD	2297	Montare batterie con attacco a V o Gold Mount	2399
Uscita 12G-SDI	2297	Utilizzare altre piastre per batteria	2401
Controlli del touchscreen	2299	Convertitori in fibra Blackmagic	2403
Barra superiore	2299	Configurazione iniziale	2404
		Convertitori in fibra Blackmagic	2404
		Fibra SMPTE	2404

Collegare la fibra SMPTE	2406	Regolare gli attacchi obiettivo	2449
Perché il connettore è situato sul lato frontale?	2410	Kit di anelli URSA Mini Pro Shim Kit	2449
Collegare la camera tramite SDI	2411	Regolare gli attacchi obiettivo	2450
Inviare segnali di ritorno tramite SDI	2411	URSA Mini Recorder	2451
Installare Camera Fiber Converter	2411	Montare e connettere URSA Mini Recorder	2452
Installare URSA Studio Viewfinder	2414	Utilizzare URSA Mini Recorder	2454
Collegare le cuffie per il talkback	2414	Aggiornare il software interno di URSA Mini Recorder	2455
Camera Fiber Converter	2415	Controllare la camera a distanza	2456
Selezionare un segnale di ritorno	2415	Controllare le camere	2457
Usare il pulsante Call	2416	Correzione colore primaria con DaVinci Resolve	2462
Utilizzare il talkback	2416	DaVinci Resolve	2466
Utilizzare il tally	2417	Project Manager	2466
Spie di stato	2417	Montaggio sulla pagina Cut	2467
Ingressi audio	2418	Aggiungere clip nella timeline	2470
Video IP	2419	Trimming delle clip nella timeline	2471
Specifiche di alimentazione	2419	Trimming con audio	2471
Controlli aggiuntivi	2420	Inserire i titoli	2472
Studio Fiber Converter	2421	Lavorare con i file Blackmagic RAW	2473
Come utilizzare il menù	2422	Correggere le clip nella pagina Color	2477
Installare l'unità sul rack	2425	Inserire una Power Window	2480
Le connessioni di Camera Fiber Converter	2429	Usare i plug-in	2482
Alimentazione	2429	Mixare l'audio	2483
Interfaccia PTZ	2429	VFX e compositing sulla pagina Fusion	2488
Talkback	2430	Fare il mastering della sequenza montata	2497
Connettore Tracker	2431	Esportazione veloce	2497
Alimentazione DC	2431	La pagina Deliver	2498
Uscita D-Tap	2432	Utilità Blackmagic Camera Setup	2499
Uscita di riferimento	2432	Lavorare con software di terzi	2500
Le connessioni di Studio Fiber Converter	2433	Utilizzare i file delle schede CFast 2.0 e SD	2501
Uscita 12G-SDI	2433	Utilizzare i file degli SSD	2501
Ingressi SDI per segnali di ritorno	2433	Final Cut Pro X	2502
Ingresso e uscita di riferimento	2434	Avid Media Composer 2018	2503
Interfaccia talkback	2434	Adobe Premiere Pro CC	2503
Interfaccia PTZ	2435	Developer Information	2505
Uscite audio	2436	Blackmagic Bluetooth Camera Control	2505
Aggiornare il software interno	2437	Blackmagic SDI and Bluetooth Camera Control Protocol	2507
Aggiornare Camera Fiber Converter	2437	Example Protocol Packets	2515
Aggiornare Studio Fiber Converter	2437	Blackmagic Tally Control Protocol	2516
Attacco obiettivo intercambiabile	2438	Assistenza	2518
Rimuovere l'attacco obiettivo B4	2439	Normative	2519
Blackmagic URSA Mini Pro EF Mount	2439	Sicurezza	2520
Blackmagic URSA Mini Pro F Mount	2441	Garanzia	2521
Blackmagic URSA Mini Pro PL Mount	2445		
Blackmagic URSA Broadcast G2 B4 Mount	2448		

Operazioni preliminari

Per cominciare, installa l'obiettivo su URSA Broadcast G2, poi collega l'alimentazione.

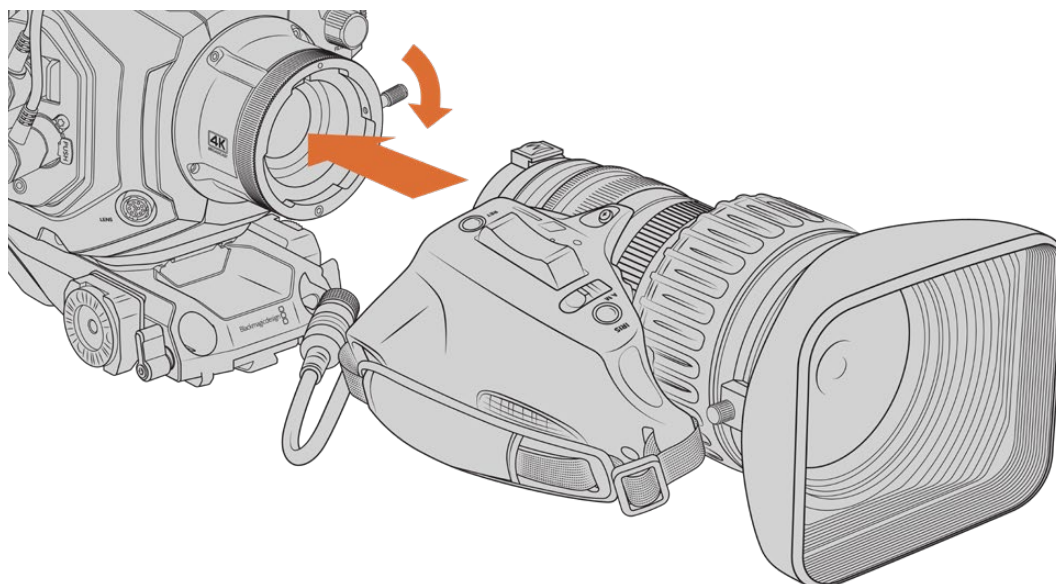
Installare un obiettivo

URSA Broadcast G2 ha di serie un attacco obiettivo B4 per montare le ottiche broadcast HD e Ultra HD. Troverai incluso anche un attacco obiettivo EF opzionale per utilizzare le ottiche fotografiche, le ottiche zoom compatte o i cineobiettivi EF. Le istruzioni per intercambiare gli obiettivi si trovano alla sezione "Attacco obiettivo intercambiabile" di questo manuale.

L'attacco obiettivo B4 di URSA Broadcast G2 offre ottiche progettate per il sensore della camera, per ottenere lo stesso campo visivo e profondità di campo delle telecamere tradizionali con sensori 2/3". Quindi se possiedi già obiettivi per il broadcast puoi montarli direttamente su URSA Broadcast G2 e girare con tutta tranquillità.

Per rimuovere il coperchio antipolvere della camera, ruota l'anello esterno in senso antiorario ed estrai il coperchio.

Come installare un obiettivo B4:



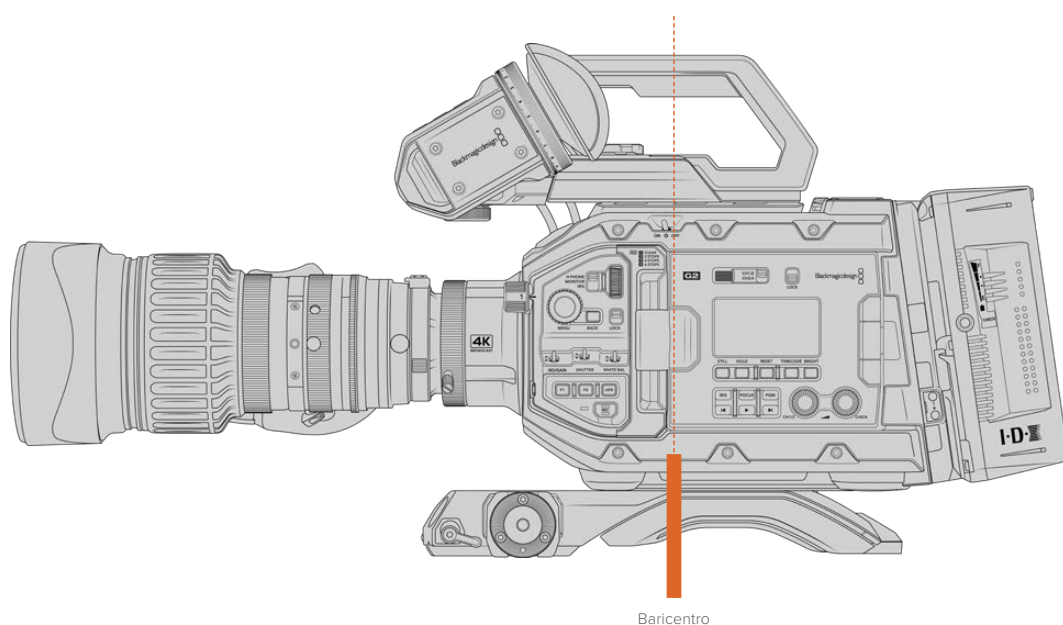
Ruota la ghiera dell'obiettivo B4 in senso orario per bloccarlo in posizione.

- 1** Ruotala in senso antiorario per accedere allo slot di allineamento nella parte superiore dell'attacco. Allinea l'obiettivo B4 all'attacco B4 della camera di modo che il pin di allineamento sull'obiettivo coincida con lo slot di allineamento.
- 2** Inserisci l'obiettivo nell'attacco B4 della camera.
- 3** Ruota la ghiera in senso orario per fissare l'obiettivo all'attacco.
- 4** Per alimentare e controllare l'obiettivo, collega il cavo dall'obiettivo al connettore **Lens** sulla parte anteriore della torretta di URSA Broadcast G2. La maggior parte degli obiettivi B4 integra un connettore a 12 pin e un cavo, per alimentare e controllare l'obiettivo da URSA Broadcast G2.

Per maggiori informazioni sugli obiettivi per il broadcast e come utilizzarli con la camera, consulta la sezione "Utilizzare obiettivi con zoom servoassistito".

NOTA Quando l'obiettivo non è collegato alla camera, il filtro ottico dell'attacco B4 di URSA Broadcast G2 è esposto alla polvere e altri detriti. Consigliamo di proteggerlo sempre con il coperchio antipolvere.

Dato l'elevato range di zoom, le ottiche B4 tendono ad essere piuttosto lunghe, e quindi a spostare il baricentro di URSA Broadcast G2 in avanti. È necessario regolare di conseguenza il supporto a spalla URSA Mini incluso con la camera.



Consigliamo di montare la camera verso la parte posteriore dell'attacco del supporto a spalla per ottenere il baricentro ottimale, e bilanciare la camera con facilità sia su spalla che su un piano orizzontale quando si usano obiettivi zoom lunghi. Consulta la sezione "Blackmagic URSA Mini Shoulder Kit" per maggiori informazioni.

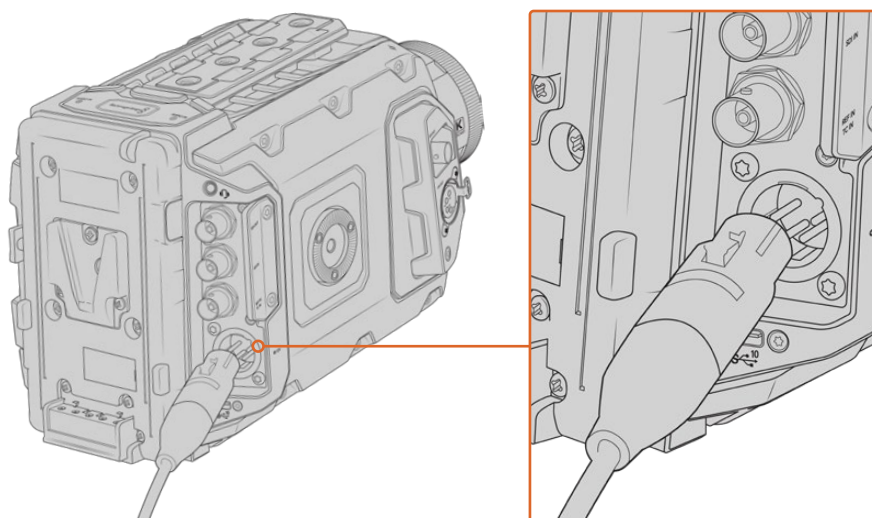
Alimentare la camera

Ora che l'obiettivo è al suo posto, collega l'alimentazione. La soluzione più veloce è l'adattatore da AC a DC 12V in dotazione.

Come collegare l'alimentazione esterna:

- 1 Inserisci la spina da AC a DC 12V nella presa di alimentazione.
- 2 Collega l'adattatore XLR a 4 pin da AC a DC 12V al connettore DC 12-18V della camera.

Se sono connesse le batterie e l'alimentazione esterna, verrà usata solo quest'ultima. Se disconnetti l'alimentazione esterna mentre sono collegate le batterie, la camera passa alle batterie senza interruzioni.



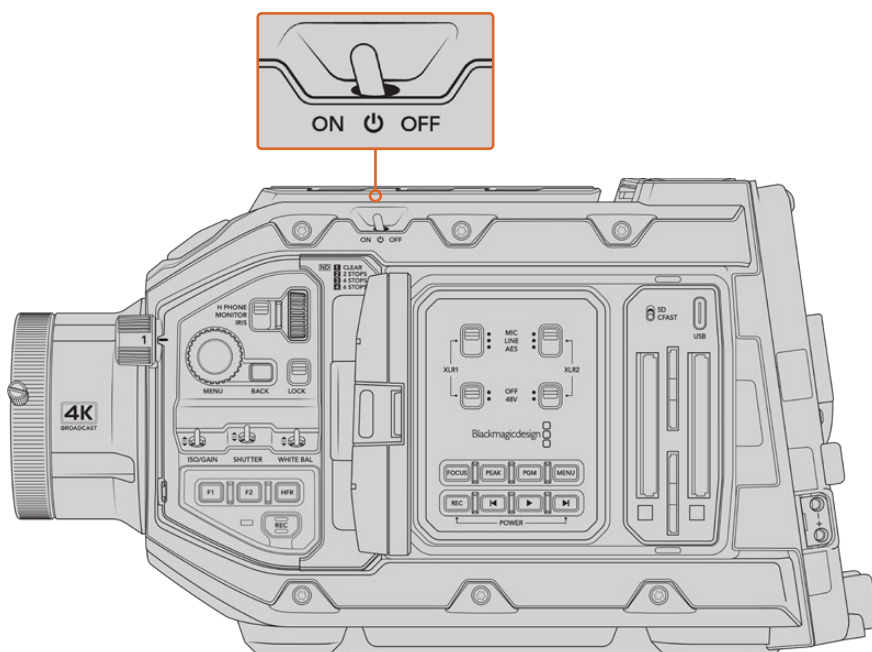
Usa l'adattatore da AC a DC 12V per alimentare Blackmagic URSA Broadcast G2

URSA Broadcast G2 ha in dotazione la piastra per batteria URSA VLock Battery Plate, che consente di utilizzare batterie con attacco a V standard. Consulta la sezione "Montare le batterie" per maggiori informazioni sulle opzioni di montaggio delle piastre per batteria.

Accendere URSA Broadcast G2:

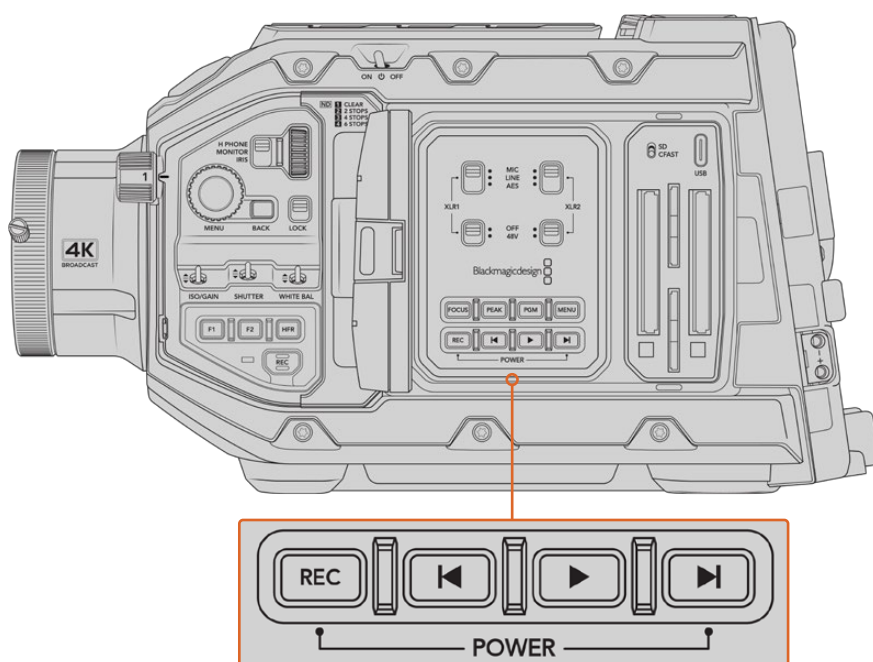
- 1 Sposta l'interruttore sopra lo schermo LCD richiudibile su **On**.
- 2 Per spegnerla, sposta l'interruttore su **Off**.

Ora puoi inserire o collegare i supporti di memoria e cominciare a registrare.



Sposta l'interruttore su On per accendere la camera

Per accendere o spegnere URSA Broadcast G2 puoi anche premere contemporaneamente i pulsanti REC e Avanti sul pannello di controllo interno. Questo sistema è molto utile se l'interruttore principale non è accessibile, per esempio quando la camera è montata su un rig.



Accendi o spegni la camera premendo contemporaneamente i pulsanti REC e Avanti sul pannello dietro lo schermo LCD

SUGGERIMENTO Se URSA Broadcast G2 è spenta ma l'interruttore di accensione è su On, è possibile che sia stata spenta tramite Bluetooth®, o premendo contemporaneamente i pulsanti REC e Avanti del pannello di controllo. Sposta l'interruttore su Off e On, oppure tieni premuti gli stessi pulsanti sul pannello di controllo per accendere la camera.

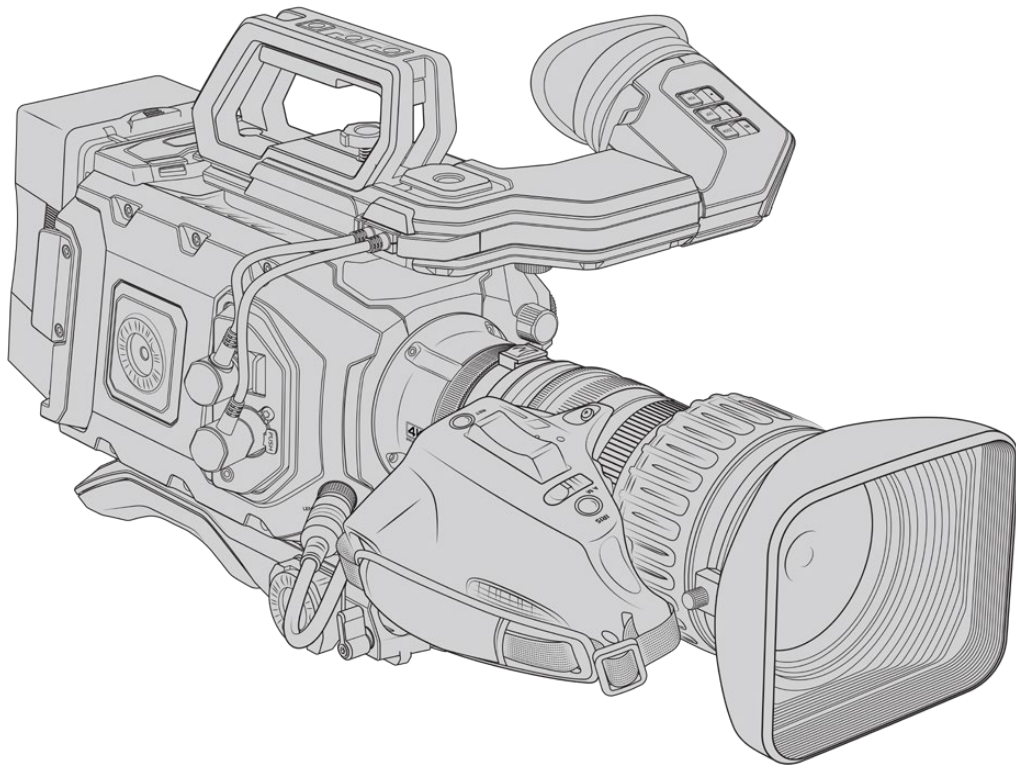
Utilizzare obiettivi con zoom servoassistito

URSA Broadcast G2 supporta nativamente le ottiche B4 servoassistite. Consulta la sezione “Installare un obiettivo” all’inizio del manuale per maggiori informazioni su come installare le ottiche B4 sulla camera.

SUGGERIMENTO Monta l'attacco opzionale URSA Mini Pro PL per rendere URSA Broadcast G2 compatibile con le ottiche PL cine-servo.

Le ottiche B4 offrono numerose funzioni non disponibili con gli obiettivi fotografici o cinematografici. Oltre a mantenere la messa a fuoco su lunghe distanze, queste ottiche si distinguono per i controlli presenti sull'impugnatura, e per il controllo servoassistito di zoom e diaframma. Alcuni obiettivi B4 inoltre offrono la messa a fuoco servoassistita. Collegando il connettore delle ottiche, è possibile controllare diaframma e zoom dall'impugnatura, dalla camera, dal Blackmagic Zoom Demand opzionale, o tramite uno switcher ATEM.

Le ottiche con messa a fuoco servoassistita rispondono ai comandi di messa a fuoco automatica provenienti dalla camera, seguono il focus quando si usa il Blackmagic Focus Demand opzionale, e ricevono comandi di messa a fuoco dallo switcher.



Gli obiettivi B4 con controllo del diaframma e dello zoom includono:

- I modelli Fujinon B4 con i prefissi HA, ZA, XA, UA e LA e il suffisso contenente RM, per esempio Fujinon **XA20sxBRM**.
- I modelli Canon B4 con i prefissi HJ, KJ e CJ e il suffisso contenente RSE o RSD, per esempio Canon **KJ20x8.2B IRSD**.

Gli obiettivi B4 con messa a fuoco, diaframma e zoom servoassistiti includono:

- I modelli Fujinon B4 con i prefissi HA, ZA e UA e il suffisso contenente RD o ZD, per esempio Fujinon **HA22x7.8 BERD**.
- I modelli da studio Fujinon con i prefissi XA e UA.
- I modelli Canon B4 con i prefissi HJ, KJ..ex e CJ e il suffisso contenente ASE o ASD, per esempio Canon **HJ24ex7.5B IASE**.
- I modelli da studio Canon con i prefissi XJ e UJ.

SUGGERIMENTO Gli obiettivi da studio qui sopra elencati sono compatibili con zoom e messa a fuoco servoassistiti. Rivolgiti al tuo fornitore per accertarti che i motori servo siano installati.

Blackmagic URSA Broadcast G2 è già impostata per registrare in Blackmagic RAW Ultra HD. Per confermare le impostazioni di registrazione basta toccare il pulsante del menù per aprire le impostazioni sullo schermo LCD. Il primo menù è la tab **Record**. Qui puoi controllare il codec e la risoluzione. Troverai tutte le informazioni sul menù impostazioni più avanti nel manuale.



Impostazioni di default di Blackmagic RAW nella tab Record

Ultra HD è la risoluzione di default anche per ProRes e H.265, ma puoi cambiarla in HD per ProRes o H.264 se preferisci.



La tab Record nel menù impostazioni

SUGGERIMENTO Quando utilizzi le ottiche B4, se noti un effetto vignetta nelle immagini controlla che la risoluzione sia impostata su Ultra HD per Blackmagic RAW. Oppure se registri in ProRes o in H.264/5, imposta Area sensore su 4K. Consulta la sezione "Impostazioni di registrazione" per maggiori informazioni.

Controlli obiettivo B4

Iris

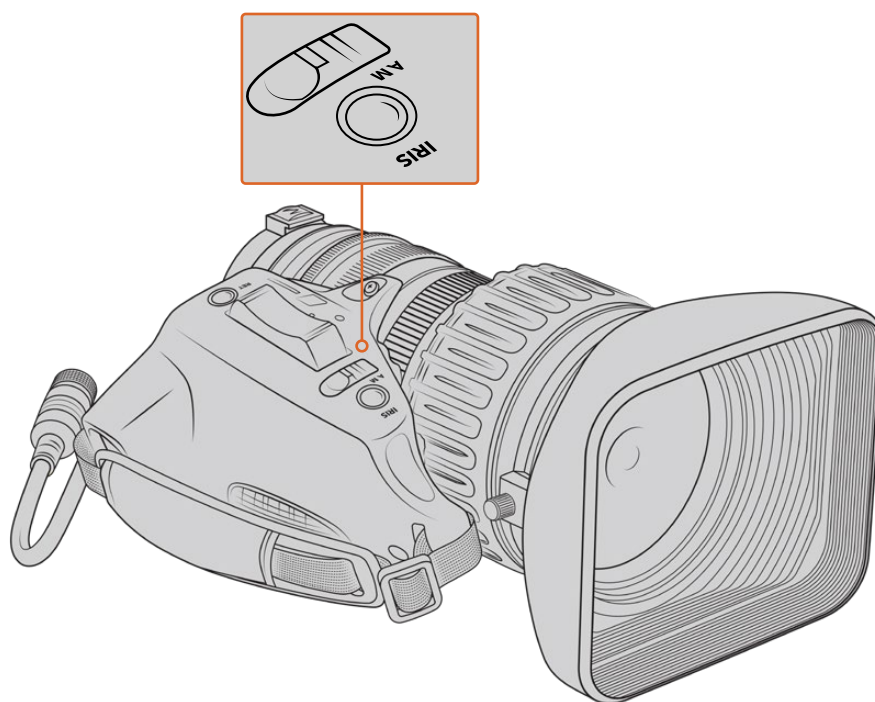
Sull'impugnatura degli obiettivi B4 troverai due interruttori: **A/M** o **Auto/Manual** e **Push auto** o **Iris**, che ne controllano l'apertura.

Auto / A

Regola l'apertura da URSA Broadcast G2, Blackmagic Zoom Demand, o uno switcher ATEM. Con URSA Broadcast G2 puoi utilizzare la manopola Iris, i pulsanti del pannello di controllo interno, lo schermo touch, o le modalità di auto esposizione per diaframma. Per maggiori informazioni, consulta la sezione "Controlli di URSA Broadcast G2" e "Controlli del touchscreen". In modalità Auto / A, la regolazione manuale dall'anello di apertura del B4 non è consentita.

Manual / M

Regola l'apertura manualmente ruotando l'anello di apertura dell'obiettivo. In modalità Manual / M il controllo da URSA Broadcast G2 o dallo switcher ATEM non è consentito.



Push Auto / Iris

Attiva temporaneamente il controllo automatico dell'apertura in modalità manuale. Utilizza questa opzione congiuntamente al controllo diaframma dalla camera o dallo switcher ATEM per risultati ottimali.

Per esempio, impostando l'iris della camera su Auto e l'apertura dell'obiettivo su Manual puoi regolare il diaframma con l'anello di apertura manualmente; selezionando Push Auto / Iris si attiva momentaneamente l'esposizione automatica secondo le condizioni di illuminazione.

Oppure imposta un valore di apertura con i controlli sul touchscreen di URSA Broadcast G2. In modalità Manual puoi regolare l'apertura della lente con l'apposito anello, ma premendo Push Auto / Iris ritorni al valore preimpostato sullo schermo touch.

Zoom

Sulla parte inferiore delle impugnature B4 si trova un interruttore con le opzioni S (servo) e M (manuale) per il controllo dello zoom.

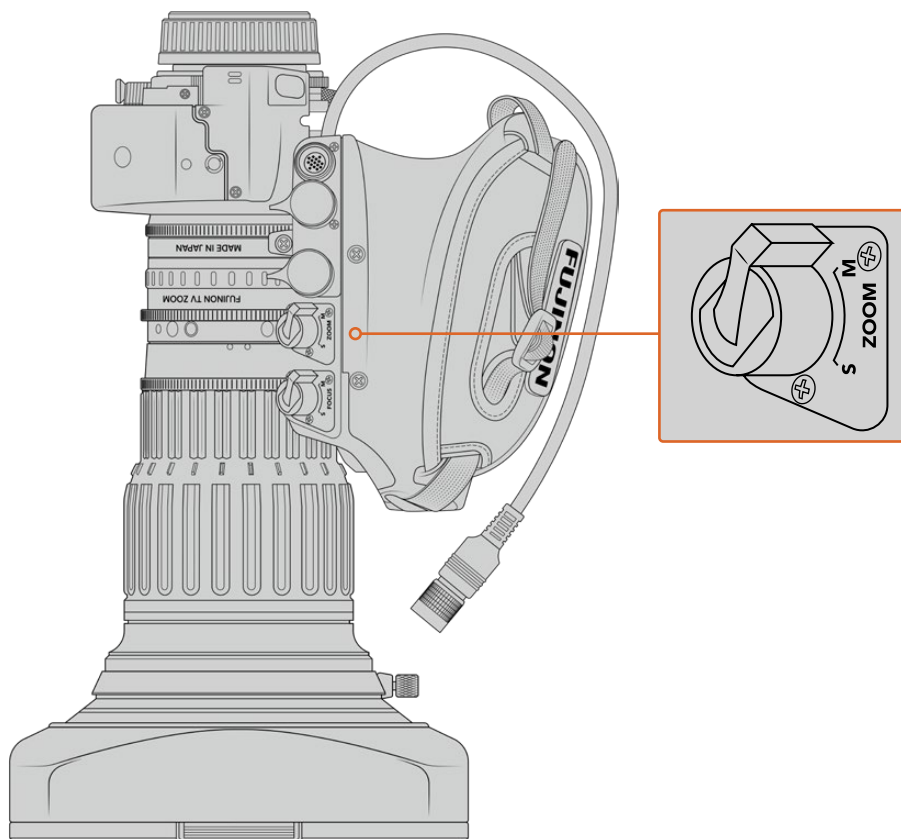
Servo / S

Sposta l'interruttore su **S** per abilitare il controllo elettronico con la leva di zoom, o con qualsiasi altro controllo relativo allo zoom, per esempio di velocità, incluso il Quick Zoom. Se connesso alla camera con l'apposito connettore, l'obiettivo è in grado di ricevere comandi di zoom da URSA Broadcast G2, da Blackmagic Zoom Demand o dallo switcher ATEM. In questa modalità non è consentito regolare lo zoom con l'anello.

SUGGERIMENTO Regola la velocità dello zoom con la leva di zoom sull'impugnatura. Spingila delicatamente verso il basso per uno zoom lento, o più velocemente per uno zoom rapido.

Manual / M

Sposta l'interruttore su **M** per disabilitare il servocontrollo, e regolare lo zoom dall'anello di apertura dell'obiettivo. In modalità Manual / M il controllo dello zoom dall'impugnatura, da URSA Broadcast G2 o dallo switcher ATEM non è consentito.



Messa a fuoco

Alcune ottiche B4 offrono messa a fuoco con servocontrollo. In questo caso sulla parte inferiore dell'impugnatura trovi un interruttore con le opzioni Servo / Manual.

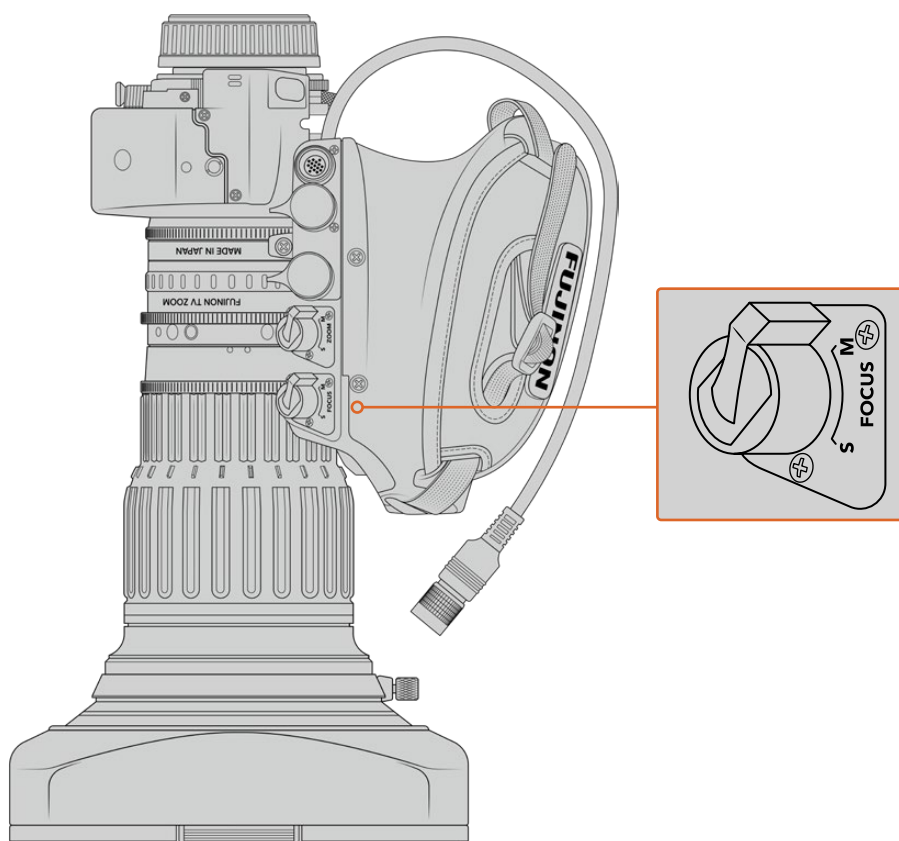
Servo / S

Sposta l'interruttore su **S** per abilitare il servo-controllo della messa a fuoco. Se connesso alla camera con l'apposito connettore, l'obiettivo è in grado di ricevere comandi di messa a fuoco da URSA Broadcast G2, da Blackmagic Focus Demand o dallo switcher ATEM.

Manual / M

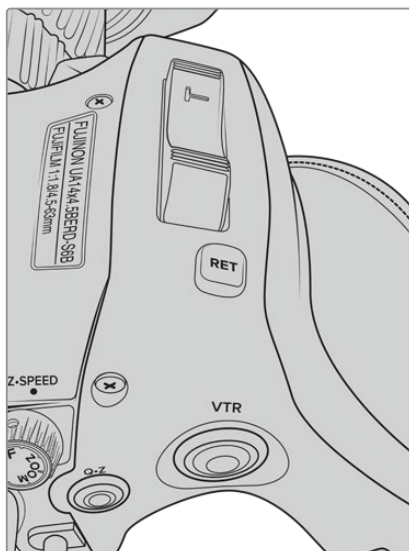
Sposta l'interruttore su **M** per regolare la messa a fuoco usando l'anello di apertura dell'obiettivo. Il controllo manuale è un'impostazione comune per le ottiche B4, perché l'auto focus tende a essere poco reattivo.

NOTA Sono compatibili anche le ottiche analogiche B4 servo-assistite, ma la camera alimenta solo il servo-zoom e supporta il controllo elettronico del diaframma. Per la maggior parte, questi obiettivi sono di definizione standard, e non includono un connettore broadcast a 12 pin. È quindi importante accertarsi che le ottiche B4 analogiche che desideri utilizzare siano interamente compatibili con la camera. Consigliamo di testare anche il cerchio di copertura dell'immagine, in particolare la risoluzione e la luce in prossimità dei bordi.



RET e VTR

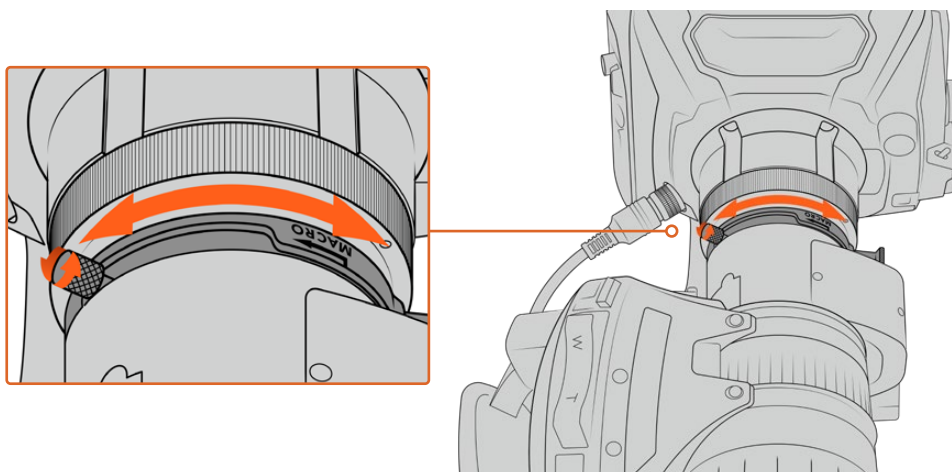
Sulle ottiche B4, il pulsante **VTR** alterna l'avvio e l'interruzione della registrazione, e il pulsante **RET** è per il ritorno di programma. Per maggiori informazioni su come configurare i pulsanti VTR e RET consulta la sezione "Pulsante funzione" in "Impostazioni generali".



I pulsanti RET e VTR su un obiettivo B4

Impostare il back focus degli obiettivi B4

Uno dei vantaggi principali degli obiettivi B4 è che sono parafocali, ovvero mantengono l'immagine a fuoco all'interno dell'intera escursione dello zoom. Quando zoomi in avanti e metti a fuoco un oggetto, poi zoomi indietro, l'oggetto rimane a fuoco.



L'anello di regolazione del back focus si trova solitamente vicino all'attacco obiettivo

Il back focus è essenziale per mantenere il focus nell'intero range dello zoom degli obiettivi B4 HD o 4K. Assicurati di regolare il back focus quando monti l'obiettivo B4 sulla camera per la prima volta, quando cambi l'obiettivo, e all'inizio di progetti importanti.

Come controllare il back focus degli obiettivi B4:

- 1 Posiziona un cartello di taratura, o un foglio bianco raffigurante un oggetto ad alto contrasto, a circa 20 metri dalla camera, o il più lontano possibile.
- 2 Apri completamente il diaframma e utilizza i filtri ND se necessario per compensare l'esposizione. Con una profondità di campo ridotta si notano i problemi di focus.
- 3 Zooma in avanti e metti a fuoco l'oggetto.
- 4 Ora zooma indietro. Se quando raggiungi la massima apertura il cartello è ancora a fuoco, il back focus è regolato correttamente.

In caso contrario, zooma indietro, allenta il fermo di blocco dell'anello del back focus e ruota l'anello fino a quando il cartello di taratura risulta perfettamente a fuoco.
- 5 Ora zooma lentamente in avanti e indietro per controllare che il cartello rimanga a fuoco.
- 6 Ripeti i passaggi 4 e 5, zoomando e regolando il back focus. Quando l'obiettivo mantiene l'immagine a fuoco da un'estremità all'altra dell'escursione dello zoom, il back focus è regolato correttamente.

Impostare il back focus sugli obiettivi Fuji LA16x8 BRM

Il processo di impostazione del back focus è leggermente diverso per queste ottiche. Invece dell'anello del back focus esterno, si regola in maniera elettronica con un pulsante sotto l'impugnatura.

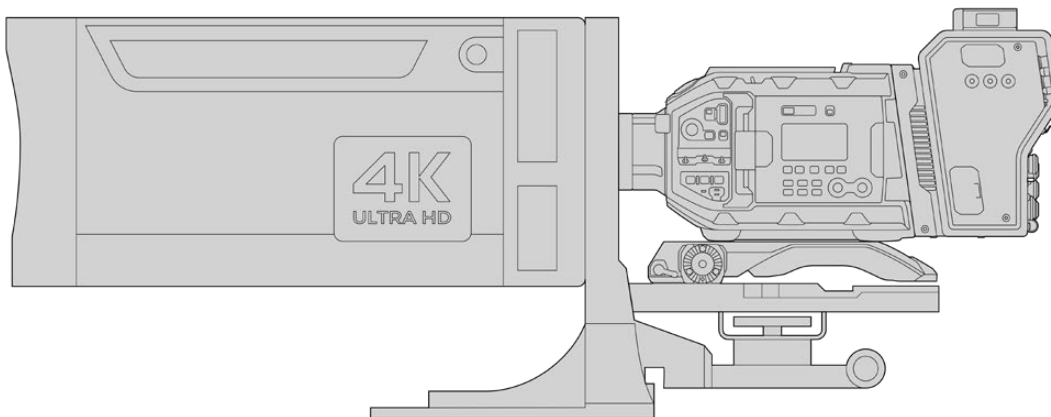
Come impostare il back focus sugli obiettivi Fuji LA16x8 BRM:

- 1 Posiziona un cartello di taratura, o un foglio bianco raffigurante un oggetto ad alto contrasto, a circa 20 metri dalla camera, o il più lontano possibile.
- 2 Sposta l'interruttore dello zoom sotto l'impugnatura su **Servo**.
- 3 Tieni premuto il pulsante **F.f** a fianco all'interruttore di zoom per 5 secondi. La spia LED sulla leva di zoom lampeggerà in rosso.
- 4 L'obiettivo zooma in avanti automaticamente. Regola il focus con l'anello di messa a fuoco. Se alla camera è collegato Blackmagic Focus Demand, scollegalo per regolare l'anello di back focus, o regola il focus con Blackmagic Focus Demand seguendo questo passaggio e il 5.
- 5 Premi di nuovo **F.f** e l'obiettivo zoomerà automaticamente indietro. Regola il focus con l'anello di messa a fuoco.
- 6 Premi **F.f** per confermare le impostazioni. La spia LED superiore lampeggerà in rosso. Il back focus elettronico sull'obiettivo Fuji LA16x8 BRM è impostato.
- 7 Ora zooma lentamente in avanti e indietro per controllare che il cartello rimanga a fuoco.
- 8 Quando l'obiettivo mantiene l'immagine a fuoco da un'estremità all'altra dell'escursione dello zoom, il back focus è regolato correttamente. Per fare altri cambiamenti, ripeti i passaggi dal 3 al 6.

SUGGERIMENTO Controlla regolarmente il back focus degli obiettivi B4, perché il cambio di temperatura e l'usura possono influire sulla sua accuratezza.

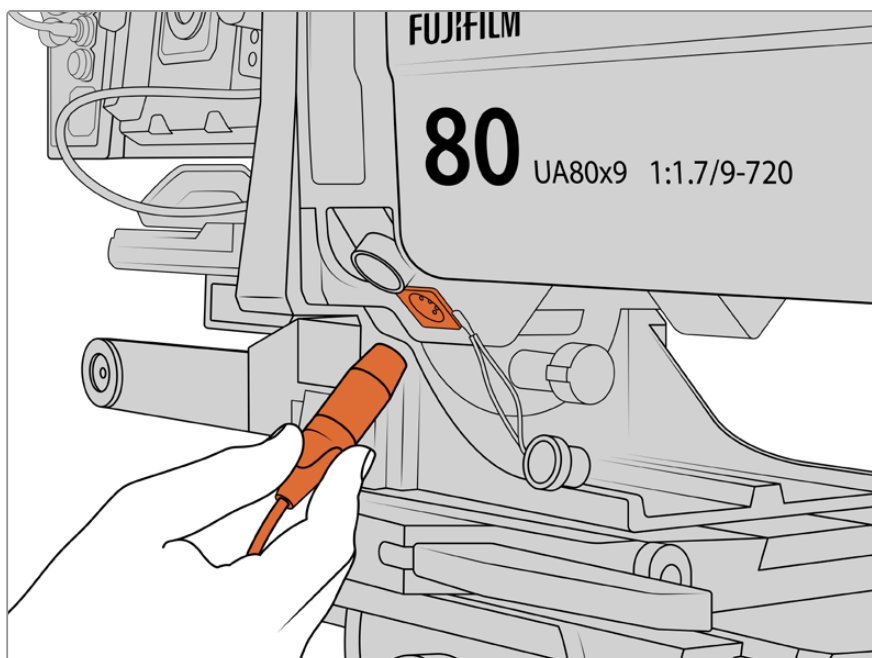
Utilizzare i grandi obiettivi televisivi

L'attacco obiettivo B4 di URSA Broadcast G2 è compatibile anche con i grandi obiettivi televisivi come i Fujinon UA27x6.5 e UA125x8 e i Canon UHD Digisuper. Questi obiettivi broadcast di grandi dimensioni offrono la stabilizzazione verticale e orizzontale dell'immagine con ottiche per lo studio 27x, con uno zoom ad ampia escursione di 80x e persino di 125x, per catturare ogni dettaglio dei grandi eventi sportivi e all'aperto.



Per lavorare con i grandi obiettivi televisivi è necessario installare correttamente la camera su un treppiede o su un cavalletto professionale, e avere spazio a sufficienza intorno. Consigliamo di usare il kit spalla URSA Mini Shoulder Kit, una piastra di montaggio VCT-14, e un adattatore specifico per questo tipo di obiettivo

Questi potenti obiettivi vanno alimentati separatamente. Puoi sfruttare l'alimentatore 12V di URSA, oppure se utilizzi Blackmagic Camera Fiber Converter, connetti l'obiettivo al connettore D-Tap 12V sulla parte laterale del dispositivo. Collega il connettore dalla staffa di sostegno dell'obiettivo a URSA Broadcast G2.



Alimenta i grandi obiettivi televisivi separatamente con un cavo XLR a 4 pin

Una volta collegata l'alimentazione, accendi URSA Broadcast G2 e controlla l'obiettivo.

Obiettivi PL con zoom servoassistito

URSA Broadcast G2 è compatibile con le ottiche PL per il cinema. URSA Broadcast G2 consente di utilizzare l'intero sensore 6K con le ottiche PL o EF servoassistite. Consulta la sezione "Impostazioni di registrazione" per maggiori informazioni su come impostare l'area del sensore.

Gli obiettivi PL Super 35 mm con messa a fuoco, diaframma e zoom servoassistiti includono:

Marca	Serie	Modello	Range	Apertura max
Fujinon	Cabrio	ZK2.5x14-SAF	14-35mm	T2.9
Fujinon	Cabrio	ZK4.7x19-SAFB	19-90 mm	T2.9
Fujinon	Cabrio	ZK12x25 con ESM-15A-SA	25-300 mm	T3.5-3.85
Fujinon	Cabrio	ZK3.5x85-SAF	85-300mm	T2.9-T4
Fujinon	Cabrio	XK6x20	20-120 mm	T3.5
Canon	Cine-servo	CN7x17KAS S	17-120 mm	T2.9-3.9
Canon	Cine-servo	CN10x25 IAS S/P1	25-250 mm	T2.95-3.95
Canon	Cine-servo	CN20x50	50-1000 mm	T5-8.9

Zoom e messa a fuoco si possono controllare anche dalle maniglie per le carrellate in studio con tutti gli obiettivi con zoom servoassistito elencati qui sopra.

Obiettivi ibridi compatti con zoom servoassistito

Recentemente è stata lanciata una nuova linea di obiettivi compatti con zoom servoassistito. Hanno alcune delle funzionalità degli obiettivi con zoom servoassistito B4 e PL, ma utilizzano un attacco EF. La leva di zoom di questi obiettivi si alimenta tramite l'attacco di URSA Broadcast G2. I metadati dell'obiettivo, inclusi nome, diaframma, focus, e posizione dello zoom sono accessibili e registrabili con URSA Broadcast G2.

Il controllo elettronico di messa a fuoco, zoom, e diaframma si può effettuare dalla camera, oppure da ATEM Software Control quando la camera è connessa allo switcher. Negli ambienti di produzione live o in studio puoi lavorare con Blackmagic Zoom Demand e Blackmagic Focus Demand. Basta spostare l'interruttore di diaframma sull'obiettivo su **A**, l'interruttore di focus su **AF** e l'interruttore di zoom su **Servo**.

Gli obiettivi in questa categoria includono:

- Canon CN-E 18-80mm T4.4 Compact-servo
- Canon CN-E 70-200mm T4.4 Compact-servo

Archiviazione

Blackmagic URSA Broadcast G2 registra il video sulle schede SD standard e sulle più veloci SD UHS II e CFast 2.0.

La porta USB-C 3.2 Gen 2x1 posteriore permette di collegare flash disk ad alta velocità o unità a stato solido molto capienti. Utilizzando Blackmagic URSA Mini Recorder (opzionale) è anche possibile registrare sugli SSD. Per maggiori informazioni su come collegare questo registratore alla camera, consulta la sezione "URSA Mini Recorder".

Nota importante sulla velocità dei supporti di memoria

Le velocità di scrittura e lettura indicate dai produttori si riferiscono ai valori massimi ottenuti con file di piccole dimensioni, e non con flussi video ad alta velocità.

Per registrare senza problemi con il frame rate desiderato, utilizza le schede di memoria consigliate da Blackmagic Design.

Schede CFast

Le schede CFast 2.0 sono ideali per la cattura in HD e 4K con elevati frame rate. Consulta la tabella della durata di registrazione nella sezione "Registrazione" per trovare i limiti di frame rate di ogni formato.

Le schede CFast 2.0 registrano ad alta velocità, ma la velocità di scrittura potrebbe essere minore di quella di lettura, e i data rate massimi potrebbero variare in base al modello. Per registrare senza problemi con il frame rate desiderato, utilizza le schede di memoria consigliate da Blackmagic Design.

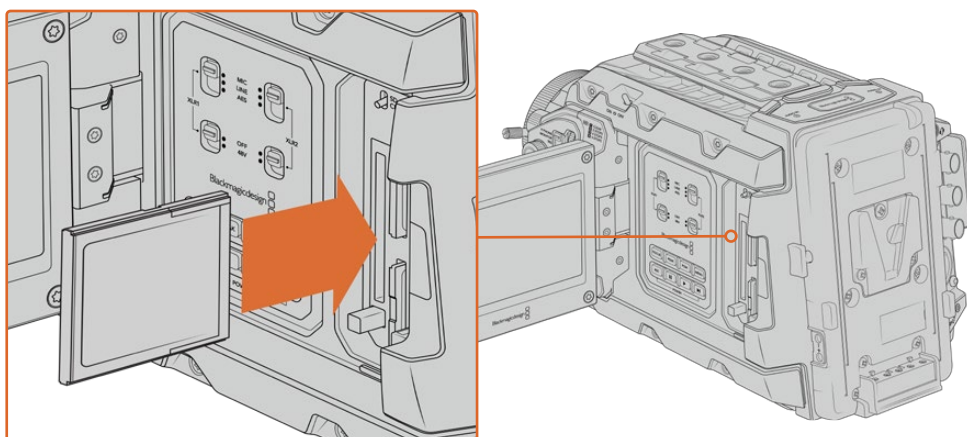
Inserire una scheda CFast

Per registrare su una scheda CFast sposta l'interruttore sopra gli slot per i supporti di memoria su **CFast**.

Per inserire una scheda CFast:

- 1 Apri il display richiudibile per accedere agli slot CFast.
- 2 Con l'etichetta della scheda CFast rivolta verso il touchscreen, inserisci la scheda nello slot per CFast fino a sentire un clic. La scheda scorre facilmente, senza bisogno di forzarla. Premi il pulsante di rilascio per estrarre la scheda.

Il nome e la registrazione residua delle schede CFast rilevate appaiono in basso al touchscreen.



Blackmagic URSA Broadcast G2 include due slot CFast per una registrazione ininterrotta

SUGGERIMENTO Se hai inserito le schede CFast ma non sono accessibili sulla camera, assicurati che l'interruttore di selezione dei supporti di memoria sopra gli slot sia impostato correttamente.

Scegliere una scheda CFast 2.0

Per la cattura ad alto data rate è essenziale scegliere la scheda CFast 2.0 adatta, perché la velocità di scrittura e lettura varia a seconda del modello. Per le informazioni più recenti sulle schede CFast compatibili con URSA Broadcast G2, visita la pagina Supporto di Blackmagic Design www.blackmagicdesign.com/it/support.

Schede SD

URSA Broadcast G2 registra sia sulle schede CFast 2.0 che sulle veloci schede SD UHS I e UHS II. Utilizzando i potenti modelli SDXC UHS II, è possibile registrare in Ultra HD nel formato ProRes HQ o in 6K in Blackmagic RAW.

Le economiche schede SD sono un'ottima scelta per i formati video compressi in HD. SDXC e SDHC sono supporti di memoria molto comuni per le fotocamere e le videocamere di largo consumo.

Se hai già filmato con una DSLR, Blackmagic Micro Cinema Camera, Pocket Cinema Camera, o Blackmagic Video Assist, puoi riutilizzare le stesse schede SD.

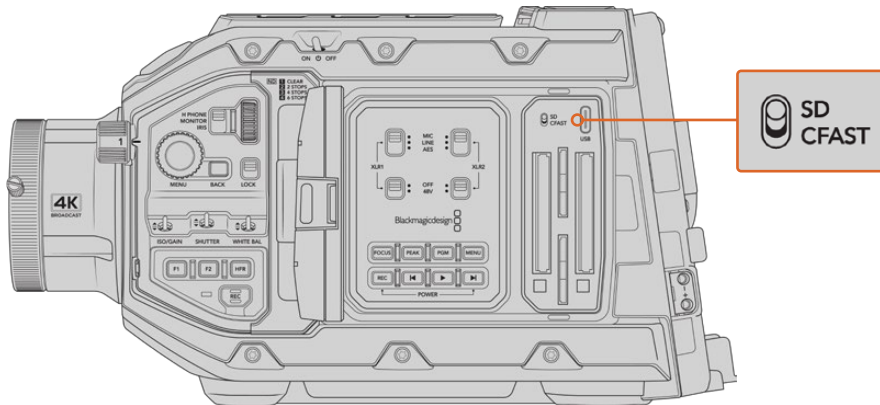
Per i progetti che non richiedono file Blackmagic RAW ad alta risoluzione, o per le registrazioni di lunga durata, le schede SD sono ideali. Le schede SD meno capienti e meno veloci si possono utilizzare per archiviare le LUT e i predefiniti.

Inserire una scheda SD

Per inserire una scheda SD:

- 1 Apri il display richiudibile per accedere agli slot SD (i due alloggiamenti più piccoli tra gli slot CFast).
- 2 Sposta l'interruttore di archiviazione sopra gli slot su **SD**.
- 3 Con l'etichetta della SD rivolta a destra, inserisci la scheda fino a sentire un clic. Spingi la scheda SD verso l'interno per estrarla.

- 4 In basso al touchscreen appariranno il nome e la registrazione residua delle schede SD rilevate.



Quando registri con URSA Broadcast G2 sulle schede SD accertati che l'interruttore di archiviazione sia posizionato su SD

Scegliere una scheda SD veloce

Per le registrazioni in Ultra HD, consigliamo di utilizzare le più veloci schede SD tipo UHS II. Per l'HD sono sufficienti le UHS I. Le schede SD sono progettate appositamente per elaborare dati ad alta velocità e supportano dimensioni di archiviazione maggiori. Solitamente più sono veloci, migliore è la qualità.

Prima di utilizzare le schede, è necessario formattarle in HFS+ o exFAT. Puoi formattare le schede sulla camera o sul computer. Per tutti i dettagli, consulta la sezione "Preparare le schede per la registrazione".

Per formattare le schede puoi anche utilizzare un computer Mac o Windows. Formatta nel formato HFS+ su Mac, e in exFAT su Windows. Mac legge anche il formato exFAT.

Per le informazioni più recenti sulle schede SD compatibili con URSA Broadcast G2, visita la pagina Supporto di Blackmagic Design www.blackmagicdesign.com/it/support.

NOTA Per la cattura a frame rate elevati o in Ultra HD, consigliamo di utilizzare le schede CFast 2.0 o SD UHS II, perché sono più veloci e più capienti delle schede SD UHS I standard.

Bloccare e sbloccare le schede SD

Le schede SD si possono proteggere, o bloccare, per evitare di sovrascrivere i dati esistenti.

Prima di inserire la scheda, sposta la linguetta di protezione sovrascrittura sulla sinistra verso i connettori. Ora è possibile registrare sulla scheda. Una volta completata la registrazione, sposta la linguetta di protezione verso il basso, per evitare la sovrascrittura.



Sposta la linguetta per bloccare o sbloccare la scheda SD

Se inserisci una scheda SD protetta, nella pagina di archiviazione sullo schermo LCD vedrai il messaggio **Protetta** e un lucchetto. È necessario sbloccare la scheda SD per registrare, scattare foto, ed esportare le LUT e i predefiniti.



L'icona del lucchetto indica che la scheda inserita è protetta da sovrascrittura

Unità flash USB-C

URSA Broadcast G2 ha due porte USB-C. La porta USB-C 3.1 Gen 1 sul lato, vicino agli slot per CFast, è per gli aggiornamenti software. La porta USB-C 3.2 Gen 2x1 sul retro, vicino ai connettori SDI, è per registrare ad alta velocità sugli SSD e sulle unità flash USB-C. Questi drive veloci e capienti sono ideali per registrare eventi di lunga durata.

Quando è collegata, l'unità flash USB-C occupa lo slot 3 sul sistema operativo della camera. Per registrare su un altro drive, tocca il nome dell'indicatore corrispondente. Le operazioni di registrazione, riproduzione, e archiviazione sull'unità flash USB-C sono identiche a quelle delle schede CFast e SD e degli SSD.

Una volta completata la registrazione, puoi collegare l'unità flash direttamente al computer per il montaggio e la post produzione, senza bisogno di copiare i file.

Per collegare una unità flash USB-C:

- 1 Collega il cavo USB tipo C all'unità flash USB-C.
- 2 Su URSA Broadcast G2, collega il cavo USB-C alla porta USB-C sul retro, sotto i connettori SDI.
- 3 L'unità flash USB-C occupa lo slot 3 sul touchscreen LCD della camera.

- 4 Per registrare sull'unità flash USB-C, tieni premuto il nome del drive sulla barra inferiore dello schermo LCD della camera. Diventerà blu se l'unità flash USB-C è selezionata per la registrazione, e rosso durante la registrazione.

Scegliere una unità flash USB-C veloce

Le unità flash USB-C offrono un'archiviazione veloce ed economica per una varietà di dispositivi, e sono facilmente reperibili nei negozi di elettronica. Ma non tutte sono adatte per le riprese cinematografiche. Accertati di scegliere un modello sufficientemente potente per filmare in Blackmagic RAW o in Ultra HD.

Le unità flash USB-C generiche potrebbero non essere adatte per girare in Ultra HD.

Per la lista più aggiornata delle unità flash USB-C consigliate, visita

www.blackmagicdesign.com/it/support.

Utilizza Blackmagic Disk Speed Test per testare la capacità di acquisizione e riproduzione con data rate elevati della tua unità flash USB-C. Blackmagic Disk Speed Test utilizza i dati per simulare l'archiviazione video su queste unità, con risultati sempre affidabili. I test Blackmagic hanno dimostrato che i modelli più nuovi e capienti delle unità flash USB-C sono solitamente i più veloci.

Blackmagic Disk Speed Test è scaricabile dall'App Store per Mac. Le versioni Windows e Mac sono incluse in Blackmagic Desktop Video, che puoi scaricare alla sezione "Acquisizione e riproduzione" della pagina Supporto di Blackmagic Design

www.blackmagicdesign.com/it/support.

SSD

Con il registratore opzionale Blackmagic URSA Mini Recorder, URSA Broadcast G2 registra video direttamente su unità a stato solido, o SSD. Questi drive veloci e ad alta capacità sono facilmente reperibili nei negozi di elettronica.

La porta USB-C di URSA Mini Recorder è compatibile con gli SSD SATA 2,5" e gli SSD U.2 7mm ad alta velocità. Per utilizzare gli SSD M.2 è necessario un adattatore da M.2 a U.2. Per raggiungere le velocità consentite è necessario un cavo USB 3.1 Gen 2. Il cavo USB-C in dotazione, con sistema di blocco su entrambi i lati del connettore, garantisce una connessione sicura.

NOTA Per maggiori informazioni su come installare il registratore, consulta la sezione "Blackmagic URSA Mini Recorder".

Inserire un SSD

Come inserire un SSD:

- 1 Posiziona l'SSD con i pin verso la parte anteriore della camera.
- 2 Apri il coperchio a molla di URSA Mini Recorder e inserisci delicatamente l'SSD nello slot.

SUGGERIMENTO URSA Mini Recorder ha una piastra a pressione che mantiene in posizione l'SSD, per cui non è necessario usare gli spaziatori.

- 3 Quando senti che il disco inizia a registrare, chiudi il coperchio.
- 4 L'SSD occupa lo slot 3 della camera.
- 5 Per registrare sull'SSD, tieni premuto il nome del drive sulla barra inferiore dello schermo LCD della camera. Diventerà blu se l'SSD è selezionato per la registrazione, e rosso durante la registrazione.

Come rimuovere un SSD:

Apri il coperchio di URSA Mini Recorder e afferra l'SSD con l'indice e il pollice. L'operazione è facilitata da un piccolo incavo sulla parte superiore. Estrai l'SSD e chiudi il coperchio.

Scegliere un SSD veloce per URSA Mini Recorder

Gli SSD sono progettati per una archiviazione facile e veloce con una moltitudine di dispositivi. Per filmare nel formato Blackmagic RAW o in Ultra HD è quindi importante scegliere un modello adatto al cinema, veloce e ad ampia larghezza di banda.

È consigliabile utilizzare esclusivamente gli SSD nella nostra lista, che abbiamo testato con URSA Broadcast G2 per una cattura ininterrotta con diverse risoluzioni. Per la lista più aggiornata degli SSD consigliati, visita www.blackmagicdesign.com/it/support.

Nota importante sulla velocità degli SSD

Alcuni modelli di SSD non salvano il video alla velocità dichiarata dal produttore, perché utilizzano una compressione dati nascosta. La velocità indicata dal produttore si riferisce solo all'archiviazione di semplici file o dati. I dati video invece contengono rumore e pixel, che la compressione non è in grado di sostenere.

Per questo motivo alcuni SSD hanno una velocità di scrittura fino a 50% minore di quella indicata dal produttore. Anche quando le specifiche indicano che l'SSD ha una velocità sufficiente per il video, in realtà il disco non è in grado di gestire la cattura del video in tempo reale.

Utilizza Blackmagic Disk Speed Test per testare le prestazioni dell'SSD che intendi usare per acquisire e riprodurre video ad alto bitrate. Blackmagic Disk Speed Test utilizza i dati per simulare l'archiviazione video su queste unità, con risultati sempre affidabili. I test rigorosi effettuati da Blackmagic hanno dimostrato che i modelli SSD più nuovi e capienti sono solitamente i più veloci.

Preparare i supporti di memoria per la registrazione

I supporti di memoria si possono formattare dal menù archiviazione di Blackmagic URSA Broadcast G2 o su un computer Mac o Windows. Consigliamo di formattare su URSA Broadcast G2 per risultati migliori.

HFS+ è conosciuto come OS X Extended, ed è il formato più affidabile perché supporta il journaling. Grazie al journaling, i dati sono più facilmente recuperabili in caso di danneggiamento del supporto di archiviazione. HFS+ è supportato nativamente da Mac OS. ExFAT è supportato nativamente da Mac OS e Windows, e non necessita un software aggiuntivo, ma non ammette il journaling.

NOTA Prima di formattare le schede accertati di spostare l'interruttore su SD o CFast in base al modello.

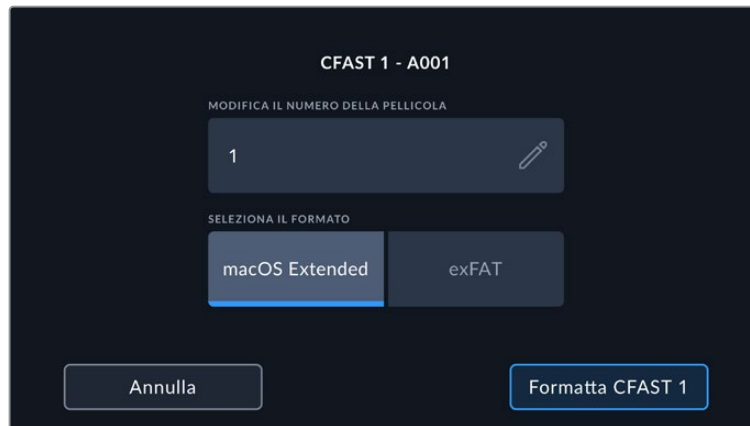
Preparare i supporti di memoria su URSA Broadcast G2

- 1 Tocca l'indicatore del supporto di memoria in basso al touchscreen della camera.
- 2 Formatta il supporto nello slot 1 o 2 toccando il rispettivo pulsante in basso. Se hai collegato una unità flash USB-C o un SSD alla porta USB-C sul retro della camera, tocca **Elenco drive**, seleziona il drive da formattare e tocca **Formatta drive**.



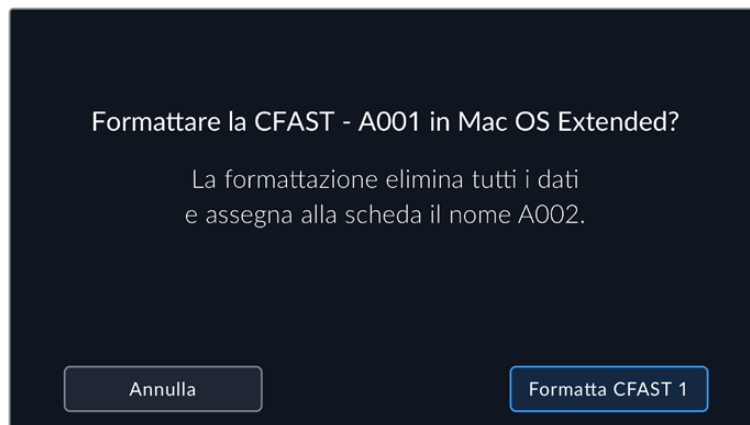
Formatta i supporti di memoria dal menù archiviazione della camera

- 3 Per cambiare il numero della pellicola, tocca l'icona della matita. Aprirà la tastiera per inserire manualmente il numero. Una volta fatto, tocca **Aggiorna**.
- 4 Scegli il formato OS X Extended o exFAT, e tocca il pulsante di formattazione.



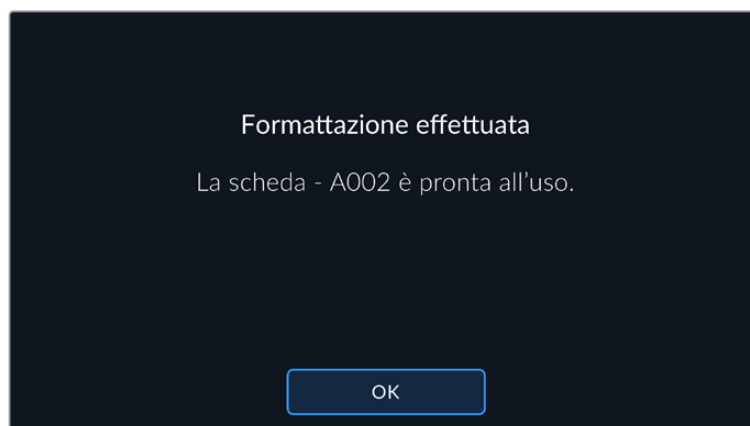
Tocca l'icona della matita per inserire manualmente il numero della pellicola

- 5 Conferma la selezione. Tocca il pulsante di formattazione o **Annulla** per annullare l'operazione.



Accertati di aver selezionato la scheda giusta prima di formattarla

- 6 Ti verrà richiesto di tenere premuto il pulsante **Formatta** per 3 secondi. La camera ti informerà a formattazione completata.



A formattazione completata, la scheda è pronta all'uso

- 7 Tocca **OK** per ritornare al menù archiviazione.
- 8 Tocca **Esci** per uscire dal menù archiviazione.

Quando formatti i supporti di memoria dal menù archiviazione, URSA Broadcast G2 le denomina automaticamente usando l'ID della camera e il numero della pellicola del ciak digitale. Inoltre il numero della pellicola incrementa ogni volta che si formatta la scheda. Tocca l'icona della matita per inserire manualmente il numero della pellicola per la scheda formattata.

Quando cominci un nuovo progetto, tocca **Resetta dati progetto** nella tab **Progetto** per riportare a 1 il numero della pellicola.

Ricorda che solo la scheda selezionata dall'interruttore (SD o CFast) viene formattata. Per maggiori informazioni su come passare tra una scheda CFast e una SD, consulta la sezione "Schede SD".



Il menù archiviazione della camera conferma il tipo di scheda selezionato per la formattazione (CFast, SD, USB o SSD)

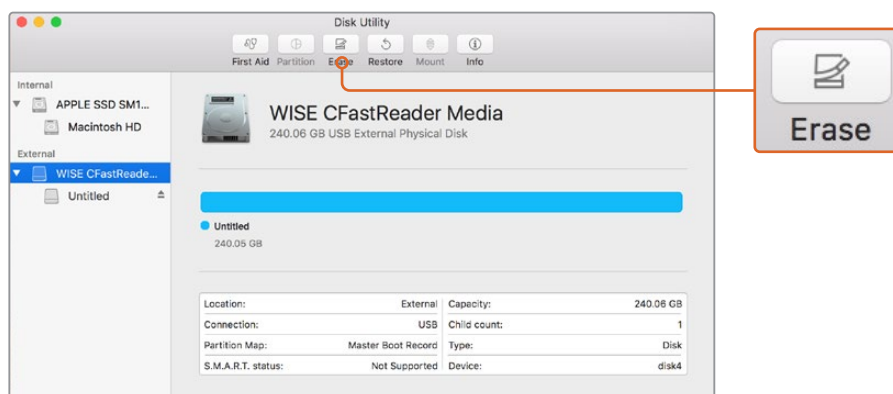
SUGGERIMENTO Se URSA Broadcast G2 è impostata per registrare sulle schede SD, ma la scheda inserita è protetta, non sarà possibile formattarla. A fianco al nome della scheda nel menù archiviazione apparirà l'icona del lucchetto. Sblocca la scheda per formattarla. Per maggiori informazioni su come proteggere le schede SD, vai alla sezione "Schede SD".

Preparare i supporti di memoria su Mac

L'applicazione Utility disco di Mac è utile per formattare le schede CFast, SD, e gli SSD in HFS+ o exFAT.

Se il supporto contiene già dei file, è consigliabile eseguire un backup poiché i dati cancellati con la formattazione non sono recuperabili.

- 1 Inserisci il supporto di memoria in un lettore o in un dock o adattatore, e collegalo al computer. Ignora i messaggi di back up della Time Machine.
- 2 Vai su **Applicazioni > Utility Disco**.
- 3 Clicca sull'immagine disco del supporto di memoria e poi clicca sulla tab **Inizializza**.
- 4 Seleziona il formato **Mac OS Extended (journaling)** o **exFAT**.
- 5 Inserisci un **Nome** per il nuovo volume e poi clicca su **Inizializza**. La formattazione durerà pochi istanti, e il supporto di memoria sarà pronto all'uso.

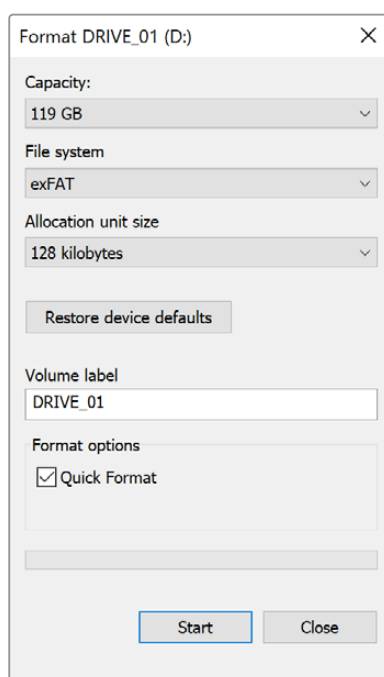


Usa l'Utility Disco su Mac OS per formattare la scheda CFast nel formato Mac OS Extended (journaling) o exFAT

Preparare i supporti di memoria su Windows

Utilizza la finestra di dialogo Formatta su Windows per formattare un drive in exFAT. Se la scheda contiene già dei file, è consigliabile eseguire un backup poiché i dati cancellati con la formattazione non sono recuperabili.

- 1 Inserisci il supporto di memoria in un lettore/riproduttore esterno o in un dock o adattatore SSD, e collegalo al computer.
- 2 Seleziona **Computer** dal menù **Start** o dalla schermata iniziale. Fai un clic destro sulla scheda di memoria.
- 3 Seleziona **Formatta** dal menù contestuale.
- 4 Imposta il sistema di file su **exFAT** e la misura d'unità di assegnazione su **128 kb**.
- 5 Assegna un nome al volume, seleziona **Formattazione veloce** e clicca **Esegui**.
- 6 La formattazione durerà pochi istanti, e il supporto di memoria sarà pronto all'uso.



Usa la finestra di dialogo Formatta su Windows per formattare la scheda CFast o SD o l'SSD in exFAT

NOTA Se la registrazione salta fotogrammi, controlla che la scheda utilizzata rientri nella lista consigliata per il codec e il frame rate selezionati. Per un data rate minore si consiglia di diminuire il frame rate o la risoluzione, o di utilizzare un codec compresso come ProRes. Per le informazioni più aggiornate, visita il sito di Blackmagic Design www.blackmagicdesign.com/it.

Registrazione

Registrazione le clip

Gli obiettivi broadcast B4 hanno un pulsante di registrazione sull'impugnatura, comodamente accessibile quando riprendi a spalla. Premilo per avviare o interrompere la registrazione. Premilo di nuovo per terminare la registrazione.

La camera ha due pulsanti di registrazione: uno sul pannello di controllo interno, e uno sul pannello esterno per accedervi facilmente durante le riprese a spalla.

Innescare la registrazione da una fonte esterna

Con la app di controllo Blackmagic Camera Control, puoi utilizzare un iPad tramite Bluetooth per cambiare varie impostazioni della camera e avviare/terminare la registrazione. Per maggiori informazioni su come impostare e utilizzare la app Blackmagic Camera Control, consulta la sezione "Bluetooth". È anche possibile innescare la registrazione su URSA Broadcast G2 tramite Bluetooth usando apposite app di terzi sul tuo smartphone iPhone o Android.

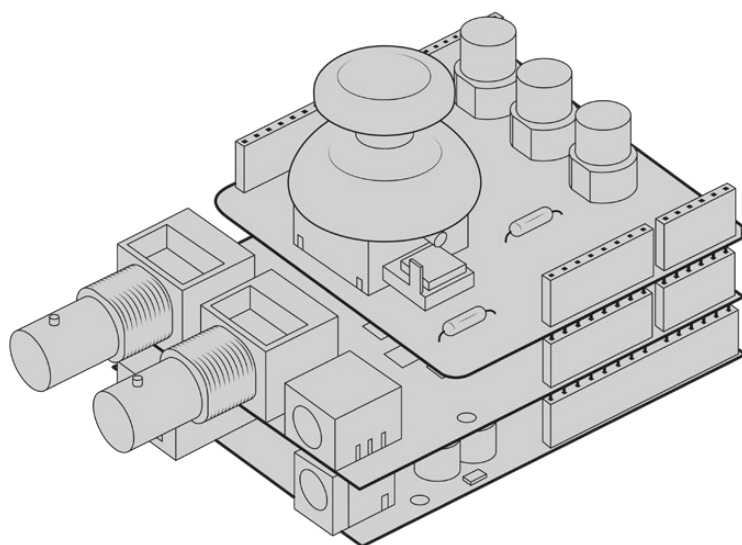
Se stai utilizzando Blackmagic Zoom Demand con la camera, innesca la registrazione dal suo pulsante funzione, posizionato sotto il tuo pollice come il pulsante VTR su un obiettivo B4. Per maggiori informazioni su Blackmagic Zoom Demand, consulta la sezione "Utilizzare Blackmagic Zoom Demand".

Quando URSA Broadcast G2 è connessa a uno switcher ATEM Mini Pro o al modello Extreme tramite un Blackmagic Micro Converter BiDirectional SDI/HDMI 3G, puoi innescare la registrazione dallo switcher.

Nel menù **Registrazione streaming** di ATEM Software Control, se la casella **Registra su tutte le camere** è spuntata, tutte le camere collegate inizieranno a registrare subito dopo aver cliccato o premuto REC. Basta un solo gesto. Consulta il manuale di ATEM Mini per tutti i dettagli.

Un'altra opzione per il controllo remoto della registrazione è il telecomando LANC, che basta connettere all'ingresso LANC di URSA Broadcast G2. Per esempio, con il LANC sul cavalletto puoi avviare la registrazione senza togliere la mano dall'anello di messa a fuoco o dal braccio del cavalletto.

Con Blackmagic 3G-SDI Shield for Arduino, grazie al protocollo di controllo camera Blackmagic SDI Camera Control puoi azionare la registrazione automaticamente su una o più URSA Broadcast G2. Per maggiori informazioni, consulta la sezione "Informazioni per sviluppatori (English)" di questo manuale, o visita la pagina www.blackmagicdesign.com/it/developer e scarica il manuale di Blackmagic 3G-SDI Shield for Arduino.



Crea un controller su misura e connettilo a Blackmagic 3G-SDI Shield for Arduino per un controllo mirato e interattivo

NOTA Se sposti l'interruttore di archiviazione durante la cattura, la camera completerà la registrazione in corso prima di passare alla nuova scheda selezionata. In questo modo la registrazione è protetta da interruzioni improvvise.

Scegliere codec, risoluzione, e area del sensore

Blackmagic URSA Broadcast G2 registra nel formato Blackmagic RAW in modalità qualità costante o bitrate costante. Puoi selezionare i codec di compressione video Apple ProRes, H.264 o H.265 per registrare in Ultra HD e in HD. Le opzioni di frame rate del sensore dipendono dal codec e dalla risoluzione scelti.

Blackmagic RAW offre due opzioni di compressione: qualità costante e bitrate costante. I codec con compressione più alta Blackmagic RAW 8:1, 12:1, Q3 o Q5 sono consigliati per le riprese in movimento in stile ENG, perché offrono registrazioni di durata maggiore e una riduzione minima della qualità dell'immagine. Per ottenere la migliore qualità dell'immagine con riprese ad alta concentrazione di dettagli scegli Blackmagic RAW 3:1 o Q0.

Le clip registrate in Blackmagic RAW sono compatibili con DaVinci Resolve, Blackmagic RAW Player e con altre applicazioni che supportano l'SDK di Blackmagic RAW. Blackmagic RAW è già stato adottato da numerose piattaforme di post produzione. Anche se non è supportato nativamente da tutti i software di editing, si integra al workflow grazie ai plug-in inclusi negli aggiornamenti Blackmagic per le camere e nell'installer di Blackmagic RAW. Per maggiori informazioni, consulta la sezione "Lavorare con software di terzi".

Blackmagic RAW

Blackmagic URSA Broadcast G2 è compatibile con Blackmagic RAW. Questo nuovo formato offre una qualità dell'immagine superiore, un'ampia gamma dinamica, e una vasta selezione di rapporti di compressione. Oltre ad avere gli stessi vantaggi della registrazione RAW, Blackmagic RAW genera file velocissimi perché gran parte dell'elaborazione viene eseguita nella camera stessa, dove sfrutta l'accelerazione hardware.

Blackmagic RAW fa perno sull'efficienza dei metadati per consentire al software che legge i file di capire le impostazioni della camera. Se per esempio catturi in gamma Video per poter completare il montaggio velocemente, e non hai tempo per la correzione colore, il software aprirà il file esattamente in gamma Video. In realtà il file è in gamma Film, ma i suoi metadati suggeriscono al software di applicare la gamma Video.

Quando poi è il momento di fare la correzione colore, nel file avrai a disposizione l'intera gamma dinamica Film. Poiché i bianchi e i neri non subiscono clipping, l'abbondanza di dettagli consente una correzione colore di qualità cinematografica. Se invece non c'è tempo per la correzione colore, alle immagini verrà applicata la gamma Video e avranno il look di una normale videocamera. Il vantaggio sta nella libertà di poter ritornare sulle stesse immagini e cambiarle in post produzione in qualsiasi momento.

I file Blackmagic RAW sono estremamente veloci, con un codec ottimizzato per la CPU e la GPU del computer. Oltre a consentire una riproduzione scorrevole, eliminano la necessità di usare schede decoder hardware, una caratteristica importante se utilizzi il laptop. I software che leggono Blackmagic RAW beneficiano anche dell'elaborazione mediante Apple Metal, Nvidia CUDA, e OpenCL.

Blackmagic RAW viene riprodotto a velocità normale come un file video su gran parte dei computer, senza il bisogno di fare la cache o ridurre la risoluzione.

Inoltre va sottolineato che le informazioni dell'obiettivo sono salvate nei metadati, fotogramma per fotogramma. Per esempio usando un obiettivo compatibile, qualsiasi regolazione di zoom o messa a fuoco viene salvata, fotogramma per fotogramma, nei metadati all'interno del file Blackmagic RAW.

Registrazione in Blackmagic RAW

Blackmagic RAW offre due opzioni di codifica: bitrate costante e qualità costante.

La codifica a bitrate costante funziona come la maggior parte dei codec, ovvero cerca di mantenere costante il trasferimento dati, evitando che diventi troppo alto. Per cui se filmi immagini complesse che richiedono più dati per essere salvate, la codifica a bitrate costante applica una maggiore compressione per far sì che le immagini rientrino nello spazio designato.

Questo metodo va bene per i codec video, ma per i filmati in RAW è importante assicurarsi che la qualità sia prevedibile. Cosa succederebbe se le immagini richiedessero più dati ma il codec applicasse una compressione maggiore per ottenere un trasferimento dati specifico? La qualità potrebbe risentirne ma non te ne accorgereesti durante le riprese.

Per evitare questo problema, Blackmagic RAW offre una codifica alternativa chiamata qualità costante. Tecnicamente si tratta di una codifica a bitrate variabile, che consente alle dimensioni del file di aumentare se le immagini richiedono dati aggiuntivi. Quindi se vuoi codificare un'immagine mantenendo la qualità, le dimensioni del file non si fermano a una soglia limite.

Con l'opzione qualità costante, le dimensioni del file aumentano o diminuiscono in base al livello di complessità dell'immagine ripresa. Diciamo che lasciando il coperchio sull'obiettivo non sprecherai di certo spazio sul supporto di memoria.

Le impostazioni delle due opzioni di codifica di Blackmagic RAW riflettono la loro funzione pratica. Per esempio le impostazioni della codifica a bitrate costante sono 3:1, 5:1, 8:1, e 12:1. Rappresentano il rapporto tra le dimensioni del file RAW non compresso e le dimensioni del file previste quando si cattura in Blackmagic RAW. Il 3:1 offre una qualità migliore perché il file è più grande, mentre il 12:1, essendo il file più piccolo, offre una qualità minore. Nonostante ciò, molti utenti lavorano tranquillamente in Blackmagic RAW 12:1 e non riscontrano limiti di qualità. Non ti resta che sperimentare le diverse impostazioni e scegliere quella che preferisci.

Le impostazioni della codifica a qualità costante sono Q0, Q1, Q3 e Q5. Si tratta dei parametri di compressione comunicati al codec che indicano a livello tecnico il grado di compressione applicato. Con questa opzione di codifica è impossibile sapere quali saranno le dimensioni del file perché dipendono fortemente dalla complessità dell'immagine catturata. Il file raggiungerà le dimensioni necessarie per archiviare i contenuti.

Codifica a bitrate costante

Le opzioni 3:1, 5:1, 8:1, e 12:1 rappresentano il rapporto di compressione. Per esempio il 12:1 produce file circa 12 volte più piccoli di un file RAW non compresso.

Codifica a qualità costante

I parametri Q0, Q1, Q3 e Q5 si riferiscono ai livelli di quantizzazione. Il Q5 ha un livello di quantizzazione maggiore ma offre un data rate nettamente migliore. Come già detto, l'opzione qualità costante fa sì che i file crescano o diminuiscano di dimensioni in modo considerevole a seconda della complessità delle immagini girate. A volte però, le dimensioni del file potrebbero crescere così tanto da eccedere la capacità del supporto di memoria, risultando nella perdita di fotogrammi. Il lato positivo è che te ne accorgerai già durante la cattura e potrai rivedere subito le impostazioni.

Blackmagic RAW Player

Blackmagic RAW Player - incluso nell'installer del software - è un'applicazione per rivedere le clip. Basta fare doppio clic sul file Blackmagic RAW per riprodurlo all'istante ad alta risoluzione e con la sua profondità di bit.

Riguardo la decodifica dei fotogrammi, l'accelerazione CPU nella libreria SDK supporta le principali architetture, così come l'accelerazione GPU mediante Apple Metal, Nvidia CUDA, e OpenCL. Funziona anche con Blackmagic eGPU per prestazioni ancora superiori. Blackmagic RAW Player è compatibile con Mac, Windows, e Linux.

File sidecar

I file sidecar di Blackmagic RAW contengono metadati che prendono momentaneamente la precedenza sui metadati integrati nel file originale, ma senza sovrascriverli. Questi metadati includono le impostazioni RAW e informazioni tra cui diaframma, messa a fuoco, lunghezza focale, bilanciamento del bianco, tinta, spazio colore, nome del progetto, e numero di ciak. I metadati vengono codificati fotogramma per fotogramma nell'arco della durata dell'intera clip, una caratteristica molto importante soprattutto se si regola l'obiettivo durante le riprese. I metadati nei file sidecar si possono aggiungere o modificare su DaVinci Resolve, o persino su un editor di testo perché sono leggibili dall'occhio umano.

I file sidecar servono per aggiungere automaticamente nuove impostazioni RAW durante la riproduzione. Per farlo basta spostare il file sidecar nella stessa cartella del file RAW corrispondente. Spostando il file sidecar fuori dalla cartella e riaprendo il file Blackmagic RAW, le impostazioni RAW non vengono applicate e l'immagine viene visualizzata con il suo look originale. Tutti i software che sfruttano l'SDK di Blackmagic RAW hanno accesso a queste impostazioni. Le modifiche apportate vengono salvate nel file sidecar e lette da Blackmagic RAW Player o da qualsiasi altro software in grado di leggere i file Blackmagic RAW.

Se riprendi in gamma Video, il file rimane in gamma Film, ma i metadati suggeriranno al software di visualizzarlo in gamma Video. La gamma Video è ottima se vuoi aggirare la correzione colore e consegnare il lavoro in poco tempo, ma se poi decidi di ritoccare i neri o i bianchi, potrai farlo in qualsiasi momento e senza preoccuparti di perdere i dettagli.

Blackmagic RAW su DaVinci Resolve

Nella sezione RAW di DaVinci Resolve puoi modificare le impostazioni di ogni file Blackmagic RAW e salvarle in un nuovo file sidecar per ottenere effetti creativi o una visualizzazione ottimizzata. Ciò significa che un altro utente DaVinci Resolve potrà importare gli stessi file e accedere subito alle impostazioni modificate. Oltre ai metadati contenuti nei file della camera, DaVinci Resolve rileva la gamma dinamica selezionata per mostrare automaticamente le clip in versione Film, Extended Video, o Video.

Le impostazioni di saturazione, contrasto e punto medio, così come lo stacco di luci e ombre, sono modificabili. Le modifiche apportate vengono salvate come file sidecar e saranno visibili a tutti gli artisti a lavoro in post produzione. In qualsiasi momento puoi ritornare ai metadati originali della camera.

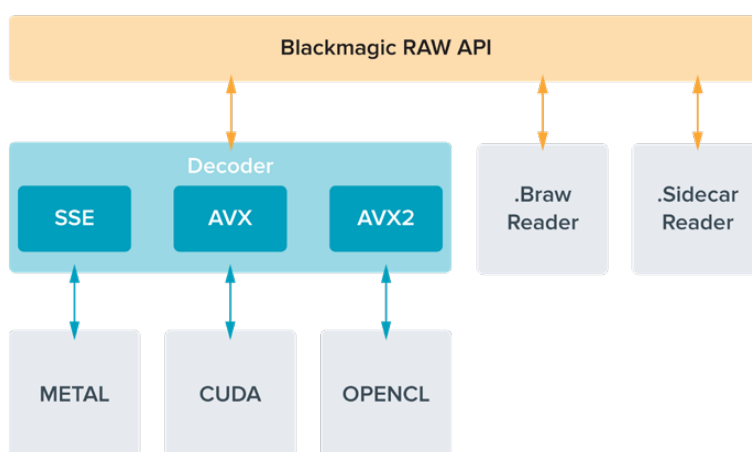
La sezione RAW di DaVinci Resolve ti permette anche di esportare un singolo fotogramma Blackmagic RAW, contenente tutte le regolazioni, i metadati, piena risoluzione, e informazioni del colore. In questo modo condividere un singolo fotogramma o un file di riferimento con gli altri utenti è molto facile.

Per tutti i dettagli sul funzionamento di Blackmagic RAW su DaVinci Resolve, consulta la sezione “DaVinci Resolve” del manuale.

Pacchetto di sviluppo Blackmagic RAW

Il pacchetto di sviluppo di Blackmagic RAW è un API sviluppato da Blackmagic Design. Questo SDK consente di scrivere applicazioni su misura per usare il formato Blackmagic RAW. Gli sviluppatori possono usare la libreria SDK per abilitare la lettura, la modifica e il salvataggio dei file Blackmagic RAW. L’SDK di Blackmagic RAW include la scienza del colore di quarta e di quinta generazione, che permette di ottenere immagini cinematografiche su qualsiasi applicazione lo supporti. Funziona su Mac, Windows, e Linux, ed è disponibile per il download gratuito alla pagina Sviluppatori www.blackmagicdesign.com/it/developer sul nostro sito.

Il diagramma qui sotto illustra i componenti dell’API di Blackmagic RAW.



Scegliere il frame rate corretto

La camera può registrare con vari frame rate, ed è importante sapere quale utilizzare. Anche il frame rate del sensore può avere un forte impatto sul look delle immagini. Solitamente nello scegliere il frame rate del sensore, negli anni si sono presi in considerazione gli standard per il cinema e la televisione. Questi standard variano secondo i paesi, ma hanno in comune lo stesso obiettivo: la visualizzazione di un numero di fotogrammi al secondo che mostri il movimento con un'estetica gradevole e convincente.

Per esempio, lo standard per il cinema è 24 fps, e nonostante alcuni esperimenti recenti con frame rate superiori, rimane il frame rate più utilizzato a livello globale. Lo standard televisivo è dettato da quello della trasmissione broadcast di ogni paese. Per esempio, per la distribuzione televisiva nel Nord America i contenuti si girano con un frame rate di 29.97, mentre in Europa a 25 fps.

Nuovi passi avanti nella tecnologia hanno reso disponibili più opzioni e standard broadcast più flessibili. Ora è normale registrare e trasmettere gli eventi sportivi a frame rate più elevati, per esempio fino a 59.94 fps nel Nord America, e fino a 50 fps in Europa. Questi frame rate elevati infatti catturano l'azione e i movimenti in modo più naturale. In quanto alla trasmissione in streaming e sul web, generalmente si selezionano i frame rate televisivi, e si ha anche una maggiore flessibilità perché gli schermi non sono più limitati a un solo formato, consentendo agli utenti di scegliere quello che preferiscono.

Di solito il frame rate del progetto si sceglie a seconda del formato di consegna di modo che la velocità di riproduzione delle clip coincida con la velocità reale a cui si è svolto l'evento. Perché questo sia possibile, è necessario spegnere l'interruttore Frame Rate Off Speed.

Per creare un effetto interessante, per esempio a rallentatore, il frame rate del sensore deve essere più alto. Più alto è il frame rate del sensore rispetto a quello del progetto, più lenta sarà la velocità di riproduzione.

Per maggiori informazioni su come utilizzare il frame rate del sensore creativamente, consulta la sezione "Controlli del touchscreen" del manuale.

Riprendere con frame rate elevati

Quando riprendi con frame rate elevati, la camera cattura un numero di fotogrammi nettamente superiore alla velocità di sync tradizionale di 24, 25 o 30 fps. Ciò significa che il sensore ha meno tempo per catturare la luce per ogni fotogramma, e l'immagine risultante sarà più scura.

Per esempio, se passi da 25 a 50 fps, la quantità di luce che attraversa il sensore sarà dimezzata. Quindi per mantenere l'esposizione costante dovrai compensare aprendo il diaframma di un altro stop, aumentando il valore dell'angolo dell'otturatore da 180° a 360°, o illuminando ulteriormente la scena.

Se riprendi a 60 fps, la quantità di luce catturata è 2,5 volte minore del 24 fps, quindi sarà necessario regolare più parametri (apertura, angolo dell'otturatore e illuminazione) per ottenere lo stesso livello di esposizione.

Un altro elemento da tenere in considerazione quando si riprende con frame rate elevati è lo sfarfallio introdotto dalle fonti di luce elettroniche sull'immagine registrata. Le luci artificiali al tungsteno, fluorescenti e LED possono causare lo sfarfallio nelle immagini. Questo effetto indesiderato non è visibile sul monitor LCD di anteprima o sul flusso video SDI durante la registrazione, quindi per accertarsi che non ci sia è importante fare riprese di test con l'illuminazione che si intende usare e riprodurre le clip girate.

Anche le impostazioni dell'otturatore possono avere ripercussioni sullo sfarfallio quando si utilizzano luci artificiali. URSA Broadcast G2 è in grado di calcolare automaticamente i valori anti-sfarfallio per il frame rate utilizzato e li suggerisce sullo schermo. Le caratteristiche delle diverse fonti di luce potrebbero causare sfarfallio anche quando selezioni il valore suggerito. Consulta la sezione "Controlli del touchscreen" per maggiori informazioni.

Se lo sfarfallio è ancora presente anche quando è stata selezionata la velocità dell'otturatore minore, o l'angolo dell'otturatore più ampio, la soluzione potrebbe essere quella di utilizzare fonti di luce differenti, o ottiche più veloci.

Frame rate del sensore e data rate compatibili

La tabella seguente riporta i codec, la risoluzione, la velocità di trasferimento (data rate) e i frame rate massimi supportati dal sensore. I riferimenti a Blackmagic RAW, ProRes 444 e ProRes 422 riguardano tutte le varianti supportate da ciascuno dei codec.

Data la velocità di trasferimento necessaria per registrare immagini ad alta risoluzione a rallentatore, è importante scegliere supporti veloci come le schede CFast, le unità flash USB-C o gli SSD. Consulta la sezione "Archiviazione" per maggiori informazioni.

SUGGERIMENTO Per testare la velocità della scheda di memoria spunta l'interruttore Stop Rec in Caso di Drop Frame nell'apposito menù su schermo e registra una clip di prova. In questo modo potrai scoprire quanto dura la registrazione con determinati frame rate e risoluzioni. Se la registrazione sulla scheda si interrompe dopo poco, passa all'impostazione di compressione successiva o a una risoluzione minore. Così facendo si abbassa il data rate ed è più probabile che la scheda sia in grado di sostenere la registrazione.

Frame rate massimi per URSA Broadcast G2

	Risoluzione	Codec	Frame rate max	Data rate max
Ultra HD	3840x2160	Blackmagic RAW 3:1	60	254 MB/s
	3840x2160	Blackmagic RAW 5:1	60	152 MB/s
	3840x2160	Blackmagic RAW 8:1	60	96 MB/s
	3840x2160	Blackmagic RAW 12:1	60	64 MB/s
	3840x2160	Blackmagic RAW Q0	60	48.7 – 96.8 MB/s
	3840x2160	Blackmagic RAW Q1	60	32.6 – 77.6 MB/s
	3840x2160	Blackmagic RAW Q3	60	21.9 – 55.6 MB/s
	3840x2160	Blackmagic RAW Q5	60	13.4 – 32.6 MB/s
	3840x2160	ProRes HQ	60	220 MB/s
	3840x2160	ProRes 422	60	148 Mb/s
	3840x2160	H.265 SDI	60	24.6 MB/s
	3840x2160	H.265 alta	60	21.6 MB/s
	3840x2160	H.265 media	60	15.6 MB/s
	3840x2160	H.265 bassa	60	6.4 MB/s

	Risoluzione	Codec	Frame rate max	Data rate max
HD	1920x1080	Blackmagic RAW 3:1	150	161.4 MB/s
	1920x1080	Blackmagic RAW 5:1	150	97.2 MB/s
	1920x1080	Blackmagic RAW 8:1	150	61.1 MB/s
	1920x1080	Blackmagic RAW 12:1	150	41 Mb/s
	1920x1080	Blackmagic RAW Q0	150	121.2 – 241.6 MB/s
	1920x1080	Blackmagic RAW Q1	150	81.8 – 193.4 MB/s
	1920x1080	Blackmagic RAW Q3	150	54.4 – 138.4 MB/s
	1920x1080	Blackmagic RAW Q5	150	33 – 81.1 MB/s
	1920x1080	ProRes HQ	120	110 Mb/s
	1920x1080	ProRes 422	120	74 Mb/s
	1920x1080	H.264 SDI	60	14 Mb/s
	1920x1080	H.264 alta	60	11.2 MB/s
	1920x1080	H.264 media	60	6.4 MB/s
	1920x1080	H.264 bassa	60	3.6 MB/s

Blackmagic RAW Q0, Q1, Q3 e Q5 utilizzano una compressione a bitrate variabile per ottenere una qualità costante. La velocità di trasferimento per Q0, Q1, Q3 e Q5 dipende dalla complessità dell'immagine, e può variare notevolmente all'interno della clip.

Per selezionare il codec e la risoluzione desiderati:

- 1 Premi il pulsante **Menu** sul pannello di controllo.
- 2 Vai alla tab **Record**.
- 3 Tocca il codec, la qualità e la risoluzione di ripresa desiderati.
- 4 Tocca **Menu** per uscire dal menù.

Formati di registrazione e frame rate del progetto

Dopo aver impostato codec e risoluzione, bisogna definire i frame rate del progetto e del sensore. Consulta la sezione "Impostazioni di registrazione" per maggiori informazioni sui frame rate.

I frame rate di progetto disponibili sono:

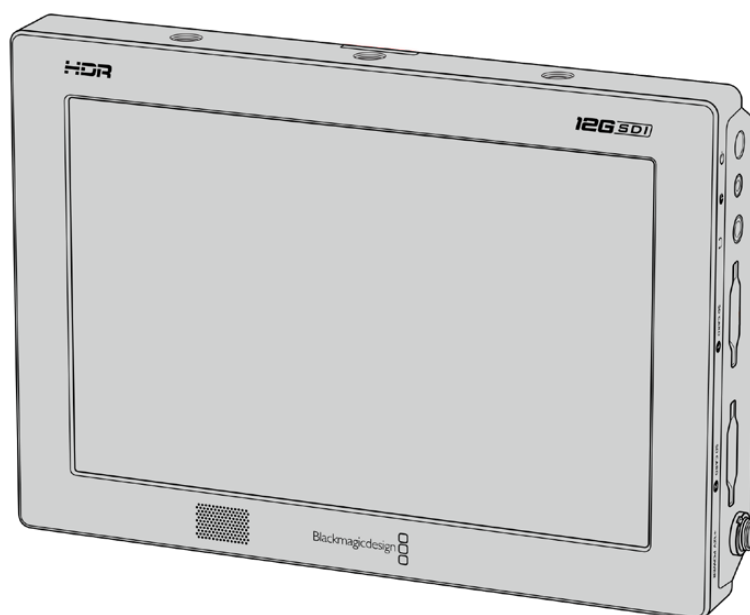
23.98, 24, 25, 29.97, 30, 50, 59.94, e 60 fps.

Per le riprese in Blackmagic RAW e ProRes fino a ProRes 422 HQ, il frame rate di progetto massimo è 60 fps per qualsiasi risoluzione.

Innescare la registrazione su dispositivi esterni

URSA Broadcast G2 invia un segnale tramite le uscite SDI che innesca automaticamente la registrazione sui dispositivi SDI compatibili con questa funzione, per esempio Blackmagic Video Assist. Pertanto quando la camera avvia la cattura, anche i dispositivi esterni collegati tramite SDI iniziano automaticamente a registrare. Toccando di nuovo il pulsante REC, la registrazione termina su tutti.

Per far sì che i dispositivi esterni rispondano al comando start/stop di registrazione impartito da URSA Broadcast G2 tramite SDI, è importante abilitare questa funzione dal menù impostazioni di ciascuno.



Utilizza la funzione di Rec automatico della camera per avviare la registrazione su dispositivi SDI come Blackmagic Video Assist 12G HDR

Durata della registrazione

Le tabelle di riferimento seguenti indicano la durata della registrazione in minuti e secondi in base al formato, al frame rate del progetto e alla capacità della scheda di memoria. La durata massima di registrazione della scheda dipende da questi tre fattori. Per esempio la velocità di archiviazione per Apple ProRes 422 HQ a 3840 x 2160 è di circa 880 Mbps. A 24 fps si possono registrare circa 47 minuti di video su schede CFast 2.0 o SD da 256GB, oppure 23 minuti di video sulle stesse schede, ma da 128GB, circa la metà di quelli possibili sui modelli da 256GB.

La durata della registrazione sulle schede CFast 2.0 e SD varia leggermente a seconda dei produttori, o secondo la formattazione delle schede (exFat o Mac OS Extended).

Ricorda che le scene contenenti meno dettagli richiedono meno spazio delle composizioni complesse. I valori riportati nella tabella qui sotto si riferiscono a un'ipotetica scena altamente complessa, per cui la durata di registrazione per scene più semplici sarà più lunga.

HD							
CFast	Frame rate	ProRes 422 HQ	ProRes 422	H.264 SDI	H.264 alta	H.264 media	H.264 bassa
		Durata	Durata	Durata	Durata	Durata	Durata
256GB	23.98	189 min	283 min	635 min	782 min	1395 min	2456 min
	24	189 min	283 min	635 min	782 min	1395 min	2456 min
	25	182 min	271 min	602 min	748 min	1339 min	2321 min
	30	152 min	227 min	496 min	612 min	1118 min	2079 min
	50	91 min	137 min	371 min	462 min	841 min	1852 min
	60	76 min	114 min	331 min	411 min	716 min	1520 min

Ultra HD					
CFast	Frame rate	Blackmagic RAW 3:1	Blackmagic RAW 5:1	Blackmagic RAW 8:1	Blackmagic RAW 12:1
		Durata	Durata	Durata	Durata
256GB	23.98	41 min	68 min	110 min	164 min
	24	41 min	68 min	109 min	164 min
	25	39 min	66 min	105 min	157 min
	30	33 min	55 min	88 min	131 min
	50	19 min	33 min	52 min	79 min
	60	16 min	27 min	44 min	66 min

Ultra HD							
CFast	Frame rate	ProRes 422 HQ	ProRes 422	H.265 SDI	H.265 alta	H.265 media	H.265 bassa
		Durata	Durata	Durata	Durata	Durata	Durata
256GB	23.98	47 min	71 min	353 min	404 min	571 min	1499 min
	24	47 min	71 min	353 min	404 min	571 min	1499 min
	25	45 min	68 min	339 min	389 min	550 min	1442 min
	30	38 min	57 min	286 min	325 min	461 min	1223 min
	50	22 min	34 min	242 min	280 min	389 min	960 min
	60	18 min	28 min	241 min	277 min	325 min	809 min

Registrare i dati del sensore di movimento

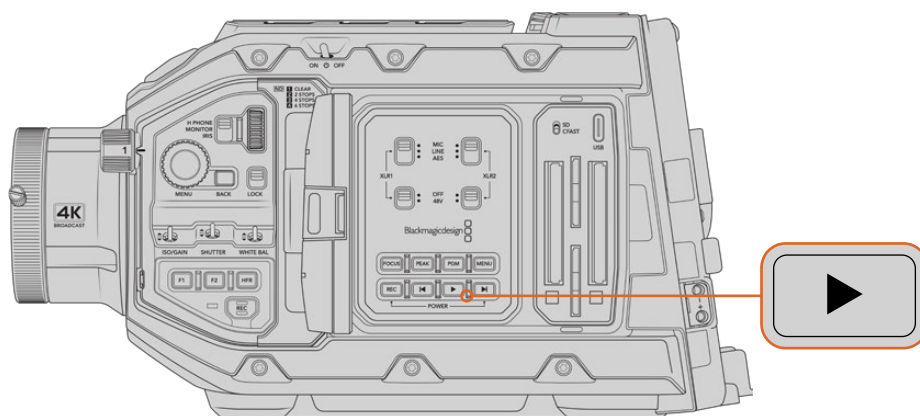
URSA Broadcast G2 registra automaticamente i dati giroscopici del sensore di movimento interno. DaVinci Resolve si avvale di tali dati per stabilizzare le clip. Consulta la sezione “Stabilizzazione giroscopica” per tutti i dettagli.

Riproduzione

Riprodurre le clip

Una volta registrato il video, utilizza i pulsanti di trasporto per riprodurlo.

Premi il pulsante Play per visualizzare le immagini sullo schermo LCD touch di URSA Broadcast G2, oppure su un monitor esterno connesso all'uscita SDI della camera.



URSA Broadcast G2

SUGGERIMENTO Su URSA Broadcast G2 i pulsanti di trasporto si trovano sul pannello di controllo interno e sul pannello ergonomico esterno.

NOTA URSA Broadcast G2 riproduce le clip che hanno i suoi stessi codec, frame rate, e risoluzione. Per esempio, per riprodurre le clip HD registrate in ProRes 422 HQ a 29,97 fps, assicurati che la camera sia impostata sugli stessi frame rate, risoluzione, e codec ProRes.

I pulsanti di trasporto funzionano allo stesso modo di un lettore CD: premendo Avanti si passa alla clip successiva. Premendo Indietro una volta si torna all'inizio della clip corrente. Premendolo due volte si salta all'inizio della clip precedente. Tieni premuto uno o l'altro per riprodurre o tornare indietro a velocità 2x. In fase di riproduzione o indietro veloce, premi gli stessi pulsanti due volte per il 4x, tre volte per l'8x e quattro volte per il 16x. Con obiettivi compatibili, è possibile utilizzare i pulsanti Avanti e Indietro per aprire o chiudere il diaframma durante la cattura.

Se registri con frame rate del sensore e del progetto differenti, la velocità di riproduzione della clip varierà di conseguenza. Per esempio, se hai impostato il frame rate del progetto su 24 fps per assecondare la timeline di post produzione, e il frame rate del sensore su 60 fps, le clip verranno riprodotte a rallentatore sia sul display della camera che sulla timeline in post produzione.

SUGGERIMENTO Consulta la sezione "Impostazioni di registrazione" per maggiori informazioni sui frame rate.

Connessioni e funzionalità

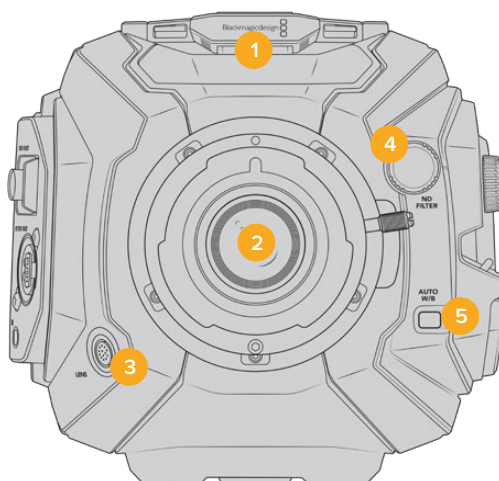
I connettori BNC standard SDI si trovano sul lato destro e sul retro di URSA Broadcast G2. C'è anche un ingresso LANC sul lato destro per l'impugnatura opzionale Blackmagic URSA Handgrip.

Gli ingressi XLR per audio analogico bilanciato professionale e audio digitale AES si trovano sul lato superiore, dietro i fori di montaggio. Sul retro c'è la connessione XLR a 4 pin per collegare l'alimentazione esterna. L'uscita per accessori come il mirino Blackmagic URSA Viewfinder è sul lato destro.

La porta USB sopra gli slot di archiviazione serve per connettere la camera a un computer, per aggiornare il software interno.

NOTA URSA Broadcast G2 offre controlli ergonomici supplementari per accedere immediatamente alle impostazioni e alle funzioni principali senza aprire il touchscreen richiudibile.

Lato anteriore



URSA Broadcast G2 con attacco obiettivo B4

1 Microfono stereo

La camera offre un microfono stereo integrato di alta qualità. Consulta la sezione "Impostazioni" per maggiori informazioni su come impostare l'audio del microfono.

2 Attacco obiettivo

URSA Broadcast G2 ha di serie un attacco obiettivo B4. È intercambiabile con l'attacco EF in dotazione e compatibile con gli attacchi obiettivo URSA Mini Pro PL e F. Consulta la sezione "Attacco obiettivo intercambiabile" per maggiori informazioni.

3 Connettore per obiettivo broadcast

Il connettore a 12 pin consente di alimentare e controllare gli obiettivi broadcast con servo zoom compatibili. Consulta la sezione "Utilizzare obiettivi con zoom servoassistito" di questo manuale per tutte le informazioni sulle funzioni disponibili con queste ottiche B4 e PL.

4 Filtri ND

Manopola per selezionare 3 filtri a densità neutra, o nessun filtro. Consulta la sezione “Controlli di URSA Broadcast G2” per maggiori informazioni.

5 Bilanciamento del bianco automatico

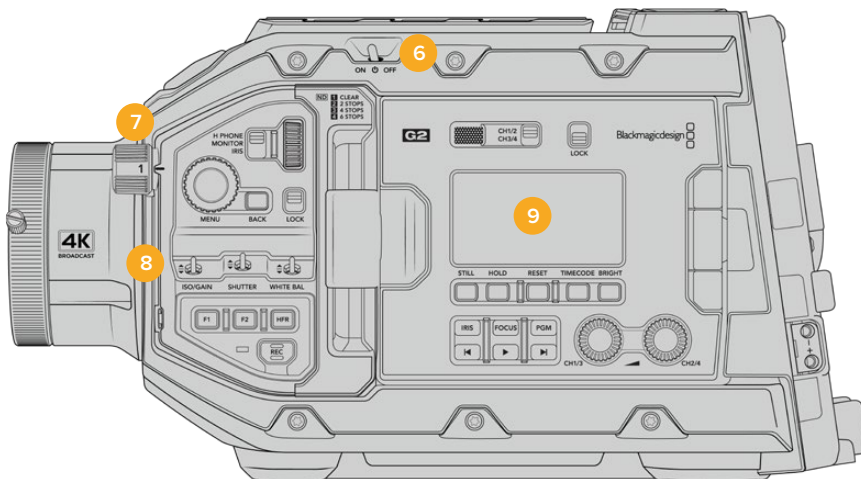
Pulsante per bilanciare automaticamente il bianco in base all'oggetto al centro dello schermo, per esempio un foglio grigio davanti all'obiettivo. Consulta la sezione “Controlli di URSA Broadcast G2” per maggiori informazioni.

Lato sinistro

Il lato sinistro ospita gli slot per le schede CFast 2.0, SDXC o SDHC, e il pannello di controllo per accedere alle impostazioni. La porta USB-C sopra gli slot CFast serve per collegare un computer e aggiornare il software interno della camera.

Controlli sul lato sinistro

Il pannello sinistro offre controlli aggiuntivi per accedere a tutte le funzioni principali della camera. Questi controlli sono distribuiti tra la parte anteriore, l'esterno dello schermo touch richiudibile, e il pannello di controllo all'interno dello schermo.



URSA Broadcast G2 con lo schermo touch chiuso

6 Interruttore On / Off

Interruttore di accensione della camera. Per accenderla puoi anche premere contemporaneamente i pulsanti REC e Avanti all'interno dello schermo richiudibile.

7 Filtri ND

Tre filtri interni a densità neutra per gestire la quantità di luce che raggiunge il sensore. La manopola include 4 opzioni, da nessun filtro a sei stop di riduzione della luce. Ruota la manopola per spostarti tra le opzioni. La manopola fa clic quando entra in posizione. Consulta la sezione “Controlli di URSA Broadcast G2” per maggiori informazioni.

8 Pannello di controllo anteriore

Dà accesso immediato a tutte le funzioni principali. I controlli sono facilmente accessibili con la camera in spalla o su treppiede. Tra gli altri trovano spazio ISO, velocità dell'otturatore, bilanciamento del bianco, diaframma, e frame rate. Consulta la sezione "Controlli di URSA Broadcast G2" per maggiori informazioni.

9 Pannello di controllo ergonomico

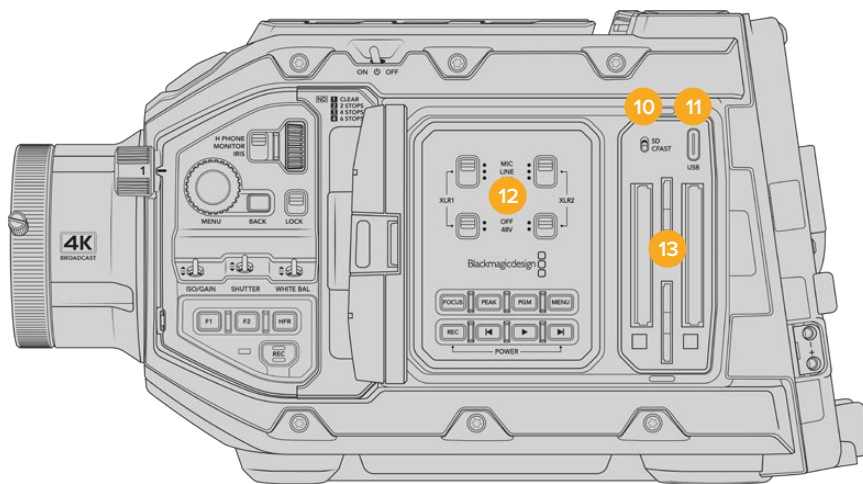
All'esterno dello schermo richiudibile si trova un display LCD di stato con diversi pulsanti di controllo per un monitoraggio veloce e preciso. Qui puoi controllare le informazioni di ripresa a colpo d'occhio e usare una serie di funzioni di monitoraggio. Consulta la sezione "Controlli di URSA Broadcast G2" per maggiori informazioni.

10 Interruttore di selezione scheda

Sposta l'interruttore per selezionare le schede CFast o SD.

11 Porta USB

Porta USB-C per aggiornare il software interno. Consulta la sezione "Utilità Blackmagic Camera Setup" per maggiori informazioni.



URSA Broadcast G2 con lo schermo touch aperto

12 Pannello di controllo interno

Accessibile quando lo schermo richiudibile è aperto. Qui imposti gli ingressi audio e l'alimentazione phantom, e gestisci il diaframma, la messa a fuoco, e la riproduzione delle clip. Consulta la sezione "Controlli di URSA Broadcast G2" per maggiori informazioni.

13 Slot per schede di memoria

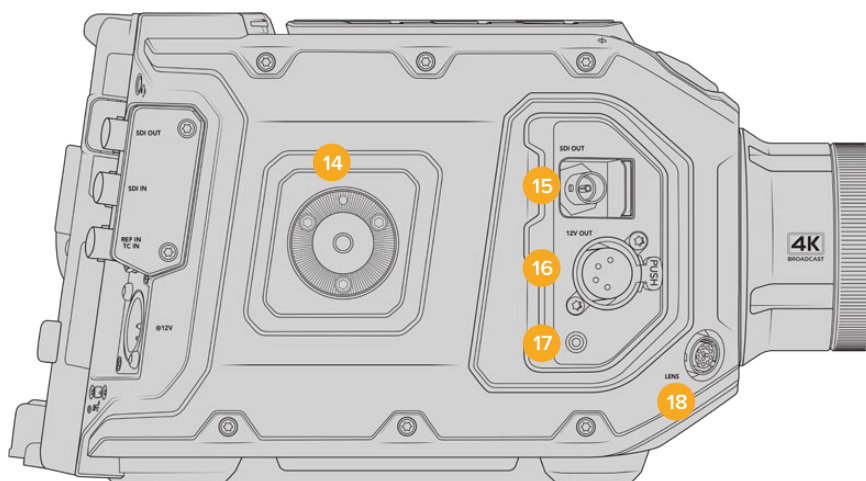
Inserisci le schede CFast 2.0, SDXC, o SDHC per registrare e riprodurre le clip. Controlla la lista delle schede consigliate in questo manuale o sul sito Blackmagic Design. Consulta la sezione "Archiviazione" per maggiori informazioni.

Lato destro

Sul lato destro trovi tutte le connessioni video, audio, e di alimentazione, oltre alla rosetta per l'attacco dell'impugnatura laterale.

14 Rosetta

Attacco a rosetta standard per l'impugnatura laterale. Consulta le sezioni "Operazioni preliminari" e "Blackmagic URSA Mini Shoulder Kit".



Utilizza la rosetta per montare l'impugnatura opzionale di URSA Mini

15 Uscita di monitoraggio HD

Connessione 3G-SDI per video convertito in risoluzione minore 1080HD. Ideale per collegare URSA Viewfinder o i monitor esterni. Consulta le sezioni "Uscite video" e "Blackmagic URSA Viewfinder" per maggiori informazioni.

16 Uscita di alimentazione +12V

Connettore XLR a 4 pin per alimentare Blackmagic URSA Viewfinder, Blackmagic URSA Studio Viewfinder, monitor esterni e accessori. Consulta le sezioni "Blackmagic URSA Viewfinder" e "Blackmagic URSA Studio Viewfinder" per maggiori informazioni. Questa uscita, assieme al connettore per obiettivi broadcast, fornisce una tensione di 12V a 2 Amp.

17 Ingresso LANC

Connettore TRS LANC 2,5 mm per Blackmagic URSA Handgrip.

18 Connettore per obiettivo broadcast

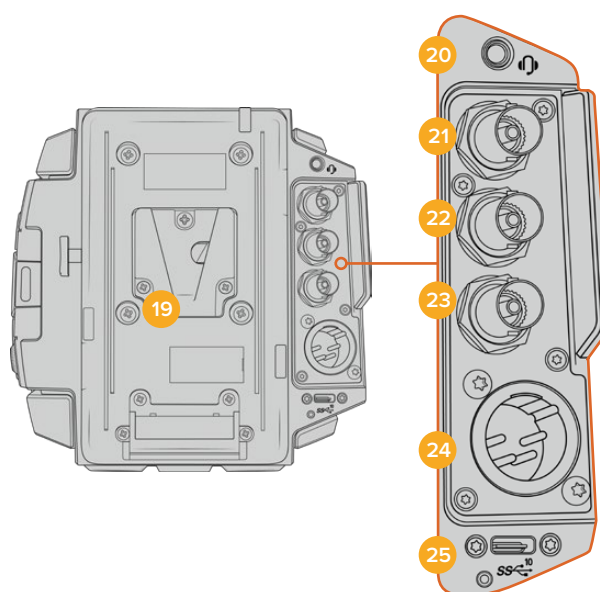
Connessione a 12 pin per alimentare e controllare gli obiettivi PL e B4 compatibili. Questa uscita, assieme all'uscita di alimentazione +12V, fornisce una tensione di 12V a 2 Amp.

Lato posteriore

19 Piastra per batteria

URSA Broadcast G2 ha in dotazione la piastra per batteria URSA VLock Battery Plate, per utilizzare batterie con attacco a V. URSA VLock Battery Plate ha un'uscita D-tap regolata per alimentare gli accessori che fornisce una tensione di 12V fino a 1,5 Amp.

È possibile sostituire URSA VLock Battery Plate con l'opzionale URSA Gold Battery Plate o con una piastra per batteria di terzi. Rimuovendo la piastra si accede a un connettore Molex a incasso per connettere accessori opzionali tra cui Blackmagic Camera Fiber Converter e Blackmagic URSA Mini Recorder al retro della camera. Se l'accessorio collegato ha una porta D-tap di alimentazione, il connettore Molex fornisce una tensione di 12V fino a 1,5 Amp. Consulta la sezione "Montare le batterie", "Blackmagic Fiber Converter - Operazioni preliminari" e "URSA Mini Recorder" per maggiori informazioni.



20 Cuffie

Jack 3,5 mm per il monitoraggio audio con cuffie e talkback. È compatibile con gli auricolari per iPhone e Android, con microfono integrato. Il talkback è disponibile sui canali 15 e 16 dell'uscita SDI.

SUGGERIMENTO Per il talkback, connetti le cuffie per iPhone e Android al jack 3,5 mm. Solitamente le cuffie integrano pulsanti per attivare o disattivare l'audio del microfono. Se ne sono sprovviste, è possibile configurare i pulsanti funzione di URSA Broadcast G2 per ottenere la stessa funzionalità. Consulta la sezione "Impostazioni generali" per maggiori informazioni.

21 Uscita 12G-SDI

Invia flussi video HD e Ultra HD ad attrezzatura SDI come matrici, monitor, dispositivi di acquisizione e switcher per il broadcast. Consente di collegare anche dispositivi di cattura esterni come Blackmagic Video Assist, per la registrazione di backup.

22 Ingresso 12G-SDI

Si connette a uno switcher o a un registratore esterno. Se usi URSA Broadcast G2 per la trasmissione in diretta, collegalo all'uscita di programma dello switcher per monitorare il feed durante le riprese, o riprodurre le immagini da un registratore esterno. Tieni premuto il pulsante **PGM** per visualizzare temporaneamente il programma.

Consulta la sezione "Pannello di controllo ergonomico" per maggiori informazioni.

Molte funzioni di URSA Broadcast G2 sono gestibili anche in modalità remota dallo switcher ATEM. Consulta la sezione "Controllare la camera a distanza" per tutti i dettagli. Per controllare la camera tramite SDI con soluzioni di controllo su misura puoi anche usare Blackmagic 3G-SDI Shield for Arduino.

Per ricevere i segnali di tally e talkback tramite l'ingresso SDI, assicurati di aver salvato l'ID della camera di ATEM nel menù impostazioni della camera. Per ricevere un segnale di riferimento esterno, seleziona **PGM** come fonte di riferimento nella tab **Setup**. Sullo schermo LCD della camera apparirà **REF** a lato del timecode quando il riferimento esterno è connesso e valido. Consulta la sezione "Impostazioni generali" per maggiori informazioni.

L'ingresso SDI è anche utile per inviare il timecode esterno alla camera, che viene rilevato e utilizzato automaticamente se valido, e se il frame rate corrisponde a quello del segnale SDI in entrata. La dicitura **EXT** appare sul touchscreen quando viene utilizzato un timecode esterno. Se disconnetti il cavo, il timecode rimane sincronizzato con quello interno di URSA Broadcast G2, e il touchscreen mostra la dicitura **INT**.

23 Ingresso timecode / riferimento

Riconosce e commuta automaticamente tra i segnali in entrata di riferimento e di timecode. Per sincronizzare URSA Broadcast G2 a un segnale di riferimento comune, per esempio tri-sync, collegalo all'ingresso BNC **Ref In**. Accertati di aver impostato la fonte di riferimento su **Esterna** nel menù di configurazione di URSA Broadcast G2.

Con questa connessione puoi anche sincronizzare più camere a un timecode esterno, oppure l'audio e il video di molteplici camere in post produzione, se catturati separatamente. Quando a questo ingresso è connesso un timecode esterno con lo stesso frame rate, la camera vi si sincronizza automaticamente. La dicitura **EXT** appare sul touchscreen quando viene utilizzato un timecode esterno. Se disconnetti il cavo, il timecode rimane sincronizzato con quello interno di URSA Broadcast G2, e il touchscreen mostra la dicitura **INT**.

In alternativa puoi utilizzare il segnale di riferimento dello switcher ATEM tramite l'ingresso SDI di programma. Questa soluzione è utile quando si utilizza uno switcher ATEM perché consente il trasporto bidirezionale del programma, la gestione remota delle camere, e la condivisione di un segnale di riferimento tramite SDI. Consulta la sezione "Impostazioni generali" per tutti i dettagli.

24 Ingresso di alimentazione 12V+

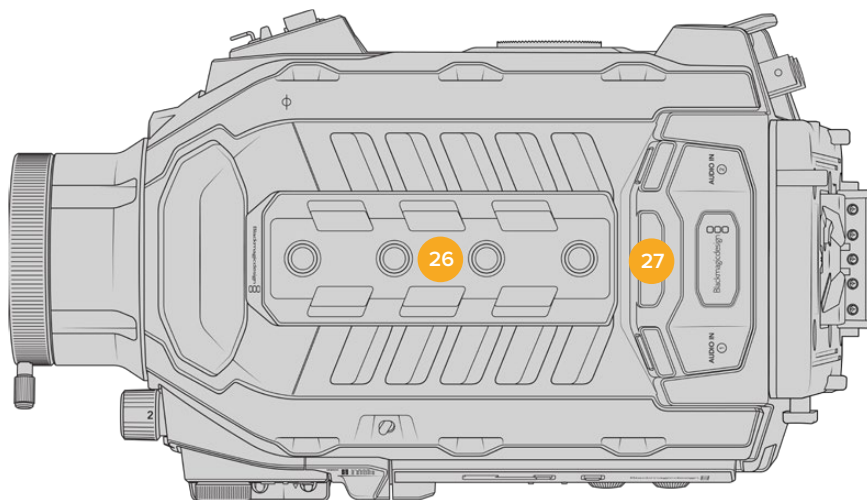
Connettore XLR DC 12-18V a 4 pin per collegare alimentazione esterna come l'adattatore incluso o le batterie portatili.

25 Porta USB

Porta USB-C 3.2 Gen 2x1 per registrare su un flash disk esterno, o su un SSD usando Blackmagic URSA Mini Recorder. Consente anche di collegare Blackmagic Zoom Demand e Focus Demand per controllare zoom e messa a fuoco di obiettivi compatibili.

Il connettore filettato sotto la porta USB-C garantisce una connessione sicura del cavo USB con sistema di blocco di URSA Mini Recorder. Per maggiori informazioni, consulta la sezione "URSA Mini Recorder".

Lato superiore



Connetti l'audio analogico esterno agli ingressi XLR bilanciati sul lato superiore

26 Fori di montaggio 1/4"

4 fori di montaggio per montare la maniglia superiore e gli accessori.

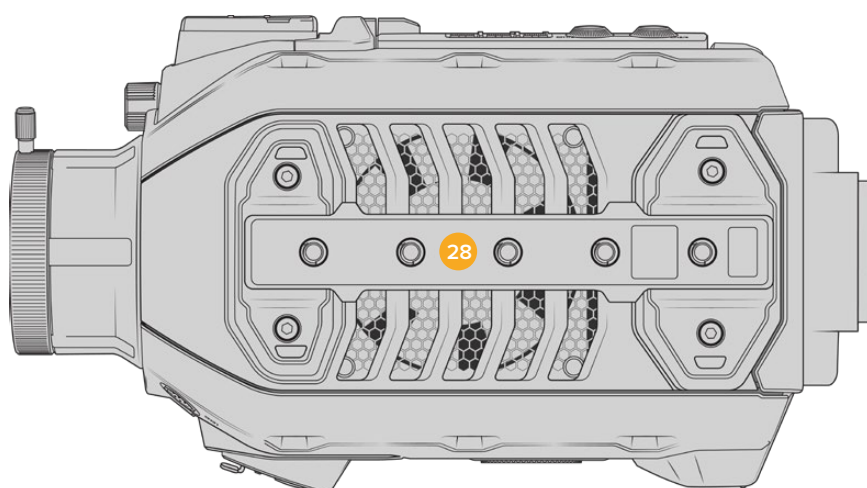
27 Ingressi audio XLR

I due ingressi XLR bilanciati consentono di collegare l'audio analogico esterno di dispositivi professionali come mixer, sistemi PA e microfoni. Forniscono alimentazione phantom 48V ai microfoni senza alimentazione propria. Consulta la sezione "Pannello di controllo interno" di "Controlli di URSA Broadcast G2" per maggiori informazioni sull'alimentazione phantom.

Base

28 Fori di montaggio 1/4"

5 fori di montaggio per montare la testa per treppiede, il kit spalla URSA Mini Shoulder Kit e altri accessori.

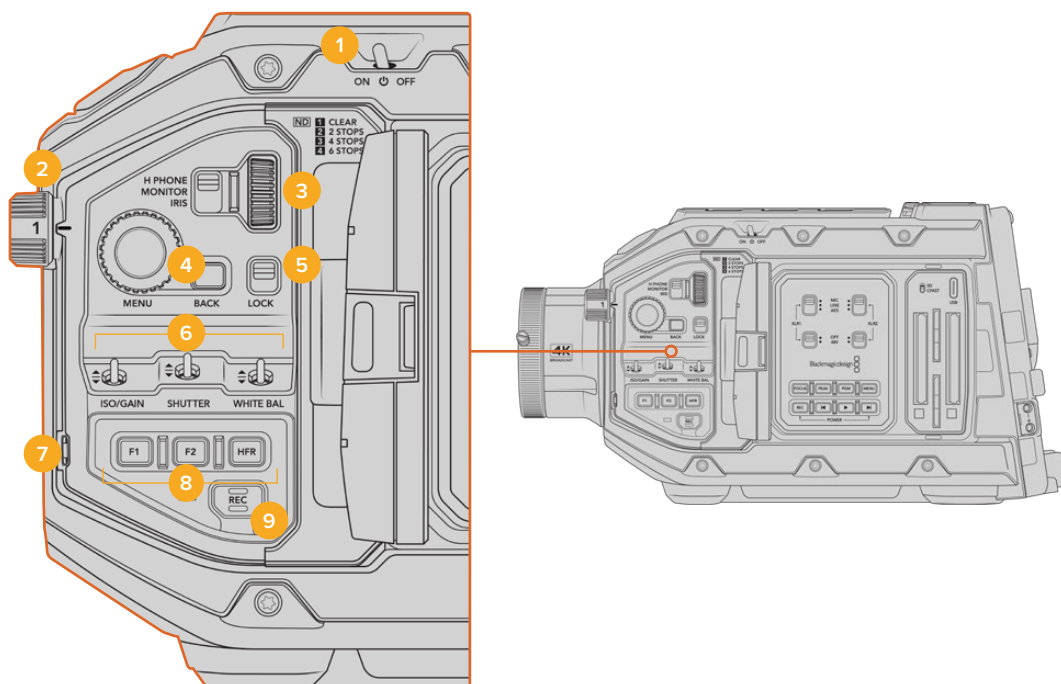


Controlli di URSA Broadcast G2

I pannelli di controllo sono situati sui lati, sul dorso dello schermo touch e dietro allo stesso quando è aperto. Consentono la massima flessibilità e facilità d'accesso alle funzioni principali, e un monitoraggio professionale. I controlli sono sempre a portata di mano per le riprese dal treppiede, a mano, o a spalla con URSA Mini Shoulder Kit.

Pannello di controllo anteriore

Il pannello di controllo anteriore di URSA Broadcast G2 offre tutti i controlli necessari per impostare le riprese e la registrazione. È progettato per accedervi in qualsiasi momento anche quando lo schermo touch è chiuso, per esempio durante le riprese con il supporto a spalla.



Pannello di controllo anteriore di URSA Broadcast G2

1 Interruttore On / Off

Accendi la camera spostando l'interruttore su **On**. Spegnila spostandolo su **Off**.

SUGGERIMENTO URSA Broadcast G2 si può accendere/spegnere anche premendo contemporaneamente i pulsanti Rec e Avanti. Se l'interruttore di accensione si trova su On, ma la camera non è accesa, è possibile che sia stata spenta con questi pulsanti. Sposta l'interruttore di nuovo su On per accendere la camera.

2 Filtri ND

URSA Broadcast G2 offre 3 filtri a densità neutra. Scegli tra le frazioni 1/4, 1/16, e 1/64, o nessun filtro. Questi filtri riducono l'intensità della luce che raggiunge il sensore in frazioni preimpostate. Riducendo l'esposizione, puoi continuare a riprendere con un'ampia apertura anche sotto la luce del sole.

Per regolare la densità neutra, ruota la manopola verso l'alto o verso il basso. Selezionando **Clear** non si applica alcun filtro. Dalla frazione 1/4 a 1/64 i filtri ND aumentano di intensità, per consentirti di diminuire la luce se necessario.

Le misure dei filtri ND si possono personalizzare dall'apposito menù sul display LCD, scegliendo tra numeri, stop, o frazioni.

Impostazioni dei filtri ND

Posizione manopola	Numero ND	Stop	Frazione
1	clear	0	1
2	0.6	2	1/4
3	1.2	4	1/16
4	1.8	6	1/64

3 Rotella contestuale

Assegna alla rotella una funzione con l'interruttore adiacente. Le opzioni sono: cuffie **H Phone**, **Monitor** e diaframma **Iris**.

H Phone

Muovi la rotella verso l'alto o il basso per aumentare o diminuire il volume delle cuffie.

Monitor

La rotella regola il volume dello speaker integrato, situato sul dorso del touchscreen, per monitorare l'audio in assenza di cuffie. Muovi la rotella verso l'alto o il basso per aumentare o diminuire il volume. Questa funzione è disabilitata durante la cattura con il microfono integrato della camera, per evitare feedback audio indesiderato.

Iris

La rotella regola l'apertura di obiettivi compatibili con URSA Broadcast G2. Muovi la rotella verso il basso per aprire il diaframma, verso l'alto per chiuderlo. La direzione di spostamento replica l'operazione di apertura degli obiettivi fotografici e cinematografici.

SUGGERIMENTO Per cambiare l'apertura con la rotella di regolazione, accertati che l'obiettivo montato su URSA Broadcast G2 consenta il controllo dalla camera. Se un obiettivo B4 o PL è collegato tramite il connettore broadcast a 12 pin, accertati che l'interruttore del diaframma sull'impugnatura sia impostato su A/Auto (automatico).

4 Rotella Menu e pulsante Back

Quando l'impostazione **Info di stato** è abilitata per l'uscita SDI anteriore della camera, usa questa rotella per navigare gli overlay solitamente accessibili dal touchscreen.

Premila come un pulsante per vedere gli overlay su un monitor esterno, per esempio Blackmagic SmartView, Video Assist o URSA Viewfinder. Con gli overlay in sovrapposizione, muovi la rotella per selezionare le impostazioni di monitoraggio, frame rate, ISO, bilanciamento del bianco e tinta. Premi la rotella per confermare i cambiamenti. Premi il pulsante **Back** adiacente per annullare la selezione, spostarti di un livello nel menù, o uscire dal menù. Il menù si chiude automaticamente dopo 1 minuto di inattività.

Per un approfondimento su come impostare le informazioni di stato e sui controlli disponibili, consulta le sezioni "Controlli touch" e "Impostazioni di monitoraggio".

5 Lock

Sposta questo interruttore verso il basso per bloccare tutti i controlli del pannello anteriore, ed evitare inconvenienti durante le riprese. Spostalo verso l'alto per sbloccarli.

SUGGERIMENTO Blocca i controlli del pannello frontale di URSA Broadcast G2 per evitare cambiamenti indesiderati, o quando la camera è incustodita.

6 ISO/Gain, Shutter, White Bal

Utilizza questi interruttori per regolare ISO/gain, otturatore, e bilanciamento del bianco, senza mai distogliere lo sguardo dalle riprese. Sposta gli interruttori in alto o in basso per cambiare le impostazioni. Sono dotati di una molla interna per tornare sempre in posizione neutra.

Gain/ISO

Sposta l'interruttore verso l'alto per aumentare il valore di gain di 1/3 di stop, verso il basso per diminuirlo di 1/3 di stop. I valori disponibili vanno da -12 a 36dB.

Shutter

Regola la velocità dell'otturatore. Spostando l'interruttore verso l'alto la velocità aumenta di un valore predefinito, verso il basso diminuisce di un valore predefinito. Tieni premuto l'interruttore verso l'alto o il basso per spostarti tra i valori predefiniti più velocemente. Sono disponibili 12 valori di velocità, tra 1/24 e 1/2000.

SUGGERIMENTO URSA Broadcast G2 suggerisce la velocità dell'otturatore senza sfarfallio in base alla frequenza dell'alimentazione del paese di utilizzo. Selezionali dal menù del touchscreen. Per maggiori informazioni, consulta la sezione "Controlli del touchscreen".

White Bal

Regola i valori del bilanciamento del bianco. Spostando l'interruttore verso l'alto la temperatura aumenta di 50K, verso il basso diminuisce di 50K. Tieni premuto l'interruttore verso l'alto o il basso per spostarti tra i valori predefiniti più velocemente.

7 Auto W/B

Premi questo pulsante per 5 secondi per attivare la finestra di bilanciamento automatico del bianco al centro dello schermo LCD. La finestra appare anche sullo schermo dei dispositivi SDI collegati, sui quali è abilitata la funzione di informazioni di stato. Posiziona un foglio grigio in corrispondenza della finestra per il calcolo automatico del bilanciamento del bianco. Premi il pulsante per 3 secondi per avviare il calcolo. I bordi della finestra cambiano colore da bianco a verde se l'operazione va a buon fine.

Per maggiori informazioni su come abilitare le informazioni di stato su URSA Broadcast G2 e sulle sue uscite SDI, consulta la sezione "Impostazioni di monitoraggio".

8 F1 e F2

Questi sono i pulsanti funzione, a cui è possibile assegnare dalla tab **Setup** del touchscreen una funzione a scelta. Di default F1 è impostato sul Focus Zoom per il touchscreen e l'uscita SDI frontale della camera; F2 sui Falsi Colori per il touchscreen.

Per maggiori informazioni, consulta la sezione "Controlli del touchscreen" del manuale.

HFR

Con questo pulsante (alto frame rate) alterni il frame rate di registrazione. Per usarlo, imposta il frame rate off speed desiderato nella tab **Record** e poi premi il pulsante quando necessario per alternare tra frame rate di registrazione e del progetto. Questa operazione non è effettuabile durante la registrazione. Il pulsante HFR è programmabile anche come pulsante funzione per altre operazioni comuni, o si può disabilitare.

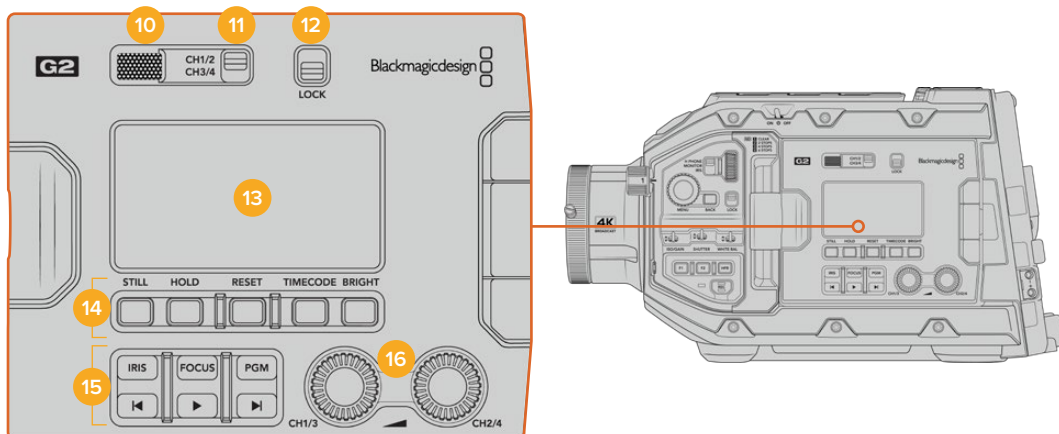
Per maggiori informazioni sul frame rate off speed e di progetto, consulta la sezione "Controlli del touchscreen".

9 REC

Premi questo pulsante per avviare o interrompere la registrazione. Consulta la sezione "Registrazione" per maggiori informazioni.

Pannello di controllo ergonomico

Sul dorso dello schermo touch di URSA Broadcast G2 ci sono un display LCD di stato e diversi controlli per il monitoraggio. Sul display puoi visualizzare le informazioni di stato e i livelli audio a colpo d'occhio, e con i controlli impostare la messa a fuoco automatica con obiettivi compatibili, e riprodurre le clip.



Il pannello di controllo ergonomico di URSA Broadcast G2

10 Speaker del monitor

Ascolta l'audio delle clip riprodotte dal piccolo speaker integrato sul pannello di controllo esterno. Lo speaker si trova all'altezza dell'orecchio quando si riprende a spalla.

Per regolarne il volume, muovi la rotella come descritto nella sezione "Controlli di URSA Broadcast G2".

11 Selezione canale del monitor

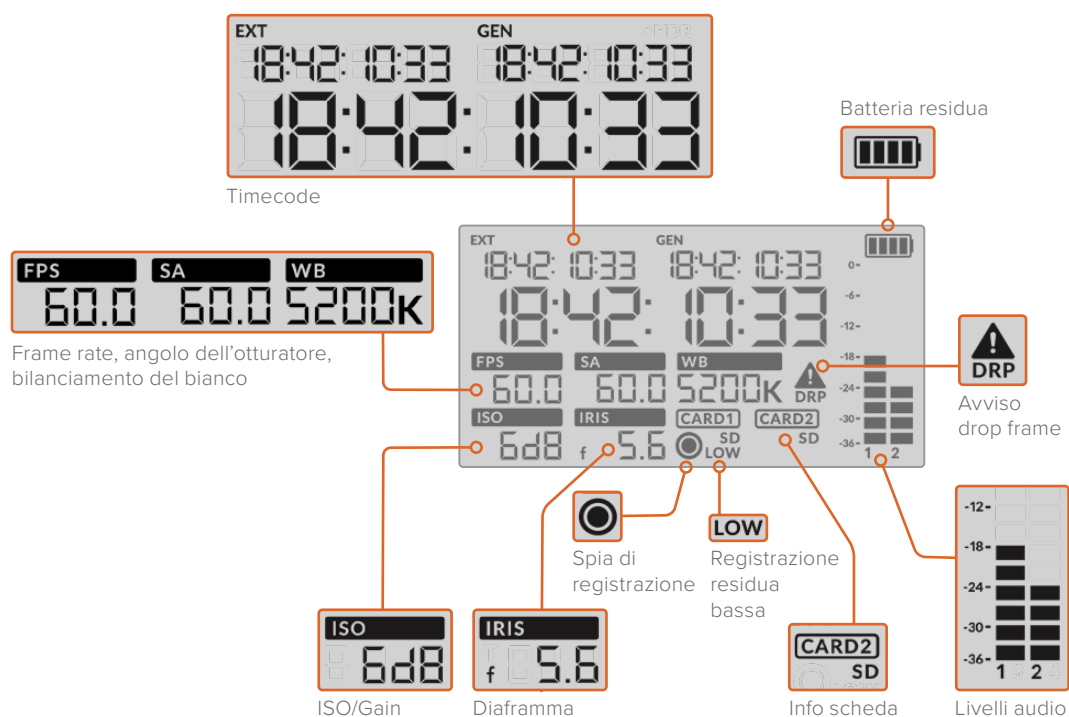
URSA Broadcast G2 supporta 2 canali audio.

12 Lock

Questo interruttore blocca tutte le impostazioni del pannello ergonomico della camera, tranne gli interruttori di selezione canale.

13 LCD di stato

Il display mostra le impostazioni principali, senza dover aprire lo schermo touch. È perfettamente visibile anche sotto la luce del sole. Il display visualizza queste informazioni:



Timecode

URSA Broadcast G2 visualizza tre timecode. Il timecode esterno appare sotto la dicitura **EXT** in alto a sinistra del display. Il timecode generato dalla camera appare sotto la dicitura **GEN**. Entrambi i timecode usano il formato ore:minuti:secondi:frame.

L'indicatore più grande mostra la durata della clip o il timecode. Puoi passare da una modalità all'altra premendo il pulsante **Timecode** sotto il display LCD di stato.

Batteria residua

Se URSA Broadcast G2 è alimentata da una batteria, l'indicatore mostra la batteria residua in 4 sezioni di 25%. Quando la carica scende al di sotto del 20%, il LED vicino al pulsante di registrazione comincia a lampeggiare. Passa tra il colore rosso e arancione durante la registrazione, e tra bianco e arancione in modalità standby.

Se la camera è collegata alla corrente, l'indicatore della batteria appare pieno.

FPS, SA, WB

Questi indicatori mostrano rispettivamente frame rate, angolo dell'otturatore e bilanciamento del bianco. FPS si riferisce al frame rate del sensore.

Per maggiori informazioni sui frame rate del sensore e del progetto, consulta la sezione "Controlli del touchscreen".

Gain/ISO

Mostra il valore di gain corrente della camera.

Iris

Mostra l'apertura dell'obiettivo, come stop f o T, secondo le ottiche.

Card 1, Card 2

Questi indicatori appaiono quando sono inserite le schede negli slot della camera.

La voce **SD** appare solo quando la camera registra sulle schede SD.

Spia di registrazione

Quando la cattura è in corso un pallino appare sotto Card 1 o Card 2.

Low

Questa voce appare sotto la scheda in uso quando rimangono circa 5 minuti di registrazione.

Livelli audio

Mostrano i livelli audio del microfono interno, o dell'audio esterno, se connesso. Sono calibrati a intervalli di dBFS e rimangono visibili per qualche istante per consentirne la lettura.

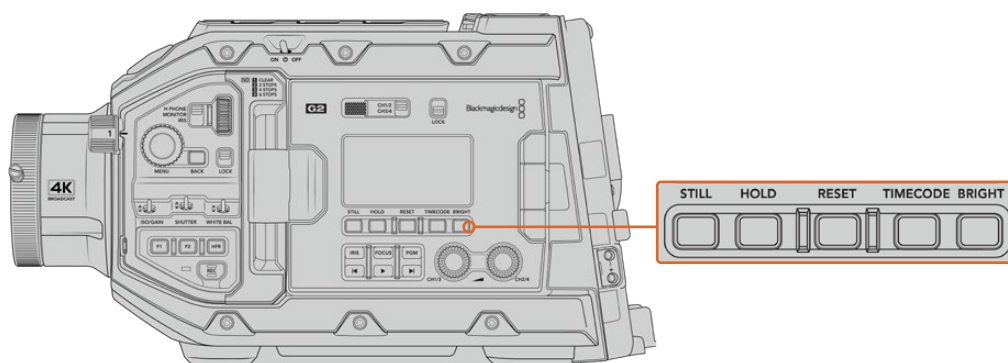
Per una qualità audio ottimale, è consigliabile evitare di raggiungere 0 dBFS. Questo è il livello massimo supportato dalla camera, che una volta superato risulta in clipping, causando distorsione.

DRP

Un segnale triangolare di errore lampeggia quando la camera rileva dei drop frame. A fine cattura, il segnale rimane sullo schermo per confermare che la clip precedente contiene dei drop frame. Il segnale sparisce se si ricomincia a registrare, o se si riavvia la camera. Per maggiori informazioni su come evitare i drop frame, consulta la sezione "Archiviazione".

NOTA Puoi impostare URSA Broadcast G2 per interrompere la registrazione automaticamente in caso di perdita di fotogrammi. Consulta la sezione "Impostazioni di registrazione" per maggiori informazioni. Questa funzione è selezionabile dall'utente, per evitare la registrazione di materiale con frame rate o risoluzione elevate su schede di memoria troppo lente.

14 Controlli del display LCD di stato



Controlli del display LCD di stato di URSA Broadcast G2

Still

Cattura una foto come fotogramma singolo DNG non compresso. L'immagine si salva automaticamente nella cartella *Stills* della scheda su cui si registra, con la stessa convenzione di denominazione dei file video, seguita dal suffisso S001 a rappresentare il numero del fotogramma scattato. Se il fotogramma si salva correttamente, sul display LCD di stato appare l'icona di una macchina fotografica in alto a destra e la spia di registrazione lampeggia tre volte.

Hold

Ferma temporaneamente il timecode del display LCD di stato quando mostra l'ora del giorno. Il timecode continua comunque a girare normalmente, e riprende dal punto esatto quando rilasci il pulsante. Questa funzione è utile per annotare il timecode di un evento particolare, per esempio per ricordarsi i punti salienti di un documentario o di un servizio sulle ultime notizie.

Reset

Resetta il timecode su 00:00:00:00 quando imposti un nuovo timecode predefinito.

Timecode

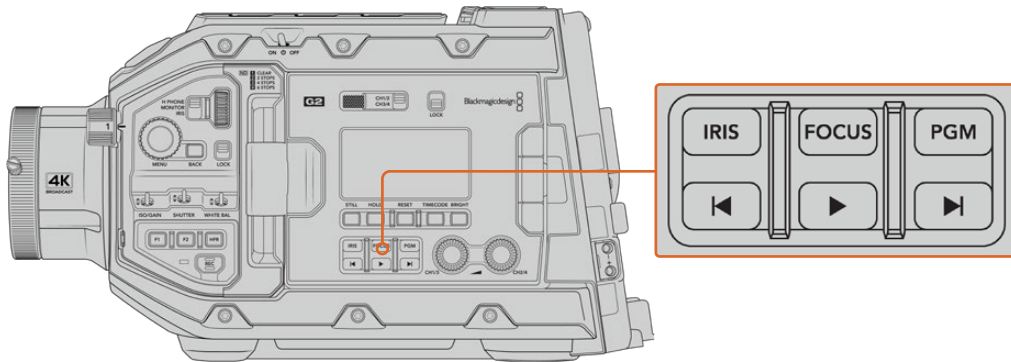
Premi questo pulsante per passare dal formato durata della clip a timecode. Di default il timecode è impostato sul comune formato dell'ora del giorno. Tenendolo premuto per 5 secondi passi al timecode di registrazione. La voce GEN e i primi due numeri del display del timecode principale lampeggeranno per indicare che stai cambiando il timecode predefinito.

Premi **Reset** per azzerare il timecode, poi ruota e premi la manopola **Menu** per impostare il numero desiderato, in ore:minuti:secondi:frame. Ora tieni premuto il pulsante Timecode per 3 secondi per salvarlo come timecode predefinito. La voce GEN mostrerà il nuovo timecode e riprenderà il conteggio solo quando la camera ricomincia a girare. Per tornare al timecode regolare dell'ora del giorno, premi contemporaneamente Timecode e Hold per 3 secondi.

Bright

Naviga i quattro setting di luminosità del display LCD di stato, ovvero **Off**, e in ordine crescente, **Low**, **Med**, **High**.

15 Pulsanti di controllo e trasporto



I pulsanti di controllo e di trasporto di URSA Broadcast G2

Iris

Attiva l'apertura automatica del diaframma su obiettivi compatibili. In modalità Video, ottieni l'esposizione media automatica in base alle luci e alle ombre dell'immagine. In modalità Film, regoli l'esposizione nella parte più luminosa della zona di luce dell'immagine. Questo pulsante funziona con obiettivi EF e PL compatibili, connessi a un telecomando per lenti broadcast compatibile.

Per regolare l'apertura manualmente, premi i pulsanti di trasporto Avanti o Indietro.

Focus

Attiva l'autofocus su obiettivi B4 o EF compatibili con questa funzione. Una finestra bianca di messa a fuoco appare sul viewfinder o sul monitor connessi a URSA Broadcast G2. Quando l'area all'interno della finestra è focalizzata correttamente, la finestra scompare.

NOTA Il pulsante Focus è utilizzabile con le ottiche B4 con messa a fuoco servoassistita, quando è abilitata. Consulta la sezione "Operazioni preliminari" per maggiori informazioni. Alcuni obiettivi EF offrono messa a fuoco manuale e automatica. Se utilizzi l'attacco EF opzionale, accertati che l'obiettivo sia impostato sulla modalità automatica per consentire di regolare la messa a fuoco dalla camera.

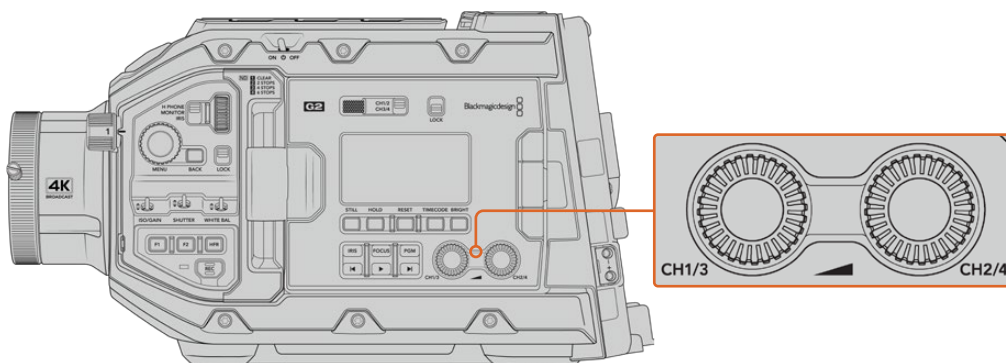
PGM

Alterna sullo schermo LCD o sull'uscita SDI frontale le immagini della camera e quelle del programma provenienti dall'ingresso 12G-SDI sul retro. Se usi la camera per la produzione in diretta, puoi collegarla all'uscita di programma dello switcher e monitorarla durante le riprese. Tieni premuto il pulsante PGM per visualizzare temporaneamente il programma, premilo due volte per bloccarlo sull'LCD o sull'uscita SDI frontale, e premilo di nuovo per tornare alle immagini della camera.

Pulsanti di trasporto

Premi questi pulsanti per avviare o interrompere la riproduzione, passare alla clip successiva o precedente. Con un obiettivo EF, i pulsanti Avanti e Indietro si possono utilizzare anche per aprire e chiudere il diaframma (con obiettivi compatibili). Consulta la sezione "Riproduzione" per maggiori informazioni sui pulsanti di trasporto.

16 Manopole di regolazione audio

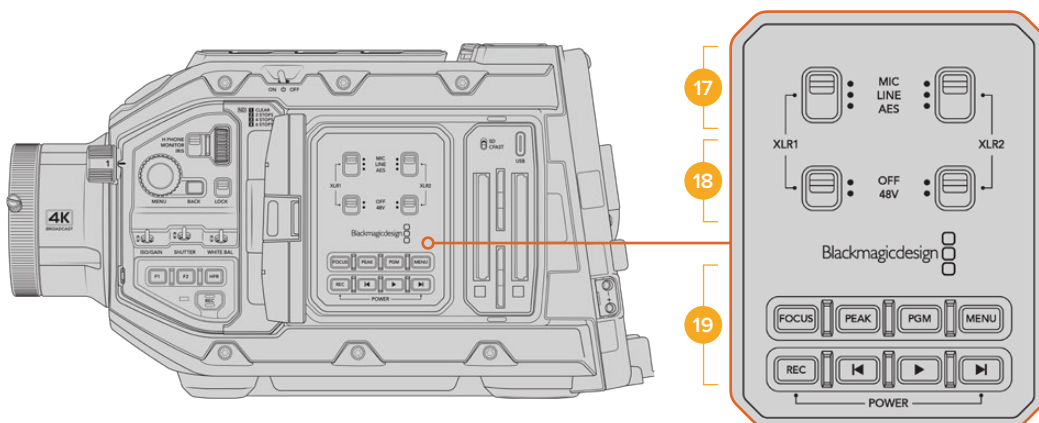


Le manopole di regolazione audio di URSA Broadcast G2

Imposta i livelli di registrazione per i canali audio 1 e 2. Ruotale in senso orario e antiorario per aumentare o diminuire il volume di registrazione di ciascun canale. Gli indicatori di livello sul display si aggiornano in tempo reale.

Pannello di controllo interno

Dietro lo schermo richiudibile della camera ci sono i controlli per selezionare e regolare gli ingressi audio, l'alimentazione phantom, il diaframma, la messa a fuoco, le impostazioni, e i controlli di trasporto per la riproduzione.



Il pannello di controllo interno di URSA Broadcast G2

17 XLR1 / XLR2

Usa questi interruttori per selezionare il tipo di audio proveniente dagli ingressi XLR. Le opzioni disponibili sono: microfono **Mic**, linea **Line**, e digitale **AES/EBU**.

18 Alimentazione phantom

Gli ingressi XLR sono in grado di fornire 48V per alimentare i microfoni senza alimentazione propria. Sposta l'interruttore su **48V** per attivare l'alimentazione phantom, o su **Off** per disabilitarla.

Connetti il cavo XLR prima di abilitare l'alimentazione phantom. Ricorda di disabilitare l'alimentazione phantom se disconnetti il microfono con alimentazione phantom, per evitare di danneggiare i dispositivi con uscite XLR AES senza protezione da alimentazione phantom. Sposta l'interruttore su Off quando disconnetti il microfono.

19 Pulsanti di controllo e trasporto

Focus

Attiva l'autofocus quando si utilizzano obiettivi B4 o EF compatibili con questa funzione. Una finestra bianca di messa a fuoco appare sul touchscreen interno. Quando l'area all'interno della finestra è focalizzata correttamente, la finestra scompare.

Il pulsante Focus è utilizzabile con le ottiche B4 con messa a fuoco servoassistita, quando è abilitata. Consulta la sezione "Operazioni preliminari" per maggiori informazioni. Alcuni obiettivi EF offrono messa a fuoco manuale e automatica. Accertati che l'obiettivo installato sia impostato sulla modalità automatica per consentire di regolare la messa a fuoco dalla camera.

Peak

Abilita la funzione di focus peaking. La camera offre due tipi di aiuto messa a fuoco: quella tradizionale **Peaking**, che mette in evidenza le aree a fuoco, e **Linee colorate**, che marca le aree a fuoco con delle linee colorate (rosse, verdi, nere, bianche o blu). Consulta la sezione "Impostazioni di monitoraggio" per maggiori informazioni.

SUGGERIMENTO Se registri su Video Assist o Hyperdeck Studio HD Mini, accertati che la funzione peaking sia disabilitata sull'uscita a cui sono connessi. Per farlo, abilita l'opzione Clean feed sull'uscita SDI frontale o sull'uscita SDI principale.

Consulta la sezione "Impostazioni di monitoraggio" per maggiori informazioni.

PGM

Alterna sullo schermo LCD o sull'uscita SDI frontale le immagini della camera e quelle del programma provenienti dall'ingresso 12G-SDI sul retro. Se usi la camera per la produzione in diretta, puoi collegarla all'uscita di programma dello switcher e monitorarla durante le riprese. Tieni premuto il pulsante **PGM** per visualizzare temporaneamente il programma, premilo due volte per visualizzarlo di default. Premilo di nuovo per tornare alle immagini della camera.

Per visualizzare il feed di programma dello switcher, camera e switcher devono essere impostati sullo stesso frame rate e risoluzione.

Menu

Questo pulsante apre la dashboard. Consulta la sezione "Impostazioni" per maggiori informazioni sulle funzioni della dashboard e su come regolare le impostazioni.

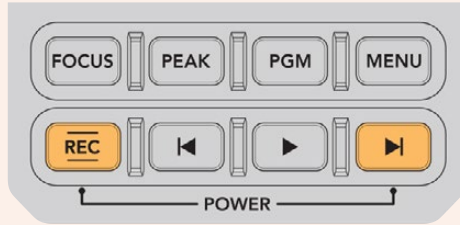
REC

I pulsanti REC avviano/interrompono la registrazione. Premi quello a te più comodo. Consulta la sezione "Registrazione" per maggiori informazioni.

Pulsanti di trasporto

Premi questi pulsanti per avviare o interrompere la riproduzione, passare alla clip successiva o precedente. Con un attacco obiettivo EF, i pulsanti Avanti e Indietro si possono utilizzare anche per aprire e chiudere il diaframma (con obiettivi compatibili). Consulta la sezione "Riproduzione" per maggiori informazioni sui pulsanti di trasporto.

NOTA URSA Broadcast G2 si può accendere/spegnere anche premendo contemporaneamente i pulsanti Rec e Avanti. Se l'interruttore di accensione si trova su On, ma la camera non è accesa, è possibile che sia stata spenta con questi pulsanti. Sposta l'interruttore di nuovo su On per accendere la camera.



Uscite video

Uscita di monitoraggio HD

L'uscita frontale 3G-SDI è convertita in risoluzione minore per inviare flussi video HD 1080 ad attrezzatura SDI come matrici, monitor, e switcher broadcast. Questa uscita corrisponde alla voce **SDI frontale** nel menù dello schermo touch.

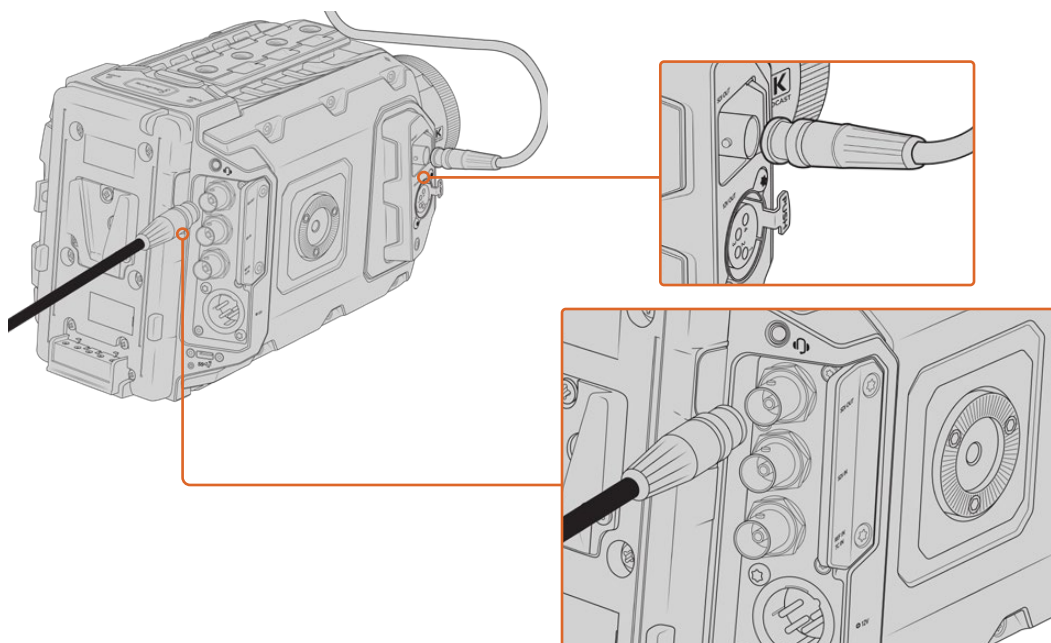
Uscita 12G-SDI

L'uscita 12G-SDI sul retro della camera supporta il video HD e Ultra HD, inclusi i formati progressivi ad alto frame rate 2160p50, 59.94 e 60 tramite un solo cavo SDI. È compatibile anche con i formati interlacciati, tra cui 1080i50, 59.94 e 60. Utilizza l'uscita 12G-SDI per connettere i monitor SDI o gli switcher Ultra HD come ATEM Production Studio 4K. È in grado di commutare tra HD e Ultra HD selezionando 1080p o 2160p alla voce **Uscita SDI per SDI principale** nella tab **Monitor**. Consulta la sezione "Impostazioni di monitoraggio" per maggiori informazioni.

Connettere uno switcher

Le uscite SDI consentono di utilizzare la camera per la diretta televisiva. Connetti l'uscita SDI sul retro a uno switcher di produzione live, o ad ATEM Camera Converter per convertire i segnali in fibra ottica, e inviarli a centinaia di metri di distanza, per esempio a un furgone di regia mobile.

Una volta connessa la camera allo switcher, puoi visualizzare il programma sullo schermo di URSA Broadcast G2. Come primo passo, collega lo switcher all'ingresso 12G-SDI sul retro della camera. Ora premi il pulsante **PGM** sullo schermo richiudibile per visualizzare il programma. Per tornare alle immagini della camera, premi di nuovo PGM.



Collega qualsiasi monitor o switcher di produzione live 1080 HD o Ultra HD all'uscita 12G-SDI. L'uscita di monitoraggio HD si può collegare a un viewfinder esterno, per esempio Blackmagic URSA Viewfinder, o a un monitor esterno se montata su attrezzatura di produzione, per esempio un braccio mobile o una gru

Connettere un monitor

Il monitoraggio tramite SDI è utile quando è difficile accedere allo schermo touch, per esempio se la camera è montata su un braccio mobile, su una gru, o su un veicolo.

Le informazioni di monitoraggio passano attraverso l'uscita HD-SDI frontale, regolando opportunamente le impostazioni della voce **SDI frontale** nella tab **Monitor**. Qui puoi abilitare overlay come le guide di inquadratura e informazioni tra cui stato della registrazione e impostazioni della camera. Per monitorare senza distrazioni, disabilita gli overlay per visualizzare solo le immagini SDI.

Collega l'uscita SDI ai monitor SDI o a Blackmagic SmartScope Duo 4K per monitorare la forma d'onda in tempo reale.

NOTA L'uscita SDI posteriore e quella 3G-SDI di monitoraggio taggano automaticamente il video HDR con i metadati ausiliari quando si riprende con la gamma dinamica Film e con le LUT Gen 5 Film to Rec 2020 Hybrid Log Gamma o Gen 5 Film to Rec 2020 PQ Gamma applicate sull'uscita SDI. Collega display SDI abilitati all'HDR per visualizzare immagini HDR con entrambe le uscite SDI.

Formati compatibili sulle uscite SDI

Uscita SDI posteriore	2160p23.98, 24, 25, 29.97, 30, 50, 59.94, 60. 1080p23.98, 24, 25, 29.97, 30, 50, 59.94, 60. 1080i50, 59.94, 60.
Uscita di monitoraggio 3G-SDI	1080p23.98, 24, 25, 29.97, 30, 50, 59.94, 60. 1080i50, 59.94, 60.

SUGGERIMENTO Per registrare dal vivo con due codec contemporaneamente, o per registrare e fare il backup allo stesso tempo, puoi collegare l'uscita SDI posteriore della camera a Blackmagic Video Assist o ad HyperDeck.

Controlli del touchscreen

Touchscreen

Lo schermo LCD touch richiudibile ruota verso l'alto e il basso per monitorare le riprese da qualsiasi angolazione. I pulsanti al suo esterno consentono di controllare e monitorare le impostazioni quando la camera è montata sul supporto a spalla, con URSA Viewfinder e lo schermo chiuso.

Funzioni touch

Il touchscreen offre un'interfaccia progettata per un'esperienza utente facile e veloce. Tocca e sposta il dito sul touchscreen per accedere alle varie funzioni.

Il display principale mostra una barra superiore e una inferiore. La barra superiore dà accesso a impostazioni comuni come velocità dell'otturatore, diaframma e livelli gain. La barra inferiore include gli indicatori dei supporti di memoria, i livelli audio, i controlli di trasporto, e un istogramma.

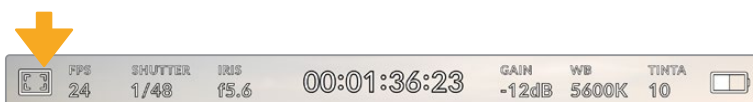


Il touchscreen LCD dà accesso veloce alle impostazioni principali della camera

Barra superiore

Opzioni di monitoraggio

Tocca l'icona del monitor in alto a sinistra per accedere alle funzioni di monitoraggio. Usa i controlli per gestire le opzioni zebra, aiuto messa a fuoco, guide di inquadratura e griglie. I controlli sono suddivisi per tab in basso al touchscreen.

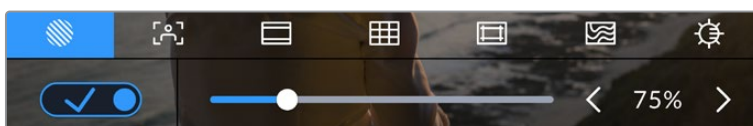


Tocca l'icona del monitor in alto a sinistra per accedere alle opzioni di monitoraggio di URSA Broadcast G2

Zebra

Regola i valori della funzione zebra sullo schermo LCD, e su tutte le uscite della camera.

Questa funzione copre di linee diagonali le aree dell'immagine che eccedono una determinata soglia di esposizione. Per esempio impostandola su 100%, le linee diagonali compariranno sulle aree del tutto sovraesposte. È utile per ottenere l'esposizione ottimale in condizioni di luce stabili.



Tocca la prima tab per regolare la funzione zebra

L'interruttore in basso a sinistra del touchscreen abilita e disabilita la funzione zebra.

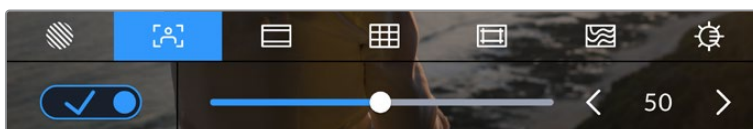
Imposta il livello desiderato toccando le frecce a lato della percentuale, o spostando lo slider. Ci sono 8 predefiniti di zebra, tra cui grigio medio e grigio medio con uno stop, poi in incrementi del 5% tra i valori di esposizione di 75% e 100%.

Per maggiori informazioni su come abilitare la funzione zebra sulle uscite SDI, consulta la sezione "Impostazioni di monitoraggio".

SUGGERIMENTO Impostare un valore di zebra inferiore al 100% è utile per individuare le zone sovraesposte in condizioni di luce variabile, per esempio in esterno.

Focus Assist

La seconda tab contiene i controlli per regolare i livelli della funzione di aiuto messa a fuoco sul touchscreen e su tutte le uscite di URSA Broadcast G2.



Tocca la seconda tab per regolare la funzione aiuto messa a fuoco (focus assist)

Tocca l'interruttore in basso a sinistra per abilitare e disabilitare la funzione focus assist.

Seleziona il livello desiderato per tutte le uscite di URSA Broadcast G2 trascinando lo slider in basso al touchscreen o toccando le frecce a lato dei livelli.

Il livello ottimale dipende dalle riprese. Per esempio, un livello alto è utile nei primi piani, per catturare i dettagli dei visi. Invece se si inquadrano il fogliame o un muro di mattoni, un livello alto potrebbe sovrappiombare l'immagine.

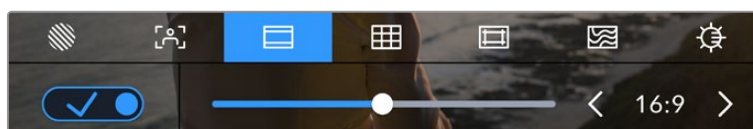
Per maggiori informazioni su come abilitare l'aiuto messa a fuoco sulle uscite SDI frontale e principale, consulta la sezione "Impostazioni di monitoraggio".

SUGGERIMENTO URSA Broadcast G2 offre due modalità di aiuto messa a fuoco: Peaking e Linee Colorate, selezionabili nella tab Monitor. Consulta la sezione "Focus assist" in "Impostazioni di monitoraggio" per maggiori informazioni.

Guide di inquadratura

La terza tab contiene i controlli per il tipo di guide di inquadratura sul touchscreen, e include varie opzioni per tutte le uscite di URSA Broadcast G2.

Sono disponibili nei rapporti d'aspetto per il cinema, per la televisione e per i contenuti online.



Tocca la terza tab per regolare le guide di inquadratura

L'interruttore in basso a sinistra mostra o nasconde le guide di inquadratura.

Seleziona la guida desiderata usando lo slider o le frecce.

Le guide disponibili sono:

2.35:1, 2.39:1 e 2.4:1

Rapporto d'aspetto widescreen, compatibile con le visualizzazioni cinematografiche in anamorfico o widescreen. I tre formati widescreen variano lievemente e riflettono i diversi standard cinematografici utilizzati in passato. 2.39:1 è uno degli standard più utilizzati al momento.

2:1

Rapporto d'aspetto leggermente più largo del 16:9, ma non quanto il 2.35:1.

1.85:1

Rapporto d'aspetto altrettanto comune per il cinema widescreen. È leggermente più largo dell'HDTV 1.78:1, ma non quanto il 2.39:1.

16:9

Rapporto d'aspetto 1.78:1, compatibile con i televisori HD 16:9 e con gli schermi dei computer.

È quello più utilizzato per le trasmissioni in HD e per i video online, adottato anche per le trasmissioni in Ultra HD.

14:9

Mostra un rapporto d'aspetto 14:9 utilizzato da alcune emittenti come compromesso tra i televisori 16:9 e 4:3. Le immagini 16:9 e 4:3 rimangono visibili se si ritagliano al centro del 14:9. Utilizza questa guida compositiva se il tuo progetto viene trasmesso da un'emittente TV che utilizza l'aspetto 14:9.



Il display del touchscreen con guide di inquadratura 14:9

4:3

Rapporto d'aspetto compatibile con i televisori SD e adatto per comporre le inquadrature fatte con adattatori anamorfici 2x.

1:1

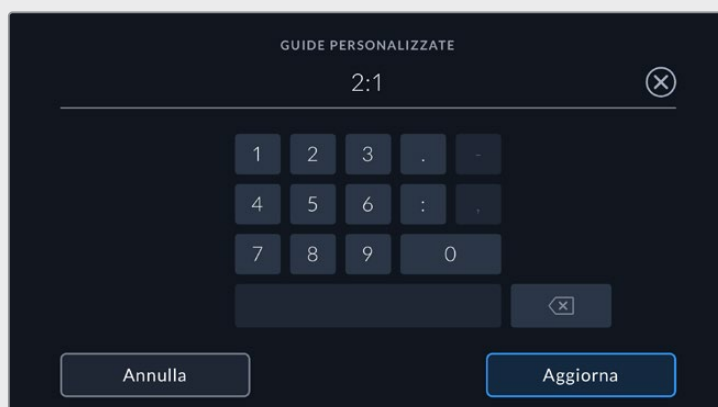
Rapporto d'aspetto leggermente più stretto del 4:3. Questo formato quadrato è molto utilizzato sui social.

4:5

Rapporto d'aspetto in formato verticale, ideale per la visualizzazione come ritratto o sugli smartphone.

Guide personalizzate

Per creare guide di inquadratura con un rapporto d'aspetto personalizzato, tocca il valore situato tra le frecce. Nella schermata **Guide personalizzate**, cancella il rapporto d'aspetto corrente toccando la freccia indietro e inseriscine uno nuovo con la tastiera. Tocca **Aggiorna** per confermare il nuovo rapporto d'aspetto e tornare alla registrazione.



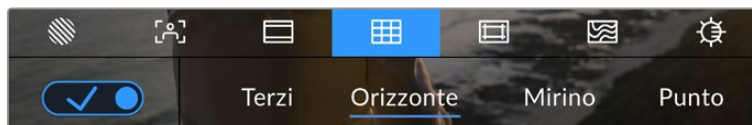
Usa la tastiera touch per inserire un rapporto d'aspetto personalizzato

SUGGERIMENTO È possibile cambiare l'opacità degli overlay delle guide di inquadratura. Consulta la sezione "Impostazioni di monitoraggio" per maggiori informazioni.

NOTA Per tutti i dettagli su come abilitare le guide di inquadratura sulle uscite SDI frontale e principale, consulta la sezione "Impostazioni di monitoraggio".

Griglie

Le griglie visualizzano il reticolo dei **Terzi**, un **Mirino**, o un **Punto**, sullo schermo LCD touch e su tutte le uscite di URSA Broadcast G2.



Tocca la quarta tab per impostare le griglie

Questi strumenti in sovrapposizione aiutano a comporre l'immagine. Puoi scegliere tra terzi, mirino, o punto centrale.

L'interruttore in basso a sinistra abilita e disabilita le griglie selezionate.

Quando URSA Broadcast G2 è connessa a uno switcher ATEM e configurata come sorgente del programma, se le griglie sono abilitate, sul touchscreen compare un bordo rosso di tally.



Se la camera riceve un segnale di tally dallo switcher ATEM e le griglie sono abilitate, sul touchscreen compare un bordo rosso

Per usare i terzi, il mirino o il punto su tutte le uscite di URSA Broadcast G2, seleziona l'opzione desiderata.



I terzi si ridimensionano automaticamente in base alle guide di inquadratura utilizzate

Terzi

Due linee verticali e due linee orizzontali intersecate che dividono l'immagine in nove sezioni uguali. La cosiddetta regola dei terzi è molto utile ai fini della composizione perché l'occhio umano di solito cerca le informazioni più importanti proprio vicino a questi punti di intersezione. Solitamente la linea orizzontale superiore deve combaciare con la posizione degli occhi degli attori. I terzi sono utili anche per mantenere coerenti le varie inquadrature.

Orizzonte

Una croce centrale rappresenta l'inclinazione verso l'alto o il basso o la pendenza a destra o sinistra. È uno strumento utile per livellare le immagini delle riprese a mano e quando la camera è montata su uno stabilizzatore.

Le linee grigie verticali e orizzontali si spostano dal centro, e la distanza delle linee dall'indicatore centrale è proporzionale al grado di inclinazione o pendenza della camera. Dopo aver calibrato il sensore della camera, le linee mobili diventano blu quando la camera è allineata all'asse della rotazione e dell'inclinazione.

L'indicatore Orizzonte tiene in considerazione quando la camera è inclinata verso il basso per le inquadrature dall'alto o verso l'alto per le inquadrature dal basso. Se ruoti la camera per catturare nel formato ritratto, gli assi dell'indicatore ruotano di 90 gradi.

Questa tabella riporta alcuni esempi di come l'indicatore Orizzonte mostra la rotazione o l'inclinazione della camera.

Orizzonte	Descrizione
	Camera dritta e a livello
	Camera inclinata verso il basso e a livello
	Camera dritta e ruotata a sinistra
	Camera inclinata verso l'alto e ruotata a destra

Calibra l'indicatore Orizzonte in modo che la camera sia dritta e a livello per i lavori più consueti. Se invece preferisci utilizzare questa funzione per mantenere un'inclinazione di ripresa costante (detta *angolo olandese*) per inquadrature dall'alto o dal basso, calibra l'indicatore Orizzonte con l'angolazione desiderata. Leggi la sezione "Calibrare il sensore di movimento" per tutti i dettagli.

Mirino

Mostra un mirino al centro dell'immagine. Come i terzi, è utile ai fini della composizione perché consente di situare il soggetto al centro dell'inquadratura. È utile per girare scene che saranno montate con tagli veloci. Indirizzando l'attenzione sul centro dell'immagine è più facile seguire il susseguirsi dei tagli.

Punto

Posiziona un punto al centro dell'inquadratura, svolgendo la stessa funzione del mirino ma più discretamente.

Puoi combinare diverse opzioni allo stesso tempo, per esempio terzi e mirino, o terzi e punto (eccetto mirino e punto), dal menù Griglie.

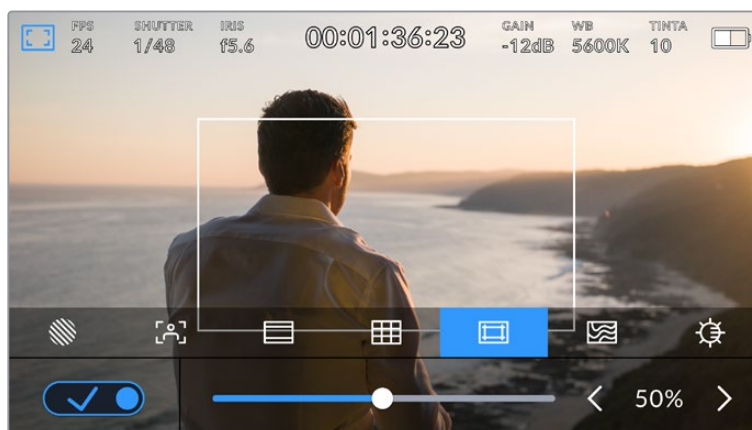
SUGGERIMENTO Per maggiori informazioni su come abilitare le griglie sulle uscite SDI della camera, consulta la sezione "Impostazioni di monitoraggio".

Safe area

Abilita e disabilita le guide della safe area sul touchscreen, e scegli le dimensioni per tutte le uscite della camera.

La safe area è utilizzata nel broadcast per far sì che la parte più importante dell'immagine, quella centrale, sia visibile su tutti i televisori, lasciando spazio a sufficienza per aggiungere loghi, scritte scorrevoli e altri overlay ai margini dello schermo. La maggior parte delle emittenti richiede una safe area del 90%.

Le guide della safe area sono anche utili per inquadrare le immagini che saranno stabilizzate in post produzione. Allo stesso tempo sono utili per visualizzare l'esito del crop. Per esempio con un livello del 50% mentre si registra in Ultra HD 3840x2160, puoi vedere come apparirebbe l'immagine con un crop di 1920x1080. Le guide della safe area si ridimensionano in base alle guide di inquadratura utilizzate, riadattandosi per indicare la percentuale scelta per l'inquadratura finale.



Safe area del 50%

Accendi e spegni l'interruttore in basso a sinistra per vedere e nascondere le guide della safe area. Seleziona la percentuale desiderata per tutte le uscite di URSA Broadcast G2 utilizzando le frecce laterali, oppure trascina lo slider per regolare il livello della safe area.

Falsi colori

La sesta tab permette di abilitare o disabilitare i falsi colori sul touchscreen.

Questa funzione copre l'immagine di colori che rappresentano il livello di esposizione. Per esempio il rosa rappresenta l'esposizione ottimale per la pelle chiara, mentre il verde si riferisce alle tonalità più scure. In questo caso, osservando il rosa o il verde durante le riprese potrai mantenere costante l'esposizione delle tonalità della pelle.

Se gli elementi dell'immagine passano dal giallo al rosso, significa che sono sovraesposti.



Lo spettro dei falsi colori IRE sulla parte sinistra del display della camera indica come interpretare i vari falsi colori.

Falsi colori	Significato
95%WC	Bianco clippato
80%WC	Bianco a rischio di clipping
MG+1	Uno stop sopra il grigio medio
18%MG	Grigio medio
NBDL	Nero a rischio di perdita di dettagli
BDL	Perdita di dettagli del nero



In un'immagine con una buona esposizione, i toni della pelle sono rappresentati dai falsi colori rosa e verde

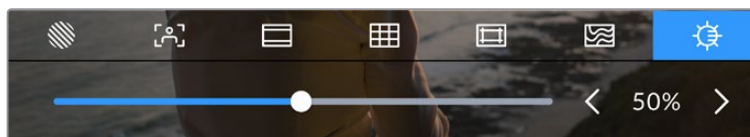
Accendi e spegni l'interruttore in basso a sinistra per attivare e disattivare questa funzione.



L'icona dei Falsi colori

Luminosità display

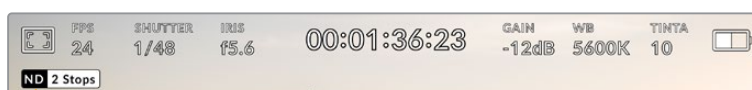
Tocca la settima icona e trascina lo slider a destra o a sinistra per regolare la luminosità del touchscreen di URSA Broadcast G2.



Il valore di default è 50%

Filtri ND

Quando regoli i filtri ND, la voce **ND** e il valore selezionato appaiono in alto a sinistra del touchscreen e sulle uscite SDI impostate per mostrare le informazioni di stato. Il valore appare nel formato selezionato nella tab **Setup**.

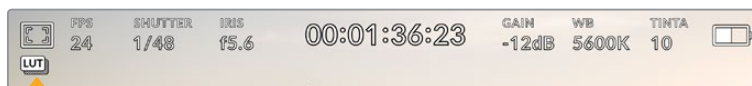


L'indicatore dei filtri ND su URSA Broadcast G2

NOTA Il valore del filtro ND si può visualizzare come numero ND, stop, o frazione. Tocca la tab Setup per scegliere l'opzione che preferisci.

LUT

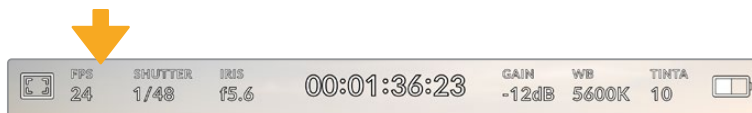
Quando l'opzione **Info di stato** è abilitata, l'icona bianca LUT appare sullo schermo LCD, sull'uscita SDI frontale o su quella principale, a seconda della tua selezione. L'icona è blu se registri in Blackmagic RAW e hai abilitato **Applica LUT nel file** nella tab **Record**.



L'icona LUT indica che una LUT è stata applicata all'immagine

Fotogrammi al secondo

Qui compaiono i fotogrammi al secondo (FPS) selezionati.



Tocca la voce FPS per regolare il frame rate

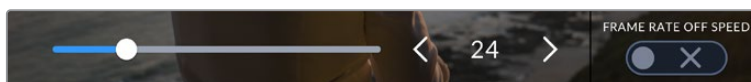
Tocca **FPS** per cambiare il frame rate del sensore e il frame rate del progetto con il menù in basso al touchscreen.

Frame rate del progetto

Corrisponde al frame rate di registrazione della camera e offre diverse opzioni per il cinema e la televisione. Solitamente il frame rate del progetto combacia con quello di riproduzione utilizzato in post.

Le 8 opzioni di frame rate di URSA Broadcast G2 sono 23.98, 24, 25, 29.97, 30, 50, 59.94, e 60 fps.

Per regolare il frame rate del progetto, tocca **FPS** e tocca le frecce in basso a sinistra, oppure trascina lo slider.

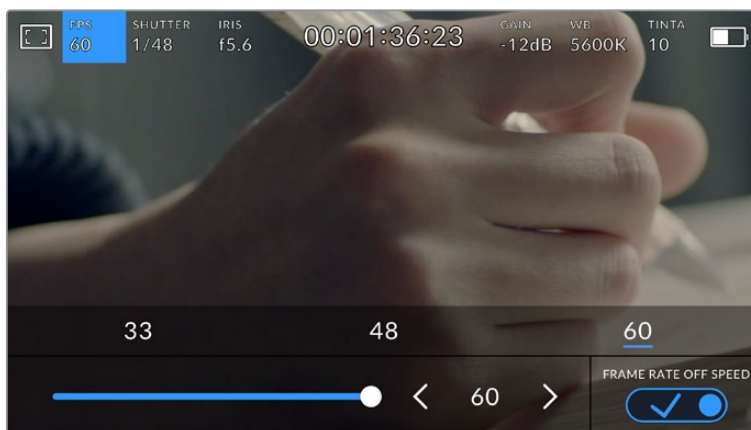


Tocca le frecce o trascina lo slider per cambiare il frame rate del progetto

SUGGERIMENTO Il frame rate di progetto impostato per URSA Broadcast G2 detta anche il frame rate delle uscite SDI frontale e principale.

Frame rate del sensore

Questo valore definisce il numero esatto di fotogrammi per secondo registrato dal sensore, e incide sulla velocità di riproduzione del video in base al frame rate del progetto impostato.



Accendi l'interruttore Frame Rate Off Speed e tocca le frecce ai lati del frame rate corrente o trascina lo slider per cambiare opzione

I frame rate di progetto e del sensore di URSA Broadcast G2 combaciano di default, per riprodurre a velocità normale. Per configurare solo il frame rate del sensore, tocca **FPS** e spunta l'interruttore **Frame Rate Off Speed** in basso a destra. Questa opzione è disponibile solo quando registri nel formato Blackmagic RAW e ProRes.

Una volta abilitato, tocca le frecce in basso a sinistra dello stesso menù, o usa lo slider per aumentare o diminuire il frame rate. Rilascia lo slider per salvare la selezione. Sopra lo slider trovi i valori off speed più comuni, basati sul frame rate del progetto attuale.

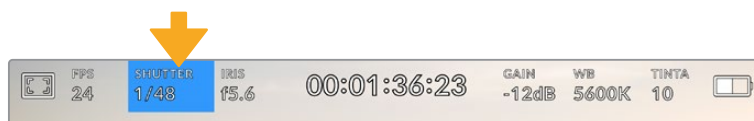
Cambiando il frame rate del sensore puoi creare effetti di velocità interessanti e dinamici. Aumentandolo si ottiene l'effetto a rallentatore in fase di riproduzione. Per esempio, se riprendi con un frame rate del sensore di 60 fps e riproduci le clip con un frame rate del progetto di 24 fps, rallenta la velocità reale dell'azione di più della metà. Diminuendo il frame rate del sensore, le clip vengono riprodotte più velocemente. È un concetto simile alle riprese manuali con la pellicola di una volta. Aumentando i giri (overcrank) si allungano i momenti, producendo un coinvolgente effetto slow-motion. Diminuendo i giri (undercrank) si diminuisce il frame rate del sensore, e l'azione accelera nelle scene ricche di movimento. Questa impostazione offre innumerevoli opzioni creative.

Per maggiori informazioni sui frame rate massimi per ciascun formato di registrazione e codec, consulta la tabella nella sezione "Registrazione".

NOTA Abilitando Frame Rate Off Speed, l'audio e il video non sono più in sync, nemmeno se il frame rate del progetto e del sensore combaciano. Per questo motivo consigliamo di spegnere Frame Rate Off Speed se desideri mantenere video e audio in sync.

Otturatore

L'indicatore **Shutter** mostra la velocità dell'otturatore. Toccalo per regolare i valori manualmente o per selezionare una modalità di auto esposizione.



Tocca l'indicatore Shutter per regolare le impostazioni dell'otturatore

La velocità dell'otturatore definisce il livello del mosso del video e si può usare per rimediare a condizioni di luce variabili. La velocità dell'otturatore per un effetto del mosso naturale e le impostazioni disponibili dipendono dal frame rate utilizzato. Per esempio se catturi a 30p, una velocità dell'otturatore di 1/60 equivale a un angolo dell'otturatore di 180 gradi, un'impostazione ampiamente utilizzata nei progetti per il cinema. Se invece catturi a 25p, per ottenere lo stesso look è necessaria una velocità dell'otturatore di 1/50.

Per un effetto del mosso naturale puoi calcolare la velocità dell'otturatore raddoppiando il frame rate, per esempio 1/60 per 30p.

Se hai bisogno di più luce sul sensore, imposta l'otturatore sulla velocità più bassa in relazione al frame rate, per esempio 1/25 per 25p o 1/30 per 30p. La velocità dell'otturatore più bassa risulta in un effetto del mosso un po' esagerato.

Per ridurre l'effetto, quindi dare una maggiore definizione alle immagini e ai movimenti, aumenta la velocità dell'otturatore, per esempio 1/120 di secondo per 30p, o 1/100 per 25p. In termini di angolo dell'otturatore, corrisponde a 90 gradi.

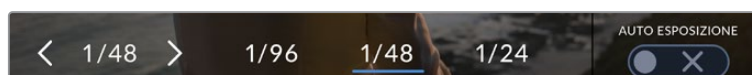
Sperimenta diverse velocità dell'otturatore per scoprire come cambia l'effetto del mosso.

È specialmente utile quando si riprende sotto luci artificiali. In base al frame rate utilizzato, URSA Broadcast G2 calcola automaticamente la velocità dell'otturatore per evitare lo sfarfallio. Questi valori variano in base all'alimentazione del Paese in cui ti trovi. Nella tab Setup, seleziona la frequenza 50Hz o 60Hz. Consulta la sezione "Impostazioni generali" per tutti i dettagli.

Tocca l'indicatore **Shutter** per aprire il menù in basso allo schermo touch. Se l'impostazione **Auto Esposizione** è spenta, vedrai la velocità dell'otturatore utilizzata e i valori anti-sfarfallio suggeriti in base alla frequenza di alimentazione selezionata nel menù Setup. Consulta la sezione "Impostazioni generali" per maggiori informazioni.

NOTA Le proprietà di alcune fonti di luce possono causare sfarfallio anche se le impostazioni di velocità dell'otturatore sono corrette. Consigliamo di testare sempre la registrazione se l'illuminazione non è stabile.

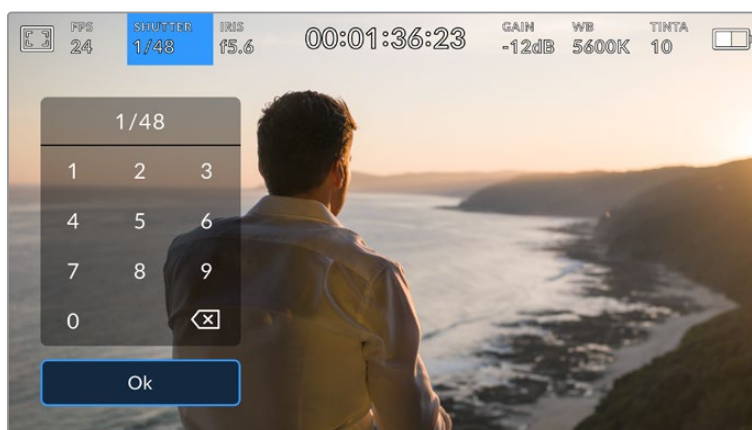
Per selezionare una delle velocità dell'otturatore senza sfarfallio, basta toccare il valore desiderato. Tocca le frecce ai lati del valore corrente per spostarti tra quelli più utilizzati.



URSA Broadcast G2 suggerisce velocità dell'otturatore senza sfarfallio in base alla frequenza della corrente selezionata nella tab Setup

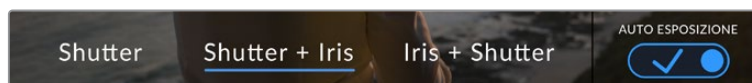
Se preferisci inserire un valore manualmente, tocca due volte il valore corrente tra le due frecce in basso a sinistra e usa la tastiera.

Se il valore è minore del frame rate utilizzato, per esempio 1/25 per 29.97 fps, verrà utilizzato il valore adatto più vicino a quello selezionato (in questo caso sarà 1/30).



La tastiera consente di inserire qualsiasi valore manualmente

URSA Broadcast G2 offre tre modalità di auto esposizione basate sullo shutter. Per selezionarle, abilita **Auto Esposizione** in basso a destra del menù **Shutter**.



Accendi l'interruttore Auto Esposizione per vedere le impostazioni disponibili di esposizione automatica

Shutter

Regola automaticamente la velocità dell'otturatore per mantenere l'esposizione e l'apertura del diaframma costanti. Scegli questa impostazione per mantenere invariata la profondità di campo. Ricorda che la regolazione automatica dell'otturatore potrebbe incidere sull'effetto del mosso, e che le luci in interna potrebbero causare sfarfallio. L'esposizione automatica del diaframma non è disponibile se selezioni l'opzione Shutter.

Shutter + Iris

Mantiene i livelli di esposizione corretti regolando prima lo shutter, poi l'apertura. Quando l'otturatore raggiunge la velocità massima o minima e non è possibile mantenere l'esposizione costante, la camera comincia a regolare l'apertura del diaframma.

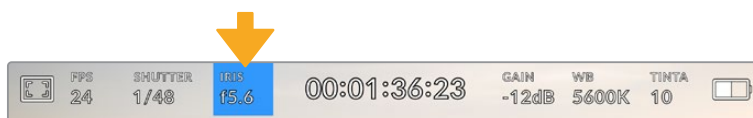
Iris + Shutter

Mantiene i livelli di esposizione corretti regolando prima l'apertura, poi lo shutter. Quando il diaframma raggiunge l'apertura massima o minima e non è possibile mantenere l'esposizione costante, la camera comincia a regolare la velocità dell'otturatore.

SUGGERIMENTO Quando è abilitata una modalità di esposizione automatica che influisce sull'otturatore, una piccola A appare a lato dell'indicatore Shutter sul touchscreen.

Diaframma

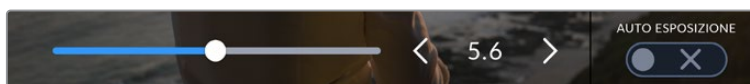
Qui compare l'apertura dell'obiettivo. Tocca **Iris** per cambiare l'apertura dell'obiettivo e configurare le impostazioni di esposizione automatica.



Tocca l'indicatore Iris per regolarne i valori

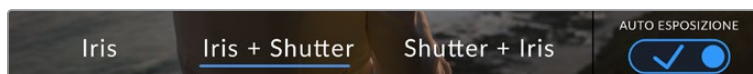
NOTA Per regolare il diaframma dal touchscreen, accertati che l'obiettivo installato consenta il controllo dell'apertura dalla camera. Se un obiettivo B4 o PL è collegato tramite il connettore broadcast a 12 pin, accertati che l'interruttore del diaframma sull'impugnatura sia impostato su A / Auto (automatico).

Tocca l'indicatore **Iris** per aprire il menù del diaframma in basso al touchscreen. L'apertura dell'obiettivo compare in basso a sinistra. Tocca le frecce ai lati del valore corrente o trascina lo slider per modificare l'apertura.



Tocca Iris e modifica l'impostazione del diaframma con le frecce ai lati del valore corrente o trascinando lo slider

Accendi l'interruttore **Auto Esposizione** in basso a destra per visualizzare le impostazioni dell'esposizione automatica.



Tocca Iris e accedi alle impostazioni disponibili di esposizione automatica abilitando l'interruttore Auto Esposizione

Le impostazioni disponibili sono elencate di seguito.

Iris

Regola automaticamente l'apertura per mantenere l'esposizione e la velocità dell'otturatore costanti. L'effetto del mosso non subisce cambiamenti, ma potrebbe incidere sulla profondità di campo.

Iris + Shutter

Mantiene i livelli di esposizione corretti regolando prima l'apertura, poi lo shutter. Quando il diaframma raggiunge l'apertura massima o minima e non è possibile mantenere l'esposizione costante, la camera comincia a regolare la velocità dell'otturatore.

Shutter + Iris

Mantiene i livelli di esposizione corretti regolando prima lo shutter, poi l'apertura. Quando l'otturatore raggiunge la velocità massima o minima e non è possibile mantenere l'esposizione costante, la camera comincia a regolare l'apertura del diaframma.

Quando è abilitata una modalità automatica di esposizione che incide sul diaframma, una piccola **A** appare a lato dell'indicatore **Iris** sul touchscreen.

SUGGERIMENTO L'esposizione automatica funziona perfettamente con gli obiettivi compatibili B4 per il broadcast e PL per il cinema. Gli obiettivi EF invece potrebbero cambiare bruscamente l'esposizione quando si regola l'apertura. Consigliamo quindi di utilizzare solo la modalità automatica Shutter con gli obiettivi EF.

Durata

Questo indicatore si trova in alto al centro del touchscreen.



La durata delle clip è di colore rosso durante la registrazione

Indica il timecode per controllare la durata delle clip e monitorare il tempo durante la registrazione e la riproduzione. Il contatore mostra la durata in ore:minuti:secondi:fotogrammi delle clip, ed è di colore rosso in fase di registrazione.

La durata di ogni clip parte da 00:00:00:00. Sul touchscreen compare la durata della clip in fase di registrazione o dell'ultima clip registrata. Il timecode dell'ora del giorno si salva nelle clip per facilitare la post produzione.

Tocca il contatore per visualizzare il timecode, e toccalo di nuovo per tornare alla durata delle clip.

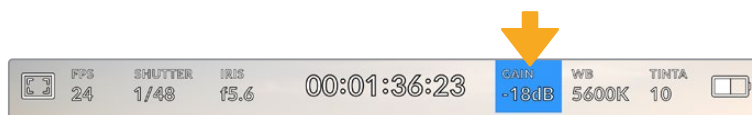
Accanto a questo indicatore potrebbero comparire le seguenti etichette:

-
- | | |
|-----------|---------------------------------|
| TC | Timecode - appare sulla destra. |
|-----------|---------------------------------|
-
- | | |
|------------|---|
| EXT | Timecode esterno connesso e valido - appare sulla destra. |
|------------|---|
-
- | | |
|------------|--|
| INT | Timecode interno dopo il jam-sync e la disconnessione - appare sulla destra. |
|------------|--|
-
- | | |
|------------|--|
| PRE | Timecode predefinito - appare sulla destra quando è selezionato un timecode predefinito. |
|------------|--|
-
- | | |
|------------|---|
| REF | Compare in presenza di una sorgente di riferimento valida e agganciata, in base alle impostazioni dell'ingresso di riferimento. |
|------------|---|
-
- | | |
|----------|--|
| W | Modalità finestra del sensore - appare sulla sinistra. |
|----------|--|
-

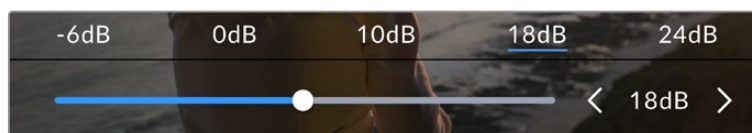
Gain

Qui compare il gain, ovvero la sensibilità alla luce. Tocca **Gain** per regolare questa impostazione in base alle condizioni di luce.

L'impostazione ottimale è 0dB.



Tocca l'indicatore Gain per regolarne le impostazioni

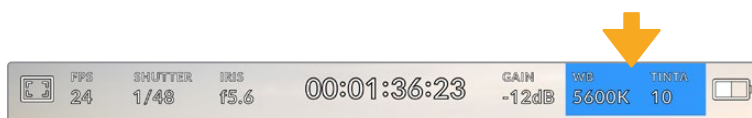


I valori di gain appaiono in basso al touchscreen. Lo slider e le frecce sotto i predefiniti regolano il gain in stop di 1/3

L'impostazione migliore dipende dalle condizioni di luce. Per esempio, in condizioni di scarsa illuminazione è consigliabile +18dB, ma potrebbe introdurre del rumore. Invece in caso di forte illuminazione, -6dB potrebbe essere ideale per catturare colori ricchi.

Bilanciamento del bianco

Sotto gli indicatori **WB** e **Tinta** compaiono rispettivamente il bilanciamento del bianco e la tinta. Toccali per regolare i rispettivi livelli secondo le condizioni di luce.



Tocca WB e Tinta per aprire le impostazioni di bilanciamento del bianco e tinta

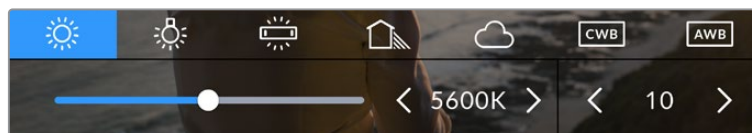
Ogni fonte di luce emette un colore. Per esempio la fiamma di una candela emette un colore caldo, il cielo coperto un colore freddo. Le impostazioni del bilanciamento del bianco mantengono intatti i bianchi regolando il mix di arancione e blu nell'immagine. Se catturi sotto lampade al tungsteno, che emettono una luce calda e arancione, selezionando 3200K aggiungi del blu all'immagine. Il colore viene così bilanciato in modo tale da registrare accuratamente il bianco.

URSA Broadcast G2 offre 5 valori predefiniti di bilanciamento del bianco:

	Soleggiato	(5600K)
	Lampadine incandescenti	(3200K)
	Lampadine fluorescenti	(4000K)
	Luce mista	(4500K)
	Nuvoloso	(6500K)

Tutti questi predefiniti sono personalizzabili: basta toccare o tenere premute le frecce ai lati della temperatura in basso a sinistra. Ogni tocco aumenta o diminuisce la temperatura di 50K. Tenendo premuta la freccia i valori cambiano più velocemente, altrimenti usa lo slider centrale.

Per ottenere immagini ancora più precise, regola la tinta, ovvero il mix di verde e magenta. Per esempio aggiungendo del magenta è possibile rimediare all'alone verde delle luci fluorescenti. Molti dei predefiniti del bilanciamento del bianco includono della tinta.



Tocca gli indicatori WB e Tinta per vedere cinque predefiniti, il valore del bilanciamento del bianco e lo slider a sinistra, e la tinta a destra. Regola queste impostazioni per creare predefiniti personalizzati di bilanciamento del bianco

I valori della tinta si trovano in basso a destra. Regolali con le frecce, con incrementi di 1 unità nell'intervallo da -50 a +50. Tieni premuta la freccia per cambiare i valori più velocemente.

NOTA Se personalizzi il bilanciamento del bianco o la tinta, il nuovo valore diventa il predefinito CWB (Custom White Balance). I predefiniti personalizzati sono mantenuti anche al riavvio. Questo ti permette di confrontare i predefiniti di bilanciamento del bianco personalizzati e l'ultimo predefinito utilizzato.

Bilanciamento del bianco automatico

AWB è la funzione di bilanciamento automatico del bianco di URSA Broadcast G2. Tocca **AWB** per aprire la schermata di impostazione.

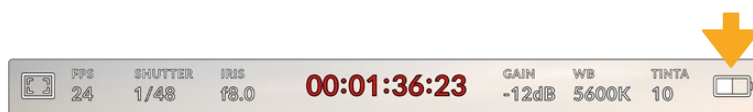
Vedrai un quadrato bianco al centro dell'immagine. Riempilo posizionando una superficie bianca o grigia davanti all'obiettivo e tocca **Aggiorna WB**. La camera regolerà automaticamente il bilanciamento del bianco e la tinta di modo che la media del bianco o del grigio all'interno del quadrato sia la più neutra possibile. La camera adotterà questo risultato come bilanciamento del bianco predefinito.



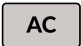
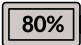

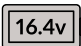
Tocca AWB nel menù WB per aprire la schermata di impostazione del bilanciamento del bianco automatico. Riempi il quadrato centrale con una superficie bianca o grigia per impostare un bilanciamento del bianco neutro

Alimentazione

Questo indicatore in alto a destra mostra lo stato dell'alimentazione della camera con una delle 5 icone seguenti:



L'indicatore di alimentazione in alto a destra mostra la carica residua delle batterie come voltaggio o percentuale

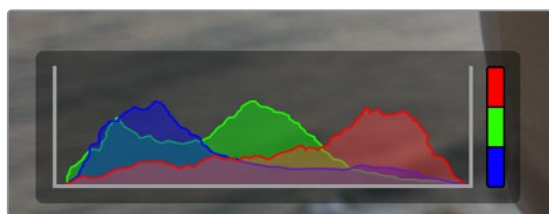
	Corrente	Appare quando la camera è collegata alla corrente.
	Percentuale	Mostra la carica residua di batterie e piastre compatibili con una percentuale accurata. L'indicatore diventa rosso quando la carica scende sotto il 20%.
	Barre	Se le batterie e o le piastre utilizzate non sono compatibili con le percentuali, mostra la carica residua con barre di 25%. L'indicatore a barre diventa rosso quando la carica scende sotto il 20%.
	Voltaggio	Mostra il voltaggio residuo della batteria. L'icona diventa rossa quando la carica scende sotto i 12,5V. La camera si spegne automaticamente quando raggiunge gli 11,9V.
	Fibra	Appare quando Blackmagic Camera Fiber Converter è connesso alla camera e la alimenta tramite il cavo in fibra SMPTE. Se il convertitore in fibra è connesso ma la camera riceve l'alimentazione da un cavo XLR, appare l'icona AC .

Se alimenti la camera con le batterie, tocca l'icona di alimentazione per passare dal voltaggio alla percentuale o alle barre.

Barra inferiore

Istogramma

In basso a sinistra nel touchscreen compare un istogramma, che fornisce una rappresentazione grafica della distribuzione tonale di ciascun canale (rosso verde e blu) nell'immagine.



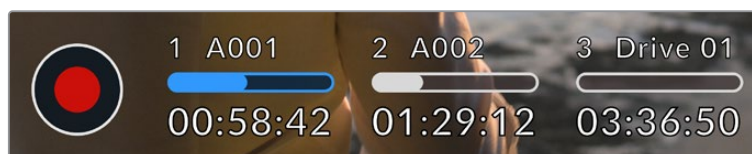
L'istogramma dà un'indicazione della gamma tonale tra le ombre e le luci ed è anche utile per controllare il bilanciamento dell'esposizione per evitare il clipping delle luci

La parte sinistra dell'istogramma rappresenta le ombre, o i neri, e la parte destra le luci, o i bianchi. Diminuendo o aumentando l'apertura dell'obiettivo, noterai che le informazioni dell'istogramma si spostano a destra o a sinistra. Usa questa funzione per verificare il fenomeno del clipping dei neri o dei bianchi. Se si verifica il clipping in uno dei canali rosso verde o blu, l'indicatore pertinente sul lato destro dell'istogramma si illumina. Se i picchi a destra o a sinistra dell'istogramma si interrompono bruscamente invece di scendere gradualmente significa che si stanno perdendo dei dettagli di luce o di ombra.

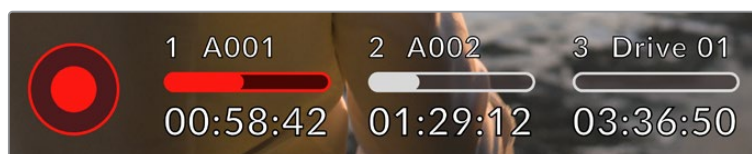
Se il touchscreen non mostra l'istogramma in basso a sinistra, è probabile che sia impostato per mostrare il codec e la risoluzione. Consulta la sezione "Impostazioni di monitoraggio" per maggiori informazioni.

REC

Di fianco all'istogramma in basso al touchscreen si trova un pulsante circolare rosso: si tratta del pulsante REC di registrazione. Toccalo una volta per cominciare la registrazione. Toccalo di nuovo per interromperla. Quando la registrazione è in corso, questo pulsante, l'indicatore di archiviazione, e il timecode sono di colore rosso.



Il pulsante REC si trova a lato degli indicatori di archiviazione in basso al touchscreen



Il pulsante di registrazione diventa rosso in fase di registrazione

Applica LUT nel file

Se registri in Blackmagic RAW e hai selezionato Applica LUT nel file nella tab Record, apparirà un'icona blu LUT di fianco al pulsante REC. Questo indicatore è visibile in entrambe le modalità di standby e di registrazione.

Consulta la sezione "Impostazioni di registrazione" per maggiori informazioni su come registrare le LUT con Blackmagic RAW.



L'icona blu LUT appare quando si registra nel formato Blackmagic RAW

Registra LUT nella Clip

Se registri in ProRes, H.264 o H.265 e hai scelto di registrare una LUT nelle clip, un'icona rossa LUT apparirà a lato del pulsante REC. Questo indicatore è visibile in entrambe le modalità di standby e di registrazione.

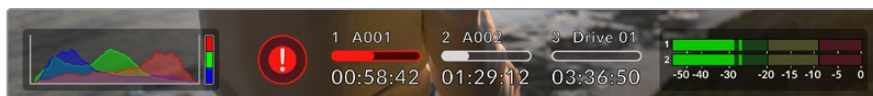
Per maggiori informazioni su come registrare una LUT nelle clip ProRes, H.264 o H.265, consulta la sezione "Impostazioni di registrazione".



L'icona rossa LUT appare quando si registra in ProRes, H.265 o H.264

Avviso drop frame

Nel pulsante REC lampeggia un punto esclamativo se la registrazione salta dei fotogrammi. In questo caso diventa rosso anche l'indicatore dei supporti di memoria utilizzati. Per esempio, se registri su due schede e una di questa salta dei fotogrammi, comparirà il simbolo ! sul pulsante REC e l'indicatore della durata residua diventerà rosso. Grazie a questi segnali saprai se il supporto di memoria è troppo lento per il codec e la risoluzione selezionati. Il punto esclamativo compare anche se si sono persi fotogrammi nella clip precedentemente registrata, e scompare solo quando inizi a registrare un'altra clip o riavvii la camera. Per maggiori informazioni su come evitare i drop frame, consulta le sezioni "Scegliere una scheda CFast 2.0", "Scegliere una scheda SD veloce", o "Scegliere un SSD veloce".



Avviso drop frame per la scheda CFast 1

SUGGERIMENTO Il LED di stato, se abilitato, lampeggia velocemente in rosso in caso di drop frame. Consulta la sezione "Impostazioni generali" per maggiori informazioni.

NOTA Per evitare di filmare materiale inutilizzabile puoi impostare la camera di modo che interrompa la registrazione in caso di perdita di fotogrammi. Consulta la sezione “Impostazioni di registrazione” per maggiori informazioni.

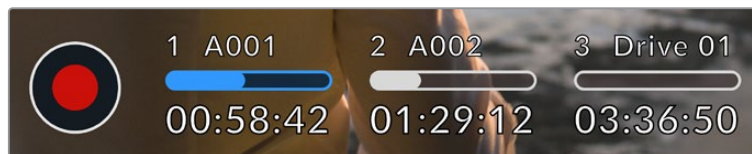
Supporti di memoria

In basso al touchscreen, di fianco al pulsante REC troverai gli indicatori dei supporti di memoria.

Tempo di registrazione residuo

Gli indicatori di archiviazione mostrano la registrazione residua delle schede CFast e SD, unità flash USB-C o SSD inseriti o collegati, in ore:minuti:secondi secondo il frame rate e il codec selezionato, ed è automaticamente ricalcolata se queste impostazioni vengono cambiate.

Quando sul supporto rimangono circa 5 minuti, l'indicatore diventa rosso. Se stai registrando su un solo supporto di memoria o drive collegato alla camera, la spia lampeggia lentamente quando lo spazio di registrazione residuo della scheda è inferiore a 3 minuti, e velocemente quando rimangono meno di 30 secondi.



L'indicatore dei supporti di memoria mostra il nome della CFast, SD, SSD o unità flash USB e la registrazione residua

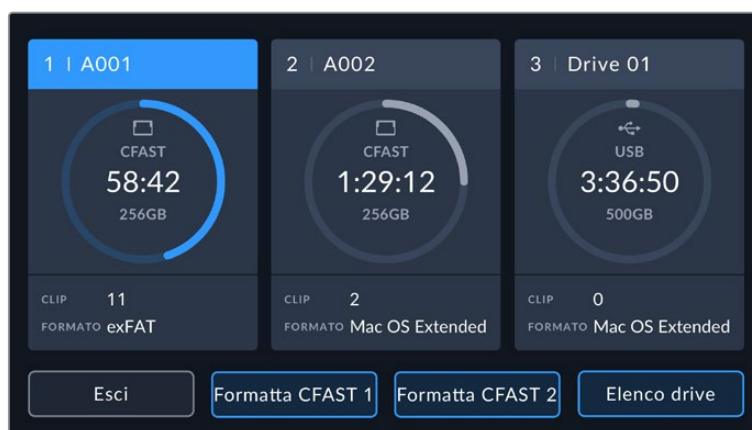
Barra di progresso

La barra sopra il tempo residuo è blu, bianca o rossa in base allo stato del supporto di memoria, e indica lo spazio utilizzato.

	Barra blu: supporto di memoria attivo per la riproduzione e la registrazione.
	Barra bianca: supporto di memoria presente ma non attivo. Se la barra è del tutto bianca, il supporto è pieno.
	Barra rossa: registrazione in corso.

Per registrare su un supporto diverso, tocca e tieni premuto il nome o la barra di progresso della scheda, unità flash USB-C o SSD sulla quale vuoi registrare.

Toccando gli indicatori dei supporti di memoria si apre il menù archiviazione e di formattazione.



Tocca gli indicatori dei supporti di memoria sul touchscreen per accedere al menù archiviazione

Questo menù mostra lo spazio di archiviazione residuo per ogni scheda CFAST o SD, SSD e unità flash USB-C collegata alla camera, il nome della scheda o drive, il tempo di registrazione residuo, quante clip sono registrate su ogni scheda o drive, e il formato dei file. Tocca l'indicatore del supporto di memoria su cui vuoi registrare e la camera lo riempirà per primo.

Qui puoi anche formattare i supporti di memoria. Per maggiori informazioni sulla formattazione su URSA Broadcast G2, consulta la sezione "Preparare i supporti di memoria su URSA Broadcast G2".

Livelli audio

Questi indicatori mostrano i livelli audio dei canali 1 e 2 del microfono interno, o della sorgente esterna (se connessa). Scegli tra **VU** e **PPM**. Consulta la sezione "Impostazioni generali" per tutti i dettagli.

Per una qualità audio ottimale, è consigliabile evitare di raggiungere 0 dBFS. Questo è il livello massimo di registrazione supportato dalla camera, che una volta superato risulta in clipping, causando distorsione.



Le barre colorate rappresentano i livelli audio, la cui posizione ideale è nella parte alta della zona verde. Se i livelli raggiungono la zona gialla o rossa, l'audio è a rischio di clipping

Tocca gli indicatori dei livelli audio per accedere ai controlli del volume dei canali 1 e 2 in entrata, delle cuffie o dello speaker.



Tocca gli indicatori dei livelli audio sul touchscreen per regolare il volume dei canali, delle cuffie o dello speaker

Focus zoom

Zooma l'immagine di anteprima toccando due volte l'area interessata sul touchscreen LCD. Scorri il dito sul touchscreen per continuare ad ingrandire altre parti dell'immagine. Questa funzione è utile per controllare la messa a fuoco. Tocca di nuovo il touchscreen due volte per tornare all'immagine di dimensioni normali.

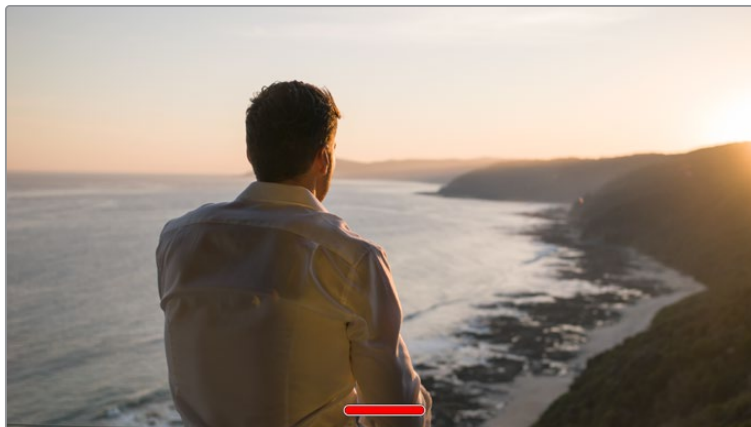
Con questo tipo di zoom touch abilitato, puoi anche regolare il livello di zoom in avanti o indietro con due dita. Nella tab Setup si può configurare un pulsante funzione per abilitare questo tipo di zoom con doppio tocco sul touchscreen o sulle uscite SDI frontale e principale. Per tutti i dettagli su come configurare un pulsante funzione come zoom con doppio tocco, consulta la sezione "Comando" di "Impostazioni generali".



Un indicatore in alto a sinistra del touchscreen mostra quale parte dell'immagine è stata ingrandita. Spostati sull'immagine con la manopola Menu o trascinando il dito sullo schermo

Schermo intero

Per inquadrare e mettere a fuoco le immagini senza distrazioni, è possibile nascondere temporaneamente gli overlay. Per farlo, sposta il dito verso l'alto o verso il basso sul touchscreen. L'indicatore di registrazione, le guide, le griglie, Focus assist e Zebra rimangono visibili.



Nascondi gli overlay spostando il dito verso l'alto o verso il basso

Menù di riproduzione

Premi il pulsante Play per accedere al menù di riproduzione. Per gestire le clip precedentemente registrate puoi usare i controlli sulla camera o sul touchscreen LCD.










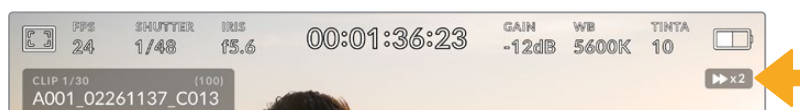
Il touchscreen LCD mostra una timeline segmentata. Ciascun segmento rappresenta una clip. Il nome e il numero della clip corrente compaiono in alto a sinistra nel display. Il numero totale di clip nella scheda o nel drive è indicato tra parentesi.

Il contatore a sinistra della timeline si riferisce alla posizione corrente dell'indicatore di riproduzione; quello a destra, alla durata complessiva delle clip.

Naviga le clip con i controlli di riproduzione sotto la timeline.



	Tocca REC in modalità riproduzione e la camera torna in standby, pronta per la cattura.
	Tocca Play per vedere le clip. Ora sei in modalità di riproduzione.
	Tocca Stop per interrompere la riproduzione. Toccalo di nuovo per tornare in modalità standby.
	Tocca Indietro una volta per tornare al primo fotogramma della clip corrente. Se la playhead è già sul primo fotogramma, passa al primo fotogramma della clip precedente.
	Tocca Avanti una volta per andare all'ultimo fotogramma della clip corrente. Se la playhead è già sull'ultimo fotogramma, passa al primo fotogramma della clip successiva.
	Tieni premuto Avanti o Indietro e si trasformano in pulsanti di riproduzione o avvolgimento veloce. Le velocità disponibili sono 2x, 4x, 8x o 16x.
	Premi l'icona della direzione opposta per ridurre la velocità.






L'indicatore di riproduzione veloce mostra direzione e velocità di riproduzione

Per cambiare la modalità di riproduzione da **Tutte le clip** a **Una clip** vai nella tab **Setup**. L'ultima clip registrata verrà riprodotta quando premi Play in modalità Una clip.

SUGGERIMENTO Passa il dito verso l'alto o il basso del touchscreen per nascondere le informazioni di stato in fase di riproduzione. In modalità riproduzione, puoi salvare la clip come "Ripresa buona" nei metadati del ciak digitale. Consulta la sezione "Inserire i metadati" per maggiori informazioni.

Riproduzione continua

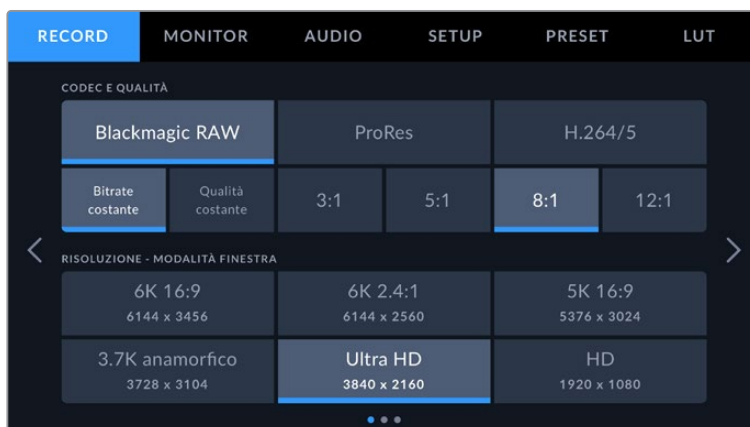
Toccano Play più di una volta si abilita la funzione di riproduzione continua. La riproduzione continua consente di rivedere in loop la stessa clip o tutte le clip nella timeline.

Loop		Mentre la clip viene riprodotta, tocca di nuovo Play per attivare la riproduzione continua della stessa clip.
Loop tutte		Tocca di nuovo Play per attivare la riproduzione continua di tutte le clip.
Play		Tocca di nuovo la stessa icona per tornare alla riproduzione in tempo reale.

Impostazioni

Dashboard

Premi il pulsante **Menu** per aprire la dashboard, suddivisa in tab contenenti le impostazioni non accessibili direttamente dal touchscreen. Le tab sono divise per funzione: registrazione **Record**, monitoraggio **Monitor**, **Audio**, configurazione **Setup**, predefiniti **Preset** e **LUT**. Alcune tab contengono più pagine, accessibili con le frecce laterali o sfogliando col dito verso destra o sinistra del touchscreen come su uno smartphone o un tablet.



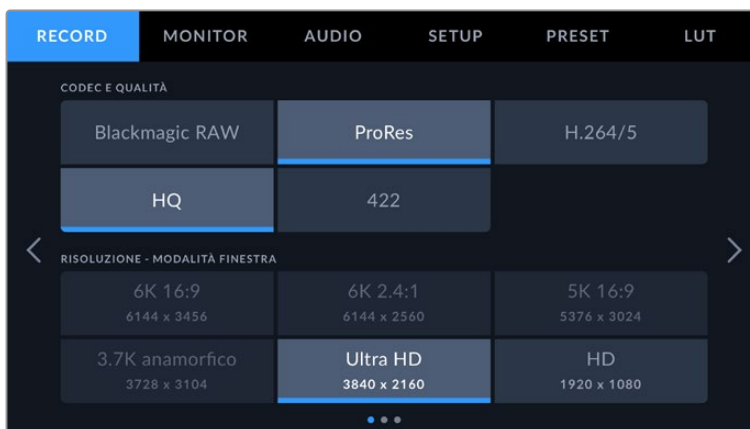
Tocca le tab Record, Monitor, Audio, Setup, Preset, e LUT sulla dashboard della camera per spostarti tra le varie impostazioni

Impostazioni di registrazione

La tab **Record** contiene le impostazioni relative al formato video, codec e risoluzione, e altre impostazioni per i file salvati sulla camera, tra cui il supporto di memoria e lo sharpening. La tab contiene 3 pagine, accessibili con le frecce laterali o sfogliando col dito verso destra o sinistra del touchscreen.

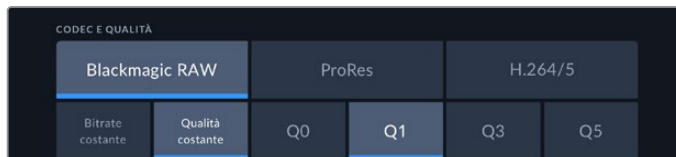
Record - Pagina 1

La prima pagina del menù di registrazione include i seguenti setting:



Codec e Qualità

Il menù per codec e qualità è diviso in due file. La parte superiore mostra tre codec, Blackmagic RAW, ProRes e H.264/5, e la parte inferiore le opzioni di qualità disponibili per ciascuno. Le opzioni per ProRes sono ProRes 422 HQ e ProRes 422. Le opzioni per Blackmagic RAW sono Bitrate costante e Qualità costante.



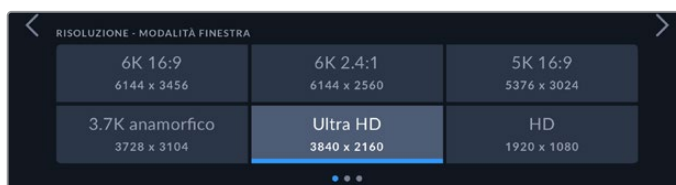
Le opzioni bitrate costante e qualità costante per Blackmagic RAW

SUGGERIMENTO Per registrare più a lungo sui supporti di memoria, scegli un codec con una maggiore compressione. Consulta le tabelle della durata della registrazione nella sezione "Registrazione" per informazioni dettagliate.

Risoluzione

Questo sottomenù dei codec è utile per selezionare la risoluzione desiderata secondo il formato.

Per esempio, per registrare in Ultra HD nel formato ProRes HQ, seleziona il codec ProRes con qualità HQ, poi la risoluzione Ultra HD.



Le opzioni di risoluzione per Blackmagic RAW

NOTA Blackmagic URSA Broadcast G2 supporta Blackmagic RAW in tutte le risoluzioni, Apple ProRes in Ultra HD e HD, H.265 in Ultra HD e H.264 in HD.

Record - Pagina 2

La seconda pagina contiene le seguenti impostazioni.



Gamma dinamica

Seleziona la gamma dinamica toccando l'opzione corrispondente. Sono disponibili tre setting:

Video	Ideale per registrare con un look saturato e ad alto contrasto per la consegna immediata o per una post produzione minima. Usa lo spazio colore Rec.709 e offre uno stacco armonioso nelle zone di luce. Scegli questa opzione per ottenere un punto di partenza preciso con una curva di gamma gradevole, che lascia spazio alla correzione colore, se necessaria.
Ext Video	Basata sul Blackmagic Wide Gamut, è completa di contrasto e saturazione. La differenza principale rispetto all'opzione Video è una saturazione più bassa nell'asse magenta/verde, tipico delle pellicole.
Film	Cattura il video usando una curva log che consente di mantenere l'intera gamma dinamica e massimizzare le informazioni nel segnale video per trarre il meglio dalla correzione colore, per esempio su DaVinci Resolve.

Se usi la gamma dinamica Video o Extended Video, disabilita l'opzione LUT 3D su tutte le uscite di monitoraggio (LCD, SDI frontale e principale).

Se LUT 3D è abilitata, l'indicatore di LUT appare sullo schermo touch e l'immagine mostra più saturazione e contrasto del necessario. Consulta la sezione "Impostazioni di monitoraggio" per tutti i dettagli.

Area Sensore

Questa funzione è disponibile solo per i codec ProRes, H.265 e H.264. Consente di ridimensionare a partire dall'area intera del sensore 6K o di usare una "finestra" più piccola dell'area del sensore. Scegliendo un'area del sensore più grande, per esempio 5.3K o 6K, si ottiene una profondità di campo maggiore; selezionandone una più piccola come 2.7K si può girare a frame rate più alti. Nota che le modalità finestra HD utilizzano solo la parte centrale del sensore, di conseguenza il campo visivo degli obiettivi apparirà più piccolo.

Quando utilizzi obiettivi broadcast con l'attacco obiettivo B4 accertati di aver impostato l'area del sensore su **4K**, perché è la superficie del sensore che sfruttano queste ottiche. Le opzioni 5.3K e 6K coprono circa l'area del Super 35, e sono quindi compatibili con la maggior parte delle ottiche EF, F e PL.

Per maggiori informazioni sui formati interi e di modalità finestra, consulta la sezione "Frame rate compatibili" del manuale.

Frame rate del progetto

Corrisponde al frame rate di registrazione della camera e offre diverse opzioni per il cinema e la televisione, per esempio Ultra HD a 29.97 fotogrammi per secondo nel formato ProRes HQ. Di solito il frame rate del progetto deve assecondare la velocità di riproduzione e il sync audio di post produzione.

Le 8 opzioni di frame rate di URSA Broadcast G2 sono 23.98, 24, 25, 29.97, 30, 50, 59.94, e 60 fps.

NOTA Il frame rate del progetto ha un forte impatto sull'estetica delle immagini. Negli ambienti broadcast, di standard si utilizzano frame rate relativamente alti di 50, 59,94 o 60 fps, ottimali per catturare l'azione evitando che si veda a scatti durante le panoramiche.

I frame rate più bassi di 24 o 25 fps sono utilizzati nelle produzioni cinematografiche e producono un'estetica raffinata, ma richiedono movimenti della camera più lenti.

Registrazione off speed

I frame rate del progetto e del sensore di URSA Broadcast G2 combaciano di default, per riprodurre a velocità normale. Per configurare il frame rate del sensore indipendentemente, spunta l'interruttore **Registrazione Off Speed**. Questa opzione è solo disponibile per la registrazione con i codec Blackmagic RAW e ProRes.

Frame rate off speed

Dopo aver acceso l'interruttore **Frame rate off speed**, tocca le frecce per impostare il frame rate del sensore.

Corrisponde al numero effettivo di fotogrammi del sensore registrati al secondo. Questa impostazione incide sulla velocità di riproduzione del video in base al frame rate del progetto.

Per maggiori informazioni sul frame rate del sensore, consulta la voce FPS della sezione "Controlli del touchscreen" del manuale.

NOTA Per maggiori informazioni sui frame rate massimi per formato di registrazione e codec, consulta la tabella nella sezione "Registrazione".

Supporto di memoria

Scegli su quale scheda, SSD o flash disk registrare per primo quando sono in uso diversi slot. Le opzioni sono **Scheda 1**, **Scheda 2**, **USB** e **Più pieno**. La scelta tra la scheda 1 e 2 è strettamente personale; l'importante è usarle con coerenza per sapere quale estrarre prima. Se scegli di registrare sul supporto più pieno sarà più facile raggruppare cronologicamente i file di un progetto catturato con una sola camera. Questa opzione si riferisce alla percentuale di spazio occupato nel supporto, non alla capienza o alla quantità di dati utilizzati.

L'opzione selezionata ha effetto quando sono inseriti una CFast, una SD o un SSD, o quando è connesso un flash disk USB. La selezione si può modificare in qualsiasi momento entrando nel menù di gestione dell'archiviazione e rendendo attivo un altro supporto. Ricorda che quando estrai e reinserti le schede, il supporto di memoria preferito ritorna all'impostazione corrente.

Registra RAW su

La camera consente di registrare clip Blackmagic RAW a risoluzione molto elevata e ad alto frame rate con livelli di compressione bassi su due schede. Inserisci due schede CFast o SD, e scegli l'opzione **Due schede**. Poiché questa operazione (chiamata striping) distribuisce i dati sulle due schede sequenzialmente, il data rate di quella più lenta costituisce un limite e pertanto consigliamo di usare due schede con specifiche uguali o simili.

Lo striping è consentito anche tra una scheda CFast nello slot 1 o 2 e un flash disk USB-C nello slot 3. Registrando in RAW su due schede, il limite di velocità è il doppio del data rate della scheda più lenta.

Unire i file per il montaggio

Copia i file .braw e .braw2 da entrambi i supporti di memoria nella stessa cartella sul tuo computer, e quando li importi nel Media Pool, DaVinci Resolve le unisce leggendole come una clip singola. Se i file .braw e .braw2 sono separati, le clip si possono riprodurre separatamente con un frame rate dimezzato. Per riprodurre un file .braw2 indipendentemente, cambia l'estensione del file da .braw2 a .braw.

SUGGERIMENTO Con il Media Management di DaVinci Resolve puoi combinare un file .braw e un file .braw2 in una clip singola.

È un ottimo metodo per evitare che vengano separati, ed è molto utile per gestire i file multimediali quando si inviano a un altro editor.

Per maggiori informazioni, consulta la sezione “Using Media Management” nel manuale DaVinci Resolve.

Record - Pagina 3

La terza pagina del menù di registrazione include i setting seguenti:



Timelapse

Questa funzione registra automaticamente un fotogramma nei seguenti intervalli:

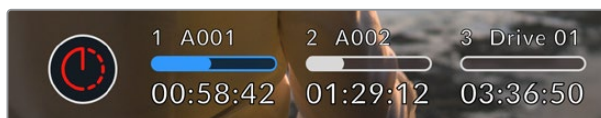
Fotogrammi	2 - 10
Secondi	1 - 10, 20, 30, 40, 50
Minuti	1 - 10

Per esempio puoi determinare se registrare 1 fotogramma ogni 10 fotogrammi, 5 secondi, 30 secondi, 5 minuti ecc.

La funzione timelapse apre la strada a molte opzioni creative. Per esempio stabilendo un intervallo di 2 fotogrammi, il video registrato verrà riprodotto con un effetto alta velocità.

Il formato di ogni fermo immagine si basa sul formato di registrazione. Per esempio se la camera registra in Ultra HD con ProRes HQ, il timelapse adotta lo stesso formato. Il frame rate si basa sul frame rate del progetto. Questo permette di incorporare facilmente il filmato timelapse nel workflow di post produzione.

In modalità timelapse, il timecode si aggiorna quando viene registrato un fotogramma di video.



L'icona nel pulsante REC segnala che la modalità timelapse è attiva

Sharpening

Questa impostazione definisce i contorni nell'immagine. Accendi l'interruttore **Sharpening** e seleziona il livello **Basso, Medio o Alto**.

Lo sharpening ha effetto sul video ProRes registrato dalla camera e sull'uscita SDI.

Questa impostazione è pensata per le produzioni dal vivo in studio che non si ha tempo di portare in post produzione prima della messa in onda. Consigliamo di disabilitarla se intendi manipolare e correggere il colore delle immagini in post produzione. Per questo motivo lo sharpening non viene applicato ai file Blackmagic RAW destinati a una forte post produzione.

SUGGERIMENTO Nella post produzione dei file Blackmagic RAW, per ottenere livelli di sharpening simili a quelli della camera puoi utilizzare lo strumento Blur/Sharpening nella Color page di DaVinci Resolve.

Imposta Radius su 0.48 e Scaling su 0.6, 0.3, o 0.15 per un effetto paragonabile ai livelli Basso, Medio e Alto.

Per maggiori informazioni sullo sharpening in post produzione consulta la sezione "Motion effects and blur palettes" nel manuale di DaVinci Resolve.

In caso di drop frame

Questa impostazione determina la risposta della camera in caso di drop frame. Seleziona **Avviso** per visualizzare l'indicatore di drop frame sul touchscreen LCD e continuare a registrare. Seleziona **Stop Rec** per interrompere la registrazione in caso di drop frame, evitando di catturare materiale inutilizzabile.

Per maggiori informazioni su come evitare i drop frame consulta le sezioni "Scegliere una scheda CFast 2.0", "Scegliere una scheda SD veloce", "Scegliere un SSD veloce" e "Scegliere un flash disk USB-C veloce".

Applica LUT nel file

URSA Broadcast G2 integra la LUT applicata a una qualsiasi delle uscite direttamente nel file Blackmagic RAW che stai registrando.

La LUT viene salvata nell'intestazione del file e si potrà applicare alla clip in post produzione senza dover gestire un file distinto. Selezionando **Applica LUT nel file**, Blackmagic RAW Player e DaVinci Resolve apriranno la clip registrata con la LUT 3D già applicata. La LUT si può abilitare/disabilitare con un tocco, ma accompagna sempre il file Blackmagic RAW perché è parte integrante della clip stessa.

Su DaVinci Resolve, per abilitare/disabilitare la LUT del file Blackmagic RAW c'è l'interruttore **Apply LUT** nel pannello delle impostazioni RAW, che funziona esattamente come l'impostazione Applica LUT nel file. Questo sistema permette all'operatore di ripresa di registrare con una LUT e alla colorista di disabilitarla facilmente su DaVinci Resolve.

Registra LUT nella clip

Questa impostazione è disponibile per registrare con i codec video ProRes, H.265 e H.264. Di default Blackmagic URSA Broadcast G2 non integra la LUT nel file registrato, ma puoi scegliere di farlo selezionando **Registra LUT nella clip**.

Questa opzione è utile se non c'è tempo per correggere il filmato in post produzione o se bisogna consegnarlo direttamente al cliente o all'editor. Consulta le sezioni "LUT 3D" e "Controlli del touchscreen" per maggiori informazioni.

Correzione lente

Gli obiettivi broadcast zoom spesso causano la comparsa di frange di colore ai bordi o agli angoli dell'immagine. Le frange sono più evidenti nelle aree ad alto contrasto catturate con obiettivi B4 economici, in particolare quelli con intervalli di zoom estremi. Seleziona **Correzione lente** per correggere questo effetto se utilizzi obiettivi broadcast B4 o PL. La camera auto-seleziona questa impostazione se rileva le informazioni necessarie dall'obiettivo broadcast.

Denominazione dei file

La camera registra le clip nei formati Blackmagic RAW, Apple ProRes o MP4 a seconda della tua selezione.

Questa tabella descrive le parti che compongono il nome di un file.

A001_08151512_C001.mov	File QuickTime
A001_08151512_C001.mov	Camera
A001_08151512_C001.mov	Pellicola
A001_08 1 51512_C001.mov	Mese
A001_08 15 1512_C001.mov	Giorno
A001_0815 15 12_C001.mov	Ore
A001_081515 12 _C001.mov	Minuti
A001_08151512_ C001 .mov	Clip

Il nome del file delle foto catturate nel formato DNG con il pulsante di scatto è strutturato come quello delle clip video, ma le ultime quattro cifre (S001) rappresentano il numero dello scatto invece del numero della clip. Consulta la sezione "Controlli del display LCD di stato" per maggiori informazioni.

Impostazioni di monitoraggio

La tab **Monitor** contiene le impostazioni per gestire il testo e altre informazioni in sovrapposizione sul touchscreen della camera e sulle uscite SDI frontale e principale. I menù **LCD**, **SDI frontale** e **SDI principale** offrono ciascuno le proprie impostazioni. Ciascun menù è suddiviso in cinque pagine, accessibili toccando le frecce laterali sul touchscreen o passandoci il dito a sinistra o a destra.

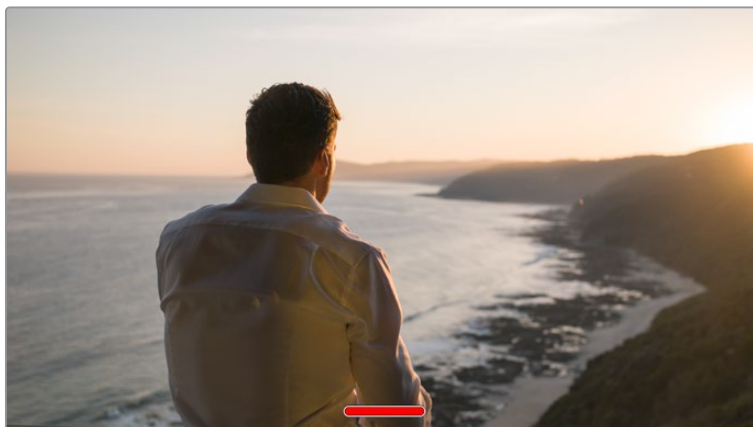
Monitor - pagina 1

La prima pagina dei tre menù LCD, SDI principale e SDI frontale contiene esattamente le stesse impostazioni. Per esempio, puoi abilitare la funzione Zebra per il touchscreen LCD ma disabilitarla per l'uscita SDI frontale o principale.



Clean feed

Seleziona questa impostazione per disabilitare il testo e le informazioni in sovrapposizione, eccetto l'indicatore del tally, per l'uscita desiderata.



In modalità Clean feed è visibile l'indicatore del tally sul touchscreen LCD

NOTA Le LUT hanno effetto sulle uscite anche in modalità Clean feed. Deseleziona l'impostazione LUT 3D nella tab Monitor per disattivarle sull'uscita desiderata.

LUT 3D

URSA Broadcast G2 consente di applicare le LUT 3D a qualsiasi uscita per vedere il filmato con un look simile a quello post correzione colore. È utile durante la cattura in gamma dinamica Film, che produce intenzionalmente immagini "piatte" a basso contrasto.

Se nella camera è attiva una LUT 3D, usa questa impostazione per applicarla separatamente al touchscreen LCD, all'uscita SDI frontale o all'uscita SDI principale.

NOTA Consulta la sezione "Impostazioni LUT" per scoprire come caricare e utilizzare le LUT 3D.

Zebra

Seleziona questa impostazione per abilitare lo strumento Zebra sull'uscita desiderata. Consulta la sezione "Funzioni del touchscreen" per tutti i dettagli e come impostarne i livelli.

Focus assist

Seleziona questa impostazione per abilitare lo strumento Focus assist sull'uscita desiderata. Consulta la sezione "Funzioni del touchscreen" per tutti i dettagli e come impostarne i livelli.

Guide

Seleziona questa impostazione per abilitare lo strumento Guide sull'uscita desiderata. Consulta la sezione "Funzioni del touchscreen" per tutti i dettagli e le opzioni disponibili.

Griglie

Seleziona questa impostazione per abilitare lo strumento Griglie sull'uscita desiderata. Consulta la sezione "Funzioni del touchscreen" per tutti i dettagli.

Safe area

Seleziona questa impostazione per abilitare lo strumento Safe area sull'uscita desiderata. Consulta la sezione "Funzioni del touchscreen" per tutti i dettagli e come impostarne i livelli.

Falsi colori

Seleziona questa impostazione per abilitare lo strumento Falsi colori sull'uscita desiderata. Consulta la sezione "Funzioni del touchscreen" per tutti i dettagli.

Monitor - Pagina 2

La seconda pagina contiene impostazioni differenti a seconda dell'uscita selezionata.



LCD, SDI frontale e SDI principale

Info di stato

Questa impostazione è utile per nascondere il testo e gli indicatori in sovrapposizione e visualizzare solo le informazioni necessarie alla composizione o alla regia. Selezionala per mostrare o nascondere il testo e gli indicatori sull'uscita desiderata. Gli strumenti Guide, Griglie, Focus assist e Zebra rimangono visibili, se selezionati.

Per mostrare o nascondere il testo e gli indicatori sul touchscreen LCD puoi anche passare il dito verso l'alto o il basso.

De-squeeze anamorfico

L'immagine ottenuta con obiettivi anamorfici appare schiacciata in orizzontale sulle uscite di anteprima di URSA Broadcast G2 e nei file registrati. Seleziona questa impostazione per correggere l'anteprima dell'immagine e registrare la quantità di ridimensionamento (o de-squeeze) applicato nei metadati della clip per agevolarne la post produzione.

La quantità di de-squeeze ottimale da selezionare dipende dalla risoluzione della camera, ma l'immagine risultante sarà sempre nel rapporto d'aspetto del formato widescreen 2.4:1 per il cinema.

Gli obiettivi anamorfici per il cinema solitamente hanno un fattore di ridimensionamento di 2x. La risoluzione 3.7K anamorfico di URSA Broadcast G2 è pensata per questo tipo di obiettivi. Seleziona **2x** per ridimensionare l'immagine secondo questo fattore.

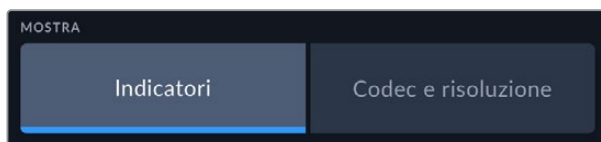
Gli obiettivi anamorfici progettati per i sensori digitali 16:9 spesso hanno un fattore di ridimensionamento di 1.33x per produrre immagini widescreen 2.4:1 dal sensore intero. Se URSA Broadcast G2 è impostata su una risoluzione 16:9, ad esempio 4K 16:9 o HD 16:9, seleziona **De-squeeze anamorfico > 1.33x**.

SUGGERIMENTO Se catturi con un obiettivo sferico standard ma l'immagine appare schiacciata orizzontalmente, accertati di aver deselezionato l'impostazione De-squeeze anamorfico.

LCD

Mostra

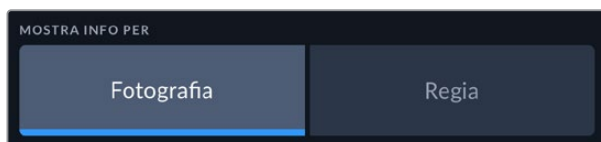
Invece dell'istogramma e degli indicatori audio, in basso a destra e a sinistra del touchscreen LCD puoi visualizzare il codec e la risoluzione. Questa opzione è preferibile se usi lo strumento Falsi colori per mettere a punto l'esposizione o se registri l'audio separatamente. Seleziona **Indicatori** o **Codec e risoluzione** in base alle informazioni che desideri visualizzare.



SDI frontale e SDI principale

Mostra info per Fotografia / Regia

Il touchscreen LCD mostra informazioni di stato tra cui ISO, bilanciamento del bianco e apertura, utili all'operatore di ripresa o al direttore della fotografia in fase di preparazione. L'uscita SDI si può impostare di modo che visualizzi informazioni utili alla regista o al supervisore della sceneggiatura che tiene sotto controllo diverse riprese o camere.



Seleziona **Regia** per visualizzare le informazioni elencate di seguito sulle uscite SDI frontale o SDI principale.

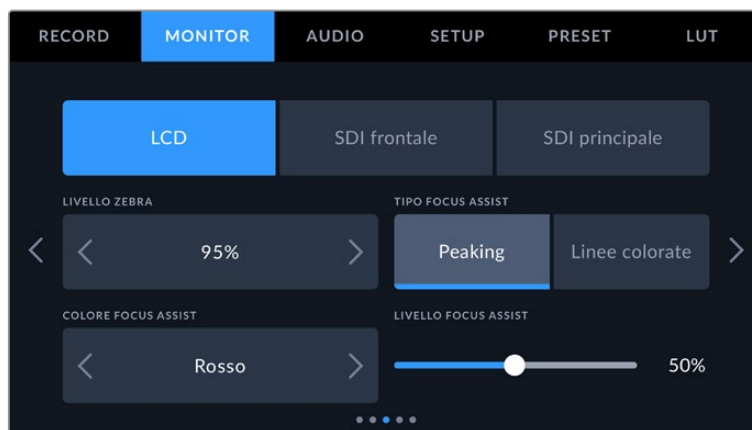
- **FPS**
Mostra i fotogrammi al secondo correntemente selezionati. Se il frame rate off speed è disabilitato, mostra solo il frame rate del progetto; se è abilitato, mostra il frame rate del sensore, seguito dal frame rate del progetto.
- **Cam**
Mostra l'ID della camera impostato nel ciak digitale. Consulta la sezione "Ciak digitale" per tutti i dettagli.
- **Operatore**
Identifica l'operatore di ripresa, come indicato nel ciak digitale. Consulta la sezione "Ciak digitale" per tutti i dettagli.
- **Durata**
Mostra la durata della clip corrente durante la registrazione, o dell'ultima clip registrata nel formato ore:minuti:secondi.
- **Pellicola, scena, ripresa**
Mostra il numero di pellicola, scena e ripresa. Consulta la sezione "Ciak digitale" per tutti i dettagli sulle etichette per pellicola, scena e ripresa.
- **Gamma dinamica**
In basso a sinistra del monitor compare il nome della LUT di URSA Broadcast G2, se presente. In assenza di LUT, compare la voce **Film** o **Video**.

- **Timecode**

In basso a destra del monitor compare il timecode di URSA Broadcast G2 nel formato ore:minuti:secondi:fotogrammi.

Monitor - Pagina 3

La terza pagina dei tre menù LCD, SDI principale e SDI frontale contiene esattamente le stesse impostazioni. Queste impostazioni hanno effetto su tutte e tre le uscite di monitoraggio. Per esempio se abiliti lo strumento Focus assist e passi da Linee colorate a Peaking, la nuova opzione sarà visibile su tutte e tre le uscite.



Livello zebra

Tocca le frecce ai lati della percentuale per impostare il livello di esposizione che determina la comparsa dello strumento Zebra. I livelli predefiniti disponibili vanno dal grigio medio al 100%.

Consulta la sezione "Funzioni del touchscreen" per tutti i dettagli.

Tipo Focus assist

Imposta lo strumento Focus assist su Peaking o Linee colorate.

- **Peaking**

Le aree a fuoco appaiono molto marcate sul touchscreen o sulle uscite SDI, ma non nell'immagine registrata. È un'opzione intuitiva perché non si avvale di overlay aggiuntivi per mettere in risalto le aree a fuoco, soprattutto quando il soggetto interessato è nettamente separato dagli altri elementi dell'immagine.

- **Linee colorate**

Le aree a fuoco dell'immagine sono circondate da linee colorate. È una opzione meno discreta perché le linee compaiono sull'immagine, ma è particolarmente efficiente per le scene ricche di elementi.

Colore Focus assist

Cambia il colore delle linee colorate dello strumento Focus assist per distinguerle facilmente a seconda del tipo di immagine. Scegli tra **Bianco**, **Rosso**, **Verde**, **Blu** e **Nero**.

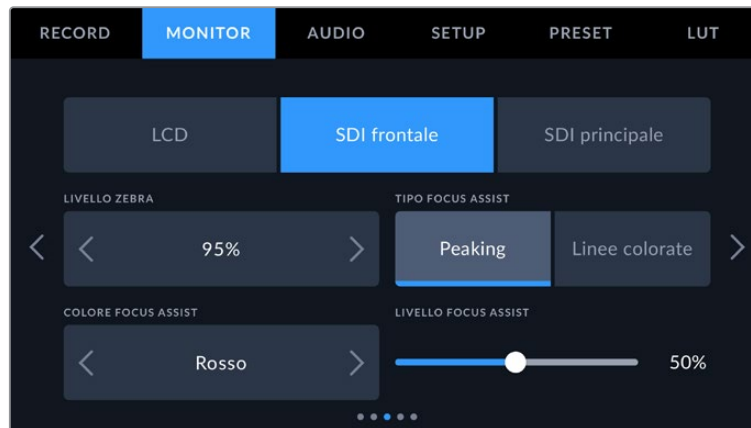
Livello Focus assist

Trascina lo slider verso destra e sinistra per definire il livello dello strumento Focus assist.

SUGGERIMENTO Il livello ottimale dello strumento Focus assist dipende dalle riprese. Per esempio un livello alto è ideale sui dettagli del viso, ma potrebbe sovrappollare l'immagine in caso di fogliame o un muro di mattoni.

Monitor - Pagina 4

La quarta pagina dei tre menù LCD, SDI principale e SDI frontale contiene esattamente le stesse impostazioni. Queste impostazioni hanno effetto su tutte e tre le uscite di monitoraggio.



Guide

Tocca le frecce per impostare le guide di inquadratura sulle uscite della camera, inclusi i mirini elettronici come Blackmagic URSA Viewfinder. Le opzioni sono descritte nella sezione "Funzioni del touchscreen" e accessibili anche dal menù di monitoraggio del display HUD del touchscreen LCD.

Safe area

Tocca le frecce laterali per ridimensionare la safe area sulle uscite della camera. La percentuale indica le dimensioni della safe area in relazione all'inquadratura. Le emittenti solitamente richiedono una safe area del 90%.

Opacità guide

Tocca le frecce laterali per definire la percentuale di opacità dell'area descritta dalle guide di inquadratura sulle uscite della camera. Le opzioni sono **25%**, **50%**, **75%** e **100%**.

Colore guide

Tocca le frecce per cambiare il colore delle guide di inquadratura.

Griglie

Seleziona **Terzi**, **Orizzonte**, **Mirino** o **Punto** per impostare un tipo o una combinazione di griglie sulle uscite della camera.

Consulta la sezione "Funzioni del touchscreen" per tutti i dettagli.

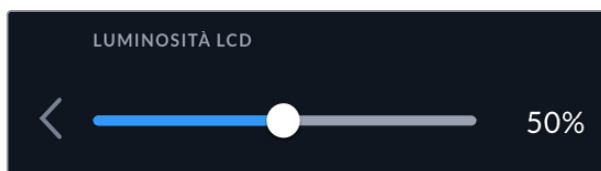
Monitor – Pagina 5

La quinta pagina contiene impostazioni differenti a seconda dell'uscita selezionata.

LCD

Luminosità LCD

Trascina lo slider verso destra e sinistra per regolare la luminosità del touchscreen LCD.



SDI frontale e SDI principale



Uscita SDI

Entrambe le uscite SDI permettono di lavorare in HD progressivo e interlacciato oppure in Ultra HD progressivo. Le opzioni disponibili dipendono dalla risoluzione e dal frame rate della camera. L'opzione HD progressivo **1080p** è sempre disponibile a prescindere dalla risoluzione e dal frame rate, mentre l'opzione HD interlacciato **1080i** è disponibile solo per i frame di progetto di 50, 59.94 o 60. L'opzione Ultra HD **2160p** è disponibile per le risoluzioni Ultra HD.

Uscita 3G-SDI

Cambia lo standard dell'uscita 3G-SDI per mantenere la compatibilità con i dispositivi in grado di ricevere video 3G-SDI di livello A o B. Questa impostazione è disponibile solo se catturi a 50, 59.94 o 60 fotogrammi al secondo e trasmetti a 1080p. Seleziona **Livello A** o **Livello B** per selezionare lo standard.

Impostazioni audio

La tab **Audio** contiene le impostazioni per gestire l'audio in entrata e il monitoraggio.

È suddivisa in due pagine, a loro volta divise per il canale 1 e il canale 2. Altri due canali saranno resi disponibili dal prossimo aggiornamento software.

Puoi assegnare ciascun canale audio a una fonte differente e regolare varie impostazioni tra cui padding e filtri low cut.

Queste impostazioni funzionano in congiunzione agli interruttori del pannello di controllo interno di URSA Broadcast G2. Dopo aver impostato la fonte audio per un determinato canale, puoi utilizzare gli interruttori del pannello di controllo interno per selezionare il tipo di segnale o abilitare l'alimentazione phantom.

Audio - Pagina 1

La prima pagina contiene le impostazioni seguenti.



Fonte canale 1 / 2

Seleziona la fonte per il canale audio 1 e 2 a scelta tra:

- **Camera - sinistra / destra**
Registra l'audio dai microfoni interni della camera.
- **Camera - mono**
Registra l'audio dai canali destro e sinistro del microfono del microfono interno della camera in un solo canale audio.
- **XLR 1 / 2**
Registra l'audio dagli ingressi XLR della camera. In base al segnale audio selezionato con gli interruttori dal pannello di controllo interno della camera, l'ingresso XLR compare come **Mic**, **Linea** o **AES**. Se è abilitata l'alimentazione phantom e l'ingresso XLR è impostato su Mic, compare anche l'impostazione **+48V**. Ricordati di disabilitarla dopo aver disconnesso il microfono ad alimentazione phantom.
- **XLR 1 / 2 - mic backup**
Registra l'audio da un microfono connesso all'ingresso XLR 1 o XLR 2 della camera a un livello più basso dello standard di registrazione microfonico. È un'opzione utile per evitare il clipping audio in caso di aumento inaspettato del loudness, ed è selezionabile solo se l'interruttore XLR 1 o 2 è impostato su Mic.
- **Nessuna**
Disabilita il canale audio.

Livello Canale 1 / 2

Sposta gli slider per regolare i livelli di registrazione delle fonti per i canali 1 e 2. Sopra agli slider ci sono gli indicatori di livello audio per una regolazione ottimale. Gli indicatori rispecchiano in tempo reale la regolazione effettuata con le manopole dal pannello di controllo ergonomico.

Per ottenere una qualità audio ottimale è preferibile evitare di raggiungere 0 dBFS, ovvero il livello massimo di registrazione consentito dalla camera. L'audio che eccede questo livello subisce il clipping e risulta distorto.



PAD XLR -20dB

Usa questa impostazione per ridurre ulteriormente i livelli di gain sugli ingressi XLR durante la cattura in ambienti rumorosi, anche se i livelli audio in entrata sono già stati abbassati.

Pad mic cam -15dB

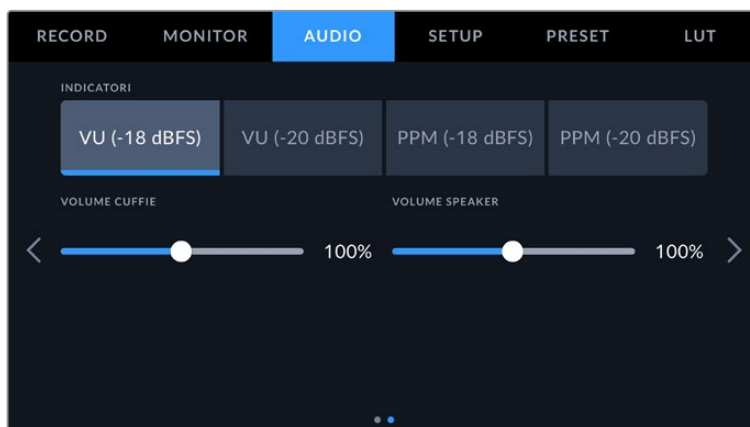
Usa questa impostazione per ridurre ulteriormente il livello di gain del microfono interno durante la cattura in ambiente rumorosi, anche se i livelli audio in entrata sono già stati abbassati.

Filtro low cut mic cam

Seleziona questa impostazione per abilitare il filtro low cut per i microfoni interni. Il filtro riduce il rumore del vento o della bassa frequenza spesso presente quando si cattura in esterno. Per usare efficacemente il filtro, l'impostazione Pad Cam Mic -15dB deve essere deselezionata.

Audio - Pagina 2

La seconda pagina contiene le impostazioni seguenti.



Indicatori

Gli indicatori audio sono disponibili in due versioni.

VU	Misura la media tra i picchi brevi e le valli del segnale audio. Se selezioni questa opzione, regola i livelli di ingresso della camera di modo che i picchi non superino 0dB. Così facendo ottimizzi il rapporto segnale/rumore e ottieni la migliore qualità audio. Se i picchi superano 0dB, il suono è a rischio di distorsione.
PPM	Trattiene momentaneamente i picchi del segnale e un tempo di caduta lento per segnalare chiaramente il livello a cui l'audio raggiunge il picco.

Gli indicatori VU e PPM sono compatibili con livelli di riferimento di -18dBFS o -20dBFS, consentendo di monitorare l'audio secondo i diversi standard di trasmissione internazionali.

Impostazione	Standard
PPM (-20 dBFS)	SMPTE RP.0155
PPM (-18 dBFS)	EBU R.68

Livello cuffie

Sposta lo slider verso destra e sinistra per regolare il volume delle cuffie collegate al jack 3,5mm della camera. I livelli rispecchiano in tempo reale la regolazione del volume delle cuffie effettuata con la rotella dal pannello di controllo anteriore.

Livello speaker

Sposta lo slider verso destra e sinistra per regolare il volume dello speaker interno della camera. I livelli rispecchiano in tempo reale la regolazione del volume dello speaker effettuata con la rotella dal pannello di controllo anteriore.

Impostazioni di configurazione

La tab **Setup** contiene impostazioni tra cui ID della camera, versione del software e pulsanti funzione, e impostazioni non strettamente legate alla registrazione e al monitoraggio. È composta da dodici pagine, accessibili con le frecce laterali o passando il dito verso destra o sinistra sul touchscreen LCD.

Setup - Pagina 1

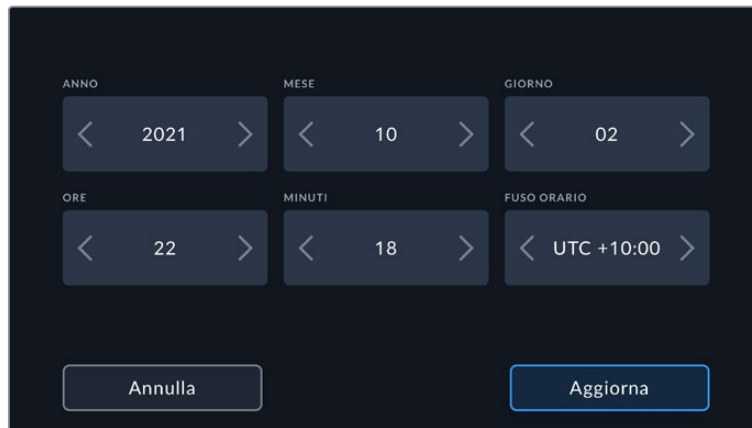
La prima pagina contiene le impostazioni seguenti.



La tab Setup di URSA Broadcast G2

Data e ora

Tocca l'icona della matita per impostare la data e l'ora nel formato anno, mese, giorno e 24H. La data e l'ora vengono utilizzate per il timecode ora del giorno in assenza di timecode esterno.



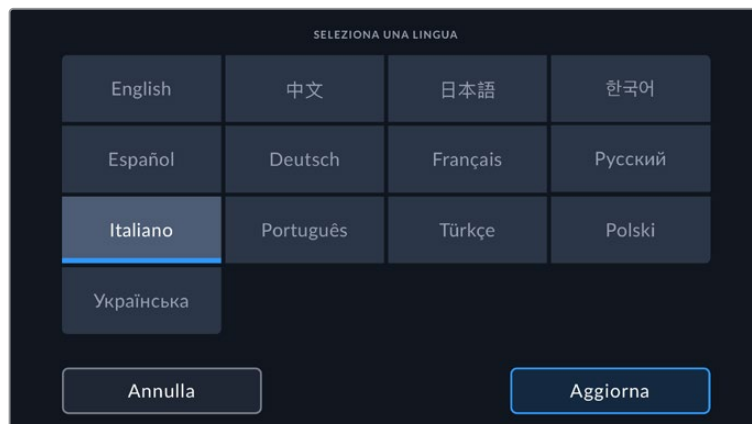
Lingua

Imposta il software su una delle 13 lingue a scelta tra inglese, cinese, giapponese, coreano, spagnolo, tedesco, francese, russo, italiano, portoghese, turco, polacco e ucraino.

La pagina per selezionare la lingua compare all'accensione.

Per selezionare una lingua:

- 1 Tocca l'icona della matita per selezionare una lingua dalla lista.
- 2 Seleziona **Aggiorna** per confermare.



Shutter

Seleziona **Angolo** o **Velocità** per visualizzare l'otturatore nel parametro che preferisci. Entrambi i parametri incidono sull'effetto del mosso, ma funzionano in modo leggermente diverso. Per tutti i dettagli consulta la sezione "Controlli del touchscreen".

Frequenza anti-sfarfallio

Cambia la frequenza della corrente che la camera usa per calcolare impostazioni dell'otturatore anti-sfarfallio.

La velocità dell'otturatore può incidere sulla visibilità dello sfarfallio durante la cattura sotto luci artificiali. URSA Broadcast G2 calcola automaticamente le velocità dell'otturatore anti-sfarfallio per il frame rate selezionato e le suggerisce nel menù **Shutter** del display principale. Le velocità dipendono dalla frequenza della fonte utilizzata per alimentare le luci. Solitamente la frequenza è 50Hz nei paesi che utilizzano PAL, e 60Hz in quelli che utilizzano NTSC. Seleziona **50Hz** o **60Hz** per impostare la frequenza adatta al paese in cui lavori.

Le caratteristiche delle diverse fonti di luce potrebbero causare sfarfallio anche selezionando uno dei suggerimenti. Consigliamo di testare sempre la registrazione se l'illuminazione non è stabile.

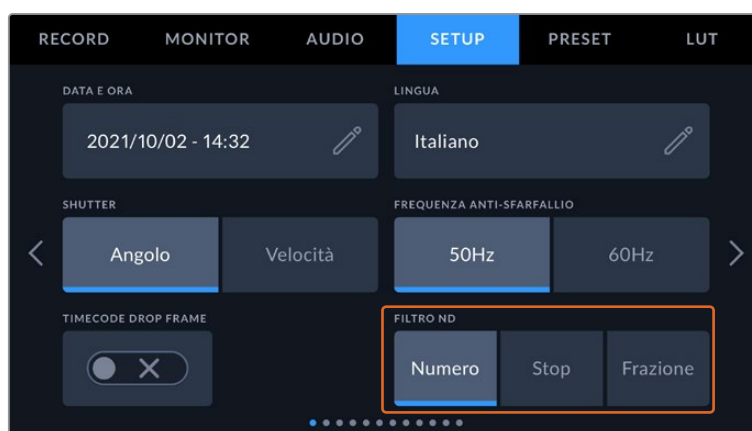
Timecode drop frame

Seleziona questa impostazione per usare il timecode drop frame con i frame rate di progetto 29.97 e 59.94 NTSC. Così facendo la camera elimina alcuni fotogrammi dal timecode a intervalli stabiliti, mantenendolo accurato nonostante il fatto che ogni secondo non contenga un numero intero di fotogrammi ai frame rate NTSC.

Filtro ND

Scegli come visualizzare i filtri ND della camera in base alle convenzioni adottate nel tuo ambiente. Nel cinema solitamente si preferiscono i numeri, mentre chi usa le camere DSLR o broadcast predilige gli f-stop o la frazione della luce disponibile.

Le tre opzioni disponibili sono **Numero**, **Stop** e **Frazione**.



Personalizza l'indicatore dei filtri ND nella tab Setup

Setup - Pagina 2

La seconda pagina contiene le impostazioni seguenti.



ID camera - ATEM

Se usi la camera con uno switcher ATEM e vuoi ricevere da quest'ultimo i segnali di tally, è necessario assegnare un numero identificativo alla camera. Così facendo lo switcher invia il segnale di tally alla camera corretta. Tocca le frecce per selezionare un numero tra 1 e 99. Il valore di default è 1.

Barre di colore

Seleziona questa impostazione per visualizzare le barre di colore invece dell'anteprima dell'immagine se la camera è connessa a uno switcher o a un monitor esterno. Le barre di colore sullo switcher o sul monitor confermano la connessione, e consentono anche di effettuare una calibrazione basilare del monitor. Le barre di colore si abilitano su tutte le uscite della camera, incluso il touchscreen LCD.

Fonte riferimento

Scegli se usare una fonte di riferimento **Interna** o **Esterna**, o quella del programma **PGM** in entrata dallo switcher ATEM. Se gestisci URSA Broadcast G2 grazie alle funzioni di controllo camera di uno switcher ATEM, seleziona sempre l'opzione PGM, a meno che lo switcher stesso e le camere collegate non siano impostate su un riferimento esterno.

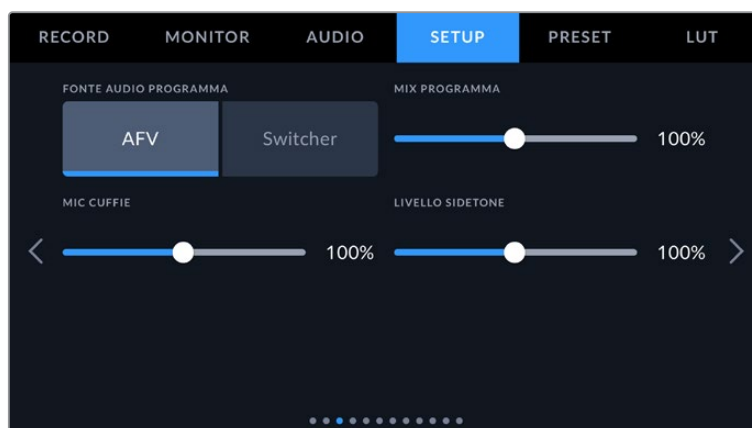
NOTA Mentre cambi la fonte di riferimento di URSA Broadcast G2 è probabile che si verifichi una breve disconnessione delle uscite della camera dovuta al tentativo di quest'ultima di adeguare il suo riferimento a quello della fonte esterna. Per questo motivo è importante non cambiare fonte di riferimento durante la cattura, ma solo in fase di configurazione.

Riferimento temporale

Regola manualmente il riferimento temporale a livello di linea o pixel toccando le frecce delle opzioni **Linee riferimento temporale** e **Pixel riferimento temporale**.

Setup - Pagina 3

La terza pagina contiene le impostazioni seguenti.



Fonte audio programma

Se la camera è connessa a uno switcher ATEM, seleziona **Switcher** per dare priorità all'audio del ritorno di programma e mixarlo con il talkback in caso di monitoraggio con cuffie con o senza microfono. Questa opzione è utile se dalla camera non invii audio allo switcher, ma vuoi comunque ascoltare l'audio del programma dallo switcher mediante la porta SDI In. Seleziona **AFV** per dare priorità all'audio dei microfoni interni della camera o all'audio in entrata dalle porte XLR. Questa è l'opzione di default.

Mix programma

Regola il volume dell'audio della camera rispetto al talkback. A seconda delle immagini che l'LCD visualizza, le cuffie riproducono l'audio della camera o l'audio del programma. Il volume di default è 100%.

Mic cuffie

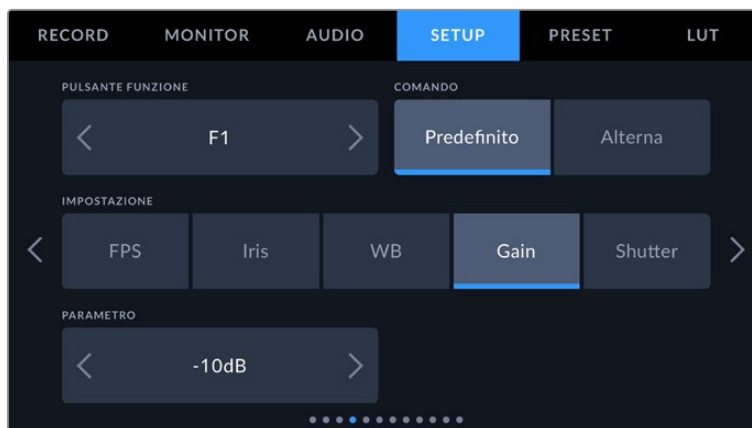
Sposta lo slider verso destra e sinistra per regolare il volume del microfono in entrata. Il volume di default è 50%.

Livello sidetone

Sposta lo slider verso destra e sinistra per regolare il volume della tua voce nel microfono delle cuffie.

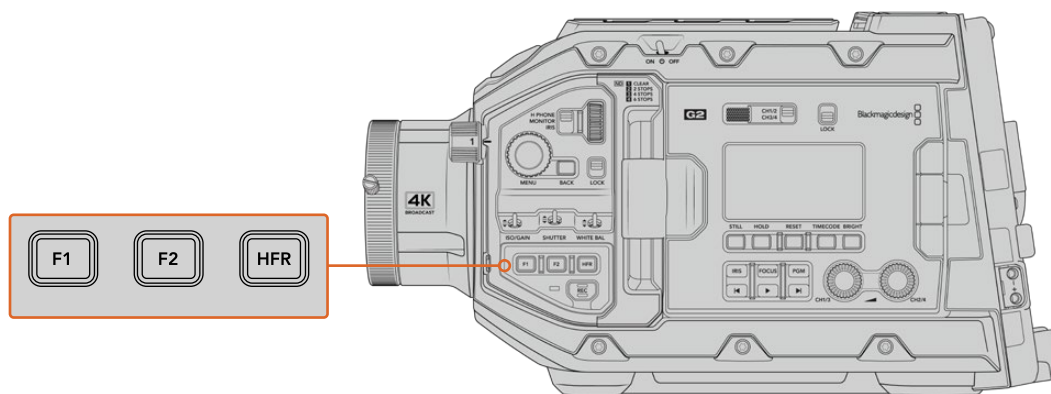
Setup - Pagina 4

La quarta pagina contiene le impostazioni seguenti.



Pulsante funzione

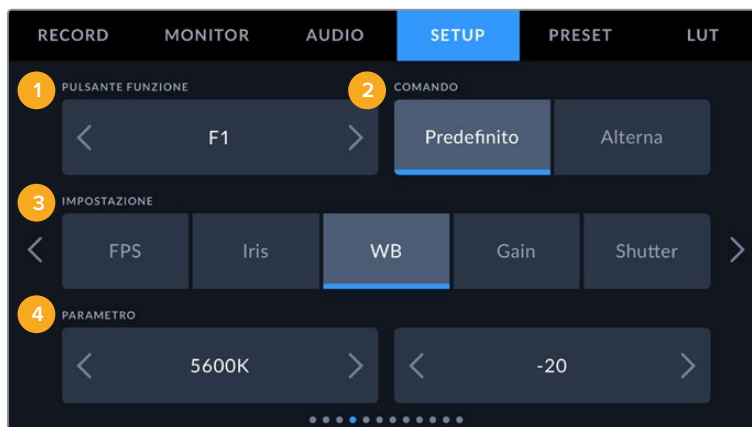
Mappa i pulsanti **F1** e **F2**, situati sul lato esterno del touchscreen LCD della camera, con le funzioni che preferisci per accedervi rapidamente quando il touchscreen LCD è chiuso, per esempio se usi URSA Viewfinder. Di default il pulsante **HFR** è impostato su **Rec off speed**, ma puoi programmarlo con un'altra funzione.



I pulsanti funzione F1, F2 e HFR sul pannello di controllo anteriore

SUGGERIMENTO Se URSA Broadcast G2 ha un obiettivo B4 con connettore, puoi programmare i pulsanti VTR e RET di modo che azionino o alternino un comando proprio come i pulsanti F1, F2 e HFR.

Tocca le frecce per selezionare il pulsante funzione, il comando, l'impostazione e il parametro.



1 Pulsante 2 Comando 3 Impostazione 4 Parametro

Comando

Dopo aver selezionato il pulsante funzione, programmallo con un comando a scelta tra:

- **Predefinito**

Il pulsante funzione richiama una determinata impostazione con un parametro.

Puoi scegliere l'impostazione che preferisci tra quelle disponibili e personalizzarla con un parametro.

Per esempio per impostare F1 di modo che richiami un predefinito di bilanciamento del bianco, seleziona il pulsante funzione **F1** > il comando **Predefinito**, l'impostazione **WB** > e il parametro **5600K** con tinta **10**.

- **Alterna**

Il pulsante funzione accende e spegne una determinata impostazione. Selezionando questa opzione, il menù Impostazione si disattiva perché è superfluo, mentre dal menù Parametro puoi scegliere tra **Clean feed**, **LUT**, **Guide**, **Focus assist**, **False color**, **Zebra**, **Griglie**, **Safe area**, **Rec off speed**, **Registrazione**, **Ritorno programma**, **Barre di colore**, **Premi per parlare**, **Focus zoom** e **Nessuno**.

Se selezioni Focus zoom, usa la rotella **Menu** sul pannello di controllo anteriore per muovere l'area zoomata e cambiare il livello di ingrandimento. Premi la rotella per regolare la posizione dell'area zoomata o il livello di ingrandimento. Consulta la sezione "Focus zoom" per tutti i dettagli su come utilizzarlo sull'LCD.

Se selezioni il comando Alterna, puoi anche stabilire l'uscita su cui funzionerà in una combinazione qualsiasi di **LCD**, **SDI frontale** e **SDI principale**. Per i parametri che di default funzionano su tutte le uscite, come le barre di colore, il menù **Mostra su** non compare.

URSA Broadcast G2 permette anche di programmare i pulsanti RET e VTR sull'obiettivo B4. Per esempio se un HyperDeck registra in modalità ISO, è utile programmare il pulsante VTR con il parametro Premi per parlare.

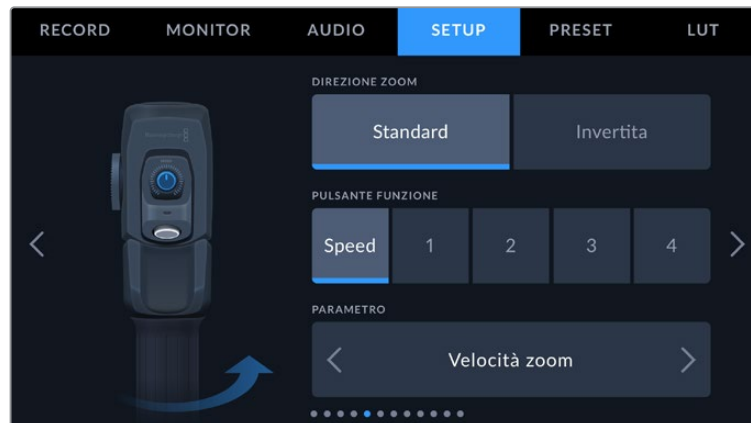


Il pulsante VTR dell'obiettivo B4 programmato con il parametro Premi per parlare

Setup - Pagina 5

La quinta pagina contiene le impostazioni per configurare l'accessorio opzionale Blackmagic Zoom Demand. Queste impostazioni sono disponibili se colleghi Blackmagic Zoom Demand alla camera.

Tutti i dettagli su come collegare e utilizzare Blackmagic Zoom Demand con URSA Broadcast G2 sono forniti nella sezione "Blackmagic Zoom Demand e Focus Demand".



Direzione zoom

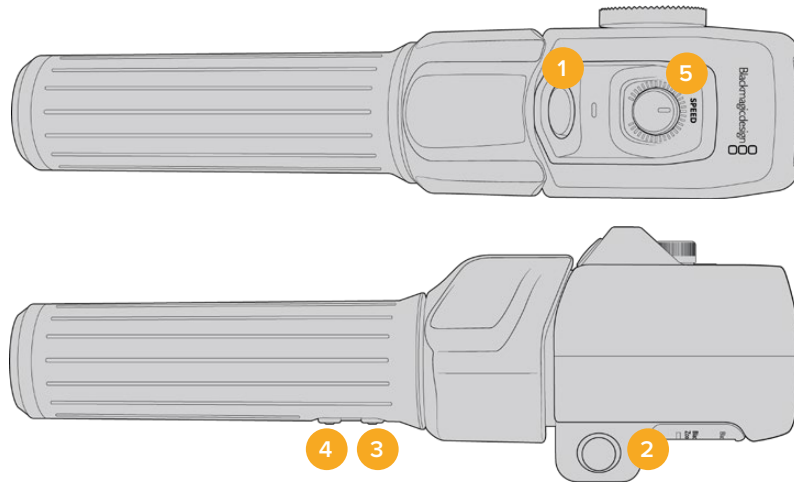
- **Standard**

La direzione standard dello zoom. Premi la levetta verso destra per zoomare in avanti, verso sinistra per zoomare indietro.

- **Invertita**

Seleziona questa opzione per zoomare in avanti premendo la levetta verso sinistra e zoomare indietro premendola verso destra.

Blackmagic Zoom Demand ospita quattro pulsanti funzione e una rotella programmabili.



1 Zoom F1 2 Zoom F2 3 Zoom F3 4 Zoom F4 5 Rotella

Per programmare la rotella o uno dei pulsanti funzione, tocca **Speed** o il numero **1, 2, 3 o 4** dal menù **Pulsante funzione**, e tocca le frecce del menù **Parametro** per selezionarne uno.

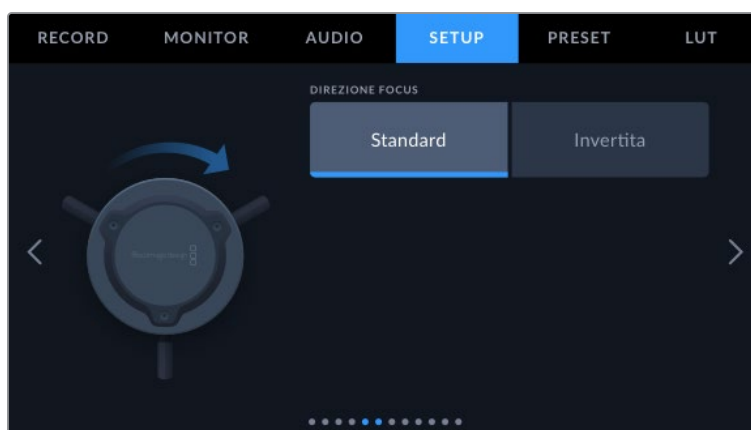
Parametri disponibili

Rotella Speed	Velocità zoom, Livello cuffie, Iris, Focus.
Pulsanti 1 - 4	Registrazione, Premi per parlare, Ritorno programma, Focus zoom, Guide, Info di stato, Auto focus, Auto iris, Auto WB, Riproduzione.

Setup - Pagina 6

La sesta pagina contiene le impostazioni per configurare l'accessorio opzionale Blackmagic Focus Demand. Queste impostazioni sono disponibili se colleghi Blackmagic Focus Demand alla camera.

Tutti i dettagli su come collegare e utilizzare Blackmagic Focus Demand con URSA Broadcast G2 sono forniti nella sezione "Blackmagic Zoom Demand e Focus Demand".



Direzione focus

Cambia la direzione della manopola di messa a fuoco come preferisci.

- **Standard**

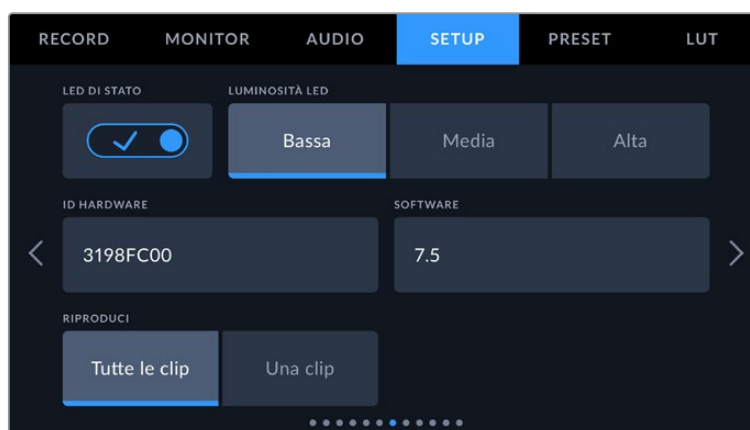
Seleziona questa opzione per mettere a fuoco i soggetti vicini girando la manopola in senso orario, e i soggetti lontani girandola in senso antiorario.

- **Invertita**

Seleziona questa opzione per mettere a fuoco i soggetti vicini girando la manopola in senso antiorario, e i soggetti lontani girandola in senso orario.

Setup - Pagina 7

La settima pagina contiene le impostazioni seguenti.



LED di stato

Sul pannello frontale della camera c'è un piccolo LED che segnala le attività del tally e di stato. Seleziona questa impostazione per abilitare il LED.

Il LED si illumina in base all'attività in corso.

Bianco	La camera è accesa e in modalità standby.
Rosso	La camera registra. Lampeggia lentamente quando la scheda è quasi piena; lampeggia velocemente quando ci sono drop frame.
Verde	La camera è in modalità riproduzione. Lampeggia lentamente quando la clip viene riprodotta. Lampeggia tre volte in verde e bianco quando il supporto di memoria inserito viene riconosciuto.
Arancione	Quando la batteria della camera è quasi scarica, lampeggia in arancione e nel colore dell'attività in corso. Per esempio alterna lentamente arancione e rosso quando la camera registra, oppure arancione e bianco quando è in standby. La carica residua diventa bassa a partire dal 20%, oppure da 12,5V per le batterie che non supportano le percentuali.

Luminosità LED

Imposta la luminosità del LED di stato su **Bassa**, **Media** o **Alta**.

SUGGERIMENTO Le impostazioni del LED di stato di Blackmagic URSA Broadcast G2 hanno effetto anche su quelli di URSA Mini Recorder, Blackmagic Zoom Demand e Blackmagic Focus Demand.

ID hardware

Indica il codice di identificazione a 8 caratteri della tua URSA Broadcast G2. Il codice di ogni camera è univoco. Una versione più lunga (32 caratteri) è inclusa nei metadati del video Blackmagic RAW e ProRes. Il codice rimane invariato, consentendo di identificare la provenienza dei filmati se i nomi dei file sono stati cambiati.

Software

Indica la versione del software installato sulla tua URSA Broadcast G2. Tutti i dettagli su come aggiornare il software sono forniti nella sezione "Utilità Blackmagic Camera Setup".

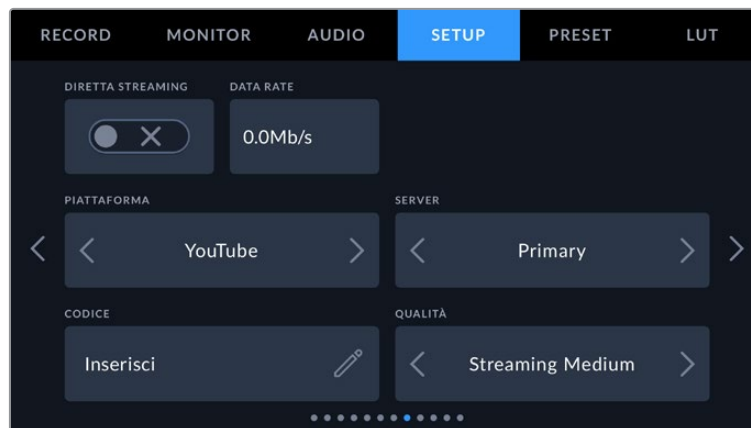
Riproduci

Seleziona **Tutte le clip** per riprodurre tutte le clip nel supporto di memoria in ordine sequenziale, oppure **Una clip** per riprodurre una clip alla volta. Questa selezione vale anche per la modalità di riproduzione continua, che manderà quindi in loop una clip o tutte le clip.

Setup - Pagina 8

L'ottava pagina contiene le impostazioni di streaming.

Consulta la sezione "Video in streaming" per tutti i dettagli sulla configurazione dello streaming con URSA Broadcast G2.



Diretta streaming

Avvia e interrompi lo streaming.

Data rate

Indica il data rate del flusso video durante lo streaming.

Piattaforma

Seleziona la piattaforma di streaming desiderata tra YouTube, Facebook e Twitch.

Server

Seleziona il server desiderato. Queste opzioni cambiano in base alla piattaforma selezionata.

Codice

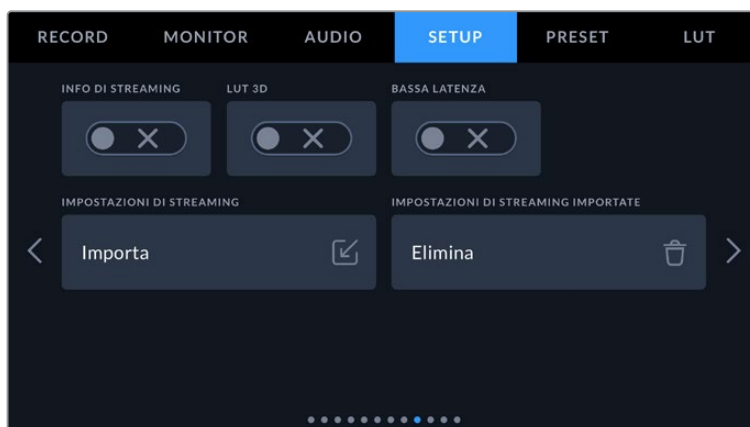
Tocca l'icona della matita per inserire il codice di streaming per la piattaforma selezionata.

Qualità

Seleziona la qualità dello streaming.

Setup - Pagina 9

La nona pagina contiene le impostazioni di streaming.

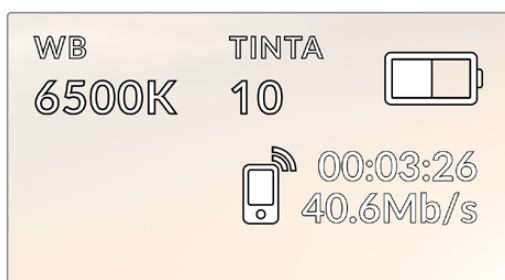


Info di streaming

Info di streaming

Mostra o nascondi le informazioni di streaming sul display di stato della camera. Le informazioni compaiono sull'LCD e sull'uscita SDI frontale o principale.

Includono la connessione utilizzata, per esempio ethernet o lo smartphone, un timer della durata dello streaming e il data rate in megabit al secondo.



LUT 3D

Scegli se applicare una LUT 3D al flusso di streaming.

SUGGERIMENTO Abilitando l'interruttore LUT 3D, la LUT viene applicata solo sull'uscita di streaming.

Se durante lo streaming la camera registra contemporaneamente nei codec Blackmagic RAW o ProRes, puoi aggiungere una LUT ai file registrati (dalla tab Record) o aggiungere una LUT all'LCD o alle uscite SDI (dalla tab Monitor). Consulta "Impostazioni di registrazione" per tutti i dettagli.

Bassa latenza

Abilita questa impostazione per ridurre al minimo il ritardo tra l'evento dal vivo e le immagini visualizzate dal pubblico. Quando questa impostazione è disabilitata, il buffering è maggiore e lo streaming è più stabile se la connessione a internet è soggetta a disconnessioni o è lenta.

Impostazioni di streaming

Tocca **Importa** per importare un file impostazioni XML e consentire alla camera di localizzare ATEM Streaming Bridge su internet.

Consulta la sezione "Video in streaming" per tutti i dettagli su come importare i file XML.

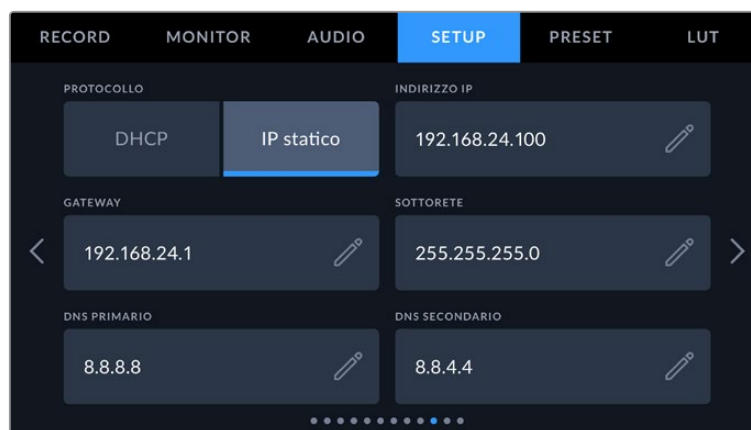
Impostazioni di streaming importate

Tocca **Elimina** per eliminare le impostazioni di streaming importate. Un messaggio ti chiederà di confermare l'operazione.

Setup - Pagina 10

La decima pagina contiene le impostazioni di rete.

Per esempio puoi scegliere di connettere la camera a una rete mediante DHCP o un indirizzo IP statico.



Connetti la camera a una rete mediante DHCP o un indirizzo IP statico

Setup - Pagina 11

L'undicesima pagina contiene le seguenti impostazioni.



The camera Bluetooth name will be the letter of your camera as selected in the slate, followed by the 8 character hardware ID for your URSA Broadcast G2

Bluetooth®

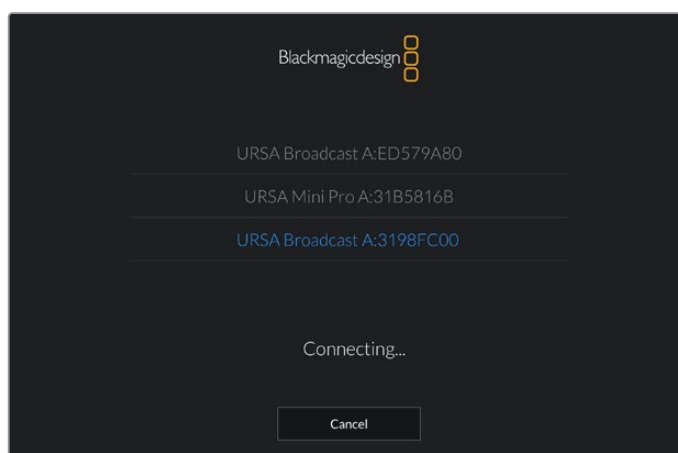
Il Bluetooth permette di controllare la camera in modalità wireless da dispositivi portatili. Grazie alla app Blackmagic Camera Control puoi accendere/spegnere la camera, modificare le impostazioni e i metadati, e avviare/interrompere la registrazione da un iPad. Seleziona questa impostazione per abilitare il Bluetooth. I dispositivi Bluetooth sono in grado di rilevare la camera fino a 9 metri di distanza.

Poiché Because URSA Broadcast G2 si avvale dello stesso set di comandi del protocollo Blackmagic SDI Camera Control Protocol, puoi programmare applicazioni di controllo remoto su misura per quasi tutte le impostazioni della camera, inclusi monitoraggio, audio, correttore colore integrato DaVinci Resolve e obiettivo.

Per maggiori informazioni consulta la sezione "Blackmagic SDI Camera Control Protocol".

Per abbinare la camera e un iPad per la prima volta:

- 1 Sposta l'interruttore **Bluetooth** su **ON**.
- 2 Apri la app Blackmagic Camera Control e seleziona la URSA Broadcast G2 che vuoi abbinare. Le camere disponibili elencate indicano il nome del modello e l'ID univoco, per esempio A:3198FC00.



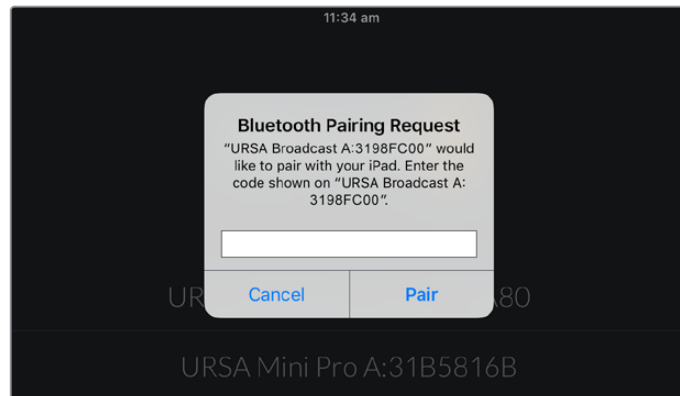
Seleziona la URSA Broadcast G2 che vuoi abbinare

Quando installi la app Blackmagic Camera Control per la prima volta, un messaggio richiederà l'accesso alla tua posizione. Seleziona **While using the app** se desideri includere le informazioni del GPS dell'iPad nei metadati dei file catturati, consentendone la geolocalizzazione. Queste informazioni sono leggibili su Blackmagic DaVinci Resolve 14 o successivo.

Seleziona **Never** se preferisci non usare queste informazioni.

Per cambiare le impostazioni, vai su **Impostazioni > Privacy > Localizzazione > Camera Control** del tuo iPad.

- Al primo tentativo di connessione, la app Blackmagic Camera Control richiede un codice a sei cifre. Il codice compare sullo schermo LCD della camera. Inserisci il codice nell'iPad.



- I messaggi sullo schermo confermano se URSA Broadcast G2 e l'iPad sono connessi.



5 In caso di errore vedrai questo messaggio:



NOTA Per motivi di sicurezza, consigliamo di spegnere il Bluetooth quando non lo usi per controllare la camera.

Dispositivo connesso

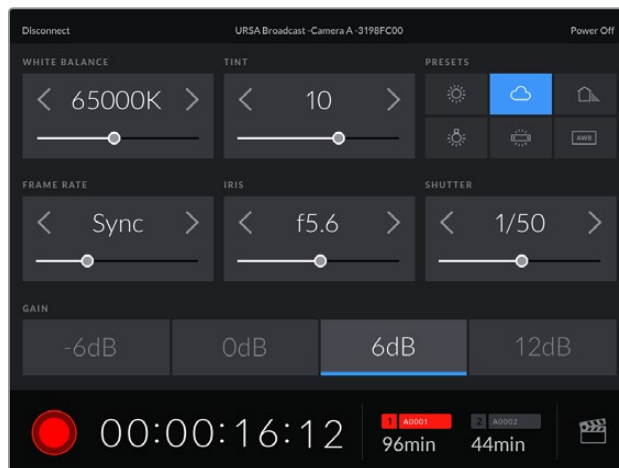
Seleziona **Disconnetti** per disconnettere la camera dall'iPad.

Dispositivi abbinati

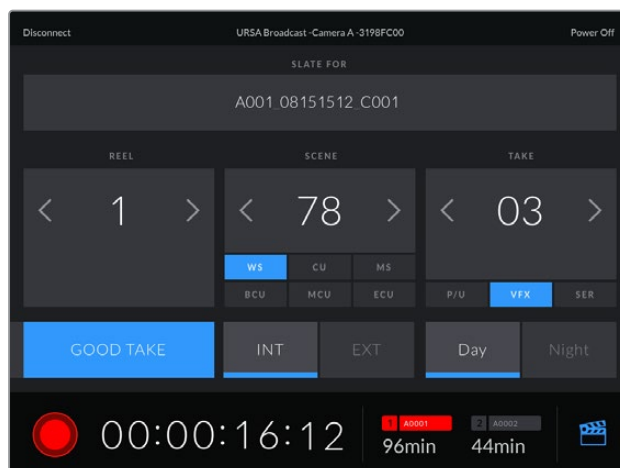
Seleziona **Elimina** per eliminare tutti i dispositivi abbinati alla camera.

Controllare la camera dalla app Blackmagic Camera Control

Dopo aver abbinato iPad e URSA Broadcast G2, puoi accendere/spegnere la camera, cambiare le impostazioni, modificare i metadati, e avviare/interrompere la registrazione dalla app.



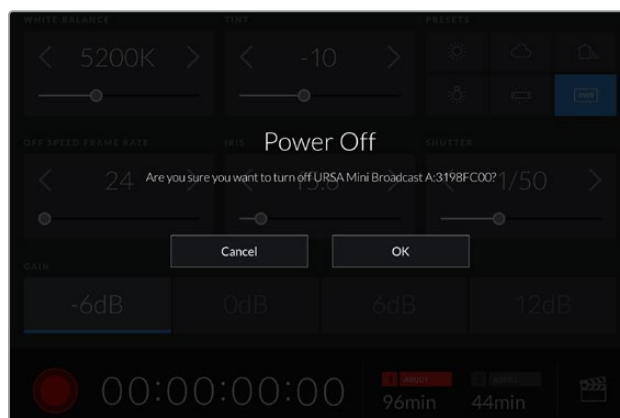
La app Blackmagic Camera Control con i controlli per gestire le impostazioni e la registrazione



Tocca l'icona del ciak in basso a destra per aprirlo e aggiornare le informazioni

URSA Broadcast G2 si avvale del Bluetooth LE per comunicare con i dispositivi di controllo wireless. È lo stesso protocollo utilizzato dai dispositivi mobili, e pertanto consuma pochissima batteria.

Seleziona **Power Off** in alto a destra per spegnere URSA Broadcast G2.



Conferma la tua selezione per spegnere la camera

Se il Bluetooth è abilitato e la camera è spenta, il nome della camera rimane nella lista dei dispositivi disponibili nella app Blackmagic Camera Control. Essendo già abbinata, per riaccenderla a distanza basta selezionare il nome corrispondente e poi **Connect**. La camera non compare nella lista se il Bluetooth è disabilitato.

Setup - Pagina 12

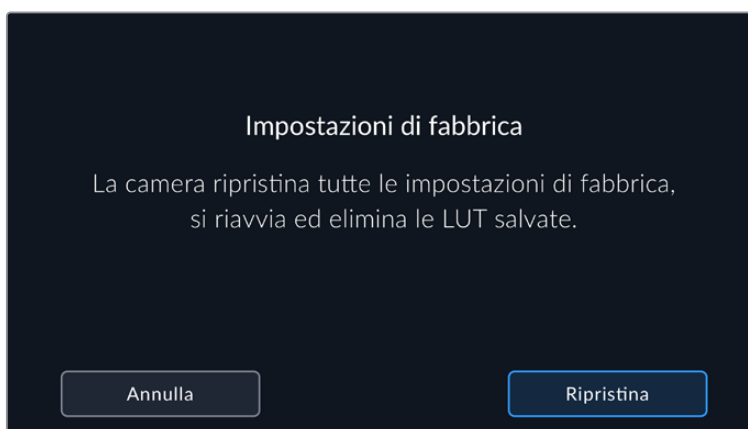
La dodicesima pagina contiene le seguenti impostazioni.



Impostazioni di fabbrica

Seleziona **Ripristina** per ripristinare le impostazioni di fabbrica. Un messaggio chiederà di confermare l'operazione poiché il ripristino elimina le LUT e i predefiniti salvati nella camera. Tocca **Ripristina** per procedere con il ripristino delle impostazioni di fabbrica.

Ricorda che questa operazione resetta tutte le impostazioni ed elimina i predefiniti e le LUT salvati. Per questo motivo consigliamo di esportare LUT e predefiniti su un supporto di memoria prima di ripristinare le impostazioni di fabbrica. Dopo il ripristino, puoi reimportarli velocemente dal supporto di memoria.



Il messaggio di conferma per ripristinare le impostazioni di fabbrica

Calibrazione del sensore di movimento

Posiziona la camera su una superficie orizzontale a livello e tocca **Calibra** per calibrare l'indicatore dell'orizzonte. È importante che la camera rimanga ferma durante la calibrazione per far sì che i metadati del sensore di movimento registrati nei file Blackmagic RAW durante le riprese siano accurati. La calibrazione richiede circa 5 secondi.

L'indicatore dell'orizzonte si può decentrare se necessario. Per esempio, per impostare una determinata inclinazione, calibra il sensore di movimento angolando la camera come desiderato e poi usa l'indicatore dell'orizzonte per fare riferimento sempre alla stessa angolazione.

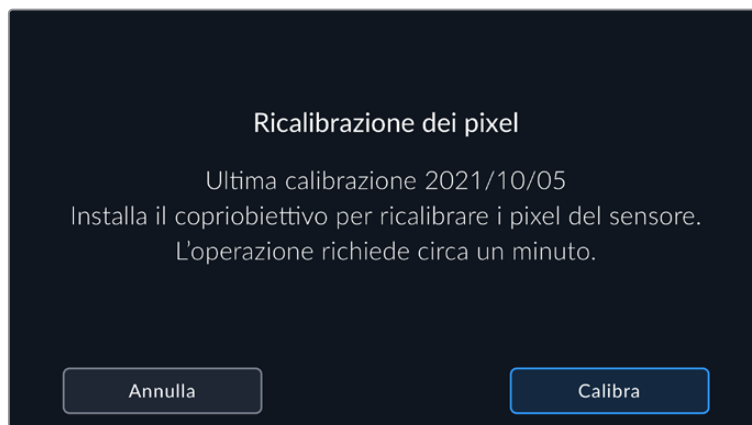
I dati del sensore di movimento sono utili per stabilizzare le clip su DaVinci Resolve. Consulta la sezione "Stabilizzazione giroscopica" per maggiori informazioni.

Ricalibrazione dei pixel

Il sensore CMOS di URSA Broadcast G2 è composto da milioni di pixel che rispondono alla luce. Questi pixel tendono a diventare più visibili e a sfociare nel cosiddetto fenomeno degli *hot pixel*. Tutti i sensori per telecamera, indipendentemente dal produttore, nel tempo manifestano tale variazione di luminosità dei pixel.

Per risolvere questo problema, URSA Broadcast G2 offre una funzione di recalibrazione da usare se alcuni pixel sono più luminosi degli altri.

Per effettuare questa operazione, installa il copriobiettivo, seleziona **Calibra** e conferma nuovamente con **Calibra**. La calibrazione richiede circa un minuto.



Calibrazione del bilanciamento del bianco LCD

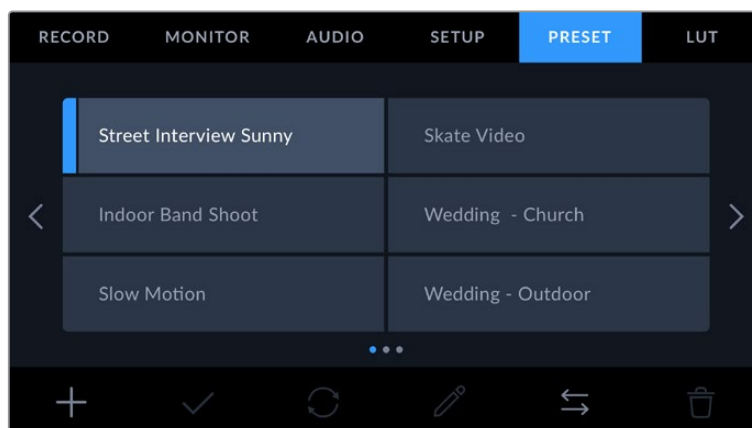
Usa i controlli **Temperatura** e **Tinta** per neutralizzare i colori dei due rettangoli di riferimento. Seleziona **Resetta** per riportare i controlli nella posizione della calibrazione di fabbrica, e **Ripristina** per riportarli nella posizione della regolazione da te effettuata. Così facendo è facile confrontare l'aspetto prima e dopo la calibrazione. Quando l'LCD ha un bilanciamento del bianco accurato, **Salva** le impostazioni.



Impostazioni predefiniti

La tab **Preset** consente di salvare e ripristinare le configurazioni di URSA Broadcast G2 come predefiniti. Questa funzione è utile se utilizzi la stessa camera per progetti diversi, per esempio un documentario e un video musicale. Salvando come predefinito la configurazione della camera per un particolare progetto o tipo di ripresa, puoi richiamarlo facilmente in qualsiasi momento.

I predefiniti si possono anche importare ed esportare, per configurare facilmente le riprese multicamera. Basta impostare la camera nel modo desiderato, salvare la configurazione come predefinito ed esportarlo sulle altre URSA Broadcast G2 sul set.



La tab Preset di URSA Broadcast G2

NOTA URSA Broadcast G2 consente di salvare 60 predefiniti nella memoria interna.

Pulsanti dei predefiniti

Le icone nella parte inferiore della tab Preset corrispondono alle seguenti funzioni.

Aggiungi	Carica	Aggiorna	Gestisci	Elimina

Salvare e caricare i predefiniti

Per creare un predefinito, tocca l'icona +. Usa la tastiera in sovrapposizione per assegnare un nome al predefinito. Tocca **Aggiorna** per salvare le impostazioni correnti della camera come configurazione predefinita.

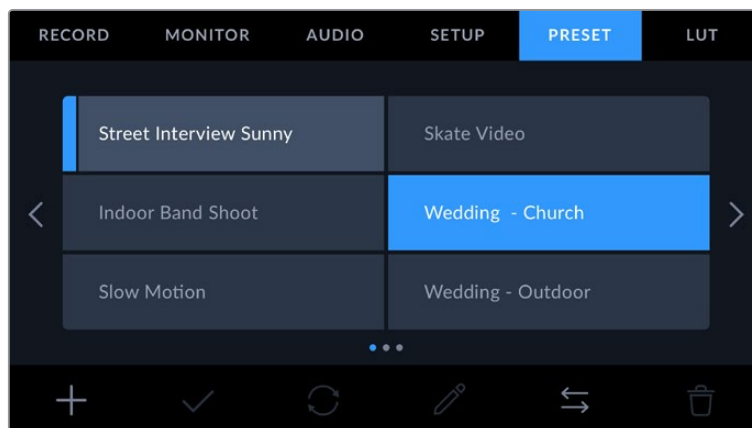
Se nella camera c'è già un predefinito con lo stesso nome, un messaggio chiederà se sovrascrivere quello esistente o conservare entrambi.



Tocca l'icona + nella tab Preset per dare un nome al predefinito con la tastiera in sovrapposizione

Dopo aver salvato il predefinito, tocca il nome corrispondente nell'elenco per selezionarlo e poi tocca l'icona della spunta per caricarlo.

Tocca l'icona circolare per aggiornare un predefinito. Un messaggio di conferma chiederà se aggiornare il predefinito alle impostazioni correnti. Tocca **Aggiorna** per confermare.



Seleziona un predefinito e tocca l'icona della spunta per caricarlo. Il predefinito selezionato è evidenziato in blu; quello caricato mostra una linea blu a sinistra

Importare i predefiniti

Tocca l'icona delle due frecce orizzontali in basso. Seleziona SD o CFast con l'interruttore a seconda del supporto in cui sono salvati i predefiniti. Se utilizzi URSA Mini Recorder, puoi importare i predefiniti anche da un flash disk USB-C o da un SSD.

Alla voce **Importa da**, seleziona la scheda o il drive contenente il predefinito che vuoi importare e tocca il pulsante **Importa** per confermare. Nella schermata di importazione, usa i pulsanti in alto a sinistra per visualizzare i predefiniti disponibili su altre schede o drive connessi alla camera.

URSA Broadcast G2 cerca la directory e la cartella *Presets* nel supporto di memoria selezionato. I predefiniti salvati fuori da questa cartella non sono visibili.

Tocca un predefinito per selezionarlo, e **Importa** per confermare. Se nella camera c'è già un predefinito con lo stesso nome, un messaggio chiederà se sovrascrivere quello esistente o conservare entrambi. In alto a destra della schermata compare il numero di slot per predefiniti disponibili.

NOTA Quando tutti gli slot per predefiniti sono pieni, il menù di importazione non è attivo. È necessario eliminare un predefinito esistente per importarne un altro.

Esportare i predefiniti

Seleziona il predefinito che vuoi esportare sulla scheda CFast o SD e tocca l'icona delle due frecce orizzontali.

Seleziona **Esporta** alla voce **Gestisci predefinito**. Seleziona SD o CFast con l'interruttore a seconda del supporto su cui vuoi esportare il predefinito. Se utilizzi URSA Mini Recorder, puoi esportare i predefiniti anche su un flash disk USB-C o su un SSD. Alla voce **Esporta su**, seleziona la scheda o il drive su cui vuoi esportare il predefinito e tocca il pulsante **Esporta** per confermare.

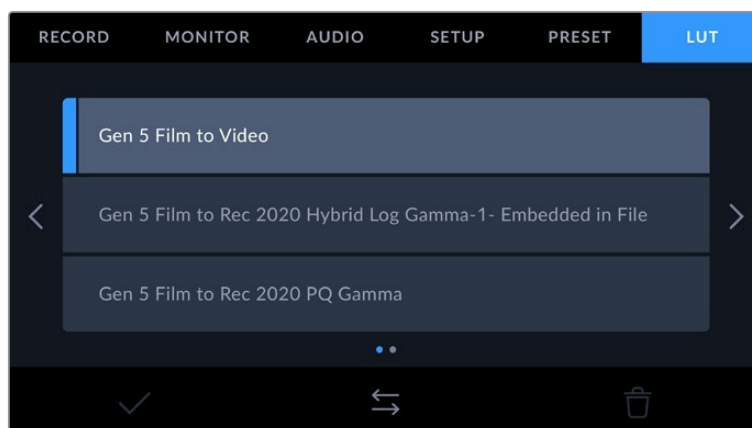
Se nel supporto di memoria c'è già un predefinito con lo stesso nome, un messaggio chiederà se sovrascrivere quello esistente o conservare entrambi.

Eliminare i predefiniti

URSA Broadcast G2 consente di salvare 60 predefiniti. Per eliminare un predefinito, tocca il nome corrispondente e poi l'icona del cestino. Un messaggio chiederà di confermare la selezione. Seleziona **Elimina** per confermare.

Impostazioni LUT

La tab **LUT** consente di importare, esportare e applicare le LUT 3D alle uscite della camera.



La tab LUT di URSA Broadcast G2

Nota introduttiva sulle LUT 3D

URSA Broadcast G2 permette di applicare le LUT 3D al touchscreen LCD, all'uscita SDI frontale e all'uscita SDI principale. Le LUT comunicano alla camera quale colore e luminanza visualizzare in uscita per il colore e la luminanza in entrata. Per esempio, è possibile registrare internamente le immagini con il colore normale, ma inviare ai monitor e allo switcher un'anteprima con i colori conformi allo standard del broadcast di un paese. Questa funzione è utile anche se catturi nel formato Blackmagic RAW o con gamma dinamica Film, i cui filmati sono entrambi intenzionalmente "piatti" e sottosaturati. Applicando una LUT, puoi farti un'idea di come sarà il filmato dopo la correzione colore.

Le LUT 3D si possono acquistare su diversi siti online, oppure creare su DaVinci Resolve o con altri software di correzione colore. URSA Broadcast G2 è in grado di salvare 30 LUT 3D a 17 o 33 punti, ognuna di massimo 1,5 megabyte.

URSA Broadcast G2 è compatibile con le LUT 3D a 33 punti in formato .cube create su DaVinci Resolve e con le LUT 3D a 17 punti convertite nel formato .cube di Resolve con un programma di conversione per LUT. La camera elabora le LUT 3D con interpolazione tetraedrica di alta qualità.

Consulta la sezione "Impostazioni di monitoraggio" per tutti i dettagli su come visualizzare le LUT.

NOTA Di default, Blackmagic URSA Broadcast G2 non integra le LUT nel filmato registrato, ma consente di farlo.

Potrebbe tornare utile quando non c'è tempo per correggere il filmato in post produzione, o quando è necessario consegnarlo direttamente al cliente o alla editor.

Se usi una LUT come strumento di anteprima sul set, le informazioni sulla LUT vengono salvate come metadati con le registrazioni. DaVinci Resolve mostra queste informazioni nel campo **LUT used** dei metadati, che i coloristi possono consultare per scoprire quale LUT è stata utilizzata sul set.

LUT integrate

URSA Broadcast G2 fornisce una serie di LUT per testare look diversi sui filmati catturati con gamma dinamica Film o in Blackmagic RAW.

- **Gen 5 Film to Extended Video**
Visualizza una gamma dinamica più ampia della LUT *Film to Video* e applica un lieve contrasto con uno stacco armonioso nelle zone di luce.
- **Gen 5 Film to Rec 2020 Hybrid Log Gamma**
Visualizza una curva gamma adatta agli schermi HDR e compatibile con gli schermi con gamma dinamica standard.
- **Gen 5 Film to Rec 2020 PQ Gamma**
Visualizza una curva gamma basata sugli elementi percepibili a occhio nudo, per una codifica efficiente delle immagini HDR.
- **Gen 5 Film to Video**
È simile allo standard REC 709 per il video ad alta definizione e ha un alto livello di contrasto e saturazione. Questa opzione è utile per usare URSA Broadcast G2 in congiunzione ad altre camere broadcast operanti nello spazio colore REC 709.

Pulsanti delle LUT

Le icone nella parte inferiore della tab LUT corrispondono alle seguenti funzioni.



Importare le LUT

Tocca l'icona delle due frecce orizzontali in basso. Seleziona SD o CFast con l'interruttore a seconda del supporto in cui sono salvate le LUT. Se utilizzi URSA Mini Recorder, puoi importare le LUT anche da un flash disk USB-C o da un SSD.

Alla voce **Importa da**, seleziona la scheda o il drive contenente la LUT che vuoi importare e tocca il pulsante **Importa** per confermare. Usa i pulsanti in alto a sinistra per visualizzare le LUT disponibili su altre schede o drive connessi alla camera.

URSA Broadcast G2 ricerca la directory e la cartella 3DLUTS nel supporto di memoria selezionato. Le LUT salvate fuori da questa cartella non sono visibili.

Tocca la LUT desiderata per selezionarla e **Importa** per confermare. La LUT verrà salvata nella camera.

NOTA Quando i trenta slot per LUT 3D sono pieni, il menù di importazione non è attivo. È necessario eliminare una LUT esistente per importarne un'altra.

Se nella camera c'è già una LUT con lo stesso nome, un messaggio chiederà se sovrascrivere quella esistente o conservare entrambe. In alto a destra sullo schermo compare il numero degli slot per LUT disponibili. Puoi importare tante LUT quanti sono gli slot disponibili.

NOTA Se non riesci a importare una LUT nella camera, è probabile che sia di dimensioni incompatibili. Usa un editor per LUT come Lattice o l'editor di testo del computer per controllare le dimensioni. Il numero accanto alla voce *LUT_3D_SIZE* corrisponde alle dimensioni della LUT. Se il numero non è 17 o 33, utilizza Lattice per ridimensionare la LUT 3D a 17 punti.

Applicare le LUT

Dopo aver salvato le LUT nella camera, seleziona quella desiderata dall'elenco e tocca l'icona della spunta. La LUT verrà abilitata su tutte le uscite della camera, ma per visualizzarla è necessario selezionare l'impostazione **LUT** nella tab **Monitor**. Consulta la sezione "Impostazioni di monitoraggio" per tutti i dettagli.

Esportare le LUT

Seleziona la LUT che vuoi esportare sulla scheda SD o CFast e tocca l'icona delle due frecce orizzontali. Seleziona **Esporta** alla voce **Gestisci LUT**. Seleziona SD o CFast con l'interruttore a seconda del supporto su cui vuoi esportare la LUT. Se utilizzi URSA Mini Recorder, puoi esportare le LUT anche su un flash disk USB-C o su un SSD.

Alla voce **Esporta su**, seleziona la scheda o il drive su cui vuoi esportare la LUT e tocca il pulsante **Esporta** per confermare. Se nel supporto selezionato c'è già una LUT con lo stesso nome, un messaggio chiederà se sovrascrivere quella esistente o conservare entrambe.

Eliminare le LUT

URSA Broadcast G2 è in grado di salvare trenta LUT 3D a 17 punti o a 33 punti. Per eliminare le LUT inutilizzate e per far spazio ad altre, seleziona quella desiderata e tocca l'icona del cestino. Un messaggio chiederà di confermare la selezione. Seleziona **Elimina** per confermare.

LUT 3D integrate

URSA Broadcast G2 integra la LUT 3D utilizzata durante la cattura in Blackmagic RAW direttamente nel file Blackmagic RAW che stai registrando. La LUT 3D viene salvata nell'intestazione del file .braw e si potrà applicare al filmato in post produzione senza dover gestire un file distinto.

Quando in un secondo momento l'editor o la colorista apriranno il file Blackmagic RAW, potranno accedere alla LUT usata sul set, evitando di applicare quella sbagliata. Potranno anche decidere di applicare la LUT 3D al filmato in fase di montaggio e grading, e disabilitarla se necessario.

Selezionando l'impostazione **Applica LUT nel file** nella tab **Record**, Blackmagic RAW Player e DaVinci Resolve apriranno la clip registrata con la LUT 3D già applicata. La LUT si può abilitare/disabilitare con un tocco, ma accompagna sempre il file Blackmagic RAW perché è parte integrante della clip stessa.

Su DaVinci Resolve, per abilitare/disabilitare la LUT del file Blackmagic RAW c'è l'interruttore **Apply LUT** nel pannello delle impostazioni RAW, che funziona esattamente come l'impostazione Applica LUT nel file. Questo sistema permette all'operatore di ripresa di registrare con una LUT e alla colorista di disabilitarla facilmente su DaVinci Resolve.

Inserire i metadati

I metadati sono informazioni salvate nella clip, per esempio il numero di ripresa, le impostazioni della camera e altri dettagli. Sono essenziali durante la post produzione per smistare ed elaborare il filmato. Per esempio, i numeri di pellicola, ripresa e scena sono utili per catalogare, mentre le informazioni sull'obiettivo consentono di correggere automaticamente la distorsione o allineare meglio le riprese con VFX.

Blackmagic URSA Broadcast G2 salva in automatico alcuni metadati di ogni clip, tra cui impostazioni della camera, timecode, data e ora. Altri dettagli si possono inserire manualmente nel ciak digitale.

Ciak digitale

Passa il dito verso destra o sinistra sul touchscreen per aprire il ciak digitale.

Il ciak è suddiviso nelle tab **Clip**, **Progetto** e **Obiettivo**. La tab Clip include informazioni sulla clip; la tab Progetto include le informazioni generali, tra cui il nome del progetto, della regista e dell'operatore, e l'ID della camera; la tab Obiettivo include le informazioni sull'obiettivo installato sulla camera. Se l'obiettivo le invia automaticamente alla camera, compaiono in questa tab. Le informazioni sull'obiettivo si possono anche inserire manualmente.

SUGGERIMENTO I metadati inseriti nel ciak digitale compaiono sulle uscite SDI frontale e principale se nella tab Monitor hai selezionato di mostrare le info di stato per la regia. Consulta la sezione "Impostazioni di monitoraggio" per tutti i dettagli.

Clip

I metadati della clip funzionano in modo lievemente diverso a seconda che la camera sia in modalità standby, registrazione o riproduzione. In standby, i metadati vengono salvati nella clip successiva registrata, eccetto la tag **Ripresa buona ultima clip**, che si riferisce alla clip registrata più recente.

In riproduzione, i metadati vengono sempre registrati nella clip correntemente visualizzata.



Il ciak digitale con le tab Clip, Progetto e Obiettivo

Ciak

Indica la clip a cui si riferiscono i metadati visualizzati. In modalità standby si riferisce alla prossima clip che verrà registrata.

Tipo obiettivo

Descrive l'obiettivo installato sulla camera. Consulta la sezione "Obiettivo" più avanti per tutti i dettagli.

Pellicola

Indica il numero del rullo.

Di solito non è necessario inserire questa informazione perché il numero incrementa automaticamente. Se dai inizio a un progetto nuovo e vuoi ripartire da 1, entra nella tab **Progetto** e seleziona **Resetta dati progetto**.

Scena

Indica il numero della scena, e può indicare anche il numero e il tipo di ripresa.

Il numero si riferisce sempre alla scena corrente. Tocca le frecce ai lati del numero della scena per cambiarlo, oppure tocca il numero stesso per inserirlo manualmente.

I numeri della scena vanno da 1 a 999.

Aggiungendo una lettera al numero della scena puoi indicare la ripresa in corso. Per esempio, 23A significa scena ventitré, ripresa uno. Nella schermata di modifica, la camera suggerisce il numero della scena e la lettera della ripresa in ordine sequenziale. Per esempio, se il numero della scena corrente è 7B, suggerisce 8 e 7C.

In alto a destra del numero della scena è possibile aggiungere la tag del tipo di ripresa selezionandola tra le opzioni disponibili sulla destra della tastiera.

Le tag del tipo di scena sono:

CL	Campo lungo
CM	Campo medio
MPP	Mezzo primo piano
PP	Primo piano
PPP	Primissimo piano
DETT	Dettaglio



La schermata di modifica del numero della scena suggerisce gli incrementi alfanumerici e i tipi di ripresa a sinistra e a destra della tastiera

Ripresa

Indica il numero di ripresa della scena in corso. Tocca le frecce laterali per cambiarlo; tocca il numero stesso per aprire la schermata di modifica.

SUGGERIMENTO Quando il numero di scena incrementa, il numero di ripresa riparte da 1.

Per visualizzare anche la tag del tipo di ripresa, selezionala tra le opzioni disponibili a destra nella pagina di modifica.

AGG	Aggiuntiva. Si riferisce alle riprese aggiuntive fatte quando la fotografia principale si è già conclusa.
VFX	Effetti visivi. Si riferisce alle riprese destinate agli effetti visivi.
SER	Serie. Si riferisce a molteplici riprese fatte senza mai spegnere la telecamera.



In modalità stanby, tocca A per incrementare il numero di ripresa di ciascuna clip. Una piccola A comparirà accanto al numero di ripresa nel ciak

La camera suggerisce le tag del tipo di ripresa a destra della tastiera

Ripresa buona

Tagga la ripresa come buona per trovarla facilmente in post produzione. Si riferisce all'ultima clip registrata se la camera è in standby, o alla clip correntemente visualizzata se la camera è in modalità riproduzione.

Interno / Esterno

Identifica le riprese in base all'ambiente in cui sono state girate. La tag si riferisce alla clip successiva se in modalità standby o alla clip corrente se in modalità riproduzione.

Giorno / Notte

Tagga la ripresa successiva se la camera è in standby, o la ripresa correntemente visualizzata se la camera è in modalità riproduzione.

Progetto

I metadati del progetto funzionano allo stesso modo quando la camera è in modalità standby o riproduzione. Si riferiscono sempre e solo al progetto e non sono relazionati al numero di clip.



La tab Progetto del ciak digitale

Nome progetto

Indica il nome del progetto. Tocca l'icona della matita per modificarlo.

Camera

Indica il nome della camera. Tocca l'icona della matita per modificarlo.

Regista

Indica il nome del/della regista del progetto. Tocca l'icona della matita per modificarlo.

NOTA Il nome della camera serve per formulare i metadati e riconoscere i file, ed è diverso dal dato ID camera - ATEM, che invece serve per controllare URSA Broadcast G2 da uno switcher ATEM. Consulta la sezione "Modalità telecamera da studio" per maggiori informazioni sull'ID della camera di ATEM.

Operatore

Indica il nome dell'operatore. Tocca l'icona della matita per modificarlo.

Resetta dati progetto

Tocca **Resetta** e conferma la selezione per azzerare i dati inseriti sul progetto.

Obiettivo

Questa tab mostra le informazioni sull'obiettivo installato sulla camera. Gran parte degli obiettivi elettronici fornisce automaticamente le informazioni circa il modello, l'apertura e la lunghezza focale.

In caso contrario, tocca le icone delle matite per inserire manualmente queste informazioni e altre ancora. Le voci della tab Obiettivo sono elencate di seguito.



La tab Obiettivo con le informazioni sull'obiettivo Fujinon ricavate automaticamente

- **Tipo obiettivo** Indica il modello dell'obiettivo. Se non compare automaticamente, tocca l'icona della matita e inserisci i dati manualmente.



Inserisci i dati dell'obiettivo con la tastiera touch se non compaiono automaticamente

- **Iris**
Indica l'apertura del diaframma all'inizio della clip. Compare automaticamente e si può visualizzare in f-stop o T-stop in base all'obiettivo. Se non compare, tocca l'icona della matita e inseriscila con la tastiera.
- **Lunghezza focale**
Indica la lunghezza focale dell'obiettivo all'inizio della clip registrata. Se compare automaticamente, il valore è in millimetri. Se non compare, tocca l'icona della matita e inseriscilo con la tastiera.

- **Distanza**

Indica la distanza focale dell'obiettivo della clip registrata. Se compare automaticamente, il valore è in millimetri. Se non compare, tocca l'icona della matita e inseriscilo con la tastiera.

- **Filtro**

Indica i filtri utilizzati. Tocca l'icona della matita per inserirli con la tastiera. Puoi inserirne più di uno separandoli con la virgola.



I dati dei filtri vanno inseriti manualmente

Resetta dati obiettivo

Tocca **Resetta** per azzerare i dati sull'obiettivo. Un messaggio chiederà di confermare la selezione. Così facendo, la camera reinizializza la comunicazione aggiornando le informazioni ricavate automaticamente ed eliminando quelle inserite manualmente.

Stabilizzazione giroscopica

URSA Broadcast G2 registra automaticamente i dati relativi alla panoramica, all'inclinazione e alla rotazione catturati dal sensore di movimento interno. Questi cosiddetti dati giroscopici servono a DaVinci Resolve per stabilizzare le riprese a mano.

È importante calibrare il sensore di movimento della camera prima di iniziare a registrare per far sì che i dati giroscopici siano esatti. Per maggiori informazioni consulta "Calibrazione del sensore di movimento" nella sezione "Impostazioni".

NOTA Per abilitare la stabilizzazione giroscopica, la funzione di stabilizzazione ottica dell'immagine dell'obiettivo deve essere spenta. Gli obiettivi EF e B4 con stabilizzazione ottica integrata sono muniti di un interruttore per spegnerla e accenderla.

Registrare i dati giroscopici con obiettivi manuali

La stabilizzazione giroscopica funziona al meglio se le informazioni sulla lunghezza focale dell'obiettivo sono esatte. Queste informazioni sono contenute nei metadati registrati automaticamente usando gran parte degli obiettivi EF e B4. Usando obiettivi manuali o B4 analogici che non consentono la comunicazione elettronica con la camera, è necessario inserire tali informazioni nel ciak digitale della camera.

- 1 Passa il dito verso destra o sinistra sul touchscreen per aprire il ciak digitale.
- 2 Tocca la tab **Obiettivo**.

- 3 Tocca **Lunghezza focale** e inserisci la lunghezza focale dell'obiettivo che stai adoperando, per esempio **8mm** se l'obiettivo è un B4 analogico con una lunghezza focale di 8mm.



Inserisci manualmente i dati degli obiettivi che non consentono la comunicazione elettronica con la camera

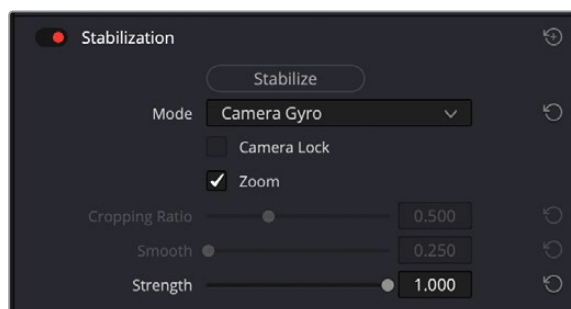
NOTA Ricorda di aggiornare queste informazioni ogniqualvolta cambi la lunghezza focale sull'obiettivo manuale o analogico. Gli obiettivi con elettronica incorporata sovrascrivono automaticamente i metadati.

Effettuare la stabilizzazione giroscopica su DaVinci Resolve

Dopo aver importato le clip e averle distribuite in una timeline:

- 1 Apri la pagina Edit e nell'Inspector scorri fino alla voce **Stabilization**.
- 2 Imposta **Mode** su **Camera Gyro**.
- 3 Clicca su **Stabilize**.

Una barra di avanzamento indica la progressione della stabilizzazione.



Vai nell'Inspector e seleziona Camera Gyro per stabilizzare i filmati sfruttando i dati giroscopici

SUGGERIMENTO Riprendi con un angolo dell'otturatore stretto per minimizzare il mosso e quindi ottenere risultati migliori. Prova con un angolo di 45 gradi.

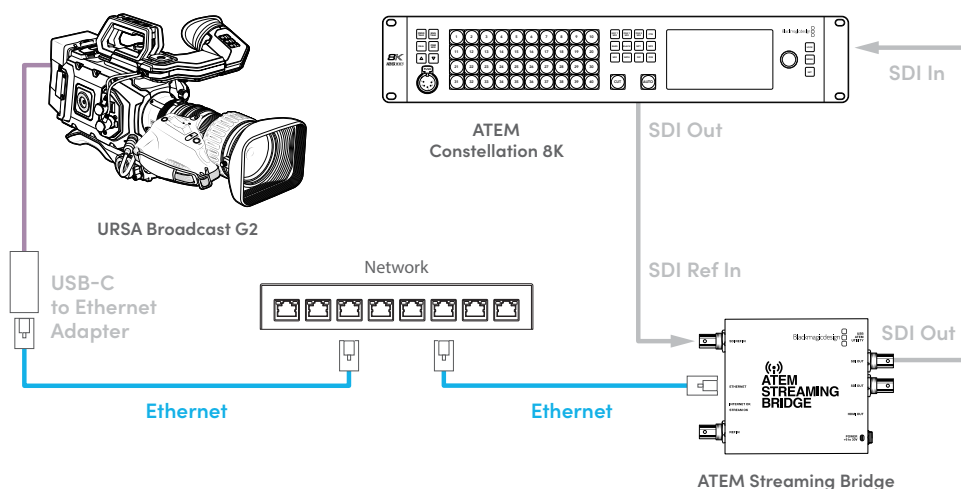
Video in streaming

URSA Broadcast G2 integra un motore di streaming per andare in diretta sulle piattaforme come YouTube, Facebook Live e Twitch.

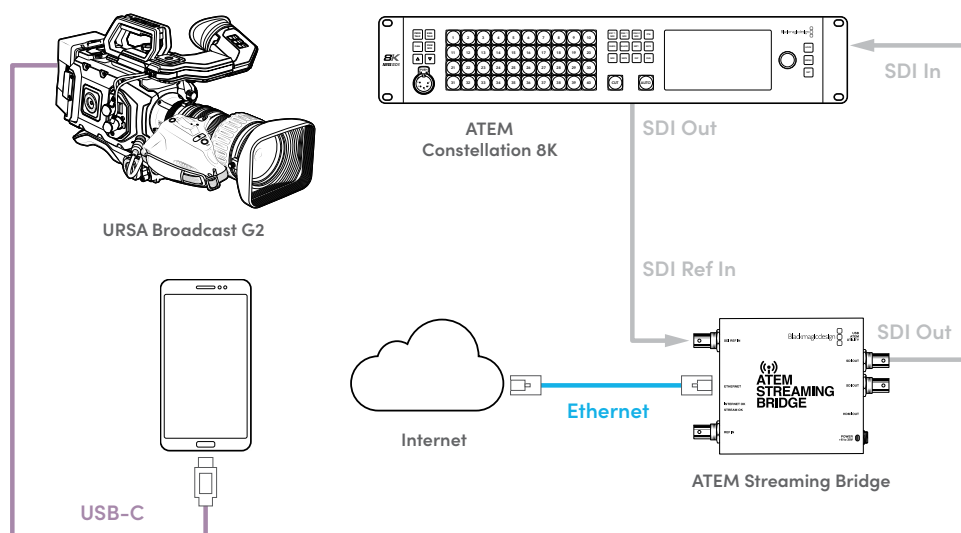
URSA Broadcast G2 si può anche connettere a uno switcher ATEM sulla stessa rete ethernet, o tramite internet ovunque al mondo usando ATEM Streaming Bridge. I flussi di streaming attraverso uno switcher ATEM includono anche tally, talkback e controllo camera.

Nei due esempi qui sotto, URSA Broadcast G2 è connessa a uno switcher ATEM mediante ATEM Streaming Bridge. Il primo illustra una connessione locale a una rete; il secondo la connessione a uno smartphone per trasmettere il video su internet.

Connessione a una rete



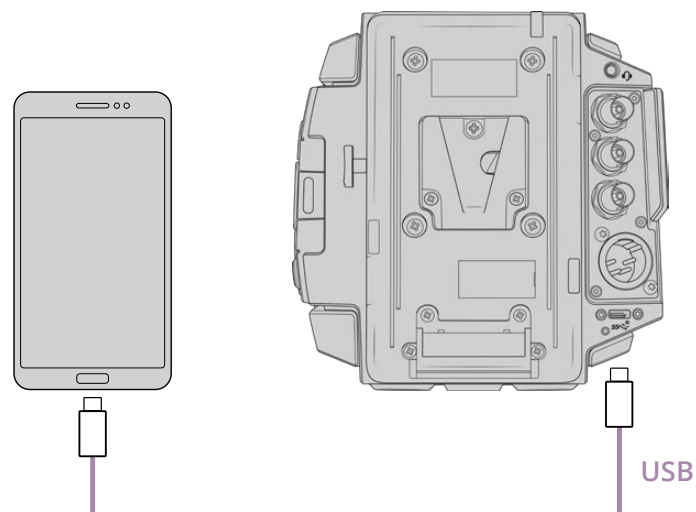
Connessione a internet



NOTA Per lo streaming tramite un adattatore ethernet consigliamo di utilizzare Belkin USB-C to Gigabit Ethernet. Anche se altri adattatori potrebbero funzionare, i chip utilizzati nell'adattatore Belkin sono i più affidabili per i workflow di streaming video RTMP.

Collegare uno smartphone

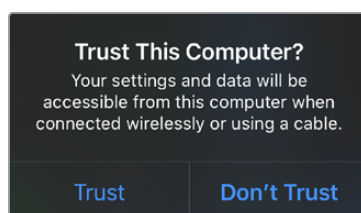
Con un cavo USB-C, collega uno smartphone alla porta di espansione USB-C. Con questa configurazione veloce trasmetti in streaming ovunque al mondo sfruttando una connessione mobile 4G o 5G.



Impostazioni

Per andare in streaming su internet è necessario attivare l'hotspot dello smartphone.

- 1 Sul tuo dispositivo iOS, apri **Impostazioni > Hotspot personale** e **Consenti agli altri di accedere**.
- 2 Un messaggio ti chiederà di autorizzare il computer connesso. Seleziona **Autorizza** e vedrai comparire l'icona verde del tethering sullo schermo. Questa icona segnala che la connessione è instaurata.



L'icona di tethering attivo

Quando il tethering è attivo, l'orologio del tuo smartphone mostra la corrispondente icona verde.

Sui dispositivi Android, sfoglia per aprire il menù veloce. Tieni premuta l'icona dell'hotspot e attiva il tethering USB.

SUGGERIMENTO Al termine dello streaming è preferibile disattivare il tethering dello smartphone per risparmiare la batteria.

Assegnare un ID ATEM alla camera

Nella tab Setup del menù, l'impostazione **ID Camera - ATEM** permette di determinare quale ingresso SDI di URSA Broadcast G2 è collegato allo switcher ATEM. Quando l'ID della camera coincide con il numero dell'ingresso dello switcher, la camera è in grado di rilevare i rispettivi dati di tally, e il controllo camera funziona correttamente.

Leggi la sezione "Impostazioni di configurazione" per tutti i dettagli.

Creare un file XML

Per creare un file impostazioni XML è necessario connettere ATEM Streaming Bridge a internet collegando un cavo di rete dalla porta Ethernet a un router o a un interruttore di rete.

Collega ATEM Streaming Bridge al computer con un cavo USB-C e apri ATEM Setup.

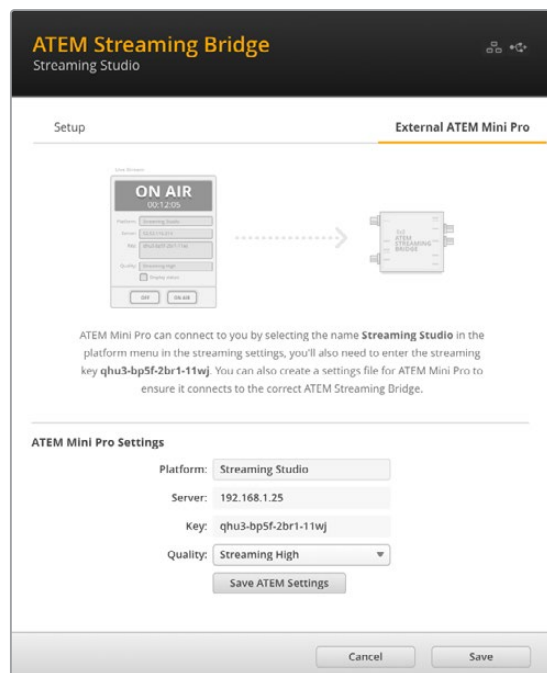
Nella tab **Setup**, controlla che le impostazioni di rete siano esatte e seleziona **Internet** da **Stream service**. Quando nella sezione **Internet status** vedi il messaggio *visible worldwide*, significa che tutto funziona correttamente.

Gestione del port forwarding

Se nella sezione Internet status vedi un messaggio di errore UPnP, contatta il fornitore internet o l'amministratore di rete per configurare il port forwarding della connessione a internet sulla porta TCP 1935.

Esportare un file XML

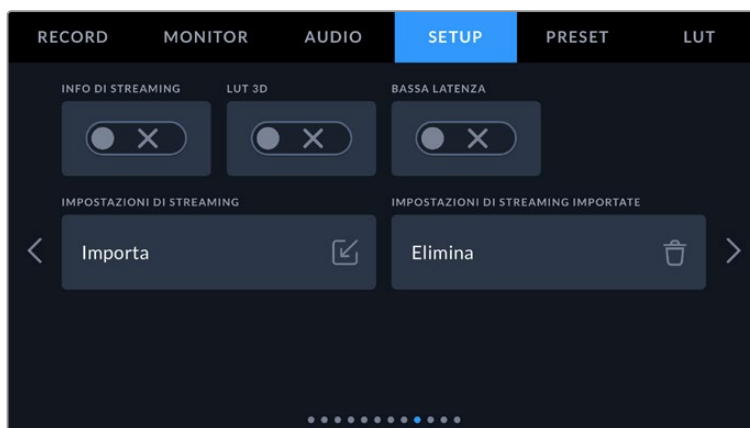
Dopo aver confermato le impostazioni di rete all'interno di ATEM Setup e connesso ATEM Streaming Bridge a una rete o a internet, è possibile esportare il file XML.



- 1 Clicca sulla tab **External ATEM Mini Pro** in alto a destra.
- 2 Inserisci un nome per l'unità nel campo **Platform**. Il nome sarà disponibile come opzione alla voce **Piattaforma** nel menù della Blackmagic URSA Broadcast G2 remota.
- 3 Scegli la qualità dello streaming alla voce **Quality**. Definisce l'impostazione di qualità della URSA Broadcast G2 remota.
- 4 Clicca sul pulsante **Save ATEM Settings**, scegli la destinazione sul computer dove salvare il file XML e clicca su **Save**.
- 5 Invia il file XML per email al tuo collega remoto.

Caricare un file XML

Per importare un file impostazioni XML su URSA Broadcast G2, copialo su una scheda SD o CFast o su un flash disk USB-C.



- 1 Nella nona pagina della tab **Setup**, tocca **Importa** alla voce **Impostazioni di streaming**.
- 2 Seleziona la scheda o il drive in cui è salvato il file XML. Tocca il nome del file e poi **Importa**. Dopo aver importato il file, la camera selezionerà automaticamente il tuo ATEM Streaming Bridge nel menù Piattaforma della tab **Setup**.

Non resta che avviare lo streaming attivando l'interruttore **Diretta streaming** nella tab **Setup**.

Testa il funzionamento della configurazione chiedendo all'operatore dello switcher remoto di staccare sulla tua camera. Vedrai accendersi la luce tally della camera e un contorno rosso intorno al suo LCD. La luce tally è verde quando la camera è in coda sull'uscita di anteprima.



Regola diaframma e livello del nero dalla pagina Camera di ATEM Software Control per testare il controllo camera

URSA Mini Shoulder Kit

Montare il kit da spalla

URSA Mini Shoulder Kit permette di utilizzare Blackmagic URSA Broadcast G2 in spalla per effettuare riprese in stile ENG. Il supporto da spalla, la piastra base, la maniglia superiore e la piastra adattatrice per viewfinder sono i componenti del kit in dotazione alla camera. Il braccio di prolunga e il cavo LANC sono disponibili come accessori opzionali.

L'attacco a sgancio rapido sulla piastra base consente di incastrare la camera sulle piastre per treppiedi in stile ENG o metterla in spalla per seguire l'azione.

URSA Mini Shoulder Kit è compatibile con le piastre per treppiedi di tipo Sony VCT 14, facilmente reperibili online e nei negozi di elettronica.

Le piastre per treppiedi di tipo VCT U14 hanno una struttura diversa e non sono compatibili.

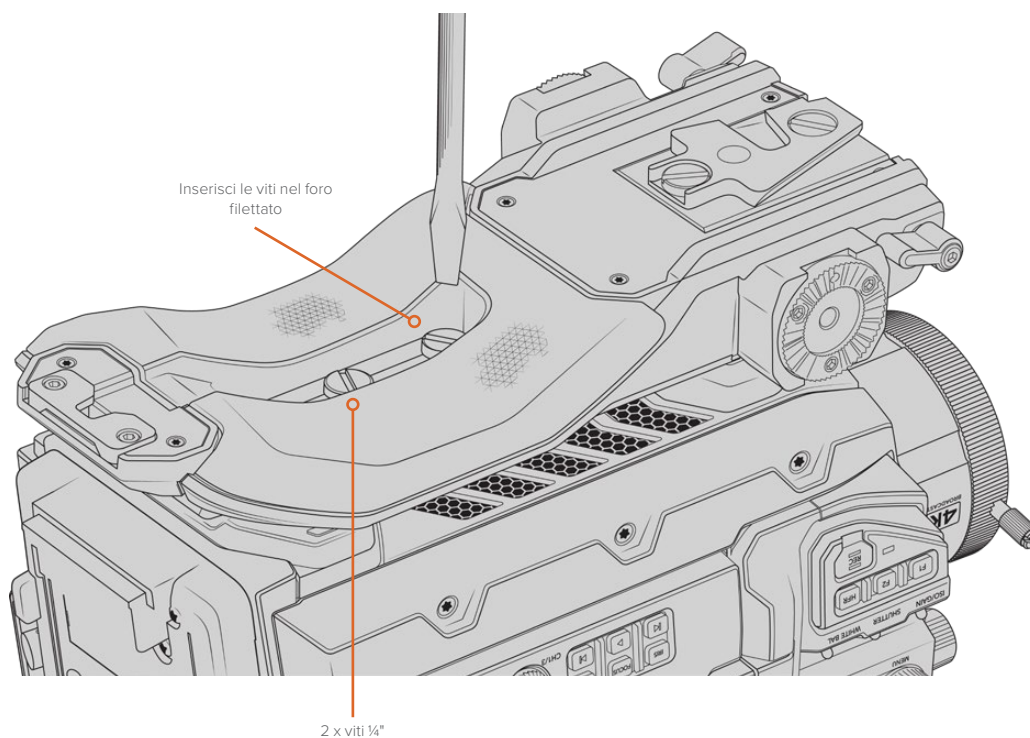
Per montare il kit da spalla sono necessari:

- 1 x cacciavite a taglio per le 2 x viti ¼" della piastra base.
- 1 x chiave esagonale 3/16" per le 2 viti ¼ della maniglia superiore.



Per montare il kit da spalla su URSA Broadcast G2 sono necessari un cacciavite a taglio e una chiave esagonale 3/16" per la maniglia superiore

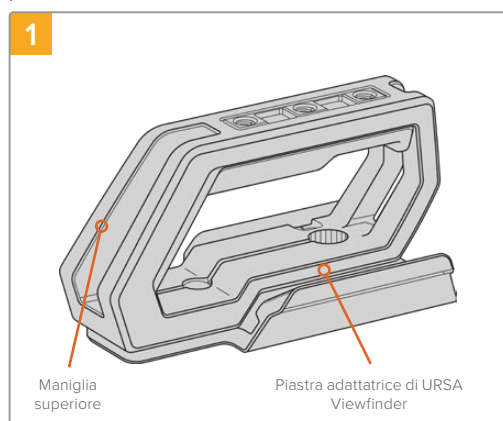
Montare il supporto da spalla e la piastra base



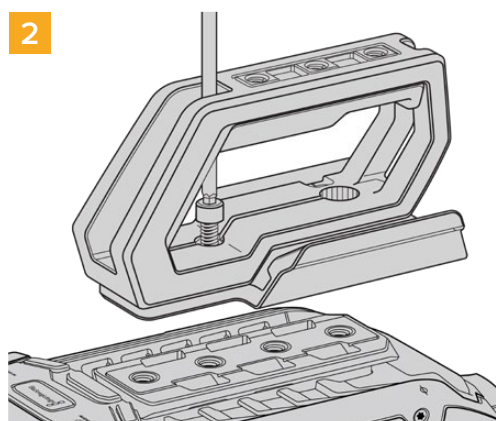
- 1 Capovolgi la camera e poggiala delicatamente su una superficie piana stabile.
- 2 Fissa la piastra base sulla camera con le 2 viti 1/4" usando il cacciavite a taglio.
- 3 Serra le viti fino a bloccare saldamente la piastra base in posizione. Evita di serrare eccessivamente le viti per non danneggiarle.

Montare la maniglia superiore con la piastra adattatrice per URSA Viewfinder

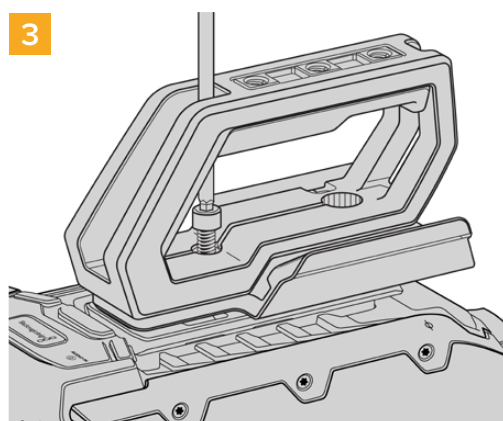
La maniglia superiore è già installata sulla piastra adattatrice per URSA Viewfinder. Le istruzioni per installare l'accessorio opzionale Blackmagic URSA Viewfinder sono fornite nelle prossime sezioni.



Poggia la camera su una superficie piana stabile.



Fissa la maniglia con le 2 viti 1/4" in due dei fori 1/4" sulla parte superiore della camera con la chiave esagonale 3/16". Consigliamo di usare i due fori posteriori nella maggior parte dei casi, ma per distribuire equamente il peso degli obiettivi grandi si possono scegliere una qualsiasi coppia di fori.



Serra le viti fino a bloccare saldamente la maniglia in posizione. Evita di serrare eccessivamente le viti per non danneggiarle.

Il braccio di prolunga e il cavo LANC per URSA Mini Shoulder Kit sono disponibili come accessori opzionali.

Montare il braccio di prolunga

Molti obiettivi B4 sono muniti di impugnatura laterale e non richiedono l'installazione del braccio di prolunga per riprendere a spalla con URSA Broadcast G2.

Per riprendere a spalla con obiettivi sprovvisti di impugnatura laterale è possibile montare il braccio di prolunga opzionale di URSA Mini.

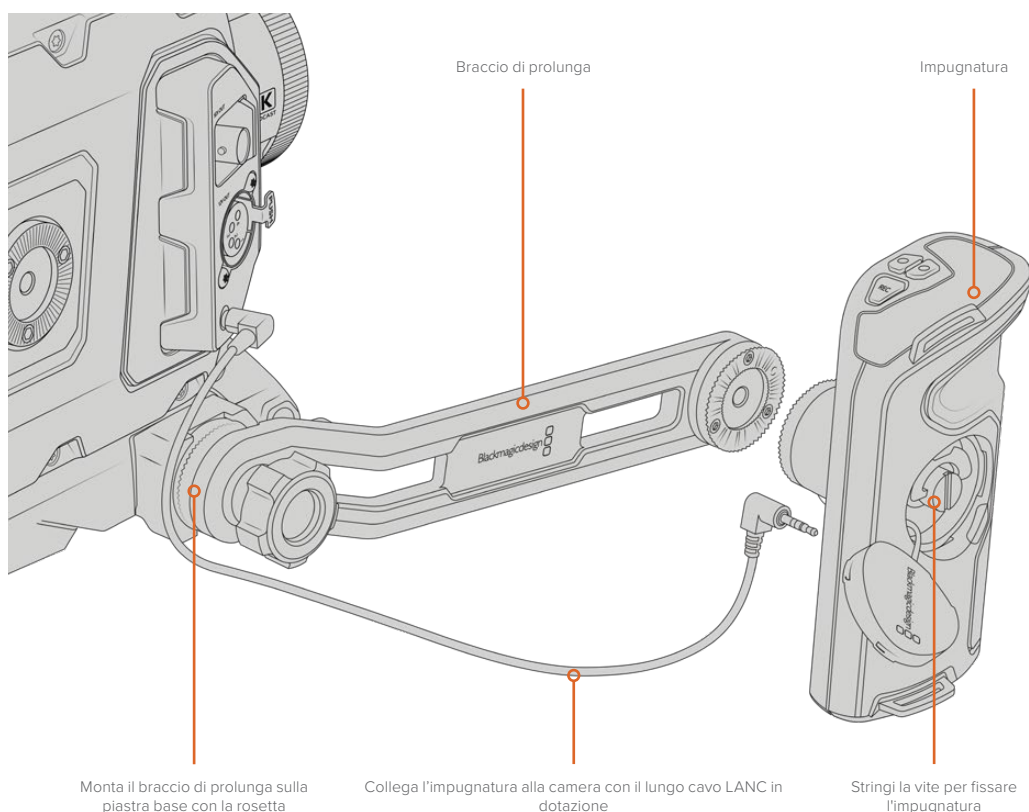
Il braccio di prolunga e un cavo LANC lungo sono inclusi nel URSA Mini Shoulder Kit.

Per montare il braccio di prolunga:

- 1** Poggia la camera su una superficie piana stabile lasciando spazio a sufficienza per il braccio di prolunga. A questo scopo potrebbe essere utile montare la camera su un treppiede.
- 2** Incastra l'estremità dentellata del braccio di prolunga nella rosetta della piastra base, abbassa il braccio nella posizione che preferisci e serra la vite della rosetta.
- 3** Incastra l'impugnatura laterale nella rosetta frontale del braccio di prolunga. Serra la vite nell'impugnatura laterale con un largo cacciavite a taglio, o gira l'anello a D con il pollice e l'indice.
- 4** Collega l'uscita LANC dell'impugnatura laterale all'ingresso LANC della camera con il cavo LANC incluso nell'URSA Mini Shoulder Kit.

Per riposizionare il braccio di prolunga e l'impugnatura, allenta e stringi le viti delle rosette.

URSA Mini Shoulder Kit consente una maggiore libertà di movimento con la camera in spalla e un'installazione veloce sui treppiedi.



Blackmagic URSA Viewfinder

Blackmagic URSA Viewfinder è un potente mirino elettronico progettato per Blackmagic URSA Broadcast G2. Il display OLED 1080HD a colori e le ottiche di vetro di precisione garantiscono immagini vivide, nitide e realistiche, per una messa a fuoco impeccabile e dettagli minuziosi.

Il viewfinder è perfetto per le riprese a spalla e nelle condizioni di luce estreme che esigono la massima precisione, senza riflessi e bagliori.

Il viewfinder si connette alla camera, da cui riceve l'alimentazione e i dati SDI integrati per generare le vari opzioni sul display. Per questo motivo, oltre al clean feed SDI, è in grado di visualizzare e alternare una serie di accurate informazioni in sovrapposizione, tra cui lo stato della camera.

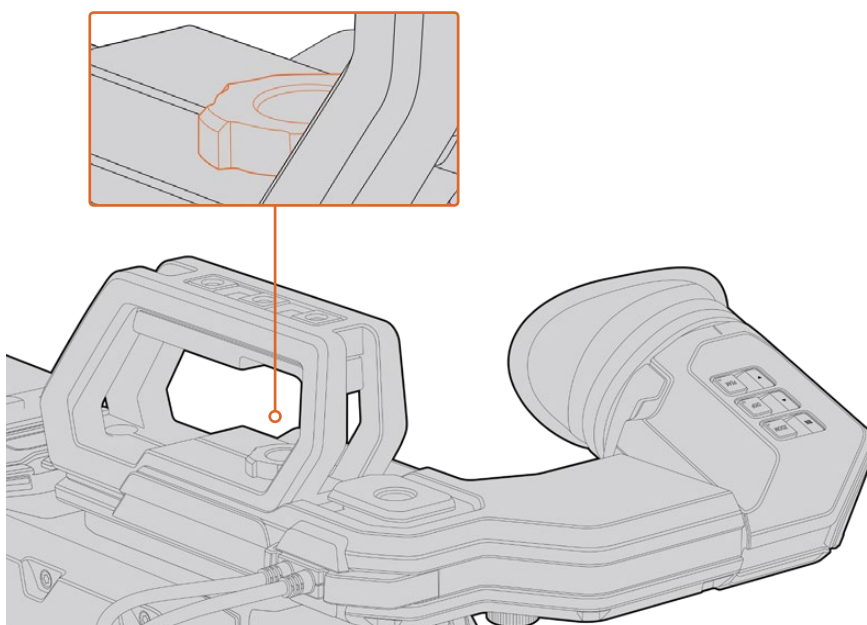
Per esempio selezionando la guida di inquadratura 2.40:1 dal menù di URSA Broadcast G2, il viewfinder la rileva e la visualizza, se abilitata.

Montare e collegare il mirino viewfinder alla camera

Prima di collegare Blackmagic URSA Viewfinder a URSA Broadcast G2 è necessario montare la maniglia superiore del URSA Mini Shoulder Kit in dotazione alla camera. Consulta la sezione "URSA Mini Shoulder Kit" per maggiori informazioni.

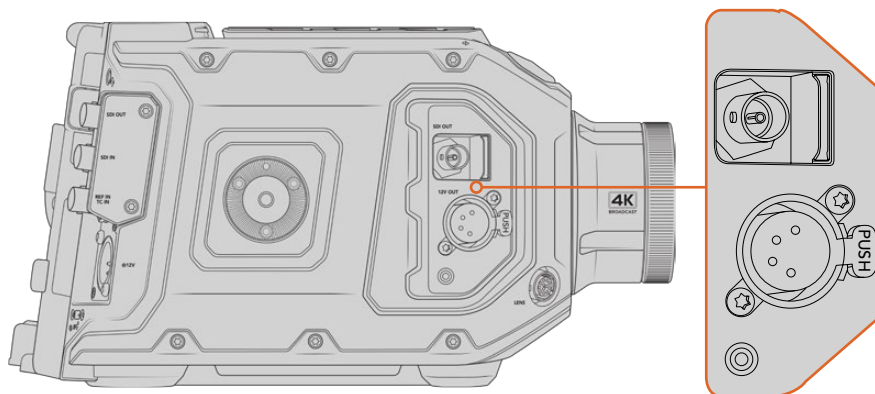
Fai slittare l'attacco di URSA Viewfinder nell'adattatore per URSA Viewfinder e usa la vite zigrinata 1/4" inclusa nel URSA Mini Shoulder Kit per fissare il viewfinder alla maniglia superiore e alla piastra adattatrice.

È sufficiente serrare la vite con le dita, senza attrezzi.



Fai slittare l'attacco di Blackmagic URSA Viewfinder nei binari della maniglia superiore della camera e serra la vite zigrinata in uno dei fori 1/4"

Per collegare URSA Viewfinder a URSA Broadcast G2, inserisci i cavi del viewfinder nelle uscite 12V e 3G-SDI frontali della camera. URSA Viewfinder si accende automaticamente quando si accende la camera.



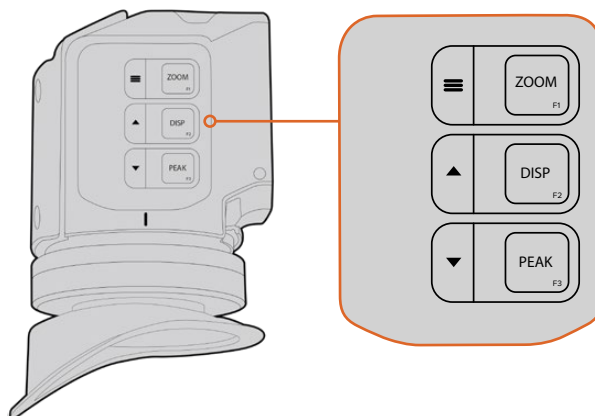
Collega i cavi SDI e di alimentazione del viewfinder alle uscite di HD-SDI di monitoraggio e +12 volt della camera

Regolare l'oculare

L'oculare rimovibile si può regolare per adattarlo all'occhio destro o sinistro. Allenta la rotella sul lato inferiore del braccio del viewfinder per spostarlo a destra o a sinistra nella posizione più comoda per l'occhio.

Funzioni dei pulsanti

La parte superiore del viewfinder ospita i pulsanti per zoomare, attivare/disattivare le informazioni in sovrapposizione, e il Focus Peaking.



I pulsanti F1 Zoom, F2 Disp e F3 Peak sul lato superiore di URSA Viewfinder

I pulsanti svolgono anche altre funzioni, per esempio aprire il menù e navigare le impostazioni, come indicato dalle icone laterali.

I pulsanti si possono altresì programmare per azionare le funzioni più ricorrenti. Per esempio puoi assegnare al pulsante Zoom la funzione dei Falsi colori. Consulta la sezione "Scorciatoie" per tutti i dettagli.

F1 Zoom - Menù

Zooma sull'immagine per una messa a fuoco limpida. Premilo per zoomare in avanti; ripremilo per tornare alla visualizzazione 100%. Quando usi il menù impostazioni, F1 funge da pulsante Menù. Tienilo premuto per aprire il menù impostazioni; premilo per confermare le modifiche all'interno del menù impostazioni.

F2 Display - Su

Attiva le informazioni in sovraimpressione. Quando usi il menù impostazioni, F2 serve per scorrere verso l'alto. Tienilo premuto per aprire il menù delle scorciatoie. Consulta la sezione "Scorciatoie" per maggiori informazioni.

F3 Peak - Giù

Usa la funzione Focus Peaking per contornare di verde le parti più nitide dell'immagine e confermare facilmente la messa a fuoco. Premilo per attivare questa funzione; ripremilo per disattivarla. Quando usi il menù impostazioni, F3 serve per scorrere verso il basso. Tienilo premuto per aprire il menù Setup.

Impostazioni

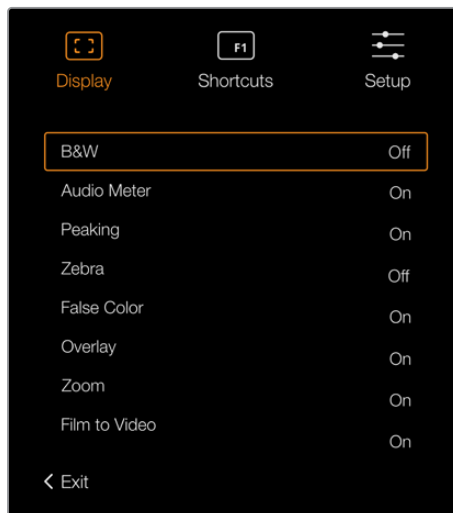
Le impostazioni sono raccolte nei menù Display, Shortcuts e Setup. Tieni premuto il pulsante **Menu** ≡ per aprire la schermata delle impostazioni; premi i pulsanti ▲ e ▼ per navigare le impostazioni e il pulsante **Menu** ≡ per confermare la selezione.

Display

Il menù Display contiene le seguenti impostazioni:

B&W

Alterna colori e monocromo.



Il menù Display di URSA Viewfinder

Audio Meter

Alterna gli indicatori di livello in sovrapposizione a scelta tra istogramma **Histogram**, **Audio**, entrambi **Both** e nessuno **None**.

Peaking

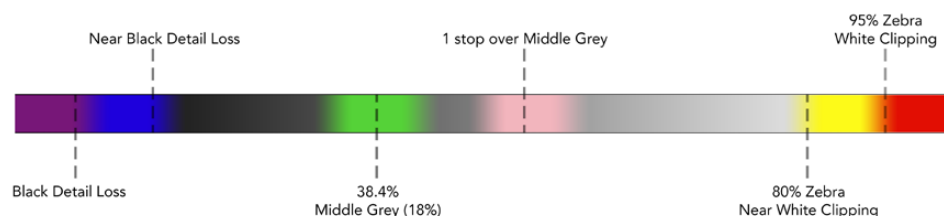
Attiva e disattiva la funzione Focus peaking.

Zebra

Attiva e disattiva lo strumento Zebra. I livelli dello strumento si possono impostare nell'apposita tab della camera. Consulta la sezione "Impostazioni" per tutti i dettagli.

False Color

Attiva e disattiva lo strumento Falsi colori. Questo strumento copre gli elementi dell'immagine di un colore diverso a seconda del valore di esposizione. Per esempio il rosa rappresenta l'esposizione ottimale della pelle chiara, mentre il verde coincide con le tonalità più scure. Osservando il rosa o il verde puoi mantenere costante l'esposizione delle tonalità della pelle. Gli elementi dell'immagine che passano dal giallo al rosso sono sovraesposti.



Spettro dei Falsi colori

Overlay

Attiva e disattiva le informazioni in sovrapposizione. Dal menù Setup del viewfinder puoi scegliere quali informazioni visualizzare, e dall'apposita tab della camera modificarle nell'aspetto, ad esempio la percentuale della safe area.

Zoom

Attiva e disattiva la funzione zoom.

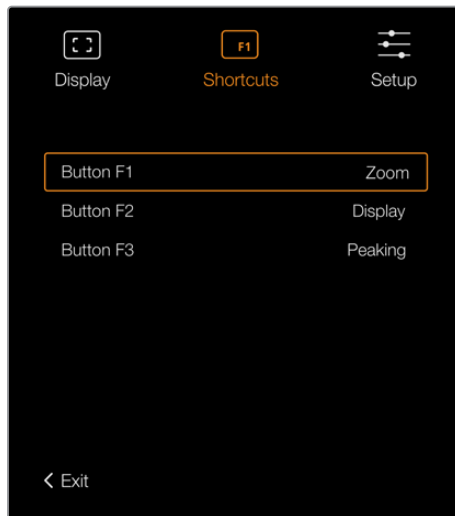
Film to Video

Alterna la modalità di visualizzazione Film e Video. Consulta la sezione "Impostazioni di registrazione" per maggiori informazioni. Questa impostazione è disponibile solo quando il viewfinder riceve immagini Film dalla camera; quando riceve immagini Video, questa impostazione non è disponibile per evitare di sovrapporre le LUT.

Shortcuts

Le scorciatoie sono utili per accedere velocemente alle impostazioni più utilizzate. Per programmare i pulsanti:

- 1 Apri il menù **Shortcuts**, premi i pulsanti ▲ o ▼ per scorrere verso l'alto o il basso e seleziona il pulsante desiderato tra i tre disponibili. Premi il pulsante **Menu** ≡ per confermare la selezione.
- 2 Premi i pulsanti Su ▲ e Giù ▼ per scorrere tra le funzioni disponibili e selezionare quella desiderata. Premi il pulsante **Menu** ≡ per confermare la selezione.
 - B&W
 - Peaking
 - Zebra
 - False Color
 - Display
 - Zoom
 - Film to Video
 - Audio Meter
 - Focus Chart
- 3 Scorri fino alla voce **Exit** e premi il pulsante **Menu** ≡ per uscire dal menù.



Il menù Shortcuts di URSA Viewfinder

Setup

Il menù Setup contiene le seguenti impostazioni:

Brightness Adjustment

Regola la luminosità del display in un intervallo da -10 a +10.

Tally Brightness

Regola la luminosità del LED tally.

Focus Chart

Blackmagic URSA Viewfinder include una focus chart per ottenere la messa a fuoco ottimale. Regola le diottrie dall'oculare fino a quando la focus chart non è perfettamente a fuoco. Premi un pulsante qualsiasi sul viewfinder per chiudere la schermata della focus chart.

Frame Guides

Attiva e disattiva le guide di inquadratura. Per utilizzare questo strumento sul viewfinder è necessario abilitarlo per l'uscita SDI frontale dalla tab Monitor della camera.

Consulta la sezione "Impostazioni di monitoraggio" per tutti i dettagli.

Safe Area Guide

Attiva e disattiva la safe area. Per utilizzare questo strumento sul viewfinder è necessario abilitarlo per l'uscita SDI frontale dalla tab Monitor della camera.

Consulta la sezione "Impostazioni di monitoraggio" per tutti i dettagli.

Grid

Attiva e disattiva le griglie dei terzi, il mirino o il punto. Per utilizzare questo strumento sul viewfinder è necessario abilitarlo per l'uscita SDI frontale dalla tab Monitor della camera.

Consulta la sezione "Impostazioni di monitoraggio" per tutti i dettagli.

NOTA Quando le griglie sono attive, URSA Viewfinder è in grado di visualizzare il tally in arrivo da uno switcher ATEM. Per sfruttare questa funzione, imposta Overlay su On nel menù Display.

Status Text

Attiva e disattiva le informazioni di stato, per esempio il bilanciamento del bianco, il frame rate e l'ISO. Per visualizzare questo strumento sul viewfinder è necessario abilitarlo per l'uscita SDI frontale dalla tab Monitor della camera.

Consulta la sezione "Impostazioni di monitoraggio" per tutti i dettagli.

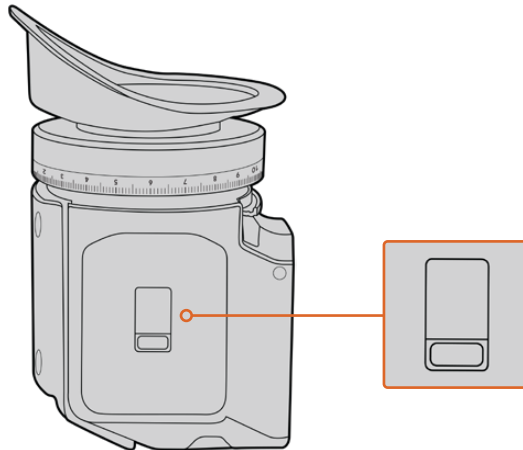
SUGGERIMENTO Quando utilizzi URSA Broadcast G2 con Blackmagic URSA Viewfinder, potrebbe verificarsi un errore nella comparsa delle informazioni di stato. In questi casi suggeriamo di attivare l'impostazione Info di stato sulla camera e disattivare l'impostazione Status Text sul viewfinder.

Sensore a infrarossi

Il viewfinder ospita un sensore a infrarossi che rileva il movimento in prossimità dell'oculare e accende il display OLED. Il display si spegne dopo 20 secondi di inutilizzo in modalità standby per limitare il consumo energetico e prolungare la vita del display. In modalità registrazione, il display OLED inizia ad attenuarsi lentamente quando il timer calcola 5 minuti di inutilizzo. Il timer si riavvia non appena il display rileva il movimento in prossimità dell'oculare. Il display OLED si può riaccendere anche premendo un pulsante qualsiasi sul viewfinder.



Bloccando o coprendo di proposito il sensore a infrarossi, il display del viewfinder rimane acceso più a lungo. Questo potrebbe diminuire la longevità del display e causare la ritenzione delle immagini ad alto contrasto o delle guide di inquadratura.



Il sensore a infrarossi si trova sul lato inferiore di URSA Viewfinder

Aggiornare il software interno di URSA Viewfinder

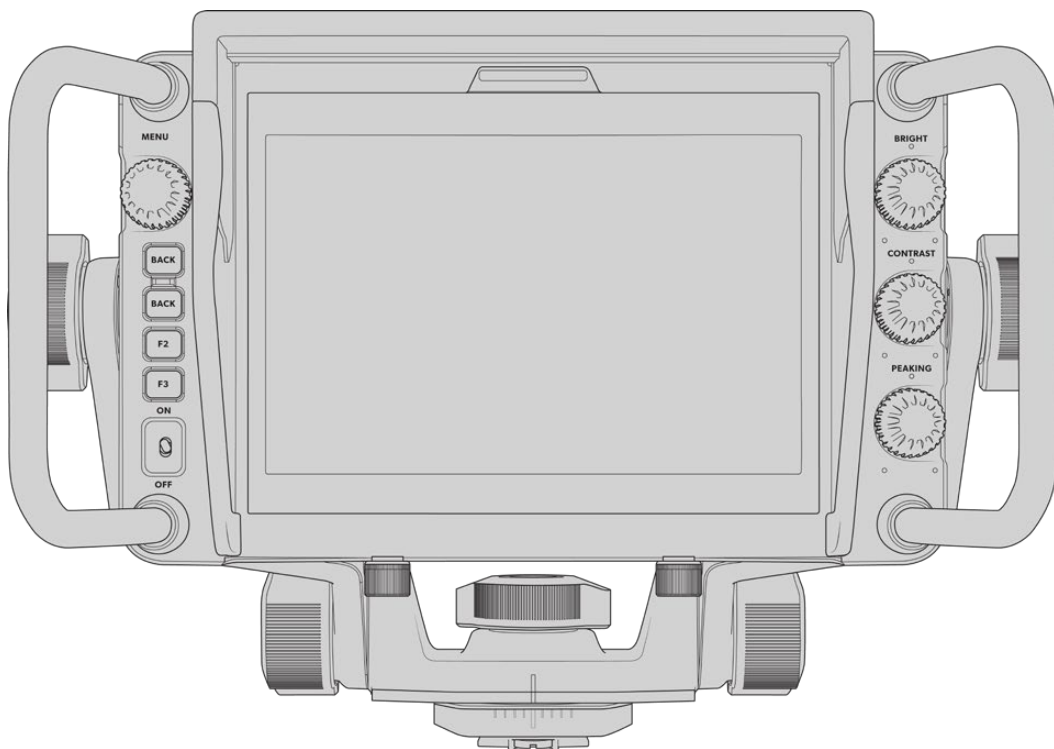
Il viewfinder si può aggiornare dall'utilità Blackmagic Camera Setup. Durante l'aggiornamento, consigliamo di non scollegare il viewfinder dalla camera e di non scollegare la camera dalla fonte di alimentazione esterna.

Collega il computer alla piccola porta USB sul lato frontale del viewfinder, vicino all'oculare. L'utilità Blackmagic Camera Setup suggerisce di aggiornare il software interno del viewfinder se rileva una versione precedente. Segui le istruzioni che compaiono sullo schermo per aggiornare il software interno del viewfinder.

NOTA Consigliamo di aggiornare il software interno di Blackmagic URSA Viewfinder all'ultima versione per garantire la compatibilità con URSA Broadcast G2. L'ultima versione del software è disponibile alla pagina www.blackmagicdesign.com/it/support. Consulta la sezione "Utilità Blackmagic Camera Setup" per tutti i dettagli.

SUGGERIMENTO Consigliamo di aggiornare tutti gli accessori Blackmagic URSA in una volta per ottimizzarne le prestazioni.

Blackmagic URSA Studio Viewfinder



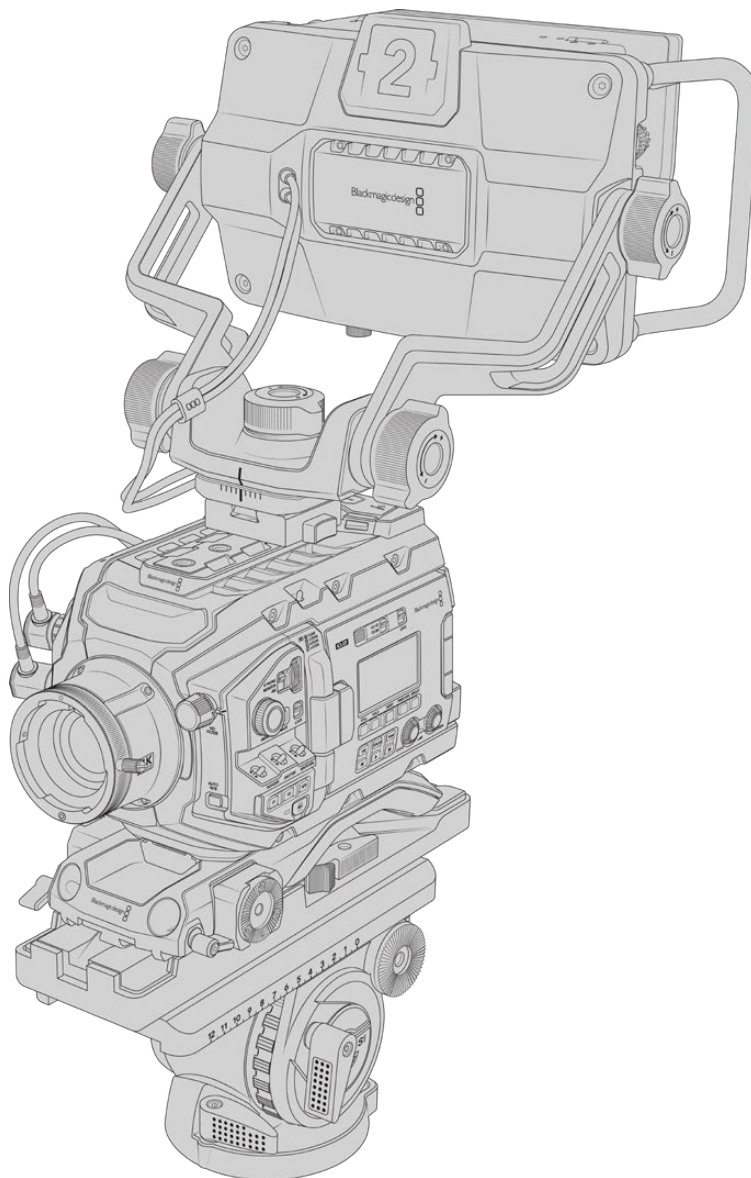
Blackmagic URSA Studio Viewfinder è un potente monitor in grado di trasformare Blackmagic URSA Broadcast G2 in una telecamera professionale per la produzione dal vivo. Offre un ampio schermo luminoso 7" con una luce tally di grandi dimensioni, manopole di controllo, comode maniglie laterali, parasole e attacco a tensione variabile. Grazie a queste caratteristiche, puoi operare la camera e seguire l'azione in pieno comfort anche per lunghi periodi di tempo, per esempio durante i concerti e gli eventi sportivi. URSA Studio Viewfinder è perfetto per le produzioni dal vivo professionali in studio o in location.

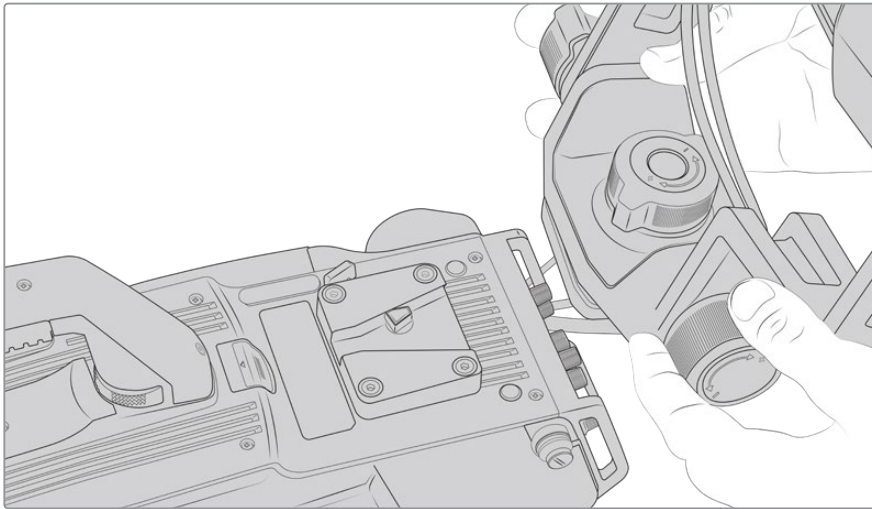
Montare e collegare il monitor viewfinder alla camera

Blackmagic URSA Studio Viewfinder si può montare su Blackmagic URSA Broadcast G2 in diversi modi.

Grazie alla piastra con attacco a V inclusa, puoi montare Blackmagic URSA Studio Viewfinder direttamente sul lato superiore della camera o sulla maniglia superiore del URSA Mini Shoulder Kit in dotazione alla camera.

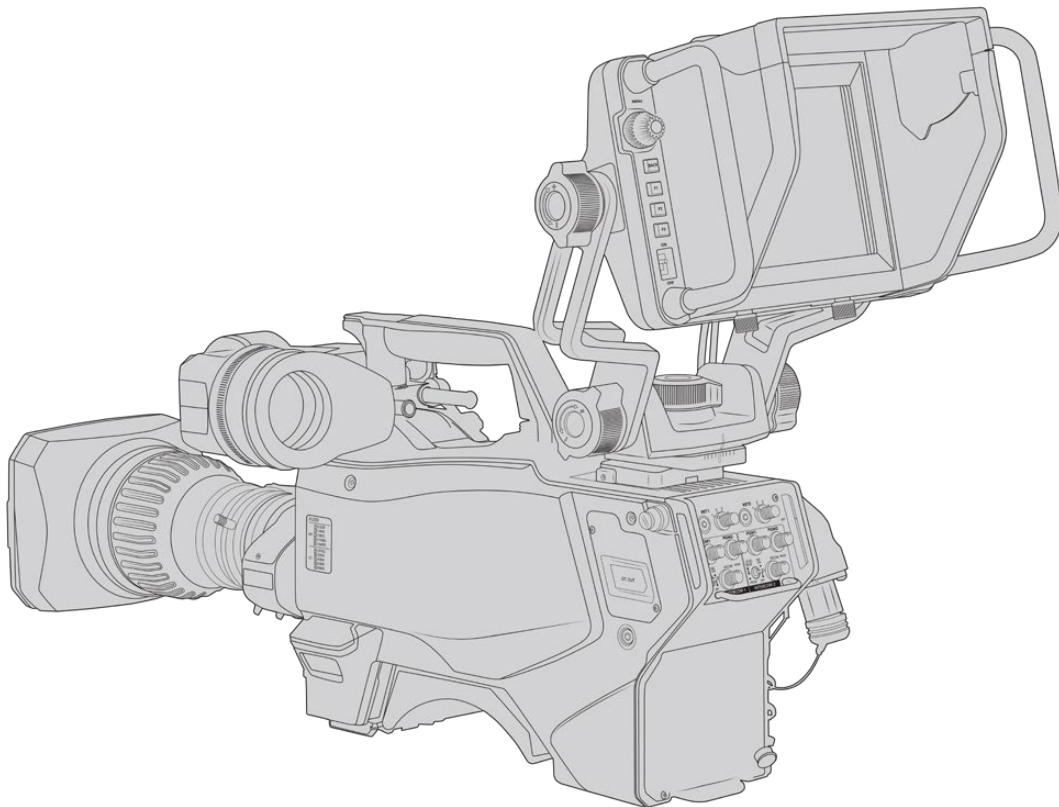
Fissa la piastra con attacco a V sul lato superiore della camera con le viti 1/4" incluse. Poiché il baricentro della camera cambierà significativamente, consigliamo di installarla su un treppiede per svolgere questa operazione in modo sicuro.





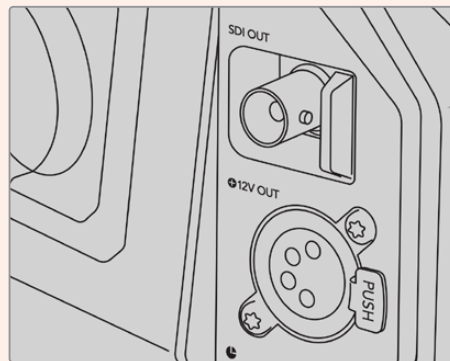
La piastra con attacco a V su una camera di terzi

URSA Studio Viewfinder si può installare su qualsiasi telecamera munita di fori di montaggio 1/4" mediante la piastra con attacco a V, o usando una piastra di montaggio multiuso di terzi. URSA Studio Viewfinder si può installare sui sistemi per telecamera di terzi muniti della propria piastra con attacco a V a sgancio rapido.



Per connettere Blackmagic URSA Studio Viewfinder alla camera, inserisci i cavi del monitor nella uscite di alimentazione 12V e 3G-SDI frontali della camera.

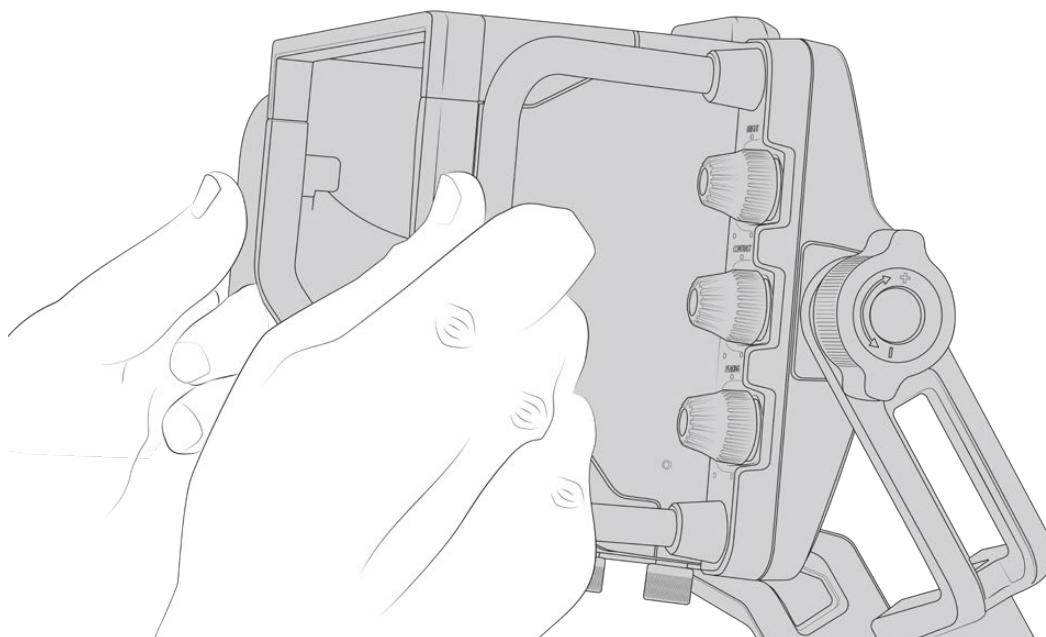
Sposta l'interruttore di accensione del viewfinder su On. Sfrutta i morsetti sul lato della maniglia superiore del URSA Mini Shoulder Kit tenere i cavi in ordine.



Le connessioni SDI e 12V di URSA Broadcast G2

SUGGERIMENTO URSA Studio Viewfinder funziona con qualsiasi telecamera e funge da monitor portatile perché offre connessioni di alimentazione SDI e broadcast XLR a 4 pin di standard aperto. Inoltre si avvale del protocollo ATEM di controllo camera e tally di standard aperto, consentendo di includere queste informazioni nel flusso SDI delle telecamere e di visualizzare tally ed elementi in sovrapposizione sul viewfinder.

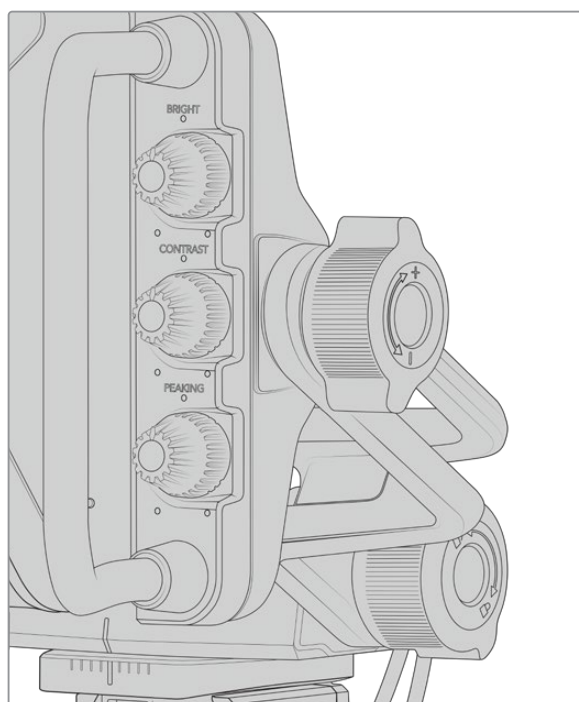
Regolare Blackmagic URSA Studio Viewfinder



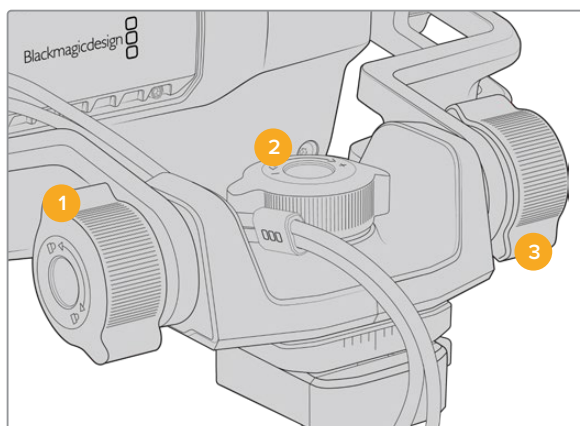
Blackmagic URSA Studio Viewfinder è affiancato da grandi maniglie laterali e dispone di un attacco a tensione variabile per regolare posizione e angolazione. Le maniglie permettono di manovrare il viewfinder in modo facile e veloce. Oltre al parasole, le maniglie proteggono lo schermo e non è necessario disinstallarle per trasportare Blackmagic URSA Studio Viewfinder in una custodia. Sono ideali anche per spostare il viewfinder da una location all'altra.

L'attacco in dotazione è munito di manopole per regolare la tensione di panoramica e inclinazione, e manopole laterali aggiuntive per regolare l'attrito. La manopola a sinistra regola l'attrito del braccio; la manopola a destra blocca il viewfinder nell'angolazione desiderata.

Le manopole offrono un intervallo molto ampio di regolazione della tensione per definire il grado di resistenza ottimale. Questo sistema consente movimenti di panoramica e inclinazione precisi.



Manopole laterali per regolare la tensione

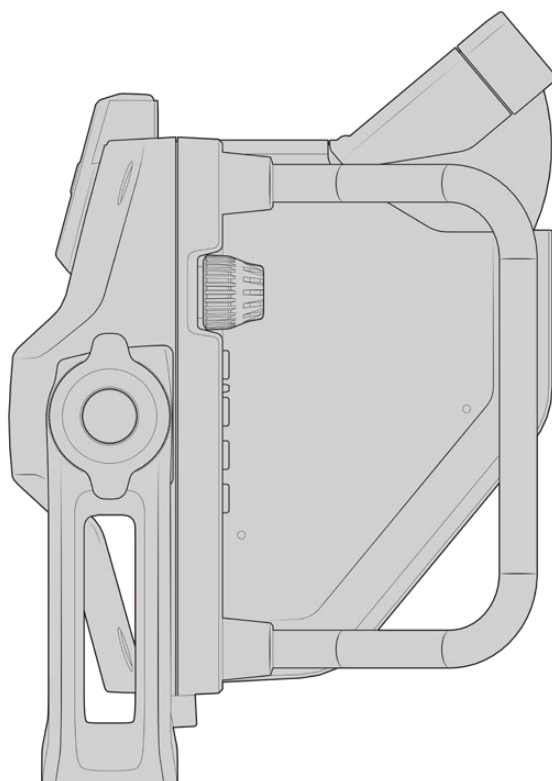
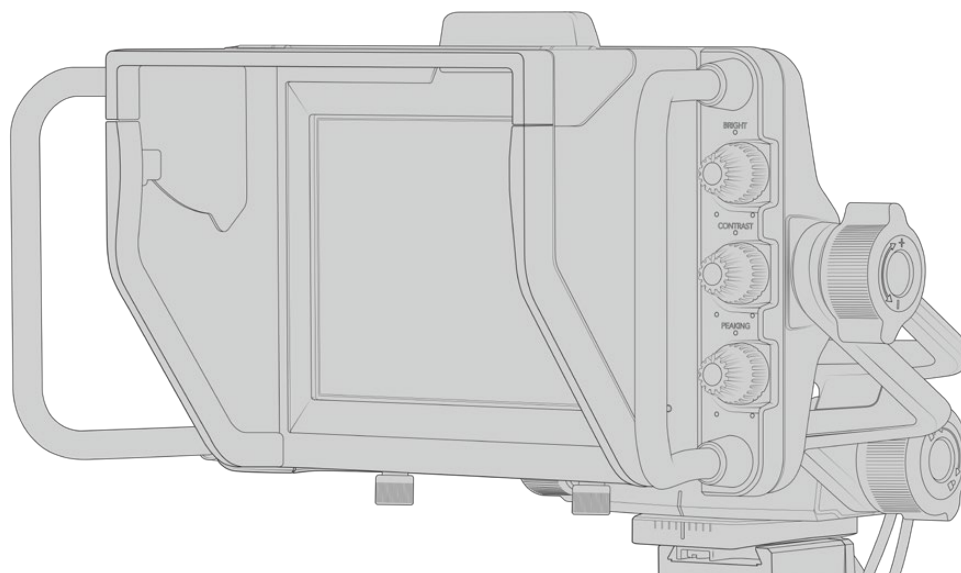


- 1 Blocco inclinazione**
Blocca il meccanismo del viewfinder su un angolo di inclinazione
- 2 Tensione panoramica**
Regola la tensione della panoramica
- 3 Tensione inclinazione**
Regola la tensione dell'inclinazione

SUGGERIMENTO La manopola centrale sull'attacco in dotazione regola la tensione della panoramica e si può allentare per muovere la camera separatamente dal viewfinder. Questo ti permette di fare le panoramiche muovendo la camera a destra e a sinistra mentre tieni fermo il viewfinder davanti agli occhi, per esempio durante una gara di automobilismo. Sull'attacco è presente una guida per riportare il viewfinder esattamente al centro.

Parasole

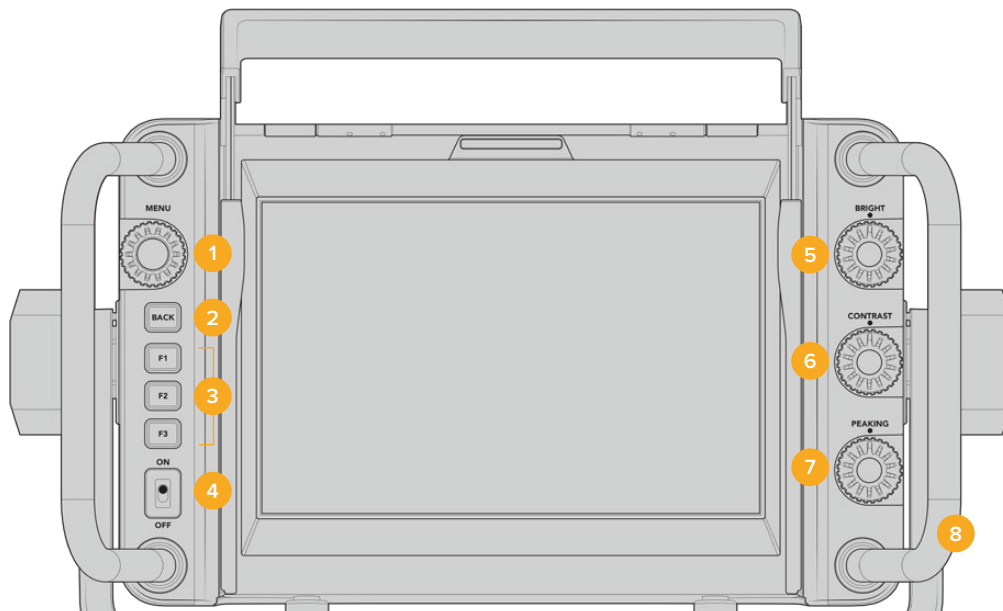
Il parasole consente di vedere bene lo schermo in condizioni di forte illuminazione. Per montare il parasole, fallo slittare nel lato superiore di Blackmagic URSA Studio Viewfinder, premilo per posizionarlo correttamente e fissalo con le due viti imperdibili alla base. L'aletta superiore si solleva e si abbassa per ottenere ulteriori angoli di visuale. Il parasole protegge lo schermo 7" e si può rimuovere facilmente, per esempio per accedere al connettore USB-C per aggiornare il software.



Parasole con aletta regolabile

Funzioni dei pulsanti

Le manopole sul lato destro servono per regolare la luminosità, il contrasto e il Focus peaking. Hanno un design ergonomico per farle scorrere con il pollice quando è installato il parasole, o con due dita per un controllo più preciso.



1 Menu

Premi la manopola per aprire il menù; ruotala per navigare le impostazioni.

2 Back

Premi il pulsante per uscire dal menù.

3 F1, F2, F3

Programma questi pulsanti con le funzioni che utilizzi più frequentemente.

4 ON/OFF

Sposta l'interruttore per accendere e spegnere il viewfinder.

5 Bright

Ruota la manopola per regolare la luminosità dello schermo in un intervallo da -100 a +100.

6 Contrast

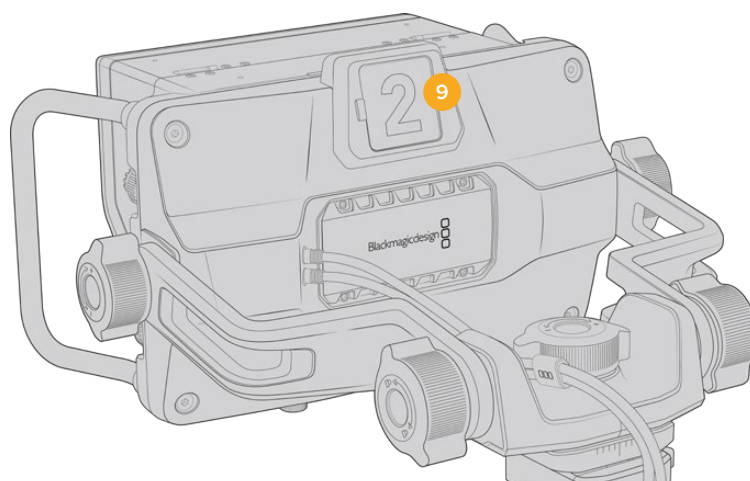
Ruota la manopola per regolare il contrasto dello schermo in un intervallo da -100 a +100.

7 Peaking

Ruota la manopola per regolare il Focus peaking dello schermo in un intervallo da -100 a +100. Dal menù Setup puoi scegliere lo stile del Focus peaking tra la versione classica e la versione con linee colorate rosse, verdi, blu, nere o bianche. Il colore delle linee si può cambiare per distinguerle facilmente in base al tipo di immagini.

8 Maniglie

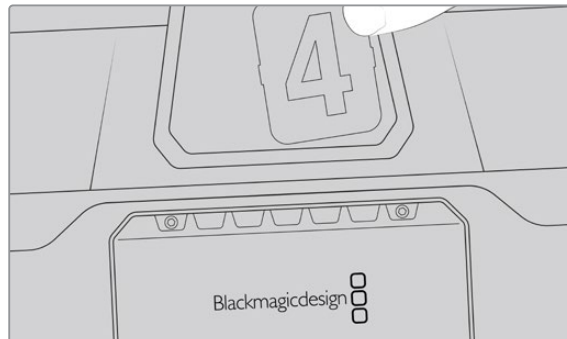
Usa le maniglie di grandi dimensioni per tenere fermo il viewfinder mentre muovi la camera per riprendere. Le maniglie proteggono lo schermo durante l'installazione e il trasporto.



9 Luce tally

La luce tally di grandi dimensioni sul retro segnala a chi sta davanti alla camera e all'operatore se la camera è in onda, in attesa di andare in onda, o in modalità registrazione ISO. La luce è rossa quando la camera è in onda, verde quando è in anteprima, e arancione in modalità registrazione ISO.

Mentre la regia stacca da una camera all'altra dallo switcher ATEM, le informazioni del tally ritornano alla camera tramite SDI e la luce tally si illumina in base alle summenzionate attività della camera. URSA Studio Viewfinder include anche numeri trasparenti da inserire nella luce tally per consentire a chi sta davanti alla camera di riconoscerla fino a 6 metri di distanza.



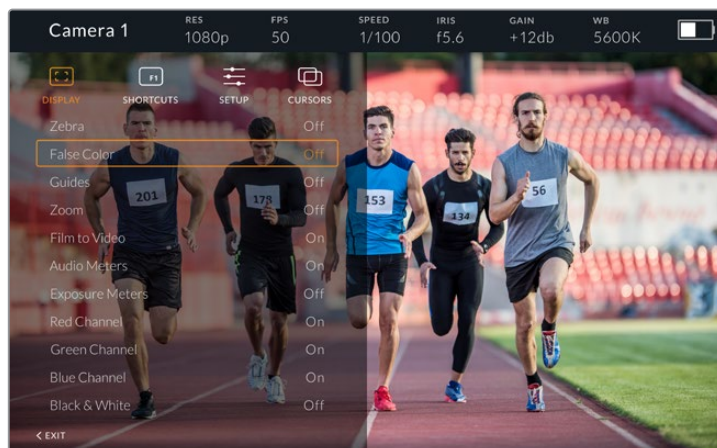
Grazie ai PDF modificabili in dotazione al software di installazione puoi cambiare e stampare i numeri di cui hai bisogno con lo stesso design di quelli già forniti, o personalizzarli. I PDF si trovano nella cartella documenti al termine dell'installazione del software Blackmagic Camera. Vai su Applicazioni > Blackmagic Cameras > Documenti (Mac) o su Blackmagic Design > Documenti (Windows).

La luce tally si illumina in base alla commutazione effettuata dallo switcher ATEM. Quando la camera non è connessa a uno switcher, la luce tally si illumina di rosso durante la registrazione. Consulta la sezione "Modalità telecamera da studio" per approfondire.

SUGGERIMENTO Quando usi Blackmagic URSA Studio Viewfinder con uno switcher ATEM, ricorda di attivare l'impostazione Clean feed sulla camera per nascondere le informazioni in sovrapposizione o il riquadro di messa a fuoco sull'uscita SDI. Vai nella tab Monitor e abilita Clean feed per l'uscita SDI principale.

Impostazioni

Premi la manopola **Menu** per aprire la schermata delle impostazioni; ruotala per navigare le opzioni. Quando un titolo è in evidenza, premi la manopola per aprire il menù Display, Shortcuts, Setup o Cursors. Ruota la manopola per scorrere tra le impostazioni di ogni menù. Quando un'impostazione è in evidenza, premi e ruota la manopola per modificarla. Premi di nuovo la manopola per confermare la selezione. Premi il pulsante **Back** o vai su **Exit** per uscire dal menù.



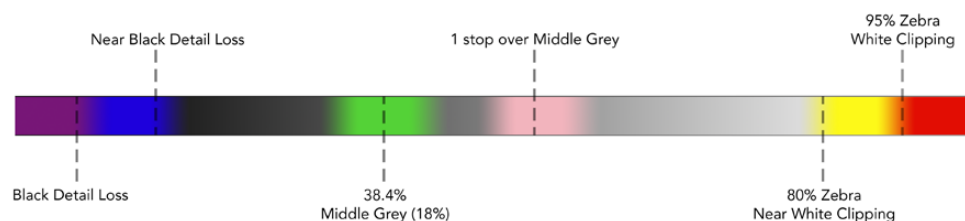
Display

Zebra

Attiva e disattiva lo strumento Zebra. I livelli dello strumento rispecchiano la selezione effettuata nella terza pagina della tab Monitor della camera. Quando il viewfinder non è connesso alla camera, i livelli corrispondono al 95% dei livelli di luminosità di un segnale Rec 709. Consulta la sezione "Impostazioni" per maggiori informazioni.

False Color

Attiva e disattiva lo strumento Falsi colori. Questo strumento copre gli elementi dell'immagine di un colore diverso a seconda del valore di esposizione. Per esempio il rosa rappresenta l'esposizione ottimale della pelle chiara. Osservando il rosa puoi mantenere costante l'esposizione delle tonalità della pelle. Gli elementi dell'immagine che passano dal giallo al rosso sono sovraesposti. I Falsi colori sono uno degli strumenti più utilizzati, e consigliamo di assegnarlo a uno dei pulsanti funzione per accedervi all'istante.



Spettro dei Falsi colori

Guides

Mostra e nascondi le guide di inquadratura. Il tipo di guide rispecchia la selezione effettuata nella quarta pagina della tab Monitor della camera.

Anche il rapporto d'aspetto, l'opacità delle guide e la percentuale della safe area rispecchiano la selezione effettuata nella tab Monitor della camera. Una volta attivate le guide nel menù Display, apri il menù **Setup** di Studio Viewfinder per cambiare il tipo di guide che desideri visualizzare. Per attivare e disattivare le guide basta un solo comando.

Zoom

Attiva e disattiva la funzione zoom. Ingrandisci l'immagine per ottenere una messa a fuoco limpida. Poi ruota la manopola Menu per spostarti su una parte specifica. Un indicatore in sovrapposizione mostra la posizione dello zoom nell'immagine.

Film to Video

Applica all'immagine una LUT più colorata e ad alto contrasto quando la camera invia un segnale SDI di gamma dinamica Film. Questa impostazione è disponibile solo se il viewfinder rileva immagini Film per evitare di applicare la LUT sbagliata.

Audio Meters

Mostra e nascondi gli indicatori di livello dell'audio in entrata nel viewfinder tramite SDI, ovvero il livello dell'audio in entrata della camera. Gli indicatori possono anche segnalare il livello dell'audio del programma, se selezionato.

Exposure Meters

Mostra e nascondi l'istogramma.

Red Channel

Attiva e disattiva il canale del rosso dell'immagine.

Green Channel

Attiva e disattiva il canale del verde dell'immagine.

Blue Channel

Attiva e disattiva il canale del blu dell'immagine.

Black and White

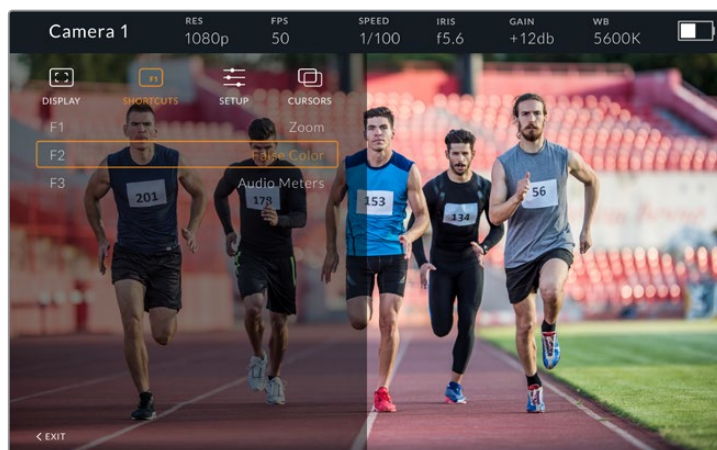
Alterna colori e monocromo.

Shortcuts

Questo menù consente di programmare i pulsanti F1, F2 e F3 con le funzioni disponibili nei menù Display e Cursors per poterle attivare e disattivare velocemente. Così facendo avrai accesso rapido alle funzioni che utilizzi più di frequente.

Per programmare i pulsanti, apri il menù **Shortcuts**, ruota la manopola **Menu** e selezionane uno. Premi la manopola **Menu** per confermare la selezione e poi ruotala per scorrere tra le funzioni **Zoom**, **Cursor 1**, **Cursor 2**, **Cursor 3**, **Zebra**, **False Color**, **Guides**, **Film to Video**, **Audio Meters**, **Exposure Meters**, **Red Channel**, **Green channel**, **Blue Channel**, e **Black and White**. Ripremi la manopola per selezionare la funzione desiderata e assegnarla al pulsante di tua scelta. Da questo momento in poi il pulsante attiva e disattiva la funzione assegnatagli.

Per chiudere il menù, vai alla voce **Exit** e premi **Menu**, oppure premi il pulsante **Back**.



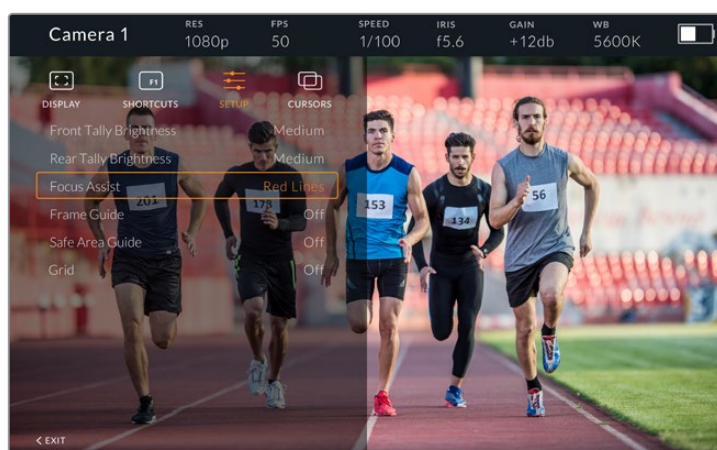
Il menù delle scorciatoie Shortcuts

Setup

Questo menù consente di configurare il viewfinder.

Front Tally Brightness

Regola la luminosità del LED tally selezionando il livello (in ordine crescente) **Off**, **Low**, **Medium** o **High**. La luce risponde alla selezione in tempo reale.



Il menù di configurazione Setup

Rear Tally Brightness

Regola la luminosità del LED tally selezionando il livello (in ordine crescente) **Low**, **Medium** o **High**. La luce risponde alla selezione in tempo reale.

SUGGERIMENTO Imposta il LED sul livello di luminosità High (alta) negli ambienti fortemente illuminati, e sul livello di luminosità Low (bassa) negli ambienti bui.

Focus Assist

Attiva e disattiva lo strumento Focus peaking a scelta tra la versione classica e la versione con linee colorate rosse, verdi, blu, nere o bianche.

Frame Guide

Mostra e nascondi le guide di inquadratura. Se connesso a URSA Broadcast G2, il viewfinder adotta lo stesso rapporto d'aspetto della camera; se connesso ad altri sistemi, sceglie il rapporto d'aspetto 14:9.

Safe Area Guide

Mostra e nascondi la safe area. Se connesso a URSA Broadcast G2, il viewfinder adotta la stessa percentuale di safe area della camera; se connesso ad altri sistemi, sceglie una percentuale del 90%.

Grid

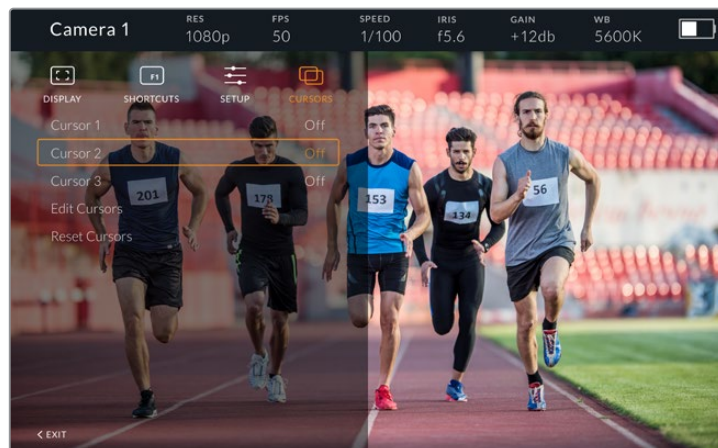
Mostra e nascondi le griglie. Se connesso a URSA Broadcast G2, il viewfinder adotta le stesse griglie della camera; in caso contrario, visualizza o nasconde il mirino.

LCD Brightness

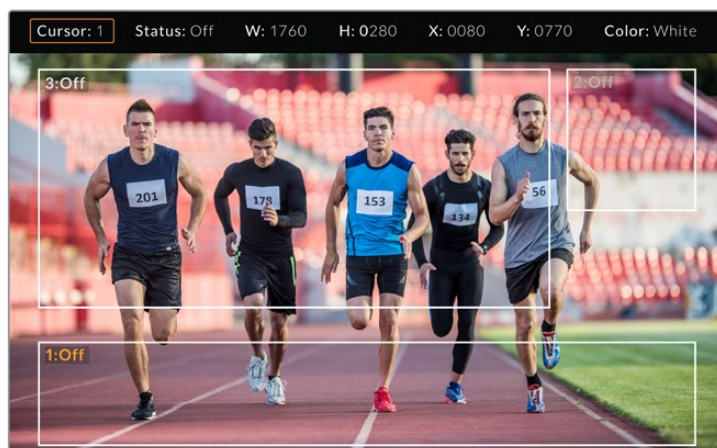
Se utilizzi il modello aggiornato di URSA Studio Viewfinder, usa questa impostazione per regolare la luminosità della retroilluminazione dello schermo LCD.

Cursors

Questo menù permette di demarcare l'area dello schermo in cui compariranno in sovrapposizione terzi inferiori, grafica, loghi o scritte scorrevoli. Per regolare i riquadri, apri il menù **Cursors** e seleziona **Edit Cursors**. Si aprirà una schermata in cui potrai selezionare singolarmente i tre riquadri disponibili e personalizzarli in larghezza, altezza e posizionamento lungo gli assi X e Y.



Il menù dei riquadri per grafica Cursors



I riquadri su schermo

Dopo aver configurato i riquadri, puoi decidere se mostrarli o nascondarli, o assegnarli a uno dei pulsanti funzione. I riquadri sono importanti perché aiutano a comporre e inquadrare le immagini durante la produzione dal vivo. Puoi creare fino a tre riquadri neri o bianchi e personalizzarli in larghezza, altezza e posizionamento in base al tipo di grafica che verrà inserita dal vivo o nella trasmissione in un altro momento. I riquadri si possono resettare sulle impostazioni di default.

Utilizzare le cuffie con Blackmagic URSA Studio Viewfinder

Quando utilizzi Blackmagic URSA Studio Viewfinder con URSA Broadcast G2, la connessione per cuffie della camera diventa una connessione per talkback per comunicare con la regia.

Per un talkback di qualità ancora più alta puoi ricorrere a Blackmagic Camera Fiber Converter e Blackmagic Studio Converter per utilizzare cuffie broadcast con connettori XLR a 5 pin. Consulta la sezione "Blackmagic Fiber Converter" per maggiori informazioni.

SUGGERIMENTO La connessione per cuffie di URSA Broadcast G2 è compatibile con le cuffie per iPhone. Per comunicare con la regia basta premere il pulsante sul controller integrato.

Aggiornare il software interno di URSA Studio Viewfinder

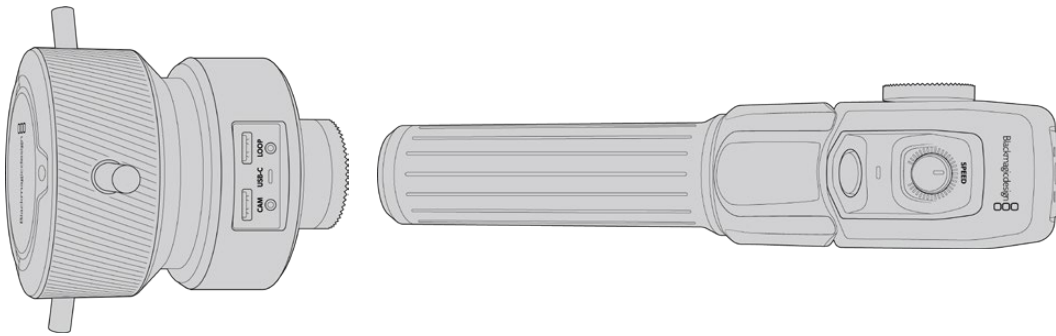
Il viewfinder si può aggiornare dall'utilità Blackmagic Camera Setup. Durante l'aggiornamento, consigliamo di non scollegare il viewfinder dalla camera e di non scollegare la camera dalla fonte di alimentazione esterna.

Disinstalla il parasole per accedere alla piccola connessione USB-C sul lato inferiore del viewfinder e collegare il computer. L'utilità Blackmagic Camera Setup suggerisce di aggiornare il software interno del viewfinder se rileva una versione precedente. Segui le istruzioni sullo schermo per aggiornare il software interno del viewfinder. Consulta la sezione "Utilità Blackmagic Camera Setup" per tutti i dettagli.

Consigliamo di aggiornare tutti gli accessori Blackmagic URSA in una volta per ottimizzarne le prestazioni.

NOTA Consigliamo di aggiornare il software interno di Blackmagic URSA Studio Viewfinder all'ultima versione per garantire la compatibilità con URSA Broadcast G2. L'ultima versione del software è disponibile alla pagina www.blackmagicdesign.com/it/support. Consulta la sezione "Utilità Blackmagic Camera Setup" per tutti i dettagli.

Blackmagic Zoom Demand e Blackmagic Focus Demand



Blackmagic Zoom Demand e Blackmagic Focus Demand sono accessori opzionali per controllare la messa a fuoco e lo zoom degli obiettivi servo B4, EF, e PL.

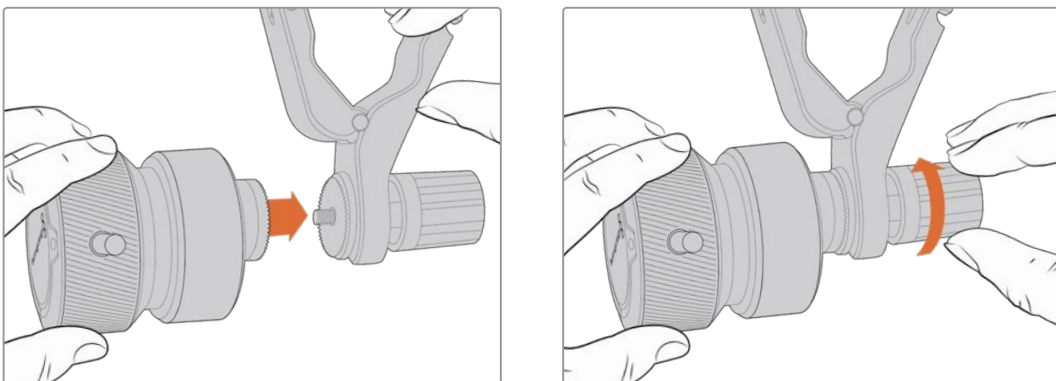
I due dispositivi si possono montare sul braccio del treppiede o piedistallo. Sono utili per controllare la messa a fuoco e lo zoom durante le carrellate e mentre si inclina la camera con entrambe le mani. Grazie ai pulsanti e ai controlli integrati è possibile regolare anche la velocità e la risposta dello zoom, azionare il talkback, monitorare il ritorno di programma e molto altro.

Connessione e installazione sulla camera

Installazione sul braccio del treppiede

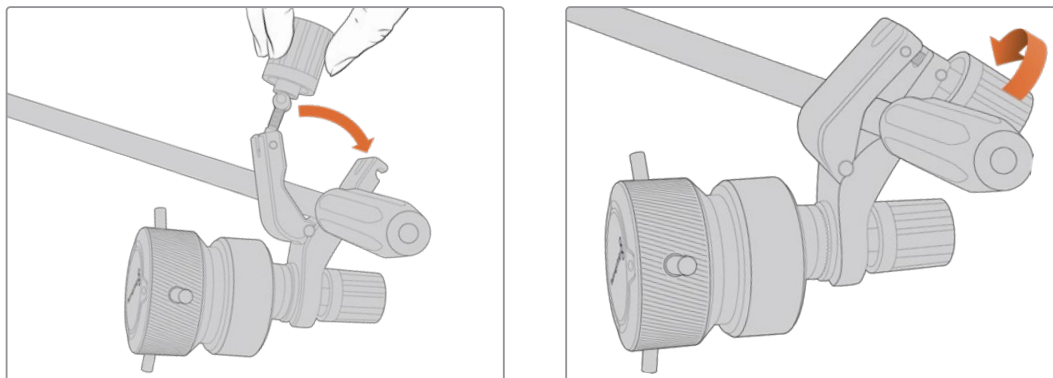
I due dispositivi vanno installati sul braccio del treppiede mediante le staffe di montaggio con attacco a rosetta.

Basta montare il dispositivo sulla staffa e avvitare la manopola per bloccarlo saldamente.



- 1 Allinea Focus Demand o Zoom Demand con l'attacco a rosetta della staffa.
- 2 Avvita la manopola per bloccarli saldamente sulla staffa.

A questo punto puoi montare la staffa sul braccio del treppiede. Su un'estremità della pinza della staffa c'è una chiusura a T a incastro.



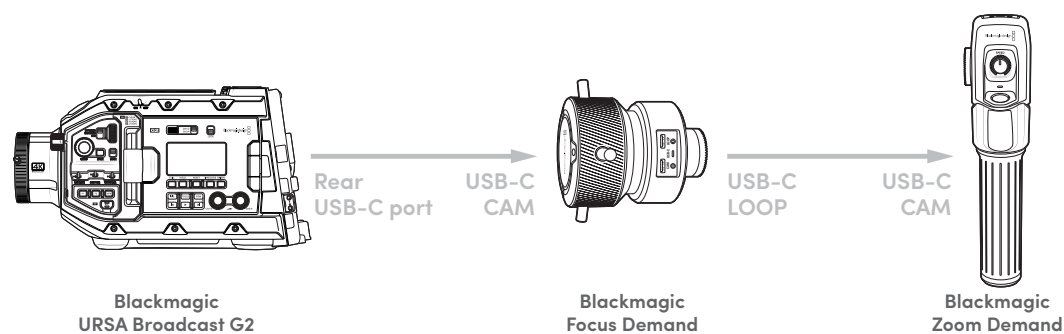
- 1 Allenta la chiusura a T svitando la sua manopola in senso antiorario.
- 2 Posiziona la staffa con le pinze aperte sul braccio del treppiede e chiudila re incastrandolo la chiusura a T. Ruota la staffa nella posizione preferita sul braccio del treppiede.
- 3 Avvita la manopola della chiusura a T per fissare la staffa sul braccio del treppiede.

Connessione alla camera

Blackmagic Focus Demand e Zoom Demand hanno due porte USB-C per utilizzarli singolarmente o insieme.

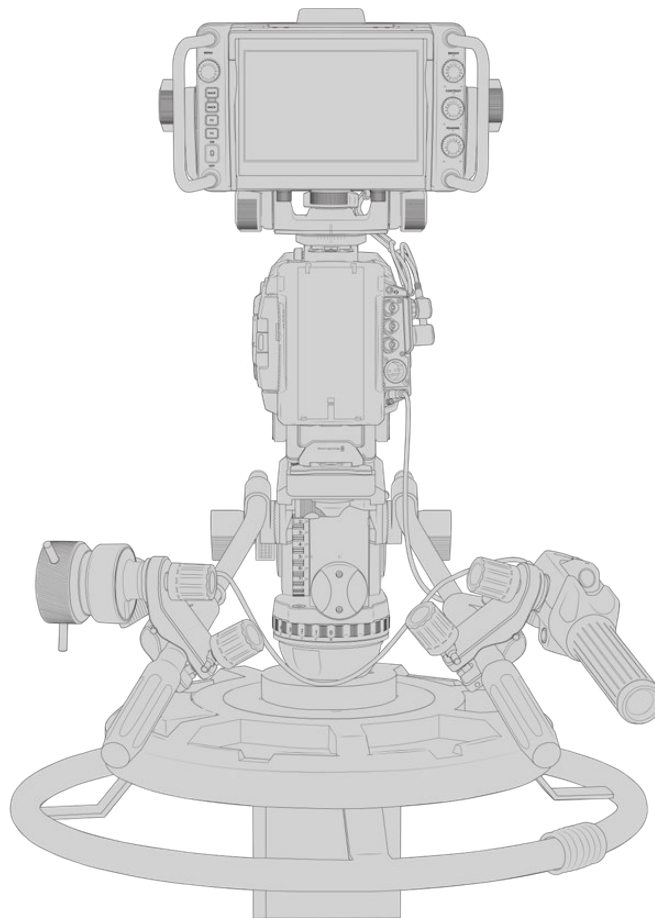
I due dispositivi includono un cavo USB-C di un metro per connettere la porta Cam alla porta USB-C posteriore di URSA Broadcast G2.

Per usare entrambi i dispositivi puoi collegarli a cascata mediante USB-C.



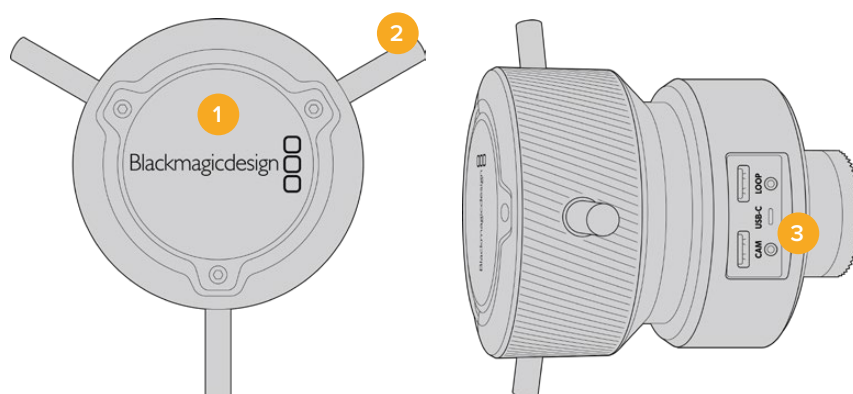
Il collegamento a cascata permette di controllare i dispositivi mediante la porta USB-C posteriore della camera. Per esempio, connetti un cavo USB-C dalla porta USB-C posteriore della camera e alla porta Cam di Focus Demand. Connetti un altro cavo dalla porta Loop di Focus Demand alla porta Cam di Zoom Demand.

Il cavo USB-C include viti di bloccaggio per evitare che si scolleghi inavvertitamente. Non sono indispensabili, ma tornano utili nelle configurazioni in studio in cui i dispositivi sono sempre connessi a URSA Broadcast G2.



Usa Blackmagic Focus Demand e Zoom Demand per controllare focus e zoom senza togliere le mani dal braccio del treppiede

Utilizzare Blackmagic Focus Demand



1 Manopola

Ruota la manopola in senso orario per mettere a fuoco i soggetti più vicini all'obiettivo; in senso antiorario per quelli più lontani. La direzione standard del focus si può invertire nella tab Setup della camera.

SUGGERIMENTO Se utilizzi anche Blackmagic Zoom Demand, premi il pulsante di zoom veloce per ingrandire l'immagine mentre metti a fuoco con Blackmagic Focus Demand.

2 PERNI DI CONTROLLO

Esegui una messa a fuoco precisa usando la punta del dito sui tre perni che espandono il diametro della superficie di controllo.

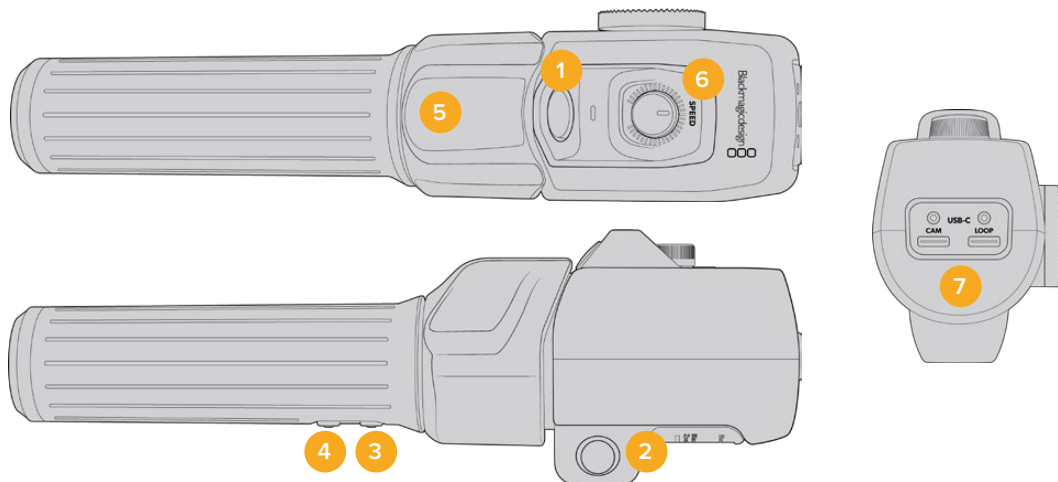
3 PORTE USB

Connetti il dispositivo alla camera, oppure a Zoom Demand con un collegamento a cascata. La porta Cam serve anche per aggiornare il software interno dall'utilità Blackmagic Camera Setup.

Utilizzare Blackmagic Zoom Demand

I controlli di Zoom Demand sono programmabili dalla tab Setup della camera. Consulta "Impostazioni generali" nella sezione "Impostazioni" per tutti i dettagli.

I pulsanti azionano i comandi seguenti:



1 Zoom F1

Pulsante funzione 1. È preconfigurato come pulsante di registrazione.

2 Zoom F2

Pulsante funzione 2. È situato sull'altro lato del controller e svolge la stessa funzione per consentire di gestirla con la mano sinistra e destra. È preconfigurato con la funzione zoom veloce sull'immagine dal vivo.

NOTA Lo zoom veloce è visibile solo sullo schermo LCD di URSA Broadcast G2 e non sull'uscita video connessa a uno switcher o a un registratore.

3 Zoom F3

Pulsante funzione 3. È preconfigurato con il ritorno di programma. Di solito è il segnale in arrivo dallo switcher, ma può trattarsi di qualsiasi segnale SDI connesso all'ingresso SDI della camera.

4 Zoom F4

Pulsante funzione 4. È preconfigurato con la funzione premi per parlare. Se la camera è connessa a uno switcher ATEM tramite SDI, tieni premuto il pulsante per comunicare con l'operatore dello switcher.

5 Leva di zoom

Questa leva consente il controllo dello zoom con il pollice. Spostala verso sinistra per zoomare indietro, e verso destra per zoomare avanti. La direzione standard dello zoom si può invertire nella tab Setup della camera.

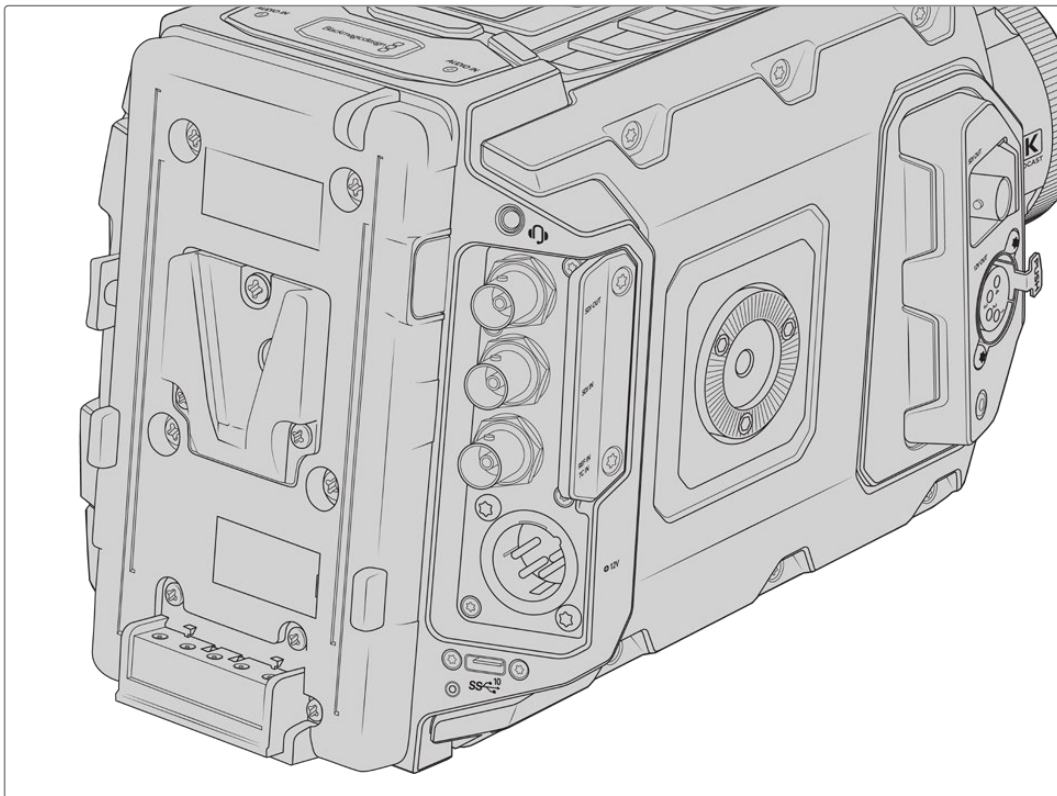
6 Speed

Gira la rotella sul lato superiore del controller per regolare la velocità dello zoom. La rotella è programmabile per regolare il volume delle cuffie, il diaframma o la messa a fuoco.

7 Porte USB-C

Connetti il dispositivo alla camera, oppure a Focus Demand con un collegamento a cascata. La porta Cam serve anche per aggiornare il software interno dall'utilità Blackmagic Camera Setup.

Montare le batterie



Montare batterie con attacco a V o Gold Mount

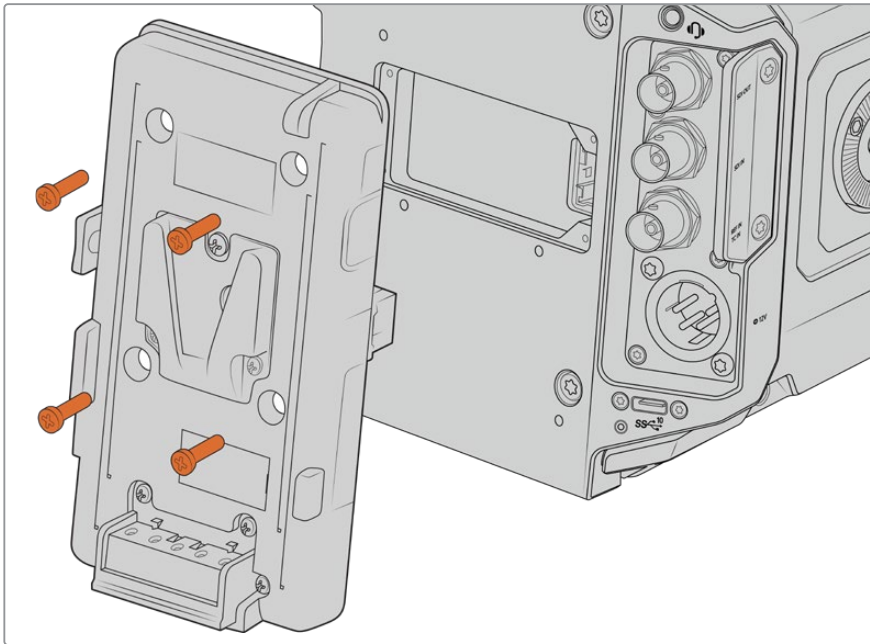
Blackmagic URSA Broadcast G2 è equipaggiata con la piastra URSA VLock Battery Plate per montare batterie standard con attacco a V.

Installando la piastra opzionale Blackmagic URSA Gold Battery Plate è possibile montare anche altri tipi di batteria.

SUGGERIMENTO Blackmagic URSA VLock Battery Plate e Blackmagic URSA Gold Battery Plate consentono di visualizzare la carica residua in percentuale. Il connettore +12V Out, noto anche come D-tap o P-tap, serve per alimentare gli accessori, ad esempio un monitor esterno. Poiché questa uscita è regolata dalla camera, si spegne in modo sicuro quando si spegne la camera. Fornisce 12 volt fino a un massimo di 1,5 Amp. Alcune piastre per batteria di terzi compatibili con URSA, e alcune batterie, hanno un'uscita D-tap non regolata che somministra l'alimentazione quando la camera si riavvia o la si spegne e riaccende. Ad ogni modo, la tensione varia secondo il livello di carica della batteria, e gli accessori collegati continuano a scaricare la batteria.

Le piastre Blackmagic URSA VLock Battery Plate e Blackmagic URSA Gold Battery Plates sono acquistabili presso i rivenditori Blackmagic Design; le piastre per batteria di terzi sono reperibili nei negozi di attrezzatura professionale per il video e il cinema digitale. Se vuoi modificare una piastra per batteria che già possiedi e utilizzarla con Blackmagic URSA Broadcast G2 puoi ricorrere al cavo adattatore e al connettore in dotazione. Consulta la sezione "Utilizzare altre piastre per batteria" per scoprire come modificare le piastre per batteria e utilizzarle con URSA Broadcast G2.

Per sostituire la piastra per batteria su Blackmagic URSA Broadcast G2:



- 1 Allenta le 4 viti M3 negli angoli di URSA VLock Battery.
- 2 Disconnetti il connettore molex sulla piastra da quello sulla camera.
- 3 Connetti il connettore molex della nuova piastra a quello sulla camera.
- 4 Fissa la piastra su Blackmagic URSA Broadcast G2 con le 4 viti M3. Accertati che il cavo connettore sia nascosto correttamente nell'apposito spazio per evitare di schiacciarlo.
- 5 Monta la batteria sulla piastra e accendi la camera.

Utilizzare altre piastre per batteria

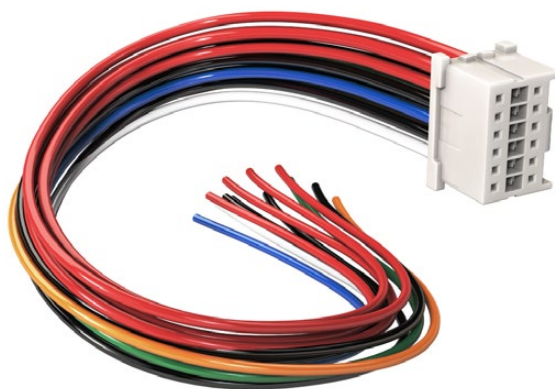
Cavo adattatore e connettore

Per modificare una piastra per batteria di terzi e montarla su URSA Broadcast G2 puoi ricorrere al cavo adattatore e connettore in dotazione, anche reperibile nei centri assistenza Blackmagic Design.

Per cablare il cavo adattatore e connettore:

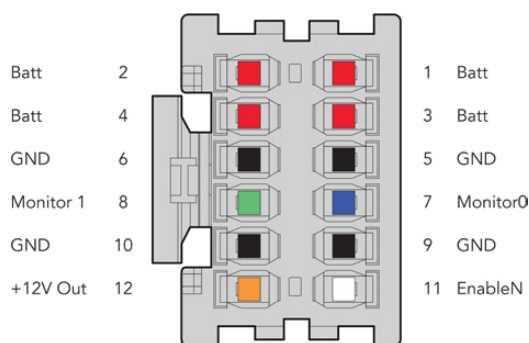
- 1 Rimuovi circa 1 cm di isolante dall'estremità dei fili rosso e nero.
- 2 Salda i 4 fili rossi **Batt** al filo positivo corrispondente della piastra per batteria.
- 3 Salda i 4 fili neri **GND** al filo negativo corrispondente della piastra per batteria.

Accertati che le giunture siano ben isolate.



Per modificare una piastra per batteria e montarla su URSA Broadcast G2, utilizza il cavo adattatore e connettore in dotazione, anche reperibile nei centri assistenza Blackmagic Design

Questo consente alla batteria di alimentare la camera. Puoi anche collegare fili supplementari per sfruttare funzioni come uscita 12V e carica residua. Segui le istruzioni della tua piastra per batteria, e consulta l'immagine e la tabella qui sotto per cablare i fili correttamente. Per assistenza, visita la pagina www.blackmagicdesign.com/it/support del nostro sito.



Vista posteriore dell'alloggiamento dell'adattatore. Consulta la tabella di configurazione dei fili per la descrizione dei pin

Tabella di configurazione dei fili

Pin	Segnale	Colore	Direzione	Descrizione
1, 2, 3, 4	Batt	Rosso	Verso URSA	12V - 20V
5, 6, 9, 10	GND	Nero	–	–
7	Monitor0	Blu	Verso URSA	Livello batteria analogico o linea dati open drain (20V max)
8	Monitor1	Verde	Verso URSA	Linea di clock open drain (3,4V max)
12	+12V out	Arancione	Da URSA	Uscita regolata 12V, max 1,5 A (18W)
11	EnableN	Bianco	Verso URSA	Connetti a GND per abilitare l'uscita +12V. Non connettere se l'uscita +12V non serve.

Ciascun pin Batt e GND supporta 3 ampere. Assicurati che tutti questi pin siano connessi. Per monitorare la carica residua delle batterie utilizzando piastre Anton Bauer, IDX, e Blueshape, cabla i fili così:

Anton Bauer	Connetti il filo a strisce blu/bianco al filo blu del pin 7.
IDX	Connetti il filo verde al filo verde del pin 8, e il filo grigio al filo blu del pin 7.
Blueshape	Connetti il filo blu SMBC al filo verde del pin 8. Connetti il filo marrone SMBD al filo blu del pin 7.

Taglia i fili inutilizzati il più vicino possibile al retro del connettore adattatore.

Convertitori in fibra Blackmagic

Blackmagic Camera Fiber Converter e Blackmagic Studio Fiber Converter sono accessori opzionali che forniscono una connessione in fibra SMPTE tra URSA Broadcast G2 o URSA Mini e uno switcher ATEM.

La fibra SMPTE trasporta video, alimentazione, talkback, tally, e controllo camera tra uno switcher ATEM e la camera in un singolo cavo ibrido in fibra ottica SMPTE standard. La connessione in fibra SMPTE riduce significativamente la quantità di cavi necessari, semplificando e rendendo più efficienti le configurazioni. I connettori standard di Studio Fiber Converter ne consentono l'integrazione nell'infrastruttura esistente dei veicoli di regia mobile.



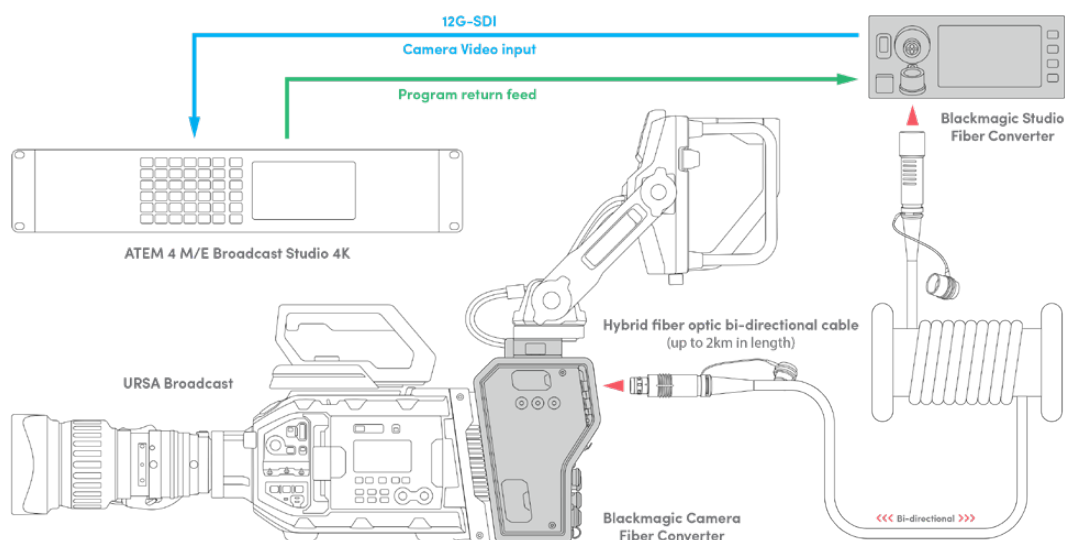
Blackmagic Camera Fiber Converter

Si installa sul retro di URSA Mini o URSA Broadcast G2, e si collega a Studio Fiber Converter con un connettore SMPTE 304 ibrido standard.



Blackmagic Studio Fiber Converter

Converte il segnale SDI in fibra ottica in arrivo da Camera Fiber Converter in SDI tramite BNC, a sua volta connesso allo switcher ATEM. Riceve anche i segnali di ritorno, incluso quello del programma dallo switcher ATEM, e li rimanda a Camera Fiber Converter.



Blackmagic Camera Converter e Studio Fiber Converter si connettono tramite fibra ottica per fornire segnali SDI efficienti di video, alimentazione, talkback, tally, e controllo mediante un singolo cavo in fibra ottica SMPTE

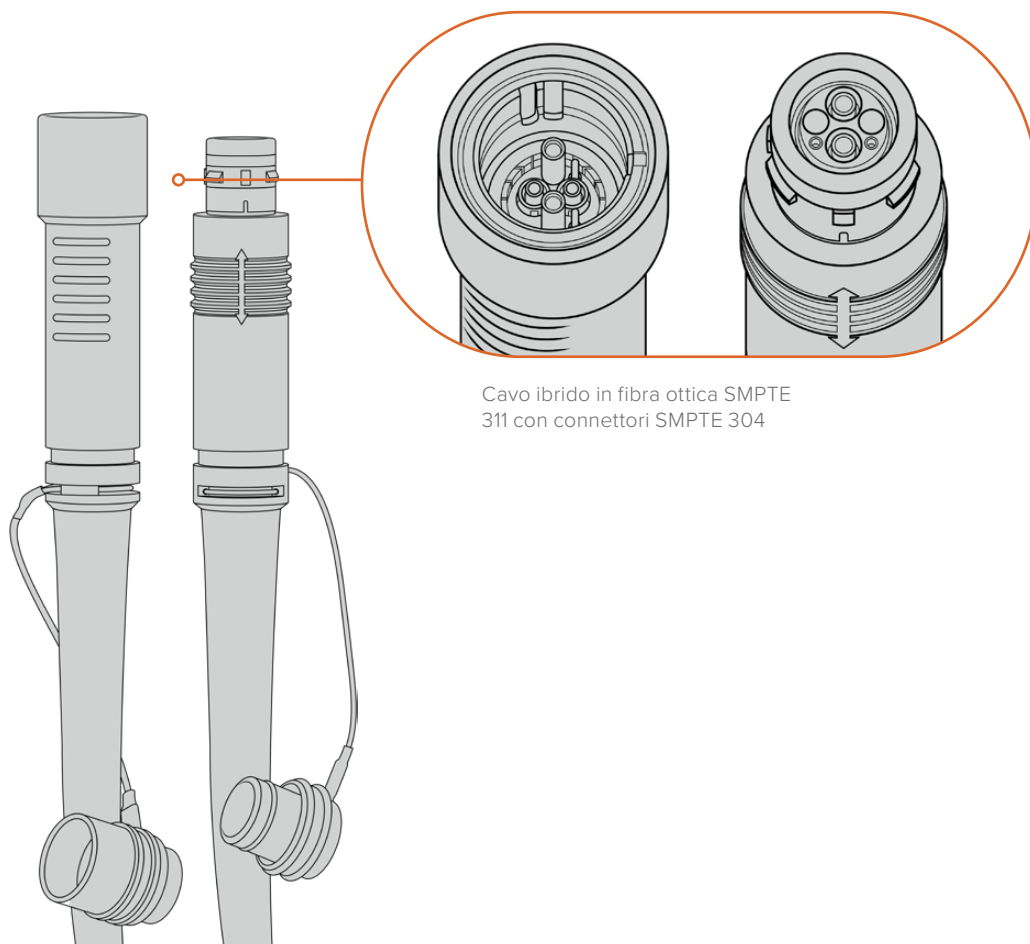
Configurazione iniziale Convertitori in fibra Blackmagic

La configurazione iniziale è facile e veloce. Presto sarai in grado di produrre contenuti video e apprezzare i vantaggi della fibra SMPTE.

Fibra SMPTE

I cavi in fibra SMPTE sono la soluzione più semplice per trasportare molteplici segnali a lunga distanza, inclusa l'alimentazione. Sono utili negli ambienti del broadcast perché non richiedono il collegamento di un cavo a ciascuna delle camere connesse allo switcher.

Un solo cavo ibrido in fibra ottica SMPTE 311 è in grado di connettere ciascuna camera allo switcher ATEM, e di trasportare i segnali di video, alimentazione, talkback, tally e controllo. La fibra ottica trasporta tutti questi segnali fino a 2 chilometri di distanza.



Cavo ibrido in fibra ottica SMPTE 311 con connettori SMPTE 304

NOTA La tipologia delle estremità di un cavo ibrido in fibra ottica SMPTE 311 è identificabile osservando la struttura dei pin all'interno del connettore SMPTE 304. La tipologia dei connettori non è determinata dall'aspetto esterno.

SUGGERIMENTO Chiudi i cappucci in gomma delle due estremità del cavo in fibra SMPTE con quelli dei due convertitori per evitare l'accumulo di polvere e sporcizia.

Uno dei vantaggi della connessione in fibra SMPTE è la possibilità di connettersi alla centrale video o ai veicoli di regia mobile in un ambiente broadcast classico. Gli impianti dei nuovi stadi già prevedono che il collegamento tra le telecamere e la centrale video o la regia mobile venga effettuato in modo diretto tramite cavi in fibra ottica.

Il cavo in fibra ottica impiegato per collegarsi a sistemi in fibra esistenti, o per collegare tra loro due Blackmagic Studio Fiber Converter, è un modello ibrido SMPTE 311 con connettori SMPTE 304.

Proteggere i connettori SMPTE

È importante proteggere sempre i connettori del cavo in fibra SMPTE con i cappucci in gomma perché la polvere tende ad accumularsi facilmente alle estremità dei tubicini in vetro, rischiando di interrompere il flusso del segnale. Se inutilizzato, consigliamo di coprire il connettore con il cappuccio in gomma subito prima della connessione e subito dopo la disconnessione.

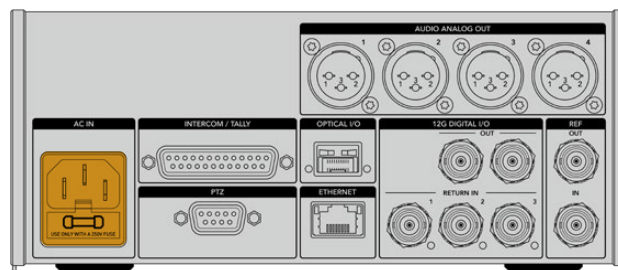
Consigliamo anche di chiudere i cappucci in gomma alle estremità del cavo in fibra SMPTE con quelli dei convertitori quando sono in funzione per evitare l'accumulo di polvere e sporcizia nei cappucci stessi.

Collegare l'alimentazione

Collega Studio Fiber Converter alla corrente di modo che possa alimentare Camera Fiber Converter mediante il cavo in fibra.

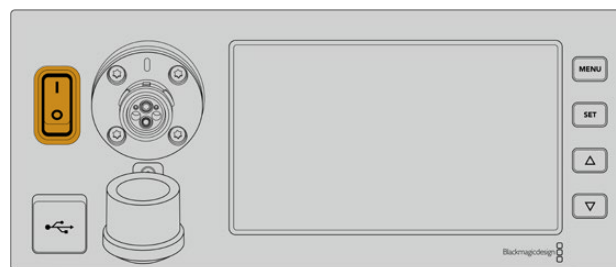
Collegare Studio Fiber Converter alla corrente

Inserisci un cavo di alimentazione IEC standard nel connettore di alimentazione sul retro dell'unità.



Collega Studio Fiber Converter alla corrente con un cavo IEC standard

Sposta l'interruttore su **On** per accendere l'unità.



Collegare la fibra SMPTE

Collega il cavo in fibra SMPTE da Studio Fiber Converter a Camera Fiber Converter di modo che il primo possa alimentare il secondo, e trasportare tutti i segnali video.

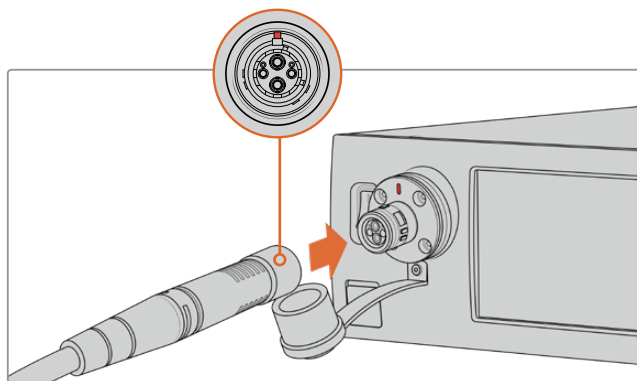
NOTA Quando colleghi un cavo ibrido in fibra ottica, il convertitore avvia un rigoroso controllo di sicurezza e lo mantiene attivo durante l'utilizzo del dispositivo.

Collegare il cavo in fibra a Studio Fiber Converter

L'estremità maschio del cavo in fibra SMPTE si aggancia saldamente al connettore femmina sul lato frontale di Studio Fiber Converter. Il sistema di aggancio sicuro evita che il cavo si scollegi accidentalmente durante la trasmissione.

Per collegare il cavo:

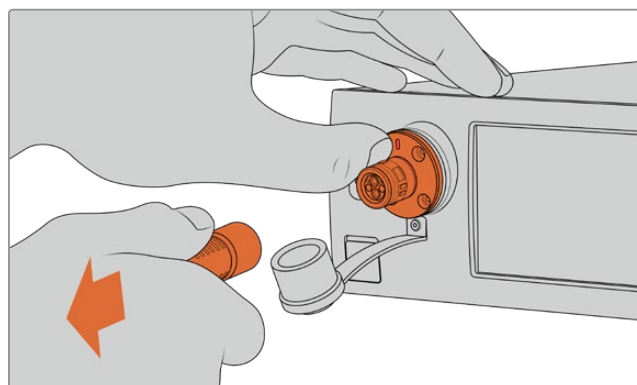
Allinea la tacca rossa sul connettore del cavo con il punto rosso sul connettore del lato frontale dell'unità e spingi fino a sentire un clic.



Inserisci l'estremità maschio del cavo in fibra SMPTE nel connettore femmina sul lato frontale di Studio Fiber Converter

Per scollegare il cavo:

Tieni premuta la base in metallo del connettore sul lato frontale dell'unità e scollega il cavo.



Tieni premuta la base in metallo del connettore sul lato frontale dell'unità e scollega il cavo

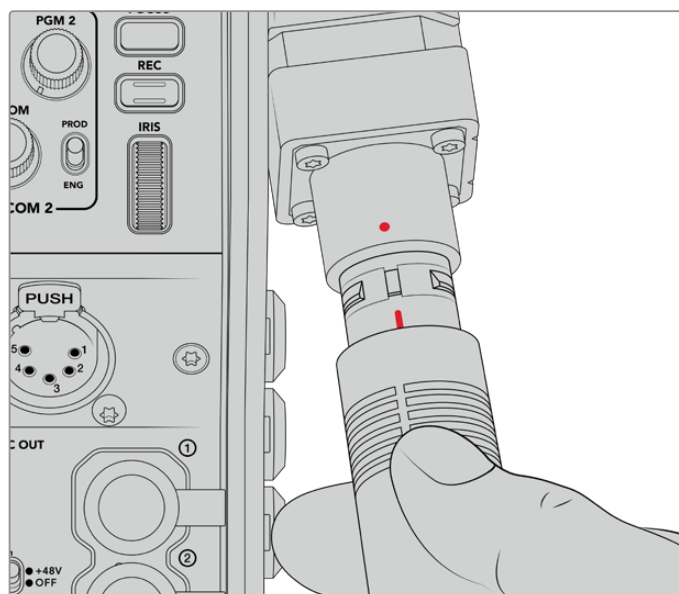
Chiudi il cappuccio in gomma all'estremità del cavo in fibra SMPTE con quello di Studio Fiber Converter per evitare l'accumulo di polvere e sporcizia nei cappucci stessi.

Collegare il cavo in fibra a Camera Fiber Converter

L'estremità femmina del cavo in fibra SMPTE si aggancia al connettore sul lato di Camera Fiber Converter per evitare lo scollegamento accidentale durante la trasmissione.

Per collegare il cavo:

- 1 Allinea la tacca rossa sul connettore del cavo con il punto rosso sul connettore dell'unità e spingi fino a sentire un clic.
- 2 Chiudi il cappuccio in gomma all'estremità del cavo in fibra SMPTE con quello di Camera Fiber Converter per evitare l'accumulo di polvere e sporcizia nei cappucci stessi.

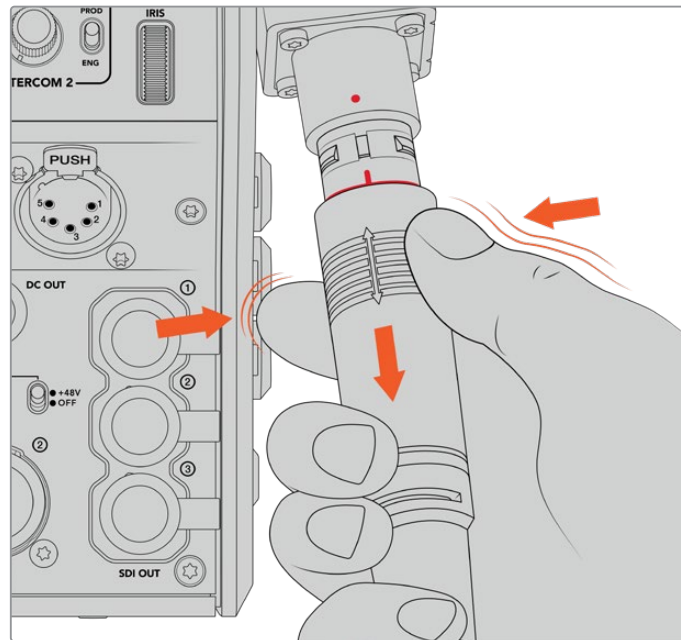


Allinea la tacca rossa sul connettore del cavo con il punto rosso sul connettore dell'unità e spingi fino a sentire un clic

NOTA I connettori SMPTE 304 sul cavo in fibra SMPTE 311 sono resistenti e si ancorano saldamente a Camera Fiber Converter. Quando scolleghi il cavo, tieni ferma la camera con una mano o assicurati che sia ben ancorata al treppiede.

Per scollegare il cavo:

- 1 Afferra la sezione superiore del cavo e schiaccia la guaina di gomma tirandola delicatamente verso di te fino a vedere la parte rossa sottostante. I dentini si staccano dal meccanismo di aggancio.
- 2 Afferra delicatamente con una mano la camera e scollega il cavo dal connettore dell'unità. Il cavo si scollega facilmente.



Schiaccia la guaina intorno all'estremità del cavo fino a vedere la parte rossa sottostante e poi tira il cavo per scollegarlo

NOTA Il cavo ibrido in fibra SMPTE è il cuore dell'ecosistema di trasmissione per cui è fondamentale maneggiarlo con cura. Evita di attorcigliarlo, schiacciarlo con oggetti pesanti, o piegarlo a un angolo di 90 gradi. Consigliamo di non lasciar cadere i connettori e di collegarli/scollegarli con attenzione. Se inutilizzati, copri i connettori con gli appositi cappucci.

Stato dell'alimentazione e della fibra

Le due unità si mettono in comunicazione per determinare che l'apporto di corrente sia sicuro e che la fibra sia connessa correttamente.

Fasi di controllo

- 1 L'unità Studio stabilisce una comunicazione con l'unità Camera con una tensione minima. In questa fase, la spia **Power** dell'unità Camera è rossa.
- 2 Quando il sistema di sicurezza conferma la sicurezza dell'apporto di alimentazione, passa a una tensione alta e la spia **Power** dell'unità Camera si illumina di verde.
- 3 La connessione in fibra viene confermata e la spia **Fiber** si illumina di verde.

Queste fasi si svolgono molto rapidamente e le spie diventano verdi quasi all'istante. Se usi un cavo per coprire grandi distanze, le fasi di comunicazione tra le due unità potrebbero durare qualche istante in più.

Se la spia Power rimane rossa per un lungo periodo di tempo e non diventa verde, o noti uno sfarfallio rosso-verde, accertati che entrambe le estremità del cavo siano inserite correttamente. Se il problema persiste, controlla le condizioni del cavo in fibra.

Approfondimento sul sistema di sicurezza

Il cavo ibrido in fibra ottica SMPTE trasporta un'alta tensione fino a 2 km di distanza per alimentare la camera e i suoi accessori.

Per garantire operazioni sicure, Studio Fiber Converter ospita un meccanismo di monitoraggio e gestione automatica della tensione trasportata.

Un apposito micro controller, insieme al processo di assestamento e comunicazione tra i convertitori, fa sì che il cavo ibrido in fibra ottica rimanga inattivo fino a quando non viene collegato a Camera Fiber Converter. A questo punto il meccanismo abilita la modalità bassa tensione e completa i controlli di sicurezza prima di passare alla modalità alta tensione. L'alta tensione viene abilitata solo quando i convertitori confermano la presenza di un segnale in fibra, di un anello di corrente 5mA, e di un differenziale inferiore a 30mA.

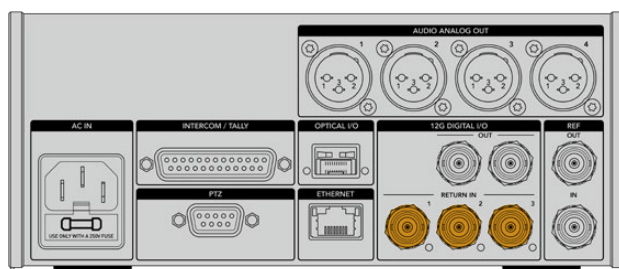
Collegare uno switcher ATEM

Per collegare Studio Fiber Converter a uno switcher:

- 1 Collega un cavo BNC dall'uscita 12G-SDI sul retro di Studio Fiber Converter a uno degli ingressi SDI dello switcher. Assicurati che la telecamera sia impostata sullo stesso formato e frame rate dello switcher.
- 2 Collega un cavo BNC dall'uscita per il ritorno di programma dello switcher all'ingresso **Return In 1** sul retro di Studio Fiber Converter.

SUGGERIMENTO Se utilizzi più di una camera per la produzione live, potrebbe essere necessario far convergere il ritorno di programma in un Teranex Mini SDI Distribution 12G o uno Smart Videohub. Così facendo potrai accedere a un numero maggiore di uscite di programma di quelle disponibili sullo switcher.

- 3 Per inviare altri segnali di ritorno alla camera, per esempio un clean feed del programma, un feed del teleprompter, un feed ISO da un'altra camera, grafica, o qualsiasi altro segnale, collegali agli ingressi **Return In 2** e **Return In 3**.



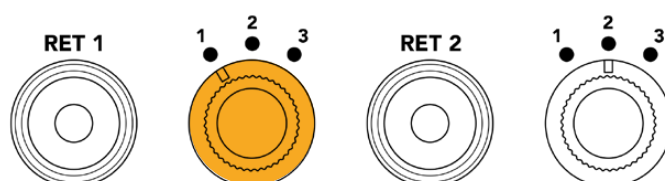
Collega il ritorno di programma dallo switcher o altri segnali di ritorno agli ingressi Return In sul retro di Studio Fiber Converter

Stato del video

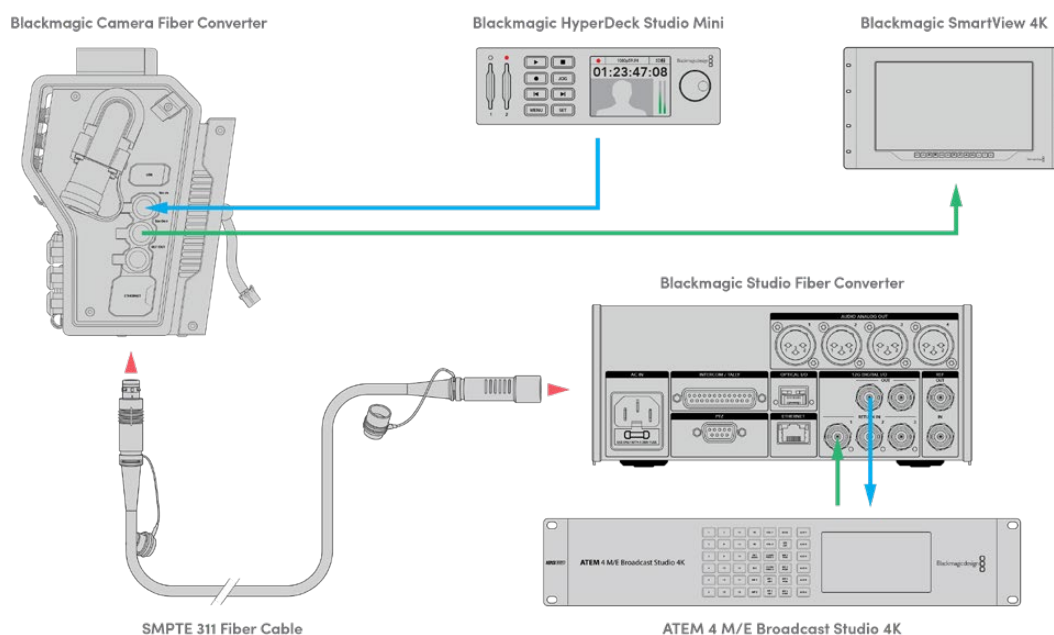
A questo punto puoi controllare che il video funzioni e che i segnali di ritorno siano presenti.

- 1 Accertati che l'uscita di programma dello switcher ATEM sia collegata all'ingresso SDI Return In 1 di Studio Fiber Converter.
- 2 Per controllare i segnali di ritorno, collega le fonti video agli ingressi SDI Return In 2 e Return In 3.
- 3 Collega un monitor SDI, per esempio Blackmagic SmartView 4K, all'uscita SDI Out sul lato di Camera Fiber Converter.

Ruota la manopola corrispondente accanto ai pulsanti RET per selezionare uno dei tre segnali di ritorno. I due pulsanti RET si possono programmare per monitorare due segnali di ritorno.



Su Camera Fiber Converter, seleziona i segnali di ritorno e premi il rispettivo pulsante RET per visualizzarli sul monitor



Collega le fonti video agli ingressi per il ritorno su Studio Fiber Converter e visualizzali su un monitor connesso a Camera Fiber Converter

Perché il connettore è situato sul lato frontale?

Il connettore per il cavo in fibra è situato sul lato frontale di Studio Fiber Converter per poter fungere da interfaccia in fibra sul retro del rack. Solitamente Studio Fiber Converter si installa con il lato frontale rivolto verso il retro del rack per inserire i cavi SMPTE comodamente. Questa soluzione aggira la necessità di selezionatori esterni e il costo di un altro cavo corto. L'ampio display LCD accanto al connettore in fibra SMPTE offre un riscontro immediato della connessione alla camera.

Collegare la camera tramite SDI

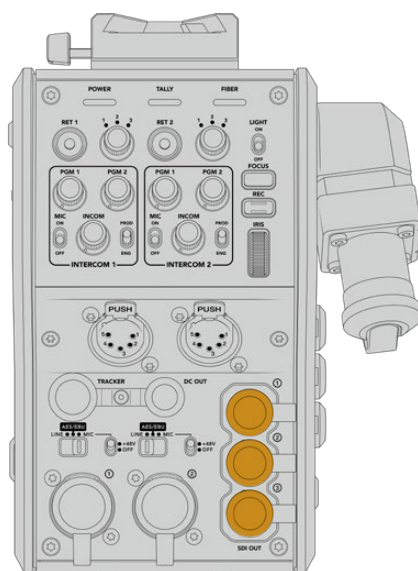
Per connettere segnali video tra Camera Fiber Converter e URSA Broadcast G2 o URSA Mini basta collegare due dei tre cavi SDI inclusi dal lato del convertitore al retro della camera.

Per collegare Camera Fiber Converter alla camera:

- 1 Collega uno dei cavi BNC inclusi dall'uscita 12G-SDI sul retro di URSA Broadcast G2 o URSA Mini all'ingresso SDI di Camera Fiber Converter.
- 2 Collega uno dei cavi BNC inclusi dall'uscita SDI di Camera Fiber Converter all'ingresso 12G-SDI sul retro di URSA Broadcast G2 o URSA Mini.

Inviare segnali di ritorno tramite SDI

I tre connettori **SDI Out** sul lato frontale di Camera Fiber Converter sono uscite di loop per i segnali di ritorno in arrivo dallo switcher. Permettono di inviare i segnali di ritorno all'attrezzatura SDI in prossimità della camera, per esempio un teleprompter o il monitor per il talent.



Collega le tre uscite di loop all'attrezzatura SDI in prossimità della camera, per esempio teleprompter e monitor

NOTA Le uscite SDI di loop per segnali di ritorno supportano il 3G-SDI per fornire una larghezza di banda sufficiente per tre segnali separati. I segnali di ritorno Ultra HD fino a 2160p60 in arrivo dallo switcher vengono quindi convertiti in 1080p con il frame rate equivalente.

Installare Camera Fiber Converter

Blackmagic Camera Fiber Converter si installa direttamente sul lato posteriore di URSA Broadcast G2 e URSA Mini mediante i connettori BNC SDI di ingresso e uscita. Se sul retro della camera è installata una piastra per batteria, è necessario rimuoverla per fare spazio a Camera Fiber Converter.

NOTA Prima di installare Camera Fiber Converter, accertati che la versione del software interno di URSA Mini sia 4.4 o successiva, e 4.6 o successiva per URSA Broadcast G2. Per scoprire la versione del software, apri la quarta pagina del menù Setup della camera. Consulta la sezione "Utilità Blackmagic Camera Setup" per tutti i dettagli su come aggiornare il firmware.

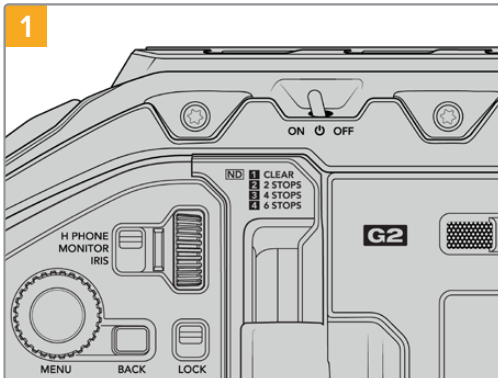
Per montare Camera Fiber Converter sono necessari:

- 1 x cacciavite a croce
- 1 x chiave esagonale 2,5 mm

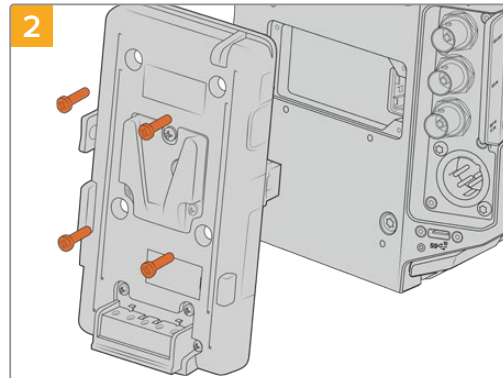


Per installare Camera Fiber Converter su URSA Broadcast G2 o URSA Mini servono un cacciavite a croce grande e una chiave esagonale 2,5 mm

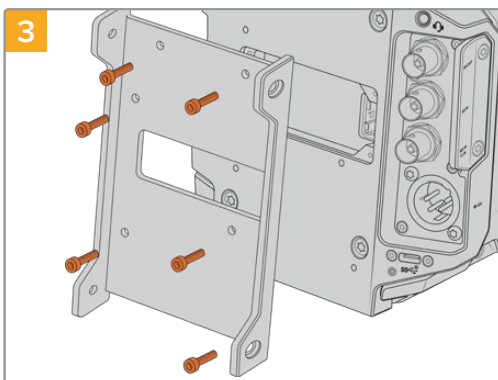
Installare e collegare Camera Fiber Converter



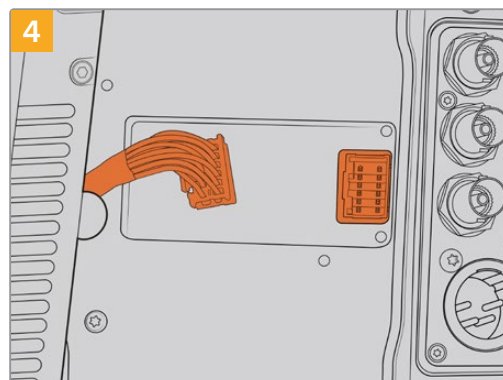
Accertati che la camera sia spenta. Spegni URSA Broadcast G2 o URSA Mini spostando l'interruttore di accensione su Off.



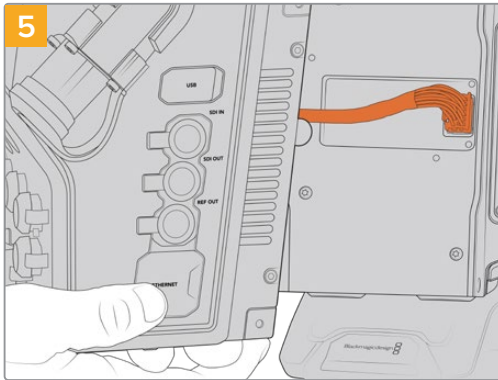
Rimuovi la piastra per batteria o la copertura del connettore molex (se presente) con un cacciavite a croce.



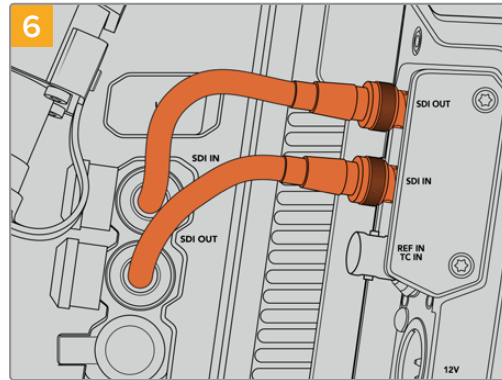
Fissa la staffa di montaggio di Camera Fiber Converter con 6 viti a testa esagonale 2,5 mm.



Collega il connettore molex di Camera Fiber Converter a quello sul retro della camera.



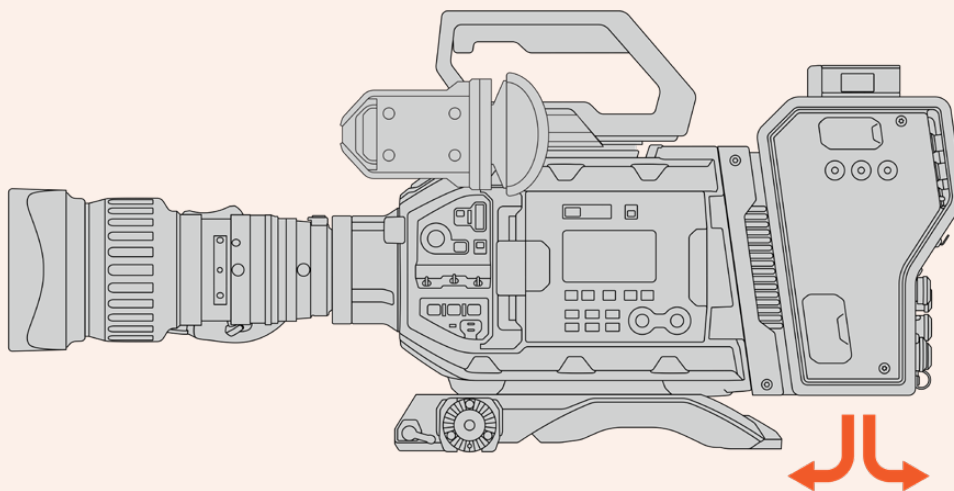
5
Fai slittare Camera Fiber Converter nella staffa di montaggio e fissalo con 2 viti a testa esagonale 2,5 mm sui due lati della staffa.



6
Usa i cavi BNC inclusi per collegare l'uscita SDI sul retro della camera all'ingresso SDI di Camera Fiber Converter, e l'uscita SDI di Camera Fiber Converter all'ingresso SDI sul retro della camera.

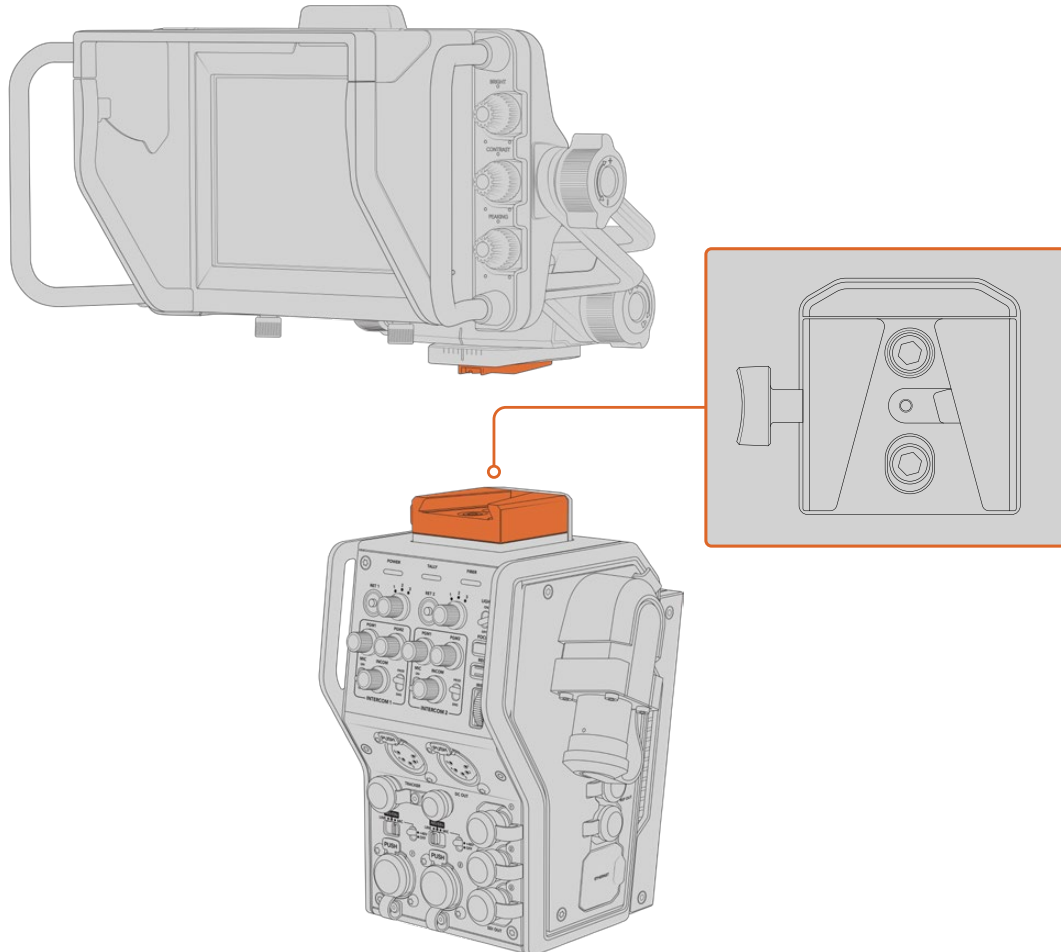
NOTA Quando Camera Fiber Converter è installato sul retro di URSA Broadcast G2 o URSA Mini, assicurati che sotto il convertitore ci sia spazio a sufficienza per una ventilazione adeguata.

Se collochi la camera su un treppiede in spalla, la ventilazione è adeguata. Se preferisci poggiare la camera su una superficie, aggiungi il supporto spalla di URSA Mini Shoulder Kit o una base di terzi per consentire il flusso d'aria delle ventole interne del convertitore.



Installare URSA Studio Viewfinder

La piastra con attacco a V sul lato superiore di Camera Fiber Converter permette di installare Blackmagic URSA Studio Viewfinder. In questa posizione, il monitor viewfinder è a livello degli occhi quando la camera è montata su un piedistallo o un treppiede.



Sfrutta la piastra con attacco a V sul lato superiore di Camera Fiber Converter per installare Blackmagic URSA Studio Viewfinder

Collegare le cuffie per il talkback

Le cuffie broadcast si possono collegare a uno dei due connettori XLR a 5 pin sul lato frontale di Camera Fiber Converter. Collegando due cuffie, due persone possono comunicare con la troupe contemporaneamente.

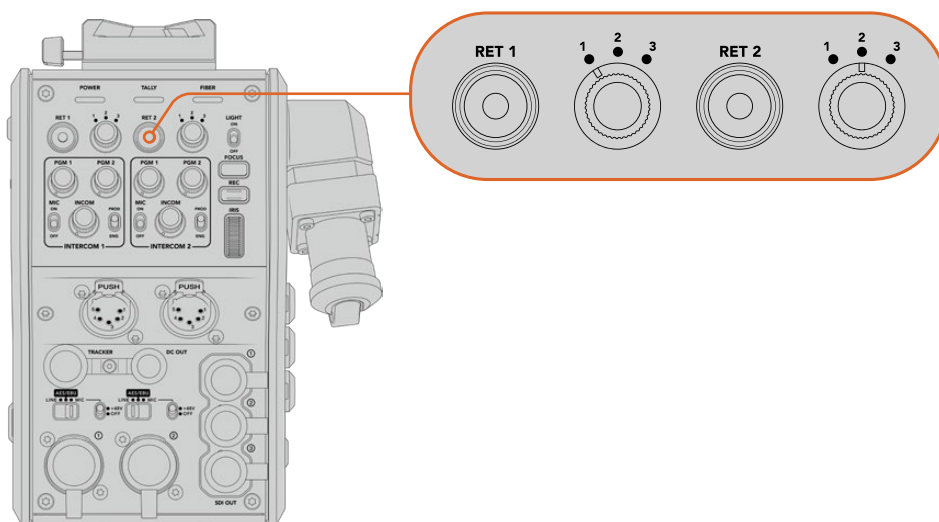
Hai completato la configurazione iniziale. Con i convertitori in funzione e il video connesso tramite fibra SMPTE, non ti resta che produrre contenuti dal vivo con flessibilità ed efficienza. Continua a leggere il manuale per scoprire tutte le funzioni e le impostazioni dei convertitori in fibra Blackmagic.

Camera Fiber Converter

Selezionare un segnale di ritorno

I due pulsanti RET sul lato frontale funzionano come il pulsante PGM sulla camera, ovvero alternano le immagini della camera e le immagini del ritorno di programma sull'LCD, su Blackmagic URSA Studio Viewfinder e sulle uscite HD di monitoraggio.

I pulsanti RET 1 e RET 2 servono per alternare due segnali di ritorno, che puoi selezionare con le corrispondenti manopole a tre tacche. Le tre tacche si riferiscono ai connettori SDI 1, 2, 3 Return In sul retro di Studio Fiber Converter.



Seleziona un segnale di ritorno con le manopole a tre tacche e visualizzalo premendo i pulsanti RET

Tieni premuto uno dei pulsanti RET per visualizzare il segnale del programma selezionato. Premi due volte il pulsante per lasciare acceso il segnale; ripremilo per tornare alle immagini della camera.

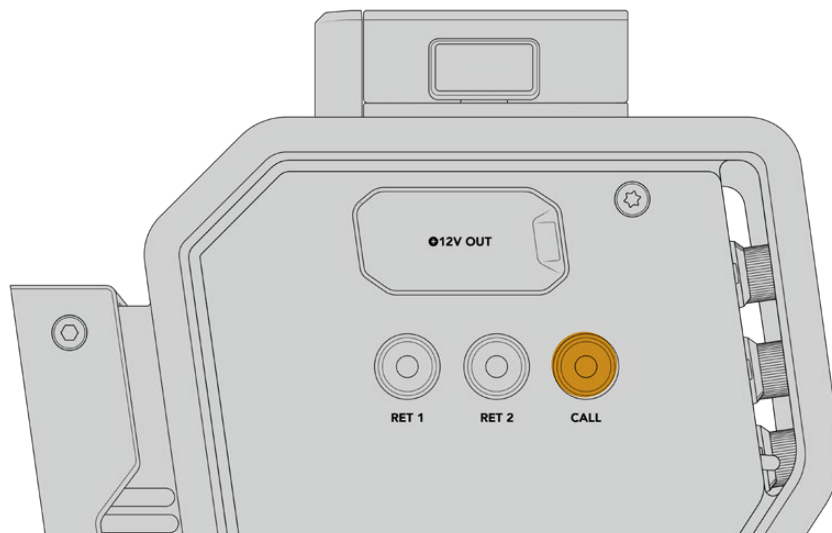
Grazie a questo sistema puoi scegliere facilmente a quale dei tre segnali di ritorno in arrivo da Studio Fiber Converter desideri accedere dai due pulsanti RET. Supponiamo che i tre segnali di ritorno corrispondano al programma dello switcher con grafica, al teleprompter e alle immagini di un'altra camera.

Potresti assegnare il programma a RET 1 in modo permanente, e con RET 2 controllare cosa viene inviato al teleprompter e l'inquadratura della camera per verificare composizione e angolazione.

Sul lato sinistro ci sono altri due pulsanti RET 1 e RET 2 per visualizzare i segnali di ritorno quando utilizzi la camera da quella posizione. Svolgono la stessa funzione di quelli sul lato frontale.

Usare il pulsante Call

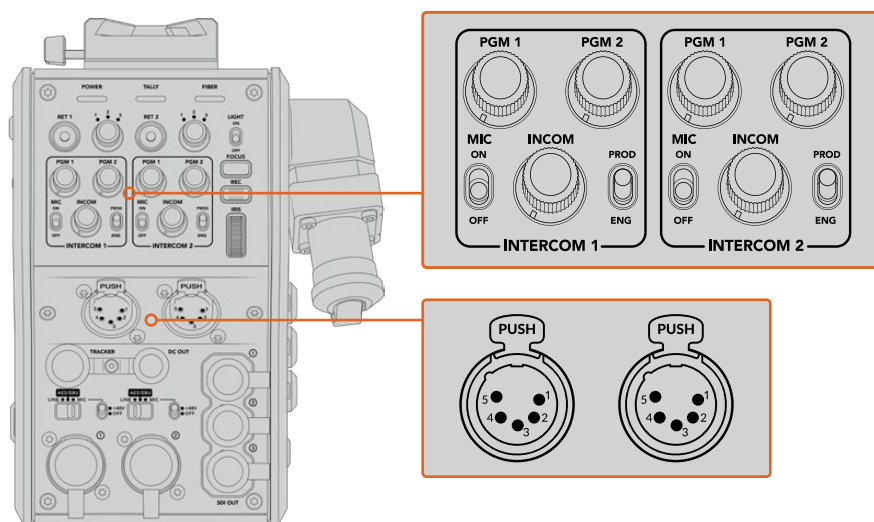
Il pulsante CALL fa lampeggiare l'indicatore di tally sullo schermo LCD di Studio Fiber Converter, e lampeggiare di rosso uno dei pulsanti numerati Press to Talk di ATEM Talkback Converter 4K per attirare l'attenzione degli operatori nella sala di regia.



Utilizzare il talkback

I due connettori femmina XLR a 5 pin permettono di collegare due cuffie di modo che due operatori possano comunicare contemporaneamente con il resto della troupe.

I controlli intercom per cuffie sono suddivisi in due sezioni indipendenti. Di fatto sono mixer audio tricanale per i rispettivi connettori XLR sottostanti.



I controlli intercom per cuffie sono situati sopra il rispettivo connettore

In cuffia puoi ascoltare l'audio dei segnali che hai assegnato ai pulsanti RET 1 e RET 2. Le manopole PGM 1 e PGM 2 regolano i livelli audio dei suddetti segnali, mentre la manopola INCOM regola il volume complessivo. L'interruttore MIC accende e spegne il microfono delle cuffie.

Ciascun intercom ha due canali: uno per il team di produzione, l'altro per il team tecnico. Quindi se per esempio la troupe è numerosa, è possibile suddividere le comunicazioni in due canali.

Sul canale di produzione puoi comunicare con la regista, con il producer o con altri membri della troupe in sala regia o sul veicolo di regia mobile; sul canale tecnico puoi comunicare con i tecnici delle luci, con gli ingegneri o con gli operatori di ripresa. Il menù **Talkback** di Studio Fiber Converter consente di selezionare la sorgente **SDI + DB25** o **Intercom tally DB25** per ciascun canale. Per maggiori informazioni consulta la sezione “Studio Fiber Converter”.

Camera Fiber Converter include anche una connessione standard a 10 pin per il talkback supplementare, perfetta per comunicare con chi opera la gru quando entrambe le connessioni per cuffie sono già occupate.

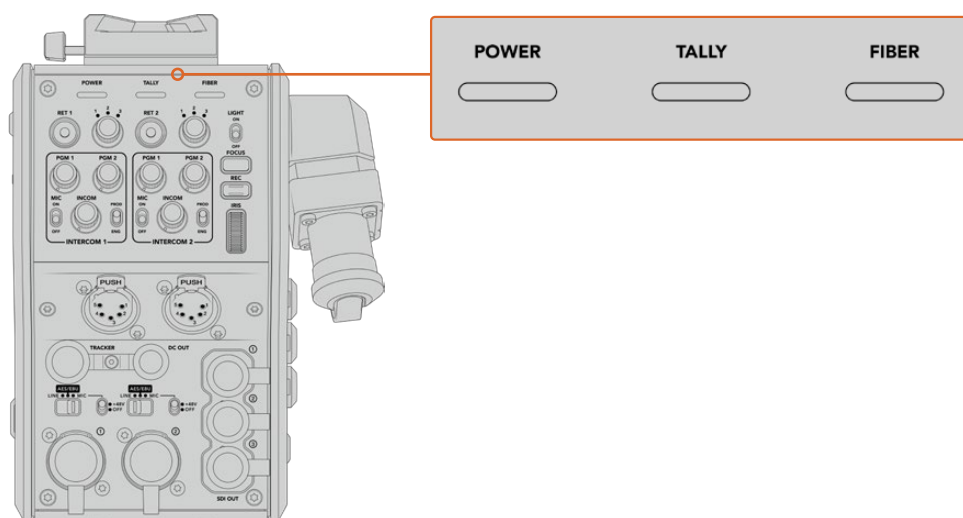
SUGGERIMENTO Durante le trasmissioni più frenetiche e le produzioni in studio, una comunicazione efficiente tra gli operatori di ripresa e il team di produzione/tecnico è fondamentale. Premendo CALL su Camera Fiber Converter, gli operatori di ripresa possono richiamare l'attenzione del team di produzione/tecnico e parlare dalle cuffie intercom. Infatti il pulsante fa lampeggiare sia uno dei pulsanti numerati Press to Talk su ATEM Talkback Converter 4K sia l'indicatore di tally sullo schermo LCD di Studio Fiber Converter. Analogamente, per comunicare con un'operatrice di ripresa, la troupe in sala regia o nel veicolo di regia mobile può premere CALL per la camera desiderata da ATEM Camera Control Panel, facendo lampeggiare la luce tally di Camera Fiber Converter e di URSA Viewfinder o URSA Studio Viewfinder sulla camera.

Utilizzare il tally

La spia TALLY sul lato frontale si accende di rosso per il programma e di verde per l'anteprima, segnalando a colpo d'occhio la messa in onda.

Spie di stato

Le spie LED di stato POWER, TALLY e FIBER in alto sul lato frontale si accendono di colori diversi in base all'attività del convertitore. Sono spente se il cavo in fibra è scollegato.



Le spie LED di stato si illuminano di colori diversi in base all'attività del convertitore

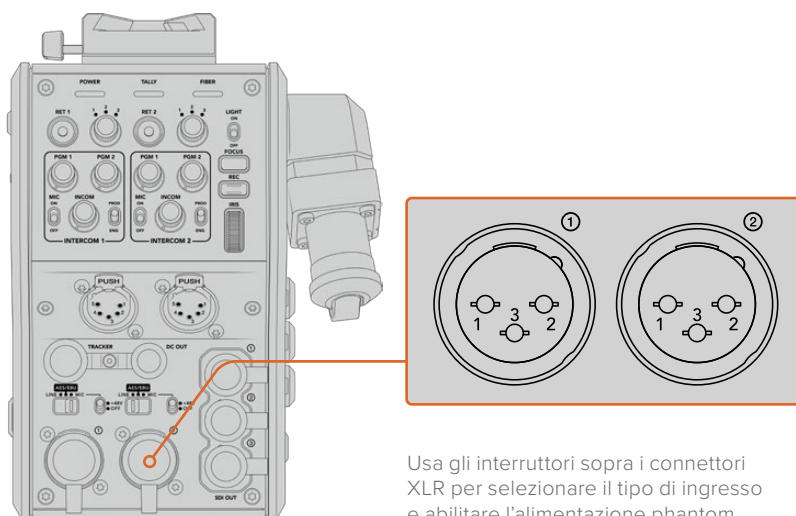
Il significato dei colori di ciascun LED è indicato in questa tabella.

POWER	Rosso fisso	Quando un cavo ibrido in fibra ottica SMPTE è collegato a Studio Fiber Converter (acceso) e a Camera Fiber Converter, la spia si accende di rosso a indicare che il dispositivo riceve l'alimentazione ed è in modalità bassa tensione. È attiva la funzione intercom ma non l'alta tensione per operare il convertitore. Se la spia rimane rossa per tanto tempo e non diventa verde, accertati che le due estremità del cavo ibrido in fibra ottica SMPTE siano inserite correttamente. Se la connessione è instabile, controlla le condizioni del cavo.
	Verde fisso	Quando la connessione in fibra va a buon fine e Studio Fiber Converter ne conferma la sicurezza, la spia diventa verde e Camera Fiber Converter passa alla modalità alta tensione.
	Rosso/verde lampeggiante	Accertati che le due estremità del cavo ibrido in fibra ottica SMPTE siano inserite correttamente. Se la connessione è instabile, controlla le condizioni del cavo.
TALLY	Rosso fisso	La spia si accende di rosso quando la tua camera è in onda.
	Verde fisso	La spia si accende di verde quando la tua camera è in modalità anteprima.
FIBER	Rosso fisso	Quando un cavo ibrido in fibra ottica SMPTE è collegato a Camera Fiber Converter, la spia si accende di rosso a indicare che il processo di assestamento è in corso e il convertitore è in modalità bassa tensione. Se la connessione in fibra non è attiva, la funzione intercom rimane attiva per le operazioni di configurazione e troubleshooting.
	Verde fisso	La spia si accende di verde quando la connessione del cavo ibrido in fibra ottica SMPTE va a buon fine.

Quando entrambe le spie POWER e FIBER sono verdi, i controlli di sicurezza sono stati completati e i convertitori sono passati alla modalità alta tensione.

Ingressi audio

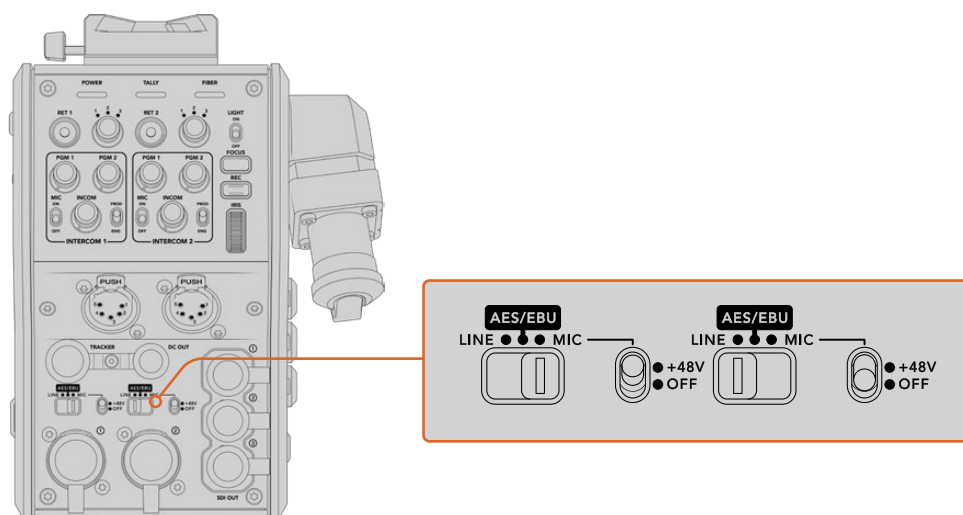
Camera Fiber Converter ha un ingresso XLR 1 e un ingresso XLR 2 per collegare audio analogico esterno di strumentazione professionale come mixer audio, sistemi di amplificazione e microfoni.



Usa gli interruttori sopra i connettori XLR per selezionare il tipo di ingresso e abilitare l'alimentazione phantom

L'audio della camera è integrato nei canali 1 e 2 del segnale, e i due ingressi audio sul retro di Camera Fiber Converter sono integrati come canali 3 e 4. Tutti e quattro i canali audio vengono separati da Studio Fiber Converter come uscite audio analogiche.

Il menù **Audio** di Studio Fiber Converter consente di regolare i livelli audio delle sorgenti connesse agli ingressi XLR di Camera Fiber Converter. Per maggiori informazioni consulta la sezione "Studio Fiber Converter". Dopo aver collegato le sorgenti audio, usa gli interruttori situati sopra gli ingressi XLR per impostarle su microfono MIC, linea LINE o digitale AES/EBU.



Per collegare microfoni privi di alimentazione propria, sposta l'interruttore su +48V per abilitare l'alimentazione phantom; spostalo su OFF per disabilitarla.

Video IP

Un cavo in fibra SMPTE stabilisce una connessione 10-Gbit IP tra Camera Fiber Converter e Studio Fiber Converter. Tutti i segnali video e di ritorno sono quindi di tipo IP, con codifica e decodifica di qualità broadcast 10 bit visivamente lossless. Talkback, tally, e controllo camera e obiettivo vengono anch'essi convertiti in IP a bassa latenza, per una performance straordinaria e sempre affidabile.

Specifiche di alimentazione


Studio Fiber Converter alimenta Camera Fiber Converter, la camera e i suoi accessori. Camera Fiber Converter è in grado di alimentare la camera grazie al collegamento tra il connettore molex dei due dispositivi.

Se posizioni la camera a una distanza maggiore di 2,1 km dal veicolo di regia mobile, e la camera e il convertitore non ricevono alimentazione a sufficienza dal cavo lungo, puoi alimentare entrambi in loco collegando l'alimentatore XLR a 4 pin all'ingresso +12V di URSA Broadcast G2 o URSA Mini. L'alimentazione raggiunge Camera Fiber Converter tramite il connettore molex.

Il connettore **+12V Out**, noto anche come D-Tap o P-Tap, permette di alimentare gli accessori, per esempio monitor esterni e grandi obiettivi televisivi, con una tensione nominale di 12V DC fino a 500 mA. Il connettore **DC Out** è un'opzione alternativa per alimentare accessori come i monitor esterni.

La tabella qui sotto descrive la piedinatura del connettore DC Out.

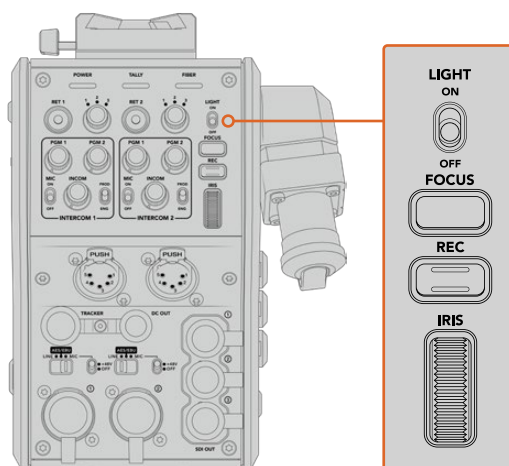
Configurazione del connettore DC OUT

Vista frontale	Pin	Segnale	I/O	Specifiche
	1	GND non regolato	–	GND per uscita non regolata
	2	Assente	–	Assente
	3	Assente	–	Assente
	4	Uscita non regolata	Out	12V DC nominale max 500 mA

Controlli aggiuntivi

Se usi URSA Broadcast G2 o URSA Mini come camere da studio, i controlli esterni su Camera Fiber Converter ti permettono di controllare impostazioni come messa a fuoco e diaframma di obiettivi compatibili. Questa soluzione è utile in assenza di un operatore a gestire l'obiettivo a distanza.

In qualità di camere da studio, URSA Broadcast G2 e URSA Mini sono in grado di registrare internamente. Per avviare la registrazione interna basta premere il pulsante **Rec.**



Interruttore Light

Abilita la retroilluminazione dei pulsanti sul pannello di controllo, per una maggiore visibilità in condizioni di scarsa illuminazione.

Pulsante Focus

Aziona l'auto-focus se usi obiettivi che supportano questa funzione.

Pulsante Rec

Avvia e interrompe la registrazione.

Rotella Iris

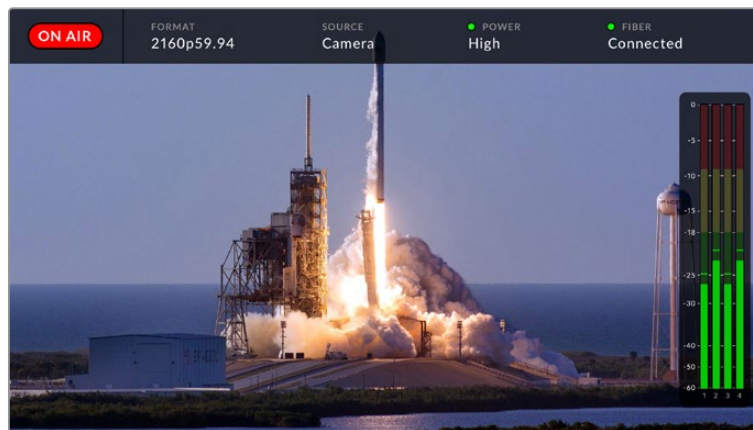
Apri e chiudi il diaframma se usi obiettivi attivi controllabili dalla telecamera. Muovi la rotella verso l'alto e verso il basso per gestire l'apertura.

Studio Fiber Converter

Selezionare la fonte sull'LCD

Quando Studio Fiber Converter si accende, il display LCD visualizza il segnale in arrivo dalla camera. In quanto unità centrale, Studio Fiber Converter riceve dallo switcher il segnale di programma e tutti i segnali di ritorno, e li invia a Camera Fiber Converter tramite il cavo in fibra SMPTE.

Il display LCD integrato consente di monitorare il flusso video delle camere e di ogni sorgente connessa agli ingressi dei segnali di ritorno. Offre overlay su schermo con informazioni di stato e livelli audio.



Gli overlay consentono di confermare nome e formato della sorgente monitorata quando si commuta tra più flussi video

On Air

Compare quando la camera connessa è utilizzata nel segnale di programma. Non compare quando la camera non è in onda.

Formato

Mostra la risoluzione e il frame rate della sorgente corrente.

Fonte

Mostra il nome della sorgente corrente.

Tensione

Mostra lo stato dell'alimentazione. La spia è rossa se la tensione è **Bassa**, verde se è **Alta**. Per maggiori informazioni consulta la sezione "Spie di stato" in "Camera Fiber Converter".

Fibra

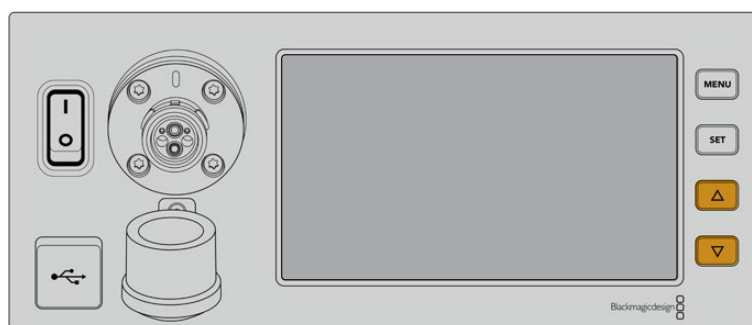
Mostra lo stato della connessione in fibra. Dopo il messaggio *Connessione in corso* vedrai il messaggio *Connessa* quando il cavo ibrido in fibra SMPTE è connesso e rilevato. Per maggiori informazioni consulta la sezione "Spie di stato" in "Camera Fiber Converter".

Livelli audio

Mostrano i livelli dell'audio integrato al flusso video della camera dei canali 1 e 2. I canali 3 e 4 corrispondono alle sorgenti audio connesse ai due ingressi XLR sul retro di Camera Fiber Converter. Gli indicatori sono calibrati in dBFS e rimangono visibili per qualche istante per mostrare più a lungo i livelli massimi raggiunti.

Come utilizzare il menù

Premi le frecce su e giù per scorrere tra le 4 sorgenti disponibili, **Camera**, **Ritorno 1**, **Ritorno 2** e **Ritorno 3**. Premi il pulsante **Menu** per aprire il menù delle impostazioni e regolarle. Le frecce consentono di navigare tra le pagine dei menù e le opzioni, il pulsante **Set** di confermare le selezioni. Il menù è diviso in tre pagine: Audio, Talkback, e Impostazioni.

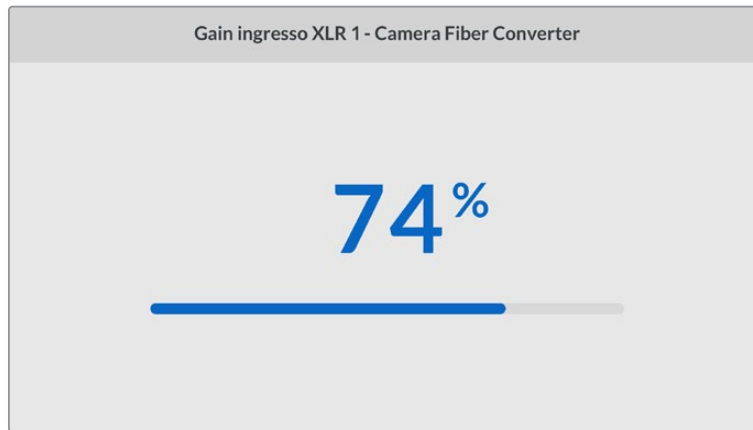


Premi le frecce per scorrere tra le 4 sorgenti disponibili e per navigare il menù

Audio

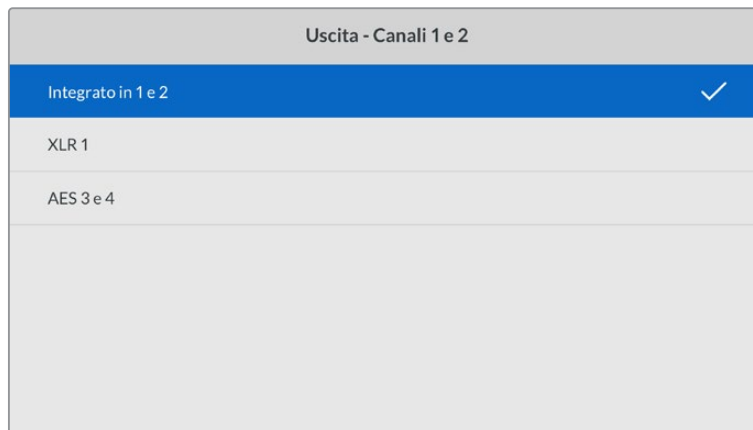
Nella pagina **Audio** puoi regolare i livelli audio in entrata sugli ingressi XLR di Camera Fiber Converter.

Audio	
Gain ingresso XLR 1 - Camera Fiber	50%
Gain ingresso XLR 2 - Camera Fiber	50%
Uscita - Canali 1 e 2	Integrato in 1 e 2
Uscita - Canali 3 e 4	XLR 1 e 2



Usa le frecce per regolare i livelli di ogni ingresso XLR, e il pulsante Set per confermare la selezione

Puoi selezionare quali canali audio di Camera Fiber Converter mappare sulle uscite SDI e XLR integrate. Di default, i canali audio integrati da URSA Mini o URSA Broadcast G2 si trovano sui canali 1 e 2. Di default, gli ingressi XLR a livello di linea o microfonici collegati a Camera Fiber Converter sono mappati sui canali 3 e 4. Accedi alle impostazioni per cambiare la mappatura di default dei canali in uscita. Se uno degli ingressi XLR di Camera Fiber Converter è impostato su AES, la mappatura dei canali include anche i canali 5 e 6, inviati tramite l'uscita SDI integrata.



I canali XLR integrati della camera mappati sui canali in uscita 1 e 2

Talkback

In questa pagina puoi selezionare la sorgente audio del programma e la sorgente del talkback per il canale tecnico e il canale di produzione. Imposta la sorgente del talkback su **SDI e DB25** o **Intercom / Tally DB25**.

Regola **Gain cuffie** e **Gain microfono cuffie** per ciascun intercom in relazione ai livelli di impedenza delle cuffie utilizzate. Attiva o disattiva l'alimentazione phantom del microfono delle cuffie alla voce **Alimentazione phantom microfono cuffie**. Regola **Livello sidetone** di modo che gli operatori di ripresa possano sentire chiaramente la propria voce nelle cuffie al volume prescelto.

Talkback	
Audio programma	Canali SDI 1 e 2
Canale di produzione	SDI e DB25
Canale tecnico	Intercom / Tally DB25
Intercom 1	
Gain cuffie	50%
Gain microfono cuffie	50%
Alimentazione phantom microfono cuffie	On
Livello sidetone	50%
Intercom 2	
Gain cuffie	50%
Gain microfono cuffie	50%
Alimentazione phantom microfono cuffie	On
Livello sidetone	50%

La sezione intercom è disattiva quando agli ingressi XLR non è connessa nessuna fonte. Il messaggio Connessione in corso appare durante la connessione in corso

Configurazione

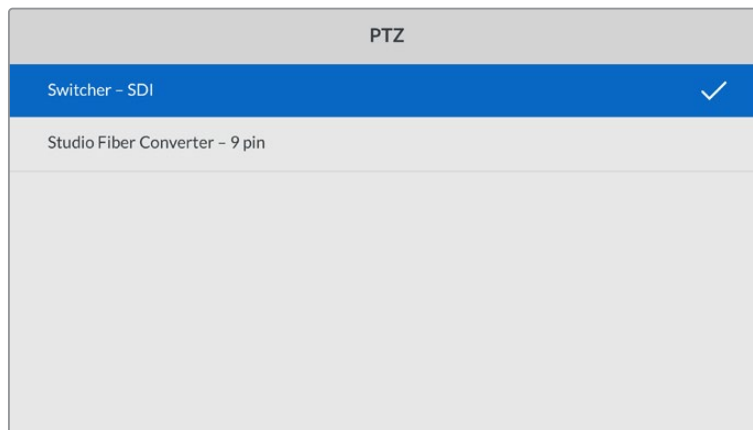
In questa pagina puoi configurare la sorgente PTZ, selezionare la lingua dei menù e il livello del ritorno SDI.

Impostazioni	
PTZ	Switcher - SDI
Lingua	Italiano
Ritorno 12G SDI	3G livello A

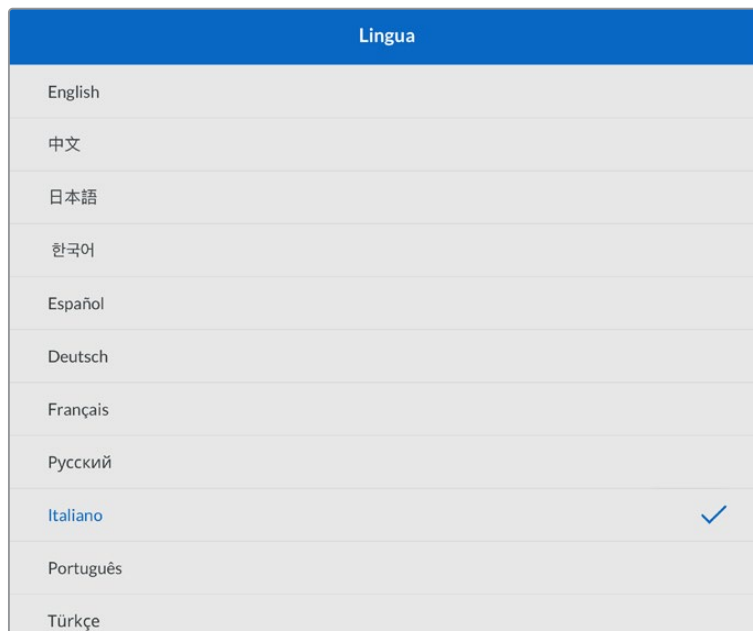
Seleziona la fonte dei comandi PTZ dal menù impostazioni per PTZ. Le opzioni sono **Switcher - SDI** e **Studio Fiber Converter - 9 pin**, ovvero gli ingressi SDI dei segnali di ritorno, e il connettore DE-9 per PTZ sul retro di Studio Fiber Converter.

Puoi controllare il PTZ della camera dallo switcher ATEM, e inviare questi comandi a Studio Fiber Converter tramite SDI. I comandi vengono inviati tramite il cavo per fibra SMPTE a Camera Fiber Converter, che li separa e invia a una testa motorizzata PTZ tramite il connettore seriale DE-9.

Puoi anche connettere un controller PTZ a Studio Fiber Converter tramite il connettore DE-9 per controllare in modalità remota la testa PTZ in prossimità della camera.



Il menù Configurazione consente di selezionare Switcher - SDI o Studio Fiber Converter - 9 pin come fonte dei comandi PTZ



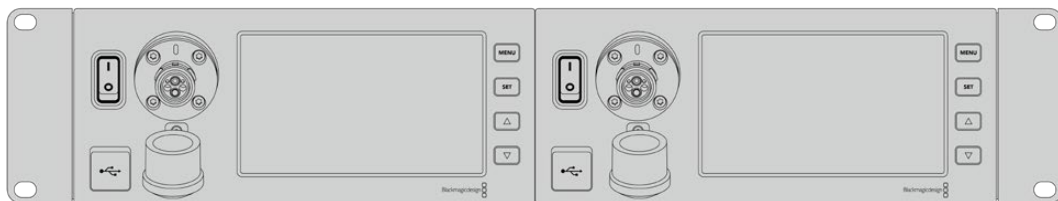
Alla voce **Lingua**, seleziona una lingua a scelta tra inglese, cinese, giapponese, coreano, spagnolo, tedesco, francese, russo, italiano, portoghese e turco. La pagina delle lingue si apre all'avvio del sistema o dopo aver aggiornato il software interno.

Alla voce **Ritorno 12G SDI**, configura il segnale di ritorno principale 12G come **3G livello A** o **3G livello B**. Tutti i segnali 12G inviati agli ingressi di ritorno di Studio Fiber Converter vengono convertiti in risoluzione minore prima di essere destinati a Camera Fiber Converter.

Installare l'unità sul rack

Se lavori con più Studio Fiber Converter, usa il set di montaggio Blackmagic Studio Fiber Rack Kit per installarli in un armadio rack o in un flightcase. Con questo set di montaggio puoi affiancare due unità Studio sul rack. Il set include anche un pannello di copertura per chiudere lo spazio vuoto se sul rack installi solo un'unità.

Studio Fiber Converter è alto 2RU e occupa metà della larghezza di una mensola rack standard.

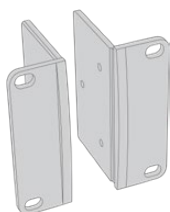


Due Studio Fiber Converter affiancati



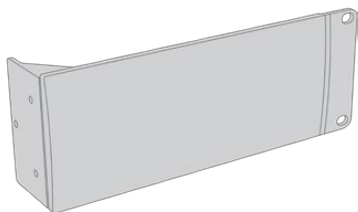
Il pannello di copertura chiude lo spazio inutilizzato sul rack

Blackmagic Studio Fiber Rack Kit contiene le parti seguenti:



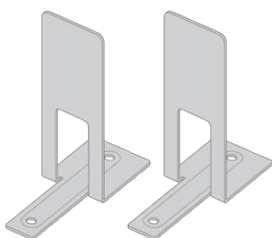
2 alette

Fissa le alette ai lati esterni di Studio Fiber Converter per installarlo sul rack.



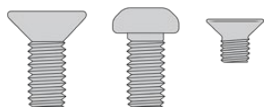
1 pannello di copertura

È dotato di un'aletta laterale e serve per chiudere lo spazio inutilizzato sul rack quando installi una sola unità. Il disegno mostra l'aletta sul lato destro del pannello. Ruota il pannello di 180° per installarlo sull'altro lato del rack.



2 x staffe di sostegno

Si inseriscono nel punto di incontro dei due Studio Fiber Converter, uno nella parte anteriore, l'altro nella parte posteriore.



Viti

8 M4 10 mm

Viti per le alette

4 x M4 8 mm

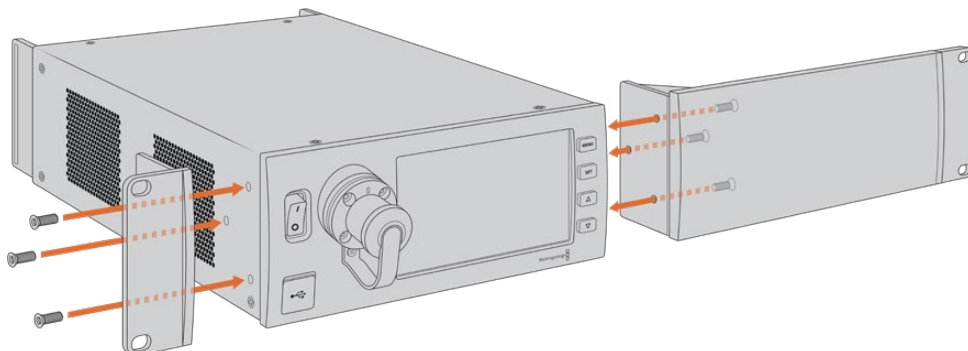
Viti per il pannello di copertura

5 x M3 5 mm

Viti per le staffe di sostegno

Preparare Studio Fiber Converter per l'installazione su rack:

- 1 Posiziona il pannello di copertura sul lato destro o sinistro di Studio Fiber Converter, a seconda della posizione in cui preferisci installare il convertitore. Il lato frontale del pannello di copertura deve essere parallelo al lato frontale del convertitore.
- 2 Fissa il pannello di copertura a lato di Studio Fiber Converter, in prossimità della parte anteriore, con 3 viti M4 8 mm.



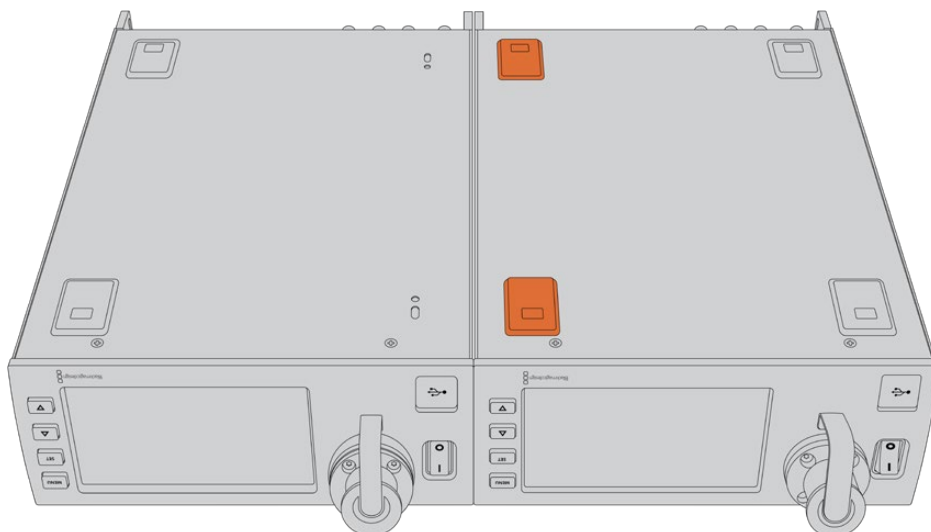
- 3 Fissa una delle due alette all'altro lato di Studio Fiber Converter con 3 viti M4 10 mm.
Ora che hai montato l'aletta e il pannello di copertura, puoi installare il convertitore su un rack 2RU, utilizzando i fori di montaggio su entrambi i lati, e le viti standard per rack.

Affiancare due Studio Fiber Converter sul rack:

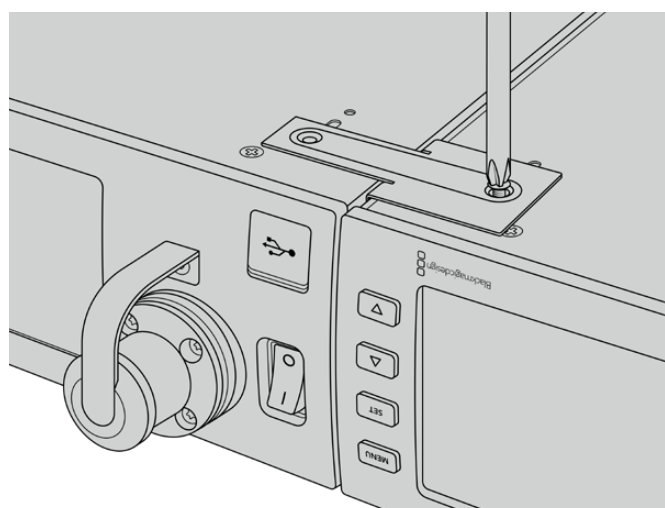
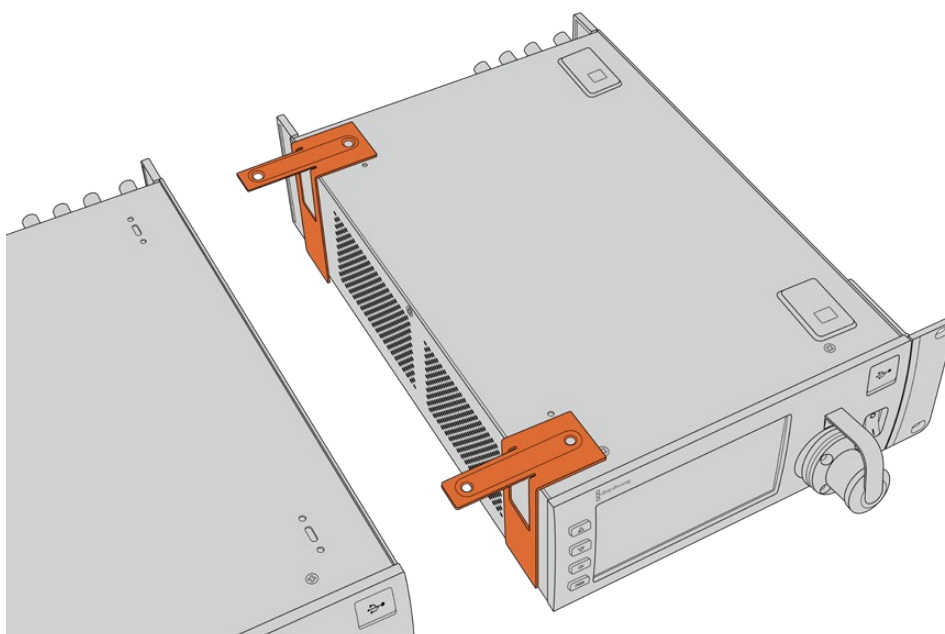
Per affiancare due convertitori sulla stessa mensola rack, puoi fissare l'uno all'altro con le staffe di sostegno, per montarli con più facilità.

Per fissare due unità l'una all'altra:

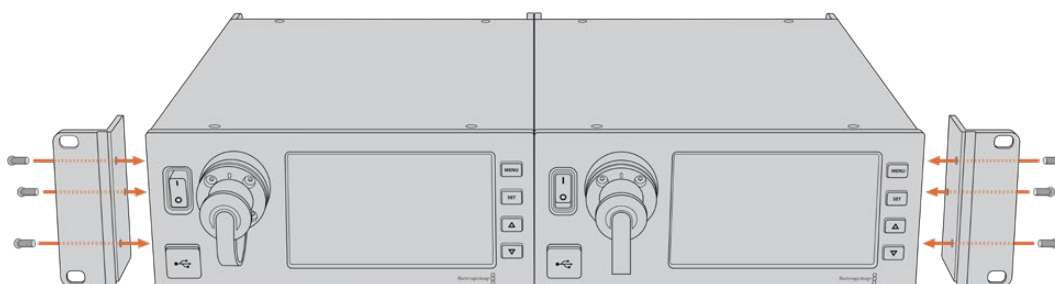
- 1 Capovolgi i convertitori e affiancali. Rimuovi i due piedini in gomma dai lati adiacenti dei convertitori.



- 2 Fissa le due staffe di sostegno a forma di T alla base degli Studio Fiber Converter, una nella parte anteriore e l'altra nella parte posteriore, utilizzando i fori integrati e le viti per le staffe di sostegno.



- 3** Ricapovolgì i due convertitori assemblati e fissa le alette ai due lati esterni, in prossimità della parte anteriore dei convertitori, con le viti per alette incluse. Ora puoi fissare i convertitori al rack inserendo le viti standard per rack nei fori di montaggio in entrambi i lati.



Le connessioni di Camera Fiber Converter

Le connessioni di Camera Fiber Converter sono situate sulla parte posteriore e laterale. Quando non sono in uso, coprite con gli appositi cappucci in gomma per proteggerle dagli agenti esterni. Questo accorgimento è particolarmente importante per la connessione in fibra SMPTE, perché la polvere tende ad accumularsi facilmente alle estremità dei tubicini in vetro, rischiando di compromettere il flusso del segnale. È consigliabile scoprire i connettori sul cavo e sull'unità appena prima dell'utilizzo, e ricoprirli con i cappucci subito dopo averli scollegati.

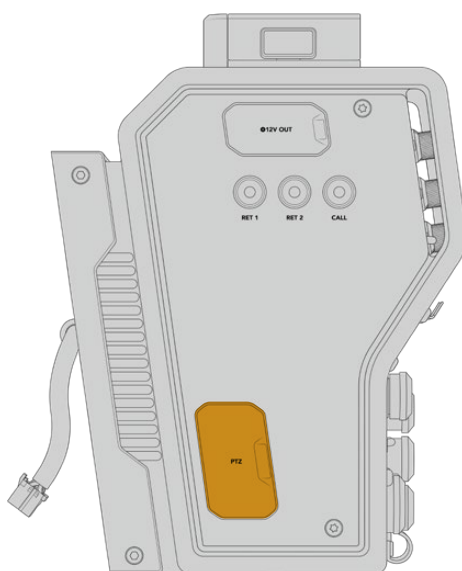
Alimentazione

Studio Fiber Converter fornisce l'alimentazione all'unità Camera e alla telecamera tramite un cavo ibrido in fibra ottica SMPTE, inclusi eventuali accessori connessi alla telecamera, per esempio Blackmagic URSA Studio Viewfinder.

È anche possibile alimentare Camera Fiber Converter dalla camera stessa, collegando quest'ultima alla corrente tramite la porta XLR 12V. È una soluzione meno comune, ma è utile se la camera è posizionata a più di 2 km dall'unità Studio e l'alimentazione attraverso il cavo in fibra SMPTE è meno affidabile.

Interfaccia PTZ

Il connettore seriale DE-9 consente la connessione alle teste PTZ motorizzate. Un esempio di impiego è l'installazione di URSA Broadcast G2 o URSA Mini su una gru che sfrutta teste PTZ motorizzate con controllo remoto. Apri il menù di Studio Fiber Converter per selezionare la sorgente dei comandi PTZ inviati alla camera. Puoi selezionare il connettore DE-9 di Studio Fiber Converter o il flusso SDI proveniente dallo switcher ATEM. Per maggiori informazioni consulta la sezione "Studio Fiber Converter".

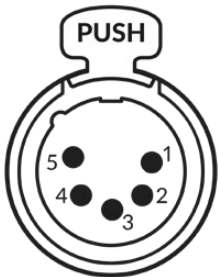


Interfaccia PTZ

Talkback

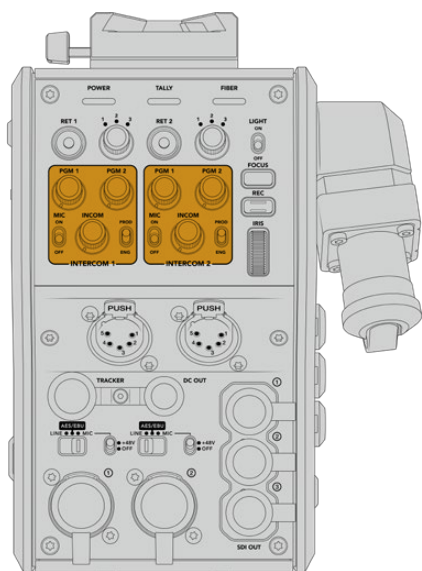
I due connettori XLR femmina a 5 pin sono dedicati alle cuffie, consentendo a due persone di comunicare contemporaneamente via talkback. Per esempio si può collegare la cuffia dell'operatore di ripresa al primo connettore, e la cuffia dell'operatore della gru o del tecnico del suono al secondo. La tabella qui sotto descrive la configurazione del connettore XLR.

Configurazione dei pin del connettore XLR

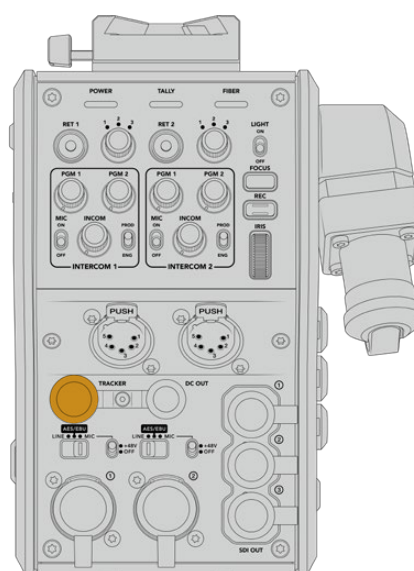
Vista frontale	Pin	Segnale	I/O	Descrizione
 <p>Connettore XLR a 5 pin per cuffie</p>	1	Intercom mic (Y)	GND	L'ingresso Intercom mic è compatibile con i microfoni a elettrete e dinamici, bilanciati o non bilanciati. Il pin 1 è per il segnale microfonico comune, e il pin 2 per il segnale in entrata di entrambi i tipi. Con i microfoni a elettrete, l'alimentazione di polarizzazione DC passa dallo stesso pin per il segnale del microfono.
	2	Intercom mic (X)	In	
	3	GND	GND	GND
	4	Intercom sinistra	Out	
	5	Intercom destra	Out	

I controlli intercom di ciascuna cuffia sono situati sopra il rispettivo connettore.

Per tutti i dettagli sul funzionamento dei controlli di intercom, consulta la sezione "Camera Fiber Converter".



Usa i controlli Intercom per mixare i livelli del talkback



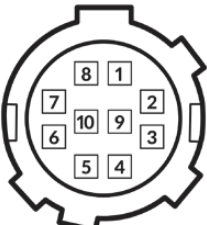
Connettore Tracker

Connettore Tracker

Il connettore a 10 pin Tracker offre un'uscita multiplex per i segnali di talkback e tally, nonché per i dati come le informazioni del suggeritore elettronico. Questo connettore viene comunemente utilizzato dagli operatori di attrezzatura, per esempio le gru.

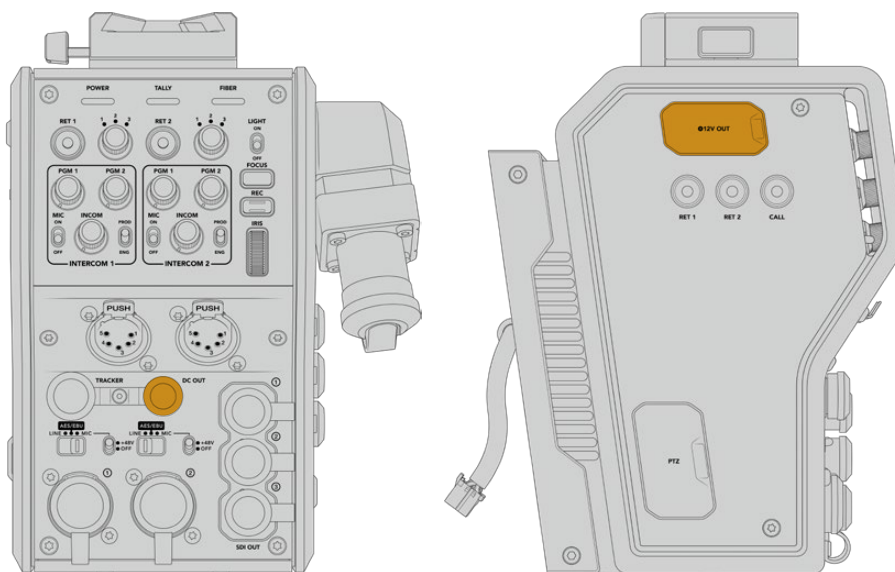
La tabella qui sotto descrive la configurazione del connettore per guidarti nella creazione di un cavo su misura.

Configurazione dei pin del connettore Tracker

Vista frontale	Pin	Segnale	I/O	Specifiche
 <p>Connettore Tracker a 10 pin</p>	1	Tracker sinistra	Out	Uscita del Tracker, -20 dBu non bilanciato
	2	GND (talkback)	–	GND per talkback via Tracker
	3	GND (Ricezione/PGM/tally)	–	GND per ricezione/PGM/tally
	4	Tracker destra	Out	Uscita del Tracker, -20 dBu non bilanciato
	5	Non regolato	Out	12V DC nominale, max 500mA
	6	GND (non regolato)	–	GND per segnale non regolato
	7	Talkback via Tracker (X)	In	Talkback via Tracker 0 dBu / -20 dBu, bilanciato ad alta impedenza
	8	Talkback via Tracker (Y)	In	
	9	Tally (verde)	Out	On: 12V Off: Alta impedenza (aperto)
	10	Tally (rosso)	Out	On: 12V Off: Alta impedenza (aperto)

Alimentazione DC

Il connettore di uscita DC è utile per alimentare accessori aggiuntivi, per esempio un monitor esterno.



Usa il connettore DC per alimentare accessori come monitor o dispositivi di registrazione esterni

Uscita D-Tap

Uscita D-Tap

L'uscita +12V sul lato sinistro dell'unità, nota anche come uscita D-tap o P-tap, permette di alimentare accessori come monitor e grandi obiettivi televisivi, che richiedono una corrente continua di 12V nominale a 2 ampere.

Uscita di riferimento

L'uscita di riferimento si può utilizzare per connettere un segnale di riferimento alla telecamera tramite un cavo BNC.

Per connettere un segnale di riferimento:

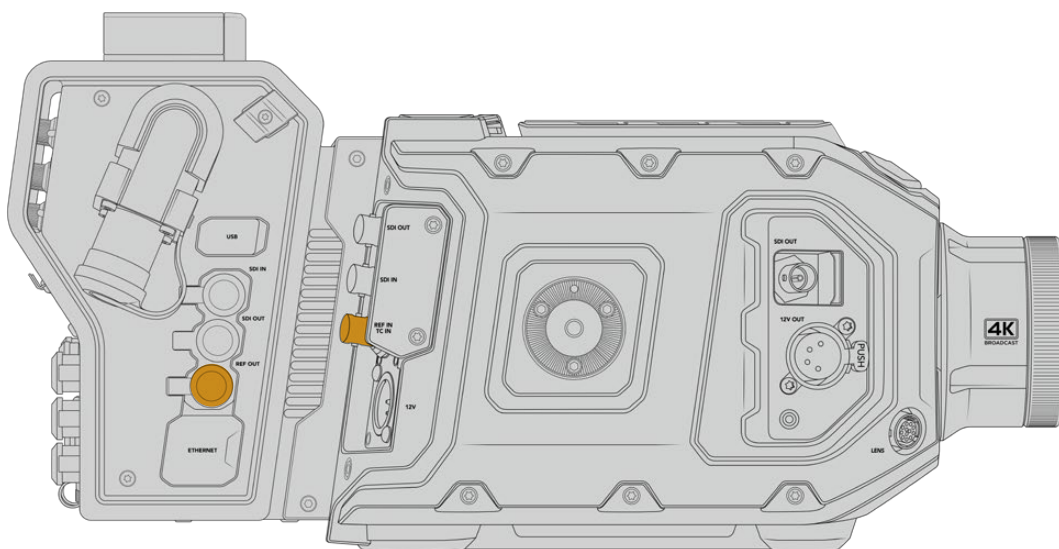
- 1 Collega l'uscita di riferimento **Ref Out** dal Camera Fiber Converter all'ingresso di riferimento **Ref In** della camera usando uno dei piccoli cavi SDI in dotazione al convertitore.
- 2 Imposta l'ingresso di riferimento della camera nel relativo menù.

Questi segnali permettono di sincronizzare la strumentazione video in uso (e quindi tutte le fonti video) con un riferimento comune, consentendo una commutazione istantanea e impeccabile.

Gli switcher ATEM offrono sincronizzazione di frame interna, per cui se utilizzi le camere Blackmagic con uno switcher ATEM non serve un generatore di sync esterno. La camera si sincronizza al flusso SDI del programma di ritorno in arrivo dallo switcher ATEM, perciò basta selezionare l'ingresso di programma come riferimento nella seconda pagina del menù impostazioni **Setup** di URSA Broadcast G2 o URSA Mini. Il processo di sincronizzazione introduce 1 fotogramma di ritardo.

Per ridurre questa latenza su ATEM, applica prima un segnale di riferimento a URSA Broadcast G2 o URSA Mini, poi cambia le impostazioni di sync sulla camera per far sì che la linea di partenza preceda l'esecuzione della commutazione di ATEM.

Per cambiare il sync sulle camere URSA Mini e URSA Broadcast G2, vai nella tab **Setup** e scegli il valore più adatto alla voce **Linee riferimento temporale**.

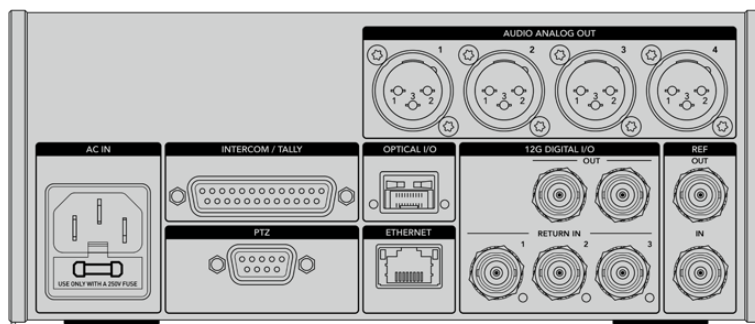


Se usi un segnale di riferimento esterno, connetti l'uscita di riferimento dal Camera Fiber Converter all'ingresso di riferimento di URSA Broadcast G2 o URSA Mini

Le connessioni di Studio Fiber Converter

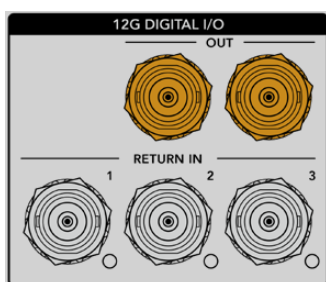
Il lato posteriore di Studio Fiber Converter ospita connettori di ingresso SDI per segnali di ritorno, connettori BNC per il riferimento, un connettore DB-25 per intercom e tally, una porta seriale a 9 pin per controllo PTZ, uscite audio, e una porta ethernet.

Tutti gli ingressi SDI supportano il 12G-SDI per formati video fino all'Ultra HD 2160p60.



Uscita 12G-SDI

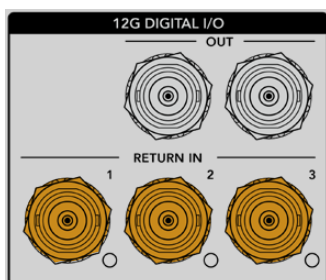
I due connettori di uscita 12G-SDI servono per connettere il segnale della telecamera a uno qualsiasi degli ingressi SDI dello switcher. Il secondo connettore si può usare per trasmettere lo stesso segnale ad altra attrezzatura SDI, per esempio una matrice Blackmagic Videohub, il monitor SmartView, o un registratore HyperDeck.



Le uscite 12G-SDI ammettono segnali da 720p50 fino a 2160p60

Ingressi SDI per segnali di ritorno

I tre connettori BNC 12G-SDI **Return In** permettono di connettere fino a tre flussi SDI di ritorno. Per esempio, il programma di ritorno dello switcher si può connettere a Return In 1, con lo stesso frame rate del flusso video della camera. Altre fonti come i segnali video di una seconda camera, il video riprodotto da HyperDeck, o un suggeritore elettronico si possono connettere a Return In 2 e Return In 3. Se utilizzi uno switcher ATEM, il segnale di ritorno di programma connesso a Return In 1 contiene anche tally, talkback, riferimento, e controllo camera.

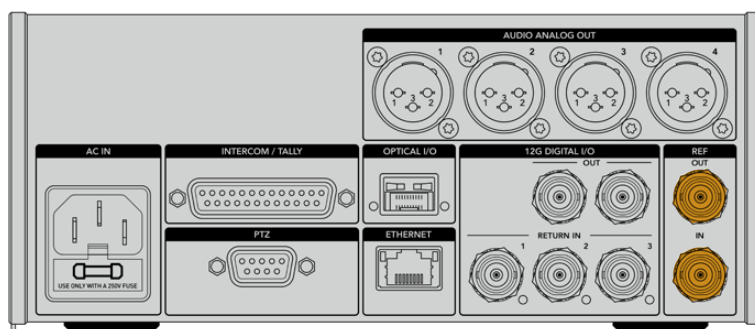


Questi ingressi SDI consentono di connettere fino a 3 segnali di ritorno in arrivo dallo switcher. I segnali vengono inviati alla camera di modo che l'operatore di ripresa possa visualizzarli, o trasmessi via SDI ad altra attrezzatura.

NOTA Se connetti fonti Ultra HD agli ingressi per segnali di ritorno, vengono convertite in 1080p allo stesso frame rate, per cui il segnale di uscita trasmesso dall'unità Camera sarà in HD. Convertire i segnali di ritorno Ultra HD in risoluzione minore HD consente di sfruttare una larghezza di banda maggiore, quindi di inviare più segnali di ritorno.

Ingresso e uscita di riferimento

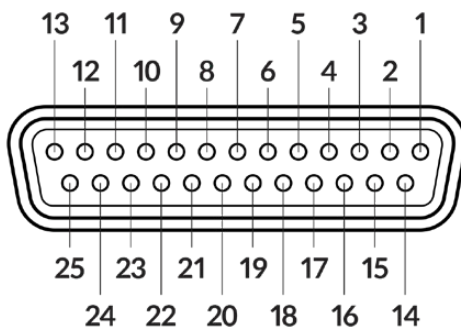
Se non usi uno switcher ATEM e vuoi sincronizzare il dispositivo in uso con un segnale di riferimento comune esterno, collega il segnale generato esternamente all'ingresso BNC. Questo invia il riferimento all'unità Camera tramite il cavo in fibra SMPTE. L'uscita BNC si può anche usare per ritrasmettere la fonte di riferimento ad altra attrezzatura.



Usa l'ingresso BNC Ref In per inviare un segnale di riferimento tradizionale dall'attrezzatura broadcast in uso alla camera

Interfaccia talkback

Il connettore DB-25 per intercom e tally consente il collegamento ai sistemi di intercom e tally di terzi. La tabella qui sotto descrive la configurazione del connettore per guidarti nella creazione di un cavo su misura. Una volta configurati i pin per i segnali di talkback (tecnico **ENG** e produzione **PROD**), audio, tally, o di programma, vai alla pagina **Configurazione di Studio Fiber Converter**.



Vista frontale del connettore Intercom/Tally a 25 pin

Configurazione dei pin del connettore Talkback/Tally

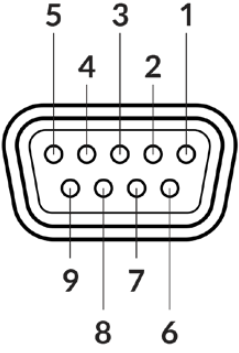
Pin	Segnale	Specifiche
1	ENG(R) IN+	Ingresso canale ENG 0dBu bilanciato
2	ENG(R) IN-	
3	ENG GND	GND per ENG
4	ENG(T) OUT +	Uscita canale ENG 0dBu bilanciato
5	ENG(T) OUT -	
6	PGM IN+	-20dBu
7	PGM IN-	-20dBu
8	PGM GND	-20dBu
9	GND	GND per AUX
10	N/C	-
11	Tally rosso IN	On = 5-24Vdc, Off = 0Vdc
12	Tally rosso GND	-
13	GND	Chassis GND
14	PROD(R) IN+	Ingresso canale PROD 0dBu bilanciato
15	PROD(R) IN-	
16	PROD GND	-
17	PROD(T) OUT+	Uscita canale PROD 0dBu bilanciato
18	PROD(T) OUT-	
19	N/C	-
20	N/C	-
21	N/C	-
22	N/C	-
23	N/C	-
24	Tally verde IN	On = 5-24Vdc, Off = 0Vdc
25	Tally verde GND	-

Interfaccia PTZ

Sia Studio Fiber Converter che Camera Fiber Converter ospitano un connettore DE-9 per collegare un controller PTZ al primo, e una testa remota al secondo. I comandi PTZ sono integrati nel segnale SDI connesso tra le unità, trasportato dal cavo in fibra SMPTE.

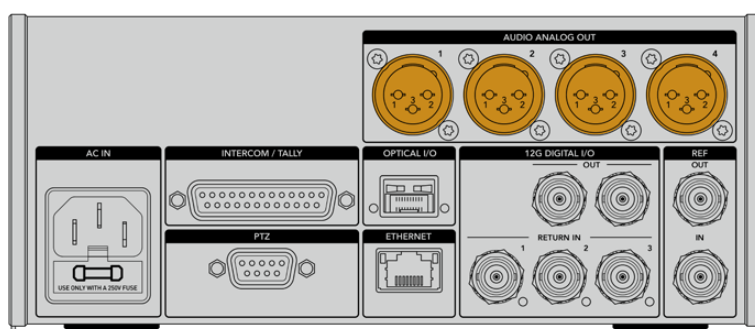
Nel menù Configurazione di Studio Fiber Converter puoi selezionare la fonte dei comandi PTZ che vengono inviati a Camera Fiber Converter. Puoi selezionare il connettore PTZ sul retro di Studio Fiber Converter o un flusso SDI proveniente da uno switcher ATEM. Per maggiori informazioni consulta la sezione "Studio Fiber Converter".

Configurazione dei pin del connettore PTZ

Vista frontale	Pin	Segnale
 <p>Connettore PTZ a 9 pin</p>	1	GND
	2	RS422 Tx-
	3	RS422 Rx+
	4	GND
	5	N/C
	6	GND
	7	RS422 Tx+
	8	RS422 Rx-
	9	GND

Uscite audio

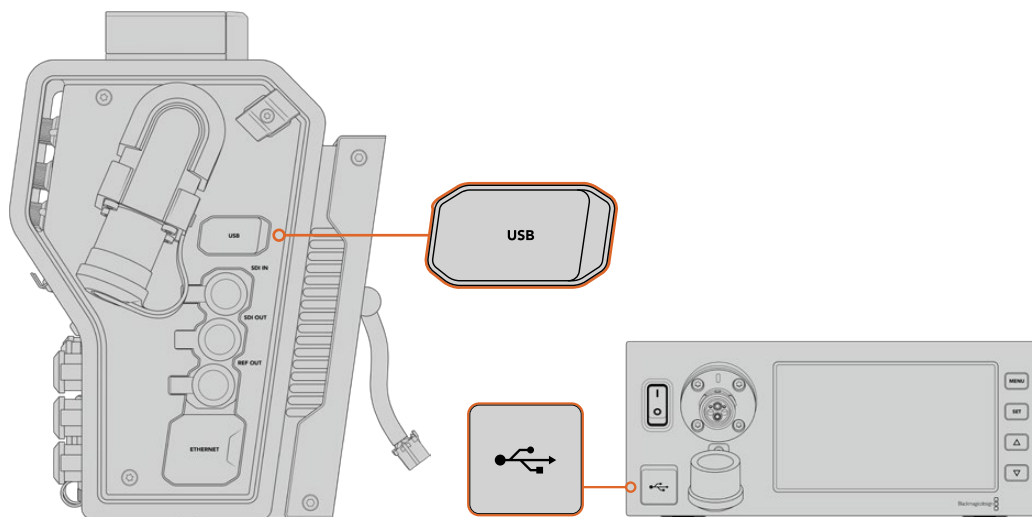
Le quattro uscite audio XLR di Studio Fiber Converter consentono di trasmettere l'audio connesso agli ingressi 1 e 2 di URSA Broadcast G2 o URSA Mini, e ai due ingressi audio XLR di Camera Fiber Converter.



Di default, le uscite 1 e 2 di Studio Fiber Converter corrispondono ai canali di ingresso integrati XLR 1 e 2 di URSA Mini o URSA Broadcast G2. Di default, le uscite 3 e 4 di Studio Fiber Converter corrispondono agli ingressi XLR 1 e 2 di Camera Fiber Converter. La mappatura dei canali si può cambiare nelle impostazioni. Consulta la sezione "Come utilizzare il menù" per tutti i dettagli.

Aggiornare il software interno

Di tanto in tanto Blackmagic Design rilascia aggiornamenti software che migliorano e abilitano funzioni sui convertitori Blackmagic Fiber Converter. È consigliabile controllare regolarmente il sito Blackmagic Design per stare al passo con le versioni del software interno. Per aggiornare i convertitori, usa l'utilità Blackmagic Camera Setup.



Usa le porte USB-C disponibili su entrambe le unità per aggiornare il software interno

Aggiornare Camera Fiber Converter

Per aggiornare Camera Fiber Converter è necessario connetterlo a URSA Broadcast G2 o URSA Mini perché riceva l'alimentazione.

È importante scollegare il cavo in fibra SMPTE dal Camera Fiber Converter, e collegare la telecamera alla corrente con l'alimentatore incluso alla tua URSA.

La porta USB-C sul lato destro di Camera Fiber Converter ti permette di aggiornare il software interno. Collegala al computer e lancia l'utilità Blackmagic Camera Setup. Se il computer rileva una versione software precedente, un messaggio suggerisce di aggiornare il software interno. Segui le istruzioni sullo schermo per completare l'aggiornamento.

Aggiornare Studio Fiber Converter

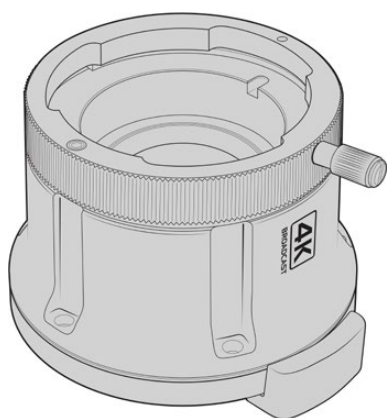
Per aggiornare Studio Fiber Converter è consigliabile collegarlo alla corrente con un cavo IEC.

La porta USB-C sul lato frontale di Studio Fiber Converter ti permette di aggiornare il software interno. Collegala al computer e lancia l'utilità Blackmagic Camera Setup. Se il computer rileva una versione software precedente, un messaggio suggerisce di aggiornare il software interno. Segui le istruzioni sullo schermo per completare l'aggiornamento.

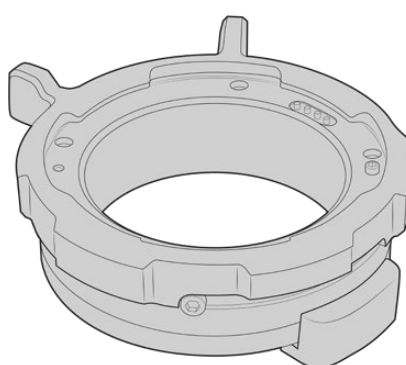
Attacco obiettivo intercambiabile

Di serie URSA Broadcast G2 è dotata di un attacco obiettivo B4 e di un attacco EF aggiuntivo. L'attacco obiettivo intercambiabile permette di collegare alla camera anche i kit Blackmagic URSA Mini Pro PL o URSA Mini Pro F, acquistabili dai rivenditori autorizzati Blackmagic Design.

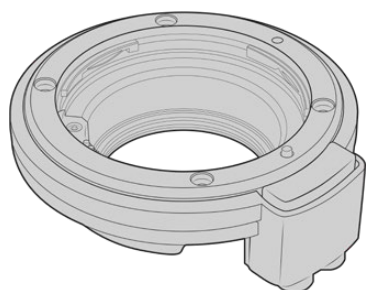
NOTA L'attacco obiettivo B4 realizzato per il sensore di URSA Mini Pro non è lo stesso attacco B4 di URSA Broadcast G2. Utilizza solo l'attacco B4 in dotazione a URSA Broadcast G2, perché è progettato per il suo sensore.



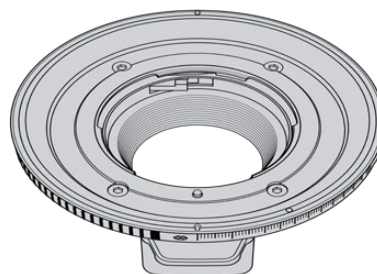
Attacco broadcast B4



Attacco PL



Attacco EF



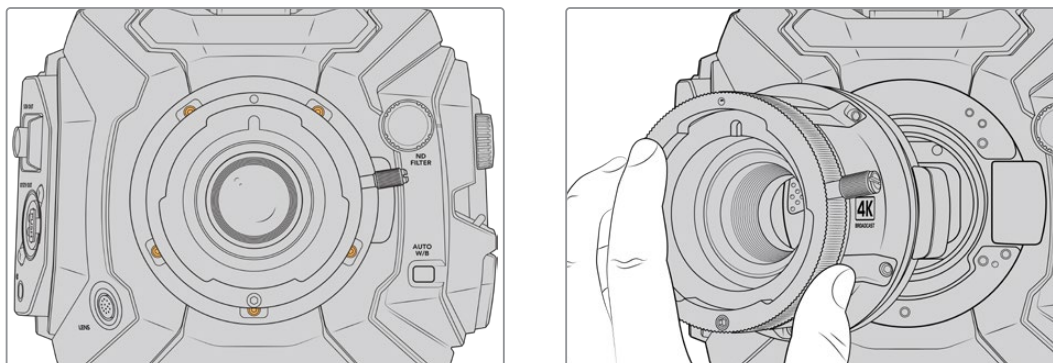
Attacco F

Grazie all'attacco obiettivo intercambiabile hai la flessibilità di lavorare con le ottiche più consone in base alle riprese. Per esempio, l'attacco EF è ideale per la fotografia sul set, l'attacco B4 si abbina agli obiettivi parafocali zoom per le riprese in stile ENG e i matrimoni, e l'attacco PL consente l'impiego di ottiche cinematografiche per una precisione assoluta. L'attacco F consente l'utilizzo di obiettivi Nikon realizzati dal 1959 ad oggi.

Basta sostituire l'attacco B4 in dotazione con uno opzionale.

Rimuovere l'attacco obiettivo B4

Per rimuovere l'attacco obiettivo estrai le cinque viti M3 con una chiave a brugola 2 mm.



L'attacco B4 in dotazione si rimuove estraendo le cinque viti M3 e sollevandolo delicatamente dal corpo camera

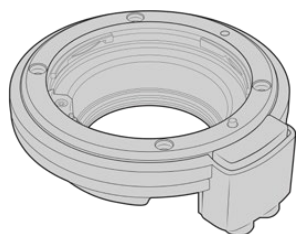
NOTA Quando rimuovi l'attacco B4 in dotazione, accertati che l'anello sotto l'attacco rimanga fissato alla camera.

Le pagine seguenti descrivono i kit di montaggio per gli attacchi EF, PL, e B4 e le istruzioni per installarli su URSA Broadcast G2.

Blackmagic URSA Mini Pro EF Mount

Usa questo kit per montare gli obiettivi EF su URSA Broadcast G2.

Il kit EF include:



1 attacco obiettivo EF

Adatto per i comuni obiettivi fotografici EF.



1 x set di anelli adattatori

Include anelli dei seguenti spessori:

0,50 mm	0,18 mm	0,10 mm
0,30 mm	0,15 mm	0,05 mm
0,20 mm	0,12 mm	0,025 mm



1 x lastra di regolazione del deflettore

Il deflettore dell'attacco EF non è rimovibile, ma il kit include comunque una lastra di regolazione che puoi utilizzare con l'attacco PL.

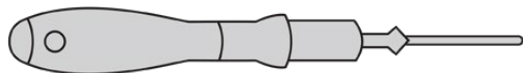


4 viti M3, 2 mm x 18 mm

Queste viti sono utilizzabili solo per l'attacco EF. Consigliamo di conservarle insieme all'attacco corrispondente.

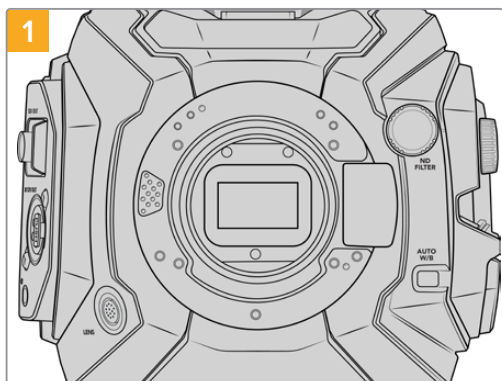
Attrezzi necessari

Per montare l'attacco EF, utilizza una chiave a brugola 2 mm. Consigliamo di utilizzare una chiave dinamometrica per una coppia di serraggio massimo di 0,45 Nm, che evita di forzare eccessivamente le viti.

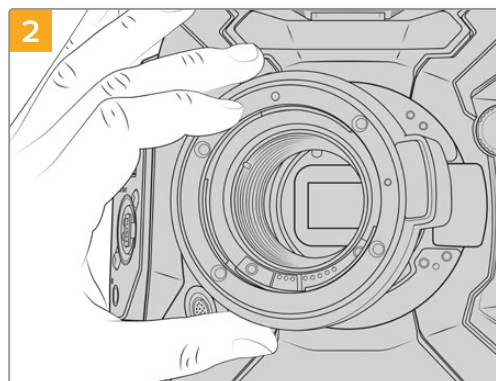


Chiave a brugola 2 mm

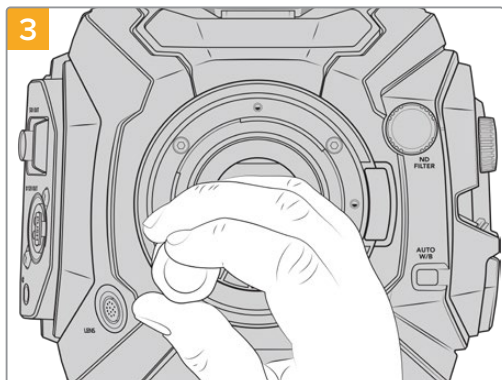
Montare l'attacco obiettivo EF



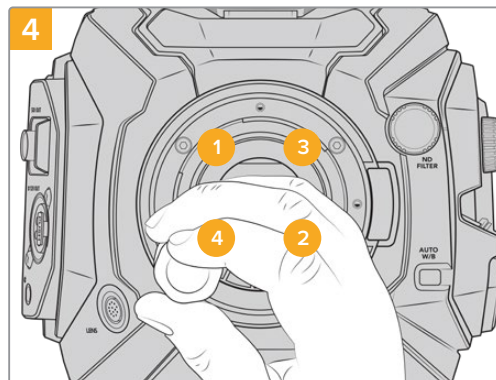
Colloca URSA Broadcast G2 in posizione verticale su una superficie solida e pulita. Se passi dall'attacco PL all'attacco EF, accertati di aver rimosso il deflettore PL prima di inserire l'attacco EF.



Posiziona l'attacco URSA Mini Pro EF Mount sul corpo della camera, con il punto rosso in posizione ore 12.



Inizia a serrare le 4 viti fino a entrare in contatto con la base dell'attacco obiettivo.

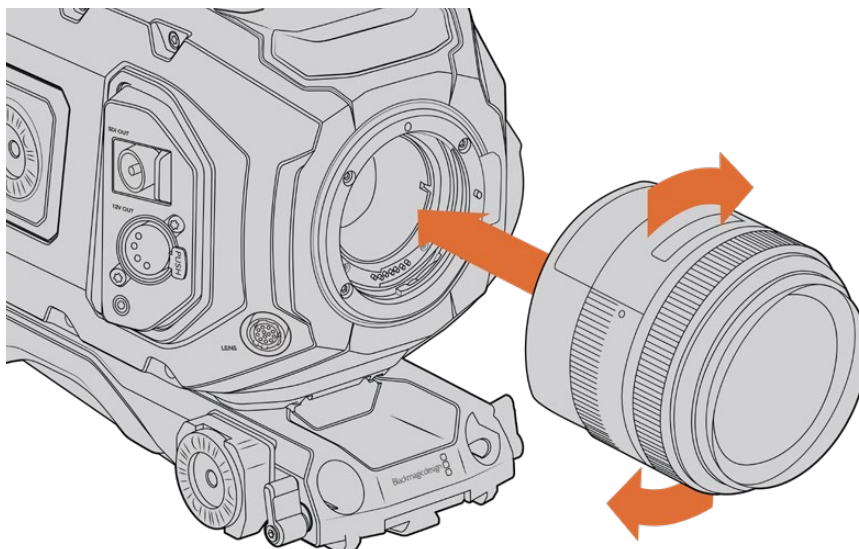


Utilizzando una chiave a brugola 2 mm, o una chiave dinamometrica 2 mm, serra la vite 1 con un giro completo, poi la vite 2 con un giro completo, e ripeti per le viti 3 e 4. Continua a serrare di un giro ogni vite nella sequenza indicata qui sopra, fino a raggiungere una coppia di serraggio di 0,45 Nm.

NOTA Quando rimuovi l'attacco EF, segui le stesse istruzioni ma in ordine inverso, da 4 a 1.

Come installare un obiettivo EF:

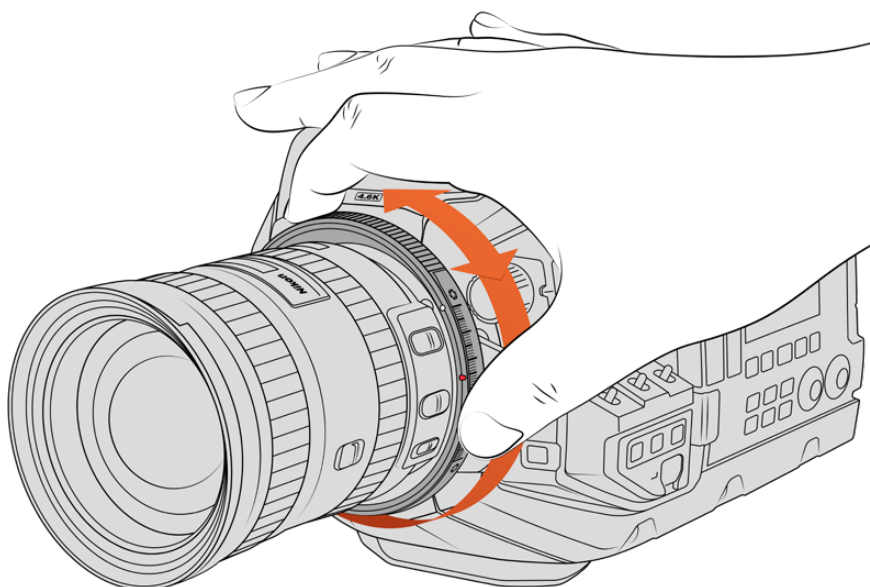
- 1 Allinea il punto dell'obiettivo con quello dell'attacco della camera. Spesso il punto è colorato, per esempio blu, rosso o bianco.
- 2 Inserisci l'obiettivo e giralo in senso orario fino a quando si blocca in posizione.
- 3 Per rimuovere l'obiettivo, premi il pulsante di blocco e ruota l'obiettivo in senso antiorario fino a quando il punto raggiunge la posizione ore 12. Rimuovilo delicatamente.



Come montare e rimuovere un attacco EF

Blackmagic URSA Mini Pro F Mount

Dal 1959 Nikon produce obiettivi F, reperibili come ottiche vintage e moderne, e ora utilizzabili con URSA Broadcast grazie all'attacco URSA Mini Pro F Mount.



Usa l'anello di regolazione del diaframma dell'attacco F per regolare l'apertura delle ottiche F

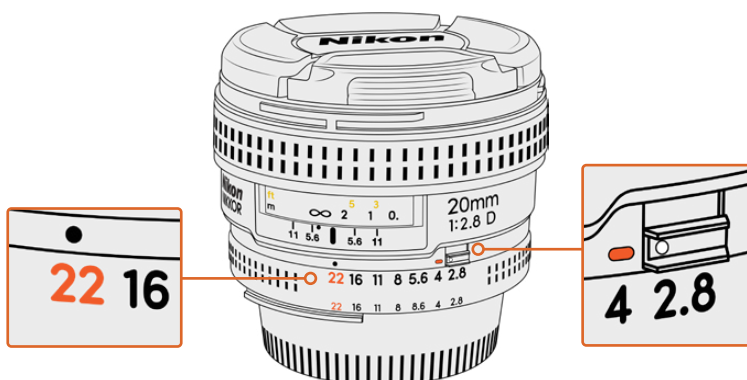
Ricorda che questo attacco è completamente meccanico, quindi non consente il controllo elettronico della messa a fuoco o del diaframma. URSA Mini Pro F Mount offre la regolazione meccanica del diaframma, che muove il pin presente nelle ottiche Nikon per ottenere un risultato in stile cinematografico.

Una volta montato l'attacco F, sposta il regolatore del diaframma di URSA Mini Pro F Mount sul valore di esposizione desiderato. Il punto rosso sull'attacco F e le tacche sul regolatore del diaframma consentono di marcare determinati valori di esposizione o di profondità di campo.

NOTA Quando rimuovi l'attacco F, segui le stesse istruzioni ma in ordine inverso, da 4 a 1.

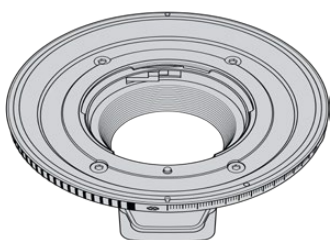
Obiettivi Nikon AF-D

Con queste ottiche è necessario bloccare l'obiettivo sull'apertura più piccola, per esempio f/22, per utilizzare appieno il range dell'anello di regolazione del diaframma di URSA Mini Pro F Mount.



Impostare l'apertura delle ottiche AF-D è più facile prima di montarle sulla camera

Il kit F include:



1 x attacco obiettivo F

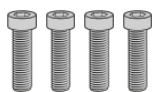
Adatto per i comuni obiettivi fotografici F.



1 x set di anelli adattatori

Include anelli dei seguenti spessori:

0,50 mm	0,18 mm	0,10 mm
0,30 mm	0,15 mm	0,05 mm
0,20 mm	0,12 mm	0,025 mm



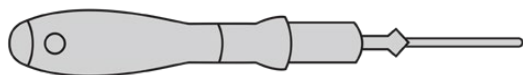
4 x viti M3, 2 mm x 18 mm

Queste viti sono utilizzabili solo per l'attacco EF e F. Consigliamo di conservarle insieme all'attacco corrispondente.

L'attacco F include un set completo di viti di ricambio.

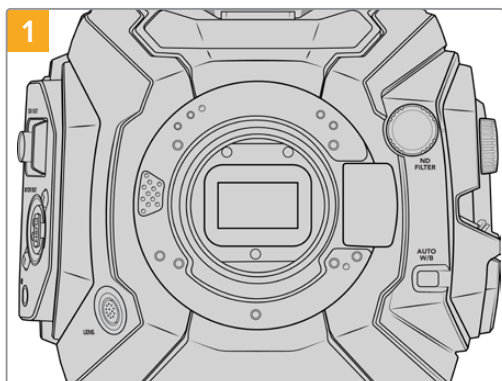
Attrezzi necessari

Per montare l'attacco F, utilizza una chiave a brugola 2 mm. Consigliamo di utilizzare una chiave dinamometrica per una coppia di serraggio massimo di 0,45 Nm, che evita di forzare eccessivamente le viti.

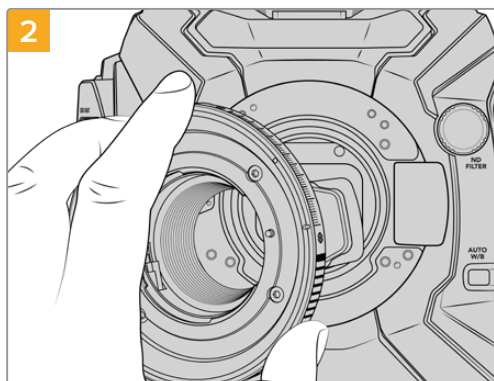


Chiave a brugola 2 mm

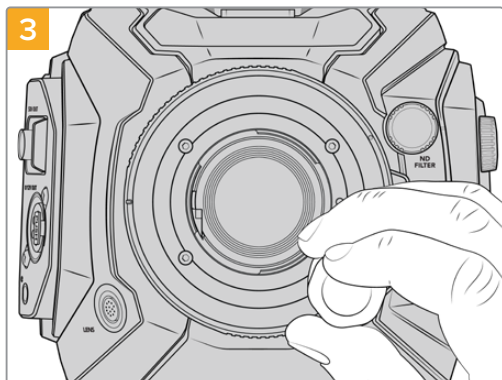
Montare l'attacco obiettivo F



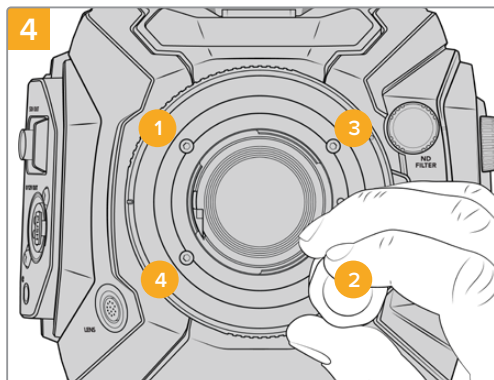
1 Colloca URSA Broadcast G2 in posizione verticale su una superficie solida e pulita. Se passi dall'attacco PL all'attacco F, accertati di aver rimosso il deflettore PL prima di inserire l'attacco F.



2 Posiziona URSA Mini Pro F Mount nel corpo camera, con il punto bianco in corrispondenza delle ore 2.



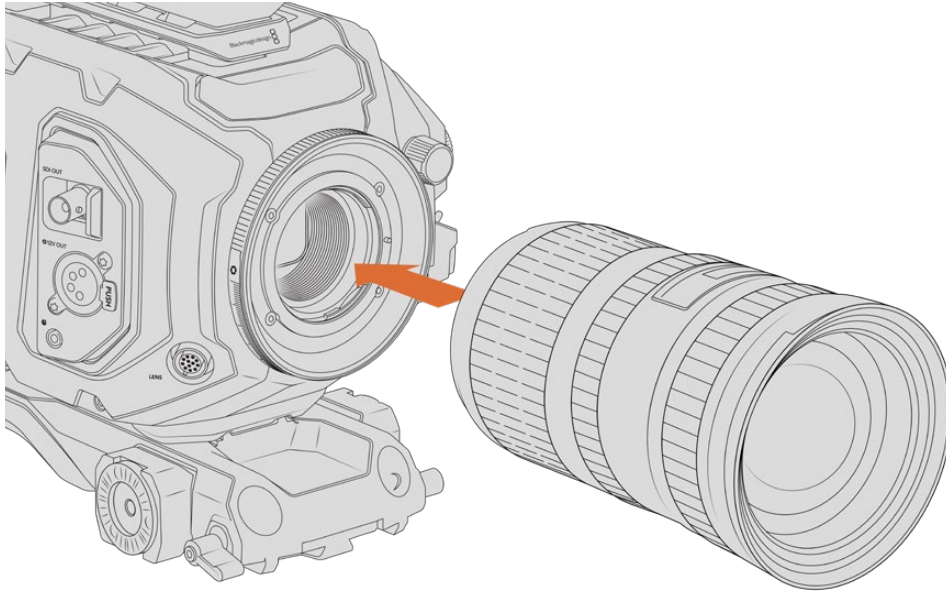
3 Inizia a serrare le 4 viti fino a entrare in contatto con la base dell'attacco obiettivo.



4 Utilizzando una chiave a brugola 2 mm, o una chiave dinamometrica 2 mm, serra la vite 1 con un giro completo, poi la vite 2 con un giro completo, e ripeti per le viti 3 e 4. Continua a serrare di un giro ogni vite nella sequenza indicata qui sopra, fino a raggiungere una coppia di serraggio di 0,45 Nm.

NOTA Un numero limitato di ottiche F non è compatibile con URSA Mini Pro F Mount: Nikkor AF-S E, perché privi di controllo del diaframma meccanico, e i modelli Nikon PC-E tilt-shift, tra cui il 24 mm f/3.5D PC-E e l'85 mm PC-E.

Come installare un obiettivo F:



Montare e rimuovere un obiettivo F su URSA Broadcast G2 con attacco F

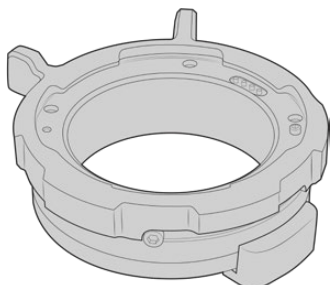
- 1** Allinea il punto sull'obiettivo con il punto sull'attacco della camera. Su molti obiettivi, il punto è blu, rosso o bianco.
- 2** Inserisci l'obiettivo e giralo in senso antiorario fino a quando si blocca in posizione.
- 3** Rimuovi l'obiettivo premendo il pulsante di blocco e ruotando l'obiettivo in senso orario fino a quando il punto raggiunge la posizione corrispondente alle ore 2.

NOTA URSA Mini Pro F Mount offre la regolazione meccanica del diaframma. Per utilizzare ottiche F vintage con anello di regolazione di messa a fuoco integrato, imposta e blocca l'apertura dell'obiettivo sul setting più basso, per esempio f/22.

Blackmagic URSA Mini Pro PL Mount

Installa l'attacco obiettivo PL su URSA Broadcast G2 per utilizzare ottiche di estrema precisione sui set cinematografici e negli studi televisivi.

Il kit PL include:



1 attacco PL

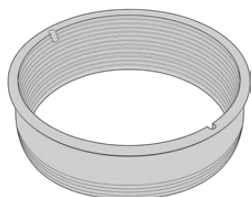
Include un coperchio antipolvere.



1 set di anelli adattatori

Include anelli dei seguenti spessori:

0,50 mm	0,18 mm	0,10 mm
0,30 mm	0,15 mm	0,05 mm
0,20 mm	0,12 mm	0,025 mm



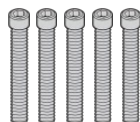
1 deflettore PL

Permette di controllare la luce che attraversa il sensore.



1 x lastra di regolazione del deflettore

Permette di stringere il deflettore nella camera.

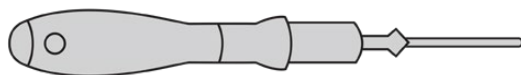


5 viti M2.5, 2 mm x 22 mm

Queste viti sono utilizzabili solo per l'attacco PL. Consigliamo di conservarle insieme all'attacco corrispondente.

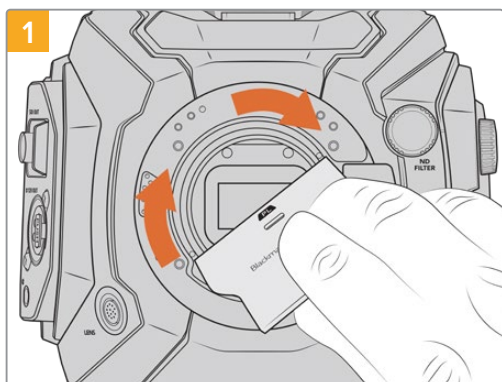
Attrezzi necessari

Per montare l'attacco PL, utilizza una chiave a brugola 2 mm. Consigliamo di utilizzare una chiave dinamometrica per una coppia di serraggio massimo di 0,45 Nm, che evita di forzare eccessivamente le viti.

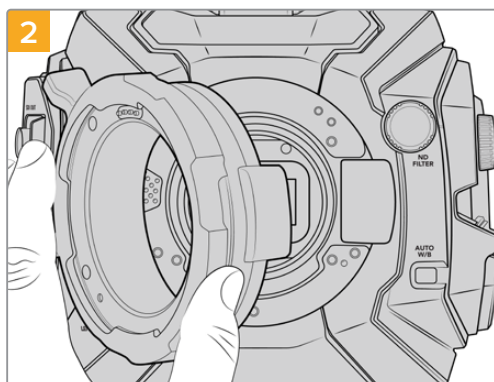


Chiave a brugola 2 mm

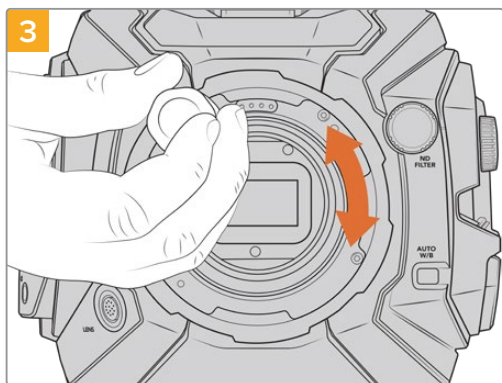
Montare l'attacco obiettivo PL



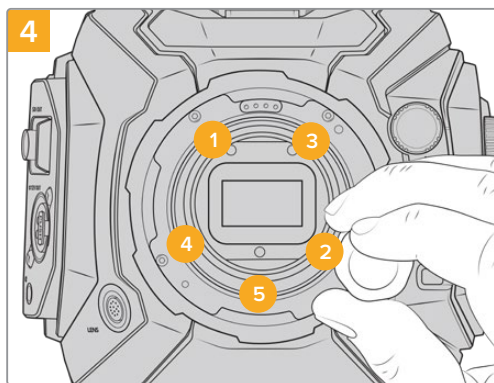
Inserisci delicatamente il deflettore PL al centro dell'attacco obiettivo e avvitalo a mano. Usa il lato più largo della lastra di regolazione per serrare leggermente il deflettore, esercitando una pressione minima per mantenerlo in posizione.



Accertati che i pin sull'attacco PL per Cooke /i Technology siano posizionati sulle ore 12.



Inizia a serrare le 5 viti fino a entrare in contatto con la base dell'attacco obiettivo. Per accedere a ognuna delle 5 viti, ruota la ghiera PL, perché alcuni fori potrebbero essere coperti quando la ghiera è aperta o chiusa.



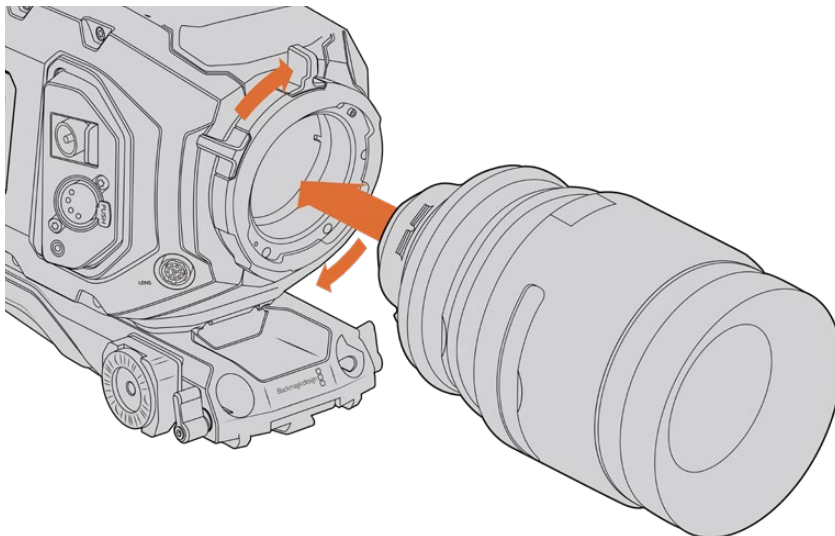
Utilizzando una chiave a brugola 2 mm, o una chiave dinamometrica 2 mm, serra la vite 1 con un giro completo, poi la vite 2 con un giro completo, e ripeti per le viti 3, 4 e 5. Continua a serrare di un giro ogni vite nella sequenza indicata qui sopra, fino a raggiungere una coppia di serraggio di 0,45 Nm.

NOTA Quando rimuovi l'attacco PL, segui le stesse istruzioni ma in ordine inverso, da 4 a 1. Accertati di aver rimosso il deflettore PL e di conservarlo con l'attacco PL.

Come installare un obiettivo PL:

- 1 Ruota la ghiera in senso antiorario fino a quando non si blocca.
- 2 Allinea una delle quattro tacche della flangia dell'obiettivo con la tacca di posizionamento dell'attacco della camera. Accertati di aver allineato l'obiettivo di modo che le marcature siano visibili.
- 3 Fissa la ghiera PL ruotandola in senso orario. Se installi un obiettivo PL con servocontrollo su URSA Broadcast G2, collega anche il connettore broadcast a 12 pin.

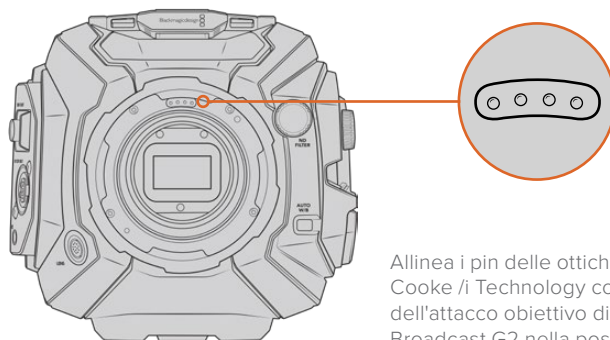
- 4 Per rimuovere l'obiettivo, ruota la ghiera in senso antiorario fino a bloccarla, poi rimuovi l'obiettivo estraendolo dal corpo macchina, senza ruotarlo.



Come montare e rimuovere un obiettivo PL

Obiettivi Cooke con /i Technology

L'attacco obiettivo opzionale URSA Mini Pro PL per URSA Broadcast G2 integra 4 pin nella posizione ore 12, per comunicare con gli obiettivi a interfaccia Cooke /i Technology. Gli obiettivi compatibili con questa interfaccia includono Canon, Cooke, Fujinon, Leica e Zeiss. Questo rende possibile salvare tutte le informazioni delle ottiche nei metadati delle clip, per esempio modello, lunghezza focale, apertura, distanza della messa a fuoco, e altre impostazioni obiettivo.



Allinea i pin delle ottiche PL con Cooke /i Technology con i pin dell'attacco obiettivo di URSA Broadcast G2 nella posizione ore 12

Le informazioni salvate come metadati tramite l'interfaccia Cooke /i Technology sono molto utili per i VFX e in post produzione. Inoltre conoscere gli obiettivi utilizzati e le loro esatte impostazioni è vantaggioso in caso si dovessero replicare le riprese in futuro.

Gli avanzati programmi di post come DaVinci Resolve e Fusion consentono di sfruttare al massimo questo tipo di informazioni dettagliate. Per esempio, con i metadati pertinenti al tipo di obiettivo è possibile simulare le ottiche in uno spazio 3D, oppure correggere la distorsione dell'immagine.

Obiettivi PL servoassistiti

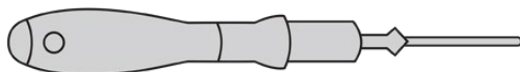
URSA Broadcast G2 è compatibile con obiettivi PL 35 mm con impugnatura servo. Quando l'obiettivo è connesso alla camera con il connettore broadcast, URSA Broadcast G2 lo alimenta e lo controlla allo stesso modo degli obiettivi B4. Consulta la sezione "Utilizzare obiettivi con zoom servoassistito" per maggiori informazioni.

Blackmagic URSA Broadcast G2 B4 Mount

L'attacco B4 è in dotazione con URSA Broadcast G2. Se lo hai rimosso per montare l'attacco Blackmagic URSA EF incluso o gli attacchi URSA PL o F opzionali, segui le seguenti istruzioni per rimontarlo.

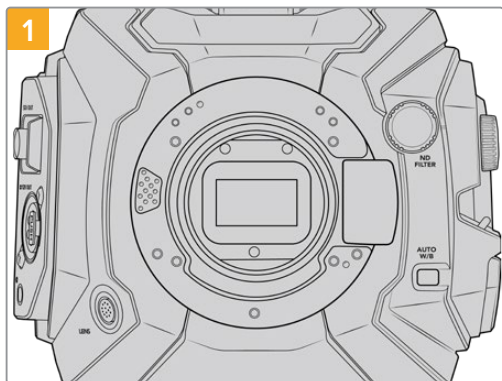
Attrezzi necessari

Per montare l'attacco B4, utilizza una chiave a brugola 2 mm. Consigliamo di utilizzare una chiave dinamometrica per una coppia di serraggio massimo di 0,45 Nm, che evita di forzare eccessivamente le viti.

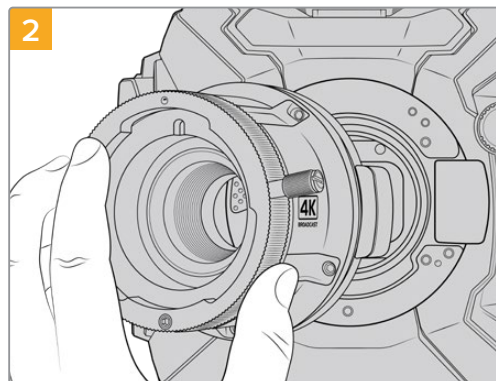


Chiave a brugola 2 mm

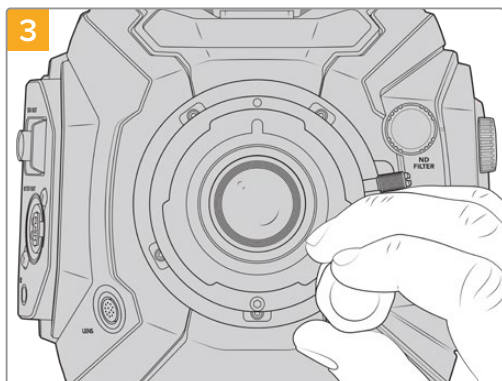
Montare l'attacco B4



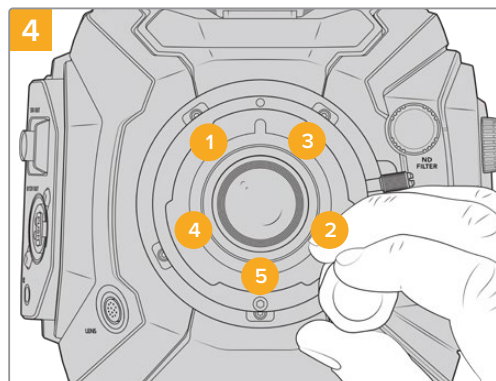
1 Colloca URSA Broadcast G2 in posizione verticale su una superficie solida e pulita.



2 Inserisci l'anello 0,50 mm, poi posiziona l'attacco B4 per URSA Broadcast G2 sul corpo macchina con il punto rosso in posizione ore 12.



3 Inizia a serrare le 5 viti fino a entrare in contatto con la base dell'attacco obiettivo.



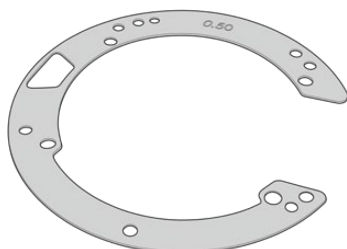
4 Utilizzando una chiave a brugola 2 mm, o una chiave dinamometrica 2 mm, serra la vite 1 con un giro completo, poi la vite 2 con un giro completo, e ripeti per le viti 3, 4 e 5. Continua a serrare di un giro ogni vite nella sequenza indicata qui sopra, fino a raggiungere una coppia di serraggio di 0,45 Nm.

NOTA Quando rimuovi l'attacco B4, segui le stesse istruzioni ma in ordine inverso, da 4 a 1.

Regolare gli attacchi obiettivo

A cosa servono gli anelli?

Gli anelli di regolazione sono dischi di vario spessore che consentono di regolare la distanza tra l'obiettivo e il sensore di URSA Broadcast G2. La cosiddetta distanza focale della flangia tende a variare secondo l'età delle ottiche e le condizioni ambientali delle riprese.



Anello per URSA Broadcast G2

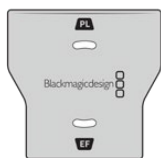
Gli anelli si posizionano tra l'attacco obiettivo e il corpo della camera di modo che la distanza tra il soggetto e il sensore corrisponda alle tacche di messa a fuoco dell'obiettivo. Gli anelli si utilizzano solitamente per le ottiche PL. Questi obiettivi cinematografici sono dotati di zoom manuale, e includono tacche di distanza focale accurate sul barilotto. Gli anelli sono utili anche per l'attacco obiettivo intercambiabile di URSA Broadcast G2.

Il kit anelli URSA Mini Pro Shim Kit include anelli di vari spessori, ed è acquistabile dai rivenditori autorizzati Blackmagic Design. Inoltre ogni attacco obiettivo per URSA Broadcast G2 include gli anelli di regolazione necessari. Scegli anelli di spessore diverso in base al back focus desiderato.

Kit di anelli URSA Mini Pro Shim Kit

In dotazione con URSA Broadcast G2 ci sono due anelli adattatori: uno di 0,10 mm in plastica e uno di 0,50 mm di metallo. Questi anelli impostano la distanza focale ottimale per gli attacchi obiettivo B4, EF, e F di URSA Broadcast G2. Raramente sarà necessario aggiungere anelli adattatori per le ottiche PL che richiedono una spaziatura specifica per mantenere stabili i marcatori predefiniti di messa a fuoco. Il kit di anelli URSA Mini Pro Shim Kit include i seguenti attrezzi. Gli altri anelli inclusi di misure diverse servono per accogliere ottiche PL che richiedono una spaziatura specifica per mantenere stabili i marcatori predefiniti di messa a fuoco.

Il kit di anelli include:



1 x lastra di regolazione del deflettore

Utilizza la lastra per allentare o serrare il deflettore PL in fase di montaggio o rimozione dell'attacco obiettivo PL su URSA Broadcast G2.



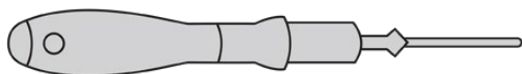
1 x set di anelli adattatori

Include anelli dei seguenti spessori:

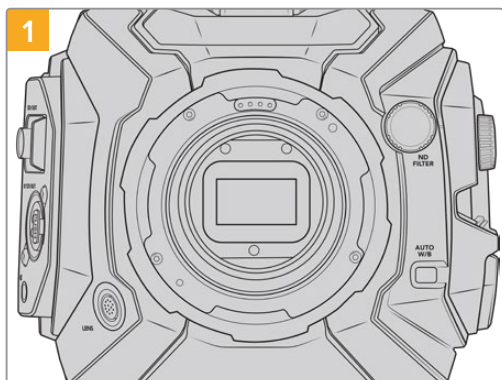
0,50 mm	0,18 mm	0,10 mm
0,30 mm	0,15 mm	0,05 mm
0,20 mm	0,12 mm	0,025 mm

Regolare gli attacchi obiettivo

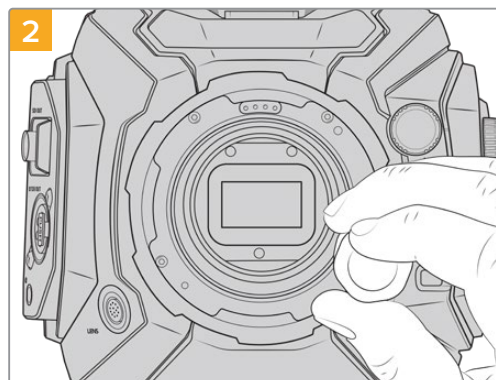
Per regolare gli attacchi obiettivo è necessaria una chiave dinamometrica per una coppia di serraggio massimo di 0,45 Nm, e una chiave a brugola 2 mm.



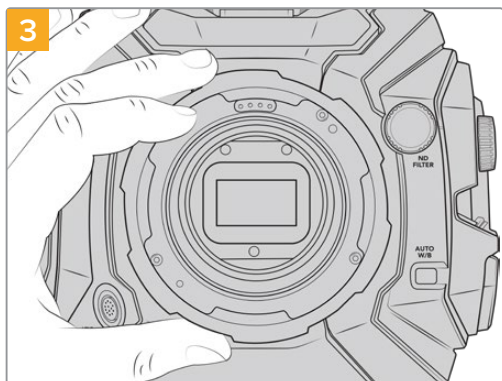
Chiave a brugola



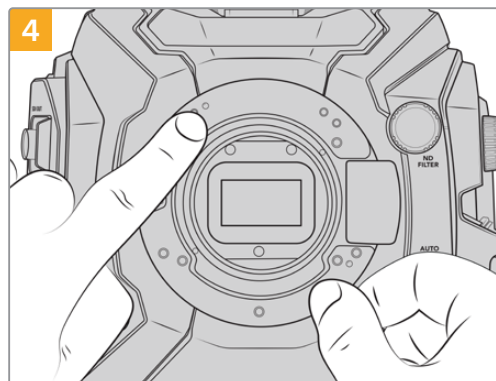
1 Colloca URSA Broadcast G2 in posizione verticale su una superficie solida e pulita, e rimuovi il coperchio antipolvere dall'obiettivo. Il filtro che copre il sensore sarà esposto durante l'intero processo di regolazione. Consigliamo di mantenerlo il più pulito possibile. Evita di toccare il filtro in fase di regolazione dell'attacco obiettivo.



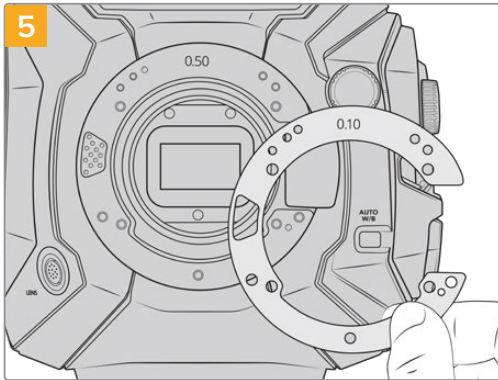
2 Rimuovi le viti di fissaggio dell'attacco con una chiave a brugola 2 mm. Per maggiori informazioni su ciascun tipo di attacco, consulta la sezione "Attacco obiettivo intercambiabile".



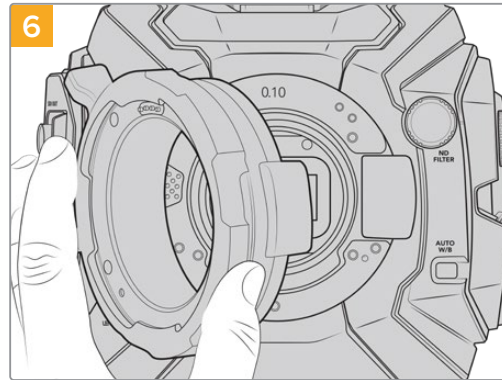
3 Rimuovi delicatamente l'attacco obiettivo dal corpo della camera. Tieni le viti vicino all'attacco.



4 Nota come l'anello esistente combacia con la tacca di allineamento in posizione ore 11.



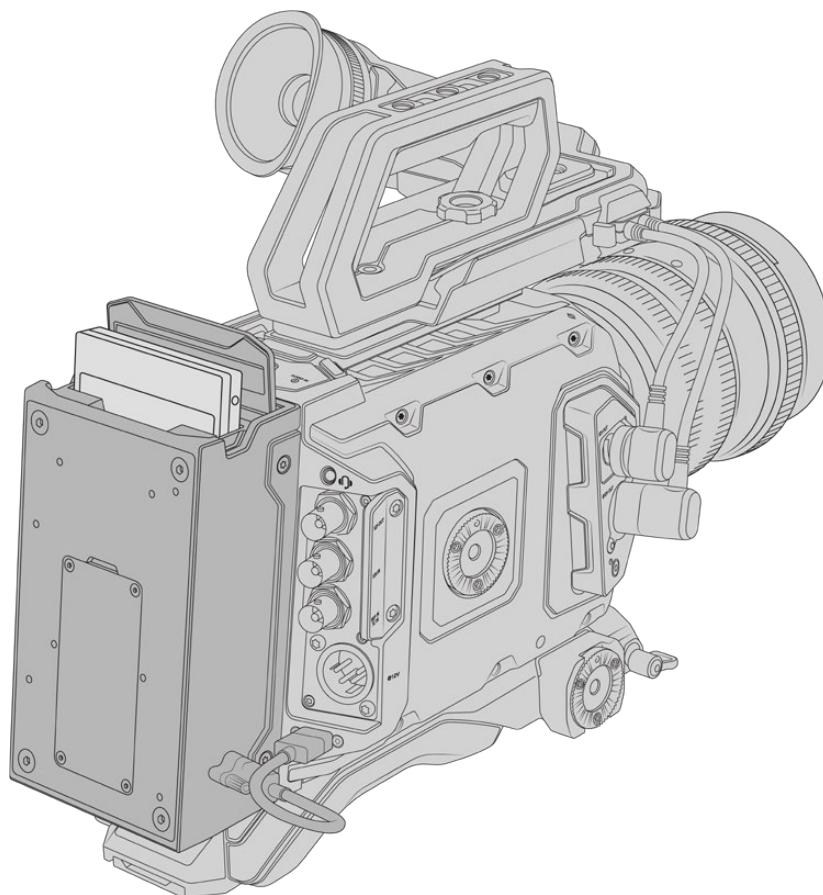
5
 Aggiungi o rimuovi anelli adattatori per cambiare leggermente la profondità dell'attacco. Consigliamo di cominciare con un anello 0,10 mm.



6
 Appoggia l'attacco obiettivo sul corpo camera, serra le viti e inserisci l'obiettivo. Controlla che i marcatori predefiniti di messa a fuoco siano allineati con la distanza focale. In caso contrario, riparti da 1 fino a 6, regolando l'attacco con gli anelli finché l'obiettivo è in linea con i marcatori.

URSA Mini Recorder

Blackmagic URSA Mini Recorder è un modulo opzionale che si monta sul retro di URSA Broadcast G2. Il registratore consente l'archiviazione dei filmati, inclusi i file Blackmagic RAW 6K, sulle economiche e capienti unità a stato solido, o SSD.



Per installare URSA Mini Recorder sono necessari i seguenti attrezzi:

- 1 x cacciavite a croce
- 1 x cacciavite Torx T10
- 1 x chiave a brugola 2 mm

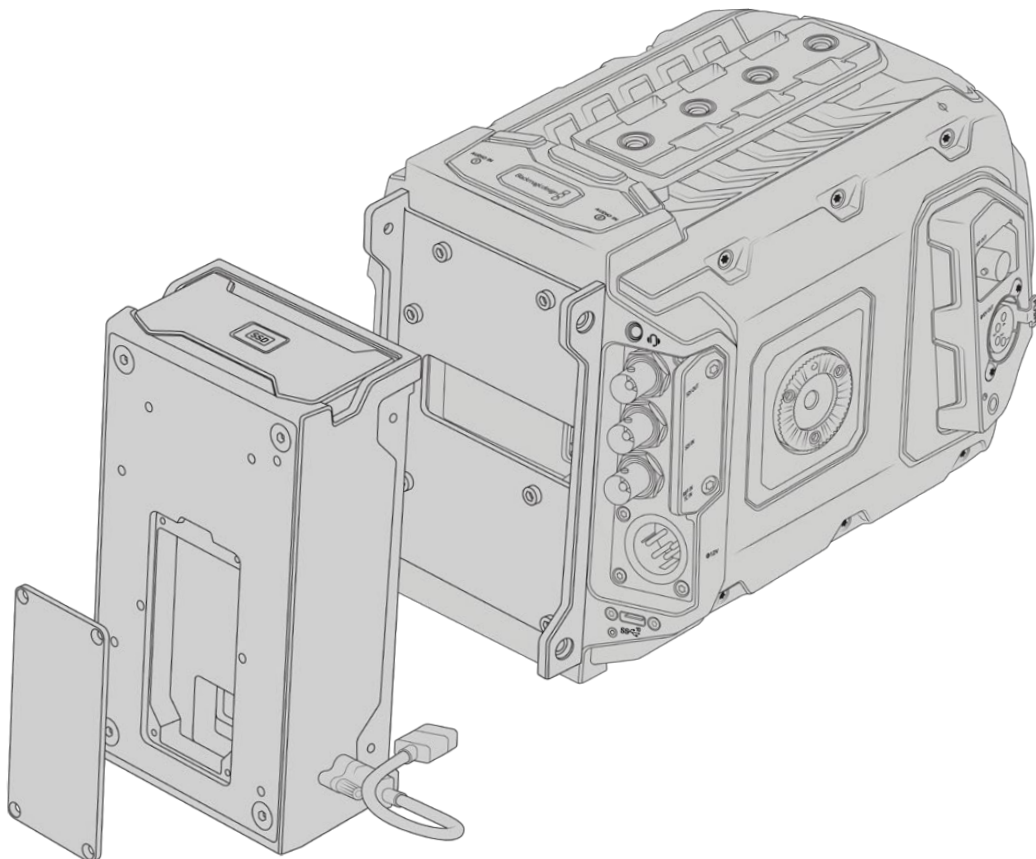


Per montare URSA Mini Recorder su URSA Mini servono un cacciavite a croce grande, un cacciavite Torx, e una chiave a brugola

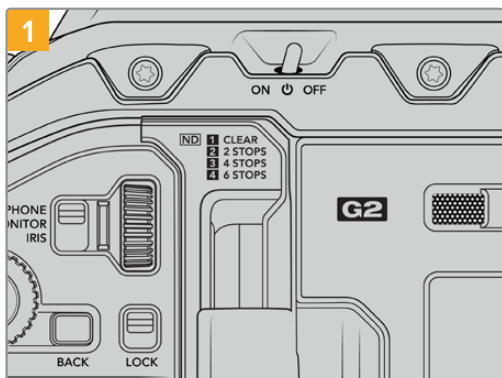
Montare e connettere URSA Mini Recorder

URSA Mini Recorder si monta sul retro di URSA Broadcast G2, direttamente dietro il corpo macchina, utilizzando la porta USB-C della camera per ricevere e inviare i dati.

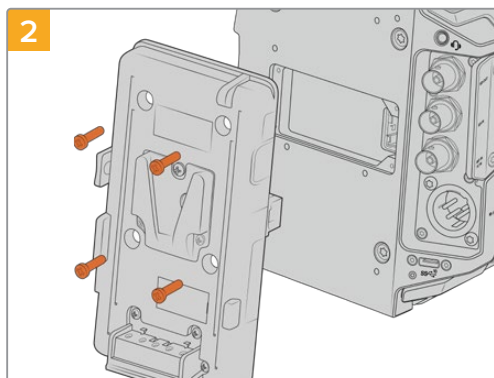
SUGGERIMENTO URSA Mini Recorder include un cavo passante per montare le batterie con attacco a V o Gold Mount dietro il registratore, sul retro della camera.



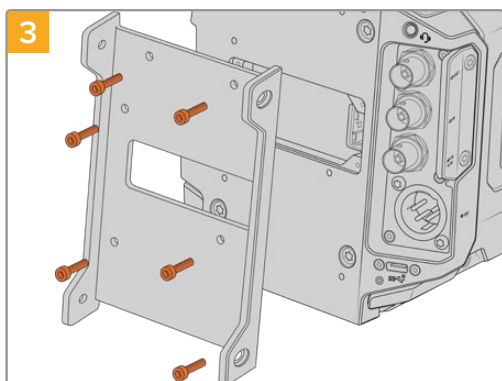
Come montare e connettere URSA Mini Recorder:



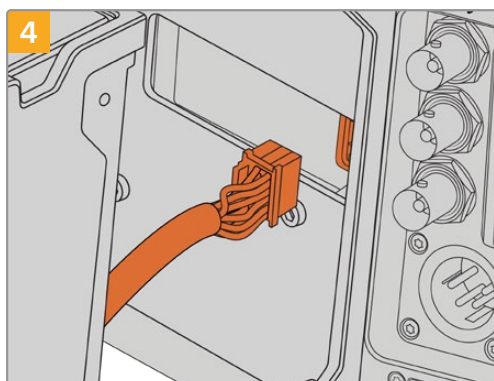
Spegni URSA Broadcast G2 spostando l'interruttore su Off.



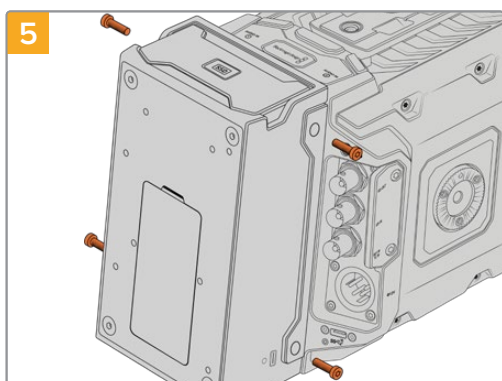
Se presente, rimuovi la piastra per batteria dal retro della camera. Per maggiori informazioni su come montare o smontare le piastre per batteria, consulta la sezione "Montare le batterie".



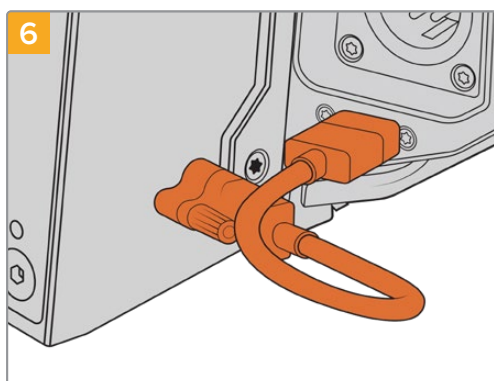
Ora fissa il supporto per URSA Mini Recorder con sei viti Torx T10.



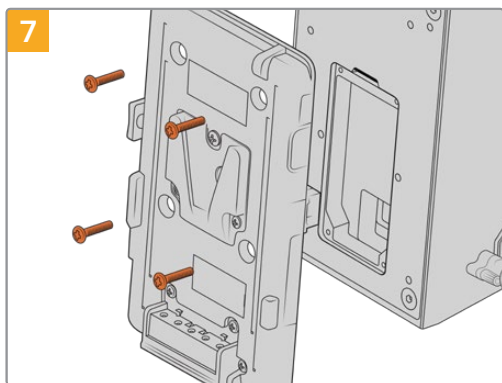
Collega il connettore molex di URSA Mini Recorder al connettore molex sul retro della camera.



Monta il registratore URSA Mini Recorder fissando 2 viti Torx T10 sulla parte destra e sinistra del supporto.



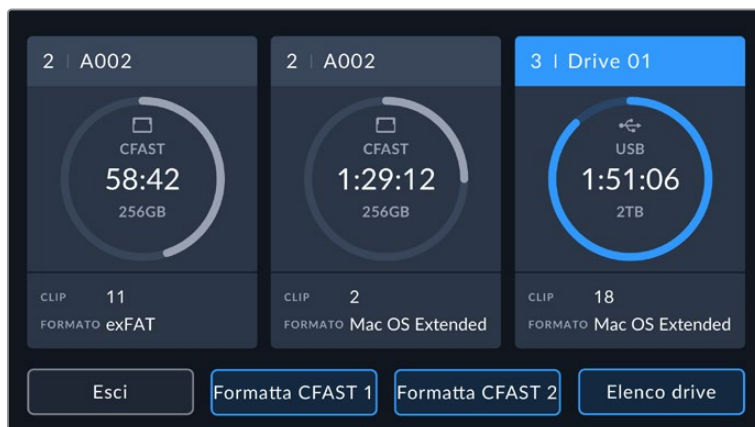
Connetti il cavo USB-C del registratore alla porta dati sul retro di URSA Broadcast G2. Stringi le viti di bloccaggio del connettore con le dita, o con una chiave a brugola 2 mm.



Per utilizzare una piastra per batteria con URSA Mini Recorder, con una chiave a brugola 2 mm rimuovi il coperchio dell'alloggiamento molex svitando le 4 viti M3 sul retro della camera. Segui le istruzioni della sezione "Montare le batterie" per completare l'installazione.

Utilizzare URSA Mini Recorder

Quando URSA Mini Recorder è connesso, e l'SSD inserito, il registratore utilizza lo slot 3 del sistema operativo di URSA Broadcast G2. Con il registratore in uso, il menù archiviazione della camera mostra la voce **SSD** nello slot 3.



Le operazioni di registrazione, riproduzione e archiviazione sull'SSD sono identiche a quelle delle schede CFAST e SD. Per maggiori informazioni sulla gestione dell'archiviazione, e su come scegliere gli SSD, consulta la sezione "Archiviazione" del manuale.

LED di stato

URSA Mini Recorder include una spia di stato sul lato sinistro per il disco SSD. Regola la luminosità della spia LED nella tab **Setup** scegliendo tra bassa **Low**, media **Medium**, alta **High**, oppure **Off**.

SSD

La spia LED SSD segnala lo stato dell'SSD inserito con questi colori:

Bianco	La spia si illumina di bianco quando il dispositivo è acceso e comunica con URSA Broadcast G2.
Rosso	La spia si illumina di rosso in fase di registrazione sull'SSD. Quando l'SSD è quasi pieno, la luce rossa comincia a lampeggiare lentamente. Se lampeggia velocemente, indica la presenza di drop frame. In questo caso controlla che l'SSD inserito sia incluso nella lista di SSD consigliati, e che sia compatibile con il data rate selezionato.
Arancione	La spia si illumina di arancione in caso di errore, ad esempio se l'SSD non è compatibile, o non è stato formattato correttamente. Consulta la sezione "Archiviazione" per maggiori informazioni sulla formattazione, e per la lista completa degli SSD compatibili.

SUGGERIMENTO Se il LED SSD indica un errore, potrebbe essere necessario formattare l'SSD su Mac o PC con l'utility disco.

Aggiornare il software interno di URSA Mini Recorder

Utilizza l'utilità Blackmagic Camera Setup per aggiornare URSA Mini Recorder. Durante l'update è necessario alimentare il registratore. Consigliamo di collegarlo a URSA Broadcast G2, collegata a una fonte di alimentazione esterna o a un pacco batteria per evitare interruzioni in fase di aggiornamento.

Connetti il computer a URSA Mini Recorder con un cavo USB-C e lancia l'utilità Blackmagic Camera Setup. Se il computer rileva una versione precedente, un messaggio suggerisce di aggiornare il software interno. Segui le istruzioni sullo schermo per aggiornarlo. Per tutti i dettagli, consulta la sezione "Utilità Blackmagic Camera Setup".

SUGGERIMENTO Consigliamo di aggiornare tutta l'attrezzatura utilizzata con Blackmagic URSA per ottenere prestazioni ottimali.

Controllare la camera a distanza

URSA Broadcast G2 si può utilizzare anche come telecamera da studio, e gestire da uno switcher ATEM grazie al software ATEM Software Control. In questo modo potrai usare la camera come una qualsiasi telecamera da studio ma con il vantaggio di un'ampia gamma dinamica e un sensore cinematografico.

Clicca sulla tab Camera per accedere ai relativi controlli di gestione remota. Modificare i valori di iris, gain, messa a fuoco e zoom su obiettivi compatibili è facile. Inoltre puoi regolare il colore e creare look unici con la correzione colore primaria di DaVinci Resolve.

La funzione di controllo camera di ATEM utilizza le uscite SDI non convertite in risoluzione minore dello switcher ATEM per inviare pacchetti di controllo. Connettendo un'uscita SDI di ATEM all'ingresso 12G-SDI di URSA Broadcast G2, la camera rileva i pacchetti di controllo del link SDI, consentendone la gestione dal software.



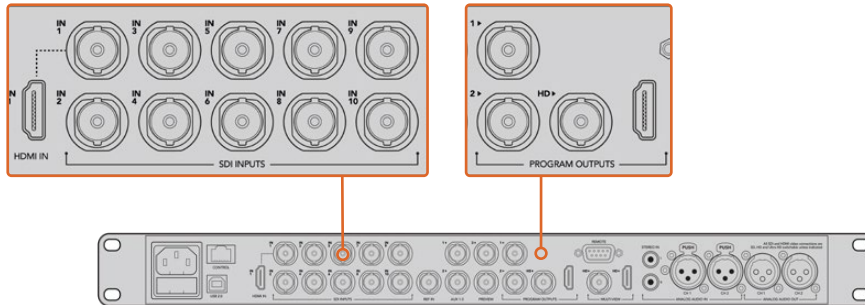
Interfaccia per controllo camera di ATEM Software Control

NOTA Consigliamo di aggiornare il software interno di URSA Broadcast G2 se si utilizza la camera con lo switcher ATEM. La versione più recente del software è disponibile alla pagina www.blackmagicdesign.com/it/support.

Collegare URSA Broadcast G2

- 1 Connetti l'uscita 12G-SDI di URSA Broadcast G2 a uno qualsiasi degli ingressi SDI di ATEM.
- 2 Connetti una qualsiasi delle uscite SDI dello switcher ATEM all'ingresso 12G-SDI di URSA Broadcast G2, eccetto le uscite SDI convertite in risoluzione minore o multiview, perché non trasportano i segnali di controllo camera.
- 3 Su URSA Broadcast G2, vai nella tab **Setup > ID Camera - ATEM** sul touchscreen, e inserisci il numero corrispondente all'ingresso dello switcher. Per esempio, se URSA Broadcast G2 corrisponde a **Cam 1** sullo switcher ATEM, inserisci il numero 1. Questo accorgimento assicura l'invio del tally alla camera corretta.

- 4 Sempre nella tab Setup, imposta **Fonte riferimento** su **Programma**, a meno che non venga distribuito un segnale genlock a tutte le camere e allo switcher.
- 5 Nella tab **Monitor**, abilita **Clean feed** per l'uscita **SDI principale** per non visualizzare informazioni di stato e guide sul feed inviato allo switcher.



Collega URSA Broadcast G2 a uno qualsiasi degli ingressi SDI dello switcher ATEM

Controllare le camere

Lancia ATEM Software Control e apri la pagina Camera in basso. L'interfaccia contiene una serie di controlli per regolare e affinare le immagini di ogni camera. I controlli sono facili da usare: basta cliccare sui pulsanti con il mouse, o cliccare e trascinare per regolare i parametri.

Selezione della camera

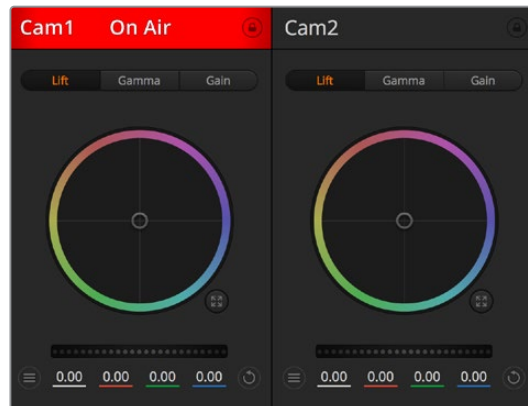
Per selezionare la camera che desideri gestire basta cliccare sull'etichetta corrispondente in alto all'interfaccia. Se stai utilizzando un'uscita Aux per monitorare le operazioni di controllo remoto, tutti i cambiamenti apportati alle immagini di ogni camera vengono inviate anche all'uscita Aux impostata nei setting dello switcher.



Apri la finestra impostazioni per destinare l'uscita ausiliaria al monitoraggio del controllo camera

Stato del canale

Sopra al canale di ciascuna camera c'è un'etichetta che mostra il nome della camera e l'icona di un lucchetto. Premi l'icona del lucchetto per bloccare tutti i controlli di una camera specifica. Se la camera è in onda, l'etichetta si illumina di rosso e mostra la dicitura **In onda**.



L'etichetta in alto nella finestra di controllo delle camere segnala lo stato di ciascuna. Utilizza i cerchi cromatici per regolare i parametri Lift, Gamma e Gain per ogni canale YRGB

Cerchio cromatico

Il cerchio cromatico è un elemento essenziale del correttore primario DaVinci Resolve che serve per regolare i parametri lift (neri), gamma (mezzitoni) e gain (bianchi) per ogni canale YRGB. Clicca i pulsanti **Lift**, **Gamma** o **Gain** sopra il cerchio cromatico per regolare i rispettivi valori.

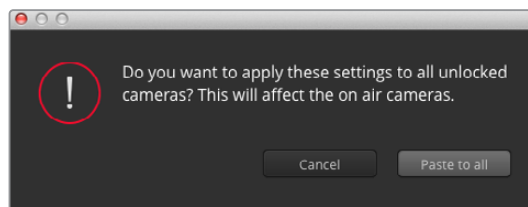
Rotella master

Usa la rotella di master sotto il cerchio cromatico per regolare il contrasto di tutti i canali YRGB contemporaneamente, o la luminanza dei singoli parametri lift, gamma, e gain.

Pulsante di reset

Situato in alto a destra di ogni finestra di controllo, consente di selezionare le impostazioni di correzione colore da resettare, copiare o applicare. Ogni cerchio cromatico ha il proprio pulsante di settaggio. Cliccalo per resettare un setting, o copiarlo e applicarlo ad altre camere. Le finestre con i controlli bloccati non rispondono all'operazione Applica.

Il pulsante in alto a destra nel pannello di correzione colore esteso offre le impostazioni per resettare Lift, Gamma, e Gain, e le impostazioni di contrasto, tonalità, saturazione, e luminanza. Applica le impostazioni del colore a una o a tutte le finestre di controllo contemporaneamente per uniformare il look complessivo. I parametri di diaframma, focus e livello del nero non si possono copiare/applicare ad altre camere. Se scegli di applicare i parametri a tutte le camere, un messaggio ti chiederà di confermare l'operazione per evitare di alterare accidentalmente i parametri delle camere in onda non bloccate.



Se scegli di applicare i parametri a tutte le camere, un messaggio ti chiederà di confermare l'operazione per evitare di alterare accidentalmente i parametri delle camere in onda non bloccate

Controllo del diaframma e dei neri

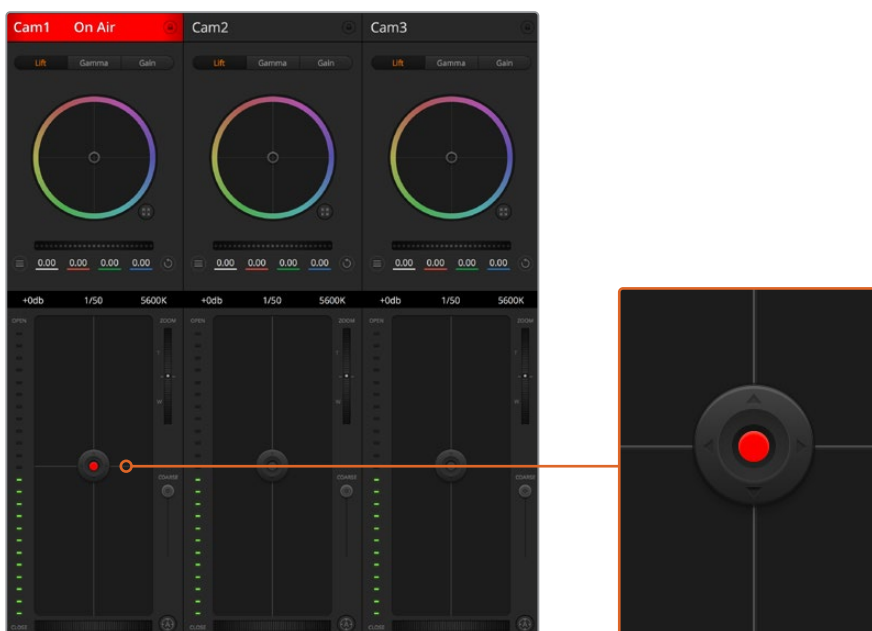
Il controllo per diaframma e livello del nero, anche noto come *pedestal*, si trova nella sezione in basso al cerchio cromatico e diventa rosso quando la camera è in onda.

Per aprire e chiudere il diaframma, clicca e trascina il cursore circolare verso l'alto o il basso. Tieni premuto il tasto Shift per regolare solo il diaframma.

NOTA Se connetti la camera allo switcher ATEM, disabilita la funzione Auto Esposizione. Accertati che l'obiettivo consenta il controllo elettronico se desideri gestire il diaframma, lo zoom, o la messa a fuoco dalla camera.

Se un obiettivo B4 o PL è collegato a URSA Broadcast G2 tramite il connettore broadcast a 12 pin, accertati che l'interruttore del diaframma sull'impugnatura sia impostato su **A** (automatico).

Per aumentare o diminuire il livello del nero, trascina il cursore verso destra o sinistra. Tieni premuto il tasto cmd su Mac, o ctrl su Windows, per regolare solo i neri.



Il cursore del diaframma e dei livelli di nero si illumina di rosso quando la camera è in onda

Controllo zoom

Quando utilizzi obiettivi compatibili con il controllo elettronico dello zoom, utilizza il controllo zoom del software. Funziona come la leva di zoom sull'impugnatura dell'obiettivo, con il teleobiettivo da una parte e il grandangolare dall'altra. Sposta la rotella **Zoom** (situata sopra lo slider **Limite**) in alto per zoomare avanti e in basso per zoomare indietro.

Perché funzioni, è necessario che l'obiettivo offra il controllo attivo delle ottiche o supporti il protocollo di controllo camera SDI. Il controllo dello zoom tramite il software ATEM non è compatibile con gli obiettivi EF, perché non sono dotati di zoom servoassistito.

NOTA Gli obiettivi analogici B4 non supportano il controllo dello zoom da ATEM. Per maggiori informazioni, consulta la sezione "Utilizzare obiettivi con zoom servoassistito".

Limite

Lo slider **Limite** si trova sotto la rotella Iris/bilanciamento dei neri. Serve per limitare l'apertura del diaframma, ed evita che immagini sovraesposte vadano in onda.

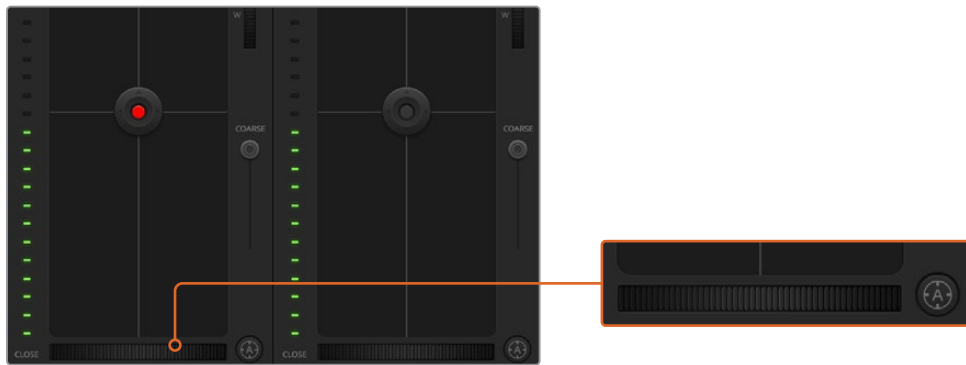
Apri tutto il diaframma con il cursore circolare, poi sposta lo slider **Limite** verso l'alto o il basso per definire il livello di esposizione ottimale. Questo impedisce che il diaframma superi la soglia limite impostata.

Indicatore del diaframma

Situato a sinistra del cursore circolare, questo indicatore luminoso a più tacche mostra il livello di apertura dell'obiettivo, a seconda della soglia limite impostata.

Pulsante di auto focus

Il pulsante di messa a fuoco automatica si trova in basso a destra di ogni riquadro di controllo. Premi l'icona **A** per attivarla sugli obiettivi con controllo di messa a fuoco elettronico. È importante accertarsi che gli obiettivi compatibili siano impostati su Auto Focus, perché spesso includono anche l'opzione di messa a fuoco manuale. Su alcuni modelli basta spostare l'anello di zoom dell'obiettivo in avanti o indietro. Sugli obiettivi B4 con zoom servoassistito, imposta l'interruttore in basso all'impugnatura su **Servo**.



Clicca sull'icona A per una messa a fuoco automatica o sposta la rotella a destra o sinistra per un controllo manuale con ottiche compatibili

Messa a fuoco manuale

La rotella in basso al riquadro di controllo di ogni finestra della camera consente di regolare manualmente la messa a fuoco dal software ATEM Camera Control. Clicca e trascina la rotella verso sinistra o destra per regolare la messa a fuoco e ottenere immagini chiare e nitide.

Il controllo manuale dallo switcher è disponibile solo per le ottiche B4 e PL dotate di messa a fuoco servoassistita. Di conseguenza questa opzione non è disponibile con le ottiche EF.

Gain della camera

In condizioni di luce variabile, regola il gain della camera per evitare di sottoesporre le immagini. Basta cliccare sulla freccia a sinistra per diminuirlo, e la freccia a destra per aumentarlo.

Lo switcher ATEM mostra i valori del guadagno in dB, che sulla camera corrispondono al valore di gain come indicato nella tabella qui sotto:

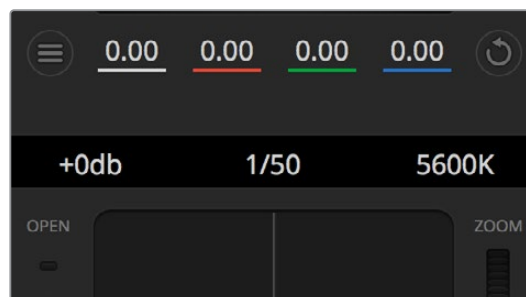
Gain
-6
0
+6
+12
+18

I valori del guadagno sono visualizzati in dB

Velocità dell'otturatore

Questa impostazione determina la velocità dell'otturatore di URSA Broadcast G2.

Il controllo della velocità dell'otturatore si trova tra il cerchio cromatico e il riquadro di controllo del diaframma e dei neri. Aumenta o diminuisci la velocità dell'otturatore passando con il mouse sopra il suo indicatore e cliccando sulle frecce ai lati.



Posiziona il mouse sopra gli indicatori di gain, velocità dell'otturatore e bilanciamento dei bianchi e usa le frecce ai lati per regolarne i valori

NOTA Il controllo ATEM della velocità dell'otturatore ha precedenza sul valore impostato su URSA Broadcast G2. Di conseguenza, i controlli della velocità dell'otturatore sono disabilitati sulla camera quando è connessa ad ATEM.

La tabella qui sotto elenca le velocità dell'otturatore disponibili e il corrispondente angolo. Ricorda che se i valori di velocità dell'otturatore sono superiori o inferiori agli angoli dell'otturatore di URSA Broadcast G2, ovvero 11,25 e 360 gradi, vengono approssimati all'angolo più vicino.

Quando URSA Broadcast G2 è connessa allo switcher ATEM, la velocità dell'otturatore appare sul touchscreen della camera, e su URSA Viewfinder, se collegato.

Velocità dell'otturatore	Angolo dell'otturatore a 23.98 fps	Angolo dell'otturatore a 24 fps	Angolo dell'otturatore a 25 fps	Angolo dell'otturatore a 29.97 fps	Angolo dell'otturatore a 50 fps	Angolo dell'otturatore a 59.94 fps
1/50	172.7	172.8	180	215.8	360	360*
1/60	143.9	144	150	179.8	300	359.6
1/75	115.1	115.2	120	143.9	240	287.7
1/90	95.9	96	100	120	200	239.8
1/100	86.3	86.4	90	107.9	180	215.8
1/120	71.9	72	75	89.9	150	179.8
1/150	57.5	57.6	60	71.9	120	143.9
1/180	48	48	50	59.9	100	119.9
1/250	34.5	34.6	36	43.2	72	86.3
1/360	24	24	25	29.97	50	59.94
1/500	17.3	17.3	18	21.6	36	43.2
1/725	11.9	11.9	12.4	14.9	24.8	29.8
1/1450	11.25*	11.25*	11.25*	11.25*	12.4	14.9
1/2000	11.25*	11.25*	11.25*	11.25*	11.25*	11.25*

*Velocità dell'otturatore al di fuori dei valori supportati da URSA Broadcast G2.
Vengono approssimate all'angolo dell'otturatore min o max più vicino

SUGGERIMENTO Diminuisce la velocità dell'otturatore per aumentare il tempo di posa del sensore e ottenere immagini più luminose senza utilizzare il gain. Questo metodo aiuta a ridurre o eliminare lo sfarfallio quando riprendi con luci fluorescenti. Aumentando la velocità dell'otturatore riduci l'effetto del mosso, ideale per mantenere immagini nitide e dettagliate anche quando c'è movimento.

Bilanciamento del bianco

Situata accanto all'impostazione per velocità dell'otturatore, questa impostazione permette di regolare il bilanciamento del bianco cliccando sulle frecce destra e sinistra. Ogni fonte di luce emette un colore caldo o freddo, e con questa funzione puoi regolare il colore per mantenere i bianchi puri.

Correzione colore primaria con DaVinci Resolve

Se preferisci, è possibile cambiare l'interfaccia dallo stile CCU di controllo camera dello switcher a quello di correzione colore primaria dei sistemi di correzione di post produzione.

URSA Broadcast G2 integra gli strumenti di correzione colore di DaVinci Resolve. Se hai già usato DaVinci Resolve, la correzione colore su URSA Broadcast G2 è identica, e potrai sfruttare le stesse funzioni per la produzione dal vivo. Il layout del pannello di correzione colore primaria è disponibile per ogni camera, e visualizza il set completo di controlli.

Nel pannello trovi tre cerchi cromatici per lift, gamma e gain, e una serie di controlli per regolare diverse impostazioni tra cui la saturazione. Clicca le piccole tab **Cam1**, **Cam2** ecc. per visualizzare e usare il correttore primario per la camera desiderata.

SUGGERIMENTO La correzione colore DaVinci Resolve ha effetto sull'uscita SDI di URSA Broadcast G2 e sulle clip ProRes registrate dalla camera. Poiché il formato RAW è inteso per la post produzione, la correzione colore non viene applicata al video RAW. Quando registri in RAW è però possibile applicare la correzione colore all'uscita SDI di URSA Broadcast G2.



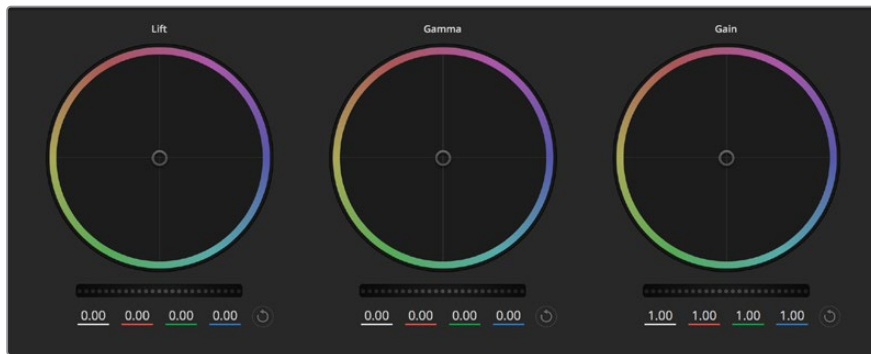
Clicca sull'icona di correzione primaria di DaVinci Resolve per ampliare la finestra di correzione e regolare il colore

Cerchi cromatici

I controlli Lift/Gamma/Gain regolano aree specifiche in funzione dei toni, ma anche aree condivise. Nel campo della fotografia, Lift corrisponde alle ombre, Gamma ai mezzitoni, e Gain alle luci.

Utilizza i cerchi cromatici secondo la correzione desiderata:

- **Clicca e sposta in qualsiasi punto all'interno del cerchio:**
Non c'è bisogno di trascinare il cursore del colore. I parametri RGB di ogni canale sotto il cerchio si aggiornano di pari passo al movimento dell'indicatore.
- **Shift+clic e sposta all'interno del cerchio:**
Il cursore del bilanciamento colore si sposta immediatamente sul punto selezionato, per cambiamenti veloci e drastici.
- **Doppio clic all'interno del cerchio:**
Resetta i cambiamenti di colore senza resettare la rotella di master del parametro.
- **Clicca sull'icona di settaggio in alto a destra del cerchio:**
Resetta il bilanciamento del colore e la rotella di master corrispondente.



I cerchi cromatici Lift, Gamma, e Gain per la correzione colore nella finestra di controllo

Rotelle di master

Situate sotto i cerchi cromatici, regolano i parametri di Lift/Gamma/Gain di ogni canale YRGB.

Per regolare i parametri con la rotella di master:

- **Sposta la rotella di master a destra o a sinistra:** Sposta verso sinistra per scurire il parametro selezionato, verso destra per schiarirlo. I valori YRGB sottostanti si aggiornano all'istante. Per regolare solo il canale Y, tieni premuto **Alt** o **command** e trascina verso destra o sinistra. Poiché il correttore si avvale dell'elaborazione YRGB, regolando solo il canale Y è possibile ottenere effetti davvero creativi. La regolazione del canale Y produce risultati migliori se lo slider **RGB/YRGB** è posizionato sul lato destro. Solitamente i coloristi DaVinci Resolve preferiscono la correzione YRGB, perché regolare il bilanciamento del colore senza intaccare il guadagno generale è più immediato e preciso.



Regola i valori di master spostando la rotella a destra o sinistra

Contrasto

Regola la distanza tra i valori più scuri e i valori più chiari dell'immagine. L'effetto è simile a quello ottenuto effettuando regolazioni opposte con le rotelle master di Lift e Gain. Di default questo slider è impostato su 50%.



Sposta gli slider a destra o a sinistra per regolare contrasto, saturazione, tinta e Lum Mix

Saturazione

Aumenta o diminuisci la quantità di colore nell'immagine. Di default questo slider è impostato su 50%.

Tonalità

Spazia tra le tonalità dell'immagine all'interno del perimetro del cerchio cromatico. Il livello di default di 180 gradi mostra la distribuzione delle tinte originali. Aumentando o diminuendo il valore, le tonalità si spostano in avanti o indietro nel cerchio cromatico.

Lum Mix

La correzione colore integrata a URSA Broadcast G2 si basa sugli strumenti DaVinci Resolve di correzione primaria. Dagli anni '80 DaVinci Resolve è leader nella tecnologia della correzione colore, ed è il più utilizzato dal cinema di Hollywood.

La correzione colore DaVinci Resolve integrata a URSA Broadcast G2 offre strumenti incredibilmente creativi e potenti. Una di queste è l'elaborazione YRGB.

Quando esegui la correzione colore puoi scegliere tra l'elaborazione RGB e YRGB.

I professionisti preferiscono l'elaborazione YRGB perché offre un controllo altamente preciso del colore e consente di regolare in modo indipendente i canali, per la massima creatività.

Quando lo slider **RGB/YRGB** è posizionato a destra, l'immagine rispecchia al 100% la correzione YRGB; quando è posizionato a sinistra, l'immagine rispecchia al 100% la correzione RGB. Per ottenere il giusto mix di entrambe le opzioni, sposta lo slider su una posizione intermedia tra RGB e YRGB.

Qual è la configurazione ideale? Questo sta a te! Non esistono correzioni giuste o sbagliate. È un processo puramente creativo e soggettivo.

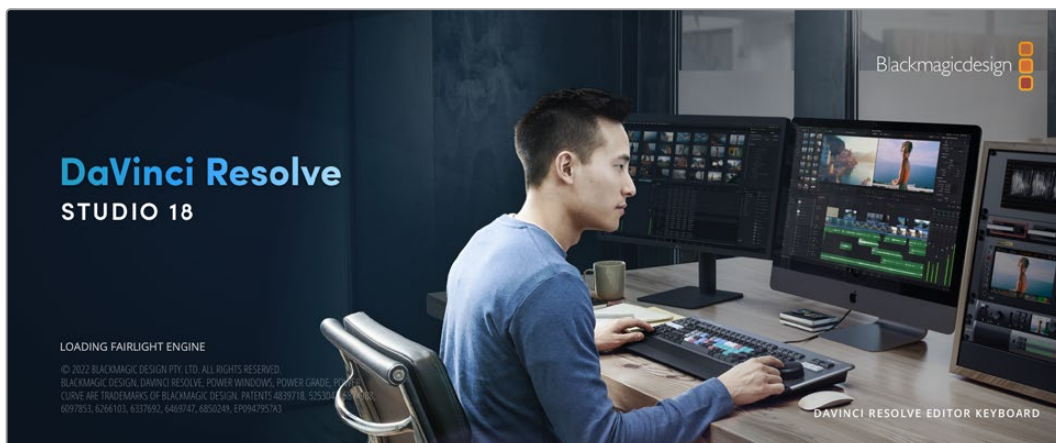
Sincronizzare le impostazioni

Quando lo switcher ATEM e Blackmagic URSA Broadcast G2 sono collegati, i segnali di controllo camera vengono trasportati tramite SDI. Se un parametro viene cambiato accidentalmente su URSA Broadcast G2, la funzione di controllo camera del software lo resetta per mantenere la sincronizzazione.

SUGGERIMENTO Anche se disconnetti l'ingresso 12G-SDI di URSA Broadcast G2, la camera conserva le impostazioni di correzione colore di DaVinci Resolve. In questo modo puoi cambiare l'angolo di inquadratura senza dover impostare di nuovo i parametri. Per tornare alle impostazioni del colore di default di URSA Broadcast G2, disconnetti l'ingresso 12G-SDI e riavvia la camera.

DaVinci Resolve

Registrare le clip con URSA Broadcast G2 rappresenta solo una parte del processo di creazione di materiale televisivo e cinematografico. Altrettanto importanti sono la gestione e il backup del materiale multimediale, il montaggio, la correzione colore e la codifica dei master finali. URSA Broadcast G2 è la soluzione completa di cattura e post produzione perché include una versione di DaVinci Resolve per Mac e Windows.



NOTA Consigliamo di usare l'ultima versione di DaVinci Resolve per un trattamento accurato del colore sulle clip girate con URSA Broadcast G2. La versione 18 o successive garantiscono colori accurati e consentono di usare le nuove funzioni per Blackmagic RAW, tra cui la stabilizzazione giroscopica dell'immagine grazie ai dati del sensore di movimento registrati dalla camera.

Una volta inserita la scheda CFast, SD, o SSD nel computer, utilizza lo strumento **Clone** nella pagina Media di DaVinci Resolve per creare i backup delle riprese in tempo reale. La funzione di backup è importantissima per evitare la perdita del materiale registrato, perché qualsiasi tipo di contenuto multimediale è suscettibile di danneggiamenti improvvisi. Con DaVinci Resolve puoi fare il backup delle clip e poi importarle nell'archivio multimediale per completare montaggio, correzione colore, e consegna in una sola applicazione.

DaVinci Resolve è molto più di un semplice software di montaggio non lineare perché offre tecnologia altamente avanzata per il cinema digitale di alta fascia. Con DaVinci Resolve hai la flessibilità di svolgere montaggio e correzione colore senza cambiare software.

Di seguito trovi le istruzioni per cominciare ad usare DaVinci Resolve con i file della camera. È un programma estremamente avanzato, con numerosissime funzioni che potrai scoprire navigando l'interfaccia. Per approfondire il suo funzionamento, consulta il manuale di istruzioni di DaVinci Resolve sul sito di Blackmagic Design, dove troverai anche numerosi corsi di apprendimento e tutorial online.

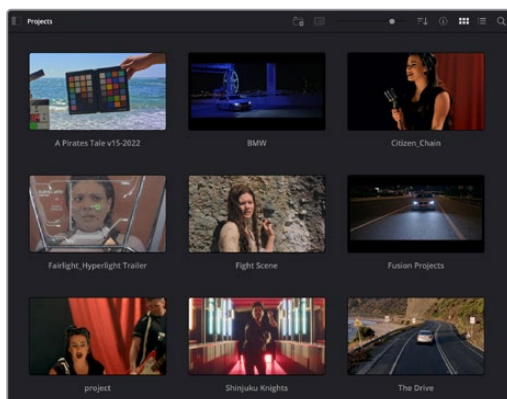
Project Manager

Prima di importare le clip e cominciare il montaggio è necessario impostare il progetto con Project Manager.

È la prima finestra che compare quando apri DaVinci Resolve, e puoi accedervi in qualsiasi momento dall'icona della home in basso a destra nell'interfaccia, per esempio per aprire progetti precedenti e crearne di nuovi.

Per creare un nuovo progetto, clicca su **New project** in basso nella finestra e assegnagli un nome. Conferma con **Create**.

Apri la pagina Cut per cominciare il montaggio.



Project Manager mostra tutti i progetti dell'utente attivo

Per tutti i dettagli su Project Manager, consulta il manuale di DaVinci Resolve disponibile alla pagina Supporto del sito Blackmagic Design.

Montaggio sulla pagina Cut

La pagina Cut è progettata per un workflow veloce e dinamico con strumenti efficienti di assemblaggio, trimming e montaggio.

Include due timeline attive per lavorare contemporaneamente all'edit complessivo e a una sezione specifica. Questo ti permette di trascinare le clip ovunque nella timeline completa e di affinare l'edit su quella dettagliata all'interno dello stesso spazio di lavoro. Questo workflow è ideale per svolgere il montaggio su un laptop perché non bisogna zoomare avanti e indietro di continuo, e abbatte così i tempi di lavoro.

La struttura della pagina Cut

La Cut page contiene l'archivio multimediale (Media Pool), il visualizzatore (viewer) e la timeline. Queste tre sezioni principali offrono un controllo completo delle operazioni.



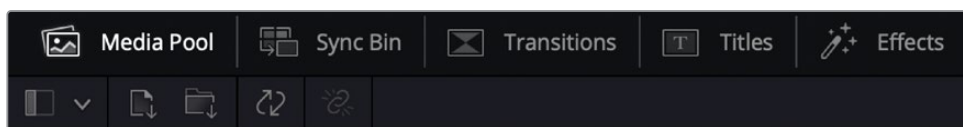
Lo spazio di lavoro di default della pagina Cut, con l'archivio multimediale organizzato a icona

Per maggiori informazioni sulla pagina Cut consulta il manuale di DaVinci Resolve.

Le tab degli strumenti

In alto a sinistra dell'interfaccia utente trovi cinque tab.

Ognuna racchiude strumenti utili durante la creazione di un edit. Per esempio la prima tab, evidenziata nell'immagine qui sotto, apre il Media Pool. Le altre tab aprono il Sync Bin e le collezioni di transizioni, titoli ed effetti.



- **Media Pool:** l'archivio multimediale contiene tutte le clip, le cartelle e i file importati nella pagina Media. I file e le clip si possono anche importare direttamente dalla pagina Cut, senza dover tornare alla pagina Media.
- **Sync Bin:** questa potente funzione sincronizza automaticamente tutte le clip per timecode, data e ora, consentendoti di scegliere tra gli angoli disponibili delle riprese multicamera.
- **Transitions:** qui trovi la collezione di transizioni audio e video, tra cui le comuni dissolvenze incrociate e le tendine.
- **Titles:** qui trovi tutti la collezione di titoli, tra cui testo a scorrimento, testo standard e terzi inferiori. Ci sono anche i template Fusion per titoli animati dinamici, personalizzabili nella pagina Fusion di DaVinci Resolve.
- **Effects:** qui trovi la collezione di filtri ed effetti per rendere l'edit più interessante, per esempio con sfocature, bagliori e riflessi. Puoi scegliere tra numerosi effetti e cercarli per nome.

SUGGERIMENTO Utilizza la casella di ricerca a lato delle tab degli strumenti per trovare più facilmente quello che stai cercando. Per esempio basta cliccare sulla tab Transitions e scrivere *dissolve* per vedere nel viewer solo le transizioni con dissolvenza.


Le tab del viewer

In alto a sinistra nella finestra del viewer trovi tre icone per scegliere cosa visualizzare.



Le icone per impostare il viewer

Nel viewer è possibile visualizzare la clip sorgente, il nastro intero o la timeline. Queste opzioni semplificano di gran lunga la selezione delle clip da montare, quindi vale la pena capire come sfruttarle al meglio.



	Source Clip	Mostra una sola clip del Media Pool e permette di inserire i punti di attacco e stacco lungo l'intera timeline nel viewer. Offre un livello di controllo altamente dettagliato. Seleziona una clip sorgente cliccandoci due volte nel Media Pool o trascinandola nel viewer.
	Source Tape	Mostra tutte le clip sorgente nel Media Pool. È utile per scorrere velocemente tutte le clip e individuare un evento specifico. Mentre sposti la playhead sulle clip, il Media Pool mette in evidenza le thumbnail corrispondenti. Dopo aver trovato la clip desiderata, clicca sull'icona Source Clip per aprirla nel viewer. Questa opzione favorisce il montaggio non lineare perché consente di lavorare con flessibilità, trovare velocemente le clip e sperimentare nuove idee all'istante.
	Timeline	Mostra la timeline completa, ideale per riprodurre il progetto e affinare gli edit.

Importare le clip nel Media Pool

Ora puoi cominciare a importare il materiale nel progetto. Apri la pagina Cut e usa uno dei due strumenti di importazione in alto.



Le icone per importare il materiale nel progetto

	Import Media	Importa singoli file dal supporto su cui sono archiviati.
	Import Media Folder	Importa una cartella dal supporto su cui è archiviata. DaVinci Resolve manterrà la struttura del file e considererà ogni cartella come bin distinto, per navigarli in modo ordinato.

Per importare il materiale:

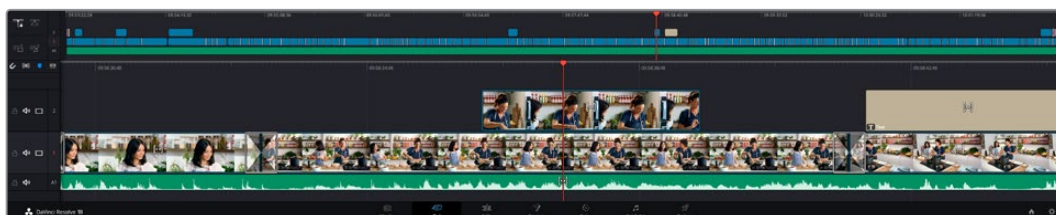
- 1 Clicca sull'icona **Import Media** o **Import Media Folder**.
- 2 Scegli i file da importare dal supporto di archiviazione.
- 3 Seleziona il file o la cartella e clicca su **Open**.

Dopo aver importato i file nel progetto puoi salvare i cambiamenti. DaVinci Resolve offre un meccanismo di autosalvataggio veloce chiamato **Live Save**: una volta salvato il progetto, tutti i cambiamenti successivi verranno salvati man mano per evitare di perdere il lavoro svolto.

Tutti i dettagli su Live Save e sulle altre funzioni di autosalvataggio sono contenuti nel manuale di DaVinci Resolve.

Aggiungere clip nella timeline

Questa operazione si svolge all'interno del Media Pool.



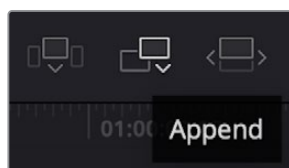
La timeline superiore e inferiore nella pagina Cut

La timeline è lo spazio in cui prende forma l'edit. È come una bacheca contenente tracce in cui puoi inserire, spostare e tagliare le clip. Le tracce consentono di sovrapporre le clip per testare diverse soluzioni e inserire transizioni ed effetti. Per esempio puoi testare un edit su una clip senza compromettere le clip nelle tracce sottostanti.

Ci sono vari modi per aggiungere le clip nella timeline, tra cui Smart Insert (inserimento intelligente), Append (accodamento) e Place on Top (collocamento al di sopra).

Accodare le clip

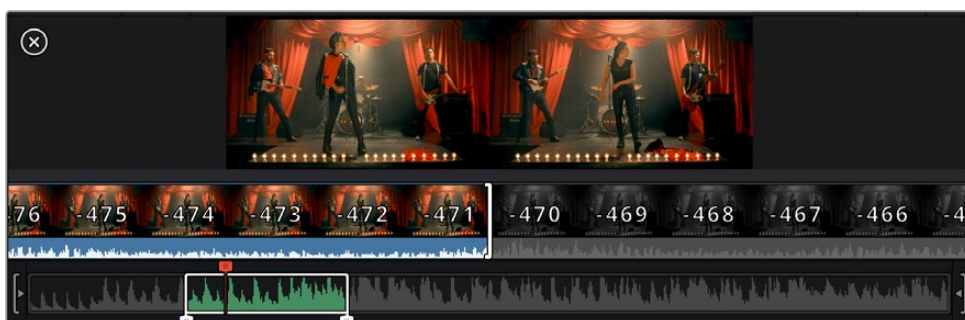
Il metodo più comune per aggiungere clip nella timeline consiste nell'inserirle una dopo l'altra. Per farlo c'è un apposito strumento chiamato Append.



Clicca sull'icona Append per inserire le clip una dopo l'altra

Per accodare le clip:

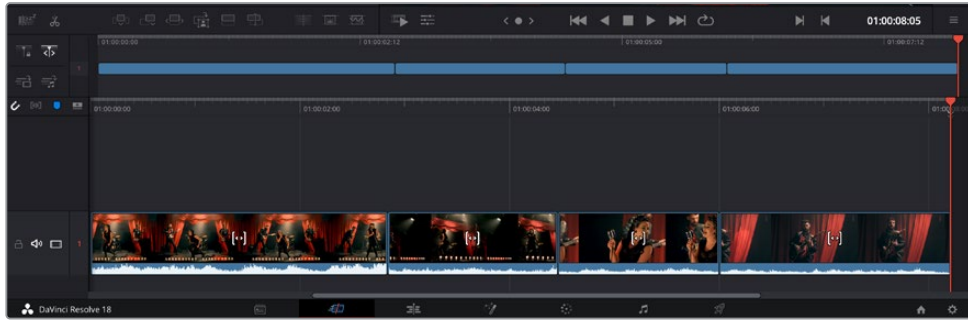
- 1 Fai doppio clic su una clip nel Media Pool per aprirla nel viewer.
- 2 Con le maniglie Scratch Trim, trascina i punti di attacco e stacco per selezionare la durata desiderata, o premi i tasti **I** e **O** sulla tastiera.



- 3 Clicca sull'icona **Append** sotto il Media Pool.

Questa sarà la prima clip della timeline.

Ripeti i passaggi 1-3 per continuare ad accodare le clip, un metodo che non lascia spazi vuoti nella timeline.



La funzione Append non lascia spazi vuoti nella timeline

SUGGERIMENTO Per velocizzare l'operazione puoi assegnare un tasto di scelta rapida alla funzione Append, per esempio il tasto P. Dopo aver selezionato i punti di attacco e stacco basterà premere P per accodare la clip. Consulta il manuale di DaVinci Resolve per maggiori informazioni sui tasti di scelta rapida.

Trimming delle clip nella timeline

Una volta inserite le clip nella timeline, puoi spostarle e tagliarle (trimming).

Per fare un taglio, posiziona il mouse all'inizio o alla fine della clip, poi clicca e trascina la maniglia a destra o a sinistra per estenderne o diminuirne la durata. Dopodiché, tutte le clip che seguono il taglio si sposteranno per accogliere la modifica. Questo è uno dei tanti motivi per cui la Cut page fa risparmiare tempo prezioso.

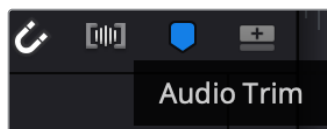
Puoi anche trascinare una clip su una nuova traccia video nella timeline superiore senza dover zoomare avanti o indietro, minimizzando così il tempo impiegato a navigare le timeline lunghe.

Trimming con audio

Questa funzione consente un editing accurato dell'audio grazie a una forma d'onda ingrandita. È particolarmente utile per le scene di dialogo o per le clip musicali perché permette di trovare facilmente i punti di edit tra le parole o i suoni.

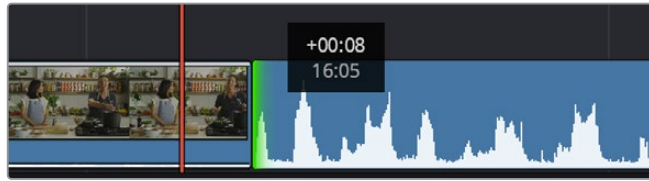
Per usare la funzione di trimming con audio:

- 1 Clicca sull'icona **Audio Trim** tra gli strumenti di snapping e i marcatori a sinistra della timeline.



L'icona Audio Trim

- 2 Durante il trimming, la timeline mostrerà una forma d'onda ingrandita. Al termine dell'operazione, le clip nella timeline torneranno alla dimensione normale.



La funzione Audio Trim ingrandisce la forma d'onda audio nella timeline

Dopo aver montato le clip nella pagina Cut, puoi procedere con l'inserimento dei titoli. La sezione successiva spiega come fare.

Inserire i titoli

Inserire un titolo nella timeline è facile e sono disponibili numerose opzioni.

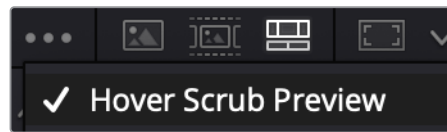
Clicca sulla tab degli strumenti **Titles** in alto a sinistra nell'interfaccia. Nella finestra di selezione troverai i generatori di titoli (visualizzabili come thumbnail), tra cui terzi inferiori, titoli scorrevoli e testo standard. Ci sono anche titoli Fusion contenenti animazioni personalizzabili.

Anteprima dei titoli

Prima di aggiungere un titolo nella timeline puoi visualizzarlo nella finestra di selezione e valutare le opzioni a disposizione prima di prendere una decisione.

Per vedere l'anteprima di un titolo:

- 1 Clicca sul menù opzioni in alto a destra nella finestra dei titoli e seleziona **Hover Scrub Preview**.



Seleziona Hover Scrub Preview dal menù opzioni

- 2 Nella finestra **Titles** posiziona il cursore del mouse sulle thumbnail per vedere l'anteprima del titolo nel viewer. Per vedere le animazioni dei titoli Fusion, muovi il cursore del mouse da sinistra a destra sulla thumbnail.



Posiziona il cursore del mouse sulle thumbnail per vedere l'anteprima del titolo nel viewer

Aggiungi il titolo desiderato nella timeline.

Per aggiungere un titolo standard:

- 1 Clicca sul nome del titolo e trascinalo nella timeline, preferibilmente in quella dettagliata per lavorare con maggiore precisione. La timeline crea automaticamente una nuova traccia video per il titolo, agganciandola all'istante alla playhead.
- 2 Rilascia il cursore del mouse e vedrai il titolo comparire nella nuova traccia. Ora puoi spostarlo e cambiarne la durata come se fosse una clip.
- 3 Per modificarlo, clicca sulla clip che lo contiene e poi clicca sull'icona degli strumenti sotto il viewer.

Qui trovi diverse opzioni per modificare il titolo, tra cui trasforma, ridimensiona e zoom dinamico.
- 4 Clicca sulla tab **Inspector**.

Usa la finestra dell'Inspector per scrivere il testo e modificarne le impostazioni, per esempio spaziamento, interlinea, carattere e colore.

I titoli sono altamente personalizzabili. Consigliamo di sperimentare le impostazioni per scoprire l'effetto che hanno sull'aspetto finale del titolo.

SUGGERIMENTO La funzione Hover Scrub Preview funziona anche per gli effetti, le transizioni, i generatori e i filtri nelle pagine Cut e Edit.

Lavorare con i file Blackmagic RAW

Le clip Blackmagic RAW offrono la massima flessibilità in post produzione. Significa che puoi modificare le impostazioni, per esempio il bilanciamento del bianco e l'ISO, come se stessi modificando le clip originali della camera. Inoltre Blackmagic RAW mantiene un maggiore quantità di informazioni tonali all'interno di luci e ombre, indispensabili per recuperare i dettagli, ad esempio di un cielo sovraesposto e delle zone scure dell'immagine.

Filmando in Blackmagic RAW si ottiene la migliore qualità possibile, ed è ideale per le riprese soggette a variazioni drastiche tra le luci e le ombre che richiedono una manipolazione considerevole durante il color grading.

Poiché i file Blackmagic RAW sono veloci e di piccole dimensioni, non è necessario creare file proxy per riprodurre le immagini come una normale videoclip. Continua a leggere per scoprire come usare i file Blackmagic RAW nei flussi di lavoro DaVinci Resolve.

SUGGERIMENTO Consigliamo di regolare i valori delle clip Blackmagic RAW nelle impostazioni della pagina Color prima di cominciare la correzione colore.

Impostazioni della clip Blackmagic RAW

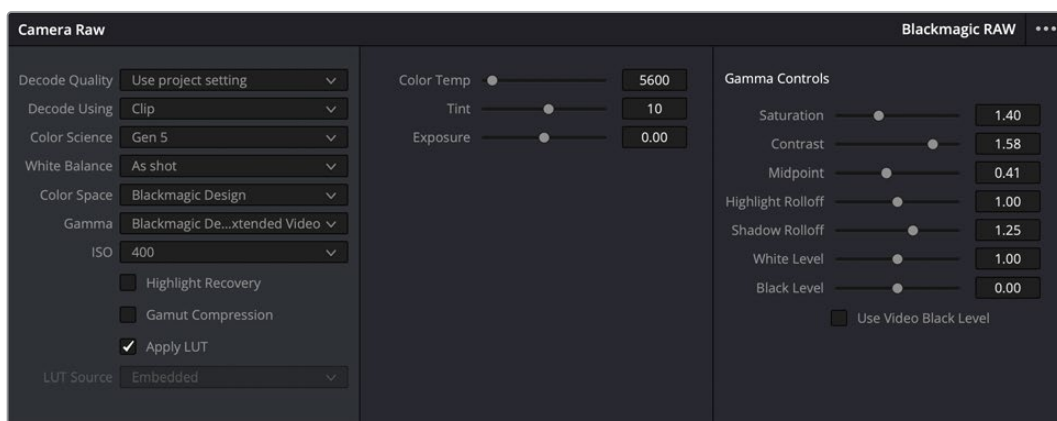
Quando importi file Blackmagic RAW per la prima volta, DaVinci Resolve decodifica i dati della camera mediante l'ISO, il bilanciamento del bianco e la tinta usati durante le riprese. Se le impostazioni sono soddisfacenti, puoi procedere con il montaggio.

Filmare in Blackmagic RAW offre il vantaggio di non essere limitati dalle impostazioni esistenti. La quantità e la qualità delle opzioni creative disponibili in post per i file Blackmagic RAW favoriscono lo sviluppo di flussi di lavoro personalizzati. Testa le impostazioni delle singole clip nella finestra **Camera Raw** del software per scoprire l'incredibile flessibilità e le prestazioni di questo formato.

Color Science

Ti permette di scegliere se interpretare le clip con la scienza del colore Gen 4 o Gen 5. URSA Broadcast G2 adopera la scienza del colore Blackmagic Design di quinta generazione. I file generati da altre camere con la scienza del colore Gen 4 possono essere interpretati con la scienza del colore Gen 5 per far corrispondere perfettamente le clip con quelle di URSA Broadcast G2.

O puoi fare il contrario. Se riprendi quasi interamente con camere che generano file Blackmagic RAW con scienza del colore Gen 4, puoi integrare le clip in Gen 5 di URSA Broadcast G2 interpretandole con la Gen 4. È davvero facile unire le clip provenienti da più camere che utilizzano diverse generazioni di scienza del colore Blackmagic.



In Camera RAW vai su Decode Using > Clip per cambiare le impostazioni Blackmagic RAW della clip

Modificare le impostazioni Blackmagic RAW

Una volta abilitate le impostazioni Blackmagic RAW della clip, puoi modificarle dalla sezione **Gamma Controls**. Regolando queste impostazioni otterrai un risultato molto simile a quello post correzione primaria. Le regolazioni sono particolarmente efficaci se svolte con l'aiuto dei visualizzatori di segnale di DaVinci Resolve, utili per neutralizzare e bilanciare le clip prima di creare i look.

La lista seguente descrive le impostazioni delle sezioni Camera Raw e Gamma Controls.

ISO

Aumenta o diminuisci il valore di ISO. È utile per impostare la clip con un livello pre-ottimizzazione di base più luminoso o più scuro.

Highlight Recovery

Spunta questa casella per recuperare i dettagli di luce nei canali clippati usando le informazioni dei canali non clippati.

Gamut Compression

Spunta questa casella per usare automaticamente livelli di gamut sicuri.

Color Temp

Regola la temperatura del colore per rendere l'immagine più calda o più fredda. È utile per neutralizzare il bilanciamento del colore di ogni immagine.

Tint

Aggiungi verde o magenta all'immagine per favorire il bilanciamento del colore.

Exposure

Regola la luminosità complessiva dell'immagine.

Saturation

Impostato di default su 1, la saturazione offre un intervallo da un minimo di 0 a un massimo di 4.

Contrast

Impostato di default su 1.0, il contrasto offre un intervallo da un minimo di 0 a un massimo di 2.

Midpoint

Con l'opzione di gamma Blackmagic Design Film, il valore medio del grigio è 0.38 di default, o 38.4%. Sposta lo slider verso sinistra per diminuire il valore, e verso destra per aumentarlo fino a un massimo di 100. Se imposti il contrasto su un valore diverso da quello di default, puoi modificare anche Highlight Rolloff e Shadow Rolloff.

Highlight Rolloff

Sposta lo slider verso sinistra o destra per diminuire o aumentare le luci da un minimo di 0 a un massimo di 2. Il valore di default è 1.

Shadow Rolloff

Sposta lo slider verso sinistra o destra per diminuire o aumentare le ombre da un minimo di 0 a un massimo di 2.

White Level

Regola il punto bianco della curva gamma spostando lo slider da un valore massimo di 2 a un valore minimo di 0. Il valore di default è 1.

Black Level

Regola il punto nero della curva gamma spostando lo slider da un valore minimo di -1 a un valore massimo di 1. Il valore di default è 0.

Use Video Black Level

Spunta questa casella per impostare Black Level su Video.

Export Frame

Clicca questo pulsante per esportare un singolo fotogramma dalla clip Blackmagic RAW.

Update Sidecar

Clicca questo pulsante per aggiornare il file sidecar Blackmagic RAW della clip corrente.

Cambiando anche solo una delle impostazioni Blackmagic RAW della clip, la voce **Gamma** si auto imposta sull'opzione **Blackmagic Design Custom**.

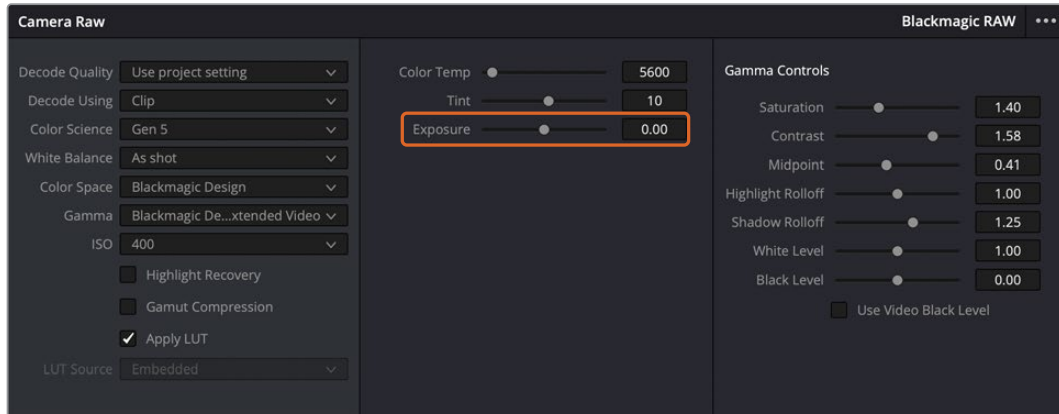
Regolare l'esposizione con il parametro Gain di URSA Broadcast

Se hai esperienza con il workflow di DaVinci Resolve utilizzando altre camere digitali Blackmagic, noterai che il parametro Gain di URSA Broadcast G2 funziona in maniera leggermente diversa dal parametro ISO delle Cinema Camera.

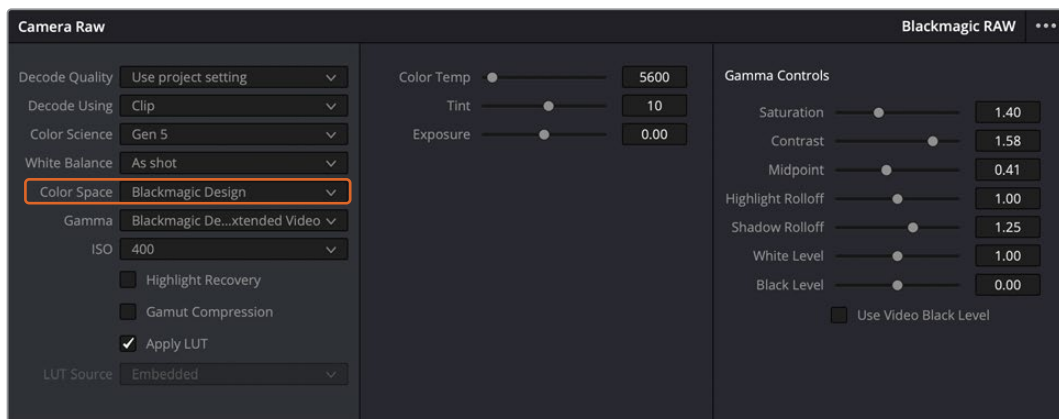
Le impostazioni di gain si applicano infatti direttamente al sensore della camera, invece di passare dal software. È un metodo basato sulle telecamere broadcast tradizionali che aiuta a ridurre il rumore in determinati setting sensibili, e limita le regolazioni al gain delle clip registrate con URSA Broadcast G2. Ecco perché nelle impostazioni RAW di DaVinci Resolve la voce ISO visualizza l'ISO corrispondente al gain della camera per le clip interessate.

Puoi aumentare il valore di ISO di 3 stop a partire dal valore di ISO equivalente all'impostazione del guadagno (gain) sulla camera quando sono state filmate le clip. Grazie all'ampia gamma

dinamica delle clip RAW, sarai comunque in grado di fare cambiamenti all'esposizione per ottenere il risultato equivalente alla regolazione del gain. Basta aumentare o diminuire il valore di esposizione fino a 5 stop. Ogni stop equivale a un intervallo di sensibilità. Per esempio, 1 stop di esposizione corrisponde al passaggio da -6 a 0dB di gain, o da 200 a 400 di ISO. Il vantaggio è poter aumentare o diminuire il valore con precisione, per esempio 0,01 di uno stop.



Cambiando anche solo una delle impostazioni Blackmagic RAW della clip, la voce Gamma si auto imposta sull'opzione Blackmagic Design Custom



Per riportare la clip a una delle impostazioni di gamma di default, selezionala dal menù a discesa Gamma

SUGGERIMENTO I controlli della voce Gamma Controls sono disabilitati se usi la gamma dinamica Video, ma i dati Blackmagic RAW non vengono persi. Per abilitarli e adoperarli, seleziona l'opzione Blackmagic Design Film o Blackmagic Design Extended Video dal menù a discesa Gamma.

Per salvare le modifiche ai file Blackmagic RAW:

- 1 Modifica la clip Blackmagic RAW con le impostazioni della sezione Gamma Controls.
- 2 Clicca su **Update Sidecar**.

Il file sidecar aggiornato si salva nella stessa cartella del file .braw. Se un altro utente importa i file Blackmagic RAW, DaVinci Resolve leggerà i file sidecar automaticamente. Clicca su **Update Sidecar** ogniqualvolta apporti una modifica.

SUGGERIMENTO Per rimuovere un file sidecar basta eliminarlo dal supporto in cui si trova.

Impostazioni Blackmagic RAW di progetto

Se desideri cambiare alcune impostazioni e applicarle a tutte le clip, per esempio il bilanciamento del bianco o l'ISO, puoi indicare a Blackmagic RAW di usare le impostazioni di progetto.

Per impostare Blackmagic RAW sulle impostazioni di progetto:

- 1 Clicca su **File > Project Settings**.
- 2 Nella finestra Camera Raw clicca sul menù a discesa accanto a **RAW Profile** e seleziona **Blackmagic RAW**.
- 3 Dal menù a discesa **Decode Using** seleziona **Project**.
- 4 Seleziona la scienza del colore dal menù a discesa **Color Science**.
- 5 Imposta il bilanciamento del bianco **White Balance** su **Custom**.
- 6 Seleziona **Blackmagic Design Custom** dal menù a discesa **Gamma**. Imposta lo spazio colore **Color Space** su **Blackmagic Design**.
- 7 Scegli la risoluzione dal menù a discesa **Decode Quality**. Su alcuni sistemi, una risoluzione bassa consente un playback migliore. Hai la flessibilità di scegliere la piena risoluzione anche prima dell'esportazione.

Ora puoi cambiare le impostazioni della camera per le clip, per esempio saturazione, contrasto e mezzitoni. I cambiamenti avranno effetto su tutte le clip del progetto se Decode Using è impostato su Project.

Correggere le clip nella pagina Color

Dopo aver inserito le clip e i titoli nella timeline, apri la pagina Color per cominciare la correzione colore. Qui trovi strumenti ad alta prestazione per generare il look complessivo del film. Per questo esempio, supponiamo di voler neutralizzare le clip per uniformarle. Puoi anche ritoccare l'edit ritornando alle pagine Cut o Edit in qualsiasi momento.

La pagina Color permette di definire l'estetica delle immagini montate. Come una forma d'arte, la correzione colore conferisce emozioni a un'opera. È una tappa creativa indispensabile ma anche molto soddisfacente perché le immagini prendono vita davanti ai tuoi occhi. Il primo passaggio corrisponde alla correzione colore primaria. Poi viene il turno della correzione colore secondaria, ovvero regolazioni mirate ad aree specifiche dell'immagine. Ti ci puoi sbizzarrire, ma ricorda che per ottenere i migliori risultati è preferibile fare la correzione secondaria solo dopo aver completato quella primaria.

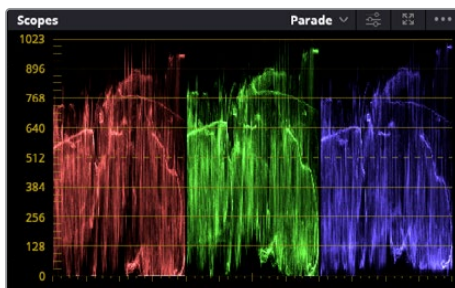
Apri la pagina Color.

Appariranno le impostazioni Camera RAW, i cerchi cromatici, le curve e altri strumenti per la correzione colore, oltre alla finestra di anteprima e dei nodi. Non scoraggiarti davanti all'incredibile quantità di funzioni, sono state progettate per consentirti di ottenere immagini meravigliose. Questa sezione illustra le operazioni di base. Consulta le sezioni di interesse del manuale per approfondire il funzionamento dei vari strumenti, passo dopo passo. Imparerai a usare le stesse tecniche dei coloristi professionisti.

Solitamente la correzione colore primaria inizia con l'ottimizzazione di ombre, mezzitoni e luci, ovvero Lift, Gamma e Gain. Queste regolazioni servono per creare un punto di partenza uniforme prima di passare alle operazioni successive. Per ottimizzare i livelli è importante osservare i visualizzatori di segnale.

Utilizzare i visualizzatori di segnale

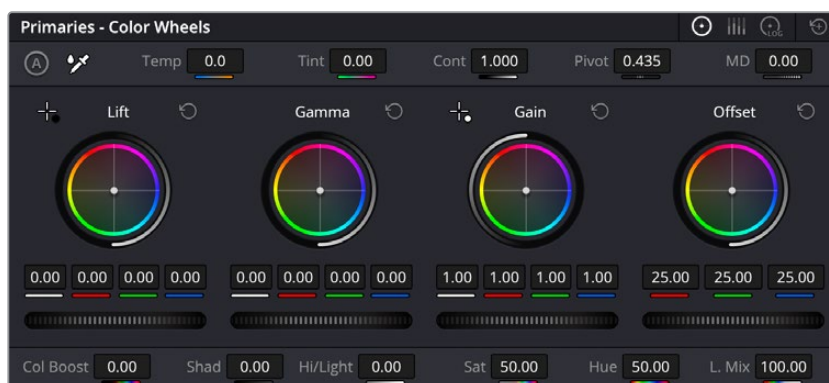
I coloristi combinano il colore in modo creativo per trasmettere le emozioni che vogliono suscitare nel pubblico, e per farlo si affidano unicamente al monitor. Con un po' di pratica sarai in grado di comunicare idee e sensazioni facendo interagire in modo strategico gli elementi dell'immagine e la luce.



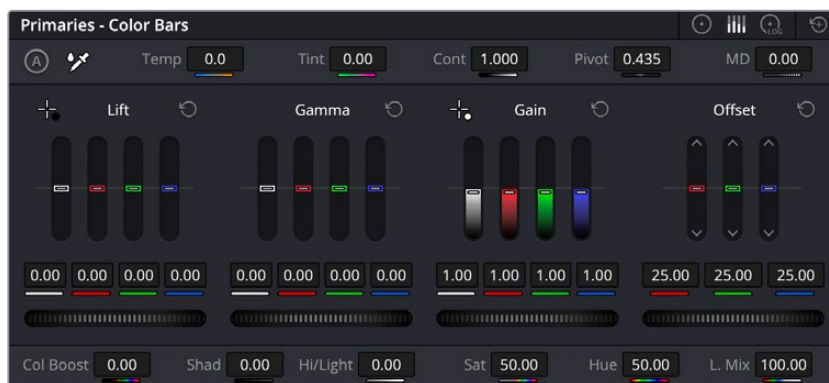
Usa l'allineamento RGB mentre ottimizzi luci, mezzitoni e ombre

I visualizzatori integrati sono di grande aiuto durante il bilanciamento delle immagini. Aprine uno cliccando il pulsante **Scope**, il secondo da destra nella barra delle palette. Puoi scegliere tra forma d'onda **Waveform**, allineamento RGB **Parade**, vettroscopio **Vectorscope**, istogramma **Histogram** e cromaticità CIE **CIE Chromaticity**. Grazie ai visualizzatori puoi tenere sotto controllo il bilanciamento tonale e i livelli del video, per non perdere dettagli nelle zone di luce e di ombra, e notare la presenza di tinte indesiderate.

Le ruote di colore Lift, Gamma, e Gain nella palette Color Wheels di solito si usano per apportare le prime regolazioni e sono simili ai controlli di correzione colore e contrasto di altre applicazioni.



Le ruote di colore Lift, Gamma, Gain e Offset offrono un alto grado di controllo sul colore e sul bilanciamento tonale. Muovi le rotelle sottostanti per regolare uniformemente i colori di ciascuna zona tonale



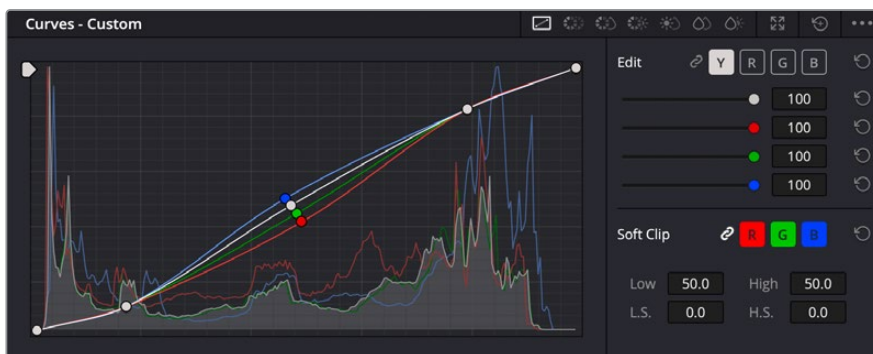
Le barre primarie facilitano le operazioni se usi il mouse

Se lavori con il mouse puoi trasformare le ruote di colore in barre e regolare ciascun canale di colore e la luminanza singolarmente. Basta selezionare **Primaries Bars** dal menù a discesa della palette **Color Wheels**.

- **Regolare le ombre:** dopo aver selezionato la clip nella timeline della pagina Color, clicca sulla rotella della prima ruota di colore **Lift**, falla scorrere avanti e indietro e osserva come cambia l'immagine. Aumenta o diminuisci la luminosità delle zone scure fino a ottenere il risultato desiderato. Diminuendo troppo la luminosità si perdono dettagli nelle zone scure. Usa l'allineamento RGB per evitare che accada. La posizione ottimale del livello del nero sulla forma d'onda è appena sopra la linea inferiore del grafico.
- **Regolare le luci:** fai scorrere la rotella della ruota di colore **Gain** per regolare le luci, cioè le zone più luminose dell'immagine. Questi livelli risiedono nella parte superiore del grafico dell'allineamento RGB. Per riprese molto luminose dovrebbero trovarsi appena al di sotto della linea superiore della forma d'onda. Se la superano, si perdono dettagli nelle zone più luminose dell'immagine.
- **Regolare i mezzitoni:** fai scorrere la rotella della ruota di colore **Gamma** per aumentare o diminuire la luminosità dell'immagine. La parte centrale della forma d'onda, che rappresenta i mezzitoni, cambia in tempo reale durante la regolazione. La posizione ottimale dei livelli dei mezzitoni ricade tra 50% e 70% sulla forma d'onda. Ad ogni modo dipende sia dal look che si vuole creare sia dalle condizioni di illuminazione in fase di ripresa.

Per fare la correzione primaria puoi anche ricorrere alle curve nella palette **Curves**. Clicca sui punti desiderati lungo la diagonale nel grafico della curva e trascinali verso l'alto o il basso per regolare il contrasto RGB complessivo in diverse aree tonali. Sulla curva ci sono tre punti ottimali di regolazione: il terzo in basso, quello centrale e il terzo in alto.

Tutte le funzioni e le tecniche di correzione primaria sono descritte nel manuale di DaVinci Resolve.



La palette delle curve è un ulteriore strumento per la correzione primaria o per valorizzare aree specifiche usando una Power Window

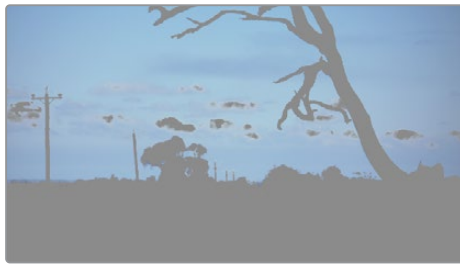
Correzione secondaria del colore

Per apportare correzioni mirate a un'area specifica dell'immagine è necessaria la cosiddetta correzione secondaria. Finora ci siamo concentrati sulla correzione primaria, ovvero la regolazione di luci, ombre e mezzitoni che agisce sull'immagine intera.

Invece per regolare una parte specifica dell'immagine, per esempio migliorare il verde del prato o il blu del cielo, bisogna ricorrere agli strumenti di correzione colore secondaria. Questi strumenti consentono di selezionare una sezione dell'immagine e modificare solo quella. Grazie alla struttura a nodi del software è possibile apportare diverse correzioni secondarie in varie parti dell'immagine, fino a raggiungere il look desiderato. Grazie alle finestre e alla funzione di tracciamento è possibile far sì che le selezioni seguano il movimento nell'immagine.

Isolare un colore

Mettendo in risalto un colore specifico nell'immagine si attira l'attenzione del pubblico sull'elemento desiderato, per esempio sull'erba nel ciglio della strada o sul blu del cielo. Per farlo c'è lo strumento Qualifier HSL (tonalità, saturazione, luminosità).



Usa Qualifier HSL per isolare un colore nell'immagine e mettere in risalto gli elementi desiderati

Per isolare un colore:

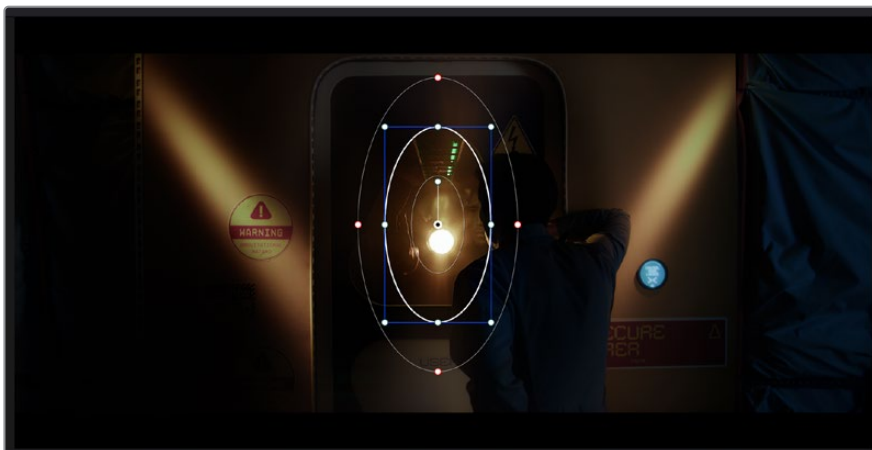
- 1 Aggiungi un nodo seriale.
- 2 Apri la palette **Qualifier** e seleziona l'icona del contagocce sotto la voce **Selection Range**.
- 3 Clicca sul colore dell'immagine da isolare.
- 4 Potrebbe essere necessario fare qualche modifica per addolcire i bordi della selezione e circoscrivere meglio l'area del colore di interesse. Clicca sull'icona **Highlight** sopra al visualizzatore per vedere la selezione.
- 5 Modifica il parametro **Width** sotto la voce **Hue** per ridurre o allargare la selezione.

Usa i controlli a disposizione **High**, **Low** e **Softness** per affinare la selezione. Ora puoi correggere il colore circoscritto usando le ruote di colore o le curve.

A volte la selezione effettuata potrebbe contaminare altre aree dell'immagine. In questo caso puoi usare una finestra Power Window per creare una maschera sull'area affetta. Basta disegnare un'altra finestra sull'area del colore desiderata. Se il colore selezionato è in movimento, ricorri alla funzione di tracking per tracciare la Power Window.

Inserire una Power Window

Le finestre Power Window sono strumenti molto efficaci nella correzione colore secondaria perché permettono di isolare aree specifiche delle clip. Queste aree si possono tracciare di modo che seguano i movimenti della camera, per esempio una panoramica o una rotazione, o il movimento dell'area stessa.



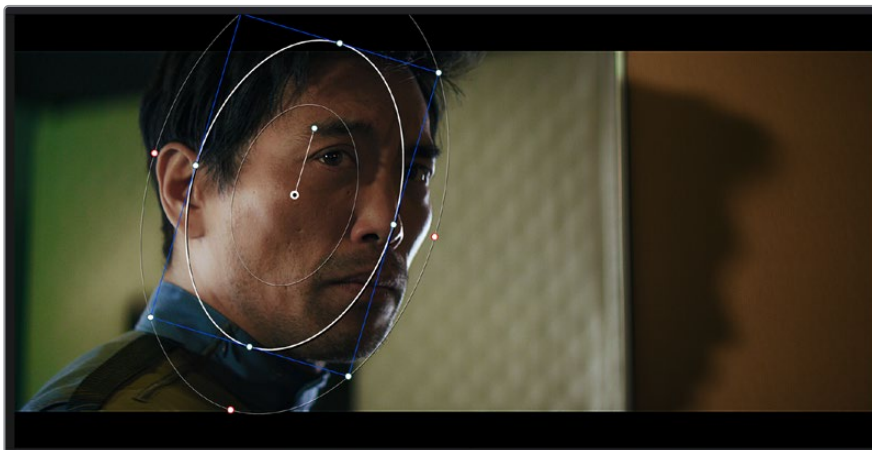
Usa una Power Window per creare una maschera sull'area da escludere dai ritocchi HSL

Per esempio puoi inserire una finestra sul viso di un'attrice per correggerne colore e contrasto, lasciando intatto il resto dell'immagine. Con questo tipo di correzione influenzi il modo in cui il pubblico percepisce l'immagine, attirando l'attenzione sugli elementi che desideri.

Per inserire una Power Window nella clip:

- 1 Aggiungi un nodo seriale.
- 2 Apri la palette **Window** e clicca sulla forma desiderata. La finestra della forma scelta apparirà sul nodo.
- 3 Clicca e trascina i punti blu per ridimensionare la forma, e i punti rossi per ammorbidire i bordi. Posiziona la forma cliccando e trascinando il punto centrale e ruotala usando il secondo punto ad esso connesso.

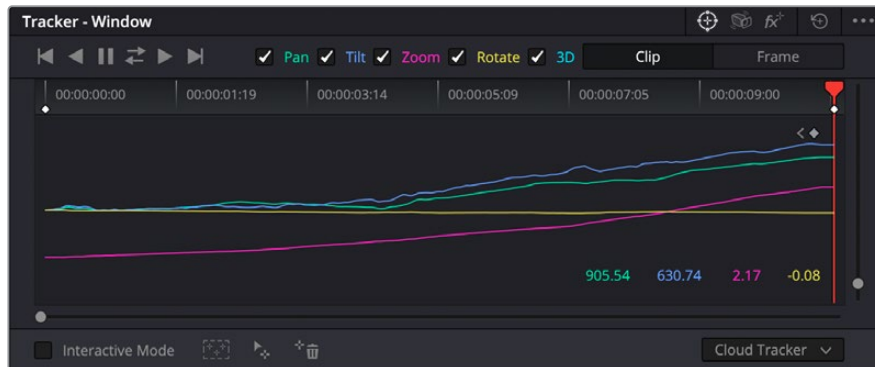
Ora puoi correggere il colore dell'area selezionata.



Utilizza le finestre Power Window per fare la correzione secondaria di aree specifiche dell'immagine

Fare il tracking di una Power Window

La camera, un oggetto, o un'area nella ripresa potrebbero essere in movimento. Per appurarti che la finestra rimanga sulla selezione, puoi usare la potente funzione di tracciamento di DaVinci Resolve. Il tracker analizza le panoramiche, l'inclinazione, lo zoom e la rotazione della camera o dell'oggetto nella clip, consentendo alle finestre di seguirne i movimenti. Non usando questa funzione, la correzione colore potrebbe contaminare aree indesiderate.



La funzione "Tracker" consente alle Power Windows di seguire automaticamente i movimenti dell'area selezionata

Per tracciare la Power Window di un oggetto in movimento:

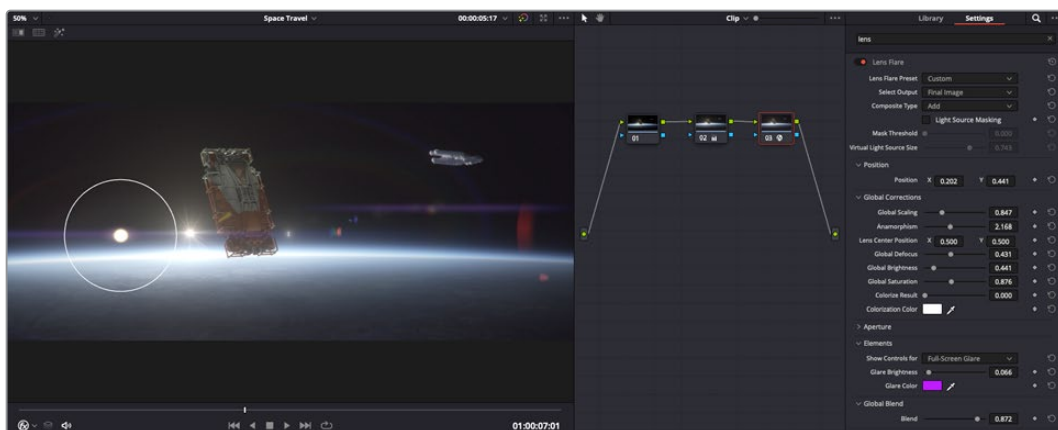
- 1 Crea un nuovo nodo seriale e aggiungi una Power Window.
- 2 All'inizio della clip, posiziona e ridimensiona la Power Window sull'area o sull'oggetto desiderati.
- 3 Apri la palette **Tracker**. Spunta le caselle **Pan**, **Tilt**, **Zoom**, **Rotate**, o **3D** a seconda del tipo di movimento presente nella clip.
- 4 Clicca sulla freccia **Forward** a sinistra delle caselle. DaVinci Resolve inserirà una serie di punti di riferimento nella clip, passando in rassegna i fotogrammi per analizzarne il movimento. Ad analisi completata, la Power Window seguirà il percorso del movimento nella clip.

Il tracking automatico è affidabile ma potrebbe interrompersi o non funzionare bene nelle scene complesse in cui altri oggetti passano davanti all'area selezionata. In questo caso è necessario intervenire manualmente con i keyframe. Consulta il manuale di DaVinci Resolve per scoprire di più.

Usare i plug-in

Durante la correzione colore secondaria potrebbero tornare utili i plug-in Resolve FX o Open FX per creare effetti e look interessanti nella pagina Color, o per inserire transizioni ed effetti coinvolgenti nelle clip nelle pagine Cut e Edit. I plug-in Resolve FX sono in dotazione al software, mentre gli Open FX sono acquistabili e scaricabili da fornitori di terzi.

I set di plug-in Open FX installati e i plug-in Resolve FX sono accessibili dalla pagina Color. Dopo aver creato un nuovo nodo seriale, clicca sul pulsante **Open FX** a destra dell'editor dei nodi per vedere la collezione di plug-in e clicca-trascina quello desiderato sul nodo. Se il plug-in offre una serie di impostazioni modificabili, usa la tab **Settings** sottostante per regolarle.



I plug-in OFX sono una soluzione facile e veloce per dare vita a look creativi

Nella pagina Edit è anche possibile aggiungere plug-in di filtri, generatori e transizioni. Apri la tab **OpenFX** nella libreria **Effects Library** e trascina il plug-in desiderato sulla clip o sulla traccia sopra la clip nella timeline.

Mixare l'audio

Mixare l'audio nella pagina Edit

Dopo aver completato l'editing e la correzione colore, puoi passare al mixaggio dell'audio. DaVinci Resolve offre funzioni di editing, mixaggio, e mastering audio nella pagina Edit. Invece per i progetti che richiedono funzioni di mixaggio più avanzate, la pagina Fairlight ha un ambiente interamente dedicato alla post produzione audio. Se sai già come utilizzare queste funzioni sulla pagina Edit, puoi passare alla sezione successiva dedicata alla pagina Fairlight.

Inserire le tracce audio

Nella pagina Edit puoi inserire molteplici tracce audio per creare un semplice mix di musica ed effetti sonori. Questa operazione è utile per separare gli elementi audio in tracce distinte, per esempio voce, effetti sonori, e musica.

Come inserire una traccia audio sulla pagina Edit

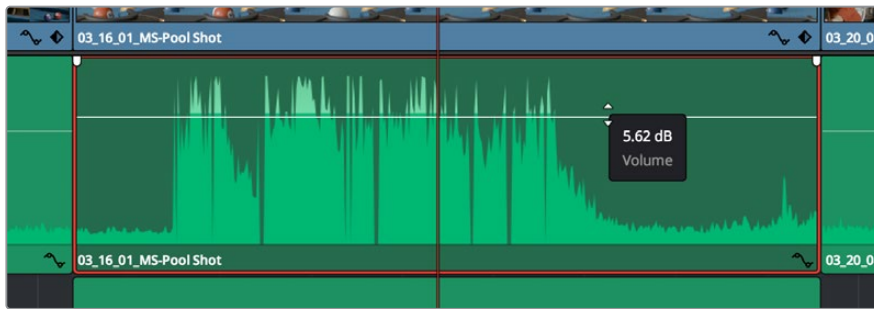
Fai clic destro a fianco al nome della traccia audio nella timeline, seleziona **Add track** e scegli un'opzione tra **Mono**, **Stereo** e **5.1**. Hai aggiunto una traccia in fondo alla lista. Altrimenti seleziona **Add tracks** e poi la posizione in cui desideri collocare la nuova traccia o gruppo di tracce.

La nuova traccia audio comparirà nella timeline.

SUGGERIMENTO Per cambiare il tipo di traccia dopo averla creata, fai clic destro a fianco al nome della traccia, seleziona **Change track type to** e scegli un'altra opzione, per esempio Stereo, Mono, o 5.1.

Regolare i livelli audio nella timeline

Ogni clip audio nella timeline include un overlay che consente di regolare il volume semplicemente trascinandolo verso l'alto o il basso. Questo overlay corrisponde alla voce **Volume** dell'Inspector.



Regola il volume della clip spostando l'overlay sulla clip

Per i progetti che richiedono funzioni di mixaggio più avanzate, la pagina Fairlight offre un ambiente interamente dedicato alla post produzione audio.

La pagina Fairlight

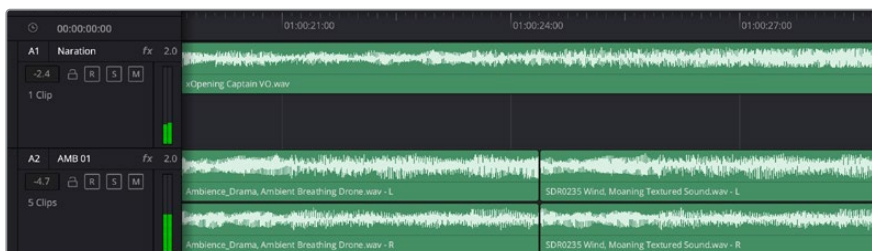
Apri la pagina Fairlight per regolare l'audio del progetto. In modalità Single Monitor, l'interfaccia offre una visualizzazione ottimale delle tracce audio del progetto, accompagnate da un mixer esteso e controlli di monitoraggio su misura per valutare e regolare il mix. Non scoraggiarti davanti alla vasta quantità di opzioni disponibili, sono state progettate per ottenere un audio della migliore qualità possibile.



Questa sezione del manuale offre una breve panoramica sulle funzioni Fairlight. Per istruzioni dettagliate su ogni funzione, passo dopo passo, consulta il manuale di DaVinci Resolve.

La timeline audio

- **Intestazione della traccia:** sulla sinistra di ogni traccia si trova una colonna di intestazione, che ne indica il nome, il numero e il colore, nonché il canale audio, il valore del fader e i livelli. Inoltre include vari comandi per bloccare e sbloccare le tracce, Solo, e Mute. Questi controlli aiutano a gestire le tracce e mostrano l'anteprima di una traccia alla volta.
- **Tracce:** ogni traccia è suddivisa in corsie, che mostrano i singoli canali della clip per l'editing e il mixaggio. La pagina Edit nasconde le informazioni dei singoli canali audio, mostrando nella timeline solo una clip per semplificare l'editing delle fonti multi-canale invece di gestire un gran numero di tracce.



L'intestazione della traccia A1 mostra una corsia singola di audio mono;
l'intestazione della traccia A2 mostra due corsie di audio stereo

Che cosa è un bus?

Un bus è essenzialmente un canale di destinazione che raggruppa più tracce audio in un unico segnale. Fairlight crea automaticamente un bus a cui vengono inviate tutte le tracce audio di default. In questo modo puoi regolare i livelli del mix audio dopo aver regolato quelli di ogni singola traccia.

Nei montaggi più complessi è utile creare diversi bus per raggruppare le tracce audio della stessa categoria, per esempio dialogo, musica, o effetti, e mixarle come un unico segnale. Per esempio, se hai 5 tracce di dialogo, puoi instradarle su un unico bus, per poi regolare i livelli di tutti i dialoghi con un solo comando.

La struttura di Fairlight Flexbus offre totale flessibilità con le opzioni per instradare il segnale da bus a bus, e da traccia a bus e viceversa. Per maggiori informazioni sulle impostazioni dei bus audio consulta il manuale di DaVinci Resolve.

Il mixer

Ogni traccia audio nella timeline corrisponde a una striscia di canale nel mixer. La striscia per il bus principale è etichettata **Bus 1** di default. Per ogni altro bus creato appare un'altra striscia di canale sempre sulla destra, accompagnata da un set di controlli. Grazie a questi controlli grafici puoi assegnare i canali delle tracce ai canali di uscita, regolare EQ e dinamica, impostare i livelli e registrare automazioni. Inoltre consentono di posizionare l'audio stereo e surround nello spazio, silenziare, o selezionare tracce singole.



Il mixer audio, con le strisce di canale corrispondenti alle tracce nella timeline

Utilizzare l'equalizzatore per perfezionare l'audio

Dopo aver regolato i livelli audio delle clip del progetto, è necessario rifinirlo. A volte i dialoghi, la musica e gli effetti competono per la stessa frequenza sullo spettro audio, risultando in un audio poco chiaro. È qui che l'equalizzatore EQ entra in gioco perché consente di specificare quali parti dello spettro audio occupa ogni traccia. L'EQ inoltre aiuta a rimuovere elementi audio indesiderati, isolando e riducendo il livello di frequenze particolari che contengono rumore come vento, fischi, e ronzii, al fine di migliorare la qualità del suono.

DaVinci Resolve offre filtri EQ applicabili al livello della clip o della traccia. Ogni clip nella timeline dispone di equalizzatori a 4 bande nel pannello dell'Inspector, e ogni traccia di un equalizzatore parametrico a 6 bande nel pannello del mixer. Grazie ai controlli grafici e numerici puoi incrementare o attenuare diverse gamme di frequenze, e con i vari tipi di filtri definire la forma della curva EQ.



L'equalizzatore a 4 bande è applicabile a ogni clip nella timeline

Le bande esterne ti permettono di regolare i filtri per i bassi e per gli alti (detti shelving), e utilizzare filtri passa-basso e passa-alto. I filtri passa-alto o basso rimuovono completamente dal segnale le frequenze al di sopra o al di sotto di una determinata frequenza. Per esempio il filtro passa-alto fa sì che le alte frequenze passino attraverso il filtro, lasciando fuori quelle basse. Qualsiasi frequenza al di fuori della soglia di frequenza impostata viene eliminata gradualmente, definendo una curva discendente.

I filtri di shelving sono meno rigidi, e molto utili per rivisitare le frequenze più alte e basse senza escluderle completamente dal segnale. Amplificano o attenuano uniformemente la frequenza soglia, e tutte quelle situate sopra o sotto di essa, in base al tipo di shelving in uso.

I controlli di banda centrali consentono di regolare dettagliatamente l'equalizzazione con filtri shelving bassi e alti (lo-shelf e hi-shelf), elimina banda (notch), e a campana (bell).

- **A campana:** amplificano o tagliano le frequenze intorno a un determinato punto della curva a forma di campana.
- **Elimina banda:** bloccano il passaggio di una gamma molto ristretta di frequenze, per esempio il ronzio dell'alimentazione a 50 o 60Hz.
- **Bassi:** amplificano o tagliano le frequenze basse e tutte quelle al di sotto della soglia.
- **Alti:** amplificano o tagliano le frequenze alte e tutte quelle al di sopra della soglia.

Per aggiungere un EQ a una sola clip:

- 1 Seleziona la clip nella timeline a cui vuoi aggiungere un filtro EQ.
- 2 Clicca sull'Inspector e abilita l'interruttore **Equalizer**.

Per equalizzare una traccia:

- 1 Fai doppio clic nella sezione **EQ** di una traccia nel mixer per aprire il pannello EQ.
- 2 Seleziona il tipo di filtro di banda dal menù a discesa della banda che vuoi regolare.



La sezione EQ del mixer indica se la traccia è stata equalizzata



L'equalizzatore parametrico a 6 bande applicabile a ogni traccia

Una volta aggiunto un EQ alla clip o alla traccia, puoi regolare l'equalizzazione di ciascuna banda. I controlli potrebbero variare in base al tipo di filtro di banda selezionato.

Come regolare l'EQ per un filtro di banda:

- 1 Seleziona il tipo di filtro di banda dal menù a discesa per la banda che vuoi regolare.
- 2 Regola il valore di **Frequency** per selezionare la frequenza centrale.
- 3 Regola il valore di **Gain** per amplificare o attenuare le frequenze governate da quella banda.
- 4 Usa il valore di **Q Factor** per regolare l'ampiezza delle frequenze interessate.

Usa il pulsante **Reset** per portare tutti i controlli della finestra EQ ai valori di default.

Fairlight offre numerosi controlli per migliorare la qualità di ogni traccia audio. Sfruttali per aggiungere tracce, organizzare i bus, inserire effetti come ritardo e riverbero, e perfezionare ogni mix.

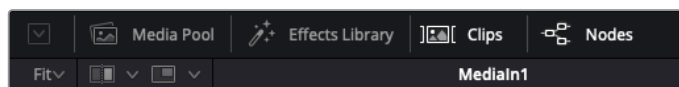
VFX e compositing sulla pagina Fusion

Una volta completato il montaggio, puoi passare alla pagina Fusion per aggiungere effetti visivi 2D e 3D e grafica in movimento. A differenza dei software basati su strati distinti, Fusion si avvale di una struttura a nodi, che ti permette di costruire effetti complessi aggiungendo informazioni all'immagine in qualsiasi punto della struttura. La finestra dei nodi mostra tutti gli strumenti usati passo dopo passo. Se hai dimestichezza con il flusso di lavoro a nodi della pagina Color, troverai questo metodo facile da mettere in pratica.

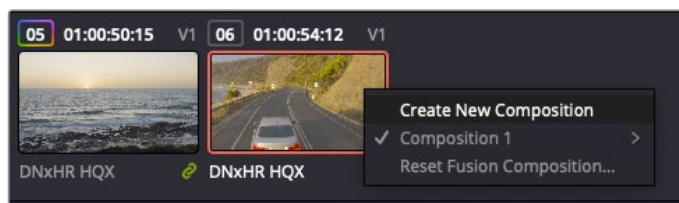


La pagina Fusion

Questa pagina contiene due visualizzatori con controlli di trasporto nella parte superiore, una finestra in alto a destra per accedere alle impostazioni degli strumenti (Inspector), e una finestra nella parte inferiore per costruire la composizione (Nodes). I visualizzatori e i controlli di trasporto sono sempre visibili, invece le finestre Inspector e Nodes, così come Effects Library, Spline, e Keyframes, appaiono solo cliccando sul rispettivo pulsante.



- **Media Pool:** l'archivio multimediale. Funziona come quello della pagina Edit. Da qui puoi trascinare i file dai bin direttamente nella composizione.
- **Effects Library:** la libreria degli effetti. Contiene gli strumenti di Fusion e i template organizzati in categorie, tra cui particelle, tracciamento, filtri, e generatori. Basta cliccare sullo strumento o trascinarlo nell'area dei nodi per aggiungerlo alla composizione. L'archivio multimediale e la libreria effetti si aprono sullo stesso lato dell'interfaccia per evitare di dover rimpicciolire i viewer.
- **Clips:** questo pulsante mostra o nasconde le thumbnail delle clip sulla timeline. Le thumbnail sono situate sotto l'editor dei nodi, permettendoti di navigare le clip facilmente.



Fai clic destro su una thumbnail e seleziona Create New Composition per creare un'altra versione della composizione

- **Viewers:** i visualizzatori delle immagini. Sono sempre visibili e mostrano la composizione da diverse angolazioni, per esempio la prospettiva complessiva con il nodo Merge 3D, l'uscita di una camera, o il render finale. I visualizzatori servono anche per osservare l'impatto dei cambiamenti su un elemento specifico.

I nodi si possono assegnare al viewer che preferisci. Clicca su un nodo e premi il tasto **1** per visualizzarlo nel viewer di sinistra o il tasto **2** per quello di destra. Sotto il nodo appariranno delle piccole icone bianche che indicano il viewer a cui è stato assegnato. Se usi una soluzione di monitoraggio esterna, vedrai un terzo pulsante che ti permette di visualizzare il materiale multimediale sul monitor collegato.

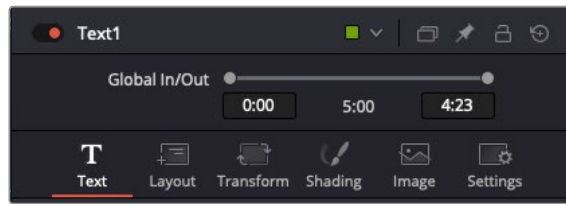
SUGGERIMENTO Trascina direttamente il nodo nel viewer in cui preferisci vederlo.

I controlli di trasporto sotto i visualizzatori consentono di passare all'inizio o alla fine della clip, riprodurre in avanti o indietro, o interrompere la riproduzione. Il righello mostra l'intera durata della clip, e due marcatori gialli indicano i punti di attacco e stacco.



I marcatori gialli sul righello indicano i punti di attacco e stacco della clip sulla timeline. Per le clip Fusion o una di quelle composte, il righello mostra solo la durata della clip come nella timeline, ma senza marcatori

- **Nodes:** la finestra dedicata ai nodi. In questo spazio costruisci la struttura a nodi collegando gli strumenti dall'uscita di un nodo all'ingresso di un altro. Le dimensioni dello spazio di lavoro cambiano in base a quali altre finestre sono aperte o meno, per esempio Spline o Keyframes. La barra superiore dà accesso rapido agli strumenti più utilizzati.
- **Spline:** la finestra dedicata alle curve spline, a destra della finestra dei nodi. Qui apporti cambiamenti mirati a ciascun nodo, per esempio rendendo più armoniosa l'animazione tra due keyframe con le curve di Bezier.
- **Keyframes:** la finestra dedicata ai fotogrammi chiave, sempre a destra della finestra dei nodi. Qui aggiungi, rimuovi o modifichi i keyframe per ogni strumento.
- **Metadata:** questa finestra mostra i metadati disponibili per la clip attiva, inclusi codec, frame rate e timecode.
- **Inspector:** questa finestra mostra i parametri e i controlli disponibili per uno o più nodi selezionati. I controlli ad accesso rapido variano in base alle categorie di nodi.

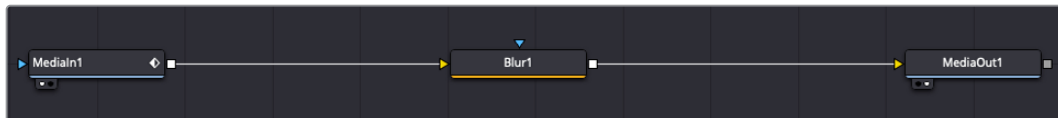


L'Inspector di testo contiene i controlli per layout, forme, ombre, e altre impostazioni

Lo spazio di lavoro Fusion

Inizia posizionando l'indicatore di riproduzione su una clip nella timeline e poi apri la pagina **Fusion**.

Qui la clip va subito ad occupare un nodo di ingresso chiamato MediaIn. Ogni composizione inizia con un nodo MediaIn e un nodo MediaOut. Il primo rappresenta la prima clip della timeline, dove hai posizionato l'indicatore di riproduzione, tralasciando eventuali clip precedenti. La clip contiene ogni modifica ad essa apportata nella pagina Edit, incluse le operazioni di Transform e Crop.



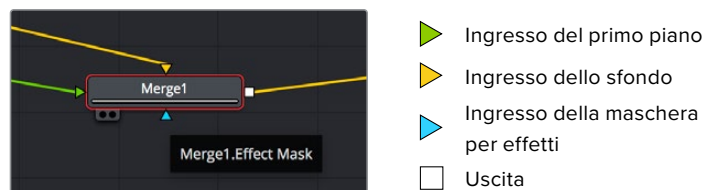
Il nodo MediaOut rimanda l'uscita alla timeline nella pagina Edit

SUGGERIMENTO I plug-in ResolveFX o OpenFX applicati alle clip nelle pagine Cut o Edit non appaiono nella pagina Fusion, perché gli effetti Fusion vengono prima della correzione colore e dell'elaborazione dei plug-in. Per applicare plug-in OpenFX prima degli effetti Fusion, fai clic destro sulla clip nella pagina Edit e seleziona New Fusion clip prima di aprire la pagina Fusion.

Come funzionano i nodi

I nodi potrebbero definirsi icone visive che rappresentano un singolo strumento o effetto. Si connettono tra loro per costruire la composizione finale, come gli ingredienti di una torta. Gli ingressi e le uscite di ciascun nodo ricoprono un ruolo fondamentale, in quanto punti di accesso ad ogni singolo elemento inserito durante la realizzazione degli effetti visivi.

Alcuni strumenti hanno più ingressi e uscite, e si possono connettere ad altri nodi. Per esempio il nodo Merge consente di accorpare l'ingresso per il primo piano, l'ingresso per lo sfondo, e l'ingresso per la maschera o le chiavi.

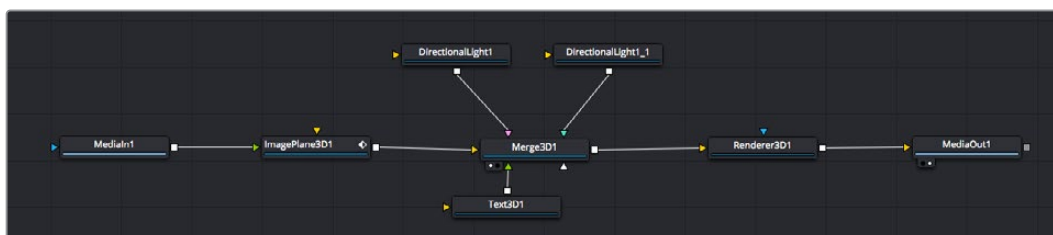


Avere più uscite su un nodo significa poter connettere molti nodi diversi nella composizione, senza la necessità di duplicare le clip come nei software basati su strati distinti. Le freccette sui nodi indicano la direzione dei dati dell'immagine.

Aggiungere nodi nella finestra Nodes

Per aggiungere effetti basta collocare i nodi sulla linea tra i nodi MediaIn e MediaOut.

Si può fare in diversi modi. Puoi tenere premuto **Shift** e rilasciare un nodo tra i due, oppure cliccare sul nodo a cui vuoi connettere un effetto e selezionare lo strumento di tua scelta. Il nuovo nodo si conetterà automaticamente allo strumento selezionato. Puoi aggiungere nodi in qualsiasi punto della struttura e connetterli manualmente trascinando l'uscita di uno sull'ingresso di un altro.



Gli strumenti più comunemente utilizzati sono i nodi Merge 2D e Merge 3D, una sorta di stazione centrale in cui tutti gli strumenti convergono in una singola uscita

Il nodo Merge offre controlli per gestire gli ingressi, inclusi parametri come dimensione, posizione, e modalità Blend. Una volta selezionato il nodo, questi controlli sono accessibili dalla finestra Inspector.

La barra degli strumenti sopra la finestra dei nodi contiene le icone degli strumenti più utilizzati. Clicca sull'icona desiderata per aggiungere un nodo, o trascinala nella finestra. Per vedere tutti gli strumenti disponibili, apri **Effects Library** e clicca sul menù **Tools**. Gli strumenti elencati sono classificati per categoria, così come i template disponibili nel menù **Templates**, per esempio Lens flares, Shaders, e Backgrounds.

SUGGERIMENTO Se conosci già i nomi degli strumenti, tieni premuto il tasto Shift e premi la barra spaziatrice sulla tastiera per accedere al menù di selezione strumento. Mentre digiti il nome dello strumento, il menù suggerisce quelli possibili. Usa questa scorciatoia per accelerare il flusso di lavoro.

Regolare i nodi nella finestra Inspector

La finestra Inspector ti permette di modificare i nodi. Clicca sul nodo che vuoi modificare e vedrai apparire i parametri e i relativi controlli.

Con Fusion è possibile modificare un nodo e allo stesso tempo vederne un altro nel visualizzatore. Per esempio puoi modificare la posizione e il centro di un nodo Text, ma vedere un nodo Merge nel visualizzatore. Così facendo potrai lavorare al testo in relazione allo sfondo.



I nodi selezionati hanno un bordo rosso. Questo esempio mostra il nodo Text e i controlli pertinenti nell'Inspector

I parametri e i controlli disponibili variano in base alla funzione del nodo, permettendo ad esempio di ricentrare e ridimensionare un elemento così come di cambiare il numero di particelle emesse. L'animazione dell'effetto verrà definita dai keyframe e dalle impostazioni scelte di volta in volta.

Utilizzare i keyframe

Nella finestra **Inspector**, imposta un keyframe facendo clic destro su un'impostazione e scegliendo **Animate** dal menù contestuale. L'icona del keyframe a destra dell'impostazione diventerà rossa. Questo significa che i keyframe sono attivi e che qualsiasi cambiamento apportato verrà applicato solo al fotogramma corrente. Se impostando i parametri di un altro fotogramma si creano due o più keyframe, tra questi viene interpolata una transizione di movimento. Le frecce su ciascun lato dell'icona del keyframe permettono di muovere l'indicatore di riproduzione sulle posizioni esatte nella timeline.



In questo esempio il parametro della dimensione è stato addolcito con una curva di Bezier. Clicca sulle maniglie per accorciare o allungare la curva, o sui quadratini dei keyframe per riposizionarli

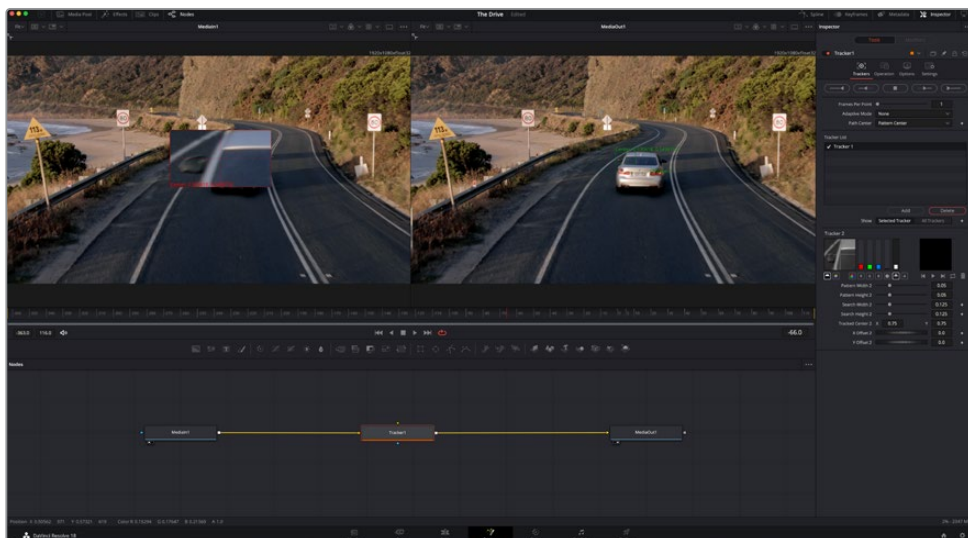
La finestra **Spline** offre ulteriori controlli per gestire le animazioni con i keyframe. Seleziona i keyframe, per esempio il primo e l'ultimo, e addolcisci l'animazione con una curva di Bezier premendo **Shift + S**, o facendo clic destro su un keyframe e selezionando **Smooth**.

Utilizzare lo strumento Tracker e aggiungere il testo

I seguenti esempi mostrano il funzionamento dello strumento Tracker quando si vuole tracciare un elemento in una clip e aggiungergli del testo usando i dati di tracciamento.

Il Tracker traccia i pixel nel tempo sugli assi X e Y, e genera una serie di dati che puoi usare per aggiungere altri elementi. Questo sistema è utilissimo se desideri far corrispondere la posizione del testo a un oggetto in movimento, per esempio a una macchina per strada o a un uccello in volo.

- 1 Nella finestra **Effects Library**, seleziona **Tools > Tracker** e trascinalo sulla linea tra i nodi **MediaIn** e **MediaOut**. Clicca sul nodo **Tracker** per vederne i parametri nella finestra **Inspector**.
- 2 Premi il tasto **1** per vedere il nodo Tracker nel visualizzatore di sinistra. La clip apparirà nel visualizzatore, con il tracker nella sua posizione di default. Muovi il cursore del mouse sul Tracker per vederne le maniglie. Clicca sulla maniglia nell'angolo in alto a sinistra e trascina il tracker in un'area di interesse sulla clip. Le aree ad alto contrasto funzionano bene, per esempio il logo della macchina sul portabagagli. L'area di interesse verrà ingrandita per facilitare le operazioni.
- 3 Nella finestra **Inspector**, clicca sul pulsante **Track forward** per avviare il tracciamento. A tracciamento completato apparirà un messaggio di notifica. Clicca su **OK**.



I controlli nell'Inspector permettono di invertire la direzione del tracciamento dall'ultimo fotogramma o da quello corrente, di interromperlo, o di proseguire in avanti dal fotogramma corrente o dal primo

SUGGERIMENTO Invertire il tracciamento o proseguire in avanti dal fotogramma corrente sono opzioni ideali quando l'area di interesse scompare dal fotogramma durante il rendering. Usa queste opzioni per tracciare solo le riprese pertinenti.

Ora puoi usare i dati di tracciamento e applicare il percorso di movimento a un nodo **Text**.

- 4 Clicca sull'icona del nodo **Text** nella barra dei nodi più utilizzati e trascinala vicino al nodo **Tracker**. Connetti l'uscita del nodo **Text** (il quadratino bianco) all'ingresso del nodo **Tracker** (il triangolo verde).



- 5 Clicca sul nodo **Tracker** e premi il tasto **1** per vedere l'immagine nel visualizzatore di sinistra. Nella finestra **Inspector**, clicca sull'icona **Operation**. Clicca sul menù a fianco all'icona e seleziona **Match move**.
- 6 Clicca sul nodo **Text** per vederne i parametri nella finestra Inspector. Digita il testo nella casella di testo e cambia il font, il colore, e le dimensioni come preferisci.

Così facendo i dati di posizione di tracciamento verranno applicati dal tracker al testo. Per riposizionare il testo in relazione al tracker, vai alle impostazioni nella finestra **Inspector** e modifica i parametri **X Offset** e **Y Offset** con le rotelle.



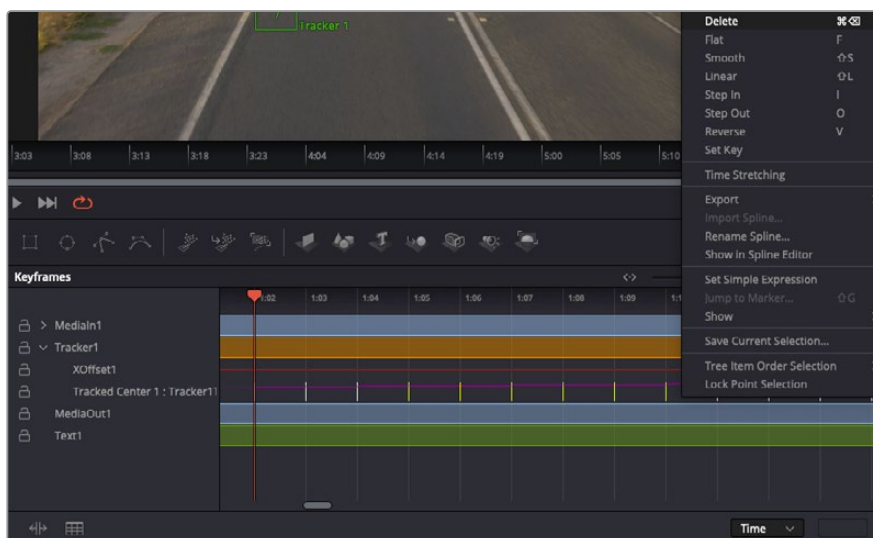
Le rotelle nella finestra Inspector regolano la posizione del testo sugli assi X e Y per il nodo Tracker

Ora riproduci la composizione e vedrai il testo collegato all'oggetto che hai tracciato.



Il quadratino verde rappresenta la posizione corrente del tracker, la linea verde del percorso; la linea rossa tratteggiata indica il riposizionamento del testo in relazione al tracker

Per alcune riprese potrebbe essere necessario rimuovere i punti di tracciamento dopo averli rilevati, per es. se l'oggetto tracciato scompare dallo schermo. Per farlo basta andare nella finestra Keyframes.



- 7 Apri la finestra **Keyframes**. Tutti i nodi con keyframe hanno una piccola freccia accanto all'etichetta. Nell'elenco sottostante compaiono solo i parametri con keyframe aggiunti. Clicca sull'icona della lente di ingrandimento e disegna un quadrato nell'area che vuoi modificare. L'area interessata verrà ingrandita per vedere meglio i keyframe.
- 8 Sposta l'indicatore di riproduzione sulla posizione di quello che vuoi sia l'ultimo keyframe. Seleziona i keyframe che vuoi rimuovere disegnandovi intorno un quadrato con il mouse. I keyframe selezionati diventeranno gialli. Fai clic destro e seleziona **Delete** dal menù.

SUGGERIMENTO Se gli effetti usati sono particolarmente complessi e richiedono un'elaborazione intensiva, fai clic destro nell'area dei controlli di trasporto per vedere e selezionare l'opzione di visualizzazione più adeguata al tuo sistema, tra cui riproduzione proxy. Per tutti i dettagli sulle opzioni di riproduzione, consulta il manuale di DaVinci Resolve.

Hai completato la tua prima composizione, in cui il testo animato segue un movimento all'interno delle riprese.

Se vuoi tracciare un'area dell'immagine contenente una superficie piatta che vuoi valorizzare o sostituire, usa il Planar Tracker. Tracciare piani 2D può essere utile per sostituire etichette e segnali in un'immagine in movimento, o persino per aggiungere un'immagine su un monitor o una TV nella scena.

Per tutti i dettagli sul Planar Tracker e sul resto degli strumenti Fusion, consulta il manuale di DaVinci Resolve.

SUGGERIMENTO Lo strumento Merge cambia a seconda che si tratti di un effetto in 2D o 3D. Se combini effetti 2D e 3D nella composizione che stai creando, ricorda che qualsiasi effetto visivo fatto nello spazio 3D va renderizzato come immagine 2D prima di poterlo accorpare a una composizione 2D.

Non ti resta che esplorare e sperimentare le innumerevoli funzioni di Fusion per esprimere la tua creatività. Con un set di strumenti così avanzati a portata di mano, DaVinci Resolve non ha più limiti.

Fare il mastering della sequenza montata

Dopo aver svolto montaggio e correzione colore, aggiunto gli effetti visivi e mixato l'audio, puoi passare alla pagina di consegna Deliver. Usa il pulsante di esportazione veloce **Quick Export** per esportare la timeline come file unico, scegliendo tra numerosi formati, oppure sfrutta le altre impostazioni disponibili.



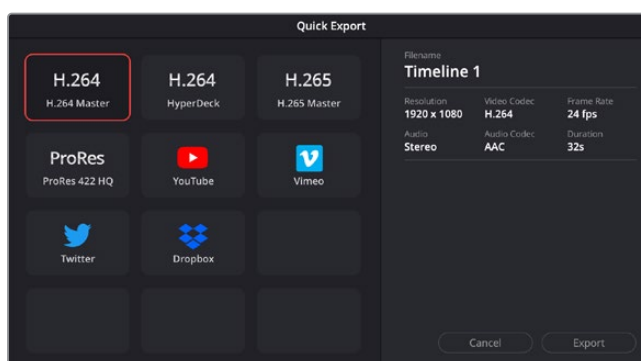
Esporta il progetto dalla pagina Deliver, scegliendo tra numerosi formati video e codec

Esportazione veloce

Seleziona **File > Quick Export** per accedere alle diverse opzioni predefinite di esportazione, da qualsiasi pagina di DaVinci Resolve. Le opzioni includono le popolari piattaforme di condivisione video, tra cui YouTube, Vimeo, Twitter e Frame.io.

Come utilizzare Quick Export:

- 1 Nella pagina Cut, Edit, Fusion, o Color, imposta i punti di attacco e stacco per selezionare la sezione della timeline che intendi esportare. Se non imposti i punti di attacco e stacco verrà esportata l'intera timeline.
Clicca su **File > Quick Export**.
- 2 Seleziona un predefinito dalla lista di icone della finestra di dialogo e conferma con **Export**.
- 3 Scegli dove salvare il progetto, assegna un nome e conferma con **Save**. Una barra di avanzamento indicherà la durata dell'esportazione.



La finestra di dialogo di Quick Export

La pagina Deliver

Questa pagina consente di selezionare le clip che vuoi esportare, oltre al tipo di formato, codec, e risoluzione desiderati. Scegli tra numerosi tipi di formato, inclusi QuickTime, AVI, MXF e DPX, e codec tra cui RGB/YUV non compressi a 8 bit o 10 bit, ProRes, DNxHD, e H.264.

Come esportare una sola clip:

- 1 Accedi alla pagina **Deliver**.
- 2 Clicca sul menù **Render Settings** in alto a sinistra. Scegli tra numerosi predefiniti di esportazione (per esempio YouTube, Vimeo) e audio, oppure imposta parametri personalizzati manualmente selezionando **Custom**. Per questo esempio, seleziona **YouTube** e il formato **1080p**.

Il frame rate sarà lo stesso del tuo progetto.
- 3 Sotto i predefiniti di consegna trovi il nome del file della timeline e la destinazione del video esportato. Clicca su **Browse** e scegli dove salvare il file esportato. Poi seleziona **Single clip** dall'opzione di render.
- 4 Appena sopra la timeline, vedrai l'opzione **Entire timeline** per esportare l'intera timeline. Se preferisci selezionare solo alcune sezioni della timeline, scegli **In/out range** e usa i tasti di scelta rapida **I** e **O** per confermare i punti di attacco e stacco nella timeline.
- 5 In basso nel menù **Render Settings** clicca su **Add to Render Queue**.

Le impostazioni del rendering si aggiungono alla coda delle operazioni di rendering sulla destra della pagina. Ora basta cliccare sul tasto **Start Render** e monitorarne il progresso.

Una volta completato il rendering, apri la cartella in cui hai salvato il lavoro, fai doppio clic sulla clip e guarda la sequenza completa.

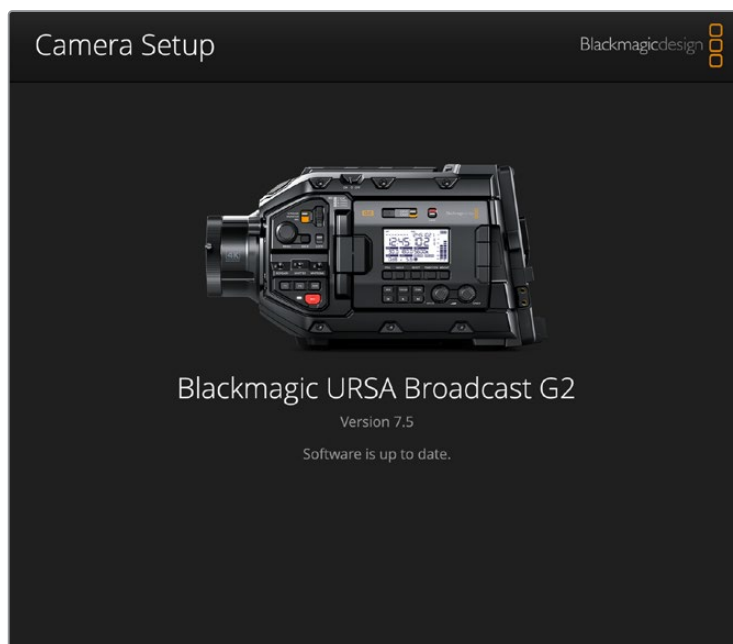
Esplora e sperimenta le innumerevoli funzioni offerte da DaVinci Resolve per perfezionare le tue competenze nell'ambito del montaggio, della correzione colore, del mixaggio audio e degli effetti visivi. Consulta il manuale di DaVinci Resolve per approfondire il funzionamento di ciascuna funzione.

Utilità Blackmagic Camera Setup

Aggiornare il software della camera su Mac

Scarica l'utilità Blackmagic Camera Setup e decomprimi il file. Clicca sull'immagine disco.

Apri l'installer e segui le istruzioni. A fine installazione, vai alla cartella Applicazioni e apri Blackmagic Cameras. Qui troverai il manuale, l'utilità Blackmagic Camera Setup, i file readme e altre informazioni. La cartella include un file di disinstallazione per quando si aggiorna Blackmagic Camera Setup a nuove versioni.



Aggiornare il software della camera su Windows

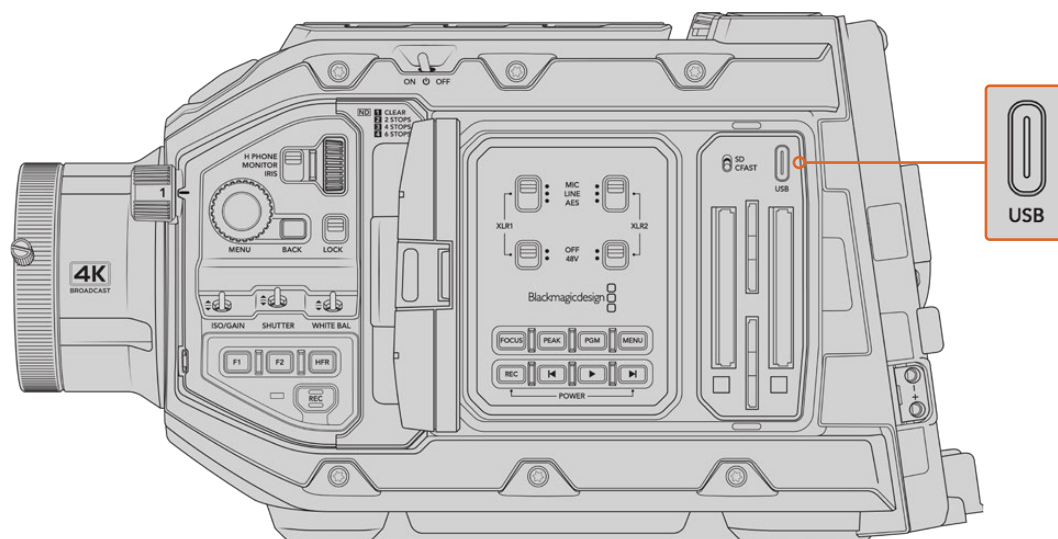
Dopo aver scaricato l'utilità Blackmagic Camera Setup e decompresso il file, vedrai una cartella contenente il pdf di questo manuale e l'installer dell'utilità. Fai doppio clic sull'icona dell'utilità e segui le istruzioni per completare l'installazione.

Su Windows 10, clicca su Start e seleziona Tutte le App. Scorri alla cartella Blackmagic Design. Dalla cartella lancia Blackmagic Camera Setup.

Come aggiornare il software della camera

Dopo aver installato l'utilità Blackmagic Camera Setup sul computer, connetti il computer e URSA Broadcast G2 tramite un cavo USB-C alla porta USB situata sul lato sinistro della camera, sopra gli slot delle schede di archiviazione.

Lancia l'utilità Blackmagic Camera Setup e segui le istruzioni sullo schermo per aggiornare il software. Poiché l'aggiornamento resetta tutte le impostazioni ed elimina predefiniti e LUT salvate, è consigliabile esportarli su un supporto di memoria. Così facendo potrai reimportarli sulla camera in qualsiasi momento.



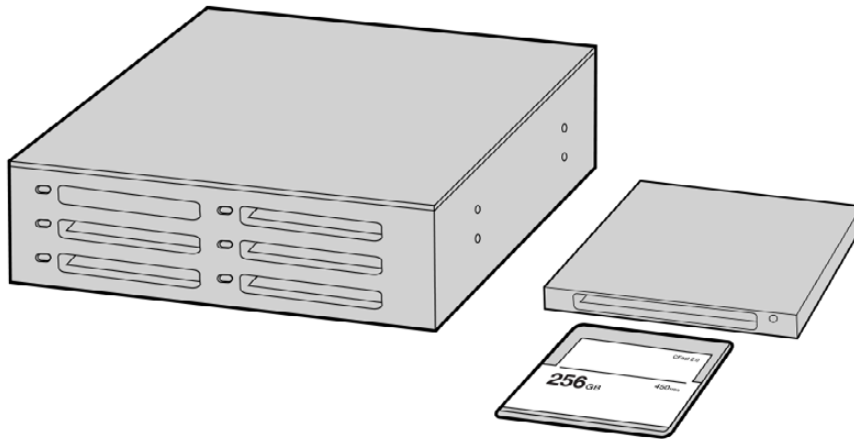
Usa la porta USB-C, situata sopra gli slot delle schede di memoria e a fianco dell'interruttore di selezione scheda, per aggiornare il software di URSA Broadcast G2

Lavorare con software di terzi

Per editare i file con il tuo programma di montaggio preferito, basta copiare le tue clip su un drive interno o esterno di archiviazione o su un'unità RAID, e poi importarle nel software. Altrimenti importa le clip direttamente dalla scheda/drive con un dock o adattatore per CFast, SD, o SSD.

NOTA Blackmagic RAW è supportato da URSA Broadcast G2 con DaVinci Resolve 16.1.2 e successivi, ed è stato adottato da numerosi programmi di montaggio e post produzione di terzi. I plug-in per editare Blackmagic RAW in Avid Media Composer e Adobe Premiere Pro sono disponibili nel software di Blackmagic RAW, che puoi scaricare alla pagina www.blackmagicdesign.com/it/support.

Utilizzare i file delle schede CFast 2.0 e SD



Edita direttamente sulla scheda CFast: estraila dalla camera e inseriscila in un lettore/riproduttore CFast 2.0 o in un drive CFast collegato al computer.

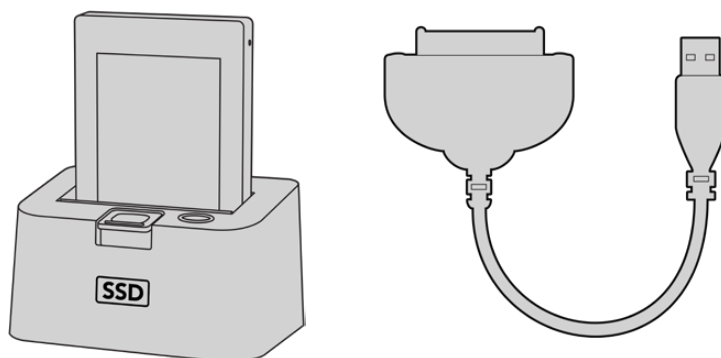
Importare le clip da una scheda CFast 2.0 o SD:

- 1 Rimuovi la scheda CFast o SD dallo slot della camera.
Inseriscila in un lettore/riproduttore di schede collegato a un computer Mac o Windows.
- 2 Seleziona la scheda sul computer per aprire le cartelle contenenti i file Blackmagic RAW o la lista di file QuickTime.
- 3 Ora trascina i file sul desktop o su un altro supporto di memoria, oppure accedi ai file direttamente dalla scheda dal software di montaggio.
- 4 Clicca su *Rimuovi scheda* su Mac OS o Windows prima di estrarla dal computer per evitare di danneggiare i filmati.

Utilizzare i file degli SSD

Importare le clip da un SSD:

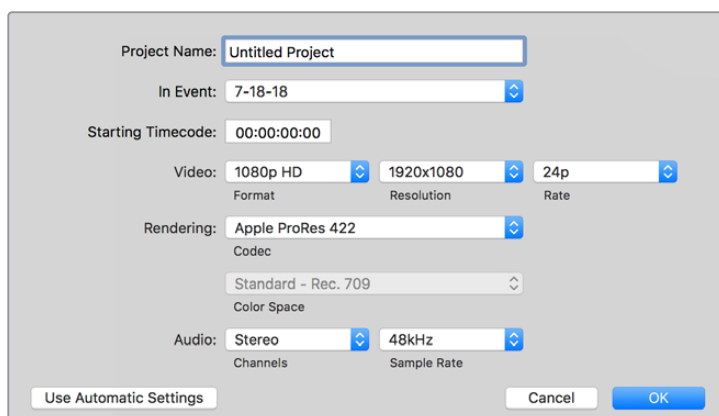
- 1 Estrai l'SSD dal registratore URSA Mini Recorder.
- 2 Utilizza una stazione di docking eSATA o Thunderbolt, per esempio Blackmagic MultiDock, per montare l'SSD su un computer Mac o Windows. Altrimenti usa un cavo adattatore da eSATA a USB per collegare l'SSD direttamente alla porta USB del computer. Un cavo USB 3.0 è ideale (USB 2.0 non è abbastanza potente per editare il video in tempo reale).
- 3 Fai doppio clic sull'icona dell'SSD per aprire le cartelle contenenti la lista di file QuickTime o Blackmagic RAW. A seconda del formato di registrazione scelto, i file potrebbero essere diversi ma avranno le stesse convenzioni di denominazione.
- 4 Ora basta trascinare i file contenuti nell'SSD sul desktop o su un altro hard drive, oppure accedere ai file direttamente dall'SSD con il tuo software di montaggio non lineare.
- 5 Prima di disconnettere l'SSD, effettua la rimozione sicura dal computer.



Fai editing direttamente dall'SSD: estrailo dalla camera e montalo sul computer tramite una stazione dock eSATA Thunderbolt o un cavo USB 3.0

Final Cut Pro X

Per montare le clip su Final Cut Pro X, crea un nuovo progetto con il formato video e il frame rate delle clip. Questo esempio usa le impostazioni ProRes 422 HQ, 1080p24.



Le impostazioni di progetto di Final Cut Pro X

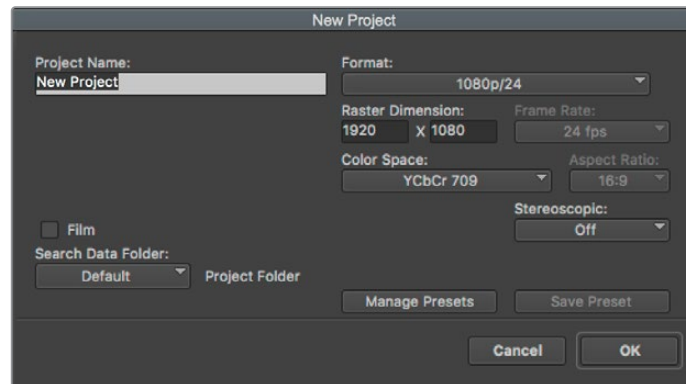
- 1 Apri Final Cut Pro X, vai nella barra del menù e seleziona **File > New Project**. Apparirà la finestra impostazioni del progetto.
- 2 Digita il nome del progetto e seleziona la casella **Custom**.
- 3 In **Video Properties**, seleziona 1080p HD, 1920x1080 e 24p.
- 4 In **Audio > Render Properties**, seleziona Stereo, 48kHz, e Apple ProRes 422 HQ.
- 5 Conferma con **OK**.

Importa le clip nel nuovo progetto selezionando **File > Import > Media** dalla barra del menù. Scegli le clip dalla scheda CFast.

Trascina le clip sulla timeline per il montaggio.

Avid Media Composer 2018

Per montare le clip su Avid Media Composer 2018, crea un nuovo progetto scegliendo un formato video e un frame rate adatti. Questo esempio usa l'impostazione 1080p24.



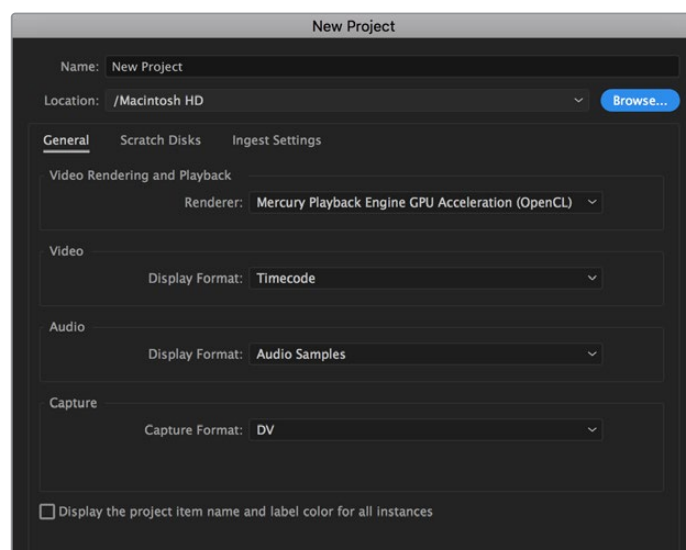
Impostazioni di progetto di Avid Media Composer 2018

- 1 Apri Media Composer 2018. Apparirà la finestra **Select Project**.
- 2 Clicca su **New Project** e assegna un nome al progetto.
- 3 Dal menù a discesa **Format** seleziona HD 1080 > 1080p/24 e clicca su **OK** per creare il progetto.
- 4 Fai doppio clic sul progetto nella finestra **Select Project** per aprirlo.
- 5 Seleziona **File > Input > Source Browser** e scegli i file da importare.
- 6 Dal menù a discesa seleziona la cartella di destinazione e clicca su **Import**.

Una volta importate le clip nella cartella di destinazione, basta trascinarle sulla timeline per cominciare il montaggio.

Adobe Premiere Pro CC

Per montare le clip Apple ProRes 422 HQ su Adobe Premiere Pro CC, crea un nuovo progetto con il formato video e frame rate delle clip. Questo esempio usa le impostazioni ProRes 422 HQ, 1080p25.



Impostazioni di progetto di Adobe Premiere Pro CC

- 1 Apri Adobe Premiere Pro CC. Nella finestra **Welcome** seleziona **New Project**. Apparirà la finestra impostazioni del progetto.
- 2 Digita il nome del progetto, poi scegli dove salvarlo cliccando su **Browse** e selezionando la cartella desiderata. Clicca su **OK** nella finestra **New Project**.
- 3 Per importare le clip, seleziona **File > Import** dalla barra del menù di Adobe Premiere Pro CC. Le clip appariranno nella finestra di progetto.
- 4 Trascina la prima clip per il montaggio sull'icona **New Item** in basso a destra della finestra di progetto. Apparirà una nuova sequenza con le stesse impostazioni della clip.

Trascina il resto delle clip sulla timeline per il montaggio.

Developer Information

Blackmagic Bluetooth Camera Control

Blackmagic cameras with Bluetooth LE implement a variety of features and commands that allow users to control their cameras wirelessly. Developers have full access to these features for their custom applications.

The following services and characteristics describe the full range of communication options that are available to the developer.

Service: Device Information Service

UUID: 180A

Characteristics

Camera Manufacturer

UUID: 2A29

Read the name of the manufacturer (always “Blackmagic Design”).

Camera Model

UUID: 2A24

Read the name of the camera model (“URSA Broadcast G2”).

Service: Blackmagic Camera Service

UUID: 291D567A-6D75-11E6-8B77-86F30CA893D3

Characteristics

Outgoing Camera Control (encrypted)

UUID: 5DD3465F-1AEE-4299-8493-D2ECA2F8E1BB

Send Camera Control messages

These messages are identical to those described in the Blackmagic SDI Camera Control Protocol section below. Please read that section for a list of supported messages and required formatting information.

For an example of how packets are structured, please see the ‘example protocol packets’ section in this document.

Incoming Camera Control (encrypted)

UUID: B864E140-76A0-416A-BF30-5876504537D9

Request notifications for this characteristic to receive Camera Control messages from the camera.

These messages are identical to those described in the Blackmagic SDI Camera Control Protocol section below. Please read that section for a list of supported messages and required formatting information.

Timecode (encrypted)

UUID: 6D8F2110-86F1-41BF-9AFB-451D87E976C8

Request notifications for this characteristic to receive timecode updates.

Timecode (HH:MM:SS:mm) is represented by a 32-bit BCD number:
(eg. 09:12:53:10 = 0x09125310)

Camera Status (encrypted)

UUID: 7FE8691D-95DC-4FC5-8ABD-CA74339B51B9

Request notifications for this characteristic to receive camera status updates.

The camera status is represented by flags contained in an 8-bit integer:

None	= 0x00
Camera Power On	= 0x01
Connected	= 0x02
Paired	= 0x04
Versions Verified	= 0x08
Initial Payload Received	= 0x10
Camera Ready	= 0x20

Send a value of 0x00 to power a connected camera off.

Send a value of 0x01 to power a connected camera on.

Device Name

UUID: FFAC0C52-C9FB-41A0-B063-CC76282EB89C

Send a device name to the camera (max. 32 characters).

The camera will display this name in the Bluetooth Setup Menu.

Protocol Version

UUID: 8F1FD018-B508-456F-8F82-3D392BEE2706

Read this value to determine the camera's supported CCU protocol version.

NOTE Encrypted characteristics can only be used once a device has successfully bonded or paired with the Blackmagic Camera. Once a connection has been established, any attempt to write to an encrypted characteristic will initiate bonding. For example, writing a 'Camera Power On' (0x01) message to the Camera Status characteristic.

Once bonding is initiated, the camera will display a 6-digit pin in the Bluetooth Setup Menu. Enter this pin on your device to establish an encrypted connection. The device will now be able to read, write and receive notifications from encrypted characteristics.

Blackmagic SDI and Bluetooth Camera Control Protocol

Version 1.6.2

If you are a software developer you can use the Blackmagic SDI and Bluetooth Camera Control Protocol to construct devices that integrate with our products. Here at Blackmagic Design, our approach is to open up our protocols and we eagerly look forward to seeing what you come up with!

Overview

This document describes an extensible protocol for sending a unidirectional stream of small control messages embedded in the non-active picture region of a digital video stream. The video stream containing the protocol stream may be broadcast to a number of devices. Device addressing is used to allow the sender to specify which device each message is directed to.

Assumptions

Alignment and padding constraints are explicitly described in the protocol document. Bit fields are packed from LSB first. Message groups, individual messages and command headers are defined as, and can be assumed to be, 32 bit aligned.

Blanking Encoding

A message group is encoded into a SMPTE 291M packet with DID/SDID x51/x53 in the active region of VANC line 16.

Message Grouping

Up to 32 messages may be concatenated and transmitted in one blanking packet up to a maximum of 255 bytes payload. Under most circumstances, this should allow all messages to be sent with a maximum of one frame latency.

If the transmitting device queues more bytes of message packets than can be sent in a single frame, it should use heuristics to determine which packets to prioritize and send immediately. Lower priority messages can be delayed to later frames, or dropped entirely as appropriate.

Abstract Message Packet Format

Every message packet consists of a three byte header followed by an optional variable length data block. The maximum packet size is 64 bytes.

Destination device (uint8)	Device addresses are represented as an 8 bit unsigned integer. Individual devices are numbered 0 through 254 with the value 255 reserved to indicate a broadcast message to all devices.
Command length (uint8)	The command length is an 8 bit unsigned integer which specifies the length of the included command data. The length does NOT include the length of the header or any trailing padding bytes.
Command id (uint8)	The command id is an 8 bit unsigned integer which indicates the message type being sent. Receiving devices should ignore any commands that they do not understand. Commands 0 through 127 are reserved for commands that apply to multiple types of devices. Commands 128 through 255 are device specific.
Reserved (uint8)	This byte is reserved for alignment and expansion purposes. It should be set to zero.
Command data (uint8[])	The command data may contain between 0 and 60 bytes of data. The format of the data section is defined by the command itself.

Padding (uint8[])	Messages must be padded up to a 32 bit boundary with 0x0 bytes. Any padding bytes are NOT included in the command length.
--------------------------	---

Receiving devices should use the destination device address and or the command identifier to determine which messages to process. The receiver should use the command length to skip irrelevant or unknown commands and should be careful to skip the implicit padding as well.

Defined Commands

Command 0 : change configuration

Category (uint8)	The category number specifies one of up to 256 configuration categories available on the device.
Parameter (uint8)	The parameter number specifies one of 256 potential configuration parameters available on the device. Parameters 0 through 127 are device specific parameters. Parameters 128 though 255 are reserved for parameters that apply to multiple types of devices.
Data type (uint8)	The data type specifies the type of the remaining data. The packet length is used to determine the number of elements in the message. Each message must contain an integral number of data elements.

Currently defined values are:

0: void/boolean	A void value is represented as a boolean array of length zero. The data field is a 8 bit value with 0 meaning false and all other values meaning true.
1: signed byte	Data elements are signed bytes
2: signed 16 bit integer	Data elements are signed 16 bit values
3: signed 32 bit integer	Data elements are signed 32 bit values
4: signed 64 bit integer	Data elements are signed 64 bit values
5: UTF-8 string	Data elements represent a UTF-8 string with no terminating character.

Data types 6 through 127 are reserved.

128: signed 5.11 fixed point	Data elements are signed 16 bit integers representing a real number with 5 bits for the integer component and 11 bits for the fractional component. The fixed point representation is equal to the real value multiplied by 2^{11} . The representable range is from -16.0 to 15.9995 (15 + 2047/2048).
-------------------------------------	---

Data types 129 through 255 are available for device specific purposes.

Operation type (uint8)	The operation type specifies what action to perform on the specified parameter. Currently defined values are:
0: assign value	The supplied values are assigned to the specified parameter. Each element will be clamped according to its valid range. A void parameter may only be 'assigned' an empty list of boolean type. This operation will trigger the action associated with that parameter. A boolean value may be assigned the value zero for false, and any other value for true.
1: offset/toggle value	Each value specifies signed offsets of the same type to be added to the current parameter values. The resulting parameter value will be clamped according to their valid range. It is not valid to apply an offset to a void value. Applying any offset other than zero to a boolean value will invert that value.

Operation types 2 through 127 are reserved.

Operation types 128 through 255 are available for device specific purposes.

Data (void)	The data field is 0 or more bytes as determined by the data type and number of elements.
--------------------	--

The category, parameter, data type and operation type partition a 24 bit operation space.

Group	ID	Parameter	Type	Index	Minimum	Maximum	Interpretation
Lens	0.0	Focus	fixed16	–	0.0	1.0	0.0 = near, 1.0 = far
	0.1	Instantaneous autofocus	void	–	–	–	trigger instantaneous autofocus
	0.2	Aperture (f-stop)	fixed16	–	-1.0	16.0	Aperture Value (where fnumber = $\sqrt{2^{AV}}$)
	0.3	Aperture (normalised)	fixed16	–	0.0	1.0	0.0 = smallest, 1.0 = largest
	0.4	Aperture (ordinal)	int16	–	0	n	Steps through available aperture values from minimum (0) to maximum (n)
	0.5	Instantaneous auto aperture	void	–	–	–	trigger instantaneous auto aperture
	0.6	Optical image stabilisation	boolean	–	–	–	true = enabled, false = disabled
	0.7	Set absolute zoom (mm)	int16	–	0	max	Move to specified focal length in mm, from minimum (0) to maximum (max)
	0.8	Set absolute zoom (normalised)	fixed16	–	0.0	1.0	Move to specified focal length: 0.0 = wide, 1.0 = tele
	0.9	Set continuous zoom (speed)	fixed16	–	-1.0	+1.0	Start/stop zooming at specified rate: -1.0 = zoom wider fast, 0.0 = stop, +1 = zoom tele fast

Group	ID	Parameter	Type	Index	Minimum	Maximum	Interpretation
Video	1.0	Video mode	int8	[0] = frame rate	-	-	fps as integer (eg 24, 25, 30, 50, 60)
				[1] = M-rate	-	-	0 = regular, 1 = M-rate
				[2] = dimensions	-	-	0 = NTSC, 1 = PAL, 2 = 720, 3 = 1080, 4 = 2kDCI, 5 = 2k16:9, 6 = UHD, 7 = 3k Anamorphic, 8 = 4k DCI, 9 = 4k 16:9, 10 = 4.6k 2.4:1, 11 = 4.6k
				[3] = interlaced	-	-	0 = progressive, 1 = interlaced
				[4] = Color space	-	-	0 = YUV
	1.1	Gain (up to Camera 4.9)	int8		1	128	1x, 2x, 4x, 8x, 16x, 32x, 64x, 128x gain
	1.2	Manual White Balance	int16	[0] = color temp	2500	10000	Color temperature in K
			int16	[1] = tint	-50	50	tint
	1.3	Set auto WB	void	-	-	-	Calculate and set auto white balance
	1.4	Restore auto WB	void	-	-	-	Use latest auto white balance setting
	1.5	Exposure (us)	int32		1	42000	time in us
	1.6	Exposure (ordinal)	int16	-	0	n	Steps through available exposure values from minimum (0) to maximum (n)
	1.7	Dynamic Range Mode	int8 enum	-	0	2	0 = film, 1 = video, 2 = extended video
	1.8	Video sharpening level	int8 enum	-	0	3	0 = off, 1 = low, 2 = medium, 3 = high
	1.9	Recording format	int16	[0] = file frame rate	-	-	fps as integer (eg 24, 25, 30, 50, 60, 120)
				[1] = sensor frame rate	-	-	fps as integer, valid when sensor-off-speed set (eg 24, 25, 30, 33, 48, 50, 60, 120), no change will be performed if this value is set to 0
				[2] = frame width	-	-	in pixels
				[3] = frame height	-	-	in pixels
				[4] = flags	-	-	[0] = file-M-rate
					-	-	[1] = sensor-M-rate, valid when sensor-off-speed-set
-					-	[2] = sensor-off-speed	
-	-	[3] = interlaced					
-	-	[4] = windowed mode					
1.10	Set auto exposure mode	int8	-	0	4	0 = Manual Trigger, 1 = Iris, 2 = Shutter, 3 = Iris + Shutter, 4 = Shutter + Iris	
1.11	Shutter angle	int32	-	100	36000	Shutter angle in degrees, multiplied by 100	
1.12	Shutter speed	int32	-	Current sensor frame rate	5000	Shutter speed value as a fraction of 1, so 50 for 1/50th of a second	
1.13	Gain	int8	-	-128	127	Gain in decibel (dB)	
1.14	ISO	int32	-	0	2147483647	ISO value	
1.15	Display LUT	int8	[0] = selected LUT	-	-	0 = None, 1 = Custom, 2 = film to video, 3 = film to extended video	
			[1] = enabled or not	-	-	0 = Not enabled, 1 = Enabled	
1.16	ND Filter Stop	fixed16	[0] = stop	0.0	15.0	filter power, as f-stop	
			[1] = display mode	-	-	0 = stop 1 = density 2 = transmittance	

Group	ID	Parameter	Type	Index	Minimum	Maximum	Interpretation
Audio	2.0	Mic level	fixed16	–	0.0	1.0	0.0 = minimum, 1.0 = maximum
	2.1	Headphone level	fixed16	–	0.1	1.0	0.0 = minimum, 1.0 = maximum
	2.2	Headphone program mix	fixed16	–	0.1	1.0	0.0 = minimum, 1.0 = maximum
	2.3	Speaker level	fixed16	–	0.1	1.0	0.0 = minimum, 1.0 = maximum
	2.4	Input type	int8	–	0	3	0 = internal mic, 1 = line level input, 2 = low mic level input, 3 = high mic level input
	2.5	Input levels	fixed16	[0] ch0	0.0	1.0	0.0 = minimum, 1.0 = maximum
				[1] ch1	0.0	1.0	0.0 = minimum, 1.0 = maximum
2.6	Phantom power	boolean	–	–	–	true = powered, false = not powered	
Output	3.0	Overlay enables	uint16 bit field	[0] = bit field	–	–	bit flags: [0] = display status, [1] = display frame guides [2] = clean feed Some cameras don't allow separate control of frame guides and status overlays.
			uint16 bit field	[1] = target displays bit field	–	–	bit flags: [0] = LCD [1] = HDMI [2] = EVF [3] = Main SDI [4] = Front SDI
	3.1	Frame guides style (Camera 3.x)	int8	–	0	8	0 = HDTV, 1 = 4:3, 2 = 2.4:1, 3 = 2.39:1, 4 = 2.35:1, 5 = 1.85:1, 6 = thirds
	3.2	Frame guides opacity (Camera 3.x)	fixed16	–	0.1	1.0	0.0 = transparent, 1.0 = opaque
	3.3	Overlays (replaces .1 and .2 above from Cameras 4.0)	int8	[0] = frame guides style	–	–	0 = off, 1 = 2.4:1, 2 = 2.39:1, 3 = 2.35:1, 4 = 1.85:1, 5 = 16:9, 6 = 14:9, 7 = 4:3, 8 = 2:1, 9 = 4:5, 10 = 1:1
				[1] = frame guide opacity	0	100	0 = transparent, 100 = opaque
				[2] = safe area percentage	0	100	percentage of full frame used by safe area guide (0 means off)
[3] = grid style				–	–	bit flags: [0] = display thirds, [1] = display cross hairs, [2] = display center dot, [3] = display horizon	

Group	ID	Parameter	Type	Index	Minimum	Maximum	Interpretation
Display	4.0	Brightness	fixed16	–	0.0	1.0	0.0 = minimum, 1.0 = maximum
	4.1	Exposure and focus tools	uint16 bit field	[0] = bit field	–	–	bit flags: [0] = Zebra [1] = Focus Assist [2] = False Color
				uint16 bit field	[1] = target displays bit field	–	–
	4.2	Zebra level	fixed16	–	0.0	1.0	0.0 = minimum, 1.0 = maximum
	4.3	Peaking level	fixed16	–	0.0	1.0	0.0 = minimum, 1.0 = maximum
	4.4	Color bar enable	int8	–	0	30	0 = disable bars, 1-30 = enable bars with timeout (seconds)
	4.5	Focus Assist	int8	[0] = focus assist method	–	–	0 = Peak, 1 = Colored lines
				[1] = focus line color	–	–	0 = Red, 1 = Green, 2 = Blue, 3 = White, 4 = Black
4.6	Program return feed enable	int8	–	0	30	0 = disable, 1-30 = enable with timeout (seconds)	
4.7	Timecode Source	signed byte	[0] = source	–	–	0 = Clip, 1 = Timecode	
Tally	5.0	Tally brightness	fixed16	–	0.0	1.0	Sets the tally front and tally rear brightness to the same level. 0.0 = minimum, 1.0 = maximum
	5.1	Front tally brightness	fixed16	–	0.0	1.0	Sets the tally front brightness. 0.0 = minimum, 1.0 = maximum
	5.2	Rear tally brightness	fixed16	–	0.0	1.0	Sets the tally rear brightness. 0.0 = minimum, 1.0 = maximum Tally rear brightness cannot be turned off
Reference	6.0	Source	int8 enum	–	0	2	0 = internal, 1 = program, 2 = external
	6.1	Offset	int32	–	–	–	+/- offset in pixels
Configuration	7.0	Real Time Clock	int32	[0] time	–	–	BCD - HHMMSSFF (UCT)
				[1] date	–	–	BCD - YYYYMMDD
	7.1	System language	string	[0-1]	–	–	ISO-639-1 two character language code
	7.2	Timezone	int32	–	–	–	Minutes offset from UTC
	7.3	Location	int64	[0] latitude	–	–	BCD - s0DDdddddddddd where s is the sign: 0 = north (+), 1 = south (-); DD degrees, ddddddddddd decimal degrees
[1] longitude				–	–	BCD - sDDDdddddddddd where s is the sign: 0 = west (-), 1 = east (+); DDD degrees, dddddddddd decimal degrees	

Group	ID	Parameter	Type	Index	Minimum	Maximum	Interpretation
Color Correction	8.0	Lift Adjust	fixed16	[0] red	-2.0	2.0	default 0.0
				[1] green	-2.0	2.0	default 0.0
				[2] blue	-2.0	2.0	default 0.0
				[3] luma	-2.0	2.0	default 0.0
	8.1	Gamma Adjust	fixed16	[0] red	-4.0	4.0	default 0.0
				[1] green	-4.0	4.0	default 0.0
				[2] blue	-4.0	4.0	default 0.0
				[3] luma	-4.0	4.0	default 0.0
	8.2	Gain Adjust	fixed16	[0] red	0.0	16.0	default 1.0
				[1] green	0.0	16.0	default 1.0
				[2] blue	0.0	16.0	default 1.0
				[3] luma	0.0	16.0	default 1.0
	8.3	Offset Adjust	fixed16	[0] red	-8.0	8.0	default 0.0
				[1] green	-8.0	8.0	default 0.0
				[2] blue	-8.0	8.0	default 0.0
				[3] luma	-8.0	8.0	default 0.0
	8.4	Contrast Adjust	fixed16	[0] pivot	0.0	1.0	default 0.5
				[1] adj	0.0	2.0	default 1.0
	8.5	Luma mix	fixed16	–	0.0	1.0	default 1.0
	8.6	Color Adjust	fixed16	[0] hue	-1.0	1.0	default 0.0
[1] sat				0.0	2.0	default 1.0	
8.7	Correction Reset Default	void	–	–	–	reset to defaults	

Group	ID	Parameter	Type	Index	Minimum	Maximum	Interpretation
Media	10.0	Codec	int8 enum	[0] = basic codec	-	-	0 = CinemaDNG, 1 = DNxHD, 2 = ProRes, 3 = Blackmagic RAW
					-	-	CinemaDNG: 0 = uncompressed, 1 = lossy 3:1, 2 = lossy 4:1
				[1] = code variant	-	-	ProRes: 0 = HQ, 1 = 422, 2 = LT, 3 = Proxy, 4 = 444, 5 = 444XQ
					-	-	Blackmagic RAW: 0 = Q0, 1 = Q5, 2 = 3:1, 3 = 5:1, 4 = 8:1, 5 = 12:1
	10.1	Transport mode	int8	[0] = mode	-	-	0 = Preview, 1 = Play, 2 = Record
				[1] = speed	-	-	-ve = multiple speeds backwards, 0 = pause, +ve = multiple speeds forwards
				[2] = flags	-	-	1<<0 = loop, 1<<1 = play all, 1<<5 = disk1 active, 1<<6 = disk2 active, 1<<7 = time-lapse recording
				[3] = slot 1 storage medium	-	-	0 = CFast card, 1 = SD, 2 = SSD Recorder
				[4] = slot 2 storage medium	-	-	0 = CFast card, 1 = SD, 2 = SSD Recorder
	10.2	Playback Control	int8 enum	[0] = clip	-	-	0 = Previous, 1 = Next
10.5	Stream	bool	[0] = enabled	-	-	true = enabled, false = disabled	
10.6	Stream Information	void bool	[0] = enabled	-	-	true = enabled, false = disabled	
10.7	Stream Display 3D LUT	void bool	[0] = enabled	-	-	true = enabled, false = disabled	
PTZ Control	11.0	Pan/Tilt Velocity	fixed 16	[0] = pan velocity	-1.0	1.0	-1.0 = full speed left, 1.0 = full speed right
				[1] = tilt velocity	-1.0	1.0	-1.0 = full speed down, 1.0 = full speed up
	11.1	Memory Preset	int8 enum	[0] = preset command	-	-	0 = reset, 1 = store location, 2 = recall location
			int8	[1] = preset slot	0	5	-

Example Protocol Packets

Operation	Packet Length	Byte															
		0	1	2	3	4	5	6	7	8	9	10	11	12	13	14	15
		header				command				data							
		destination	length	command	reserved	category	parameter	type	operation								
trigger instantaneous auto focus on camera 4	8	4	4	0	0	0	1	0	0								
turn on OIS on all cameras	12	255	5	0	0	0	6	0	0	1	0	0	0				
set exposure to 10 ms on camera 4 (10 ms = 10000 us = 0x00002710)	12	4	8	0	0	1	5	3	0	0x10	0x27	0x00	0x00				
add 15% to zebra level (15 % = 0.15 f = 0x0133 fp)	12	4	6	0	0	4	2	128	1	0x33	0x01	0	0				
select 1080p 23.98 mode on all cameras	16	255	9	0	0	1	0	1	0	24	1	3	0	0	0	0	0
subtract 0.3 from gamma adjust for green & blue (-0.3 ~ = 0xfd9a fp)	16	4	12	0	0	8	1	128	1	0	0	0x9a	0xfd	0x9a	0xfd	0	0
all operations combined	76	4	4	0	0	0	1	0	0	255	5	0	0	0	6	0	0
		1	0	0	0	4	8	0	0	1	5	3	0	0x10	0x27	0x00	0x00
		4	6	0	0	4	2	128	1	0x33	0x01	0	0	255	9	0	0
		1	0	1	0	24	1	3	0	0	0	0	0	4	12	0	0
		8	1	128	1	0	0	0x9a	0xfd	0x9a	0xfd	0	0				

Blackmagic Tally Control Protocol

Version 1.0 (30/04/14)

This section is for third party developers or anybody who may wish to add support for the Blackmagic Tally Control Protocol to their products or system. It describes the protocol for sending tally information embedded in the non-active picture region of a digital video stream.

Data Flow

A master device such as a broadcast switcher embeds tally information into its program feed which is broadcast to a number of slave devices such as cameras or camera controllers. The output from the slave devices is typically fed back to the master device, but may also be sent to a video monitor.

The primary flow of tally information is from the master device to the slaves. Each slave device may use its device id to extract and display the relevant tally information.

Slave devices pass through the tally packet on their output and update the monitor tally status, so that monitor devices connected to that individual output may display tally status without knowledge of the device id they are monitoring.

Assumptions

Any data alignment/padding is explicit in the protocol. Bit fields are packed from LSB first.

Blanking Encoding

One tally control packet may be sent per video frame. Packets are encoded as a SMPTE 291M packet with DID/SDID x51/x52 in the active region of VANC line 15. A tally control packet may contain up to 256 bytes of tally information.

Packet Format

Each tally status consists of 4 bits of information:

```
uint4
bit 0:    program tally status (0=off, 1=on)
bit 1:    preview tally status (0=off, 1=on)
bit 2-3:  reserved (0x0)
```

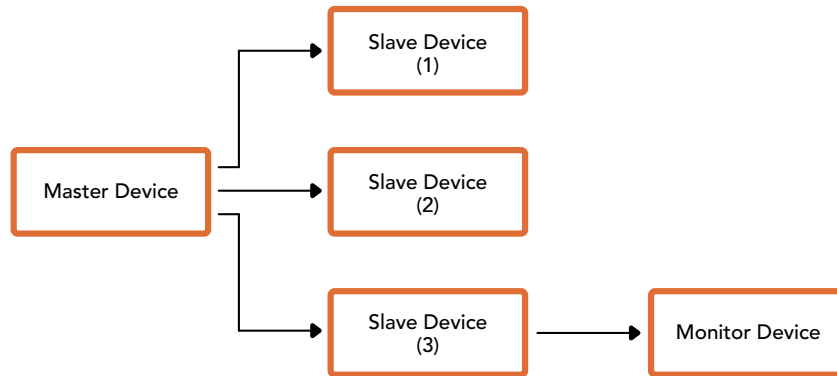
The first byte of the tally packet contains the monitor device tally status and a version number.

Subsequent bytes of the tally packet contain tally status for pairs of slave devices. The master device sends tally status for the number of devices configured/supported, up to a maximum of 510.

struct tally

```
uint8
bit 0:    monitor device program tally status (0=off, 1=on)
bit 1:    monitor device preview tally status (0=off, 1=on)
bit 2-3:  reserved (0b00)
bit 4-7:  protocol version (0b0000)
uint8[0]
bit 0:    slave device 1 program tally status (0=off, 1=on)
bit 1:    slave device 1 device preview tally status (0=off, 1=on)
bit 2-3:  reserved (0b00)
bit 4:    slave device 2 program tally status (0=off, 1=on)
bit 5:    slave device 2 preview tally status (0=off, 1=on)
bit 6-7:  reserved (0b00)
```

uint8[1]
bit 0: slave device 3 program tally status (0=off, 1=on)
bit 1: slave device 3 device preview tally status (0=off, 1=on)
bit 2-3: reserved (0b00)
bit 4: slave device 4 program tally status (0=off, 1=on)
bit 5: slave device 4 preview tally status (0=off, 1=on)
bit 6-7: reserved (0b00)
...



Byte	7 MSB	6	5	4	3	2	1	0 LSB
0	Version (0b0)	Version (0b0)	Version (0b0)	Version (0b0)	Reserved (0b0)	Reserved (0b0)	Monitor Preview	Monitor Program
1	Reserved (0b0)	Reserved (0b0)	Slave 1 Preview	Slave 1 Program	Reserved (0b0)	Reserved (0b0)	Slave 0 Preview	Slave 0 Program
2	Reserved (0b0)	Reserved (0b0)	Slave 3 Preview	Slave 3 Program	Reserved (0b0)	Reserved (0b0)	Slave 2 Preview	Slave 2 Program
3	...							

Assistenza

Il modo più veloce di ottenere assistenza è visitare la pagina Supporto di Blackmagic Design. Lì trovi sempre il materiale di supporto più recente.

Pagina di supporto online

Il manuale, il software e le note di supporto più recenti sono disponibili alla pagina www.blackmagicdesign.com/it/support

Contattare Blackmagic Design

Se il materiale di supporto non risponde alle tue domande, clicca su **Inviaci una email**, oppure su **Trova un team di supporto** per contattare direttamente il team di Blackmagic Design più vicino a te.

Verificare la versione del software

Per verificare quale versione del software Blackmagic Camera è installata sul tuo computer, apri la finestra About Blackmagic Camera Utility.

- Su Mac, apri la cartella **Applicazioni** e seleziona **About Blackmagic Camera Utility** per scoprire il numero della versione installata.
- Su Windows, seleziona **Blackmagic Camera Utility** dal menù **Start**. Clicca su **Help** e seleziona **About Blackmagic Camera Utility** per scoprirne la versione.

Dove trovare gli aggiornamenti più recenti del software

Dopo aver verificato la versione del software sul tuo computer, visita la pagina Supporto del nostro sito su www.blackmagicdesign.com/it/support per scaricare gli aggiornamenti più recenti. È consigliabile non aggiornare il software se stai già lavorando a un progetto importante.

Normative



Smaltimento di apparecchiature elettriche ed elettroniche nell'Unione Europea

Questo simbolo indica che il dispositivo non deve essere scartato insieme agli altri rifiuti, ma consegnato a uno degli appositi centri di raccolta e riciclaggio. La raccolta e lo smaltimento differenziato corretto di questo tipo di apparecchiatura evita lo spreco di risorse e contribuisce alla sostenibilità ambientale e umana. Per tutte le informazioni sui centri di raccolta e riciclaggio, contatta gli uffici del tuo comune di residenza o il punto vendita presso cui hai acquistato il prodotto.



Questo dispositivo è stato testato e dichiarato conforme ai limiti relativi ai dispositivi digitali di Classe A, ai sensi dell'articolo 15 del regolamento FCC. Tali limiti sono stati stabiliti con lo scopo di fornire protezione ragionevole da interferenze dannose in ambienti commerciali. Questo dispositivo genera, usa e può irradiare energia a radiofrequenza e, se non è installato o usato in conformità alle istruzioni, può causare interferenze dannose che compromettono le comunicazioni radio. Operare questo dispositivo in ambienti residenziali può causare interferenze dannose, nella cui evenienza l'utente dovrà porvi rimedio a proprie spese.

Il funzionamento è soggetto alle due condizioni seguenti:

- 1 Questo dispositivo non deve causare interferenze dannose.
- 2 Questo dispositivo deve accettare eventuali interferenze ricevute, incluse le interferenze che possono causare un funzionamento indesiderato.



R-R-BMD-20210915001
R-R-BMD-20200421002
R-R-BMD-20200916001
R-R-BMD-20200916002
R-REM-BMD-201803004
R-REM-BMD-201803003
MSIP-REM-BMD-201612001



Dichiarazione ISED (Canada)

Questo dispositivo è conforme agli standard canadesi sui dispositivi digitali di Classe A.

Qualsiasi modifica o utilizzo del dispositivo al di fuori di quello previsto potrebbero invalidare la conformità a tali standard.

Questo dispositivo è stato testato per l'uso in ambienti commerciali.

Bluetooth®

Questo dispositivo è operabile tramite la tecnologia wireless Bluetooth.

Contiene il modulo di trasmissione FCC ID: QOQBGM113

Questo dispositivo rispetta i limiti di esposizione alle radiazioni negli ambienti non controllati dettati dalla FCC.

Contiene il modulo di trasmissione IC: 5123A-BGM113

Questo dispositivo rispetta la normativa di Industry Canada, che prevede l'esenzione di determinati standard RSS ed eccezioni da valutazioni SAR di routine secondo la normativa RSS-102 Issue 5.

Certificato per il Giappone con il numero: 209-J00204. Questo dispositivo contiene attrezzatura radio certificata secondo la Technical Regulation Conformity Certification ai sensi della legge sulle apparecchiature radio.

Questo dispositivo è certificato per la Corea del Sud con il numero: MSIP-CRM-BGT-BGM113
Blackmagic Design dichiara che URSA Broadcast G2 utilizza sistemi di trasmissione a banda larga ISM a 2,4 GHz, ai sensi della direttiva 2014/53/EU.

Per il testo integrale della dichiarazione di conformità alle direttive EU, contatta compliance@blackmagicdesign.com.

Sicurezza

L'alimentatore da AC a DC 12V per URSA Broadcast G2 e il cavo di alimentazione IEC per Studio Fiber Converter devono essere connessi a una presa di corrente con messa a terra.

URSA Broadcast G2 e Blackmagic Camera Fiber Converter sono adatti all'uso nei luoghi tropicali con una temperatura ambiente non superiore ai 40°C, Blackmagic Studio Fiber Converter fino ai 50°C.

Lasciare uno spazio adeguato intorno a Studio Fiber Converter e Camera Fiber Converter per consentire sufficiente ventilazione. Se Studio Fiber Converter è installato su rack, assicurarsi che i dispositivi adiacenti non ostacolino la ventilazione.

Le parti all'interno di URSA Broadcast G2, Camera Fiber Converter e Studio Fiber Converter non sono riparabili dall'utente. Contattare un centro assistenza Blackmagic Design per le operazioni di manutenzione.

Dichiarazione dello Stato della California

Questo dispositivo può esporre l'utente a sostanze chimiche, per esempio tracce di bifenili polibromurati nelle parti in plastica, che nello Stato della California sono considerati causa di cancro e difetti alla nascita o altri danni riproduttivi.

Per maggiori informazioni, visitare la pagina www.P65Warnings.ca.gov.

Blackmagic URSA Broadcast G2

In condizioni di forte illuminazione, si consiglia di coprire il dispositivo per evitare che la camera e la batteria al litio siano esposte alla luce del sole per lunghi periodi. Mantenere le batterie al litio lontano dalle sorgenti di calore.

Il connettore DC 12V è adatto per alimentare Blackmagic URSA Viewfinder o Blackmagic URSA Studio Viewfinder. Se connesso ad altri accessori, assicurarsi che il consumo energetico non superi i 18W.



Blackmagic Studio Fiber Converter

Per ridurre il rischio di scosse elettriche, evitare di esporre il dispositivo a gocce o spruzzi. Usare il dispositivo a un'altitudine non superiore a 2000 m sopra il livello del mare.

Blackmagic Camera Fiber Converter

Utilizzare il dispositivo solo se connesso a Studio Fiber Converter. Quando in uso, il convertitore è progettato per ricevere tensione pericolosa da Studio Fiber Converter.

Garanzia

Garanzia limitata

Blackmagic Design garantisce che questo prodotto è fornito privo di difetti nei materiali e nella manifattura per un periodo di 12 mesi a partire dalla data d'acquisto. Durante il periodo di garanzia Blackmagic Design riparerà o, a sua scelta, sostituirà tutti i componenti che risultino difettosi esonerando il/la Cliente da costi aggiuntivi, purché i componenti vengano restituiti dal/la Cliente.

Per ottenere l'assistenza prevista dalla presente garanzia, il/la Cliente deve notificare Blackmagic Design del difetto entro il periodo di garanzia e organizzare il servizio di riparazione. Il/la Cliente è responsabile del costo di imballaggio e di spedizione del prodotto al centro di assistenza indicato da Blackmagic Design, con spese di spedizione prepagate. Le spese di spedizione, l'assicurazione, le tasse, la dogana e altre spese pertinenti la resa del prodotto a Blackmagic Design sono a carico del/la Cliente.

Questa garanzia perde di validità in caso di difetti, guasti o danni causati da un utilizzo improprio o da manutenzione e cura inadeguate del prodotto. Blackmagic Design non ha obbligo sotto questa garanzia a: a) riparare danni causati da tentativi di installazione, riparazione o manutenzione da parte di personale che non sia autorizzato da Blackmagic Design, b) riparare danni causati da uso improprio o connessione ad attrezzatura incompatibile, c) riparare danni o malfunzionamenti causati dall'uso di parti o ricambi non originali Blackmagic Design, o d) fare manutenzione se il prodotto è stato modificato o integrato ad altri prodotti con il risultato di allungare i tempi della manutenzione o di renderla più difficoltosa.

Esporre URSA Viewfinder alla luce diretta del sole può danneggiare il display, poiché le ottiche del viewfinder si comportano come una lente d'ingrandimento. È possibile che si verifichi una ritenzione di immagine o l'effetto burn-in sui pannelli OLED quando visualizzano immagini statiche o ad alto contrasto, per esempio le guide di inquadratura, per lunghi periodi. Per evitare questo problema, evita di coprire deliberatamente il sensore di movimento a infrarossi e disconnetti il viewfinder quando non è in uso per lunghi periodi. La ritenzione di immagine non è coperta da questa garanzia.

LA PRESENTE GARANZIA DI BLACKMAGIC DESIGN SOSTITUISCE QUALSIASI ALTRA GARANZIA, ESPLICITA O IMPLICITA. BLACKMAGIC DESIGN E I SUOI FORNITORI ESCLUDONO QUALSIASI ALTRA GARANZIA IMPLICITA DI COMMERCIALIZZABILITÀ O DI IDONEITÀ AD UN USO SPECIFICO. L'INTERA RESPONSABILITÀ DI BLACKMAGIC DESIGN DI RIPARARE O SOSTITUIRE I PRODOTTI DIFETTOSI DURANTE IL PERIODO DI GARANZIA È L'UNICO ED ESCLUSIVO RIMEDIO FORNITO AL/LA CLIENTE. BLACKMAGIC DESIGN NON SI ASSUME ALCUNA RESPONSABILITÀ PER QUALSIASI DANNO ARRECATO DI NATURA INDIRETTA, SPECIFICA, ACCIDENTALE O CONSEGUENZIALE, ANCHE QUALORA BLACKMAGIC DESIGN O IL FORNITORE FOSSERO STATI AVVERTITI DELLA POSSIBILITÀ DI TALI DANNI. BLACKMAGIC DESIGN NON SI ASSUME ALCUNA RESPONSABILITÀ PER QUALSIASI USO ILLEGALE DEL DISPOSITIVO DA PARTE DEL/LA CLIENTE. BLACKMAGIC DESIGN NON SI ASSUME ALCUNA RESPONSABILITÀ PER DANNI DERIVANTI DALL'USO DI QUESTO PRODOTTO. IL/LA CLIENTE UTILIZZA QUESTO PRODOTTO A PROPRIO RISCHIO.

© Copyright 2022 Blackmagic Design. Tutti i diritti riservati. Blackmagic Design, URSA, DeckLink, HDLink, Workgroup Videohub, Multibridge Pro, Multibridge Extreme, Intensity e Leading the creative video revolution sono marchi registrati negli Stati Uniti e in altri Paesi. Altri nomi di prodotti e aziende qui contenuti potrebbero essere marchi dei rispettivi proprietari.

Agosto 2022

Manual de Instalação e Operação

Blackmagicdesign

Blackmagic URSA Broadcast G2



Blackmagic URSA Broadcast G2



Prezado Cliente,

Obrigado por adquirir uma Blackmagic URSA Broadcast G2.

A Blackmagic URSA Broadcast G2 é uma câmera extremamente poderosa, projetada para emissoras tradicionais e online. O design versátil da câmera permite que ela funcione como uma câmera de produção 4K, uma câmera de estúdio 4K ou uma câmera cinematográfica digital 6K.

Feita de liga de magnésio leve e resistente, sua Blackmagic URSA Broadcast G2 possui um equilíbrio perfeito e é confortável para usar o dia todo, com controles físicos na ponta dos dedos. Isso significa que você pode alterar filtros ND, velocidade do obturador, balanço de branco, ISO e muito mais sem tirar os olhos do visor.

A URSA Broadcast G2 é compatível com lentes broadcast B4 e grava tipos de arquivos comuns, como Blackmagic RAW e Apple ProRes, além de formatos H.264 e H.265 de 10 bits, alta eficiência e qualidade profissional. O ganho nativo duplo proporciona um desempenho fantástico sob pouca luz e é otimizado para reduzir granulação e ruídos em ISOs mais altos, mantendo o alcance dinâmico completo do sensor.

Esperamos que você utilize sua URSA Broadcast G2 para produzir os programas de televisão, documentários e conteúdos de estúdio ao vivo mais fascinantes do mundo. Estamos ansiosos para conferir os seus futuros trabalhos criativos e adoráramos receber sugestões de recursos que você gostaria de ver na URSA.

Grant Petty

Diretor Executivo da Blackmagic Design

Índice

Primeiros Passos	2526	Reprodução em loop	2602
Encaixar uma Lente	2526	Configurações	2603
Ligar a Câmera	2527	Painel de Controle	2603
Usar Lentes Servo Zoom	2529	Configurações de Gravação	2603
Configurar o Foco Traseiro em Lentes B4	2535	Convenção de Nomeação de Arquivos	2609
Mídias de Armazenamento	2539	Configurações de Monitoramento	2610
Cartões CFast	2539	Configurações de Áudio	2616
Cartões SD	2540	Ajustar Configurações	2619
Gravando em unidades flash USB-C SSDs	2542	Predefinir	2636
Preparar Mídias para Gravação	2545	LUTS	2639
Preparar Mídias na Blackmagic URSA Broadcast G2	2545	Inserção de Metadados	2642
Preparar Mídias no Mac	2547	Estabilização por Giroscópio	2647
Preparar Mídias no Windows	2548	Streaming de Vídeo	2649
Gravação	2549	Conexão com Smartphone	2650
Gravar Clipes	2549	Configurações	2650
Selecionar Codec, Resolução e Área do Sensor	2550	Configurar o ID de Câmera ATEM	2651
Blackmagic RAW	2551	Criando o Arquivo XML	2651
Gravar com Blackmagic RAW	2551	Exportando o Arquivo XML	2651
Selecionar Taxas de Quadro	2554	Carregando o Arquivo XML	2652
Disparo de Gravação em Equipamentos Externos	2557	URSA Mini Shoulder Kit	2653
Tabela de Duração de Gravações	2557	Blackmagic URSA Viewfinder	2656
Reprodução	2559	Encaixar e Conectar à Blackmagic URSA Broadcast G2	2656
Conexões e Recursos da URSA Broadcast G2	2560	Ajustar o Visor Ocular	2657
Frente da Câmera	2560	Botões de Recursos	2657
Lado Esquerdo	2561	Menu de Configurações	2658
Controles Laterais Esquerdos	2561	Blackmagic URSA Studio Viewfinder	2662
Lado Direito	2563	Encaixar e Conectar à Blackmagic URSA Broadcast G2	2663
Painel Traseiro	2564	Ajustar o Blackmagic URSA Studio Viewfinder	2665
Painel Superior	2566	Botões de Recurso	2668
Parte Inferior	2566	Menu de Configurações	2670
Controles da URSA Broadcast G2	2567	Blackmagic Zoom e Focus Demands	2675
Painel de Controle Frontal	2567	Conectar e Encaixar à Câmera	2675
Painel de Controle Ergonômico	2570	Usar Blackmagic Focus Demand	2677
Painel de Controle Interno	2575	Usar Blackmagic Zoom Demand	2678
Saídas de Vídeo da Câmera	2577	Encaixar Baterias	2679
Saída de Monitoramento HD	2577	Encaixar Baterias de Montagem V ou Montagem Gold	2679
Saída 12G-SDI	2577	Usar sua própria Placa Adaptadora de Bateria	2681
Controles da Tela de Toque	2579	Blackmagic Fiber Converters	2683
Barra de Ferramentas Superior	2579	Instruções Preliminares para os Blackmagic Fiber Converters	2684
Barra de Ferramentas Inferior	2596	Sobre a Fibra SMPTE	2684

Conectar Fibra SMPTE	2686	Adaptadores para Montagem de Lentes	2729
Por que as Conexões São Frontais?	2690	Blackmagic URSA Mini Pro Shim Kit	2729
Conectar SDI de Câmera	2691	Adaptar Encaixes	2730
Conectar Saídas de Retorno SDI	2691	URSA Mini Recorder	2731
Montar o Blackmagic Camera Fiber Converter	2691	Fixar e Conectar o URSA Mini Recorder	2732
Encaixar o URSA Studio Viewfinder	2694	Usar URSA Mini Recorder	2734
Plugar um Headset de Intercomunicação	2694	Atualizar o Software Interno do URSA Mini Recorder	2735
Operar o Camera Fiber Converter	2695	Como Utilizar o Controle de Câmera de Estúdio	2736
Selecionar uma Alimentação de Retorno	2695	Usar Controle de Câmera	2737
Usar o Botão Call	2696	Corretor Primário de Cores DaVinci Resolve	2742
Usar Intercomunicação	2696	Como Utilizar o DaVinci Resolve	2746
Usar Sinalização	2697	Gerente de Projetos	2746
Indicadores de Status	2697	Editar com a Página Corte	2747
Entradas de Áudio	2698	Adicionar Clipes à Linha de Tempo	2750
Vídeo IP	2699	Editando Clipes na Linha de Tempo	2751
Especificações de Alimentação	2699	Visualização de Aparo de Som	2751
Controles de Câmera Adicionais	2700	Adicionando Títulos	2752
Operar o Studio Fiber Converter	2701	Trabalhando com Arquivos Blackmagic RAW	2753
Usar o Menu	2702	Corrigindo Cores dos seus Clipes com a Página Cor	2757
Montar Unidade de Estúdio em Rack	2705	Adicionando uma Power Window	2760
Conexões da Unidade de Câmera	2709	Usando Plug-ins	2762
Conexão de Alimentação de Câmera	2709	Misturando Seu Áudio	2763
Interface PTZ	2709	Adicionando VFX e Composições na Página Fusion	2768
Conexão para Intercomunicação	2710	Masterizar Sua Edição	2777
Interface de Rastreamento	2711	Exportação Rápida	2777
Conexão DC	2711	Página Entrega	2778
Saída D-Tap	2712	Blackmagic Camera Setup Utility	2779
Saída de Referência e Operação	2712	Trabalhar com Software de Terceiros	2780
Conexões da Unidade de Estúdio	2713	Trabalhar com Arquivos de cartões CFast 2.0 e SD	2781
Saída 12G-SDI	2713	Trabalhar com Arquivos de SSDs	2781
Entradas de Retorno SDI	2713	Usar Final Cut Pro X	2782
Entrada e Saída de Sincronização	2714	Utilizar Avid Media Composer 2018	2783
Interface de Intercomunicação	2714	Usar Adobe Premiere Pro CC	2783
Interface PTZ	2715	Developer Information	2785
Saídas de Áudio	2716	Blackmagic Bluetooth Camera Control	2785
Atualizar o Software Interno	2717	Blackmagic SDI and Bluetooth Camera Control Protocol	2787
Atualizar o Blackmagic Camera Fiber Converter	2717	Example Protocol Packets	2795
Atualizar o Blackmagic Studio Fiber Converter	2717	Blackmagic Tally Control Protocol	2796
Encaixe de Lentes Intercambiável	2718	Ajuda	2798
Remover o Encaixe B4	2719	Informações Regulatórias	2799
Blackmagic URSA Mini Pro EF Mount	2719	Informações de Segurança	2800
Blackmagic URSA Mini Pro F Mount	2721	Garantia	2801
Blackmagic URSA Mini Pro PL Mount	2725		
Blackmagic URSA Broadcast G2 B4 Mount	2728		

Primeiros Passos

Para começar a usar a Blackmagic URSA Blackmagic URSA Broadcast G2, basta montar uma lente e ligar a câmera.

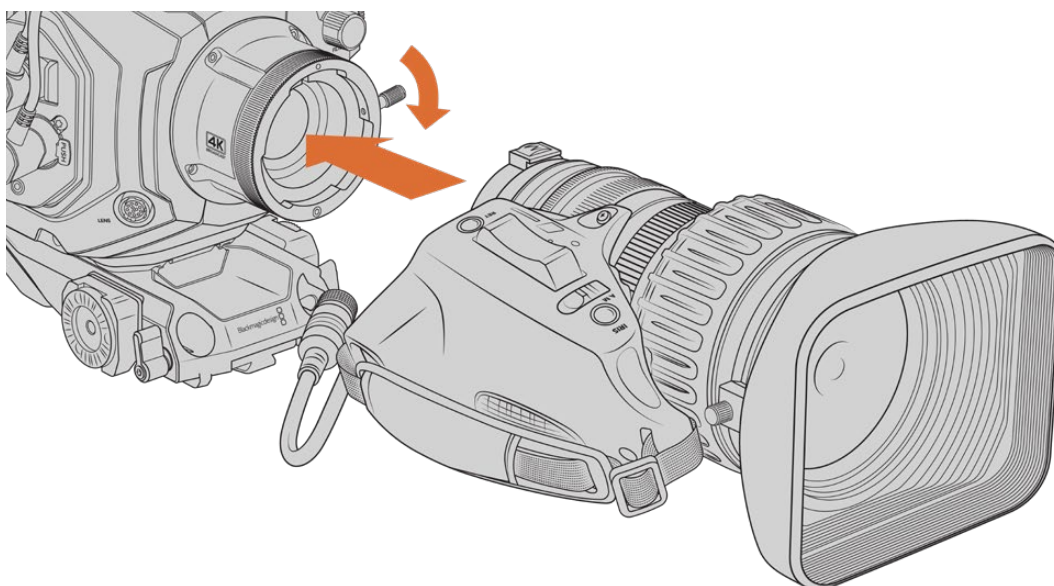
Encaixar uma Lente

A URSA Broadcast G2 é fornecida com um encaixe de lente B4 para lentes broadcast HD e Ultra HD. Um encaixe EF adicional é incluído para que você também possa usar lentes fotográficas, outras lentes de zoom compactas e lentes cinematográficas EF. Para mais informações sobre trocas de encaixes, consulte a seção 'Encaixe de Lentes Intercambiável' neste manual.

O encaixe B4 da URSA Broadcast G2 inclui sistemas ópticos desenvolvidos especificamente para funcionar com o sensor da câmera e produzir o mesmo ângulo de visão e profundidade de campo das câmeras broadcast com sensores de 2/3". Assim, caso tenha experiência em teledifusão, você poderá encaixar suas lentes B4 existentes à URSA Broadcast G2 e captar imagens com confiança.

Para remover a tampa antipoeira da câmera, gire o anel externo no sentido anti-horário e retire a tampa do encaixe.

Como encaixar uma lente de montagem B4:



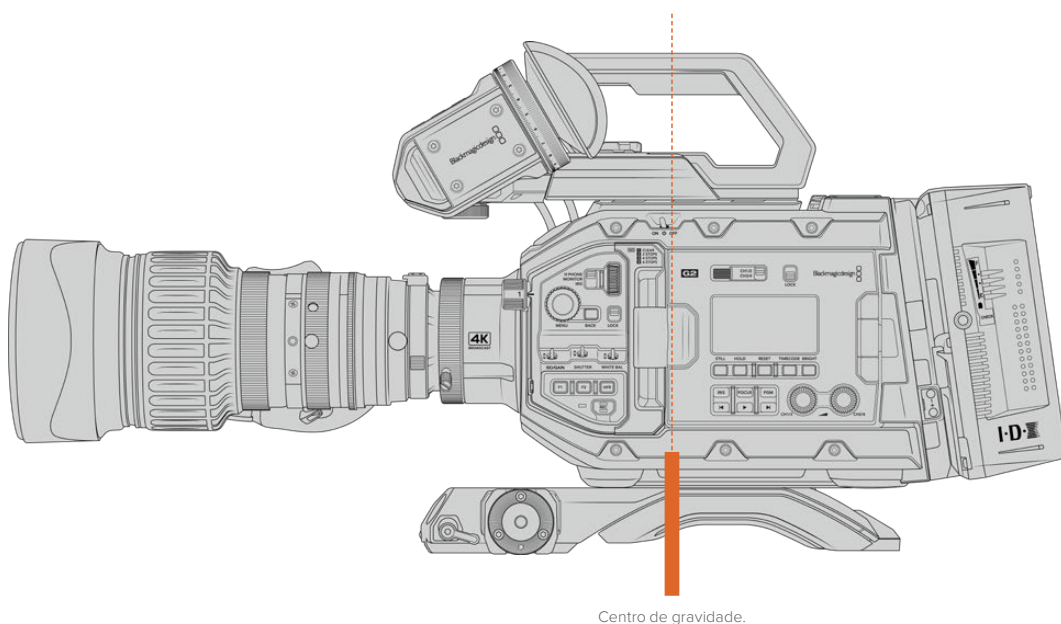
Gire o anel de travamento no sentido horário para fixar a lente à câmera.

- 1** Gire o anel de travamento da lente B4 no sentido anti-horário para expor a fenda de alinhamento na parte superior interna do encaixe. Alinhe a lente B4 ao encaixe B4 da URSA Broadcast G2 de modo que a fenda na lente corresponda à posição da fenda de alinhamento.
- 2** Segure a lente contra a encaixe B4 de modo que as placas de montagem estejam alinhadas e certifique-se de que o pino de alinhamento esteja no interior da fenda de alinhamento.
- 3** Gire o anel de travamento no sentido horário para fixar a lente no encaixe e travá-la em posição.
- 4** Para alimentar e controlar a lente, basta conectar o cabo da lente no conector demarcado "Lens" na frente da torre da URSA Broadcast G2. A maioria das lentes B4 possuirá o conector de 12 pinos e o cabo integrados. Eles fornecerão a alimentação e os sinais de controle da sua URSA Broadcast G2 para a lente.

Para informações sobre os tipos de lentes B4 e como usá-las com sua câmera, consulte a seção 'Usar Lentes Servo Zoom' deste manual.

OBSERVAÇÃO Quando não houver uma lente fixada à câmera, o elemento óptico do encaixe B4 da URSA Broadcast G2 ficará exposto à poeira e outros resíduos. Mantenha a proteção antipoeira no sensor da câmera sempre que possível.

Muitas lentes B4 podem ser bastante longas devido ao seu alcance de zoom extremo. Ao usar a URSA Broadcast G2 com lentes B4, o centro de gravidade da sua câmera se deslocará para a frente. O suporte de ombro URSA Mini acolchoado pode ser adaptado em conformidade.



Ao encaixar a URSA Broadcast G2 no URSA Mini Shoulder Pad, também é uma boa ideia fixar a câmera na parte traseira da base do encaixe de ombro para utilizar lentes zoom mais longas. Isso desloca o centro de gravidade do seu rig de câmera para o centro do encaixe, facilitando o equilíbrio no ombro e uma posição de repouso firme quando estiver apoiada em uma mesa ou superfície plana. Consulte a seção 'URSA Mini Shoulder Kit' neste manual para informações sobre a instalação do descanso de ombro.

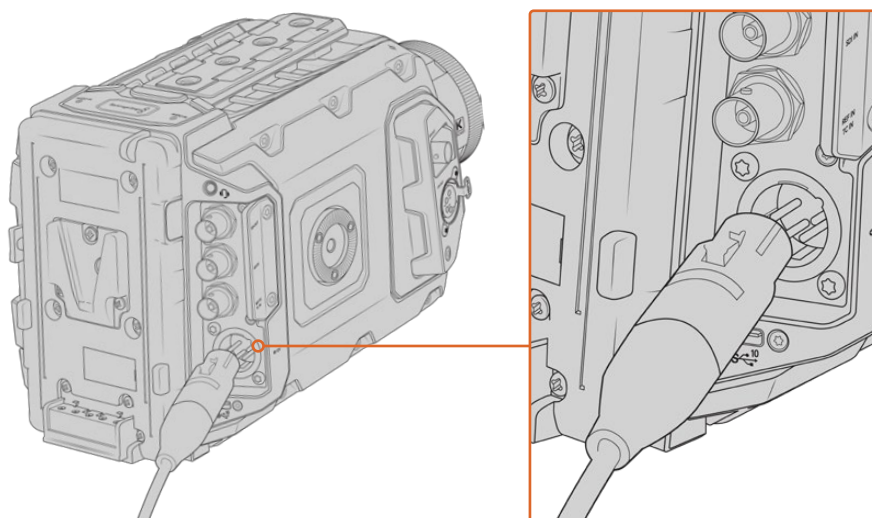
Ligar a Câmera

Agora que você encaixou uma lente, você precisará fornecer energia. A melhor maneira de alimentar sua câmera é conectar a alimentação externa usando o adaptador AC/DC 12 V incluso.

Como conectar alimentação externa:

- 1 Conecte o adaptador AC para DC de 12 V na tomada.
- 2 Encaixe o conector XLR de 4 pinos do adaptador AC/DC 12 V ao conector de alimentação DC 12 – 18 V DC da câmera.

Caso a alimentação externa e bateria estejam conectadas, apenas a alimentação externa será utilizada. Se você remover a alimentação externa enquanto uma bateria carregada estiver conectada, sua câmera alternará para a alimentação por bateria sem interrupção.



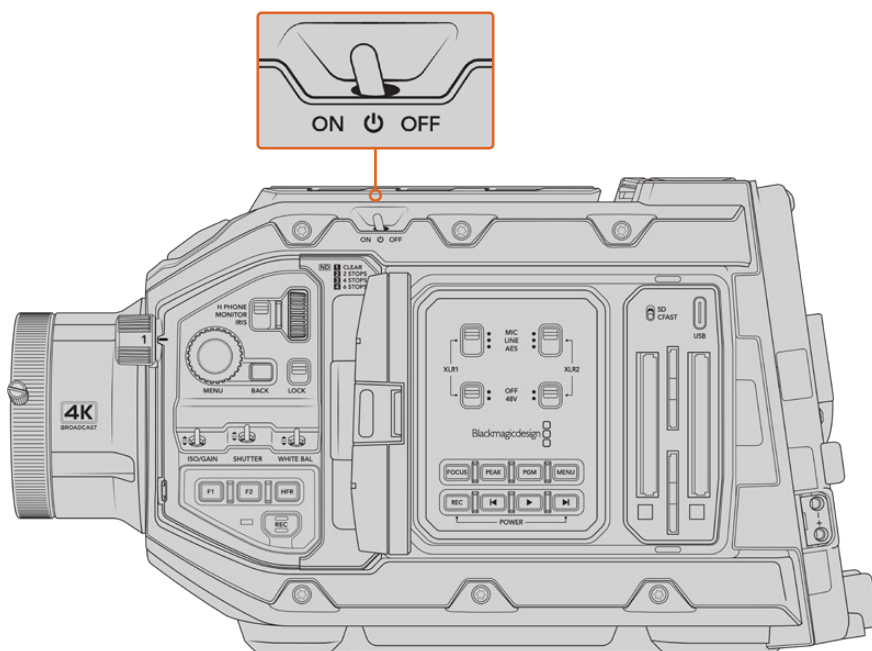
Utilize o adaptador AC/DC 12 V incluso para alimentar sua Blackmagic URSA Broadcast G2.

A Blackmagic URSA Broadcast G2 é fornecida com uma URSA VLock Battery Plate. Isso permite que você use baterias de montagem V padrão da indústria com a sua câmera. Consulte a seção 'Encaixar Baterias' para mais informações sobre a montagem de diferentes placas adaptadoras com suporte para diversas baterias.

Como ligar a URSA Broadcast G2:

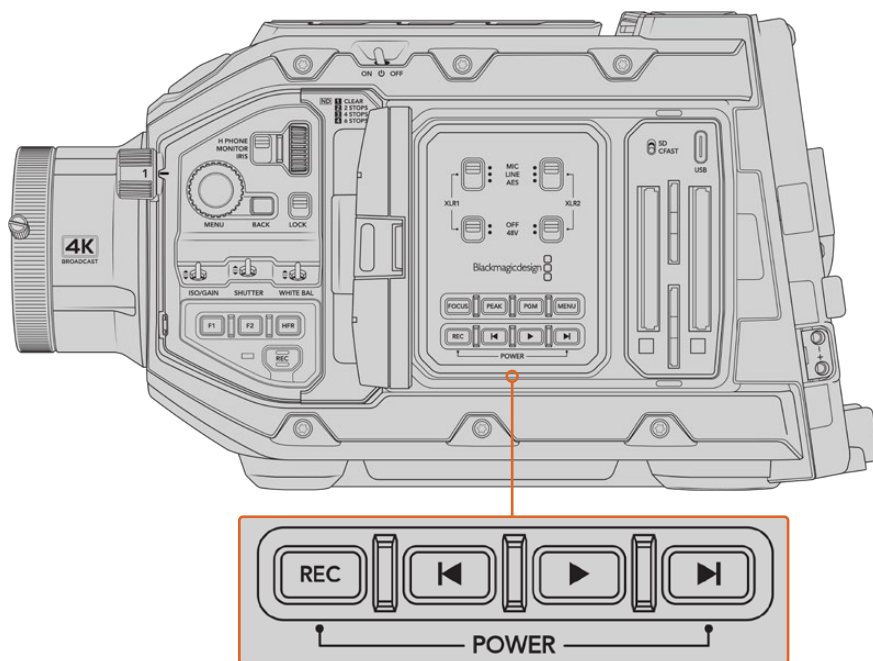
- 1 Mova a chave de alimentação localizada acima da tela LCD articulada para a posição "On".
- 2 Para desligar a câmera, mova a chave para a posição "Off".

Agora você está pronto para inserir suas mídias e começar a gravar.



Mova a chave de alimentação para a posição "On" para ligar sua câmera.

A URSA Broadcast G2 também inclui uma chave de alimentação redundante, o que permite que a câmera seja ligada e desligada ao segurar os botões "Rec" e "Avançar" no painel de controle interno. Mesmo que você normalmente não ligue sua câmera usando este método, ele é uma alternativa útil caso a chave de alimentação na parte superior da câmera seja obstruída, por exemplo, quando a câmera estiver montada em um rig personalizado.



Caso necessário, você pode segurar os botões de gravação e avanço no painel de controle atrás da tela LCD para ligar ou desligar sua câmera.

DICA Caso a URSA Broadcast G2 seja desligada enquanto a chave de alimentação estiver na posição “On”, sua câmera pode ter sido desligada através do controle Bluetooth® ou ao pressionar e segurar os botões de gravação e avançar no painel de controle. Basta alternar a chave de alimentação para “Off” e “On” ou segurar os botões do painel de controle relevantes para ligar a câmera.

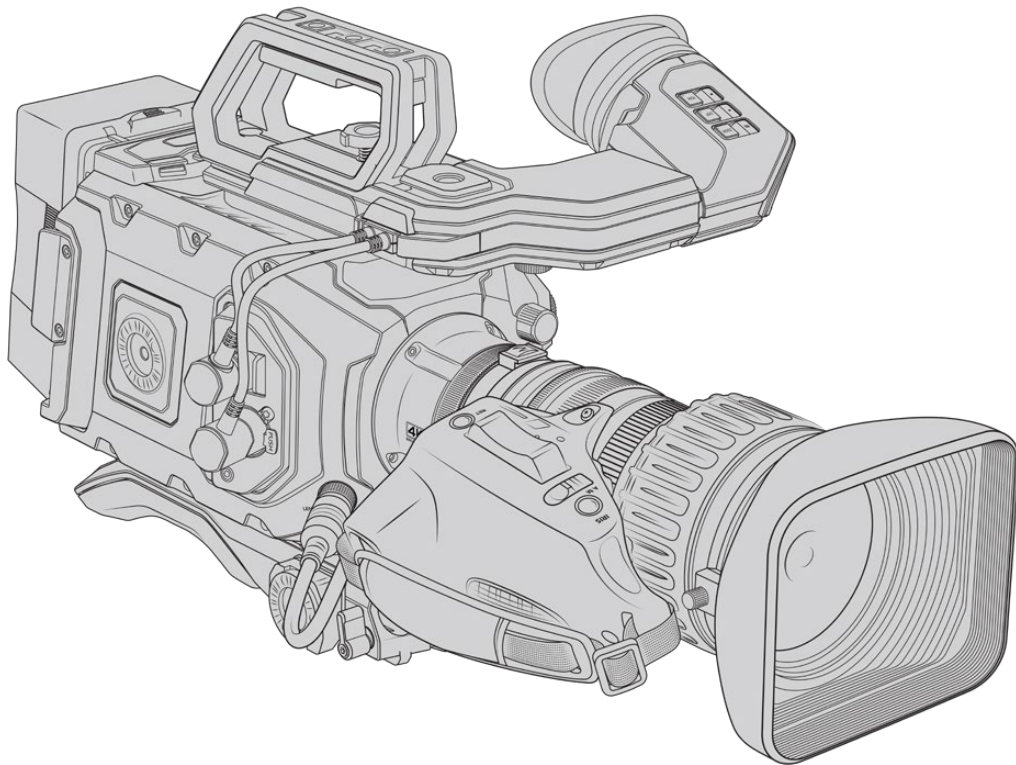
Usar Lentes Servo Zoom

Sua câmera URSA Broadcast G2 é nativamente compatível com lentes broadcast B4 controladas por servo. Para mais informações sobre como encaixar uma lente B4 na sua câmera, consulte a seção ‘Encaixar uma Lente’ no início deste manual.

DICA Ao usar o encaixe URSA Mini Pro PL opcional, a URSA Broadcast G2 também obtém compatibilidade com lentes cinematográficas PL controladas por servo.

As lentes broadcast B4 oferecem vários recursos que não estão normalmente presentes em lentes fotográficas e cinematográficas. Além da capacidade de manter o foco ao longo de um alcance de zoom extenso, essas lentes se diferenciam pelos controles na empunhadura e pelas funções de zoom e íris controladas por servo. Algumas lentes também incluem foco controlado por servo. Com o conector de lente instalado, a íris e o zoom podem ser controlados pela empunhadura, pela câmera ou utilizando uma Blackmagic Zoom Demand opcional. Você pode até controlar sua lente remotamente através de um switcher ATEM.

As lentes que possuem servo de foco podem aceitar comandos de foco automático da câmera, rastrear foco continuamente usando uma Blackmagic Focus Demand opcional ou receber comandos de foco de um switcher ATEM.



As lentes B4 com controle de íris e zoom incluem:

- Modelos de lentes Fujinon B4 com prefixos HA, ZA, XA, UA e L no nome do modelo e com RM no sufixo. Por exemplo, Fujinon **XA20sxBRM**.
- Modelos de lentes Canon B4 com prefixos HJ, KJ e CJ; e sufixos RSE ou RSD. Por exemplo, Canon **KJ20x8.2B IRSD**.

As lentes B4 com controle servo completo de foco, íris e zoom incluem:

- Modelos Fujinon B4 com prefixos HA, ZA e UA em seus nomes e as letras RD ou ZD no sufixo. Por exemplo, Fujinon **HA22x7.8 BERD**.
- Lentes Fujinon tipo caixa com prefixos XA e UA.
- Lentes Canon B4 com prefixos HJ, KJ..ex e CJ; e as letras ASE ou ASD no sufixo. Por exemplo, Canon **HJ24ex7.5B IASE**.
- Lentes Canon tipo caixa com prefixos XJ e UJ.

DICA As lentes tipo caixa mencionadas acima suportam controles servo tanto para zoom quanto para foco. Consulte o fornecedor da sua lente para confirmar se os motores servo estão presentes.

A Blackmagic URSA Broadcast G2 é fornecida pronta para gravar Blackmagic RAW em Ultra HD. Para confirmar suas configurações de gravação, basta pressionar o botão “Menu” para abrir o menu de configurações no LCD. O primeiro item do menu é a aba “Gravar”, onde você pode verificar as configurações de codec e resolução. Mais informações sobre como usar as configurações do menu são fornecidas mais adiante no manual.



Configurações Blackmagic RAW padrão na aba Gravar.

Ultra HD também é a resolução padrão tanto para codecs ProRes quanto H.265. Caso queira filmar em HD, esta opção também está disponível em ProRes ou H.264.



Aba Gravar no menu de configurações.

DICA Se você notar vinhetas nas imagens ao usar uma lente B4, verifique se a resolução está definida em Ultra HD quando configurada para Blackmagic RAW. Caso esteja gravando em ProRes ou H.264/5, ajustar a "Área do Sensor" da câmera para 4K se adequará à área óptica coberta pelo encaixe B4. Para mais informações, consulte a seção 'Configurações de Gravação' neste manual.

Controles de lentes B4

Íris

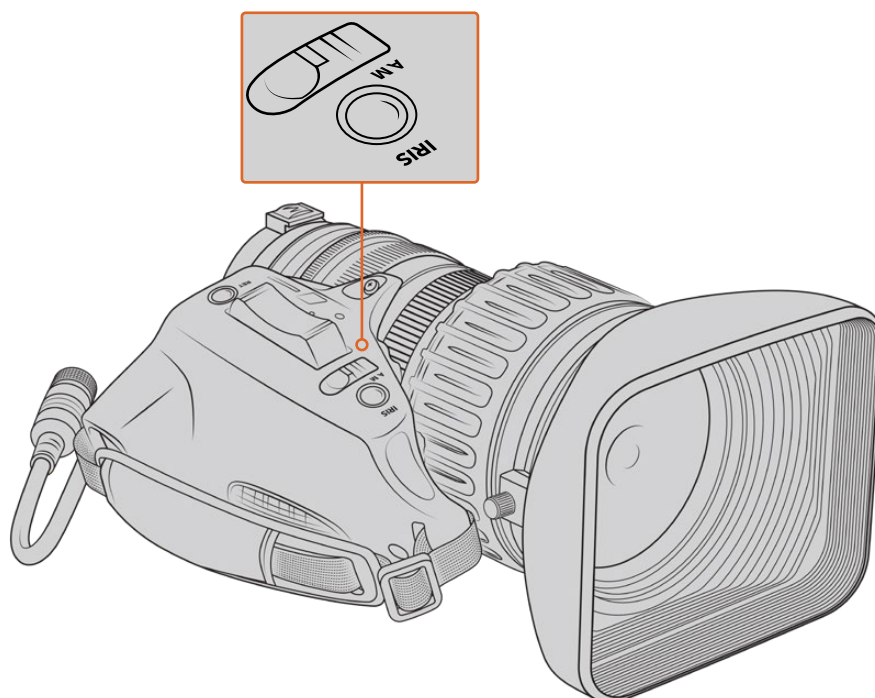
Na parte superior da maioria dos punhos B4, você encontrará uma chave “Auto/Manual” ou “A/M” e uma chave “Push Auto” ou “Iris”. Estes são os controles para o anel de abertura da lente.

Auto

Configure esta chave como “Auto” ou “A” para ajustar a abertura da sua lente através da sua URSA Broadcast G2, Blackmagic Zoom Demand ou switcher ATEM. É possível ajustar a abertura da URSA Broadcast G2 usando o anel da íris, as teclas do painel de controle interno, controles da tela de toque ou nos modos de exposição automáticos baseados na íris. Consulte as seções ‘Controles da URSA Broadcast G2’ e ‘Controles da Tela de Toque’ neste manual para mais detalhes. Durante a operação no modo “Auto”, não será possível mover o anel de abertura da sua lente B4 manualmente.

Manual

Configure esta chave para “Manual” ou “M” para ajustar a abertura da sua lente girando o anel de íris no barril da lente. Neste modo, sua lente não aceitará os comandos de abertura da sua URSA Broadcast G2 ou switcher ATEM.



Botão Auto/Iris

Use este botão para ativar o controle de abertura automática “Auto” momentaneamente enquanto estiver no modo “Manual”. Isso pode ser combinado aos controles de íris da sua câmera ou do switcher ATEM com grande efeito.

Por exemplo, com sua câmera configurada em um modo de exposição automático e sua abertura de lente configurada como “Manual”, é possível ajustar a íris da sua lente livremente usando o anel de abertura no barril da lente. No entanto, apertar o botão “Auto” ou “Iris” ativará a exposição automática momentaneamente, ajustando sua íris para as condições de iluminação atuais.

Como alternativa, você pode definir um valor para a íris usando os controles da tela de toque LCD da sua URSA Broadcast G2. Enquanto estiver no modo manual, você está livre para ajustar a abertura da lente usando o anel de abertura no barril da lente, mas pressionar o botão “Auto/Iris” retornará a lente ao valor predefinido na sua tela de toque.

Zoom

Na face inferior da maioria dos punhos B4, você encontrará uma chave de zoom que pode ser configurada como “Servo” ou “Manual”. Isso controla o comportamento do zoom.

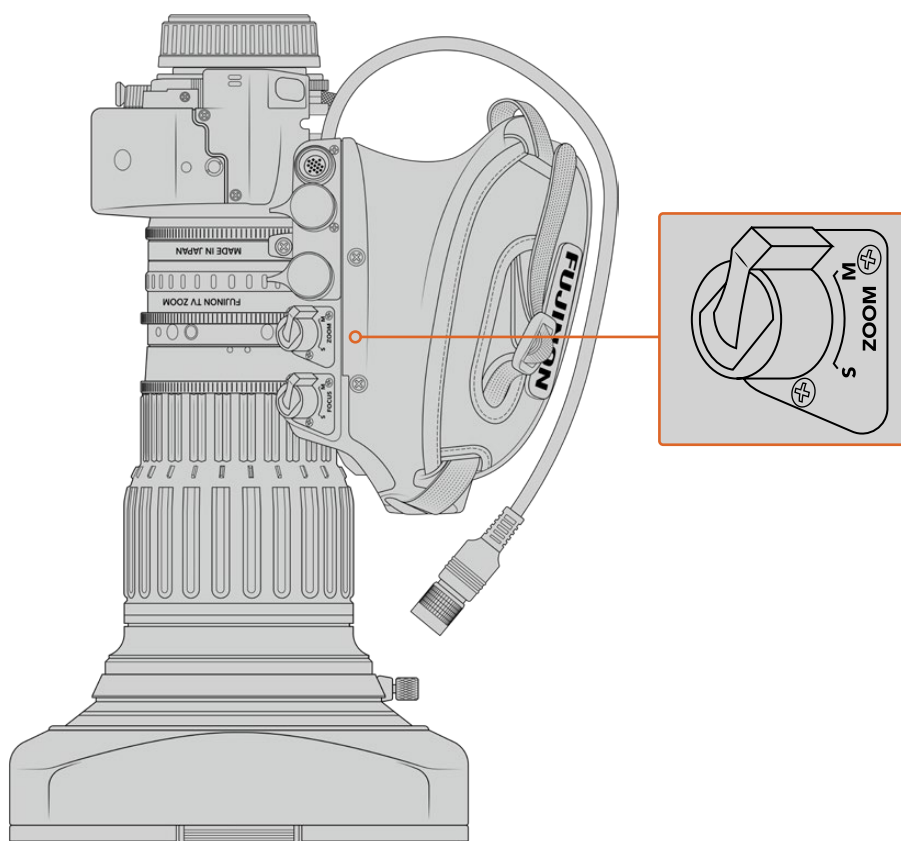
Servo

Ajuste a chave como “Servo” ou “S” para habilitar o controle de zoom por servo. Nesse modo, o oscilador de zoom na sua empunhadura pode ser usado para ampliar ou reduzir o zoom da sua lente, assim como qualquer outro controle relacionados ao zoom, como a velocidade de zoom e o recurso QuickZoom. Suas lentes aceitarão comandos de zoom da URSA Broadcast G2, Blackmagic Zoom Demand e switchers ATEM, desde que estejam conectadas à câmera através do conector de lente. Nesse modo, normalmente não é possível ajustar o anel de zoom manual da sua lente.

DICA As empunhaduras com osciladores de zoom normalmente são associadas à velocidade de zoom. Aperte o oscilador para baixo suavemente para aplicar o zoom vagarosamente e aperte para baixo com mais força para aplicar o zoom mais rapidamente.

Manual

Ajuste a chave para “Manual” ou “M” para desabilitar o controle servo e ajustar o zoom usando o anel de zoom no barril da sua lente. Nesse modo, sua lente não aceitará os comandos de zoom da empunhadura, URSA Broadcast ou dos switchers ATEM.



Foco

Algumas lentes B4 também possuem controles servo para foco. Caso este controle esteja presente na sua lente, você verá uma chave “Focus” na face inferior da empunhadura com duas configurações: “Servo” e “Manual”.

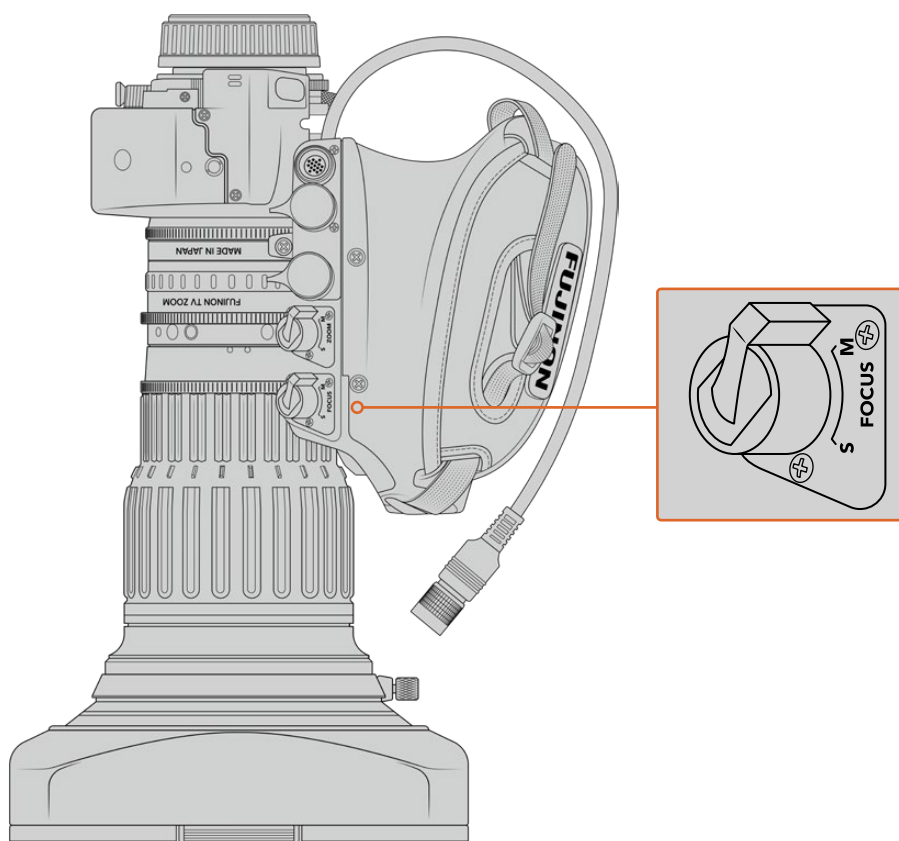
Servo

Ajuste a chave como “Servo” ou “S” para habilitar o controle de foco por servo. Nesse modo, sua lente pode aceitar comandos de foco da URSA Broadcast G2, Blackmagic Focus Demand ou um switcher ATEM através do conector de lente.

Manual

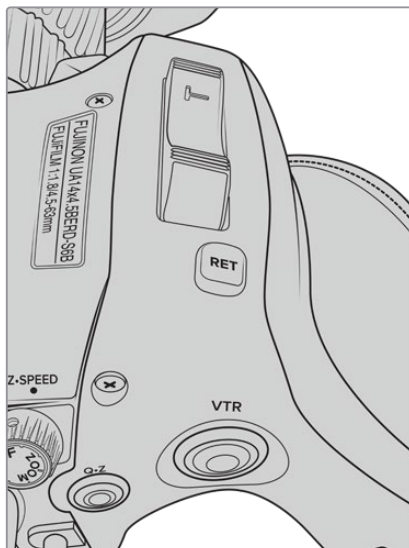
Ajuste a chave como “Manual” e usar o anel de foco no barril da lente para controlar o foco. As lentes B4 geralmente se autofocalizam muito vagarosamente, portanto usar o controle manual é mais comum.

OBSERVAÇÃO Lentes B4 analógicas com mecanismos servo também são compatíveis, embora a câmera apenas forneça a alimentação do zoom servo e suporte o controle eletrônico da íris. Muitas delas são de definição padrão e provavelmente não contarão com um conector broadcast de 12 pinos. Caso venha a utilizar uma lente B4 analógica, é importante certificar-se de que ela seja compatível com sua câmera primeiro, já que algumas possuem um conjunto limitado de funcionalidades. Também vale a pena testar sua cobertura do círculo de imagem, já que algumas delas podem estar significativamente fora da resolução e vazando luz nas extremidades do quadro.



Ret e VTR

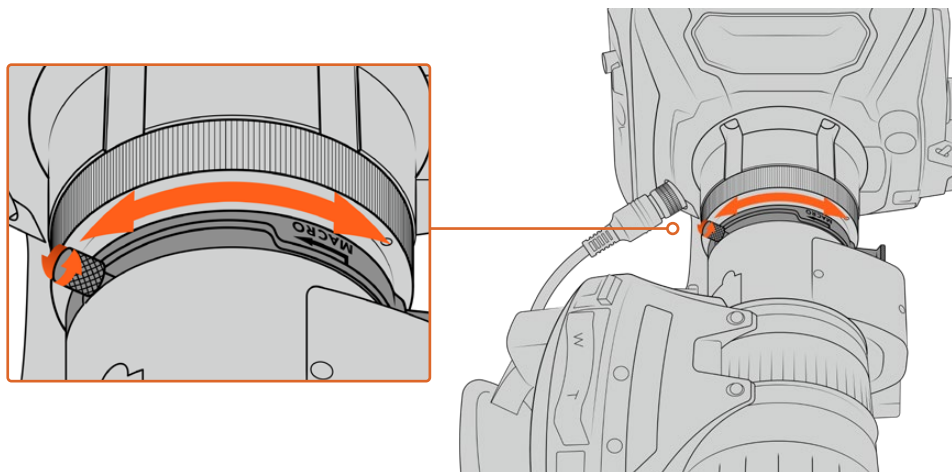
Em uma lente B4, o botão “VTR” habilita ou desabilita a gravação e o botão “Ret” é destinado ao retorno de programa. Para informações sobre como você pode configurar os botões “VTR” e “Ret” como botões de função, consulte a seção ‘Definir Botão de Função’ em ‘Ajustar Configurações’ neste manual.



Os botões “Ret” e “VTR” em uma lente B4.

Configurar o Foco Traseiro em Lentes B4

Uma das grandes vantagens das lentes B4 é que elas foram desenvolvidas como parfocais, o que significa que elas mantêm o foco ao longo de todo o alcance de zoom. Isso significa que você pode ampliar o zoom, focalizar um objeto e, quando reduzir o zoom, ele permanecerá em foco.



O anel de foco traseiro normalmente está localizado na traseira da lente, perto do encaixe.

O foco traseiro é crucial para assegurar que as suas lentes B4 HD ou 4K mantenham o foco correto ao longo de todo o alcance de zoom. Quando você montar sua lente B4 na câmera pela primeira vez, será necessário verificar se o foco traseiro está correto. O foco traseiro também deve ser checado quando você trocar lentes e é uma boa ideia verificá-lo no início de grandes projetos regularmente.

Como verificar o foco traseiro de uma lente B4:

- 1 Coloque uma tabela de teste de foco ou um item plano branco com detalhes de alto contraste a aproximadamente 21 metros da câmera, ou o mais longe possível.
- 2 Abra a íris da lente completamente e compense a exposição usando os filtros ND integrados, caso necessário. É interessante manter uma profundidade de campo rasa, assim você pode exagerar quaisquer aspectos de foco.
- 3 Amplie o zoom na tabela e ajuste o foco.
- 4 Agora, reduza o zoom. Caso você chegue à abertura máxima e o foco permaneça nítido, o foco traseiro está correto e não será necessário fazer mais ajustes.

Porém, caso tenha reduzido o zoom e a tabela tiver saído de foco, o foco traseiro está incorreto. Reduza o zoom por completo e ajuste o anel do foco traseiro na traseira da lente, junto do encaixe. O anel de foco traseiro normalmente possui um botão giratório usado para afrouxá-lo ou apertá-lo. Basta afrouxar o botão giratório e girar o anel até que sua tabela esteja em foco.
- 5 Agora, amplie e reduza o zoom lentamente e verifique se sua tabela permanece em foco ao longo de todo o zoom.
- 6 Repita os passos 4 e 5, ampliando e reduzindo o zoom e ajustando o anel de foco traseiro. Caso sua lente mantenha o foco ao longo de todo o alcance de zoom, o seu foco traseiro estará configurado corretamente.

Configurar o foco traseiro em lentes Fuji LA16x8 BRM

A configuração de foco traseiro em uma lente Fuji LA16x8 BRM é ligeiramente diferente. Ao invés de um anel de foco externo traseiro, esta lente configura o foco traseiro eletronicamente utilizando um botão embaixo do suporte de mão.

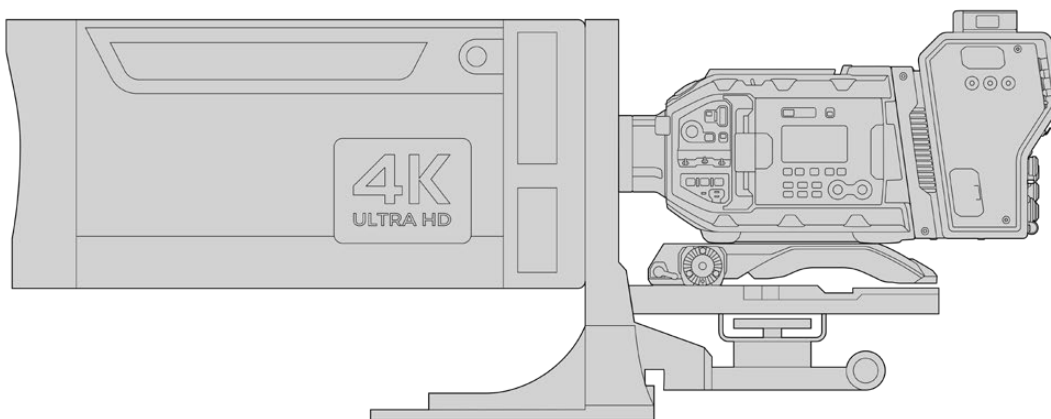
Como configurar o foco traseiro em uma lente Fuji LA16x8 BRM:

- 1 Coloque uma tabela de teste de foco ou um item plano branco com detalhes de alto contraste a aproximadamente 21 metros da câmera, ou o mais longe possível.
- 2 Configure a chave de zoom embaixo da empunhadura da lente como "Servo".
- 3 Localize o botão "F.f." próximo à chave de zoom. Pressione e segure o botão "F.f." por 5 segundos. O indicador LED em cima do oscilador de zoom piscará em vermelho.
- 4 A lente ampliará o zoom automaticamente. Configure o foco usando o anel de foco. É importante observar que, caso a Blackmagic Focus Demand esteja conectada, você precisará desconectá-la da câmera para ajustar o anel de foco físico ou ajustar o foco usando a demanda de foco para este passo e o passo 5.
- 5 Pressione o botão "F.f." novamente e a lente diminuirá o zoom automaticamente. Configure o foco usando o anel de foco.
- 6 Pressione o botão "F.f." para confirmar a configuração. O indicador LED superior piscará em vermelho. O foco traseiro eletrônico na sua lente Fuji LA16x8 BRM está configurado.
- 7 Agora, amplie e reduza o zoom lentamente e verifique se sua tabela permanece em foco ao longo de todo o zoom.
- 8 Caso sua lente mantenha o foco ao longo de todo o alcance de zoom, então o seu foco traseiro estará configurado corretamente. Caso precise realizar mais ajustes, repita os passos 3 a 6.

DICA As mudanças de temperatura e o desgaste ao longo do tempo podem ter efeitos sutis no foco traseiro. Portanto, é importante verificá-lo nas lentes B4 regularmente para certificar-se de que ele permaneça preciso.

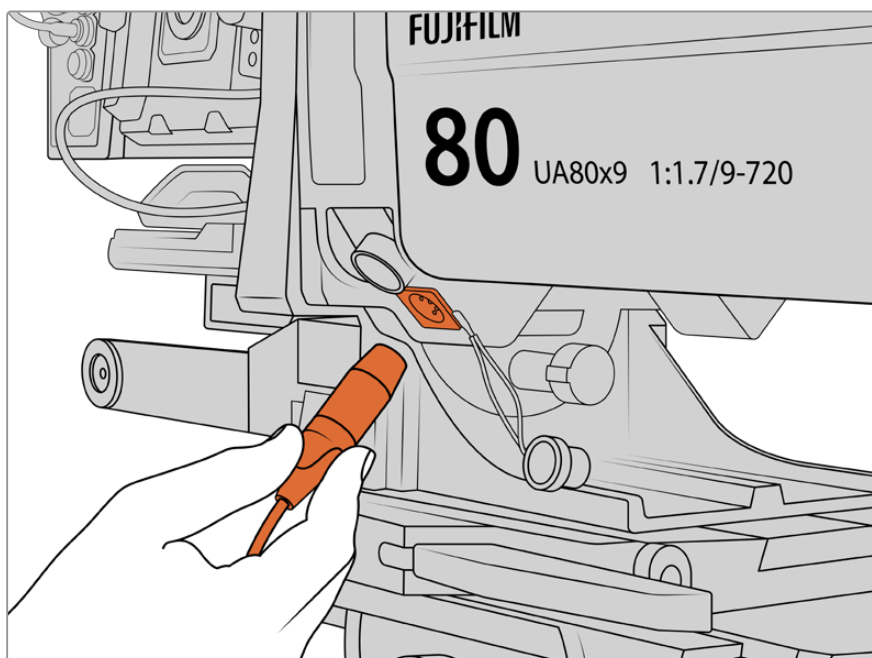
Usar Lentes Tipo Caixa

As lentes grandes de estúdio tipo caixa, como as UA27x6.5 e UA125x8 da Fujinon e UHD Digisuper da Canon, também podem ser usadas com o encaixe B4 da URSA Broadcast G2. Esses modelos de lentes tipo caixa permitem estabilização vertical e horizontal da imagem em lentes de estúdio com zoom 27x, assim como alcances de zoom extremos com ampliações de 80x e até 125x, que são incríveis para transmitir eventos esportivos e ao ar livre.



O tamanho grande das lentes tipo caixa significa que você precisará configurar a sua câmera corretamente em um tripé ou pedestal de alta resistência com espaço adequado. Isso é possível com o URSA Mini Shoulder Kit, uma placa VCT-14 e um adaptador para lentes tipo caixa.

As lentes tipo caixa possuem um consumo alto de energia e precisam ser alimentadas separadamente. É possível fornecer alimentação às lentes usando uma fonte de alimentação URSA de 12 volts ou, se estiver usando um Blackmagic Camera Fiber Converter, você pode oferecer alimentação adicional pela saída D-tap de 12 volts na lateral da unidade. Plugue o conector de lente do suporte de montagem à URSA Broadcast G2.



Adicione alimentação extra à sua lente tipo caixa conectando-a com um cabo XLR de 4 pinos.

Depois que a alimentação adicional é conectada, é possível alimentar sua câmera e controlar a lente com a sua URSA Broadcast G2.

Lentes PL Servo Zoom

As lentes zoom PL utilizadas no cinema também podem ser usadas com a sua URSA Broadcast G2. Ao utilizar lentes PL ou EF controladas por servo, a área completa do sensor 6K da URSA Broadcast G2 pode ser usada para extrair o máximo dessas lentes. Para mais informações sobre como definir a área do sensor da URSA Broadcast G2, consulte a seção 'Configurações de Gravação' neste manual.

As lentes PL Super 35mm com controle completo de foco, íris e zoom incluem:

Marca	Série	Modelo	Máx.	Distância Abertura
Fujinon	Cabrio	ZK2.5x14-SAF	14-35mm	T2.9
Fujinon	Cabrio	ZK4.7x19-SAFB	19-90mm	T2.9
Fujinon	Cabrio	ZK12x25 com ESM-15A-SA	25-300mm	T3.5-3.85
Fujinon	Cabrio	ZK3.5x85-SAF	85-300mm	T2.9-T4
Fujinon	Cabrio	XK6x20	20-120mm	T3.5
Canon	Cine-servo	CN7x17KAS S	17-120mm	T2.9-3.9
Canon	Cine-servo	CN10x25 IAS S/P1	25-250mm	T2.95-3.95
Canon	Cine-servo	CN20x50	50-1000mm	T5-8.9

Os controles de foco e zoom também podem ser usados para comandar o foco e o zoom a partir das alavancas de pan em um ambiente de estúdio em todas as lentes servo zoom listadas acima.

Lentes Servo-Zoom Híbridas e Compactas

Recentemente, uma nova categoria de lentes, conhecidas como lentes servo zoom compactas, foi introduzida. Elas compartilham algumas das mesmas funcionalidades das lentes servo zoom B4 e PL, mas utilizam um encaixe EF. O controlador de zoom para estas lentes pode ser alimentado pelo encaixe de lente da URSA Broadcast G2, e as informações como o nome da lente e os valores das posições de íris, foco e zoom podem ser lidas e gravadas pelo sistema de metadados da lente da URSA Broadcast G2.

Controle eletrônico de foco, íris e zoom também está disponível com estas lentes. Quando conectadas a um switcher, elas também podem ser controladas à distância através do ATEM Software Control. Se você estiver operando em um ambiente de estúdio ou transmissão ao vivo, o uso dessas lentes com Blackmagic Zoom e Focus Demands é possível desde que a chave de íris no barril da lente esteja definida como "A", a chave de foco esteja definida como "AF", e a chave do zoom servo esteja definida como "Servo".

As lentes desta linha incluem:

- Canon CN-E 18-80 mm T4.4 Compact-servo
- Canon CN-E 70-200 mm T4.4 Compact-servo

Mídias de Armazenamento

A sua Blackmagic URSA Broadcast G2 utiliza cartões SD padrão, cartões SD UHS-II ou CFast 2.0 mais rápidos para gravar vídeos.

Usando a porta USB-C 3.2 Geração 2x1, você pode conectar unidades flash de alta velocidade ou unidades de estado sólido de alta capacidade. Você também pode gravar em SSDs utilizando o Blackmagic URSA Mini Recorder opcional. Para mais informações sobre como conectar o URSA Mini Recorder à sua câmera, consulte a seção 'URSA Mini Recorder' deste manual.

Observações Importantes sobre Velocidades de Mídias

As velocidades de gravação e leitura publicadas pelos fabricantes das mídias de gravação frequentemente se baseiam em velocidades máximas para arquivos pequenos, como imagens estáticas, e não refletem adequadamente as velocidades de gravação para um fluxo contínuo de vídeo de alta velocidade.

Para assegurar gravações confiáveis nas taxas de quadro desejadas, utilize apenas os cartões recomendados pela Blackmagic Design.

Cartões CFast

Os cartões CFast 2.0 têm capacidade para suportar taxas de dados muito altas, sendo perfeitos para gravação de vídeos HD e 4K com taxas de quadro elevadas. Consulte a tabela de duração de gravações na seção 'Gravação' para mais detalhes sobre as taxas de quadro máximas de gravação para cada formato.

É importante observar que, embora os cartões CFast 2.0 sejam de alta velocidade, alguns cartões têm velocidades de gravação reduzidas se comparadas às velocidades de leitura, e as taxas de dados máximas podem variar entre modelos. Para assegurar gravações confiáveis nas taxas de quadro desejadas, utilize apenas os cartões recomendados pela Blackmagic Design.

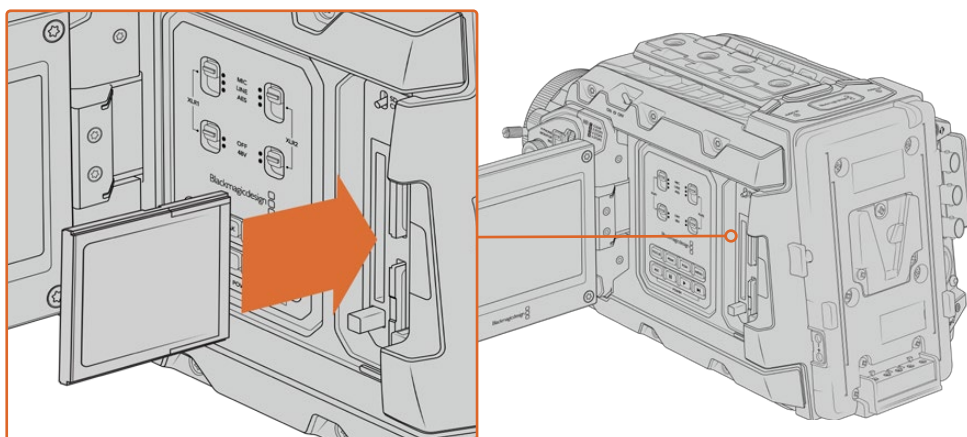
Inserir um Cartão CFast

Para gravar usando cartões CFast, é necessário configurar sua câmera adequadamente. Para fazer isso, ajuste a chave de mídias de armazenamento acima dos compartimentos de mídia na posição "CFAST".

Como inserir um cartão CFast:

- 1 Abra a tela articulada para acessar os compartimentos CFast.
- 2 Com a etiqueta do cartão SD voltada à tela de toque, insira o cartão no compartimento CFast até senti-lo travar no lugar. O cartão deve ser inserido com facilidade, sem necessidade de força excessiva. Aperte o botão ejetor de cartões CFast embaixo do compartimento para ejetar o cartão.

As informações de armazenamento na parte inferior da tela de toque LCD demonstrarão o nome e o tempo de gravação restante dos cartões CFast detectados.



A Blackmagic URSA Broadcast G2 possui dois compartimentos CFast para gravação contínua.

DICA Caso existam cartões CFast inseridos, mas você não possa acessá-los na câmera, certifique-se de que a chave de seleção para as mídias de armazenamento, localizada acima dos slots de mídia, esteja definida como “CFast”.

Escolher um Cartão CFast 2.0

Ao trabalhar com vídeos com taxas de dados elevadas, é importante verificar qual é o cartão CFast de sua preferência com cautela. Isso é necessário porque os cartões CFast 2.0 possuem diferentes velocidades de leitura e gravação. Para obter informações mais atualizadas sobre os cartões CFast compatíveis com a Blackmagic URSA Broadcast G2, por favor consulte a Central de Suporte Técnico da Blackmagic Design em www.blackmagicdesign.com/br/support.

Cartões SD

Além dos cartões CFast 2.0, a Blackmagic URSA Broadcast G2 é capaz de gravar em cartões SD UHS-I e UHS-II de alta velocidade. Ao usar os cartões SDXC UHS-II de alta qualidade, é possível gravar imagens ProRes HQ em Ultra HD ou até 6K em Blackmagic RAW.

Com os cartões SD, você pode usar armazenamento de mídia mais acessível ao gravar formatos de vídeo compactados em HD. SDXC e SDHC são formatos muito comuns de mídia de armazenamento para câmeras fotográficas e câmeras de vídeo domésticas.

Caso já tenha gravado vídeos usando uma DSLR, ou utilize uma Blackmagic Micro Cinema Camera, Pocket Cinema Camera ou um Blackmagic Video Assist, você provavelmente já possui cartões SD compatíveis para usar.

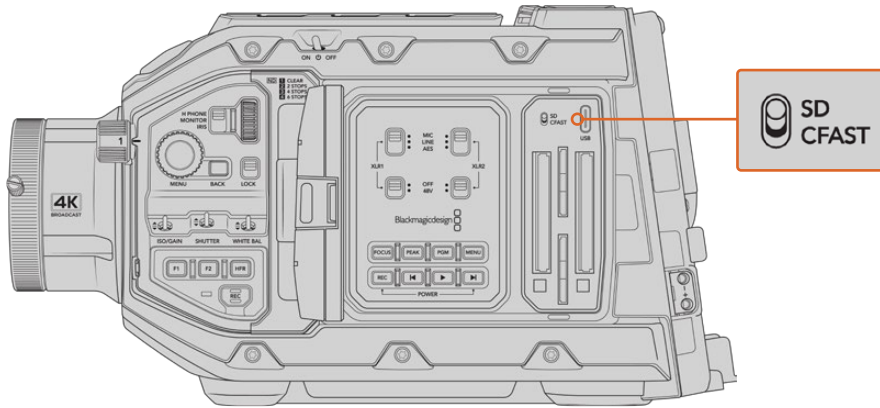
Para os projetos que não exigem os arquivos Blackmagic RAW de resolução mais elevada, ou para quando gravações de durações mais longas forem necessárias, usar cartões SD pode ser bastante econômico. Os cartões SD de menor capacidade e velocidade mais lenta também podem ser usados para armazenar e carregar LUTs e predefinições.

Inserir um Cartão SD

Como inserir um cartão SD:

- 1 Abra a tela articulada para acessar as portas SD. Elas são as portas menores localizadas entre as portas CFast.
- 2 Defina a chave interruptora para mídias de armazenamento em cima dos compartimentos como “SD”.

- Com a etiqueta do cartão SD voltada para o lado oposto da tela de toque, insira o cartão até senti-lo travar no lugar. Para remover um cartão SD, empurre o cartão SD para ejetá-lo.
- O indicador de armazenamento na parte inferior da tela de toque LCD exibirá o nome e o tempo de gravação restante dos cartões detectados.



Ao gravar em cartões SD na URSA Broadcast G2, certifique-se de que a chave de seleção para as mídias de armazenamento esteja definida como “SD”.

Escolher um Cartão SD Rápido

Caso esteja gravando em Ultra HD, recomendamos usar os cartões SD UHS-II de alta velocidade mais rápidos disponíveis. É importante usar cartões SD UHS-II de alta velocidade para gravações em Ultra HD e HD ou cartões UHS-I para gravações em HD. Esses cartões são classificados de acordo com suas velocidades de dados rápidas e suportam tamanhos de armazenamento maiores. Geralmente, quanto mais rápidos forem os cartões, melhores eles serão.

Ao gravar em cartões SD na URSA Broadcast G2, certifique-se de que a chave de seleção para as mídias de armazenamento esteja definida como “SD”. É possível formatar suas mídias com o gerenciamento de armazenamento ou o seu computador. Para mais informações, consulte a seção ‘Preparar Mídias para Gravação’ neste manual.

Caso prefira, você pode formatar seus cartões usando um computador Mac ou Windows. Ao usar sua mídia no Mac, você pode usar HFS+, que é o formato de discos do Mac. Caso esteja usando Windows, então use o formato exFAT, que é o formato de discos do Windows que também pode ser lido por computadores Mac.

Para obter informações atualizadas sobre os cartões SD compatíveis com a Blackmagic URSA Broadcast G2, por favor consulte a Central de Suporte Técnico da Blackmagic Design em www.blackmagicdesign.com/br/support.

OBSERVAÇÃO Ao gravar imagens Ultra HD ou com taxas de quadro elevadas na sua URSA Broadcast G2, recomendamos mídias de gravação SD UHS-II e CFast 2.0, que são tipicamente mais rápidas e disponíveis com mais capacidade de armazenamento que mídias SD UHS-I.

Bloquear e Desbloquear Cartões SD

Os cartões SD podem ser protegidos contra gravação ou “bloqueados”, para impedir que os dados sejam sobregravados.

Ao inserir um cartão SD, certifique-se de que o cartão não esteja protegido contra gravação. A proteção contra gravação é desativada ao mover a chave plástica na lateral esquerda do cartão para a posição mais próxima aos conectores. Depois da gravação, você pode proteger o cartão contra gravação ao deslizar a chave para a posição inferior novamente.



Deslize a trava de bloqueio para cima ou para baixo para bloquear ou desbloquear um cartão SD.

Sua URSA Broadcast G2 alertará caso tenha inserido um cartão SD bloqueado quando exibir “Bloqueado” na tela de toque LCD e um ícone de cadeado e no menu de armazenamento. Caso o cartão esteja bloqueado, não será possível gravar vídeos, captar fotogramas ou exportar LUTs e predefinições até que ele seja desbloqueado.



Sua URSA Broadcast G2 indicará quando a mídia de armazenamento SD for inserida.

Gravando em unidades flash USB-C

A Blackmagic URSA Broadcast G2 possui duas portas USB-C. A porta USB-C 3.1 Geração 1 na lateral, próxima dos compartimentos de cartão CFast, é destinada a atualizações de software. A porta localizada no painel traseiro, próxima dos conectores SDI, é destinada a gravação de SSDs de alta velocidade e unidades flash USB-C via USB-C 3.1 Geração 2x1. Essas unidades rápidas e de capacidade superior possibilitam a gravação de vídeos por períodos mais longos, o que pode ser importante nas filmagens de eventos de longa duração.

Quando uma unidade flash USB-C é conectada à sua câmera, ela ocupa o terceiro compartimento de mídia no sistema operacional da sua câmera. Tocar no nome da unidade no menu de armazenamento irá defini-la como a unidade ativa. Isso significa que a gravação, reprodução e gerenciamento de armazenamento funcionam exatamente da mesma maneira para unidades flash USB-C, CFast, cartões SD e SSDs.

Depois de concluir a gravação, você pode conectar a mesma unidade diretamente no seu computador para edição e pós-produção, sem precisar copiar mídias entre uma unidade e outra.

Como conectar uma unidade flash USB-C:

- 1 Conecte uma extremidade do cabo USB tipo C à sua unidade flash USB-C.
- 2 Na sua URSA Broadcast G2, plugue o cabo USB-C na porta USB-C localizada no painel traseiro, embaixo das portas SDI.

- 3 A unidade flash USB-C ocupará o terceiro compartimento de mídia na tela de toque LCD da sua câmera.
- 4 Para alternar a gravação para a unidade flash USB-C, pressione e segure o nome do drive na barra de ferramentas inferior da tela LCD da sua câmera. A barra de mídia ficará azul para indicar que a câmera fará gravações nesta unidade flash USB-C. Ao gravar, a barra de mídia ficará vermelha.

Escolher uma Unidade Flash USB-C Rápida

As unidades flash USB-C foram desenvolvidas para oferecer armazenamento rápido e acessível a uma grande variedade de dispositivos e podem ser facilmente adquiridas em uma variedade de lojas de artigos eletrônicos domésticos. É importante notar que a produção cinematográfica é apenas uma parte do mercado de unidades flash USB-C, portanto escolher a unidade certa é fundamental para garantir velocidade suficiente para gravar imagens Blackmagic RAW e Ultra HD.

Muitas unidades flash USB-C são desenvolvidas para computadores domésticos e não são rápidas o suficiente para gravar Ultra HD.

Para a lista mais atualizada das unidades flash USB-C recomendadas, acesse www.blackmagicdesign.com/br/support.

Recomendamos que você utilize o Blackmagic Disk Speed Test para medir com precisão se a sua unidade flash USB-C será capaz de lidar com captura e reprodução de vídeos com taxas de dados elevadas. O Blackmagic Disk Speed Test usa dados para simular o armazenamento de vídeo, assim você obtém resultados semelhantes com o que verá na captação de vídeos em um disco. Durante a testagem Blackmagic, percebemos que os modelos de unidades flash USB-C mais novos e com capacidades maiores são geralmente muito mais rápidos.

O Blackmagic Disk Speed Test está disponível na Mac App Store. As versões para Windows e Mac também estão incluídas no Blackmagic Desktop Video e podem ser baixadas na seção "Captura e Reprodução" da página de suporte técnico da Blackmagic Design no site www.blackmagicdesign.com/br/support.

SSDs

Com o Blackmagic URSA Mini Recorder opcional, a URSA Broadcast G2 pode gravar vídeos diretamente em unidades de estado sólido, ou SSDs. Esses drives rápidos e de alta capacidade estão disponíveis em uma grande variedade de lojas de produtos eletrônicos.

O URSA Mini Recorder possui uma porta USB-C que proporciona alta velocidade e permite trabalhar com SSDs SATA de 2,5" padrão e SSDs U.2 de 7 mm. Unidades de estado sólido M.2 podem ser usadas com um adaptador M.2 para U.2. Para atingir as velocidades ideais disponíveis, é necessário um cabo USB 3.1 Gen 2 certificado. Os cabos USB-C fornecidos incluem conectores com trava em ambas as extremidades para garantir uma conexão segura durante o uso.

OBSERVAÇÃO Consulte a seção 'Utilizar o URSA Mini Recorder' deste manual para mais informações sobre a instalação do Blackmagic URSA Mini Recorder.

Inserir um SSD

Como inserir um SSD:

- 1 Segure o seu SSD com os pinos de conexão virados para a frente da sua câmera.
- 2 Abra a tampa acionada por mola do Blackmagic URSA Mini Recorder e encaixe o SSD no compartimento cuidadosamente.

DICA O Blackmagic URSA Mini Recorder possui uma placa de pressão para manter SSDs de variados tamanhos no lugar, então não é necessário utilizar espaçadores para encaixar o seu drive.

- 3 Depois que o seu SSD estiver inserido por completo no compartimento, empurre-o cuidadosamente até que você sinta o registro, depois abaixe a tampa do URSA Mini Recorder.
- 4 O SSD ocupará o terceiro compartimento de mídia na sua câmera.
- 5 Para alternar a gravação para o SSD, pressione e segure o nome do drive na barra de ferramentas inferior da tela LCD da sua câmera. A barra de mídia ficará azul para indicar que a câmera fará gravações neste SSD. Ao gravar, a barra de mídia ficará vermelha.

Como remover um SSD:

Abra a tampa do URSA Mini Recorder e segure a unidade cuidadosamente entre o seu polegar e o dedo indicador. Há um pequeno entalhe por cima do compartimento que permite que você segure a unidade firmemente. Basta puxar o cartão e fechar a tampa.

Escolher um SSD rápido para o URSA Mini Recorder

Os SSDs foram desenvolvidos para oferecer armazenamento rápido e acessível para uma grande variedade de dispositivos. É importante notar que a produção cinematográfica é apenas uma parte do mercado SSD, portanto, escolher a unidade certa é fundamental para garantir que você tenha largura de banda suficiente para gravar imagens Blackmagic RAW ou Ultra HD. Muitos SSDs são desenvolvidos para computadores domésticos e não são suficientemente rápidos para gravar vídeos Ultra HD.

Sugerimos que você use apenas os SSDs na nossa lista de recomendação, pois foram testados com a Blackmagic URSA Broadcast G2 para garantir compatibilidade com filmagens contínuas nas resoluções especificadas. Para acessar a lista atualizada de SSDs recomendados, acesse www.blackmagicdesign.com/br/support.

Observações Importantes sobre a Velocidade de SSDs

Alguns modelos SSD não salvam os dados de vídeo na velocidade alegada pelo fabricante. Isso acontece porque o disco usa compressão de dados ocultos para obter velocidades de gravação superiores. Esta compressão de dados é capaz de salvar os dados na velocidade alegada pelo fabricante somente quando armazena dados como dados em branco ou arquivos simples. Os dados de vídeo incluem ruído de vídeo e pixels, que são mais aleatórios, então a compressão não ajuda, revelando a verdadeira velocidade do disco.

Alguns SSDs podem ter a velocidade de gravação até 50% mais baixa em comparação à velocidade divulgada pelo fabricante. Mesmo que as especificações do disco aleguem que um SSD possua velocidades suficientemente rápidas para manusear vídeos, na verdade, o disco pode não ser tão rápido quando usado para armazenar dados de vídeo para captação em tempo real.

Use o Blackmagic Disk Speed Test para medir com precisão se o seu SSD será capaz de manusear captura e reprodução de vídeos com taxas de dados elevadas. O Blackmagic Disk Speed Test usa dados para simular o armazenamento de vídeo, assim você obtém resultados semelhantes com o que verá na captação de vídeos em um disco. Durante os testes rigorosos da Blackmagic, percebemos que os modelos de SSDs mais novos e com capacidades maiores são geralmente mais rápidos.

Preparar Mídias para Gravação

É possível formatar suas mídias de gravação usando o gerenciador de armazenamento da URSA Broadcast G2 ou via um computador Mac ou Windows. Recomendamos que mídias de armazenamento sejam formatadas usando a URSA Broadcast G2 para uma performance otimizada.

O HFS+ também é conhecido como OS X Expandido. Este é o formato recomendado, pois é compatível com “journaling”. Dados em mídias com “journaling” têm uma probabilidade maior de recuperação na rara eventualidade da sua mídia se corromper. O HFS+ é nativamente compatível com o macOS. O ExFAT é compatível nativamente com macOS e Windows sem a necessidade de adquirir aplicativos adicionais. No entanto, o formato exFAT não é compatível com journaling.

OBSERVAÇÃO Antes de formatar suas mídias, é importante certificar-se de que a chave de mídias de armazenamento esteja selecionada corretamente para o cartão SD ou o cartão CFast. Sempre verifique as configurações com cuidado antes de formatar.

Preparar Mídias na Blackmagic URSA Broadcast G2

- 1 Toque em qualquer um dos indicadores de armazenamento na parte inferior da tela de toque LCD para acessar o gerenciador de armazenamento.
- 2 Toque em um botão de formatação na parte inferior da tela para formatar o cartão no compartimento 1 ou 2, respectivamente. Caso exista uma unidade flash USB-C ou SSD conectado à porta USB-C traseira da sua URSA Broadcast G2, toque no botão “Lista de Drives”. Em seguida, selecione o drive que deseja formatar e toque em “Formatar Drive”.



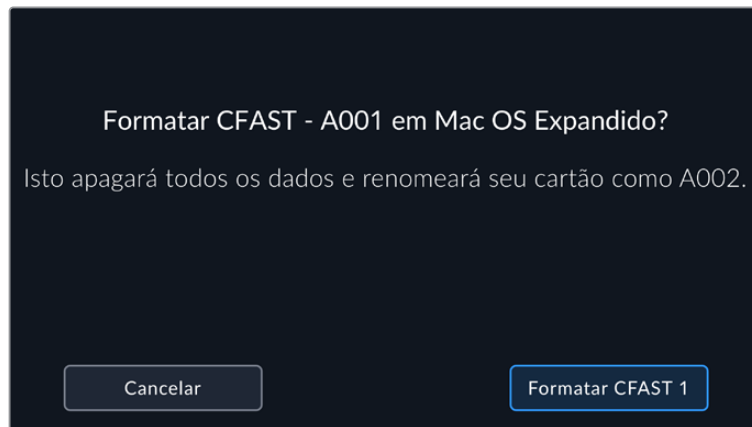
Use o gerenciador de armazenamento da sua URSA Broadcast G2 para formatar as mídias de armazenamento da sua câmera.

- 3 Caso deseje alterar o número de rolo manualmente, toque no ícone de lápis para abrir o teclado. Digite o novo número de rolo e toque em “Atualizar”.
- 4 Selecione o formato OS X Expandido ou exFAT e toque no botão “Formatar”.



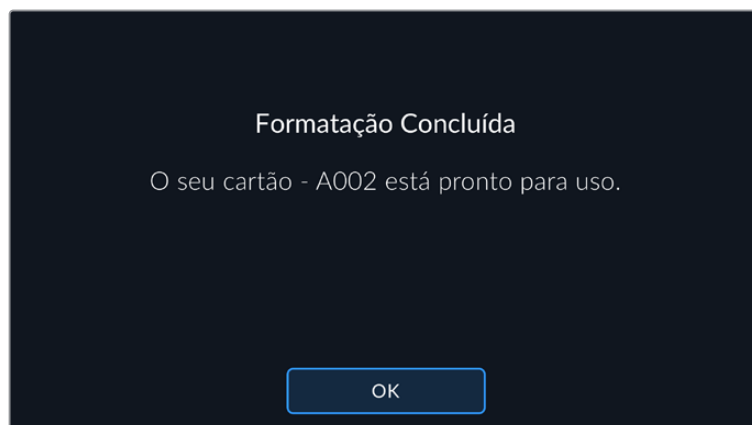
Toque no ícone de lápis para alterar o número de rolo manualmente.

- 5 Será exigido que você confirme sua seleção. Toque no botão “Formatar” novamente para continuar ou “Cancelar” para cancelar a formatação.



Verifique se você selecionou o cartão correto antes da formatação.

- 6 Será solicitado que você segure o botão “Formatar” por 3 segundos. A câmera notificará quando a formatação estiver concluída.



Após a formatação, seu cartão estará pronto para uso.

- 7 Toque em “OK” para retornar ao gerenciador de armazenamento.
- 8 Toque em “Sair” para sair do gerenciador de armazenamento.

Ao formatar mídias de gravação usando o gerenciador de armazenamento, sua URSA Broadcast G2 utilizará o ID de Câmera da claquete e o número de rolo para nomear o cartão. Sua câmera incrementará os números de rolo automaticamente toda vez que fizer a formatação. Caso seja necessário inserir um número de rolo manualmente, toque no ícone de lápis e insira o número desejado para formatar o cartão.

Quando iniciar um novo projeto, a numeração de rolo será restaurada para 1 quando você tocar em “Restaurar Dados” na aba “Projeto” da claquete.

É importante observar que, caso a chave de mídias de armazenamento da sua câmera estiver definida como SD ou CFast, apenas o tipo de cartão selecionado será formatado quando você tocar em “Formatar Cartão”. Para informações sobre como alternar entre o armazenamento SD e CFast, consulte a seção ‘Cartões SD’ neste manual.



O gerenciador de armazenamento da sua URSA Broadcast G2 indicará se você está gerenciando mídias CFast, SD, USB ou SSD no momento.

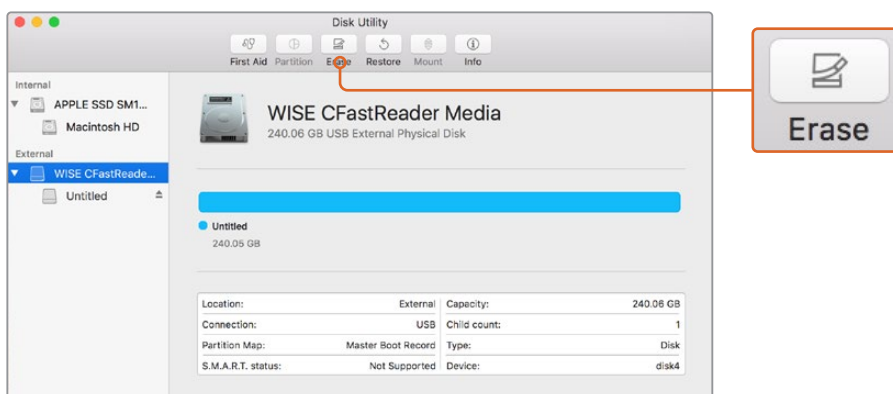
DICA Caso sua URSA Broadcast G2 esteja configurada para gravar em cartões SD e haja um cartão bloqueado inserido, não será possível formatar esse cartão. Um ícone de cadeado será exibido ao lado do nome do cartão no gerenciador de armazenamento. Basta desbloquear o cartão para formatar e gravar. Para mais informações sobre o bloqueio de cartões SD, consulte a seção ‘Cartões SD’ deste manual.

Preparar Mídias no Mac

Utilize o aplicativo Utilitário de Disco incluído no Mac para formatar seus cartões SD, CFast ou SSDs nos formatos HFS+ ou exFAT.

Lembre-se de fazer o backup de gravações importantes nas suas mídias, pois todos os dados serão perdidos após a formatação.

- 1 Conecte a mídia de armazenamento ao seu computador usando um leitor de cartão, doca ou adaptador e ignore as mensagens sugerindo o uso da sua mídia para backups com o Time Machine.
- 2 Vá até “Aplicativos/Utilitários” e inicie o Utilitário de Disco.
- 3 Clique no ícone de disco para a mídia de armazenamento da sua câmera e, depois, clique na aba “Apagar”.
- 4 Defina o “Formato” como “Mac OS Expandido (com journaling)” ou “exFAT”.
- 5 Digite um nome para o novo volume e clique em “Apagar”. A mídia de armazenamento da sua câmera será formatada rapidamente e disponibilizada para uso.

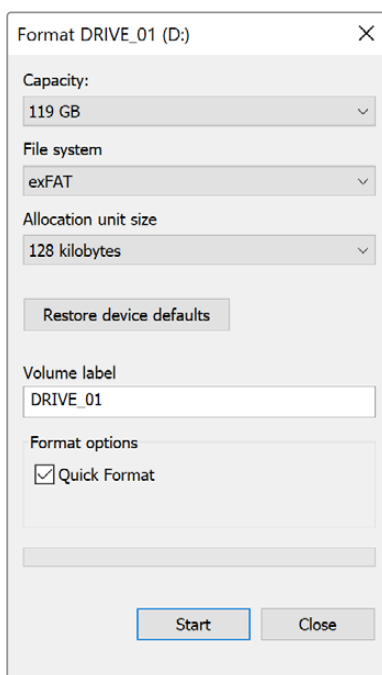


Use o Utilitário de Disco no macOS para apagar seu cartão CFast no formato Mac OS Expandido (com journaling) ou exFAT.

Preparar Mídias no Windows

A caixa de diálogo “Formatar” pode formatar um drive no formato exFAT em um PC Windows. Lembre-se de fazer o backup de gravações importantes nas suas mídias, pois todos os dados serão perdidos após a formatação.

- 1 Conecte a mídia de armazenamento da câmera ao seu computador usando um leitor/gravador externo, uma doca SSD ou adaptador.
- 2 Abra o menu “Iniciar” ou a tela “Iniciar” e selecione “Computador”. Clique com o botão direito do mouse na mídia de armazenamento da sua câmera.
- 3 No menu contextual, selecione “Formatar”.
- 4 Defina o sistema de arquivo como “exFAT” e o tamanho da unidade de alocação para 128 kilobytes.
- 5 Digite um rótulo do volume, selecione “Formatação Rápida” e clique em “Iniciar”.
- 6 A sua mídia de armazenamento será formatada rapidamente e disponibilizada para uso.



Use a caixa de diálogo “Formatar” no Windows para formatar seus cartões SD, CFast ou SSDs no formato exFAT.

OBSERVAÇÃO Caso suas gravações estejam descartando quadros, verifique se o seu cartão ou a sua unidade está na nossa lista de mídias recomendadas para o codec e o tamanho de quadro sendo usados. Para taxas de dados mais baixas, tente diminuir sua taxa de quadro, resolução ou experimente um codec com compactação, como o ProRes. Consulte o site da Blackmagic Design para as últimas informações em www.blackmagicdesign.com/br

Gravação

Gravar Clipes

As lentes broadcast B4 normalmente possuem um botão de gravação posicionado no suporte da lente onde o seu polegar ficaria situado ao filmar com a câmera no ombro. Basta pressionar o botão de gravação no suporte para iniciar a gravação. Pressione novamente para encerrar a gravação.

Sua câmera possui botões de gravação integrados. Um botão de gravação está localizado no painel de controle interno, e outro no painel de controle frontal para acesso prático em filmagens por cima do ombro.

Disparar Gravação Utilizando Fontes Externas

Ao usar o aplicativo “Blackmagic Camera Control”, você pode disparar a gravação e ajustar várias configurações de câmera remotamente via Bluetooth a partir do seu iPad. Para mais informações sobre como usar e configurar o app ‘Blackmagic Camera Control’, consulte a seção ‘Bluetooth’ neste manual. Caso esteja usando um smartphone iPhone ou Android, também existem aplicativos de terceiros que permitem acionar gravações na sua URSA Broadcast G2 via Bluetooth.

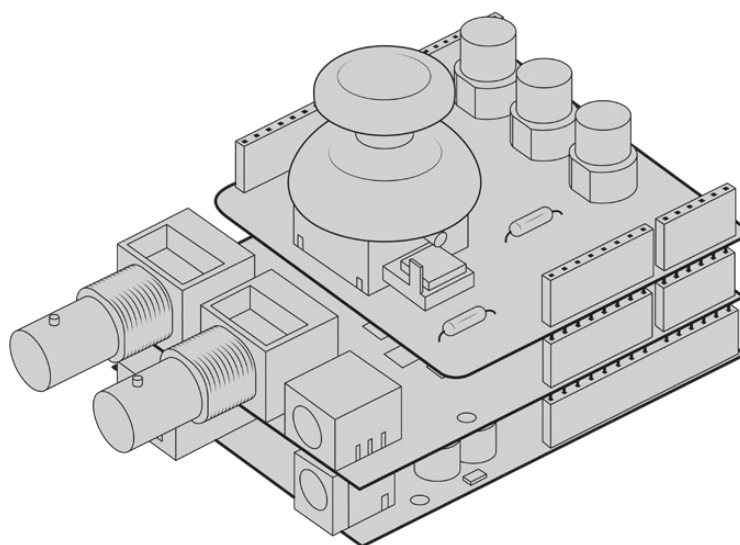
Caso esteja usando uma Blackmagic Zoom Demand opcional com a sua URSA Broadcast G2, você pode acionar a gravação usando o botão de função. O botão de gravação na Blackmagic Zoom Demand está localizado embaixo da posição do polegar, assim como o botão VTR em uma lente B4. Para mais informações sobre a Blackmagic Zoom Demand, consulte a seção ‘Usar Blackmagic Zoom Demand’ neste manual.

Quando a sua Blackmagic URSA Broadcast G2 estiver conectada a um switcher ATEM Mini Pro ou Extreme através de um Blackmagic Micro Converter BiDirectional SDI/HDMI 3G, você pode disparar a gravação a partir do switcher ATEM.

Por exemplo, a aba “Gravar Streaming” no ATEM Software Control possui uma caixa de seleção rotulada “Gravar em todas as câmeras”. Quando esta caixa de seleção estiver marcada e você clicar ou pressionar para gravar, todas as câmeras conectadas também começarão a gravar. Isso significa que você só precisa clicar ou pressionar um botão para começar a gravar em todas as câmeras simultaneamente. Para mais informações, consulte o manual ATEM Mini.

Uma outra opção para iniciar e interromper a gravação é fixar um controlador LANC externo na entrada LANC da sua URSA Broadcast G2 e acionar a gravação externamente. Por exemplo, caso deseje encaixar um controlador LANC no seu tripé para que possa disparar a gravação sem tirar suas mãos do anel de foco e da alça do tripé.

Você também pode fazer o disparo de gravação em uma ou mais câmeras URSA Broadcast G2 usando um Blackmagic 3G-SDI Shield for Arduino e o protocolo Blackmagic SDI Camera Control. Para mais informações, consulte a seção ‘Informação para Desenvolvedores’ deste manual ou acesse www.blackmagicdesign.com/br/developer e baixe o manual do Blackmagic 3G-SDI Shield for Arduino.



Você pode criar o seu próprio controlador em hardware e conectá-lo ao seu Blackmagic 3G-SDI Shield for Arduino para controle mais interativo e otimizado.

OBSERVAÇÃO Caso alterne a chave de seleção de mídias no meio de uma gravação, a câmera completará a gravação atual antes de alternar para o outro tipo de mídia. Isso garante que sua gravação não seja danificada, caso a chave seja ajustada durante uma tomada.

Selecionar Codec, Resolução e Área do Sensor

A sua Blackmagic URSA Broadcast G2 pode gravar em Blackmagic RAW com opções para qualidade constante ou taxa de bit constante. Você também pode usar codecs de vídeo compactados, como Apple ProRes, H.264 e H.265, para gravar em resoluções Ultra HD e HD. As opções para as taxas de quadro do sensor dependerão do codec e da resolução de sua preferência.

O Blackmagic RAW permite que você utilize compactação com qualidade constante ou uma taxa de bit constante. Compactações Blackmagic RAW 8:1, 12:1, Q3 ou Q5 são recomendadas para filmagens estilo UPJ, já que a compactação elevada oferece tempos de gravação longos com perda visual mínima da qualidade da imagem. Em planos de imagens com uma alta quantidade de detalhes finos, você pode selecionar Blackmagic RAW 3:1 ou Q0 para obter a qualidade de imagem mais alta possível.

Observe que clipes utilizando Blackmagic RAW são compatíveis com DaVinci Resolve, Blackmagic RAW Player e outros aplicativos que oferecem suporte ao SDK Blackmagic RAW. O Blackmagic RAW já foi adotado por muitas plataformas de pós-produção. Ele pode não ser suportado nativamente em todos os aplicativos, mas a maioria deles funciona com os plug-ins fornecidos pela nossa atualização Camera e pelo instalador Blackmagic RAW. Para mais informações, consulte a seção 'Trabalhar com Software de Terceiros'.

Blackmagic RAW

A Blackmagic URSA Broadcast G2 é compatível com o novo formato de arquivo Blackmagic RAW. Este formato oferece uma qualidade de imagem superior, ampla faixa dinâmica e uma vasta seleção de taxas de compressão. O Blackmagic RAW possui todos os benefícios da gravação RAW, mas os arquivos são muito rápidos porque a maior parte do processamento é realizada na câmera, onde pode ser acelerado por hardware pela própria unidade.

O Blackmagic RAW também inclui suporte eficaz aos metadados para que o software lendo os arquivos interprete as configurações da sua câmera. Se você gosta de fazer filmagens na gama de vídeo porque precisa editar com rapidez e não há tempo para a correção de cores, com este recurso para metadados você pode selecionar a gama de vídeo, gravar com ela e o arquivo será exibido com a gama de vídeo aplicada ao abri-lo no software. Contudo, no fundo, o arquivo tem a gama de filme e são os metadados no arquivo que indicam ao software que aplique a gama de vídeo.

Ou seja, caso queira tratar as cores das suas imagens em algum momento, então você terá toda a faixa dinâmica de filme preservada no arquivo. Suas imagens não sofrerão recortes bruscos nos brancos ou pretos, assim você poderá manter os detalhes e fazer o tratamento de cores para deixá-las com um visual cinematográfico. Porém, se você não tiver tempo para a gradação de cores, não há problema algum, pois suas imagens terão usado a gama de vídeo e terão a mesma aparência de imagens das câmeras de vídeos normais. Você não fica restringido numa filmagem e pode mudar de ideia mais tarde durante a pós-produção.

Os arquivos Blackmagic RAW são extremamente rápidos e o codec é otimizado para a CPU e GPU do seu computador. Ou seja, ele possui reprodução rápida e fluida e elimina a necessidade de placas decodificadoras de hardware, o que é importante para uso com laptops. Aplicativos que leem o Blackmagic RAW também têm a vantagem do processamento via Apple Metal, Nvidia CUDA e OpenCL.

Isso significa que o Blackmagic RAW é reproduzido à velocidade normal como um arquivo de vídeo na maioria dos computadores, sem necessidade de fazer o cache primeiro ou diminuir a resolução.

Também é importante mencionar que as informações de lente são gravadas nos metadados com base em cada quadro. Por exemplo, ao usar lentes compatíveis, quaisquer alterações de zoom ou foco realizadas ao longo de um clipe serão gravadas, quadro a quadro, nos metadados do arquivo Blackmagic RAW.

Gravar com Blackmagic RAW

O Blackmagic RAW funciona de duas maneiras diferentes. Você tem a opção de usar o codec de taxa de bit constante ou o codec de qualidade constante.

O codec de taxa de bit constante funciona de forma semelhante à maioria dos codecs. Ele tenta manter a taxa de bit em um nível consistente e não permitirá que a taxa de dados fique elevada demais. Isso significa que, se você estiver gravando uma imagem complexa que necessite de mais dados para armazená-la, um codec de taxa de dados constante simplesmente compactará mais a imagem para garantir que ela caiba dentro do espaço alocado.

Isso pode ser eficaz para codecs de vídeo, mas, ao gravar RAW, é importante certificar-se de que a qualidade seja previsível. O que aconteceria se as imagens que você estava gravando precisassem de mais dados, mas o codec simplesmente faz uma compactação mais intensa para satisfazer uma taxa de dado específica? É provável que você perderia a qualidade, mas não teria ideia do acontecido até retornar das filmagens.

Para resolver este problema, o Blackmagic RAW também tem uma opção de codec alternativa chamada de qualidade constante. Este codec é tecnicamente chamado de um codec de taxa de bit variável, mas o que ele realmente faz é permitir que o tamanho do arquivo aumente se suas imagens precisarem de mais dados. Não há um limite máximo para o tamanho de arquivo caso necessite codificar uma imagem, mas manter a qualidade.

Portanto, o Blackmagic RAW definido com a configuração de qualidade constante permitirá que o arquivo aumente conforme o necessário para codificar suas imagens. Isto também significa que os

arquivos podem ficar maiores ou menores dependendo do que você estiver gravando. Assim, se você deixar a tampa encaixada na lente, não desperdiçará espaço na sua mídia.

Também é importante observar que as configurações de qualidade do Blackmagic RAW não têm nomes obscuros, sendo mais relevantes, já que são relacionados ao que está acontecendo tecnicamente. Por exemplo, ao selecionar o codec de taxa de bit constante, você observará as configurações de qualidade 3:1, 5:1, 8:1 e 12:1. Essas são as proporções do tamanho do arquivo RAW sem compactação em relação aos tamanhos previstos ao gravar em Blackmagic RAW. 3:1 é de melhor qualidade porque o arquivo é maior, enquanto 12:1 é o menor tamanho de arquivo com a qualidade mais baixa. Muitos usuários do Blackmagic RAW consideram que 12:1 é perfeitamente eficiente e não observaram quaisquer limitações na qualidade. Contudo, é melhor que você experimente e teste as várias configurações por conta própria.

Ao usar o Blackmagic RAW em qualidade constante, as configurações disponíveis são Q0, Q1, Q3 e Q5. Esses são os parâmetros de compactação transmitidos ao codec e estão definindo a quantidade de compactação a ser aplicada de uma maneira mais técnica. Esta configuração é diferente porque o codec opera de forma distinta entre a taxa de bit constante e a qualidade constante. Nesta configuração de qualidade constante, não é possível prever qual será a proporção do tamanho do arquivo, já que ela varia muito conforme o que você estiver gravando. Neste caso, a configuração é diferente e o arquivo passará a ser do tamanho necessário para armazenar a sua mídia.

Configurações de Taxa de Bit Constante

Os nomes 3:1, 5:1, 8:1 e 12:1 representam a taxa de compactação. Por exemplo, a compactação 12:1 produz um arquivo com um tamanho aproximadamente 12 vezes menor que RAW sem compactação.

Configurações de Qualidade Constante

Q0, Q1, Q3 e Q5 representam os diferentes níveis de quantização. Q5 possui um nível de quantização maior, mas oferece uma taxa de dados altamente otimizada. Como mencionado anteriormente, a configuração de qualidade constante pode produzir arquivos que crescem ou diminuem bastante, dependendo do que você estiver gravando. Isso também significa que é possível gravar imagens e observar o tamanho do arquivo aumentar além da capacidade do seu cartão de armazenamento. Isso pode resultar em quadros descartados. Mas, a vantagem é que você pode observar instantaneamente se isto acontecer em uma filmagem e, então, comparar suas configurações em relação à qualidade.

Blackmagic RAW Player

O Blackmagic RAW Player incluído com o instalador de software da sua câmera Blackmagic é um aplicativo otimizado para o visionamento de clipes. Basta clicar duas vezes em um arquivo Blackmagic RAW para abri-lo e você poderá reproduzir e depurar o arquivo rapidamente com resolução e profundidade de bits máximas.

Ao decodificar quadros, a aceleração de CPU na biblioteca SDK oferece suporte a todas as principais arquiteturas e também é compatível com a aceleração de GPU via Apple Metal, Nvidia CUDA e OpenCL. Ele também funciona com a Blackmagic eGPU para desempenho avançado. O Blackmagic RAW Player está disponível para Mac, Windows e Linux.

Arquivos Sidecar

Os arquivos sidecar do Blackmagic RAW permitem que você substitua os metadados nos arquivos sem sobrescrever os metadados integrados no arquivo original. Estes metadados incluem configurações RAW, bem como informações sobre íris, foco, distância focal, balanço de branco, tom, espaço de cores, nome do projeto, número da tomada e muito mais. Os metadados são codificados quadro por quadro ao longo do clipe, o que é importante para os dados da lente, se as lentes forem ajustadas durante um plano de gravação. Você pode adicionar ou editar metadados nos arquivos sidecar com o DaVinci Resolve ou até mesmo com um editor de texto, pois é um formato legível por humanos.

Os arquivos sidecar podem ser usados para adicionar automaticamente novas configurações RAW a uma reprodução, basta mover o arquivo sidecar para a mesma pasta que o arquivo RAW correspondente. Se você o tirar da pasta e abrir novamente o arquivo Blackmagic RAW, as configurações RAW não serão aplicadas e você verá o arquivo como foi gravado originalmente. Qualquer software utilizando o SDK para o Blackmagic RAW pode acessar essas configurações.

As alterações feitas são gravadas em um arquivo sidecar e, em seguida, podem ser visualizadas no Blackmagic RAW Player ou qualquer outro software capaz de ler arquivos Blackmagic RAW.

Ao gravar com a gama de vídeo, o arquivo permanece na gama de filme e os metadados indicam ao processamento Blackmagic RAW que faça a exibição usando a gama de vídeo. A gama de vídeo é excelente quando você não quiser tratar as cores da imagem e entregar o conteúdo rapidamente. No entanto, se desejar salientar as partes pretas de uma imagem ou reduzir as áreas brancas, todos os detalhes são mantidos. A clibagem do vídeo nunca acontece e todos os detalhes permanecem ali, caso deseje acessá-los a qualquer momento.

Blackmagic RAW no DaVinci Resolve

As configurações podem ser ajustadas para cada arquivo Blackmagic RAW e, depois, salvas como arquivos sidecar novos na aba RAW no DaVinci Resolve para efeitos criativos ou visualização otimizada. Isto significa que você pode copiar suas mídias para outro artista usando o DaVinci Resolve e ele automaticamente terá acesso às suas configurações de gama modificadas na importação. Além dos outros metadados incluídos nos seus arquivos de câmera, o DaVinci Resolve pode ler a sua faixa dinâmica selecionada, assim os cliques serão exibidos automaticamente com a faixa dinâmica de “filme”, “vídeo expandido” ou “vídeo”.

É possível personalizar estas configurações ao ajustar saturação, contraste e ponto médio, além da modulação de realces e sombras. Todos os ajustes podem ser salvos como um arquivo sidecar para que as alterações possam ser visualizadas por qualquer pessoa trabalhando com os arquivos na pós. É sempre possível retornar aos metadados originais da câmera a qualquer momento.

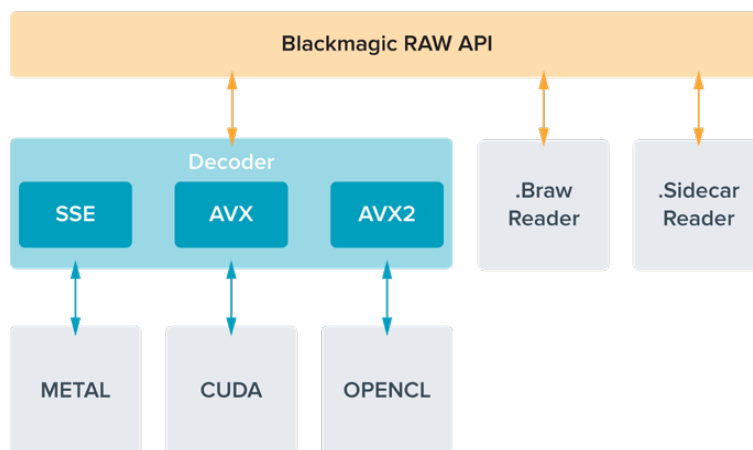
Você também pode exportar um único quadro Blackmagic RAW da aba RAW no DaVinci Resolve, a qual contém todas as informações de ajustes, metadados, resolução máxima e cores, facilitando o compartilhamento da captura de um único quadro ou um arquivo de referência.

Para mais informações sobre como usar o Blackmagic RAW no DaVinci Resolve, consulte a seção ‘Usar o DaVinci Resolve’ neste manual.

Kit de Desenvolvimento de Software para Blackmagic RAW

O Kit de Desenvolvimento de Software (SDK) para o Blackmagic RAW é uma API desenvolvida pela Blackmagic Design. Você pode usar o SDK Blackmagic RAW para escrever seus próprios aplicativos e utilizar o formato Blackmagic RAW. Esta biblioteca SDK pode ser usada por qualquer desenvolvedor para adicionar suporte para leitura, edição e para salvar arquivos Blackmagic RAW. O SDK Blackmagic RAW inclui toda a ciência de cores de quarta e quinta gerações para que você obtenha imagens cinematográficas orgânicas em todos os aplicativos compatíveis. O SDK Blackmagic RAW é compatível com Mac, Windows e Linux, e está disponível como um download gratuito na página para desenvolvedores do site da Blackmagic em www.blackmagicdesign.com/br/developer

O diagrama a seguir ilustra os componentes da API Blackmagic RAW:



Selecionar Taxas de Quadro

Como a sua câmera é capaz de gravar vídeos utilizando muitas taxas de quadro diferentes, você pode ficar na dúvida sobre qual usar. A taxa de quadro do sensor da câmera também pode ter um grande impacto no visual das suas imagens. Geralmente, ao selecionar uma taxa de quadro do sensor, há alguns itens comuns a considerar. Por muitos anos, utilizam-se padrões de apresentação para o cinema e a televisão. Eles possuem taxas de quadro definidas que são diferentes de um país para outro. Mas, todos compartilham do mesmo propósito que é exibir um número eficiente de quadros a cada segundo que apresente movimentos agradáveis e convincentes.

No cinema, por exemplo, é comum o padrão de 24 quadros por segundo e, embora tenha havido testes recentes com taxas de quadro mais rápidas, este padrão continua sendo amplamente aceito pelo público internacional. As taxas de quadro para a televisão geralmente seguem os padrões broadcast técnicos de cada país. Por exemplo, na produção de conteúdo televisivo, você tipicamente grava usando 29.97 quadros por segundo para distribuição norte-americana e 25 quadros por segundo para distribuição europeia.

No entanto, como a tecnologia tem se aperfeiçoado, hoje em dia nós temos mais opções de escolha e os padrões broadcast estão mudando. Agora, é comum gravar e transmitir eventos esportivos a taxas de quadro mais elevadas. Alguns eventos esportivos são gravados e transmitidos a até 59.94 quadros por segundo na América do Norte e a 50 quadros por segundo na Europa, por exemplo. Isso gera movimentos mais sutis em ações rápidas e mais realistas. Alternativamente, as transmissões online e via streaming normalmente usam taxas de quadro semelhantes à televisão. Porém, há muito mais liberdade para fazer experimentações, devido aos formatos de visualização selecionáveis pelo usuário, restringindo-se apenas ao que as telas são capazes de exibir.

Via de regra, ao selecionar uma taxa de quadro para um projeto, permita que o formato de entrega oriente sua escolha. Ou seja, seus cliques serão reproduzidos na mesma velocidade que o evento da vida real. Para isso, você precisará desabilitar a opção “Off-Speed” na sua câmera.

Caso deseje criar um efeito interessante, como câmera lenta, será necessário definir a taxa de quadro do sensor em uma configuração mais alta. Quanto mais alta a taxa de quadro do sensor em comparação à taxa de quadro do projeto, mais lenta será a velocidade de reprodução.

Para mais informações sobre o uso de taxas de quadro do sensor alternativas para gerar efeitos criativos, consulte a seção ‘Controles da Tela de Toque’.

Gravar com Taxas de Quadro Elevadas

Ao gravar em taxas de quadro elevadas, sua câmera capta um número maior de quadros por segundo em comparação com as velocidades de taxas de quadro de sincronização tradicional de 24, 25 e 30 quadros por segundo. Isso significa que o sensor de imagem tem menos tempo para receber a luz para cada quadro captado e a imagem resultante da sua câmera será mais escura.

Como exemplo, se você alternar de 25 para 50 quadros por segundo, a quantidade de luz alcançando o sensor será reduzida pela metade. Para manter sua exposição, será necessário compensar pela mudança abrindo sua lente com mais um stop, abrindo o ângulo do obturador de 180° para 360° ou adicionando mais iluminação à cena que você estiver gravando.

Ao gravar em 60 quadros por segundo, você tem 2,5 vezes menos luz, então talvez seja necessário fazer múltiplos ajustes, como abertura da lente, ângulo do obturador e iluminação para atingir o mesmo nível de exposição.

Outra consideração importante ao gravar em taxas de quadro elevadas é o fato de que as fontes de luz elétricas podem introduzir cintilações à sua imagem gravada. Fontes de iluminação artificial como, luzes tungstênio, fluorescentes e LEDs podem introduzir cintilação nas suas imagens. Você pode não perceber estes problemas com a cintilação ao previsualizar a cena no seu LCD ou na alimentação SDI ao gravar, então é importante fazer testes com as luzes que planeja usar e reproduzir o clipe para verificar se há cintilação.

A sua configuração de obturador também pode afetar a visibilidade da cintilação ao filmar sob luzes, então sua URSA Broadcast G2 pode calcular e exibir automaticamente seleções de obturador livres

de cintilação para sua taxa de quadro selecionada. As características de fontes de iluminação individuais ainda poderão causar cintilação mesmo ao usar valores livres de cintilação. Consulte a seção 'Controles da Tela de Toque' para mais informações.

Caso tenha aberto seu obturador para a velocidade mais lenta ou o maior ângulo possível e ainda estiver vendo cintilações nas imagens gravadas, talvez será necessário considerar a possibilidade de utilizar fontes de luz diferentes para a sua cena ou uma lente mais rápida.

Taxas de Quadro Máximas do Sensor e Taxas de Dados

As tabelas abaixo contêm os codecs e as resoluções disponíveis com suas taxas de quadro máximas do sensor. Convém salientar que as referências ao Blackmagic RAW, ProRes 444 e ProRes 422 são referências a todas as variantes compatíveis dentro de cada codec específico.

Devido às taxas de dados exigidas para gravar resoluções elevadas em câmera lenta, você terá que optar por um cartão CFast, drive flash USB-C ou SSD rápido. Consulte a seção 'Mídias de Armazenamento' para mais informações.

DICA Você pode testar a velocidade que o seu cartão pode suportar habilitando a opção "Parar Gravação" no menu "Se Cartão Descartar Quadro" para cessar gravações com quadro descartados e gravando um clipe de teste. Isso permitirá que você teste quanto tempo poderá gravar em uma taxa de quadro específica numa determinada resolução. Se o cartão cessar a gravação precipitadamente, alterar para a próxima configuração de compactação ou resolução disponível diminuirá a taxa de dados e facilitará a operação do cartão.

Taxas de Quadro Máximas da URSA Broadcast G2

	Resolução	Codec	Taxa de Quadro Máx.	Taxa de Dado Máx.
Ultra HD	3840x2160	Blackmagic RAW 3:1	60	254 MB/s
	3840x2160	Blackmagic RAW 5:1	60	152 MB/s
	3840x2160	Blackmagic RAW 8:1	60	96 MB/s
	3840x2160	Blackmagic RAW 12:1	60	64 MB/s
	3840x2160	Blackmagic RAW Q0	60	48.7 - 96.8 MB/s
	3840x2160	Blackmagic RAW Q1	60	32.6 - 77.6 MB/s
	3840x2160	Blackmagic RAW Q3	60	21.9 - 55.6 MB/s
	3840x2160	Blackmagic RAW Q5	60	13.4 - 32.6 MB/s
	3840x2160	ProRes HQ	60	220 MB/s
	3840x2160	ProRes 422	60	148 MB/s
	3840x2160	H.265 SDI	60	24.6 MB/s
	3840x2160	H.265 High	60	21.6 MB/s
	3840x2160	H.265 Medium	60	15.6 MB/s
	3840x2160	H.265 Low	60	6.4 MB/s

	Resolução	Codec	Taxa de Quadro Máx.	Taxa de Dado Máx.
HD	1920x1080	Blackmagic RAW 3:1	150	161.4 MB/s
	1920x1080	Blackmagic RAW 5:1	150	97.2 MB/s
	1920x1080	Blackmagic RAW 8:1	150	61.1 MB/s
	1920x1080	Blackmagic RAW 12:1	150	41 MB/s
	1920x1080	Blackmagic RAW Q0	150	121.2 - 241.6 MB/s
	1920x1080	Blackmagic RAW Q1	150	81.8 - 193.4 MB/s
	1920x1080	Blackmagic RAW Q3	150	54.4 - 138.4 MB/s
	1920x1080	Blackmagic RAW Q5	150	33 - 81.1 MB/s
	1920x1080	ProRes HQ	120	110 MB/s
	1920x1080	ProRes 422	120	74 MB/s
	1920x1080	H.264 SDI	60	14 MB/s
	1920x1080	H.264 High	60	11.2 MB/s
	1920x1080	H.264 Medium	60	6.4 MB/s
	1920x1080	H.264 Low	60	3.6 MB/s

É importante observar que Blackmagic RAW Q0, Q1, Q3 e Q5 utilizam uma compressão de taxa de bits variável para obter a qualidade constante. As taxas de dados Q0, Q1, Q3 e Q5 dependem da complexidade do assunto da imagem e podem variar consideravelmente ao longo de um clipe.

Como selecionar seu codec e resolução desejada:

- 1 Pressione o botão “Menu” no painel de controle.
- 2 Navegue até a primeira página da aba “Gravar”.
- 3 Toque sua combinação de codec, qualidade e resolução desejada.
- 4 Pressione “Menu” para sair.

Formatos de Gravação e Taxas de Quadro do Projeto

Depois que definir seu codec e resolução, você deve definir as taxas de quadro para o seu “Projeto” e “Sensor”. Consulte a seção ‘Gravação’ neste manual para mais informações sobre taxas de quadro.

As taxas de quadro de projeto disponíveis são:

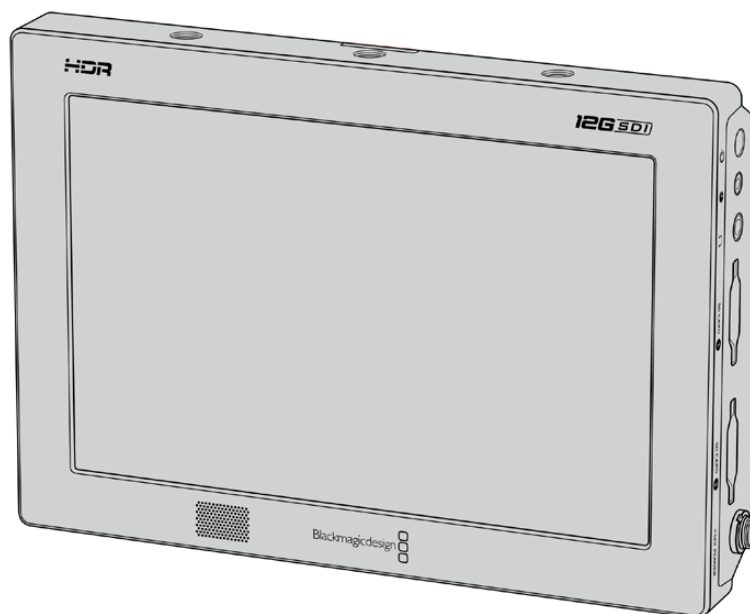
23.98, 24, 25, 29.97, 30, 50, 59.94, e 60 quadros por segundo.

Ao utilizar Blackmagic RAW e codecs ProRes até ProRes 422 HQ, a taxa de quadro máxima do projeto é 60 quadros por segundo em todas as resoluções.

Disparo de Gravação em Equipamentos Externos

Sua URSA Broadcast G2 envia um sinal via as saídas SDI automaticamente para acionar a gravação quando estiver conectada a equipamentos compatíveis com o recurso de disparo de gravação SDI, como o Blackmagic Video Assist. Assim, quando você pressionar o botão de gravação na sua câmera, seus equipamentos SDI externos também começarão a gravar e serão interrompidos quando você pressionar “REC” novamente.

Também será necessário configurar seus equipamentos para habilitar o disparo de gravação SDI e assegurar que eles respondam ao sinal de disparo da sua URSA Broadcast G2. Normalmente, caso seus equipamentos SDI sejam compatíveis, eles podem ser habilitados através dos seus próprios menus de configurações.



É possível acionar gravações em outros equipamentos SDI, por exemplo, o Blackmagic Video Assist 12G HDR, usando o recurso de disparo de gravação na sua câmera.

Tabela de Duração de Gravações

As tabelas são incluídas para demonstrar o tempo de duração de gravação aproximado em minutos e segundos, com comparações de formato, taxa de quadro do projeto e capacidade da mídia. O tempo máximo de gravação da sua mídia de armazenamento depende da capacidade, do formato de gravação e da taxa de quadro. Por exemplo, a taxa de armazenamento para Apple ProRes 422 HQ a 3840 x 2160 é de aproximadamente 880 Mbps. A 24 quadros por segundo, você pode gravar cerca de 47 minutos de vídeo em um cartão SD ou CFast 2.0 de 256 GB. Com as mesmas configurações, você pode gravar aproximadamente 23 minutos de vídeo em um cartão CFast 2.0 ou SD de 128 GB, que é aproximadamente metade da duração da gravação do cartão de 256 GB.

É importante destacar que a duração de gravações em cartões SD e CFast 2.0 também pode variar ligeiramente entre cartões de fabricantes diferentes. Ela também pode variar se a mídia de armazenamento for formatada como ExFat ou Mac OS Expandido.

Cenas simples contendo menos detalhes tendem a exigir menos dados que composições mais densas. Os valores nestas tabelas levam em consideração planos de imagem de alta complexidade, o que significa que você pode obter tempos de gravação mais longos dependendo do seu tipo de filmagem.

HD							
Cartão CFast	Taxa de Quadro	ProRes 422 HQ	ProRes 422	H.264 SDI	H.264 High	H.264 Medium	H.264 Low
		Duração	Duração	Duração	Duração	Duração	Duração
256GB	23.98	189 min	283 min	635 min	782 min	1395 min	2456 min
	24	189 min	283 min	635 min	782 min	1395 min	2456 min
	25	182 min	271 min	602 min	748 min	1339 min	2321 min
	30	152 min	227 min	496 min	612 min	1118 min	2079 min
	50	91 min	137 min	371 min	462 min	841 min	1852 min
	60	76 min	114 min	331 min	411 min	716 min	1520 min

ULTRA HD					
Cartão CFast	Taxa de Quadro	Blackmagic RAW 3:1	Blackmagic RAW 5:1	Blackmagic RAW 8:1	Blackmagic RAW 12:1
		Duração	Duração	Duração	Duração
256GB	23.98	41 min	68 min	110 min	164 min
	24	41 min	68 min	109 min	164 min
	25	39 min	66 min	105 min	157 min
	30	33 min	55 min	88 min	131 min
	50	19 min	33 min	52 min	79 min
	60	16 min	27 min	44 min	66 min

ULTRA HD							
Cartão CFast	Taxa de Quadro	ProRes 422 HQ	ProRes 422	H.265 SDI	H.265 High	H.265 Medium	H.265 Low
		Duração	Duração	Duração	Duração	Duração	Duração
256GB	23.98	47 min	71 min	353 min	404 min	571 min	1499 min
	24	47 min	71 min	353 min	404 min	571 min	1499 min
	25	45 min	68 min	339 min	389 min	550 min	1442 min
	30	38 min	57 min	286 min	325 min	461 min	1223 min
	50	22 min	34 min	242 min	280 min	389 min	960 min
	60	18 min	28 min	241 min	277 min	325 min	809 min

Gravar Dados do Sensor de Movimento

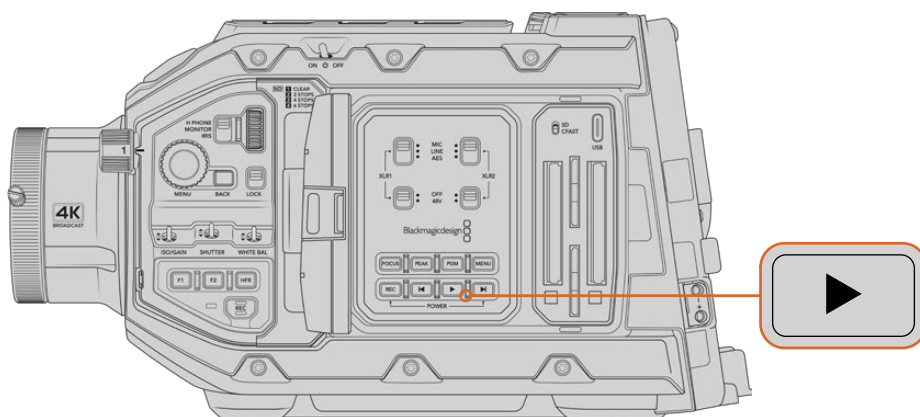
Sua câmera Blackmagic URSA Broadcast G2 grava automaticamente os dados do giroscópio do sensor de movimento interno. Posteriormente, esses dados podem ser utilizados pelo DaVinci Resolve para estabilizar clipes. Para mais informações, consulte a seção 'Estabilização por Giroscópio' neste manual.

Reprodução

Reprodução de Clipes

Depois que gravar seu vídeo, você pode usar os botões de controle de transporte para fazer a reprodução dos seus clipes.

Aperte o botão de reprodução uma vez para reprodução instantânea e você visualizará seu vídeo gravado na tela de toque LCD da URSA Broadcast G2. Seus clipes também podem ser visualizados em qualquer monitor conectado às saídas SDI da sua URSA Broadcast G2.



URSA Broadcast G2.

DICA A Blackmagic URSA Broadcast G2 possui teclas de controle de transporte e reprodução em ambos os painéis de controle ergonômicos interno e externo.

OBSERVAÇÃO A Blackmagic URSA Broadcast G2 reproduzirá clipes compartilhando a mesma família de codecs, taxa de quadro e resolução. Por exemplo, caso deseje reproduzir clipes HD gravados usando ProRes 422 HQ a 29.97 fps, certifique-se de que sua câmera esteja configurada para a mesma taxa de quadro e resolução, e como um codec ProRes.

Os controles da sua câmera funcionam exatamente como um leitor de CD, pressione o botão “Avançar” para ir direto ao início do próximo clipe. Pressione o botão “Retroceder” uma vez para ir ao início do clipe atual ou pressione duas vezes para voltar ao início do clipe anterior. Segure o botão “Avançar” ou “Retroceder” para reproduzir ou reproduzir de forma invertida com o dobro da velocidade. Depois de avançar ou voltar, pressione os botões respectivos duas vezes para aumentar a velocidade em 4x, três vezes para 8x e quatro vezes para 16x. Você também pode usar os botões “Avançar” e “Retroceder” para abrir ou fechar a íris em lentes compatíveis enquanto faz a gravação dos clipes.

Ao gravar um clipe usando uma taxa de quadro do sensor que é diferente da taxa de quadro do projeto, a velocidade de reprodução do seu clipe também será diferente. Por exemplo, imagine que você configurou a taxa de quadro do projeto da sua câmera para corresponder à sua linha de tempo na pós-produção a 24 quadros por segundo. Caso grave um clipe com a taxa de quadro do sensor configurada para 60 quadros por segundo, seus clipes serão reproduzidos em câmera lenta tanto na câmera quanto na sua linha de tempo na pós-produção.

DICA Consulte a seção ‘Gravação’ neste manual para mais informações sobre taxas de quadro.

Conexões e Recursos da URSA Broadcast G2

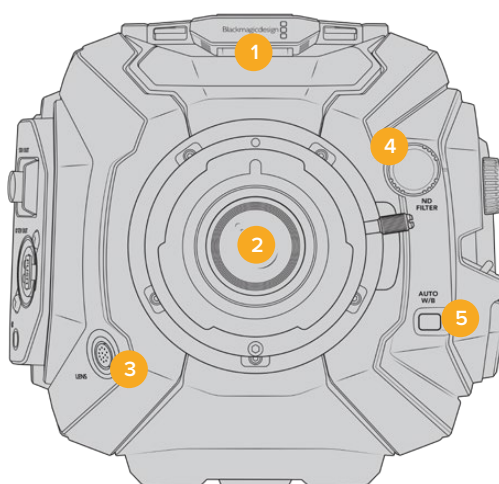
Conectores BNC padrão da indústria estão localizados nos painéis direito e traseiro da sua URSA Broadcast G2 para conexões SDI. Também há uma entrada LANC no painel direito para a Blackmagic URSA Handgrip opcional.

Para áudio profissional, tanto analógico balanceado quanto digital AES, há entradas XLR no painel superior atrás dos pontos de montagem. Um conector XLR de 4 pinos é providenciado no painel traseiro para a entrada de alimentação externa e uma saída é disponibilizada no lado direito para alimentar acessórios como o Blackmagic URSA Viewfinder.

A porta USB acima dos compartimentos das mídias de armazenamento é para a conexão de um computador ao atualizar o software interno da sua câmera.

OBSERVAÇÃO Sua câmera inclui controles ergonômicos adicionais que facilitam o acesso rápido às configurações e funções de câmera essenciais sem a necessidade de abrir a tela de toque articulada.

Frente da Câmera



URSA Broadcast G2 com encaixe B4.

1 Microfone Estéreo

Microfone estéreo de alta qualidade integrado. Consulte a seção 'Configurações' para mais informações sobre as configurações de áudio para microfones.

2 Encaixe de Lente

A URSA Broadcast G2 é despachada com um encaixe B4, mas ele é intercambiável com o encaixe EF incluso e compatível com os encaixes URSA Mini Pro PL e F. Consulte a seção 'Encaixe de Lente Intercambiável' para mais informações.

3 Conector de Lentes Broadcast

Este conector de 12 pinos fornece alimentação e controle para lentes servo zoom profissionais compatíveis. Consulte a seção 'Usar Lentes Servo Zoom' neste manual para mais detalhes sobre os recursos disponíveis com as lentes B4 e PL.

4 Filtros ND

Utilize essa roda para alternar entre os três filtros de densidade neutra integrados, assim como um modo claro. Consulte a seção 'Controles da URSA Broadcast G2' para mais informações.

5 Balanço de Branco Automático

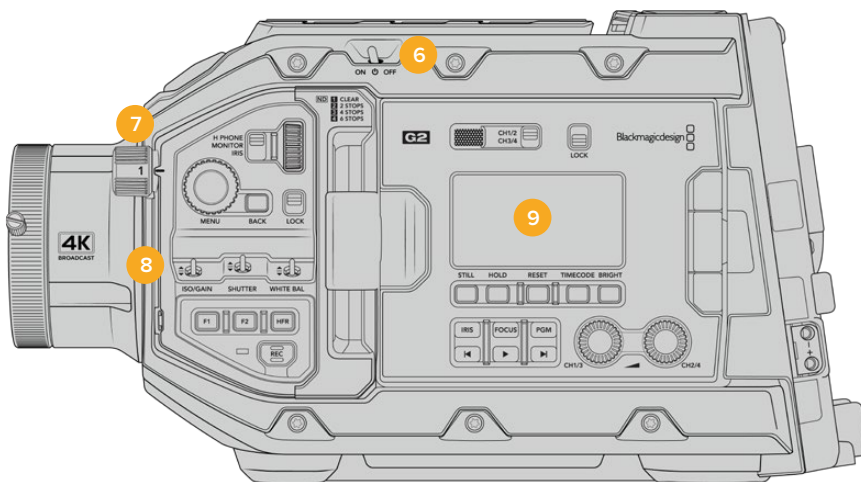
O botão de balanço de branco automático é marcado "Auto W/B" e é utilizado para configurar o balanço de branco com base no que estiver no centro da tela no momento. Por exemplo, a configuração do balanço de branco automático em um cartão cinza posicionado na frente da lente. Consulte a seção 'Controles da URSA Broadcast G2' para mais informações.

Lado Esquerdo

O painel lateral esquerdo da URSA Broadcast G2 possibilita inserir cartões CFast 2.0, SDXC ou SDHC, acessar o painel de controle e alterar configurações. A porta USB-C é localizada logo acima dos compartimentos CFast, assim é possível se conectar a um computador com facilidade ao atualizar o software interno da sua URSA Broadcast G2.

Controles Laterais Esquerdos

O painel lateral esquerdo inclui controles adicionais de fácil acesso para todas as funções essenciais da sua câmera. Estes controles estão divididos entre o painel de controle dianteiro, o painel de controle ergonômico localizado na parte externa da tela de toque articulada e um painel de controle na parte interna do monitor articulado.



URSA Broadcast G2 com a tela de toque fechada.

6 Chave de Alimentação

Chave de alimentação para ligar a câmera. Também há uma chave de alimentação reserva na parte interna do monitor articulado que permite que a câmera seja ligada quando os botões de gravação e avanço de clipes são pressionados ao mesmo tempo.

7 Filtros ND

Sua URSA Broadcast G2 possui três filtros de densidade neutra internos para ajustar a quantidade de luz alcançando o sensor. Quatro configurações estão disponíveis, variando desde claro até seis pontos de redução de luz. Basta girar esta roda para navegar pelas configurações disponíveis. O filtro se posiciona com um clique de encaixe para cada configuração. Para mais informações, consulte a seção 'Controles da URSA Broadcast G2' neste manual.

8 Painel de Controle Frontal

O painel de controle dianteiro fornece acesso rápido a todas as funções essenciais da sua URSA Broadcast G2. Estes controles estão posicionados para fácil acesso nas filmagens feitas em um tripé ou no ombro, e você pode usá-los para ajustar configurações como ISO, velocidade do obturador, íris, balanço de branco, taxa de quadro e muito mais. Consulte a seção 'Controles da URSA Broadcast G2' para mais informações.

9 Painel de Controle Ergonômico

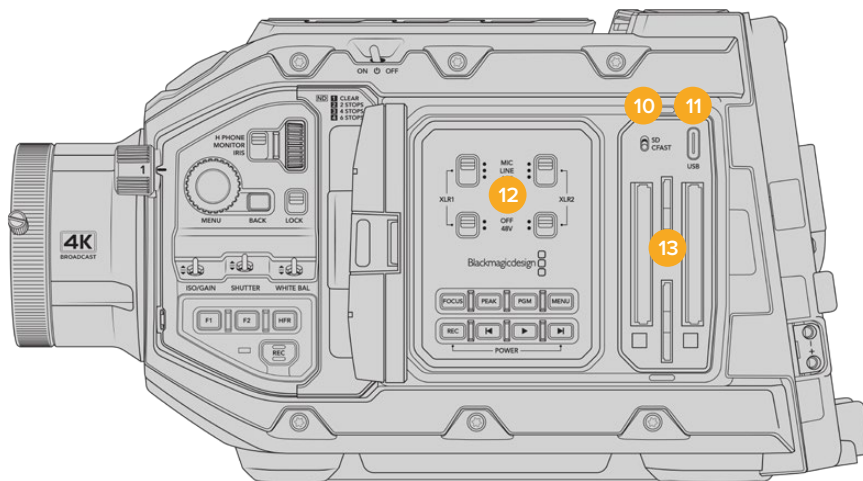
Na parte externa do monitor articulado da sua URSA Broadcast G2, você encontrará um monitor de status LCD e uma variedade de comandos para um controle de monitoramento rápido e eficaz. Aqui, você pode ver todas as informações de status da câmera de imediato e também controlar uma variedade de funções potentes para o monitoramento. Consulte a seção 'Controles da URSA Broadcast G2' para mais informações.

10 Chave de Seleção de Mídias de Armazenamento

Use esta chave para selecionar entre mídias de armazenamento SD e CFast.

11 Porta USB

Porta USB-C para atualização do software interno. Consulte a seção 'Blackmagic Camera Setup Utility' para mais informações.



URSA Broadcast G2 com a tela de toque aberta.

12 Painel de Controle Interno

Com o monitor articulado da sua URSA Broadcast G2 aberto, você terá acesso ao painel de controle interno. Utilize os controles aqui para definir suas entradas de áudio e também os ajustes para a alimentação fantasma. Você também pode acessar controles de íris, foco, menu, reprodução e muito mais. Consulte a seção 'Controles da URSA Broadcast G2' para mais informações.

13 Compartimentos para Cartões de Memória

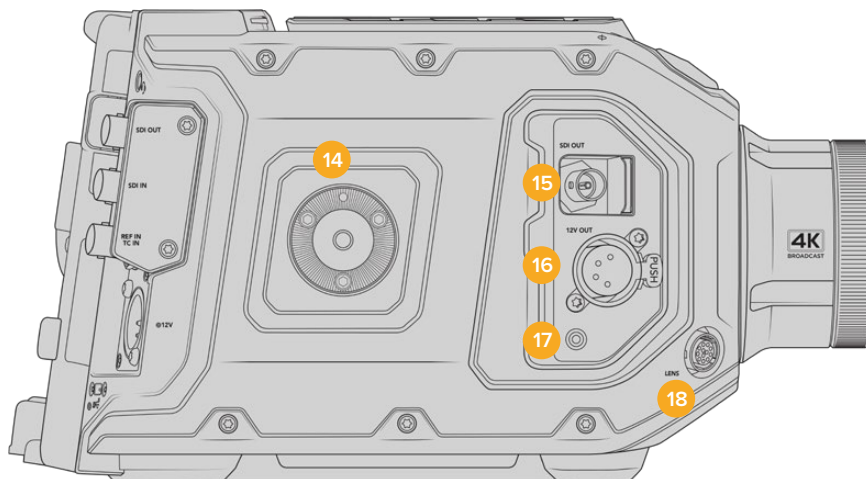
Insira cartões SDHC ou SDXC e CFast 2.0 para gravação e reprodução. É importante observar que você deve verificar a lista de cartões certificados no nosso site. Consulte a seção 'Mídias de Armazenamento' para mais informações.

Lado Direito

O painel lateral direito da URSA Broadcast G2 oferece acesso a todos os conectores de vídeo, áudio e alimentação, além do encaixe roseta para a empunhadura lateral.

14 Encaixe Roseta Lateral

Encaixe roseta padrão para a empunhadura lateral. Consulte as seções 'Primeiros Passos' e 'Blackmagic URSA Mini Shoulder Kit' para mais informações.



A URSA Broadcast G2 possui um encaixe tipo roseta integrado na lateral direita, caso seja necessário montar a empunhadura lateral opcional para URSA Mini.

15 Saída de Monitoramento HD

Conector 3G-SDI para saída de 1080 HD de conversão descendente. Utilize com o Blackmagic URSA Viewfinder ou monitores externos. Consulte as seções 'Saída de Vídeo da Câmera' e 'Blackmagic URSA Viewfinder' para mais informações.

16 Saída de Alimentação +12 V

Conector XLR de 4 pinos para alimentação do Blackmagic URSA Viewfinder, Blackmagic URSA Studio Viewfinder ou monitores e acessórios externos. Consulte as seções 'Blackmagic URSA Viewfinder' e 'Blackmagic URSA Studio Viewfinder' para mais informações. Esta saída, combinada ao Conector de Lente Broadcast, fornece 12 volts em um total de 2 amperes.

17 Entrada LANC

Conector TRS LANC de 2,5 mm para o Blackmagic URSA Handgrip opcional.

18 Conector de Controle de Lentes Broadcast

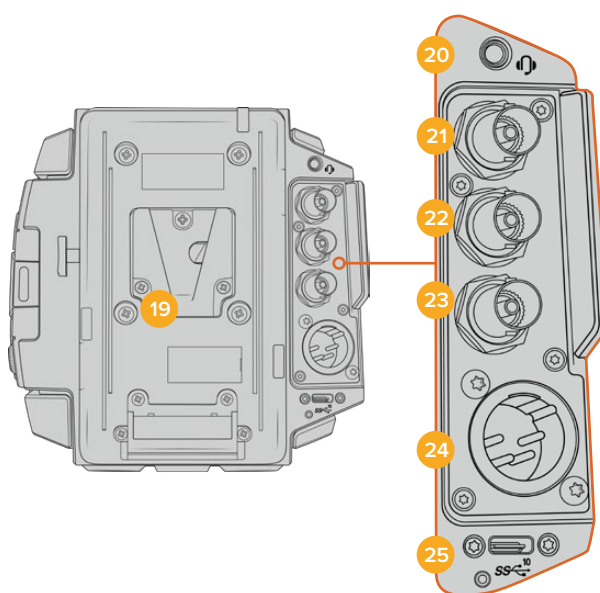
Fornece alimentação e controle para lentes de montagem PL e B4 compatíveis com conexões de 12 pinos. Esta saída, combinada à saída de alimentação de +12 V fornece 12 volts em um total de 2 amperes.

Painel Traseiro

19 Placa de Encaixe de Bateria

A Blackmagic URSA Broadcast G2 é fornecida com a Blackmagic URSA VLock Battery Plate para encaixar baterias de montagem V na sua câmera. A URSA VLock Battery Plate inclui uma porta D-Tap para alimentar acessórios. A porta D-tap pode fornecer 12 volts a até 1,5 amperes.

A URSA VLock Battery Plate pode ser substituída por uma Blackmagic URSA Gold Battery Plate opcional ou uma placa de bateria de outros fabricantes. A placa de bateria pode ser removida para acessar um conector Molex com reentrância e para encaixar acessórios opcionais, como o Blackmagic Camera Fiber Converter ou Blackmagic URSA Mini Recorder, à traseira da câmera. Caso seu acessório conectado possua uma saída de alimentação D-tap, o conector Molex fornecerá uma conexão de repasse de 12 volts a até 1,5 amperes. Para mais informações, consulte as seções 'Encaixar Baterias', 'Primeiros Passos para Blackmagic Fiber Converters' e 'URSA Mini Recorder'.



20 Fone de Ouvido/Headset

A saída do conector tipo jack de 3,5 mm é usada para o monitoramento e a intercomunicação com fones de ouvido. Você também pode conectar headsets compatíveis com iPhone e Android que possuam um microfone integrado para intercomunicação fácil e rápida. O áudio da intercomunicação é embutido nos canais 15 e 16 da saída SDI.

DICA Ao usar o conector tipo jack de 3,5 mm da URSA Broadcast G2 para intercomunicação, uma opção bastante acessível é usar um headset compatível com iPhone ou Android. Estes fones de ouvido geralmente possuem um botão incorporado que pode ser usado para ativar e desativar o microfone dos mesmos. Caso deseje utilizar um headset broadcast que não possua este botão incorporado, você pode configurar os botões de função da sua URSA Broadcast G2 para que ofereçam a mesma funcionalidade. Para mais informações, consulte a seção 'Ajustar Configurações' neste manual.

21 Saída 12G-SDI

A saída 12G-SDI da Blackmagic URSA Broadcast G2 é utilizada para enviar vídeos HD e Ultra HD a equipamentos SDI, como roteadores, monitores, dispositivos de captura SDI e switchers profissionais. Você também pode conectar a saída 12G-SDI a um gravador externo, como o Blackmagic Video Assist, para fazer backups de gravações.

22 Entrada 12G-SDI

A entrada 12G-SDI é utilizada para a conexão com um switcher ou um gravador externo. Assim, caso esteja usando sua URSA Broadcast G2 em uma transmissão ao vivo, é possível conectar a saída de programa do switcher e monitorá-lo durante as filmagens, ou fazer a reprodução a partir de um gravador externo. Pressione e segure o botão de programa para visualizar a alimentação do seu programa.

Para mais informações, consulte a seção 'Painel de Controle Ergonômico' neste manual.

Também é possível usar o recurso de controle de câmera de um switcher ATEM para ajustar várias funções da URSA Broadcast G2 remotamente. Consulte a seção 'Como Utilizar o Controle de Câmera de Estúdio' para mais informações. O Blackmagic 3G-SDI Shield for Arduino também pode ser usado para fornecer controle personalizado da câmera via SDI.

Para receber sinalização e intercomunicação via a entrada SDI, certifique-se de que a identificação de câmera para o ATEM esteja definida no menu de configurações da câmera. Caso deseje utilizar a entrada SDI para receber um sinal de referência externo, será necessário selecionar "Programa" como fonte de referência nos ajustes de configurações. O símbolo "REF" será exibido ao lado do indicador de código de tempo na tela LCD da câmera quando a referência externa for conectada. Consulte a seção 'Ajustar Configurações' deste manual para mais informações.

Na URSA Broadcast G2, a entrada SDI também pode ser usada para conectar uma fonte de código de tempo externa à câmera. A câmera se casará automaticamente com o código de tempo de entrada caso a taxa de quadros do sinal SDI coincida com a taxa de quadros da câmera e possua um código de tempo válido. Quando o código de tempo estiver casado, o símbolo "EXT" será exibido na tela LCD da URSA Broadcast G2. Caso você desconecte o cabo, o código de tempo permanecerá sincronizado e o símbolo "INT" passará a ser exibido, indicando que o relógio do código de tempo interno da URSA Broadcast G2 está em uso.

23 Entrada de Sincronismo/Código de Tempo

Esta entrada reconhece e alterna entre os sinais de código de tempo e sincronização automaticamente. Sincronize a Blackmagic URSA Broadcast G2 com um sinal de referência comum, como sincronização de três níveis, ao conectar a entrada BNC de "referência" marcada como "REF In". É importante observar que para usar um sinal de referência através desta entrada, você deve configurar sua fonte de referência como "Externa" no menu de configurações da sua URSA Broadcast G2.

Como alternativa, você pode utilizar este conector para combinar uma fonte com código de tempo externo para sincronizar múltiplas câmeras, ou áudio e imagem, ao gravar com sistemas duplos. Isso assegura que o áudio e as imagens, ou os vídeos de múltiplas câmeras, possam ser facilmente sincronizados durante a pós-produção. Ao conectar uma fonte com código de tempo externo que possua a mesma taxa de quadro, a câmera se casará com o código de tempo da entrada automaticamente. Quando o código de tempo estiver casado, o símbolo "EXT" será exibido na tela LCD da URSA Broadcast G2. Caso você desconecte o cabo, o código de tempo permanecerá sincronizado e o símbolo "INT" passará a ser exibido, indicando que o relógio do código de tempo interno da URSA Broadcast G2 está em uso.

Também é possível configurar sua câmera para usar o sinal de referência de um switcher ATEM via a entrada de programa SDI. Isso é útil ao trabalhar com switchers ATEM porque todas as câmeras podem receber o retorno de programa, controle de câmera e serem sincronizadas juntas usando um único sinal SDI. Consulte a seção 'Ajustar Configurações' neste manual para mais informações.

24 Entrada de Alimentação 12 V+

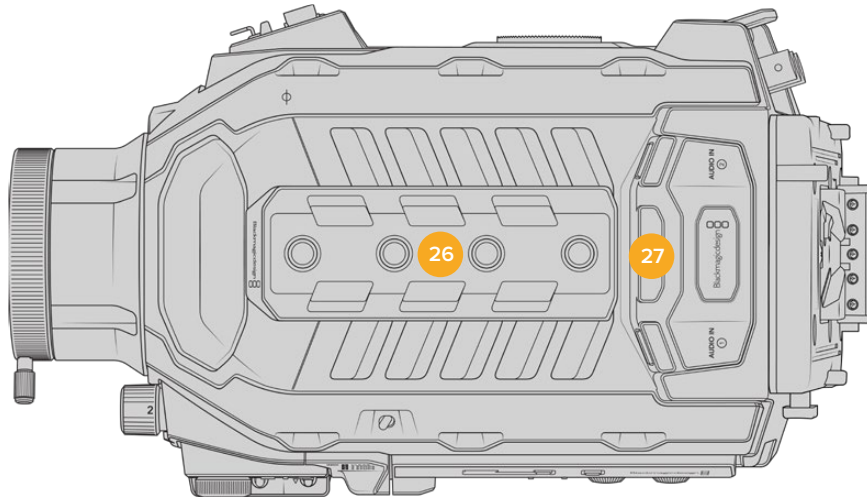
Utilize o conector XLR de 4 pinos e voltagem 12-18 V DC para conectar alimentação de fontes externas, como o adaptador de alimentação incluso ou baterias portáteis.

25 Porta USB

Porta USB-C 3.2 Gen 2x1 para gravar em uma unidade flash externa ou um SSD utilizando o Blackmagic URSA Mini Recorder. Também usado para conectar Blackmagic Zoom e Focus Demand à sua câmera para controle de foco e zoom com lentes compatíveis.

O conector roscado sob a porta USB-C funciona com o cabo USB com trava fornecido com o URSA Mini Recorder para manter uma conexão segura durante o uso. Para mais informações, consulte a seção 'URSA Mini Recorder' neste manual.

Painel Superior



O áudio analógico externo pode ser plugado aos conectores XLR balanceados no painel superior.

26 Pontos de Montagem de 1/4 de Polegada

O painel superior da sua câmera contém 4 pontos de montagem resistentes para o encaixe da alça superior e acessórios.

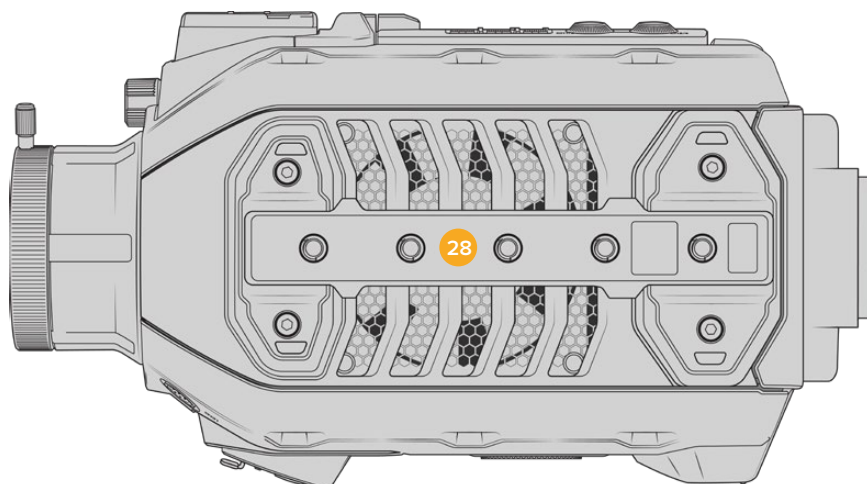
27 Entrada de Áudio XLR

Use as entradas XLR balanceadas para conectar áudio analógico externo profissional de equipamentos profissionais como mesas de som, sistemas de PA ou microfones externos. Os conectores XLR fornecem alimentação fantasma de 48 V, assim você pode usar microfones que não sejam autoalimentados. Consulte a seção 'Controles da URSA Broadcast G2/Painel de Controle Interno' para mais informações.

Parte Inferior

28 Pontos de Montagem de 1/4 de Polegada

Os cinco pontos de montagem na parte inferior são usados para encaixar cabeças de tripé, o URSA Mini Shoulder Kit e outros acessórios.

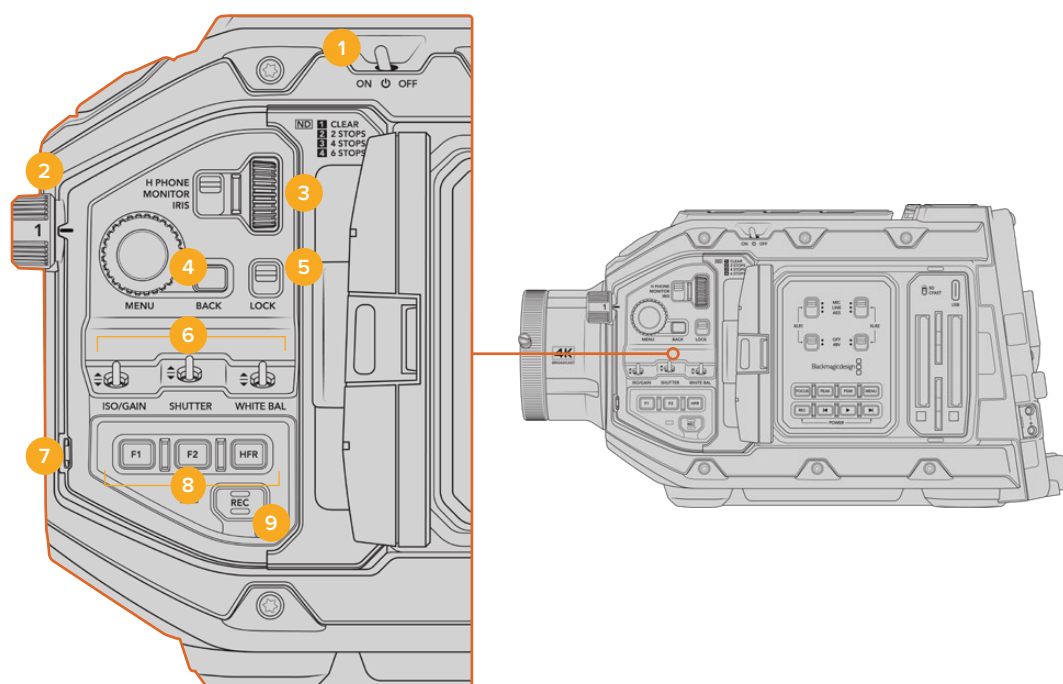


Controles da URSA Broadcast G2

A Blackmagic URSA Broadcast G2 possui painéis de controle no chassi e na parte externa e interna da tela de toque articulada para fornecer acesso fácil e rápido à todas as funções importantes, assim como às poderosas ferramentas de monitoramento. Estes painéis foram desenvolvidos para ficarem próximos à mão independentemente das filmagens serem realizadas com tripé, na mão ou com o URSA Mini Shoulder Kit.

Painel de Controle Frontal

O painel de controle frontal da sua câmera reúne todos os controles de ajuste necessários para a preparação e gravação de um quadro de imagem. Todos os controles foram desenvolvidos para acesso fácil ao filmar com o monitor articulado fechado, como quando o kit de suporte de ombro é utilizado.



Painel de controle frontal da URSA Broadcast G2.

1 Chave de Alimentação

Ligue sua URSA Broadcast G2 ajustando a chave para a posição “On”. Desligue ao mover a chave para a posição “Off”.

DICA Também é possível ligar ou desligar sua URSA Broadcast G2 através de uma combinação de chaves do painel de controle. Segurar as teclas “Rec” e “Avançar” irá ligar a câmera se ela estiver desligada, ou irá desligá-la, caso esteja ligada. Se a chave de alimentação da câmera estiver na posição “On”, mas sua câmera estiver desligada, é provável que tenha sido desligada através do painel de controle. Alterne a chave de alimentação para retornar à operação normal.

2 Filtros ND

Sua URSA Broadcast G2 possui três filtros de densidade neutra internos. Além do filtro claro, as configurações disponíveis incluem “1/4”, “1/16” e “1/64”. Estes filtros permitem reduzir a quantidade de luz alcançando o sensor da sua URSA Broadcast G2 por uma

fração predefinida. Ao reduzir a exposição, você pode continuar filmando com aberturas amplas em condições de muita luminosidade, como ao ar livre em dias ensolarados.

Para ajustar a configuração da densidade neutra, gire o anel para cima ou para baixo. A configuração “Claro” significa que não há filtros ND sendo usados. Nas configurações de “1/4” a “1/64”, os filtros ND aumentam gradualmente em densidade para que você possa reduzir a luz caso seja necessário.

Como pessoas diferentes preferem usar termos diferentes para cada filtro ND, as medidas das suas configurações ND podem ser personalizadas no menu LCD. É possível identificar o número do filtro ND, a quantidade de stops de redução de luz ou a fração representando a quantidade de luz reduzida para os filtros conforme sua preferência.

Configurações do Filtro de Densidade Neutra

Posição do Anel	Número ND	Stops	Fração
1	Claro	0	1
2	0,6	2	1/4
3	1,2	4	1/16
4	1,8	6	1/64

3 Anel de Configurações

Defina a função deste anel ao ajustar a chave de três posições adjacente ao anel. As opções são “Headphone”, “Monitor” e “Iris”.

Headphone

Quando definido como “Headphone”, o anel de configurações ajustará os níveis de áudio do fone de ouvido. Gire o anel para cima para aumentar o volume e para baixo para diminuí-lo.

Monitor

Quando definido como “Monitor”, o anel de configurações ajusta os níveis de áudio do alto-falante integrado na sua câmera. O alto-falante está localizado na parte externa da porta do monitor LCD e pode ser usado para o monitoramento de áudio sem fones de ouvido. Gire o anel para cima para aumentar o volume e para baixo para diminuí-lo. Esta função é desabilitada durante as gravações com o microfone interno da câmera para evitar feedback indesejado.

Iris

Quando configurado como “Iris”, o anel de configurações é utilizado para ajustar a abertura de lentes compatíveis fixadas à sua URSA Broadcast G2. Girar o anel para baixo abre a íris e girar o anel para cima fecha a íris. Estas direções imitam a operação de abertura em lentes fotográficas e cinematográficas ajustáveis.

DICA Para alterar as configurações de abertura através do botão giratório, a URSA Broadcast G2 deve estar conectada a uma lente com suporte para alterações de abertura através da câmera. Caso esteja usando uma lente B4 ou PL conectada através do conector broadcast de 12 pinos, certifique-se de que a chave da íris da lente na empunhadura esteja definida como “A” ou “Auto”.

4 Roda de Menu e Botão Back

Quando o recurso “Texto de Status” estiver habilitado na saída SDI frontal da sua câmera, é possível usar a roda de menu para navegar por muitos dos recursos do heads-up display que normalmente são acessados via a tela de toque LCD.

Basta pressionar a roda menu como se fosse um botão para acessar o heads-up display da sua URSA Broadcast G2 em um monitor externo, como o Blackmagic SmartView, Video Assist ou URSA Viewfinder. Quando a roda menu for ativada, gire-a para selecionar recursos como as opções do monitor LCD, taxa de quadro, ISO, balanço de branco e tonalidade. Pressione a roda para confirmar seleções e fazer alterações adicionais, e use o botão "Back" ao lado da roda para cancelar. É possível usar o botão "Back" para navegar até o nível de menu seguinte ou sair do menu completamente, caso esteja no nível mais alto. O menu fechará automaticamente após um minuto de inatividade.

Para mais informações sobre a configuração de texto de status e os controles disponíveis consulte as seções 'Controles da Tela de Toque' e 'Configurações de Monitoramento' deste manual.

5 Lock

Altere esta chave para bloquear todos os controles do painel de controle frontal e impedir que sejam ajustados acidentalmente durante as filmagens. Mova a chave para a posição inferior para bloquear e para a posição superior para desbloquear.

DICA Ao gravar em ambientes movimentados e não controlados, é possível bloquear o painel de controle dianteiro da sua URSA Broadcast G2 quando deixar sua câmera desacompanhada. Isso impede que suas configurações sejam alteradas acidentalmente por outros.

6 Chaves ISO, Shutter e White Balance

Estas pequenas chaves interruptoras são usadas para ajustar as configurações de ISO/Ganho, balanço de branco e obturador. Elas são úteis quando você deseja fazer ajustes rápidos sem tirar os seus olhos do plano de imagem. Empurre as chaves para cima ou para baixo delicadamente para fazer os ajustes. Como as chaves são acionadas por mola, elas sempre retornam para uma posição neutra.

ISO/Gain

Empurre esta chave para cima ou para baixo para ajustar a sensibilidade ISO da sua câmera. Empurrar para cima aumenta o valor do intervalo, empurrar para baixo reduzirá o valor em 1/3 de stop. As configurações disponíveis variam entre -12 e 36 db.

Shutter

Use esta chave para ajustar a velocidade do obturador da câmera. Empurrar para cima aumentará a velocidade do obturador para a próxima predefinição disponível e para baixo diminuirá para a próxima predefinição disponível. Segurar a chave para cima ou para baixo navegará pelos valores predefinidos disponíveis mais rapidamente. Há doze predefinições para a velocidade do obturador entre 1/24 e 1/2000.

DICA Sua URSA Broadcast G2 também pode sugerir velocidades de obturador sem cintilação com base na frequência da rede elétrica da sua região. Elas devem ser selecionadas através do menu da tela de toque LCD. Para mais informações, consulte a seção 'Controles da Tela de Toque' neste manual.

White Balance

Esta chave é usada para ajustar o balanço de branco da câmera. Empurrar para cima aumentará a temperatura de cor em 50K e para baixo diminuirá em 50K. Segurar a chave para cima ou para baixo navegará pelos valores predefinidos disponíveis mais rapidamente.

7 Auto White Balance

Ao pressionar este botão uma janela branca para o balanço de branco aparecerá na parte central do LCD por cinco segundos. Esta janela também aparecerá em qualquer saída SDI

cujo texto de status esteja habilitado no menu de configurações. A janela branca indica a área específica da sua imagem de onde o balanço de branco será calculado, então o seu cartão cinza deve ser posicionado dentro desta janela. Pressionar e segurar o botão “Auto W/B” por três segundos executará o balanço de branco automático e o quadrado será alterado de branco para verde para confirmar que isso foi feito com sucesso.

Para mais informações sobre como habilitar texto de status nas saídas SDI frontais e principais da sua URSA Broadcast G2, consulte a seção ‘Configurações de Monitoramento’ deste manual.

8 F1 e F2

As teclas F1 e F2 são teclas de “função” que podem ser programadas para uma variedade de funções comumente usadas ao utilizar o menu “Ajustes” da sua URSA Broadcast G2. Por padrão, F1 está configurada como “Zoom de Foco” no LCD e na saída SDI frontal; e F2 está definida para alternar “Cor Falsa” no LCD.

Para mais informações, consulte a seção ‘Controles da Tela de Toque’ deste manual.

HFR

Use o botão HFR (high frame rate) para alterar taxas de quadros elevadas no modo off-speed. Para usar este botão, basta configurar a taxa de quadro off-speed desejada para usar com a sua URSA Broadcast G2 no menu “Taxa de Quadro”. Pressionar este botão alternará entre a velocidade de taxa de quadro off-speed selecionada e a taxa de quadro do projeto. É importante mencionar que esta configuração pode ser ajustada somente quando a câmera não estiver gravando. O botão HFR também pode operar como uma tecla de função que você pode programar para uma variedade de ações comumente usadas, ou pode ser desabilitado.

Para mais informações sobre as taxas de quadros de projetos ou off-speed, consulte a seção ‘Controles da Tela de Toque’ deste manual.

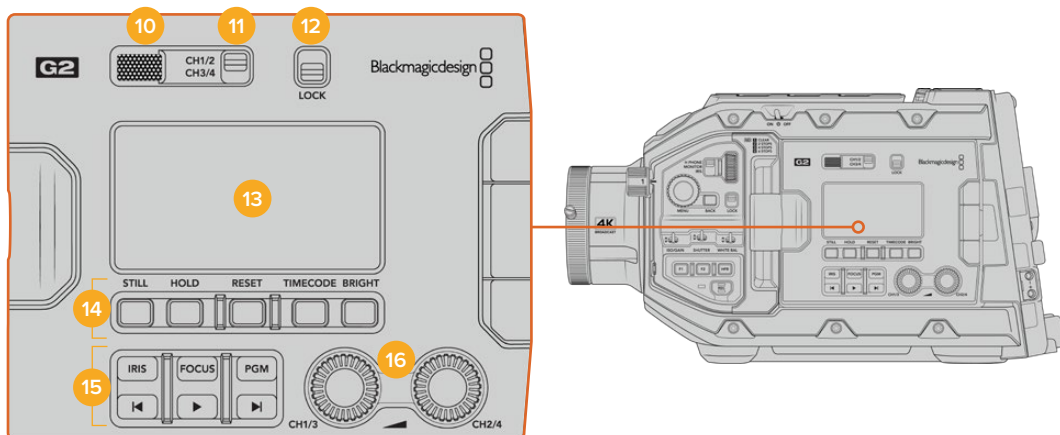
9 REC

O botão de gravação está marcado como “REC” na lateral esquerda da sua URSA Broadcast G2. Pressione o botão “REC” para iniciar e parar gravações. Consulte a seção ‘Gravação’ para mais informações.

Painel de Controle Ergonômico

Na parte externa do monitor da tela de toque da sua URSA Broadcast G2, você encontrará um

monitor de status LCD e uma variedade de controles de monitoramento. Este painel permite que você acompanhe todas as informações de status da câmera com um relance, além da capacidade para monitorar e ajustar os níveis de áudio. O foco automático pode ser ajustado usando lentes compatíveis e os controles de transporte permitem fazer a reprodução de cliques.



Painel de controle ergonômico da URSA Broadcast G2.

10 Alto-Falante de Monitoramento

O pequeno alto-falante integrado ao painel de controle externo permite monitorar áudio durante a reprodução. Ele fica localizado onde sua orelha normalmente estaria ao filmar com a câmera no seu ombro.

Para ajustar o volume do alto-falante, basta girar a roda de configurações como especificado na seção 'Controles da URSA Broadcast G2'.

11 Seletor do Canal de Monitoramento

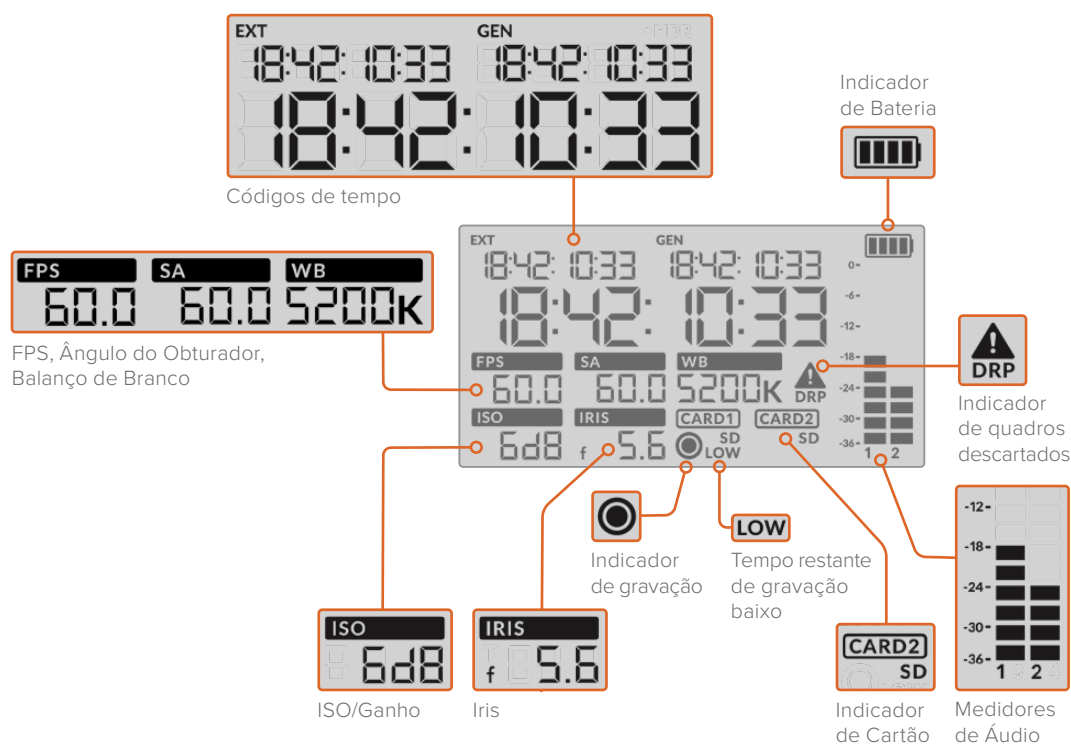
Sua URSA Broadcast G2 oferece suporte para dois canais de áudio.

12 Lock

Utilize esta chave para bloquear todas as configurações no painel de controle ergonômico da sua URSA Broadcast G2. Os únicos controles que permanecerão ativos enquanto a chave de bloqueio estiver habilitada serão as chaves de seleção do canal de monitoramento.

13 LCD de Status

Este display exibe as configurações essenciais da sua URSA Broadcast G2 com um simples olhar, sem a necessidade de abrir a tela de toque interna. Esta tela foi desenvolvida para visibilidade mesmo sob luz solar intensa. As seguintes informações estão disponíveis:



Códigos de Tempo

Sua URSA Broadcast G2 exibe três códigos de tempo. Caso tenha um código de tempo externo conectado, ele será exibido abaixo do indicador "EXT" no canto superior esquerdo do LCD de status. O código de tempo gerado internamente na sua câmera é exibido ao lado do externo, sob o indicador "GEN". Ambos os códigos de tempo gerados externamente e internamente são exibidos em horas, minutos, segundos e quadros.

O indicador de código de tempo principal é maior e exibe o código de tempo atual tanto como a duração quanto como o código de tempo do clipe. É possível alternar entre estes dois modos de exibição ao pressionar o botão "Timecode" abaixo do LCD de status.

Indicador de Bateria

Caso sua URSA Broadcast G2 esteja operando com alimentação de bateria, este indicador exibe a vida útil restante da bateria em incrementos de 25%. Cada uma das quatro barras

do indicador da bateria corresponde a 25% de vida útil restante da bateria. Quando a carga da sua bateria estiver abaixo de 20%, a cor do LED de status ao lado do botão de gravação começará a piscar. Ela alternará lentamente entre vermelho e laranja durante a gravação e entre branco e laranja no modo de espera.

Se a câmera estiver conectada à uma tomada, o indicador de bateria será exibido com a carga completa.

FPS, Ângulo do Obturador, Balanço de Branco

Os indicadores “FPS”, “SA” e “WB” exibem o status atual da taxa de quadro, ângulo do obturador e balanço de branco. O indicador “FPS” exibe a taxa de quadro atual do sensor.

Para mais informações sobre taxas de quadros do sensor ou do projeto, consulte a seção ‘Controles da Tela de Toque’ neste manual.

ISO/Gain

Exibe o ganho configurado na sua câmera no momento.

Iris

Exibe a abertura atual da sua lente. Dependendo do seu tipo de lente, ele será exibido como valores de f-stop ou t-stop.

Informações do Cartão

Os indicadores “Cartão 1” e “Cartão 2” aparecerão na tela de status LCD da sua URSA Broadcast G2 quando estes compartimentos estiverem preenchidos.

O indicador “SD” aparece caso esteja gravando em cartões SD e desaparece caso esteja gravando em cartões CFast.

Indicador de Gravação

Ao gravar, um indicador circular aparecerá sob o cartão ou cartões que estão sendo gravados.

Pouco Tempo Restante

Um indicador “Low” aparecerá abaixo do cartão relevante quando restarem aproximadamente 5 minutos de tempo de gravação.

Medidores de Áudio

Os medidores do pico de áudio exibem os níveis de áudio quando o microfone interno é usado ou para o áudio externo quando for conectado. A exibição é calibrada em unidades dBFS e inclui medidores de retenção de pico que permanecem visíveis por uma curta duração para que você possa visualizar nitidamente os níveis máximos alcançados.

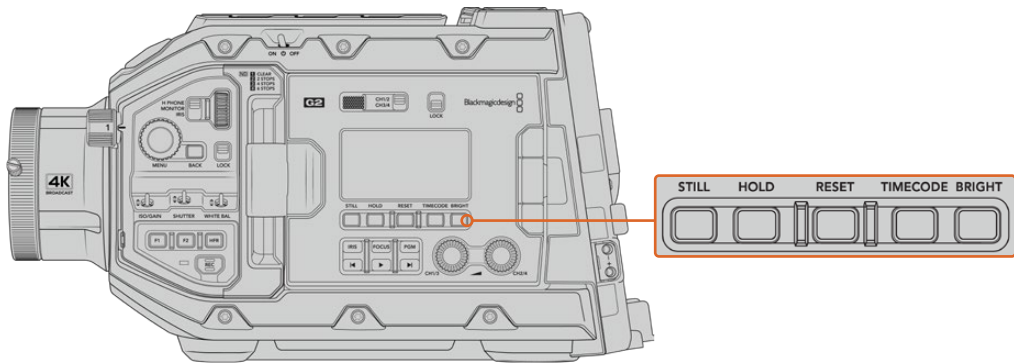
Para obter áudio de qualidade máxima, certifique-se de que os seus níveis de áudio não alcancem 0 dBFS. Este é o nível máximo que sua câmera pode gravar, o que significa que qualquer som que exceder este nível será cortado, resultando em distorções.

Indicador de Quadro Descartado

Este indicador piscará quando sua câmera detectar quadros descartados. Ao encerrar a gravação, o indicador permanecerá na tela para informar que quadros descartados foram detectados no clipe anterior. Este alerta desaparece na próxima vez que você iniciar uma gravação, ou caso desligue e religue a câmera. Para mais informações sobre como evitar quadros descartados, consulte a seção ‘Mídias de Armazenamento’ neste manual.

OBSERVAÇÃO É possível configurar sua URSA Broadcast G2 para que pare de gravar caso quadros descartados sejam detectados. Consulte a seção ‘Configurações de Gravação’ neste manual para mais informações. Este recurso é selecionável pelo usuário, já que você terá a capacidade de realizar gravações de disparo contínuo por curtos períodos de tempo com taxas de quadro e resoluções mais elevadas ao gravar em mídias mais lentas.

14 Controles do LCD de Status



Controles do LCD de status da URSA Broadcast G2.

Still

Aperte este botão para capturar um fotograma como um único quadro DNG sem compactação. Os arquivos de imagem serão gravados na pasta “Stills” no diretório raiz da mídia em que você estiver gravando no momento. Eles seguirão a convenção de nomeação para os clipes de vídeo, mas o nome do arquivo conterá a denominação “S001” representando o número do fotograma como os quatro dígitos do nome do arquivo. Para confirmar que você gravou um fotograma corretamente, a imagem de uma câmera será exibida no canto direito da tela de toque da URSA Broadcast G2 e o indicador de gravação no LCD de status piscará três vezes.

Hold

Utilize este botão para manter o código tempo principal do LCD de status quando a contagem do código de tempo estiver operando conforme a hora do dia. O código de tempo continuará a ser executado em segundo plano e retornará à sua posição atual quando você soltar o botão “Hold”. Enquanto pressiona o botão, você pode tomar nota do código de tempo para um evento específico. Isso pode ser útil na captação eletrônica de notícias ou em documentários para tomar nota de pontos importantes no código de tempo.

Reset

O botão “Reset” permite que você restaure o código de tempo para 00:00:00:00 quando estiver configurando seu código de tempo predefinido.

Timecode

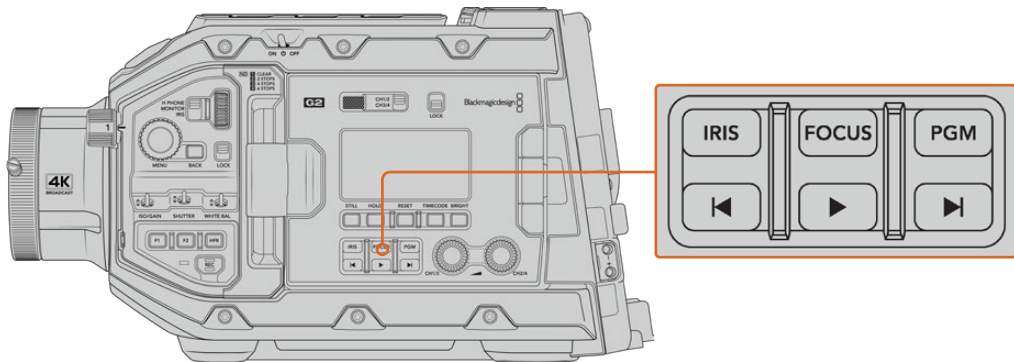
Pressione o botão “Timecode” para alternar o formato de exibição do código de tempo principal entre a duração e o código de tempo do clipe. Por padrão, o código de tempo será executado no modo de hora do dia, já que este é o modo utilizado com maior frequência. Caso pressione e segure o botão “Timecode” por cinco segundos, a câmera será alterada para o código de tempo de execução da gravação e o gerador do código de tempo piscará, assim como os dois primeiros dígitos do código de tempo principal exibido. Isso indica que agora você está editando seu código de tempo predefinido e permite configurar um número de código de tempo específico para o seu código de tempo predefinido.

Pressionar “Reset” neste momento irá zerar o código de tempo e, depois, será possível girar e pressionar a roda do menu e configurar os valores desejados, começando com horas, minutos, segundos e quadros. Quando estiver satisfeito, pressione e segure o botão “Timecode” novamente por três segundos para configurá-lo como seu ponto predefinido para o código de tempo. Você notará que agora o gerador de código de tempo exibirá este valor e apenas o incrementará quando a câmera estiver gravando, oferecendo valores ascendentes contínuos para o código de tempo. Para retornar ao código de tempo do modo de hora do dia, pressione os botões “Timecode” e “Hold” simultaneamente por três segundos.

Bright

Pressione o botão “Bright” para navegar pelas quatro configurações de brilho para o visor LCD de status da sua URSA Broadcast G2. O brilho pode ser configurado como desabilitado, baixo, médio e alto.

15 Botões de Controle e Reprodução



Botões de controle e reprodução da URSA Broadcast G2.

Iris

O botão "Iris" ativa a configuração de abertura automática em lentes compatíveis. Ao usar as configurações com o intervalo dinâmico de vídeo, basta tocar uma vez no botão "Iris" para ajustar uma média de exposição com base nos realces e sombras do seu plano cinematográfico. Ao filmar usando as configurações de intervalo dinâmico de filme, pressionar o botão "Iris" ajustará sua exposição conforme o realce mais brilhante no seu plano. Este botão funciona com lentes EF compatíveis e lentes PL conectadas com um controlador de lentes broadcast compatível.

Para ajustar a abertura manualmente, pressione os botões de transporte para avançar e retroceder.

Focus

Ao usar uma lente B4 ou EF que suporta ajustes de foco eletrônico, pressione o botão "Focus" para ativar o foco automático. Um quadrado de foco branco será exibido em qualquer visor ou monitor conectado à sua URSA Broadcast G2. Qualquer coisa dentro do quadrado será focalizada corretamente. Quando a lente estiver focada, o quadrado desaparecerá.

OBSERVAÇÃO Para usar o botão de foco, sua lente B4 deve possuir um controle servo motorizado para o foco, com o servo ativado. Consulte a seção 'Primeiros Passos' para mais informações. Algumas lentes EF contam com modos de foco manual e automático. Caso esteja usando um encaixe de lente EF para que a URSA Broadcast G2 seja capaz de fazer o foco automático com sua lente, será necessário certificar-se de que sua lente esteja configurada no modo de foco automático.

Program

O botão de programa é marcado como "PGM" e permite alternar o LCD e a saída SDI frontal entre os modos de visualização da câmera e qualquer sinal conectado à entrada 12G-SDI no painel traseiro. Assim, caso esteja usando a câmera em uma transmissão ao vivo, você pode conectar a saída de programa do switcher e monitorá-la durante as filmagens. Pressione e segure o botão de programa para visualizar a alimentação do seu programa. A alimentação do programa continuará a ser exibida enquanto o botão é mantido apertado.

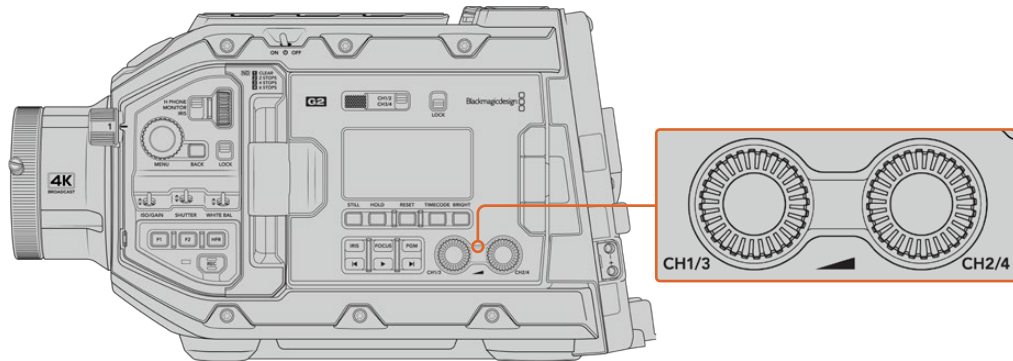
Caso queira bloquear o LCD e a saída SDI frontal para exibir a entrada de alimentação do programa, pressione o botão de programa duas vezes para fixar a exibição na alimentação de programa. Pressionar o botão de programa novamente sairá da alimentação de programa e retornará à visualização da câmera.

Botões de Controle de Reprodução

Os botões de reprodução permitem iniciar e parar a reprodução, além de saltar para o clipe seguinte ou anterior. Ao usar uma lente EF, os botões para avançar e retroceder também

podem ser usados para abrir e fechar a íris com lentes compatíveis. Consulte a seção 'Reprodução' para mais informações sobre como usar os botões de reprodução.

16 Knobs de Ajuste para Níveis de Áudio

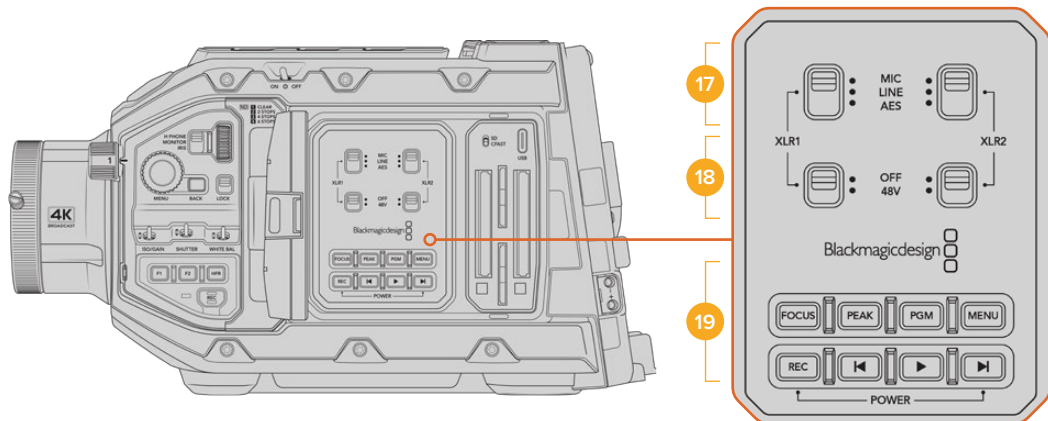


Knobs de ajustes de áudio da URSA Broadcast G2.

Use os knobs de ajuste integrados para definir os níveis de gravação para os canais de áudio 1 e 2. Gire cada knob no sentido horário ou anti-horário para aumentar ou reduzir os níveis de gravação para cada canal de áudio. Monitore os medidores de áudio correspondentes na tela enquanto você ajusta cada knob para visualizar o melhor nível de configuração.

Painel de Controle Interno

Com o monitor articulado da sua URSA Broadcast G2 aberto, é possível acessar o painel de controle interno. Utilize os controles aqui para definir suas entradas de áudio e também as configurações para alimentação fantasma, íris, foco, menu, controles de reprodução e muito mais.



Painel de controle interno da URSA Broadcast G2.

17 XLR1/XLR2

Use essas chaves para definir o comportamento das entradas XLR da sua URSA Broadcast G2 quando forem selecionadas como uma fonte de entrada. As opções disponíveis são áudio de microfone, áudio de nível de linha e áudio digital AES.

18 Alimentação Fantasma

As entradas XLR da câmera podem fornecer alimentação fantasma de 48 V para que você possa usar microfones que não sejam autoalimentados. Mova esta chave para "48V" para ativar a alimentação fantasma para qualquer microfone conectado ao XLR acima, ou desabilite para desativar a alimentação fantasma.

É habitual conectar seu cabo XLR antes de habilitar a alimentação fantasma. Também é importante desligar a alimentação fantasma quando um microfone com alimentação fantasma não estiver conectado. Seus equipamentos podem ser danificados se conectados

a dispositivos que não possuam proteção contra alimentação fantasma integrada nas suas saídas XLR AES enquanto ainda estiverem enviando a alimentação fantasma a partir das entradas de áudio XLR da câmera. Sempre certifique-se de que a chave de +48 V esteja desabilitada ao desconectar seu microfone.

19 Botões de Controle e Reprodução

Focus

Ao usar uma lente B4 ou EF que suporte ajustes de foco eletrônico, pressione o botão “Focus” para ativar o foco automático. Um quadrado de foco branco aparecerá no monitor articulado. Qualquer coisa dentro do quadrado será focalizada corretamente. Quando a lente estiver focada, o quadrado desaparecerá.

Para usar o botão de foco, sua lente B4 deve possuir um controle servo motorizado para o foco, com o servo ativado. Consulte a seção ‘Primeiros Passos’ para mais informações. Algumas lentes EF contam com modos de foco manual e automático. Para que a URSA Broadcast G2 seja capaz de realizar o foco automático com sua lente, é necessário certificar-se de que sua lente esteja configurada para o modo de foco automático.

Peak

Pressione o botão “Peak” para habilitar o pico de foco. Sua câmera possui dois modos de pico de foco, o modo tradicional que deixa as áreas em foco da imagem artificialmente mais nítidas, e o modo “Linhas Coloridas” com sobreposições de linhas nas cores preto, branco, vermelho, verde ou azul sobre as áreas mais nítidas. Para mais informações, consulte a seção ‘Configurações de Monitoramento’ neste manual.

DICA Caso esteja gravando a sua saída de vídeo em um Blackmagic Video Assist ou Hyperdeck Studio HD Mini, convém assegurar que o recurso de pico de foco não esteja ativado nessa saída. Isso pode ser feito ao utilizar o recurso “Alimentação Limpa” na sua entrada SDI frontal ou SDI principal.

Para mais informações sobre a saída de alimentação limpa, consulte a seção ‘Configurações do Monitoramento’ neste manual.

PGM

O botão de programa é marcado como “PGM” e permite alternar o LCD e saída SDI frontal entre o modo de visualização de câmera e qualquer sinal conectado à entrada 12G-SDI no painel traseiro da câmera. Assim, caso esteja usando a câmera em uma transmissão ao vivo, você pode conectar a saída de programa do switcher e monitorá-la durante as filmagens. Pressione e segure o botão de programa para visualizar a alimentação do seu programa. Pressione o botão duas vezes para fixar a exibição da alimentação de programa. Pressione novamente para desabilitar a exibição da alimentação de programa.

Para exibir a saída de programa do switcher, sua câmera e switcher precisam estar configurados com a mesma resolução e taxa de quadro.

Menu

Pressione o botão “Menu” para abrir o painel. Consulte a seção ‘Configurações’ para mais informações sobre as funções do painel e como ajustá-las.

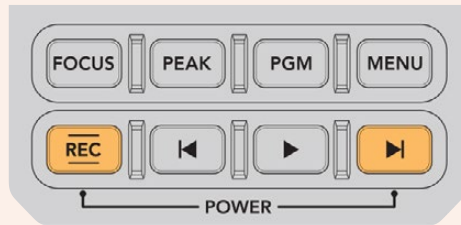
REC

Pressione qualquer um dos botões de gravação marcados “REC” para iniciar e interromper gravações. Consulte a seção ‘Gravação’ para mais informações.

Botões de Controle de Reprodução

Os botões de reprodução permitem iniciar e parar a reprodução, além de saltar para o clipe seguinte ou anterior. Ao usar uma lente EF, os botões para avançar e retroceder também podem ser usados para abrir e fechar a íris com lentes compatíveis. Consulte a seção ‘Reprodução’ para mais informações sobre como usar os botões de reprodução.

OBSERVAÇÃO Também é possível ligar ou desligar sua URSA Broadcast G2 através de uma combinação de botões no painel de controle interno. Segurar as teclas “Rec” e “Avançar” irá ligar a câmera se ela estiver desligada ou irá desligá-la, caso esteja ligada. Se a chave de alimentação da câmera estiver na posição “On” e sua câmera estiver desligada, é provável que tenha sido desligada através do painel de controle. Alterne a chave de alimentação para retornar à operação normal.



Saídas de Vídeo da Câmera

Saída de Monitoramento HD

O conector 3G-SDI de conversão descendente da Blackmagic URSA Broadcast G2 sempre produz vídeos 1080 HD para que você possa se conectar a roteadores, monitores, dispositivos de captação SDI, switchers broadcast e outros dispositivos SDI com facilidade. Esta saída é rotulada como “SDI Frontal” no menu de configurações da tela de toque.

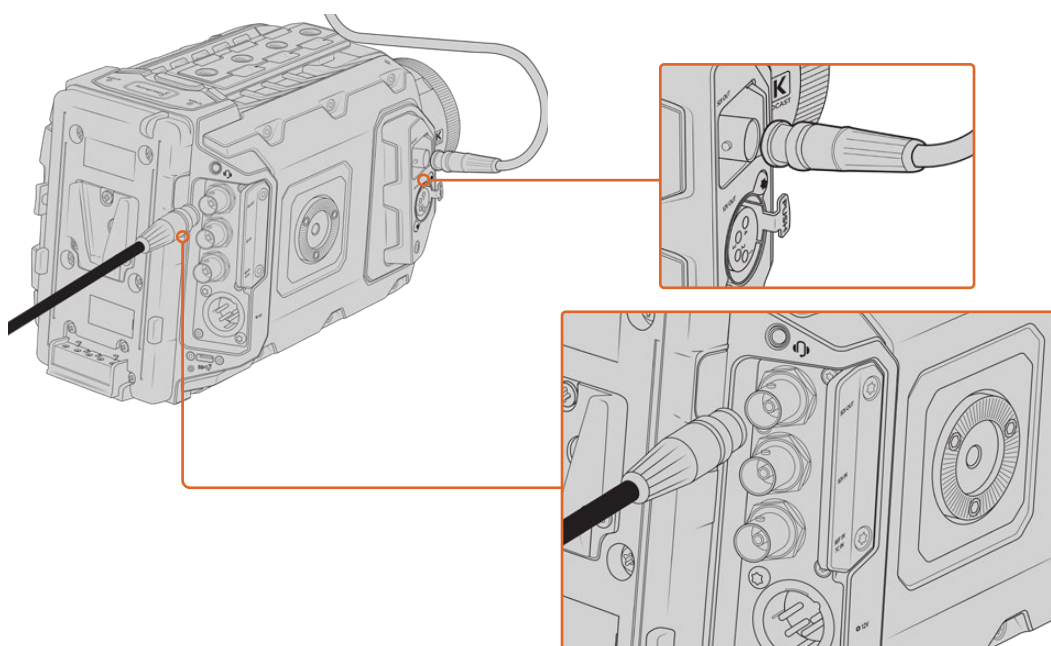
Saída 12G-SDI

O conector da saída 12G-SDI no painel traseiro suporta vídeos HD e Ultra HD, incluindo formatos progressivos com taxas de quadro elevadas, como 2160p50, 59.94 e 60 através de um único cabo SDI. Formatos HD entrelaçados também contam com suporte, incluindo 1080i50, 59.94 e 60. É possível usar a saída 12G-SDI para a conexão com qualquer monitor SDI, assim como switchers Ultra HD, tais como o ATEM Production Studio 4K. Esta saída pode ser alternada entre HD e Ultra HD ao selecionar 1080p ou 2160p na configuração “Saída SDI” para o “SDI Principal” na aba “Monitorar” da tela de toque. Para mais informações, consulte a seção ‘Configurações de Monitoramento’ neste manual.

Conexão com Switchers de Vídeo

As saídas SDI permitem usar a câmera em produções televisivas ao vivo. É possível conectar a saída SDI do painel traseiro diretamente com switchers para trabalhos de produção ao vivo, ou com os ATEM Camera Converters para converter seu sinal para fibra óptica, assim você pode transmiti-lo por centenas de metros de distância para um caminhão de transmissão em locação.

Quando conectada a um switcher, você pode visualizar a saída de programa do switcher na sua Blackmagic URSA Broadcast G2 com facilidade. Para fazer isso, primeiro conecte o switcher à sua saída 12G-SDI na traseira da câmera. Agora pressione o botão marcado como “PGM” no monitor articulado da sua câmera. Para retornar à imagem da câmera, basta pressionar o botão PGM novamente.



É possível conectar a saída 12G-SDI a qualquer switcher ou monitor de produção ao vivo 1080 HD ou Ultra HD. A saída de monitoramento HD pode ser conectada a um visor externo, como o Blackmagic URSA Viewfinder ou a um monitor externo, quando encaixada em equipamentos de produção. Por exemplo, uma grua ou guindaste.

Conexão com Monitores

O monitoramento SDI pode ser muito útil quando o acesso ao monitor articulado é inviável, como quando a câmera é fixada em gruas altas, em um guindaste ou montada em um veículo.

As informações do monitoramento são exibidas via o conector de saída HD-SDI para o monitoramento com o ajuste das configurações “SDI Frontal” na aba “Monitorar” da tela de toque. Essas configurações oferecem guias de enquadramento e informações como detalhes de gravação e configurações de câmera. Caso queira simplesmente monitorar seus planos, é sempre possível desabilitar as sobreposições para uma saída SDI limpa.

Conecte a saída SDI da câmera a monitores SDI ou a um Blackmagic SmartScope Duo 4K para monitoramento em forma de onda ao vivo.

OBSERVAÇÃO A saída SDI traseira e a saída de monitoramento 3G-SDI sinalizam vídeos HDR com metadados auxiliares automaticamente quando você estiver operando na faixa dinâmica “Filme” e utilizar as LUTs “Gen 5 Film to Rec 2020 Hybrid Log Gamma” ou “Gen 5 Film to Rec 2020 PQ Gamma” na saída SDI. Isso significa que você pode exibir imagens HDR impressionantes em telas habilitadas para HDR a partir de qualquer uma das saídas SDI.

Formatos de Saída SDI

Saída SDI Traseira	2160p23.98, 24, 25, 29.97, 30, 50, 59.94, 60. 1080p23.98, 24, 25, 29.97, 30, 50, 59.94, 60. 1080i50, 59.94, 60.
Saída de Monitoramento 3G-SDI	1080p23.98, 24, 25, 29.97, 30, 50, 59.94, 60. 1080i50, 59.94, 60.

DICA Para fazer uma gravação ao vivo com dois codecs ao mesmo tempo ou uma cópia de segurança simultânea, você pode alimentar a saída SDI traseira da URSA Broadcast G2 para um Blackmagic Video Assist ou HyperDeck.

Controles da Tela de Toque

Tela de Toque

A tela de toque LCD articulada da sua Blackmagic URSA Broadcast G2 gira para filmagens em ângulos altos e baixos. Os botões na parte externa do painel LCD permitem que você controle sua URSA Broadcast G2 ao usá-la no seu ombro com um URSA Viewfinder e a tela LCD fechada.

Recursos da Tela de Toque

A tela de toque LCD inclui uma interface baseada em toques e gestos que foi desenvolvida especificamente para uma operação rápida e intuitiva. Ao tocar e deslizar sobre áreas diferentes da tela de toque LCD da URSA Broadcast G2, é possível acessar as funções e configurações de câmera rapidamente durante filmagens.

O monitor da tela de toque inclui uma barra de ferramentas superior e inferior. A barra de ferramentas inferior fornece acesso a configurações utilizadas com frequência, como velocidade do obturador, íris e ganho. A barra de ferramentas inferior inclui indicadores de armazenamento, medidores de áudio, controles de transporte e um histograma.

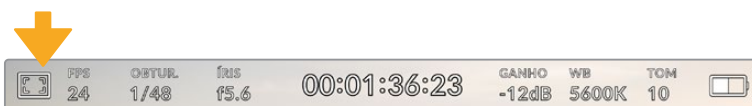


A tela de toque LCD da sua URSA Broadcast G2 possui um heads-up display detalhado e oferece acesso fácil a todas as configurações mais usadas na sua câmera.

Barra de Ferramentas Superior

Opções de Monitoramento LCD

Toque no ícone de monitoramento no canto superior esquerdo da tela de toque da sua URSA Broadcast G2 para acessar as configurações do monitor LCD. Estas configurações permitem alternar e ajustar a aparência dos recursos de monitoramento da sua URSA Broadcast G2, incluindo zebras, assistente de foco, guia de enquadramento e grades. Ao acessar as opções do monitor LCD, os controles para estes recursos aparecem em um menu de abas ao longo da parte inferior da tela de toque LCD.

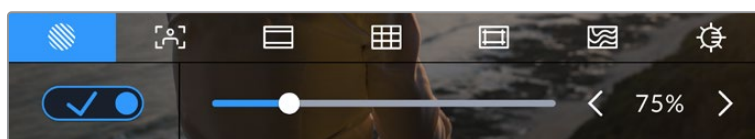


Toque no ícone no canto superior esquerdo da tela de toque LCD da sua URSA Broadcast G2 para acessar as configurações do monitor LCD.

Zebra

A configuração “Zebra” alterna entre a exibição de zebras na tela de toque LCD, assim como os parâmetros dos marcadores de zebra para todas as saídas da URSA Broadcast G2.

A função zebra exibe linhas diagonais sobre as áreas da sua imagem que excedem um nível determinado de exposição. Por exemplo, a configuração da zebra a 100% revela as áreas que estão completamente superexpostas. Isso é útil para atingir a capacidade máxima de exposição em condições de iluminação fixas.



Toque no ícone “Zebra” ao acessar as opções de monitoramento LCD para ajustar as configurações das zebras da URSA Broadcast G2.

Para alternar as zebras na tela de toque LCD, toque no ícone de habilitação no canto inferior esquerdo da tela na aba “Zebra”.

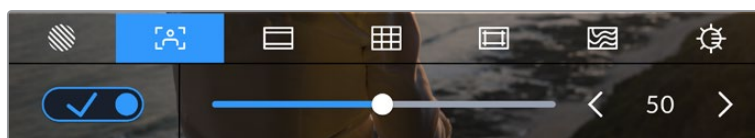
Configure o nível de exposição para a exibição das zebras arrastando o deslizador para a esquerda ou direita ou tocando nas setas próximas do indicador do nível de zebra. Há oito predefinições de zebra disponíveis, incluindo cinza médio e cinza médio mais 1 stop, além de incrementos de cinco por cento entre exposições de 75 e 100 por cento.

Para mais informações sobre como habilitar zebras nas saídas SDI principal e frontal da câmera, consulte a seção ‘Configurações de Monitoramento’ deste manual.

DICA Caso esteja gravando sob condições de iluminação variáveis, como ao ar livre em um dia parcialmente nublado, configurar o seu nível de zebra para um valor inferior a 100 pode adverti-lo sobre possíveis superexposições.

Assistente de Foco

A configuração “Assistente de Foco” ativa a exibição do assistente de foco na tela de toque LCD e a configuração do nível da assistência de foco em todas as saídas da sua URSA Broadcast G2.



Toque no ícone da assistência de foco nas opções de monitoramento LCD para acessar as configurações do assistente de foco da sua URSA Broadcast G2.

Para alternar a exibição do assistente de foco na tela de toque LCD, toque no ícone de habilitação no canto inferior esquerdo da tela na aba da assistência de foco.

Para definir o nível da assistência de foco em todas as saídas da sua URSA Broadcast G2, arraste o deslizador para a esquerda e direita ao longo da parte inferior da sua tela de toque, ou toque nas setas ao lado do nível do assistente de foco.

O nível ideal para o pico de foco varia de acordo com cada plano de imagem. Ao focalizar nos atores, por exemplo, um nível mais alto do assistente de foco pode ajudar a solucionar detalhes de aresta nos rostos. Um plano com folhagem ou alvenaria, por outro lado, pode exibir quantidades confusas de informação de foco em configurações mais elevadas.

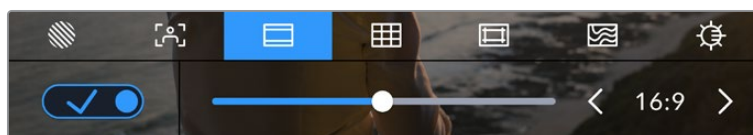
Para mais informações sobre como habilitar o pico de foco nas saídas SDI frontal e principal da câmera, consulte a seção 'Configurações de Monitoramento' neste manual.

DICA Sua URSA Broadcast G2 possui dois modos de assistência de foco. É possível alternar os modos entre "Pico" e "Linhas Coloridas" para assistência de foco no menu de configurações "Monitorar". Para mais informações, consulte a seção 'Configurações de Monitoramento'.

Guias de Enquadramento

A configuração de guias de enquadramento alterna a exibição das guias de enquadramento na tela de toque LCD. Também é possível escolher entre as opções de guias de enquadramento para todas as saídas na sua URSA Broadcast G2.

As guias de enquadramento incluem proporções de tela para vários padrões cinematográficos, televisivos e online.



Toque no ícone de guias de enquadramento nas opções de monitoramento LCD para acessar suas configurações na URSA Broadcast G2.

Para mudar o aspecto das guias de enquadramento na tela de toque LCD da sua URSA Broadcast G2, toque no ícone de habilitação no canto inferior esquerdo da tela.

Escolha a guia de enquadramento desejada arrastando o deslizador para a direita ou esquerda ou tocando em uma das setas laterais da proporção de tela atualmente selecionada.

As guias disponíveis são:

2.35:1, 2.39:1 e 2.4:1

Exibe proporções de tela widescreen abrangentes compatíveis com projeções cinematográficas em telas planas ou anamórficas. As três configurações widescreen diferem um pouco com base nas mudanças dos padrões de cinema com o passar do tempo. 2.39:1 é um dos padrões mais proeminentes atualmente.

2:1

Exibe uma proporção de tela ligeiramente mais larga que 16:9, mas não tão larga quanto 2.35:1.

1.85:1

Exibe outra proporção de tela cinematográfica em formato widescreen plano comum. Esta proporção é ligeiramente mais larga que HDTV 1.78:1 mas não tão larga quanto 2.39:1.

16:9

Exibe uma proporção de tela 1.78:1 compatível com televisores e telas de computador HD 16:9.

Esta proporção é mais comumente usada para teledifusão e vídeos online HD. A mesma proporção de tela também tem sido adotada para transmissões Ultra HD.

14:9

Exibe uma proporção de tela 14:9 usada apenas por algumas emissoras televisivas como um meio-termo entre televisores 16:9 e 4:3. Na medida do possível, imagens 16:9 e 4:3 permanecem legíveis quando cortadas para o centro para encaixar em 14:9. Você pode usar esta proporção como um guia composicional caso seu projeto seja veiculado por uma emissora televisiva com proporção 14:9.



Tela de toque LCD da URSA Broadcast G2 com as guias 14:9 habilitadas.

4:3

Exibe a proporção de tela 4:3 compatível com telas de televisores SD ou para auxiliar no enquadramento com adaptadores anamórficos 2x.

1:1

Exibe uma proporção de tela 1:1, ligeiramente menor que 4:3. Esta proporção quadrada está cada vez mais popular para mídias sociais.

4:5

Exibe uma proporção de tela 4:5. Esta proporção de tela vertical é ideal para retratos e visualização em celulares.

Proporção de Enquadramento de Tela Personalizada

Para criar sua própria proporção de guia de enquadramento para um aspecto original, toque no valor exibido entre os botões de seta. Na tela “Guia Personalizada” aperte a tecla backspace para excluir a proporção atual, depois use o teclado numérico para especificar uma nova proporção. Toque em “Atualizar” para aplicar a proporção de enquadramento de tela personalizada e retornar a gravar.



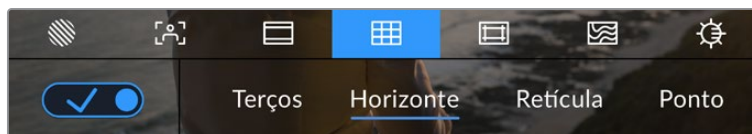
Utilize o teclado numérico na página “Guia Personalizada” para inserir uma nova proporção para as guias de enquadramento.

DICA É possível alterar a opacidade das sobreposições das guias de enquadramento. Para mais informações, consulte a seção 'Configurações de Monitoramento' deste manual.

OBSERVAÇÃO Para mais informações sobre como habilitar as guias de enquadramento nas saídas SDI frontal e principal da câmera, consulte a seção 'Configurações de Monitoramento' neste manual.

Grades

A configuração de grades alterna o modo de exibição para uma grade de regra dos terços, retícula ou ponto central, assim como a definição de sobreposição que estará visível em todas as saídas da URSA Broadcast G2.

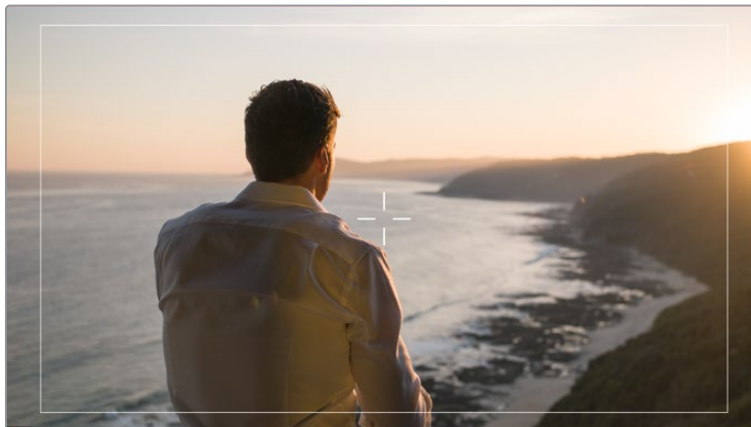


Toque no ícone de grades ao entrar nas opções de monitoramento LCD para acessar as configurações de grade da sua URSA Broadcast G2.

As grades e retículas são sobreposições que podem auxiliar na composição das imagens. Quando as grades forem habilitadas, sua URSA Broadcast G2 pode exibir uma grade de regra dos terços, retícula ou ponto central.

Para mudar a exibição das grades na tela de toque LCD da sua URSA Broadcast G2, toque no ícone de habilitação no canto esquerdo inferior da tela na aba "Guias de Enquadramento".

Quando sua URSA Broadcast G2 estiver posicionada e conectada a um switcher ATEM como a fonte de programa atual e as grades estiverem habilitadas, a borda vermelha da sinalização do programa acenderá automaticamente no LCD.



Quando conectada a um switcher ATEM enviando um sinal de sinalização, uma borda vermelha aparecerá em torno da pré-visualização da imagem quando as grades estiverem habilitadas.

Para definir qual sobreposição você deseja exibir em todas as saídas da URSA Broadcast G2, toque nas opções "Terços", "Retícula" ou "Ponto".



A grade de regra dos terços se redimensiona automaticamente para a qualquer guia de enquadramento na tela.

Terços

A configuração “Terços” exibe uma grade com duas linhas verticais e horizontais posicionadas em cada terço da imagem. Os terços são uma ferramenta extremamente eficaz para auxiliar na composição dos seus planos. Por exemplo, o olho humano geralmente procura por ação perto dos pontos onde as linhas se intercedem, assim é útil enquadrar pontos de interesse importantes nessas zonas. A linha de visão de um ator geralmente é enquadrada no canto superior da tela, assim você pode usar o terço horizontal superior para guiar seu enquadramento. Os terços também são úteis para manter o enquadramento consistente entre os planos.

Horizonte

O indicador “Horizonte” mostra quando a sua câmera está orientada para a esquerda ou direita e inclinada para cima ou para baixo. Isso pode ajudá-lo a manter o horizonte nivelado durante filmagens na mão e equilibrar a inclinação da câmera em um gimbal.

Os indicadores verticais e horizontais cinzas se afastam do centro conforme a câmera é movimentada e inclinada. A distância pela qual as linhas se afastam da retícula central é proporcional à quantidade de orientação ou inclinação. Após a calibração do sensor de movimento da câmera, os indicadores de movimento acenderão em azul quando a orientação e a inclinação da câmera estiverem niveladas.

Observe que se a câmera estiver inclinada diretamente para baixo para um plano aéreo ou diretamente para cima, o indicador de horizonte também leva isso em conta. Se você virar a câmera para gravar na orientação de retrato, o indicador de horizonte rotaciona seu eixo em 90 graus.

Esta tabela mostra exemplos do indicador de horizonte exibindo a inclinação e orientação da câmera.

Medidor de Horizonte	Descrição
	Reta e nivelada
	Inclinada para baixo e nivelada
	Reta e orientada à esquerda
	Inclinada para cima e orientada à direita

Para uso normal, calibre o indicador de horizonte como reto e nivelado para operação. Caso deseje utilizar o indicador de horizonte para ajudar a manter um “ângulo holandês” consistente ou uma inclinação consistente para um plano alto ou baixo, você pode calibrar o indicador de horizonte com uma inclinação. Para mais informações sobre como calibrar o indicador de horizonte, consulte a seção ‘Calibração do Sensor de Movimento’.

Retícula

A configuração “Retícula” posiciona uma retícula no centro do quadro. Como a regra dos terços, a retícula é uma ferramenta composicional muito útil que facilita o enquadramento de um sujeito no centro de um quadro. Às vezes, este recurso é usado ao gravar cenas que serão montadas usando cortes muito rápidos. Manter os olhos dos espectadores focalizados no centro de um quadro facilita o acompanhamento de edições rápidas.

Ponto

O recurso “Ponto” posiciona um ponto no centro do quadro. Isso funciona exatamente da mesma maneira que a configuração de retícula, porém com uma sobreposição menor e mais discreta.

É possível habilitar uma combinação de terços e retículas ou terços e ponto central tocando em ambas as opções no menu de grades. Retículas e ponto não podem ser selecionadas ao mesmo tempo.

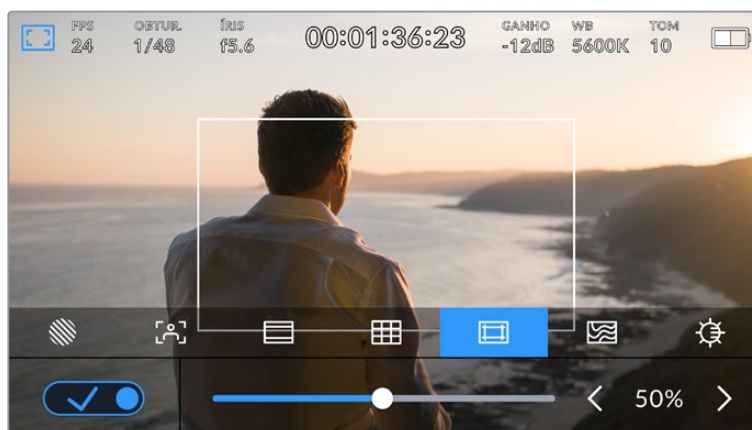
DICA Para mais informações sobre a habilitação de grades na saídas SDI frontal e principal da URSA Broadcast G2, consulte a seção ‘Configurações de Monitoramento’ neste manual.

Guias de Área Segura

A configuração das guias de área segura habilita ou desabilita as guias de área segura na tela de toque LCD e define o tamanho das guias de área segura para todas as saídas da sua URSA Broadcast G2.

As áreas seguras podem ser usadas em produções broadcast para assegurar que as partes mais importantes de um plano de imagem possam ser visualizadas pelos espectadores. Ao manter as partes mais importantes do seu plano dentro de uma “área segura” central, é possível evitar recortes em alguns televisores, assim como deixar espaço para um teledifusor adicionar marcas d’água, barras de notícias de última hora e outras sobreposições nos cantos da tela. Muitos teledifusores exigem que imagens sejam apresentadas dentro de uma área segura de 90%.

As guias de área segura também podem ser utilizadas para auxiliar com o enquadramento do seu plano, quando você souber que ele será estabilizado na pós-produção, o que pode recortar os cantos da imagem. Elas também podem ser usadas para indicar um recorte específico. Por exemplo, ao configurá-la em 50% durante gravações em Ultra HD 3840x2160, é possível visualizar qual será o aspecto do corte do quadro em 1920x1080. As guias de área segura também se dimensionam de acordo com suas guias de enquadramento, assim elas se ajustarão para indicar a porcentagem do quadro planejado.



Indicador de área segura definido em 50%.

Para alternar o modo de exibição de guias de área segura para a tela de toque LCD, toque no ícone de habilitação no canto inferior esquerdo da tela na aba das guias de área segura. Para definir o nível para as guias de área segura em todas as saídas da sua URSA Broadcast G2, toque na seta esquerda ou direita em cada lateral do valor numérico na parte inferior da sua tela de toque. Como alternativa, você pode arrastar o deslizador para a esquerda ou direita.

Cor Falsa

A configuração “Cor Falsa” alterna o modo de exibição para auxiliar na exposição com cores falsas na tela de toque LCD.

O recurso cor falsa sobrepõe cores diferentes na imagem. Elas representam os valores de exposição para elementos diferentes na sua imagem. Por exemplo, cor-de-rosa representa exposição máxima para tons de pele mais claros, enquanto o verde é bom para tons de pele mais escuros. Ao monitorar cor-de-rosa e verde com as cores falsas durante gravações de pessoas, você pode manter uma exposição consistente para os seus tons de pele.

Do mesmo modo, quando elementos na sua imagem mudarem de amarelo para vermelho, isso significa que estarão superexpostos.



A tabela de cor falsa IRE no lado direito do display da sua câmera mostra como interpretar as diferentes cores falsas.

Cor Falsa	Significado
95%WC	Recorte de branco
80%WC	Recorte de quase branco
MG+1	Um stop acima do cinza médio
18%MG	Cinza médio
NBDL	Perda de detalhes quase pretos
BDL	Perda de detalhes pretos



Em uma imagem bem exposta, os tons de pele são representados por cores falsas verde e rosa.

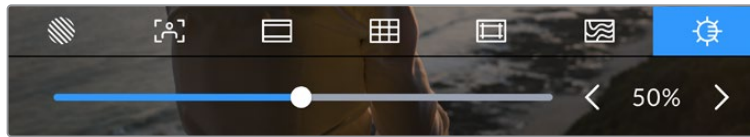
Para alternar para o modo de cor falsa na tela de toque LCD, toque o ícone de habilitação no canto inferior esquerdo da tela na aba “Cor Falsa”.



A aba de assistência de exposição “Cor Falsa”.

Brilho da Tela

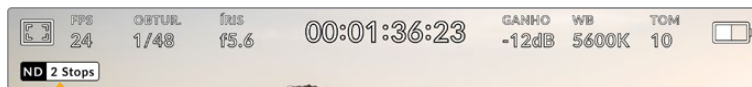
Toque no ícone de brilho da tela e arraste o deslizador à esquerda ou direita para ajustar o brilho da tela de toque da URSA Broadcast G2.



Brilho da tela definido em 50%.

Indicador de Filtro ND

Sua URSA Broadcast G2 possui um indicador de filtro ND no canto superior esquerdo do LCD e em quaisquer saídas SDI configuradas para exibir o texto de status. O indicador utiliza o formato selecionado no menu de configuração.

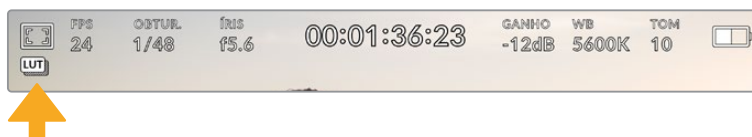


Indicador de filtro ND na sua URSA Broadcast G2.

OBSERVAÇÃO Você pode ajustar a terminologia usada pelo indicador de filtros ND para refletir as convenções com as quais você está acostumado. As opções são número ND, stops e frações. É possível definir seu formato de preferência no menu de configurações da sua URSA Broadcast G2.

Indicador LUT

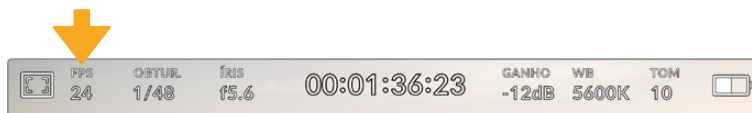
Um ícone branco estará visível no LCD, SDI frontal ou SDI principal quando “Texto de Status” estiver habilitado e uma LUT for aplicada àquela saída. Se você estiver gravando em Blackmagic RAW e a opção “Aplicar LUT no Arquivo” estiver habilitada nas configurações de gravação, o ícone LUT será azul.



O ícone LUT indica se há uma LUT aplicada à imagem.

Quadros por Segundo

O indicador “FPS” exibe a taxa de quadros por segundo atual.



Indicador de quadros por segundo da URSA Broadcast G2. Toque aqui para acessar as configurações de taxa de quadro.

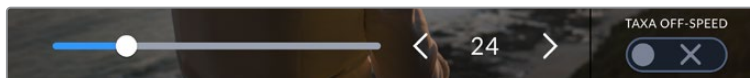
Tocar no indicador “FPS” permite alterar as taxas de quadro do sensor da câmera e do projeto através de um menu na parte inferior da tela de toque LCD.

Taxa de quadro do projeto

A taxa de quadro do projeto é a taxa de quadro do formato de gravação da URSA Broadcast G2 e oferece uma seleção de taxas de quadro comuns usadas na indústria cinematográfica e televisiva. Esta taxa de quadro normalmente é definida para corresponder à velocidade de reprodução utilizada no seu fluxo de trabalho de pós-produção.

Sua Blackmagic URSA Broadcast G2 possui oito configurações de taxa de quadro de projeto, incluindo 23.98, 24, 25, 29.97, 30, 50, 59.94 e 60 quadros por segundo.

Para ajustar a taxa de quadro do projeto na sua URSA Broadcast G2 no menu “FPS”, toque nas setas esquerda ou direita juntas da taxa de quadro atual no canto inferior esquerdo da sua tela de toque. Como alternativa, você pode mover o deslizador para a esquerda ou direita.

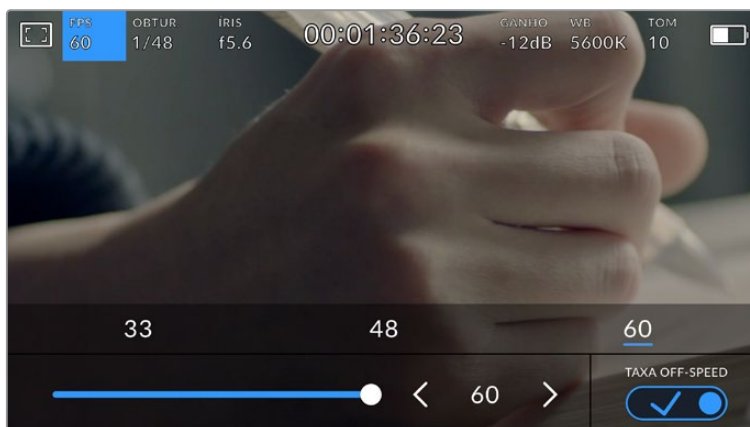


Toque nas setas em qualquer uma das laterais da taxa de quadro do projeto ou mova o deslizador para fazer ajustes.

DICA A taxa de quadro do projeto da sua URSA Broadcast G2 também define as taxas de quadro das saídas SDI frontal e principal.

Taxa de quadro do sensor

A taxa de quadro do sensor define quantos quadros, de fato, serão gravados pelo sensor a cada segundo. Esta taxa de quadro afetará o quão rápida ou lenta será a reprodução do seu vídeo de acordo com a taxa de quadro definida para o projeto.



Com o recurso “Taxa Off-Speed” habilitado, toque nas setas em qualquer uma das laterais da taxa de quadro do sensor ou mova o deslizador para fazer ajustes.

Por padrão, as taxas de quadro do projeto e do sensor da URSA Broadcast G2 serão ajustadas para corresponderem a uma velocidade de reprodução natural. Mas, ao tocar no ícone de habilitação “Taxa Off-Speed” no canto inferior direito do menu “FPS” da sua URSA Broadcast G2, você pode definir a taxa de quadro do sensor independentemente. É importante observar que a opção “Taxa Off-Speed” está disponível somente ao gravar com codecs Blackmagic RAW ou ProRes.

Para alterar a taxa de quadro do seu sensor, toque nas setas juntas do indicador da taxa de quadro do sensor no canto inferior esquerdo da sua tela de toque. Você também pode arrastar o deslizador para a esquerda ou direita para aumentar ou diminuir a taxa de quadro. Depois que soltar o deslizador, a taxa de quadro do sensor estará selecionada. Acima do deslizador, você pode tocar em uma taxa de quadro off-speed comum. Elas são baseadas na sua taxa de quadro atual do projeto.

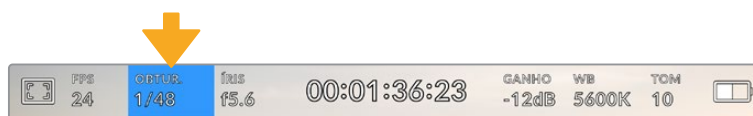
Você pode criar efeitos de velocidade dinâmicos e interessantes nos seus clipes variando a taxa de quadro do sensor. Definir uma taxa de quadro do sensor mais elevada que a taxa de quadro do projeto resultará na reprodução de câmera lenta. Por exemplo, ao gravar com a taxa de quadro do sensor a 60 fps e reproduzir com a taxa de quadro do projeto a 24 fps, cria-se um efeito de câmera lenta, com menos da metade da velocidade real da ação. Como alternativa, quanto mais baixa for a taxa de quadro do sensor, mais rápidos os seus clipes serão reproduzidos. O princípio é parecido com o “overcranking” e o “undercranking” das câmeras cinematográficas. Velocidades ‘overcranking’ aceleram a taxa de quadro do sensor, assim você pode esticar momentos no tempo durante a reprodução para enfatizar emoções. ‘Undercranking’ desacelera a taxa de quadro do sensor, assim você pode intensificar a ação em cenas de movimentação rápida. As possibilidades criativas são infinitas e ficam inteiramente a seu critério.

Para informações sobre as taxas de quadro máximas disponíveis para cada codec e formato de gravação, consulte a tabela na seção ‘Gravação’ neste manual.

OBSERVAÇÃO Quando a opção “Taxa Off-Speed” estiver selecionada, o áudio e o vídeo da sua URSA Broadcast G2 não serão mais sincronizados. Isso acontece mesmo se você tiver definido a mesma taxa de quadro para o sensor e para o projeto. Por esse motivo, evite selecionar “Taxa Off-Speed” caso queira preservar a sincronização de áudio.

Obturador

O indicador “Obtur.” exibe a velocidade de obturador. Ao tocar neste indicador, é possível alterar a velocidade do obturador da sua URSA Broadcast G2 manualmente ou configurar modos de exposição automáticos preferenciais.



Indicador do obturador da URSA Broadcast G2. Toque aqui para acessar as configurações do obturador.

A velocidade do obturador define o nível do desfoque de movimento no seu vídeo e pode ser usada para compensar condições de iluminação variáveis. A configuração da velocidade do obturador para desfoques de movimento naturais e as configurações disponíveis dependem da taxa de quadro utilizada. Por exemplo, ao gravar em 30p, uma velocidade de obturador de 1/60 de segundo é equivalente a um ângulo de obturador de 180 graus, uma configuração bastante comum em projetos cinematográficos. Contudo, caso esteja gravando a 25p, será necessário configurar a velocidade a 1/50 para obter o mesmo look.

Para desfoques de movimento naturais, é possível calcular a velocidade do obturador dobrando sua taxa de quadro. Portanto, em 30p, configure sua velocidade de obturador a 1/60 para um desfoque de movimento natural.

Caso mais luz seja necessária para o sensor, você pode ajustar o obturador na configuração mais lenta correspondente à sua taxa de quadro. Por exemplo, 1/25 para 25p ou 1/30 para 30p. Com a velocidade de obturador mais lenta, seu desfoque de movimento terá uma aparência ligeiramente exagerada.

Caso queira reduzir o desfoque de movimento para que a ação seja exibida com mais nitidez e definição, configure o obturador para uma velocidade mais rápida, como 1/120 de segundo para 30p ou 1/100 de segundo para 25p. Caso esteja habituado aos ângulos de obturador, isto é o equivalente a um ângulo de obturador de 90 graus.

Vale a pena testar velocidades de obturador diferentes para ver como esta configuração pode oferecer níveis diferentes de desfoque de movimento às suas imagens.

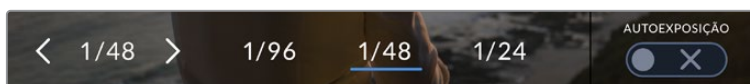
Ao filmar sob luzes, a velocidade do obturador pode tornar cintilações visíveis. Sua URSA Broadcast G2 calculará velocidades de obturador sem cintilação automaticamente conforme sua taxa de quadro atual.

Essas velocidades serão afetadas pela frequência das tomadas de alimentação na sua região. É possível definir sua frequência local para 50 Hz ou 60 Hz no menu de configurações da sua URSA Broadcast G2. Consulte a seção 'Ajustar Configurações' neste manual para mais informações.

Tocar no indicador "Obtur." ativa o menu da velocidade do obturador ao longo da parte inferior da tela de toque da sua URSA Broadcast G2. Caso tenha desabilitado a exposição automática, esta tela exibirá a sua seleção de velocidade de obturador atual, assim como as velocidades de obturador sem cintilação disponíveis, com base na frequência de voltagem da alimentação principal selecionada no menu de configurações da sua URSA Broadcast G2. Para mais informações, consulte a seção 'Ajustar Configurações' neste manual.

OBSERVAÇÃO As características de fontes de iluminação diferentes ainda poderão causar cintilação mesmo ao usar velocidades de obturador livres de cintilação. Recomendamos sempre fazer testes de filmagem sempre que não estiver utilizando luzes contínuas.

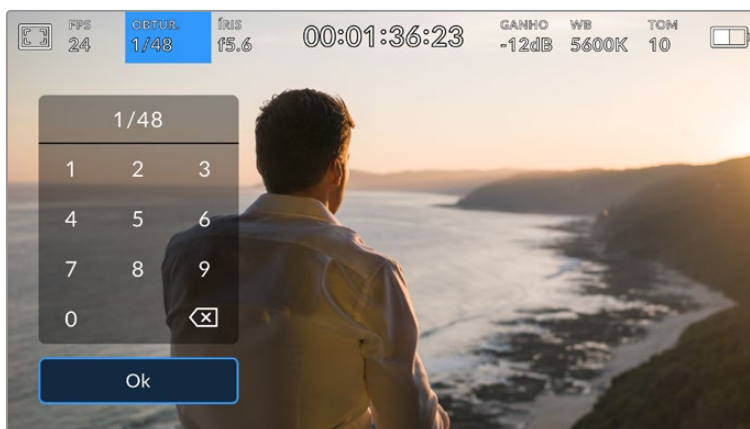
Para selecionar uma das velocidades do obturador sem cintilação, basta tocar em um dos valores exibidos. As setas em cada lado do indicador do valor atual do obturador permitem acesso aos valores mais comumente usados.



Sua URSA Broadcast G2 recomendará velocidades de obturador sem cintilação com base na frequência de voltagem da alimentação selecionada no menu "Ajustes".

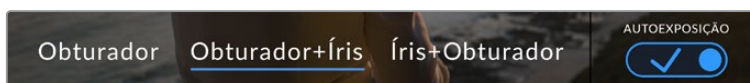
Caso queira escolher um valor específico, você deve tocar duas vezes no valor atual do obturador no canto esquerdo inferior da sua tela. Isso ativará um teclado para que você possa digitar o valor desejado para o obturador.

Se digitar um valor inferior à taxa de quadro atual, por exemplo 1/25 quando estiver filmando a 29,97 quadros por segundo, o valor do obturador mais próximo possível será usado. Neste caso, o valor do obturador mais próximo seria 1/30.



O teclado numérico manual do obturador permite que você digite qualquer valor desejado.

Sua URSA Broadcast G2 possui três modos de exposição automática baseados no obturador. Para selecionar um deles, toque no botão "Autoexposição" na extremidade direita do menu "Obturador".



Toque em "Autoexposição" para acessar modos de exposição automática baseados no obturador.

Obturador

Esta configuração ajusta a velocidade do obturador automaticamente para manter uma exposição constante, ao mesmo tempo em que a abertura da íris permanece constante. Caso queira manter uma profundidade de campo fixa, esta é a configuração ideal. É importante lembrar que os ajustes automáticos sutis do obturador podem afetar o desfoque de movimento. Também é importante estar atento a qualquer cintilação que possa ser introduzida por luminárias diversas em filmagens internas. O recurso de íris automática da URSA Broadcast G2 não estará disponível quando o modo de exposição automática do obturador for selecionado.

Obturador+Íris

Mantém os níveis de exposição corretos ao ajustar o obturador, e depois a abertura. Caso a velocidade máxima ou mínima do obturador seja atingida e a exposição ainda não possa ser mantida, a URSA Broadcast G2 começará a ajustar a abertura para manter a exposição consistente.

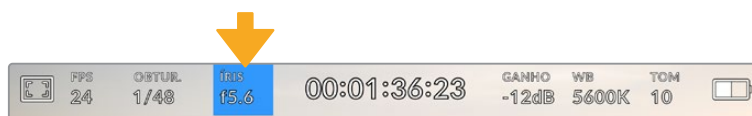
Íris+Obturador

Mantém os níveis de exposição corretos ao ajustar a abertura, e depois a velocidade do obturador. Caso a abertura máxima ou mínima seja atingida e a exposição ainda não possa ser mantida, a URSA Broadcast G2 começará a ajustar a velocidade do obturador para manter a exposição consistente.

DICA Quando um modo de exposição automática que afetar o obturador for ativado, um pequeno “A” aparecerá ao lado do indicador da velocidade do obturador na parte superior da tela de toque da sua URSA Broadcast G2.

Íris

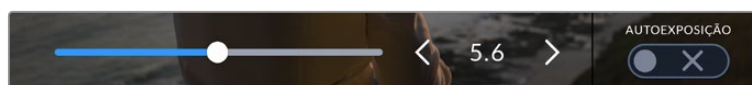
O indicador “Íris” exibe a abertura atual da sua lente. Ao tocar neste indicador, você pode alterar a abertura de lentes compatíveis e configurar a íris com base nos modos de exposição automática.



Indicador “Íris” da sua URSA Broadcast G2. Toque aqui para acessar as configurações da íris.

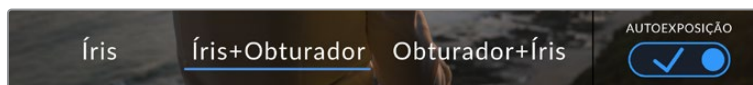
OBSERVAÇÃO Para ajustar sua íris a partir da tela de toque LCD, sua URSA Broadcast G2 deve estar fixada a uma lente com suporte para a alteração de abertura através da câmera. Caso esteja usando uma lente B4 ou PL conectada através do conector broadcast de 12 pinos, certifique-se de que a chave da íris da lente na empunhadura esteja definida como “A” ou “Auto”.

Tochar no indicador “Íris” uma vez ativa o menu de íris ao longo da parte inferior da tela de toque da sua URSA Broadcast G2. Você visualizará sua abertura de lente atual na extremidade esquerda deste menu. Você pode alterar a abertura ao tocar nas setas esquerda e direita em qualquer lateral da abertura atual ou mover o deslizador para a esquerda ou direita.



No menu “Íris”, toque nas setas em cada lateral do indicador ou use o deslizador para ajustar as configurações de íris.

Tocar o ícone “Autoexposição” na lateral direita do menu “Íris” iniciará o menu de exposição automática da íris.



No menu “Íris”, toque em “Autoexposição” para acessar os modos de exposição automática baseados na íris.

Ele oferece as seguintes seleções de exposição automática:

Íris

Esta configuração ajusta a abertura automaticamente para manter uma exposição constante, ao mesmo tempo em que a velocidade do obturador permanece consistente. Isso manterá o desfoque de movimento constante, mas afetará sua profundidade de campo.

Íris+Obturador

Mantém os níveis de exposição corretos ao ajustar a abertura, e depois a velocidade do obturador. Caso a abertura máxima ou mínima seja atingida e a exposição ainda não possa ser mantida, a URSA Broadcast G2 começará a ajustar a velocidade do obturador para manter a exposição consistente.

Obturador+Íris

Mantém os níveis de exposição corretos ao ajustar o obturador, e depois a abertura. Caso a velocidade máxima ou mínima do obturador seja atingida e a exposição ainda não possa ser mantida, a URSA Broadcast G2 começará a ajustar a abertura para manter a exposição consistente.

Quando um modo de exposição automático que afetar a íris for ativado, um pequeno “A” aparecerá ao lado do indicador de íris na parte superior da tela de toque da sua URSA Broadcast G2.

DICA A exposição automática funciona fluidamente com lentes B4 ou PL compatíveis e desenvolvidas para a produção televisiva e cinematográfica. Lentes EF podem produzir transições de exposição perceptíveis quando se altera a abertura. Por esse motivo, recomendamos usar apenas o modo de exposição automático do obturador ao filmar com lentes EF.

Exibição da Duração

Na parte superior da tela de toque LCD da sua URSA Broadcast G2, você encontrará a exibição do tempo de duração da câmera.



Exibição do tempo de duração da sua URSA Broadcast G2. Ele fica vermelho durante as gravações.

A exibição da duração fornece um contador de código de tempo para a verificação da duração dos seus clipes e o monitoramento do código de tempo durante a gravação e reprodução. O contador exibe uma sequência de tempo demonstrando Horas:Minutos:Segundos:Quadros que mudará à medida que você grava ou reproduz clipes. O código de tempo ficará vermelho durante as gravações.

A duração de cada clipe exibido inicia-se como 00:00:00:00 para cada clipe. A duração do clipe atual ou do último clipe gravado é exibida na tela de toque. O código de tempo de hora do dia é integrado aos clipes para uma pós-produção mais fácil.

Para visualizar o código de tempo, basta tocar na exibição da duração. Toque na exibição da duração novamente para retornar à duração do clipe.

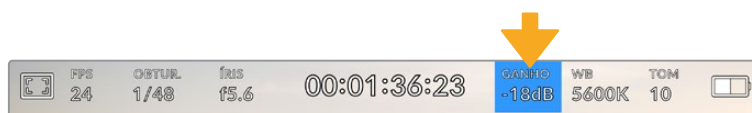
Indicadores de status adicionais poderão aparecer juntos da exibição de duração:

- TC** Aparece à direita da exibição de duração quando o código de tempo é exibido.
- EXT** Aparece à direita da exibição de duração se um código de tempo externo for conectado e válido.
- INT** Aparece à direita da exibição de duração se a câmera estiver operando com um código de tempo interno após ser sincronizada no modo jam-sync e desconectada.
- PRE** Aparece à direita da exibição de duração quando você estiver visualizando um código de tempo contínuo predefinido.
- REF** Aparece quando uma fonte de referência válida é conectada e bloqueada, com base nas configurações da entrada de sincronização.
- W** Aparece à esquerda da exibição de duração quando sua Blackmagic URSA Broadcast G2 estiver operando em um modo de sensor janelado.

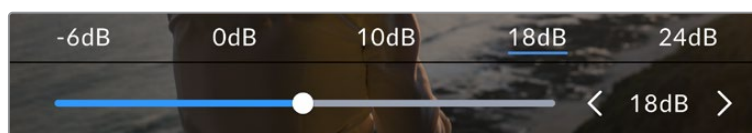
Ganho

O indicador “Ganho” exibe a configuração de ganho ou sensibilidade de luz atual da sua URSA Broadcast G2. Tocar neste indicador permite ajustar o ganho para condições de iluminação variantes.

A configuração ideal para a URSA Broadcast G2 é 0 dB.



Indicador de ganho da sua URSA Broadcast G2. Toque no indicador para acessar as configurações de ganho.

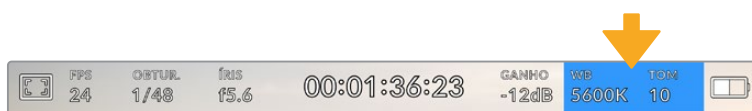


Enquanto estiver no menu “Ganho”, as configurações de ganho da sua URSA Broadcast G2 são exibidas ao longo da parte inferior da tela LCD. O deslizador e setas abaixo das predefinições permite que você ajuste o ganho em incrementos de 1/3 de stop.

Dependendo da sua situação, você pode optar por uma configuração de ganho mais baixa ou mais alta. Por exemplo, em condições de pouca iluminação, +18 dB pode ser adequado, mas poderá introduzir ruídos visíveis. Em condições de muita luz, -6 dB pode oferecer cores mais ricas.

Balanco de Branco

Os indicadores “WB” e “Tom” exibem o balanço de branco e a tonalidade atuais da sua câmera. Tocar nestes indicadores permite ajustar o balanço de branco e o tom para a adaptação em condições de iluminação variantes.



Toque nos indicadores de tom e balanço de branco para acessar suas respectivas configurações.

Cada fonte de luz emite uma cor. Por exemplo, uma chama de vela emite uma cor quente e um céu nublado emite uma cor fria. As configurações de balanço de branco são usadas para calibrar as

cores da sua imagem para que o branco continue branco ao ajustar a mistura de laranja e azul na sua imagem. Por exemplo, ao gravar sob lâmpadas de tungstênio, que emitem uma luz quente e laranja, a seleção de 3200K acrescentará um pouco de azul à imagem. Isso calibra a cor para que o branco seja gravado com precisão.

Sua URSA Broadcast G2 é fornecida com predefinições de balanço de branco para uma variedade de condições de temperatura de cor. Elas incluem:

	Luz do dia (sol a pino)	(5600K)
	Lâmpadas incandescentes	(3200K)
	Lâmpadas fluorescentes	(4000K)
	Luz mista	(4500K)
	Céu nublado	(6500K)

Você pode personalizar qualquer predefinição ao tocar ou segurar os ícones de seta à esquerda ou à direita do indicador de temperatura no canto inferior esquerdo do menu “WB”. Cada toque ajusta a temperatura de cor em incrementos de mais ou menos 50K, mas segurar as setas aumentará estes incrementos para alterações mais rápidas. Como alternativa, você pode mover o deslizador de temperatura no centro do menu do balanço de branco.

Para mais ajustes da imagem, você pode refinar a tonalidade. Esta ação ajusta a mesclagem de verde e magenta na sua imagem. Por exemplo, ajustar um pouco de magenta pode compensar pelo verde lançado por muitas das luzes fluorescentes. Muitas predefinições do balanço de branco da sua URSA Broadcast G2 incluem um pouco de tonalidade.



Com um toque no indicador de balanço de branco e de tom na sua URSA Broadcast G2, você terá acesso a cinco predefinições, além de um indicador de balanço de branco e um deslizador à esquerda e um indicador de tom à direita. Seu ajuste definirá um balanço de branco personalizado para suas condições de iluminação.

Enquanto estiver no menu do balanço de branco, a configuração atual do tom da sua câmera será exibida no canto inferior direito da tela. Para ajustar o tom, basta tocar ou segurar as setas à esquerda e à direita do indicador de tom. O intervalo disponível é de incrementos de -50 ou +50. Segurar as setas acelera os ajustes.

OBSERVAÇÃO Personalizar o balanço de branco ou o tom alterará sua predefinição para “CWB”, ou balanço de branco personalizado. Os balanços de branco personalizados são permanentes; as suas configurações CWB permanecerão atribuídas mesmo após o desligar e religar da câmera, e ao alternar entre uma predefinição e retornar para CWB. Isso facilita a comparação do balanço de branco personalizado com a última predefinição utilizada.

Balanço de Branco Automático

Sua URSA Broadcast G2 pode ajustar o balanço de branco automaticamente. Tocar no botão “AWB” abrirá a tela de balanço de branco.

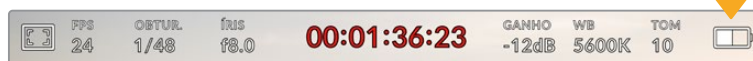
Ao configurar o balanço de branco automaticamente, um quadrado será sobreposto no centro da sua imagem. Preencha este quadrado com uma superfície neutra, como um cartão branco ou cinza e pressione “Atualizar”. Sua URSA Broadcast G2 ajustará os valores do balanço de branco e do tom automaticamente para assegurar que a média de brancos ou cinzas dentro do quadrado do balanço de branco seja a mais neutra possível. Após a atualização, este será o balanço de branco personalizado para a sua câmera.



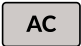
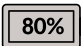

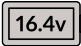

Tocar no ícone “AWB” no menu do balanço de branco ativará a tela para o balanço de branco automático. Utilize-a com uma superfície branca ou cinza neutra para configurar um balanço de branco neutro automaticamente.

Alimentação

O status da alimentação da sua URSA Broadcast G2 é exibido no canto superior direito da tela LCD. Há cinco indicadores possíveis:



O indicador de alimentação da sua URSA Broadcast G2 está no canto superior direito da tela de toque LCD. Ao usar alimentação de bateria, tocar aqui alterna entre exibições de voltagem ou porcentagem.

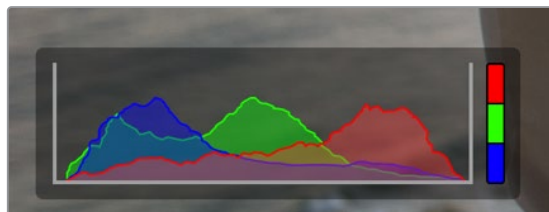
	AC	Exibido quando sua URSA Broadcast G2 estiver conectada a uma tomada.
	Porcentagem	Caso esteja usando uma combinação de bateria e adaptador com precisão percentual de carga e tiver sua exibição de bateria configurada como porcentagem, o indicador exibirá o nível da sua bateria como uma porcentagem. Com 20% de carga restante, o indicador ficará vermelho.
	Barras de bateria	Caso a exibição da bateria esteja definida como porcentagem, mas sua combinação de adaptador e bateria não for compatível com informações percentuais de bateria precisas, sua URSA Broadcast G2 exibirá um ícone de bateria que se esgota em incrementos de 25%. Com 20% de carga restante, a barra de bateria ficará vermelha.
	Voltagem	Quando sua exibição de bateria estiver definida como “Voltagem”, o indicador exibirá a carga restante da sua bateria. Quando sua bateria ficar abaixo de 12,5 volts, o indicador ficará vermelho. Sua URSA Broadcast G2 desligará automaticamente quando a bateria atingir 11,9 volts.
	Fibra	Exibido quando você tem um Blackmagic Camera Fiber Converter encaixado à sua câmera e estiver alimentando a câmera pelo cabo de fibra SMPTE. Caso tenha um cabo de alimentação XLR conectado à URSA Broadcast G2 enquanto o conversor estiver anexado, o ícone “AC” será exibido no lugar.

Ao usar alimentação de bateria, você pode alternar entre os indicadores de alimentação por voltagem e percentagem ou barras de bateria ao tocar no indicador de alimentação.

Barra de Ferramentas Inferior

Histograma

Na parte inferior da tela de toque da sua URSA Broadcast G2, você encontrará o histograma. O histograma RGB mostra a distribuição tonal da imagem separada em canais vermelho, verde e azul individuais.



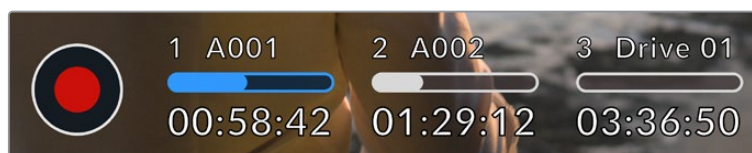
O histograma fornece uma indicação da amplitude tonal entre as sombras e os realces no seu clipe. Ele também é uma ferramenta útil para verificar o balanço da sua exposição e para evitar o recorte dos seus realces.

O canto esquerdo do histograma exibe as sombras, ou pretos, e a extremidade direita exibe os realces, ou brancos. Quando você fechar ou abrir a abertura da lente, você notará que a informação no histograma se desloca para a direita ou esquerda de forma correspondente. Isso é útil para verificar recortes nas sombras ou realces da sua imagem. Caso ocorram recortes nos canais vermelho, verde ou azul, o respectivo indicador no lado direito do histograma acenderá. Se os picos à esquerda ou direita das suas extremidades no histograma forem interrompidos bruscamente em vez de caírem gradualmente, é possível que você esteja perdendo os detalhes de sombras e realces.

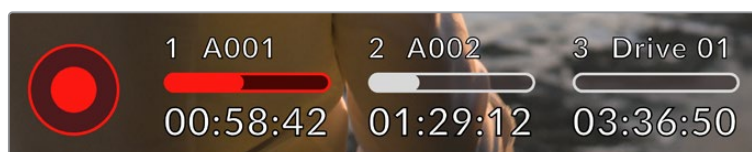
Caso não veja um histograma no canto inferior esquerdo da sua tela de toque, suas configurações para o monitor LCD podem estar definidas para exibir o codec e a resolução. Consulte a seção 'Configurações de Monitoramento' deste manual para mais informações.

Botão de Gravação

Ao lado do histograma na parte inferior da tela de toque da sua URSA Broadcast G2, você encontrará um botão redondo vermelho no centro. Este é o botão de gravação. Toque nele uma vez para começar a gravar e novamente para cessar. Ao gravar, o botão, o ícone de mídia e o código de tempo na parte superior da tela de toque da sua URSA Broadcast G2 ficarão vermelhos.



O botão de gravação da sua URSA Broadcast G2, junto dos indicadores de armazenamento na parte inferior da tela de toque LCD.

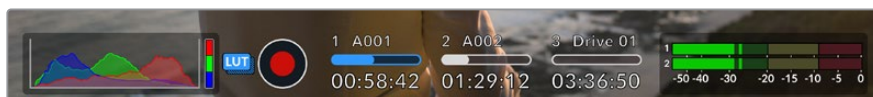


O botão de gravação fica vermelho ao gravar.

Aplicar LUT no Arquivo

Caso esteja gravando em Blackmagic RAW e tenha optado por aplicar uma LUT aos seus cliques gravados na aba de configurações “Gravar”, um ícone “LUT” azul será exibido ao lado do botão de gravação. O indicador LUT será exibido tanto no modo de espera quanto no modo de gravação.

Para mais informações sobre como gravar LUTs com Blackmagic RAW, consulte a seção ‘Configurações de Gravação’ neste manual.

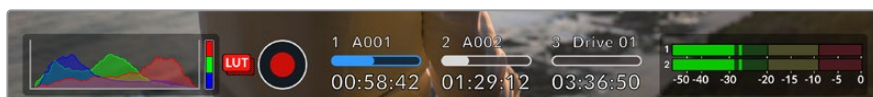


Um ícone “LUT” azul será exibido ao gravar em Blackmagic RAW.

Gravar LUT no Clipe

Caso esteja gravando em ProRes, H.264 ou H.265 e tenha optado por integrar uma LUT aos seus cliques gravados, um ícone “LUT” vermelho será exibido ao lado do botão de gravação. O indicador LUT será exibido tanto no modo de espera quanto no modo de gravação.

Para mais informações sobre como gravar LUTs com codecs de vídeo ProRes, H.265 ou H.264, consulte a seção ‘Configurações de Gravação’ neste manual.



Um ícone “LUT” vermelho será exibido ao gravar em ProRes, H.265 ou H.264.

Indicador de Quadro Descartado

O botão de gravação será sobreposto com um ponto de exclamação piscando caso sua URSA Broadcast G2 comece a descartar quadros durante a gravação. O indicador de tempo restante para o cartão ou os cartões afetados também ficarão vermelhos. Por exemplo, caso esteja gravando em modo cartão duplo e o cartão 1 estiver descartando quadros, o indicador ‘!’ aparecerá por cima do botão de gravação e o indicador de tempo restante do cartão 1 ficará vermelho. Isso permite saber se um cartão específico é lento demais para o codec e resolução selecionados. O indicador de quadro descartado também alertará, caso quadros tenham sido descartados no clipe gravado anteriormente. O indicador continuará a ser exibido até que outro clipe seja gravado ou até que a câmera seja desligada e religada. Consulte as seções ‘Escolher um Cartão CFast 2.0’, ‘Escolher um Cartão SD Rápido’ e ‘Escolher um SSD Rápido’ neste manual para mais informações sobre como evitar descarte de quadros.



Indicador de quadro descartado para o cartão CFast 1 descartando quadros.

DICA Caso o LED de status da sua URSA Broadcast G2 esteja ativado, ele piscará em vermelho rapidamente quando quadros descartados forem detectados. Para mais informações, consulte a seção ‘Ajustar Configurações’ neste manual.

OBSERVAÇÃO É possível configurar sua URSA Broadcast G2 para que interrompa gravações caso quadros descartados sejam detectados. Assim, você não perde tempo gravando imagens inutilizáveis, caso não tenha notado o indicador de descarte de quadros. Consulte a seção 'Configurações de Gravação' neste manual para mais informações.

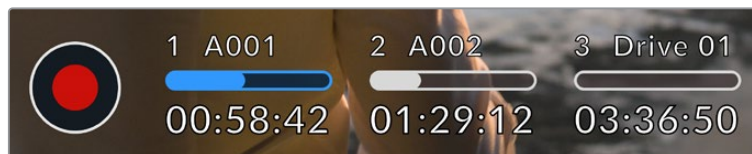
Indicadores de Armazenamento

Ao lado do botão de gravação, na parte inferior da tela de toque LCD da URSA Broadcast G2, você encontrará os indicadores de armazenamento.

Tempo de Gravação Restante

Quando um cartão CFast ou SD for inserido, ou uma unidade flash USB-C ou SSD for anexado à sua câmera, os indicadores de armazenamento mostrarão quanto tempo de gravação resta em cada cartão ou drive. O tempo de gravação será exibido em horas:minutos:segundos, baseado na taxa de quadro e codec selecionados, e será recalculado automaticamente se você alterar uma dessas configurações.

Quando restarem aproximadamente 5 minutos no seu cartão ou drive, o texto do indicador ficará vermelho. Caso esteja gravando em um único cartão ou drive, ou tenha preenchido qualquer armazenamento adicional anexado à câmera, o indicador piscará lentamente quando restarem 3 minutos e piscará rapidamente quando restarem menos de 30 segundos de tempo de gravação.



O indicador de armazenamento da sua URSA Broadcast G2 exibirá o nome do seu cartão CFast, cartão SD, SSD, unidade flash USB e o tempo de gravação restante.

Barra de Mídia

O ícone da barra de mídia acima do tempo de gravação será azul, branco ou vermelho, dependendo do status atual, e exibirá o espaço utilizado no cartão ou drive.

	O ícone de drive azul indica o drive ativo. Este é o drive que será usado para gravação.
	Um ícone de drive branco indica que há mídia presente, mas inativa. Um ícone branco constante indica que a mídia está cheia.
	A barra ficará vermelha durante as gravações.

Para alternar a gravação para um cartão ou drive diferente, pressione e segure o nome ou a barra do cartão, unidade flash USB-C ou SSD onde você deseja gravar.

Tocar nos indicadores de armazenamento ativará o menu de armazenamento e formatação.



Toque nos indicadores de armazenamento na tela de toque LCD da sua URSA Broadcast G2 para acessar o gerenciador de armazenamento.

O menu exibe a quantidade de espaço livre em cada cartão SD, cartão CFast, unidade flash USB-C ou SSD conectada à URSA Broadcast G2, assim como o nome do cartão ou drive, o tempo de gravação restante, o número total de clipes e o formato de arquivo para cada cartão ou drive. Tocando no nome do cartão ou drive no menu de armazenamento irá defini-lo como o cartão ou drive ativo. Sua URSA Broadcast G2 preencherá este cartão primeiro.

Você pode formatar suas mídias a partir deste menu. Para mais informações sobre a formatação de mídias usando a URSA Broadcast G2, consulte a seção 'Preparar Mídias na Blackmagic URSA Broadcast G2' neste manual.

Medidores de Áudio

Os medidores do pico de áudio exibem os níveis de áudio para os canais 1 e 2 quando o microfone interno é usado ou para o áudio externo quando for conectado. Você pode exibir medidores PPM ou VU. Para alterar o tipo de medidor, consulte a seção 'Configurações' mais adiante neste manual.

Para obter áudio de qualidade máxima, certifique-se de que os seus níveis de áudio não alcancem 0 dBFS. Este é o nível máximo que a sua câmera pode gravar, o que significa que qualquer som que exceder este nível será cortado, resultando em distorções.



As barras coloridas do medidor de áudio representam os níveis do pico de áudio. Na medida do possível, seus níveis de pico de áudio devem permanecer no limite superior da zona verde. Se os seus picos entrarem nas zonas amarelas ou vermelhas, o seu áudio correrá o risco de ficar saturado.

Você pode tocar no medidor de áudio para abrir os controles de volume dos canais de entrada de áudio 1 e 2, assim como o volume do fone de ouvido ou alto-falante.



Toque nos medidores de áudio na tela de toque da sua URSA Broadcast G2 para acessar o volume e as configurações de fone de ouvido ou alto-falante com facilidade.

Zoom de Foco

É possível aumentar qualquer parte da pré-visualização de imagem da sua URSA Broadcast G2 com um toque duplo na área que você deseja ampliar. Você pode se movimentar pela imagem ao arrastar o dedo pela tela de toque LCD. Isso é muito útil para verificar o foco. Para retornar à magnificação padrão, dê um toque duplo na tela novamente.

Quando “Zoom de Foco” estiver ativado, você também pode usar um gesto multitoque de pinçar para zoom para ajustar o nível de zoom na tela de toque. O menu “Ajustes” da URSA Broadcast G2 permite configurar um botão de função para ativar e desativar o zoom de foco, equivalente a um toque duplo na tela de toque. Isso pode ser configurado para exibição no LCD ou no SDI frontal ou principal. Para mais informações sobre como configurar um botão de função como “Zoom de Foco”, consulte a seção ‘Comportamento do Botão de Função como Predefinição ou Alternância’.



Enquanto a imagem estiver ampliada, um indicador na parte superior esquerda da sua tela de toque LCD exibirá qual parte da imagem está sendo visualizada. Você pode se deslocar pela imagem usando a roda de menu ou ao arrastar seu dedo pela tela.

Modo Tela Cheia

Pode ser útil ocultar o texto de status e os medidores da sua tela de toque temporariamente ao enquadrar ou focalizar um plano de imagem. Basta deslizar para cima ou para baixo na tela de toque LCD da sua URSA Broadcast G2 para ocultá-los. O indicador de gravação, guias de enquadramento, grades, assistente de foco e zebras permanecerão visíveis.



Deslize para cima ou para baixo para ocultar todos os indicadores de status da tela de toque LCD da sua URSA Broadcast G2.

Menu de Reprodução

Pressione o botão “Play” para acessar o menu de reprodução. Você pode controlar clipes gravados anteriormente com as teclas de controle ou a tela de toque LCD da sua câmera.










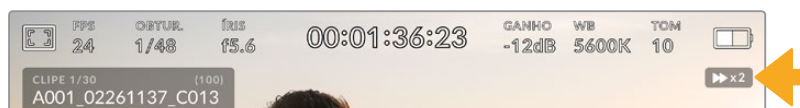
O LCD exibe uma timeline segmentada representando todos os clipes gravados. Cada segmento na timeline representa um clipe individual. O nome e o número do clipe atual é exibido no canto superior esquerdo da tela e o número total de clipes no cartão ou drive é exibido entre colchetes.

O contador à esquerda da timeline exibe a localização atual do cursor de reprodução e o contador à direita exibe a duração total de todos os clipes.

Os controles de reprodução abaixo da timeline permitem que você navegue pelos clipes.



	No modo de reprodução, toque no botão “Gravar” para retornar a câmera ao modo de espera, pronta para gravar.
	Toque no botão “Reproduzir” para visualizar seus clipes. Agora você está no modo de reprodução.
	Pressione o botão “Stop” para interromper a reprodução. Pressionar o botão “Stop” uma segunda vez retornará a câmera ao modo de espera.
	Toque no botão de retrocesso uma vez para mover o cursor de reprodução para o primeiro quadro do clipe atual. Caso o cursor de reprodução já esteja no início de um clipe, ele irá pular para o primeiro quadro do clipe anterior.
	Toque no botão de avanço uma vez para mover o cursor de reprodução para o último quadro do clipe atual. Caso o cursor de reprodução já esteja no final de um clipe, ele irá pular para o primeiro quadro do próximo clipe.
 	Pressione e segure os botões de avanço e retrocesso para transformá-los em botões de avanço e retrocesso rápido. Agora você pode usá-los para alterar a velocidade de navegação para 2x, 4x, 8x ou 16x. Para reduzir a velocidade de navegação, basta tocar o botão no sentido oposto.






O indicador de velocidade shuttle mostra a velocidade e a direção do avanço ou retrocesso rápido das imagens.

Você pode alterar o modo de reprodução de “Todos os Clipes” para “Clipe Único” no menu “Ajustes”. No modo “Clipe Único”, o último clipe gravado será exibido quando você pressionar “Play”.

DICA Deslize para cima ou para baixo na tela de toque da sua URSA Broadcast G2 para ocultar os textos de status durante a reprodução das imagens. Inserir os dados da claquete no modo de reprodução possibilitará marcar o clipe atual como uma “Tomada Boa” nos metadados. Para mais informações, consulte a seção ‘Inserção de Metadados’ neste manual.

Reprodução em loop

Toçar o botão de reprodução mais de uma vez habilitará o recurso “loop”. Este recurso pode ser útil caso você queira continuar reproduzindo o mesmo clipe, ou reproduzir continuamente todos os clipes na linha de tempo.

Repetir		Quando o seu clipe estiver sendo reproduzido, pressione o botão “Play” novamente para configurar a sua câmera para reproduzir o clipe atual em um loop contínuo.
Repetir todos		Toque no botão de reprodução novamente para reproduzir todos os seus clipes gravados em um loop contínuo.
Reproduzir		Toque novamente para retornar à reprodução em tempo real.

Configurações

Painel de Controle

Apertar o botão de controle “Menu” na sua URSA Broadcast G2 ativará o painel de controle da sua câmera. Ele é um menu de abas contendo as configurações não disponibilizadas pelo heads-up display da URSA Broadcast G2. As configurações estão divididas por função nas abas “Gravar”, “Monitorar”, “Áudio”, “Ajustes”, “Predefinir” e “LUTS”. Algumas delas, como “Gravar”, “Monitorar” e “Ajustes”, contêm múltiplas páginas. É possível navegar por essas páginas ao tocar nas setas à direita e à esquerda da tela de configurações ou ao deslizar para a esquerda ou direita como em um smartphone ou tablet.



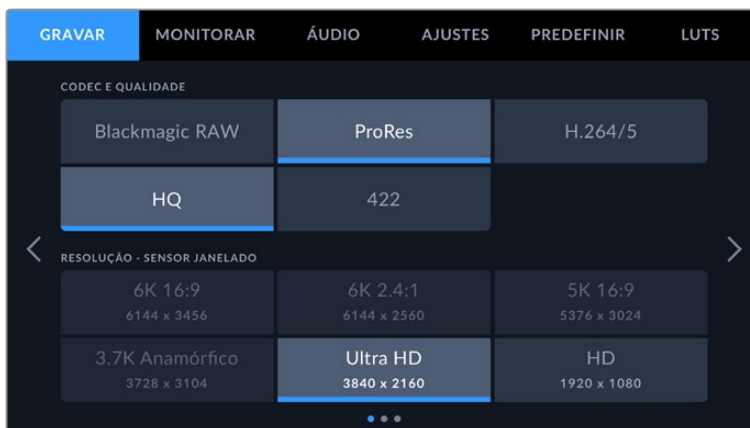
Toque nos cabeçalhos “Gravar”, “Monitorar”, “Áudio”, “Ajustes”, “Predefinir” e “LUTS” para transitar entre as abas do painel de controle da sua URSA Broadcast G2.

Configurações de Gravação

A aba “Gravar” possibilita definir o seu formato de vídeo, codec e resolução, assim como outras configurações que afetam as imagens gravadas pela sua URSA Broadcast G2, como o seu cartão preferido e a nitidez dos detalhes. Este menu possui três páginas, pelas quais você pode navegar tocando nas setas nas laterais da tela da sua câmera ou deslizando para a esquerda ou direita.

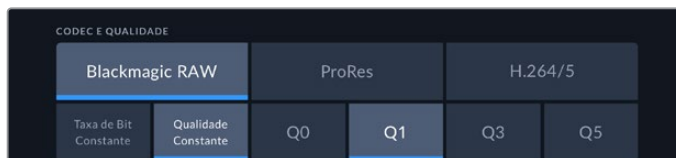
Configurações de Gravação 1

A primeira página da aba para as configurações de gravação, “Gravar”, contém os seguintes ajustes:



Codec e Qualidade

O menu “Codec e Qualidade” é dividido em duas linhas. A linha de cima possibilita escolher entre três famílias de codec, Blackmagic RAW, Apple ProRes e H.264/5, enquanto a linha inferior oferece seleções de qualidade dentro destas famílias. Por exemplo, as opções de qualidade disponíveis para a família de codec ProRes são ProRes HQ e ProRes 422. Para o Blackmagic RAW, as configurações se dividem em quatro opções de “Taxa de Bit Constante” e quatro opções para “Qualidade Constante”.



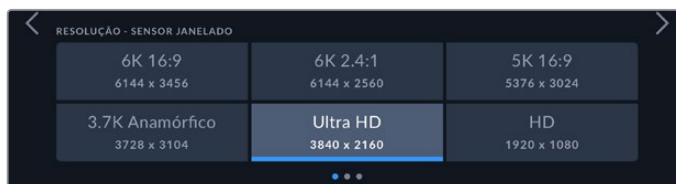
Opções de “Taxa de Bit Constante” e “Qualidade Constante” para o Blackmagic RAW.

DICA A quantidade de vídeo que você pode gravar em uma mídia de armazenamento na URSA Broadcast G2 aumenta quando você seleciona codecs que utilizam maior compactação. Consulte a ‘Tabela de Duração de Gravações’ na seção ‘Gravação’ para mais informações.

Resolução

Esta configuração funciona em combinação com a configuração de codec. Utilize-a para selecionar a resolução do seu formato de gravação desejado.

Por exemplo, caso queira gravar clipes Ultra HD usando ProRes HQ, selecione “ProRes” e “HQ” no menu “Codec e Qualidade”. Agora, selecione “Ultra HD” no menu de resolução.



Opções de resolução ao utilizar Blackmagic RAW.

OBSERVAÇÃO A Blackmagic URSA Broadcast G2 suporta Blackmagic RAW em todas as resoluções; Apple ProRes em Ultra HD e HD; H.265 em Ultra HD e H.264 em HD.

Configurações de Gravação 2

A segunda página da aba para as configurações de gravação, “Gravar”, contém os seguintes ajustes:



Faixa Dinâmica

Ajuste a configuração de faixa dinâmica ao tocar nos ícones “Faixa Dinâmica”. A Blackmagic URSA Broadcast G2 possui três configurações de faixa dinâmica:

Vídeo	A configuração “Vídeo” é a melhor opção para gravar looks saturados de alto contraste, ideais para entrega direta ou processamento mínimo na pós-produção. Esta configuração usa primárias Rec.709 com uma modulação de realces agradável. Esta é uma boa opção caso você queira um ponto de partida preciso que ainda possua uma curva de gama agradável com espaço para gradação, caso necessário.
Vídeo Exp	A configuração “Vídeo Expandido” é baseada no Blackmagic Wide Gamut com contraste e saturação aplicados. As diferenças mais perceptíveis em comparação com o modo de vídeo estão relacionadas ao eixo magenta/verde com menos saturação, que é mais característico de filmes de impressão.
Filme	A configuração “Filme” grava vídeos usando uma curva logarítmica que permite manter o máximo de faixa dinâmica e maximizando as informações no seu sinal de vídeo para ajudar a tirar máximo proveito das imagens em programas de gradação de cores, como o DaVinci Resolve.

Se estiver usando a faixa dinâmica nos modos de vídeo ou vídeo expandido, certifique-se de uma LUT de exibição não esteja habilitada em nenhuma das saídas de monitoramento, LCD, SDI frontal ou SDI principal.

Se uma LUT de exibição estiver habilitada, o indicador LUT estará visível no HUD e a imagem parecerá ter mais saturação e contraste do que pretendido. Para verificar a sua configuração de LUTs de exibição, consulte as configurações de monitoramento neste manual.

Área do Sensor

Esta configuração está disponível ao filmar em codecs de vídeo ProRes, H.265 e H.264. Ela permite escolher entre o dimensionamento da área completa do sensor 6K, ou a utilização de uma área “janelada” menor. Escolher uma área do sensor maior, como 5.3K ou 6K, proporciona um campo de visão mais amplo, enquanto que uma área de sensor menor, como 2.7K, oferece mais opções de taxas de quadro elevadas. É importante observar que, como o modo janelado usa apenas o centro do sensor da câmera, o campo de visão de qualquer lente será mais raso devido ao corte associado.

Ao usar lentes broadcast no encaixe B4 da URSA Broadcast G2, é importante conferir se a área do sensor está configurada para 4K, pois esta é área do quadro que será coberta pela lente. A área do sensor de 5.3K e 6K tem aproximadamente o tamanho do Super 35, portanto é compatível com a maioria das lentes EF, F e PL.

Para mais informações sobre formatos completos e janelados, consulte a seção ‘Taxas de Quadro Máximas do Sensor’.

Taxa de Quadro do Projeto

A taxa de quadro do projeto é a taxa de quadro do formato de gravação da URSA Broadcast G2 e oferece uma seleção de taxas de quadro comuns usadas na indústria cinematográfica e televisiva. Por exemplo, Ultra HD a 29,97 quadros por segundo usando ProRes HQ. Esta taxa de quadro é normalmente definida para corresponder à velocidade de reprodução e sincronização de áudio utilizada no seu fluxo de trabalho de pós-produção e para os requisitos de entrega.

Sua Blackmagic URSA Broadcast G2 possui oito configurações de taxa de quadro de projeto, incluindo 23,98, 24, 25, 29,97, 30, 50, 59,94 e 60 quadros por segundo.

OBSERVAÇÃO A taxa de quadro de projeto na sua câmera tem um impacto maior no visual da imagem. Em ambientes broadcast, as taxas de quadro normalmente são configuradas para 50, 59.94 ou 60 quadros por segundo. Essas taxas de quadro relativamente elevadas são ótimas para captar movimentos suaves e eliminar ou minimizar imagens tremidas ao fazer panorâmicas.

Taxas de quadro mais baixas, como 24 ou 25 quadros por segundo, são normalmente usadas em produções cinematográficas. Elas possuem um visual cinematográfico distinto, mas exigem movimentos de câmera mais lentos para evitar tremores.

Gravação Off-Speed

Por padrão, as taxas de quadro do projeto e do sensor da URSA Broadcast G2 serão ajustadas para corresponderem a uma velocidade de reprodução natural. No entanto, ao tocar no ícone de habilitação “Gravação Off-Speed”, você pode definir a taxa de quadro do sensor independentemente. Esta opção só está disponível ao gravar em codecs Blackmagic RAW ou ProRes.

Taxa Off-Speed

Com a opção “Taxa Off-Speed” habilitada, toque nas setas próximas do indicador de taxas de quadro off-speed para definir a taxa de quadro do sensor da sua URSA Broadcast G2.

A taxa de quadro do sensor define quantos quadros, de fato, serão gravados pelo sensor a cada segundo. Esta taxa de quadro afetará o quão rápida ou lenta será a reprodução do seu vídeo de acordo com a taxa de quadro definida para o projeto.

Para mais informações sobre taxas de quadro off-speed, consulte ‘Quadros por Segundo’ na seção ‘Recursos da Tela de Toque’ neste manual.

OBSERVAÇÃO Para mais informações sobre as taxas de quadro máximas disponíveis para cada formato e codec, consulte a tabela ‘Taxas de Quadro Máximas do Sensor’ na seção ‘Gravação’ deste manual.

Mídia Preferencial para Gravação

Utilize esta configuração para selecionar o cartão, SSD ou unidade flash na qual sua URSA Broadcast G2 gravará primeiro quando mais de um compartimento de armazenamento estiver em uso. As opções são “Cartão 1”, “Cartão 2”, “USB” e “Mais Cheio”. A seleção de “Cartão 1” ou “Cartão 2” é uma questão de preferência pessoal, mas com o uso consistente de um ou outro, você será informado sobre qual cartão trocar primeiro à medida que o armazenamento se esgota. “Mais Cheio” pode ajudar a agrupar arquivos cronologicamente em projetos com gravação de câmera única. O recurso “Mais Cheio” é baseado na porcentagem com que os seus cartões de armazenamento estão preenchidos, em vez das suas capacidades ou da quantidade de dados usada.

A configuração escolhida é aplicada quando um cartão CFast, cartão SD ou SSD é inserido; ou quando uma unidade flash USB é conectada. É possível anular esta configuração a qualquer momento ao acessar o gerenciador de armazenamento e ativar outro cartão. É importante observar, todavia, que ejetar e reinserir cartões reverte a configuração atual da “Mídia Preferencial para Gravação”.

Gravar RAW em

Gravar Blackmagic RAW em dois cartões proporciona clipes de altíssima resolução com taxas de quadro elevadas e baixos níveis de compactação. Insira um par de cartões CFast ou SD e escolha a opção “2 Cartões”. Como isso depende do fracionamento de ambos os cartões sequencialmente, a taxa de dados do cartão mais lento será o fator limitante, portanto é recomendável utilizar dois cartões da mesma especificação ou similares.

Você também pode fazer o fracionamento entre um cartão CFast no compartimento de armazenamento 1 ou 2 e um disco flash USB no compartimento de armazenamento 3. Quando você utiliza a opção “2 Cartões”, o limite de velocidade é o dobro da taxa de dados do cartão mais lento na matriz fracionada.

Combinar Arquivos para Edição

Copie os arquivos .BRAW e .BRAW2 de ambos os cartões de memória para a mesma pasta no seu computador e o DaVinci Resolve os importará como um clipe único quando você importá-los para o pool de mídia. Se os arquivos .BRAW e .BRAW2 estiverem separados, os clipes podem ser reproduzidos independentemente com a metade da taxa de quadros. Para reproduzir um arquivo .BRAW2 independentemente, altere a extensão do arquivo de .BRAW2 para .BRAW.

DICA Você pode usar a ferramenta Gerenciador de Mídias do DaVinci Resolve para combinar arquivos .BRAW e .BRAW2 em um clipe único e independente.

Combinar arquivos .BRAW ajuda a garantir que eles não possam ser separados. Isso pode ser útil para gerenciamento de mídias, ou se você estiver enviando arquivos para outro editor.

Para mais informações, consulte a seção 'Using Media Management' no manual DaVinci Resolve.

Configurações de Gravação 3

A terceira página da aba para as configurações de gravação, "Gravar", contém os seguintes ajustes:



Lapso de Tempo

Esta configuração ativa o recurso "Lapso de Tempo" para gravar um quadro estático automaticamente nos intervalos a seguir:

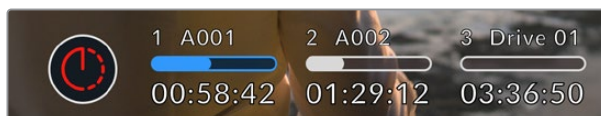
Quadros	2 – 10
Segundos	1 – 10, 20, 30, 40, 50
Minutos	1 – 10

Por exemplo, você pode configurar a câmera para gravar um quadro estático a cada 10 quadros, 5 segundos, 30 segundos, 5 minutos, etc.

O recurso lapso de tempo oferece inúmeras opções criativas. Por exemplo, configurar um intervalo de dois quadros por vez possibilitará criar um efeito de alta velocidade na reprodução do seu vídeo.

O formato de cada quadro é baseado no seu formato de gravação, assim, se você definir a câmera para gravar em Ultra HD usando ProRes HQ, o lapso de tempo manterá este formato. A taxa de quadro será baseada na taxa de quadro do seu projeto. Isso acontece para que as imagens do seu lapso de tempo possam ser facilmente incorporadas ao seu fluxo de trabalho de pós-produção.

Ao gravar imagens no modo lapso de tempo, o contador do código de tempo se atualiza quando um quadro de vídeo é gravado.



Sua URSA Broadcast G2 indicará se está no modo lapso de tempo com um ícone sobre o botão de gravação.

Nitidez de Detalhes

Utilize esta configuração para deixar as imagens da sua URSA Broadcast G2 mais nítidas. Quando a nitidez é habilitada, aumente ou diminua o nível de nitidez ao selecionar “Baixo”, “Médio” ou “Alto”.

Quando a nitidez é habilitada, ela será aplicada aos vídeos ProRes gravados pela câmera e também na saída SDI da sua URSA Broadcast G2.

Esta configuração é destinada para produções de estúdio ao vivo quando é necessário mandar as imagens ao vivo direto para o ar e não há tempo para pós-produção. Caso esteja manipulando a imagem e corrigindo as cores extensivamente na pós-produção, recomendamos deixar a nitidez de detalhes desativada. Por esta razão, a nitidez não é aplicada aos arquivos Blackmagic RAW destinados para processamento significativo na pós.

DICA Ao fazer a pós-produção dos seus arquivos Blackmagic RAW, é possível atingir um nível comparável de nitidez para estas configurações usando a ferramenta de desfoque/nitidez na página “Cor” do DaVinci Resolve.

Configure a ferramenta para um raio de 0,48 e ajuste o dimensionamento para 0,6, 0,3 ou 0,15 para uma nitidez comparável aos modos “Alto”, “Médio” ou “Baixo”.

Para informações detalhadas sobre a nitidez na pós-produção, consulte a seção ‘Motion Effects and Blur Palettes’ no manual DaVinci Resolve completo.

Se Cartão Descartar Quadro

Use o recurso “Se Cartão Descartar Quadro” para configurar o comportamento da sua URSA Broadcast G2 quando quadros descartados forem detectados. Quando definido como “Alertar”, o indicador de quadros descartados será exibido na tela de toque LCD e a gravação continuará com quadros descartados. Quando definido como “Parar Gravação”, sua câmera interromperá gravações quando quadros descartados forem detectados. Isso evita que você desperdice tempo gravando imagens inutilizáveis, caso não repare no indicador de quadros descartados.

Consulte as seções ‘Escolher um Cartão CFast 2.0’, ‘Escolher um SSD Rápido’ e ‘Escolher uma Unidade USB-C Rápida’ para mais informações sobre como evitar quadros descartados.

Aplicar LUT no Arquivo

Caso esteja aplicando uma LUT a qualquer uma das saídas da sua URSA Broadcast G2, a LUT selecionada será integrada ao arquivo Blackmagic RAW que você estiver gravando.

Isso significa que a LUT será salva no cabeçalho do arquivo e pode ser facilmente aplicada ao clipe na pós-produção sem a necessidade de trabalhar com um arquivo separado. Quando a chave “Aplicar LUT no Arquivo” estiver habilitada no menu de gravação da URSA Broadcast G2, este clipe será lido pelo Blackmagic RAW Player e o DaVinci Resolve com a LUT selecionada aplicada a ele. A LUT então pode ser facilmente ativada ou desativada, mas sempre acompanhará o arquivo Blackmagic RAW, pois foi gravada no próprio clipe.

O DaVinci Resolve também conta com uma chave “Aplicar LUT” na paleta de configurações RAW para habilitar ou desabilitar a LUT 3D no arquivo Blackmagic RAW. A configuração “Aplicar LUT” no DaVinci Resolve é a mesma configuração encontrada na câmera. Ou seja, ao gravar é possível instruir o colorista a usar a LUT ao defini-la na câmera, mas é possível desabilitá-la com facilidade no DaVinci Resolve ao desativar “Aplicar LUT”.

Gravar LUT no Clipe

A opção “Gravar LUT no Clipe” estará disponível ao gravar com codecs de vídeo ProRes, H.265 ou H.264. Por padrão, a sua URSA Broadcast G2 não aplica, ou “queima”, LUTs nas imagens gravadas, mas você pode optar por “queimar” a LUT nas suas imagens tocando no ícone de habilitação “Gravar LUT no Clipe”.

Esta pode ser uma opção útil para situações em que você não tem tempo suficiente para fazer a gradação das suas imagens na pós-produção, ou quando você precisa enviar as imagens diretamente para um cliente ou editor. Consulte as seções ‘LUTs 3D’ e ‘Controles da Tela de Toque’ para mais informações.

Correção de Lentes

Lentes zoom profissionais frequentemente sofrem desvio cromático na extremidade do quadro ou próximo aos cantos da imagem. Isso é mais proeminente nas áreas de alto contraste da imagem em lentes B4 mais acessíveis, especialmente os modelos com intervalos de zoom extremos. O recurso de Correção de Lente permite que você corrija isto na própria URSA Broadcast G2 com lentes B4 e PL profissionais. Ele é habilitado por padrão quando a câmera detecta as informações necessárias das lentes profissionais.

Convenção de Nomeação de Arquivos

Os clipes são gravados nos formatos Blackmagic RAW, Apple ProRes e MP4, dependendo do formato de gravação selecionado.

A tabela abaixo mostra um exemplo de convenção de nomeação de arquivos:

A001_08151512_C001.mov	Nome do Arquivo de Filme QuickTime
A001_08151512_C001.mov	Numeração de Câmera
A001_08151512_C001.mov	Número do Rolo
A001_ 08 151512_C001.mov	Mês
A001_08 15 1512_C001.mov	Dia
A001_0815 15 12_C001.mov	Hora
A001_081515 12 _C001.mov	Minuto
A001_08151512_ C001 .mov	Número do Clipe

Arquivos de quadros estáticos captados usando o botão de fotograma seguirão a mesma convenção de nomeação de arquivo dos clipes de vídeo, mas o nome do arquivo conterá “S001” representando o número do fotograma como os últimos quatro dígitos do nome do arquivo no lugar do número do clipe. Para mais informações, consulte a seção ‘Controles do LCD de Status’ neste manual.

Configurações de Monitoramento

A aba “Monitorar” permite que você ajuste texto de status, sobreposições e outras opções de monitoramento para a tela de toque LCD e as saídas SDI frontais e traseiras da sua URSA Broadcast G2. As opções são organizadas por saída em “LCD”, “SDI Frontal” e “SDI Principal”. Cada um desses menus possui cinco páginas de opções, pelas quais você pode navegar tocando nas setas nos cantos da tela de toque da sua câmera ou deslizando para a esquerda ou direita.

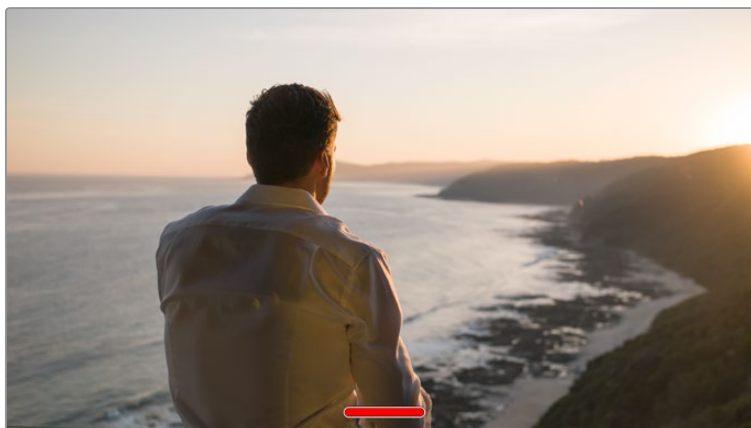
Configurações de Monitoramento 1

A primeira página da aba de monitoramento para “LCD”, “SDI Frontal” e “SDI Principal” inclui configurações idênticas para cada saída. Por exemplo, você pode habilitar as zebras na tela de toque LCD, mas desabilitá-las nas saídas SDI frontais ou principais.



Alimentação Limpa

Toque na chave “Alimentação Limpa” nos menus “LCD”, “SDI Frontal” e “SDI Principal” para desabilitar todos os textos de status e sobreposições nessa saída, exceto a luz de sinalização de gravação.



A tela de toque LCD da sua URSA Broadcast G2 continuará a exibir a sinalização de gravação no modo de alimentação limpa.

OBSERVAÇÃO As LUTs ainda serão aplicadas às saídas quando “Alimentação Limpa” estiver ativado. Para desativar LUTs, desabilite a chave “LUT de Exibição” no menu de monitoramento para essa saída.

LUT de Exibição 3D

Sua URSA Broadcast G2 pode aplicar LUTs 3D a qualquer saída para estimar um look semelhante ao das imagens com o tratamento das cores. Isso é particularmente útil ao gravar imagens com a faixa dinâmica de filme, já que as imagens produzidas são intencionalmente desbotadas e de baixo contraste.

Se sua URSA Broadcast G2 possuir uma LUT 3D ativa, utilize esta configuração para aplicar essa LUT independentemente na sua tela de toque LCD, saída SDI frontal ou principal.

OBSERVAÇÃO Para mais informações sobre como carregar e usar LUTs 3D, consulte a seção “LUTs” deste manual.

Zebra

Toque a chave “Zebra” nos menus “LCD”, “SDI Frontal” e “SDI Principal” para habilitar as marcações de zebra para essas saídas. Para mais informações sobre as marcações de zebra e a configuração dos níveis zebra, consulte a seção ‘Recursos da Tela de Toque’ neste manual.

Assistente de Foco

Toque na chave “Assistente de Foco” nos menus “LCD”, “SDI Frontal” e “SDI Principal” para habilitar o assistente de foco nestas saídas. Para mais informações sobre a assistência de foco e a configuração dos níveis para a assistência de foco, consulte a seção ‘Recursos da Tela de Toque’ neste manual.

Guia de Enquadramento

Toque na chave “Guia de Enquadramento” nos menus “LCD”, “SDI Frontal” e “SDI Principal” para habilitar as guias de enquadramento para essas saídas. Para mais informações sobre as guias de enquadramento e a seleção de guias diferentes, consulte a seção ‘Recursos da Tela de Toque’ neste manual.

Grade

Toque na chave “Grade” nos menus “LCD”, “SDI Frontal” e “SDI Principal” para habilitar uma grade da regra dos terços. Para mais informações sobre a grade da regra dos terços, consulte a seção ‘Recursos da Tela de Toque’ neste manual.

Guia de Área Segura

Toque na chave “Guia de Área Segura” nos menus “LCD”, “SDI Frontal” e “SDI Principal” para habilitar a sobreposição de área segura para essas saídas.

Para mais informações sobre as marcações de área segura e sobre como configurar o nível para estas guias, consulte a seção ‘Recursos da Tela de Toque’ neste manual.

Cor Falsa

Toque na chave “Cor Falsa” nos menus “LCD”, “SDI Frontal” e “SDI Principal” para habilitar a assistência de exposição com cores falsas para essas saídas.

Para mais informações sobre cores falsas, consulte a seção ‘Recursos da Tela de Toque’ neste manual.

Configurações de Monitoramento 2

A segunda página da aba de monitoramento “LCD” da sua URSA Broadcast G2 inclui algumas configurações que variam dependendo da saída selecionada.



LCD, SDI Frontal e SDI Principal

Texto de Status

Pode ser útil ocultar o texto de status e os medidores no LCD, saída SDI frontal ou saída SDI principal, deixando apenas as informações necessárias para compor ou dirigir um plano cinematográfico. Toque no ícone de habilitação “Texto de Status” nos menus de monitoramento “LCD”, “SDI Frontal” ou “SDI Principal” para alternar a exibição do texto de status e dos medidores para essa saída. Sobreposições como guias de enquadramento, grades, assistente de foco e zebras permanecerão visíveis, se habilitadas.

Deslizar para cima ou para baixo na tela de toque LCD da sua URSA Broadcast G2 tem o mesmo efeito.

Descompressão Anamórfica

Ao filmar com lentes anamórficas, a imagem aparecerá “espremida” horizontalmente nas saídas de pré-visualização e nos arquivos gravados da sua URSA Broadcast G2. Habilitar “Descompressão Anamórfica” corrigirá a imagem de pré-visualização na sua URSA Broadcast G2 e também gravará a quantidade de descompressão utilizada nos metadados do clipe para facilitar a correção na pós.

A quantidade de descompressão selecionada irá variar dependendo da configuração de resolução na sua URSA Broadcast G2, mas a imagem final será sempre na proporção de tela widescreen de 2,4:1, comum no cinema.

Lentes anamórficas desenvolvidas para cinema tipicamente contam com um fator de compressão de 2x. A resolução “3.7K Anamórfico” da sua URSA Broadcast G2 foi desenvolvida para uso com estas lentes e fará uma descompressão de 2x quando a função “Descompressão Anamórfica” estiver habilitada e definida como “2x”.

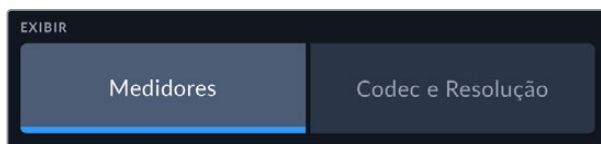
Lentes anamórficas desenvolvidas para sensores de imagem digitais, muitas vezes, utilizam um fator de compressão de 1.33x para produzir imagens cinematográficas widescreen de 2,4:1 com o sensor 16:9 inteiro. Portanto, quando sua URSA Broadcast G2 estiver configurada para resoluções 16:9, como “4K 16:9” e “HD 16:9”, “Descompressão Anamórfica” deve estar definida como “1,33x”.

DICA Se sua imagem aparecer esticada horizontalmente ao gravar com uma lente esférica padrão, certifique-se de que não tenha habilitado o recurso “Descompressão Anamórfica”.

LCD Apenas

Exibir

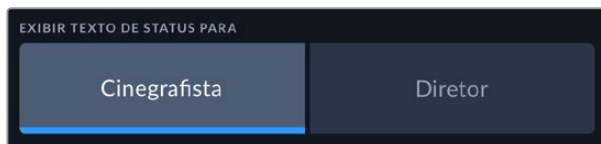
Em vez de um histograma ou medidores de áudio, sua URSA Broadcast G2 pode exibir as informações de codec e resolução nos cantos inferiores esquerdo e direito da tela de toque LCD. Isso pode ser útil caso prefira usar cores falsas para ajustar a exposição ou esteja gravando áudio separadamente e deseje exibir informações adicionais no espaço normalmente ocupado pelo histograma e pelos medidores de áudio. Basta tocar em “Medidores” ou em “Codec e Resolução” no menu “LCD” para selecionar a visualização de sua preferência.



SDI Frontal e SDI Principal

Exibir Texto de Status para Cinegrafista ou Diretor

A tela de toque LCD exibe informações como ISO, balanço de branco e abertura, que são úteis para um operador de câmera ou cinegrafista preparando planos de imagem individuais na câmera. As saídas SDI da sua câmera, todavia, também podem exibir informações úteis para um diretor ou supervisor de roteiro que esteja acompanhando os múltiplos planos ou câmeras.



Ajustar o texto de status para “Diretor” nas configurações de monitoramento “SDI Frontal” ou “SDI Principal” da URSA Broadcast G2 altera o texto de status dessa saída para exibir as seguintes informações:

- **FPS**
Exibe a taxa de quadros por segundo selecionada. Caso a taxa de quadro off-speed esteja desabilitada, apenas a taxa de quadro do projeto será exibida. Caso uma taxa de quadro off-speed esteja sendo usada, a taxa de quadro do sensor será exibida, seguida da taxa de quadro do projeto.
- **CAM**
Exibe a numeração de câmera como configurada na claquete da sua URSA Broadcast G2. Veja a seção ‘Claquete’ neste manual para mais informações.
- **OPERADOR**
Identifica o operador de câmera conforme a configuração da claquete da sua URSA Broadcast G2. Veja a seção ‘Claquete’ neste manual para mais informações.
- **EXIBIÇÃO DA DURAÇÃO**
Exibe a duração do clipe atual durante a gravação, ou do último clipe gravado no seguinte formato: horas:minutos:segundos.
- **ROLO, CENA, TOMADA**
Exibe rolo, cena e tomada atuais. Para mais informações sobre rolos, cenas, tomadas e suas convenções de rotulação, consulte a seção ‘Claquete’ neste manual.
- **FAIXA DINÂMICA**
O canto inferior esquerdo do monitor exibe a LUT atualmente configurada na sua URSA Broadcast G2, caso esteja aplicada nessa saída. Se não houver uma LUT aplicada, o intervalo dinâmico do modo “Filme” ou “Vídeo” será exibido.

- **TIMECODE**

O canto inferior direito do monitor exibe o código de tempo da sua URSA Broadcast G2 no seguinte formato: horas:minutos:segundos:quadros.

Configurações de Monitoramento 3

A terceira página da aba de monitoramento para “LCD”, “SDI Frontal” e “SDI Principal” inclui configurações idênticas para cada saída. Essas configurações atuam em todas as três saídas de monitoramento. Por exemplo, se o assistente de foco estiver habilitado no LCD, SDI Frontal ou SDI Principal da sua URSA Broadcast G2, alterar o tipo de assistência de foco de “Pico” para “Linhas Coloridas” afetará todas as saídas.



Níveis Zebra

Configure o nível de exposição da exibição do padrão zebra ao tocar nas setas laterais desta configuração. Há oito predefinições de nível zebra disponíveis, desde cinza médio até 100% de exposição.

Para mais informações, consulte o guia 'Zebra' na seção 'Recursos da Tela de Toque' neste manual.

Tipo de Assistente de Foco

Sua câmera URSA Broadcast G2 possui dois modos de assistência de foco: “Pico” e “Linhas Coloridas”.

- **Pico**

Quando o modo de assistência de foco “Pico” é selecionado, as áreas de uma imagem que estiverem em foco ficam profundamente nítidas na sua tela de toque LCD ou nas saídas SDI, mas não na imagem gravada em si. Este recurso faz com que as partes em foco da sua imagem “saltem” do plano de fundo mais suave na tela. Como sobreposições adicionais não são usadas, esta pode ser uma maneira muito intuitiva de identificar quando o ajuste de foco é feito, especialmente quando o sujeito em foco estiver fisicamente bem separado dos outros elementos no plano.

- **Linhas Coloridas**

Quando o modo “Linhas Coloridas” é selecionado, uma linha colorida é superimposta em volta das partes da imagem que estão em foco. Este modo pode ser um pouco mais intrusivo que o modo de pico de foco, já que as linhas são desenhadas por cima da sua imagem, mas especialmente em planos complexos com muitos elementos visíveis, ele pode ser um assistente de foco de alta precisão.

Cor do Foco

Use esta configuração para alterar a cor das sobreposições da linha de foco quando usar o modo de assistência de foco “Linhas Coloridas”. Alterar a cor da linha de foco pode facilitar a visualização das linhas da assistência de foco separadas da sua imagem. As seleções disponíveis são “Branco”, “Vermelho”, “Verde”, “Azul” e “Preto”.

Nível do Assistente de Foco

Para definir o nível do assistente de foco para a tela LCD, SDI frontal ou SDI principal, movimente o deslizador para a esquerda e direita.

DICA O nível ideal para o assistente de foco varia de acordo com cada plano de imagem. Ao focalizar nos atores, por exemplo, um nível mais alto do assistente de foco pode ajudar a solucionar detalhes de aresta nos rostos. Um plano com folhagem ou alvenaria, por outro lado, pode exibir quantidades confusas de informação de foco em configurações mais elevadas.

Configurações de Monitoramento 4

A quarta página da aba de monitoramento para “LCD”, “SDI Frontal” e “SDI Principal” inclui configurações idênticas para cada saída. Essas configurações atuam em todas as três saídas de monitoramento.



Guias de Enquadramento

Toque nas setas esquerda ou direita no menu “Guias de Enquadramento” para navegar pelas opções de guias de enquadramento para todas as saídas da sua URSA Broadcast G2, incluindo visores eletrônicos, como o Blackmagic URSA Viewfinder. As opções são detalhadas na seção ‘Recursos da Tela de Toque’ neste manual e também são acessíveis a partir do menu de monitoramento LCD no heads-up display da sua tela de toque LCD.

Guia de Área Segura

Para ajustar o tamanho da sobreposição de área segura na tela de toque LCD e nas saídas SDI frontal e principal da sua URSA Broadcast G2, toque nas setas à esquerda ou à direita da porcentagem exibida nesta configuração. Esta porcentagem indica o tamanho da área segura em relação ao quadro da imagem. A maioria dos teledefusores exige uma área segura de 90%.

Opacidade das Guias

Toque nas setas à direita ou à esquerda da configuração “Opacidade das Guias” para selecionar a opacidade das áreas cobertas pelas guias de enquadramento da sua tela de toque LCD e das saídas SDI frontal e principal. As opções são 25%, 50%, 75% e 100%.

Cor das Guias

Toque nas setas à direita ou à esquerda da configuração “Cor das Guias” para selecionar uma cor para as guias.

Grades

Para definir qual combinação de grades e retículas você deseja exibir na tela de toque LCD e nas saídas SDI frontal e principal da sua URSA Broadcast G2, toque nas opções “Terços”, “Retícula” ou “Ponto” nesta configuração.

Para mais informações, consulte o guia ‘Grades’ na seção ‘Recursos da Tela de Toque’ anteriormente neste manual.

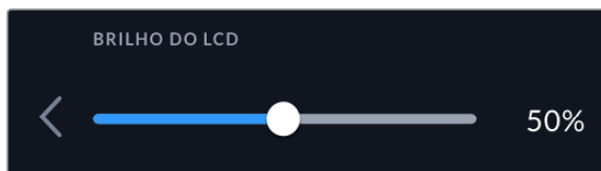
Configurações de Monitoramento 5

A quinta página da aba de monitoramento “LCD” da sua URSA Broadcast G2 inclui algumas configurações que variam dependendo da saída selecionada.

LCD apenas

Brilho do LCD

Arraste o deslizador “Brilho do LCD” para a direita ou esquerda para ajustar o brilho da tela de toque LCD da sua URSA Broadcast G2.



SDI Frontal e SDI Principal



Saída SDI

Ambas as saídas permitem selecionar entre saída de HD progressivo e entrelaçado ou Ultra HD progressivo. As opções disponíveis nesta configuração dependem das configurações de resolução e taxa de quadro da sua câmera. HD progressivo, ou “1080p”, está sempre disponível, independentemente da sua resolução e taxa de quadro de gravação, enquanto que o HD entrelaçado, ou “1080i”, está disponível quando a taxa de quadro do seu projeto estiver definida como 50, 59.94 ou 60. A saída SDI Ultra HD, ou “2160p”, está disponível ao gravar na resolução Ultra HD.

Saída 3G-SDI

É possível alterar o padrão da saída 3G-SDI para manter a compatibilidade com equipamentos que podem receber apenas vídeos 3G-SDI de nível A ou nível B. Esta opção aparecerá apenas quando você estiver operando em 50, 59.94 ou 60 quadros por segundo e fazendo a saída de 1080p. Toque em “Nível A” ou “Nível B” para selecionar cada padrão.

Configurações de Áudio

A aba “Áudio” permite ajustar as configurações de entrada e monitoramento de áudio na sua URSA Broadcast G2.

As configurações de áudio estão distribuídas em duas páginas e divididas entre os canais 1 e 2, mas uma atualização de software futura acrescentará dois canais adicionais.

É possível mapear cada canal de áudio para uma fonte diferente, assim como ajustar várias configurações, como a atenuação e os filtros de graves.

Estas configurações funcionam em conjunto com as chaves do painel de controle interno da sua URSA Broadcast G2. Após ter configurado sua fonte de áudio para um canal específico, é possível

usar as chaves do painel de controle interno para definir o tipo de sinal e se a alimentação fantasma deve ser ativada naquele canal.

Configurações de Áudio 1

A primeira página da aba “Áudio” da sua URSA Broadcast G2 contém as seguintes configurações:



Fonte do Canal

Utilize os botões “Fonte do Canal 1” e “Fonte do Canal 2” para selecionar a fonte de áudio para cada canal de áudio. As opções são:

- **Câmera – Esquerdo ou Direito**
Utilize esta configuração para gravar a partir dos microfones internos da câmera.
- **Câmera – Mono**
Utilize esta configuração para gravar áudio dos canais esquerdo e direito a partir do microfone interno da sua URSA Broadcast G2 em um único canal de áudio.
- **XLR 1 ou 2**
Utilize esta configuração para gravar a partir das entradas XLR da sua câmera. Dependendo de qual sinal de áudio estiver configurado nas chaves do painel de controle interno da sua URSA Broadcast G2, sua entrada XLR pode ser listada como “Mic”, “Linha” ou “AES”. Caso a alimentação fantasma esteja habilitada e você tenha configurado a entrada XLR como “Mic”, você também visualizará um indicador “+48V” aqui. É importante certificar-se de que a chave “+48V” esteja desabilitada ao desconectar o seu microfone com alimentação fantasma.
- **XLR 1 ou 2 Backup – Mic**
Utilize esta configuração para gravar áudio de um microfone conectado à entrada XLR 1 ou XLR 2 da sua URSA Broadcast G2 com um nível mais baixo que o padrão “Mic” para gravações. Isso pode ser usado para evitar a distorção de áudio no evento de um aumento de audibilidade inesperado. Este recurso somente será disponibilizado como um item selecionável se a chave de habilitação para a entrada XLR 1 ou XLR 2 estiver definida como “Mic”.
- **Nenhuma**
Utilize esta configuração para desabilitar seu canal de áudio.

Nível do Canal 1 e 2

Estes deslizadores são usados para ajustar os níveis de gravação para as fontes de áudio desejadas do canal 1 e 2. Medidores de áudio são incluídos com cada deslizador para ajudar a definir o nível de áudio correto. Estes níveis serão atualizados quando você ajustar o áudio usando os potenciômetros de áudio no painel de controle ergonômico.

Para obter áudio de qualidade máxima, certifique-se de que os seus níveis de áudio não alcancem 0 dBFS. Este é o nível máximo que sua câmera pode gravar, o que significa que qualquer som que exceder este nível será cortado, resultando em distorções.



Atenuar XLR -20dB

A opção de atenuação de -20dB oferece um controle adicional para reduzir ainda mais os níveis de ganho das entradas de áudio XLR da sua URSA Broadcast G2 ao filmar em ambientes barulhentos, mesmo depois que os seus níveis de áudio já estiverem reduzidos.

Atenuar Mic Cam -15dB

A opção de atenuação de -15dB oferece um controle adicional para reduzir ainda mais os níveis de ganho do microfone interno da sua URSA Broadcast G2 ao filmar em ambientes barulhentos, mesmo depois que os seus níveis de áudio já estiverem reduzidos.

Filtro de Graves Mic Cam

Toque neste ícone de habilitação para ativar o filtro de graves dos microfones internos da sua câmera. Este filtro ajuda a reduzir possíveis ruídos de vento ou roncos de baixa frequência que podem ocorrer em condições externas de filmagem. Observe que o seletor “Atenuar Mic Cam -15 dB” deve estar desabilitado para que este recurso funcione.

Configurações de Áudio 2

A segunda página da aba “Áudio” da sua URSA Broadcast G2 contém as seguintes configurações:



Medidores de Áudio

Você pode escolher entre dois tipos de exibição de medidores de áudio diferentes.

VU	O medidor VU, ou o medidor de unidades de volume, calcula a média de picos máximos e mínimos no seu sinal de áudio. Se você estiver usando medição VU, ajuste os níveis de entrada na sua Blackmagic URSA Broadcast G2 de modo que o pico do medidor ocorra em 0 dB no medidor de áudio. Isso maximiza a proporção sinal/ruído e garante que seu áudio possua a mais alta qualidade. Se seus picos de áudio ocorrerem acima de 0 dB, existe um alto risco de distorção sonora.
PPM	Os medidores PPM, ou medidores de programa de pico, exibem um recurso de retenção de pico que permanece visível por uma curta duração de tempo para que você possa visualizar nitidamente os níveis máximos atingidos.

Os medidores VU e PPM podem ser configurados para usar os níveis de referência de -18 dBFS ou -20 dBFS, assim você pode monitorar seu áudio para atender padrões de transmissão internacionais diferentes.

Configuração do medidor de áudio	Padrão
PPM (-20 dBFS)	SMPTE RP.0155
PPM (-18 dBFS)	EBU R.68

Volume do Fone de Ouvido

Este deslizador ajusta os níveis de saída para fones de ouvido encaixados no conector tipo jack de 3,5 mm para fones de ouvido da sua URSA Broadcast G2. Mova o deslizador de áudio para esquerda ou direita para ajustar os níveis. Estes níveis também serão atualizados quando você ajustar o volume do fone de ouvido usando o anel de configurações do painel de controle frontal.

Volume do Alto-Falante

Este deslizador ajusta os níveis de saída para o alto-falante integrado na sua URSA Broadcast G2. Mova o deslizador de áudio para a esquerda ou direita para ajustar os níveis. Estes níveis também serão atualizados quando você ajustar o volume do alto-falante usando o anel de configurações do painel de controle frontal.

Ajustar Configurações

A aba “Ajustes” contém as configurações de identificação da sua URSA Broadcast G2, versão do software, configurações para os botões de função e outras definições de câmera que não estão diretamente relacionadas à gravação e monitoramento. Este menu possui doze páginas, pelas quais você pode navegar tocando nas setas nos cantos da tela LCD ou deslizando para a esquerda ou direita.

Ajustar Configurações Página 1

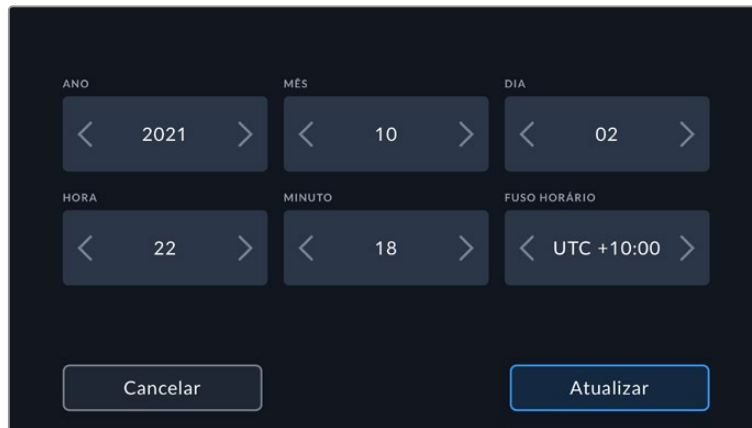
A primeira página da aba “Ajustes” da sua URSA Broadcast G2 contém as seguintes configurações:



Menu “Ajustes” da URSA Broadcast G2.

Data e Hora

Toque no ícone de lápis para definir a data e hora da sua URSA Broadcast G2. O formato da data é de ano, mês e dia, e o formato da hora é em 24 horas. A data e a hora na sua URSA Broadcast G2 também são usadas para o código de tempo de hora do dia, caso um código de tempo externo não seja conectado.



Idioma

A URSA Broadcast G2 suporta 13 idiomas, incluindo inglês, chinês, japonês, coreano, espanhol, alemão, francês, russo, italiano, português, turco, polonês e ucraniano.

A página de idiomas também aparecerá na primeira inicialização.

Como selecionar seu idioma:

- 1 Toque em “Idioma” e selecione o seu idioma na lista.
- 2 Selecione “Atualizar” para retornar ao menu de configurações.



Medida do Obturador

Utilize esta configuração para selecionar a exibição ou não das informações do obturador, como “Ângulo” ou “Velocidade”. É importante observar que ambas as medidas afetam o desfoque de movimento, mas funcionam de maneiras ligeiramente diferentes. Consulte a seção ‘Controles da Tela de Toque’ deste manual para uma explicação completa das medidas do obturador.

Obturador Sem Cintilação Baseado em

Utilize esta configuração para alterar a frequência da alimentação quando sua URSA Broadcast G2 estiver conectada a uma rede elétrica para calcular as configurações de obturador livres de cintilação.

Ao filmar sob luzes, seu obturador pode tornar cintilações visíveis. Sua URSA Broadcast G2 calculará automaticamente as velocidades do obturador livres de cintilação conforme sua taxa de quadro atual e exibirá sugestões no menu “Velocidade”. Essas velocidades são afetadas pela frequência das tomadas de alimentação de redes locais usadas para alimentar essas luzes. Na maioria dos países com padrão PAL, esta frequência é de 50 Hz, enquanto os países de padrão NTSC geralmente usam alimentação de 60 Hz. Basta tocar em “50Hz” ou “60Hz” para definir a frequência correta para a sua região.

As características de fontes de iluminação variadas ainda poderão causar cintilação mesmo ao usar valores do obturador livres de cintilação. Recomendamos fazer testes de filmagem sempre que não estiver utilizando luzes contínuas.

Timecode com Descarte

Utilize a opção “Timecode com Descarte” para usar códigos de tempo com descarte de quadro ao usar taxas de quadro de 29,97 e 59,94 em projetos NTSC. O código de tempo com descarte de quadro descarta uma pequena quantidade de quadros do código de tempo em intervalos definidos. Isso permite que o código de tempo do seu projeto permaneça preciso apesar de cada segundo não conter a quantidade completa de quadros para taxas de quadro NTSC.

Exibir Filtro ND Como

Utilize esta configuração para ajustar a maneira como o indicador de filtros ND exibirá os ajustes de filtro ND na sua URSA Broadcast G2. Cada configuração corresponde a uma convenção de câmera diferente. Cinegrafistas geralmente usam a notação do número ND, enquanto aqueles que têm mais experiência com DSLRs e câmeras broadcast possivelmente darão preferência a esta informação no formato f-stop ou como uma fração da luminosidade disponível.

Estas seleções estão disponíveis aqui como “Número”, “Stop” e “Fração”, respectivamente.



Menu de configuração da URSA Broadcast G2 com a opção de customizar como as informações do filtro ND são exibidas.

Ajustar Configurações Página 2

A segunda página da aba “Ajustes” da sua URSA Broadcast G2 contém as seguintes configurações:



ID de Câmera ATEM

Caso esteja usando a URSA Broadcast G2 com um switcher ATEM e deseje que sua câmera receba os sinais da sinalização através do switcher, é necessário definir o número de identificação na sua câmera. Isso garante que o switcher enviará o sinal de sinalização para a câmera correta. O número da câmera pode ser definido como um valor entre 1-99 ao tocar os botões para esquerda ou direita. A configuração padrão é 1.

Barras de Cores

Fazer a saída das barras de cores em vez de uma imagem de pré-visualização pode ser útil ao conectar sua URSA Broadcast G2 a um switcher ou monitor externo. Quando as barras de cores da sua URSA Broadcast G2 são exibidas no seu switcher ou monitor, a conexão é confirmada e é possível fazer a calibração básica para o monitoramento com base nas cores das barras. Para ativar as barras de cores em todas as saídas da sua URSA Broadcast G2, incluindo a tela de toque LCD, basta tocar no ícone de habilitação “Barras de Cores”.

Fonte de Referência

Esta configuração é usada para selecionar a fonte de sincronização. Sua URSA Broadcast G2 pode se casar a uma fonte de referência interna ou externa ou ao sinal de referência da entrada de programa em um switcher ATEM. Caso estiver usando sua URSA Broadcast G2 com a função de controle de câmera de um switcher ATEM, é sempre necessário definir sua fonte de sincronização como “Programa”, a não ser que o próprio switcher e todas as câmeras conectadas estejam configuradas como uma fonte de referência externa.

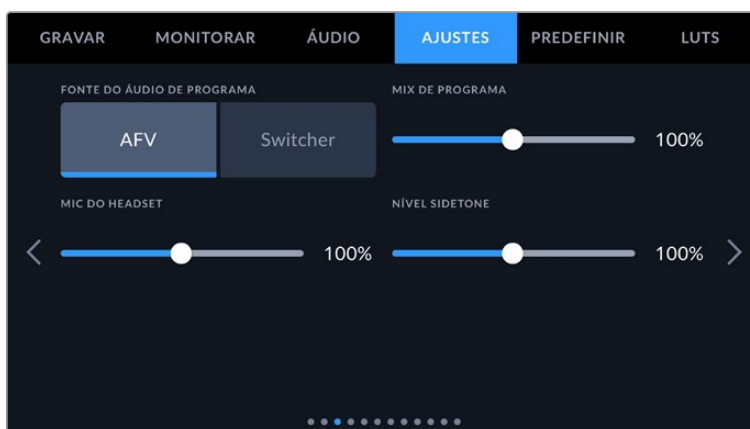
OBSERVAÇÃO Quando estiver configurando sua fonte de referência para a URSA Broadcast G2, é possível que ocorra uma pequena perda temporária do sinal nas saídas da sua câmera quando você alternar entre as suas fontes de referência. Isso ocorre porque a câmera está ajustando seu temporizador de sincronização para corresponder à fonte externa. Por esta razão, é importante não alterar esta configuração durante uma produção, e o fazer apenas durante as preparações.

Referência de Temporização

Estas configurações possibilitam o ajuste manual da sincronização de referência com base em linhas ou pixels. Basta tocar nos ícones de seta em cada lateral das configurações de “Linhas” e “Pixels” para fazer os respectivos ajustes.

Ajustar Configurações Página 3

A terceira página da aba “Ajustes” da sua URSA Broadcast G2 contém as seguintes configurações:



Fonte do Áudio de Programa

Quando conectada a um switcher ATEM, configurar “Fonte do Áudio de Programa” como “Switcher” priorizará o retorno do áudio de programa como fonte de entrada a ser combinada com a intercomunicação ao monitorar usando fones de ouvido ou um headset. Isso é útil quando você não estiver alimentando o áudio do switcher a partir da sua câmera, mas ainda pretende ouvir a alimentação do programa a partir do switcher através da porta “SDI In”. Configurar a “Fonte do Áudio de Programa” como “AFV” prioriza o áudio dos microfones internos da sua câmera ou das portas de entrada XLR. Essa é a configuração padrão.

Mix de Programa

Esta configuração altera o balanço do som de câmera para o som da intercomunicação. Os fones de ouvido farão a saída de áudio conforme a exibição no LCD. Por exemplo, caso esteja na visualização de câmera, o áudio de câmera será ouvido. Caso esteja no modo programa, o áudio do programa será ouvido. A configuração padrão é 100%.

Mic do Headset

Mova este deslizador de volume para a esquerda ou direita para aumentar ou diminuir os níveis da entrada de áudio do microfone do fone de ouvido. A configuração padrão é 50%.

Nível Sidetone

Ajuste este deslizador para definir o volume do seu próprio microfone de voz no seu headset.

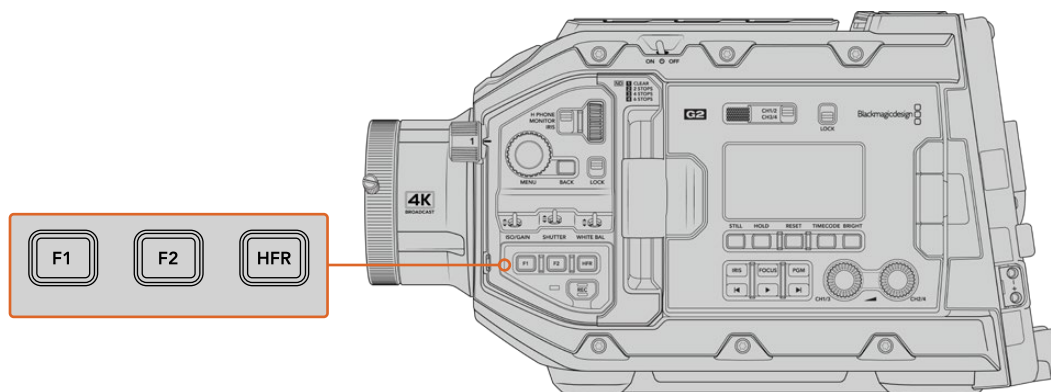
Ajustar Configurações Página 4

A quarta página da aba “Ajustes” da sua URSA Broadcast G2 contém as seguintes configurações:



Definir Botão de Função

Na parte externa da tela de toque LCD da sua URSA Broadcast G2, você encontrará dois botões de função, “F1” e “F2”. Eles são mapeáveis para recursos frequentemente usados e podem ser acessados rapidamente ao usar sua câmera com a tela de toque LCD fechada, por exemplo, quando estiver usando um URSA Viewfinder. A configuração padrão do botão “HFR” é “Gravação Off-Speed”, embora você possa atribuir outras funções a ele.



Os botões F1 e F2 da sua URSA Broadcast G2 estão localizados no painel de controle frontal.

DICA Se a sua URSA Broadcast G2 possui um lente B4 com conector de lente, você pode definir os botões “VTR” e “RET” como teclas de função e atribuir funções de predefinições ou alternância adicionalmente aos botões “F1”, “F2” e “HFR”.

Para definir estes botões, selecione um botão de função e em seguida, uma configuração e um parâmetro dessa configuração.



1 Botão 2 Comportamento 3 Configuração 4 Parâmetro

Comportamento do Botão de Função como Predefinição ou Alternância

Após selecionar o botão de função que deseja mapear, você pode selecionar um comportamento. As opções disponíveis são:

- **Predefinição**

Quando definido como este comportamento, pressionar um botão de função recuperará a combinação de uma configuração e um parâmetro.

Para configurar uma predefinição, selecione a configuração que você deseja usar a partir do menu “Ajustes” e ajuste esta configuração tocando nas setas de qualquer lateral do menu “Parâmetro”.

Por exemplo, para definir o botão F1 para recuperar uma predefinição de balanço de branco, utilize as setas no botão “Definir Botão de Função” para selecionar “F1”, selecione o comportamento “Predefinição”, toque no ajuste “WB” e nas setas em cada lateral do menu parâmetro até chegar a WB “5600K” e Tonalidade “-20”.

- **Alternância**

Com a configuração deste comportamento, apertar um botão de função irá habilitar ou desabilitar uma configuração específica. O menu “Configurar” fica sombreado neste modo. Portanto, toque nas setas esquerda ou direita no menu de parâmetros para navegar pelas opções disponíveis. Elas são: “Alimentação Limpa”, “LUT de Exibição”, “Guias de Enquadramento”, “Assistente de Foco”, “Cor Falsa”, “Zebra”, “Grade”, “Guia de Área Segura”, “Gravação Off-Speed”, “Barras de Cores”, “Aperte para Falar”, “Zoom de Foco” e “Nenhum”.

Quando “Zoom de Foco” estiver habilitado, você pode usar a roda de menu no painel de controle frontal para mover a área do zoom e ajustar o nível de ampliação. Pressionar a roda de menu alterna entre o ajuste de zoom e ajuste de ampliação. Para mais informações sobre como usar “Zoom de Foco” quando ele estiver habilitado no LCD, consulte a seção ‘Zoom de Foco’.

Usar o comportamento “Alternância” também permite que você selecione a saída à qual a configuração se aplica. Basta tocar em qualquer combinação de “LCD”, “SDI Frontal” e “SDI Principal” para selecionar. Caso a saída para uma das opções não esteja disponível, como as barras de cores, que sempre são aplicadas em todas as saídas, as configurações “LCD”, “SDI Frontal” e “SDI Principal” serão desativadas.

Por exemplo, você pode configurar a URSA Broadcast G2 para utilizar os botões “RET” e “VTR” em uma lente B4 como botões de função. Se uma gravação ISO estiver sendo feita com um HyperDeck, uma opção popular é definir “VTR” para atuar como um botão “Aperte para Falar”.



Configuração de um botão “VTR” em uma lente B4 para funcionar como um botão “Aperte para Falar”.

Ajustar Configurações Página 5

A quinta página da aba “Ajustes” da sua URSA Broadcast G2 inclui configurações para a Blackmagic Zoom Demand opcional. Essas configurações estarão disponíveis somente quando uma Blackmagic Zoom Demand estiver encaixada na sua URSA Broadcast G2.

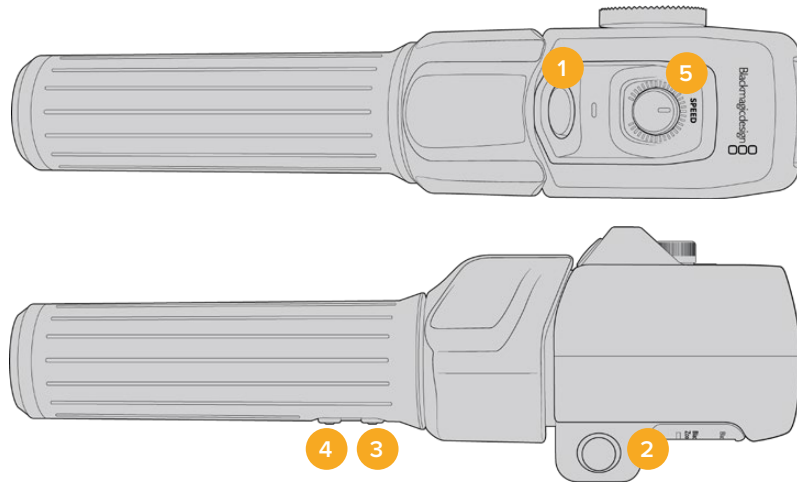
Para mais informações sobre encaixe e utilização da Blackmagic Zoom Demand com a sua URSA Broadcast G2, consulte a seção ‘Blackmagic Zoom e Focus Demand’ neste manual.



Direção do Oscilador de Zoom

- **Normal**
A direção padrão do oscilador de zoom. Gire o oscilador à direita para ampliar o zoom e à esquerda para diminuir o zoom.
- **Inversa**
Quando a direção do oscilador de zoom estiver definida como “Inversa”, gire o oscilador de zoom à esquerda para ampliar o zoom e à direita para diminuir o zoom.

A Blackmagic Zoom Demand possui quatro botões de função de zoom e um dial de velocidade para o qual você pode mapear diferentes funções.



1 Zoom F1 2 Zoom F2 3 Zoom F3 4 Zoom F4 5 Dial de Velocidade

Para atribuir uma função diferente ao dial de velocidade ou um dos botões de zoom, escolha “Dial” ou um número de botão no menu “Definir Botão de Função”. Em seguida, selecione uma função ao tocar nos ícones de seta no menu “Parâmetro do Botão”.

Opções de parâmetro do dial e botões de função:

Dial de Velocidade	Velocidade de Zoom, Nível do Fone de Ouvido, Íris, Foco.
Botões de Zoom 1 – 4	Gravar, Aperte para Falar, Retorno de Programa, Zoom de Foco, Guias de Enquadramento, Texto de Status, Foco Automático, Íris Automática, Balanço de Branco Automático, Reprodução.

Ajustar Configurações Página 6

A sexta página da aba “Ajustes” da sua URSA Broadcast G2 inclui configurações para a Blackmagic Focus Demand opcional. Essas configurações estarão disponíveis somente quando uma Blackmagic Focus Demand estiver encaixada na sua URSA Broadcast G2.

Para mais informações sobre encaixe e utilização da Blackmagic Zoom Demand com a sua URSA Broadcast G2, consulte a seção ‘Blackmagic Zoom e Focus Demand’ neste manual.



Direção da Demanda de Foco

Você pode alterar a direção do anel de foco na demanda de foco ao selecionar “Normal” ou “Inversa”.

- **Normal**

Gire o anel de foco no sentido horário para focar em sujeitos mais próximos da lente; e no sentido anti-horário para sujeitos mais distantes.

- **Inversa**

Gire o anel de foco no sentido anti-horário para focar em sujeitos mais próximos da lente; e no sentido horário para sujeitos mais distantes.

Ajustar Configurações Página 7

A sétima página da aba “Ajustes” da sua URSA Broadcast G2 contém as seguintes configurações:



LED de Status

Sua URSA Broadcast G2 possui um pequeno LED no painel frontal que fornece as informações de status e sinalização. É possível habilitá-lo ou desabilitá-lo ao tocar no ícone de habilitação “LED de Status”.

Este LED oferece os seguintes indicadores de status:

Branco	A câmera está ligada e em modo de espera.
Vermelho	A câmera está gravando. Piscadas lentas indicam que há pouco espaço no cartão, enquanto piscadas rápidas indicam quadros descartados.
Verde	A câmera está no modo de reprodução. O LED alterna lentamente entre verde e desligado quando um clipe está sendo reproduzido. Quando uma mídia inserida é reconhecida, o LED de status pisca em verde e branco três vezes.
Laranja	Se a carga da bateria da sua câmera estiver baixa, o LED piscará em laranja e na sua outra cor de status atual. Por exemplo, caso esteja gravando, a luz do LED alternará lentamente entre laranja e vermelho. Caso esteja no modo de espera, o LED alternará entre branco e laranja. O limite para bateria baixa é 20 por cento para baterias compatíveis com informações percentuais de carga precisas ou de 12,5 volts para baterias não compatíveis.

Brilho do LED de Status

Para configurar o brilho do LED de status da sua URSA Broadcast G2, basta tocar em “Baixo”, “Médio” ou “Alto”.

DICA As configurações do LED de status na sua Blackmagic URSA Broadcast G2 também controlam os LEDs de status no URSA Mini Recorder, Blackmagic Zoom Demand e Blackmagic Focus Demand.

ID do Hardware

O indicador “ID do Hardware” exibe um identificador de 8 caracteres para a sua URSA Broadcast G2. Este identificador é único para cada câmera. Uma versão mais longa de 32 caracteres também é incluída nos metadados para vídeos Blackmagic RAW e ProRes. Isso pode ser útil para identificar quais imagens são oriundas de uma câmera específica, caso os nomes de arquivo sejam alterados, já que a identificação do hardware da câmera se mantém constante.

Software

Exibe a versão de software atual instalada na sua URSA Broadcast G2. Consulte a seção ‘Blackmagic Camera Setup Utility’ para mais informações sobre atualizações de software.

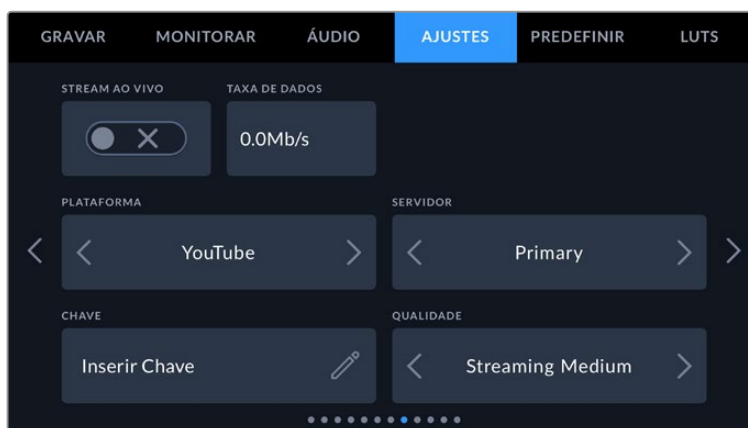
Reproduzir

Esta configuração permite selecionar a reprodução de “Clipe Único” ou “Todos os Clipes” durante a reprodução. “Todos os Clipes” reproduzirá todas as mídias correlacionadas sequencialmente; e “Clipe Único” reproduzirá um clipe de cada vez. Isso também se aplica à função de reprodução em loop. Selecionar looping em “Todos os Clipes” reproduzirá todos os clipes nas suas mídias e, depois, repetirá em loop. Selecionar “Clipe Único” fará o looping de um único clipe por vez.

Ajustar Configurações Página 8

A oitava página da aba “Ajustes” da URSA Broadcast G2 contém configurações que permitem definir as opções de streaming da sua câmera.

Para mais informações sobre como configurar o streaming a partir da sua URSA Broadcast G2, consulte a seção “Streaming de Vídeo” neste manual.



Stream

Use a chave “Stream” para habilitar ou desabilitar o streaming.

Taxa de Dados

Exibe a taxa de dados do seu stream durante a transmissão.

Plataforma

Selecione sua plataforma de streaming desejada. As opções incluem YouTube, Twitter e Twitch.

Servidor

Use os botões de seta para selecionar um servidor. Essas opções mudarão dependendo da sua plataforma de streaming.

Chave

Toque no ícone de lápis para inserir uma chave de stream para a sua plataforma de streaming.

Qualidade

Use os botões de seta para selecionar uma qualidade de streaming.

Ajustar Configurações Página 9

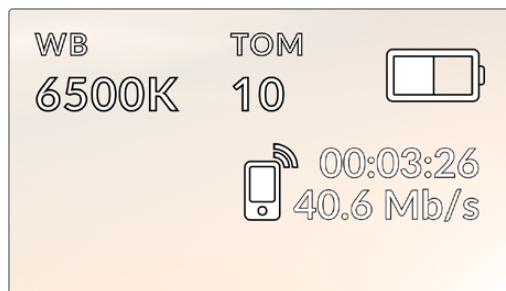
A nona página da aba “Ajustes” da URSA Broadcast G2 contém configurações relativas às opções de streaming da sua câmera.



Informações de Stream

Ative a chave “Informações de Stream” para exibir informações de status da sua câmera. Essas informações podem ser visualizadas no LCD, SDI frontal ou saída SDI principal.

As informações incluem a conexão que está sendo usada para streaming, por exemplo, Ethernet ou um smartphone, um contador de duração que mostra a duração do seu stream e a taxa de dados em megabits por segundo.



LUT de Exibição 3D

Ative esta chave caso queira aplicar uma LUT 3D no seu stream.

DICA Ativar a configuração “LUT de Exibição 3D” aplicará uma LUT somente na saída de stream direta.

Caso esteja gravando simultaneamente com codecs de vídeo Blackmagic RAW ou ProRes durante um streaming, você pode usar as opções de LUT no menu de gravação para adicionar uma LUT aos seus arquivos; ou ainda as configurações de monitoramento para adicionar uma LUT nas saídas LCD ou SDI. Consulte a seção “Configurações de Gravação” para mais informações.

Baixa Latência

Habilitar a baixa latência minimizará o atraso entre o que está acontecendo ao vivo e o que o público está assistindo. Desabilitar esse recurso oferece um buffer mais longo, proporcionando uma transmissão mais estável se a sua conexão de internet for mais lenta ou estiver sujeita a falhas.

Importar Configurações de Stream

Toque no botão “Importar Configurações de Stream” para importar um arquivo de configurações XML criado para que a sua câmera possa encontrar um ATEM Streaming Bridge na internet.

Para mais informações sobre como importar um arquivo de configurações XML, consulte a seção “Streaming de Vídeo” neste manual.

Excluir Configurações de Stream

Pressione este botão para excluir as configurações de streaming importadas para a sua câmera. Será solicitado que você confirme sua seleção.

Ajustar Configurações Página 10

A décima página da aba “Ajustes” contém as configurações de rede da sua câmera.

Essas configurações permitem escolher entre se conectar a uma rede usando DHCP ou um endereço IP estático.



Você pode se conectar a uma rede usando DHCP ou um endereço IP estático.

Ajustar Configurações Página 11

A décima primeira página da aba “Ajustes” da sua URSA Broadcast G2 contém as seguintes configurações:



O nome Bluetooth da câmera será a letra da sua câmera conforme a definição da claquete, seguida da identificação do hardware de 8 caracteres da sua URSA Broadcast G2.

Bluetooth®

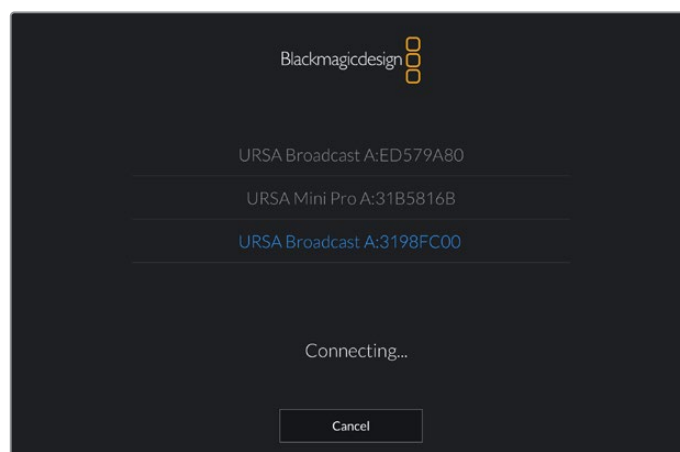
O controle Bluetooth permite controlar a câmera sem fio a partir de dispositivos portáteis. Ao usar a “Blackmagic Camera Control App”, você pode ligar ou desligar a câmera, ajustar os metadados e disparar a gravação remotamente a partir de um iPad. É possível habilitar ou desabilitar o Bluetooth tocando no ícone de habilitação “Bluetooth” no menu “Ajustes”. Quando o Bluetooth é habilitado, a câmera pode ser detectada por dispositivos Bluetooth por até 9 metros de distância.

Como a URSA Broadcast G2 usa o mesmo conjunto de comandos encontrado no “Blackmagic SDI Camera Control Protocol” para o controle Bluetooth, é possível criar seus próprios aplicativos para controlar quase todas as configurações de câmera remotamente, desde o monitoramento até as configurações de áudio, o corretor de cores DaVinci Resolve integrado ou o controle de lente.

Para mais informações, consulte a seção “Blackmagic SDI Camera Control Protocol” neste manual.

Como emparelhar sua câmera com um iPad pela primeira vez:

- 1 Habilite o Bluetooth ao tocar na chave de habilitação “Bluetooth” no menu “Ajustes” da sua URSA Broadcast G2.
- 2 Abra o “Blackmagic Camera Control App” e selecione a URSA Broadcast G2 com a qual você deseja emparelhar. As câmeras disponíveis serão listadas de acordo com sua letra de câmera, seguidas pela sua identificação de hardware única. Por exemplo, A:3198FC00.



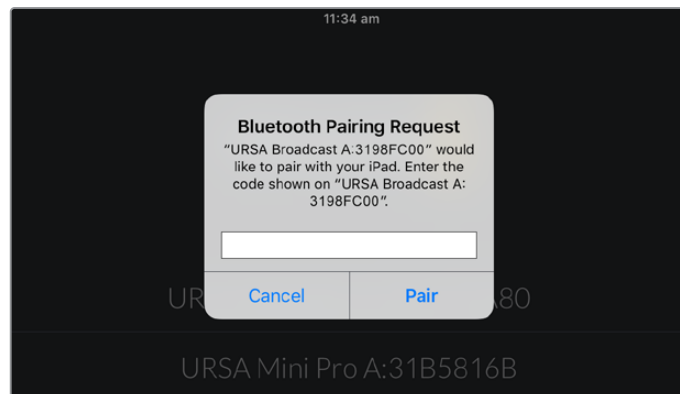
Selecione a URSA Broadcast G2 com a qual você deseja emparelhar.

Ao instalar o Blackmagic Camera Control App e executá-lo pela primeira vez, será solicitado que você autorize o acesso aos serviços de localização. Caso selecione “Durante Uso do App”, a leitura das informações do GPS do seu iPad será incluída nos metadados dos arquivos que forem gravados, permitindo que você faça a marcação geográfica das imagens. Estas informações podem ser visualizadas nas versões DaVinci Resolve 14 ou mais recentes.

Se preferir não autorizar o uso dessas informações, selecione “Nunca”.

Para ajustar configurações, vá até as configurações, privacidade, serviços de localização e controle de câmera no seu iPad.

- 3 Ao tentar conectar pela primeira vez, o Blackmagic Camera Control App solicitará um código de seis dígitos para emparelhar com a câmera. Este código será exibido na tela LCD da câmera. Digite este código no iPad.



- 4 A informação na tela confirmará se sua URSA Broadcast G2 agora está emparelhada com seu iPad.



- 5 Caso ocorra um problema ao emparelhar a câmera ao seu iPad, você verá a seguinte mensagem de erro:



OBSERVAÇÃO Caso não esteja usando Bluetooth para controlar sua URSA Broadcast G2, é uma boa ideia desabilitá-lo para efeitos de segurança.

Desconectar Dispositivo Atual

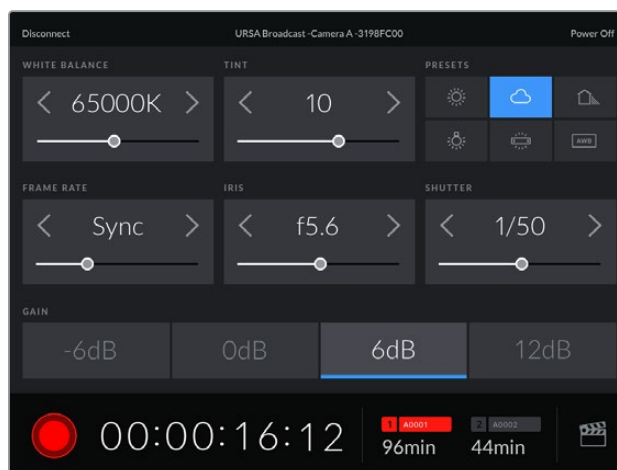
Utilize esta configuração para desconectar sua URSA Broadcast G2 do iPad com que estiver emparelhada.

Limpar Dispositivos Emparelhados

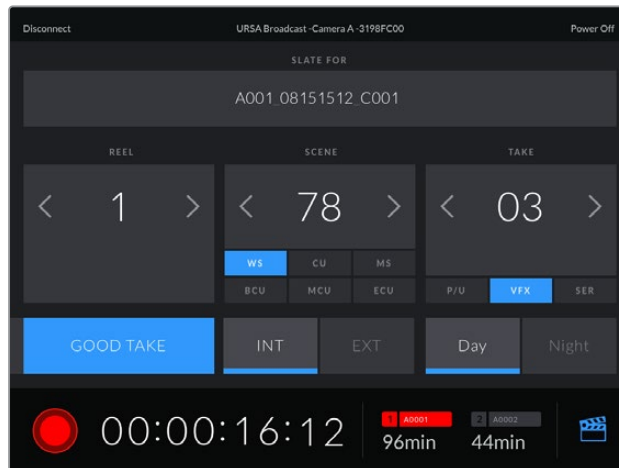
Use esta configuração para limpar a lista de dispositivos com que sua URSA Broadcast G2 foi emparelhada.

Controlar Sua Câmera com o Blackmagic Camera Control App

Quando o emparelhamento da sua URSA Broadcast G2 com o seu iPad for concluído com sucesso, você poderá ligar e desligar a câmera, alterar configurações, ajustar metadados e disparar gravações remotamente usando o app do iPad.



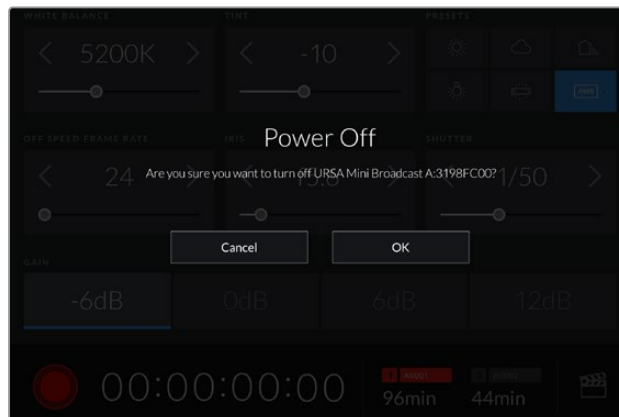
Após o emparelhamento, o app Blackmagic Camera Control exibirá esta tela, possibilitando ajustar suas configurações e iniciar gravações.



Toque no ícone da claquete no canto inferior direito para acessar e atualizar a claquete.

A URSA Broadcast G2 usa Bluetooth LE para se comunicar com dispositivos de controle sem fio. Como este é o mesmo tipo de protocolo usado em dispositivos portáteis, ele usa apenas uma pequena quantidade de carga da bateria.

É possível desligar sua URSA Broadcast G2 ao tocar em “Power Off” no canto superior direito.



Será exigido que você confirme sua seleção antes que a câmera seja desligada.

Quando o Bluetooth é ativado e a URSA Broadcast G2 é desligada, o nome da sua câmera continuará a ser exibido na lista de dispositivos disponíveis no Blackmagic Camera Control App. Como você já emparelhou sua câmera, agora você pode ligá-la remotamente ao selecionar o nome da sua câmera e tocar em “Connect”. Sua câmera não aparecerá nesta lista se o Bluetooth estiver desativado.

Ajustar Configurações Página 12

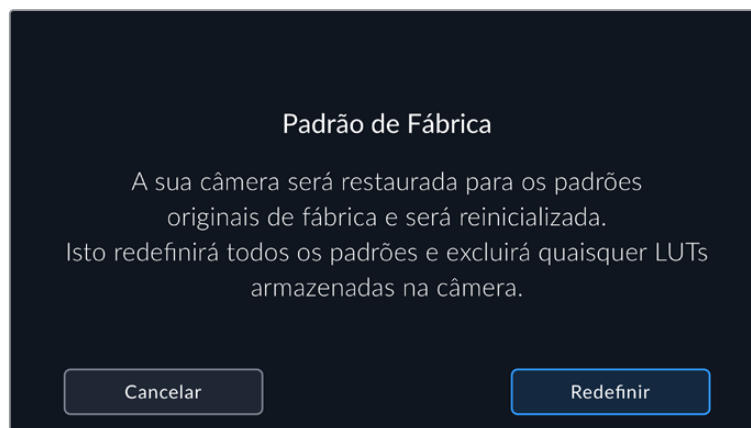
A décima segunda página da aba “Ajustes” da sua URSA Broadcast G2 contém as seguintes configurações:



Padrão de Fábrica

Para restaurar a câmera às configurações padrão de fábrica, toque no botão “Redefinir Câmera”. Será exigido que você confirme esta ação, pois ela apaga quaisquer LUTs e predefinições atualmente armazenadas na câmera. Toque em “Redefinir” na página de confirmação para restaurar as configurações da sua câmera.

É importante observar que a restauração do padrão de fábrica apaga quaisquer predefinições e LUTs personalizadas, e redefine todas as configurações. Recomendamos exportar suas predefinições para um cartão de memória por segurança antes de desempenhar a restauração ao padrão de fábrica. Após a restauração, você pode recuperar suas predefinições e LUTs rapidamente ao importá-las de um cartão de memória.



Ao selecionar “Padrão de Fábrica”, será exigido que você confirme sua ação.

Calibração do Sensor de Movimento

Para calibrar o indicador de horizonte na URSA Broadcast G2, posicione sua câmera em uma superfície nivelada e toque no botão “Calibrar Sensor”. É necessário manter a câmera estabilizada durante a calibração para garantir a precisão dos metadados do sensor de movimento gravados nos arquivos Blackmagic RAW durante as filmagens. O processo leva cerca de cinco segundos para ser concluído.

O horizonte pode ser configurado fora do centro, se necessário. Por exemplo, caso queira definir a inclinação em um ângulo consistente, você pode calibrar o sensor de movimento com a câmera no ângulo desejado e, em seguida, utilizar o indicador de horizonte para manter o mesmo ângulo.

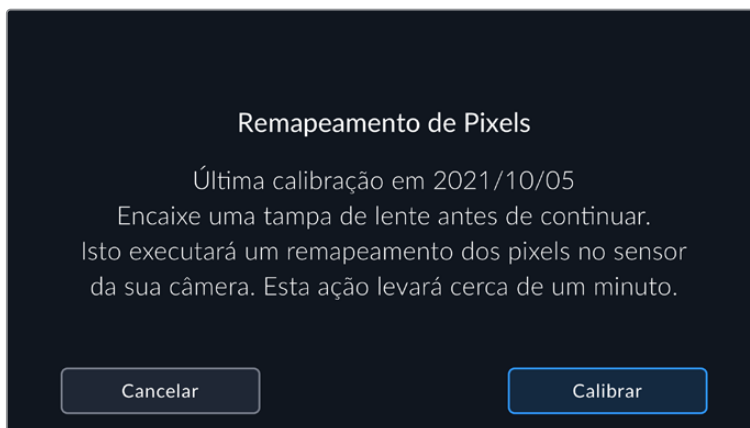
Os dados do sensor de movimento podem ser usados no DaVinci Resolve para estabilizar clipes. Consulte a seção ‘Estabilização por Giroscópio’ para mais informações.

Remapeamento de Pixels

O sensor CMOS utilizado pela URSA Broadcast G2 é composto por milhões de pixels responsivos à luz. Conseqüentemente, eles se tornam mais visíveis e são popularmente chamados de pixels quentes. Todos os sensores de câmera, independentemente do fabricante, irão desenvolver esta variação no brilho do pixel ao longo do tempo.

Para solucionar isto, a URSA Broadcast G2 possui um recurso de recalibração integrado que pode ser executado quando você notar que alguns pixels estão mais brilhantes que outros.

Para iniciar este processo, basta encaixar a tampa da lente e executar o recurso de recalibração de pixels tocando no botão “Calibrar Imagem do Sensor” e depois em “Calibrar” para confirmar sua escolha. O processo leva cerca de 1 minuto para ser concluído.



Calibração do Balanço de Branco do LCD

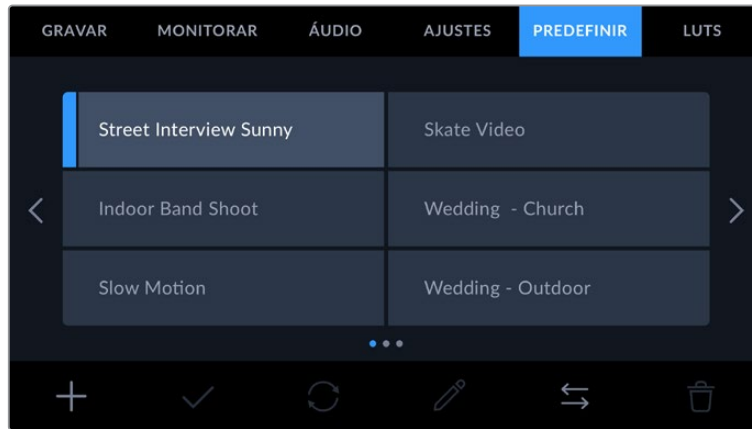
Para calibrar o balanço de branco do LCD, ajuste os controles “Temperatura do LCD” e “Tom do LCD” de modo que as duas imagens de referência pareçam neutras. Após alterar as configurações, você pode usar o botão “Restaurar” para reconfigurar os controles com a calibração de fábrica. O botão “Redefinir” traz de volta as suas novas configurações, o que ajuda a comparar a aparência antes e depois da calibração. Quando o LCD exibir um balanço de branco preciso, salve suas configurações.



Predefinir

A aba “Predefinir” permite que você salve e recupere uma coleção de configurações completas para sua URSA Broadcast G2. Isso é muito útil quando uma câmera é usada em diversos projetos. Por exemplo, você pode usar sua URSA Broadcast G2 em uma variedade de filmagens diferentes, desde documentários até clipes musicais, com configurações bastante diferentes para cada tipo de projeto. A função “Predefinir” da sua URSA Broadcast G2 permite salvar a configuração de um projeto específico ou do tipo de filmagem e retornar a ela com rapidez e facilidade quando necessário.

Também é possível importar ou exportar predefinições, o que é muito útil para a preparação de filmagens multicâmera. Basta configurar uma URSA Broadcast G2 para atender aos requisitos do seu projeto e exportar essa predefinição para todas as outras unidades URSA Broadcast G2 no set.



Aba de predefinições da URSA Broadcast G2.

OBSERVAÇÃO Sua URSA Broadcast G2 pode salvar até sessenta predefinições na memória interna.

Botões de Predefinições

Os ícones de botão na parte inferior do menu “Predefinir” da sua URSA Broadcast G2 correspondem às seguintes funções:



Salvar e carregar predefinições

Para criar uma nova predefinição, toque no ícone “Adicionar”. Isso ativará um teclado de toque na sua tela LCD onde você poderá denominar sua predefinição. Após ter digitado o nome, toque em “Atualizar” para salvar todas as configurações atuais da sua URSA Broadcast G2 nessa predefinição.

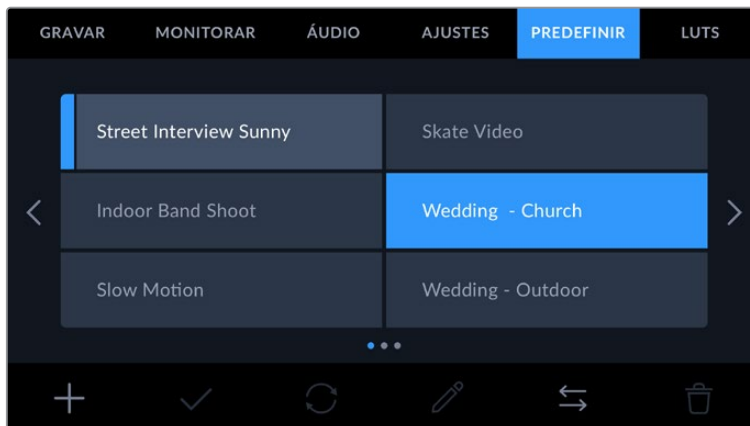
Caso sua URSA Broadcast G2 já possua uma predefinição carregada com o mesmo nome, será solicitado que você substitua a predefinição existente ou mantenha ambas.



Insira um nome para a sua predefinição ao tocar no ícone “Adicionar” na aba “Predefinir” usando o teclado de toque.

Depois de salvar uma predefinição, toque no seu nome no menu “Predefinir” para selecioná-la. Para carregá-la toque no ícone “Carregar”.

É possível atualizar uma predefinição ao tocar no ícone “Atualizar”. Isso ativará um alerta solicitando que você confirme se deseja atualizar a predefinição com a configuração atual da sua URSA Broadcast G2. Toque em “Atualizar” para confirmar.



Selecione uma predefinição e toque no ícone “Carregar” para carregá-la. As predefinições selecionadas são exibidas em azul contínuo, enquanto as predefinições atualmente carregadas exibem uma linha azul ao longo da parte inferior do seu ícone.

Importar predefinições

Para importar predefinições, toque no ícone “Gerenciar” do menu “Predefinir”. Selecione SD ou CFast na chave de seleção da mídia de armazenamento, dependendo de onde suas predefinições foram salvas. Caso esteja utilizando o URSA Mini Recorder, você também pode importar predefinições de uma unidade flash USB-C ou um SSD.

Na opção “Importar de”, toque no cartão ou drive que contém a predefinição que você deseja importar e confirme sua seleção tocando no botão “Importar”. Isso abrirá a tela de importação. Você pode usar os botões no canto superior esquerdo desta tela para exibir quaisquer predefinições disponíveis em outros cartões ou drives conectados à sua câmera.

Sua URSA Broadcast fará a busca no diretório raiz e na pasta “Presets” na mídia de armazenamento selecionada. É importante observar que predefinições salvas em outro local na mídia de armazenamento não estarão visíveis.

Toque em uma predefinição para selecioná-la e toque em “Importar” para confirmar. Caso a predefinição que você deseja importar tenha o mesmo nome que uma predefinição já salva na sua câmera, será solicitado que você substitua a predefinição existente ou mantenha ambas. No canto superior direito desta tela, você verá o número de compartimentos de predefinição vazios restantes disponíveis na sua câmera.

OBSERVAÇÃO Caso os compartimentos para predefinições da sua URSA Broadcast G2 estejam cheios, o menu de importação não estará disponível. Será necessário remover uma predefinição existente para liberar espaço.

Exportar predefinições

Para exportar uma predefinição para um cartão CFast ou SD, selecione a predefinição desejada e toque no ícone “Gerenciar”. Duas opções serão apresentadas: “Importar Predefinição” e “Exportar Selecionada”.

Na opção “Gerenciar Predefinição”, escolha “Exportar Selecionada”. Utilize a chave de seleção da mídia de armazenamento para selecionar SD ou CFast, dependendo do local para onde deseja exportar a predefinição. Caso esteja utilizando o URSA Mini Recorder, você também pode exportar predefinições para uma unidade flash USB-C ou um SSD. Na opção “Exportar Para”, toque no cartão ou drive para o qual deseja exportar sua predefinição. Confirme sua escolha tocando em “Exportar”.

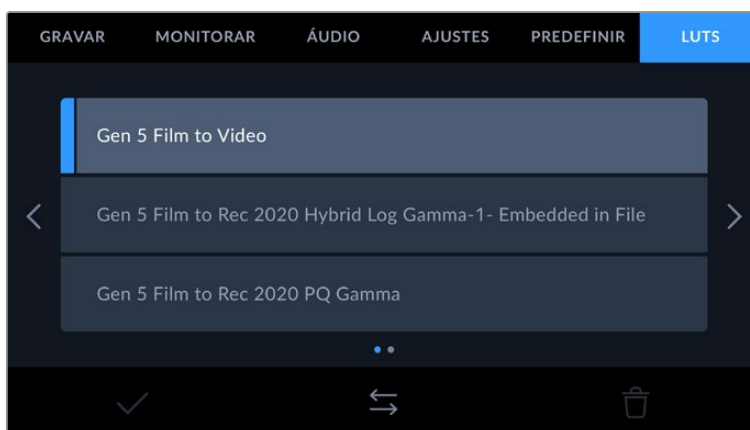
Se a mídia de armazenamento escolhida já tiver uma predefinição armazenada com o mesmo nome da que você estiver exportando, será solicitado que você substitua a predefinição no cartão ou mantenha ambas as predefinições.

Excluir predefinições

Sua URSA Broadcast G2 tem espaço para sessenta predefinições. Para excluir uma predefinição, selecione-a e toque no ícone “Excluir”. Será solicitado que você confirme sua seleção. Toque em “Excluir” para confirmar.

LUTS

O menu “LUTS” permite importar, exportar e aplicar LUTs 3D às saídas da sua câmera.



Aba de LUTs da sua URSA Broadcast G2.

Introdução às LUTs 3D

Sua URSA Broadcast G2 pode aplicar LUTs 3D às imagens na sua tela de toque LCD, SDI frontal e SDI principal. As LUTs funcionam ao informar sua câmera sobre qual saída de cor e luminância exibir para a entrada de uma cor e luminância específica. Por exemplo, pode ser que você queira gravar internamente na câmera com cores normais, mas enviar a pré-visualização de uma simulação das cores legais para teledifusão na sua região para todos os seus monitores e o switcher. Isto pode ser útil ao gravar imagens Blackmagic RAW ou ao usar o intervalo dinâmico do modo “Filme”, em ambos os casos as imagens têm um aspecto intencionalmente desbotado e dessaturado. Ao aplicar uma LUT, você pode obter uma ideia de como será a aparência das suas imagens após o tratamento de cores.

É fácil criar LUTs 3D usando o DaVinci Resolve ou outro software de correção de cores e LUTs estão disponíveis online a partir de uma variedade de fontes. Sua URSA Broadcast G2 pode armazenar até trinta LUTs 3D de 17 ou 33 pontos, com até 1,5 megabytes cada. Depois de carregadas, você pode optar pela exibição de uma LUT determinada na tela de toque LCD, SDI frontal, SDI principal ou em qualquer combinação dessas saídas.

Sua URSA Broadcast G2 oferece suporte para LUTs 3D de 33 pontos em formato .cube criadas no DaVinci Resolve e LUTs 3D de 17 pontos convertidas para o formato .cube do Resolve com programas de conversão de LUTs. Sua câmera processa LUTs 3D usando interpolação tetraédrica de alta qualidade.

Para mais informações sobre a exibição de LUTs, consulte a seção ‘Configurações de Monitoramento’ neste manual.

OBSERVAÇÃO Por padrão, a sua Blackmagic URSA Broadcast G2 não aplica, ou “queima”, LUTs nas imagens gravadas, mas você pode optar por “queimar” a LUT nas suas imagens.

Esta pode ser uma opção útil para situações em que você não tem tempo suficiente para fazer a gradação das suas imagens na pós-produção, ou quando você precisa enviar as imagens diretamente para um cliente ou editor.

Ao usar LUTs como uma ferramenta de pré-visualização no set, as informações contidas são gravadas como metadados com suas gravações. O DaVinci Resolve pode exibir essas informações no campo “LUT Utilizada” na aba de metadados, o que pode ser útil para os coloristas verificarem o nome da LUT usada no set.

LUTs integradas

Sua URSA Broadcast G2 fornece várias LUTs integradas que permitem a pré-visualização de looks diferentes ao mesmo tempo que você grava na faixa dinâmica de filme ou em Blackmagic RAW.

- **Gen 5 Film to Extended Video**
Exibe uma faixa dinâmica mais ampla que a LUT “Film to Video” e aplica uma mudança de contraste moderada com uma modulação suave nos realces.
- **Gen 5 Film to Rec 2020 Hybrid Log Gamma**
Exibe uma curva de gama que é adequada para telas HDR e compatível com telas de faixa dinâmica padrão.
- **Gen 5 Film to Rec 2020 PQ Gamma**
Exibe uma curva gama baseada no que podemos perceber a olho nu para codificação eficiente das imagens HDR.
- **Gen 5 Film to Video**
Semelhante ao padrão de cores REC 709 para vídeos de alta definição, oferecendo níveis elevados de contraste e saturação. Esta configuração pode ser útil ao usar a Blackmagic URSA Broadcast G2 ao lado de outras câmeras broadcast utilizando o espaço de cor REC 709.

Botões LUT

Os ícones de botão ao longo da parte inferior da tela “LUTs” da sua URSA Broadcast G2 correspondem às seguintes funções:



Importar LUTs

Para importar uma LUT 3D, toque no ícone “Gerenciar” na parte inferior do menu “LUTs”. Selecione SD ou CFast com a chave de seleção da mídia de armazenamento, dependendo de onde suas LUTs estiverem salvas. Caso esteja utilizando o URSA Mini Recorder, você também pode importar LUTs de uma unidade flash USB-C ou um SSD.

Na opção “Importar de”, toque no cartão ou drive que contém a LUT que você deseja importar e confirme sua seleção tocando no botão “Importar”. Na tela de importação, você pode usar os botões no canto superior esquerdo para exibir quaisquer LUTs disponíveis em outros cartões ou drives conectados à sua câmera.

Sua URSA Broadcast G2 fará a busca no diretório raiz e na pasta “3DLUTs” da mídia de armazenamento selecionada. Quaisquer LUTs que você tiver salvo em outra localidade não estarão visíveis.

Toque em uma LUT para selecioná-la e toque em “Importar” para confirmar sua seleção. A LUT será salva na sua URSA Broadcast G2.

OBSERVAÇÃO Caso os trinta compartimentos para LUTs 3D da sua URSA Broadcast G2 estejam cheios, não será possível importar até que você remova algumas das LUTs existentes para abrir espaço.

Caso a LUT que você deseja importar tiver o mesmo nome que uma LUT já salva na sua câmera, será solicitado que você substitua a LUT existente ou mantenha ambas. No canto superior direito desta tela, você verá o número de compartimentos de predefinição vazios restantes disponíveis na sua câmera. Será possível importar somente um número de LUTs compatível com a quantidade de compartimentos disponíveis na sua câmera.

OBSERVAÇÃO Caso tenha dificuldades importando uma LUT para sua URSA Broadcast G2, é possível que ela seja do tamanho incorreto. Você pode usar um editor de LUTs, como o Lattice, para verificar seu tamanho, ou abri-la em qualquer editor de texto no seu computador. Próximo à etiqueta “LUT_3D_SIZE”, um número indicando o tamanho da LUT pode ser encontrado. Se este valor não for 17 ou 33, então é possível usar o Lattice para redimensionar sua LUT 3D para 17 pontos.

Aplicar uma LUT

Depois que tiver salvo uma LUT na sua câmera, toque na LUT no menu para selecioná-la e toque no ícone “Carregar”. Isso ativará essa LUT em todas as saídas da sua câmera. Contudo, você ainda terá que habilitar “LUT de Exibição” no menu de monitoramento para cada saída em que aplicá-la. Consulte a seção ‘Configurações de Monitoramento’ deste manual para mais informações.

Exportar LUTs

Para exportar uma LUT para um cartão CFast ou SD, selecione a LUT desejada e toque no ícone “Gerenciar”. Na opção “Gerenciar LUT”, escolha “Exportar Seleccionada”. Utilize a chave de seleção da mídia de armazenamento para selecionar SD ou CFast, dependendo do local desejado para exportar a LUT. Caso esteja utilizando o URSA Mini Recorder, você também pode exportar LUTs para uma unidade flash USB-C ou um SSD.

Na opção “Exportar Para”, escolha o cartão ou drive onde deseja salvar a LUT. Toque em “Exportar” para confirmar sua escolha. Se uma LUT repetida for encontrada no cartão ou drive para o qual você está exportando, será solicitado que você substitua a LUT ou mantenha ambas.

Excluir LUTs

Sua URSA Broadcast G2 tem espaço para trinta LUTs 3D de 17 ou 33 pontos. Para excluir LUTs que você não usa mais ou para liberar espaço para mais tabelas, selecione as LUTs que você deseja excluir e toque no ícone. Será solicitado que você confirme sua seleção. Toque em “Excluir” para confirmar.

LUTs 3D integradas

Quando uma LUT 3D é utilizada ao gravar Blackmagic RAW na URSA Broadcast G2, a LUT selecionada será integrada ao arquivo Blackmagic RAW que você estiver gravando. Efetivamente, a LUT 3D é salva com os seus arquivos gravados no cabeçalho do arquivo .braw, podendo ser facilmente aplicada às imagens na pós-produção sem a necessidade de trabalhar com um arquivo separado.

Quando os arquivos Blackmagic RAW são entregues ao diretor ou colorista, eles conseguirão acessar a LUT utilizada durante as filmagens, o que reduz drasticamente a possibilidade da LUT 3D incorreta ser aplicada a um clipe. Eles podem então decidir se aplicam a LUT 3D durante a edição ou tratamento das cores das imagens e podem desabilitar a LUT 3D a qualquer momento.

Quando a chave “Aplicar LUT no Arquivo” estiver habilitada no menu de gravação da URSA Broadcast G2, o clipe gravado será lido pelo Blackmagic RAW Player e DaVinci Resolve com a LUT 3D selecionada já aplicada a ele. A LUT 3D então pode ser facilmente ativada ou desativada, mas sempre acompanhará o arquivo Blackmagic RAW, pois foi gravada no próprio clipe.

O DaVinci Resolve também conta com uma chave “Aplicar LUT” na paleta de configurações RAW para habilitar ou desabilitar a LUT 3D no arquivo Blackmagic RAW. A configuração “Aplicar LUT” no DaVinci Resolve é a mesma configuração encontrada na câmera. Ou seja, ao gravar é possível instruir o colorista a usar a LUT ao defini-la na câmera, mas é possível desabilitá-la com facilidade no DaVinci Resolve ao desativar “Aplicar LUT”.

Inserção de Metadados

Os metadados são informações gravadas dentro do seu clipe, como números de plano, configurações de câmera e outros detalhes de identificação. Isso é extremamente útil quando você organiza e processa imagens na pós-produção. Por exemplo, os números de tomada e cena são ferramentas de organização essenciais, enquanto as informações de lente podem ser usadas para remover distorções ou otimizar a correspondência de ativos e fundos VFX automaticamente.

Sua Blackmagic URSA Broadcast G2 salva alguns metadados automaticamente em cada clipe, como as configurações de câmera, código de tempo, data e hora. É possível usar a claquete da sua câmera para acrescentar inúmeros detalhes adicionais.

A Claquete

Deslizar para esquerda ou direita na tela de toque da sua URSA Broadcast G2 ativará a claquete.

A claquete é dividida em três abas: “Clipes”, “Projeto” e “Lente”. A aba “Clipes” contém informações que variam de acordo com o clipe, enquanto “Projeto” é onde você insere os detalhes comuns dos clipes, como o nome do projeto, diretor e a identificação de câmera e operador. A aba “Lente” exibe informações sobre a lente fixada na sua câmera. Se a lente retransmitir as informações para a sua câmera automaticamente, elas serão exibidas aqui. Também é possível inserir os dados manualmente.

DICA Os metadados inseridos na claquete serão visíveis nas saídas SDI frontal e principal da sua URSA Broadcast G2 quando a opção “Exibir Texto de Status”, na aba “Monitorar”, estiver configurada como “Diretor”. Consulte a seção ‘Configurações de Monitoramento’ deste manual para mais informações.

Metadados de Clipe

As alterações feitas nos metadados de clipe funcionam de uma maneira levemente diferente no modo de espera, quando sua URSA Broadcast G2 está preparada para gravar, e no modo de reprodução, quando você está visionando imagens que já foram gravadas. No modo de espera, os metadados do clipe serão salvos no próximo clipe gravado, exceto “Último Clipe Tomada Boa”, que se refere ao clipe gravado mais recentemente.

No modo de reprodução, os metadados do clipe são sempre gravados no clipe atual sendo reproduzido.



A claquete da sua URSA Broadcast G2 é dividida em abas: “Clipes”, “Projeto” e “Lente”.

Claquete para

Esta configuração exibe o clipe ao qual os metadados sendo atualmente exibidos se referem. No modo de espera, isso se refere ao próximo clipe a ser gravado.

Tipo de Lente

Exibe as informações da lente encaixada na sua câmera. Para mais informações sobre o “Tipo de Lente”, consulte a seção ‘Dados de Lente’.

Rolo

O indicador “Rolo” exibe o rolo atual.

Sua URSA Broadcast G2 incrementa os números de rolo automaticamente, normalmente não há necessidade de inseri-los manualmente. Quando estiver passando para um projeto novo e desejar começar a partir do rolo “1” novamente, acesse a aba “Projeto” da claquete e toque em “Redefinir Dados de Projeto”.

Cena

O indicador “Cena” exibe o número de cena atual e também pode exibir o número e tipo do plano atual.

O número neste indicador sempre se refere à cena atual. É possível aumentar ou diminuir o número usando as setas esquerda ou direita em cada lateral do número de cena ou tocando no número de cena para editá-lo.

Os números de cena variam entre 1 e 999.

Ao acrescentar uma letra ao número de cena no editor do número de cena, também é possível indicar o plano atual. Por exemplo, 23A indicaria cena vinte e três, plano um. Caso você tenha adicionado uma letra correspondente ao plano no número da sua cena, a câmera irá sugerir o próximo número de cena e plano sempre que você acessar o editor do número de cena. Por exemplo, se o seu número de cena atual for 7B, a câmera recomendará “8” e “7C”.

O indicador do número de cena também exibe as informações sobre o tipo de plano atual no canto superior direito. É possível selecioná-los no editor do número de cena no lado direito do teclado de cena.

Os tipos de cena disponíveis incluem:

PG	plano geral
PM	plano médio
PMF	plano médio fechado
PP	primeiro plano
PPP	primeiríssimo plano
PD	plano detalhe



Ao inserir os metadados de “Cena”, sua URSA Broadcast G2 oferecerá as sugestões de incremento à esquerda do teclado de toque e os tipos de plano à direita.

Tomada

O indicador "Tomada" exibe o número da tomada para o plano atual. É possível incrementar ou decrementar ao tocar nas setas esquerda e direita em cada lateral do número da tomada ou tocar no indicador para acessar o editor do número de tomada.

DICA À medida que o número do plano de imagem ou a letra da cena avançarem, o número da tomada será revertido para “1”.

É possível adicionar descrições para as tomadas no editor do número de tomadas. Elas são fornecidas à direita do número de tomada no teclado e se correspondem aos seguintes cenários:

PU	Do termo inglês “Pick up”. Isso se refere a uma refilmagem de uma tomada anterior para adicionar material extra após a conclusão das filmagens principais.
VFX	Do termo inglês “Visual effects”. Refere-se a uma tomada ou um plano gravado para uso com efeitos visuais.
SER	Do termo inglês “Series”. Refere-se a uma situação em que múltiplas tomadas são gravadas enquanto a câmera permanece operando.



Toque em “A” para incrementar automaticamente o número de tomada para cada clipe enquanto estiver em modo de espera. Um pequeno “A” aparecerá ao lado do número da tomada na claquete quando o recurso for ativado.

Ao inserir os metadados da tomada, sua URSA Broadcast G2 oferecerá opções para adicionar tipos de plano à direita do teclado de toque.

Tomada Boa

Toque no indicador “Tomada Boa” para assinalar tomadas perfeitas e recuperá-las com facilidade na pós-produção. Essa etiqueta se aplica tanto ao último clipe gravado, caso sua URSA Broadcast G2 esteja no modo de espera, quanto ao clipe sendo atualmente visualizado no modo de reprodução.

Interior/Exterior

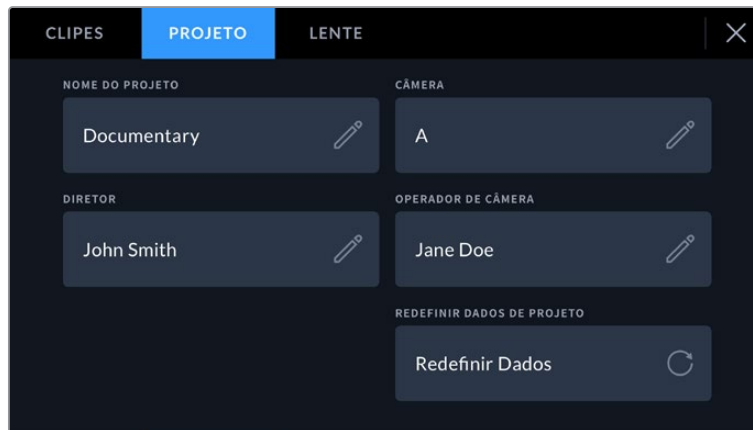
Toque em “Interior” ou “Exterior” para adicionar uma marcação “Interior” ou “Exterior” ao próximo clipe no modo de espera, ou ao clipe atual no modo de reprodução.

Dia/Noite

Toque nos ícones “Dia” ou “Noite” para adicionar uma etiqueta para dia ou noite, respectivamente, ao próximo clipe no modo de espera ou ao clipe atual no modo de reprodução.

Metadados de Projeto

Os metadados do projeto se comportam da mesma maneira tanto no modo de espera quanto no modo de reprodução. Esses metadados sempre se referem ao seu projeto como um todo e são independentes da numeração de clipes.



Aba Projeto na claquete da sua URSA Broadcast G2.

Nome do Projeto

Exibe o nome do seu projeto atual. Toque no ícone de lápis para alterar o nome do projeto.

Câmera

Exibe uma numeração de câmera. Toque no ícone de lápis para alterar a numeração de câmera.

Diretor

Exibe o nome do diretor para o projeto atual. Toque no ícone de lápis para alterar o nome do diretor.

OBSERVAÇÃO A numeração de câmera é usada nos metadados e para fins de nomeação de arquivos e é diferente do número “ID de Câmera ATEM” da sua URSA Broadcast G2, que é usado para controlar a câmera com um switcher ATEM. Para mais informações sobre o “ID de Câmera ATEM”, consulte a seção ‘Como Utilizar o Controle de Câmera de Estúdio’ neste manual.

Operador de Câmera

Exibe o operador de câmera. Toque no ícone de lápis para alterar o nome do operador de câmera.

Redefinir Dados de Projeto

Para limpar os dados de projeto, toque no botão “Redefinir Dados” e confirme sua escolha. Isso limpará todos os dados de projeto inseridos.

Lente

A página “Lente” exibe informações sobre a lente encaixada na sua URSA Broadcast G2. Muitas lentes eletrônicas fornecerão informações como modelo, abertura e distância focal automaticamente.

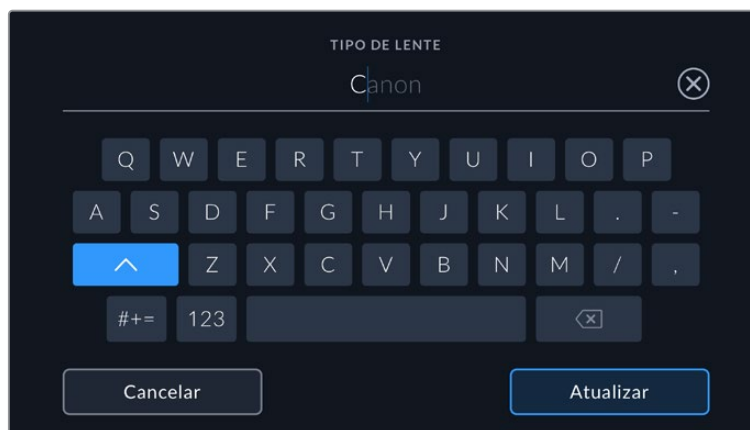
Caso esteja usando uma lente que não forneça essas informações ou caso deseje inserir metadados adicionais, é possível tocar no ícone de lápis desta configuração para inserir as informações manualmente. Isso ativará o menu “Lente”, que contém as seguintes informações:



Página “Lente” exibindo informações preenchidas automaticamente de uma lente Fujinon.

• Tipo de Lente

Exibe o modelo da lente. Caso o seu tipo de lente não seja exibido aqui automaticamente, você pode tocar nesta configuração para inserir os dados manualmente.



Utilize o teclado de toque para inserir os dados da lente se não forem fornecidos automaticamente.

• Íris

Exibe a configuração de abertura da íris no início do seu clipe. Caso esta informação seja fornecida automaticamente, ela pode ser exibida em f-stops ou T-stops, dependendo da lente usada. Caso as informações de íris da sua lente não sejam exibidas aqui automaticamente, você pode tocar nesta configuração para inserir os dados manualmente.

- **Distância Focal**

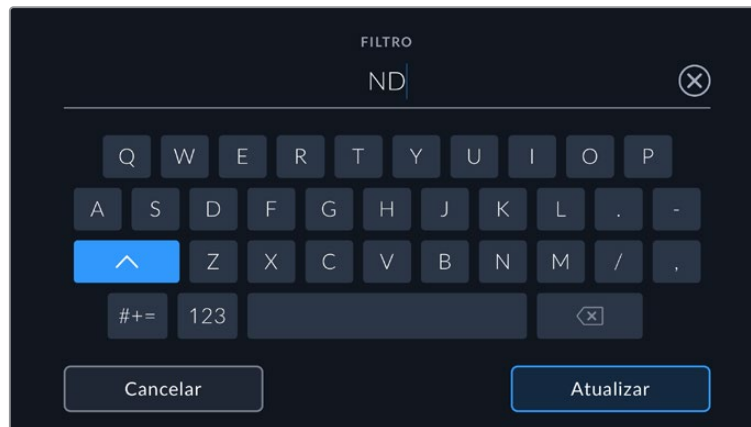
Exibe a configuração de distância focal da lente no início de um clipe gravado. Quando fornecida automaticamente, ela será exibida em milímetros. Caso as informações de distância focal da sua lente não sejam exibidas aqui automaticamente, você pode tocar nesta configuração para inserir os dados manualmente.

- **Distância**

Exibe as configurações de distância focal da lente para o clipe gravado. Algumas lentes podem fornecer esses dados automaticamente e serão providenciados em milímetros. Caso as informações de distância focal da sua lente não sejam exibidas aqui automaticamente, você pode tocar nesta configuração para inserir os dados manualmente.

- **Filtro**

Exibe os filtros de lente atuais sendo usados. Toque nesta configuração para inserir dados manualmente. É possível fazer inserções múltiplas separadas por vírgula.



As informações de filtro precisam ser inseridas manualmente.

Redefinir Dados de Lente

Você pode limpar os dados de lente a qualquer momento ao tocar no botão “Redefinir Dados”. Será solicitado que você confirme sua seleção. Isso reiniciará a comunicação com a sua lente e atualizará os dados preenchidos eletronicamente, e os campos adicionados manualmente também serão limpos.

Estabilização por Giroscópio

Sua câmera Blackmagic URSA Broadcast G2 grava automaticamente os dados de panorâmica, inclinação e orientação captados pelo sensor de movimento interno. Esses dados também são conhecidos como dados giroscópios, que podem ser usados pelo DaVinci Resolve para estabilizar planos filmados na mão.

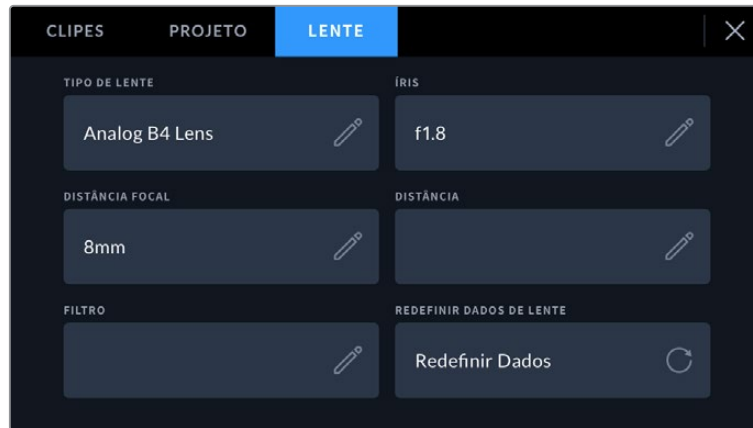
É importante calibrar o sensor de movimento da câmera antes da gravação para garantir a precisão dos dados gravados do giroscópio. Para mais informações, consulte a seção ‘Configurações’ em ‘Calibração do Sensor de Movimento’.

OBSERVAÇÃO Para habilitar a estabilização por giroscópio, é preciso verificar se a estabilização óptica de imagem da sua lente está desligada. As lentes EF e B4 com estabilização óptica interna têm uma chave física para habilitar e desabilitar este recurso.

Gravar Dados do Giroscópio com Lentes Manuais

Para funcionar corretamente, a estabilização por giroscópio requer dados precisos da distância focal da lente. Essas informações estão incluídas nos metadados que são gravados automaticamente ao usar a maioria das lentes EF e B4. Para lentes manuais que não suportam comunicação eletrônica com a câmera, ou lentes B4 analógicas, será necessário inserir essas informações na claquete da câmera.

- 1 Deslize para a esquerda ou direita na tela de toque da sua câmera a partir da visualização principal para acessar a claquete.
- 2 Toque na aba “Dados de Lente”.
- 3 Toque na seção “Distância Focal” e digite a distância focal da sua lente. Por exemplo, se você estiver usando uma lente B4 analógica com uma distância focal de 8 mm, digite “8 mm”.



Insira “Dados de Lente” ao usar lentes que não possuem comunicação eletrônica com a câmera.

OBSERVAÇÃO Será necessário atualizar essas informações cada vez que você alterar as distâncias focais em lentes manuais ou analógicas. As lentes eletrônicas substituirão os metadados automaticamente.

Aplicar a Estabilização por Giroscópio no DaVinci Resolve

Depois de importar seus clipes e configurá-los em uma linha de tempo:

- 1 Vá até a janela do inspetor da página Edição e desça até “Estabilização”.
- 2 Configure o modo de estabilização como “Giroscópio”.
- 3 Clique em “Estabilizar”.

Uma barra de progresso indicará quando a estabilização estiver concluída.



Na janela do inspetor, selecione “Giroscópio da Câmera” para estabilizar as imagens usando dados do giroscópio.

DICA Você pode obter resultados superiores ao filmar com ângulos do obturador menores para minimizar o desfoque de movimento. Por exemplo, 45 graus.

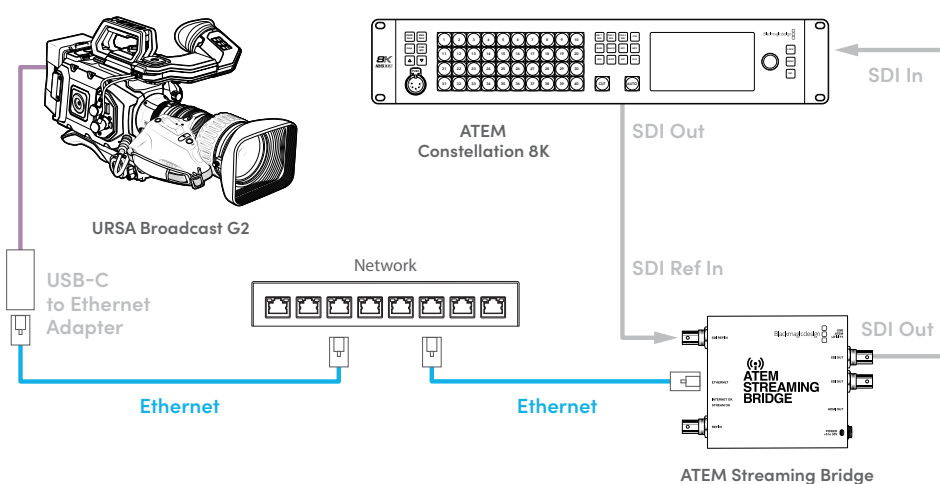
Streaming de Vídeo

A URSA Broadcast G2 possui um mecanismo interno de streaming que permite que a câmera transmita diretamente para plataformas como YouTube, Facebook Live e Twitch.

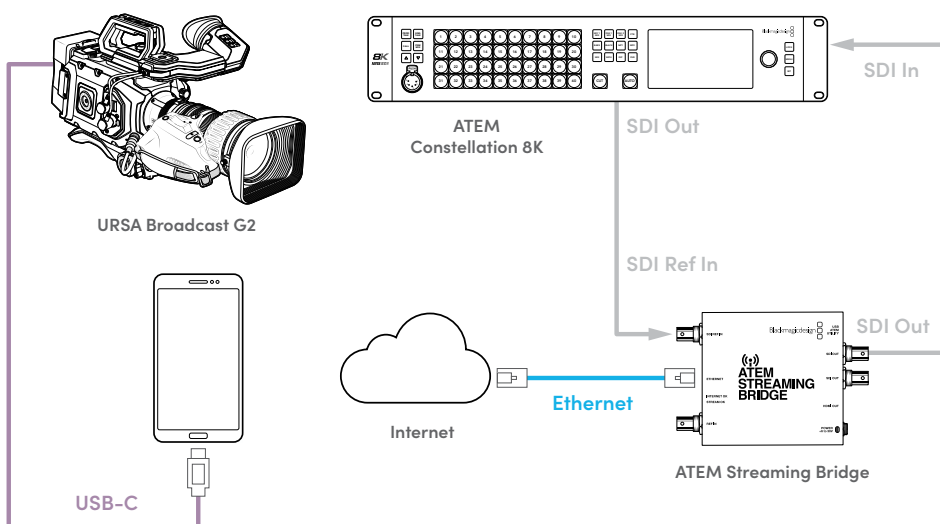
Você também pode conectar a URSA Broadcast G2 a um switcher ATEM na mesma rede Ethernet, ou pela internet em qualquer lugar do mundo usando um ATEM Streaming Bridge opcional. Ao transmitir para um switcher ATEM, essa configuração também inclui funcionalidades de sinalização, intercomunicação e controle de câmera.

Abaixo estão duas ilustrações mostrando a URSA Broadcast G2 conectada a um switcher ATEM usando um ATEM Streaming Bridge. A primeira mostra uma conexão local através de uma rede e a segunda mostra um streaming de vídeo pela internet usando um smartphone.

Conexão via rede



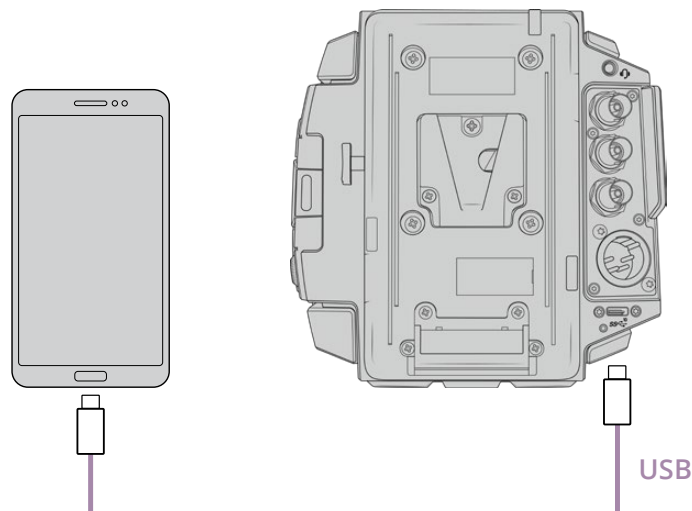
Conexão via internet



OBSERVAÇÃO Para streaming com um adaptador de Ethernet, recomendamos o adaptador Belkin USB-C to Gigabit Ethernet. Embora outros adaptadores de Ethernet USB-C possam funcionar, o chipset usado no adaptador Belkin é o mais confiável para fluxos de trabalho de streaming de vídeo com RTMP.

Conexão com Smartphone

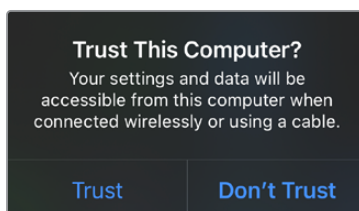
Conecte um smartphone à porta de expansão USB-C da sua câmera usando um cabo USB-C. Essa conexão permite configurar rapidamente e transmitir para o mundo de qualquer local onde seu smartphone tenha uma conexão celular 4G ou 5G.



Configurações

O primeiro passo para configurar seu smartphone para streaming via internet é garantir que o compartilhamento de internet esteja ativado no aparelho.

- 1 No seu dispositivo iOS, clique em Ajustes > Acesso Pessoal e certifique-se de que a opção “Permitir Acesso a Outros” esteja habilitada.
- 2 Será exibida uma mensagem perguntando se deseja confiar no computador conectado. Selecione “Confiar” e um ícone verde de tethering será exibido na tela. Isso mostra que a conexão está funcionando.



Quando habilitado, o ícone de tethering será exibido.

O relógio do seu smartphone permanecerá com um fundo verde enquanto o tethering estiver habilitado.

Em dispositivos Android, deslize a tela para exibir o menu rápido. Pressione e segure o ícone de hotspot e, em seguida, ative o “Vínculo por USB (tethering)”.

DICA Após o término da transmissão, é recomendável desativar o tethering no celular para economizar a bateria do aparelho.

Configurar o ID de Câmera ATEM

O ID de câmera ATEM é uma configuração no menu da sua câmera que determina a qual entrada SDI a URSA Broadcast G2 está conectada no switcher ATEM. Quando o ID de câmera corresponde ao número de entrada do switcher, sua câmera detecta os dados de sinalização dessa entrada, permitindo o funcionamento correto da sinalização e do controle de câmera.

Para mais informações sobre como configurar o ID de Câmera ATEM, consulte a seção “Ajustar Configurações” neste manual.

Criando o Arquivo XML

Para criar um arquivo de configurações XML, conecte o ATEM Streaming Bridge à internet plugando um cabo de rede entre a porta “Ethernet” e um roteador de internet ou switch de rede.

Conecte o ATEM Streaming Bridge ao seu computador usando um cabo USB-C e inicie o ATEM Setup.

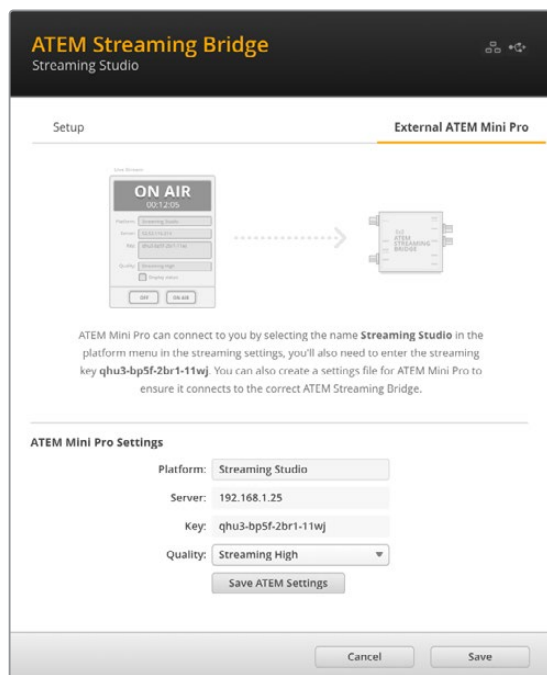
Na aba “Setup”, verifique se as configurações de rede estão corretas e selecione “Internet” nas opções “Stream Service”. Na janela de status da internet, será exibida a mensagem “Visible Worldwide”. Isso significa que tudo está funcionando corretamente.

Observação sobre Encaminhamento de Porta

Caso você observe um erro relacionado a encaminhamento de porta ou UPnP na janela de status “Internet Status”, solicite ao seu provedor de internet ou administrador de rede que configure o encaminhamento de porta na sua conexão de internet como “TCP port 1935”.

Exportando o Arquivo XML

Depois de confirmar suas configurações na aba ATEM Setup e conectar o ATEM Streaming Bridge à rede ou internet com sucesso, você pode exportar o arquivo de configurações XML.



- 1 Clique na aba “External ATEM Mini Pro” no canto superior direito da janela.
- 2 Para dar um nome personalizado à plataforma, clique na janela “Platform” e digite um novo nome. Esse nome será o nome listado no menu “Platform” da Blackmagic URSA Broadcast G2 remota.
- 3 Selecione a qualidade do seu streaming. Isso determinará a configuração de qualidade na URSA Broadcast G2.
- 4 Clique no botão “Save ATEM Settings”, escolha um local no seu computador para salvar o arquivo XML e clique em “Save”.
- 5 Agora, você pode enviar o arquivo XML salvo para o operador remoto via email.

Carregando o Arquivo XML

Para importar um arquivo de configurações XML na URSA Broadcast G2, copie o arquivo em um cartão SD, cartão CFast ou disco flash USB-C.



- 1 Na nona página do menu “Ajustes” da sua câmera, toque no botão “Importar Configurações de Stream”.
- 2 Na parte superior da tela, toque no cartão ou drive onde o arquivo de configurações XML está salvo. Toque no nome do arquivo e, em seguida, em “Importar”. Depois que o arquivo de configurações for importado com sucesso, o ATEM Streaming Bridge será selecionado automaticamente no menu “Plataforma” da sua câmera.

Agora, basta tocar no botão para stream ao vivo na sua câmera para ativar a transmissão.

Você pode testar o funcionamento da configuração solicitando que o operador de switcher no estúdio alterne para a sua câmera. A luz de sinalização acenderá na câmera, incluindo uma borda vermelha em torno do LCD da câmera. Ao alternar a câmera para a saída de pré-visualização, a luz de sinalização acenderá em verde.



Experimente ajustar a íris e o pedestal na página de câmera do ATEM Software Control para testar o controle de câmera.

URSA Mini Shoulder Kit

Encaixar o Shoulder Kit

O URSA Mini Shoulder Kit permite que você carregue a Blackmagic URSA Broadcast G2 no ombro para filmagens estilo UPJ. A maioria dos itens no URSA Mini Shoulder Kit são despachados com a sua Blackmagic URSA Broadcast G2, incluindo o descanso para ombro, placa de base, alça superior e placa adaptadora do visor. O braço extensor e o cabo LANC de longa extensão URSA Mini estão disponíveis como acessórios opcionais.

O encaixe de engate rápido na placa de base permite que você fixe sua câmera em uma placa de tripé estilo UPJ ou a posicione no seu ombro para que possa acompanhar a ação.

O URSA Mini Shoulder Kit funciona com qualquer placa de tripé fabricada conforme o padrão Sony VCT 14. Estes encaixes são facilmente encontrados em lojas de câmeras ou online.

Também é importante observar que placas de tripé fabricadas de acordo com o padrão VCT U14 são de um sistema diferente que não é compatível.

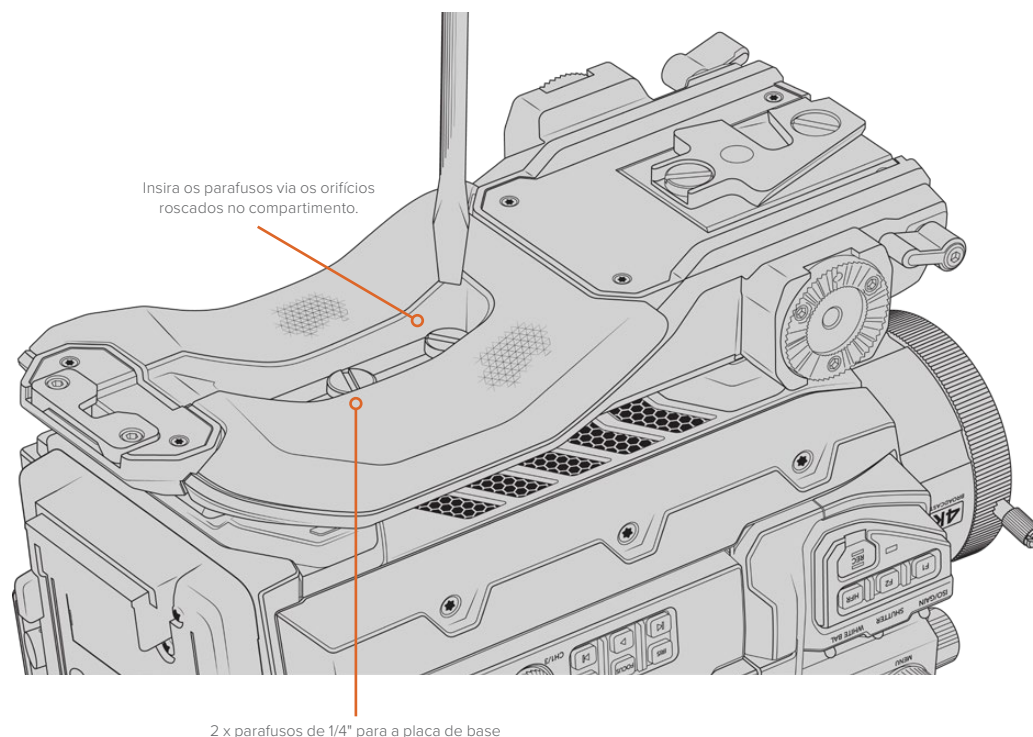
Ao encaixar o Shoulder Kit, você precisará das seguintes ferramentas:

- 1 x chave de fenda de ponta chata para 2 x parafusos de 1/4" na placa de base do suporte de ombro.
- 1 x chave de ponta sextavada de 3/16" para 2 x parafusos de 1/4" na alça de suporte superior.



Para encaixar o Shoulder Kit na sua URSA Broadcast G2, você precisará de uma chave de fenda de ponta chata grande e uma chave sextavada de 3/16" para a alça estabilizadora superior para a alça superior.

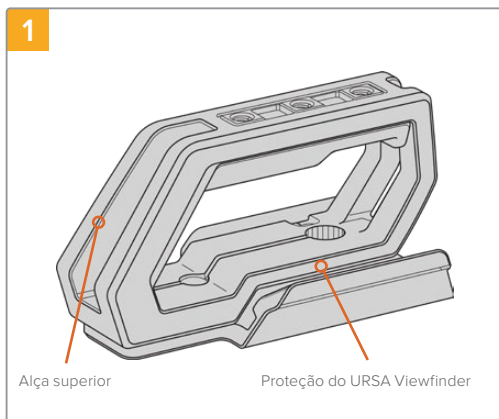
Como encaixar o descanso e a placa de base:



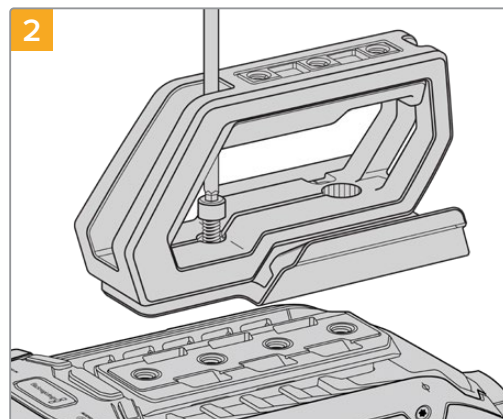
- 1 Coloque sua URSA Broadcast G2 de cabeça para baixo cuidadosamente em uma superfície plana e estável para que você possa acessar a base da sua câmera com facilidade.
- 2 Prenda a placa de base do suporte de ombro na URSA Broadcast G2 usando os dois parafusos de cabeça chata de 1/4" e a chave de fenda.
- 3 Aperte os parafusos até que a placa de base esteja encaixada firmemente e os parafusos não se soltem. Evite apertar os parafusos em excesso, pois isso pode danificar os encaixes roscados.

Como encaixar a alça estabilizadora superior com a placa adaptadora do URSA Viewfinder:

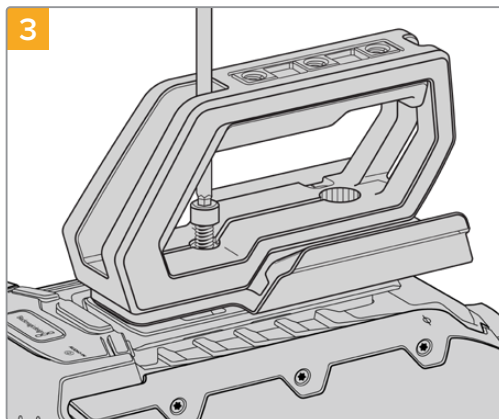
A alça superior é fornecida com a placa adaptadora do URSA Viewfinder já encaixada. Para mais informações sobre a instalação do Blackmagic URSA Viewfinder opcional, consulte a próxima seção deste manual.



Posicione sua URSA Broadcast G2 em uma superfície plana e estável para acessar a parte superior da sua câmera.



Prenda a alça a qualquer um dos dois pontos de montagem de 1/4" na parte superior da sua URSA Broadcast G2 usando os dois parafusos de 1/4" incluídos com uma chave sextavada de 3/16". Os dois pontos de montagem traseiros da URSA Broadcast G2 são recomendados na maioria das situações, mas é possível escolher qualquer um dos pares na parte superior para um equilíbrio maior do peso ao utilizar lentes grandes.



Aperte os parafusos até que a alça esteja firmemente no lugar e os parafusos não se soltem com facilidade. Evite apertar os parafusos em excesso, pois isto pode danificar os encaixes roscados.

O braço extensor URSA Mini Shoulder Kit e o cabo LANC estão disponíveis como acessórios opcionais.

Encaixar o braço extensor

As lentes B4 normalmente incluem uma empunhadura no seu corpo, portanto uma empunhadura lateral não é necessária ao filmar com a URSA Broadcast G2 no seu ombro.

Todavia, caso possua uma lente diferente encaixada, pode ser útil fixar a empunhadura lateral para URSA Mini opcional em um braço extensor para filmagens de ombro mais confortáveis.

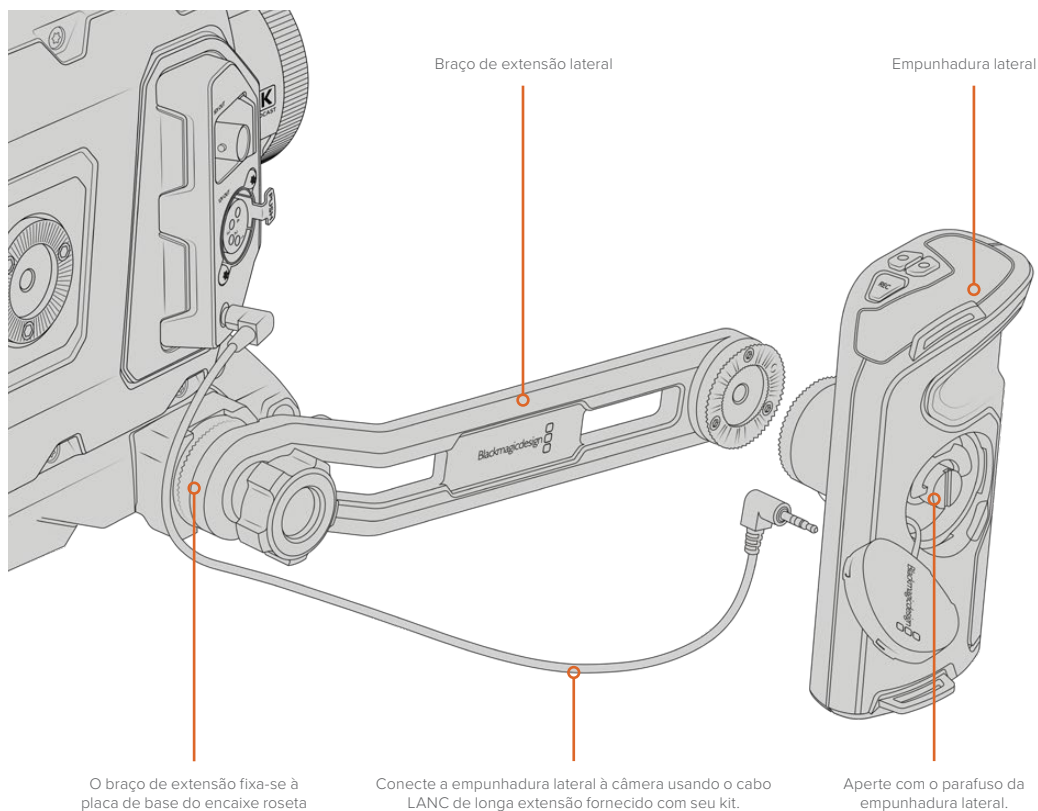
O URSA Mini Shoulder Kit é despachado com uma empunhadura lateral e um cabo LANC de extensão mais longa para ajustar a empunhadura opcional em uma posição mais ergonômica.

Como encaixar o braço extensor lateral:

- 1 Posicione sua URSA Broadcast G2 em uma superfície plana e estável com espaço livre junto da câmera para baixar o braço extensor. Encaixe a URSA Broadcast G2 em um tripé é útil para tanto.
- 2 Fixe a extremidade dentada do braço extensor ao encaixe roseta, baixe o braço até a posição desejada e aperte-o com o parafuso borboleta incluído.
- 3 Encaixe a empunhadura lateral na roseta frontal do braço extensor. Prenda apertando o parafuso da empunhadura lateral com uma chave de fenda de ponta chata grande ou girando o anel D com seu polegar e indicador.
- 4 Conecte a saída LANC da empunhadura lateral à entrada LANC da câmera usando o cabo LANC longo fornecido com o seu URSA Mini Shoulder Kit.

É possível ajustar o braço extensor e a empunhadura lateral facilmente de acordo com sua preferência ao afrouxar os parafusos da roseta, fazer seu ajuste e reapertá-los novamente.

Com o seu URSA Mini Shoulder Kit agora encaixado, você terá mais agilidade para filmagens rápidas dinâmicas, além da capacidade de encaixar sua câmera em um tripé com rapidez para planos de imagem precisos e estáveis.



Blackmagic URSA Viewfinder

O Blackmagic URSA Viewfinder é um poderoso visor ocular eletrônico desenvolvido para a sua Blackmagic URSA Broadcast G2. O display OLED 1080HD colorido e o sistema óptico em vidro de alta precisão oferecem imagens brilhantes, vívidas e realistas para que você possa focalizar e visualizar os detalhes mais finos da imagem com rapidez.

Este visor é ideal para operação na mão ou no ombro, ou para ambientes onde precisão absoluta sem reflexos e clarões de luz é necessária, por exemplo, em filmagens com condições de luminosidade extremas.

O visor é conectado e alimentado pela câmera utilizando os dados SDI embutidos da câmera para gerar as várias opções de visualização. Isso significa que sua câmera pode fazer a saída limpa da alimentação SDI, mas também permitirá que você alterne entre as várias opções de visualização do visor ocular para acesso rápido do status de câmera, além de informações precisas.

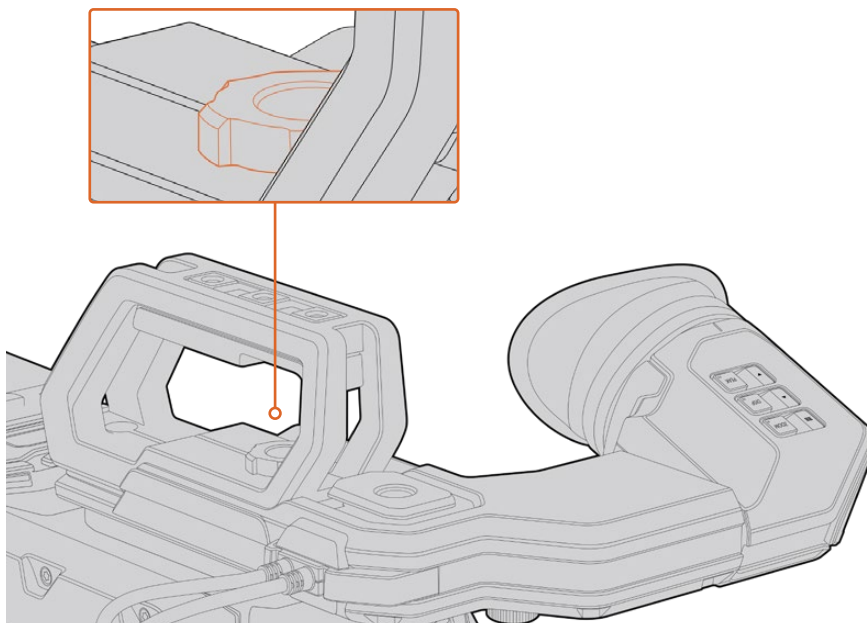
Por exemplo, caso selecione a opção de guia de enquadramento “2,40:1” no menu da URSA Broadcast G2, ela efetivamente informará o visor ocular qual guia de enquadramento está selecionada na câmera, assim, quando você alternar a exibição das guias de enquadramento no visor, a mesma configuração de “2,40:1” também será exibida.

Encaixar e Conectar à Blackmagic URSA Broadcast G2

Antes de encaixar o Blackmagic URSA Viewfinder à URSA Broadcast G2, você precisará instalar a alça estabilizadora do URSA Mini Shoulder Kit, fornecida com a sua câmera. Consulte a seção ‘URSA Mini Shoulder Kit’ para mais informações.

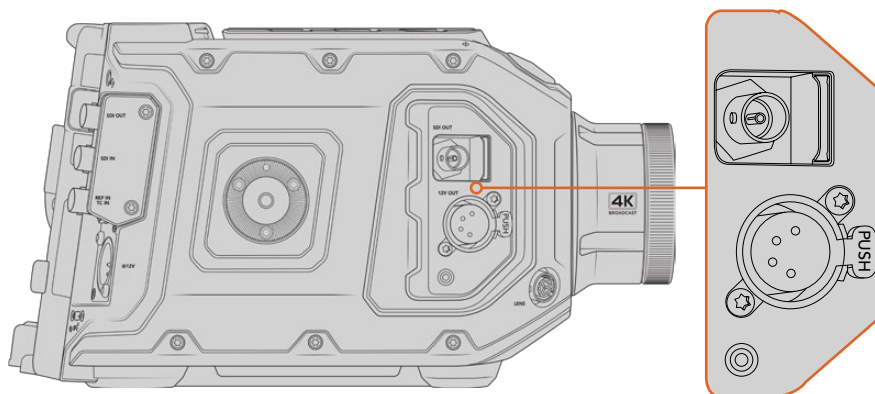
Deslize o encaixe do URSA Viewfinder na placa adaptadora do visor e use o parafuso borboleta de 1/4" incluído no URSA Mini Shoulder Kit para fixar o URSA Viewfinder na alça estabilizadora superior e na placa adaptadora.

Não é necessário usar ferramentas para fixar o parafuso borboleta; a pressão dos dedos é suficiente e evitará o aperto em excesso.



Para montar o Blackmagic URSA Viewfinder na sua URSA Broadcast G2, deslize o visor ao longo das cavidades da alça estabilizadora superior da sua câmera e aperte o parafuso borboleta em um dos pontos de montagem de 1/4".

Para conectar o URSA Viewfinder à URSA Broadcast G2, basta plugar os cabos do visor às saídas de SDI 3G e alimentação de 12 V frontais da sua câmera. Seu URSA Viewfinder será acionado automaticamente quando sua câmera for ligada.



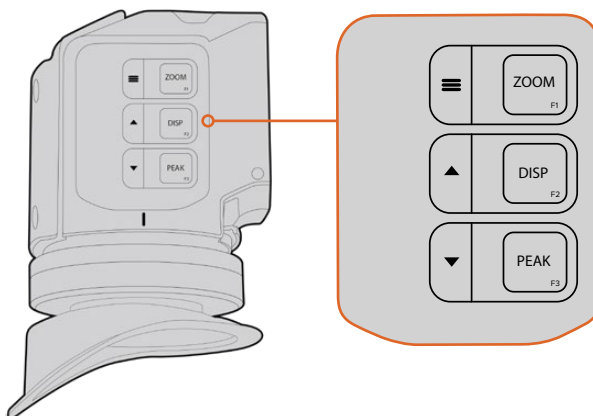
Conecte os cabos SDI e de alimentação do visor à saída de monitoramento HD-SDI e alimentação de +12 V da URSA Broadcast G2.

Ajustar o Visor Ocular

O visor ocular emborrachado removível pode ser ajustado para ser usado no seu olho esquerdo ou direito. Ajuste o braço do visor ao afrouxar o botão giratório na parte inferior do braço e ao deslizá-lo para esquerda ou direita para adaptá-lo ao seu olho confortavelmente.

Botões de Recursos

Na parte superior do visor, você encontrará os botões “Zoom”, “Display” e “Peak”. Estes botões são utilizados para ampliar o zoom na sua imagem e habilitar e desabilitar sobreposições e o pico de foco.



Os botões Zoom (F1), Display (F2) e Peak (F3) estão localizados na parte superior do URSA Viewfinder.

Eles também são utilizados para recursos adicionais, como o acesso do menu e navegação de configurações. Os ícones impressos na lateral dos botões exibem quais botões são usados para controlar o menu do visor e as opções de navegação.

Os botões também possuem um recurso de função personalizável para que você atribua atalhos para ativar recursos comuns frequentemente usados com rapidez. Por exemplo, pode ser que você deseje atribuir o recurso de cores falsas ao botão de zoom. Consulte a seção ‘Atalhos’ para mais informações.

ZOOM (F1) – “Menu”

O recurso “Zoom” ajuda a encontrar o foco exato ao ampliar o zoom da sua imagem. Aperte o botão “Zoom” para ampliar o zoom e clique novamente para retornar à visualização de 100%. Ao usar o menu de configurações, o botão “Zoom” também funciona como o botão de “Menu”. Pressione e segure este botão para acessar o menu de configurações. No menu de configurações, pressione o botão uma vez para confirmar os ajustes de configuração.

DISPLAY (F2) – “Para cima”

Aperte o botão “Display” para a visualização de sobreposições. Ao usar o menu de configurações, este botão também funciona como o botão “Para cima”. Também é possível acessar rapidamente o menu de atalhos ao pressionar e segurar este botão. Consulte a seção ‘Atalhos’ para informações sobre como definir atalhos.

PEAK (F3) – “Para baixo”

O recurso de pico de foco cria uma borda verde em torno das partes mais nítidas da imagem para que você possa confirmar seu foco com facilidade. Aperte o botão “Peak” para habilitar o recurso de pico de foco. Aperte novamente para desabilitar o pico de foco. Ao usar o menu de configurações, este botão também funciona como o botão “Para baixo”. Também é possível acessar rapidamente o menu de atalhos ao pressionar e segurar este botão.

Menu de Configurações

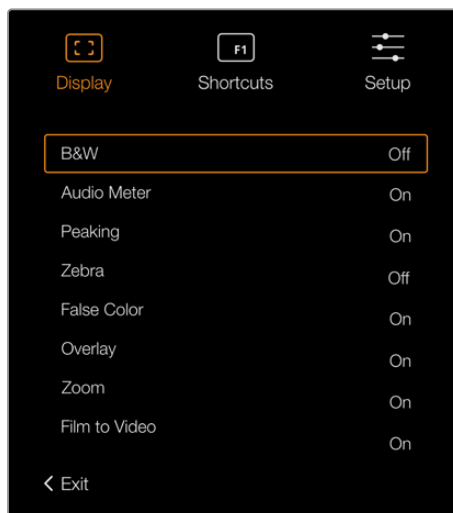
O menu de configurações contém um menu básico de três cabeçalhos para exibição, atalhos e configurações. Para acessar o menu de configurações, pressione e segure o botão ≡ “Menu”. Aperte o botão “Para cima” ▲ e “Para baixo” ▼ para navegar pelas configurações e pressione o botão “Menu” ≡ novamente para confirmar sua seleção.

Display

O menu “Display” oferece os seguintes recursos:

B&W

Alterna entre os modos colorido e monocromático.



Menu “Display” no URSA Viewfinder.

Meters

Alterna entre os tipos de medidores a serem exibidos na visualização de sobreposições. As opções são “Histogram” para histograma, “Audio” para áudio, “Both” para ambos ou “None” para nenhum.

Peaking

Habilita e desabilita o pico de foco.

Zebra

Habilita e desabilita as marcações de zebra. Defina os níveis para as zebras usando as configurações de câmera. Para mais informações, consulte a seção ‘Configurações’ neste manual.

False Color

Habilita e desabilita as cores falsas. O recurso cor falsa sobrepõe cores diferentes na sua imagem. Elas representam os valores de exposição para elementos diferentes na sua imagem. Por exemplo, cor-de-rosa representa exposição máxima para tons de pele claros, enquanto o verde é bom para tons de pele mais escuros. Ao monitorar cor-de-rosa e verde com as cores falsas durante gravações de pessoas, você pode manter uma exposição consistente para os seus tons de pele. Do mesmo modo, quando elementos na sua imagem mudarem de amarelo para vermelho, isso significa que estarão superexpostos.

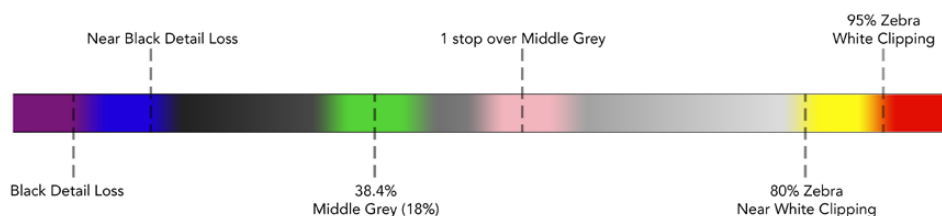


Tabela de cores falsas.

Overlay

Habilita e desabilita sobreposições. É possível selecionar quais tipos de sobreposição exibir no menu “Setup” do seu visor. Os tipos de sobreposição, como a porcentagem de área segura, são definidos na sua câmera.

Zoom

Habilita e desabilita o recurso zoom.

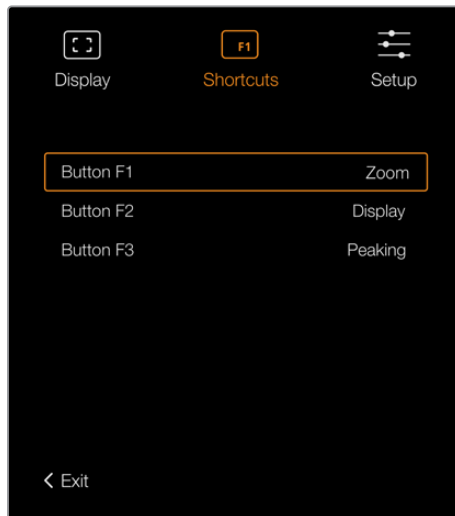
Film to Video

Alterna o modo de exibição entre “Filme” e “Vídeo”. Consulte a seção ‘Configurações de Gravação’ neste manual para mais informações sobre os modos “Filme” e “Vídeo”. Esta configuração está disponível apenas quando sua câmera fizer a saída de imagens no modo “Filme” no seu visor. Ela é desativada ao receber imagens no modo “Vídeo” para evitar a aplicação de uma LUT sobre outra.

Atalhos

A função de atalho é útil quando for necessário acessar uma configuração específica para um recurso usado com frequência. Como personalizar seus botões de atalho:

- 1 No menu “Shortcuts”, aperte o botão “Para cima” ▲ ou “Para baixo” ▼ para mover para cima ou para baixo e selecione um dos três botões para definir como seu botão de atalho. Pressione o botão “Menu” ≡ para confirmar sua seleção.
- 2 Aperte o botão “Para cima” ▲ ou “Para baixo” ▼ para navegar e selecionar um dos recursos abaixo e atribuí-lo ao botão de atalho. Pressione o botão “Menu” ≡ para confirmar sua seleção.
 - B&W
 - Peaking
 - Zebra
 - False Color
 - Display
 - Zoom
 - Film to Video
 - Meters
 - Focus Chart
- 3 Desça até “Exit” e aperte o botão “Menu” ≡ para fechar a visualização do menu “Display”.



Configurações de atalho “Shortcuts” no URSA Viewfinder.

Setup

O menu “Setup” oferece os seguintes recursos:

Brightness Adjustment

Possibilita ajustar o brilho do display com um intervalo de -10 a +10.

Tally Brightness

Permite ajustar o brilho do LED de sinalização.

Focus Chart

Seu Blackmagic URSA Viewfinder possui uma tabela de foco integrada, assim você pode focalizar o visor ocular de acordo com os seus olhos. Basta girar o ajuste de dioptria no visor ocular até que a tabela esteja com o foco perfeito. Apertar qualquer botão no seu visor fechará a exibição da tabela de foco.

Frame Guides

Altera a exibição das guias de enquadramento. Quando o recurso “Guias de Enquadramento” estiver habilitado nas configurações de monitoramento “SDI Frontal” da sua URSA Broadcast G2, você pode usar este recurso para alternar o modo de exibição destas guias no seu Blackmagic URSA Viewfinder.

Para mais informações, consulte a seção ‘Configurações de Monitoramento’ neste manual.

Safe Area Guide

Altera a exibição de uma guia de área segura. Quando o recurso “Guia de Área Segura” estiver habilitado nas configurações de monitoramento “SDI Frontal” da sua URSA Broadcast G2, você pode usar este recurso para alternar o modo de exibição destas guias no seu Blackmagic URSA Viewfinder.

Para mais informações, consulte a seção ‘Configurações de Monitoramento’ neste manual.

Grid

Altera a exibição de uma grade de regra dos terços, retículas ou ponto central. Quando o recurso “Grades” estiver habilitado nas configurações de monitoramento “SDI Frontal” da sua URSA Broadcast G2, você pode usar este recurso para alternar o modo de exibição destas guias no seu Blackmagic URSA Viewfinder.

Para mais informações, consulte a seção ‘Configurações de Monitoramento’ neste manual.

OBSERVAÇÃO Habilitar “Grid” no menu de configurações do URSA Viewfinder também possibilitará que seu visor exiba os sinais de sinalização enviados por um switcher ATEM. As sobreposições, “Overlays”, também devem estar definidas como “On” no menu de exibição.

Status Text

Altera a exibição dos textos de status, tais como balanço de branco, taxa de quadro e ISO. Quando o recurso “Texto de Status” estiver habilitado nas configurações de monitoramento “SDI Frontal” da sua URSA Broadcast G2, você pode alternar a exibição deste recurso no seu Blackmagic URSA Viewfinder.

Para mais informações, consulte a seção ‘Configurações de Monitoramento’ neste manual.

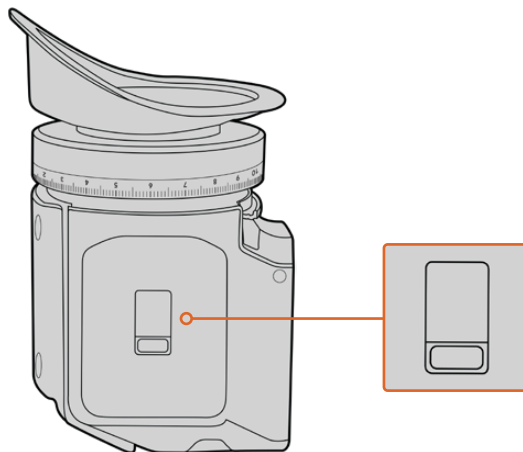
DICA Ao usar o Blackmagic Viewfinder com a URSA Broadcast G2, a exibição dos textos de status pode entrar em conflito caso ambos estejam configurados para exibi-los. Neste caso, recomendamos habilitar os textos de status na câmera e desabilitá-los no seu visor eletrônico.

Sensor IR

O sensor IR no seu ocular detecta automaticamente quando você está perto dele e ativa a tela OLED. Caso esteja longe do visor ocular por mais de vinte segundos no modo de espera, o display é desligado para conservar energia e prolongar a vida útil do display OLED. Ao gravar, o tempo de espera do sensor é estendido para 5 minutos, quando a tela OLED será escurecida lentamente. Qualquer movimento na frente do visor ocular restaurará este temporizador. O visor detectará quando você olhar pelo visor ocular do Viewfinder e pressionar qualquer botão no visor também reativará o Viewfinder.



Bloquear ou cobrir o sensor IR intencionalmente pode fazer com que o display do visor eletrônico permaneça ligado por períodos de tempo prolongados. Isto pode diminuir a vida útil do display e causar retenção de imagens, quando imagens ou guias de enquadramento de alto contraste são exibidas no visor.



O sensor IR sensor fica situado na parte inferior do URSA Viewfinder.

Atualizar o Software Interno do URSA Viewfinder

Atualize seu Viewfinder usando o software Blackmagic Camera Setup Utility. É necessário alimentar o visor durante a atualização, portanto recomendamos manter o visor conectado à sua URSA Broadcast G2 durante o processo. Isso também significa que sua URSA Broadcast G2 precisará fornecer alimentação consistente, portanto certifique-se que ela esteja conectada à alimentação externa.

Conecte seu computador ao pequeno conector USB situado na frente do seu Viewfinder, junto do visor ocular. Quando o Blackmagic Camera Utility for iniciado e o seu Viewfinder estiver conectado ao seu computador, será solicitado que você faça a atualização, caso seu computador detecte que o seu Viewfinder esteja usando uma versão mais antiga. Siga as instruções na tela para atualizar o software interno do seu visor eletrônico.

OBSERVAÇÃO Ao usar o seu Blackmagic URSA Viewfinder com a URSA Broadcast G2, recomendamos atualizar o software interno do seu visor para a versão mais atual para garantir compatibilidade. O software mais recente pode ser encontrado na Central de Suporte Técnico da Blackmagic Design em www.blackmagicdesign.com/br/support. Consulte a seção 'Blackmagic Camera Setup Utility' neste manual para mais informações.

DICA Recomendamos atualizar todos os seus equipamentos Blackmagic URSA ao mesmo tempo para uma performance otimizada.

Blackmagic URSA Studio Viewfinder



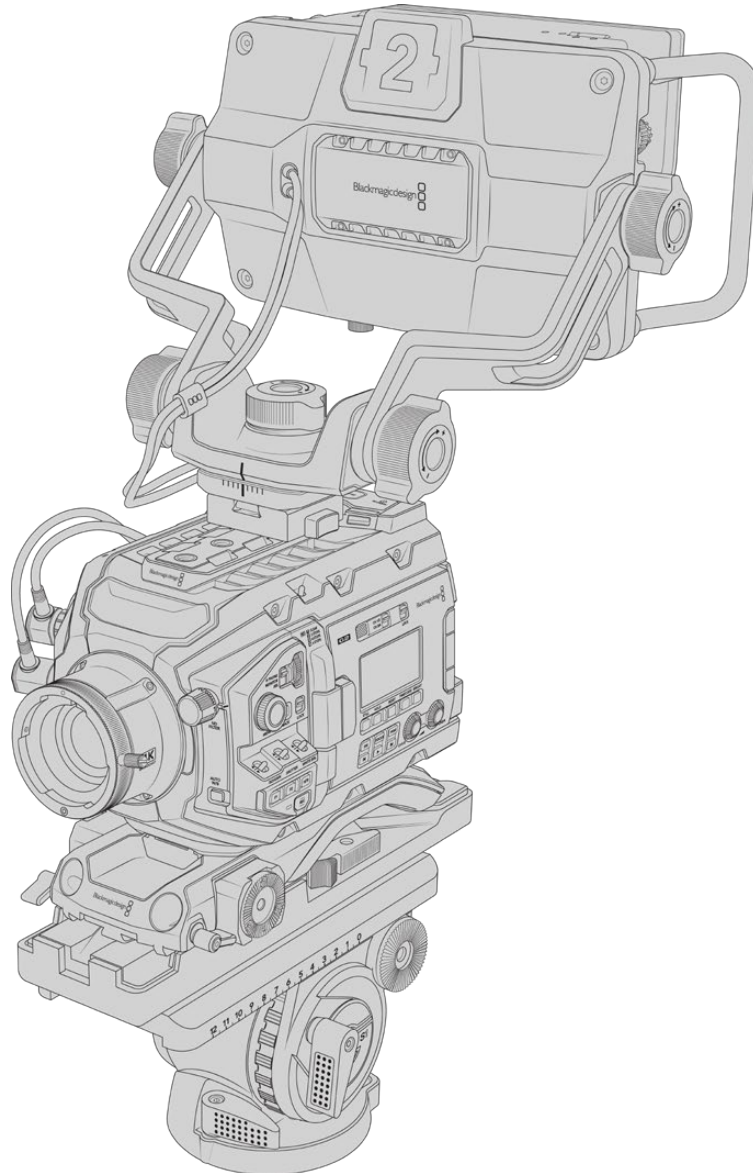
O Blackmagic URSA Studio Viewfinder é um visor eletrônico eficaz que permite que você transforme sua URSA Broadcast G2 em uma câmera de produção ao vivo profissional. O Studio Viewfinder conta com uma tela luminosa de 7" que inclui uma luz de sinalização grande e de fácil visibilidade, knobs de controle, alças de apoio grandes, para-sol e suporte articulável de tensão variável. Estes recursos facilitam ficar de pé atrás da câmera e seguir a ação confortavelmente por longos períodos de tempo, especialmente durante filmagens de shows, esportes e outros eventos de longa duração ao vivo. O URSA Studio Viewfinder é ideal para produções ao vivo em estúdio ou em locação.

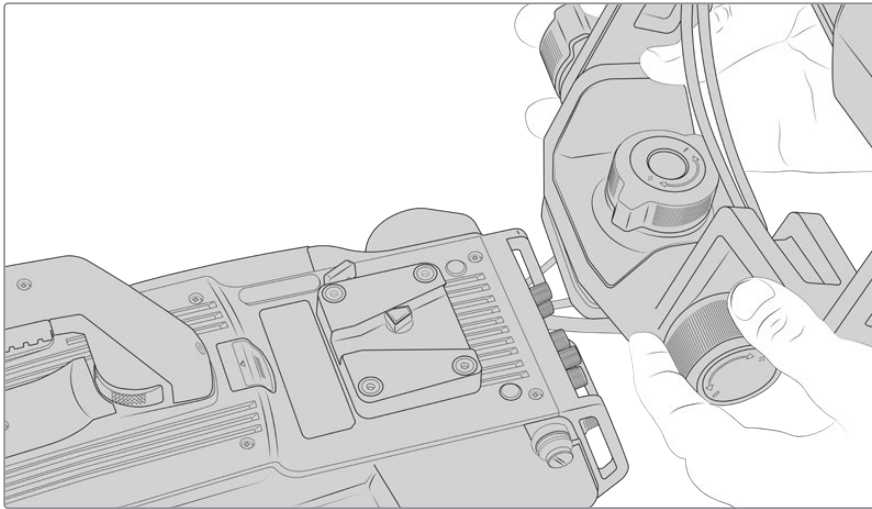
Encaixar e Conectar à Blackmagic URSA Broadcast G2

Ao usar o Blackmagic URSA Studio Viewfinder com a Blackmagic URSA Broadcast G2, você pode optar pelo encaixe da unidade na câmera de várias maneiras.

Com a placa de encaixe V-Lock incluída, você pode encaixar o Blackmagic URSA Studio Viewfinder diretamente na parte superior da URSA Broadcast G2 ou no suporte de ombro URSA Mini Shoulder Kit fornecido com a sua câmera.

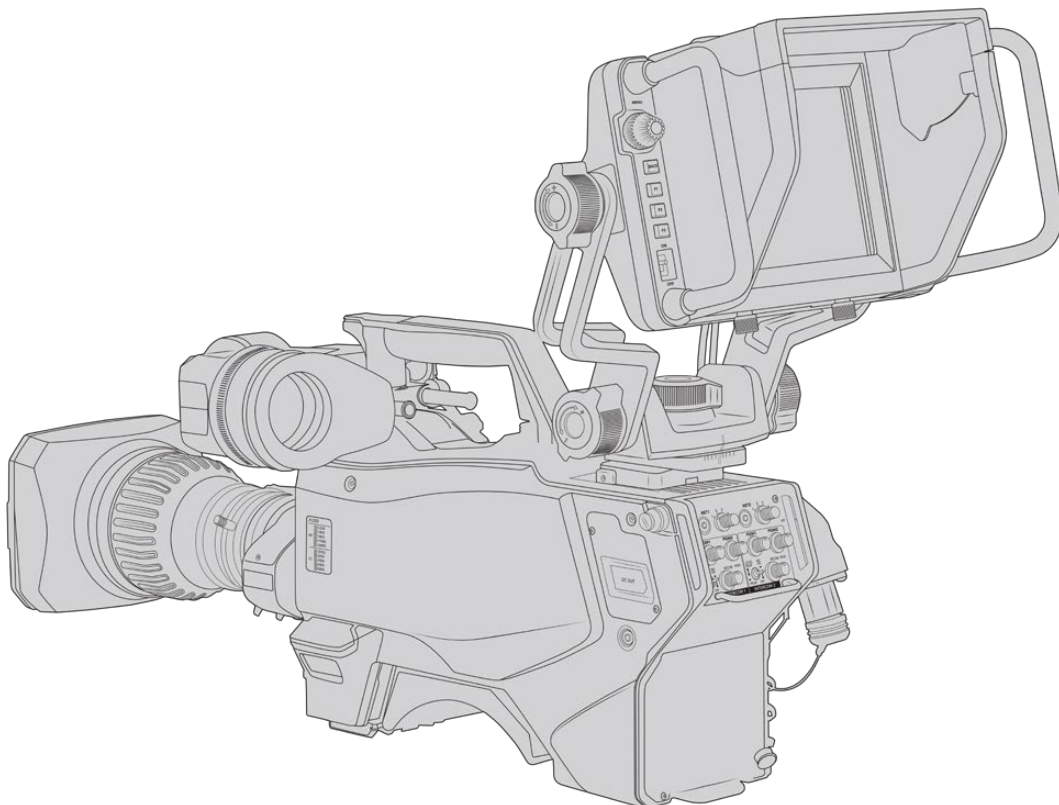
Encaixe a placa V-Lock na parte superior da câmera com os parafusos de 1/4" incluídos. Isso deixará o centro de gravidade da câmera muito mais alto. Recomendamos que isso seja feito com a câmera fixada em um tripé para estabilidade.





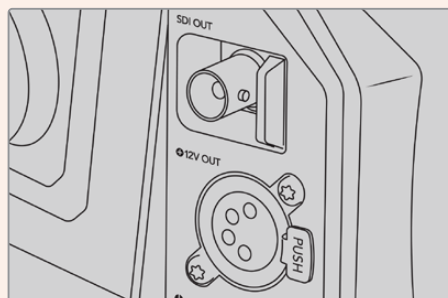
Encaixe V-Lock sendo fixado a uma câmera de terceiros.

A placa adaptadora V-Lock também pode ser instalada em qualquer câmera com a qual você deseja usar o URSA Studio Viewfinder desde que ela possua pontos de montagem de 1/4", ou você pode usar uma placa tipo "cheese plate" de terceiros. Também é possível encaixar o Blackmagic URSA Studio Viewfinder em um sistema de câmera de terceiros que possua uma placa de encaixe V-lock, pois muitas delas já incluem este encaixe de engate rápido.



Para conectar o URSA Studio Viewfinder à sua URSA Broadcast G2, basta conectar os cabos do visor incluídos às saídas 3G-SDI frontais e de alimentação de 12 V da câmera.

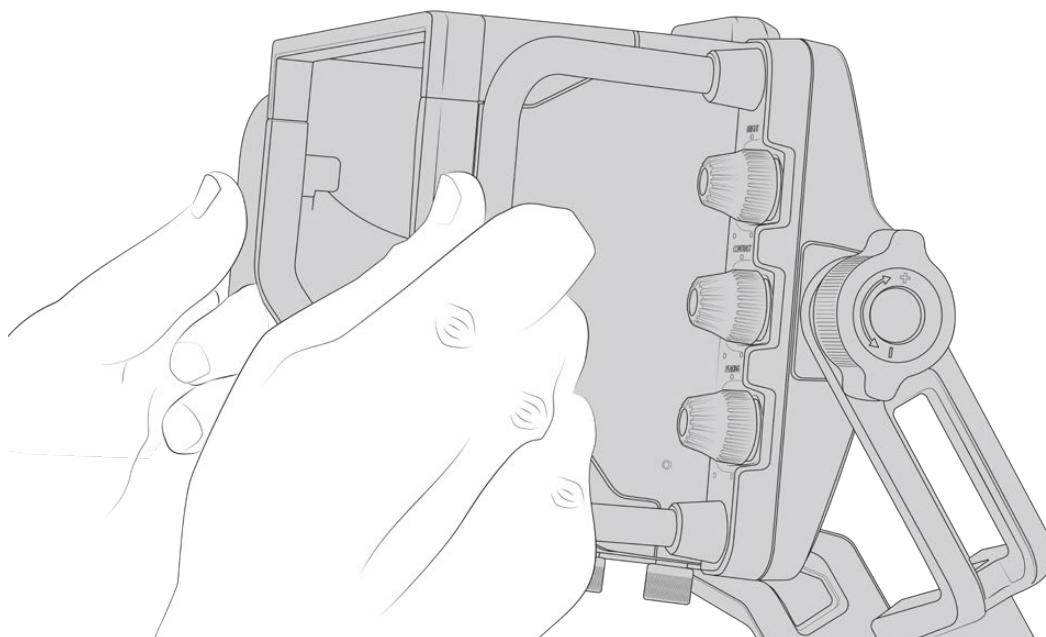
A chave de alimentação do visor possibilitará ligar o visor instantaneamente quando a sua câmera for ligada. Observe que há fixadores de cabos na lateral do encaixe da alça estabilizadora superior da URSA Mini para manter os seus cabos organizados e no lugar.



Conexões SDI e de alimentação de 12 V da URSA Broadcast G2

DICA O URSA Studio Viewfinder utiliza conexões SDI e XLR broadcast de 4 pinos de padrão aberto para alimentação, podendo ser usado com qualquer outra câmera ou até como um monitor de externa ajustável e portátil. Ele também utiliza o protocolo de sinalização e controle de dispositivos ATEM de padrão aberto, assim qualquer outro sistema de câmera pode adicionar estas informações aos seus fluxos SDI possibilitando que funcionem com a sinalização e as sobreposições do URSA Studio Viewfinder.

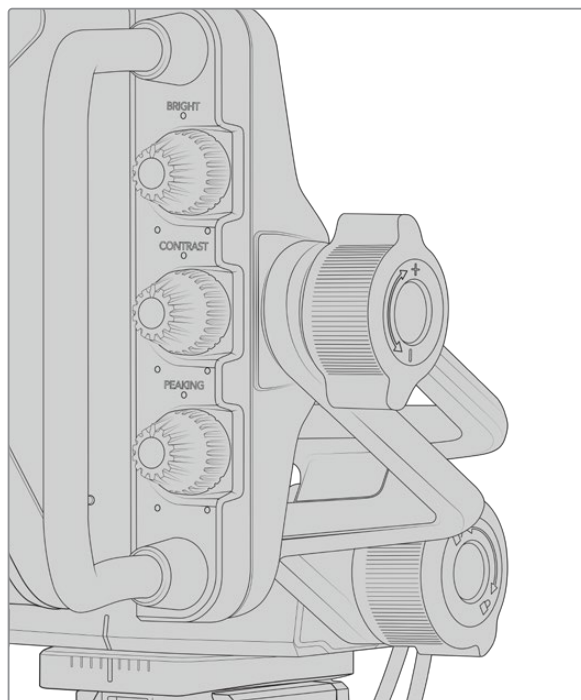
Ajustar o Blackmagic URSA Studio Viewfinder



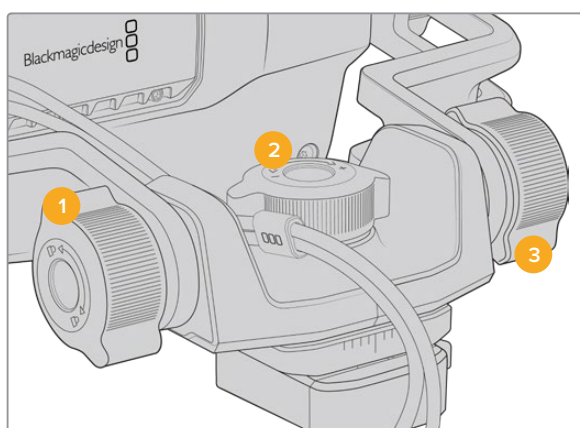
O Blackmagic URSA Studio Viewfinder inclui alças de tamanho grande e um suporte articulado de tensão variável que permitem o ajuste da posição e do ângulo do visor. As alças de tamanho grande possibilitam segurar o visor e ajustar o ângulo e a direção da unidade com rapidez e facilidade. Combinadas ao para-sol, as alças também ajudam a proteger a tela de danos, ou seja, você pode guardar o URSA Studio Viewfinder completamente montado em um case portátil sem ter que desmontá-lo. As alças grandes também possibilitam pegar e carregar a unidade entre locações com facilidade.

O suporte para encaixe incluído oferece ajustes giratórios de tensão para pan e tilt, com ajustes giratórios adicionais em cada lateral do visor para controle de atrito extra. O ajuste giratório esquerdo possibilita amortecer o atrito do arraste do braço e o ajuste giratório direito possibilita travar o Viewfinder no lugar depois que o ângulo desejado for encontrado.

Estes ajustes giratórios possuem uma grande variedade de regulagens de tensão possibilitando selecionar uma quantidade de resistência específica. Isso permite que você faça inclinações verticais e horizontais do visor para a posição necessária com precisão.



Ajustes de tensão giratórios em cada lateral do Viewfinder.

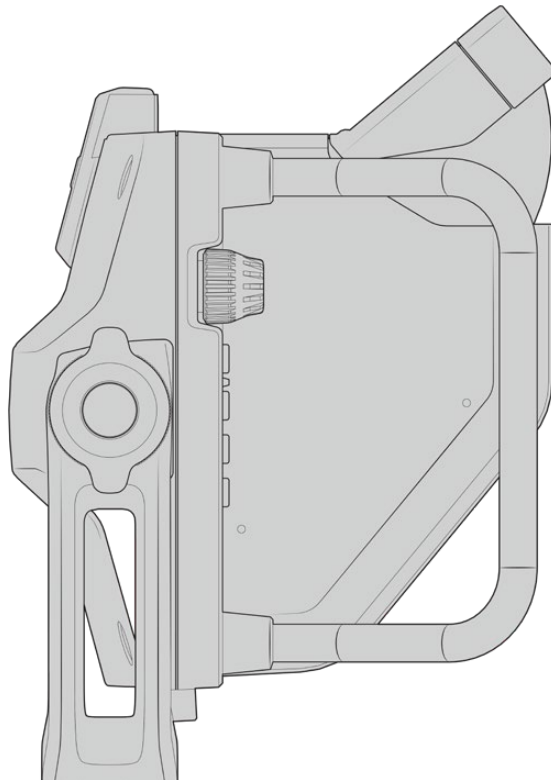
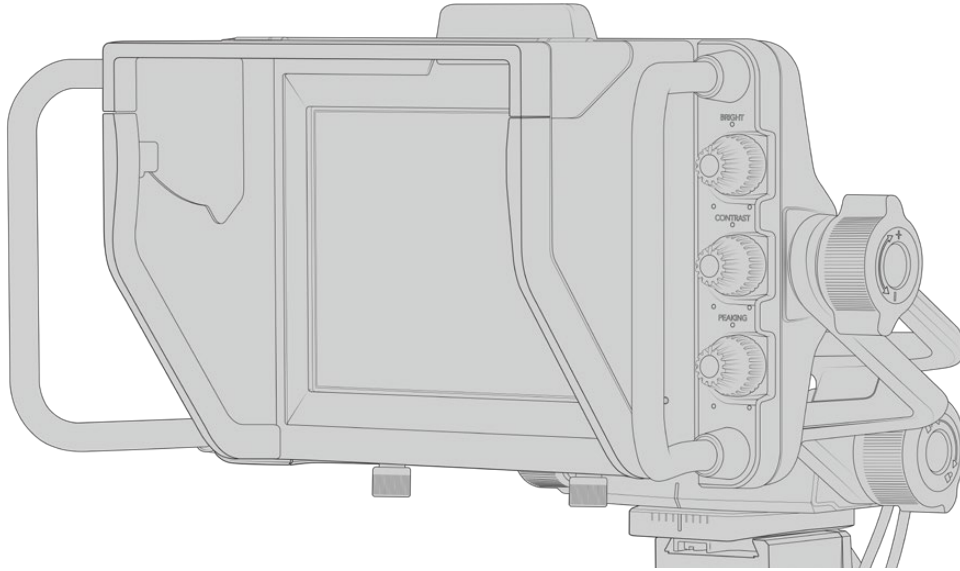


- 1 Dial de Fixação de Inclinação**
Trava o ângulo do movimento de inclinação do mecanismo do visor.
- 2 Dial de Tensão da Panorâmica**
Controla a tensão da panorâmica.
- 3 Dial de Tensão da Inclinação**
Controla a tensão da inclinação.

DICA O controle de fricção central do encaixe incluído controla a tensão do movimento panorâmico e pode ser afrouxado para permitir que você assuma o controle do visor e movimente a câmera independentemente. Ou seja, você pode filmar eventos como motociclismo, onde é necessário fazer panorâmica para a esquerda e direita ao seguir a ação, enquanto mantém o visor eletrônico posicionado na direção dos seus olhos. Marcações visuais no encaixe ajudam a garantir que o visor eletrônico possa ser retornado ao centro com facilidade.

Para-Sol

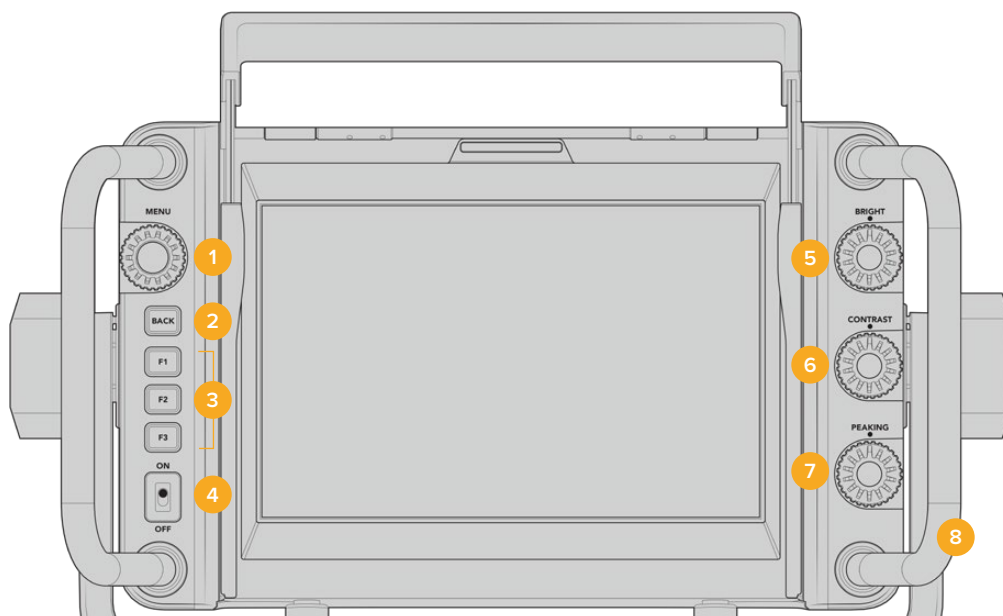
O para-sol ajuda a enxergar a tela em condições de muito sol ou luminosidade. Para fixar o para-sol, deslize-o na parte superior do Blackmagic URSA Studio Viewfinder e coloque-o no lugar, fixando-o com os dois parafusos cativos na base do para-sol. A parte superior do visor é ajustável e pode ser elevada ou baixada para fornecer ângulos de visão adicionais. O para-sol oferece proteção adicional para a tela de 7" e pode ser removido com facilidade e rapidez quando desejado ou para acessar o conector USB-C para atualizações de software.



Para-sol e visor ajustável.

Botões de Recurso

Os botões giratórios no lado esquerdo e direito possibilitam ajustar brilho, contraste e pico de foco com rapidez e facilidade. Os botões giratórios são desenvolvidos ergonomicamente, assim é possível ajustá-los com o seu polegar ao usar o para-sol, ou com dois dedos para ajustes mais finos e regulados.



1 Dial Menu

O dial de ação "Menu" permite acessar o menu e navegar pelas configurações do visor.

2 Botão Back

Sai do sistema de menu.

3 F1, F2, F3

Botões de funções programáveis. Estes são botões configuráveis que você pode definir para fácil acesso às funções mais utilizadas.

4 Chave ON/OFF

Liga ou desliga o Blackmagic URSA Studio Viewfinder.

5 Bright

Ajusta o brilho da imagem na tela. Sobreposições na tela exibirão o nível de brilho em uma escala de -100 a +100.

6 Contrast

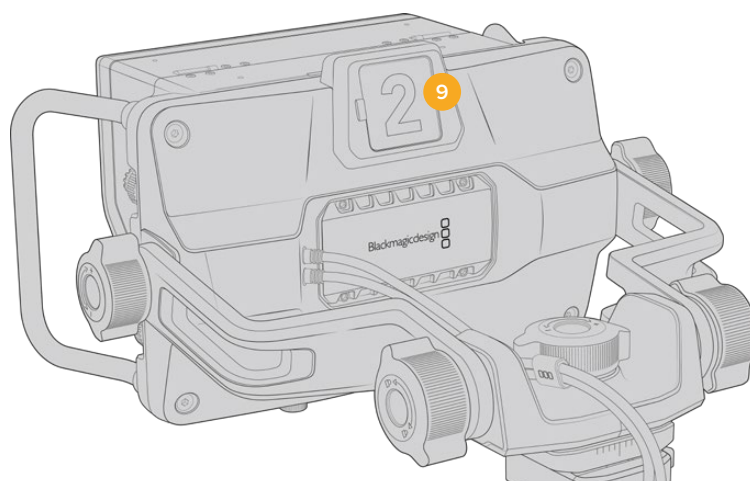
Ajusta o contraste da imagem na tela. Sobreposições na tela exibirão o nível de contraste em uma escala de -100 a +100.

7 Peaking

Ajusta o pico de foco para as imagens na tela. Sobreposições na tela exibirão o pico de foco em uma escala de -100 a +100. No menu de configurações, é possível selecionar entre os diferentes tipos de pico de foco conforme o seu ambiente. Há a opção para o tipo tradicional de pico de foco que muitos já conhecerão de outros sistemas broadcast, além de uma opção para usar linhas coloridas para o foco. Assim como na URSA Broadcast G2, você conta com a opção para linhas em "Red" (vermelho), "Green" (verde), "Blue" (azul) e "Black" (preto), que oferecem a flexibilidade para torná-las facilmente visíveis ao filmar em ambientes contendo uma cor específica em abundância.

8 Alças

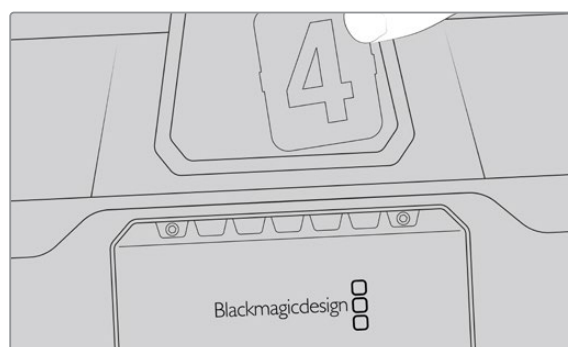
As alças integradas são grandes e possibilitam manter o Studio Viewfinder no lugar enquanto você reposiciona a câmera ao gravar. Eles também fornecem proteção para a tela ao montá-la e transportá-la.



9 Luz de Sinalização

A luz de sinalização de tamanho grande na traseira do Blackmagic URSA Studio Viewfinder permite que tanto o talento quanto o operador saibam qual câmera está no ar, qual câmera está prestes a entrar no ar e se elas estão fazendo gravação ISO. A sinalização acende em vermelho para indicar no ar, verde para indicar a pré-visualização e quando utilizada com a URSA Broadcast G2 acenderá em laranja para gravações ISO.

À medida que o diretor aplica os cortes entre as câmeras no switcher ATEM, as informações da sinalização são reenviadas à câmera através da conexão SDI e, então, a luz se acende quando a pré-visualização de câmera é feita antes de cortes, no ar ou na gravação. Além disso, o URSA Studio Viewfinder também oferece números de encaixe transparentes que podem ser afixados na luz de sinalização, facilitando para o talento identificar os números de câmera claramente em distâncias de até 6 metros.



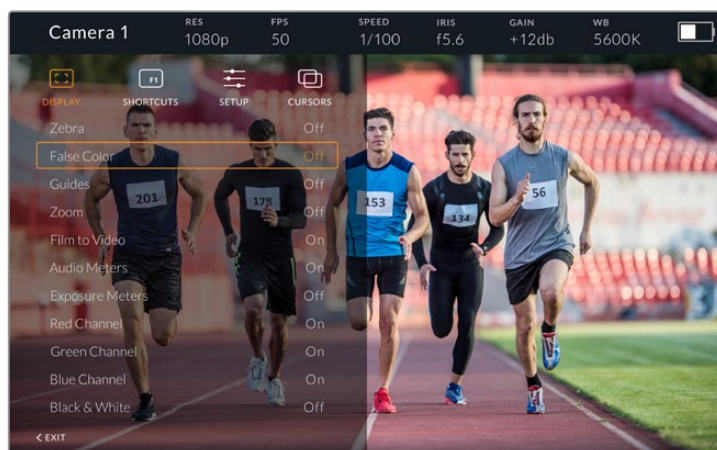
Incluimos PDFs editáveis no instalador do software que possibilitam editar e imprimir seus próprios números de sinalização para corresponder aos incluídos e também para que você possa criar suas próprias inserções. Após instalar o software das câmeras Blackmagic, eles podem ser encontrados em um Mac em Aplicativos > Blackmagic Cameras > Documentos e em um PC em Blackmagic Design > Pasta Documentos.

A luz de sinalização acenderá conforme as operações de corte de câmera do ATEM e quando a câmera não estiver conectada a um switcher, a luz de sinalização acenderá em vermelho como um simples indicador de sinalização para gravações. Consulte a seção ‘Como Utilizar o Controle de Câmera de Estúdio’ neste manual para mais informações.

DICA Ao usar o Blackmagic URSA Studio Viewfinder com um switcher ATEM, é importante selecionar “Alimentação Limpa” na URSA Broadcast G2 para assegurar que você não veja as sobreposições ou a caixa de foco na saída SDI do switcher ATEM. Navegue até o menu “Monitorar” na URSA e selecione “Alimentação Limpa” para “SDI Principal”.

Menu de Configurações

O dial de ação “Menu” permite acessar o menu quando você o pressiona e permite navegar pelas opções ao girá-lo para cima e para baixo. Apertar o botão giratório “Menu” enquanto um cabeçalho de menu estiver destacado permite que você alterne entre o display, atalhos, configurações e cursores dos submenus. E, ao girar o botão, você navegará pelas configurações de cada menu. Apertar o dial quando uma configuração está destacada possibilita ajustar essa configuração ao girá-lo. Confirme sua seleção ao pressionar o botão giratório “Menu” mais uma vez. Você pode sair do menu pressionando o botão “Back” ou ao navegar e selecionar “Exit”.



Display

Zebra

Habilita e desabilita as marcações de zebra. O nível de zebra será determinado pela configuração da sua URSA Broadcast G2, na terceira página do menu de configurações “Monitorar”. Quando o Studio Viewfinder não estiver conectado à URSA Broadcast G2, o nível de zebra representará 95% dos níveis de luminância de um sinal Rec 709. Para mais informações, consulte a seção ‘Configurações’ neste manual.

False Color

Habilita e desabilita as cores falsas. O recurso cor falsa sobrepõe cores diferentes na sua imagem. Elas representam os valores de exposição para elementos diferentes na sua imagem. Por exemplo, cor-de-rosa representa a exposição ideal para tons de pele. Ao monitorar o cor-de-rosa no modo cor falsa durante gravações com pessoas, você pode manter uma exposição consistente para tons de pele. Do mesmo modo, quando elementos na sua imagem mudarem de amarelo para vermelho, isso significa que estarão superexpostos. A cor falsa é um ótimo recurso para atribuir a um dos botões de função, assim o acesso a uma ferramenta de referência bastante utilizada para a exposição fica fácil e rápido.

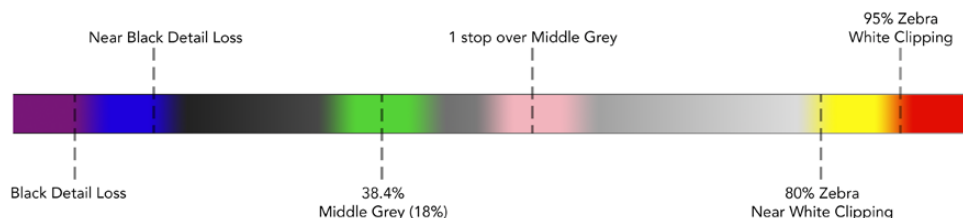


Tabela de cores falsas.

Guides

Esta configuração oferece a opção de exibir ou ocultar as guias. As guias corresponderão ao tipo de guias configurado na URSA Broadcast G2, na quarta página do menu de configurações “Monitorar”.

A proporção de tela, o nível de opacidade da guia de enquadramento, a porcentagem de área segura e os tipos de guias exibidos corresponderão ao que você definiu na câmera. O menu “Setup” no Studio Viewfinder possibilita configurar os tipos de guia que você deseja visualizar no Studio Viewfinder quando as guias do menu do visor estiverem habilitadas. A opção “Guides” permite que você habilite ou desabilite as guias com um único comando.

Zoom

Habilita e desabilita o recurso zoom. O recurso “Zoom” ajuda a encontrar o foco exato ao ampliar o zoom da sua imagem. Com o zoom ampliado, é possível navegar por partes específicas da tela ao girar o botão “Menu” para a esquerda e direita. A sobreposição indicará qual parte da imagem está ampliada.

Film to Video

Ao enviar um sinal SDI com a faixa dinâmica do modo filme da sua URSA Broadcast G2, a configuração “Film to Video” permite que você aplique uma LUT mais colorida e contrastada à imagem. Esta configuração estará disponível apenas quando a faixa dinâmica “Filme” for detectada, caso contrário ela será sombreada para evitar que uma LUT incorreta seja aplicada à imagem.

Audio Meters

Os medidores de áudio exibem o nível de áudio entrando via SDI no Blackmagic URSA Studio Viewfinder, logo os medidores exibirão os níveis do áudio de entrada na sua URSA Broadcast G2. Caso tenha uma entrada de programa selecionada, o medidor de áudio exibirá estes níveis de áudio.

Exposure Meters

Habilita e desabilita a exibição do histograma.

Red Channel

Permite habilitar ou desabilitar o canal vermelho da sua imagem.

Green Channel

Permite habilitar ou desabilitar o canal verde da sua imagem.

Blue Channel

Permite habilitar ou desabilitar o canal azul da sua imagem.

Black and White

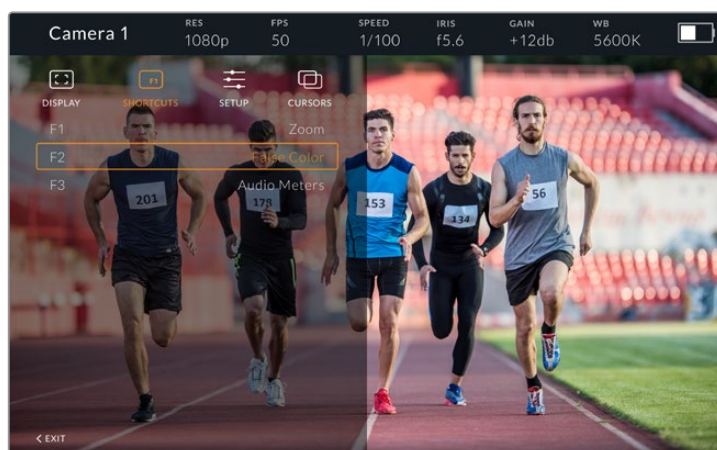
Alterna entre os modos colorido e monocromático.

Shortcuts

A função de atalho permite mapear funções específicas nos botões F1, F2 e F3. Estas teclas de atalho permitem habilitar ou desabilitar qualquer uma das configurações no menu do display, ou seus cursores. Isso é bastante útil quando é necessário acessar uma configuração específica para um recurso usado com frequência.

Como personalizar seus botões de atalho: No menu “Shortcuts”, gire o dial de menu para cima ou para baixo e selecione um dos três botões. Aperte o dial “Menu” para confirmar sua seleção e, depois, gire-o para navegar pelos recursos atribuíveis. Você contará com a opção de seleção para os seguintes recursos: “Zoom”, “Cursor 1”, “Cursor 2”, “Cursor 3”, “Zebra”, “False Color”, “Guides”, “Film to Video”, “Audio Meters”, “Exposure Meters”, “Red Channel”, “Green Channel”, “Blue Channel”, “Black and White”. Depois da seleção, clique no botão “Menu” para confirmar essa solução e atribua essa função à tecla de atalho escolhida. Apertar o botão de atalho agora habilitará ou desabilitará este recurso.

Após ter configurado seus atalhos como necessário, é possível navegar até “Exit” e pressionar o botão “Menu” para fechar a visualização da exibição do menu ou aperte o botão “Back” para sair do menu.



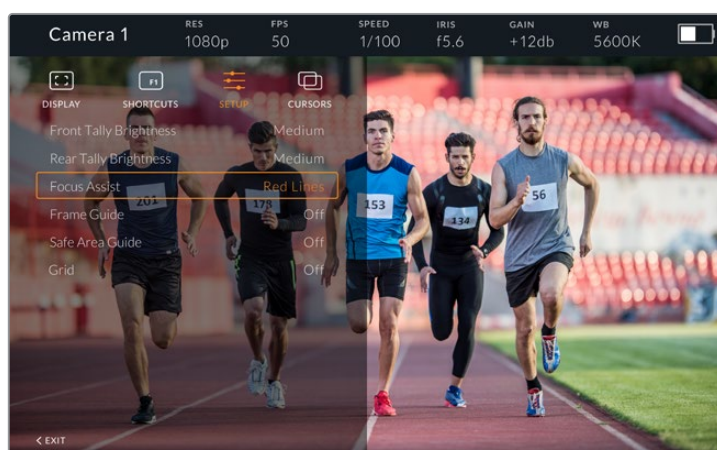
Submenu “Shortcuts”.

Setup

O menu “Setup” é onde você escolhe suas preferências de configuração do visor.

Front Tally Brightness

Permite ajustes de brilho para o LED de sinalização, com as opções “Off” (desativado), “Low” (baixo), “Medium” (médio) e “High” (alto). A luz de sinalização acenderá enquanto os ajustes são feitos, assim é possível visualizar o que cada nível de brilho representa.



Submenu “Setup”.

Rear Tally Brightness

Permite ajustes de brilho para o LED de sinalização, com as opções “Off” (desativado), “Low” (baixo), “Medium” (médio) e “High” (alto). A luz de sinalização acenderá enquanto os ajustes são feitos, assim é possível visualizar o que cada nível de brilho representa.

DICA Uma configuração alta para o brilho do LED é recomendada para condições de muita luminosidade, já que fornecerá mais visibilidade para o talento e os operadores nestas condições. Uma configuração baixa para o LED é recomendada ao filmar em ambientes mais escuros, onde é mais fácil perceber que a luz está acesa.

Focus Assist

A configuração da assistência de foco permite alternar a exibição dos níveis de pico de foco no visor. É possível selecionar entre vermelho (red), verde (green), azul (blue), preto (black) e branco (white), assim como pico de foco tradicional.

Frame Guide

Oferece a opção de exibir guias de enquadramento como parte das guias do seu Studio Viewfinder. Quando conectadas a uma URSA Broadcast G2, elas corresponderão à proporção de tela das guias de enquadramento da sua câmera. Quando conectadas a outros sistemas, elas terão uma proporção de tela padrão 14:9.

Safe Area Guide

Oferece a opção de exibir o indicador de área segura como parte do recurso “Guides” do seu Studio Viewfinder. Quando conectado a uma URSA Broadcast G2, eles corresponderão a percentagem de área segura da sua câmera. Quando conectadas a outros sistemas, elas serão definidas em 90% como padrão.

Grid

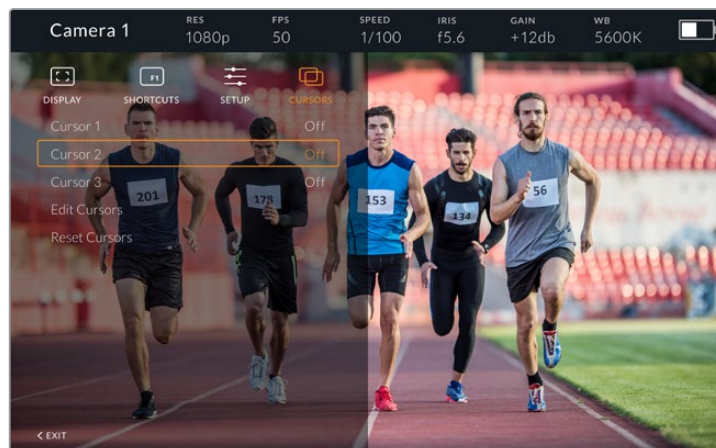
Oferece a opção de exibir guias de enquadramento como parte das guias do seu Studio Viewfinder. Quando conectadas à URSA Broadcast, elas corresponderão às configurações de guias de enquadramento da sua câmera. Quando desconectadas, isso habilitará ou desabilitará as retículas.

LCD Brightness

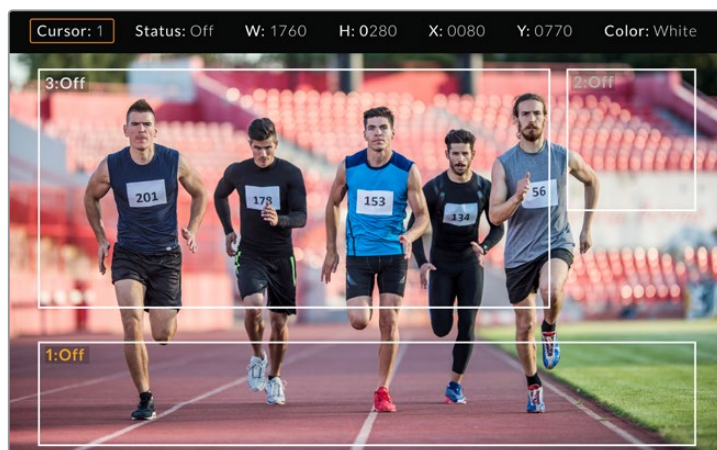
Caso você possua o modelo atualizado do URSA Studio Viewfinder, esta configuração será exibida na parte inferior do menu de configurações. Isso ajusta o brilho da retroiluminação do LCD do seu Studio Viewfinder.

Cursors

Os cursores permitem que você marque uma área na tela onde grafismos como um terço inferior, gráfico, logotipo ou uma barra de informação serão sobrepostos. Para ajustar estes cursores, vá até “Cursors” e selecione “Edit Cursors”. Isso ativará uma página que exibirá todos os três cursores e possibilitará que você selecione cada um individualmente e então insira a largura, altura e coordenadas x e y para posicionar cada um deles individualmente.



Submenu “Cursors”.



Cursors exibidos na tela.

Após configurá-los, os cursores podem ser habilitados ou desabilitados no menu “Cursors” ou atribuídos às suas teclas de função para acesso rápido. Isso é importante para produções ao vivo, pois permite que o operador de câmera fique atento a isto e componha e enquadre os planos com precisão. Você pode criar até três cursores brancos ou pretos com altura, largura e posição variáveis, facilitando a correspondência do tamanho e posição dos gráficos que serão adicionados ao vivo ou durante uma transmissão posterior. Você também conta com a opção de restaurar os cursores para o seu estado padrão.

Usar um Headset com o Blackmagic URSA Studio Viewfinder

Ao usar o Blackmagic URSA Studio Viewfinder com a URSA Broadcast G2, a conexão de fone de ouvido na câmera agora se tornará uma conexão de headset para a intercomunicação, permitindo a comunicação direta com o diretor.

Para funcionalidade de intercomunicação mais avançada, você também pode usar o Blackmagic Camera Fiber Converter e o Blackmagic Studio Converter, que permitem o uso de headsets broadcast padrão com conectores XLR de 5 pinos. Para mais informações, consulte a seção ‘Blackmagic Fiber Converters’ neste manual.

DICA Como o soquete para fone de ouvido da URSA Broadcast G2 é compatível com headsets para iPhone, é possível usar um deles para fazer a comunicação com o diretor. Apertar o botão no controle remoto integrado possibilitará a intercomunicação com o diretor.

Atualizar o Software Interno do URSA Studio Viewfinder

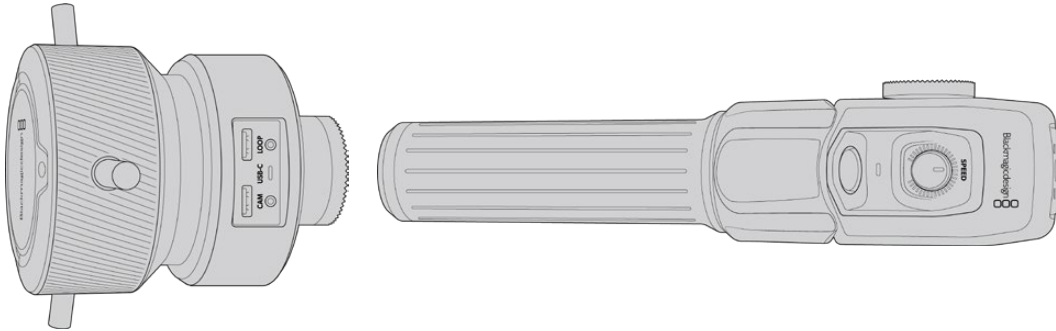
Atualize seu Viewfinder usando o software Blackmagic Camera Setup Utility. É necessário alimentar o visor durante a atualização, portanto recomendamos manter o visor conectado à sua URSA Broadcast G2 durante o processo. Isso também significa que a sua URSA Broadcast G2 precisará fornecer alimentação consistente, portanto certifique-se que ela esteja conectada à alimentação externa.

Remova o para-sol para garantir o acesso à pequena conexão USB-C localizada na parte inferior do Blackmagic URSA Studio Viewfinder e conecte o seu computador à porta USB-C. Quando o Blackmagic Camera Utility for iniciado e o seu Viewfinder estiver conectado ao seu computador, será solicitado que você atualize caso seu computador detectar que o seu Viewfinder está usando uma versão mais antiga. Siga as instruções na tela para atualizar o software interno do seu visor eletrônico. Consulte a seção ‘Blackmagic Camera Setup Utility’ neste manual para mais informações.

Recomendamos atualizar todos os seus equipamentos Blackmagic URSA ao mesmo tempo para uma performance otimizada.

OBSERVAÇÃO Ao usar o seu Blackmagic URSA Studio Viewfinder com a URSA Broadcast G2, recomendamos atualizar o software interno do seu visor para a versão mais atual para assegurar a compatibilidade. O software mais recente pode ser encontrado na Central de Suporte Técnico da Blackmagic Design em www.blackmagicdesign.com/br/support. Consulte a seção 'Blackmagic Camera Setup Utility' neste manual para mais informações.

Blackmagic Zoom e Focus Demands



A Blackmagic Zoom Demand e a Blackmagic Focus Demand são acessórios opcionais para controlar foco e zoom ao utilizar lentes B4, EF e PL compatíveis controladas por servo.

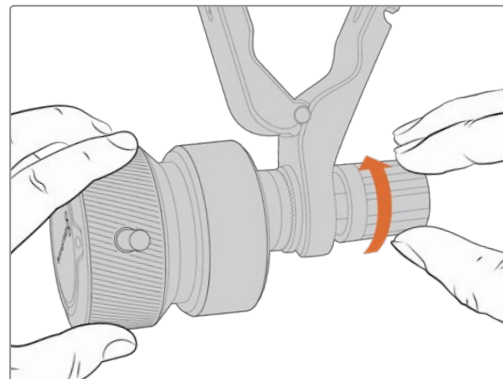
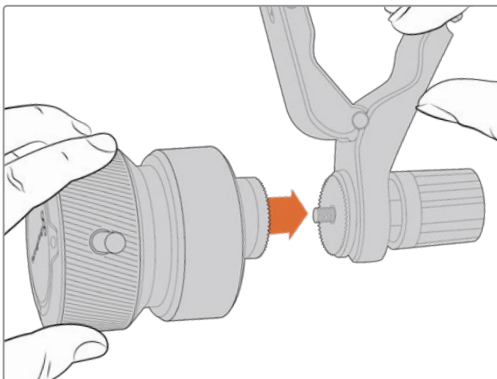
Cada unidade se encaixa a uma alça de tripé ou pedestal. Isso permite que você controle foco e zoom enquanto executa panorâmicas e inclinações de câmera usando ambas as mãos. Os botões e controles adicionais permitem refinar a velocidade e a sensibilidade do controle de zoom, ativar intercomunicação, monitorar o retorno de programa e muito mais.

Conectar e Encaixar à Câmera

Encaixar em Alças de Tripé

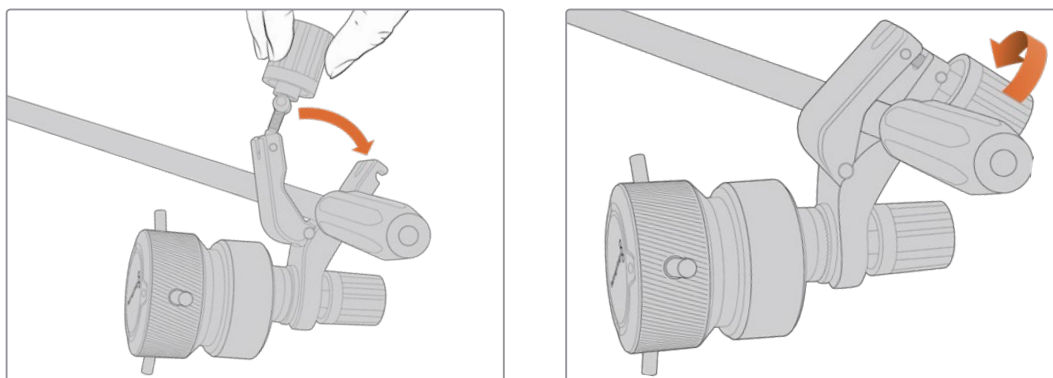
Cada unidade se encaixa a uma alça de tripé através de seus suportes de montagem. Encaixe cada unidade aos suporte através dos encaixes roseta:

Para encaixar as unidades de demanda nos suportes, basta conectá-los juntos através dos encaixes roseta e prendê-los apertando o knob.



- 1 Posicione a demanda de zoom ou demanda de foco contra o encaixe roseta do suporte.
- 2 Aperte os knobs de modo que as unidades de demanda estejam encaixadas firmemente nos suportes.

Agora que as unidades estão encaixadas nos suportes, você pode acoplar os suportes aos braços do tripé. Uma das extremidades de cada suporte possui uma trava em forma de T que pode ser introduzida em um compartimento e depois apertada.



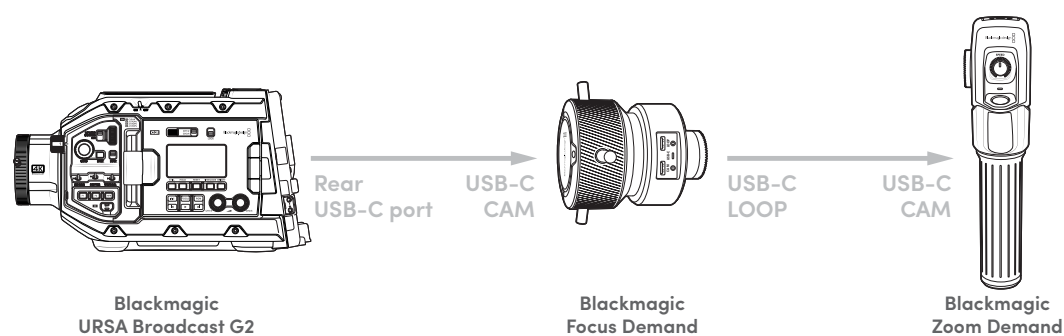
- 1 Solte o encaixe ao girar o knob da trava no sentido anti-horário. Isso soltará a trava em forma de T.
- 2 Com a trava aberta, posicione o suporte no braço do tripé e feche o suporte fechando a trava no compartimento. Gire o suporte até a posição desejada no braço do tripé.
- 3 Aperte o knob da trava para fixar o suporte ao braço do tripé.

Conectar à Câmera

A Blackmagic Focus Demand e Zoom Demand possuem duas portas USB-C. Isso permite que você utilize uma unidade individualmente ou ambas ao mesmo tempo.

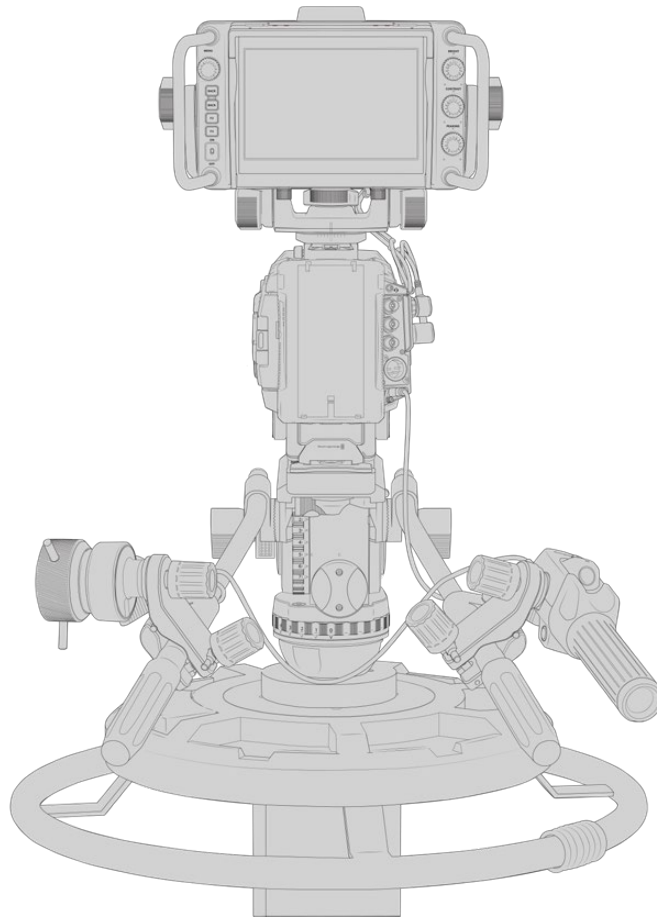
Cada unidade é fornecida com um cabo USB-C de 1 metro de comprimento, que pode ser conectado diretamente da porta USB-C traseira da URSA Broadcast G2 à porta “Cam” da unidade de demanda.

Se estiver usando ambas as unidades de demanda, você pode conectá-las em cascata plugando a primeira unidade à segunda unidade via USB-C.



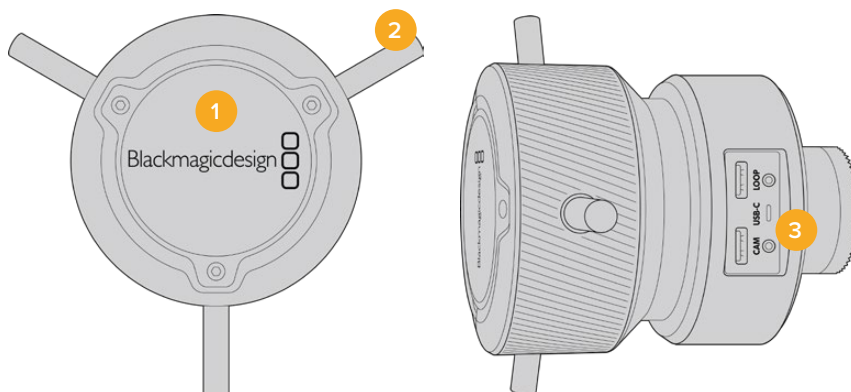
A conexão em cadeia permite que ambas as unidades sejam controladas usando a porta USB-C na sua URSA Broadcast G2. Por exemplo, conecte um cabo USB-C à porta USB-C traseira da câmera e conecte a outra extremidade do cabo à porta “Cam” da demanda de foco. Com um segundo cabo, conecte a porta “Loop” da demanda de foco à porta “Cam” da demanda de zoom.

O cabo USB-C possui travas em ambas as extremidades para fixar os conectores em cada unidade, evitando a desconexão acidental. Você não precisa usar os parafusos de fixação, mas eles são úteis para configurações de estúdio onde as unidades estão sempre conectadas à URSA Broadcast G2.



A Blackmagic Focus Demand e Zoom Demand permitem controlar foco e zoom sem tirar as mãos das alças.

Usar Blackmagic Focus Demand



1 Knob de Controle

Gire o anel de foco no sentido horário para focar em sujeitos mais próximos da lente, ou no sentido anti-horário para focar em sujeitos mais distantes. Você pode alterar a direção do foco no menu, optando entre “Normal” e “Inversa”.

DICA Se você também estiver usando uma Blackmagic Zoom Demand, pressione o botão de zoom rápido para ampliar a imagem à medida que aplica o foco usando a demanda de foco.

2 Manoplas de Controle

As três manoplas ampliam o diâmetro da superfície de controle, permitindo que você faça ajustes de foco mais precisos com a ponta de um dedo.

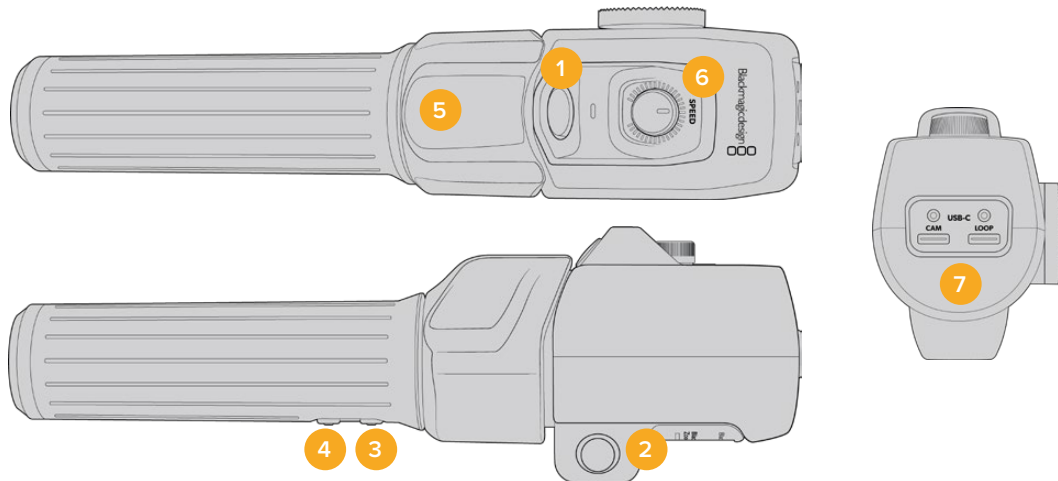
3 Portas USB

Permite conectar a demanda de foco à câmera e fazer uma conexão em cascata com a demanda de zoom. A porta “Cam” também é usada para atualizar o software interno através do utilitário Blackmagic Camera Setup.

Usar Blackmagic Zoom Demand

Os controles da Zoom Demand podem ser mapeados através das configurações de câmera. Para alterar as funções dos botões, consulte o capítulo ‘Ajustar Configurações’ na seção ‘Configurações’.

Os comandos abaixo são configurados por padrão.



1 Zoom F1

Este é o botão de função zoom 1. Por padrão, ele está mapeado como um botão de gravação.

2 Zoom F2

Este é o botão de função zoom 2. No outro lado do controlador, há um botão idêntico que executa a mesma função, permitindo o controle de canhotos e destros. Por padrão, ele é definido como uma função de zoom rápido que se aplica instantaneamente à imagem ao vivo.

OBSERVAÇÃO O recurso de zoom rápido é visível apenas no LCD da Blackmagic URSA Broadcast G2 e não será visível no vídeo de saída conectado a um switcher ou gravador.

3 Zoom F3

Este é o botão de função zoom 3. A ação padrão deste botão é definida como retorno de programa. Geralmente, para a alimentação de retorno de programa de um switcher, mas pode ser qualquer sinal SDI conectado à entrada SDI da câmera.

4 Zoom F4

Este é o botão de função zoom 4. A função padrão deste botão é definida como “Aperte para Falar”. Quando conectado a um switcher ATEM via SDI, pressione e segure o botão para se comunicar com o operador de switcher.

5 Oscilador de Polegar

A alça da demanda de zoom oferece um controle oscilador ao alcance do polegar. Empurre o controle à esquerda para diminuir o zoom e à direita para ampliar o zoom. A direção do zoom pode ser invertida através do menu de configurações da câmera.

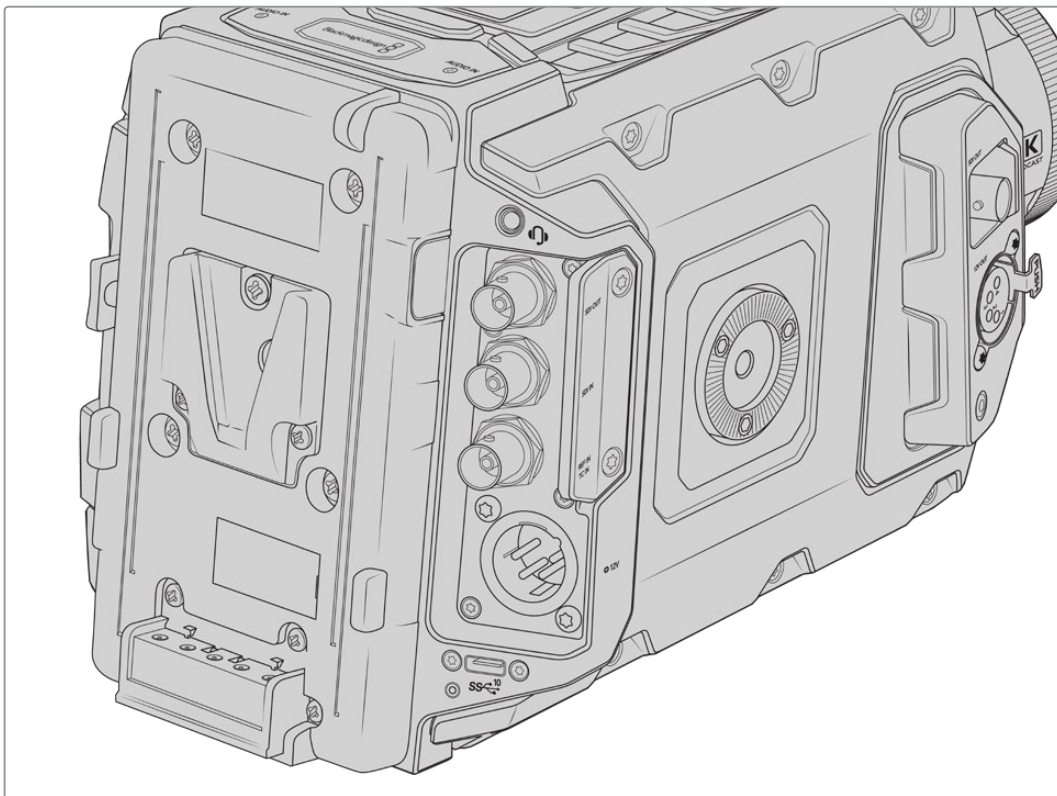
6 Dial de Velocidade

Ajuste a velocidade do zoom ao configurar o dial de velocidade na parte superior da unidade. Você também pode mapear este dial para controlar o nível de fones de ouvido, ajuste de íris e até ajuste de foco.

7 Portas USB-C

Permite conectar a demanda de zoom à câmera e fazer uma conexão em cascata com a demanda de foco. A porta “Cam” também é usada para atualizar o software interno através do utilitário Blackmagic Camera Setup.

Encaixar Baterias



Encaixar Baterias de Montagem V ou Montagem Gold

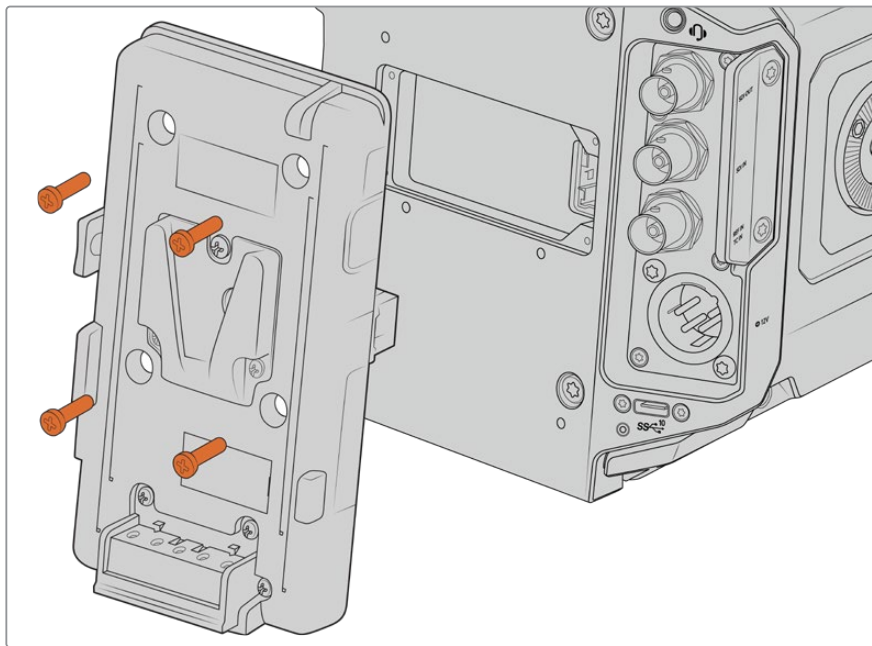
Sua Blackmagic URSA Broadcast G2 é fornecida com uma URSA VLock Battery Plate para encaixar baterias VLock padrão da indústria à sua câmera.

Outros tipos de bateria também podem ser montadas ao encaixar uma Blackmagic URSA Gold Battery Plate ou uma placa adaptadora de outro fabricante.

DICA A Blackmagic URSA VLock Battery Plate e a URSA Gold Battery Plate oferecem suporte para a exibição das informações percentuais de carga com baterias compatíveis. As placas de bateria Blackmagic possuem um conector de saída de +12 V, conhecido como “D-tap” ou “P-tap” para alimentar acessórios como um monitor externo. É importante observar que como esta saída é regulada pela câmera, ela será desativada com segurança quando a câmera for desligada. Esta saída regulada fornece 12 volts em até 1,5 amperes. Algumas placas de bateria URSA de terceiros, e inclusive algumas baterias, oferecem uma saída D-tap desregulada. Elas oferecem alimentação contínua quando a câmera está se reiniciando ou sendo desligada e religada, mas a voltagem varia dependendo do nível de carga da bateria, além dos acessórios conectados que descarregam a bateria continuamente.

Você pode adquirir as placas Blackmagic URSA VLock Battery e URSA Gold Battery através dos revendedores Blackmagic Design, ou placas de bateria de outros fabricantes através de fornecedores de equipamentos profissionais para cinema digital e vídeo. Caso queira adaptar sua própria placa de bateria para utilização com a Blackmagic URSA Broadcast G2, é possível usar o cabo adaptador e o conector incluídos. Consulte a seção 'Usar Sua Própria Placa Adaptadora de Bateria' para mais informações sobre como qualquer placa pode ser adaptada para uso com a sua URSA Broadcast G2.

Como substituir a placa de bateria da sua Blackmagic URSA Broadcast G2:



- 1** Desparafuse os 4 parafusos M3 de cada canto da URSA VLock Battery Plate.
- 2** Desconecte o conector molex da sua placa adaptadora de bateria do conector molex de alimentação da sua câmera.
- 3** Conecte o novo conector molex da sua placa adaptadora de bateria ao conector molex de alimentação da sua câmera.
- 4** Aparafuse a placa de bateria às roscas de montagem da sua Blackmagic URSA Broadcast G2 usando 4 parafusos M3. Certifique-se de que o cabo conector esteja inserido com segurança no compartimento dedicado e não fique prensado entre as placas adaptadoras ao encaixar.
- 5** Com a nova placa de bateria conectada, agora você pode encaixar uma bateria e alimentar a sua câmera.

Usar sua própria Placa Adaptadora de Bateria

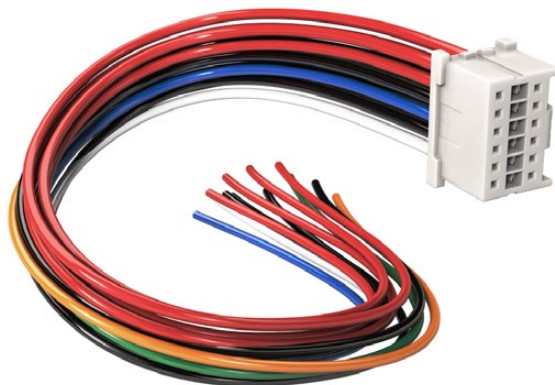
Cabo e Conector Adaptador

Caso deseje modificar uma placa de bateria de outro fabricante para uso com a URSA Broadcast G2, você pode utilizar o cabo e conector adaptador incluídos, que também estão disponíveis através da sua central de suporte técnico Blackmagic Design local.

Como ligar o cabo e conector adaptador à sua placa de bateria:

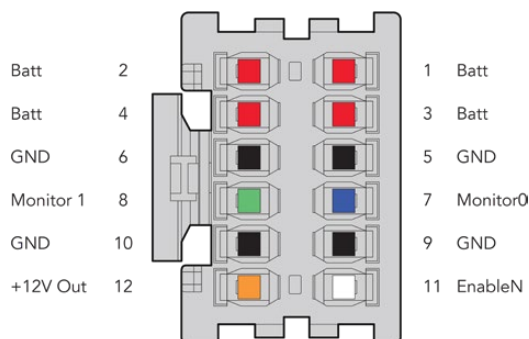
- 1 Tire aproximadamente meia polegada do isolamento da extremidade de cada fio vermelho e preto.
- 2 Solde todos os quatro fios de bateria vermelha no fio positivo correspondente da sua placa de bateria.
- 3 Solde todos os quatro fios de bateria GND pretos no fio negativo correspondente da sua placa de bateria.

Certifique-se de que as junções estejam bem isoladas.



Caso seja necessário modificar qualquer placa de bateria para conectá-la à URSA Broadcast G2, utilize o cabo e conector adaptador incluído, que também está disponível através da sua central de suporte técnico Blackmagic Design local.

Isso permite que a bateria alimente sua câmera. Também é possível conectar fios adicionais para recursos como a saída de 12 V e o status da bateria. Consulte as informações da sua placa de bateria, além do diagrama e das tabelas nesta página para assistência ao conectar os cabos. Caso mais assistência seja necessária, visite a central de suporte técnico da Blackmagic Design em www.blackmagicdesign.com/br/support.



Visualização da parte traseira da caixa do adaptador. Consulte a tabela de configuração dos fios para uma descrição de cada pino.

Tabela de Configuração do Cabeamento

Pinos	Sinal	Cor	Direção	Descrição
1, 2, 3, 4	Batt	Vermelho	Para URSA	12 V a 20 V
5, 6, 9, 10	GND	Preto	–	–
7	Monitor0	Azul	Para URSA	Nível de bateria analógico ou linha de dados de dreno aberto (máx. de 20 V)
8	Monitor1	Verde	Para URSA	Linha de relógio de dreno aberto (máx. de 3,4 V)
12	Saída +12 V	Laranja	A partir da URSA	Saída regulada de 12 V máx. de 1,5 A (18 W)
11	EnableN	Branco	Para URSA	Conecte ao aterramento GND para ativar a saída de +12 V. Mantenha flutuante caso a saída de +12 V não seja necessária.

Cada pino Batt e GND suporta 3 amperes. Certifique-se de que todos os pinos de bateria e GND estejam conectados. Para monitorar o status de bateria usando Anton Bauer, IDX ou placas Blueshape, siga a tabela de conexão abaixo:

Anton Bauer	Conecte o fio azul/branco listrado ao fio azul da caixa no pino 7.
IDX	Conecte o fio verde ao fio verde da caixa no pino 8, e o fio cinza ao fio azul da caixa no pino 7.
Blueshape	Conecte o fio azul marcado “SMBC” ao fio verde da caixa no pino 8. Conecte o fio marrom marcado “SMBC” ao fio azul da caixa no pino 7.

Proteja qualquer fio não utilizado ao cortá-lo o mais próximo possível da traseira do conector adaptador.

Blackmagic Fiber Converters

O Blackmagic Camera Fiber Converter e o Blackmagic Studio Fiber Converter são acessórios opcionais que oferecem conexão de fibra óptica SMPTE entre a sua câmera URSA Broadcast G2 ou URSA Mini e um switcher ATEM.

A fibra SMPTE permite que você conecte todos os sinais de controle de vídeo, intercomunicação, sinalização e câmera entre um switcher ATEM e a sua câmera via um único cabo híbrido de fibra óptica SMPTE padrão da indústria. A utilização da conexão de fibra óptica SMPTE reduz a quantidade de cabos, tornando os equipamentos de produção mais eficientes e mais fáceis de administrar. Os conectores padrão do Blackmagic Studio Fiber Converter permitem adicionar conversores de fibra a uma unidade móvel de transmissão com facilidade.

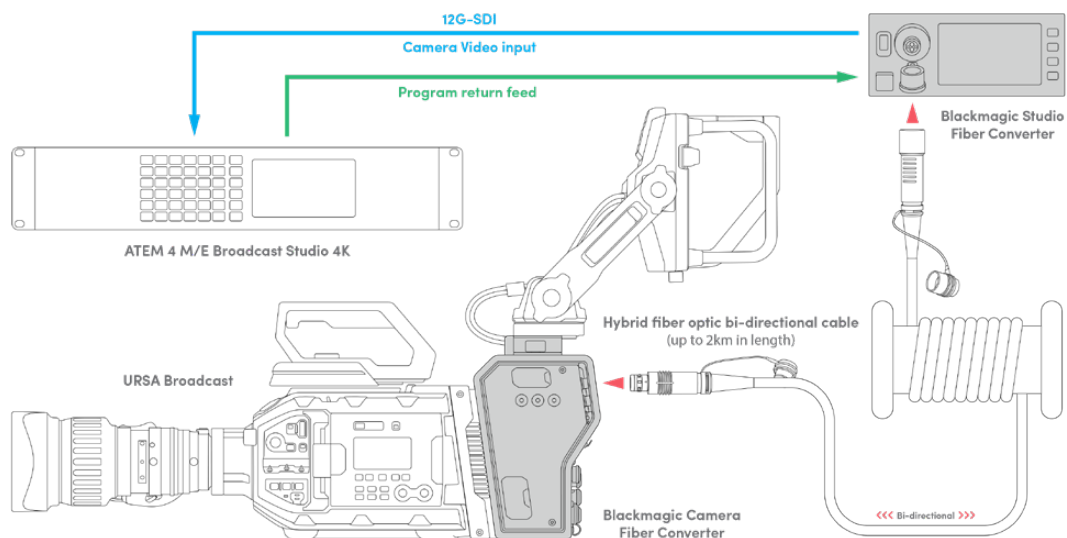


Blackmagic Camera Fiber Converter

O Blackmagic Camera Fiber Converter se encaixa na traseira da sua câmera URSA Mini ou URSA Broadcast G2 e se conecta ao Blackmagic Studio Fiber Converter via um conector híbrido padrão SMPTE 304.

Blackmagic Studio Fiber Converter

O Blackmagic Studio Fiber Converter converte o sinal de fibra óptica SDI da câmera via BNC, que por sua vez é conectado a um switcher ATEM. O conversor também recebe todas as fontes de alimentação de retorno, incluindo retorno de programa do switcher ATEM, e as reenvia à unidade de câmera.



O Blackmagic Camera Fiber Converter e o Blackmagic Studio Fiber Converter são conectados via fibra óptica para fornecer sinais de controle de vídeo, alimentação, intercomunicação e sinalização com eficiência via um único cabo de fibra óptica SMPTE.

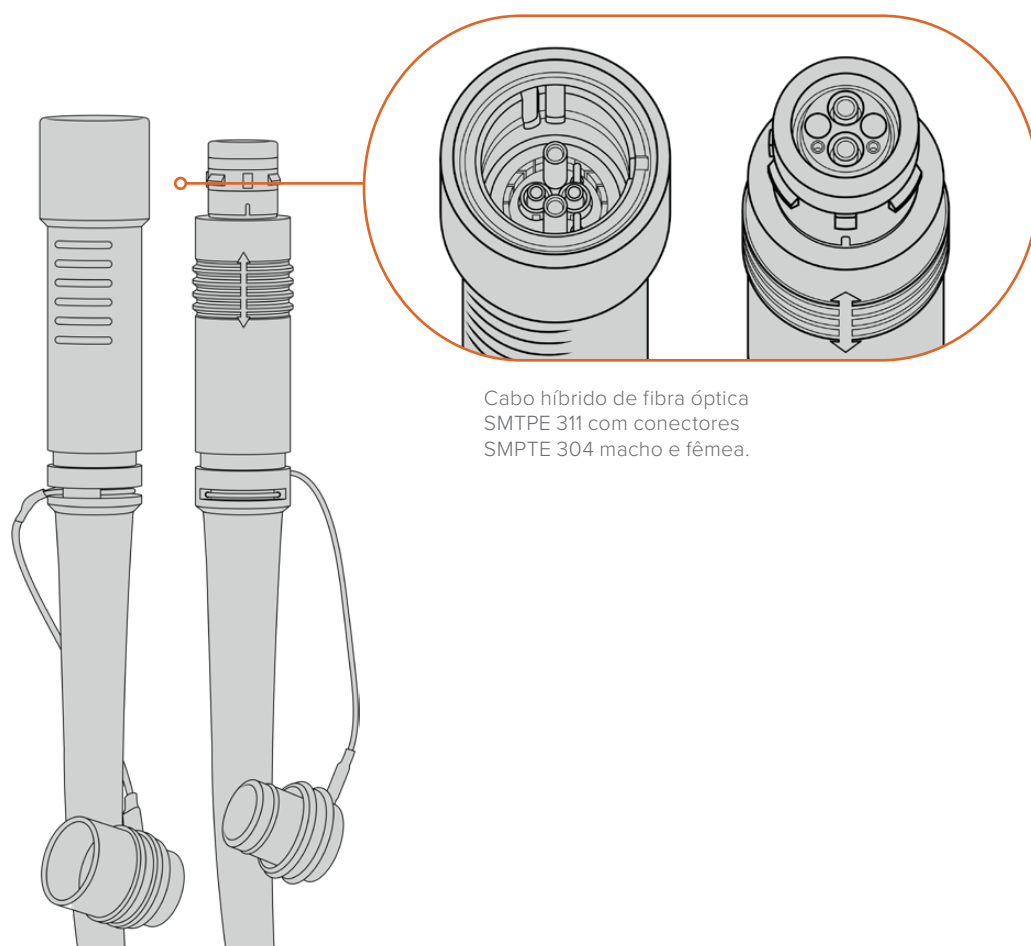
Instruções Preliminares para os Blackmagic Fiber Converters

Os primeiros passos são rápidos e fáceis. Em pouco tempo, você estará produzindo conteúdo de vídeo e desfrutando dos benefícios da fibra SMPTE.

Sobre a Fibra SMPTE

Os cabos de fibra SMPTE oferecem uma maneira mais simples de transmitir múltiplos sinais, incluindo alimentação, a longas distâncias. Isto é útil em ambientes broadcast, pois você não precisa plugar vários cabos para cada câmera que estiver conectada ao seu switcher.

Um cabo de fibra óptica híbrido SMPTE 311 permite utilizar um único cabo de fibra óptica padrão da indústria para conectar cada câmera ao seu switcher ATEM e fornecer sinais de controle de vídeo, alimentação, intercomunicação e sinalização. Com fibra óptica, você também pode distribuir esses sinais, incluindo alimentação, por até 2 km distância.



Cabo híbrido de fibra óptica SMPTE 311 com conectores SMPTE 304 macho e fêmea.

OBSERVAÇÃO As extremidades macho e fêmea de um cabo híbrido de fibra óptica SMPTE 311 podem ser identificadas pelos pinos macho e fêmea dentro da ponta do conector SMPTE 304. O gênero dos conectores não é determinado pela aparência exterior.

DICA Conecte a proteção emborrachada de cada extremidade do cabo de fibra SMPTE com a proteção emborrachada de cada conversor para impedir a entrada de poeira ou outros resíduos nos protetores.

Uma das maiores vantagens da conexão via fibra SMPTE é a conexão com a sala de controle ou unidade de transmissão móvel em ambientes broadcast ao vivo tradicionais. A maioria das arenas esportivas modernas já possui cabos de fibra óptica instalados entre as posições de câmera e a sala de controle ou unidade móvel de transmissão, então você pode plugar diretamente nesses sistemas.

O cabo utilizado para conectar a um sistema de fibra existente, ou para conectar os dois conversores de fibra Blackmagic entre si, é um cabo híbrido de fibra óptica SMPTE 311 com conectores SMPTE 304.

Proteger Conectores SMPTE

É muito importante que os conectores do cabo de fibra SMPTE estejam sempre vedados com a proteção emborrachada. Partículas de poeira minúsculas podem acumular rapidamente nas extremidades polidas dos tubos de fibra de vidro e interromper o fluxo do sinal. É recomendável substituir a proteção emborrachada assim que o conector estiver exposto. Por exemplo, logo antes da conexão, e logo depois da desconexão.

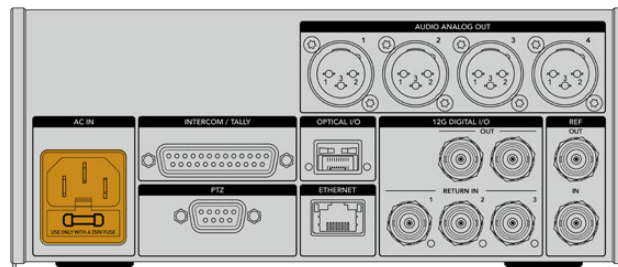
Também é recomendável conectar a proteção emborrachada de cada extremidade do cabo de fibra SMPTE à proteção emborrachada dos conversores durante o uso, evitando a entrada de poeira e outros resíduos.

Conectar Alimentação

A alimentação da unidade de estúdio é enviada à unidade de câmera através do cabo de fibra, portanto o primeiro passo é conectar a unidade de estúdio à alimentação.

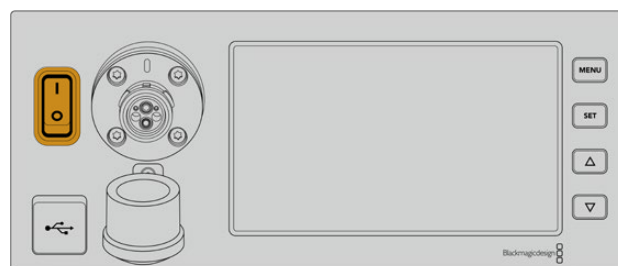
Alimentar o Studio Fiber Converter

Conecte um cabo de alimentação IEC padrão à entrada de alimentação na parte traseira do painel da unidade de estúdio.



A alimentação da unidade de estúdio é fornecida via um cabo de alimentação IEC padrão.

Para ligar a unidade, mova a chave de alimentação no painel de controle dianteiro para a posição "On".



Conectar Fibra SMPTE

O próximo passo é conectar o cabo de fibra óptica SMPTE entre a unidade de estúdio e a unidade de câmera. Isto fornece alimentação da unidade de estúdio para a câmera, além de conexão via fibra para todas as alimentações de vídeo.

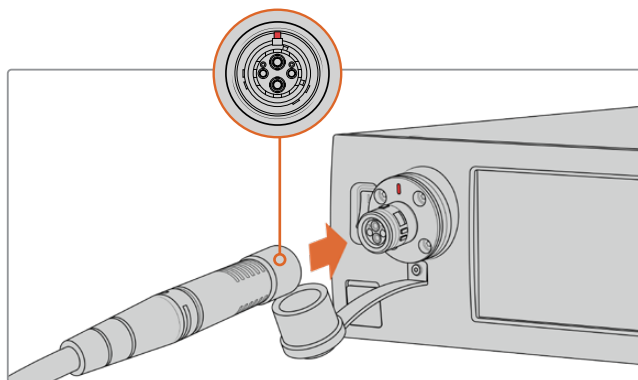
OBSERVAÇÃO Verificações de segurança extensivas são iniciadas sempre que um cabo híbrido de fibra óptica alimentado é conectado ao conversor. A segurança da alimentação da unidade é monitorada continuamente durante o uso.

Conectar o Cabo de Fibra à Unidade de Estúdio

A extremidade macho do cabo de fibra SMPTE é travada com segurança à extremidade fêmea do conector de fibra no painel frontal do Blackmagic Studio Fiber Converter. Esta conexão é segura, o que garante que o cabo não será desconectado acidentalmente durante a transmissão.

Como conectar o cabo:

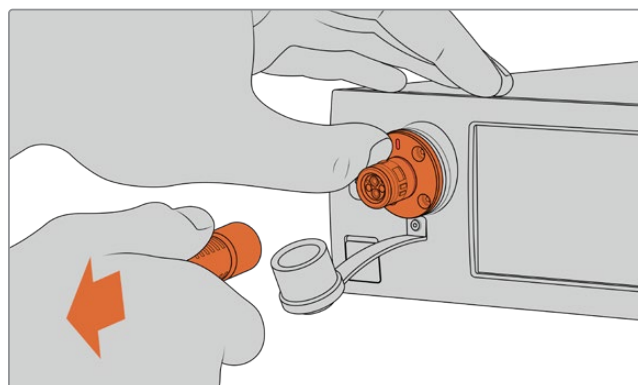
Alinhe o indicador vermelho do conector com o ponto vermelho do conector da unidade de fibra, e plugue o conector até que ele trave no lugar.



Plugue a extremidade macho do cabo de fibra SMPTE na extremidade fêmea do conector no painel frontal do Blackmagic Studio Fiber Converter.

Como desconectar o cabo:

Empurre a base metálica do conector da unidade de estúdio em direção ao painel frontal e remova o conector do cabo.



Empurre a base metálica do conector da unidade de estúdio em direção ao painel frontal para soltar o conector e, em seguida, remova o cabo da unidade.

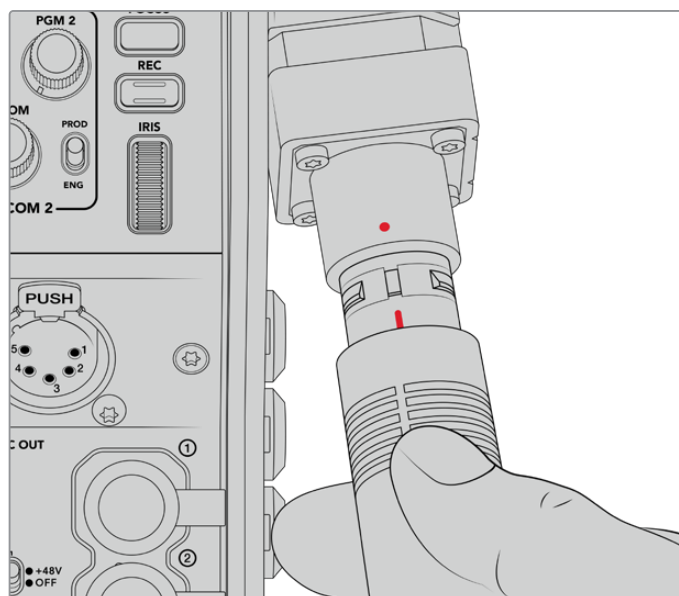
Quando estiver plugado, é recomendável conectar a proteção emborrachada da extremidade do cabo de fibra SMPTE à proteção emborrachada do Blackmagic Studio Fiber Converter. Isso evita a entrada de poeira e outros resíduos nos conectores, além de garantir que as proteções permaneçam limpas.

Conectar o Cabo de Fibra à Unidade de Câmera

A extremidade fêmea do cabo de fibra SMPTE trava na extremidade macho na lateral do Blackmagic Camera Fiber Converter, evitando que o cabo seja desconectado acidentalmente durante uma transmissão.

Como conectar o cabo:

- 1 Alinhe os indicadores vermelhos de cada conector e plugue o conector do cabo na unidade de câmera até que ele trave seguramente no lugar.
- 2 Quando estiver plugado, é recomendável conectar a proteção emborrachada da extremidade do cabo de fibra SMPTE à proteção emborrachada do Blackmagic Camera Fiber Converter. Isso evita a entrada de poeira e outros resíduos nos conectores, além de garantir que as proteções permaneçam limpas.

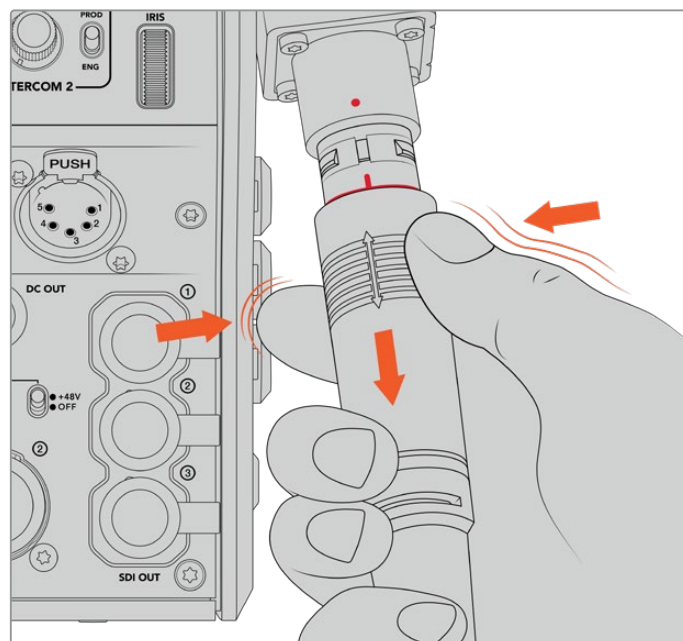


Alinhe os indicadores vermelhos para conectar o cabo híbrido de fibra óptica SMPTE ao conector grande do Blackmagic Camera Fiber Converter.

OBSERVAÇÃO Os conectores SMPTE 304 no cabo SMPTE 311 são bastante resistentes e travam firmemente na câmera. Caso precise desconectar o cabo, certifique-se de que a câmera esteja encaixada firmemente na cabeça do tripé ou sustente a câmera com sua mão livre ao desconectar o cabo.

Como desconectar o cabo:

- 1 Aperte a parte superior da extremidade fêmea do cabo, e comprima a proteção emborrachada em volta do cabo, puxando sutilmente da ponta do cabo até visualizar o anel vermelho sob a proteção. Isso fará com que os dentes se soltem do mecanismo de travamento.
- 2 Coloque uma das mãos sobre a câmera segurando cuidadosamente e puxe o cabo do conector do Blackmagic Camera Fiber Converter. O cabo se soltará sem necessidade de força excessiva.



Pressione a parte emborrachada na extremidade do cabo para revelar o anel vermelho e depois puxe o cabo para desconectá-lo.

OBSERVAÇÃO O cabo híbrido de fibra SMPTE é a peça principal do ecossistema broadcast, portanto é importante tomar muito cuidado. Por exemplo, evite torções no cabo, sempre impeça que ele seja pressionado sob itens pesados e evite dobrá-lo em ângulos de 90 graus. Evite deixar que os conectores caiam no chão e tome cuidado ao conectá-los e desconectá-los. Sempre tampe os conectores assim que ficarem expostos.

Confirmar Alimentação e Fibra

As duas unidades utilizarão um processo de aperto de mão (handshake) para determinar que a alimentação está sendo fornecida e a fibra está conectada com segurança.

Este processo inclui as seguintes etapas:

- 1** A unidade de estúdio entrará em estado de baixo consumo com a unidade de câmera. Isto será indicado pela luz de status vermelha de alimentação da unidade de câmera.
- 2** Uma vez que as unidades determinarem que a alimentação está conectada com segurança, o estado de alto consumo será estabelecido e a luz de status da alimentação da unidade de câmera ficará verde.
- 3** A conexão de fibra é confirmada e o status da alimentação da fibra ficará verde.

Normalmente, este processo ocorre rapidamente e os indicadores acendem em verde quase que imediatamente. Caso esteja utilizando um cabo a distâncias mais longas, pode demorar um pouco mais até que os indicadores acendam em verde durante o processo de aperto de mão.

Se o LED de alimentação permanecer vermelho durante um longo período de tempo e não ficar verde, ou alterne entre vermelho e verde, verifique que ambas as extremidades do cabo de fibra estejam conectadas com segurança. Se a interrupção persistir, verifique a condição do seu cabo de fibra.

Considerações sobre a Segurança da Alimentação

O cabo híbrido de fibra óptica SMPTE é capaz de carregar alta voltagem por longas distâncias, assim você pode alimentar a câmera e os acessórios que estão localizados a até 2 km de distância.

Para garantir operação segura, o seu Blackmagic Studio Fiber Converter possui mecanismos de segurança integrados para assegurar o monitoramento e o gerenciamento automático da voltagem sendo carregada.

Um microcontrolador dedicado, além do handshaking e a comunicação interna entre os Blackmagic Fiber Converters, garantem que o cabo híbrido de fibra óptica permaneça desativado até que seja conectado ao Camera Fiber Converter. O conversor, então, entra em um estado de baixo consumo e conclui as verificações de segurança antes de passar para o modo de alto consumo. Voltagens altas não são habilitadas até que os conversores assegurem que um sinal óptico esteja presente e que haja um sinal de fluxo de corrente da malha principal de 5 mA, com um valor de desequilíbrio inferior a 30 mA entre os núcleos de força.

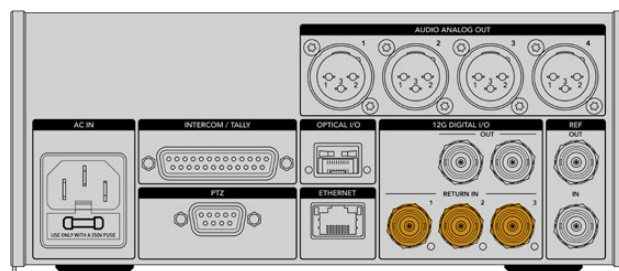
Conectar a um Switcher ATEM

Como conectar o Blackmagic Studio Fiber Converter ao seu switcher:

- 1 Conecte um cabo BNC entre a saída 12G-SDI da parte traseira do Blackmagic Studio Fiber Converter e uma das entradas SDI do seu switcher. Certifique-se que a sua câmera esteja configurada para utilizar o mesmo formato e taxa de quadro que o seu switcher.
- 2 Conecte um cabo BNC entre a saída de alimentação de programa do seu switcher e a entrada de retorno, "Return 1", do painel traseiro da unidade de estúdio.

DICA Durante uma produção ao vivo multicâmera, talvez seja necessário enviar a alimentação de programa do switcher a um Teranex Mini SDI Distribution 12G ou um Smart Videohub. Isso ocorre porque existe um número determinado de saídas de programa no switcher, e você provavelmente precisará acessar outras saídas.

- 3 Caso precise enviar outras alimentações de retorno à câmera, como alimentação limpa, alimentação de teleprôpmt, alimentação ISO de outra câmera, grafismos ou qualquer outro sinal, utilize as entradas "Return 2" ou "Return 3".



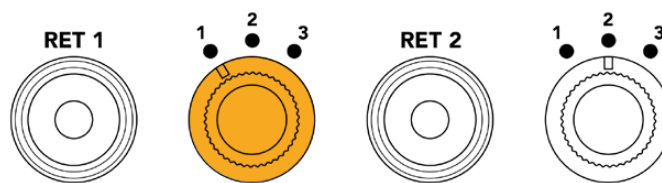
Plugue a alimentação de retorno de programa do switcher e outras fontes de retorno nas entradas de retorno na traseira da unidade de estúdio.

Confirmar Vídeo

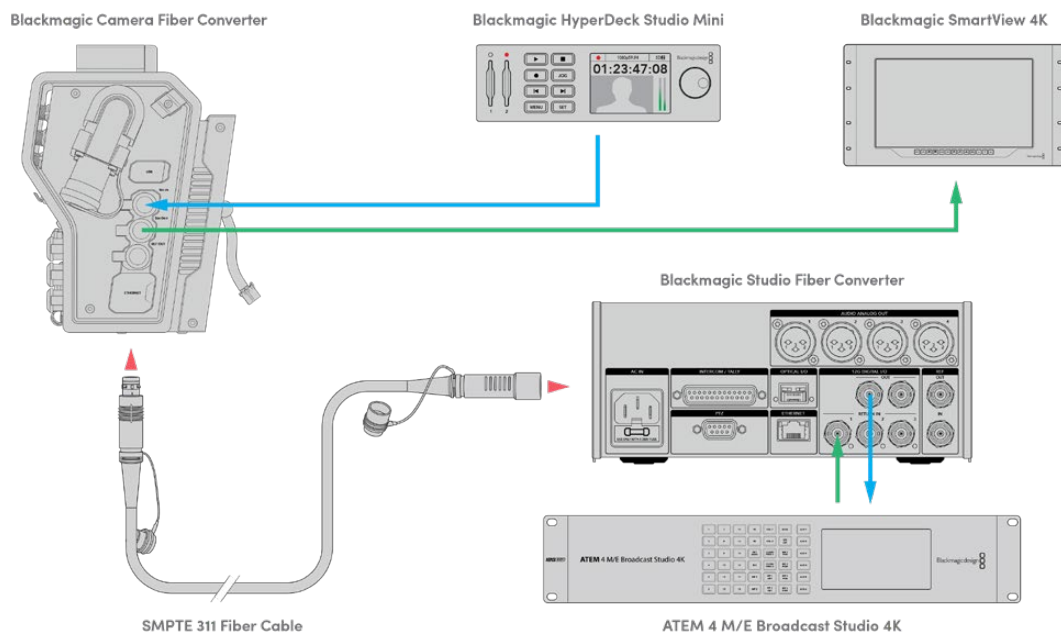
Agora você pode verificar se o vídeo está funcionando e todas as alimentações de programa estão presentes.

- 1 Certifique-se de que a saída de programa do switcher ATEM esteja conectada à entrada de retorno SDI 1 da unidade de estúdio.
- 2 Caso deseje verificar todas as alimentações de retorno, plugue as fontes de vídeo nas entradas de retorno SDI 2 e 3.
- 3 Agora, conecte um monitor SDI, como um Blackmagic SmartView 4K, na saída SDI na lateral da unidade de câmera.

Com um monitor conectado à saída SDI, gire o botão de seleção correspondente ao lado do botão de retorno para alternar entre as três alimentações. Você pode configurar os dois botões de retorno para monitorar duas alimentações de retorno diferentes, caso deseje.



Altere entre as alimentações de retorno na unidade de câmera e pressione o botão de retorno correspondente para visualizar a alimentação selecionada em um monitor.



Para confirmar o vídeo, plugue as fontes de vídeo nas entradas de alimentação de retorno na unidade de estúdio, e depois visualize-as através de um monitor conectado à unidade de câmera.

Por que as Conexões São Frontais?

A conexão de fibra está localizada na frente da unidade de estúdio para que atue como um painel de conexão óptica na traseira de um rack. Normalmente, o conversor de estúdio é instalado de maneira que os cabos SMPTE possam ser plugados diretamente na unidade. Isso elimina a necessidade de painéis de conexão adicionais no rack e o custo de um cabo curto extra para a unidade de fibra. A tela LCD grande ao lado do conector de fibra SMPTE permite que você verifique a qualidade da conexão com a câmera rapidamente.

Conectar SDI de Câmera

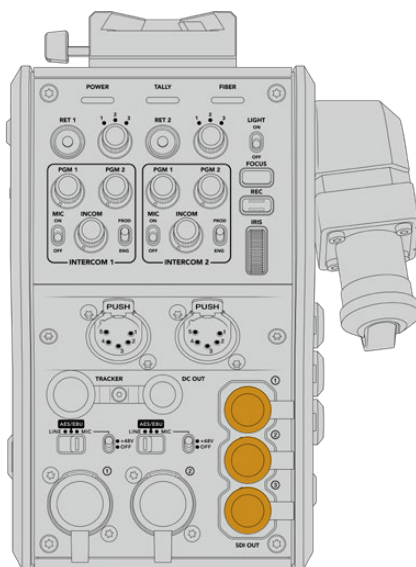
A conexão de sinais de vídeo entre o seu Blackmagic Camera Fiber Converter e a URSA Mini ou URSA Broadcast G2 é simples. Basta conectar dois dos três cabos SDI inclusos entre a lateral do conversor e a traseira da sua câmera.

Como conectar o Camera Fiber Converter à sua câmera:

- 1 Conecte um dos cabos BNC fornecidos entre a saída 12G-SDI da traseira da Blackmagic URSA Mini ou URSA Broadcast G2 e a entrada SDI do Blackmagic Camera Fiber Converter.
- 2 Conecte um dos cabos BNC fornecidos entre a saída SDI do Blackmagic Camera Fiber Converter e a entrada 12G-SDI do painel traseiro da Blackmagic URSA Mini ou URSA Broadcast G2.

Conectar Saídas de Retorno SDI

As três saídas SDI marcadas como “SDI Out” na frente da unidade de câmera são saídas loop de alimentações de programa provenientes do switcher. Essas saídas permitem que você conecte alimentações de retorno a outros equipamentos SDI próximos da câmera, como um teleprompter ou um monitor.



As três saídas loop de retorno podem ser conectadas a outros equipamentos SDI próximos à câmera, como um teleprompter ou um monitor.

OBSERVAÇÃO As saídas loop SDI de retorno suportam 3G-SDI para fornecer largura de banda suficiente para três alimentações diferentes. Isso significa que as alimentações de retorno Ultra HD do switcher de até 2160p60 serão convertidas para 1080p com a taxa de quadro equivalente.

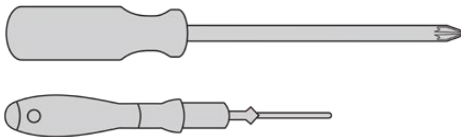
Montar o Blackmagic Camera Fiber Converter

O Blackmagic Camera Fiber Converter se encaixa na traseira da sua URSA Broadcast G2 ou URSA Mini, diretamente no corpo da câmera, e se fixa aos conectores BNC das entradas e saídas SDI atrás da câmera. Caso tenha instalado uma placa de bateria na traseira da sua câmera, será necessário removê-la antes de conectar o Blackmagic Camera Fiber Converter.

OBSERVAÇÃO Antes de instalar o Blackmagic Camera Fiber Converter, certifique-se de que a URSA Mini esteja utilizando o software interno versão 4.4 ou mais recente; e a URSA Broadcast G2 esteja executando a versão 4.6 ou mais recente. Você pode verificar a versão do software na página 4 do menu de configurações da câmera. Para mais informações sobre atualização do firmware da sua câmera, consulte a seção 'Blackmagic Camera Setup Utility' neste manual.

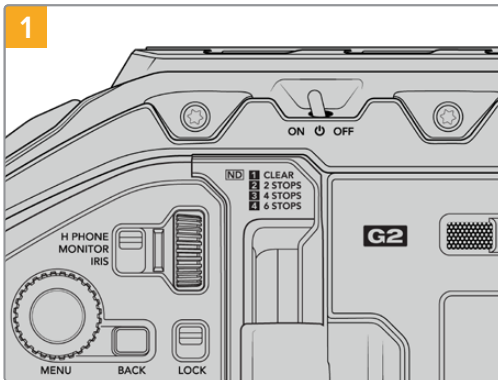
Ao encaixar o Blackmagic Camera Fiber Converter, você precisará das seguintes ferramentas:

- 1 x chave Phillips com ponta cruzada
- 1 x chave sextavada de 2,5 mm

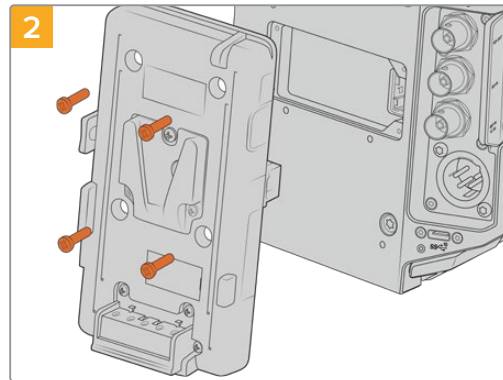


Para encaixar o Blackmagic Camera Fiber Converter na URSA Broadcast G2 ou URSA Mini, você precisará de uma chave Phillips grande e uma chave sextavada de 2,5 mm.

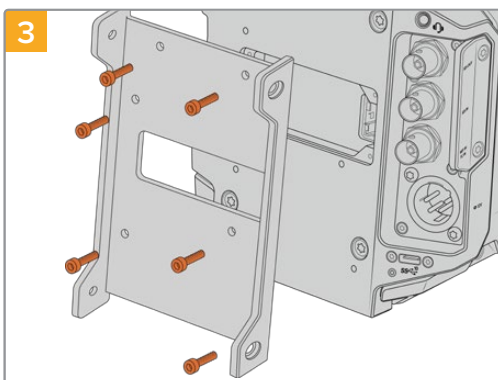
Como encaixar e conectar o Blackmagic Camera Fiber Converter:



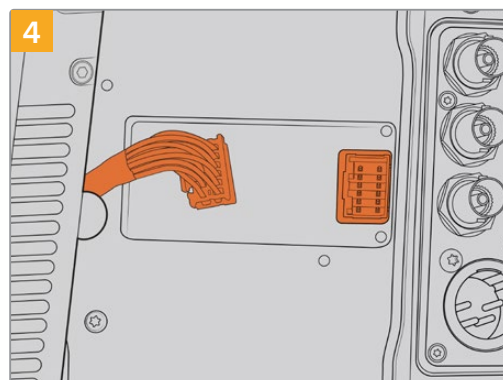
1 Certifique-se de que a sua câmera esteja desligada. Se estiver usando a URSA Broadcast G2 ou URSA Mini, desligue-a movendo a chave de alimentação para "Off".



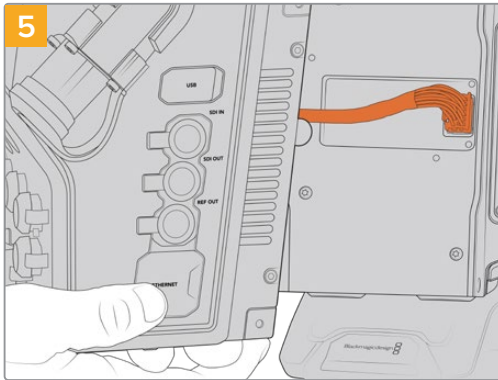
2 Retire a placa de bateria ou capa de proteção do conector mox, caso encaixado, utilizando uma chave Phillips.



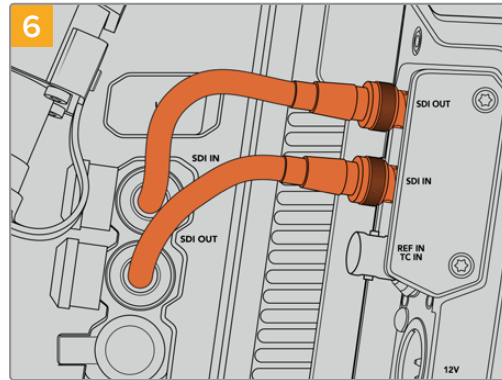
3 Encaixe o suporte de montagem do Blackmagic Camera Fiber Converter usando seis parafusos sextavados de 2,5 mm.



4 Plugue o conector mox do Blackmagic Camera Fiber Converter ao conector mox de alimentação do painel traseiro da sua câmera.



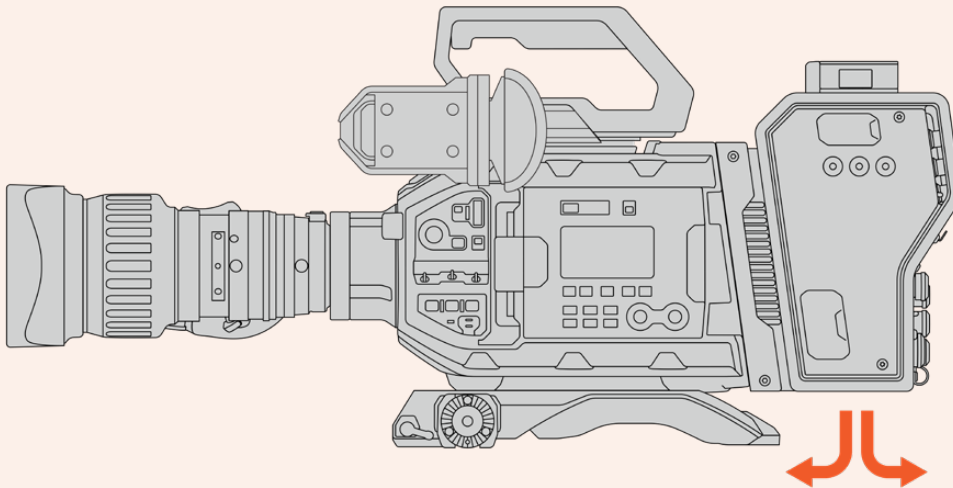
Deslize o Blackmagic Camera Fiber Converter no suporte de montagem e encaixe-o usando dois parafusos sextavados de 2,5 mm em cada lado do suporte.



Use os cabos BNC fornecidos para conectar a saída SDI da traseira da sua câmera na entrada SDI do Blackmagic Camera Fiber Converter, e a saída SDI do conversor de fibra à entrada SDI da traseira da câmera.

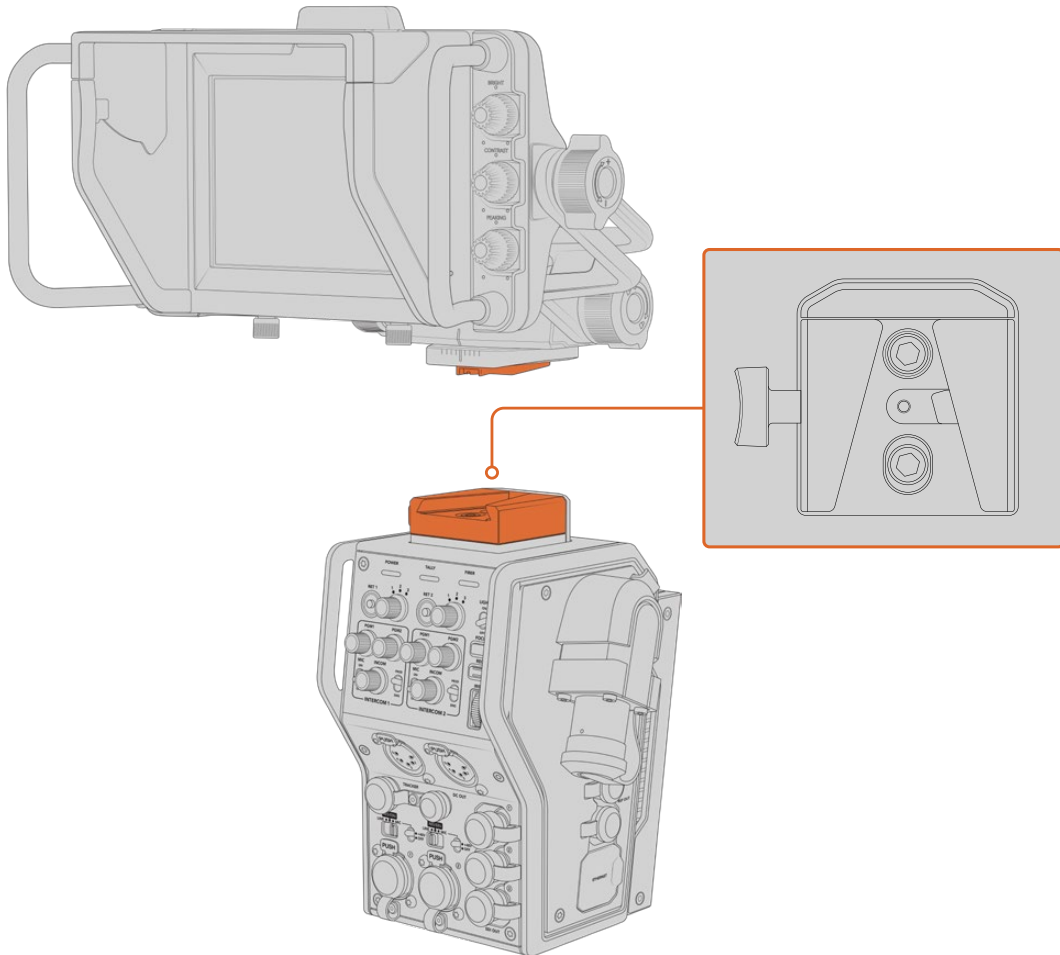
OBSERVAÇÃO Ao configurar a sua produção e utilizar a URSA Broadcast G2 ou URSA Mini com a unidade de fibra encaixada, é importante deixar um pouco de espaço livre para ventilação adequada sob o equipamento.

Como a câmera normalmente é utilizada em um tripé, ou montada no ombro, já haverá espaço suficiente. No entanto, caso a unidade esteja sendo utilizada sobre uma superfície plana, é recomendável acoplar um descanso de ombro URSA Mini, uma placa de base ou suporte para trilhos, a fim de manter o fluxo de ar da ventoinha de refrigeração sob o Fiber Converter.



Encaixar o URSA Studio Viewfinder

A placa V-Lock integrada na parte superior da unidade permite o encaixe de um Blackmagic Studio Viewfinder. Dessa maneira, o visor de estúdio se posiciona diretamente ao nível dos olhos quando a câmera é montada em um pedestal ou tripé.



A montagem V-Lock na parte superior da unidade de câmera permite que você encaixe um Blackmagic URSA Studio Viewfinder.

Plugar um Headset de Intercomunicação

Plugue um headset broadcast em um dos dois conectores XLR de 5 pinos na frente da unidade de câmera. Os dois conectores de headset permitem que duas pessoas se comuniquem com a equipe simultaneamente.

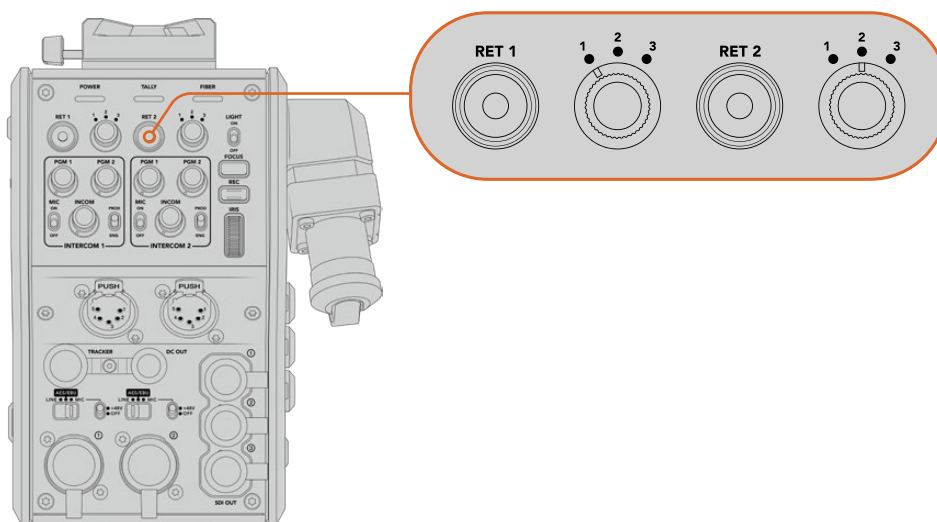
Agora, você já está pronto para começar! Com os conversores de fibra alimentados e o vídeo conectado via fibra SMPTE, você pode começar a usar os conversores para criar sua produção ao vivo com mais flexibilidade e eficiência. Continue lendo este manual para mais informações sobre como usar todos os recursos dos conversores de fibra Blackmagic.

Operar o Camera Fiber Converter

Selecionar uma Alimentação de Retorno

Os dois botões de retorno no painel frontal podem ser usados da mesma forma que o botão PGM na câmera, para alternar a alimentação no LCD, Blackmagic URSA Studio Viewfinder e nas saídas HD de monitoramento entre a visualização de câmera e retorno de programa.

O dois botões de retorno são marcados como “Ret 1” e “Ret 2” alternam entre essas alimentações de retorno. Os três controles giratórios juntos dos botões “Ret 1” e “Ret 2” atribuem qual é a alimentação de retorno desejada para a visualização ao apertar o botão correspondente à esquerda do controle. Essas posições no controle giratório estão relacionadas às entradas de retorno 1, 2 e aos três conectores SDI localizados na traseira do Studio Fiber Converter.



Os botões de retorno e os controles giratórios de três vias permitirão que você selecione qual alimentação de retorno visualizar quando os botões de retorno forem pressionados.

Pressione e segure um dos botões de retorno para visualizar a alimentação de retorno selecionada. A alimentação do programa continuará a ser exibida enquanto o botão de retorno permanecer pressionado. Pressione o botão de retorno duas vezes para bloquear a exibição da alimentação de retorno. Ao pressionar o botão de retorno novamente, você sairá da alimentação de retorno e retornará para a visualização de câmera.

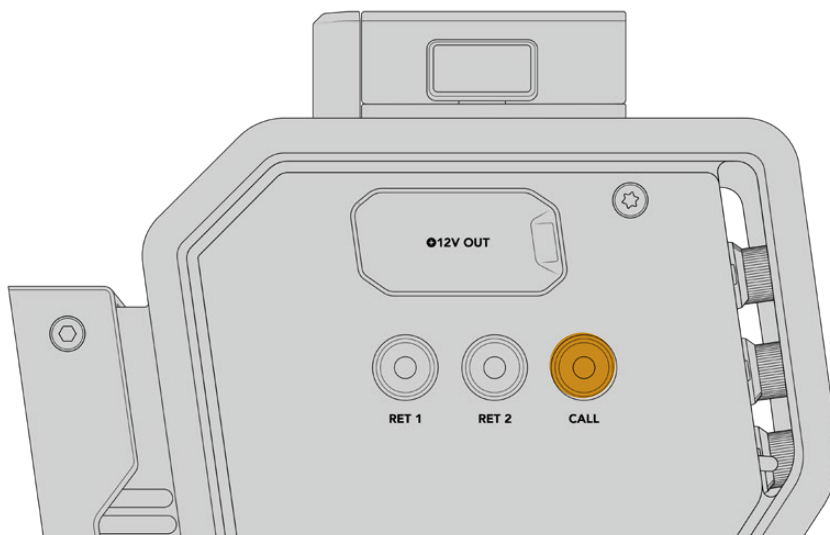
Assim, você pode ajustar com rapidez e facilidade qual das três alimentações de retorno sendo enviadas do Blackmagic Studio Fiber Converter você deseja acessar rapidamente nos dois botões de retorno. Por exemplo, as três alimentações de retorno podem ser a saída de programa do switcher completa com grafismos, uma alimentação de teleprompter e uma alimentação direta de outra câmera.

Ao usar estes controles, você pode atribuir “Ret 1” como sua alimentação de programa permanentemente e, depois, usar o segundo botão “Ret 2” para verificar o que está sendo enviado ao teleprompter, e para alternar a visualização ocasionalmente para verificar o enquadramento de outra câmera quando for necessário corresponder seu enquadramento ou ângulo.

Também há botões de retorno na lateral esquerda da unidade, marcados como “Ret 1” e “Ret 2” oferecendo acesso extra para a visualização das alimentações de retorno ao operar sua câmera pela lateral. Eles desempenham a mesma função que os botões de retorno na parte frontal da unidade.

Usar o Botão Call

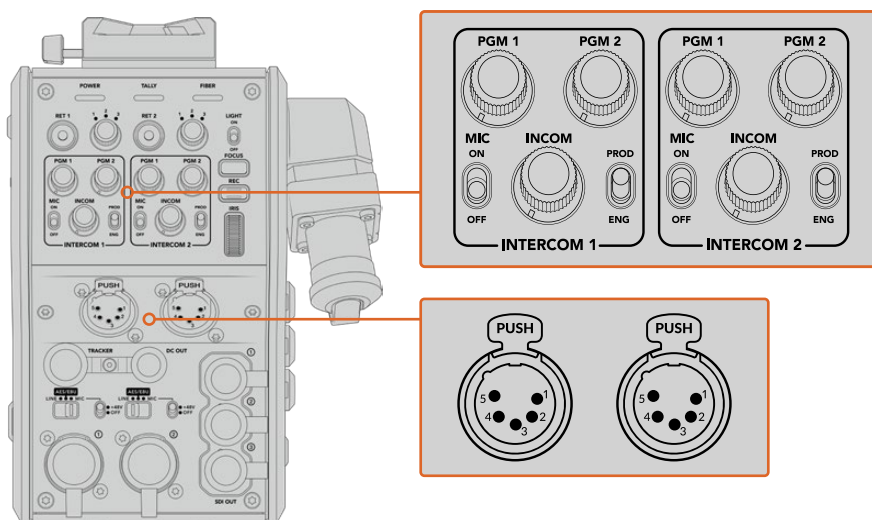
Próximo aos botões de retorno está o botão de chamada, “Call”, que, quando pressionado, pisca o indicador de sinalização vermelho na tela LCD do seu Blackmagic Studio Fiber Converter. O botão “Call” também faz piscar o indicador vermelho no painel do ATEM Talkback Converter 4K. Estes indicadores visuais servem para alertar os profissionais na sala de controle que você precisa de ajuda.



Usar Intercomunicação

Os dois conectores XLR fêmea de 5 pinos permitem que você encaixe dois headsets, assim, você e outro membro da equipe podem se comunicar com o resto da equipe simultaneamente.

Os controles de intercomunicação para cada headset estão reunidos em duas seções como dois intercomunicadores independentes, e são efetivamente mixers de áudio de três vias para cada conector XLR para headset localizado diretamente abaixo.



Os controles de intercomunicação para cada headset estão localizados diretamente acima de cada conexão para headset.

Você ouvirá o áudio das alimentações selecionadas para “Ret 1” e “Ret 2” através de um headset conectado. Os botões giratórios “PGM 1” e “PGM 2” ajustam os níveis de áudio dessas alimentações e “Incom” ajusta o volume geral. A chave “Mic” permite que o operador ligue ou desligue o seu próprio microfone.

Cada intercomunicador também possui dois canais selecionáveis, um canal de produção e um canal de manutenção. Assim, para as configurações broadcast com grandes equipes, você pode dividir as comunicações da equipe entre os dois canais. O canal de produção permite que você se comunique com o diretor, produtor e outros membros da equipe na sala de controle ou na unidade de transmissão móvel, enquanto o canal de manutenção permite que você se comunique com a equipe de iluminação, operadores técnicos e outros operadores de câmera. Você pode usar a página “Talkback” no menu do seu Blackmagic Studio Fiber Converter para selecionar a fonte de cada canal como “SDI + DB25” ou “Intercom tally DB25” no seu Studio Fiber Converter. Para mais informações, consulte a seção ‘Operar o Studio Fiber Converter’.

O Blackmagic Camera Fiber Converter também inclui uma conexão padrão de 10 pinos para o rastreamento da intercomunicação, o que é ideal quando ambas as conexões para headsets estão em uso e for necessário alimentar uma conexão adicional para o seu operador de grua.

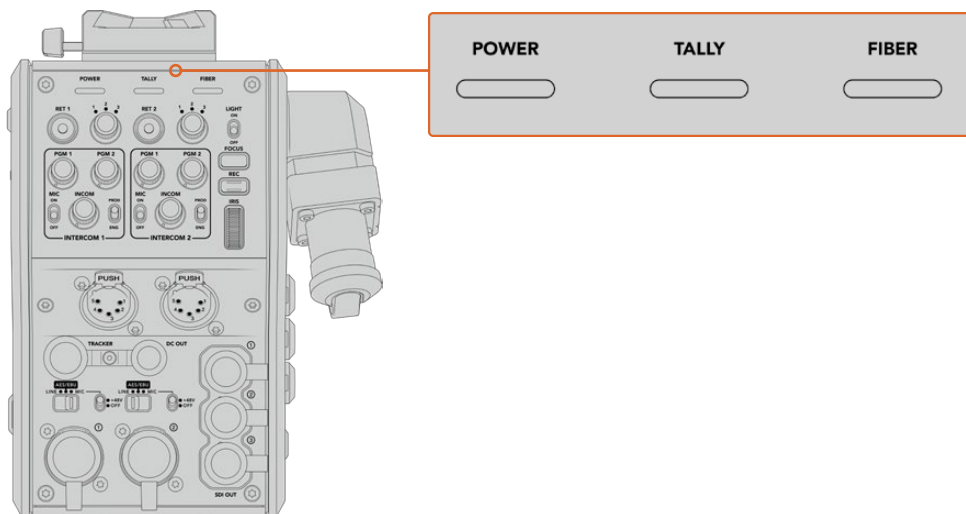
DICA Uma comunicação bidirecional eficiente entre operadores de câmeras, técnicos e engenheiros é fundamental para produções de estúdio em ritmo acelerado. O Blackmagic Camera Fiber Converter possui um botão “Call” para que os operadores de câmera possam alertar os engenheiros e técnicos através de seus headsets de intercomunicação. Ao pressionar este botão, um botão “Press to Talk” numerado piscará no ATEM Talkback Converter 4K e piscará o indicador de sinalização no LCD do Blackmagic Studio Fiber Converter. Da mesma forma, caso um membro da equipe na sala de controle ou caminhão de transmissão precise falar com um operador de câmera, basta pressionar o botão “Call” correspondente àquela câmera no ATEM Camera Control. Com isso, a luz de sinalização no Camera Fiber Converter piscará e a luz de sinalização no URSA Viewfinder ou URSA Studio Viewfinder da câmera piscará.

Usar Sinalização

O indicador de sinalização no painel frontal oferece uma luz de sinalização tradicional em vermelho para programa e em verde para a pré-visualização, assim é possível saber quando a câmera que você está operando estiver no ar.

Indicadores de Status

Os LEDs de status “Power” (Alimentação), “Tally” (Sinalização) e “Fiber” (Fibra) na parte superior da unidade acenderão em cores diferentes dependendo do status da unidade. Quando o cabo de fibra estiver desconectado, as luzes permanecerão apagadas.



Os LEDs de status acendem em cores diferentes para que você possa identificar o status da unidade.

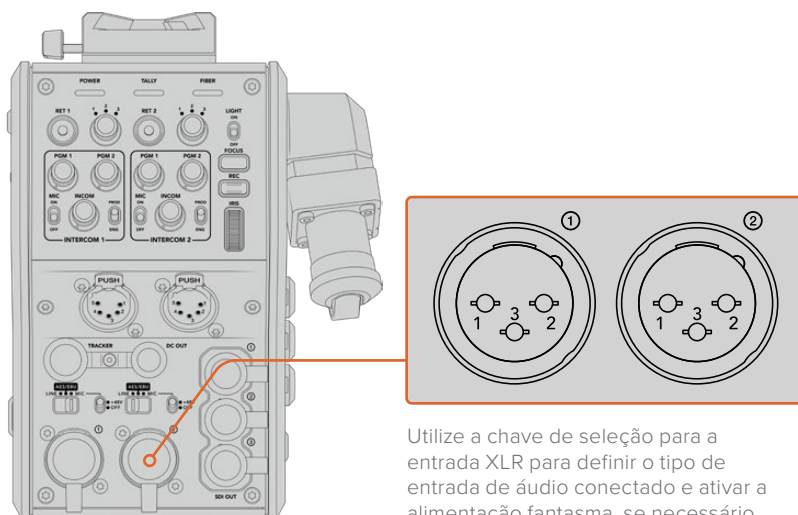
Uma descrição para cada cor, ação e status de LED está representada abaixo:

Alimentação	Vermelho Constante	Quando o cabo de fibra óptica híbrida SMPTE é conectado a um Blackmagic Studio Fiber Converter alimentado, e a outra extremidade do cabo é conectada a um Blackmagic Camera Fiber Converter, o LED de alimentação do conversor fica vermelho para indicar que ele está recebendo alimentação e em estado de baixo consumo. Neste estado de baixo consumo, a funcionalidade de intercomunicação é ativada, mas a alimentação completa é necessária para operar a unidade, que ainda não foi ativada. Se o LED de alimentação permanecer vermelho durante um longo período e não ficar verde, certifique-se de que ambas as extremidades do seu cabo híbrido de fibra óptica SMPTE estejam conectadas com segurança. Se a conexão permanecer instável, verifique a condição do seu cabo de fibra.
	Verde Constante	Depois que uma conexão de fibra for estabelecida com êxito e o Blackmagic Studio Fiber Converter determinar que a conexão do cabo é segura, o LED de alimentação ficará verde e o conversor de câmera entrará no modo de alto consumo.
	Piscando entre Vermelho e Verde	Se o LED de alimentação alternar entre vermelho e verde, certifique-se de que ambas as extremidades do seu cabo híbrido de fibra óptica SMPTE estejam conectadas com segurança. Se a conexão permanecer instável, verifique a condição do seu cabo de fibra.
Sinalização	Vermelho Constante	O LED de sinalização acende em vermelho para indicar que a câmera que você está operando no momento está no ar.
	Verde Constante	O LED de sinalização acende em verde para indicar que a câmera que você está operando no momento está no modo de pré-visualização.
Fibra	Vermelho Constante	Quando o cabo híbrido de fibra óptica SMPTE está conectado ao Camera Fiber Converter, o LED da fibra acenderá em vermelho para indicar que o processo de aperto de mão (handshake) foi iniciado e o conversor está em estado de baixo consumo. Neste estado, a funcionalidade é ativada para uso durante a instalação ou para a resolução de problemas com a cadeia de câmera, caso a conexão de fibra esteja desativada.
	Verde Constante	Depois que a conexão de um cabo híbrido de fibra óptica SMPTE for estabelecida com êxito, o LED da fibra ficará verde.

Depois que ambas luzes para a alimentação e a fibra ficarem verdes, isso indica que as verificações de segurança foram concluídas e os conversores entraram no modo de alto consumo.

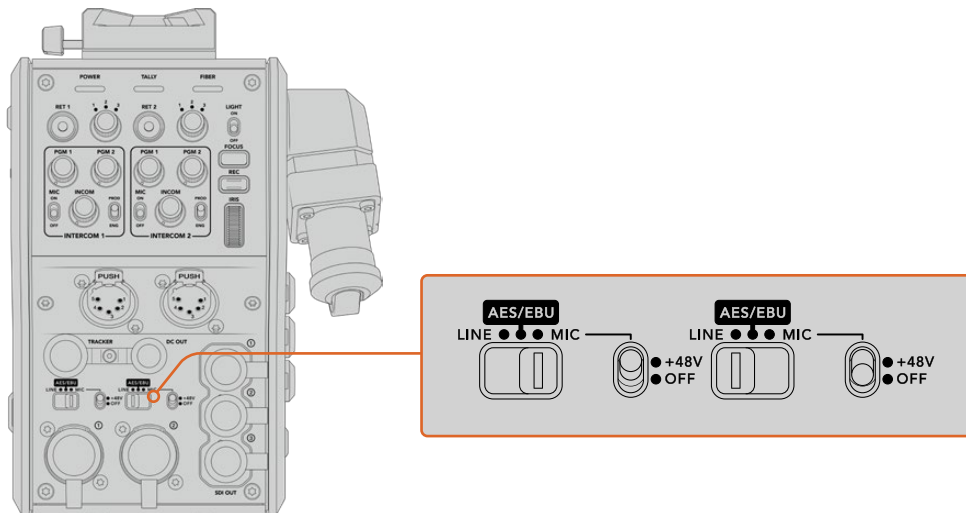
Entradas de Áudio

Seu Blackmagic Camera Fiber Converter possui duas entradas XLR rotuladas “1” e “2” que permitem a conexão de áudio analógico externo de equipamentos profissionais, como mesas de som, sistemas PA ou microfones externos.



O áudio de câmera é embutido nos canais 1 e 2 da alimentação de câmera, e as 2 entradas de áudio na traseira do Camera Fiber Converter são embutidas como os canais 3 e 4. Todos os quatro canais de áudio também são desembutados na outra extremidade do Studio Fiber Converter como saídas de áudio analógicas.

A página “Áudio” no menu do seu Blackmagic Studio Fiber Converter permite ajustar os níveis de entrada para as fontes de áudio conectadas às entradas XLR no seu Blackmagic Studio Fiber Converter. Para mais informações, consulte a seção ‘Operar o Studio Fiber Converter’. Depois de conectadas, você pode usar a chave de atribuição da entrada XLR para definir o comportamento das entradas XLR quando forem selecionadas como uma fonte de entrada. As opções disponíveis são áudio de microfone, áudio de nível de linha e áudio digital AES.



Caso deseje conectar microfones que não são autoalimentados, é possível ativar a alimentação fantasma de 48 V. Mova a chave de alimentação fantasma para “+48 V” para ativar a alimentação fantasma para qualquer microfone conectado ao XLR abaixo, ou “Off” para desativar a alimentação fantasma.

Vídeo IP

Um cabo de fibra SMPTE conectado permite um link IP de 10 Gbits entre o seu Camera Fiber Converter e o Studio Fiber Converter. Isso permite que todas as suas alimentações de vídeo e retorno sejam baseadas em vídeos IP usando codificação e decodificação de vídeos de 10 bits de alto nível, sem perdas visuais. Todas as outras conexões, como intercomunicação, sinalização, controle de câmera e de lente, também são convertidas em IP de baixa latência para que você obtenha um desempenho incrivelmente confiável.

Especificações de Alimentação


O Blackmagic Studio Fiber Converter oferece alimentação para o Blackmagic Camera Fiber Converter, sua câmera e seus acessórios. Um conector moxle é fixado ao soquete moxle no painel traseiro da sua câmera para alimentá-la a partir do Camera Fiber Converter.

Caso seja necessário posicionar sua câmera a uma distância de mais de 2,1 km da unidade móvel de transmissão, e sua câmera e seu conversor não estiverem recebendo alimentação suficiente pela passagem de cabo, é possível alimentar a câmera e o conversor localmente ao conectar o XLR de alimentação de 4 pinos da fonte de alimentação da câmera à entrada de +12 V na sua URSA Broadcast G2 ou URSA Mini. A alimentação será fornecida pelo conector moxle do Camera Fiber Converter.

O conector de saída de +12 V, por vezes também referido como “D-tap” ou “P-tap” permite que você alimente acessórios como um monitor externo ou uma lente tipo caixa grande, com 12 V nominais em até 500 mA. O conector “DC Out” oferece uma opção adicional para a alimentação de acessórios como um monitor externo.

Uma tabela para a pinagem do conector de saída DC é fornecida abaixo.

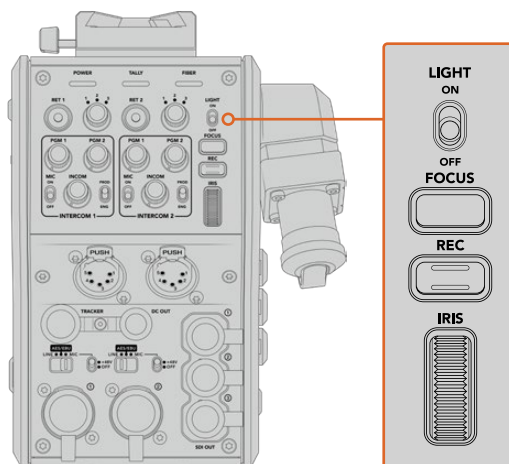
Diagrama de Pinagem do Conector de Saída DC

Visão Externa	Pinos	Sinal	E/S	Especificações
	1	GND não regulado	–	GND para saída não regulada
	2	NC	–	Não conectado
	3	NC	–	Não conectado
	4	Saída não regulada	Externo	12 V DC nominal em até 500 mA

Controles de Câmera Adicionais

Adicionamos controles de câmera, como íris e controle de foco, aos conversores de fibra para o uso da URSA Broadcast G2 e da URSA Mini como câmeras de estúdio, assim, é possível controlar lentes compatíveis a partir da traseira da câmera. Isso é útil quando não há um operador de controle de câmera para controlar as lentes à distância.

Como uma câmera de estúdio, a URSA Broadcast G2 e a URSA Mini ainda possuem a capacidade de gravar internamente, assim o botão de gravação permite que você dispare a gravação interna na câmera.



Light

Habilita a retroiluminação para acender o painel de operação e facilitar a visibilidade de todos os controles ao operar em um ambiente escuro.

Focus

Apertar o botão marcado como “Focus” acionará o foco automático, caso esteja usando uma lente compatível.

Record

Apertar o botão marcado como “Rec” acionará a gravação ao ser pressionado e interromperá a gravação ao ser pressionado novamente.

Iris

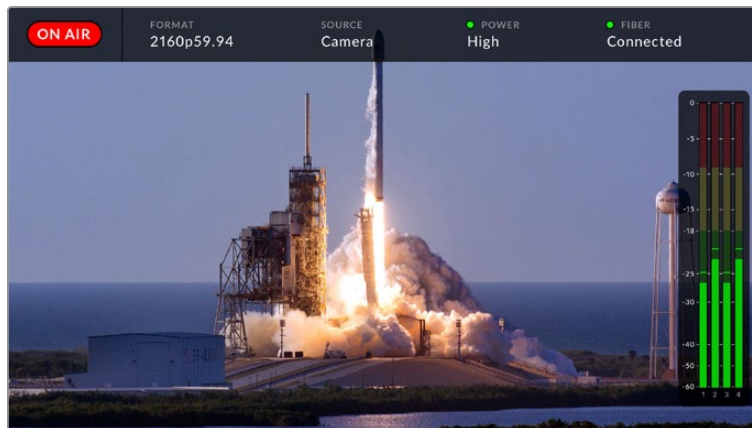
Caso esteja usando uma lente ativa compatível que permita o controle de câmera, você pode abrir ou fechar a íris usando o anel de íris. Gire o anel para cima ou para baixo para abrir ou fechar a abertura da lente.

Operar o Studio Fiber Converter

Selecionar a Fonte LCD

Ao ligar o dispositivo, o LCD do seu Blackmagic Studio Fiber Converter exibe a alimentação da sua câmera. Como uma unidade central, o Studio Fiber Converter recebe a alimentação de programa do seu switcher, além de todas as fontes de retorno, e as envia ao Blackmagic Camera Fiber Converter pelo cabo de fibra SMPTE.

O LCD integrado permite que você monitore a alimentação da câmera e cada fonte conectada às entradas de alimentação de retorno. Ele fornece um display do tipo heads-up com informações de status e medidores de áudio.



As sobreposições permitem confirmar o nome e o formato da fonte sendo monitorada ao alternar entre as alimentações.

On Air

O ícone vermelho “On Air” será exibido quando a câmera conectada estiver sendo usada na alimentação de programa e permanecerá em branco quando não estiver no ar.

Formato

Exibe a resolução e a taxa de quadro da fonte atual.

Fonte

Exibe o nome da fonte atual.

Alimentação

Exibe o status de alimentação atual. “Baixo” será exibido com uma luz de status vermelha durante a conexão para indicar um estado de alimentação baixo e “Alto” será exibido com uma luz de status verde depois da unidade ter entrado no modo de alimentação alto. Para mais informações, consulte ‘Indicadores de Status’ na seção ‘Operar o Camera Fiber Converter’.

Fibra

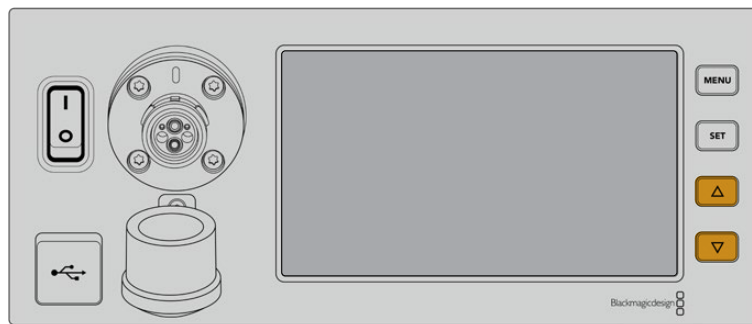
Exibe o status da fibra atual. “Conectando” será exibido com uma luz de status vermelha durante o processo inicial de conexão e “Conectado” será exibido com uma luz de status verde depois que uma conexão com um cabo híbrido de fibra óptica SMPTE é estabelecida com êxito. Para mais informações, consulte a seção ‘Indicadores de Status’ em ‘Operar o Camera Fiber Converter’.

Medidores de áudio

Os medidores de pico de áudio exibem os níveis de áudio quando o áudio da câmera embutido nos canais 1 e 2 da alimentação de câmera é usado. Os canais 3 e 4 correspondem às fontes de áudio conectadas às duas entradas XLR na traseira do seu Blackmagic Camera Fiber Converter. O display é calibrado em unidades dBFS e inclui indicadores de retenção de pico que permanecem visíveis por uma curta duração de tempo para que você possa visualizar nitidamente os níveis máximos atingidos.

Usar o Menu

Ao pressionar os botões de seta para cima e para baixo, você navegará pelas quatro fontes possíveis: “Câmera”, “Retorno 1”, “Retorno 2” e “Retorno 3”. Pressione o botão “Menu” para acessar o sistema de menu e ajustar as configurações. Os botões de seta podem ser usados depois para navegar pelas várias telas de menu e pelas opções em cada tela, e o botão “Set” confirmará a sua seleção. As configurações no menu estão divididas entre as páginas “Áudio”, “Intercomunicação” e “Configurações”.

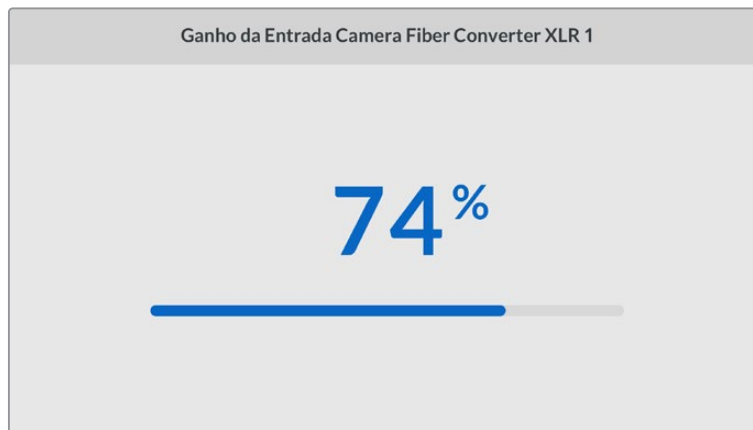


Pressione os botões de seta para cima e para baixo para navegar pelas quatro fontes possíveis e navegar pelo menu.

Áudio

A página “Áudio” permite ajustar os níveis de entrada para as fontes de áudio conectadas às entradas XLR no seu Blackmagic Camera Fiber Converter.

Áudio	
Ganho da Entrada Camera Fiber Converter XLR 1	50%
Ganho da Entrada Camera Fiber Converter XLR 2	50%
Canal de Saída 1 e 2	Embutido 1 e 2
Canal de Saída 3 e 4	XLR 1 e 2



Use os botões de seta para ajustar o nível de entrada para cada entrada XLR e o botão “Set” para configurar o nível.

Você pode configurar quais canais de áudio do Camera Fiber Converter mapear para as saídas SDI e XLR integradas. Os canais de áudio embutido da URSA Mini ou URSA Broadcast G2 são os canais 1 e 2 por padrão. As entradas XLR de nível Mic ou Linha conectadas ao Camera Fiber Converter são mapeadas aos canais 3 e 4 por padrão. É possível ajustar as configurações do canal de saída utilizando esses mapeamentos a partir das suas configurações padrão. Se uma das entradas XLR no Camera Fiber Converter estiver configurada como AES, isso amplia suas opções de mapeamento para que incluam os canais 5 e 6, que são enviados na sua saída SDI embutida.

Canal de Saída 1 e 2	
Embutido 1 e 2	✓
XLR 1	
AES 3 e 4	

Mapeamento dos canais XLR integrados da câmera para os canais de saída 1 e 2.

Intercomunicação

Utilize o menu “Intercomunicação” para selecionar a sua fonte de áudio e a fonte de intercomunicação para os canais de produção e técnico. Configure a fonte de intercomunicação como “SDI + DB25” ou “Intercom tally DB25” no seu Studio Fiber Converter.

Também é possível ajustar o nível de ganho do fone de ouvido para cada headset de intercomunicação e compensar pelos níveis de impedância dos headsets. As configurações de “Alimentação Fantasma” possibilitam habilitar a alimentação fantasma sendo enviada ao respectivo headset. Ajuste a configuração “Nível Sidetone” para permitir que os operadores de câmera ouçam suas próprias vozes nos seus headsets a um nível claro e conveniente.

Intercomunicação	
Fonte de Áudio do Programa	SDI Canais 1 e 2
Fonte do Canal de Produção	SDI + DB25
Fonte do Canal Técnico	Sinalização Intercomunicação DB25
Intercom 1	
Ganho do Fone de Ouvido	50%
Ganho do Microfone do Headset	50%
Alimentação Fantasma do Microfone do Headset	On
Nível Sidetone	50%
Intercom 2	
Ganho do Fone de Ouvido	50%
Ganho do Microfone do Headset	50%
Alimentação Fantasma do Microfone do Headset	On
Nível Sidetone	50%

A seção do intercom ficará sombreada quando nada estiver conectado às entradas XLR e exibirá "Conectando" durante a conexão.

Configurações

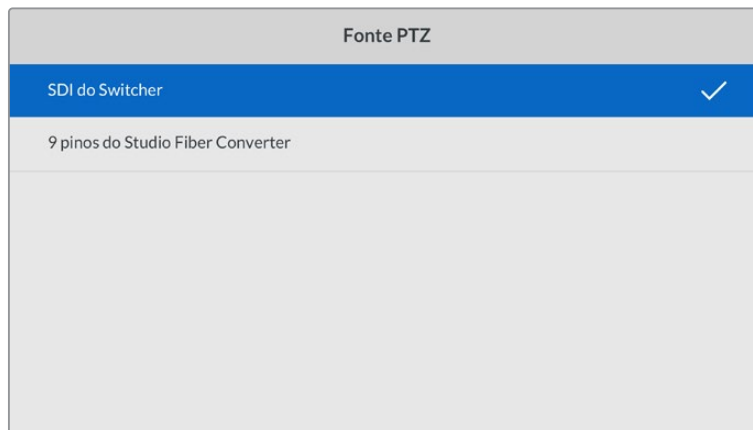
O menu "Configuração" permite definir a fonte PTZ, selecionar o idioma dos menus e escolher o tipo de nível de retorno SDI.

Configurações	
Fonte PTZ	SDI do Switcher
Idioma	Português
SDI 12G Retorno	3G Nível A

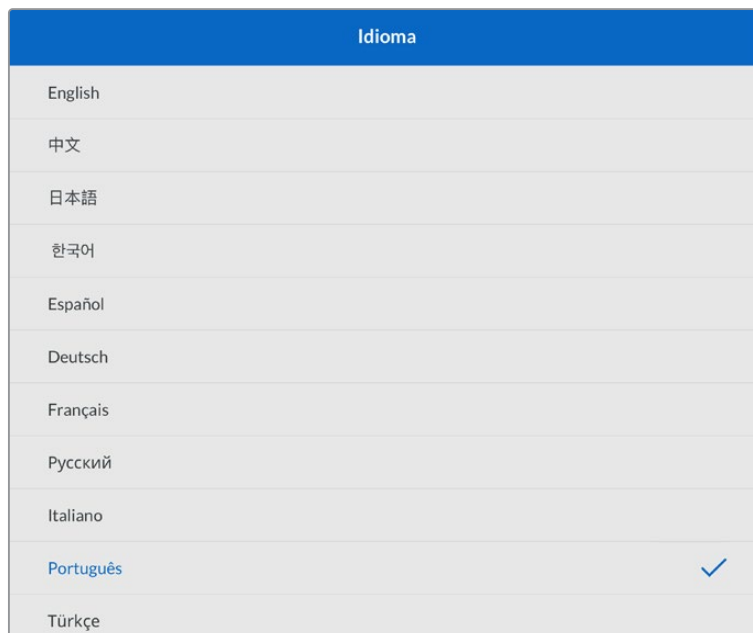
Selecione a fonte dos comandos PTZ usando a configuração da fonte PTZ. Você pode selecionar "SDI" ou "9 pinos", que correspondem às entradas SDI "Return In" e ao conector PTZ de 9 pinos na traseira do seu Blackmagic Studio Fiber Converter.

Isso significa que você pode controlar panorâmicas, inclinações e zoom (PTZ) de uma câmera em um switcher ATEM e enviar esses comandos PTZ ao Blackmagic Studio Fiber Converter via SDI. Esses comandos serão enviados pelo cabo de fibra SMPTE para o seu Blackmagic Camera Fiber Converter, onde serão desintegrados e enviados via o conector serial DE-9 para conexão com uma cabeça PTZ motorizada.

Você também pode conectar um controlador PTZ ao seu Blackmagic Studio Fiber Converter via o conector DE-9 para controlar uma cabeça remota onde a câmera estiver.



A página do menu de configurações oferece a opção de selecionar “SDI” e “9 pinos” como a fonte dos comandos PTZ.



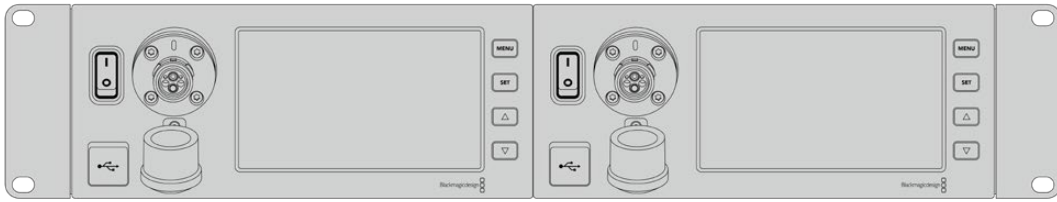
A configuração “Idioma” define a língua dos menus. O Studio Fiber Converter oferece suporte para 11 idiomas populares: inglês, chinês, japonês, coreano, espanhol, alemão, francês, russo, italiano, português e turco. A página “Selecionar um Idioma” aparecerá na primeira inicialização e depois que você atualizar o software interno.

A opção “Retorno 12G-SDI” define se os sinais 12G de retorno do programa serão de conversão descendente para 3G Nível A ou 3G Nível B. Todos os sinais 12G enviados às entradas de retorno no Studio Fiber Converter sofrem conversão descendente quando enviados ao Camera Fiber Converter.

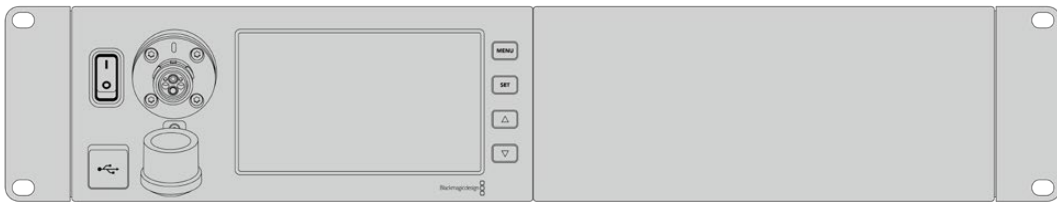
Montar Unidade de Estúdio em Rack

Caso esteja utilizando múltiplos modelos Blackmagic Studio Fiber Converter, você pode utilizar o Blackmagic Studio Fiber Rack Kit para instalar os seus conversores em um rack broadcast ou um case rígido. Com o kit, é possível montar duas unidades de estúdio lado a lado em um rack, ou encaixar em qualquer lateral. Uma frente falsa é fornecida com o Studio Fiber Rack Kit para cobrir o lado do rack, caso você queira montar somente uma unidade.

O modelo Studio Fiber Converter tem duas unidades de rack de altura e ocupa a metade da largura de uma prateleira padrão. Ou seja, é possível montar dois modelos Studio Fiber Converter lado a lado no espaço de duas unidades de rack.

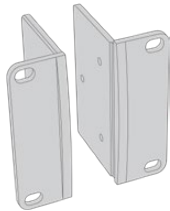


Modelos Blackmagic Studio Fiber Converter montados lado a lado.



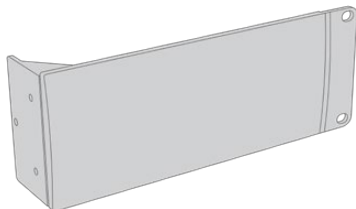
A frente falsa incluída pode ser usada para cobrir um espaço de rack vazio, caso necessário.

O Blackmagic Studio Fiber Rack Kit inclui os seguintes itens:



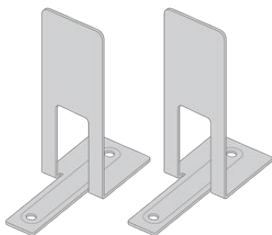
2 x orelhas de rack

Encaixe as “orelhas” nas beiradas do Blackmagic Studio Fiber Converter para montá-lo em um rack.



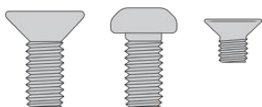
1 x frente falsa com meia unidade de rack de largura

A frente falsa tem uma orelha de montagem em uma das beiradas para que você possa cobrir o espaço de rack vazio caso esteja instalando somente uma unidade. A ilustração mostra a orelha no lado direito. Basta girar o painel em 180° para montá-la do outro lado.



2 x suportes de montagem

Os suportes de montagem em forma de "T" se encaixam debaixo das duas unidades Studio Fiber onde elas se encontram, na frente e atrás, para fornecer suporte.



Parafusos

8 x M4 de 10 mm

Parafusos das orelhas de rack

4 x M4 de 8 mm

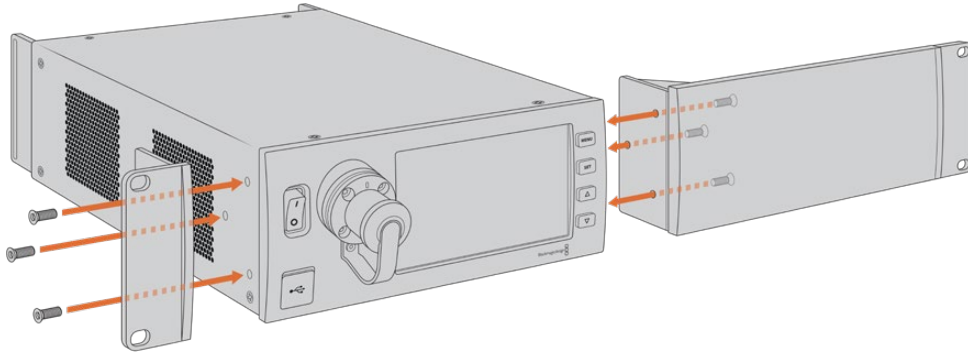
Parafusos da frente falsa

5 x M3 de 5 mm

Parafusos dos suportes de montagem

Como preparar o Blackmagic Studio Fiber Converter para montagem em rack:

- 1 Posicione a frente falsa à esquerda ou direita do seu Studio Fiber Converter, dependendo do lado do rack no qual você deseja montar a sua unidade. A face dianteira da frente falsa deve estar alinhada paralelamente ao painel frontal da unidade.
- 2 Encaixe a frente falsa na lateral do seu Studio Fiber Converter, próximo ao painel frontal, utilizando três dos parafusos fornecidos para a frente falsa.



- 3 Use três dos parafusos fornecidos para encaixar uma orelha de rack no outro lado do seu Studio Fiber Converter.

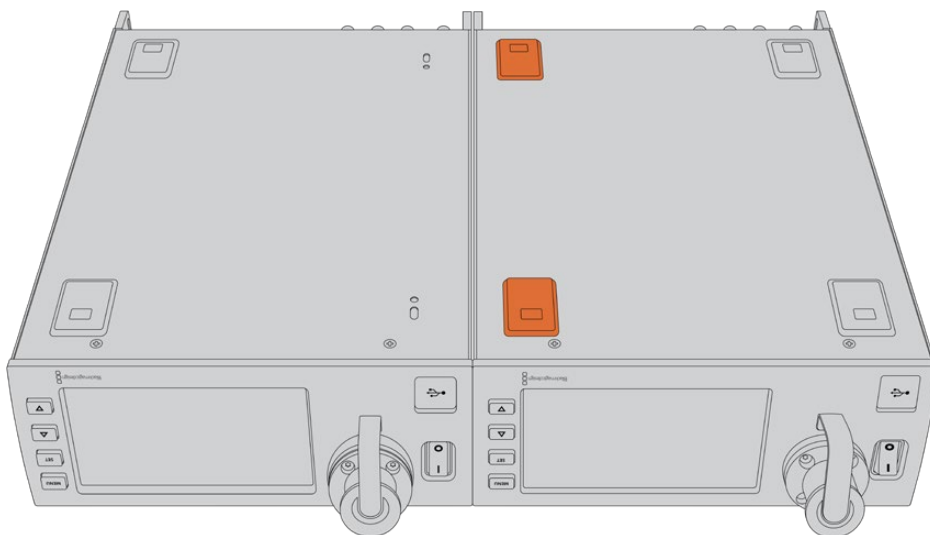
Com a orelha de rack e a frente falsa encaixadas, agora será possível instalar seu conversor no espaço de duas unidades de rack padrão usando os orifícios de montagem nas duas laterais e os parafusos padrão para o rack.

Como preparar dois Blackmagic Studio Fiber Converters para montagem em rack lado a lado:

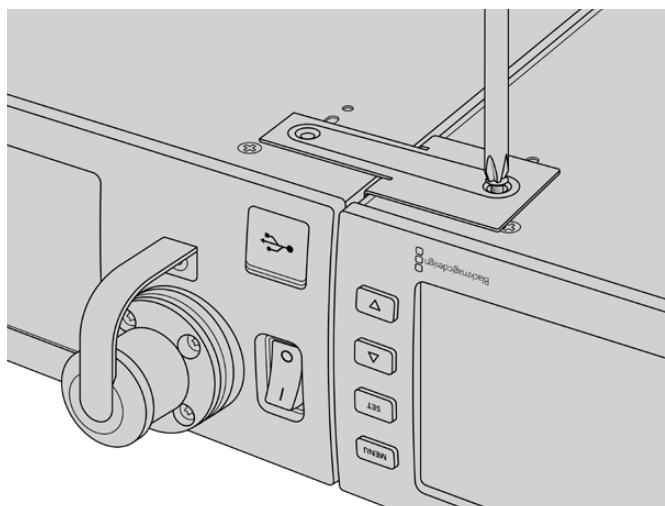
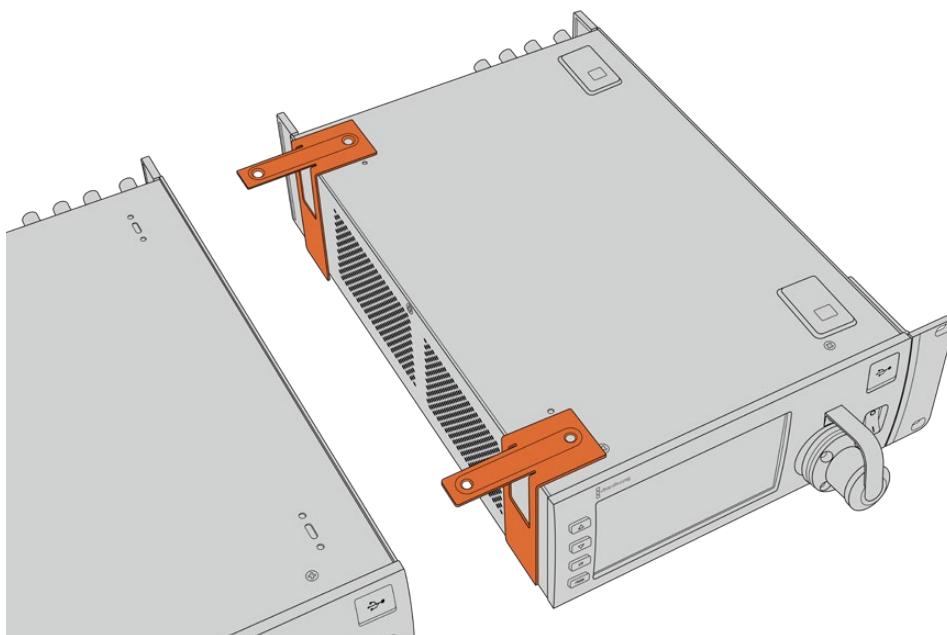
Se você estiver montando dois conversores lado a lado, é possível encaixá-los um ao outro usando os suportes de montagem para mantê-los firmemente juntos e instalá-los com mais facilidade.

Como fixar as duas unidades:

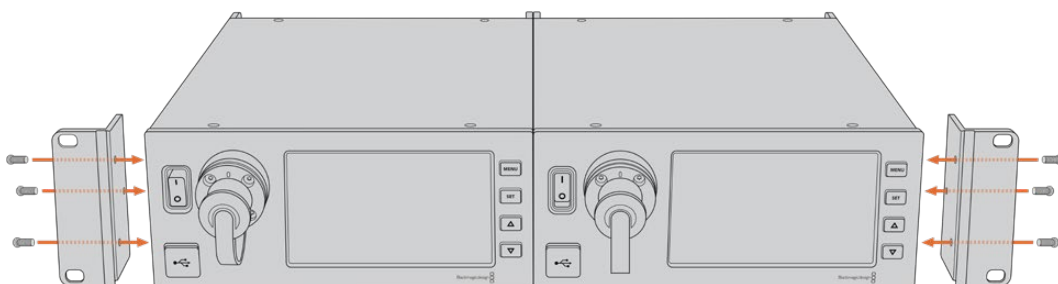
- 1 Coloque os dois conversores lado a lado e de cabeça para baixo. Retire os pés emborrachados das beiradas de cada unidade onde elas se encostam.



- 2 Encaixe os dois suportes de montagem em "T" na base das duas unidades Studio Fiber, na frente e atrás onde as unidades se encostam, utilizando os orifícios roscados e os parafusos de montagem fornecidos.



- 3 Vire as unidades encaixadas de volta à posição normal e fixe as orelhas nas beiradas próximas ao painel frontal de ambos os conversores, utilizando os parafusos de montagem fornecidos. Agora, os seus conversores estão prontos para a instalação em um rack com os orifícios de montagem em ambas laterais e parafusos de rack padrão.



Conexões da Unidade de Câmera

As conexões estão localizadas em painéis na traseira e nas laterais do Blackmagic Camera Fiber Converter. Quando as conexões não estiverem sendo utilizadas, as capas de proteção emborrachadas devem ser recolocadas para assegurar vedação contra a chuva e outros elementos climáticos externos. Isto é especialmente importante para a conexão de fibra SMPTE, já que partículas de poeira podem se acumular rapidamente nos interconectores polidos da fibra de vidro, o que pode quebrar o fluxo do sinal. É sempre uma boa ideia retirar as capas tanto do cabo e da unidade conectora logo antes da conexão e, depois, recolocar as capas logo após a desconexão.

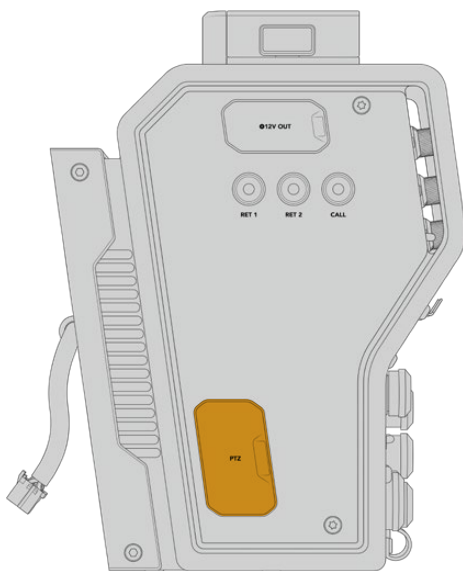
Conexão de Alimentação de Câmera

A alimentação principal é fornecida à unidade de câmera e à sua câmera a partir do conversor de estúdio através de um cabo híbrido de fibra SMPTE. Isso também alimenta todos os acessórios que estejam fixados na câmera, por exemplo, o Blackmagic URSA Studio Viewfinder.

Mas, também é possível alimentar o Blackmagic Camera Fiber Converter através da câmera, caso ela tenha seu conector XLR de 12 V plugado a uma fonte de alimentação. Normalmente, isso não é necessário, mas é uma opção se tiver a sua câmera posicionada a mais de dois quilômetros de distância da unidade de estúdio, já que a alimentação pode não ser confiável através do cabo de fibra SMPTE.

Interface PTZ

O conector serial DE-9 permite que você conecte uma cabeça PTZ motorizada; por exemplo, se a sua Blackmagic URSA Broadcast G2 ou URSA Mini estiver equipada em uma grua de câmera usando uma cabeça para panorâmica, inclinação e zoom controlada remotamente. Você pode selecionar a fonte dos comandos PTZ sendo enviados para a sua câmera no menu do seu Blackmagic Studio Fiber Converter. A fonte dos comandos pode ser configurada para o conector DE-9 de 9 pinos no seu Studio Fiber Converter ou para uma alimentação SDI proveniente de um switcher ATEM. Para mais informações, consulte a seção 'Operar o Studio Fiber Converter'.

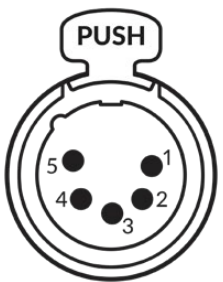


Interface PTZ

Conexão para Intercomunicação

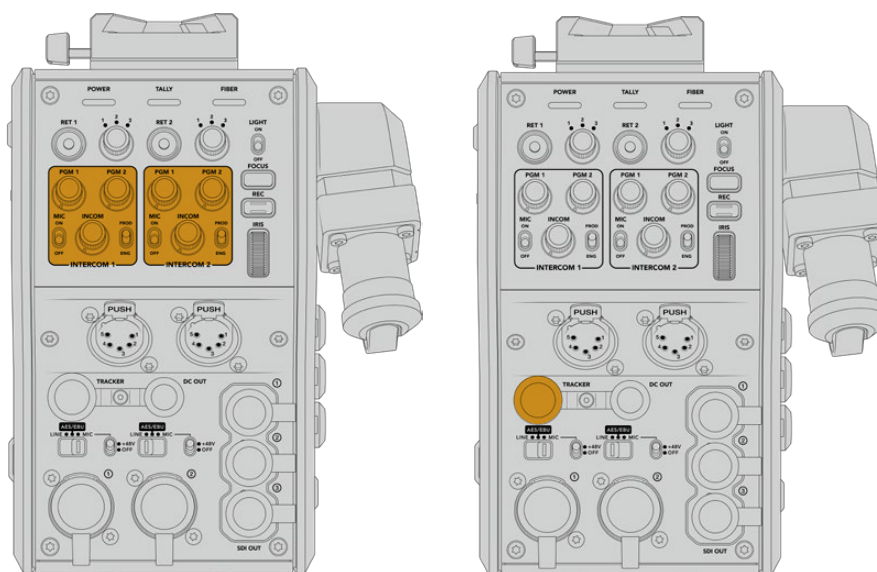
Os dois conectores XLR fêmea de 5 pinos permitem que você conecte dois headsets, o que permite que duas pessoas se comuniquem via a intercomunicação simultaneamente. Por exemplo, o headset do operador de câmera pode ser plugado ao primeiro conector XLR, e um operador de grua ou outro companheiro de equipe, como um operador de som, podem plugar ao segundo conector XLR para headsets. Um diagrama para a pinagem do conector XLR para headset é incluído abaixo.

Diagrama de Pinagem XLR para Headsets

Visão Externa	Pinos	Sinal	E/S	Descrição
 <p>Conector XLR de 5 pinos para headset</p>	1	Intercom MIC (Y)	GND	A entrada mic de intercomunicação oferece suporte a microfones de condensador de eletreto e microfones dinâmicos, que podem ser balanceados ou não balanceados. O pino 1 é o sinal de microfone comum e o pino 2 é a entrada de microfone para ambos os tipos. Com microfones eletretos, a saída de polarização externa também é feita através do mesmo pino de entrada do microfone.
	2	Intercom MIC (X)	E	
	3	GND	GND	GND
	4	Intercom esquerdo	Externo	
	5	Intercom direito	S	

Os controles de intercomunicação correspondentes estão localizados acima de cada conexão para headset.

Para mais informações sobre como usar os controles de intercomunicação, consulte a seção 'Operar o Camera Fiber Converter'.



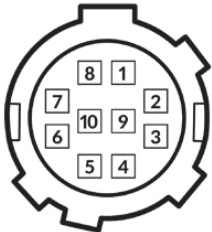
Os controles de intercomunicação são usados para misturar os níveis do áudio de intercomunicação.

Interface de Rastreamento

O conector rastreador de 10 pinos oferece uma saída multiplexada para os sinais de intercomunicação e sinalização, além de dados, como as informações no teleprôpmtter. Esta saída é comumente utilizada para oferecer assistência à equipe operando equipamentos de produção, como uma grua de câmera.

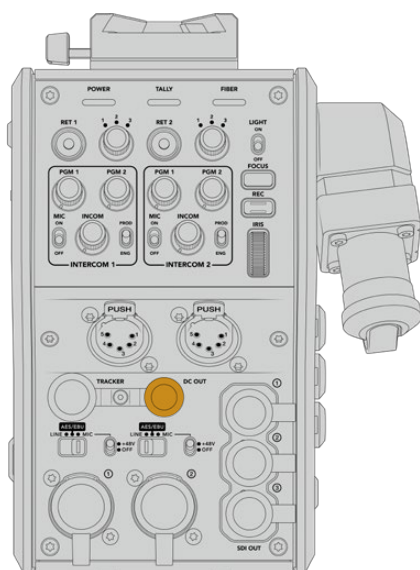
Um diagrama de pinagem é oferecido nesta seção, caso deseje montar seu próprio cabo.

Diagrama de Pinagem da Saída do Rastreador

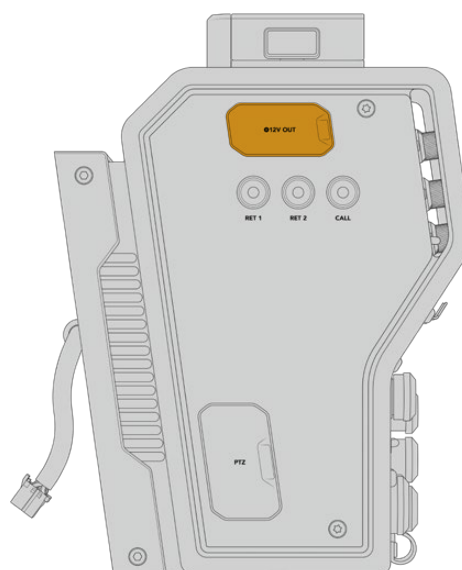
Visão Externa	Pinos	Sinal	E/S	Especificações
 <p>Conector de 10 pinos para rastreador</p>	1	Rastreador esquerdo	S	Saída do rastreador, -20 dBu não balanceado
	2	GND (Fala)	–	GND para fala no rastreador
	3	GND (Recepção/PGM/Sinalização)	–	GND para escuta/PGM/sinalização
	4	Rastreador direito	S	Saída do rastreador, -20 dBu não balanceado
	5	Não regulado	Externo	12 V DC (nom.), 500 mA (máx.)
	6	GND (Não regulado)	–	GND para não regulado
	7	Rastreador Fala (X)	E	Rastreador Fala 0 dBu /-20 dBu, alta impedância balanceada
	8	Rastreador comunicação (Y)	E	
	9	Sinalização Verde	S	On: 12 V Off: alta impedância (colector aberto)
	10	Sinalização Vermelha	S	On: 12 V Off: alta impedância (colector aberto)

Conexão DC

É possível alimentar acessórios adicionais, por exemplo, um monitor externo, através do conector de saída DC.



O conector de saída DC permite alimentar acessórios adicionais, como um monitor externo ou equipamentos de gravação externa



Saída D-Tap

Saída D-Tap

A saída de +12 V no painel lateral esquerdo também é muitas vezes conhecida como “D-tap” ou “P-tap” e permite que você alimente acessórios como um monitor ou uma lente tipo caixa grande. A saída suporta lentes tipo caixa grandes que exigem +12 Volts DC nominais a 2 amperes.

Saída de Referência e Operação

A saída de referência pode ser usada para conectar um sinal de referência a sua câmera via um cabo BNC.

Como conectar um sinal de referência à sua câmera:

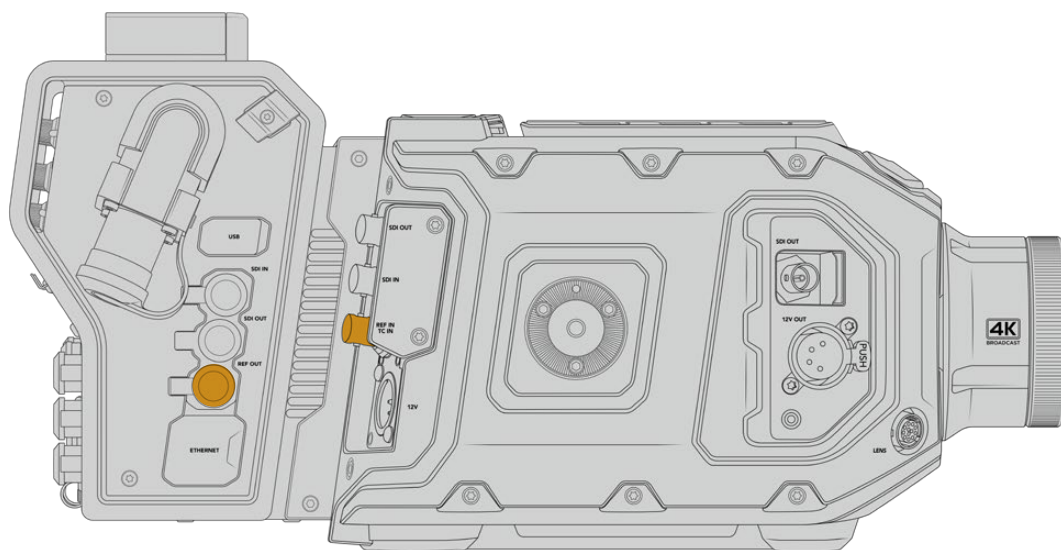
- 1 Conecte a saída de referência do Blackmagic Camera Fiber Converter, marcada como “REF OUT”, na entrada de referência da sua câmera marcada como “REF IN” usando um dos cabos SDI curtos fornecidos com o seu Camera Fiber Converter.
- 2 Ajuste a configuração de referência da câmera conforme a entrada de referência.

Um sinal de referência para o sincronismo permite “genlocar” equipamentos de vídeo a uma referência comum para que todos eles compartilhem exatamente a mesma temporização. Assim, todas as fontes de vídeo são sincronizadas e poderão ser alternadas perfeitamente.

Os switchers ATEM possuem ressinchronizadores integrados, portanto, caso esteja utilizando câmeras Blackmagic com um deles, não será necessário se preocupar com uma conexão de referência para o sincronismo. A câmera se casará com o sinal de alimentação da entrada de programa SDI do switcher ATEM, então, basta assegurar que a entrada de programa esteja selecionada nas configurações de sincronização da sua URSA Broadcast G2 ou URSA Mini na segunda página do menu de configurações. O processo de ressinchronização acrescentará um quadro de atraso.

Caso deseje reduzir a latência do processo de ressinchronização interno do ATEM, primeiramente, atribua um sinal de referência à URSA Broadcast G2 ou URSA Mini e, em seguida, ajuste a temporização anterior para que a linha de entrada anteceda a temporização da comutação do ATEM.

Para ajustar o sinal de referência para a sincronização na URSA Broadcast G2 ou URSA Mini, acesse o menu “Configurar” e altere a quantidade de linhas sob “Referência – Temporização”.

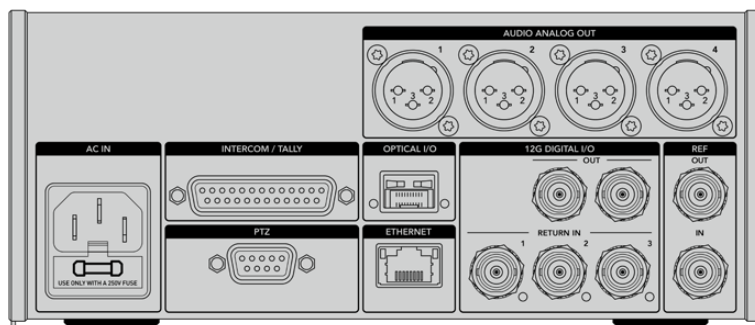


Caso esteja usando um sinal de referência externo, conecte a saída de referência da unidade de câmera na entrada de referência da URSA Broadcast G2 ou URSA Mini.

Conexões da Unidade de Estúdio

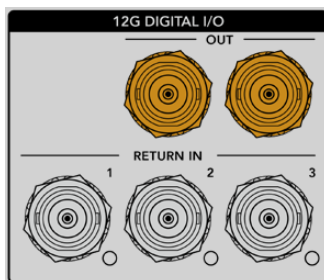
O painel traseiro do Blackmagic Studio Fiber Converter fornece conectores SDI para alimentação de retorno e BNC para sincronização, conector DB-25 para intercomunicação e sinalização, porta serial PTZ de 9 pinos, saídas de áudio e Ethernet.

Todas as entradas SDI suportam 12G-SDI para formatos de vídeo até Ultra HD 2160p60.



Saída 12G-SDI

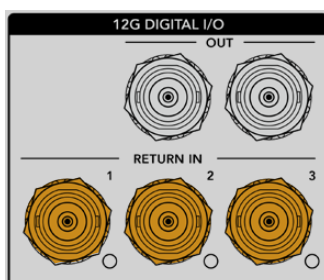
As duas saídas 12G-SDI servem para conectar o sinal de câmera da unidade de estúdio a qualquer uma das entradas de câmera SDI do seu switcher. O segundo conector pode ser utilizado para fazer a saída do mesmo sinal para outros equipamentos de vídeo, como o roteador Blackmagic Videohub, o monitor SmartView ou um gravador HyperDeck Disk Recorder.



As saídas 12G-SDI suportam sinais de 720p50 até 2160p60.

Entradas de Retorno SDI

Os conectores BNC de alimentação de retorno 12G-SDI oferecem a opção de plugar até três alimentações de retorno SDI. Por exemplo, a alimentação de programa de um switcher deve ser conectada ao retorno 1 e ter uma taxa de quadro que corresponda à da sua câmera. Outras fontes como uma segunda saída de câmera, reprodução HyperDeck, ou até um teleprompter, podem ser conectadas às alimentações de retorno 2 e 3. Caso esteja utilizando um switcher ATEM, o retorno do programa conectado ao retorno 1 também incluirá sinalização, intercomunicação, sincronização e sinais de controle de câmera.

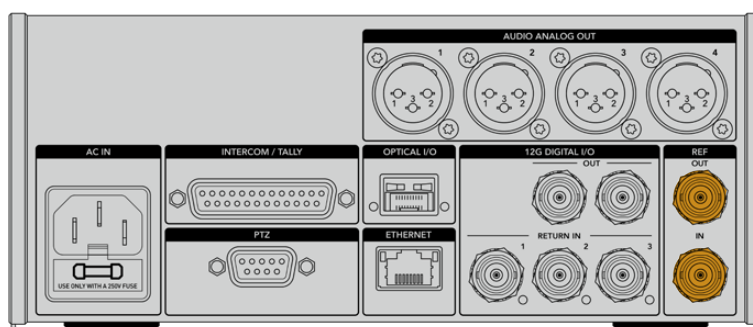


As entradas de retorno SDI permitem conectar até três alimentações de retorno do seu switcher. Essas alimentações serão enviadas à câmera para que possam ser visualizadas pelo operador de câmera, ou reenviadas a outros equipamentos via SDI.

OBSERVAÇÃO Caso você conecte Ultra HD nas entradas de retorno, o vídeo Ultra HD será convertido para 1080p com a mesma taxa de quadro, o que significa que a saída da unidade de câmera será em HD. A conversão descendente dos sinais de retorno Ultra HD para HD oferece maior largura de banda para que você envie múltiplas fontes de retorno.

Entrada e Saída de Sincronização

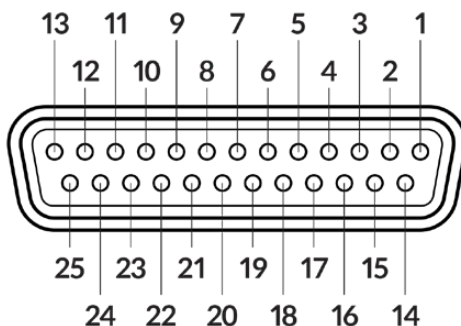
Caso não esteja utilizando um switcher ATEM e seja necessário casar equipamentos com um sinal de referência externo comum, plugue o sinal gerado externamente à entrada BNC de sincronização. Isso envia a referência à unidade de câmera através do cabo de fibra SMPTE. A saída BNC de sincronização da unidade de estúdio pode ser usada para fazer o loop da fonte de referência para outros equipamentos.



Utilize a conexão "Ref In" para enviar sincronização de referência convencional de outros equipamentos broadcast para a sua câmera.

Interface de Intercomunicação

O conector DB-25 de intercomunicação e sinalização permite conectar sistemas de intercomunicação e sinalização de terceiros. Caso deseje criar um sistema de cabos personalizado, uma tabela de pinagem é fornecida abaixo. Depois de ter conectado os pinos para a entrada de áudio de programa, sinalização, produção e manutenção, você precisará configurar o menu de acordo com o seu Blackmagic Studio Fiber Converter.



Visão externa de um conector de "intercomunicação/sinalização" de 25 pinos.

Diagrama de Pinagem de Intercomunicação

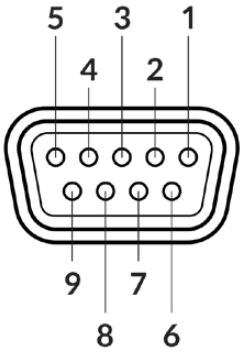
Pinos	Sinal	Especificações
1	ENG(R) IN+	Entrada do canal de manutenção 0dBu balanceado
2	ENG(R) IN-	
3	ENG GND	GND for ENG
4	ENG(T) OUT +	Saída do canal técnico 0dBu balanceado
5	ENG(T) OUT -	
6	PGM IN+	-20dBu
7	PGM IN-	-20dBu
8	PGM GND	-20dBu
9	GND	GND for aux
10	N/C	-
11	Red Tally IN	On = 5-24 V DC, Off= 0 V DC
12	Red Tally GND	-
13	GND	Chassis GND
14	PROD(R) IN+	Entrada do canal de produção 0dBu balanceado
15	PROD(R) IN-	
16	PROD GND	-
17	PROD(T) OUT+	Saída do canal de produção 0dBu balanceado
18	PROD(T) OUT-	
19	N/C	-
20	N/C	-
21	N/C	-
22	N/C	-
23	N/C	-
24	Green Tally IN	On = 5-24 V DC, Off= 0 V DC
25	Green Tally GND	-

Interface PTZ

Tanto a unidade de estúdio quanto a unidade de câmera possuem um conector DE-9 que permite conectar um controlador PTZ à extremidade da unidade de estúdio e uma cabeça PTZ à extremidade da unidade de câmera. Os comandos PTZ são embutidos no sinal SDI conectado entre as unidades através do cabo de fibra SMPTE.

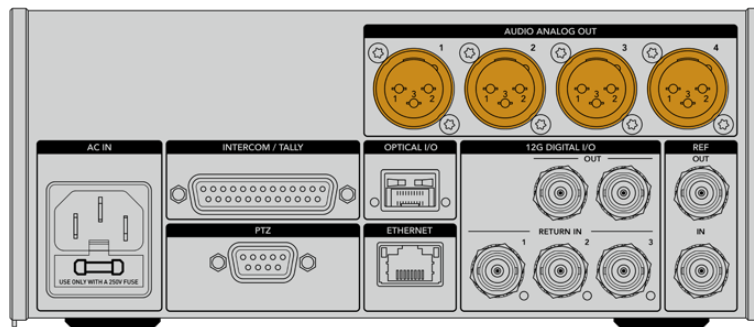
O menu de configurações no Blackmagic Studio Fiber Converter permite que você selecione a fonte dos comandos PTZ enviados ao seu Blackmagic Camera Fiber Converter. É possível fazer a seleção a partir do conector PTZ na traseira do Studio Fiber Converter ou de uma alimentação SDI de programa proveniente de um switcher ATEM. Para mais informações, consulte a seção 'Operar o Studio Fiber Converter'.

Diagrama de Pinagem da Interface PTZ

Visão Externa	Pinos	Sinal
 <p>Conector PTZ de 9 pinos</p>	1	GND
	2	RS422 Tx-
	3	RS422 Rx+
	4	GND
	5	N/C
	6	GND
	7	RS422 Tx+
	8	RS422 Rx-
	9	GND

Saídas de Áudio

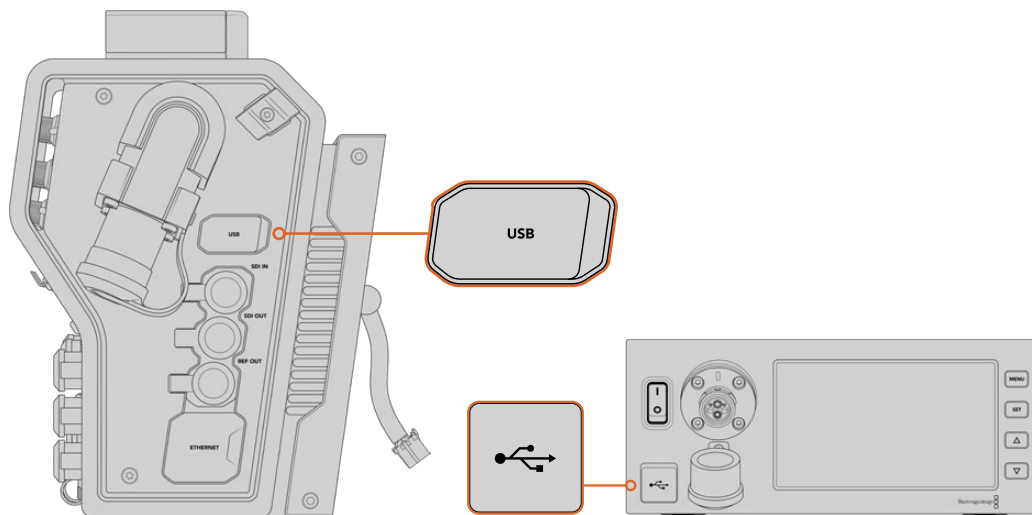
As quatro saídas de áudio XLR na unidade de estúdio oferecem a opção de transmitir o áudio conectado às entradas 1 e 2 da sua câmera URSA Broadcast G2 ou URSA Mini e as duas entradas de áudio XLR na unidade de câmera.



Por padrão, as saídas 1 e 2 na unidade de estúdio correspondem aos canais de entradas XLR 1 e 2 da URSA Broadcast G2 ou URSA Mini. Por padrão, as saídas 3 e 4 da unidade de estúdio correspondem às entradas XLR 1 e 2 do Blackmagic Camera Fiber Converter. Você pode usar o menu e alterar essas configurações para mapeamento. Consulte a seção 'Usar o Menu' neste manual para mais informações.

Atualizar o Software Interno

De tempos em tempos, a Blackmagic Design lança atualizações que podem aprimorar e habilitar recursos nos seus modelos Blackmagic Fiber Converter. Recomendamos visitar o site da Blackmagic Design regularmente para assegurar que seus conversores de fibra estejam usando o software interno mais recente. Atualize seus conversores de fibra usando o software Blackmagic Camera Setup Utility.



As portas USB-C nos Blackmagic Fiber Converters permitem que você atualize o software interno neles.

Atualizar o Blackmagic Camera Fiber Converter

É necessário que o Camera Fiber Converter seja alimentado durante a atualização, então recomendamos mantê-lo conectado à sua URSA Broadcast G2 ou URSA Mini durante o processo de atualização.

É importante que você desconecte o cabo de fibra SMPTE do seu Camera Fiber Converter e alimente sua câmera através da fonte de alimentação fornecida com a câmera URSA para alimentação consistente.

O Blackmagic Camera Fiber Converter possui um conector USB-C na lateral direita da unidade para atualização do seu software interno. Conecte seu computador a este conector USB e inicie o Blackmagic Camera Setup Utility. Será solicitado que você faça a atualização se o seu computador detectar que o Camera Fiber Converter está usando uma versão antiga. Siga as instruções na tela para atualizar o software interno do seu conversor.

Atualizar o Blackmagic Studio Fiber Converter

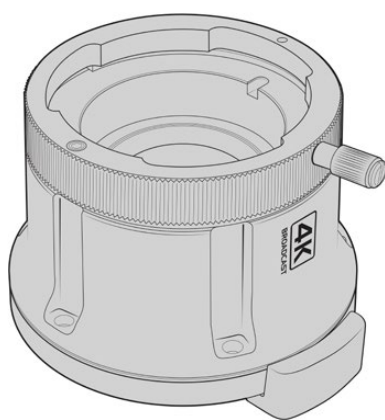
É necessário que o Studio Fiber Converter seja alimentado durante a atualização, então recomendamos manter o cabo de alimentação IEC plugado ao conector de alimentação no painel traseiro da unidade de estúdio durante o processo de atualização.

O Blackmagic Studio Fiber Converter possui um conector USB-C na frente da unidade para atualização do seu software interno. Conecte seu computador a este conector USB e inicie o Blackmagic Camera Setup Utility. Será solicitado que você faça a atualização se o seu computador detectar que o Studio Fiber Converter está usando uma versão antiga. Siga as instruções na tela para atualizar o software interno do seu conversor.

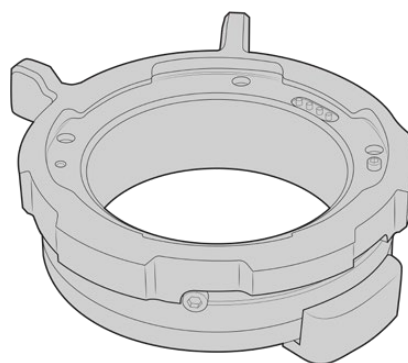
Encaixe de Lentes Intercambiável

A Blackmagic URSA Broadcast G2 é despachada com o seu próprio encaixe de lente B4 personalizado fixado, além de um encaixe EF adicional. O encaixe de lentes intercambiável significa que você também pode utilizar kits Blackmagic URSA Mini Pro PL ou URSA Mini Pro F com a sua câmera. Os kits de encaixe de lentes estão disponíveis através dos Revendedores Blackmagic Design.

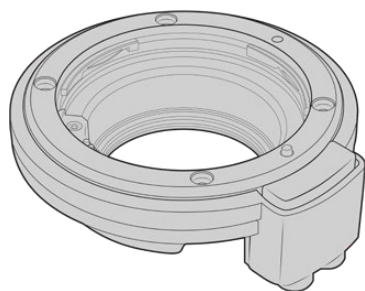
OBSERVAÇÃO Um encaixe B4 está disponível para a Blackmagic URSA Mini Pro, mas não é o mesmo encaixe B4 da câmera URSA Broadcast G2, que foi projetado para um sensor diferente. Use apenas o encaixe B4 que foi enviado originalmente com sua câmera URSA Broadcast G2.



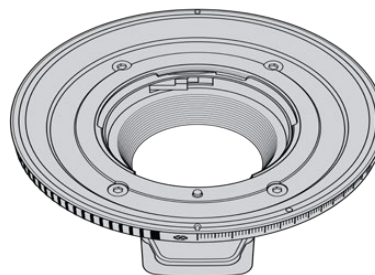
Encaixe Broadcast B4



Encaixe PL



Encaixe EF



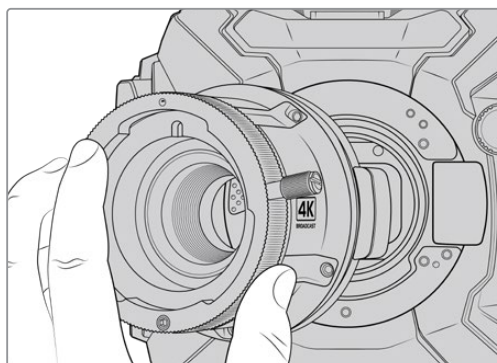
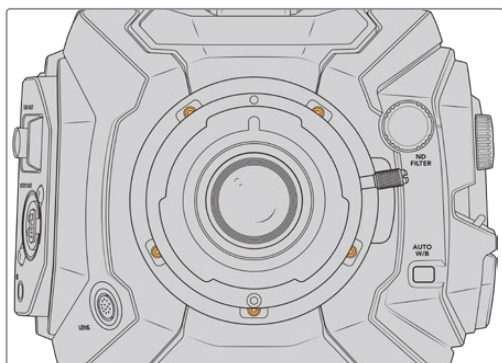
Encaixe F

Com a capacidade de alternar quatro encaixes diferentes, você tem a liberdade para usar lentes diferentes com base nos projetos em que estiver trabalhando. Por exemplo, o encaixe EF permite que você utilize lentes fotográficas de alta qualidade; o encaixe B4 é ideal caso queira usar uma lente zoom parfocal para captação eletrônica de notícias ou filmagens de casamentos; e o encaixe PL permite que você utilize lentes cinematográficas robustas e de alto nível desenvolvidas para precisão absoluta e controle replicável. O encaixe F oferece acesso a uma enorme variedade de lentes Nikon fabricadas desde 1959 até hoje.

A montagem de cada encaixe é tão simples quanto desparafusar o encaixe B4 original e substituí-lo com o novo encaixe.

Remover o Encaixe B4

Para remover o encaixe B4, basta desparafusar os cinco parafusos M3 de cabeça sextavada usando uma chave sextavada de 2 mm.



O encaixe B4 pode ser removido ao desparafusar os cinco parafusos M3 hexagonais e retirar o encaixe do corpo da câmera.

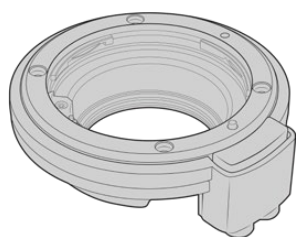
OBSERVAÇÃO Ao remover o encaixe B4 original, certifique-se de que o anel adaptador embaixo do encaixe permaneça sempre fixado na sua câmera.

Continue lendo esta seção para mais detalhes sobre os kits de encaixe de lentes PL, B4 e EF, e sobre como instalar cada encaixe na sua URSA Broadcast G2.

Blackmagic URSA Mini Pro EF Mount

O encaixe EF permite que você fixe lentes EF à sua URSA Broadcast G2.

O kit de encaixe EF inclui:



1 x encaixe EF

O encaixe EF permite fixar lentes EF fotográficas comuns.



1 x kit de anéis adaptadores

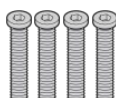
O kit de anéis adaptadores inclui as seguintes espessuras:

0,50 mm	0,18 mm	0,10 mm
0,30 mm	0,15 mm	0,05 mm
0,20 mm	0,12 mm	0,025 mm



1 x ferramenta de montagem

O defletor no encaixe EF não é removível, mas incluímos uma ferramenta adaptadora no kit de montagem como um item separado para uso caso também possua um encaixe PL.

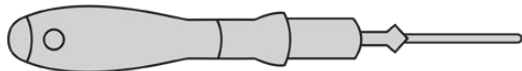


4 x parafusos M3 sextavados de 2 mm x 18 mm

Os quatro parafusos M3 sextavados de 18 mm são exclusivos para o encaixe EF, assim você pode mantê-los juntos do respectivo encaixe.

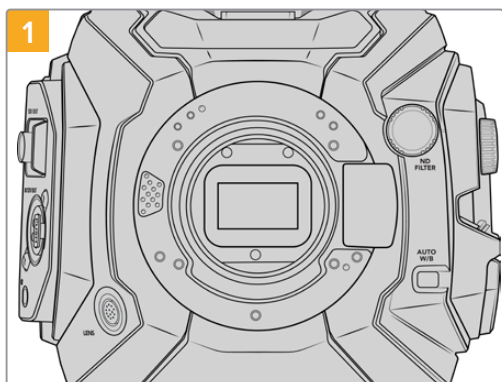
Ferramentas Necessárias

Ao fixar o encaixe EF, você precisará de uma chave sextavada de 2 mm. Apesar de não ser absolutamente necessário, recomendamos usar uma chave de torque capaz de definir precisamente uma torção máxima de 0,45 Nm para limitar as possibilidades dos parafusos serem apertados em excesso.

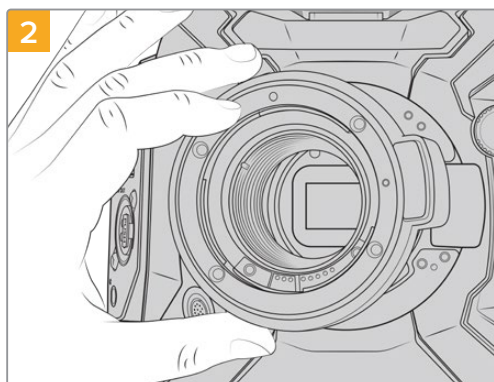


Chave sextavada de 2 mm.

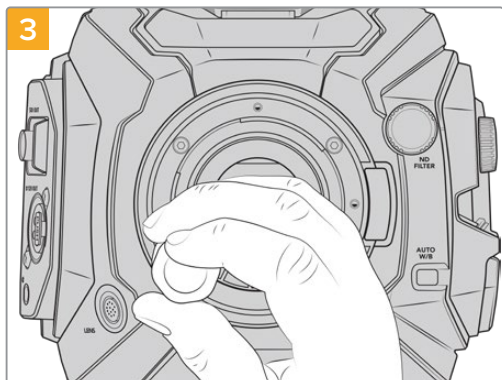
Fixar o Encaixe EF



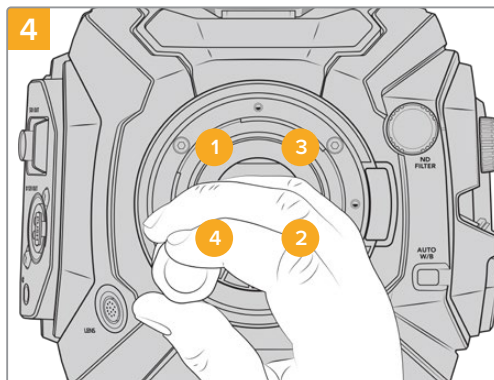
1 Posicione a Blackmagic URSA Broadcast G2 verticalmente em uma bancada sólida e limpa para assegurar que o encaixe possa ser inserido verticalmente. Caso esteja trocando o encaixe PL pelo EF, certifique-se que o defletor PL tenha sido removido antes de inserir o encaixe EF.



2 Posicione o Blackmagic URSA Mini Pro EF no corpo da câmera certificando-se de que o ponto vermelho esteja na posição de 12 horas.



3 Gire os quatro parafusos de montagem delicadamente até que o contato inicial seja feito com o apoio do encaixe.

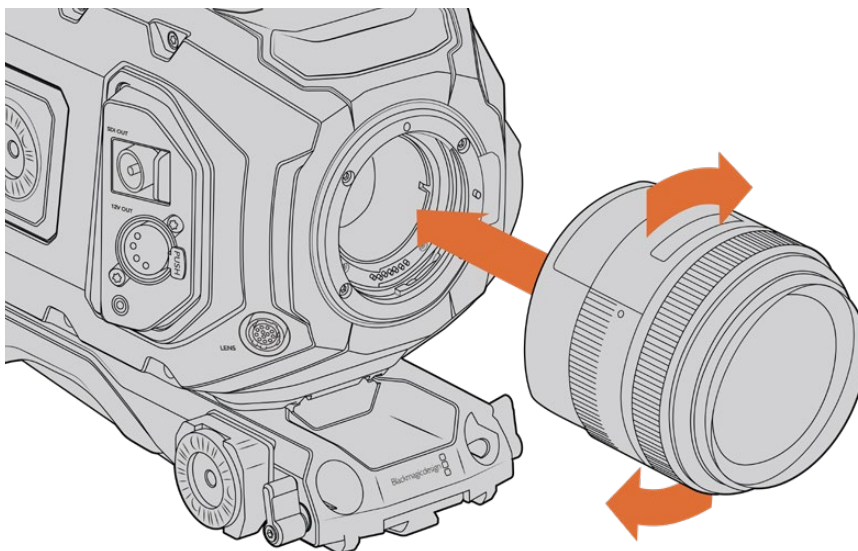


4 Usando a chave sextavada de 2 mm, ou uma chave de torque com uma cabeça sextavada de 2 mm, dê uma volta completa no parafuso de montagem 1, depois siga com outra volta completa no parafuso 2 e repita o mesmo para o parafuso 3 e 4. Continue a dar uma volta completa em cada um dos parafusos na sequência acima até que todos os parafusos tenham alcançado o torque máximo de 0,45 Nm.

OBSERVAÇÃO Ao remover o encaixe EF, basta seguir as instruções em ordem reversa do passo 4 ao passo 1.

Como encaixar uma lente de montagem EF:

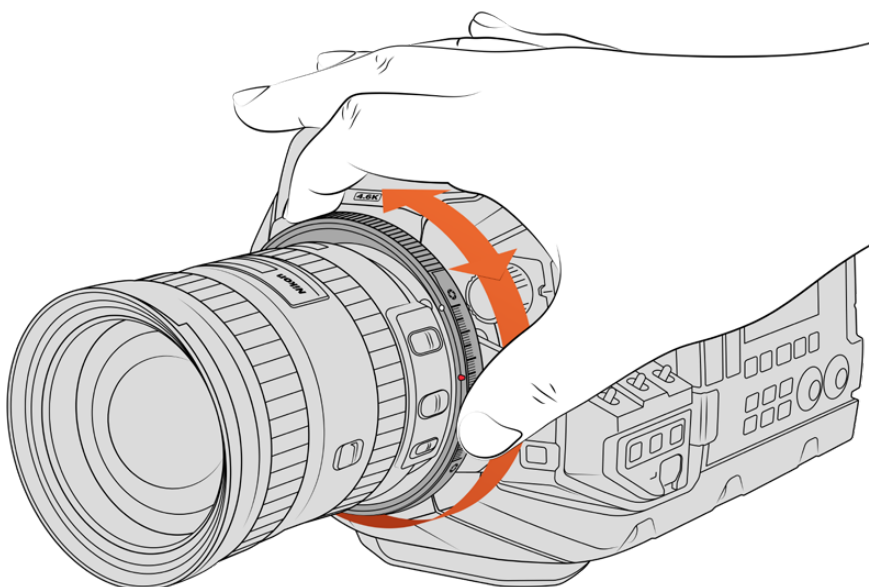
- 1 Alinhe o símbolo de montagem da sua lente com o ponto de montagem do encaixe da câmera. Muitas lentes possuem um indicador visual, por exemplo, um ponto azul, vermelho ou branco.
- 2 Insira a lente no encaixe e gire-a no sentido anti-horário até que ela trave no lugar.
- 3 Para remover a lente, segure o botão de travamento, gire a lente no sentido anti-horário até que seu ponto ou símbolo de montagem alcance a posição de 12 horas e retire-a cuidadosamente.



Encaixe e desencaixe de uma lente de montagem EF

Blackmagic URSA Mini Pro F Mount

Com o Blackmagic URSA Mini Pro F Mount fixado à sua URSA Broadcast G2, é possível usar lentes de montagem F. O sistema de montagem F da Nikon data de 1959 e as lentes de encaixe F ainda são fabricadas hoje. Isto significa que com o Blackmagic URSA Mini Pro F Mount, você tem acesso a uma enorme variedade de lentes vintage e contemporâneas.



Use o anel do ajuste de íris do URSA Mini Pro F Mount para alterar a abertura de lentes de montagem F suavemente.

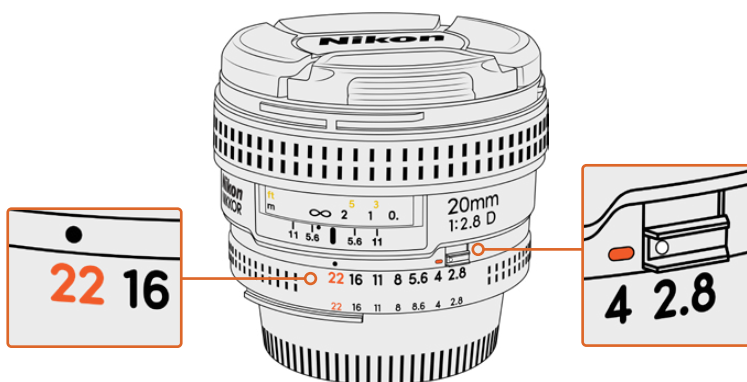
É importante observar que o encaixe F é um encaixe mecânico. Ou seja, ele não oferece controle eletrônico de foco e íris. Em vez disso, o encaixe F oferece um ajustador de íris mecânico. Ele move o pino de íris presente na maioria das lentes Nikon para realizar um ajuste de íris suave e de estilo cinematográfico.

Com um encaixe F fixado, basta mover o ajustador de íris no encaixe Blackmagic URSA Mini Pro F para atingir sua exposição desejada. O ponto vermelho no encaixe F e as marcações no ajustador de íris permitem que você anote as marcações de íris para retornar a uma configuração específica de exposição ou profundidade de campo.

OBSERVAÇÃO Ao remover o encaixe F, basta seguir as instruções em ordem reversa do passo 4 ao passo 1.

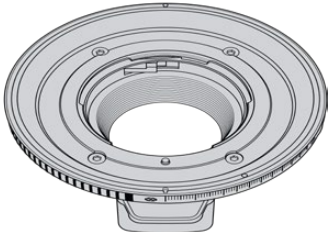
Lentes Nikon AF-D

Ao utilizar lentes Nikon da série AF-D, é necessário bloquear a abertura da sua lente para a sua menor configuração, como f/22, para usar o intervalo completo do anel de ajuste de íris do encaixe Blackmagic URSA Mini Pro F.




Configurar e bloquear lentes AF-D na sua menor abertura é mais fácil antes de encaixá-las na sua câmera.

O encaixe F inclui:

-
- 

1 x encaixe F

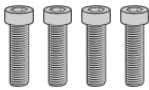
O encaixe F permite fixar lentes F fotográficas comuns.

 - 

1 x kit de anéis adaptadores

O kit de anéis adaptadores inclui as seguintes espessuras:

0,50 mm	0,18 mm	0,10 mm
0,30 mm	0,15 mm	0,05 mm
0,20 mm	0,12 mm	0,025 mm

 - 

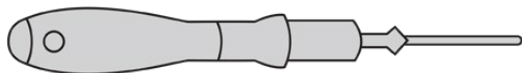
4 x parafusos M3 sextavados de 2 mm x 18 mm

Os quatro parafusos M3 sextavados de 18 mm são usados no encaixe EF e F, portanto é recomendável mantê-los juntos do respectivo encaixe.

O kit de montagem F também é despachado com um conjunto completo de parafusos reserva, caso os parafusos originais sejam perdidos.
-

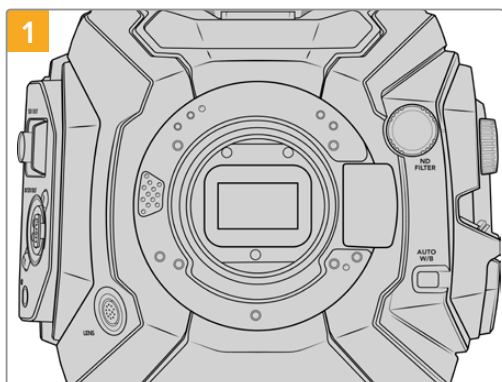
Ferramentas Necessárias

Ao fixar o encaixe F, você precisará de uma chave sextavada de 2 mm. Apesar de não ser absolutamente necessário, recomendamos usar uma chave de torque capaz de definir precisamente uma torção máxima de 0,45 Nm para limitar as possibilidades dos parafusos serem apertados em excesso.

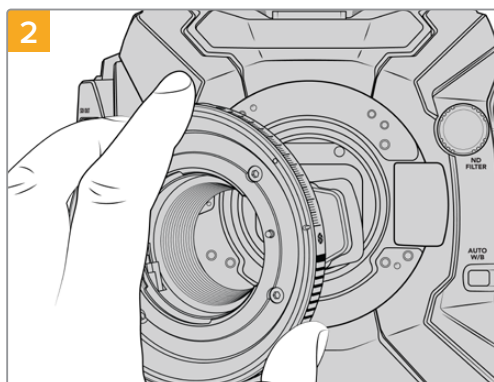


Chave sextavada de 2 mm.

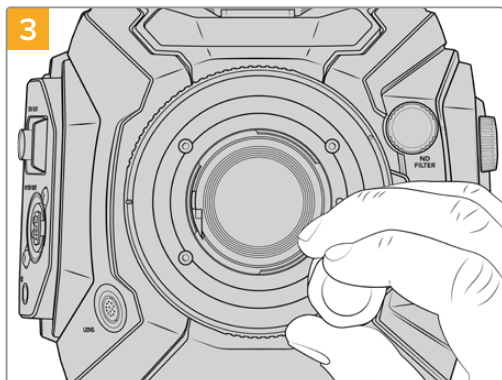
Fixar o Encaixe F



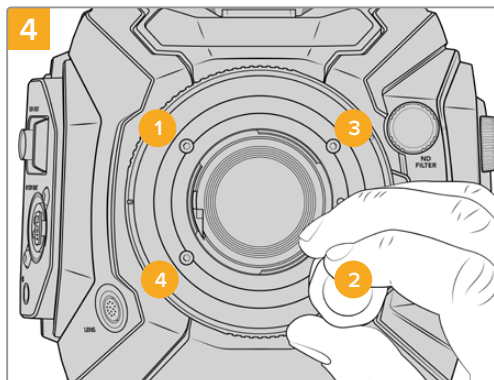
1 Posicione a Blackmagic URSA Broadcast G2 verticalmente em uma bancada sólida e limpa para assegurar que o encaixe possa ser inserido verticalmente. Caso esteja trocando o encaixe PL pelo F, certifique-se de que o defletor PL tenha sido removido antes de inserir o encaixe F.



2 Posicione o encaixe URSA Mini Pro F Mount no corpo da câmera certificando-se que o ponto vermelho esteja na posição de 2 horas.



3 Gire os quatro parafusos de montagem delicadamente até que o contato inicial seja feito com o apoio do encaixe.

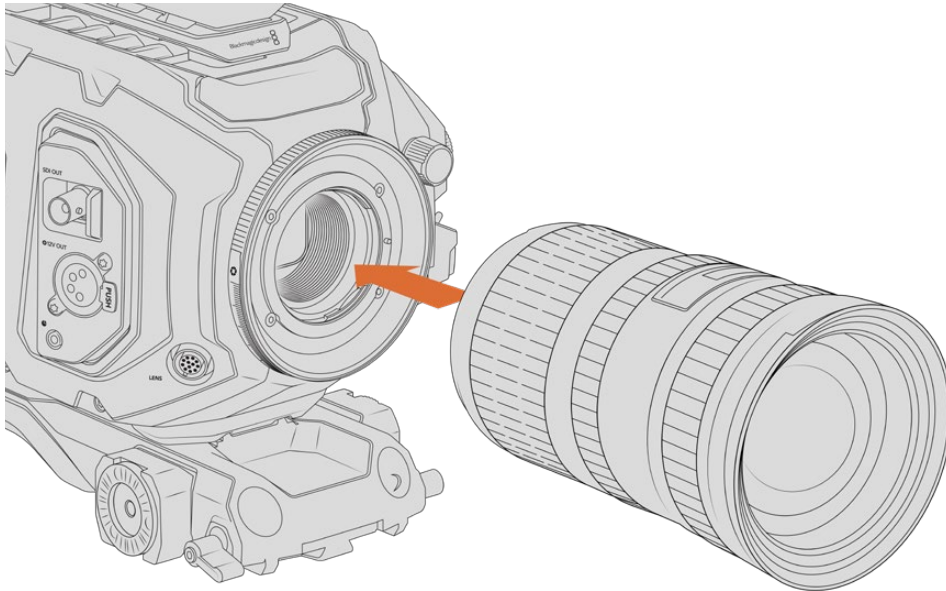


4 Usando a chave sextavada de 2 mm, ou uma chave de torque com uma cabeça sextavada de 2 mm, dê uma volta completa no parafuso de montagem 1, depois siga com outra volta completa no parafuso 2 e repita o mesmo para o parafuso 3 e 4. Continue a dar uma volta completa em cada um dos parafusos na sequência acima até que todos os parafusos tenham alcançado o torque máximo de 0,45 Nm.

OBSERVAÇÃO Devido a maneira que o URSA Mini Pro F Mount funciona, um número reduzido de lentes de montagem F não é compatível.

Essas são as lentes da série AF-S E da Nikkor, que não oferecem controle mecânico da íris, e as lentes tilt-shift PC-E da Nikon, como os modelos 24mm f/3.5D PC-E e 85mm PC-E.

Como encaixar uma lente de montagem F:



Encaixe e desencaixe de uma lente de montagem F na Blackmagic URSA Broadcast G2 com o encaixe F opcional fixado.

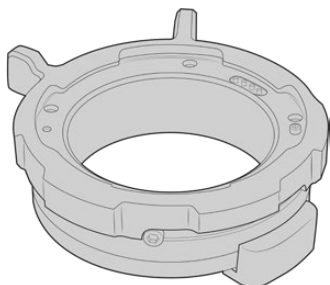
- 1** Alinhe o símbolo de montagem da sua lente com o ponto de montagem do encaixe da câmera. Muitas lentes possuem um indicador visual, por exemplo, um ponto azul, vermelho ou branco.
- 2** Insira a lente no encaixe e gire-a no sentido anti-horário até que ela trave no lugar.
- 3** Para remover a lente, segure o botão de travamento, gire a lente no sentido anti-horário até que seu ponto ou símbolo de montagem alcance a posição de 2 horas e remova-a cuidadosamente.

OBSERVAÇÃO O Blackmagic URSA Mini Pro F Mount inclui um ajustador de íris mecânico. Para utilizar lentes de montagem F mais antigas com anéis de foco integrados neste encaixe, será necessário configurar e fixar a abertura da sua lente na sua menor configuração, como f/22.

Blackmagic URSA Mini Pro PL Mount

Fixar o encaixe PL na sua URSA Broadcast G2 possibilita usar lentes de cinema de alta qualidade e precisão e lentes PL Super 16 mm para longas-metragens e produções televisivas.

O encaixe PL inclui:



1x encaixe PL

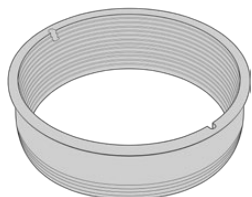
O encaixe PL é enviado com uma capa de proteção antipoeira.



1 x kit de anéis adaptadores

O kit de anéis adaptadores inclui as seguintes espessuras:

0,50 mm	0,18 mm	0,10 mm
0,30 mm	0,15 mm	0,05 mm
0,20 mm	0,12 mm	0,025 mm



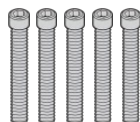
1x defletor PL

O encaixe do defletor PL ajuda a controlar e direcionar a luz entrando no sensor.



1 x ferramenta de montagem

Use a ferramenta de montagem para acoplar o defletor PL à sua câmera.

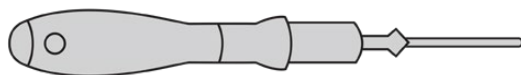


5 x parafusos M2.5 sextavados de 2 mm x 22 mm

Os cinco parafusos M2.5 sextavados de 22 mm são exclusivos para o encaixe PL, portanto é recomendado mantê-los juntos do respectivo encaixe.

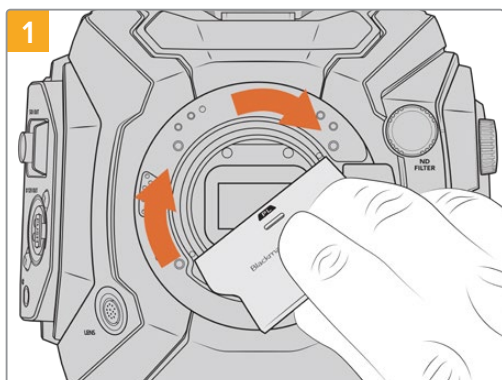
Ferramentas Necessárias

Ao fixar o encaixe PL, você precisará de uma chave sextavada de 2 mm. Apesar de não ser absolutamente necessário, recomendamos usar uma chave de torque capaz de definir precisamente uma torção máxima de 0,45 Nm para evitar que os parafusos sejam apertados em excesso.

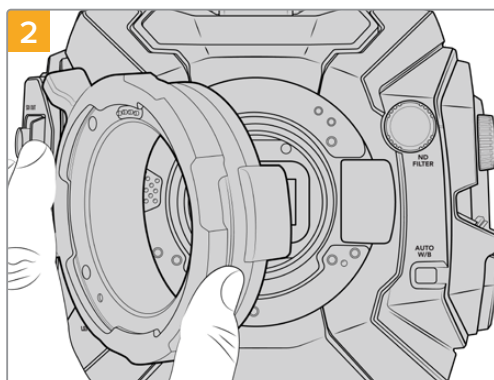


Chave sextavada de 2 mm.

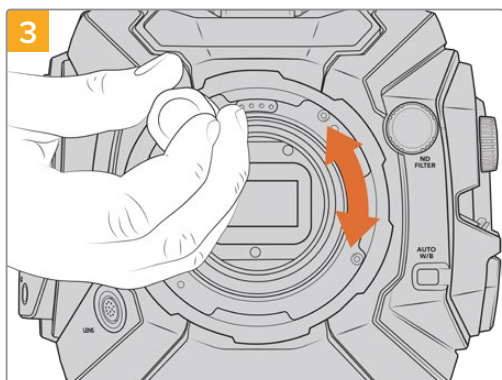
Fixar o Encaixe PL



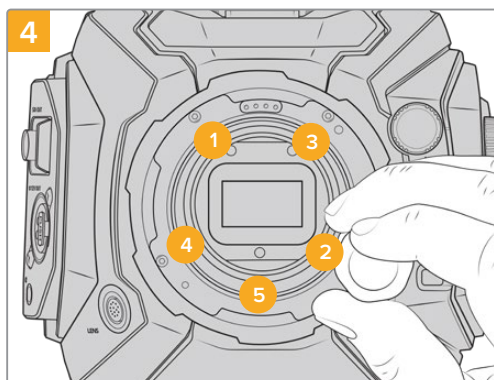
Insira o defletor PL no centro do encaixe de lente suavemente e gire-o até que esteja firme ao toque. Utilize a extremidade larga da ferramenta de montagem do defletor para apertar o defletor firmemente. Apenas um pouco de pressão será o suficiente para mantê-lo no lugar.



Certifique-se de que os pinos para Cooke/i Technology no encaixe PL estejam localizados na posição das 12 horas.



Gire os cinco parafusos de montagem delicadamente até que o contato inicial seja feito com o apoio do encaixe de lente. Para acessar todos os cinco parafusos, será necessário girar o anel de travamento PL, pois alguns orifícios ficam escondidos quando o anel está aberto ou fechado.



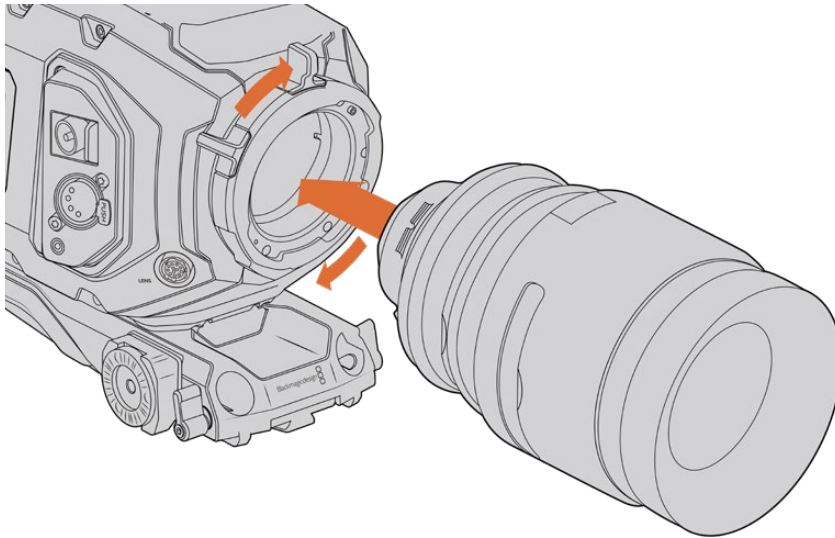
Usando a chave sextavada de 2 mm, ou uma chave de torque com uma cabeça sextavada de 2 mm, dê uma volta completa no parafuso de montagem 1, depois siga com outra volta completa no parafuso 2. Repita para os parafusos 3, 4 e 5. Continue a dar uma volta completa em cada um dos parafusos na sequência acima até que todos os parafusos tenham alcançado o torque máximo de 0,45 Nm.

OBSERVAÇÃO Ao remover o encaixe PL, basta seguir as instruções em ordem reversa do passo 4 ao passo 1. Não esqueça de remover o defletor PL e armazená-lo de forma segura com o encaixe PL.

Como encaixar uma lente de montagem PL:

- 1 Abra o anel de travamento PL da sua câmera girando-o no sentido anti-horário até que ele pare.
- 2 Alinhe um dos quatro entalhes na saia da lente com o pino de localização no encaixe da câmera. Certifique-se de alinhar a lente para fácil visualização das suas marcações de lente.
- 3 Aperte o anel de travamento PL ao girá-lo no sentido horário. Caso esteja encaixando uma lente PL com uma unidade servo na URSA Broadcast G2, você também pode encaixar o conector broadcast de 12 pinos para controle do servo.

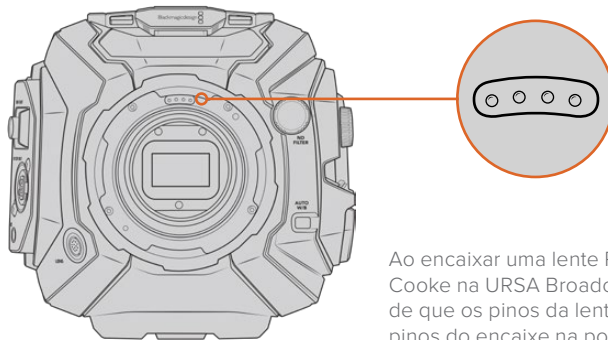
- 4 Para remover a lente, gire o anel de travamento no sentido anti-horário até que ele pare, depois remova a lente cuidadosamente, puxando-a diretamente do corpo da câmera. Não é necessário girar a lente.



Encaixe e desencaixe de uma lente PL.

Compatibilidade com Lentes /i Technology Cooke

O encaixe opcional Blackmagic URSA Mini Pro PL Mount disponível para a URSA Broadcast G2 inclui quatro pinos na posição de 12 horas que são utilizados para a intercomunicação com lentes incluindo a interface /i Technology da Cooke. As lentes com suporte para esta interface incluem Canon, Cooke, Fujinon, Leica e Zeiss. Isso permite gravar as informações de lente nos metadados dos seus cliques, como o modelo de lente, distância focal, configuração da abertura, distância de foco e outras informações de lente específicas.



Ao encaixar uma lente PL com /i Technology Cooke na URSA Broadcast G2, certifique-se de que os pinos da lente alinhem-se aos pinos do encaixe na posição de 12 horas.

As informações que são gravadas como metadados através da interface /i Technology Cooke podem ser bastante úteis na pós-produção e efeitos visuais. Identificar a lente usada na produção e suas configurações precisas pode ajudar caso uma reprodução exata da configuração seja necessária posteriormente.

Essas informações detalhadas também podem ser utilizadas por aplicativos potentes, como o DaVinci Resolve e o Blackmagic Fusion para uma variedade de funções avançadas. Por exemplo, os metadados gravados podem ser usados para simular a lente específica em uma área de trabalho 3D ou corrigir aberrações da lente.

Lentes de Montagem PL Servo

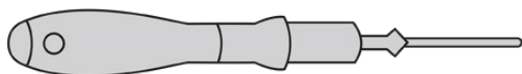
A URSA Broadcast G2 oferece suporte ao controle de lentes PL de 35 mm com empunhaduras servo. Quando a lente é encaixada ao conector da câmera, a URSA Broadcast G2 fornecerá a alimentação e os sinais de controle para a sua lente como faz com as lentes B4. Para mais informações, consulte a seção 'Usar Lentes Servo Zoom' neste manual.

Blackmagic URSA Broadcast G2 B4 Mount

O encaixe Broadcast B4 é o encaixe fornecido com a sua câmera URSA Broadcast G2. Caso o tenha removido para fixar o encaixe Blackmagic URSA EF incluso ou o encaixe URSA PL ou F, siga essas instruções para reencaixar seu encaixe B4.

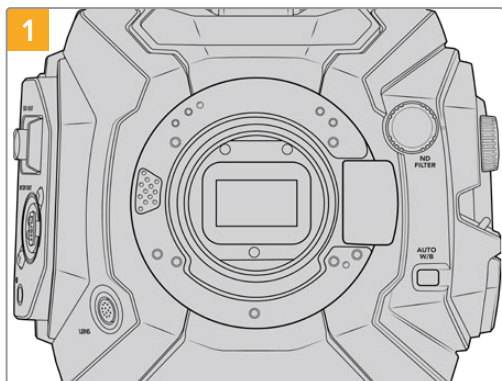
Ferramentas Necessárias

Ao fixar o encaixe B4, você precisará de uma chave sextavada de 2 mm. Apesar de não ser absolutamente necessário, recomendamos usar uma chave de torque capaz de definir precisamente uma torção máxima de 0,45 Nm para limitar as possibilidades dos parafusos serem apertados em excesso.

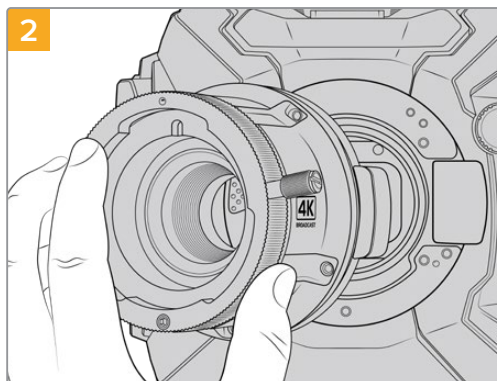


Chave sextavada de 2 mm.

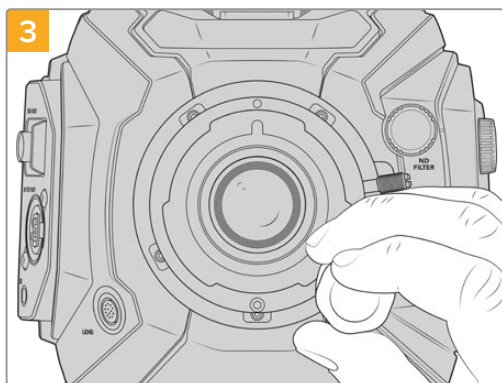
Fixar o Encaixe de Lente B4



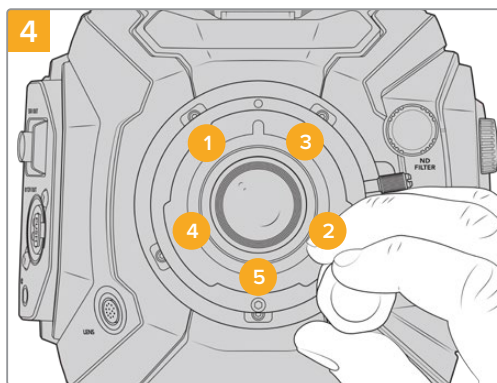
1 Posicione a Blackmagic URSA Broadcast G2 verticalmente em uma bancada sólida e limpa para assegurar que o encaixe possa ser inserido verticalmente.



2 Mantenha o anel adaptador de 0,50 mm original no lugar, coloque o encaixe de lente URSA Broadcast G2 B4 cuidadosamente no corpo da câmera, certificando-se de que o ponto vermelho esteja na posição de 12 horas.



3 Gire os cinco parafusos de montagem delicadamente até que o contato inicial seja feito com o apoio do encaixe de lente.



4 Usando a chave sextavada de 2 mm, ou uma chave de torque com uma cabeça sextavada de 2 mm, dê uma volta completa no parafuso de montagem 1, depois siga com outra volta completa no parafuso 2. Repita para os parafusos 3, 4 e 5. Continue a dar uma volta completa em cada um dos parafusos na sequência acima até que todos os parafusos tenham alcançado o torque máximo de 0,45 Nm.

OBSERVAÇÃO Ao remover o encaixe B4, basta seguir as instruções em ordem reversa do passo 4 ao passo 1.

Adaptadores para Montagem de Lentes

O que é um anel adaptador?

Os anéis adaptadores são discos finos de espessuras variáveis que possibilitam fazer ajustes finos na distância entre a sua lente e o sensor da URSA Broadcast G2. Esta distância é conhecida como distância focal de flange e pode ser ligeiramente alterada devido a fatores como a idade da lente e as condições ambientais da sua filmagem.



Anel adaptador da URSA Broadcast G2.

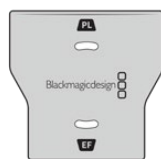
Os anéis adaptadores são posicionados entre o encaixe da lente e o corpo da câmera para que a distância entre o seu assunto e o sensor corresponda às marcações de foco na sua lente. Eles são mais utilizados com lentes PL. Estas lentes de cinema geralmente são focalizadas manualmente e possuem marcações de distância focal bastante precisas em seus barris. Os anéis adaptadores também são usados com o encaixe de lente intercambiável da URSA Broadcast G2.

O Blackmagic URSA Mini Pro Shim Kit contém conjuntos de anéis adaptadores adicionais de várias espessuras e pode ser adquirido através do seu revendedor Blackmagic Design local. Um conjunto de anéis adaptadores também é incluído com todos os kits de montagem de lente e é compatível com a URSA Broadcast G2. Utilize as espessuras dos anéis adaptadores conforme seus requisitos para o foco traseiro.

Blackmagic URSA Mini Pro Shim Kit

Sua câmera URSA Broadcast G2 é fornecida com dois anéis adaptadores: um anel adaptador de plástico de 0,10 mm e um anel adaptador metálico de 0,50 mm. Estes anéis configuram a distância focal adequada para as lentes de montagem B4, EF e F na sua URSA Broadcast G2. Muito ocasionalmente, será necessário usar anéis adaptadores adicionais para atender a lentes PL que exijam folgas bastante específicas para manter as marcações de foco precisas. O Blackmagic URSA Mini Pro Shim Kit inclui as ferramentas adicionais a seguir. Outras espessuras são incluídas no kit, caso seja necessário readaptar sua câmera para que se adeque a lentes PL que possam exigir distâncias ligeiramente diferentes para manter a precisão das marcações de foco.

O kit de anéis adaptadores inclui:



1 x ferramenta de montagem

Utilize a ferramenta de montagem para desparafusar ou apertar o defletor PL ao remover ou fixar o encaixe PL na sua URSA Broadcast G2.



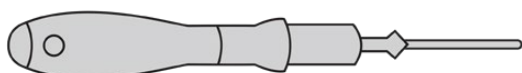
1 x kit de anéis adaptadores

O kit de anéis adaptadores inclui as seguintes espessuras:

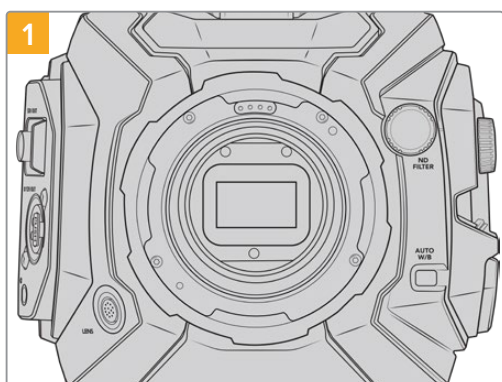
0,50 mm	0,18 mm	0,10 mm
0,30 mm	0,15 mm	0,05 mm
0,20 mm	0,12 mm	0,025 mm

Adaptar Encaixes

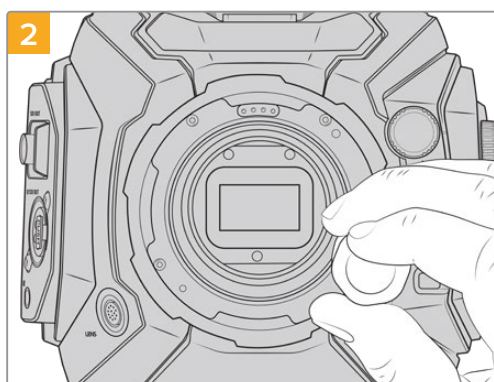
Para adaptar os encaixes da sua câmara, uma chave de torque capaz de definir precisamente uma torção máxima de 0,45 Nm será necessária, com uma chave sextavada e uma chave de fenda de 2 mm.



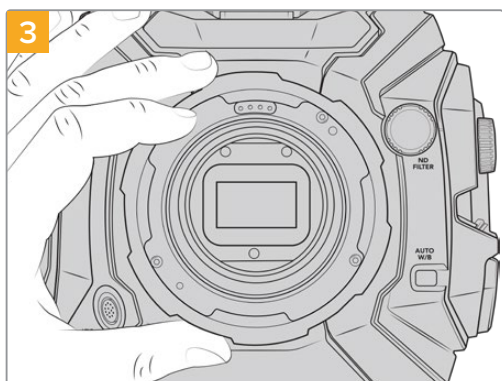
Chave de torque.



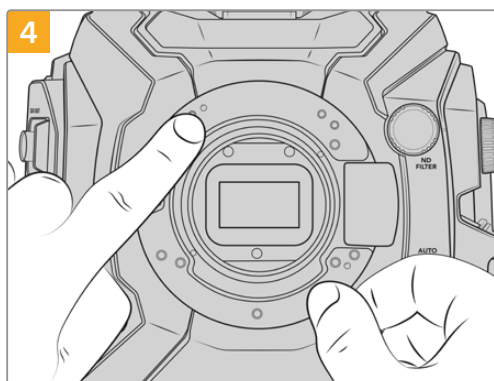
1 Posicione a URSA Broadcast G2 verticalmente em uma bancada sólida e limpa e retire a capa de proteção antipoeira. O filtro cobrindo o sensor estará exposto durante todo o processo de adaptação, portanto é importante mantê-lo o mais limpo possível. Tome cuidado para não tocar o filtro ao adaptar encaixes.



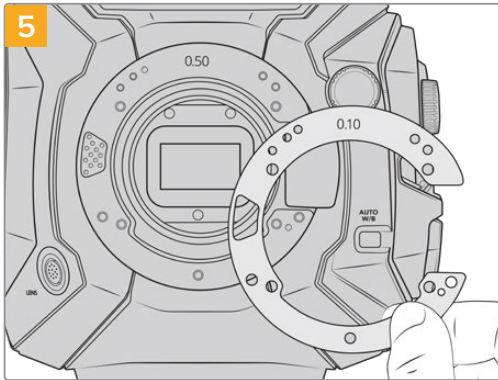
2 Retire os parafusos segurando seu encaixe no lugar usando uma chave sextavada de 2,0 mm. Para mais informações sobre como remover encaixes específicos, consulte a seção 'Encaixe de Lente Intercambiável' neste manual.



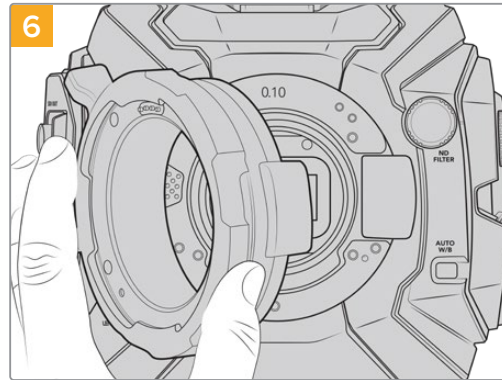
3 Retire o encaixe de lente do corpo da câmara cuidadosamente. Mantenha os parafusos seguramente juntos do encaixe de lente.



4 Observe o alinhamento do anel adaptador existente com o alinhamento do pino na posição de 11 horas.



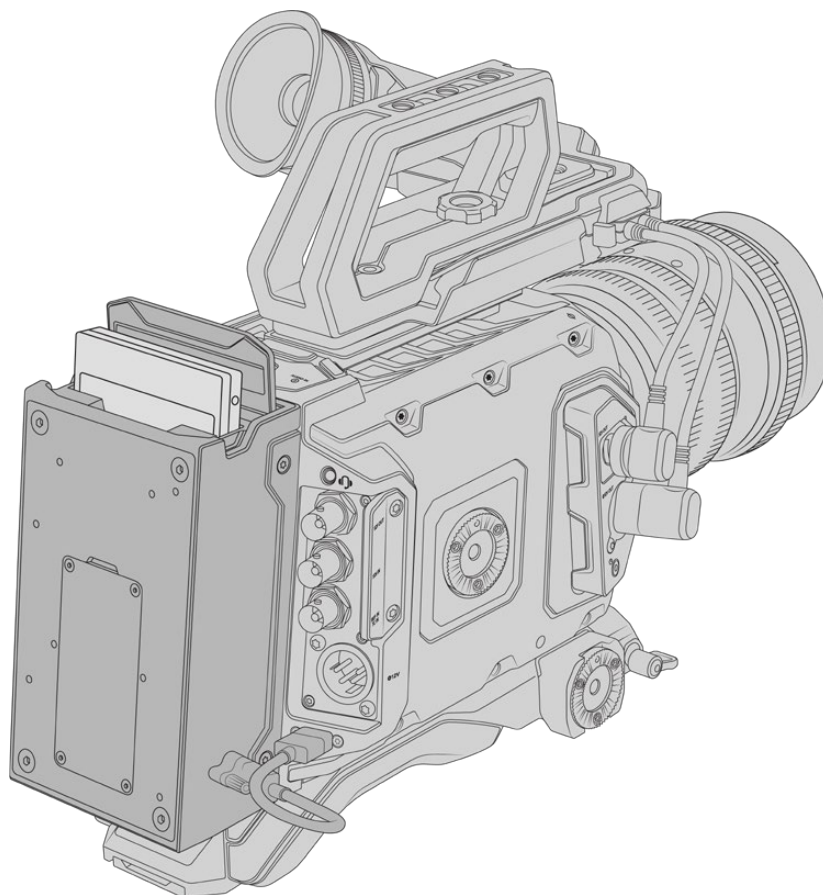
Adicione ou remova anéis para alterar ligeiramente a profundidade do seu encaixe. Sugerimos começar com um anel adaptador de espessura fina, como o de 0,10 mm.



Coloque seu encaixe de lente no corpo da câmera, aperte os parafusos, reencaixe suas lentes e verifique se as marcações de foco agora estão em alinhamento com a distância focal. Caso não estejam, então, continue com os passos de 1 a 6, com pequenos ajustes a cada vez até que sua lente esteja atingindo as marcações correspondentes.

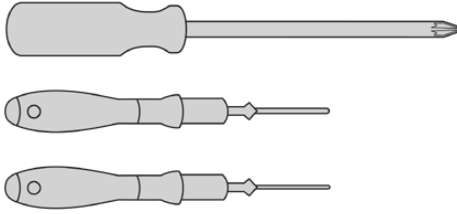
URSA Mini Recorder

O Blackmagic URSA Mini Recorder é um módulo opcional que pode ser fixado na traseira da URSA Broadcast G2. Com este gravador, você pode gravar vídeos, incluindo arquivos Blackmagic RAW 6K, em unidades de estado sólido (SSDs) acessíveis e de alta capacidade.



Ao encaixar o URSA Mini Recorder, você precisará das seguintes ferramentas:

- 1 x chave Phillips com ponta cruzada
- 1 x chave Torx T10
- 1 x chave sextavada de 2 mm

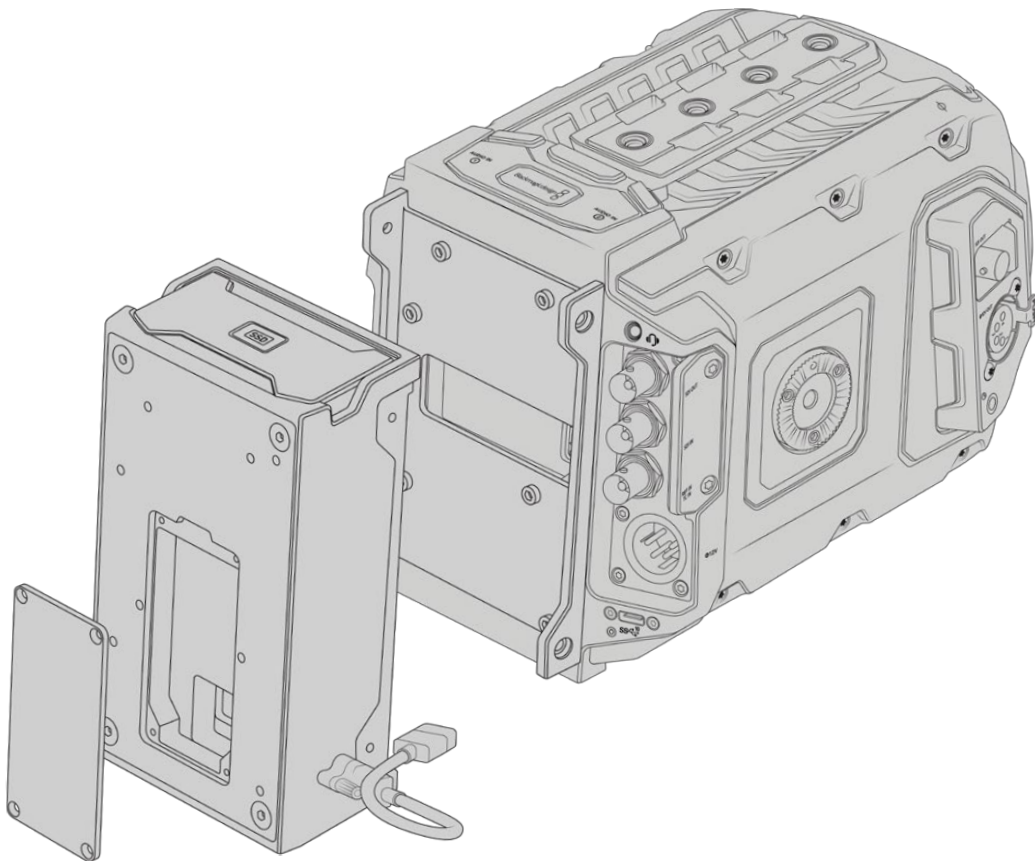


Para encaixar o URSA Mini Recorder na sua URSA Broadcast, você precisará de uma chave Phillips grande, uma chave Torx T10 e uma chave sextavada de 2 mm.

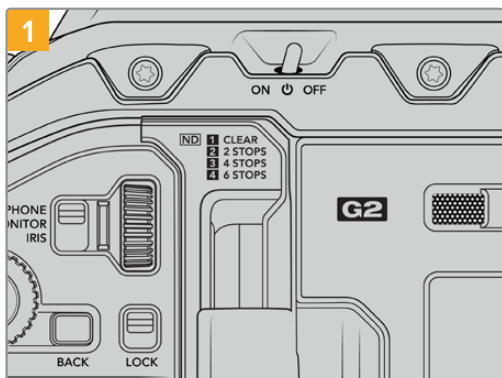
Fixar e Conectar o URSA Mini Recorder

O URSA Mini Recorder se encaixa na traseira da sua URSA Broadcast, diretamente atrás do corpo da câmera, usando a porta USB-C traseira da sua câmera para passar dados para e a partir do URSA Mini Recorder.

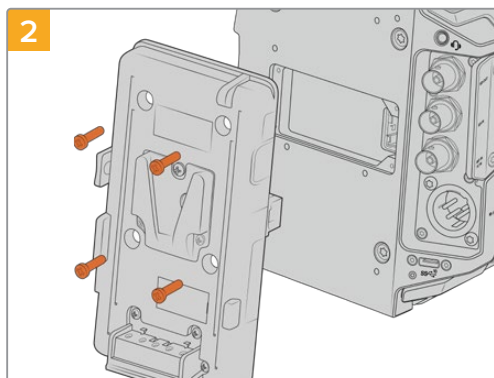
DICA O URSA Mini Recorder possui um cabo de passagem para a fonte de alimentação da bateria da sua câmera, assim você pode encaixar baterias de montagem V ou Gold na traseira da câmera, atrás do gravador.



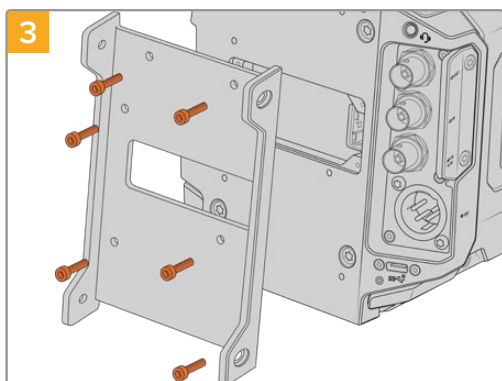
Como fixar e conectar o URSA Mini Recorder:



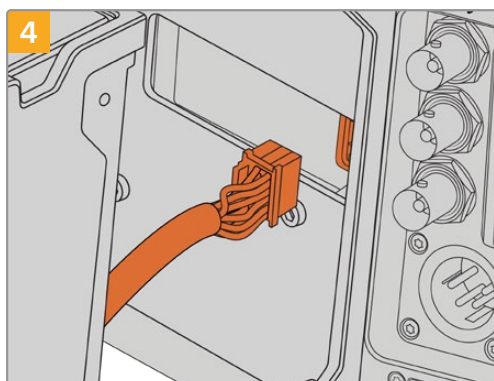
Desligue a URSA Broadcast G2 movendo a chave de alimentação para "Off".



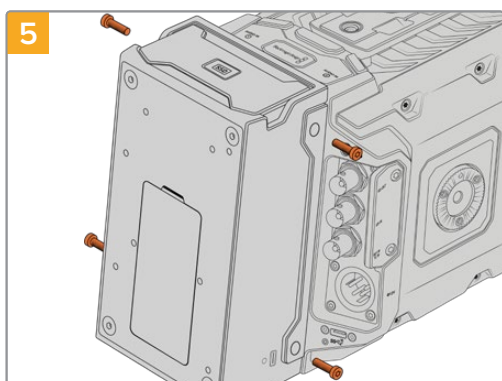
Desmonte quaisquer placas de bateria atualmente encaixadas na sua câmera. Para mais informações sobre como montar e desmontar placas de bateria, consulte a seção 'Encaixar Baterias' neste manual.



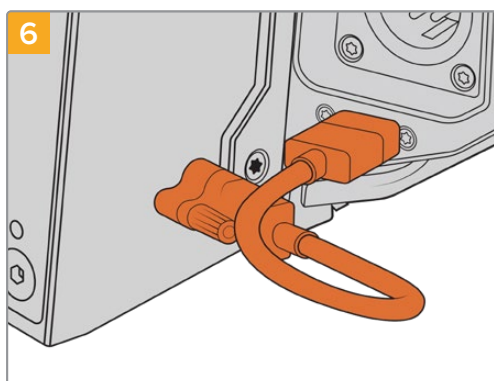
Anexe o suporte de montagem do URSA Mini Recorder usando seis parafusos torx T10.



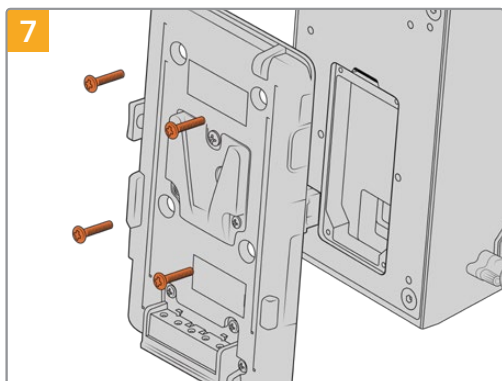
Plugue o conector molex no URSA Mini Recorder ao soquete molex no painel traseiro da sua câmera.



Anexe o URSA Mini Recorder ao suporte de montagem usando dois parafusos torx T10 na lateral esquerda e na lateral direita do suporte.



Conecte o cabo USB-C Mini do gravador à porta de dados USB-C na traseira da URSA Broadcast G2. Aperte os conectores com trava usando os dedos ou uma chave sextavada de 2 mm.



Caso deseje utilizar uma placa de bateria com o URSA Mini Recorder, use uma chave sextavada de 2 mm para remover os quatro parafusos M3 prendendo a tampa protetora no soquete molex no painel. Depois de destampar o soquete molex, anexe uma placa de bateria seguindo os passos na seção 'Encaixar Baterias' neste manual.

Usar URSA Mini Recorder

Quando o URSA Mini Recorder estiver conectado e um SSD estiver carregado, o gravador ocupa o compartimento 3 no sistema operacional da URSA Broadcast G2. Você verá um indicador "SSD" no compartimento "3" no gerenciador de armazenamento da sua câmera ao usar o URSA Mini Recorder.



Isso significa que a gravação, reprodução e gerenciamento de armazenamento funcionam exatamente da mesma maneira para SSDs, cartões CFast ou SD. Para informações gerais sobre o gerenciamento de armazenamento, assim como instruções específicas para a escolha de SSDs, consulte a seção 'Mídias de Armazenamento' neste manual.

LED de Status

O URSA Mini Recorder possui uma luz de status no painel esquerdo para "SSD". O brilho desse indicador pode ser configurado como "Baixo", "Médio", "Alto" ou "Desabilitado" no menu de configuração da sua câmera.

SSD

O indicador “SSD” exibe o status do SSD inserido. Este LED oferece os seguintes indicadores de status:

Branco	O seu URSA Mini Recorder exibirá uma luz branca sólida quando estiver ligado e se comunicando com a URSA Broadcast G2.
Vermelho	<p>O seu URSA Mini Recorder exibirá uma luz vermelha enquanto estiver gravando em um SSD. Quando o espaço no seu SSD estiver acabando, a luz vermelha começará a piscar lentamente.</p> <p>Uma luz vermelha piscando rapidamente indica que o SSD está descartando quadros. Caso isso aconteça, verifique se você está usando um disco da nossa lista de SSDs recomendados e se está gravando a uma taxa de dado compatível com sua mídia.</p>
Laranja	Se tiver ocorrido algum problema ao inserir o SSD, a luz de status acenderá em laranja. Isso pode acontecer devido à formatação inadequada ou falta de compatibilidade do SSD. Consulte a seção ‘Mídias de Armazenamento’ neste manual para uma lista de SSDs compatíveis e instruções de formatação.

DICA Caso o LED “SSD” indique erro de montagem, talvez seja necessário inicializar o drive em um Mac ou PC utilizando um utilitário ou gerenciador de disco.

Atualizar o Software Interno do URSA Mini Recorder

Atualize seu URSA Mini Recorder usando o software Blackmagic Camera Setup Utility. É necessário que o Mini Recorder seja alimentado durante a atualização, então recomendamos mantê-lo conectado à URSA Broadcast G2 durante o processo. Isso também significa que sua câmera precisará fornecer alimentação consistente, então certifique-se de que ela esteja conectada à alimentação externa.

Conecte seu computador ao Mini Recorder com um cabo USB-C e inicie o Blackmagic Camera Setup Utility. Será solicitado que você realize a atualização caso seu computador detecte que o URSA Mini Recorder está usando uma versão antiga. Siga as instruções na tela para atualizar o software interno do seu URSA Mini Recorder. Consulte a seção ‘Blackmagic Camera Setup Utility’ neste manual para mais informações.

DICA Recomendamos atualizar todos os seus equipamentos Blackmagic URSA ao mesmo tempo para uma performance otimizada.

Como Utilizar o Controle de Câmera de Estúdio

A Blackmagic URSA Broadcast G2 pode ser usada como uma câmera de estúdio controlada por um switcher ATEM usando o recurso de controle de câmera do programa ATEM Software Control. Isso permite adicionar uma câmera com um sensor de imagem de alta qualidade e incrível alcance dinâmico no seu estúdio de transmissão e controlá-la como qualquer outra câmera de estúdio.

Clicar no botão de câmera iniciará o recurso de controle de câmera. Configurações como íris, ganho, foco e controle de zoom são facilmente ajustadas com lentes compatíveis. Além disso, você pode calibrar as cores das câmeras e criar looks originais usando o corretor primário de cores DaVinci Resolve.

O controle do switcher ATEM funciona transmitindo pacotes de controle de câmera via todas as saídas SDI sem conversão descendente do switcher ATEM. Ou seja, é possível conectar uma saída SDI de um switcher ATEM à entrada 12G-SDI da URSA Broadcast G2 e a sua câmera detectará os pacotes de controle no enlace SDI e permitirá que você controle os recursos na própria câmera.



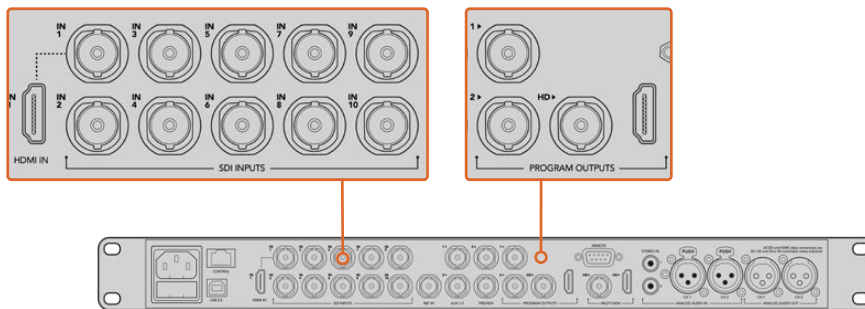
ATEM Software Control.

OBSERVAÇÃO Ao usar a Blackmagic URSA Broadcast G2 com o seu switcher ATEM, recomendamos atualizar o software interno para a versão mais recente em ambas as unidades para garantir compatibilidade. O software mais recente pode ser encontrado na Central de Suporte Técnico da Blackmagic Design em www.blackmagicdesign.com/br/support.

Conectar sua URSA Broadcast G2

- 1 Conecte a saída 12G-SDI da sua URSA Broadcast G2 a qualquer entrada SDI do switcher ATEM.
- 2 Conecte qualquer uma das saídas SDI do switcher ATEM, exceto as saídas de conversão descendente ou multivisualização, na entrada 12G-SDI da sua URSA Broadcast G2. Os sinais do controle de câmera não serão enviados através das saídas SDI com conversão descendente e saídas SDI de multivisualização.

- 3 Na URSA Broadcast G2, navegue até “ID de Câmera ATEM” no menu de configurações e defina a identificação de câmera do seu ATEM para que corresponda à entrada do switcher. Por exemplo, caso a URSA Broadcast G2 número 1 esteja conectada à entrada Cam 1 do switcher ATEM, o número da câmera também deve ser definido como 1. Isso garante que a intercomunicação seja enviada para a câmera correta.
- 4 No menu de configurações, selecione sua “Fonte de Referência”. A menos que você tenha um sinal genlock sendo enviado para todas as suas câmeras e o seu switcher, recomendamos definir a “Fonte de Referência” como “Programa” quando conectado ao ATEM.
- 5 Navegue até o menu “Monitorar” e certifique-se de que tenha selecionado “Alimentação Limpa” para “SDI Principal” para assegurar que você não veja sobreposições ou a caixa de foco na saída SDI do switcher ATEM.



Conecte sua URSA Broadcast G2 a qualquer uma das entradas SDI do switcher ATEM.

Usar Controle de Câmera

Inicie o ATEM Software Control e clique no botão de câmera localizado na parte inferior da janela do software. Você verá uma fileira de controladores de câmera rotulados contendo ferramentas para ajustar e refinar a imagem de cada câmera. Os controladores são fáceis de usar. Basta clicar nos botões usando seu mouse ou clicar e arrastar para ajustar.

Seleção do Controle de Câmera

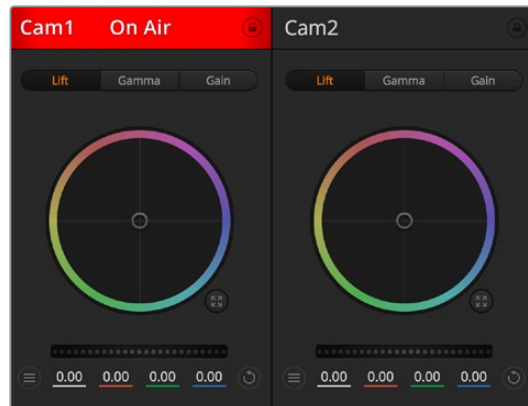
A fileira de botões na parte superior da página do controle de câmera permite selecionar o número da câmera que você deseja controlar. Caso tenha um número de câmeras maior que o tamanho da janela ou esteja executando a janela de correção de cores, é possível usar estes botões para selecionar qual das câmeras você deseja controlar. Caso esteja usando uma saída auxiliar para monitorar o seu controle de câmera, apertar esses botões para alterar a câmera para controle também enviará a saída de vídeo dessa câmera para a saída auxiliar configurada nas preferências do switcher.



Clique no ícone de configurações para selecionar a saída auxiliar para o controle de câmera

Status do Canal

O status do canal na parte superior de cada controlador de câmera exibe o rótulo da câmera, indicador “No Ar” e o botão de bloqueio. Aperte o botão de bloqueio para bloquear todos os controles para uma câmera específica. Quando estiver no ar, o status do canal acenderá em vermelho e exibirá o alerta “No Ar”.



Cada controlador de câmera exibe o status do canal, assim você sabe qual câmera está no ar. Utilize os discos de cores para ajustar as configurações de pedestal, gama e ganho de cada canal YRGB.

Disco de Cores

O disco de cores é um recurso poderoso do corretor de cores DaVinci Resolve que é usado para fazer ajustes cromáticos para as configurações de pedestal, gama e ganho de cada canal YRGB. É possível selecionar a configuração a ser ajustada nos três botões acima do disco de cores.

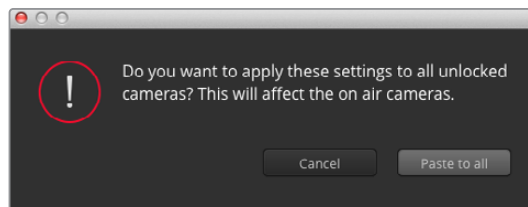
Anel-Mestre

Use o anel-mestre abaixo do disco de cores para ajustes de contraste em todos os canais YRGB ao mesmo tempo ou apenas para a luminância de cada configuração de pedestal, gama e ganho.

Botões Restaurar

O botão de restauração próximo ao canto superior direito de cada controlador de câmera permite escolher facilmente as configurações de correção de cores para restaurar, copiar ou colar. Cada disco de cores também possui seu próprio botão Restaurar. Pressione-o para restaurar uma configuração para o seu estado padrão ou para copiar/colar uma configuração. Os controladores bloqueados não serão afetados pelo recurso Colar.

O botão de restauração mestre no canto superior direito do painel do corretor de cores possibilita restaurar os discos de cores para pedestal, gama e ganho, além das configurações de contraste, matiz, saturação e mistura de luminância. É possível colar as configurações de cor em controladores de câmera individuais ou em todas as câmeras de uma vez para um visual unificado. As configurações de íris, foco e pedestal não são afetadas pelo recurso “Colar”. Ao aplicar “Colar em todas”, uma mensagem de advertência aparecerá solicitando que você confirme sua ação. Isso ocorre para que você não cole novas configurações em câmeras desbloqueadas que estejam no ar no momento acidentalmente.



Quando aplicar “Colar em todas”, um alerta aparecerá solicitando que você confirme sua ação. Assim, você não cola novas configurações em câmeras desbloqueadas que estejam no ar no momento acidentalmente.

Controle de Íris/Pedestal

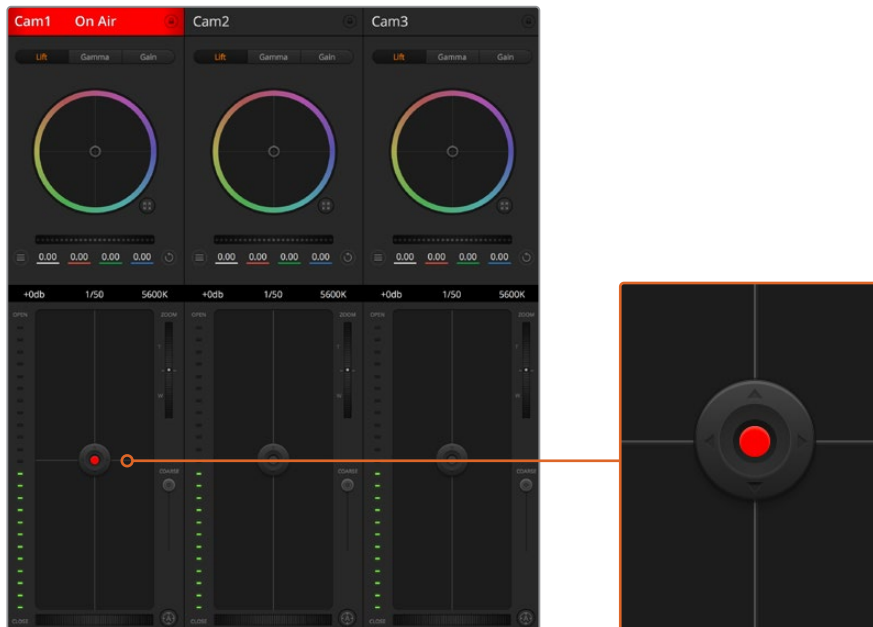
Os controles de íris/pedestal estão localizados dentro das retículas de cada controlador de câmera. O controle acende em vermelho quando a câmera está no ar.

Para abrir ou fechar a íris, arraste o controle para cima ou para baixo. Segurar a tecla “Shift” possibilita fazer ajustes apenas na íris.

OBSERVAÇÃO Quando conectado ao ATEM, certifique-se de que o modo de exposição automática esteja desativado. Caso necessite de controle de íris, zoom ou foco, certifique-se de que possua uma lente com capacidade para ser controlada eletronicamente pela câmera.

Caso esteja usando uma lente B4 ou PL conectada através do conector broadcast de 12 pinos da URSA Broadcast G2, certifique-se de que a chave da íris da lente na empunhadura esteja definida como “A” ou “Auto”.

Para escurecer ou realçar o pedestal, arraste o controle para a esquerda ou direita. Segurar a tecla de comando em um Mac ou a tecla de controle no Windows possibilita fazer apenas ajustes no pedestal.



O controle íris/pedestal acende em vermelho quando sua câmera respectiva está no ar.

Controle de Zoom

Ao usar lentes compatíveis com recurso de zoom eletrônico, é possível ampliar ou reduzir o zoom da sua lente usando o controle de zoom. O controlador funciona da mesma maneira que o controlador de zoom em uma lente, com telefoto em um lado e grande angular no outro. Clique no controle de zoom, localizado acima do deslizador limitador e arraste para cima para ampliar o zoom e para baixo para diminuir o zoom.

Caso suas lentes não possuam controle ativo ou sua câmera não tenha suporte para controle de zoom via o protocolo de controle de câmera SDI, estas configurações não funcionarão. Por exemplo, lentes EF não têm motores servo integrados que possam fazer o zoom da lente eletronicamente, logo não será possível fazer zoom com o controle de câmera ATEM.

OBSERVAÇÃO Lentes B4 analógicas não são compatíveis com o controle de zoom do ATEM. Para mais informações sobre lentes B4 analógicas, consulte a seção 'Usar Lentes Zoom Servo'.

Configuração Limitador

A configuração limitador está localizada à esquerda do controle de íris/pedestal e é usada para limitar o alcance da íris. Este recurso ajuda a prevenir que imagens superexpostas entrem no ar.

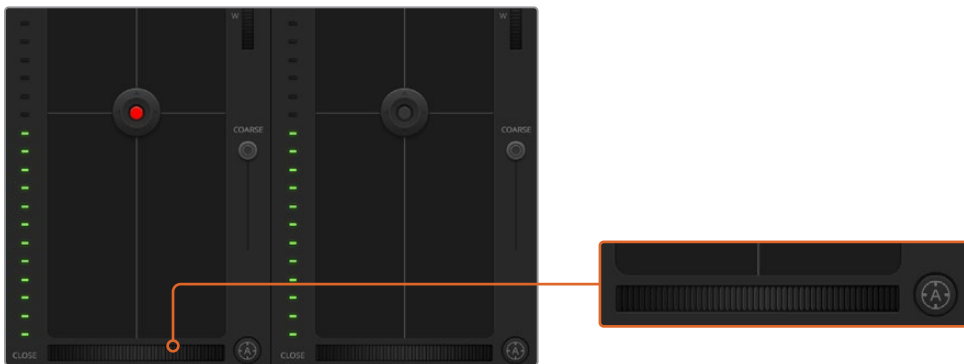
Para definir o limite máximo do limitador, abra a íris completamente usando o controle de íris e arraste o limitador para cima ou para baixo para definir a exposição máxima. Agora, quando você ajustar a íris, o limite máximo do recurso impedirá que ele passe da exposição máxima.

Indicador de Íris

O indicador de íris está localizado à esquerda do controle de íris/pedestal e exibe uma referência visual para que você possa visualizar facilmente quão aberta ou fechada está a abertura da lente. O indicador de íris é afetado pelo recurso limitador.

Botão de Foco Automático

O botão de foco automático está localizado no canto inferior esquerdo de cada controlador de câmera. Pressione para definir o foco automaticamente quando dispor de uma lente ativa com suporte para ajustes de foco eletrônicos. É importante notar que enquanto a maioria das lentes é compatível com foco eletrônico, algumas lentes podem ser configuradas para modos manuais ou automáticos, então certifique-se de que sua lente esteja configurada no modo de foco automático. Muitas vezes, isso pode ser feito ao deslizar o anel de foco para frente ou para trás. Em lentes B4 com controle de zoom servo, será necessário configurar a chave na parte inferior da empunhadura como "Servo".



Clique no botão de foco automático ou arraste o ajuste de foco manual para direita ou esquerda em lentes compatíveis.

Ajuste de Foco Manual

Quando desejar ajustar o foco da sua lente manualmente usando o ATEM Camera Control, você pode usar o ajuste de foco localizado na parte inferior de cada controlador de câmera. Gire o disco de controle da lente à esquerda ou direita para ajustar o foco manualmente enquanto assiste à alimentação de vídeo da câmera para assegurar que sua imagem esteja nítida e perfeita.

O controle de foco manual está disponível através do seu switcher apenas ao usar lentes B4 e PL com controles de foco servo. Como lentes EF não possuem servo para o foco, esta opção não está disponível ao usar lentes de montagem EF.

Ganho de Câmera

Ao operar em condições de iluminação diferentes, pode ser que você queira aumentar ou diminuir o ganho da sua câmera para evitar a subexposição das suas imagens. Para fazer isso, clique na seta esquerda para diminuir o ganho e na seta direita para aumentar o ganho.

Seu switcher ATEM exibe o ganho em dB. Isso equivale às configurações da sensibilidade ISO na sua câmera da seguinte maneira:

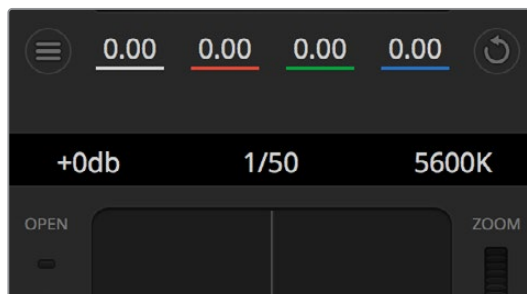
Ganho
-6
0
+6
+12
+18

As configurações de ganho são exibidas usando indicadores em dB.

Controle da Velocidade de Obturador

O controle da velocidade de obturador é utilizado para alterar a velocidade do obturador da sua URSA Broadcast G2.

O controle da velocidade do obturador está localizado entre o disco de cores e o controle de íris/pedestal. Aumente ou diminua a velocidade do obturador ao passar o cursor do mouse por cima do indicador da velocidade do obturador e clicando na seta esquerda ou direita.



Passar o cursor do seu mouse por cima dos indicadores de ganho, velocidade do obturador e balanço de branco ativará setas nas quais você poderá clicar para ajustar suas respectivas configurações.

OBSERVAÇÃO Como o controle de velocidade do obturador do ATEM tem prioridade sobre a velocidade do obturador selecionada na sua URSA Broadcast G2, os controles da velocidade do obturador da sua câmera serão desativados quando estiver conectada a um switcher ATEM.

A tabela abaixo exibe as velocidades de obturador disponíveis no controle de velocidade do obturador e seus ângulos de obturador equivalentes. É importante lembrar que algumas velocidades de obturador não se enquadram aos ângulos de obturador mínimos e máximos de 11,25 e 360 graus, respectivamente, da URSA Broadcast G2. Se for o caso, o ângulo de obturador mais próximo disponível será usado.

Quando sua URSA Broadcast G2 está conectada a um switcher ATEM, a configuração da velocidade do obturador também fica visível na exibição da tela de toque da sua câmera. Ela também é visível em um URSA Viewfinder, se encaixado.

Velocidade do Obturador	Ângulo do Obturador a 23.98 fps	Ângulo do Obturador a 24 fps	Ângulo do Obturador a 25 fps	Ângulo do Obturador a 29.97 fps	Ângulo do Obturador a 50 fps	Ângulo do Obturador a 59.94 fps
1/50	172,7	172,8	180	215,8	360	360*
1/60	143,9	144	150	179,8	300	359,6
1/75	115,1	115,2	120	143,9	240	287,7
1/90	95,9	96	100	120	200	239,8
1/100	86,3	86,4	90	107,9	180	215,8
1/120	71,9	72	75	89,9	150	179,8
1/150	57,5	57,6	60	71,9	120	143,9
1/180	48	48	50	59,9	100	119,9
1/250	34,5	34,6	36	43,2	72	86,3
1/360	24	24	25	29,97	50	59,94
1/500	17,3	17,3	18	21,6	36	43,2
1/725	11,9	11,9	12,4	14,9	24,8	29,8
1/1450	11,25*	11,25*	11,25*	11,25*	12,4	14,9
1/2000	11,25*	11,25*	11,25*	11,25*	11,25*	11,25*

* Velocidades do obturador fora da faixa do ângulo do obturador da URSA Broadcast G2 usam o ângulo do obturador mínimo ou máximo mais próximo disponível.

DICA Diminuir o valor da velocidade do obturador é uma boa maneira de clarear suas imagens sem usar o ganho da câmera porque você estará aumentando o tempo de exposição do sensor de imagem. Isso também pode reduzir ou remover cintilações suaves ao gravar sob luzes fluorescentes. Aumentar a velocidade do obturador reduz o desfoque de movimento e deve ser utilizado para planos de ação quando desejar que suas imagens permaneçam límpidas e nítidas.

Balço de Branco

A configuração de balanço de branco junto do controle de velocidade do obturador pode ser ajustada ao clicar nas setas esquerda e direita em cada lado do indicador de temperatura. Fontes de luz diferentes emitem cores quentes ou frias, então você pode compensá-las usando o balanço de branco. Isto assegura que os brancos na sua imagem permaneçam brancos.

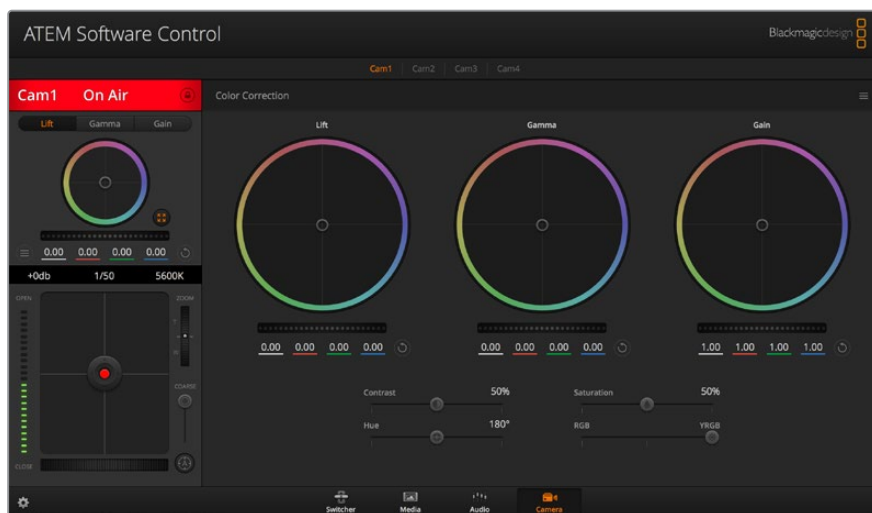
Corretor Primário de Cores DaVinci Resolve

Caso tenha experiência profissional com a correção de cores, então será possível alterar o controle de câmera do tipo interface CCU de um switcher para uma interface de usuário que é mais parecida com a de um corretor primário de cores de um sistema de gradação para pós-produção.

Sua Blackmagic URSA Broadcast G2 inclui um corretor primário de cores DaVinci Resolve integrado. Caso já tenha usado o DaVinci Resolve, então, criativamente, tratar as cores na sua URSA Broadcast G2 será igual, assim você pode tirar proveito da sua experiência com o tratamento de cores em produções ao vivo. O painel do corretor de cores pode ser expandido para fora de qualquer controlador de câmera e oferece controle de correção de cores extensivo com configurações adicionais e uma interface de correção primária de cores completa.

Você contará com discos de cores e configurações como saturação disponíveis e terá capacidade para visualizar sombras, tons médios e realces, tudo ao mesmo tempo. Basta alternar entre as câmeras usando os controles de seleção de câmera no topo da janela, conforme necessário.

DICA A correção de cores do DaVinci Resolve é aplicada à saída SDI da sua URSA Broadcast G2 ou vídeos ProRes gravados na câmera. Como vídeos RAW são destinados a processamentos complexos na pós, a correção de cores não é aplicada neles. No entanto, ao gravar vídeos RAW, a correção de cores ainda pode ser aplicada à saída SDI da URSA Broadcast G2.



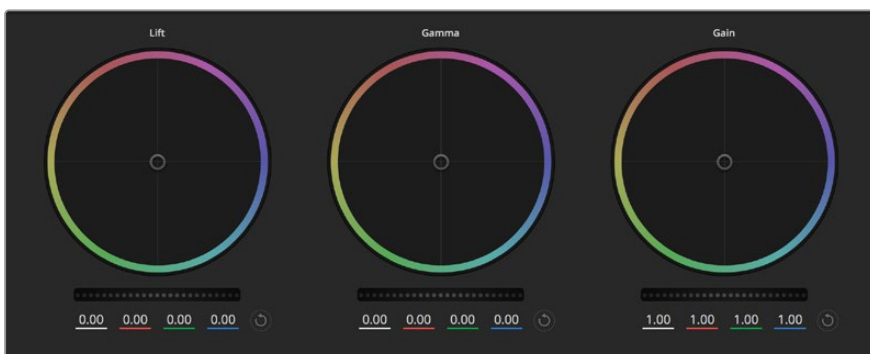
Clique no botão do corretor primário de cores DaVinci Resolve para ampliar a janela de correção de cores e fazer ajustes.

Discos de Cores

Os controles Pedestal/Gama/Ganho permitem regiões de ajuste tonais que, embora distintas, se sobrepõem. Em termos fotográficos, pedestal, gama e ganho correspondem às sombras, tons médios e realces.

Utilize os discos de cores das seguintes maneiras para fazer ajustes finos ou radicais:

- **Clique e arraste para qualquer lugar no interior do círculo de cor:**
Observe que não é necessário arrastar o próprio indicador do balanço de cor. À medida que o indicador do balanço de cor se desloca, os parâmetros RGB abaixo se alteram para refletir os ajustes sendo feitos em cada canal.
- **Pressione “Shift”, clique e arraste para o interior do círculo de cor:**
O indicador do balanço de cor pula para a posição absoluta do cursor, possibilitando fazer ajustes mais rápidos e extremos.
- **Dê um clique duplo no interior do círculo de cor:**
Restaura o ajuste da cor sem restaurar o ajuste do disco-mestre para esse controle.
- **Clique no controle “Restaurar” no canto superior direito de um círculo de cor:**
Restaura tanto o controle do balanço de cor quanto seu anel-mestre correspondente.



Os discos de cores Pedestal, Gama e Ganho no painel do corretor de cores.

Anéis-Mestre

Use os anéis-mestre abaixo dos discos de cores para ajustar os controles de pedestal, gama e ganho em cada canal YRGB.

Como fazer os ajustes usando o anel-mestre:

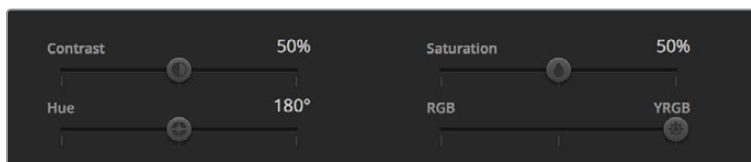
- **Deslize o anel-mestre para a esquerda ou direita:** Deslizar para a esquerda escurece o parâmetro de imagem selecionado, deslizar para a direita clareia esse parâmetro. À medida que você faz um ajuste, os parâmetros YRGB abaixo se alteram para refletir os ajustes sendo feitos. Para ajustar apenas o Y, segure a tecla ALT ou Command e arraste para a esquerda ou direita. Como o corretor de cores utiliza processamento YRGB, é possível obter efeitos bem originais e criativos ao ajustar somente o canal Y. Os ajustes do canal Y funcionam melhor quando o ajuste Mix Lum está configurado para o lado direito usando o processamento YRGB ao invés do lado esquerdo usando o processamento RGB comum. Geralmente, a maioria dos coloristas usando DaVinci Resolve utilizam o corretor de cor YRGB, pois você obtém muito mais controle do balanço de cor sem afetar o ganho geral, assim passa menos tempo em busca do look desejado.



Ajuste os anéis-mestre ao arrastar o controle do disco para a esquerda ou direita.

Contraste

A configuração Contraste oferece controle sobre a distância entre os valores mais claros e escuros de uma imagem. O efeito é semelhante a fazer ajustes opostos usando os anéis-mestre para pedestal e ganho. A configuração padrão é 50%.



Arraste os deslizadores para a esquerda ou direita para ajustar as configurações de Contraste, Saturação, Matiz e Mix Lum.

Saturação

A configuração de Saturação aumenta ou diminui a quantidade de cores na imagem. A configuração padrão é 50%.

Matiz

O controle “Matiz” gira todos os matizes da imagem em volta de todo o perímetro do disco de cores. A configuração padrão de 180 graus exibe a distribuição original dos matizes. Aumentar ou reduzir este valor gira todos os matizes para frente ou para trás com a distribuição do matiz como visto em um disco de cor.

Mix Lum

O corretor de cores incluído na sua Blackmagic URSA Broadcast G2 é baseado no corretor primário de cores do DaVinci Resolve. A DaVinci tem fabricado corretores de cores desde o início dos anos 80; e os filmes de Hollywood usam o DaVinci Resolve para o tratamento de cores mais do que qualquer outro método.

Isso significa que o corretor de cores integrado à sua URSA Broadcast G2 possui recursos criativos únicos e poderosos. O processamento YRGB é um desses recursos.

Ao tratar as cores, é possível optar pelo processamento RGB ou YRGB. Coloristas de alto nível utilizam o processamento YRGB, assim há mais controle de precisão sobre as cores e é possível ajustar os canais independentemente com separação aprimorada e mais opções criativas.

Quando o controle Mix Lum estiver configurado para o lado direito, você obtém saída final de 100% do corretor de cores YRGB. Quando o controle Mix Lum está definido para o lado esquerdo, você obtém saída final de 100% do corretor de cores RGB. É possível definir o Mix Lum em qualquer posição entre a esquerda e a direita para obter uma mesclagem da saída de ambos os corretores RGB e YRGB.

Qual é a configuração certa de usar? Isso depende de você, já que a correção de cores é um processo puramente criativo em que não existe certo e errado, e a melhor configuração é aquela que você achar que tem o melhor aspecto!

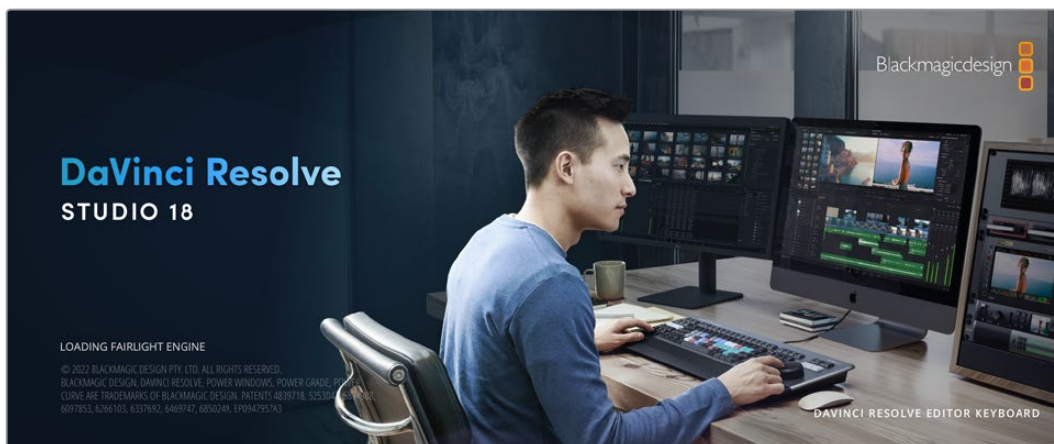
Sincronizar Configurações

Quando conectados, os sinais de controle de câmera são enviados do switcher ATEM à sua Blackmagic URSA Broadcast G2. Caso uma configuração seja ajustada acidentalmente na sua URSA Broadcast G2, o controle de câmera restaurará essa configuração automaticamente para manter a sincronização.

DICA Mesmo se você desconectar sua saída 12G-SDI, a URSA Broadcast G2 continuará a utilizar quaisquer ajustes de imagem feitos com a correção de cores DaVinci Resolve. Isso permite alterar os ângulos de câmera sem a necessidade de fazer ajustes de imagem novamente. Para restaurar as configurações de cor padrão da URSA Broadcast G2, basta ligar e desligar a URSA Broadcast G2 após desconectar sua entrada 12G-SDI.

Como Utilizar o DaVinci Resolve

Filmar com sua Blackmagic URSA Broadcast G2 é apenas parte do processo de criação de conteúdo cinematográfico e televisivo, e é tão importante quanto o processo de gerenciamento e backup de mídias, além da edição, correção de cores e codificação dos arquivos master finais. Sua Blackmagic URSA Broadcast G2 inclui uma versão do DaVinci Resolve Studio para Mac e Windows para que você conte com uma solução completa de gravação e pós-produção.



OBSERVAÇÃO Recomendamos usar a versão mais recente do DaVinci Resolve para o tratamento preciso das cores dos clipes gravados com as câmeras URSA Broadcast G2. A versão 18 ou posterior oferecerá cores precisas para a URSA Broadcast G2, além dos recursos Blackmagic RAW mais recentes, como estabilização de imagem por giroscópio usando os dados gravados do sensor de movimento da câmera.

Após conectar seu cartão CFast, SD ou SSD ao seu computador, é possível usar a ferramenta “Clone” na página de mídias do DaVinci Resolve para criar backups em operação durante as filmagens. Isso é recomendável, já que qualquer tipo de mídia é susceptível a danos ou pode desenvolver avarias, portanto a criação de backups garante que suas imagens fiquem imunes à perda de dados. Depois que tiver usado o DaVinci Resolve para fazer cópias de segurança das suas mídias, será possível adicionar seus clipes ao pool de mídia do DaVinci, editá-los, corrigir as cores e finalizar sua produção sem nunca ter que sair do programa.

O DaVinci Resolve é a mesma ferramenta usada na maioria dos blockbusters, então ele é muito mais do que uma simples ferramenta de software de edição não linear, pois possui uma tecnologia extremamente avançada integrada para cinema digital de alto nível. Você pode tirar proveito dessa tecnologia ao usar o DaVinci Resolve para editar e corrigir as cores do seu projeto.

Algumas informações sobre como começar a usar o DaVinci Resolve com seus arquivos de câmera foram incluídas neste manual. Obviamente, o DaVinci Resolve é extremamente avançado e conta com muito mais recursos que aparenta ter no primeiro instante quando você se depara com sua interface de usuário. Para saber mais sobre como usar o DaVinci Resolve, consulte o manual de instruções DaVinci Resolve no site da Blackmagic Design, onde você também poderá encontrar muitos cursos de treinamento e tutoriais em vídeo.

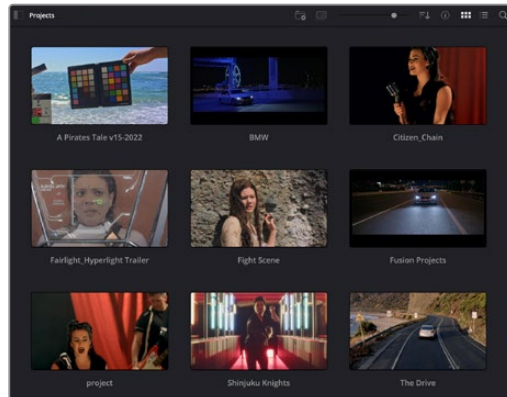
Gerente de Projetos

Antes de importar os seus clipes e começar a editar, será necessário definir seu projeto usando o gerente de projetos.

O gerente de projetos é a primeira tela que você verá ao iniciar o DaVinci Resolve, mas você pode abrir o gerenciamento a qualquer momento ao clicar no ícone de “casa” no canto inferior direito da interface do usuário. Isto é útil quando você deseja abrir projetos anteriores e criar novos projetos.

Para criar um novo projeto, clique em “Novo Projeto” na parte inferior da janela e dê um nome ao seu projeto. Clique em “Criar”.

Usando a página Corte, você pode começar a sua montagem imediatamente.



O gerente de projeto exibe todos os projetos que pertencem ao usuário atual.

Para mais informações sobre o Gerente de Projetos, consulte o manual DaVinci Resolve que está disponível para download na página de suporte no site da Blackmagic Design.

Editar com a Página Corte

A página Corte oferece um fluxo de trabalho rápido e dinâmico que permite que você monte, apare e edite clipes eficientemente.

Duas linhas de tempo ativas permitem que você trabalhe com toda a sua edição, além de uma área detalhada simultaneamente. Isso significa que você pode arrastar clipes para qualquer lugar em uma linha de tempo grande e depois refinar sua edição em uma linha de tempo detalhada dentro da mesma área de trabalho. Ao usar este fluxo de trabalho, você pode editar em um laptop sem a necessidade de ampliar e reduzir o zoom e rolar conforme você trabalha, o que pode poupar bastante tempo.

Layout da Página Corte

Ao abrir a página Corte, você verá o pool de mídias, a janela do visualizador e a linha de tempo. Estas três janelas principais oferecem controle completo da sua edição.



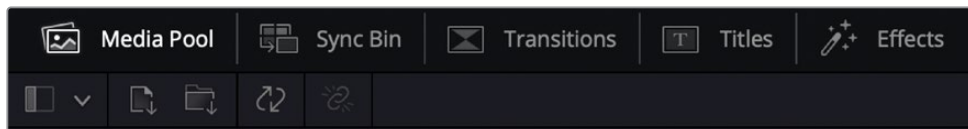
A área de trabalho padrão da página Corte, com visualização de ícones no pool de mídia.

Para mais informações sobre a página Corte, consulte o capítulo “The Cut Page” no manual do DaVinci Resolve.

Abas de Mídia

No canto superior esquerdo da interface do usuário você visualizará cinco abas.

Clique nessas abas para abrir os kits de ferramentas a serem usados ao criar sua edição. Por exemplo, a primeira aba é o pool de mídia e perceba que já está selecionada. As outras abas são para o Sync Bin, transições de mídias, títulos e efeitos.



- **Pool de Mídia:** O pool de mídia contém todos os seus clipes, partições e arquivos importados usando a página de mídias. Você também pode importar arquivos diretamente da página Corte, assim não é necessário retornar à página de mídias se você quiser importar um clipe novo.
- **Sync Bin:** Este recurso eficaz sincroniza todos os seus clipes automaticamente via código de tempo, data e hora, para que você possa selecionar os ângulos de todas as câmeras em um projeto multicâmera.
- **Transições:** Se você clicar na aba de transições vizinha, você visualizará todas as transições de vídeo e áudio que podem ser utilizadas na sua edição. Elas incluem transições comuns, como dissoluções cruzadas e cortinas de movimento.
- **Títulos:** A aba “Títulos” fica ao lado das transições. Aqui você pode selecionar o tipo de título que deseja usar. Por exemplo, uma rolagem, texto padrão ou terço inferior. Também há uma lista de modelos Fusion que você pode utilizar para títulos animados mais dinâmicos que podem ser personalizados na página “Fusion” do DaVinci Resolve.
- **Efeitos:** A quinta aba é chamada “Efeitos”. Ela oferece todos os filtros e efeitos diferentes que podem ser utilizados para dar mais vida à sua montagem, por exemplo, desfoque, brilhos e efeitos de lente personalizados. Há muitas opções de efeitos poderosos que podem ser encontrados rapidamente com a ferramenta de busca.

DICA Utilize a ferramenta de busca próxima dos ícones de mídia para encontrar exatamente o que procura. Por exemplo, caso tenha a aba de transições selecionada, digite “dissolução” na ferramenta de busca e apenas os tipos de transição com dissolução aparecerão no visualizador, tornando a busca pela transição de dissolução desejada mais rápida.




Abas de Visualização

No canto superior esquerdo da janela do visualizador, você encontrará os botões de modo de visualização.



Os botões de modo de visualização.

Estes botões controlam qual visualizador é atualmente usado, incluindo “Clipe de Origem”, “Fita de Origem” e “Linha de Tempo”. Estes modos de visualização oferecem uma enorme quantidade de controle ao selecionar os clipes para a sua montagem. Vale a pena passar alguns momentos observando como eles funcionam.



	Clipe de Origem	O visualizador do clipe de origem exibe um único clipe do pool de mídia e você pode definir pontos de entrada e saída ao longo de toda a visualização da linha de tempo. Isso oferece maior controle. Selecione um clipe de origem para visualização ao clicar duas vezes em um clipe no pool de mídia ou arrastando-o para o visualizador.
	Fita de Origem	A fita de origem permite que você visualize todos os clipes de origem no pool de mídia. Este poderoso recurso é útil se você quiser pesquisar todos os seus clipes para encontrar um evento específico. Enquanto você passa o cursor de reprodução sobre os clipes, você observará suas miniaturas selecionadas no pool de mídia. Assim, após ter encontrado o clipe que deseja editar, você pode clicar na aba do clipe de origem e seu clipe de origem correspondente aparecerá no visualizador automaticamente. O visualizador de fita de origem realmente permite que você se aproveite da edição não linear, oferecendo a liberdade para trabalhar na sua edição, encontrar planos rapidamente, testar novas ideias e focar no momento.
	Linha de Tempo	O visualizador da linha de tempo permite que você visualize a linha de tempo de edição para que possa reproduzir seu projeto e refinar suas edições.

Importação de Clipes para o Pool de Mídia

Agora você pode começar a importar as mídias para o seu projeto. Você pode fazer isto na janela do pool de mídia na página Corte usando as ferramentas de importação na parte superior.



Selecione uma das opções de importação para adicionar mídias ao seu projeto.

	Importar Mídias	A opção “Importar Mídias” importará arquivos de mídia individuais selecionados no local do armazenamento.
	Importar Pasta de Mídias	Para importar uma pasta do seu local de armazenamento, selecione a opção “Importar Ficheiro”. Ao importar uma pasta, o DaVinci Resolve manterá a estrutura do arquivo, tratando cada pasta como uma pasta independente para que você possa navegar entre elas para encontrar seus vídeos e outros arquivos de mídia.

Como importar mídias:

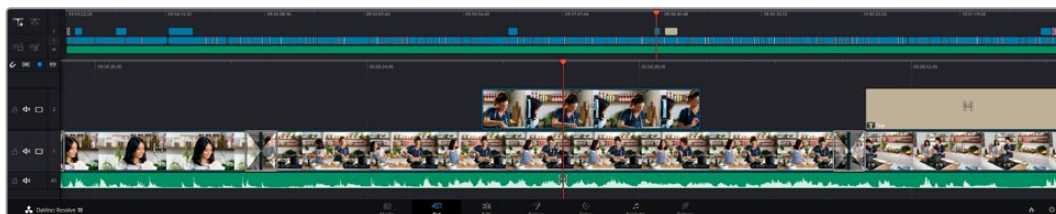
- 1 Clique em “Importar Mídias” ou no ícone “Importar Pasta de Mídias”.
- 2 Navegue até seu armazenamento de mídia para obter a mídia que deseja importar.
- 3 Selecione o arquivo ou pasta e clique em “Abrir”.

Após adicionar a mídia ao seu projeto, este é um bom momento para salvar suas alterações. O DaVinci Resolve oferece uma opção de salvamento automático rápida e em atividade chamada “Salvar Ao Vivo”. Depois que salvar seu projeto uma vez, “Salvar Ao Vivo” salvará alterações adicionais à medida que você as faz, eliminando o risco de perder o seu trabalho.

Para mais informações sobre o recurso “Salvar Ao Vivo” e outras funções de salvamento automático, consulte o Manual DaVinci Resolve.

Adicionar Clipes à Linha de Tempo

Agora que você está familiarizado com os botões das abas de mídia e dos modos de visualização, você pode abrir o pool de mídia e começar a adicionar clipes rapidamente à sua linha de tempo.



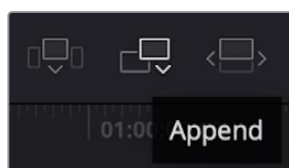
A linha de tempo da página Corte, consiste em uma linha de tempo superior e uma linha de tempo ampliada abaixo.

A linha de tempo é onde você monta a sua edição e é como um tabuleiro com trilhas nas quais você pode colocar seus clipes, deslocá-los e aparar seus cortes. As trilhas permitem distribuir os clipes em camadas sobre outros, o que oferece mais flexibilidade para testar cortes diferentes e criar transições e efeitos. Por exemplo, você pode testar uma edição com um clipe em uma trilha sem afetar os outros clipes na trilha abaixo.

Há diferentes maneiras de adicionar clipes à linha de tempo, como inserção inteligente, anexar, inserir por cima, entre outras.

Anexando Clipes

Ao selecionar tomadas e montar uma edição, é provável que você queira adicionar estes planos um após o outro na linha de tempo. A ferramenta “Anexar” é perfeita para esta tarefa e permitirá que você edite com muita rapidez.



Clique no ícone “Anexar” para adicionar clipes ao fim do último clipe rapidamente.

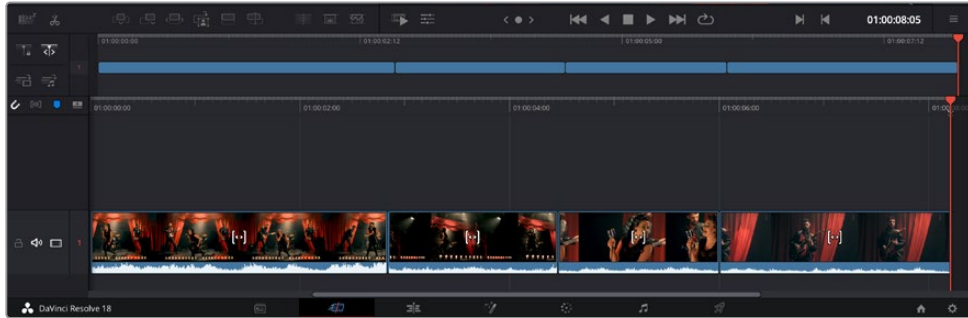
Como anexar um clipe:

- 1 Clique duas vezes em um clipe no pool de mídia para abri-lo no visualizador.
- 2 Usando a ferramenta aparo de arrasto, arraste os pontos de entrada e saída para selecionar a duração precisa do seu plano. Você pode pressionar as teclas de atalho “I” e “O” no teclado para definir os pontos de entrada e saída.



- 3 Agora, clique no ícone Anexar abaixo do pool de mídia. Seu primeiro clipe será posicionado no início da linha de tempo.

Repita os passos 1 a 3 para continuar adicionando mais clipes e eles serão anexados automaticamente, assegurando que não existam lacunas na linha de tempo.



Anexar clipes assegura que não existam lacunas entre eles na linha de tempo.

DICA Você pode acelerar o processo ainda mais ao atribuir um atalho de teclado para o ícone “Anexar”. Por exemplo, se você atribuir a tecla “P”, você pode selecionar seu ponto de entrada e saída usando “I” e “O” e, depois, apertar “P” para anexar o clipe. Consulte o manual DaVinci Resolve para mais informações sobre como atribuir teclas de atalho.

Editando Clipes na Linha de Tempo

Com clipes adicionados à linha de tempo, você tem controle total para deslocá-los e aparar cortes.

Para aparar um corte, passe o mouse por cima do início ou fim de um clipe, clicando e arrastando para a direita ou esquerda. Por exemplo, arraste o fim de um clipe à direita ou esquerda para diminuir ou aumentar sua duração. Perceba que todos os clipes após esta edição se deslocarão na linha de tempo para acomodar o novo ajuste. Esta é uma das maneiras que a página Corte pode ajudar a poupar seu tempo.

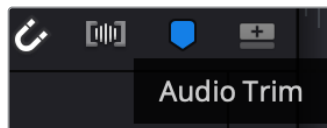
Você pode até pegar o clipe e soltá-lo em uma nova trilha de vídeo na linha de tempo maior sem necessidade de usar o zoom. Isso agiliza o processo de edição porque minimiza o tempo gasto navegando por uma linha de tempo longa.

Visualização de Aparo de Som

A visualização de aparo de som ajuda a fazer edições de áudio mais precisas ao expandir a forma de onda de áudio na linha de tempo. Isso é útil se você estiver editando uma cena de diálogo ou um clipe musical e torna mais fácil encontrar um ponto de edição entre palavras ou batidas.

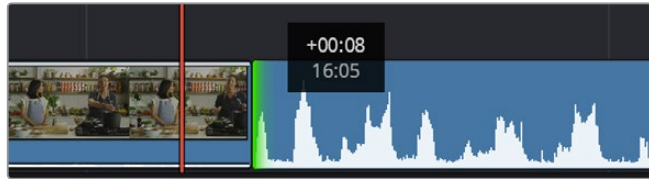
Como usar a visualização de aparo de som:

- 1 Clique no ícone de aparo de áudio entre as ferramentas de encaixe e marcação à esquerda da linha de tempo.



Botão de visualização de aparo de som.

- 2 Agora, quando você aparar uma edição, você verá uma forma de onda expandida na linha de tempo. Quando você terminar de aparar, os clipes na linha de tempo voltarão ao seus tamanhos normais.



A visualização de aparo de som expande a forma de onda de áudio na linha de tempo.

Depois que tiver terminado a edição dos seus clipes usando a página de cortes, talvez você queira adicionar um título. A próxima seção demonstrará como fazer isto.

Adicionando Títulos

Inserir um título na sua linha de tempo é fácil e há várias opções.

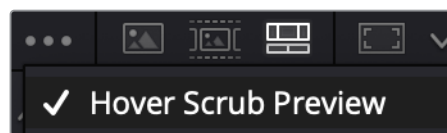
Para visualizar os diferentes tipos de títulos que podem ser usados, clique na aba de mídia “Títulos” no canto superior esquerdo da interface do usuário. Na janela de seleção, você verá todos os geradores de títulos diferentes que você pode utilizar exibidos como miniaturas, desde terços inferiores e rolagens até um título de texto padrão. É possível, inclusive, adicionar qualquer um dos títulos Fusion que são animados e podem ser personalizados.

Pré-Visualizando Títulos

Antes de adicionar um título à linha de tempo, você pode visualizá-lo na janela de seleção “Títulos”. Isso permite que você navegue por todas as opções disponíveis antes de fazer sua escolha.

Como pré-visualizar um título:

- 1 Clique no menu de opções no lado direito do painel de títulos e marque “Prévia com Depuração Flutuante”.



Habilite “Prévia com Depuração Flutuante” no menu de opções.

- 2 Na janela de seleção “Títulos”, passe o ponteiro do mouse sobre uma miniatura para pré-visualizar um título no visualizador. Caso esteja pré-visualizando um título animado ou um título Fusion, movimente o ponteiro sobre a miniatura do título da esquerda à direita para visualizar a animação.



Passa o ponteiro do mouse sobre a miniatura de um título para uma prévia no visualizador.

Após ter selecionado um título, você pode adicioná-lo à linha de tempo.

Como adicionar um título padrão:

- 1 Clique no título e arraste-o até a linha de tempo. Não importa qual linha de tempo. No entanto, para mais precisão, recomendamos usar a linha de tempo detalhada. Uma nova trilha de vídeo para o título será criada automaticamente e será encaixada ao cursor de reprodução.
- 2 Solte o mouse e o título aparecerá na nova trilha. Agora, você pode deslocá-lo ou alterar sua duração como faria com outro clipe de vídeo.
- 3 Para editar o título, clique no clipe do novo título e, em seguida, clique no ícone de ferramentas abaixo do visualizador de clipe.

Agora você verá uma nova fileira de ferramentas que podem ser utilizadas para modificar o clipe do título. Por exemplo, transformação, recorte, zoom dinâmico, entre outras.
- 4 Agora, clique na aba “Inspetor”.

Isto abrirá a janela do inspetor, onde você pode digitar o título desejado e editar as configurações de texto, por exemplo, rastreamento, espaçamento de linhas, cor, entre outras.

Há muitas opções para personalizar o título exatamente como você deseja. Recomendamos que você teste todas as configurações diferentes para ver como elas alteram a aparência e a forma do seu título.

DICA Você também pode usar a função de depuração flutuante para pré-visualizar efeitos, transições, geradores e filtros nas páginas Corte e Edição.

Trabalhando com Arquivos Blackmagic RAW

Os clipes Blackmagic RAW oferecem flexibilidade máxima na pós-produção. Isso permite fazer ajustes nos clipes, como as configurações de balanço de branco e ISO, como se você estivesse alterando as configurações originais de câmera. Trabalhar com Blackmagic RAW também retém mais informações tonais de sombras e realces, o que é útil para a recuperação de detalhes, por exemplo, em céus estourados ou áreas escuras da imagem.

Vale a pena filmar em Blackmagic RAW caso esteja buscando a qualidade mais alta possível, ou em planos onde há variações extremas de realces e sombras, quando você talvez precise aumentar e diminuir os valores destas regiões o máximo possível na gradação.

A rapidez e o tamanho reduzido dos arquivos Blackmagic RAW significam que você não precisa criar arquivos proxy e a reprodução é tal como a de um clipe de vídeo padrão. Esta seção do manual descreve os recursos do Blackmagic RAW e como usar os arquivos Blackmagic RAW no seu fluxo de trabalho DaVinci Resolve.

DICA É uma boa prática ajustar as configurações Blackmagic RAW dos seus clipes na página Cor antes de começar o tratamento de cores.

Configurações de Clipes Blackmagic RAW

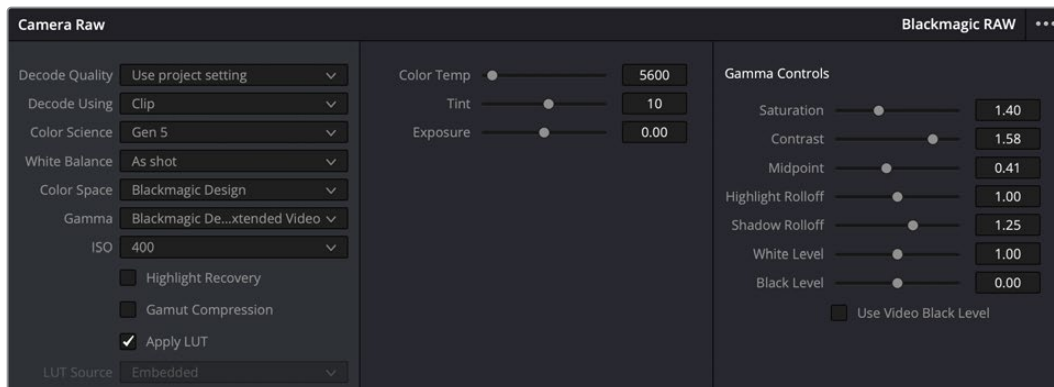
Ao importar arquivos Blackmagic RAW pela primeira vez, o DaVinci Resolve decodifica os dados da câmera contidos nos arquivos utilizando o ganho, as configurações de balanço de branco e de tonalidade usadas no momento da gravação. Caso esteja satisfeito com o look dessas configurações, é possível começar a editar imediatamente.

A parte mais fantástica das gravações em Blackmagic RAW é que você não fica preso de forma alguma a essas configurações. A abrangência de opções de processamento ao trabalhar com arquivos Blackmagic RAW significa que você pode desenvolver seu próprio fluxo de trabalho com o passar do tempo. As experimentações com as configurações “Clipe” para cada clipe na aba “RAW de Câmera” mostrarão o quão poderoso e flexível pode ser trabalhar com Blackmagic RAW.

Ciência de Cores

Permite escolher se deseja interpretar suas imagens com a ciência de cores geração 4 ou 5. A URSA Broadcast G2 utiliza a ciência de cores Blackmagic Design geração 5. Arquivos feitos em câmeras diferentes com a ciência de cores geração 4 podem ser reinterpretados com a ciência de cores geração 5 para combinar com os planos de imagem da URSA Broadcast G2.

Como alternativa, se estiver filmando predominantemente com câmeras que criam arquivos Blackmagic RAW com ciência de cores geração 4, você pode misturar clipes filmados na URSA Broadcast G2 com a ciência de cores geração 5 revertendo-os para a geração 4. Isso facilita a harmonização de planos de imagem filmados em câmeras que utilizam gerações diferentes da ciência de cores Blackmagic.



Na aba “RAW de Câmera”, selecione “Clipe” a partir do menu suspenso “Decodificar Usando” para fazer ajustes nas configurações Blackmagic RAW do seu clipe.

Ajustando Configurações Blackmagic RAW

Depois de ter definido o DaVinci Resolve para habilitar as configurações Blackmagic RAW, as configurações de clipe e os controles de gama podem ser ajustados. Ao ajustar essas configurações para otimizar os seus clipes, você pode aproximá-los de uma gradação primária completa. Isto é extremamente poderoso, especialmente ao utilizar os escopos do DaVinci Resolve, que ajudam o usuário a neutralizar e normalizar os clipes para aplicar um look.

As informações abaixo contêm descrições dos controles de clipe e gama:

ISO

O valor ISO pode ser alterado ao aumentar ou diminuir esta configuração. Ela é útil caso precise definir um ponto de partida mais claro ou mais escuro para a otimização.

Recuperação de Realce

Marque a caixa para reconstruir as informações de realce em canais cortados usando informações dos canais não cortados.

Compressão de Gama

Marque a caixa para manter níveis seguros de gama automaticamente.

Temperatura de Cor

Ajusta a temperatura de cor para deixar a imagem fria ou quente. Ela pode ser utilizada para neutralizar o balanço de cores em cada imagem.

Matiz

Permite adicionar verde ou magenta à imagem para auxiliar no balanço de cores.

Exposição

Permite refinar o brilho geral da imagem.

Saturação

Os controles de saturação são predefinidos em 1 e variam de 0 para saturação mínima a 4 para saturação máxima.

Contraste

Predefinido em 1.0, arraste o deslizador à esquerda para o mínimo de contraste a 0 ou à direita para aumentar o contraste até 2.

Ponto Médio

Com Blackmagic Design Film, seus valores de cinza médio são predefinidos em 0,38 ou 38,4%. Arraste o deslizador à esquerda para diminuir seu ponto médio ou à direita para aumentá-lo para 100. Quando o contraste é ajustado e distanciado da configuração padrão, você pode modificar suas modulações de realces e sombras.

Modulação de Realce

Com este recurso, você pode ajustar os realces arrastando o deslizador para a esquerda para diminuir o valor para 0 ou o arrastando para a direita para aumentar os realces para 2. O valor padrão é 1.

Modulação de Sombra

Arraste o deslizador à esquerda para diminuir as suas sombras para 0 ou à direita para aumentar suas sombras para 2.

Nível de Branco

Ajuste o ponto branco da curva de gama ao arrastar o deslizador do valor máximo de 2 para o valor mínimo de 0. O valor padrão é 1.

Nível de Preto

Aumente o ponto preto da curva de gama personalizada ao arrastar o deslizador para a direita partindo do valor mínimo de -1 para o máximo de 1. O valor padrão é 0.

Usar Nível de Preto de Vídeo

Marque a caixa para configurar os níveis de preto para vídeo.

Exportar Quadro

Clicar no botão “Exportar Quadro” permite que você exporte um quadro único do seu clipe Blackmagic RAW.

Atualizar Sidecar

Clique neste botão para atualizar o arquivo sidecar Blackmagic RAW para o clipe atual.

Quaisquer modificações feitas nos clipes Blackmagic RAW serão identificadas pela configuração de gama alterando para Blackmagic Design Customizado.

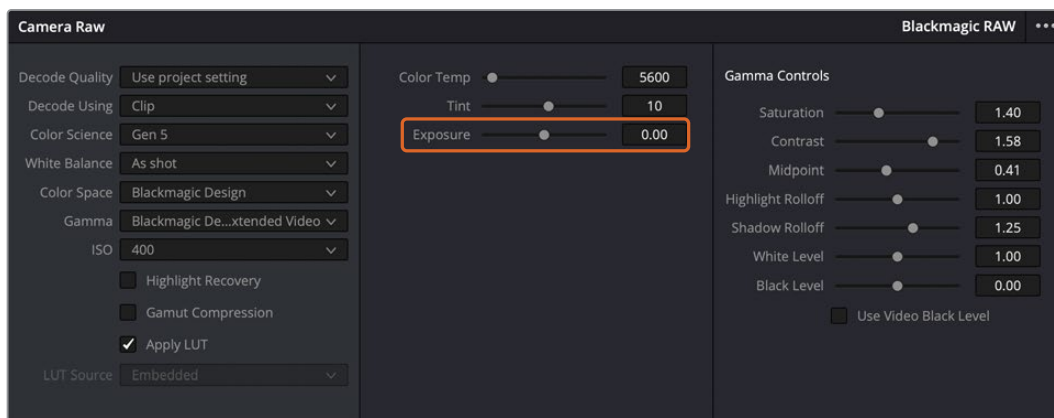
Ajustar Exposição usando a Configuração de Ganho da Blackmagic URSA Broadcast

Caso esteja habituado com o fluxo de trabalho do DaVinci Resolve para outras câmeras Blackmagic, é importante observar que a configuração de ganho da URSA Broadcast G2 é tratada de forma um pouco diferente das configurações de ISO das câmeras cinematográficas Blackmagic.

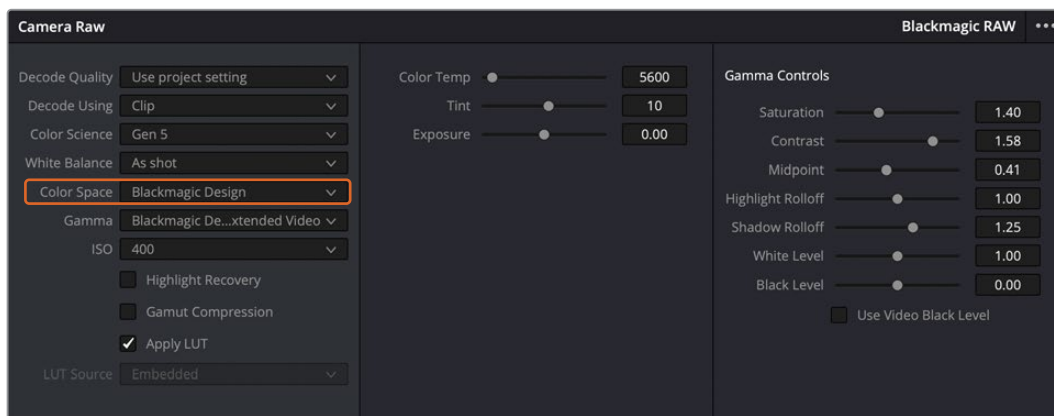
As configurações de ganho da URSA Broadcast G2 são aplicadas ao sensor da sua câmera, e não mais tarde no software. Este é um método semelhante ao modo de operação das câmeras broadcast e pode reduzir um pouco do ruído em algumas das configurações de sensibilidade. Ele também limita até que ponto você pode ajustar o ganho de um clipe da URSA Broadcast G2 após as filmagens. Você notará que o campo “ISO” nas configurações RAW de Câmera do DaVinci Resolve exibirá o ISO equivalente a configuração de ganho da sua câmera para o clipe.

Você pode aumentar o ISO em até três medidas do ISO equivalente à configuração de ganho da sua URSA Broadcast G2 quando o clipe foi gravado. Devido ao alcance dinâmico das imagens RAW, ainda será possível fazer alterações de funcionalidade equivalente ao alterar o ganho da câmera ajustando a exposição do seu clipe. Basta ajustar o valor de exposição para adicionar ou subtrair

até cinco stops de exposição. Cada stop equivale a uma escala de sensibilidade, por exemplo, 1 stop de exposição adicional é o equivalente a passar um ganho de -6 para 0 db, ou um ISO de 200 para 400, mas você conta com ajustes muito mais delicados aqui e pode, inclusive, configurar até 0,01 de um stop.



Quaisquer modificações feitas nos cliques Blackmagic RAW serão identificadas pela configuração de gama alterando para “Blackmagic Design Custom”.



Caso queira reverter seu clipe para uma das opções de gama padrão disponíveis, basta selecioná-la a partir do menu suspenso de gama.

DICA Os controles de gama são desativados para imagens gravadas com a faixa dinâmica de vídeo, sem perdas dos seus dados Blackmagic RAW. Basta selecionar Blackmagic Design Film ou Blackmagic Design Extended Video no menu suspenso de gama e fazer os seus ajustes.

Como salvar suas alterações Blackmagic RAW:

- 1 Ajuste os controles gama para o seu clipe Blackmagic RAW.
- 2 Clique no botão “Atualizar Sidecar”.

Um arquivo sidecar será criado na mesma pasta que o seu arquivo .braw. Quando outro usuário importar os arquivos Blackmagic RAW, os arquivos sidecar serão lidos automaticamente pelo DaVinci Resolve. Se fizer mais ajustes, pressione “Atualizar Sidecar” novamente.

DICA Para remover seu arquivo sidecar, basta deletá-lo da sua localização no seu drive de mídias.

Configurações de Projetos Blackmagic RAW

Caso necessite configurar uma alteração que será comum para todos os clipes, como uma modificação global do balanço de branco ou sensibilidade ISO, é possível definir os clipes que usarão as configurações “RAW de Câmera” do projeto e fazer as modificações.

Como definir as configurações Blackmagic RAW:

- 1 Acesse o menu das configurações do projeto ao clicar em “Arquivo” e selecionar “Configurações de Projeto”.
- 2 Na aba “RAW de Câmera”, você verá um menu junto do perfil RAW. Clique na seta para selecionar Blackmagic RAW na lista.
- 3 Selecione “Projeto” no menu “Decodificar Usando”.
- 4 Selecione uma opção de ciência de cores no menu.
- 5 Configure o balanço de branco como “Personalizado”.
- 6 Selecione “Blackmagic Design Custom” no menu de gama. Defina o espaço de cor como “Blackmagic Design”.
- 7 Selecione sua resolução no menu “Qualidade da Decodificação”. Resoluções mais baixas proporcionarão melhores reproduções em sistemas limitados. Você também tem a flexibilidade de alterar para a resolução máxima mais tarde, antes de fazer a entrega, para obter a qualidade mais alta.

Agora, é possível ajustar as configurações de câmera para os seus clipes, como saturação, contraste e ponto médio. Esta ação afetará todos os clipes no seu projeto que estejam configurados para decodificação com a opção “Projeto”.

Corrigindo Cores dos seus Clipes com a Página Cor

Agora com seus clipes na linha de tempo e os títulos adicionados, você pode começar a corrigir as cores usando a página “Cor”. A página de cores é extremamente eficiente e definirá a aparência geral do seu filme, mas para este exemplo, um bom começo é neutralizar todos os seus clipes para que fiquem consistentes. Você também pode retornar à página “Corte” ou “Edição” a qualquer momento se quiser fazer alterações na sua edição.

A página de cores permite que você ajuste o visual da sua edição. De certa forma, a correção de cores é uma forma de arte em si. Ao adicionar a correção de cores, você deixa o seu trabalho mais emocionante. É uma etapa incrivelmente criativa do fluxo de trabalho que é muito gratificante quando você adquire estas habilidades e consegue ver seu trabalho ganhar vida. Geralmente, este é o primeiro passo e é conhecido como correção primária de cores ou ajuste de primárias. Após a correção de cores primária, você pode então fazer ajustes de correção de cores secundários, que é onde ajustes de cores extremamente precisos em objetos específicos nas suas imagens podem ser realizados. Isso é muito divertido, mas, normalmente é feito depois das primárias porque ajuda a tornar o processo mais eficiente e você obterá melhores resultados.

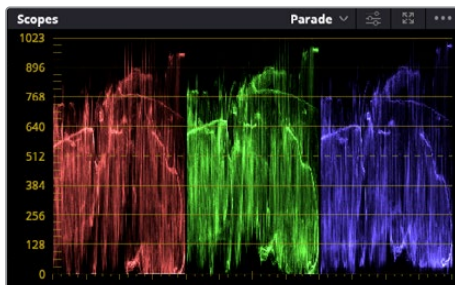
Primeiro, clique na aba “Cor” para abrir a página do tratamento das cores.

Você verá as configurações raw de câmera, discos de cores, paletas de cores e ferramentas gerais para a correção de cores, assim como a janela de pré-visualização e nós. Não fique apreensivo com a vasta gama de ferramentas perante seus olhos, todas elas estão ali para ajudá-lo a obter imagens com o melhor aspecto possível. Esta seção mostrará o básico, mas para informações mais detalhadas, consulte as seções relevantes no manual. Elas mostrarão exatamente para que servem todas as ferramentas e como usá-las em passos fáceis de seguir. Você aprenderá as mesmas técnicas que os profissionais usam em instalações para correção de cores de alto nível.

Normalmente, o primeiro passo para a correção de cores primária é otimizar os níveis de sombras, tons médios e realces nos seus clipes. Em outras palavras, ajustar as configurações de pedestal, gama e ganho. Isso ajudará a obter imagens mais brilhantes e de melhor aspecto com um ponto de partida limpo e equilibrado, de onde você pode iniciar a gradação para o visual do seu filme. Para otimizar os níveis, é vantajoso utilizar os escopos.

Usando Escopos

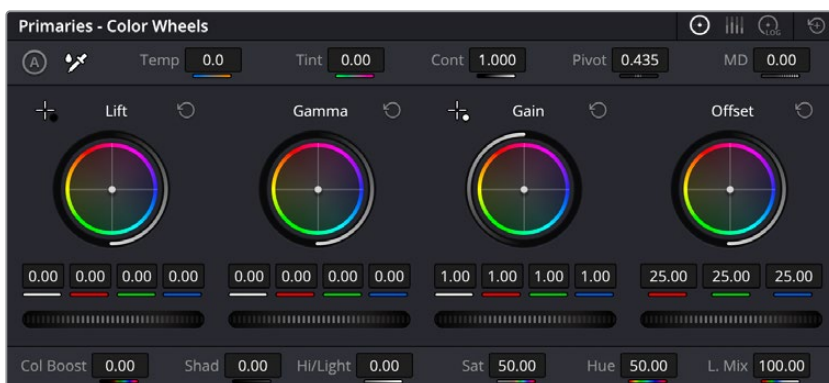
A maioria dos coloristas faz escolhas criativas ao focar na emoção e no visual que desejam para o seu programa e, então, usam o monitor para alcançar esse visual. É possível observar objetos do cotidiano e como diferentes tipos de luz interagem com eles para ter ideias sobre o que você pode fazer com suas imagens e com um pouco de prática.



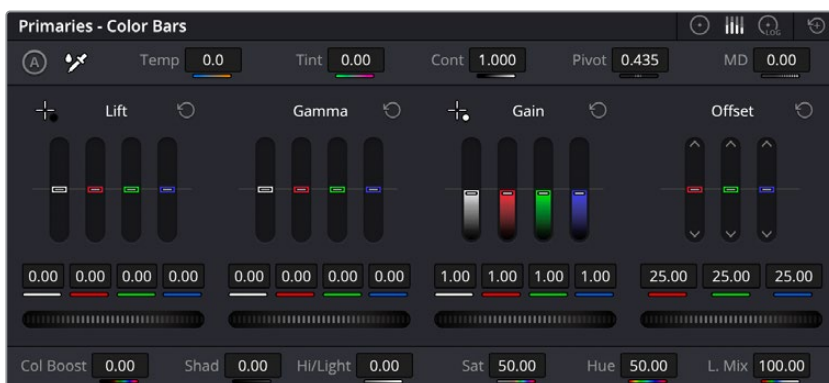
O escopo padrão ajuda a otimizar realces, tons médios e sombras.

Outra maneira de fazer a gradação de cores é usando os escopos incluídos para ajudar a balancear os planos. É possível abrir um único escopo de vídeo ao clicar no botão “Escopo”, o segundo botão à direita na barra de ferramentas da paleta. É possível fazer a exibição em forma de onda, padrão, vetorscópico, histograma e escopo de cromaticidade CIE. Ao utilizar esses escopos, você pode monitorar seu equilíbrio tonal, verificar os níveis do seu vídeo para evitar o esmagamento de pretos e o recorte de realces, além de monitorar quaisquer cores dominantes nos seus clipes.

A paleta “Discos de Cores” contém os controles “Pedestal”, “Gama” e “Ganho”, que geralmente constituem seus ajustes iniciais. Caso tenha experiência com a correção de cores, esses controles devem se assemelhar àqueles encontrados em outros aplicativos para ajustes de cores e contraste.



Os discos de cores “Pedestal”, “Gama”, “Ganho” e “Deslocamento” oferecem controle total sobre o balanço de cores e o equilíbrio tonal dos seus clipes. Para realizar um ajuste uniforme de todas as cores para cada região tonal, arraste o dial abaixo dos discos de cores para frente e para trás.



As barras primárias facilitam os ajustes de cores ao utilizar um mouse.

Para um controle mais preciso de cada cor usando um mouse, é possível alterar os discos de cores para barras primárias, que permitem que você ajuste cada canal de cor e luminância para os controles de pedestal, gama e ganho separadamente. Basta selecionar “Barras Primárias” no menu suspenso próximo ao canto direito dos discos de cores.

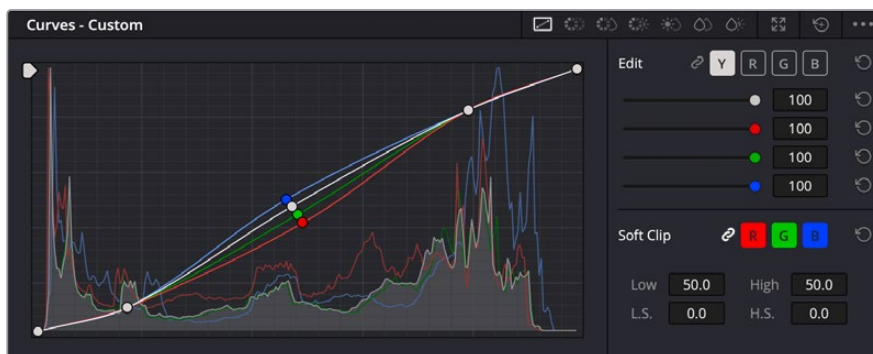
- **Ajuste de pedestal:** Com seu clipe selecionado na linha de tempo das cores, clique no controle giratório “Pedestal” abaixo do primeiro disco de cores. Deslize-o para frente ou para trás para ver como sua imagem será afetada. Você observará que o brilho das regiões escuras da sua imagem aumentará e diminuirá.

Defina onde você deseja aprimorar as áreas escuras. Caso diminua bastante o pedestal, você perderá os detalhes dos pretos e poderá usar o escopo de padrão para ajudar a evitar isso. A posição ideal para os pretos na forma de onda é logo acima da linha inferior do escopo de padrão.

- **Ajuste de ganho:** Clique no controle giratório “Ganho” e deslize-o para frente e para trás. Isso ajusta os realces, que são as áreas mais brilhantes do seu clipe. Os realces são exibidos na parte superior da forma de onda no escopo de padrão. Para um plano bem iluminado, a melhor posição é logo abaixo da linha superior do escopo em forma de onda. Caso os realces ultrapassem a linha superior do escopo de forma de onda, eles serão recortados e você perderá os detalhes nas regiões mais brilhantes da sua imagem.
- **Ajuste de gama:** Clique no controle giratório “Gama” abaixo do disco de cores e deslize-o para frente ou para trás. À medida que você aumenta o “Gama”, será possível acompanhar o brilho da imagem aumentar. Repare que a região central da forma de onda também se move enquanto você ajusta o gama. Isso representa os tons médios do seu clipe. A posição ideal para os tons médios geralmente fica entre 50 e 70% no escopo de forma de onda. Contudo, isso pode ser subjetivo com base no visual que você estiver criando e nas condições de iluminação no clipe.

Também é possível usar a paleta de curvas para fazer correções de cores primárias. Basta clicar nela para criar pontos de controle na linha diagonal dentro do gráfico de curva e arrastá-los para cima ou para baixo para ajustar o contraste RGB mestre em diferentes áreas de tonalidade da imagem. Os pontos ideais para o ajuste são os do terço inferior, meio e terço superior na linha da curva.

Existem várias outras maneiras de fazer correções primárias de cores no DaVinci Resolve.



A paleta de curvas é outra ferramenta que pode ser usada para fazer correções primárias de cores, ou melhorar a qualidade de áreas específicas do seu clipe quando usar uma power window.

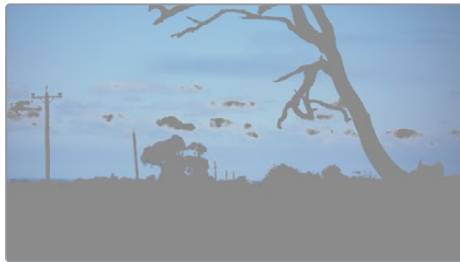
Correção Secundária de Cores

Caso queira ajustar uma parte específica da sua imagem, então as correções secundárias serão necessárias. Os ajustes que você tem feito até agora usando os discos de cores e os ajustes de pedestal, gama e ganho afetam a imagem inteira, ao mesmo tempo, por isso são chamados de correções primárias das cores.

Mas, caso seja necessário ajustar partes específicas da sua imagem, digamos, por exemplo, que você queira melhorar a cor da grama em uma cena ou aprofundar o azul de um céu, então você pode usar as correções secundárias. As correções de cores secundárias ocorrem quando você seleciona uma parte da imagem e ajusta apenas aquela parte. Com os nós, você pode empilhar múltiplas correções secundárias para que possa continuar trabalhando em partes diferentes da imagem até que tudo esteja perfeito. Você pode até usar janelas e rastreamento para permitir que as seleções sigam o movimento nas suas imagens.

Qualificar uma Cor

Com frequência, você encontrará uma cor específica no seu clipe que pode ser aprimorada como, por exemplo, a grama ao lado de uma estrada ou o azul do céu, ou você pode precisar ajustar a cor de um objeto específico para chamar a atenção do público para ele. É possível fazer isso usando a ferramenta Qualificador HSL.



Usar o recurso Qualificador HSL para selecionar cores na sua imagem é útil quando você deseja fazer áreas da sua imagem saltarem, adicionar contraste ou ajudar a chamar a atenção do público para certas áreas do seu plano de imagem.

Como qualificar uma cor:

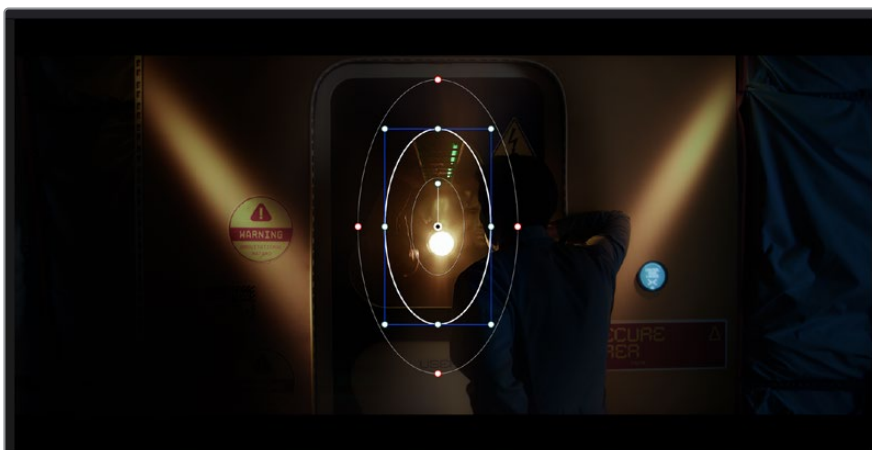
- 1 Adicione um novo nó serial.
- 2 Abra a paleta “Qualificador” e certifique-se de que a ferramenta conta-gotas seja selecionada.
- 3 No seu clipe, clique na cor que você deseja afetar.
- 4 Normalmente, você terá que fazer alguns ajustes para suavizar as extremidades da sua seleção e limitar a região para apenas a cor desejada. Clique no botão “Realce” sobre o visualizador para ver sua seleção.
- 5 Ajuste o controle “Largura” na janela “Matiz” para alargar ou restringir sua seleção.

Experimente os controles “Máximo”, “Mínimo” e “Suavidade” para ver como aperfeiçoar sua seleção. Agora, você pode fazer correções para a cor selecionada usando os discos de cores ou as curvas personalizadas.

Ocasionalmente, sua seleção pode vazar para áreas da imagem que você não quer afetar. É possível ocultar as áreas indesejadas usando uma power window. Basta criar uma nova janela e moldá-la para selecionar apenas a área da cor desejada. Caso sua cor selecionada se mova com o plano, você pode usar o recurso de rastreamento para rastrear sua power window.

Adicionando uma Power Window

O recurso power windows é uma ferramenta de correção secundária de cores extremamente eficaz que pode ser usada para isolar regiões específicas dos seus clipes. Estas regiões não precisam ser estáticas, mas podem ser rastreadas com movimentos panorâmicos, inclinações ou rotações de câmera, além do próprio movimento da região.



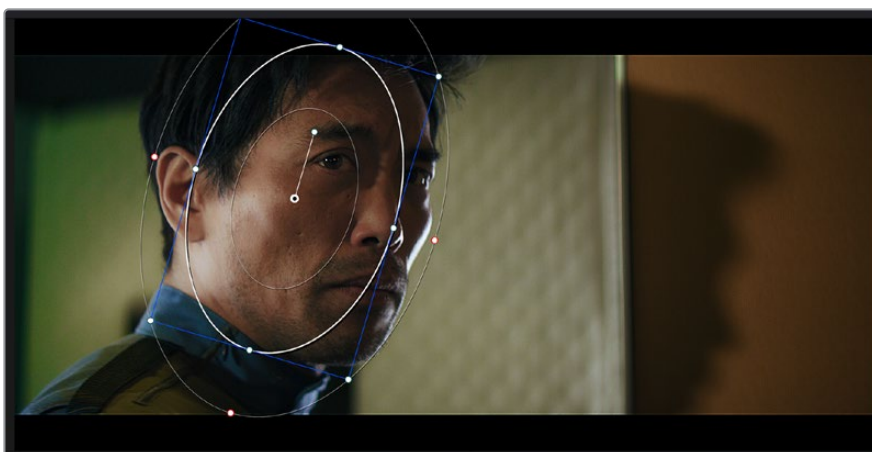
Use as power windows para ocultar áreas que você não deseja que sejam afetadas pelos ajustes secundários do qualificador HSL.

Por exemplo, você pode rastrear uma janela em uma pessoa para fazer ajustes de cor e contraste apenas nesta pessoa sem afetar os arredores dela. Ao fazer correções desse tipo, você pode exercer influência sobre a atenção do público para que olhem para as áreas desejadas.

Como adicionar uma power window ao seu clipe:

- 1 Adicione um novo nó serial.
- 2 Abra a paleta “Janela” e selecione uma das formas de janela ao clicar em um dos ícones de formas. A sua forma de janela selecionada aparecerá no nó.
- 3 Redimensione a forma ao clicar e arrastar os pontos azuis em torno da forma. Os pontos cor-de-rosa ajustam a suavidade da extremidade. É possível posicionar a forma ao clicar no ponto central e movê-lo para a área que você deseja isolar. Gire a janela usando o ponto conectado ao centro.

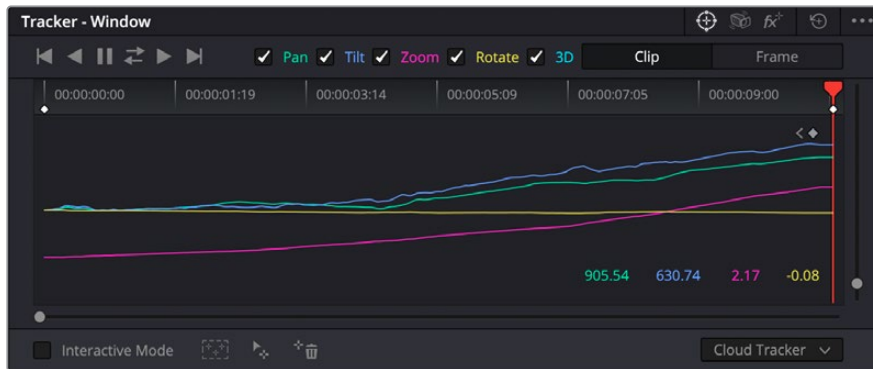
Agora você pode fazer correções de cores apenas na área desejada da sua imagem.



As power windows permitem fazer correções secundárias em partes específicas da sua imagem.

Rastreado uma Janela

A câmera, o objeto ou a área da sua imagem podem estar em movimento, então para certificar-se de que sua janela permaneça com o objeto ou a área selecionada, você pode usar o poderoso recurso de rastreamento do DaVinci Resolve. O rastreador analisa os movimentos panorâmicos, inclinações, zoom e rotações da câmera ou do objeto no seu clipe para que você possa combinar suas janelas ao movimento. Caso isso não seja feito, sua correção pode sair do destino selecionado e chamar muita atenção, o que é provavelmente indesejado.



É possível rastrear objetos ou áreas no seu clipe usando o recurso rastreador para que as power windows possam seguir a ação.

Como rastrear uma janela em um objeto em movimento:

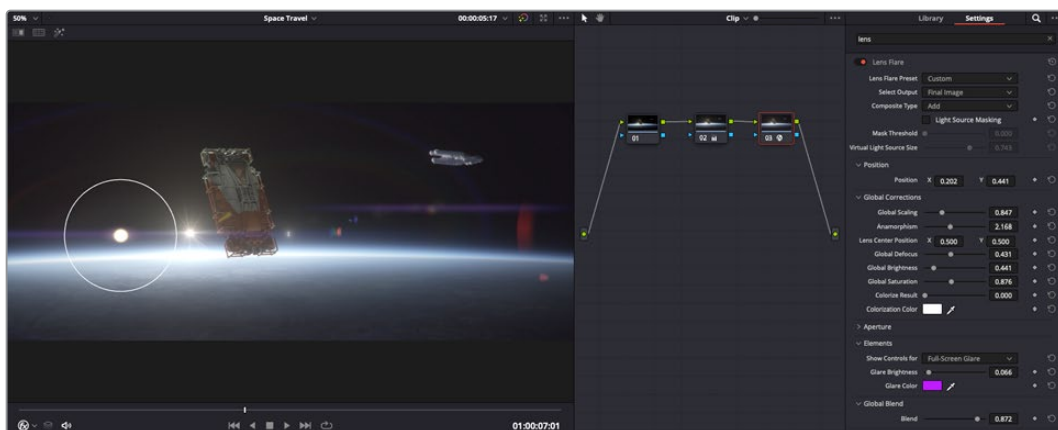
- 1 Crie um novo nó serial e adicione uma power window.
- 2 Vá até o início do seu clipe e posicione e redimensione a janela para destacar apenas o objeto ou a área desejada.
- 3 Abra a paleta “Rastreador”. Selecione a configuração de panorâmica, inclinação, zoom, rotação e perspectiva 3D apropriada para o movimento no seu clipe ao marcar ou desmarcar as caixas de seleção relevantes para a análise.
- 4 Clique na seta para avançar à esquerda das caixas de seleção. Agora, o DaVinci Resolve aplicará um agrupamento de pontos de rastreamento no seu clipe e, depois, avançar pelos quadros analisando o movimento. Quando o rastreamento estiver concluído, sua power window seguirá o caminho de movimento do seu clipe.

Na maioria das vezes, o rastreamento automático é satisfatório, mas cenas podem ser complexas e, às vezes, um objeto pode passar na frente da sua área selecionada, interrompendo ou afetando o seu rastro. Isso pode ser resolvido manualmente usando o editor de quadro-chave. Consulte o manual DaVinci Resolve para mais informações.

Usando Plug-ins

Ao fazer correções secundárias, você também pode adicionar plug-ins Resolve FX ou Open FX para criar looks e efeitos rápidos e interessantes usando a página Cor; ou transições e efeitos criativos aos seus clipes usando as páginas Corte e Edição. Os plug-ins Resolve FX são instalados com o DaVinci Resolve, e os plug-ins OFX podem ser adquiridos e baixados através de fornecedores terceiros.

Após instalar um conjunto de plug-ins OFX, você pode acessar esses plug-ins ou os plug-ins Resolve FX na página Cor ao abrir o inspetor Open FX à direita do editor de nós. Depois de criar um novo nó serial, basta clicar no botão “Open FX” para abrir a biblioteca FX e arrastar e soltar um plug-in no novo nó. Caso o plug-in possua configurações editáveis, será possível ajustá-las no painel adjacente “Configurações”.



Os plug-ins OFX são uma maneira rápida e fácil de criar looks imaginativos e interessantes.

Na página “Edição”, é possível adicionar filtros de plug-in, geradores e transições nos cliques ao abrir o painel “Open FX” na biblioteca de efeitos e arrastar seu plug-in selecionado para a trilha ou clipe de vídeo acima do seu clipe na linha de tempo, dependendo das exigências do plug-in.

Misturando Seu Áudio

Misturando Áudio na Página Edição

Após ter editado e feito a correção de cores do seu projeto, você poderá iniciar a sua mixagem de som. O DaVinci Resolve possui um ótimo conjunto de ferramentas para editar, fazer a mixagem e masterizar o áudio para o seu projeto direto da página de edição. Para projetos que exigem ferramentas de áudio mais avançadas, a página “Fairlight” oferece um ambiente de pós-produção de áudio completo. Caso você já esteja familiarizado com a página de edição e deseje passar direto para a página Fairlight, ignore esta seção e passe para a próxima.

Adicionando Trilhas de Áudio

Caso esteja trabalhando na página de edição e queira fazer a mixagem de uma edição de som básica com muitos efeitos sonoros e música, é possível adicionar mais trilhas de áudio quando forem necessárias. Isso pode ser útil ao montar seu som e separar os elementos de áudio em trilhas individuais, por exemplo, em diálogos, efeitos sonoros e música.

Como Adicionar uma Trilha de Áudio na Página Edição

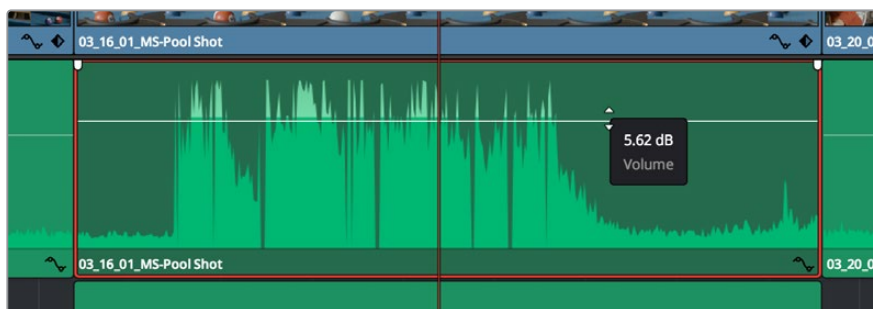
Clique com o botão direito do mouse perto do nome de qualquer trilha de áudio na sua linha de tempo, selecione “Adicionar Trilha” e escolha entre as opções, incluindo “Mono”, “Estéreo” e “5.1”. Isso adicionará a trilha na parte inferior da lista de trilhas. Como alternativa, clique em “Adicionar Trilha” e selecione a posição onde deseja colocar as trilhas.

Sua nova trilha de áudio aparecerá na linha de tempo.

DICA Caso deseje mudar o tipo da trilha após criá-la, clique com o botão direito do mouse no nome da trilha, selecione “Alterar Tipo de Trilha Para” e selecione o tipo de trilha de áudio desejado, como estéreo, mono ou 5.1.

Ajustando Níveis de Áudio na Linha de Tempo

Cada clipe de áudio na linha de tempo possui uma sobreposição de volume que permite ajustar o nível desse clipe ao simplesmente arrastar o cursor para cima ou para baixo. Esta sobreposição corresponde ao parâmetro de Volume no Inspetor.

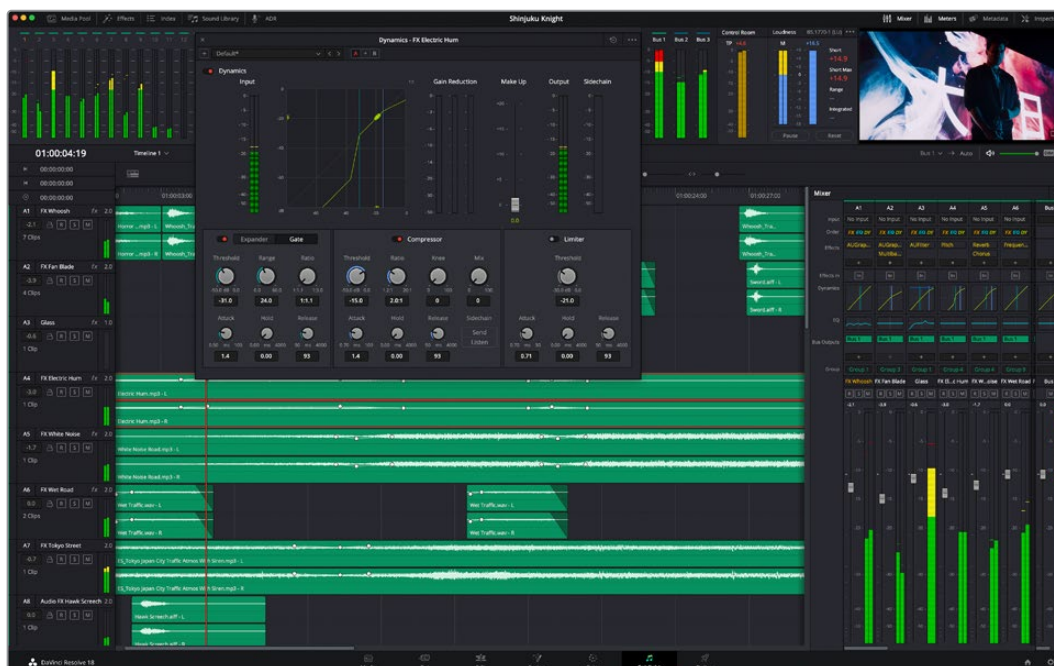


Arraste a sobreposição do volume para ajustar o nível do clipe.

Nos projetos que requerem ferramentas de áudio mais avançadas, a página “Fairlight” fornece um ambiente completo de pós-produção de áudio.

Página Fairlight

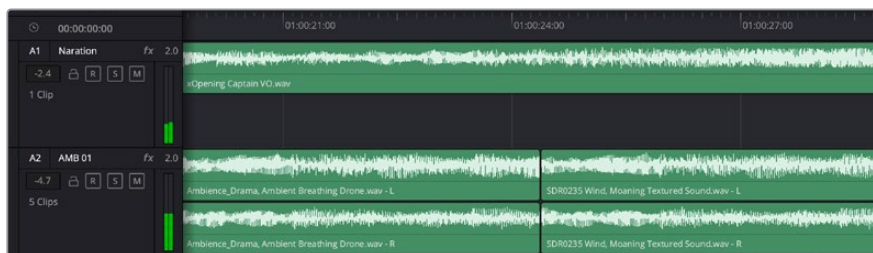
A página Fairlight do DaVinci Resolve é onde você ajusta o áudio do seu projeto. No modo de monitor único, esta página fornece uma visão otimizada das trilhas de áudio do seu projeto, com um mixer alargado e controles de monitoramento personalizados que facilitam a análise e o ajuste dos níveis para criar um mix suave e equilibrado. Não fique apreensivo com a grande quantidade de recursos perante seus olhos, todos eles estão ali para ajudá-lo a obter a melhor qualidade de áudio possível para o seu projeto.



Este guia oferece uma introdução geral básica dos recursos da página “Fairlight”, mas para saber mais sobre todos os detalhes de cada recurso, consulte o manual do DaVinci Resolve. O manual do DaVinci Resolve fornece detalhes sobre o propósito de cada ferramenta e descreve como usá-las em passos fáceis de seguir.

A Linha de Tempo do Áudio

- **Cabeçalho da Trilha:** No lado esquerdo de cada trilha há um cabeçalho que exibe o número, o nome e a cor da trilha, além dos canais de áudio, nível do fader e medidores de áudio. O cabeçalho da trilha também possui controles de bloqueio e desbloqueio de trilhas, além de controles para isolar e silenciar trilhas. Esses controles podem ajudar a manter suas trilhas organizadas e possibilitam fazer a prévia de uma trilha individual por vez.
- **Trilhas:** Cada trilha na página “Fairlight” é dividida em pistas que exibem cada canal individual de áudio do clipe para a edição e a mixagem. A página de edição oculta esses canais de áudio individuais, exibindo apenas um único clipe na linha de tempo para facilitar a edição de fontes multicanal sem a necessidade de gerenciar grandes quantidades de trilhas.



O cabeçalho de trilha A1 indica uma trilha mono como uma única pista para áudio mono, e o cabeçalho de trilha A2 indica uma trilha estéreo com duas pistas enquadrando o som estéreo.

O que é um Barramento?

Um barramento é, essencialmente, um canal de destino composto por fontes de áudio agrupadas em um único sinal que pode ser controlado através de uma única faixa de canal. A Fairlight cria um barramento para você automaticamente e todas as faixas de áudio na sua linha do tempo são enviadas a este barramento por padrão. Isso significa que você pode ajustar o nível geral da sua mixagem de áudio depois de ter ajustado o nível de cada trilha individual.

Caso sua edição seja um pouco mais complexa, você pode criar mais barramentos e combinar múltiplas trilhas de áudio que pertençam à mesma categoria, como diálogo, música ou efeitos, para que tudo nesta categoria possa ser mixado como um único sinal de áudio. Por exemplo, caso tenha cinco trilhas de diálogo, é possível rotear a saída de todas elas para um barramento separado e, assim, o nível de todos os diálogos pode ser mixado com um único conjunto de controles.

A estrutura Flexbus da Fairlight oferece flexibilidade total sobre tipos de barramento e roteamento de sinais, incluindo as opções de roteamento “barramento para barramento”, “trilha para barramento” e “barramento para trilha”. Para mais informações sobre as configurações de barramento de áudio na Fairlight, consulte o manual DaVinci Resolve.

Mixer

Cada trilha de áudio na sua linha de tempo corresponde a uma única faixa de canal de áudio individual no mixer e, por padrão, há uma única faixa no lado direito para o barramento padrão, rotulada “Bus 1”. Faixas de canal adicionais aparecerão no lado direito com um conjunto de controles para cada barramento principal criado. Um conjunto de controles gráficos possibilita atribuir os canais de áudio para a saída final dos canais, ajustar EQ e dinâmica, configurar níveis e gravar automação, aplicar panorâmica em áudio estéreo e surround, e silenciar ou isolar trilhas.

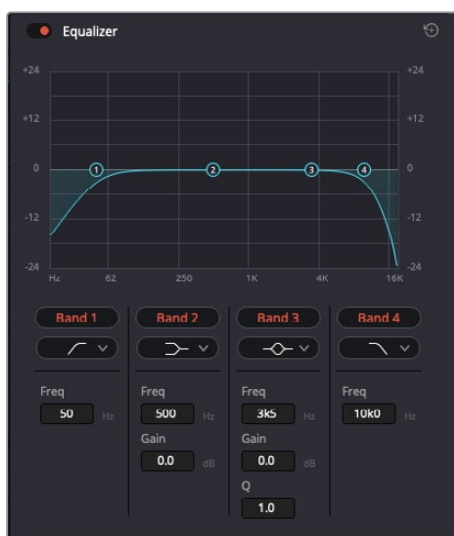


O mixer de áudio com as faixas de canal correspondendo às trilhas na linha de tempo.

Usar o Equalizador para Aperfeiçoar seu Áudio

Após ajustar os níveis de áudio dos clipes do seu projeto, talvez seja necessário fazer mais ajustes finos no áudio. Em alguns casos, você pode achar que o diálogo, música e efeitos sonoros estejam competindo pela mesma frequência no espectro sonoro, deixando-o muito sobrecarregado e confuso. É aqui que o uso da equalização pode ajudar, pois permite que você especifique as partes do espectro sonoro que cada trilha deve ocupar. O equalizador também pode ajudar a remover elementos indesejados do áudio, isolando e diminuindo o nível em determinadas frequências que possam roncões graves, zumbidos, ruídos de vento e assobios, ou simplesmente aprimorar a qualidade do som como um todo, tornando-o mais agradável aos ouvidos.

O DaVinci Resolve fornece filtros EQ que podem ser aplicados ao nível de clipe em clipes individuais ou ao nível de trilha para afetar trilhas inteiras. Cada clipe de áudio na linha de tempo possui um equalizador de quatro bandas no painel inspetor, e cada trilha possui um equalizador paramétrico de 6 bandas no painel do mixer. Os controles gráficos e numéricos para acentuar ou atenuar diferentes intervalos de frequências e os diferentes tipos de filtro permitem que você defina o formato da curva EQ.



O equalizador de quatro bandas pode ser aplicado a todos os clipes na linha de tempo.

As bandas mais afastadas do centro da tela permitem fazer ajustes de filtro de prateleira alta, prateleira baixa, passa-altas e passa-baixas. Um filtro de banda de passagem afeta todas as frequências acima ou abaixo de uma frequência específica ao remover completamente essas frequências do sinal. Por exemplo, um filtro passa-altas permitirá que altas frequências passem por ele ao cortar as frequências baixas. Quaisquer frequências fora do limite de corte de frequência serão cortadas gradualmente em uma curva inclinada para baixo.

Um filtro de prateleira é menos intenso e é útil quando é necessário delinear a extremidade geral superior ou inferior do sinal sem remover essas frequências por completo. O filtro de prateleira acentua ou corta a frequência alvo e todas as frequências acima ou abaixo dela uniformemente, dependendo de como você usar uma prateleira alta ou baixa.

Os controles de banda centrais possibilitam fazer uma grande variedade de ajustes de equalização, e podem ser alternados entre as opções de filtro prateleira baixa, sino, rejeita-faixa e prateleira alta.

- **Sino:** Os filtros de sino reforçam ou cortam frequências a cerca de um determinado ponto central da curva de sino e, como o próprio nome sugere, a forma da curva é semelhante a um sino.
- **Rejeita-Faixa:** Os filtros rejeita-faixa permitem que você marque um intervalo muito reduzido de frequências especificamente. Por exemplo, remover um zumbido de rede elétrica a 50 ou 60 Hz.
- **Prateleira Baixa:** Os filtros de prateleira baixa aumentam ou cortam a frequência alvo na extremidade inferior e todas as frequências abaixo dela.
- **Prateleira Alta:** Os filtros de prateleira alta aumentam ou cortam a frequência alvo na extremidade superior e todas as frequências acima dela.

Como adicionar EQ a um clipe individual:

- 1 Selecione o clipe na linha de tempo ao qual você deseja adicionar o filtro EQ.
- 2 Clique no inspetor e depois clique no botão de ativação “Equalizador”.

Como adicionar EQ a uma trilha:

- 1 Dê um clique duplo na seção EQ para uma das suas trilhas no mixer para abrir o equalizador para essa trilha.
- 2 Selecione o tipo de filtro de banda a partir do menu suspenso para a banda que você deseja ajustar.



A seção EQ no painel do mixer indicando que uma curva EQ foi aplicada à trilha 1.



O equalizador paramétrico de 6 bandas que pode ser aplicado a todas as trilhas.

Uma vez que você adicionou um EQ ao seu clipe ou trilha, é possível ajustar o EQ para cada banda. Observe que os controles podem variar dependendo do tipo de filtro de banda selecionado.

Como ajustar o EQ para um filtro de banda:

- 1 Selecione o tipo de filtro de banda a partir do menu suspenso para a banda que você deseja ajustar.
- 2 Ajuste o valor de frequência para selecionar a frequência central do ajuste de EQ.
- 3 Ajuste o valor do ganho para acentuar ou atenuar as frequências abrangidas por essa banda.
- 4 Use o valor “Fator Q” para ajustar a largura das frequências afetadas.

Use o botão “Redefinir” para restaurar todos os controles da janela EQ aos seus padrões.

A Fairlight possui vários controles que você pode utilizar para aprimorar a qualidade de cada trilha de áudio. É possível adicionar mais trilhas e ordenar barramentos para organizá-las, além de adicionar efeitos como atraso ou reverberação, e aperfeiçoar sua mixagem de áudio de um modo geral.

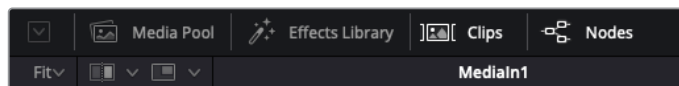
Adicionando VFX e Composições na Página Fusion

Agora que você concluiu sua edição, você pode abrir a página do Fusion para adicionar efeitos visuais e gráficos em movimento 2D ou 3D diretamente no DaVinci Resolve. Diferentemente de programas de composição baseados em camadas, o Fusion utiliza nós, fornecendo liberdade para você criar efeitos complexos, enquanto faz o roteamento dos dados das imagens em qualquer direção. A janela de nós indica claramente todas as ferramentas usadas. Se já tiver experimentado o fluxo de trabalho de nós na página de cores, você se sentirá familiarizado.

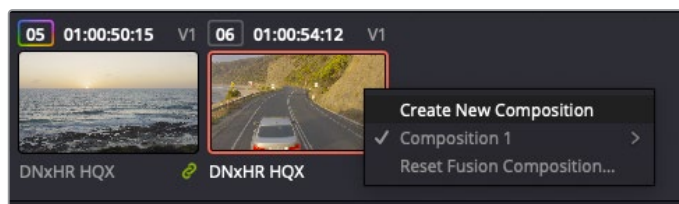


Página Fusion

A página Fusion conta com duas janelas para o visualizador na parte superior com controles de transporte para visualizar suas mídias, uma janela do inspetor à direita para acessar as configurações de ferramentas e uma janela de nós na parte inferior onde você cria suas composições. Embora os visualizadores e os controles de transporte estejam sempre visíveis, clicar nos ícones na barra de ferramentas da interface na parte superior da exibição permitirá que você exiba ou oculte as janelas do inspetor e dos nós, ou mostre ou oculte janelas adicionais, incluindo a biblioteca de efeitos e editores para quadro-chave e curvas.



- **Pool de Mídia:** O pool de mídia funciona da mesma maneira que aparece na página de edição. Basta arrastar as mídias adicionais dos seus compartimentos diretamente na sua composição.
- **Biblioteca de Efeitos:** A biblioteca de efeitos é onde você encontra suas ferramentas do Fusion e modelos separados por categorias, incluindo partículas, rastreamento, filtros e geradores. Você pode clicar na ferramenta ou arrastá-la para a área de nós para adicioná-la na sua composição. O pool de mídia e a biblioteca de efeitos ocupam a mesma área da tela, assim é possível alternar entre um e outro para manter seus visualizadores com o maior tamanho possível.
- **Clipes:** Clicar na aba “Clipes” mostra ou oculta as miniaturas representando clipes na sua linha de tempo. As miniaturas ficam localizadas abaixo do editor de nós, permitindo que você navegue instantaneamente até outros clipes.



Você pode criar uma versão nova da sua composição clicando com o botão direito do mouse em uma miniatura e selecionando “Criar Nova Composição”.

- **Visualizadores:** Os visualizadores estão sempre visíveis e permitem que você veja as visualizações diferentes da sua composição, como uma perspectiva 3D geral via o nó de mesclagem 3D, uma saída de câmera ou sua saída final renderizada. Esses visualizadores também permitem que você veja como as alterações estão afetando um elemento específico.

Você pode escolher quais nós visualizar clicando em um nó e digitando “1” para o visualizador esquerdo e “2” para o visualizador direito. Ícones de botão brancos aparecem sobre o nó para informá-lo a qual visualizador ele foi atribuído. Caso esteja usando monitoramento de vídeo externo, haverá um terceiro botão disponível para rotear suas mídias ao seu monitor de vídeo externo.

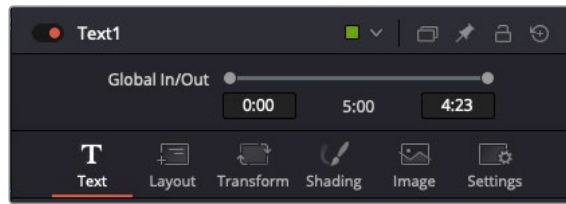
DICA Você também pode atribuir um nó a um visualizador arrastando o nó para o próprio visualizador.

Os controles de transporte abaixo dos visualizadores permitem que você ignore o início ou o final do clipe, avance, volte ou pare a reprodução. A régua de tempo exibe todo o clipe com marcações amarelas indicando os pontos de entrada e saída.



As marcações amarelas na régua de tempo indicam os pontos de entrada e de saída do seu clipe na linha de tempo. Caso esteja usando um clipe do Fusion ou um clipe composto, a régua de tempo mostrará apenas a duração do clipe à medida que ele aparece na linha de tempo, sem alças.

- **Nós:** A janela de nós é o coração da página Fusion, onde você cria sua árvore de nós conectando ferramentas, da saída de um nó para a entrada de outro nó. Esta área mudará de tamanho dependendo dos editores abertos, por exemplo o editor de quadros-chave ou splines. Uma barra de ferramentas na parte superior da área de nós inclui as ferramentas mais comumente utilizadas para acesso rápido.
- **Curvas:** Quando o editor de curvas estiver aberto, ele aparecerá à direita da janela de nós. Este editor permite que você faça ajustes precisos em cada nó, como suavização da animação entre dois quadros-chave usando curvas bézier.
- **Quadros-Chave:** Os quadros-chave podem ser adicionados, removidos ou modificados para cada ferramenta usando o editor de quadros-chave. Ele também aparece à direita do visualizador de nós.
- **Metadados:** A janela de metadados mostrará seus metadados disponíveis para o clipe ativo, incluindo codec, taxa de quadro e código de tempo.
- **Inspetor:** O inspetor no canto superior direito exibe todas as configurações e modificadores disponíveis para um ou mais nós selecionados. Opções de abas adicionais aparecerão para fornecer acesso rápido a outras configurações para nós separados por categoria.

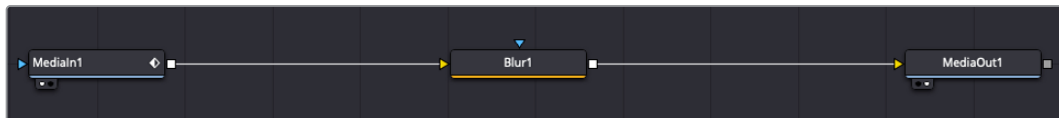


O inspetor de texto contém abas adicionais para texto, layout, transformação, sombreamento, imagem e configuração.

Guia de Introdução ao Fusion

Para começar a usar o Fusion, basta posicionar seu indicador de reprodução sobre qualquer clipe na sua linha de tempo e clicar na aba "Fusion" para abrir a página do Fusion.

Na página Fusion, seu clipe é imediatamente disponibilizado em um nó de entrada de mídia rotulado "MediaIn". Toda composição começará com um nó "MediaIn" e um nó "MediaOut". Este nó "MediaIn" representa o primeiro clipe na parte superior da sua linha de tempo no indicador de reprodução e ignora quaisquer clipes embaixo. Os ajustes aplicados aos clipes na página de edição, como ferramentas de transformação e alterações de corte, são todos incluídos.



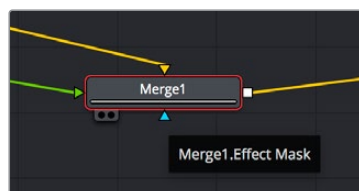
O nó de saída de mídia, chamado "MediaOut", é o nó que reenvia a saída para a linha de tempo na página de edição do DaVinci Resolve.

DICA Os plug-ins Resolve FX e OFX aplicados nos clipes nas páginas de edição e corte não são aplicados na página Fusion. Isso ocorre porque os efeitos Fusion são implementados antes da correção de cores e do processamento OFX/Resolve FX. Caso queira usar OFX antes dos efeitos Fusion, clique com o botão direito do mouse no clipe na página de edição e selecione "Novo Clipe Fusion" antes de clicar na página do Fusion.

Aprendendo sobre Nós

Cada nó funciona como um ícone visual representando uma única ferramenta ou um efeito. Os nós são conectados a outros nós para criar a composição geral, como os ingredientes de um bolo. É importante entender as entradas e saídas de cada nó, já que isso ajudará você a navegar pelo fluxo da sua composição enquanto cria efeitos visuais cheios de detalhes.

Algumas ferramentas têm múltiplas entradas e saídas para que você possa conectar a outros nós. O nó de mesclagem, por exemplo, permite anexar uma entrada de primeiro plano, uma entrada de segundo plano e uma entrada da máscara para foscos ou chaves.



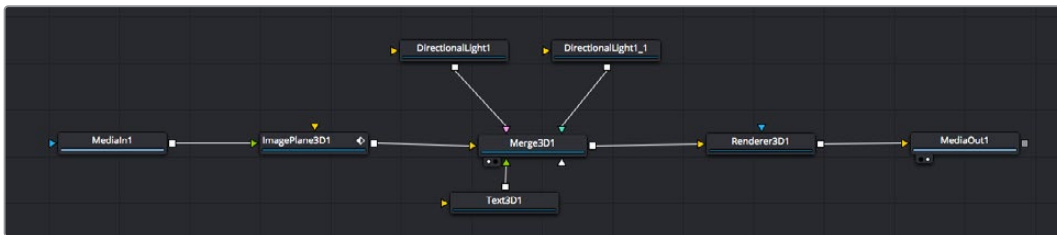
- ▶ Entrada de primeiro plano
- ▶ Entrada de segundo plano
- ▶ Entrada de máscara para efeitos
- ◻ Saída

Múltiplas saídas nos nós significam que um único nó pode ser conectado a vários nós diferentes na sua composição, assim você não precisa duplicar clipes como faria em programas baseados em camada. As setas nas linhas entre os nós conectados são excelentes indicadores visuais para mostrar a direção para a qual os dados de imagem estão fluindo.

Adicionar Nós ao Editor de Nós

Adicionar efeitos é tão simples quanto colocar nós nas linhas entre os nós “MediaIn” e “MediaOut”.

Há algumas maneiras diferentes de fazer isso. Você pode segurar o botão shift e soltar um nó entre dois nós ou clicar no nó ao qual deseja incluir um efeito e selecionar a ferramenta que deseja adicionar. O novo nó conectará automaticamente com a ferramenta selecionada. Você também pode adicionar um nó a qualquer lugar na janela de nós e conectar manualmente os nós arrastando a saída de um deles para a entrada em outro.



A ferramenta mais comumente usada é o nó de mesclagem 2D ou 3D. Este nó é como um hub central que combina ferramentas no editor de nós em uma única saída.

O nó de mesclagem possui controles para a forma como as entradas são gerenciadas, incluindo configurações para tamanho, posição e mesclagem. Essas configurações são todas acessíveis no painel inspetor quando o nó de mesclagem é selecionado.

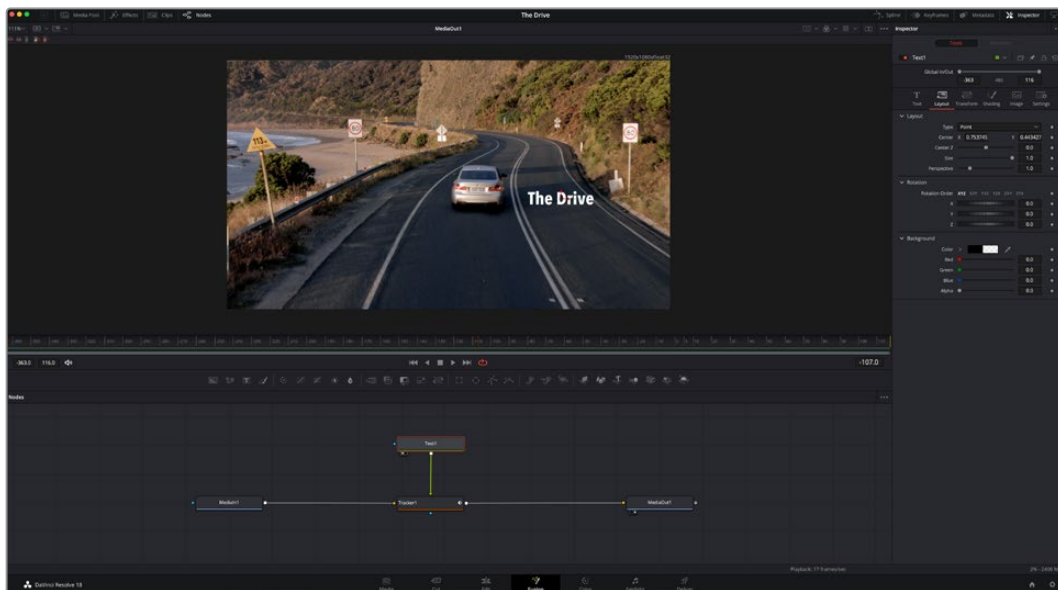
A barra de ferramentas no painel de nós contém as ferramentas mais usadas como ícones que você pode clicar para adicionar o nó ou arrastar a ferramenta para o painel de nó. Caso queira visualizar todas as ferramentas disponíveis, clique em “Biblioteca de Efeitos” no canto superior esquerdo e expanda a opção “Ferramenta”. Aqui, você encontrará todas as ferramentas organizadas por categoria, assim como um conjunto de modelos pré-criados para uso, como reflexos de lente, sombreadores e planos de fundo.

DICA Depois de se familiarizar com os nomes das ferramentas, você pode segurar o botão shift e pressionar a barra de espaço no seu teclado e um menu de seleção de ferramentas aparecerá. À medida que digita o nome da ferramenta, o menu recomendará a ferramenta relevante. Essa é uma maneira muito rápida para selecionar a ferramenta desejada.

Ajustar Nós Usando o Painel Inspetor

Ajuste as configurações do seu nó usando o painel inspetor. Basta clicar no nó que deseja modificar e o painel atualizará e exibirá suas configurações e seus controles.

Com o Fusion, você não precisa visualizar o nó que está editando, já que pode modificar um nó enquanto visualiza outro na composição. Por exemplo, você pode modificar o tamanho e a posição central de um nó “text+” enquanto o nó de mesclagem estiver no visualizador, possibilitando que você veja o texto relativo ao segundo plano.



Os nós selecionados aparecem com uma borda vermelha. Aqui o painel inspetor exhibe os controles da aba layout para o nó de texto.

Há diferentes parâmetros e configurações para você ajustar cada nó dependendo da tarefa, do tamanho às posições centrais e alterações do número de partículas em um nó emissor. A configuração dos quadros-chave e a alteração das configurações durante o tempo animará o efeito.

Trabalhar com Quadros-Chave

Na janela do inspetor, defina um quadro-chave clicando com o botão direito do mouse em uma configuração e selecionando “Animar” do menu contextual. O ícone do quadro-chave à direita da configuração ficará vermelho. Isso significa que os quadros-chave estão ativos e quaisquer mudanças serão aplicadas somente ao quadro atual. Quando dois ou mais quadros-chave são criados alterando os parâmetros de configuração em um quadro diferente, uma transição é interpolada entre eles. As setas em cada lado do ícone de quadro-chave permitem que você mova o cursor de reprodução para as posições exatas na linha de tempo.



Aqui, a animação do quadro-chave “Tamanho” foi suavizada em uma curva bézier. Você pode clicar nas alças bézier para encurtar ou alongar a curva ou nos ícones quadrados do quadro-chave para mover a posição do quadro-chave.

O painel spline fornece ainda mais controle sobre a animação de quadros-chave. Você pode selecionar quadros-chave, como o primeiro e o último, e suavizar a animação entre eles em uma curva bézier ao digitar “shift” + “s” ou clicar com o botão direito do mouse em um quadro-chave e selecionar “Moderar”.

Usar o Rastreador de Movimento e Adicionar Texto

Para compreender melhor como usar o Fusion, incluímos os seguintes exemplos para mostrar como usar a ferramenta rastreadora para rastrear um elemento em um clipe, além de adicionar texto e anexá-lo ao elemento usando os dados de rastreamento.

A ferramenta “Rastreador” rastreia pixels ao longo do tempo nos eixos X e Y e gera dados que você pode usar para anexar outros elementos. Ela é ótima quando você quer combinar a posição do texto com um objeto em movimento, como um carro na estrada ou um pássaro voando pelo quadro.

- 1 Na “Biblioteca de Efeitos”, selecione a ferramenta “Rastreador” e arraste-a até a linha entre os nós “MediaIn” e “MediaOut”. Agora, clique no nó rastreador para revelar suas propriedades no inspetor.
- 2 Digite “1” no seu teclado para visualizar o nó rastreador no visualizador esquerdo. O clipe aparecerá no visualizador junto do rastreador na sua posição padrão. Passe o ponteiro do mouse sobre o rastreador para revelar sua alça. Clique na alça do rastreador no canto superior esquerdo e arraste o rastreador para a área de interesse no seu clipe. As áreas de alto contraste funcionam bem, por exemplo, um emblema no capô de um carro. O rastreador magnificará a área da imagem para precisão extra.
- 3 Na janela do inspetor, clique no botão “Rastrear em Avanço” para começar o rastreamento. Uma janela de notificação aparecerá quando o rastreamento for concluído. Clique em “Ok”.



As opções de rastreamento no painel inspetor incluem rastreamento em retrocesso do último quadro ou quadro atual, encerramento do rastreamento ou rastreamento em avanço a partir do quadro atual ou primeiro quadro.

DICA O rastreamento em avanço ou retrocesso a partir do quadro atual é ótimo para situações em que sua área de interesse desaparece na faixa de renderização, como um carro ou pássaro saindo do quadro. Isso permite que você rastreie somente a imagem relevante.

Agora, você pode pegar os dados de rastreamento e aplicar o caminho de movimento a uma ferramenta de texto.

- 4 Clique no ícone de nó “Text+” na barra de ferramentas dos nós comumente usados e arraste-o para o painel de nós próximo do nó “Rastreador”. Conecte o quadrado da saída “Texto” à entrada de primeiro plano vermelha no “Rastreador”.



- 5 Clique no nó “Rastreador” e digite “1” para que possa visualizar os resultados mesclados no visualizador esquerdo. No painel “Rastreador” do inspetor, clique na aba “Operações”. Clique no menu próximo da operação e selecione “Combinação de Movimento”.
- 6 Clique no nó “Texto” para revelar suas propriedades no inspetor. Digite seu texto na caixa de texto e altere a fonte, a cor e o tamanho para corresponder à sua composição.

Isto aplicará os dados da posição do rastreamento do seu rastreador ao texto. Caso queira mudar o deslocamento do texto, clique na aba “Rastreadores” de volta no inspetor e use os anéis de rolagem do deslocamento X e Y para modificar a posição.



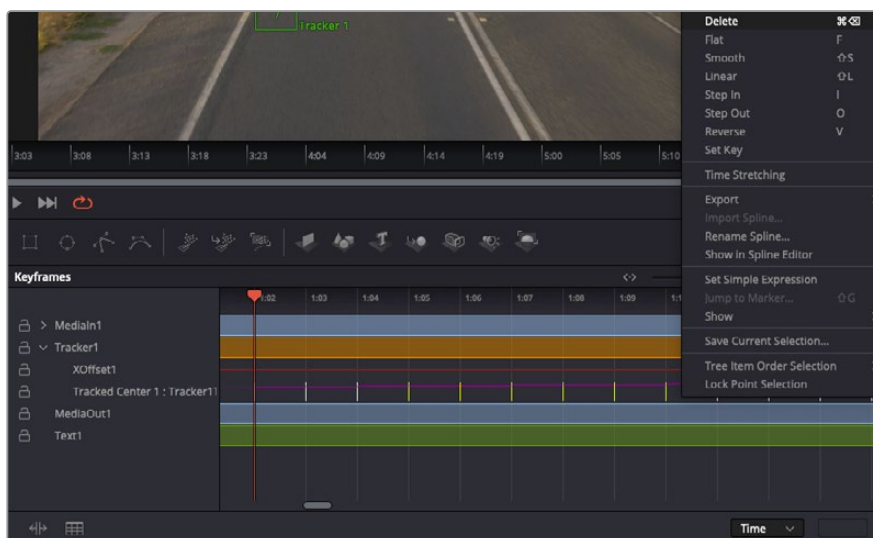
Os anéis de rolagem na parte inferior do painel inspetor do rastreador permitem que você ajuste a posição do deslocamento do texto.

Agora, você pode reproduzir a sua composição e visualizar seu texto anexado ao objeto rastreado.



O quadrado verde indica a posição atual do rastreador junto do caminho verde e a linha pontilhada vermelha é a posição de deslocamento usada para animar o texto.

Para algumas imagens, pode ser que você queira remover os pontos de rastreamento após o rastreamento, como quando o objeto rastreado desaparece da tela. O editor de quadros-chave simplifica este processo.



- 7 Clique na aba de quadros-chave acima do inspetor para abrir o editor de quadro-chave. Quaisquer nós com quadros-chave aplicados terão uma pequena seta próxima do rótulo do nó e somente o parâmetro com os quadros-chave adicionados aparecerá na lista abaixo. Clique no ícone de magnificação e arraste a caixa para a área que deseja editar. Esta ação aplicará o zoom na área, assim você pode ver os quadros-chave com maior facilidade.
- 8 Mova o cursor de reprodução para o local do último quadro-chave desejado. Selecione os quadros-chave que deseja remover desenhando uma caixa ao redor deles com seu mouse. Os quadros-chave ficarão destacados em amarelo. Clique com o botão direito do mouse e selecione “Excluir” no menu.

DICA Se seus efeitos exigem muito do sistema, ao clicar com o botão direito do mouse na área dos controles de transporte você obterá as opções do visualizador, incluindo reprodução de proxy, que ajuda a tirar máximo proveito do seu sistema ao criar sua composição. Consulte o manual do DaVinci Resolve para mais detalhes sobre todas as opções de reprodução.

Pronto, você concluiu sua primeira composição animando textos para que correspondam ao movimento na sua imagem!

Se quiser rastrear uma área da imagem que contenha uma superfície plana que deseje aperfeiçoar ou substituir, você pode usar o rastreador planar. O rastreamento de planos 2D é útil para alteração de rótulos e placas em uma imagem em movimento ou até para adicionar uma imagem a um monitor ou TV no seu plano cinematográfico.

Para mais informações sobre o rastreador planar e as diversas ferramentas poderosas na página Fusion do DaVinci Resolve, consulte o manual do software.

DICA À medida que você cria efeitos visuais na página Fusion, vale a pena observar se o efeito sendo criado é um efeito 2D ou 3D, já que isto determinará a ferramenta de mesclagem a ser usada. Você pode vir a descobrir que está combinando efeitos 2D e 3D frequentemente na mesma composição. Neste cenário, é útil lembrar que qualquer efeito visual usando a área 3D precisa ser renderizado como uma imagem 2D antes de ser incorporado na composição 2D.

Esperamos que você se divirta muito com o Fusion e possa explorar seus efeitos visuais com o poder das páginas Edição, Cor e Fairlight do DaVinci Resolve. Com todas essas ferramentas na ponta dos seus dedos, o DaVinci Resolve torna-se uma solução incrivelmente poderosa. Não há limites para o que você pode criar!

Masterizar Sua Edição

Agora que você editou, colorizou, adicionou efeitos especiais e fez a mixagem do seu áudio, é hora de compartilhar o trabalho. Você pode usar o botão de Exportação Rápida, ou selecionar no menu, para a saída final dos conteúdos da Linha de Tempo como um arquivo autocontido em uma variedade de formatos diferentes ou usar os recursos adicionais da página “Entrega”.



A página “Entrega” é onde você exporta sua edição. É possível selecionar vários formatos e codecs de vídeos diferentes.

Exportação Rápida

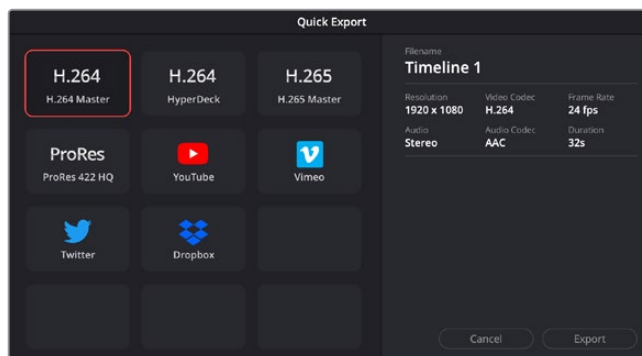
Você pode selecionar Arquivo > Exportação Rápida para usar uma variedade de predefinições de exportação para exportar seu programa de qualquer página do DaVinci Resolve. É possível até usar a exportação rápida para exportar e carregar seu programa a um dos serviços de compartilhamento de vídeos suportados, incluindo, YouTube, Vimeo, Twitter e Frame.io.

Como usar Exportação Rápida:

- 1 Na página Corte, Edição, Fusion ou Cor, defina pontos de entrada e saída opcionalmente na linha de tempo para escolher um trecho do programa atual para exportar. Se nenhum ponto de entrada ou saída for definido, a linha de tempo inteira será exportada.

Selecione Arquivo > Exportação Rápida

- 2 Selecione uma predefinição para usar a partir da fileira de ícones na parte superior do diálogo de exportação, e clique em “Exportar”.
- 3 Selecione um local do diretório e insira um nome de arquivo usando o diálogo da exportação e clique em “Salvar”. O diálogo da barra em andamento aparece para indicar quanto tempo levará a exportação.



A caixa de diálogo de exportação rápida.

Página Entrega

Esta página permite que você selecione o número de clipes que deseja exportar, além do formato, codec e da resolução desejados. É possível exportar em muitos tipos de formatos, como QuickTime, AVI, MXF e DPX, usando codecs de 8 ou 10 bits sem compactação em RGB/YUV, como ProRes, DNxHD, H.264 e muito mais.

Como exportar um único clipe da sua edição:

- 1 Clique na aba “Entrega” para abrir a página de entrega.
- 2 Vá até a janela “Configurações de Renderização” no canto superior esquerdo da página. Selecione uma das opções de predefinições de exportação, por exemplo, YouTube, Vimeo e predefinições de áudio, ou você pode definir suas próprias configurações de exportação manualmente ao definir a predefinição padrão como “Personalizado” e inserir os seus próprios parâmetros. Para este exemplo, selecione YouTube, depois clique na seta junto da predefinição e selecione o formato de vídeo 1080p.

A taxa de quadro será fixada à configuração da taxa de quadro do seu projeto.

- 3 Abaixo das predefinições, você verá o nome de arquivo da linha de tempo e o local de destino para o seu vídeo exportado. Clique no botão “Buscar” e escolha onde deseja salvar seu arquivo exportado. Em seguida, selecione “Clipe Único” como a opção de renderização.
- 4 Logo acima da linha de tempo, você verá uma caixa de opções “Linha de Tempo Completa” selecionada. Ela exportará toda a linha de tempo, mas é possível selecionar intervalos da linha de tempo, se desejado. Basta selecionar “Intervalo de Entrada/Saída” e depois usar as teclas de atalho “I” e “O” para selecionar os pontos de entrada e saída na sua linha de tempo.
- 5 Acesse a parte inferior das configurações “Configurações de Renderização” e clique no botão “Adicionar à Fila de Renderização”.

Suas configurações de renderização serão adicionadas à fila de renderização no lado direito da página. Agora, basta clicar em “Iniciar” e monitorar o progresso da sua renderização na fila.

Quando a sua renderização estiver concluída, você pode abrir o local da pasta, dar um clique duplo no seu novo clipe renderizado e assistir à sua edição finalizada.

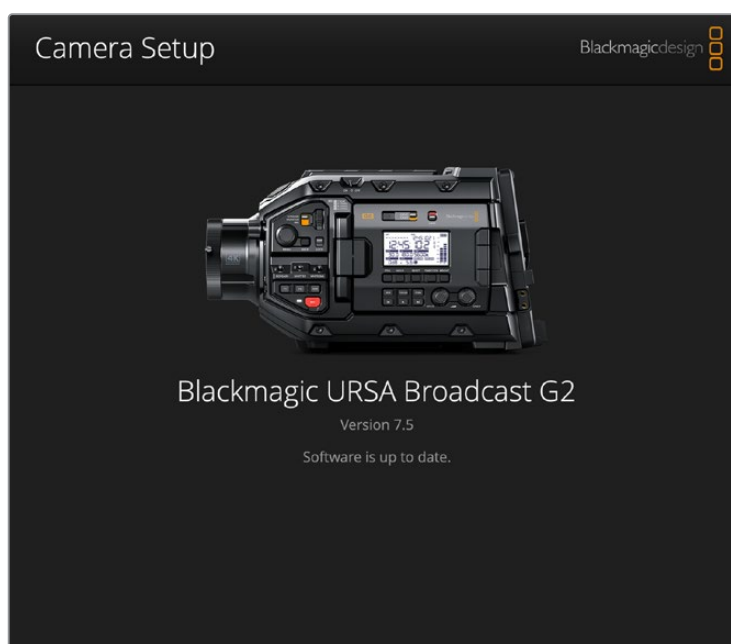
Agora que você tem conhecimentos básicos sobre como editar, colorir, fazer a mixagem de áudio e adicionar efeitos visuais, recomendamos que você teste o DaVinci Resolve. Consulte o manual DaVinci Resolve para mais detalhes sobre como cada recurso pode ajudá-lo a tirar proveito máximo do seu projeto!

Blackmagic Camera Setup Utility

Atualizar Software de Câmera – Mac

Após baixar o software utilitário Blackmagic Camera Setup e descompactar o arquivo baixado, abra a imagem de disco resultante para acessar o instalador Blackmagic Camera Setup.

Inicie o instalador e siga as instruções na tela. Depois que a instalação estiver concluída, vá até a pasta de aplicativos e abra a pasta Blackmagic Cameras, onde você encontrará este manual, o utilitário Blackmagic Camera Setup, além de uma pasta de documentos contendo os arquivos readme e informações. Você também encontrará um desinstalador para quando atualizar para versões mais recentes do Blackmagic Camera Setup.



Atualiza Software de Câmera – Windows

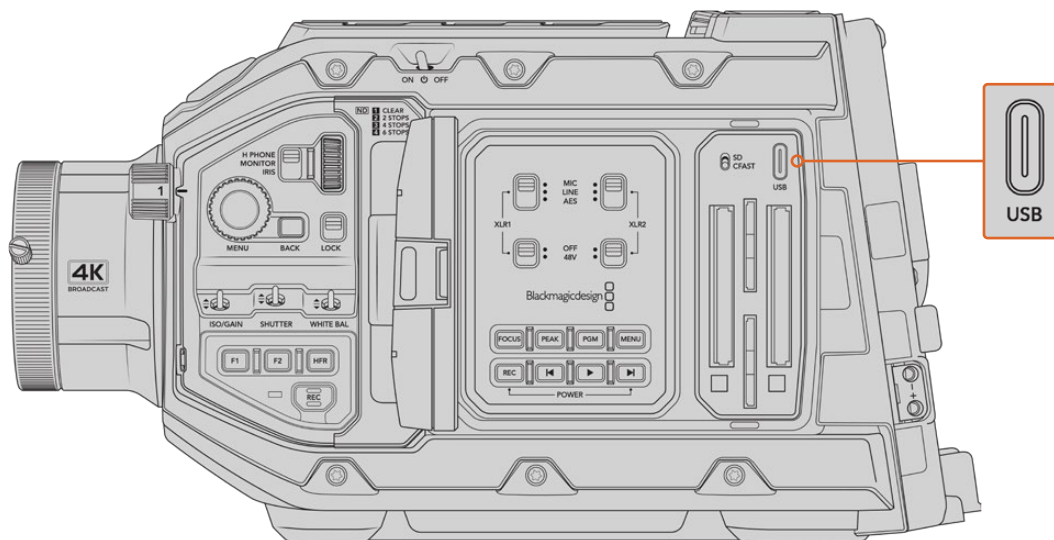
Após baixar o software utilitário Blackmagic Camera Setup e descompactar o arquivo baixado, você deve encontrar uma pasta Blackmagic Camera Setup contendo o PDF deste manual e o instalador Blackmagic Camera Setup. Dê um clique duplo no instalador e siga as instruções na tela para completar a instalação.

No Windows 10, clique no botão “Iniciar” e selecione “Todos os aplicativos”. Desça até a pasta Blackmagic Design. A partir daqui será possível iniciar o Blackmagic Camera Setup.

Como Atualizar o Software de Câmera

Após instalar o utilitário Blackmagic Camera Setup mais recente no seu computador, conecte um cabo USB entre o computador e sua Blackmagic URSA Broadcast G2. A porta USB é localizada no painel frontal esquerdo acima dos compartimentos para os cartões de memória.

Inicie o utilitário Blackmagic Camera Setup e siga qualquer alerta na tela para atualizar o software de câmera. É importante observar que atualizar o software da sua câmera apaga quaisquer predefinições e LUTs personalizadas, e redefine todas as configurações. Recomendamos exportar suas predefinições para um cartão de memória por segurança antes de desempenhar a restauração ao padrão de fábrica. Após uma atualização de software, você pode recuperar suas predefinições e LUTs rapidamente ao importá-las de um cartão de memória.



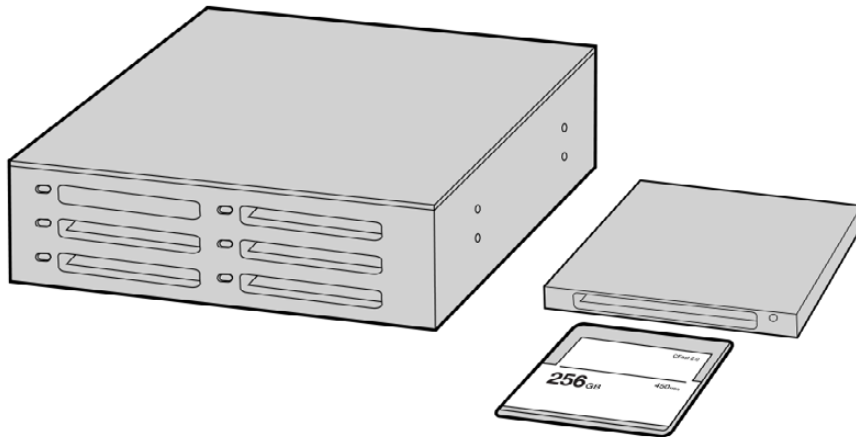
A porta USB-C port é utilizada para atualizar o software de câmera e pode ser encontrada acima dos compartimentos dos cartões de memória, junto da chave de seleção de mídia da Blackmagic URSA Broadcast G2.

Trabalhar com Software de Terceiros

Para editar seus clipes usando seu software de edição favorito, é possível copiar seus clipes em um drive interno, externo ou RAID e, depois, importar seus clipes no software. Também é possível importar seus clipes diretamente da sua mídia de armazenamento usando uma doca ou um adaptador para o seu SSD ou cartões CFast e SD.

OBSERVAÇÃO O Blackmagic RAW é compatível com a URSA Broadcast G2 e DaVinci Resolve 16.1.2 e versões mais recentes e também foi adotado por uma série de programas de edição e pós-produção de terceiros. Plug-ins para editar Blackmagic RAW no Avid Media Composer e Adobe Premiere Pro estão disponíveis com software Blackmagic RAW, que você pode baixar em www.blackmagicdesign.com/br/support.

Trabalhar com Arquivos de cartões CFast 2.0 e SD



Edite diretamente a partir do seu cartão CFast ao retirá-lo da sua câmera e encaixá-lo no seu computador usando um leitor/gravador CFast 2.0 ou um drive CFast.

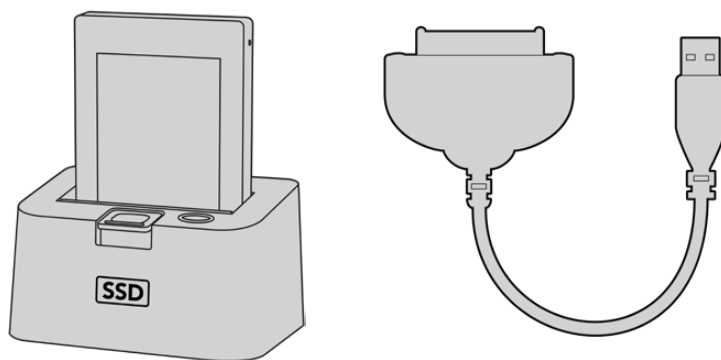
Como importar seus clipes de um cartão CFast 2.0 ou SD:

- 1 Retire o cartão CFast ou SD da sua Blackmagic URSA Broadcast G2.
Encaixe o cartão no seu computador Mac ou Windows usando um leitor de cartões.
- 2 Navegue até o cartão no seu sistema operacional para abri-lo e você visualizará sua lista de arquivos Blackmagic RAW ou arquivos de filme QuickTime.
- 3 Agora, basta arrastar os arquivos que você desejar do cartão para o seu desktop ou outro disco rígido, ou você pode acessar os arquivos diretamente do cartão usando seu software de edição.
- 4 Antes de remover o cartão CFast ou SD do seu computador, é sempre uma boa ideia ejetá-lo com segurança, tanto no Mac OS quanto no Windows. Em alguns casos, remover o cartão sem ejetá-lo primeiro pode corromper o material gravado.

Trabalhar com Arquivos de SSDs

Como importar seus clipes de um SSD:

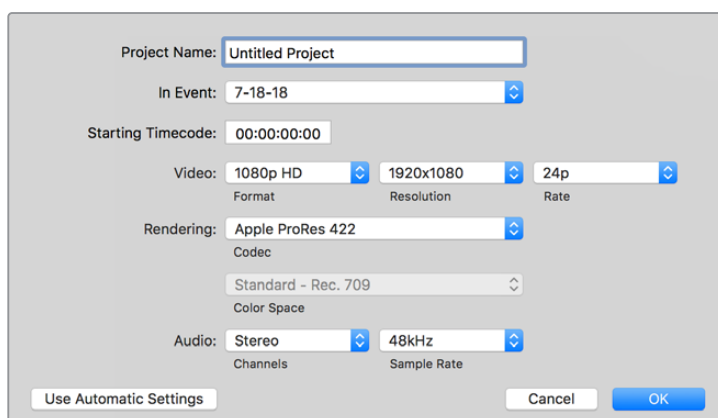
- 1 Remova o SSD do URSA Mini Recorder.
- 2 É possível inserir o SSD no seu computador Mac ou Windows usando uma doca eSATA ou Thunderbolt, como a Blackmagic MultiDock. Você também pode usar um cabo adaptador eSATA para USB e conectar o SSD diretamente a uma porta USB no seu computador. USB 3.0 é recomendável, já que USB 2.0 não é rápido o suficiente para editar vídeos em tempo real.
- 3 Dê um clique duplo no SSD para abri-lo e você deve encontrar uma lista dos arquivos de filme QuickTime ou arquivos Blackmagic RAW. Dependendo do seu formato de preferência para a gravação, é possível que você tenha uma mistura de arquivos, mas todos usam a mesma convenção de nomeação.
- 4 Agora, você pode simplesmente arrastar os arquivos desejados do SSD para o seu desktop ou outro disco rígido, ou você pode acessar os arquivos diretamente do SSD usando seu software de edição NLE.
- 5 Antes de desconectar o SSD do seu computador, é sempre uma boa ideia ejetá-lo com segurança primeiro.



Para editar diretamente do SSD, basta removê-lo da câmera e conectá-lo ao seu computador utilizando uma doca eSATA Thunderbolt ou um cabo adaptador USB 3.0.

Usar Final Cut Pro X

Para editar seus cliques usando Final Cut Pro X, será necessário criar um novo projeto e configurar uma taxa de quadro, assim como um formato de vídeo adequado. O exemplo abaixo usa ProRes 422 HQ 1080p24.



Configurações de projeto no Final Cut Pro X.

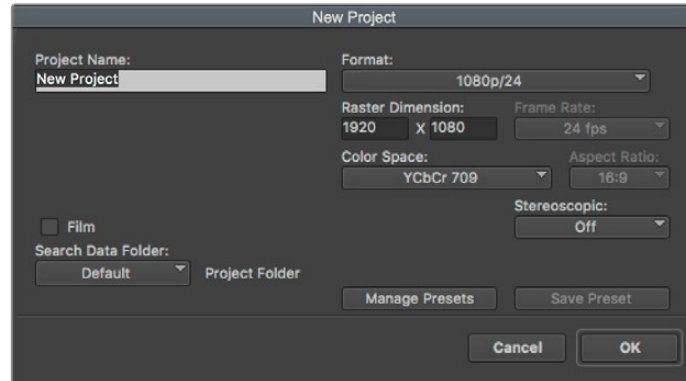
- 1 Inicie o Final Cut Pro X, vá até a barra de menu e selecione “File/New Project”. Uma janela contendo as configurações de projeto aparecerá.
- 2 Dê um nome ao seu projeto e selecione a caixa de diálogo “Custom”.
- 3 Ajuste as configurações “Video Properties” para 1080p HD, 1920x1080 e 24p.
- 4 Ajuste as configurações “Audio” e “Render Properties” para “Stereo”, “48 kHz” e “Apple ProRes 422 HQ”.
- 5 Clique em “Ok”.

Para importar seus cliques no seu projeto, vá até a barra de menu e selecione “File/Import/Media”. Selecione seus cliques no seu cartão CFast.

Agora, é possível arrastar seus cliques na linha de tempo para a edição.

Utilizar Avid Media Composer 2018

Para editar seus clipes usando o Avid Media Composer 2018, crie um novo projeto e configure uma taxa de quadro, assim como um formato de vídeo adequado. No exemplo abaixo os clipes foram configurados usando 1080p24.



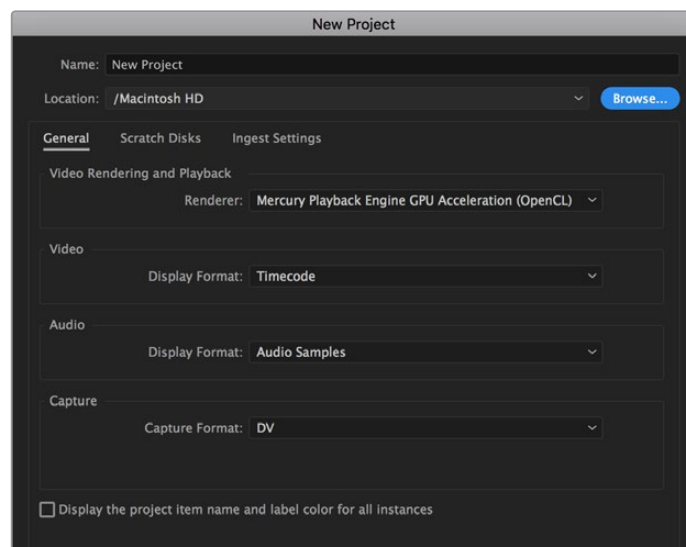
Configuração do nome do projeto e suas opções no Avid Media Composer 2018.

- 1 Inicie o Avid Media Composer 2018 e a janela “Select Project” aparecerá.
- 2 Clique no botão “New Project” e dê um nome para o seu projeto na janela “New Project”.
- 3 No menu suspenso “Format”, selecione “HD 1080 > 1080p/24” e clique em “Ok” para criar o projeto.
- 4 Dê um clique duplo no projeto na janela “Select Project” para abri-la.
- 5 Selecione “file > input > source browse” e navegue pelos arquivos que deseja importar.
- 6 Selecione “Target Bin” no menu suspenso e clique em “Import”.

Quando os clipes aparecerem dentro do ficheiro de mídias, será possível arrastá-los até a linha de tempo e iniciar a edição.

Usar Adobe Premiere Pro CC

Para editar seus clipes Apple ProRes 422 HQ usando Adobe Premiere Pro CC, será necessário criar um novo projeto e configurar uma taxa de quadro, assim como um formato de vídeo adequado. No exemplo abaixo os clipes foram configurados usando ProRes 422 HQ 1080p25.



Configuração do nome do projeto e suas opções no Adobe Premiere Pro CC.

- 1** Inicie o Adobe Premiere Pro CC. Na janela de boas-vindas, selecione “Novo Projeto”. Uma janela contendo as configurações de projeto aparecerá.
- 2** Dê um nome ao seu projeto. Selecione a localização para o seu projeto ao clicar em “Procurar” e escolher a pasta desejada. Após selecionar a localização da sua pasta, clique em “OK” na janela de boas-vindas.
- 3** Vá até a barra de menu do Adobe Premiere Pro CC, selecione “Arquivo/Importar” e escolha os clipes que você deseja editar. Seus clipes aparecerão na janela do projeto.
- 4** Arraste o primeiro clipe que deseja editar para o ícone “Novo Item” no canto inferior direito da janela do projeto. Uma nova sequência será criada correspondendo às configurações do seu clipe.

Agora, será possível arrastar seus clipes na linha de tempo para a edição.

Developer Information

Blackmagic Bluetooth Camera Control

Blackmagic cameras with Bluetooth LE implement a variety of features and commands that allow users to control their cameras wirelessly. Developers have full access to these features for their custom applications.

The following services and characteristics describe the full range of communication options that are available to the developer.

Service: Device Information Service

UUID: 180A

Characteristics

Camera Manufacturer

UUID: 2A29

Read the name of the manufacturer (always “Blackmagic Design”).

Camera Model

UUID: 2A24

Read the name of the camera model (“URSA Broadcast G2”).

Service: Blackmagic Camera Service

UUID: 291D567A-6D75-11E6-8B77-86F30CA893D3

Characteristics

Outgoing Camera Control (encrypted)

UUID: 5DD3465F-1AEE-4299-8493-D2ECA2F8E1BB

Send Camera Control messages

These messages are identical to those described in the Blackmagic SDI Camera Control Protocol section below. Please read that section for a list of supported messages and required formatting information.

For an example of how packets are structured, please see the ‘example protocol packets’ section in this document.

Incoming Camera Control (encrypted)

UUID: B864E140-76A0-416A-BF30-5876504537D9

Request notifications for this characteristic to receive Camera Control messages from the camera.

These messages are identical to those described in the Blackmagic SDI Camera Control Protocol section below. Please read that section for a list of supported messages and required formatting information.

Timecode (encrypted)

UUID: 6D8F2110-86F1-41BF-9AFB-451D87E976C8

Request notifications for this characteristic to receive timecode updates.

Timecode (HH:MM:SS:mm) is represented by a 32-bit BCD number:
(eg. 09:12:53:10 = 0x09125310)

Camera Status (encrypted)

UUID: 7FE8691D-95DC-4FC5-8ABD-CA74339B51B9

Request notifications for this characteristic to receive camera status updates.

The camera status is represented by flags contained in an 8-bit integer:

None	= 0x00
Camera Power On	= 0x01
Connected	= 0x02
Paired	= 0x04
Versions Verified	= 0x08
Initial Payload Received	= 0x10
Camera Ready	= 0x20

Send a value of 0x00 to power a connected camera off.

Send a value of 0x01 to power a connected camera on.

Device Name

UUID: FFAC0C52-C9FB-41A0-B063-CC76282EB89C

Send a device name to the camera (max. 32 characters).

The camera will display this name in the Bluetooth Setup Menu.

Protocol Version

UUID: 8F1FD018-B508-456F-8F82-3D392BEE2706

Read this value to determine the camera's supported CCU protocol version.

NOTE Encrypted characteristics can only be used once a device has successfully bonded or paired with the Blackmagic Camera. Once a connection has been established, any attempt to write to an encrypted characteristic will initiate bonding. For example, writing a 'Camera Power On' (0x01) message to the Camera Status characteristic.

Once bonding is initiated, the camera will display a 6-digit pin in the Bluetooth Setup Menu. Enter this pin on your device to establish an encrypted connection. The device will now be able to read, write and receive notifications from encrypted characteristics.

Blackmagic SDI and Bluetooth Camera Control Protocol

Version 1.6.2

If you are a software developer you can use the Blackmagic SDI and Bluetooth Camera Control Protocol to construct devices that integrate with our products. Here at Blackmagic Design, our approach is to open up our protocols and we eagerly look forward to seeing what you come up with!

Overview

This document describes an extensible protocol for sending a unidirectional stream of small control messages embedded in the non-active picture region of a digital video stream. The video stream containing the protocol stream may be broadcast to a number of devices. Device addressing is used to allow the sender to specify which device each message is directed to.

Assumptions

Alignment and padding constraints are explicitly described in the protocol document. Bit fields are packed from LSB first. Message groups, individual messages and command headers are defined as, and can be assumed to be, 32 bit aligned.

Blanking Encoding

A message group is encoded into a SMPTE 291M packet with DID/SDID x51/x53 in the active region of VANC line 16.

Message Grouping

Up to 32 messages may be concatenated and transmitted in one blanking packet up to a maximum of 255 bytes payload. Under most circumstances, this should allow all messages to be sent with a maximum of one frame latency.

If the transmitting device queues more bytes of message packets than can be sent in a single frame, it should use heuristics to determine which packets to prioritize and send immediately. Lower priority messages can be delayed to later frames, or dropped entirely as appropriate.

Abstract Message Packet Format

Every message packet consists of a three byte header followed by an optional variable length data block. The maximum packet size is 64 bytes.

Destination device (uint8)	Device addresses are represented as an 8 bit unsigned integer. Individual devices are numbered 0 through 254 with the value 255 reserved to indicate a broadcast message to all devices.
Command length (uint8)	The command length is an 8 bit unsigned integer which specifies the length of the included command data. The length does NOT include the length of the header or any trailing padding bytes.
Command id (uint8)	The command id is an 8 bit unsigned integer which indicates the message type being sent. Receiving devices should ignore any commands that they do not understand. Commands 0 through 127 are reserved for commands that apply to multiple types of devices. Commands 128 through 255 are device specific.
Reserved (uint8)	This byte is reserved for alignment and expansion purposes. It should be set to zero.
Command data (uint8[])	The command data may contain between 0 and 60 bytes of data. The format of the data section is defined by the command itself.

Padding (uint8[])	Messages must be padded up to a 32 bit boundary with 0x0 bytes. Any padding bytes are NOT included in the command length.
--------------------------	---

Receiving devices should use the destination device address and or the command identifier to determine which messages to process. The receiver should use the command length to skip irrelevant or unknown commands and should be careful to skip the implicit padding as well.

Defined Commands

Command 0 : change configuration

Category (uint8)	The category number specifies one of up to 256 configuration categories available on the device.
Parameter (uint8)	The parameter number specifies one of 256 potential configuration parameters available on the device. Parameters 0 through 127 are device specific parameters. Parameters 128 though 255 are reserved for parameters that apply to multiple types of devices.
Data type (uint8)	The data type specifies the type of the remaining data. The packet length is used to determine the number of elements in the message. Each message must contain an integral number of data elements.

Currently defined values are:

0: void/boolean	A void value is represented as a boolean array of length zero. The data field is a 8 bit value with 0 meaning false and all other values meaning true.
1: signed byte	Data elements are signed bytes
2: signed 16 bit integer	Data elements are signed 16 bit values
3: signed 32 bit integer	Data elements are signed 32 bit values
4: signed 64 bit integer	Data elements are signed 64 bit values
5: UTF-8 string	Data elements represent a UTF-8 string with no terminating character.

Data types 6 through 127 are reserved.

128: signed 5.11 fixed point	Data elements are signed 16 bit integers representing a real number with 5 bits for the integer component and 11 bits for the fractional component. The fixed point representation is equal to the real value multiplied by 2^{11} . The representable range is from -16.0 to 15.9995 (15 + 2047/2048).
-------------------------------------	---

Data types 129 through 255 are available for device specific purposes.

Operation type (uint8)	The operation type specifies what action to perform on the specified parameter. Currently defined values are:
0: assign value	The supplied values are assigned to the specified parameter. Each element will be clamped according to its valid range. A void parameter may only be 'assigned' an empty list of boolean type. This operation will trigger the action associated with that parameter. A boolean value may be assigned the value zero for false, and any other value for true.
1: offset/toggle value	Each value specifies signed offsets of the same type to be added to the current parameter values. The resulting parameter value will be clamped according to their valid range. It is not valid to apply an offset to a void value. Applying any offset other than zero to a boolean value will invert that value.

Operation types 2 through 127 are reserved.

Operation types 128 through 255 are available for device specific purposes.

Data (void)	The data field is 0 or more bytes as determined by the data type and number of elements.
--------------------	--

The category, parameter, data type and operation type partition a 24 bit operation space.

Group	ID	Parameter	Type	Index	Minimum	Maximum	Interpretation
Lens	0.0	Focus	fixed16	–	0.0	1.0	0.0 = near, 1.0 = far
	0.1	Instantaneous autofocus	void	–	–	–	trigger instantaneous autofocus
	0.2	Aperture (f-stop)	fixed16	–	-1.0	16.0	Aperture Value (where fnumber = $\sqrt{2^{AV}}$)
	0.3	Aperture (normalised)	fixed16	–	0.0	1.0	0.0 = smallest, 1.0 = largest
	0.4	Aperture (ordinal)	int16	–	0	n	Steps through available aperture values from minimum (0) to maximum (n)
	0.5	Instantaneous auto aperture	void	–	–	–	trigger instantaneous auto aperture
	0.6	Optical image stabilisation	boolean	–	–	–	true = enabled, false = disabled
	0.7	Set absolute zoom (mm)	int16	–	0	max	Move to specified focal length in mm, from minimum (0) to maximum (max)
	0.8	Set absolute zoom (normalised)	fixed16	–	0.0	1.0	Move to specified focal length: 0.0 = wide, 1.0 = tele
	0.9	Set continuous zoom (speed)	fixed16	–	-1.0	+1.0	Start/stop zooming at specified rate: -1.0 = zoom wider fast, 0.0 = stop, +1 = zoom tele fast

Group	ID	Parameter	Type	Index	Minimum	Maximum	Interpretation
Video	1.0	Video mode	int8	[0] = frame rate	–	–	fps as integer (eg 24, 25, 30, 50, 60)
				[1] = M-rate	–	–	0 = regular, 1 = M-rate
				[2] = dimensions	–	–	0 = NTSC, 1 = PAL, 2 = 720, 3 = 1080, 4 = 2kDCI, 5 = 2k16:9, 6 = UHD, 7 = 3k Anamorphic, 8 = 4k DCI, 9 = 4k 16:9, 10 = 4.6k 2.4:1, 11 = 4.6k
				[3] = interlaced	–	–	0 = progressive, 1 = interlaced
				[4] = Color space	–	–	0 = YUV
	1.1	Gain (up to Camera 4.9)	int8		1	128	1x, 2x, 4x, 8x, 16x, 32x, 64x, 128x gain
	1.2	Manual White Balance	int16	[0] = color temp	2500	10000	Color temperature in K
			int16	[1] = tint	-50	50	tint
	1.3	Set auto WB	void	–	–	–	Calculate and set auto white balance
	1.4	Restore auto WB	void	–	–	–	Use latest auto white balance setting
	1.5	Exposure (us)	int32		1	42000	time in us
	1.6	Exposure (ordinal)	int16	–	0	n	Steps through available exposure values from minimum (0) to maximum (n)
	1.7	Dynamic Range Mode	int8 enum	–	0	2	0 = film, 1 = video, 2 = extended video
	1.8	Video sharpening level	int8 enum	–	0	3	0 = off, 1 = low, 2 = medium, 3 = high
	1.9	Recording format	int16	[0] = file frame rate	–	–	fps as integer (eg 24, 25, 30, 50, 60, 120)
				[1] = sensor frame rate	–	–	fps as integer, valid when sensor-off-speed set (eg 24, 25, 30, 33, 48, 50, 60, 120), no change will be performed if this value is set to 0
				[2] = frame width	–	–	in pixels
				[3] = frame height	–	–	in pixels
				[4] = flags	–	–	[0] = file-M-rate
					–	–	[1] = sensor-M-rate, valid when sensor-off-speed-set
–					–	[2] = sensor-off-speed	
–	–	[3] = interlaced					
–	–	[4] = windowed mode					
1.10	Set auto exposure mode	int8	–	0	4	0 = Manual Trigger, 1 = Iris, 2 = Shutter, 3 = Iris + Shutter, 4 = Shutter + Iris	
1.11	Shutter angle	int32	–	100	36000	Shutter angle in degrees, multiplied by 100	
1.12	Shutter speed	int32	–	Current sensor frame rate	5000	Shutter speed value as a fraction of 1, so 50 for 1/50th of a second	
1.13	Gain	int8	–	-128	127	Gain in decibel (dB)	
1.14	ISO	int32	–	0	2147483647	ISO value	
1.15	Display LUT	int8	[0] = selected LUT	–	–	0 = None, 1 = Custom, 2 = film to video, 3 = film to extended video	
			[1] = enabled or not	–	–	0 = Not enabled, 1 = Enabled	
1.16	ND Filter Stop	fixed16	[0] = stop	0.0	15.0	filter power, as f-stop	
			[1] = display mode	–	–	0 = stop 1 = density 2 = transmittance	

Group	ID	Parameter	Type	Index	Minimum	Maximum	Interpretation
Audio	2.0	Mic level	fixed16	–	0.0	1.0	0.0 = minimum, 1.0 = maximum
	2.1	Headphone level	fixed16	–	0.1	1.0	0.0 = minimum, 1.0 = maximum
	2.2	Headphone program mix	fixed16	–	0.1	1.0	0.0 = minimum, 1.0 = maximum
	2.3	Speaker level	fixed16	–	0.1	1.0	0.0 = minimum, 1.0 = maximum
	2.4	Input type	int8	–	0	3	0 = internal mic, 1 = line level input, 2 = low mic level input, 3 = high mic level input
	2.5	Input levels	fixed16	[0] ch0	0.0	1.0	0.0 = minimum, 1.0 = maximum
				[1] ch1	0.0	1.0	0.0 = minimum, 1.0 = maximum
2.6	Phantom power	boolean	–	–	–	true = powered, false = not powered	
Output	3.0	Overlay enables	uint16 bit field	[0] = bit field	–	–	bit flags: [0] = display status, [1] = display frame guides [2] = clean feed Some cameras don't allow separate control of frame guides and status overlays.
			uint16 bit field	[1] = target displays bit field	–	–	bit flags: [0] = LCD [1] = HDMI [2] = EVF [3] = Main SDI [4] = Front SDI
	3.1	Frame guides style (Camera 3.x)	int8	–	0	8	0 = HDTV, 1 = 4:3, 2 = 2.4:1, 3 = 2.39:1, 4 = 2.35:1, 5 = 1.85:1, 6 = thirds
	3.2	Frame guides opacity (Camera 3.x)	fixed16	–	0.1	1.0	0.0 = transparent, 1.0 = opaque
	3.3	Overlays (replaces .1 and .2 above from Cameras 4.0)	int8	[0] = frame guides style	–	–	0 = off, 1 = 2.4:1, 2 = 2.39:1, 3 = 2.35:1, 4 = 1.85:1, 5 = 16:9, 6 = 14:9, 7 = 4:3, 8 = 2:1, 9 = 4:5, 10 = 1:1
				[1] = frame guide opacity	0	100	0 = transparent, 100 = opaque
[2] = safe area percentage				0	100	percentage of full frame used by safe area guide (0 means off)	
[3] = grid style				–	–	bit flags: [0] = display thirds, [1] = display cross hairs, [2] = display center dot, [3] = display horizon	

Group	ID	Parameter	Type	Index	Minimum	Maximum	Interpretation
Display	4.0	Brightness	fixed16	–	0.0	1.0	0.0 = minimum, 1.0 = maximum
	4.1	Exposure and focus tools	uint16 bit field	[0] = bit field	–	–	bit flags: [0] = Zebra [1] = Focus Assist [2] = False Color
				uint16 bit field	[1] = target displays bit field	–	–
	4.2	Zebra level	fixed16	–	0.0	1.0	0.0 = minimum, 1.0 = maximum
	4.3	Peaking level	fixed16	–	0.0	1.0	0.0 = minimum, 1.0 = maximum
	4.4	Color bar enable	int8	–	0	30	0 = disable bars, 1-30 = enable bars with timeout (seconds)
	4.5	Focus Assist	int8	[0] = focus assist method	–	–	0 = Peak, 1 = Colored lines
				[1] = focus line color	–	–	0 = Red, 1 = Green, 2 = Blue, 3 = White, 4 = Black
4.6	Program return feed enable	int8	–	0	30	0 = disable, 1-30 = enable with timeout (seconds)	
4.7	Timecode Source	signed byte	[0] = source	–	–	0 = Clip, 1 = Timecode	
Tally	5.0	Tally brightness	fixed16	–	0.0	1.0	Sets the tally front and tally rear brightness to the same level. 0.0 = minimum, 1.0 = maximum
	5.1	Front tally brightness	fixed16	–	0.0	1.0	Sets the tally front brightness. 0.0 = minimum, 1.0 = maximum
	5.2	Rear tally brightness	fixed16	–	0.0	1.0	Sets the tally rear brightness. 0.0 = minimum, 1.0 = maximum Tally rear brightness cannot be turned off
Reference	6.0	Source	int8 enum	–	0	2	0 = internal, 1 = program, 2 = external
	6.1	Offset	int32	–	–	–	+/- offset in pixels
Configuration	7.0	Real Time Clock	int32	[0] time	–	–	BCD - HHMMSSFF (UCT)
				[1] date	–	–	BCD - YYYYMMDD
	7.1	System language	string	[0-1]	–	–	ISO-639-1 two character language code
	7.2	Timezone	int32	–	–	–	Minutes offset from UTC
	7.3	Location	int64	[0] latitude	–	–	BCD - s0DDdddddddddd where s is the sign: 0 = north (+), 1 = south (-); DD degrees, ddddddddddd decimal degrees
[1] longitude				–	–	BCD - sDDDdddddddddd where s is the sign: 0 = west (-), 1 = east (+); DDD degrees, dddddddddd decimal degrees	

Group	ID	Parameter	Type	Index	Minimum	Maximum	Interpretation
Color Correction	8.0	Lift Adjust	fixed16	[0] red	-2.0	2.0	default 0.0
				[1] green	-2.0	2.0	default 0.0
				[2] blue	-2.0	2.0	default 0.0
				[3] luma	-2.0	2.0	default 0.0
	8.1	Gamma Adjust	fixed16	[0] red	-4.0	4.0	default 0.0
				[1] green	-4.0	4.0	default 0.0
				[2] blue	-4.0	4.0	default 0.0
				[3] luma	-4.0	4.0	default 0.0
	8.2	Gain Adjust	fixed16	[0] red	0.0	16.0	default 1.0
				[1] green	0.0	16.0	default 1.0
				[2] blue	0.0	16.0	default 1.0
				[3] luma	0.0	16.0	default 1.0
	8.3	Offset Adjust	fixed16	[0] red	-8.0	8.0	default 0.0
				[1] green	-8.0	8.0	default 0.0
				[2] blue	-8.0	8.0	default 0.0
				[3] luma	-8.0	8.0	default 0.0
	8.4	Contrast Adjust	fixed16	[0] pivot	0.0	1.0	default 0.5
				[1] adj	0.0	2.0	default 1.0
	8.5	Luma mix	fixed16	–	0.0	1.0	default 1.0
8.6	Color Adjust	fixed16	[0] hue	-1.0	1.0	default 0.0	
			[1] sat	0.0	2.0	default 1.0	
8.7	Correction Reset Default	void	–	–	–	reset to defaults	

Group	ID	Parameter	Type	Index	Minimum	Maximum	Interpretation
Media	10.0	Codec	int8 enum	[0] = basic codec	-	-	0 = CinemaDNG, 1 = DNxHD, 2 = ProRes, 3 = Blackmagic RAW
					-	-	CinemaDNG: 0 = uncompressed, 1 = lossy 3:1, 2 = lossy 4:1
				[1] = code variant	-	-	ProRes: 0 = HQ, 1 = 422, 2 = LT, 3 = Proxy, 4 = 444, 5 = 444XQ
					-	-	Blackmagic RAW: 0 = Q0, 1 = Q5, 2 = 3:1, 3 = 5:1, 4 = 8:1, 5 = 12:1
	10.1	Transport mode	int8	[0] = mode	-	-	0 = Preview, 1 = Play, 2 = Record
				[1] = speed	-	-	-ve = multiple speeds backwards, 0 = pause, +ve = multiple speeds forwards
				[2] = flags	-	-	1<<0 = loop, 1<<1 = play all, 1<<5 = disk1 active, 1<<6 = disk2 active, 1<<7 = time-lapse recording
				[3] = slot 1 storage medium	-	-	0 = CFast card, 1 = SD, 2 = SSD Recorder
				[4] = slot 2 storage medium	-	-	0 = CFast card, 1 = SD, 2 = SSD Recorder
	10.2	Playback Control	int8 enum	[0] = clip	-	-	0 = Previous, 1 = Next
10.5	Stream	bool	[0] = enabled	-	-	true = enabled, false = disabled	
10.6	Stream Information	void bool	[0] = enabled	-	-	true = enabled, false = disabled	
10.7	Stream Display 3D LUT	void bool	[0] = enabled	-	-	true = enabled, false = disabled	
PTZ Control	11.0	Pan/Tilt Velocity	fixed 16	[0] = pan velocity	-1.0	1.0	-1.0 = full speed left, 1.0 = full speed right
				[1] = tilt velocity	-1.0	1.0	-1.0 = full speed down, 1.0 = full speed up
	11.1	Memory Preset	int8 enum	[0] = preset command	-	-	0 = reset, 1 = store location, 2 = recall location
			int8	[1] = preset slot	0	5	-

Example Protocol Packets

Operation	Packet Length	Byte															
		0	1	2	3	4	5	6	7	8	9	10	11	12	13	14	15
		header				command				data							
		destination	length	command	reserved	category	parameter	type	operation								
trigger instantaneous auto focus on camera 4	8	4	4	0	0	0	1	0	0								
turn on OIS on all cameras	12	255	5	0	0	0	6	0	0	1	0	0	0				
set exposure to 10 ms on camera 4 (10 ms = 10000 us = 0x00002710)	12	4	8	0	0	1	5	3	0	0x10	0x27	0x00	0x00				
add 15% to zebra level (15 % = 0.15 f = 0x0133 fp)	12	4	6	0	0	4	2	128	1	0x33	0x01	0	0				
select 1080p 23.98 mode on all cameras	16	255	9	0	0	1	0	1	0	24	1	3	0	0	0	0	0
subtract 0.3 from gamma adjust for green & blue (-0.3 ~ = 0xfd9a fp)	16	4	12	0	0	8	1	128	1	0	0	0x9a	0xfd	0x9a	0xfd	0	0
all operations combined	76	4	4	0	0	0	1	0	0	255	5	0	0	0	6	0	0
		1	0	0	0	4	8	0	0	1	5	3	0	0x10	0x27	0x00	0x00
		4	6	0	0	4	2	128	1	0x33	0x01	0	0	255	9	0	0
		1	0	1	0	24	1	3	0	0	0	0	0	4	12	0	0
		8	1	128	1	0	0	0x9a	0xfd	0x9a	0xfd	0	0				

Blackmagic Tally Control Protocol

Version 1.0 (30/04/14)

This section is for third party developers or anybody who may wish to add support for the Blackmagic Tally Control Protocol to their products or system. It describes the protocol for sending tally information embedded in the non-active picture region of a digital video stream.

Data Flow

A master device such as a broadcast switcher embeds tally information into its program feed which is broadcast to a number of slave devices such as cameras or camera controllers. The output from the slave devices is typically fed back to the master device, but may also be sent to a video monitor.

The primary flow of tally information is from the master device to the slaves. Each slave device may use its device id to extract and display the relevant tally information.

Slave devices pass through the tally packet on their output and update the monitor tally status, so that monitor devices connected to that individual output may display tally status without knowledge of the device id they are monitoring.

Assumptions

Any data alignment/padding is explicit in the protocol. Bit fields are packed from LSB first.

Blanking Encoding

One tally control packet may be sent per video frame. Packets are encoded as a SMPTE 291M packet with DID/SDID x51/x52 in the active region of VANC line 15. A tally control packet may contain up to 256 bytes of tally information.

Packet Format

Each tally status consists of 4 bits of information:

```
uint4
bit 0:    program tally status (0=off, 1=on)
bit 1:    preview tally status (0=off, 1=on)
bit 2-3:  reserved (0x0)
```

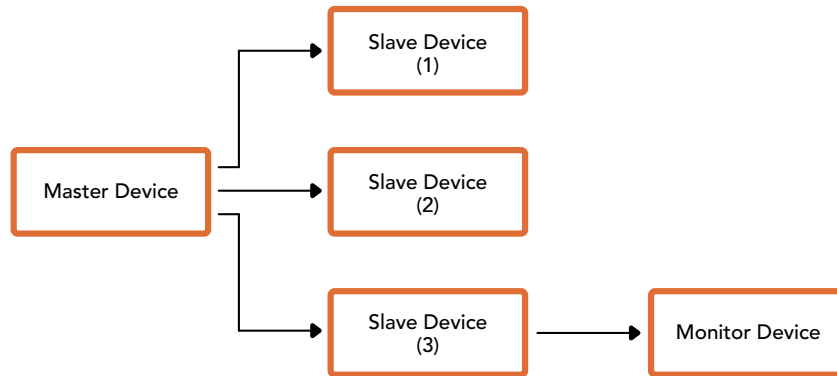
The first byte of the tally packet contains the monitor device tally status and a version number.

Subsequent bytes of the tally packet contain tally status for pairs of slave devices. The master device sends tally status for the number of devices configured/supported, up to a maximum of 510.

struct tally

```
uint8
bit 0:    monitor device program tally status (0=off, 1=on)
bit 1:    monitor device preview tally status (0=off, 1=on)
bit 2-3:  reserved (0b00)
bit 4-7:  protocol version (0b0000)
uint8[0]
bit 0:    slave device 1 program tally status (0=off, 1=on)
bit 1:    slave device 1 device preview tally status (0=off, 1=on)
bit 2-3:  reserved (0b00)
bit 4:    slave device 2 program tally status (0=off, 1=on)
bit 5:    slave device 2 preview tally status (0=off, 1=on)
bit 6-7:  reserved (0b00)
```

uint8[1]
bit 0: slave device 3 program tally status (0=off, 1=on)
bit 1: slave device 3 device preview tally status (0=off, 1=on)
bit 2-3: reserved (0b00)
bit 4: slave device 4 program tally status (0=off, 1=on)
bit 5: slave device 4 preview tally status (0=off, 1=on)
bit 6-7: reserved (0b00)
...



Byte	7 MSB	6	5	4	3	2	1	0 LSB
0	Version (0b0)	Version (0b0)	Version (0b0)	Version (0b0)	Reserved (0b0)	Reserved (0b0)	Monitor Preview	Monitor Program
1	Reserved (0b0)	Reserved (0b0)	Slave 1 Preview	Slave 1 Program	Reserved (0b0)	Reserved (0b0)	Slave 0 Preview	Slave 0 Program
2	Reserved (0b0)	Reserved (0b0)	Slave 3 Preview	Slave 3 Program	Reserved (0b0)	Reserved (0b0)	Slave 2 Preview	Slave 2 Program
3	...							

Ajuda

A maneira mais rápida de obter ajuda é visitando as páginas de suporte online da Blackmagic Design e consultando os materiais de suporte mais recentes disponíveis para sua câmera.

Central de Suporte Técnico Online Blackmagic Design

O manual, o programa e as notas de suporte mais recentes podem ser encontrados na Central de Suporte Técnico da Blackmagic Design em www.blackmagicdesign.com/br/support.

Entrar em Contato com o Suporte Técnico Blackmagic Design

Caso não encontre a ajuda necessária no nosso material de suporte ou no fórum, por favor, use o botão “Envie-nos um Email” na página de suporte para nos encaminhar uma solicitação de suporte. Ou, clique no botão “Encontre sua Equipe de Suporte Local” na página de suporte e ligue para a assistência técnica da Blackmagic Design mais próxima.

Verificar a Versão de Software Atualmente Instalada

Para verificar qual versão do software utilitário Blackmagic Camera Utility está instalada no seu computador, abra a janela “Sobre Blackmagic Camera Utility”.

- No Mac, abra o Blackmagic Camera Utility na pasta de aplicativos. Selecione “Sobre Blackmagic Camera Utility” no menu de aplicativos para revelar o número da versão.
- No Windows, abra o Blackmagic Camera Utility a partir do menu “Iniciar” ou da tela inicial. Clique no menu “Ajuda” e selecione “Sobre Blackmagic Camera Utility” para revelar o número da versão.

Como Obter as Atualizações de Software Mais Recentes

Depois que verificar a versão do software Blackmagic Camera Utility instalada no seu computador, por favor, visite a Central de Suporte Técnico da Blackmagic Design em www.blackmagicdesign.com/br/support para conferir as últimas atualizações. Embora seja uma boa ideia instalar as últimas atualizações, é recomendável evitar atualizar qualquer programa caso esteja no meio de um projeto importante.

Informações Regulatórias



Eliminação de resíduos de equipamentos elétricos e eletrônicos dentro da União Europeia.

O símbolo no produto indica que este equipamento não pode ser eliminado com outros materiais residuais. Para descartar seus resíduos de equipamento, ele deve ser entregue a um ponto de coleta designado para reciclagem. A coleta separada e a reciclagem dos seus resíduos de equipamento no momento da eliminação ajudarão a preservar os recursos naturais e a garantir que sejam reciclados de uma maneira que proteja a saúde humana e o meio ambiente. Para mais informações sobre onde você pode eliminar os resíduos do seu equipamento para reciclagem, por favor entre em contato com a agência de reciclagem local da sua cidade ou o revendedor do produto adquirido.



Este equipamento foi testado e respeita os limites para um dispositivo digital Classe A, conforme a Parte 15 das normas da FCC. Esses limites foram criados para fornecer proteção razoável contra interferências nocivas quando o equipamento é operado em um ambiente comercial. Este equipamento gera, usa e pode irradiar energia de radiofrequência e, se não for instalado ou usado de acordo com as instruções, poderá causar interferências nocivas nas comunicações via rádio. A operação deste produto em uma área residencial pode causar interferência nociva, nesse caso o usuário será solicitado a corrigir a interferência a custo pessoal.

A operação está sujeita às duas condições a seguir:

- 1 Este dispositivo não poderá causar interferência nociva.
- 2 Este dispositivo deve aceitar qualquer interferência recebida, incluindo interferência que possa causar uma operação indesejada.



R-R-BMD-20210915001
R-R-BMD-20200421002
R-R-BMD-20200916001
R-R-BMD-20200916002
R-REM-BMD-201803004
R-REM-BMD-201803003
MSIP-REM-BMD-201612001



Norma Canadense ISED

Este dispositivo está em conformidade com os padrões do Canadá para equipamentos digitais de Classe A.

Quaisquer modificações ou utilização deste produto fora dos limites previstos poderão anular a conformidade com estas normas.

Este equipamento foi testado para conformidade com a sua finalidade original em um ambiente comercial.

Bluetooth®

A URSA Broadcast G2 é um produto habilitado pela tecnologia sem fio Bluetooth.

Contém Módulo Transmissor FCC ID: QOQBGM113

Este equipamento está em conformidade com os limites da FCC de exposição à radiação especificados para ambientes não controlados.

Contém Módulo Transmissor IC: 5123A-BGM113

Este dispositivo está em conformidade com os padrões RSS isentos de licença da indústria canadense e isenção dos limites de avaliação de rotina SAR apresentados na publicação 5 RSS-102.

Certificação para o Japão, sob o número: 209-J00204. Este dispositivo possui módulo de rádio certificado de acordo com a Lei do Rádio japonesa.

Este módulo possui Certificação KC, na Coreia do Sul: MSIP-CRM-BGT-BGM113

Pelo presente, a Blackmagic Design declara que os sistemas de transmissão em banda larga da URSA Broadcast G2 na banda ISM de 2,4 GHz estão em conformidade com a Diretriz 2014/53/EU.

O texto completo da declaração de conformidade da União Europeia está disponível através do endereço compliance@blackmagicdesign.com

Informações de Segurança

A fonte de alimentação AC para DC 12 V fornecida para a Blackmagic URSA Broadcast G2 e o cabo de alimentação IEC para o Blackmagic Studio Fiber Converter devem ser conectados a uma tomada com conexão aterrada com proteção.

A Blackmagic URSA Broadcast G2 e o Camera Fiber Converter são adequados para uso em locais tropicais com uma temperatura ambiente de até 40 °C. O Blackmagic Studio Fiber Converter é adequado para uso em locais tropicais com uma temperatura ambiente de até 50 °C.

Certifique-se de ventilação adequada seja fornecida em torno do Blackmagic Studio Fiber Converter e do Camera Fiber Converter para que a ventilação não seja limitada. Ao montar o Studio Fiber Converter em rack, certifique-se de que a ventilação não esteja limitada por equipamentos adjacentes.

Não há componentes no interior da Blackmagic URSA Broadcast G2, Camera Fiber Converter ou Studio Fiber Converter reparáveis pelo operador. Solicite o serviço de manutenção à assistência técnica local da Blackmagic Design.

Declaração do Estado da Califórnia

Este produto pode expô-lo a produtos químicos, tais como vestígios de bifenilos polibromados dentro de peças de plástico, que é conhecido no estado da Califórnia por causar câncer e defeitos congênitos ou outros danos reprodutivos.

Para mais informações, visite www.P65Warnings.ca.gov.

Blackmagic URSA Broadcast G2

Sob condições de muita luz solar, considere proteger a câmera sob sombras para prevenir a exposição da câmera ou da bateria de lítio sob luz direta por longos períodos de tempo. Mantenha as baterias de lítio afastadas de todas as fontes de calor.

O conector DC de 12 V é adequado para fornecer alimentação ao Blackmagic URSA Viewfinder ou Blackmagic URSA Studio Viewfinder. Ao plugar outros acessórios a este conector, certifique-se de que o consumo de energia seja menor que 18 W.



Blackmagic Studio Fiber Converter

Para reduzir o risco de choque elétrico, não exponha este equipamento a gotejamento ou respingo. Use-o apenas em altitudes inferiores a 2000 m acima do nível do mar.

Blackmagic Camera Fiber Converter

Use o conversor apenas quando conectado ao Blackmagic Studio Fiber Converter. Sob condições normais de uso, o conversor foi desenvolvido para receber tensões perigosas do Blackmagic Studio Fiber Converter.

Garantia

Garantia Limitada

A Blackmagic Design garante que este produto estará livre de defeitos de materiais e fabricação por um período de 12 meses a partir da data de compra. Se o produto se revelar defeituoso durante este período de garantia, a Blackmagic Design, a seu critério, consertará o produto defeituoso sem cobrança pelos componentes e mão-de-obra, ou fornecerá a substituição em troca pelo produto defeituoso.

Para obter o serviço sob esta garantia você, o Consumidor, deve notificar a Blackmagic Design do defeito antes da expiração do período de garantia e tomar as providências necessárias para o desempenho do serviço. O Consumidor é responsável pelo empacotamento e envio do produto defeituoso para um centro de assistência designado pela Blackmagic Design com os custos de envio pré-pagos. O Consumidor é responsável pelo pagamento de todos os custos de envio, seguro, taxas, impostos e quaisquer outros custos para os produtos que nos forem devolvidos por qualquer razão.

Esta garantia não se aplica a defeitos, falhas ou danos causados por uso inadequado ou manutenção e cuidado inadequado ou impróprio. A Blackmagic Design não é obrigada a fornecer serviços sob esta garantia: a) para consertar danos causados por tentativas de instalar, consertar ou fornecer assistência técnica ao produto por pessoas que não sejam representantes da Blackmagic Design, b) para consertar danos causados por uso ou conexão imprópria a equipamentos não compatíveis, c) para consertar danos ou falhas causadas pelo uso de componentes ou materiais que não são da Blackmagic Design, d) para fornecer assistência técnica de um produto que foi modificado ou integrado a outros produtos quando o efeito de tal modificação ou integração aumenta o tempo ou a dificuldade da assistência técnica do serviço.

A exposição do URSA Viewfinder à luz solar direta pode danificar o visor do viewfinder, pois a lente atua como uma lente de aumento. A exibição de imagens estáticas ou de alto contraste nos painéis OLED por longos períodos de tempo pode resultar em retenção ou queima de tela. Para evitar isso, certifique-se de que o sensor IR para a detecção de rostos não esteja coberto dolosamente e desconecte o visor quando não estiver em uso por longos períodos de tempo. A retenção de imagem não está coberta por esta garantia de produto.

ESTA GARANTIA É FORNECIDA PELA BLACKMAGIC DESIGN NO LUGAR DE QUAISQUER OUTRAS GARANTIAS, EXPLÍCITAS OU IMPLÍCITAS. A BLACKMAGIC DESIGN E SEUS FORNECEDORES NEGAM QUAISQUER GARANTIAS IMPLÍCITAS DE COMERCIALIZAÇÃO OU ADEQUAÇÃO A UMA FINALIDADE ESPECÍFICA. A RESPONSABILIDADE DA BLACKMAGIC DESIGN DE CONSERTAR OU SUBSTITUIR PRODUTOS DEFEITUOSOS DURANTE O PERÍODO DE GARANTIA É A ÚNICA E EXCLUSIVA MEDIDA FORNECIDA AO CONSUMIDOR. A BLACKMAGIC DESIGN NÃO É RESPONSÁVEL POR QUAISQUER DANOS INDIRETOS, ESPECIAIS OU ACIDENTAIS INDEPENDENTEMENTE DA BLACKMAGIC DESIGN OU DO FORNECEDOR POSSUÍREM AVISO PRÉVIO SOBRE A POSSIBILIDADE DESTES DANOS. A BLACKMAGIC DESIGN NÃO É RESPONSÁVEL POR QUAISQUER USOS ILEGAIS DO EQUIPAMENTO PELO CONSUMIDOR. A BLACKMAGIC NÃO É RESPONSÁVEL POR QUAISQUER DANOS CAUSADOS PELO USO DESTES PRODUTOS. O USUÁRIO DEVE OPERAR ESTE PRODUTO POR CONTA E RISCO PRÓPRIOS.

© Direitos autorais 2022 Blackmagic Design. Todos os direitos reservados. "Blackmagic Design", "URSA", "DeckLink", "HDLink", "Workgroup Videohub", "Multibridge Pro", "Multibridge Extreme", "Intensity" e "Leading the creative video revolution" são marcas comerciais registradas nos Estados Unidos e em outros países. Todos os outros nomes de empresas e produtos podem ser marcas comerciais de suas respectivas empresas com as quais elas são associadas.

Blackmagic URSA Broadcast G2





Hoş Geldiniz

Blackmagic URSA Broadcast G2 satın aldığınız için teşekkür ederiz!

Blackmagic URSA Broadcast G2 hem geleneksel yayıncılar hem de internet yayıncıları için tasarlanmış, inanılmaz derecede etkili bir kameradır. Kameranın çok yönlü tasarımı; 4K prodüksiyon kamerası, 4K stüdyo kamerası veya 6K dijital film kamerası olarak kullanılmasına imkan verir!

Sağlam ve hafif magnezyum alaşımdan yapılan Blackmagic URSA Broadcast G2'niz, parmaklarınızın ucundaki fiziksel kontrolleriyle gün boyu rahat kullanım için mükemmel bir dengeye sahiptir. Yani, vizörden gözünüzü ayırmadan ND filtrelerini, örtücü hızını, beyaz dengesini, ISO'yu ve daha fazla ayarı değiştirebilirsiniz.

URSA Broadcast G2'niz, B4 yayın lensleriyle uyumludur ve Blackmagic RAW ve Apple ProRes gibi yaygın dosya türlerinin yanında yüksek randımanlı 10-bit yayın kalitesindeki H.264 ve H.265 dosyalarına da kayıt yapar. Çift yerel kazanç, düşük ışıkta harika performans sağlamakla birlikte, sensörün tam dinamik aralığını korurken daha yüksek ISO'larda gren ve gürültüyü azaltmak üzere optimize edilmiştir!

URSA Broadcast G2'nizi; dünyanın en heyecan verici televizyon programlarını, belgesellerini ve canlı stüdyo içeriklerini oluşturmak için kullanmanızı temenni ediyoruz! Yaptığınız yaratıcı çalışmalarınızı görmek için sabırsızlanıyoruz ve URSA'ya eklememizi istediğiniz yeni özellikler hakkında geri bildirimlerinizi bekliyoruz!

Grant Petty

CEO Blackmagic Design

İçindekiler

Başlarken	2806	Ayarlar	2883
Bir Lens Takılması	2806	Gösterge Paneli	2883
Kameranın Çalıştırılması	2807	Kayıt Ayarları	2883
Servo Zoom Lenslerin Kullanılması	2809	Dosya Adlandırma Kuralları	2889
B4 Lenslerde Arka Netlik		Ekran Ayarları	2890
Ayarının Yapılması	2815	Ses Ayarları	2896
Depolama Ortamı	2819	Kurulum Ayarları	2899
CFast Kartlar	2819	Önayarlar	2916
SD Kartlar	2820	LUT'lar	2919
USB-C flaş disklere kayıt	2822	Metaverinin Girilmesi	2922
SSD'ler	2823	Jiroskop Görüntü Sabitleme	2927
Kayıt için Ortamın Hazırlanması	2825	İnternet Üzerinden Video Yayınlama	2929
Blackmagic URSA Broadcast		Akıllı Telefon Kurulumu	2930
G2'de Ortamın Hazırlanması	2825	Ayarlar	2930
Ortamın Mac Bilgisayarda Hazırlanması	2827	ATEM Kamera Kimliğini Düzenleme	2931
Windows Bilgisayarda Ortamın		XML Dosyası Oluşturma	2931
Hazırlanması	2828	XML Dosyasının Çıktısını Alma	2931
Kayıt	2829	XML Dosyasının Kameraya Yüklenmesi	2932
Kliplerin Kaydedilmesi	2829	URSA Mini Shoulder Kit	2933
Kodek, Çözünürlük ve Sensör		Blackmagic URSA Viewfinder	2936
Alanının Seçimi	2830	Vizörün Blackmagic URSA	
Blackmagic RAW	2831	Broadcast G2'ye Monte Edilmesi	
Blackmagic RAW'a Kaydetme	2831	ve Bağlanması	2936
Kare Hızlarının Seçimi	2834	Bakacın Ayarlanması	2937
Harici Ekipmanlardan Kayıt Tetikleme	2837	Buton Özellikleri	2937
Kayıt Süresi Tablosu	2837	Menü Ayarları	2938
Oynatım	2839	Blackmagic URSA Studio Viewfinder	2942
URSA Broadcast G2 Konnektörleri		Vizörün Blackmagic URSA	
ve Özellikleri	2840	Broadcast G2'ye Monte Edilmesi	
Kamera Ön Yüzü	2840	ve Bağlanması	2943
Sol Taraf	2841	Blackmagic URSA Studio	
Sol Taraftaki Kontroller	2841	Viewfinder'in Ayarlanması	2945
Sağ Taraf	2843	Buton Özellikleri	2948
Arka Panel	2844	Menü Ayarları	2950
Üst Panel	2846	Blackmagic Zoom ve	
Alt Taraf	2846	Focus Demand Ürünleri	2955
URSA Broadcast G2 Kontrolleri	2847	Kameranıza Bağlanması ve	
Ön Kontrol Paneli	2847	Takılması	2955
Ergonomik Kontrol Panel	2850	Blackmagic Focus Demand	
İç Kontrol Panel	2855	Ürününün Kullanımı	2957
Kameradaki Video Çıktıları	2857	Blackmagic Zoom Demand'ın Kullanımı	2958
HD Monitör Çıktısı	2857	Bataryaların Monte Edilmesi	2959
12G-SDI Çıktısı	2857	V-mount veya Gold Mount	
Dokunmatik Kontroller	2859	Bataryaların Takılması	2959
Üst Araç Çubuğu	2859	Kendinize ait Batarya Plakasının	
Alt Araç Çubuğu	2876	Kullanımı	2961
Oynatımı döngüye alma	2882	Blackmagic Fiber Converters	2963
		Blackmagic Fiber Converter'ler	
		ile Başlangıç	2964

SMPTE Fiber Hakkında	2964	Blackmagic URSA Broadcast G2	
SMPTE Fiberin Bağlanması	2966	B4 Mount	3008
Bağlantılar Neden Önde?	2970	Lens Yuvalarına Ayar Pulu Takılması	3009
Kamera SDI'nin Takılması	2971	Blackmagic URSA Mini Pro Shim Kit	3009
Dönüş Sinyali için SDI Çıktılarının Bağlanması	2971	Yuvaların Pullanması	3010
Blackmagic Camera Fiber Converter'in Montajı	2971	URSA Mini Recorder	3011
URSA Studio Viewfinder'in Takılması	2974	URSA Mini Recorder'in Takılması ve Bağlantısının Yapılması	3012
Bir Mikrofonlu Kulaklığın Takılması	2974	URSA Mini Recorder Kullanımı	3014
Camera Fiber Converter'in Çalıştırılması	2975	URSA Mini Recorder'in Dahili Yazılımının Güncellenmesi	3015
Bir Dönüş Sinyali Seçimi	2975	Studio Camera Kontrolü Hakkında	3016
Arama Butonunun Kullanımı	2976	Kamera Kontrolün Kullanımı	3017
Talkback Kullanımı	2976	DaVinci Resolve Ana Renk Düzeltici	3022
Tally Özelliğinin Kullanılması	2977	DaVinci Resolve Kullanımı	3026
Durum Göstergeleri	2977	Project Manager (Proje Yöneticisi)	3026
Ses Girişleri	2978	Hızlı Kurgu Sayfası ile Kurgu	3027
IP Video	2979	Zaman Çizelgesine Kliplerin Eklenmesi	3030
Güç Özellikleri	2979	Klipleri Zaman Çizelgesinde Kurgulama	3031
İlave Kamera Kontrolleri	2980	Audio Trim (Ses Kırpma) Görünümü	3031
Studio Fiber Converter'in Kullanımı	2981	Yazıların Eklenmesi	3032
Menünün Kullanımı	2982	Blackmagic RAW Dosyalarıyla Çalışma	3033
Stüdyo Cihazının Ekipman Rafına Montajı	2985	Renk Sayfası ile Kliplerinizin Renginin Düzeltilmesi	3037
Kamera Ünitesi Bağlantıları	2989	Bir Power Window İlave Edilmesi	3040
Kamera Güç Bağlantısı	2989	Eklentilerin Kullanımı	3042
PTZ Arabirimi	2989	Ses Miksajı	3043
Talkback (İletişim) Bağlantısı	2990	Fusion Sayfasında Video Efektleri (VFX) ve Görüntü Birleştirme (Compositing) Eklenmesi	3048
Tracker Arabirimi	2991	Kurgunuza Master İşlemi Yapılması	3057
DC Bağlantısı	2991	Hızlı Çıktı Alma	3057
D-Tap Çıkışı	2992	Teslimat Sayfası	3058
Referans Çıkışı ve Çalıştırılması	2992	Blackmagic Camera Setup Utility (Kurulum Yardımcı Yazılımı)	3059
Stüdyo Ünitesi Bağlantıları	2993	Üçüncü Parti Yazılımlarla Çalışılması	3060
12G-SDI Çıkışı	2993	CFast 2.0 ve SD Kartlarındaki Dosyalarla Çalışılması	3061
Dönüş SDI Girişleri	2993	SSD'lerdeki Dosyalarla Çalışılması	3061
Referans Girişi ve Çıkışı	2994	Final Cut Pro X Kullanımı	3062
Talkback Arayüzü	2994	Avid Media Composer 2018 Kullanımı	3063
PTZ Arabirimi	2995	Adobe Premier Pro CC'nin Kullanılması	3063
Ses Çıkışları	2996	Developer Information	3065
Dahili Yazılımın Güncellenmesi	2997	Blackmagic Bluetooth Camera Control	3065
Blackmagic Camera Fiber Converter'in Güncellenmesi	2997	Blackmagic SDI and Bluetooth Camera Control Protocol	3067
Blackmagic Studio Fiber Converter'in Güncellenmesi	2997	Example Protocol Packets	3075
Değiştirilebilir Lens Yuvası	2998	Blackmagic Tally Control Protocol	3076
B4 Lens Yuvasının Çıkarılması	2999	Yardım	3078
Blackmagic URSA Mini Pro EF Mount	2999	Düzenleyici Uyarıları	3079
Blackmagic URSA Mini Pro F Mount	3001	Güvenlik Bilgileri	3080
Blackmagic URSA Mini Pro PL Mount	3005	Garanti	3081

Başlarken

Blackmagic URSA Broadcast G2 ile çalışmaya başlamak için, bir lens takıp kameranızı çalıştırmanız yeterlidir.

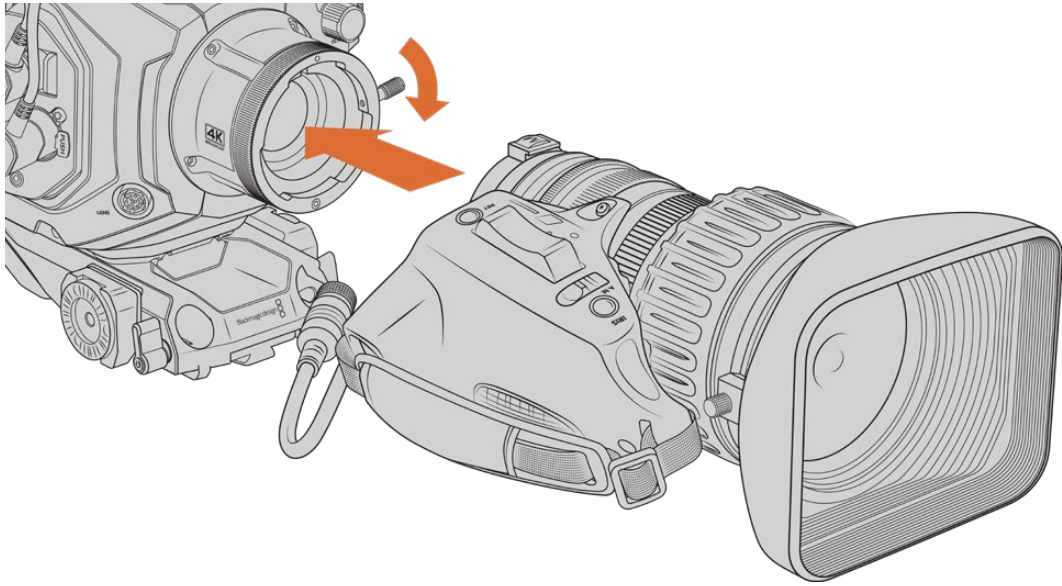
Bir Lens Takılması

URSA Broadcast G2'niz, HD ve Ultra HD yayın lensleri için bir B4 lens yuvası takılmış olarak gelir. Fotoğraf lenslerini, farklı kompakt züm veya EF sinema lenslerini de kullanabilmeniz için ek bir EF yuvası dahildir. Lens yuvası tiplerini değiştirmeye ilişkin talimatlar için, bu kılavuzun ilerleyen kısımlarındaki "Değiştirilebilir lens yuvası" bölümüne bakın.

URSA Broadcast G2'deki B4 yuva, 2/3" sensöre sahip klasik yayın kameralarındaki görüş alanı ve alan derinliğinin aynısını oluşturmak üzere, kameranızın sensörüyle çalışması için özel tasarlanmış optiklere sahiptir. Yani, bir yayıncılık geçmişiniz varsa elinizdeki B4 lensleri, URSA Broadcast G2'ye sorunsuzca takabilir ve hemen çekim yapmaya başlayabilirsiniz.

Koruyucu toz kapağını kameradan çıkartmak için, dış kilit halkasını saat yönünün tersine çevirin ve koruyucu toz kapağını yuvadan çekerek çıkartın.

B4 yuvalı bir lens takmak için:



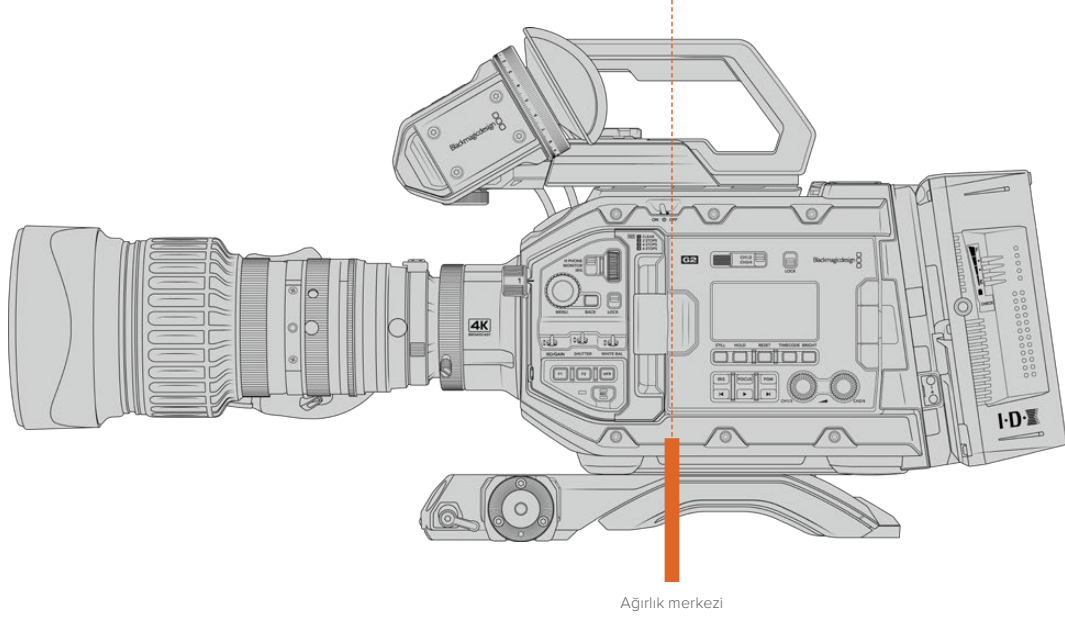
Lensi kameraya sabitlemek üzere kilitleme halkasını saat yönünde çevirin

- 1 Yuvanın içinde, üstte bulunan hizalama yerinin görünmesi için, B4 lens kilitleme halkasını, saat yönünün tersi yönde çevirin. Lensteki hizalama pimi, URSA Broadcast G2 kameranın B4 yuvasındaki hizalama yeriyile eşleşecek şekilde, B4 lensinizi hizalayın.
- 2 Lensi, yuva plakaları birbirine dayanacak şekilde B4 yuvasına koyun ve hizalama piminin hizalama yerinin içinde yerleştiğinden emin olun.
- 3 Lensi yuvanın içine sabitlemek için kilit halkasını saat yönünde çevirin ve yerine kilitleyin.
- 4 Lense güç vermesi ve lens kontrolünü sağlaması için, lens kablosunu, URSA Broadcast G2'nin lens tablasının önündeki 'Lens' olarak etiketli konektöre takın. B4 merceklerin çoğunluğunda, 12 pimli mercek konektörü ve kablosu dahildir. URSA Broadcast G2 kameranızdan lense güç ve kontrol sinyallerini, bu bağlantı iletir.

B4 lens çeşitleri ve kameranızla kullanılmalarına dair daha fazla bilgi için, bu kılavuzun 'Servo Zum Lenslerin Kullanılması' bölümüne bakın.

NOT Kameranıza bağlı bir lens olmadığında, URSA Broadcast G2'nin B4 yuvasının optik parçası, toz ve kırıntılara açık kalır. Mümkün oldukça, toz kapağını kapalı tutun.

Son derece geniş zum aralıkları olduğundan, çoğu B4 lens oldukça uzun olabilir. URSA Broadcast G2'yi B4 lenslerle kullanırken, kameranızın ağırlık merkezi ön tarafa kayar. Kameranızla birlikte verilen URSA Mini omuzluk buna göre ayarlanabilir.



Daha uzun olan zum lenslerin takılı olduğu URSA Broadcast G2'yi, URSA Mini omuzluğa monte ederken, kamerayı omuzluk tabanının arkasına doğru montelemek iyi bir fikirdir. Bu, kamera kurulumunun ağırlık merkezini tekrar omuzluğun ortasına getirir ve böylelikle kamerayı omuzunuzda dengelemenizi ve bir masa üstünde veya düz bir zeminde sabit durmasını kolaylaştırır. Omuzluğun takılması konusunda daha fazla bilgi için, bu kılavuzun ilerleyen kısımlarındaki 'URSA Mini Shoulder Kit' bölümüne bakın.

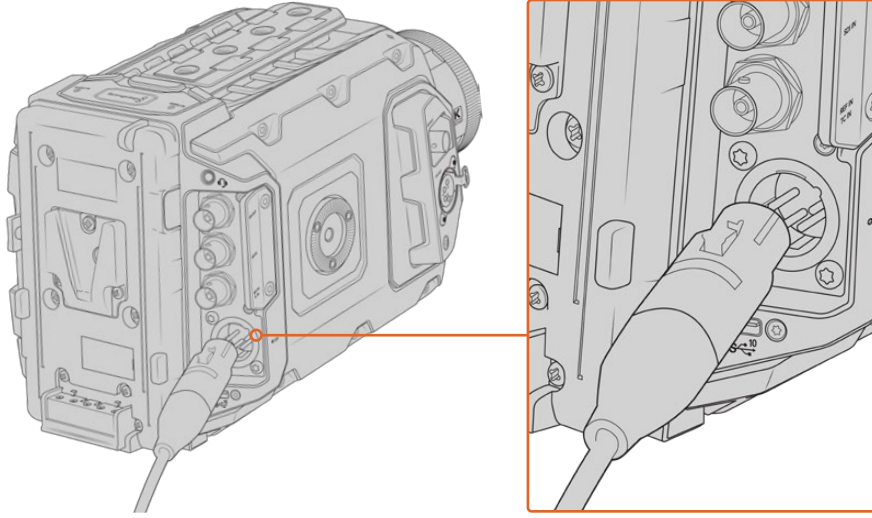
Kameranin Çalıştırılması

Lensi taktığınıza göre, artık güç temin etmeniz gerekecektir. Kameranızı çalıştırmanın en hızlı yolu, size sağlanan AC-12V DC adaptörünü kullanarak, harici bir güç kaynağına bağlanmaktır.

Harici güç kaynağına bağlanması:

- 1 AC to 12V DC adaptör fişini şebeke elektrik prizine takın.
- 2 AC to 12V DC adaptörünün 4 pim XLR konektörünü, kameranın üzerindeki 12-18V DC power (güç) girişine takın.

Hem harici gücün hem de bataryanın bağlı olduğu durumlarda, yalnızca harici güç kullanılır. Şarjı dolu bir batarya takılıken, fişi harici güçten çıkarırsanız kameranız kesintisiz bir şekilde batarya gücüne geçer.



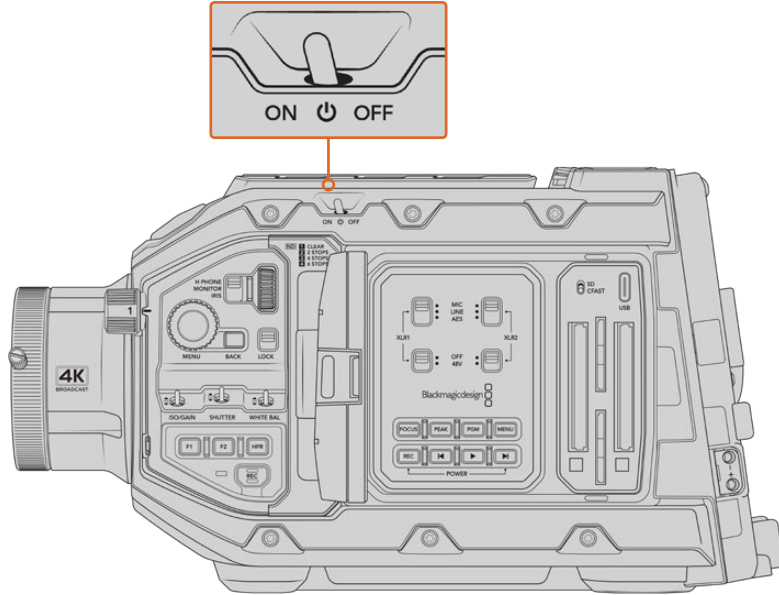
Blackmagic URSA Broadcast G2 kamerayı çalıştırmak için, kamerayla gelen AC - 12V DC adaptörü kullanın

Blackmagic URSA Broadcast G2, bir URSA VLock Batarya Plakası takılı olarak gelir. Bu, kameranızla endüstri standardı V yuvalı bataryaları kullanmanızı sağlar. Farklı bataryaları desteklemek üzere farklı türdeki batarya plakalarının monte edilmesi hakkında daha fazla bilgi için 'Bataryaların Takılması' bölümüne bakın.

URSA Broadcast G2'yi çalıştırmak için:

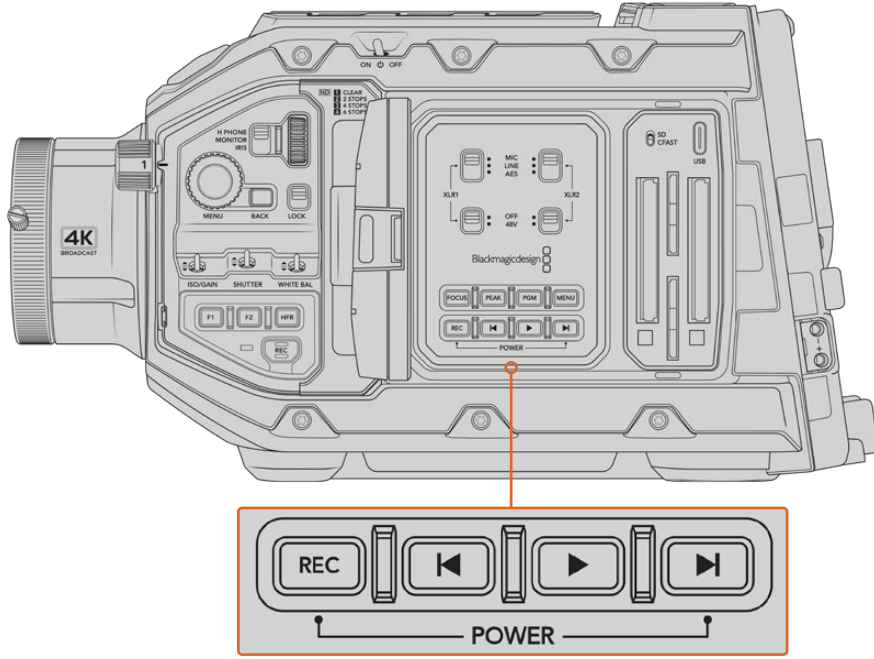
- 1 Dışa açılan LCD ekranın yukarısında bulunan güç düğmesini, 'on' yani açık konuma getirin.
- 2 Kamerayı kapatmak için, bu düğmeyi 'off' konumuna getirin.

Şimdi, ortamınızı yerleştirip kayıt yapmaya hazırsınız!



Kamerayı çalıştırmak için, güç düğmesini 'on' konumuna getirin.

URSA Broadcast G2 ayrıca, iç kontrol panelindeki 'rec' (kayıt) ve 'ileri atlatma' düğmeleri basılı tutularak da çalıştırılıp kapatılabilir. Normalde kameranızı bu şekilde çalıştırmazsınız. Bu, çalıştırma düğmesinin üzeri kapalı kaldığı durumlar için faydalı bir alternatif olarak sunulmuştur. Örneğin, kamera özel bir teçhizata monte edildiğinde.



Gerektiğinde kamerayı açıp kapatmak için, LCD ekranın arkasındaki kontrol panelde bulunan, record (kayıt) ve ileri atlatma düğmelerini basılı tutabilirsiniz.

BİLGİ URSA Broadcast G2'nin güç düğmesi 'on' konumunda olduğu halde kamera kapalı ise kameranız, Bluetooth® kontrolü ile veya kontrol panelindeki 'record' ve 'forward skip' düğmelerinin basılı tutulmasıyla kapatılmış olabilir. Kamerayı çalıştırmak için, power düğmesini 'off' ve tekrar 'on' konumuna getirerek, kapatıp açın veya ilgili kontrol panel düğmelerini basılı tutun.

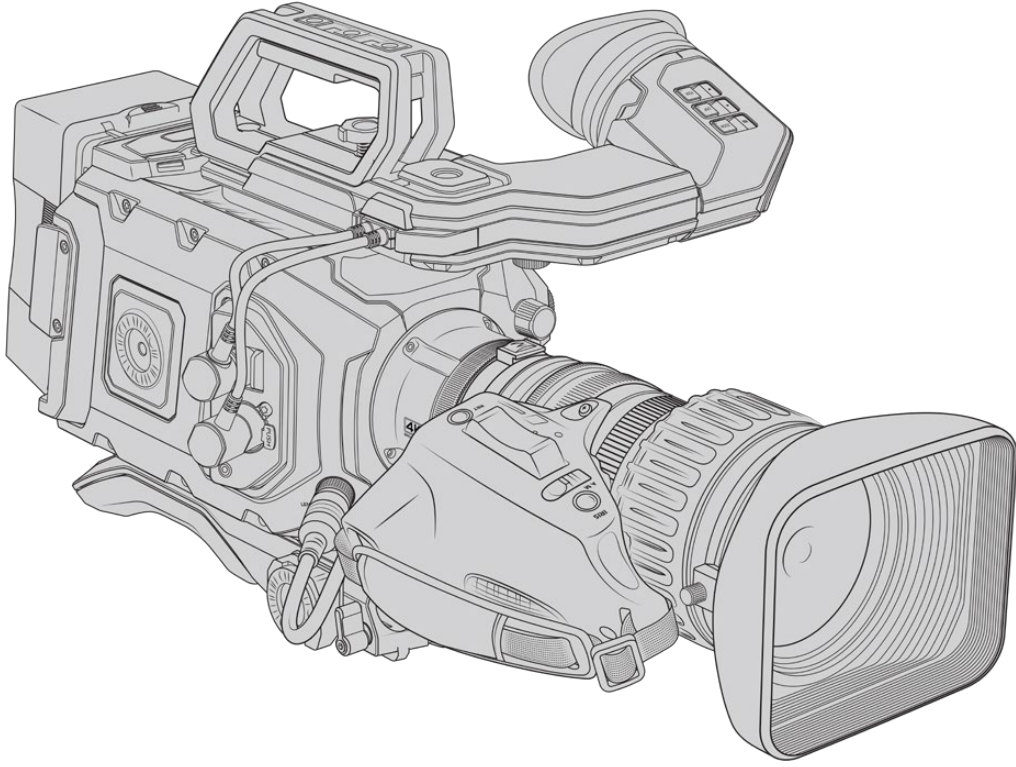
Servo Zoom Lenslerin Kullanılması

URSA Broadcast G2'niz, servo ile çalışan B4 yayın lenslerini yerel olarak destekler. Kameranıza bir B4 lens takma konusunda bilgi için bu kılavuzun başındaki 'bir lens takılması' bölümüne bakın.

BİLGİ URSA Broadcast G2'niz, isteğe bağlı URSA Mini Pro PL yuva takılıyken, servo ile çalışan PL sinema lensleriyle de uyumludur.

B4 yayın lensleri, genelde fotoğraf ve sinema lenslerinde olmayan çeşitli özellik sunar. Geniş bir zoom aralığında netliği tutabilmelerinin yanı sıra, bu lensleri özel yapan bir başka özellik de tutma yeri kontrolleri ve servo ile çalışan diyafram ve zum fonksiyonlarının olmasıdır. Bazı lensler ayrıca, servo ile çalışan netliğe de sahiptir. Lens konektörü takılıyken, diyafram ve zum; tutma yerinden, kameranızdan veya isteğe bağlı bir Blackmagic Zoom Demand cihazı kullanılarak kontrol edilebilir. Hatta lensinizi, bir ATEM switcher aracılığıyla uzaktan kontrol edebilirsiniz.

Odak servosuna sahip lensler, kameradan otomatik netleme komutlarını kabul edebilir, isteğe bağlı bir Blackmagic Focus Demand cihazı kullanarak, odağı sürekli olarak takip edebilir veya bir ATEM switcher'den netlik komutları alabilir.



Diyafam ve zum kontrolü olan B4 Lensler arasında:

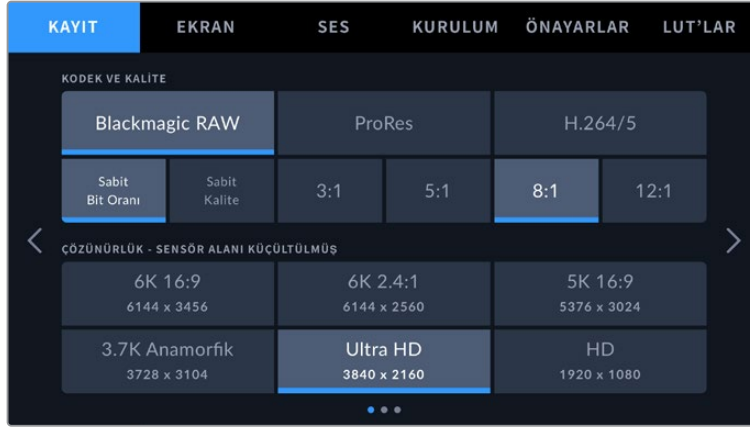
- Model isminde HA, ZA, XA, UA ve LA önekleri olan ve sonesinde RM olan Fujinon B4 lens modelleri vardır. Örneğin, Fujinon **XA20sxBRM**.
- HJ, KJ ve CJ önekleri olan ve sonesinde RSE veya RSD bulunan Canon B4 lens modelleri. Örneğin, Canon **KJ20x8.2B IRSD**.

Netlik, diyafam ve zoom için full servo kontrolüne sahip B4 Lensler arasında:

- Model isminde HA, ZA ve UA önekleri olan ve son ekinde RD veya ZD harfleri bulunan Fujinon B4 lens modelleri vardır. Örneğin, Fujinon **HA22x7.8 BERD**.
- Model isminde XA ve UA önekleri bulunan Fujinon kutu lensler.
- Model isminde HJ, KJ.ex ve CJ önekleri ve sonesinde ASE veya ASD harfleri bulunan Canon B4 lens modelleri. Örneğin, Canon **HJ24ex7.5B IASE**.
- Model isminde XJ ve UJ önekleri bulunan Canon kutu lensler.

BİLGİ Yukarıda adı geçen kutu lens modelleri, zum ve netlik servo motorlarının her ikisiyle uyumludur. Servo motorların monte edildiğini teyit etmek için lütfen lens tedarikçinize danışınız.

Blackmagic URSA Broadcast G2'niz, Blackmagic RAW Ultra HD'de kayıt yapmaya hazır olarak gelir. Kayıt ayarlarınızı teyit etmek üzere LCD'deki menü ayarlarını açmak için menü butonuna basmanız yeterlidir. İlk menü öğesi 'kayıt' sekmesidir ve burada kodek ve çözünürlük ayarlarınızı kontrol edebilirsiniz. Menü ayarlarının nasıl kullanılacağı hakkında daha fazla bilgi, bu kılavuzun ilerleyen kısımlarında sunulmuştur.



"Kayıt" sekmesindeki varsayılan Blackmagic RAW ayarları

Ultra HD ayrıca hem ProRes hem de H.265 kodekleri için varsayılan çözünürlüktür. HD'de çekim yapmak istiyorsanız ProRes veya H.264'te de bu mümkündür.



Menü ayarlarındaki kayıt sekmesi

BİLGİ Bir B4 lens kullanırken, görüntülerinizin kenarlarında herhangi bir kararma olduğunu fark ederseniz, Blackmagic RAW seçiliyken çözünürlüğünüzün Ultra HD olarak ayarlandığından emin olun. ProRes veya H.264/5 kaydediyorsanız, kameranızın 'sensör alanını 4K olarak ayarlamak, B4 yuvasının kapsadığı optik alana uyumlu olacaktır. Daha fazla bilgi için, bu kullanım kılavuzunun ilerleyen kısmındaki 'kayıt ayarları' bölümüne bakın.

B4 Lens Kontrolleri

İris (Diyafram) Butonu

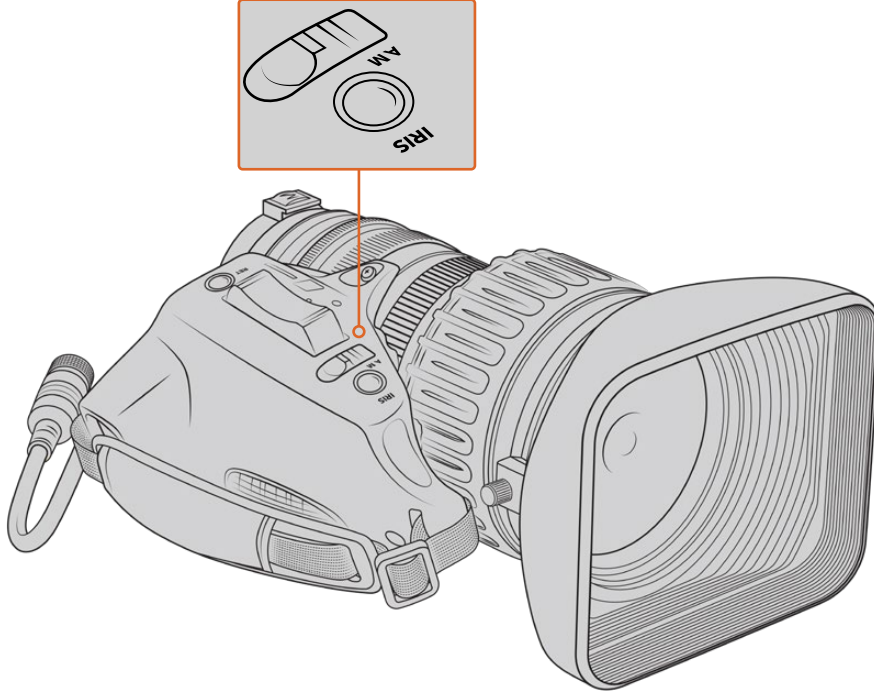
Çoğu B4 lensin tutma yerinde; bir 'auto/manual' ya da 'A/M' düğmesi ve bir 'push auto' ya da 'iris' düğmesi vardır. Bunlar, lensinizin diyafram halkasını kontrol etmenizi sağlar.

Auto (Otomatik) Mod

Lens diyafram açıklığını; URSA Broadcast G2, Blackmagic Zoom Demand ya da bir ATEM switcher üzerinden ayarlamak için, bu düğmeyi 'auto' veya 'a' konumuna getirin. Diyafram tekerini, dahili kontrol panel butonlarını, dokunmatik ekran kontrollerini veya diyaframı temel alan otomatik pozlandırma modlarını kullanarak, URSA Broadcast G2'den lens diyafram aralığı ayarını yapabilirsiniz. Daha fazla bilgi için, bu kılavuzun 'URSA Broadcast G2 kontrolleri' ve 'dokunmatik ekran kontrolleri' bölümüne bakın. B4 lensteki diyafram halkası, 'auto' modunda iken elle hareket ettirilemez.

Manuel Mod

Lens gövdesinin üzerindeki diyafram halkasını döndürerek lens diyafram ayarını yapmak için, bu düğmeyi 'manual' ya da 'm' konumuna getirin. Bu moddayken, lensiniz URSA Broadcast G2 ya da ATEM switcher'den diyafram komutlarını kabul etmez.



'Push Auto / İris' Butonu

Manuel moddayken, otomatik diyafram kontrolünü kısa bir süreliğine etkinleştirmek için, bu butonu kullanın. Etkili olması için bu, kameranızdaki diyafram kontrolleri veya ATEM switcher ile birlikte kullanılabilir.

Örneğin, kameranız diyaframı temel alan bir otomatik pozlama moduna ve lens diyaframınız da 'manuel' olarak ayarlı olduğunda; lens gövdesindeki diyafram halkasını kullanarak, lensin diyafram ayarını rahatlıkla yapabilirsiniz. Fakat, 'push auto' / 'iris' butonuna bastığınızda, otomatik pozlama geçici olarak etkin hale gelerek diyaframı mevcut ışık şartlarına göre ayarlar.

Alternatif olarak, URSA Broadcast kameranın dokunmatik LCD ekranındaki kontrolleri kullanarak da bir diyafram değeri belirleyebilirsiniz. Manuel modda iken, lens gövdesindeki diyafram halkasını kullanarak lens diyafram açıklığını ayarlayabilirsiniz fakat, 'push auto' / 'iris' butonuna basılması, lensi dokunmatik ekrandaki önayar değerine geri döndürür.

Zoom

Birçok B4 lensteki tutacağın alt kısmında, 'servo' ya da 'manual' olarak ayarlanabilen bir 'zoom' düğmesi vardır. Bu, zum hareketlerini kontrol eder.

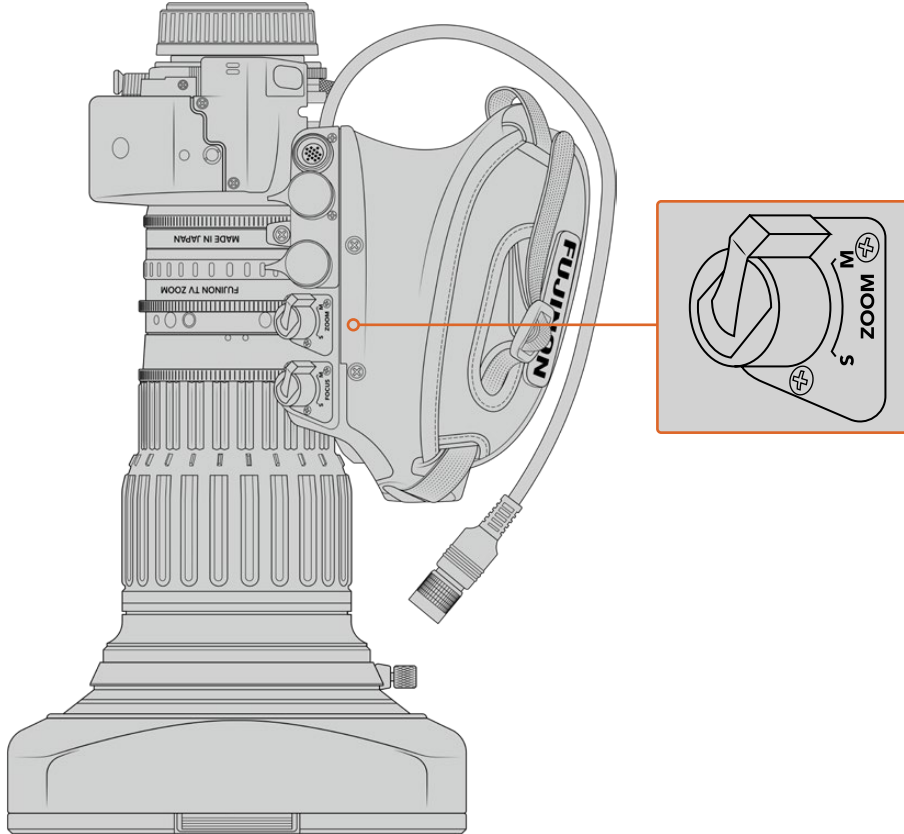
Servo

Servo zum kontrolünü etkinleştirmek için, bu düğmeyi 'servo' ya da 's' konumuna getirin. Bu modda iken, tutma yerindeki zoom düğmesi, merceğinizi yakınlaştırmak ve uzaklaştırmak ve ayrıca, zum hızı ve quickzoom (hızlı zum) gibi, zum ile ilgili diğer kontroller için de kullanılabilir. Ayrıca, lensiniz kameraya lens konektörü üzerinden bağlı olduğu müddetçe, URSA Broadcast G2, Blackmagic Zoom Demand ve ATEM switcher'lerden de zum komutları alır. Bu modda iken, genellikle lensinizin zum halkasına manuel ayarlama yapamazsınız.

BİLGİ Tutamaktaki zum mandalları, genellikle zum hızı ile bağlantılı çalışır. Yavaş zum yapmak için, mandala hafifçe basın, hızlı zum için daha güçlü basın.

Manuel Mod

Servo kontrolünü etkisiz hale getirmek ve lens gövdesi üzerindeki zum halkasını kullanarak zum ayarı yapmak için bu düğmeyi, 'manual' ya da 'm' konumuna getirin. Bu modda iken; lensiniz tutamaktan, URSA Broadcast G2'den ya da ATEM switcher'lerden zum komutlarını kabul etmez.



Focus (Netlik) Butonu

Bazı B4 lensler ayrıca, focus servo kontrolleri içermektedir. Objektifinizde bu kontrol mevcut ise, elceğin alt kısmında, 'servo' ve 'manual' olarak iki ayarı olan bir 'focus' düğmesi göreceksiniz.

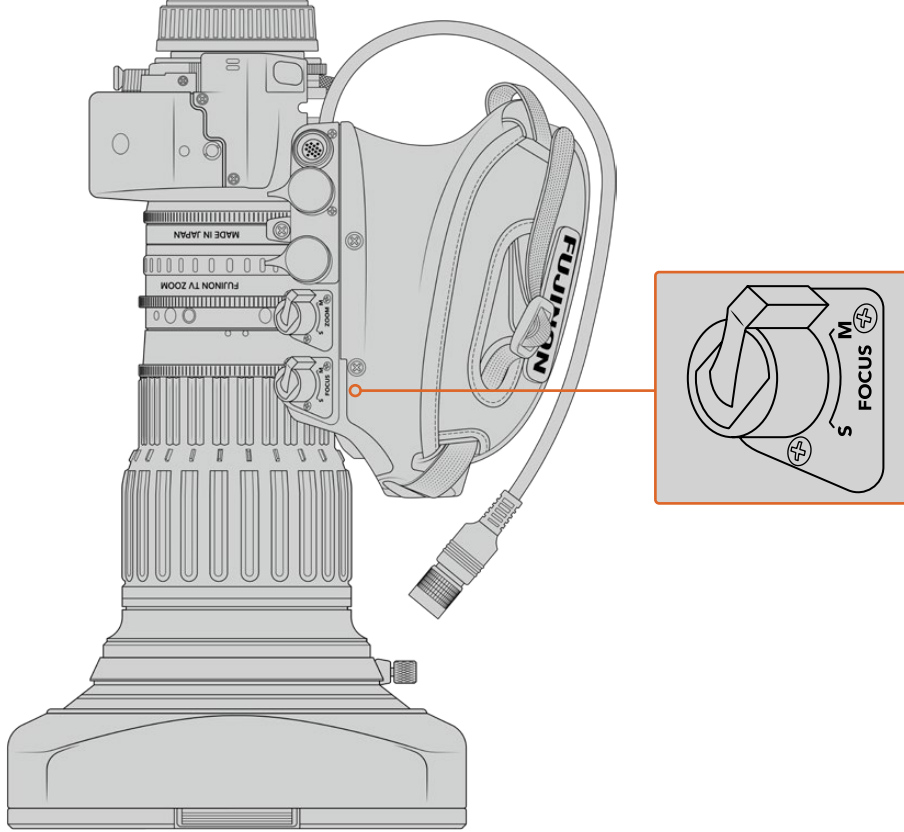
Servo

Servo netlik kontrolünü etkinleştirmek için, bu düğmeyi 'servo' ya da 's' konumuna getirin. Bu modda iken, lens konektörü aracılığıyla URSA Broadcast G2, Blackmagic Focus Demand ya da bir ATEM switcher'den, lensiniz odaklama komutlarını kabul edebilir.

Manuel Mod

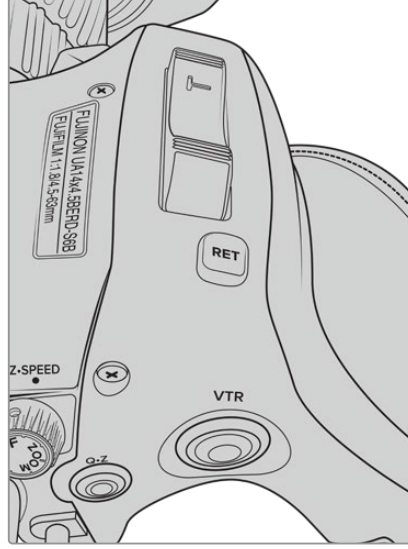
Odaklama kontrolünü, lens gövdesinin üzerindeki netlik halkasını kullanarak yapmak için, bu düğmeyi 'manual' konumuna getirin. B4 lenslerdeki autofocus ismindeki otomatik netleme özelliği çok yavaş olduğundan, manuel kontrol daha sıkça kullanılır.

NOT Servolu analog B4 lensler de desteklenir ama, kamera sadece zum servo motorunu çalıştıracak ve elektronik diyafram kontrolünü destekleyecektir. Bunların birçoğu standart tanımlıdır ve standart 12 pim yayın bağlantıları olmayabilir. Bir analog B4 lens kullanacaksanız eğer, bazılarında sınırlı özellikler bulunduğundan, öncelikle kameranızla uyumlu olup olmadığından emin olmanızda yarar var. Bu lensleri, görüntü çemberi kapsamları için de test etmenizde yarar var çünkü, bazıları kadrajın kenarından ışığın düştüğünü veya çözünürlüğü gösterebiliyor.



Ret ve VTR

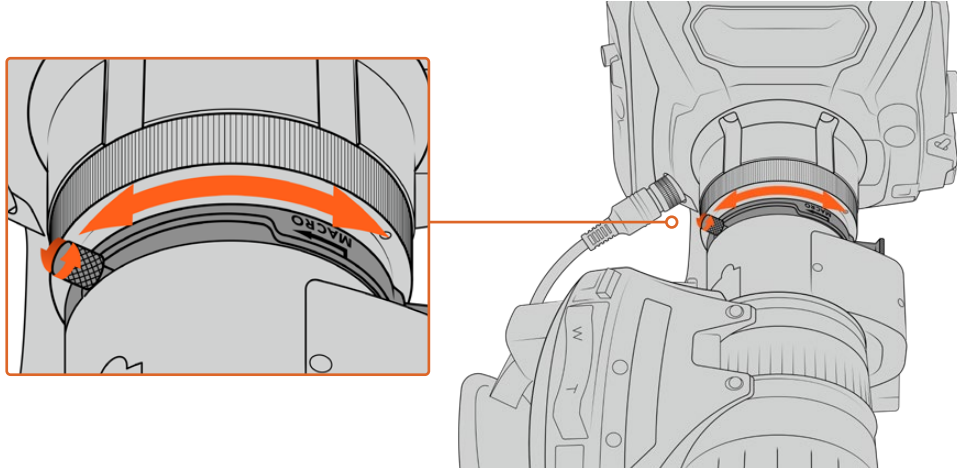
Bir B4 lenste; 'vtr' butonu kaydı deęiřtirir ve 'ret' butonu da 'program dnüşü' iindir. Bu 'vtr' ve 'ret' butonlarını, fonksiyon butonları olarak nasıl yapılandırabileceđinize dair bilgi iin, bu kılavuzdaki 'fonksiyon butonunu ayarlama' blümüne bakın.



Bir B4 lensteki 'ret' ve 'vtr' butonları

B4 Lenslerde Arka Netlik Ayarının Yapılması

B4 lenslerin büyük avantajlarından biri, bu lenslerin 'parfocal' (eř odaklı) řeklinde tasarlanmış olmasıdır. Bundan dolayı, zum aralıđı boyunca odaklamayı muhafaza edebilirler. Böylece, ie zum ile bir nesneye yaklařarak netleyebilir ve sonra dıřa zum yaptığınızda, o nesne hala net kalır.



Arka netlik halkası, genellikle objektifin arka tarafında, yuvaya yakın bir yerde bulunur.

Arka netlik ayarı, HD veya 4K B4 lenslerinizin zum aralıđı boyunca odaklamayı muhafaza etmesi iin, kritik önem tařır. Kameranıza bir B4 lensi ilk kez taktığınızda, arka netlik ayarının dođru olup olmadığını kontrol etmeniz gereklidir. Arka netlik ayarı ayrıca, lensi deęiřtirdiğinizde de kontrol edilmelidir ve önemli projeler öncesinde, arka netliđin düzenli olarak kontrol edilmesinde fayda vardır.

Bir B4 lensteki arka netlik ayarını kontrol etmek iin:

- 1 Kameradan yaklaşık yirmibir metre ya da mümkün olabildiğince uzağa, bir odaklama test tablosu ya da yüksek kontrastlı, iyi derecede detay sağlayan düz, beyaz bir nesne koyun.
- 2 Objektifte, diyaframı geniş olarak ayarlayın ve gerekirse dahili ND'leri kullanarak pozlandırmayı dengeleyin. Herhangi bir odaklama sorununu belirginleştirmek için, sığ olan bir alan derinliğine ihtiyacınız olacaktır.
- 3 Tabloyu zum ile yaklaşırın ve netliđi ayarlayın.
- 4 Şimdi de dışa zum ile tablodan uzaklaşın. Azami genişliğe ulaştığınız halde odaklama hala net kalmışsa o zaman, arka netlik ayarınız doğrudur ve başka ayar yapmanıza gerek yoktur.

Lakin, zum kullanarak uzaklaştığınızda, tablo netlikten çıkmışsa bu, arka netlik ayarınızın doğru olmadığını gösterir. Zum kullanarak tamamen uzaklaşın ve lensin arkasındaki lens yuvasının yakın olan, arka netlik halkasını ayarlayın. Arka netlik halkası genellikle, gevşetme ve sıkıştırma için döner bir düğmeye sahiptir. Yapmanız gereken; döner düğmeyi gevşetip, tablo tekrar netleşene kadar, halkayı döndürmektir.
- 5 Şimdi de zum kullanarak, yavaşça tabloyu yaklaşıtırıp uzaklaştırın ve zum boyunca tablonun net olup olmadığını kontrol edin.
- 6 4. ve 5. adımları tekrar edin, zumu yaklaşıtırıp uzaklaştırarak, arka netlik halkasına düzeltmeler yapın. Lensiniz, zum aralığı boyunca netliđi muhafaza ediyorsa bu, arka netlik ayarınızın artık doğru olarak ayarlandığını gösterir.

Fuji LA16x8 BRM lenslerde arka odađı ayarlamak üzere:

Bir Fuji LA16x8 BRM lenste, arka odađı ayarlama işlemi biraz farklıdır. Bu lens, harici bir arka odak halkası yerine, tutamağın altındaki bir düğmeyle elektronik olarak arka odađı ayarlar.

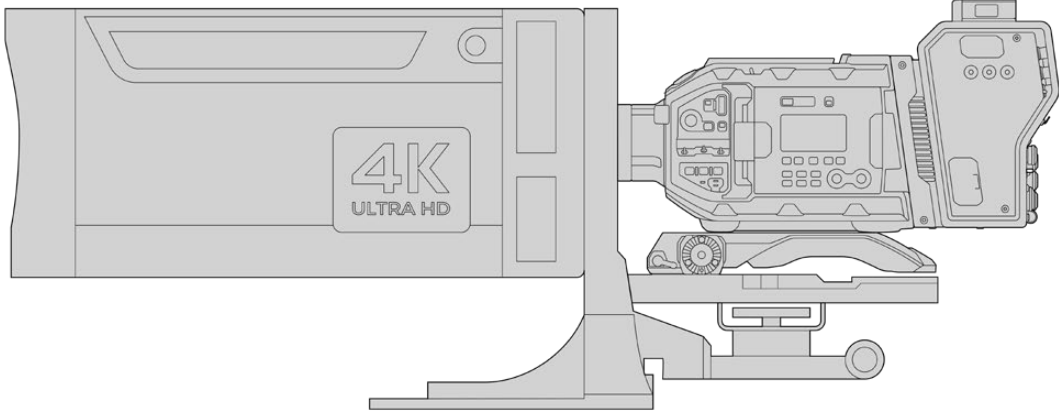
Bir Fuji LA16x8 BRM lenste arka odađı ayarlamak üzere:

- 1 Kameradan yaklaşık yirmi bir metre ya da mümkün olabildiğince uzağa, bir netlik test tablosu ya da yüksek kontrastlı detaya sahip, mat beyaz bir nesne koyun.
- 2 Lens tutamağının altındaki zum düğmesini "servo" konumuna getirin.
- 3 Zum düğmesinin yanındaki 'F.f' butonunu bulun. 'F.f' butonunu 5 saniye basılı tutun. Zum mandalının üstündeki LED gösterge, kırmızı renkte yanıp sönecektir.
- 4 Lens otomatik olarak zum yapacaktır. Netlik halkasını kullanarak netliđi ayarlayın. Kameranıza Blackmagic Focus Demand bağlıysa odak halkasını fiziksel olarak ayarlamak üzere bu cihazı kameranızdan çıkarmanız gerekeceğini unutmanız önemlidir veya bu adım ve 5. adım için focus demand cihazını kullanarak netliđi ayarlayın.
- 5 'F.f' düğmesine tekrar bastığınızda, lens otomatik olarak dışa zum yapacaktır. Netlik halkasını kullanarak netliđi ayarlayın.
- 6 Ayarları teyit etmek için 'F.f' butonuna basın. Üst LED gösterge, kırmızı renkte yanıp sönecektir. Fuji LA16x8 BRM lensinizin elektronik arka odađı artık ayarlanmıştır.
- 7 Şimdi de zum kullanarak, yavaşça tabloyu yaklaşıtırıp uzaklaştırın ve zum boyunca tablonun net olup olmadığını kontrol edin.
- 8 Lensiniz, zum aralığı boyunca net kalıyorsa arka netlik ayarınızın artık doğru ayarlanmıştır. Başka ayarlamalar yapmanız gerekirse, 3 ila 6 arasındaki adımları tekrarlayın.

BİLGİ Isı değışikliklerinin ve zamanla oluşan aşınmanın, 'back focus' olarak bilinen 'arka odak' üzerinde zor fark edilen etkileri olabileceğinden, B4 lenslerde doğru kalması için arka odađın düzenli olarak kontrol edilmesinde fayda vardır.

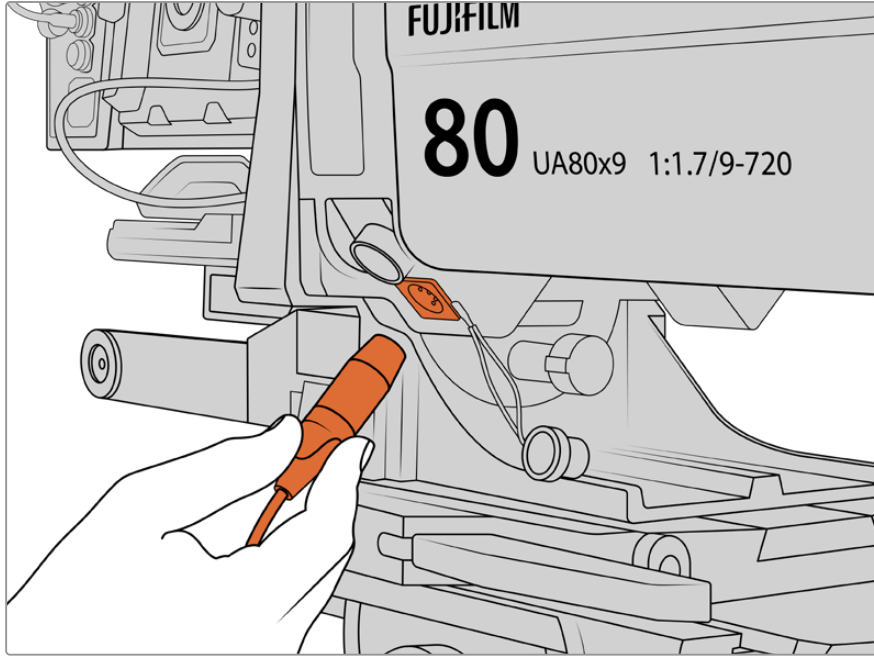
Kutu Merceklerin Kullanılması

Fujinon'dan UA27x6.5 ile UA125x8 ve Canon'dan UHD Digisuper serisi gibi büyük stüdyo kutu mercekleri de URSA Broadcast G2'nin B4 yuvasıyla kullanılabilir. Bu tür kutu mercekler, stüdyo tarzı 27x merceklerde yatay ve dikey görüntü stabilizasyon özelliği sunmanın yanında; 80x ve hatta 125x büyütme oranlarıyla, son derece büyük zum mesafeleri sunarlar. Bu değerler, spor ve açık hava etkinliklerinin yayını için olağanüstüdür.



Kutu lenslerin çok büyük olması, kameranızı doğru bir şekilde, yeterli alana sahip olan çok dayanıklı bir tripoda veya pedestal üzerine kurmanızı gerektirir. Bunu; bir URSA Mini Shoulder Kit, bir VCT-14 plaka ve bir kutu mercek adaptörüyle yapabilirsiniz.

Kutu mercekler, yüksek miktarda güç kullanır ve ayrı olarak çalıştırılmalıdır. Bir URSA 12 volt güç kaynağı kullanarak merceğe fazladan güç sağlayabilirsiniz. Blackmagic Camera Fiber Converter kullanıyorsanız, cihazın yan tarafındaki 12 volt D-tap çıkışından da ek güç temin edebilirsiniz. Lens bağlantı desteğindeki lens konektörünü, URSA Broadcast G2'ye takın.



Kutu merceğinize, bir 4 pim XLR kablo takarak güç verin.

İlave güç bağlandıktan sonra, kameranızı çalıştırabilir ve URSA Broadcast G2'nizle merceği kontrol edebilirsiniz.

PL Servo Zum Mercekleri

Sinema filmleri için kullanılan PL zum mercekleri, aynı zamanda URSA Broadcast G2'niz ile de kullanılabilir. Servo ile açılışan PL veya EF lensleri kullanırken, bu lenslerden en iyi şekilde yararlanmak için URSA Broadcast G2'nin 6K tam sensör alanı kullanılabilir. URSA Broadcast G2'nizde sensör alanını ayarlama hakkında daha fazla bilgi için bu kılavuzdaki 'kayıt ayarları' bölümüne bakın.

Netlik, diyafram ve zum için full servo kontrolüne sahip Süper 35mm PL mercekler arasında:

Marka	Seri	Model	Aralık	Azami Diyafram
Fujinon	Cabrio	ZK2.5x14-SAF	14-35mm	T2.9
Fujinon	Cabrio	ZK4.7x19-SAFB	19-90mm	T2.9
Fujinon	Cabrio	ESM-15A-SA ile ZK12x25	25-300mm	T3.5-3.85
Fujinon	Cabrio	ZK3.5x85-SAF	85-300mm	T2.9-T4
Fujinon	Cabrio	XK6x20	20-120mm	T3.5
Canon	Cine-servo	CN7x17KAS S	17-120mm	T2.9-3.9
Canon	Cine-servo	CN10x25 IAS S/P1	25-250mm	T2.95-3.95
Canon	Cine-servo	CN20x50	50-1000mm	T5-8.9

Yukarıda listelenen tüm servo zum merceklerde, netlik ve zum kontrolleri, bir stüdyo ortamında, pan kollarından da çalıştırılabilir.

Hibrit Kompakt Servo Zum Mercekler

Kısa bir süre önce, piyasaya 'kompakt-servo' zoom mercekleri adında, yeni bir mercek kategorisi sunuldu. Bunlar; B4 ve PL servo zum merceklerinin bazı işlevsel özelliklerine sahiptirler ama bir EF yuva kullanırlar. Bu mercekler için zum mandalı, URSA Broadcast G2'deki mercek yuvasından çalıştırılabilir ve mercek adı, diyafram, netlik ve zum pozisyonu gibi bilgilerin tamamı, URSA Broadcast G2'nin mercek metaveri sistemi tarafından okunabilir ve kaydedilebilir.

Bu tür merceklerde netlik, diyafram ve zum için elektronik kontrol vardır. Bunlar, bir switcher'e bağlıyken, ATEM Software Control aracılığıyla uzaktan da kontrol edilebilirler. Bir canlı yayın veya stüdyo ortamında çalışıyorsanız bu lensleri, Blackmagic Zoom ve Focus Demand cihazları ile kullanabilmek için, lens silindirindeki iris düğmesinin 'A' olarak, netlik düğmesinin 'AF' olarak ve zum servo düğmesinin de 'servo' olarak ayarlanması gerekir.

Bu aralıktaki mercekler arasında şunlar bulunur:

- Canon CN-E 18-80mm T4.4 Compact-servo
- Canon CN-E 70-200mm T4.4 Compact-servo

Depolama Ortamı

Blackmagic URSA Broadcast G2'niz video kaydetmek için; standart SD kartları, daha hızlı olan UHS-II SD kartları veya CFast 2.0 kartları kullanır.

Arkadaki 3.2ci Nesil USB-C bağlantı noktasını kullanarak çok hızlı flaş diskleri veya yüksek kapasiteli SSD diskleri bağlayabilirsiniz. SSD'lere, isteğe bağlı Blackmagic URSA Mini Recorder'i kullanarak da kayıt yapabilirsiniz. URSA Mini Recorder'i kameranıza takma konusunda daha fazla bilgi için, bu kılavuzdaki 'Blackmagic URSA Mini Recorder' bölümüne bakın.

Ortam Hızları Hakkında Önemli Bilgiler

Kayıt ortamı üreticileri tarafından yayınlanan yazma ve okuma hızları, genellikle fotoğraf gibi küçük dosyalar için en yüksek hızları esas alır ve sürekli akan yüksek veri hızlı bir video için doğru yazma hızlarını yansıtmayabilir.

Seçtiğiniz kare hızlarında güvenilir kayıt almak için, sadece Blackmagic Design tarafından tavsiye edilen kartları kullanın.

CFast Kartlar

CFast 2.0 kartlar, çok yüksek data hızlarını destekleyebildiğinden, HD ve 4K videoyu yüksek kare hızlarında kaydetmek için mükemmeldirler. Her formatta kayıt edilebilen azami kare hızlarıyla ilgili detaylar için, 'kaydetme' bölümündeki kayıt süresi tablosuna bakın.

CFast 2.0 kartlar, genel olarak yüksek hızlı kartlar olmalarına rağmen, bazı kartların yazma hızlarının, okuma hızlarına oranla daha yavaş olduklarını ve azami veri hızlarının, modeller arasında farklılık gösterebildiğini bilmeniz önemlidir. Seçtiğiniz kare hızlarında güvenilir kayıt almak için, sadece Blackmagic Design tarafından tavsiye edilen kartları kullanın.

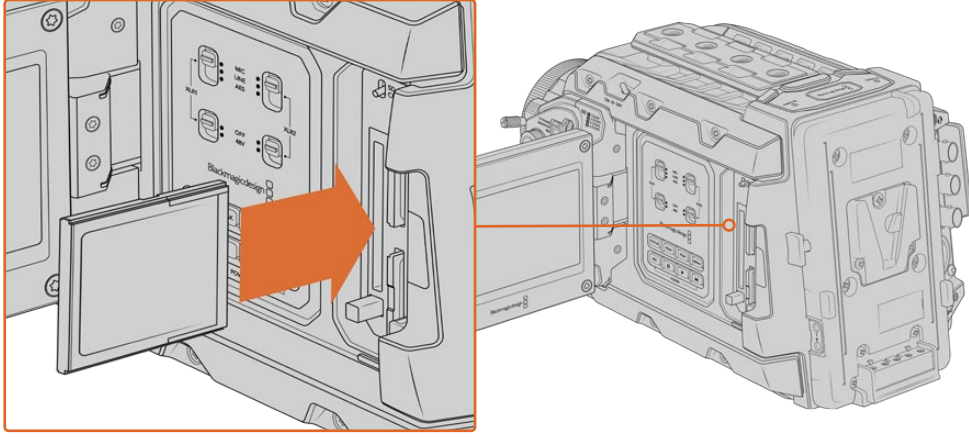
Bir CFast Kartın Yerleştirilmesi

CFast kartlara kayıt yapmak için, kameranızı buna göre ayarlamamız gerekecektir. Bunu yapmak için, ortam yuvalarının üstündeki kayıt ortamı düğmesini, 'CFAST' konumuna getirin.

Bir CFast kartı takmak için:

- 1 CFast yuvalarına erişmek için, dışa açılan ekranı açın.
- 2 CFast kartın etiketi dokunmatik ekrana dönük olarak, yuvaya kilitlendiğine emin olana kadar, kartı CFast kart yuvasına itin. Kartın, zorlamaya gerek kalmadan kolaylıkla yerleşmesi gerekir. Kartı çıkarmak için CFast kart yuvasının altındaki CFast kart çıkarma butonuna basın.

Dokunmatik LCD ekranın altındaki depolama bilgileri, tespit edilen CFAST kartların adını ve kalan kayıt sürelerini gösterecektir.



Blackmagic URSA Broadcast G2, aralıksız kayıt için iki adet CFast yuvasına sahiptir.

BİLGİ CFast kartları taktığınız halde kamerada kartlara erişemiyorsanız, ortam yuvalarının üzerinde bulunan kayıt ortamı seçim düğmesinde CFast'ın seçili olup olmadığını kontrol edin.

Bir CFast 2.0 Kart Seçerken

Yüksek veri hızlı video ile çalışırken, kullanmak istediğiniz CFast kartı dikkatlice kontrol etmeniz önemlidir. Bunun sebebi, CFast 2.0 kartlarının, farklı okuma ve yazma hızlarına sahip olmalarıdır. Blackmagic URSA Broadcast G2 için desteklenen CFast kartlarla ilgili en güncel bilgilere ulaşmak üzere, www.blackmagicdesign.com/tr/support adresindeki Blackmagic Design destek merkezine bakın.

SD Kartlar

CFast 2.0 kartların yanı sıra, Blackmagic URSA Broadcast G2, yüksek hızlı UHS-I ile UHS-II tipi SD kartlara da kayıt yapabilir. Üst düzey SDXC UHS-II kartları kullanarak, Ultra HD'de ProRes HQ çekim veya Blackmagic RAW'da 6K çekim bile yapabilirsiniz.

SD kartlarla, HD'de sıkıştırılmış video formatlarının çekerken, daha düşük maliyetli depolama ortamı kullanılabilir. SDXC ve SDHC, tüketici tarzı fotoğraf makinesi ve video kameraları için çok yaygın olan kayıt ortamı formatlarıdır.

Daha önce bir DSLR kamera ile video çektiyseniz ya da bir Blackmagic Micro Cinema Camera, Pocket Cinema Camera veya bir Blackmagic Video Assist kullandıysanız, kamerayla kullanmak üzere uyumlu SD kartlarınız zaten vardır.

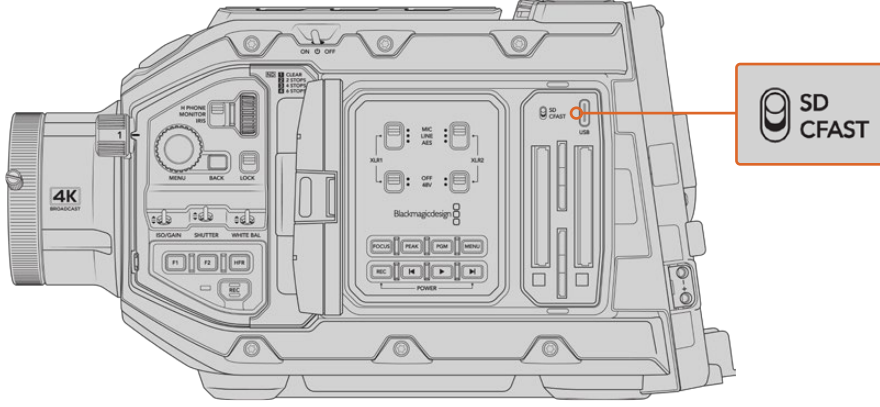
En yüksek çözünürlükteki Blackmagic RAW dosyalarını gerektirmeyen projelerde ya da uzun kayıt sürelerine ihtiyaç duyulduğunda, SD kartların kullanılması maliyeti düşürebilir. Daha düşük kapasiteli ve daha düşük hızlı SD kartlar da LUT'ları ve Önayarları kaydetmek için kullanılabilir.

Bir SD Kartın Takılması

Bir SD kartı takmak için:

- 1 SD kart yuvalarına erişmek için, katlanır ekranı açın. Bunlar, CFast yuvaların arasında bulunan, daha küçük yuvalardır.
- 2 Yuvaların üstündeki depolama ortamı değiştirme düğmesini, 'SD' konumuna getirin.

- 3 SD kartın etiketli yüzü dokunmatik ekranın ters yönüne dönük olarak, yerine sabitlendiğine emin olana kadar, kartı içeri itin. SD kartı çıkarmak için, SD kartı içeriye doğru bastırın.
- 4 Dokunmatik LCD ekranın altındaki depolama göstergesi, tespit edilen kartların adını ve kalan kayıt sürelerini gösterir.



URSA Broadcast G2 kamerada, SD kartlara kayıt yaparken, depolama ortamı seçim düğmesinin, 'SD'ye ayarlı olduğundan emin olun

Hızlı bir SD Kart Seçimi

Ultra HD kayıt yaparken, piyasadaki en yüksek hızdaki UHS-II tipi SD kartları kullanmanızı tavsiye ederiz. Ultra HD ve HD kayıt için, yüksek hızlı UHS-II SD kartları ya da HD kayıt için, UHS-1 kartları kullanmak önemlidir. Bu kartlar, yüksek veri hızlarına göre sınıflandırılmışlardır ve daha uzun kayıt sürelerini desteklerler. Genel olarak, kartlarınız ne kadar hızlıysa o kadar iyidir.

Kartlarınızı kullanmadan önce, HFS+ veya exFAT olarak formatlamanız gerekecektir. Ortamınızı; depolama yöneticisi veya bilgisayarınızla formatlayabilirsiniz. Daha fazla bilgi için, bu kullanım kılavuzundaki 'kayıt için ortamın hazırlanması' bölümüne bakın.

Dilerseniz bir Mac ya da Windows bilgisayar ile kartlarınızı formatlayabilirsiniz. Ortamınızı Mac bilgisayarlarında kullanırken, Mac disk formatı olan HFS+ formatını kullanabilirsiniz. Windows kullandığınız takdirde, Mac bilgisayarlarının da okuyabildiği Windows disk formatı olan exFAT formatını kullanmanız gerekir.

Blackmagic URSA Broadcast G2 için desteklenen SD kartlarla ilgili en güncel bilgilere ulaşmak üzere, www.blackmagicdesign.com/tr/support adresindeki Blackmagic Design destek merkezine bakın.

NOT URSA Broadcast G2'nizde yüksek kare hızında veya Ultra HD görüntü kaydederken; SD UHS-I ortamlarından daha yüksek depolama kapasiteleri ve genellikle daha hızlı olan, CFast 2.0 veya SD UHS-II kayıt ortamını kullanmanızı tavsiye ederiz.

SD Kartların Kilitlenmesi ve Kilitlerinin Açılması

SD kartlar, kayıtlı veri üzerine kaydetmeyi önlemek için, 'write protected' (yazma korumalı) ya da 'locked' (kilitli) olabilirler.

Bir SD kartı takarken, kartın yazma korumalı olmadığından emin olun. Yazma koruması, kartın sol tarafındaki plastik düğmenin, konektörlere en yakın olan konuma getirilerek etkisiz hale getirilir. Kayıt bittikten sonra, düğmeyi tekrar alttaki eski konumuna kaydırarak, kartı yazma korumalı hale getirebilirsiniz.



SD kartı kilitlemek ya da kilidini açmak için, kilit tırnağını yukarı ya da aşağı hareket ettirin

URSA Broadcast G2, dokunmatik LCD ekranda ve depolama menüsünde bir 'kilitli' simgesi görüntüleyerek, yerleştirdiğiniz SD kartın kilitli olup olmadığını size bildirir. Kart kilitli ise kilit açılana kadar; video kaydetme, sabit görüntü yakalama veya LUT'lar ile önayarların dışa aktarım işlemlerini yapamazsınız.



URSA Broadcast G2'niz, kilitli SD depolama ortamı yerleştirildiğinde, bunu size bildirir.

USB-C flaş disklere kayıt

Blackmagic URSA Broadcast G2, iki adet USB-C portuna sahiptir. CFast kart yuvalarının yakınındaki 1. Nesil USB-C 3.1 portu, yazılım güncellemeleri içindir. Arka paneldeki SDI konektörlerinin yanındaki port, 2. Nesil USB-C 3.1 üzerinden yüksek hızlı SSD'lere ve USB-C flaş disklere kayıt içindir. Bu hızlı ve büyük kapasiteli diskler, daha uzun sürelerde video kaydetmenizi sağlar. Bu da uzun süreli etkinlikleri çekerken önemli olabilir.

Kameranıza bir USB-C flaş disk bağlandığında, kameranızın işletim sistemindeki üçüncü ortam yuvasını kullanır. Depolama menüsünde kart ya da disk ismine tıklanması, o kartı veya diski aktif hale getirir. Bu; CFast, SD kart ve SSD'lerde olan kayıt, oynatım ve depolama yönetiminin, USB-C flaş diskler için de aynı olduğu anlamına gelir.

Kayıdı bitirir bitirmez, kurgulama ve post prodüksiyon işlemleri için aynı diski bilgisayarınıza doğrudan bağlayabilirsiniz, böylelikle medya kopyalamanıza gerek kalmaz.

Bir USB-C flaş diski bağlamak için:

- 1 USB C-tipi kablonuzun bir ucunu, USB-C flaş diskinize bağlayın.
- 2 URSA Broadcast G2'de, arka paneldeki SDI bağlantı noktalarının altında bulunan USB-C portuna, USB-C kablosunu takın.
- 3 USB-C flaş disk, kameranızın dokunmatik LCD ekranındaki üçüncü ortam yuvasını alacaktır.

- 4 Kaydı USB-C flaş diske geçirmek için kameranızın LCD ekranının altındaki araç çubuğunda, diskin adına basın ve basılı tutun. Ortam çubuğu, kameranın artık USB-C flaş diske kaydedeceğini göstermek için maviye döner. Kayıt esnasında ortam çubuğu kırmızı renge dönüşür.

Hızlı bir USB-C flaş diski seçerken

USB-C flaş diskler, çok çeşitli cihazlar için hızlı ve uygun fiyatlı depolama sunmak üzere tasarlanmışlardır ve tüketici elektronik mağazalarında kolaylıkla bulunabilirler. Film yapımının, USB-C flaş disk piyasasının sadece küçük bir parçası olduğunu belirtmekte fayda var. Yani, Blackmagic RAW veya Ultra HD görüntü kaydetmek üzere gereken hıza sahip olduğunuzdan emin olmak için, en iyi diski seçmek çok önemlidir.

Çoğu USB-C flaş disk, ev bilgisayarlarında kullanılmak üzere tasarlanmıştır ve Ultra HD video kaydı için yeterince hızlı değildir.

Önerilen USB-C flaş disklerin en güncel listesi için, lütfen aşağıdaki adrese gidiniz.

www.blackmagicdesign.com/tr/support

USB-C flaş diskinizin, görüntü kaydı ve oynatımı için yeterince hızlı olup olmadığını doğru olarak ölçmek için, Blackmagic Disk Speed Test uygulamasını kullanın. Blackmagic Disk Speed Test, video kaydını simüle eden veriler kullanır, böylelikle, bir diske video kaydederken göreceğinize yakın sonuçlar alırsınız. Blackmagic testlerinde, daha yeni ve daha yüksek model USB-C flaş disklerin ve daha büyük kapasiteli USB-C flaş disklerin, genellikle daha hızlı olduklarını bulduk.

Blackmagic Disk Speed Test yazılımı, Mac app store sitesinden temin edilebilir. Windows ve Mac sürümleri; www.blackmagicdesign.com/tr/support adresindeki Blackmagic Design destek merkezinin 'görüntü yakalama ve oynatım' bölümünden indirebileceğiniz Blackmagic Desktop Video yazılımında dahil edilmiştir.

SSD'ler

URSA Broadcast G2; opsiyonel Blackmagic URSA Mini Recorder ile, katı hal diskler, yani SSD'lere doğrudan video kaydedebilir. Bu hızlı, yüksek kapasiteli diskler, birçok elektronik mağazasında satılır.

URSA Mini Recorder; standart 2,5" SATA SSD'lerin yanı sıra 7mm U.2 SSD'lerle de yüksek hızların çalışmasını sağlayan, bir USB-C portuna sahiptir. M.2 katı hal diskleri, M.2'den U.2'ye adaptör kullanıldığında çalışır. Uygun hızlara ulaşmak için tescilli bir 2. Nesil USB 3.1 kablosu gereklidir. Kamerayla birlikte gelen USB-C kablosunun her iki ucunda, kullanım esnasında güvenli bir bağlantı sağlamak üzere kilitlenen konektörlere sahiptir.

NOT Blackmagic URSA Mini Recorder'in takılması hakkında daha fazla bilgi için, bu kılavuzdaki 'Blackmagic URSA Mini Recorder' bölümüne bakın.

Bir SSD'nin Takılması

Bir SSD'yi takmak için:

- 1 SSD'nizi, bağlantı pimleri kameranızın ön tarafına bakacak şekilde tutun.
- 2 Blackmagic URSA Mini Recorder'deki yaylı kapağı açın ve SSD'yi yavaşça yuvaya yerleştirin.

BİLGİ Blackmagic URSA Mini Recorder, farklı ebatlardaki SSD'lerin yuvada hareket etmemeleri için, bir baskı plakasına sahiptir. Böylelikle sürücüyü oturtmak için ara parça kullanmanıza gerek kalmaz.

- 3 SSD'niz tamamıyla yuvaya girdiğinde, yerine oturuncaya kadar yavaşça itin ve sonra URSA Mini Recorder'in kapağını kapatın.
- 4 SSD, kameranızdaki üçüncü ortam yuvasını kullanır.
- 5 Kaydı bu SSD'ye geçirmek için kameranızın LCD ekranındaki alt araç çubuğunda, disk adına basın ve basılı tutun. Ortam çubuğu, kameranın artık SSD'ye kaydedeceğini göstermek için maviye döner. Kayıt esnasında ortam çubuğu kırmızı renge dönüşür.

Bir SSD'yi çıkarmak için:

URSA Mini Recorder'in kapağını açın ve diski baş parmağınız ve işaret parmağınız arasında yavaşça tutun. Diski tutabilmeniz için, bölmenin üstünde küçük bir oyuk vardır. Sadece sürücüyü dışarı çekin ve kapağı kapatın.

URSA Mini Recorder için hızlı bir SSD seçimi

SSD'ler, çok çeşitli cihazlar için hızlı ve uygun fiyatlı depolama sunmak üzere tasarlanmışlardır. Film yapımının, SSD piyasasının sadece küçük bir parçası olduğunu belirtmekte fayda var. Yani, Blackmagic RAW veya Ultra HD görüntü kaydetmek üzere yeterli bant genişliğine sahip olduğunuzdan emin olmak için, doğru diski seçmek son derece önemlidir. Birçok SSD, ev bilgisayarları için tasarlanmıştır ve Ultra HD videoyu kaydetmek için yeterince hızlı değildirler.

Belirtilen çözünürlüklerde aralıksız çekim yapabilmek için, Blackmagic URSA Broadcast G2 ile test edilmiş ve tavsiye edilen SSD'ler listesinden bir SSD seçmenizi şiddetle öneririz. Önerilen SSD'lerin en güncel listesi için, lütfen www.blackmagicdesign.com/tr/support adresine gidiniz.

SSD Hızı Hakkında Önemli Bilgiler

Bazı SSD modelleri, imalatçı firmanın iddia ettiği hızlarda video verilerini kaydedemez. Bunun sebebi, daha yüksek yazım hızlarına erişmek için diskin gizli veri sıkıştırması kullanmasıdır. Bu veri sıkıştırması, verileri imalatçı firmanın iddia ettiği hızlarda sadece boş veri veya basit dosyaları depolarken kaydedebilir. Video verileri, daha rastgele olan video gürültüsü ve pikseller içerdiğinden sıkıştırma pek yardımcı olmaz, dolayısıyla diskin gerçek hızını ortaya çıkarır.

Bazı SSD'lerin yazma hızları, üretici firmanın öne sürdüğü hızların yarısı kadar daha düşük olabilir. Hatta, diskin özellikleri video işletmek için SSD'nin yeterli hızda olduğunu iddia etse bile, aslında o disk, gerçek zamanlı video kaydı için kullanıldığında, video verilerini saklamak için yeterli hızda değildir.

SSD'nizin, görüntü yakalama ve oynatım için yeterince hızlı olup olmadığını doğru olarak ölçmek için, Blackmagic Disk Speed Test'ini kullanın. Blackmagic Disk Speed Test, video kaydını simüle eden veriler kullanır, böylelikle, bir diske video kaydederken göreceğinize yakın sonuçlar alırsınız. Blackmagic tarafından titizlikle yapılan testlerde, daha yeni ve daha büyük SSD modellerinin ve daha büyük kapasiteli SSD'lerin, genellikle daha hızlı olduğunu bulduk.

Kayıt için Ortamın Hazırlanması

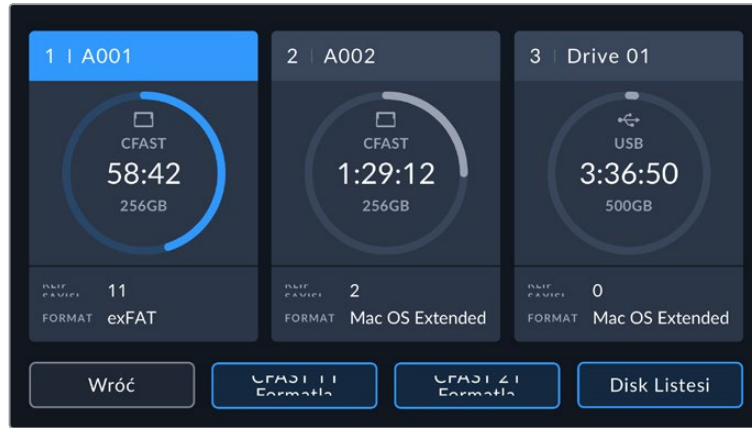
Kayıt ortamınızı, Blackmagic URSA Broadcast G2'nin depolama yöneticisini kullanarak veya bir Mac veya Windows bilgisayar aracılığıyla formatlayabilirsiniz. En üst düzeyde performans için, URSA Broadcast G2'yi kullanarak depolama ortamınızı formatlamanızı tavsiye ederiz.

HFS+ aynı zamanda OS X Extended olarak da bilinir ve 'journaling' isimli günlüklemeyi desteklediğinden, tavsiye edilen formattır. Journaled ortamdaki verilerin, ortamınızda nadiren olabilecek bozulma durumunda, geri getirilmesi daha muhtemeldir. HFS+, Mac OS tarafından yerel olarak desteklenmektedir. ExFAT formatı, ilave herhangi bir yazılım satın almak zorunda kalmadan, yerel olarak Mac ve Windows bilgisayarlar tarafından desteklenir. Fakat, exFAT günlüklemeyi (journaling) desteklemez.

NOT Ortamınızı formatlamadan önce, depolama ortamı düğmesinin, doğru bir şekilde SD kartına veya CFast kartına ayarlanmış olduğuna dikkat edin. Formatlama işleminden önce, ayarları her zaman dikkatlice kontrol edin.

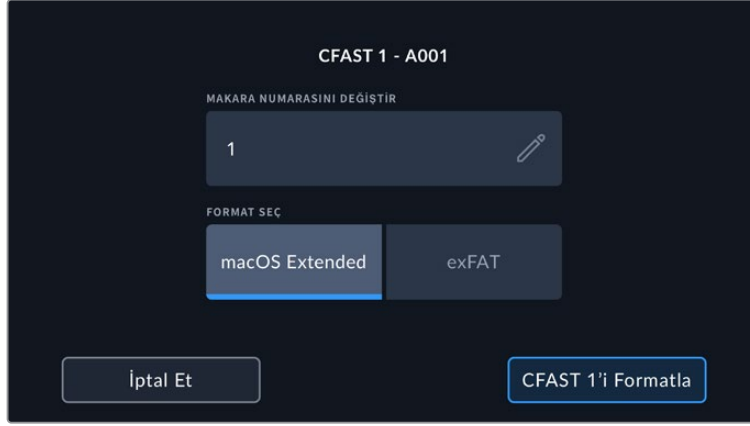
Blackmagic URSA Broadcast G2'de Ortamın Hazırlanması

- 1 Depolama yöneticisine girmek için, dokunmatik LCD ekranın alt kısmındaki depolama göstergelerinden herhangi birini tıklayın.
- 2 Yuva 1 veya 2'deki kartı formatlamak için, dokunmatik ekranın altında bulunan formatlama butonlarından birini tıklayın. URSA Broadcast G2'nizin arkasındaki USB-C portuna bağlı bir USB-C flaş diskiniz veya SSD'niz varsa 'Disk Listesi' butonuna dokunun. Ardından formatlamak istediğiniz diski seçin ve 'Diski Formatla' butonuna dokunun.



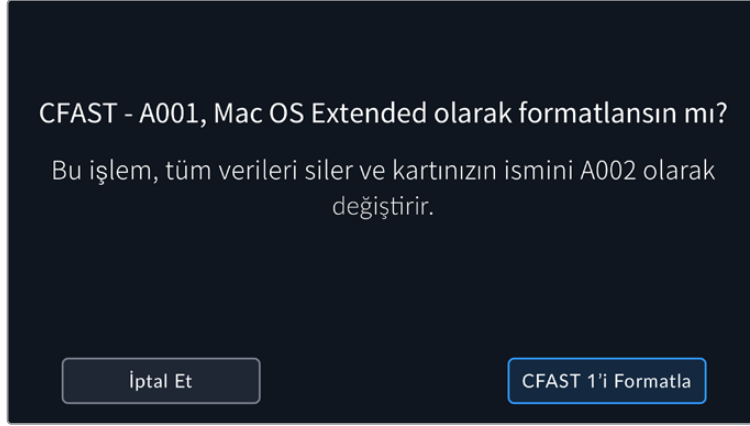
Kameranızın depolama ortamını formatlamak için, URSA Broadcast G2'nin depolama yöneticisini kullanın.

- 3 Makara numarasını değiştirmek isterseniz klavyeyi açmak üzere kalem simgesine dokunun. Yeni makara numarasını girin ve 'güncelle' butonuna dokunun.
- 4 OS X Extended veya exFAT formatını seçin ve 'formatla' butonuna basın.



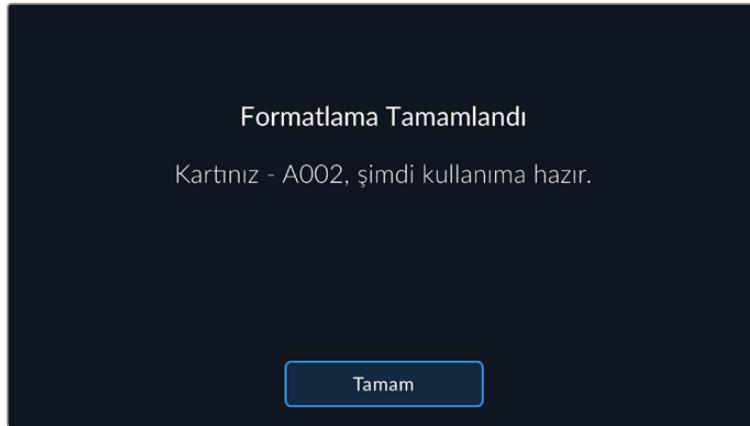
Makara numarasını manuel olarak düzenlemek üzere kalem simgesine dokununuz

- 5 Sizden, yaptığınız seçimi doğrulamanız istenecektir. Devam etmek için, 'formatla' butonunu tekrar tıklayın veya formatlama işlemi iptal etmek üzere, 'iptal et' butonunu tıklayın.



Formatlama işleminden önce, doğru kartı seçtiğinizden emin olun.

- 6 Sizden, 'formatla' butonunu 3 saniye basılı tutmanız istenecektir. Formatlama işlemi tamamlandığında, kamera sizi bilgilendirecektir.



Formatlama tamamlandığında kartınız kullanıma hazırdır

- 7 Depolama yöneticisine geri dönmek için, 'tamam' ibaresini tıklayın.
- 8 Depolama yöneticisinden çıkmak için, 'çık' ibaresini tıklayın.

Depolama yöneticisiyle kayıt ortamlarını formatlarken, karta isim vermek için URSA Broadcast G2'niz, çekim tahtasındaki Kamera Kimliği ile makara numarasını kullanır. Her formatlama işleminde, kameranız otomatik olarak makara sayısını artırır. Belirli bir makara numarasını manuel olarak girmeniz gerektiğinde, 'kalem simgesine' dokununuz ve kartta formatlamak istediğiniz şekilde, makara sayısını girin.

Yeni bir projeye başladığınızda, çekim tahtasındaki 'proje' sekmesindeki 'verileri sıfırla' ibaresini tıkladığınızda, makara numarası 1 olarak yeniden ayarlanacaktır.

Kameranızın depolama ortamı düğmesi, SD veya CFast olarak ayarlıyken, 'format card' (kartı formatla) seçeneğini tıkladığınızda, sadece seçili olan kart tipinin formatlanacağını bildirmemizde fayda vardır. CFast ile SD depolamanın birinden diğerine geçme konusunda daha fazla bilgi için, bu kılavuzun önceki kısmında yer alan 'SD Kartlar' bölümüne bakın.



URSA Broadcast G2'deki depolama yöneticisi; CFast, SD, USB veya SSD ortamlardan hangisini şu anda kullandığınızı belirtir.

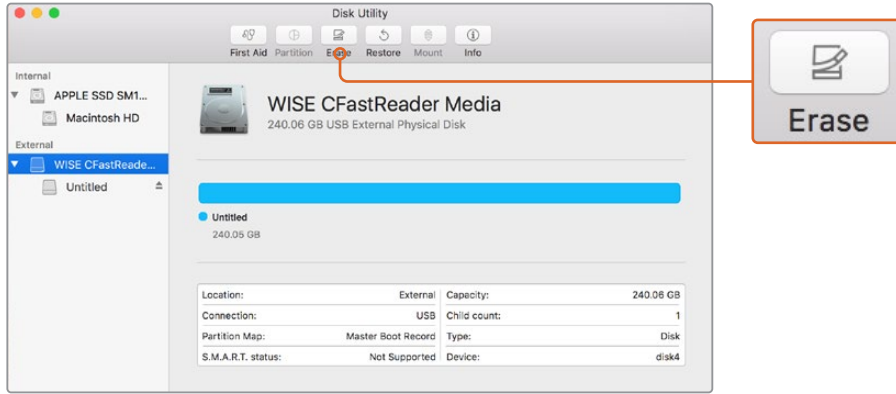
BİLGİ URSA Broadcast G2'niz, SD kartlara kaydetmek üzere ayarlıyken, kilitli bir kart yerleştirirseniz o kartı formatlamanız mümkün olmaz. Depolama yöneticisinde, kartın isminin yanında küçük bir kilit simgesi belirecektir. Kartı formatlamak ve kaydetmek için, bu kilidi açmanız yeterlidir. SD kartlarının kilitlemesi konusunda daha fazla bilgi için, bu kullanım kılavuzundaki 'SD kartlar' bölümüne bakın.

Ortamın Mac Bilgisayarda Hazırlanması

Mac bilgisayarlardaki yerleşik Disk Utility uygulaması HFS+ veya exFAT formatlarında; CFast kartınızı, SD kartınızı veya SSD'nizi formatlayabilir.

Formatlama işlemi sırasında her şey silineceğinden, ortamınızdaki önemli olan şeyleri yedeklediğinizden emin olun.

- 1 Depolama ortamınızı; bir kart okuyucu, yuva veya adaptör kullanarak bir bilgisayara bağlayın ve Time Machine yedeklemesi için kartınızın kullanılmasını öneren mesajları reddedin.
- 2 Uygulamalar/izlenceler sekmesine girin ve Disk Utility uygulamasını başlatın.
- 3 Kameranızın depolama ortamı için olan disk ikonunu tıklayın ve sonra 'sil' sekmesini tıklayın.
- 4 Formatı 'Mac OS extended (journaled)' veya 'exFAT' olarak ayarlayın.
- 5 Bu yeni disk hacmi için, bir isim yazın ve sonra da 'sil' sekmesini tıklayın. Kameranızın depolama ortamı, hızlı bir şekilde formatlanacak ve kullanıma hazır olacaktır.

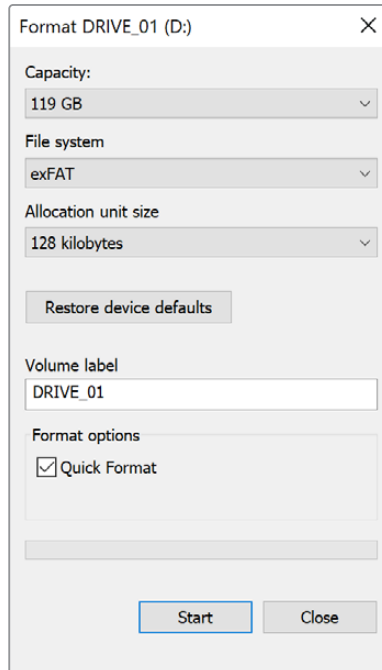


CFast kartınızı Mac OS extended (journaled) ya da exFAT olarak formatlamak için, Mac OS'de bulunan 'Disk Utility' yardımcı uygulamasını kullanın.

Windows Bilgisayarda Ortamın Hazırlanması

Windows PC'de, 'formatlama' diyalog kutusu, bir diski exFAT formatında formatlayabilir. Formatlama işlemi sırasında her şey silineceğinden, ortamınızdaki önemli olan şeyleri yedeklemeyi unutmayınız.

- 1 Harici bir okuyucu/yazıcı veya SSD dock kullanarak, kameranızın depolama ortamını bilgisayarınıza takın.
- 2 'Start' (başlat) menüsünü ya da 'start' ekranını açın ve bilgisayarım dosyasını seçin. Kameranızın depolama ortamı üzerine sağ tıklayın.
- 3 İçerik menüsünden formatı seçin.
- 4 Dosya sistemini 'exFAT' olarak ve ayırma birimi boyutunu da 128 kilobyte olarak ayarlayın.
- 5 Yeni disk bölümü için bir isim girin, 'hızlı formatlama' sekmesini seçin ve 'başlat' üzerine tıklayın.
- 6 Depolama ortamınız hızlı bir şekilde formatlanacak ve kullanıma hazır olacaktır.



Windows'daki 'format' diyalog kutusu özelliğini kullanarak CFast, SD kart veya SSD'nizi exFAT formatında formatlayabilirsiniz.

NOT Kayıtlarınız kare düşürüyorsa kartınızın, kullandığı kodek ve çerçeve boyutuna göre tavsiye edilen kayıt ortamı listesinde olduğundan emin olun. Daha düşük veri hızları için, kare hızınız ile çözünürlüğünüzü düşürmeye çalışın ya da ProRes gibi sıkıştırılmış bir kodek kullanmayı deneyin. En güncel bilgiler için, www.blackmagicdesign.com/tr adresinden, Blackmagic Design internet sitesine bakın.

Kayıt

Kliplerin Kaydedilmesi

B4 yayın mercekleri; omuz üzerinden çekim yaparken normalde başparmağınızın olduğu yerde olan mercek tutma kolunun üstünde, genellikle bir kayıt butonuna sahiptir. Kaydı başlatmak ve durdurmak için, tutma kolundaki 'record' (kayıt) düğmesine basın. Kaydı durdurmak için, düğmeye tekrar basın.

Kayıt butonları, kameranızda dahili olarak mevcuttur. Kamera omuzunuzdayken çekim yaptığınızda, kolay erişmeniz için kontrol panelinin iç kısmında ve ön kontrol panelinin üzerinde, kayıt düğmeleri bulunmaktadır.

Harici Kaynaklardan Kayıt Tetikleme

'Blackmagic Camera Control' uygulamasını kullanarak, Bluetooth aracılığıyla iPad'inizden kaydı uzaktan tetikleyebilir ve çeşitli kamera ayarı yapabilirsiniz. 'Blackmagic Camera Control' uygulamasının kurulumu ve kullanımı hakkında daha fazla bilgi için bu kılavuzdaki 'Bluetooth' bölümüne bakın. Bir iPhone veya Android akıllı telefon kullanıyorsanız, URSA Broadcast G2'nizde kaydı Bluetooth üzerinden tetikleme için sağlayan, üçüncü parti uygulamalar da bulunur.

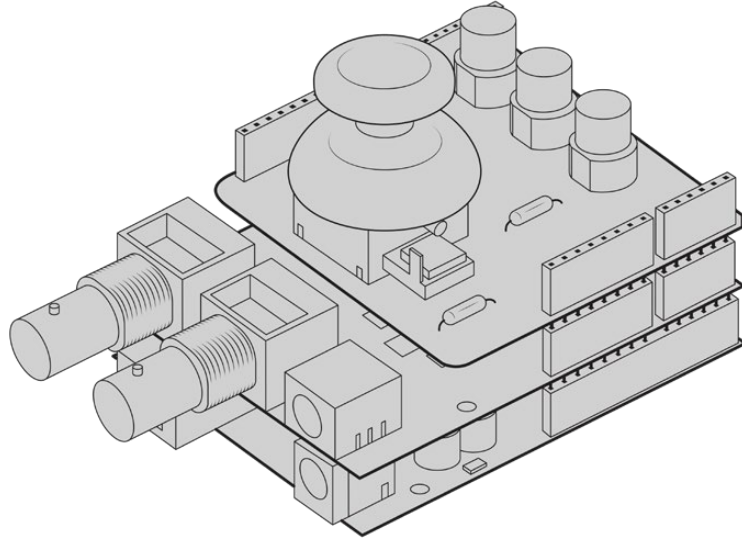
URSA Broadcast G2'niz ile isteğe bağlı bir Blackmagic Zoom Demand kullanıyorsanız, fonksiyon butonuyla kaydı tetikleyebilirsiniz. Blackmagic Zoom Demand üzerindeki fonksiyon butonu, bir B4 lensteki VTR butonu gibi başparmağınızın altında bulunur. Blackmagic Zoom Demand hakkında daha fazla bilgi için, bu kılavuzun ilerleyen kısımlarındaki 'Blackmagic Zoom Demand kullanımı' bölümüne bakın.

Blackmagic URSA Broadcast G2'niz, bir Blackmagic Micro Converter BiDirectional SDI/HDMI 3G vasıtasıyla bir ATEM Mini Pro veya Extreme model switcher'e bağlandığında, ATEM switcher'den kaydı tetikleyebilirsiniz.

Mesela, ATEM Software Control'daki 'internet yayını kaydı' paletinde, 'tüm kameralarda kaydet' isimli bir onay kutusu vardır. Bu onay kutusu etkin olduğunda ve kaydet butonuna tıkladığınızda veya bastığınızda, bağlı tüm kameralarda da kayıt başlar. Yani, aynı anda tüm kameralarda kaydı başlatmak için yalnızca bir düğmeye tıklamanız veya basmanız gerekir. Daha fazla bilgi için ATEM Mini kullanım kılavuzuna başvurun.

Kayıdı başlatıp durdurmak için diğer bir seçenek de URSA Broadcast G2'nin LANC girişine harici bir LANC kontrol cihazı takıp, kaydı harici olarak tetiklemektir. Örneğin, netlik halkası ve tripod kolundan elinizi ayırmadan kaydı tetikleyebilmek için, tripodunuza bir LANC kontrol cihazı takmak isteyebilirsiniz.

Bir Blackmagic 3G-SDI Shield for Arduino ve Blackmagic SDI Camera Control protokülünü kullanarak da bir veya daha fazla URSA Broadcast G2 kamerada kaydı tetikleyebilirsiniz. Daha fazla bilgi için, bu kullanım kılavuzunda 'Yazılım Geliştiricileri için Bilgiler' bölümüne bakın veya www.blackmagicdesign.com/tr/developer adresinden Blackmagic 3G-SDI Shield for Arduino için kullanım kılavuzunu indirin.



Daha etkileşimli ve geliştirilmiş kontrol için; kendinize ait bir donanım kontrolörü oluşturabilir ve onu Blackmagic 3G-SDI Shield for Arduino cihazınıza takabilirsiniz.

NOT Çekim ortasında 'depolama ortamı seçimi' düğmesini oynattığınızda, kamera diğer medya türüne geçmeden önce, şu anki kaydı tamamlayacaktır. Bu da çekim esnasında düğme ayarlandığı zaman, kaydınızın zarar görmemesini sağlar.

Kodek, Çözünürlük ve Sensör Alanının Seçimi

Blackmagic URSA Broadcast G2'niz, sabit kalite veya sabit bit oranı ayarıyla Blackmagic RAW'da kayıt yapabilir. Ultra HD ve HD çözünürlüklerde kayıt yapmak için Apple ProRes, H.264 veya H.265 sıkıştırılmış video kodeklerini de kullanabilirsiniz. Sensör kare hız opsiyonları, seçtiğiniz kodek ve çözünürlüğe bağlı olarak farklılık gösterecektir.

Blackmagic RAW ya bir sabit kalite ya da sabit oranlı bir sıkıştırma kullanmanıza müsaade eder. Yüksek sıkıştırma oranı; görüntü kalitesinde asgari görsel kayıpla uzun kayıt süreleri sunduğundan, habercilik tarzı çekimler için; Blackmagic RAW 8:1, 12:1, Q3 veya Q5 sıkıştırma tavsiye edilir. Yüksek miktarda ince ayrıntıya sahip çekimlerde, en iyi seviyedeki görüntü kalitesi için Blackmagic RAW 3:1 veya Q0 ayarını seçebilirsiniz.

Blackmagic RAW ile kaydedilen kliplerin; DaVinci Resolve, Blackmagic RAW Player ve Blackmagic RAW SDK'yı destekleyen başka uygulamalar ile uyumlu olduğunu belirtmemizde fayda var. Blackmagic RAW; şimdiden birçok post prodüksiyon platformu tarafından benimsenmiştir. Kurgulama yazılımlarının hepsinde yerel olarak desteklenmeyebilir ama, Camera Update veya Blackmagic RAW yükleyicimiz ile sağlanan eklentilerle, çoğunluğu çalışır. Daha fazla bilgi için, 'Üçüncü Parti Yazılımlar ile Çalışma' bölümüne bakın.

Blackmagic RAW

Blackmagic URSA Broadcast G2, yeni Blackmagic RAW dosya formatını destekler. Bu format; üstün nitelikli görüntü kalitesi, geniş dinamik aralık ve geniş çeşitlilikte sıkıştırma oranları sunar. Blackmagic RAW, ham (RAW) görüntü kaydetmenin kullanıcılar için tüm faydalarını içerir. Ancak, bu dosyalar oldukça hızlıdır çünkü, çoğu işlem, kamera donanımı tarafından hızlandırılabilir için kamerada gerçekleşir.

Blackmagic RAW, etkili metaveri desteği de içerir; böylelikle, dosyaları okuyan yazılım, kameranızın ayarlarını bilir. Kurguları çabucak tamamlamanız gerektiğinden ve renk düzeltme için vaktinizin olmadığından dolayı çekimleri video gamada yapmak istediğinizde, bu metaveri özelliği; video gamayı seçebileceğiniz, video gamada çekim yapabileceğiniz ve yazılımda dosyayı açtığınızda, video gama uygulanmış olarak görüntüleneceği anlamına gelir. Ancak, altındaki dosya aslında film gamadır ve yazılıma video gamayı uygulamasını söyleyen dosyadaki metaveridir.

Yani tüm bunların anlamı şudur; bir yerde görüntülerinizin renk düzeltmesini yapmayı istiyorsanız, dosyada muhafaza edilen film dinamik aralığının tümüne sahipsiniz.

Görüntülerinizdeki beyazlar ve siyahlar aşırı kırılmış değildir yani, detayları koruyabilir ve tüm görüntülerinizin sinematik görünmesi için, renk derecelendirmesi yapabilirsiniz. Ancak, renk derecelendirme için vaktiniz yoksa bu sorun değildir; çünkü, görüntülerinizde video gama uygulanmış olacaktır ve normal kamera görüntüleri gibi görüneceklerdir. Çekim esnasında verdiğiniz karar, kati değildir ve post prodüksiyon esnasında kararınızı değiştirebilirsiniz.

Blackmagic RAW dosyaları had safhada hızlıdır ve bilgisayarınızın CPU ve GPU'su için, kodeği optimize edilmiştir. Bunun anlamı; hızlı ve pürüzsüz oynatımının olduğu ve donanım bazlı kod çözücü kartlara olan gereksinimi ortadan kaldırdığıdır. Bu da dizüstü bilgisayar kullanımı için önemlidir. Blackmagic RAW formatını okuyan yazılım; Apple Metal, Nvidia CUDA ve OpenCL üzerinden işleme avantajına da sahip olur.

Bu nedenle, ön belleğe almaya veya çözünürlüğü düşürmeye gerek kalmadan, Blackmagic RAW bilgisayarların çoğunda bir video dosyası gibi normal bir hızda oynar.

Mercek bilgilerinin de kare bazında metaveri içinde kaydedildiğini, belirtmemizde fayda var. Örneğin, uygun mercekleri kullanırken, bir klip boyunca gerçekleşen herhangi bir netlik değişiklikleri, kare kare Blackmagic RAW dosyasındaki metaveriye kaydedilir.

Blackmagic RAW'a Kaydetme

Blackmagic RAW iki farklı şekilde çalışır. Ya sabit bit oranı kodeğini ya da sabit kalite kodeğini kullanma seçeneğine sahipsiniz.

Sabit bit oranı kodeği, kodeklerin çoğuna benzer bir şekilde çalışır. Veri hızını istikrarlı bir seviyede tutmaya çalışır ve veri hızının çok yükseğe çıkmasına izin vermez. Bu; görüntüyü depolamak için biraz daha veri gerektiren karmaşık bir görüntü bile çekiyorsanız, sabit bit oranlı bir kodek, tahsis edilen alan içine görüntülerin sığmasını sağlamak için, görüntüyü biraz daha yoğun sıkıştıracağı anlamına gelir.

Bu, video kodekleri için iyi olabilir ama, RAW çekim yaparken, kalitenin öngörülebilir olduğundan gerçekten emin olmanız gerekir. Çektiğiniz görüntülerin daha fazla veriye ihtiyacı olsaydı ama, belirli veri oranını oluşturmak için kodek sadece daha yoğun sıkıştırma yapsaydı ne olurdu? Kalite kaybınız olasıdır ama, çekimden dönene kadar bunun olduğundan emin olamazdınız.

Bu sorunu çözmek için, Blackmagic RAW'da sabit kalite isminde, alternatif bir kodek seçeneği de vardır. Bu kodeğe, teknik olarak bir 'değişken bit oranlı kodek' denilir fakat, aslında yaptığı, görüntülerinizin ekstra veriye ihtiyacı olduğunda, dosya büyüklüğünün artmasına izin vermektedir. Bir görüntüyü kodlamanız ama kalitesini korumanız gerekiyorsa, dosya büyüklüğünde hiçbir üst sınır yoktur.

Yani, sabit kalite ayarı olarak belirlenmiş Blackmagic RAW, görüntülerinizi kodlamak için gereken büyüklüğe dosyanın büyümesine izin verir. Ayrıca, yaptığınız çekime bağlı olarak, dosyaların daha büyük veya daha küçük olabileceği anlamına da gelir. Yani, lensinizin üzerindeki toz kapağını çıkarmadan çekim yaparsanız, ortamınızdaki yeri boşa harcamazsınız.

Blackmagic RAW için kalite ayar isimlerinin anlamsız olmadığını ve teknik olarak gerçekleşen işlemlerden üretildiği için son derece anlamlı olduklarını, belirtmemizde fayda var. Örneğin, sabit bit oranı kodeğini seçtiğinizde, 3:1, 5:1, 8:1 ve 12:1 kalite ayarlarını göreceksiniz. Bunlar, Blackmagic RAW'da çekim yaparken beklediğiniz dosya ebatlarının, sıkıştırılmamış RAW dosya ebadına olan oranlarıdır. Dosya ebadı daha büyük olduğundan, 3:1'in kalitesi daha yüksekken, 12:1 en düşük kaliteli en küçük dosya ebatına sahiptir. Blackmagic RAW kodeğini kullanan birçok kişi, 12:1 veya 18:1'in son derece iyi olduğunu ve hiçbir kalite sınırlaması görmediklerini belirtti. Yine de farklı ayarlarla kendi denemelerinizi yapmak en iyisidir.

Blackmagic RAW kodeği sabit kalite formatında kullanıldığında, seçeneklerin Q0, Q1, Q3 ve Q5 olduğunu göreceksiniz. Bunlar, kodeğe yapılan sıkıştırma katsayılarıdır ve uygulanacak sıkıştırmanın miktarını daha teknik bir yöntemle ayarlarlar. Kodek; sabit bit oranı ve sabit kalite arasında farklı bir şekilde çalıştığı için, bu ayar farklıdır. Bu sabit kalite ayarında, dosya boyut oranının ne olacağını pek tahmin edemezsiniz, çünkü yaptığınız çekime bağlı olarak farklılık gösterir. Yani, bu durumda ayar farklıdır ve dosya, medyanızı saklamak için gerekli olan boyuta uyacaktır.

Sabit Bit Oranı Ayarları

3:1, 5:1, 8:1 ve 12:1 için isimler, sıkıştırma oranını yansıtır. Örneğin; 12:1 sıkıştırma, sıkıştırılmamış RAW kaydından aşağı yukarı 12 kat daha küçük bir dosya boyutu meydana getirir.

Sabit Kalite Ayarları

Q0, Q1, Q3 ve Q5 farklı niceleme (quantization) seviyelerini temsil eder. Q5'te niceleme seviyesi daha büyüktür, ama büyük ölçüde geliştirilmiş bir veri hızı sunar. Yukarıda bahsedildiği gibi sabit kalite ayarı, çekimlerimize bağlı olarak büyüyen ve küçülen dosyalara neden olabilir. Bu ayrıca; bir şeyin çekimini yapıp, ortam kartınızın baş edebileceği boyutların çok üzerine dosya ebadının yükseldiğini görmenizin, mümkün olduğu anlamına da gelir. Düşen karelerle sonuçlanabilir. Ancak, yararlı tarafı; bir çekimde gerçekleştiğinde bunu hemen görebilmeniz ve sonra kaliteye karşı ayarlarınızı inceleyebilirsiniz.

Blackmagic RAW Player

Blackmagic kameranızın yazılım yükleyicisinde dahil edilen Blackmagic RAW player, klipleri izlemeniz için geliştirilmiş bir uygulamadır. Açmak için, sadece bir Blackmagic RAW dosyasını tıklamanız yeterlidir ve tam çözünürlüğünde ve bit derinliğinde dosyayı çabucak oynatabilir ve dosya içinde ilerleyebilirsiniz.

Karelerin kodlarını açarken, SDK belgeliğindeki CPU hızlandırma, ana yapıların tümünü destekler ve ayrıca Apple Metal, Nvidia CUDA ve OpenCL üzerinden GPU hızlandırmayı da destekler. Buna ek olarak, ekstra randıman için Blackmagic eGPU ile de çalışır. Blackmagic RAW player; Mac, Windows ve Linux sistemlerinde kullanılabilir.

Sidecar Dosyaları

Blackmagic RAW sidecar dosyaları, orijinal dosyadaki gömülü metaveri üzerinde herhangi bir değişiklik yapmadan, bir dosyada bulunan metaveriyi geçersiz kılmayı sağlar. Bu metaveri; diyafra, netlik, odak uzaklığı, beyaz ayar, renk tonu, renk uzayı, proje adı, çekim numarası hakkında bilgilerin yanı sıra, RAW ayarlarını da bulundurur. Metaveri, klibin süresi boyunca kare kare olarak kodlanır. Bir çekim esnasında mercek ayarı değiştiyse mercek verisi için bu önemlidir. Sidecar dosyalarındaki metaveriyi DaVinci Resolve ile ekleyebilir veya düzenleyebilirsiniz veya bir metin düzenleyici bile kullanabilirsiniz; çünkü, bu okunabilir bir formattır.

Sidecar dosyaları; yeni RAW ayarlarını, bir oynatma otomatik olarak eklemek için kullanılabilir. Bunu; sidecar dosyasını, ilgili RAW dosyasıyla aynı klasöre koyarak gerçekleştirebilirsiniz. Sidecar dosyasını klasörden çıkarır ve Blackmagic RAW dosyasını tekrar açarsanız, RAW ayarları uygulanmaz ve dosyayı, ilk başta çekildiği gibi görürsünüz. Blackmagic RAW SDK kullanan herhangi bir yazılım, bu ayarlara ulaşabilir. Yapılan değişiklikler, sidecar dosyasında kaydedilir ve sonra, Blackmagic RAW Player veya Blackmagic RAW dosyalarını okuyabilen başka herhangi bir yazılım ile görülebilir.

Video gama çekimi yaparken, dosya film gamada kalır ve metaveri, Blackmagic RAW işlemeye, video gama kullanarak görüntülemesini söyler. Görüntünün derecelendirmesini yapmak istemediğinizde ve içeriği hemen teslim etmek istediğinizde, video gama mükemmeldir; bununla beraber, görüntünün siyah bölümlerini artırmak veya beyaz bölümlerini düşürmek istiyorsanız detayların hepsi muhafaza edilir. Videoyu asla kırpışmazsınız ve her ulaşmak istediğinizde, tüm detayların hepsi hala oradadır.

DaVinci Resolve'de Blackmagic RAW

Herbir Blackmagic RAW dosyası için ayarlar düzeltilebilir ve sonra, yaratıcı efekt veya en iyi görüntüleme için, DaVinci Resolve'deki RAW sekmesinden yeni bir sidecar dosyası olarak kaydedilebilir. Aynı zamanda bu, başka bir DaVinci Resolve sanatçısı için medyanızı kopyalayabileceğiniz ve içe aktarım esnasında, onların da sizin değiştirilmiş gamma ayarlarınıza otomatik olarak erişebileceği anlamına gelir. Kamera dosyalarınızın içerdiği diğer metaveriye ek olarak, DaVinci Resolve seçili dinamik aralığınızı da okuyabilir; yani klipleriniz, DaVinci Resolve'de otomatik olarak, 'film', 'geniş video' veya 'video' dinamik aralığı ile görüntülenecektir.

Sonra bu ayarları; doygunluk, kontrast ve orta noktanın yanı sıra, parlaklık ve gölge eğimlerini düzenleyerek kişiselleştirebilirsiniz. Sonra tüm değişiklikler, bir sidecar dosyası olarak kaydedilebilir; yani, bu değişiklikler post prodüksiyonda çalışan herkes tarafından görülebilir. İsteddiğiniz zaman orijinal kamera metaverisine daima geri dönebilirsiniz.

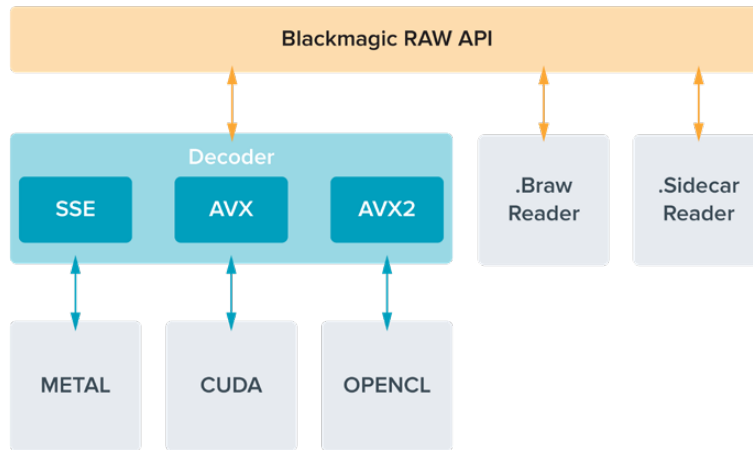
DaVinci Resolve'deki 'RAW' sekmesinden; tüm düzeltmeleri, metaveriyi, tam çözünürlüğü ve renk bilgisini içeren tek bir Blackmagic RAW karesini de dışa aktarabilirsiniz; yani, yakalanan tek bir kareyi veya referans dosyasını başkalarıyla paylaşmak kolaydır.

Blackmagic RAW codec'ini DaVinci Resolve'de nasıl kullanacağınız hakkında daha fazla bilgi için, bu kullanım kılavuzunda, 'DaVinci Resolve Kullanımı' bölümüne bakınız.

Blackmagic RAW Yazılım Geliştirme Kiti

Blackmagic RAW Yazılım Geliştirme Kiti, Blackmagic Design tarafından geliştirilen bir (API) Uygulama Programlama Arayüzüdür. Blackmagic RAW Yazılım Geliştirme Kitini, Blackmagic RAW kodeğini kullanmak için kendinize ait uygulamalar yazmak üzere kullanabilirsiniz. Bu Yazılım Geliştirme Kiti (SDK), Blackmagic RAW dosyalarının; okunması, düzenlenmesi ve kaydedilmesi için her yazılım geliştiricisi tarafından kullanılabilir. Blackmagic RAW Yazılım Geliştirme Kiti, 4. nesil ve 5. nesil renk biliminin tümünü içerir; böylelikle, onu destekleyen tüm uygulamalara, doğal sinematik görüntüler arşivleyebilirsiniz. Blackmagic RAW Yazılım Geliştirme Kiti; Mac, Windows ve Linux platformlarını destekler ve Blackmagic web sitesinin Developer (yazılım geliştiricileri) sayfasından ücretsiz olarak indirilebilir. www.blackmagicdesign.com/tr/developer

Aşağıdaki şema, Blackmagic RAW Uygulama Programlama Arayüzünün (API) parçalarını sergilemektedir.



Kare Hızlarının Seçimi

Kameranız, çok farklı kare hızlarını kullanarak video çekebilir ve kullanmak için hangisinin en iyisi olduğunu merak ediyor olabilirsiniz. Kameranızın sensör kare hızının da çekimlerinizin görünümünü üzerinde büyük bir etkisi olabilir. Genellikle bir sensör kare hızı seçerken, göz önünde bulundurmanız gereken bazı alışılmış maddeler vardır. Yıllardır, film ve televizyon için sunum standartları vardı. Bunların, ülkeler arası değişen belirli kare hızları vardır fakat, hepsi aynı amacı paylaşır. Bu da her saniyede, hoş görünen ve ikna edici hareket sergileyen, yeterli sayıda kare görüntülemektir.

Örneğin sinema, standart bir saniyede 24 kareyi kullanır ve daha hızlı kare hızları ile yakın zamanlarda deneyler yapılmasına rağmen, saniyede 24 kare, uluslararası izleyiciler için yaygın ölçüde kabul görmeye devam etmektedir. Televizyon için kare hızları, genellikle her ülke için olan teknik yayın standartlarına uyumlandırılmıştır. Örneğin, televizyon için içerik oluşturuyor olsaydınız, tipik olarak Kuzey Amerika dağıtımı için saniyede 29.97 kare ve Avrupa için saniyede 25 kare ile kaydederdiniz.

Bununla birlikte, teknoloji geliştiği için, şimdi daha çok seçeneğimiz var ve yayın standartları değişiyor. Spor aktivitelerinin daha yüksek kare hızlarında kaydedilmesi ve yayınlanması, artık oldukça yaygın. Örneğin; bazı spor etkinlikleri, Kuzey Amerika'da saniyede 59.94 kareye varan hızlarda ve Avrupa'da saniyede 50 kareye varan hızlarda kaydedilir ve yayınlanır. Bu; hızlı aksiyonlarda daha yumuşak hareket sağlar ve daha gerçekçi görünür. Bundan farklı olarak, internet üzerinden canlı yayın yapanlar ve internet yayıncıları, normalde televizyona benzer kare hızları kullanır; ancak kullanıcı tarafından seçilebilen görüntüleme formatları ve sadece izleyici ekranlarının görüntüleme kapasitesiyle sınırlı olmaları nedeniyle, deney için daha çok serbestlik vardır.

Genellikle bir proje için kare hızı seçerken, seçiminizi teslimat formatına göre yapın. Böylece, klipleriniz gerçek hayatta olduğu hızda oynatılır. Bunu sağlamak için kameranızdaki "farklı hızda kaydet" seçeneğini kapatmanız gerekir.

Yavaş çekim gibi ilginç bir efekt oluşturmak istiyorsanız sensör kare hızını daha yüksek bir değere ayarlayabilirsiniz. Proje kare hızına kıyasla, sensör kare hızı ne kadar yüksek olursa oynatım hızı da o kadar yavaş olur.

Farklı hızda kayıt sensör kare hızları konusunda daha fazla bilgi için, bu kılavuzun 'dokunmatik ekran kontrolleri' bölümüne bakın.

Yüksek Kare Hızlarında Çekim

Yüksek kare hızlarında çekim yaparken, saniyede 24, 25 ve 30 karelik geleneksel kare hızlarına kıyasla, kameranız saniyede daha fazla sayıda kareyi yakalar. Bunun anlamı, yakaladığı her kare için ışık toplamak üzere görüntü sensörünün daha az vaktinin olduğudur ve bunun sonucunda kameranızdan gelecek görüntü, daha karanlık olacaktır.

Örnek olarak; saniyede 25 kareden 50 kareye geçerseniz sensöre ulaşan ışık miktarı yarıya düşecektir. Pozlandırmayı devam ettirmek için; merceğinizi ilave bir adım daha açarak, örtücü açınızı 180 dereceden 360 dereceye açarak veya çekimini yaptığınız sahneye ilave ışıklandırma ekleyerek telafi etmeniz gerekir.

Saniyede 60 karede çekim yaparken, saniyede 24 kareden 2.5 kat daha az ışığınız olur yani, aynı seviyede pozlama elde etmek için; diyafram açıklığı, örtücü açısı ve ışıklandırma gibi ayarları düzeltmeniz gerekebilir.

Daha yüksek kare hızlarında çekim yaparken aklınızda bulundurmanız gereken diğer bir konu da elektronik ışık kaynaklarının kaydedilen görüntülere kırışma ekleyebileceği gerçeğidir. Akkor ampul, floresan ve LED gibi yapay ışık kaynakları görüntülerinize bazı kırışma getirebilir. Bu kırışma sorunlarını; sahneyi LCD ekranınızda ön-izlerken, SDI sinyalinde veya kayıt esnasında görmeyebilirsiniz. Bu yüzden, kullanmayı planladığınız ışıklarla bir deneme çekimi yapmak ve kırışmayı denetlemek için deneme klibini izlemeniz önemlidir.

Lambalar altında çekim yaparken, örtücü ayarınız da kırışmanın görünürlüğünü etkileyebilir; bu yüzden URSA Broadcast G2, mevcut kare hızınız için kırışmasız örtücü seçeneklerini otomatik olarak hesaplayabilir ve görüntüler. Kırışmasız örtücü frekansları kullanıldığında bile, bazı ışık kaynakları yine de kırışmaya neden olabilir. Daha fazla bilgi için, 'dokunmatik ekran kontrolleri' bölümüne bakın.

Örtücünüzü en yavaş örtücü hızına veya en geniş örtücü açısına açtıysanız ve kaydettiğiniz çekimlerde halen kırışma görüyorsanız, sahnemiz için başka ışık kaynaklarını kullanmayı göz önünde bulundurmanız veya daha hızlı bir mercekle kullanmanız gerekebilir.

Maksimum Sensör Kare Hızları ve Veri Hızları

Aşağıdaki tablo; maksimum sensör kare hızları ve veri hızlarıyla beraber mevcut kodekleri ve çözünürlükleri içermektedir. Blackmagic RAW, ProRes 444 ve ProRes 422'ye ilişkin referansların, her bir kodek dahilindeki desteklenen türevlerine de ilişkin referanslar olduğunun dikkate alınması gerekir.

Yavaş çekimde yüksek çözünürlüklerin kaydedilmesi için gerekli olan veri hızlarından dolayı, hızlı bir CFAST kart, USB-C flaş disk veya SSD seçmeniz gerekecektir. Daha fazla bilgi için 'depolama ortamı' bölümüne bakın.

BİLGİ Kartınızın kaldırabileceği hızı, 'kart kare düşürürse' ayarından 'kayı durdur' seçeneğini etkinleştirerek ve bir deneme klipi kaydederek test edebilirsiniz. Bu, herhangi bir çözünürlükte belli bir kare hızında ne kadar çekim yapabileceğinizi test etmenizi sağlayacaktır. Kart çabucak kaydetmeyi durdurursa bir sonraki geçerli sıkıştırma ayarına veya çözünürlüğe inmek, veri hızını düşürecek ve kartın kayıt yapmasını kolaylaştıracaktır.

URSA Broadcast G2 için Maksimum Kare Hızları

	Çözünürlük	Kodek	Azami Kare Hızı	Azami Veri Hızı
Ultra HD	3840x2160	Blackmagic RAW 3:1	60	254 Mb/sn
	3840x2160	Blackmagic RAW 5:1	60	152 Mb/sn
	3840x2160	Blackmagic RAW 8:1	60	96 MB/sn
	3840x2160	Blackmagic RAW 12:1	60	64 MB/sn
	3840x2160	Blackmagic RAW Q0	60	48.7 – 96.8 MB/sn
	3840x2160	Blackmagic RAW Q1	60	32.6 – 77.6 MB/sn
	3840x2160	Blackmagic RAW Q3	60	21.9 – 55.6 MB/sn
	3840x2160	Blackmagic RAW Q5	60	13.4 – 32.6 MB/sn
	3840x2160	ProRes HQ	60	220 MB/sn
	3840x2160	ProRes 422	60	148 MB/sn
	3840x2160	H.265 SDI	60	24.6 MB/sn
	3840x2160	H.265 High (Yüksek)	60	21.6 MB/sn
	3840x2160	H.265 Medium (Orta)	60	15.6 MB/sn
	3840x2160	H.265 Low (Düşük)	60	6.4 MB/sn

	Çözünürlük	Kodek	Azami Kare Hızı	Azami Veri Hızı
HD	1920x1080	Blackmagic RAW 3:1	150	161.4 MB/sn
	1920x1080	Blackmagic RAW 5:1	150	97.2 MB/sn
	1920x1080	Blackmagic RAW 8:1	150	61.1 MB/sn
	1920x1080	Blackmagic RAW 12:1	150	41 Mb/sn
	1920x1080	Blackmagic RAW Q0	150	121.2 – 241.6 MB/sn
	1920x1080	Blackmagic RAW Q1	150	81.8 – 193.4 MB/sn
	1920x1080	Blackmagic RAW Q3	150	54.4 – 138.4 MB/sn
	1920x1080	Blackmagic RAW Q5	150	33 – 81.1 MB/sn
	1920x1080	ProRes HQ	120	110 Mb/sn
	1920x1080	ProRes 422	120	74 MB/sn
	1920x1080	H.264 SDI	60	14 MB/sn
	1920x1080	H.264 High (Yüksek)	60	11.2 MB/sn
	1920x1080	H.264 Medium (Orta)	60	6.4 MB/sn
	1920x1080	H.264 Low (Düşük)	60	3.6 MB/sn

Blackmagic RAW Q0, Q1, Q3 ve Q5'in, sabit kalite elde etmek için değişken bit oranlı sıkıştırma kullandığını unutmanız önemlidir. Q0, Q1, Q3 ve Q5 veri hızları, görüntüdeki nesne yapısının karmaşıklığına bağlıdır ve bir klip boyunca epey farklılık gösterebilir.

İstedığınız kodeği ve çözünürlüğü seçmek için:

- 1** Kontrol panelinin üzerindeki 'menu' butonuna basın.
- 2** 'Kayıt' sekmesinin ilk sayfasına gidin.
- 3** İsteddiğiniz kodek, kalite ve çözünürlük kombinasyonunu tıklayın.
- 4** Çıkmak için 'menu' butonuna basın.

Kayıt Formatları ve Proje Kare Hızları

Kodek ve çözünürlük ayarlarını yaptıktan sonra, 'proje' ve 'sensör' kare hızlarının ayarını yapmalısınız. Kare hızları hakkında daha fazla bilgi için, bu kılavuzdaki 'kayıt' bölümüne bakın.

Geçerli olan proje kare hızları aşağıdaki gibidir:

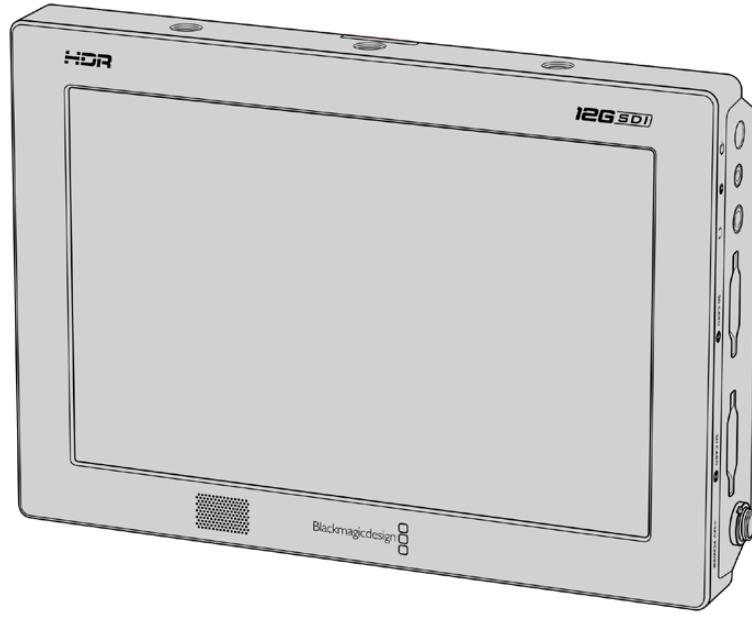
Saniyede 23.98, 24, 25, 29.97, 30, 50, 59.94 ve 60 kare.

Blackmagic RAW ve ProRes 422 HQ'ya kadar ProRes kodeklerini kullanırken, tüm çözünürlüklerdeki azami proje kare hızı, saniyede 60 karedir.

Harici Ekipmanlardan Kayıt Tetikleme

URSA Broadcast G2'niz, Blackmagic Video Assist gibi SDI kayıt tetikleme özelliğini destekleyen cihaza bağlı iken, SDI çıkışları aracılığıyla, otomatik olarak kaydı tetikleyecek bir sinyal gönderir. Böylelikle, kameranızda 'kayıt' düğmesine bastığınızda, harici SDI donanımınız da kaydetmeye başlar ve tekrar kayıt düğmesine bastığınızda, kayıt işlemini durdurur.

Ayrıca, URSA Broadcast G2'den gelen tetikleme sinyaline yanıt verdiğinden emin olmak için, SDI kayıt tetikleme etkinleştirilmiş olarak ekipmanlarınızı da ayarlamamız gerekecek. SDI cihazınız, SDI kayıt tetiklemeyi destekliyorsa SDI cihazınızın ayarlar menüsü kullanılarak kayıt tetikleme etkinleştirilebilir.



Kayıt, başka SDI video ekipmanlarında da tetikleyebilirsiniz. Örneğin; kameranızdaki kayıt tetikleme özelliğini kullanarak Blackmagic Video Assist 12G HDR'de kayıt yapabilirsiniz.

Kayıt Süresi Tablosu

Format, proje kare hızı ve medya ebadına göre, dakika ve saniye olarak ortalama kayıt sürelerinin karşılaştırıldığı tablolar, aşağıda sunulmuştur. Depolama ortamınızın maksimum kayıt süresi; ortamın kapasitesine, kayıt formatına ve kare hızına bağlı olarak değişir. Örneğin, Apple ProRes 422 HQ için depolama hızı 3840 x 2160'da ortalama 880 Mbps'dir. Saniyede 24 kare ile, 256GB CFast 2.0 karta veya SD karta, yaklaşık 47 dakikalık video kaydedebilirsiniz. Aynı ayarlarla, 128GB kapasiteli bir CFast 2.0 kart veya SD karta, takriben 23 dakikalık video kaydedebilirsiniz ki bu da 256GB kartın kaydetme süresinin yaklaşık yarısına eşittir.

Bilmeniz gereken önemli bir konu da CFast 2.0 ve SD kartlarda farklı üreticilerden dolayı kayıt hızında hafif farklılıklar olabileceğidir. Depolama ortamının ExFAT veya Mac OS Extended olarak formatlı olmasına göre de kayıt süresi farklılık gösterebilir.

Daha az detay içeren basit sahneler, daha yoğun kompozisyonlara kıyasla genellikle daha az veri gerektirir. Bu tablolardaki değerler, çekimlerin ileri derecede karmaşık olduğunu varsayar. Bu yüzden, çekiminizin doğasına göre, biraz daha uzun kayıt süreleri elde edebilirsiniz.

HD							
CFast Kart	Kare Hızı	ProRes 422 HQ	ProRes 422	H.264 SDI	H.264 High (Yüksek)	H.264 Medium (Orta)	H.264 Low (Düşük)
		Süre	Süre	Süre	Süre	Süre	Süre
256GB	23.98	189 dk	283 dk	635 dk	782 dk	1395 dk	2456 dk
	24	189 dk	283 dk	635 dk	782 dk	1395 dk	2456 dk
	25	182 dk	271 dk	602 dk	748 dk	1339 dk	2321 dk
	30	152 dk	227 dk	496 dk	612 dk	1118 dk	2079 dk
	50	91 dk	137 dk	371 dk	462 dk	841 dk	1852 dk
	60	76 dk	114 dk	331 dk	411 dk	716 dk	1520 dk

ULTRA HD					
CFast Kart	Kare Hızı	Blackmagic RAW 3:1	Blackmagic RAW 5:1	Blackmagic RAW 8:1	Blackmagic RAW 12:1
		Süre	Süre	Süre	Süre
256GB	23.98	41 dk	68 dk	110 dk	164 dk
	24	41 dk	68 dk	109 dk	164 dk
	25	39 dk	66 dk	105 dk	157 dk
	30	33 dk	55 dk	88 dk	131 dk
	50	19 dk	33 dk	52 dk	79 dk
	60	16 dk	27 dk	44 dk	66 dk

ULTRA HD							
CFast Kart	Kare Hızı	ProRes 422 HQ	ProRes 422	H.265 SDI	H.265 High (Yüksek)	H.265 Medium (Orta)	H.265 Low (Düşük)
		Süre	Süre	Süre	Süre	Süre	Süre
256GB	23.98	47 dk	71 dk	353 dk	404 dk	571 dk	1499 dk
	24	47 dk	71 dk	353 dk	404 dk	571 dk	1499 dk
	25	45 dk	68 dk	339 dk	389 dk	550 dk	1442 dk
	30	38 dk	57 dk	286 dk	325 dk	461 dk	1223 dk
	50	22 dk	34 dk	242 dk	280 dk	389 dk	960 dk
	60	18 dk	28 dk	241 dk	277 dk	325 dk	809 dk

Hareket Sensörü Verilerinin Kaydedilmesi

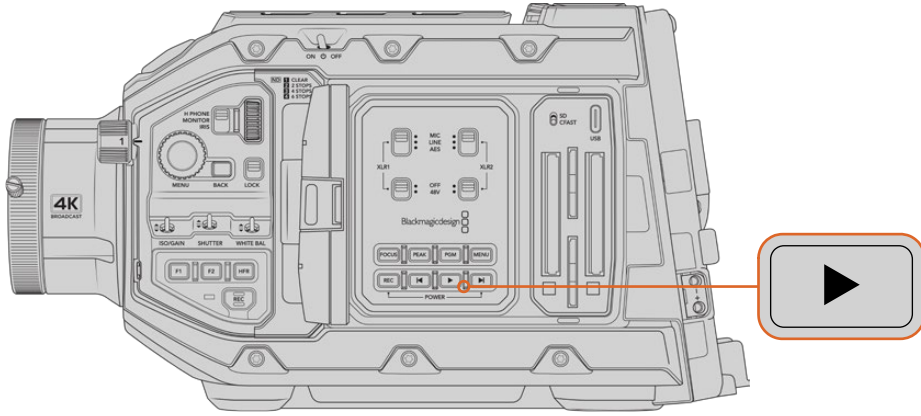
Blackmagic URSA Broadcast G2 Camera'nız, yerleşik hareket sensöründen gelen jiroskop verilerini otomatik olarak kaydeder. Daha sonra görüntüleri sabitlemek için DaVinci Resolve, bu verileri kullanabilir. Daha fazla bilgi için, bu kullanım kılavuzundaki "jiroskop görüntü sabitleme" bölümüne başvurun.

Oynatım

Kliplerin Geri Oynatımı

Videonuzu kaydettikten sonra, kliplerinizi geri oynatmak için, aktarım kontrol butonlarını kullanabilirsiniz.

Anında oynatım için 'oynat' düğmesine bir kez basın ve kayıt ettiğiniz videoyu, URSA Broadcast G2'nin dokunmatik LCD ekranında göreceksiniz. Klipleriniz ayrıca, URSA Broadcast G2'nin SDI çıkışlarına bağlı herhangi bir ekranda da izlenebilir.



URSA Broadcast G2

BİLGİ Blackmagic URSA Broadcast G2'nin hem iç hem de ergonomik kontrol panellerinin üzerinde, oynatım ve aktarım denetim kontrolleri bulunmaktadır.

NOT Blackmagic URSA Broadcast G2; aynı kodek ailesini, kare hızını ve çözünürlüğünü paylaşan klipleri oynatacaktır. Örneğin, ProRes 422 HQ kullanılarak 29.97 fps'de kaydedilmiş olan HD klipleri oynatmak istediğinizde, kameranızın aynı kare hızına ve ProRes 422 kodeğine ayarlı olduğundan emin olun.

Kameranızın kontrolleri, aynen bir CD oynatıcı gibi çalışır, böylelikle 'ileri sarma' düğmesinin basılması, bir sonraki klibin başlangıcına atlamayı sağlayacaktır. Mevcut klibin başlangıcına gitmek için, 'reverse skip' (geri atlat) butonuna bir kez basın veya bir önceki klibin başlangıcına gitmek için, iki kez basın. 2 kat hızda oynatmak 'forward' (ileri) butonunu ya da geri oynatmak için 'reverse skip' butonunu basılı tutun. İleri veya geri oynatımı başlattıktan sonra, 'fast forward' veya 'reverse skip' düğmelerine; 4x hız için iki kez, 8x hız için üç kez ve 16x hız için dört kez basın. Forward ve reverse skip düğmelerini, kliplerin kaydı esnasında, uyumlu merceklerde irisi açıp kapatmak için de kullanabilirsiniz.

Proje kare hızınızdan farklı olan bir sensör kare hızını kullanarak bir klibi kaydettiğinizde, klibinizin playback hızı da ayrıca farklılık gösterecektir. Örneğin; kameranızın proje kare hızını, post prodüksiyon zaman çizelgesi hızıyla eşleştirmek için, saniyede 24 kareye ayarladığınızı düşünelim. Sensör kare hızınızın saniyede 60 kare hızına ayarlı olarak bir klip kaydettiğinizde, klipleriniz hem kameranızda hem de post prodüksiyon timeline'ınızda ağır çekimde oynayacaktır.

BİLGİ Kare hızları hakkında daha fazla bilgi için, bu kılavuzdaki 'kayıt' bölümüne bakın.

URSA Broadcast G2 Konnektörleri ve Özellikleri

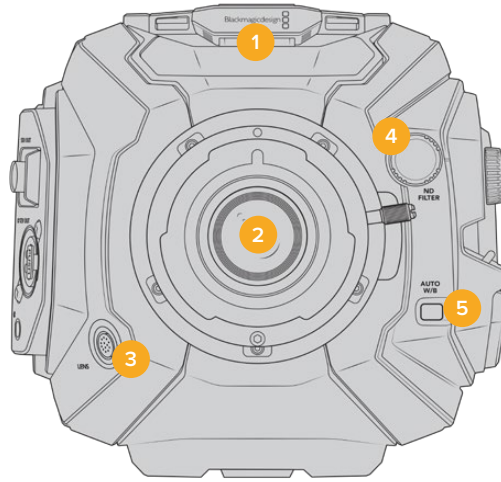
SDI bağlantıları için endüstri standardı BNC konektörler, URSA Broadcast G2'nin sağ ve arka panelinde bulunmaktadır. İsteğe bağlı Blackmagic URSA Handgrip aksesuarı için sağ panelde bir LANC girişi de vardır.

Profesyonel dengeli analog ses ve AES dijital ses için, yuva noktalarının arkasındaki üst panelde, XLR girişleri bulunmaktadır. Harici güç girişi için, arka panelde bir adet 4 pim XLR konektör ve Blackmagic URSA Viewfinder gibi aksesuarların çalıştırılması için, sağ tarafta bir çıkış bulunmaktadır.

USB portu, depolama medya yuvalarının üzerindedir ve kameranızın dahili yazılımının güncellenmesi için bir bilgisayara bağlanması içindir.

NOT Kameranızda, dokunmatik ekranı açmadan kameranın gerekli ayar ve fonksiyonlarına hızla erişmenizi kolaylaştıran, ilave ergonomik kontroller vardır.

Kamera Ön Yüzü



B4 yuva takılı URSA Broadcast G2

1 Stereo Mikrofon

Dahili yüksek kalite stereo mikrofon. Mikrofon ses ayarlarıyla ilgili bilgi için, 'ayarlar' bölümüne bakın.

2 Lens Yuvası

URSA Broadcast G2, bir B4 yuva takılmış olarak gelir. Ancak, ürünle birlikte verilen EF yuvasıyla değiştirilebilir ve URSA Mini Pro PL ve F yuvalarıyla uyumludur. Daha fazla bilgi için, 'Değiştirilebilir lens yuvası' bölümüne bakın.

3 Yayın Lens Konektörü

Bu 12 pimli konektör, uyumlu yayın servo zum lenslerine elektrik ve kontrol sağlar. Bu B4 ve PL lenslerde bulunan işlevsellik hakkında ayrıntılı bilgi için bu kılavuzdaki "servo zum lenslerin kullanımı" bölümüne bakın.

4 ND Filtreleri

Bu tekeri, üç dahili doğal yoğunluk filtresiyle beraber, 'saydam' ayarı arasında dolaşmak için kullanın. Daha fazla bilgi için 'URSA Broadcast G2 Kontrolleri' bölümüne bakın.

5 Otomatik Beyaz Ayar

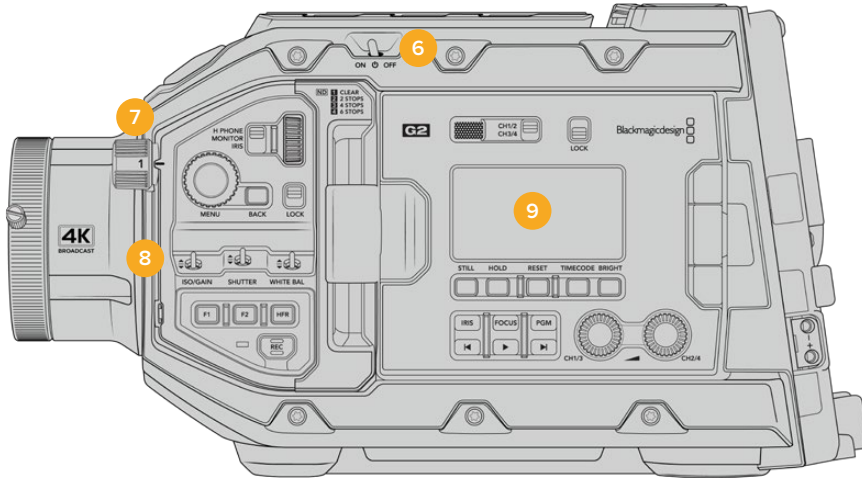
Otomatik beyaz ayar butonu, 'Auto W/B' olarak etiketlidir ve beyaz ayarını ekranın ortasında bulunan nesneye bağlı olarak yapmak istediğinizde kullanılır. Örneğin, merceğin önüne konulan bir gri kartta otomatik beyaz ayarının yapılması gibi. Daha fazla bilgi için 'URSA Broadcast G2 Kontrolleri' bölümüne bakın.

Sol Taraf

URSA Broadcast G2'nin sol paneli; CFast 2.0 kartlarını, SDXC veya SDHC kartlarını yerleştirmenizi, kontrol paneline erişmenizi ve ayarları değiştirmenizi sağlar. USB portu, CFast yuvalarının hemen üzerindedir; böylelikle URSA Broadcast G2'nin dahili yazılımını güncellerken, bir bilgisayara kolaylıkla takılabilir.

Sol Taraftaki Kontroller

Sol taraftaki panel, kameranızdaki tüm gerekli fonksiyonlara kolay erişim sağlayan ilave kontrollere sahiptir. Bu kontroller, ön kontrol paneli, dışa açılan dokunmatik ekranın dışında bulunan ergonomik kontrol paneli ve dışa açılan ekranın içindeki kontrol paneli arasında bölüştürülmüştür.



URSA Broadcast G2 dokunmatik ekranı kapalı durumda iken

6 Power (Açma/Kapama) Düğmesi

Kameranin çalıştırılması için güç anahtarı. Ayrıca, dışa açılan ekranın içinde, kayıt ve klibi ileri sarma düğmelerinin her ikisine aynı anda basarak kameranın çalışmasını sağlayan, yedek bir çalıştırma düğmesi de bulunmaktadır.

7 ND Filtreleri

URSA Broadcast G2, sensöre ulaşan ışık miktarının ayarlanması için, üç dahili doğal yoğunluk (ND) filtresi içerir. Saydamdan (clear), altı adım ışık azaltmaya kadar değişen çeşitleriyle, dört ayar mevcuttur. Ayarlar arasında gezinmek için, sadece bu tekeri çevirmeniz yeterlidir. Filtre, her bir ayar için yerine oturacaktır. Daha fazla bilgi için, bu kılavuzdaki 'URSA Broadcast G2 Kontrolleri' bölümüne bakın.

8 Ön Kontrol Paneli

Ön kontrol paneli, URSA Broadcast G2'nin tüm ana fonksiyonlarına hızlı erişim sağlar. Bir tripoddan ya da omuz üzerinde çekim yaparken kolay erişmeniz için, bu kontroller yerleştirilmiştir. Bunları; ISO, örtücü hızı veya örtücü açısı, diyafram, beyaz ayar, kare hızı gibi ayarları düzeltmek için kullanabilirsiniz. Daha fazla bilgi için 'URSA Broadcast G2 Kontrolleri' bölümüne bakın.

9 Ergonomik Kontrol Panel

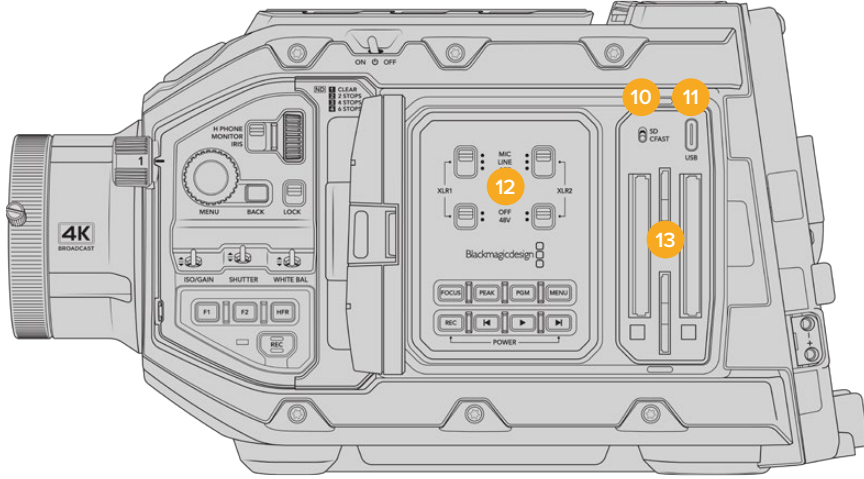
URSA Broadcast G2'nin katlanır dokunmatik ekranın dış kısmında, bir LCD durum monitörü ile hızlı ve güçlü denetleme kontrolü sağlayan, çeşitli kontroller göreceksiniz. Buradan, kameranızın tüm durum bilgilerine bir bakışta erişebilmenin yanı sıra, çeşitli güçlü denetleme fonksiyonlarını kontrol edebilirsiniz. Daha fazla bilgi için 'URSA Broadcast G2 Kontrolleri' bölümüne bakın.

10 Depolama Ortamı Seçim Düğmesi

Bu düğmeyi, CFast ile SD depolama ortamı arasında tercih yapmak için kullanın.

11 USB Portu

Dahili yazılımın güncellenmesi için USB-C portu. Daha fazla bilgi için 'Blackmagic Kamera Kurulum Yardımcı Yazılımı' bölümüne bakın.



URSA Broadcast G2 dokunmatik ekranı açık durumda iken

12 İç Kontrol Panel

URSA Broadcast G2'nizin katlanır ekranı açık olduğunda, iç kontrol paneline erişebilirsiniz. Buradaki kontrolleri, ses girişlerini ayarlamadan yanı sıra, fantom güç ayarlarını düzeltmek için kullanın. Aynı zamanda; diyafram, netlik, menü, oynatım kontrolleri ve daha nicesine erişebilirsiniz. Daha fazla bilgi için 'URSA Broadcast G2 Kontrolleri' bölümüne bakın.

13 Hafıza Kartı Yuvaları

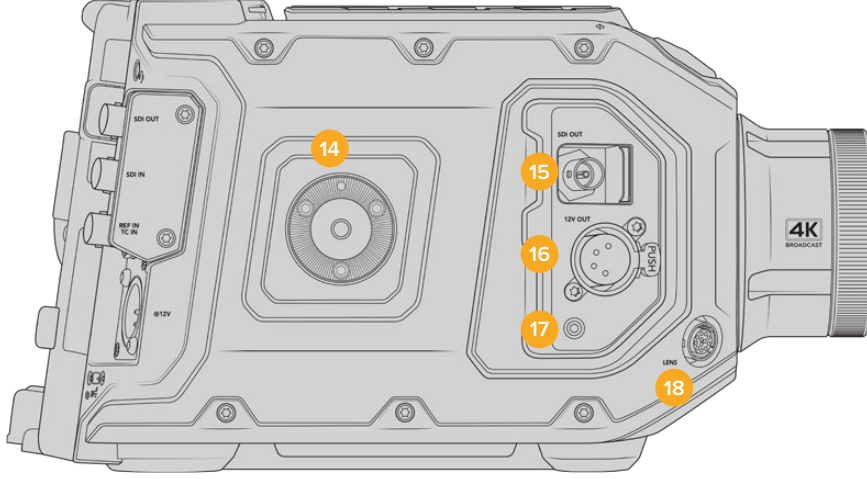
Kayıt ve oynatım için CFast 2.0 kartlarını, SDXC veya SDHC kartlarını yerleştirin. Lütfen internet sitemizdeki sertifikalı kartlar listesini kontrol etmeniz gerektiğini unutmayın. Daha fazla bilgi için 'depolama ortamı' bölümüne bakın.

Sağ Taraf

URSA Broadcast G2'nin sağ tarafındaki panel; tüm video, ses ve güç konektörlerinin yanı sıra, yan tutma kolu rozet yuvasına da erişmenizi sağlar.

14 Yan Rozet Yuvası

Yan tutma kolu için standart rozet yuvası. 'Başlarken' ve 'Blackmagic URSA Mini Shoulder Kit' bölümlerine bakın.



URSA Broadcast G2, opsiyonel bir URSA Mini yan tutma kolu eklemeniz gerektiği durumlar için, sağ yüzünde dahili olarak bir rozet yuvaya sahiptir.

15 HD Monitör Çıkışı

Alt formata çevrilmiş 1080HD çıkışı için 3G-SDI bağlantısı. Blackmagic URSA Viewfinder veya harici monitörlerle kullanın. Daha fazla bilgi için, 'kamera video çıkışı' ve 'Blackmagic URSA Viewfinder' bölümlerine bakın.

16 +12V Güç Çıkışı

Blackmagic URSA Viewfinder, Blackmagic URSA Studio Viewfinder ya da harici monitör veya aksesuarların çalıştırılması için, 4 pimli XLR konektör. Daha fazla bilgi için kılavuzdaki 'Blackmagic URSA Viewfinder' ve 'Blackmagic URSA Studio Viewfinder' bölümlerine bakın. Bu çıkış, Broadcast Lens Connector ile birleşince toplam 2 ampere kadar 12 voltluk güç sağlar.

17 LANC Girişi

Blackmagic URSA Handgrip için özel 2.5mm TRS LANC bağlantısı.

18 Yayın Lens Kontrolü için Konektör

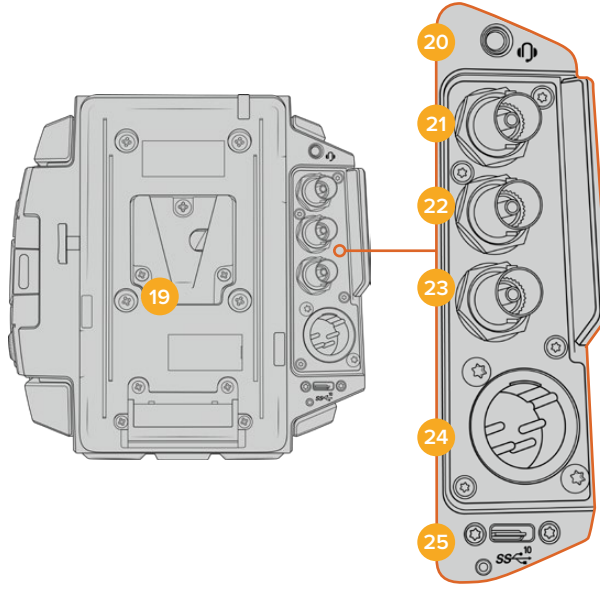
Uyumlu PL ve B4 yuvalı merceklere, 12 pim bağlantıları ile güç ve kontrol temin eder. Bu çıkış, +12V Güç Çıkışı ile birleşince toplam 2 ampere kadar 12 volt güç sağlar.

Arka Panel

19 Batarya Montaj Plakası

Blackmagic URSA Broadcast G2'niz, VLock bataryaları kameranıza takmak için Blackmagic URSA VLock Battery Plate takılı olarak gelir. URSA VLock Battery Plate, aksesuarlara güç sağlamak için bir D-Tap portuna sahiptir. Bu D-tap portu, 1,5 Ampere kadar regüle edilmiş 12 Volt güç çıkarabilir.

URSA VLock Battery Plate, isteğe bağlı bir Blackmagic URSA Gold Battery Plate veya başka marka bir pil plakası ile değiştirilebilir. Batarya plakası, gömme bir Molex konektörüne erişmek ve Blackmagic Camera Fiber Converter veya Blackmagic URSA Mini Recorder gibi isteğe bağlı aksesuarları kameranın arkasına bağlamak için çıkarılabilir. Bağladığınız aksesuarın D-tap güç çıkışı varsa Molex bağlantısı, 1,5 Ampere kadar 12 Volt'luk bir güç çıkışı sağlar. Daha fazla bilgi için; "Bataryaların Takılması", "Blackmagic Fiber Çeviriciler ile Başlarken" ve "URSA Mini Recorder" bölümlerine bakın.



20 Kulaklık/Mikrofonlu Kulaklık

3.5mm jak çıkışı, kulaklıkla dinleme ve talkback için kullanılır. Hızlı ve kolay talkback için, dahili mikrofonu olan iPhone ve Android uyumlu kulaklıklar takabilirsiniz. Talkback sesi, SDI çıkışının 15. ve 16. kanallarında gömülüdür.

BİLGİ URSA Broadcast G2'nin 3.5mm'lik jak girişini talkback için kullanırken, iPhone ya da Android uyumlu bir kulaklığın kullanılması, uygun maliyetli bir seçenektir. Bunlar genellikle, 'çift taraflı buton' şeklindedir ve mikrofonu sessize almak veya sesi açmak için kullanılabilirler. Bir yayın kulaklığını bu çift taraflı buton olmadan kullanmak isterseniz aynı işlevselliği sunması için, URSA Broadcast G2'nin fonksiyon butonlarını yapılandırabilirsiniz. Daha fazla bilgi için, bu kullanım kılavuzundaki 'kurulum ayarları' bölümüne bakınız.

21 12G-SDI Çıkış

Blackmagic URSA Broadcast G2'nin 12G-SDI çıkışı; yönlendiriciler, monitörler, SDI görüntü yakalama cihazları ve yayın switcher'leri gibi SDI ekipmanlara HD ve Ultra HD video göndermek için kullanılır. Ayrıca, 12G-SDI çıkışını, Blackmagic Video Assist gibi harici bir kaydediciye, yedek kayıt için bağlayabilirsiniz.

22 12G-SDI Girişi

12G-SDI girişi, bir switcher ya da bir harici kaydediciye bağlanmak için kullanılır. Böylelikle, canlı yayında bir URSA Broadcast G2 kullandığınızda, switcher'in program çıkışını takabilir ve çekim boyunca izleyebilir ya da harici bir kaydediciden oynatım kontrolünü yapabilirsiniz. Program sinyali izlemek için, program butonunu basılı tutun.

Daha fazla bilgi için, bu kullanım kılavuzundaki 'Ergonomik Kontrol Panel' bölümüne bakın.

Bir çok URSA Broadcast G2 fonksiyonunu uzaktan ayarlamak için, ATEM switcher'in 'kamera kontrol' özelliğini de kullanabilirsiniz. Daha fazla bilgi için, 'Studio Kamera Kontrolü Hakkında' bölümüne bakın. Blackmagic 3G-SDI Shield for Arduino ayrıca, SDI üzerinden kişiselleştirilmiş kamera kontrolünün sağlanması için de kullanılabilir.

SDI girişi üzerinden tally ve talkback sinyali alabilmek için, kameranın ayarlar menüsünde ATEM Kamera Kimliğinizi ayarladığınızdan emin olunuz. Harici bir referans sinyali almak için SDI girişini kullanmak istiyorsanız kurulum ayarlarında referans kaynağınız olarak 'program' seçeneğini seçmeniz gerekecektir. Harici referans kilitlendiğinde, kameranızın LCD ekranındaki zaman kodu göstergesinin yanında, 'REF' ibaresi belirecektir. Daha fazla bilgi için, kullanım kılavuzundaki 'kurulum ayarları' bölümüne bakın.

URSA Broadcast G2'deki SDI Girişi, kameraya harici zaman kodu gönderilmesi için de kullanılabilir. Bu işlem; gelen SDI sinyali uyumlu ise ve geçerli zaman kodu varsa, gelen zaman kodunu otomatik olarak kilitleyecektir. Harici zaman kodu kilitli olduğunda, URSA Broadcast G2'nin LCD ekranında 'EXT' logosu görünecektir. Kabloyu çıkardığınızda, zaman kodu takılmış olarak kalır ve zaman kodunun artık URSA Broadcast G2'nin dahili zaman kodu saatine göre çalıştığını göstermek için, bu logo 'INT' olarak değişir.

23 Referans ve Zaman Kodu Girişi

Bu giriş, giriş sinyallerini otomatik olarak fark ederek, zaman kodu ve referans sinyali arasında değişir. 'REF In' olarak işaretli 'referans' BNC girişine, tri-level sync gibi yaygın bir referans sinyali bağlayarak, Blackmagic URSA Broadcast G2'yi bu sinyale senkronize edin. Dikkat edilmesi gereken diğer bir husus, bir referans sinyalinin bu girişten kullanılması için, URSA Broadcast G2'deki kurulum menüsünde referans kaynağının, 'harici' olarak ayarlanması gerekmektedir.

Bunun yerine, bu konektörü birden fazla kamerayı harici bir zaman kodu kaynağı ile eşleştirmek için ya da ikili bir sistemde çekim yaparken ses ve görüntüyü senkronize etmek için kullanabilirsiniz. Bu da ses ve görüntünün veya birden fazla kameradan videonun, post prodüksiyon esnasında kolaylıkla senkronize olmasını sağlar. Eş kare hızlı harici bir zaman kodu, bu konektöre takıldığında, kamera otomatik olarak gelen zaman koduna kilitlenecektir. Harici zaman kodu kilitli olduğunda, URSA Broadcast G2'nin LCD ekranında 'EXT' logosu görünecektir. Kabloyu çıkardığınızda, zaman kodu sıkışmış olarak kalır ve zaman kodunun artık URSA Broadcast G2'nin dahili zaman kodu saatine göre çalıştığını göstermek için, bu logo 'INT' olarak değişir.

Ayrıca kameranızı, program SDI Girişi aracılığıyla bir referans sinyalini ATEM switcher'den kullanması için de ayarlayabilirsiniz. Bu, ATEM switcher'lerle çalışırken faydalıdır çünkü, tek bir SDI sinyalinin kullanılmasıyla kameraların hepsi, program return sinyalini ve kamera kontrolünü alabilir ve birlikte referanslandırılabilirler. Daha fazla bilgi için, bu kullanım kılavuzundaki 'kurulum ayarları' bölümüne bakın.

24 +12V Güç Girişi

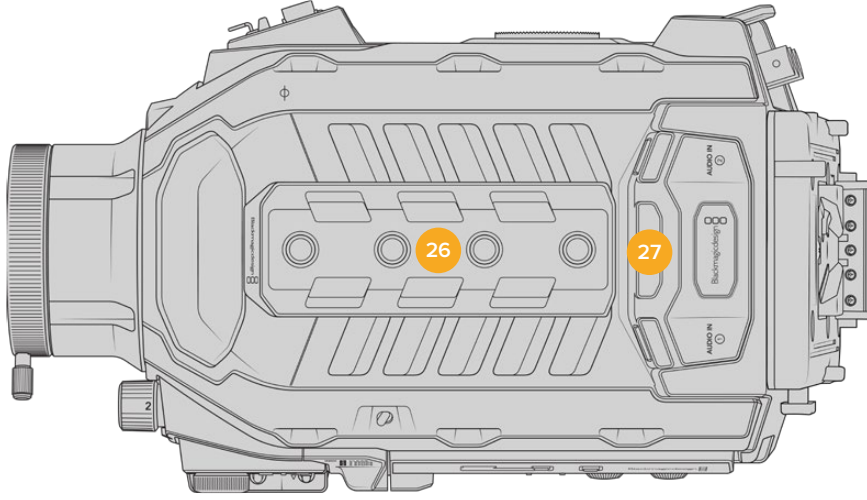
Cihazla gelen güç adaptörü veya portatif batarya gibi harici kaynaklardan güç sağlamak için, 4 pimli 12-18 Volt DC XLR konektörü kullanın.

25 USB Portu

Harici bir flaş diske veya Blackmagic URSA Mini Recorder'i kullanarak bir SSD'ye kayıt için 1 adet 3.2ci Nesil USB-C portu. Ayrıca, uyumlu lenslerle netlik ve zum kontrolü için Blackmagic Zoom ve Focus Demand cihazlarını kameranıza bağlamak için de bu port kullanılır.

USB-C portunun altındaki dişli konektör, URSA Mini Kaydedici ile kullanım sırasında güvenli bir bağlantı sağlamak üzere kaydediciyle gelen, kilitlenir USB kablosuyla çalışır. Daha fazla bilgi için, bu kullanım kılavuzundaki 'URSA Mini Recorder' bölümüne bakın.

Üst Panel



Harici analog ses, üst paneldeki dengeli XLR konektörlere takılabilir.

26 1/4" Montaj Noktaları

Kameranın üst panelinde, üst tutma kolunun ve aksesuarların takılması için 4 adet güçlü montaj noktası bulunur.

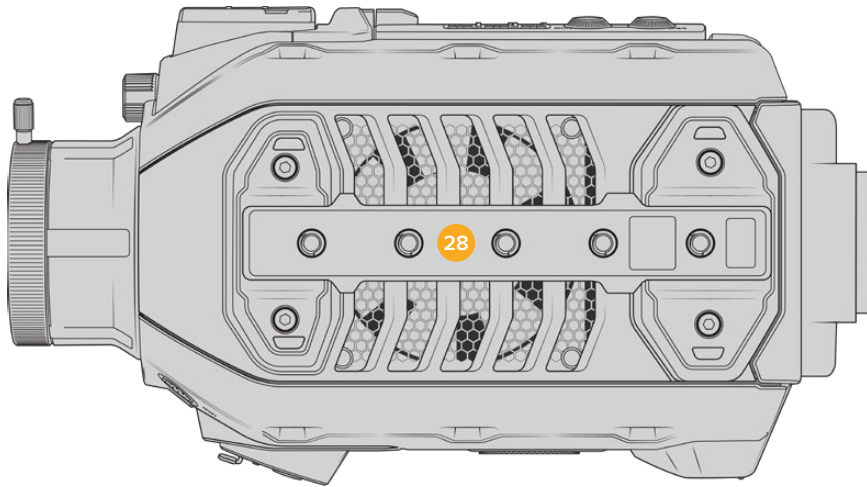
27 XLR Ses Girişi

Ses mikserleri, PA sistemleri veya harici mikrofonlar gibi profesyonel ekipmanlardan harici analog ses bağlamak için, dengeli XLR girişlerini kullanın. XLR konektörler 48V fantom güç sağlarlar yani, fantom güç gerektiren mikrofonları kullanabilirsiniz. Fantom güç hakkında daha fazla bilgi için, 'URSA Broadcast G2 kontrolleri/dahili kontrol paneli' bölümüne bakın.

Alt Taraf

28 1/4" Montaj Noktaları

Kameranın alt yüzündeki 5 montaj noktası; tripod kafaların, opsiyonel URSA Mini Shoulder Kit ve diğer aksesuarların takılması için kullanılır.

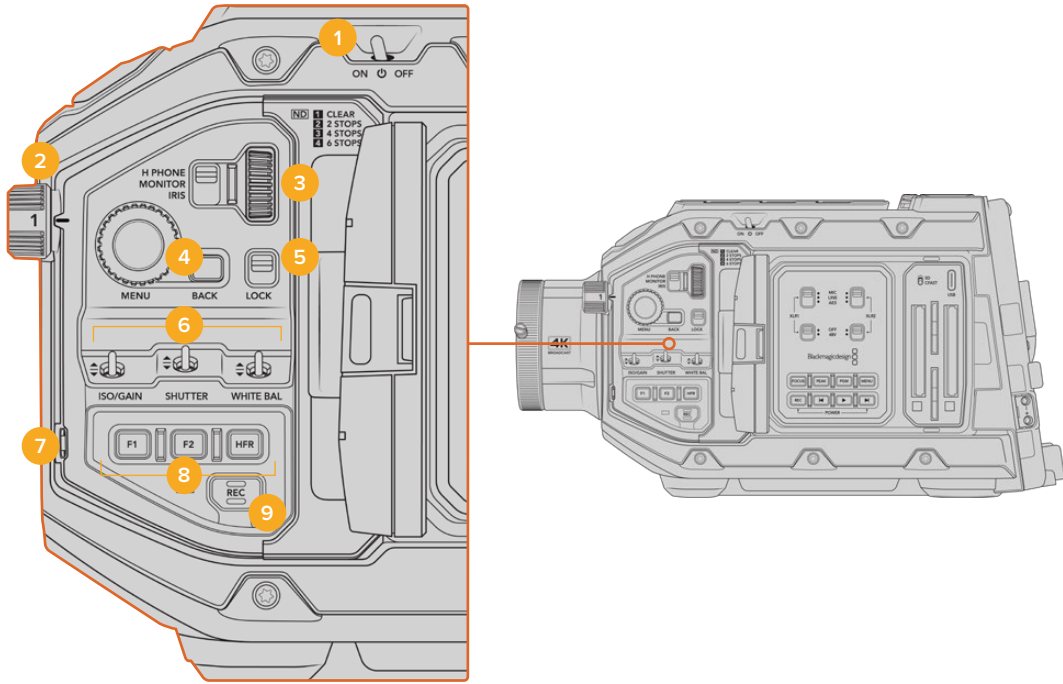


URSA Broadcast G2 Kontrolleri

Tüm gerekli fonksiyonların yanında güçlü denetleme araçlarına da hızla ve kolaylıkla erişmeniz için, Blackmagic URSA Broadcast G2; kasasında, katlanır dokunmatik ekranın dışında ve içinde kontrol panellerine sahiptir. İster bir tripod üzerinde ister elde veya URSA Mini Shoulder Kit ile çekim yapıyor olun, bu paneller elinize yakın olacak şekilde tasarlanmıştır.

Ön Kontrol Paneli

Kameranızın ön kontrol paneli, bir çekim hazırlığında ve kayıttayken ihtiyaç duyabileceğiniz ayarlara dair kontrollerin tümünü, bir grup halinde sunar. Tüm bu kontroller, omuzluk kullanıldığında gibi çekim esnasında katlanır ekranın kapalı olduğu durumlarda, kolay erişilecek şekilde tasarlanmıştır.



URSA Broadcast G2 öne doğru kontrol paneli

1 Power (Açma/Kapama) Düğmesi

Bu düğmeyi 'on' (açık) konumuna getirerek URSA Broadcast G2'nizi çalıştırın. Düğmeyi 'off' konumuna getirerek kamerayı kapatın.

BİLGİ URSA Broadcast G2'nizi, kontrol paneldeki bazı düğmelere birlikte basarak da açıp kapatabilirsiniz. Kamera kapalı haldeyken 'rec' (kayıt) ve 'forward skip' (ileri atlat) düğmelerinin basılı tutulması, kamerayı çalıştırır ve kamera açıkken de kamerayı kapatır. Kameranın çalıştırma düğmesi 'on' olarak ayarlı; fakat kamera kapalı ise, kameranız kontrol panelinden kapanmış olabilir. Açma/kapama düğmesini, tekrar normal çalışma durumuna getirin.

2 ND Filtreleri

URSA Broadcast G2'niz, üç adet dahili doğal yoğunluk filtresi içerir. Saydam filtre ile birlikte, mevcut olan ayarlar 1/4, 1/16 ve 1/64'dir. Bu filtreler, URSA Broadcast G2'nin sensörüne ulaşan ışık miktarını, ön ayarlı bir kesir değeriyle düşürmenizi sağlar.

Pozlandırmayı düşürerek, dış mekanlarda güneşli günlerdeki gibi parlak şartlarda, geniş diyaframlarda çekim yapmaya devam edebilirsiniz.

Doğal yoğunluk ayarını düzeltmek için, tekeri yukarı ya da aşağı çevirin. 'Saydam' ayarı, herhangi bir ND filtrenin kullanılmadığı anlamına gelir. Ayar 1/4'den 1/64'e kadar, ND filtreleri aşamalı olarak yoğunluğu artırır böylece, gereksinim oldukça ışığı azaltabilirsiniz.

Farklı kullanıcılar her bir ND filtre için farklı bir isim kullanmayı tercih ettiklerinden, ND ayarlarınızın ölçüleri, LCD menüsünden isteğe göre değiştirilebilir. ND filtre numarasını, ışık azaltmadaki adımların miktarını ya da filtreler için azaltılan ışığın miktarını temsil eden oranı, tercihinize göre belirleyebilirsiniz.

Nötr Yoğunluk Filtre Ayarları

Teker konumu	ND miktarı	Adım sayısı	Bölüm
1	saydam	0	1
2	0.6	2	1/4
3	1.2	4	1/16
4	1.8	6	1/64

3 Ayar Tekerı

Bu teker için fonksiyonu, tekerin yanındaki üç konumlu düğmeyle ayarlayın.

'Headphone' (kulaklık), 'monitor' (hoparlör) ve 'iris' (diyafram) mevcut seçeneklerdir.

Kulaklık

Ayar tekeri, 'H Phone' olarak ayarlıyken kulaklık ses seviyesini ayarlar. Ses seviyesini artırmak için, tekeri yukarı doğru çevirin ve düşürmek için de aşağı doğru çevirin.

Hoparlör

Ayar tekeri, 'monitor' konumuna ayarlıyken kameranızın dahili ekran hoparlörünün ses seviyesini ayarlar. Hoparlör, LCD ekran kapağının dış kısmında bulunur ve kulaklık olmadan sesin dinlenmesinde kullanılabilir. Sesin ayarını artırmak için, tekeri yukarı doğru çevirin ve düşürmek için de aşağı doğru çevirin. Kameranın dahili mikrofonuyla yapılan kayıt esnasında, istenilmeyen ses döngüsünün (feedback) önlenmesi için, bu fonksiyon etkisiz kılınır.

Diyafram

Ayar tekeri, 'iris' konumuna ayarlı iken, URSA Broadcast kameraya takılı olan uyumlu merceklerde, diyafram aralığını ayarlamak üzere kullanılır. Tekerı aşağı yönde çevirmek, diyaframı açar ve yukarı doğru çevirmek de diyaframı kapatır. Bu yönler, ayarlanabilir fotoğraf ve sinema merceklerindeki diyafram kontrolü gibidir.

BİLGİ Diyafram aralığı ayarlarının, ayar tekeri ile değiştirilmesi için, URSA Broadcast G2'de, diyafram açıklığını kamera üzerinden değiştirmeyi destekleyen bir merceğin takılı olması gerekir. 12 pimli yayın konektörü ile bağlanmış bir B4 ya da PL lens kullanıyorsanız, tutma kolundaki lens iris düğmesinin 'A' veya 'auto' olarak ayarlandığından emin olun.

4 Menü Tekerı ve Geri Butonu

Kameranızın ön SDI çıkışı için 'durum metni' etkin olduğunda, genellikle dokunmatik LCD ekran aracılığıyla erişilen denetim merkezi ekranındaki özelliklerin bir çoğuna ulaşmak üzere, menü tekerini kullanabilirsiniz.

Blackmagic SmartView, Video Assist ya da URSA Viewfinder gibi harici bir monitörde, URSA Broadcast G2'nin denetim merkezi ekranına erişmek üzere, normal bir butona bastığınız gibi menü tekerine basın. Menü tekeri aktif haldeyken; LCD ekran seçenekleri, kare hızı, ISO, beyaz ayar ve tonlama gibi özellikleri seçmek için tekeri çevirin. Tercihlerinizi onaylamak ve ilave değişiklikler yapmak için tekere basın ve iptal etmek için de tekerin yanındaki 'back' (geri) düğmesine basın. Back düğmesini ayrıca, menüde bir üst kademeye ilerlemek istediğinizde ya da en üst kademedeyken menüden tamamen çıkmak için de kullanabilirsiniz. Bir dakika boyunca aktif olmadığı durumda, menü otomatik olarak kapanır.

Durum metni ve mevcut kontroller hakkında daha fazla bilgi için, bu kılavuzdaki 'dokunmatik ekran kontrolleri' ve 'ekran ayarları' bölümlerine bakın.

5 Lock (Kilit)

Çekim esnasında kazayla ayarların değiştirilmesini önlemek üzere, ön kontrol panelindeki kontrollerin tümünü kilitlemek için, bu düğmeyi kullanın. Kilitlemek için, bu düğmeyi aşağı çekin ve kilidi açmak için de yukarı çekin.

BİLGİ İşlek veya kontrolsüz ortamlardaki çekimlerde kamerayı bıraktığınızda, URSA Broadcast G2'nizin ön kontrol panelini kilitleyebilirsiniz. Bu, ayarlarınızın başkaları tarafından farkında olmadan değiştirilmesini engeller.

6 ISO, Örtücü ve Beyaz Ayar Anahtarları

Bu küçük anahtarlar; ISO/Gain, beyaz ayar ve örtücü ayarlarının yapılmasında kullanılır. Gözünüzü çekimden ayırmadan hızlıca ayar yapmanızda kolaylık sağlar. Ayar değişiklikleri yapmak için, anahtarları yukarı ya da aşağı hafifçe itin. Anahtarlar yaylı olduğundan daima nötr konumuna dönerler.

ISO/Gain

Kameranızın kazanç ayarını yapmak için bu anahtarı yukarı ya da aşağı doğru itin. Yukarı itilmesi, ayarı 1/3 adım artırır ve aşağı itilmesi de ayarı 1/3 adım düşürür. Mevcut ayarlar -12 ile 36dB arasındadır.

Shutter

Bu düğmeyi, kameranın örtücü hızını ayarlamak için kullanın. Yukarı itildiğinde, örtücü hızını bir sonraki mevcut önayara artırır ve aşağı itildiğinde de bir sonraki mevcut önayara düşürür. Düğmenin yukarı ya da aşağı konumda tutulması, mevcut değerler arasında geçişi daha da hızlandırır. 1/24 ile 1/2000 arasında olmak üzere, oniki adet örtücü hız önayarı bulunmaktadır.

BİLGİ URSA Broadcast G2'niz ayrıca, bulunduğunuz bölgenin güç frekansına bağlı olarak kırışmasız örtücü hızları önerebilir. Bunların, dokunmatik LCD ekran menüsünden seçilmesi gerekmektedir. Daha fazla bilgi için, bu kılavuzun 'dokunmatik ekran kontrolleri' bölümüne bakın.

Beyaz Ayar

Bu anahtar, kameranın beyaz ayarının yapılmasında kullanılır. Yukarı itilmesi, renk sıcaklığını 50K artırır ve aşağı itilmesi de 50K düşürür. Düğmenin yukarı ya da aşağı konumda tutulması, mevcut değerler arasında geçişi daha da hızlandırır.

7 Otomatik Beyaz Ayar

Bu düğmeye basıldığında, beyaz bir 'otomatik beyaz ayar' kutusu, LCD ekranın ortasında beş saniyeliliğine görüntülenecektir. Ayrıca bu kutu, menü ayarlarında durum

mesajı aktif olan her SDI çıkışında da görünür. Beyaz kutu, görüntünüzde beyaz ayarın hesaplanacağı belirli alanı gösterir. Bu sebepten dolayı, gri kartınızın bu kutu içerisinde olması gerekmektedir. 'Auto W/B' butonunun 3 saniye basılı tutulması, bir 'otomatik beyaz ayar' uygular ve bunun başarılı bir şekilde gerçekleştiğini teyit etmek için bu kutu, beyazdan yeşile dönüşür.

URSA Broadcast G2'nizin ön ve ana SDI çıkışlarında durum metnini etkinleştirme konusunda bilgi için, bu kılavuzdaki 'ekran ayarları' bölümüne bakın.

8 F1 ve F2

F1 ve F2 butonları, URSA Broadcast G2'nin 'kurulum' menüsü kullanılarak, çoğunlukla kullanılan çeşitli fonksiyonlara programlanabilen 'fonksiyon' butonlarıdır. Varsayılan olarak; F1, LCD ekranda ve ön SDI çıkışında "netlenen alanı yaklaştır" özelliğini açıp kapatmaya, F2 ise LCD eranda "sahte renk" özelliğini açıp kapatmaya ayarlıdır.

Daha fazla bilgi için, bu kılavuzun 'dokunmatik ekran kontrolleri' bölümüne bakın.

HFR

Farklı hızda kayıt kare hızını değiştirmek için HFR ya da 'high frame rate' ibareli yüksek kare hızı butonunu kullanın. Bu butonu kullanmak üzere, URSA Broadcast G2'nin 'frame rate' yani 'kare hızı' menüsünden, kullanmak istediğiniz 'off speed' yani 'farklı hızda kayıt' için kare hızının ayarını yapın. Bu düğmeye basılması, tercih ettiğiniz farklı hızda kayıt kare hızı (off speed frame rate) ile proje kare hızı arasında kaydı değiştirecektir. Ayrıca, bilmeniz gereken diğer bir husus, bu ayarı yalnızca kayıt durduğunda değiştirebileceğinizdir. HFR butonu, sıkça kullanılan çeşitli fonksiyonlara programlayabileceğiniz veya etkisiz hale getirebileceğiniz bir 'fonksiyon butonu' olarak da çalışabilir.

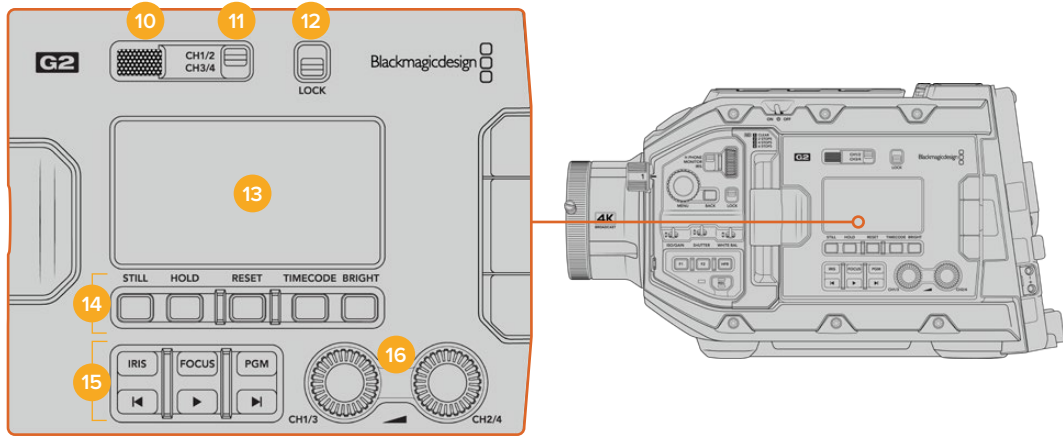
Proje ve farklı hızda kayıt kare hızları konusunda daha fazla bilgi için, bu kılavuzun 'dokunmatik ekran kontrolleri' bölümüne bakın.

9 Record (Kayıt)

'Kayıt' butonu, Blackmagic URSA Broadcast G2'nin sol tarafında REC olarak işaretlidir. Kaydı başlatmak ve durdurmak için, 'REC' yani kayıt düğmesine basın. Daha fazla bilgi için 'kaydetme' bölümüne bakın.

Ergonomik Kontrol Panel

URSA Broadcast G2'nin dokunmatik ekranın dış kısmında, bir LCD durum monitörü ile monitör için çeşitli kontroller göreceksiniz. Bu panel, kameranızın tüm durum bilgilerine bir bakışta erişebilmenizi ve ayrıca ses düzeylerini dinlemenizi ve ayarlamınızı da sağlar. Uyumlu mercekler kullanıldığında otomatik odaklama ayarı yapılabilir ve aktarım denetimleri, kliplerinizi oynatmanızı sağlar.



URSA Broadcast G2 ergonomik kontrol paneli

10 Ekran Hoparlörü

Kontrol panelinin dış tarafındaki dahili küçük hoparlör, oynatım esnasında sesi dinlemenizi sağlar. Hoparlör, kamera ile omuzda çekim yaparken, kulağınıza yakın olacak şekilde konumlandırılmıştır.

Hoparlörün ses ayarını yapmak için, 'URSA Broadcast G2 Kontrolleri' bölümünde anlatıldığı gibi, ayarlar düğmesini çevirmeniz yeterlidir.

11 Dinlenecek Kanalin Seçimi

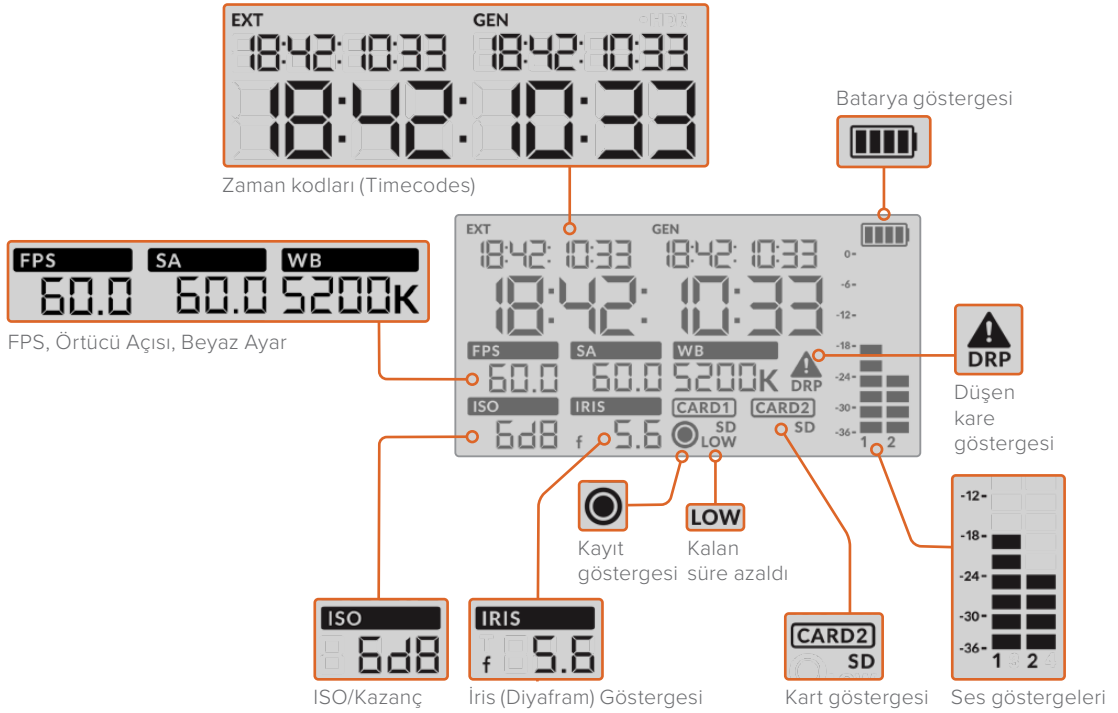
URSA Broadcast G2'niz, iki adet ses kanalını destekler.

12 Lock (Kilit)

Bu düğmeyi, URSA Broadcast G2'nin ergonomik kontrol panelinde bulunan tüm ayarları kilitlemek için kullanın. Kilit düğmesi 'on' konumunda iken, aktif kalacak olan kontroller yalnızca 'monitor channel select' (dinlenecek kanalı seçme) düğmeleridir.

13 LCD Durum Ekranı

Bu ekran, dahili dokunmatik ekranı açmak zorunda kalmadan, URSA Broadcast G2'nin tüm gerekli ayarlarını bir bakışta görebilmenizi sağlar. Bu ekran, parlak gün ışığında bile görülmek üzere tasarlanmıştır. Aşağıdaki bilgileri gösterir:



Zaman Kodları

URSA Broadcast G2'niz, üç zaman kodu görüntüler. Harici bir zaman kodu bağlıysa LCD ekranının sol üst köşesinde 'ext' işareti ile bu gösterilecektir. Bunun hemen yanında, kameranızın dahili oluşturulan zaman kodu 'gen' göstergesinin altında görüntülenir. Hem harici hem de dahili oluşturulan zaman kodları; saat, dakika, saniye ve kare olarak gösterilir.

Daha büyük olan ana zaman kodu göstergesi, mevcut zaman kodunuzu ya klip süresi ya da zaman kodu olarak görüntüler. LCD durum ekranının altındaki 'timecode' butonuna basarak, bu iki ekran modunun birinden diğerine geçebilirsiniz.

Batarya göstergesi

URSA Broadcast G2'niz batarya ile çalışıyorsa bu gösterge, batarya ömrünü %25'lik aralıklarla gösterir. Batarya göstergesindeki dört çubuktan her birisi, bataryanın geri kalan ömrünün %25'ine tekabül eder. Bataryanızın ömrü %20'nin altına düştüğünde,

kayıt düğmesinin yakınındaki LED durum lambası, yanıp sönmeye başlar. Kayıt esnasında, durum lambasının rengi kırmızı ile turuncu arasında yavaşça değişir ve 'standby' (bekleme) modunda iken, beyaz ile turuncu arasında değişir.

Şebeke elektrik konektörü kameranıza bağlıysa batarya göstergesi bataryayı dolu gösterir.

FPS, Örtücü Açısı, Beyaz Ayar 'FPS', SA ve 'WB' göstergeleri, sırasıyla kameranızın; mevcut kare hızını, örtücü açısını ve beyaz ayarını görüntüler. 'FPS' göstergesi, kullanılan sensör kare hızını gösterir.

Sensör ve proje kare hızları konusunda daha fazla bilgi için, bu kılavuzdaki 'dokunmatik ekran kontrolleri' bölümüne bakın.

ISO/Gain

Kameranızın mevcut kazanç ayarını görüntüler.

İris

Mevcut mercek diyafram açıklığını görüntüler. Bu, merceğinin türüne göre bir 'f' ya da 'T' durağı olarak görüntülenir.

Kart Bilgileri

Kart yuvalarında kart olduğunda, URSA Broadcast G2'nizin durum LCD ekranında 'kart 1' ve 'kart 2' göstergeleri belirir.

SD kartlarına kaydediyorsanız 'SD' işareti görünür ve kaydınızı CFast kartlarına yapıyorsanız işaret kaybolur.

Kayıt Göstergesi

Kayıt esnasında, kaydedilen kartın veya kartların altında, dairesel bir gösterge belirir.

Kalan Süre Azaldı

Yaklaşık 5 dakikalık bir kayıt süresi kaldığında, ilgili kartın altında, bir 'low' (az) işareti belirir.

Ses Göstergeleri

Tepe noktası (Peak) ses göstergeleri, dahili mikrofon kullanıldığında veya harici ses bağlandığında, ses seviyelerini görüntüler. Gösterge, dBFS birimleri olarak kalibre edilmiştir ve ekranda kısa bir süre görünen, pik tutma göstergeleri özelliğini içerir, böylece ulaşılan azami ses seviyelerini açıkça görebilirsiniz.

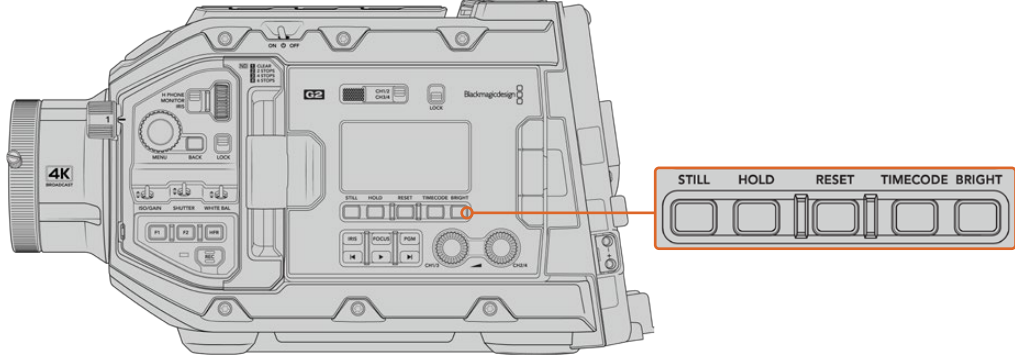
Optimum ses kalitesi için, ses seviyelerinizin 0 dBFS'nin altında kaldığından emin olun. Bu, kameranızın kayıt edebileceği azami seviyedir, bu seviyeyi aşan her ses kırılacaktır ve netice olarak seste bozulmaya yol açacaktır.

Düşen Kare Göstergesi

Kameranız düşen kareler tespit ettiğinde, bu gösterge yanıp söner. Kayıt yapmayı durdurduğunuzda, önceki klibin düşen kareler tespit ettiğini bildirmek için, bu gösterge ekranda görüntülenmeye devam eder. Bu uyarı, tekrar kayıt yapmaya başladığınızda ya da kamerayı yeniden başlattığınızda kaybolur. Kare düşmelerini önleme ile ilgili daha fazla bilgi için, bu kılavuzun 'depolama ortamı' bölümüne bakın.

NOT URSA Broadcast G2'nizi, düşen kareler tespit ettiğinde kaydı durdurması için ayarlayabilirsiniz. Daha fazla bilgi için, bu kullanım kılavuzundaki 'kayıt ayarları' bölümüne bakın. Daha yavaş medya üzerine çekim yaparken yüksek kare hızları veya çözünürlükte küçük sürelerde 'burst' tarzı kayıtla durumu kurtarabileceğinizden, bu özellik, kullanıcının seçimine bırakılmıştır.

14 LCD Durum Ekranı Kontrolleri



URSA Broadcast G2 LCD durum ekranı kontrolleri

Still (Sabit Görüntü)

Bu butona, bir sabit görüntüyü sıkıştırılmamış tek bir DNG karesi olarak yakalamak için basın. Görüntü dosyaları, şu anda kaydetmekte olduğunuz ortamın kök dizindeki 'stills' isimindeki sabit görüntüler klasörüne kaydedilir. Bunlar, video klipleri için olan dosya adlandırma kurallarını takip eder fakat; dosya adı, dosya adının en son dört rakamı olarak (still number) sabit görüntü numarasını temsil eden 'S001' içerecektir. Bir sabit görüntüyü başarılı bir şekilde kaydettiğinizi teyit etmen üzere, URSA Broadcast G2'nin dokunmatik ekranının sağ üst köşesinde bir kamera görüntüsü belirir ve LCD durum ekrandaki kayıt göstergesi üç kez yanıp söner.

Hold Butonu

Zaman kodu günlük saat kodunda çalışırken, ana LCD durum ekranı zaman kodunu geçici olarak tutmak için, bu butonu kullanın. Zaman kodu arka planda çalışmaya devam edecektir ve 'hold' butonunu bıraktığınızda da tekrar esas konumuna dönecektir. Hold (tutma) durumunda iken, belli bir etkinliğin zaman kodu için notlar tutabilirsiniz. Bu, elektronik haber toplamada veya belgesel çalışmalarında, önemli zaman kodu noktalarının not edilmesinde faydalı olabilir.

Reset (Sıfırla)

Reset butonu, önayar zaman kodunun ayarını yaparken zaman kodunu 00:00:00:00 olarak resetlemenizi sağlar.

Timecode (Zaman Kodu)

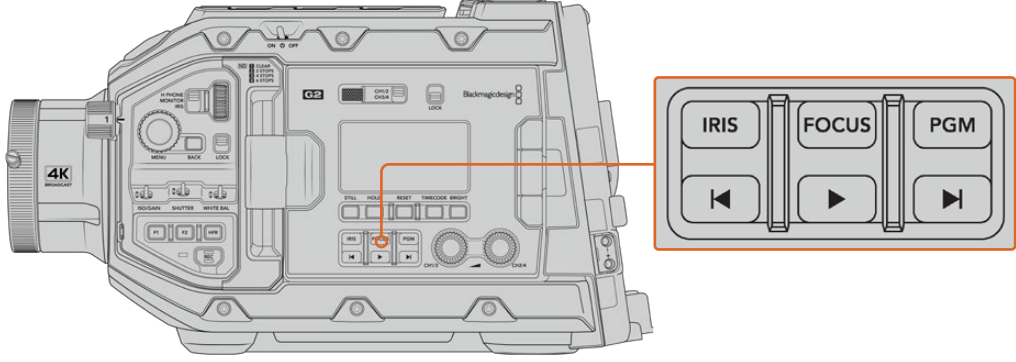
Ana zaman kodu görüntüleme formatını, klip süresi ile zaman kodu arasında değiştirmek için, 'timecode' butonuna basın. Zaman kodunun varsayılan ayarı, günlük saat olacaktır; çünkü en yaygın olarak bu kullanılır. 'Timecode' butonunu 5 saniye kadar basılı tuttuğunuzda, kamera 'record run timecode' (kayıtla çalışan zaman kodu) moduna girecektir ve büyük zaman kodu görüntüsünün ilk iki rakamının yanı sıra, zaman kodu üretici de yanıp sönecektir. Bu, önceden ayarlı zaman kodunuzu, şimdi değiştirdiğinizi gösterir ve önceden ayarlı zaman kodunuz için, belli bir zaman kodu numarası ayarlamanızı sağlar.

Bu aşamada 'reset' butonuna basılması, zaman kodunu sıfırlar ve sonrasında menü tekerleğini döndürerek ve basarak; saat, dakika saniye ve kare olarak dilediğiniz değerleri girebilirsiniz. Arzu ettiğiniz zaman kodunu girdiğinizde, bunu önceden ayarlı zaman kodu noktanız olarak ayarlamak için, 'timecode' butonunu 3 saniye basılı tutun. Şimdi, zaman kodu üretcinizin, bu değeri gösterdiğini fark edeceksiniz ve sadece kamera çalışırken artarak, size devamlı artan zaman kodu değerlerini verecektir. Zaman kodunuzu günlük saat moduna geri çevirmek için; 'timecode' ve 'hold' düğmelerine aynı anda basın ve 3 saniye basılı tutun.

Bright (Parlaklık) Butonu

URSA Broadcast G2'nizin LCD durum ekranına ait dört parlaklık ayarı arasından seçim yapmak için, 'bright' butonuna basın. Bu ayarlar; 'off' (kapalı), 'low' (düşük), 'medium' (orta) ve 'high' (yüksek) şeklindedir.

15 Kontrol ve Oynatım Butonları



URSA Broadcast G2 kontrol ve oynatım butonları

İris (Diyafram) Butonu

'İRIS' etiketli diyafram butonu, uyumlu lenslerdeki otomatik diyafram aralığı ayarını aktif hale getirir. Video dinamik aralık ayarlarını kullanırken iris butonuna bir kere basılması, çekiminizdeki parlaklıklar veya gölgelere bağlı olarak, ortalama bir pozlandırma ayarının yapılmasını sağlar. Film dinamik aralık ayarları kullanılırken iris butonuna basılması, çekiminizdeki aydınlık bölümün en parlak noktasına göre pozlamayı ayarlar. Bu buton, uyumlu bir yayın merceği kontrol cihazına bağlı olan, uyumlu EF mercekleri ve PL mercekleri ile çalışır.

Diyaframınızı manuel olarak ayarlamak için, ileri ve geri atlama aktarım butonlarına basın.

Focus (Netlik) Butonu

Elektronik netlik ayarlarını destekleyen bir B4 ya da EF mercek kullanırken, otomatik odaklamayı etkinleştirmek için 'focus' butonuna basın. URSA Broadcast G2'nize bağlı her vizör ya da monitörde, beyaz renkli bir odak çerçevesi belirecektir. Çerçevenin içinde görünen her şey, doğru olarak odaklanacaktır. Mercek netlendiğinde, çerçeve kaybolacaktır.

NOT Focus butonunu kullanmak için, B4 merceğinizde servo netlik kontrolü olması ve servo motorunun aktif edilmiş olması gerekir. Daha fazla bilgi için, 'başlarken' bölümüne bakın. Bazı EF mercekler, hem manuel hem de otomatik netlik moduna sahiptirler. İsteğe bağlı olan EF mercek yuvasını kullanıyorsanız URSA Broadcast G2'nin merceğinizle otomatik netlik yapabilmesi için, merceğinizin otomatik netlik modunda olduğundan emin olmanız gerekir.

Program Butonu

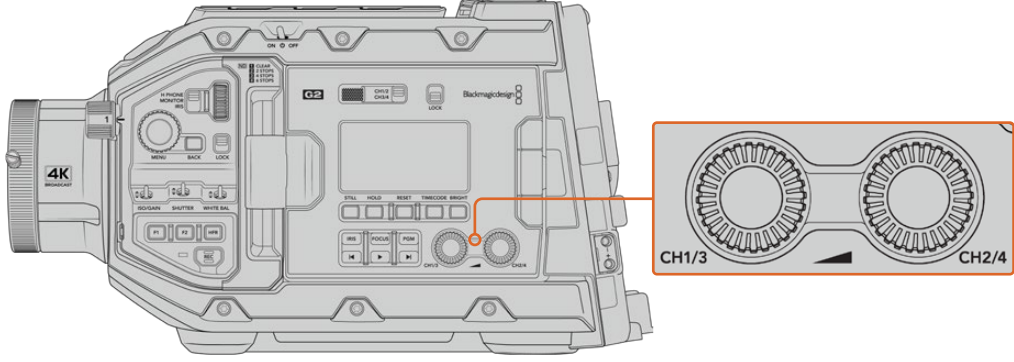
PGM olarak etiketli program butonu; kamera görüntüsü ve arka paneldeki 12G-SDI girişine takılı olan sinyal görüntüsü arasında, LCD'yi ve ön SDI çıkışını değiştirmenizi sağlar. Böylelikle, kamerayı bir canlı yayında kullandığınızda, switcher'in program çıkışını takabilir ve çekim anında izleyebilirsiniz. Program sinyalini izlemek için, program butonunu basılı tutun. Program butonu basılıyken program sinyali görüntülenmeye devam edecektir.

LCD ekranı ve ön SDI çıkışını, program giriş sinyalini göstermesi için kilitlemek istediğinizde, program sinyaline kilitlemek üzere program butonuna iki kere basın. Program butonuna tekrar basılması, program yayınından çıkmanızı ve kamera görüntüsüne geri dönmenizi sağlar.

Oynatım Kontrol Butonları

Oynatım butonları, klipi başlatmanızı ve durdurmanızı sağlar, ayrıca bir sonraki ya da bir önceki klibe atmanızı sağlar. Bir EF mercek kullanırken, ileri ve geri atlatma butonları uyumlu merceklerle kullanıldığı zaman, diyaframı açıp kapatmak için de kullanılabilir. Oynatım butonlarının kullanılması hakkında daha fazla bilgi için 'oynatım' bölümüne bakın.

16 Ses Seviyesi Ayar Düğmeleri

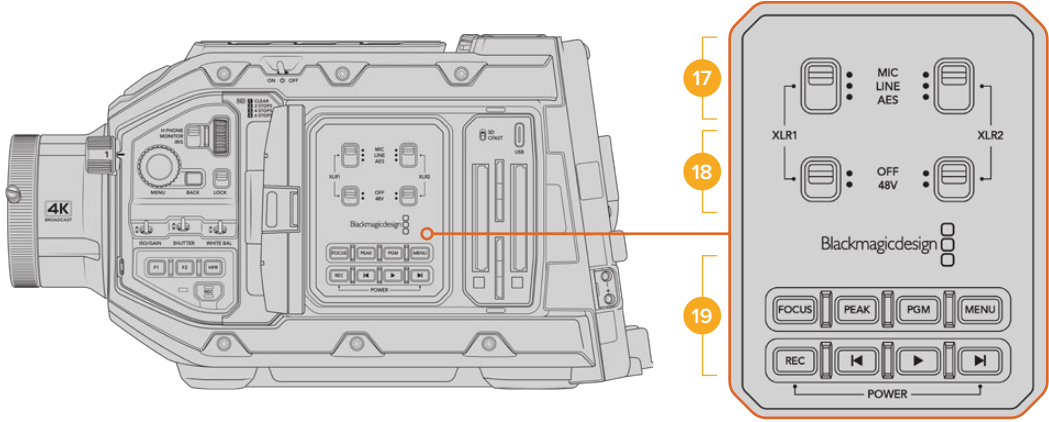


URSA Broadcast G2 ses ayar düğmeleri

Ses kanalları 1 ve 2 için kayıt seviyelerini ayarlamak üzere, dahili ayar düğmelerini kullanın. Her bir ses kanalının kayıt seviyesini artırmak ya da düşürmek için, döner düğmeleri saat yönüne ya da saat yönünün tersi yönde çevirin. Bir döner düğme ile ayar yaparken, sesi en uygun seviyeye ayarladığınızı görebilmek için, ekrandaki ses göstergelerine bakın.

İç Kontrol Panel

İç kontrol paneline, URSA Broadcast G2'nizin katlanır ekranı açıkken erişebilirsiniz. Buradaki kontrolleri, ses girişlerini düzenlemenin yanı sıra; fantom güç ayarlarını, diyafram, netlik, menü ve oynatım kontrolleri gibi daha nice özellikleri ayarlamak üzere kullanın.



URSA Broadcast G2 iç kontrol paneli

17 XLR1 / XLR2

URSA Broadcast G2'nin XLR girişleri bir giriş kaynağı olarak seçildiğinde, tercih ettiğiniz şekilde çalışmalarını ayarlamak üzere, bu düğmeleri kullanın. Seçenekler arasında; MIC (mikrofon), LINE (kablo) ve AES (dijital ses) bulunur.

18 Phantom Power (Fantom Güç)

Kameranin XLR girişleri, 48V fantom güç sağlayabildiği için, güç gerektiren mikrofonları kullanabilirsiniz. Üstteki XLR girişine bağlı bulunan herhangi bir mikrofonu fantom güç sağlamak için, bu düğmeyi '48V' konumuna getirin ve fantom gücü kapatmak için 'off' konumuna getirin.

Fantom gücü çalıştırmadan önce, XLR kablosunun takılı olduğundan emin olun. Ayrıca, fantom gücüyle çalışan bir mikrofon takılı olmadığı zaman, fantom gücü 'kapalı' konumuna getirmek de önemlidir. Kameranin XLR ses girişlerinden fantom gücü gönderilirken, AES XLR çıkışlarında dahili fantom güç koruması olmayan cihazların

bağlanması, ekipmanınıza zarar verebilir. Fantom gücüyle çalışan mikrofonunuzu çıkarmadan önce, +48V anahtarının kapalı olduğundan, daima emin olunuz.

19 Kontrol ve Oynatım Butonları

Focus/Netlik

Elektronik netlik ayarlarını destekleyen bir B4 ya da EF mercek kullanırken, otomatik odaklamayı etkinleştirmek için 'focus' (odaklama) butonuna basın. Dışa açılan ekranda, kare şeklinde beyaz bir odaklama çerçevesi görünecektir. Çerçevenin içinde görünen her şey, doğru olarak odaklanacaktır. Mercek netlendiğinde, çerçeve kaybolacaktır.

Focus butonunu kullanmak için, B4 merceğinizde servo netlik kontrolü olması ve servo motorunun aktif edilmiş olması gerekir. Daha fazla bilgi için, 'başlarken' bölümüne bakın. Bazı EF mercekler de hem manuel hem de otomatik netlik moduna sahiptirler. URSA Broadcast G2'nin merceğinizle otomatik netlik yapabilmesi için, merceğinizin otomatik netlik modunda olduğundan emin olmanız gerekir.

Peak

Odak boyama (focus peaking) özelliğini aktifleştirmek için, 'peak' butonuna basın. Kameranızda; görüntünün odaklanmış alanlarını yapay olarak keskinleştiren klasik odak boyama modu ve görüntünün keskin alanları üzerine siyah, beyaz, kırmızı, yeşil ya da mavi çizgiler bindiren 'renkli çizgiler' modu olmak üzere, iki adet odak boyama modu vardır. Daha fazla bilgi için, bu kullanım kılavuzunun 'ekran ayarları' bölümüne bakın.

BİLGİ Video çıkışınızı, bir Blackmagic Video Assist veya HyperDeck Studio HD Mini'ye kaydediyorsanız o çıkış için 'odak boyama' işlevinin kapalı olduğundan emin olunuz. Bu, ön SDI veya ana SDI çıkışlarındaki 'temiz sinyal' özelliği kullanılarak yapılabilir.

Bir 'temiz sinyal' çıkışı sağlama konusunda daha fazla bilgi için, bu kılavuzdaki 'ekran ayarları' bölümüne bakın.

Program

Butonu PGM olarak etiketli program butonu; kamera görüntüsü ve kameranın arka panelindeki 12G-SDI girişine takılı olan sinyal görüntüsü arasında, LCD'yi ve ön SDI çıkışını değiştirmenizi sağlar. Böylelikle, bir canlı yayında kameranızı kullandığınızda, switcher'in program çıkışını takabilir ve çekim boyunca izleyebilirsiniz. Program sinyalini izlemek için, program butonunu basılı tutun. Program sinyalini açık olarak kilitlemek için, butona iki kere basın. Program sinyalini kapatmak için, butona tekrar basın.

Bir switcher'in program çıkışını görüntülemek için, kamera ve switcher'in aynı çözünürlüğe ve kare hızına ayarlı olmaları gerekmektedir.

Menü

Gösterge panelini açmak için, 'menü' düğmesine basın. Gösterge paneli özelliği ve ayarlarının yapılması konusunda daha fazla bilgi için 'ayarlar' bölümüne bakın.

Kayıt

Kayıdı başlatmak ve durdurmak için, REC olarak işaretli kayıt düğmelerinden herhangi birine basın. Daha fazla bilgi için 'kayıt' bölümüne bakın.

Oynatım Kontrol Butonları

Oynatım butonları, klibi başlatmanızı ve durdurmanızı ve ayrıca bir sonraki ya da bir önceki klibe atlamanızı sağlar. EF yuvası kullanırken ileri ve geri atlama butonları, uyumlu merceklerle kullanıldığı zaman, diyafrağı açıp kapatmak için de kullanılabilir. Oynatım butonlarının kullanılması hakkında daha fazla bilgi için 'oyunatım' bölümüne bakın.

NOT URSA Broadcast G2'nizi, iç kontrol paneldeki bazı butonlara birlikte basarak da açıp kapatabilirsiniz. Kamera kapalı haldeyken 'rec' (kayıt) ve 'forward skip' (ileri atlatma) düğmelerinin basılı tutulması, kamerayı çalıştırır ve kamera açıkken de kamerayı kapatır. Kameranın çalıştırma düğmesi 'on' olarak ayarlı; fakat kamera kapalı ise, kameranız kontrol panelinden kapanmış olabilir. Açma/kapama düğmesini, tekrar normal çalışma durumuna getirin.



Kameradaki Video Çıkişları

HD Monitör Çıkişısı

Blackmagic URSA Mini kameranın alt formata çevrilmiş 3G-SDI çıkışı bağlantısı, her zaman 1080 HD video sinyali çıkarır. Böylece; yönlendiricilere, ekranlara, SDI kayıt cihazlarına, yayın switcher'lerine ve benzeri SDI cihazlara bağlayabilirsiniz. Bu çıkış, dokunmatik ekran ayarlar menüsünde 'ön SDI' olarak etiketlenmiştir.

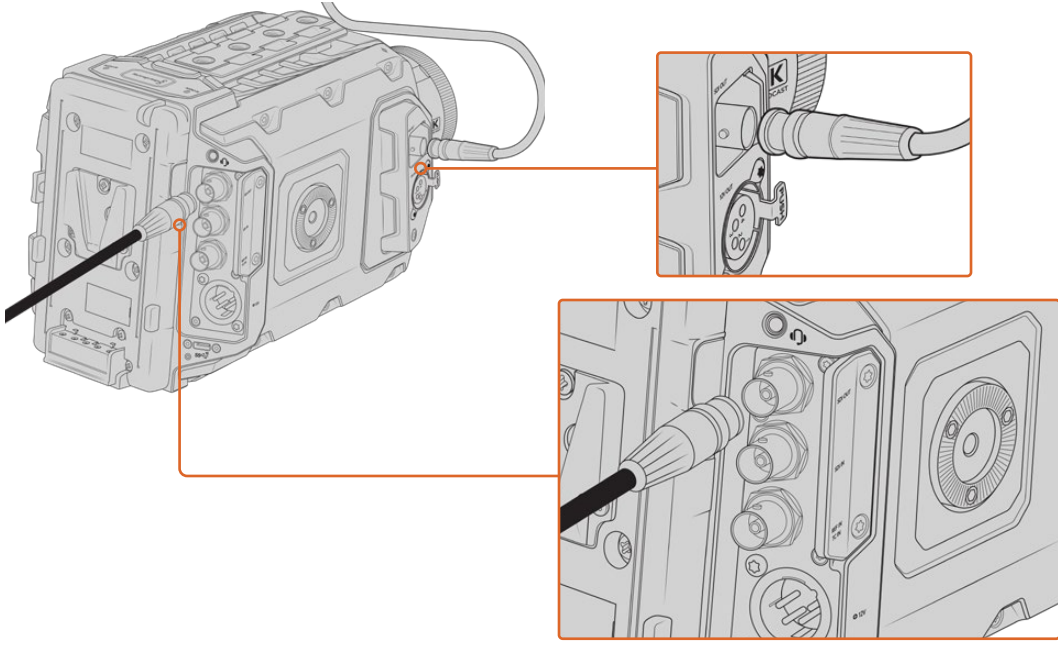
12G-SDI Çıkişısı

Arka panelde bulunan 12G-SDI çıkış bağlantısı; 2160p50, 59.94 ve 60 gibi yüksek kare hızlı tek geçişli formatları içeren HD ve Ultra HD videoyu, tek bir SDI kablosu ile destekler. 1080i50, 59.94 ve 60 da dahil olmak üzere, geçmeli HD formatlar da desteklenir. 12G-SDI çıkışını, herhangi bir SDI ekrana ve ATEM Production Studio 4K gibi Ultra HD switcher'lere bağlanmak için kullanabilirsiniz. Dokunmatik ekrandaki 'monitor' (ekran) sekmesinde bulunan 'main SDI' (ana SDI) için 'SDI output' (SDI çıkış) ayarını 1080p ya da 2160p olarak seçerek, bu çıkış HD ve Ultra HD arasında değiştirilebilir. Daha fazla bilgi için, lütfen bu kullanım kılavuzunun ilerleyen kısmındaki 'ekran ayarları' bölümüne bakın.

Video Switcher'lerine Bağlanma

SDI çıkışları, kameranızı canlı televizyon prodüksiyonu için, kullanabilmenize olanak sağlar. Arka panel SDI çıkışını; canlı prodüksiyon işi için, doğrudan prodüksiyon switcher'lerine veya sinyalinizi optiğe dönüştürmek için, ATEM Camera Converter'lere bağlayabilirsiniz. Böylelikle, sinyali yüzlerce metre ötedeki bir yayın aracına gönderebilirsiniz.

Bir switcher'e bağlıyken, Blackmagic URSA Broadcast G2'nizde switcher program çıkışını kolaylıkla izleyebilirsiniz. Bunu yapmak için, ilk önce switcher'i kameranızın arka 12G-SDI girişine bağlayın. Şimdi de kameranızın dışa açılan ekranında PGM olarak işaretli 'program' düğmesine basın. Kamera görüntüsüne geri dönmek için, PGM düğmesine tekrar basmanız yeterlidir.



12G-SDI çıkışı, herhangi bir 1080 HD ya da Ultra HD canlı prodüksiyon switcher'ine veya ekrana bağlayabilirsiniz. HD görüntüleme çıkışı, Blackmagic URSA Viewfinder gibi harici bir vizöre bağlanabilir ya da prodüksiyon ekipmanına monteliyken, harici bir ekrana da bağlanabilir. Örneğin, bir jib kolu veya vinç

Ekranlara Bağlanma

Kamera yüksekteki bir jib koluna, bir vinç üzerine veya bir araca takılıyken olduğu gibi, katlanır ekranın ulaşamadığı zamanlarda, SDI görüntüleme çok kullanışlı olabilir.

Dokunmatik ekrandaki 'monitor' (ekran) sekmesinde, 'front SDI' (ön SDI) için ayarların düzeltilmesiyle, HD-SDI izleme çıkış bağlantınız üzerinden, görüntüleme bilgileri görüntülenir. Bu ayarlar; kayıt detayları ve kamera ayarları gibi bilgileri ve çerçeve kılavuzlarını etkinleştirir. Sadece çekimlerinizi görüntülemek istiyorsanız, temiz bir SDI çıkışı için, katmanları her zaman kapatabilirsiniz.

Canlı olarak dalga şekli görüntüleme için; kameranın SDI çıkışını, SDI ekranlara veya bir Blackmagic SmartScope Duo 4K'ya bağlayın.

NOT 'Film' dinamik aralığında çalıştığınızda ve SDI çıkışında 'Gen 5 Film to Rec.2020 Hybrid Log Gamma' veya 'Gen 5 Film to Rec.2020 PQ Gamma' LUT'unu kullandığınızda, arka SDI çıkışı ve 3G-SDI görüntüleme çıkışı, HDR videoyu yardımcı metaveri ile otomatikman işaretler. Bu; SDI çıkışlarının herhangi birinden, HDR etkin ekranlarda, olağanüstü HDR görüntüler sergileyebileceğiniz anlamına gelir.

SDI Çıkış Formatları

Arka SDI Çıkışı	2160p23.98, 24, 25, 29.97, 30, 50, 59.94, 60. 1080p23.98, 24, 25, 29.97, 30, 50, 59.94, 60. 1080i50, 59.94, 60.
3G-SDI Görüntüleme Çıkışı	1080p23.98, 24, 25, 29.97, 30, 50, 59.94, 60. 1080i50, 59.94, 60.

BİLGİ Bir defada 2 ayrı kodek ile canlı bir kayıt yapmak veya eşzamanlı yedekleme için, URSA Broadcast G2'nin arka SDI çıkışı, bir Blackmagic Video Assist veya HyperDeck'e bağlayabilirsiniz.

Dokunmatik Kontroller

Dokunmatik Ekran

Blackmagic URSA Broadcast G2'nin katlanır dokunmatik LCD ekranı, yüksek ve düşük açılı çekimler yapmak için, eksenini etrafında döner. URSA Viewfinder kullanarak omuzunuzda çekim yaparken ve LCD ekran kapalı iken, URSA Broadcast G2'nizi kontrol etmenizi LCD panelinin dış kısmındaki butonlar sağlar.

Dokunmatik Ekran Özellikleri

Kullanıcıların hızlı ve sezgisel olarak çalıştırması için, dokunmatik LCD ekran, özel olarak tasarlanmış dokunma ve hareket esaslı bir arayüze sahiptir. URSA Broadcast G2'nin dokunmatik LCD ekranında farklı bölgelere dokunarak ve parmaklarınızı ekran üzerinde kaydırarak, çekim esnasında kamera fonksiyonlarına hızlı bir şekilde erişebilirsiniz.

Dokunmatik ekran, üstte ve altta araç çubuklarına sahiptir. Üst araç çubuğu; örtücü hızı, diyafram ve kazanç kontrolleri gibi sık kullanılan ayarlara erişim sunar. Alt araç çubuğu; depolama göstergelerine, ses göstergelerine, aktarım kontrollerine ve bir histograma sahiptir.



URSA Broadcast G2'nin dokunmatik LCD ekranı, kapsamlı bir denetim merkezi ekranına sahiptir ve kameranızın en sık kullanılan ayarlarına kolay erişmenizi sağlar.

Üst Araç Çubuğu

LCD Ekran Seçenekleri

LCD ekran ayarlarına erişmek için, URSA Broadcast G2'nin dokunmatik LCD ekranının sol üst köşesindeki 'ekran' simgesini tıklayın. Bu ayarlar; zebra, odak yardımı, çerçeve kılavuzu ve ızgara kılavuzlar da dahil olmak üzere, URSA Broadcast G2'nin denetleme özelliklerinin görünümünü değiştirmenize ve ayarlamanıza imkan verir. LCD ekran seçeneklerine erişirken, bu özelliklere ait kontroller, dokunmatik LCD ekranın alt kenarı boyunca bulunan sekmeli bir menüde görünürler.

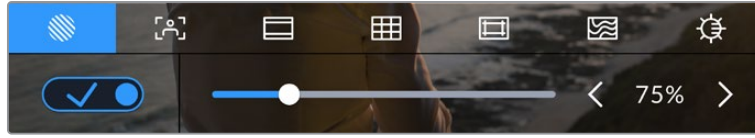


LCD ekran ayarlarına erişmek için, URSA Broadcast G2'nin dokunmatik LCD ekranının sol üst köşesindeki simgeyi tıklayın.

Zebra

'Zebra' ayarı, dokunmatik LCD ekranda zebra'yı açıp kapatmakla birlikte, URSA Broadcast G2'nin tüm çıkışları için zebra seviyesini ayarlamak üzere de kullanılabilir.

Zebra, görüntünüzde pozlama seviyesini aşan kısımları, üzerine çapraz çizgiler yerleştirerek görüntüler. Örneğin, zebra seviyesinin %100 olarak ayarlanması, hangi alanların tamamen patlamış olduğunu gösterir. Bu, sabit ışıklandırma koşullarında, optimum pozlandırmanın sağlanması için faydalıdır.



URSA Broadcast G2'nizin zebra ayarlarına erişmek için, LCD ekran seçeneklerindeki 'zebra' simgesini tıklayın.

Dokunmatik LCD ekran için zebra ayarlarını değiştirmek üzere, 'zebra' sekmesinde iken, ekranın sol alt köşesindeki düğme simgesini tıklayın.

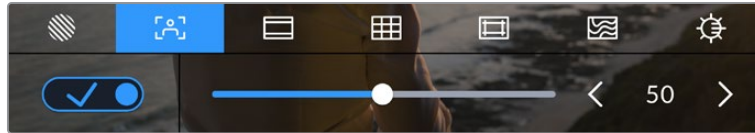
Sürgüyü sola ve sağa kaydırarak veya zebra seviye göstergesinin yanındaki ok butonlarını tıklayarak, zebanın görüneceği pozlama seviyesini ayarlayın. Orta gri ve orta gri artı bir durak dahil olmak üzere sekiz zebra ön ayarı olmasının yanında, yüzde 75 ile yüzde 100 pozlama arasında yüzde beşlik farklar halinde değişir.

Kameranın ön ve ana SDI çıkışlarında zebra özelliğinin aktif hale getirilmesi konusunda daha fazla bilgi için, bu kılavuzun 'ekran ayarları' bölümüne bakın.

BİLGİ Parçalı bulutlu bir günde dış mekan çekimi gibi, değişen ışık ortamlarında çekim yapıyorsanız, zebra seviyenizi 100'ün altında ayarlamak, aşırı pozlama (overexposure) olasılığına karşı sizi uyarabilir.

Odak Yardımı

'Odak Yardımı' ayarı, dokunmatik LCD ekranda odak yardımının görünmesini açıp kapatmakla birlikte, URSA Broadcast G2'nizdeki tüm çıkışlar için odak yardım seviyesini de ayarlar.



URSA Broadcast G2'nizin odak yardım ayarlarına erişmek için, LCD ekran seçeneklerindeki 'odak yardım' simgesine dokununuz.

Dokunmatik LCD ekran için odak yardımını değiştirmek üzere, 'odak yardım' sekmesindeyken, ekranın sol alt köşesindeki düğme simgesini tıklayın.

URSA Broadcast G2'nizdeki tüm çıkışlar için odak yardım seviyesini ayarlamak üzere, dokunmatik ekranınızın alt kısmındaki sürgüyü, sola ve sağa sürükleyin veya odak yardım seviyesinin yanındaki ok butonlarını tıklayın.

Odak yardımının en uygun seviyesi, çekimden çekime değişir. Örneğin; oyunculara odaklanırken, daha yüksek seviyedeki bir odak yardımı, yüzlerdeki kenar detaylarını belirginleştirmek için faydalı olabilir. Diğer bir taraftan, bitki örtüsü ya da tuğla duvar çekimleri, daha yüksek ayarlarda, dikkat dağıtabilecek miktarlarda odaklama bilgisi gösterebilir.

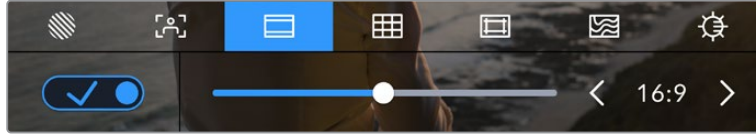
Kameranızın ön ve ana SDI çıkışlarında odaklama yardımını etkinleştirme konusunda daha fazla bilgi için, bu kılavuzun 'ekran ayarları' bölümüne bakın.

BİLGİ URSA Broadcast G2'niz, iki adet odak yardım moduna sahiptir. Ekran ayarları menüsünde, 'peaking' (odak boyama) ve 'renkli çizgiler' isimindeki odak yardımları arasında değiştirebilirsiniz. Daha fazla bilgi için, 'ekran ayarları' bölümüne ve 'odak yardımı' bölümüne bakın.

Çerçeve Kılavuzları

'Çerçeve kılavuzu' ayarı; dokunmatik LCD ekran üzerinde, çerçeve kılavuzu görünüşlerini değiştirmenizi sağlar. Ayrıca, URSA Broadcast G2'nizdeki tüm çıkışlar için, çerçeve kılavuz seçenekleri arasından seçim yapabilirsiniz.

Çerçeve kılavuzları; çeşitli sinema, televizyon ve çevrim içi standartlar için, görüntü oranlarını içerir.



URSA Broadcast G2'nizin çerçeve kılavuzu ayarlarına erişmek için, LCD ekran seçeneklerinde 'çerçeve kılavuzu' simgesine dokunun.

URSA Broadcast G2'nizin dokunmatik LCD ekranında çerçeve kılavuzlarını açıp kapatmak için, ekranın sol alt köşesindeki düğme simgesini tıklayın.

Sürgüyü sağa ve sola kaydırarak veya seçili olan görüntü oranının yanlarındaki ok butonlarını tıklayarak, kullanmak istediğiniz çerçeve kılavuzunu seçebilirsiniz.

Kullanabileceğiniz kılavuzlar şunlardır:

2.35:1, 2.39:1 ve 2.4:1

Anamorfik ya da düz geniş ekran sinema sunumlarıyla uyumlu, yaygın geniş ekran görüntü oranını sergiler. Bu üç geniş ekran ayarı, zaman içinde değişen sinema standartlarına bağlı olarak farklılık gösterir. 2.39:1 günümüzde en önde gelen sinema geniş ekran standartlarından biridir.

2:1

16:9'dan biraz daha geniş fakat, 2.35:1 kadar geniş olmayan bir görüntü oranını görüntüler.

1.85:1

Bir diğer yaygın düz geniş ekran, sinema görüntü oranını sergiler. Bu oran, HDTV 1.78:1'den biraz daha geniş, fakat 2.39:1 kadar geniş değildir.

16:9

16:9 HD televizyon ve bilgisayar ekranları ile uyumlu olan 1.78:1 görüntü oranını görüntüler.

Bu oran, en yaygın olarak HD yayınlama ve internet videoları için kullanılır. Aynı görüntü oranı, Ultra HD yayınlama için de benimsenmiştir.

14:9

Bazı televizyon yayıncıları tarafından, 16:9 ve 4:3 televizyonlar arasında orta oran olarak kullanılan, 14:9'luk bir görüntü oranını görüntüler. İdeal olarak hem 16:9 hem de 4:3 çekim, 14:9'a sığması için orta kırpmaya uğradıklarında netlikleri bozulmaz. Projenizin 14:9 kırpma kullanan bir televizyon istasyonu tarafından yayınlanma olasılığı varsa bunu bir düzensel kılavuz olarak kullanabilirsiniz.



14:9 çerçeve kılavuzları etkinleştirilmiş olarak URSA Broadcast G2 dokunmatik LCD ekranı

4:3

SD televizyon ekranlarıyla uyumlu, 4:3 görüntü oranını sergiler ya da 2x anamorfik adaptör kullanılırken çerçevelemeye yardımcı olur.

1:1

4:3'ten biraz daha dar olan 1:1'lik bir görüntü oranı görüntüler. Bu kare şeklindeki oranın, sosyal medya mecralarında popülerliği artıyor.

4:5

4:5'lik bir görüntü oranı görüntüler. Bu dikey görüntü oranı; portre görüntüler ve akıllı telefonlarda görüntüleme için idealdir.

Özel Çerçeve Kılavuz Oranı

Benzersiz bir görünüm için kendinize özel bir çerçeve kılavuz oranı oluşturmak üzere, ok butonlarının arasında gösterilen oran üzerine tıklayın. Mevcut oranı silmek için, 'özel çerçeve kılavuzu' ekranındaki silme tuşunu tıklayın sonra, yeni bir oranı belirlemek için sayısal klavyeyi kullanın. Özel çerçeve kılavuzu oranınızı uygulamak için 'güncelle' ibaresini tıklayın ve çekiminize geri dönün.



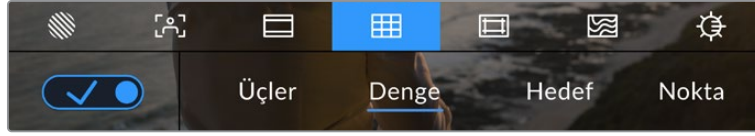
Yeni bir çerçeve kılavuz oranı girmek için, 'özel çerçeve kılavuzu' ekranında sayısal klavyeyi kullanın.

BİLGİ Kare kılavuz katmanlarının bulanıklığını değiştirebilirsiniz. Daha fazla bilgi için, bu kullanım kılavuzundaki 'ekran ayarları' bölümüne bakın.

NOT Kameranızın ön ve ana SDI çıkışlarında çerçeve kılavuzlarının etkinleştirilmesi konusunda bilgi için, bu kılavuzun 'ekran ayarları' bölümüne bakın.

Izgara

Kılavuzlar 'Izgara kılavuz' ayarı, dokunmatik LCD ekranın üzerindeki; bir 'üçler kuralı izgarası', 'hedef işareti' veya 'merkez noktası' için görünümü değiştirmenin yanında, URSA Broadcast G2'nin tüm çıkışlarında görünecek katmanı ayarlar.



URSA Broadcast G2'nizin izgara kılavuz ayarlarına erişmek için, LCD ekran seçeneklerindeki 'izgara kılavuz' simgesine dokununuz.

Izgara kılavuzlar ve hedef; görüntü kompozisyonuna yardımcı olabilecek katmanlardır. URSA Broadcast G2'nizde 'izgara kılavuz' fonksiyonu etkinleştirildiğinde; üçler kuralı izgarası, hedef veya merkez noktası kılavuzunu görüntüleyebilir.

URSA Broadcast G2'nizin dokunmatik LCD ekranında çerçeve kılavuzlarını açıp kapatmak için 'çerçeve kılavuzları' sekmesindeyken, ekranın sol alt köşesindeki düğme simgesini tıklayın.

URSA Broadcast G2; geçerli program kaynağı olarak ayarlı ve bir ATEM switcher'e bağlandığında ve 'izgara kılavuzlar' açık olarak ayarlıyken, LCD'deki kırmızı 'program' tally çerçevesi otomatik olarak yanacaktır.



Tally sinyali gönderen bir ATEM switcher'e bağlı olduğunda, izgara kılavuzlar 'açık' olarak ayarlıyken, kameranızın ekranı etrafında kırmızı bir çerçeve belirir.

URSA Broadcast G2 çıkışlarında görüntülemek istediğiniz katmanı seçmek için, 'üçler', 'hedef' veya 'merkez noktası' seçeneklerinden birini tıklayın.



Üçler kuralı ızgarası, otomatik olarak her türlü ekran üstü çerçeve kılavuzuna göre ölçeklenir.

Üçler

'Üçler' ayarı, görüntünün her üçte birinde iki dikey ve iki yatay çizgi içeren bir ızgara sergiler. 'Üçler' katmanı, görüntülerinizi oluşturmanıza yardımcı olacak epey güçlü bir araçtır. Örneğin; insan gözü, genellikle çizgilerin birbiriyle kesiştiği noktaya yakın bölgelerde bir hareket aradığından, temel ilgi noktalarını, bu alanlara kadrajlamakta fayda vardır. Bir aktörün göz çizgisi genellikle ekranın üstteki üçtebirlik (third) bölümünde kadrajlanır, bu sebeple üst yatay üçtebir çizgisini kullanarak kadrajınızı yönlendirebilirsiniz. 'Üçler' katmanı, ayrıca görüntüler arasında tutarlı kadrajlama için de faydalıdır.

Yatay Denge

'Denge' göstergesi, kameranız sola veya sağa yattığını veya öne veya arkaya eğildiğini gösterir. Bu; elle çekim esnasında ufuk çizgisini dengede tutmanıza ve bir gimbal üzerindeyken kameranın eğimini dengelemenize yardımcı olabilir.

Gri renkteki dikey ve yatay işaretler, kamera yana yatırıldıkça ve öne arkaya eğildikçe merkezden uzaklaşır. Çizgilerin merkezdeki hedef işaretinden çizginin uzaklaştığı mesafe, yatmanın veya eğilmenin miktarı ile orantılıdır. Kameranın hareket sensörünü kalibre ettikten sonra, kameranın yatması ve eğilmesi dengelendiğinde, hareket işaretleri mavi renkte yanar.

Kamera, bir baş üstü çekim için tam aşağı eğilmişse veya kaldırılmışsa, yatay denge göstergesi bunu hesaba katar. Dikey yönde çekim yapmak için kamerayı çevirirseniz yatay denge göstergesi eksenlerini 90 derece döndürecektir.

Bu tablo; yatay denge göstergesinin, kameranın eğilmesini ve yatmasını gösterdiği örnekleri sergiler.

Yatay denge göstergesi	Açıklama
	Düz ve dengeli
	Aşağı eğilmiş ve dengeli
	Düz ve sola kaymış
	Yukarı kalkmış ve sağa kaymış

Normal kullanım için denge göstergesini düz ve dengeli kullanım için kalibre edin. Denge göstergesini; tutarlı bir 'Eğik Açı' (Dutch Angle) çizgisinin ya da alçak veya tepeden çekimde tutarlı bir eğimin sürdürülmesine yardımcı olması için kullanıyorsanız denge göstergesini bir eğimde kalibre edebilirsiniz. Denge göstergesini nasıl kalibre edeceğinizi hakkında daha fazla bilgi için 'hareket sensörünün kalibrasyonu' bölümüne bakın.

Hedef İşareti

'Hedef' ayarı, çerçevenin ortasına artı şeklinde bir hedef işareti yerleştirir. Üçler katmanına benzer olarak hedef; bir çekim konusunu, çerçevenin tam ortasında kadrajlanmasını kolaylaştıran, çok faydalı görüntü kompozisyon araçlarından biridir. Bu, çok hızlı kurgu ve montaj kullanılarak oluşturulacak sahnelerin çekiminde bazen kullanılır. İzleyicilerin gözlerini bir karenin ortasına odaklı tutmak, hızlı kurgulamanın takibini kolaylaştırabilir.

Merkez Noktası

'Nokta' ayarı, kadrajın merkezine bir nokta yerleştirir. Bu aynı 'hedef' ayarının çalıştığı şekilde çalışır fakat, daha az dikkat dağıtan, daha küçük bir katmandır.

'Izgara Kılavuzlar' menüsünden her iki seçeneği tıklayarak; 'üçler' ve 'hedef' veya 'üçler' ve 'nokta' özelliklerinin bir kombinasyonunu etkinleştirebilirsiniz. 'Hedef' ve 'nokta' seçenekleri birlikte seçilemez.

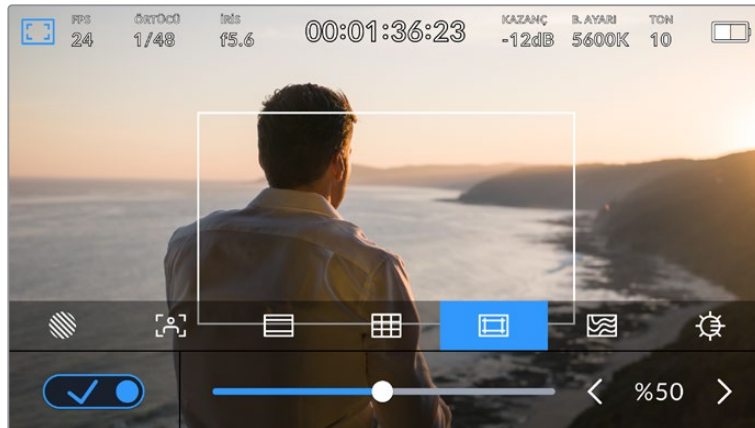
BiLGi URSA Broadcast G2'nizin ön ve ana SDI çıkışlarında ızgara kılavuzların etkinleştirilmesi konusunda bilgi için, bu kılavuzdaki 'ekran ayarları' bölümüne bakın.

Güvenli Alan Kılavuzları

'Güvenli alan kılavuzları' ayarı, dokunmatik LCD ekran üzerindeki güvenli alan kılavuzlarını açıp kapatmakla beraber, URSA Broadcast G2'nizdeki tüm çıkışlar için güvenli alan kılavuzlarının ebadını da ayarlar.

Güvenli alanlar, bir çekimin en önemli kısımlarının izleyiciler tarafından görülebilir olmasını sağlamak için, yayın yapımında kullanılabilir. Çekiminizin en önemli kısımlarını merkezi bir 'güvenli alanda' tutarak, bazı televizyonlarda kırılmasını engelleyebilirsiniz ve aynı zamanda, ekranın kenarlarına logolar, kayan yazılar vs ekleyebilmesi için, yayıncıya alan bırakmış olursunuz. Çoğu yayıncı, çekimlerin %90 oranında bir güvenli alan ile teslim edilmesini talep eder.

Güvenli alan kılavuzları; çekiminizin post prodüksiyonda, görüntünün kenarlarını kırma ihtimali olan stabilize işlemine tabi olacağını bildiğiniz durumlarda, çekiminizi kadrajlamaya yardımcı olması için de kullanılabilir. Ayrıca, belirli bir kırma işlemi göstermek için kullanılabilirler. Örneğin; Ultra HD 3840x2160 formatında çekim yaparken, güvenli alanı %50 oranına ayarlayarak, 1920x1080 ebatına kırmanın nasıl olacağını görebilirsiniz. Güvenli alan kılavuzları, çerçeve kılavuzlarınıza ölçeklenir yani, hedef karenizin seçilmiş yüzdesini göstermek üzere uyarlanırlar.



'Güvenli alan' göstergesi, %50 olarak ayarlıken.

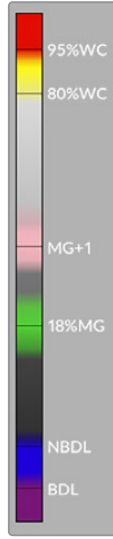
Dokunmatik LCD ekran için güvenli alan kılavuzlarını açıp kapatmak üzere, 'güvenli alan kılavuzları' sekmesindeyken, ekranın sol alt köşesindeki düğme ikonunu tıklayın. URSA Broadcast G2'nizdeki tüm çıkışlar için güvenli alan seviyesini ayarlamak üzere, dokunmatik ekranın alt kısmında bulunan sayısal değer yanındaki sol ya da sağ oklardan birine tıklayın. Alternatif olarak, sürgüyü sola ya da sağa sürükleyebilirsiniz.

Sahte Renk

'Sahte renk' ayarı, dokunmatik LCD ekranın üzerinde, sahte renk pozlama yardımının görünümünü değiştirir.

Sahte renk özelliği; görüntünüzdeki farklı öğeler için pozlama değerlerini temsil eden farklı renk katmanlarını, görüntünüzün üzerine bindirir. Örneğin; pembe renk, açık ten tonları için ideal pozlamayı temsil ederken, yeşil renk daha koyu olan ten tonları için uygundur. İnsanları kaydederken, pembe veya yeşil sahte renklerinin izlenmesi, cilt tonları için gerekli olan pozlandırılmadaki sabitliğin muhafaza edilmesini sağlar.

Benzer bir şekilde, görüntüdeki öğeler sarıdan kırmızıya dönüştüğünde, bu aşırı pozlamaya maruz kaldıklarını gösterir.



Kameranızın ekranının sol tarafındaki IRE sahte renk tablosu, farklı sahte renklerin nasıl yorumlanacağını gösterir.

Sahte Renk	Anlamı
%95WC	Beyazlar kırılıyor
%80WC	Beyaz civarları kırılıyor
MG+1	Orta grinin bir adım üzerinde
%18MG	Orta gri
NBDL	Siyah civarlarında detay kaybı
BDL	Siyahlarda detay kaybı



İyi pozlanmış bir görüntüde, ten tonlarını yeşil ve pembe sahte renkler temsil eder.

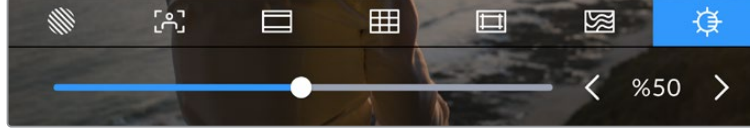
Dokunmatik LCD ekran için sahte renk özelliğini açıp kapatmak üzere, 'sahte renk' sekmesindeyken, ekranın sol alt köşesindeki düğme ikonunu tıklayın.



'Sahte renk' pozlama yardım sekmesi

Ekran Parlaklığı

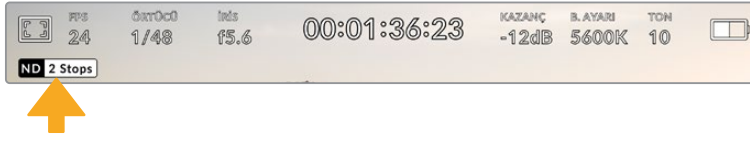
URSA Broadcast G2'nizin dokunmatik ekran parlaklığını ayarlamak için "ekran parlaklığı" simgesine dokununuz ve sürgüyü sola veya sağa sürükleyin.



"Ekran parlaklığı" %50 olarak ayarlı.

ND Filtre göstergesi

URSA Broadcast G2'nizin, dokunmatik LCD ekranın sol üst köşesinde bir ND filtre göstergesi ve durum mesajlarını göstermeye ayarlı SDI çıkışları vardır. Gösterge, kurulum menüsünde seçtiğiniz formatı kullanır.

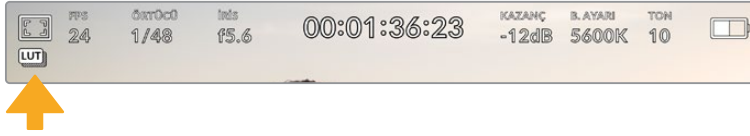


URSA Broadcast G2'nizdeki ND filtre ayarı göstergesi

NOT ND filtre göstergesi tarafından kullanılan terimleri, alıştığınız düzenleri yansıtabilecek şekilde değiştirebilirsiniz. Seçenekler; ND numarası, duraklar ve kesirler şeklindedir. Tercih ettiğiniz formatı, URSA Broadcast G2'nin 'kurulum' menüsünden ayarlayabilirsiniz.

LUT göstergesi

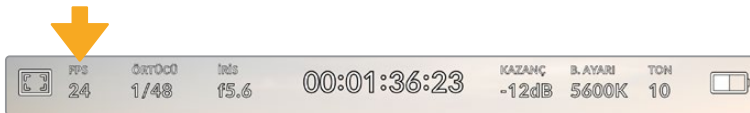
Durum metni etkin haldeyken ve çıkışa bir LUT uyguladığınızda; LCD ekranda, ön SDI veya ana SDI çıkışında beyaz bir simge görünecektir. Blackmagic RAW kaydı yapıyorsanız ve 'Kayıt' ayarlarında "LUT'u Dosyada Uygula" seçeneği etkinse, bu LUT simgesi mavi olur.



LUT simgesi, görüntüye bir LUT uygulanmış olduğunu bildirir.

Saniyede Kare Hızı - FPS

'FPS' göstergesi, şu anda seçili olan, bir saniyedeki kare sayısını görüntüler.



URSA Broadcast G2'nin saniyedeki kare sayısını belirten FPS göstergesi. Kare hızı ayarlarına erişmek için, bunu tıklayın.

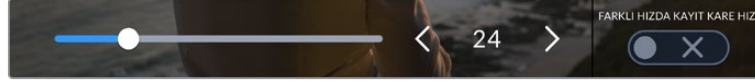
'FPS' göstergesine tıklamanız, kameranızın sensör ve proje kare hızlarını, LCD dokunmatik ekranın alt kısmında bulunan menü aracılığıyla değiştirmenize olanak verir.

Proje kare hızı

Proje kare hızı, URSA Broadcast G2'nin kayıt formatının kare hızıdır ve film ile televizyon endüstrisinde yaygın olarak kullanılan kare hızlarından seçenekler sunar. Bu kare hızı, çoğunlukla post prodüksiyon iş akışınızda kullanılan oynatma hızına eşleşecek şekilde ayarlıdır.

Blackmagic URSA Broadcast G2'nizin; saniyede 23.98, 24, 25, 29.97, 30, 50, 59.94 ve 60 kare dahil olmak üzere, 8 adet proje kare hızı ayarı vardır.

'FPS' menüsünde iken, URSA Broadcast G2'nizin proje kare hızını ayarlamak için, dokunmatik ekranın sol alt kısmında bulunan mevcut kare hızının yanlarındaki sol ya da sağ oklarını tıklayın. Alternatif olarak, sürgüyü sola ya da sağa sürükleyebilirsiniz.

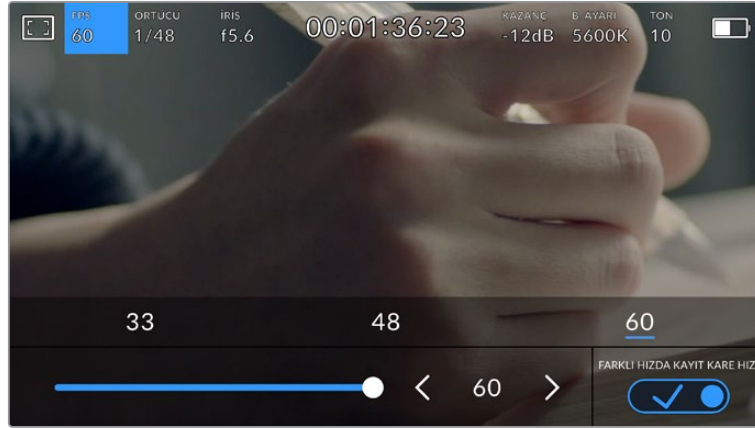


Düzeltilmeler yapmak için; proje kare hızının yanlarındaki okları tıklayın veya sürgüyü hareket ettirin.

BİLGİ URSA Broadcast G2'nizin proje kare hızı, ayrıca ön ve ana SDI çıkışlarının da kare hızlarını ayarlar.

Sensör kare hızı

Sensör kare hızı, sensörden saniyede kaç tane karenin gerçekten kaydedildiğini ayarlar. Bu kare hızı, ayarlı olan proje kare hızında videonuzun oynama hızını etkileyecektir.



'Farklı hızda kayıt' etkinleşmiş halde, bir önayarı veya sensör kare hızının yanlarındaki okları tıklayın veya ayar yapmak için sürgüyü hareket ettirin.

Varsayılan ayar olarak, URSA Broadcast G2'nizin proje ve sensör kare hızları, doğal bir oynatım hızı için eşleştirilmiştir. Ancak, URSA Broadcast G2'nizin 'FPS' menüsünün sağ alt köşesindeki 'farklı hızda kayıt kare hızı' düğme ikonunu tıklayarak, sensör kare hızınızı, proje hızından bağımsız olarak ayarlayabilirsiniz. 'Farklı hızda kayıt kare hızı' seçeneğinin yalnızca Blackmagic RAW veya ProRes kodeklerinde kayıt yaparken kullanılır olduğunu belirtmemizde fayda var.

Sensörünüzün kare hızını değiştirmek için, dokunmatik ekranın sol alt kısmındaki sensör kare hızı göstergesinin yanlarındaki okları tıklayın. Ayrıca, kare hızını artırmak veya düşürmek için, kaydırıcıyı sola veya sağa sürükleyebilirsiniz. Sürgüyü bıraktıktan sonra, sensör kare hızı seçilmiş olacaktır. Sürgünün üzerindeki, yaygın olan proje hızından farklı kare hızlarından birini tıklayabilirsiniz. Bunlar, mevcut proje kare hızını temel almışlardır.

Sensör kare hızını değiştirerek, kliplerinizde dinamik ve ilginç hız efektleri oluşturabilirsiniz. Sensör kare hızının, proje kare hızından daha yüksek olarak ayarlanması, oynatım esnasında

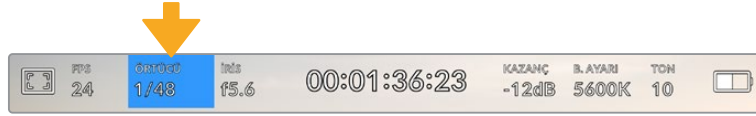
ađır çekim etkisi oluşturur. Örneđin; çekimleri 60 fps'lik bir sensör kare hızıyla yapıp, geri oynatımı 24 fps'lik proje kare hızında yapmak, hareketi gerçek hızınının yarısından daha az yavaşlatarak ağır çekim oluşturur. Bundan farklı olarak, sensör kare hızınız ne kadar yavaş olursa klipleriniz de o kadar hızlı görünecektir. Bu; bir film kamerasını yüksek kare hızı (overcranking) ve ağır çekim hızı (undercranking) uygulamaya, prensip olarak benzer. 'Overcranking' işlemi sensör kare hızını hızlandırdığından, duyguları yükseltmek için, oynatım esnasında önemli anların zamanını uzatabilirsiniz. 'Undercranking' işlemi sensör kare hızını yavaşlattığından, hareketli sahnelerdeki aksiyonu artırabilirsiniz. Yaratıcı imkanlar sınırsız ve tamamen size bađlı!

Her kayıt formatı ve kodeđi için kullanılabilir olan maksimum kare hızlarıyla ilgili bilgi için, bu kılavuzun 'kayıt' bölümündeki tabloya bakın.

NOT 'Farklı hızda kayıt kare hızı' seçeneđi seçildiđi zaman, URSA Broadcast G2'nizin ses ve videosu artık senkronize deđildir. Proje ve sensör kare hızlarını aynı şekilde ayarladığınızda bile, bu geçerlidir. Bu nedenle, sesin senkronize olmasını garantilemek istiyorsanız 'farklı hızda kayıt' seçeneđini asla seçmeyin.

Örtücü

'Örtücü' göstergesi örtücü hızını görüntüler. Bu gösteređeyi tıklayarak, URSA Broadcast G2'nizin örtücü hızını manuel olarak deđiştirebilir veya örtücü öncelikli otomatik pozlama modlarını yapılandırabilirsiniz.



URSA Broadcast G2'nin örtücü göstergesi. Örtücü ayarlarına erişmek için bunu tıklayın.

Örtücü hızı, videodaki 'motion blur' olarak da bilinen hareket bulanıklığı seviyesini tanımlar ve deđişken ışık oranlarını telafi etmek için kullanılabilir. Doğal bir hareket bulanıklığı için örtücü hızı ayarı ve mevcut ayarlar, kullandığınız kare hızına bađlıdır. Örneđin; 30p'de çekim yaparken saniyenin 1/60'i deđerinde bir örtücü hızı, film projelerinde sıkça rastlanan ayar olan 180 derecelik örtücü açısına eşdeđerdir. Ancak, 25p'de çekim yapıyorsanız aynı görünüş için örtücüyü 1/50 olarak ayarlamamız gerekir.

Dođal bir hareket bulanıklığı için, kare hızınızı ikiye katlayarak örtücü hızını hesaplayabilirsiniz. Yani 30p'de dođal hareket bulanıklığı için, örtücünüzün hızını saniyenin 1/60'i olarak ayarlayın.

Sensörde daha çok ışığa ihtiyacınız olduđunda, örtücüyü kare hızınızla uyumlu olan en düşük ayar olarak düzenleyin. Örneđin; 25p için 1/25 veya 30p için 1/30 gibi. En yavaş örtücü hızına ayarlıyken, hareket bulanıklığı biraz abartılı görünecektir.

Hareketin daha keskin ve daha belirgin görünmesi için hareket bulanıklığını azaltmak istediğinizde, örtücüyü; 30p için saniyenin 1/120'i veya 25p için saniyenin 1/100'i gibi daha hızlı bir hıza ayarlayın. Örtücü açılardan anlıyorsanız bu, 90 derecelik bir örtücü açısına eşittir.

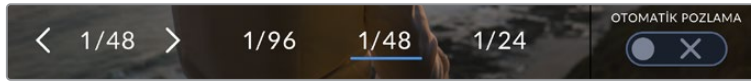
Bu ayarın, görüntünüzdeki hareket bulanıklığı seviyelerinde sağladığı deđişikliği görmek için, farklı örtücü hızlarıyla denemeler yapmanızda fayda var.

Lambalar altında çekim yaparken örtücü hızı, kırpışmanın görünürlüğünü etkileyebilir. URSA Broadcast G2'niz, mevcut kare hızınız için kırpışmasız örtücü hızlarını otomatik olarak hesaplar. Bu hızlar, bölgenizdeki şebeke elektriđinin frekansı tarafından etkilenir. Yerel elektrik frekansını 50Hz veya 60Hz olarak, URSA Broadcast G2'nizin 'ayarlar' menüsünden ayarlayabilirsiniz. Daha fazla bilgi için, bu kullanım kılavuzundaki 'kurulum ayarları' bölümüne bakın.

'Örtücü' göstergesine tıklanması, örtücü hızı menüsünü, URSA Broadcast G2'nin dokunmatik ekranının alt kısmı boyunca sergiler. Otomatik pozlamayı 'kapalı' olarak ayarladığınızda, bu ekran mevcut seçili örtücü hızını göstermenin yanı sıra, URSA Broadcast G2'nizin 'ayarlar' menüsünde seçmiş olduğunuz ana güç frekansına bağlı olarak, geçerli kırışmasız örtücü hızı değerlerini gösterecektir. Daha fazla bilgi için, bu kullanım kılavuzundaki 'kurulum ayarları' bölümüne bakınız.

NOT Kırışmasız örtücü hızlarını kullandığınız halde bile, farklı ışık kaynaklarının yapısal özellikleri halen kırışmaya neden olabilir. Kesintisiz ışıklar kullanmadığınız zaman, daima bir test çekimi yapmanızı öneririz.

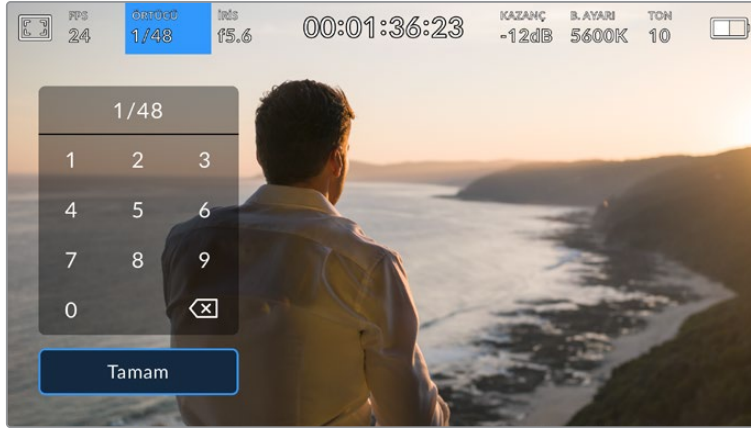
Kırışmasız örtücü hızlarından birini seçmek için, gösterilen örtücü değerlerinden birinin üzerine tıklayın. Örtücü değer göstergesinin her iki yanında bulunan okları kullanarak, en yaygın kullanılan değerler arasında gezinebilirsiniz.



URSA Broadcast G2; kameranızın 'ayarlar' menüsünde seçtiğiniz ana güç frekansına bağlı olarak, kırışmasız örtücü hızları önerecektir.

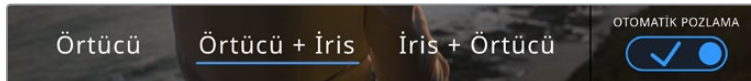
Ekranın sol alt köşesindeki mevcut örtücü göstergesini çift tıklayarak, belli bir örtücü değerini seçebilirsiniz. Bu, istediğiniz herhangi bir örtücü değerini yazmanızı sağlayan, küçük bir klavye ekrana getirir.

Mevcut kare hızından daha küçük bir örtücü değeri girerseniz; mesela, saniyede 29.97 karede çekim yaparken 1/25 gibi; bu durumda, erişilebilir en yakın örtücü değeri kullanılır. Bu örnek için en yakın örtücü hızı 1/30 olur.



Manuel örtücü klavyesi, istediğiniz bir örtücü değerini yazmanızı sağlar.

URSA Broadcast G2'nizin üç adet örtücü hızını temel alan otomatik pozlama modu vardır. Bunlardan birini seçmek için, örtücü menüsünün en sağında bulunan 'otomatik pozlama' butonunu tıklayın.



Örtücüye esas alan otomatik pozlama modlarına erişmek için, 'otomatik pozlama' ibaresini tıklayın.

Örtücü

Bu ayar; diyafram açıklığını sabit tutarken, durağan bir pozlama seviyesi sağlamak için otomatik olarak örtücü hızını ayarlar. Alan derinliğini sabit tutmak istiyorsanız, seçilecek ayar budur. Örtücüye uygulanan ince otomatik ayarların hareket bulanıklığı üzerinde etkisi olabileceğini belirtmekte fayda var. Ayrıca, iç mekan çekimlerinde, farklı ışık tesisatları nedeniyle oluşabilecek herhangi bir kırışmaya dikkat edilmesinde fayda vardır. URSA Broadcast G2'nin otomatik diyafram özelliği, 'örtücü' otomatik pozlama modu seçiliyken kullanılamaz.

Örtücü + İris

Örtücü ve sonra da diyaframı ayarlayarak, doğru pozlama seviyelerini muhafaza eder. Örtücü hızı için mevcut azami veya asgari değere ulaşıldığı halde, pozlama halen sağlanamamışsa URSA Broadcast G2, pozlamayı sabit tutmak için diyaframı ayarlamaya başlayacaktır.

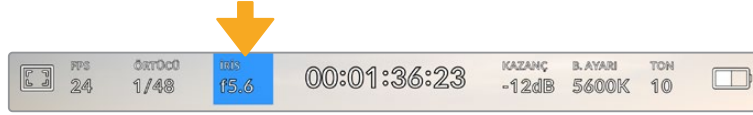
İris + Örtücü

Önce diyaframı sonra da örtücü ayarlayarak, doğru pozlama seviyelerini muhafaza eder. Diyafram için mevcut azami veya asgari değere ulaşıldığı halde, pozlama halen sağlanamamışsa URSA Broadcast G2, pozlamayı sabit tutmak için örtücü hızını ayarlamaya başlayacaktır.

BİLGİ Örtücüye etkileyen bir otomatik pozlama modu etkinleştirildiğinde, URSA Broadcast G2'nizin dokunmatik ekranının üst kısmındaki örtücü hız göstergesinin yanında, küçük bir "A" belirecektir.

İris (Diyafram) Göstergesi

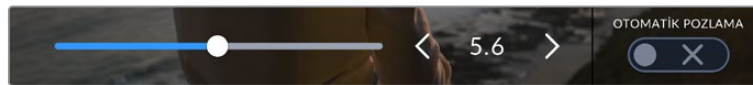
'İris' göstergesi, mevcut mercek diyafram açıklığını görüntüler. Bu göstergeye tıklayarak, uyumlu merceklerin diyafram aralığını değiştirebilir ve diyaframı esas alan otomatik pozlama modları yapılandırabilirsiniz.



URSA Broadcast kameranızın iris göstergesi. Diyafram ayarlarına erişmek için bunu tıklayın.

NOT Diyafram ayarlarının, dokunmatik LCD ekrandan yapılması için, URSA Broadcast G2'nizden, diyafram aralığının kameradan değiştirilmesini destekleyen bir mercek takılı olmalıdır. 12 pim yayın konektörü ile bağlı olan bir B4 ya da PL mercek kullandığınızda, tutma yerindeki mercek iris düğmesinin, 'A' veya 'auto' olarak ayarlı olduğundan emin olmalısınız.

'İris' göstergesine bir kez tıklama, URSA Broadcast G2'nizin dokunmatik ekranının alt kısmında, diyafram menüsünü açar. Mevcut lens diyafram açıklığını, bu menünün en solunda göreceksiniz. Mevcut diyafram açıklığının her iki yanında bulunan sol ve sağ oklarını tıklayarak ya da sürgüyü sola veya sağa kaydırarak, diyafram açıklığını değiştirebilirsiniz.



Diyafram ayarlamak için; diyafram menüsündeyken, iris göstergesinin her iki yanındaki okları tıklayın ya da sürgüyü kullanın.

Diyafam menüsünün en sağında bulunan 'otomatik pozlama' düğmesinin tıklanması, diyafam otomatik pozlama menüsünü açar.



Diyafam menüsündeyken, diyafamı esas alan otomatik pozlama modlarına erişmek için, 'otomatik pozlama' ibaresini tıklayın.

Bu, size aşağıdaki otomatik pozlama opsiyonlarını sunar.

İris (Diyafam) Butonu

Bu ayar; örtücü hızını sabit tutarken, sabit bir pozlama seviyesi sağlamak için otomatik olarak diyafam aralığını ayarlar. Bu, hareket bulanıklığının sabit kalmasını sağlar, fakat alan derinliğini etkileyebilir.

İris + Örtücü

Önce diyafamı sonra da örtücüyu ayarlayarak, doğru pozlama seviyelerini muhafaza eder. Diyafam için mevcut azami veya asgari değere ulaşıldığı halde, pozlama halen sağlanamamışsa URSA Broadcast G2, pozlamayı sabit tutmak için örtücü hızını ayarlamaya başlayacaktır.

Örtücü + İris

Örtücüyu ve sonra da diyafamı ayarlayarak, doğru pozlama seviyelerini muhafaza eder. Örtücü hızı için mevcut azami veya asgari değere ulaşıldığı halde, pozlama halen sağlanamamışsa URSA Broadcast G2, pozlamayı sabit tutmak için diyafamı ayarlamaya başlayacaktır.

Diyafamı etkileyen bir otomatik pozlama modu etkinleştirildiğinde, URSA Broadcast G2 dokunmatik ekranının üst kısmındaki iris göstergesinin yanında, küçük bir "A" belirir.

BİLGİ Otomatik pozlama; video veya film prodüksiyonu için tasarlanmış, uyumlu B4 veya PL mercekleriyle sorunsuz çalışır. Diyafam aralığını değiştirirken, EF mercekler pozlamada farkedilebilir kademeler oluşturabilir. Bu nedenle, EF lenslerle çekim yaparken, yalnızca 'örtücü' otomatik pozlama modunu kullanmanızı tavsiye ederiz.

Süre Göstergesi

URSA Broadcast G2'nizin dokunmatik LCD ekranının üst kısmında, kameranızın süre göstergesini göreceksiniz.



URSA Broadcast G2'nizin süre ekranı. Bu, kayıt esnasında kırmızı yanacaktır.

Süre göstergesi, klip sürelerinin kontrol edilmesi ve kayıt ile oynatım esnasında zaman kodunun görüntülenmesi için, bir zaman kodu sayacı sağlar. Sayaç, zaman dizilişini Saat:Dakika:Saniye:Kare olarak sergiler ve kliplerin kaydı ya da oynatımı esnasında, bu sırada ilerler. Zaman kodu, kayıt esnasında kırmızıya dönüşür.

Her klip için görüntülenen süre, 00:00:00:00'dan başlar. Şu an kullanılan ya da son kaydedilen klbin süresi, dokunmatik ekranda görüntülenir. Günlük saat zaman kodu, post prodüksiyonu kolaylaştırmak için kliplere gömülür.

Zaman kodunu görmek için, süre göstergesini tıklamanız yeterlidir. Klip süresine dönmek için tekrardan süre göstergesini tıklayın.

Süre göstergesinin etrafında, aşağıdaki ilave durum göstergeleri belirebilir:

TC	Bu işaret, zaman kodunu görüntülerken, süre göstergesinin sağ tarafında belirir.
EXT	Bu işaret; harici bir zaman kodu bağlandığında ve geçerli olduğu durumlarda, süre göstergesinin sağ tarafında belirir.
INT	Bu işaret; kamera 'jam synced' olup bağlantısı kesildikten sonra, dahili bir zaman kodu üzerinden çalıştığında, süre göstergesinin sağ tarafında belirir.
PRE	Bu işaret; kayıtlı çalışan önyarlı zaman kodunu görüntülerken, süre göstergesinin sağ tarafında belirir.
REF	Bu işaret, geçerli bir referans kaynağı bağlı ve kilitli olduğunda, referans giriş ayarlarına bağlı olarak belirir.
W	URSA Broadcast G2'niz, sensör alanı düşürülmüş (windowed) modu kullandığında, bu işaret süre ekranının sol tarafında belirir.

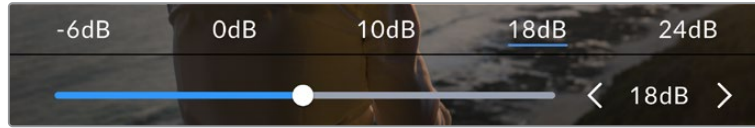
Kazanç

'Kazanç' göstergesi, URSA Broadcast G2'nizin mevcut kazanç ayarını veya ışık hassasiyetini görüntüler. Bu göstergenin tıklanması, deęişen ışıklandırma ortamlarına uyması için, kameranın kazanç ayarını yapmanızı sağlar.

URSA Broadcast G2 için en uygun ayar 0dB'dir.



URSA Broadcast G2'nizin kazanç göstergesi. Kazanç ayarlarına erişmek için göstergeye tıklayın

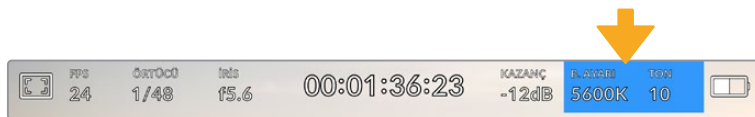


'Kazanç' menüsünde iken, URSA Broadcast G2'nizin kazanç ayarları, dokunmatik LCD ekranın alt kısmında görünür. Önyarların altındaki sürgü ve oklar, kazancı 1/3 adımlık artışlarla ayarlamamanızı sağlar.

Durumunuza bağlı olarak daha düşük veya daha yüksek bir kazanç ayarı seçebilirsiniz. Örneğin; loş ışıklı ortamlarda +18dB uygun olabilir fakat, görünür derecede gürültü oluşturabilir. Aydınlık ortamlarda, -6dB daha zengin renkler sağlayabilir.

Beyaz Ayar (White Balance)

'WB' ve 'TON' göstergeleri, kameranızın mevcut beyaz ayar ile tonlama ayarını görüntüler. Bu göstergenin tıklanması, deęişen ışıklandırma ortamlarına uyması için, kameranın beyaz ayar ve tonlama ayarını yapmanızı sağlar.



Beyaz ayar ve tonlama ayarlarına erişmek için, 'beyaz ayar' ve 'ton' göstergelerini tıklayın.

Her ışık kaynağı, bir renk yayar. Örneğin; bir mum ateşi, sıcak bir renk yayar ve kapalı gökyüzü de soğuk bir renk yayar. Beyaz ayarları, görüntünüzde renk dengesi oluşturmak için kullanılır;

böylece görüntünüzdeki turuncu ve mavi karışımının ayarlanmasıyla, beyazlar hep beyaz kalır. Örneğin; sıcak, turuncu ışık yayan tungsten lambalar altında çekim yaparken 3200K seçilmesi, görüntüye biraz mavi ekler. Bu, rengi dengelediğinden, beyaz renk doğru bir şekilde kaydedilir.

URSA Broadcast G2'niz, farklı renk sıcaklık durumları için beyaz ayar önerileri ile birlikte gelir. Bunlar:

	Parlak güneş ışığı	(5600K)
	Akkor telli (enkandesan) lambalar	(3200K)
	Floresan lambalar	(4000K)
	Karışık ışık	(4500K)
	Bulutlu havalarda	(6500K)

Bu önerilerin herhangi birini, 'beyaz ayar' menüsünün sol alt kısmındaki ısı göstergesinin solunda ve sağında bulunan ok ikonlarını tıklayarak ya da basılı tutarak, isteğinize göre ayarlayabilirsiniz. Her tıklama, renk ısıyı 50K yukarı çıkarır ya da aşağı indirir, ama ok ikonlarının basılı tutulması daha hızlı değişiklikler için bu aralıkları artırır. Alternatif olarak, 'beyaz ayar' menüsünün ortasındaki, ısı sürgüsünü de hareket ettirebilirsiniz.

Görüntünüzü daha çok düzenlemek için, 'tonlama' ayarlarını düzeltebilirsiniz. Bu, görüntünüzdeki yeşil ve macenta renklerinin karışımını ayarlar. Örneğin; biraz macenta eklenmesi, birçok floresan lambanın oluşturduğu yeşil tonu dengeleyebilir. URSA Broadcast G2'nizin beyaz ayarı önerilerinin birçoğu, biraz 'renk tonu' içerir.



URSA Broadcast G2'nizde beyaz ayarı ve ton göstergesini tıklamak, size; solda beyaz ayar göstergesi ile sürgüsü ve sağda tonlama göstergesine erişim vermenin yanı sıra, beş adet önayara erişmenizi de sağlar. Işıklandırma durumuna bağlı özel bir beyaz ayar belirlemek için, bunları değiştirin.

'Beyaz ayar' menüsündeyken kameranızın mevcut tonlama ayarı, ekranın sağ alt tarafında gösterilir. Tonlamayı düzeltmek için, tonlama göstergesinin sağ ve sol tarafındaki ok işaretlerini tıklayın veya basılı tutun. Kullanılabilir aralık -50'den +50'ye kadardır ve birer birimlik kademeler ile artar veya azalır. Okların basılı tutulması, ayarlamayı hızlandırır.

NOT Beyaz ayar veya tonlama ayarlarının değiştirilmesi, öneriyinizi 'CWB' veya custom white balance (özel beyaz ayarı) olarak değiştirecektir. Özel beyaz ayarlar kalıcıdır; CWB ayarınız, sistem kapatılıp tekrar açılana kadar ve bir önayara geçip CWB'ye geri dönene kadar kalacaktır. Bu, son kullanılan önerilerle, özel beyaz ayarı kıyaslamayı kolaylaştırır.

Otomatik Beyaz Ayar

URSA Broadcast G2'niz, beyaz ayarını otomatik olarak ayarlayabilir. 'AWB' ibaresinin tıklanması, beyaz ayar ekranını ortaya çıkarır.

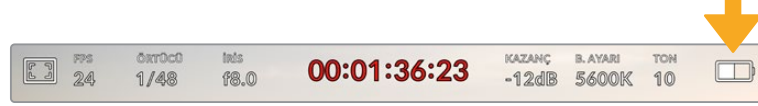
Beyaz ayarı otomatik olarak düzenlediğinizde, görüntünün ortasını bir kare kaplayacaktır. Bu kareyi, beyaz veya gri bir kart gibi nötr bir yüzeyle doldurun ve 'güncelle' ibaresini tıklayın. URSA Broadcast G2'niz; beyaz ayarı karesindeki beyaz veya gri ortalamasının mümkün olduğunca nötr olmasını sağlamak için, beyaz ayar ve tonlama değerlerini otomatik olarak düzeltecektir. Bu ayar güncellendiğinde, kameranıza size özel beyaz ayarı olarak kaydedilecektir.



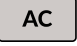
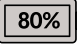



Beyaz ayar menüsündeki 'AWB' ikonunu tıklama, otomatik beyaz ayar ekranını görüntüler. Nötr bir beyaz ayarı otomatik olarak düzenlemek için, bu özelliği, beyaz veya nötr gri bir yüzey ile beraber kullanın.

Güç

URSA Broadcast G2'nizin güç durumu, LCD ekranının sağ üst kısmında görüntülenir. Beş adet olası gösterge bulunmaktadır:



URSA Broadcast G2'nizin güç göstergesi, dokunmatik LCD ekranın sağ üst kısmındadır. Batarya ile çalışırken, güç göstergesine tıklamak, 'voltaj' ve 'yüzde oranı' arasında gösterimi değiştirir.

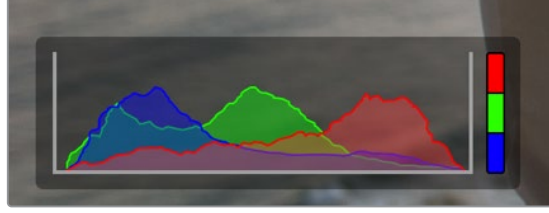
	AC	URSA Broadcast G2'niz bir prize takılıyken, bu görüntülenir.
	Yüzde oranı	Doğru yüzde oranlı batarya ile batarya plakasını beraber kullanıyorsanız ve batarya göstergenizi yüzde oranını göstermesi için ayarlamışsanız gösterge, batarya seviyenizi yüzde olarak gösterecektir. Şarj %20 ve altına düştüğü zaman, gösterge kırmızı olur.
	Batarya Çubukları	Batarya göstergesini yüzde oranı olarak ayarladıysanız fakat, batarya ve plakanız doğru olarak batarya yüzde bilgisini desteklemiyorsa URSA Broadcast G2'niz, %25'lik kademeye azalan bir batarya sembolü gösterecektir. Şarj %20 ve altına düştüğü zaman, batarya çubuğu kırmızı yanar.
	Voltaj	Batarya göstergeniz 'voltaj' olarak ayarlandığında, bu gösterge, bataryanızın kalan voltajını gösterir. Bataryanız 12.5 voltun altına düştüğü zaman, bu gösterge kırmızı olur. Batarya 11.9 volta ulaştığında, URSA Broadcast G2'niz kendiliğinden kapanır.
	Fiber	Blackmagic Camera Fiber Converter kameranıza takılı olduğunda ve SMPTE fiber kablosu üzerinden kamerayı çalıştırdığında görüntülenir. Çevirici takılıyken, URSA Broadcast G2'nize bağlı bir XLR güç kablosunun olduğu durumda, AC ikonu görüntülenir.

Batarya kullanırken 'voltaj', 'yüzde' ve 'batarya çubukları' şeklindeki batarya durum göstergeleri arasından seçiminizi, güç göstergesini tıklayarak yapabilirsiniz.

Alt Araç Çubuğu

Histogram

URSA Broadcast G2'nizin dokunmatik ekranının sol alt kısmında, histogramı göreceksiniz. RGB histogram; kırmızı, yeşil ve mavi kanallar halinde ayrılmış olarak görüntünün ton dağılımını gösterir.



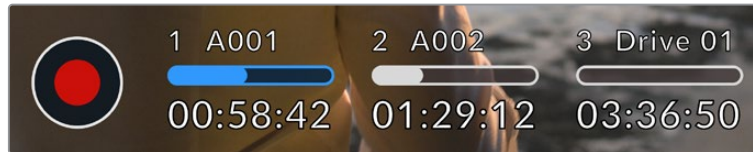
Histogram, klibinizdeki gölgeler ve parlak bölgeler arasındaki ton aralığını gösterir. Ayrıca, pozlamanızın dengesini kontrol etmeniz ve parlak bölgelerinizin kırılmasını önlemeniz için faydalı bir araçtır.

Histogramın sol kenarı, gölgeleri veya siyahları gösterir ve en sağ, parlak noktaları veya beyazları gösterir. Diyafram açıklığını azalttığınızda veya genişlettiğinizde, buna bağlı olarak histogramdaki bilginin sola veya sağa doğru hareket ettiğini göreceksiniz. Bunu, görüntünüzdeki gölge ve parlak bölgelerinde oluşan 'kırılmayı' denetlemek için kullanabilirsiniz. Kırmızı, yeşil veya mavi kanalda kırılma meydana geldiğinde, histogramın sağ tarafındaki ilgili göstergenin ışığı yanar. Histogramunuzun sol ve sağ kenarı, yavaş yavaş azalma yerine aniden azalıyorsa parlaklıklardaki ve gölgelerdeki detayları kaybediyor olabilirsiniz.

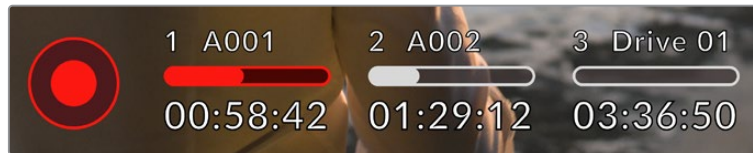
Dokunmatik ekranınızın sol alt tarafında bir histogram görmüyorsanız LCD ekranınız, 'kodek ve çözünürlük' ayarlarını göstermek üzere ayarlanmış olabilir. Daha fazla bilgi için, bu kullanım kılavuzundaki 'ekran ayarları' bölümüne bakın.

Kayıt butonu

URSA Broadcast G2'nin dokunmatik ekranının alt kısmındaki histogramın yanında, gri renkte yuvarlak bir düğme göreceksiniz. Bu, 'kayıt' butonudur. Kaydı başlatmak için, buna bir kez basın ve durdurmak için tekrar basın. Kayıt esnasında, URSA Broadcast G2'nizin dokunmatik ekranının üst kısmındaki buton, ortam çubuğu simgesi ve zaman kodu, kırmızı renge dönüşür.



URSA Broadcast G2'nizin dokunmatik ekranının alt kısmındaki depolama göstergelerinin yanında, 'kayıt' düğmesini göreceksiniz.



Bu 'kayıt' butonu, kayıt esnasında kırmızıya dönüşür

LUT'u Dosyada Uygula

Blackmagic RAW kaydı yapıyorsanız ve 'kayıt' ayarları sekmesinde kayıtlı kliplerinize bir LUT uygulamayı seçtiyseniz, 'kayıt' düğmesinin yanında mavi bir 'LUT' simgesi görüntülenir. LUT göstergesi hem bekleme hem de kayıt modunda görüntülenir.

Blackmagic RAW ile LUT'ları kaydetme konusunda daha fazla bilgi için, bu kılavuzun ilerleyen kısımlarındaki 'Kayıt Ayarları' bölümüne bakın.

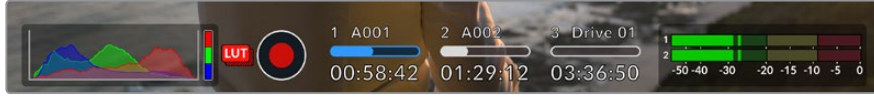


Blackmagic RAW kaydı yaparken, mavi bir 'LUT' simgesi görüntülenir

LUT'u Klibe Kaydet

ProRes, H.264 veya H.265 kaydı yapıyorsanız ve kliplerle birlikte bir LUT kaydetmeyi seçtiyseniz, "kayıt" butonunun yanında kırmızı bir "LUT" simgesi görüntülenir. LUT göstergesi hem bekleme hem de kayıt modunda görüntülenir.

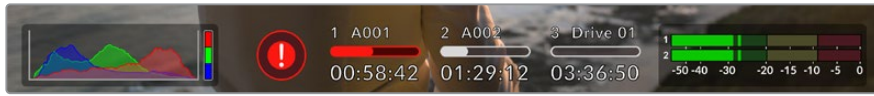
ProRes, H.265 veya H.264 video kodekleriyle LUT'ları kaydetme konusunda daha fazla bilgi için bu kılavuzun ilerleyen kısımlarındaki "Kayıt Ayarları" bölümüne bakın.



ProRes, H.265 veya H.264 kaydı yaparken, kırmızı bir "LUT" simgesi görüntülenir

Düşen Kare Göstergesi

Kayıt esnasında, URSA Broadcast kameranız kare düşürmeye başladığında, kayıt düğmesinin üzerinde, yanıp sönen bir '!' işareti belirir. Etkilenen kart veya kartlar için olan kalan süre göstergesi de kırmızıya dönüşür. Örneğin; çift kart modunda kaydediyorsanız ve kart 1 kare düşürüyorsa '!' ünlem işareti, kayıt butonunun üzerinde belirir ve kart 1'deki kalan süre göstergesi kırmızıya dönüşür. Bu, mevcut seçili kodek ve çözünürlüğünüz için, belli bir kartın çok yavaş olduğunu gösterir. Daha önce kaydetmiş olduğunuz klbinizde bir kare düşmüşse 'düşen kare göstergesi', bunu da gösterir. Başka bir klip kaydedilene veya kameranız kapatılıp açılıncaya kadar, bu gösterge düşen kare göstermeye devam edecektir. Düşen kareler hakkında daha fazla bilgi için bu kılavuzun 'CFast 2.0 kartının seçilmesi' 'Hızlı bir SD kartın seçimi' ve 'Hızlı SSD'nin seçimi' bölümlerine bakın.



CFast kart 1 için düşen kare göstergesi

BİLGİ URSA Broadcast G2'nin LED durum lambasını etkinleştirdiyseniz, düşen kareler tespit edildiğinde, bu lamba kırmızı renkte hızla yanıp söner. Daha fazla bilgi için, bu kullanım kılavuzundaki 'kurulum ayarları' bölümüne bakınız.

NOT Düşen kareler tespit ettiğinde, kaydı durdurması için URSA Broadcast G2'nizi ayarlayabilirsiniz. Böylelikle, düşen kare göstergesini fark etmediğiniz zaman, kullanılamayacak görüntü çekerek vakit kaybetmeniz önlenir. Daha fazla bilgi için, bu kullanım kılavuzundaki 'kayıt ayarları' bölümüne bakın.

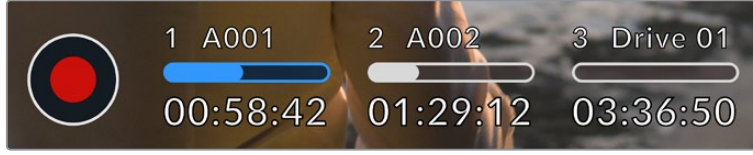
Depolama Göstergeleri

URSA Broadcast G2'nizin dokunmatik ekranının alt kısmındaki 'kayıt' butonunun yanında, depolama göstergelerini göreceksiniz.

Kalan Kayıt Süresi

Kameranıza bir CFast kart veya SD kart yerleştirildiğinde veya bir USB-C flaş disk veya SSD takıldığında, depolama göstergeleri, kartların veya disklerin her birinde kalan kayıt süresini gösterir. Kayıt süresi; seçtiğiniz kare hızına ve kodeğe göre saat:dakika: saniye şeklinde görüntülenir ve bu ayarlardan herhangi birini değiştirirseniz otomatik olarak yeniden hesaplanır.

Kartta ya da diskte yaklaşık 5 dakika süre kaldığında, gösterge yazıları kırmızıya dönüşür. Kameranıza bağlı her ek depolama ortamını doldurduysanız ve tek karta veya sürücüye kayıt yapıyorsanız ortamda 3 dakikalık süre kaldığında, bu gösterge yavaşça yanıp söner ve 30 saniyeden az kayıt süresi kaldığında da hızlı bir şekilde yanıp söner.



URSA Broadcast G2'nizin depolama göstergesi; CFast kartınızın, SD kartınızın veya SSD'nizin veya USB flaş diskinizin adını ve kalan kayıt süresini görüntüler.

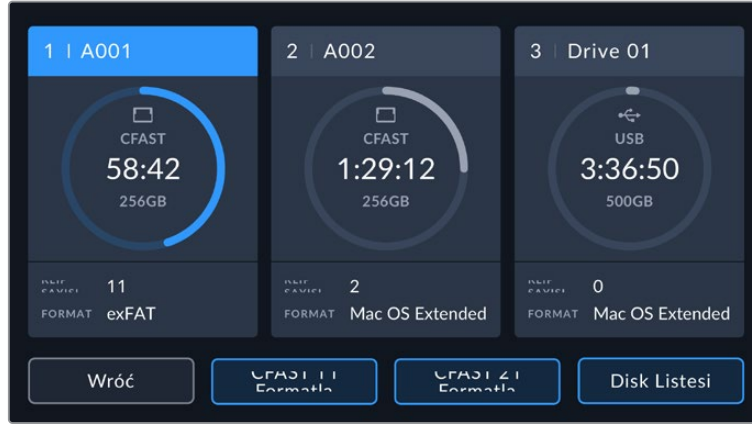
Ortam Çubuğu

Kayıt süresinin üzerindeki ortam çubuğu simgesi, mevcut durumuna bağlı olarak mavi, beyaz veya kırmızı renkte olur ve kartta veya sürücüde kullanılan alanı görüntüler.

	Mavi disk simgesi, aktif olan diski belirtir. Kayıt için kullanılacak disk budur.
	Beyaz bir disk simgesi, ortamın mevcut olduğunu ancak aktif olmadığını gösterir. Tamamen beyaz bir çubuk, ortamın dolu olduğunu gösterir.
	Kayıt esnasında, bu çubuk kırmızı renkte yanar.

Kaydın başka bir karta veya sürücüye geçmesini sağlamak için, kaydı yapmak istediğiniz kartın, USB-C flaş diskin veya SSD'nin ismini veya ortam çubuğunu hafifçe basılı tutun.

Depolama göstergelerinin tıklanması, depolama ve formatlama menüsünü ekrana getirecektir.



Depolama yöneticisine girmek için, URSA Broadcast G2'nizin dokunmatik LCD ekrandaki depolama göstergelerini tıklayın.

Bu menü; URSA Broadcast G2'nize bağlı olan her bir CFAST kart, SD kart, USB-C flaş disk veya SSD'deki boş alan miktarının yanında, kartın veya sürücünün adını, kalan kayıt süresini, toplam klip sayısını ve her kart veya sürücü için dosya formatını görüntüler. Depolama menüsünde kartın ya da sürücünün ismine tıklanması, o kartı veya sürücüyü aktif hale getirir. URSA Broadcast G2'niz, önce bu kartı dolduracaktır.

Ortamınızı bu menüden formatlayabilirsiniz. URSA Broadcast G2 ile, CFAST kartların formatlanması konusunda daha fazla bilgi için, bu kullanım kılavuzundaki Blackmagic URSA Broadcast G2'de ortamın hazırlanması' bölümüne bakın.

Ses Göstergesi

Maksimum (peak) ses göstergeleri, dahili mikrofon kullanıldığında veya harici ses bağlandığı zaman, 1. ve 2. kanalların ses seviyelerini görüntüler. PPM veya VU göstergelerinden birini görüntüleyebilirsiniz. Gösterge tipini değiştirmek için, bu kılavuzda daha sonraki 'kurulum' ayarlarına bakın.

Optimum ses kalitesi için, ses seviyelerinizin 0 dBFS'nin altında kaldığından emin olun. Bu, kameranızın kayıt edebileceği azami seviyedir, bu seviyeyi aşan herhangi bir ses kırılmış olacaktır ve netice olarak seste bozulmaya yol açacaktır.



Ses göstergelerinin üzerindeki renkli çubuklar, pik ses seviyelerini temsil eder. İdeal olarak ses seviyelerinizin tepe noktası, yeşil bölgenin üst ucunda olmalıdır. Pik seviyeleriniz sarı ya da kırmızı bölgelere girdiğinde, sesiniz kırılma tehlikesi ile karşı karşıyadır.

Ses giriş kanalları 1 ve 2 için ses ayar kontrollerini ve ayrıca kulaklık ya da hoparlör ses ayarlarını görüntülemek için, ses göstergelerini tıklayabilirsiniz.



Ses ayarlarına ve kulaklık ile hoparlör ayarlarına kolaylıkla erişebilmek için, URSA Broadcast G2'nizin dokunmatik LCD ekranındaki ses göstergelerini tıklayın.

Netlenen Alanı Yaklaşdır

Yaklaştırmak istediğiniz bölgeye dokunmatik LCD ekranda iki kez dokunarak URSA Broadcast G2'nin önizleme görüntüsünün herhangi bir bölümünü büyütebilirsiniz. Dokunmatik ekranda parmağınızı sürükleyerek büyütülen görüntüyü hareket ettirebilirsiniz. Bu, netlik kontrolü yaparken çok faydalıdır. Standart görüntüye geri dönmek için dokunmatik ekrana tekrar iki kez dokunun.

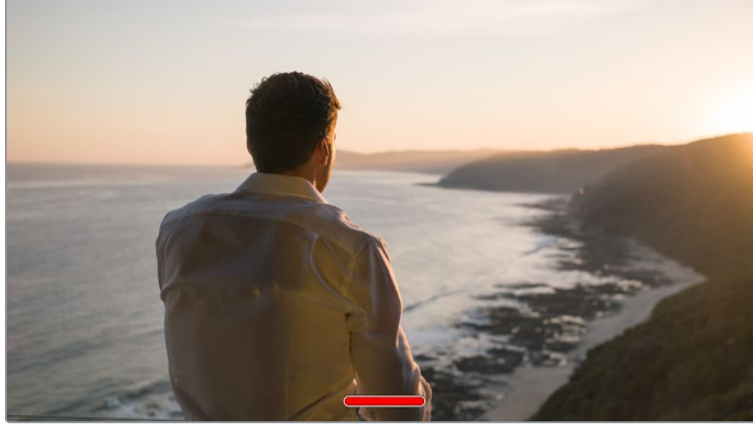
'Netlenen Alanı Yaklaşdır' özelliğini etkinleştirdiğinizde, dokunmatik ekrandaki zum seviyesini ayarlamak için baş ve işaret parmaklarınızı ekranın üzerinde açıp kapayarak veya 'pinch' olarak bilinen çoklu dokunma hareketini de yapabilirsiniz. URSA Broadcast G2'deki 'ayarlar' menüsü, dokunmatik ekrana iki kez dokunma gibi işlem gören bir 'netlenen alanı yaklaşdır' anahtarı olarak, bir fonksiyon butonunu yapılandırmanıza olanak tanır. Bu, LCD'de ya da ön veya ana SDI çıkışlarda gösterilecek şekilde yapılandırılabilir. Bir fonksiyon butonunun 'netlenen alanı yaklaşdır' olarak nasıl yapılandırılacağı hakkında bilgi için 'Fonksiyon Butonunun Önayar veya Değişirme olarak İşlevi' bölümüne bakın.



'Zoom in' ile görüntüyü yakınlaştırdığınız zaman, dokunmatik LCD ekranın sol üst köşesindeki bir gösterge, görüntünün hangi kısmını görüntülediğinizi belirtir. Menü tekerini kullanarak veya parmağınızı ekranda sürükleyerek görüntüde gezinebilirsiniz.

Tam Ekran Modu

Bir çekimi kadrajlarken veya odaklarken, dokunmatik ekranınızdaki durum yazıları ve göstergelerini geçici olarak saklamak için, tam ekran modu faydalıdır. Bunları saklamak için, URSA Broadcast G2'nin dokunmatik LCD ekranını yukarı veya aşağı kaydırmanız yeterlidir. Kayıt göstergesi, kare kılavuzları, kılavuzlar, odak yardımı ve zebra göstergeleri görünür olarak kalacaktır.



URSA Broadcast G2'nin dokunmatik LCD ekrandaki tüm durum göstergelerini saklamak için, ekran üzerinde parmağınızı yukarı veya aşağı kaydırmanız yeterlidir.

Oynatım Menüsü

Oynatım menüsüne erişmek için, 'play' etiketli oynat kontrol butonuna basın. Önceden kaydedilmiş olan klipleri, kameranın kontrol düğmeleri veya dokunmatik LCD ekran ile kontrol edebilirsiniz.










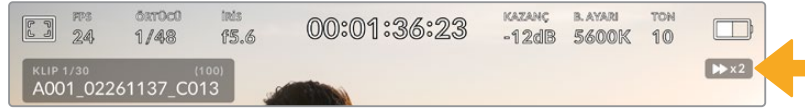
LCD dokunmatik ekran, kaydedilen tüm klipleri temsil eden bölümlerden bir zaman çizelgesi görüntüler. Zaman çizelgesindeki her bölüm, ayrı bir klipi temsil eder. Geçerli klipin adı ve numarası ekranın sol üst köşesinde gösterilir ve kart veya diskteki toplam klip sayısı parantez içinde gösterilir.

Zaman çizelgesinin önündeki sayaç, oynatım çubuğunun şu anki konumunu ve zaman çizelgesinden sonundaki sayaç ise, tüm kliplerin toplam süresini gösterir.

Zaman çizelgesinin altındaki oynatım kontrolleri, klipler arasında gezinmenizi sağlar.



	Oynatım modundayken, 'kayıt' butonunu tıklamak, kameranızı kayda hazır durumda, 'standby' moduna yani, bekleme moduna geri getirir.
	Kliplerinizi görüntülemek için 'oynat' butonuna dokununuz. Artık "oyunatım" modundasınız.
	Oynatımı durdurmak için 'durdur' düğmesine basın. 'Durdur' düğmesine ikinci kez basmak, kameranızı bekleme moduna geçirir.
	Oynatım çubuğunu, mevcut klibin ilk karesine taşımak için "geri atlat" butonuna bir kez dokununuz. Oynatım çubuğu, zaten bir klibin başındaysa bir önceki klibin ilk karesine atlayacaktır.
	Oynatım çubuğunu, mevcut klibin son karesine taşımak için "ileri atlat" butonuna bir kez dokununuz. Oynatım çubuğu, zaten bir klibin sonundaysa bir sonraki klibin ilk karesine atlayacaktır.
 	'Geri atlat' ve 'ileri atlat' butonlarını, aktarım kontrollerindeki 'geri sar' ve 'ileri sar' butonları olarak değiştirmek için "geri atlat" ve "ileri atlat" butonlarını basılı tutunuz. Şimdi bu butonları, sarım hızını 2x, 4x, 8x veya 16x olarak değiştirmek için kullanabilirsiniz. Sarım hızını düşürmek için ters yöndeki butona dokunmanız yeterlidir.






Hızlı oynatım (shuttle) hızı göstergesi, çekimin hızını ve ileri veya geri alınma yönünü gösterir.

Oynatım modunu, 'tüm klipler'den 'tek klip' olarak 'ayarlar' menüsünde değiştirebilirsiniz. 'Tek klip' modunda, 'oynat' düğmesine bastığınızda, son kaydedilen klip görüntülenir.

BİLGİ Çekimleri oynatırken, durum mesajlarını saklamak için URSA Broadcast G2'nizin dokunmatik LCD ekranında, parmağınızı yukarı veya aşağı kaydırınız. Oynatım modundayken klakete girerek, mevcut klibi, metaveride 'iyi çekim' olarak işaretlemenize imkan verir. Daha fazla bilgi için, bu kılavuzun 'metaverinin girilmesi' bölümüne bakınız.

Oynatımı döngüye alma

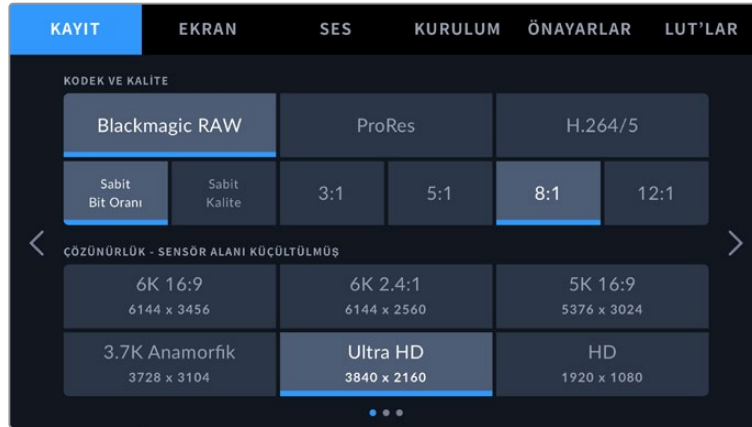
Oynat butonuna bir kereden fazla dokunmak 'döngü' özelliğini etkinleştirir. Aynı klibi döngüye almaya devam etmek veya zaman çizelgesindeki tüm klipleri döngüye almak istiyorsanız döngüye alma yararlı olabilir.

Loop (Döngüye Al)		Klibiniz oynatıma başladığında, mevcut klibi sürekli bir döngüde oynatmak üzere kameranızı ayarlamak için, tekrar "oynat" düğmesine basın.
Hepsini Döngüye Al		Kayıtlı bulunan tüm kliplerinizin hepsini aralıksız bir döngü üzerinde oynatmak için tekrar 'oynat' butonunu tıklayınız.
Play (Oynat)		Gerçek zamanlı oynatıma dönmek için tekrar dokununuz.

Ayarlar

Gösterge Paneli

URSA Broadcast G2'nizdeki 'menu' kontrol düğmesine basmak, kameranızın gösterge panelini ortaya çıkaracaktır. Bu, URSA Broadcast G2'nizin denetim merkezi ekranında olmayan ayarları içeren, sekmeli bir menüdür. Ayarlar fonksiyonlarına göre; 'kayıt', 'ekran', 'ses', 'kurulum', 'önayarlar' ve 'LUT'lar' sekmeleri olarak bölünmüştür. 'Kayıt', 'ekran' ve 'kurulum' gibi bazı sekmeler, birden fazla sayfa içermektedir. Ayarlar ekranının sağ ve solundaki okları tıklayarak veya akıllı telefon veya tablette olduğu gibi sola veya sağa doğru parmağınızı kaydırarak, bu sayfalar arasında gezinebilirsiniz.



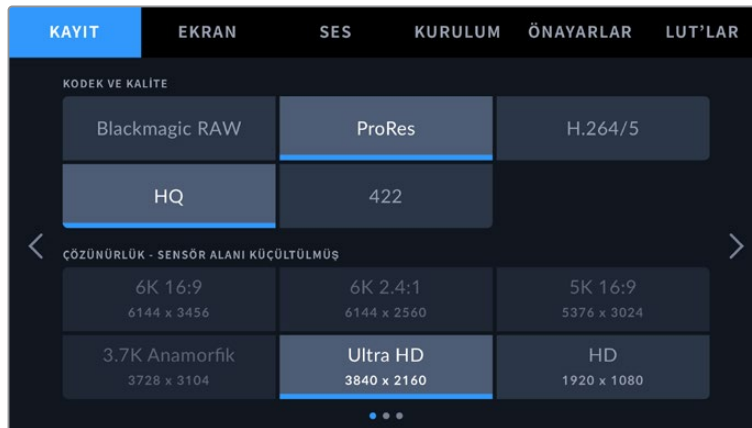
URSA Broadcast G2'nizin gösterge paneli sekmeleri arasında dolaşmak için; 'kayıt', 'ekran', 'ses', 'kurulum', 'önayarlar' ve 'LUT'lar' sekmelerini tıklayın.

Kayıt Ayarları

'Kayıt' sekmesi; video formatı, kodek ve çözünürlük gibi ayarları düzeltmenin yanı sıra, tercih edilen kart ve detay keskinleştirme gibi URSA Broadcast G2'nizin kaydettiği çekimleri etkileyecek diğer ayarları, düzeltmenize imkan sağlar. Bu menünün, dokunmatik ekranının sağ ve solundaki okları tıklayarak veya sola veya sağa doğru parmağınızı kaydırarak içinde gezinebileceğiniz üç sayfası vardır.

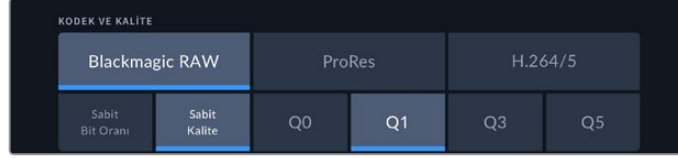
Kayıt Ayarları 1

'Kayıt' sekmesinin ilk sayfası, aşağıdaki ayarları içerir.



Kodek ve Kalite

'Kodek ve kalite' menüsü iki sraya ayrılmıştır. Üst sıra; üç kodek ailesi Blackmagic RAW, Apple ProRes ve H.264/5 arasından seçim yapmanızı sağlarken, alttaki sıra, bu ailelerin içinde bulunan kalite seçenekleri arasından seçim yapmanızı sağlar. Örneğin; ProRes kodek ailesindeki kalite seçenekleri arasında ProRes HQ ve ProRes 422 vardır. Blackmagic RAW seçenekleri, dört adet 'sabit bit oranı' ve dört adet 'sabit kalite' ayarı arasında bölünmüştür.



Blackmagic RAW 'sabit bit oranı' ve 'sabit kalite' seçenekleri

BİLGİ Daha yüksek sıkıştırmayı kullanan kodekleri seçtiğinizde, URSA Broadcast G2'deki depolama ortamınızda kaydedebileceğiniz video miktarı artacaktır. Daha fazla bilgi için, 'kayıt' bölümündeki kayıt süresi tablosuna bakın.

Çözünürlük

Bu ayar, 'kodek' ayarı ile birlikte çalışır. Bunu, dilediğiniz kayıt formatı için çözünürlük seçiminde kullanın.

Örneğin, ProRes HQ kullanarak Ultra HD klipler kaydetmek istediğinizde, 'kodek ve kalite' menüsünden 'ProRes' ve 'HQ' seçeneklerini seçin. Şimdi, çözünürlük menüsünden 'Ultra HD'yi seçin.



Blackmagic RAW 'çözünürlük' seçenekleri

NOT Blackmagic URSA Broadcast G2; Blackmagic RAW kodeğini tüm çözünürlüklerde, Apple ProRes'i Ultra HD ve HD'de, H.265'i Ultra HD'de ve H.264'ü de HD'de destekler.

Kayıt Ayarları 2

'Kayıt' ayarları sekmesinin ikinci sayfası, aşağıdaki ayarları içerir.



Dinamik Aralık

'Dinamik aralık' ayarını, dinamik aralık ikonlarını tıklayarak ayarlayabilirsiniz. Blackmagic URSA Broadcast G2'de, üç dinamik aralık ayarı bulunmaktadır:

Video	Hemen teslim edilecek işler veya post yapım işlemlerini asgariye indirmek için uygun olan yüksek kontrastlı, doymun bir görünümle kayıt için en iyi seçim, 'video' ayarıdır. Video, parlak bölgelerde hoş bir düşünle Rec.709 birincil renkleri kullanır. Gerekliğinde derecelendirme için yeterli alanı olan hoş bir gama eğrisine sahip, doğru bir başlangıç noktası istediğinizde, bu iyi bir seçenektir.
Geniş Video	"Geniş video" ayarı, Blackmagic Wide Gamut'un kontrast ve doymunluk uygulanmış halini temel alır. Video moduna göre en dikkate değer farkı, baskı filmin daha tipik ve daha az doymunluğa sahip olan macenta/yeşil ekseninden kaynaklanır.
Film	'Film' ayarı, bir log eğrisi kullanarak video çekimi yapar ve en büyük dinamik aralığı muhafaza etmenizi sağlar ve DaVinci Resolve gibi, renk derecelendirme yazılımlarından en iyi neticeleri almanız için, video sinyalinizdeki bilgileri azamiye çıkarır.

Eğer 'video' veya 'geniş video' dinamik aralıklarını kullanıyorsanız LUT görüntülemenin; monitör, LCD, Ön SDI veya Ana SDI çıkışlarının hiçbirinde aktif olmadığından emin olun.

LUT görüntüleme aktif ise, denetim merkezi ekranında LUT göstergesi görünür olacaktır ve görüntünün doymunluğu ve kontrastı arzu ettiğinizden daha fazla olarak görünecektir. LUT görüntüleme ayarlarına bakmak için, bu kullanım kılavuzunun ilerleyen kısmında bulunan 'ekran' ayarlarına bakın.

Sensör Alanı

Bu ayar; ProRes, H.265 ve H.264 video kodeklerinde çekim yaparken kullanılabilir. Tam '6K' sensör alanından ölçeklendirme veya sensör alanında daha küçük bir 'bölümü' kullanma arasında seçim yapmanızı sağlar. 5.3K veya 6K gibi daha büyük bir sensör alanı seçmek, size daha geniş bir görüş alanı sağlarken; 2.7K gibi daha küçük bir sensör alanı seçmek de size daha yüksek kare hızı seçenekleri sunar. Sensörün daha küçük bir bölümünü kullanmanın, yalnızca kamera sensörünün merkezini kullandığını belirtmemiz önemlidir. İlgili kırpma nedeniyle, her lensin görüş alanı, daha küçük olacaktır.

URSA Broadcast G2'nin B4 yuvasında yayın lenslerini kullanırken, sensör alanınızın 4K olarak ayarlandığından emin olmanız gerekir, çünkü bu lenslerin kaplayacağı çerçeve alanı budur. 5.3K ve 6K sensör alanı kabaca Süper 35 boyutundadır ve bu nedenle, çoğu EF, F yuvalı ve PL lensler ile uyumludur.

'Tam sensör' ve 'sensör alanı düşük' formatlar hakkında daha fazla bilgi için, 'maksimum sensör kare hızları' bölümüne bakınız.

Proje Kare Hızı

Proje kare hızı, URSA Broadcast G2'nin kayıt formatının kare hızıdır ve film ile televizyon endüstrisinde yaygın olarak kullanılan kare hızlarından seçenekler sunar. Örneğin; ProRes HQ kullanılarak, saniyede 29.97 kare ile Ultra HD. Bu kare hızı, çoğunlukla post prodüksiyon iş akışınızda kullanılan oynatma hızı ve ses senkronizasyonuna ve teslimat koşullarına eşleşecek şekilde ayarlıdır.

Blackmagic URSA Broadcast G2'nizin; saniyede 23.98, 24, 25, 29.97, 30, 50, 59.94 ve 60 kare dahil olmak üzere, 8 adet proje kare hızı ayarı vardır.

NOT Kameranızın proje kare hızının, çekimlerinizin görünüşü üzerinde büyük bir etkisi vardır. Yayın ortamlarında kare hızları genellikle; saniyede 50, 59.94 veya 60 kare olarak ayarlıdır. Bunlar gibi nispeten yüksek kare hızları, hareketleri pürüzsüz yakalamak ve panlama işleminde teklemeleri yok etmek veya asgariye indirmek için çok iyidir.

Saniyede 24 ya da 25 kare gibi daha düşük kare hızları, genellikle sinema prodüksiyonlarında kullanılır. Bunların belirgin bir sinematik 'görünümü' vardır ama, teklemeyi (stutter) önlemek için, daha yavaş kamera hareketi gerektirirler.

Farklı Hızda Kayıt

Varsayılan ayar olarak, URSA Broadcast G2'nizin proje ve sensör kare hızları, doğal bir oynatım hızı için eşleştirilmiştir. Yine de 'farklı hızda kayıt' simgesini tıklayarak, sensör kare hızınızı bağımsız olarak ayarlayabilirsiniz. Bu seçenek, yalnızca Blackmagic RAW veya ProRes kodeklerinde kayıt yaparken kullanılabilir.

Farklı Hızda Kayıt için Kare Hızı

'Farklı hızda kare hızı' etkinleştirilmiş halde iken, URSA Broadcast G2'nizin sensör kare hızını ayarlamak için, 'farklı hızda kayıt kare hızı' göstergesinin yanındaki okları tıklayın.

Sensör kare hızı, sensörden saniyede kaç tane karenin gerçekten kaydedildiğini ayarlar. Bu kare hızı, ayarlı olan proje kare hızında, videonuzun oynama hızını etkileyecektir.

Farklı hızda kayıt kare hızları konusunda daha fazla bilgi için, bu kılavuzun 'dokunmatik ekran özellikleri' bölümündeki 'saniyede kare hızı' kısmına bakın.

NOT Her bir format ve kodek kaydı için mevcut olan maksimum kare hızlarıyla ilgili bilgi için, bu kılavuzun 'kaydetme' bölümündeki 'maksimum sensör kare hızları' tablosuna bakın.

Kayıt için Tercih Edilen Ortam

Bu ayarı; her iki yuva da kullanımda iken, URSA Broadcast G2'nizin ilk olarak hangi depolama kartına, SSD'ye ya da flaş diske kayıt yapacağını belirlemek için kullanın. Seçenekler 'kart 1', 'kart 2', 'USB' ve 'en dolu' şeklindedir. 'Kart 1' veya 'kart 2'den birinin seçilmesi, kişisel tercihe bağlıdır fakat, birisinin devamlı olarak kullanılması, kartınız dolduğunda hangi kartı ilk olarak değiştirmeniz gerektiğini size gösterecektir. 'En dolu kart' seçeneğinin seçilmesi, tek kamera ile bir proje çekerken, dosyalarınızı kronolojik olarak gruplandırmanıza yardımcı olur. 'En dolu kart' ayarı; depolama kartlarınızın kapasiteleri veya kullanılan veri miktarlarından ziyade, doluluk oranlarını baz alır.

Seçmiş olduğunuz ayar; bir CFAST kart, SD kart veya SSD takıldığında ya da bir USB flaş disk bağlandığında uygulanır. Depolama yöneticisinden başka bir kartı 'aktif' olarak seçerek, bu ayarı istediğiniz zaman geçersiz kılabilirsiniz. Ancak, kartların çıkarılıp tekrar takılması, ayarı mevcut 'kayıt için tercih edilen ortam' ayarına geri döndüreceğini belirtmekte fayda vardır.

RAW Kayıt Ortamını Seç

İki karta Blackmagic RAW kaydı, daha düşük sıkıştırma seviyeleriyle yüksek kare hızlarında son derece yüksek çözünürlüklü klipler kaydetmenizi sağlar. Bir çift CFAST veya SD Kart takın ve '2 Karta' seçeneğini seçin. Bu, her iki kartın sıralı olarak bölünerek yazılmasına dayandığından, en yavaş kartın veri hızı sınırlayıcı faktör olacaktır, bu nedenle aynı veya benzer özelliklere sahip iki kart kullanmanız önerilir.

Depolama yuvası 1 veya 2'deki bir CFAST kart ile depolama yuvası 3'teki bir USB-C flaş disk arasında da kaydı bölünebilirsiniz. Hız sınırı, '2 Karta' seçeneğini kullandığınızda, bölünmüş düzendeki en yavaş kartın veri hızının iki katı olur.

Kurgu için dosyaları birleştirme

Her iki bellek kartından .BRAW ve .BRAW2 dosyalarını bilgisayarınızda aynı klasöre kopyalayın ve bunları medya havuzunuza içe aktardığınızda, DaVinci Resolve onları tek bir birleştirilmiş klip olarak getirecektir. .BRAW ve .BRAW2 dosyaları ayrılırsa kare hızının yarı hızında bu klipler bağımsız olarak oynatılabilir. Bir .BRAW2 dosyasını bağımsız olarak oynatmak için .BRAW2 dosya uzantısını, .BRAW olarak değiştirin.

BİLGİ Bir .BRAW ve .BRAW2 dosyasını, bağımsız bir klipte birleştirmek için DaVinci Resolve'deki Medya Yönetimi aracını kullanabilirsiniz.

.BRAW dosyalarını birleştirme, ayrılmayacaklarından emin olmanızı sağlar. Bu, medya yönetimi için veya dosyaları başka bir kurgu uzmanına gönderdiğinizde yararlı olabilir.

Daha fazla bilgi için Davinci Resolve kılavuzundaki 'Medya yönetimini kullanma' bölümüne bakın.

Kayıt Ayarları 3

'Kayıt' ayarı sekmesinin üçüncü sayfası, aşağıdaki ayarları içerir.



Zaman Atlamalı

Bu ayar; aşağıda belirtilen aralıklarda otomatik olarak sabit karelerin kaydedilmesi için zaman atlamalı çekim özelliğini etkinleştirir:

Kare Sayısı	2 - 10
Saniye	1 - 10, 20, 30, 40, 50
Dakika	1 - 10

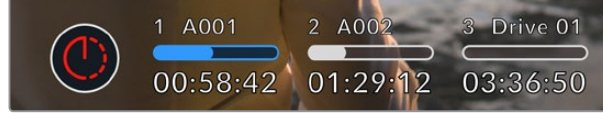
Örneğin, sabit kare çekmesi için kamerayı; her 10 karede 1, her 5 saniyede 1, her 30 saniyede 1, her 5 dakikada 1 gibi ayarlayabilirsiniz.

Zaman atlamalı kayıt özelliği, birçok yaratıcı seçenek sunar. Örneğin, 2 karelik aralıklarla zaman atlamalı kayıt ayarı yapılması, geri oynatıldığında, kaydettiğiniz videoya bir yüksek hız etkisi verecektir.

Her bir sabit karenin formatı, kayıt formatınıza bağlıdır yani, kamerayı ProRes HQ kullanarak Ultra HD formatında kaydetmesi için ayarladıysanız zaman atlamalı çekimin ayarı, bu formatı devam

ettirir. Kare hızı, proje kare hızınıza bağlı olacaktır. Bu, zaman atlamalı çekimlerinizin, post prodüksiyon iş akışınıza kolaylıkla dahil edilebilmesi içindir.

Zaman atlamalı modda çekim yaparken, bir video karesi kaydedildiğinde zaman kodu sayacı güncellenir.



URSA Broadcast G2'niz, 'kayıt' butonunun üzerinde bir ikon sergileyerek zaman atlamalı modda olduğunu belirtir.

Detay Keskinleştirme

URSA Broadcast G2'nizin görüntüsünü keskinleştirmek için bu ayarı kullanın. Keskinleştirme aktifken; 'düşük', 'orta' veya 'yüksek' modlarını seçerek keskinleştirme miktarını artırın veya azaltın.

Keskinleştirme etkinleştirildiğinde, URSA Broadcast G2'nizin SDI çıkışının yanı sıra, kamerada kaydedilen ProRes video kaydına da uygulanır.

Bu ayar, post prodüksiyon için hiç zamanın olmadığı ve görüntüyü canlı olarak yayına sokmak istediğiniz, canlı stüdyo yapımları için tasarlanmıştır. Post prodüksiyonda yoğun görüntü işleme ve renk düzeltme yapıyorsanız, detay keskinleştirme modunu kapalı tutmanızı öneririz. Bu sebepten dolayı, önemli derecede çekim sonrası işleme yapılması planlanan Blackmagic RAW dosyalarına, keskinleştirme uygulanmaz.

BİLGİ Blackmagic RAW dosyalarınızı post prodüksiyonda işlerken, DaVinci Resolve'nin 'color', yani renk sayfasındaki blur/sharpening (bulanıklık/keskinleştirme) aracını kullanarak, kıyas edilebilir bir keskinleştirme elde edebilirsiniz.

Kıyas edilebilir bir keskinleştirmenin 'yüksek', 'orta' veya 'düşük' olması için; ölçeklemeyi 0.6, 0.3 veya 0.15 olarak ve aracın etki alanını da 0.48 olarak ayarlayın.

Post prodüksiyonda keskinleştirme hakkında ayrıntılı bilgi için, kapsamlı DaVinci Resolve kılavuzundaki 'hareket efektleri ve bulanıklık paletleri' bölümüne bakınız.

Kart Kare Düşürürse

Düşen kareler tespit edildiğinde, URSA Broadcast G2'nizin fonksiyonunu yapılandırmak için bu ayarı kullanın. 'Uyar' olarak ayarlandığında, LCD dokunmatik ekranda düşen kare göstergesi görüntülenir ve düşen karelerle kayıt devam eder. 'Kaydı Durdur' olarak ayarlı olduğunda, düşen kareler tespit edildiği zaman, kameranız kaydı durdurur. Bu, düşen kare göstergesini fark etmediğiniz durumlarda, kullanamayacağınız çekimler yaparak vaktinizi boşa harcamanızı önleyebilir.

Düşen karelerin önlenmesi hakkında daha fazla bilgi için 'Bir CFast 2.0 kartın seçilmesi' 'Hızlı bir SD kartın seçilmesi' ve 'Hızlı bir SSD'nin seçilmesi' ve 'Hızlı bir USB-C flaş diskin seçilmesi' bölümlerine bakınız.

LUT'u Dosyada Uygula

URSA Broadcast G2'nin çıkışlarından herhangi birine bir LUT uyguluyorsanız, seçili LUT kaydetmekte olduğunuz Blackmagic RAW dosyasına gömülür.

Bu; LUT'un dosya başlığında kaydedileceği ve post prodüksiyon esnasında ayrı bir dosya ile uğraşmaya gerek olmadan, kolaylıkla klibe uygulanabileceği anlamına gelir. URSA Broadcast G2'nin kayıt menüsündeki 'LUT'u dosyada uygula' seçeneği 'açık' olduğunda, bu klip, Blackmagic RAW Player'de ve DaVinci Resolve yazılımında, seçilen 3D LUT uygulanmış olarak

açılır. Bu LUT, daha sonra 'açık' veya 'kapalı' olarak kolaylıkla değiştirilebilir, fakat klibe yazıldığından dolayı, daima Blackmagic RAW dosyası ile beraber taşınır.

Blackmagic RAW dosyasındaki 3D LUT'un etkin veya etkisiz hale getirilmesi için, DaVinci Resolve'nin RAW ayarlar paletinde de bir 'LUT'u Uygula' anahtarı vardır. DaVinci Resolve'deki 'LUT'u Uygula' ayarı, kameradaki ayarın aynısıdır. Böylelikle; çekim yaparken kamerada belli bir LUT'u seçerek renk uzmanını, bu LUT'u kullanması için yönlendirebilirsiniz fakat, DaVinci Resolve'de 'LUT'u Uygula' seçeneğini 'kapalı' konumuna getirerek, LUT'u kolaylıkla kapatabilirler.

LUT'u Klibe Kaydet

'LUT'u klibe kaydet' seçeneği, ProRes, H.265 veya H.264 video kodekleri ile çekim yaparken kullanılabilir. Blackmagic URSA Broadcast G2'niz varsayılan olarak, kaydedilmiş görüntülere LUT'ları uygulamaz veya kalıcı olarak kaydetmez; ancak 'LUT'u klibe kaydet' düğmesini tıklayarak, LUT'u çekimlerinize kalıcı olarak kaydetmeyi seçebilirsiniz.

Çekiminizi post prodüksiyonda derecelendirmek için zamanınız olmadığında veya çekimi doğrudan bir müşteriye veya kurgu uzmanına vermeniz gerektiğinde, bu faydalı bir seçenek olabilir. Daha fazla bilgi için, '3D LUT'lar' ve 'dokunmatik ekran kontrolleri' bölümlerine bakın.

Lens Düzeltimi

Bu; daha ucuz B4 merceklerde yüksek kontrastlı görüntü bölgelerinde daha belirgindir, özellikle de zum aralığı çok geniş olan lenslerde. Bu; daha ucuz B4 merceklerdeki yüksek kontrastlı görüntü bölgelerinde daha belirgindir, özellikle de zum aralığı çok geniş olanlarda. Lens Düzeltimi özelliği; B4 ve yayın PL mercekli URSA Broadcast G2'de bunu kamerada düzeltmenize olanak verir. Kamera, yayın lensinden gerekli bilgileri tespit ettiğinde, bu özellik varsayılan olarak etkin hale getirilir.

Dosya Adlandırma Kuralları

Seçtiğiniz kayıt formatına göre klipler; Blackmagic RAW formatında, Apple ProRes ve MP4 formatlarında kaydedilir.

Aşağıdaki tablo, dosya adlandırma kurallarının örneğini gösterir:

A001_08151512_C001.mov	QuickTime Film Dosya Adı
A001_08151512_C001.mov	Kamera indeksi
A001 _08151512_C001.mov	Makara Numarası
A001_ 08 151512_C001.mov	Ay
A001_08 15 1512_C001.mov	Gün
A001_0815 15 12_C001.mov	Saat
A001_081515 12 _C001.mov	Dakika
A001_08151512_ C001 .mov	Klip Numarası

Sabit görüntü butonuyla DNG formatında kaydedilen sabit görüntü dosyaları, video klipleri için olan dosya adlandırma kurallarını takip eder; fakat dosya adı, klip numarasının yerine, dosya adının son dört rakamı olarak sabit görüntü numarasını temsil eden 'S001' içerecektir. Daha fazla bilgi için, bu kılavuzun 'LCD Durum Kontrolleri' bölümüne bakınız.

Ekran Ayarları

'Ekran' sekmesi, URSA Broadcast G2'nizin dokunmatik LCD ekranı, ön ve ana SDI çıkışları için; durum metni, katmanlar ve diğer ekran seçeneklerini ayarlamanızı sağlar. Seçenekler; 'LCD', 'ön SDI' ve 'ana SDI' arasında çıkış olarak düzenlenmiştir. Bu menülerin her birinde beş sayfadan oluşan seçenekler vardır ve kameranızın dokunmatik ekranının kenarlarındaki okları tıklayarak veya parmağınızla sola veya sağa kaydırarak aralarında gezinebilirsiniz.

Ekran Ayarları 1

'LCD' 'ön SDI' ve 'ana SDI' ekran sekmesinin ilk sayfası, her çıkış için aynı ayarları içerir. Örneğin, dokunmatik LCD ekran için 'zebra' ayarını açabilirken, ön veya ana SDI çıkışları için kapalı tutabilirsiniz.



Temiz Sinyal

Kayıt tally göstergesi hariç, ilgili çıkıştaki tüm durum metinlerini ve katmanları etkisiz hale getirmek için 'LCD', 'ön SDI' ve 'ana SDI' menülerindeki 'temiz sinyal' düğmesini tıklayın.



URSA Broadcast G2 kameranızın dokunmatik LCD ekranı, temiz sinyal modundayken de kayıt tally lambasını görüntüleyecektir.

NOT LUT'lar, yine de 'temiz sinyal' aktif olan çıkışlara uygulanacaktır. LUT'ları etkisiz kılmak için, ilgili çıkışın 'ekran' menüsündeki 'LUT'u görüntüle' düğmesini etkisiz hale getirin.

3D LUT Görüntüle

URSA Broadcast G2'niz, renk derecelendirmesi yapılmış bir çekimi andırmak için, herhangi bir çıkışa 3D LUT uygulayabilir. Bu, özellikle 'film' dinamik aralığı ile çekim yaparken faydalıdır çünkü, kasten düşük kontrastlı bir 'flat' (düz) görüntü oluşturabilir.

URSA Broadcast G2 kameranızda aktif bir 3D LUT varsa o LUT'u bağımsız olarak dokunmatik LCD ekrana, ön veya ana SDI çıkışına uygulamak için, bu ayarı kullanın.

NOT 3D LUT'ların yüklenmesi ve kullanılması konusunda daha fazla bilgi için, bu kullanım kılavuzun 'LUT'lar' bölümüne bakın.

Zebra

'LCD', 'ön SDI' ve 'ana SDI' çıkışlarında zebra kılavuzlarını etkinleştirmek için, bu çıkışların menülerindeki 'zebra' düğmesini tıklayın. Zebra kılavuzları ve zebra seviyelerini ayarlamak hakkında daha fazla bilgi için, bu kılavuzun 'dokunmatik ekran özellikleri' bölümüne bakın.

Odak Yardımı

'LCD', 'ön SDI' ve 'ana SDI' çıkışlarında odak yardımını etkinleştirmek için, bu çıkışların menülerindeki 'odak yardımı' düğmesini tıklayın. Odak yardımı ve odak yardımı seviyelerinin ayarlanması ile ilgili daha fazla bilgi için, bu kılavuzun 'dokunmatik ekran özellikleri' bölümüne bakın.

Çerçeve Kılavuzu

'LCD', 'ön SDI' ve 'ana SDI' çıkışlarında çerçeve kılavuzlarını etkinleştirmek için, bu çıkışların menülerindeki 'çerçeve kılavuzu' düğmesini tıklayın. Çerçeve kılavuzları ve farklı kılavuzların seçilmesi hakkında daha fazla bilgi için, bu kılavuzun 'dokunmatik ekran özellikleri' bölümüne bakın.

Izgara Kılavuz

'LCD', 'ön SDI' ve 'ana SDI' çıkışlarında, üçler kuralı ızgarasını etkinleştirmek için, bu çıkışların menülerindeki 'ızgara kılavuz' düğmesini tıklayın. Üçler kuralı kılavuzu hakkında daha fazla bilgi için, bu kılavuzun 'dokunmatik ekran özellikleri' bölümüne bakın.

Güvenli Alan Kılavuzu

'LCD', 'ön SDI' ve 'ana SDI' çıkışlarında güvenli alan katmanını etkinleştirmek için, bu çıkışların menülerindeki 'güvenli alan' düğmesini tıklayın.

Güvenli alan kılavuzları ve güvenli alan kılavuz seviyelerinin ayarı ile ilgili daha fazla bilgi için, bu kılavuzun 'dokunmatik ekran özellikleri' bölümüne bakın.

Sahte Renk

'LCD', 'ön SDI' ve 'ana SDI' çıkışlarında sahte renk pozlama yardımını etkinleştirmek için, bu çıkışların menülerindeki 'sahte renk' düğmesini tıklayın.

Sahte renk hakkında daha fazla bilgi için, bu kılavuzun 'dokunmatik ekran özellikleri' kısmına bakın.

Ekran Ayarları 2

URSA Broadcast G2'nizin 'LCD' monitör sekmesinin ikinci sayfasında, seçilen çıkışa göre değişen bazı ayarlar bulunur.



LCD, Ön SDI ve Ana SDI

Durum Metni

Bir çekimin kompozisyonu veya yönlendirilmesi için yalnızca gerekli bilgileri görüntülemek üzere LCD, ön SDI ve ana SDI çıkışınızda gösterilen durum mesajlarını ve göstergeleri gizlemek için bu faydalı olabilir. LCD, ön SDI veya ana SDI çıkışlarında durum mesajı ve göstergelerin görüntülenmesini değiştirmek için, ekran menülerindeki 'durum mesajı' açma/kapama ikonunu tıklayın. Çerçeve kılavuzları, ızgara kılavuzları, odak yardımı ve zebra gibi katmanlar, etkinleştirilmişlerse görünür olarak kalırlar.

URSA Broadcast G2 kameranızın dokunmatik LCD ekranı üzerinde parmağınızı yukarı aşağı kaydırma da dokunmatik ekran için aynı işlemi yapar.

Anamorfik Germe

Anamorfik merceklerle çekim yaparken, URSA Broadcast G2'nin önizleme çıkışlarında ve kaydedilmiş dosyalarda, görüntü yatay bir şekilde 'sıkıştırılmış' olarak görünür. 'Anamorfik Germe' seçeneğinin etkinleştirilmesi, URSA Broadcast G2 kameranızda önizlemeyi düzeltmenin yanı sıra, post prodüksiyonda düzeltmeyi kolaylaştırmak için, kullanılan germe miktarını, klibin metaverisine kaydeder.

Seçtiğiniz germe miktarı, URSA Broadcast G2 kameranızın çözünürlük ayarına bağlı olarak değişir fakat, bunun sonucunda oluşan görüntü, her zaman 2.4:1 görüntü oranında sinematik geniş ekran olacaktır.

Film için tasarlanmış olan anamorfik mercekler, genellikle iki kat sıkıştırma faktörü bulundurulur. URSA Broadcast G2'nizin '3.7K anamorfik' çözünürlüğü, bu merceklerle kullanılmak üzere tasarlanmıştır ve bu çözünürlüğe ayarlı ve 'anamorfik germe' '2x' seçeneğine ayarlı olduğunda, 2 katlık bir germe uygular.

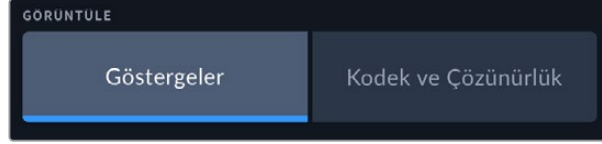
16:9 dijital görüntü sensörü için tasarlanmış anamorfik mercekler, 16:9 sensörün tamamından 2.4:1 sinematik geniş ekran görüntüleri oluşturmak için, çoğu kez 1.33 katlık bir sıkıştırma uygularlar. Bu sebeple, URSA Broadcast G2'niz '4K 16:9' ve 'HD 16:9' gibi 16:9 çözünürlüklere ayarlıyken, 'anamorfik germe' de '1.33x' olarak ayarlı olması gerekir.

BİLGİ Küre şeklindeki standart bir lensle çekim yaparken, görüntü yatay olarak uzatılmış görünüyorsa 'anamorphic desqueeze' (anamorfik germe) seçeneğinin aktif olmadığından emin olun.

Sadece LCD

Ekran

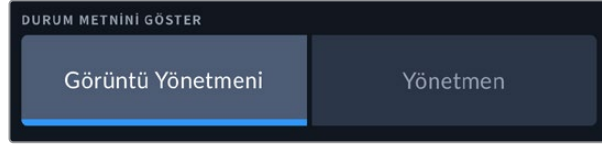
URSA Broadcast G2 kameranız, dokunmatik ekranın sol ve sağ alt kenarlarında, histogram ile ses göstergelerinin yerine, kodek ile çözünürlük bilgilerini görüntüleyebilir. Pozlamayı ayarlarken sahte renk kullanmayı tercih ediyorsanız veya sesi ayrı olarak kaydediyorsanız ve normalde histogram ile ses göstergelerinin kullandığı alanda ek bilgi görüntülemek istediğinizde, bu faydalı olabilir. Tercih ettiğiniz görünümü seçmek için 'LCD ekran' menüsündeki 'göstergeler' ya da 'kodek ve çözünürlük' seçeneklerini tıklayın.



Ön SDI ve Ana SDI

Görüntü Yönetmeni veya Yönetmen için Durum Mesajlarının Görüntülenmesi

Kameranın dokunmatik LCD ekranı; ISO, beyaz ayarı ve diyafram açıklığı gibi, o kameradaki tek çekimleri düzenleyen kamera operatörü veya görüntü yönetmeni için faydalı olacak bilgileri görüntüler. Ancak, kameranızın SDI çıkışı da birden fazla çekimin veya kameranın takibini yapan bir yönetmen veya senaryo sorumlusu için faydalı olacak bilgileri de görüntüleyebilir.



URSA Broadcast G2'nizin 'ön SDI' veya 'ana SDI' ekran ayarlarında durum metninin 'yönetmen' olarak ayarlanması, aşağıdaki bilgileri göstermek üzere o çıkış için durum metnini değiştirir.

- **FPS**
Seçili olan saniyedeki kare sayısını (FPS) görüntüler. Farklı hızda kayıt kare hızı aktif olmadığında, sadece proje kare hızı gösterilir. Bir 'farklı hızda kayıt kare hızı' kullanılıyorsa önce sensör kare hızı ve ardından proje kare hızı gösterilir.
- **Kamera**
URSA Broadcast G2'nizin dijital klaketinde ayarlandığı şekilde, kamera indeksini gösterir. Daha fazla bilgi için, bu kılavuzun 'klaket' bölümüne bakın.
- **OPERATÖR**
URSA Broadcast G2'nin klaketinde ayarlandığı şekilde, kamera operatörünün kim olduğunu belirtir. Daha fazla bilgi için, bu kılavuzun 'klaket' bölümüne bakın.
- **SÜRE GÖSTERGESİ**
Kayıt esnasında mevcut klibin ya da en son kaydedilen klibin süresini, aşağıdaki formatta görüntüler: saat:dakika:saniye
- **MAKARA, SAHNE, TEKRAR**
Mevcut makara, sahne ve çekim tekrarını görüntüler. Makara, sahne, tekrar ve bunlarla ilgili etiketleme kuralları hakkında daha fazla bilgi için, bu kılavuzun 'klaket' bölümüne bakın.
- **DİNAMİK ARALIK**
URSA Broadcast G2'nizde şu an uygulanan LUT, ekran çıkışına uygulanmışsa ekranın sol alt köşesinde gösterilir. Uygulanan herhangi bir LUT yoksa 'film' ya da 'video' dinamik aralığı görüntülenir.
- **ZAMAN KODU**
Ekranın sağ alt kısmı, URSA Broadcast G2'nizin zaman kodunu, aşağıdaki formatta görüntüler: saat:dakika:saniye:kare

Ekran Ayarları 3

'LCD' 'ön SDI' ve 'ana SDI' ekran sekmesinin üçüncü sayfası, her çıkış için aynı ayarları içerir. Bu ayarlar, görüntüleme çıkışlarının üçü arasında işlev görürler. Örneğin, URSA G2'nizin LCD, Ön SDI ve Ana SDI çıkışlarında odak yardımı aracı etkinleştirilirse 'odak yardımı türü' için seçeneği 'odak boyama'dan 'renkli çizgiler'e değiştirmeniz, çıkışların her üçünü etkiler.



Zebra Seviyesi

Zebra'nın görüldüğü pozlama seviyesini, ayarın her iki yanındaki ok ikonlarından birine tıklayarak ayarlayın. Orta gri ile yüzde 100 pozlama arasında değişen, sekiz zebra seviyesi önayarı bulunur.

Daha fazla bilgi için, bu kılavuzun 'dokunmatik ekran özellikleri' bölümündeki 'zebra' kılavuzuna bakın.

Odak Yardımı Türü

URSA Broadcast G2 kameranızın, 'odak boyama' ve 'renkli çizgiler' olmak üzere, iki odak yardımı modu vardır.

• Odak Boyama

'Odak boyama' tarzı odak yardımı seçildiğinde, dokunmatik LCD ekranınızda veya SDI çıkışınızda, görüntünün odaklanmış alanları aşırı derece keskinleştirilir, fakat kaydedilen görüntünün kendisi keskinleştirilmez. Bu, görüntünüzün odaklanmış bölümlerinin, ekrandaki yumuşak arka plandan daha belirgin olmasına neden olur. Başka ilave katmanlar kullanılmadığından, odaklamanın gerçekleştiğini anlamak için bu, çok sezgisel bir yol olabilir; özellikle de odakladığınız nesne, görüntüdeki diğer öğelerden fiziksel olarak ayrı olduğu zaman.

• Renkli Çizgiler

'Renkli çizgiler' tarzı odaklama yardımı seçildiğinde, görüntünün odaklanmış bölümleri üzerine renkli çizgi bindirilir. Bu, çizgiler görüntünüzün üzerine çizildiği için, 'odak boyama' tarzı odak yardımından daha kullanışsız olabilir fakat, birçok öğenin olduğu teferruatlı çekimlerde, kusursuz bir odak yardımı olabilir.

Odak Rengi

Bu ayarı, 'renkli çizgiler' tarzında odak yardımını kullanırken, odak çizgisi katmanlarının rengini değiştirmek için kullanın. Odak çizgisi renginin değiştirilmesi, odak yardımı çizgilerinin görüntünüzden ayırt edilmesini kolaylaştırabilir. Mevcut olan seçenekler; beyaz, kırmızı, yeşil, mavi ve siyahtır.

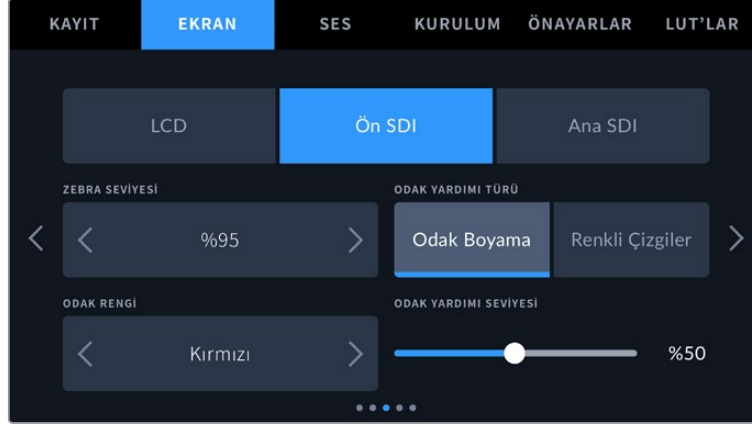
Odak Yardımı Seviyesi

LCD dokunmatik ekranınız için ön SDI veya ana SDI için odak yardımının seviyesini ayarlamak üzere, sürgüyü soldan sağa hareket ettirin.

BİLGİ Odak yardımının ideal seviyesi, çekimden çekime değişir. Örneğin; oyunculara odaklanırken, daha yüksek seviyede olan bir odak yardımı, yüzlerdeki kenar detaylarını belirlemek için faydalı olabilir. Diğer bir taraftan, bitki örtüsü ya da tuğla duvar çekimleri, daha yüksek ayarlarda dikkat dağıtabilecek miktarlarda detay gösterebilir.

Ekran Ayarları 4

'LCD' 'ön SDI' ve 'ana SDI' ekran sekmesinin dördüncü sayfası, her çıkış için aynı ayarları içerir. Bu ayarlar, kameranızın monitör çıkışlarının her üçünü genel etkiler.



Çerçeve Kılavuzları

Blackmagic URSA Viewfinder gibi elektronik vizörler dahil olmak üzere, URSA Broadcast G2'nizdeki tüm çıkışlar için olan çerçeve kılavuz seçeneklerinin arasında gezinmek üzere, 'çerçeve kılavuzları' menü ayarındaki sol veya sağ okları tıklayın. Seçenekler, bu kılavuzun 'dokunmatik ekran özellikleri' bölümünde açıklanmıştır ve ayrıca, dokunmatik LCD'nin denetim merkezi ekranının LCD görüntüleme menüsünden de bunlara erişilebilir.

Güvenli Alan Kılavuzu

URSA Broadcast G2'nizin dokunmatik LCD ekranı, ön SDI ve ana SDI çıkışlarındaki güvenli alan katmanının boyutunu değiştirmek için, bu ayarda görüntülenen yüzde oranının sol ve sağındaki okları tıklayın. Buradaki yüzde, güvenli alanın görüntü çerçevesine olan oranını gösterir. Çoğu yayıncılar, %90 oranında bir güvenli alan talep ederler.

Ekran Kılavuzlarının Opaklığı

Dokunmatik LCD ekranınızda ve ön SDI ile ana SDI çıkışlarınızda çerçeve kılavuzları tarafından üzeri kapanmış alanların opaklığını seçmek için, 'kılavuz opaklığı' menü ayarındaki sol ve sağ oklarını tıklayın. Seçenekler %25, %50, %75 ve %100'dür.

Kılavuzların Rengi

Kılavuzlar için bir renk seçmek üzere, 'kılavuzların rengi' menü ayarında sol veya sağ okları tıklayın.

Kılavuzlar

URSA Broadcast G2'nizin dokunmatik LCD ekranında, ön SDI ve ana SDI çıkışlarında görüntülemek istediğiniz ızgara kılavuzları ve hedef işareti kombinasyonunu ayarlamak için, bu ayar içindeki 'üçler', 'denge' 'hedef' veya 'nokta' seçeneklerini tıklayın.

Daha fazla bilgi için, bu kılavuzun daha önceki bölümlerindeki 'dokunmatik ekran özellikleri' bölümündeki 'kılavuzlar' kısmına bakın.

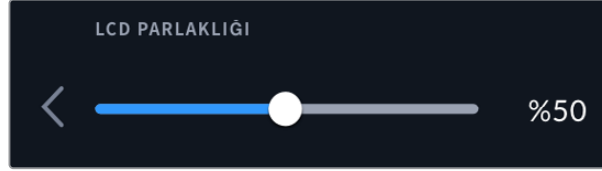
Ekran Ayarları 5

URSA Broadcast G2'nizin 'LCD' ekran sekmesinin beşinci sayfasında, seçili çıkışa göre değişen bazı ayarlar bulunur.

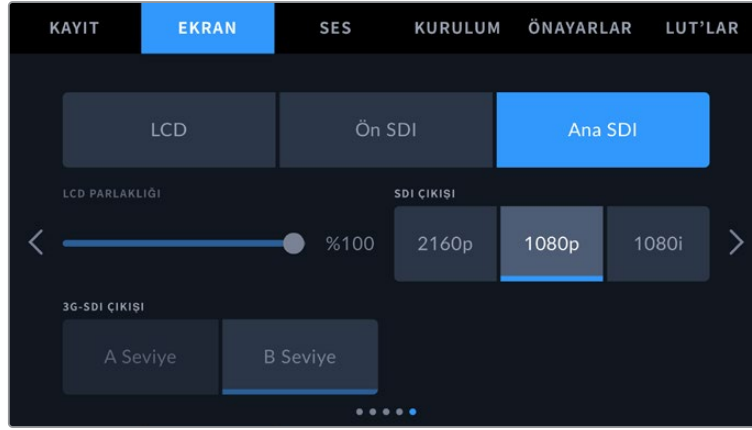
Sadece LCD

LCD Parlaklığı

URSA Broadcast G2'nizin dokunmatik LCD ekran parlaklığını ayarlamak için "LCD parlaklığı" sürgüsünü, sola veya sağa sürükleyin.



Ön SDI ve Ana SDI



SDI Çıkışı

Her iki çıkış, tek geçişli ve geçmeli HD sinyali veya tek geçişli Ultra HD arasında seçim yapmanıza olanak verir. Bu ayarda sunulan seçenekler, kameranızın çözünürlüğü ve kare hızı ayarlarına bağlıdır. Tek geçmeli HD ya da '1080p', kayıt çözünürlüğü ve kare hızına bağlı olmadan her zaman kullanılırdır fakat, geçmeli HD veya '1080i', proje kare hızınız 50, 59.94 veya 60 olarak ayarlandığında kullanılabilir olur. Ultra HD SDI sinyali veya '2160p', Ultra HD çözünürlüklerinde kayıt yaparken kullanılabilir.

3G-SDI Çıkışı

Sadece A seviye veya B seviye 3G-SDI video alabilen ekipmanlarla uyumluluğu sürdürmek için, 3G-SDI çıkış standardını değiştirebilirsiniz. Bu seçenek yalnızca; saniyede 50, 59.94 veya 60 kare hızlarda çalışırken ve 1080p video sinyali çıkarırken görünür. Her bir standardı seçmek için 'A Seviye' veya 'B Seviye' ikonunu tıklayın.

Ses Ayarları

'Ses' sekmesi, URSA Broadcast G2'nizdeki ses girişini ve denetleme ayarlarını düzenlemenizi sağlar.

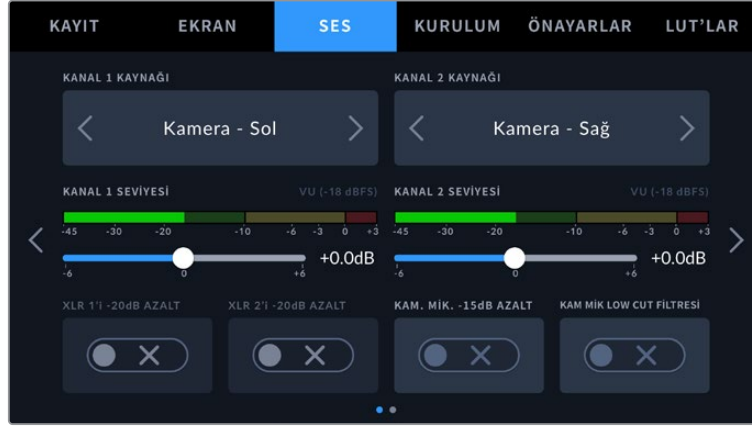
Bu ayarlar, 2 sayfaya yayılır ve kanal 1 ile 2 arasında bölünmüştür. İleride yapılacak bir güncelleme, 2 adet ilave kanal daha ekleyecektir.

Her bir ses kanalını, farklı bir ses kaynağıyla eşleştirebilmenin yanında, 'ses giriş sinyalini azaltma ve low cut filtresi gibi çeşitli ayarları da düzeltebilirsiniz.

Bu ayarlar, URSA Broadcast G2'nizin dahili kontrol panelindeki düğmelerle birlikte çalışırlar. Yani, ses kaynağınızı belli bir ses kanalına ayarladıktan sonra, sinyal tipi ve o kanal için fantom gücünün etkin olup olmadığı gibi detayları, dahili kontrol paneli anahtarlarını kullanarak ayarlayabilirsiniz.

Ses Ayarları 1

URSA Broadcast G2'nizin 'ses' sekmesinin birinci sayfası, aşağıdaki ayarları içerir.



Kanal Kaynağı

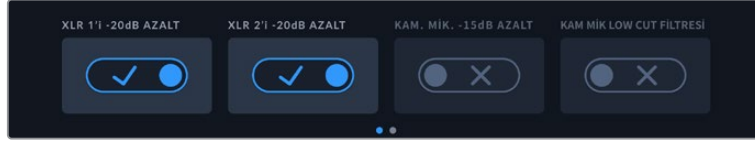
Her bir ses kanalının ses kaynağını seçmek üzere 'kanal 1 kaynağı' ve 'kanal 2 kaynağı' butonlarını kullanın. Seçenekler şöyledir:

- **Kamera Sol veya Sağ**
Sesi, kameranızın dahili mikrofonlarından kaydetmek için bu ayarı kullanın.
- **Kamera Mono**
Bu ayarı, URSA Broadcast G2 kameranın dahili mikrofonunun sağ ve sol kanallarından gelen sesi, tek bir ses kanalına kaydetmek için kullanın.
- **XLR 1 veya 2**
Bu ayarı, kameranızın XLR girişlerinden kayıt yapmak için kullanın. URSA Broadcast G2'nizin dahili kontrol panelindeki düğmelerle seçtiğiniz sinyale bağlı olarak, XLR girişi; 'mic' (mikrofon), 'hat' (line) veya AES olarak listelenmiş olabilir. Fantom gücü açıksa ve XLR girişiniz 'mic' olarak ayarlıysa burada bir '+48V' göstergesi de göreceksiniz. Fantom gücüyle çalışan mikrofonunuzla bağlantıyı kesmeden önce, +48V düğmesini de "kapalı" konuma getirmanız önemlidir.
- **XLR 1 veya 2 - Mic Yedek**
Bu ayarı, URSA Broadcast kameranızın 1 veya 2 numaralı XLR girişinden birine takılı bir mikrofondan, normal mikrofon kaydından daha düşük bir seviyede ses kaydı için kullanın. Bu, beklenilmeyen ses yükselmelerinde, sesin kırılmasını engellemek üzere kullanılabilir. Bu özellik, XLR 1 veya 2 giriş düğmesi sadece 'mic' (mikrofon) olarak ayarlı olduğunda, seçenekler arasında olacaktır.
- **Yok**
Bu ayarı, ses kanalınızı etkisiz hale getirmek için kullanın.

Kanal 1/2 Seviyesi

Kanal 1 ve 2 için seçili kaynakların kayıt seviyelerini ayarlamak üzere, bu sürgüleri kullanın. Doğru ses seviyesini ayarlamanıza yardımcı olmak üzere, her bir sürgü için ses göstergeleri bulunmaktadır. Bu seviyeler ayrıca, ergonomik kontrol paneldeki ses düğmeleri ile ses ayarı yapıldığında da güncellenir.

Optimum ses kalitesi için, ses seviyelerinin 0 dBFS'ye ulaşmadığından emin olun. Bu, kameranızın kaydedebileceği azami seviyedir. Bu seviyeyi aşan her ses kırılır ve seste bozulmayla sonuçlanır.



XLR Girişte Ses Seviyesini -20dB Azalt

-20dB ses azaltma seçeneği, çok gürültülü ortamlarda çekim yaparken, ses giriş seviyelerini düşürdüğünüz halde sesin yüksek olduğu durumlarda, URSA Broadcast G2 kameranızın XLR ses girişlerinin kazanç seviyelerini, daha da azaltmanız için ilave kontrol sağlar.

Kam. Mik. -15dB Azalt

-15dB ses azaltma seçeneği, çok gürültülü ortamlarda çekim yaparken, dahili mikrofon için ses girişi kazanç seviyelerini düşürdüğünüz halde sesin yüksek olduğu durumlarda, URSA Broadcast G2 kameranızın dahili mikrofon girişi kazanç seviyelerini, daha da azaltabilmeniz için ilave kontrol sağlar.

Kam Mik Low Cut Filtresi

Kameranızın dahili mikrofonları için basları kesen low cut filtresini etkin hale getirmek için, bu düğmeyi tıklayın. Bu filtre; dış mekan çekim ortamlarında meydana gelen, olası rüzgar gürültüsünü veya bas frekans gürültülerini azaltmanıza yardımcı olur. Bu fonksiyonun çalışabilmesi için, 'Kam. Mik. -15dB azalt' anahtarının kapalı olması gerekir.

Ses Ayarları 2

URSA Broadcast G2'nizin 'ses' sekmesinin ikinci sayfası, aşağıdaki ayarları içerir.



Ses Göstergeleri

İki farklı ses gösterge görüntüleme türü arasından seçim yapabilirsiniz.

VU	VU sayacı veya 'volüm birim' sayacı, ses sinyalinizdeki kısa süreli iniş ve çıkışların ortalamasını sunar. VU göstergesini kullanıyorsanız Blackmagic URSA Broadcast G2'nin giriş seviyelerini, göstergenin ses sayacı üzerinde 0db'nin altında kalacak şekilde ayarlayın. Bu, sinyalin gürültüye oranını en yüksek seviyeye çıkarır ve sesin en yüksek kalitede olmasını sağlar. Sesin 0dB göstergesinin üzerinde pik yapması halinde, sesin bozulmasına dair ciddi bir risk oluşur.
PPM	PPM göstergeleri veya diğer adıyla 'pik program sayaçları', sinyal piklerini yavaş bir düşüş ile bir anlığına tutan bir 'peak hold' (pik tutma) özelliğine sahiptirler. Bu sayede, sesin nerede pik yaptığını kolaylıkla görebilirsiniz.

VU ve PPM sayaçlarının her ikisi de -18dBFS veya -20dBFS'lik referans seviyelerinde kullanılabilir. Böylece, farklı uluslararası yayın standartlarına uyacak şekilde, sesi denetleyebilirsiniz.

Ses Göstergesi Ayarı	Standart
PPM (-20 dBFS)	SMPTE RP.0155
PPM (-18 dBFS)	EBU R.68

Kulaklık Seviyesi

Bu sürgü, URSA Broadcast G2'nin 3.5mm kulaklık jakına bağlı kulaklık için ses çıkış seviyesini ayarlar. Seviyeleri değiştirmek için, ses sürgüsünü sola veya sağa hareket ettirin. Bu seviyeler ayrıca, ön kontrol panelindeki ayarlar tekeri ile kulaklık ses ayarı yapıldığında da güncellenir.

Hoparlör Seviyesi

Bu sürgü, URSA Broadcast G2'nin dahili hoparlörü için, ses çıkış seviyesini ayarlar. Seviyeleri değiştirmek için, ses sürgüsünü sola veya sağa hareket ettirin. Bu seviyeler ayrıca, ön kontrol panelindeki ayarlar tekeri ile hoparlör ses ayarı yapıldığında da güncellenir.

Kurulum Ayarları

'Kurulum' sekmesi, URSA Broadcast G2'nin; kimlik ayarlarını, yazılım sürümünü, fonksiyon buton ayarlarını ve görüntüleme veya kaydetme ile doğrudan ilişkisi olmayan diğer kamera ayarlarını kapsar. Bu menünün on iki sayfası vardır. Dokunmatik LCD ekranın kenarlarındaki okları tıklayarak veya ekranı sağa ya da sola kaydırarak, bu sayfalar arasında dolaşabilirsiniz.

Kurulum Ayarları Sayfa 1

URSA Broadcast G2'nizin 'kurulum' sekmesinin birinci sayfası, aşağıdaki ayarları içerir.



URSA Broadcast G2 Kameranın 'Kurulum' Menüsü

Tarih ve Saat

URSA Broadcast G2'nizin tarih ve saatini ayarlamak için kalem ikonunu tıklayın. Tarih formatı; yıl, ay, gün şeklindedir ve saat formatı 24 saattir. Harici bir zaman kodu kaynağı bağlı değilse URSA Broadcast G2'nizin tarih ve saat bilgileri, 'günlük saat zaman kodu' için de kullanılır.

YIL AY GÜN
< 2021 > < 10 > < 02 >
SAAT DAKİKA ZAMAN DİLİMİ
< 22 > < 18 > < UTC +10:00 >
İptal Et Güncelle

Dil

URSA Broadcast G2; İngilizce, Çince, Japonca, Korece, İspanyolca, Almanca, Fransızca, Rusça, İtalyanca, Portekizce, Türkçe, Polonyaca ve Ukraynaca dilleri dahil, 13 yaygın dili destekler.

Üniteyi ilk çalıştırdığınızda dil sayfası da belirecektir.

Dil tercihinizi yapmak için:

- 1 Kalem ikonunu tıklayın ve listeden tercih ettiğiniz dili seçin.
- 2 Kurulum menüsüne geri dönmek için 'güncelle' butonunu tıklayın.

BİR DİL SEÇ
English 中文 日本語 한국어
Español Deutsch Français Русский
Italiano Português Türkçe Polski
Українська
İptal Et Güncelle

Örtücü Ölçümü

Örtücü bilgisinin, 'örtücü açısı' veya 'örtücü hızı' olarak görüntülenmesini seçmek üzere bu ayarı kullanın. Her iki örtücü ölçümünün, hareket bulanıklığını (motion blur) etkilediğini ama, biraz farklı şekilde çalıştıklarını belirtmemizde fayda var. Örtücü ölçüsü ile ilgili ayrıntılı açıklama için bu kılavuzun 'dokunmatik ekran kontrolleri' bölümüne bakın.

Kırışmasız Örtücü Frekansı

Kırışmasız örtücü hızlarını hesaplamak üzere URSA Broadcast G2'nin kullandığı şebeke elektrik frekansını değiştirmek için bu ayarı kullanın.

Işıklar altında çekim yaparken örtücü hızı, kırışmanın görünebilirliğini etkileyebilir. URSA Broadcast G2 kamerasınız, mevcut kare hızınız için kırışmasız örtücü hızlarını otomatik olarak hesaplayacak ve önerileri 'örtücü hızı' menüsünde gösterecektir. Bu hızlar, ışıkları çalıştırmak için kullanılan yerel ana güç kaynağının frekansı tarafından etkilenir. NTSC ülkeleri genellikle 60Hz güç kullanırken, çoğu PAL ülkelerinde frekans 50Hz'dir. Bölgeniz için doğru frekansı ayarlamak üzere, '50Hz' veya '60Hz' seçeneğini tıklamanız yeterli.

Kırpışmasız örtücü değerleri kullanıldığında bile, çeşitli ışık kaynaklarının nitelikleri yine de kırpışmaya neden olabilir. Sabit ışık kullanmadığınız durumlarda, bir test çekimi yapmanızı tavsiye ederiz.

Kare Düşüren Zaman Kodu

NTSC proje kare hızları 29.97 ve 59.94'ü kullanırken, kare düşüren zaman kodunu kullanmak üzere, 'kare düşüren zaman kodu'nu seçin. Kare düşüren zaman kodu, zaman kodundan belirli aralıklarla az sayıda kare düşürür. Bu; NTSC kare hızlarında her saniye için tam sayılı kare olmamasına rağmen, proje zaman kodunun doğru kalmasını sağlar.

ND Filtresini Görüntüleme Şekli

URSA Broadcast G2 kameranızdaki ND filtre göstergesinin, ND filtre ayarınızı görüntüleme şeklini değiştirmek için, bu ayarı kullanın. Her bir ayar, farklı bir kamera düzenine karşılık gelir. Görüntü yönetmenleri, genellikle ND numarası gösterim (ND.number) formatını kullanırlar ancak, DSLR veya yayın tarzı kameralarla çalışmaya alışkın olanlar, bu bilgiyi f-stop formatında veya kullanılabilir ışığın bir kesri şeklinde tercih edebilirler.

Bu seçenekler, sırasıyla burada 'rakam', 'durak' ve 'kesir' olarak mevcuttur.



URSA Broadcast G2 kameranızda, ND filtre bilgilerinin nasıl görüntüleneceğinin kişiselleştirme seçeneklerini gösteren, kurulum menüsü.

Kurulum Ayarları Sayfa 2

URSA Broadcast G2'nizin 'kurulum' sekmesinin ikinci sayfası, aşağıdaki ayarları içerir.



ATEM Kamera Kimliği

Bir ATEM switcher ile URSA Broadcast G2'yi kullanıyorsanız ve kameranızın switcher'den tally sinyali almasını istiyorsanız, kamera numarasını kameranızda düzenlemeniz gerekir. Switcher'in tally sinyalini doğru kameraya göndermesini, bu sağlar. Sol ve sağ butonları tıklanarak, kamera numarası, 1 ve 99 arasında bir sayıya ayarlanabilir. Varsayılan ayar 1'dir.

Renk Çubukları

URSA Broadcast G2'nizi bir switcher veya harici bir monitöre bağlarken, bir önizleme görüntüsü yerine renk çubuklarını göndermek faydalı olabilir. Switcher veya monitörünüzün üzerinde URSA Broadcast G2'nizin renk çubuklarının görünmesi, bağlantının gerçekleştiğini doğrular ve çubukların renklerine bağlı olarak basit bir monitör kalibrasyonu uygulayabilirsiniz. LCD dokunmatik ekran da dahil olmak üzere, URSA Broadcast G2'nizdeki tüm çıkışlarda renk çubuklarını etkinleştirmek için, 'renk çubukları' düğmesini tıklamanız yeterlidir.

Referans Kaynağı

Bu ayar, referans kaynağını seçmek için kullanılır. URSA Broadcast G2 kameranız, dahili veya harici bir referans kaynağına ya da bir ATEM switcher'den gelen program girişindeki referans sinyaline kilitlenebilir. URSA Broadcast G2 kameranızı bir ATEM Switcher'in kamera kontrol fonksiyonu ile kullanıyorsanız, switcher'in kendisinin ve bağlı olan kameraların hepsinin harici bir referansa ayarlı olduğu durumlar hariç, referans kaynağınızı daima 'program' olarak ayarlamalısınız.

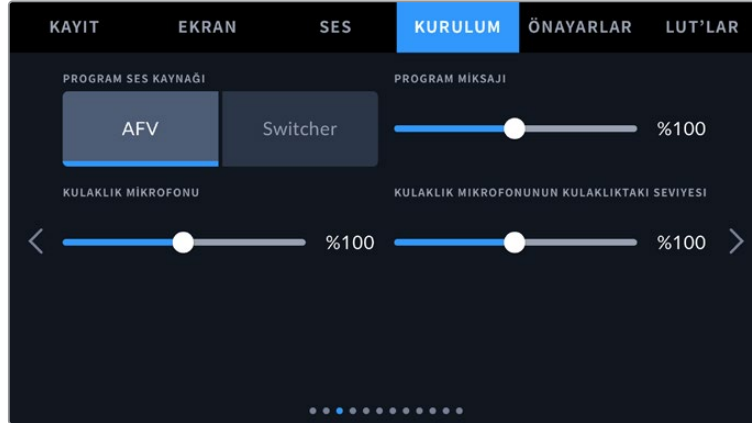
NOT URSA Broadcast G2 için referans kaynağınızı ayarladığınızda, referans kaynaklarınız arasında değiştirirken kameranızın çıkışlarında küçük bir kopma yaşayabilirsiniz. Bunun nedeni, kameranın kendi referanslama zamanlamasını, harici kaynağın zamanlaması ile eşleştirmek için ayarladığı içindir. Bu yüzden, bu ayarı yapım esnasında değiştirmeniz önemlidir, sadece kurulum esnasında değiştirin.

Referans Zamanlama

Bu ayarlar, referans zamanlamasını satır veya piksel bazında manuel olarak ayarlamayı sağlar. Ayar yapmak için, 'satır' ve 'piksel' seçeneklerinin yanındaki okları tıklayın veya sürgüyü hareket ettirin.

Kurulum Ayarları Sayfa 3

URSA Broadcast G2'nizin 'kurulum' sekmesinin üçüncü sayfası, aşağıdaki ayarları içerir.



Program Ses Kaynağı

Bir ATEM switcher'e bağlıyken 'program ses kaynağı' seçeneğini 'switcher' olarak ayarlamak, kulaklık veya mikrofonlu kulaklık ile sesi dinlerken, talkback ile birlikte miksajı yapılacak giriş kaynağı olarak, program dönüş sesine öncelik verir. Switcher'e kameranızdan ses sinyali göndermediğiniz, ama 'SDI in' (SDI girişi) portu yoluyla switcher'den program sesini dinlemek istediğinizde, bu faydalıdır. Program ses kaynağının 'AVF' olarak ayarlanması; kameranızın dahili mikrofonlarından veya 'ses girişi' XLR portlarından gelen sese öncelik verir ve varsayılan ayardır.

Program Miksi

Bu ayar, kameranın sesiyle talkback (konuşma) sesinin dengesini değiştirir. Kulaklık, LCD ekrandaki görüntünün sesini verir. Örneğin; kamera görüntüsündeyseniz kameranın sesi duyulur. Eğer program görüntüsündeyseniz program sesi duyulur. Varsayılan ayar %100'dür.

Kulaklık Mikrofonu

Ses mikrofona giriş seviyelerini düşürmek veya yükseltmek için, bu ses kaydırıcılarını sola veya sağa doğru hareket ettirin. Varsayılan ayar %50'dir.

Kulaklık Mikrofona Sesinin Seviyesi

Kulaklığınızda kendi mikrofona ses seviyesini ayarlamak için bu sürgüyü kullanın.

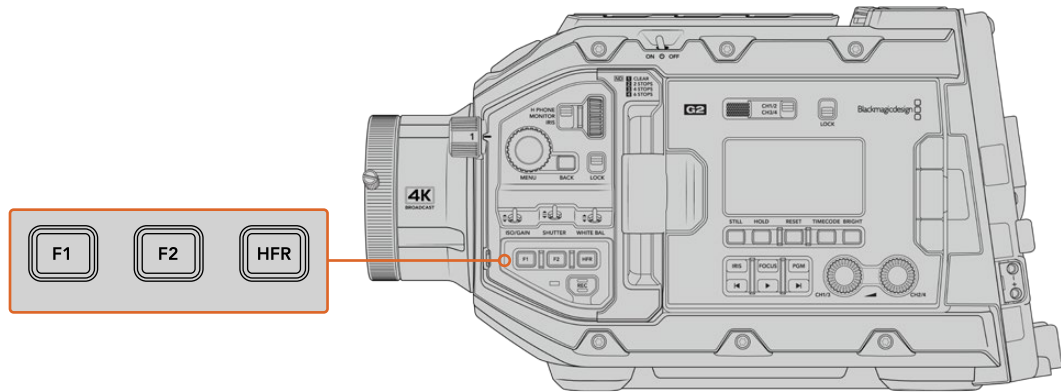
Kurulum Ayarları Sayfa 4

URSA Broadcast G2'nizin 'kurulum' sekmesinin dördüncü sayfası, aşağıdaki ayarları içerir.



Fonksiyon Butonunu Ayarlama

URSA Broadcast G2 kameranızın dokunmatik LCD ekranının dış kısmında, 'F1' ve 'F2' olarak işaretli iki fonksiyon butonu göreceksiniz. Bunlar, sık kullanılan özelliklerle eşleştirilebilir ve kameranızı dokunmatik LCD ekran kapalı olarak (örneğin, URSA Viewfinder ile) kullanırken, hızlıca erişilebilir. 'HFR' butonu için varsayılan ayar, 'farklı hızda kayıt' seçeneği olmasına rağmen, bu butona başka işlevler atanması mümkündür.



URSA Broadcast G2 kameranızın 'F1', 'F2' ve 'HFR' butonları öndeki kontrol panelindedir.

BİLGİ URSA Broadcast G2'inizde mercek konektörlü bir B4 mercek olduğunda, 'vtr' ve 'ret' (dönüş) butonlarını, fonksiyon butonları gibi yapılandırabilir ve 'F1', 'F2' ve 'HFR' butonlarına ek olarak, önayar veya açma/kapatma fonksiyonları atayabilirsiniz.

Bu butonları düzenlemek için; bir fonksiyon butonunu ve ardından işlevini, bir ayarı ve o ayar için bir parametreyi seçmek için okları kullanın.



1 Buton 2 İşlev 3 Ayar 4 Parametre

Fonksiyon Butonu Önayar veya Açma/Kapama İşlevlerini görür.

Eşleştirmek istediğiniz fonksiyon butonunu seçer seçmez, işlevini belirleyebilirsiniz. Kullanılabilir seçenekler şunlardır:

• Preset

Bu işleve ayarlıyken, bir fonksiyon butonunun basılması, bir ayar ve parametre kombinasyonunu geri çağırır.

Bir önayarı kurmak için; ayarlar menüsünden kullanmak istediğiniz ayarı seçin ve parametre menüsünün yanlarındaki okları tıklayarak bu ayarın düzeltmelerini yapın.

Örneğin; F1 butonunu bir beyaz ayar önayarını geri çağırması için kurmak üzere; 'fonksiyon butonunu seç' oklarını kullanarak 'F1'i seçin, 'önayar' işlevini seçin, 'WB' ayarını tıklayın ve WB '5600K' ve Ton '-20' seçeneğine ulaşmaya kadar parametre menüsünün yanlarındaki okları tıklayın.

• Toggle (Aç/Kapat)

Bu işleve ayarlandığında, bir fonksiyon butonuna basılması belirli bir ayarı etkinleştirir veya etkisiz hale getirir. Bu moddayken, 'ayar' menüsü aktif değildir. Bunun yerine, kullanılabilir seçenekler arasında gezinmek için, parametre menüsündeki sol ve sağ oklarını tıklayın. Bu seçenekler şunlardır: 'temiz sinyal', 'LUT'u görüntüle', 'çerçeve kılavuzları', 'odak yardımı', 'sahte renk', 'zebra', 'kılavuzlar', 'güvenli alan kılavuzu', 'farklı hızda kayıt', 'kayıt', 'program dönüş', 'renk çubukları', 'bas konuş', 'netlenen alanı yaklaştır' ve 'hiçbiri'.

'Netlenen alanı yaklaştır' modu etkinleştirildiğinde, zoom bölgesini kaydırmak veya büyütme seviyesini değiştirmek için ön kontrol panelindeki menü tekerini kullanabilirsiniz. Menü tekerine basmak, zoom ve büyütme ayarı arasında geçiş yapar. LCD ekranda 'netlenen alanı yaklaştır' etkinleştirildiğinde nasıl kullanıldığı hakkında bilgi için 'netlenen alanı yaklaştır' bölümüne bakın.

'Aç/kapat' işlevinin kullanılması, bu ayarın uygulanacağı çıkışı da seçmenize olanak verir. Seçmek için, 'LCD', 'ön SDI' ve 'ana SDI' seçeneklerinin herhangi bir kombinasyonunu tıklayın. 'Renk çubukları' gibi, tüm çıkışlara uygulanan bir seçenek için kullanılacak bir çıkış olmadığı zaman; 'LCD', 'ön SDI' ve 'ana SDI' seçenekleri etkisiz kılınır.

Örneğin; URSA Broadcast G2'yi, bir B4 merceği üzerindeki 'ret' ve 'vtr' butonlarını fonksiyon butonları olarak kullanması için yapılandırabilirsiniz. Bir HyperDeck ile ISO kayıt yapılıyorsa 'vtr' butonunu bir 'bas konuş' butonu olarak ayarlamak, popüler bir seçenektir.



Bir B4 mercekteki 'vtr' butonunun 'bas konuş' butonu olarak çalışması için yapılandırılması

Kurulum Ayarları Sayfa 5

URSA Broadcast G2'nizin 'kurulum' sekmesinin beşinci sayfası, isteğe bağlı Blackmagic Zoom Demand'ın yapılandırılması için ayarlar içerir. Bu ayarlar, sadece Blackmagic Zoom Demand cihazının URSA Broadcast G2 kameranıza bağlı olması durumunda etkindir.

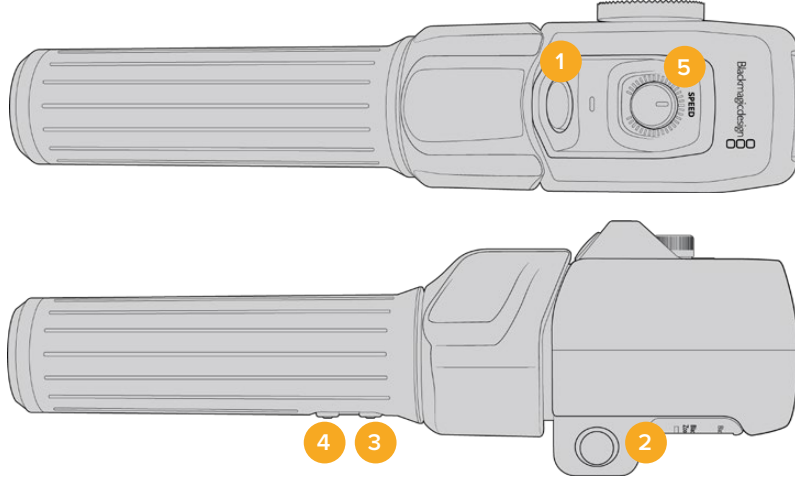
URSA Broadcast G2'nize Blackmagic Zoom Demand cihazının takılması ve birlikte kullanılması hakkında daha fazla bilgi için bu kılavuzun ilerleyen sayfalarındaki "Blackmagic Zoom ve Focus Demand" bölümüne bakınız.



Zum Mandalının Yönü

- **Normal**
Varsayılan Zum Mandalı yönü. Zum mandalını, içe zum için sağa ve dışa zum için de sola itin.
- **Ters**
Zum mandalının yönü 'ters' olarak ayarlıyken, içe zum için mandalı sola ve dışa zum için de sağa itin.

Blackmagic Zoom Demand cihazının, dört tane zum fonksiyon butonu ve farklı işlevlerle eşleştirebileceğiniz bir hız kadranı var.



1 Zoom F1 2 Zoom F2 3 Zoom F3 4 Zoom F4 5 Speed Dial

Hız kadranına ya da zum butonlarından birine farklı bir işlev atamak için 'fonksiyon butonunu ayarla' menüsünden 'kadran'ı veya bir buton numarası seçin. Sonra, 'buton parametresi' menüsünün her iki yanındaki oklarını tıklayarak bir fonksiyon seçin.

Döner Düğme ve fonksiyon butonu parametre seçenekleri:

Döner Düğme	Zum hızı, kulaklık seviyesi, diyafram ayarı ve netlik ayarı
Zum butonu 1 - 4	Kayıt, bas konuş, program dönüş, netlenen alanı yaklaştır, çerçeve kılavuzları, durum metni, otomatik netlik, otomatik iris, otomatik beyaz ayarı, oynatım.

Ayarlar Sekmesi Sayfa 6

URSA Broadcast G2'nin 'kurulum' sekmesinin altıncı sayfası, isteğe bağlı Blackmagic Focus Demand'ı yapılandırmak için ayarlar içerir. Bu ayarlar, sadece Blackmagic Focus Demand cihazının URSA Broadcast G2 kameranıza bağlı olması durumunda etkindir.

URSA Broadcast G2'nize Blackmagic Focus Demand cihazının takılması ve birlikte kullanılması hakkında daha fazla bilgi için bu kılavuzun ilerleyen sayfalarındaki "Blackmagic Zoom ve Focus Demand" bölümüne bakınız.



Focus Demand Yönü

Focus Demand cihazındaki netlik tekerinin yönünü, 'normal' veya 'ters' seçenekleriyle değiştirebilirsiniz.

- **Normal**

Lense daha yakın olan nesnelere üzerinde netlik sağlamak için netlik tekerini saat yönüne çevirin ve daha uzakta olan nesnelere için saat yönünün tersine çevirin.

- **Ters**

Lense daha yakın olan nesnelere üzerinde netlik sağlamak için netlik tekerini saat yönünün tersine çevirin ve daha uzakta olan nesnelere için saat yönüne çevirin.

Kurulum Ayarları Sayfa 7

URSA Broadcast G2'nizin 'kurulum' sekmesinin yedinci sayfası, aşağıdaki ayarları içerir.



LED Durum Lambası

URSA Broadcast G2 kameranızın ön panelinde tally ve durum bilgilerini veren küçük bir LED lamba vardır. 'LED Durum Lambası' düğme ikonunu tıklayarak bu özelliği etkin hale getirebilir veya etkisiz hale getirebilirsiniz.

LED lambanın sağladığı durum göstergeleri, aşağıdaki gibidir:

Beyaz	Kamera 'on' (açık) ve 'standby' (bekleme) modundadır.
Kırmızı	Kamera kayıttadır. Yavaş yanıp sönmeye, kart belleğinin dolmak üzere olduğunu; hızlı yanıp sönmeye de düşen karelerin olduğunu gösterir.
Yeşil	Kamera 'playback' (oyunatım) modundadır. Bir klip oynarken, LED lambası yeşil ve kapalı arasında yavaşça değişir. Takılan ortam fark edildiğinde, durum LED lambası üç kez yeşil ve beyaz renkte yanar söner.
Turuncu	Kameranızın batarya gücü azaldığında, LED lambası turuncu renkte ve şu anki durumunuz için olan diğer renkte yanıp sönmeye başlar. Örneğin, kayıt halindeyken, LED lambası turuncu ve kırmızı arasında yavaşça dönüşümlü yanar. Kameranız bekleme modundaydı LED lambası, beyaz ve turuncu arasında değişecektir. Kesin yüzde şarjını destekleyen bataryalar için alt sınır, yüzde 20 veya desteklemeyen bataryalar için de 12.5 voltur.

LED Durum Lamba Parlaklığı

URSA Broadcast G2 kameranızın LED durum lambasının parlaklığını ayarlamak için, 'düşük', 'orta' veya 'yüksek' seçeneklerinden birini tıklayın.

BİLGİ Blackmagic URSA Broadcast G2'nizin durum lambası ayarları; URSA Mini Recorder, Blackmagic Zoom Demand ve Blackmagic Focus Demand cihazlarının durum lambalarını da kontrol eder.

Donanım Kimliği

'Donanım Kimliği' göstergesi, URSA Broadcast G2'niz için 8 harfli bir kimlik görüntüler. Bu, her kamera için benzersiz bir kimliktir. Bu kimliğin 32 karakterli daha uzun versiyonu, Blackmagic RAW ve ProRes video için metaveride de dahildir. Dosya isimlerinin değiştiği durumlarda belli bir kameradan hangi çekimlerin geldiğini tanımlamak için, bu faydalı olabilir çünkü kamera donanım kimliği değişmez.

Yazılım

URSA Broadcast G2 kamerada mevcut yazılım sürümünü görüntüler. Yazılımın güncellenmesi konusunda daha fazla bilgi için, 'Blackmagic Camera Setup Utility Yardımcı Yazılımı' bölümüne bakın.

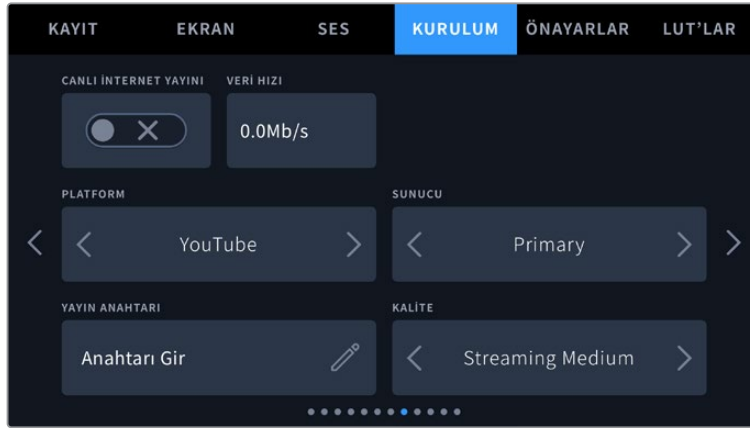
Oynatım

Bu ayar, oynatım esnasında 'tek klip' veya 'tüm klipler' olarak oynatım tarzını seçmenizi sağlar. 'Tüm Klipler' seçeneği, eşleşen tüm medyayı sırayla oynatır ve 'Tek Klip' seçeneği de bir seferde bir klip oynatacaktır. Bu, aynı zamanda 'döngü' fonksiyonu için de geçerlidir. Tüm kliplerde 'döngü' seçeneğinin seçilmesi, medyanızdaki tüm klipleri oynatacaktır ve sonra döngüye alacaktır. 'Tek klipin' seçilmesi, sadece o klipi döngüye alacaktır.

Kurulum Ayarları Sayfa 8

Kameranızın internet yayın seçeneklerini ayarlamanızı sağlayan ayarlar, URSA Broadcast G2'nizin 'kurulum' sekmesinin sekizinci sayfasındadır.

URSA Broadcast G2'niz üzerinden internet yayın ayarlarını düzenlemekle ilgili daha fazla bilgi için bu kılavuzun ilerleyen kısımlarındaki 'internet üzerinden video yayınlama' bölümüne başvurun.



Canlı İnternet Yayını

İnternet yayınızı başlatıp durdurmak için 'canlı internet yayını' düğmesini kullanın.

Veri Hızı

İnternet yayını yapılırken, yayının veri hızını görüntüler.

Platform

İsteddiğiniz yayın platformunu seçin. Seçenekler arasında YouTube, Twitter ve Twitch bulunur.

Sunucu

Bir sunucu seçmek için ok düğmelerini kullanın, kullandığınız yayın platformuna bağlı olarak bu seçenekler değişir.

Yayın Anahtarı

Yayın platformunuza bir internet yayın anahtarı girmek için kalem simgesine tıklayın.

Kalite

İnternet yayın kalitesini belirlemek için ok butonlarını kullanın.

Kurulum Ayarları Sayfa 9

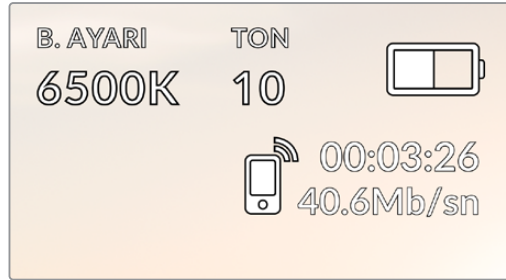
Kameranızın internet yayın seçenekleriyle ilgili ayarlar, URSA Broadcast G2'nizin 'kurulum' sekmesinin dokuzuncu sayfasındadır.



İnternet Yayın Bilgisi

Kameranızın durum ekranında bilgileri görüntülemek için 'internet yayın bilgisi' düğmesini 'açık' konuma getirin. Bu bilgiler, LCD, ön SDI çıkışı veya ana SDI çıkışında görüntülenebilir.

Ethernet veya akıllı telefon gibi internet yayını için kullanılan bağlantı şekli, yayınınızın süresini gösteren bir süre sayacı ve veri hızının saniyedeki megabit değeri, sunulan bilgiler arasındadır.



3D LUT Görüntüle

İnternet yayınına bir 3D LUT uygulamak istiyorsanız bu ayarı 'açık' konuma getirin.

BİLGİ '3D LUT'u görüntüle' ayarını 'açık' konuma getirmek, sadece doğrudan internet yayını çıkışına bir LUT uygular.

Yayın yaparken, aynı zamanda Blackmagic RAW veya ProRes video kodekleri ile kayıt yapıyorsanız, kayıt menüsündeki LUT seçeneklerini dosyalarınıza bir LUT uygulamak için kullanabilirsiniz ya da LCD veya SDI çıkışlarına bir LUT uygulamak için monitör ayarlarını kullanabilirsiniz. Daha fazla bilgi için 'kayıt ayarları' bölümüne başvurun.

Düşük Gecikme

Düşük gecikmeyi "açık" olarak ayarlamak, canlı gerçekleşen olaylar ile seyircilerin izledikleri arasındaki gecikmenin asgari olmasını sağlar. Bu ayarı "kapalı"ya getirmek ise, internet bağlantınızda kopmalar veya bağlantı zayıf olduğunda arabellek kullanımını artırarak, daha güvenilir bir yayın sağlar.

İnternet Yayın Ayarlarını Getir

Daha önce oluşturulmuş bir XML kurulum dosyasını kameraya aktarmak için 'internet yayın ayarlarını getir' butonuna tıklayın, böylece kameranız, İnternetteki bir ATEM Streaming Bridge'yi bulabilir.

Bir XML kurulum dosyasınının kameraya aktarılmasıyla ilgili daha fazla bilgi için bu kılavuzun ilerleyen kısımlarındaki 'internet üzerinden video yayınlama' bölümüne başvurun.

Getirilen Ayarları Sil

Kameranıza aktarılmış yayın ayarlarını silmek için bu butona basın. Sizden, yaptığınız seçimi doğrulamanız istenecektir.

Kurulum Ayarları Sayfa 10

Kameranızın ağ ayarları, 'kurulum' sekmesinin onuncu sayfasındadır.

Bu ayarlar, DHCP ya da statik bir IP adresi kullanarak bir ağa bağlanmak arasında tercih yapmak gibi, seçenekleri yapılandırmanıza olanak verir.



DHCP ya da statik bir IP adresi kullanarak bir ağa bağlanabilirsiniz.

Kurulum Ayarları Sayfa 11

URSA Broadcast G2'nizin 'kurulum' sekmesinin on birinci sayfasında, aşağıdaki ayarlar bulunur.



Kameranın Bluetooth ismi, dijital klakette seçildiği gibi kameranın bir harfi ve bunu takip eden URSA Broadcast G2 kameranızın 8 karakterli donanım kimliğidir.

Bluetooth®

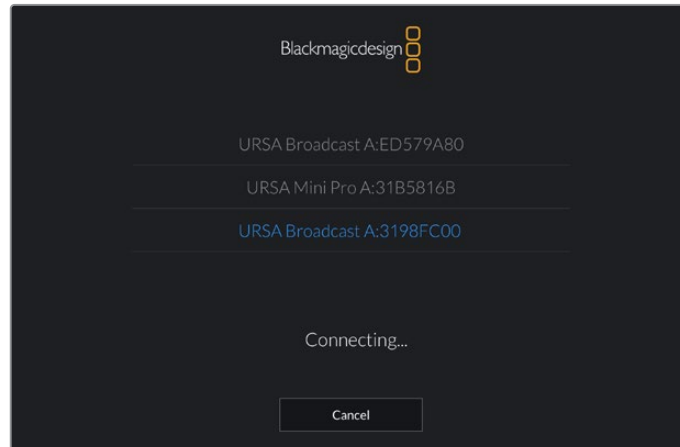
Bluetooth kontrolü, kameranızı portatif cihazlardan kablosuz kontrol etmenizi sağlar. 'Blackmagic Camera Control App' uygulamasını kullanarak, kameranızı açıp kapatabilir, ayarları değiştirebilir, dijital bir çekim tahtası kullanarak metaveriyi değiştirebilir ve ayrıca kaydı uzaktan tetikleyebilirsiniz. Kurulum menüsündeki 'Bluetooth' anahtar ikonunu tıklayarak Bluetooth özelliğini etkin veya etkisiz hale getirebilirsiniz. Bluetooth etkin olduğunda, yaklaşık 10 metreye kadar Bluetooth cihazlarından kamera algılanabilir.

URSA Broadcast G2'nin 'Blackmagic SDI Camera Control Protocol' için kullandığı komutlarla, Bluetooth kontrol için kullandığı komutların aynı olması nedeniyle; görüntümeden ses ayarlarına, kameranızın dahili DaVinci Resolve renk düzelticisi veya mercek kontrolü gibi kameranızdaki hemen hemen her ayarı, uzaktan kontrol edebilmek için kendi uygulamanızı yazabilirsiniz.

Daha fazla bilgi için, bu kılavuzun 'Blackmagic SDI Kamera Kontrol Protokolü' bölümüne bakın.

Kameranızı bir iPad ile ilk kez eşleştirmek için:

- 1 URSA Broadcast G2 kameranızda 'kurulum' menüsündeki Bluetooth düğme ikonunu tıklayarak Bluetooth özelliğini aktif duruma getirin.
- 2 'Blackmagic Camera Control' uygulamasını açın ve eşleştirmek istediğiniz URSA Broadcast G2'yi seçin. Müsait olan kameralar, kamera harfini takip eden donanım kimlikleri ile sıralanacaktır. Örneğin A:3198FC00.



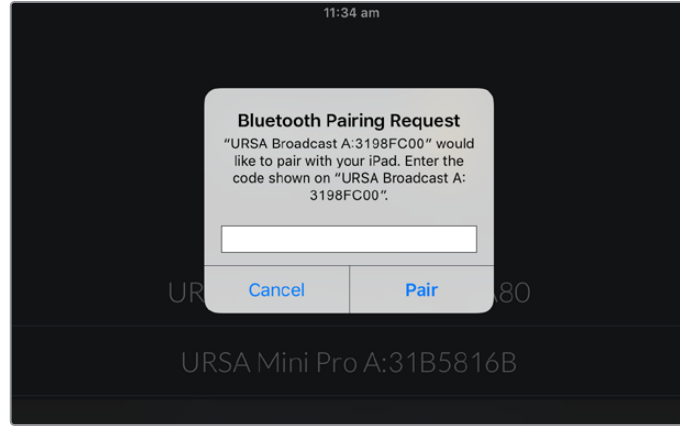
Eşleştirmek istediğiniz URSA Broadcast G2 kamerayı seçin

Blackmagic Camera Control Uygulamasını yükleyip ilk kez çalıştırdığınızda, konum erişimine izin vermeyi (allow location access) isteyip istemediğiniz size sorulacaktır. 'While using the app' (uygulamayı kullanırken) ibaresini seçerseniz iPad'inizden gelen GPS bilgileri, yaptığınız çekimlerin metaverisinde eklenir ve çekimlere coğrafi etiketleme yapmanızı sağlar. Bu bilgi, Blackmagic DaVinci Resolve 14. veya daha yüksek sürümlerinde gösterilebilir.

Bu bilgiyi kullanmak istemiyorsanız, 'never' (asla) ibaresini seçin.

Ayarları değiştirmek için, iPad'inizde settings (ayarlar), privacy (gizlilik), location services (konum servisleri), camera control (kamera kontrol) seçeneklerine gidin.

- İlk defa bağlandığınız zaman, Blackmagic Camera Control uygulaması kamerayla eşleşmek için, 6 hanelik bir şifre isteyecektir. Bu şifre kameranın LCD ekranında görüntülenecektir. Bu kodu iPad'e girin.



- Ekrendeki bilgi, URSA Broadcast G2 kameranızın iPad ile eşleştiğini şimdi teyit eder.



- 5 Kamerayı iPad'inizle eşlemede bir sorun varsa aşağıdaki hata mesajını göreceksiniz:



NOT URSA Broadcast G2'nizi kontrol etmek için Bluetooth özelliğini kullanmıyorsanız güvenlik sebeplerinden dolayı Bluetooth özelliğini kapatmanız iyi olur.

Mevcut Cihazla Bağlantıyı Kes

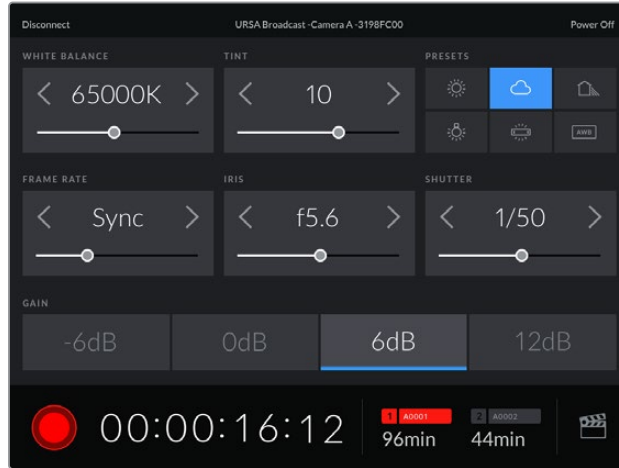
Bu ayarı, URSA Broadcast G2 kameranızın şu anda eşleşmiş olduğu iPad ile bağlantısını sonlandırmak için kullanın.

Eşleştirilmiş Cihazları Sil

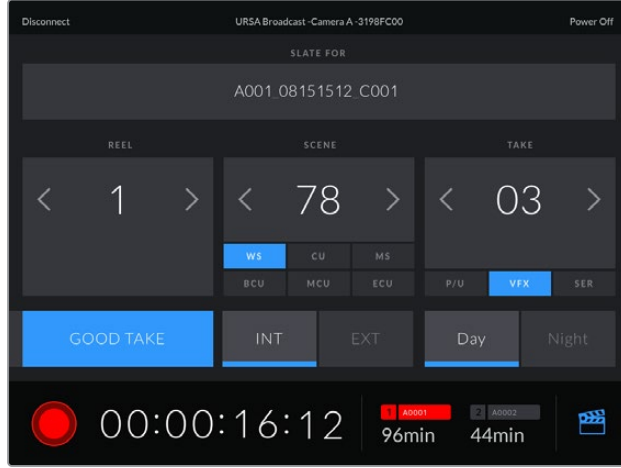
Bu ayarı, URSA Broadcast G2 kameranızın daha önce eşleşmiş olduğu cihazların listesini silmek için kullanın.

Kameranızın, Blackmagic Camera Control Uygulaması ile Kontrolü

URSA Broadcast G2 kameranızı, iPad ile eşleştirdikten sonra, kameranızı iPad ile uzaktan; açıp kapatabilir, ayarları değiştirebilir, metaveriyi düzeltebilir ve ayrıca kaydı tetikleyebilirsiniz.



Eşleştikten sonra, Blackmagic Camera Control uygulaması bu ekranı göstererek ayarları düzeltmenize ve kaydı başlatmanıza olanak sağlayacaktır.



Klaket özelliğine ulaşmak ve güncellemek için sağ alt köşedeki 'slate' ikonunu tıklayın.

URSA Broadcast G2, cihazlarla kablosuz kontrol için iletişimde Bluetooth LE kullanır. Portatif cihazlarda kullanılan protokoller ile aynı türden olduğu için, çok düşük miktarda batarya gücü kullanır.

URSA Broadcast G2 kameranızı, sağ üst köşedeki 'power off' (kapat) ibaresini tıklayarak kapatabilirsiniz.

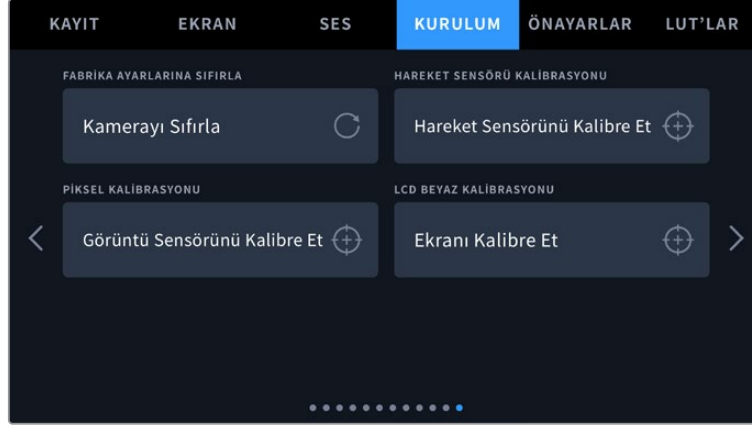


Kameranız kapanmadan önce, seçiminizi onaylamanız istenecektir.

Bluetooth aktifken, URSA Broadcast G2 kameranız kapalı olsa bile, Blackmagic Camera Control uygulamasında mevcut cihazlar listesinde kameranız gösterilecektir. Kameranızla eşleştirme işlemini zaten yapmış olduğunuzdan, kameranızın ismini seçerek ve 'connect' (bağlan) ibaresini tıklayarak kameranızı uzaktan çalıştırabilirsiniz. Bluetooth aktif değilse, kameranız bu listede görünmeyecektir.

Kurulum Ayarları Sayfa 12

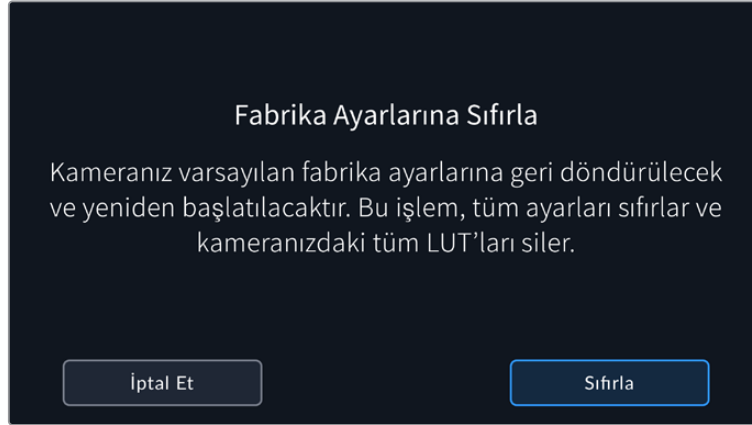
URSA Broadcast G2'nizin 'kurulum' sekmesinin on ikinci sayfasında, aşağıdaki ayarlar bulunur.



Fabrika Ayarlarına Sıfırla

Kamerayı fabrika ayarlarına geri döndürmek için, 'kamera ayarlarını sıfırla' butonunu tıklayın. Kamerada kayıtlı olan önayarları ve LUT'ları sileceği için, bu işlemi onaylamanız istenecektir. Kamera ayarlarını sıfırlamak için, onay sayfasında 'reset' seçeneğini tıklayın.

Fabrika ayarlarına sıfırlama işleminin; tüm önayarları ve özel LUT'ları sileceğini ve tüm ayarları sıfırlayacağını dikkate almanız önemlidir. Fabrika ayarlarına sıfırlamadan önce, bunları yedeklemek amacıyla bir hafıza kartına aktarmak, iyi bir uygulamadır. Fabrika ayarlarına sıfırlama işleminden sonra hafıza kartından aktararak, önayarlarınızı ve LUT'ları hızlıca kameraya geri getirebilirsiniz.



'Fabrika ayarlarına sıfırla' seçeneğini seçtiğinizde, işleminizi onaylamanız istenecektir.

Hareket Sensörü Kalibrasyonu

URSA Broadcast G2'deki yatay denge göstergesini kalibre etmek için kameranızı, düz olduğunu bildiğiniz bir yüzeye yerleştirin ve 'hareket sensörünü kalibre et' butonunu tıklayın. Kalibrasyon sırasında kamerayı sabit tutmanız önemlidir. Bu, çekim sırasında Blackmagic RAW dosyalarında kaydedilen hareket sensörü metaverilerinin hatasız olmasını sağlar. Bu işlem, yaklaşık olarak beş saniyede tamamlanır.

Gerekirse yatay denge çizgisi merkezinin dışına ayarlanabilir. Örneğin; kamerayı belli bir açı ile yatırmak istediğinizde, kamerayı istediğiniz açıya getirerek hareket sensörünü kalibre edin ve ardından aynı açıyı sabit tutmak için yatay denge göstergesini kullanın.

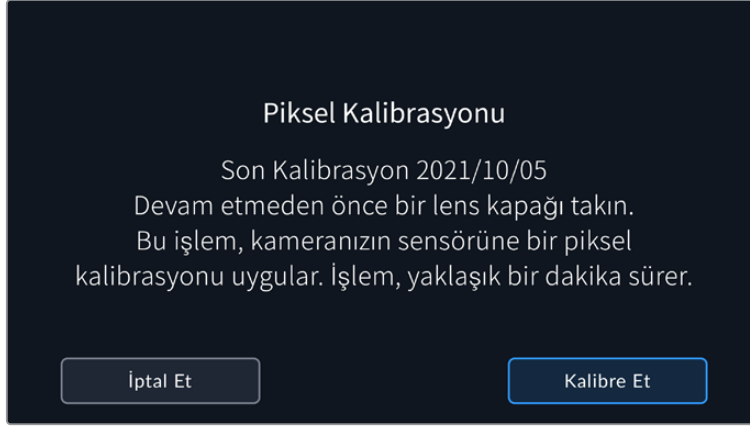
Hareket sensörü verileri, DaVinci Resolve'de klipleri sabitlemek için kullanılabilir. Daha fazla bilgi için "jiroskop görüntü sabitleme" bölümüne başvurun.

Piksel Kalibrasyonu

URSA Broadcast G2'nizde kullanılan CMOS sensörü, ışığa karşı duyarlı milyonlarca pikselden oluşur. Bunun sonucunda, daha görünür hale gelirler ve genellikle 'hot pixels' olarak bilinen 'sıcak pikseller' haline gelirler. Üreticisine bakmaksızın tüm kamera algılayıcıları, piksellerdeki bu parlaklık farklılığını zaman içinde oluşturacaktır.

Bu sorunu çözmek için URSA Broadcast G2'de dahili bir kalibrasyon özelliği vardır. Diğerlerinden daha parlak olan pikseller gördüğünüzde, bu özelliği kullanabilirsiniz.

Bu işlemi başlatmak için lens kapağını kapatın ve 'görüntü sensörünü kalibre et' butonunu tıklayarak piksel kalibrasyon özelliğini çalıştırın, sonra 'kalibre et' butonunu tıklayarak seçiminizi teyit edin. İşlemin tamamlanması, yaklaşık olarak bir dakika sürer.



LCD Beyaz Ayarı Kalibrasyonu

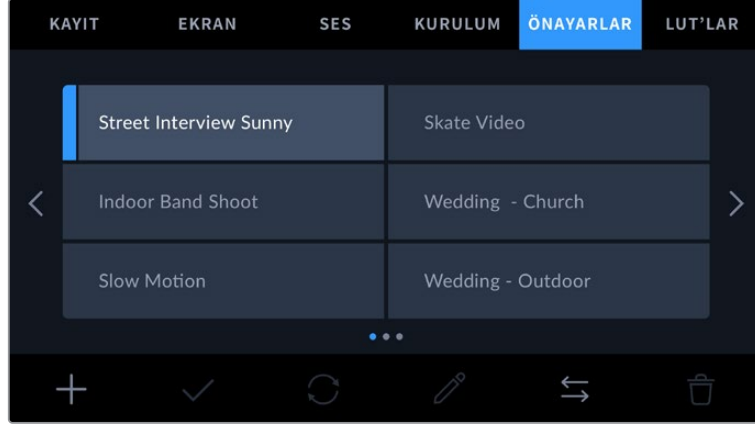
LCD beyaz dengesi kalibrasyonu uygulamak için, 'LCD renk sıcaklığı' ve 'LCD renk tonu' kontrollerini, iki referans parçası doğal görünecek şekilde ayarlayın. Ayarları değiştirdikten sonra, kontrolleri fabrika kalibrasyonuna geri döndürmek için 'sıfırla' butonunu kullanabilirsiniz. 'Geri getir' butonu, yeni ayarlarınızı geri getirir. Bu da kalibrasyondan önceki ve sonraki görünümü karşılaştırmanıza yardımcı olur. LCD, beyaz dengesini doğru şekilde gösterdiğinde, ayarlarınızı kaydedin.



Önayarlar

Önayarlar sekmesi, URSA Broadcast G2 kameranız için olan ayarların tümünü kaydetmenize ve geri çağırmanıza olanak sağlar. Bu, birden fazla proje için tek bir kameranın kullanıldığı durumlarda çok yardımcı olur. Örneğin; URSA Broadcast G2'nizi, projenin türüne bağlı olarak çok farklı ayarları olan çeşitli çekimlerde kullanabilirsiniz. URSA Broadcast G2'nizin önayarlar fonksiyonu, belli bir proje veya çekim tarzı için düzeninizi kaydetmenize ve ihtiyacınız olduğunda kolaylıkla bu ayarlara geri dönmenize olanak sağlar.

Ayrıca, önayarı içe ve dışa aktarabilirsiniz, bu da çok kameralı çekimler için oldukça faydalıdır. URSA Broadcast G2'lerden birini projenize uygun olarak ayarlayabilir ve sonra bu önayarı, setteki diğer URSA Broadcast G2'ler için dışa aktarabilirsiniz.



URSA Broadcast G2'nizin Önayarlar sekmesi

NOT URSA Broadcast G2'niz, altmış adede kadar önayarı, dahili belleğine kaydedebilir.

Önayar butonları

URSA Broadcast G2 kameranızın 'önayar' menüsünün alt tarafındaki buton ikonları, aşağıdaki fonksiyonlara tekabül eder.



Önayarların saklanması ve yüklenmesi

Yeni bir önayar oluşturmak için 'add' (ekle) ikonunu tıklayın. Bu, dokunmatik LCD ekranınızda, önayarınıza bir isim verebileceğiniz bir dokunmatik klavye ortaya çıkaracaktır. İsmi girdikten sonra, bu önayara URSA Broadcast G2 kameranızın mevcut tüm ayarlarını kaydetmek için 'güncelle' butonunu tıklayın.

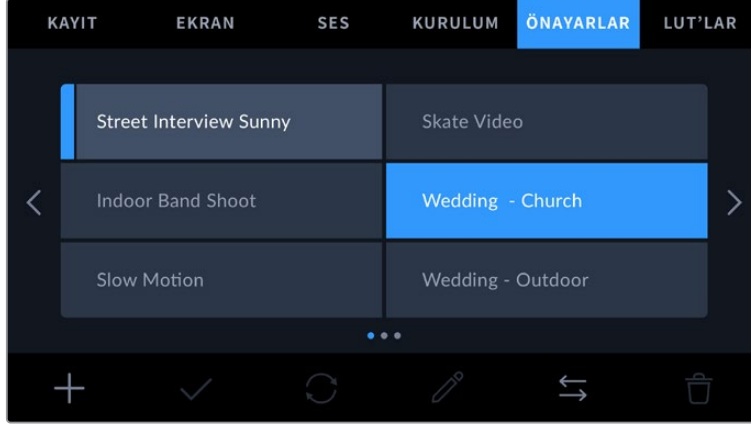
URSA Broadcast G2'nizde aynı isimle kaydedilmiş başka bir önayar varsa bu önayarın üzerine yazılması veya ikisinin de tutulması için komut belirecektir.



Önayar sekmesindeki 'ekle' ikonunu tıklayarak ve dokunmatik klavyeyi kullanarak ön ayarınızın ismini girin.

Önayarınızı kaydettikten sonra, onu tekrar seçmek için, önayar menüsünde ismini tıklayın. Yüklenmesi için, 'yükle' ikonunu tıklayın.

'Güncelle' ikonunu tıklayarak bir önayarı güncelleyebilirsiniz. Bu işlem, URSA Broadcast G2'nizin mevcut ayarı ile önayarı güncellemek isteyip istemediğinizi soran bir komutu ekrana getirecektir. Onaylamak için, 'güncelle' ikonunu tıklayın.



Bir önayar seçin ve yüklemek için 'yükle' ikonunu tıklayın. Şu anda yüklü olan önayarların ikonlarının solunda mavi bir çizgi vardır ve seçili olan önayarlar mavi olarak görünür.

Önayarların kameraya aktarılması

Bir önayarı kameraya aktarmak için, önayar menüsünün en altındaki 'yönet' ikonunu tıklayın. Önayarlarınızın saklı olduğu yere bağlı olarak, ortam seçim anahtarı ile SD veya CFast arasından birini seçin. URSA Mini Recorder cihazını kullanıyorsanız bir USB-C flaş disk veya bir SSD'den de önayarları aktarabilirsiniz.

'Buradan getir' seçeneklerinden, içe aktarmak istediğiniz ön ayarın bulunduğu karta veya sürücüye dokununuz ve 'getir' düğmesine dokunarak seçiminizi onaylayın. Bu, içe aktarım ekranını ortaya çıkarır. Kameraınıza bağlı diğer kartlar veya sürücülerdeki mevcut ön ayarları görüntülemek için bu ekranın sol üst köşesindeki butonları kullanabilirsiniz.

URSA Broadcast G2'niz, seçili ortamdaki kök rehberini ve 'önayarlar' dosyasını tarayacaktır. Depolama ortamınızdaki başka dosyalara kaydedilen önayarların, görünmeyeceğini belirtmemizde fayda var.

Bir önayarı seçmek için onu tıklayın ve onaylamak için, 'getir' butonunu tıklayın. Kameraya aktarmak istediğiniz önayarın ismi, kameraınızda kayıtlı başka bir önayar ismiyle aynıysa, mevcut önayar üzerine yazmak veya ikisini de tutmak üzere sizden onay istenilir. Bu ekranın sağ üst köşesinde, kameraınızdaki boş önayar yeri sayısını göreceksiniz.

NOT URSA Broadcast G2'nizin önayar yuvaları dolduğunda, içe aktarma menüsü kullanılamaz. Yer açmak için, mevcut bir önayarı silmeniz gerekecektir.

Önayarların dışa aktarımı

Bir önayarı CFast veya SD karta aktarmak için, tıklayarak aktarmak istediğiniz önayarı seçin ve 'yönet' ikonunu tıklayın. Size, 'önayarı getir' ve 'seçili önayarı aktar' şeklinde, iki seçenek sunulacaktır. 'Önayar Düzenle' seçeneklerinden 'seçili önayarı aktar'ı seçin. Önayarı dışa aktarmak istediğiniz yere bağlı olarak SD ve CFast kartlarından birini seçmek için, kayıt ortamı seçim düğmesini kullanın. URSA Mini Recorder cihazını kullanıyorsanız bir USB-C flaş diske veya bir SSD'ye de önayarları aktarabilirsiniz. 'Buraya aktar' seçeneklerinden, önayarı aktarmak istediğiniz kartı veya diski tıklayın. Seçiminizi 'aktar' butonunu tıklayarak teyit edin.

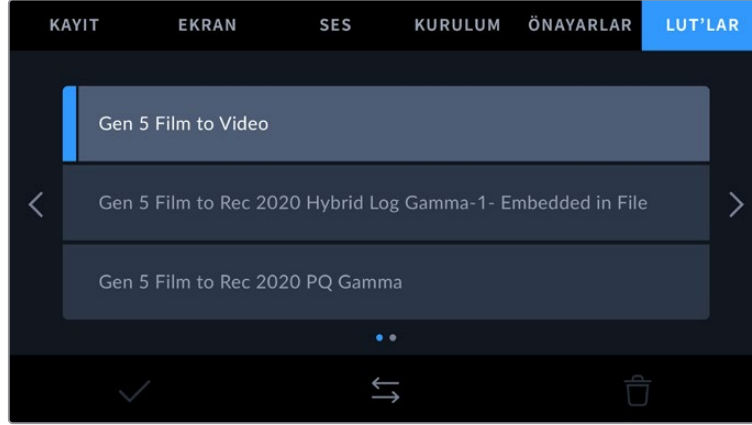
Seçtiğiniz depolama ortamında, dışa aktardığınız önayarla aynı ismi paylaşan, başka bir kayıtlı önayar varsa karttaki bu önayarın üzerine yazılması veya ikisinin de tutulmasına dair, sizden onay istenecektir.

Önayarların silinmesi

URSA Broadcast G2'nizde, altmış adet önayar için yeterli yer vardır. Bir önayarı silmek için; önayarı seçin ve 'sil' ikonunu tıklayın. Sizden, yaptığınız seçimi teyit etmeniz istenecektir. Onaylamak için 'sil' ibaresini tıklayın.

LUT'lar

'LUT'lar' menüsü; 3D LUT'ları içe aktarmanıza, dışa aktarmanıza ve kameranızın çıkışlarına uygulamanıza olanak sağlar.



URSA Broadcast G2'nizin LUT sekmesi.

3D LUT'lar ile Tanışın

URSA Broadcast G2 kameranız; dokunmatik LCD ekran, ön SDI ve ana SDI'daki görüntülere 3D LUT'lar uygulayabilir. LUT'lar, belli bir renk ve parlaklık girişi için, kameranıza hangi renk ve parlaklık çıkışını göstermesini söyleyerek çalışır. Örneğin; kameranıza dahili olarak normal renklerle kaydetmeyi fakat, ekranlarınıza ve switcher'e, bölgenizdeki yasal yayın renkleri olan bir önizleme göndermeyi isteyebilirsiniz. Bu, Blackmagic RAW görüntü çekerken ve 'film' dinamik aralığını kullanırken de yararlıdır. Bunların her ikisi de kasıtlı olarak az doygun ve düşük kontrastlı bir görünüme sahiptir. Bir LUT uygulayarak çekiminizin renk derecelendirilmesinden sonra nasıl görüneceğine dair fikir edinebilirsiniz.

DaVinci Resolve veya başka bir renk düzeltme yazılımı kullanarak 3D LUT'ları oluşturmak kolaydır ve internette bulabileceğiniz çeşitli kaynaklardan da LUT'lar temin edilebilir. URSA Broadcast kameranız, her biri 1.5 megabayta kadar olmak üzere 17 noktalı veya 33 noktalı 3D LUT'lardan, otuz adede kadar depolayabilir. Bir kez yüklendikten sonra, herhangi bir LUT'u kameranızın dokunmatik LCD ekranında, ön SDI ve ana SDI çıkışlarında veya bunların herhangi bir bileşiminde görüntülemeyi seçebilirsiniz.

URSA Broadcast G2'niz; DaVinci Resolve'de oluşturulmuş .cube formatlarındaki 33 noktalı 3D LUT'ları ve LUT dönüştürme yazılımları ile Resolve .cube formatına çevrilen 17 noktalı 3D LUT'ları destekler. Kameranız, yüksek kalite dörtyüzeyle entropolasyon (tetrahedral interpolation) kullanarak 3D LUT'ları işler.

LUT'ları görüntüleme hakkında daha fazla bilgi için, bu kılavuzun 'ekran ayarları' bölümüne bakın.

NOT Blackmagic URSA Broadcast G2'niz, kaydedilen görüntülere varsayılan olarak LUT'ları uygulamaz veya kalıcı olarak kaydetmez; fakat çekimlerinize LUT'ların kalıcı olarak işlenmesini seçebilirsiniz.

Çekiminizi post prodüksiyonda derecelendirmek için zamanınız olmadığında veya çekimi doğrudan bir müşteriye veya kurgu uzmanına vermeniz gerektiğinde, bu faydalı bir seçenek olabilir.

LUT'ları sette bir önizleme aracı olarak kullanırken, uygulanan LUT hakkındaki bilgi, metadata olarak kayıtlarınızla saklanır. DaVinci Resolve, metadata sekmesinde 'LUT used' (kullanılan LUT) alanında bu bilgiyi görüntüleyebilir ve sette kullanılan LUT'un ismini doğrulamak üzere, renk uzmanları için faydalı olabilir.

Dahili LUT'lar

URSA Broadcast G2'niz, 'Film' dinamik aralığında veya Blackmagic RAW'da çekim yaparken, farklı görünümünün önizlemesini yapmanıza yarayan, çok sayıda dahili LUT sunar.

- **Gen 5 Film to Extended Video**
'Film'den Videoya' LUT'undan daha geniş bir dinamik aralık görüntüler ve parlak bölgelerde, pürüzsüzce azalan hafif bir kontrast değişimi uygular.
- **Gen 5 Film to Rec 2020 Hybrid Log Gamma**
HDR ekranlara uygun ve standart dinamik aralıklı ekranlarla uyumlu olan bir gamma eğrisi görüntüler.
- **Gen 5 Film to Rec 2020 PQ Gamma**
HDR görüntülerin etkili kodlaması için, gözlerimizle neleri algılayabildiğimizi temel alan bir gamma eğrisini görüntüler.
- **Gen 5 Film to Video**
Yüksek tanımlı video için REC 709 renk standardına benzer ve yüksek seviyede kontrast ile doygunluğa sahiptir. REC 709 renk alanını kullanan kameralarla birlikte Blackmagic URSA Broadcast G2'yi kullandığınızda, bu ayarı faydalı bulabilirsiniz.

LUT butonları

URSA Broadcast G2 kameranızın 'LUT'lar' ekranının alt kısmındaki buton ikonları, aşağıdaki fonksiyonlara tekabül eder:

		
Yükle	Yönet	Sil

LUT'ların Kameralara Aktarılması

Bir 3D LUT'u kameraya aktarmak için, LUT menüsünün en altındaki 'yönet' ikonunu tıklayın. LUT'larınızın nerede kayıtlı olduklarına bağlı olarak, kayıt ortamı seçim düğmesi ile SD veya CFast seçeneklerinden birini seçin. URSA Mini Recorder cihazını kullanıyorsanız bir USB-C flaş disk veya bir SSD'den de LUT'ları aktarabilirsiniz.

'Buradan getir' seçeneklerinde, içe aktarmak istediğiniz ön ayarın bulunduğu karta veya sürücüyü dokununuz ve 'getir' butonuna dokunarak seçiminizi onaylayın. Kameranıza bağlı diğer kartlar veya sürücülerdeki mevcut LUT'ları görüntülemek için ekranın sol üst köşesindeki butonları kullanabilirsiniz.

URSA Broadcast G2'niz, seçili ortamınızdaki kök rehberini ve '3DLUTlar' klasörünü tarayacaktır. Başka yerlerde kaydedilmiş LUT'lar görüntülenmeyecektir.

Seçmek için bir LUT'u tıklayın ve seçiminizi onaylamak için 'getir' sekmesini tıklayın. Bu LUT, URSA Broadcast G2'nize kaydedilecektir.

NOT URSA Broadcast G2'nizin otuz adet 3D LUT yuvası doluyorsa, yer açmak için mevcut LUT'lardan bazılarını silmeden içe aktarma yapamazsınız.

İçe aktarmak istediğiniz LUT'un ismi, kameranızda kaydedilmiş başka bir LUT ismi ile aynıysa mevcut LUT'un üzerine yazılması veya ikisinin de tutulması için komut belirir. Bu ekranın sağ üst

köşesinde, kameranızdaki boş olan LUT yerlerinin sayısını göreceksiniz. Kameranızda olan boş yer sayısı kadar LUT'u, içe aktarmanız mümkün olacaktır.

NOT URSA Broadcast G2 kameranıza bir LUT aktarmakta sorun yaşıyorsanız, LUT boyutu yanlış olabilir. Boyutunu kontrol etmek için Lattice gibi LUT düzenleyici kullanabilir veya bilgisayarınızdaki herhangi bir metin düzenleyici ile açabilirsiniz. 'LUT_3D_SIZE' (3D LUT Boyutu) etiketinin yanında LUT'un boyutunu gösteren bir numara göreceksiniz. Bu değer 17 veya 33 değilse Lattice uygulamasını kullanarak, 3D LUT'un boyutunu 17'ye değiştirebilirsiniz.

Bir LUT'un Uygulanması

Kameranıza bir LUT kaydettikten sonra, seçmek için LUT menüsünde o LUT'u tıklayın ve sonra 'load' (yükle) ikonunu tıklayın. Bu işlem, o LUT'u, kameranızdaki tüm çıkışlar için etkinleştirecektir. Ancak, her bir çıkışa uygulanması için, ekran menüsünde 'LUT'u görüntüle' seçeneğini, 'açık' olarak seçmeniz gerekir. Daha fazla bilgi için bu kılavuzunun 'ekran ayarları' bölümüne bakınız.

LUT'ların dışa aktarımı

CFast veya SD karta bir LUT aktarmak için, aktarmak istediğiniz LUT'u seçin ve 'yönet' ikonunu tıklayın. 'LUT'u Düzenle' seçeneklerinden 'seçili LUT'u aktar'ı seçin. LUT'u dışa aktarmak istediğiniz yere bağlı olarak, SD ve CFast kartlarından birini seçmek için, kayıt ortamı seçim düğmesini kullanın. URSA Mini Recorder cihazını kullanıyorsanız bir USB-C flaş diske veya bir SSD'ye de LUT'ları aktarabilirsiniz.

'Buraya aktar' seçeneklerinden, LUT'u aktarmak istediğiniz kartı veya diski seçin. Seçiminizi teyit etmek için 'aktar' butonunu tıklayın. LUT'u aktarmayı istediğiniz kartta veya diskte LUT'un bir kopyası bulunursa, kartınızdaki LUT'un üzerine yazılması veya ikisinin de tutulmasına dair sizden onay istenir.

LUT'ları Silme

URSA Broadcast G2 kameranızın, otuz adet 17 noktalı veya 33 noktalı 3D LUT için yeri vardır. Artık kullanmadığınız LUT'ları silmek veya daha fazlasına yer açmak için, silmek istediğiniz LUT'ları seçin ve ikonunu tıklayın. Sizden, yaptığınız seçimi teyit etmeniz istenecektir. Onaylamak için 'sil' ibaresini tıklayın.

Gömülü 3D LUT'lar

URSA Broadcast G2'de Blackmagic RAW çekim yaparken bir 3D LUT kullanıldığı durumlarda, seçili LUT, kaydetmekte olduğunuz Blackmagic RAW dosyasına gömülecektir. Bu, 3D LUT'un .braw dosya başlığı altında dosyalarınızla beraber kaydedileceği ve post prodüksiyon esnasında ayrı bir dosya ile uğraşmak zorunda kalmadan, kolaylıkla klibe uygulanabileceği anlamına gelir.

Yani, Blackmagic RAW dosyaları bir kurgucu veya renk uzmanına teslim edildiğinde, çekim esnasında kullanılan LUT'a kolaylıkla erişebileceklerdir. Bu da bir klibe yanlış bir 3D LUT uygulanma olasılığını, büyük ölçüde azaltır. 3D LUT'u uygulayıp uygulamayacaklarına, çekimlere kurgu veya renk derecelendirme yaparlarken karar verebilirler ve istedikleri zaman 3D LUT'u etkisiz kılabilirler.

URSA Broadcast G2'nin kayıt menüsündeki 'LUT'u dosyada uygula' seçeneği 'açık' olduğunda, kaydedilen klip, Blackmagic RAW Player'de ve DaVinci Resolve yazılımında seçilen 3D LUT'un uygulanmış hali ile açılır. Bu 3D LUT, daha sonra 'açık' veya 'kapalı' durumuna kolaylıkla değiştirilebilir, fakat klibe yazıldığından dolayı, daima Blackmagic RAW dosyası ile beraber taşınır.

Blackmagic RAW dosyasındaki 3D LUT'un etkin veya etkisiz hale getirilmesi için, DaVinci Resolve'nin RAW ayarlar paletinde bir 'LUT'u Uygula' düğmesi de vardır. DaVinci Resolve'deki 'LUT'u Uygula' ayarı, kameradaki ayarın aynısıdır. Böylelikle; çekim yaparken kamerada belli bir LUT'u seçerek renk uzmanını, bu LUT'u kullanması için yönlendirebilirsiniz fakat, DaVinci Resolve'de 'LUT'u Uygula' seçeneğini 'kapalı' konumuna getirerek, LUT'u kolaylıkla kapatabilirler.

Metaverinin Girilmesi

Metaveri; çekim numaraları, kamera ayarları ve diğer tanımlayıcılar gibi, kliplerinizde kayıtlı olan bilgilerdir. Bu; post prodüksiyonda, çekimlerin düzenlenmesinde ve işlenmesinde oldukça etkilidir. Örneğin; tekrar, çekim ve sahne numaraları, vazgeçilmez düzenleme araçlarıdır. Mercek bilgisi; görüntü bozulmasını otomatik olarak gidermek için veya VFX materyallerini çekimlerle daha iyi eşleştirmek için kullanılabilir.

Blackmagic URSA Broadcast G2'niz her klibe; kamera ayarları, zaman kodu, tarih ve saat gibi bazı metaverileri otomatik olarak kaydeder. Daha fazla ilave bilgi eklemek için kameranızın 'çekim tahtası' özelliğini kullanabilirsiniz.

Çekim Tahtası

URSA Broadcast G2 kameranızın dokunmatik LCD ekranında sol veya sağ kaydırma yapma, 'klaket' özelliğini ortaya çıkarır.

Klaket; 'klip bilgisi', 'proje' ve 'mercek bilgisi' olarak sekmelere bölünmüştür. 'Klip Bilgisi' sekmesi, her klibe göre değişen bilgi içerirken, proje sekmesi; proje ismi, yönetmen, kamera ve operatör kimliği gibi, klipler arasında ortak olan detayları girdiğiniz yerdir. 'Mercek verisi' sekmesi, kameranızı takılı olan mercek bilgilerini görüntüler. Mercek, kameraya otomatik olarak bilgi gönderirse burada görüntülenecektir. Mercek verilerini manuel olarak da girebilirsiniz.

BİLGİ 'Ekran' ayarlarında, 'durum metnini göster' seçeneği 'yönetmen' olarak ayarlandığında, klakete girilen metaveri URSA Broadcast G2'nizin ön veya ana SDI çıkışlarında görüntülenebilir. Daha fazla bilgi için bu kılavuzunun 'ekran ayarları' bölümüne bakınız.

Klip Metaverisi

Klip metaverisine yapılan değişiklikler; URSA Broadcast G2 kameranızın kayda hazır olduğu 'bekleme' modunda ve yapmış olduğunuz çekimleri izlediğiniz 'oyunatma' modunda biraz farklı çalışırlar. 'Bekleme' modunda, klip metaverisi bir sonra kaydedilecek klibe kaydedilecektir. Ancak, en son kaydedilmiş klibe istinaden 'good take last clip' (son klip iyi çekim) seçeneği, buna dahil değildir.

'Oynatım' modunda, klip metaverisi, daima o an izlenmekte olan klibe kaydedilir.



URSA Broadcast G2'nizin klaketi; 'klipler' ve 'proje' olarak iki sekmeye bölünmüştür.

Klaket

Bu ayar, Őu anda gsterilen metaverinin hangi klip iin geerli olduĐunu gsterir. Bu, 'standby' (bekleme) modunda, bir sonra kaydedilecek klip iin geerlidir.

Mercek Tipi

Bu, kameranıza baĐlı olan mercek hakkındaki bilgileri gsterir. 'Mercek tipi' verileri hakkında daha fazla bilgi iin aŐaĐıdaki 'mercek verileri' blmne bakınız.

Makara

'Makara' gstergesi, Őu anki makarayı gsterir.

URSA Broadcast G2 kameranız, makara numaralarını otomatik olarak artırır, bylece manuel olarak girmenize gerek kalmaz. Yeni bir projeye baŐlıyorsanız ve makara numarasının tekrar 1'den baŐlamasını istiyorsanız, ekim tahtasındaki 'proje' sekmesinde 'proje verilerini sıfırla' seeneĐini tıklayın.

Sahne

'Sahne' gstergesi, Őu anki sahne numarasını gsterir ve aynı zamanda Őu anki ekim numarasını ve tarzını da gsterebilir.

Bu gstergedeki rakam, daima Őimdiki sahneye aittir. Sahne numarasının iki tarafındaki sol ve saĐ oklarını kullanarak veya sahne numarası dzelticisine girmek iin sahne numarasını tıklayarak sahne numarasını ayarlayabilirsiniz.

Sahne numaraları, 1 ile 999 arasındadır.

Sahne numarası dzelticisinde, sahne numarasına bir harf ekleyerek, Őu anki ekim numarasını da belirtebilirsiniz. rneĐin 23A; sahne yirmi  ve ekim biri belirtir. Sahne numaranıza bir ekim harfi eklemiŐseniz sahne numarası dzelticisine her girdiĐinizde, kameranız size bir sonraki sahne numarasını ve ekim harfini nerecektir. Mesela; Őu anki sahne numaranız 7B ise kamera size '8' ve '7C' seeneklerini nerir.

Sahne numarası gstergesi, aynı zamanda Őu anki ekim tarzını da saĐ st kŐede gsterebilir. Bunları, sahne klavyesinin saĐ tarafındaki sahne numarası dzelticisinde seebilirsiniz.

Mevcut olan ekim trleri Őunlardır:

WS	(wide shot) genel plan ekim
MS	(medium shot) orta plan/gĐs plan ekim
MCU	(medium close up) orta yakın plan ekim
CU	(close up) Yakın ekim
BCU	(big close up) baŐ plan ekim
ECU	(extreme close up) aŐırı yakın plan ekim



Sahne metaverisini girerken, URSA Broadcast G2'niz; dokunmatik klavyenin solunda artış önerilerini ve sağ tarafında çekim tarzlarını sunar.

Tekrar

Tekrar göstergesi, mevcut çekim için tekrar numarasını gösterir. Tekrar numarasının iki tarafındaki sağ ve sol oklarını tıklayarak veya tekrar numarasını girmek için göstergeyi tıklayarak tekrar numarasını artırıp azaltabilirsiniz.

BİLGİ Çekim numarası veya sahne harfi ilerlediğinde, tekrar numarası, 1'e dönüşecektir.

Tekrar numarası düzelticisinde, tekrar için açıklamalar ekleyebilirsiniz. Bunlar, tekrar numarası klavyesinin sol tarafında sunulur ve aşağıda belirtilen senaryolara karşılık gelir:

PU	'Pick up' (düzeltme) Bu, asıl çekimler bittikten sonra, daha önceki bir tekrara ilave materyal eklemek için tekrarlanan çekimleri ifade eder.
VFX	'Görsel Efektler.' Bu, görsel efekt kullanımı için yapılan bir çekimi veya tekrarı ifade eder.
SER	'Series' (Seri çekimler). Bu, kamera çalışır haldeyken birçok tekrarın çekildiği bir durumu ifade eder.



Bekleme modundayken, her klip için tekrar numarasını otomatik olarak artırmak için 'A'yı tıklayın. Etkinleştirildiğinde, küçük bir 'A' simgesi, çekim tahtasındaki tekrar numarasının yanında belirir.

Tekrar metaverilerini girerken, URSA Broadcast G2 kameranız, dokunmatik klavyenin sağında ilave çekim türlerini sunacaktır.

İyi çekim

Post prodüksiyonda iyi tekrarları kolaylıkla geri çağırmak için işaretlemek üzere, 'iyi çekim' göstergesini tıklayın. Bu etiket; URSA Broadcast G2 kameranız 'bekleme' modunda ise en son kaydedilen klibe veya 'oynatma' modunda ise şu anda görüntülenen klibe uygulanacaktır.

İç Mekan / Dış Mekan

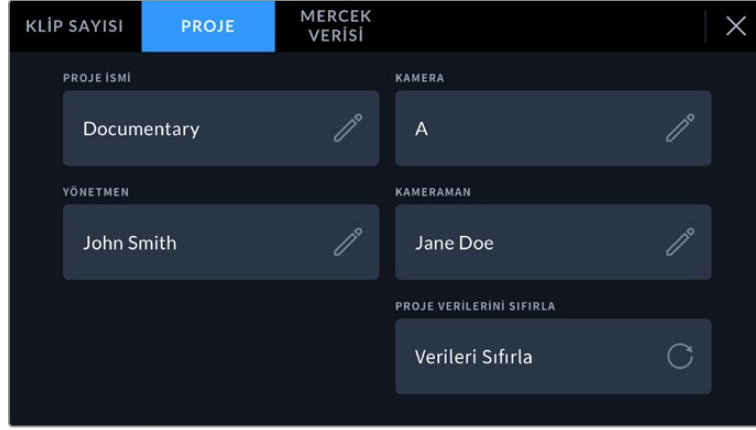
Bekleme modunda bir sonraki klibe veya oynatım modunda şu anki klibe, bir etiket eklemek için, 'iç mekan' veya 'dış mekan' ikonlarını tıklayın.

Gündüz / Gece

Bekleme modunda bir sonraki klibe veya oynatma modunda şu anki klibe, gündüz veya gece etiketi eklemek için, 'gündüz' veya 'gece' ikonlarını tıklayın.

Proje Metaverisi

Proje metaverisi bekleme veya oynatma modunda olmanıza bakmaksızın aynı şekilde çalışır. Bu metadata, her zaman projenize bir bütün olarak atfeder ve klip numaralarından bağımsızdır.



URSA Broadcast G2'nizin 'proje' klaket sekmesi

Proje İsmi

Şu anki projenizin ismini görüntüler. Proje adını değiştirmek için, kalem ikonuna dokunun.

Kamera

Harfli bir kamera indeksi görüntüler. Kamera indeksini değiştirmek için, kalem ikonunu tıklayın.

Yönetmen

Mevcut projenin yönetmen adını görüntüler. Yönetmen adını değiştirmek için, kalem ikonunu tıklayın.

NOT Kamera indeksi, metaveride ve dosya isimlendirme amaçları için kullanılır ve URSA Broadcast G2'nizi bir ATEM switcher ile kontrol ederken kullanılan URSA Broadcast G2'nin ATEM kamera (ID) kimliğinden farklıdır. ATEM Kamera ID konusunda daha fazla bilgi için, bu kullanım kılavuzundaki 'Studio Camera Kontrol Hakkında' bölümüne bakın.

Kamera Operatörü

Kameramanın ismini görüntüler. Kameramanın adını değiştirmek için, kalem ikonunu tıklayın.

Proje Verilerini Sıfırla

Proje verilerini silmek için 'verileri sıfırla' butonunu tıklayın ve sonra, seçiminizi teyit edin. Bu, girilen tüm proje verilerini siler.

Mercek Verisi

'Mercek verisi' sayfası, URSA Broadcast G2'nize takılı olan mercek bilgilerini görüntüler. Birçok elektronik objektif; mercek modeli, diyafram ve odak uzaklığı gibi bilgileri otomatik olarak sağlar.

Eğer kullandığınız objektif bu bilgileri sağlamıyorsa veya ilave bilgi girmek istediğiniz zaman, bilgiyi manuel olarak girmek için, bu ayardaki kalem ikonunu tıklayın. Bu, 'mercek verisi' menüsünü ortaya çıkarır. Menü aşağıdaki bilgileri içerir:



Bir Fujinon mercekte otomatikman toplanan bilgileri gösteren, mercek verisi sayfası

• Mercek Tipi

Mercek modelini gösterir. Mercek modeliniz burada otomatik olarak gösterilmemişse bilgileri manuel olarak girmek için bu ayara dokunabilirsiniz.



Lens bilgisi otomatik olarak temin edilmemişse bilgiyi girmek için dokunmatik klavyeyi kullanın.

• Diyafram

Klibiniz başlangıcında diyafram açıklığı ayarını gösterir. Bu bilgi otomatik olarak temin edildiye, kullanılan merceğe bağlı olarak f- veya T-stops olarak görüntülenebilir. Merceğiniz için diyafram bilgisi burada otomatik olarak gösterilmiyorsa veriyi manuel olarak girmek için, bu ayarı tıklayabilirsiniz.

- **Odak Uzaklığı**

Kaydedilmiş klipin başlangıcında, merceğin odak uzaklığı ayarını gösterir. Otomatik olarak temin edildiğinde, bu mesafe milimetre olarak gösterilir. Merceğiniz için odak uzaklığı bilgisi burada otomatik olarak gösterilmiyorsa veriyi manuel olarak girmek için, bu ayarı tıklayabilirsiniz.

- **Uzaklık**

Kaydedilen klip için, merceğin netlik mesafesi ayarlarını gösterir. Bazı mercekler, bu veriyi otomatik olarak temin edebilir ve milimetre bazında sunar. Merceğiniz için odak mesafesi bilgisi burada otomatik olarak gösterilmiyorsa veriyi manuel olarak girmek için, bu ayarı tıklayabilirsiniz.

- **Filtre**

Şu anda kullanılan mercek filtrelerini gösterir. Manuel olarak veriyi girmek için, bu ayarı tıklayın. Virgül ile ayırarak birden fazla veri girişi yapabilirsiniz.



Filtre bilgisinin manuel olarak girilmesi gereklidir.

Mercek Verilerini Sıfırla

'Verileri sıfırla' butonunu tıklayarak, mercek verisini istediğiniz an silebilirsiniz. Sizden, yaptığınız seçimi teyit etmeniz istenecektir. Bu, merceğinizle iletişimi yeniden başlatır ve elektronik olarak doldurulan verileri yeniler, manuel olarak girilen alanlar da silinir.

Jiroskop Görüntü Sabitleme

Blackmagic URSA Broadcast G2 Camera'nız, dahili bir hareket sensörü tarafından yakalanan pan, tilt ve roll verilerini otomatik olarak kaydeder. Bu veriler, jiroskop verileri olarak da bilinir ve elde yapılan çekimleri sabitlemek için daha sonra DaVinci Resolve tarafından kullanılabilirler.

Kaydedilen jiroskop metaverilerinin hatasız olduğundan emin olmak için kayıttan önce kameranızın hareket sensörünü kalibre etmeniz önemlidir. Daha fazla bilgi için "hareket sensörü kalibrasyonu" altındaki "ayarlar" bölümüne başvurun.

NOT Jiroskop görüntü sabitlemeyi etkinleştirmek için, lensinizin optik görüntü sabitleme özelliğinin kapalı olduğundan emin olmalısınız. Dahili optik görüntü sabitleme özelliği olan EF ve B4 lenslerde, bu özelliği açıp kapatmak için fiziksel bir düğme bulunur.

Manuel Lenslerle Jiroskop Verilerinin Kaydedilmesi

Jiroskop görüntü sabitlemenin en iyi şekilde çalışması için lens odak mesafesi bilgisinin doğru olması gerekir. Çoğu EF ve B4 lensi kullanırken, bu bilgi otomatik olarak kaydedilen metaverilere eklenir. Kamerayla elektronik iletişimi desteklemeyen manuel lensler ya da analog B4 lensler için bu bilgileri, kameranın klaketine manuel girmeniz gerekir.

- 1 “Klaket” özelliğini açmak için ana sayfadayken, kameranızın dokunmatik ekranını sola veya sağa kaydırın.
- 2 “Lens verisi” sekmesine tıklayın.
- 3 “Odak mesafesi” sekmesine tıklayın ve kullandığınız lensin odak mesafesini yazın. Örneğin; analog bir B4 lensi 8 mm odak mesafesinde kullanıyorsanız “8 mm” yazın.



Kamerayla elektronik iletişim kurmayan manuel lensler kullanırken, “lens verilerini” manuel girin

NOT Manuel veya analog lenslerde odak mesafelerini her değiştirdiğinizde, bu bilgiyi güncellenmeniz gerekir. Dahili elektronikleri olan lensler, bu metaverileri otomatik olarak geçersiz kılarlar.

DaVinci Resolve’de Jiroskop Görüntü Sabitlemenin Uygulanması

Kliplerinizi yazılıma yükledikten ve bir zaman çizelgesi üzerine yerleştirdikten sonra:

- 1 “Edit” sayfasının denetleyici penceresine gidin ve ardından aşağıdaki “görüntü sabitleme” seçeneğine inin.
- 2 Görüntü sabitleme modunu “jiroskop” olarak ayarlayın.
- 3 “Sabitle”yi tıklayın.

Bir ilerleme çubuğu, görüntü sabitleme tamamlandığında size bildirir.



Jiroskop verilerini kullanarak görüntüyü sabitlemek için denetleyici penceresinde “kamera jiroskopu” seçeneğini seçin.

BİLGİ Daha iyi sonuçlar için dar örtücü açılarıyla çekim yaparak hareket bulanıklığını azaltabilirsiniz. Örneğin; 45 derece.

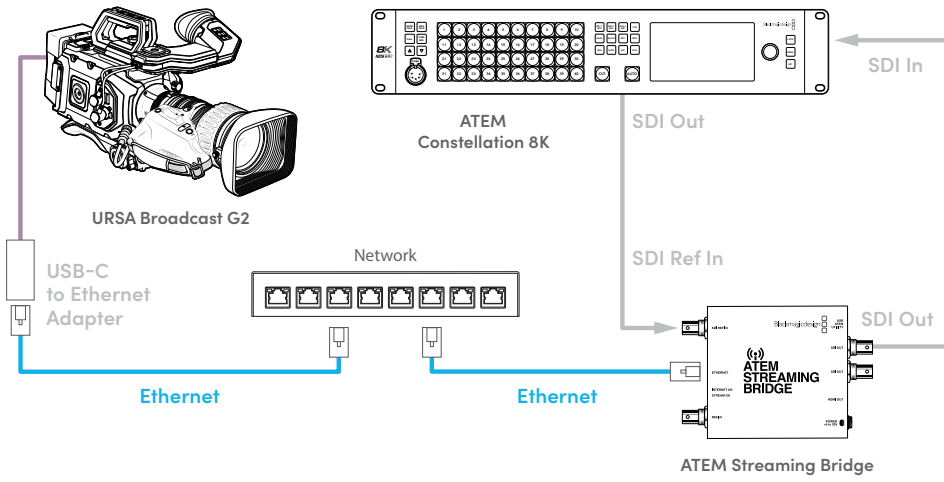
İnternet Üzerinden Video Yayınlama

URSA Broadcast G2; YouTube, Facebook Live ve Twitch gibi platformlara kameranın doğrudan yayın yapmasını sağlayan, kendi dahili yayın motoruna sahiptir.

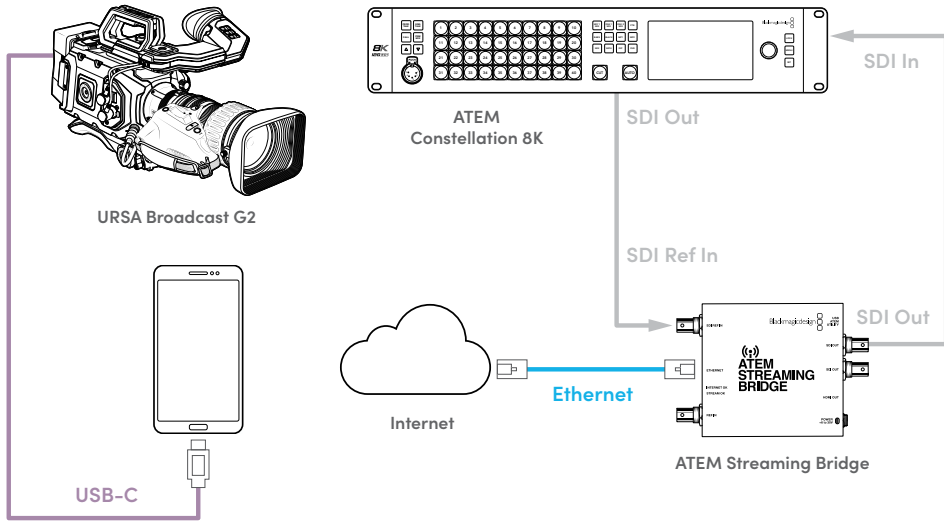
Ayrıca, aynı Ethernet ağı üzerinden ya da isteğe bağlı bir ATEM Streaming Bridge kullanarak İnternet üzerinden dünyanın her yerinden, URSA Broadcast G2'yi bir ATEM switcher'e bağlayabilirsiniz. Bir ATEM switcher'e yayın yaptığınızda; tally, talkback ve kamera kontrol özelliği de bu kurulumda dahildir.

Aşağıdaki iki resim, bir ATEM Streaming Bridge kullanılarak bir ATEM switcher'e bağlanan URSA Broadcast G2'yi gösteriyor. İlk resim, bir ağ üzerinden yerel bağlantı yapmayı ve ikinci resim, bir akıllı telefon kullanarak İnternet üzerinden video nakletmeyi gösteriyor.

Ağ üzerinden bağlanma



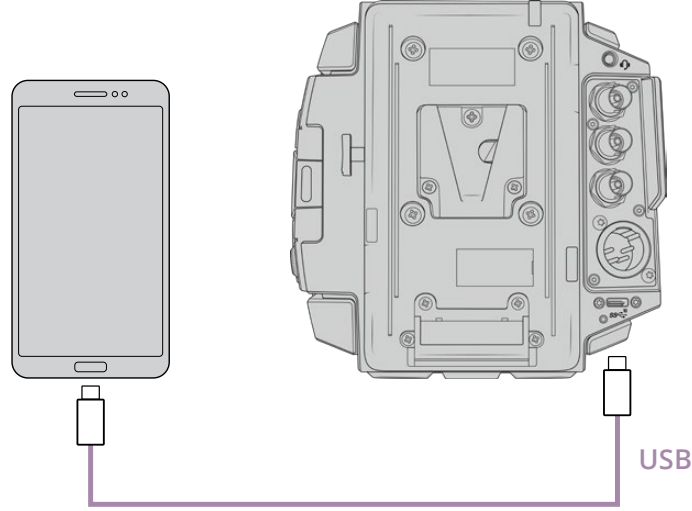
İnternet üzerinden bağlanma



NOT Bir Ethernet adaptörü aracılığıyla internet yayını yapmak için, Belkin USB-C to Gigabit Ethernet Adapter kullanmanızı tavsiye ederiz. Diğer USB-C Ethernet adaptörleri çalışsa da RTMP internet video yayını iş akışları için en güvenilir yonga seti, Belkin adaptörde kullanılandır.

Akıllı Telefon Kurulumu

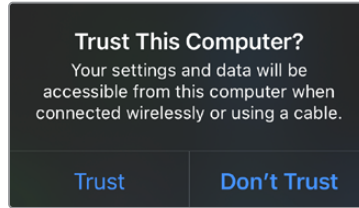
Bir USB-C kablosu kullanarak bir akıllı telefonu kameranızın USB-C genişletme portuna bağlayın. Bu bağlantı, hızlı bir şekilde kurulum yapmanıza ve akıllı telefonunuzun 4G veya 5G mobil bağlantıya sahip olduğu her yerden dünyaya yayın yapmanıza olanak verir.



Ayarlar

İnternet üzerinden yayın yapmak için akıllı telefonunuzu kurmanın ilk aşaması, kişisel erişim noktasının etkinleştirildiğinden emin olmaktır.

- 1 iOS cihazınızda ayarlar > kişisel erişim noktası'na gidin ve 'diğerleri katılabilisin' seçeneğinin açık olduğundan emin olun.
- 2 Bağlanan bilgisayara güvenip güvenmediğinizi soran bir mesaj belirir. 'Güven'i seçin ve ekranda yeşil bir internet paylaşımı simgesi görünür. Böylece bağlantının çalıştığından emin olabilirsiniz.



Etkinleştirildiğinde internet paylaşımı simgesi görünür

İnternet paylaşımı etkin olduğu sürece akıllı telefonunuzun saati, daima yeşil bir arka plan simgesinin içerisinde görünür.

Android cihazlarda hızlı menüyü görüntülemek için ekran üzerinde elinizi kaydırın. Kişisel erişim noktası simgesini basılı tutun ve ardından, USB internet paylaşımını etkinleştirin.

BİLGİ İnternet yayını bitirdikten sonra, telefon bataryanızın bitmesini önlemek için telefonunuzdaki bağlantı paylaşımını kapatmanızı tavsiye ederiz.

ATEM Kamera Kimliğini Düzenleme

ATEM kamera kimliği, URSA Broadcast G2'nizin ATEM switcher üzerindeki hangi SDI girişine bağlı olduğunu belirleyen, kameranızın menü ayarlarındaki bir ayardır. Kamera kimliği, switcher giriş numarasıyla örtüştüğünde, kameranız bu giriş için tally verilerini algılar ve tally ile kamera kontrolü doğru şekilde çalışır.

Kameranızın ATEM Kamera kimliğini ayarlamakla ilgili daha fazla bilgi için bu kılavuzun önceki kısımlarındaki 'Kurulum Ayarları' bölümüne başvurun.

XML Dosyası Oluşturma

Bir XML ayarlar dosyası oluşturmak için, 'Ethernet' portundan bir internet yönlendiricisine veya bir ağ anahtarına bir ağ kablosu takarak ATEM Streaming Bridge'yi internete bağlayın.

Bir USB-C kablosu kullanarak ATEM Streaming Bridge'yi bilgisayarınıza bağlayın ve ATEM Setup yazılımını başlatın.

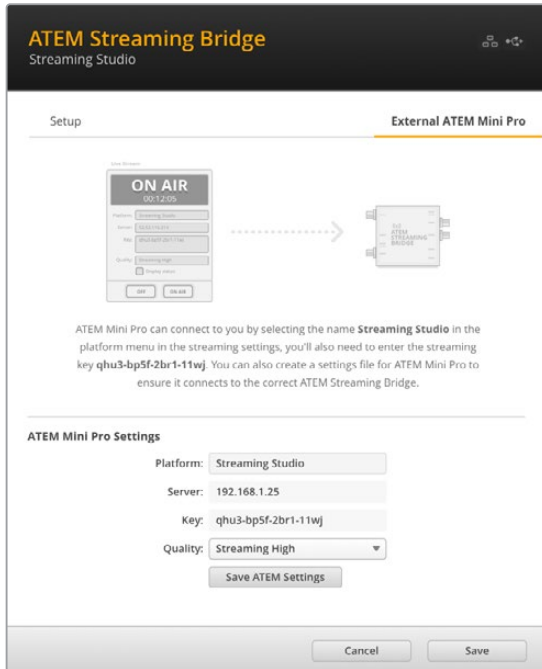
Kurulum sekmesinde, ağ ayarlarının doğru olduğunu teyit edin ve 'internet yayın hizmeti' seçeneklerinden "internet"i seçin. İnternet durum kutusunda 'dünya genelinde görünür' şeklinde bir mesaj görmemiz gerekir. Bu, her şeyin doğru çalıştığı anlamına gelir.

Port Yönlendirme Hakkında Bilgi Notu

"İnternet durumu" kutusunda bir port yönlendirme veya UPnP hatası görürseniz internet sağlayıcınızdan ya da ağ yöneticinizden, internet bağlantınız üzerinde 'TCP port 1935'e port yönlendirmesini istemeniz gerekir.

XML Dosyasının Çıktısını Alma

ATEM Kurulum sekmesinde ayarlarınızı doğruladıktan ve ATEM Streaming Bridge'inizi ağınıza veya internete başarıyla bağladıktan sonra, XML kurulum dosyasının çıktısını alabilirsiniz.



- 1 Pencerenin sağ üst köşesindeki 'harici ATEM Mini Pro' sekmesine tıklayın.
- 2 'Platform' kutusuna tıklayın ve yeni bir isim yazın. Bu isim, uzaktaki Blackmagic URSA Broadcast G2'nin platform menüsünde listelenecek olan isimdir.
- 3 İnternet yayın kalitesini seçin. Bu ayar, uzaktaki URSA Broadcast G2'nin kalite ayarını belirler.
- 4 'ATEM Ayarlarını Kaydet' butonunu tıklayın, XML dosyasını kaydetmek için bilgisayarınızda bir konum seçin ve 'kaydet' i tıklayın.
- 5 Artık kaydedilen XML dosyasını, e-posta ile uzak konumdaki kameramana gönderebilirsiniz.

XML Dosyasının Kameraya Yüklenmesi

Bir XML ayarları dosyasını URSA Broadcast G2'nize aktarmak için dosyayı bir SD karta, CFast karta veya USB-C flaş diske kopyalayın.



- 1 Kamerasının kurulum menüsünün dokuzuncu sayfasında, 'ayarları getir' etiketli butona tıklayın.
- 2 Ekranın üst kısmında, xml ayarları dosyasının kayıtlı olduğu karta veya diske tıklayın. Dosya adına ve ardından 'getir' ibaresine tıklayın. XML ayarları dosyası başarıyla kameraya aktarıldıktan sonra, ATEM Streaming Bridge otomatik olarak kamerasının platform menüsünde seçilir.

Ayrıca tek yapmanız gereken, internet yayını 'başlatmak' için kamerasının canlı yayın butonuna tıklamaktır.

Kurulumunuzun çalışıp çalışmadığını test etmek için stüdyodaki switcher operatörünün kameraya geçmesini isteyebilirsiniz. Kamerasının LCD ekranını çevreleyen kırmızı kenarlığın ve kameradaki tally ışığının yandığını göreceksiniz. Kamerasız önizleme çıkışına alındığında ise, tally lambası yeşil yanar.



Kamera kontrolünü test etmek için ATEM Software Control'ün kamera sayfasındaki diyaframı ve ana siyahı ayarlamayı deneyin.

URSA Mini Shoulder Kit

Omuz Aparatının Takılması

URSA URSA Mini Shoulder Kit, ENG tarzı çekimler için URSA Broadcast G2 kameranızı omzunuzda taşımanızı sağlar. Omuzluk, taban plakası, üst tutma kolu ve vizör adaptör plakası dahil olmak üzere, URSA Mini Shoulder aparatında bulunan parçaların çoğu, Blackmagic URSA Broadcast G2 kameranızla birlikte sevk edilir. URSA Mini uzatma kolu ve uzun LANC kablosu, isteğe bağlı satılan aksesuarlardır.

Taban plakasındaki mandal (quick release) yatağı, kameranızı ENG tarzı tripod plakasına kilitlemenizi veya omzunuzda taşıyabilmenizi sağlar, böylelikle aksiyonu takip edebilirsiniz.

URSA Mini Shoulder Kit, Sony VCT 14'ü model almış her tripod plakasıyla çalışır. Bu yuvalar, kolaylıkla kamera mağazalarından veya internetten bulunabilir.

VCT U14 tripod plakasını model almış yuvaların farklı bir sistem olduğunu ve bunlarla çalışmayacağını belirtmemizde fayda vardır.

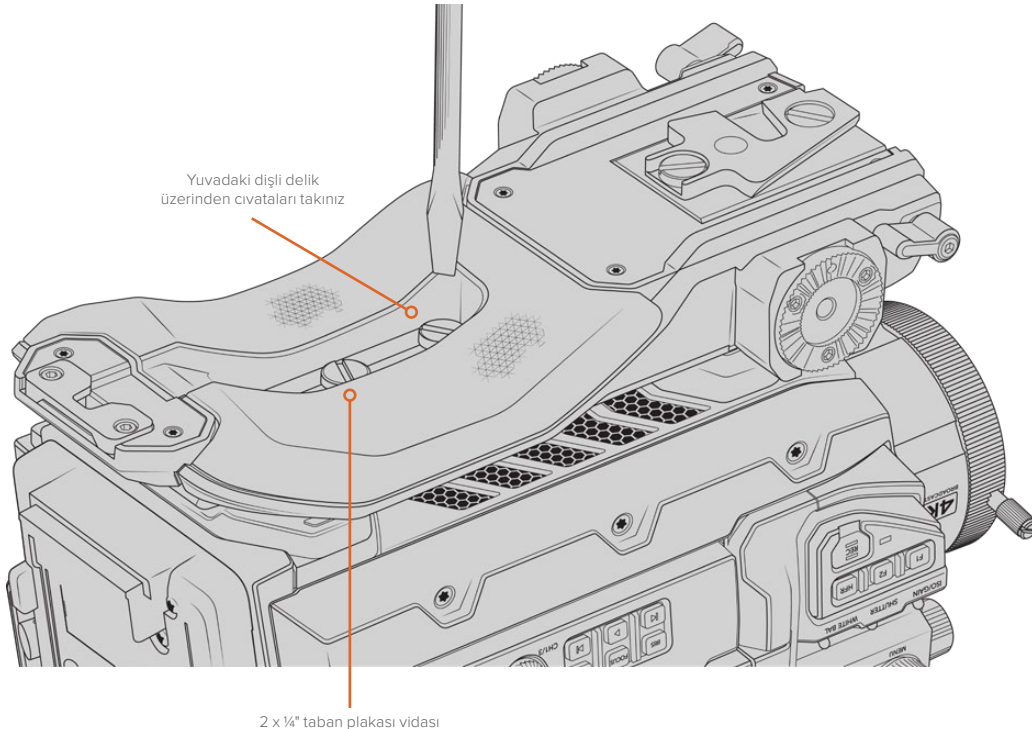
Omuz aparatını takarken, aşağıdaki aletlere ihtiyacınız olacaktır:

- 2 x ¼" omuz monte taban plakası vidası için, 1 adet düz tornavida.
- 2 x ¼" üst tutma kolu vidası için, 1 adet 3/16" Hex uçlu tornavida.



Omuz aparatını URSA Broadcast G2 kameranıza takmak için büyük bir düz tornavida ve üst tutma kolu için 3/16" Hex uçlu bir tornavidaya ihtiyacınız olacaktır.

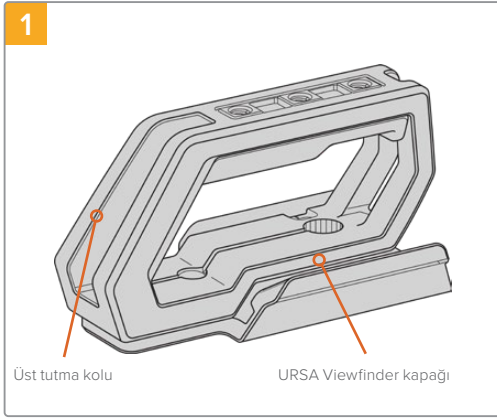
Omuzluğu ve taban plakasını takmak için



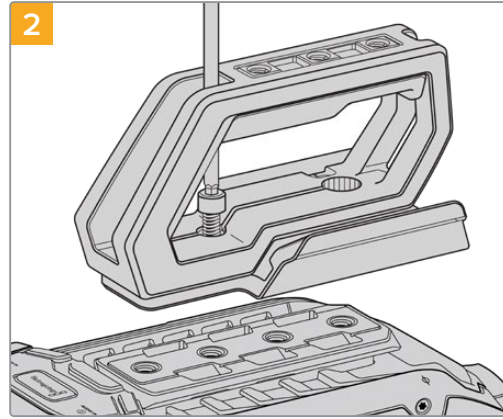
- 1 Kameranızın altına kolaylıkla erişebilmeniz için URSA Broadcast G2 kameranızı, sağlam düz bir zemine başaşağı yavaşça yerleştirin.
- 2 İki adet ¼" düz başlı vidayı ve tornavidayı kullanarak, omuz aparatının taban plakasını URSA Broadcast G2'ye sabitleyin.
- 3 Taban plakası sıkı bir şekilde sabitlenene ve vidaların gevşemeyeceğinden emin oluncaya kadar vidaları sıkıştırın. Vida dişlerini bozabileceği için, aşırı sıkıştırmaktan kaçının.

URSA Viewfinder adaptör plakası ile üst tutma kolunun monte edilmesi için

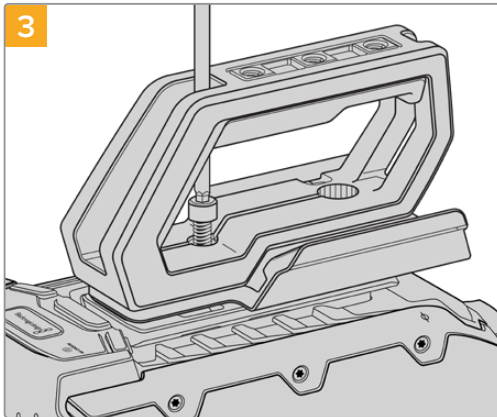
Üst tutma kolu, URSA Viewfinder adaptör plakası yerleştirilmiş olarak gelir. İsteğe bağlı URSA Viewfinder'in monte edilmesi hakkında bilgi için bu kılavuzun bir sonraki bölümüne bakınız.



Kameranızın üst tarafına erişebilmeniz için, URSA Broadcast G2'yi, sağlam düz bir zemine koyun.



3/16" Hex uçlu tornavida ile kamerayla gelen iki adet ¼" vidayı kullanarak, URSA Broadcast G2'nizin üzerindeki ¼" montaj noktalarından dilediğiniz ikisine, tutma kolunu sabitleyin. URSA Broadcast G2'nin arkasındaki iki montaj noktası, çoğu durumlarda kullanılabilir, fakat büyük mercekler kullanırken, ağırlığı dengelemek için istediğiniz iki noktayı kullanabilirsiniz.



Tutma kolu yerine sıkıca sabitlenene ve vidaların kolayca gevşemeyeceğinden emin oluncaya kadar vidaları sıkıştırın. Vidanın yivlerini bozabileceği için, aşırı sıkıkmaktan kaçının.

URSA Mini Shoulder Kit uzatma kolu ve LANC kablosu, isteğe bağlı satılan aksesuarlardır.

Uzatma kolunun takılması

B4 merceklerin gövdelerinde genellikle bir tutma yeri bulunur bu yüzden, URSA Broadcast G2 kameranızla omuzda çekim yaparken bir yan tutma kolu gerekmez.

Farklı bir mercek yuvası bağlanmışsa omuz üzerinde rahat çekim yapmak için, isteğe bağlı olan URSA Mini yan kolunu bir uzatma koluyla bağlamayı faydalı bulabilirsiniz.

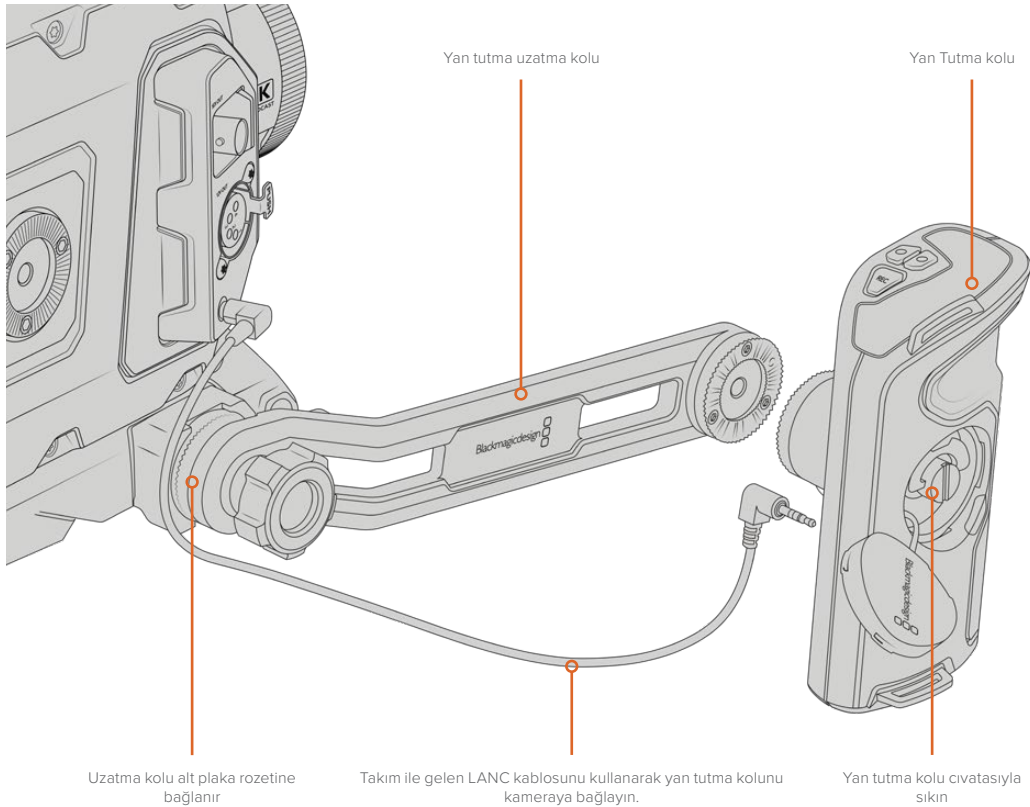
İsteğe bağlı yan tutma kolunu daha ergonomik bir konuma taşımak için URSA Mini Shoulder Kit, bir uzatma kolu ve daha uzun LANC kablosu ile gelir.

Yan tutma kolunun uzatmasını takmak için:

- 1 URSA Broadcast G2 kameranızı sağlam düz bir zemine yerleştirerek, uzatma kolunu alçaltmaya yetecek kadar kameranın yanında yer olduğundan emin olun. URSA Broadcast G2'yi bir tripoda monte etmek, bu amaç için faydalıdır.
- 2 Uzatma kolunun girintili ucunu, taban plakası rozetine bağlayın, kolu istediğiniz ölçüde alçaltın ve kamera ile gelen elle sıkılan rozet civatasıyla tutturun.
- 3 Yan kabzayı, uzatma kolunun ön rozetine takmak için: Yan tutma kolunun vidasını, büyük bir düz uçlu tornavida ile ya da D halkasını başparmak veya işaret parmağınızla çevirerek sıkıştırın.
- 4 URSA Mini Shoulder Kit ile gelen uzun LANC kablosunu kullanarak, yan tutma kolunun LANC çıkışını, kameranın LANC girişine bağlayın.

Uzatma kolunu ve yan kabzayı tercihinize göre kolaylıkla ayarlayabilirsiniz. Bunun için; rozet civataları gevşetip, düzeltmeyi yapıp, sonra tekrar civataları sıkmanız yeterlidir.

URSA Mini Shoulder Kit'i artık bağladığınıza göre, hareket halindeyken hızlı çekim için ekstra hıza sahipsiniz ve titreşimsiz stabil çekimler için kameranızı çabucak bir tripoda monte edebilirsiniz.



Blackmagic URSA Viewfinder

Blackmagic URSA Viewfinder, Blackmagic URSA Broadcast G2'niz için tasarlanmış, etkili bir elektronik vizördür. 1080HD renkli OLED ekran ve hassas cam optiği; parlak, canlı ve gerçek gibi görüntü sağlar, böylece çabuk netlik sağlayabilir ve görüntülerinizdeki en ince detayları bile görebilirsiniz.

Aşırı parlak çekim koşulları gibi, sıfır yansıma ve ışık parıltısı ile kesin doğruluğa ihtiyacınızın olduğu yerler için ve omuzdan elle çalıştırma için, bu vizör mükemmeldir.

Vizör kameraya bağlanır ve kamera tarafından enerjisi sağlanır. Farklı gösterme seçeneklerini oluşturmak için, kameradan gelen gömülü SDI verilerini kullanır. Bunun anlamı; kameranın, vizöre temiz bir SDI sinyali gönderebileceği ve aynı zamanda kamera durumuna çabuk erişebilmek ve doğru bilgi için, vizör içinde çeşitli gösterme seçenekleri arasında değiştirebileceğinizdir.

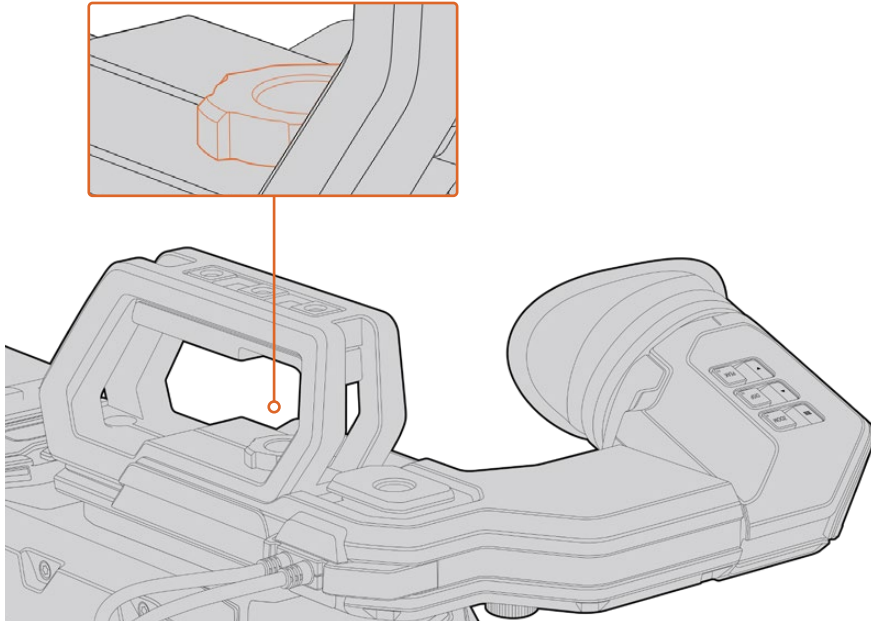
Örneğin; URSA Broadcast G2'nin menüsünde '2.40:1' çerçeve kılavuzu seçeneğini seçerseniz, kameranız seçilen çerçeve kılavuzunu vizöre iletacaktır böylece, vizörde çerçeve kılavuzu göstergesini açtığınız zaman, aynı '2.40:1' çerçeve kılavuzu görünür.

Vizörün Blackmagic URSA Broadcast G2'ye Monte Edilmesi ve Bağlanması

Blackmagic URSA Viewfinder'i URSA Broadcast G2'nize monte etmeden önce, kameranızla gelen URSA Mini Shoulder Kit üst tutma kolunu takmanız gerekir. Daha fazla bilgi için, 'URSA Mini Shoulder Kit' bölümüne bakın.

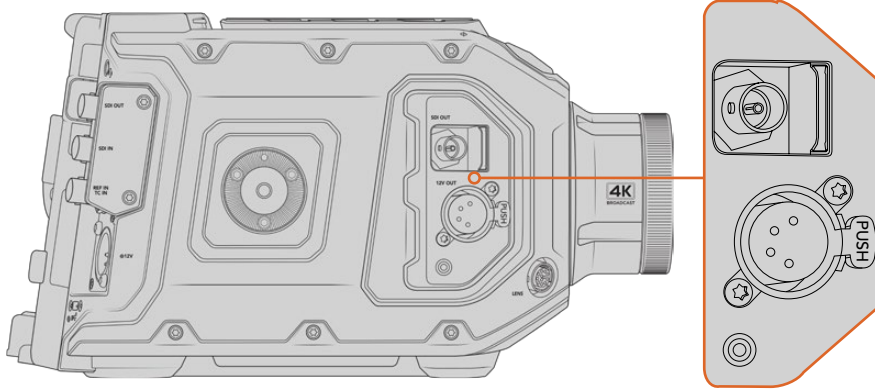
URSA Viewfinder yuvasını, URSA Viewfinder adaptör plakasının içine kaydırın ve URSA Mini Shoulder Kit ile gelen 1/4" elle sıkılan civatayı kullanarak, URSA Viewfinder'i üst tutma koluna ve adaptör plakasına sıkıca tutturun.

Elle sıkılan vidayı sıkılaştırmak için, başka aletler kullanmanıza gerek yoktur. Parmakla uygulanan baskı yeterli olacak ve fazla sıkılaştırmayı engelleyecektir.



Blackmagic URSA Viewfinder'inizi, URSA Broadcast G2'nize monte etmek için; vizör bağlantı yuvasını kameranın kabza çıkıntıları boyunca kaydırın ve elle sıkılan civatayı 1/4"lik bağlantı noktasına sıkılaştırın.

URSA Viewfinder'i, URSA Broadcast G2'nize bağlamak için; vizörün bağlı kablolarını kameranızın ön 12V güç ve 3G-SDI çıkışlarına bağlayın. Kameranız açılınca, URSA Viewfinder otomatik olarak açılacaktır.



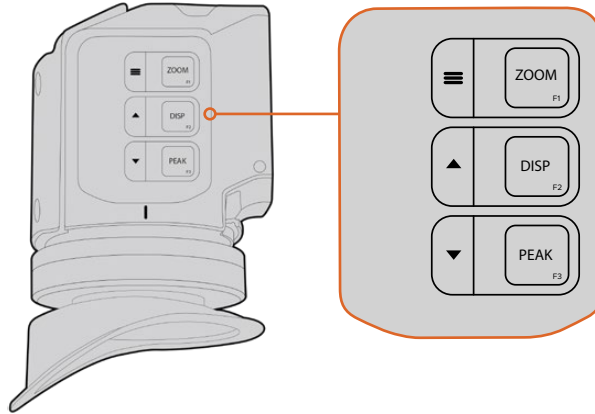
Vizörün, SDI ve güç kablolarını URSA Broadcast G2'nizin HD-SDI görüntüleme çıkışına ve +12 volt çıkışına bağlayın

Bakacın Ayarlanması

Takılıp çıkarılabilir lastik bakaç, sol veya sağ gözünüze denk gelmesi için ayarlanabilir. Vizör kolunun altındaki düğmeyi gevşeterek ve gözünüze rahatlıkla denk gelmesi için, sağa sola kaydırarak vizör kolunu ayarlayın.

Buton Özellikleri

Vizörün üstünde; zoom, görüntüle ve pik butonlarını bulacaksınız. Bu butonlar; görüntünüzü optik yaklaştırmak (zoom in) ve katmanlar ile odak boyamayı açıp kapatmak için kullanılır.



Zoom (F1), Display (F2) (Görüntüleme) ve Peak (F3) butonları, URSA Viewfinder'in üzerinde bulunur.

Aynı zamanda, menüyü açmak ve ayarlar içinde gezinmek gibi ilave özellikler için kullanılabilirler. Butonların yanındaki ikonlar, vizör menüsü ve navigasyon özelliklerini kontrol etmek için, hangi butonların kullanıldığını gösterir.

Bu butonların, kişiselleştirilebilir fonksiyon özellikleri vardır böylece, sıklıkla kullandığınız bilindik özellikleri etkinleştirmek için kısayollar atayabilirsiniz. Örneğin; zoom butonuna sahte renk özelliği atamak isteyebilirsiniz. Daha fazla bilgi için, 'kısayollar' bölümüne bakın.

ZUM (F1) - 'menü'

Zum özelliği, görüntünüze yaklaşmanıza imkan sağlayarak keskin odaklama yapmanızı sağlar. İçeride zoom için, zoom butonuna basın ve normal görünüme geri dönmek için, tekrar aynı butona basın. Ayarlar menüsünü kullanırken, zoom butonu aynı zamanda menü butonu olarak çalışır. Ayarlar menüsüne girmek için, bu düğmeyi basılı tutun. Ayarlar menüsünde, ayar değişikliklerini onaylamak için, bu butona bir kez basın.

DISPLAY (F2) - 'yukarı'

Katman görüntüsünü görmek için 'Disp' etiketli görüntüleme butonuna basın. Ayarlar menüsünü kullanırken, bu buton aynı zamanda, 'yukarı' butonu olarak çalışır. Ayrıca, bu butonu basılı tutarak 'kısayollar' menü ayarlarını açabilirsiniz. Kısayolların düzenlenmesi hakkında daha fazla bilgi için, 'kısayollar' bölümüne bakın.

PEAK (F3) - 'aşağı'

Odak boyama özelliği, görüntünün en keskin kısımlarının etrafında bir yeşil kenar oluşturur, böylece netliği kolaylıkla teyit edebilirsiniz. Odak boyama özelliğini etkinleştirmek için, 'peak' butonuna basın. Odak boyamayı kapatmak için tekrar basın. Ayarlar menüsünü kullanırken, bu buton aynı zamanda 'aşağı' butonu olarak çalışır. Bu butonu basılı tutarak, 'kurulum' menüsünü de çabucak açabilirsiniz.

Menü Ayarları

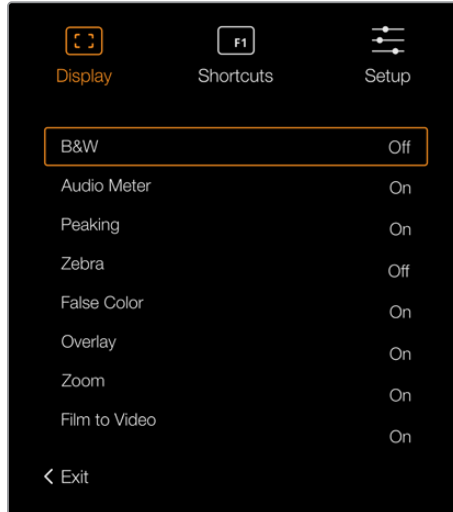
Ayarlar menüsü; ekran, kısayollar ve kurulum için üç ana menü başlığı içerir. Ayarlar menüsünü açmak için 'menü' ≡ butonunu basılı tutun. Kameranın yönsel 'up' (yukarı) ▲ ve 'down' (aşağı) ▼ düğmelerini kullanarak ayarlar içinde dolaşın ve sonra menü ≡ düğmesine tekrar basarak seçiminizi onaylayın.

Ekran

'Display' (ekran) menüsü aşağıdaki özellikleri içerir:

B&W (Siyah ve Beyaz)

Renkli ile siyah-beyaz arasında ekranı değiştirir.



URSA Viewfinder'deki 'ekran' menüsü

Göstergeler

Katman penceresinde görüntülenmek üzere, farklı göstergeler arasında geçişi sağlar. Seçenekler; 'histogram', 'ses', 'her ikisi' ya da 'hiçbiri'dir.

Odak Boyama

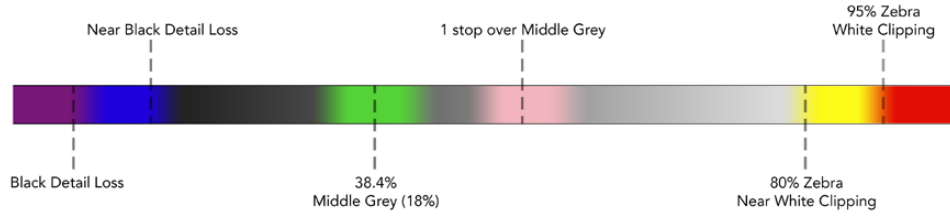
Odak boyama özelliğinin açılıp kapatılmasında kullanılır.

Zebra

Zebra seviyelerini açıp kapatmaya yarar. Kamera ayarlarını kullanarak dilediğiniz zebra seviyelerini ayarlayın. Daha fazla bilgi için, bu kılavuzun 'ayarlar' bölümüne bakın.

Sahte Renk

Sahte renk özelliğini açıp kapatır. Sahte renk özelliği; görüntünüzdeki farklı öğeler için pozlama değerlerini temsil eden farklı renk katmanlarını, görüntünüzün üzerine bindirir. Örneğin; pembe renk, açık cilt tonları için ideal pozlamayı temsil ederken, yeşil renk, daha koyu olan cilt tonları için uygundur. İnsanları çekerken, pembe veya yeşil sahte renkleri izleyerek, cilt tonları için tutarlı bir pozlama ayarı sağlayabilirsiniz. Benzer bir şekilde, görüntüdeki öğeler sarıdan kırmızıya dönüştüğünde, bu, aşırı pozlamaya maruz kaldıklarını gösterir.



Sahte Renk Tablosu

Katman

Katmanların açılıp kapatılması için kullanılır. Vizörünüzün 'kurulum' menüsünde, görüntülemek istediğiniz katman türlerini seçebilirsiniz. Güvenli alan yüzdesi gibi, bu katmanların tarzı, kameranızda ayarlıdır.

Zum

Zum yani, optik yakınlaştırma özelliğini açıp kapatmaya yarar.

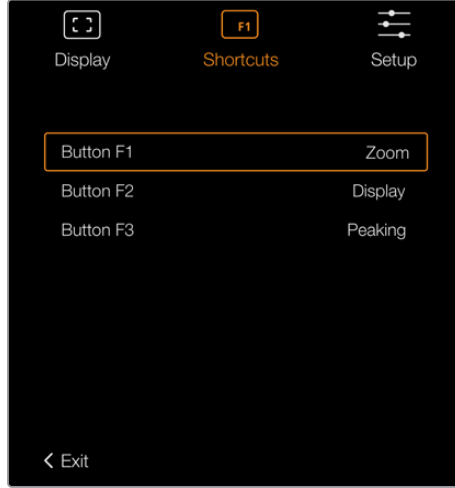
Film to Video (Filmden Videoya)

Film ile video görüntü modu arasında geçiş sağlar. Film ve video modu hakkında bilgi için, bu kılavuzun 'kayıt ayarları' bölümüne bakın. Bu ayar, sadece kameranız 'film' görüntüleri vizörünüze iletirken kullanılabilir. Bir LUT üzerine başka bir LUT'un uygulanmasını engellemek için, 'video' görüntüleri iletirken etkisiz hale getirilir.

Kısayollar

Kısayol fonksiyonu, sıkça kullanılan bir özelliğin belli bir ayarına, hızla erişmeniz gerektiğinde faydalıdır. Kısayol butonlarını kişiselleştirmek için:

- 1 Kısayollar menüsünde, 'up' (yukarı) ▲ ve 'down' (aşağı) ▼ butonunu basarak gezinin ve 3 butondan birisini kısayol butonunuz yapmak için seçin. Seçiminizi teyit etmek için 'menü' ≡ butonuna basın.
- 2 Kısayol butonuna atamak üzere, aşağıdaki özelliklerden birine gidip seçmek için 'yukarı' ▲ ve 'aşağı' ▼ butonuna basın. Seçiminizi teyit etmek için 'menü' ≡ butonuna basın.
 - B&W (Siyah ve Beyaz)
 - Odak Boyama
 - Zebra
 - Sahte Renk
 - Ekran
 - Zum
 - Film to Video
 - Göstergeler
 - Odak Tablosu
- 3 Menü ekran görüntüsünü kapatmak için 'çık' seçeneğine gidin ve 'menü' ≡ butonuna basın.



URSA Viewfinder'deki 'kısayollar' ayarları

Kurulum

Kurulum menüsü aşağıdaki özellikleri içerir:

Parlaklık Ayarı

Ekran parlaklık ayarını, -10'dan +10'a aralığı arasında ayarlamayı sağlar.

Tally Parlaklığı

LED Tally lambasına parlaklık ayarı yapılmasını sağlar.

Odak Tablosu

Blackmagic URSA Viewfinder'de, gözlerinize uyacak şekilde bakıcı netleyebilmenize yarayan dahili bir odak tablosu vardır. Tablo kusursuz olarak odaklanıncaya kadar, bakaçtaki 'focus diopter' düğmesini (odak diyopteri) çeviriniz. Vizörünüzdeki herhangi bir düğmeye basılması, odak tablosu ekranını kapatacaktır.

Çerçeve Kılavuzları

Çerçeve kılavuzlarının görünümünü değiştirir. URSA Broadcast G2'nin 'ön SDI' ekran ayarlarında 'çerçeve kılavuzları' özelliği 'açık' konumuna getirildiğinde, bu kılavuzların Blackmagic URSA Viewfinder'deki görüntüsünü değiştirmek için, bu ayarı kullanabilirsiniz.

Daha fazla bilgi için, bu kılavuzun 'Ekran Ayarları' bölümüne bakınız.

Güvenli Alan Kılavuzu

Bir güvenli alan kılavuzunun görünümünü değiştirir. URSA Broadcast G2'nin 'ön SDI' ekran ayarlarında, 'güvenli alan kılavuzu' özelliği 'açık' konumuna getirildiğinde, Blackmagic URSA Viewfinder'deki görüntüsünü değiştirmek için bu ayarı kullanabilirsiniz.

Daha fazla bilgi için, bu kılavuzun 'Ekran Ayarları' bölümüne bakınız.

Kılavuzlar

Üçler kuralı (üçler), hedef işareti (hedef) veya merkez noktası (nokta) için görünümünü değiştirir. URSA Broadcast G2'nin 'ön SDI' ekran ayarlarında, 'kılavuzlar' özelliği 'açık' konumuna getirildiğinde, bu kılavuzların Blackmagic URSA Viewfinder'deki görüntüsünü değiştirmek için bu ayarı kullanabilirsiniz.

Daha fazla bilgi için, bu kılavuzun 'Ekran Ayarları' bölümüne bakınız.

NOT URSA Viewfinder kurulum menüsünde 'Kılavuzlar' özelliğini etkinleştirme, bir ATEM switcher'den gönderilen tally sinyallerini, vizörünüzün görüntülemesini sağlayacaktır. Ekran menüsünde, katmanların da 'on' olarak ayarlanmış olması gerekir.

Durum Metni

Beyaz denge, kare hızı ve ISO gibi durum metnlerinin görünümünü değiştirir. URSA Broadcast G2'nin 'ön SDI' ekran ayarlarında, 'durum metni' özelliği 'açık' konumuna getirildiğinde, Blackmagic URSA Viewfinder'deki görüntüsünü değiştirmek için bu ayarı kullanabilirsiniz.

Daha fazla bilgi için, bu kılavuzun 'Ekran Ayarları' bölümüne bakınız.

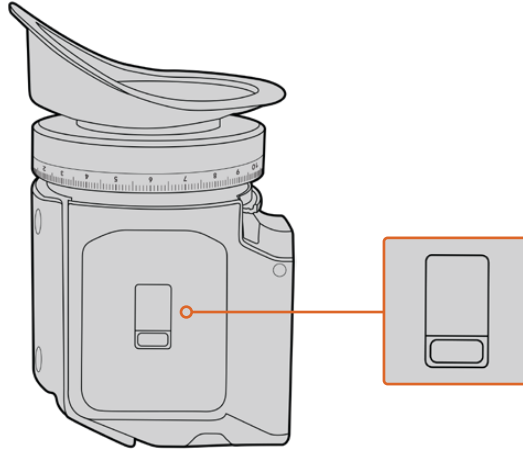
BİLGİ Blackmagic Viewfinder'i URSA Broadcast G2 ile kullanırken, hem vizör hem de kamera, durum metnini göstermesi için ayarlanmışsa durum metninin görünümü uyuşmayabilir. Bu durumda, durum metnini kameranızda açmanızı ve vizörünüzde kapatmanızı tavsiye ederiz.

IR Sensor (Kızılötesi Sensörü)

Vizörünüzde bulunan IR Sensor'ü, bakaca yaklaştığınızı farkederek ve otomatik olarak OLED (Organic Light-Emitting Diode = Organik Işık Yayan Diyot) ekranını çalıştırır. 'Standby' (bekleme) modundayken, 20 saniyeden fazla vizörden uzak kaldığınızda, OLED ekranın ömrünü uzatmak ve enerjiyi muhafaza etmek için ekran kapanır. Kayıt esnasında, zaman aşımı sensörünün süresi 5 dakikaya uzatılır ve bu noktada OLED ekranı, yavaşça kararmaya başlar. Bakaç önündeki herhangi bir hareket, bu süreyi yeniden başlatır. Vizör bakacına baktığınızda, vizör bunu farkedecektir ayrıca, vizördeki herhangi bir butona basmak da ekranı yeniden etkin hale getirecektir.



IR (kızıl ötesi) sensörünün kasten kapatılması veya bloke edilmesi, vizör ekranının, uzun süre boyunca açık kalmasına neden olabilir. Bu, ekranın ömrünü kısaltabilir ve vizörde yüksek kontrastlı görüntüler veya kare kılavuzları gösterildiğinde, image retention (görüntü tutulması) sorununa sebep olabilir.



IR sensörü URSA Viewfinder'in alt kısmında bulunur.

URSA Viewfinder'in Dahili Yazılımının Güncellenmesi

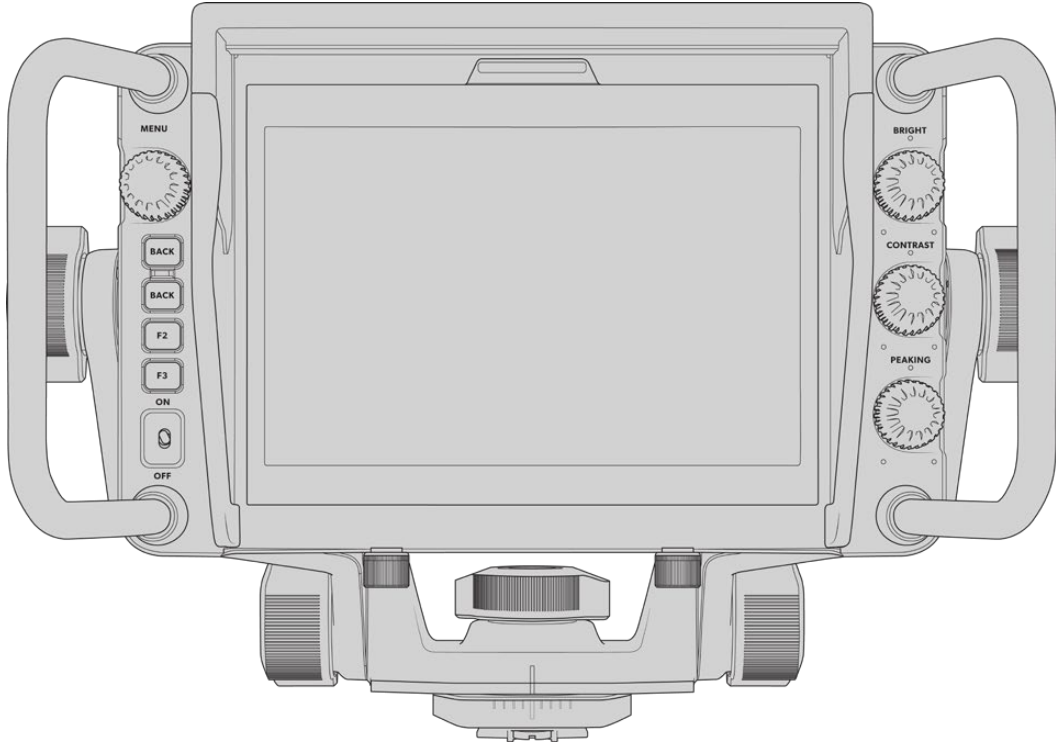
Viewfinder'inizi, Blackmagic Camera Setup yardımcı yazılımını kullanarak güncelleyin. Güncelleme yapılırken vizör çalışır halde olmalıdır, dolayısıyla güncelleme işlemi boyunca, vizörün URSA Broadcast G2 kameranızla bağlantısını korumanızı tavsiye ederiz. URSA Broadcast kameranızın sürekli güç sağlaması gerekeceği için mutlaka, harici bir güç kaynağına takın.

Bilgisayarınızı, vizörünüzün ön tarafında bakacın yanında bulunan, küçük USB bağlantısına bağlayın. Vizörünüz bilgisayarla bağlantılı olarak Blackmagic Camera Utility (yardımcı uygulama) başlatıldığında, bilgisayarınız vizörün eski bir yazılım sürümünü kullandığını tespit ederse güncelleme yapmak için sizi uyaracaktır. Vizörünüzün dahili yazılımını güncellemek için ekran üstü komutları takip edin.

NOT Blackmagic URSA Viewfinder'i URSA Broadcast ile kullanırken, birbirleriyle uyumlu olduklarından emin olmanız için vizörünüzün dahili yazılımını en son sürümüyle güncellenizi öneririz. En güncel yazılıma, www.blackmagicdesign.com/tr/support adresindeki BlackmagicDesign destek merkezinden ulaşabilirsiniz. Daha fazla bilgi için bu kılavuzun 'Blackmagic Camera Setup Utility' bölümüne bakın.

BİLGİ Optimum performans için, tüm Blackmagic URSA ekipmanlarınızı aynı anda güncellenizi tavsiye ederiz.

Blackmagic URSA Studio Viewfinder



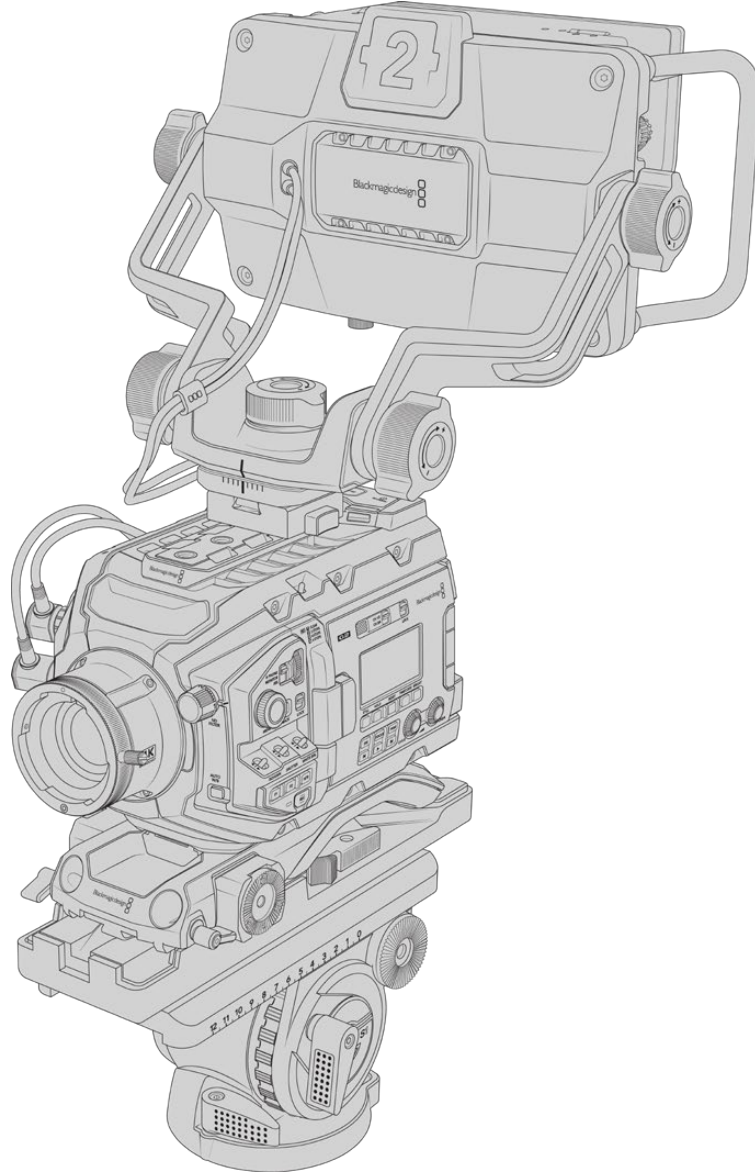
Blackmagic URSA Studio Viewfinder, Blackmagic URSA Broadcast G2 kameranızı profesyonel, canlı bir prodüksiyon kamerasına dönüştürmenizi sağlayan, güçlü bir vizördür. Studio viewfinder, kolayca izlenebilen geniş bir tally ışığı içeren parlak 7" ekran, kontrol düğmeleri, büyük tutma kolları, güneşlik ve değişken basınçlı eklemli yuva özelliklerine sahiptir! Bu özellikler, uzun saatler boyunca kameranın arkasında durmanızı ve faaliyeti rahatlıkla takip etmenizi kolaylaştırır; özellikle canlı konserler, spor aktiviteleri ve diğer uzun aktivitelerin çekimlerini yaparken. URSA Studio Viewfinder, stüdyo veya dış mekandaki profesyonel canlı yapımlar için mükemmeldir.

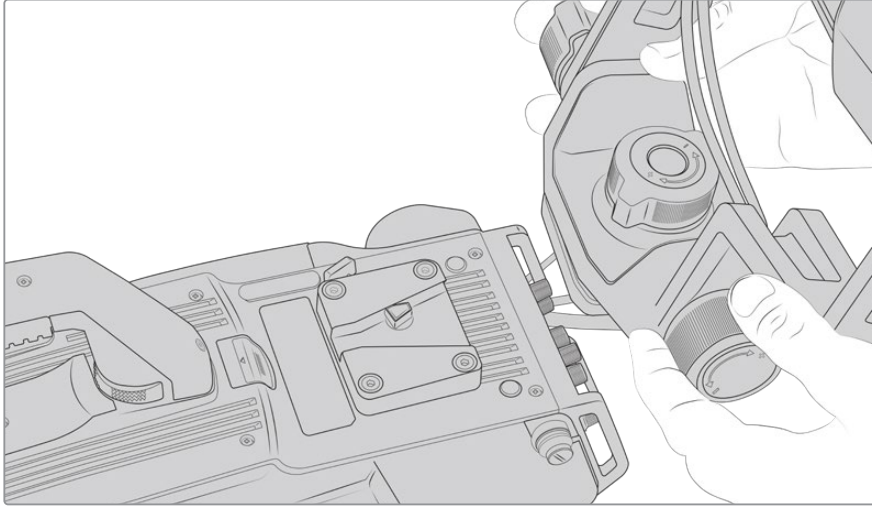
Vizörün Blackmagic URSA Broadcast G2'ye Monte Edilmesi ve Bağlanması

Blackmagic URSA Studio Viewfinder'i, Blackmagic URSA Broadcast G2 ile kullanırken, üniteyi kameranıza birkaç farklı şekilde monte etme seçeneğiniz var.

Kamerayla gelen VLock montaj plakasını kullanarak, Blackmagic URSA Studio Viewfinder'i direkt URSA Broadcast G2'nizin üstüne veya kameranızla gelen URSA Mini Shoulder Kit'in üst tutma koluna monte edebilirsiniz.

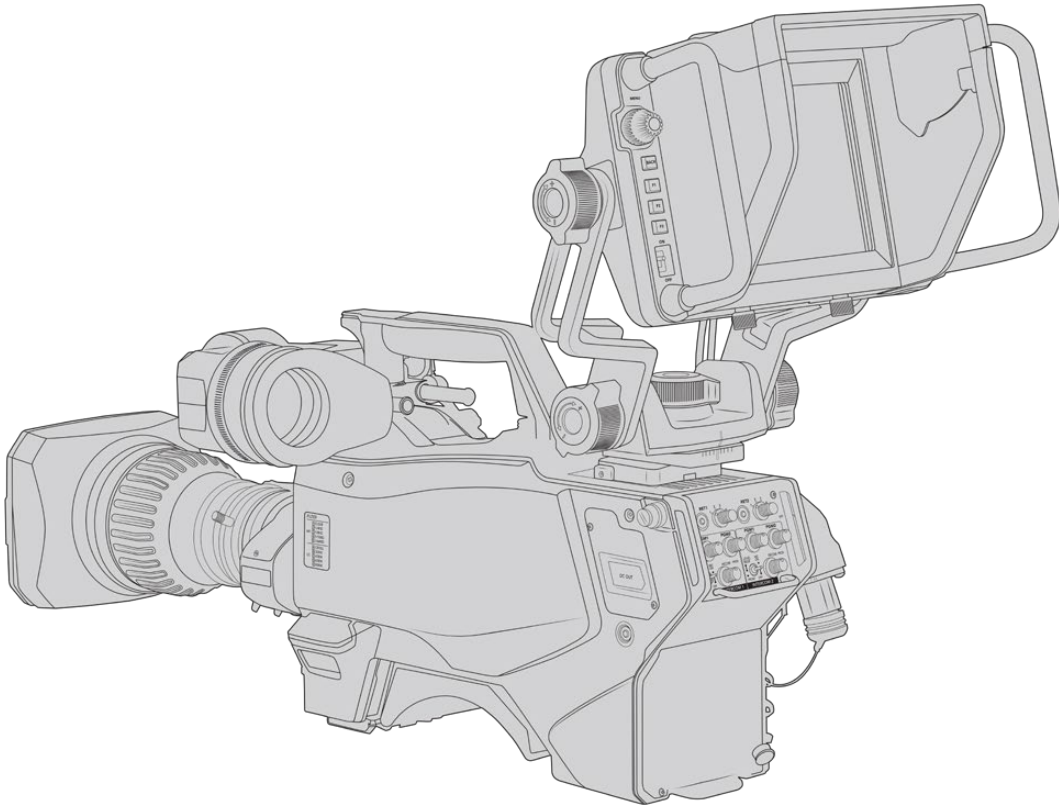
V-lock montaj plakasını kameranın üstüne, kutuda gelen 1/4" vidaları kullanarak monte edin. Bu, kameranızdaki ağırlık merkezini daha da yükseltecektir. Bunu, sabitlik için kamera bir tripodla takılıyken yapmanızı öneririz.





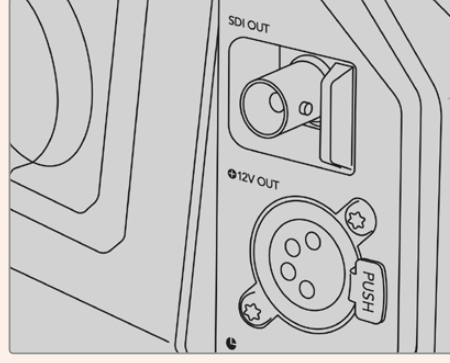
3. parti bir kameraya V-lock yuvası monte edilirken

V-Lock yuva plakası, URSA Studio Viewfinder'i beraber kullanmak istediğiniz her kameraya, 1/4 inçlik bağlantı noktaları veya 3. parti bir cheese plate (delikli plaka) ile takılabilir. Birçok kameranın üzerinde V-lock quick release plate (çabuk çıkarma mandalı) olduğu için, Blackmagic URSA Studio Viewfinder'i, ayrıca mevcut olan V-lock montaj plakası ile monte edebilirsiniz.



Blackmagic URSA Studio Viewfinder'i URSA Broadcast G2'nize bağlamak için, sadece vizörün bağlı kablolarını kameranızın ön 12V güç ve 3G-SDI çıkışlarına bağlayın.

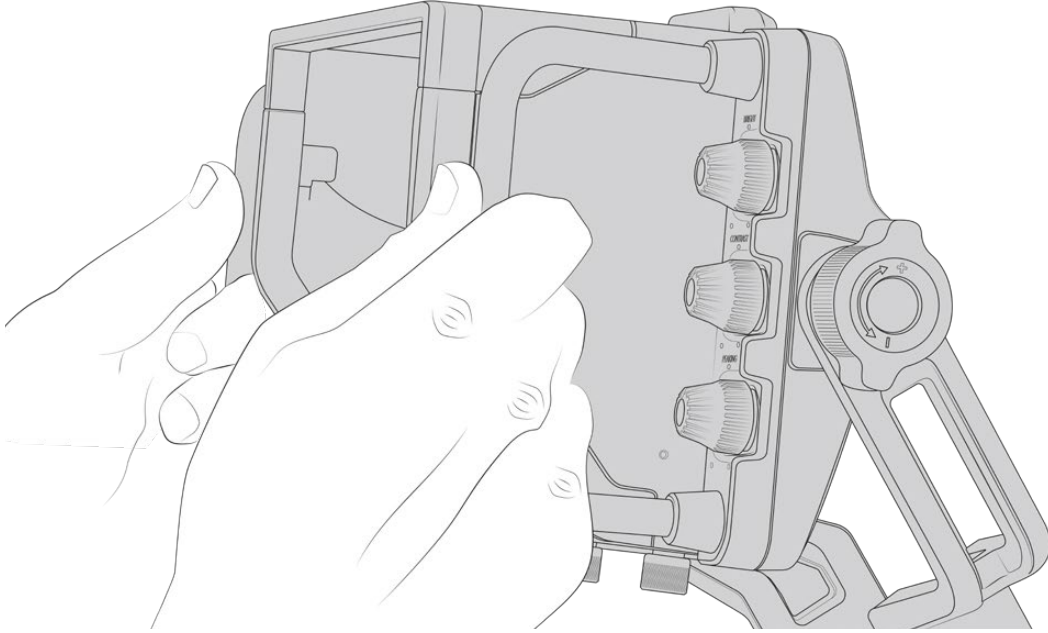
Kameranız açıldığında, vizördeki güç düğmesi, vizörün hemen çalıştırılmasını sağlar. URSA Mini tutma kolu yuvasının kenarında, kabloları yerinde düzenli tutmak için kelepçeler vardır.



URSA Broadcast G2 kameradaki SDI ve 12V güç bağlantıları

BİLGİ URSA Studio Viewfinder, açık standart SDI ve 4 pim yayın XLR güç bağlantıları kullanır; böylelikle başka herhangi bir kamera ile veya ayarlanabilir bir portatif mevki ekranı olarak kullanılabilir. Aynı zamanda, açık standart ATEM tally ve cihaz kontrol protokolü kullanır; böylece başka herhangi bir kamera sistemi, URSA Studio Viewfinder'daki tally ve katmanlar ile çalışmalarını sağlamak üzere, bu bilgiyi SDI akışlarına ekleyebilir.

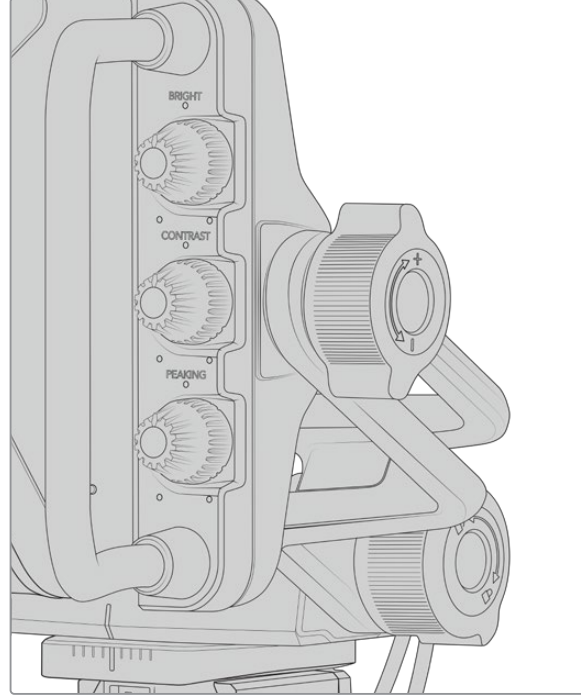
Blackmagic URSA Studio Viewfinder'in Ayarlanması



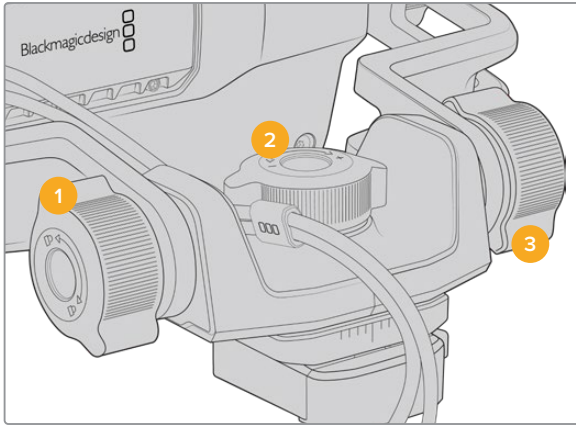
Blackmagic URSA Studio Viewfinder'de, vizörün konumunu ve açısını ayarlamayı sağlayan büyük tutma kolları ve kilitlenebilen eklemli gerginlik desteği içerir. Büyük tutma kolları, vizörü çabucak, kolaylıkla kavramanızı ve cihazın açısı ile yönünü ayarlamayı sağlar. Güneşlik ile beraber tutma kolları, aynı zamanda ekranı zarardan korur böylelikle Blackmagic URSA Studio Viewfinder'i sökmeye gerek kalmadan tamamen kurulu olarak bir taşıma çantasında taşıyabilirsiniz. Büyük tutma kolları, cihazı tutup mekanlar arasında kolaylıkla taşımanıza da olanak sağlar.

Temin edilen montaj desteğinde, sağa sola dönme ve aşağı eğilme (pan ve tilt) için germe kadranlarının yanı sıra, ekstra gerginlik (friction) kontrolü için, vizörün her iki yanında gerginlik kadranları da bulunur. Sol taraftaki kadran, kolun sürtünmesini engellemek için ve sağ taraftaki kadran da ihtiyacınız olan açıyı elde ettiğinizde vizörü yerine kitlemenize imkan tanır.

Bu germe kadranlarının, çok geniş direnç düzeltme aralığı vardır ve belirli miktarda direnç seçmenize olanak sağlar. Bu, vizörü istediğiniz kesin bir konuma, kolaylıkla pan ve tilt yapmanızı sağlar.



Germe kadranları, vizörün her iki yanındadır.



1 Eğme Kilitli Kadranı

Eğme Kilitli Kadranı, vizör mekanizmasının eğilme açısını kilitlet.

2 Çevirme Gerilimi Kadranı

Çevirme hareketinin gerilimini kontrol eder.

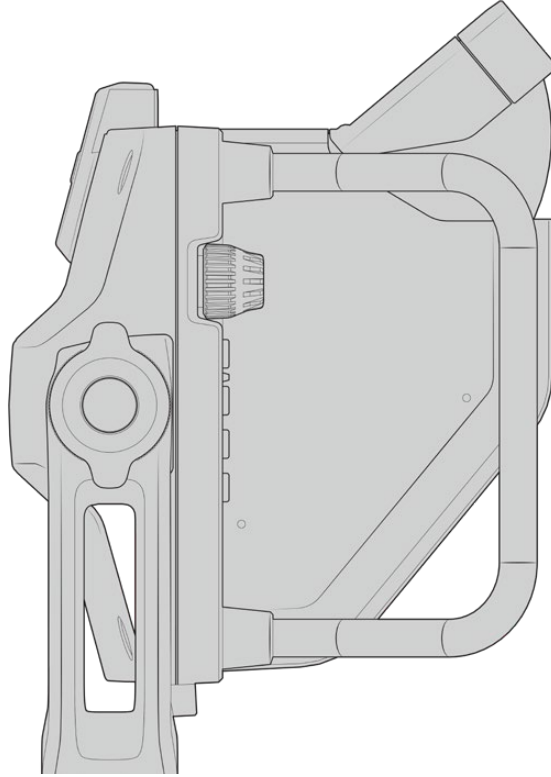
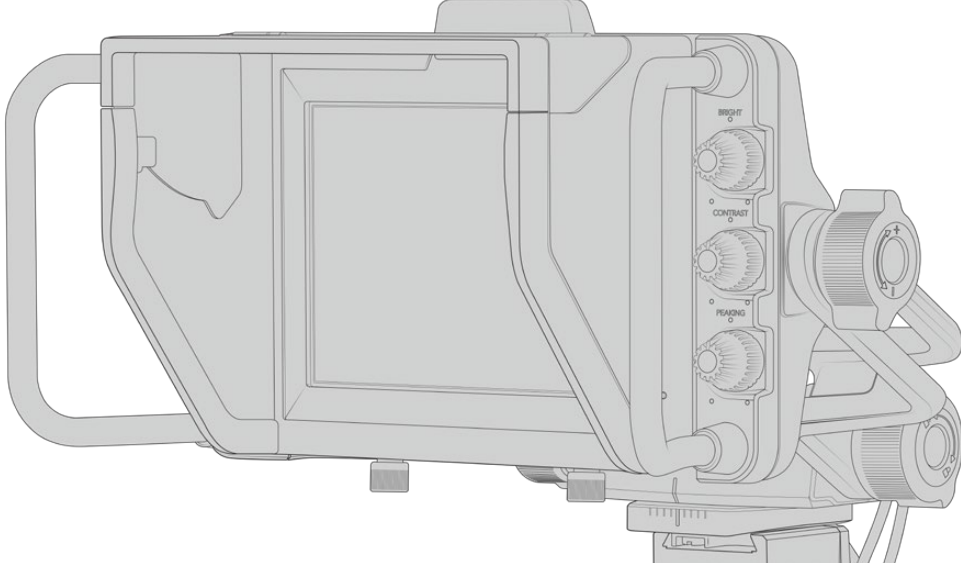
3 Eğme Gerilimi Kadranı

Eğme gerilimini Kontrol Eder.

BİLGİ Sağlanan yuvadaki merkezi germe kadranı, pan gerginliğini kontrol eder ve vizörü kavrayabilmenizi sağlamak için gevşetilebilir ve kamera bağımsız olarak hareket ettirilebilir. Yani, vizörü gözlerinize doğru tutarak, aksiyonu takip edebilmek için kamerayı sola ve sağa çevirmeniz gereken motor sporları gibi etkinlikleri kaydedebilirsiniz. Yuvadaki görsel bir kılavuz, vizörün kolaylıkla merkeze dönmesinin sağlanmasına yardımcı olur.

Güneşlik

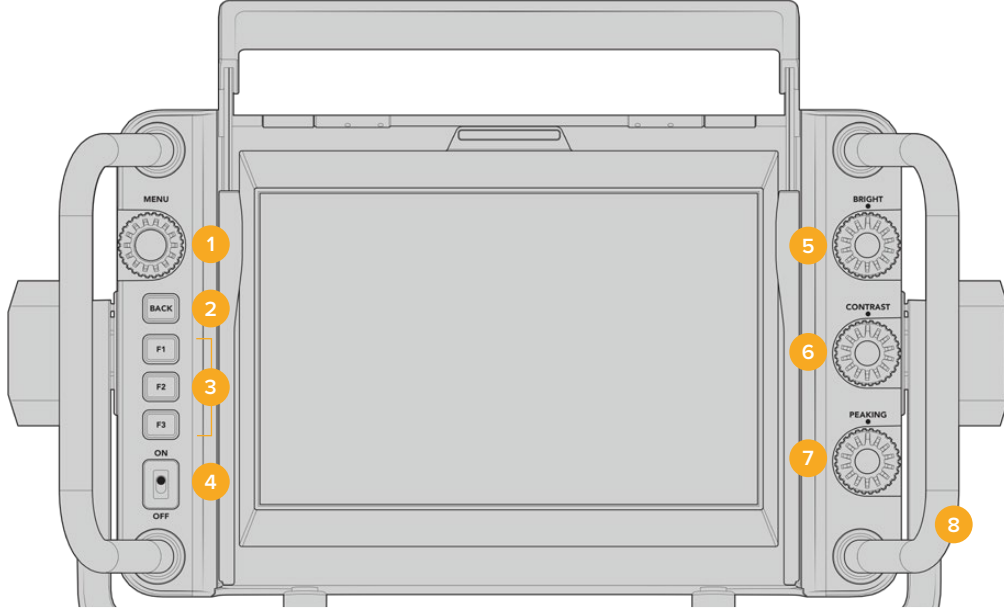
Güneşlik, aydınlık ve güneşli koşullarda, dokunmatik ekranı görmenize yardımcı olur. Güneşliği bağlamak için, Blackmagic URSA Studio Viewfinder'ın üzerinden geçirip yerine itiniz ve güneşliğin tabanındaki iki somunsuz cıvata ile yerine sabitleyiniz. Vizörün üst kısmı ayarlanabilir ve ilave izleme açıları sağlamak için, kaldırılıp indirilebilir. Güneşlik, 7 inçlik ekran için ekstra koruma sağlamakla birlikte, istendiğinde veya yazılım güncellemeleri için USB-C konektöre erişilmesi gerektiğinde hızlı ve kolay bir şekilde çıkarılabilir.



Güneşlik ve ayarlanabilir vizör

Buton Özellikleri

Sağ taraf boyunca olan kontroller; parlaklık, kontrast, peaking ayarlarını hızla ve kolaylıkla değiştirmenize olanak verir. Kadranlar ergonomik olarak tasarlanmıştır. Güneşlik takılıken kadranları kenardan baş parmağınızla veya daha ince ayarlar için iki parmağınızla ayarlayabilirsiniz.



1 Menü Kadranı

Basmalı düğme olan 'menü' kadranı, menüye girmenizi ve vizör ayarları arasında dolaşmanızı sağlar.

2 Geri butonu

Menü sisteminden çıkmanızı sağlar.

3 F1, F2, F3

Atanabilir fonksiyon butonları. Bu butonları, genelde kullandığınız çeşitli fonksiyonlarla eşleştirebilirsiniz.

4 ON/OFF switch (AÇMA/ KAPATMA anahtarı)

Blackmagic URSA Studio Viewfinder'i açıp kapatır.

5 Parlaklık

Ekrandaki görüntünün parlaklığını ayarlar. Ekrandaki katmanlar, parlaklığı -100'den +100'e kadar olan bir ölçekte gösterecektir.

6 Kontrast

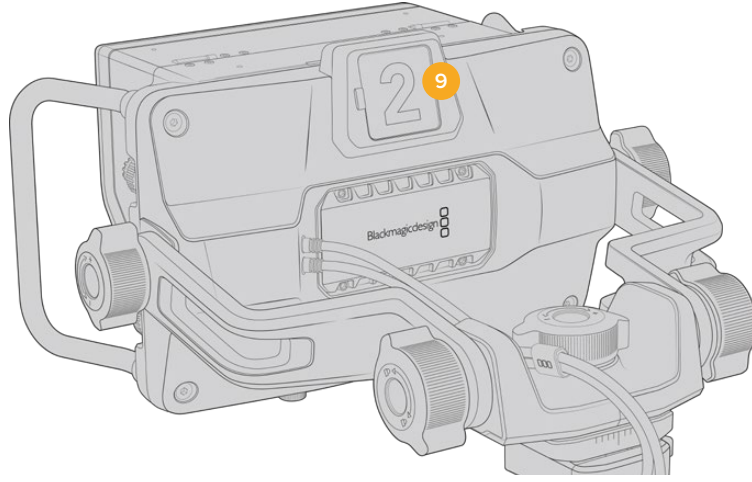
Ekrandaki görüntünün kontrastını ayarlar. Ekrandaki katmanlar, kontrastı -100'den +100'e kadar olan bir ölçekte gösterecektir.

7 Odak Boyama

Ekrandaki görüntünün 'focus peaking' (odak boyama) seviyesini ayarlar. Ekrandaki katmanlar, odak boyama seviyesini -100'den +100'e kadar olan bir ölçekte gösterecektir. Kurulum menüsünden, size uygun olacak peaking tarzlarından birini seçebilirsiniz. Odaklama için renkli çizgileri kullanmanın yanında, bir çok kişinin başka yayın sistemlerinden alışık olduğu, tipik tarzda odak boyama seçenekleri de vardır. URSA Broadcast G2'niz ile; kırmızı, yeşil, mavi, siyah ve beyaz çizgi seçenekleriniz olması, belli bir rengin yoğun olduğu çekimleri yaparken, kolay görünmelerini sağlayarak size esneklik sağlar.

8 Tutma Kolları

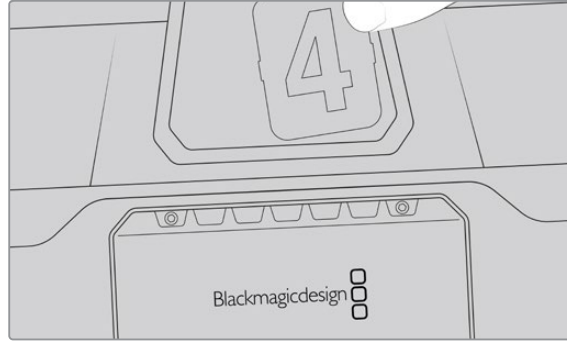
Dahili tutma kolları büyüktür ve çekim esnasında kamerayı hareket ettirdiğinizde, Studio Viewfinder'i yerinde tutmanızı sağlar. Kurulurken ve toplanırken, ekran için koruma da sağlarlar.



9 Tally Lambası

Blackmagic URSA Studio Viewfinder'in arkasındaki büyük tally lambası, hem sunucuya hem de operatöre hangi kameranın yayında olduğunu, yayında olmak üzere olduğunu ve ISO kayıt yapıp yapmadıklarını gösterir. Tally lambası; yayındayken kırmızı, önizleme için yeşil ve URSA Broadcast G2 ile kullanıldığında, ISO kaydı için turuncu renkte yanar.

Yönetmen, yayına girecek görüntüyü ATEM switcher'e bağlı kameralar arasından seçtiği için, tally bilgileri SDI üzerinden tekrardan kameraya gönderilir. Böylece, kamera canlı yayındayken ya da canlı yayına girmek için önizleme yapılırken ya da kayıttayken, ışık yanık durumdadır. Bunun yanısıra, URSA Studio Viewfinder ayrıca tally lambasına takılabilen, klipsli şeffaf kamera numaraları içermektedir, böylelikle sanatçı/sunucunun 6 metre uzaklıktan kamera numaralarını net olarak görmesini kolaylaştırır.



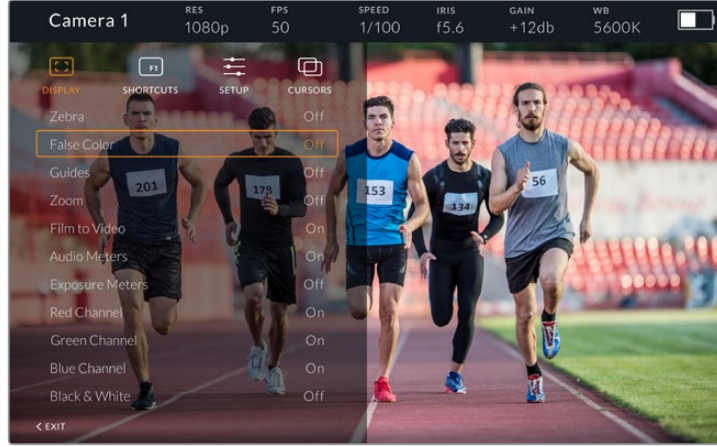
Yazılım yükleyicisine, değiştirilebilen PDF dosyaları ekledik böylece temin edilen tally numaralarına uyan kendi numaralarınızı kurgulayıp çıktılarını alabilirsiniz ve kendi özel tally numarası baskılarını oluşturabilirsiniz. Blackmagic kamera yazılımını yükledikten sonra, bunlar Mac bilgisayarlarda; Application (Uygulamalar) > Blackmagic Cameras > Documents dosyasında ve PC bilgisayarlarda; Blackmagic Design > Documents dosyasında bulunabilirler.

Tally lambası, ATEM değiştirme işlemlerine bağlı olarak yanacaktır ve kamera switcher'e bağlı olmadığı durumlarda, basit bir tally kayıt göstergesi gibi, kırmızı olarak yanacaktır. Daha fazla bilgi için, bu kılavuzun 'Studio Kamera Kontrolü Hakkında' başlıklı bölüme bakınız.

BİLGİ Blackmagic URSA Studio Viewfinder'i bir ATEM switcher ile kullanırken, katmanların ve odak kutusunun ATEM switcher'e giden SDI çıkışında görünmemesini sağlamak için, URSA Broadcast G2'de 'temiz sinyal'in seçilmesi önemlidir. URSA'da ekran menüsüne gidin ve 'ana SDI' için 'temiz sinyal'i seçin.

Menü Ayarları

Basmalı düğme olan 'menü' kadranına basarak menüye girmeniz, kadranın döndürülmesi de menü ayarları arasında dolaşmanızı sağlar. Bir menü başlığı seçili iken; ekran, kısa yollar, kurulum ve gösterge alt menüleri arasında, geçiş yapabilmeyi sağlar. Kadranın çevrilmesi, her menüde ayarlar arasında dolaşmanızı sağlar. Bir ayar seçili iken kadrana basılması, menü kadranını çevirerek o ayarın düzeltilmesini yapmanıza imkan tanır. Tercihinizi onaylamak için, 'menu' kadranına tekrar basın. Menüden, 'back' (geri) butonuna basarak veya exit (çık) seçeneğine gidip, bunu seçerek çıkabilirsiniz.



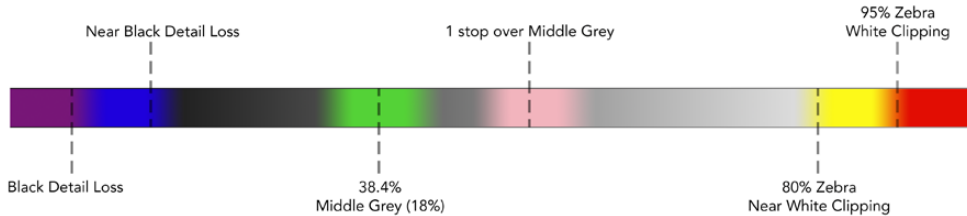
Görüntüle

Zebra

Zebra seviyelerini açıp kapatır. Zebra'nın seviyesi, URSA Broadcast G2'nizin 'Ekran' ayarları menüsünün üçüncü sayfasındaki ayar tarafından belirlenir. Studio Viewfinder'in URSA Broadcast G2'ye bağlı olmadığı durumlarda, zebra seviyesi bir Rec 709 sinyalinin %95 parlaklık seviyesini temsil eder. Daha fazla bilgi için, bu kılavuzun 'ayarlar' bölümüne bakın.

Sahte Renk

Sahte Renk özelliğini açıp kapatır. Sahte renk özelliği; görüntünüzdeki farklı öğeler için pozlama değerlerini temsil eden farklı renk katmanlarını, görüntünüzün üzerine bindirir. Örneğin; pembe renk, beyaz cilt renkleri için ideal olan pozlamayı temsil eder. İnsanları çekerken, pembe sahte rengi izleyerek, cilt tonları için tutarlı bir pozlama ayarını muhafaza edebilirsiniz. Benzer bir şekilde, görüntüdeki öğeler sarıdan kırmızıya dönüştüğünde, bu, aşırı pozlamaya maruz kaldıklarını gösterir. Fonksiyon butonlarından birine atamak için sahte renk iyi bir özelliktir, çünkü pozlama için çok kullanılan bir araca çabuk ve kolay erişim sağlar.



Sahte Renk Tablosu

Kılavuzlar

Bu ayar, kılavuzları gösterme veya saklama seçeneği verir. Kılavuzlar, URSA Broadcast G2'nizin 'Ekran' ayarları menüsünün dördüncü sayfasında ayarlı olan kılavuz tarzına eşlecektir.

Görüntü oranı (aspect ratio), çerçeve kılavuzu opaklık seviyesi (frame guide opacity level), güvenli alan yüzdesi (safe area percentage) ve gösterilen kılavuz tipleri kameranızda seçilenlerle aynı olacaktır. Studio Viewfinder'deki 'setup' (ayarlar) menüsü, ekran menüsündeki kılavuzlar açıldıktan sonra, Studio Viewfinder'de görmek istediğiniz kılavuz çeşitlerini, ayarlamaya izin verir. Kılavuzlar sonra, bu seçimleri tek bir komutla 'on' (açık) veya 'off' (kapalı) olarak değiştirmenizi sağlar.

Zum

Zum özelliğini açıp kapatmaya yarar. Zum özelliği, görüntünüze yaklaşmanızı mümkün kılarak, net odaklamayı sağlar. İçerik zoom yaptığınızda, menü kadranını sağa sola çevirerek ekranın belirli kısımlarında gezinebilirsiniz. Görüntünün hangi kısmına zoom yaptığınızı, katman gösterecektir.

Film to Video

URSA Broadcast G2'nizden bir 'film' dinamik aralıklı SDI sinyali gönderirken, 'film to video' ayarı görüntüye daha renkli ve kontrastlı bir LUT uygulamanıza izin verir. Bu ayar, sadece 'film' dinamik aralığı tespit edildiğinde kullanılır hale gelir ve aksi durumlarda, yanlış bir LUT'un uygulanmasını önlemek amacıyla, seçilemez durumda olacaktır.

Ses Göstergeleri

Ses göstergeleri, SDI aracılığıyla Blackmagic URSA Studio Viewfinder'e giren ses için ses seviyesini gösterir, yani bu göstergeler URSA Broadcast G2'nizin ses girişi seviyelerini de gösterir. Program girişi seçilmiş olduğunda, ses göstergesi, bu ses seviyelerini görüntüleyecektir.

Pozlama Göstergeleri

Histogram görüntüsünü, açıp kapatmanızı sağlar.

Kırmızı Kanal

Görüntünüzün kırmızı kanalını açıp kapatmanızı sağlar.

Yeşil Kanal

Görüntünüzün yeşil kanalını açıp kapatmanızı sağlar.

Mavi Kanal

Görüntünüzün mavi kanalını açıp kapatmanızı sağlar.

Siyah ve Beyaz

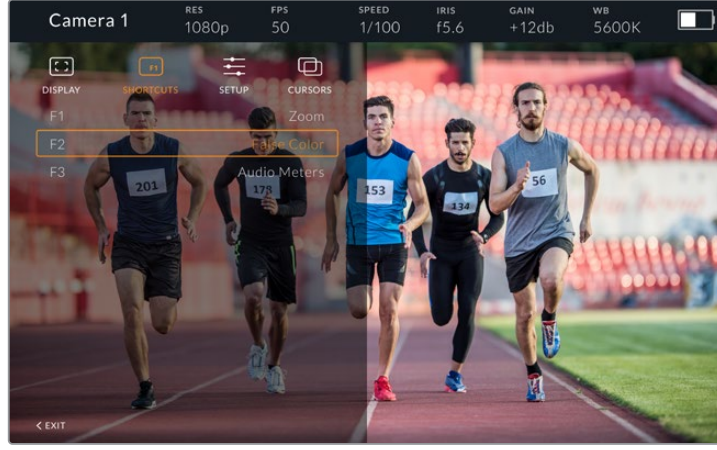
Renkli ile siyah-beyaz arasında geçiş yapar.

Kısayollar

Kısayol fonksiyonu; F1, F2 ve F3 butonlarına, belli bir fonksiyonu eşleştirmenizi sağlar. Bu kısayol butonları, ekran menüsündeki veya imleçlerdeki herhangi bir ayarı, hızlıca açıp kapatmanızı sağlar. Sıkça kullanılan bir özellik için belirli bir ayara hızlıca erişmeniz gerektiğinde, bu çok faydalıdır.

Kısayol butonlarını kişiselleştirmek için: Kısayollar menüsünde, basmalı menü kadranını çevirerek aşağı yukarı gezinin ve 3 butondan birisini kısayol butonunuz yapmak için seçin. Seçiminizi onaylamak için, menü kadranına tekrar basın ve sonra 'menü' kadranını, atanabilen özellikler arasında gezinmek üzere çevirin. Aşağıdaki özelliklerden birini seçme imkanınız olacak: 'zum', 'cursor 1' (imleç 1), 'cursor 2', 'cursor 3', 'zebra', 'sahte renk', 'kılavuzlar', 'film to video', 'ses göstergeleri', 'pozlama göstergeleri', 'kırmızı kanal', 'mavi kanal', 'siyah ve beyaz'. Seçimi yaptıktan sonra, onaylamak için tekrar menü butonuna basın ve o fonksiyonu, seçtiğiniz kısayol butonuna atayın. Kısayol butonuna basılması, şimdi bu özelliği kapatıp açacaktır.

Kısayollarınızı gerektiği gibi ayarladıktan sonra ya 'exit' seçeneğine gidip 'menü' kadranına basarak ya da menüden 'back' (geri) butonuna basarak çıkabilirsiniz.



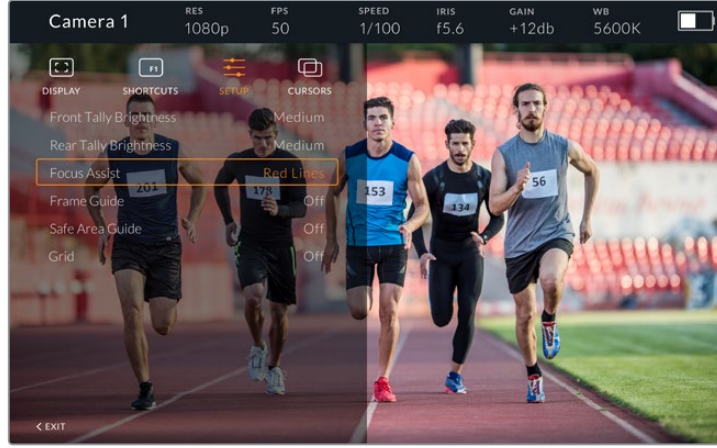
Kısayollar altmenüsü

Kurulum

Setup (ayarlar) menüsü, vizörün kurulumunda tercihlerinizi seçtiğiniz yerdir.

Ön Tally Lambası Parlaklığı

Tally LED lambasının parlaklık ayarının; 'kapalı', 'düşük', 'orta' ve 'yüksek' olarak yapılmasını sağlar. Ayarlamaları yaparken her bir ayarın parlaklık derecelerini görebilmeniz için, tally lambası yanacaktır.



'Kurulum' alt menüsü

Arka Tally Lambası Parlaklığı

Tally LED lambasının parlaklık ayarının; 'düşük', 'orta' ve 'yüksek' olarak yapılmasını sağlar. Ayarlamaları yaparken her bir ayarın parlaklık derecelerini görebilmeniz için, tally lambası yanacaktır.

BİLGİ Çok aydınlık ortamlar için, yüksek bir LED parlaklık seviyesinin seçilmesi tavsiye edilir, çünkü sunucu ve kamera operatörleri için böyle ortamlarda çok daha iyi görüş sağlar. Işık yandığında görüşün daha kolay olduğu karanlık ortamlarda, düşük bir LED parlaklık ayarı tavsiye edilir.

Odak Yardımı

'Odak yardımı' ayarı, vizördeki odak boyama görüntüleri arasında geçiş yapar. Geleneksel odak boyama seçeneğinin yanı sıra; 'kırmızı', 'yeşil', 'mavi', 'siyah' ve 'beyaz' da vardır.

Çerçeve Kılavuzu

Çerçeve kılavuzlarını, Studio Viewfinder kılavuzlarının bir parçası olarak gösterme seçeneği sunar. URSA Broadcast G2'nize bağlandığında, kameranızın çerçeve kılavuzlarının görüntü oranıyla eşleşir. Başka sistemlere bağlandıklarında, otomatik olarak 14:9 görüntü oranına geçeceklerdir.

Güvenli Alan Kılavuzu

Studio Viewfinder'inizin kılavuzlarının bir parçası olarak 'güvenli alan' göstergesini görüntüleme seçeneği sunar. URSA Broadcast G2 kameranıza bağlandığında, kameranızın güvenli alanının yüzdesiyle eşleşecektir. Başka sistemlere bağlandıklarında, otomatik olarak %90 oranına geçeceklerdir.

Izgara Kılavuz

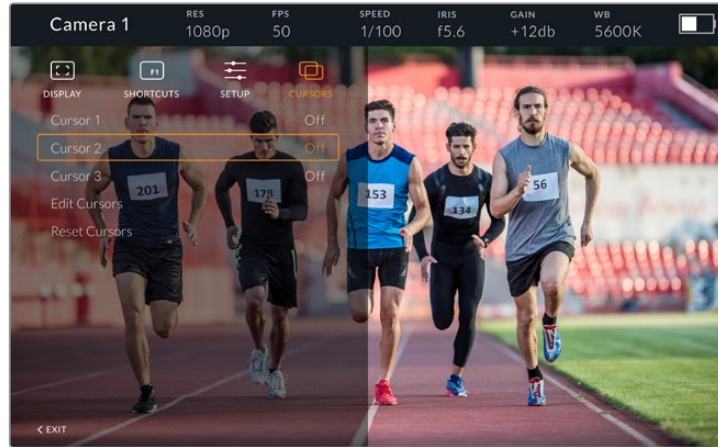
Studio Viewfinder'inizin kılavuzlarının bir parçası olarak ızgara kılavuzları görüntüleme seçeneği sunar. URSA Broadcast G2 kameranıza bağlandığında, kameranızın 'kılavuzlar' ayarlarıyla eşleşecektir. Bağlı olmadığına, hedef kılavuzunu açıp kapatır.

LCD Parlaklığı

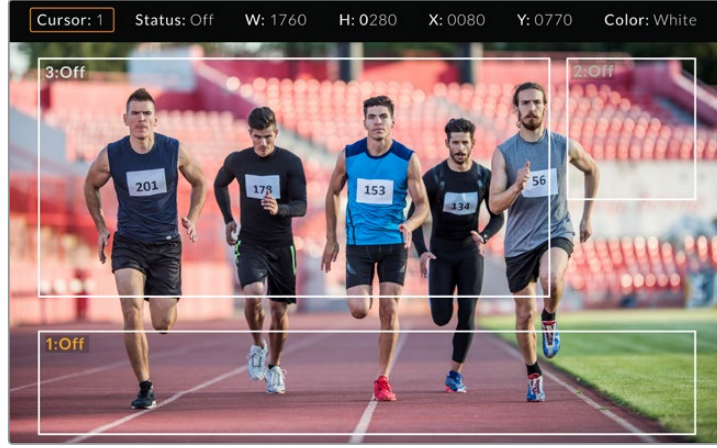
URSA Studio Viewfinder'in üst modeline sahipseniz LCD Parlaklığı ayarını, kurulum menüsünün alt kısmında bulabilirsiniz. Bu, Studio Viewfinder LCD arka ışığının parlaklığını ayarlar.

İmleçler

İmleçler; ekran altı yazıları, grafik, logo veya ticker ismi verilen ekran altı son dakika haberleri gibi grafiklerin bindirileceği yeri, ekranda işaretlemenizi sağlar. Bu imleçleri ayarlamak için, 'cursors' (imleçler) seçeneğine gidin ve 'edit cursors' (imleçleri düzenle) sekmesini seçin. Bu, size her üç imleci de gösteren bir sayfa açacak ve her bir imleci tek tek seçmenizi sağlayacaktır. Sonrasında, her birini tek tek konumlandırmanız için; width (genişlik), height (yükseklik), x ve y koordinatlarını ayarlayabilirsiniz.



İmleçler alt menüsü



İmleçler ekranda gösterilir

İmleçleri düzenledikten sonra, 'cursors' (imleçler) menüsünden etkinleştirilip etkisiz hale getirilebilirler ya da hızlı erişim için fonksiyon tuşlarına atanabilirler. Bu, kamera operatörünün bunu dikkate alıp çekimleri doğru oluşturmasını ve kadrajlamasını sağladığından, canlı prodüksiyon için önemlidir. Canlı olarak ya da daha sonraki yayın aşamasında eklenecek olan tüm grafiklerin, boyut ve konum ile eşleştirilmesini kolaylaştırmak için; değişken yükseklik, genişlik ve konumu olabilen, üç adet siyah ya da beyaz kişiselleştirilmiş imleç yaratabilirsiniz. İmleçleri, fabrika ayarlarına geri döndürme seçeneğiniz de vardır.

Blackmagic URSA Studio Viewfinder ile bir yayın kulaklığı kullanımı

Blackmagic URSA Studio Viewfinder, URSA Broadcast G2 ile kullanıldığında, kameradaki kulaklık bağlantısı artık bir talkback mikrofona kulaklık bağlantısına dönüşür ve yönetmenle doğrudan iletişimi sağlar.

Daha gelişmiş talkback işlevselliği için, 5-pim XLR konnektörlü standart, mikrofona yayın kulaklıklarını kullanabilmenizi sağlamak üzere, Blackmagic Camera Fiber Converter ve Blackmagic Studio Converter'i de kullanabilirsiniz. Daha fazla bilgi için, bu kullanım kılavuzundaki 'Blackmagic Fiber Converter'ler' bölümüne bakın.

BİLGİ URSA Broadcast G2'nin kulaklık girişi, iPhone kulaklığı ile uyumlu olduğundan, yönetmen ile iletişim için iPhone kulaklığını kullanabilirsiniz. Dahili uzaktan kumandadaki düğmeye basılması, yönetmen ile konuşabilmenize imkan tanır.

URSA Studio Viewfinder'in Dahili Yazılımının Güncellenmesi

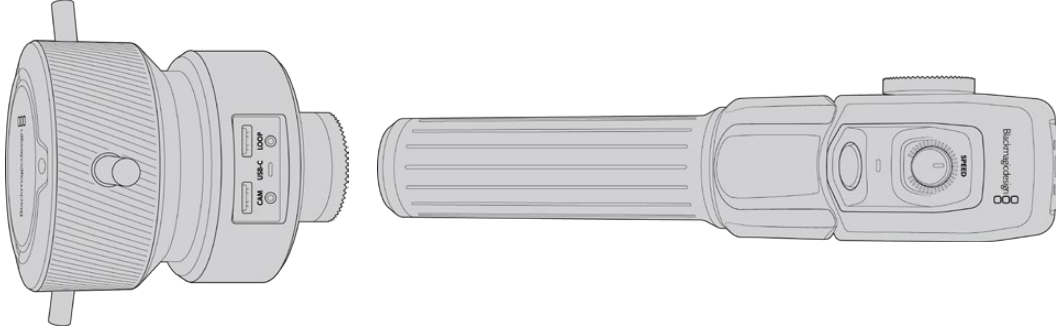
Viewfinder'inizi, Blackmagic Camera Setup yardımcı yazılımını kullanarak güncelleyin. Vizör güncelleme esnasında çalışıyor olmalıdır, bu yüzden güncelleme işlemi esnasında, vizörü URSA Broadcast G2 kameranıza bağlı tutmanızı tavsiye ederiz. Bu yüzden, kameranız için de sürekli enerji gerekeceğinden, fişinin harici güce takılı olduğundan emin olunuz.

Blackmagic URSA Studio Viewfinder altındaki küçük USB-C bağlantısına erişmek için, güneşliği çıkarın ve bilgisayarınızı USB-C portuna bağlayın. Vizörünüz bilgisayara bağlıyken Blackmagic Camera Utility (yardımcı uygulama) başlatıldığında, bilgisayarınız vizörün eski bir yazılım sürümünü kullandığını tespit ederse güncelleme yapmak için sizi uyaracaktır. Vizörünüzün dahili yazılımını güncellemek için ekran üstü komutları takip edin. Daha fazla bilgi için bu kılavuzun 'Blackmagic Camera Setup Utility' bölümüne bakın.

Optimum performans için tüm Blackmagic URSA ekipmanınızın aynı anda güncellenmesini tavsiye ederiz.

NOT Blackmagic URSA Studio Viewfinder'i, URSA Broadcast G2 ile kullanırken, birbiriyle uyumlu olduklarından emin olmanız için vizörünüzün dahili yazılımını en son sürüm ile güncellemenizi öneririz. En güncel yazılıma, www.blackmagicdesign.com/tr/support adresindeki BlackmagicDesign destek merkezinden ulaşabilirsiniz. Daha fazla bilgi için bu kılavuzun 'Blackmagic Camera Setup Utility' bölümüne bakın.

Blackmagic Zoom ve Focus Demand Ürünleri



Blackmagic Zoom Demand ve Blackmagic Focus Demand cihazları, uyumlu servo motorlu B4, EF ve PL lensleri kullanırken netlik ve zumu kontrol etmek için kullanılan, isteğe bağlı aksesuarlardır.

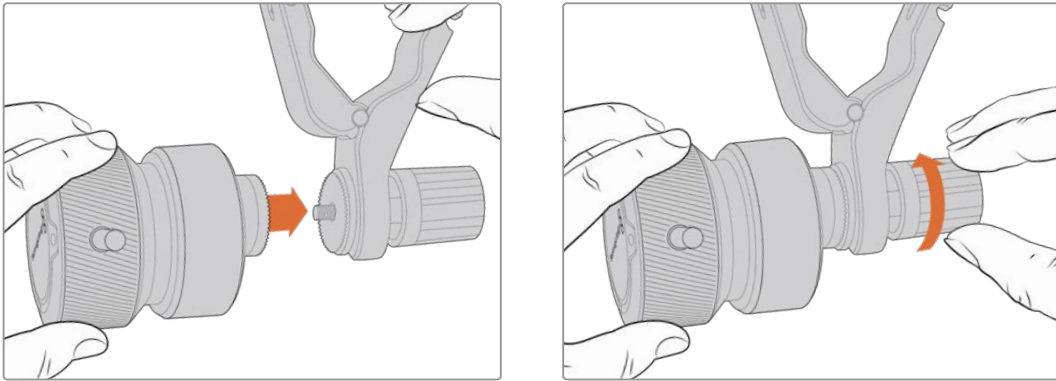
Her bir cihaz, tripodunuz üzerindeki bir tripod koluna veya kamera kaidesine takılır. Bu, netlik ve zumu kontrol ederken, aynı anda her iki elinizi kullanarak kamerayı çevirmenizi ve eğmenizi sağlar. Ek butonlar ve kontroller; zoom kontrolünün hızını ve hassaslığını daha ince ayarlamanızı, talkback'ı etkinleştirmenizi, program dönüş sinyalinizi izlemenizi ve benzeri işlemleri yapmanızı sağlar.

Kameranıza Bağlanması ve Takılması

Tripod Kollarına Takılması

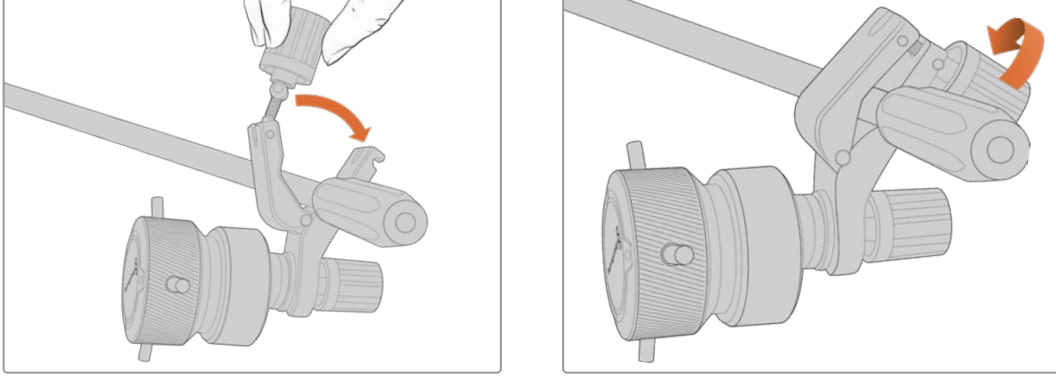
Bağlantı parçaları kullanılarak, her bir cihaz bir tripod koluna takılır. Rozet yuvaları aracılığıyla, her bir cihazı bağlantı parçasına iliştinir.

Demand ürünlerini, bağlantı parçalarına takmak için rozet yuvalarını kullanarak birbirine bağlayın ve tutturma vidasını sıkıştırarak sabitleyin.



- 1 Zoom Demand veya Focus Demand ürününü, bağlantı parçasının rozet yuvasına deęecek şekilde yerleřtirin.
- 2 Demand ürünlerinin bağlantı parçalarına sıkı bir şekilde sabitlenmesi için tutturma vidalarını sıkıştırın.

Artık ürünler bağlantı parçalarına takıldığına göre, bağlantı parçalarını tripod kollarına takabilirsiniz. Her bir bağlantı parçasının bir ucunda 'T' şeklinde bir mandal vardır ve bu, bir mandal yatağına oturur ve ardından sıkıştırılır.



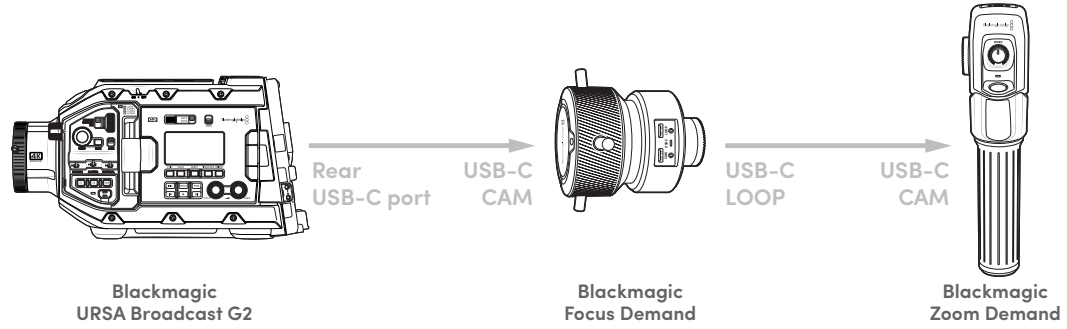
- 1 Mandalı gevşetmek için, mandal vidasını saat yönünün tersine çevirin. Bu işlem, 'T' şekilli mandalın yatağından çıkmasını sağlayacaktır.
- 2 Mandal açık durumdayken, bağlantı parçasını tripod koluna yerleştirin ve mandalı tutturma yatağına sokup, bağlantı parçasını sıkıştırarak kapatın. Tripod kolu üzerinde tercih ettiğiniz konuma gelecek şekilde bağlantı parçasını döndürün.
- 3 Bağlantı parçasını tripod koluna sabitlemek için mandal vidasını sıkıştırın.

Kameranıza Bağlanma

Blackmagic Focus ve Zoom Demand cihazlarında, iki USB-C portu bulunur. Bu, bir cihazı tek başına veya her ikisini birlikte kullanmanızı mümkün kılar.

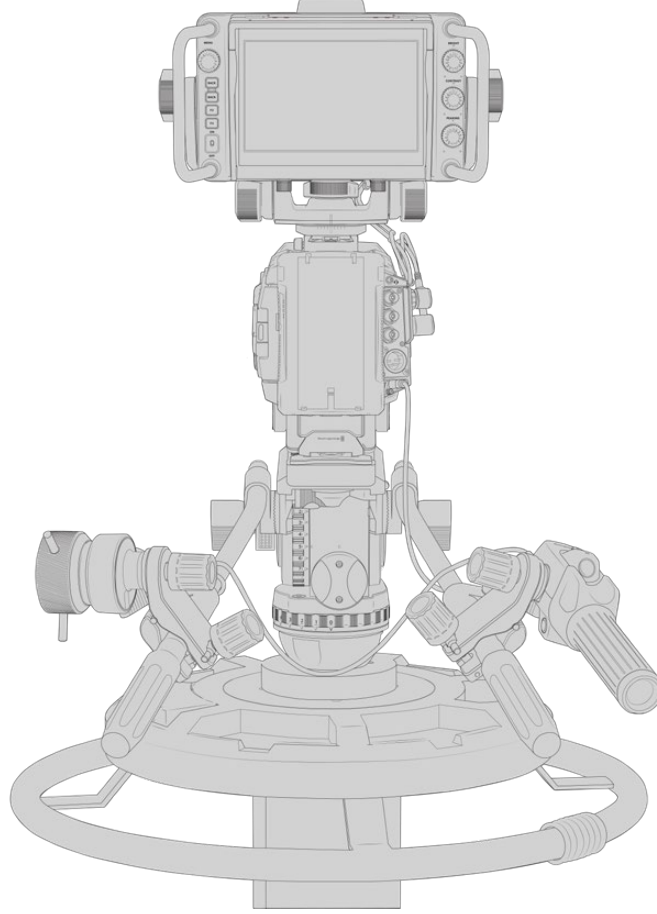
Her bir cihaz 1 metre uzunlukta USB-C kablosu ile gelir ve bu kablo doğrudan, URSA Broadcast G2'nizin arka USB-C portundan Demand cihazının 'kamera' portuna bağlanır.

Demand ürünlerinin her ikisini kullanıyorsanız, USB-C üzerinden birinci ürünü ikinci ürüne bağlayarak, ikisi arasında zincirleme bağlantı kurun.



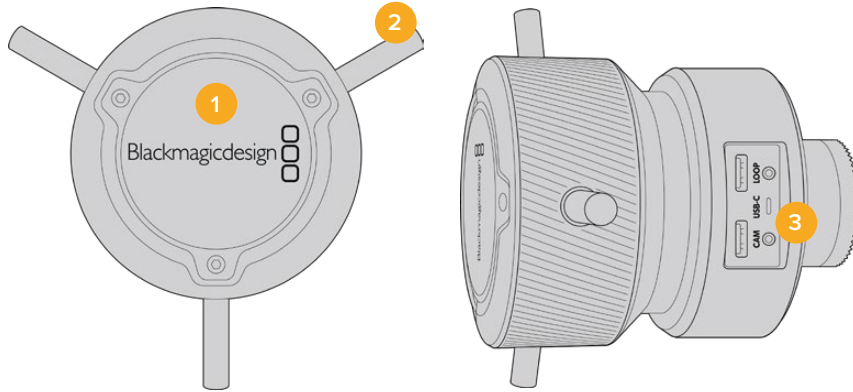
Zincirleme bağlantı yöntemi, URSA Broadcast G2'nin arkasındaki USB-C portu kullanarak her iki cihazı kontrol etmenize olanak verir. Örneğin, kameranızın arka USB-C portuna bir USB-C kablo bağlayın ve kablunun diğer ucunu, Focus Demand cihazının 'cam' (kamera) portuna bağlayın. İkinci bir kablo ile, Focus Demand ürününün 'düz geçiş' (loop) portunu, Zoom Demand'ın 'cam' (kamera) portuna bağlayın.

USB-C kablosunun iki ucunda, konektörleri her bir ürüne sabitlemeye yarayan kilitleme vidaları bulunur, bunlar bağlantının kazara kesilmesini önler. Kilitleme vidalarını kullanmak zorunda değilsiniz, fakat cihazların her zaman URSA Broadcast G2 kameranıza bağlı olacağı stüdyo kurulumlarında faydalı olurlar.



Blackmagic Focus ve Zoom Demand cihazları, ellerinizi tutma kollarından almadan, netlik ve zum ayarlarını kontrol etmenizi sağlar.

Blackmagic Focus Demand Ürününün Kullanımı



1 Kontrol Düğmesi

Merceğe daha yakın nesnelere odaklanmak için odak tekerini saat yönüne veya daha uzaktaki nesnelere odaklanmak için saat yönünün tersine çevirin. Odaklama yönünü, menüde 'normal' veya 'ters' olarak ayarlayarak değiştirebilirsiniz.

BİLGİ Bir Blackmagic Zoom Demand ürünü de kullanıyorsanız, Focus Demand ile netlik sağlarken, görüntüyü büyötmek için hızlı zum butonuna basın.

2 Kontrol Tırnakları

Bu üç tırnak, parmağınızın ucuyla daha ince ayarlamalar yapabilmemiz için kontrol yüzeyinin çapını genişletir.

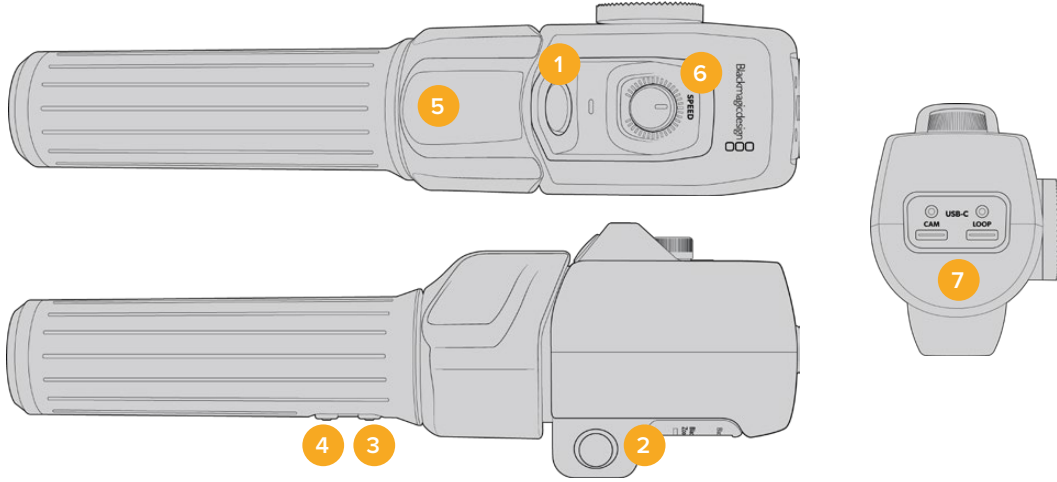
3 USB Portları

Focus Demand ürününü kameraya bağlamaya ve Zoom Demand ürünüyle zincirleme bağlantı yapmaya yarar. 'Cam' (kamera) portu ayrıca, Blackmagic Camera Setup yardımcı yazılımı ile dahili yazılımın güncellenmesi için de kullanılır.

Blackmagic Zoom Demand'ın Kullanımı

Zoom Demand üzerindeki kontroller, kamera ayarlarından eşleştirilebilir. Buton fonksiyonlarını deęiřtirmek için, 'ayarlar' bölümündeki 'kurulum ayarları' kısmına bakın.

Ařağıdaki komutlar, varsayılan olarak ayarlanmıřtır:



1 Zum F1

Bu, zum fonksiyon butonu 1'tür. Varsayılan olarak, bir 'kayıt' butonu olarak eşleştirilmiştir.

2 Zum F2

Bu, zum fonksiyon butonu 2'dir. Kontrolörün dięer tarafında, aynı fonksiyonu uygulayan özdeş bir buton vardır, böylece sol ve saę el ile kontrol mümkündür. Varsayılan olarak, canlı görüntüye anında giren, hızlı bir zum fonksiyonu olarak düzenlenmiştir.

NOT Hızlı zum özellięi, sadece Blackmagic URSA Broadcast G2'nin LCD ekranında görölebilir ve bir switcher ya da kaydediciye baęlı olan çıkıř videosunda görölmez.

3 Zum F3

Bu, zum fonksiyon butonu 3'dir. Bu buton, varsayılan ayar olarak program dönüşü için düzenlenmiştir. Normalde bu, bir switcher'in program dönüş sinylidir, fakat kameranızın SDI girişine baęlı herhangi bir SDI sinyali olabilir.

4 Zum F4

Bu, zum fonksiyon butonu 4'dir. Bu buton için varsayılan fonksiyon, bas konuş olarak ayarlıdır. SDI aracılığıyla bir ATEM switcher'e bağlıyken, switcher operatörüyle konuşmak için basılı tutun.

5 Başparmak Mandalı

Zoom Demand ürününün kolunda bir başparmak mandal kontrolü bulunur. Optik uzaklaştırma için başparmak mandalını sola ve optik yaklaşırma için de sağa itin. Zum yönü, kameranın menü ayarlarından tersine döndürülebilir.

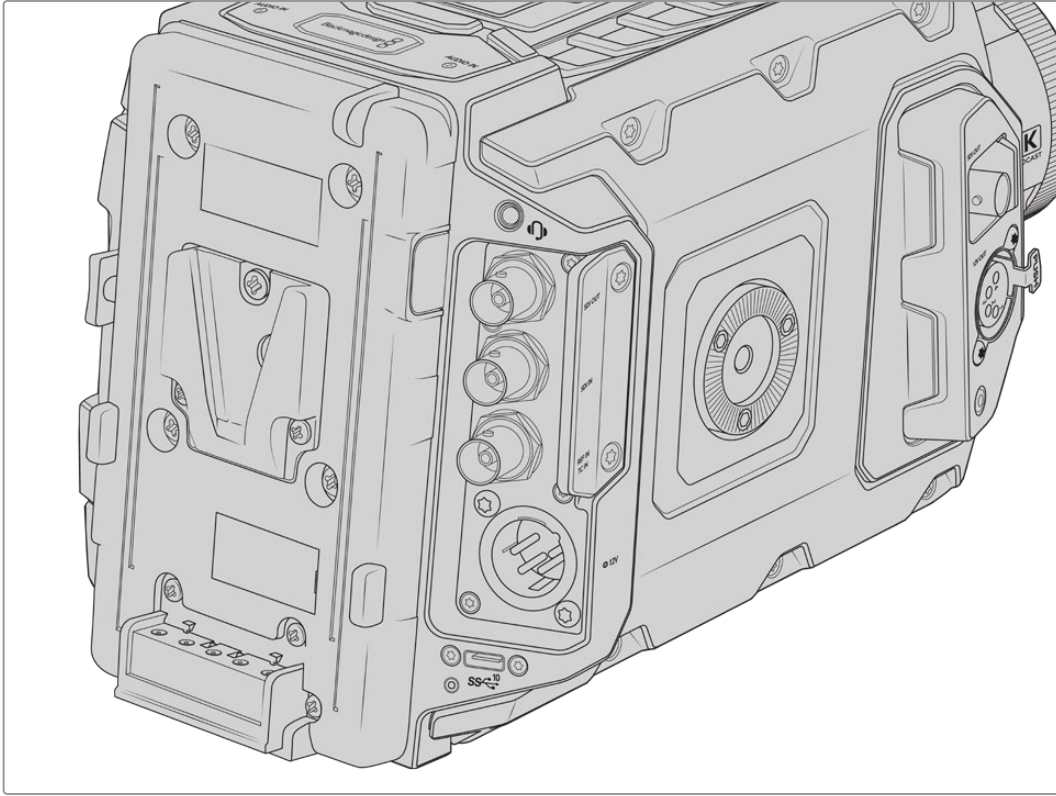
6 Hız Kadranı

Ürünün üst kısmındaki hız kadranını çevirerek, zum işleminin hızına ince ayar yapabilirsiniz. Bu kadranı ayrıca; kulaklık seviyesini, diyafram ayarını ve hatta netlik ayarını kontrol etmek için de eşleştirebilirsiniz!

7 USB-C Portları

Zoom Demand cihazını kameraya bağlamaya ve Focus Demand cihazına zincirleme bağlamaya yarar. 'Cam' (kamera) portu ayrıca, Blackmagic Camera Setup yardımcı yazılımı ile dahili yazılımın güncellenmesi için de kullanılır.

Bataryaların Monte Edilmesi



V-mount veya Gold Mount Bataryaların Takılması

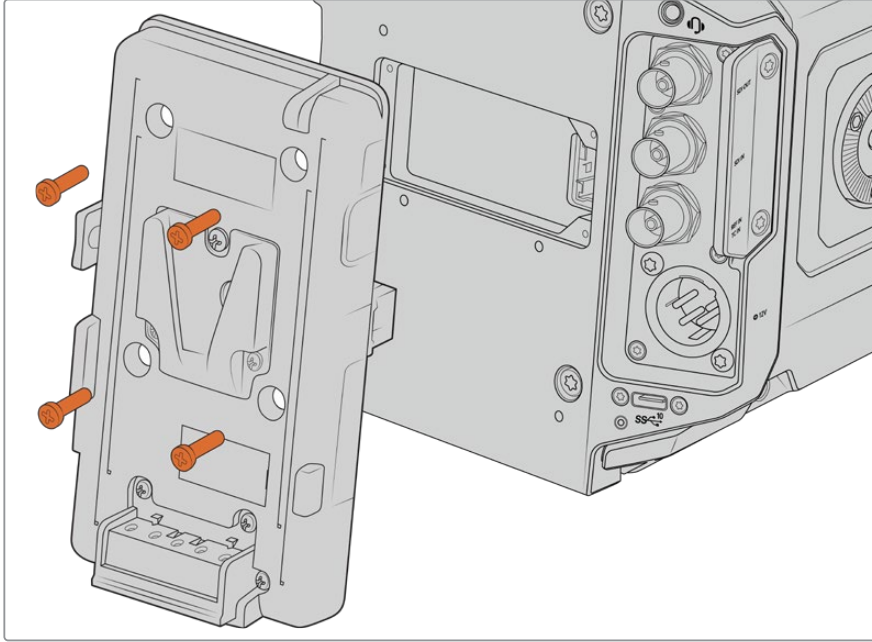
Kameranıza endüstri standardında VLock bataryalar takmanıza yarayan bir URSA VLock Battery Plate, Blackmagic URSA Broadcast G2'nize yerleştirilmiş olarak gelir.

İsteğe bağlı bir Blackmagic URSA Gold Battery Plate veya bir üçüncü parti batarya plakası monte edilerek, başka batarya tipleri de takılabilir.

BİLGİ Blackmagic URSA VLock Battery Plate ve URSA Gold Battery Plate, uygun bataryalarla yüzde bilgisini görüntülemeyi destekler. Blackmagic batarya plakalarında; harici monitör gibi aksesuarları çalıştırmak için, 'D-tap' veya 'P-tap' olarak da bilinen bir '+12V out' (+12V çıkış) konektörü vardır. Buna dikkat etmeniz faydalıdır çünkü, bu çıkış kameradan denetlenir ve kamera kapandığında, güvenli olarak gücü keser. Bu regüle edilen çıkış 1.5 Ampere kadar 12 Voltluk enerji sağlar. Bazı üçüncü parti URSA batarya plakaları ve hatta bazı bataryalar regüle edilmeyen bir D-tap çıkışı sunarlar. Bunlar; kamera yeniden çalışırken veya kapatılıp açıldığında kesintisiz güç sağlarlar fakat, bataryanın şarj seviyesine bağlı olarak voltaj değişebilir ve takılı olan aksesuarlar sürekli bataryayı boşaltırlar.

Blackmagic URSA VLock Battery Plates ve URSA Gold Battery Plates ürünlerini Blackmagic Design bayilerinden veya üçüncü parti batarya plakalarını, profesyonel dijital sinema ve video ekipmanları satan mağazalardan satın alabilirsiniz. Blackmagic URSA Broadcast G2 ile kullanmak için kendi batarya plakanızı modifiye etmek isterseniz, kamera ile gelen adaptör kablosunu ve konektörü kullanabilirsiniz. URSA Broadcast G2 ile kullanılmak üzere, herhangi bir batarya plakasının nasıl modifiye edilebileceği hakkında daha fazla bilgi için, 'kendinize ait batarya plakasının kullanımı' bölümüne bakınız.

Blackmagic URSA Broadcast G2'nizdeki batarya plakasını değiştirmek için:



- 1 URSA VLock Battery Plate'nin her köşesindeki 4 adet M3 vidayı çıkarın.
- 2 Batarya plakasının molex konektörüyle, kameranızın molex güç konektörü arasındaki bağlantıyı kesin.
- 3 Yeni batarya plakasının molex konektörünü, kameranızın molex güç konektörüne bağlayın.
- 4 4 adet M3 vidayı kullanarak, batarya plakasını Blackmagic URSA Broadcast G2'nizin plaka montaj noktalarına vidalayın. Bağlantı kablosunun, kablo yatağına güvenli bir şekilde girdiğine ve sıkıştırma esnasında plakalar arasında sıkışmadığına dikkat edin.
- 5 Yeni batarya plakasını kameranıza taktıktan sonra, artık bir batarya takabilir ve kameranızı çalıştırabilirsiniz.

Kendinize ait Batarya Plakasının Kullanımı

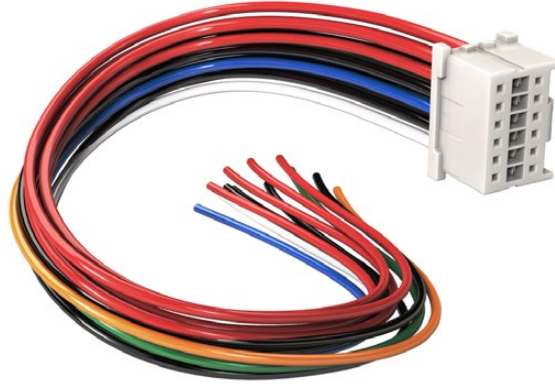
Adaptör Kablosu ve Konektör

URSA Broadcast G2'nize kullanmak üzere üçüncü parti bir batarya plakasını modifiye etmek isterseniz, kamera ile gelen adaptör kablosunu ve konektörü kullanabilirsiniz. Bunları yerel Blackmagic Design destek ofisinden temin edebilirsiniz.

Adaptör kablosunu ve konektörünü batarya plakasına bağlamak için:

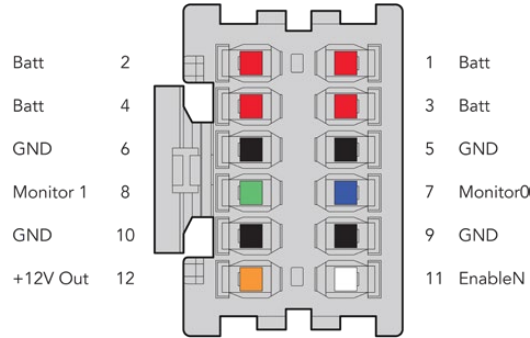
- 1 Yaklaşık 1cm kadar izolasyonu (kablunun üzerindeki plastik), siyah ve kırmızı kabloların uçlarından sıyırın.
- 2 4 adet kırmızı 'Batt' (batarya) kablosunu, batarya plakanızdan gelen ilgili 'artı uç' kablolarına lehimleyin.
- 3 4 adet siyah 'GND' (topraklama) kablosunu, batarya plakanızdan gelen ilgili 'eksi uç' kablolarına lehimleyin.

Bağlantıların iyi izole olduklarından emin olun.



URSA Broadcast G2'nize takmak üzere herhangi bir batarya plakasını modifiye etmeniz gerektiğinde, kamera ile gelen adaptör kablosunu ve konektörü kullanın. Bunları yerel Blackmagic Design destek ofisinden Design temin edebilirsiniz.

Bu, kameranıza batarya gücü temin eder. Ayrıca, 12V'luk bir çıkış ve batarya durumu gibi özellikler için, ekstra kablolar bağlayabilirsiniz. Kabloların bağlanmasına dair yardım için, bu sayfadaki şema ve tablolara ve batarya plakası bilgilerine bakınız. Daha fazla desteğe ihtiyacınız olduğunda, www.blackmagicdesign.com/tr/support adresindeki Blackmagic Design destek merkezini ziyaret edin.



Adaptör bağlantı yuvasının arkadan görünüşü. Her pimin tanımı için, kablo düzenleme tablosuna bakınız.

Kablo Dzenleme Tablosu

Pim Numarası	Sinyal	Color	Yön	Tanım
1, 2, 3, 4	Batt (Batarya)	Red	URSA'ya	12 V'den 20 V'ye
5, 6, 9, 10	GND	Black	–	–
7	Monitör0	Blue	URSA'ya	Analog batarya seviyesi veya open drain veri hattı (azami 20 V)
8	Monitör1	Green	URSA'ya	Open drain saat hattı (Azami 3.4 V)
12	+12 V çıkış	Turuncu	URSA'dan	12 V düzenli çıkış Azami 1.5 A (18W)
11	EnableN	Beyaz	URSA'ya	+12 V çıkışı etkinleştirmek için topraklamaya (GND) bağla. +12 V çıkışı gerekli değilse seyyar olarak bırakın

Her bir Batt (Batarya) ve GND (topraklama) pimi, 3 amper destekler. Tüm batarya (Batt) ve topraklama (GND) pimlerinin, bağlı olduğundan emin olun. Batarya durumunu; Anton Bauer, IDX veya Blueshape plakaları ile denetlemek için, aşağıdaki bağlantı tablosunu takip edin.

Anton Bauer	Mavi/beyaz çizgili kabloyu, 7 numaralı pimde mavi kablo yuvasına bağlayın.
IDX	Yeşil kabloyu, 8 numaralı pimdeki yeşil kablo yuvasına ve gri kabloyu 7 numaralı pimdeki mavi kablo yuvasına bağlayın.
Blueshape	'SMBC' etiketli mavi kabloyu, 8 numaralı pimdeki yeşil kablo yuvasına bağlayın. 'SMBD' etiketli kahverengi kabloyu, 7 numaralı pimdeki mavi kablo yuvasına bağlayın.

Kullanılmayan kabloları, adaptör konektörünün arkasına olabildiğince yakın olacak şekilde keserek sağlamlaştırın.

Blackmagic Fiber Converters

Blackmagic Camera Fiber Converter ve Blackmagic Studio Fiber Converter cihazları, URSA Broadcast G2 veya URSA Mini kameranızla bir ATEM switcher arasında bir SMPTE fiber bağlantı sağlayan, isteğe bağlı aksesuarlardır.

SMPTE fiber, tek bir endüstri standardı SMPTE hibrid fiber optik kablosu kullanarak, bir ATEM switcher ile kameranız arasında tüm video, elektrik, talkback, tally ve kamera kontrol sinyallerini bağlamanızı sağlar. Bir SMPTE fiber bağlantı, kullanılması gereken kablo sayısını geniş ölçüde azaltır ve böylelikle prodüksiyon kurulumunun çalıştırılmasını daha basit ve randımanlı yapar. Blackmagic Studio Fiber Converter'deki standart konektörler, fiber çeviricileri, mevcut yayın aracı altyapısına kolaylıkla eklemenizi sağlar.

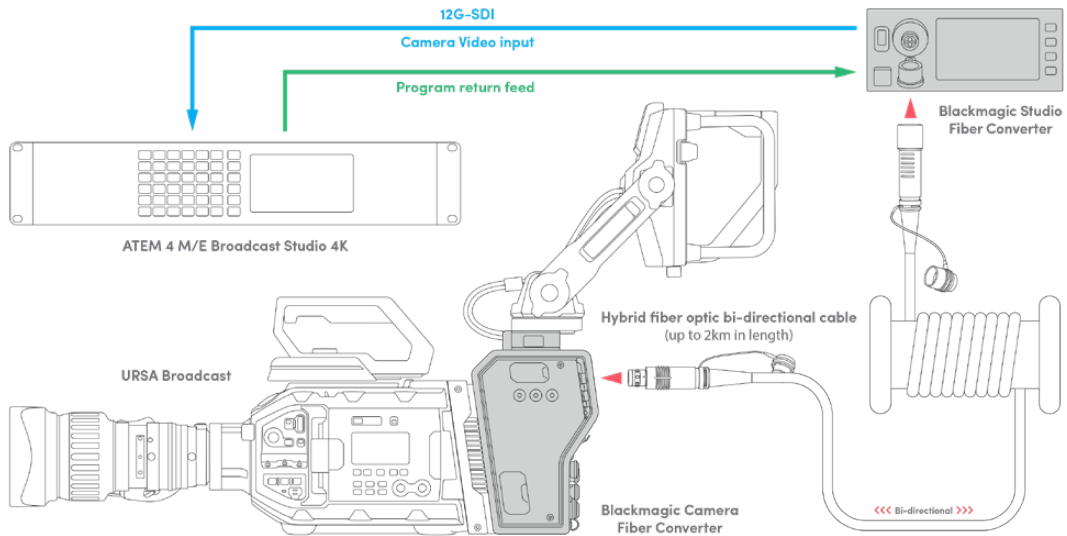


Blackmagic Camera Fiber Converter

URSA Mini veya URSA Broadcast G2 kameranızın arkasına takılır ve standart bir SMPTE hibrid 304 konektör aracılığıyla, Blackmagic Studio Fiber Converter'e bağlanır.

Blackmagic Studio Fiber Converter

Bu çevirici, kameraya bağlı cihazdan gelen optik fiber SDI sinyalini, BNC üzerinden SDI'ya çevirir ve sonra bir ATEM switcher'e bağlanır. Çevirici ayrıca, ATEM switcher'den program dönüş sinyali de dahil olmak üzere, tüm dönüş sinyal kaynaklarını alır ve onları tekrar kameradaki üniteye gönderir.



Blackmagic kamera ve stüdyo fiber çeviriciler, tek bir SMPTE fiber optik kablo üzerinden SDI video, elektrik, talkback, tally ve kontrol sinyallerini randımanlı olarak sağlamak için, optik fiber ile bağlanır.

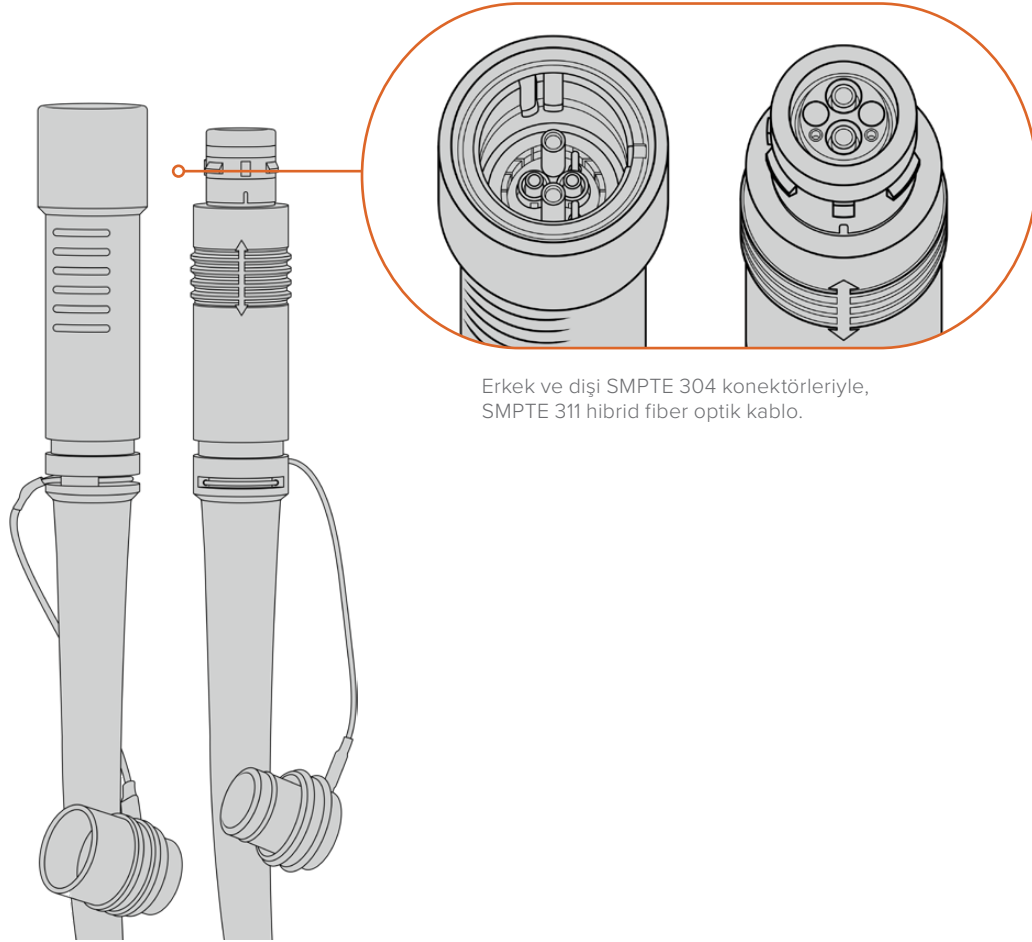
Blackmagic Fiber Converter'ler ile Başlangıç

Başlangıç, hızlı ve etkilidir. SMPTE fiberin faydalarından yararlanmanız ve video içeriği oluşturmanız sürmeyecektir.

SMPTE Fiber Hakkında

SMPTE fiber kablolar, güçle beraber birçok sinyali, uzun mesafelere taşımının basitleşmiş yolunu sunar. Switcher'inize bağlı her kamera için birçok kablo bağlamanıza gerek kalmayacağı için, yayın ortamlarında bu faydalıdır.

Bir SMPTE 311 hibrid fiber optik kablosu ile her kamerayı ATEM switcher'inize bağlamak ve tek kabloyla; tüm video, elektrik, talkback, tally ve kontrol sinyallerini sağlamak için, tek bir endüstri standardı fiber optik kablo kullanabilirsiniz. Optik fiber ile bu sinyalleri ve elektriği, daha uzak, 2 kilometreye varan mesafelere taşıyabilirsiniz.



Erkek ve dişi SMPTE 304 konektörleriyle, SMPTE 311 hibrid fiber optik kablo.

NOT- Bir SMPTE 311 hibrid fiber optik kablonun erkek ve dişi uçları, SMPTE 304 konektörün uç kısmı içindeki, erkek ve dişi pimlere bakarak tespit edilebilir. Konektörlerin cinsiyeti, dışa doğru olan görünüşlerine göre belirlenmez.

BİLGİ Toz parçalarının veya kırıntıların girmesini önlemek için, SMPTE fiber kablonun iki ucundan çıkan lastik kapakları, çeviricilerdeki lastik kapakların içine takın.

SMPTE fiber bağlantı kullanmanın esas faydalarından biri, geleneksel bir canlı yayın ortamında, kontrol odasına veya yayın aracına bağlanabilmenizdir. Modern stadyumların çoğunluğunda, kamera mevkilerinden, kontrol odasına veya yayın aracına fiber kablolar önceden döşenmiştir; yani bu sistemlere doğrudan bağlanabilirsiniz.

Mevcut fiber sisteme bağlanmak veya iki Blackmagic fiber çeviriciyi birbirine bağlamak için kullanılan optik fiber kablo, SMPTE 304 konektörlü bir SMPTE 311 hibrid fiber optik kablodur.

SMPTE Konektörlerin Korunması

SMPTE fiber kablosunun konektörlerinin, lastik kapaklarla her zaman korunması çok önemlidir. Bunun nedeni, cam fiber borunun cilalı uçlarında, toz parçacıklarının çabucak toplanabileceği ve bunun sinyal akışını engelleyeceğidir. Yapılacak en iyi şey, bir konektör açığa çıkarılmaz, hemen lastik kapağı kapatmaktır. Örneğin, bağlamadan hemen önce ve bağlantıdan ayırdıktan hemen sonra.

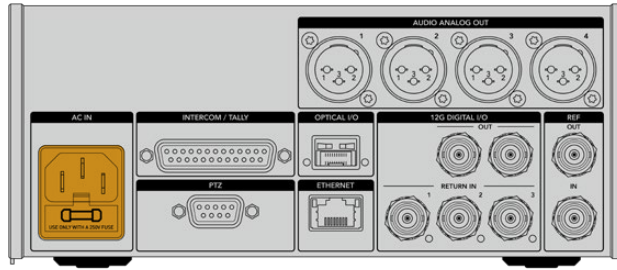
Kullanım esnasında, toz parçalarının veya kırıntıların girmesini önlemek için, SMPTE fiber kablosunun iki ucundaki lastik kapakları, çeviricilerdeki lastik kapakların içine takmak da iyi bir fikirdir.

Prizin Güç Kaynağına Takılması

Güç, stüdyo ünitesinden fiber kablo ile kamera ünitesine gönderilir; bu yüzden güç kaynağına bağlanmanın ilk adımı, stüdyo ünitesine güç sağlamaktır.

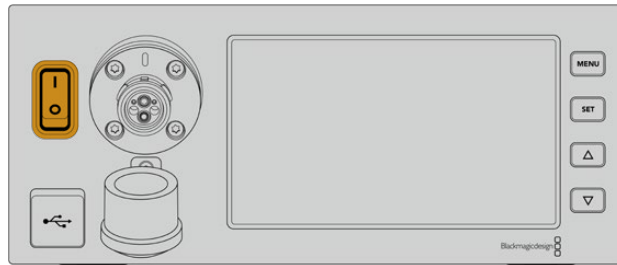
Studio Fiber Converter'in Çalıştırılması

Standart bir IEC elektrik kablosunu, Studio cihazının arka panelindeki güç bağlantısına takın.



Elektriği, stüdyo fiber çeviricinize standart bir IEC elektrik kablosuyla bağlayın.

Cihazı çalıştırmak için, ön kontrol panelindeki güç düğmesini, 'on' konumuna getirin.



SMPTTE Fiberin Baęlanması

Başlangıçtaki bir sonraki adım, SMPTTE fiber kablosunu stüdyo fiber ünitesi ile kamera ünitesi arasına bağlamaktır. Bu işlem, stüdyo ünitesinden kamera ünitesine, elektrik ve tüm video sinyalleri için fiber sağlayacaktır.

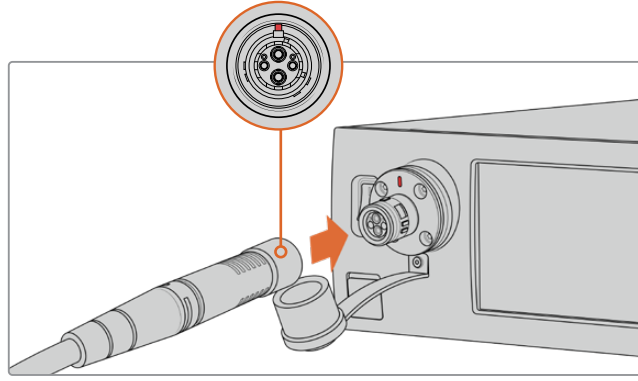
NOT Elektrik taşıyan bir hibrid fiber optik kablo, çeviriciye her takıldığında, kapsamlı güvenlik kontrolleri başlatılır ve ünitenin güç güvenliği de kullanım süresince sürekli olarak denetlenir.

Fiber Kablonun Stüdyo Ünitesine Baęlanması

SMPTTE fiber kablolarının erkek ucu, Blackmagic Studio Fiber Converter'in ön panelindeki diři fiber konektöre güvenli bir şekilde kilitlenir. Bu, yayın esnasında kazayla bağlantının kesilmesini önleyecek güvenli bir kilittir.

Kabloyu bağlamak için:

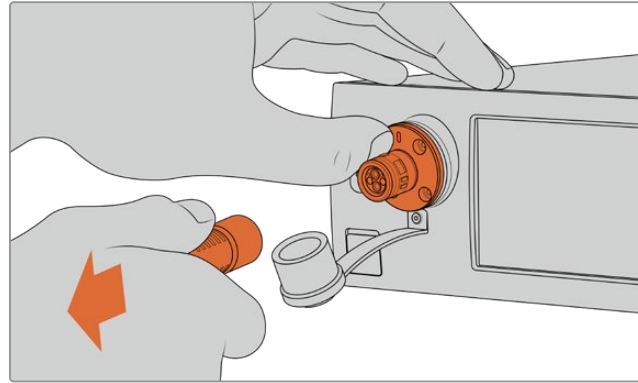
Kablo konektöründeki kırmızı işareti, ünitenin fiber bağlantısının üstündeki kırmızı nokta ile hizaya getirin ve yerine güvenli bir şekilde kilitlenene kadar, konektörü içeri itin.



SMPTTE fiber kablonun erkek ucunu, Blackmagic Studio Fiber Converter'in ön tarafında bulunan diři bağlantıya takın.

Kabloyu çıkarmak için:

Stüdyo cihazının fiber konektöründeki metal tabanı, ön panele doğru itin ve kablo konektörünü çıkarın.



Kablo konektörünü serbest bırakması için Stüdyo cihazının fiber konektörünün metal tabanını, ön panele doğru itin ve kabloyu cihazdan çıkarın.

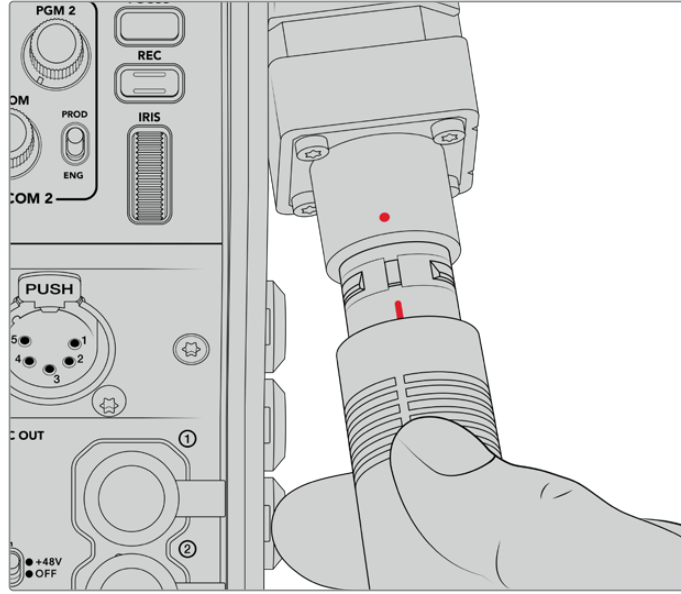
Takıldıktan sonra SMPTE fiber kablonun ucundan çıkan lastik kapağı, Blackmagic Studio Fiber Converter'den çıkan lastik kapağın içine takmak iyi fikirdir. Bu, kapaklara toz ve döküntülerin girmesini engelleyecek ve kapakların temiz kalmasını sağlayacaktır.

Fiber kablonun Kamera Ünitesine Bağlanması

SMPTE fiber kablonun dişi ucu, Blackmagic Camera Fiber Converter'in yan tarafındaki erkek konektöre kilitlenir; böylece yayın esnasında kazayla kablonun çıkması engellenir.

Kabloyu bağlamak için:

- 1 Her bir konektördeki kırmızı işareti aynı hizaya getirin ve kablo konektörünü, yerine güvenli bir şekilde kilitlene kadar kamera cihazının konektörü içine itin.
- 2 Takıldıktan sonra SMPTE fiber kablonun ucundan çıkan lastik kapağı, Blackmagic Camera Fiber Converter'den çıkan lastik kapağın içine takmak iyi fikirdir. Bu, kapaklara toz ve döküntülerin girmesini engelleyecek ve kapakların temiz kalmasını sağlayacaktır.

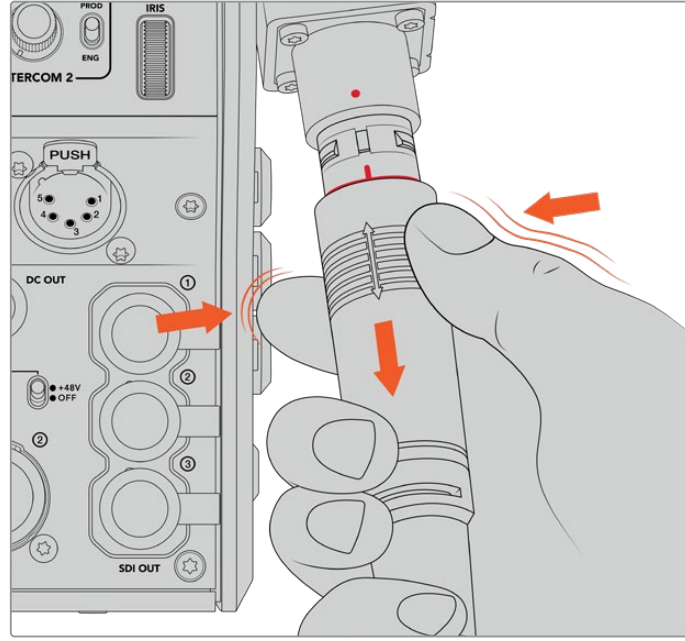


SMPTE Hibrid Fiber Optik kabloyu, Blackmagic Camera Fiber Converter'deki büyük konektöre bağlamak için, kırmızı işaretleri aynı hizaya getirin.

NOT SMPTE 311 kablosundaki SMPTE 304 konektörler, çok dayanıklıdır ve kamera ya sıkıca kilitlenirler. Kabloyu çıkarmanız gerektiğinde, kameranın bir tripoda sıkıca bağlı olduğundan emin olun ya da kabloyu çıkarmaya çalışırken, diğer elinizle kamerayı sıkıca tutun.

Kabloyu çıkarmak için:

- 1 Kablonun dişi ucunun üst kısmını sıkın ve kablonun etrafındaki lastik kılıfı sıkıştırıp, kılıfın altındaki kırmızı halkayı görene kadar, uç kısmından kabloyu yavaşça çekiniz. Bu işlem, dişleri kilitleme mekanizmasından ayıracaktır.
- 2 Bir elinizi kamera ya koyup hafifçe destekleyin ve Blackmagic Camera Fiber Converter'deki konektörden kabloyu çıkarın. Kablonun, fazla güç harcamadan kolaylıkla çıkması gerekir.



Kablonun etrafındaki lastik kılıfı, altındaki kırmızı halkayı görene kadar sıkın ve sonra kabloyu yavaşça çekerek çıkarın.

NOT SMPTE hibrid fiber kablo, yayın ekosisteminin can damarıdır. Bunun için, bakımına özen gösterilmesi çok önemlidir. Örneğin, kabloda kıvrımların olmasından kaçının. Kablonun ağır eşyaların altında kalmamasına, her zaman dikkat edin ve 90 derece gibi açılarla bükmekten kaçının. Konektörleri düşürmekten kaçının ve özenle takip çıkarmaya çalışın. Konektörler açığa çıkar çıkmaz, her zaman kapaklarını takın.

Güç ve Fiberin Onaylanması

İki ünite şimdi, elektriğin güvenli olarak sağlandığı ve fiberin sağlam bir şekilde bağlandığını belirlemek için, 'handshake process' olarak adlandırılan bir uyuma protokolü oluşturacaktır.

Bu işlem, aşağıdaki adımları kapsayacaktır:

- 1 Stüdyo ünitesi, kamera ünitesi ile bir düşük güç durumu (low power state) oluşturur. Bu durum, kamera ünitesinin kırmızı güç durum göstergesi ile gösterilir.
- 2 Elektriğin güvenli bir şekilde bağlandığı belirlendikten sonra, bir yüksek güç durumu oluşturulur ve kamera cihazının güç göstergesi, yeşil olarak yanar.
- 3 Fiber bağlantı onaylanır ve fiber durum göstergesi, yeşil olarak yanacaktır.

Bu, genellikle çok hızlı olur ve göstergeler, neredeyse anında yeşil yanarlar. Daha uzun mesafelere uzanan bir kablo kullanıyorsanız handshake process işlemi, biraz daha uzun sürer ve gösterge biraz daha geç yeşil yanar.

Güç lambası uzun bir süre boyunca kırmızı kalır ve yeşile dönüşmezse veya kırmızı ve yeşil arasında gidip geliyorsa, fiber kablonun her iki ucunun, sıkıca bağlı olduğunu kontrol edin. Kesinti devam ederse fiber kablonun durumunu kontrol edin.

Güç Güvenliği Konusunda Dikkate Alınacak Hususlar

SMPTE hibrid fiber optik kablo, uzun mesafelere yüksek voltaj taşıyabilme kapasitesine sahiptir; bu sayede 2km kadar uzaklıktaki, kamera ve aksesuarları çalıştırabilirsiniz.

Güvenli bir şekilde çalıştırmak için, Blackmagic Studio Fiber Converter'inizde dahili olarak bir güvenlik mekanizması vardır ve bu da taşınan voltajın doğru denetimini ve otomatik yönetimini sağlamaktadır.

Özel bir mikro kontrolör ile birlikte, dahili handshaking ve Blackmagic fiber çeviriciler arasındaki iletişim özelliği, Camera Fiber Converter'e takılana kadar, hibrid fiber optik kablunun kapalı kalmasını sağlar. Daha sonra, düşük güç durumuna (low power state) geçer ve yüksek güç durumuna geçmeden önce, güvenlik kontrollerini tamamlar. Bir optik sinyalin varlığından, merkez akım döngüsünde 5mA'lık bir sinyalin olduğundan ve güç merkezleri arasında 30mA'dan daha az bir dengesizliğin olduğundan çeviriciler emin oluncaya dek, yüksek voltajlar etkinleştirilmez.

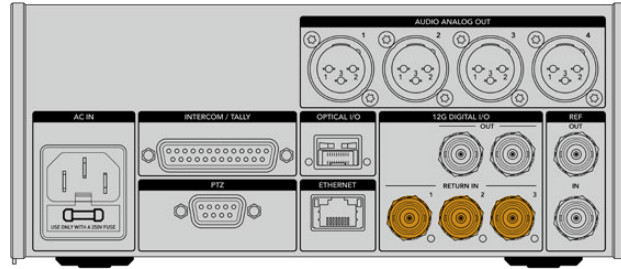
Bir ATEM Switcher'e Bağlanma

Blackmagic Studio Fiber Converter'in switcher'inize bağlanması:

- 1 Blackmagic Studio Fiber Converter'in arka 12G-SDI çıkışından, switcher'inizin SDI girişlerinden birisine, bir BNC kablosu bağlayın. Kameranızın, switcher'le aynı format ve kare hızını kullanmak için ayarlı olduğundan emin olun.
- 2 Switcher'inizdeki program dönüş sinyal çıkışından, stüdyo cihazının arka panelindeki 'return in' (dönüş sinyal girişi) 1'e, bir adet BNC kablo bağlayın.

BİLGİ Canlı bir prodüksiyonda birden fazla kamera kullandığınızda, switcher'den program dönüş sinyalini, bir Teranex Mini SDI Distribution 12G ya da bir Smart Videohub üzerinden göndermeniz gerekebilir. Bunun sebebi ise, switcher üzerinde sabit sayıda program çıkışının olması ve muhtemelen daha çok sayıda çıkışa ihtiyacınız olabileceğidir.

- 3 Kameranıza bunun haricinde; temiz program dönüş sinyali, teleprompter sinyali, diğer bir kameradan ISO sinyali, grafikler veya başka bir sinyal göndermeniz gerektiğinde, bunları 'return in' 2 veya 3'e takın.



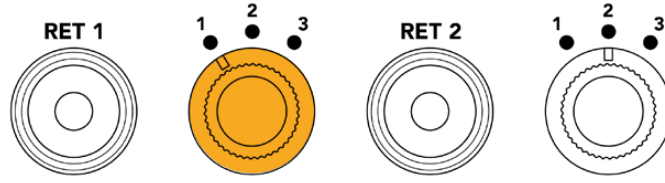
Switcher'den gelen program dönüş sinyali ve diğer kaynaklardan gelen dönüş sinyalini, stüdyo cihazının arka panelindeki 'return' (dönüş) girişlerine takın.

Videonun Onaylanması

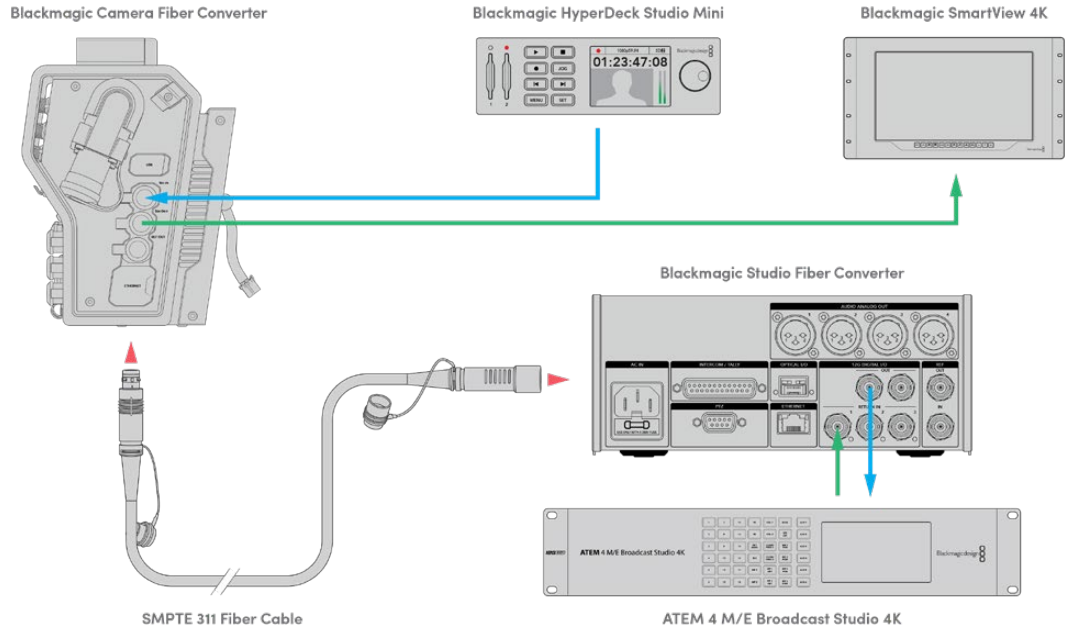
Şimdi, videonun çalıştığını ve tüm dönüş sinyallerini kontrol edebilirsiniz.

- 1 ATEM switcher'in program çıkışının, stüdyo cihazının SDI return 1 girişine takıldığından emin olun.
- 2 Tüm dönüş sinyallerini kontrol etmek istiyorsanız video kaynaklarını, SDI return 2 ve 3 girişlerine takın.
- 3 Şimdi, Blackmagic SmartView 4K gibi bir SDI ekranı, kamera cihazının yan panelindeki, 'SDI out' çıkışına takın.

SDI çıkışa bir monitör bağladıktan sonra, üç adet dönüş sinyali arasında değiştirmek için, dönüş (return) butonunun yanındaki ilgili seçim düğmesini çevirin. Dilerseniz, iki ayrı dönüş sinyalini izlemek amacıyla iki adet dönüş butonu düzenleyebilirsiniz.



Kamera ünitesindeki dönüş sinyallerinin birisinden diğerine geçin ve seçili sinyali bir ekranda görüntülemek için, ilgili return butonuna basın.



Videoyu doğrulamak için; stüdyo ünitesindeki video kaynaklarını, dönüş sinyal girişlerine takın ve sonra kamera ünitesine bağlı bir ekranda görüntüleyin.

Bağlantılar Neden Önde?

Fiber bağlantısı, stüdyo ünitesinin ön tarafındadır; böylelikle bir rafın arka tarafında, optik patch bağlantısı olarak kullanılabilir. Genellikle, SMPTE kabloların üniteye doğrudan takılabilmesi için, stüdyo çeviricisi, rafın arkasına dönük şekilde kurulur. Böylelikle, ekstra rack bağlantı panellerine ve fiber üniteye, fazladan bir kısa kablo için maliyete gerek kalmaz. SMPTE fiber konektörün yanındaki büyük LCD, kamerayla iyi bir bağlantı olup olmadığını, çabucak teyit etmenizi sağlar.

Kamera SDI'nin Takılması

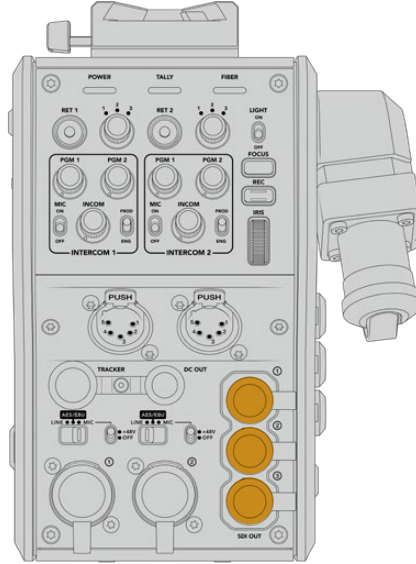
Blackmagic Camera Fiber Converter ile URSA Broadcast G2 veya URSA Mini arasında video sinyallerinin bağlanması, çevircinizin yan tarafındaki dahil olan üç adet SDI kablolarından ikisini kameranızın arkasına bağlamak kadar kolaydır.

Camera Fiber Converter'in kameranıza bağlanması

- 1 Dahil edilen BNC kablolarından birisini, URSA Broadcast G2 veya URSA Mini kameranızın arka 12G-SDI çıkışından, Blackmagic Camera Fiber Converter'deki SDI girişine bağlayın.
- 2 Dahil edilen BNC kablolarından birisini, Blackmagic Camera Fiber Converter'deki SDI çıkışından, URSA Broadcast G2 veya URSA Mini kameranızın arka panelindeki 12G-SDI girişine bağlayın.

Dönüş Sinyali için SDI Çıkışların Bağlanması

Kamera cihazının önündeki "SDI Out" olarak işaretli üç SDI çıkışı, switcher'den gelen dönüş sinyallerinin düz geçiş çıkışlarıdır. Bunlar, teleprompter veya sunucu ekranı gibi, kameranın yakınındaki diğer SDI ekipmanlarına, dönüş sinyallerini bağlamanızı sağlar.



Üç dönüş sinyali loop çıkışı, kameranın yakınındaki bir teleprompter veya bir ekran gibi başka SDI ekipmanlara bağlanabilir.

NOT Dönüş sinyali SDI loop çıkışları, üç ayrı sinyale yeterince bant genişliğini sağlamak için, 3G-SDI'yi destekler. Bu sayede, switcher'den 2160p60'a kadar olan Ultra HD dönüş sinyalleri, aynı kare hızında, 1080p'ye aşağıya dönüştürülür.

Blackmagic Camera Fiber Converter'in Montajı

Blackmagic Camera Fiber Converter, doğrudan URSA Broadcast G2 ve URSA Mini kameraların arkasına monte edilir ve kameranızın arka SDI girişi ve SDI çıkışındaki BNC konektörlere bağlanır. Kameranızın arkasına bir batarya plakası yerleştirdiyse Blackmagic Camera Fiber Converter'i bağlamadan önce, onu çıkarmanız gerekecektir.

NOT Blackmagic Camera Fiber Converter'i takmadan önce, URSA Mini'nin dahili yazılımının 4.4 veya daha sonraki bir sürüm olduğundan ve URSA Broadcast G2'ninkinin de 4.6 veya üzeri olduğundan emin olunuz. Yazılım sürümünü, kameranın 'kurulum' menüsünün 4. sayfasından öğrenebilirsiniz. Kameranızın belenim güncellemesi hakkında daha fazla bilgi için, bu kılavuzun 'Blackmagic Camera Setup Utility Yazılımı' bölümüne bakın.

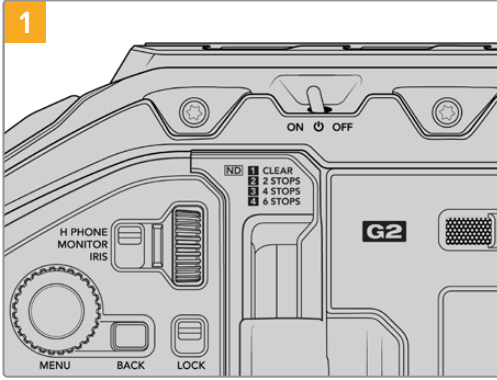
Blackmagic Camera Fiber Converter ünitesini bağlarken aşağıdaki aletlere ihtiyacınız olacaktır:

- 1 x yıldız tornavida
- 1 x 2.5mm Hex uçlu tornavida

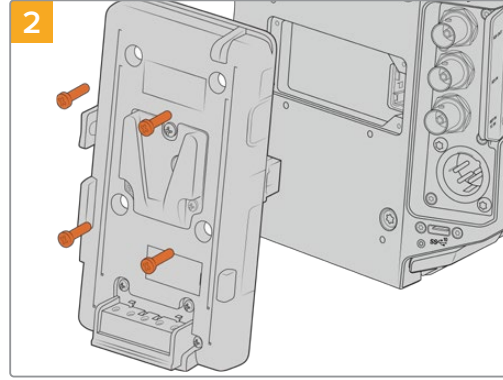


Blackmagic Camera Fiber Converter'i, URSA Broadcast G2 veya URSA Mini kameranızı bağlamak için, büyük bir yıldız tornavida ve bir 2.5mm Hex uçlu tornavida gereklidir.

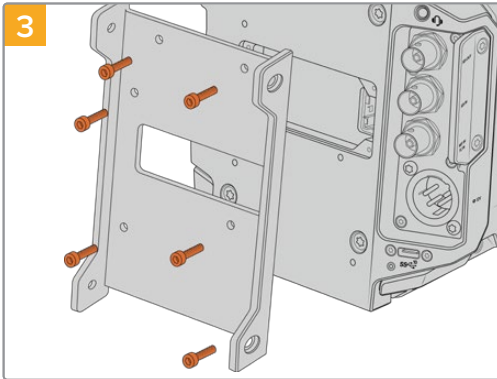
Blackmagic Camera Fiber Converter ünitesinin monte edilmesi ve bağlanması için:



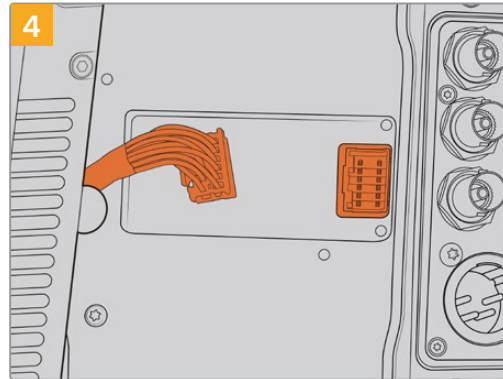
Kameranızın kapalı olduğundan emin olun. URSA Broadcast G2 veya URSA Mini Pro kullanıyorsanız power düğmesini 'off' konumuna getirerek kapatın.



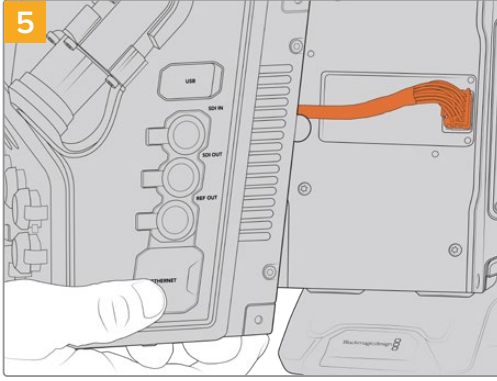
Bir yıldız tornavida kullanarak batarya plakasını veya bağlıysa mox power kapak plakasını çıkarın.



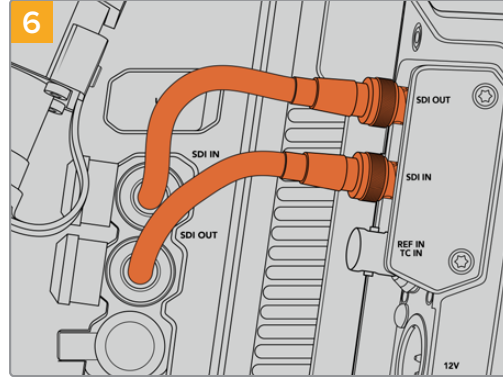
Blackmagic Camera Fiber Converter'in bağlantı parçasını, 6 adet 2.5mm Hex vidaları ile takın.



Blackmagic Camera Fiber Converter ünitesindeki mox bağlantısını, kameranızın arka panelindeki mox prizine takın.



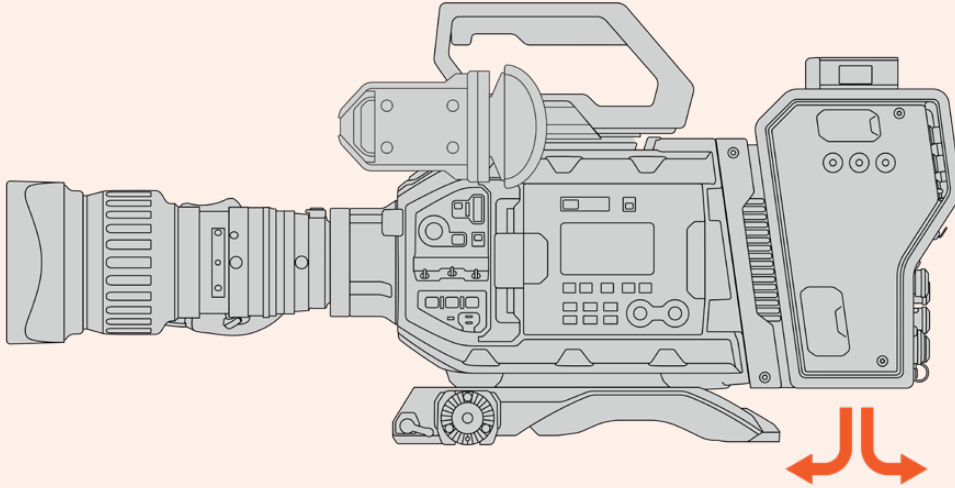
Blackmagic Camera Fiber Converter'i, bağlantı parçasının üzerine kaydırın ve 2 adet 2.5mm Hex vidasını kullanarak, bağlantı parçasının her iki tarafından vidalayarak bağlayın.



Kameranızın arkasındaki SDI çıkışını, Blackmagic Camera Fiber Converter'deki SDI girişine bağlamak için ve fiber çeviriciden SDI çıkışını, kameranızın arkasındaki SDI girişine bağlamak için, dahil edilen BNC kablolarını kullanın.

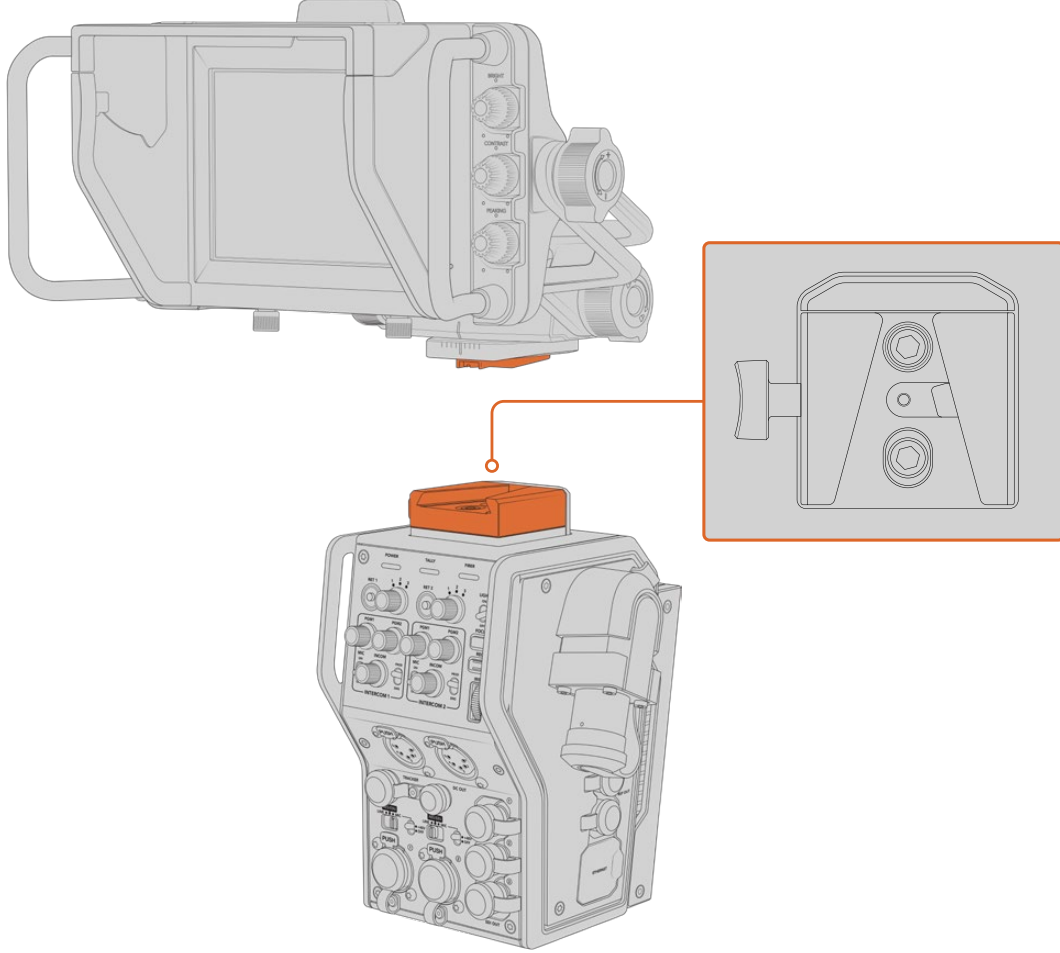
NOT Prodüksiyon için kurulumunuzu yaparken ve fiber cihazın bağlı olduğu bir URSA Broadcast G2 veya URSA Mini kullanırken, havalandırmanın yeterli olması için fiber cihazının altında biraz boşluk bırakılması önemlidir.

Kameranız genellikle bir tripod ile kullanılacağından ya da omuzda kullanılacağından, boşluk zaten sağlanmış olacaktır. Ancak, düz bir zemine oturtulmuş şekilde cihazı çalıştırıyorsanız, URSA Mini omuzluğunu ya da üçüncü parti bir taban plakası veya köprü plakası takmanızda fayda var, çünkü Fiber Converter'in altındaki soğutma fanının hava akımını muhafaza edecektir.



URSA Studio Viewfinder'in Takılması

Ünitenin üzerinde takılı olan V-lock plaka, bir Blackmagic Studio Viewfinder bağlamanızı sağlar. Bu, kamera bir pedestal veya tripoda monte edildiğinde, URSA Studio Viewfinder'i göz hizasına konumlandırır.



Kamera ünitesinin üzerindeki V-Lock yuvası, Blackmagic URSA Studio Viewfinder'i monte etmenizi sağlar.

Bir Mikrofonlu Kulaklığın Takılması

Kamera ünitesinin önündeki iki adet 5 pim XLR konektöründen birisine, bir yayın kulaklığı takın. İki adet kulaklık bağlantısının olması, set ekibiyle iki kişinin, aynı anda irtibat kurabilmesini sağlar.

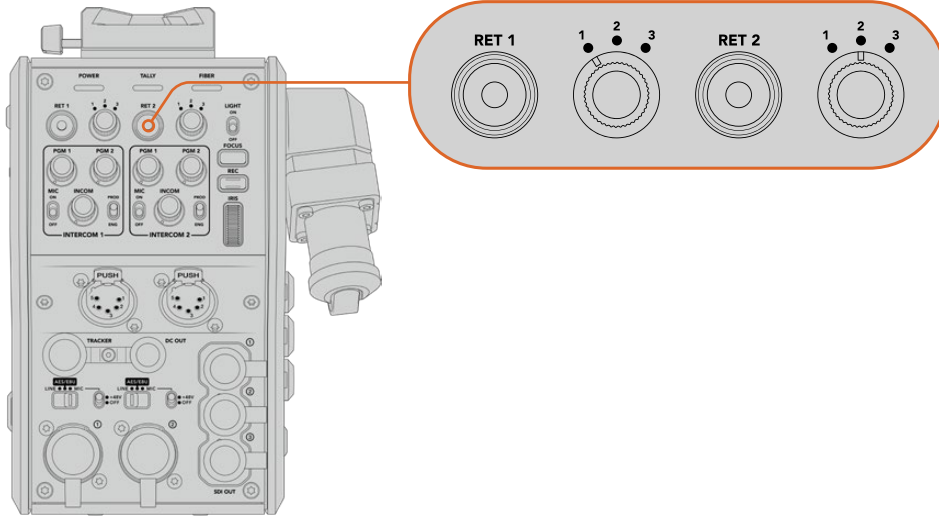
Ürünü kullanmaya başlamanız için yapmanız gerekenler bu kadar! Fiber çeviriciler çalıştırılmış, SMPTE fiber üzerinden video bağlanmış olarak canlı yapımınızı, daha büyük esneklik ve randımanla oluşturmak için, çeviricileri kullanmaya başlayabilirsiniz. Blackmagic fiber çeviricilerinizin tüm özelliklerini nasıl kullanacağınız hakkında daha fazla bilgi için, lütfen bu kılavuzu okumaya devam ediniz.

Camera Fiber Converter'in Çalıştırılması

Bir Dönüş Sinyali Seçimi

LCD, Blackmagic URSA Studio Viewfinder ve HD izleme çıkışlarında, kamera görüntüsü ve program dönüş görüntüsü arasında sinyali değiştirmek için, ön panelde bulunan iki dönüş butonu, tıpkı kameradaki PGM (program) butonu gibi kullanılabilir.

'Ret 1' ve 'ret 2' olarak işaretli bu iki dönüş butonu, seçilmiş iki dönüş sinyalinin birinden, diğerine geçirir. 'Ret 1' ve 'ret 2' butonlarının yanındaki 3 yönlü döner düğmeler, düğmenin yanındaki ilgili butona bastığınızda görüntülemek istediğiniz dönüş sinyalini atamanızı sağlar. Döner şalter üzerindeki konumlar, Studio Fiber Converter'in arkasındaki 'return in' 1, 2 ve 3 SDI konektörleri ile ilgilidir.



Return düğmeleri ve 3 yollu döner şalterler, return düğmeleri basıldığında, hangi dönüş sinyalinin gösterilmesini seçmenizi sağlar.

Seçili program akışını izlemek için, return butonlarından birisini basılı tutun. Return butonu basılı haldeyken program akışı, görüntülenmeye devam edecektir. Görüntüyü dönüş sinyaline kilitlemek için, return butonuna iki kez basın. Return butonuna tekrar basılması, dönüş sinyali görüntüsünden çıkmanızı ve kamera görüntüsüne geri dönmenizi sağlayacaktır.

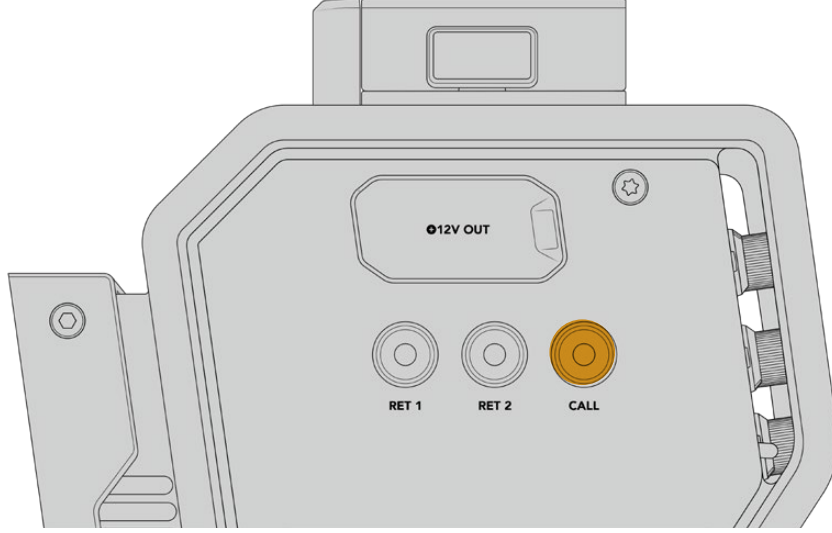
Böylelikle, Blackmagic Studio Fiber Converter'den gönderilen üç dönüş sinyalinden istediğiniz ikisini, iki return butonundan hızlı erişimle, hızlı ve kolay bir şekilde ayarlayabilirsiniz. Örneğin, bu üç dönüş sinyali; switcher'in grafiklerle tamamlanmış program çıkışı, bir telepromptir sinyali ve kameradan doğrudan bir sinyal olabilir.

Bu döner düğmeleri kullanarak; 'ret 1' seçeneğini daimi program sinyaliniz olması için tahsis edebilir ve sonra 'ret 2' butonunu, telepromptira ne gönderildiğini kontrol etmek için ve başka bir kameranın kadrajıyla veya açısıyla eşleştirmeniz gerektiğinde, o kameranın kadrajını arasıra kontrol etmek için değiştirebilirsiniz.

Ünitenin sol tarafında, kamerayı yandan kullanırken dönüş sinyallerinin görüntülenmesinde ilave erişim sağlayan 'ret 1' ve 'ret 2' olarak işaretlenmiş dönüş butonları da vardır. Onlar da ünitenin önündeki return butonlarının gördüğü aynı işlevleri görür.

Arama Butonunun Kullanımı

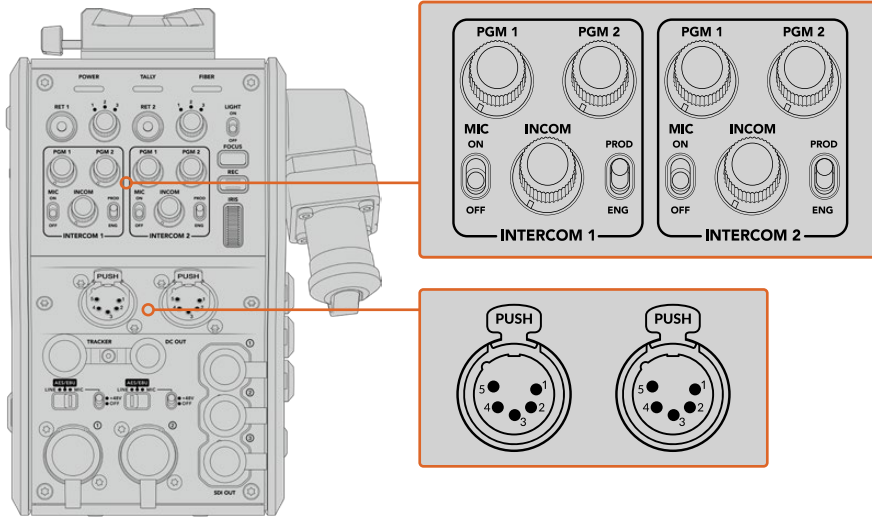
'Return' (dönüş) butonlarının yanında bir 'call' (arama) butonu bulunur ve basıldığında, Blackmagic Studio Fiber Converter'in LCD ekranındaki kırmızı tally göstergesinin yanıp sönmesini sağlar. Arama butonu ayrıca, ATEM Talkback Converter 4K'nın paneli üzerindeki numaralı bir 'bas konuş' butonunun kırmızı yanıp sönmesini sağlar. Bu görsel göstergelerin görevi, kontrol odasındaki kişilere, yardıma ihtiyacınız olduğuna dair işaret etmektir.



Talkback Kullanımı

İki adet dişi 5 pim XLR bağlantısı, iki adet yayın kulaklığı kullanmanızı sağlar böylelikle, siz ve başka bir ekip üyesi, diğer ekip üyeleri ile aynı anda iletişim kurabilir.

Her bir yayın kulaklığı için interkom kontrolleri, iki bağımsız gruba ayrılmıştır ve hemen altında bulunan kulaklık XLR bağlantısı için, aynı zamanda üç yollu bir ses mikseridir.



Her bir yayın kulaklığı için interkom kontrolleri, bağlantı noktalarının hemen üst tarafındadır.

Bağlı olan bir kulaklıktan, 'ret 1' ve 'ret 2' için seçtiğiniz sinyallerden gelen sesi duyarsınız. Bu sinyallerin ses seviyesini, 'pgm 1' ve 'pgm 2' düğmelerini kullanarak ve genel ses seviyesini de 'incom' düğmesini kullanarak yapabilirsiniz. 'Mic' şalteri, operatörün, kulaklık mikrofonunu açıp (on) kapatmasını (off) sağlar.

Ayrıca, her interkomda 2 adet seçilebilir kanal vardır. Bunlar yapım (production) ve teknik (engineering) kanallarıdır. Böylelikle, büyük bir ekibi olan yayın kuruluşları için, ekip iletişimlerini iki kanal arasında bölebilirsiniz. Yapım kanalı, kontrol odasındaki veya yayın aracındaki yönetmen, yapımcı ve diğer ekip bireyleriyle iletişim kurmanıza olanak sağlarken, teknik kanal ise; ışıklandırma ekibi, teknik operatörler ve diğer kamera operatörleriyle iletişim kurmanıza olanak verir. Blackmagic Studio Fiber Converter'inizin menüsündeki 'talkback' sayfasını kullanarak, Studio Fiber Converter'inizdeki her bir kanalın kaynağını 'SDI + DB25' veya 'intercom tally DB-25' olarak seçebilirsiniz. Daha fazla bilgi için 'Studio Fiber Converter'in kullanımı' bölümüne bakınız.

Blackmagic Camera Fiber Converter, takipçi talkback sinyali için de standart bir 10 pim bağlantıya sahiptir. Bu, her iki mikrofonlu kulaklığın kullanıldığı ve kamera operatörüne ek bir talkback sinyali göndermeniz gerektiğinde harikadır.

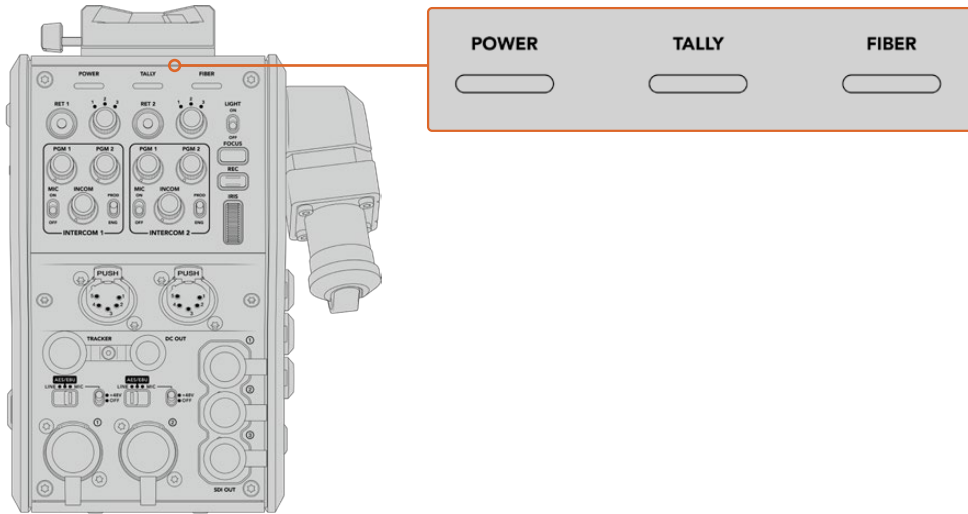
BİLGİ Yoğun yayın ve stüdyo yapımlarında, kamera operatörleri ve yapım ile teknik ekip arasında, etkili iki yönlü iletişimin olması çok önemlidir. Blackmagic Camera Fiber Converter'in bir 'arama' butonu vardır. Operatörler bu buton ile, yapım ve teknik ekipleri uyarabilir ve interkom kulaklıkları üzerinden onlarla konuşabilirler. Bu butonun basılması, ATEM Talkback Converter 4K üzerinde numaralı bir 'bas konuş' (press to talk) butonunu yakıp söndürür ve Blackmagic Studio Fiber Converter'in LCD ekranı üzerindeki tally göstergesinin de yanıp sönmesini sağlar. Aynı şekilde, bir kontrol odasında veya yayın aracında bulunan ekibin bir kamera operatörüyle acilen konuşma ihtiyacı olduğunda, ATEM Camera Control panelinde, o kamera için olan 'arama' (call) butonuna basabilirler. Bu işlem, Camera Fiber Converter'deki tally lambasıyla birlikte, kamerada takılı URSA Viewfinder ya da URSA Studio Viewfinder üzerindeki tally lambasının da yanıp sönmesini sağlar.

Tally Özelliğinin Kullanılması

Ön panelde bulunan tally göstergesi; yayındayken (on air) kırmızı ve ön izleme (preview) için yeşil yanarak, klasik bir tally göstergesi sağlar; böylelikle kullandığınız kamera yayında olduğunda bilirsiniz.

Durum Göstergeleri

Çeviricinin üst tarafındaki 'power' (güç), 'tally' ve 'fiber' durum LED göstergeleri, ünitenin durumuna bağlı olarak farklı renklerde yanar. Fiber kablo çıkarıldığında, hiçbir ışık yanmaz.



Durum LED göstergeleri, ünitenin durumunu size bildirmek için, farklı renklerde yanar.

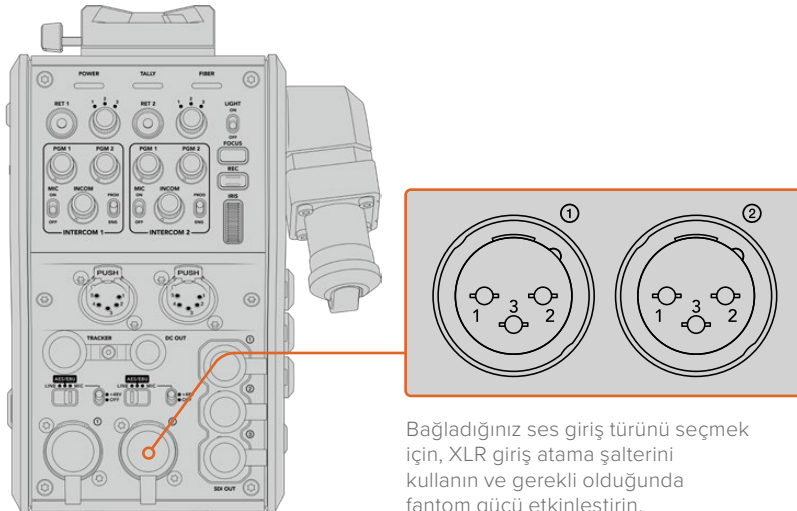
Her bir LED rengi, LED hareketi ve durumu için açıklamalar aşağıdadır.

Güç	Sürekli Kırmızı	SMPTE hibrid fiber optik kablo, prize takılı bir Blackmagic Studio Fiber Converter'e bağlı olduğunda ve kablunun diğer ucu Blackmagic Camera Fiber Converter'e bağlandığında, bu çeviricinin üzerindeki güç LED lambası, elektrik aldığını ve düşük güç durumunda olduğunu göstermek için, kırmızıya döner. Bu düşük güç durumunda, interkom işlevselliği devrededir fakat, üniteyi çalıştırmak için gerekli olan tam güç, henüz etkinleştirilmemiştir. Eğer güç LED lambası, uzun bir süre kırmızı olarak kalırsa ve yeşile dönüşmezse, SMPTE hibrid fiber optik kablunun her iki ucunun sıkıca bağlı olduğunu kontrol edin. Bağlantı tutarsız olmaya devam ederse, fiber kablunuzun durumunu kontrol edin.
	Sürekli Yeşil	Başarılı bir fiber bağlantı kurulduktan ve Blackmagic Studio Fiber Converter kablo bağlantısının güvenli olduğunu belirledikten sonra, güç LED lambası yeşile döner ve kamera çevirici ünitesi, yüksek güç durumuna (high power mode) girecektir.
	Kırmızı ve Yeşil arasında değişen	Güç LED lambası, kırmızı ve yeşil arasında değişiyorsa SMPTE hibrid fiber optik kablunun her iki ucunun da sıkıca bağlı olduğunu kontrol edin. Bağlantı tutarsız olmaya devam ederse fiber kablunuzun durumunu kontrol edin.
Tally	Sürekli Kırmızı	Tally LED gösterge ışığı, kullandığınız kameranın yayında olduğunu göstermek için, kırmızı yanar.
	Sürekli Yeşil	Tally LED gösterge ışığı, kullandığınız kameranın ön izlemeye olduğunu göstermek için, yeşil yanar.
Fiber	Sürekli Kırmızı	SMPTE hibrid fiber optik kablo, kamera fiber çevirici cihazına bağlandığında, sinyal alışverişinin başladığını ve çeviricinin düşük güç modunda olduğunu göstermek için, fiber LED gösterge lambası kırmızıya döner. Bu modda, kurulum esnasında veya fiber bağlantının kesilmesi halinde kamera donanım arızasını giderirken kullanılmak üzere, interkom işlevselliği etkinleştirilir.
	Sürekli Yeşil	Başarılı bir SMPTE hibrid fiber optik kablo bağlantısı kurulduğunda, fiber LED gösterge lambası yeşil yanacaktır.

Hem güç hem de fiber lambaları yeşil yandığı zaman, bu, güvenlik denetimlerinin tamamlandığını ve çeviricilerin yüksek güç durumuna (high power mode) girdiğini gösterir.

Ses Girişleri

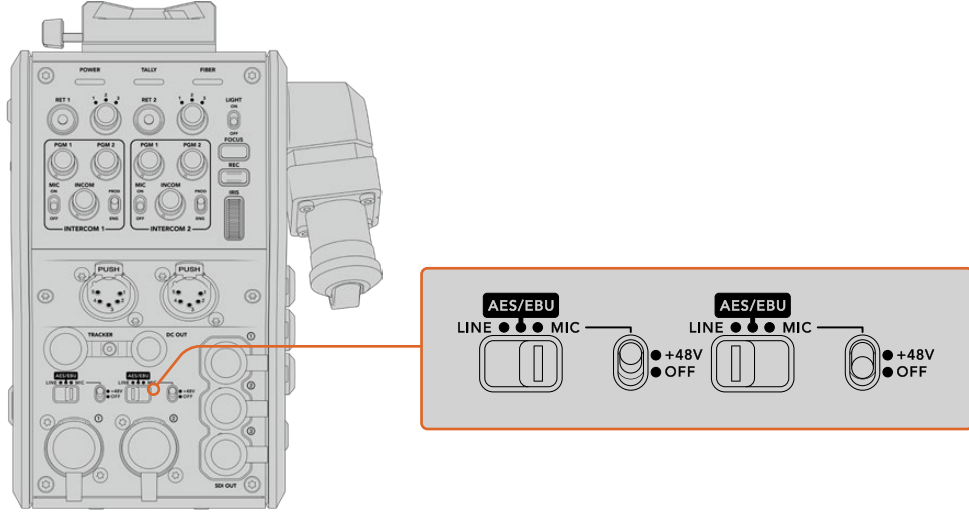
Blackmagic Camera Fiber Converter ünitenizin; ses mikserleri, PA sistemleri veya harici mikrofon gibi profesyonel cihazlardan, harici analog sesin bağlanması için, '1' ve '2' olarak işaretlenmiş, iki XLR girişi vardır.



Bağladığınız ses giriş türünü seçmek için, XLR giriş atama şalterini kullanın ve gerekli olduğunda fantom gücü etkinleştirin.

Kamera sesi, kamera sinyalinin 1. ve 2. kanallarına gömülüdür ve kamera fiber çevirici ünitesinin arkasında bulunan iki ses girişi, kanal 3 ve 4 olarak gömülür. 4 ses kanalının hepsi, diğer uçtaki stüdyo fiber çevirici ünitesinde, analog ses çıkışlarına dönüştürülür.

Blackmagic Studio Fiber Converter'inizin 'audio' (ses) sayfası, Blackmagic Camera Fiber Converter'inizin üzerindeki XLR girişlerine bağlı ses kaynaklarının giriş seviyelerini düzenlemenizi sağlar. Daha fazla bilgi için 'Studio Fiber Converter'in kullanımı' bölümüne bakınız. Bağlandıktan sonra, XLR girişleri giriş kaynağı olarak seçildiklerinde, istediğiniz gibi çalışmalarını ayarlamak için, XLR girişi atama anahtarını kullanın. Mevcut olan opsiyonlar; mikrofon ses, hat seviyesi ses ve AES dijital ses'tir.



Fantom gücü gerektiren mikrofonları kullanmak için, 48V fantom gücü aktif hale getirebilirsiniz. Altındaki XLR girişine bağlı herhangi bir mikrofonu fantom gücü sağlamak için, fantom güç şalterini '+48V' konumuna getirin veya fantom gücü etkisiz hale getirmek için, anahtarı 'off' konumuna getirin.

IP Video

Bağlı bir SMPTE Fiber kablosu; Blackmagic Camera Fiber Converter ve Blackmagic Studio Fiber Converter arasında, 10-Gbit IP bağlantısı sağlar. Bu; üst düzey ve görsel açıdan kayıpsız yayın kalitesinde 10-bit video kodlama ve kod çözme özelliklerini kullanarak, tüm video ve dönüş sinyallerinizin IP video bazlı olmasını mümkün kılar. Talkback, tally, kamera kontrol ve lens kontrol gibi diğer tüm bağlantılar da düşük gecikmeli IP sinyallerine dönüştürülerek, son derece güvenilir performans sunar.

Güç Özellikleri

Blackmagic Studio Fiber Converter; Blackmagic Camera Fiber Converter, kameranız ve aksesuarları için elektrik temin eder. Kameranızı, Blackmagic Camera Fiber Converter çevirisinden çalıştırmak için molex bağlantısını, kameranızın arka panelindeki molex prizine takın.

Kameranızı, yayın aracından 2.1km'den daha uzak bir mevkide kurmanız gerekirse ve kamera ile çevircinize uzun kablodan yeterli elektrik gitmiyorsa, kameranın 4 pim XLR güç kaynağını, URSA Broadcast G2 veya URSA Mini'deki +12V girişine takarak kamera ve çeviriciyi yerel olarak çalıştırabilirsiniz. Blackmagic Camera Fiber Converter ünitesine, molex bağlantısından elektrik gönderilecektir.

'+12V out' (+12V çıkış) bağlantısı, bazen 'D-tap' veya 'P-tap' olarak anılır ve harici ekran, büyük box merceği gibi aksesuarları, 500 MiliAmper'e kadar 12V DC düşük gerilimle çalıştırmanızı sağlar. 'DC out' (DC çıkışı) bağlantısı, harici ekran gibi aksesuarların çalıştırılması için ilave bir seçenek sağlar.

DC çıkış bağlantısı için bir kablo işlev şeması, aşağıda sunulmuştur.

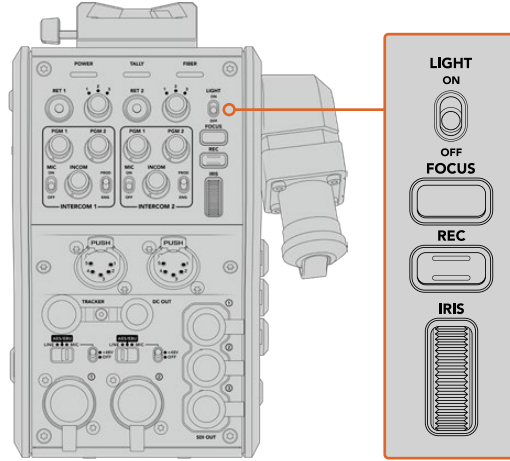
DC çıkış bağlantısı Kablo İşlev Şeması,

Dış görünüş	Pim numarası	Sinyal türü	I/O (Giriş/ Çıkış)	Özellikler
	1	Düzensiz Voltaj Topraklama	-	Düzensiz Voltaj Çıkışı için Topraklama
	2	NC	-	Bağlantı yok
	3	NC	-	Bağlantı yok
	4	Düzensiz Voltaj Çıkışı	Çıkış	500 mA'ya kadar 12V DC düşük gerilim.

İlave Kamera Kontrolleri

URSA Broadcast G2 veya URSA Mini bir stüdyo kamerası olarak kullanılırken, diyafram ve netlik kontrolü de dahil olmak üzere uyumlu lensleri kameranın arkasından kontrol edebilmek için, fiber çeviriciye kamera kontrolleri ekledik. Bu, lensi uzaktan kontrol eden bir operatör olmadığında kullanışlıdır.

Bir stüdyo kamerası olarak URSA Broadcast G2 ve URSA Mini, hala dahili kayıt özelliğine sahiptirler, yani 'REC' butonu, kamerada dahili kaydı tetikleyecektir.



LIGHT (Işık)

İşletim panelini aydınlatmak için arka ışığı açar, böylece karanlık bir ortamda çalışırken, tüm kontrolleriniz kolaylıkla görülebilir.

FOCUS (Netlik)

Otomatik netlik özelliğini destekleyen bir lens kullandığınızınıyorsanız 'FOCUS' etiketli butona basmak, otomatik netliği tetikler.

REC (Kayıt)

"REC" etiketli butona basmak, kaydı tetikler ve tekrar basıldığında, kaydı durdurur.

IRIS (Diyafram)

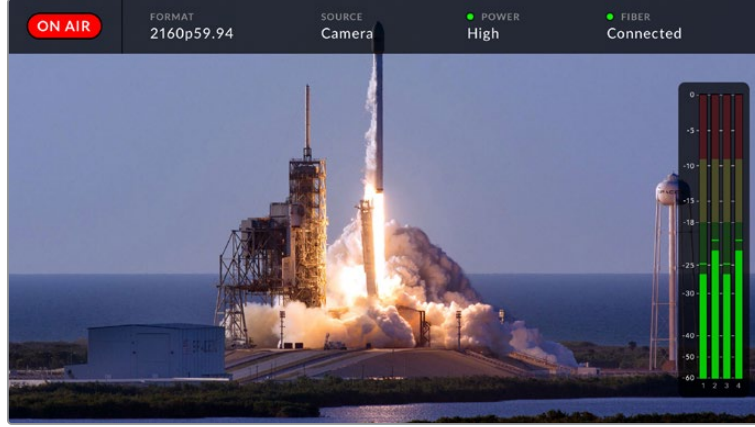
Kameradan kontrole imkan veren, uyumlu bir aktif lens kullanıyorsanız 'IRIS' etiketli çarkı çevirerek, diyaframı açıp kapatabilirsiniz. Lens diyafram açıklığını genişletmek veya daraltmak için, çarkı yukarı veya aşağı döndürün.

Studio Fiber Converter'in Kullanımı

LCD Kaynağının Seçilmesi

Çalıştırıldığında, Blackmagic Studio Fiber Converter'in büyük LCD ekranı, kameradan gelen sinyali görüntüler. Ana merkez birimi olarak Studio Fiber Converter, switcher'den gelen program sinyalini ve tüm kaynak dönüş sinyallerini alır ve SMPTE fiber kablo üzerinden, Blackmagic Camera Fiber Converter'e gönderir.

Dahili LCD ekran, kamera sinyalini ve dönüş sinyali girişlerine bağlı olan her bir kaynağı denetlemenizi sağlar. Durum bilgileri ve ses göstergeleri ile birlikte, denetim merkezi tarzı bir ekran sunar.



Sinyaller arasında geçiş yaparken bu katmanlar, görüntülediğiniz kaynağın adını ve formatını doğrulamanıza olanak tanır.

On Air (Yayında)

Bağlı olan kamera, program sinyalinde kullanıldığında yayında olduğunu, 'on air' etiketli kırmızı simge gösterir ve yayında değilken boş kalır.

Format

Kullanılan kaynağın çözünürlüğünü ve kare hızını gösterir.

Kaynak

Kullanılan kaynağın ismini gösterir

Güç

Kullanılan gücün durumunu gösterir. Bağlantı sırasında güç durumunun düşük olduğunu bildirmek için, kırmızı bir 'düşük' durum ışığı görüntülenir ve cihaz yüksek güç moduna girdikten sonra, yeşil bir 'yüksek' durum ışığı görüntülenir. Daha fazla bilgi için, 'Camera Fiber Converter'in Kullanımı' bölümündeki 'durum göstergeleri'ne bakınız.

Fiber

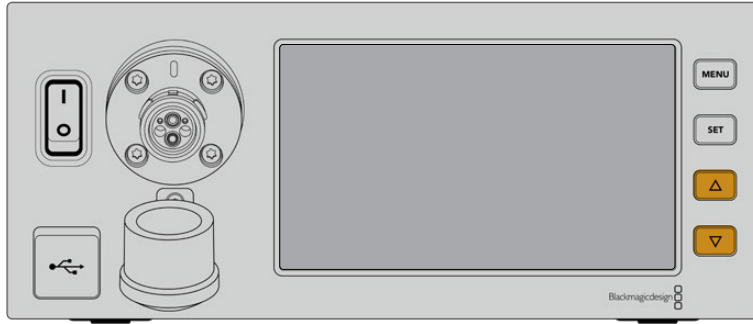
Geçerli fiber durumunu gösterir. İlk bağlantı işlemi sırasında, kırmızı bir 'bağlanıyor' durum ışığı görüntülenir ve başarılı bir SMPTE hibrit fiber optik kablo bağlantısı kurulduğunda, yeşil bir 'bağlandı' durum ışığı görüntülenir. Daha fazla bilgi için, 'Camera Fiber Converter'in Kullanımı' bölümündeki 'durum göstergeleri'ne bakınız.

Ses Göstergeleri

Üst sınır (peak) ses göstergeleri, kamera sinyalinin 1. ve 2. kanallarına gömülü kamera sesini kullanırken, ses seviyelerini gösterir. 3. ve 4. kanallar, Blackmagic Camera Fiber Converter'inizin arkasındaki iki XLR girişine bağlı olan ses kaynaklarının karşılığıdır. Gösterge, dBFS birimleri olarak kalibre edilmiştir ve kısa bir süre ekranda görünen, pik tutma göstergelerine sahiptir, böylece ulaşılan azami ses seviyelerini, açık bir şekilde görebilirsiniz.

Menünün Kullanımı

Yukarı ve aşağı ok butonlarına basmak, dört olası kaynak olan 'kamera', '1. dönüş', '2. dönüş' ve '3. dönüş' sinyalleri arasında gezinmenizi sağlar. Menü sistemine girmek ve ayarlarınızı değiştirmek için, 'MENU' butonuna basın. Ardından, farklı menü ekranlarında ve her ekrandaki seçenekler arasında gezinmek için ok butonları kullanılabilir ve 'SET' butonu, seçiminizi onaylamanızı sağlar. Menüdeki ayarlar 'ses', 'talkback' ve 'kurulum' sayfaları arasında bölünmüştür.

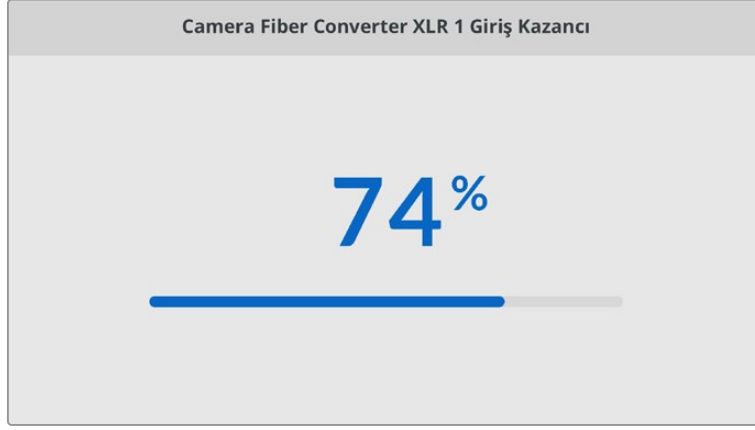


Dört olası kaynak arasında ve menüde gezinmek için, yukarı ve aşağı ok butonlarına basın

Ses

Blackmagic Camera Fiber Converter'inizin üzerindeki XLR girişlerine bağlı ses kaynakları için giriş seviyelerini ayarlamanıza, 'ses' sayfası olanak verir.

Ses	
Camera Fiber Converter XLR 1 Giriş Kazancı	%50
Camera Fiber Converter XLR 2 Giriş Kazancı	%50
Çıkış Kanalı 1 ve 2	Embedded 1 and 2
Çıkış Kanalı 3 ve 4	XLR 1 and 2



Her bir XLR girişinin giriş seviyesini ayarlamak üzere ok butonlarını kullanın ve seviyeyi doğrulamak için 'SET' butonunu kullanın

Camera Fiber Converter'dan gelen ses kanallarından hangilerinin, SDI sinyaline gömüleceğini ve XLR çıkışlarına gönderileceğini belirleyebilirsiniz. URSA Mini veya URSA Broadcast G2'den gelen gömülü ses kanalları, fabrika ayarı olarak 1. ve 2. kanallardadır. Camera Fiber Converter'a bağlanan Hat ya da Mikrofon seviyesi XLR girişleri, varsayılan olarak 3. ve 4. kanallara gönderilir. Fabrika ayarlarından farklı bir eşleştirme yapmak için çıkış kanalı ayarlarını değiştirebilirsiniz. Camera Fiber Converter üzerindeki XLR girişlerinden herhangi birinin AES olarak ayarlanmış olması, kanal eşleştirme seçeneklerinizi, gömülü SDI çıkışınızdan gönderilen 5. ve 6. kanalı dahil edecek şekilde genişletir.



Kameradan gelen gömülü XLR kanallarının, 1. ve 2. Çıkış kanallarına yönlendirilmesi

Talkback

Program ses kaynağınızı ve yapım ile teknik kanalı için talkback kaynağınızı seçmek üzere, 'talkback' menüsünü kullanın. Studio Fiber Converter'inizdeki talkback kaynağını, 'SDI + DB25' veya 'intercom tally DB25' olarak ayarlayın.

Kulaklıkların empedans seviyelerini hesaba katmak üzere, her mikrofonlu interkom kulaklığı için 'kulaklık kazancını' ve 'kulaklık mikrofonunun kazancını' da ayarlayabilirsiniz. İlgili kulaklığa gönderilen fantom gücü devreye sokmanıza, 'fantom güç' ayarları olanak verir. Kameramanların, kendilerini kulaklıklarından net ve rahat bir seviyede duymalarını sağlamak için 'kulaklık mikrofonunun kulaklıktaki seviyesi'ni ayarlayın.

Talkback	
Program Ses Kaynağı	SDI Kanalları 1 ve 2
Yapım Kanalı Kaynağı	SDI + DB25
Teknik Kanal Kaynağı	İnterkom Tally DB25
İnterkom 1	
Kulaklık Kazancı	%50
Kulaklık Mikrofon Kazancı	%50
Kulaklık Mikrofonu için Fantom Güç	On
Kulaklık Mikrofon Sesinin Seviyesi	%50
İnterkom 2	
Kulaklık Kazancı	%50
Kulaklık Mikrofon Kazancı	%50
Kulaklık Mikrofonu için Fantom Güç	On
Kulaklık Mikrofon Sesinin Seviyesi	%50

XLR girişlerine hiçbir şey bağlı değilken, interkom bölümü gri görünür ve bağlantı kurulurken, "bağlanıyor" ibaresi görüntülenir.

Kurulum

Kurulum menüsü; PTZ kaynağını yapılandırmanızı, menülerin dilini seçmenizi ve SDI dönüş seviyesinin türünü seçmenizi sağlar.

Setup	
PTZ Kaynağı	Switcher'den SDI
Dil	Türkçe
12G SDI Dönüş	3G A Seviye

PTZ komutlarının kaynağını seçmek için PTZ kaynağı ayarını kullanın. Blackmagic Studio Fiber Converter'in arka kısmındaki 'return in' SDI girişlerine ve PTZ için DE-9 konektörüne karşılık gelen SDI' veya '9-pim' arasından seçim yapabilirsiniz.

Yani bir PTZ kameranın; pan, tilt ve zum fonksiyonlarını, bir ATEM switcher üzerinden kontrol edebilir ve bu PTZ komutlarını, SDI üzerinden Studio Fiber Converter'e gönderebilirsiniz. Bu komutlar, SMPTE fiber kablo üzerinden Blackmagic Camera Fiber Converter'inize gönderilir ve motorlu bir PTZ kafasına aktarılmak üzere DE-9 seri konektör aracılığıyla ayrıştırılır ve çıkarılır.

Kamera tarafında, uzaktan kumandalı bir kafayı kontrol etmek için, DE-9 konektörü üzerinden Blackmagic Studio Fiber Converter'e bir PTZ kontrolör de bağlayabilirsiniz.

PTZ Kaynağı	
Switcher'den SDI	✓
Studio Fiber Converter'den 9-pim	

Ayarlar menüsü sayfası, PTZ komutlarının kaynağı için 'SDI' veya '9-pim' seçeneklerini sunar.

Dil	
English	
中文	
日本語	
한국어	
Español	
Deutsch	
Français	
Русский	
Italiano	
Português	
Türkçe	✓

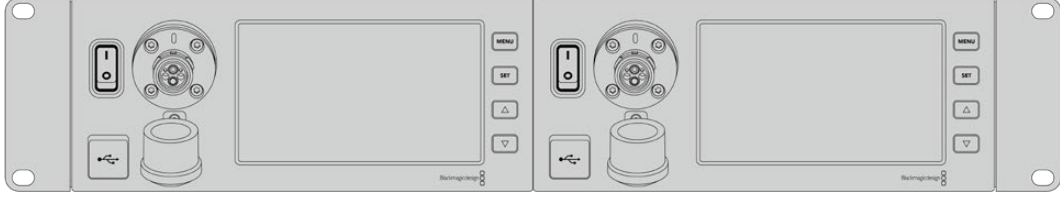
'Dil' ayarı, menülerde kullanılan dili belirler. Studio Fiber Converter, 11 yaygın dili destekler: İngilizce, Çince, Japonca, Korece, İspanyolca, Almanca, Fransızca, Rusça, İtalyanca, Portekizce ve Türkçe. Ayrıca, cihaz ilk kez çalıştırıldığında ve dahili yazılımı güncelleme sonrasında da dil menüsü belirir.

12G program dönüş sinyallerinin, 3G A Seviye ya da 3G B Seviye'ye dönüştürülmesi, '12G SDI dönüş' seçeneği ile belirlenir. Studio Fiber Converter'deki dönüş girişlerine gönderilen 12G sinyallerinin tamamı, Camera Fiber Converter'a giderken dönüştürülür.

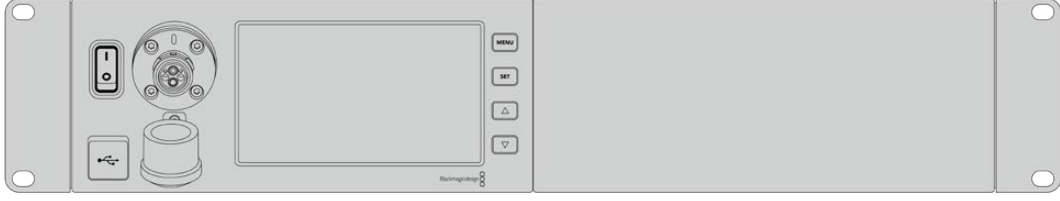
Stüdyo Cihazının Ekipman Rafına Montajı

Birden fazla Blackmagic Studio Fiber Converter çalıştırıyorsanız çeviricilerinizi bir yayın rafına veya bir taşıma kasasına monte etmek için, bir Blackmagic Studio Fiber Rack Kit kullanabilirsiniz. Rack Kit'i kullanarak, iki cihazı yanyana veya rafın herhangi bir tarafına monte edebilirsiniz. Tek bir cihaz monte etmek istediğinizde, rafın boş tarafını kapatmak için Studio Fiber Rack Kit ile beraber, bir kapatma paneli gelir.

Studio Fiber Converter cihazınız, iki raf ünitesi yüksekliğinde ve standart bir rack rafının yarı genişliğindedir, böylelikle iki Studio Fiber Converter ünitesini, yanyana 2RU rack alanına sığdırabilirsiniz.

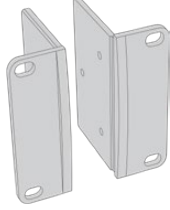


Yanyana monte edilmiş Blackmagic Studio Fiber Converter cihazları



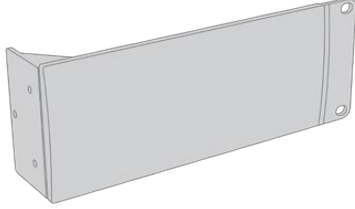
Rack Kit'ine dahil olarak gelen kapatma paneli, istenildiğinde rafın boş kısmını kapatmak için kullanılabilir.

Blackmagic Studio Fiber Rack Kit aşağıdaki parçaları içerir:



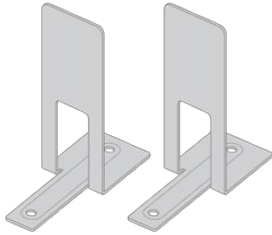
2 x Raf bağlantı kulağı

Blackmagic Studio Fiber Converter'i bir rafa montajlamak için raf bağlantı kulaklarını, cihazın dış köşelerine takın.



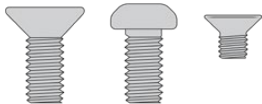
1 x Yarım raf genişliğinde boşluk kapatma levhası

Boşluk kapatma levhasının bir tarafında, bir bağlantı kulağı bulunur, böylece tek cihaz takıyorsanız raf boşluğunu kapatabilirsiniz. Bu örnek, bağlantı kulağını sağda gösteriyor. Diğer tarafa takmak için, levhayı 180 derece çevirmeniz yeterlidir.



2 x Destek bağlantısı

T şeklindeki destek bağlantıları, destek sağlamak için iki Studio Fiber cihazının altına, ön ve arkada birleştikleri yere bağlanır.



Vidalar

8 x M4 10mm

Raf kulağı vidaları

4 x M4 8mm

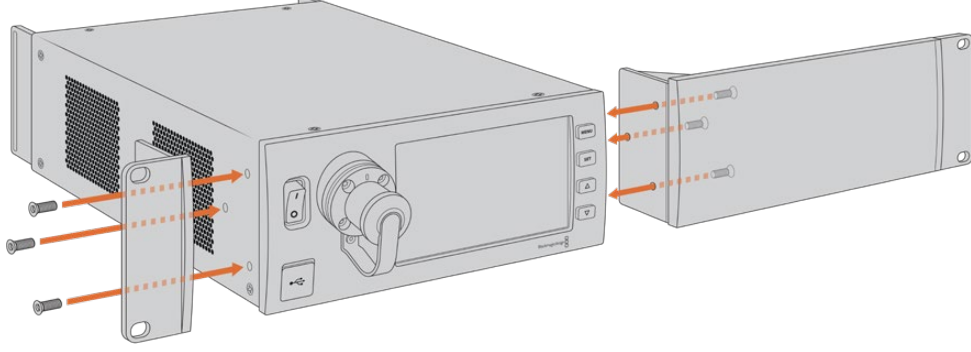
Kapatma paneli vidaları

5 x M3 5mm

Destek bağlantı vidaları

Blackmagic Studio Fiber Converter'in, bir rafa monte edilmek üzere hazırlanması:

- 1 Cihazın, rafın sağında veya solunda olması tercihinize bağlı olarak, kapatma panelini Studio Fiber Converter'inizin herhangi bir tarafına yerleştirin. Kapatma panelinin ön yüzü, cihazın ön paneliyle aynı yöne bakmalı.
- 2 Kapatma panel vidalarının üçünü kullanarak kapatma panelini, Studio Fiber Converter'inizin ön kısmına yakın olacak şekilde, yan tarafına bağlayın.



- 3 Raf kulağını Studio Fiber Converter'in diğer tarafına bağlamak için, verilen 3 adet raf kulağı vidasını kullanın.

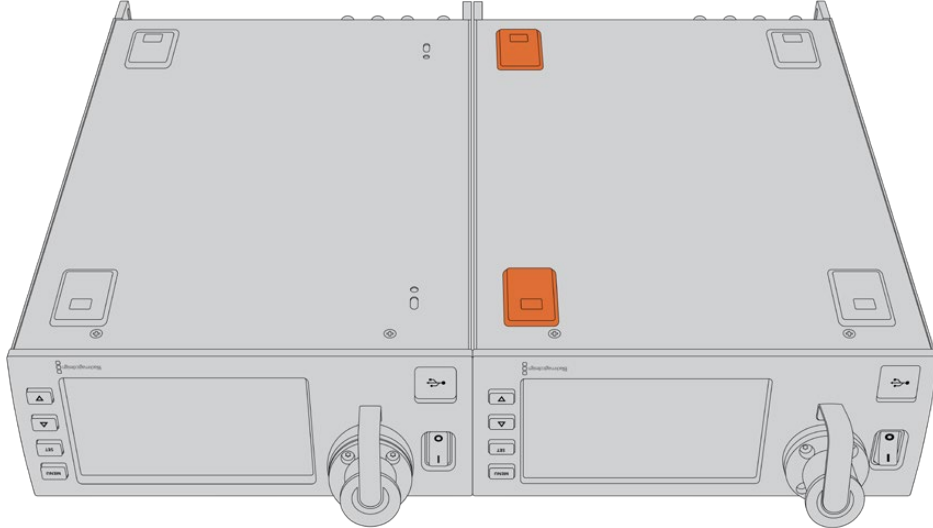
Raf kulağı ve kapatma paneli takılı olarak, artık çeviricinizi, standart bir 2 raf ünitesi alanına, iki kenarında bulunan montaj deliklerini ve standart raf vidalarını kullanarak monte edin.

Tek rafa, yanyana monte etmek üzere, iki Blackmagic Studio Fiber Converter'in hazırlanması:

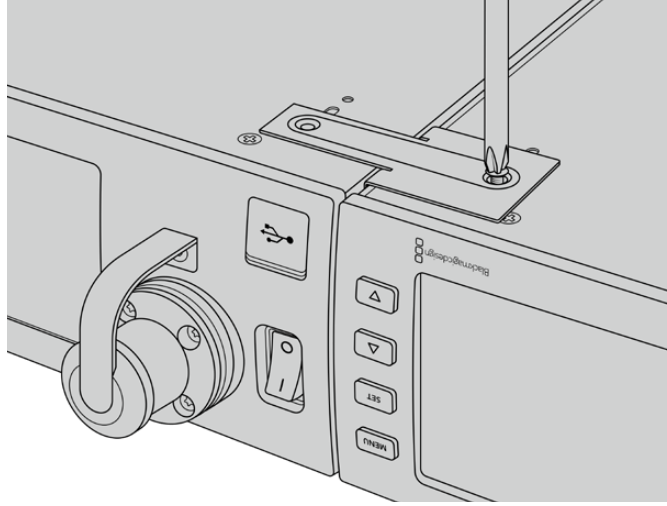
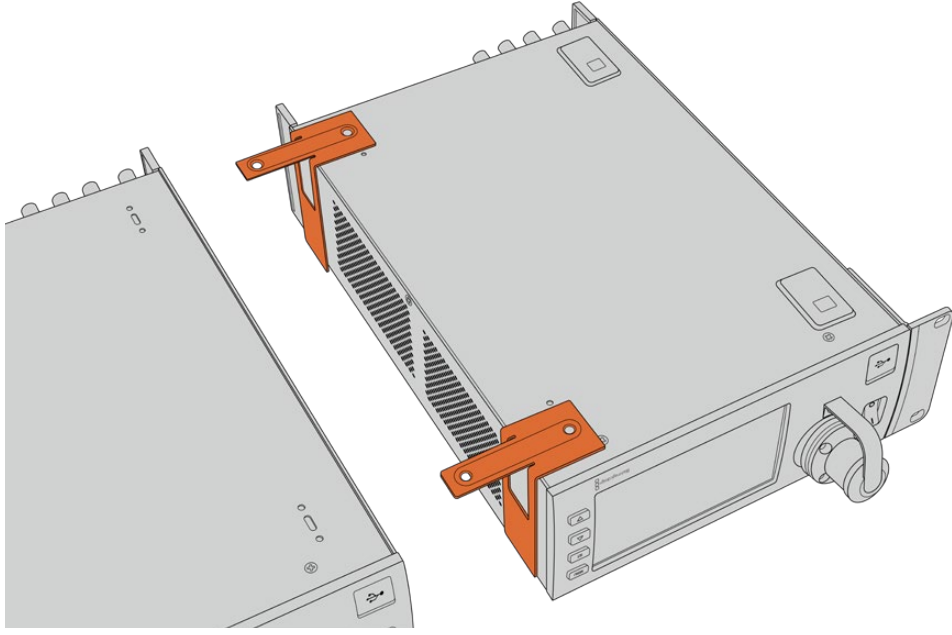
İki çeviriciyi yan yana monte ediyorsanız, destek bağlantılarını kullanarak birbirine sıkıca bağlayabilirsiniz; böylece monte edilmeleri daha kolay olacaktır.

İki cihazı sabitlemek için:

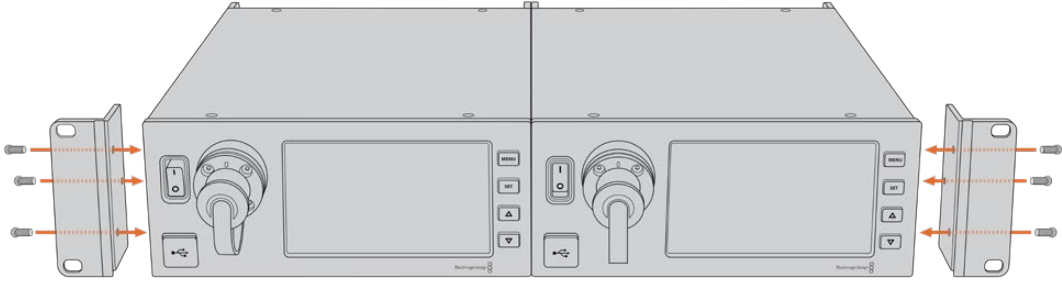
- 1 Her iki çeviriciyi baş aşağı olacak şekilde ters çevirin ve yan yana yerleştirin. Çeviricilerin birbiriyle temas ettiği taraftaki iki lastik ayağı çıkarın.



- 2 Ürün ile gelen T şeklindeki iki destek bağlantısını, ön ve arka temas noktalarında olacak şekilde, verilen destek bağlantısı vidaları ve mevcut delikleri kullanarak, iki stüdyo fiber ünitesinin altına bağlayın.



- 3 Birbirine bağılı üniteleri tekrar çevirin ve dahil edilen raf kulağı vidalarını kullanarak, raf kulaklarını her iki çeviricinin ön tarafındaki dış kenarlarına sabitleyin. İki taraftaki montaj deliklerini ve standart raf vidalarını kullanarak bir rafa sabitlenmek üzere, artık çeviricileriniz hazır.



Kamera Ünitesi Bağlantıları

Bağlantılar, Blackmagic Camera Fiber Converter'in arka ve yan panellerinde bulunur. Bağlantılar kullanılmadığı zaman, yağmur ve diğer dış hava etkenlerinden korunması için, lastik kapaklar kapatılmalıdır. Bu, özellikle SMPTE fiber bağlantı için geçerlidir; çünkü toz parçacıkları, cam fiber borunun cilalı uçlarında çabucak toplanabilir ve bu da sinyal akışını engeller. Hem cihazlardaki hem de kablodaki kapakların, bağlanmadan hemen önce çıkarılması ve bağlantı bittikten sonra hemen yerine takılması, her zaman faydalıdır.

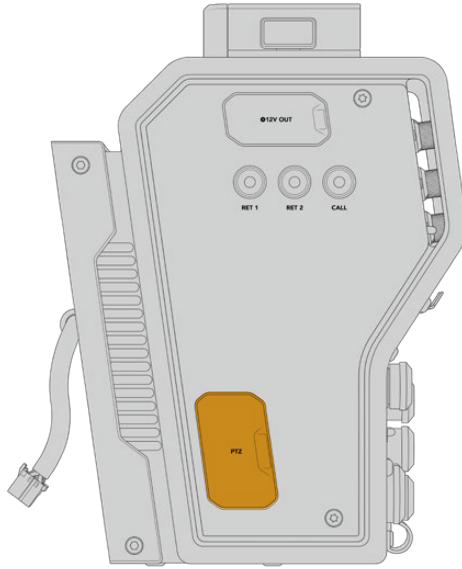
Kamera Güç Bağlantısı

Kamera ünitesine ve kameranıza güç, temel olarak bir SMPTE hibrid fiber kablo aracılığıyla stüdyo çevircisinden sağlanır. Bu ayrıca, Blackmagic URSA Studio Viewfinder gibi, kameranıza bağlı tüm aksesuarları da çalıştırır.

Bununla birlikte, kameranızın 12V XLR bağlantısı, bir güç kaynağına bağlı ise Blackmagic Camera Fiber Converter'i, kameranızdan çalıştırabilirsiniz. Normalde bu gerekli değildir, fakat kameranızın stüdyo cihazından 2km'den daha uzak mesafeye kurulduğu ve SMPTE fiber kablo üzerinden sağlanan gücün güvenilir olmadığı durumlarda bir seçenektir.

PTZ Arabirimi

DE-9 seri konektör, motorlu bir PTZ kafasına bağlanmanızı sağlar. Örneğin, Blackmagic URSA Broadcast G2 veya URSA Mini kameranız, PTZ kafa kullanan ve uzaktan kontrol edilen bir kamera vincine takılı olduğunda. Kameranıza gönderilen PTZ komutlarının kaynağını, Blackmagic Studio Fiber Converter'inizin menüsünden seçebilirsiniz. Komutların kaynağı, Studio Fiber Converter üzerindeki DE-9 konektöre veya bir ATEM switcher'den gelen SDI sinyaline ayarlı olabilir. Daha fazla bilgi için 'Studio Fiber Converter'in çalıştırılması' bölümüne bakınız.

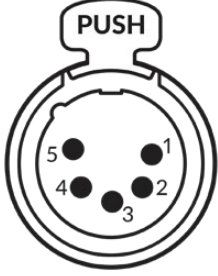


PTZ Arabirimi

Talkback (İletişim) Bağlantısı

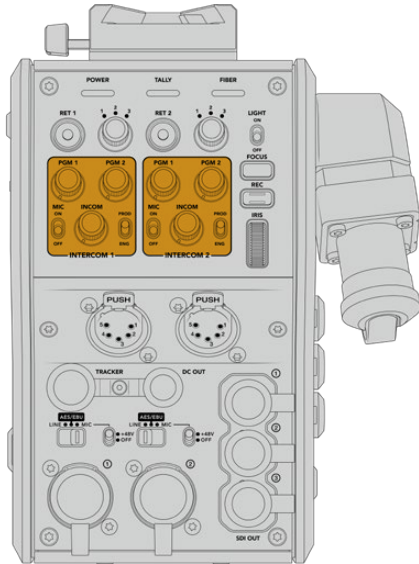
İki adet dişi 5 pim XLR bağlantısı, iki adet yayın kulaklığı bağlamanızı sağlar, böylelikle iki kişi aynı anda talkback üzerinden iletişim kurabilir. Örneğin, kamera operatörünün yayın kulaklığı, ilk XLR bağlantısına takılabilir ve bir vinç operatörü veya ses teknisyeni gibi bir ekip arkadaşının ikinci XLR kulaklık bağlantısına takılabilir. Mikrofonlu kulaklık XLR bağlantısı için bir kablo işlev şemasını, aşağıda bulabilirsiniz.

Mikrofonlu Kulaklık XLR Kablo İşlev Şeması

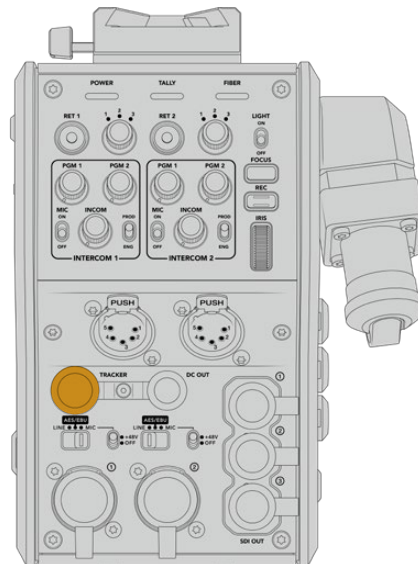
Dış görünüşler	Pim numarası	Sinyal türü	I/O (Giriş/Çıkış)	Açıklamalar
 5-pimli 'mikrofonlu kulaklık' XLR bağlantısı	1	İnterkom mikrofonu (Y)	GND	İnterkom mikrofon girişi; elektret kondensör mikrofonları ve dengeli veya dengesiz olabilen dinamik mikrofonları destekler. Pim 1, ortak mikrofon sinyali ve pim 2, her iki tip mikrofon için giriş mikrofon sinyalidir. Elektret mikrofonlarda, bir DC öngerilim besleme, aynı mikrofon sinyal giriş pimi üzerinden çıkarılır.
	2	İnterkom mikrofonu (X)	Giriş	
	3	GND (Topraklama)	GND	GND
	4	İnterkom sol	Çıkış	
	5	İnterkom sağ	Çıkış	

Her bir mikrofonlu kulaklık için ilgili interkom kontrolleri, bağlantı noktalarının hemen üst tarafındadır.

İnterkom kontrollerinin kullanılması hakkında daha fazla bilgi için, 'Camera Fiber Converter'in Kullanımı' bölümüne bakın.



İnterkom kontrolleri, talkback ses seviyelerinin miksajı için kullanılır.



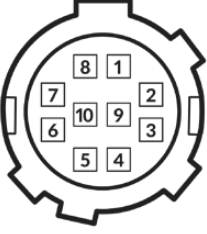
Takipçi (tracker) ara birimi konnektörü

Tracker Arabirimi

10 pimli 'tracker' konektörü, talkback ve tally sinyalleri için çok sayıda çıkış sağlamakla birlikte, teleprompter bilgisi gibi verileri de sağlamaktadır. Bu çıkış, genellikle kamera vinci gibi yapım ekipmanlarını çalıştıran destek ekipler tarafından kullanılır.

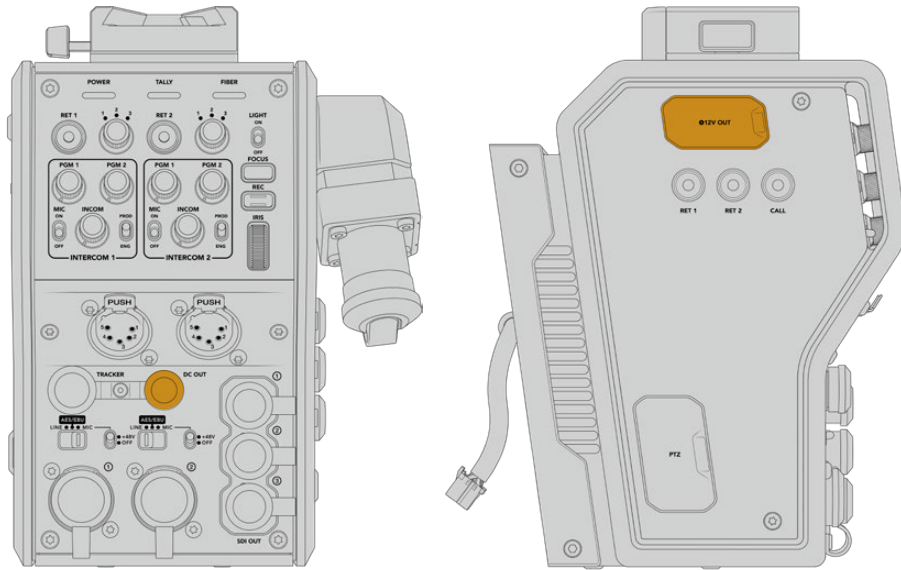
Kendi kablonuzu oluşturmak istiyorsanız bu bölümde, bir kablo işlev şeması bulabilirsiniz.

Tracker Çıkışı Kablo İşlev Şeması

Dış görünüş	Pim numarası	Sinyal türü	I/O (Giriş/ Çıkış)	Özellikler
 <p>10 pim 'tracker' konektörü</p>	1	Tracker sol	Çıkış	Tracker çıkışı, -20 dBU dengersiz
	2	GND (Talk)	–	Tracker talkback'ı için topraklama
	3	GND (Receive/PGM/ Tally)	–	Receive/PGM/tally için topraklama
	4	Tracker sağ	Çıkış	Tracker çıkışı, -20 dBU dengersiz
	5	Düzensiz	Çıkış	12V DC (düşük), 500mA (azami)
	6	Topraklama (Düzensiz Voltaj)	–	Düzensiz voltaj için topraklama
	7	Tracker talkback (X)	Giriş	Tracker talkback 0 dBU /-20 dBU, yüksek empedans dengeli
	8	Tracker talkback (Y)	Giriş	
	9	G Tally	Çıkış	Açık: 12V Kapalı: yüksek empedans (açık)
	10	R Tally	Çıkış	Açık: 12V Kapalı: yüksek empedans (açık)

DC Bağlantısı

Harici ekran gibi ilave aksesuarları, DC çıkış bağlantısı ile çalıştırabilirsiniz.



DC çıkış bağlantısı; harici monitörler veya kayıt ekipmanları gibi ek aksesuarlara güç sağlar.

D-Tap Çıkışı

D-Tap Çıkışı

Sol yan panelde bulunan +12V çıkışı, genellikle 'D-tap' ya da 'P-tap' olarak da bilinir ve ekran veya büyük kutu lens gibi aksesuarları çalıştırmanızı sağlar. 2 amper, +12 Volt DC değerinde güç gerektiren kutu lensleri, bu çıkış destekler.

Referans Çıkışı ve Çalıřtırılması

Referans çıkışı, bir BNC kablosu ile kameranıza bir referans sinyali baęlamak için kullanılabilir.

Kameranıza bir referans sinyali baęlamak için:

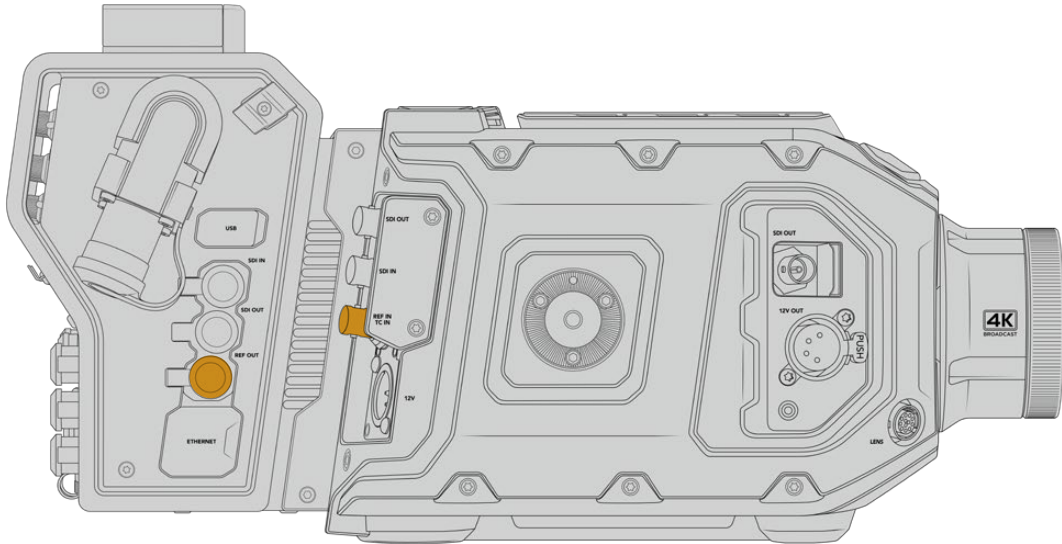
- 1 Camera Fiber Converter'iniz ile birlikte gelen küçük SDI kablolarından birini kullanarak, Blackmagic Camera Fiber Converter'deki 'REF OUT' etiketli referans çıkışı, kameranızdaki 'REF IN' etiketli referans girişine takın.
- 2 Kameranızın referans ayarını, referans giriři olarak belirleyin.

Bir senkron referans sinyali, video ekipmanlarını ortak bir referansa genlock yapmanızı sağlar ve böylece tüm ekipmanlar, tam olarak aynı zamanlamayı paylaşırlar. Yani tüm video kaynakları, senkronize olur ve miksaj, sorunsuz řekilde yapılabilir.

ATEM switcher'lerin dahili yeniden senkronlayıcıları vardır; yani Blackmagic kameraları, bir ATEM Switcher ile kullanıyorsanız bir senkron referansı baęlamana gerek yoktur. Kamera, ATEM switcher'den gelen SDI program sinyaline kitlenir, yani tek yapmanız gereken; URSA Broadcast G2 ya da URSA Mini'nin kurulum menüsünün ikinci sayfasındaki referans ayarının, program giriři olarak seçildięinden emin olmaktır. Yeniden senkronizasyon iřlemi, bir karelik gecikme ekleyecektir.

Yeniden senkronizasyon iřleminin gecikmesini, ATEM dahilinde azaltmak istiyorsanız önce, URSA Broadcast G2 ya da URSA Mini'ye, bir referans sinyali gönderin ve ardından, hat giriři, ATEM'in geçiř zamanlamasından önce olacak řekilde geri zamanlamayı ayarlayın.

URSA Broadcast G2 veya URSA Mini'de referans zamanlamasını ayarlamak için; 'ayarlar' menüsüne girin ve 'referans' altındaki hat numarasını deęiřtirin.

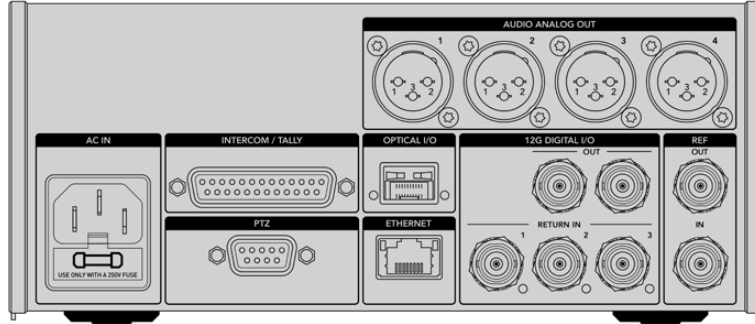


Harici bir referans sinyali kullanıyorsanız Camera Fiber Converter cihazının referans çıkışı, URSA Broadcast G2 ya da URSA Mini'nin referans girişine takın.

Stüdyo Ünitesi Bağlantıları

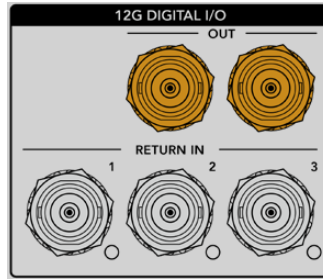
Blackmagic Studio Fiber Converter'in arka panelinde; SDI dönüş sinyali ve BNC referans konektörleri, interkom ve tally DB-25 konektörü, PTZ 9 pim seri portu, ses çıkışları ve Ethernet bulunur.

Tüm SDI girişleri, Ultra HD 2160p60'ya kadar, 12G-SDI video formatlarını destekler.



12G-SDI Çıkışı

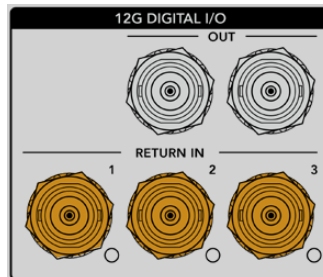
İki 12G-SDI çıkışı, stüdyo ünitesinden gelen kamera sinyalini, switcher'inizin kamera SDI girişlerinden herhangi birine bağlamak içindir. İkinci konektör, aynı sinyalini; bir Blackmagic Videohub yönlendirici, SmartView monitör veya bir HyperDeck Disk Recorder gibi, başka video cihazlarına gönderilmesi için kullanılabilir.



12G-SDI çıkışları, 720p50'den 2160p60'a kadar olan sinyallere izin verir.

Dönüş SDI Girişleri

12G-SDI dönüş sinyali BNC bağlantıları, üç adede kadar dönüş SDI sinyali bağlamanızı sağlar. Örneğin; bir switcher'den gelen program sinyali, dönüş 1'e bağlanmalı ve kameranızın sahip olduğu kare hızıyla eşit bir kare hızına sahip olmalı. İkinci bir kamera çıkışı, HyperDeck oynatım cihazı ve hatta bir teleprompter gibi diğer kaynaklar, 2 ve 3 numaralı dönüş sinyallerine bağlanabilir. Bir ATEM switcher kullanıyorsanız, return 1'e bağlı olan program sinyali ayrıca; tally, talkback, referans ve kamera kontrol sinyallerini de içerir.

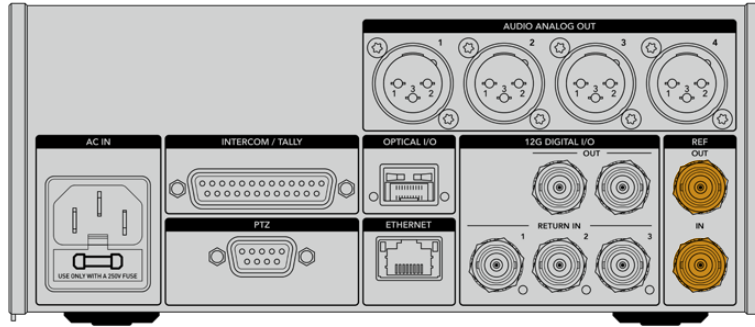


Dönüş SDI girişleri, switcher'inizden üç adede kadar dönüş sinyalinizi bağlamanızı sağlar. Bu sinyaller, kamera operatörü tarafından izlenebilmesi için, kameranıza gönderilir ya da SDI aracılığıyla diğer cihazlara gönderilir.

NOT Dönüş girişlerine Ultra HD video bağlarsanız, Ultra HD formatı aynı kare hızında 1080p'ye düşürülür; böylelikle kamera ünitesinin çıkışı HD olur. Ultra HD dönüş sinyallerinin HD'ye dönüşümü, çok daha yüksek bant genişliği sağladığından, birden fazla dönüş kaynağı gönderebilirsiniz.

Referans Girişi ve Çıkışı

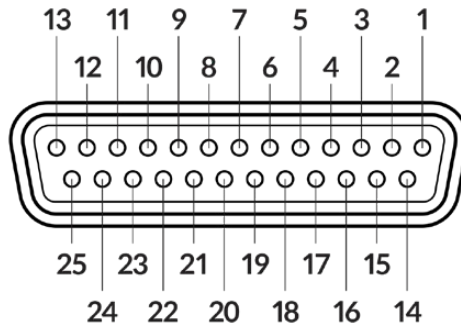
ATEM switcher kullanmıyorsanız ve bir cihazı, genel bir harici referans sinyaline bağlamanız gerekiyorsa harici sinyali, BNC referans girişine takabilirsiniz. Bu, referans SMPTE fiber kablosu üzerinden kamera ünitesine gönderir. Stüdyo ünitesinden BNC referans çıkışı, referans kaynağını, başka cihazlara döngü şeklinde göndermek için kullanılabilir.



Diğer yayın ekipmanlarından, kameranıza yerel referans zamanlaması göndermek için, 'ref in' etiketli bağlantı noktasını kullanın.

Talkback Arayüzü

25 pimli interkom ve tally bağlantısı, üçüncü parti interkom ve tally sistemlerine bağlanmanızı sağlar. Özel bir kablo yapmak istiyorsanız aşağıdaki kablo işlev şemasını kullanabilirsiniz. Teknik, prodüksiyon, tally veya program ses girişi için pimleri bağladıktan sonra, Blackmagic Studio Fiber Converter'da menüyü, buna uygun olarak ayarlamanız gerekir.



25 pim 'interkom/tally' bağlantısının dıştan görünümü

Talkback Kablo İşlev Şeması

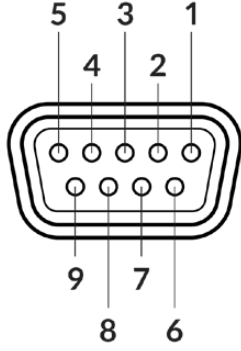
Pim numarası	Sinyal türü	Özellikler
1	ENG (R) + Girişi	Teknik kanal girişi
2	ENG (R) - Girişi	0dBu dengeli
3	ENG GND (Topraklama)	ENG için topraklama
4	ENG (Talkback) + Çıkışı	Teknik kanal çıkışı
5	ENG (Talkback) - Çıkışı	0dBu dengeli
6	Program Girişi+	-20dBu
7	Program Girişi-	-20dBu
8	Program Topraklama	-20dBu
9	GND	Aux için topraklama
10	N/C	–
11	Kırmızı Tally Girişi	Açık = 5-24Vdc, Kapalı= 0Vdc
12	Kırmızı Tally Topraklama	–
13	GND	Kasa Topraklama
14	YAPIM (R) Girişi+	Yapım kanalı girişi
15	YAPIM (R) Girişi-	0dBu dengeli
16	YAPIM Topraklama	–
17	YAPIM (Talkback) Çıkışı+	Yapım kanalı çıkışı
18	YAPIM (Talkback) Çıkışı-	0dBu dengeli
19	N/C	–
20	N/C	–
21	N/C	–
22	N/C	–
23	N/C	–
24	Yeşil Tally Girişi	Açık = 5-24Vdc, Kapalı= 0Vdc
25	Yeşil Tally Topraklama	–

PTZ Arabirimi

Hem studio ünitesinde hem de kamera ünitesinde, DE-9 konektör vardır; böylece stüdyo tarafına, bir PTZ kumandası ve kamera tarafına, uzaktan kontrol edilen bir PTZ kafası bağlayabilirsiniz. PTZ komutları, SMPTE fiber kablo aracılığıyla, üniteler arasında bağlı olan SDI sinyaline gömülüdür.

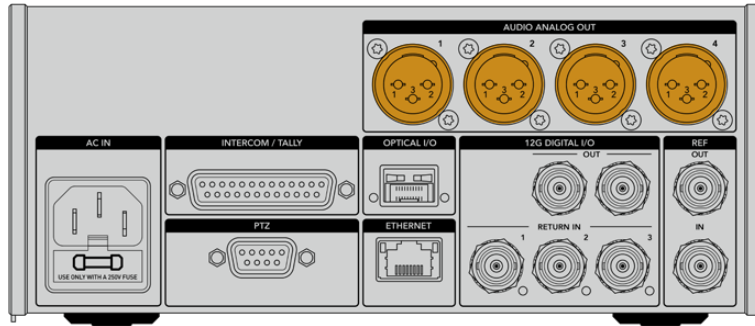
Blackmagic Studio Fiber Converter üzerindeki ayarlar menüsü, Blackmagic Camera Fiber Converter'inize gönderilen PTZ komutlarının kaynağını seçmenize imkan verir. Kaynak olarak, Studio Fiber Converter'in arkasındaki PTZ konektörünü ya da bunun yerine bir ATEM Switcher'den gelen bir program SDI sinyalini seçebilirsiniz. Daha fazla bilgi için, 'Studio Fiber Converter'in çalıştırılması' bölümüne bakınız.

PTZ Arabirimi Kablo İşlev Şeması

Dış görünüş	Pim numarası	Sinyal türü
 <p>9 pim 'PTZ' konektörü</p>	1	GND
	2	RS422 Tx-
	3	RS422 Rx+
	4	GND
	5	N/C
	6	GND
	7	RS422 Tx+
	8	RS422 Rx-
	9	GND

Ses Çıktıları

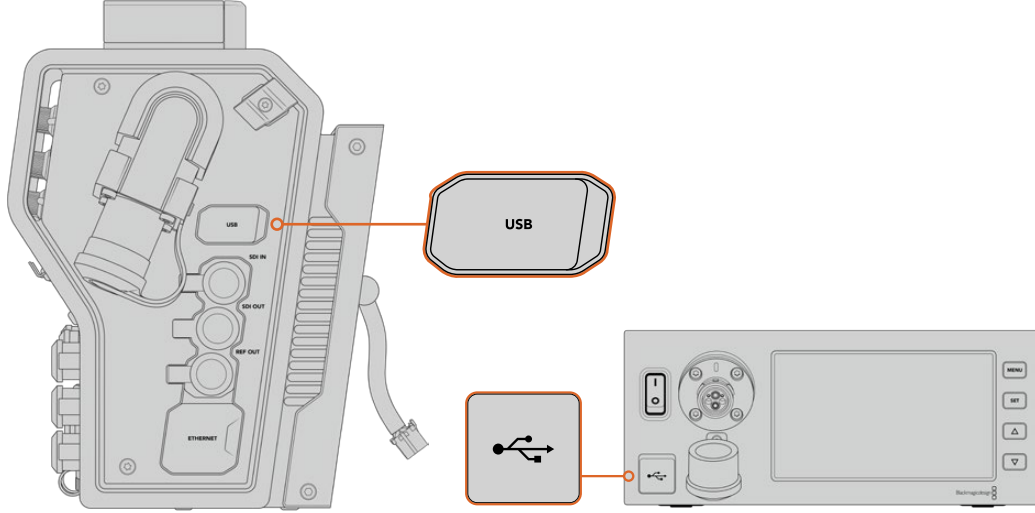
Studio Fiber Converter üzerindeki 4 adet XLR ses çıkışı; URSA Broadcast G2 ya da URSA Mini kameranızın 1 ve 2 nolu girişlerine ve Camera Fiber Converter üzerindeki 2 adet XLR ses girişine takılan sesin, çıkışını yapmanızı sağlar.



Stüdyo ünitesindeki 1 ve 2 nolu çıkışlar, varsayılan olarak URSA Mini ya da URSA Broadcast G2'deki gömülü XLR 1 ve 2 kanallarına karşılık gelir. Stüdyo ünitesindeki 3 ve 4 nolu çıkışlar, varsayılan olarak Blackmagic Camera Fiber Converter'deki XLR 1 ve 2 girişlerine karşılık gelir. Eşleştirmek üzere bu ayarları değiştirmek için, menüyü kullanabilirsiniz. Daha fazla bilgi için 'menünün kullanımı' bölümüne bakın.

Dahili Yazılımın Güncellenmesi

Blackmagic Design zaman zaman, Blackmagic Fiber çeviricilerinizdeki özellikleri geliştirebilen ve etkin hale getirebilen güncellemeler yayınlar. Fiber çeviricilerinizin, en son dahili yazılımı kullandığından emin olmanız için, sık sık Blackmagic Design web sitesine bakmanızı tavsiye ederiz. Fiber çeviricinizi, Blackmagic Camera Setup Yardımcı yazılımını kullanarak güncelleyin.



Blackmagic Fiber Converter'lerdeki USB-C portu, dahili yazılımı güncellenenizi sağlar.

Blackmagic Camera Fiber Converter'in Güncellenmesi

Camera Fiber Converter'in, güncelleme yapılırken çalışıyor olması gerekir, dolayısıyla güncelleme işlemi boyunca çeviriciyi, URSA Broadcast G2 veya URSA Mini kameraya bağlı tutmanızı tavsiye ederiz.

Camera Fiber Converter'den SMPTE Fiber kabloyu çıkarmanız ve bunun yerine devamlı güç temin etmek için kameranızı, URSA kamera ile gelen güç kaynağı ile çalıştırmanız gerekir.

Blackmagic Camera Fiber Converter dahili yazılımının güncellenmesi için, ünitenin sağ tarafında bir USB-C bağlantısı bulunmaktadır. Bilgisayarınızı bu USB bağlantısına takın ve Blackmagic Camera Setup Yardımcı yazılımını başlatın. Bilgisayarınız, Camera Fiber Converter'inizin eski bir sürümü kullandığını tespit ettiğinde, güncelleme yapmanız için uyarı verecektir. Çeviricinizin dahili yazılımını güncellemek için, ekran üstü komutları takip edin.

Blackmagic Studio Fiber Converter'in Güncellenmesi

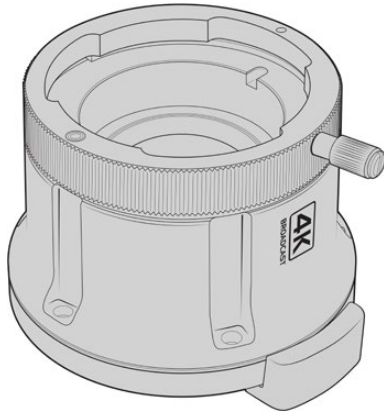
Studio Fiber Converter'in, güncelleme yapılırken çalışıyor olması gerekir, dolayısıyla güncelleme işlemi boyunca IEC güç kablosunu, stüdyo ünitesinin arka panelindeki güç bağlantısına bağlı tutmanızı tavsiye ederiz.

Blackmagic Studio Fiber Converter'in dahili yazılımının güncellenmesi için, ünitenin ön yüzünde bir USB-C bağlantısı bulunmaktadır. Bilgisayarınızı, bu USB bağlantısına takın ve Blackmagic Camera Setup Yardımcı yazılımını başlatın. Bilgisayarınız, Studio Fiber Converter'inizin eski bir sürümü kullandığını tespit ettiğinde, güncelleme yapmanız için uyarı verecektir. Çeviricinizin dahili yazılımını güncellemek için, ekran üstü komutları takip edin.

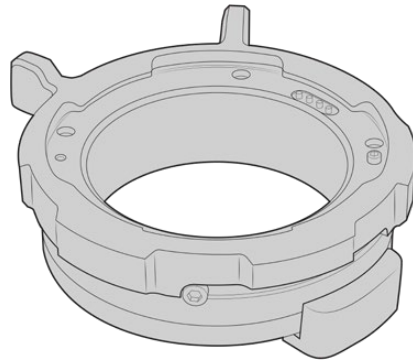
Deđiřtirilebilir Lens Yuvası

Blackmagic URSA Broadcast G2, kendi özel B4 lens yuvası takılı olarak ve ilave bir EF lens yuvasıyla gelir. Lens yuvasının deđiřtirilebilir olması, Blackmagic URSA Mini Pro PL veya URSA Mini Pro F Mount takımlarını da kameranıza takabilirsiniz demektir. Lens yuvası takımları, Blackmagic Design bayilerinde satılmaktadır.

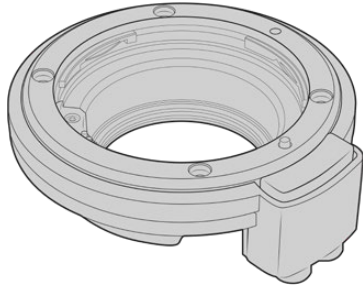
NOT Blackmagic URSA Mini Pro için bir B4 yuvası vardır, ancak URSA Broadcast G2 kameradaki B4 yuvası ile aynı deđildir ve farklı bir sensör için tasarlanmıştır. Sadece URSA Broadcast G2 kamera ile gelen B4 yuvasını kullanınız.



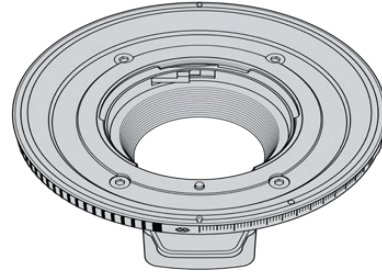
Broadcast B4 yuva



PL yuva



EF yuva



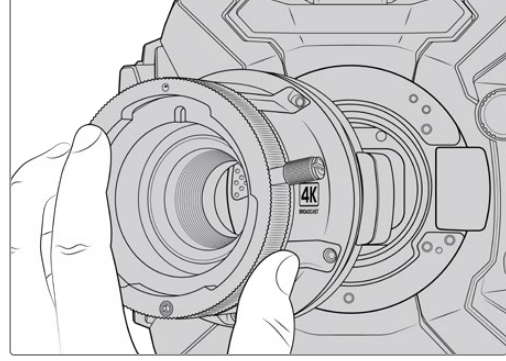
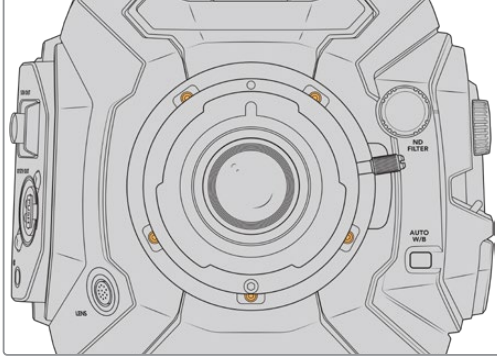
F yuva

Dört farklı lens yuvası arasında deđiřim yapma imkanı ile, üzerinde çalıştığınız işe göre farklı lensler kullanma özgürlüğünüz olur. Örneđin; EF yuva, yüksek kalite fotoğraf lenslerini kullanmanıza olanak sağlar; B4 yuva, elektronik haber toplama veya düđün çekimleri gibi işlerde, ortak odaklı zoom lensleri kullanmak istediğinizde mükemmeldir; PL yuva da mutlak dođruluk ve tekrar edilebilir kontrol için tasarlanmış, en son teknolojiye sahip sağlam sinema lenslerini kullanmanıza imkan tanır. F yuva; 1959'dan günümüze kadar imal edilmiş, muazzam çeřitlilikteki Nikon lensleri kullanmanızı sağlar.

Her bir yuvanın deđiřtirilmesi, orijinal B4 yuvanın vidalarını sökerek yerinden çıkarıp, yeni yuvayla deđiřtirmek kadar basittir.

B4 Lens Yuvasının Çıkarılması

B4 lens yuvasını çıkarmak için 2mm'lik bir alyan tornavida kullanarak, beş adet M3 alyan vidayı sökmek yeterlidir.



Beş adet M3 alyan vidası sökülen B4 lens yuvası, yavaşça yukarı kaldırılarak kamera gövdesinden çıkarılır.

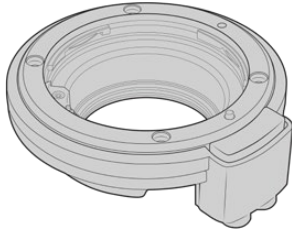
NOT Orijinal B4 yuvayı çıkarırken, yuvanın altındaki pulun, daima kameranıza takılı kaldığından emin olun.

PL, B4 ve EF lens yuvası takımları ve her bir yuvanın URSA Broadcast G2 kameraya nasıl takıldığı hakkında bilgi için bu bölümü okumaya devam edin.

Blackmagic URSA Mini Pro EF Mount

EF lens yuvası, yaygın EF fotoğraf lenslerini URSA Broadcast G2 kameranıza takmanıza olanak verir.

EF lens yuvası takımının içeriği:



1x EF yuva

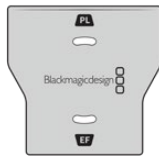
EF yuva, yaygın EF fotoğraf lenslerini takmanıza olanak verir.



1 x Pul seti

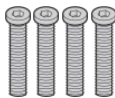
Pul seti, aşağıda belirtilen kalınlıklara sahiptir:

0.50mm	0.18mm	0.10mm
0.30mm	0.15mm	0.05mm
0.20mm	0.12mm	0.025mm



1 x Ara parça aleti

EF yuvadaki ara parça, sökülebilir değildir ancak, bir PL yuvaya da sahipseniz yedek parça olarak kullanmanız için EF takımına, bir ara parça aleti ekledik.

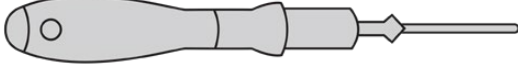


4 x 2mm alyan M3 x 18mm yuva vidası

Dört adet M3 x 18mm'lik alyan vida, sadece EF yuvaya özeldir, dolayısıyla bu vidaları, ilgili yuva ile birlikte saklayabilirsiniz.

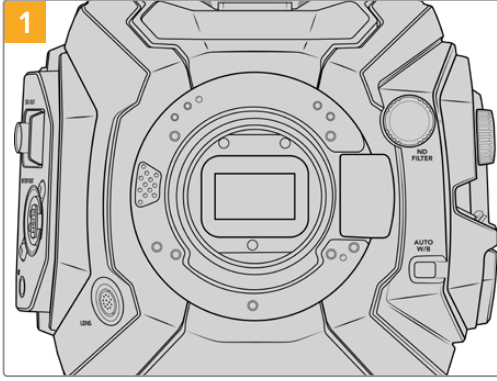
Gerekli Aletler

EF yuvayı takarken, 2mm'lik bir alyan tornavida gerekecek. Mutlak suretle gerekli olmasa da vidaların aşırı sıkılmasını önlemek için, tam olarak 0.45Nm'lik bir maksimum torkun ayarlanabileceği bir tork kolunu kullanmanızı tavsiye ederiz.

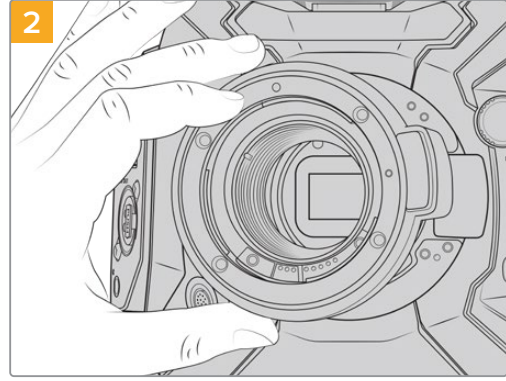


2mm alyan tornavida

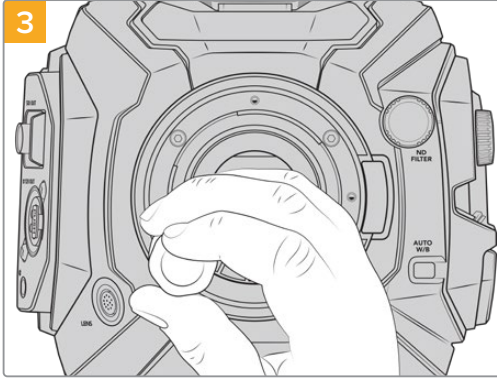
EF Lens Yuvasının Takılması



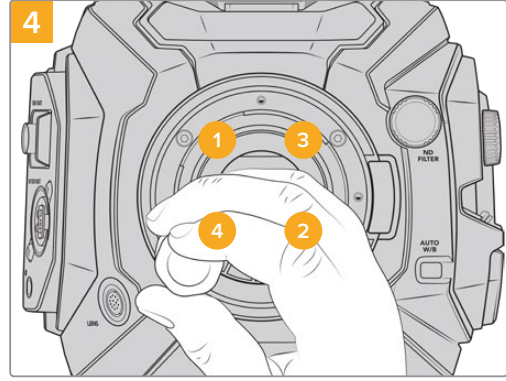
Yuvanın dikey olarak takılabilmesi için URSA Broadcast G2 kameranızı, sağlam ve temiz bir tezgahın üzerine, dikey olarak koyduğunuzdan emin olun. PL yuvayı, EF yuvayla değiştiriyorsanız EF yuvayı takmadan önce, PL ara parçasını çıkardığınızdan emin olun.



Blackmagic URSA Mini Pro EF yuvayı, yavaşça kamera gövdesine yerleştirin ve kırmızı noktanın saat 12 konumunda olduğundan emin olun.



Dört adet bağlantı vidasını, lens yuvasının desteğine temas edene dek sıkımadan döndürün.

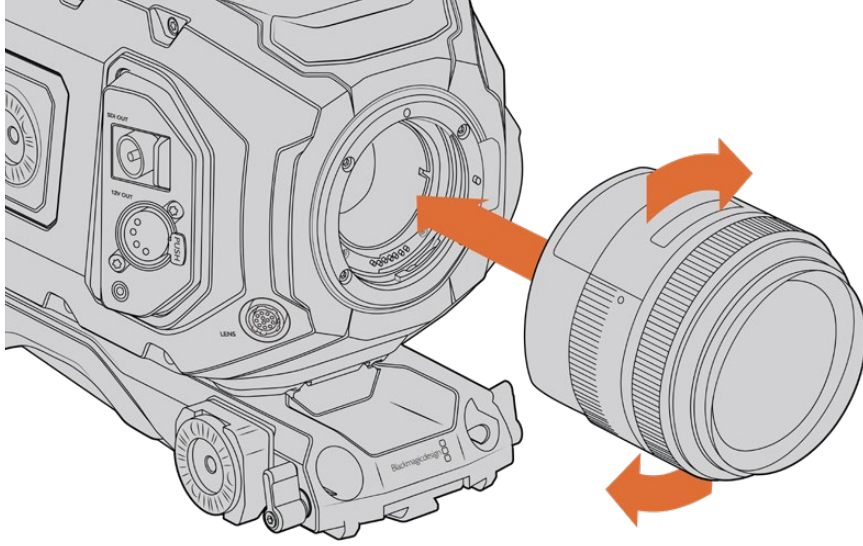


2mm alyan tornavidayı ya da 2mm alyan uçlu tork kolu kullanarak, 1. bağlantı vidasını ve ardından 2. vidayı bir tam tur sıkıştırın, 3. ve 4. vida için işlemi tekrarlayın. Tüm vidalar, maksimum 0.45Nm'lik torka ulaşmaya kadar, yukarıdaki sıralamayla her bir vidayı, bir tam tur sıkıştırın.

NOT EF yuvasını çıkarırken, takma işlemi talimatlarını, 4. adımdan 1. adıma doğru, tersten takip etmeniz yeterlidir

EF yuvalı bir lens takmak için:

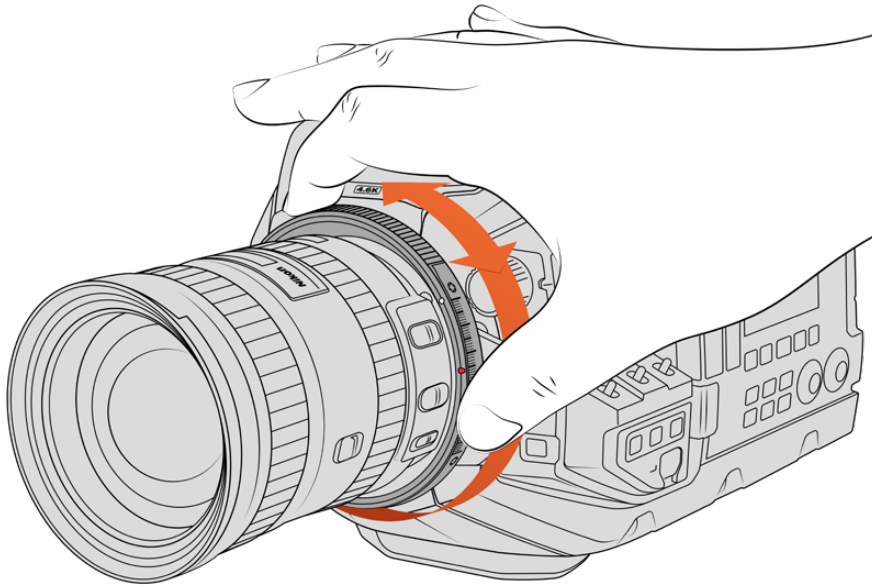
- 1 Kamera yuvasındaki nokta ile lensinizdeki noktayı aynı hizaya getirin. Çoğu lens, görsel bir işarete sahiptir, örneğin; mavi, kırmızı ya da beyaz bir nokta.
- 2 Lensi, yuvanın içine yerleştirin ve yerine oturana kadar saat yönünde çevirin.
- 3 Lensi çıkarmak için; kilitleme butonunu basılı tutun, saat 12 konumuna gelene kadar lensi, saat yönünün tersine çevirin ve yavaşça çıkarın.



Bir EF yuvalı lensin takılması ve çıkarılması

Blackmagic URSA Mini Pro F Mount

URSA Broadcast G2 kameranıza, Blackmagic URSA Mini Pro F yuva takılıyken, F yuvalı lensleri kullanabilirsiniz. Nikon'un F yuva sistemi, 1959'lara kadar uzanır ve F yuva lensler günümüzde halen üretilmektedir. Yani, Blackmagic URSA Mini Pro F yuva ile, muazzam çeşitlilikteki klasik ve modern lensleri kullanabilirsiniz.



F yuvalı lenslerin diyafram açıklığını kolayca değiştirmek için, URSA Mini Pro F yuvanın diyafram ayar halkasını kullanın.

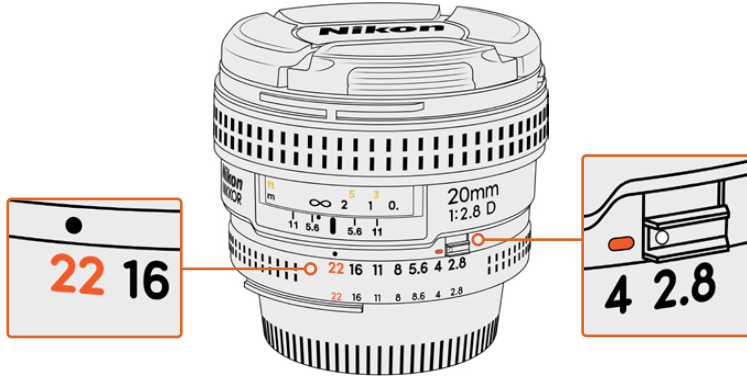
F yuvarının mekanik bir yuva olduğunu belirtmemizde fayda var. Yani, elektronik netlik veya diyafram kontrolü yoktur. Bunun yerine F yuva, mekanik bir diyafram ayarlayıcısına sahiptir. Yumuşak, sinema lensi tarzı bir diyafram ayarı için diyafram halkası, çoğu Nikon lenste bulunan diyafram pimini hareket ettirir.

Bir F yuva takılıken, istediğiniz pozlamayı elde etmek için, sadece Blackmagic URSA Mini Pro F yuvasındaki diyafram ayarlayıcıyı hareket ettirmeniz yeterlidir. F yuvadaki kırmızı nokta ve diyafram ayarlayıcıdaki işaretler, belli bir pozlama veya alan derinliği ayarına kolaylıkla geri dönmeniz için, diyafram ayarını işaretlemenize olanak verir.

NOT F yuvasını çıkarırken, takma işlemi talimatlarını, 4. adımdan 1. adıma doğru, tersten takip etmeniz yeterlidir

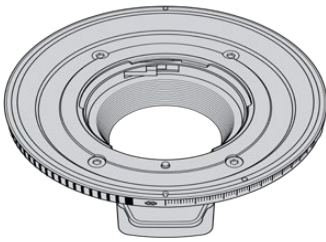
Nikon AF-D lensler

Nikon AF-D serisi lensleri kullanırken, Blackmagic URSA Mini Pro F yuvarının diyafram ayar halkasının tüm aralığını kullanmak için, diyafram açıklığını en dar ayarına, örneğin f/22'ye kilitlemeniz gerekir.



AF-D lensleri, en dar diyafram açıklığına getirip kilitlemenin en kolay yolu, kameraya takmadan öncedir.

F yuva takımının içerikleri:



1x F yuva

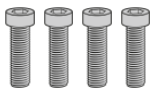
F yuva, yaygın F yuvalı fotoğraf lenslerini takmanıza olanak verir.



1 x Pul seti

Pul seti, aşağıda belirtilen kalınlıklara sahiptir:

0.50mm	0.18mm	0.10mm
0.30mm	0.15mm	0.05mm
0.20mm	0.12mm	0.025mm



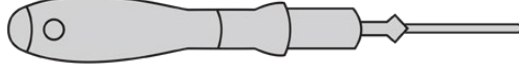
4 x 2mm alyan M3 x 18mm yuva vidası

Dört adet M3 x 18mm'lik alyan vida, EF ve F yuvalar için kullanılır; dolayısıyla bu vidaları, ilgili yuva ile birlikte saklamanızı tavsiye ederiz.

Ayrıca, orijinal vidaların kaybolma olasılığına karşı F yuva takımı, tam set yedek vidalarla gelir.

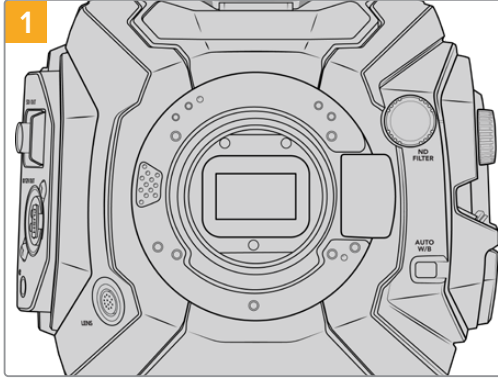
Gerekli Aletler

F yuvayı takarken, 2mm'lik bir alyan tornavida gerekecek. Mutlak suretle gerekli olmasa da vidaların aşırı sıkılmasını önlemek için, tam olarak 0.45Nm'lik bir maksimum torkun ayarlanabileceği bir tork kolunu kullanmanızı tavsiye ederiz.

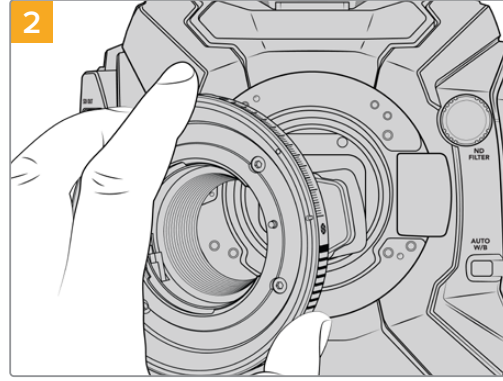


2mm alyan tornavida

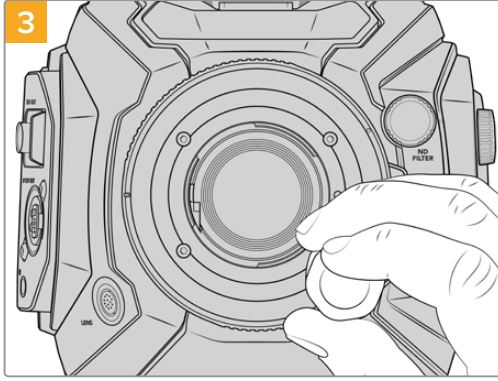
F Lens Yuvasının Takılması



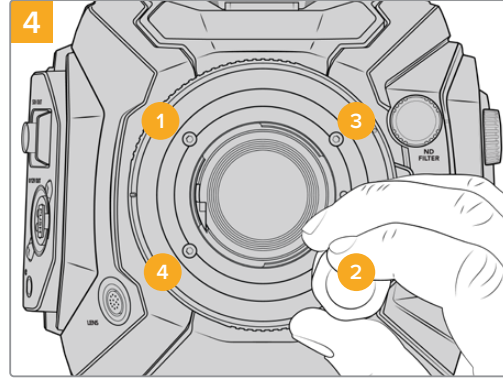
Yuvanın dikey olarak takılabilmesi için URSA Broadcast G2 kameranızı, sağlam ve temiz bir tezgahın üzerine, dikey olarak koyduğunuzdan emin olun. PL yuvayı, F yuvaya değiştiriyorsanız F yuvayı takmadan önce, PL ara parçasını çıkardığınızdan emin olun.



Blackmagic URSA Mini Pro F yuvayı, yavaşça kamera gövdesine yerleştirin ve beyaz noktanın saat 2 konumunda olduğundan emin olun.



Dört adet bağlantı vidasını, lens yuvasının desteğine temas edene dek sıkımadan döndürün.

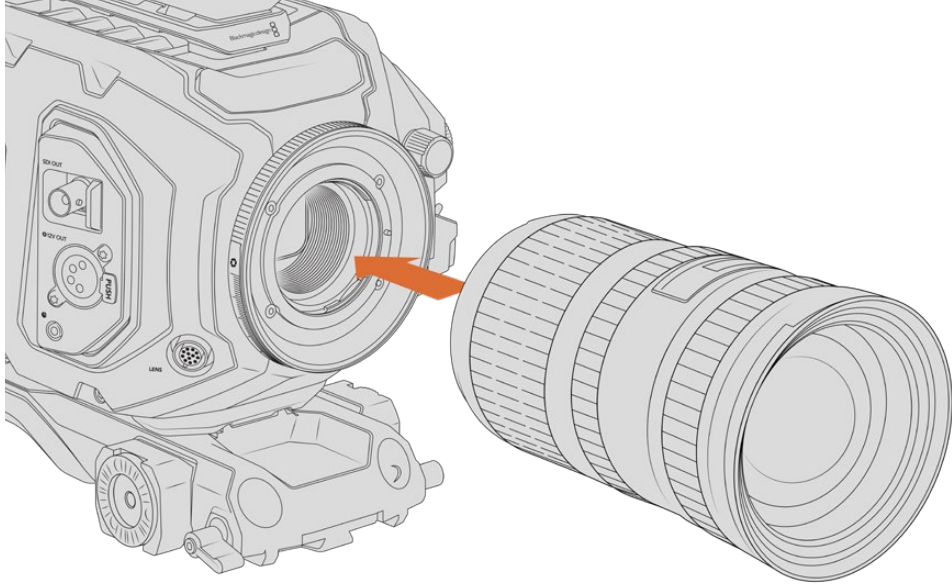


2mm alyan tornavidayı ya da 2mm alyan uçlu tork kolu kullanarak, 1. bağlantı vidasını ve ardından 2. vidayı bir tam tur sıkıştırın, 3. ve 4. vida için işlemi tekrarlayın. Tüm vidalar, maksimum 0.45Nm'lik torka ulaşıncaya kadar, yukarıdaki sıralamayla her bir vidayı, bir tam tur sıkıştırın.

NOT URSA Mini Pro F yuvasının çalışma şekline göre, az sayıda F yuvalı lens, bu yuva ile uyumlu değildir.

Bunlar; mekanik diyafram kontrolü olmayan Nikkor AF-S E serisi lensler ile 24mm f/3.5D PC-E ve 85mm PC-E gibi, Nikon PC-E tilt-shift lenslerdir.

F yuvalı bir lens takmak için:



İsteğe bağlı F yuva takılı olan Blackmagic URSA Broadcast G2 kameraya, F yuvalı bir lensin takılması ve çıkarılması.

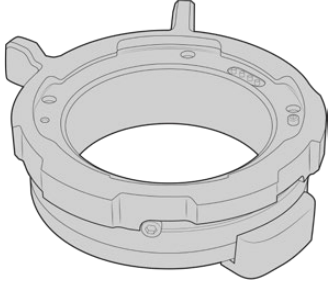
- 1 Kamera yuvasındaki nokta ile lensinizdeki noktayı aynı hizaya getirin. Çoğu lens, görsel bir işarete sahiptir, örneğin; mavi, kırmızı ya da beyaz bir nokta.
- 2 Lensi, yuvanın içine yerleştirin ve yerine oturana kadar saat yönünün tersine çevirin.
- 3 Lensi çıkarmak için; kilitleme butonunu basılı tutun, saat 2 konumuna gelene kadar lensi, saat yönünde çevirin ve yavaşça çıkarın.

NOT Blackmagic URSA Mini Pro F yuva, mekanik bir diyafram ayarlayıcısına sahiptir. Netlik halkası olan eski tarz F yuvalı lensleri, bu yuva ile kullanmak için, lensinizin diyafram açıklığını en dar ayarına, örneğin f/22'ye almanız ve kilitlemeniz gerekir.

Blackmagic URSA Mini Pro PL Mount

PL yuvayı, URSA Broadcast G2 kameraya takmak, sinema filmleri ve televizyon prodüksiyonu için üst düzey, hassas sinema lensleri ve Super 16mm PL lensleri kullanmanıza olanak verir.

PL yuva takımının içerikleri:



1x PL yuva

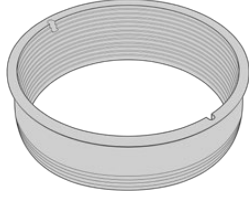
PL yuva, koruyucu bir toz kapağı ile gelir.



1 x Pul seti

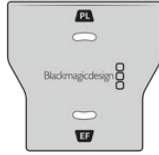
Pul seti, aşağıda belirtilen kalınlıklara sahiptir:

0.50mm	0.18mm	0.10mm
0.30mm	0.15mm	0.05mm
0.20mm	0.12mm	0.025mm



1 x PL ara parçası

PL yuva ara parçası, sensöre giren ışığın kontrolüne ve yönlendirilmesine yardımcı olur.



1 x Ara parça aleti

Kameranızdaki ara parçayı sıkıştırmak için, PL ara parça aletini kullanın.

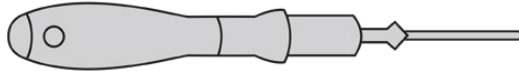


5 x 2mm alyan M2,5 x 22mm yuva vidası

Beş adet M2,5 x 22mm'lik Hex vidası sadece PL yuvaya özeldir, dolayısıyla bu vidaları, ilgili yuva ile birlikte saklayabilirsiniz.

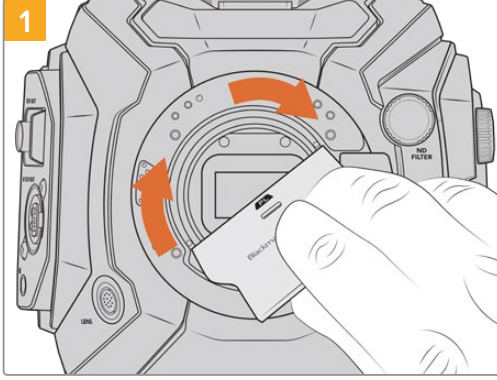
Gerekli Araçlar

PL yuvayı takarken, 2mm'lik bir alyan tornavida gerekecek. Mutlak suretle gerekli olmasa da vidaların aşırı sıkılmasını önlemek için, tam olarak 0.45Nm'lik bir maksimum torkun ayarlanabileceği bir tork kolunu kullanmanızı tavsiye ederiz.

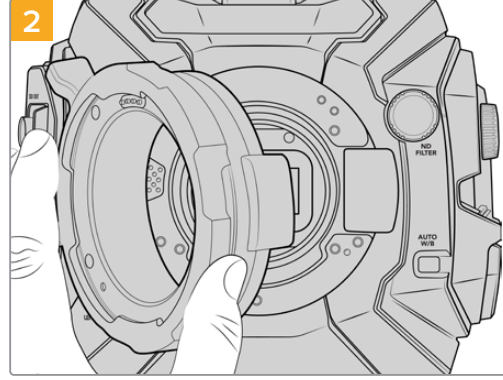


2mm alyan tornavida

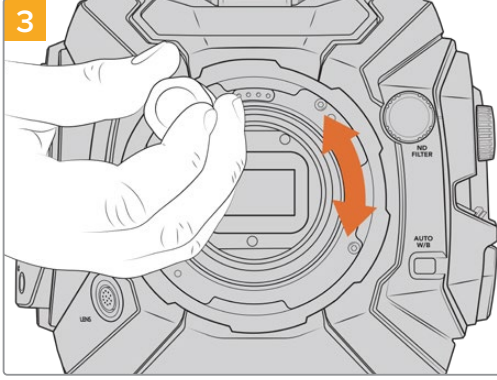
PL Lens Yuvasının Takılması



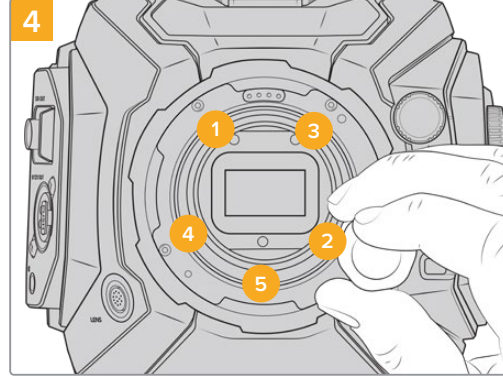
PL ara parçasını, yavaşça lens yuvasının merkezine yerleştirin ve elle sıkıştırılacak kadar çevirin. Ara parçayı sıkıştırmak için ara parça aletinin geniş tarafını kullanın. Yerinde tutmak için çok az bir baskı uygulamanız gerekir.



PL yuvadaki Cooke /i Technology pimlerinin, saat 12 konumunda olduğundan emin olun.



Beş adet bağlantı vidasını, lens yuvasının desteğine temas edene dek sıkıştırmadan döndürün. Halka açık ya da kapalı olduğunda bazı deliklerin üstü kapalı olabileceğinden, bu beş vidaya ulaşabilmek için, PL kilitleme halkasını çevirmeniz gerekebilir.



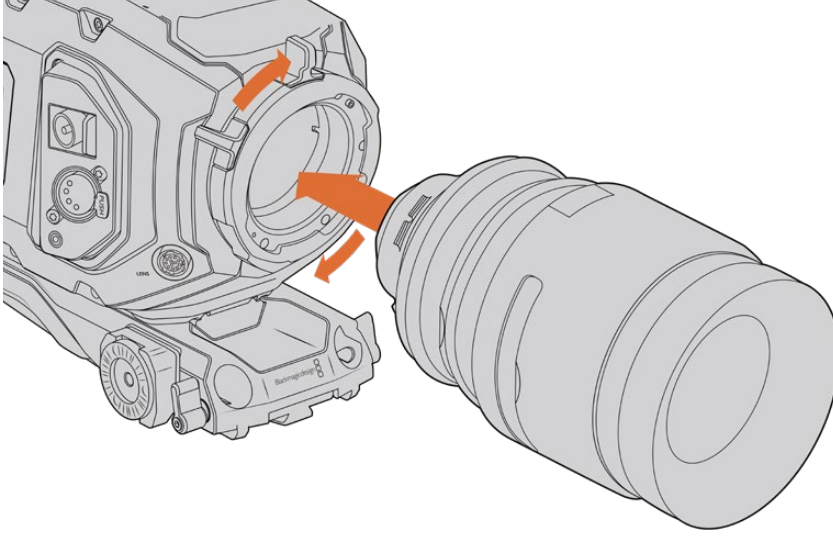
2mm alyan tornavidayı ya da 2mm alyan uçlu tork kolu kullanarak, 1. bağlantı vidasını ve ardından 2. vidayı bir tam tur sıkıştırın. 3. ve 4. ardından 5. vida için işlemi tekrarlayın. Tüm vidalar, maksimum 0.45Nm'lik torka ulaşınca kadar, yukarıdaki sıralamayla her bir vidayı tam tur sıkıştırın.

NOT PL yuvayı çıkarırken, takma işlemi talimatlarını, 4. adımdan 1. adıma doğru, tersten takip etmeniz yeterlidir PL ara parçasını çıkarmayı ve PL yuvayla birlikte saklamayı unutmayın.

PL yuvalı bir lens takmak için:

- 1 Kameranın PL kilit halkasını, durana dek saat yönünün tersine çevirerek açın.
- 2 Lensin dört bağlantı dışından birini, kamera yuvasındaki konum iğnesi ile aynı hizaya getirin. Lensi, işaretleri kolayca görülecek bir şekilde hizalandırduğunuzdan emin olun.
- 3 PL kilitleme halkasını, saat yönüne çevirerek sıkın. Bir URSA Broadcast G2 kameraya, servolu bir PL lens takıyorsanız servo kontrolü için 12 pim yayın konektörünü de takabilirsiniz.

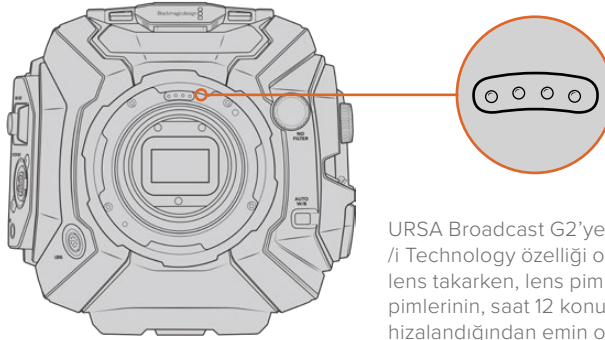
- 4 Lensi çıkarmak için, kilit halkasını durana dek saat yönünün tersine çevirin ve ardından, lensi kamera gövdesinden yavaşça çekerek çıkarın. Lensi çevirmeye gerek yoktur.



Bir PL yuvalı lensin takılması ve çıkarılması

Cooke Lensler'in /i Technology Desteği

URSA Broadcast G2 için kullanılabilen isteğe bağlı Blackmagic URSA Mini Pro PL Mount, Cooke's /i Technology arabirimli lenslerle iletişimde kullanılan, saat 12 konumundaki dört pime sahiptir. Bu arayüzü destekleyen lensler arasında; Canon, Cooke, Fujinon, Leica ve Zeiss tarafından üretilen lensler bulunur. Bu; lens modeli, odak uzunluğu, diyafram ayarı, odak mesafesi gibi lens bilgilerini ve lense özel diğer bilgileri, kliplerinizin metaverisine kaydetmenizi sağlar.



URSA Broadcast G2'ye, Cooke /i Technology özelliği olan bir PL lens takarken, lens pimleri ile yuva pimlerinin, saat 12 konumunda hizalandığından emin olun.

Cooke's /i Technology arabirimi ile kaydedilen bilgiler, VFX ve post prodüksiyonda çok faydalı olabilir. Prodüksiyonda kullanılan lenserin ve tam ayarlarının bilinmesi, ileri bir tarihte kurulumun tekrardan yapılması gerektiği durumlarda faydalı olabilir.

Bu detaylı bilgiler ayrıca, DaVinci Resolve ve Blackmagic Fusion gibi güçlü uygulamalar aracılığıyla, geniş çeşitlilikteki gelişmiş fonksiyonlar için kullanılabilir. Örneğin; kaydedilen metaveri, 3D alanda belirli bir lensi taklit etmek veya optik bozulmaları düzeltmek için kullanılabilir.

PL Yuvalı Servo Lensler

URSA Broadcast G2, servo tetikli 35mm PL lenslerin kontrolünü destekler. Lens, kamera üzerindeki lens konektörüne bağlandığında, B4 lenslerdekine benzer şekilde URSA Broadcast G2, lensinize güç ve kontrol sinyalleri iletir. Daha fazla bilgi için, bu kullanım kılavuzunun 'Servo Zoom Lenslerin Kullanılması' bölümüne bakın.

Blackmagic URSA Broadcast G2 B4 Mount

Broadcast B4 yuvası, URSA Broadcast G2 kamerayla gelen yuvadır. Dahil edilen Blackmagic URSA EF yuvasını ya da isteğe bağlı URSA PL veya F yuvalarını takmak için bu yuvayı çıkardıysanız B4 yuvasını yeniden takmak için bu talimatları takip edin.

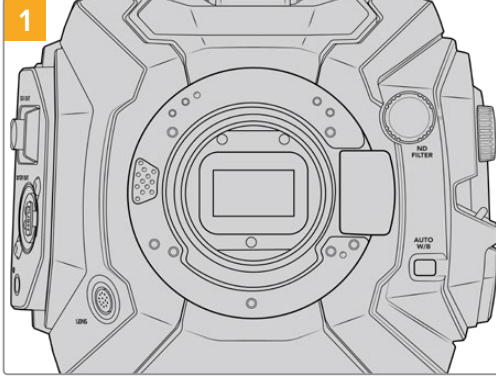
Gerekli Araçlar

B4 yuvayı takarken, 2mm'lik bir alyan tornavida gerekecek. Mutlak suretle gerekli olmasa da vidaların aşırı sıkılmasını önlemek için, tam olarak 0.45Nm'lik bir maksimum torkun ayarlanabileceği bir tork kolunu kullanmanızı tavsiye ederiz.

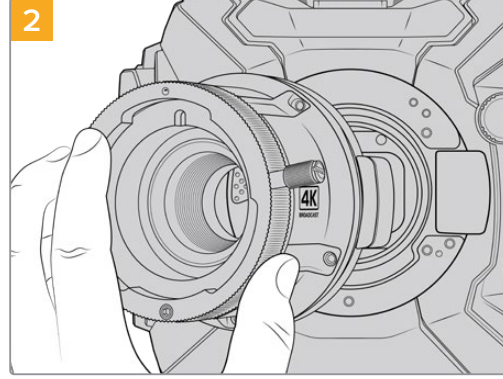


2mm alyan tornavida

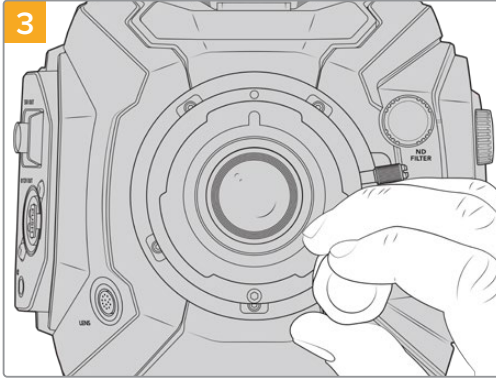
B4 Lens Yuvasının Takılması



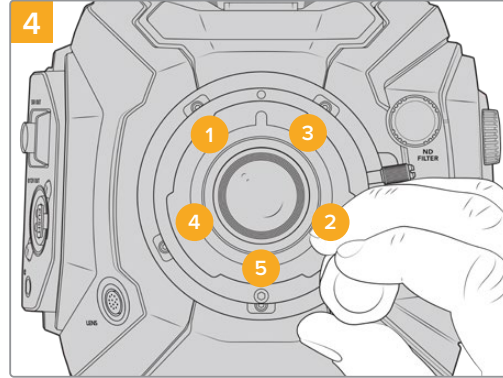
Yuvanın dikey olarak yerleştirilebilmesi için URSA Broadcast G2 kameranızı, sağlam ve temiz bir tezgahın üzerine dikey olarak koyduğunuzdan emin olun.



0,50mm'lik orjinal pulu yerinde tutarak, Blackmagic URSA Broadcast G2 B4 lens yuvasını, kamera gövdesine yerleştirin ve kırmızı noktanın saat 12 konumunda olduğundan emin olun.



Dört adet bağlantı vidasını, lens yuvasının desteğine temas edene dek sıkıştırmadan döndürün.



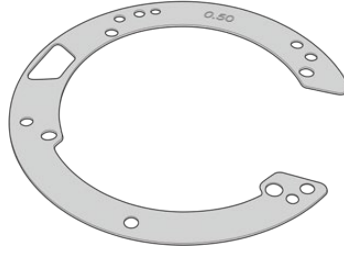
2mm alyan tornavidayı ya da 2mm alyan uçlu tork kolu kullanarak, 1. bağlantı vidasını ve ardından 2. vidayı bir tam tur sıkıştırın. 3. ve 4. ardından 5. vida için işlemi tekrarlayın. Tüm vidalar, maksimum 0.45Nm'lik torka ulaşınca kadar, yukarıdaki sıralamayla her bir vidayı, bir tam tur sıkıştırın.

NOT B4 yuvasını çıkarırken, takma işlemi talimatlarını, 4. adımdan 1. adıma doğru, tersten takip etmeniz yeterlidir

Lens Yuvalarına Ayar Pulu Takılması

Ayar Pulu nedir?

Ayar pulları, lens ile URSA Broadcast G2 kameranın sensörü arasındaki mesafeyi, hassas bir şekilde ayarlamayı sağlayan, farklı kalınlıklardaki ince disklerdir. Bu mesafe, genellikle bağlantı optik mesafesi olarak da bilinir ve lensin yaşı ve çekiminizin çevresel koşulları gibi değişkenlere göre, çok az değişebilir.



URSA Broadcast G2 Shim (Ayar Pulları)

Ayar pulları, lens yuvası ile kamera gövdesi arasına yerleştirilir, böylece lensinizdeki odak noktaları ile konu ve sensör arasındaki aralık uyumlu hale getirilir. Bunlar, çoğunlukla PL lensler için kullanılır. Bu sinema lensleri, elle netlenir ve gövdelerinde çok hassas odak mesafesi işaretleri bulunur. URSA Broadcast G2'nin değiştirilebilir lens yuvaları için de ayar pulları kullanılır.

Blackmagic URSA Mini Pro Shim Kit, farklı kalınlıklardaki ilave ayar pulu setlerini içerir ve Blackmagic Design satış bayilerinden satın alınabilirler. Ayrıca, tüm lens yuvası takımları da bir ayar pulu seti içerir ve URSA Broadcast G2 kamera ile uyumludurlar. Arka odak ayarınızın gerektirdiği kalınlıktaki ayar pulunu kullanın.

Blackmagic URSA Mini Pro Shim Kit

URSA Broadcast G2 kameranız, bir adet 0,10mm'lik plastik pul ve bir adet 0,50mm'lik metal pul olmak üzere iki adet ayar pulu ile gelir. Bu ayar pulları, URSA Broadcast G2 kameranızın B4, EF ve F yuva mercekler için uygun odak mesafesini ayarlar. Çok nadir durumlarda, odak işaretlerinin hassasiyetini korumak için belli boşluklar gerektiren PL lensleri uygun hale getirmek üzere, ilave pullar kullanmanız gerekir. Blackmagic URSA Mini Pro Shim Kit, aşağıdaki ilave aletleri içerir. Odak işaretlerinin hassasiyetini korumak için belli boşluklar gerektirebilecek PL lensleri uygun hale getirme ihtimaline karşı, farklı kalınlıktaki pullar da takıma dahil edilmiştir.

Pul setinin içerikleri:



1 x Ara parça aleti

URSA Broadcast G2 kameranıza PL yuva takarken veya çıkarırken, ara parçayı sıkıştırmak veya gevşetmek için, PL ara parça aletini kullanın.



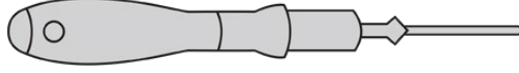
1 x Pul seti

Pul seti, aşağıda belirtilen kalınlıklara sahiptir:

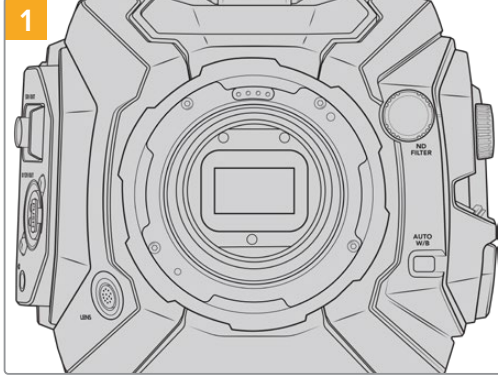
0,50mm	0,18mm	0,10mm
0,30mm	0,15mm	0,05mm
0,20mm	0,12mm	0,025mm

Yuvaların Pullanması

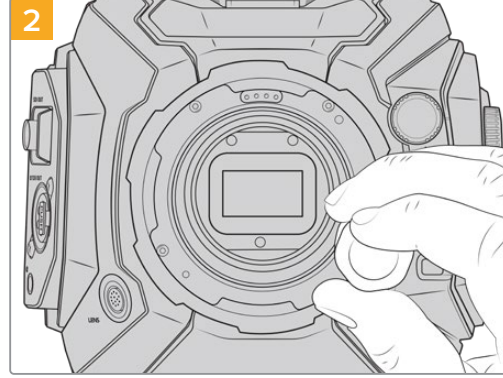
Kameranızın yuvalarını pullamak için, maksimum 0.45Nm'lik torku kesin olarak ayarlayabilecek bir tork koluna, 2.0mm'lik alyan ucuna ve tornavidasına ihtiyacınız olacak.



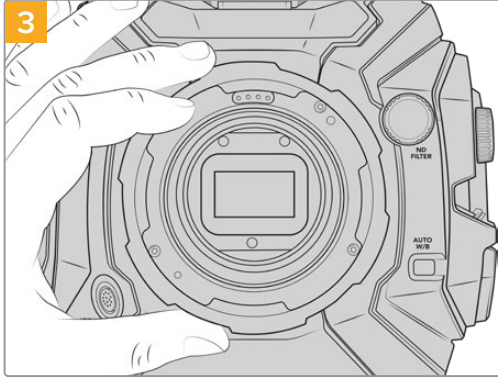
Tork kolu



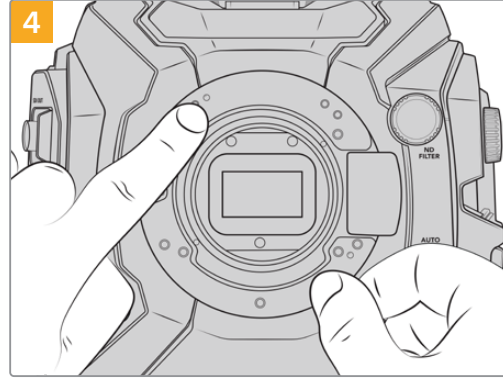
URSA Broadcast G2 kameranızı, sağlam ve temiz bir tezgahın üzerine dikey olarak koyun ve lensi veya toz kapağını çıkarın. Ayar pulları takılırken, sensörü kaplayan filtre açıkta olacağı için, filtreyi mümkün olduğu kadar temiz tutmanız önemlidir. Pullama işlemi boyunca filtreye dokunmamaya dikkat edin.



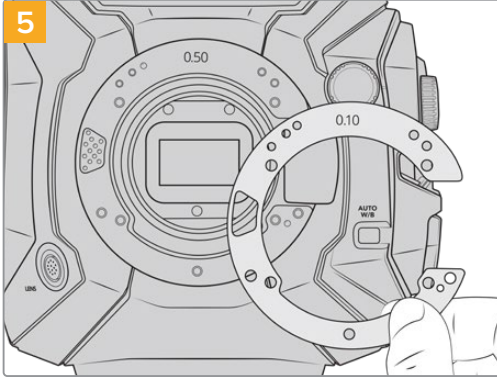
Yuvayı yerinde tutarak, bir 2.0mm alyan tornavida ile vidaları çıkarın. Belirli bir yuvanın çıkarılması konusunda daha fazla bilgi için, bu kılavuzun 'değiştirilebilir lens yuvası' bölümüne bakın.



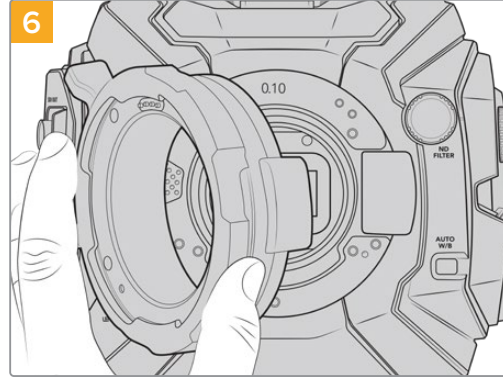
Lens yuvasını dikkatlice kaldırarak, kameranın gövdesinden çıkarın. Vidaları güvenli bir şekilde merceğe yuvasının yanına koyun.



Mevcut pulun, kılavuz pimiyle hizasının saat 11 konumunda olmasına dikkat edin.



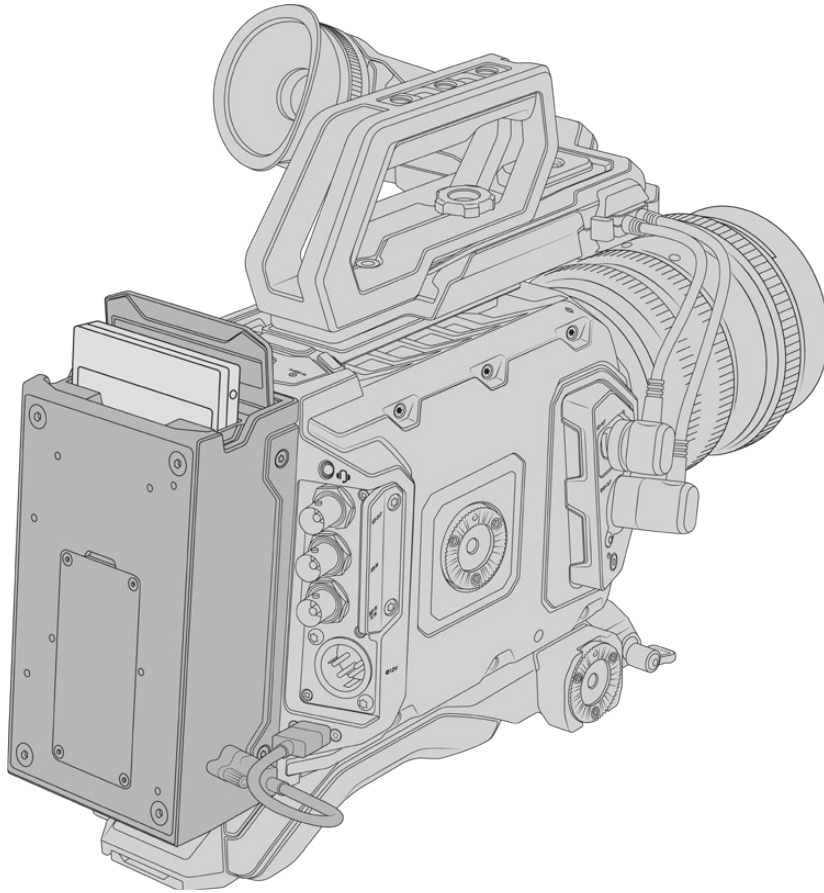
Yuvanızın derinliğini biraz değiştirmek için, pul takın veya çıkarın. 0,10mm'lik gibi küçük pul kalınlığı ile başlamanız tavsiye edilir.



Lens yuvasını, kamera gövdesine yerleştirin, vidaları sıkın ve lensinizi tekrar takın. Lens odak işaretlerinin, odak mesafesi ile aynı hizaya olup olmadığını kontrol edin. Değilse 1'den 6'ya kadar basamakları tekrarlayın, lensinizin işaretleri aynı hizaya gelene kadar, her seferinde küçük miktarda olmak üzere pullamayı ayarlayın.

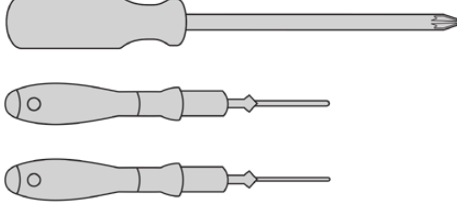
URSA Mini Recorder

Blackmagic URSA Mini Recorder, URSA Broadcast G2'nin arkasına takılan, isteğe bağlı bir cihazdır. Bu kaydedici, 6K Blackmagic RAW dosyalar da dahil olmak üzere, yüksek kapasiteli ve ucuz katı hal sürücülerine veya 'SSD'lere çekimlerinizi kaydetmenizi sağlar.



URSA Mini Recorder modülünü takmak için, aşağıdaki aletlere ihtiyacınız olacak:

- 1 x yıldız tornavida
- 1 x T10 torx tornavida
- 1 x 2mm alyan tornavida

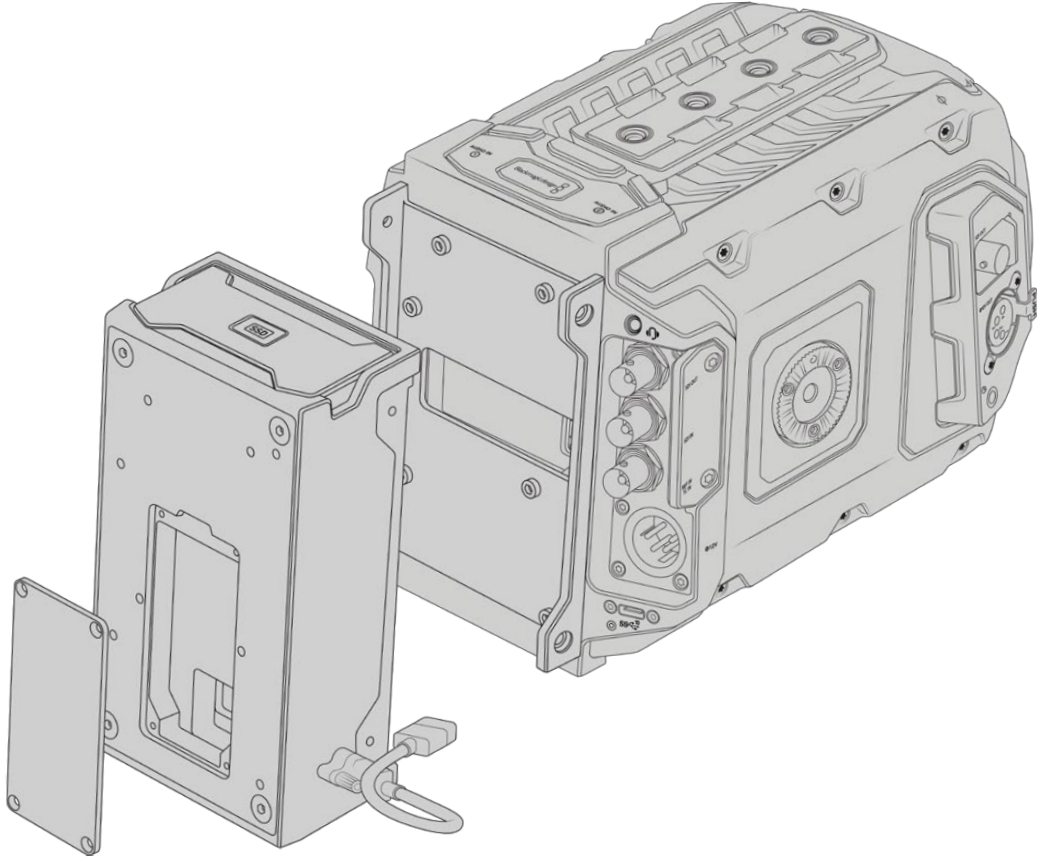


URSA Mini Recorder'i, URSA Broadcast G2'ye takmak için; büyük bir yıldız tornavida, T10 torx tornavida ve bir 2mm alyan tornavidaya ihtiyacınız olacak.

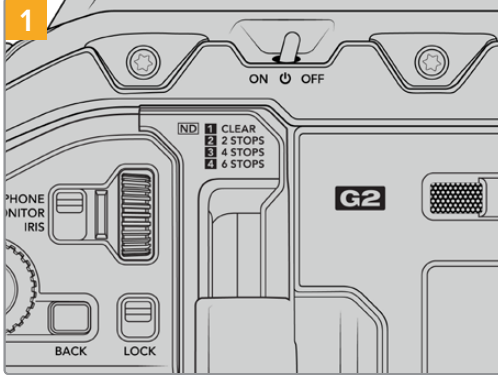
URSA Mini Recorder'in Takılması ve Bağlantısının Yapılması

URSA Mini Recorder, doğrudan URSA Broadcast G2 kamera gövdesinin arkasına takılır. URSA Mini Recorder ile kamera arasında veri geçişi sağlamak üzere, kameranın arka USB-C veri portu kullanılır.

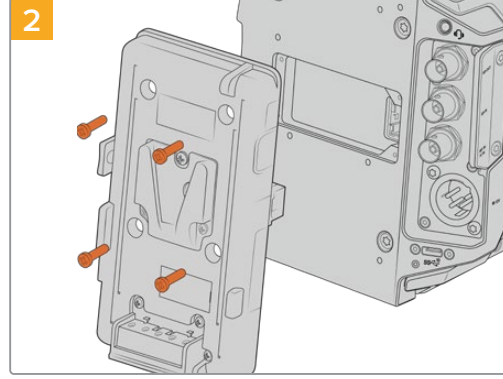
BİLGİ URSA Mini Recorder, kameranızın batarya güç kaynağı için bir düz geçiş kablosu içerir. Böylece, kaydedicinin arkasına gelecek şekilde kameranın arkasına, V-mount ya da gold mount bataryaları takabilirsiniz.



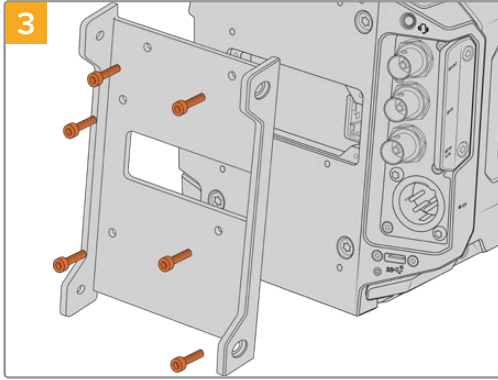
URSA Mini Recorder'i takmak ve bağlantısını yapmak için:



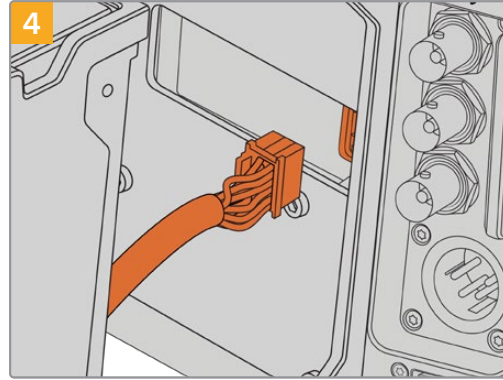
URSA Broadcast G2'yi, 'güç' düğmesini 'off' konumuna getirerek kapatın.



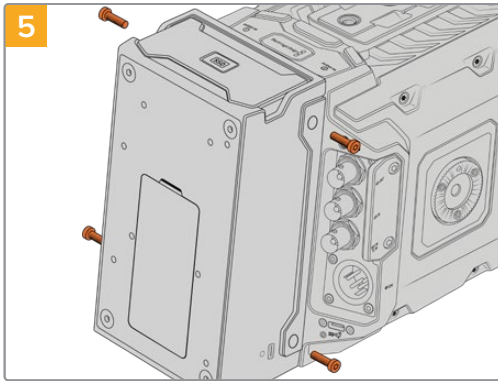
O an kameraya takılı olan tüm batarya plakalarını çıkarın. Batarya plakalarının takılması ve sökülmesi hakkında daha fazla bilgi için, bu kılavuzun 'bataryaların takılması' bölümüne bakın.



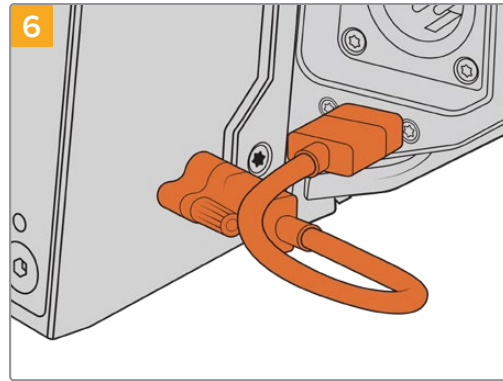
6 adet T10 torx vidayı kullanarak, URSA Mini Recorder'in bağlantı plakasını takın.



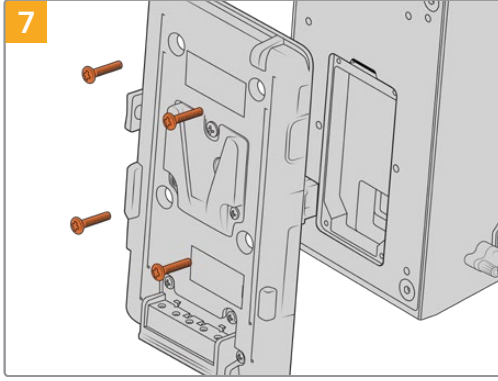
URSA Mini Recorder'deki moxlex konektörü, kameranızın arka panelindeki moxlex soketine takın.



URSA Mini Recorder'i, bağlantı plakasının sol ve sağ tarafındaki 2 adet T10 torx vidayı kullanarak bağlantı plakasına takın.



Mini Recorder'in USB-C kablosunu, URSA Broadcast G2'nin arkasındaki USB-C veri portuna bağlayın. Kilitlenir konektörleri parmaklarınızla sıkın veya 2mm'lik bir alyan tornavida kullanın.



URSA Mini Recorder'i bir batarya plakası ile kullanmak istediğinizde, 2mm'lik bir alyan tornavidayla molex socketin kapak levhasını tutan dört adet M3 vidayı çıkarın. Molex socketinin kapağı söküldükten sonra, bu kullanım kılavuzunun 'bataryaların takılması' bölümündeki adımları takip ederek batarya plakasını takın.

URSA Mini Recorder Kullanımı

URSA Mini Recorder bağlandığında ve bir SSD takıldığında kaydedici, URSA Broadcast G2'nin işletim sistemindeki 3. yuvada yer alır. URSA Mini Recorder kullanımda olduğunda, kameranızın depolama yöneticisindeki 3 numaralı yuvanın üzerinde, bir 'SSD' göstergesi göreceksiniz.



Yani; CFast veya SD kartlardaki kayıt, oynatım ve depolama yönetiminin aynısı, SSD'ler için de geçerlidir. Depolama yönetimi hakkında genel bilgi ve SSD'lerin seçimine ilişkin özel bilgiler için bu kılavuzun 'depolama ortamı' bölümüne bakın.

LED Durum Göstergeleri

URSA Mini Recorder'de, 'SSD' için bir adet durum lambası bulunur. Kameranızın 'ayarlar' menüsünde, bu lambanın parlaklığı; 'düşük', 'orta', 'yüksek' veya 'kapalı' olarak ayarlanabilir.

SSD

'SSD' göstergesi, takılı olan SSD'nin durumunu gösterir. Bu LED lamba, aşağıdaki durum bildirimlerini sunar:

Beyaz	URSA Mini Recorder çalıştırılıp URSA Broadcast G2 ile iletişim kurduğunda, kesintisiz beyaz bir ışık gösterir.
Kırmızı	URSA Mini Recorder'iniz SSD'ye kayıt yaparken, bir kırmızı ışık yanar. SSD'niz dolmak üzereyken, kırmızı ışık yavaşça yanıp sönmeye başlar. Hızlı yanıp sönen kırmızı ışık, SSD'nin kare düşürdüğünü gösterir. Bu olduğunda, tavsiye edilen SSD listemizdeki bir diski kullandığınızdan ve ortamınızla uyumlu bir veri hızında kayıt yaptığınızdan emin olun.
Turuncu	SSD'nin takılması esnasında bir sorun yaşandığında, durum lambası turuncu yanar. Bu doğru formatlanmamış ya da uyumlu olmayan bir SSD'den dolayı kaynaklanıyor olabilir. Uyumlu SSD'lerin bir listesi ve formatlama talimatları için, bu kılavuzun 'depolama ortamı' bölümüne bakın.

BİLGİ 'SSD' LED lambası, disk bağlantısıyla ilgili bir sorun gösteriyorsa diskiniz, bir mac veya PC bilgisayarlarda disk yardımcı yazılımı veya disk yönetimi yazılımı kullanılarak yeniden 'formatlama' gerektiriyor olabilir.

URSA Mini Recorder'in Dahili Yazılımının Güncellenmesi

URSA Mini Recorder'inizi, Blackmagic Camera Setup Utility yazılımını kullanarak güncelleyin. URSA Mini Recorder'in, güncelleme sırasında çalışır durumda olması gerekir. Dolayısıyla URSA Mini Recorder'in, güncelleme boyunca URSA Broadcast G2'ye bağlı olmasını tavsiye ederiz. Bu aynı zamanda, kameranızın tutarlı güç sağlaması gerektiği anlamına gelir, yani kameranızın harici güce veya batarya paketine takılı olduğundan emin olun.

Bilgisayarınızı, bir USB-C kablo ile URSA Mini Recorder'e bağlayın ve Blackmagic Camera Setup Utility yazılımını başlatın. Bilgisayarınız, URSA Mini Recorder'inizde eski bir sürüm olduğunu tespit ederse güncelleme yapmanız istenir. URSA Mini Recorder'in dahili yazılımını güncellemek için, ekran üstü komutları takip edin. Daha fazla bilgi için, bu kılavuzun 'Blackmagic Camera Setup Utility' bölümüne bakın.

BİLGİ En iyi randımanı almanız için, tüm Blackmagic URSA cihazlarınızın, aynı anda güncellenmesini tavsiye ediyoruz.

Studio Camera Kontrolü Hakkında

Blackmagic URSA Broadcast G2; bir stüdyo kamerası olarak kullanılabilir ve ATEM Software Control'daki 'Camera Control' özelliği kullanılarak, bir ATEM switcher'den kontrol edilebilir. Bu, yayın stüdyonuza geniş sensör görüntü kalitesi ile inanılmaz dinamik aralığı olan bir kamera eklemenize ve herhangi bir stüdyo kamera gibi, kontrolünü yapmanıza olanak sağlar.

'Kamera' butonuna basmak, kamera kontrol özelliğini açar. Diyafram, kazanç, netlik ve zoom gibi ayarlar, uygun bir lens kullanılarak kolaylıkla ayarlanabilir, üstelik DaVinci Resolve ana renk düzeltici kullanılarak, kameraların rengini dengeleyebilir ve eşsiz görünüm oluşturabilirsiniz.

ATEM switcher kontrolü, bir ATEM switcher'in alt formata dönüştürülmemiş tüm çıkışları aracılığıyla, kamera kontrol paketlerini yayınlamak için çalışır. Yani, ATEM switcher'in bir SDI çıkışını, URSA Broadcast G2'nin 12G SDI girişine bağlayabilirsiniz ve kameranız, SDI bağlantısındaki kontrol verilerini algılayacak ve kameranın kendi özelliklerini kontrol etmenize olanak verecektir.



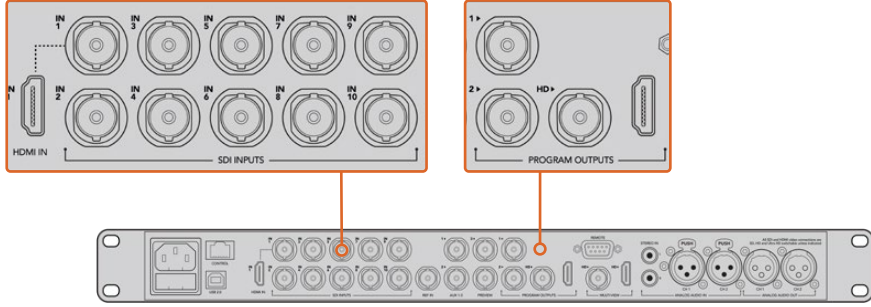
ATEM Kamera Kontrolü

NOT Blackmagic URSA Broadcast G2'yi ATEM switcher'inizle kullanırken, uyumlu olduklarından emin olmak üzere her iki cihazdaki dahili yazılımı, son sürümüne yükseltmenizi tavsiye ederiz. En güncel yazılıma, www.blackmagicdesign.com/tr/support adresindeki Blackmagic Design destek merkezinden ulaşılabilir

URSA Broadcast G2'nin Bağlanması

- 1 Blackmagic URSA Broadcast G2'nin 12G-SDI çıkışını, ATEM switcher'deki herhangi bir SDI girişine bağlayın.
- 2 ATEM switcher'in, aşağı dönüştürülmüş veya çoklu görüntüleme çıkışları hariç herhangi bir SDI çıkışını, URSA Broadcast G2'nin 12G-SDI girişine bağlayın. Kamera kontrol sinyalleri, çoklu görüntüleme ve alta formata dönüştürülmüş SDI çıkışlarından gönderilmez.
- 3 URSA Broadcast G2'nizin 'kurulum' menüsünde 'ATEM Kamera Kimliği' sekmesine gidin ve kameranızın ATEM kimliğini, switcher'in girişiyle eşleştirecek şekilde ayarlayın. Örneğin; URSA Broadcast G2 1, ATEM switcher'deki Cam 1'e bağlı ise kamera numarası da 1 olarak ayarlanmalıdır. Bu, tally bilgilerinin doğru kameraya gittiğinden emin olmanızı sağlar.

- 4 Kurulum menüsünden, 'referans kaynağı'nızı seçin. Tüm kameralarınıza ve switcher'e bir genlock sinyal gönderilmediği sürece, ATEM'e bağlıyken 'referans kaynağı'nızı, 'program' olarak ayarlamanızı öneririz.
- 5 'Ekran' menüsüne gidin ve ATEM switcher'e giden SDI çıkışında, katmanları ya da netlik kutusunu görmemenizi sağlamak için 'ana SDI' çıkışı için 'temiz sinyal' seçtiğinizden emin olun.



URSA Broadcast G2'nizi, ATEM switcher'in herhangi bir SDI girişine bağlayın.

Kamera Kontrolün Kullanımı

ATEM Software Control'ü başlatın ve yazılım penceresinin alt kısmındaki 'kamera' butonunu tıklayın. Her bir kameranın görüntüsünü düzeltip geliştirecek araçlar içeren, bir sıra etiketlenmiş kamera kontrolleri göreceksiniz. Kontrolörlerin kullanımı kolaydır. Farenizi kullanarak düğmeleri tıklayın veya düzeltmek için, tıklayıp sürükleyin.

Kamera Kontrol Seçimi

Kamera kontrol sayfasının üst kısmındaki düğme sırası, kontrol etmek istediğiniz kamera numarasını seçmenizi sağlar. Pencereye sığan daha fazla kameranız varsa veya renk düzeltme sayfasını çalıştırıyorsanız o zaman, kameralardan hangisini kontrol etmek istediğinizi seçmek için, bu düğmeleri kullanabilirsiniz. Kamera kontrolü izlemek için bir Aux çıkışı kullanıyorsanız, kamerayı kontrol için bu düğmelere basılması, bu kameranın video çıkışını, aynı zamanda switcher tercihlerindeki Aux çıkış ayarına gönderecektir.



Kamera kontrol için Aux çıkışını seçmek üzere, 'settings' ikonunu tıklayın.

Kanal Durumu

Her kamera kontrolörünün üstündeki kanal durumu; kamera etiketini, On Air (yayında) göstergesini ve kilitleme düğmesini gösterir. Belirli bir kameranın tüm kontrollerini kilitlemek için, 'lock' (kilit) düğmesine basın. Yayındayken, kanal durumu kırmızı olarak yanar ve 'On Air' uyarısını gösterir.



Her kamera kontrolörü, hangi kameranın yayında olduğunu bilmeniz için, kanal durumunu gösterir. YRGB kanalının lift, gamma ve gain ayarlarını düzeltmek için renk tekerlerini kullanın

Renk Tekerleri

Renk tekeri, DaVinci Resolve renk düzelticinin etkili bir özelliğidir ve her bir YRGB kanalının lift, gamma ve kazanç ayarlarına, renk düzeltme yapmak için kullanılır. Renk tekerinin üzerindeki üç seçim düğmesinden birini tıklayarak düzelteceğiniz ayarı seçebilirsiniz.

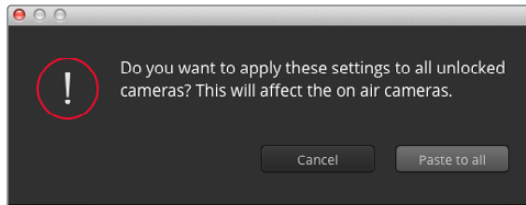
Ana Teker

Renk tekerinin altındaki master tekeri, tüm YRGB kanallara aynı anda kontrast düzeltmeleri yapmak ya da her bir lift, gamma veya gain için sadece parlaklık ayarı yapmak üzere kullanın.

Sıfırlama Butonları

Her kamera kontrolörünün sağ üst köşesinin yakınındaki sıfırlama (reset) düğmesi; renk düzeltme ayarlarını 'reset' (sıfırla), copy (kopyala) veya paste (yapıştır) olarak kolaylıkla seçmenize imkan tanır. Her renk tekerinin, ayrıca kendi sıfırlama düğmesi vardır. Bir ayarı, fabrika ayarına geri döndürmek için veya bir ayarı kopyalayıp yapıştırmak üzere basın. Kilitli olan kontrolörler, yapıştırma özelliğinden etkilenmezler.

Renk düzeltme panelinin sağ üst köşesindeki master reset (ana sıfırlama) düğmesi; lift, gamma ve gain renk tekerlerini ve Contrast (kontrast), Hue (renk tonu), Saturation (doğunluk) ve Lum Mix (parlaklık miksaj) ayarlarını da sıfırlamanıza olanak sağlar. Renk düzeltme ayarlarını, kamera kontrollerine birer birer veya tek tip bir görünüm için hepsine birden yapıştırabilirsiniz. İris, focus (odaklama), coarse (üst sınır) ve pedestal (ana siyah) ayarları, yapıştırma özelliğinden etkilenmez. 'Paste to all' (hepsine yapıştır) komutunu uyguladığınızda, uygulamayı onaylamanızı isteyen bir uyarı mesajı belirecektir. Bu, yayındaki kilitlenmemiş kameralara, kazayla yeni ayarlar yapıştırmamanız içindir.



'Paste to all' (hepsine yapıştır) komutunu uyguladığınızda, uygulamayı onaylamanızı isteyen bir uyarı mesajı belirecektir. Bu, yayındaki kilitlenmemiş kameralara, kazayla yeni ayarlar yapıştırmamanız içindir.

İris/Pedestal Kontrolü

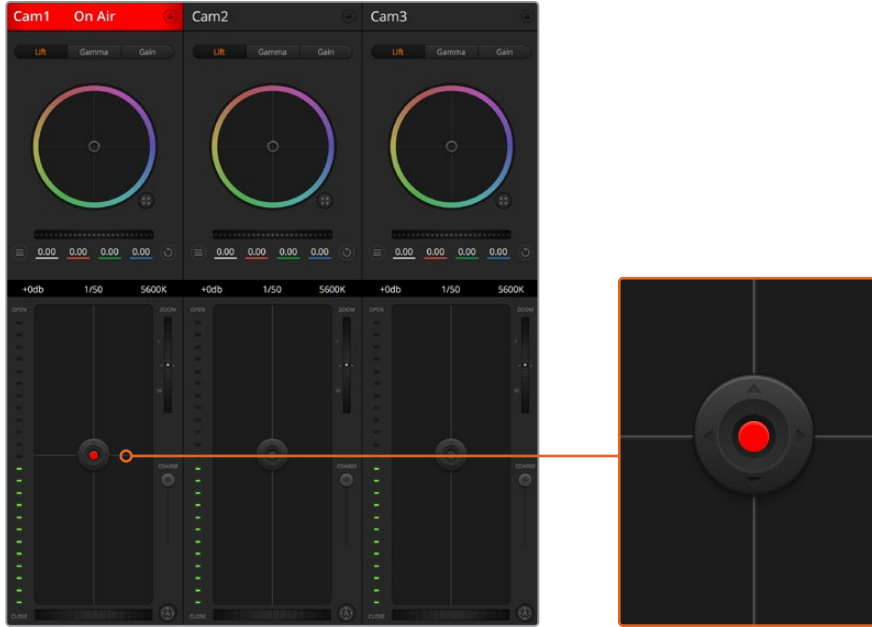
İris/pedestal kontrolü, her bir kamera kontrolörünün hedef göstergesi içinde yer alır. Kontrol edilen kamera yayındayken, kontrol kırmızı renkte yanar.

Diyaframı açmak veya kapatmak için, kontrolü yukarı veya aşağı sürükleyin. 'Shift' tuşunun basılı tutulması, sadece diyafram ayarlamalarına izin verir.

NOT ATEM'e bağlı olduğunda, otomatik pozlamayı kapattığınızdan emin olun. Diyafram, zoom veya netlik kontrollerine ihtiyaç duyuyorsanız kamera tarafından elektronik olarak kontrol edilebilen bir lens kullandığınızdan emin olun.

URSA Broadcast G2'deki 12 pimli yayın konektörü ile bağlı olan bir B4 ya da PL lens kullanıyorsanız kabzadaki lens iris (diyafram) düğmesinin 'A' veya 'auto'ya ayarlandığından emin olun.

Karartmak veya 'pedestal'i (ana siyah) kaldırmak için, kontrolü sağa sola sürükleyin. Mac bilgisayarlarda 'command' (komut) tuşunun veya Windows bilgisayarlarda 'control' (kontrol) tuşunun basılı tutulması, sadece pedestal ayarlamalarının yapılmasını sağlar.



İlgili kamera canlı yayındayken, iris/pedestal kontrolü kırmızı yanar

Zum Kontrolü

Elektronik zum özelliği olan uygun lenslerle kullanıldığında, zum kontrolü aracılığıyla lensinizi yakınlaştırıp uzaklaştırabilirsiniz. Tıpkı bir lensdeki zum mandalı gibi, kontrolörün bir tarafı telefoto ve diğer tarafı geniş açı olacak şekilde çalışır. Coarse sürgüsünün üzerinde bulunan zum kontrol düğmesini tıklayın ve yaklaştırmak için yukarı sürükleyin veya uzaklaştırmak için aşağı sürükleyin.

Lenzinizin aktif lens kontrolü yoksa veya kameranız SDI kamera kontrol protokolü üzerinden zum kontrolünü desteklemiyorsa bu ayarların hiçbir etkisi olmaz. Örneğin; EF lenslerin, elektronik zum yapacak dahili servoları yoktur, dolayısıyla ATEM kamera kontrolünden zoom yapılamazlar.

NOT Analog B4 lensler, ATEM zum kontrolünü desteklemez. Analog B4 lensler hakkında daha fazla bilgi için, 'Servo Zum Lenslerin Kullanılması' bölümüne bakın.

Coarse Ayarı

Coarse ayarı, iris/pedestal kontrolünün sol tarafındadır ve diyafram ayarını sınırlandırmak için kullanılır. Bu özellik, patlamış görüntülerin yayına gitmesini önlemenize yardımcı olur.

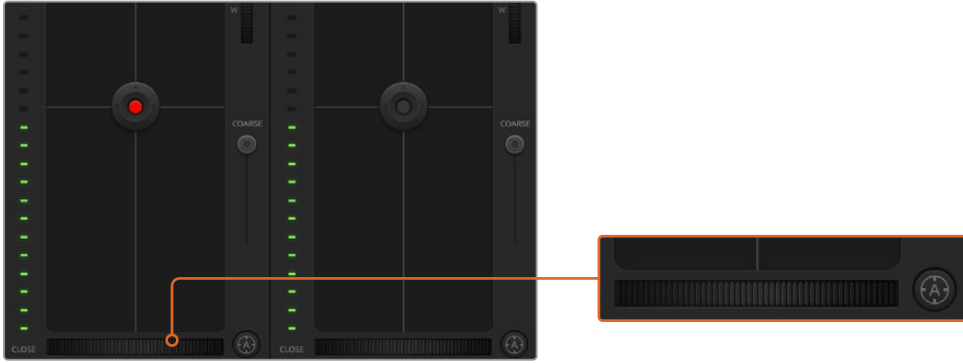
Coarse özelliğinin eşliğini ayarlamak için, iris kontrolü kullanarak, diyaframı tamamiyle açın ve sonra, en uygun pozlamayı ayarlamak üzere coarse ayarını aşağı veya yukarı sürükleyin. Artık diyaframı ayarladığınızda, diyaframın en yüksek pozlama sınırını aşmasını, coarse eşliği engelleyecektir.

İris Göstergesi

İris/pedestal kontrolünün sol tarafındaki iris göstergesi, görsel bir referans sergiler, böylece lensin diyafram aralığının ne kadar açık veya kapalı olduğunu kolaylıkla görebilirsiniz. İris göstergesi, coarse ayarından etkilenir.

Otomatik Netlik Butonu

Otomatik netlik butonu, her bir kamera kontrol kontrolörünün, sol alt köşesinde bulunur. Elektronik netliği destekleyen aktif bir lensiniz olduğunda, otomatik netlik ayarlamaları için basın. Çoğu lens elektronik odaklamayı desteklese de bazı lenslerin manuel ya da otomatik netlik modlarına ayarlanabilindiğini belirtmekte fayda var. Bu yüzden, lensinizin otomatik netlik moduna ayarlandığından emin olun. Bazen bu, lensteki netlik halkası öne veya arkaya kaydırılarak ayarlanır. Servo zoom kontrolü olan B4 lenslerde, tutamağın altındaki düğmeyi, 'servo' olarak ayarlamamız gerekir.



Uyumlu bir lensin netlik yapması için, 'Auto focus' düğmesine tıklayın veya manuel focus ayarını sağa ya da sola sürükleyin.

Manuel Odaklama Ayarı

ATEM Camera Control'ü kullanarak, lensinizin netliğini manuel olarak ayarlamak istediğinizde, her bir kamera kontrolörünün altında bulunan, 'netlik ayarı' seçeneğini kullanabilirsiniz. Görüntünüzün hoş ve keskin olduğundan emin olmak için, kameradan gelen görüntüyü izlerken, netliği manuel olarak ayarlamak üzere, kontrol tekerini sola veya sağa doğru sürükleyin.

Switcher'inizden manuel netlik kontrolü, yalnızca servo netlik kontrolü olan B4 ve PL lensleri kullandığınızda mümkündür. EF lenslerde servo netlik özelliği olmadığından, EF lensleri kullanırken, bu seçenek geçerli değildir.

Kamera Kazanç Ayarı

Değişen ışık koşullarında çalıştırırken görüntünüzün düşük pozlanmasından kaçınmak için, kameranızın kazancını artırmak veya düşürmek isteyebilirsiniz. Bunu yapmak üzere, 'kazanç' miktarını azaltmak için sol oku ve artırmak için de sağ oku tıklayabilirsiniz.

ATEM switcher, 'kazanç' değerini dB olarak gösterir. Bu, kameranızdaki kazanç ayarlarına, aşağıdaki şekilde karşılık gelir:

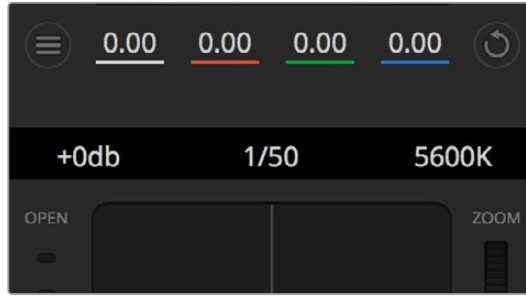
Gain
-6
0
+6
+12
+18

Kazanç ayarları dB göstergeleri kullanılarak gösterilir.

Örtücü Hızı Kontrolü

Örtücü hızı kontrolü, URSA Broadcast G2'nizin örtücü hızını değiştirmek için kullanılır.

Örtücü hızı kontrolü, renk tekeri ve iris/pedestal kontrolünün arasında bulunur. Örtücü hızını, fare imlecini örtücü hızı göstergesi üzerinde gezdirerek ve sonra sol veya sağ okları tıklayarak azaltın veya artırın.



Fare imlecini; kazanç, örtücü hızı ve beyaz ayarı göstergeleri üzerinde gezdirmek, ilgili ayarı düzeltmeniz için tıklayabileceğiniz okları ortaya çıkarır.

NOT ATEM örtücü hızı kontrolü, URSA Broadcast G2'de seçilen örtücü hızından daha öncelikli olduğundan, ATEM switcher'e bağlıyken, kameranızın örtücü hızı kontrolleri devreden çıkarılır.

Aşağıdaki tablo, örtücü hız kontrolünde bulunan mevcut örtücü hızlarını ve onlara eşdeğer örtücü açıları gösterir. Bazı örtücü hızlarının, URSA Broadcast G2'nin asgari ve azami örtücü açıları olan 11.25 ve 360 derecenin dışına çıktığını belirtmekte fayda var. Bu durumda, varolan en yakın örtücü açısı kullanılır.

URSA Broadcast G2'niz bir ATEM switcher'e bağlıyken, kameranızın dokunmatik ekran durum göstergesinde de örtücü hız ayarı görülebilir. Bağlı olduğunda, bir URSA Viewfinder'de görünür.

Örtücü Hızı	23.98 fps'de Örtücü Açısı	24 fps'de Örtücü Açısı	25 fps'de Örtücü Açısı	29.97 fps'de Örtücü Açısı	50 fps'de Örtücü Açısı	59.94 fps'de Örtücü Açısı
1/50	172.7	172.8	180	215.8	360	360*
1/60	143.9	144	150	179.8	300	359.6
1/75	115.1	115.2	120	143.9	240	287.7
1/90	95.9	96	100	120	200	239.8
1/100	86.3	86.4	90	107.9	180	215.8
1/120	71.9	72	75	89.9	150	179.8
1/150	57.5	57.6	60	71.9	120	143.9
1/180	48	48	50	59.9	100	119.9
1/250	34.5	34.6	36	43.2	72	86.3
1/360	24	24	25	29.97	50	59.94
1/500	17.3	17.3	18	21.6	36	43.2
1/725	11.9	11.9	12.4	14.9	24.8	29.8
1/1450	11.25*	11.25*	11.25*	11.25*	12.4	14.9
1/2000	11.25*	11.25*	11.25*	11.25*	11.25*	11.25*

* URSA Broadcast G2'nin örtücü açısı aralığının dışında kalan örtücü hızları için, varolan en yakın asgari ya da azami örtücü açısı kullanılır.

BİLGİ Örtücü hızının düşürülmesi, kamera kazancını kullanmadan görüntünüzü parlatmak için iyi bir yoldur; çünkü görüntü sensörünün pozlama süresini artırılıyorsunuz. Bu; floresan lamba altında çekim yaparken, kırışmayı da azaltabilir ya da ortadan kaldırabilir. Örtücü hızının artırılması, hareket bulanıklığını azaltacaktır, böylece hareketli çekimlerde, görüntülerin keskin ve temiz olmasını istediğinizde kullanmak için mükemmeldir.

Beyaz Ayarı

Örtücü hızı kontrolörünün yanında olan beyaz denge ayarı, renk ısısı göstergesinin yanlarındaki sol veya sağ okları tıklanarak ayarlanabilir. Farklı ışık kaynakları, sıcak veya soğuk renkler yayar. Böylece, beyaz ayarını düzelterek denge sağlayabilirsiniz. Bu, görüntünüzdeki beyazların, beyaz kalmasını sağlar.

DaVinci Resolve Ana Renk Düzeltici

Renk düzeltme deneyiminiz varsa o zaman, kamera kontrolünü, switcher stili CCU arayüzünden, post prodüksiyon renk derecelendirme sisteminde bulunan, ana renk düzelticisine benzeyen kullanıcı arayüzüne değiştirebilirsiniz.

Blackmagic URSA Broadcast G2'niz, dahili bir DaVinci Resolve ana renk düzelticisine sahiptir. Daha önce DaVinci Resolve kullandıysanız, yaratıcılık açısından, URSA Broadcast G2'nizde derecelendirme aynı şekilde yapılır, yani canlı yapım için renk düzeltme deneyiminizi kullanabilirsiniz. Renk düzeltme paneli, herhangi bir kamera kontrolöründen genişletilebilir ve ilave ayarları olan genişletilmiş renk düzeltme kontrolü ile full ana renk düzeltici arayüzü sağlar.

Renk tekerleriniz ve doygunluk gibi ayarlarınız olur ve gölge, orta tonlar ve parlaklık ayarlarının hepsini aynı anda görebilirsiniz. Pencerenin üst kısmında bulunan kamera seçim kontrollerini kullanarak, ihtiyacınız oldukça kameraları kendi arasında değiştirebilirsiniz.

BİLGİ DaVinci Resolve renk düzeltme, URSA Broadcast G2'nizin SDI çıkışına ve kamerada kaydedilen ProRes videoya uygulanır. RAW video, kapsamlı post işlemleri için planlandığından, renk düzeltme işlemi RAW videoya uygulanmaz. Yine de RAW video kaydı yaparken, URSA Broadcast G2'nin SDI çıkışına halen renk düzeltme uygulanabilir.



Renk düzeltme penceresini genişletip, ayarları düzeltmek için, DaVinci Resolve 'primary color corrector' (ana renk düzeltici) düğmesini tıklayın.

Renk Tekerlekleri

Lift/Gamma/Gain kontrolleri, ton açısından belirli ama örtüşen bölgelere düzeltme olanağı sağlar. Fotoğrafik olarak lift, gamma ve gain; gölgeler, orta tonlar ve parlaklıklara karşılık gelir.

İnce veya yoğun ayarlama yapmak için, renk tekerlerini aşağıdaki biçimlerde kullanınız:

- **Tıklayıp, renk halkası dahilinde herhangi bir yere sürüklenme:**
Renk dengesi göstergesinin, kendisini sürüklemeniz gerekmez. Renk dengesi göstergesi hareket ettiğinde, altında bulunan RGB parametreleri, her kanala yapılmakta olan değişiklikleri yansıtmak için değişir.
- **Shift tuşuna basarken tıklama ve renk halkası dahilinde herhangi bir yere sürüklenme:**
Renk dengesi göstergesini, ibrenin mutlak konumuna getirir ve daha çabuk ve daha şiddetli düzeltmeler yapmanıza imkan tanır.
- **Renk halkası dahilinde çift tıklama:**
O kontrol için ana tekerin ayarlarını bozmadan, renk düzeltmesini sıfırlar.
- **Bir renk halkasının sağ üst tarafındaki sıfırlama kontrolüne tıklama:**
Hem renk denge kontrolünü hem de ilgili ana tekeri sıfırlar.



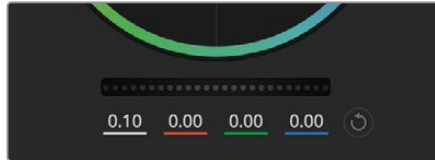
Renk düzeltme panelinde lift, gamma ve gain renk tekerleri

Ana Tekerler

Her bir YRGB kanalının lift, gamma ve gain kontrollerini ayarlamak için, renk tekerlerinin altındaki ana tekerleri kullanın.

Ana tekeri kullanarak düzeltmeler yapmak için:

- **Ana tekeri sola veya sağa sürükleyin:** Sola sürükleme, görüntünün seçili parametrelerini karartır; sağa sürükleme, bu parametreyi aydınlatır. Bir düzeltme yaptığınızda, altında bulunan YRGB parametreleri, yaptığınız düzeltmeyi yansıtmak için değişir. Sadece Y parametrelerine ayarlama yapmak için, ALT veya Command tuşunu basılı tutun ve sağa veya sola sürükleyin. Renk düzeltici, YRGB işleme özelliğini kullandığından, sadece Y kanalını ayarlayarak eşsiz efektler oluşturabilir ve bir hayli yaratıcı olabilirsiniz. Lum Mix (parlaklık miksi) ayarı, YRGB işlemeyi kullanmak için sağ tarafa ya da sıradan RGB işlemeyi kullanmak için sol tarafa ayarlandığı zaman, Y kanal ayarlamaları en iyi şekilde çalışır. Normalde, DaVinci Resolve kullanan renk uzmanlarının çoğu, YRGB renk düzelticisini kullanır; çünkü genel kazancı etkilemeden renk dengesinde kontrolünüz daha fazla olur; böylece istediğiniz görünüşü elde etmek için, daha az vakit harcarsınız.



Ana tekerlerin ayarlarını, teker kontrolünü sağa veya sola sürükleyerek düzenleyiniz

Kontrast Ayarı

Kontrast ayarı, bir görüntüdeki en karanlık ve en aydınlık değerlerin arasındaki mesafe üzerinde kontrol sağlar. Sonucu; lift ve kazanç ana tekerlerini kullanarak karşıt düzeltmeler yapmak gibidir. Varsayılan ayar %50 dir.



Contrast (kontrast), Saturation (doygunluk), Hue (renk tonu) ve Lum Mix (parlaklık miksi) ayarlarını düzeltmek için, sürgüleri sağa veya sola sürükleyin

Doygunluk Ayarı

Doygunluk ayarı, görüntüdeki renk miktarının artırılması veya düşürülmesi için kullanılır. Varsayılan ayar %50 dir.

Renk Tonu Ayarı

Renk tonu ayarı, görüntüdeki tüm renk tonlarını, renk tekerinin çevresinde döndürür. Varsayılan ayar olan 180 derece, orijinal renk tonlarının dağılımını gösterir. Bu değer artırılması veya azaltılması; tüm renk tonlarını, renk tekerinde görüldüğü gibi, renk dağıtımı boyunca ileri veya geri döndürür.

Lum Mix (Parlaklık Miksi) Ayarı

Blackmagic URSA Broadcast G2'nizdeki dahili renk düzeltici, DaVinci Resolve'deki ana renk düzelticiyi esas alır. DaVinci, 1980'lerin başlarından beri, renk düzelticiler yapmaktadır ve Hollywood filmlerinin çoğunluğunun renk derecelendirmesi, herhangi bir yöntemden çok DaVinci Resolve ile yapılmıştır.

Yani, Blackmagic URSA Broadcast G2'deki dahili renk düzeltici, bazı eşsiz ve etkili yaratıcı özelliklere sahiptir. YRGB işleme, bu özelliklerden birisidir.

Renk derecelendirmesi yaparken, RGB işlemeyi veya YRGB işlemeyi kullanmak için seçebilirsiniz. Üst düzey renk uzmanları, renk üzerinde daha hassas kontrol sağladığı için YRGB işlemeyi kullanırlar çünkü, daha iyi ayırma ve daha fazla yaratıcı seçenekler ile, kanalları bağımsız olarak ayarlayabilirsiniz.

Lum Mix (parlaklık miksi) kontrolü sağa ayarlıyken, YRGB renk düzelticinin çıkışına %100 sahip olursunuz. Lum Mix (parlaklık miksi) kontrolü sol tarafa ayarlandığı zaman, RGB renk düzelticinin çıkışına %100 sahip olursunuz. Hem YRGB hem de RGB renk düzelticilerinin çıkışlarının bir karışımını elde etmek için, Lum Mix (parlaklık miksi) ayarını, sağ ve sol tarafın arasında herhangi bir konuma ayarlayabilirsiniz.

Hangisi kullanmak için doğru ayardır? Bu size bağlıdır; çünkü renk düzeltme tamamıyla yaratıcı bir süreçtir. Doğru veya yanlış yoktur ve en çok beğendiğiniz ve iyi göründüğünü düşündüğünüz, en iyi ayardır.

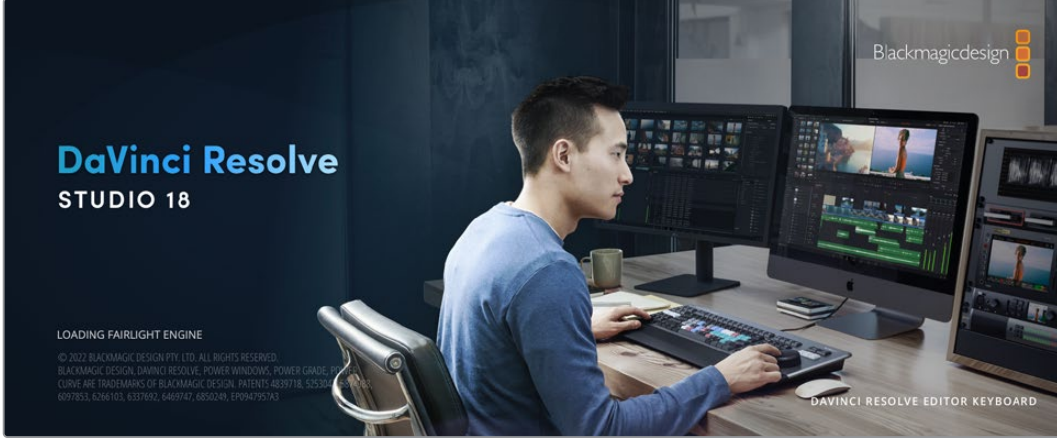
Ayarların Senkronizasyonu

Blackmagic URSA Broadcast G2'nizdeki kamera kontrol sinyalleri, bağlı olduğunda ATEM switcher'den gönderilir. URSA Broadcast G2'nizdeki bir ayar, yanlışlıkla değiştirildiğinde, senkronizasyonu korumak için kamera kontrol, o ayarı otomatik olarak sıfırlayacaktır.

BİLGİ 12G-SDI girişinin bağlantısını kesseniz bile URSA Broadcast G2'niz, DaVinci Resolve renk düzeltme ile yapılmış tüm görüntü ayarlamalarını kullanmaya devam eder. Bu, görüntü ayarlarını tekrar düzeltmenize gerek kalmadan, kamera açılarını değiştirmenizi sağlar. URSA Broadcast G2'nizi fabrika ayarlarına geri döndürmek için 12G-SDI girişinin bağlantısını kestikten sonra, URSA Broadcast G2'nizi kapatıp açmanız yeterlidir.

DaVinci Resolve Kullanımı

Blackmagic URSA Broadcast G2 ile çekim yapmak, film ve televizyon içeriği oluşturmanın sadece bir kısmıdır ve bunun kadar önemli olan diğer kısmı da ortam yedekleme ve yönetimi ile kurgu, renk düzeltme ve son ana kopya dosyalarının çıktıların alınmasıdır. Blackmagic URSA Broadcast G2'niz, DaVinci Resolve'nin Mac ve Windows için olan bir sürümünü içerir. Böylece, çekim ve post prodüksiyon için tam bir çözüme sahip olursunuz!



NOT URSA Broadcast kamera ile çekilmiş klipler üzerinde doğru bir renk işlemi uygulamak için, DaVinci Resolve'nin en son sürümünü kullanmanızı tavsiye ederiz. URSA Broadcast G2 için doğru rengi ve kameranın kayıtlı hareket sensörü verilerini kullanarak jiroskop görüntü sabitleme gibi yeni Blackmagic RAW özelliklerini, sürüm 18 veya üzeri sağlar.

CFast, SD kart veya SSD'nizi bilgisayarınıza taktıktan sonra, DaVinci Resolve'nin 'ortam' sayfasındaki klonlama aracını kullanarak, çekim yaparken canlı yedeklemeler oluşturabilirsiniz. Her türlü ortam, hasar görmeye veya bozulmaya yatkın olduğu için, yedeklerinin oluşturulması, çekimlerinizin kaybolmaya karşı koruyacağından, bu işlem önerilir. Ortamınızı yedeklemek için DaVinci Resolve'yi kullandıktan sonra; kliplerinizi DaVinci medya havuzuna ilave edebilir, sonrasında kurgulama, renk düzeltme yapabilir ve DaVinci Resolve'den hiç çıkmadan yapınızı tamamlayabilirsiniz.

DaVinci Resolve, gişe rekoru kıran büyük sinema filmlerinde kullanılan aracın aynısıdır ve üst düzey dijital film için oldukça ileri teknolojiye dahili olarak sahiptir; bu yüzden basit bir NLE yazılım aracının ötesindedir. Çalışmanızın kurgu ve renk düzeltme işlemleri için DaVinci Resolve'yi kullandığınızda, bu teknolojiye yararlanmış olursunuz.

Burada, kamera dosyalarınızla DaVinci Resolve'yi kullanmaya nasıl başlayacağınız hakkında bilgi dahil edilmiştir. Tabii ki, DaVinci Resolve oldukça ileri teknolojiye sahiptir ve kullanıcı arayüzüne ilk baktığınızda, görebildiğinizden çok daha fazla özellikler içerir. DaVinci Resolve'yi nasıl kullanacağınız hakkında daha fazla bilgi için, Blackmagic internet sitesinde DaVinci Resolve kullanım kılavuzuna bakın. Burada, birçok eğitim kursu ve öğretici videolar da bulabilirsiniz.

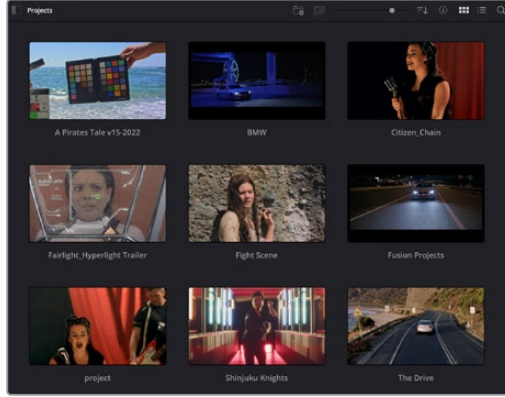
Project Manager (Proje Yöneticisi)

Kliplerinizi yazılıma aktarmadan ve kurgulamaya başlamadan önce, proje yöneticisini kullanarak projenizi düzenlemeniz gerekir.

DaVinci Resolve'yi başlatırken, göreceğiniz ilk ekran proje yöneticisidir, ancak kullanıcı arayüzünün sağ alt köşesindeki 'ana sayfa' simgesini tıklayarak yöneticiyi istediğiniz zaman açabilirsiniz. Bu, daha önceki projeleri açmak istediğinizde veya yenilerini oluşturmak istediğinizde faydalıdır.

Yeni proje açmak için ekranın alt bölümündeki 'yeni proje' butonu üzerine tıklayın ve projenize bir isim verin. 'Oluştur'u tıklayın.

Hızlı kurgu sayfasını kullanarak, kurgunuz üzerinde hemen çalışmaya başlayabilirsiniz.



Proje yöneticisi, şu anki kullanıcıya ait tüm projeleri gösterir

Proje Yöneticisi hakkında daha fazla bilgi için, Blackmagic Design internet sitesi destek sayfasından indirilebilir, DaVinci Resolve kullanım kılavuzuna başvurun.

Hızlı Kurgu Sayfası ile Kurgu

Hızlı kurgu sayfası; klipleri hızla biraraya getirmeniz, ince ayar yapmanız ve etkili bir şekilde kurgulamanızı sağlayan, hızlı bir dinamik kurgulama iş akışı sunar.

İki adet aktif zaman çizelgesi, kurgunuzun tamamı ile çalışmanızı sağlamanın yanı sıra, ayrıntılı bir bölgeyle de aynı anda çalışmanızı sağlar. Bunun anlamı, büyük zaman çizelgesi üzerinde herhangi bir yere klipler bırakabileceğiniz ve sonra, aynı çalışma alanı dahilindeki ayrıntılı zaman çizelgesinde kurgunuzu geliştirebileceğinizdir. Bu iş akışını kullanarak, optik yakınlaştırmaya ve uzaklaştırmaya gerek duymadan ve çalıştıkça görüntüyü kaydırarak bir dizüstü bilgisayarda kurgulayabilirsiniz.

Hızlı Kurgu Sayfası Düzeni

Hızlı Kurgu sayfasını açtığınızda; bir medya havuzu, görüntüleyici penceresi ve zaman çizelgesini göreceksiniz. Bu üç ana pencere, kurgunuz üzerinde size mutlak kontrol sağlar.



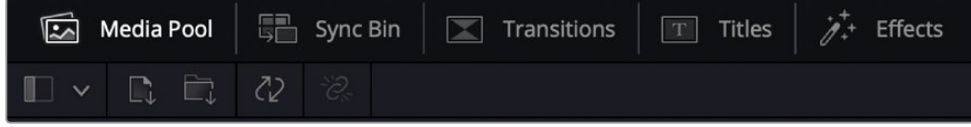
Simge görünümündeki Medya Havuzu ile Hızlı Kurgu sayfasının varsayılan çalışma alanı

Hızlı Kurgu sayfası hakkında daha fazla bilgi için, DaVinci Resolve kullanım kılavuzundaki 'Hızlı Kurgu Sayfası' bölümüne bakın.

Medya Sekmeleri

Kullanıcı arayüzünün sol üst köşesinde 5 adet sekme göreceksiniz.

Kurgunuzu oluştururken, kullanacağınız medya araç takımlarını açmak için, bu sekmelerin üzerine tıklayın.Örneğin; ilk sekme medya havuzudur ve zaten seçili olduğunu görebilirsiniz. Diğer sekmeler; senkron bin, medya geçişleri, yazılar ve efektler içindir.



- **Medya Havuzu:** Medya havuzu, medya sayfası ile yazılıma aldığınız; tüm kliplerinizi, klasör ve dosyalarınızı içerir. Ayrıca, Hızlı Kurgu sayfasından da dosyaları doğrudan içe aktarabilirsiniz yani, yazılıma yeni bir klip aktarmak için medya sayfasına geri dönmenize gerek yok.
- **Senkron Bin:** Bu etkili özellik; zaman kodu, tarih ve saat üzerinden tüm kliplerinizi otomatik olarak senkronize eder. Böylece, çok kameralı bir projede, tüm kameralardan açılar seçebilirsiniz.
- **Geçişler:** Yakındaki geçişler sekmesini tıklarsanız kurgunuzda kullanabileceğiniz, tüm video ve ses geçişlerini göreceksiniz. Bunlara, çapraz erimeler ve hareketli silmeler gibi yaygın geçişler dahildir.
- **Yazılar:** Geçişlerin yanında 'yazılar' sekmesi bulunur. Burada, kullanmak istediğiniz yazı türünü seçebilirsiniz. Mesela; kayan yazı, standart yazı veya ekran altı yazısı. Ayrıca, DaVinci Resolve'nin 'Fusion' sayfasında kişiselleştirilebilen daha hareketli dinamik yazılar için kullanabileceğiniz, Fusion şablonlarının bir listesi de vardır.
- **Efektler:** Beşinci sekme 'efektler' sekmesidir. Bu, kurgunuza daha çok hayat vermek üzere; kişiselleştirilebilir bulanıklıklar, parlamalar ve lens efektleri gibi farklı filtreleri ve efektleri kullanmanızı sağlar. İçinden seçebileceğiniz birçok etkili efekt var ve arama aracını kullanarak onları hızla bulabilirsiniz.

BİLGİ Aradığınız öğeleri eksiksiz bulmak için, medya sekme ikonlarının yanındaki arama aracını kullanın. Örneğin; geçişler sekmesini seçtiyseniz arama aracına "erime" yazın ve görüntüleyicide sadece erime geçiş türleri gösterilecektir. Bu da aradığınız erime geçişini bulmanızı hızlandıracaktır.




Görüntüleyici Sekmeleri

Görüntüleyici penceresinin sol üst köşesinde, görüntüleyici mod butonlarını göreceksiniz.



Görüntüleyici mod butonları

Bu butonlar; 'kaynak klip', 'kaynak kaset' ve zaman çizelgesi dahil olmak üzere, şu anda kullanılan görüntüleyiciyi kontrol eder. Kurgunuz için klipler seçerken, bu görüntüleyici modları size çok büyük miktarda kontrol sağlar ve nasıl çalıştıklarına bakmak için bir iki dakika harcamanıza değer olacaktır.



	Kaynak Klip	Kaynak klip görüntüleyicisi, medya havuzundan bir tek klibi görüntüler ve görüntüleyici zaman çizelgesinin tüm uzunluğu boyunca, giriş ve çıkış noktalarını belirleyebilirsiniz. Bu, size daha fazla kontrol sağlar. Medya havuzundaki bir klip üzerine çift tıklayarak veya onu görüntüleyiciye sürükleyip bırakarak, görüntülemek için bir kaynak klip seçin.
	Kaynak Kaset	Kaynak kaset, medya havuzundaki kaynak kliplerin hepsini görmenizi sağlar. Belli bir sahneyi bulmak için tüm kliplerinizin arasında hızlıca aramak istediğinizde, bu etkili özellik faydalıdır. Zaman çizelgesi çubuğunu klipler üzerinde sesli sürüklediğiniz esnada, bu kliplerin küçük resimlerinin medya havuzunda seçildiklerini göreceksiniz. Bunun anlamı; kurgulamak istediğiniz klibi bulur bulmaz, kaynak klip sekmesi üzerine tıklayabileceğiniz ve ilgili kaynak klibin görüntüleyicide otomatik olarak görüntüleneceğidir. Kaynak kaset görüntüleyicisi; kurgunuz üzerinde çalışmanızı, çabucak çekimleri bulmanızı, yeni fikirler denemenizi ve anı yaşamanızı mümkün kılarak, doğrusal olmayan kurgulama tarzından gerçekten istifade etmenizi sağlar.
	Zaman Çizelgesi	Kurgu zaman çizelgesini görüntülemenizi sağlayan zaman çizelgesi görüntüleyici, projenizi oynatabilmenizi ve kurgunuzu geliştirmenizi sağlar.

Medya Havuzuna Klip Aktarma

Artık, projenize medya aktarmaya başlayabilirsiniz. Bunu; hızlı kurgu sayfasının medya havuzu penceresinde, üstteki içe aktarma araçlarını kullanarak yapabilirsiniz.



Projenize medya eklemek için içe aktarma seçeneklerinden birini seçin.

	Yazılıma Medya Aktarma	Yazılıma medya aktarma (import media) seçeneği, depolama yerinizden seçtiğiniz tekil medya dosyalarını içe aktarır.
	Yazılıma bir Medya Klasörü Aktarma	Medya deponuzdan bir klasörü yazılıma aktarmak için 'import media folder' seçeneğini seçin. Bir klasörü yazılıma aktarırken, DaVinci Resolve, her bir klasörü ayrı bir bin olarak ele alarak dosya yapısını muhafaza eder. Böylelikle, videolarınızı ve diğer medya dosyalarını bulmak için bin'ler arasında gezinebilirsiniz.

Yazılıma Medya Aktarmak için:

- 1 'Import media' (yazılıma medya aktar) veya 'import media folder' (yazılıma medya klasörü al) ikonu üzerine tıklayın.
- 2 Yazılıma aktarmak istediğiniz medya için medya deponuza gidin.
- 3 Dosyayı veya klasörü seçin ve 'open' (aç) ibaresini tıklayın.

Projenize medyayı ekler eklemes, değişiklikleri kaydetmeniz önerilir. DaVinci Resolve; 'live save' isminde, hızlı ve faal bir otomatik canlı kaydetme özelliği içerir. Projenizi bir kez kaydettikten sonra, değişiklikler yaptıkça 'live save' bunları kaydedecek ve yaptığınız işin kaybolma tehlikesini ortadan kaldıracaktır.

'Live save' ve diğer otomatik kaydetme özellikleri hakkında daha fazla bilgi için, DaVinci Resolve Kullanım Kılavuzuna bakın.

Zaman Çizelgesine Kliplerin Eklenmesi

Medya sekmeleri ve mod butonlarına artık aşına olduğunuza göre, medya havuzunu açabilir ve zaman çizelgenize klipler eklemeye hızla başlayabilirsiniz.



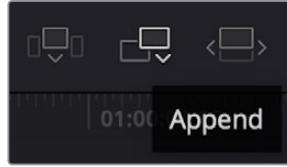
Hızlı kurgu sayfasının zaman çizelgesi; üstteki zaman çizelgesini ve alttaki yakınlaştırılmış zaman çizelgesini içerir.

Zaman çizelgesi, kurgunuzu geliştirdiğiniz yerdir ve kliplerinizi iliştiirebildiğiniz, hareket ettirebildiğiniz ve ince ayar yapabildiğiniz, kanalları olan bir pano gibidir. Kanallar; klipleri diğer kliplerin üzerine yerleştirmenizi mümkün kılarak, farklı kurgular denemeniz ve geçişler ile efektler oluşturmanız için size daha fazla esneklik sunar. Örneğin; altındaki kanallarda bulunan diğer klipleri etkilemeden, bir kanalda bir klipi bir kurgu ile deneyebilirsiniz.

Zaman çizelgesine klip eklemenin farklı yolları vardır, mesela; akıllı yerleştirme, sonuna ekleme, üstüne koyma ve fazlası.

Klipleri Sona Ekleme İşlemi

Çekim tekrarlarını seçerken ve bir kurguyu meydana getirirken, bu çekimleri art arda zaman çizelgenize eklemeyi isteyebilirsiniz. Bu görev için 'sona ekleme aracı' (append tool) mükemmeldir ve çok hızlı bir şekilde kurgulamaya başlamanızı sağlar.



Sonuncu klipin sonuna hızla klipler eklemek için 'append' (sona ekle) ikonu üzerine tıklayın.

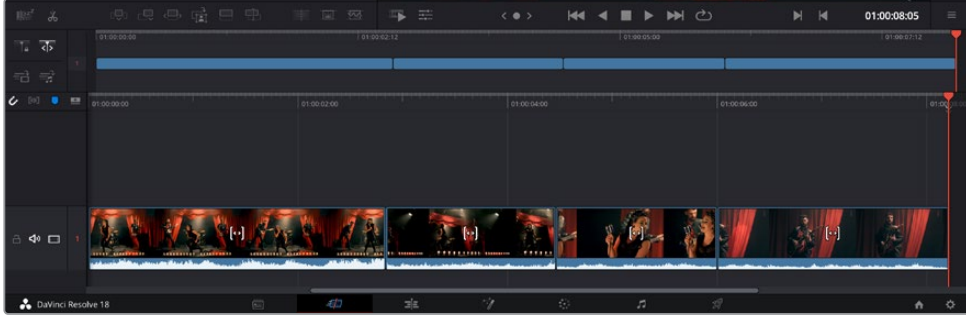
Bir klipi sona eklemek için:

- 1 Medya havuzundaki bir klipi, görüntüleyicide açmak için, üzerine çift tıklayın.
- 2 Çekiminizin kesin doğrulukta süresini ayarlamak için, 'scratch trim tool' ismindeki ince ayar aracını kullanarak çekimin giriş (in) ve çıkış (out) noktalarını sürükleyin. Giriş ve çıkış noktalarını ayarlamak için 'i' ve 'o' klavye kısa yollarını da kullanabilirsiniz.



- 3 Şimdi medya havuzunun altındaki 'sona ekle' simgesini tıklayın. İlk klipiniz, zaman çizelgesinin başlangıcına yerleştirilecektir.

Daha fazla klip eklemek için, 1'den 3'e kadar olan basamakları tekrarlayın ve klipler otomatik olarak sona eklenerek zaman çizelgesi üzerinde hiçbir boşluk kalmamasını sağlar.



Kliplere 'sona ekleme' uygulamak, zaman çizelgesinde aralarında hiçbir boşluk kalmamasını sağlar.

BİLGİ 'Sona ekle' simgesine bir klavye kısa yolu atayarak, bu işlemi daha da hızlandırabilirsiniz. Örneğin, 'P' tuşunu atarsanız giriş ve çıkış noktalarınızı 'I' ve 'O' tuşlarını kullanarak ayarlayabilir ve sonra klibi sona eklemek için 'P' tuşuna basabilirsiniz. Kısayol tuşlarını atama konusunda bilgi için DaVinci Resolve kullanım kılavuzuna bakınız.

Klipleri Zaman Çizelgesinde Kurgulama

Kliplerin zaman çizelgesine eklenmesiyle, klipleri zaman çizelgesi üzerinde hareket ettirmek ve onlara ince ayar yapmak için mutlak kontrolünüz vardır.

Bir kurguya ince ayar yapmak için; klibin başlangıcı veya sonu üzerinde fareyi tutun ve sonra tıklayıp sağa veya sola sürükleyin. Mesela; klibin süresini azaltmak veya artırmak üzere, klibin sonunu sola veya sağa sürükleyin. Bu düzenlemeden sonra, tüm kliplerin bu yeni düzeltmeye uyum sağlamak için zaman çizelgesi üzerinde kaydıklarını fark edebilirsiniz. Bu, zamandan kazanmanıza yardımcı olmak için 'hızlı kurgu' sayfasının kullandığı bir yoldur.

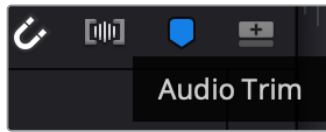
Hatta bir klibi alıp, yaklaştırmaya veya uzaklaştırmaya gerek kalmadan, büyük zaman çizelgesindeki yeni bir video kanalına bırakabilirsiniz. Bu, uzun bir zaman çizelgesinde gezinerek harcadığınız zamanı asgariye indirdiği için, kurgu sürecini hızlandırır.

Audio Trim (Ses Kırpma) Görünümü

Ses kırpma görünümü, zaman çizelgesindeki ses dalga biçimini büyüterek daha hassas ses düzenlemeleri yapmanıza yardım eder. Bu, bir diyalog sahnesini veya bir müzik klibini düzenlediğinizde kullanışlıdır ve kelimeler veya ritimler arasında bir düzenleme noktası bulmayı kolaylaştırır.

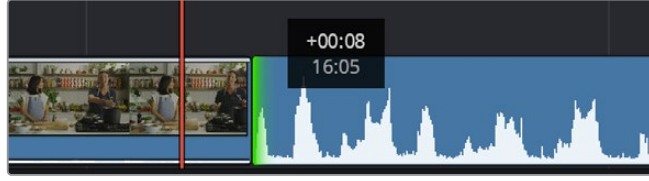
Ses Kırpma görünümünü kullanmak için:

- 1 Zaman çizelgesinin sol tarafındaki kapma ve işaretleyici araçları arasındaki ses kırpma simgesine tıklayın.



Ses Kırpma görünümü butonu

- 2 Artık bir düzenlemeyi kırparken, zaman çizelgesinde büyütülmüş bir dalga şekli göreceksiniz. Zaman çizelgesindeki klipler, kırpmayı tamamladığınızda normal boyutlarına geri dönecektir.



Ses kırpmı görünümü, zaman çizelgesindeki ses dalga biçimini büyütür.

'Hızlı kurgu' sayfasını kullanarak klipleri kurgulamayı bitirdikten sonra, bir başlık eklemeyi isteyebilirsiniz. Bunun nasıl yapılacağını bir sonraki bölüm size gösterecektir.

Yazıların Eklenmesi

Zaman çizelgesi üzerine bir yazı eklenmesi kolaydır ve birçok seçeneğiniz var.

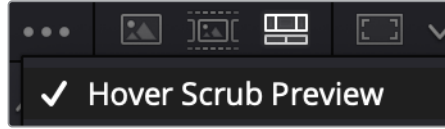
Kullanabileceğiniz farklı yazı tiplerini görmek için, kullanıcı arayüzünün sol üst köşesindeki 'yazılar' medya sekmesini tıklayın. Seçim penceresinde; ekran altı yazılardan, akan yazılara veya standart bir yazı başlığına kadar küçük resimler halinde görüntülenen, kullanabileceğiniz tüm farklı yazı üreteçlerini göreceksiniz. Kişiselleştirebileceğiniz hareketli yazılar olan Fusion yazılarından herhangi birini bile ekleyebilirsiniz.

Yazıların Önizlenmesi

Zaman çizelgenize bir yazı eklemeyi önce, 'titles' seçim penceresinden yazıyı önizleyebilirsiniz. Bu, bir seçim yapmadan önce tüm seçenekleri hızlı bir şekilde taramanızı sağlar.

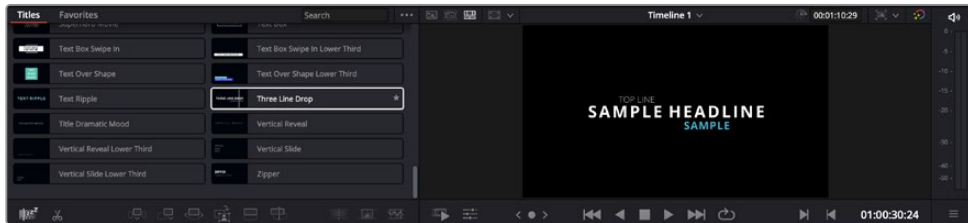
Bir yazıyı önizlemek için:

- 1 Yazılar panelinin sağ üst tarafındaki seçenekler menüsünü tıklayın ve 'hover scrub preview' seçeneğini işaretleyin.



Seçenek menüsünden 'Enable Hover Scrub Preview' ibareli seçeneği etkinleştirin.

- 2 Görüntüleyicide bir yazıyı önizlemek için; fareizin imlecini 'Titles' seçim penceresindeki bir küçük resmin üzerine getirin. Animasyonlu veya Fusion başlığını önizliyorsanız, animasyonu görmek için yazının küçük resmi üzerinde imleci soldan sağa doğru hareket ettirin.



Bir yazıyı görüntüleyicide önizlemek için; imleci küçük resmin üzerine getirin.

Bir yazıyı seçtikten sonra zaman çizelgenize ekleyebilirsiniz.

Standart bir yazı eklemek için:

- 1 Yazının üzerine tıklayın ve zaman çizelgesinin üzerine sürükleyin. Hangi zaman çizelgesi olduğu önemli değil, ama daha doğru olması için ayrıntılı zaman çizelgesini kullanmanızı tavsiye ederiz. 'Title' başlık için otomatik olarak yeni bir video kanalı oluşturacak ve oynatma çubuğuna yapışacaktır.
- 2 Fareyi bıraktığınızda başlık yeni kanal üzerinde belirecektir. Artık başlığı hareket ettirebilir veya başka bir video klibine yaptığınız gibi süresini değiştirebilirsiniz.
- 3 Başlığı düzenlemek için, yeni yazı klibinin üzerine tıklayın ve ardından klip görüntüleyicinin altındaki araçlar ikonuna tıklayın.
Şimdi, yazı klibinde değişiklikler yapmak için kullanabileceğiniz bir araç sırası göreceksiniz. Bu araçlar arasında; dönüştürme, kırpma, dinamik zum ve benzerleri bulunur.
- 4 Şimdi, 'inspector' (denetleyici) sekmesine tıklayın.

Bu, istediğiniz yazıyı girebileceğiniz bir denetleyici penceresi açar ve burada; izleme, satır aralığı, font tipi ve rengi gibi birçok yazı ayarını düzenleyebilirsiniz.

Yazıyı tam istediğiniz gibi kişiselleştirmeniz için birçok seçeneğiniz var. Yazının görünüşünü ve şeklini nasıl değiştirdiklerini görmek için, farklı ayarlarla denemeler yapmanızı tavsiye ederiz.

BİLGİ Aynı zamanda, 'cut' (hızlı kurgu) ve 'edit' (kurgu) sayfalarındayken efektleri, geçişleri, üreteçleri ve filtreleri önizlemek için de imleci üzerlerinde gezdirebilirsiniz.

Blackmagic RAW Dosyalarıyla Çalışma

Blackmagic RAW klipler, post prodüksiyonda size azami esneklik sağlar. Bu, sanki orijinal kamera ayarlarını değiştirmişsiniz gibi, kliplerinize beyaz ayar ve ISO ayarı gibi ayarlamaları yapmanızı sağlar. Blackmagic RAW ile çalışma, gölgelerde ve parlak bölgelerde daha fazla renk tonu bilgisini koruduğundan, detayların telafisi için de faydalıdır. Örneğin; patlamış gökyüzünde ve görüntünüzdeki karanlık bölgelerde.

Mümkün olan en yüksek kalitenin veya parlaklıklar ve gölgeler arasında aşırı farklılık olan çekimlerin peşindeyseniz çekimlerinizi Blackmagic RAW olarak yapmanızda fayda var ve derecelendirme esnasında, bu bölgeleri mümkün olduğunca artırıp azaltmanız gerekebilir.

Blackmagic RAW formatının küçük dosya ebatı ve hızı, proxy dosyaları oluşturmanızı gerektirmez ve oynatım, tıpkı standart bir video klip gibidir. Kullanım kılavuzunun bu bölümü, Blackmagic RAW özellikleri ve DaVinci Resolve iş akışınızda Blackmagic RAW dosyalarını nasıl kullanabileceğiniz hakkındaki detayları açıklar.

BİLGİ Renk derecelendirmesine başlamadan önce, klipleriniz için Blackmagic RAW ayarlarını renk sayfasında düzeltmeniz faydalıdır.

Blackmagic RAW için Klip Ayarları

Blackmagic RAW dosyalarını ilk kez program içine aldığınızda, DaVinci Resolve; çekim anında kullanılan beyaz ayarı ve ton ayarları gibi dosyalardaki kamera verilerini, ISO'yu kullanarak çözecektir. Bu ayarların görünüşünden memnunsanız hemen kurgulamaya başlayabilirsiniz.

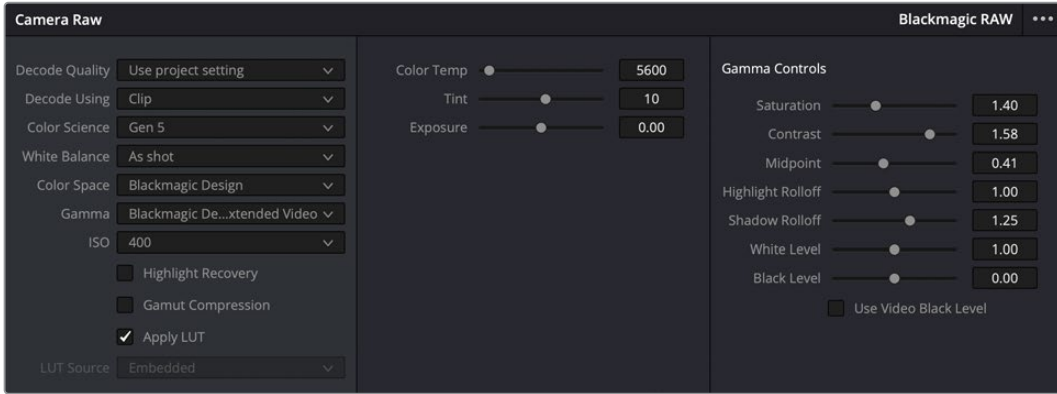
Blackmagic RAW olarak çekim yapmanın en güzel tarafı, bu ayarlara bağlı kalmak zorunda olmamanızdır! Blackmagic RAW dosyaları ile çalıştığınızda, mevcut post prodüksiyon seçeneklerinin genişliği, zaman içinde kendi iş akışınızı geliştireceğiniz anlamına gelir. Her bir

klibin 'clip' ayarları ile 'camera raw' sekmesinde denemeler yapmak, Blackmagic RAW dosyaları ile çalışmanın ne kadar etkili ve esnek olabileceğini size gösterecektir.

Renk Bilimi

Çekimlerinizin, 4. nesil renk bilimi ile mi ya da 5. nesil renk bilimi ile mi yorumlanacağını seçmenize imkan verir. URSA Broadcast G2, Blackmagic Design 5. nesil renk bilimini kullanır. 4. nesil renk bilimi ile farklı kameralarda oluşturulan dosyalar, URSA Broadcast G2'den gelen çekimlerinizle uyumlandırılmak üzere 5. nesil renk bilimi ile yeniden yorumlanabilirler.

Ağırlıklı olarak 4. nesil renk bilimi ile Blackmagic RAW dosyaları oluşturan kameralarla çekim yapıyorsanız 5. nesil renk bilimi ile URSA Broadcast G2'de çekilen klipleri, 4. nesil renk bilimine düşürerek birlikte kullanma seçeneğine de sahipsiniz. Bu, Blackmagic renk biliminin farklı nesillerini kullanan kameralarda çekilen görüntüleri eşleştirmeyi kolaylaştırır.



Klibinizin Blackmagic RAW ayarlarını düzenlemek için, 'camera raw' sekmesindeki 'decode using' (... ile kodu aç) menüsünden, 'clip' ibaresini seçin.

Blackmagic RAW Ayarlarını Değiştirmek

Blackmagic RAW için klip ayarlarını etkinleştirmek üzere DaVinci Resolve'yi bir kez ayarladığınızda, klip ayarları ve gamma kontrolleri artık düzeltilbilir hale gelir. Kliplerinizi en iyi düzeye getirmek için bu ayarların düzeltilmesi, kliplerinizi tam bir ana derecelendirmeye yakınlaştırabilir. Bu; kliplerinizi bir görünüm uygulamaya hazırlamak için nötrleştirmenize ve dengelemenize yardımcı olan, DaVinci Resolve'nin skoplarını kullanırken özellikle etkilidir.

Aşağıdaki bilgiler, klip ve gamma kontrolleri için tanımlar içerir.

ISO

Bu ayar artırılarak veya azaltılarak, ISO değeri değiştirilebilir. Optimizasyon için klibinizi daha parlak veya daha karanlık bir başlama noktasına getirmeniz gerektiğinde, bu ayar faydalıdır.

Parlak Bölgeleri Kurtarma

Kırılmayan kanallardaki bilgileri kullanarak, kırılan kliplerdeki parlaklık bilgilerini yeniden oluşturmak için, bu kutuyu işaretleyin.

Renk Gamını Daraltmak

Gamut seviyelerini otomatik olarak belli bir seviyede tutmak için kutuyu tıklayın.

Renk Isısı

Görüntüyü sıcaklaştırmak veya soğutmak için renk ısısını ayarlayın. Bu; her bir görüntüdeki rengi nötrleştirmeye yardımcı olması için kullanılabilir.

Renk Tonu

Bu ayarın düzeltilmesi, rengin dengelenmesine yardımcı olmak için, görüntüye yeşil veya macenta ekleyecektir.

Pozlama

Bu ayarı, görüntünün genel parlaklığını düzeltmek için kullanın.

Doğunluk

Doğunluk kontrolleri; en düşük doğunluk için 0, azami doğunluk için 4'e yayılır ve varsayılan ayarı 1'dir.

Kontrast

Varsayılan ayarı 1.0'dır. En düşük kontrast miktarı 0 için sürgüyü sola veya kontrastı 2'ye kadar artırmak için sürgüyü sağa sürükleyin.

Orta Nokta

Blackmagic Design Film'de, orta grinin varsayılan değeri 0.38 ya da %38,4'tür. Orta noktayı düşürmek için sürgüyü sola sürükleyin ya da 100'e kadar artırmak için sağa sürükleyin. Kontrast, varsayılan ayarından uzaklaştırıldığında, parlak bölge ve gölge eğilimini değiştirebilirsiniz.

Parlaklıklarda Yumuşak Azalma

Parlaklık değerini 0'a düşürmek için sürgüyü sola sürükleyerek veya 2'ye artırmak için sağa sürükleyerek parlak bölgelerin ayarını yapın. Varsayılan değer 1'dir.

Gölgelerde Yumuşak Azalma

Gölgelerinizi 0'a düşürmek için, sürgüyü sola sürükleyin ya da 2'ye artırmak için sağa sürükleyin.

Beyaz Seviyesi

Sürgüyü en yüksek değer olan 2'den, en az değer olan 0'a sürükleyerek, gamma eğrisinin beyaz noktasını ayarlayın. Varsayılan değer 1'dir.

Siyah Seviyesi

Sürgüyü en düşük değer olan -1'den, azami değer olan 1'e sürükleyerek, özel gamma eğrisinin siyah noktasını artırın. Varsayılan değer 0'dır.

Video Siyah Seviyesini Kullan

Siyah seviyelerinizi videoya ayarlamak için bu kutuyu işaretleyin.

Kareyi Dışa Aktar

'Kareyi dışa aktar' butonunun tıklanması, RAW klbinizden tek bir kareyi dışa aktarmanızı sağlar.

Sidecar Dosyasını Güncelle

Geçerli klip için Blackmagic RAW sidecar dosyasını güncellemek üzere, bu butonu tıklayın.

Blackmagic RAW kliplerinize yaptığınız herhangi bir değişiklik, gamma ayarının Blackmagic Design Custom olarak değişmesinden tespit edilebilir.

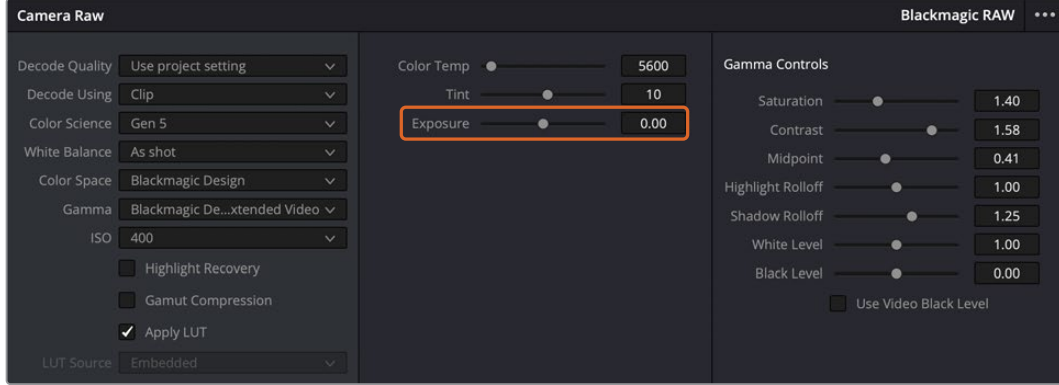
Blackmagic URSA Broadcast G2'nin Kazanç Ayarını Kullanarak Pozlamanın Ayarlanması

Diğer Blackmagic kameraların DaVinci Resolve iş akışına aşinaysanız URSA Broadcast G2'nin 'kazanç' ayarının, Blackmagic sinema kameralardaki ISO ayarından biraz farklı işlediğini belirtmekte fayda var.

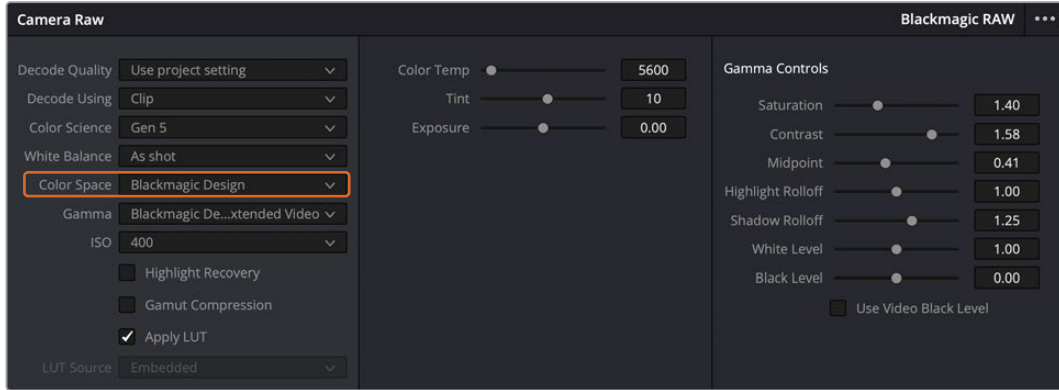
URSA Broadcast G2'nin 'kazanç' ayarları, daha sonra yazılımda uygulamaktansa kameraların sensöründe uygulanır. Bu, tipik yayın kameralarının çalışma metoduna benzer ve bazı hassaslık ayarlarında gürültüyü azaltabilir. Aynı zamanda, bir URSA Broadcast G2 klip 'kazanç' ayarının, çekimden sonra ne kadar artırılabilirliğini de sınırlar. DaVinci Resolve'nin Kamera RAW ayarlarındaki ISO kutusunun, kameraların klip için olan gain ayarlarıyla aynı ISO ayarını görüntülediğini fark edeceksiniz.

URSA Broadcast G2'nin klipi çektiğinizdeki kazanç ayarına eş olan ISO değerinden, 3 adım yukarısına kadar ISO'yu yükseltebilirsiniz. Blackmagic RAW çekimin geniş dinamik aralığından dolayı, klip pozlamanızı ayarlayarak, kamera kazancını değiştirmeye fonksiyon bakımından

eşdeğer olan ek değişiklikler yapabilirsiniz. Pozlama değerini, pozlamaya 5 durak ekleyerek veya çıkararak düzeltin. Her durak, bir hassasiyet basamağına eşdeğerdir. Örneğin; bir ilave pozlama durağı, -6db gain'den 0db gain'e veya 200'den 400 ISO'ya eşdeğerdir, ancak burada, daha ileri ince ayar yapma olanağınız var ve bir durağın 0.01'ine kadar gidebilirsiniz.



Blackmagic RAW kliplerinize yaptığınız herhangi bir değişiklik, gamma ayarının Blackmagic Design Custom olarak değişmesinden tespit edilebilir.



Klibinizi, mevcut varsayılan gamma seçeneklerinden birisine geri çevirmek için, aşağıya açılır gamma menüsünden seçiminizi yapmanız yeterlidir.

BİLGİ 'Video' dinamik aralığı ile çekilen görüntüler için gamma kontrolleri etkisiz hale getirilmiştir fakat, Blackmagic RAW verilerini kaybetmiş olmazsınız. Aşağıya açılır gamma menüsünden, Blackmagic Design Film veya Blackmagic Design Extended Video seçeneğini seçin ve düzeltmelerinizi yapın.

Blackmagic RAW değişikliklerinizi kaydetme

- 1 Blackmagic RAW klibiniz için gamma kontrollerini ayarlayın.
- 2 Sidecar dosyasını güncelle (update sidecar) butonunu tıklayın.

Artık bir sidecar dosyası, .braw dosyanızla aynı klasörde oluşturulacaktır. Blackmagic RAW dosyalarını başka bir kullanıcı yazılıma aktardığında, sidecar dosyaları DaVinci Resolve tarafından otomatik olarak okunur. Ek değişiklikler yaparsanız 'update sidecar' butonuna tekrar basın.

BİLGİ Sidecar dosyanızı çıkarmak için, ortam diskinizdeki konumundan silmeniz yeterli.

Blackmagic RAW için Proje Ayarları

Bütün kliplerde bulunan bir ayara değişiklik yapmak istediğinizde, kliplerinizi proje 'camera raw' ayarlarını kullanmaları için düzenleyebilir ve genel değişiklikleri oradan yapabilirsiniz. Örneğin; beyaz ayarına veya ISO ayarına genel bir değişiklik yapılması gibi.

Blackmagic RAW için proje ayarlarını düzenlemek için:

- 1 'File' (dosya) üzerine tıklayın ve 'project settings' (proje ayarları) sekmesini seçerek proje ayarları menüsüne girin.
- 2 'Camera RAW' sekmesinde, RAW profilinin yanında bir menü göreceksiniz. Listedeki Blackmagic RAW seçeneğini seçmek için, ok üzerine tıklayın.
- 3 'Decode Using' menüsünden, 'project' ibaresini seçin.
- 4 Menüden bir 'Color Science' (Renk Bilimi) seçeneği seçin.
- 5 Beyaz dengesini, 'custom' (özel) olarak seçin.
- 6 Gamma menüsünden 'Blackmagic Design Custom' ibaresini seçin. Renk alanını 'Blackmagic Design' olarak ayarlayın.
- 7 'Decode Quality' (Kod Çözme Kalitesi) menüsünden, çözünürlüğünüzü (resolution) seçin. Sınırlı sistemlerde, daha düşük bir çözünürlük size daha iyi bir geri oynatım sağlayacaktır. Teslimattan önce en yüksek kalitede çıktı için, daha sonra tam çözünürlüğe değiştirme esnekliğine de sahipsiniz.

Şimdi klipleriniz için; doygunluk, kontrast ve orta nokta gibi kamera ayarlarını düzenleyebilirsiniz. Bu işlem, projenizdeki 'project' seçeneğini kullanarak kod çözmeye ayarlanmış tüm klipleri etkileyecektir.

Renk Sayfası ile Kliplerinizin Renginin Düzeltilmesi

Klipleriniz zaman çizelgesinde olduğuna ve yazılar eklendiğine göre, 'renk' sayfasını kullanarak renk düzeltme işlemlerine başlayabilirsiniz. Renk sayfası inanılmaz derecede etkilidir ve filminizin genel görünümünü belirleyecektir, ancak bu örnek için iyi olacak bir başlangıç, tutarlı olmaları için kliplerinizi nötrleştirmektir. Rgonuza değişiklikler yapmak istiyorsanız istediğiniz zaman 'hızlı kurgu' veya 'kurgu' sayfasına geri dönebilirsiniz.

Renk sayfası, kurgunuzun görünümünü düzeltmenize imkan verir ve birçok yönden, renk düzeltme işlemi kendi başına bir sanat dalıdır. Renk düzeltme yaptığınızda, aslında işinize duygu katmış oluyorsunuz. Bu, iş akışının oldukça yaratıcı bir bölümüdür ve bu becerileri öğrenmek çok tatmin edicidir ve işinizin hayata geçtiğini görebilirsiniz! Bu, genellikle ilk adımdır ve 'ana renk düzeltme' (primary color correction) veya birincil düzeltme olarak da bilinir. Ana renk düzeltme tamamlandıktan sonra, ikincil renk düzeltme ayarlamalarını yapabilirsiniz. Görüntünüzdeki belli nesnelerin son derece hassas renk düzeltmelerini yapabileceğiniz yer burasıdır. Bu çok zevklidir, ama normalde ana renk düzeltme işleminden sonra yapılır, çünkü işlemin daha etkili olmasına yardım eder ve daha iyi sonuçlar alırsınız!

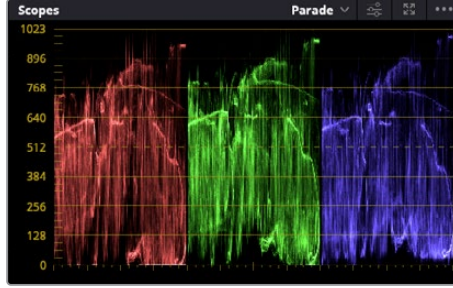
Öncelikle, 'renk' sayfasını açmak için, 'color' sekmesini tıklayın.

Burada; kamera raw ayarlarını, renk tekerlerini, eğri paletlerini ve genel renk düzeltme araçlarının yanı sıra, önizleme ve düğüm penceresini de göreceksiniz. Önünüzde sergilenen çok çeşitli özelliklerin sizi ürkütmesine izin vermeyin. Bunların hepsi, en harika görünümleri elde etmenize yardımcı olmak üzere geliştirilmiştir. Bu 'başlarken' bölümü, ana hatları gösterir, ancak daha detaylı bilgiler için kullanım kılavuzundaki ilgili bölümlere bakın. Kullanım kılavuzundaki bu bölümler, tüm bu araçların tam olarak ne için olduğunu ve nasıl kullanılacağını, kolayca takip edilebilen adımlarla açıklar. Üst düzey renk düzeltme tesislerinde, profesyonellerin kullandığı tekniklerin aynısını öğreneceksiniz.

Genelde, ana renk düzeltmesi için ilk adım; kliplerinizdeki gölgeler, orta tonlar ve parlak bölgeler için seviyeleri optimize etmek olacaktır. Başka bir tabirle; 'lift', 'gamma' ve 'gain' ayarlarını düzenleyin. Bu, temiz, dengeli bir başlangıç noktasıyla, görüntülerinizin mümkün olduğunca parlak ve iyi görünmelerini sağlayarak, filminiz için istediğiniz görünümü elde etmek üzere, renk derecelendirmesine başlamanıza yardımcı olur. Seviyeleri optimize etmek için skopların kullanılması faydalıdır.

Skopların Kullanımı

Renk uzmanlarının çoğu, programlarının sahip olmasını istedikleri duygu ve görünüme odaklanarak yaratıcı renk seçimleri yaparlar ve sonra ekranı kullanarak, bu görünümü elde etmek amacıyla çalışırlar. Görüntülerinizle neler yapabileceğiniz konusunda fikirler üretebilmek ve biraz pratik yapmak için, günlük nesnelere bakabilirsiniz ve farklı ışıkların, bu nesnelere nasıl etkileşim içinde olduğunu inceleyebilirsiniz.



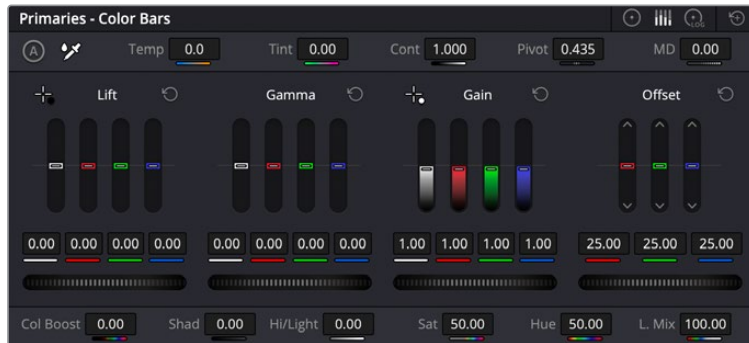
Parade skopu; parlaklıkları, orta tonları ve gölgeleri optimize etmenizi mümkün kılar

Renk derecelendirmenin diğer bir yöntemi, çekimleriniz arasında denge oluşturmaya yardımcı olması için dahili skopları kullanmaktır. Palet araç çubuğunda sağdan ikinci olan 'scope' butonunu tıklayarak, tek bir video skopu açabilirsiniz. Dalga şekli, parade, vektörskop, histogram ve CIE renksellik skopunu görüntülemeyi seçebilirsiniz. Bu skopları kullanarak; renk tonlarının dengesini denetleyebilir, siyahlardaki detayların kaybolmasını ve parlaklıkların patlamasını engellemek amacıyla videonuzun seviyelerini gözden geçirebilir ve ayrıca, kliplerinizdeki herhangi bir renk üstünlüğünü denetleyebilirsiniz.

'Color wheels' isimli renk tekerleri paleti, genelde ilk olarak yapacağınız ayarlamlarda kullanacağınız 'lift', 'gamma' ve 'gain' kontrollerini içerir. Daha önce renk düzeltme üzerinde deneyiminiz olduysa bunlar, başka uygulamalarda renk ve kontrast ayarlamaları yapmak için gördüğünüz kontrolleri anımsatır.



'Lift', 'gamma', 'gain' ve 'offset' renk tekerleri, kliplerinizin renk ve tonlama dengesi üzerinde tam kontrol sağlar. Her bir ton bölgesi için renklerin tümüne aynı ayarlamayı yapmak üzere, renk tekerlerinin altındaki kadranı ileri ve geri sürükleyin.



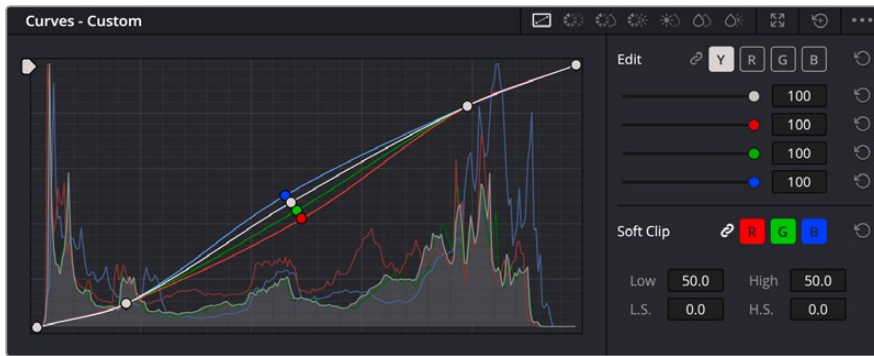
Fare kullanıyorken 'primaries bars' (ana renk çubukları), renk ayarlamalarını kolaylaştırır.

Her bir rengin daha doğru kontrolünü sağlamak üzere, renk tekerlerini, bir fare kullanarak 'primaries bars' (ana renk çubukları) ayarına değiştirebilirsiniz. Böylece; lift, gamma ve gain kontrolleri için her bir renk ve parlaklık kanalını, ayrı ayrı ayarlamanız mümkün olur. Renk tekerlerinin sağ üst tarafındaki aşağı-açılır menüden, 'primaries bars' özelliğini seçin.

- **'Lift' ayarının düzeltilmesi:** Renk için olan zaman çizelgesinde klibiniz seçili olarak, ilk renk tekerinin altındaki 'lift' kadranını tıklayın. Görüntünüzü nasıl etkilediğini gözlemlmek için, kadranı ileri ve geri kaydırın. Görüntünüzün karanlık bölgelerindeki parlaklıkların, arttığını ve azaldığını göreceksiniz.
En iyi görünmesini istediğiniz karanlık bölgelere göre ayarını yapın. Lift' ayarını çok fazla düşürdüğünüzde, gölgelerinizdeki ayrıntıları kaybedersiniz ve bunu önlemek için, parade skopu kullanabilirsiniz. Siyahlar için dalga şeklinde en uygun konum, parade skopunun alt çizgisinin hemen üstüdür.
- **'Gain' (kazanç) ayarının düzeltilmesi:** 'Gain' kadranı üzerine tıklayın ve ileri geri kaydırın. Bu işlem klibinizin en parlak alanlarını ayarlar. Parlak alanlar, parade skopundaki dalga şeklinin üst kısmında görüntülenir. Parlaklıklar, dalga şekli skopunun en üst çizgisinin üstüne çıktığında kırılacağı için, görüntünüzün en parlak bölgelerinde ayrıntı kaybına sebep olur. Parlaklıklar, dalga şekli skopunun en üst çizgisinin üstüne çıktığı takdirde kırılacağından, görüntünüzün en parlak bölgelerinde ayrıntı kaybına sebep olacaktır.
- **'Gamma' ayarının düzeltilmesi:** Renk tekerleğinin altındaki 'gamma' tuşunu tıklayıp ileri ve geri kaydırın. Gamma'yı artırdıkça görüntünün parlaklığının da arttığını fark edeceksiniz. Gamma'yı değiştirdikçe, dalga şeklinin orta kısmının da hareket ettiğini fark edeceksiniz. Bu, klibinizin orta tonlarını temsil eder. Orta tonlar için en uygun pozisyon, genelde dalga şekli skopunda %50 ile %70 arasındadır. Ancak bu, oluşturduğunuz görünüme ve klipteki aydınlatma koşullarına bağlı olarak subjektif olabilir.

Ana renk düzeltmeleri yapmak için, ayrıca eğri paletini de kullanabilirsiniz. Eğri grafiğindeki çapraz çizgi üzerinde kontrol noktaları oluşturmak için tıklayın ve görüntü tonlamasının farklı alanlarındaki master RGB kontrastı ayarlamak için, bu noktaları yukarı veya aşağı sürükleyin. Ayarlamak için en uygun noktalar; eğri çizgisinin altındaki üçte bir (bottom third), ortadaki üçte bir (mid) ve üstündeki üçte bir (top third) noktalarıdır.

DaVinci Resolve'de ana renk düzeltmeleri yapmanın birçok yolu vardır.



Eğri paleti, ana renk düzeltmeleri yapmak ya da görünmez pencereleri (power windows) kullanırken klibinizin belli alanlarını iyileştirmek için kullanabileceğiniz bir başka araçtır

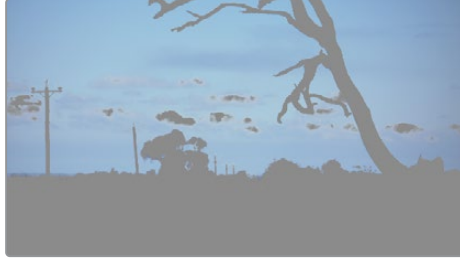
İkincil Renk Düzeltme

Görüntünüzün belli bir bölümünü ayarlamak istediğinizde, ikincil düzeltmeleri kullanmanız gerekecektir. Lift, gamma ve gain ayarlarını kullanarak şimdiye kadar yaptığınız ayarlamalar, görüntünün tamamını aynı anda etkilediğinden, ana renk düzeltmeleri olarak bilinirler.

Ancak, görüntünüzün belli bir bölümünü düzeltmeniz gerekiyorsa, örneğin; bir sahnedeki çimin rengini iyileştirmek ya da gökyüzündeki maviyi koyulaştırmak istediğinizde, ikincil renk düzeltmeleri kullanabilirsiniz. İkincil renk düzeltmeleri, bir görüntünün belli bir bölümü seçilerek, yalnızca o bölüme yapılan düzeltmelerdir. Düğümler ile, birden fazla ikincil düzeltmeyi kümeleyebilir ve her şeyin istediğiniz gibi olmasını sağlayana kadar görüntünün belli bölümleri üzerinde çalışmaya devam edebilirsiniz. Hatta, pencereler ve izleme özelliğini kullanarak seçili öğelerin, görüntünüzdeki hareketleri takip etmesini sağlayabilirsiniz.

Bir Rengin Nitelenmesi

Sık sık klbinizdeki belli bir rengin iyileştirilebileceğini fark edersiniz. Örneğin; bir yol kenarındaki çim ya da bir gök yüzündeki mavi gibi veya izleyicinin ilgisini bir nesne üzerinde odaklandırmak için, o nesnenin rengini düzenlemek durumunda kalabilirsiniz. Bunu, HSL (Hue, Saturation and Luminance) qualifier (niteleyici) aracını kullanarak kolaylıkla yapabilirsiniz.



Görüntünüzdeki renkleri seçerken HSL niteleyici aracını kullanmak, görüntünün belli alanlarına 'pop' (öne çıkarma) etkisi yapmak, kontrast ilave etmek veya görüntünüzün belli bölgelerine izleyicinin ilgisini çekmek istediğinizde faydalıdır.

Bir rengi nitelemek için:

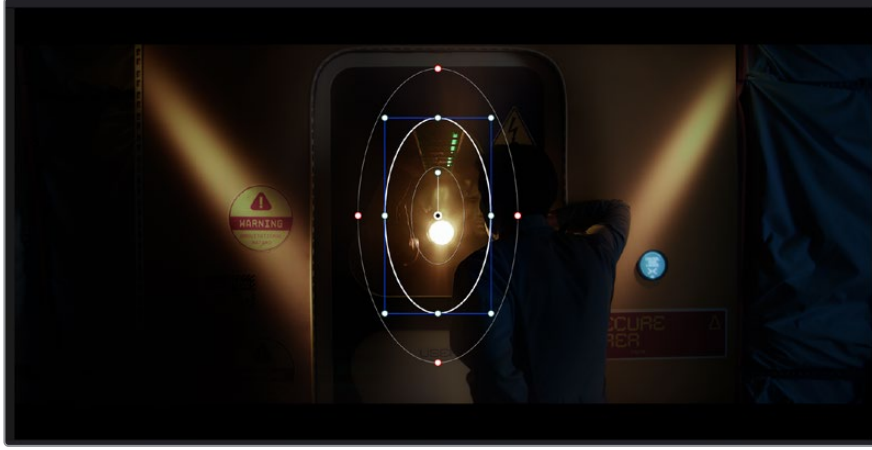
- 1 Yeni bir seri düğüm ilave edin.
- 2 'Qualifier' (niteleyici) paletini açın ve 'selection range' (seçim aralığı) seçici aracının seçildiğinden emin olun.
- 3 Klbinizde etkilemek istediğiniz rengin üzerine tıklayın.
- 4 Çoğu zaman, seçiminizin kenarlarını yumuşatmak ve bölgeyi yalnızca arzuladığınız renk ile sınırlandırmak için, bazı ayarlamalar yapmanız gerekecektir. Seçiminizi görmek için, görüntüleyici üzerindeki 'highlight' butonunu tıklayın.
- 5 Seçiminizi genişletmek veya daraltmak için 'hue' (renk tonu) penceresindeki 'width' (genişlik) kontrolünü ayarlayın.

Seçiminizi nasıl düzeltebileceğinizi görmek için; yüksek, alçak ve yumuşaklık kontrolleriyle denemeler yapın. Artık renk tekerlerini veya kişiselleştirilmiş eğrileri kullanarak seçili rengine düzeltmeler yapabilirsiniz.

Bazen seçiminiz, görüntüde etkilenmesini istemediğiniz alanlara taşabilir. Bir power window kullanarak istenilmeyen bölgeleri kolayca maskeleyebilirsiniz. Yeni bir pencere oluşturun ve sadece istediğiniz renk bölgesini ayırması için şekillendirin. Seçilmiş renginiz, görüntü içinde hareket ederse power window'u takip etmesi için, 'tracking' (takip) özelliğini kullanabilirsiniz.

Bir Power Window İlave Edilmesi

Power window, kliplerinizin belli bölgelerini izole etmek için kullanılacak çok etkili bir ikincil renk düzeltme aracıdır. Bu bölgelerin statik olması şart değildir fakat, bir kameranın yatay çevirme (pan), eğme (tilt) veya döndürme özellikleriyle ve bölgenin kendi hareketiyle eşleşmesi için, bu bölgeler takip edilebilir.



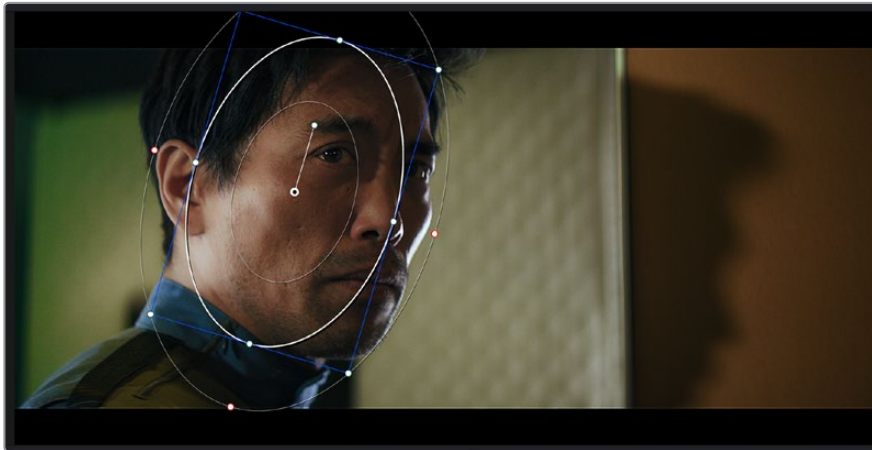
HSL qualifier ile yapılacak ikincil düzeltmelerin etkilemesini istemediğiniz alanları maskelemek için power windows özelliğini kullanın

Örneğin, çevresini etkilemeden bir kişinin sadece kendisi üzerinde renk ve kontrast değişiklikleri yapmak üzere, kişinin üzerindeki bir pencereyi takip edebilirsiniz. Bunun gibi düzeltmeler yaparak, izleyicinin ilgisini istediğiniz bölgelere yönlendirebilirsiniz.

Klibinize bir görünmez pencere ilave etmek için:

- 1 Yeni bir seri düğüm ilave edin.
- 2 'Window' (pencere) paletini açın ve bir şekil ikonu üzerine tıklayarak dilediğiniz pencere şeklini seçin. Seçili olan pencere şekli, düğüm üzerinde belirecektir.
- 3 Şeklin çevresindeki mavi noktaları tıklayarak ve sürükleyerek, şekli yeniden boyutlandırın. Kırmızı noktalar, kenar yumuşaklığını ayarlar. Şekli konumlandırmak için, şeklin merkez noktasını tıklayın ve izole etmek istediğiniz alana taşıyın. Merkeze bağlı olan noktayı kullanarak şekli döndürün.

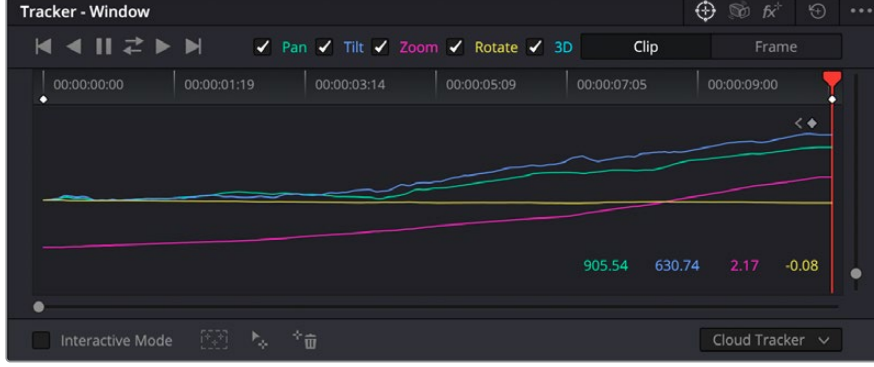
Şimdi, sadece görüntünüzdeki istediğiniz alana renk düzeltme işlemleri yapabilirsiniz.



Görünmez pencereler (power windows), görüntünüzün belirli bölümlerine ikincil düzeltmeler yapmanızı sağlar

Bir Pencerenin Takip Edilmesi

Görüntünüzdeki kamera, nesne veya alan hareket ediyor olabilir. Bu yüzden, pencerenizin seçtiğiniz nesne ya da alan üzerinde kalmasını sağlamak için, DaVinci Resolve'nin güçlü takip özelliğini kullanabilirsiniz. Takip aracı, klbinizdeki nesnenin veya kameranın pan, tilt, zoom ve rotasyon özelliklerini analiz eder, böylece pencerelerinizi bu hareketlerle eşleştirebilirsiniz. Eğer bu yapılmazsa yaptığınız düzeltme işlemi, seçili olan hedefinizin üzerinden kayabilir ve dikkatleri üzerine çekebilir. Bu da muhtemelen arzulamayacağınız bir şeydir.



Görünmez pencerelerin hareketi takip edebilmeleri için, takip özelliğini kullanarak klbinizdeki nesnelere veya alanları takip edebilirsiniz

Hareket eden bir nesne üzerinde pencere takibi için:

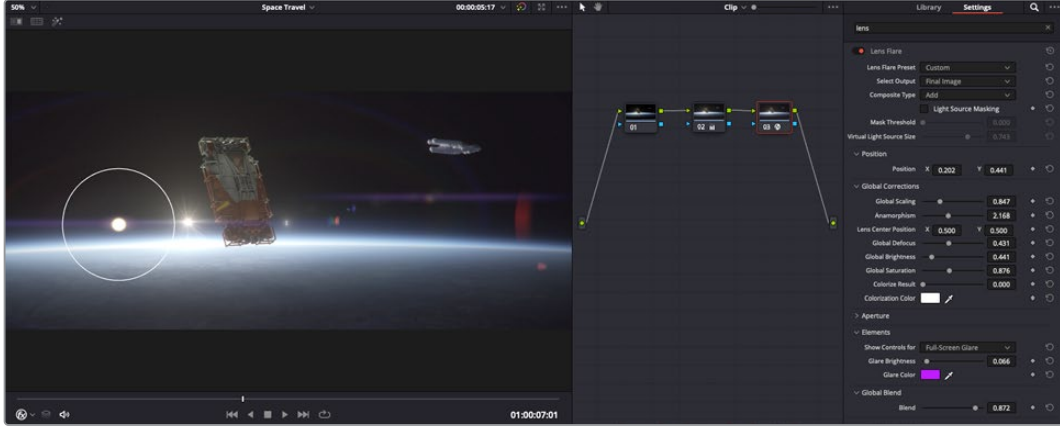
- 1 Yeni bir seri düğüm oluşturun ve bir power window ilave et.
- 2 Klbinizin başına gidin ve yalnızca istediğiniz nesne veya alanı vurgulaması için, pencereyi konumlandırıp boyutlandırın.
- 3 'Tracker' paletini açın. İlgili 'analyze' (analiz et) onay kutularını onaylayarak veya onayı kaldırarak, klbinizdeki harekete uygun olan; yatay çevirme, eğme, döndürme ve 3D perspektif ayarlarını seçin.
- 4 Onay kutularının solundaki 'forward' (ileri) okuna tıklayın. DaVinci Resolve, şimdi klbinize bir takip noktası kümesi uygulayacaktır ve sonra hareketi analiz etmek için kareler arasında ilerleyecektir. Takip işlemi tamamlandığında, power window klbinizdeki hareketin yolunu takip edecektir.

Otomatik takip özelliği çoğu zaman başarılıdır, ancak sahneler karmaşık olabilir ve bir nesne zaman zaman seçili alanınızın önünden geçebileceğinden, takip işlevini engelleyebilir ya da etkileyebilir. Keyframe düzenleme aracı kullanılarak bu sorun, manuel olarak çözümlenebilir. Daha fazla bilgi için, DaVinci Resolve kullanım kılavuzuna bakın.

Eklentilerin Kullanımı

İkincil renk düzeltme işlemleri yaparken, 'color' (renk) sayfasını kullanarak hızlı ve ilginç görünüm ve efektler oluşturmak için ya da kliplerinize 'cut' (hızlı kurgu) ve 'edit' (kurgu) sayfalarında yaratıcı geçiş ve efektler oluşturmak için, ResolveFX veya OpenFX eklentilerini ilave edebilirsiniz. Resolve FX efektleri, DaVinci Resolve ile beraber yüklenir, OFX eklentiler de üçüncü parti üreticilerden satın alınabilir ve indirilebilir.

Bir OFX eklenti takımını yükledikten sonra, 'node editor' isimli düğüm düzenleyicinin sağındaki Open FX denetleyicisi açılarak, bu eklentilere veya Resolve FX eklentilerine renk sayfasından erişebilirsiniz. Yeni bir seri düğüm oluşturduktan sonra, FX belgeliğini açmak için 'Open FX' butonunu tıklayın ve yeni düğümün içine bir eklenti sürükleyerek bırakın. Eklentinin değiştirilebilir ayarları varsa bunları bitişikteki 'settings' panelinde ayarlayabilirsiniz.



OFX eklentileri, yaratıcı ve ilginç bir görünüm oluşturmanın hızlı ve kolay bir yoludur.

'Edit' sayfasında, 'effects' belgeliğindeki 'Open FX' panelini açarak ve seçili olan eklentinizi, zaman çizelgesindeki video klibinizin üzerine veya klibinizin üst tarafındaki kanal üzerine sürükleyerek kliplerinize; eklenti filtrelerini, üreteçleri ve geçişleri eklentinizin gereksinimlerine göre ilave edebilirsiniz.

Ses Miksajı

Edit (Kurgu) Sayfasında Ses Miksajı

Projenizin kurgusunu ve renk düzeltmesini yaptıktan sonra, ses miksajına başlayabilirsiniz. Proje sesinin kurgulanması, miksajı ve master işlemi için, DaVinci Resolve'nin 'edit' sayfasında bir takım faydalı özellikler vardır. Daha gelişmiş ses araçları gerektiren projeler için, Fairlight sayfası size ses için tam post prodüksiyon ortamı sağlar. Kurgu sayfasını zaten biliyorsanız ve doğrudan Fairlight sayfasına geçmek istiyorsanız bu bölümü atlayın ve bir sonraki bölüme geçin.

Ses Kanallarının Eklenmesi

Kurgu sayfasında çalışırken, basit bir ses kurgusunu, çok sayıda ses efekti ve müzik ile birleştirmek istediğinizde, ihtiyacınıza göre daha fazla ses kanalını kolaylıkla ilave edebilirsiniz. Bu özellik, ses kurgusu üzerinde çalışırken ve ses öğelerini; diyalog, ses efektleri ve müzik gibi, tek tek kanallara ayırmak istediğinizde faydalı olabilir.

Kurgu sayfasına bir ses kanalı ilave etmek için

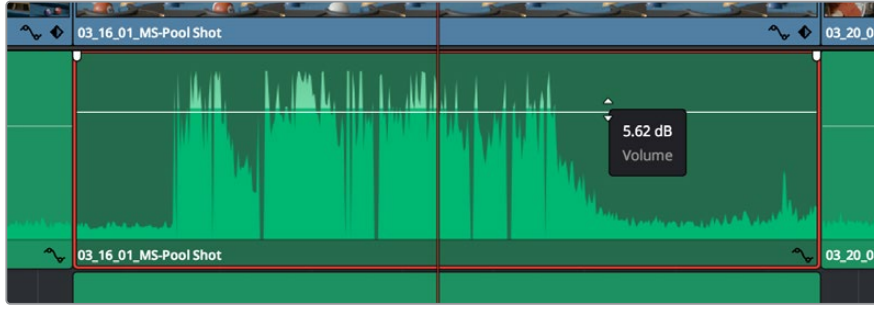
Zaman çizelgesindeki herhangi bir ses kanalı adının yanına sağ tıklayın ve 'add track' ibaresini seçin ve sonra, 'mono', 'stereo' ve '5.1' seçeneklerinden seçiminizi yapın. Bu işlem, kanal listesinin en altına kanalı ekleyecektir. Aynı işlemi, kanal ekle (add track) ibaresini ve yeni kanalın veya kanalların yerleşmesini istediğiniz konumu seçerek de yapabilirsiniz.

Yeni ses kanalınız, zaman çizelgesi üzerinde belirecektir.

BİLGİ Oluşturduktan sonra kanal türünü değiştirmek isterseniz kanal isminin yanına sağ tıklayın ve 'change track type to' (kanal tipini değiştir) ibaresini seçin ve stereo, mono veya 5.1 gibi, istediğiniz ses kanalı türünü seçin.

Zaman Çizelgesinde Ses Seviyelerinin Ayarlanması

Zaman çizelgesindeki her ses klibinin, fare ile yukarı veya aşağı çekerek seviyesini ayarlayabileceğiniz bir volüm katmanı vardır. Bu katman, denetleyicinizdeki volüm parametresine denk düşer.



Klip seviyesini ayarlamak için, bir volüm katmanının sürüklenmesi

Daha gelişmiş ses araçları gerektiren projeler için, Fairlight sayfası size ses için tam post prodüksiyon ortamı sağlar.

Fairlight Sayfası

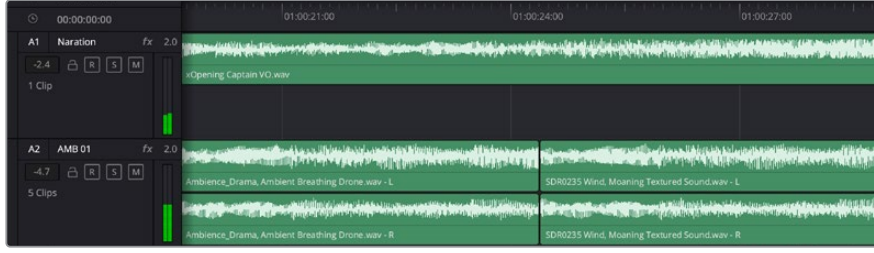
DaVinci Resolve'deki Fairlight sayfası, projenizin sesini düzenlediğiniz yerdir. Bu sayfa tek ekran modundayken, projenizin ses kanallarının en iyi görüntüsünü sağlar. Pürüzsüz ve uyumlu bir ses miksajı oluşturabilmeniz için; seviyeleri değerlendirmenizi ve ayarlamınızı kolaylaştıran, genişletilmiş bir mikser ve özel dinleme kontrolleri sunar. Önünüzde sergilenen çok çeşitli özelliklerin, sizi ürkütmesine izin vermeyin, bunların hepsi, projeniz için en iyi kalitede ses elde etmenize yardımcı olmak üzere geliştirilmiştir.



Bu kılavuz, Fairlight sayfasındaki özelliklere temel bir bakış sağlar, ancak her bir özellik hakkında daha detaylı bilgi edinmek için, DaVinci Resolve kullanım kılavuzuna bakınız. DaVinci Resolve kullanım kılavuzu, her bir aracın amacını ve nasıl kullanılacağını, kolayca takip edilebilen adımlarla açıklar.

Ses Zaman Çizelgesi

- **Track Header (Kanal Üstbilgisi):** Her kanalın sol tarafında; kanal numarasını, kanal adını, kanal rengini, ses kanallarını, fader seviyesi ve ses göstergelerini gösteren bir üstbilgi bölümü vardır. Kanal üstbilgisi ayrıca, kanalı kilitlemek ve açmak için kontrollerin yanı sıra, kanalı solo yapan ve susturan kontrolleri de içerir. Bu kontroller, ses kanallarını düzenli tutmanıza yardımcı olur ve kanalları tek tek kısa çalma ile denetlemenize imkan tanır.
- **Ses Kanalları:** Fairlight sayfasındaki her bir kanal, mikraj ve kurgulama için, ses klipinin tek kanalını gösteren şeritlere bölünmüştür. Kurgu sayfası, bir sürü kanal ile uğraşmadan çok kanallı kaynakların kurgulamasını kolaylaştırmak için, bu bireysel ses kanallarını saklar ve zaman çizelgesinde sadece tek bir klip olarak gösterir.



Kanal A1'deki üstbilgi, mono ses için tek şeritli bir mono kanalı gösterir ve A2 kanal üstbilgisi, stereo sesi barındırmak için, bir stereo kanalı iki şerit ile gösterir.

Bus nedir?

Bus kanalı esasen, tek bir kanal şeridi üzerinden kontrol edilebilen tek bir sinyal halinde gruplanmış ses kaynaklarından oluşan bir yönlendirme kanalıdır. Fairlight, otomatik olarak sizin için bir bus kanalı oluşturur ve zaman çizelgenizdeki tüm ses kanalları fabrika ayarı olarak bu kanala gönderilir. Böylelikle, her bir kanalın seviyesini ayarladıktan sonra ses mikrajının genel seviyesini bu kanalı kullanarak ayarlayabilirsiniz.

Ses düzenlemeniz biraz daha kompleks olduğunda, daha çok bus kanalı oluşturabilir ve diyalog, müzik veya ses efektleri gibi aynı kategoriye ait ses kanallarını birleştirebilirsiniz. Böylece, o kategoriye ait her şeyin mikraji tek bir ses sinyali olarak yapılabilir. Örneğin, beş adet diyalog kanalınız varsa beş kanal için çıkışların hepsini ayrı bir bus kanalına yönlendirebilirsiniz ve böylelikle, tüm diyalogların seviyesi, tek bir kontrol setiyle mikrajlanabilir.

Fairlight Flexbus yapısı, bus kanalıdan bus kanalına (bus-to-bus), kanaldan bus kanalına (track-to-bus) ve bus kanalıdan kanala (bus-to-track) şeklindeki yönlendirme seçenekleri dahil olmak üzere, farklı bus kanal tipleri ve sinyal yönlendirme üzerinde tam esneklik sağlar. Fairlight'taki ses bus kanal ayarları hakkında daha fazla bilgi için DaVinci Resolve kılavuzuna bakın.

Mikser

Zaman çizelgenizdeki her bir ses kanalı, mikserdeki bir kanal şeridine tekabül eder ve fabrika ayarı olarak mikserin en sağında 'Bus 1' olarak işaretli ana bus şeridi vardır. Oluşturduğunuz her bir ilave bus kanalı için bir takım kontrollerle beraber ilave kanal şeritleri bu kanalın sağında belirir. Bir grafik kontrol seti; ses kanallarını çıkış kanallarına atamanıza, sesin tonunu ve dinamiğini düzeltmenize, seviyeleri düzeltmenize ve otomasyonları kaydetmenize, stereo ve surround sese pan işlemi yapmanıza, ses kanalını susturmanıza ve solo olarak dinlemenize imkan tanır.

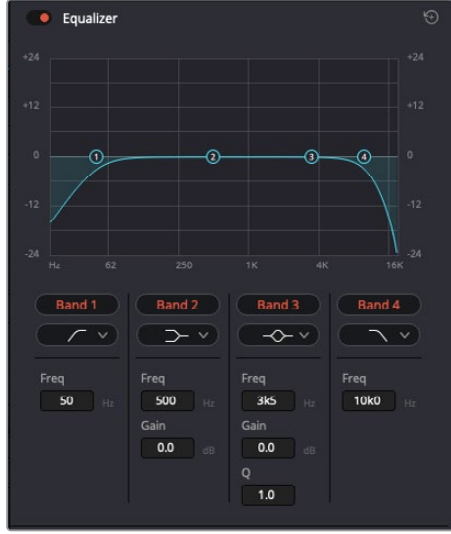


Zaman çizelgesindeki ses kanalları ile eşleşen kanal şeritleri ile ses mikseri

Sesi Geliştirmek için Ekolayzer Kullanımı

Projenizdeki ses kliplerinizin ses seviyelerini ayarladıktan sonra, sesin daha fazla ayarlama gerektirdiğini fark edebilirsiniz. Bazı durumlarda diyalog, müzik ve ses efektlerinin, ses spektrumundaki aynı frekans için birbirleriyle yarıştıklarını ve sesi, çok yoğun ve zor anlaşılır yaptıklarını bulabilirsiniz. Böyle durumlarda, her ses kanalının ses spektrumunda bulunacağı bölümü belirlemenize imkan sağladığı için, EQ kullanılması yardımcı olur. Ayrıca, bas gümbürtüler, uğultu, rüzgar sesi ve tıslama gibi istenmeyen öğeleri, sestem ayırıştırarak ve bu sesleri bulunduran frekansları düşürerek çıkarmak için veya sadece sesin kalitesini genel olarak yükselterek dinlemesini hoş hale getirmek üzere, ekolayzeri kullanabilirsiniz.

DaVinci Resolve, kanal düzeyinde tüm kanala veya klip düzeyinde her bir klibe uygulayabileceğiniz, EQ filtreleriyle donatılmıştır. Zaman çizelgesinde bulunan her bir ses klibinin, denetim panelinde 4 bant ekolayzeri vardır ve her bir kanalın, mikser panelinde 6 bant parametrik ekolayzeri vardır. Grafik ve sayısal kontroller, farklı frekans aralıklarını artırmak veya azaltmak içindir ve farklı filtre çeşitleri, EQ eğrisinin şeklini belirlemenize olanak sağlar.



4 bant ekolayzer, zaman çizelgesindeki tüm kliplere uygulanabilir.

Dış taraftaki bantlar; hi-shelf, lo-shelf, hi-pass ve lo-pass gibi filtreleri kullanarak, bant filtre ayarlamalarını yapmanıza imkan tanır. Bir pass filtresi, belirli bir frekansın üzerindeki veya altındaki tüm frekansları, sinyalden tamamen çıkarak etkiler. Örneğin; bir hi-pass filtresi, bas frekansları keserken, filtreden sadece tiz frekansların geçmesine izin verir. Kesme frekansının dışındaki tüm frekanslar, aşağı eğimli bir eğriyle yavaş yavaş kesilir.

Shelf filtresi daha az agresiftir ve o frekansları tamamen çıkarmadan, sinyalin tiz kısmının tümünü veya bas kısmının tümünü, düzeltmek istediğinizde faydalıdır. Shelf filtresi, hedef frekansı ve bu frekansın altındaki veya üstündeki her frekansı, hi-shelf veya lo-shelf kullanmanıza bağlı olarak, eşit miktarda artırır veya keser.

Ortadaki bant kontrolleri, geniş çeşitlilikte ekolayzer ayarlamaları yapmanıza olanak sağlar ve lo-shelf, çan eğrisi, çentik (notch) ve hi-shelf filtreleme seçenekleri arasında değiştirilebilir.

- **Bell (Çan):** Çan filtreleri, çan eğrisinin belirli bir merkez noktasının etrafındaki frekansları artırır veya keser ve isminden de anlaşılacağı gibi, eğrinin şekli bir çan gibidir.
- **Notch (Çentik):** Çentik filtreleri, çok dar bir aralıktaki frekansları hedeflemenizi sağlar. Örneğin, 50 veya 60Hz'de şebeke uğultusunun çıkarılması.
- **Lo-Shelf:** Low shelf filtreler, alt uçtaki hedef frekansı ve onun altındaki tüm frekansları artırır veya keser.
- **Hi-Shelf:** High shelf filtreler, üst uçtaki hedef frekansı ve onun üstündeki tüm frekansları artırır veya keser.

Tek bir klibe EQ eklemek için:

- 1 EQ filtresini eklemek istediğiniz klibi, zaman çizelgesinde seçin.
- 2 Denetleyiciyi tıklayın ve sonra 'equalizer' düğmesini tıklayarak klip için ekolayzeri aktif hale getirin.

Bir ses kanalına EQ ilave etmek için:

- 1 Ses kanallarınızdan birinin ekolayzerini açmak için, o kanalın mikserdeki EQ kısmına çift tıklayın.
- 2 Aşağı açılır menüden, ayarlamak istediğiniz bant için, filtre türünü seçin.



Mikser panelinde bir EQ eğrisi gösteren EQ bölümü, bir numaralı ses kanalına uygulandı.



Her kanala uygulanabilen 6 bant parametrik ekolayzer

Klibinize veya ses kanalınıza EQ ekledikten sonra, her bir bant için ekolayzeri ayarlayabilirsiniz. Seçilen bant filtre türüne bağlı olarak kontrollerin değişebileceğini, göz önünde bulundurun.

Bir bant filtresi için EQ ayarlamak üzere:

- 1 Aşağı açılır menüden, ayarlamak istediğiniz bant için, filtre türünü seçin.
- 2 EQ ayarının merkez frekansını belirlemek için, frekans değerini düzeltin.
- 3 O bant tarafından yönetilen frekansları artırmak veya azaltmak için, gain (kazanç) değerini ayarlayın.
- 4 Etkilenen frekansların genişliğini ayarlamak için, Q factor (Q faktör) değerini kullanın.

EQ penceresindeki tüm kontrolleri fabrika değerlerine geri döndürmek için, reset butonunu kullanın.

Her bir ses kanalının kalitesini artırmak için, Fairlight'in kullanabileceğiniz birçok kontrolü vardır. Daha fazla kanal ekleyebilir ve bunları düzenlemek için bus kanalları kullanabilirsiniz. Buna ek olarak, delay veya reverb gibi efektler ekleyebilir ve ses miksajınızı genel olarak kusursuz hale getirebilirsiniz.

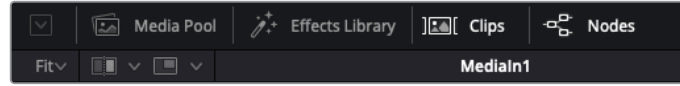
Fusion Sayfasında Video Efektleri (VFX) ve Görüntü Birleştirme (Compositing) Eklenmesi

Kurgu ve düzeltmeleri bitirdiğinize göre, şimdi 2D (2 boyutlu) ve 3D (3 boyutlu) görsel efektler ve hareketli grafikler eklemek için, DaVinci Resolve içinde Fusion sayfasını açabilirsiniz. Katman bazlı görüntü birleştirme yazılımlarından farklı olarak Fusion, 'node' ismindeki düğümleri kullanır ve görüntü verilerini herhangi bir yönde dağıtırken, kompleks efektler oluşturmanıza izin verir. 'Nodes' (düğümler) penceresi, kullandığınız tüm araçları açıkça gösterir. Renk sayfasında node iş akışını tecrübe ettiyseniz bu size tanıdık gelecektir.

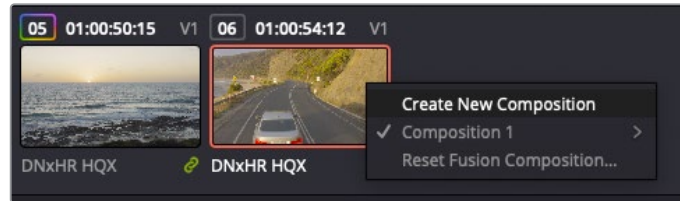


Fusion Sayfası

Fusion sayfası; medyanızı görüntülemek için aktarım denetimleri ile üst kısımda 2 adet görüntüleyici, araç ayarlarınıza erişmeniz için sağ tarafta bir denetleyici penceresi ve görüntü kompozisyonunuzu oluşturmanız için alt tarafta bir nodes (düğüm) penceresi içerir. Görüntüleyiciler ve aktarım denetimleri her zaman görünür olduğu halde, ekranın en üst kısmındaki arayüz araç çubuğundaki ikonların tıklanması, düğüm ve denetleyici pencerelerini gösterip saklamanızı veya efekt bankası ve spline ile keyframe düzeltici dahil olmak üzere, ilave pencereleri gösterip saklamanızı sağlar.



- **Medya Havuzu:** Medya havuzu, kurgu sayfasında olduğu gibi çalışır. İlave medyayı, doğrudan bin'lerinizden kompozisyonunuza sürükleyip bırakın.
- **Effects Library (Efekt Bankası):** Efekt bankası; Fusion araçlarınızı ve şablonlarınızı partikül (particle), takip (tracking), filtreler (filters) ve üreticiler (generators) gibi kategorilere ayrılmış olarak bulacağınız yerdir. Kompozisyonunuza eklemek için, araç üzerine tıklayabilir veya nodes (düğümler) penceresine sürükleyebilirsiniz. Medya havuzu ve efekt bankası aynı ekran alanını kullanırlar; bu yüzden, görüntüleyicilerinizi olabildiğince büyük tutmak için ikisi arasında değiştirebilirsiniz.
- **Klipler (Clips):** 'Clips' sekmesini tıklamak, zaman çizelgenizdeki klipleri temsil eden küçük resimleri (thumbnails) ortaya çıkaracak veya saklayacaktır. Küçük resimler, düğüm düzelticilerin altında bulunur ve başka kliplere anında gidip gelmenizi sağlar.



Bir küçük resim üzerine sağ tıklayıp, 'create new composition' (yeni kompozisyon oluştur) ibaresini seçerek kompozisyonunuzun yeni bir versiyonunu oluşturun.

- **Viewers (Görüntüleyiciler):** Görüntüleyiciler daima görünürler ve kompozisyonunuzun farklı görünüşlerini görmeyi sağlarlar; mesela; 3D birleştirme düğümü, kameranın bir çıkışı veya son işlem (render) çıktısı üzerinden 3 boyutlu bir genel perspektif. Bu görüntüleyiciler ayrıca, yaptığınız bir değişikliğin belli bir unsuru nasıl etkilediğini de görmeyi sağlar.

Bir düğümü tıklayıp sol görüntüleyici için '1' veya sağ görüntüleyici için '2' yazarak, hangi düğümlerin görüntüleneceğini seçebilirsiniz. Hangi görüntüleyiciye atandığını göstermek üzere, düğümün altında beyaz buton ikonları belirecektir. Harici video monitörleri kullanıyorsanız medyanızı harici video monitörüne yönlendirmeniz için, üçüncü bir buton hazır olacaktır.

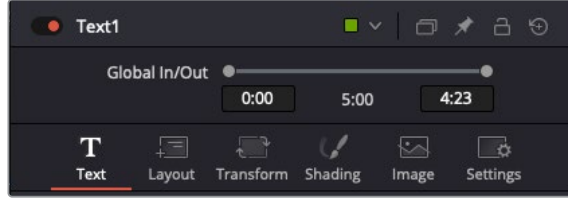
BİLGİ Düğümü görüntüleyici içine sürükleyip bırakarak, bir düğümü bir görüntüleyiciye de atayabilirsiniz.

Görüntüleyicilerin altındaki aktarım denetimleri, bir klibin başına veya sonuna atlamınızı, ileri oynatmanızı (play forward) veya geri oynatmanızı (reverse) veya oynatımı durdurmanızı sağlar. Zaman cetveli; giriş ve çıkış noktalarını gösteren sarı işaretler ile, bir klibin tam aralığını gösterir.



Zaman cetvelindeki sarı renkli işaretler, zaman çizelgeniz üzerinde klibinizin giriş ve çıkış noktalarını gösterir. Bir Fusion klibi veya bileşik klip kullanıyorsanız zaman cetveli sadece klibin zaman çizelgesinde görüldüğü süreyi gösterecektir.

- **Nodes (Düğümler):** 'Nodes' penceresi; bir düğümün çıkışından diğer düğümün girişine araçları birbirine bağlayarak düğüm ağacınızı (node tree) oluşturduğunuz, Fusion sayfasının kalbidir. Bu bölüm, hangi düzelticilerin açık olduğuna bağlı olarak, ebat değiştirecektir; mesela spline (eğri) veya keyframe düzeltici. Düğümler bölgesinin üzerindeki bir araç çubuğu, hızlı erişmeniz için en çok kullanılan araçları içerir.
- **Spline (Eğri):** Eğri düzeltici açık olduğunda, düğümler penceresinin sağ tarafında görünecektir. Bu düzeltici, her bir düğümüne hassas ayarlamalar yapmanızı sağlar. Mesela; bezier eğrisini kullanarak iki keyframe arasındaki animasyonun pürüzlerini giderme gibi.
- **Keyframes (Keyframe'ler):** Her bir araç için keyframe'ler eklenebilir, çıkarılabilir veya keyframe düzeltici ile değiştirilebilir. Bu da düğümler penceresinin sağında görünür.
- **Metaveri:** Metaveri penceresi; kodek, kare hızı ve zaman kodu dahil olmak üzere, aktif klip için mevcut üstveriyi size gösterecektir.
- **Inspector (Denetleyici):** Sağ üst köşedeki denetleyici, bir veya daha fazla seçili düğüm için mevcut tüm ayarları ve değiştiricileri gösterir. Düğümler için diğer ayarlara hızlı erişim sağlamak üzere, ilave sekme seçenekleri, kategorilere göre sıralanmış olarak görünecektir.

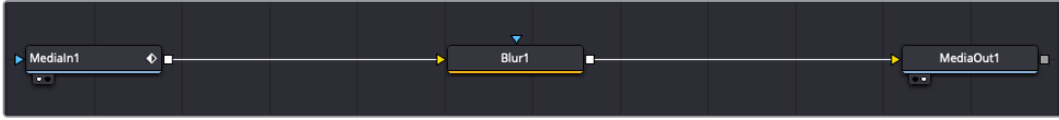


Metin denetleyici (text inspector); yazı, düzen, dönüşüm, gölgeleme, görüntü ve ayarlar için ilave sekmeler içerir.

Fusion ile Çalışmaya Başlarken

Fusion ile çalışmaya başlamak için, zaman çizelgesi üzerindeki herhangi bir klip üzerine oynatma çubuğunuzu (playhead) yerleştirmeniz ve Fusion sayfasını açmak için, 'Fusion' sekmesine tıklamanız yeterlidir.

Fusion sayfasında, 'MediaIn' olarak etiketli bir medya giriş düğümü içinde, klabiniz anında kullanıma hazır olur. Her kompozisyon, bir 'mediain' (medya girişi) ve bir 'mediaout' (medya çıkışı) düğümü ile başlar. Bu mediain düğümü, oynatma çubuğunda en üstteki klabinizi temsil eder ve alttaki tüm klipleri dikkate almaz. Kurgu sayfasında klibe uyguladığınız her düzeltme de eklenmiştir. Örneğin; dönüştürme araçları ve kırma değişiklikleri.



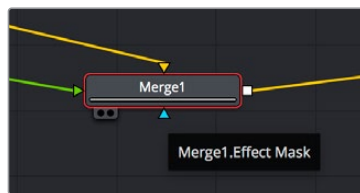
'MediaOut' isimli medya çıkış düğümü, DaVinci Resolve'nin kurgu sayfasındaki zaman çizelgenize çıktıyı geri gönderen düğümdür.

BİLGİ Hızlı kurgu ya da kurgu sayfasında, kliplere uygulanan ResolveFX veya OFX eklentileri, Fusion sayfasında uygulanmaz. Bunun nedeni, Fusion efektlerinin renk düzeltmeden ve OFX/ResolveFX işleminden önce meydana gelmesidir. OFX'in Fusion efektlerinden önce uygulanmasını istiyorsanız; kurgu sayfasında klipi sağ tıklayın ve Fusion sayfasını tıklamadan önce 'new fusion clip' (yeni Fusion klipi) ibaresini seçin.

Düğümlerin (Nodes) Anlaşılması

Her bir düğümü, tek bir araç veya efekt için görsel bir ikon olarak düşünmek faydalı olabilir. Düğümler, genel kompozisyonu oluşturmak için diğer düğümlere bağlanırlar, aynen bir kek içindeki malzemeler gibi. Detaylı görsel efektler oluştururken kompozisyonunuzun akışını yönlendirmenize yardımcı olacağı için, her bir düğümün girişlerini ve çıkışlarını anlamak önemlidir.

Bazı araçların, diğer düğümlere bağlayabileceğiniz birçok girişi ve çıkışı vardır. Mesela 'merge' (birleştirme) düğümü; bir önplan girişi, arkaplan girişi ve matte'ler ve key'ler için bir maske (mask) girişi bağlamanıza izin verir.



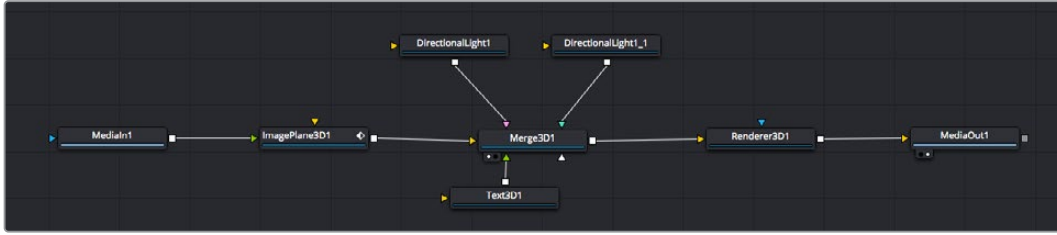
- ▶ Önplan girdisi
- ▶ Arkaplan girdisi
- ▶ Maske efekt girdisi
- Çıkış

Düğümelerde birden fazla çıkışın olması, tek bir düğümün kompozisyonunuzdaki birçok farklı düğümle bağlanabileceği anlamına gelir; böylelikle, katman bazlı yazılımlarda olduğu gibi, kliplerinizi kopyalamanıza gerek kalmaz. Bağlı düğümlerin arasındaki çizgilerdeki oklar, görüntü verisinin hangi yönde aktığını göstermek için, çok iyi görsel işaretlerdir.

Düğüm Düzelticiye (Node Editor) Düğümlerin Eklenmesi

Efektlerin eklenmesi, 'mediain' ve 'mediaout' düğümlerinin arasındaki hattın üzerine bir düğüm yerleştirmek kadar kolaydır.

Bunu yapabilmemiz için birkaç farklı yol vardır. Shift tuşunu basılı tutarken iki düğüm arasına bir düğüm bırakabilir veya efekt eklemek istediğiniz düğümün üzerine tıklayıp, eklemek istediğiniz aracı seçebilirsiniz. Yeni düğüm, seçtiğiniz araca otomatik olarak bağlanacaktır. Ayrıca, düğüm penceresinde herhangi bir yere bir düğüm ekleyebilir ve birinin çıkışını diğerinin girişine sürükleyerek düğümleri birbirine elle bağlayabilirsiniz.



En çok kullanılan araç, 2D (2 boyutlu) veya 3D (3 boyutlu) birleştirme (merge) düğümüdür. Bu düğüm, düğüm düzelticideki araçları tek bir çıkışa toplayan merkezi bir dağıtıcı gibidir.

Boyut, konum ve harmanlama (blend) ayarları da dahil olmak üzere, girişlerin idare edilmesi için birleştirme düğümünün kontrolleri vardır. Birleştirme düğümü seçildiğinde, bu ayarların hepsine denetleyiciden erişilebilir.

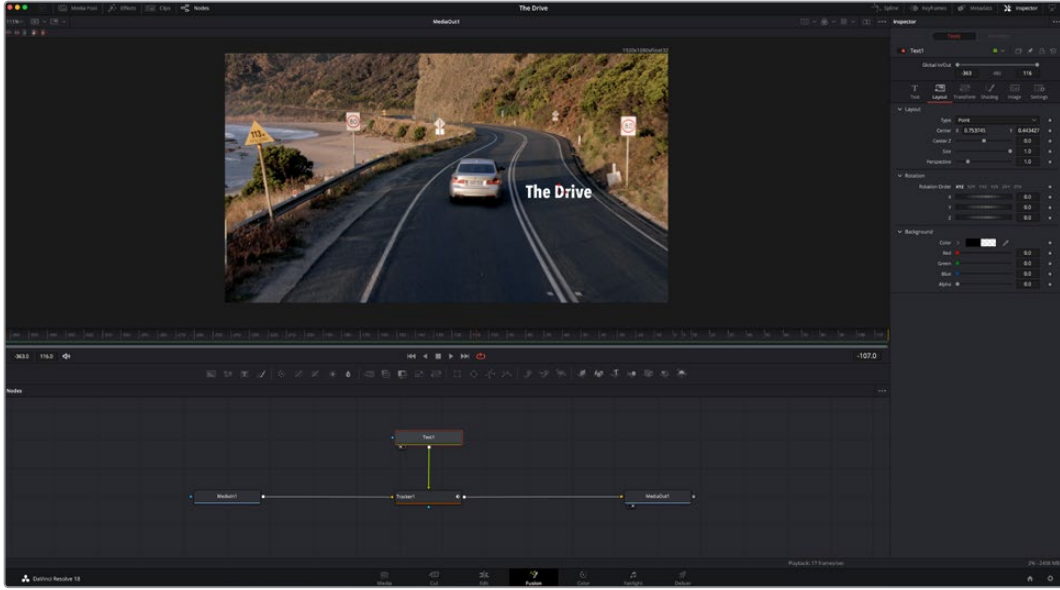
Düğüm panelinin üstündeki araç çubuğu, en fazla kullanılan araçları, ikonlar olarak içerir. Düğümlere eklemek için bunları tıklayabilir veya aracı düğüm paneline sürükleyip bırakabilirsiniz. Kullanılabilir araçların tamamını görmek istiyorsanız sol üst köşedeki 'effects library' (efekt bankası) ibaresi üzerine tıklayın ve 'tools' (araçlar) seçeneğini genişletin. Burada, lens parlaması, gölgeleyiciler ve arkaplanlar gibi, önceden yapılmış bir şablon setinin yanı sıra, tüm araçları kategorilere ayrılmış olarak bulacaksınız.

BİLGİ Araç isimlerine bir kez aşina olduğunuzda, klavyenizde 'shift' tuşunu basılı tutup ara çubuğuna (spacebar) bastığınızda, bir 'select tools' (araçları seç) menüsü belirecektir. Araç ismini girerken, menü ilgili aracı önerecektir. Bu, istediğiniz aracı seçmek için çok hızlı bir yoldur.

Denetleyici (Inspector) Panel ile Düğümlerin Ayarlanması

Denetleyici paneli kullanarak düğümünüzün ayarını düzeltin. Değiştirmek istediğiniz düğüm üzerine tıklayın ve ayarlarını ve kontrollerini görüntülemek üzere panel güncellenecektir.

Fusion ile, düzelttiğiniz düğümü görüntülemek zorunda değilsiniz çünkü, kompozisyonunuzdaki bir düğümü görüntülerken diğerini değiştirebilirsiniz. Örneğin; birleştirme düğümü görüntülerken, bir 'text+' (yazı) düğümünün ebadını ve merkez konumunu değiştirebilirsiniz. Böylelikle, arkaplanına göre yazıyı görüntülemenizi sağlar.

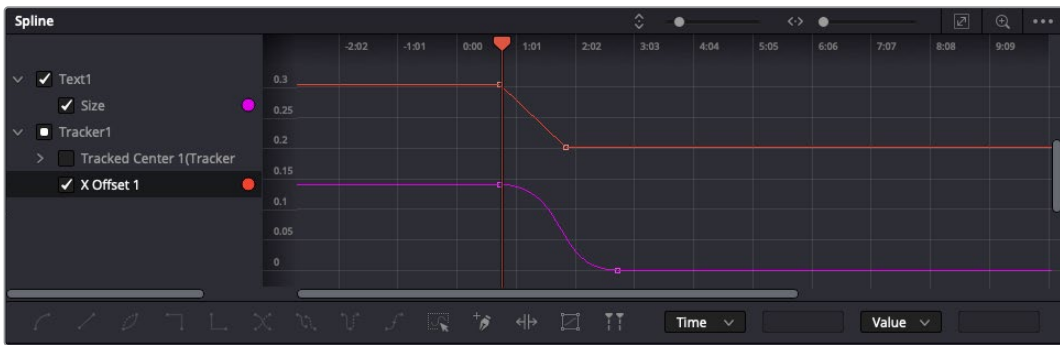


Seçili düğümler, kırmızı bir çerçeve ile görüntülenir. Burada denetleyici panel, metin/yazı düğümü için düzen sekmesi kontrollerini gösteriyor.

Görevine bağlı olarak her düğüm için, boyutlandırma ve merkez konumdan, bir yayıcı (emitter) düğümdeki partikül sayısını değiştirmeye varan, düzeltebileceğiniz farklı parametreler ve ayarlar vardır. Keyframe'leri ayarlama ve ayarları zaman içinde değiştirme, efekti canlandıracaktır.

Keyframe'ler ile Çalışma

Denetleyici penceresinde, bir ayarı sağ tıklayarak ve içeriksel menüde 'animate' (anime et) seçeneğini seçerek bir keyframe belirleyin. Ayarın sağ tarafındaki keyframe ikonu, kırmızıya dönüşecektir. Bunun anlamı, keyframe'lerin şimdi aktif olduğu ve yapacağınız herhangi bir değişikliğin sadece şu anki kareye uygulanacağıdır. Farklı bir karede ayar parametrelerini değiştirerek iki veya daha fazla keyframe oluşturulduğunda, aralarına bir geçiş eklenir. Keyframe ikonunun her iki yanındaki oklar, zaman çizelgesi üzerindeki o kesin noktalara, oynatma çubuğunu taşımanızı sağlar.



Burada, 'size' (ebat) keyframe animasyonu, bir bezier eğrisine düzenlenmiştir. Eğriyi kısaltmak veya uzatmak için, bezier kollarını tıklayabilir veya keyframe konumunu değiştirmek için, keyframe kare ikonunu tıklayabilirsiniz.

Eğri şeklindeki düzelticiler, keyframe animasyonu üzerinde size daha fazla kontrol sağlar. Birinci (first) ve sonuncu (last) gibi keyframe'ler seçebilir ve 'shift' + 's' tuşları ile aralarındaki animasyonu bir bezier eğrisine düzleyebilirsiniz veya bir keyframe'ye sağ tıklayıp 'smooth' (düzleştir) ibaresini de seçebilirsiniz.

Motion Tracker (Hareket Takipçisi) Kullanma ve Metin Ekleme

Fusion' sayfasını daha iyi kullanabilmeniz için, aşağıdaki örnekleri ekledik. Böylece, bir klipteki bir unsuru takip etmek için takipçi aracını (tracker tool) nasıl kullanacağınızı, nasıl metin ekleyeceğinizi ve takip verisini kullanarak onu unsura nasıl bağlayacağınızı göreceksiniz.

Takipçi aracı; x ve y eksenlerinde zamanla piksel detaylarını takip eder ve başka unsurları eklemek için kullanabileceğiniz veriler oluşturur. Bu; yol boyunca hareket eden bir araba veya karenin bir ucundan diğerine uçan bir kuş gibi, hareket eden bir nesneyle yazı konumunu eşleştirmek istediğinizde çok iyidir.

- 1 Efekt bankasında 'tracker' isimli takip aracını seçin ve 'mediain' ve 'mediaout' düğümleri arasındaki çizgiye sürükleyin. Denetleyicide özelliklerini görüntülemek üzere, şimdi takipçi düğümü tıklayın.
- 2 'Takip' düğümünü soldaki ekranda görüntülemek için, klavyenizle '1'i tuşlayın. Klip, takipçi ile beraber ekranda varsayılan konumunda belirecektir. Takipçi kollarını ortaya çıkarmak için, fare imlecinizi takipçi üzerinde gezindirir. Sol üst köşedeki takipçi kolunu tıklayın ve takipçiyi klibinizdeki bir ilgi alanına sürükleyin. Bir arabanın kaputu üzerindeki amblem gibi, yüksek kontrastlı bölgeler, iyi çalışır. Ekstra doğruluk için, takipçi görüntü bölgesini büyütecektir.
- 3 Takibi başlatmak için, denetleyici penceresinde 'track forward' (ileri doğru takip et) butonunu tıklayın. Takip işlemi sona erdiğinde, bir bilgilendirme penceresi belirecektir. 'OK' ibaresini tıklayın.

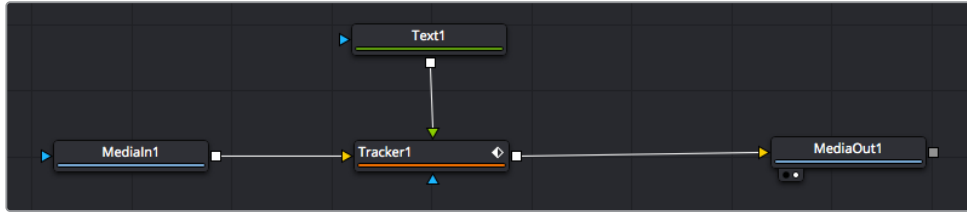


Denetleyici paneldeki takip seçeneklerine; 'son kareden veya mevcut kareden ters yöne takip', 'takibi durdurma' ve 'mevcut kareden veya ilk kareden ileri takip' dahildir.

BİLGİ 'Mevcut kareden ters yöne veya ileri takip' seçeneği, kareden dışarı doğru hareket eden bir araba veya kuş gibi, ilgi alanınızın render aralığında kaybolduğu durumlar için çok iyidir. Bu, sadece ilgili görüntüyü takip etmenizi sağlar.

Şimdi, bu takip verisini alabilir ve hareket yolunu bir yazı aracına uygulayabilirsiniz.

- 4 Sıkça kullanılan düğümlerin araç çubuğunda, 'text+' (yazı) düğüm ikonu üzerine tıklayın ve 'tracker' düğümü yanındaki düğüm paneline sürükleyip bırakın. 'Text' (yazı) çıkış karesini, 'tracker' (takipçi) üzerindeki yeşil önplan girişine bağlayın.



- 5 Birleştirilmiş sonuçları sol taraftaki ekranda görüntülemek için, 'tracker' düğümü üzerine tıklayın ve klavyenizde '1' tuşlayın. Takipçi denetleyici panelinde 'operations' ibareli işlemler sekmesini tıklayın. 'Operation' sekmesinin yanındaki menüyü tıklayın ve 'match move' ibaresini tıklayarak hareketi eşleştirilmesini sağlayın.
- 6 Denetleyicide özelliklerini görüntülemek üzere, şimdi 'text' (metin/yazı) düğümünü tıklayın. Yazı kutusuna metninizi yazın ve kompozisyonunuza uyması için; yazı tipini, rengini ve ebatını değiştirin.

Bu, takipçinizden gelen takip konum verisini, metninize uygulayacaktır. Yazının kenardan uzaklığını (offset) değiştirmek istiyorsanız, denetleyici panelde 'trackers' sekmesi üzerine tıklayın ve konumu değiştirmek için, x ve y offset kaydırma tekerlerini kullanın.



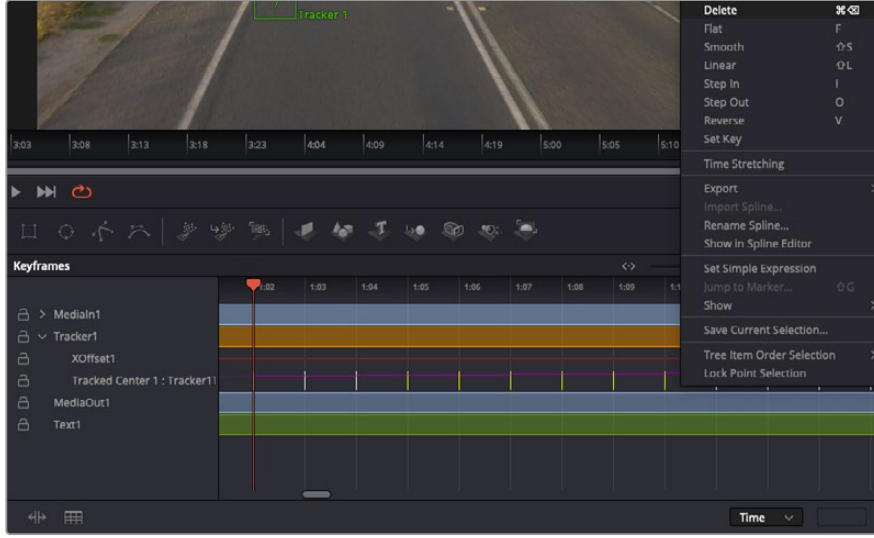
Takipçi denetleyici panelinin alt kısmındaki kaydırma tekerleri, metin için offset (kenar boşluğu) konumunu düzeltmenizi sağlar.

Şimdi kompozisyonunuzu geri oynatabilir ve metninizi, takip ettiğiniz nesneye bağlı olarak görebilirsiniz!



Yeşil dikdörtgen, yeşil rota boyunca takipçinin mevcut konumudur ve kesik kesik kırmızı çizgi, yazının anime edilmesi için kullanılan, kenardan uzaklık (offset) konumudur.

Bazı çekimler için, takipten sonra takip noktalarını kaldırmak isteyebilirsiniz; örneğin, takip ettiğiniz nesne ekrandan kaybolduğunda. Keyframe düzeltici, bunu çok basit bir işlem yapar.



- 7 Keyframe düzelticiyi açmak için, denetleyicinin üzerindeki keyframe sekmesi üzerine tıklayın. Keyframe'lerin uygulandığı her düğümde, düğüm etiketinin yanında küçük bir ok olacaktır ve sadece keyframe'lerin eklendiği parametreler alttaki listede görünecektir. Büyüteç iconu üzerine tıklayın ve değiştirmek istediğiniz bölgenin etrafına bir kutu sürükleyin. Bu, keyframe'leri daha kolay görebilmeniz için, o bölgeyi yakınlaştıracaktır.
- 8 Oynatma çubuğunu, istediğiniz sonuncu keyframe'nin konumuna getirin. Farenizle etraflarında bir kutu çizerek, çıkarmak istediğiniz keyframe'leri seçin. Keyframe'ler sarı olarak vurgulanacaklardır. Sağ tıklayın ve menüden 'delete' (sil) ibaresini seçin.

BİLGİ Efektleriniz özellikle sistemi yoğun çalıştıran türdense, aktarım kontrolleri bölgesine sağ tıklamak, proxy oynatım dahil olmak üzere size görüntüleyici seçeneklerini verecektir. Bu da kompozisyonunuzu oluştururken, sisteminizden en iyi şekilde faydalanmanızı sağlar. Playback seçenekleri hakkında daha fazla detay için, DaVinci Resolve kullanım kılavuzuna bakın.

Çekiminizdeki bir harekete eşleşmesi için metni anime eden ilk kompozisyonunuzu şimdi tamamladınız!

Görüntünüzde geliştirmek veya değiştirmek istediğiniz düz bir yüzeyi içeren bir bölgeyi takip etmek istiyorsanız, 'planar tracker' (düzlemsel takipçi) aracını kullanabilirsiniz. 2 boyutlu düzlemlerin takibi, hareket eden bir görüntüdeki etiket ve işaretleri değiştirmek için ve hatta görüntünüzdeki bir ekrana veya televizyona bir görüntü eklemek için faydalı olabilir.

Düzlemsel takipçi ve DaVinci Resolve'nin Fusion sayfasındaki birçok etkili araç hakkında daha fazla bilgi için, DaVinci Resolve kullanım kılavuzuna bakın.

BİLGİ Fusion sayfasında görsel efektler oluşturdukça, efektlerin 2 veya 3 boyutlu olduklarını not etmeniz önemlidir, çünkü bu hangi birleştirme aracının kullanıldığını belirler. Bir birleşik görüntüde (composite), sıklıkla 2 boyutlu ve 3 boyutlu efektleri birleştirdiğinizi keşfedebilirsiniz. Bu gibi durumlarda, 3 boyutlu alanı kullanan her görsel efektin, 2 boyutlu olarak birleştirilmeden önce, 2 boyutlu bir görüntü olarak render işlemi edilmesi gerektiğini hatırlamakta fayda vardır.

DaVinci Resolve'nin kurgu, renk ve Fairlight sayfalarının gücü ile Fusion'un görsel efektlerini keşfederken ve Fusion ile çok eğleneceğinize inanıyoruz. Tüm araçlar elinizdeyken, DaVinci Resolve inanılmaz derecede etkilidir ve ne oluşturabileceğinizin gerçekten bir sınırı yoktur!

Kurgunuza Master İşlemi Yapılması

Artık; kurgulama, renk düzeltme yapıp, vfx (görsel efektler) eklediğinize ve sesin miksajını yaptığınıza göre, kurgunuzu başkalarıyla paylaşmak isteyeceksiniz. Zaman çizelgenizin içeriğini, farklı format çeşitlerinden biri şeklinde bağımsız bir dosya olarak çıkarmak için; 'quick export' isimli hızlı dışa aktarma butonunu veya menü seçimini ya da 'deliver' (teslimat) sayfasının ilave özelliklerini kullanabilirsiniz.



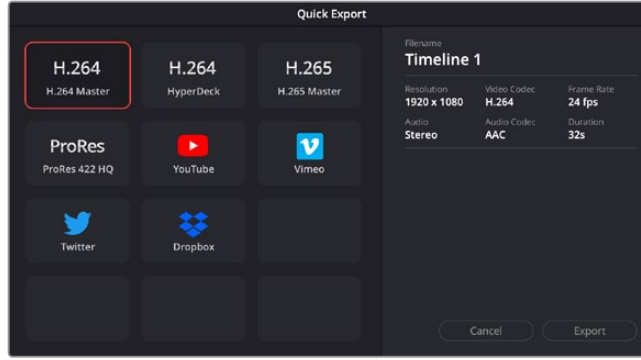
Kurgunuzu dışa aktaracağınız yer, 'deliver' sayfasıdır. Birçok farklı video formatı ve kodek arasından seçim yapabilirsiniz.

Hızlı Çıktı Alma

DaVinci Resolve'nin herhangi bir sayfasından programınızın çıktısını almak için çıktı alma önayarılarından birini kullanmak üzere File > Quick Export sekmelerini seçebilirsiniz. 'Hızlı çıktı' seçeneğini; YouTube, Vimeo, Twitter ve Frame.io dahil olmak üzere, programınızı desteklenen video paylaşım servislerinden birine yüklemek için bile kullanabilirsiniz.

Hızlı Çıktı Alma özelliğini kullanmak için:

- 1 Hızlı Kurgu, Kurgu, Fusion veya Renk sayfasında, mevcut programın çıktısını almak istediğiniz bir bölümünü seçmek için zaman çizelgesinde giriş ve çıkış noktalarını seçin. Giriş ve çıkış noktaları ayarlanmadığında, zaman çizelgesinin tamamı dışa aktarılır.
File > Quick Export sekmelerini seçin
- 2 Quick export diyalog kutusundaki ikonların üst sırasından, kullanmak için bir önayar seçin ve 'export' ibaresini tıklayın.
- 3 Bir dizin konumu seçin ve export diyalog penceresini kullanarak bir dosya ismi girin sonra, 'save' (sakla) ibaresini tıklayın. Dışa aktarım işleminin ne kadar süreceğini bildirmek için bir ilerleme çubuğu göstergesi belirir.



Hızlı çıktı alma diyalog penceresi

Teslimat Sayfası

Bu sayfa, çıktısını almak istediğiniz istediğiniz kliplerin sırasına ek olarak; formatını, kodeğini ve çözünürlüğünü seçmenizi sağlar. QuickTime, AVI, MXF ve DPX gibi bir çok formatta 8-bit veya 10-bit sıkıştırılmamış RGB/YUV, ProRes, DNxHD, H.264 ve daha fazlası gibi kodekler kullanarak export işlemini yapabilirsiniz.

Kurgunuzun tek bir klibini dışa aktarmak için:

- 1 Teslimat sayfasını açmak için, 'teslimat' sekmesini tıklayın.
- 2 Sayfanın üst solunda bulunan 'render settings' (render ayarları) penceresine girin. Çeşitli export önayarlarından seçim yapın. Örneğin; YouTube, Vimeo ve ses önayarı ya da varsayılan 'custom' (özel) önayarına kurulu bırakarak ve kendi parametrelerinizi girerek, kendi export ayarlarınızı elle düzenleyebilirsiniz. Bu örnek için; YouTube seçeneğini seçin, sonra önayarın yanındaki okun üzerine tıklayın ve 1080p video formatını seçin. Kare hızı, projenizin kare hız ayarına kilitli olacaktır.
- 3 Önayarların altında, zaman çizelgesi dosyasının adını ve dışa aktarılacak videonuzun hedef konumunu göreceksiniz. 'Browse' (tarama) butonunu tıklayın ve dışa aktarılacak dosyanızı kaydetmek istediğiniz konumu seçin ve sonra render seçeneğinden 'single clip' (tek klip) ibaresini seçin.
- 4 Zaman çizelgesinin hemen üzerinde, 'zaman çizelgesinin tamamı' ibaresinin seçili olduğu, bir seçenekler kutusu göreceksiniz. Bu fonksiyon, timeline'nin tamamını dışa aktarır, ancak isterseniz zaman çizelgesi üzerinde bir aralık da seçebilirsiniz. Yapmanız gereken şey, 'in/out range' (giriş/çıkış aralığı) ibaresini seçmek ve sonra 'i' ve 'o' kısayollarını kullanarak timeline'nizdeki giriş ve çıkış noktalarını seçmektir.
- 5 'Render settings' (render ayarları) sekmesinin sonuna gidin ve 'add to render queue' (render kuyruğuna ekle) butonunu tıklayın.

Render ayarlarınız, sayfanın sağ tarafındaki render kuyruğuna eklenecektir. Şimdi yapmanız gereken tek şey 'start render' (renderi başlat) üzerine tıklamak ve render kuyruğunda render işleminin ilerlemesini denetlemektir.

Render işleminiz tamamlandığında; dosya konumunu açabilir, yeni render edilmiş klibiniz üzerine çift tıklayabilir ve tamamlanmış kurgunuzu izleyebilirsiniz.

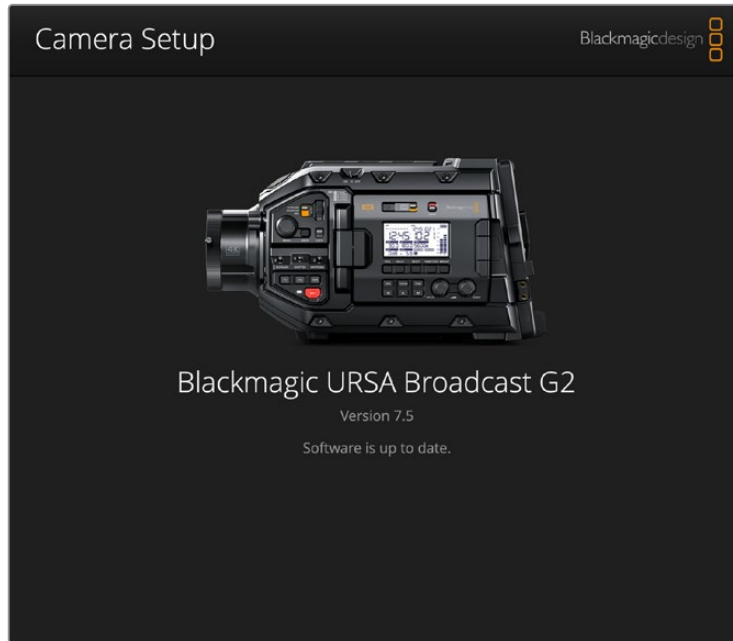
Artık; kurgulama, renk düzeltme, ses miksajı ve görsel efektler ekleme hakkında temel bilgilere sahip olduğunuza göre, DaVinci Resolve ile denemeler yapmanızı tavsiye ederiz. Projenizden en iyi sonucu almanız için her bir özelliğin size nasıl yardım edeceği konusunda daha fazla bilgi edinmek üzere, DaVinci Resolve kullanım kılavuzuna bakın.

Blackmagic Camera Setup Utility (Kurulum Yardımcı Yazılımı)

Kamera Yazılımının Güncellenmesi - Mac

Blackmagic Camera Kurulum yardımcı yazılımını indirdikten ve indirilen dosyayı açtıktan sonra, Blackmagic Camera Kurulumu Yükleyicisini görüntülemesi için, ekrandaki disk görüntüsünü açın.

Yükleyiciyi başlatın ve ekrandaki talimatları takip edin. Yükleme işlemi bittikten sonra, uygulamalar dosyasına gidin ve bu kılavuzu, Blackmagic Camera kurulum uygulamasını, readme (beni oku) dosyaları ve bilgileri içeren belgeler dosyasını bulacağınız, Blackmagic Cameras dosyasını açın. Blackmagic kamera kurulumunu güncellediğinizde kullanmanız için, bir 'uninstaller' (program kaldırıcı) bulacaksınız.



Kamera Yazılımının Güncellenmesi - Windows

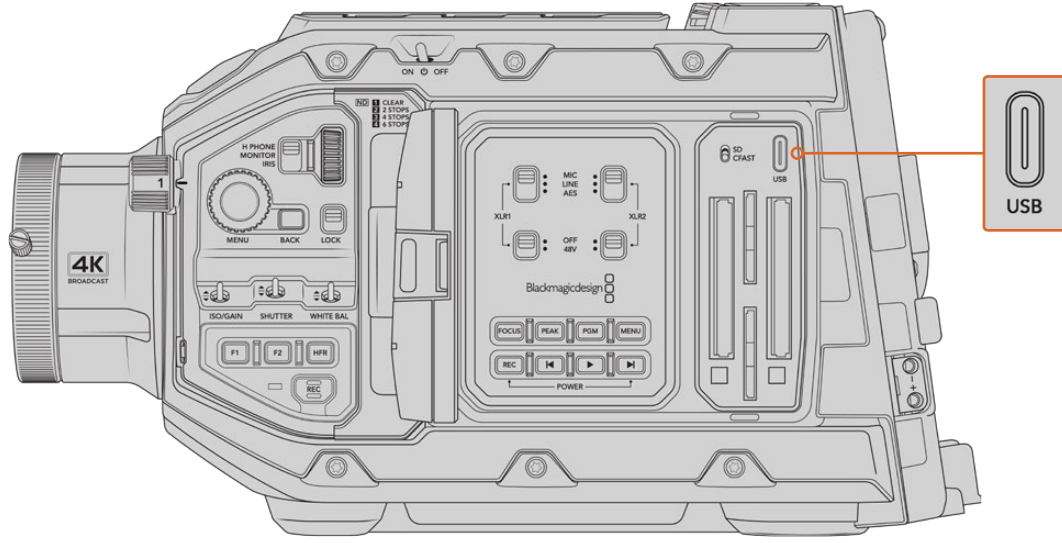
Blackmagic Camera Kurulum yardımcı yazılımını indirdikten ve indirilen dosyayı açtıktan sonra, bu PDF kılavuzu ile Blackmagic Camera Kurulumu Yükleyicisini içeren, bir Blackmagic Camera Kurulum dosyası göreceksiniz. Yükleyici üzerine çift tıklayın ve kurulumu tamamlamak için, ekrandaki komutları takip edin.

Windows 10 işletim sistemlerinde, başlat butonunu tıklayın ve tüm uygulamaları (all apps) seçin. Blackmagic Design dosyasına kadar gidin. Buradan Blackmagic Camera kurulumunu başlatabilirsiniz.

Kamera Yazılımının Güncellenmesi

En güncel Blackmagic Camera Setup yardımcı yazılımını bilgisayarınıza yükledikten sonra, bilgisayarınızla Blackmagic URSA Broadcast G2 kameranız arasına bir USB kablosu bağlayın. USB portu, sol panelde, bellek kart yuvalarının üzerindedir.

Blackmagic Camera Kurulum yardımcı yazılımını başlatın ve kamera yazılımını güncellemek için, ekran komutlarını takip edin. Kamera yazılımını güncelleme işleminin, tüm önayarları ve özel yapım LUT'ları sileceğini ve tüm ayarları sıfırlayacağını dikkate almanız önemlidir. Kamera yazılımını güncelleme işlemini yapmadan önce, önayarlarınızı yedeklemek için bir hafıza kartına aktarmanız iyi olur. Kamera yazılımını güncelleme işlemi yaptıktan sonra, hafıza kartından içe aktararak, önayarlarınızı ve LUT'ları hızla geri getirebilirsiniz.



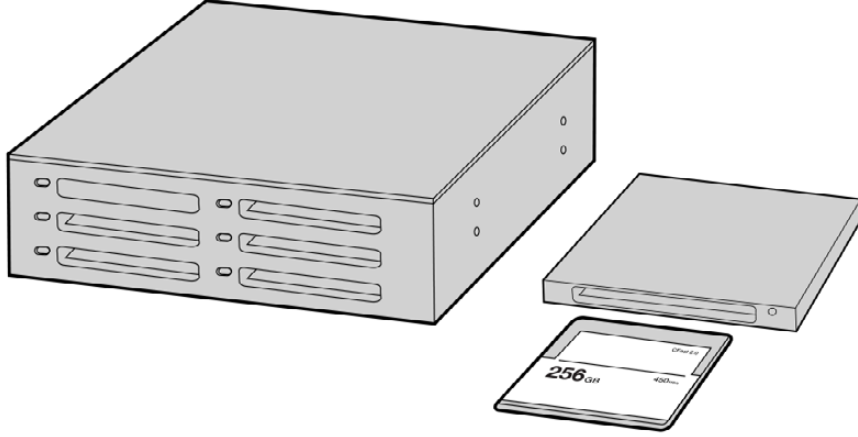
USB-C portu, kamera yazılımının güncellenmesinde kullanılır ve Blackmagic URSA Broadcast G2 kameradaki ortam seçimi düğmesinin yanında, hafıza kartı yuvalarının üzerinde bulunur.

Üçüncü Parti Yazılımlarla Çalışılması

Kliplerinizi en favori yazılımınız ile kurgulamak için, kliplerinizi bir dahili veya harici diske veya RAID depolama sistemine kopyalayabilir ve sonra kliplerinizi yazılıma aktarabilirsiniz. Ya da kliplerinizi depolama medyanızdan, bir dock veya adaptör kullanarak CFAST ya da SSD'nize doğrudan aktarabilirsiniz.

NOT DaVinci Resolve 16.1.2 ve üzerindeki sürümler ile Blackmagic RAW, URSA Broadcast G2'de desteklenir ve ayrıca çok çeşitli üçüncü parti post-produksiyon kurgulama programları tarafından da kullanılmaktadır. Avid Media Composer ve Adobe Premiere Pro'da Blackmagic RAW kurgulama için eklentiler, www.blackmagicdesign.com/tr/support adresinden indirebileceğiniz Blackmagic RAW yazılımı ile mevcuttur.

CFast 2.0 ve SD Kartlarındaki Dosyalarla Çalışılması



CFast kartı kameradan çıkarıp, bir CFast 2.0 okuyucu/yazıcı veya CFast sürücü aracılığıyla bilgisayarınıza takarak, bir CFast karttan doğrudan kurgulama yapabilirsiniz.

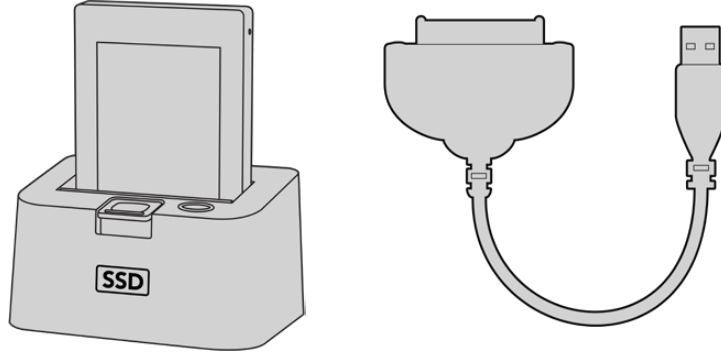
Bir CFast 2.0 ya da SD karttan, kliplerinizi yazılıma aktarmak için:

- 1 CFast ya da SD kartı, Blackmagic URSA Broadcast G2 kameradan çıkarın.
Kartı; Mac ya da Windows bilgisayarınıza, bir kart okuyucu kullanarak takın.
- 2 Açmak için, işletim sisteminiz dahilinde kartı bulun ve burada Blackmagic RAW ya da QuickTime movie dosyalarının bir listesini göreceksiniz.
- 3 Şimdi, dilediğiniz dosyaları karttan masaüstüne veya başka bir hard diske sürükleyebilir ya da kurgu yazılımınızı kullanarak dosyalara direkt karttan erişebilirsiniz.
- 4 CFast veya SD kartı bilgisayarınızdan çekip çıkarmadan önce, Mac OS veya Windows'u kullanarak CFast veya SD kartınızı emniyetle çıkarmak (eject), önemlidir. Emniyetli olmayan bir şekilde kartın çıkarılması, bazı durumlarda çekime zarar verebilir.

SSD'lerdeki Dosyalarla Çalışılması

Bir SSD'den kliplerinizi içe aktarmak için:

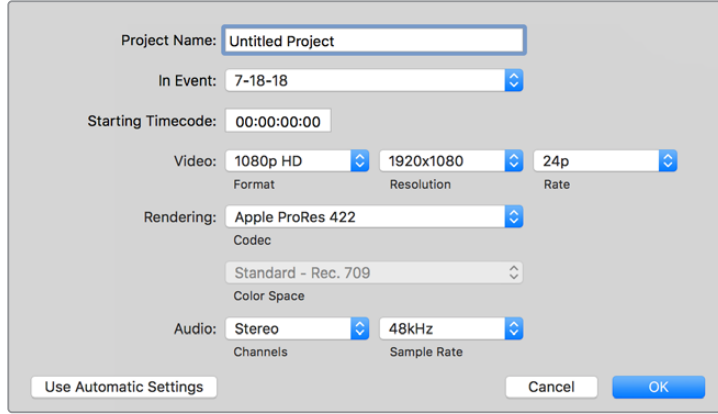
- 1 URSA Mini Recorder cihazından SSD'yi çıkarın.
- 2 Blackmagic MultiDock gibi, bir eSATA ya da Thunderbolt bağlantı istasyonunu kullanarak SSD'yi Mac veya Windows bilgisayarınıza takın. Ayrıca, SSD'yi doğrudan bilgisayarınızın USB portuna bağlamak için bir eSATA-USB adaptör kablosu kullanabilirsiniz. Gerçek zamanlı video kurgulama için USB 2.0 yeterince hızlı olmadığından, USB 3.0 tercih edilir.
- 3 Açmak için SSD kartın üzerine çift tıklayın ve karşınıza QuickTime film dosyalarının ya da Blackmagic RAW dosyalarının bir listesi çıkacaktır. Kaydetmek için seçtiğiniz formata bağlı olarak farklı dosyalarınız olabilir ancak tüm dosyalar aynı isimlendirme düzenini kullanacaktır.
- 4 Şimdi dilediğiniz dosyaları SSD'den masaüstüne veya başka bir hard diske sürükleyebilir ya da NLE yazılımınızı kullanarak, dosyalara direkt SSD'den erişim sağlayabilirsiniz.
- 5 SSD'yi bilgisayarınızdan çekip çıkarmadan önce, bilgisayarınızdaki emniyetli çıkarma fonksiyonunu kullanarak SSD'nin çıkarılması önemlidir.



SSD'yi kameranızdan çıkartıp, bir eSATA Thunderbolt yuvası veya USB 3.0 bağlantı kablosu ile bilgisayarınıza takarak, doğrudan SSD'den kurgulamaya yapabilirsiniz.

Final Cut Pro X Kullanımı

Final Cut Pro X ile kliplerinizi kurgulamak için, yeni bir proje oluşturun ve uygun bir video formatı ile kare hız ayarı yapın. Bu örnek, ProRes 422 HQ 1080p24'ü kullanır.



Final Cut Pro X proje ayarları

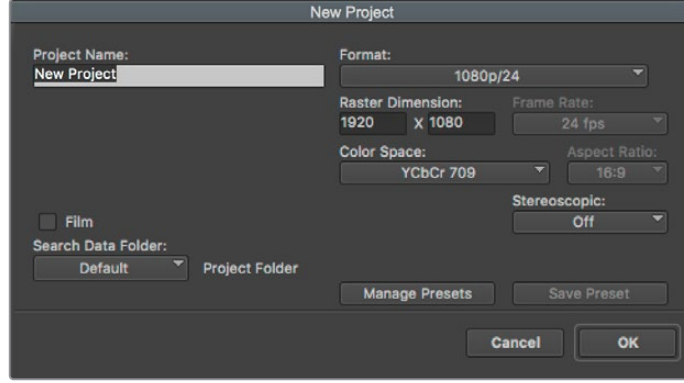
- 1 Final Cut Pro X'i başlatın, 'menu' çubuğuna gidin ve 'file/new project' ibaresini seçin. Proje ayarlarını içeren bir pencere açılacaktır.
- 2 Projenize bir isim verin ve 'custom' (özel) onay kutusunu seçin.
- 3 'Video properties (video özellikleri)' ayarlarını 1080p HD, 1920x1080 ve 24p'ye düzenleyin.
- 4 'Audio and render properties' (ses ve render özellikleri) ayarlarını; stereo, 48kHz ve Apple ProRes 422 HQ olarak düzenleyin.
- 5 'OK' ibaresini tıklayın.

Kliplerinizi projenize aktarmak için, 'menu' çubuğuna girin ve 'file/import/media' sekmelerini seçin. CFast kartınızdan kliplerinizi seçin.

Şimdi, kliplerinizi kurgulama için, timeline'ye sürükleyebilirsiniz.

Avid Media Composer 2018 Kullanımı

Avid Media Composer 2018 kullanarak kliplerinizi kurgulamak için; yeni bir proje oluşturun ve uygun bir video formatı ile kare hızını ayarlayın. Bu örnek için, klipler 1080p24 kullanılarak düzenlenmiştir.



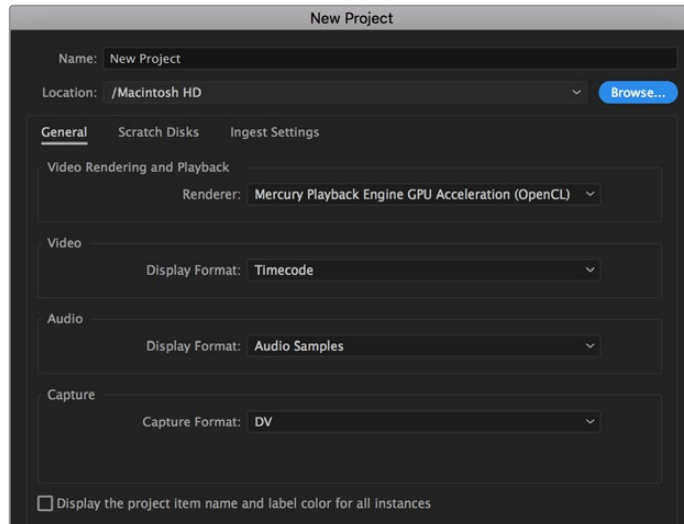
Avid Media Composer 2018'de, proje adının ve proje seçeneklerinin düzenlenmesi

- 1 Avid Media Composer 2018 uygulamasını başlatın ve 'select project' (proje seçme) penceresi belirecektir.
- 2 Yeni proje açmak için 'new project' butonunu tıklayın ve 'new project' penceresinde projenize bir isim verin.
- 3 Aşağıya açılır 'format' menüsünde; HD 1080 > 1080p/24 seçeneklerini seçin ve projeyi oluşturmak üzere 'ok' ibaresini tıklayın.
- 4 Projeyi açmak için, 'select project' penceresinde projeyi çift tıklayın.
- 5 File (dosya) > input (giriş) > source browser (kaynak tarayıcı) ibarelerini seçin ve yazılıma aktarmak istediğiniz dosyalara gidin.
- 6 Aşağı açılır menüden bir 'target bin' (hedef klasör) seçin ve 'import' ibaresini tıklayın.

Klipler media bin'in içinde belirdiğinde, kliplerinizi timeline'ye sürükleyebilir ve kurgulamaya başlayabilirsiniz.

Adobe Premiere Pro CC'nin Kullanılması

Adobe Premiere Pro CC ile Apple ProRes 422 HQ kliplerinizi kurgulamak için, yeni bir proje oluşturun ve uygun bir video formatı ile kare hız ayarını yapın. Bu örnek için, klipler ProRes 422 HQ 1080p25 kullanılarak düzenlenmiştir.



Adobe Premiere Pro CC'de proje adını ve proje seçeneklerini düzenlemek

- 1 Adobe Premier Pro CC programını başlatın. 'Welcome' (giriş) penceresinde, 'new project' (yeni proje) sekmesini seçin. Proje ayarlarını içeren bir pencere açılacaktır.
- 2 Projenize bir isim verin. 'Browse' (göz at) üzerine tıklayıp, arzu ettiğiniz dosyayı seçerek projeniz için bir konum seçin. Konum dosyasını seçtikten sonra, 'new project' penceresinde, 'OK' ibaresini tıklayın.
- 3 Adobe Premiere Pro CC 'menu' çubuğuna girin, 'file/import' sekmesini seçin ve kurgulamak istediğiniz klipleri seçin. Klipleriniz, proje penceresinde görünecektir.
- 4 Kurgulamak istediğiniz ilk klipi, project penceresinin sağ altındaki, 'new item' ikonunun üzerine sürükleyin. Klip ayarlarıyla eşleşen, yeni bir sekans oluşturulacaktır.

Artık, kliplerinizi kurgu için, sekans timeline'sine sürükleyebilirsiniz.

Developer Information

Blackmagic Bluetooth Camera Control

Blackmagic cameras with Bluetooth LE implement a variety of features and commands that allow users to control their cameras wirelessly. Developers have full access to these features for their custom applications.

The following services and characteristics describe the full range of communication options that are available to the developer.

Service: Device Information Service

UUID: 180A

Characteristics

Camera Manufacturer

UUID: 2A29

Read the name of the manufacturer (always “Blackmagic Design”).

Camera Model

UUID: 2A24

Read the name of the camera model (“URSA Broadcast G2”).

Service: Blackmagic Camera Service

UUID: 291D567A-6D75-11E6-8B77-86F30CA893D3

Characteristics

Outgoing Camera Control (encrypted)

UUID: 5DD3465F-1AEE-4299-8493-D2ECA2F8E1BB

Send Camera Control messages

These messages are identical to those described in the Blackmagic SDI Camera Control Protocol section below. Please read that section for a list of supported messages and required formatting information.

For an example of how packets are structured, please see the ‘example protocol packets’ section in this document.

Incoming Camera Control (encrypted)

UUID: B864E140-76A0-416A-BF30-5876504537D9

Request notifications for this characteristic to receive Camera Control messages from the camera.

These messages are identical to those described in the Blackmagic SDI Camera Control Protocol section below. Please read that section for a list of supported messages and required formatting information.

Timecode (encrypted)

UUID: 6D8F2110-86F1-41BF-9AFB-451D87E976C8

Request notifications for this characteristic to receive timecode updates.

Timecode (HH:MM:SS:mm) is represented by a 32-bit BCD number:
(eg. 09:12:53:10 = 0x09125310)

Camera Status (encrypted)

UUID: 7FE8691D-95DC-4FC5-8ABD-CA74339B51B9

Request notifications for this characteristic to receive camera status updates.

The camera status is represented by flags contained in an 8-bit integer:

None	= 0x00
Camera Power On	= 0x01
Connected	= 0x02
Paired	= 0x04
Versions Verified	= 0x08
Initial Payload Received	= 0x10
Camera Ready	= 0x20

Send a value of 0x00 to power a connected camera off.

Send a value of 0x01 to power a connected camera on.

Device Name

UUID: FFAC0C52-C9FB-41A0-B063-CC76282EB89C

Send a device name to the camera (max. 32 characters).

The camera will display this name in the Bluetooth Setup Menu.

Protocol Version

UUID: 8F1FD018-B508-456F-8F82-3D392BEE2706

Read this value to determine the camera's supported CCU protocol version.

NOTE Encrypted characteristics can only be used once a device has successfully bonded or paired with the Blackmagic Camera. Once a connection has been established, any attempt to write to an encrypted characteristic will initiate bonding. For example, writing a 'Camera Power On' (0x01) message to the Camera Status characteristic.

Once bonding is initiated, the camera will display a 6-digit pin in the Bluetooth Setup Menu. Enter this pin on your device to establish an encrypted connection. The device will now be able to read, write and receive notifications from encrypted characteristics.

Blackmagic SDI and Bluetooth Camera Control Protocol

Version 1.6.2

If you are a software developer you can use the Blackmagic SDI and Bluetooth Camera Control Protocol to construct devices that integrate with our products. Here at Blackmagic Design, our approach is to open up our protocols and we eagerly look forward to seeing what you come up with!

Overview

This document describes an extensible protocol for sending a unidirectional stream of small control messages embedded in the non-active picture region of a digital video stream. The video stream containing the protocol stream may be broadcast to a number of devices. Device addressing is used to allow the sender to specify which device each message is directed to.

Assumptions

Alignment and padding constraints are explicitly described in the protocol document. Bit fields are packed from LSB first. Message groups, individual messages and command headers are defined as, and can be assumed to be, 32 bit aligned.

Blanking Encoding

A message group is encoded into a SMPTE 291M packet with DID/SDID x51/x53 in the active region of VANC line 16.

Message Grouping

Up to 32 messages may be concatenated and transmitted in one blanking packet up to a maximum of 255 bytes payload. Under most circumstances, this should allow all messages to be sent with a maximum of one frame latency.

If the transmitting device queues more bytes of message packets than can be sent in a single frame, it should use heuristics to determine which packets to prioritize and send immediately. Lower priority messages can be delayed to later frames, or dropped entirely as appropriate.

Abstract Message Packet Format

Every message packet consists of a three byte header followed by an optional variable length data block. The maximum packet size is 64 bytes.

Destination device (uint8)	Device addresses are represented as an 8 bit unsigned integer. Individual devices are numbered 0 through 254 with the value 255 reserved to indicate a broadcast message to all devices.
Command length (uint8)	The command length is an 8 bit unsigned integer which specifies the length of the included command data. The length does NOT include the length of the header or any trailing padding bytes.
Command id (uint8)	The command id is an 8 bit unsigned integer which indicates the message type being sent. Receiving devices should ignore any commands that they do not understand. Commands 0 through 127 are reserved for commands that apply to multiple types of devices. Commands 128 through 255 are device specific.
Reserved (uint8)	This byte is reserved for alignment and expansion purposes. It should be set to zero.
Command data (uint8[])	The command data may contain between 0 and 60 bytes of data. The format of the data section is defined by the command itself.

Padding (uint8[])	Messages must be padded up to a 32 bit boundary with 0x0 bytes. Any padding bytes are NOT included in the command length.
--------------------------	---

Receiving devices should use the destination device address and or the command identifier to determine which messages to process. The receiver should use the command length to skip irrelevant or unknown commands and should be careful to skip the implicit padding as well.

Defined Commands

Command 0 : change configuration

Category (uint8)	The category number specifies one of up to 256 configuration categories available on the device.
Parameter (uint8)	The parameter number specifies one of 256 potential configuration parameters available on the device. Parameters 0 through 127 are device specific parameters. Parameters 128 though 255 are reserved for parameters that apply to multiple types of devices.
Data type (uint8)	The data type specifies the type of the remaining data. The packet length is used to determine the number of elements in the message. Each message must contain an integral number of data elements.

Currently defined values are:

0: void/boolean	A void value is represented as a boolean array of length zero. The data field is a 8 bit value with 0 meaning false and all other values meaning true.
1: signed byte	Data elements are signed bytes
2: signed 16 bit integer	Data elements are signed 16 bit values
3: signed 32 bit integer	Data elements are signed 32 bit values
4: signed 64 bit integer	Data elements are signed 64 bit values
5: UTF-8 string	Data elements represent a UTF-8 string with no terminating character.

Data types 6 through 127 are reserved.

128: signed 5.11 fixed point	Data elements are signed 16 bit integers representing a real number with 5 bits for the integer component and 11 bits for the fractional component. The fixed point representation is equal to the real value multiplied by 2^{11} . The representable range is from -16.0 to 15.9995 (15 + 2047/2048).
-------------------------------------	---

Data types 129 through 255 are available for device specific purposes.

Operation type (uint8)	The operation type specifies what action to perform on the specified parameter. Currently defined values are:
0: assign value	The supplied values are assigned to the specified parameter. Each element will be clamped according to its valid range. A void parameter may only be 'assigned' an empty list of boolean type. This operation will trigger the action associated with that parameter. A boolean value may be assigned the value zero for false, and any other value for true.
1: offset/toggle value	Each value specifies signed offsets of the same type to be added to the current parameter values. The resulting parameter value will be clamped according to their valid range. It is not valid to apply an offset to a void value. Applying any offset other than zero to a boolean value will invert that value.

Operation types 2 through 127 are reserved.

Operation types 128 through 255 are available for device specific purposes.

Data (void)	The data field is 0 or more bytes as determined by the data type and number of elements.
--------------------	--

The category, parameter, data type and operation type partition a 24 bit operation space.

Group	ID	Parameter	Type	Index	Minimum	Maximum	Interpretation
Lens	0.0	Focus	fixed16	–	0.0	1.0	0.0 = near, 1.0 = far
	0.1	Instantaneous autofocus	void	–	–	–	trigger instantaneous autofocus
	0.2	Aperture (f-stop)	fixed16	–	-1.0	16.0	Aperture Value (where fnumber = $\sqrt{2^{AV}}$)
	0.3	Aperture (normalised)	fixed16	–	0.0	1.0	0.0 = smallest, 1.0 = largest
	0.4	Aperture (ordinal)	int16	–	0	n	Steps through available aperture values from minimum (0) to maximum (n)
	0.5	Instantaneous auto aperture	void	–	–	–	trigger instantaneous auto aperture
	0.6	Optical image stabilisation	boolean	–	–	–	true = enabled, false = disabled
	0.7	Set absolute zoom (mm)	int16	–	0	max	Move to specified focal length in mm, from minimum (0) to maximum (max)
	0.8	Set absolute zoom (normalised)	fixed16	–	0.0	1.0	Move to specified focal length: 0.0 = wide, 1.0 = tele
	0.9	Set continuous zoom (speed)	fixed16	–	-1.0	+1.0	Start/stop zooming at specified rate: -1.0 = zoom wider fast, 0.0 = stop, +1 = zoom tele fast

Group	ID	Parameter	Type	Index	Minimum	Maximum	Interpretation
Video	1.0	Video mode	int8	[0] = frame rate	-	-	fps as integer (eg 24, 25, 30, 50, 60)
				[1] = M-rate	-	-	0 = regular, 1 = M-rate
				[2] = dimensions	-	-	0 = NTSC, 1 = PAL, 2 = 720, 3 = 1080, 4 = 2kDCI, 5 = 2k16:9, 6 = UHD, 7 = 3k Anamorphic, 8 = 4k DCI, 9 = 4k 16:9, 10 = 4.6k 2.4:1, 11 = 4.6k
				[3] = interlaced	-	-	0 = progressive, 1 = interlaced
				[4] = Color space	-	-	0 = YUV
	1.1	Gain (up to Camera 4.9)	int8		1	128	1x, 2x, 4x, 8x, 16x, 32x, 64x, 128x gain
	1.2	Manual White Balance	int16	[0] = color temp	2500	10000	Color temperature in K
			int16	[1] = tint	-50	50	tint
	1.3	Set auto WB	void	-	-	-	Calculate and set auto white balance
	1.4	Restore auto WB	void	-	-	-	Use latest auto white balance setting
	1.5	Exposure (us)	int32		1	42000	time in us
	1.6	Exposure (ordinal)	int16	-	0	n	Steps through available exposure values from minimum (0) to maximum (n)
	1.7	Dynamic Range Mode	int8 enum	-	0	2	0 = film, 1 = video, 2 = extended video
	1.8	Video sharpening level	int8 enum	-	0	3	0 = off, 1 = low, 2 = medium, 3 = high
	1.9	Recording format	int16	[0] = file frame rate	-	-	fps as integer (eg 24, 25, 30, 50, 60, 120)
				[1] = sensor frame rate	-	-	fps as integer, valid when sensor-off-speed set (eg 24, 25, 30, 33, 48, 50, 60, 120), no change will be performed if this value is set to 0
				[2] = frame width	-	-	in pixels
				[3] = frame height	-	-	in pixels
				[4] = flags	-	-	[0] = file-M-rate
					-	-	[1] = sensor-M-rate, valid when sensor-off-speed-set
-					-	[2] = sensor-off-speed	
-	-	[3] = interlaced					
-	-	[4] = windowed mode					
1.10	Set auto exposure mode	int8	-	0	4	0 = Manual Trigger, 1 = Iris, 2 = Shutter, 3 = Iris + Shutter, 4 = Shutter + Iris	
1.11	Shutter angle	int32	-	100	36000	Shutter angle in degrees, multiplied by 100	
1.12	Shutter speed	int32	-	Current sensor frame rate	5000	Shutter speed value as a fraction of 1, so 50 for 1/50th of a second	
1.13	Gain	int8	-	-128	127	Gain in decibel (dB)	
1.14	ISO	int32	-	0	2147483647	ISO value	
1.15	Display LUT	int8	[0] = selected LUT	-	-	0 = None, 1 = Custom, 2 = film to video, 3 = film to extended video	
			[1] = enabled or not	-	-	0 = Not enabled, 1 = Enabled	
1.16	ND Filter Stop	fixed16	[0] = stop	0.0	15.0	filter power, as f-stop	
			[1] = display mode	-	-	0 = stop 1 = density 2 = transmittance	

Group	ID	Parameter	Type	Index	Minimum	Maximum	Interpretation
Audio	2.0	Mic level	fixed16	–	0.0	1.0	0.0 = minimum, 1.0 = maximum
	2.1	Headphone level	fixed16	–	0.1	1.0	0.0 = minimum, 1.0 = maximum
	2.2	Headphone program mix	fixed16	–	0.1	1.0	0.0 = minimum, 1.0 = maximum
	2.3	Speaker level	fixed16	–	0.1	1.0	0.0 = minimum, 1.0 = maximum
	2.4	Input type	int8	–	0	3	0 = internal mic, 1 = line level input, 2 = low mic level input, 3 = high mic level input
	2.5	Input levels	fixed16	[0] ch0	0.0	1.0	0.0 = minimum, 1.0 = maximum
				[1] ch1	0.0	1.0	0.0 = minimum, 1.0 = maximum
2.6	Phantom power	boolean	–	–	–	true = powered, false = not powered	
Output	3.0	Overlay enables	uint16 bit field	[0] = bit field	–	–	bit flags: [0] = display status, [1] = display frame guides [2] = clean feed Some cameras don't allow separate control of frame guides and status overlays.
				[1] = target displays bit field	–	–	bit flags: [0] = LCD [1] = HDMI [2] = EVF [3] = Main SDI [4] = Front SDI
	3.1	Frame guides style (Camera 3.x)	int8	–	0	8	0 = HDTV, 1 = 4:3, 2 = 2.4:1, 3 = 2.39:1, 4 = 2.35:1, 5 = 1.85:1, 6 = thirds
	3.2	Frame guides opacity (Camera 3.x)	fixed16	–	0.1	1.0	0.0 = transparent, 1.0 = opaque
	3.3	Overlays (replaces .1 and .2 above from Cameras 4.0)	int8	[0] = frame guides style	–	–	0 = off, 1 = 2.4:1, 2 = 2.39:1, 3 = 2.35:1, 4 = 1.85:1, 5 = 16:9, 6 = 14:9, 7 = 4:3, 8 = 2:1, 9 = 4:5, 10 = 1:1
				[1] = frame guide opacity	0	100	0 = transparent, 100 = opaque
				[2] = safe area percentage	0	100	percentage of full frame used by safe area guide (0 means off)
[3] = grid style				–	–	bit flags: [0] = display thirds, [1] = display cross hairs, [2] = display center dot, [3] = display horizon	

Group	ID	Parameter	Type	Index	Minimum	Maximum	Interpretation
Display	4.0	Brightness	fixed16	–	0.0	1.0	0.0 = minimum, 1.0 = maximum
	4.1	Exposure and focus tools	uint16 bit field	[0] = bit field	–	–	bit flags: [0] = Zebra [1] = Focus Assist [2] = False Color
				uint16 bit field	[1] = target displays bit field	–	–
	4.2	Zebra level	fixed16	–	0.0	1.0	0.0 = minimum, 1.0 = maximum
	4.3	Peaking level	fixed16	–	0.0	1.0	0.0 = minimum, 1.0 = maximum
	4.4	Color bar enable	int8	–	0	30	0 = disable bars, 1-30 = enable bars with timeout (seconds)
	4.5	Focus Assist	int8	[0] = focus assist method	–	–	0 = Peak, 1 = Colored lines
				[1] = focus line color	–	–	0 = Red, 1 = Green, 2 = Blue, 3 = White, 4 = Black
4.6	Program return feed enable	int8	–	0	30	0 = disable, 1-30 = enable with timeout (seconds)	
4.7	Timecode Source	signed byte	[0] = source	–	–	0 = Clip, 1 = Timecode	
Tally	5.0	Tally brightness	fixed16	–	0.0	1.0	Sets the tally front and tally rear brightness to the same level. 0.0 = minimum, 1.0 = maximum
	5.1	Front tally brightness	fixed16	–	0.0	1.0	Sets the tally front brightness. 0.0 = minimum, 1.0 = maximum
	5.2	Rear tally brightness	fixed16	–	0.0	1.0	Sets the tally rear brightness. 0.0 = minimum, 1.0 = maximum Tally rear brightness cannot be turned off
Reference	6.0	Source	int8 enum	–	0	2	0 = internal, 1 = program, 2 = external
	6.1	Offset	int32	–	–	–	+/- offset in pixels
Configuration	7.0	Real Time Clock	int32	[0] time	–	–	BCD - HHMMSSFF (UCT)
				[1] date	–	–	BCD - YYYYMMDD
	7.1	System language	string	[0-1]	–	–	ISO-639-1 two character language code
	7.2	Timezone	int32	–	–	–	Minutes offset from UTC
	7.3	Location	int64	[0] latitude	–	–	BCD - s0DDdddddddddd where s is the sign: 0 = north (+), 1 = south (-); DD degrees, ddddddddddd decimal degrees
[1] longitude				–	–	BCD - sDDDdddddddddd where s is the sign: 0 = west (-), 1 = east (+); DDD degrees, dddddddddd decimal degrees	

Group	ID	Parameter	Type	Index	Minimum	Maximum	Interpretation
Color Correction	8.0	Lift Adjust	fixed16	[0] red	-2.0	2.0	default 0.0
				[1] green	-2.0	2.0	default 0.0
				[2] blue	-2.0	2.0	default 0.0
				[3] luma	-2.0	2.0	default 0.0
	8.1	Gamma Adjust	fixed16	[0] red	-4.0	4.0	default 0.0
				[1] green	-4.0	4.0	default 0.0
				[2] blue	-4.0	4.0	default 0.0
				[3] luma	-4.0	4.0	default 0.0
	8.2	Gain Adjust	fixed16	[0] red	0.0	16.0	default 1.0
				[1] green	0.0	16.0	default 1.0
				[2] blue	0.0	16.0	default 1.0
				[3] luma	0.0	16.0	default 1.0
	8.3	Offset Adjust	fixed16	[0] red	-8.0	8.0	default 0.0
				[1] green	-8.0	8.0	default 0.0
				[2] blue	-8.0	8.0	default 0.0
				[3] luma	-8.0	8.0	default 0.0
	8.4	Contrast Adjust	fixed16	[0] pivot	0.0	1.0	default 0.5
				[1] adj	0.0	2.0	default 1.0
	8.5	Luma mix	fixed16	–	0.0	1.0	default 1.0
	8.6	Color Adjust	fixed16	[0] hue	-1.0	1.0	default 0.0
[1] sat				0.0	2.0	default 1.0	
8.7	Correction Reset Default	void	–	–	–	reset to defaults	

Group	ID	Parameter	Type	Index	Minimum	Maximum	Interpretation
Media	10.0	Codec	int8 enum	[0] = basic codec	-	-	0 = CinemaDNG, 1 = DNxHD, 2 = ProRes, 3 = Blackmagic RAW
					-	-	CinemaDNG: 0 = uncompressed, 1 = lossy 3:1, 2 = lossy 4:1
				[1] = code variant	-	-	ProRes: 0 = HQ, 1 = 422, 2 = LT, 3 = Proxy, 4 = 444, 5 = 444XQ
					-	-	Blackmagic RAW: 0 = Q0, 1 = Q5, 2 = 3:1, 3 = 5:1, 4 = 8:1, 5 = 12:1
	10.1	Transport mode	int8	[0] = mode	-	-	0 = Preview, 1 = Play, 2 = Record
				[1] = speed	-	-	-ve = multiple speeds backwards, 0 = pause, +ve = multiple speeds forwards
				[2] = flags	-	-	1<<0 = loop, 1<<1 = play all, 1<<5 = disk1 active, 1<<6 = disk2 active, 1<<7 = time-lapse recording
				[3] = slot 1 storage medium	-	-	0 = CFast card, 1 = SD, 2 = SSD Recorder
				[4] = slot 2 storage medium	-	-	0 = CFast card, 1 = SD, 2 = SSD Recorder
	10.2	Playback Control	int8 enum	[0] = clip	-	-	0 = Previous, 1 = Next
10.5	Stream	bool	[0] = enabled	-	-	true = enabled, false = disabled	
10.6	Stream Information	void bool	[0] = enabled	-	-	true = enabled, false = disabled	
10.7	Stream Display 3D LUT	void bool	[0] = enabled	-	-	true = enabled, false = disabled	
PTZ Control	11.0	Pan/Tilt Velocity	fixed 16	[0] = pan velocity	-1.0	1.0	-1.0 = full speed left, 1.0 = full speed right
				[1] = tilt velocity	-1.0	1.0	-1.0 = full speed down, 1.0 = full speed up
	11.1	Memory Preset	int8 enum	[0] = preset command	-	-	0 = reset, 1 = store location, 2 = recall location
			int8	[1] = preset slot	0	5	-

Example Protocol Packets

Operation	Packet Length	Byte															
		0	1	2	3	4	5	6	7	8	9	10	11	12	13	14	15
		header				command				data							
		destination	length	command	reserved	category	parameter	type	operation								
trigger instantaneous auto focus on camera 4	8	4	4	0	0	0	1	0	0								
turn on OIS on all cameras	12	255	5	0	0	0	6	0	0	1	0	0	0				
set exposure to 10 ms on camera 4 (10 ms = 10000 us = 0x00002710)	12	4	8	0	0	1	5	3	0	0x10	0x27	0x00	0x00				
add 15% to zebra level (15 % = 0.15 f = 0x0133 fp)	12	4	6	0	0	4	2	128	1	0x33	0x01	0	0				
select 1080p 23.98 mode on all cameras	16	255	9	0	0	1	0	1	0	24	1	3	0	0	0	0	0
subtract 0.3 from gamma adjust for green & blue (-0.3 ~ = 0xfd9a fp)	16	4	12	0	0	8	1	128	1	0	0	0x9a	0xfd	0x9a	0xfd	0	0
all operations combined	76	4	4	0	0	0	1	0	0	255	5	0	0	0	6	0	0
		1	0	0	0	4	8	0	0	1	5	3	0	0x10	0x27	0x00	0x00
		4	6	0	0	4	2	128	1	0x33	0x01	0	0	255	9	0	0
		1	0	1	0	24	1	3	0	0	0	0	0	4	12	0	0
		8	1	128	1	0	0	0x9a	0xfd	0x9a	0xfd	0	0				

Blackmagic Tally Control Protocol

Version 1.0 (30/04/14)

This section is for third party developers or anybody who may wish to add support for the Blackmagic Tally Control Protocol to their products or system. It describes the protocol for sending tally information embedded in the non-active picture region of a digital video stream.

Data Flow

A master device such as a broadcast switcher embeds tally information into its program feed which is broadcast to a number of slave devices such as cameras or camera controllers. The output from the slave devices is typically fed back to the master device, but may also be sent to a video monitor.

The primary flow of tally information is from the master device to the slaves. Each slave device may use its device id to extract and display the relevant tally information.

Slave devices pass through the tally packet on their output and update the monitor tally status, so that monitor devices connected to that individual output may display tally status without knowledge of the device id they are monitoring.

Assumptions

Any data alignment/padding is explicit in the protocol. Bit fields are packed from LSB first.

Blanking Encoding

One tally control packet may be sent per video frame. Packets are encoded as a SMPTE 291M packet with DID/SDID x51/x52 in the active region of VANC line 15. A tally control packet may contain up to 256 bytes of tally information.

Packet Format

Each tally status consists of 4 bits of information:

```
uint4
bit 0:    program tally status (0=off, 1=on)
bit 1:    preview tally status (0=off, 1=on)
bit 2-3:  reserved (0x0)
```

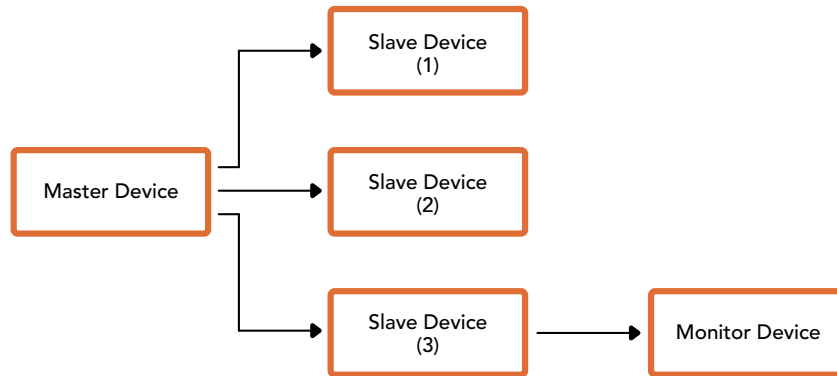
The first byte of the tally packet contains the monitor device tally status and a version number.

Subsequent bytes of the tally packet contain tally status for pairs of slave devices. The master device sends tally status for the number of devices configured/supported, up to a maximum of 510.

struct tally

```
uint8
bit 0:    monitor device program tally status (0=off, 1=on)
bit 1:    monitor device preview tally status (0=off, 1=on)
bit 2-3:  reserved (0b00)
bit 4-7:  protocol version (0b0000)
uint8[0]
bit 0:    slave device 1 program tally status (0=off, 1=on)
bit 1:    slave device 1 device preview tally status (0=off, 1=on)
bit 2-3:  reserved (0b00)
bit 4:    slave device 2 program tally status (0=off, 1=on)
bit 5:    slave device 2 preview tally status (0=off, 1=on)
bit 6-7:  reserved (0b00)
```

uint8[1]
bit 0: slave device 3 program tally status (0=off, 1=on)
bit 1: slave device 3 device preview tally status (0=off, 1=on)
bit 2-3: reserved (0b00)
bit 4: slave device 4 program tally status (0=off, 1=on)
bit 5: slave device 4 preview tally status (0=off, 1=on)
bit 6-7: reserved (0b00)
...



Byte	7 MSB	6	5	4	3	2	1	0 LSB
0	Version (0b0)	Version (0b0)	Version (0b0)	Version (0b0)	Reserved (0b0)	Reserved (0b0)	Monitor Preview	Monitor Program
1	Reserved (0b0)	Reserved (0b0)	Slave 1 Preview	Slave 1 Program	Reserved (0b0)	Reserved (0b0)	Slave 0 Preview	Slave 0 Program
2	Reserved (0b0)	Reserved (0b0)	Slave 3 Preview	Slave 3 Program	Reserved (0b0)	Reserved (0b0)	Slave 2 Preview	Slave 2 Program
3	...							

Yardıma

Yardıma almanın en hızlı yolu, Blackmagic Design online destek sayfalarına girip, kameranız için olan en son destek malzemesini incelemenizdir.

Blackmagic Design Online Destek Sayfaları

En son kılavuz, yazılım ve destek notlarına www.blackmagicdesign.com/tr/support adresindeki, Blackmagic Design destek merkezinden ulaşılabilir.

Blackmagic Design Destek Ekibiyle İrtibat

Aradığınız yardımcı destek kaynaklarında bulamadığınız durumda, destek sayfamızdaki "Bize e-posta gönderin" butonunu tıklayarak lütfen e-posta yoluyla destek talebinde bulunun. Alternatif olarak, destek sayfasındaki "Yerel destek ekibini arayın" butonunu tıklayın ve size en yakın olan Blackmagic Design destek ofisini arayın.

Mevcut Yazılım Sürümünün Kontrolü

Bilgisayarınızda, Blackmagic Camera kurulum yazılımının hangi sürümünün yüklü olduğunu kontrol etmek için, 'Blackmagic Kamera Kurulumu Hakkında' servis penceresini açın.

- Mac bilgisayarlarında, Applications (Uygulamalar) dosyasından Blackmagic Camera Utility yardımcı uygulamasını açın. Sürüm numarasını görüntülemek için, uygulamalar menüsünden About Blackmagic Camera Utility' (Blackmagic Kamera yazılım kontrolü hakkında) sekmesini seçin.
- Windows bilgisayarlarında, 'Black Magic Camera Utility' uygulamasını 'Start' (Başlat) menüsünden ya da Başlat ekranından açın. Sürüm numarasını görüntülemek için, Help (Yardıma) menüsüne tıklayın ve 'About Blackmagic Camera Utility' sekmesini seçin.

En Yeni Yazılım Güncellemelerine Erişim

Bilgisayarınızda yüklü bulunan Blackmagic Camera Utility yazılımının sürümünü denetledikten sonra, lütfen Blackmagic Design destek merkezine www.blackmagicdesign.com/tr/support adresinden girerek, en son güncellemeleri gözden geçirin. En güncel yazılımı kullanmak faydalı olsa da önemli bir projenin ortasındaiken, yazılımı güncellemekten kaçınmakta yarar vardır.

Düzenleyici Uyarıları



Avrupa Birliği'nin elektrikli ve elektronik cihazlara dair atık kontrol yönetmeliği.

Ürün üzerindeki sembol, bu cihazın başka atık malzemelerle bertaraf edilmemesi şartını gösterir. Atık ekipmanlarınızı bertaraf edebilmek için geri dönüşümünü sağlamak üzere, belirlenmiş toplama noktasına teslim edilmeleri gerekmektedir. Bertaraf anında atık cihazlarınızın ayrı olarak toplanması ve geri dönüşümü, doğal kaynakların korunmasına yardımcı olacaktır ve insan sağlığını ve çevreyi koruyucu bir şekilde geri dönüşümünü sağlayacaktır. Atık cihazlarınızı geri dönüşüm için nereye teslim edebileceğiniz konusunda daha fazla bilgi için, lütfen yerel belediyenizin geri dönüşüm şubesini ya da ürünü satın aldığımız satış bayisini arayınız.



Bu cihaz, test edilmiş ve Federal İletişim Komisyonu (FCC) koşullarının 15. bölümü doğrultusunda A Sınıfı dijital cihazların sınırlarıyla uyumlu olduğu tespit edilmiştir. İlgili sınırlar, bu cihaz ticari bir ortamda çalıştırıldığı takdirde, zararlı müdahalelere karşı makul koruma sağlaması için tasarlanmıştır. Bu cihaz; radyo frekans enerjisi üretir, kullanır ve saçabilir ve talimatlar doğrultusunda kurulmadığı ve kullanılmadığı takdirde, radyo iletişimlerine zararlı müdahaleye yol açabilir. Bu ürünün bir yerleşim bölgesinde çalıştırılması, zararlı müdahaleye yol açabilir. Bu durumda, müdahalenin düzeltilmesi için ilgili maliyeti kullanıcı karşılamak zorundadır.

Bu cihazın çalıştırılması, aşağıdaki iki şarta bağlıdır:

- 1 Bu cihaz, zararlı müdahaleye sebebiyet vermemelidir.
- 2 Bu cihaz, arzu edilmeyen bir çalışma şekline yol açacak müdahale de dahil olmak üzere, maruz kaldığı her türlü müdahaleyi kabul etmelidir.



R-R-BMD-20210915001
R-R-BMD-20200421002
R-R-BMD-20200916001
R-R-BMD-20200916002
R-REM-BMD-201803004
R-REM-BMD-201803003
MSIP-REM-BMD-201612001



ISED Kanada Beyannamesi

Bu cihaz, A Sınıfı dijital cihazlar için Kanada standartlarıyla uyumludur.

Bu cihazda yapılacak herhangi bir değişiklik veya kullanım amacı dışında kullanılması, bu standartlara uyumluluğu geçersiz kılabilir.

Bu cihaz, ticari ortamda kullanım amacına uygunluk için test edilmiştir.

Bluetooth®

URSA Broadcast G2, Bluetooth kablosuz teknoloji ile kullanılabilen bir üründür.

İçerdiği Verici Modülü FCC ID: QOQBGM113

Bu ekipman, kontrolsüz ortamlar için belirlenen FCC radyasyon seviyelerine uymaktadır.

İçerdiği Verici Modülü IC ID: 5123A-BGM113

Bu cihaz, Industry Canada'nın lisanstan muaf RSS standartlarıyla ve RSS-102 Sayı 5'te belirlenen rutin SAR değerlendirme sınırlarından muafiyet koşullarıyla uyumludur.

Japonya için onaylanmıştır, onay numarası: 209-J00204. Bu ekipman, Radyo Yasası kapsamında, Teknik Düzenleme Onay Belgesi alınmış ve belirlenmiş, radyo donanımı içerir.

Bu modül, Güney Kore için onaylanmıştır, KC onay numarası: MSIP-CRM-BGT-BGM113

Blackmagic Design, 2.4 GHz ISM bandında geniş bant veri aktarım sistemlerini kullanan URSA Broadcast G2 kameranın, 2014/53/EU yönetmeliği ile uyumlu olduğunu beyan eder.

EU (Avrupa Birliği) uygunluk beyanlarına ilişkin tam metin, compliance@blackmagicdesign.com adresinden temin edilebilir.

Güvenlik Bilgileri

Ürünle beraber gelen ve Blackmagic URSA Broadcast G2 için olan AC'den 12V DC'ye güç kaynağı ile Blackmagic Studio Fiber Converter için olan IEC güç kablosu, koruyucu topraklama bağlantısı bulunan bir şebeke prizine takılmalıdır.

Blackmagic URSA Broadcast G2 ve Camera Fiber Converter ürünleri, çevresel ısı 40° C'ye kadar olan tropikal ortamlarda kullanılmaya uygundur. Blackmagic Studio Fiber Converter, 50°C'ye kadar olan tropikal ortamlarda kullanılmaya uygundur.

Blackmagic Studio Fiber Converter ve Camera Fiber Converter çevresinde, yeterli ventilasyon bulunduğu ve kısıtlanmış olmadığından emin olun. Studio Fiber Converter'i rafa monte ederken, ventilasyonun bitişik ekipmanlardan dolayı kısıtlanmadığından emin olun.

Blackmagic URSA Broadcast G2, Camera Fiber Converter veya Studio Fiber Converter ürünlerinin içinde, kullanıcı tarafından tamir edilebilecek hiçbir parça bulunmamaktadır. Gerekli tamiratları, yerel Blackmagic Design hizmet merkezine yönlendirin.

Kaliforniya Eyalet Beyannamesi

Bu ürün; plastik parçaları dahilinde, eser miktarda polibromine bifeniller gibi kimyasal maddelere sizi maruz bırakabilir. Kaliforniya eyaletinde, bu maddelerin kansere, doğum kusurlarına veya başka üreme bozukluklarına sebebiyet verdiği bilinmektedir.

Daha fazla bilgi için, www.P65Warnings.ca.gov adresini ziyaret ediniz.

Blackmagic URSA Broadcast G2

Güneşli ortamlarda, kameranın veya Lityum bataryanın, uzun süre boyunca güneş ışığına maruz kalmasını engellemek için, kamerayı gölgede tutmaya dikkat ediniz. Lityum bataryaları, her türlü ısı kaynağından uzak tutunuz.

12V DC güç çıkış bağlantısı, Blackmagic URSA Viewfinder veya Blackmagic URSA Studio Viewfinder aksesuarlarına, güç sağlamak için uygundur. Bu bağlantıya başka aksesuarlar bağlarken, güç tüketiminin, 18W altında olmasına dikkat ediniz.



Blackmagic Studio Fiber Converter

Elektrik çarpması riskini azaltmak için, bu ekipmanı damlayan veya sıçrayan suya maruz bırakmayın. Deniz seviyesinden yüksekliğin 2000m'yi aşmadığı yerlerde kullanın.

Blackmagic Camera Fiber Converter

Çeviriciyi, yalnızca Blackmagic Studio Fiber Converter'e bağlı iken kullanın. Normal kullanım şartlarında, çevirici Blackmagic Studio Fiber Converter'den tehlikeli voltajlar alabilecek şekilde tasarlanmıştır.

Garanti

Sınırlı Garanti

Blackmagic Design şirketi, bu ürünün satın alındığı tarihten itibaren 12 ay süre içinde malzeme ve işçilik bakımından arızasız olacağına garanti sunmaktadır. Üründe, bu garanti süresi içinde bir arıza ve kusur söz konusu olursa Blackmagic Design, kendi seçimi doğrultusunda ya arızalı ürünü parça ve işçilik bedeli talep etmeksizin tamir edecektir ya da arızalı ürünü yenisiyle değiştirecektir.

Bu garanti kapsamındaki hizmetten yararlanmak için, kusur ve hataya ilişkin garanti süresi sona ermeden, Müşteri Blackmagic Design'i bilgilendirmeli ve söz konusu hizmetin sağlanması için uygun düzenlemeleri yapmalıdır. Blackmagic Design tarafından özel belirlenmiş ve yetkilendirilmiş bir hizmet merkezine arızalı ürünün ambalajlanarak nakliyesi, Müşteri'nin sorumluluğudur ve nakliye ücretleri, peşin ödenmiş olmalıdır. Herhangi bir sebepten dolayı bize iade edilen ürünlerin; tüm nakliye, sigorta, gümrük vergileri, vergi ve tüm diğer masrafların ödenmesi, Müşteri sorumluluğu altındadır.

Bu garanti; yanlış kullanım ya da yanlış veya kusurlu bakımdan kaynaklanan herhangi bir arızayı, bozukluğu ya da hasarı kapsamaz. Blackmagic Design burada açıklanan durumlarda bu garanti kapsamında; a) Blackmagic Design temsilcileri haricindeki başka personelin ürünü kurma, tamir etme ya da bakımını yapma girişimlerinden kaynaklanan hasarı tamir etme, b) uygun olmayan kullanım veya uyumlu olmayan ekipmanlara bağlamaktan kaynaklanan hasarı tamir etme, c) Blackmagic Design parçaları ya da malzemesi olmayan ürünlerin kullanımından kaynaklanan hasarı ya da arızayı tamir etme, ya da d) Modifiye veya başka ürünlerle entegre edilmiş bir ürünü; söz konusu modifikasyon ya da entegrasyonun gereken tamiratın süresini uzattığı ya da ürün bakımını zorlaştırdığı durumlarda, tamir etme zorunluluğu yoktur.

URSA Viewfinder'in doğrudan güneş ışığına maruz bırakılması, vizörün optikleri bir büyüteç işlevi göreceğinden, vizör ekranına zarar verebilir. Statik görüntüler veya kare kılavuzları gibi yüksek kontrastlı görüntüler uzun süre boyunca OLED panellerinde gösterildiği zaman, OLED panellerinde görüntü tutma (image retention) veya görüntü izi (burn-in) oluşabilir. Bunu engellemek için, yüz algılama IR sensörünün kasten üstünün örtülmediğinden emin olunuz ve uzun süre kullanılmadığı durumlarda vizörü çıkartınız. Görüntü tutma, garanti kapsamında değildir.

BU GARANTİ, BLACKMAGIC DESIGN TARAFINDAN AÇIK YA DA ZİMNİ, HERHANGİ BİR GARANTİNİN YERİNİ TUTAR. BLACKMAGIC DESIGN VE SATICILARI, TİCARİ GARANTİ YA DA ÖZEL BİR AMACA UYGUNLUK GARANTİSİNİ KABUL ETMEZ. BLACKMAGIC DESIGN'İN BU GARANTİ SÜRESİ İÇİNDE HASARLI ÜRÜNLERİ TAMİR ETME YA DA DEĞİŞTİRME SORUMLULUĞU, MÜŞTERİYE SUNACAĞI TAM VE MÜNHASİR ÇÖZÜMDÜR. BLACKMAGIC DESIGN YA DA SATICILARININ OLABİLECEK HASARLAR HAKKINDA ÖNCEDEN BİLGİSİ OLMASINI GÖZETMEKSİZİN; ÜRÜNDE DOLAYLI, ÖZEL, TESADÜFİ YA DA NETİCE OLARAK ORTAYA ÇIKAN HERHANGİ BİR HASAR İÇİN BLACKMAGIC DESIGN SORUMLU DEĞİLDİR. BLACKMAGIC DESIGN, EKİPMANIN MÜŞTERİLER TARAFINDAN YASAL OLMAYAN HERHANGİ BİR KULLANIMINDAN SORUMLU DEĞİLDİR. BLACKMAGIC DESIGN, BU ÜRÜNÜN KULLANIMINDAN KAYNAKLANAN HERHANGİ BİR HASARDAN, SORUMLU DEĞİLDİR. BU ÜRÜNÜN ÇALIŞTIRILMASINDAN DOĞAN RİSK, KULLANICININ KENDİSİNE AİTTİR.

© Telif Hakkı Saklıdır 2022 Blackmagic Design. Tüm Hakları Saklıdır. 'Blackmagic Design', 'URSA', 'DeckLink', 'HDLink', 'Workgroup Videohub', 'Multibridge Pro', 'Multibridge Extreme', 'Intensity' ve 'Leading the creative video revolution' ABD ve diğer ülkelerde tescil edilmiş, ticari markalardır. Diğer tüm şirket ve ürün isimleri, bağlantılı oldukları ilgili şirketler/firmaların ticari markaları olabilir.