

# SWIT®

## KA-M20S

Dual Batteries Hot Swap Plate  
Ver:A

# USER MANUAL

## SWIT Electronics Co.,Ltd.

Tel:+86-25-85805753  
Fax:+86-25-85805296  
http://www.swit.cc  
E-mail: contact@swit.cc

Congratulations on your purchase of this product. Please read this user manual carefully.

### Warning

- ◆ Only SWIT pocket batteries can be used.
- ◆ Make sure the power-consuming equipment(s) meet the battery specifications.
- ◆ Keep the terminals clean and never short-circuit the plate terminals.

### Features

- ◆ Intelligent identification of load power, automatically adjusting the dual batteries to supply power simultaneously or sequentially.
- ◆ Support hot swap function, realizing continuous power supply.
- ◆ Support battery real-time power indicating and battery empty power reminding.
- ◆ Support SONY/RED camera remaining time display.
- ◆ Dual D-TAP output socket, powering the camera and other devices simultaneously.
- ◆ Ultra-thin design, light and portable.

### Description of appearance

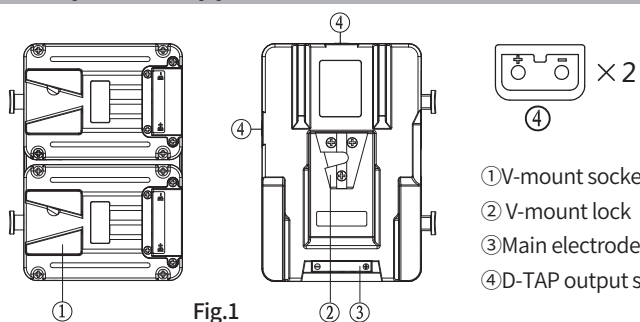


Fig.1

- ① V-mount socket
- ② V-mount lock
- ③ Main electrode output interface
- ④ D-TAP output socket

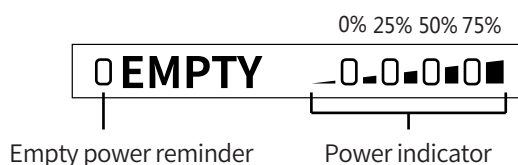


Fig.2

### Description of function

Total power of the device ≤ maximum output power of any battery	Automatically switch to dual batteries sequential power supply mode.
	Intelligently identify the two batteries' power. The lower battery supplies power first, and it will automatically switch to the other battery when it's capacity is lower than 6%, which can avoid the cameras alarming when the battery power is below 5%.
Total power of the device > maximum output power of any battery	When both batteries are below 6%, they will power simultaneously until the batteries are empty.
	Support hot swap. The user can replace any battery at any time.
Total power of the device > maximum output power of any battery	Automatically switch to dual batteries simultaneous power supply mode.
	Support different power batteries to supply power simultaneously.

### LED display

Both batteries correspond to a group of LED indicators respectively. When the plate with no load is mounted on the battery, the indicator flashes to indicate the current battery power and then off; The status of the indicators is as follows:

	Indicator status in use	Indicator status when idle
Capacity percentage	— 0 — 0 — 0 — 0 ■	— 0 — 0 — 0 — 0 ■
75%~100%	● ● ● ● ☼ ○	● ● ● ● ○
50%~75%	● ● ☼ ○ ○	● ● ● ○ ○
25%~50%	● ☼ ○ ○ ○	● ● ○ ○ ○
6%~25%	☼ ○ ○ ○ ○	● ○ ○ ○ ○
<6%	○ ○ ○ ○ ☼	○ ○ ○ ○ ☼

### Specification

Model		KA-M20S	
Input and output	Input socket	V-mount × 2 (suitable for SWIT pocket batteries)	
	Output socket	V-mount × 1 (suitable for kinds of V-mount socket equipments)	
	Nominal output voltage	D-TAP × 2 14.4V	
	Maximum output power	Sequential power supply mode	Main electrode
D-TAP			Same as main electrode or 150W/10A (take the smaller value)
Simultaneous power supply mode		Main electrode	Same as single battery maximum output power * 2 (same model batteries with same remaining power) Same as the smaller maximum output power of the two batteries * 2 (different model batteries with same remaining power)
		D-TAP	Same as main electrode or 150W/10A (take the smaller value)
Operating temperature		-20°C ~ 50°C	
Dimension		148 x 108 x 28mm	
Net weight		238g	