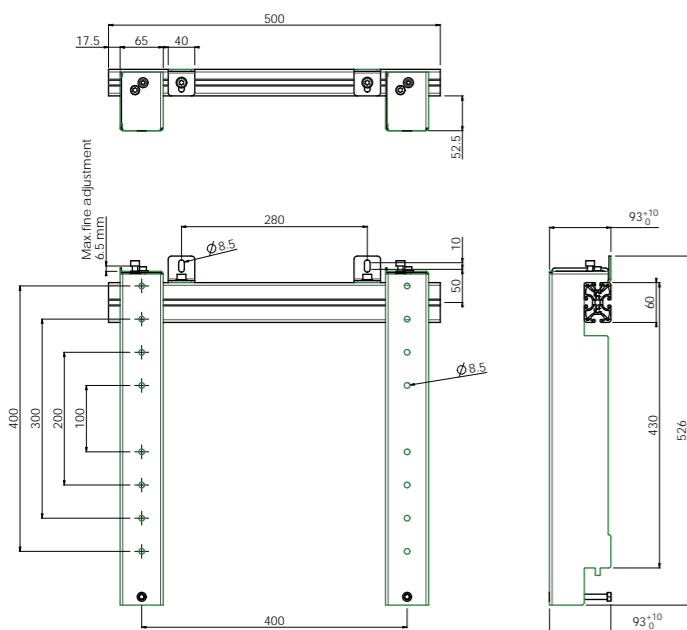
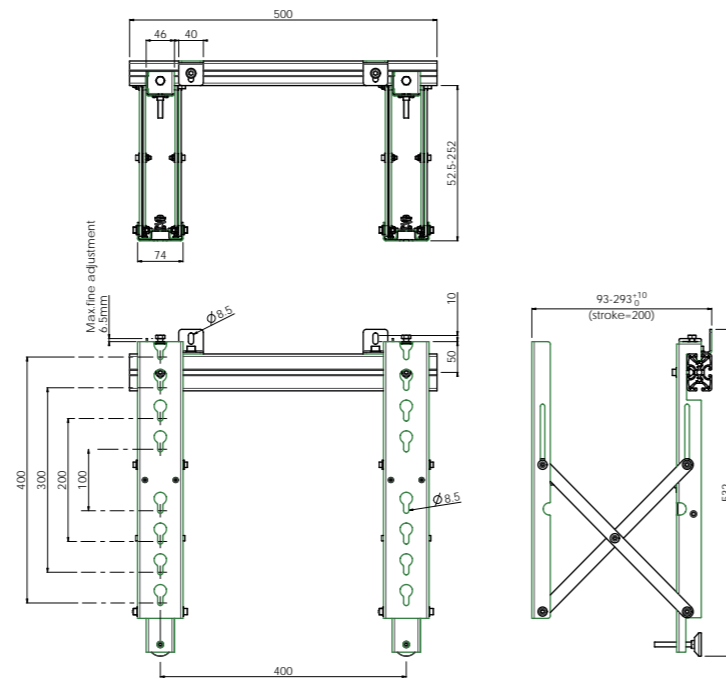


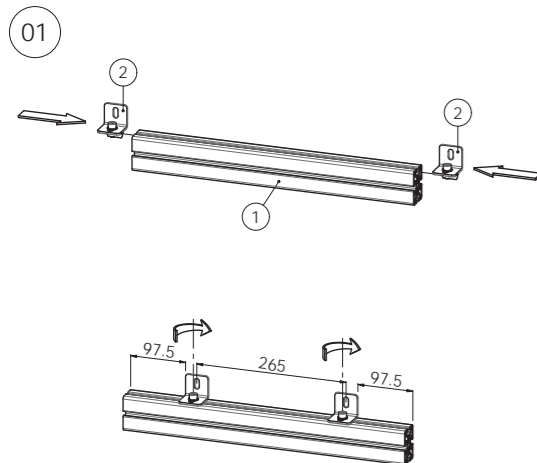
VWM-01



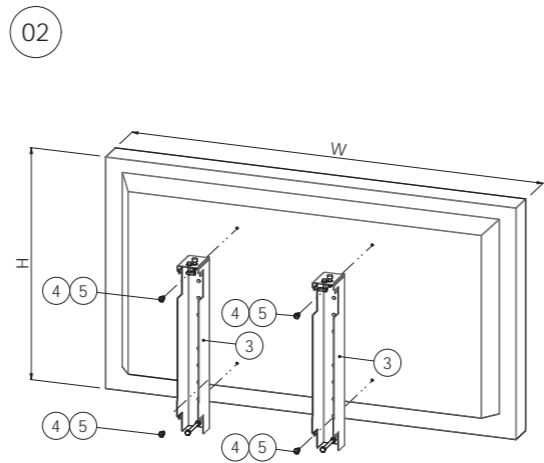
VWM-02



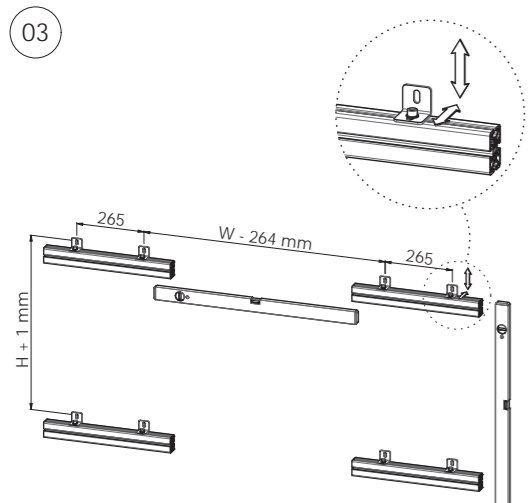
Installation



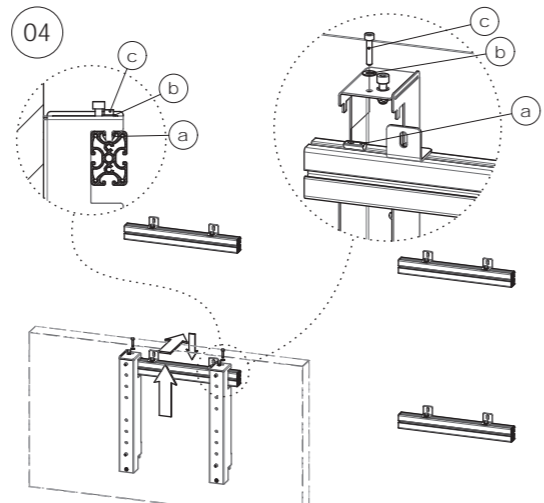
Slide the wallbrackets (2) with the slot nut in the slot of the aluminium profile (1). Positionate them and slightly turn on the bolts.



VWM-01: Mount the brackets (3) with screw (4 or 5) on the backside of the display.
VWM-02: Screw only the screws (4 or 5) in the VESA holes of the display and keep a clearance of 4 mm.



Screw now the brackets with Profile(s) on the wall. Line-up the profile(s) by adjusting the wallbrackets (2).
For videowall installation check distance (H + 1 mm) and distance (W-264 mm) and make sure the profiles are levelled (horizontally as well as vertically).
To save installation time we suggest to use our additional profile VWA-01.



VWM-01: Hook the display with brackets to the aluminium profile and make sure that adjusting screw (c) does not touch the profile.
VWM-02: Hook the modules to the aluminium profile and make sure that adjusting screw (c) does not touch the profile. Place bolt (a) with associated washer in the sliding nut, but do not tighten. Place the two modules with a horizontal distance according to the width of the VESA.



Installation Manual

Video Wall Mounting Kit

VWM-01 Enclosed Parts

1 *1 pcs	2 *2 pcs	3 *2 pcs	4 *4 pcs	5 *4 pcs

VWM-02 Enclosed Parts

1 *1 pcs	2 *2 pcs	3 *2 pcs	4 *4 pcs	5 *4 pcs

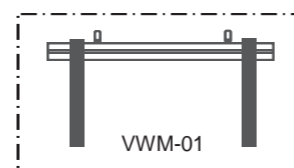
Optional Profiles VWA-01 + Brackets VWA-04

VWA-01 L= 2.000 mm

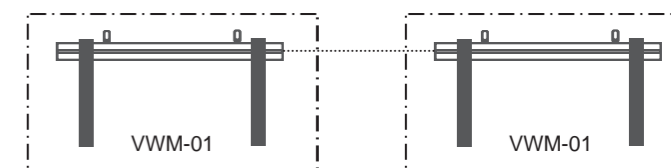


Set-up Guide

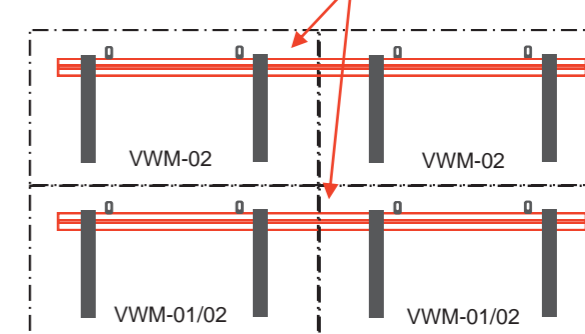
Single use



In-line use



Videowall use



VWM-01:
Installation of single-use or in-line use

VWM-02:
Easy installation of Videowall. Push-out function for build-in videowall, easy connecting and service of the displays.
(even lowest line can still be VWM-01)

OPTIONAL
VWA-01:
To install displays straight in one line. For easy and fast in-line or videowall setup.

