

# RWE7C/8C

REAR WAVE ENCLOSURE

INSTALLATION GUIDE



**NILES®**

BLENDING HIGH FIDELITY AND ARCHITECTURE®

## CONGRATULATIONS!

Thank you for choosing the Niles RWE7C/RWE8C Rear Wave Enclosure. Niles manufactures the industry's most comprehensive line of custom installation components and accessories. For information on our complete product assortment, please visit us at: [www.nilesaudio.com](http://www.nilesaudio.com).

## INTRODUCTION

The Niles RWE7C/RWE8C is a retrofittable rear wave enclosure that delivers high-quality, predictable sound performance, while reducing unwanted sound from bleeding into adjacent areas and rooms.

## FEATURES AND BENEFITS

- Unique shape enables retrofit installation and maximizes air volume for deep bass
- Easily attaches to the loudspeaker
- Reduces unwanted sound from bleeding into adjacent areas and rooms
- Engineered composite material is acoustically inert to improve sound quality
- Strategically placed rubber inserts help prevent unwanted resonance from being transmitted to nearby surfaces
- Corrosion resistant, gold-plated speaker wire terminals ensure long-term performance

## PACKAGE CONTENTS

- (1) Rear Wave Enclosure
- (1) Set Screw
- (1) Installation Guide

## INSTALLATION CONSIDERATIONS

The RWE7C Rear Wave Enclosure is designed to be specifically used with Niles DS7MP, DS7PR, DS7HD, and DS7FX Ceiling-Mount Loudspeakers. It is not compatible with the DS7SI Stereo Input Loudspeaker.

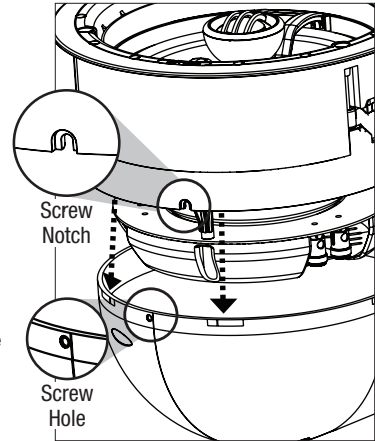
The RWE8C Rear Wave Enclosure is designed to be specifically used with Niles DS8PR, DS8HD, and DS8FX Ceiling-Mount Loudspeakers.

Installing a Rear Wave Enclosure requires 10" of clearance to one side of the loudspeaker cutout hole, and 7-1/8" of vertical clearance (with loudspeaker attached).

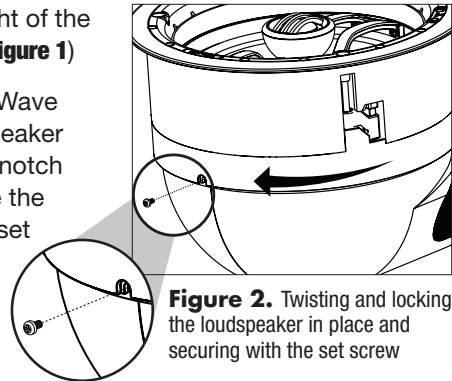
**NOTE: BE VERY CAREFUL WHEN LOCATING THE SPEAKERS. VERIFY ALL LOCATIONS ARE CLEAR OF OBSTRUCTIONS BEFORE THE INSTALLATION.**

## INSTALLING THE REAR WAVE ENCLOSURE

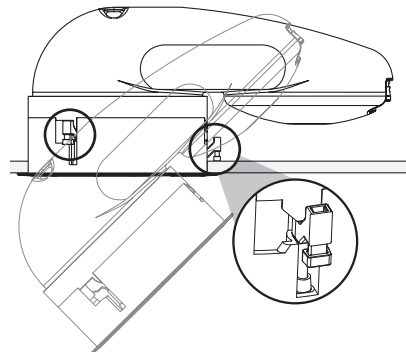
1. Locate the red (+) and black (-) speaker wire jumpers inside the Rear Wave Enclosure.
2. Attach the red (+) wire to red (+) spring loaded wire terminal on the loudspeaker. Attach the black (-) wire to black (-) spring loaded wire terminal on the loudspeaker. For more information on connecting speaker wire, consult the loudspeaker's Installation Guide.
3. Locate the set screw hole at the end of the open area of the Rear Wave Enclosure. Locate the set screw notch at the bottom of the loudspeaker frame.
4. Carefully grip the loudspeaker by the frame and position it over the Rear Wave Enclosure's opening so that the loudspeaker set screw notch is approximately 1-1/2" to the right of the Rear Wave Enclosure set screw hole. **(Figure 1)**
5. Insert the loudspeaker fully in the Rear Wave Enclosure opening and twist the loudspeaker until it locks in place and the set screw notch lines up with the set screw hole. Secure the completed assembly with the supplied set screw. **(Figure 2)**
6. Attach the speaker wires from the amplifier to the Rear Wave Enclosure, the red (+) wire to the red (+) terminal and the black (-) wire to the black (-) terminal.
7. The Rear Wave Enclosure with attached loudspeaker is then inserted into the loudspeaker's cutout hole for installation. Consult the loudspeaker's Installation Guide for further instructions. **(Figure 3)**



**Figure 1.** Aligning the loudspeaker with the Rear Wave Control Enclosure



**Figure 2.** Twisting and locking the loudspeaker in place and securing with the set screw



**Figure 3.** Inserting the completed assembly into the cutout hole



BLENDING HIGH FIDELITY AND ARCHITECTURE®

**1-800-BUY-HIFI – 1-305-238-4373 – [www.nilesaudio.com](http://www.nilesaudio.com)**

©2010 Niles Audio Corporation. All rights reserved. Niles, the Niles logos, and Blending High Fidelity and Architecture are registered trademarks of Niles Audio Corporation. All other trademarks are the property of their respective owners. Designed and Engineered in the USA. Made in China. DS00722A