



SYSCOM 421S

User Manual

V1.0.0

HOLLYVIEW

Powered by Hollyland

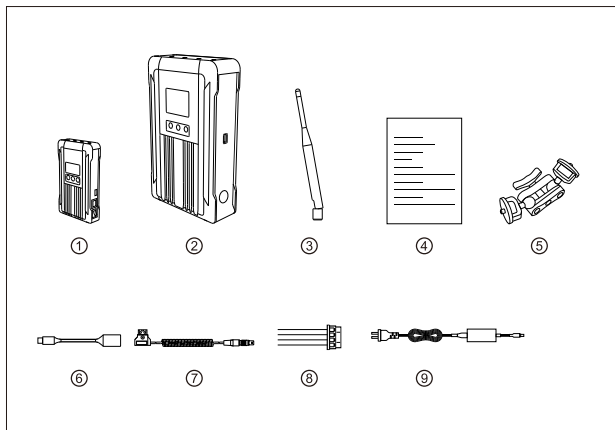
FOREWORD

Thank you for purchasing the Hollyland SYSCOM 421S Wireless HD Video Transmission System. Please read this manual carefully before using the product and wish you a pleasant experience.

KEY FEATURES

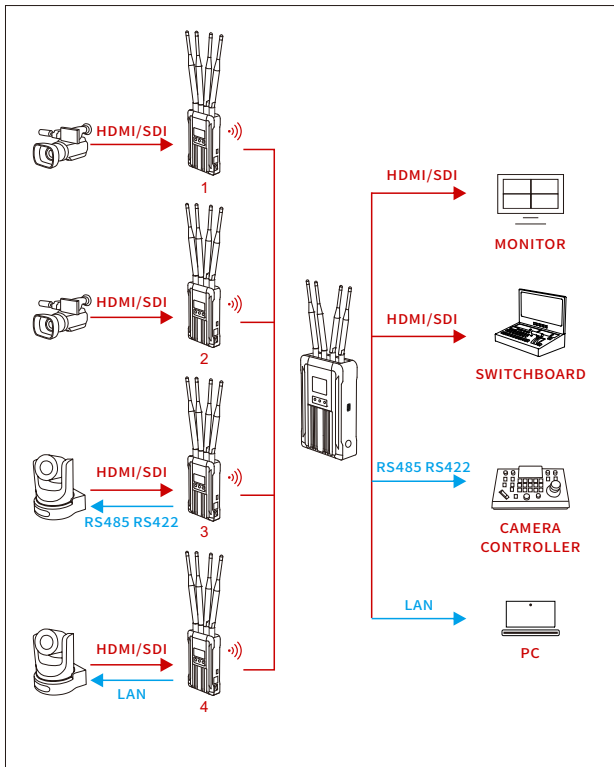
- 1800ft Transmission Range
- The Lowest Achievable Latency without Interference is under 0.1s
- 5.1-5.9 GHz Band Width, Supports Frequency Configuration for Different Territories
- Supports 4 SDI Input and HDMI Input, 4SDI Output and HDMI Output
- 4 Transmitters Use the Same Wireless Channel with Strong Anti-Interference Ability
- Supports TALLY and RS485/RS422 Control
- Transmitter Supports 7-36V DC Wide Voltage Input
- Receiver Supports 18-36V DC Wide Voltage Input
- Stable & Reliable Industrial Metal Case
- With RJ45 Interface, Supports Network Pass Through between Transmitter and Receiver, and Achieves RTSP Pull and Push Streaming

PACKING LIST

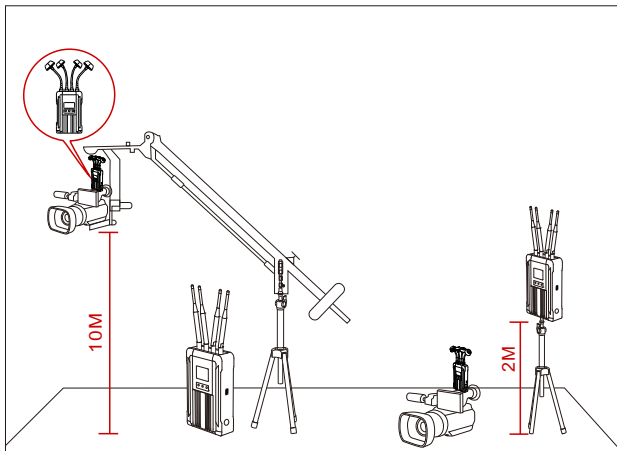


① Transmitter	x4
② Receiver	x1
③ 5GHz Antenna	x25
④ User Guide	x1
⑤ 7-Inch Magic Arm	x4
⑥ OTG Cable	x1
⑦ DC Conversion Cable	x4
⑧ RS485/RS422 Interface Cable	x5
⑨ Power Adapter	x1

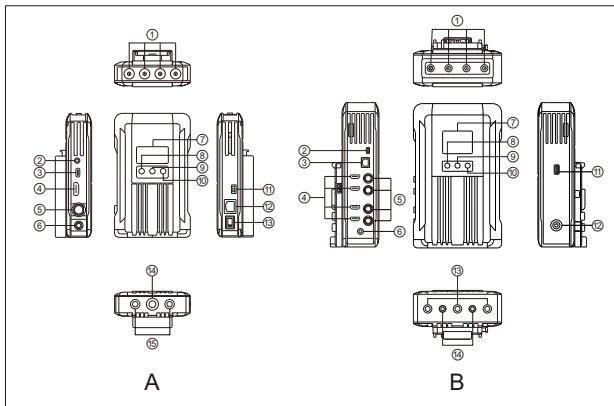
TYPICAL SETUP



TYPICAL SETUP



- Enhancing stability performance of the system, it is recommended to use mushroom antennas (optional accessories) when there is a huge height difference between the transmitter and the receiver.



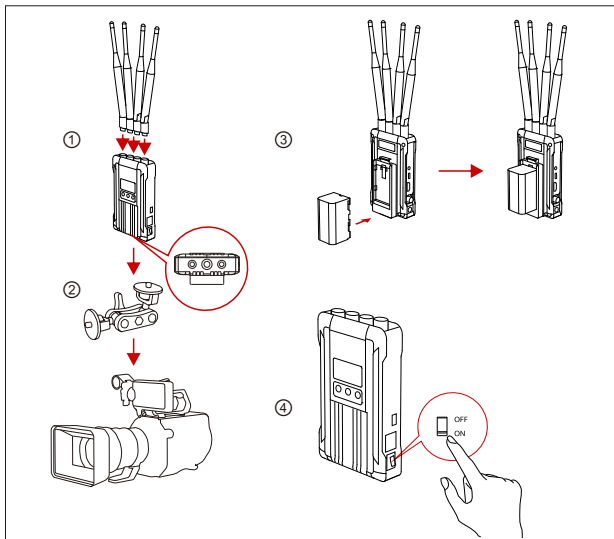
A TRANSMITTER

- ① RP-SMA Antenna Male Interface
- ② 3- Segment 3.5mm TALLY Output
- ③ USB Type-C Interface
- ④ HDMI Input
- ⑤ SDI Input
- ⑥ DC Power Input
- ⑦ OLED Display
- ⑧ UP
- ⑨ MENU
- ⑩ DOWN
- ⑪ RS485/RS422 Interface
- ⑫ LAN Interface
- ⑬ DC Power Switch
- ⑭ 3/8-16 Screw Hole
- ⑮ 1/4-20 Screw Hole

B RECEIVER

- ① RP-SMA Antenna Male Interface
- ② RS485/RS422 Interface
- ③ LAN Interface
- ④ HDM Output
- ⑤ SDI Output
- ⑥ DC Power Input
- ⑦ TFT Display
- ⑧ UP
- ⑨ MENU
- ⑩ DOWN
- ⑪ USB Interface
- ⑫ DC Power Switch
- ⑬ 3/8-16 Screw Hole
- ⑭ 1/4-20 Screw Hole

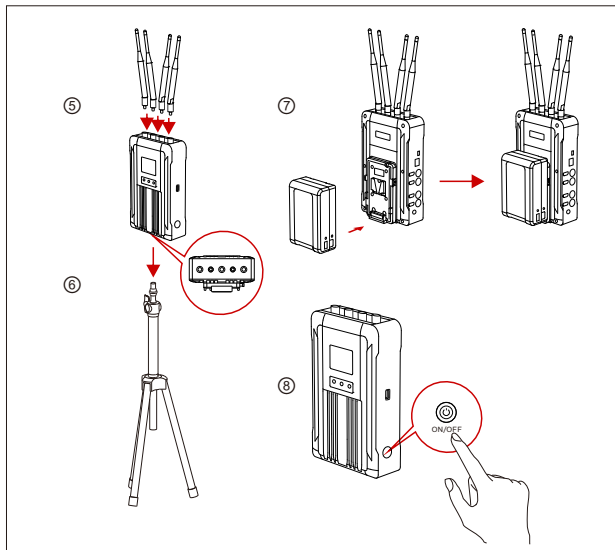
INSTALLATION



TRANSMITTER

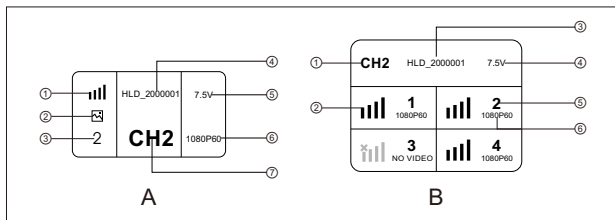
- ① Install antennas on the transmitter as demonstrated.
- ② Install magic arm on the 1/4 screw hole at the bottom of transmitter.
- ③ Install the batteries (compatible with NP-F970 battery, U60 or the same series) .
- ④ Turn on the device by pressing the power switch to "ON"

INSTALLATION



RECEIVER

- ⑤ Install antennas on the receiver as demonstrated.
- ⑥ Install on the bracket through the 1/4 screw hole at the bottom of the receiver.
- ⑦ Install the battery (compatible with V-mount or G-mount large capacity batteries) .
- ⑧ Turn on the device by pressing the power switch to "ON". The power indicator will show with a blue light.



A TRANSMITTER

- ① Signal Strength
- ② Scene Mode
- ③ Device ID
- ④ Device SSID
- ⑤ Power Supply Voltage
- ⑥ Video Format
- ⑦ Channel Display

B RECEIVER

- ① Channel Display
- ② Signal Strength
- ③ Device SSID
- ④ Power Supply Voltage
- ⑤ Device ID
- ⑥ Video Format

NOTE: Low Power Indicator: The low power warning will be triggered when the battery power is too low. And the battery icon will start to blink.

QUICK GUIDE

ENTER MENU

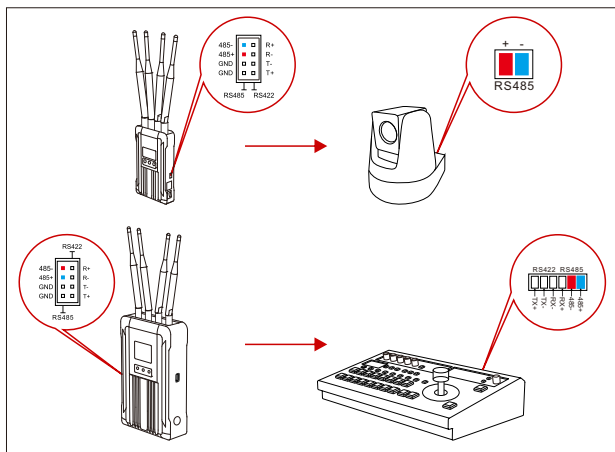
Long press the MENU button of the transmitter and receiver to enter the main menu.

CHANNEL CHANGE

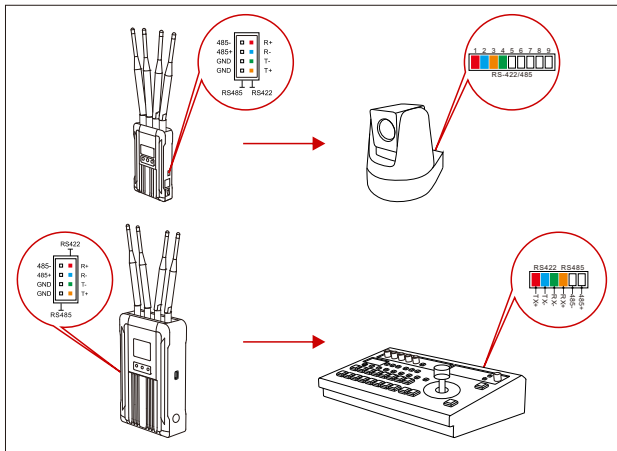
Press the "UP" or "DOWN" button on the receiver to switch to another channel, press the "MENU" button to confirm the channel, and the transmitter channel will be automatically switched.

RS485/RS422 INTERFACE USE METHOD

RS485 CONNECTION



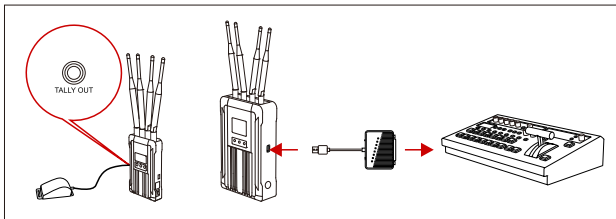
■ RS422 CONNECTION



1. Connect the transmitter and the receiver with the RS485/RS422 signal cable.
2. As demonstrated above, connect the transmitter with the terminal device and connect the receiver with the switcher. The line sequence shall correspond to the colors.
3. Select the corresponding baud rate on both the transmitter and the receiver. (Baud rate setting path: enter the menu-system setting-serial port setting).
4. The terminal equipment which is connected with the transmitter could be controlled by the lever arm on the switcher.

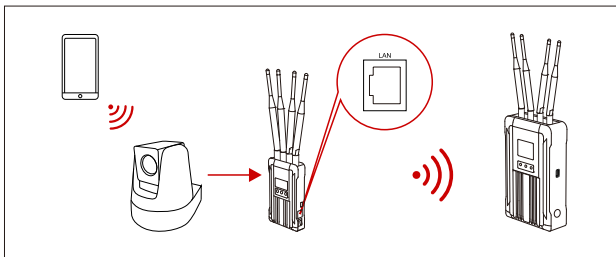
QUICK GUIDE

TALLY CONTROL USE METHODS



1. Connect the TALLY lights to the TALLY out interface on the transmitter.
2. Connect the USB Type-A interface with the TALLY box on the receiver, and connect the switcher and the TALLY box with a D-Sub Female 25 signal cable.
3. TALLY lights could be controlled by the switches on the switcher.

LAN INTERFACE USE METHOD



1. Connect the LAN interface of the transmitter to the IP camera through a network cable, and set the IP network segment to be consistent with the device.
2. The receiver can pull the stream through the LAN interface, port number: 5554, account/password: sub/12345678, such as: `rtsp://192.168.218.211:5554/sub/123456`.

NOTE: THE DEVICE IP IS 192.168.218.X NETWORK SEGMENT

PARAMETERS

	Transmitter	Receiver
Interface	SDI Input (BNC Female) HDMI Input (Type A Female) 3.5mm TALLY Output Antenna Interface*4 (RP-SMA Male) DC Power Input USB Type-C LAN RS485/RS422	SDI Output (BNC Female) *4 HDMI Output (Type A Female) *4 Antenna Interface*4 (RP-SMA Male) DC Power Input USB Type-A LAN RS485/RS422
Supply Power Range	7~36V DC	18~36V DC
Power Consumption	<12W	<32W
Weight	431.5g (External Antenna Excluded)	1621g (External Antenna Excluded)
Dimension	(LxWxH :88x30x144mm External Antenna and Battery Plate Excluded	(LxWxH :148x62x242mm External Antenna and Battery Plate Excluded
Input/Output Video Format	HDMI: 480P60 Hz 576P50 Hz 720P50/60 Hz 1080i50/60 Hz 1080P24/25/30/50/60 Hz SDI: 720P50/60 Hz 1080i50/60 Hz 1080P24/25/30/50/60 Hz	HDMI: 480P60 Hz 576P50 Hz 720P50/60 Hz 1080i50/60 Hz 1080P24/25/30/50/60 Hz SDI: 720P50/60 Hz 1080i50/60 Hz 1080P24/25/30/50/60 Hz
Frequency	5.1~5.9GHz	5.1~5.9GHz
Transmission Power	MAX 22dBm	MAX 22dBm
Receiver Sensitivity	-90dBm	-90dBm
Lowest Transmission Latency	<0.1s	<0.1s
Bandwidth	40MHz	40MHz

SUPPORT

If encounter any problems in using the product or need any help, please follow these ways to get more technical support:

 Hollyland Products User Group


 HollylandTech

 HollylandTech

 support@hollyland-tech.com

 www.hollyland-tech.com



 Hollyland Products User Group

 HollylandTech

 HollylandTech

 support@hollyland-tech.com

 www.hollyland-tech.com

SHENZHEN HOLLYLAND TECHNOLOGY CO., LTD

8F, 5D Building, Skyworth Innovation Valley, Tangtou, Shiyan, Baoan District Shenzhen, China.