

ADJUSTMENTS

- Refer to the manual for the receiver or amplifier to make sound adjustments such as bass, treble and balance to obtain the preferred sound.

CONNECTING AND CHECKING SPEAKER PHASE

To ensure proper speaker connections, perform the following steps:

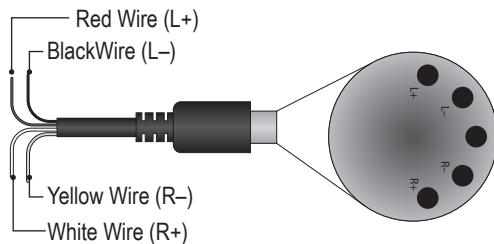
1. At each loudspeaker connection, ensure that at least 2 inches of each conductor are separated. Strip the insulation on each conductor approximately $\frac{1}{4}$ " and insert into the speaker terminals. Ensure that there are no stray strands of wire protruding from the connectors. Observe proper polarity (+ to + and - to - for each speaker and at the amplifier).

If the speakers are connected out of phase, the woofers will not be moving in tandem. This will result in sound that lacks bass and sounds "thin" or "distant" with vocals. If the sound is not right and markings on the wire to verify polarity cannot be seen, try this simple test:

- Sit with equal distance to the speakers.
- Play some music with the receiver set to Mono.
- Listen to the bass. Is it full or thin? Listen to volume of the bass as well.
- Turn off the receiver and reverse the connections for one of the speakers.
- Repeat test at the same volume level. When the sound has the loudest and best sounding bass and also sounds best in the vocal region, the connections are correct and in-phase.

CONNECTING TO A SUNBRITETV

Connect the sound bar to Signature and Pro Model SunBriteTVs using the included 5 pin male connector wire (DIN Cable). Connect the wire ends as shown in the diagram below.



CLEANING

- Use a soft cloth or paper towel with mild detergent to clean the speaker.



WARRANTY

Limited Lifetime Warranty
SunBrite™ speakers have a Lifetime Limited Warranty. This warranty includes parts and labor repairs on all components found to be defective in material or workmanship under normal conditions of use. This warranty shall not apply to products which have been abused, modified or disassembled. Products to be repaired under this warranty must be returned to a designated service center with prior notification and an assigned return authorization number (RA).

SunBrite™

OWNER'S MANUAL

>> ALL-WEATHER SPEAKERS

SB-AW-6-BLK

SB-AW-6-WHT



Thank you for purchasing a great product from one of the best sounding speaker lines available today. We appreciate your purchase and are committed to providing the highest quality products possible.

The SunBrite™ All-Weather models are a superb choice for almost any type of outdoor audio installation, or any location where moisture can be a problem. They have been designed with advanced technological components that allow for high performance and a lifetime of enjoyment.

IMPORTANT INSTRUCTIONS AND CONSIDERATIONS

- Carefully read all instructions before beginning installation.

RECOMMENDED AMPLIFIER POWER

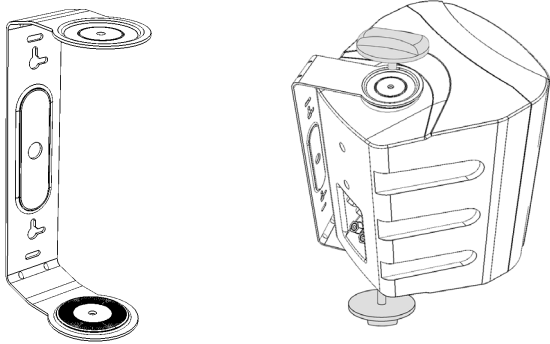
- To get the best performance from your All-Weather speakers, we recommend powering with an amplifier or receiver with a power rating between 20 to 130 Watts RMS for SB-AW-6.

SPEAKER WIRE

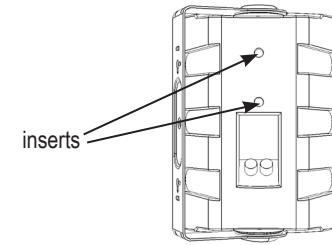
- To connect your All-Weather speakers to your amplifier, we recommend high-quality 14 to 16 gauge stranded speaker wire. The wire may be connected directly to the speaker's binding posts or terminated with either spade lugs or banana plugs.

MOUNTING

- The All-Weather models are supplied with a U shaped wall mounting bracket that can be installed vertically, horizontally or under eaves. Use screws, bolt or anchors (not included) that are capable of supporting the weight of the speaker (see below) to mount the bracket. Insert thumbscrews through bracket into speaker. Rotate speaker to desired position and tighten thumbscrews.



- Two M6 inserts are located on the back of the speaker for other types of mounting brackets. Make sure to select a bracket capable of supporting the weight of the speaker. The SB-AW-6 is 8.8lb.



SURFACE PLACEMENT

- The All-Weather speakers can be placed on a flat surface. The U bracket can be used to adjust the tilt of the speaker when placed horizontally. Do not attach the U bracket when placing the speaker vertically.

