

BG-MIC-U1

Compact USB Huddle/Conference Room Microphone

User Manual







TABLE OF CONTENTS

Statement	4
Safety Precaution	4
Introduction	5
Features	5
Packing List	5
Technical Specifications	5
Operation Controls and Functions	6
Tech Support	8
Warranty	8
Mission Statement	8
Copyright	8



Statement

Please read these instructions carefully before connecting, operating, or configuring this product. Please save this manual for future reference.

Safety Precaution

- Unpack the equipment carefully and save the original box and packing material for possible future shipment.
- Follow basic safety precautions to reduce the risk of fire, electrical shock and injury to persons.
- To prevent damaging this product, avoid heavy pressure, strong vibration, or immersion during transportation, storage, and installation.
- Do not dismantle the housing or modify the module.
- Using supplies or parts not meeting the products' specifications may cause damage, deterioration or malfunction.
- Do not put any heavy items on the extension cable in case of extrusion.
- Install the device in a place with fine ventilation to avoid damage caused by overheat.
- The housing of this product is made of organic materials. Do not expose to any liquid, gas, or solids which may corrode the shell.
- Do not use liquid or aerosol cleaners to clean this unit. Clean only with a soft dry microfiber cloth.
- Always unplug the power to the device before cleaning.
- If an object or liquid falls or spills on to the housing, unplug the module immediately.
- To prevent the risk of electric shock, do not open the case. Installation and maintenance should only be carried out by qualified technicians.
- Do not use the product beyond the specified temperature, humidity, or power supply specifications.
- This product does not contain parts that can be maintained or repaired by users. Damage caused by dismantling the product without authorization from BZBGear is not covered under the warranty policy.
- Product specifications may be subject to technical upgrades without further notice.
- Information on disposal for scrapped devices: do not burn or mix with general household waste, please treat them as normal electrical wastes.



Introduction

The BG-MIC-U1 is a USB conferencing microphone. It features a dual color LED indicator, a push ON/OFF switch, and an electret cardioid condenser capsule. The internal shock mount minimizes mechanical noise for crystal-clear sound reproduction. Integrated mounting holes allow for wall or ceiling placement for a clean installation. Simply connect with a USB type B to USB type A cable for plug and play operation.

Features

- The microphone is designed for conference, house of worship, and theater applications.
- Internal shock mount minimizes mechanical noise.
- The BG-MIC-U1 features dual color LED indicator, membrane ON / OFF switch and back electric cardioid condenser capsule.

Packing List

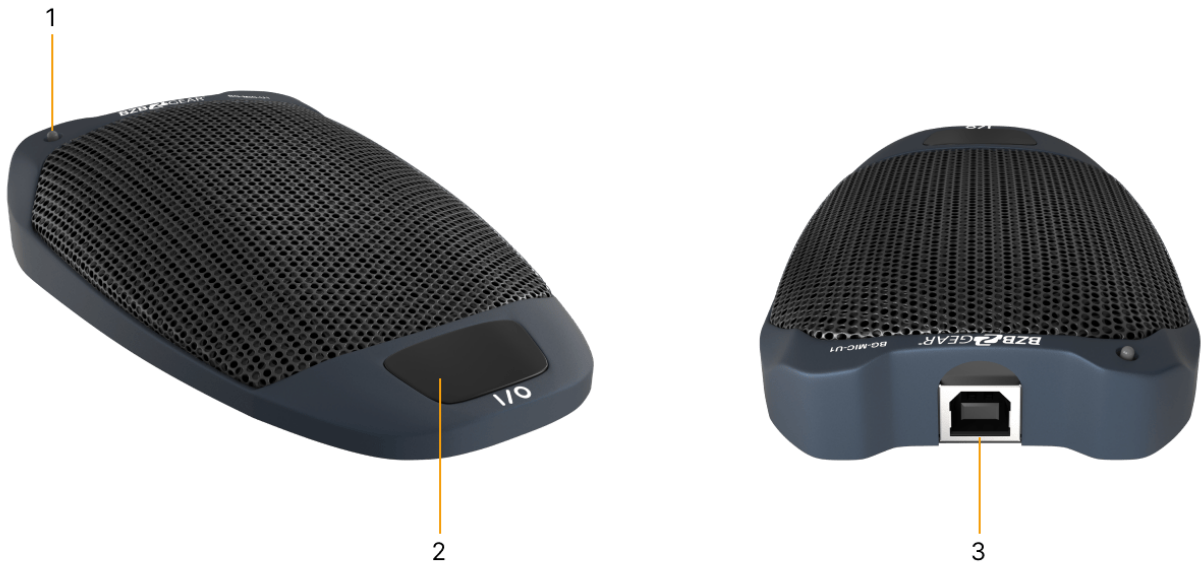
- 1x BG-MIC-U1 Microphone
- 1x USB Type B Cable (host to device)
- 1x User Manual
- 1x Quick Start Guide

Technical Specifications

Technical	
Capsule Type	Electret Condenser
USB Connector	B type, Digital audio interface Indicator
Indicator	USB (Mic OFF) - Green Mic ON - Red
Switch	Push control: ON/OFF
Sensitivity (at 1000Hz)	-53 ± 3 dB * (2.23mV) 0dB = 1V / μbar
Max. SPL For 1% T.H.D.	125dB
Frequency Response	30~12,000 Hz
Directional Pattern	Half-Cardioid
Power consumption	0.4W
Dimension (mm)	73mm(W) * 24mm(H) * 110mm(L)
Weight	0.17 lbs [75g]
DAC	32, 44.1, 48KHz
ADC	8, 11.025, 16, 22.05, 32, 44.1, 48KHz
Bit Depth	16-Bit
USB Type	USB 1.1 / USB 2.0 / USB3.0

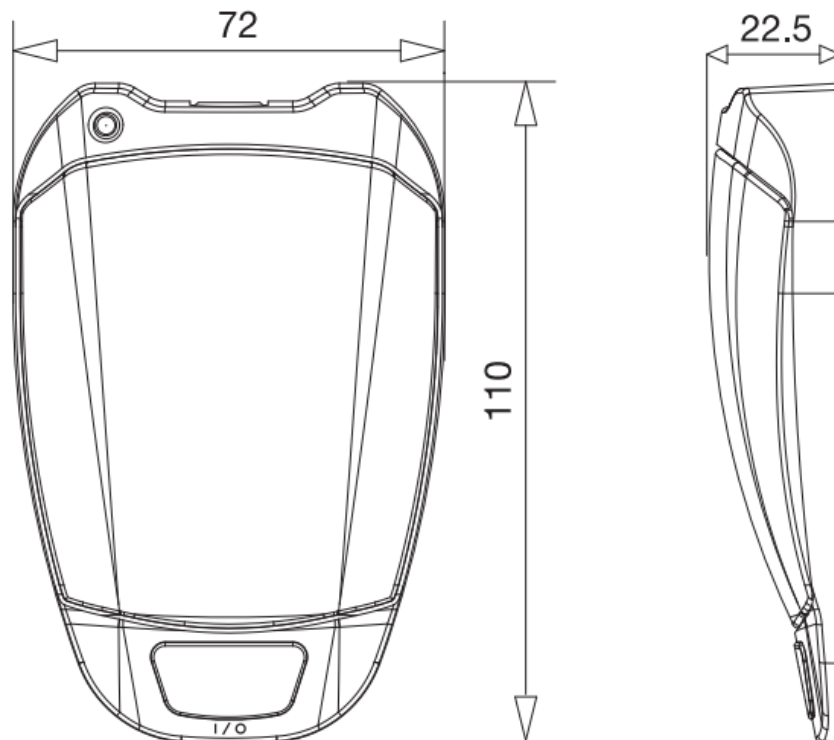


Operation Controls and Functions



1. Power On/Off LED Indicator - Illuminates when mic is powered on.
2. On/Off Switch.
3. USB Type-B Connector (audio and power).

Dimension

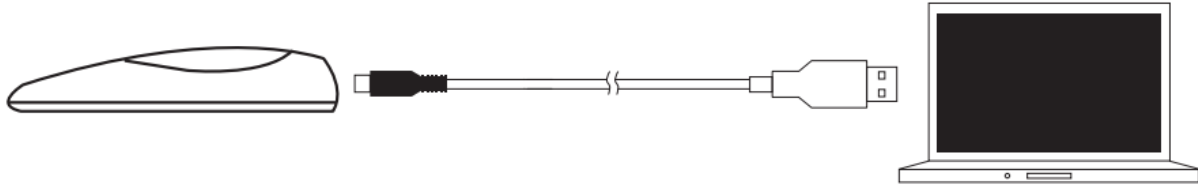




USB connection

Connect to a powered USB port using USB Type B cable.

Push On / Push Off



Press the On / Off

Switch for sound pickup; press again to mute.

LED Indicator

Green : MIC OFF (or when USB connected to a powered computer)

Red : MIC ON

Recommendation

1. The microphone should be placed on a flat and unobstructed mounting surface.
2. The sound source should not be below or higher than 60 degrees above the level of the mounting surface for efficient miking.



Tech Support

Have technical questions? We may have answered them already!

Please visit BZBGear's support page (bzbgear.com/support) for helpful information and tips regarding our products. Here you will find our Knowledge Base (bzbgear.com/knowledge-base) with detailed tutorials, quick start guides, and step-by-step troubleshooting instructions. Or explore our YouTube channel, BZB TV (youtube.com/c/BZBTVchannel), for help setting up, configuring, and other helpful how-to videos about our gear.

Need more in-depth support? Connect with one of our technical specialists directly:

<u>Phone</u>	<u>Email</u>	<u>Live Chat</u>
1.888.499.9906	support@bzbgear.com	bzbgear.com

Warranty

BZBGear Pro AV products and cameras come with a three-year warranty. An extended two-year warranty is available for our cameras upon registration for a total of five years.

For complete warranty information, please visit bzbgear.com/warranty.

For questions, please call 1.888.499.9906 or email support@bzbgear.com.

Mission Statement

BZBGear is a breakthrough manufacturer of high-quality, innovative audiovisual equipment ranging from AVoIP, professional broadcasting, conferencing, home theater, to live streaming solutions. We pride ourselves on unparalleled customer support and services. Our team offers system design consultation, and highly reviewed technical support for all the products in our catalog. BZBGear delivers quality products designed with users in mind.

Copyright

All the contents in this manual and its copyright are owned by BZBGear. No one is allowed to imitate, copy, or translate this manual without BZBGear's permission. This manual contains no guarantee, standpoint expression or other implies in any form. Product specification and information in this manual is for reference only and subject to change without notice.

All rights reserved. No reproducing is allowed without acknowledgement.