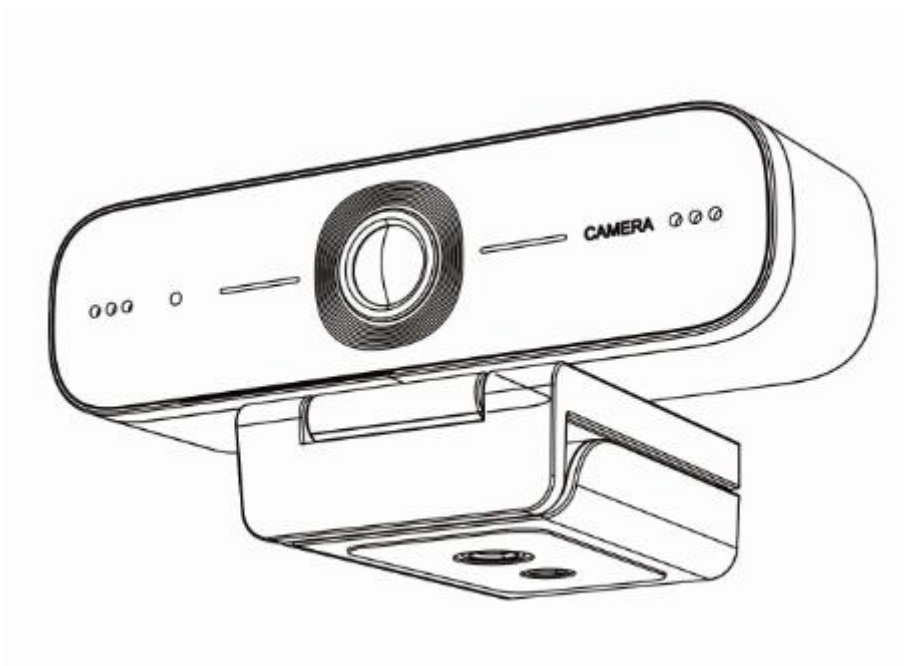




BG-BWEB-S | BG-BWEB-W

Desktop HD Video Camera

User Manual



Attention

This manual briefly introduces the camera functions, installation and operation. Please read carefully before application.

1. Application instructions

To prevent damages to this camera or any products connected to it, this product can only be used within the specified parameters:

- 1) Do not expose the camera to rain or moisture;
- 2) To prevent the risk of electric shock, do not disassemble the camera, only qualified technical personnel to perform installation and maintenance;
- 3) Do not use the camera in situations which is excess of the specified temperature, humidity or power specifications;
- 4) When cleaning the camera lens, wipe with a soft and dry cloth. If with too much dust, wipe gently with a mild detergent. Do not use strong or corrosive detergent, so as not to scratch the lens, affecting the image effect.

2. Electrical Safety

This product must be installed in strict compliance with local electrical safety standards.

3. Caution during transport

Avoid heavy pressure, severe vibration, and moisture damage to the product in transportation, storage and installation.

4. Careful installation

The camera body is made of organic material, please keep away from corrosive liquid, gas or solid material.

5. Do not disassemble

We are not responsible for any damage caused by unauthorized disassembling.

6. Magnetic field interference

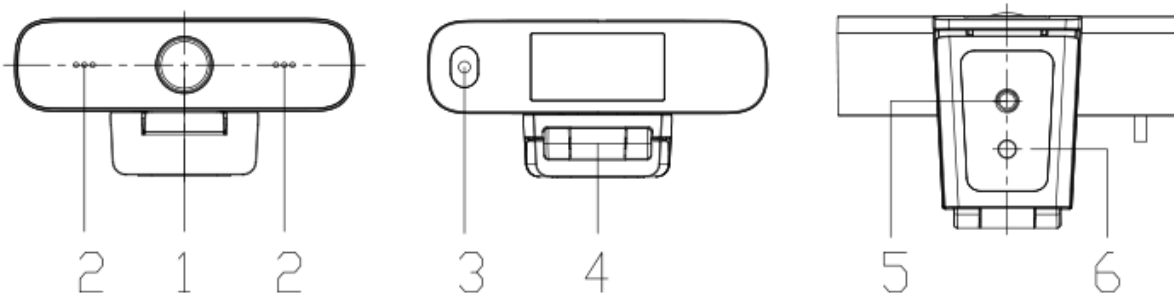
The electromagnetic field at a specific frequency may affect the camera image. As this is a Class A product, in household environment it may cause radio interference, users need to take appropriate measures.

Content

1. Quick Installation Instructions	3
1.1. Product Interfaces	3
1.2. Usage of the Product	3
2. Product Introduction	4
2.1. Product Introduction	4
2.2. Product Features	4
2.3. Technical parameters.....	5
3. Maintenance and Troubleshooting.....	6
3.1. Camera Maintenance	6
3.2. Troubleshooting	6
Warranty.....	7
Mission Statement	7

1. Quick Installation Instructions

1.1. Product Interfaces



Picture 1.1 Interfaces Instructions

1. Lens(fixed)	3.USB2.0 cable outlet hole(unplug)	5.Screw hole for tripod
2. Audio IN (built in pick-up)	4. Flexible clip/base	6.mounting and locating holes

The USB 2.0 port available for plug and play; can output video and power the camera.

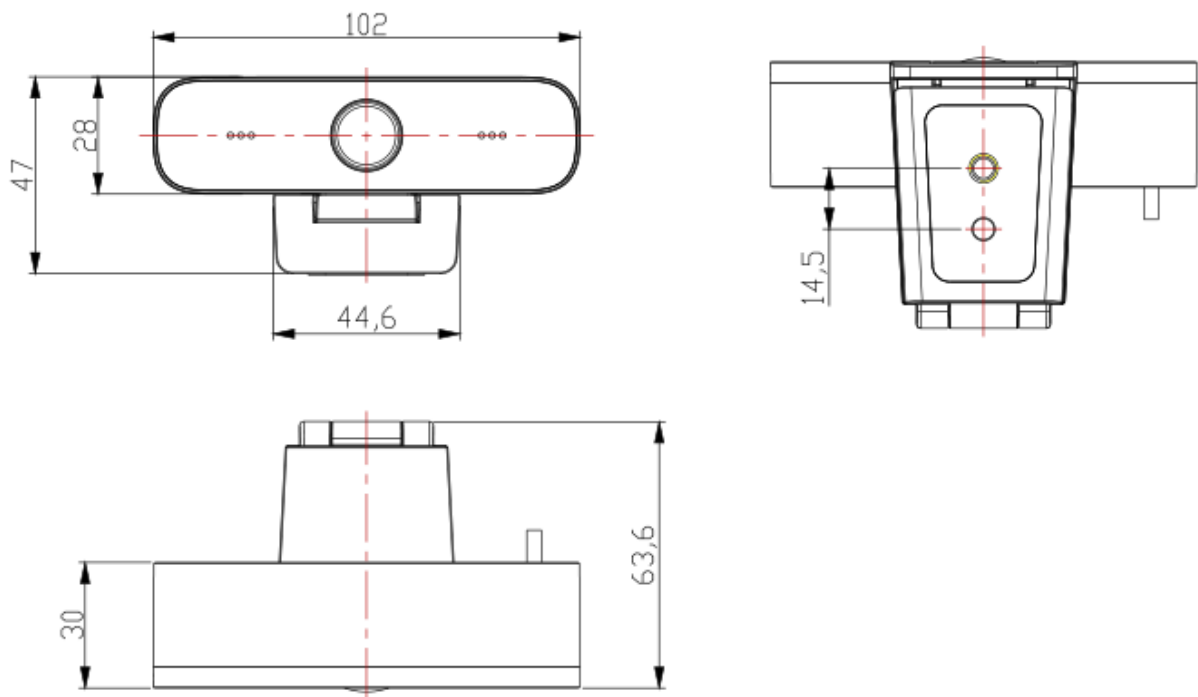
1.2. Usage of the Product

- 1) Attach the webcam to LCD screen, the top of laptop, desk or tripod directly.
- 2) Connect the USB cable with computer, video conference devices or other USB input device.
- 3) Open the video software, select the video device to get video output.

2. Product Introduction

2.1. Product Introduction

Product Dimension:



Pic. 2.1 Dimension

Accessories:

User Manual x 1
Warranty Card x 1

2.2. Product Features

BG-BWEB-S / BG-BWEB-W offers excellent performance. It utilizes advanced ISP processing algorithms to provide vivid images with evenly clear brightness, strong color layering, high resolution, and fantastic color rendition. Easy and convenient to install and maintain, stable and reliable.

Advantages

- High-definition Image:** high quality CMOS sensor. Supports resolutions up to 1920x1080 with framerate up to 30fps. Provides clear, vivid HD image.
- Multiple installation:** Flexible installation options, the device is equipped with a clamp which enables it to be installed on a LCD screen, the top of a laptop or directly on a desk or tripod.
- Wide Application:** Personal Video Platform, Videoconferencing, Cooperative Office etc.
- Convenient operation:** No need to download driver or extra software, it is used-conveniently and easily.

Features:

- USB2.0:** Easy plug and play, power and upgrade support
- Multiple Lens Optional:** 80 degree, 120 degree wide angle lens with free distortion.
- Advanced Focus Technology:** VCM motor auto focusing lens and advanced focus algorithm to auto focus fast, accurately and stably.
- Built-in Mic:** Integrated microphones for clear and natural stereo sound without external pickup equipment.
- Multiple Video Encoding:** Support H.264, H.26, .MJPEG, YUV video encoding which enables the video to play more fluently.

Specification:

Specification	BG-BWEB-S	BG-BWEB-W
Camera Parameter		
Image Sensor	high quality CMOS sensor	
Effective Pixels	2.07MP,16:9	
Video Resolution	USB Output: 960x540/320x180/432x240/640x360/800x448/800x600/864x480/960x720/1024x576/ 1280x720/1600x896/1920x1080/272x144/368x208/384x216/480x272/624x352/ 912x512/424x240/640x480/320x240/160x120/P30	
View Angle	88°(D) /80°(H)/ 50°(V)	113°(D) /120°(H)/ 57°(V)
Focal Length	3.24mm	2.90mm
Minimum Illumination	0.5Lux(F1.8, AGC ON)	
Focus	Manual	
AF	Fixed	
Backlight contrast	On/off	
Exposure	Auto / Manual	
Video Adjustments	Brightness, Definition, Saturation, Contrast, white balance, gain, anti-flicker, low brightness compensation adjustable	
SNR	>50dB	

Output Parameter	
Video Output	USB2.0 (Power, upgrade support)
Video Compression	MJPEG,YUV2,H.264,H.265
Audio Input	Inbuilt omni-directional mics

Other Parameter	
Input Voltage	5V
Input Current	500mA (max)
Power	2.5W(max)
Store Temperature	-10°C ~ +60°C
Store Humidity	20% ~ 95%
Working Temperature	-10°C ~ +50°C
Working Humidity	20% ~ 80%
Dimension	102mm*46mm*30mm
Weight	0.15kg
Accessories	User Manual, Warranty card

3. Maintenance and Troubleshooting

3.1. Maintenance

- 1) If camera is not used for a long time, please turn off power adapter switch and AC plug.
- 2) Use soft cloth or tissue to clean the camera cover.
- 3) Use soft cloth to clean the lens; Use neuter cleanser if bad smeared. Do NOT use strong or corrosive cleanser.

3.2. Trouble shooting

No video output & video staccato

- a. Make sure camera USB Cable is connected properly, USB Port is normal, Power indication light on.
- b. Disconnect the camera with computer and re-connect by USB.
- c. Make sure video software selects the right device.

4. Warranty

BZBGear wants to assure you peace of mind. All BZBGear cameras and camera-related products include our Stress-Free Three-Year Warranty.

For complete warranty information, please visit BZBGear.com/warranty.

For questions, please call 1.888.499.9906 or email support@bzbgear.com.

5. Mission Statement

BZBGear manifests from the competitive nature of the audiovisual industry to innovate while keeping the customer in mind. AV solutions can cost a pretty penny, and new technology only adds to it. We believe everyone deserves to see, hear, and feel the advancements made in today's AV world without having to break the bank. BZBGear is the solution for small to medium-sized applications requiring the latest professional products in AV.

We live in a DIY era where resources are abundant on the internet. With that in mind, our team offers system design consultation and expert tech support seven days a week for the products in our BZBGear catalog. You'll notice comparably lower prices with BZBGear solutions, but the quality of the products is on par with the top brands in the industry. The unparalleled support from our team is our way of showing we care for every one of our customers. Whether you're an integrator, home theater enthusiast, or a do-it-yourselfer, BZBGear offers the solutions to allow you to focus on your project and not your budget.

All the contents in this manual and its copyright are owned by BZBGear. No one is allowed to imitate, copy, or translate this manual without BZBGear's permission. This manual contains no guarantee, standpoint expression or other implies in any form. Product specification and information in this manual is for reference only and subject to change without notice.

All rights reserved. No reproducing is allowed without acknowledgement.