

# G60 W

## Quick Start Guide



### Download Product Manual

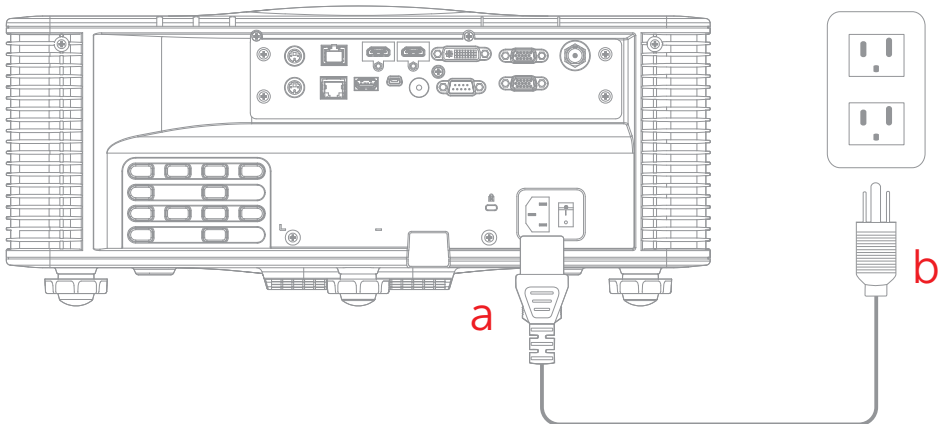
Product manuals and documentation are available online at [www.barco.com/td/R9006900](http://www.barco.com/td/R9006900)  
Registration may be required; follow the instructions given on the website.

#### IMPORTANT!

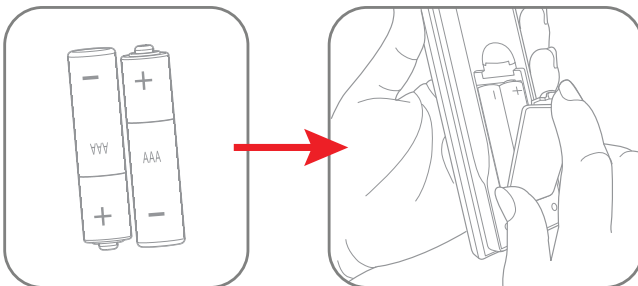
Read Installation Instructions before connecting equipment to the mains power supply.



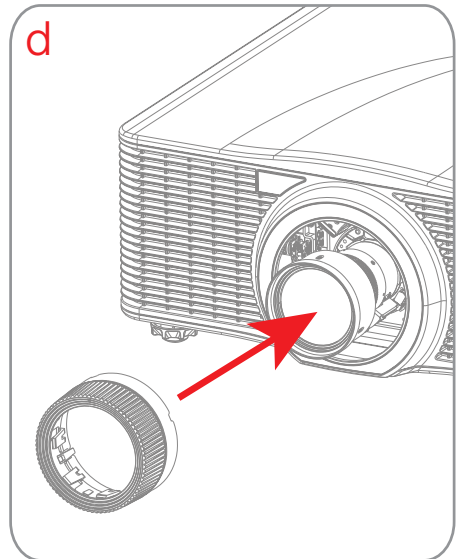
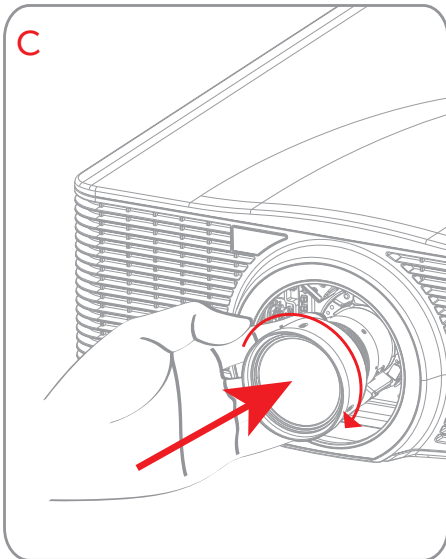
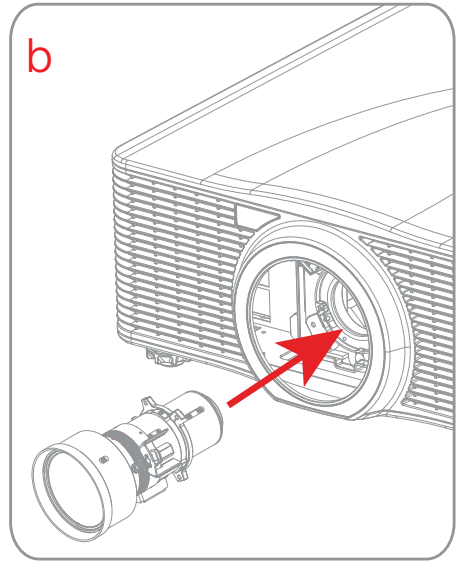
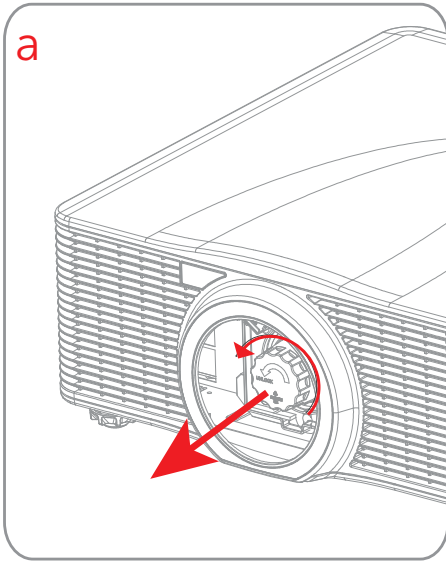
## 1) Connect power



## 2) Install RCU batteries

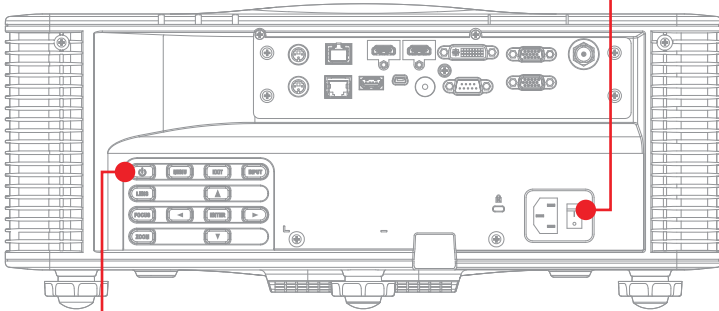
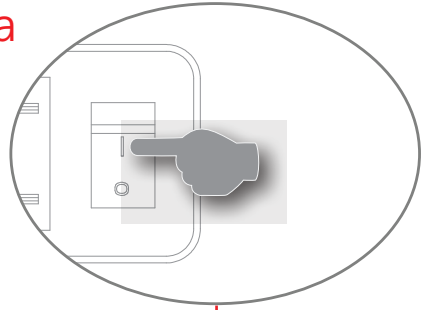


### 3) Install lens



## 4 ) Power on

a



b

