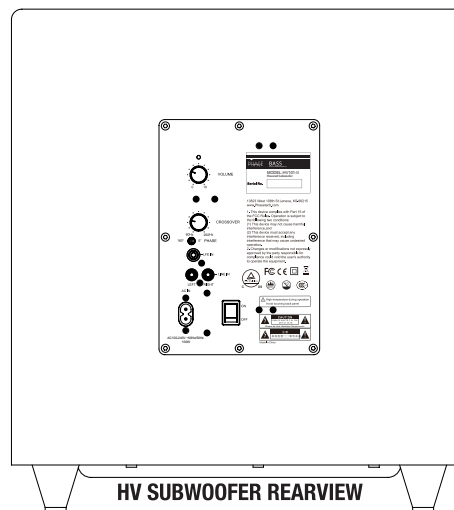
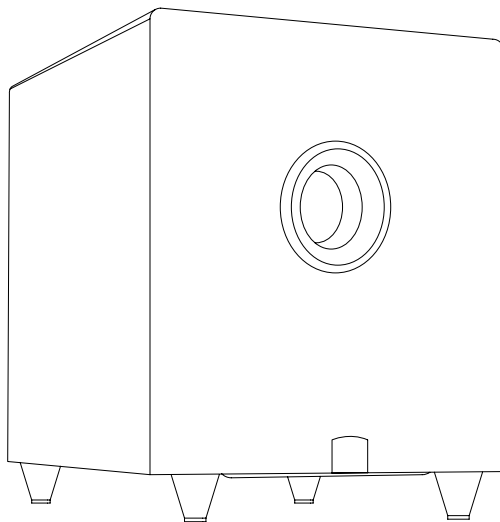


# HV SUBWOOFERS

OWNER'S MANUAL: HV101-II • HV101-LP • HV121-II



HV SUBWOOFER REARVIEW

## FEATURES

- 150-WATT INTERNAL AMPLIFIER
- SIGNAL SENSING AUTO TURN ON/OFF
- GAIN CONTROL
- PHASE SWITCH
- VARIABLE CROSSOVER
- LINE/LEVEL INPUTS
- LFE INPUT
- OVERSIZED SURROUND FOR ULTRA LONG EXCURSION
- SERVO-CONTROL MONITORS AND ADJUSTS OUTPUT FOR DYNAMIC AND UNDISTORTED RESPONSE

SUBWOOFER PLACEMENT	1
SUBWOOFER AMPLIFIER PANEL	1
SAFETY INSTRUCTIONS	2
SPEAKER CONNECTIONS	3
AMPLIFIER SETUP AND BASS MANAGEMENT	3
CARING FOR YOUR SPEAKERS	4
MAINTENANCE AND SERVICE	4
TROUBLESHOOTING	4
WARRANTY	4
SPECIFICATIONS	4

## SUBWOOFER PLACEMENT

Subwoofer frequencies are omni directional. This means the human ear doesn't perceive these low frequencies as coming from a specific direction, enabling placement of a subwoofer virtually anywhere in the listening room.

It's best, however, to keep a subwoofer within the sound field of the other speakers. The closer the subwoofer is to a wall, the louder and more intense its bass output will be: this effect is even stronger when the sub is placed in or near a room's corner. If using two subwoofers, start by placing them next to the front left and right speakers, in both front corners or one in the corner and one 1/3 of the way along the front wall from the corner. Each room is different. Experiment with these options or try other locations until you get the best results. If you must choose a less-than-ideal position, the output level of Phase Technology powered subwoofers is adjustable to compensate for your listening environment.

## SUBWOOFER OPERATION

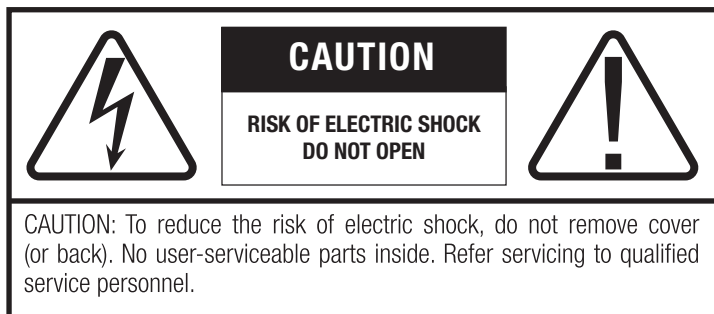
The following instructions apply whether you are using a separate amplifier or Home Theater receiver. For simplicity we will use the term "amplifier" throughout this manual to mean both. The HV subs all have an Auto-on/off feature. They turn on when they sense audio and will automatically turn off when they no longer sense an input. The following is a description of the controls and connections on the sub amp panel.

Thank you for choosing Phase Technology® speakers. We know there are a wide variety of choices available today, and we sincerely appreciate your purchase of our product. Phase Technology speakers are built to exacting standards and will provide many years of listening enjoyment.

Our speakers are the result of over six decades of designing and manufacturing. We hold many key patents in loudspeaker technology including the soft-dome tweeter. Our mission, our passion is to constantly advance the art and science of accurate audio reproduction. Our dedication insures your new speakers will accurately reproduce all the impact, detail and delicacy of today's digital technology.

Regardless of application, serious audiophile listening or home theater, we recommend that you take the time to read this manual thoroughly before connecting speakers to your amplifier or receiver. In the highly unlikely event that you should experience a problem with set-up or operation, please contact one of our authorized dealers for assistance, or contact us directly.

## SAFETY INSTRUCTIONS



### Explanation of Graphical Symbols



The lightning flash with arrowhead symbol, within an equilateral triangle, is intended to alert you to the presence of un-insulated "dangerous voltage" within the product's enclosure that may be of sufficient magnitude to constitute a risk of electric shock to persons.



The exclamation point within an equilateral triangle is intended to alert you to the presence of important operating and maintenance (servicing) instructions in the literature accompanying the appliance.

**1. Read Instructions** - All the safety and operating instructions should be read before the appliance is operated.

**2. Retain Instructions** - The safety and operating instructions should be retained for future reference.

**3. Heed Warnings** - All warnings on the appliance and in the operating instructions should be adhered to.

**4. Follow Instructions** - All operating and other instructions should be followed.

**5. Water and Moisture** - The appliance should not be used near water - for example, near a bathtub, washbowl, kitchen sink, laundry tub, in a wet basement, or near a swimming pool, etc.

**6. Carts and Stands** - The appliance should be used only with a cart or stand that is recommended by the manufacturer.

### PORTABLE CART WARNING



**7. Wall or Ceiling Mounting** - The appliance should be mounted to a wall or ceiling only as recommended by the manufacturer.

**8. Ventilation** - The appliance should be situated so that its location or position does not interfere with its proper ventilation. For example, the appliance should not be situated on a bed, sofa, rug, or similar surface that may block the ventilation openings; or placed in a built-in installation, such as a bookcase or cabinet

that may impede the flow of air through the ventilation openings.

**9. Heat** - The appliance should be situated away from heat sources such as radiators, stoves, or other appliances that produce heat.

**10. Power Source** - The appliance should be connected to a power supply only of the type described in the operating instructions or as marked on the appliance.

**11. Power Cord Protection** - Power supply cords should be routed so that they are not likely to be walked on or pinched by items placed up or against them, paying particular attention to cords at plugs, convenience receptacles, and the point where they exit from the appliance.

**12. Cleaning** - The appliance should be cleaned only as recommended by the manufacturer.

**13. Nonuse Periods** - The power cord of the appliance should be unplugged from the outlet when left unused for a long period of time.

**14. Object and Liquid Entry** - Care should be taken so that neither objects fall nor liquids spill into the inside of the appliance.

**15. Damage Requiring Service** - The application should be serviced by qualified service personnel when:

- the power supply cord or the plug has been damaged,
- objects have fallen onto or liquid has been spilled into the appliance,
- the appliance has been exposed to rain,
- the appliance does not appear to operate normally or exhibits a marked change in performance, or
- the appliance has been dropped or the cabinet damaged.

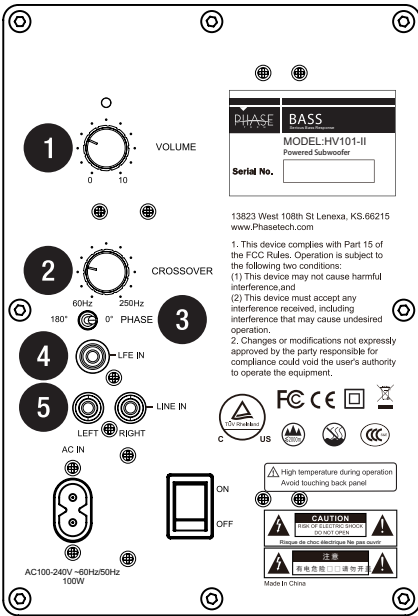
**16. Servicing** - The user should not attempt to service the appliance beyond those means described in the operating instructions. All other servicing should be referred to qualified service personnel.

**17. Grounding or Polarization** - Precautions should be taken so that the grounding or polarization means of an appliance is not defeated.

### APPLICABLE FOR USA, CANADA OR WHERE APPROVED FOR USAGE

**CAUTION:** TO PREVENT ELECTRIC SHOCK, MATCH WIDE BLADE PLUG TO WIDE SLOT, INSERT FULLY.

**ATTENTION:** POUR EVITER LES CHOCS ELECTRIQUES, INTRODUIRE LA LAME LA PLUS LARGE DE LA FICHE DANS LA BORNE CORRESPONDANTE DE LA PRESE ET POUSSER JUSQU'AU FOND.

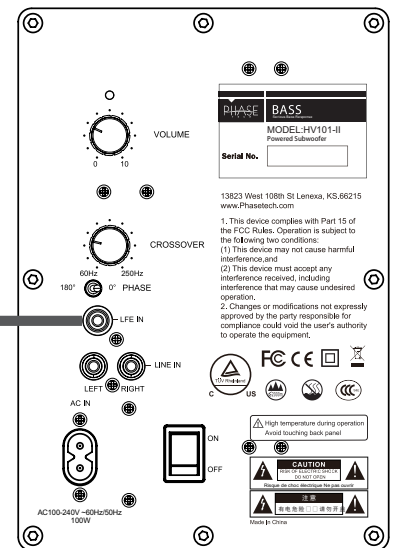
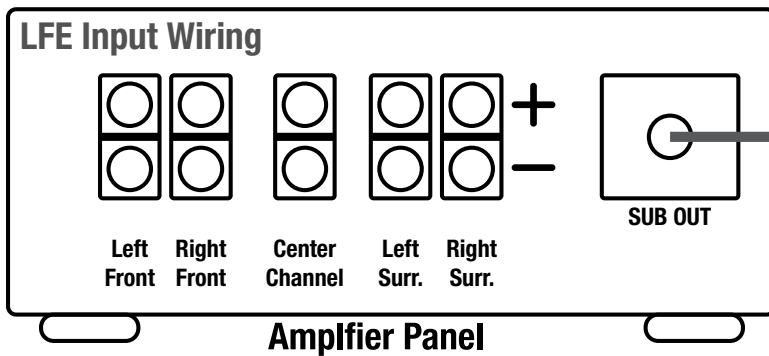


## SUBWOOFER AMPLIFIER PANEL

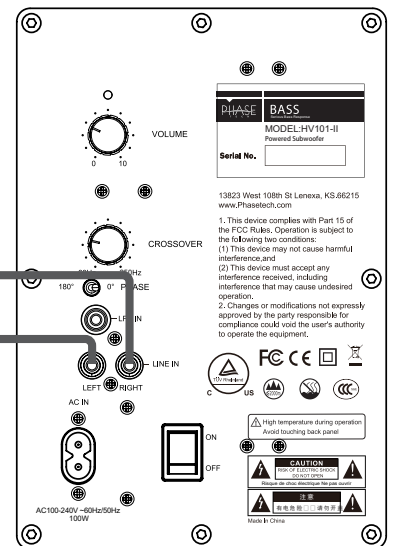
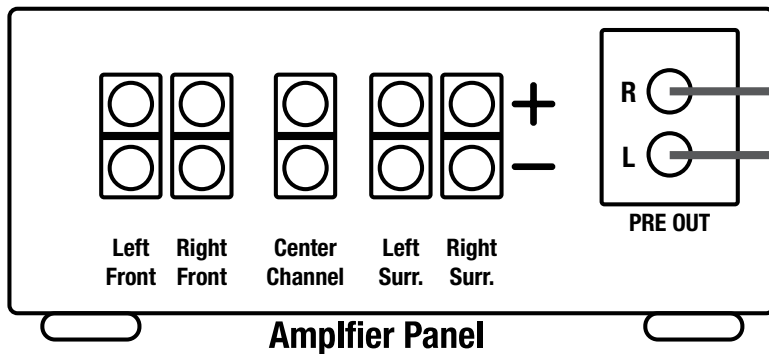
- 1. Subwoofer Level Control:** Adjusts the volume of bass energy allowing you to customize overall tonal balance to your individual room acoustics and personal taste.
- 2. Crossover Frequency Control:** This adjustment varies the point at which the subwoofer takes over the task of creating low bass frequencies from the rest of the audio signal permitting additional fine tuning of the total system. A little experimentation with this control will allow you to match the performance of the subwoofer to the rest of your speakers resulting in extraordinary, accurate, deep bass response. This control is only active when using the Line In inputs.
- 3. Phase Control:** This adjustment matches the phase - the in and out movement of speaker cones - to that of your main speakers. Adjust this control by listening to music with bass content. The setting is correct when the bass sounds the fullest.
- 4. LFE Input:** Used from Sub Out on a multi channel processor or receiver.
- 5. Low Level Input:** Used from pre-out.

## SUBWOOFER CONNECTIONS

**OPTION 1: LFE SETUP** This is the recommended method for amplifiers and receivers that are equipped with a "Subwoofer Out" output connection. Using an RCA cable (not included), connect the "Subwoofer Out" output on your receiver to the LFE In on the subwoofer. In this setup, you will be using the internal crossover in your receiver. The Crossover adjustment on the subwoofer is disabled when using this input. Virtually all audio/video receivers have this connection clearly marked on the rear panel.



**OPTION 2: LOW LEVEL SETUP** This is the recommended method for amplifiers and receivers that are not equipped with a "Subwoofer Out" output option. Using RCA cables (not included), connect the "Pre-Amp Out" outputs on your receiver to the Left and Right inputs on the subwoofer. In this setup you will be using the variable crossover built into the subwoofer amp panel.



## AMPLIFIER SETUP AND BASS MANAGEMENT

Many home theater receivers/processors have a feature that controls how the bass is processed and delivered to the subwoofer. It also adjusts the amount of bass that is sent to your satellite speakers. Look carefully in your amplifier or receiver's instruction manual for details on how to adjust for the speaker size (sometimes called "Speaker Setup") for your system.

## CARING FOR YOUR PHASE TECHNOLOGY SPEAKER

All Phase Technology speakers are finished with a high degree of craftsmanship in either hand polished paint or vinyl laminates. We recommend using a lint-free rag with a small amount of glass cleaner to maintain the long-lasting beauty of the finish. Avoid products containing silicones, oils, oil derivatives, or solvents. Enclosures finished in vinyl laminates may be cleaned with a damp cloth as necessary.

## MAINTENANCE AND SERVICE

Because of Phase Technology's uncompromising quality control programs, it's unlikely that your speakers will ever need service if connected and used as outlined in this Owners' Manual. In the unlikely event that a problem does occur, please contact your Phase Technology dealer. Your dealer has the necessary factory-authorized parts and trained technicians to quickly restore your speaker to its original performance specifications.

## TROUBLESHOOTING

### NO SOUND

1. Verify that the subwoofer is plugged into an AC outlet and power is turned on.
2. Check that the cable going from the amplifier/receiver to the subwoofer is securely fastened.
3. Check the volume control of the subwoofer.
4. Refer to your amplifier/receiver manual to make sure you have adjusted its bass output properly.

### MUDDY OR BOOMY BASS

1. Check the volume control for the subwoofer. Excess volume can cause speakers to sound distorted and unnatural.
2. Try adjusting the crossover control on the subwoofer or the subwoofer setup on your receiver to a slightly lower frequency (example: reduce from 120 Hz to 80 or 60 Hz).
3. If the subwoofer or full size speaker is close to a corner, side or back wall, try moving it away from the wall. This may reduce the "boomy" bass considerably.
4. Bookshelf speakers placed in a semi-enclosed space or cabinet can artificially emphasize bass output. Reduce the bass control on your amplifier or move the speakers to the front of the cabinet. Alternatively, reposition the speakers to a more open location.

### DISTORTED SOUND FROM THE SPEAKERS

1. This problem is usually caused by setting the volume control too high. Reduce the amplifier/receiver volume to a lower level.
2. If noise and distortion are audible at higher volume levels, your amplifier may not be powerful enough. Consider upgrading to a unit with higher power.

*NOTE: Remember, even though your Phase Technology speakers can handle considerable power levels, ANY speaker if used improperly can be damaged. Consult your Phase Technology dealer for assistance in choosing a new amplifier or receiver.*

## WARRANTY

**LIMITED WARRANTY:** Phase Technology warrants its loudspeakers to be free from defects in material and workmanship for a period of ten (10) years for speaker product, limited lifetime for CI speakers, and three (3) years for the electronic components to the original purchaser. Purchase must be made from an authorized Phase Technology dealer.

This warranty does not cover service or parts to repair damage caused by misuse, abuse, damage while in transit, alterations, unauthorized repairs, failure to follow instructions, fire, flood or any other cause beyond the reasonable control of Phase Technology. Defects in speaker cabinets or grilles must be brought to the attention of your dealer immediately after purchase. This warranty will be void if the products' serial number has been altered or removed.

Should your Phase Technology product require service, please call the MSE Audio customer service department for a return authorization. All merchandise returned to Phase Technology without prior authorization will be refused. For your return authorization number, please call 855.663.5600 or email sales@mseaudio.com.

## SPECIFICATIONS

	HV101-II	HV101-LP	HV121-II
<b>Description:</b>	10" Subwoofer	10" Low Profile Subwoofer	12" Subwoofer
<b>Driver:</b>	10" Treated Pulp	10" Treated Pulp	12" Treated Pulp
<b>Crossover:</b>	40 - 250 Hz Variable;	40 - 250 Hz Variable;	40 - 250 Hz Variable;
<b>Frequency:</b>	24 dB/Octave + LFE	24 dB/Octave + LFE	24 dB/Octave + LFE
<b>Crossover Type:</b>	Variable Low Pass	Variable Low Pass	Variable Low Pass
<b>Max Power:</b>	150 W	150 W	150 W
<b>Frequency Response:</b>	28 - 250 Hz	35 - 250 Hz	22 - 250 Hz
<b>Dimensions:</b>	14.75"H 13.5"W 14.5"D	6"H 13.5"W 19.75"D	16.75"H 15.5"W 16.5"D
<b>Weight:</b>	21 lbs	16.5 lbs	24 lbs

Copyright © 2018 MS Electronics, LLC. All rights reserved. MSE Audio, Phase Technology and PhaseTech are registered trademarks and "Speakers for your Life" is a trademark of MSE Audio, Overland Park, Kansas USA. Phase Technology is part of MSE Audio®. www.phasetech.com.