



BG-USB2.0-SR

USB 2.0 Extender (50M)



User Manual

Thank you for purchasing this product

For optimum performance and safety, please read these instructions carefully before connecting, operating or adjusting this product. Please keep this manual for future reference.

Surge protection device recommended

This product contains sensitive electrical components that may be damaged by electrical spikes, surges, electric shock, lighting strikes, etc. Use of surge protection systems is highly recommended in order to protect and extend the life of your equipment.

Table of Contents

1. Introduction	3
2. Features	3
3. Package Contents	4
4. Specifications	4
5. Operation Controls and Functions.....	5
5.1 Transmitter Panel	5
5.2 Receiver Panel.....	6
6. Application Example	7
7. Mission Statement.....	8
8. Warranty Information.....	9

1. Introduction

The BZ-USB2.0-SR can extend USB signal up to 50 meters / 164ft via Cat 5e/6 cable (The transmission distance can only up to 40 meters / 131.2ft for some USB 2.0 Hub). In transmitter, the USB-B port is connected a PC. In receiver, you can connect a device with USB port at the two USB ports such as U disk or printer, etc. In addition, you need to connect 5V/1A power supply to receiver. The product can be widely used long distance signal transmission between a PC and USB device. Simple plug and play, no drive and setting installation required.

2. Features

- ☆ Supports USB 2.0 protocol, transmission rate up to 480Mbps
- ☆ Supports extend distance up to 50 meters /164ft via CAT 5e/6 cable
(Note: The transmission distance can only up to 40 meters / 131.2ft for some USB 2.0 Hub)
- ☆ Supports one USB-B port input in transmitter
- ☆ Supports two USB 2.0 ports output in receiver
- ☆ Receiver is powered supply by connecting 5V/1A power adapter
- ☆ Simple plug and play, no drive and setting installation required
- ☆ Compact design for easy and flexible installation

3. Package Contents

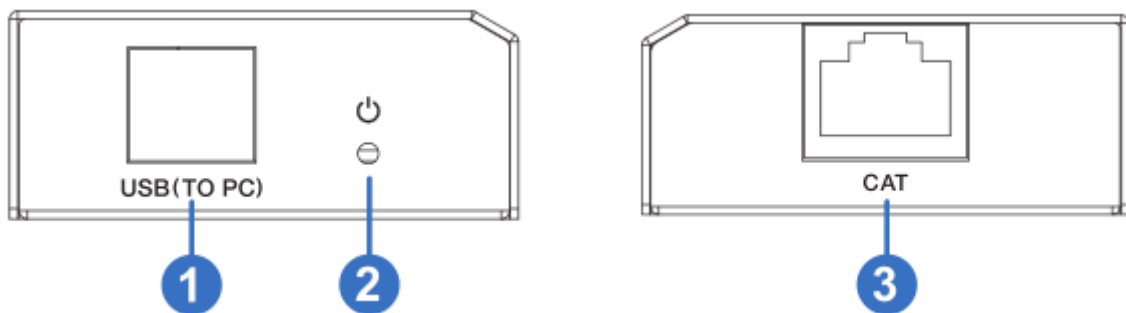
- ① 1× USB 2.0 Extender (Transmitter)
- ② 1× USB 2.0 Extender (Receiver)
- ③ 1× USB cable (USB-B male head to USB-A male head, one meter)
- ④ 1× 5V/1A Power Adapter
- ⑤ 1× User Manual

4. Specifications

Technical	
USB protocol	USB 2.0
Transmission rate	50M (Note: The transmission distance can only up to 40 meters for some USB 2.0 Hub)
ESD Protection	Human-body Model: ± 8kV (Air-gap discharge) , ± 4kV (Contact discharge)
Connections	
Transmitter	Input port: 1× USB [USB-B, female] Output port: 1× CAT [RJ45, female]
Receiver	Input port: 1× CAT [RJ45, female] Output port: 2× USB [USB-A, female]
Mechanical	
Housing	Metal Enclosure
Color	Black
Dimensions	Transmitter / Receiver: 82mm (W) × 49mm (D) × 20mm (H)
Weight	Transmitter / Receiver: 100g
Power Supply	Input: AC100~240V 50/60Hz Output: DC 5V/1A
Power Consumption	Transmitter: 0.7W, Receiver: 1W
Operating Temperature	0° C ~ 40° C / 32° F ~ 104° F
Storage Temperature	-20° C ~ 60° C / -4° F ~ 140° F
Relative Humidity	20~90% RH (non-condensing)

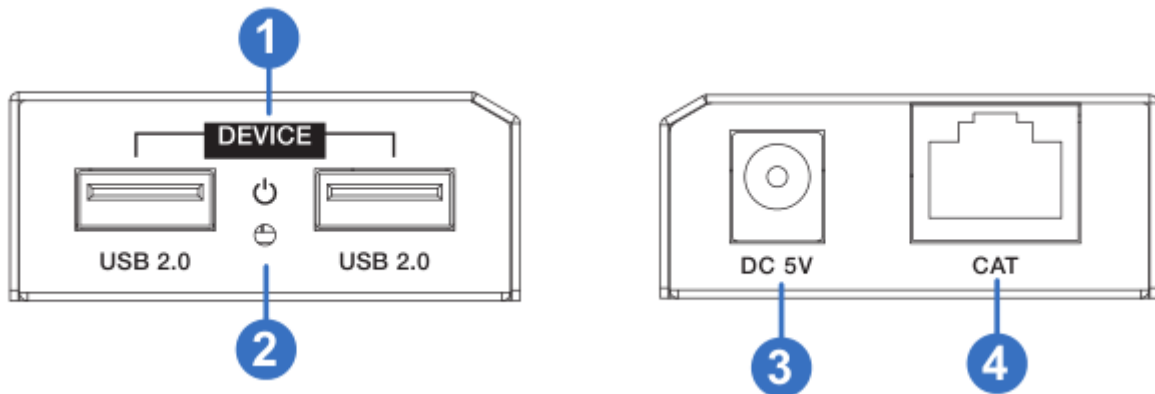
5. Operation Controls and Functions

5.1 Transmitter Panel



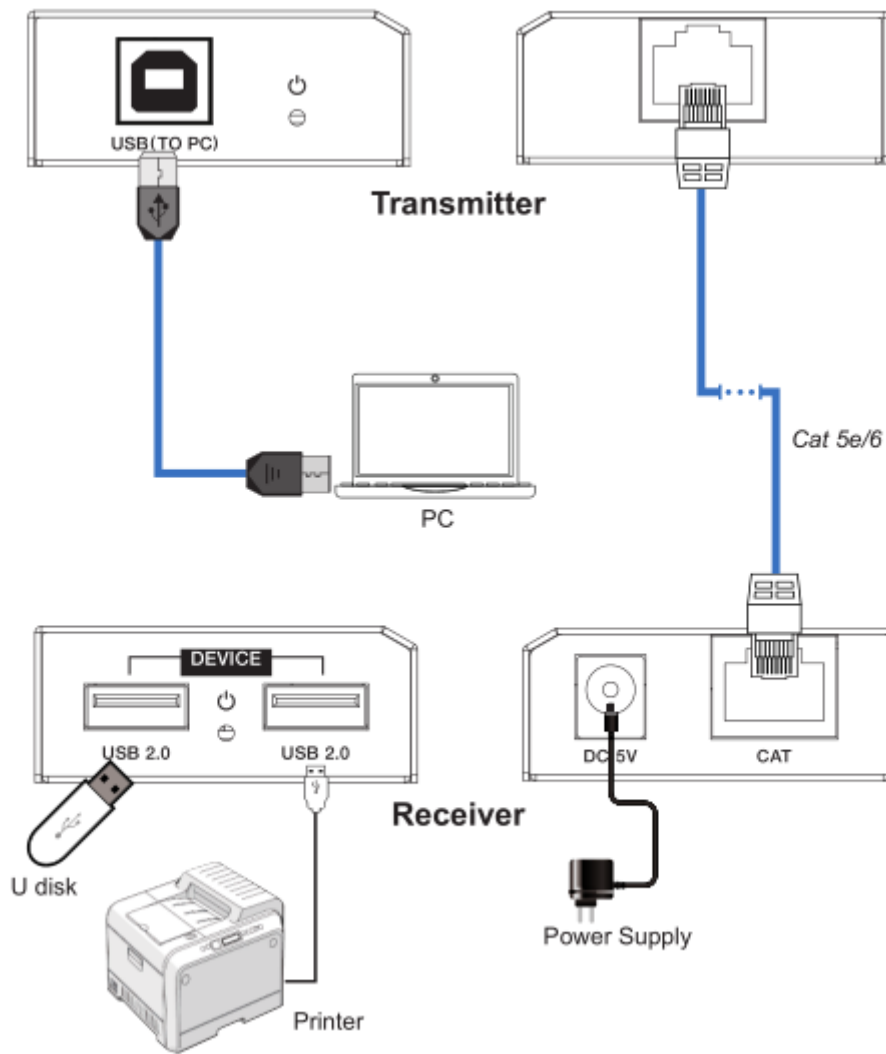
Number	Name	Function description
1	USB port	Use USB-B male head to USB-A male head line to connect a PC' s USB port. Note: The PC can control USB port's device of the receiver.
2	POWER LED	Power LED indicator. The green LED will illuminate when transmitter is provided power supply by USB-B port's device.
3	CAT port	The CAT port is connected receiver's CAT port by CAT 5e/6 cable.

5.2 Receiver Panel



Number	Name	Function description
1	USB 2.0 port	Connect to a device with USB port such as printer or U disk, etc.
2	POWER LED	Power LED indicator. The green LED will illuminate when the receiver is connected power supply.
3	DC 5V	Plug 5V/1A DC power supply into the unit and connect the adapter to an AC outlet.
4	CAT port	The CAT port is connected transmitter's CAT port by CAT5e/6 cable.

6. Application Example



7. Mission Statement

BZB Gear manifests from the competitive nature of the audiovisual industry to innovate while keeping the customer in mind. AV solutions can cost a pretty penny, and new technology only adds to it. We believe everyone deserves to see, hear, and feel the advancements made in today's AV world without having to break the bank. BZB Gear is the solution for small to medium-sized applications requiring the latest professional products in AV.

We live in a DIY era where resources are abundant on the internet. With that in mind, our team offers system design consultation and expert tech support seven days a week for the products in our BZB Gear catalog. You'll notice comparably lower prices with BZB Gear solutions, but the quality of the products is on par with the top brands in the industry. The unparalleled support from our team is our way of showing we care for every one of our customers. Whether you're an integrator, home theater enthusiast, or a do-it-yourselfer, BZB Gear offers the solutions to allow you to focus on your project and not your budget.

8. Warranty Information

BZB Gear | Second Year Assurance

BZB Gear wants to assure you peace of mind. We're so confident in the quality of our products that along with the manufacturer's one-year limited warranty, we are offering free second-year warranty coverage upon registration*!

Taking advantage of this program is simple, just follow the steps below:

1. Register your product within 90 days of purchase by visiting BZBGear.com/warranty.
2. Complete the registration form. Provide all necessary proof of purchase details, including serial number and a copy of your sales receipt.

For questions, please call 1.888.660.2962 or email support@bzbgear.com.

For complete warranty information, please visit BZBGear.com/warranty or scan the QR code below.



*Terms and conditions apply. Registration is required.