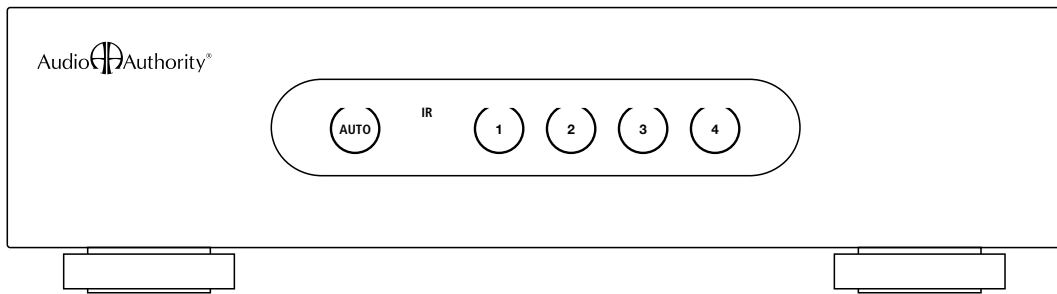


Installation and Operation



Model 1154B
High Definition AV AutoSelector™

Audio  Authority®

Getting Started

- Register your purchase at www.audioauthority.com/register (to receive product news and updates)
- Read these instructions
- Unpack the product and its accessories
- Pull battery tab on infrared remote control to activate it
- Connect associated equipment (see detailed instructions in the Installation Section and Hookup Diagrams)
- Connect the product to a suitable power outlet using only the power supply furnished

General Information

The Model 1154B High Definition AutoSelector™ complements a wide array of home theater signal sources, video displays, and audio systems. It performs selection of up to four input sources by infrared control, by a unique AutoSelect™ process, or by manual selection. A/V inputs may be component video and digital or analog audio, or combinations of these signal types, all delivered to the viewer with their original vividness, brightness, and clarity. LED indicators on the front panel show active source inputs in green, and the source that is currently selected in red (see page 6).

When active, AutoSelect detects a new source signal by listening for changes in the audio signals, and automatically switches to that input. It uses multiple criteria for switching decisions, including newly detected signals, the presence of digital and/or analog audio, and priority according to position; position 1 has highest priority.)

Carton Contents

- Model 1154B High Definition Video AutoSelector™
- 12 volt Power Supply
- Model 580-023 Infrared Remote Control with batteries
- User Manual

Other Items You May Need

- Stereo RCA patch cords
- Component video patch cords
- Digital audio RCA patch cords
- Optical patch cords

Suggested Accessories

- Model 1362 Upconverter/Scaler—converts composite or S-video signals to component video.
- Model 1365 Video Converter—converts VGA to YPbPr or vice-versa.

Warnings

To reduce the risk of fire or electric shock, do not expose this unit to moisture.



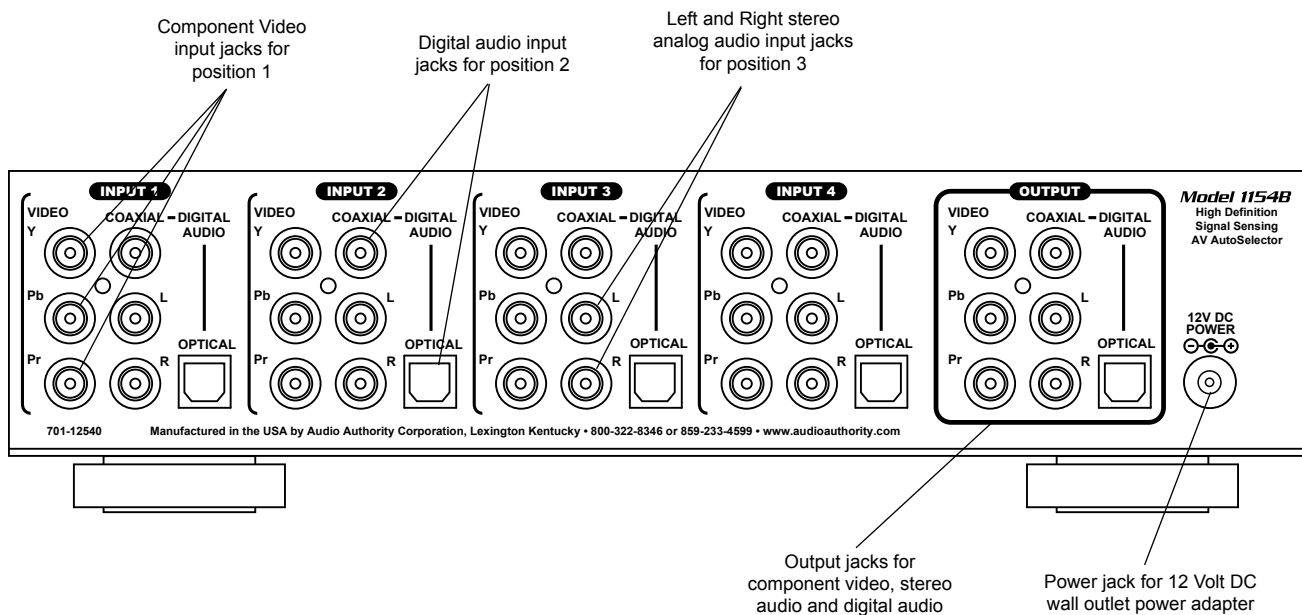
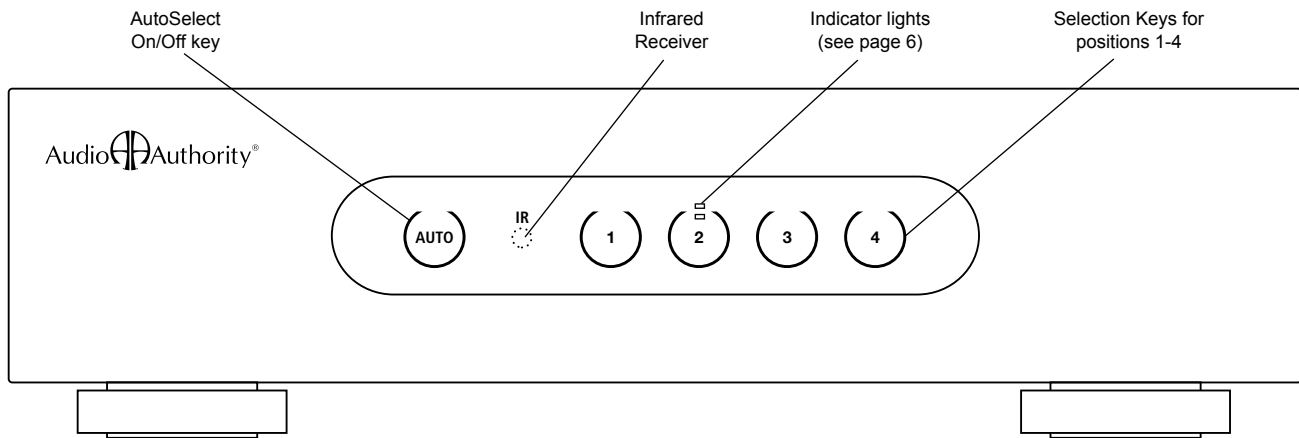
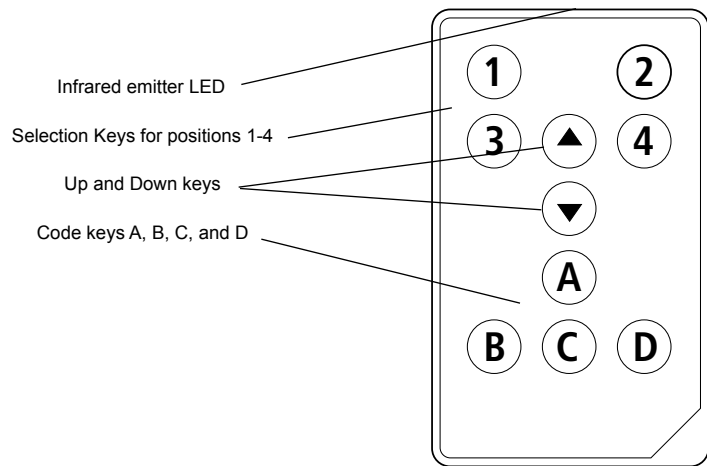
The exclamation point symbol alerts users to important operating and maintenance instructions in this manual.

- Read these instructions before installing or using this product.
- Do not open the cover—there are no user-serviceable parts inside.
- Do not expose this unit to excessive heat.
- Install only in dry, indoor locations.
- Clean the unit with a dry or slightly dampened soft cloth only.

Audio Authority and the Double-A Symbol are registered trademarks of Audio Authority Corp.
AutoSelect is a trademark of Audio Authority. Copyright September, 2006, all rights reserved.

Panel Descriptions

Shown below are the front and back views of the 1154B, and to the right, a view of the 580-023 Infrared Remote Control.



Installation

1. Model 1154B Hookup. Connect sources, receiver, and monitor in these steps.

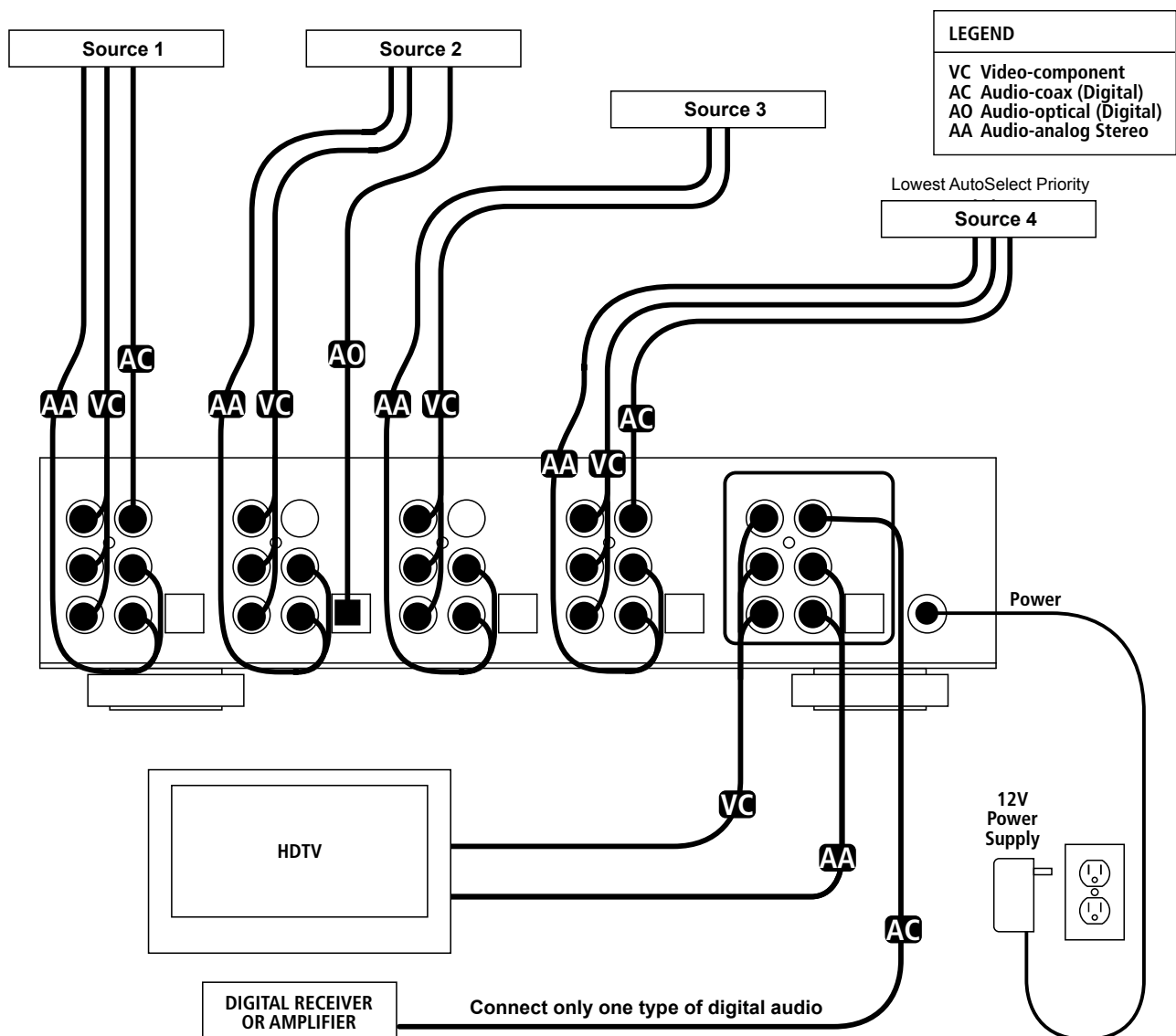
- a. If the AutoSelect feature is to be used, decide now if any devices should be connected directly to the TV or receiver, particularly if the sources include a device that can record. Also consider the priority arrangement of the sources (see About AutoSelect on page 5).
- b. Connect each source unit to its respective set of Model 1154B input jacks.
- c. Use good quality cable and keep the runs under 6 feet if possible, especially for component video connections.



- d. Connect either optical or coaxial, but NOT BOTH types of digital audio inputs. Connect all the other signals available from the source unit: component video and analog audio.

NOTE! Certain audio input signals may be used by the Model 1154B for AutoSelect, even though they are not required by the video display or audio system. Connect every cable (but only one type of digital audio) to assure proper AutoSelect functionality.

- e. Connect the HDTV video display and audio system to the Output jacks. Use either optical or coaxial digital audio outputs, but NOT BOTH. Use the analog audio output only if the audio system lacks a digital audio input, or if TV sound is desired.



2. **Initial Testing.** Connect the furnished 12 volt power supply, then perform the following steps:
 - a. Check that one or more panel indicator lights are illuminated.
 - b. Apply power to all associated equipment. Touch the input selection keys 1-4 to manually select sources to verify video and audio signal integrity.

3. **Remote Control.** The Model 1154B can select sources by infrared remote (Model 581-023). Press keys 1-4 to directly select an input, or use the Up or Down arrow keys to scan the inputs, including Auto. If you are using other Audio Authority switchers having the same “credit card” remote control, or if the 1154B remote interferes with the IR control of any other product, press and hold one of the ABCD keys for 2 seconds to change codes. The 1154B will blink its indicator lights a few times to verify that it received and understood the IR code change.

About AutoSelect™

Establishing Switching Priority

AutoSelect uses the presence of audio signals as switching criteria, but another criteria is a source’s numerical priority. This feature is useful for sources that constantly produce audio signals even when switched off, such as a satellite box that produces a blank digital audio bitstream when powered down. Any digital signal is “audio” to the 1154B, therefore it may consider the source producing the blank bitstream as active and select it for play. Choosing the connection order of your sources is the best way to optimize AutoSelect decision process and prevent incorrect selection caused by such sources.

Generally, sources that retain digital audio output even when turned off should be connected to the higher numbered inputs (positions 3 and 4). The example lists of sources below are correctly prioritized from lowest to highest input number. These lists represent typical situations, one without (Example A) and one with (Example B) a PVR or automatic recording device.

	Priority/Source	Comment
<i>Example A:</i>	1 DVD player	Usually does not produce null output
	2 Game box	Usually does not produce null output
	3 Cable box	Usually does not produce null output
	4 Satellite receiver	Sat receiver may produce null output
<i>Example B:</i>	1 DVD player	Usually does not produce null output
	2 Cable box	Usually does not produce null output
	3 Satellite receiver	May produce null output
	4 PVR	Produces null output

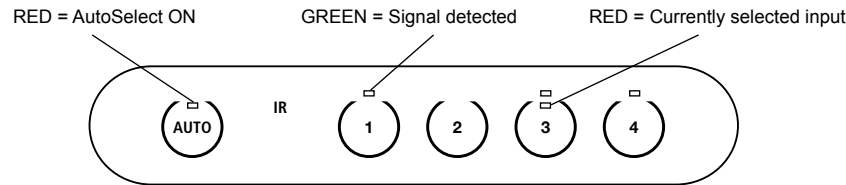
AutoSelect and Recording Devices

AutoSelect is ideal if most components will not be powered at one time, because the 1154B looks for newly appearing inputs as one of its decision criteria; however, another factor must also be considered. Any source that records, such as a personal video recorder or PVR, should be constantly powered up so it can record even when not playing. When a PVR begins to record, the 1154B may mistakenly select that input, interrupting the device you actually intended to watch. If this happens in your system, the reliable way to avoid this problem is to connect the outputs of a PVR directly to a home theater receiver or TV instead of the 1154B. The PVR can then be chosen with the TV or receiver’s remote control when desired.

High output noise level or other signal deficiencies from a source may cause the Model 1154B AutoSelect logic to fail. If this happens frequently, the best solution is to deactivate AutoSelect and use the IR Remote Control included with the 1154B.

Operation

The Model 1154B allows you to select one of up to four video/audio sources to play through your home theater system. Each of the four input keys lights green if an input is detected, and red if the input is selected (see below). Generally, the most recent input to be detected is the one that the 1154B AutoSelects.



To enable the AutoSelect™ feature to automatically switch to a newly powered source, touch the Auto key. The 1154B detects digital and/or analog audio signals; it does not detect video signals if an audio signal cannot be detected by the 1154B. The 1154B listens for the presence of digital audio and analog audio and switches to the input position that has the newest signal.

For manual selection, simply touch the key of the source you want to watch. When making a manual selection, AutoSelect is disabled and you must touch the Auto key to reactivate it.

Pressing Keys 1-4 of the Infrared Remote Control immediately selects the respectively numbered input. Scan through the four inputs and Auto Mode sequentially by pressing the Up or Down arrow keys.

Troubleshooting

If at any time the 1154B fails to respond as expected, use the outline below to find the cause or narrow the possibilities. If your question is not answered in this guide, call Audio Authority Technical Support at **800-322-8346**.

Symptoms	Possible Causes/Solutions
Switches to undesired input in AutoSelect mode	Recording source is producing output when power switch is off Connect to input 3 or 4 to reduce AutoSelect priority
Does not AutoSelect a certain source	Digital and/or analog audio not available or not connected A source is recording (see above) Connect both digital and analog audio to all inputs for improved AutoSelect
Does not respond to IR remote control	Direct sunlight shining on panel Plasma television in the room
IR remote inadvertently controls other products	IR remote set to the wrong code letter

Specifications

Specifications are subject to change without notice.

Video Parameters

Signal Type	Component
Video Formats	480i/p, 720p, 1080i/p and PAL associated resolutions
Input/Output Impedance	75 ohms
Input Ground Isolation	No
Gain	1
Gain Accuracy	2%
3dB Bandwidth	100MHz
Input Coupling	AC
S/N Ratio	65dB
Max Gain/Equalization	1

Audio Parameters

Format	Digital/Analog
Digital Audio Input/Output Type	Optical+Coaxial In/Out
Input Impedance	75 ohms/50K ohms
Min Load Impedance	75 ohms/10K ohms
Multi-channel Digital	Yes
Frequency Response	10-50KHz
S/N Ratio	75dB
THD+Noise	.025%
Crosstalk	75dB

Power

DC Input Connector	5.5 X 2.1mm
DC Input/Polarity	12V/Center positive
Power Supply	Part No: 571-013, 100-240 VAC, 50-60Hz input

Limited Warranty

Should any consumer product manufactured by Audio Authority fail due to defects in materials or workmanship within one year from the date of the original sale to the end-user, Audio Authority guarantees that we will replace the defective product at no cost. Freight charges for the replacement unit will be paid by Audio Authority (Ground service only). A copy of the invoice from an Authorized Re-seller showing the item number and date of purchase (proof-of-purchase) must be submitted with the defective unit to constitute a valid in-warranty claim.

Units that fail after the warranty period has expired may be returned to the factory for repair at a nominal charge, if not damaged beyond the point of repair. All freight charges for out-of-warranty returns for repair are the responsibility of the customer. Units returned for repair must have a Return Authorization Number assigned by the factory.

This is a limited warranty and is not applicable for products which, in our opinion, have been damaged, altered, abused, misused, or improperly installed. Audio Authority makes no other warranties either expressed or implied, including limitation warranties as to merchantability or fitness for a particular purpose. Additionally, there are no allowances or credits available for service work or installation performed in the field by the end user.

Audio Authority[®]

2048 Mercer Road, Lexington, Kentucky 40511-1071

Phone: 859-233-4599 • Fax: 859-233-4510

Customer Toll-Free USA & Canada: 800-322-8346

Website: <http://www.audioauthority.com>

Registration Password _____