

MODEL : SB-8188TB

8X8 VGA-Audio Matrix Switcher



VGA-Audio Matrix Switcher

VGA-Audio Matrix Switcher Series

Thank you for purchasing the SB-8188TB VGA-Audio Matrix Switcher. You will find this unit easy to install and highly reliable but it is essential that you read this manual thoroughly before attempting to use this switcher.



SAFETY INFORMATION



1. To ensure the best results from this product, please read this manual and all other documentation before operating your equipment. Retain all documentation for future reference.
2. Follow all instructions printed on unit chassis for proper operation.
3. To reduce the risk of fire, do not spill water or other liquids into or on the unit, or operate the unit while standing in liquid.
4. Make sure power outlets conform to the power requirements listed on the back of the unit. Keep unit protected from rain, water and excessive moisture.
5. Do not attempt to clean the unit with chemical solvents or aerosol cleaners, as this may damage the unit. Dust with a clean dry cloth.
6. Do not use the unit if the electrical power cord is frayed or broken. The power supply cords should be routed so that they are not likely to be walked on or pinched by items placed upon or against them, paying particular attention to cords and plugs, convenience receptacles, and the point where they exit from the appliance.
7. Do not force switched or external connections in any way. They should all connect easily, without needing to be forced.
8. Always operate the unit with the AC ground wire connected to the electrical system ground. Precautions should be taken so that the means of grounding of a piece of equipment is not defeated.
9. AC voltage must be correct and the same as that printed on the rear of the unit. Damage caused by connection to improper AC voltage is not covered by any warranty.
10. Turn power off and disconnect unit from AC current before making connections.
11. Never hold a power switch in the "ON" position.
12. This unit should be installed in a cool dry place, away from sources of excessive heat, vibration, dust, moisture and cold. Do not use the unit near stoves, heat registers, radiators, or other heat producing devices.
13. Do not block fan intake or exhaust ports. Do not operate equipment on a surface or in an environment which may impede the normal flow of air around the unit, such as a bed, rug, carpet, or completely enclosed rack. If the unit is used in an extremely dusty or smoky environment, the unit should be periodically "blown free" of foreign dust and matter.
14. To reduce the risk of electric shock, do not remove the cover. There are no user serviceable parts inside. Refer all servicing to qualified service personnel. There are no user serviceable parts inside.
15. When moving the unit, disconnect input ports first, then remove the power cable; finally, disconnect the interconnecting cables to other devices.
16. Do not drive the inputs with a signal level greater than that required to drive equipment to full output.
17. The equipment power cord should be unplugged from the outlet when left unused for a long period of time.
18. Save the carton and packing material even if the equipment has arrived in good condition. Should you ever need to ship the unit, use only the original factory packing.
19. Service Information Equipment should be serviced by qualified service personnel when:
 - A. The power supply cord or the plug has been damaged.
 - B. Objects have fallen, or liquid has been spilled into the equipment.
 - C. The equipment has been exposed to rain
 - D. The equipment does not appear to operate normally, or exhibits a marked change in performance
 - E. The equipment has been dropped, or the enclosure damaged.

TABLE OF CONTENTS

CONTENTS

INTRODUCTION	1
FEATURES & SPECIFICATIONS	2
FRONT PANEL	3
REAR PANEL	6
REMOTE CONTROL	7
IR EXTENDER	8
RS-232 SERIAL INTERFACE	10
TYPICAL APPLICATION	11

INTRODUCTION

Congratulations on your purchase today one of the most innovative VGA(GBHV)/Stereo Audio(AR/AL) 8x8 matrix switching products on the market Today. The SB-8188TB is a true Matrix Routing Switcher for VGA(GBHV)/Stereo Audio(AR/AL) signals. It has an 8 individual VGA(GBHV)/Stereo Audio(AR/AL) inputs with 8 individual VGA(GBHV)/Stereo Audio(AR/AL) outputs. Because it is a matrix router, any input may be routed to any output; or the same input may be routed to all outputs or any combination. It completely eliminates the need to constantly move around audio and video input cables and output via VGA(GBHV) cables. The SB-8188TB is useful for Matrix signals from VGA source devices (such as: Personal computer, Set Top Box, and Satellite Receivers, etc.) To VGA destination devices over VGA cables to (Such as LCD Monitors, VGA Monitors, Plasma LCD TV, VGA Projectors, etc.). Selection of inputs is made via the front panel push buttons or an Infrared Remote Control unit or RS-232 control by a computer.

PACKAGE CONTENTS

Check that you have the following components;

- SB-8188TB 4x4 Matrix Switcher
- IR Remote Controller (SW-8188)
- 19 inch 2RU(3½") rack mount brackets (Part # 2U-440L)
- IR Extender receiver (SB-100)
- RS-232 Cable
- CD Contents: This manual, Windows GUI
- Users Guide
- AC/DC Adapter: 12VDC, 3A Universal Type 50/60Hz, 100-230 VAC

SAFETY PRECAUTIONS

Please read all instructions before attempting to unpack, install or operate this equipment and before connecting the power supply. Please keep the following in mind as you unpack and install this equipment:

- Always follow basic safety precautions to reduce the risk of fire, electrical shock and injury to persons.
- To prevent fire or shock hazard, do not expose the unit to rain, moisture or install this product near water.
- Never spill liquid of any kind on or into this product.
- Never push an object of any kind into this product through any openings or empty slots in the unit, as you may damage parts inside the unit.
- Do not attach the power supply cabling to building surfaces.
- Use only the supplied power supply unit (PSU). Do not use the PSU if it is damaged.
- Do not allow anything to rest on the power cabling or allow any weight to be placed upon it or any person walk on it.
- To protect the unit from overheating, do not block any vents or openings in the unit housing that provide ventilation and allow for sufficient space for air to circulate around the unit.

DISCLAIMERS

The information in this manual has been carefully checked and is believed to be accurate. We assume no responsibility for any infringements of patents or other rights of third parties which may result from its use.

We assume no responsibility for any inaccuracies that may be contained in this document. We make no commitment to update or to keep current the information contained in this document.

We reserve the right to make improvements to this document and/or product at any time and without notice.

COPYRIGHT NOTICE

No part of this document may be reproduced, transmitted, transcribed, stored in a retrieval system, or any of its part translated into any language or computer file, in any form or by any means — electronic, mechanical, magnetic, optical, chemical, manual, or otherwise — without express written permission and consent

© Copyright 1997. All Rights Reserved.

Version 1.1 OCT 2013

TRADEMARK ACKNOWLEDGMENTS

All products or service names mentioned in this document may be trademarks of the companies with which they are associated.



FEATURES & SPECIFICATIONS

FEATURES

- Supports 8x inputs VGA+Stereo Audio to 8x VGA+Stereo Audio outputs Matrix Switcher
 - 8x Input signals support via VGA (RGBHV), Stereo Audio(AR/AL)
 - 8x Output Signals support via VGA (RGBHV), Stereo Audio(AR/AL) to VGA Monitor displays
 - Higher Video Bandwidth 450MB each path R,G,B signals.
 - Supported HD high definition resolutions XGA, SXGA, UXGA, WSXGA, WUXGA
 - RS-232 Serial interface via @ethernet control is optional
 - Compatible with all VGA Video Monitor devices, Plasma display and Projectors
 - Supported RS-232 serial interface protocol commands list
 - Control PC RS-232 Drive compatible with win-95/98/2000/XP
 - Various User Interface controls:
 - Attached Window based control software for Desktop or NB control by RS-232 port
 - Manual controlled by Front Panel button
 - IR remote control
 - Support desktop with Ear mount and 19 inch Rack mountable type panel
 - Power supply DC12Volt, Universal Type Switch 100~230VAC, 50/60Hz
-

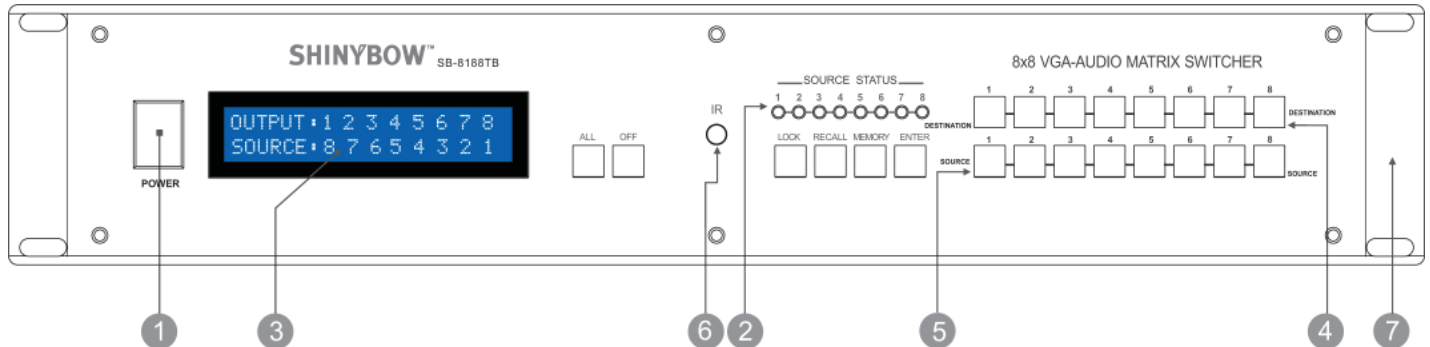
SPECIFICATIONS

- **Type of Switcher:** 8 in To 8 out, VGA (RGBHV)-Audio Matrix Switcher
- **Input Ports: Group:**
 - 1x VGA (RGBHV) via 1x HD-15p VGA Female connector
 - 1x Stereo Audio (AR/AL), Via 1x Terminal Block 5 pins Female Jack
- **Output Ports: Group:**
 - 1x VGA (RGBHV) via 1x HD-15p VGA Female connector
 - 1x Stereo Audio (AR/AL), Via 1x Terminal Block 5 pins Female Jack
- **Video Bandwidth:** 325MHz (-3db), 200mVp-p
- **Video Supported:** Higher resolution formats HD 1920x1200 (WUXGA)
- **Audio Supported:** Stereo Audio
- **Low All Hostile Crosstalk:** -83 db@5MHz
- **Controls:** IR remote, Select buttons on the front panel & RS-232
- **PC RS-232 Control:** RS-232 interface serial via DRV on a PC
- **Gain Control:** 60MHz 0.1 db gain flatness
- **Chassis Material:** Metal
- **Dimensions (WxDxH):** 19 x 7.87 x 3.46 in (482mm x 200mm x 88mm)
- **Shipping Weight:** 3.55 Kgs / 5.85 lb
- **Safety Approvals:** CE, FCC, VCCI, Erp, WEEE.
- **Power Supply:** DC12V / 3A (consumption 1.6A Max) Use Universal Switch Type 50/60Hz,100~230 VAC

As product improvements are continuous, specifications are subject to change without notice.

FRONT PANEL

FRONT PANEL



1. POWER ON SWITCH

The power switch turns the unit on and off. The LED will illuminate red to indicate that the switcher is ON and is receiving power. The Switcher will remember that last state during a power cycle. When power is removed and resorted, the last configuration will be evoked.

2. INPUT STATUS DISPLAY

Input sources 1 to 8 LED illuminates blue to indicate that a video source is present on that input.

3. OUTPUT STATUS DISPLAY

Each Output (destination) Channel shows which input (source) is assigned.

4. DESTINATION SELECT BUTTONS

Separate outputs 1 thru 8 select buttons are provided for each destination assignment. Routing can be Source to Destination or one source to multiple destinations.

Example : Press Destination 1,3,5 then press Source 2 will route Input 2 to Output 1,3,5 respectively.

5. SOURCE SELECT BUTTONS

Separate inputs 1 thru 8 select buttons are provided each source selection.

6. IR SENSOR

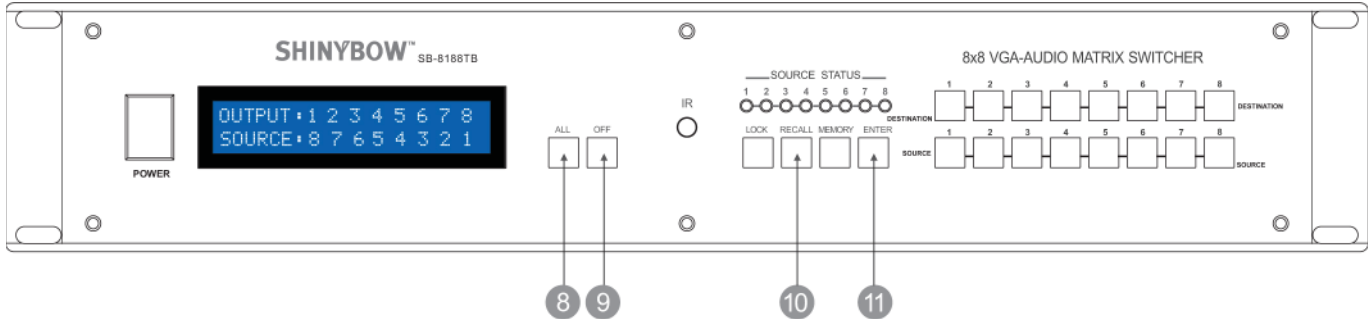
The IR sensor receives IR commands from the supplied remote controller or third party IR emitter.

7. 19 INCH EAR MOUNT PAIR

Converts dest-top to 19 inch rack mount bracket (part # 1U-440L) INCLUDED. Image shows rack mount bracket attached.

FRONT PANEL

FRONT PANEL



8. FUNCTION KEY - ALL



Disables (mute) video on all destinations OR Selects the same source to all destinations.

Option 1

- Press **ALL** followed by **OFF** button. The display will show " 0 " indicating all destinations have no video selected.

Option 2

- Press **ALL** followed by Source 1 thru 8. The display will show the Source selected.

- Press **ENTER** The pre-set source selection will be assigned all destinations.

9. FUNCTION KEY - OFF

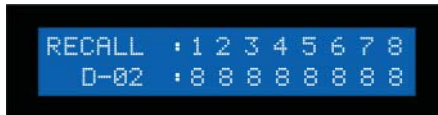
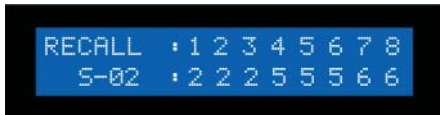


Disables (mute) video to selected channels. Either destinations.

- Press **OFF** button followed by any Destination channel.

- Press 1 thru 8 output destination. The display will show " 0 " for the selected channel indicating no video selected.

10. FUNCTION KEY - RECALL



The system will show previously stored presets, up to a total of 16.

Presets are stored in local memory using Source keys 1 thru 8 or Destination keys 1 thru 8 as the memory preset location.

- Press **RECALL** button.

- Press 1 thru 8 on either Source or Destination row.

- Press **ENTER** The pre-set configuration will execute.

Operation completes.

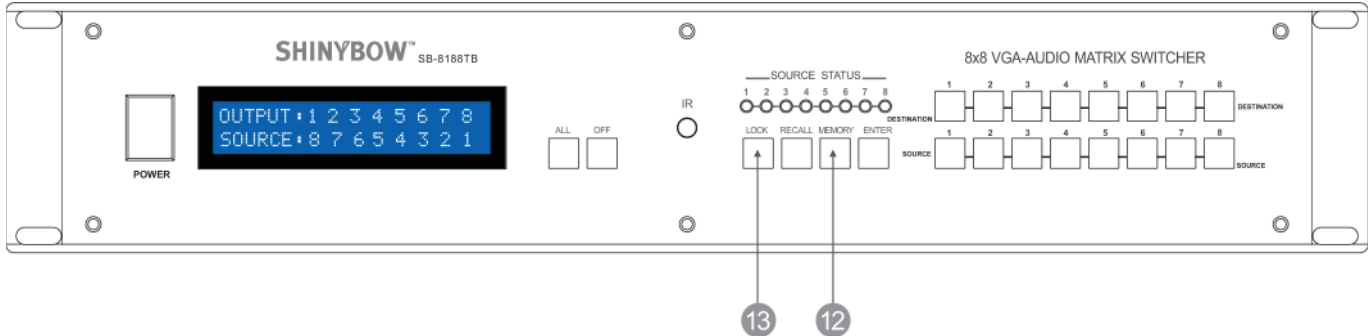
Operation will abort if no keys are pressed with 5 seconds.

11. FUNCTION KEY - ENTER

- Press **ENTER** to confirm entries.

FRONT PANEL

FRONT PANEL



12. FUNCTION KEY - MEMORY



The system will show store presets, up to a total of 16.

Presets are stored in local memory using Source keys 1 thru 8 or Destination keys 1 thru 8 as the memory preset location.

- Configure desired matrices.
 - Press **MEMORY** button.
 - Press 1 thru 8 on either Source or Destination row.
 - Press **ENTER** to ready memory location.
 - or press **MEMORY** again to cancel operation.
- Operation completes.

Note : Operation will abort if no keys are pressed within 5 seconds.

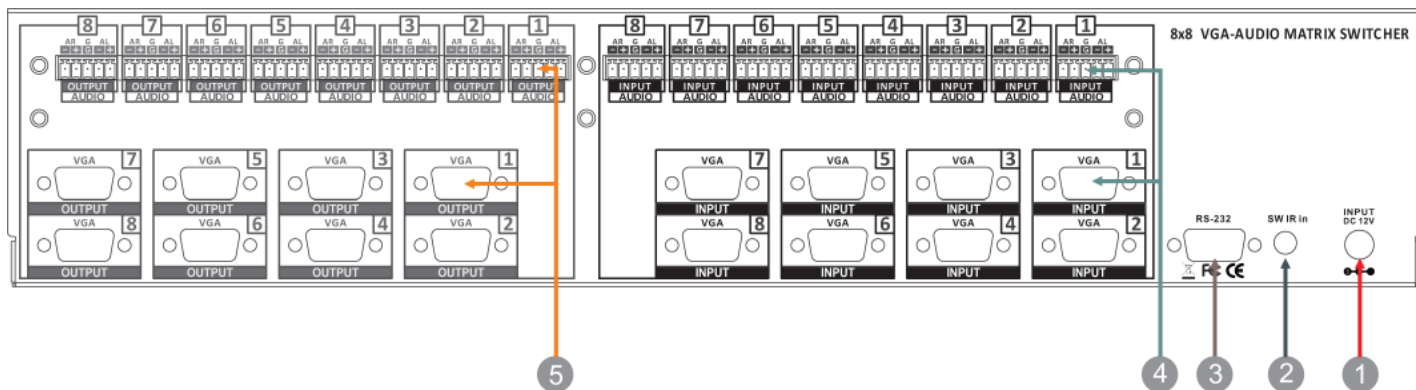
13. FUNCTION KEY - LOCK



- Press and hold **LOCK** button for two seconds lockout the front panel.
- Press and hold **LOCK** button for two seconds to enable the front panel.

BACK PANEL

BACK PANEL



1. DC POWER INLET:

The Switcher is fitted with a DC power plug-park input connector. Please ensure that the plug-park used is of an approved type and is of sufficient current carrying capacity with the correct voltage and connector polarity. 12Volt DC power supply 3A Max.



Power Jack:

DC Jack - Inner OD Ø 2.1 mm (+)
Outside OD Ø 5.5mm (GND)
Power input -12VDC, 3A

2. IR EXTERNAL IN: (EXT. IR TO CONTROL SWITCHER)

Support one of IR Extender to control Switcher Extend distance maximum 300 M / ~1000 ft. When you plug the External IR extender into the switcher, the front panel IR receiver remain active.

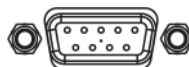


IR Extender Jack:

Female Jack

3. RS-232 CONNECTION:

RS-232 control port to allow for interfacing to a PC, Such as a computer or touch panel control, to the switcher via this DB-9pin Female connector for serial RS-232 control.

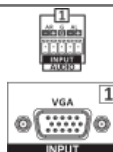


Remote port :

DB-9pin Female connector

4. INPUTS - 1-8 VGA-RGBHV-AUDIO PORTS:

Connect a signal 8x sources of VGA (RGBHV) & Stereo Audio player device to 8x VGA/Audio outputs matrix switcher.

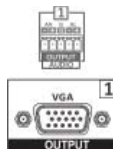


VGA-Audio Via : 1x HD-15p connector, 1x TB Jack.

**Note: With 1x female D-Sub HD-15F connector.
1x Female Terminal Block - 5 pin**

5. OUTPUTS - 1-8 VGA-RGBHV-AUDIO PORTS:

Connect 8x VGA(RGBHV) & Stereo Audio via 8x VGA cable to VGA Monitor displays and Audio speaker devices.



VGA-Audio Via : 1x HD-15p connector, 1x TB Jack.

**Note: With 1x female D-Sub HD-15F connector.
1x Female Terminal Block - 5 pin**

REMOTE CONTROL

Before making any connections to the switcher. Observe the following:

Ensure the mains voltage supply matches the label on the supplied plug- Pack (+/- 10%).

Ensure that the power switch is OFF.

Ensure that all system grounds (earth) are connected to a common point.

Avoid powering equipment within a system from multiple power sources that may be separated by large distances.

Connect all audio video sources and destination equipment.

Power up all source and destination audio-visual sources.

For each destination output select the appropriate input source by using the front panel input 1~8 select buttons. The supplied IR remote control. Or through the RS-232 serial communications port.

Upon power up the switcher will return to its last used setting before Powered down.

REMOTE CONTROL

1./2. SWITCH POWER ON or OFF:

Controller with a power ON and OFF

3. DESTINATION: 1 thru 8 OUTPUT SELECTION:

Press the destination button to select the output display channel.

4. SOURCE : 1 thru 8 INPUT SOURCE SELECTION

Press input 1~8 sources with selection button

5. FUNCTION KEY

ALL - function selection button

OFF - function selection button

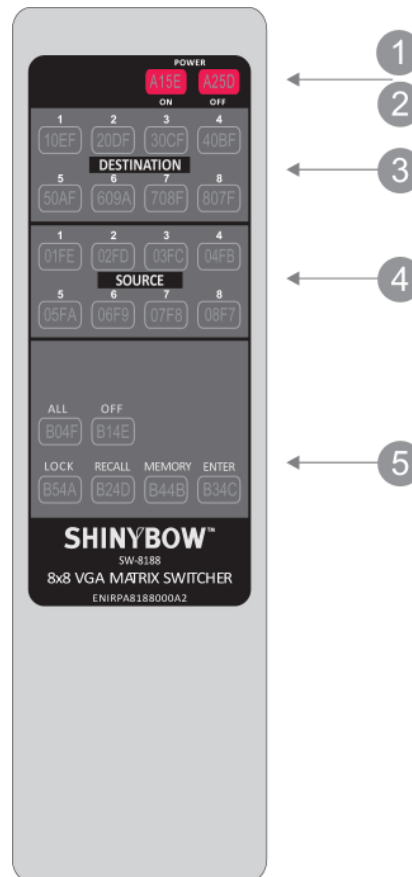
EDID - function selection button

RECALL - function selection button

MEMORY - function selection button

ENTER - function selection button

LOCK - function selection button



REMOTE CONTROL

IR REMOTE CUSTOM AND DATA CODES (NEC STANDARD)

HOW TO SETUP IR CODES :

CUSTOM CODE : 35CA

POWER ON : 35CA A15E

POWER OFF : 35CA A25D

ALL : 35CA B04F

OFF : 35CA B14E

EDID : 35CA B748

LOCK : 35CA B54A

RECALL : 35CA B24D

MEMORY : 35CA B44B

ENTER : 35CA B34C

PRESS DESTINATION then - # PRESS SOURCE -

DESTINATION #1 : 35CA 10EF

DESTINATION #2 : 35CA 20DF

DESTINATION #3 : 35CA 30CF

DESTINATION #4 : 35CA 40BF

DESTINATION #5 : 35CA 50AF

DESTINATION #6 : 35CA 609F

DESTINATION #7 : 35CA 708F

DESTINATION #8 : 35CA 807F

SOURCE #1 : 35CA 01FE

SOURCE #2 : 35CA 02FD

SOURCE #3 : 35CA 03FC

SOURCE #4 : 35CA 04FB

SOURCE #5 : 35CA 05FA

SOURCE #6 : 35CA 06F9

SOURCE #7 : 35CA 07F8

SOURCE #8 : 35CA 08F7

For example;

Select Destination # 1 to show Source #1~8,

The IR Data Code list :

Destination # 1 , Source #1 35CA 10EF 35CA 01FE

Destination # 1 , Source #2 35CA 10EF 35CA 02FD

Destination # 1 , Source #3 35CA 10EF 35CA 03FC

Destination # 1 , Source #4 35CA 10EF 35CA 04FB

Destination # 1 , Source #5 35CA 10EF 35CA 05FA

Destination # 1 , Source #6 35CA 10EF 35CA 06F9

Destination # 1 , Source #7 35CA 10EF 35CA 07F8

Destination # 1 , Source #8 35CA 10EF 35CA 08F7

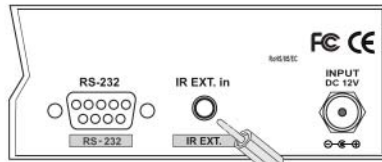
IR EXTENDER

REAR PANEL IR EXTENDER PORT

1. SB-100 IR 300M Receiver



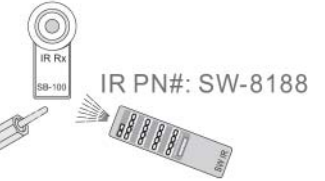
Switcher IR EXT. In



SB-100 DISTANCE maximum 300 M / ~ 1000 feet

Cable(3C)
Distance:Max.300M

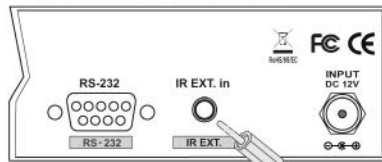
IR Receiver (SB-100)



2. SB-100C IR 2M Receiver IR Receiver cable (2M)



Switcher IR EXT. In



SB-100C DISTANCE 2M (6feet)

Cable(2C)
Distance:Max.2M

IR Receiver (SB-100C)



Note: When you plug the External IR extender into the switcher, the front panel IR receiver remains active.

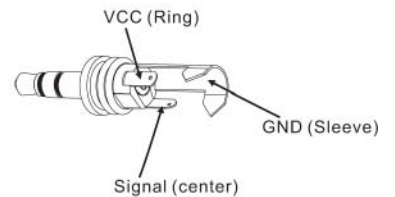
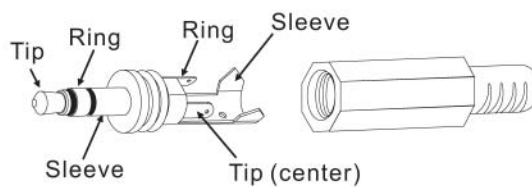
IR EXTENDER PACKAGE :

HOW TO SETUP THE IR EXTENDER RECEIVER COMPONENTS

Pin configuration for IR 300M Extender Receiver such as **SB-100** compatible



Tip:Signal
Ring:VCC
Sleeve:GND

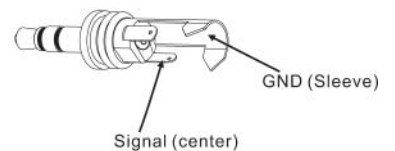
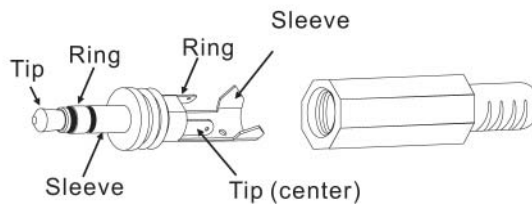


SB-100 Receiver and SB-101 Transmitter The DISTANCE maximum 300 M / ~ 1000 feet

Pin configuration for IR Receiver 2M cable such as **SB-100C** compatible



Tip:Signal
Ring: NC
Sleeve:GND



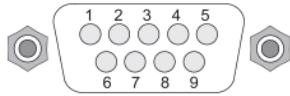
SB-100C Receiver Cable and SB-101C Transmitter Cable The DISTANCE maximum 2M / ~ 6 feet

Note: The External IR jack has voltage on the "Ring" portion of a 3-conductor plug. Do not use a 2-conductor IR (aka: stereo plug) as this will short out the power supply.

RS-232 SERIAL INTERFACE

RS-232 SERIAL INTERFACE CONNECT A PC OR CONTROL SYSTEM. VERSION COMPATIBLE V2.0

For a complete list of commands, please reference external document extended RS-232 Protocol Instruction Manual.



RS-232 SERIAL INTERFACE

Pin	RS-232	Definition
1	-----	Not used
2	TX	Transmitter
3	RX	Receiver
4	-----	Not used
5	GND	Ground
6	-----	Not used
7	-----	Not used
8	-----	Not used
9	-----	Not used

RS-232 PROTOCOL COMMANDS (RS232 Control driver V2.0.1)

The Shinybow switcher can be controlled via the RS-232 serial control port to allow for interfacing to a PC, or similar third party control system.

The serial communication parameters are 9600 baud, 8 bit, No Parity and 1 stop bit - this is often referred to as 9600 8N1. When the unit recognises a complete command it will perform the requested action - there is no delimiter character required.

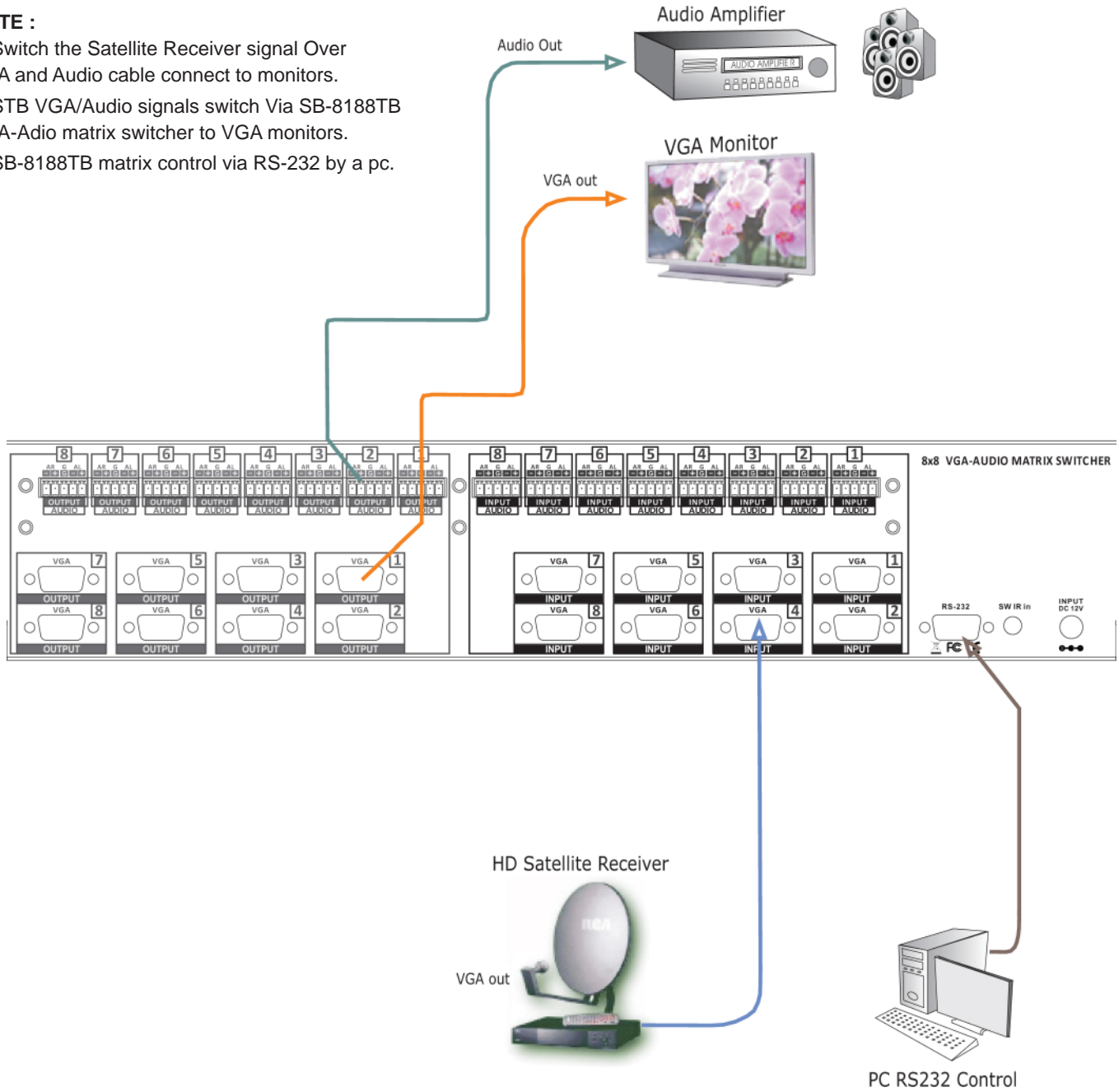
TYPICAL APPLICATION

4X VGA-AUDIO SOURCE DEVICES TO 4X VGA-AUDIO DISPLAY MATRIX SWITCHER SB-8188TB

Sample connection using 8x8 VGA-AUDIO Matrix Switcher Switch signals to VGA-Audio Monitor Displays via VGA & Audio cable with SB-8188TB and Audio Amplifier to speakers and signals from Satellite Receiver.

NOTE :

1. Switch the Satellite Receiver signal Over VGA and Audio cable connect to monitors.
2. STB VGA/Audio signals switch Via SB-8188TB VGA-Audio matrix switcher to VGA monitors.
3. SB-8188TB matrix control via RS-232 by a pc.



Support switch by SB-8188TB output VGA and Stereo Audio via VGA and Stereo Audio cable.

LIMITED WARRANTY

PLEASE READ THE FOLLOWING TERMS AND CONDITIONS CAREFULLY BEFORE USING THIS HARDWARE, COMPONENTS AND SOFTWARE PROVIDED BY, THROUGH OR UNDER SHINYBOWUSA, INC (COLLECTIVELY, THE "PRODUCT"). By using installing or using the Product, you unconditionally signify your agreement to these Terms and Conditions. If you do not agree to these Terms and Conditions, do not use the Product and return the Product to SHINYBOWUSA, Inc. at the return address set forth on the Product's packing label at your expense. SHINYBOWUSA, Inc. may modify these Terms and Conditions at anytime, without notice to you.

RESTRICTIONS ON USE OF THE PRODUCT

It is your responsibility to read and understand the installation and operation instructions, both verbal and in writing, provided to you with respect to the Product. You are authorized to use the Product solely in connection with such instructions. Any use of the Product not in accordance with such instructions shall void any warranty pertaining to the Product. Any and all damages that may occur in the use of the Product that is not strictly in accordance with such instructions shall be borne by you and you agree to indemnify and hold harmless SHINYBOWUSA, Inc. from and against any such damage.

The Product is protected by certain intellectual property rights owned by or licensed to SHINYBOWUSA. Any intellectual property rights pertaining to the Product are licensed to you by SHINYBOWUSA, Inc. and/or its affiliates, including any manufacturers or distributors of the Product (collectively, "SHINYBOWUSA") for your personal use only, provided that you do not change or delete any proprietary notices that may be provided with respect to the Product.

The Product is sold to you and any use of any associated intellectual property is deemed to be licensed to you by SHINYBOWUSA for your personal use only. SHINYBOWUSA does not transfer either the title or the intellectual property rights to the Product and SHINYBOWUSA retains full and complete title to the intellectual property rights therein. All trademarks and logos are owned by SHINYBOWUSA or its licensors and providers of the Product, and you may not copy or use them in any manner without the prior written consent of SHINYBOWUSA, which consent may be withheld at the sole discretion of SHINYBOWUSA.

The functionality and usability of the Product is controlled by SHINYBOWUSA, Inc. from its offices within the State of Texas, United States of America. SHINYBOWUSA makes no representation that materials pertaining to the Product are appropriate or available for use in other locations other than the shipping address you provided with respect thereto. You are advised that the Product may be subject to U.S. export controls.

Disclaimers and Limitation of Liability

SHINYBOWUSA may change or modify the Product at any time, from time to time.

THE PRODUCT IS PROVIDED "AS IS" AND WITHOUT WARRANTIES OF ANY KIND EITHER EXPRESS OR IMPLIED. SHINYBOWUSA DOES NOT WARRANT OR MAKE ANY REPRESENTATIONS REGARDING THE USE OR THE RESULTS OF THE USE OF THE PRODUCT'S CORRECTNESS, ACCURACY, RELIABILITY, OR OTHERWISE.

SHINYBOWUSA has no duty or policy to update any information or statements pertaining to the Product and, therefore, such information or statements should not be relied upon as being current as of the date you use the Product. Moreover, any portion of the materials pertaining to the Product may include technical inaccuracies or typographical errors. Changes may be made from time to time without notice with respect to the Product.

TO THE FULLEST EXTENT PERMISSIBLE PURSUANT TO APPLICABLE LAW, SHINYBOWUSA DISCLAIMS ALL WARRANTIES, EXPRESS OR IMPLIED, INCLUDING, BUT NOT LIMITED TO IMPLIED WARRANTIES OF MERCHANTABILITY, FITNESS FOR A PARTICULAR PURPOSE AND NON-INFRINGEMENT. SHINYBOWUSA DOES NOT WARRANT THE ACCURACY, COMPLETENESS OR USEFULNESS OF ANY INFORMATION WITH RESPECT TO THE PRODUCT. SHINYBOWUSA DOES NOT WARRANT THAT THE FUNCTIONS PERTAINING TO THE PRODUCT WILL BE ERROR-FREE, THAT DEFECTS WITH RESPECT TO THE PRODUCT WILL BE CORRECTED, OR THAT THE MATERIALS PERTAINING THERETO ARE FREE OF DEFECTS OR OTHER HARMFUL COMPONENTS. SHINYBOWUSA WILL USE ITS REASONABLE EFFORTS TO CORRECT ANY DEFECTS IN THE PRODUCT UPON TIMELY WRITTEN NOTICE FROM YOU NOT TO EXCEED 10 BUSINESS DAYS AFTER RECEIPT BY YOU OF THE PRODUCT, BUT YOU (AND NOT SHINYBOWUSA) ASSUME THE ENTIRE COST OF ALL NECESSARY SERVICING, REPAIR AND CORRECTION THAT WAS CAUSED BY YOU UNLESS OTHERWISE AGREED TO IN A SEPARATE WRITING BY SHINYBOWUSA.

UNDER NO CIRCUMSTANCES, INCLUDING, BUT NOT LIMITED TO, NEGLIGENCE, SHALL SHINYBOWUSA BE LIABLE FOR ANY SPECIAL OR CONSEQUENTIAL DAMAGES THAT RESULT FROM THE USE OF, OR THE INABILITY TO USE THE PRODUCT IN ACCORDANCE WITH ITS SPECIFICATIONS, EVEN IF SHINYBOWUSA OR ITS REPRESENTATIVES HAVE BEEN ADVISED OF THE POSSIBILITY OF SUCH DAMAGES. IN NO EVENT SHALL SHINYBOWUSA'S TOTAL LIABILITY TO YOU FROM ALL DAMAGES, LOSSES, AND CAUSES OF ACTION (WHETHER IN CONTRACT, OR OTHERWISE) EXCEED THE AMOUNT YOU PAID TO SHINYBOWUSA, IF ANY, FOR THE PRODUCT.

END OF DOCUMENT

SHINYBOW™ USA

MULTIMEDIA AUDIO AND VISUAL
