

Installation Manual

Home Theater Wall Plate

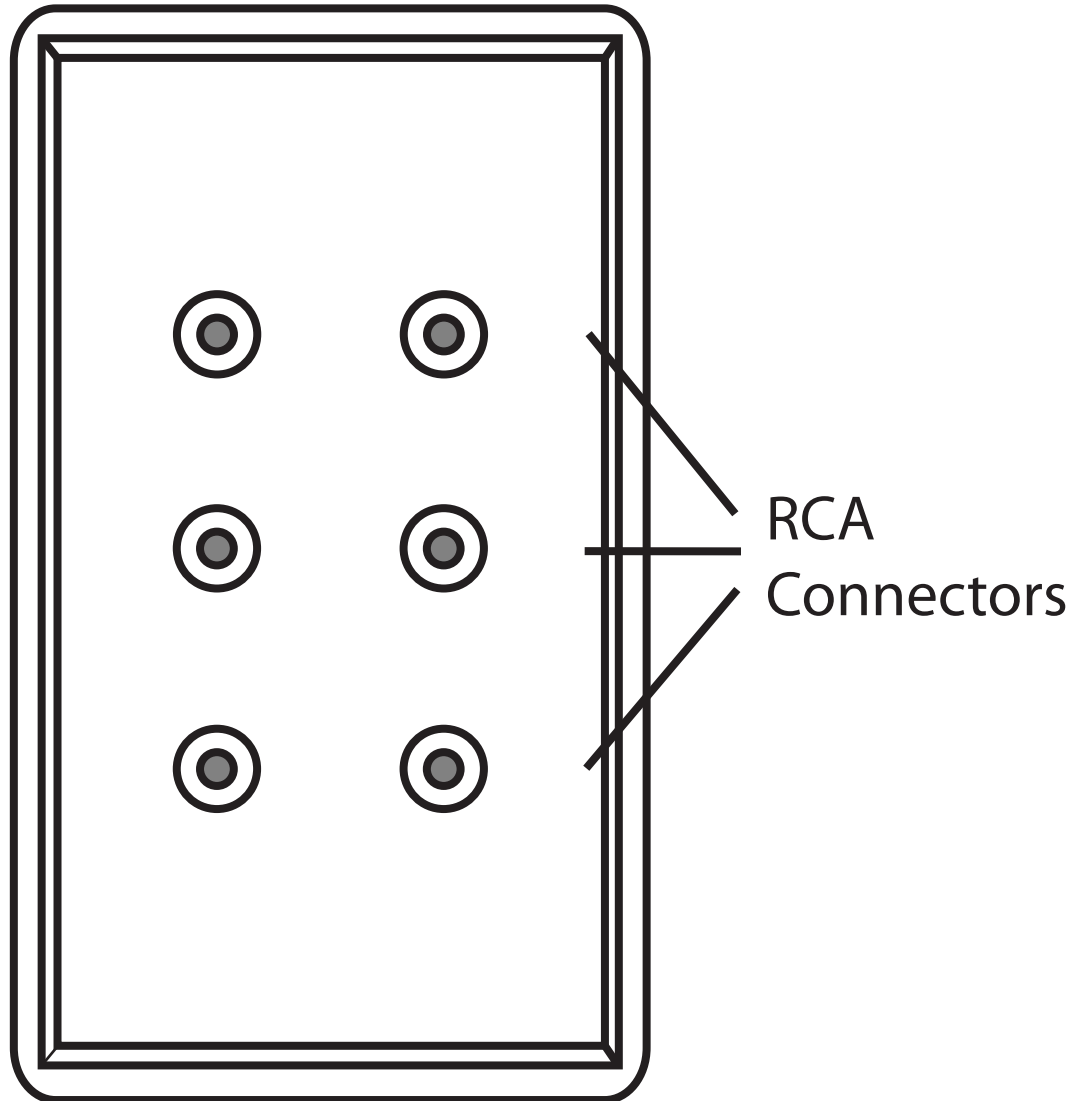
This home theater wall plate is Designed primarily for component video connection, stereo audio and Digital Coaxial. Heavy-Duty 24k Gold plated RCA Jacks are designed to resist corrosion and to provide the best possible connection.

Note: The wall plate jacks will accomodate only standard RCA connectors

Installation:

You can mount this speaker wall plate using a standard single electrical box.

1. Route the cables through the opening in the back of the electrical box
2. For each jack on the back side of the wall plate, attach the corresponding color coded cables to avoid future confusion



3. Remove the Face plate from the wall plate by pushing down on connectors with your thumbs and at the same time pulling two opposite corners away. Under the face plate you will find two screws hidden there. Place the wall plate against the opening of the electrical box, then thread the two supplied screws through the screw holes in the wall plate and the electrical box, then tighten the screws and reattach the face plate.
4. For each jack on the front side of the wall plate, attach the corresponding color coded cables to avoid future confusion