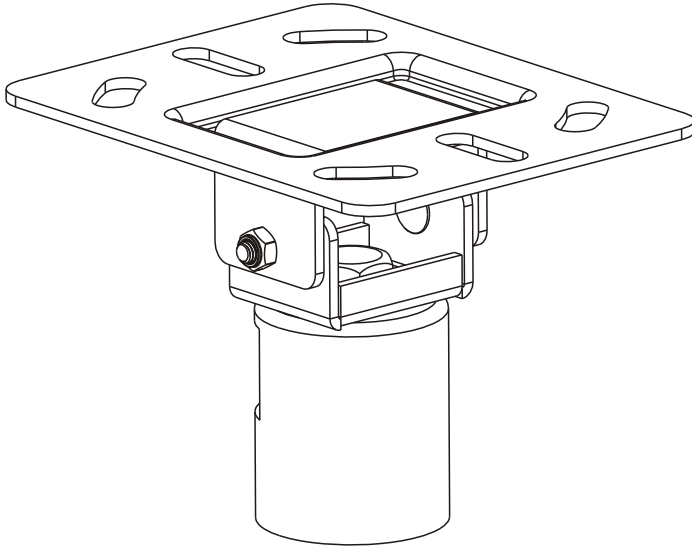


## Raked Ceiling Mount Accessory

ISSUED: MAR. 2013



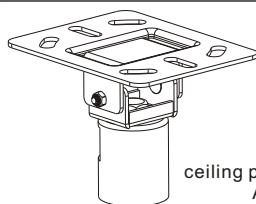
**NOTE:** Read the entire instruction manual before you start installation and assembly.

### **WARNING**

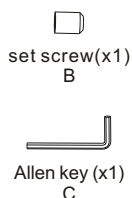
- Do not begin the installation until you have read and understood all the instructions and warnings contained in this installation sheet. If you have any questions regarding any of the instructions or warnings, please contact your local distributor.
- This mounting bracket was designed to be installed and utilised **ONLY** as specified in this manual. Improper installation of this product may cause damage or serious injury.
- This product should only be installed by someone with good mechanical ability who has basic building experience and fully understands this manual.
- This product is intended for indoor use only. Using this product outdoors could lead to product failure and personal injury.

## Component Checklist

**IMPORTANT:** Ensure that you have received all parts according to the component checklist prior to installation. If any parts are missing or faulty, telephone your local distributor for a replacement.



ceiling plate (x1)  
A



set screw(x1)  
B

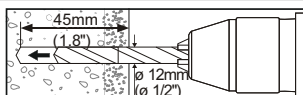
Allen key (x1)  
C

## Package W

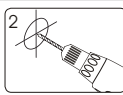


M8x70 iron expansion bolt (x6)  
W-A

## 1. For Solid Brick and Concrete Mounting (fit flat roof or pitched roof)



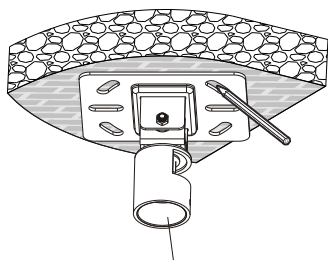
Mark the exact location of mounting holes



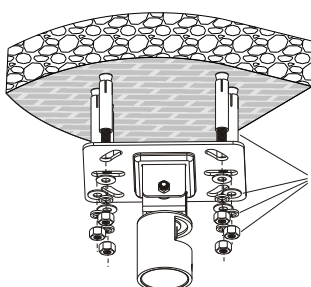
Drill six pilot holes



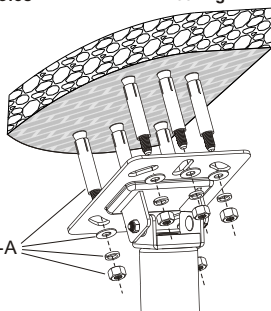
Screw ceiling plate on the ceiling



1-1/2" internal diameter



or

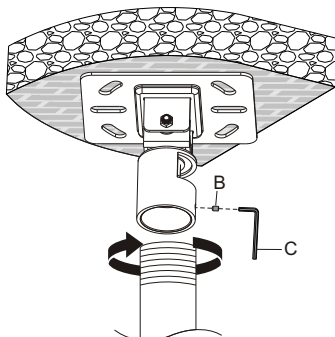


## WARNING

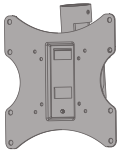
Installers must verify that the supporting surface will safely support the combined weight of the equipment and all attached hardware and components.

## 2. Installing the Pole

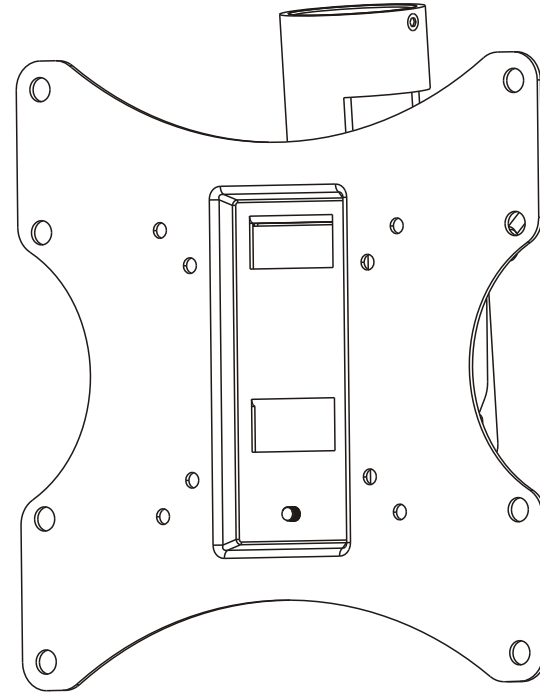
Thread and tighten the pole (not included) onto the ceiling plate.



Insert and tighten one set screw to secure it.



# Flat Panel Ceiling Mount Accessory



75x75/100x100  
200x100/200x200



42"  
MAX

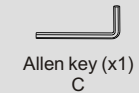
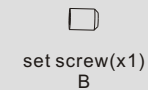
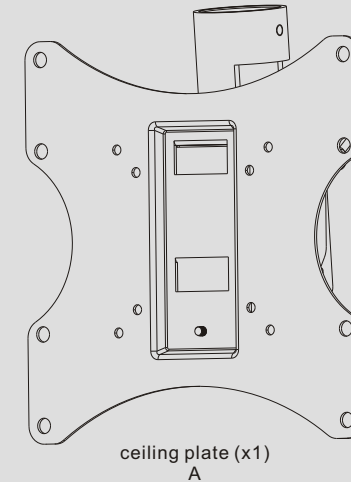
**NOTE:** Read the entire instruction manual before you start installation and assembly.

## WARNING

- Do not begin the installation until you have read and understood all the instructions and warnings contained in this installation sheet. If you have any questions regarding any of the instructions or warnings, please contact your local distributor.
- This mounting bracket was designed to be installed and utilised **ONLY** as specified in this manual. Improper installation of this product may cause damage or serious injury.
- Always use an assistant or mechanical lifting equipment to safely lift and position the equipment.
- Tighten screws firmly, but do not over tighten. Over tightening can cause damage to the items, This greatly reduces their holding power.
- This product is intended for indoor use only. Using this product outdoors could lead to product failure and personal injury.

## Component Checklist

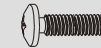
**IMPORTANT:** Ensure that you have received all parts according to the component checklist prior to installation. If any parts are missing or faulty, telephone your local distributor for a replacement.



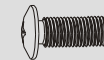
### Package M



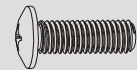
M4x14 (x4)  
M-A



M5x14 (x4)  
M-B



M6x14 (x4)  
M-C



M8x20 (x4)  
M-D



D5 washer (x4)  
M-E



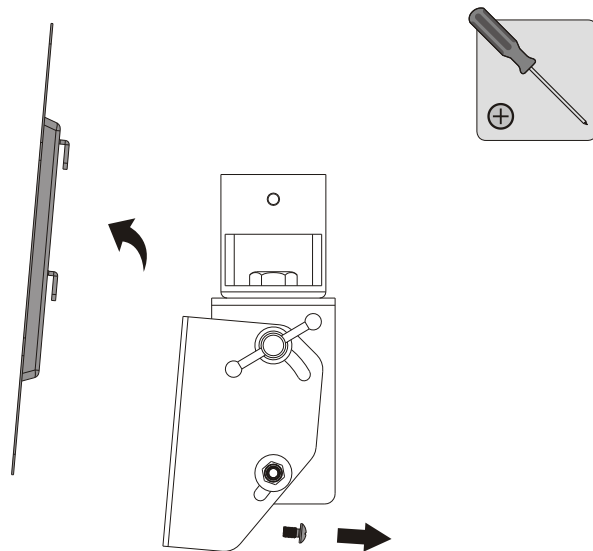
D8 washer (x4)  
M-F



small spacer (x8)  
M-G

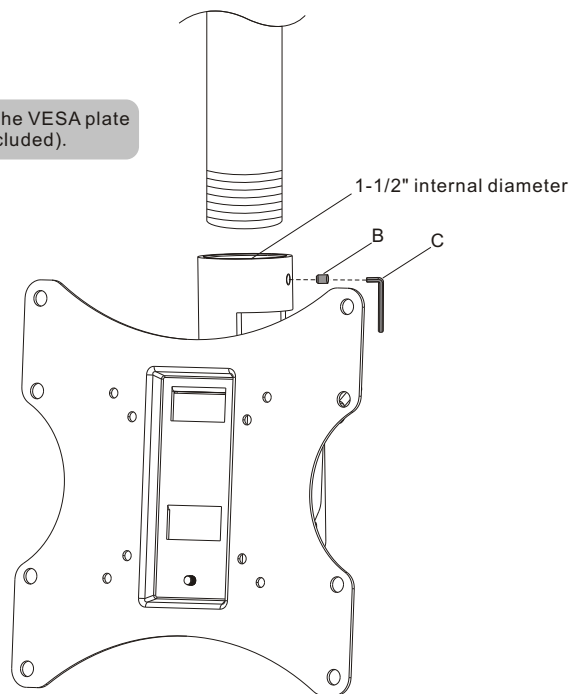
## 1. Separating the VESA Plate

Use a proper screwdriver to loosen the screw to separate the VESA plate from the ceiling mount accessory.

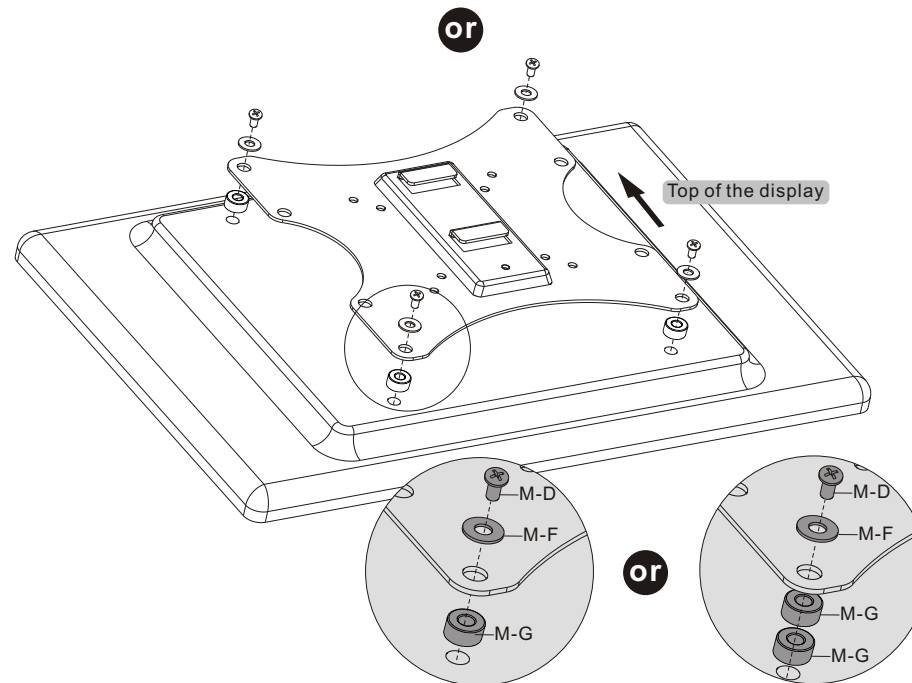
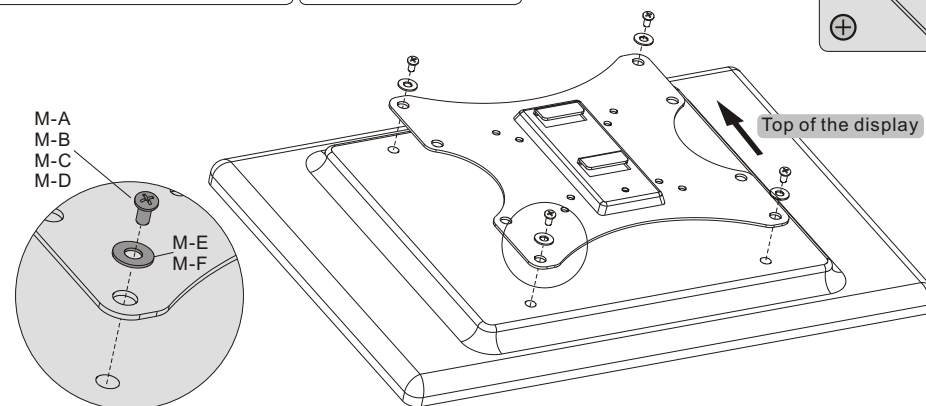
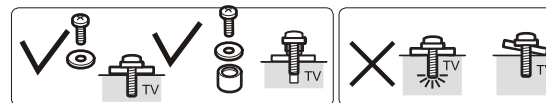


## 2. Attaching the VESA Plate to the Pipe

Thread and tighten the VESA plate onto the pipe (not included).



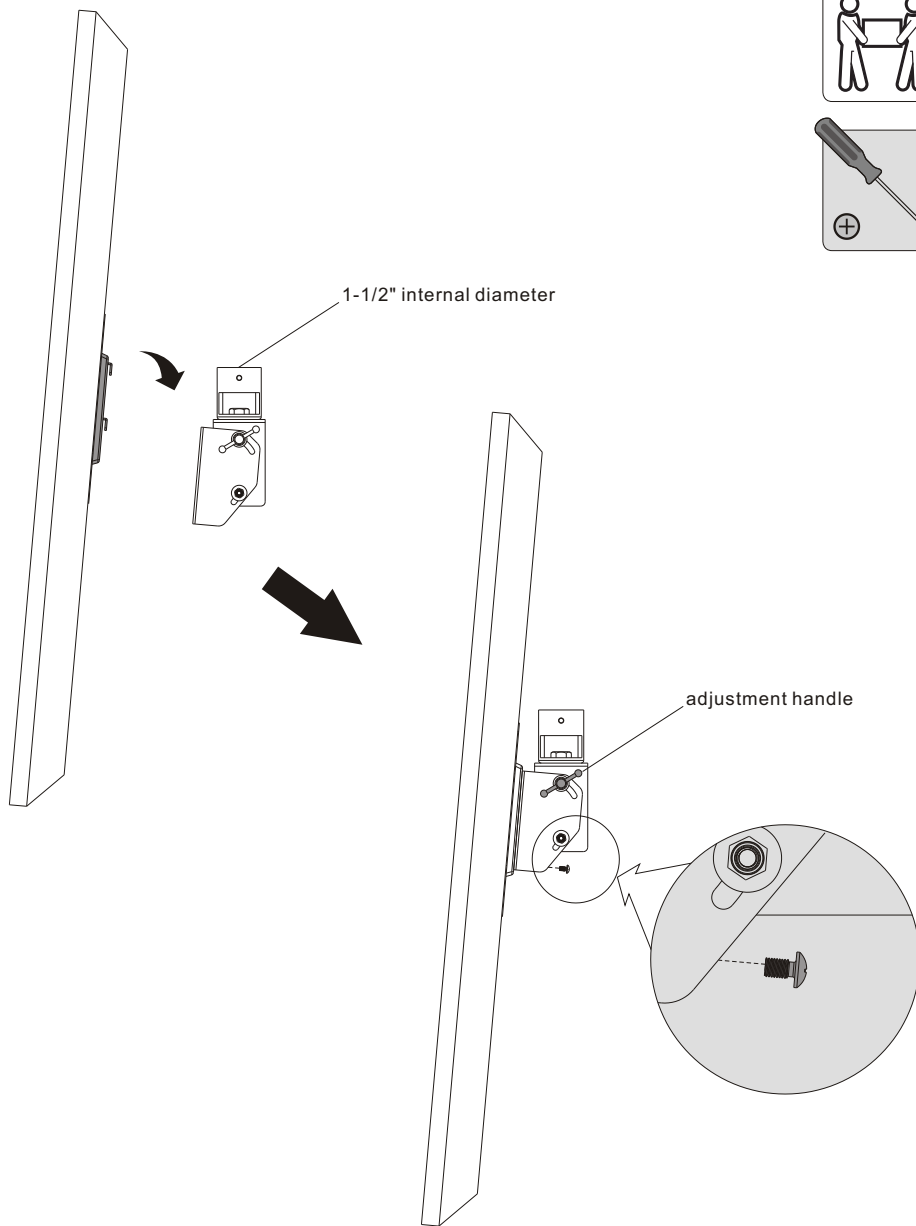
## 3. Installing the VESA Plate



**Note:** Choose the appropriate screws, washers and spacers (if necessary) according to the type of screen. Screw the VESA plate onto the display.

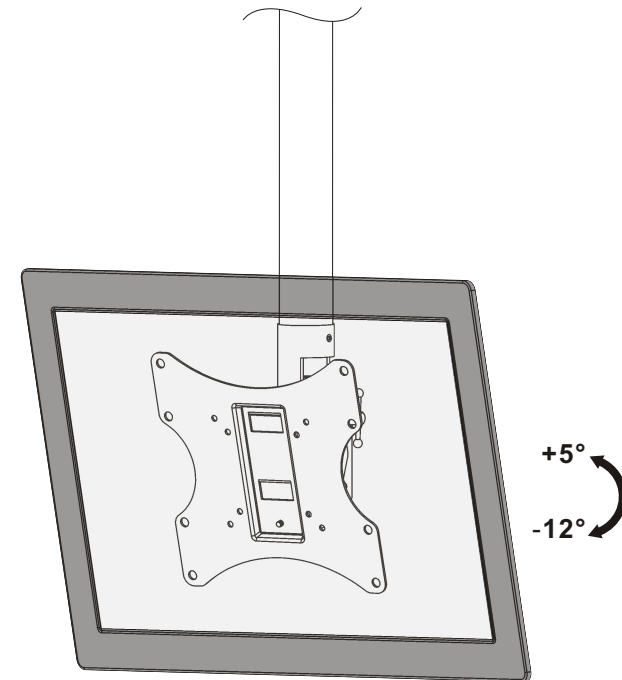
**⚠** Tighten all screws but do not over tighten.

#### 4. Hanging the Display onto the Ceiling Mount Head



Hook the VESA plate (attached the display) onto the ceiling mount head and tighten the screw to secure it.

#### 5. Adjustment



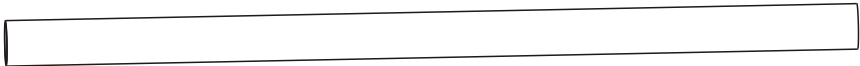
Loosen the adjustment handle to adjust the display to obtain the desired angle then tighten it.

**Maintenance**

- Check that the bracket is secure and safe to use at regular intervals(at least every three months).
- Please contact your dealer if you have any questions.

# Extension Column Connector

ISSUED: MAR. 2013



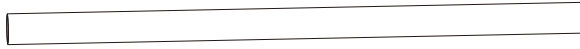
**NOTE:** Read the entire instruction manual before you start installation and assembly.

## **WARNING**

- Do not begin the installation until you have read and understood all the instructions and warnings contained in this installation sheet. If you have any questions regarding any of the instructions or warnings, please contact your local distributor.
- Improper installation of this product may cause damage or serious injury.

## Component Checklist

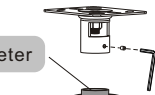
**IMPORTANT:** Ensure that you have received all parts according to the component checklist prior to installation. If any parts are missing or faulty, telephone your local distributor for a replacement.



pole (x1)  
A

## Installing the Pole

1-1/2" internal diameter



tighten

tighten

