

Rockustics®

ULTRA-FIDELITY OUTDOOR SPEAKERS



PLANTER SPEAKERS | OWNER'S MANUAL

PLANTER SPEAKERS | OWNER'S MANUAL

Please read the following instructions carefully before installing your Rockustics® Planter speaker. If you have any questions regarding installation that are not answered in the following directions, please contact your local sound contractor or the Rockustics®/MSE Audio® technical support team. Contact information can be found on the back of the manual.

Basic Wiring & Set Up

1) (Diagram A) Locate the speaker wires on the underside of the planter. If necessary, trim the wire to the appropriate length and strip the wire ends. Use the supplied silicone wire nut to connect the positive (red) leads of the speaker and input wires. Repeat this step with the negative (black) leads. Rockustics recommends using 14ga or heavier direct burial cable for the connection between the amplifier and the speakers.

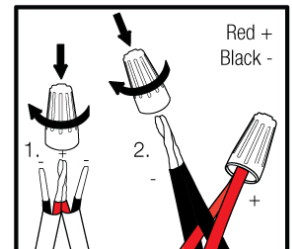


Diagram A

2) (Diagram B) Fill planter with pea-gravel to approximately 2" above the black insert box to ensure proper drainage. Gently rock the planter from side to side so that gravel fills in the gaps, providing ample coverage of the black insert box. After filling with pea-gravel, top with soil, and continue planting as you would any normal planter. Be sure to use the proper amount of pea-gravel and soil to fill the planter; the soil and gravel are important to the acoustic properties of the planter and assist with the proper bass reproduction.

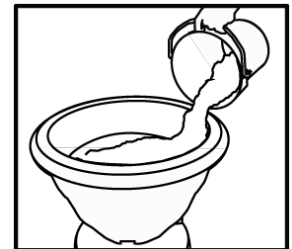


Diagram B

NOTE: The provided wire nuts are meant for permanent installation use only. If you are temporarily wiring the speakers, do not use these wire nuts. In the event you have used the wire nuts, and need to re-wire your system, do not attempt to unscrew the nuts. Instead, clip the wires below the nut, and follow the steps in the [Basic Wiring](#) section with a new pair of waterproof wire nuts (these are available at most hardware stores).

Optimizing Speaker Placement for Best Sound

All Rockustics speakers can generate a high SPL (sound pressure level). Be ready to rock, but be considerate of your neighbors! Maximum acoustic performance should be an important factor in determining speaker placement. Here is how to achieve it:

Omniplanter models provide omnidirectional coverage and are better suited for full 360 degree audio. Use these models on the interior of your listening area where coverage is required all around the speaker.

- 1) Establish where the most likely or average listening position will be.
- 2) The speakers should be placed at or close to the same distance from that point.
- 3) The actual distance between the listening position and the location of the speakers is not critical. However, keep in mind that as the distance between listening area and speaker is increased, there will be a noticeable decrease in perceived volume.
- 4) Be sure to confirm amp power matches the power rating on the speaker. Over-driving the speaker can lead to permanent damage that is not covered under warranty.

Cautions and Maintenance

All Rockustics speakers are sealed and fully weatherproof. However, DO NOT place speakers where the speaker will be in the path of a sprinkler system. Sprinklers typically have a high water pressure level that can damage speaker cones if hit directly.

DO NOT place soil or wood chips between the planter urn and base, where the speaker grille is located. If the grilles accumulate a build up of soil, the speaker may become damaged. Accumulated soil may also promote undesired insect traffic into the speaker. Insects may eat through the speaker surround. Chemical sprays may also cause damage to the rubber of the speaker surround. This includes bug spray, deck sealant, some fertilizers and oil based products. Speakers MUST be covered when applying these treatments or chemicals in your yard.

For environments that get snow and ice during the winter months, be sure to check that the openings and woofer cone are clear and there is no hard-packed snow or ice built up in these areas before playing. If there is ice or snow present on the cone, use a hair dryer set on a low setting to melt it away. If the speakers are not going to be used during winter months, it is recommended that they either be disconnected and brought indoors, or covered with a plastic bag to help protect the speaker components.

Wiring for 70V/100V Applications

For speakers with transformers, use [Diagram C](#) to find the proper wire selection for your desired tap setting. Once the desired tap setting is confirmed, trim the unused wires to minimize corrosion. For harsh and wet environments, it is recommended to apply a bead of silicone to the end of the unused wires for added protection.

If daisy-chaining, follow wire preparations as outlined in the [Basic Wiring](#) section. Review [Diagram E](#) for a typical daisy-chain wiring system for 70V and 100V applications. Be sure to connect the wires going to the next speaker in the chain as shown in [Diagram D](#). There should be three pairs of wires at each speaker, but the last speaker in the chain will only have two pair. Follow standard protocol for polarity and make sure all units are wired with the same polarity.

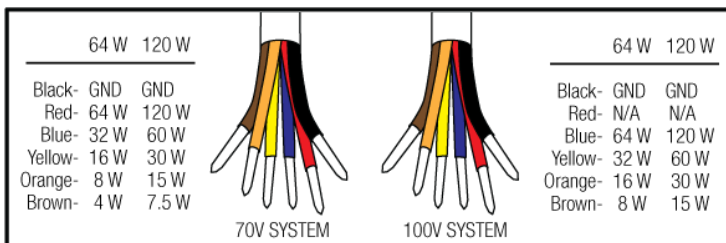


Diagram C

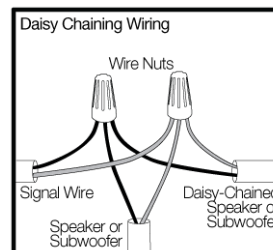


Diagram D

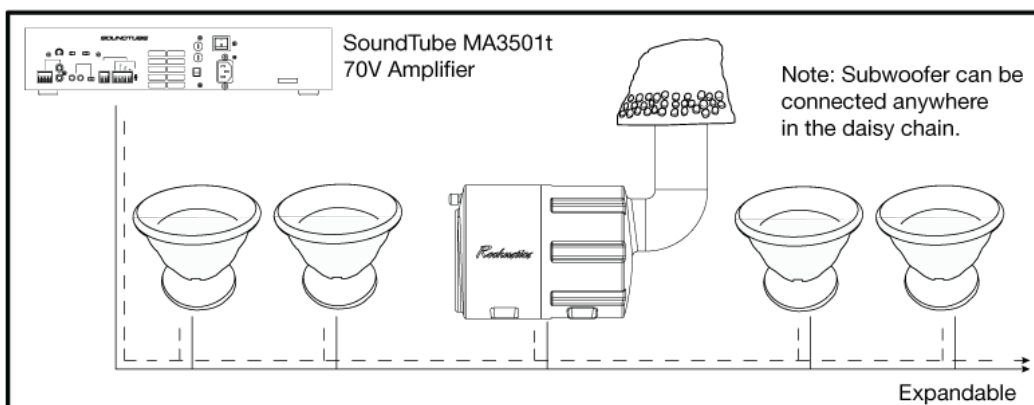


Diagram E

Applicable Models

OmniPlanter™ 6.5

OmniPlanter™ 6.5 Transformer

OmniPlanter™ 8.0

OmniPlanter™ 8.0 Transformer

SquareRoot™ 6.5

SquareRoot™ 6.5 Transformer