

TAHOMA CLASSIC MULTIVIEWERS

The TAHOMA “Classic” Multiviewer Platform

Three series of multiviewers are based on the TAHOMA “Classic” platform:

BROADCAST SERIES:

- 4 - 64 auto detect HD/SD-SDI, PAL/NTSC inputs (3G ready, SMPTE-425, Level A)
- Upgrade from SD to HD, HD to 3G via software license
- Automatic input aspect ratio detection, by frequency, by WSS and AFD
- Decodes closed captioning on Line 21, CEA608/708 on each input
- Decode and display 16 channels of embedded audio per SDI input
- Built-in video/audio alarm detection
 - video presence/format, video black, video frozen, no WSS/AFD
 - audio presence, audio high/low
- Input looping capabilities (LI series)
- Built-in router (LX series)

UNIVERSAL SERIES:

- 4 - 16 HDMI/DVI/VGA/YPbPr/Composite inputs plus 2 - 8 optional SDI inputs
- Decodes and displays 2 channels of embedded audio per HDMI input
- HDCP compatible

HYBRID SERIES:

- 4 - 16 mix of multimedia and broadcast inputs
- HDMI/DVI/VGA/YPbPr/SD/HD-SDI (3G ready, SMPTE-425, Level A)

COMMON FEATURES

- Single frame of processing time
- Fast boot up (< 12 seconds)
- Field upgradable to allow discrete audio (AES / AA)
- Up to 30 presets - internal flash memory
- Built-in CATx extenders for each output
 - Passive short-distance receivers up to 35 feet (10 meters)
 - Optional active receivers up to 115 feet (35 meters)
- Supports DVI, HDMI and VGA (optional) and SDI (optional) outputs
- Output resolution up to 2048x1080 @ 50/60Hz including 1080p and 1920x1080p
- Front panel buttons for quick preset recall
- Front panel LEDs for input signal and power supply status
- Multiple labels per video window - UMD, OMD, IMD and standalone labels
- Visual and optional SNMP alarms & logging
- Supports TSL 3.1 and 5.0 (IP and RS232)
- Supports AXP (Apantac eXchange Protocol)
- Redundant power supplies are optional for 1 RU frame
- Redundant power supplies are standard for frames larger than 1 RU
- Apantac skin technology allows on-screen graphical elements to be designed with any graphics tool
- Analog and digital clocks
- 2 sets of “safe area / safe title” markers per image
- 1 AES, 1 AA and 1 AA on front panel (with volume adjustment) audio monitoring outputs
- 3 year limited warranty

STANDARD ACCESSORIES

- 15 feet of CAT6 FTP cable per output
- DVI/HDMI-SR passive receivers per output
- Rack mounting kit
- SCSI to DB9 cable for GPI per output
- GPI terminal block
- RJ50 to DB9 cable for GPI per module
- RJ45 to DB9 cable for serial (RS232)

OPTIONAL ACCESSORIES

- SDI-Out (1 per module)
- HDMI-1-R, DVI-1-LR long distance receiver
- 8 channels of AES balanced/unbalanced breakout
- 16 channels of AA balanced/unbalanced breakout
- VGA receiver for VGA output
- YPbPr receiver for YPbPr output
- SPP (simple preset panel) for recalling presets
- Redundant power supply for 1 RU frames

SPECIFICATIONS

Video Inputs	3G/HD/SD-SDI, Composite	Discrete AES Audio	Up to 4 channels / video input (2 pairs, balanced / unbalanced)
Connectors	BNC IEC 61169-8 Annex A	Discrete Analog Audio	Up to 4 channels / video input (2 pairs, balanced / unbalanced)
Total Windows	4 - 64	Outputs	DVI, HDMI, VGA (optional), SDI (optional)
Serial Digital	SMPTE 424M, 292M, 259M	Output Resolution	800 x 480 - 2048 x 1080 (1080p)
Equalization	120 m at 2.97 Gbps 140m at 1.48 Gbps 400m at 270 Mbps with Belden 1694A	Built-in Extender	Up to 35 feet with passive receiver Up to 115 feet with active receiver
Return Loss	> 15db up to 1.485 Gbps > 10db up to 3G	On Screen Display	Borders, labels (4 per window), fonts, tally LEDs, clock faces, logos, audio meters, alarm tags. Skin Technology for customizing UMD, OMD, IMD, dynamic UMD
Embedded Audio	SMPTE-272M-A	General Purpose IO	Up to 144 inputs with DB9 connectors
Composite	NTSC (SMPTE-170M), PAL (ITU624-2)	Serial Port	RS232 with RS422 or RS485 option Connector: RJ45, Baud Rate up to 115200 Protocol, TSL, TSI, AXP
Signal Level	1V nominal	IP	100 Base-Tx, TSL, AXP Connector: RJ45
DC Offset	0V, + - 0.1V	Electrical	25W, 100W, 200W, or 400W 90 - 250V 50/60 Hz
Impedance	75	EMI/RFI	Complies with FCC Part 15 Class A, CE, EU EMC, C-tick
Return Loss	40db up to 5MHz	Power Redundancy	Optional power supplies for all 1 RU units Standard with all other models
Alarms	No audio, audio high/low, no video, video black, video frozen, WSS, AFD	Size	1/2 width of 1RU - 21.5cm (8.5") W x 37cm (14.6") D 1 RU - 44.5cm (17.5") W x 50cm (19.7") D 2 RU - 44.5cm (17.5") W x 60cm (23.6") D 4 RU - 44.5cm (17.5") W x 60cm (23.6") D
Control	Front panel buttons for quick preset recalls, GPIs, Apantac ASCII Protocol (AXP), Director (Config & control app)		

ARCHITECTURE CONCEPT

TAHOMA Classic Platform Consists of Several Electronic Elements

URM - Universal Receiver Module

- URME - for SDI and Composite inputs
- URMI - for LI Series with looping inputs
- URMU - for Universal Inputs (HDMI/DVI/VGA/YPbPr/Composite)

VPM - Video Processing Module

- Processes and scales 4 video inputs
- On-screen elements (borders, labels, meters, clocks, etc.) over the background or the output of an upstream VPM
- De-embeds SDI audio
- 8 GPI inputs for tallies/counters, control
- Processes optional AA/AES audio inputs

CPM - Control Module

- Manages serial and IP interfaces
- 8 GPI/O for control and trigger
- LTC input
- AA/AES monitoring outputs

FPM - Front Panel Module

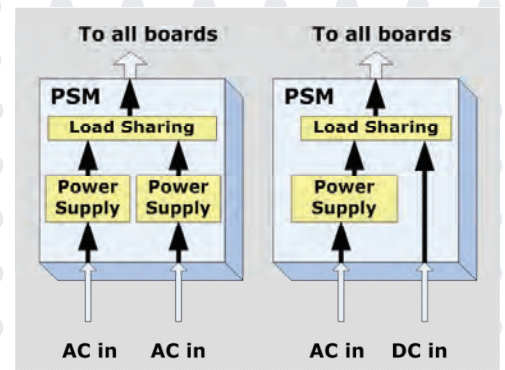
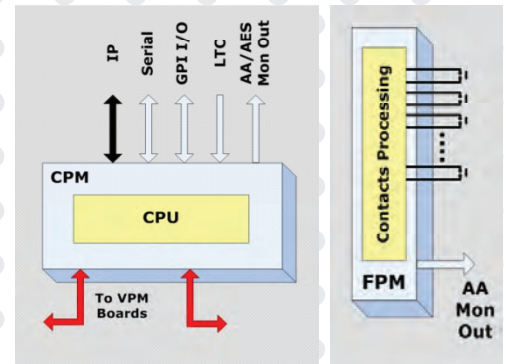
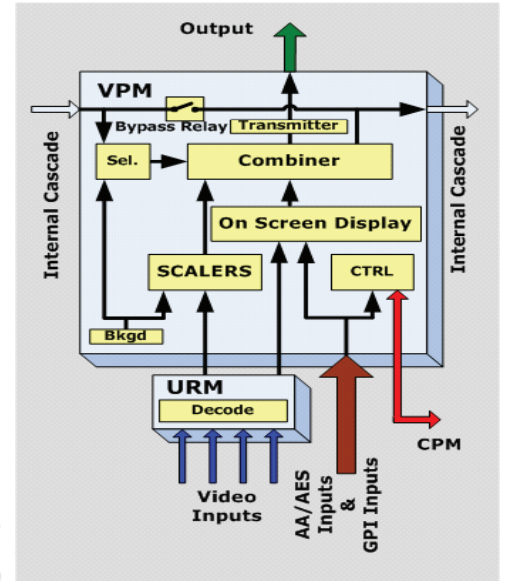
- Handles the front panel buttons (preset recall)
- LED status for power supply and video status
- Front AA monitoring output with volume adjustment

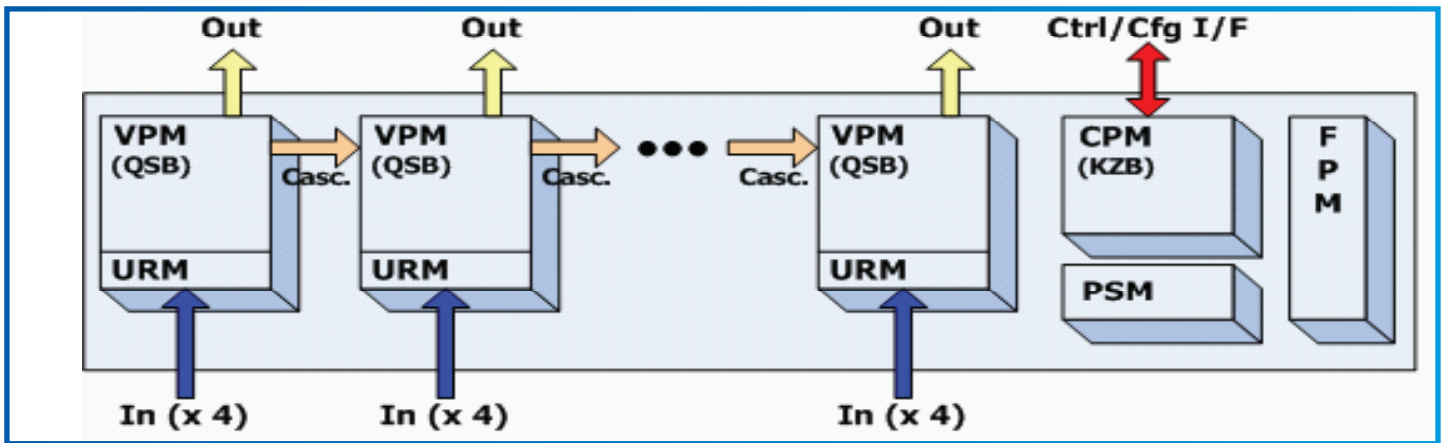
PSM - Power Supply Module

- Load sharing redundant power supplies
- External redundant power supply for 1 RU models

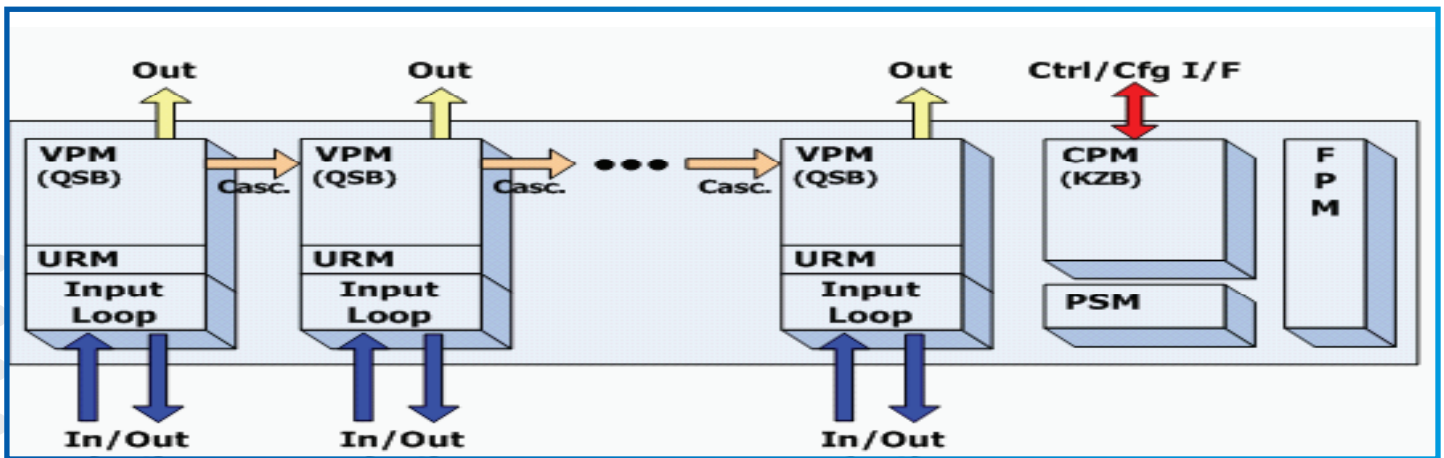
MTX - Internal Matrix

- LX models only
- 16 x 16 or 32 x 32 internal matrix

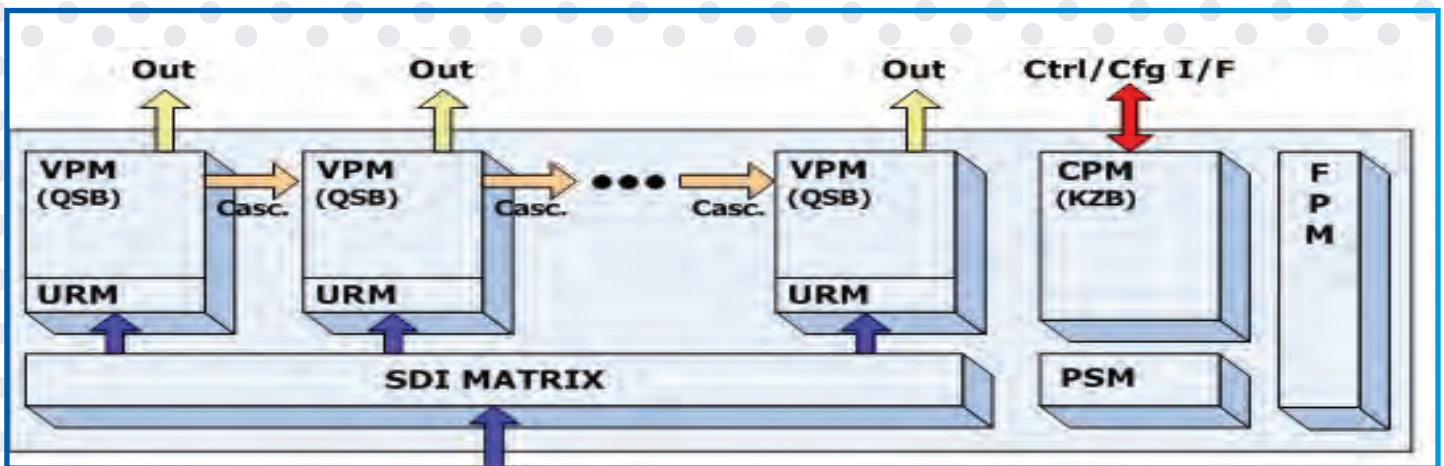




TAHOMA LE BLOCK DIAGRAM



TAHOMA LI BLOCK DIAGRAM

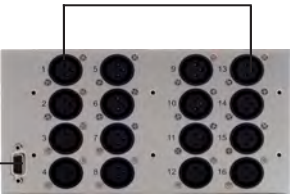


TAHOMA LX BLOCK DIAGRAM

TAHOMA CLASSIC PLATFORM AUDIO OPTIONS

The TAHOMA Classic Platform Audio Input Options

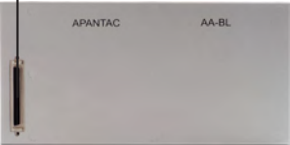
AA-BL - Analog Balanced
16 Balanced XLR



GPI Pass through


FRONT

High Density Connection to VPM



REAR

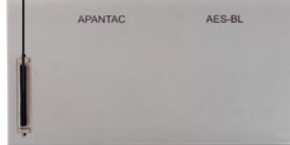
AES-BL - AES Balanced
8 Balanced XLR



GPI Pass through

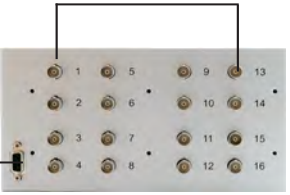
FRONT

High Density Connection to VPM



REAR

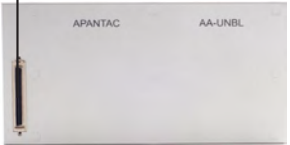
AA-UNBL - Analog Unbalanced
16 Unbalanced BNC



GPI Pass through

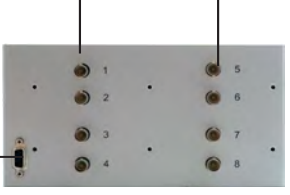
FRONT

High Density Connection to VPM



REAR

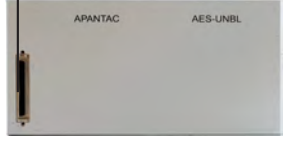
AES-UNBL - AES Unbalanced
8 Unbalanced BNC



GPI Pass through

FRONT

High Density Connection to VPM



REAR





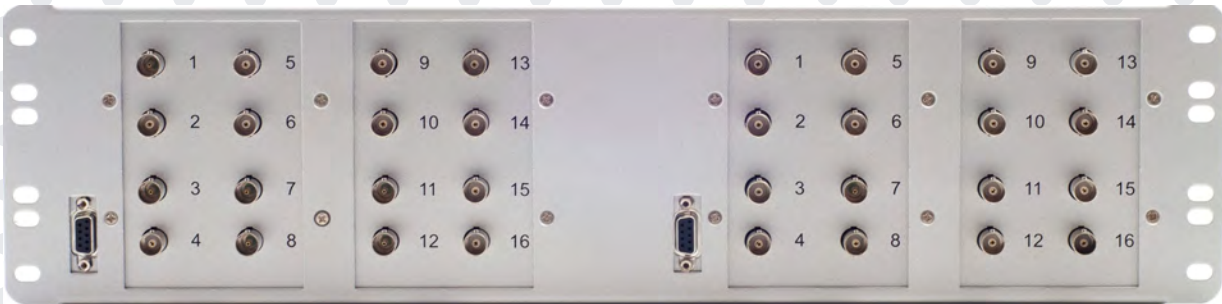
2 x AES-BL Rack Mounted



2 x AA-BL Rack Mounted



2 x AES-UNBL Rack Mounted



2 x AA-UNBL Rack Mounted

TAHOMA CLASSIC PLATFORM AUDIO OPTIONS

16 Balanced AA

GPI Pass through

FRONT

High Density Connection to VPM

REAR

2 AA-BL-S Rack Mounted

Balanced AA Option with Phoenix Connectors

8 Balanced AES

GPI Pass through

FRONT

High Density Connection to VPM

REAR

2 AES-BL-S Rack Mounted

Balanced AES Option with Phoenix Connectors

16 unbalanced AA

GPI Pass through

FRONT

High Density Connection to VPM

REAR

2 AA-UNBL-S Rack Mounted

Unbalanced AA Option with Phoenix Connectors

8 Unbalanced AES

GPI Pass through

FRONT

High Density Connection to VPM

REAR

2 AES-UNBL-S Rack Mounted

Unbalanced AES Option with Phoenix Connectors

notes
